

TO: PARTS MANAGER
SERVICE MANAGER

QUICKSILVER
MARINE PARTS AND ACCESSORIES

No. 98-6

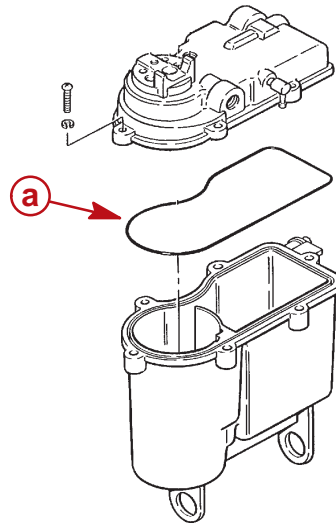
▲ = Revised January 2001

Fuel System Replacement Parts

O-Ring For VST Cover

The O-ring for the cover of the Vapor Separator Tank on older fuel injected MerCruiser engines is now available separately. You do not have to order a complete Top Cover Kit or O-Ring Kit when changing the filter or checking the float setting.

P/N 25-803831 O-Ring, Top Cover.



76042

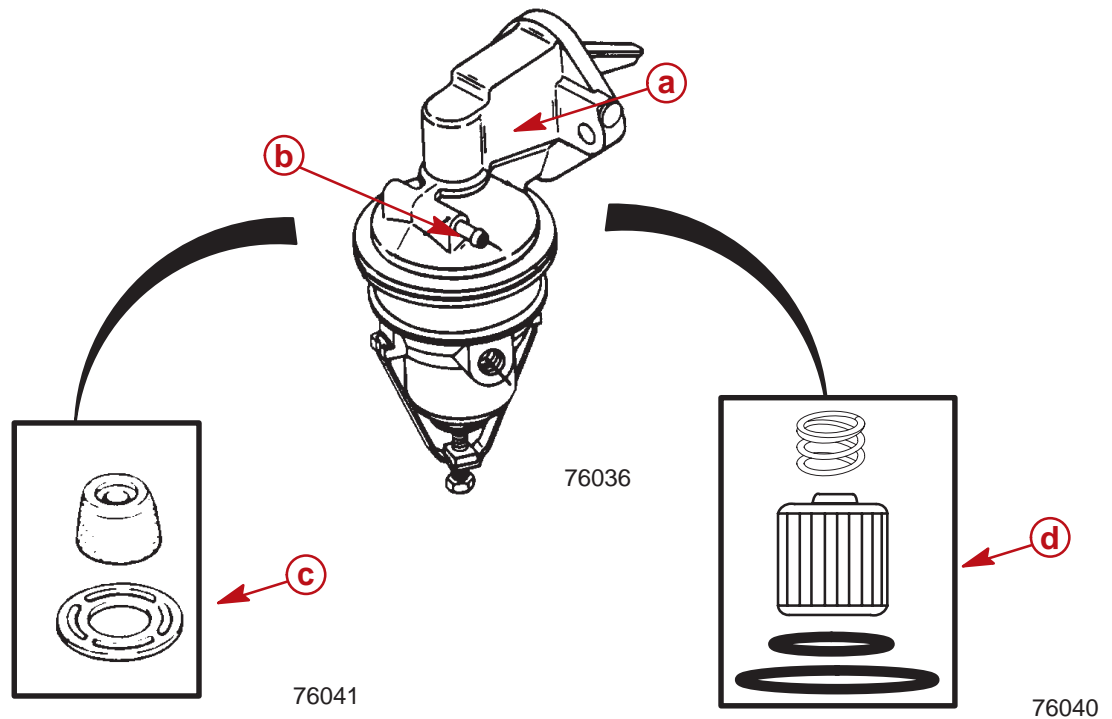
a - Top Cover O-Ring

Mechanical Fuel Pump Filter Kits

There are now 2 types of mechanical fuel pumps that may be on MerCruiser 4 and V6 cylinder engines. Both fuel pumps look like the one shown and have a replaceable fuel filter. The replacement filter kits are not interchangeable between the two types of pumps. The earlier pump had the name 'Carter' on the side of it, the later pump does not.

P/N 35-11004A 1 Filter Kit, for Earlier 'Carter' Pump.

P/N 35-803897 Filter Kit, for Later Pump.



- a** - 'Carter' on Earlier Pump
- b** - Pressed in 'Sight Tube' Fitting
- c** - P/N 35-11004A 1 Filter Kit for 'Carter' Pump
- d** - P/N 35-803897 Filter Kit for Later Pump

▲ New Replacement Mechanical Fuel Pumps

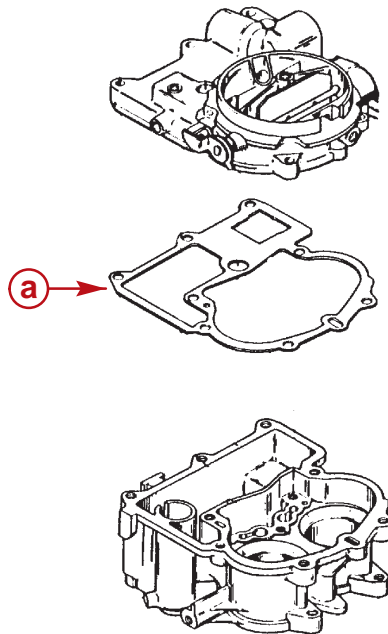
Certain service replacement fuel pumps are no longer available from our current supplier. A different source has been found and replacement pumps kits have been created. Order replacement pumps from the chart below. P/N 86234A 4 fuel pump for older 4 and 6 cylinder engines is available again.

Original Part Number	New Part Number	Description
41141A 2	862077A 1	This pump supersedes V6 fuel pump listed.
812454A 3	862048A 1	This pump supersedes V8 fuel pump listed.
814624A 2	862049A 1	This pump supersedes V8 fuel pump listed.

MerCarb Air Horn Gasket

An Air Horn Gasket by itself is now available from Mercury Parts.

P/N 3302-804695 Air Horn Gasket-MerCarb



a - Air Horn Gasket

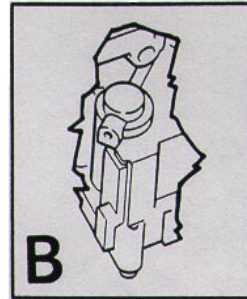
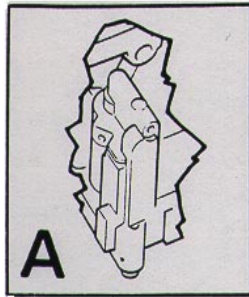
76306

New MerCarb Repair Kits

Two new complete MerCarb carburetor repair kits will be stocked by Mercury Parts. These new kits will include all the necessary parts, gaskets, accelerator pump assembly, inlet needle and seat kit (solid & spring loaded), check ball kit, sealing washers, idle adjusting screw and linkage clips.

NOTE: *The power valve will not be included in the kits. This is because of all the different size power valves. The correct one will have to be ordered separately, if required.*

There are 2 different repair kits. Refer to 'A' and 'B'.



76534

P/N 3302-804845 MerCarb Repair Kit for 'A' pump cavity. This kit will fit the older carburetors with a bottom fill accelerator pump cavity.

P/N 3302-804844 MerCarb Repair Kit for 'B' pump cavity. This kit will fit the newer carburetors with the current side fill accelerator pump cavity. Kit will have the necessary gaskets to fit both types of carburetors. The older one with a removable throttle plate assembly and the newer one with the non removable throttle plate assembly.