

▲ = Revised February 2000

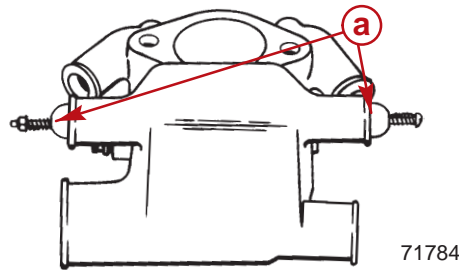
## P/N 16413A 3 and P/N 16413A 9 V6 and V8 Thermostat Housings Ordering Information

### Models

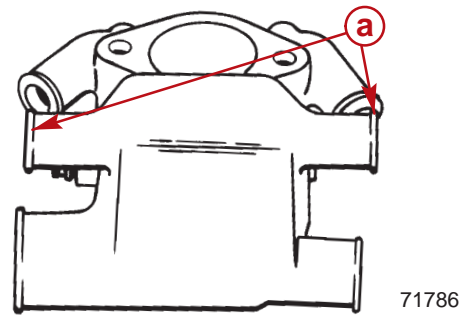
All sterndrive, ski and inboard carbureted engines with this style thermostat housing.

### Situation

The 2 thermostat housings shown below are no longer available. The casting is not available from our supplier.



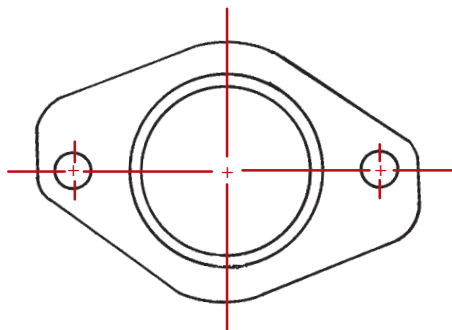
P/N 16413A 3 With Check Balls



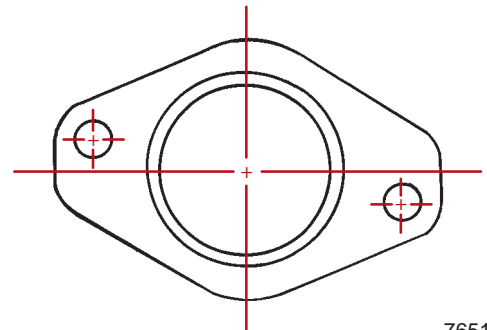
P/N 16413A 9 Without Check Balls

### Ordering Replacement Kit

Before ordering replacement kit, look at the location of the threaded holes in the intake manifold as shown below. V6 and V8 305/350 cid engines have the threaded holes at 90° from the crankshaft centerline while the 454/502 cid Mark IV and Gen V engines are not. This new kit contains the older style thermostat housing that used the brass 'Tee' fitting with check balls.



V6 or V8 305/350 cid  
Order P/N 87290A23



▲ V8 454/502 cid Mark IV or  
Gen V Order P/N 90736A24

76516