



# PARTS CATALOG

## MERC 3.4L EFI

### SERIAL NUMBER

MERC 3.4 (EFI) .....	0A953707 THRU 0A953736
MERC 3.4 (EFI) .....	.82H1008 THRU 85E1092

# TABLE OF CONTENTS:

AIR INLET COMPONENTS .....	52
COWLS .....	2
CRANKSHAFT, PISTONS AND CONNECING RODS .....	20
CYLINDER BLOCK AND END CAPS .....	12
DRIVE SHAFT HOUSING AND EXHAUST TUBE .....	22
EXHAUST MANIFOLD AND CYLINDER HEAD .....	16
EXHAUST PLATE .....	18
FLYWHEEL, STARTER MOTOR AND IGNITION COILS .....	4
FUEL INJECTORS .....	44
FUEL PUMP .....	42
GEAR HOUSING (DRIVE SHAFT) .....	28
GEAR HOUSING (PROPELLER SHAFT) .....	30
HYDRAULIC PUMP AND BRACKET .....	34
HYDRAULIC PUMP ASSEMBLY (PLASTIC RESERVOIR) .....	38
MISCELLANEOUS PARTS/ACCESSORIES .....	1
PARTS INDEX .....	56
REED BLOCK/AIR INLET/E.F.I. BOX .....	50
REV LIMITER/COWL BRACKET .....	54
STARTER MOTOR ASSEMBLY (PRESTOLITE) .....	46
SWIVEL BRACKET AND STEERING ARM .....	24
TACHOMETER, TRIM GAUGE AND ALARM HORN .....	48
THROTTLE LEVER .....	10
TRANSOM BRACKET AND TRIM CYLINDER .....	26
TRIM HARNESS ASSEMBLY .....	40
WIRING HARNESS, STARTER SOLENOID AND RECTIFIER .....	6

**NOTE:** *Indented description indicate that these parts are included in preceeding assembly.*

**AR** = As Required

**NSS** = Not Sold Seperate

**OPT** = Optional

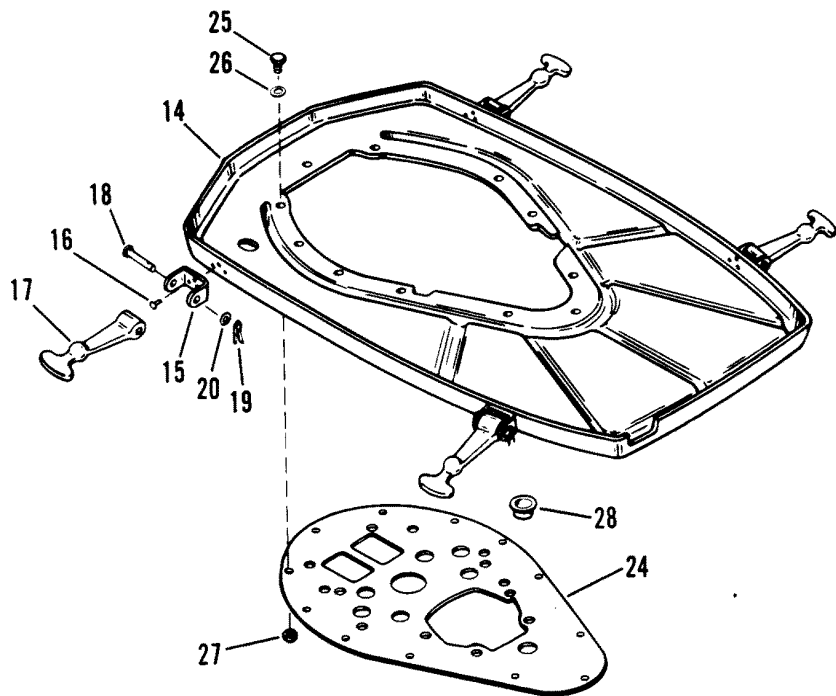
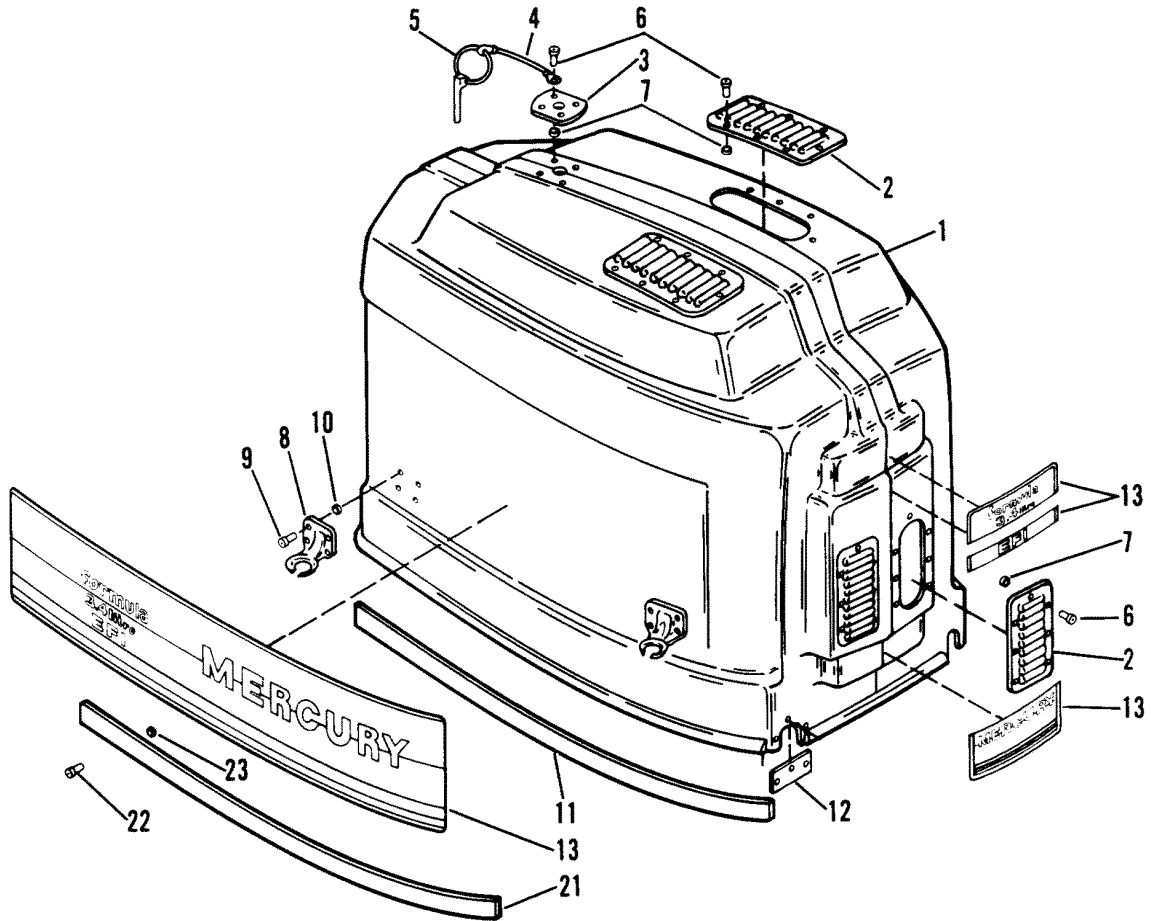
**NS** = Not Shown

**THESE PARTS BOOKS/FICHE CARD ARE COPYRIGHTED AND MAY NOT BE DISTRIBUTED OR REPRODUCED IN ANY OTHER FORMAT BY ANYONE OTHER THAN MERCURY MARINE WITHOUT THE PRIOR WRITTEN CONSENT OF MERCURY MARINE.**

## MISCELLANEOUS PARTS/ACCESSORIES

REF. NO.	PART NO.	SYM.	QTY.	DESCRIPTION
-	90-14983			MERC 3.4 E.F.I. PARTS MANUEL
-	37-14126A1			DECAL SET
-	27-98177A1			GASKET SET
-	90-11117			OWNER'S GUIDE

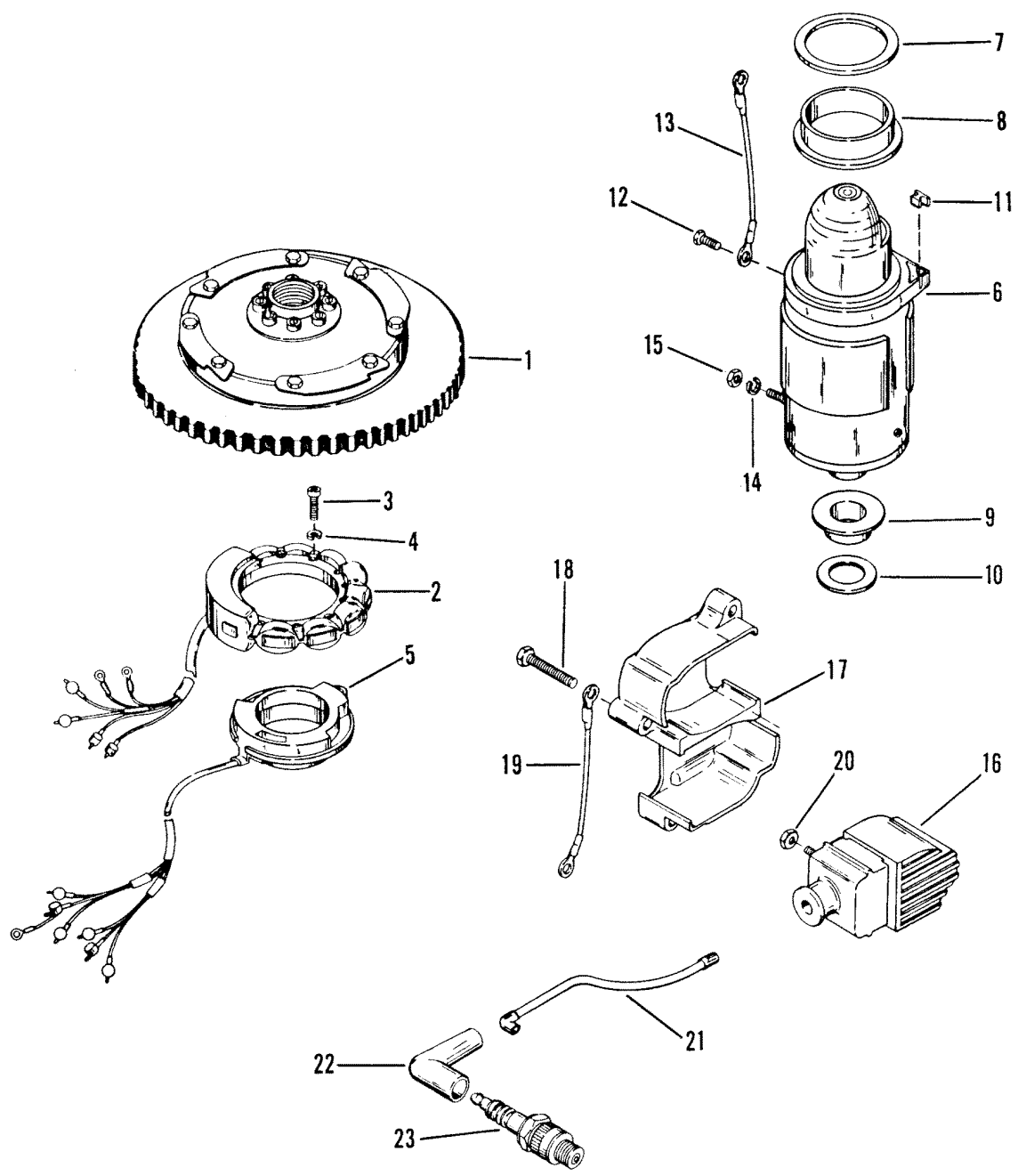
# COWLS



# COWLS

REF. NO.	PART NO.	SYM.	QTY.	DESCRIPTION
1	2167-8183A8		1	TOP COWL ASSEMBLY
2	77376--2		4	SHIELD, AIR INLET
3	99690		2	PLATE, COWL HOLD DOWN
4	84-88807A6		1	CABLE ASSEMBLY (BLACK)
5	99779		1	CLIP
6	17-12147		44	POP RIVET, SHIELD
7	12-57238		44	WASHER, SHIELD RIVET
8	61364		5	RETAINER, COWL HOLD DOWN
9	17-12148		24	POP RIVET, RETAINER
10	12-20128		24	WASHER, RETAINER RIVET
11	58809--6		1	TRIM MOLDING
12	41611-80		1	RUBBER STRIPPING, TOP COWL
13	37-14126A1		1	DECAL SET
14	94307A4		1	BOTTOM COWL ASSEMBLY
15	71602		5	YOKE, COWL HOLD DOWN
16	17-57629		15	RIVET, YOKE TO PAN
17	58707		5	HOLD DOWN, COWL (BUNGY CORD)
18	17-58712		5	CLEVIS PIN, HOLD DOWN
19	18-21071		5	COTTER PIN, CLEVIS PIN
20	12-20128		5	WASHER, CLEVIS PIN
21	41611-80		1	RUBBER STRIPPING, BOTTOM COWL
22	17-86914		28	POP RIVET, RUBBER STRIPPING
23	12-57238		28	WASHER, POP RIVET
24	94306		1	PLATE, COWL BASE
25	10-47277		12	SCREW, PLATE TO BOTTOM COWL
26	12-22753		12	WASHER, PLATE SCREW
27	11-45592		12	NUT, PLATE SCREW
28	19-37630		1	PLUG, SHIFT SHAFT HOLE (LHR)

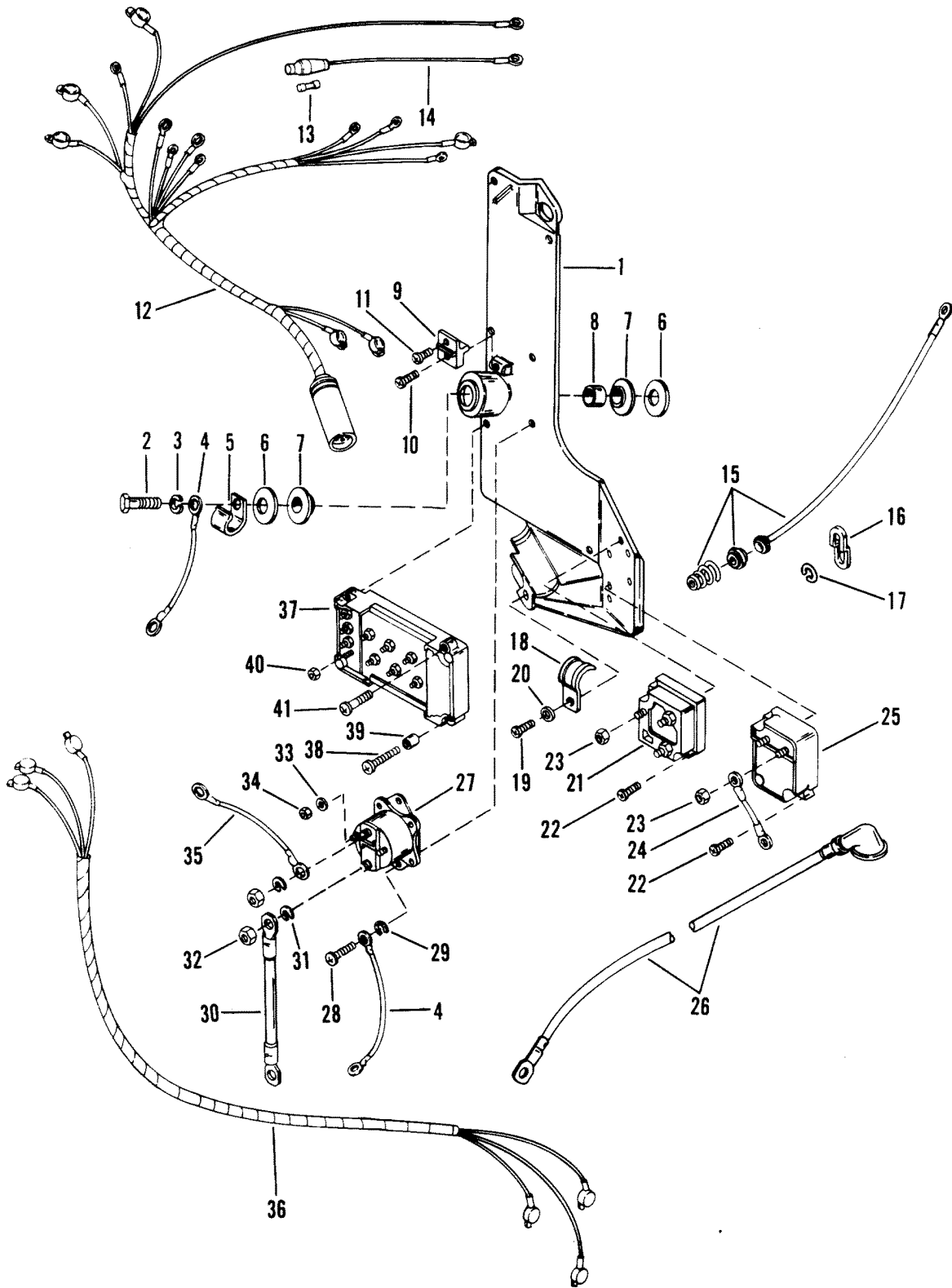
# FLYWHEEL, STARTER MOTOR AND IGNITION COILS



## FLYWHEEL, STARTER MOTOR AND IGNITION COILS

REF. NO.	PART NO.	SYM.	QTY.	DESCRIPTION
1	249-8505A5		1	FLYWHEEL ASSEMBLY, COMPLETE
2	398-5454A55		1	STATOR ASSEMBLY
3	10-77363		4	SCREW, STATOR
4	13-26996		4	LOCKWASHER, STATOR SCREW
5	89004A5		1	TRIGGER PLATE ASSEMBLY
6	50-88656		1	STARTER MOTOR
7	12-93900		AR	WASHER, STARTER MOTOR (UPPER)
8	88738		1	COLLAR, STARTER MOTOR (UPPER)
9	88739		1	COLLAR, STARTER MOTOR (LOWER)
10	12-93901		AR	WASHER, STARTER MOTOR (LOWER)
11	68042		2	STOP, RUBBER - STARTER MOTOR
12	10-69035		1	SCREW, CABLE TO STARTER MOTOR
13	84-93388A1		1	WIRE, STARTER MOTOR TO GROUND (BLACK)
14	13-39107		1	LOCKWASHER, STARTER MOTOR TERMINAL
15	11-21908		1	NUT, STARTER MOTOR TERMINAL
16	339-7370A13		6	COIL ASSEMBLY, IGNITION
17	67614		3	COVER, IGNITION COIL
18	10-62842		12	SCREW, IGNITION COIL COVER
19	84-60466A7		6	GROUND STRAP, IGNITION COIL (BLACK)
20	11-45076		12	NUT, IGNITION COIL TERMINAL
21	84-99215A25		6	CABLE, HIGH TENSION
22	85-63709A1		6	PROTECTOR, HIGH TENSION CABLE
23	33-97180		6	SPARK PLUG (NGK-BUHW)

# WIRING HARNESS, STARTER SOLENOID AND RECTIFIER



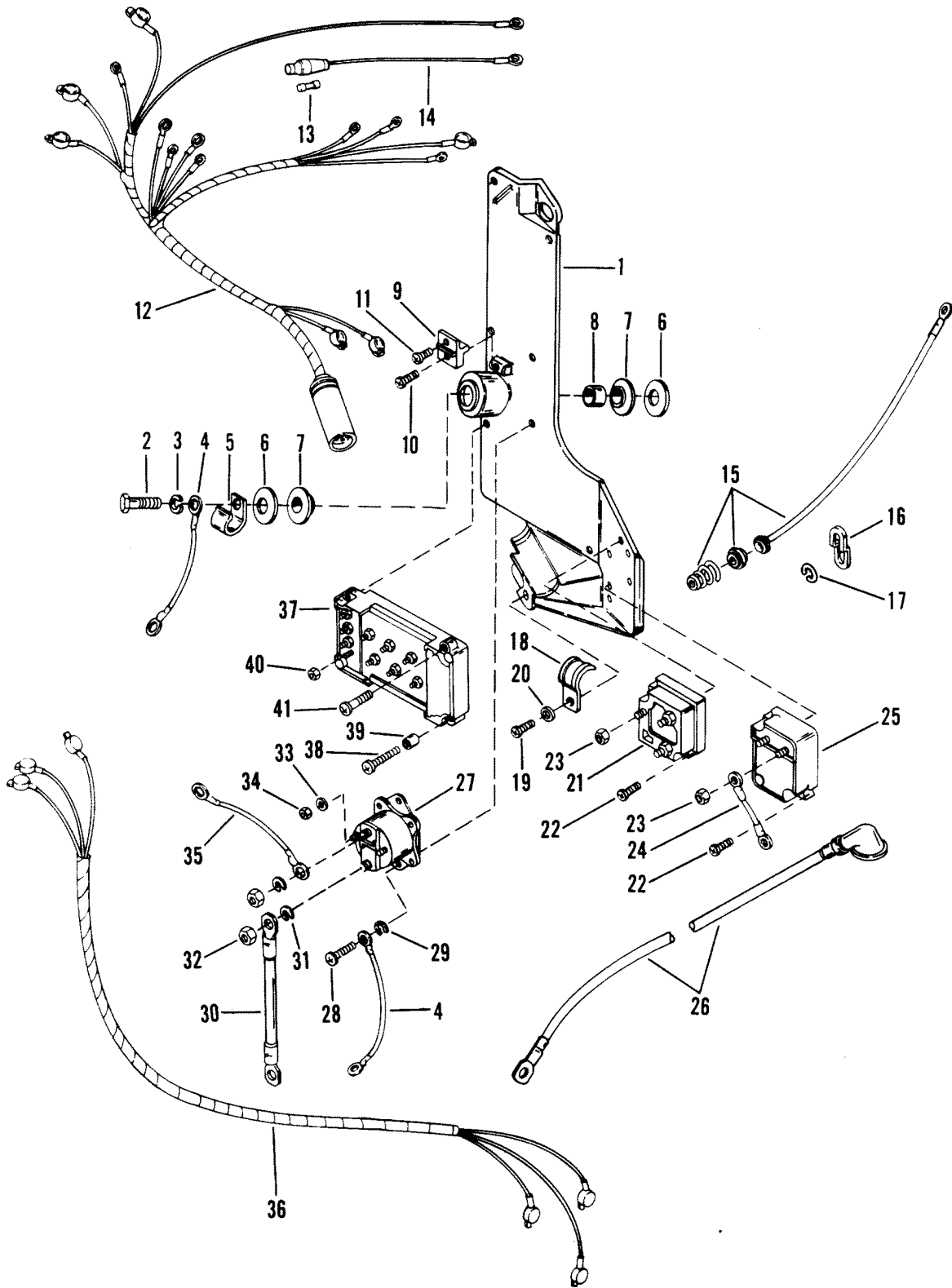


# WIRING HARNESS, STARTER SOLENOID AND RECTIFIER

REF. NO.	PART NO.	SYM.	QTY.	DESCRIPTION
1	91882		1	PLATE, IGNITION
2	10-40001137		3	SCREW, IGNITION PLATE
3	13-26993		3	LOCKWASHER, IGNITION PLATE SCREW
4	84-65999A2		2	WIRE, GROUND (BLACK)
5	54-47483		1	CLAMP, FUSE HOLDER - PLATE SCREW
6	12-36042		6	WASHER, IGNITION PLATE SCREW
7	12-67264		6	WASHER, IGNITION PLATE SCREW (RUBBER)
8	23-67268		3	BUSHING, IGNITION PLATE SCREW
9	86-66986		1	TERMINAL BLOCK, IGNITION PLATE
10	10-69079		1	SCREW, TERMINAL BLOCK ATTACHING
11	10-37572		1	SCREW, LEADS TO TERMINAL BLOCK
12	84-92432A2		1	HARNESS, ENGINE
13	88-79091		1	FUSE
14	84-95084A2		1	WIRE ASSEMBLY, FUSE
15	78799		1	TEMPERATURE SENDER
16	89565		1	COVER, TEMPERATURE SENDER
17	53-13899		AR	SNAP RING, TEMPERATURE SENDER
18	88751		1	CLAMP, WIRING HARNESS
19	10-28636		1	SCREW, CLAMP TO IGNITION PLATE
20	12-20533		1	WASHER, CLAMP SCREW
21	62351A1		1	RECTIFIER
22	10-20646		4	SCREW, RECTIFIER AND REGULATOR
23	11-45076		5	NUT, RECTIFIER AND REGULATOR TERMINALS
24	84-88808A4		1	WIRE, REGULATOR TO RECTIFIER (RED)
	84-88809A4		1	WIRE, REGULATOR TO RECTIFIER (YELLOW)
25	88825A7		1	VOLTAGE REGULATOR
26	84-88439A14		1	BATTERY CABLE, POSITIVE
	84-88439A2		1	BATTERY CABLE, NEGATIVE
27	89-68258		1	STARTER SOLENOID
28	10-90198		2	SCREW, SOLENOID TO IGNITION PLATE
29	13-26992		2	LOCKWASHER, SOLENOID TO IGNITION PLATE SCREW
30	84-93389A2		1	WIRE, SOLENOID TO STARTER MOTOR (YELLOW)
31	13-39107		2	LOCKWASHER, SOLENOID TERMINALS (5/16")
32	11-21908		2	NUT, SOLENOID TERMINALS (5/16-18)
33	13-26996		2	LOCKWASHER, SOLENOID TERMINALS (#10)
34	11-68219		2	NUT, SOLENOID TERMINALS (10-32)
35	84-79139A15		1	WIRE, SOLENOID TO RECTIFIER (RED)
36	84-92485A1		1	HARNESS, COIL TO SWITCH BOX (#2, 4 AND 6)
	84-92486A1		1	HARNESS, COIL TO SWITCH BOX (#1, 3 AND 5)

CONTINUED ON NEXT PAGE ➡

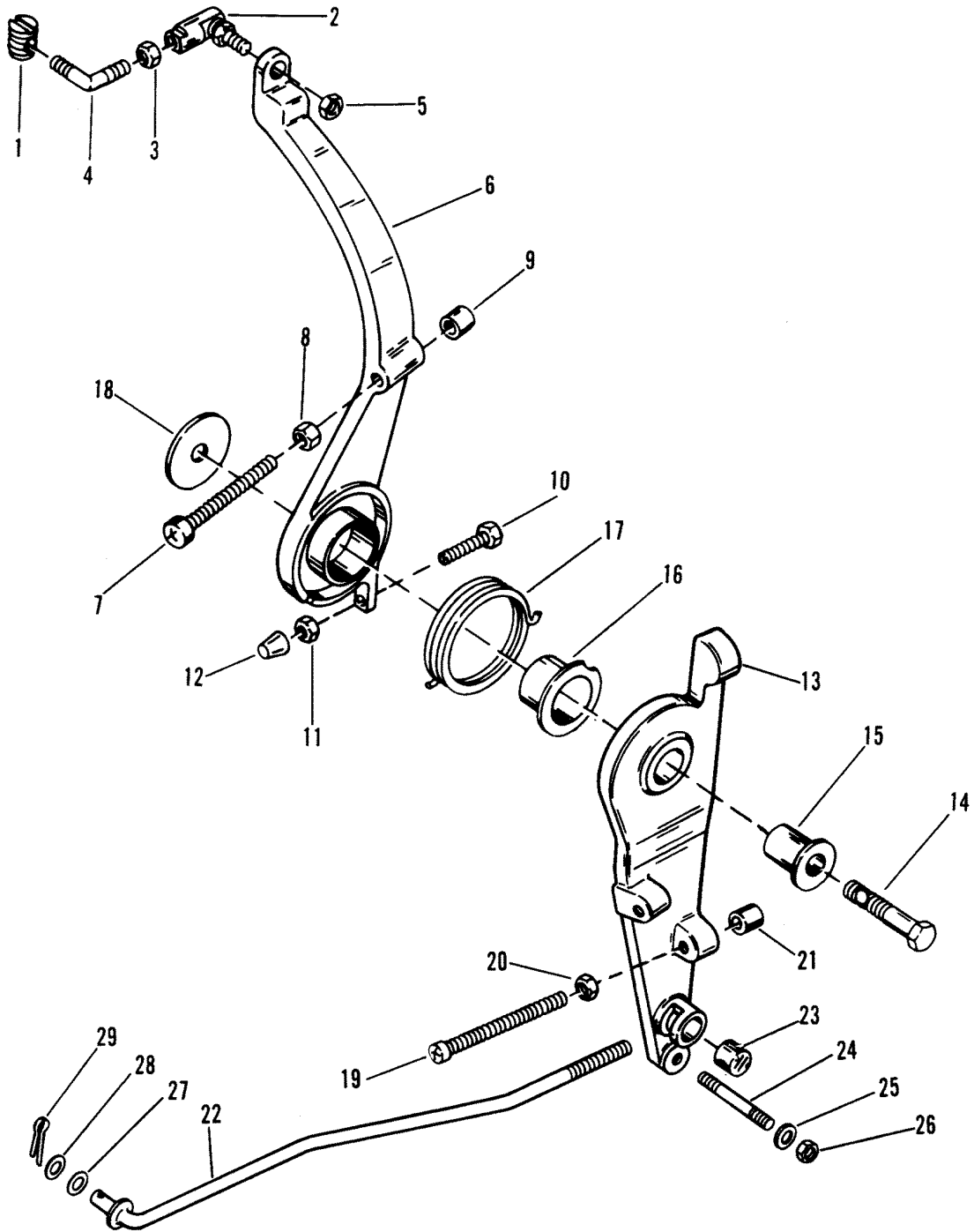
# WIRING HARNESS, STARTER SOLENOID AND RECTIFIER



# WIRING HARNESS, STARTER SOLENOID AND RECTIFIER

REF. NO.	PART NO.	SYM.	QTY.	DESCRIPTION
37	332-7778A3		2	SWITCH BOX
38	10-90818		4	SCREW, SWITCH BOX TO IGNITION PLATE
39	23-91912		4	BUSHING, SWITCH BOX SCREW
40	11-45076		20	NUT, SWITCH BOX TERMINAL
41	10-62568		2	SCREW, WIRE ATTACHING

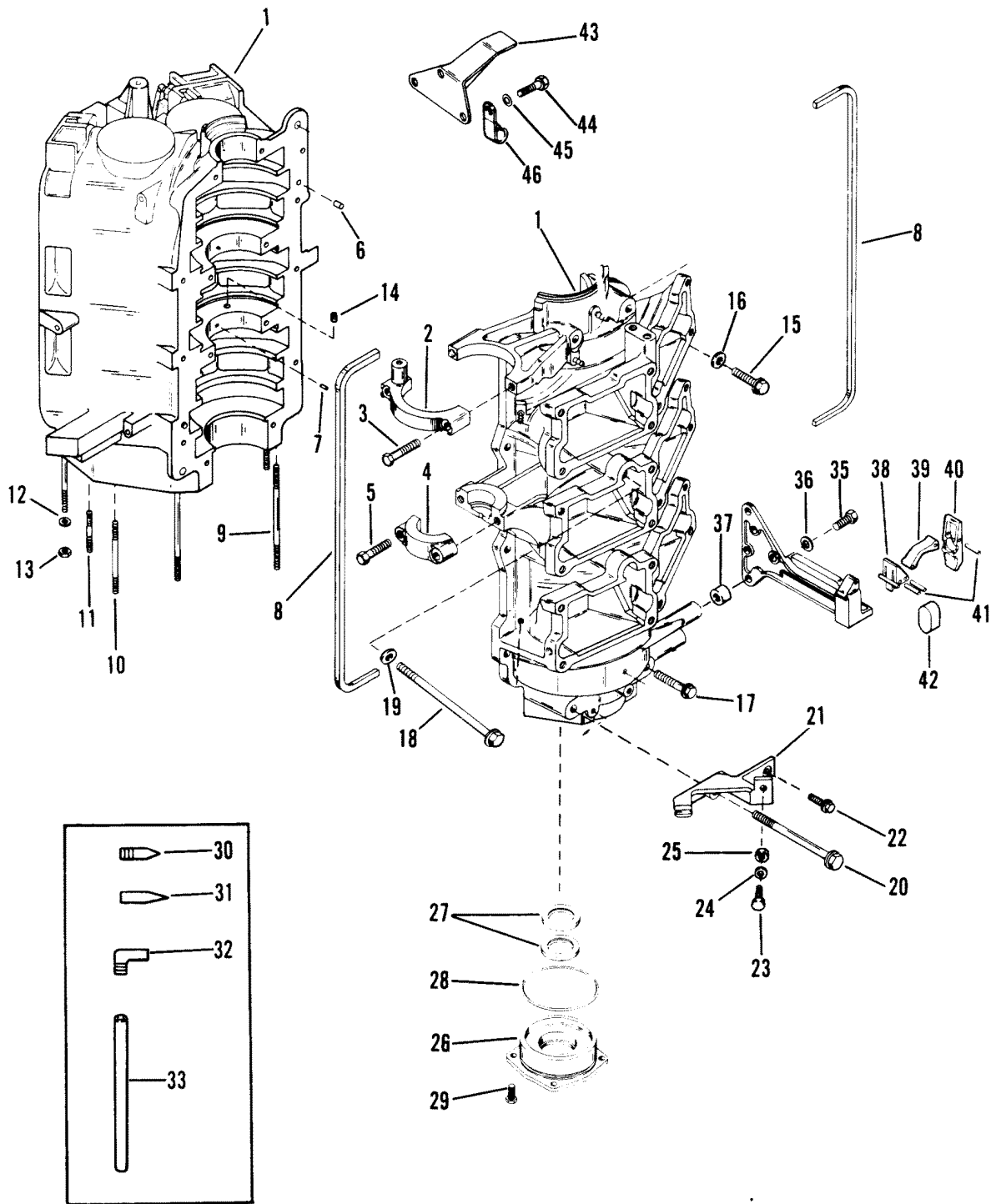
# THROTTLE LEVER



# THROTTLE LEVER

REF. NO.	PART NO.	SYM.	QTY.	DESCRIPTION
1	74897		1	PIVOT, TRIGGER PLATE
2	62459		1	BALL JOINT, TRIGGER PLATE
3	11-68219		1	NUT, LINK ROD
4	76035		1	LINK ROD, TRIGGER PLATE
5	11-46438		1	NUT, BALL JOINT
6	99435		1	LEVER, SPARK ADVANCE
7	10-75168		1	SCREW, SPARK ADVANCE LEVER - STOP
8	11-29598		1	NUT, SPARK ADVANCE LEVER STOP SCREW
9	52023		1	CAP, SPARK ADVANCE LEVER STOP SCREW
10	10-12405		1	SCREW, SPARK ADVANCE LEVER - STOP (1-1/4")
11	11-68219		1	NUT, SPARK ADVANCE LEVER STOP SCREW
12	48039		1	CAP, SPARK ADVANCE LEVER STOP SCREW
13	99192		1	LEVER, THROTTLE CONTROL
14	10-55337		1	SCREW, THROTTLE LEVER/ADVANCE LEVER (1-3/4")
15	23-55164		1	BUSHING, THROTTLE LEVER
16	23-55171		1	BUSHING, SPARK ADVANCE LEVER
17	24-68784		1	SPRING, THROTTLE AND SPARK ADVANCE LEVER
18	12-68410		1	WASHER, SPARK ADVANCE LEVER
19	10-75168		2	SCREW, THROTTLE LEVER -STOP
20	11-29598		2	NUT, THROTTLE LEVER STOP SCREW
21	52023		2	CAP, THROTTLE LEVER STOP SCREW
22	41003		1	ROD, THROTTLE CONTROL
23	60572		1	BARREL, THROTTLE CONTROL ROD
24	16-66021		1	STUD, CABLE TO THROTTLE LEVER
25	12-21249		1	WASHER, CABLE STUD
26	11-20361		1	NUT, CABLE STUD
27	13-29720		1	WAVE WASHER
28	12-21249		1	WASHER
29	18-21071		1	COTTER PIN

# CYLINDER BLOCK AND END CAPS

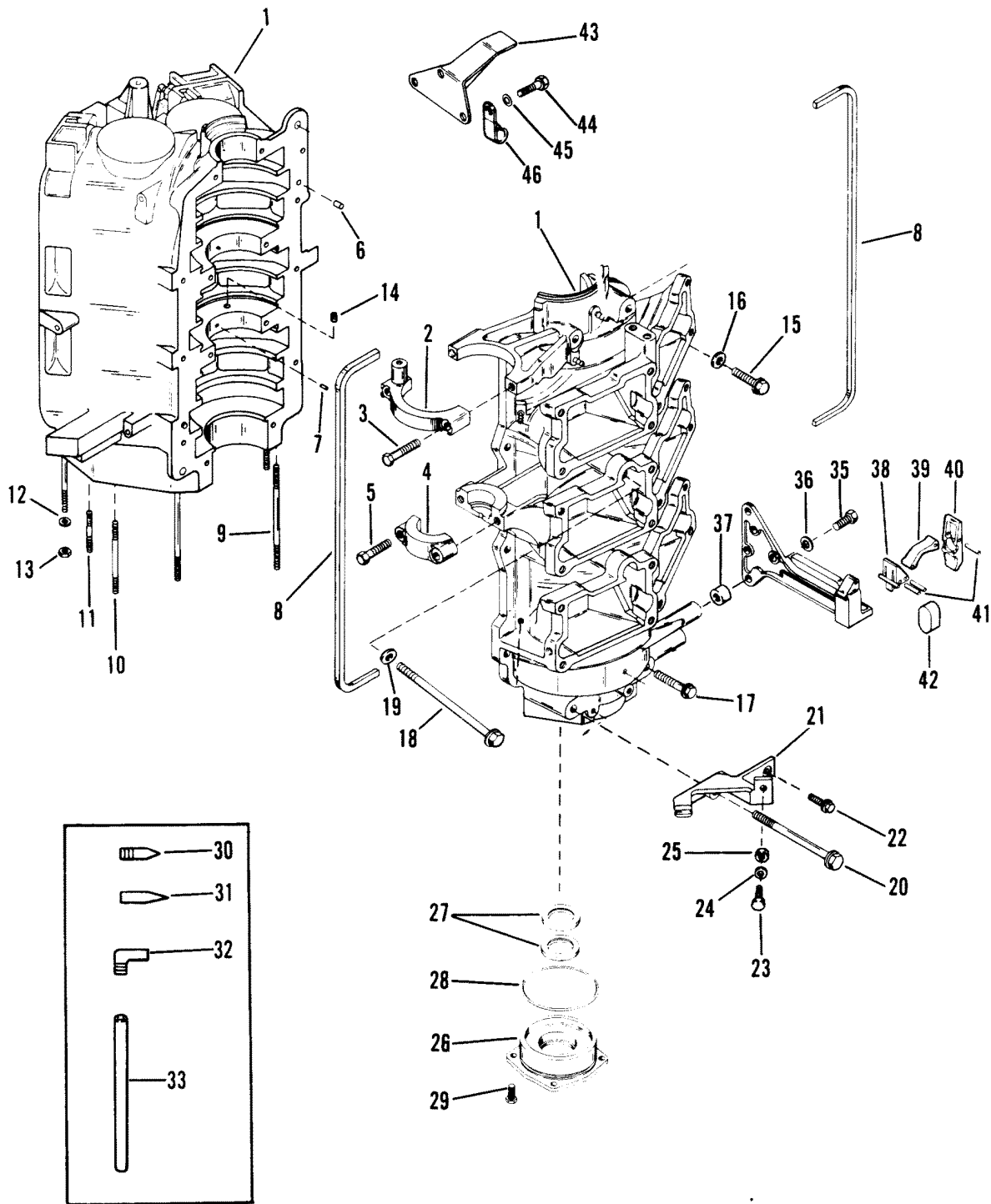


# CYLINDER BLOCK AND END CAPS

REF. NO.	PART NO.	SYM.	QTY.	DESCRIPTION
1	873-8797A7		1	CYLINDER BLOCK
2	88486		1	COVER, STARTER MOTOR - UPPER
3	10-40062153		2	SCREW, COVER TO CRANKCASE
4	88484		1	COVER, STARTER MOTOR - LOWER
5	10-40062152		2	SCREW, COVER TO CRANKCASE
6	17-40044110		2	DOWEL PIN, LOCATING
7	17-67296		3	DOWEL PIN, CYLINDER BLOCK (BEARING RACE)
8	27-53862		2	GASKET, SEALING
9	16-14137		6	STUD, CYLINDER BLOCK
10	16-14136		2	STUD, CYLINDER BLOCK
11	16-91000--1		2	STUD, CYLINDER BLOCK
12	12-45175		10	WASHER, POWERHEAD STUDS
13	11-40026--6		10	NUT, POWERHEAD STUDS
14	10-24220		2	SCREW, SET, CYLINDER BLOCK
15	10-40062171		6	SCREW, CRANKCASE (35 MM)
16	12-22248		10	WASHER, CRANKCASE SCREW
17	10-40062180		2	SCREW, CRANKCASE TO CYLINDER BLOCK (90 MM)
18	10-99261		4	SCREW, CRANKCASE TO CYLINDER BLOCK (130 MM)
19	12-20086		4	WASHER, CRANKCASE SCREW
20	10-91006		2	SCREW, CRANKCASE TO CYLINDER BLOCK (105 MM)
21	96839		1	BRACKET, CABLE ANCHOR RHR
22	10-40010127		1	SCREW, BRACKET TO CRANKCASE RHR
23	10-69097		1	SCREW, SHIFT CABLE TO BRACKET RHR
24	12-22753		3	WASHER, SHIFT CABLE SCREW RHR
25	11-35814		1	NUT, SHIFT CABLE SCREW RHR
26	1166-7580A1		1	END CAP ASSEMBLY, LOWER
27	26-54815		2	OIL SEAL, END CAP
28	25-88955		1	"O" RING, END CAP
29	10-40062149		4	SCREW, END CAP ATTACHING
30	21-42658--1		1	CHECK VALVE (STRAIGHT-THREADED)
31	22-56759		3	CHECK VALVE (STRAIGHT-PRESS-IN)
32	21-55621A3		1	CHECK VALVE (90 DEGREE)
33	32-66285--4		1	TUBING (BLEED)
34	99508		1	BRACKET, ANCHOR - CONTROL CABLES
35	10-31984		3	SCREW, ANCHOR BRACKET
36	12-22753		3	WASHER, ANCHOR BRACKET SCREW
37	23-99183		3	SPACER, ANCHOR BRACKET SCREW
38	39618		1	LEVER, SHIFT CABLE LOCKING
39	65799		1	LINK, LEVER TO COVER
40	90211		1	COVER, SHIFT CABLE
41	17-47175		3	LOCATING PIN, LEVER AND COVER

CONTINUED ON NEXT PAGE ➡

# CYLINDER BLOCK AND END CAPS

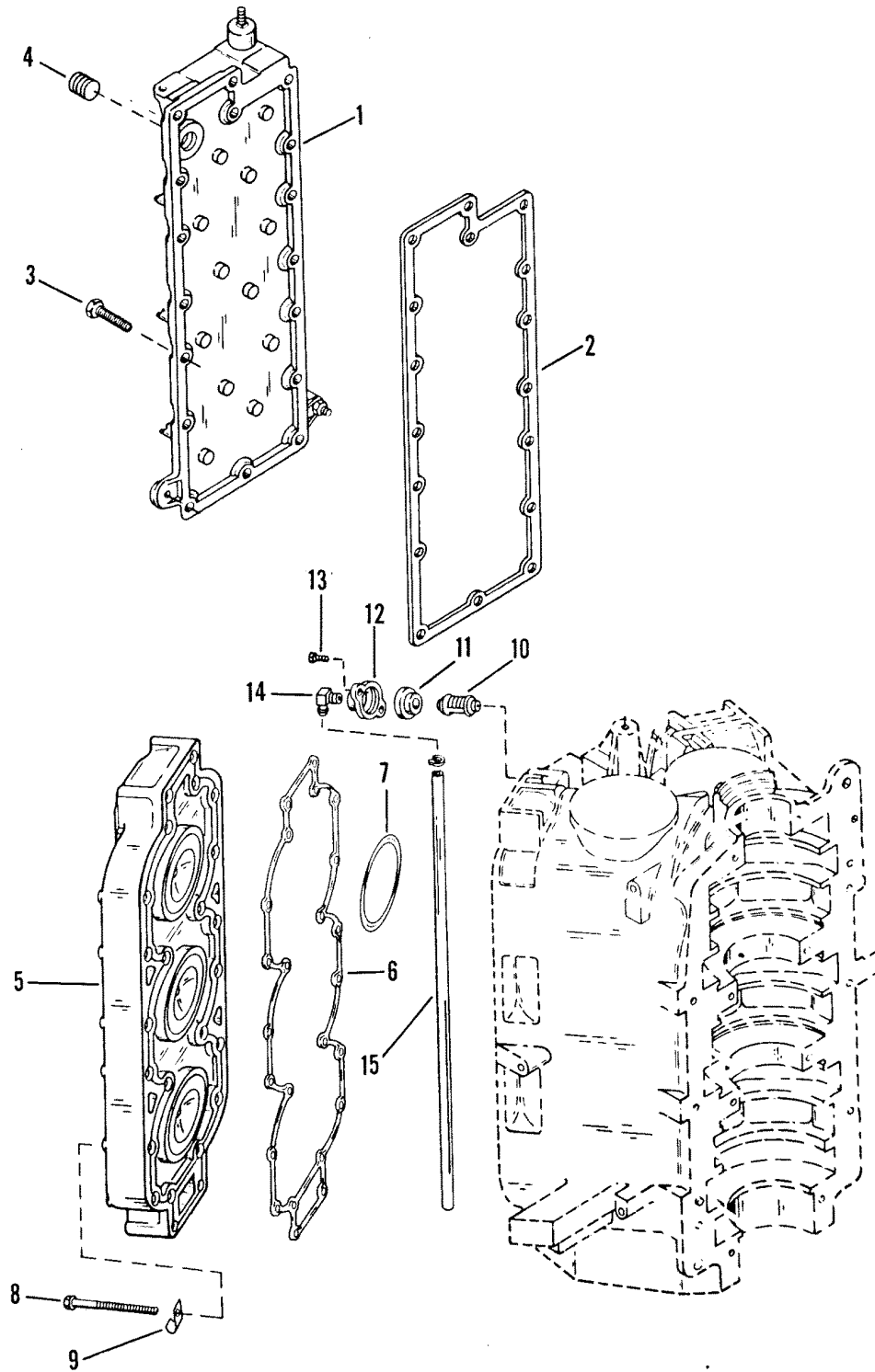




## CYLINDER BLOCK AND END CAPS

REF. NO.	PART NO.	SYM.	QTY.	DESCRIPTION
42	39519		1	CAP, BARREL RETAINER
43	41377		1	THROTTLE STOP
44	10-25299		3	SCREW, THROTTLE STOP
45	12-22753		3	WASHER, THROTTLE STOP SCREW
46	54-61001		2	"J" CLAMP

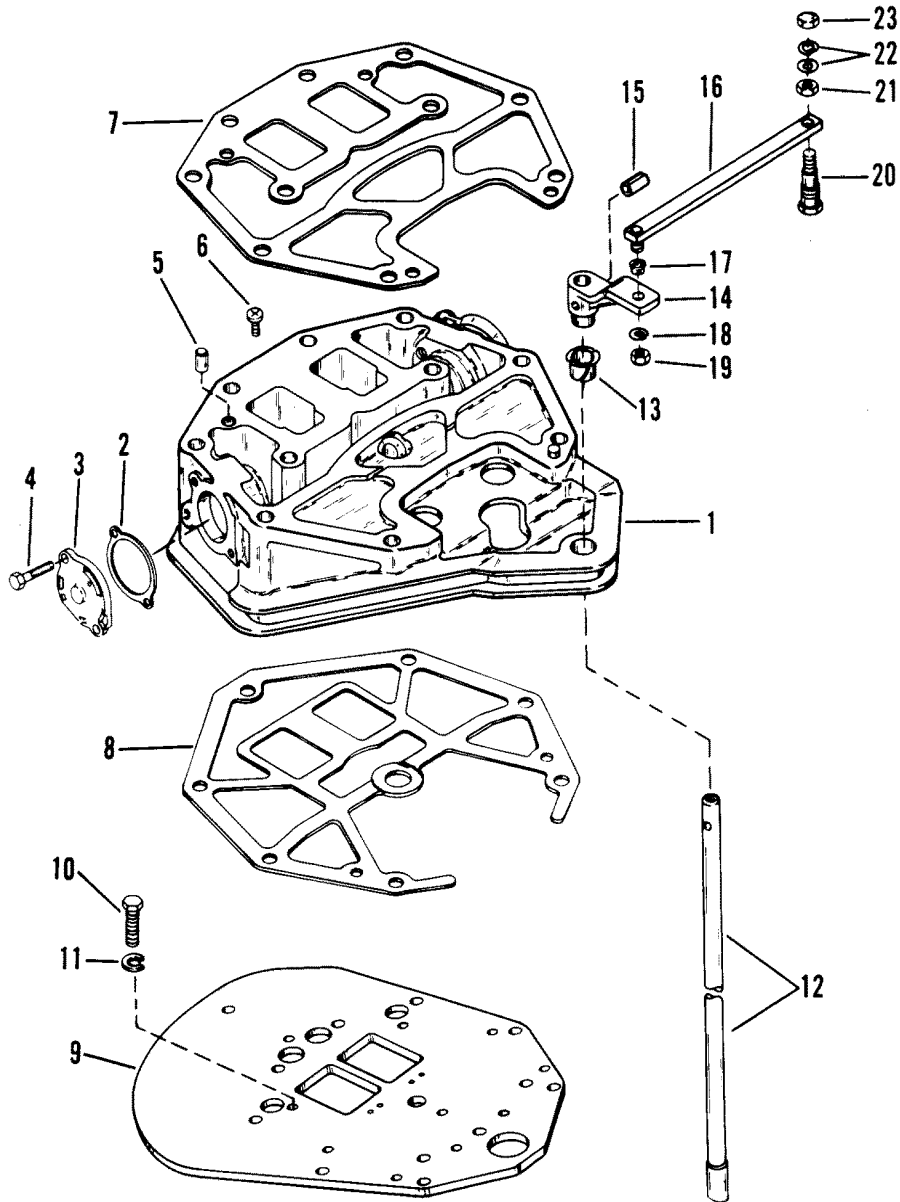
# EXHAUST MANIFOLD AND CYLINDER HEAD



## EXHAUST MANIFOLD AND CYLINDER HEAD

REF. NO.	PART NO.	SYM.	QTY.	DESCRIPTION
1	94110--1		1	COVER,EXHAUST MANIFOLD
2	27-94060		1	GASKET,EXHAUST MANIFOLD COVER
3	10-40062149		17	SCREW,EXHAUST MANIFOLD COVER (25MM)
4	22-38407		1	PIPE PLUG,CYLINDER BLOCK COVER
5	42491A1		2	CYLINDER HEAD
6	88251		2	SEAL,CYLINDER HEAD
7	25-88923		6	"O" RING,CYLINDER HEAD
8	10-40062159		48	SCREW, CYLINDER HEAD (80 MM)
9	10-40062159		2	CLAMP,CYLINDER HEAD SCREW
10	75692		2	THERMOSTAT (143)
11	27-62386		2	GASKE6T,THERMOSTAT
12	90390A1		2	COVER,THERMOSTAT
13	10-74824		4	SCREW,THERMOSTAT COVER (1-1/4")
14	22-68727		2	FITTING,ELBOW-THERMOSTAT COVER
15	32-68894--1		2	HOSE

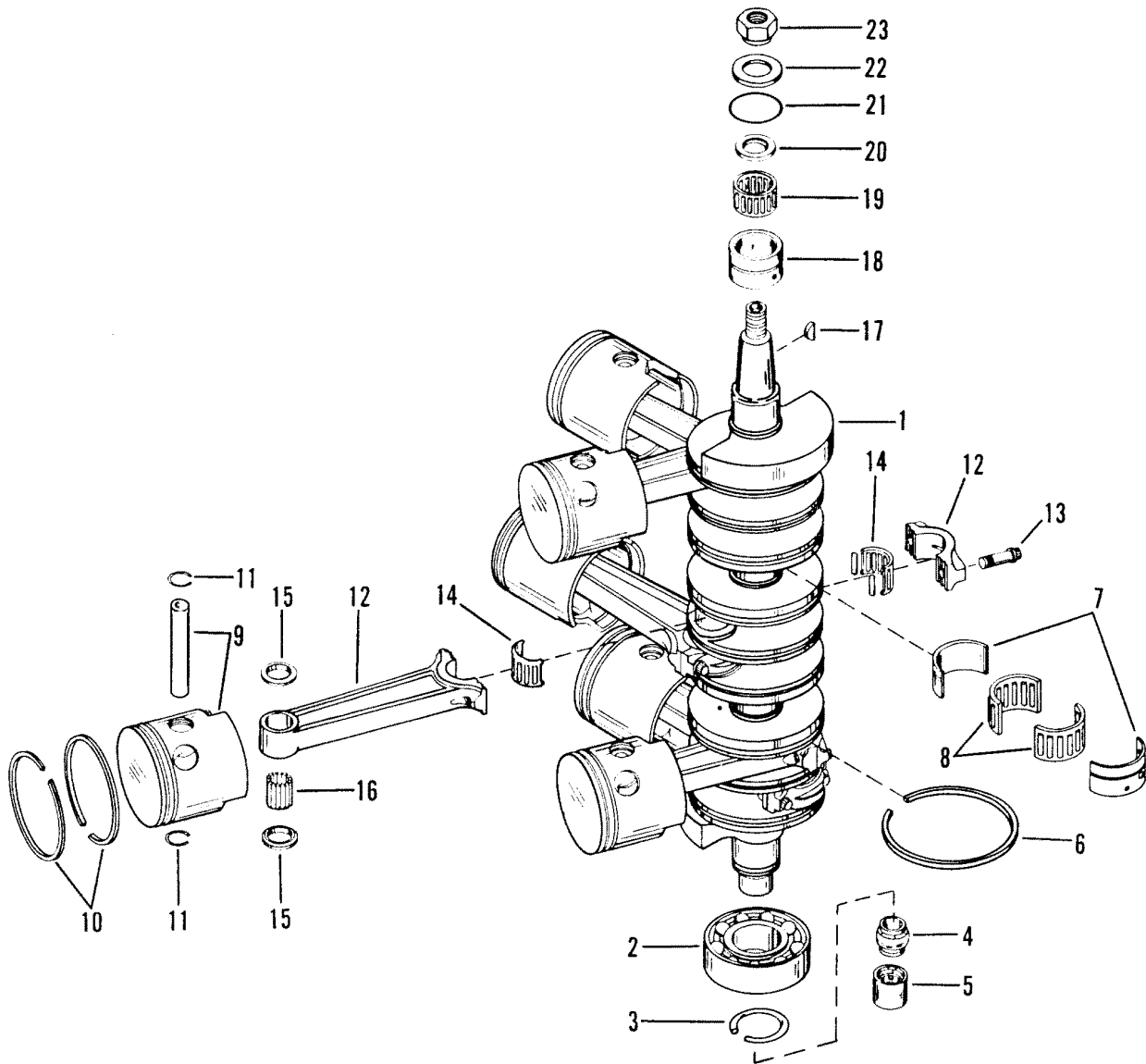
# EXHAUST PLATE



# EXHAUST PLATE

REF. NO.	PART NO.	SYM.	QTY.	DESCRIPTION
1	43769A3		1	EXHAUST PLATE
2	27-88907		1	GASKET,RELIEF VALVE PLATE
3	65663A1		1	COVER,RELIEF VALVE
4	10-40001137		4	SCREW, COVER TO EXHAUST PLATE
5	17-20033		2	DOWEL PIN, LOCATING - EXAHUST PLATE
6	10-40062177		1	SCREW,EXHAUST PLATE (65MM)
7	27-43877		1	GASKET, EXHAUST PLATE -UPPER
	27-43878		1	GASKET, EXAHUST PLATE-UPPER
8	99206		1	GASKET, EXHAUST PLATE (LOWER)
9	99206		1	PLATE, STEERING
10	10-40001137		3	SCREW,PLATE TO DRIVE SHAFT HOUSING
11	13-40024--7		3	LOCKWAHSER,PLATE SCREW
12	96843--1		1	SHIFT SDHAFT,UPPER (LONG) R.H.R
	96843--2		1	SHIFT SHAFT, UPPER (EXTRA LONG) R.H.R
13	23-65830		1	BUSHING,UPPER SHIFT SHAFT R.H.R
14	96841		1	LEVER, UPPER SHIFT SHAFT R.H.R
15	17-96888		1	ROLL PIN, LEVER TO SHIFT SHAFT R.H.R
16	96848		1	SHIFT LINK R.H.R
17	23-26856		1	BUSHING, SHIFT LINK R.H.R
18	13-29720		1	WAVEWASHER,SHIFT LINK R.H.R
19	11-36069		1	NUT,SHIFT LINK R.H.R
20	10-96849		1	SCREW,SHIFT LINK R.H.R.
21	11-28770		1	NUTG, SHIFT LINK SCREW (5/16-24) R.H.R
22	13-29720		2	WAVEWASHER, SHIFT LINK SCREW R.H.R
23	11-36069		1	NUT,SHIFT LINK SCREW (1/4-28) R.H.R

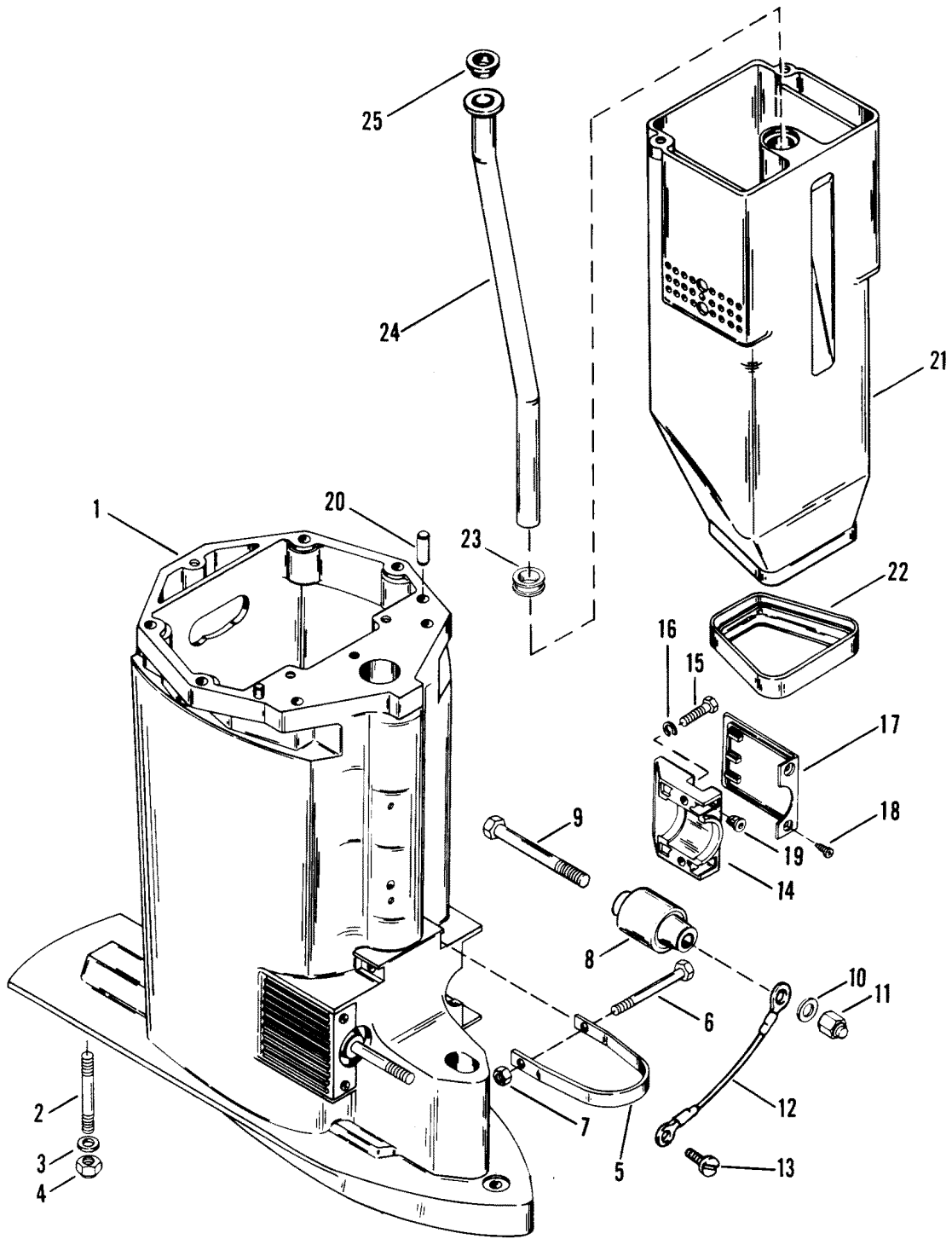
# CRANKSHAFT, PISTONS AND CONNECING RODS



# CRANKSHAFT, PISTONS AND CONNECING RODS

REF. NO.	PART NO.	SYM.	QTY.	DESCRIPTION
1	467-7587A2		1	CRANKSHAFT ASSEMBLY
2	30-88268		1	BALL BERING, CRANKSHAFT (LOWER)
3	53-89531		1	RETAINING RING, BALL BEARING
4	89938		1	SEAL, CRANKSHAFT/DRIVERSHAFT
5	89939		1	SEAT, CRANKSHAFT/DRIVERSHAFT
6	88261			RING, SEALING - CRANKSHAFT 9
7	31-88270		2	BEARING RACE, CENTER MAIN
8	31-88269		2	ROLLER BEARING, CENTER MAIN
9	769-8179A10		3	PISTON ASSEMBLY (STARBOARD)
	769-8180A10		3	PISTON ASSEMBLY (PORT)
10	39-42011A12		1	PISTON RING ASSEMBLY
11	53-88466		12	LOCK RING, PISTON
12	631-8185A3		6	CONNECTING ROD ASSEMBLY
13	10-94320		12	SCREW, CONNECTING ROD (3/8-24 THREAD)
14	31-88259A1		6	ROLLER BEARING ASSEMBLY, CRANKSHAFT END
15	12-88263		12	WAHER, NEEDLE LOCATING
16	29-88258		204	NEEDLE BEARING, PISTON END
17	28-91800		1	KEY, CRANKSHAFT
18	88266A3		1	CARRIER ASSEMBLY
19	31-88267		1	ROLLER BEARING
20	26-41953		1	OIL SEAL
21	25-64067		1	"O" RING
22	12-68229		1	WASHER, FLYWHEEL NUT
23	11-52901		1	NUT, FLYWHEEL

# DRIVE SHAFT HOUSING AND EXHAUST TUBE

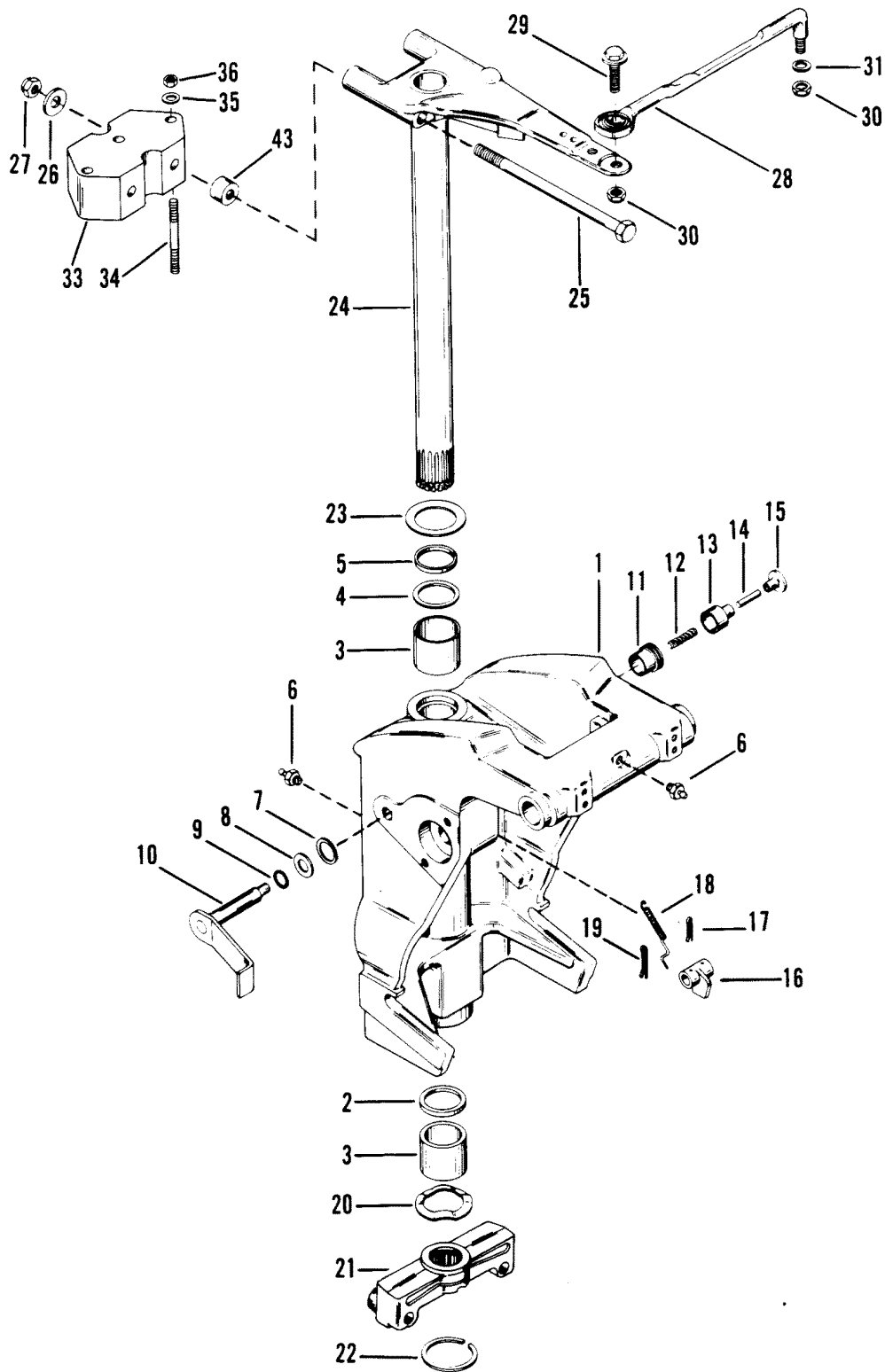




## DRIVE SHAFT HOUSING AND EXHAUST TUBE

REF. NO.	PART NO.	SYM.	QTY.	DESCRIPTION
1	1594-8653A1		1	DRIVE SHAFT HOUSING ASSEMBLY (LONG)
	1594-8643A1		1	DRIVE SHAFT HOUSING ASSEMBLY (EXTRA LONG)
2	16-57933		4	STUD, DRIVE SHAFT HOUSING/GEAR HOUSING (2-3/16")
	16-57984		1	STUD, DRIVE SHAFT HOUSING/GEAR HOUSING (2-3/8")
	16-87343--2		2	STUD, DRIVE SHAFT HOUSING/GEAR HOUSING
3	12-45176		8	WASHER, DRIVE SHAFT HOUSING STUD
4	11-34933		8	NUT, DRIVE SHAFT HOUSING STUD
5	88758		1	STRAP, SWIVEL BRACKET RETAINING
6	10-67769		1	SCREW, STRAP TO DRIVE SHAFT HOUSING
7	11-25269		1	NUT, STRAP TO DRIVE SHAFT HOUSING SCREW
8	77697		2	MOUNT, LOWER
9	10-96853		2	SCREW, LOWER MOUNT
10	12-49339		2	WASHER, LOWER MOUNT SCREW
11	11-25096		2	NUT, LOWER MOUNT SCREW
12	88238A2		1	GROUND WIRE ASSEMBLY
13	10-73286		1	SCREW, GROUND WIRE
14	54-67076		2	CLAMP, LOWER MOUNT
15	10-40001140		4	SCREW, LOWER MOUNT CLAMP
16	13-40024--7		4	LOCKWASHER, LOWER MOUNT CLAMP SCREW
17	67077		2	COVER, LOWER MOUNT CLAMP
18	10-88417		4	SCREW, COVER ATTACHING (5/8")
19	11-35521		4	NUT, NYLON - COVER TO CLAMP SCREW
20	17-20433		4	DOWEL PIN, DRIVE SHAFT HOUSING
21	88887T		1	EXHAUST TUBE
22	88883		1	SEAL, EXHAUST TUBE - LOWER
23	25-89417		1	GROMMET, WATER TUBE
24	32-88884		1	TUBE, WATER (LONG)
	32-89098		1	TUBE, WATER (EXTRA LONG)
25	26-89419		1	SEAL, WATER TUBE

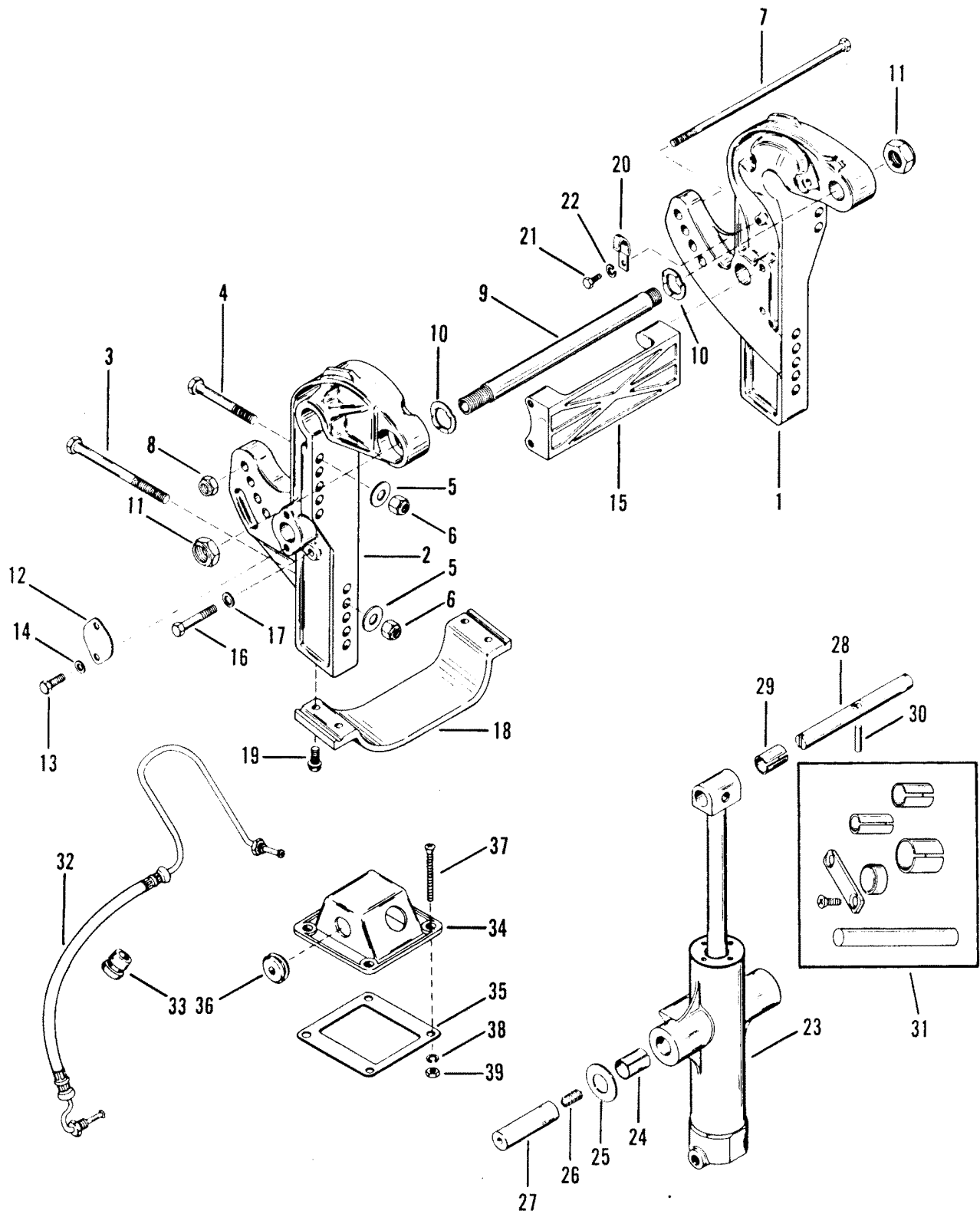
# SWIVEL BRACKET AND STEERING ARM



## SWIVEL BRACKET AND STEERING ARM

REF. NO.	PART NO.	SYM.	QTY.	DESCRIPTION
1	1491-9225A2		1	SWIVEL BRACKET ASSEMBLY
2	26-87735		1	OIL SEAL, SWIVEL BRACKET (LOWER)
3	23-67669		2	BUSHING, SWIVEL BRACKET - LOWER AND UPPER
4	25-33466		1	"O" RING, SWIVEL BRACKET - UPPER
5	23-67668		1	SPACER, SWIVEL BRACKET - UPPER
6	22-74036		4	FITTING, GREASE
7	26-85023		2	OIL SEAL, SWIVEL BRACKET
8	12-87161		2	WASHER, TILT LOCK LEVER
9	25-48171		2	"O" RING, TILT LOCK LEVER
10	85030A1		1	LEVER ASSEMBLY, TILT LOCK (PORT)
	85028A1		1	LEVER ASSEMBLY, TILT LOCK (STARBOARD)
11	23-86600		1	BUSHING, TILT LEVER RELEASE
12	24-85367		1	SPRING, TILT LEVER RELEASE
13	41052		1	PLUNGER, TILT LEVER RELEASE
14	16-88876		1	STUD, PLUNGER
15	86603		1	KNOB, PLUNGER
16	86475--1		1	COUPLING, TILT LOCK LEVER
17	17-69745		2	ROLL PIN, LEVER TO COUPLING
18	24-88049		1	SPRING, TENSION - COUPLING
19	18-93861		1	COTTER PIN, COUPLING SPRING
20	13-78854		1	WAVE WASHER, BOTTOM YOKE
21	96852		1	BOTTOM YOKE
22	53-67684		1	REATINING RING, BOTTOM YOKE
23	12-67670		1	WASHER, THRUST-SWIVEL BRACKET
24	17-67706A2		1	SWIVEL PIN AND STEERING ARM ASSEMBLY
25	10-88659		2	SCREW, STEERING ARM TO UPPER MOUNT
26	12-78688		2	WASHER, UPPER MOUNT BOLT
27	11-34933		2	NUT, UPPER MOUNT BOLT
28	92876A1		1	STEERING LINK ASSEMBLY
29	10-14000		1	SCREW, STEERING LINK TO STEERING ARM
30	11-34863		2	NUT, STEERING LINK SCREW
31	12-34931		2	WASHER, STEERING LINK TO STERRING ARM
32	23-96851		2	SPACER, UPPER MOUNT BOLT
33	99211		1	MOUNT, UPPER
34	16-99212		3	STUD, MOUNT
35	12-45176		3	WASHER, MOUNT STUD
36	11-34933		3	NUT, MOUNT STUD

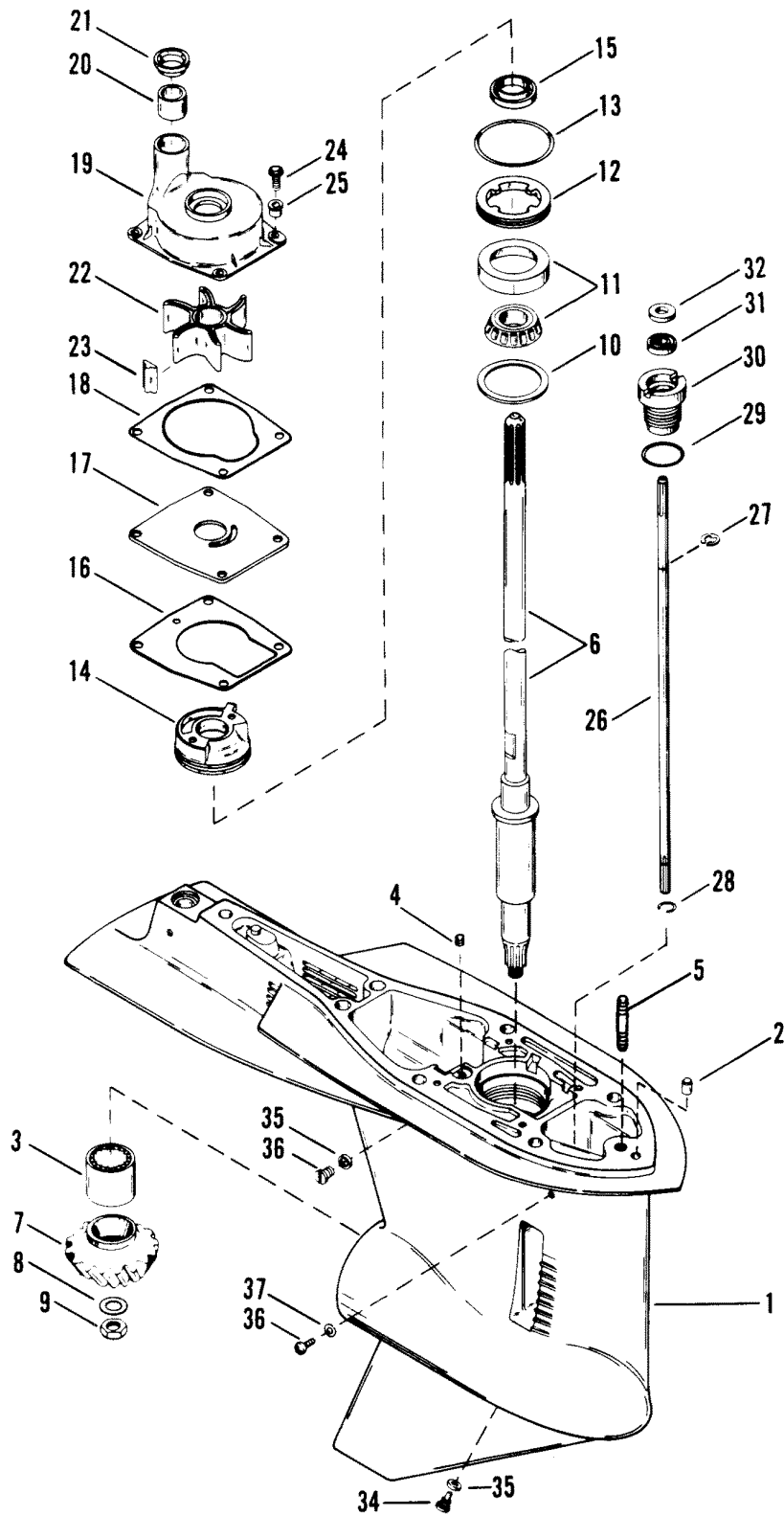
# TRANSOM BRACKET AND TRIM CYLINDER



## TRANSOM BRACKET AND TRIM CYLINDER

REF. NO.	PART NO.	SYM.	QTY.	DESCRIPTION
1	1494-7476--1		1	BRACKET, TRANSOM (PORT)
2	1495-7478--1		1	BRACKET, TRANSOM (STARBOARD)
3	10-67755--2		2	SCREW,,BRACKET TO TRANSOM (6-1/2")
4	10-67755--1		2	SCREW, BRACKET TO TRANSOM (4-1/2")
5	12-28421		4	WASHER, BRACKET SCREW
6	11-35000		4	NUT, BRACKET SCREW
7	10-87180		1	BOLT, TILT
8	11-20220		1	NUT, TILT BOLT
9	99170A1		1	TILT TUBE
10	13-88750		2	WAVE WASHER, TILT TUBE
11	11-56041		1	NUT, TILT TUBE (7/8-14)
	11-34862		1	NUT, TILT TUBE (1"-14)
12	85026		2	PLATE, PIVOT PIN
13	10-28636		4	SCREW, PLATE TO TRANSOM BRACKET
14	12-29245		4	WASHER, PLATE SCREW
15	85035		1	SPACER, TRANSOM BRACKET
16	10-70732		4	SCREW, SPACER TO TRANSOM BRACKET
17	12-29245		4	WASHER, SPACE SCREW
18	89949A1		1	PLATE ASSEMBLY, TRANSOM BRACKET
19	10-89996		4	SCREW, PLATE TO TRANSOM BRACKET
20	54-88512		4	CLAMP, HYDRAULIC HOSE
	54-75275			CLAMP, HYDRAULIC HOSE
21	10-88829		6	SCREW, CLAMP TO TRANSOM BRACKET
22	13-26996		6	LOCKWASHER, CLAMP SCREW
23	79610A10		1	TRIM CYLINDER (79879A1 REPAIR KIT)
24	23-86489		2	BUSHING, TRIM CYLINDER
25	12-85022		2	WASHER, TRANSOM BRACKET
26	24-30316		2	SPRING, TRIM CYLINDER
27	17-85020		2	PIVOT PIN, TRIM CYLINDER
28	85024		1	SHAFT, TRIM CYLINDER
29	23-86637		2	BEARING, TRIM SHAFT
30	17-91862		1	PIN, TRIM CYLINDER
31	23-99813A1		1	BUSHING KIT,TRIM CYLINDER
32	32-89024A1		1	HOSE, HYDRAULIC - PORT
	32-89023A2		1	HOSE, HYDRAULIC - STARBOARD
33	25-12602		2	GROMMET,HYDRAULIC HOSES
34	87871		1	COVER, INLET - HYDRAULIC HOSE
35	27-87775		1	GASKET, INLET COVER
36	25-45507		1	GROMMET, INLET COVER
37	10-36070		4	SCREW, INLET COVER
38	13-26996		4	LOCKWASHER, INLET COVER SCREW
39	11-68219		4	NUT, INLET COVER SCREW

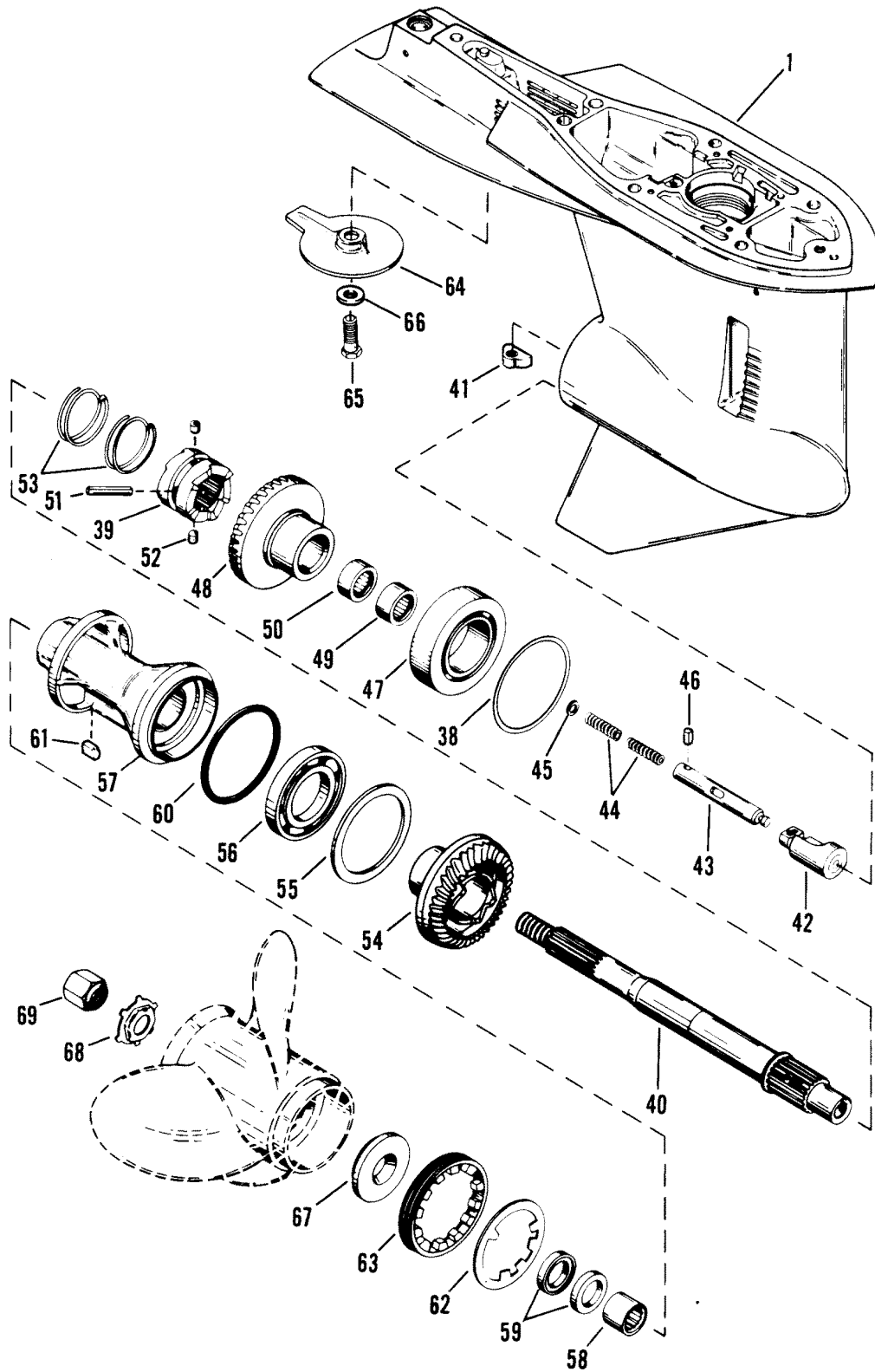
# GEAR HOUSING (DRIVE SHAFT)



## GEAR HOUSING (DRIVE SHAFT)

REF. NO.	PART NO.	SYM.	QTY.	DESCRIPTION
-	1659-8552A2		1	GEAR HOUSING ASSEMBLY (LONG) RHR
-	1659-8552A3		1	GEAR HOUSING ASSEMBLY (X-LONG) RHR
-	1659-8552A5		1	GEAR HOUSING ASSEMBLY (LONG) LHR
-	1659-8552A6		1	GEAR HOUSING ASSEMBLY (X-LONG) LHR
1	1659-8552A1		1	GEAR HOUSING ASSEMBLY (BASIC)
2	17-20033		2	DOWELL PIN, GEAR HOUSING LOCATING
3	31-88384		1	ROLLER BEARING, DRIVE SHAFT
4	22-56800		1	PLUG, GEAR HOUSING
5	16-87344--1		1	STUD, GEAR HOUSING
6	45-99775		1	DRIVE SHAFT ASSEMBLY (LONG)
	45-99885		1	DRIVE SHAFT ASSEMBLY (EXTRA LONG)
7	N.S.S.		1	PINION GEAR (PART OF 43-99492A2/43-99492A3)
8	12-92721		1	WASHER, PINION GEAR NUT
9	11-35921		1	NUT, PINION GEAR TO DRIVE SHAFT
10	15-88655A1		AR	SHIM ASSEMBLY, ROLER BEARING TO GEAR HOUSING
11	31-86748A1		1	ROLLER BEARING, DRIVE SHAFT
12	11-88710		1	LOCK NUT, ROLLER BEARING
13	25-88657		1	"O" RING, WATER PUMP
14	46-88776A5		1	WATER PUMP BASE ASSEMBLY
15	26-14381		1	OIL SEAL, WATER PUMP BASE
16	27-90756--1		1	GASKET, LOWER - WATER PUMP
17	90755		1	,PLATE, FACE-WATER PUMP
18	27-93666--1		1	GASKET,UPPER-WATER PUMP
19	46-90530A1		1	WATER PUMP BODY ASSEMBLY
20	26-88397		1	SEAL, RUBBER - WATER INLET TUBE
21	88581		1	GUIDE, WATER INLET TUBE
22	85647		1	IMPELELR, WATER PUMP
23	28-88422		1	KEY, IMPELLER DRIVE
24	10-40011128		4	SCREW, WATER PUMP
25	90753		4	INSULATOR, WATER PUMP SCREW
26	44197A2		1	SHAFT, SHIFT- LOWER
27	53-29641		1	"E" RING, RETAINING - SHIFT SHAFT
28	53-78907		1	RETAINING RING
29	25-25439		1	"O" RING, SHIFT SHAFT BUSHING
30	23-77631A2		1	BUSHING ASSEMBLY, SHIFT SHAFT
31	26-76384		1	OIL SEAL, SHIFT SHAFT BUSHING
32	12-77674		1	WASHER, RUBBER - SHIFT SHAFT BUSHING
33	10-79953		1	SCREW, GREASE FILLER
34	22-67892		1	SCREW, DRAIN (MAGNETIC)
35	12-20260		4	WASHER, GREASE FILLER AND DRAIN SCREW
36	10-28653		1	SCREW, GEAR HOUSING
37	12-20262		1	WASHER, GEAR HOUSING

# GEAR HOUSING (PROPELLER SHAFT)



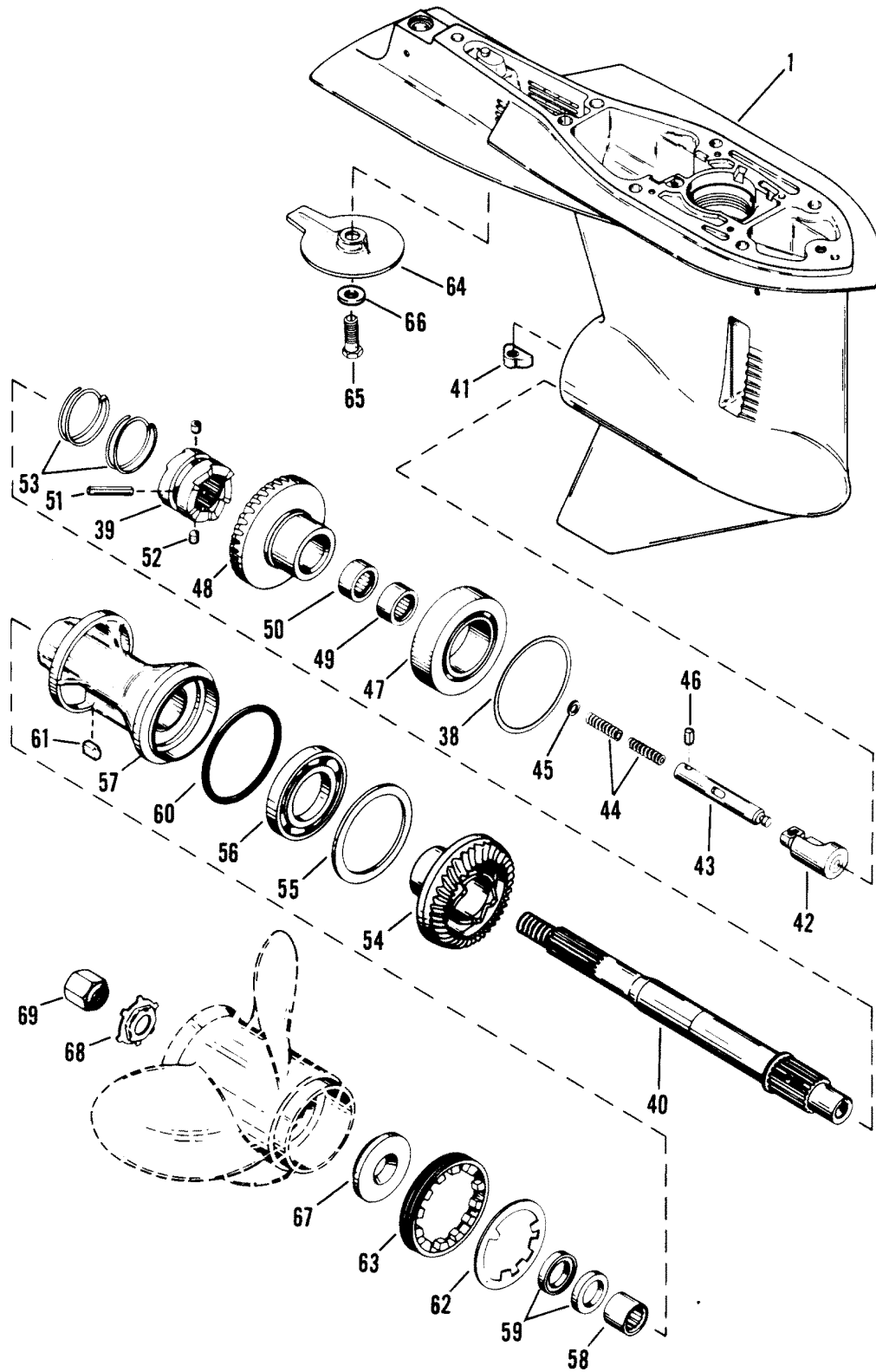


## GEAR HOUSING (PROPELLER SHAFT)

REF. NO.	PART NO.	SYM.	QTY.	DESCRIPTION
-	1659-8552A2		1	GEAR HOUSING ASSEMBLY, (LONG) RHR
-	1659-8552A3		1	GEAR HOUSING ASSEMBLY, (X-LONG) RHR
-	1659-8552A5		1	GEAR HOUSING ASSEMBLY, (LONG) LHR
-	1659-8552A6		1	GEAR HOUSING ASSEMBLY, (X-LONG) LHR
1	1659-8552A1		1	GEAR HOUSING ASSEMBLY (BASIC)
38	15-47397A1		AR	SHIM, BEARING OUTER RACE (.002-3-5-10)
39	52-88423		1	RATCHET, SLIDING CLUTCH
40	44-98597		1	PROPELLER SHAFT
41	78956		1	SHIFT CAM RHR
42	89594A1		1	FOLLOWER, CAM RHR
43	88523		1	ROD, CLUTCH ACTUATOR RHR
44	24-88579		2	SPRING, COMPRESSION RHR
45	12-78910		1	WASHER, COMPRESSION SPRING RHR
46	17-78906		1	PIN, SPRING LOCATOR RHR
47	31-78172A1		1	ROLLER BEARING ASSEMBLY RHR
48	43-99492A3		1	FORWARD GEAR ASSEMBLY RHR
49	31-73363		1	ROLLER BEARING, FORWARD GEAR RHR
50	31-88583		1	ROLLER BEARING, FORWARD GEAR RHR
51	17-78905		1	CROSS PIN, RATCHET TO PROPELLER SHAFT RHR
52	17-78909		2	DENTENT PIN, RATCHET RHR
53	24-78962		2	SPRING, RETAINING - CROSS PIN RHR
54	N.S.S.		1	REVERSE GEAR (PART OF 43-99492A3) RHR
55	68100		1	RING, THRUST - BEARING CARRIER RHR
56	30-35914		1	BALL BEARING, - REVERSE GEAR RHR
48	43-99492A3		1	FORWARD GEAR ASSEMBLY LHR
55	12-96180		1	THRUST WASHER, BEARING CARRIER LHR
-	96175		1	ADAPTOR, BEARING TO SHAFT LHR
-	17-74840		1	DOWEL PIN LHR
-	23-96176		1	SLEEVE, GEAR TO SHAFT LHR
-	53-96177		1	RING, SLEEVE RETAINER LHR
-	31-78172A1		1	ROLLER BEARING ASSEMBLY LHR
57	88603A4		1	BEARING CARRIER ASSEMBLY (RHR)
	96178A1		1	BEARING CARRIER ASSEMBLY (LHR)
58	31-30956		1	ROLLER BEARING, BEARING CARRIER
59	26-76868		2	OIL SEAL, BEARING CARRIER
60	25-31534		1	"O" RING, BEARING CARRIER
61	28-30281		1	KEY, LOCATING - BEARING CARRIER
62	14-79447		1	TAB WASHER, GEAR HOUSING COVER
63	79448		1	COVER, GEAR HOUSING
64	89026		1	COVER, ANODE

CONTINUED ON NEXT PAGE ➡

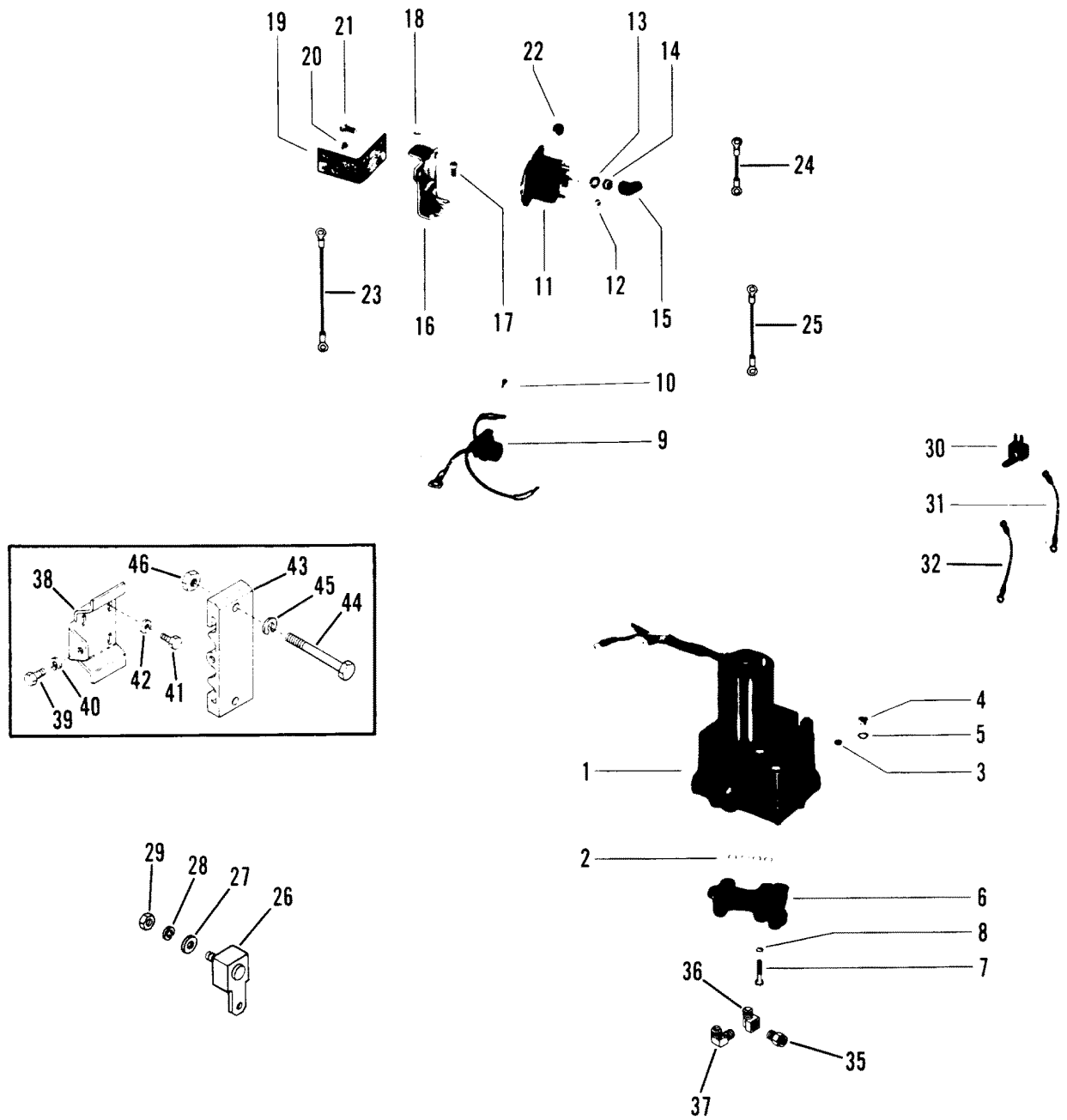
# GEAR HOUSING (PROPELLER SHAFT)



## GEAR HOUSING (PROPELLER SHAFT)

REF. NO.	PART NO.	SYM.	QTY.	DESCRIPTION
65	10-47462		1	SCREW, ANODE COVER
66	12-45175		1	WASHER, ANODE COVER SCREW
67	77987		1	THRUST HUB
68	14-31210		1	TAB WASHER, PROPELLER NUT
69	11-52707A1		1	PROPELLER NUT

# HYDRAULIC PUMP AND BRACKET

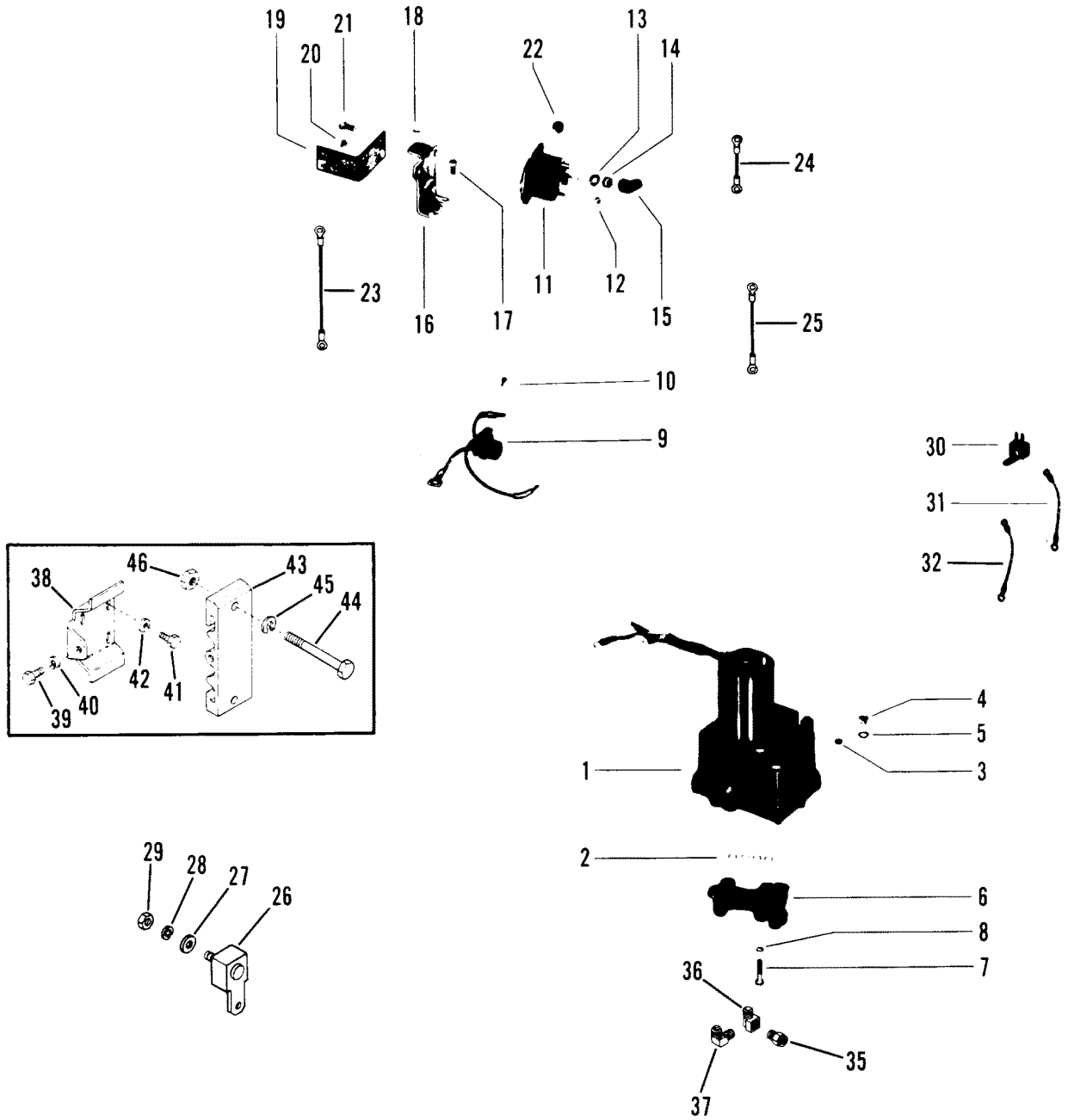


# HYDRAULIC PUMP AND BRACKET

REF. NO.	PART NO.	SYM.	QTY.	DESCRIPTION
1	92975A6		1	HYDRAULIC PUMP ASSEMBLY
2	25-48171		4	"O" RING, HYDRAULIC PUMP
3	10-62269		1	VENT SCREW
4	10-79953		1	SCREW, FILLER
5	12-20260		1	SEALING WASHER
6	90762A2		1	CONTROL VALVE ASSEMBLY
-	<b>25-48171</b>		<b>4</b>	<b>"O" RING (SAME AS REF. NO. 2)</b>
7	10-21091		4	SCREW, CONTROL VALVE TO PUMP
8	13-26992		4	LOCKWASHER, CONTROL VALVE SCREW
9	84-79147A3		1	CONNECTOR AND HARNESS (WITH FUSE)
10	10-62568		1	SCREW, HARNESS ATTACHING
11	89-68258		2	STARTER SOLENOID
12	11-20110		4	NUT (#10)
13	12-22753		4	WASHER (5/16")
14	11-26484		4	NUT (5/16")
15	46265		6	BOOT, RUBBER
16	74407		1	BRACKET, MOUNTING-SOLENOID
17	10-48060		2	SCREW, BRACKET TO PUMP
18	11-20110		1	NUT, PUMP BOLT
19	74406		1	BRACKET, SOLENOID MOUNTING
20	26901		1	BUMPER, PUMP TO BRACKET
21	10-32417		2	SCREW, SOLENOID TO BRACKET (5/8")
	10-60300		2	SCREW, SOLEMOID TO BRACKET (3/4")
22	11-20361		4	NUT, SOLENOID SCREW
23	84-79139A9		1	BATTERY WIRE (RED)
	84-79138A1		1	BATTERY WIRE (BLACK)
24	84-79139A2		1	WIRE, SOLENOID (RED)
	84-65999A10		1	WIRE, SOLENOID TO SOLENOID (BLACK)
25	84-65999A4		1	WIRE, SOLENOID TO GROUND (BLACK)
26	88-79023A90		1	FUSE (90 AMP)
27	12-96457		1	WASHER, FFUSE TERMINAL
28	13-26992		1	LOCKWASHER, FUSE TERMINAL
29	11-21825		1	NUT, FUSE TERMINAL
30	88-79137--1		1	CIRCUIT BREAKER (40 AMP)
31	84-79148A1		1	WIRE, CIRCUIT BREAKER (RED)
32	84-65999A6		1	WIRE, CIRCUIT BREAKER (BLACK)
33	10-37562		4	SCREW, PUMP TO BRACKET
34	11-26484		4	NUT, PUMP SCREW
35	22-70847		2	ADAPTOR
36	22-69424		1	FITTING (90 DEGREE)
37	22-38214		1	ELBOW
38	87760		1	PLATE, MOUNTING
39	10-39349		1	SCREW, MOUNTING PLATE TO BRACKET (3/4")

CONTINUED ON NEXT PAGE ➡

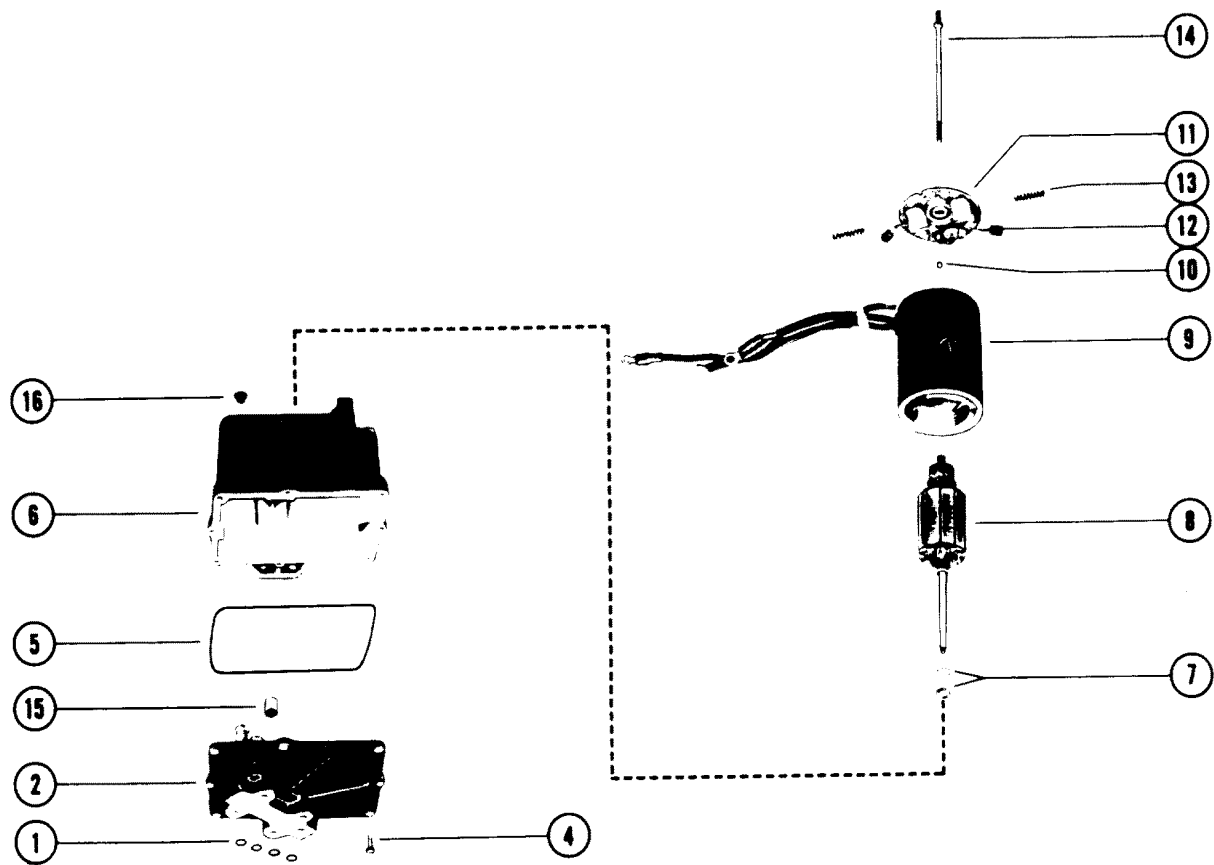
# HYDRAULIC PUMP AND BRACKET



## HYDRAULIC PUMP AND BRACKET

REF. NO.	PART NO.	SYM.	QTY.	DESCRIPTION
40	13-26993		1	LOCKWASHER, MOUNTING PLATE SCREW
41	10-90271		2	SCREW, HYDRAULIC PUMP
42	13-58643		2	LOCKWASHER, HYDRAULIC PUMP SCREW
43	87762		1	BRACKET, HYDRAULIC PUMP
44	10-69698		2	BRACKET TO TRANSOM
45	13-58643		2	LOCKWASHER, BRACKET SCREW
46	11-46335		2	NUT, BRACKET SCREW

# HYDRAULIC PUMP ASSEMBLY (PLASTIC RESERVOIR)

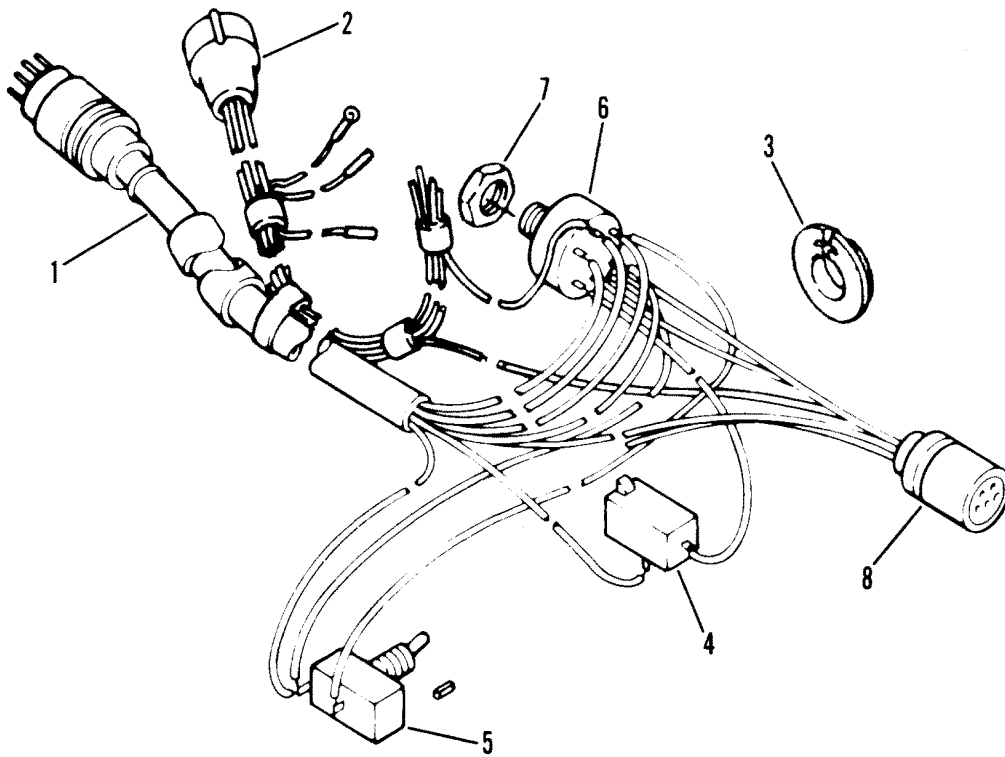




## HYDRAULIC PUMP ASSEMBLY (PLASTIC RESERVOIR)

REF. NO.	PART NO.	SYM.	QTY.	DESCRIPTION
-	92975A6		1	HYDRAULIC PUMP ASSEMBLY
1	25-48171		4	"O" RING, HYDRAULIC PUMP
2	392-8317		1	VALVE BODY AND GEAR ASSEMBLY
4	10-69570		8	SCREW, VALVE BODY TO RESERVIOR
5	392-7735		1	SEAL, RESERVOIR TO VALVE BODY AND GEAR
6	392-7731		1	RESERVOIR ASSEMBLY (PLASTIC)
7	392-7732		AR	WASHER, THRUST-ARMATURE
8	392-7729		1	ARMATURE, FIELD AND FRAME
9	392-8261		1	FIELD AND FRAME ASSEMBLY
10	392-7730		1	BALL, COMMUTATOR END PLATE
11	392-8262		1	PLATE ASSEMBLY, COMMUTATOR END
12	392-2941		1	BRUSH SET, COMMUTATOR END PLATE
13	392-2529		1	SPRING SET, BRUSH TENSION
14	392-7733		1	BOLT SET, THRU-PLATE AND FRAME TO RESERVOIR
15	392-7727		1	COUPLER AND SHAFT
16	392-7728		1	FILL PLUG, RESERVOIR

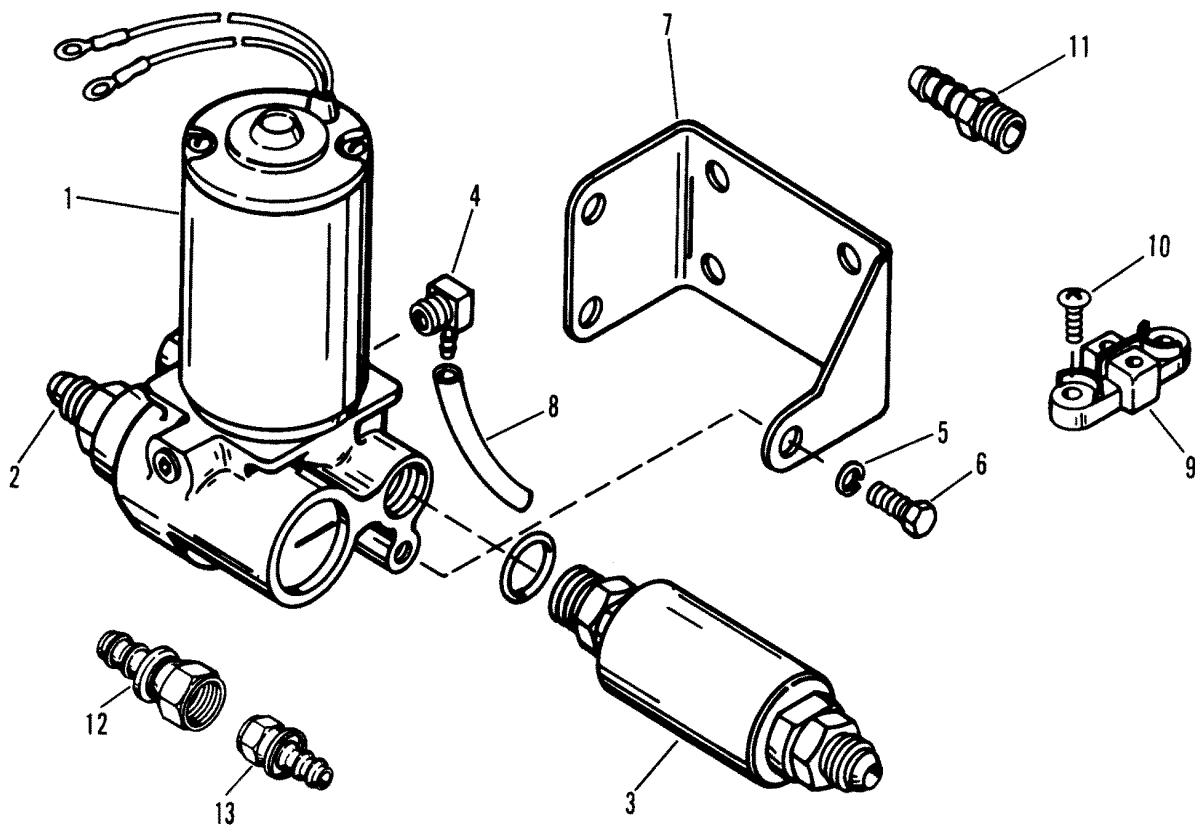
# TRIM HARNESS ASSEMBLY



# TRIM HARNESS ASSEMBLY

REF. NO.	PART NO.	SYM.	QTY.	DESCRIPTION
1	84-86353A20		1	WIRING HARNESS ASSEMBLY
2	84-86228A20		1	HARNESS ASSEMBLY, TRIM
3	23-85872		1	BUSHING, TRIM HARNESS
4	87-86320		1	MICRO SWITCH
5	87-91941		1	TOGGLE SWITCH
6	87-88107		1	IGNITION SWITCH (SEE CHART FOR KEY)
7	11-93543		1	NUT, IGNITION SWITCH
8	85-86319		1	INSULATOR, WIRING HARNESS
-	<b>89491--1</b>		<b>AR</b>	<b>KEY 1A</b>
-	<b>89491--2</b>		<b>AR</b>	<b>KEY 1B</b>
-	<b>89491--3</b>		<b>AR</b>	<b>KEY 1C</b>
-	<b>89491--4</b>		<b>AR</b>	<b>KEY 1D</b>
-	<b>89491--5</b>		<b>AR</b>	<b>KEY 1E</b>
-	<b>89491--6</b>		<b>AR</b>	<b>KEY 1F</b>
-	<b>89491--7</b>		<b>AR</b>	<b>KEY 2A</b>
-	<b>89491--8</b>		<b>AR</b>	<b>KEY 2B</b>
-	<b>89491--9</b>		<b>AR</b>	<b>KEY 2C</b>
-	<b>89491-10</b>		<b>AR</b>	<b>KEY 2D</b>
-	<b>89491-11</b>		<b>AR</b>	<b>KEY 2E</b>
-	<b>89491-12</b>		<b>AR</b>	<b>KEY 2F</b>

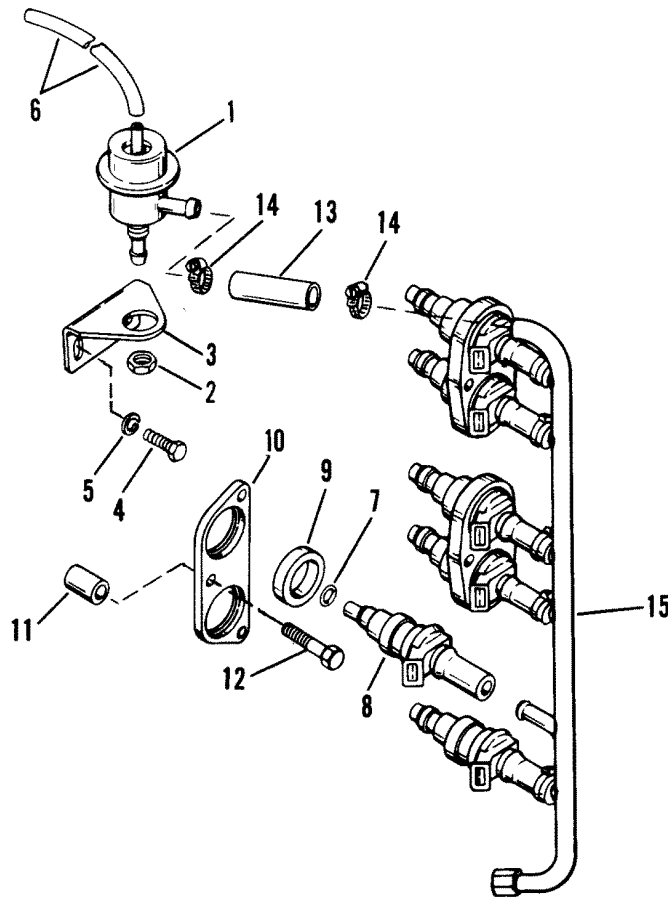
# FUEL PUMP



# FUEL PUMP

REF. NO.	PART NO.	SYM.	QTY.	DESCRIPTION
1	93860A1		1	FUEL PUMP ASSEMBLY, E.F.I.
2	22-94273		1	FITTING
3	35-94865		1	FUEL FILTER
4	22-62006		1	ELBOW
5	13-26992		3	LOCKWASHER
6	10-28635		3	SCREW
7	96030		1	BRACKET, FUEL PUMP
8	32-99387-79		1	HOSE
9	45559		1	TERMINAL BLOCK
10	10-62568		2	SCREW
11	22-32820		1	CONNECTOR, HOSE
12	22-69406		1	FITTING, FUEL LINE (FEMALE)
13	22-69393		1	FITTING, FUEL LINE (MALE)

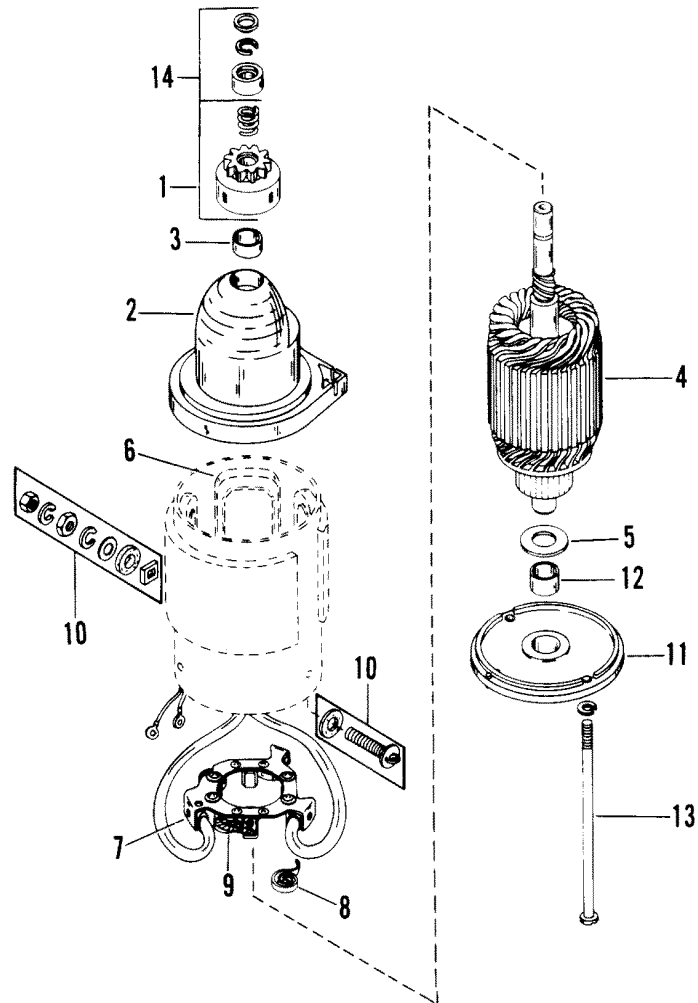
# FUEL INJECTORS



# FUEL INJECTORS

REF. NO.	PART NO.	SYM.	QTY.	DESCRIPTION
1	41378A2		1	FUEL REGULATOR
2	11-99306		1	NUT, FUEL REGULATOR
3	99188		1	BRACKET, FUEL REGULATOR
4	10-28636		2	SCREW, BRACKET TO REED BLOCK PLATE
5	13-26992		2	LOCKWASHER, BRACKET SCREW
6	32-66285--4		1	HOSE, FUEL
7	26-94219		6	SEAL, FUEL INJECTOR
8	98818		6	INJECTOR, FUEL
9	99185		12	INJECTOR CLAMP
10	99187		3	HOLD DOWN, INJECTOR
11	23-99262		9	SPACER, HOLD DOWN
12	10-22441		9	SCREW, HOLD DOWN
13	32-61649--3		1	HOSE, FUEL
14	54-54428		2	CLAMP, FUEL HOSE
15	99191		1	FUEL RAIL

# STARTER MOTOR ASSEMBLY (PRESTOLITE)

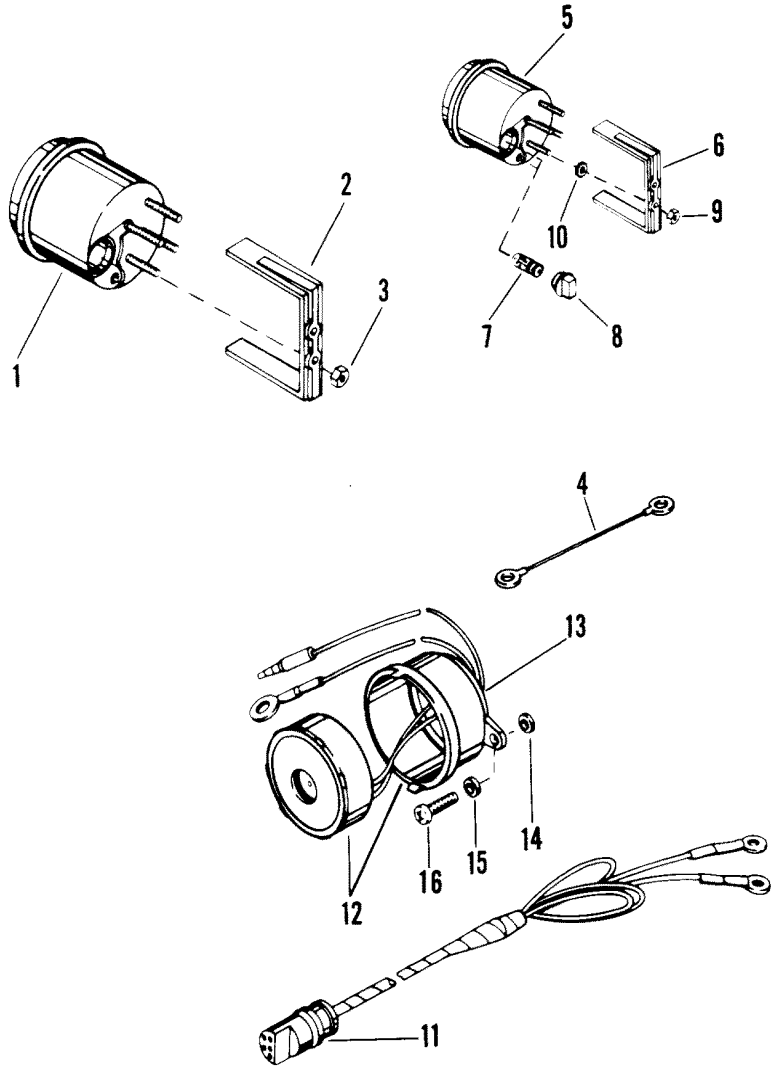




## STARTER MOTOR ASSEMBLY (PRESTOLITE)

REF. NO.	PART NO.	SYM.	QTY.	DESCRIPTION
-	50-88656		1	STARTER MOTOR ASSEMBLY
1	392-9129		1	BENDIX DRIVE
2	392-9133		1	HOUSING ASSEMBLY, DRIVE END
3	392-9134		1	BEARING
4	392-9128		1	ARMATURE
5	392-5730		1	THRUST WASHER PACKAGE
6	392-9130		1	FIELD COIL
7	392-5726		1	BRUSH PLATE
8	392-5727		1	SPRING SET
9	392-6181		1	BRUSH SET
10	392-5728		1	TERMINAL STUD PACKAGE
11	392-9131		1	HEAD, COMMUTATOR END
12	392-9132		1	BEARING
13	392-9136		1	THRU BOLT
14	392-9135		1	PINION STOP PACKAGE

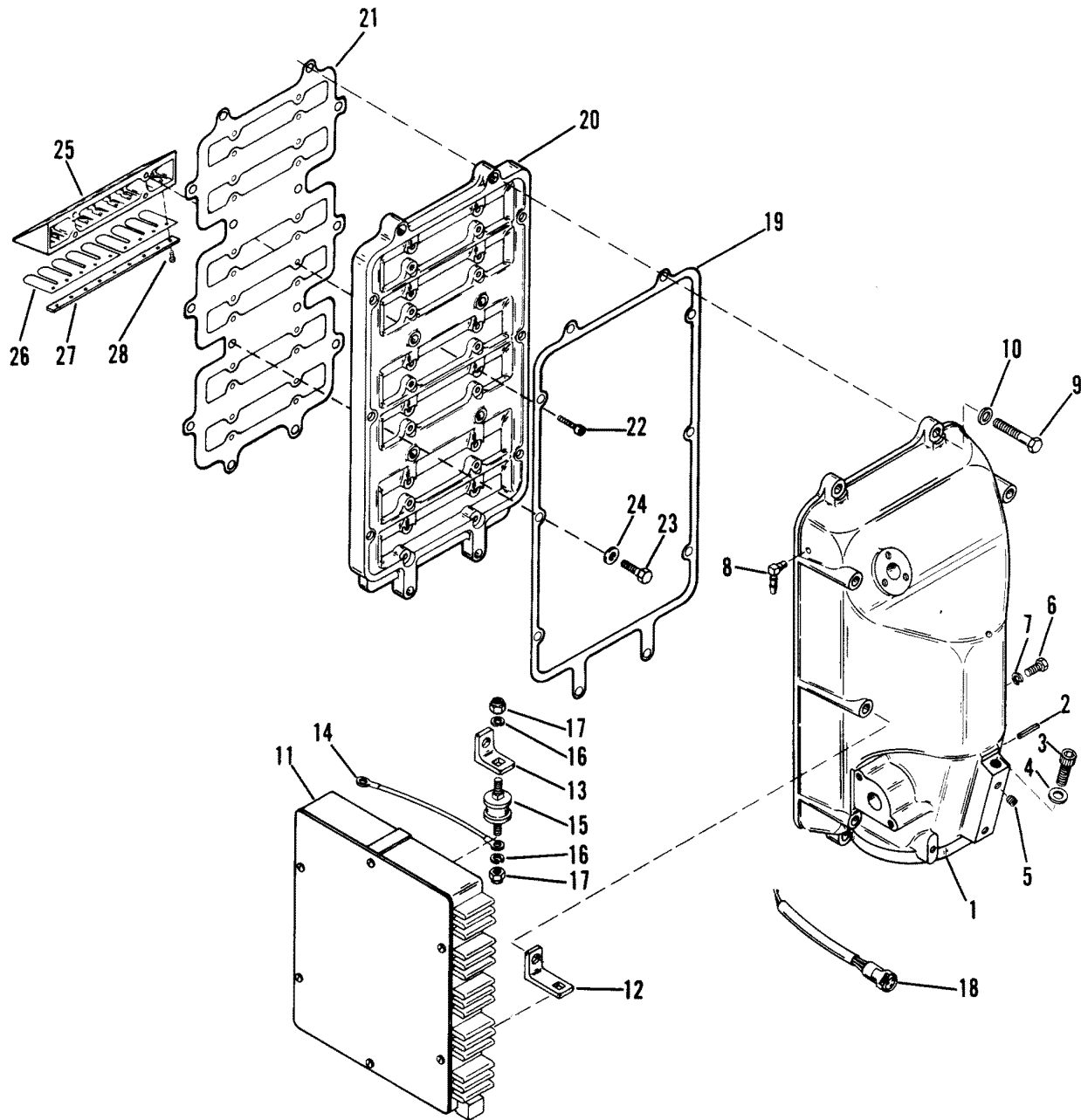
# TACHOMETER, TRIM GAUGE AND ALARM HORN



## TACHOMETER, TRIM GAUGE AND ALARM HORN

REF. NO.	PART NO.	SYM.	QTY.	DESCRIPTION
1	79-93953A1		1	TACHOMETER
2	79101		1	BRACKET, MOUNTING-TACHOMETER
3	11-26419		5	NUT, TACHOMETER TERMINAL (#8-32)
4	84-86322A7		1	WIRE, TRIM GAUGE (BLACK - 1-1/2")
	84-86323A5		1	WIRE, TRIM GAUGE (PURPLE - 1-1/2")
5	79-90941A3		1	TRIM GAUGE
6	79480		1	BRACKET, MOUNTING - TRIM GAUGE
7	88-72729		1	LIGHT BULB, TRIM GAUGE
8	88-79888		1	SOCKET, TRIM GAUGE
9	11-26419		4	NUT, TRIM GAUGE TERMINAL (8-32)
10	13-26995		4	LOCKWASHER, TRIM GAUGE TERMINAL (#8)
11	84-86396A8		1	HARNESS
12	68878A2		1	ALARM HORN AND WIRE ASSEMBLY
13	68879		1	COVER, ALARM HORN
14	23-79697		2	SPACER, ALARM HORN
15	12-24676		4	WASHER, ALARM HORN
16	10-35401		2	SCREW, ALARM HORN

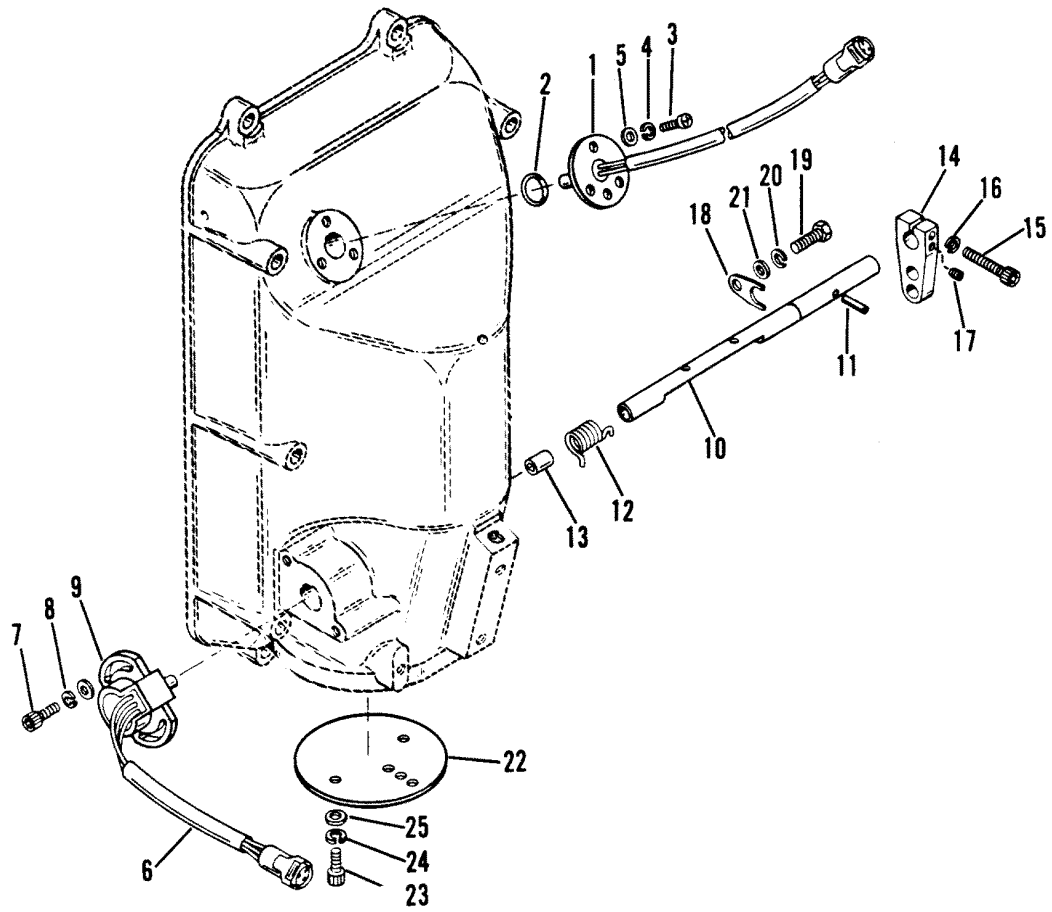
# REED BLOCK/AIR INLET/E.F.I. BOX



## REED BLOCK/AIR INLET/E.F.I. BOX

REF. NO.	PART NO.	SYM.	QTY.	DESCRIPTION
1	99194A3		1	AIR INLET ASSEMBLY
2	17-24800		1	ROLL PIN
3	10-54523		1	SCREW
4	13-26993		1	LOCKWASHER
5	22-56800		2	PIPE PLUG
6	10-28636		1	SCREW
7	13-26992		1	LOCKWASHER
8	22-71191		3	ELBOW
9	10-77065		4	SCREW, AIR INLET (2")
	10-74826		3	SCREW, AIR INLET (4")
	10-25526		1	SCREW, AIR INLET (4-3/4")
	10-39001		2	SCREW, AIR INLET (4-1/2")
10	12-20722		10	WASHER, AIR INLET SCREW
11	98248A4		1	I. CONTROL BOX
12	98786		1	BRACKET, E.F.I. CONTROL BOX (LOWER)
13	98784		1	BRACKET, E.F.I. CONTROL BOX (UPPER)
14	84-65999A10		1	WIRE ASSEMBLY (BLACK)
15	57927		3	RUBBER MOUNT
16	12-21249		6	WASHER, RUBBER MOUNT
17	11-20361		6	NUT, RUBBER MOUNT
18	84-98781A1		1	HARNESS ASSEMBLY, E.F.I. CONTROL BOX
19	27-98177		1	GASKET
20	99195		1	PLATE, REED BLOCK
21	27-98178		1	GASKET
22	10-99273		24	SCREW
23	10-31984		4	SCREW, PLATE
24	12-20722		4	WASHER, PLATE SCREW
25	99235		6	REED BLOCK
26	34-77887A1		12	REED ASSEMBLY
27	99182		12	REED STRIP
28	10-99272		108	SCREW, REED

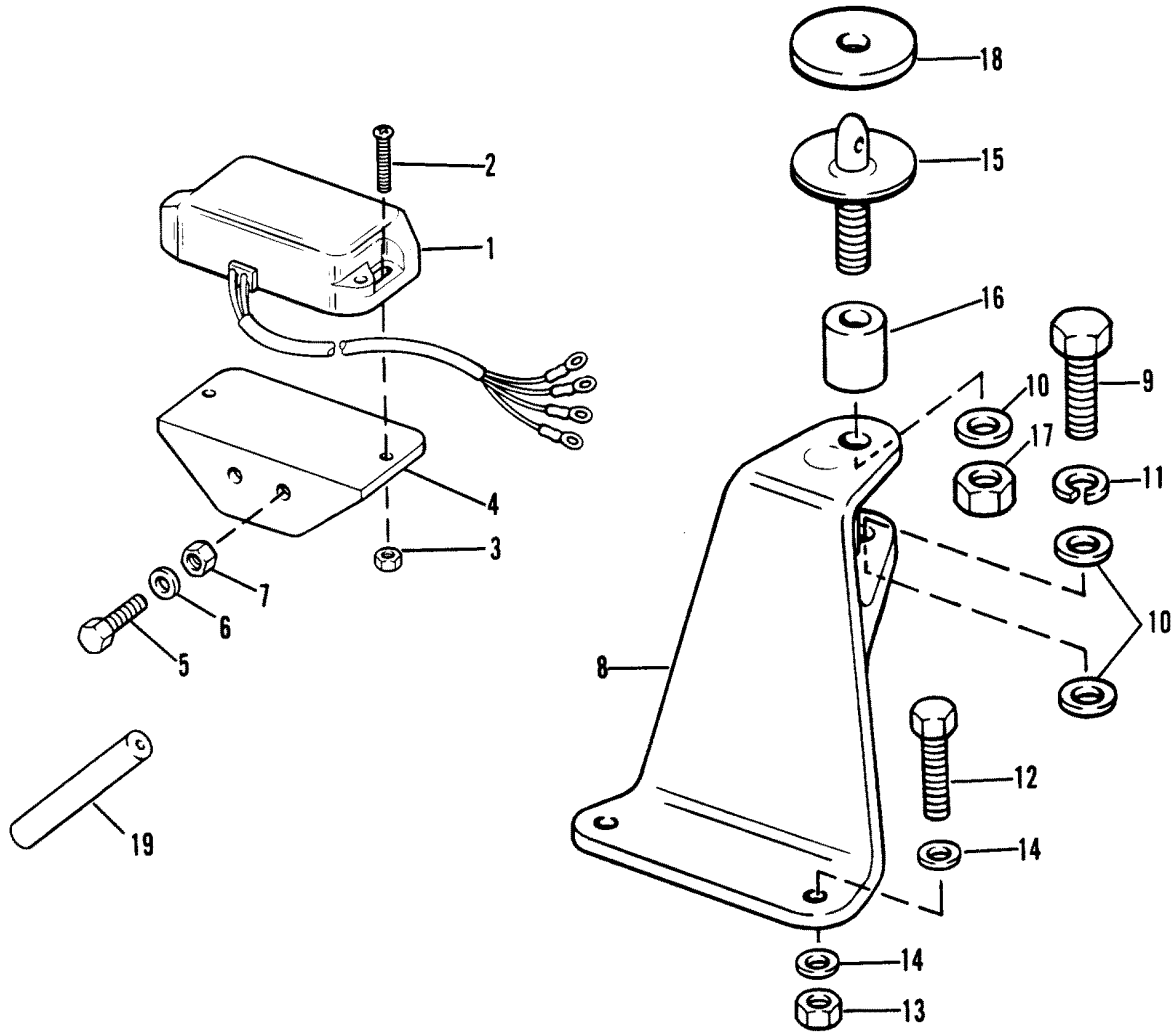
# AIR INLET COMPONENTS



# AIR INLET COMPONENTS

REF. NO.	PART NO.	SYM.	QTY.	DESCRIPTION
1	96718A1		1	TEMPERATURE SENSOR ASSEMBLY
2	25-85399		1	"O" RING, TEMPERATURE SENSOR
3	10-57583		3	SCREW, TEMPERATURE SENSOR
4	13-26995		3	LOCKWASHER, TEMPERATURE SENSOR SCREW
5	12-20670		3	WASHER, TEMPERATURE SENSOR SCREW
6	11199A2		1	THROTTLE POSITION INDICATOR
7	10-99273		2	SCREW, INDICATOR
8	13-26996		2	LOCKWASHER, INDICATOR SCREW
9	12-21273		2	WASHER, INDICATOR SCREW
10	99189A1		1	SHUTTER SHAFT ASSEMBLY
11	17-24800		1	ROLL PIN, SHUTTER SHAFT
12	24-98894		1	SPRING, SHUTTER SHAFT
13	11200		1	ADAPTOR, SHUTTER SHAFT
14	99517		1	THROTTLE LEVER
15	10-41089		1	SCREW, THROTTLE LEVER
16	13-26995		1	LOCKWASHER, THROTTLE LEVER SCREW
17	10-41355		1	SET SCREW, THROTTLE LEVER
18	98810		1	CLAMP, THROTTLE SHAFT
19	10-20055		1	SCREW, CLAMP
20	13-26996		1	LOCKWASHER, CLAMP SCREW
21	12-24676		1	WASHER, CLAMP SCREW
22	99181		1	THROTTLE SHUTTER
23	10-41354		2	SCREW, SHUTTER
24	13-26996		2	LOCKWASHER, SHUTTER SCREW
25	12-24676		2	WASHER, SHUTTER SCREW

# REV LIMITER/COWL BRACKET





## REV LIMITER/COWL BRACKET

REF. NO.	PART NO.	SYM.	QTY.	DESCRIPTION
1	86926A2		1	REV LIMITER ASSEMBLY
4	10-65384		2	SCREW, REV LIMITER
3	11-20110		2	NUT, REV LIMITER SCREW
4	99455		1	BRACKET, REV LIMITER
5	10-60300		2	SCREW, BRACKET
6	12-29245		2	WASHER, BRACKET SCREW
7	11-20586		2	NUT, BRACKET SCREW
8	99218A1		1	BRACKET, COWL
9	10-47461		1	SCREW, BRACKET
10	12-27025		4	WASHER
11	13-32993		1	LOCKWASHER
12	10-20639		2	SCREW
13	11-35814		2	NUT
14	12-20722		4	WASHER
15	99407		1	MOUNT, COWL
16	23-96851		1	SPACER
17	11-26325		1	NUT
18	41331		1	PAD
19	41558		1	ADAPTOR, SHIFT CABLE (RHR ONLY)

# PARTS INDEX

Part Number	Description	Pg.	Ref. No.	Part Number	Description	Pg.	Ref. No.
11199A2	THROTTLE POSITION INDICATOR	53	6	75692	THERMOSTAT (143)	17	10
11200	ADAPTOR, SHUTTER SHAFT	53	13	76035	LINK ROD, TRIGGER PLATE	11	4
26901	BUMPER, PUMP TO BRACKET	35	20	77376--2	SHIELD, AIR INLET	3	2
39519	CAP, BARREL RETAINER	15	42	77697	MOUNT, LOWER	23	8
39618	LEVER, SHIFT CABLE LOCKING	13	38	77987	THRUST HUB	33	67
41003	ROD, THROTTLE CONTROL	11	22	78799	TEMPERATURE SENDER	7	15
41052	PLUNGER, TILT LEVER RELEASE	25	13	78956	SHIFT CAM RHR	31	41
41331	PAD	55	18	79101	BRACKET, MOUNTING-TACHOMETER	49	2
41377	THROTTLE STOP	15	43	79448	COVER, GEAR HOUSING	31	63
41378A2	FUEL REGULATOR	45	1	79480	BRACKET, MOUNTING - TRIM GAUGE	49	6
41558	ADAPTOR, SHIFT CABLE (RHR ONLY)	55	19	79610A10	TRIM CYLINDER (79879A1 REPAIR KIT)	27	23
41611-80	RUBBER STRIPPING, BOTTOM COWL	3	21	85024	SHAFT, TRIM CYLINDER	27	28
41611-80	RUBBER STRIPPING, TOP COWL	3	12	85026	PLATE, PIVOT PIN	27	12
42491A1	CYLINDER HEAD	17	5	85028A1	LEVER ASSEMBLY, TILT LOCK (STARBOARD)	25	10
43769A3	EXHAUST PLATE	19	1	85030A1	LEVER ASSEMBLY, TILT LOCK (PORT)	25	10
44197A2	SHAFT, SHIFT- LOWER	29	26	85035	SPACER, TRANSOM BRACKET	27	15
45559	TERMINAL BLOCK	43	9	85647	IMPELELR, WATER PUMP	29	22
46265	BOOT, RUBBER	35	15	86475--1	COUPLING, TILT LOCK LEVER	25	16
48039	CAP, SPARK ADVANCE LEVER STOP SCREW	11	12	86603	KNOB, PLUNGER	25	15
52023	CAP, SPARK ADVANCE LEVER STOP SCREW	11	9	86926A2	REV LIMITER ASSEMBLY	55	1
52023	CAP, THROTTLE LEVER STOP SCREW	11	21	87760	PLATE, MOUNTING	35	38
57927	RUBBER MOUNT	51	15	87762	BRACKET, HYDRAULIC PUMP	37	43
58707	HOLD DOWN, COWL (BUNGY CORD)	3	17	87871	COVER, INLET - HYDRAULIC HOSE	27	34
58809--6	TRIM MOLDING	3	11	88238A2	GROUND WIRE ASSEMBLY	23	12
60572	BARREL, THROTTLE CONTROL ROD	11	23	88251	SEAL,CYLINDER HEAD	17	6
61364	RETAINER, COWL HOLD DOWN	3	8	88261	RING, SEALING - CRANKSHAFT 9	21	6
62351A1	RECTIFIER	7	21	88266A3	CARRIER ASSEMBLY	21	18
62459	BALL JOINT, TRIGGER PLATE	11	2	88484	COVER, STARTER MOTOR - LOWER	13	4
65663A1	COVER,RELIEF VALVE	19	3	88486	COVER, STARTER MOTOR - UPPER	13	2
65799	LINK, LEVER TO COVER	13	39	88523	ROD, CLUTCH ACTUATOR RHR	31	43
67077	COVER, LOWER MOUNT CLAMP	23	17	88581	GUIDE, WATER INLET TUBE	29	21
67614	COVER, IGNITION COIL	5	17	88603A4	BEARING CARRIER ASSEMBLY (RHR)	31	57
68042	STOP, RUBBER - STARTER MOTOR	5	11	88738	COLLAR, STARTER MOTOR (UPPER)	5	8
68100	RING, THRUST - BEARING CARRIER RHR	31	55	88739	COLLAR, STARTER MOTOR (LOWER)	5	9
68878A2	ALARM HORN AND WIRE ASSEMBLY	49	12	88751	CLAMP, WIRING HARNESS	7	18
68879	COVER, ALARM HORN	49	13	88758	STRAP, SWIVEL BRACKET RETAINING	23	5
71602	YOKE, COWL HOLD DOWN	3	15	88825A7	VOLTAGE REGULATOR	7	25
74406	BRACKET, SOLENOID MOUNTING	35	19	88883	SEAL, EXHAUST TUBE - LOWER	23	22
74407	BRACKET, MOUNTING-SOLENOID	35	16	88887T	EXHAUST TUBE	23	21
74897	PIVOT, TRIGGER PLATE	11	1	89004A5	TRIGGER PLATE ASSEMBLY	5	5
				89026	COVER, ANODE	31	64
				89491--1	KEY 1A	41	-

# PARTS INDEX

Part Number	Description	Pg.	Ref. No.	Part Number	Description	Pg.	Ref. No.
89491--2	KEY 1B .....	41	-	98810	CLAMP, THROTTLE SHAFT ..	53	18
89491--3	KEY 1C .....	41	-	98818	INJECTOR, FUEL .....	45	8
89491--4	KEY 1D .....	41	-	99170A1	TILT TUBE .....	27	9
89491--5	KEY 1E .....	41	-	99181	THROTTLE SHUTTER .....	53	22
89491--6	KEY 1F .....	41	-	99182	REED STRIP .....	51	27
89491--7	KEY 2A .....	41	-	99185	INJECTOR CLAMP .....	45	9
89491--8	KEY 2B .....	41	-	99187	HOLD DOWN, INJECTOR ..	45	10
89491--9	KEY 2C .....	41	-	99188	BRACKET, FUEL REGULATOR .....	45	3
89491-10	KEY 2D .....	41	-	99189A1	SHUTTER SHAFT ASSEMBLY .....	53	10
89491-11	KEY 2E .....	41	-	99191	FUEL RAIL .....	45	15
89491-12	KEY 2F .....	41	-	99192	LEVER, THROTTLE CONTROL .....	11	13
89565	COVER, TEMPERATURE SENDER .....	7	16	99194A3	AIR INLET ASSEMBLY .....	51	1
89594A1	FOLLOWER, CAM RHR ....	31	42	99195	PLATE, REED BLOCK .....	51	20
89938	SEAL, CRANKSHAFT/DRIVERSHAFT21	4		99206	GASKET, EXHAUST PLATE (LOWER) .....	19	8
89939	SEAT, CRANKSHAFT/DRIVERSHAFT21	5		99206	PLATE, STEERING .....	19	9
89949A1	PLATE ASSEMBLY, TRANSOM BRACKET ....	27	18	99211	MOUNT, UPPER .....	25	33
90211	COVER, SHIFT CABLE ....	13	40	99218A1	BRACKET, COWL .....	55	8
90390A1	COVER, THERMOSTAT ....	17	12	99235	REED BLOCK .....	51	25
90753	INSULATOR, WATER PUMP SCREW .....	29	25	99407	MOUNT, COWL .....	55	15
90755	,PLATE, FACE-WATER PUMP	29	17	99435	LEVER, SPARK ADVANCE ..	11	6
90762A2	CONTROL VALVE ASSEMBLY .....	35	6	99455	BRACKET, REV LIMITER ...	55	4
91882	PLATE, IGNITION .....	7	1	99508	BRACKET, ANCHOR - CONTROL CABLES .....	13	34
92876A1	STEERING LINK ASSEMBLY	25	28	99517	THROTTLE LEVER .....	53	14
92975A6	HYDRAULIC PUMP ASSEMBLY .....	35	1	99690	PLATE, COWL HOLD DOWN	3	3
92975A6	HYDRAULIC PUMP ASSEMBLY .....	39	-	99779	CLIP .....	3	5
93860A1	FUEL PUMP ASSEMBLY, E.F.I. ....	43	1	N.S.S.	PINION GEAR (PART OF 43- 99492A2/43-99492A3) ...	29	7
94110--1	COVER, EXHAUST MANIFOLD .....	17	1	N.S.S.	REVERSE GEAR (PART OF 43-99492A3) RHR .....	31	54
94306	PLATE, COWL BASE .....	3	24	10-12405	SCREW, SPARK ADVANCE LEVER - STOP (1-1/4") ...	11	10
94307A4	BOTTOM COWL ASSEMBLY	3	14	10-14000	SCREW, STEERING LINK TO STEERING ARM .....	25	29
96030	BRACKET, FUEL PUMP ....	43	7	10-20055	SCREW, CLAMP .....	53	19
96175	ADAPTOR, BEARING TO SHAFT LHR .....	31	--	10-20639	SCREW .....	55	12
96178A1	BEARING CARRIER ASSEMBLY (LHR) .....	31	57	10-20646	SCREW, RECTIFIER AND REGULATOR .....	7	22
96718A1	TEMPERATURE SENSOR ASSEMBLY .....	53	1	10-21091	SCREW, CONTROL VALVE TO PUMP .....	35	7
96839	BRACKET, CABLE ANCHOR RHR .....	13	21	10-22441	SCREW, HOLD DOWN ....	45	12
96841	LEVER, UPPER SHIFT SHAFT R.H.R .....	19	14	10-24220	SCREW, SET, CYLINDER BLOCK .....	13	14
96843--1	SHIFT SDHAFT, UPPER (LONG) R.H.R .....	19	12	10-25299	SCREW, THROTTLE STOP ..	15	44
96843--2	SHIFT SHAFT, UPPER (EXTRA LONG) R.H.R ...	19	12	10-25526	SCREW, AIR INLET (4-3/4")	51	9
96848	SHIFT LINK R.H.R .....	19	16	10-28635	SCREW .....	43	6
96852	BOTTOM YOKE .....	25	21	10-28636	SCREW .....	51	6
98248A4	I. CONTROL BOX .....	51	11	10-28636	SCREW, BRACKET TO REED BLOCK PLATE .....	45	4
98784	BRACKET, E.F.I. CONTROL BOX (UPPER) .....	51	13	10-28636	SCREW, CLAMP TO IGNITION PLATE .....	7	19
				10-28636	SCREW, PLATE TO TRANSOM BRACKET ....	27	13
				10-28653	SCREW, GEAR HOUSING ..	29	36
				10-31984	SCREW, ANCHOR BRACKET	13	35
				10-31984	SCREW, PLATE .....	51	23

# PARTS INDEX

Part Number	Description	Pg.	Ref. No.	Part Number	Description	Pg.	Ref. No.
10-32417	SCREW, SOLENOID TO BRACKET (5/8")	35	21	10-62269	VENT SCREW	35	3
10-35401	SCREW, ALARM HORN	49	16	10-62568	SCREW	43	10
10-36070	SCREW, INLET COVER	27	37	10-62568	SCREW, HARNESS ATTACHING	35	10
10-37562	SCREW, PUMP TO BRACKET	35	33	10-62568	SCREW, WIRE ATTACHING	9	41
10-37572	SCREW, LEADS TO TERMINAL BLOCK	7	11	10-62842	SCREW, IGNITION COIL COVER	5	18
10-39001	SCREW, AIR INLET (4-1/2")	51	9	10-65384	SCREW, REV LIMITER	55	4
10-39349	SCREW, MOUNTING PLATE TO BRACKET (3/4")	35	39	10-67755--1	SCREW, BRACKET TO TRANSOM (4-1/2")	27	4
10-40001137	SCREW, COVER TO EXHAUST PLATE	19	4	10-67755--2	SCREW,,BRACKET TO TRANSOM (6-1/2")	27	3
10-40001137	SCREW, IGNITION PLATE	7	2	10-67769	SCREW, STRAP TO DRIVE SHAFT HOUSING	23	6
10-40001137	SCREW,PLATE TO DRIVE SHAFT HOUSING	19	10	10-69035	SCREW, CABLE TO STARTER MOTOR	5	12
10-40001140	SCREW, LOWER MOUNT CLAMP	23	15	10-69079	SCREW, TERMINAL BLOCK ATTACHING	7	10
10-40010127	SCREW, BRACKET TO CRANKCASE RHR	13	22	10-69097	SCREW, SHIFT CABLE TO BRACKET RHR	13	23
10-40011128	SCREW, WATER PUMP	29	24	10-69570	SCREW, VALVE BODY TO RESERVIOR	39	4
10-40062149	SCREW, END CAP ATTACHING	13	29	10-69698	BRACKET TO TRANSOM	37	44
10-40062149	SCREW,EXHAUST MANIFOLD COVER (25MM)	17	3	10-70732	SCREW, SPACER TO TRANSOM BRACKET	27	16
10-40062152	SCREW, COVER TO CRANKCASE	13	5	10-73286	SCREW, GROUND WIRE	23	13
10-40062153	SCREW, COVER TO CRANKCASE	13	3	10-74824	SCREW,THERMOSTAT COVER (1-1/4")	17	13
10-40062159	CLAMP,CYLINDER HEAD SCREW	17	9	10-74826	SCREW, AIR INLET (4")	51	9
10-40062159	SCREW, CYLINDER HEAD (80 MM)	17	8	10-75168	SCREW, SPARK ADVANCE LEVER - STOP	11	7
10-40062171	SCREW, CRANKCASE (35 MM)	13	15	10-75168	SCREW, THROTTLE LEVER -STOP	11	19
10-40062177	SCREW,EXHAUST PLATE (65MM)	19	6	10-77065	SCREW, AIR INLET (2")	51	9
10-40062180	SCREW, CRANKCASE TO CYLINDER BLOCK (90 MM)	13	17	10-77363	SCREW, STATOR	5	3
10-41089	SCREW, THROTTLE LEVER	53	15	10-79953	SCREW, FILLER	35	4
10-41354	SCREW, SHUTTER	53	23	10-79953	SCREW, GREASE FILLER	29	33
10-41355	SET SCREW, THROTTLE LEVER	53	17	10-87180	BOLT, TILT	27	7
10-47277	SCREW, PLATE TO BOTTOM COWL	3	25	10-88417	SCREW, COVER ATTACHING (5/8")	23	18
10-47461	SCREW, BRACKET	55	9	10-88659	SCREW, STEERING ARM TO UPPER MOUNT	25	25
10-47462	SCREW, ANODE COVER	33	65	10-88829	SCREW, CLAMP TO TRANSOM BRACKET	27	21
10-48060	SCREW, BRACKET TO PUMP	35	17	10-89996	SCREW, PLATE TO TRANSOM BRACKET	27	19
10-54523	SCREW	51	3	10-90198	SCREW, SOLENOID TO IGNITION PLATE	7	28
10-55337	SCREW, THROTTLE LEVER/ADVANCE LEVER (1-3/4")	11	14	10-90271	SCREW, HYDRAULIC PUMP	37	41
10-57583	SCREW, TEMPERATURE SENSOR	53	3	10-90818	SCREW, SWITCH BOX TO IGNITION PLATE	9	38
10-60300	SCREW, BRACKET	55	5	10-91006	SCREW, CRANKCASE TO CYLINDER BLOCK (105 MM)	13	20
10-60300	SCREW, SOLEMOID TO BRACKET (3/4")	35	21	10-94320	SCREW, CONNECTING ROD (3/8-24 THREAD)	21	13
				10-96849	SCREW,SHIFT LINK R.H.R.	19	20
				10-96853	SCREW, LOWER MOUNT	23	9

# PARTS INDEX

Part Number	Description	Pg.	Ref. No.	Part Number	Description	Pg.	Ref. No.
10-99272	SCREW, REED	51	28	11-46438	NUT, BALL JOINT	11	5
10-99273	SCREW	51	22	11-52707A1	PROPELLER NUT	33	69
10-99273	SCREW, INDICATOR	53	7	11-52901	NUT, FLYWHEEL	21	23
11-20110	NUT (#10)	35	12	11-56041	NUT, TILT TUBE (7/8-14)	27	11
11-20110	NUT, PUMP BOLT	35	18	11-68219	NUT, INLET COVER SCREW	27	39
11-20110	NUT, REV LIMITER SCREW	55	3	11-68219	NUT, LINK ROD	11	3
11-20220	NUT, TILT BOLT	27	8	11-68219	NUT, SOLENOID TERMINALS (10-32)	7	34
11-20361	NUT, CABLE STUD	11	26	11-68219	NUT, SPARK ADVANCE LEVER STOP SCREW	11	11
11-20361	NUT, RUBBER MOUNT	51	17	11-88710	LOCK NUT, ROLLER BEARING	29	12
11-20361	NUT, SOLENOID SCREW	35	22	11-93543	NUT, IGNITION SWITCH	41	7
11-20586	NUT, BRACKET SCREW	55	7	11-99306	NUT, FUEL REGULATOR	45	2
11-21825	NUT, FUSE TERMINAL	35	29	12-20086	WASHER, CRANKCASE SCREW	13	19
11-21908	NUT, SOLENOID TERMINALS (5/16-18)	7	32	12-20128	WASHER, CLEVIS PIN	3	20
11-21908	NUT, STARTER MOTOR TERMINAL	5	15	12-20128	WASHER, RETAINER RIVET	3	10
11-25096	NUT, LOWER MOUNT SCREW	23	11	12-20260	SEALING WASHER	35	5
11-25269	NUT, STRAP TO DRIVE SHAFT HOUSING SCREW	23	7	12-20260	WASHER, GREASE FILLER AND DRAIN SCREW	29	35
11-26325	NUT	55	17	12-20262	WASHER, GEAR HOUSING	29	37
11-26419	NUT, TACHOMETER TERMINAL (#8-32)	49	3	12-20533	WASHER, CLAMP SCREW	7	20
11-26419	NUT, TRIM GAUGE TERMINAL (8-32)	49	9	12-20670	WASHER, TEMPERATURE SENSOR SCREW	53	5
11-26484	NUT (5/16")	35	14	12-20722	WASHER	55	14
11-26484	NUT, PUMP SCREW	35	34	12-20722	WASHER, AIR INLET SCREW	51	10
11-28770	NUTG, SHIFT LINK SCREW (5/16-24) R.H.R	19	21	12-20722	WASHER, PLATE SCREW	51	24
11-29598	NUT, SPARK ADVANCE LEVER STOP SCREW	11	8	12-21249	WASHER	11	28
11-29598	NUT, THROTTLE LEVER STOP SCREW	11	20	12-21249	WASHER, CABLE STUD	11	25
11-34862	NUT, TILT TUBE (1"-14)	27	11	12-21249	WASHER, RUBBER MOUNT	51	16
11-34863	NUT, STEERING LINK SCREW	25	30	12-21273	WASHER, INDICATOR SCREW	53	9
11-34933	NUT, DRIVE SHAFT HOUSING STUD	23	4	12-22248	WASHER, CRANKCASE SCREW	13	16
11-34933	NUT, MOUNT STUD	25	36	12-22753	WASHER (5/16")	35	13
11-34933	NUT, UPPER MOUNT BOLT	25	27	12-22753	WASHER, ANCHOR BRACKET SCREW	13	36
11-35000	NUT, BRACKET SCREW	27	6	12-22753	WASHER, PLATE SCREW	3	26
11-35521	NUT, NYLON - COVER TO CLAMP SCREW	23	19	12-22753	WASHER, SHIFT CABLE SCREW RHR	13	24
11-35814	NUT	55	13	12-22753	WASHER, THROTTLE STOP SCREW	15	45
11-35814	NUT, SHIFT CABLE SCREW RHR	13	25	12-24676	WASHER, ALARM HORN	49	15
11-35921	NUT, PINION GEAR TO DRIVE SHAFT	29	9	12-24676	WASHER, CLAMP SCREW	53	21
11-36069	NUT, SHIFT LINK R.H.R	19	19	12-24676	WASHER, SHUTTER SCREW	53	25
11-36069	NUT, SHIFT LINK SCREW (1/4-28) R.H.R	19	23	12-27025	WASHER	55	10
11-40026-6	NUT, POWERHEAD STUDS	13	13	12-28421	WASHER, BRACKET SCREW	27	5
11-45076	NUT, IGNITION COIL TERMINAL	5	20	12-29245	WASHER, BRACKET SCREW	55	6
11-45076	NUT, RECTIFIER AND REGULATOR TERMINALS	7	23	12-29245	WASHER, PLATE SCREW	27	14
11-45076	NUT, SWITCH BOX TERMINAL	9	40	12-29245	WASHER, SPACE SCREW	27	17
11-45592	NUT, PLATE SCREW	3	27	12-34931	WASHER, STEERING LINK TO STERRING ARM	25	31
11-46335	NUT, BRACKET SCREW	37	46	12-36042	WASHER, IGNITION PLATE SCREW	7	6
				12-45175	WASHER, ANODE COVER SCREW	33	66
				12-45175	WASHER, POWERHEAD STUDS	13	12

# PARTS INDEX

Part Number	Description	Pg.	Ref. No.	Part Number	Description	Pg.	Ref. No.
12-45176	WASHER, MOUNT STUD . . .	25	35	13-26996	LOCKWASHER, INLET COVER SCREW . . . . .	27	38
12-49339	WASHER, LOWER MOUNT SCREW . . . . .	23	10	13-26996	LOCKWASHER, SHUTTER SCREW . . . . .	53	24
12-57238	WASHER, POP RIVET . . . . .	3	23	13-26996	LOCKWASHER, SOLENOID TERMINALS (#10) . . . . .	7	33
12-57238	WASHER, SHIELD RIVET . .	3	7	13-26996	LOCKWASHER, STATOR SCREW . . . . .	5	4
12-67264	WASHER, IGNITION PLATE SCREW (RUBBER) . . . . .	7	7	13-29720	WAVE WASHER . . . . .	11	27
12-67670	WASHER, THRUST-SWIVEL BRACKET . . . . .	25	23	13-29720	WAVEWASHER, SHIFT LINK SCREW R.H.R . . . . .	19	22
12-68229	WASHER, FLYWHEEL NUT .	21	22	13-29720	WAVEWASHER,SHIFT LINK R.H.R . . . . .	19	18
12-68410	WASHER, SPARK ADVANCE LEVER . . . . .	11	18	13-32993	LOCKWASHER . . . . .	55	11
12-77674	WASHER, RUBBER - SHIFT SHAFT BUSHING . . . . .	29	32	13-39107	LOCKWASHER, SOLENOID TERMINALS (5/16") . . . . .	7	31
12-78688	WASHER, UPPER MOUNT BOLT . . . . .	25	26	13-39107	LOCKWASHER, STARTER MOTOR TERMINAL . . . . .	5	14
12-78910	WASHER, COMPRESSION SPRING RHR . . . . .	31	45	13-40024--7	LOCKWAHSER,PLATE SCREW . . . . .	19	11
12-85022	WASHER, TRANSOM BRACKET . . . . .	27	25	13-40024--7	LOCKWASHER, LOWER MOUNT CLAMP SCREW .	23	16
12-87161	WASHER, TILT LOCK LEVER	25	8	13-58643	LOCKWASHER, BRACKET SCREW . . . . .	37	45
12-88263	WAHER, NEEDLE LOCATING	21	15	13-58643	LOCKWASHER, HYDRAULIC PUMP SCREW . . . . .	37	42
12-92721	WASHER, PINION GEAR NUT . . . . .	29	8	13-78854	WAVE WASHER, BOTTOM YOKE . . . . .	25	20
12-93900	WASHER, STARTER MOTOR (UPPER) . . . . .	5	7	13-88750	WAVE WASHER, TILT TUBE	27	10
12-93901	WASHER, STARTER MOTOR (LOWER) . . . . .	5	10	14-31210	TAB WASHER, PROPELLER NUT . . . . .	33	68
12-96180	THRUST WASHER, BEARING CARRIER LHR . . . . .	31	55	14-79447	TAB WASHER, GEAR HOUSING COVER . . . . .	31	62
12-96457	WASHER, FFUSE TERMINAL	35	27	15-47397A1	SHIM, BEARING OUTER RACE (.002-3-5-10) . . . . .	31	38
13-26992	LOCKWASHER . . . . .	43	5	15-88655A1	SHIM ASSEMBLY, ROLER BEARING TO GEAR HOUSING . . . . .	29	10
13-26992	LOCKWASHER . . . . .	51	7	16-14136	STUD, CYLINDER BLOCK . .	13	10
13-26992	LOCKWASHER, BRACKET SCREW . . . . .	45	5	16-14137	STUD, CYLINDER BLOCK . .	13	9
13-26992	LOCKWASHER, CONTROL VALVE SCREW . . . . .	35	8	16-57933	STUD, DRIVE SHAFT HOUSING/GEAR HOUSING (2-3/16") . . . . .	23	2
13-26992	LOCKWASHER, FUSE TERMINAL . . . . .	35	28	16-57984	STUD, DRIVE SHAFT HOUSING/GEAR HOUSING (2-3/8") . . . . .	23	2
13-26992	LOCKWASHER, SOLENOID TO IGNITION PLATE SCREW . . . . .	7	29	16-66021	STUD, CABLE TO THROTTLE LEVER . . . . .	11	24
13-26993	LOCKWASHER . . . . .	51	4	16-87343--2	STUD, DRIVE SHAFT HOUSING/GEAR HOUSING	23	2
13-26993	LOCKWASHER, IGNITION PLATE SCREW . . . . .	7	3	16-87344--1	STUD, GEAR HOUSING . . . .	29	5
13-26993	LOCKWASHER, MOUNTING PLATE SCREW . . . . .	37	40	16-88876	STUD, PLUNGER . . . . .	25	14
13-26995	LOCKWASHER, TEMPERATURE SENSOR SCREW . . . . .	53	4	16-91000--1	STUD, CYLINDER BLOCK . .	13	11
13-26995	LOCKWASHER, THROTTLE LEVER SCREW . . . . .	53	16	16-99212	STUD, MOUNT . . . . .	25	34
13-26995	LOCKWASHER, TRIM GAUGE TERMINAL (#8) . .	49	10	17-12147	POP RIVET, SHIELD . . . . .	3	6
13-26996	LOCKWASHER, CLAMP SCREW . . . . .	27	22	17-12148	POP RIVET, RETAINER . . . .	3	9
13-26996	LOCKWASHER, CLAMP SCREW . . . . .	53	20	17-20033	DOWEL PIN, LOCATING - EXAHUST PLATE . . . . .	19	5
13-26996	LOCKWASHER, INDICATOR SCREW . . . . .	53	8	17-20033	DOWELL PIN, GEAR HOUSING LOCATING . . .	29	2

# PARTS INDEX

Part Number	Description	Pg.	Ref. No.	Part Number	Description	Pg.	Ref. No.
17-20433	DOWEL PIN, DRIVE SHAFT HOUSING	23	20	23-65830	BUSHING, UPPER SHIFT SHAFT R.H.R	19	13
17-24800	ROLL PIN	51	2	23-67268	BUSHING, IGNITION PLATE SCREW	7	8
17-24800	ROLL PIN, SHUTTER SHAFT	53	11	23-67668	SPACER, SWIVEL BRACKET - UPPER	25	5
17-40044110	DOWEL PIN, LOCATING	13	6	23-67669	BUSHING, SWIVEL BRACKET - LOWER AND UPPER	25	3
17-47175	LOCATING PIN, LEVER AND COVER	13	41	23-77631A2	BUSHING ASSEMBLY, SHIFT SHAFT	29	30
17-57629	RIVET, YOKE TO PAN	3	16	23-79697	SPACER, ALARM HORN	49	14
17-58712	CLEVIS PIN, HOLD DOWN	3	18	23-85872	BUSHING, TRIM HARNESS	41	3
17-67296	DOWEL PIN, CYLINDER BLOCK (BEARING RACE)	13	7	23-86489	BUSHING, TRIM CYLINDER	27	24
17-67706A2	SWIVEL PIN AND STEERING ARM ASSEMBLY	25	24	23-86600	BUSHING, TILT LEVER RELEASE	25	11
17-69745	ROLL PIN, LEVER TO COUPLING	25	17	23-86637	BEARING, TRIM SHAFT	27	29
17-74840	DOWEL PIN LHR	31	--	23-91912	BUSHING, SWITCH BOX SCREW	9	39
17-78905	CROSS PIN, RATCHET TO PROPELLER SHAFT RHR	31	51	23-96176	SLEEVE, GEAR TO SHAFT LHR	31	--
17-78906	PIN, SPRING LOCATOR RHR	31	46	23-96851	SPACER	55	16
17-78909	DENTENT PIN, RATCHET RHR	31	52	23-96851	SPACER, UPPER MOUNT BOLT	25	32
17-85020	PIVOT PIN, TRIM CYLINDER	27	27	23-99183	SPACER, ANCHOR BRACKET SCREW	13	37
17-86914	POP RIVET, RUBBER STRIPPING	3	22	23-99262	SPACER, HOLD DOWN	45	11
17-91862	PIN, TRIM CYLINDER	27	30	23-99813A1	BUSHING KIT, TRIM CYLINDER	27	31
17-96888	ROLL PIN, LEVER TO SHIFT SHAFT R.H.R	19	15	24-30316	SPRING, TRIM CYLINDER	27	26
18-21071	COTTER PIN	11	29	24-68784	SPRING, THROTTLE AND SPARK ADVANCE LEVER	11	17
18-21071	COTTER PIN, CLEVIS PIN	3	19	24-78962	SPRING, RETAINING - CROSS PIN RHR	31	53
18-93861	COTTER PIN, COUPLING SPRING	25	19	24-85367	SPRING, TILT LEVER RELEASE	25	12
19-37630	PLUG, SHIFT SHAFT HOLE (LHR)	3	28	24-88049	SPRING, TENSION - COUPLING	25	18
21-42658--1	CHECK VALVE (STRAIGHT-THREADED)	13	30	24-88579	SPRING, COMPRESSION RHR	31	44
21-55621A3	CHECK VALVE (90 DEGREE)	13	32	24-98894	SPRING, SHUTTER SHAFT	53	12
22-32820	CONNECTOR, HOSE	43	11	25-12602	GROMMET, HYDRAULIC HOSES	27	33
22-38214	ELBOW	35	37	25-25439	"O" RING, SHIFT SHAFT BUSHING	29	29
22-38407	PIPE PLUG, CYLINDER BLOCK COVER	17	4	25-31534	"O" RING, BEARING CARRIER	31	60
22-56759	CHECK VALVE (STRAIGHT-PRESS-IN)	13	31	25-33466	"O" RING, SWIVEL BRACKET - UPPER	25	4
22-56800	PIPE PLUG	51	5	25-45507	GROMMET, INLET COVER	27	36
22-56800	PLUG, GEAR HOUSING	29	4	25-48171	"O" RING (SAME AS REF. NO. 2)	35	-
22-62006	ELBOW	43	4	25-48171	"O" RING, HYDRAULIC PUMP	35	2
22-67892	SCREW, DRAIN (MAGNETIC)	29	34	25-48171	"O" RING, HYDRAULIC PUMP	39	1
22-68727	FITTING, ELBOW-THERMOSTAT COVER	17	14	25-48171	"O" RING, TILT LOCK LEVER	25	9
22-69393	FITTING, FUEL LINE (MALE)	43	13	25-64067	"O" RING	21	21
22-69406	FITTING, FUEL LINE (FEMALE)	43	12	25-85399	"O" RING, TEMPERATURE SENSOR	53	2
22-69424	FITTING (90 DEGREE)	35	36				
22-70847	ADAPTOR	35	35				
22-71191	ELBOW	51	8				
22-74036	FITTING, GREASE	25	6				
22-94273	FITTING	43	2				
23-26856	BUSHING, SHIFT LINK R.H.R	19	17				
23-55164	BUSHING, THROTTLE LEVER	11	15				

# PARTS INDEX

Part Number	Description	Pg.	Ref. No.	Part Number	Description	Pg.	Ref. No.
25-88657	"O" RING, WATER PUMP . . .	29	13	31-88267	ROLLER BEARING . . . . .	21	19
25-88923	"O" RING,CYLINDER HEAD .	17	7	31-88269	ROLLER BEARING, CENTER		
25-88955	"O" RING, END CAP . . . . .	13	28		MAIN . . . . .	21	8
25-89417	GROMMET, WATER TUBE .	23	23	31-88270	BEARING RACE, CENTER		
26-14381	OIL SEAL, WATER PUMP				MAIN . . . . .	21	7
	BASE . . . . .	29	15	31-88384	ROLLER BEARING, DRIVE		
26-41953	OIL SEAL . . . . .	21	20		SHAFT . . . . .	29	3
26-54815	OIL SEAL, END CAP . . . . .	13	27	31-88583	ROLLER BEARING,		
26-76384	OIL SEAL, SHIFT SHAFT				FORWARD GEAR RHR . .	31	50
	BUSHING . . . . .	29	31	32-61649--3	HOSE, FUEL . . . . .	45	13
26-76868	OIL SEAL, BEARING			32-66285--4	HOSE, FUEL . . . . .	45	6
	CARRIER . . . . .	31	59	32-66285--4	TUBING (BLEED) . . . . .	13	33
26-85023	OIL SEAL, SWIVEL			32-68894--1	HOSE . . . . .	17	15
	BRACKET . . . . .	25	7	32-88884	TUBE, WATER (LONG) . . . .	23	24
26-87735	OIL SEAL, SWIVEL			32-89023A2	HOSE, HYDRAULIC -		
	BRACKET (LOWER) . . . . .	25	2		STARBOARD . . . . .	27	32
26-88397	SEAL, RUBBER - WATER			32-89024A1	HOSE, HYDRAULIC - PORT	27	32
	INLET TUBE . . . . .	29	20	32-89098	TUBE, WATER (EXTRA		
26-89419	SEAL, WATER TUBE . . . . .	23	25		LONG) . . . . .	23	24
26-94219	SEAL, FUEL INJECTOR . . . .	45	7	32-99387-79	HOSE . . . . .	43	8
27-43877	GASKET, EXHAUST PLATE			33-97180	SPARK PLUG (NGK-BUHW)	5	23
	-UPPER . . . . .	19	7	34-77887A1	REED ASSEMBLY . . . . .	51	26
27-43878	GASKET, EXHAUST PLATE-			35-94865	FUEL FILTER . . . . .	43	3
	UPPER . . . . .	19	7	37-14126A1	DECAL SET . . . . .	1	-
27-53862	GASKET, SEALING . . . . .	13	8	37-14126A1	DECAL SET . . . . .	3	13
27-62386	GASKET, THERMOSTAT . .	17	11	39-42011A12	PISTON RING ASSEMBLY . .	21	10
27-87775	GASKET, INLET COVER . . .	27	35	43-99492A3	FORWARD GEAR		
27-88907	GASKET,RELIEF VALVE				ASSEMBLY RHR . . . . .	31	48
	PLATE . . . . .	19	2	43-99492A3	FORWARD GEAR		
27-90756--1	GASKET, LOWER - WATER				ASSEMBLY LHR . . . . .	31	48
	PUMP . . . . .	29	16	44-98597	PROPELLER SHAFT . . . . .	31	40
27-93666--1	GASKET,UPPER-WATER			45-99775	DRIVE SHAFT ASSEMBLY		
	PUMP . . . . .	29	18		(LONG) . . . . .	29	6
27-94060	GASKET,EXHAUST			45-99885	DRIVE SHAFT ASSEMBLY		
	MANIFOLD COVER . . . . .	17	2		(EXTRA LONG) . . . . .	29	6
27-98177	GASKET . . . . .	51	19	46-88776A5	WATER PUMP BASE		
27-98177A1	GASKET SET . . . . .	1	-		ASSEMBLY . . . . .	29	14
27-98178	GASKET . . . . .	51	21	46-90530A1	WATER PUMP BODY		
28-30281	KEY, LOCATING - BEARING				ASSEMBLY . . . . .	29	19
	CARRIER . . . . .	31	61	50-88656	STARTER MOTOR . . . . .	5	6
28-88422	KEY, IMPELLER DRIVE . . . .	29	23	50-88656	STARTER MOTOR		
28-91800	KEY, CRANKSHAFT . . . . .	21	17		ASSEMBLY . . . . .	47	-
29-88258	NEEDLE BEARING, PISTON			52-88423	RATCHET, SLIDING CLUTCH	31	39
	END . . . . .	21	16	53-13899	SNAP RING, TEMPERATURE		
30-35914	BALL BEARING, - REVERSE				SENDER . . . . .	7	17
	GEAR RHR . . . . .	31	56	53-29641	"E" RING, RETAINING -		
30-88268	BALL BEARING,				SHIFT SHAFT . . . . .	29	27
	CRANKSHAFT (LOWER) .	21	2	53-67684	RETRAINING RING, BOTTOM		
31-30956	ROLLER BEARING,				YOKE . . . . .	25	22
	BEARING CARRIER . . . . .	31	58	53-78907	RETAINING RING . . . . .	29	28
31-73363	ROLLER BEARING,			53-88466	LOCK RING, PISTON . . . . .	21	11
	FORWARD GEAR RHR . .	31	49	53-89531	RETAINING RING, BALL		
31-78172A1	ROLLER BEARING				BEARING . . . . .	21	3
	ASSEMBLY LHR . . . . .	31	--	53-96177	RING, SLEEVE RETAINER		
31-78172A1	ROLLER BEARING				LHR . . . . .	31	--
	ASSEMBLY RHR . . . . .	31	47	54-47483	CLAMP, FUSE HOLDER -		
31-86748A1	ROLLER BEARING, DRIVE				PLATE SCREW . . . . .	7	5
	SHAFT . . . . .	29	11	54-54428	CLAMP, FUEL HOSE . . . . .	45	14
				54-61001	"J" CLAMP . . . . .	15	46
				54-67076	CLAMP, LOWER MOUNT . . .	23	14



# PARTS INDEX

Part Number	Description	Pg.	Ref. No.	Part Number	Description	Pg.	Ref. No.
54-75275	CLAMP, HYDRAULIC HOSE	27	20	87-91941	TOGGLE SWITCH	41	5
54-88512	CLAMP, HYDRAULIC HOSE	27	20	88-72729	LIGHT BULB, TRIM GAUGE	49	7
79-90941A3	TRIM GAUGE	49	5	88-79023A90	FUSE (90 AMP)	35	26
79-93953A1	TACHOMETER	49	1	88-79091	FUSE	7	13
84-60466A7	GROUND STRAP, IGNITION COIL (BLACK)	5	19	88-79137--1	CIRCUIT BREAKER (40 AMP)	35	30
84-65999A10	WIRE ASSEMBLY (BLACK)	51	14	88-79888	SOCKET, TRIM GAUGE	49	8
84-65999A10	WIRE, SOLENOID TO SOLENOID (BLACK)	35	24	89-68258	STARTER SOLENOID	7	27
84-65999A2	WIRE, GROUND (BLACK)	7	4	89-68258	STARTER SOLENOID	35	11
84-65999A4	WIRE, SOLENOID TO GROUND (BLACK)	35	25	90-11117	OWNER'S GUIDE	1	-
84-65999A6	WIRE, CIRCUIT BREAKER (BLACK)	35	32	90-14983	MERC 3.4 E.F.I. PARTS MANUEL	1	-
84-79138A1	BATTERY WIRE (BLACK)	35	23	249-8505A5	FLYWHEEL ASSEMBLY, COMPLETE	5	1
84-79139A15	WIRE, SOLENOID TO RECTIFIER (RED)	7	35	332-7778A3	SWITCH BOX	9	37
84-79139A2	WIRE, SOLENOID (RED)	35	24	339-7370A13	COIL ASSEMBLY, IGNITION	5	16
84-79139A9	BATTERY WIRE (RED)	35	23	392-2529	SPRING SET, BRUSH TENSION	39	13
84-79147A3	CONNECTOR AND HARNESS (WITH FUSE)	35	9	392-2941	BRUSH SET, COMMUTATOR END PLATE	39	12
84-79148A1	WIRE, CIRCUIT BREAKER (RED)	35	31	392-5726	BRUSH PLATE	47	7
84-86228A20	HARNESS ASSEMBLY, TRIM	41	2	392-5727	SPRING SET	47	8
84-86322A7	WIRE, TRIM GAUGE (BLACK - 1-1/2")	49	4	392-5728	TERMINAL STUD PACKAGE	47	10
84-86323A5	WIRE, TRIM GAUGE (PURPLE - 1-1/2")	49	4	392-5730	THRUST WASHER PACKAGE	47	5
84-86353A20	WIRING HARNESS ASSEMBLY	41	1	392-6181	BRUSH SET	47	9
84-86396A8	HARNESS	49	11	392-7727	COUPLER AND SHAFT	39	15
84-88439A14	BATTERY CABLE, POSITIVE	7	26	392-7728	FILL PLUG, RESERVOIR	39	16
84-88439A2	BATTERY CABLE, NEGATIVE	7	26	392-7729	ARMATURE, FIELD AND FRAME	39	8
84-88807A6	CABLE ASSEMBLY (BLACK)	3	4	392-7730	BALL, COMMUTATOR END PLATE	39	10
84-88808A4	WIRE, REGULATOR TO RECTIFIER (RED)	7	24	392-7731	RESERVOIR ASSEMBLY (PLASTIC)	39	6
84-88809A4	WIRE, REGULATOR TO RECTIFIER (YELLOW)	7	24	392-7732	WASHER, THRUST- ARMATURE	39	7
84-92432A2	HARNESS, ENGINE	7	12	392-7733	BOLT SET, THRU-PLATE AND FRAME TO RESERVOIR	39	14
84-92485A1	HARNESS, COIL TO SWITCH BOX (#2, 4 AND 6)	7	36	392-7735	SEAL, RESERVOIR TO VALVE BODY AND GEAR	39	5
84-92486A1	HARNESS, COIL TO SWITCH BOX (#1, 3 AND 5)	7	36	392-8261	FIELD AND FRAME ASSEMBLY	39	9
84-93388A1	WIRE, STARTER MOTOR TO GROUND (BLACK)	5	13	392-8262	PLATE ASSEMBLY, COMMUTATOR END	39	11
84-93389A2	WIRE, SOLENOID TO STARTER MOTOR (YELLOW)	7	30	392-8317	VALVE BODY AND GEAR ASSEMBLY	39	2
84-95084A2	WIRE ASSEMBLY, FUSE	7	14	392-9128	ARMATURE	47	4
84-98781A1	HARNESS ASSEMBLY, E.F.I. CONTROL BOX	51	18	392-9129	BENDIX DRIVE	47	1
84-99215A25	CABLE, HIGH TENSION	5	21	392-9130	FIELD COIL	47	6
85-63709A1	PROTECTOR, HIGH TENSION CABLE	5	22	392-9131	HEAD, COMMUTATOR END	47	11
85-86319	INSULATOR, WIRING HARNESS	41	8	392-9132	BEARING	47	12
86-66986	TERMINAL BLOCK, IGNITION PLATE	7	9	392-9133	HOUSING ASSEMBLY, DRIVE END	47	2
87-86320	MICRO SWITCH	41	4	392-9134	BEARING	47	3
				392-9135	PINION STOP PACKAGE	47	14
				392-9136	THRU BOLT	47	13
				398-5454A55	STATOR ASSEMBLY	5	2
				467-7587A2	CRANKSHAFT ASSEMBLY	21	1
				631-8185A3	CONNECTING ROD ASSEMBLY	21	12

# PARTS INDEX

Part Number	Description	Pg.	Ref. No.	Part Number	Description	Pg.	Ref. No.
769-8179A10	PISTON ASSEMBLY (STARBOARD) . . . . .	21	9				
769-8180A10	PISTON ASSEMBLY (PORT)	21	9				
873-8797A7	CYLINDER BLOCK . . . . .	13	1				
1166-7580A1	END CAP ASSEMBLY, LOWER . . . . .	13	26				
1491-9225A2	SWIVEL BRACKET ASSEMBLY . . . . .	25	1				
1494-7476--1	BRACKET, TRANSOM (PORT) . . . . .	27	1				
1495-7478--1	BRACKET, TRANSOM (STARBOARD) . . . . .	27	2				
1594-8643A1	DRIVE SHAFT HOUSING ASSEMBLY (EXTRA LONG) . . . . .	23	1				
1594-8653A1	DRIVE SHAFT HOUSING ASSEMBLY (LONG) . . . . .	23	1				
1659-8552A1	GEAR HOUSING ASSEMBLY (BASIC) . . . . .	29	1				
1659-8552A1	GEAR HOUSING ASSEMBLY (BASIC) . . . . .	31	1				
1659-8552A2	GEAR HOUSING ASSEMBLY (LONG) RHR . . . . .	29	-				
1659-8552A2	GEAR HOUSING ASSEMBLY, (LONG) RHR . . . . .	31	-				
1659-8552A3	GEAR HOUSING ASSEMBLY (X-LONG) RHR . . . . .	29	-				
1659-8552A3	GEAR HOUSING ASSEMBLY, (X-LONG) RHR . . . . .	31	-				
1659-8552A5	GEAR HOUSING ASSEMBLY (LONG) LHR . . . . .	29	-				
1659-8552A5	GEAR HOUSING ASSEMBLY, (LONG) LHR . . . . .	31	-				
1659-8552A6	GEAR HOUSING ASSEMBLY (X-LONG) LHR . . . . .	29	-				
1659-8552A6	GEAR HOUSING ASSEMBLY, (X-LONG) LHR . . . . .	31	-				
2167-8183A8	TOP COWL ASSEMBLY . . . . .	3	1				