



# PARTS CATALOG

## 25 HP

### SERIAL NUMBER

25C (THRU PROP. EXHAUST) .....	M 695-023896 AND UP
25C (THRU PROP. EXHAUST) .....	E 695-253862 AND UP
25C (THRU PROP. EXHAUST) .....	ML 695-318174 AND UP
25C (THRU PROP. EXHAUST) .....	EL 695-555960 AND UP

# TABLE OF CONTENTS:

C.D.I. MAGNETO .....	10
CARBURETOR .....	26
CLAMP AND SWIVEL BRACKET/REVERSE LOCK .....	36
COWLING .....	2
CRANKCASE AND CYLINDER HEAD .....	20
CRANKSHAFT AND PISTON .....	22
DRIVESHAFT HOUSING .....	44
ELECTRIC START COMPONENTS .....	14
ELECTRIC STARTER MOTOR .....	18
FUEL LINES AND FILTER .....	30
FUEL PUMP .....	28
FUEL TANK - REPLACEMENT OR ADDITIONAL .....	58
FUEL TANK AND FUEL LINE ASSEMBLY .....	56
GEAR SHIFT LINKAGE .....	34
GEARHOUSING ASSEMBLY .....	46
INTAKE MANIFOLD .....	24
MOUNTING SYSTEM .....	42
OPTIONAL PARTS .....	60
PARTS INDEX .....	64
PROP CHART .....	1
RECOIL STARTER .....	6
REMOTE CONTROL ATTACHING KIT .....	62
STEERING HANDLE .....	40
THROTTLE CONTROL .....	32

**NOTE:** Indented description indicate that these parts are included in preceding assembly.

**AR** = As Required

**NSS** = Not Sold Separate

**OPT** = Optional

**NS** = Not Shown

**NOTE:** Following symbols are located in **SYM** column.

● = CONTENTS OF POWERHEAD GASKET SET [27-92575M].

◇ = CONTENTS OF LOWER UNIT GASKET SET [27-95660M].

■ = CONTENTS OF CARBURETOR REPAIR KIT [84773M].

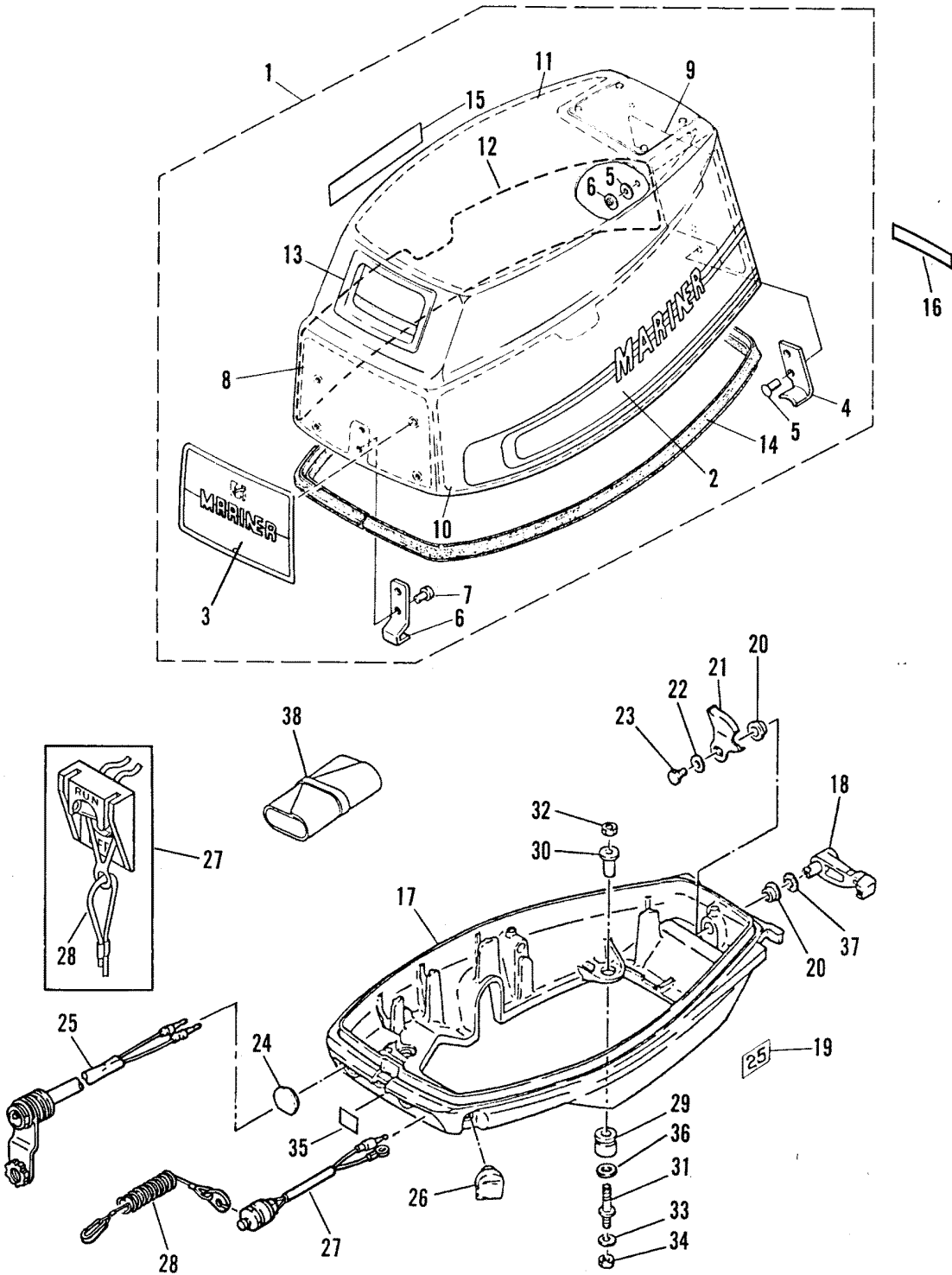
▲ = CONTENTS OF WATER PUMP REPAIR KIT [95661M].

**THESE PARTS BOOKS/FICHE CARD ARE COPYRIGHTED AND MAY NOT BE DISTRIBUTED OR REPRODUCED IN ANY OTHER FORMAT BY ANYONE OTHER THAN MERCURY MARINE WITHOUT THE PRIOR WRITTEN CONSENT OF MERCURY MARINE.**

# PROP CHART

REF. NO.	PART NO.	SYM.	QTY.	DESCRIPTION
-	48-84977M		0	PROPELLER (ALUMINUM)(PITCH 14") 3 BLADES
-	48-82827M		0	PROPELLER (ALUMINUM)(PITCH 13") 3 BLADES
-	48-88168A4		0	PROPELLER (STEEL)(PITCH 12") 3 BLADES
-	48-82826M		0	PROPELLER (ALUMINUM)(PITCH 12") 3 BLADES
-	48-84976M		0	PROPELLER (ALUMINUM)(PITCH 11 1/4") 3 BLADES
-	48-81649M		0	PROPELLER (ALUMINUM)(PITCH 10 1/2") 3 BLADES STANDARD PROPELLER FURNISHED WITH ENGINE
-	48-88166A4		0	PROPELLER (STEEL)(PITCH 9") 3 BLADES
-	48-81647M		0	PROPELLER (ALUMINUM)(PITCH 9") 3 BLADES
-	48-81648M		0	PROPELLER (ALUMINUM)(PITCH 8") 3 BLADES

# COWLING

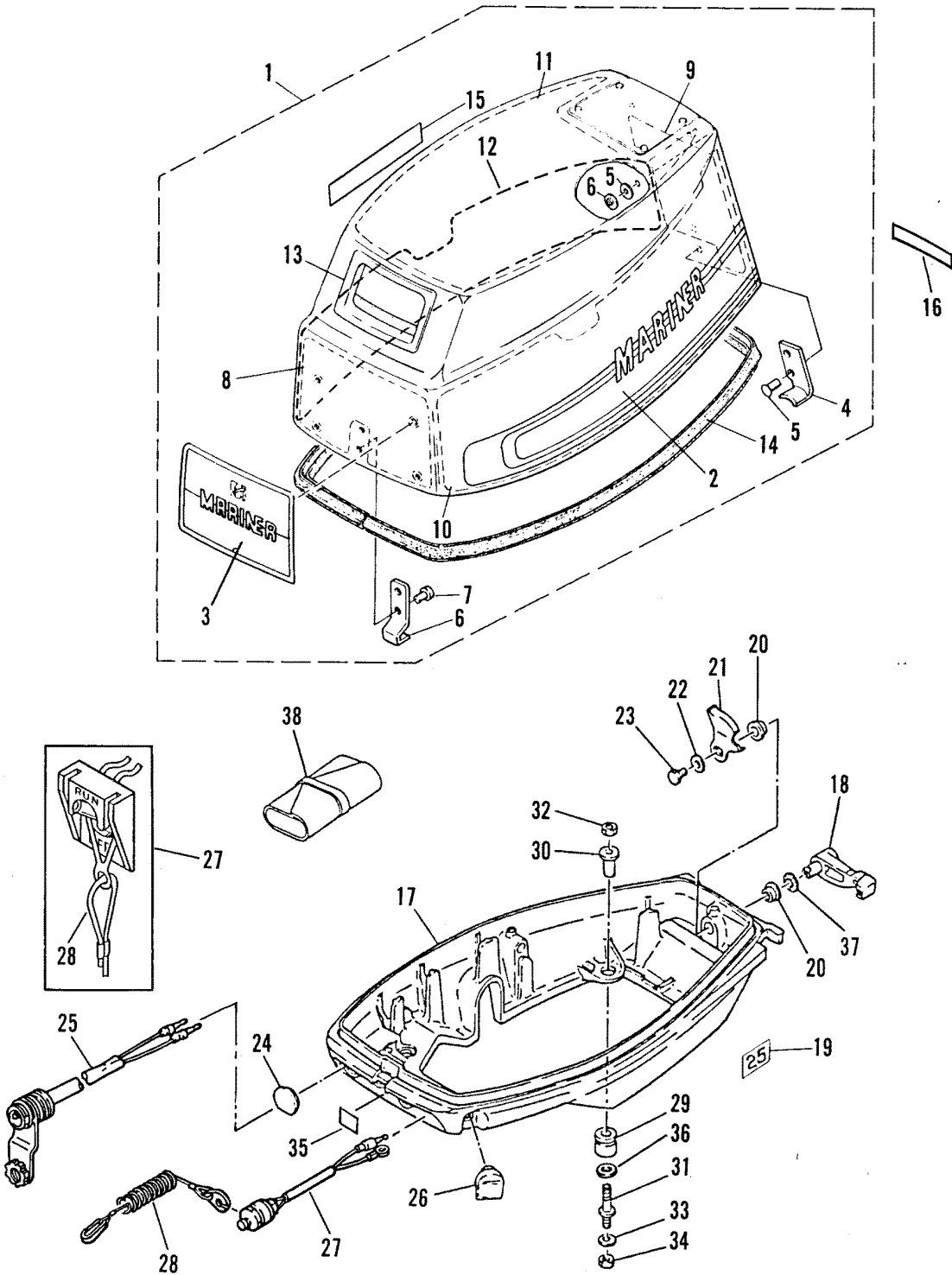


# COWLING

REF. NO.	PART NO.	SYM.	QTY.	DESCRIPTION
1	2168-9387M		1	TOP COWL ASS'Y SERIAL 00031675-09999999
	2168-9368M		1	TOP COWL ASS'Y SERIAL 00000000-00031674
2	37-95670M		1	DECAL, SIDE AND REAR SET
3	37-95641M		1	EMBLEM, FRONT
4	83212M		1	HOLDER, CLAMP BAND
5	17-84903M		3	RIVET
6	83137M		1	HOOK
7	17-83140M		2	RIVET
8	83319M		1	SOUND BLANKET, FRONT SERIAL 00000000-00029272
9	83320M		1	SOUND BLANKET, REAR SERIAL 00000000-00029272
10	83321M		1	SOUND BLANKET, STARBOARD SERIAL 00000000-00029272
11	83322M		1	SOUND BLANKET, TOP SERIAL 00000000-00029272
12	95506M		1	SOUND BLANKET, PORT SERIAL 00000000-00029272
13	80601M		1	SEAL, RUBBER (STARTER)
14	84901M		1	SEAL, TOP COWL
15	37-81202M		1	INDICATOR, SHIFT
16	37-95547M		1	DECAL, ELECTRIC MODELS
17	2168-9349M		1	BOTTOM COWL
18	84913M		1	LEVER, CLOWL CLAMP
19	37-82900M		2	GRAPHIC, SIDE (HP)
20	23-81949M		2	BUSHING, COWL CLAMP LEVER
21	54-84914M		1	CLAMP, COWL
22	12-81794M		1	WASHER
23	10-84315M		1	BOLT
24	25-83988M		1	GROMMET, BOTTOM COWL (MANUAL) SERIAL 00000000-00029272
25	84-99051M		1	EXTENSION, LEAD WIRE SERIAL 00029273-09999999
26	25-84915M		1	GROMMET, BOTTOM COWL
27	87-14227M		1	LANYARD IGNITION SWITCH ASS'Y (EL-556544 EUL-650246) AND ABOVE SERIAL 00026732-09999999
	87-84916M		1	STOP SWITCH (MANUAL) (EL-556543 EUL-650245) AND BELOW SERIAL 00000000-00026731
28	97756M		1	STOPPER SERIAL 00029273-09999999
29	25-84910M		4	GROMMET
30	23-84911M		4	COLLAR
31	16-95505M		4	STUD, SPECIAL (EL-556544 EUL-650246) AND ABOVE SERIAL 00254329-09999999
	16-84912M		4	STUD, SPECIAL (EL-556543 EUL-650246) AND BELOW SERIAL 00000000-00026731
32	11-82383M		4	NUT
33	12-82217M		4	WASHER

CONTINUED ON NEXT PAGE ➡

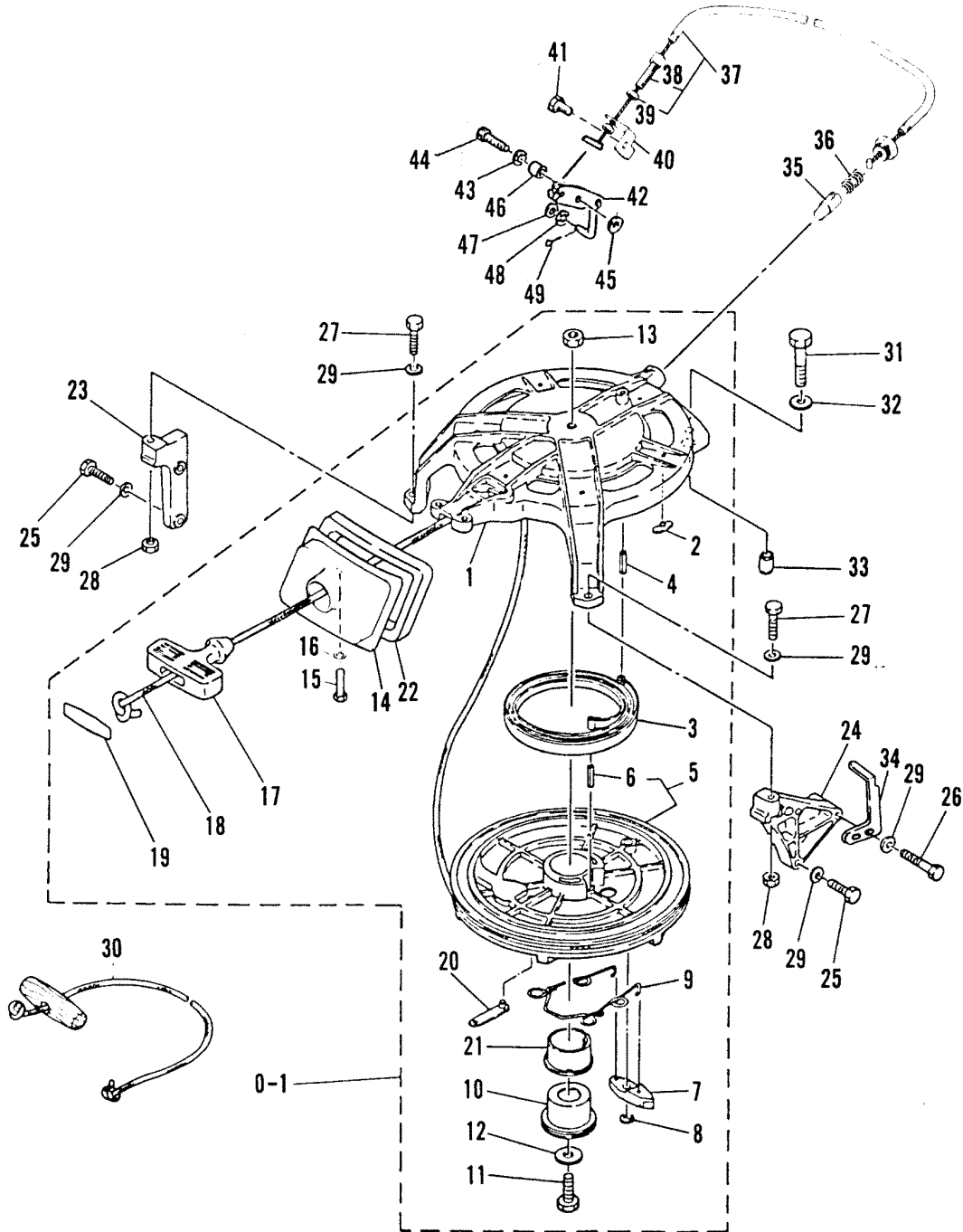
# COWLING



# COWLING

REF. NO.	PART NO.	SYM.	QTY.	DESCRIPTION
34	11-82393M		4	NUT
35	37-95570M		1	DECAL (EL-556543 EUL-650245) NAD BELOW SERIAL <b>00000000-00026731</b>
36	12-95507M		4	WASHER (EL-556544 EUL-650246) AND ABOVE SERIAL <b>00026732-09999999</b>
37	13-81869M		1	WASHER, WAVE
38	91-81669M		1	TOOL KIT

# RECOIL STARTER



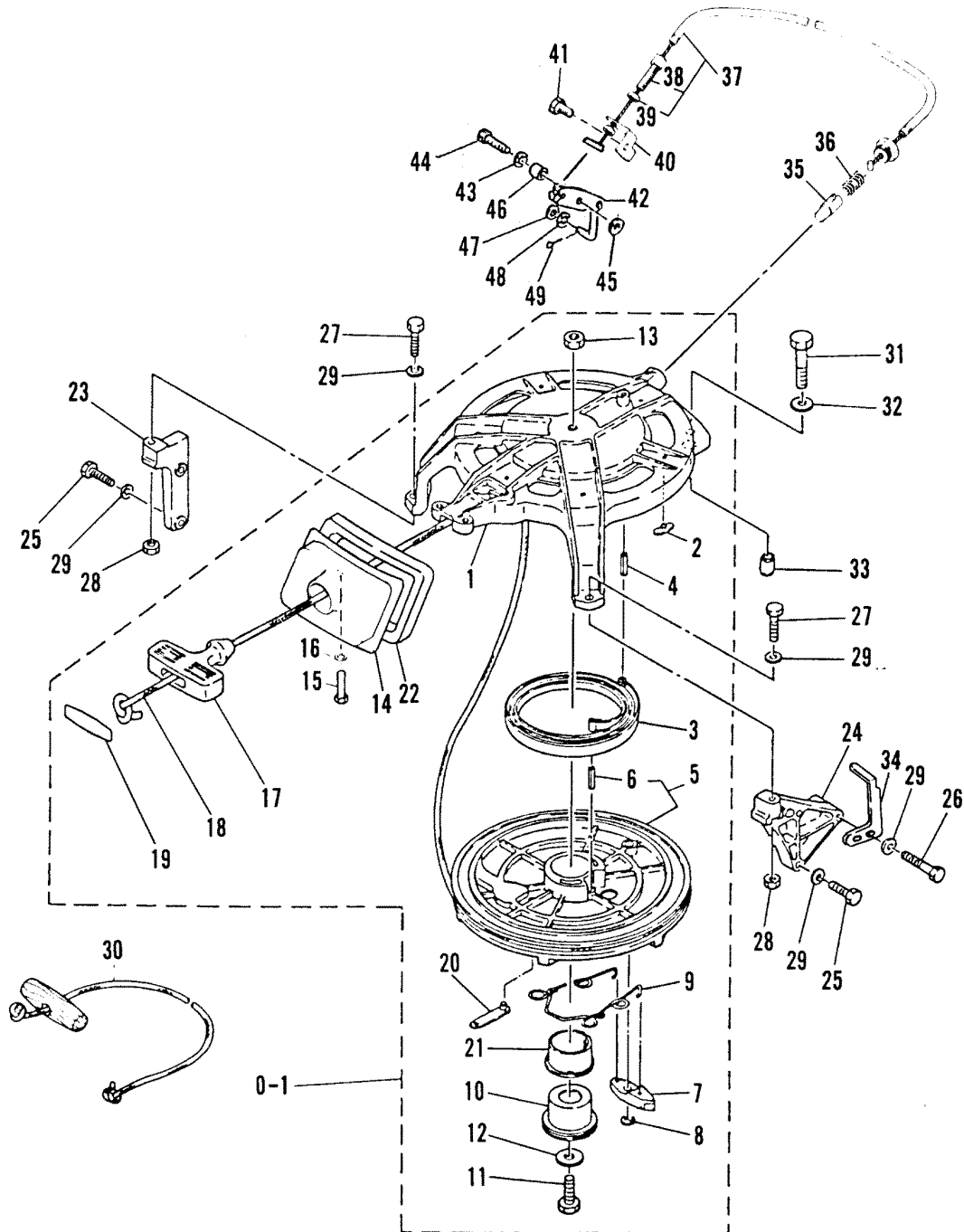


# RECOIL STARTER

REF. NO.	PART NO.	SYM.	QTY.	DESCRIPTION
0-1	50-18967M		1	STARTER ASS'Y SERIAL 00031675-09999999
	50-92597M		1	STARTER ASS'Y SERIAL 00000000-00031674
1	2169-7102M		1	HOUSING, STARTER
2	23-83585M		6	PLUG, STARTER HOUSING
3	24-83588M		1	SPRING, STARTER
4	17-82157M		1	PIN
5	50-83587M		1	STARTER SHEAVE
6	17-82157M		1	PIN, ROLL
7	84894M		1	PAWL, STARTER
8	53-84895M		1	SNAP RING
9	24-83591M		1	SPRING, PAWL
10	23-83590M		1	SHAFT, SHEAVE
11	10-84342M		1	BOLT
12	12-81801M		1	WASHER
13	11-82382M		1	NUT
14	80600M		1	GUIDE, STARTER ROPE
15	10-84247M		2	BOLT
16	12-82214M		2	WASHER
17	18928M		1	HANDLE, STARTER SERIAL 00000000-09999999
	80063M		1	HANDLE, STARTER SERIAL 00031674-09999999
18	50-12066A9		1	STARTER ROPE
19	18929M		1	COVER SERIAL 00000000-09999999
	41882M		1	COVER SERIAL 00031674-09999999
20	54-84893M		1	CLIP
21	23-83589M		1	BUSHING
22	93107M		1	SEAL
23	14228M		1	BRACKET, STARTER HOUSING (STARBOARD) (EL-556544 EUL-650246) AND ABOVE SERIAL 00026732-09999999
	84465M		1	BRACKET, STARTER HOUSING (STARBOARD) (EL-556543 EUL-650245) AND BELOW SERIAL 00000000-00026731
24	84466M		1	BRACKET, STARTER HOUSING (PORT - MANUAL)
25	10-82405M		4	BOLT
26	10-84657M		1	BOLT
27	10-84237M		2	BOLT
28	11-82380M		2	NUT
29	12-82214M		7	WASHER
30	47341A1		1	EMERGENCY STARTER ROPE
31	10-82442M		1	BOLT
32	12-82217M		1	WASHER
33	17-14229M		1	PIN, DOWEL
34	96341M		1	PLATE, TIMING
35	81106M		1	PLUNGER, STARTER LOCKOUT
36	24-82079M		1	SPRING, STARTER LOCKOUT
37	81108M		1	CABLE, STARTER LOCKOUT

CONTINUED ON NEXT PAGE ➡

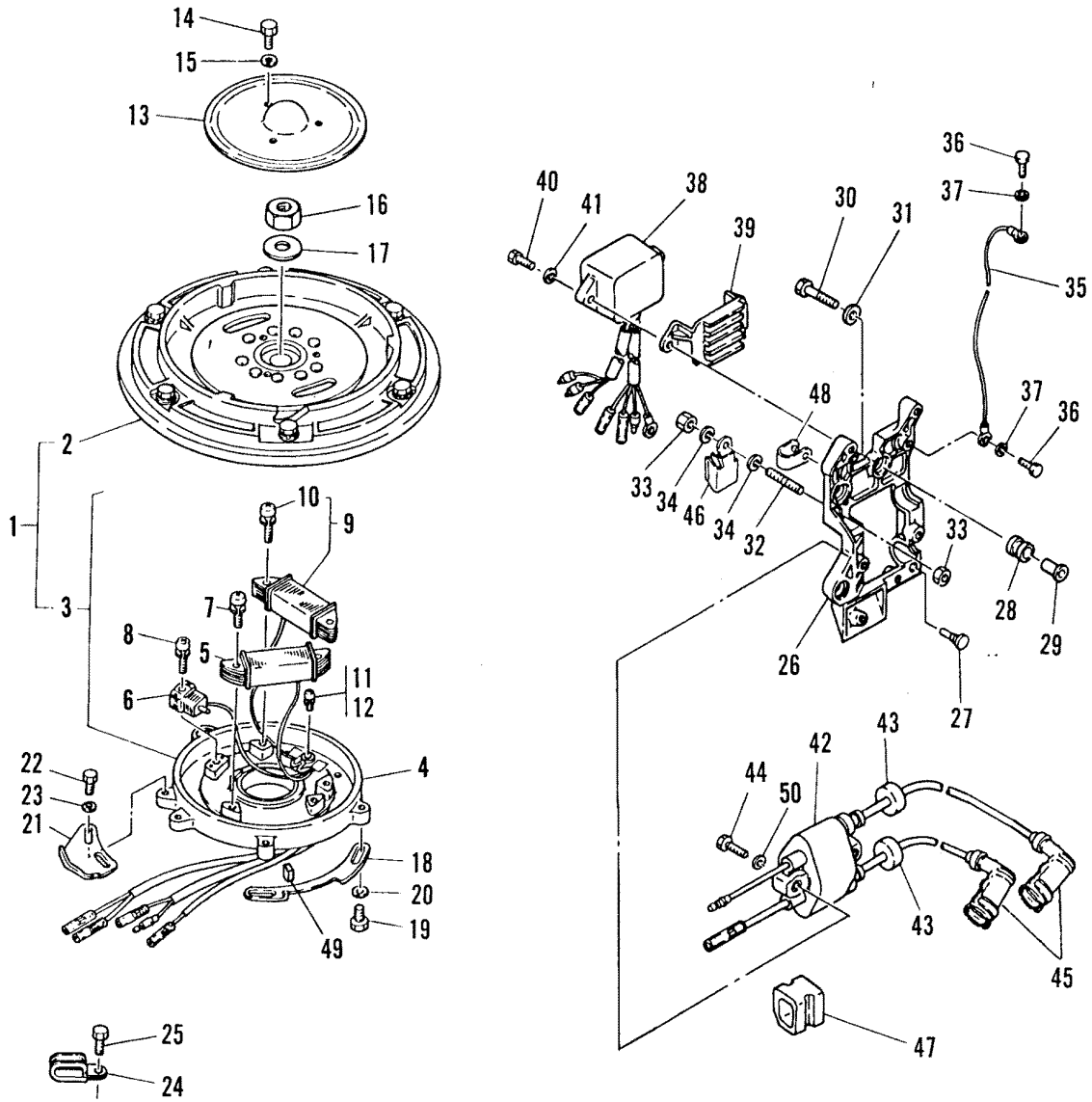
# RECOIL STARTER



# RECOIL STARTER

REF. NO.	PART NO.	SYM.	QTY.	DESCRIPTION
38	10-81746M		1	BOLT
39	11-82380M		2	NUT
40	92599M		1	BRACKET, STARTER LOCKOUT (MANUAL)
41	10-84315M		1	BOLT
42	81107M		1	LINK, STARTER STOP FOR ELECTRIC MODELS ONLY
43	13-81867M		1	WASHER, WAVE FOR ELECTRIC MODELS ONLY
44	10-83539M		1	BOLT FOR ELECTRIC MODELS ONLY
45	12-82214M		1	WASHER FOR ELECTRIC MODELS ONLY
46	23-82929M		1	COLLAR FOR ELECTRIC MODELS ONLY
47	12-82211M		1	WASHER FOR ELECTRIC MODELS ONLY
48	13-81865M		1	WASHER, WAVE FOR ELECTRIC MODELS ONLY
49	18-82125M		1	PIN, COTTER FOR ELECTRIC MODELS ONLY

# C.D.I. MAGNETO

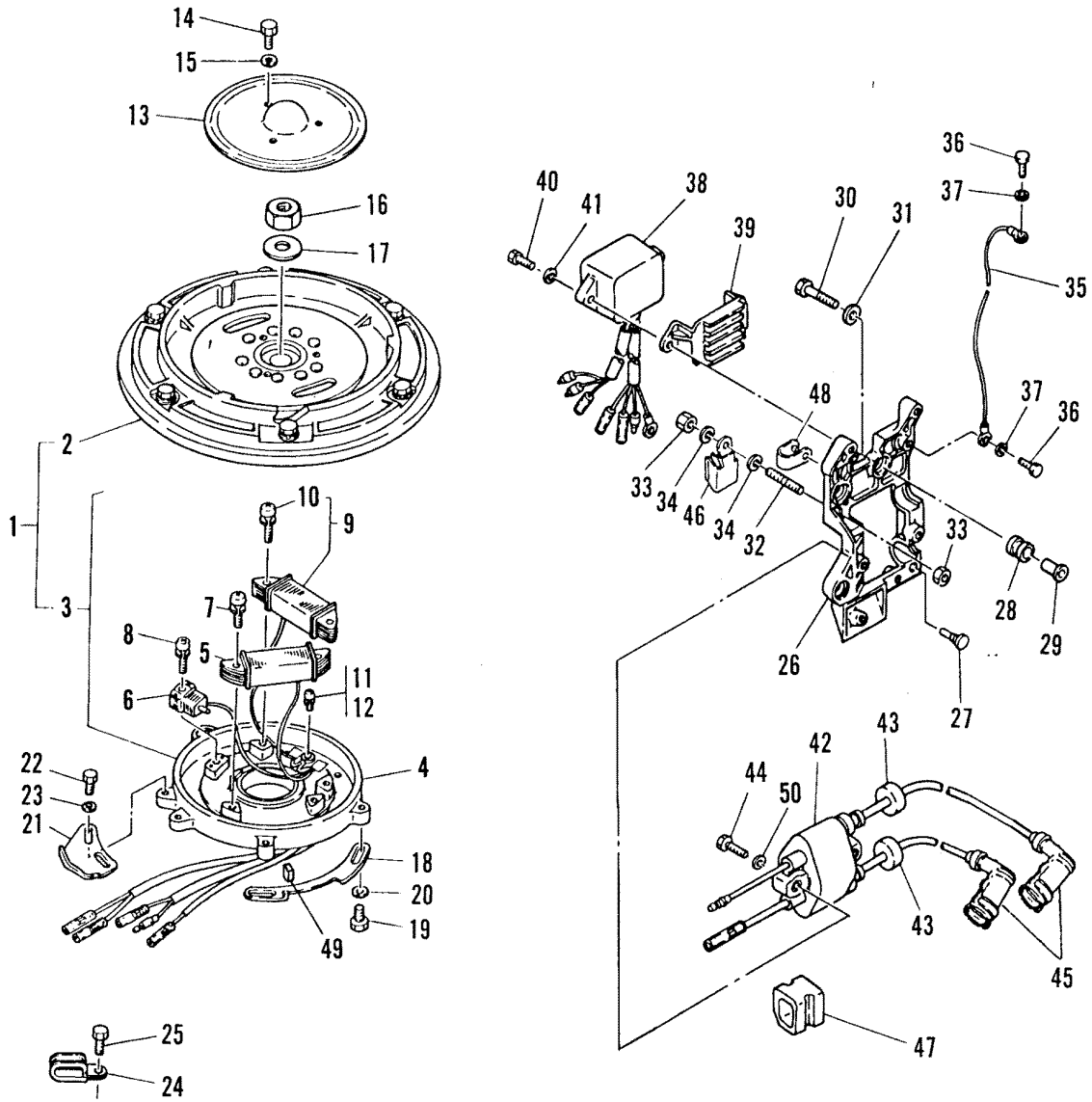


# C.D.I. MAGNETO

REF. NO.	PART NO.	SYM.	QTY.	DESCRIPTION
1	253-8371M		1	C.D.I. MAGNETO ASS'Y (MANUAL START)
	253-8370M		1	C.D.I. MAGNETO ASS'Y (ELECTRIC START)
2	253-8372M		1	FLYWHEEL ASS'Y (MANUAL START)
	253-9514M		1	FLYWHEEL ASS'Y (ELECTRIC START)
3	96342M		1	BASE ASS'Y
4	96343M		1	BASE, MAGNETO
5	96344M		1	CHARGE COIL ASS'Y
6	96345M		1	PULSER COIL ASS'Y
7	10-96346M		2	SCREW, W/WASHER
8	10-91691M		1	SCREW, W/WASHER
9	94804M		1	LIGHTING COIL ASS'Y
10	10-97803M		2	SCREW, W/WASHER
11	10-91699M		1	SCREW, W/ WASHER (MANUAL START)
12	10-91693M		1	SCREW, W/WASHER (ELECTRIC START)
13	80688M		1	COVER
14	10-84303M		3	BOLT
15	12-82213M		3	WASHER
16	11-95508M		1	NUT
17	12-95557M		1	WASHER
18	99951M		1	STOP, MAGNETO BASE
19	10-84303M		2	BOLT
20	12-82213M		2	WASHER
21	92591M		1	CAM
22	10-82417M		2	BOLT
23	12-82211M		2	WASHER
24	54-96348M		1	CLAMP
25	10-84315M		1	BOLT
26	96349M		1	BRACKET
27	84869M		1	DAMPER
28	25-93114M		3	DAMPER <b>SERIAL 00031675-09999999</b>
	81523M		3	DAMPER <b>SERIAL 00000000-00031674</b>
29	23-82851M		3	COLLAR
30	10-82405M		3	BOLT
31	12-82979M		3	WASHER
32	16-84870M		1	STUD
33	11-82380M		2	NUT
34	12-82212M		4	LOCKWASHER
35	84-84871M		1	WIRE, GROUND
36	10-84303M		2	BOLT
37	13-82212M		2	LOCKWASHER
38	43077M		1	C.D.I. UNIT ASS'Y
39	84873M		1	BRACKET
40	10-82405M		2	BOLT

CONTINUED ON NEXT PAGE ➡

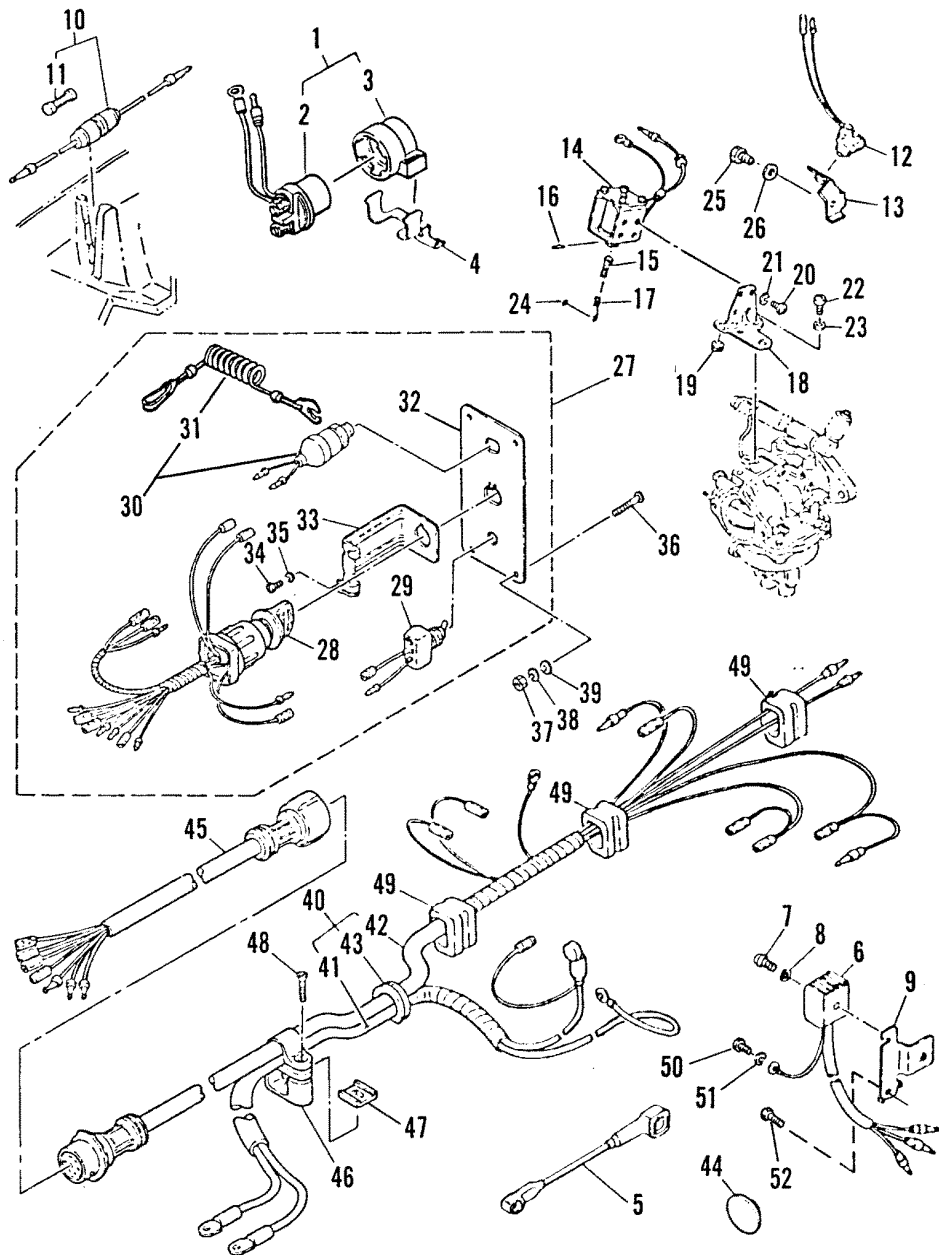
# C.D.I. MAGNETO



# C.D.I. MAGNETO

REF. NO.	PART NO.	SYM.	QTY.	DESCRIPTION
41	12-82214M		2	WASHER
42	95188M		1	IGNITION COIL ASS'Y
43	25-82069M		2	GROMMET
44	10-82405M		2	BOLT
45	80935M		2	PLUG CAP ASS'Y (NOISE SUPPRESSOR)(STD)
	82788M		2	PLUG CAP ASS'Y (OPT)
46	54-96352M		1	CLAMP
47	25-84876M		1	GROMMET
48	54-96353M		1	CLAMP
49	99952M		1	CLAMP
50	12-82214M		2	WASHER (EL-556544 EUL-650246) AND ABOVE SERIAL 00026732-09999999

# ELECTRIC START COMPONENTS



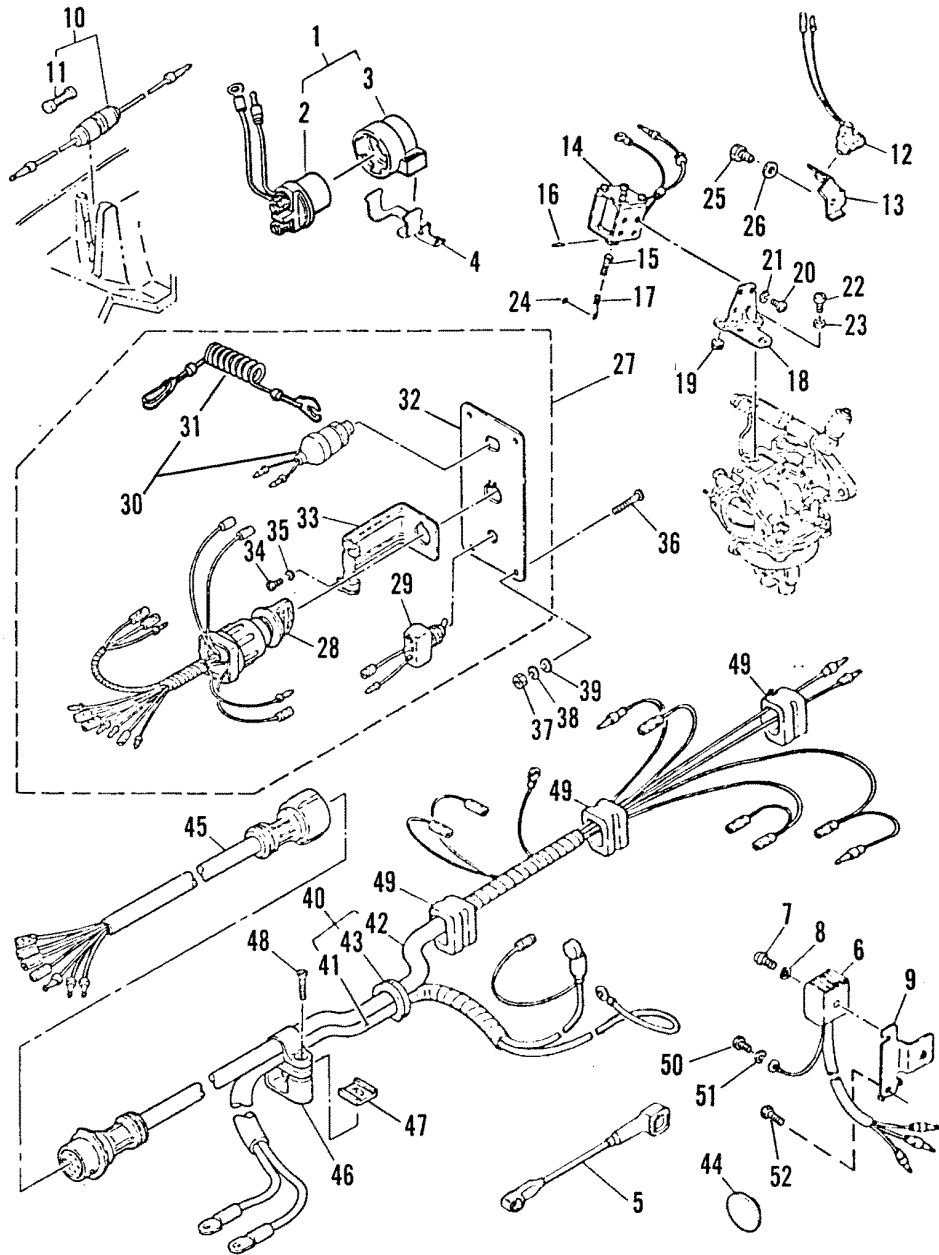


# ELECTRIC START COMPONENTS

REF. NO.	PART NO.	SYM.	QTY.	DESCRIPTION
1	89-96356M		1	STARTER SOLENOID ASS'Y
2	89-95642M		1	SOLENOID
3	95643M		1	MOUNTING BRACKET
4	92601M		1	PLATE, SOLENOID MOUNTING
5	84-96358M		1	WIRE, SOLENOID
6	81652M		1	RECTIFIER
7	10-82521M		1	SCREW
8	12-82211M		1	WASHER
9	92603M		1	PLATE, RECTIFIER MOUNTING
10	84937M		1	FUSE ASS'Y
11	88-81522M		1	FUSE (12V-20A)
12	87-97684M		1	NEUTRAL START SWITCH
13	81110M		1	PLATE, SWITCH AND LOCKOUT MOUNTING
14	14230M		1	CHOKE SOLENOID <b>SERIAL 00029273-09999999</b>
	84940M		1	CHOKE SOLENOID <b>SERIAL 00000000-00029272</b>
15	84702M		1	HOOK, WIRE
16	17-82145M		1	PIN, ROLL
17	24-81667M		1	WIRE, PULL ( <b>EL-556544 EUL-650246</b> ) AND ABOVE <b>SERIAL 00026732-09999999</b>
	84701M		1	WIRE, PULL ( <b>EL-556543 EUL-650245</b> ) AND BELOW <b>SERIAL 00000000-00026731</b>
18	14231M		1	PLATE, SOLENOID MOUNTING ( <b>EL-556543 EUL-650245</b> ) AND <b>ABOVE SERIAL 00026732-09999999</b>
	84941M		1	PLATE, SOLENOID MOUNTING ( <b>EL-556543 EUL-650245</b> ) AND <b>BELOW SERIAL 00000000-00026731</b>
19	25-82060M		1	GROMMET
20	10-82512M		4	SCREW
21	12-82847M		4	WASHER <b>SERIAL 00000000-00029272</b>
22	10-14232M		2	SCREW
23	12-82211M		2	WASHER
24	25-82258M		1	O-RING
	10-84303M		1	BOLT
26	12-82214M		1	WASHER
27	16709M		1	SWITCH PANEL ASS'Y
28	87-95645M		1	KEY SWITCH
29	87-84944M		1	CHOKE SWITCH
30	87-16710M		1	KILL SWITCH ASS'Y <b>SERIAL 00029273-09999999</b>
	87-97682M		1	KILL SWITCH ASS'Y <b>SERIAL 00000000-00029272</b>
31	97756M		1	STOPPER
32	16711M		1	PANEL <b>SERIAL 00029273-09999999</b>
	42435M		1	PANEL <b>SERIAL 00000000-00029272</b>
33	16712M		1	BRACKET <b>SERIAL 00029273-09999999</b>
	81537M		1	BRACKET <b>SERIAL 00000000-00029272</b>
34	10-82487M		1	SCREW

CONTINUED ON NEXT PAGE ➡

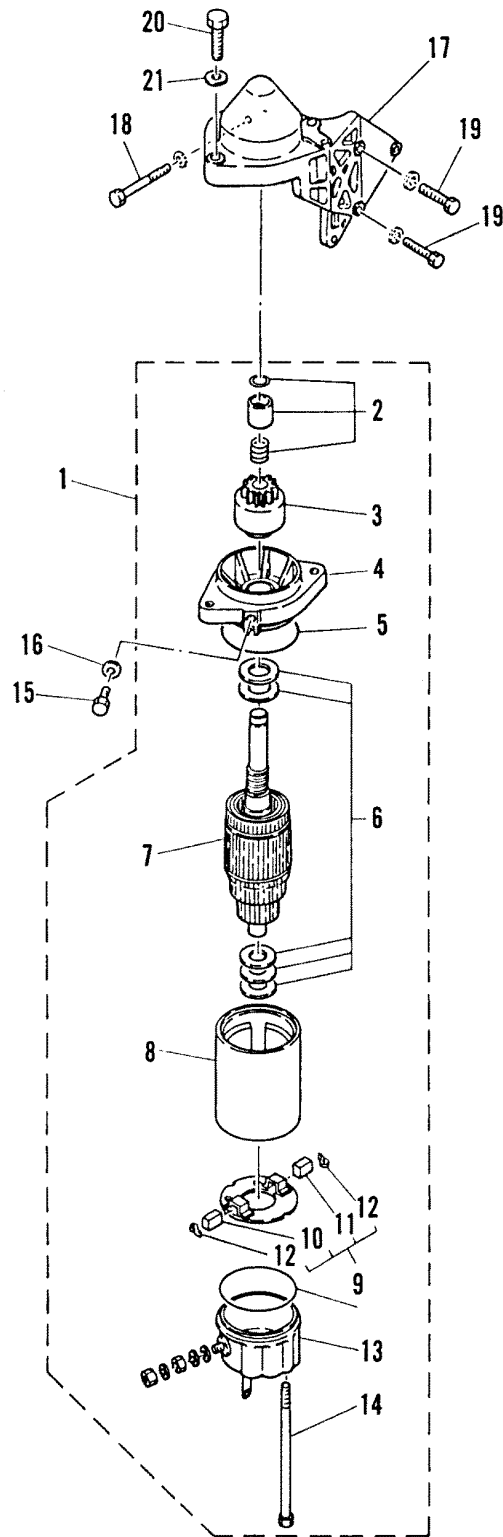
# ELECTRIC START COMPONENTS



# ELECTRIC START COMPONENTS

REF. NO.	PART NO.	SYM.	QTY.	DESCRIPTION
35	13-82184M		1	LOCKWASHER
36	10-16713M		4	SCREW SERIAL 00029273-09999999
	10-80164M		4	SCREW SERIAL 00000000-00029272
37	11-82388M		4	NUT SERIAL 00029273-09999999
	11-82377M		4	NUT SERIAL 00000000-00029272
38	13-82208M		4	LOCKWASHER SERIAL 00029273-09999999
	13-82184M		4	LOCKWASHER SERIAL 00000000-00029272
39	12-82211M		4	WASHER SERIAL 00029273-09999999
	12-82847M		4	WASHER SERIAL 00000000-00029272
40	84-95646M		1	ENGINE WIRING HARNESS
41	84-97771M		1	WIRE ASS'Y, BATTERY
42	84-95647M		1	WIRE ASS'Y, IGNITION
43	25-84950M		1	GROMMET
44	82066M		1	GROMMET
45	84-18968M		1	EXTENSION, WIRE HARNESS (5M) SERIAL 00031675-09999999
	84-84711M		1	EXTENSION, WIRE HARNESS (5M) SERIAL 00000000-00031674
46	54-97772M		1	CLAMP
47	84708M		1	PLATE
48	10-84709M		1	SCREW
49	25-84876M		3	GROMMET
50	10-84303M		1	SCREW
51	13-82212M		1	LOCKWASHER
52	10-82476M		2	BOLT SERIAL 00029273-09999999

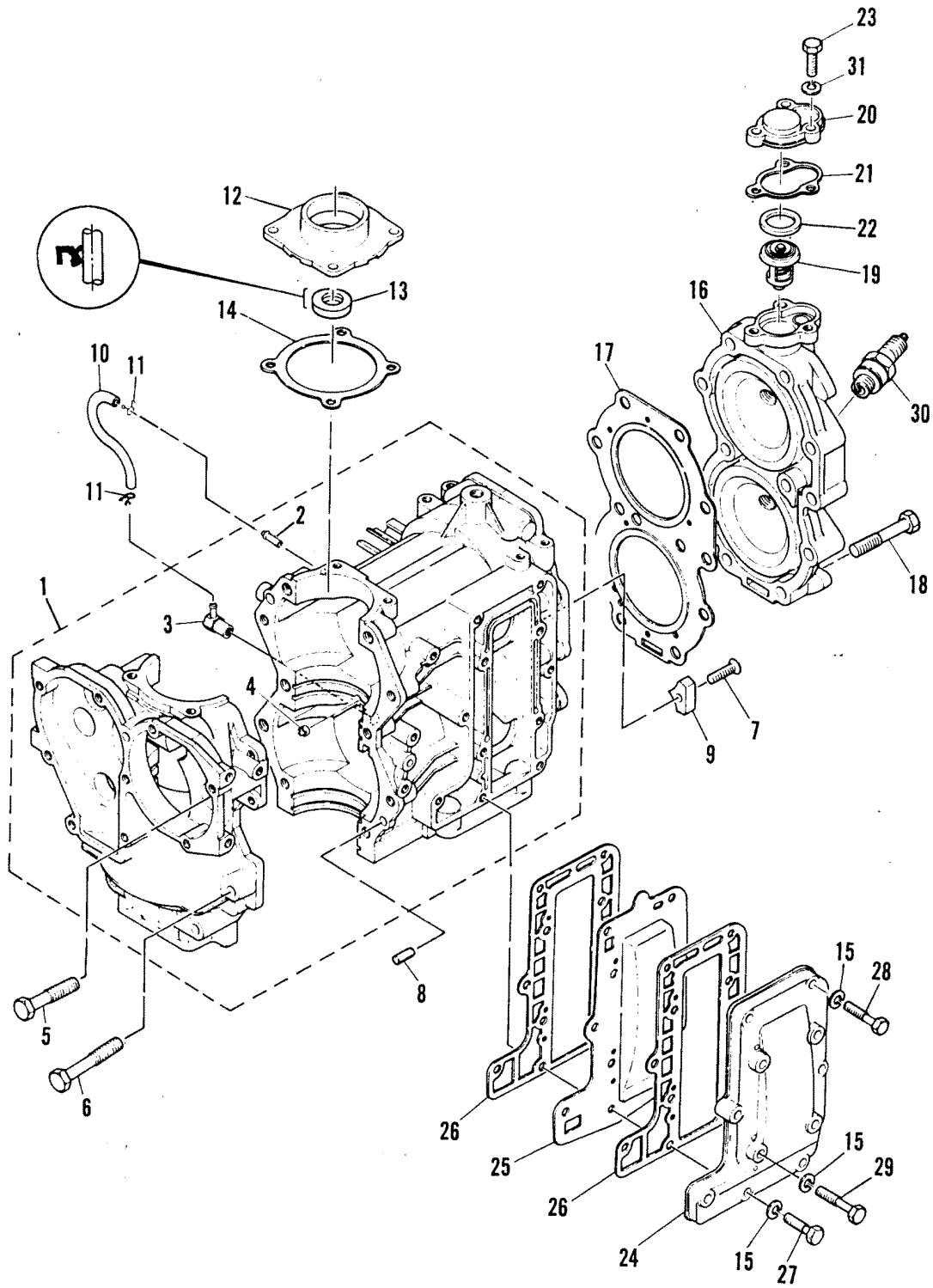
# ELECTRIC STARTER MOTOR



# ELECTRIC STARTER MOTOR

REF. NO.	PART NO.	SYM.	QTY.	DESCRIPTION
1	50-97693M		1	ELECTRIC MOTOR ASS'Y
2	96360M		1	PINION STOP SET
3	97694M		1	PINION
4	96362M		1	COVER, FRONT
5	25-96363M		2	O-RING
6	12-96364M		1	WASHER KIT
7	96365M		1	ARMATURE
8	96366M		1	STATOR
9	96367M		1	BRUSH HOLDER
10	96369M		1	BRUSH, NEGATIVE (-)
11	96368M		1	BRUSH, POSITIVE (+)
12	24-84927M		2	SPRING, BRUSH
11	96370M		1	COVER, REAR
14	10-84929M		2	BOLT
15	10-96371M		1	BOLT
16	12-82217M		1	WASHER
17	92609M		1	BRACKET, MOTOR MOUNTING
18	10-84853M		1	BOLT
19	10-92523M		2	BOLT
20	10-95416M		2	BOLT
21	12-82217M		2	WASHER

# CRANKCASE AND CYLINDER HEAD



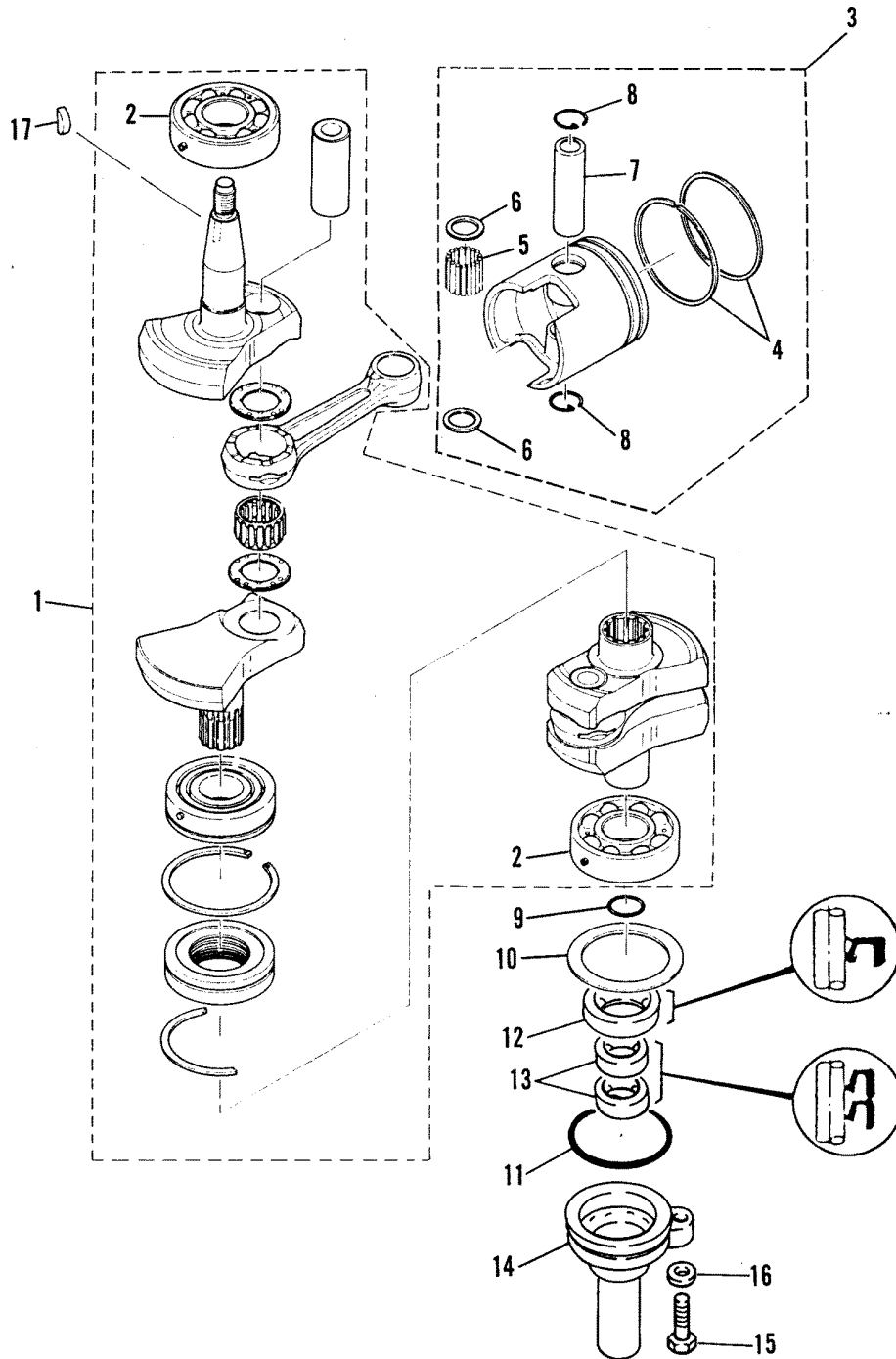
## CRANKCASE AND CYLINDER HEAD

REF. NO.	PART NO.	SYM.	QTY.	DESCRIPTION
1	870-9369M		1	CRANKCASE ASS'Y
2	22-80122M		1	FITTING, CRANKCASE DRAIN
3	21-80727M		1	CHECK VALVE ASS'Y
4	21-80107M		1	VALVE, CHECK
5	10-41885M		2	BOLT, W/WASHER
6	10-41884M		8	BOLT, W/WASHER
7	10-95209M		1	SCREW
8	17-82364M		2	PIN, DOWEL
9	84732M		1	ANODE
10	32-82000M		1	HOSE
11	54-82046M		2	CLAMP, HOSE
12	81564M		1	HOUSING, OIL SEAL (UPPER)
13	26-82245M	●	1	OIL SEAL, CRANKSHAFT (UPPER)
14	27-81565M	●	1	GASKET, OIL SEAL HOUSING
15	12-82214M		11	WASHER
16	968-8400M		1	HEAD, CYLINDER
17	27-81555M	●	1	GASKET, CYLINDER HEAD
18	10-41885M		11	BOLT, W/WASHER
19	11752M		1	THERMOSTAT
20	81030M		1	COVER, THERMOSTAT
21	27-81031M	●	1	GASKET, THERMOSTAT COVER
22	12-81835M		1	WASHER
23	10-83539M		3	BOLT
24	81569M		1	COVER, EXHAUST-OUTER
25	81568M		1	COVER, EXHAUST-INNER
26	27-81570M	●	2	GASKET, EXHAUST COVER
27	10-82453M		1	BOLT
28	10-96293M		4	BOLT
29	10-92523M		6	BOLT
30	33-53098		2	SPARK PLUG
31	13-82212M		3	LOCKWASHER
	18969M		1	POWERHEAD ASS'Y, COMPLETE <b>SERIAL 00031675-09999999</b>
	95672M		1	POWERHEAD ASS'Y, COMPLETE <b>SERIAL 00000000-00031674</b>
	27-92575M	●	1	GASKET SET, POWERHEAD

FOR REPLACEMENT OF POWERHEAD ASSEMBLY, COMPLETE; WHICH INCLUDES CRANKCASE ASSEMBLY, CYLINDER HEAD, PISTONS, CRANKSHAFT, CONNECTING RODS, EARRINGS, ETC. ORDER POWERHEAD ASSEMBLY [95672M] OR [18969M].

● = CONTENTS OF POWERHEAD GASKET SET [27-92575M].

# CRANKSHAFT AND PISTON



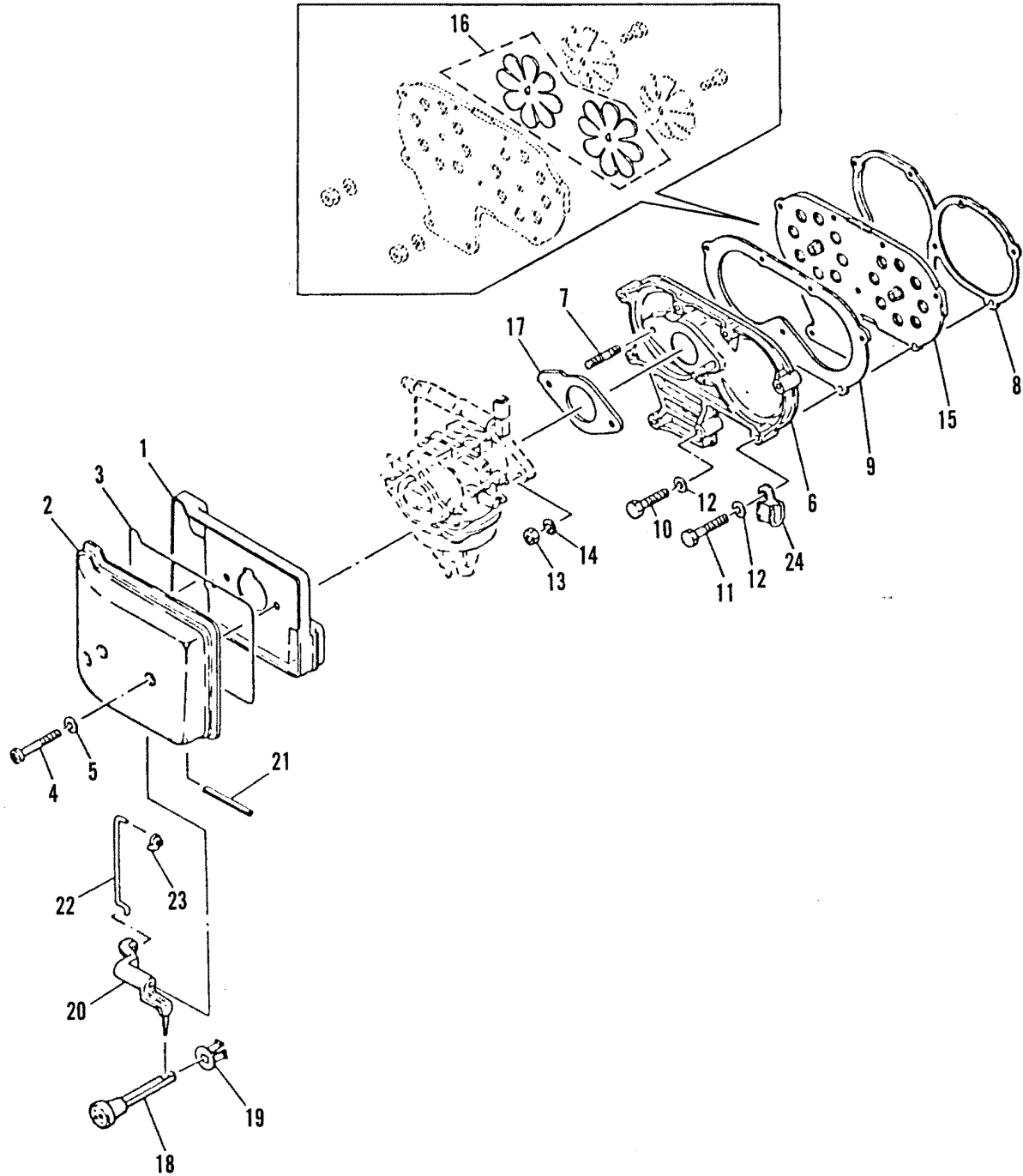


# CRANKSHAFT AND PISTON

REF. NO.	PART NO.	SYM.	QTY.	DESCRIPTION
1	463-9245M		1	CRANKSHAFT ASS'Y
2	30-18971M		2	BEARING, CRANKSHAFT <b>SERIAL 00031675-09999999</b>
	30-82307M		2	BEARING, CRANKSHAFT <b>SERIAL 00000000-00031674</b>
3	761-8375M		2	PISTON ASS'Y (STD)
	761-8376M		AR	PISTON ASS'Y (1ST O.S. 67.25MM)
	761-8377M		AR	PISTON ASS'Y (2ND O.S. 67.50MM)
4	39-81095M		2	PISTON RING SET (STD)
	39-81096M		AR	PISTON RING SET (1ST O.S. 67.25MM)
	39-81097M		AR	PISTON RING SET (2ND O.S. 67.50MM)
5	29-84452M		62	BEARING, NEEDLE
6	12-81829M		4	WASHER, CONNECTING ROD BEARING
7	41-80565M		2	PIN, PISTON
8	53-82345M		4	SNAP RING
9	25-82268M	●	1	O-RING, CRANKSHAFT TO DRIVESHAFT
10	23-81842M		1	SPACER, INNER BEARING
11	25-84089M	●	1	O-RING, OIL SEAL HOUSING
12	29-19133M	●	1	OIL SEAL, LARGE <b>SERIAL 00031675-09999999</b>
	26-84752M	●	1	OIL SEAL, LARGE <b>SERIAL 00029273-00031674</b>
	26-16714M	●	1	OIL SEAL, LARGE <b>SERIAL 00000000-00029272</b>
13	26-18972M	●	1	OIL SEAL, SMALL <b>SERIAL 00031675-09999999</b>
	26-83347M	●	2	OIL SEAL, SMALL <b>SERIAL 00000000-00031674</b>
14	18973M		1	HOUSING, OIL SEAL (LOWER) <b>SERIAL 00031675-09999999</b>
	84753M		1	HOUSING, OIL SEAL (LOWER) <b>SERIAL 00000000-00031674</b>
15	10-94526M		1	BOLT
16	12-82214M		1	WASHER
17	28-81914M		1	KEY, CRANKSHAFT TO FLYWHEEL
-	<b>27-92575M</b>		<b>0</b>	<b>POWERHEAD GASKET SET</b>

● = CONTENTS OF POWERHEAD GASKET SET [27-92575M].

# INTAKE MANIFOLD

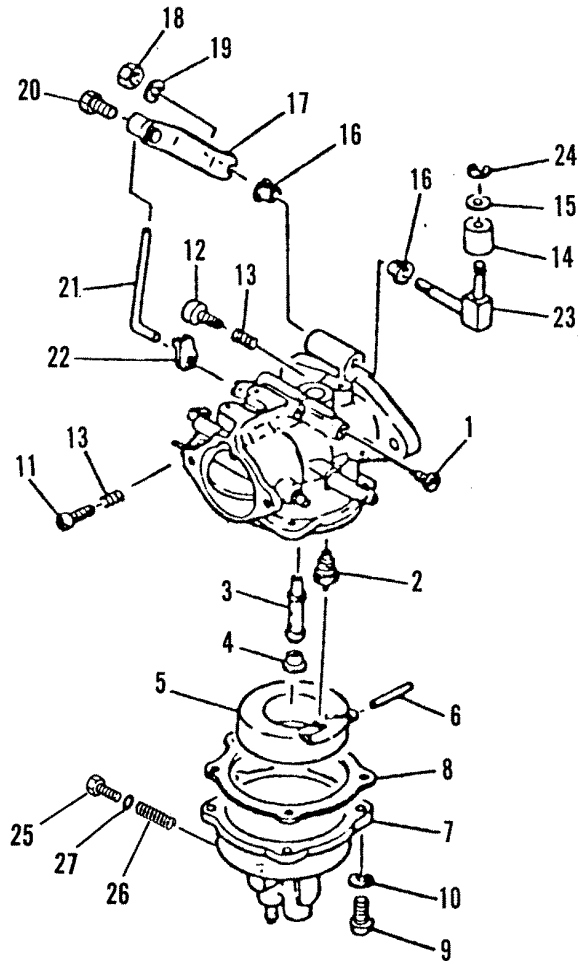


# INTAKE MANIFOLD

REF. NO.	PART NO.	SYM.	QTY.	DESCRIPTION
1	92576M		1	COVER, AIR INTAKE (INNER)
2	92577M		1	COVER, AIR INTAKE (OUTER)
3	27-92578M	●	1	GASKET, COVER
4	10-82522M		2	SCREW
5	12-82211M		2	WASHER
6	80570M		1	MANIFOLD, INTAKE
7	16-91735M		2	STUD, CARBURETOR ATTACHING
8	27-80569M	●	1	GASKET, INTAKE MANIFOLD
9	27-80571M	●	1	GASKET, REED VALVE
10	10-82405M		2	BOLT
11	10-83285M		7	BOLT
12	12-82214M		9	WASHER
13	11-82380M		2	NUT
14	12-82214M		2	WASHER
15	84758M		1	REED VALVE ASS'Y
16	34-84759M		1	REED SET (REED STOPS NOT INCLUDED)
17	27-80572M	●■	1	GASKET, CARBURETOR MANIFOLD
18	83960M		1	KNOB, CHOKE
19	25-84760M		1	GROMMET, CHOKE KNOB
20	84761M		1	LEVER, CHOKE
21	17-84762M		1	PIN, ROLL
22	92579M		1	ROD, CHOKE
23	81191M		1	JOINT
24	54-97561M		1	CLAMP, HOSE
-	<b>27-92575M</b>		<b>0</b>	<b>POWERHEAD GASKET SET</b>
-	<b>84773M</b>		<b>0</b>	<b>CARBURETOR REPAIR KIT</b>

- = CONTENTS OF POWERHEAD GASKET SET [27-92575M].
- = CONTENTS OF CARBURETOR REPAIR KIT [84773M].

# CARBURETOR



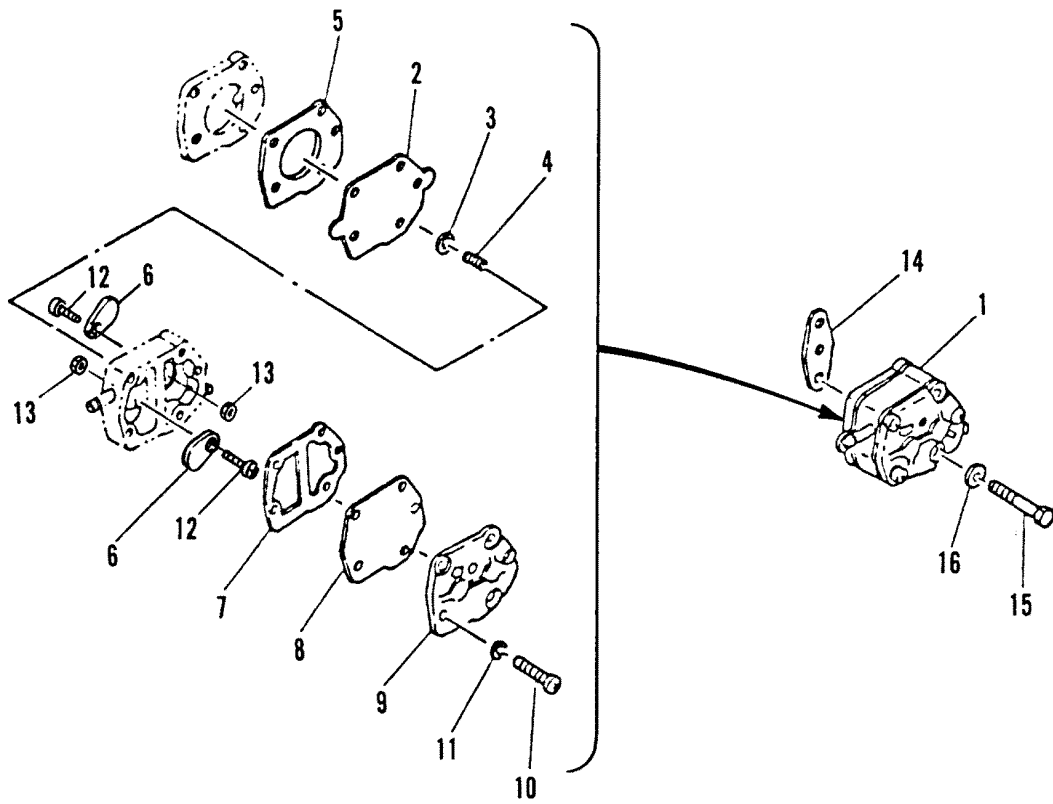
# CARBURETOR

REF. NO.	PART NO.	SYM.	QTY.	DESCRIPTION
0-1	1383-6850M		1	CARBURETOR ASS'Y (EL-556544 EUL-650246) AND ABOVE SERIAL 00026732-09999999
	1383-7952M		1	CARBURETOR ASS'Y (EL-556543 EUL-650245) AND BELOW SERIAL 00000000-00026731
1	80578M		1	JET, LOW SPEED (#60)
2	80593M	■	1	INLET VALVE & SEAT
3	80576M		1	NOZZLE, MAIN
4	92580M		1	JET, MAIN (#146) (EL-556544 EUL-650246) AND ABOVE SERIAL 00026732-09999999
	80582M		1	JET, MAIN (#140) (EL-556543 EUL-650245) AND BELOW SERIAL 00000000-00026731
5	80591M	■	1	FLOAT
6	17-80592M		1	PIN, FLOAT
7	14234M		1	FLOAT, BOWL (EL-556544 EUL-650246) AND ABOVE SERIAL 00026732-09999999
	83200M		1	FLOAT BOWL (EL-254328 EUL-650245) AND BELOW SERIAL 00000000-00026731
8	27-80590M	● ■	1	GASKET, FLOAT BOWL
9	10-82515M	■	4	SCREW
10	13-82206M	■	4	LOCKWASHER
11	10-82623M		1	SCREW, IDLE SPEED
12	10-80573M	■	1	SCREW, IDLE MIXTURE
13	24-80575M		2	SPRING
14	23-84454M		1	BUSHING, THROTTLE SHAFT
15	12-82209M		1	WASHER
16	23-81941M	■	2	BUSHING, THROTTLE SHAFT
17	80622M		1	LEVER, THROTTLE
18	11-82379M		1	NUT
19	13-82208M		1	LOCKWASHER
20	10-81558M		1	SET SCREW, THROTTLE LEVER
21	83160M		1	LINK ROD, THROTTLE LEVER
22	81191M		1	JOINT
23	84772M		1	SHAFT, THROTTLE
24	53-82328M		1	SNAP RING
25	10-80349M		1	VALVE, DRAIN (EL-556544 EUL-650246) AND ABOVE SERIAL 00026732-09999999
26	24-80331M		1	SPRING, DRAIN VALVE (EL-556544 EUL-650246) AND ABOVE SERIAL 00026732-09999999
27	25-80350M	■	1	O-RING (EL-556544 EUL-650246) AND ABOVE SERIAL 00026732-09999999
	84773M	■	1	REPAIR KIT, CARBURATOR REPLACEMENT PARTS
-	<b>27-92575M</b>		<b>0</b>	<b>POWERHEAD GASKET SET</b>

● = CONTENTS OF POWERHEAD GASKET SET [27-92575M].

■ = CONTENTS OF CARBURETOR REPAIR KIT [84773M].

# FUEL PUMP

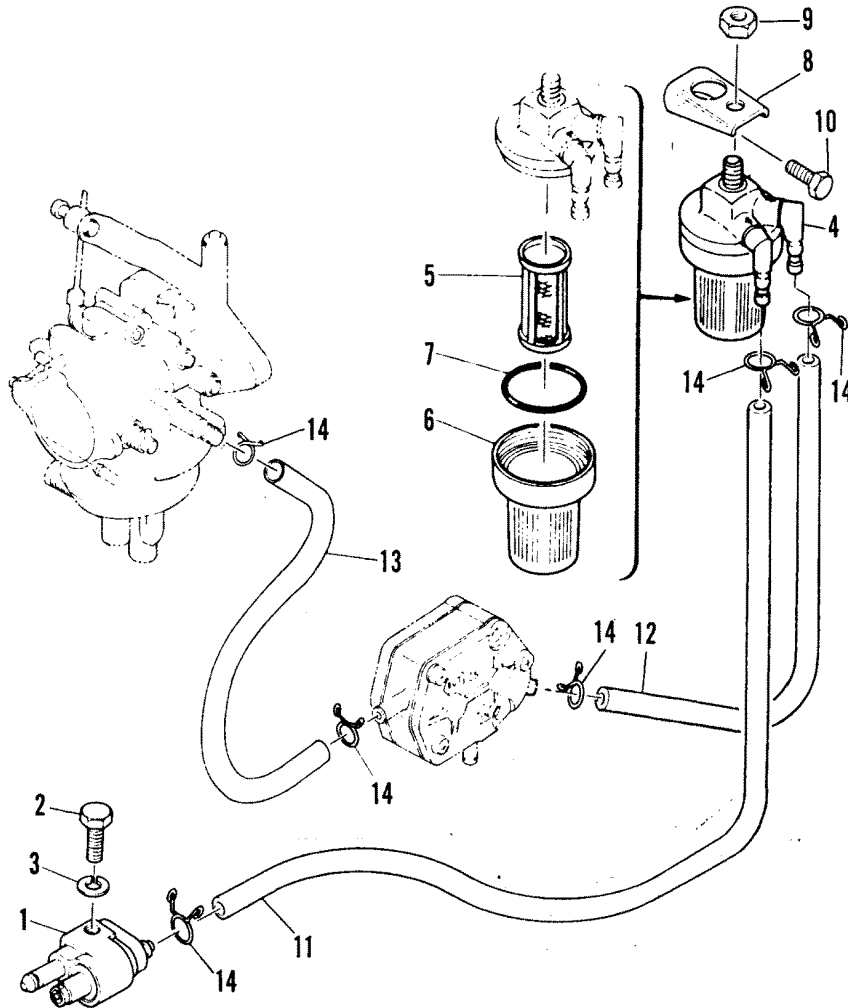


# FUEL PUMP

REF. NO.	PART NO.	SYM.	QTY.	DESCRIPTION
1	43113M		1	FUEL PUMP ASS'Y
2	80606M		1	DIAPHRAGM
3	80611M		1	PLATE, SPRING GUIDE
4	24-80610M		1	SPRING
5	27-80613M		1	GASKET, BODY TO BASE
6	21-41888M		2	CHECK VALVE
7	27-80614M		1	GASKET, BODY TO COVER <b>SERIAL 00031675-09999999</b>
	27-43095M		1	GASKET, BODY TO COVER <b>SERIAL 00000000-00031674</b>
8	84141M		1	DIAPHRAGM
9	43096M		1	COVER
10	10-82522M		3	SCREW
11	13-82208M		3	LOCKWASHER
12	10-41889M		2	SCREW
13	11-82537M		2	NUT
14	27-80757M	●	1	GASKET, FUEL PUMP TO CRANKCASE
15	10-82428M		2	BOLT
16	12-82214M		2	WASHER
-	<b>27-92575M</b>		<b>0</b>	<b>POWERHEAD GASKET SET</b>

● = CONTENTS OF POWERHEAD GASKET SET [27-92575M].

# FUEL LINES AND FILTER



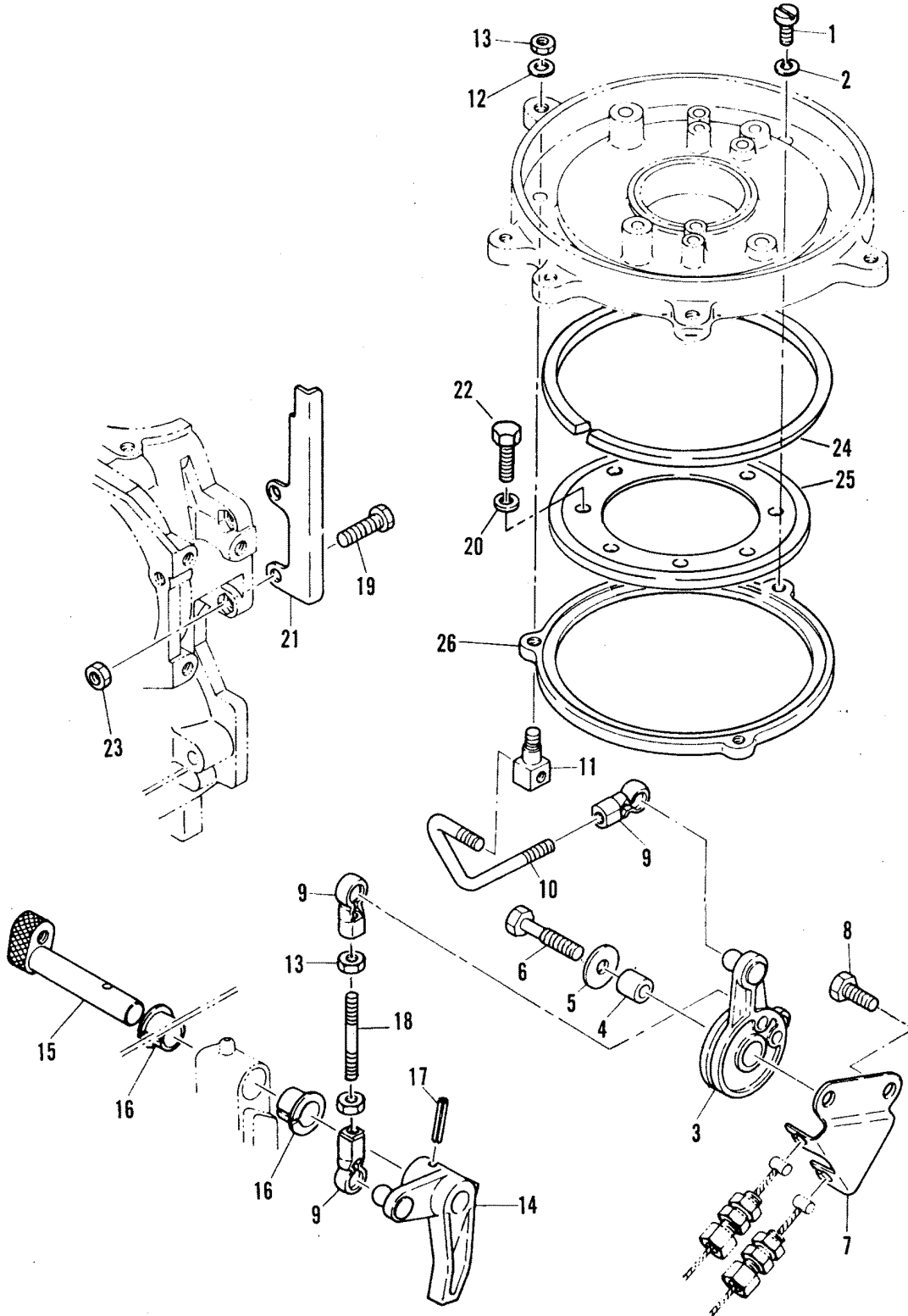


## FUEL LINES AND FILTER

REF. NO.	PART NO.	SYM.	QTY.	DESCRIPTION
1	14187M		1	FUEL LINE CONNECTORY ASS'Y
2	10-83539M		1	BOLT
3	12-82214M		1	WASHER
4	35-11931M		1	FILTER ASS'Y
5	35-11934M		1	ELEMENT, FILTER
6	11935M		1	CUP, FILTER
7	25-84957M	●	1	O-RING
8	80620M		1	BRACKET, FUEL FILTER
9	11-82382M		1	NUT
10	10-84303M		1	BOLT
11	32-84956M		1	FUEL LINE, CONNECTOR TO FILTER
12	32-81566M		1	FUEL LINE, FUEL FILTER TO FUEL PUMP
13	32-80605M		1	FUEL LINE, FUEL PUMP TO CARBURETOR
14	54-82047M		6	CLAMP, HOSE
-	<b>27-92575M</b>		<b>0</b>	<b>POWERHEAD GASKET SET</b>

● = CONTENTS OF POWERHEAD GASKET SET [27-92575M].

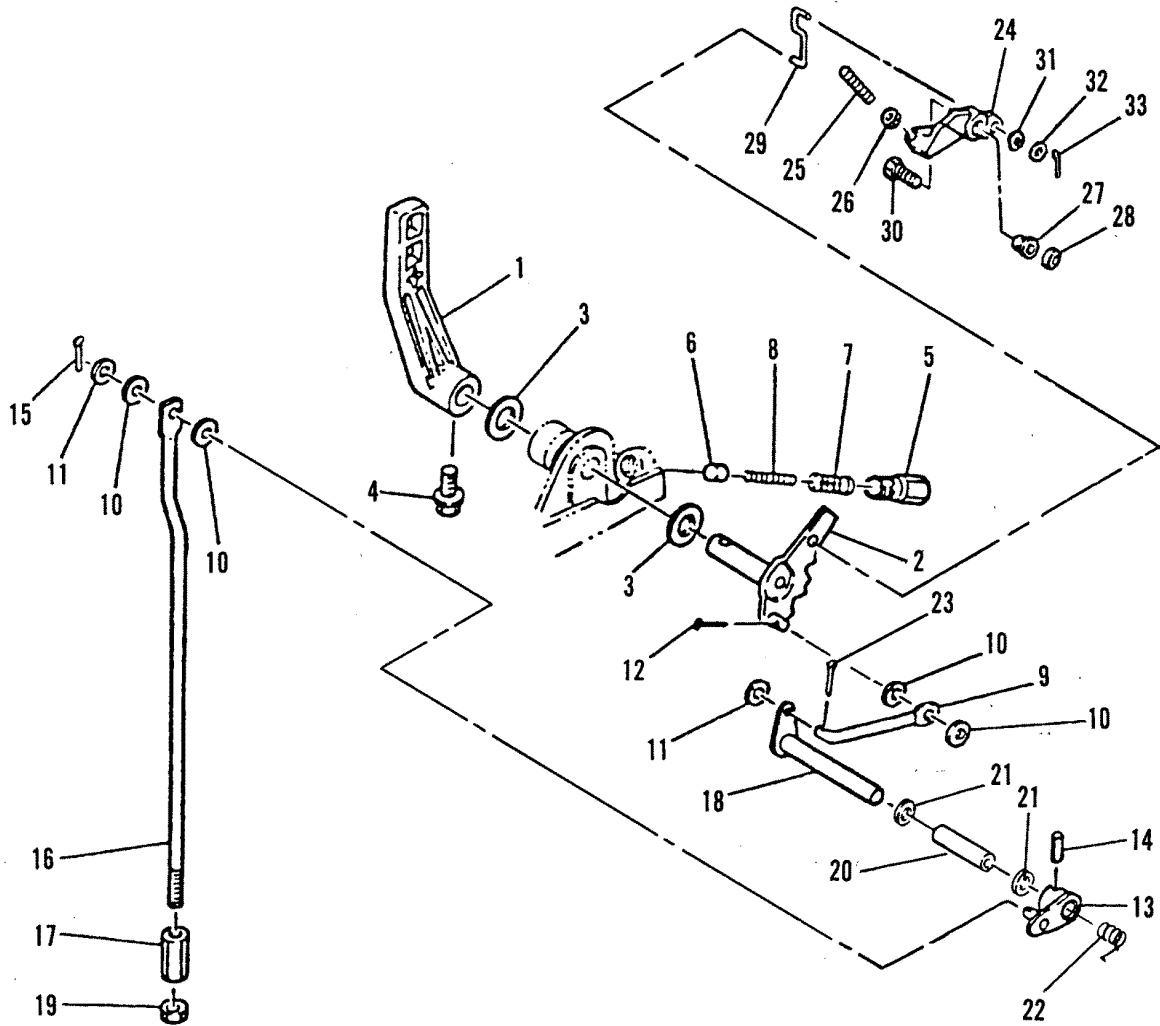
# THROTTLE CONTROL



# THROTTLE CONTROL

REF. NO.	PART NO.	SYM.	QTY.	DESCRIPTION
1	10-83523M		3	SCREW, BASE ATTACHING
2	12-82211M		3	WASHER
3	81581M		1	CAM, MAGNETO CONTROL
4	23-83310M		1	COLLAR
5	12-81969M		1	WASHER
6	10-82405M		1	BOLT
7	81563M		1	BRACKET, THROTTLE CABLE
8	10-84303M		1	BOLT
9	16715M		3	JOINT <b>SERIAL 00029273-09999999</b>
	81225M		3	JOINT <b>SERIAL 00000000-00029272</b>
10	81582M		1	LINK ROD, MAGNETO CONTROL
11	80629M		1	SWIVEL, LINK ROD
12	12-81789M		1	WASHER
13	11-82378M		3	NUT
14	91651M		1	LEVER, THROTTLE SHAFT (MANUAL) <b>SERIAL 00031675-09999999</b>
	92589M		1	LEVER, THROTTLE SHAFT (ELECTRIC) (EL-556544 EUL-650246) <b>AND ABOVE SERIAL 00026732-09999999</b>
	91651M		1	LEVER, THROTTLE SHAFT (ELECTRIC) (EL-556543 EUL-650245) <b>AND BELOW SERIAL 00000000-00026731</b>
15	81134M		1	SHAFT, THROTTLE
16	23-81946M		2	BUSHING
17	17-82156M		1	PIN, ROLL
18	16-81722M		1	LINK ROD
19	10-83539M		2	BOLT
20	12-82214M		4	WASHER
21	96378M		1	STOP, MAGNETO BASE
22	10-83539M		4	BOLT
23	11-82380M		2	NUT
24	92572M		1	PLATE, FRICTION
25	92573M		1	RETAINER, MAGNETO BASE (UPPER)
26	96379M		1	RETAINER, MAGNETO BASE

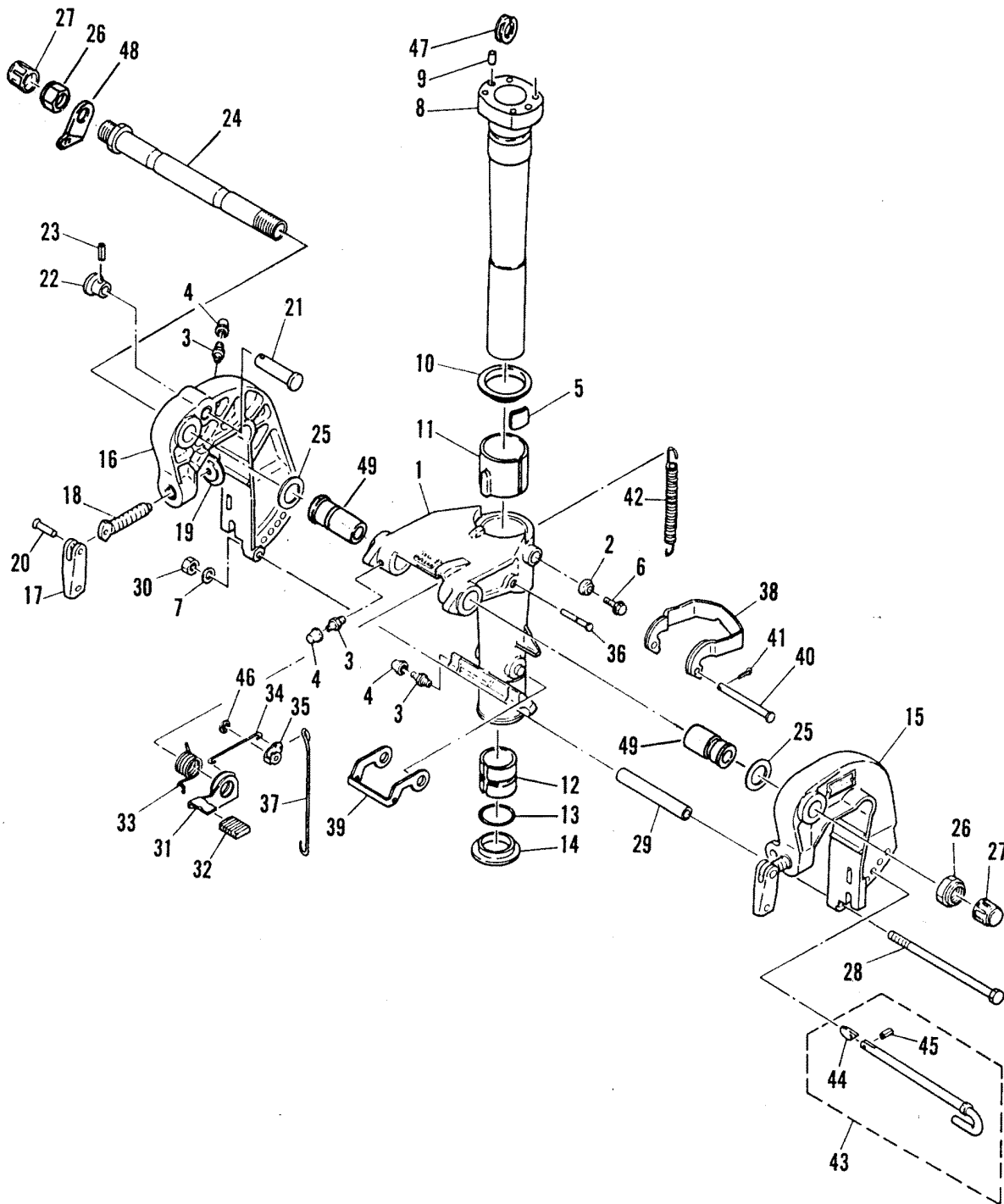
# GEAR SHIFT LINKAGE



# GEAR SHIFT LINKAGE

REF. NO.	PART NO.	SYM.	QTY.	DESCRIPTION
1	84865M		1	HANDLE, GEAR SHIFT
2	84653M		1	CAM, SHAFT
3	12-81851M		2	WASHER
4	10-84830M		1	BOLT
5	84459M		1	RETAINER, SHIFT DETENT
6	84460M		1	PLUNGER, SHIFT CAM
7	24-84461M		1	SPRING, COMPRESSION
8	24-84462M		1	SPRING, COMPRESSION
9	81595M		1	LINK ROD, SHIFT
10	12-81843M		4	WASHER
11	12-82211M		2	WASHER
12	18-82125M		1	PIN, COTTER
13	84867M		1	SWIVEL, SHIFT ROD
14	17-82155M		1	PIN, ROLL
15	18-82127M		1	PIN, COTTER
16	80651M		1	SHAFT, SHIFT (UPPER) <b>SERIAL 00031675-09999999</b>
	81596M		1	SHAFT, SHIFT (UPPER) <b>SERIAL 00000000-00031674</b>
17	80652M		1	CONNECTOR, SHIFT
18	97139M		1	LEVER, SHIFT ROD
19	11-81767M		1	NUT
20	23-97142M		1	COLLAR
21	12-81846M		2	WASHER
22	24-97140M		1	SPRING, TENSION
23	18-82124M		1	PIN, COTTER
24	91648M		1	<b>ARM FOR MANUAL MODELS ONLY</b>
25	16-41883M		1	<b>BOLT FOR MANUAL MODELS ONLY</b>
26	11-82378M		1	<b>NUT FOR MANUAL MODELS ONLY</b>
27	23-83310M		1	<b>COLLAR FOR MANUAL MODELS ONLY</b>
28	12-81969M		1	<b>COLLAR FOR MANUAL MODELS ONLY</b>
29	91650M		1	<b>LINK FOR MANUAL MODELS ONLY</b>
30	10-83539M		1	<b>BOLT FOR MANUAL MODELS ONLY</b>
31	13-81865M		2	<b>WASHER, WAVE FOR MANUAL MODELS ONLY</b>
32	12-82211M		2	<b>WASHER FOR MANUAL MODELS ONLY</b>
33	18-82125M		2	<b>PIN, COTTER FOR MANUAL MODELS ONLY</b>

# CLAMP AND SWIVEL BRACKET/REVERSE LOCK

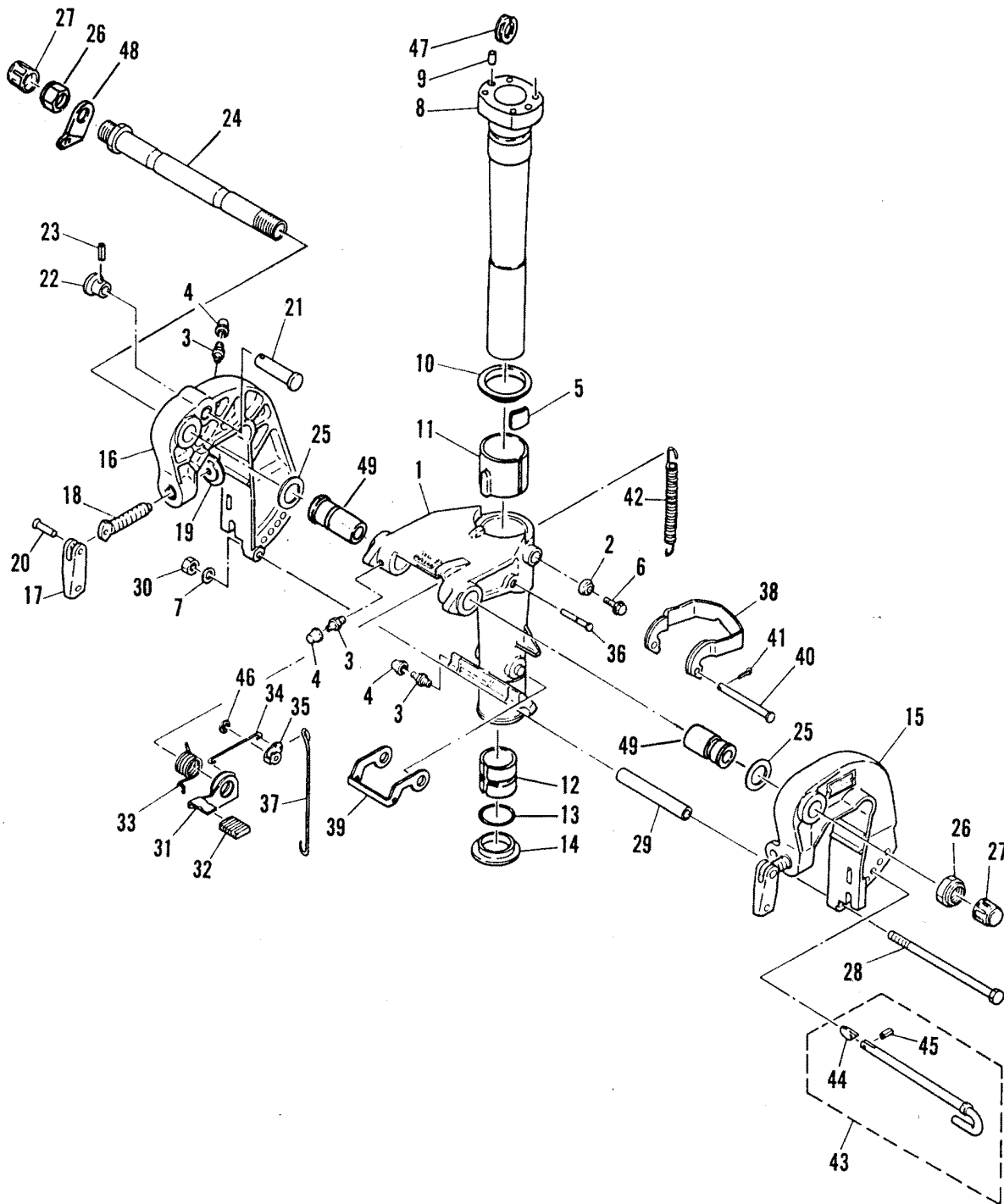


# CLAMP AND SWIVEL BRACKET/REVERSE LOCK

REF. NO.	PART NO.	SYM.	QTY.	DESCRIPTION
1	1485-9792M		1	SWIVEL BRACKET SERIAL 00031675-09999999
	1485-9246M		1	SWIVEL BRACKET SERIAL 00000000-00031674
2	26-91637M		1	SEAL
3	22-82369M		4	FITTING, GREASE
4	81439M		4	CAP, GREASE FITTING
5	80633M		1	PLATE, FRICTION
6	10-96382M		1	SCREW
7	12-82217M		1	WASHER
8	84833M		1	SHAFT, STEERING PIVOT
9	17-82368M		2	PIN, DOWEL
10	12-81873M		1	BUSHING
11	23-81964M		1	BUSHING, PIVOT SHAFT (UPPER)
12	23-81961M		1	BUSHING, PIVOT SHAFT (LOWER)
13	25-82274M		1	O-RING, PIVOT SHAFT BUSHING
14	23-81959M		1	BUSHING
15	1484-9797M		1	CLAMP BRACKET, PORT SERIAL 00031675-09999999
	1484-8245M		1	CLAMP BRACKET, PORT SERIAL 00000000-00031674
16	1484-9798M		1	CLAMP BRACKET, STARBOARD SERIAL 00031675-09999999
	1484-8246M		1	CLAMP BRACKET, STARBOARD SERIAL 00000000-00031675
17	80048M		2	HANDLE, TRANSOM CLAMP SCREW
18	10-81756M		2	SCREW, TRANSOM CLAMP
19	12-80638M		2	PAD, TRANSOM CLAMP SCREW
20	17-81888M		2	PIN, ROLL
21	84835M		1	SHAFT, TILT STOP
22	95650M		1	KNOB, TILT STOP SHAFT
23	17-82148M		1	PIN, ROLL
24	10-18974M		1	TUBE, STEERING SERIAL 00031675-09999999
	10-91639M		1	TUBE, STEERING SERIAL 00000000-00031674
25	12-81836M		2	WASHER
	11-81787M		2	NUT
27	81388M		2	CAP
28	10-82924M		1	BOLT
29	23-81979M		1	SPACER, CLAMP BRACKET SERIAL 00031675-09999999
	23-19108M		1	SPACER, CLAMP BRACKET SERIAL 00000000-00031674
30	11-82392M		1	NUT
31	91640M		1	LEVER, LOCK/RELEASE
32	91641M		1	COVER, LEVER
33	24-91642M		1	SPRING, TENSION
34	91643M		1	LINK, REVERSE LOCK LEVER
35	80648M		1	CAM, TILT
36	17-91644M		1	PIN SERIAL 00031675-09999999
	17-19109M		1	PIN SERIAL 00000000-00031674
37	80645M		1	ROD, REVERSE LOCK LEVER

CONTINUED ON NEXT PAGE ➡

# CLAMP AND SWIVEL BRACKET/REVERSE LOCK

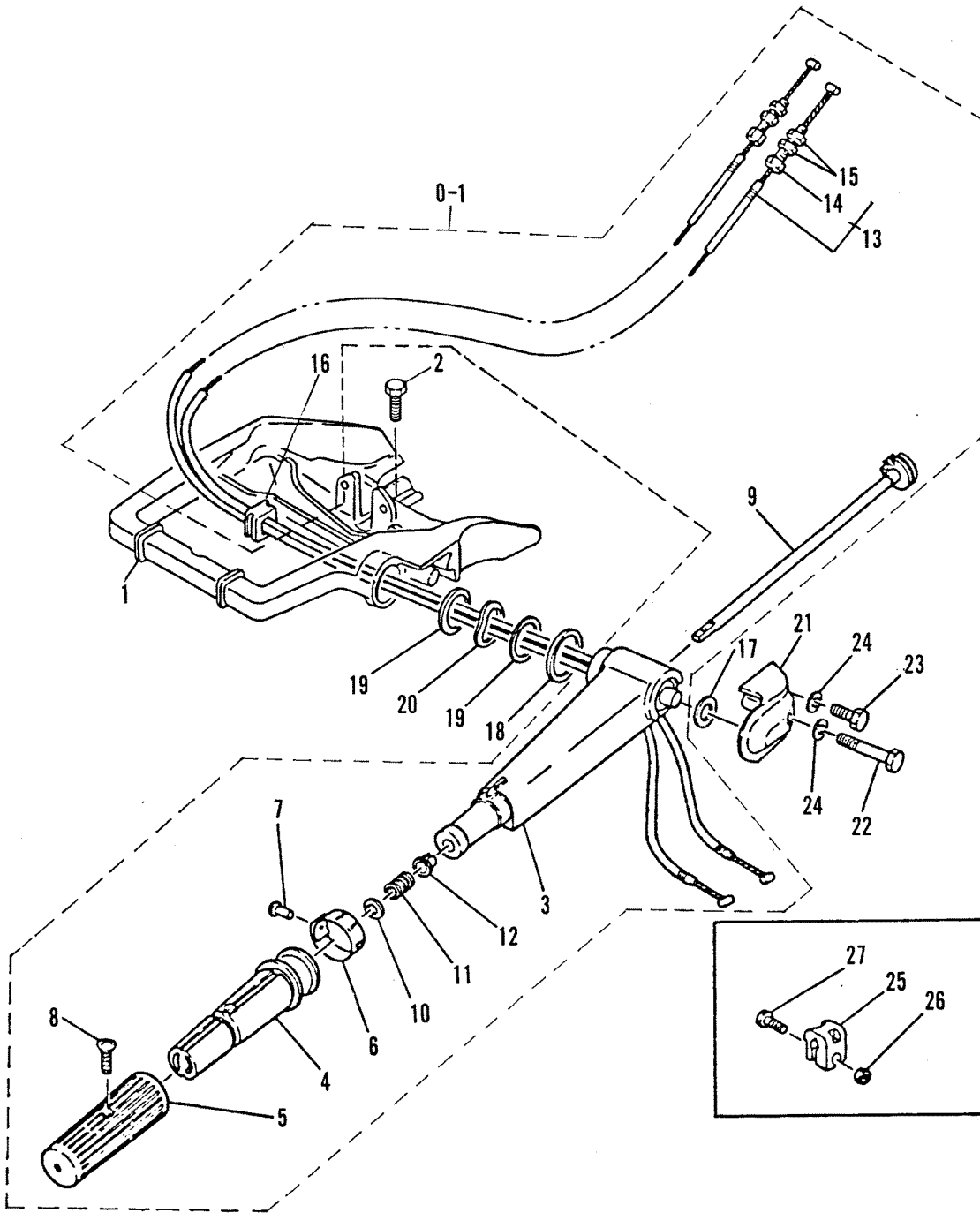




## CLAMP AND SWIVEL BRACKET/REVERSE LOCK

REF. NO.	PART NO.	SYM.	QTY.	DESCRIPTION
38	84837M		1	HOOK, REVERSE LOCK (FRONT)
39	80643M		1	HOOK, REVERSE LOCK (REAR)
40	17-81882M		1	PIN
41	18-82125M		1	PIN, COTTER
42	24-82105M		1	SPRING, REVERSE LOCK <b>SERIAL 00031675-09999999</b>
	24-19110M		1	SPRING, REVERSE LOCK <b>SERIAL 00000000-00031674</b>
43	17-94569M		1	TILT LOCK PIN ASS'Y
44	82857M		1	STOPPER, PLATE
45	17-82144M		1	PIN, ROLL
46	53-82330M		1	SNAP RING
47	25-82070M		1	GROMMET
48	19111M		1	PLATE, CLAMP BRACKET <b>SERIAL 00031675-09999999</b>
49	23-19112M		2	BUSHING <b>SERIAL 00031675-09999999</b>

# STEERING HANDLE

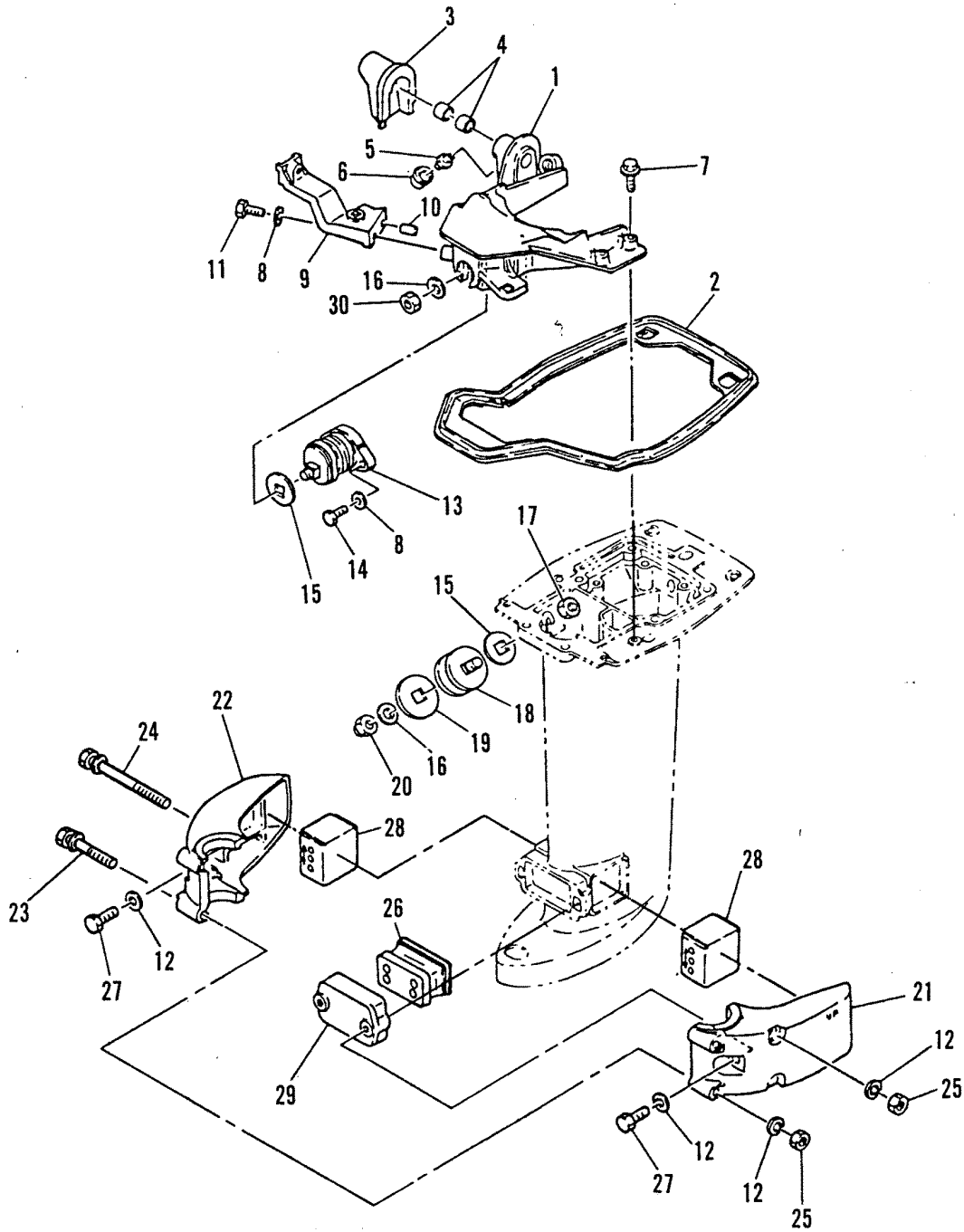


# STEERING HANDLE

REF. NO.	PART NO.	SYM.	QTY.	DESCRIPTION
1	19113M		1	BRACKET, STEERING SERIAL 00031675-09999999
	81138M		1	BRACKET, STEERING SERIAL 00000000-00031674
2	10-84830M		4	BOLT
0-1	95673M		1	STEERING HANDLE ASS'Y ORDERING STEERING HANDLE ASSEMBLY AS A NEW ACCESSORY (NEW ADD ON ASSEMBLY), PARTS WITH REFERENCE NUMBERS 17 THRU 24 (INCLUSIVE) ARE ALSO REQUIRED.
3	96664M		1	HANDLE, STEERING
4	81585M		1	HANDLE, THROTTLE
5	95497M		1	GRIP, THROTTLE HANDLE
6	42432M		1	INDICATOR, THROTTLE
7	17-81907M		1	RIVET
8	10-18847M		1	SCREW SERIAL 00031675-09999999
	10-84300M		1	SCREW SERIAL 00000000-00031674
9	84856M		1	LEVER, THROTTLE
10	12-82220M		1	WASHER, THROTTLE SHAFT
11	24-82095M		1	SPRING
12	23-81945M		1	BUSHING, STEERING ARM
13	41892M		2	CABLE ASS'Y THROTTLE
14	10-81747M		2	ADJUSTER, CABLE
15	11-81765M		4	NUT
16	25-82064M		1	GROMMET
17	23-82119M		1	SPACER
18	23-81861M		1	SPACER
19	12-84850M		2	WASHER
20	13-84851M		1	WASHER, WAVE
21	84852M		1	RETAINER
22	10-84853M		1	BOLT
23	10-84058M		1	BOLT
24	12-82214M		2	WASHER
25	82895M		1	PIECE, FRICTION
26	11-83056M		1	NUT
27	10-84058M		1	BOLT

ORDERING STEERING HANDLE ASSEMBLY AS A NEW ACCESSORY (NEW ADD ON ASSEMBLY), PARTS WITH REFERENCE NUMBERS 17 THRU 24 (INCLUSIVE) ARE ALSO REQUIRED.

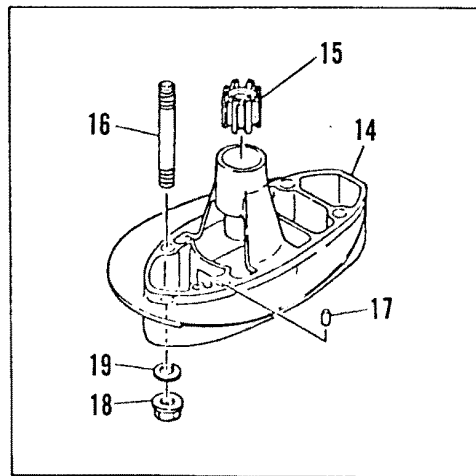
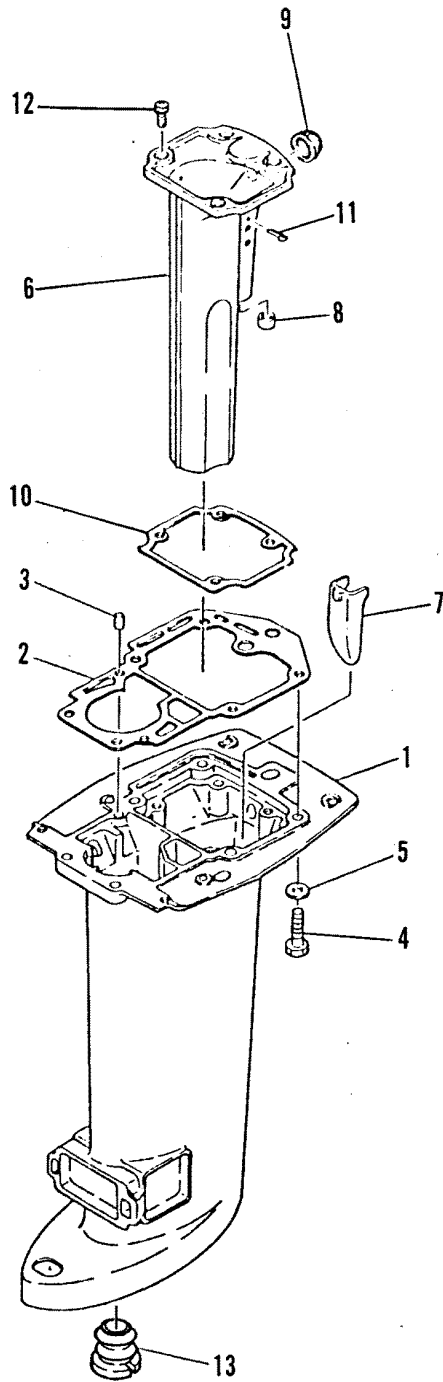
# MOUNTING SYSTEM



# MOUNTING SYSTEM

REF. NO.	PART NO.	SYM.	QTY.	DESCRIPTION
1	95548M		1	BRACKET, MOUNTING
2	26-84838M		1	SEAL, BOTTOM BOWL
3	26-84840M		1	SEAL, SHIFT BRACKET
4	23-81930M		2	BUSHING, SHIFT ROD LEVER
5	22-82369M		1	FITTING, GREASE
6	81439M		1	CAP, GREASE FITTING
7	10-84839M		4	BOLT
8	12-82214M		3	WASHER
9	80657M		1	BRACKET, CABLE ANCHOR
10	17-82364M		1	PIN, DOWEL
11	10-82451M		1	BOLT
12	12-82217M		4	WASHER
13	84841M		1	MOUNT, RUBBER (UPPER FRONT)
14	10-84058M		2	BOLT
15	27-80662M		3	WASHER
16	12-82219M		3	WASHER
17	11-82395M		2	NUT
18	82557M		2	MOUNT, UPPER SIDE
19	27-81612M		2	WASHER
20	11-82396M		2	NUT
21	84842M		1	HOUSING, LOWER MOUNT (PORT)
22	84843M		1	HOUSING, LOWER MOUNT (STARBOARD)
23	10-84844M		2	BOLT, W/WASHER
24	10-41893M		2	BOLT, W/WASHER
25	11-82392M		4	NUT
26	84846M		1	MOUNT, RUBBER (LOWER FRONT)
27	10-43106M		2	BOLT
28	84848M		2	MOUNT, RUBBER (HOUSING)
29	84847M		1	COVER, LOWER MOUNT
30	11-82395M		1	NUT (EL-556544 EUL-650246) AND ABOVE SERIAL 00026732-09999999

# DRIVESHAFT HOUSING



# DRIVESHAFT HOUSING

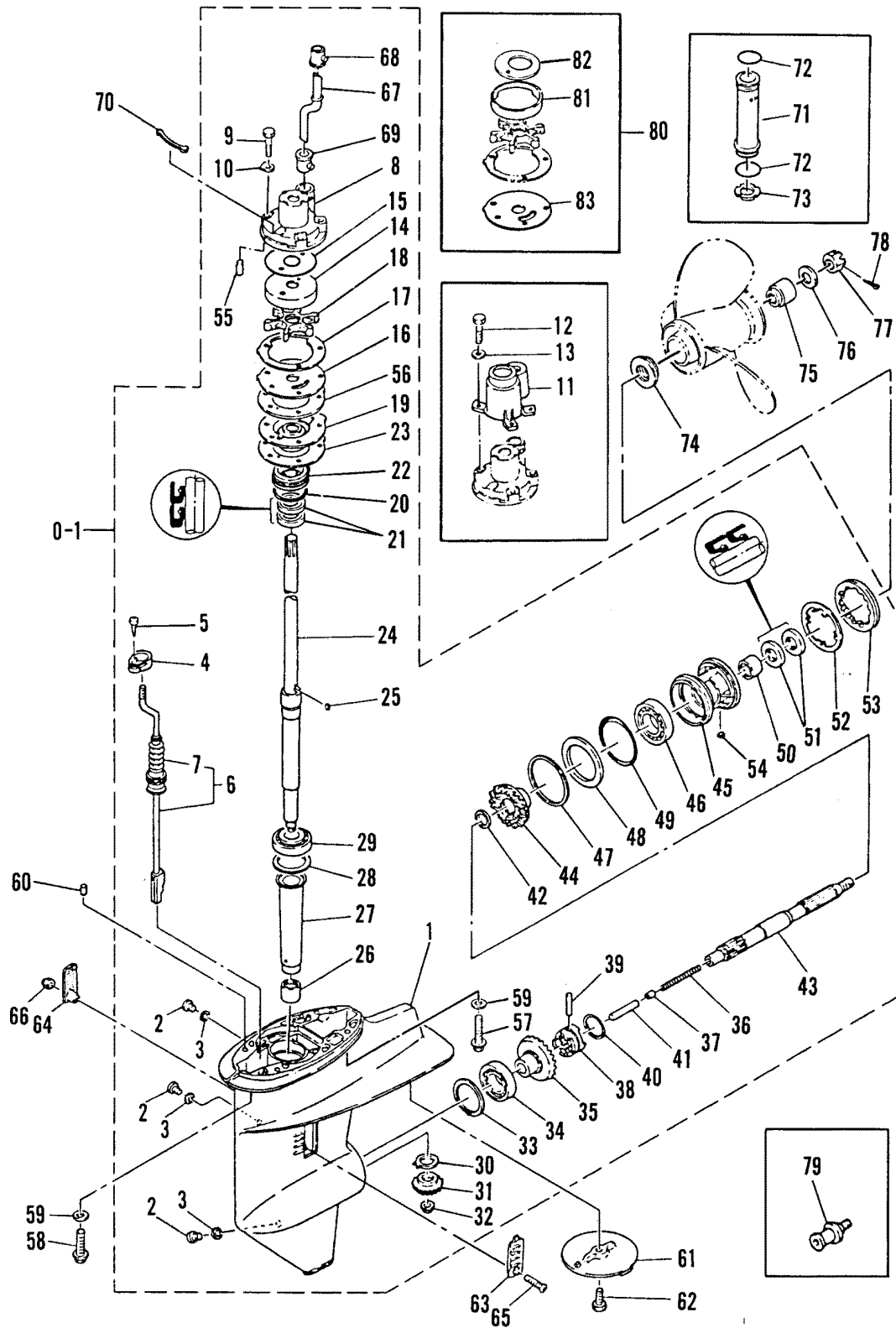
REF. NO.	PART NO.	SYM.	QTY.	DESCRIPTION
1	1587-9244M		1	DRIVESHAFT HOUSING (SHORT SHAFT)
	1587-7843M		1	DRIVESHAFT HOUSING (LONG AND ULTRA LONG SHAFT)
2	27-84775M	●	1	GASKET
3	17-82364M		2	PIN, DOWEL
4	10-95416M		6	BOLT
5	12-82217M		6	WASHER
6	83306M		1	MANIFOLD, EXHAUST
7	84776M		1	EXHAUST GUIDE (SHORT SHAFT)
	84777M		1	EXHAUST GUIDE (LONG AND ULTRA LONG SHAFT)
8	26-81574M		1	GASKET, EXHAUST MANIFOLD
9	26-81572M		1	GASKET, EXHAUST MANIFOLD
10	27-81573M	◇	1	GASKET, EXHAUST MANIFOLD
11	18-82131M		1	PIN, COTTER
12	10-83870M		4	SCREW
13	26-43114M		1	SEAL
14	84783M		1	EXTENSION (ULTRA LONG SHAFT) <b>EXTENSION MAY BE ADDED TO LONG SHAFT ONLY OPTIONAL PARTS</b>
15	23-84784M		1	BUSHING <b>OPTIONAL PARTS</b>
16	16-84785M		4	STUD <b>OPTIONAL PARTS</b>
17	17-82364M		2	PIN, DOWEL <b>OPTIONAL PARTS</b>
18	11-84786M		4	NUT <b>OPTIONAL PARTS</b>
19	12-82220M		4	WASHER <b>OPTIONAL PARTS</b>

EXTENSION MAY BE ADDED TO LONG SHAFT ONLY.

● = CONTENTS OF POWERHEAD GASKET SET [27-92575M].

◇ = CONTENTS OF LOWER UNIT GASKET SET [27-95660M].

# GEARHOUSING ASSEMBLY





# GEARHOUSING ASSEMBLY

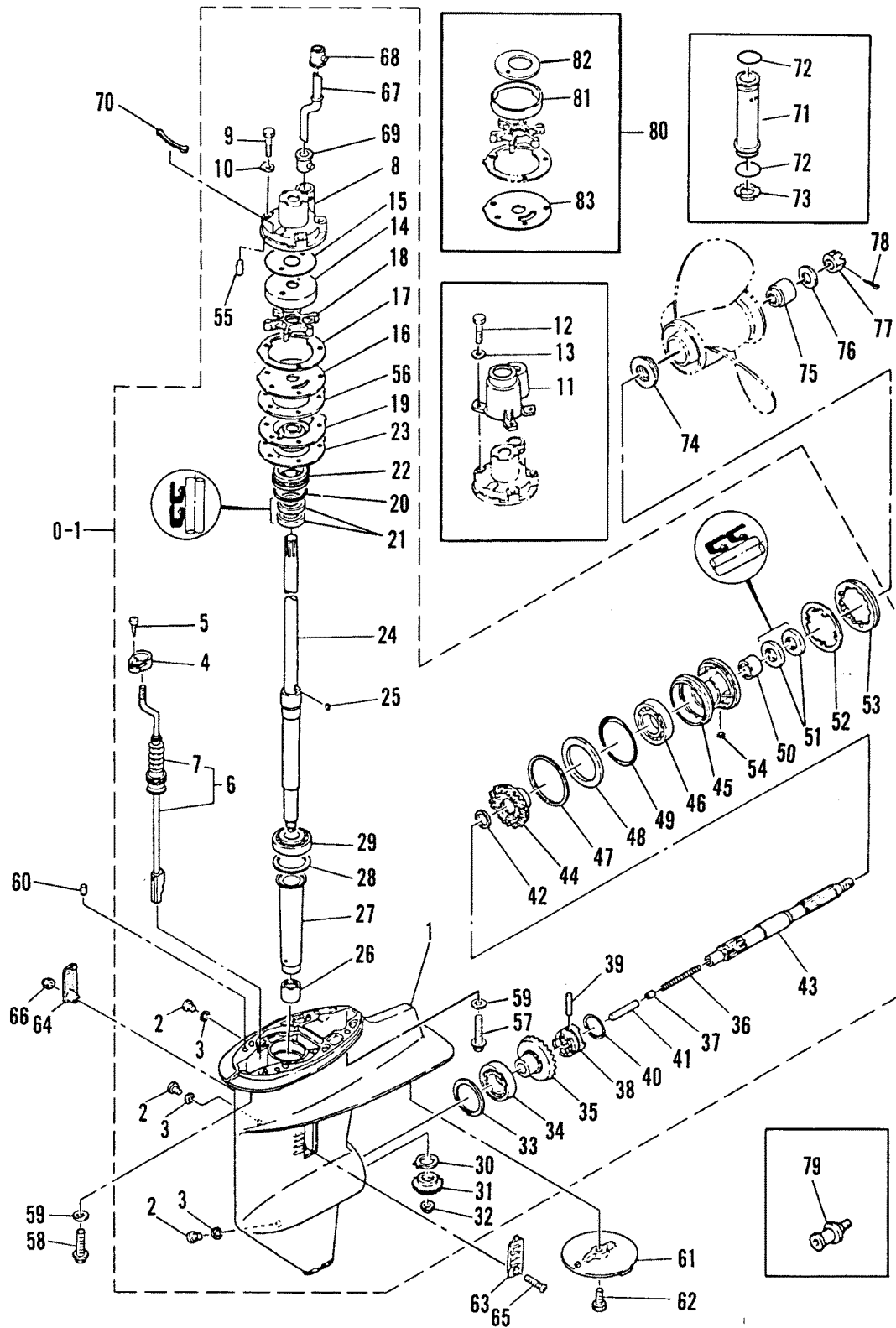
REF. NO.	PART NO.	SYM.	QTY.	DESCRIPTION
0-1	1651-9360M		1	GEARHOUSING ASS'Y (SHORT SHAFT)
	1651-9804M		1	GEARHOUSING ASS'Y (LONG AND ULTRA LONG SHAFT) <b>SERIAL 00031675-09999999</b>
	1651-9361M		1	GEARHOUSING ASS'Y (LONG AND ULTRA LONG SHAFT) <b>SERIAL 00000000-00031674</b>
1	1651-9362M		1	GEARHOUSING
2	22-81924M		3	PLUG
3	27-81987M	◇	3	GASKET, PLUG
4	84787M		1	RETAINER, SHIFT SHAFT
5	10-84788M		1	SCREW
6	19114M		1	SHIFT SHAFT ASS'Y (SHORT SHAFT) <b>SERIAL 00031675-09999999</b>
	83069M		1	SHIFT SHAFT ASS'Y (SHORT SHAFT) <b>SERIAL 00000000-00031674</b>
	19115M		1	SHIFT SHAFT ASS'Y (LONG SHAFT) <b>SERIAL 00031675-09999999</b>
	83052M		1	SHIFT SHAFT ASS'Y (LONG SHAFT) <b>SERIAL 00000000-00031674</b>
	19116M		1	SHIFT SHAFT ASS'Y (ULTRA LONG SHAFT) <b>SERIAL 00031675-09999999</b>
	83805M		1	SHIFT SHAFT ASS'Y (ULTRA LONG SHAFT) <b>SERIAL 00000000-00031674</b>
7	82914M		1	BOOT
8	46-95651M	▲	1	HOUSING, WATER PUMP
9	10-84790M	▲	3	BOLT (SHORT SHAFT)
10	12-84791M		3	WASHER, LOCK (SHORT SHAFT)
11	84792M		1	COVER, WATER PUMP (LONG SHAFT)
12	10-96293M		3	BOLT (LONG SHAFT)
13	12-82214M		3	WASHER (LONG SHAFT)
14	95658M	◇▲	1	INSERT, WATER PUMP <b>SERIAL 00031675-09999999</b>
	95652M	◇▲	1	INSERT, WATER PUMP <b>SERIAL 00000000-00031674</b>
15	27-95653M	▲	1	SEAL
16	95659M	▲	1	BASE PLATE <b>SERIAL 00031675-09999999</b>
	95654M	▲	1	BASE PLATE <b>SERIAL 00000000-00031674</b>
17	27-41273M	◇▲	1	GASKET, HOUSING
18	47-84797M	▲	1	IMPELLER
19	95655M		1	PROTECTOR, OIL SEAL
20	25-84054M	◇	1	O-RING
21	26-82233M	◇	2	OIL SEAL
22	41271M		1	COVER, OIL SEAL
23	27-41272M	◇	1	GASKET, PROTECTOR
24	45-84800M		1	DRIVE SHAFT (SHORT SHAFT)
	45-84801M		1	DRIVE SHAFT (LONG SHAFT)
	45-84802M		1	DRIVE SHAFT (ULTRA LONG SHAFT)

◇ = CONTENTS OF LOWER UNIT GASKET SET [27-95660M].

▲ = CONTENTS OF WATER PUMP REPAIR KIT [95661M].

CONTINUED ON NEXT PAGE ➡

# GEARHOUSING ASSEMBLY



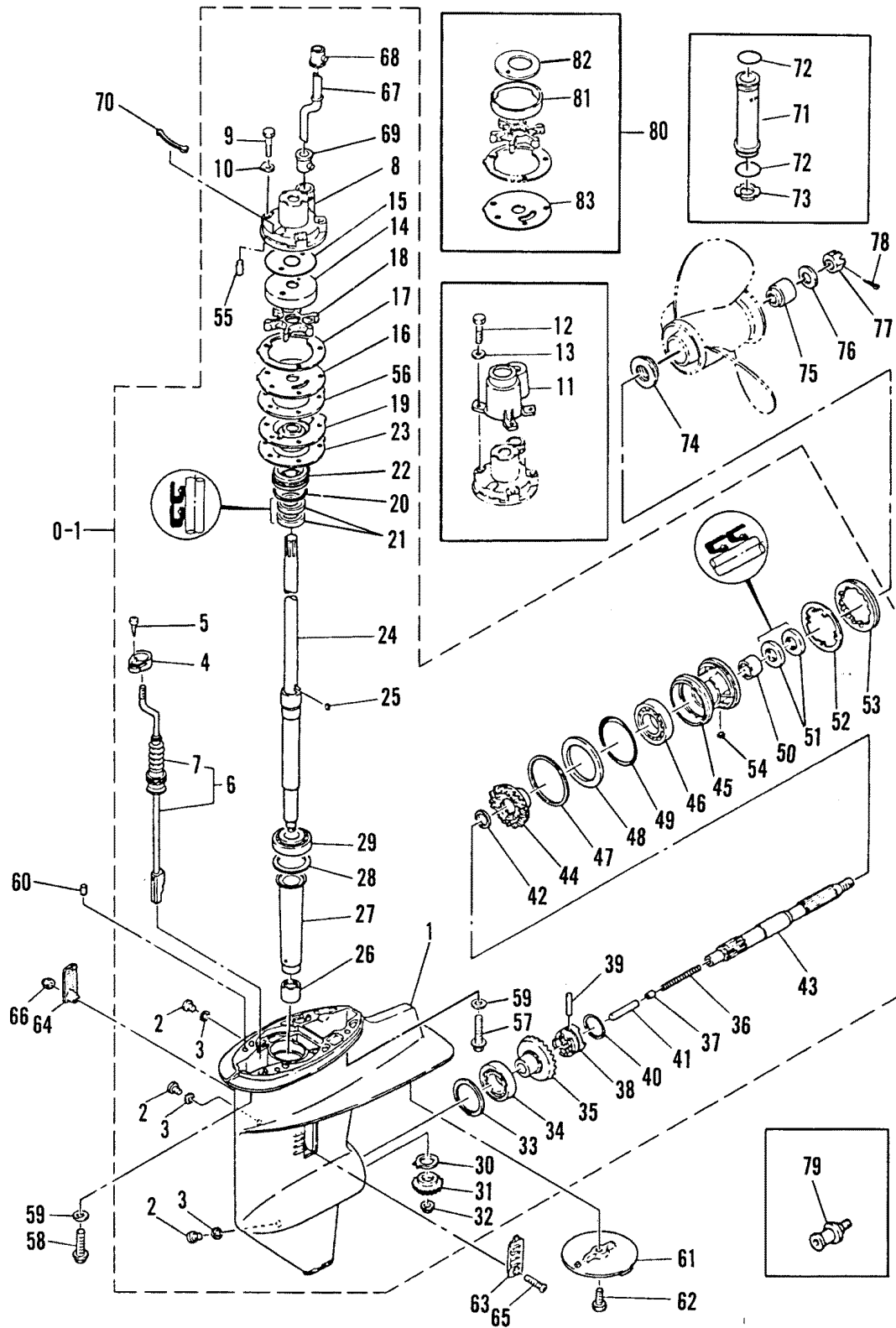
# GEARHOUSING ASSEMBLY

REF. NO.	PART NO.	SYM.	QTY.	DESCRIPTION
25	28-81603M	▲	1	KEY, IMPELLER DRIVE
26	29-84803M		1	BEARING, ROLLER (LOWER)
27	23-84804M		1	SLEEVE, DRIVE SHAFT
0-1	1651-9360M		1	GEARHOUSING ASS'Y (SHORT SHAFT)
	1651-9804M		1	GEARHOUSING ASS'Y (LONG AND ULTRA LONG SHAFT) <b>SERIAL 00031675-09999999</b>
	1651-9361M		1	GEARHOUSING ASS'Y (LONG AND ULTRA LONG SHAFT) <b>SERIAL 00000000-00031674</b>
28	15-19117M		AR	SHIM, DRIVE SHAFT (0.10MM) <b>SERIAL 00031675-09999999</b>
	15-81638M		AR	SHIM, DRIVE SHAFT (0.05MM) <b>SERIAL 00000000-00031674</b>
	15-19118M		AR	SHIM, DRIVE SHAFT (0.12MM) <b>SERIAL 00031675-09999999</b>
	15-81639M		AR	SHIM, DRIVE SHAFT (0.08MM) <b>SERIAL 00000000-00031674</b>
	15-19119M		AR	SHIM, DRIVE SHAFT (0.15MM) <b>SERIAL 00031675-09999999</b>
	15-81640M		AR	SHIM, DRIVE SHAFT (0.12MM) <b>SERIAL 00000000-00031674</b>
	15-19120M		AR	SHIM, DRIVE SHAFT (0.18MM) <b>SERIAL 00031675-09999999</b>
	15-19121M		AR	SHIM, DRIVE SHAFT (0.30MM) <b>SERIAL 00031675-09999999</b>
	15-81641M		AR	SHIM, DRIVE SHAFT (0.30MM) <b>SERIAL 00000000-00031674</b>
	15-19122M		AR	SHIM, DRIVE SHAFT (0.40MM) <b>SERIAL 00031675-09999999</b>
	15-19123M		AR	SHIM, DRIVE SHAFT (0.50MM) <b>SERIAL 00031675-09999999</b>
	15-81642M		AR	SHIM, DRIVE SHAFT (0.50MM) <b>SERIAL 00000000-00031674</b>
29	31-84805M		1	BEARING, TAPERED ROLLER (UPPER)
30	12-81624M		1	THRUST WASHER
31	43-84806M		1	PINION GEAR
32	11-84807M		1	NUT
33	15-18954M		AR	SHIM, FORWARD GEAR (0.10MM) <b>SERIAL 00031675-09999999</b>
	15-81626M		AR	SHIM, FORWARD GEAR (0.05MM) <b>SERIAL 00000000-00031674</b>
	15-18955M		AR	SHIM, FORWARD GEAR (0.12MM) <b>SERIAL 00031675-09999999</b>
	15-81627M		AR	SHIM, FORWARD GEAR (0.08MM) <b>SERIAL 00000000-00031674</b>
	15-18956M		AR	SHIM, FORWARD GEAR (0.15MM) <b>SERIAL 00031675-09999999</b>
	15-81628M		AR	SHIM, FORWARD GAR (0.12MM) <b>SERIAL 00000000-00031674</b>
	15-18957M		AR	SHIM, FORWARD GEAR (0.18MM) <b>SERIAL 00031675-09999999</b>
	15-18958M		AR	SHIM, FORWARD GEAR (0.30MM) <b>SERIAL 00031675-09999999</b>
	15-81629M		AR	SHIM, FORWARD GEAR (0.30MM) <b>SERIAL 00000000-00031674</b>
	15-18959M		AR	SHIM, FORWARD GEAR (0.40MM) <b>SERIAL 00031675-09999999</b>
	15-18960M		AR	SHIM, FORWARD GEAR (0.50MM) <b>SERIAL 00031675-09999999</b>

▲ = CONTENTS OF WATER PUMP REPAIR KIT [95661M].

CONTINUED ON NEXT PAGE ➡

# GEARHOUSING ASSEMBLY



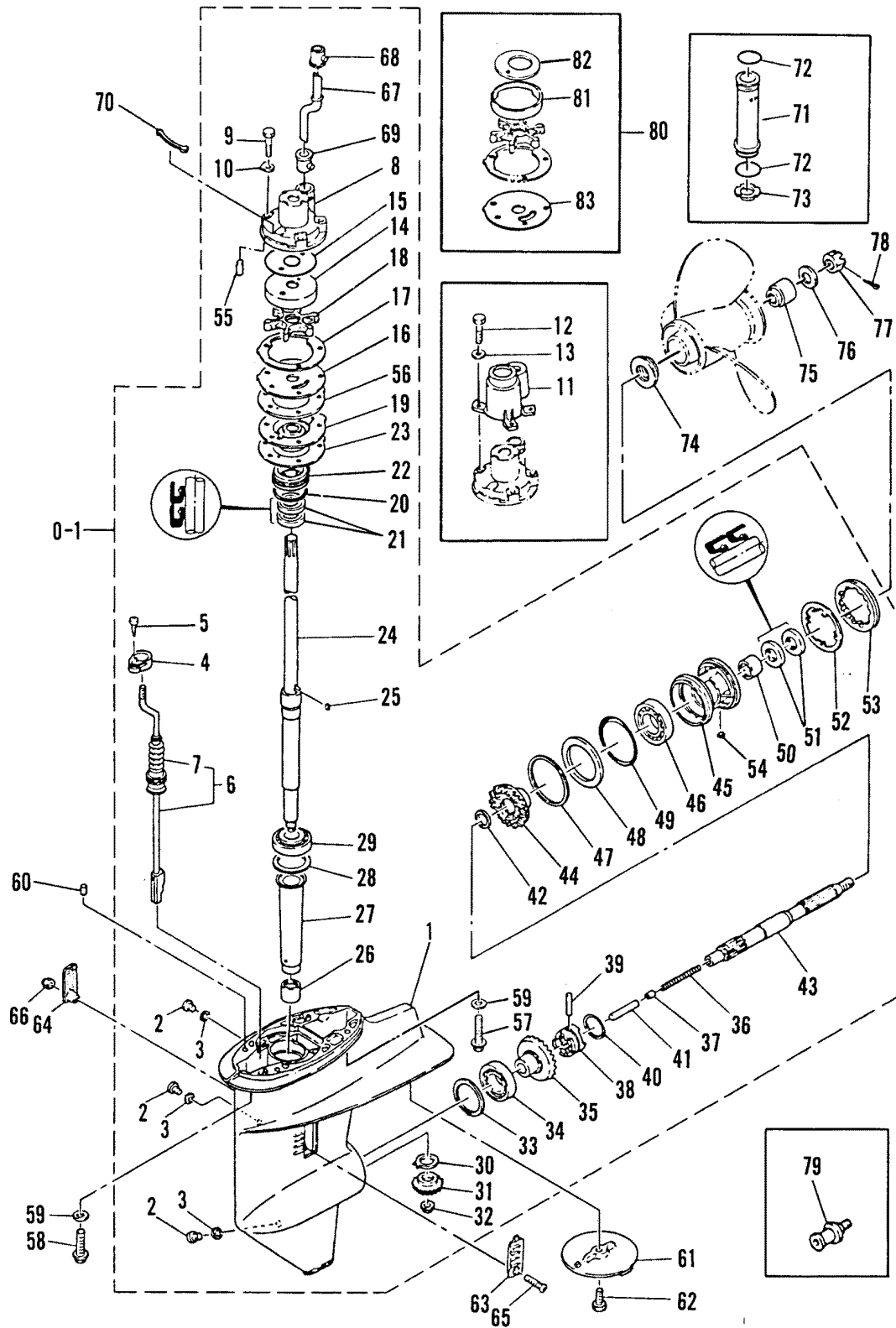
# GEARHOUSING ASSEMBLY

REF. NO.	PART NO.	SYM.	QTY.	DESCRIPTION
33	15-81630M		AR	SHIM, FORWARD GEAR (0.50MM) <b>SERIAL 00000000-00031674</b>
0-1	1651-9360M		1	GEARHOUSING ASS'Y (SHORT SHAFT)
	1651-9360M		1	GERAHOUSING ASS'Y (LONG AND ULTRA LONG SHAFT) <b>SERIAL 00031675-09999999</b>
	1651-9361M		1	GEARHOUSING ASS'Y (LONG AND ULTRA LONG SHAFT) <b>SERIAL 00000000-00031674</b>
34	31-82321M		1	BEARING, TAPERED ROLLER (FORWARD)
35	43-84808M		1	GEAR, FORWARD
36	24-82078M		1	SPRING, COMPRESSION
37	80679M		1	SLIDE, SPRING <b>SERIAL 00000000-00031674</b>
38	52-81644M		1	CLUTCH
39	17-81899M		1	CROSS PIN
40	53-80678M		1	RING, CROSS PIN
41	80680M		1	PLUNGER, SHIFT
42	12-81831M		1	WASHER, THRUST
43	44-19124M		1	PROPELLER SHAFT <b>SERIAL 00031675-09999999</b>
	44-84809M		1	PROPELLER SHAFT <b>SERIAL 00000000-00031674</b>
44	43-84810M		1	GEAR, REVERSE
45	84811M		1	BEARING CARRIER
46	30-82295M		1	BEARING, ROLLER
47	15-19125M		AR	SHIM, REVERSE GEAR (0.10MM) <b>SERIAL 00031675-09999999</b>
	15-81633M		AR	SHIM, REVERSE GEAR (0.05MM) <b>SERIAL 00000000-00031674</b>
	15-19126M		AR	SHIM, REVERSE GEAR (0.12MM) <b>SERIAL 00031675-09999999</b>
	15-81634M		AR	SHIM, REVERSE GEAR (0.08MM) <b>SERIAL 00000000-00031674</b>
	15-19127M		AR	SHIM, REVERSE GEAR (0.15MM) <b>SERIAL 00031675-09999999</b>
	15-81635M		AR	SHIM, REVERSE GEAR (0.12MM) <b>SERIAL 00000000-00031674</b>
	15-19128M		AR	SHIM, REVERSE GEAR (0.18MM) <b>SERIAL 00031675-09999999</b>
	15-19129M		AR	SHIM, REVERSE GEAR (0.30MM) <b>SERIAL 00031675-09999999</b>
	15-81636M		AR	SHIM, REVERSE GEAR (0.30MM) <b>SERIAL 00000000-00031674</b>
	15-19130M		AR	SHIM, REVERSE GEAR (0.40MM) <b>SERIAL 00031675-09999999</b>
	15-19131M		AR	SHIM, REVERSE GEAR (0.50MM) <b>SERIAL 00031675-09999999</b>
	15-81637M		AR	SHIM, REVERSE GEAR (0.50MM) <b>SERIAL 00000000-00031674</b>
48	12-81632M		1	WASHER, THRUST
49	25-84812M	◇	1	O-RING

◇ = CONTENTS OF LOWER UNIT GASKET SET [27-95660M].

CONTINUED ON NEXT PAGE ➡

# GEARHOUSING ASSEMBLY



# GEARHOUSING ASSEMBLY

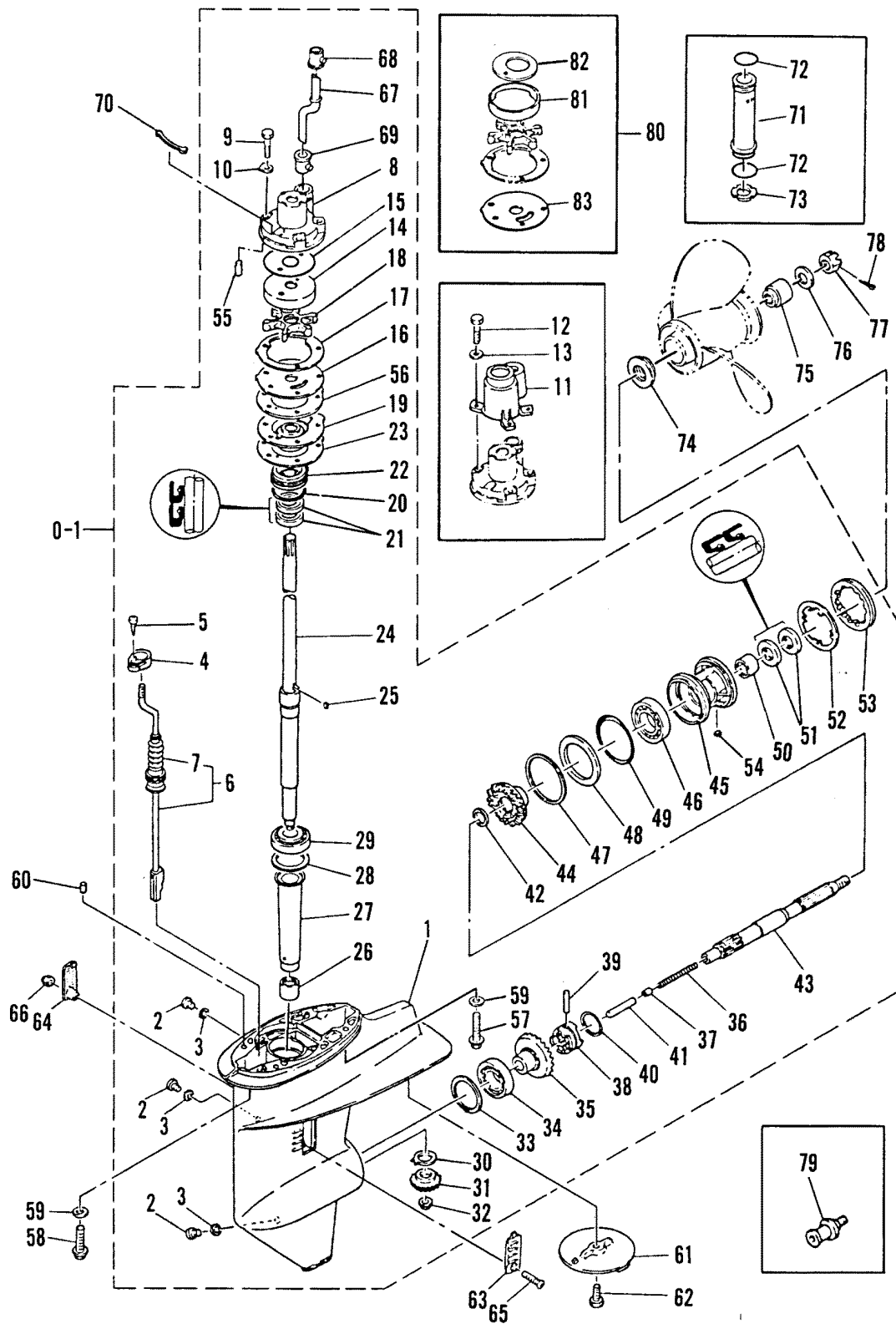
REF. NO.	PART NO.	SYM.	QTY.	DESCRIPTION
50	31-82315M		1	BEARING, ROLLER
51	26-84813M	◇	2	OIL SEAL
52	14-84814M		1	WASHER, TAB
53	11-81619M		1	COVER NUT
54	28-81916M		1	KEY
0-1	1651-9360M		1	GEARHOUSING ASS'Y (SHORT SHAFT)
	1651-9804M		1	GEARHOUSING ASS'Y (LONG AND ULTRA LONG SHAFT) <b>SERIAL 00031675-09999999</b>
	1651-9361M		1	GEARHOUSING ASS'Y (LONG AND ULTRA LONG SHAFT)
55	17-41275M		2	PIN, DOWEL <b>SERIAL 00000000-00031674</b>
56	27-95656M	◇▲	1	GASKET, WATER PUMP
57	10-94720M		2	BOLT
58	10-81711M		2	BOLT
59	12-82220M		4	WASHER
60	17-82364M		2	PIN, DOWEL
61	82795M		1	TRIM, TAB
62	10-82477M		1	BOLT
63	41896M		1	COVER, WATER INLET (PORT)
64	41897M		1	COVER, WATER INLET (STARBOARD)
65	10-84300M		1	SCREW
66	11-81781M		1	NUT
67	32-81605M		1	WATER TUB (SHORT SHAFT)
	32-84816M		1	WATER TUBE (LONG SHAFT)
	32-84817M		1	WATER TUBE (ULTRA LONG SHAFT)
68	26-84818M	◇	1	SEAL, UPPER
69	26-80239M	▲	1	SEAL, LOWER
70	23-84819M		1	SEAL
71	84820M		1	WATER TUBE EXTENSION (LONG AND ULTRA LONG SHAFT) <b>TWO WATER TUBE EXTENSIONS ARE NEEDED FOR THE ULTRA LONG SHAFT</b>
72	25-84821M		2	O-RING (LONG AND ULTRA LONG SHAFT)
73	41277M		1	PLATE (LONG AND ULTRA LONG SHAFT)
74	12-81650M		1	THRUST HUB, FORWARD
75	84823M		1	THRUST HUB, REVERSE
76	12-82222M		1	WASHER
77	11-81774M		1	NUT, PROPELLER
78	18-82131M		1	PIN, COTTER
79	22-95633M		1	FLUSH PLUG <b>OPTIONAL PARTS</b>
80	46-95657M		1	CHROME WATER PUMP KIT
81	95658M		1	INSERT, CARTRIDGE
82	27-95653M		1	SEAL ( <b>Seal attached to Insert for Kit 95657M</b> )
83	95659M		1	OUTER PLATE

◇ = CONTENTS OF LOWER UNIT GASKET SET [27-95660M].

▲ = CONTENTS OF WATER PUMP REPAIR KIT [95661M].

CONTINUED ON NEXT PAGE ➡

# GEARHOUSING ASSEMBLY





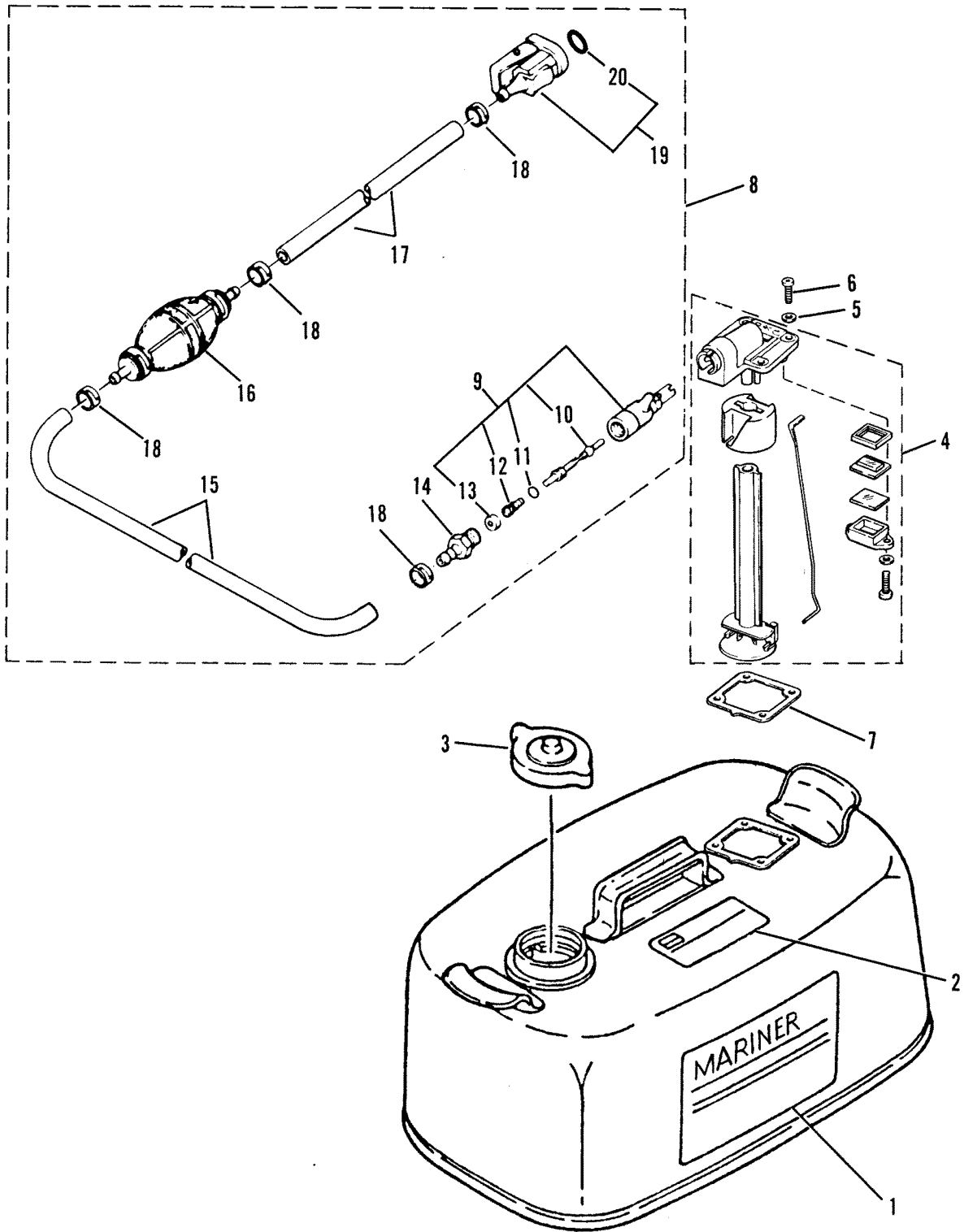
# GEARHOUSING ASSEMBLY

REF. NO.	PART NO.	SYM.	QTY.	DESCRIPTION
83	27-95660M	◇	1	GASKET SET, LOWER UNIT REPLACEMENT PARTS
	95661M	▲	1	REPAIR KIT, WATER PUMP REPLACEMENT PARTS

◇ = CONTENTS OF LOWER UNIT GASKET SET [27-95660M].

▲ = CONTENTS OF WATER PUMP REPAIR KIT [95661M].

# FUEL TANK AND FUEL LINE ASSEMBLY

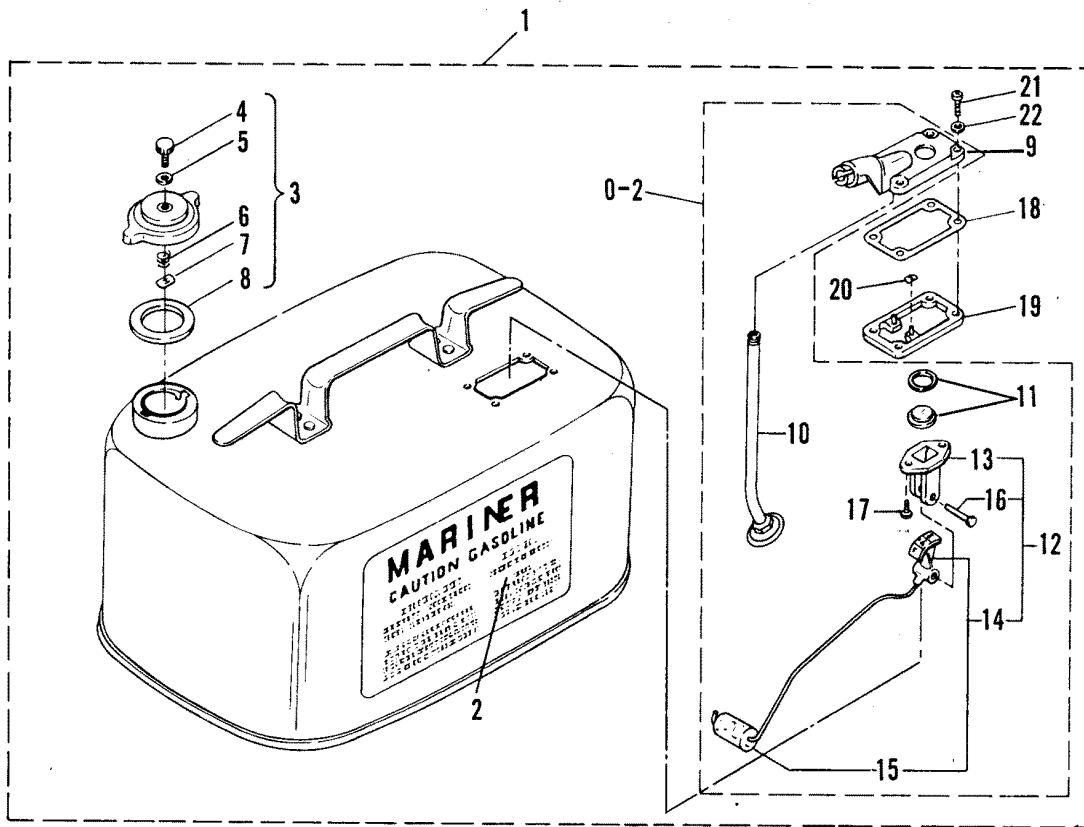


# FUEL TANK AND FUEL LINE ASSEMBLY

REF. NO.	PART NO.	SYM.	QTY.	DESCRIPTION
1	37-14617M		1	DECAL, SIDE (ENGLISH)
	37-95504M		1	DECAL, SIDE (FRENCH)
2	37-95489M		1	DECAL, TOP (ENGLISH)
	37-95503M		1	DECAL, TOP (FRENCH)
3	36-18962M		1	FUEL TANK CAP <b>SERIAL 00031675-09999999</b>
	36-14223M		1	FUEL TANK CAP <b>SERIAL 00000000-00031674</b>
4	95499M		1	FUEL METER ASS'Y
5	12-95501M		4	SEAL
6	10-95502M		4	SCREW
7	27-95500M		1	GASKET, FUEL METER ASS'Y
8	32-18925M		1	FUEL LINE ASS'Y <b>SERIAL 00003167-09999999</b>
	32-16570M		1	FUEL LINE ASS'Y <b>SERIAL 00000000-00031674</b>
9	30185A3		1	BAYONET BODY ASS'Y
10	30187		1	STEM, BAYONET BODY
11	25-20415		1	O-RING, BAYONET BODY STEM
12	24-30189		1	SPRING, BAYONET BODY ASS'Y
13	30188		1	WASHER, CAP
14	22-63187		1	FITTING, FUEL LINE
15	32-16571M		1	HOSE, CONNECTOR HOUSING TO BULB <b>SERIAL 00029273-09999999</b>
	32-14210M		1	HOSE, CONNECTOR HOUSING TO BULB <b>SERIAL 00026732-00029272</b>
	32-84955M		1	HOSE, CONNECTOR HOUSING TO BULB <b>(EL-556543 EUL-650245) AND BELOW SERIAL 00000000-00026731</b>
16	17149M		1	BULB, PRIMER <b>SERIAL 00031675-09999999</b>
	16572M		1	BULB, PRIMER <b>SERIAL 00029273-00031674</b>
	14211M		1	BULB, PRIMER <b>SERIAL 00000000-00029272</b>
17	32-16573M		1	HOSE, BULB TO ENGINE CONNECTOR <b>SERIAL 00029273-09999999</b>
	32-14212M		1	HOSE, BULB TO ENGINE CONNECTOR <b>SERIAL 00026732-00029272</b>
	32-82023M		1	HOSE, BULB TO ENGINE CONNECTOR <b>(EL-556543 EUL-650245) AND BELOW SERIAL 00000000-00026731</b>
18	54-16574M		4	CLAMP, HOSE <b>SERIAL 00029273-09999999</b>
	54-80752M		4	CLAMP, HOSE <b>SERIAL 00000000-00029272</b>
19	22-16610M		1	FUEL CONNECTOR, ENGINE END <b>SERIAL 00031675-09999999</b>
	22-13563A3		1	FUEL CONNECTOR, ENGINE END <b>SERIAL 00029273-00031674</b>
	22-14213M		1	FUEL CONNECTOR, ENGINE END <b>SERIAL 00000000-00029272</b>
20	25-82789M		1	O-RING <b>SERIAL 00000000-00031674</b>

TO ORDER REPLACEMENT OR ADDITIONAL FUEL TANK ASSEMBLY; ORDER FUEL TANK ASSEMBLY [1225-1529A26] SEE "FUEL TANK - REPLACEMENT OR ADDITIONAL" FOR PARTS BREAKDOWN.

# FUEL TANK - REPLACEMENT OR ADDITIONAL

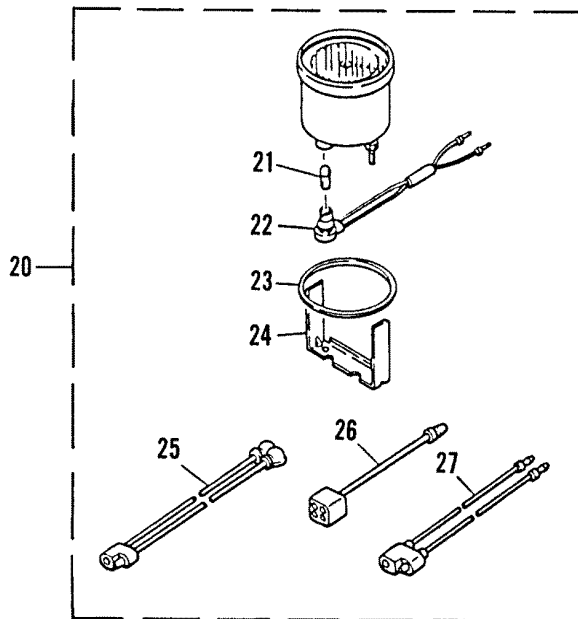
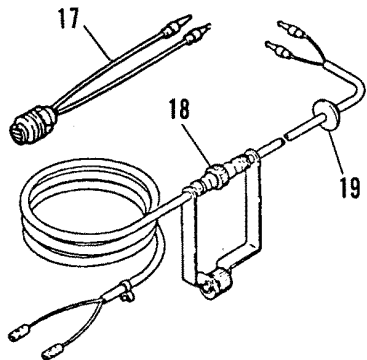
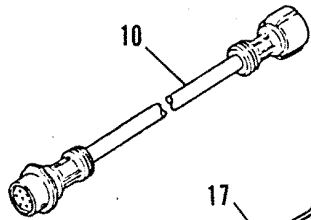
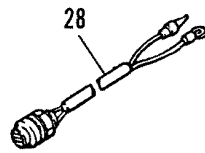
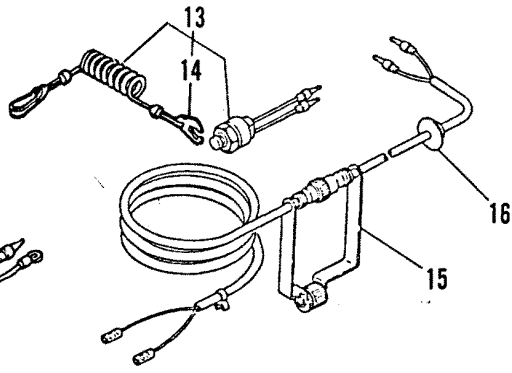
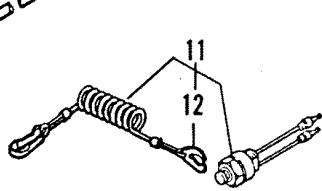
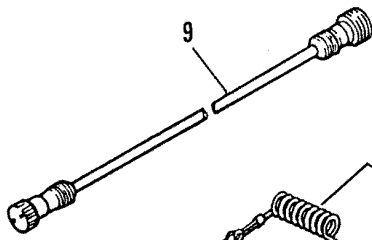
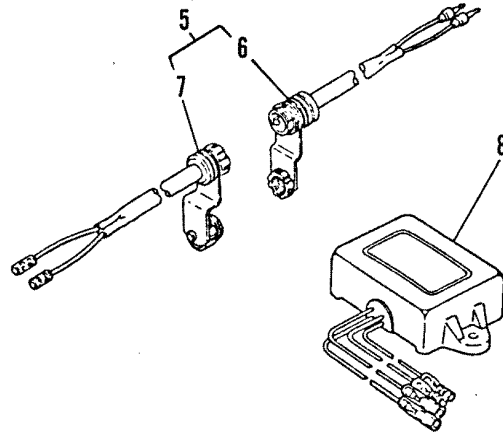
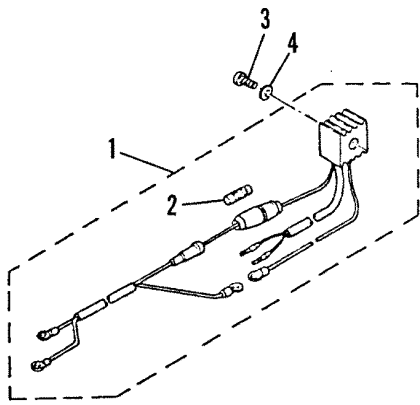


## FUEL TANK - REPLACEMENT OR ADDITIONAL

REF. NO.	PART NO.	SYM.	QTY.	DESCRIPTION
1	1225-1529A26		1	FUEL TANK, COMPLETE (6 GALLON)
2	37-13921		1	DECAL, FUEL TANK
3	36-14223M		1	FILLER CAP ASSEMBLY
4	10-25575		1	SCREW, VENT-FILLER CAP
5	12-49221--1		1	WASHER, VENT SCREW
6	24-22227		1	SPRING, TENSION-VENT SCREW
7	11-28587		1	NUT, SPEED-SPRING RETAINER
8	27-41065		1	GASKET, FILLER CAP TO FUEL TANK
0-2	64841A1		1	CONNECTOR/GAUGE ASS'Y, COMPLETE
9	64841A3		1	COVER, FUEL TANK
10	32-75239		1	TUBE
11	98542A1		1	LENS ASSEMBLY, FUEL GAUGE
12	28897A2		1	FUEL GAUGE ASSEMBLY, COMPLETE
13	20430		1	RETAINER, FUEL GAUGE
14	28897A1		1	INDICATOR AND FLOAT ASSEMBLY
15	99274		1	FLOAT, FUEL GAUGE
16	17-20426		1	RIVET, INDICATOR TO RETAINER
17	10-62568		2	SCREW, RETAINER TO FUEL TANK COVER
18	27-28862		1	GASKET, COVER ASSEMBLY TO FRAME
19	28860		1	FRAME, RETAINING-FUEL TANK COVER
20	11-28903		2	NUT, RETAINING FRAME TO FUEL TANK
21	10-20411		4	SCREW, FUEL TANK COVER TO FUEL TANK
22	12-29070		4	WASHER, FUEL TANK COVER FASTENING SCREW

TO ORDER REPLACEMENT PARTS FOR THE ORIGINAL FUEL TANK OR FUEL LINE ASSEMBLY SEE "FUEL TANK AND FUEL LINE ASSEMBLY (ORIG. EQUIP.)(6.3 GALLONS)".

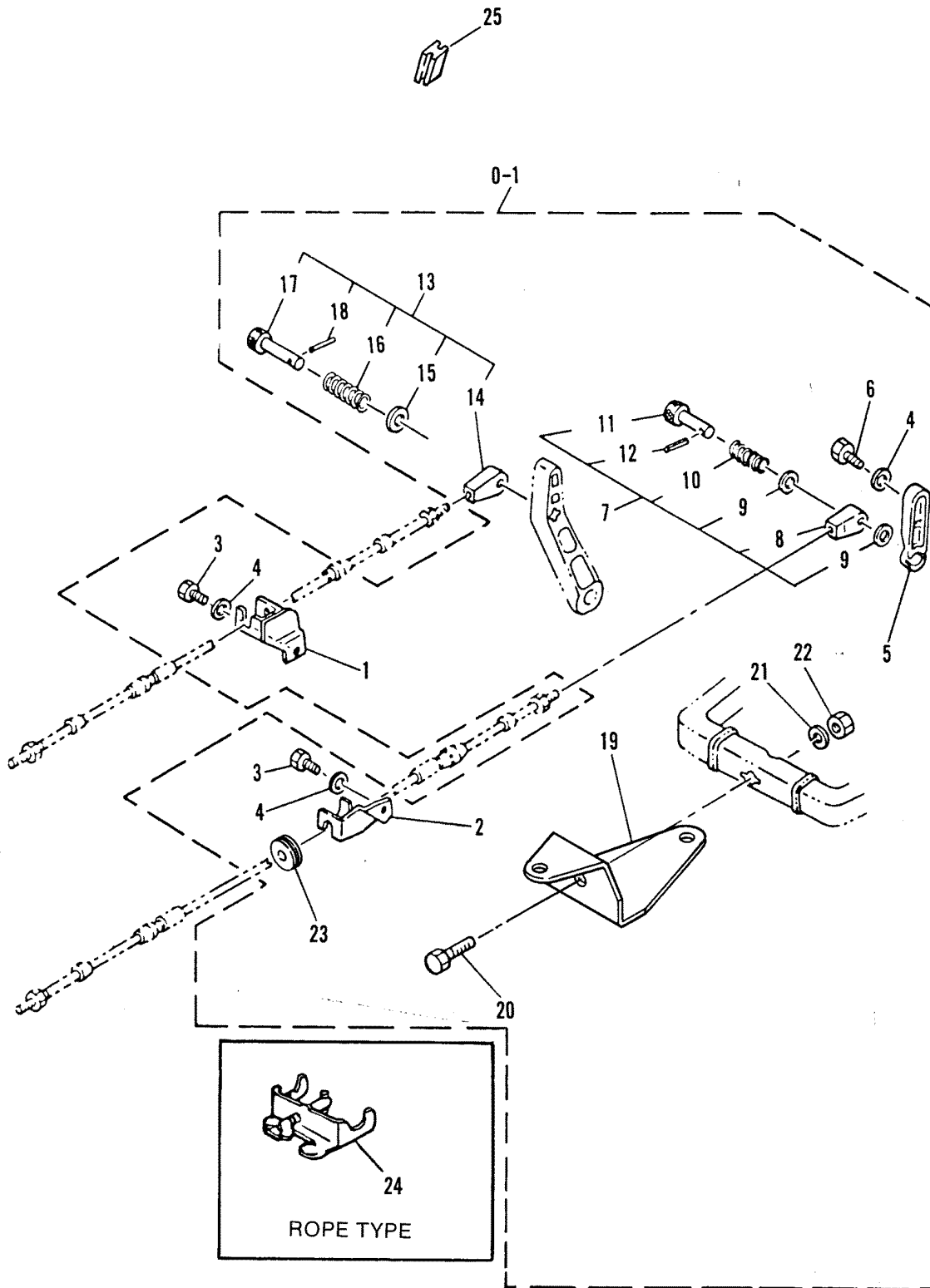
# OPTIONAL PARTS



## OPTIONAL PARTS

REF. NO.	PART NO.	SYM.	QTY.	DESCRIPTION
1	84329M		1	RECTIFIER ASS'Y
2	88-81522M		1	FUSE (12V-20A)
3	10-82521M		1	SCREW
4	12-82211M		1	WASHER
5	84-84124M		1	CONNECTOR ASS'Y, 2 WIRE
6	84-99051M		1	CONNECTOR
7	84-99052M		1	CONNECTOR
8	84125M		1	VOLTAGE REGULATOR ASS'Y
9	84959M		1	EXTENSION (2M) (FOR STOP SWITCH)
10	84960M		1	EXTENSION (2M) (FOR SWITCH PANEL)
11	87-97774M		1	KILL SWITCH, MOTOR MOUNT
12	97756M		1	STOPPER
13	87-97755M		1	KILL SWITCH, REMOTE (5M)
14	97756M		1	STOPPER
15	84964M		1	EXTENSION (5M)
16	25-84967M		1	GROMMET
17	87-97754M		1	STOP SWITCH, REMOTE (5M)
18	84964M		1	EXTENSION (5M)
19	25-84967M		1	GROMMET
20	79-43984A1		1	TACHOMETER KIT
21	88-99055M		1	BULB (12V-1.7W)
22	99056M		1	SOCKET, BULB
23	99057M		1	DAMPER
24	99058M		1	PLATE
25	84-99059M		1	WIRE
26	84-84353M		1	CONNECTOR
27	84-84352M		1	EXTENSION, LEAD
28	87-84916M		1	STOP SWITCH ASS'Y

# REMOTE CONTROL ATTACHING KIT





## REMOTE CONTROL ATTACHING KIT

REF. NO.	PART NO.	SYM.	QTY.	DESCRIPTION
0-1	43991A1		1	ATTACHING KIT (BALL POST TYPE)
1	84221M		1	BRACKET, GEAR SHIFT
2	83717M		1	BRACKET, THROTTLE
3	10-91725M		2	BOLT
4	12-82214M		3	WASHER
5	84222M		1	THROTTLE LEVER
6	10-91772M		1	BOLT
7	83723M		1	CABLE END ASS'Y (THROTTLE)
8	83724M		1	CABLE END
9	12-82216M		2	WASHER
10	24-83725M		1	SPRING
11	17-83726M		1	HOOK
12	17-82146M		1	PIN, ROLL
13	83719M		1	CABLE END ASS'Y (SHIFT)
14	83720M		1	CABLE END
15	12-82216M		1	WASHER
16	24-83721M		1	SPRING
17	17-83722M		1	HOOK
18	17-82146M		1	PIN, ROLL
19	91635M		1	BRACKET, STEERING
20	10-91636M		1	BOLT
21	12-82220M		1	WASHER
22	11-81785M		1	LOCKNUT
23	25-97031M		1	GROMMET
24	83727M		1	BRACKET, STEERING (ROPE TYPE)
25	25-83728M		1	GROMMET, (OPT)

# PARTS INDEX

Part Number	Description	Pg.	Ref. No.	Part Number	Description	Pg.	Ref. No.
11752M	THERMOSTAT	21	19	64841A3	COVER, FUEL TANK	59	9
11935M	CUP, FILTER	31	6	80048M	HANDLE, TRANSOM CLAMP SCREW	37	17
14187M	FUEL LINE CONNECTORY ASS'Y	31	1	80063M	HANDLE, STARTER	7	17
14211M	BULB, PRIMER	57	16	80570M	MANIFOLD, INTAKE	25	6
14228M	BRACKET, STARTER HOUSING (STARBOARD)	7	23	80576M	NOZZLE, MAIN	27	3
14230M	CHOKE SOLENOID	15	14	80578M	JET, LOW SPEED (#60)	27	1
14231M	PLATE, SOLENOID MOUNTING	15	18	80582M	JET, MAIN (#140)	27	4
14234M	FLOAT, BOWL	27	7	80591M	FLOAT	27	5
16572M	BULB, PRIMER	57	16	80593M	INLET VALVE & SEAT	27	2
16709M	SWITCH PANEL ASS'Y	15	27	80600M	GUIDE, STARTER ROPE	7	14
16711M	PANEL	15	32	80601M	SEAL, RUBBER (STARTER)	3	13
16712M	BRACKET	15	33	80606M	DIAPHRAGM	29	2
16715M	JOINT	33	9	80611M	PLATE, SPRING GUIDE	29	3
17149M	BULB, PRIMER	57	16	80620M	BRACKET, FUEL FILTER	31	8
18928M	HANDLE, STARTER	7	17	80622M	LEVER, THROTTLE	27	17
18929M	COVER	7	19	80629M	SWIVEL, LINK ROD	33	11
18969M	POWERHEAD ASS'Y, COMPLETE	21	31	80633M	PLATE, FRICTION	37	5
18973M	HOUSING, OIL SEAL (LOWER)	23	14	80643M	HOOK, REVERSE LOCK (REAR)	39	39
19111M	PLATE, CLAMP BRACKET	39	48	80645M	ROD, REVERSE LOCK LEVER	37	37
19113M	BRACKET, STEERING	41	1	80648M	CAM, TILT	37	35
19114M	SHIFT SHAFT ASS'Y (SHORT SHAFT)	47	6	80651M	SHAFT, SHIFT (UPPER)	35	16
19115M	SHIFT SHAFT ASS'Y (LONG SHAFT)	47	6	80652M	CONNECTOR, SHIFT	35	17
19116M	SHIFT SHAFT ASS'Y (ULTRA LONG SHAFT)	47	6	80657M	BRACKET, CABLE ANCHOR	43	9
20430	RETAINER, FUEL GAUGE	59	13	80679M	SLIDE, SPRING	51	37
28860	FRAME, RETAINING-FUEL TANK COVER	59	19	80680M	PLUNGER, SHIFT	51	41
28897A1	INDICATOR AND FLOAT ASSEMBLY	59	14	80688M	COVER	11	13
28897A2	FUEL GAUGE ASSEMBLY, COMPLETE	59	12	80935M	PLUG CAP ASS'Y (NOISE SUPPRESSOR)(STD)	13	45
30185A3	BAYONET BODY ASS'Y	57	9	81030M	COVER, THERMOSTAT	21	20
30187	STEM, BAYONET BODY	57	10	81106M	PLUNGER, STARTER LOCKOUT	7	35
30188	WASHER, CAP	57	13	81107M	LINK, STARTER STOP	9	42
41271M	COVER, OIL SEAL	47	22	81108M	CABLE, STARTER LOCKOUT	7	37
41277M	PLATE (LONG AND ULTRA LONG SHAFT)	53	73	81110M	PLATE, SWITCH AND LOCKOUT MOUNTING	15	13
41882M	COVER	7	19	81134M	SHAFT, THROTTLE	33	15
41892M	CABLE ASS'Y THROTTLE	41	13	81138M	BRACKET, STEERING	41	1
41896M	COVER, WATER INLET (PORT)	53	63	81191M	JOINT	25	23
41897M	COVER, WATER INLET (STARBOARD)	53	64	81191M	JOINT	27	22
42432M	INDICATOR, THROTTLE	41	6	81225M	JOINT	33	9
42435M	PANEL	15	32	81388M	CAP	37	27
43077M	C.D.I. UNIT ASS'Y	11	38	81439M	CAP, GREASE FITTING	37	4
43096M	COVER	29	9	81439M	CAP, GREASE FITTING	43	6
43113M	FUEL PUMP ASS'Y	29	1	81523M	DAMPER	11	28
43991A1	ATTACHING KIT (BALL POST TYPE)	63	0-1	81537M	BRACKET	15	33
47341A1	EMERGENCY STARTER ROPE	7	30	81563M	BRACKET, THROTTLE CABLE	33	7
				81564M	HOUSING, OIL SEAL (UPPER)	21	12
				81568M	COVER, EXHAUST-INNER	21	25
				81569M	COVER, EXHAUST-OUTER	21	24
				81581M	CAM, MAGNETO CONTROL	33	3
				81582M	LINK ROD, MAGNETO CONTROL	33	10
				81585M	HANDLE, THROTTLE	41	4
				81595M	LINK ROD, SHIFT	35	9
				81596M	SHAFT, SHIFT (UPPER)	35	16

# PARTS INDEX

Part Number	Description	Pg.	Ref. No.	Part Number	Description	Pg.	Ref. No.
81652M	RECTIFIER	15	6	84777M	EXHAUST GUIDE (LONG AND ULTRA LONG SHAFT)	45	7
82066M	GROMMET	17	44	84783M	EXTENSION (ULTRA LONG SHAFT)	45	14
82557M	MOUNT, UPPER SIDE	43	18	84787M	RETAINER, SHIFT SHAFT	47	4
82788M	PLUG CAP ASS'Y (OPT)	13	45	84792M	COVER, WATER PUMP (LONG SHAFT)	47	11
82795M	TRIM, TAB	53	61	84811M	BEARING CARRIER	51	45
82857M	STOPPER, PLATE	39	44	84820M	WATER TUBE EXTENSION (LONG AND ULTRA LONG SHAFT)	53	71
82895M	PIECE, FRICTION	41	25	84823M	THRUST HUB, REVERSE	53	75
82914M	BOOT	47	7	84833M	SHAFT, STEERING PIVOT	37	8
83052M	SHIFT SHAFT ASS'Y (LONG SHAFT)	47	6	84835M	SHAFT, TILT STOP	37	21
83069M	SHIFT SHAFT ASS'Y (SHORT SHAFT)	47	6	84837M	HOOK, REVERSE LOCK (FRONT)	39	38
83137M	HOOK	3	6	84841M	MOUNT, RUBBER (UPPER FRONT)	43	13
83160M	LINK ROD, THROTTLE LEVER	27	21	84842M	HOUSING, LOWER MOUNT (PORT)	43	21
83200M	FLOAT BOWL	27	7	84843M	HOUSING, LOWER MOUNT (STARBOARD)	43	22
83212M	HOLDER, CLAMP BAND	3	4	84846M	MOUNT, RUBBER (LOWER FRONT)	43	26
83306M	MANIFOLD, EXHAUST	45	6	84847M	COVER, LOWER MOUNT	43	29
83319M	SOUND BLANKET, FRONT	3	8	84848M	MOUNT, RUBBER (HOUSING)	43	28
83320M	SOUND BLANKET, REAR	3	9	84852M	RETAINER	41	21
83321M	SOUND BLANKET, STARBOARD	3	10	84856M	LEVER, THROTTLE	41	9
83322M	SOUND BLANKET, TOP	3	11	84865M	HANDLE, GEAR SHIFT	35	1
83717M	BRACKET, THROTTLE	63	2	84867M	SWIVEL, SHIFT ROD	35	13
83719M	CABLE END ASS'Y (SHIFT)	63	13	84869M	DAMPER	11	27
83720M	CABLE END	63	14	84873M	BRACKET	11	39
83723M	CABLE END ASS'Y (THROTTLE)	63	7	84894M	PAWL, STARTER	7	7
83724M	CABLE END	63	8	84901M	SEAL, TOP COWL	3	14
83727M	BRACKET, STEERING (ROPE TYPE)	63	24	84913M	LEVER, CLOWL CLAMP	3	18
83805M	SHIFT SHAFT ASS'Y (ULTRA LONG SHAFT)	47	6	84937M	FUSE ASS'Y	15	10
83960M	KNOB, CHOKE	25	18	84940M	CHOKE SOLENOID	15	14
84125M	VOLTAGE REGULATOR ASS'Y	61	8	84941M	PLATE, SOLENOID MOUNTING	15	18
84141M	DIAPHRAGM	29	8	84959M	EXTENSION (2M) (FOR STOP SWITCH)	61	9
84221M	BRACKET, GEAR SHIFT	63	1	84960M	EXTENSION (2M) (FOR SWITCH PANEL)	61	10
84222M	THROTTLE LEVER	63	5	84964M	EXTENSION (5M)	61	15
84329M	RECTIFIER ASS'Y	61	1	84964M	EXTENSION (5M)	61	18
84459M	RETAINER, SHIFT DETENT	35	5	91635M	BRACKET, STEERING	63	19
84460M	PLUNGER, SHIFT CAM	35	6	91640M	LEVER, LOCK/RELEASE	37	31
84465M	BRACKET, STARTER HOUSING (STARBOARD)	7	23	91641M	COVER, LEVER	37	32
84466M	BRACKET, STARTER HOUSING (PORT - MANUAL)	7	24	91643M	LINK, REVERSE LOCK LEVER	37	34
84653M	CAM, SHAFT	35	2	91648M	ARM	35	24
84701M	WIRE, PULL	15	17	91650M	LINK	35	29
84702M	HOOK, WIRE	15	15	91651M	LEVER, THROTTLE SHAFT (ELECTRIC)	33	14
84708M	PLATE	17	47	91651M	LEVER, THROTTLE SHAFT (MANUAL)	33	14
84732M	ANODE	21	9	92572M	PLATE, FRICTION	33	24
84753M	HOUSING, OIL SEAL (LOWER)	23	14				
84758M	REED VALVE ASS'Y	25	15				
84761M	LEVER, CHOKE	25	20				
84772M	SHAFT, THROTTLE	27	23				
84773M	CARBURETOR REPAIR KIT	25	-				
84773M	REPAIR KIT, CARBURATOR	27	27				

# PARTS INDEX

Part Number	Description	Pg.	Ref. No.	Part Number	Description	Pg.	Ref. No.
92576M	COVER, AIR INTAKE (INNER)	25	1	99056M	SOCKET, BULB	61	22
92577M	COVER, AIR INTAKE (OUTER)	25	2	99057M	DAMPER	61	23
92579M	ROD, CHOKE	25	22	99058M	PLATE	61	24
92580M	JET, MAIN (#146)	27	4	99274	FLOAT, FUEL GUAGE	59	15
92589M	LEVER, THROTTLE SHAFT (ELECTRIC)	33	14	99951M	STOP, MAGNETO BASE	11	18
92591M	CAM	11	21	99952M	CLAMP	13	49
92599M	BRACKET, STARTER LOCKOUT (MANUAL)	9	40	10-14232M	SCREW	15	22
92601M	PLATE, SOLENOID MOUNTING	15	4	10-16713M	SCREW	17	36
92603M	PLATE, RECTIFIER MOUNTING	15	9	10-18847M	SCREW	41	8
92609M	BRACKET, MOTOR MOUNTING	19	17	10-18974M	TUBE, STEERING	37	24
93107M	SEAL	7	22	10-20411	SCREW, FUEL TANK COVER TO FUEL TANK	59	21
94804M	LIGHTING COIL ASS'Y	11	9	10-25575	SCREW, VENT-FILLER CAP	59	4
95188M	IGNITION COIL ASS'Y	13	42	10-41884M	BOLT, W/WASHER	21	6
95497M	GRIP, THROTTLE HANDLE	41	5	10-41885M	BOLT, W/WASHER	21	18
95499M	FUEL METER ASS'Y	57	4	10-41885M	BOLT, W/WASHER	21	5
95506M	SOUND BLANKET, PORT	3	12	10-41889M	SCREW	29	12
95548M	BRACKET, MOUNTING	43	1	10-41893M	BOLT, W/WASHER	43	24
95643M	MOUNTING BRACKET	15	3	10-43106M	BOLT	43	27
95650M	KNOB, TILT STOP SHAFT	37	22	10-62568	SCREW, RETAINER TO FUEL TANK COVER	59	17
95652M	INSERT, WATER PUMP	47	14	10-80164M	SCREW	17	36
95654M	BASE PLATE	47	16	10-80349M	VALVE, DRAIN	27	25
95655M	PROTECTOR, OIL SEAL	47	19	10-80573M	SCREW, IDLE MIXTURE	27	12
95658M	INSERT, CARTRIDGE	53	81	10-81558M	SET SCREW, THROTTLE LEVER	27	20
95658M	INSERT, WATER PUMP	47	14	10-81711M	BOLT	53	58
95659M	BASE PLATE	47	16	10-81746M	BOLT	9	38
95659M	OUTER PLATE	53	83	10-81747M	ADJUSTER, CABLE	41	14
95661M	REPAIR KIT, WATER PUMP	55	83	10-81756M	SCREW, TRANSOM CLAMP	37	18
95672M	POWERHEAD ASS'Y, COMPLETE	21	31	10-82405M	BOLT	7	25
95673M	STEERING HANDLE ASS'Y	41	0-1	10-82405M	BOLT	11	30
96341M	PLATE, TIMING	7	34	10-82405M	BOLT	11	40
96342M	BASE ASS'Y	11	3	10-82405M	BOLT	13	44
96343M	BASE, MAGNETO	11	4	10-82405M	BOLT	25	10
96344M	CHARGE COIL ASS'Y	11	5	10-82405M	BOLT	33	6
96345M	PULSER COIL ASS'Y	11	6	10-82417M	BOLT	11	22
96349M	BRACKET	11	26	10-82428M	BOLT	29	15
96360M	PINION STOP SET	19	2	10-82442M	BOLT	7	31
96362M	COVER, FRONT	19	4	10-82451M	BOLT	43	11
96365M	ARMATURE	19	7	10-82453M	BOLT	21	27
96366M	STATOR	19	8	10-82476M	BOLT	17	52
96367M	BRUSH HOLDER	19	9	10-82477M	BOLT	53	62
96368M	BRUSH, POSITIVE (+)	19	11	10-82487M	SCREW	15	34
96369M	BRUSH, NEGATIVE (-)	19	10	10-82512M	SCREW	15	20
96370M	COVER, REAR	19	11	10-82515M	SCREW	27	9
96378M	STOP, MAGNETO BASE	33	21	10-82521M	SCREW	15	7
96379M	RETAINER, MAGNETO BASE	33	26	10-82521M	SCREW	61	3
96664M	HANDLE, STEERING	41	3	10-82522M	SCREW	25	4
97139M	LEVER, SHIFT ROD	35	18	10-82522M	SCREW	29	10
97694M	PINION	19	3	10-82623M	SCREW, IDLE SPEED	27	11
97756M	STOPPER	3	28	10-82924M	BOLT	37	28
97756M	STOPPER	15	31	10-83285M	BOLT	25	11
97756M	STOPPER	61	12	10-83523M	SCREW, BASE ATTACHING	33	1
97756M	STOPPER	61	14	10-83539M	BOLT	9	44
				10-83539M	BOLT	21	23
				10-83539M	BOLT	31	2
				10-83539M	BOLT	33	19
				10-83539M	BOLT	33	22
				10-83539M	BOLT	35	30

# PARTS INDEX

Part Number	Description	Pg.	Ref. No.	Part Number	Description	Pg.	Ref. No.
10-83870M	SCREW	45	12	11-81774M	NUT, PROPELLER	53	77
10-84058M	BOLT	41	23	11-81781M	NUT	53	66
10-84058M	BOLT	41	27	11-81785M	LOCKNUT	63	22
10-84058M	BOLT	43	14	11-81787M	NUT	37	25
10-84237M	BOLT	7	27	11-82377M	NUT	17	37
10-84247M	BOLT	7	15	11-82378M	NUT	33	13
10-84300M	SCREW	41	8	11-82378M	NUT	35	26
10-84300M	SCREW	53	65	11-82379M	NUT	27	18
10-84303M	BOLT	11	14	11-82380M	NUT	7	28
10-84303M	BOLT	11	19	11-82380M	NUT	9	39
10-84303M	BOLT	11	36	11-82380M	NUT	11	33
10-84303M	BOLT	15	24	11-82380M	NUT	25	13
10-84303M	BOLT	31	10	11-82380M	NUT	33	23
10-84303M	BOLT	33	8	11-82382M	NUT	7	13
10-84303M	SCREW	17	50	11-82382M	NUT	31	9
10-84315M	BOLT	3	23	11-82383M	NUT	3	32
10-84315M	BOLT	9	41	11-82388M	NUT	17	37
10-84315M	BOLT	11	25	11-82392M	NUT	37	30
10-84342M	BOLT	7	11	11-82392M	NUT	43	25
10-84657M	BOLT	7	26	11-82393M	NUT	5	34
10-84709M	SCREW	17	48	11-82395M	NUT	43	17
10-84788M	SCREW	47	5	11-82395M	NUT	43	30
10-84790M	BOLT (SHORT SHAFT)	47	9	11-82396M	NUT	43	20
10-84830M	BOLT	35	4	11-82537M	NUT	29	13
10-84830M	BOLT	41	2	11-83056M	NUT	41	26
10-84839M	BOLT	43	7	11-84786M	NUT	45	18
10-84844M	BOLT, W/WASHER	43	23	11-84807M	NUT	49	32
10-84853M	BOLT	19	18	11-95508M	NUT	11	16
10-84853M	BOLT	41	22	12-29070	WASHER, FUEL TANK COVER FASTENING		
10-84929M	BOLT	19	14		SCREW	59	22
10-91636M	BOLT	63	20	12-49221--1	WASHER, VENT SCREW	59	5
10-91639M	TUBE, STEERING	37	24	12-80638M	PAD, TRANSOM CLAMP SCREW	37	19
10-91691M	SCREW, W/WASHER	11	8	12-81624M	THRUST WASHER	49	30
10-91693M	SCREW, W/WASHER (ELECTRIC START)	11	12	12-81632M	WASHER, THRUST	51	48
10-91699M	SCREW, W/ WASHER (MANUAL START)	11	11	12-81650M	THRUST HUB, FORWARD	53	74
10-91725M	BOLT	63	3	12-81789M	WASHER	33	12
10-91772M	BOLT	63	6	12-81794M	WASHER	3	22
10-92523M	BOLT	19	19	12-81801M	WASHER	7	12
10-92523M	BOLT	21	29	12-81829M	WASHER, CONNECTING ROD BEARING	23	6
10-94526M	BOLT	23	15	12-81831M	WASHER, THRUST	51	42
10-94720M	BOLT	53	57	12-81835M	WASHER	21	22
10-95209M	SCREW	21	7	12-81836M	WASHER	37	25
10-95416M	BOLT	19	20	12-81843M	WASHER	35	10
10-95416M	BOLT	45	4	12-81846M	WASHER	35	21
10-95502M	SCREW	57	6	12-81851M	WASHER	35	3
10-96293M	BOLT	21	28	12-81873M	BUSHING	37	10
10-96293M	BOLT (LONG SHAFT)	47	12	12-81969M	COLLAR	35	28
10-96346M	SCREW, W/WASHER	11	7	12-81969M	WASHER	33	5
10-96371M	BOLT	19	15	12-82209M	WASHER	27	15
10-96382M	SCREW	37	6	12-82211M	WASHER	9	47
10-97803M	SCREW, W/WASHER	11	10	12-82211M	WASHER	11	23
11-28587	NUT, SPEED-SPRING RETAINER	59	7	12-82211M	WASHER	15	23
11-28903	NUT, RETAINING FRAME TO FUEL TANK	59	20	12-82211M	WASHER	15	8
11-81619M	COVER NUT	53	53	12-82211M	WASHER	17	39
11-81765M	NUT	41	15	12-82211M	WASHER	25	5
11-81767M	NUT	35	19	12-82211M	WASHER	33	2
				12-82211M	WASHER	35	11

# PARTS INDEX

Part Number	Description	Pg.	Ref. No.	Part Number	Description	Pg.	Ref. No.
12-82211M	WASHER	35	32	13-84851M	WASHER, WAVE	41	20
12-82211M	WASHER	61	4	14-84814M	WASHER, TAB	53	52
12-82212M	LOCKWASHER	11	34	15-18954M	SHIM, FORWARD GEAR (0.10MM)	49	33
12-82213M	WASHER	11	15	15-18955M	SHIM, FORWARD GEAR (0.12MM)	49	33
12-82213M	WASHER	11	20	15-18956M	SHIM, FORWARD GEAR (0.15MM)	49	33
12-82214M	WASHER	7	16	15-18957M	SHIM, FORWARD GEAR (0.18MM)	49	33
12-82214M	WASHER	7	29	15-18958M	SHIM, FORWARD GEAR (0.30MM)	49	33
12-82214M	WASHER	9	45	15-18959M	SHIM, FORWARD GEAR (0.40MM)	49	33
12-82214M	WASHER	13	41	15-18960M	SHIM, FORWARD GEAR (0.50MM)	49	33
12-82214M	WASHER	13	50	15-19117M	SHIM, DRIVE SHAFT (0.10MM)	49	28
12-82214M	WASHER	15	26	15-19118M	SHIM, DRIVE SHAFT (0.12MM)	49	28
12-82214M	WASHER	21	15	15-19119M	SHIM, DRIVE SHAFT (0.15MM)	49	28
12-82214M	WASHER	23	16	15-19120M	SHIM, DRIVE SHAFT (0.18MM)	49	28
12-82214M	WASHER	25	12	15-19121M	SHIM, DRIVE SHAFT (0.30MM)	49	28
12-82214M	WASHER	25	14	15-19122M	SHIM, DRIVE SHAFT (0.40MM)	49	28
12-82214M	WASHER	29	16	15-19123M	SHIM, DRIVE SHAFT (0.50MM)	49	28
12-82214M	WASHER	31	3	15-19125M	SHIM, REVERSE GEAR (0.10MM)	51	47
12-82214M	WASHER	33	20	15-19126M	SHIM, REVERSE GEAR (0.12MM)	51	47
12-82214M	WASHER	41	24	15-19127M	SHIM, REVERSE GEAR (0.15MM)	51	47
12-82214M	WASHER	43	8	15-19128M	SHIM, REVERSE GEAR (0.18MM)	51	47
12-82214M	WASHER	63	4	15-19129M	SHIM, REVERSE GEAR (0.30MM)	51	47
12-82214M	WASHER (LONG SHAFT)	47	13	15-19130M	SHIM, REVERSE GEAR (0.40MM)	51	47
12-82216M	WASHER	63	15	15-19131M	SHIM, REVERSE GEAR (0.50MM)	51	47
12-82216M	WASHER	63	9	15-81626M	SHIM, FORWARD GEAR (0.05MM)	49	33
12-82217M	WASHER	3	33	15-81627M	SHIM, FORWARD GEAR (0.08MM)	49	33
12-82217M	WASHER	7	32	15-81628M	SHIM, FORWARD GEAR (0.12MM)	49	33
12-82217M	WASHER	19	16	15-81629M	SHIM, FORWARD GEAR (0.30MM)	49	33
12-82217M	WASHER	19	21	15-81630M	SHIM, FORWARD GEAR (0.50MM)	51	33
12-82217M	WASHER	37	7	15-81633M	SHIM, REVERSE GEAR (0.05MM)	51	47
12-82217M	WASHER	43	12	15-81634M	SHIM, REVERSE GEAR (0.08MM)	51	47
12-82217M	WASHER	45	5	15-81635M	SHIM, REVERSE GEAR (0.12MM)	51	47
12-82219M	WASHER	43	16				
12-82220M	WASHER	45	19				
12-82220M	WASHER	53	59				
12-82220M	WASHER	63	21				
12-82220M	WASHER, THROTTLE SHAFT	41	10				
12-82222M	WASHER	53	76				
12-82847M	WASHER	15	21				
12-82847M	WASHER	17	39				
12-82979M	WASHER	11	31				
12-84791M	WASHER, LOCK (SHORT SHAFT)	47	10				
12-84850M	WASHER	41	19				
12-95501M	SEAL	57	5				
12-95507M	WASHER	5	36				
12-95557M	WASHER	11	17				
12-96364M	WASHER KIT	19	6				
13-81865M	WASHER, WAVE	9	48				
13-81865M	WASHER, WAVE	35	31				
13-81867M	WASHER, WAVE	9	43				
13-81869M	WASHER, WAVE	5	37				
13-82184M	LOCKWASHER	17	35				
13-82184M	LOCKWASHER	17	38				
13-82206M	LOCKWASHER	27	10				
13-82208M	LOCKWASHER	17	38				
13-82208M	LOCKWASHER	27	19				
13-82208M	LOCKWASHER	29	11				
13-82212M	LOCKWASHER	11	37				
13-82212M	LOCKWASHER	17	51				
13-82212M	LOCKWASHER	21	31				

# PARTS INDEX

Part Number	Description	Pg.	Ref. No.	Part Number	Description	Pg.	Ref. No.
15-81636M	SHIM, REVERSE GEAR (0.30MM)	51	47	18-82131M	PIN, COTTER	45	11
15-81637M	SHIM, REVERSE GEAR (0.50MM)	51	47	18-82131M	PIN, COTTER	53	78
15-81638M	SHIM, DRIVE SHAFT (0.05MM)	49	28	21-41888M	CHECK VALVE	29	6
15-81639M	SHIM, DRIVE SHAFT (0.08MM)	49	28	21-80107M	VALVE, CHECK	21	4
15-81640M	SHIM, DRIVE SHAFT (0.12MM)	49	28	21-80727M	CHECK VALVE ASS'Y	21	3
15-81641M	SHIM, DRIVE SHAFT (0.30MM)	49	28	22-13563A3	FUEL CONNECTOR, ENGINE END	57	19
15-81642M	SHIM, DRIVE SHAFT (0.50MM)	49	28	22-14213M	FUEL CONNECTOR, ENGINE END	57	19
16-41883M	BOLT	35	25	22-16610M	FUEL CONNECTOR, ENGINE END	57	19
16-81722M	LINK ROD	33	18	22-63187	FITTING, FUEL LINE	57	14
16-84785M	STUD	45	16	22-80122M	FITTING, CRANKCASE DRAIN	21	2
16-84870M	STUD	11	32	22-81924M	PLUG	47	2
16-84912M	STUD, SPECIAL	3	31	22-82369M	FITTING, GREASE	37	3
16-91735M	STUD, CARBURETOR ATTACHING	25	7	22-82369M	FITTING, GREASE	43	5
16-95505M	STUD, SPECIAL	3	31	22-95633M	FLUSH PLUG	53	79
17-14229M	PIN, DOWEL	7	33	23-19108M	SPACER, CLAMP BRACKET	37	29
17-19109M	PIN	37	36	23-19112M	BUSHING	39	49
17-20426	RIVET, INDICATOR TO RETAINER	59	16	23-81842M	SPACER, INNER BEARING	23	10
17-41275M	PIN, DOWEL	53	55	23-81861M	SPACER	41	18
17-80592M	PIN, FLOAT	27	6	23-81930M	BUSHING, SHIFT ROD LEVER	43	4
17-81882M	PIN	39	40	23-81941M	BUSHING, THROTTLE SHAFT	27	16
17-81888M	PIN, ROLL	37	20	23-81945M	BUSHING, STEERING ARM	41	12
17-81899M	CROSS PIN	51	39	23-81946M	BUSHING	33	16
17-81907M	RIVET	41	7	23-81949M	BUSHING, COWL CLAMP LEVER	3	20
17-82144M	PIN, ROLL	39	45	23-81959M	BUSHING	37	14
17-82145M	PIN, ROLL	15	16	23-81961M	BUSHING, PIVOT SHAFT (LOWER)	37	12
17-82146M	PIN, ROLL	63	12	23-81964M	BUSHING, PIVOT SHAFT (UPPER)	37	11
17-82146M	PIN, ROLL	63	18	23-81979M	SPACER, CLAMP BRACKET	37	29
17-82148M	PIN, ROLL	37	23	23-82119M	SPACER	41	17
17-82155M	PIN, ROLL	35	14	23-82851M	COLLAR	11	29
17-82156M	PIN, ROLL	33	17	23-82929M	COLLAR	9	46
17-82157M	PIN	7	4	23-83310M	COLLAR	33	4
17-82157M	PIN, ROLL	7	6	23-83310M	COLLAR	35	27
17-82364M	PIN, DOWEL	21	8	23-83585M	PLUG, STARTER HOUSING	7	2
17-82364M	PIN, DOWEL	43	10	23-83589M	BUSHING	7	21
17-82364M	PIN, DOWEL	45	17	23-83590M	SHAFT, SHEAVE	7	10
17-82364M	PIN, DOWEL	45	3	23-84454M	BUSHING, THROTTLE SHAFT	27	14
17-82364M	PIN, DOWEL	53	60	23-84784M	BUSHING	45	15
17-82368M	PIN, DOWEL	37	9	23-84804M	SLEEVE, DRIVE SHAFT	49	27
17-83140M	RIVET	3	7	23-84819M	SEAL	53	70
17-83722M	HOOK	63	17	23-84911M	COLLAR	3	30
17-83726M	HOOK	63	11	23-97142M	COLLAR	35	20
17-84762M	PIN, ROLL	25	21	24-19110M	SPRING, REVERSE LOCK	39	42
17-84903M	RIVET	3	5	24-22227	SPRING, TENSION-VENT SCREW	59	6
17-91644M	PIN	37	36	24-30189	SPRING, BAYONET BODY ASS'Y	57	12
17-94569M	TILT LOCK PIN ASS'Y	39	43	24-80331M	SPRING, DRAIN VALVE	27	26
18-82124M	PIN, COTTER	35	23	24-80575M	SPRING	27	13
18-82125M	PIN, COTTER	9	49	24-80610M	SPRING	29	4
18-82125M	PIN, COTTER	35	12	24-81667M	WIRE, PULL	15	17
18-82125M	PIN, COTTER	35	33				
18-82125M	PIN, COTTER	39	41				
18-82125M	PIN, COTTER	35	15				

# PARTS INDEX

Part Number	Description	Pg.	Ref. No.	Part Number	Description	Pg.	Ref. No.
24-82078M	SPRING, COMPRESSION ..	51	36	26-84813M	OIL SEAL .....	53	51
24-82079M	SPRING, STARTER LOCKOUT .....	7	36	26-84818M	SEAL, UPPER .....	53	68
24-82095M	SPRING .....	41	11	26-84838M	SEAL, BOTTOM BOWL ....	43	2
24-82105M	SPRING, REVERSE LOCK ..	39	42	26-84840M	SEAL, SHIFT BRACKET ....	43	3
24-83588M	SPRING, STARTER .....	7	3	26-91637M	SEAL .....	37	2
24-83591M	SPRING, PAWL .....	7	9	27-28862	GASKET, COVER ASSEMBLY TO FRAME ..	59	18
24-83721M	SPRING .....	63	16	27-41065	GASKET, FILLER CAP TO FUEL TANK .....	59	8
24-83725M	SPRING .....	63	10	27-41272M	GASKET, PROTECTOR ....	47	23
24-84461M	SPRING, COMPRESSION ..	35	7	27-41273M	GASKET, HOUSING .....	47	17
24-84462M	SPRING, COMPRESSION ..	35	8	27-43095M	GASKET, BODY TO COVER	29	7
24-84927M	SPRING, BRUSH .....	19	12	27-80569M	GASKET, INTAKE MANIFOLD	25	8
24-91642M	SPRING, TENSION .....	37	33	27-80571M	GASKET, REED VALVE ....	25	9
24-97140M	SPRING, TENSION .....	35	22	27-80572M	GASKET, CARBURETOR MANIFOLD .....	25	17
25-20415	O-RING, BAYONET BODY STEM .....	57	11	27-80590M	GASKET, FLOAT BOWL ....	27	8
25-80350M	O-RING .....	27	27	27-80613M	GASKET, BODY TO BASE ..	29	5
25-82060M	GROMMET .....	15	19	27-80614M	GASKET, BODY TO COVER	29	7
25-82064M	GROMMET .....	41	16	27-80662M	WASHER .....	43	15
25-82069M	GROMMET .....	13	43	27-80757M	GASKET, FUEL PUMP TO CRANKCASE .....	29	14
25-82070M	GROMMET .....	39	47	27-81031M	GASKET, THERMOSTAT COVER .....	21	21
25-82258M	O-RING .....	15	24	27-81555M	GASKET, CYLINDER HEAD .	21	17
25-82268M	O-RING, CRANKSHAFT TO DRIVESHAFT .....	23	9	27-81565M	GASKET, OIL SEAL HOUSING .....	21	14
25-82274M	O-RING, PIVOT SHAFT BUSHING .....	37	13	27-81570M	GASKET, EXHAUST COVER	21	26
25-82789M	O-RING .....	57	20	27-81573M	GASKET, EXHAUST MANIFOLD .....	45	10
25-83728M	GROMMET, (OPT) .....	63	25	27-81612M	WASHER .....	43	19
25-83988M	GROMMET, BOTTOM COWL (MANUAL) .....	3	24	27-81987M	GASKET, PLUG .....	47	3
25-84054M	O-RING .....	47	20	27-84775M	GASKET .....	45	2
25-84089M	O-RING, OIL SEAL HOUSING	23	11	27-92575M	GASKET SET, POWERHEAD	21	31
25-84760M	GROMMET, CHOKE KNOB .	25	19	27-92575M	POWERHEAD GASKET SET	23	-
25-84812M	O-RING .....	51	49	27-92575M	POWERHEAD GASKET SET	25	-
25-84821M	O-RING (LONG AND ULTRA LONG SHAFT) .....	53	72	27-92575M	POWERHEAD GASKET SET	27	-
25-84876M	GROMMET .....	13	47	27-92575M	POWERHEAD GASKET SET	29	-
25-84876M	GROMMET .....	17	49	27-92575M	POWERHEAD GASKET SET	31	-
25-84910M	GROMMET .....	3	29	27-92578M	GASKET, COVER .....	25	3
25-84915M	GROMMET, BOTTOM COWL	3	26	27-95500M	GASKET, FUEL METER ASS'Y .....	57	7
25-84950M	GROMMET .....	17	43	27-95653M	SEAL .....	47	15
25-84957M	O-RING .....	31	7	27-95653M	SEAL .....	53	82
25-84967M	GROMMET .....	61	16	27-95656M	GASKET, WATER PUMP ...	53	56
25-84967M	GROMMET .....	61	19	27-95660M	GASKET SET, LOWER UNIT	55	83
25-93114M	DAMPER .....	11	28	28-81603M	KEY, IMPELLER DRIVE ....	49	25
25-96363M	O-RING .....	19	5	28-81914M	KEY, CRANKSHAFT TO FLYWHEEL .....	23	17
25-97031M	GROMMET .....	63	23	28-81916M	KEY .....	53	54
26-16714M	OIL SEAL, LARGE .....	23	12	29-19133M	OIL SEAL, LARGE .....	23	12
26-18972M	OIL SEAL, SMALL .....	23	13	29-84452M	BEARING, NEEDLE .....	23	5
26-43114M	SEAL .....	45	13	29-84803M	BEARING, ROLLER (LOWER)	49	26
26-80239M	SEAL, LOWER .....	53	69	30-18971M	BEARING, CRANKSHAFT ..	23	2
26-81572M	GASKET, EXHAUST MANIFOLD .....	45	9	30-82295M	BEARING, ROLLER .....	51	46
26-81574M	GASKET, EXHAUST MANIFOLD .....	45	8	30-82307M	BEARING, CRANKSHAFT ..	23	2
26-82233M	OIL SEAL .....	47	21	31-82315M	BEARING, ROLLER .....	53	50
26-82245M	OIL SEAL, CRANKSHAFT (UPPER) .....	21	13	31-82321M	BEARING, TAPERED ROLLER (FORWARD) ...	51	34
26-83347M	OIL SEAL, SMALL .....	23	13				
26-84752M	OIL SEAL, LARGE .....	23	12				



# PARTS INDEX

Part Number	Description	Pg.	Ref. No.	Part Number	Description	Pg.	Ref. No.
32-14210M	HOSE, CONNECTOR HOUSING TO BULB . . . . .	57	15	45-84801M	DRIE SHAFT (LONG SHAFT)	47	24
32-14212M	HOSE, BULB TO ENGINE CONNECTOR . . . . .	57	17	45-84802M	DRIVE SHAFT (ULTRA LONG SHAFT) . . . . .	47	24
32-16570M	FUEL LINE ASS'Y . . . . .	57	8	46-95651M	HOUSING, WATER PUMP . .	47	8
32-16571M	HOSE, CONNECTOR HOUSING TO BULB . . . . .	57	15	46-95657M	CHROME WATER PUMP KIT	53	80
32-16573M	HOSE, BULB TO ENGINE CONNECTOR . . . . .	57	17	47-84797M	IMPELLER . . . . .	47	18
32-18925M	FUEL LINE ASS'Y . . . . .	57	8	48-81647M	PROPELLER (ALUMINUM)( PITCH 9") . . . . .	1	-
32-75239	TUBE . . . . .	59	10	48-81648M	PROPELLER (ALUMINUM)( PITCH 8") . . . . .	1	-
32-80605M	FUEL LINE, FUEL PUMP TO CARBURETOR . . . . .	31	13	48-81649M	PROPELLER (ALUMINUM)( PITCH 10 1/2") . . . . .	1	-
32-81566M	FUEL LINE, FUEL FILTER TO FUEL PUMP . . . . .	31	12	48-82826M	PROPELLER (ALUMINUM)( PITCH 12") . . . . .	1	-
32-81605M	WATER TUB (SHORT SHAFT) . . . . .	53	67	48-82827M	PROPELLER (ALUMINUM)( PITCH 13") . . . . .	1	-
32-82000M	HOSE . . . . .	21	10	48-84976M	PROPELLER (ALUMINUM)( PITCH 11 1/4") . . . . .	1	-
32-82023M	HOSE, BULB TO ENGINE CONNECTOR . . . . .	57	17	48-84977M	PROPELLER (ALUMINUM)( PITCH 14") . . . . .	1	-
32-84816M	WATER TUBE (LONG SHAFT) . . . . .	53	67	48-88166A4	PROPELLER (STEEL)(PITCH 9") . . . . .	1	-
32-84817M	WATER TUBE (ULTRA LONG SHAFT) . . . . .	53	67	48-88168A4	PROPELLER (STEEL)(PITCH 12") . . . . .	1	-
32-84955M	HOSE, CONNECTOR HOUSING TO BULB . . . . .	57	15	50-12066A9	STARTER ROPE . . . . .	7	18
32-84956M	FUEL LINE, CONNECTOR TO FILTER . . . . .	31	11	50-18967M	STARTER ASS'Y . . . . .	7	0-1
33-53098	SPARK PLUG . . . . .	21	30	50-83587M	STARTER SHEAVE . . . . .	7	5
34-84759M	REED SET (REED STOPS NOT INCLUDED) . . . . .	25	16	50-92597M	STARTER ASS'Y . . . . .	7	0-1
35-11931M	FILTER ASS'Y . . . . .	31	4	50-97693M	ELECTRIC MOTOR ASS'Y . .	19	1
35-11934M	ELEMENT, FILTER . . . . .	31	5	52-81644M	CLUTCH . . . . .	51	38
36-14223M	FILLER CAP ASSEMBLY . . .	59	3	53-80678M	RING, CROSS PIN . . . . .	51	40
36-14223M	FUEL TANK CAP . . . . .	57	3	53-82328M	SNAP RING . . . . .	27	24
36-18962M	FUEL TANK CAP . . . . .	57	3	53-82330M	SNAP RING . . . . .	39	46
37-13921	DECAL, FUEL TANK . . . . .	59	2	53-82345M	SNAP RING . . . . .	23	8
37-14617M	DECAL, SIDE (ENGLISH) . .	57	1	53-84895M	SNAP RING . . . . .	7	8
37-81202M	INDICATOR, SHIFT . . . . .	3	15	54-16574M	CLAMP, HOSE . . . . .	57	18
37-82900M	GRAPHIC, SIDE (HP) . . . .	3	19	54-80752M	CLAMP, HOSE . . . . .	57	18
37-95489M	DECAL, TOP (ENGLISH) . . .	57	2	54-82046M	CLAMP, HOSE . . . . .	21	11
37-95503M	DECAL, TOP (FRENCH) . . . .	57	2	54-82047M	CLAMP, HOSE . . . . .	31	14
37-95504M	DECAL, SIDE (FRENCH) . . .	57	1	54-84893M	CLIP . . . . .	7	20
37-95547M	DECAL, ELECTRIC MODELS . .	3	16	54-84914M	CLAMP, COWL . . . . .	3	21
37-95570M	DECAL . . . . .	5	35	54-96348M	CLAMP . . . . .	11	24
37-95641M	EMBLEM, FRONT . . . . .	3	3	54-96352M	CLAMP . . . . .	13	46
37-95670M	DECAL, SIDE AND REAR SET . . . . .	3	2	54-96353M	CLAMP . . . . .	13	48
39-81095M	PISTON RING SET (STD) . . .	23	4	54-97561M	CLAMP, HOSE . . . . .	25	24
39-81096M	PISTON RING SET (1ST O.S. 67.25MM) . . . . .	23	4	54-97772M	CLAMP . . . . .	17	46
39-81097M	PISTON RING SET (2ND O.S. 67.50MM) . . . . .	23	4	79-43984A1	TACHOMETER KIT . . . . .	61	20
41-80565M	PIN, PISTON . . . . .	23	7	84-18968M	EXTENSION, WIRE HARNESS (5M) . . . . .	17	45
43-84806M	PINION GEAR . . . . .	49	31	84-84124M	CONNECTOR ASS'Y, 2 WIRE	61	5
43-84808M	GEAR, FORWARD . . . . .	51	35	84-84352M	EXTENSION, LEAD . . . . .	61	27
43-84810M	GEAR, REVERSE . . . . .	51	44	84-84353M	CONNECTOR . . . . .	61	26
44-19124M	PROPELLER SHAFT . . . . .	51	43	84-84711M	EXTENSION, WIRE HARNESS (5M) . . . . .	17	45
44-84809M	PROPELLER SHAFT . . . . .	51	43	84-84871M	WIRE, GROUND . . . . .	11	35
				84-95646M	ENGINE WIRING HARNESS	17	40
				84-95647M	WIRE ASS'Y, IGNITION . . . .	17	42
				84-96358M	WIRE, SOLENOID . . . . .	15	5
				84-97771M	WIRE ASS'Y, BATTERY . . . .	17	41
				84-99051M	CONNECTOR . . . . .	61	6

# PARTS INDEX

Part Number	Description	Pg.	Ref. No.	Part Number	Description	Pg.	Ref. No.
84-99051M	EXTENSION, LEAD WIRE ..	3	25	1651-9360M	GEARHOUSING ASS'Y		
84-99052M	CONNECTOR .....	61	7		(SHORT SHAFT) .....	51	0-1
84-99059M	WIRE .....	61	25	1651-9360M	GEARHOUSING ASS'Y		
87-14227M	LANYARD IGNITION SWITCH				(SHORT SHAFT) .....	53	0-1
	ASS'Y .....	3	27	1651-9360M	GERAHOUSING ASS'Y		
87-16710M	KILL SWITCH ASS'Y .....	15	30		(LONG AND ULTRA LONG		
87-84916M	STOP SWITCH (MANUAL) ..	3	27		SHAFT) .....	51	0-1
87-84916M	STOP SWITCH ASS'Y .....	61	28	1651-9361M	GEARHOUSING ASS'Y .....	47	0-1
87-84944M	CHOKE SWITCH .....	15	29	1651-9361M	GEARHOUSING ASS'Y		
87-95645M	KEY SWITCH .....	15	28		(LONG AND ULTRA LONG		
87-97682M	KILL SWITCH ASS'Y .....	15	30		SHAFT) .....	49	0-1
87-97684M	NEUTRAL START SWITCH ..	15	12	1651-9361M	GEARHOUSING ASS'Y		
87-97754M	STOP SWITCH, REMOTE				(LONG AND ULTRA LONG		
	(5M) .....	61	17		SHAFT) .....	51	0-1
87-97755M	KILL SWITCH, REMOTE (5M)	61	13	1651-9361M	GEARHOUSING ASS'Y		
87-97774M	KILL SWITCH, MOTOR				(LONG AND ULTRA LONG		
	MOUNT .....	61	11		SHAFT) .....	53	0-1
88-81522M	FUSE (12V-20A) .....	15	11	1651-9362M	GEARHOUSING .....	47	1
88-81522M	FUSE (12V-20A) .....	61	2	1651-9804M	GEARHOUSING ASS'Y .....	47	0-1
88-99055M	BULB (12V-1.7W) .....	61	21	1651-9804M	GEARHOUSING ASS'Y		
89-95642M	SOLENOID .....	15	2		(LONG AND ULTRA LONG		
89-96356M	STARTER SOLENOID ASS'Y	15	1		SHAFT) .....	49	0-1
91-81669M	TOOL KIT .....	5	38	1651-9804M	GEARHOUSING ASS'Y		
253-8370M	C.D.I. MAGNETO ASS'Y				(LONG AND ULTRA LONG		
	(ELECTRIC START) .....	11	1		SHAFT) .....	53	0-1
253-8371M	C.D.I. MAGNETO ASS'Y			2168-9349M	BOTTOM COWL .....	3	17
	(MANUAL START) .....	11	1	2168-9368M	TOP COWL ASS'Y .....	3	1
253-8372M	FLYWHEEL ASS'Y (MANUAL			2168-9387M	TOP COWL ASS'Y .....	3	1
	START) .....	11	2	2169-7102M	HOUSING, STARTER .....	7	1
253-9514M	FLYWHEEL ASS'Y						
	(ELECTRIC START) .....	11	2				
463-9245M	CRANKSHAFT ASS'Y .....	23	1				
761-8375M	PISTON ASS'Y (STD) .....	23	3				
761-8376M	PISTON ASS'Y (1ST O.S.						
	67.25MM) .....	23	3				
761-8377M	PISTON ASS'Y (2ND O.S.						
	67.50MM) .....	23	3				
870-9369M	CRANKCASE ASS'Y .....	21	1				
968-8400M	HEAD, CYLINDER .....	21	16				
1225-1529A26	FUEL TANK, COMPLETE (6						
	GALLON) .....	59	1				
1383-6850M	CARBURETOR ASS'Y .....	27	0-1				
1383-7952M	CARBURETOR ASS'Y .....	27	0-1				
1484-8245M	CLAMP BRACKET, PORT ..	37	15				
1484-8246M	CLAMP BRACKET,						
	STARBOARD .....	37	16				
1484-9797M	CLAMP BRACKET, PORT ..	37	15				
1484-9798M	CLAMP BRACKET,						
	STARBOARD .....	37	16				
1485-9246M	SWIVEL BRACKET .....	37	1				
1485-9792M	SWIVEL BRACKET .....	37	1				
1587-7843M	DRIVESHAFT HOUSING						
	(LONG AND ULTRA LONG						
	SHAFT) .....	45	1				
1587-9244M	DRIVESHAFT HOUSING						
	(SHORT SHAFT) .....	45	1				
1651-9360M	GEARHOUSING ASS'Y						
	(SHORT SHAFT) .....	47	0-1				
1651-9360M	GEARHOUSING ASS'Y						
	(SHORT SHAFT) .....	49	0-1				