



PARTS CATALOG

MARK 30H, MARK 55H

SERIAL NUMBER

MARK 30H, 55H ALL

TABLE OF CONTENTS:

BOTTOM COWL ASSEMBLY	46
CARBURETOR ASSEMBLY(MK30H,MK30H-1)	22
CARBURETOR ASSEMBLY(MK55H)	24
CARBURETOR ASSEMBLY(MK55H-1)	26
CARBURETOR LINKAGE(MK30H, MK30H-1, MK55H-1)	32
CARBURETOR LINKAGE(MK55H)	30
CLAMP AND SWIVEL BRACKET	50
COWL AND FRONT COVER	8
CRANKSHAFT - PISTONS & CONNECTING RODS	44
CYLINDER BLOCK AND CRANKCASE ASSEMBLY	40
DRIVE SHAFT HOUSING ASSEMBLY	52
FLYWHEEL ASSEMBLY	10
FUEL PUMP AND FUEL FILTER	34
FUEL TANK ASSEMBLY	2
GEAR HOUSING ASSEMBLY(MK30H,MK30H-1)	56
GEAR HOUSING ASSEMBLY(MK5555H, MK55H-1)	60
INSIDE AND OUTSIDE STEERING	54
MAGNETO (EXTERNAL PARTS)	12
MAGNETO (INTERNATL PARTS)	14
MAGNETO ASSEMBLY (INTERNAL PARTS)	18
MISCELLANEOUS PARTS/ACCESSORIES	1
PARTS INDEX	64
TOP COWL AND STARTER ASSEMBLY	4

NOTE: Indented description indicate that these parts are included in preceeding assembly.

AR = As Required

NSS = Not Sold Separate

OPT = Optional

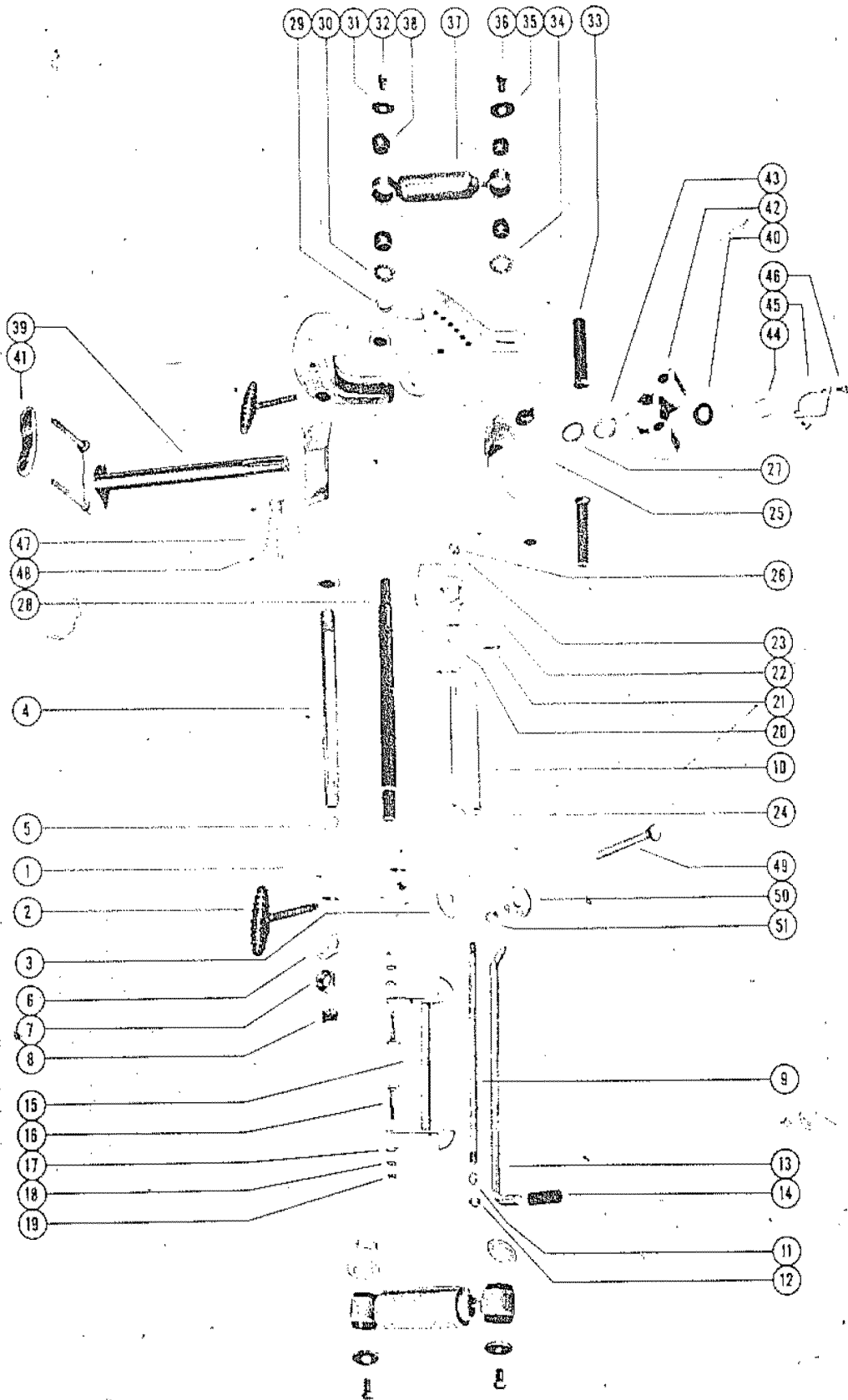
NS = Not Shown

THESE PARTS BOOKS/FICHE CARD ARE COPYRIGHTED AND MAY NOT BE DISTRIBUTED OR REPRODUCED IN ANY OTHER FORMAT BY ANYONE OTHER THAN MERCURY MARINE WITHOUT THE PRIOR WRITTEN CONSENT OF MERCURY MARINE.

MISCELLANEOUS PARTS/ACCESSORIES

REF. NO.	PART NO.	SYM.	QTY.	DESCRIPTION
-	27-25935		AR	GASKET SET(MOTOR OVERHAUL) MARK 30H & 30H-1
-	27-29369		AR	GASKET SET(MOTOR OVERHAUL) MARK 55H
-	37-25554A1		AR	DECAL SET MARK 30H
-	37-28433		AR	DECAL SET MARK 30H-1
-	37-25615A1		AR	DECAL SET MARK 55H
-	37-28988A1		AR	DECAL SET MARK 55H-1(COLORED MOTORS)
-	37-28989A1		AR	DECAL SET MARK 55H-1(WHITE MOTORS)
-	92-25143--1		AR	DECAL SOLUTION (PINT BOTTLE)
-	90-26155		AR	MARK 30H AND MARK 55H PARTS LIST, COMPLETE

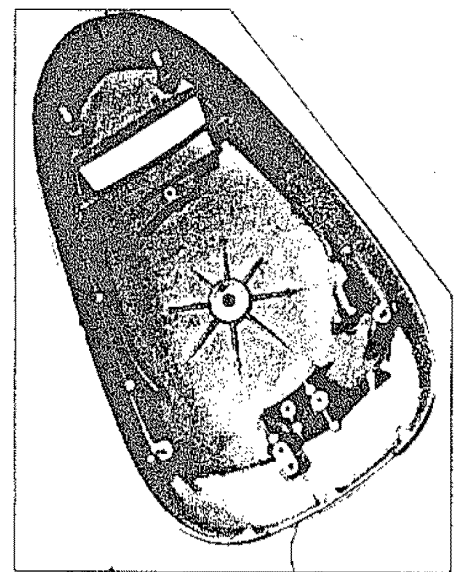
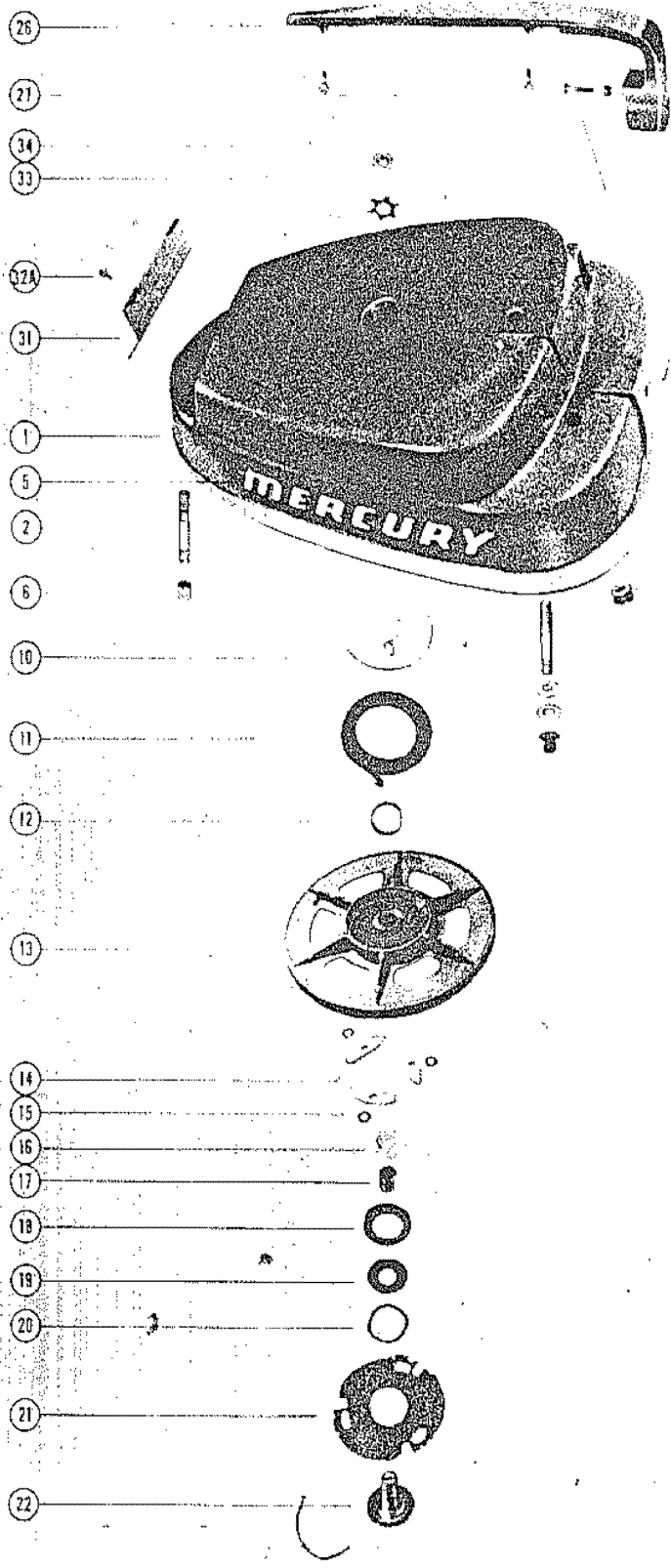
FUEL TANK ASSEMBLY



FUEL TANK ASSEMBLY

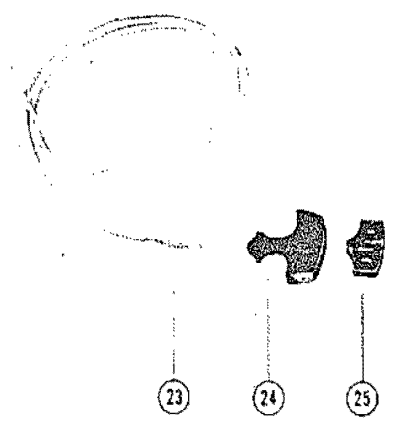
REF. NO.	PART NO.	SYM.	QTY.	DESCRIPTION
1	1203-335A6		1,1,1,1	FUEL TANK ASSEMBLY
-	1203-335A2		1,1,1,1	FUEL TANK AND CAP ASSEMBLY
2	12-24798		1,1,1,1	WASHER, DRAIN PLUG SCREW
3	10-24799		1,1,1,1	SCREW, DRAIN PLUG
4	37-28698		1,1,1,1	DECAL, FUEL TANK
5	36-22222A2		1,1,1,1	FILLER CAP ASSEMBLY
6	27-22851		1,1,1,1	GASKET, FILLER CAP TO TANK
7	53-22220		1,1,1,1	"E" RING, SPRING RETAINING
8	12-22226		1,1,1,1	WASHER, VENT SCREW SPRING
-	11-28587		,,,1	WASHER, VENT SCREW SPRING
9	24-22227		1,1,1,1	SPRING, VENT SCREW
10	27-22225		1,1,1,1	GASKET, VENT SCREW
-	2228		1,1,1,1	BAFFLE, VENT SCREW
11	10-22224		1,1,1,1	SCREW, VENT - FILLER CAP
12	25426A2		1,1,1,1	PRIMER BULB AND FUEL LINE ASSEMBLY
13	32-22331A2		1,1,1,1	FUEL LINE PICK UP ASSEMBLY
14	22831A1		1,1,1,1	CHECK UNIT ASSEMBLY, FUEL LINE

TOP COWL AND STARTER ASSEMBLY



30
29

4
3
7
8
9

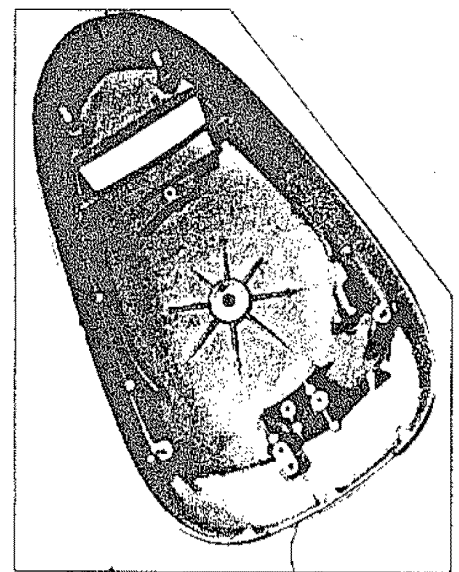
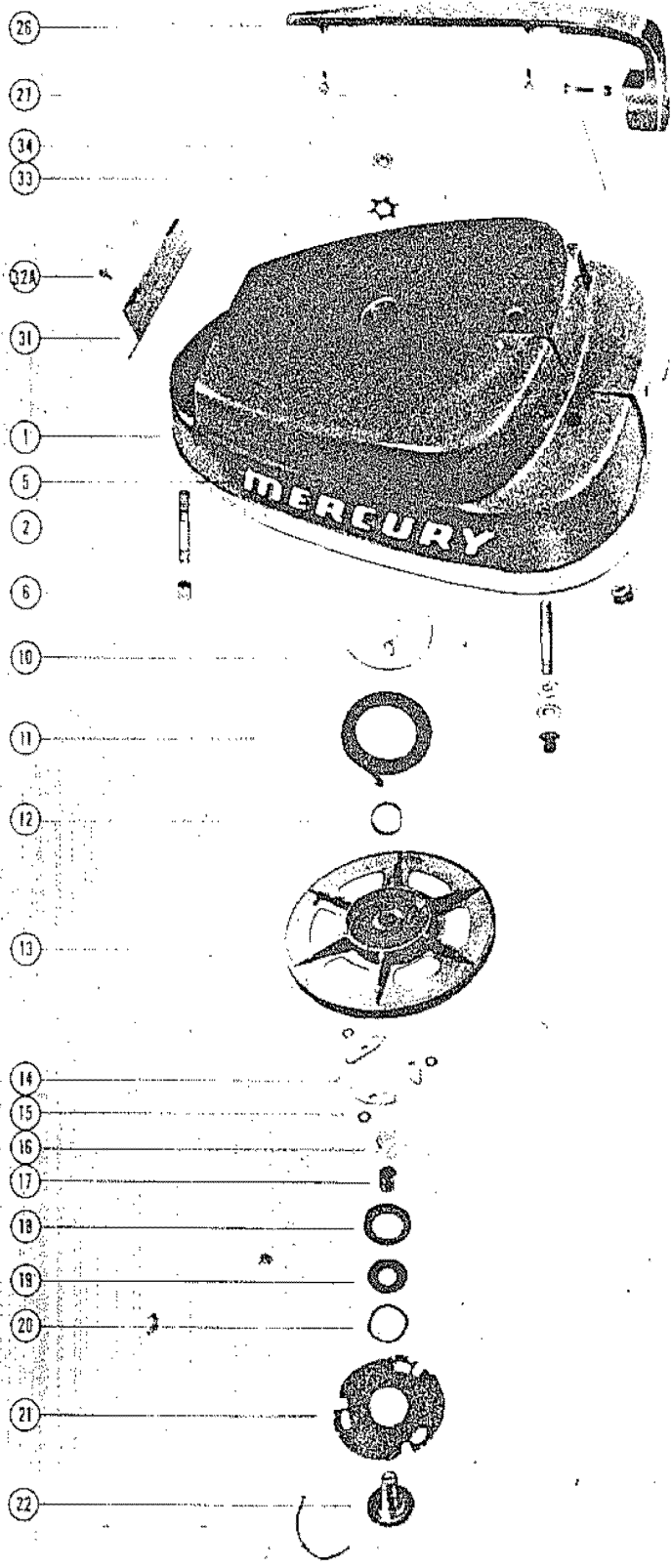


TOP COWL AND STARTER ASSEMBLY

REF. NO.	PART NO.	SYM.	QTY.	DESCRIPTION
1	101-1266A2		1,1,1,	TOP COWL ASSEMBLY (DOES NOT INCLUDE DECALS)
	177-1600A2		,,,1	TOP COWL ASSEMBLY (DOES NOT INCLUDE DECALS)
2	16-25734		2,2,2,	STUD, REAR - TOP COWL TO COVER
	16-20500		,,,2	STUD, REAR - TOP COWL TO COVER
3	16-20990		2,2,2,	STUD, FRONT - TOP COWL TO CRANKCASE
	16-20353		,,,2	STUD, FRONT - TOP COWL TO CRANKCASE
4	25-20116		1,1,1,1	GROMMET, CHOKE KNOB
5	37-25554		1,,,	DECAL SET, TOP COWL
	37-28433		,1,,	DECAL SET, TOP COWL
	37-25615		,,1,	DECAL SET, TOP COWL
	37-28988		,,,1	DECAL SET, TOP COWL (COLORED ENGINES)
	37-28989		,,,1	DECAL SET, TOP COWL (WHITE ENGINES)
6	23-20326		2,2,2,2	SPACER, TOP COWL STUD
7	12-20346		8,8,8,	WASHER, TOP COWL STUD (3/4" OD)
	12-20346		,,,4	WASHER, TOP COWL STUD (3/4" OD)
8	12-20028		12,12,12,	WASHER, TOP COWL STUD (1/16 THICK)
	12-20028		,,,4	WASHER, TOP COWL STUD (1/16 THICK)
-	12-20583		,,,4	WASHER, TOP COWL STUD (1/32 THICK)
9	11-20361		4,4,4,4	NUT, TOP COWL FASTENING
10	20155		1,1,1,1	RETAINER, STARTER SPRING
11	24-23714		1,1,1,1	SPRING, STARTER REWIND
12	23-20159		1,1,1,	BUSHING, SPRING GUIDE
	23-28912		,,,1	BUSHING, SPRING GUIDE
13	50-20149		1,1,1,	SHEAVE ASSEMBLY, STARTER
-	54-28397		,1,,	CLIP, STARTER SHEAVE
	50-28908		,,,1	SHEAVE ASSEMBLY, STARTER
14	20162		3,3,3,3	PAWL, STARTER
15	13-20163		3,3,3,3	WASHER, WAVE - STARTER PAWL
16	23-28919		,,,1	BUSHING, NYLON - SHEAVE SHAFT SPACER
17	23-20158		1,1,1,	SPACER, SHEAVE SHAFT
	23-28911		,,,1	SPACER, SHEAVE SHAFT
18	20161		1,,1,	RETAINER, WAVE WASHER SEE NOTE BELOW
	26179		,1,,1	RETAINER, WAVE WASHER SEE NOTE BELOW
19	12-26180		,1,,1	WASHER, WAVE WASHER RETAINER
20	13-20160		1,1,1,1	WASHER, WAVE - RETAINER TENSION
21	20164		1,1,1,1	PLATE, RETAINER STARTER PAWL
22	20157		1,1,1,	SHAFT, SHEAVE
	28913		,,,1	SHAFT, SHEAVE
23	50-22791A1		1,1,1,	STARTER CABLE ASSEMBLY
	50-28985A1		,,,1	STARTER CABLE ASSEMBLY
24	20662		1,1,1,	HANDLE, STARTER CABLE (NOT AS SHOWN)
	28747		,,,1	HANDLE, STARTER CABLE
25	20172		1,1,1,	END CAP, STARTER CABLE (NOT AS SHOWN)

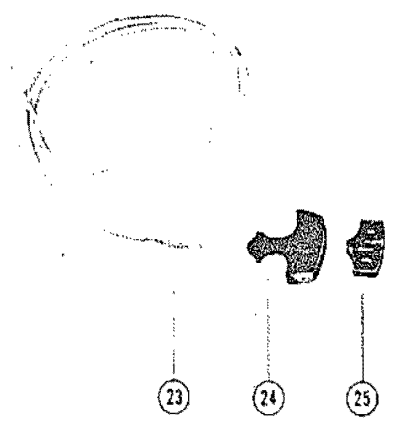
CONTINUED ON NEXT PAGE ➡

TOP COWL AND STARTER ASSEMBLY



30
29

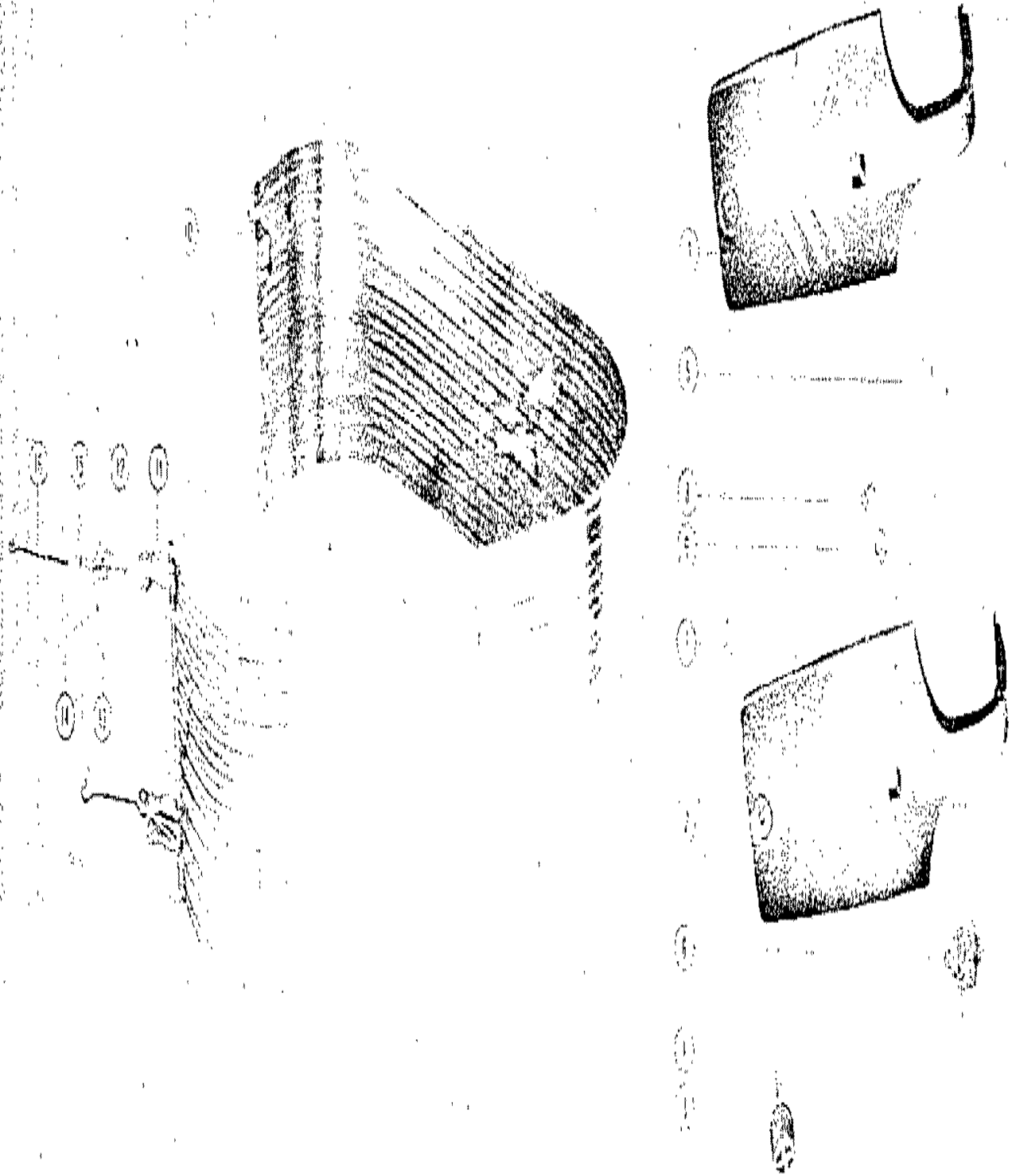
4
3
7
8
9



TOP COWL AND STARTER ASSEMBLY

REF. NO.	PART NO.	SYM.	QTY.	DESCRIPTION
25	28748		,,,1	RETAINER, STARTER CABLE AND HANDLE
-	20485		1,1,1,	COVER, TRIM - TOP COWL
-	23-23072		1,1,1,	SPACER, TRIM COVER TO TOP COWL
-	10-21643		1,1,1,	SCREW, TRIM COVER TO TOP COWL
26	28944		,,,1	HANDLE, TOP COWL
27	10-29199		,,,2	SCREW, HANDLE TO TOP COWL
29	10-22421		,,,1	SCREW, HANDLE TO TOP COWL
30	11-20361		,,,1	NUT, HANDLE FASTENING SCREW
31	28967		,,,1	SCREEN, VENT - TOP COWL
32A	10-29221		,,,4	SCREW, VENT SCREEN TO TOP COWL
33	14-20165		1,1,1,1	TAB WASHER, SHEAVE SHAFT NUT
34	11-20166		1,1,1,1	NUT, SHEAVE SHAFT (LEFT HAND THREAD)

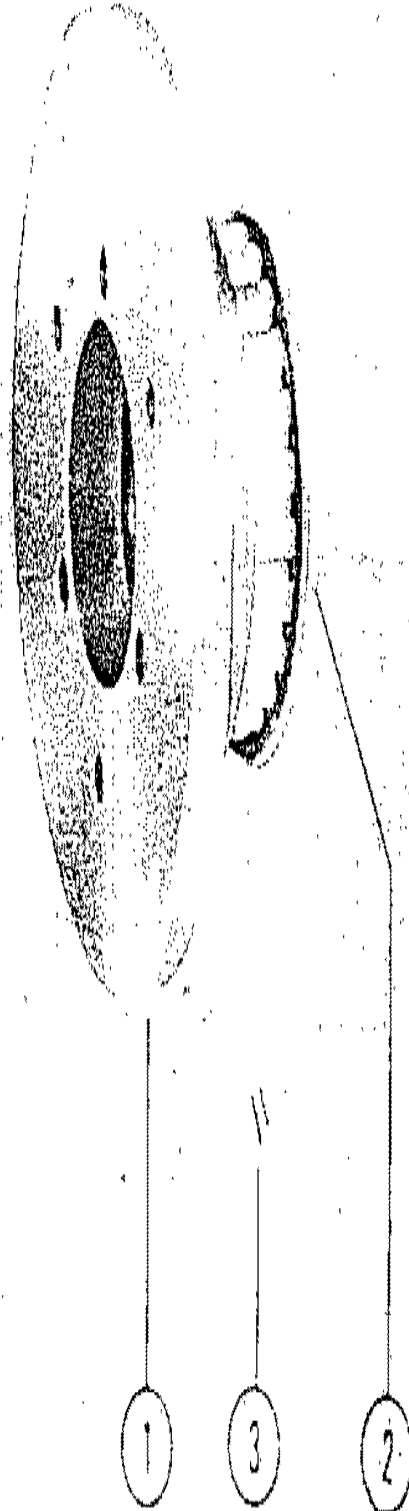
COWL AND FRONT COVER



COWL AND FRONT COVER

REF. NO.	PART NO.	SYM.	QTY.	DESCRIPTION
1	155-1029A2		1,,,	COWL FRONT COVER ASSEMBLY (SEE NOTE (1) BELOW)
2	155-1028A2		,,1,	COWL FRONT COVER ASSEMBLY
-	20721		4,,4,	BUMPER, RUBBER - FRONT COVER
3	10-25619		1,,1,	SCREW, COWL COVER FASTENING
4	12-23537		1,,1,	WASHER, COVER SCREW (NLA ORDER 12-261672)
5	25460		1,,,	EMBLEM, FRONT COVER
6	23083		,,1,	EMBLEM, FRONT COVER
7	18-21069		1,,1,	COTTER PIN, COVER FASTENING SCREW
8	10-20031		1,,1,	SCREW, EMBLEM TO FRONT COVER
9	12-20346		1,,1,	WASHER, EMBLEM SCREW
-	155-1029A3		,1,,	COWL FRONT COVER ASSEMBLY
-	175-1610A2		,,,1	COWL FRONT COVER ASSEMBLY
-	26183A_		,1,,1	EMBLEM, COWL FRONT COVER (SEE NOTE (2) BELOW)
-	20721		,2,,	BUMPER, RUBBER - FRONT COVER (LOWER)
-	20721		,,,4	BUMPER, RUBBER - FRONT COVER (LOWER)
-	26901		,2,,2	BUMPER, RUBBER - FRONT COVER (UPPER)
3	10-25619		,1,,1	SCREW, COWL COVER FASTENING
-	12-26162		,2,,	WASHER, COVER SCREW (NYLON)
-	12-26162		,,,1	WASHER, COVER SCREW (NYLON)
-	12-27897		,1,,1	WASHER, COVER SCREW (NYLON)
10	107-1015A1		1,1,1,1	COWL WRAP AROUND ASSEMBLY
11	N.S.S.		4,4,4,4	HINGE, COWL LATCH TO COWL ROD
12	21060		2,2,2,2	HANDLE, COWL LATCH
13	53-21058		4,4,4,4	"E" RING, COWL LATCH HINGE PIN
14	17-21057		4,4,4,4	PIN, HINGE - COWL LATCH HANDLE
15	25690		2,2,2,2	SWIVEL, COWL LATCH
16	25691		2,2,2,2	HOOK, COWL LATCH FASTENING

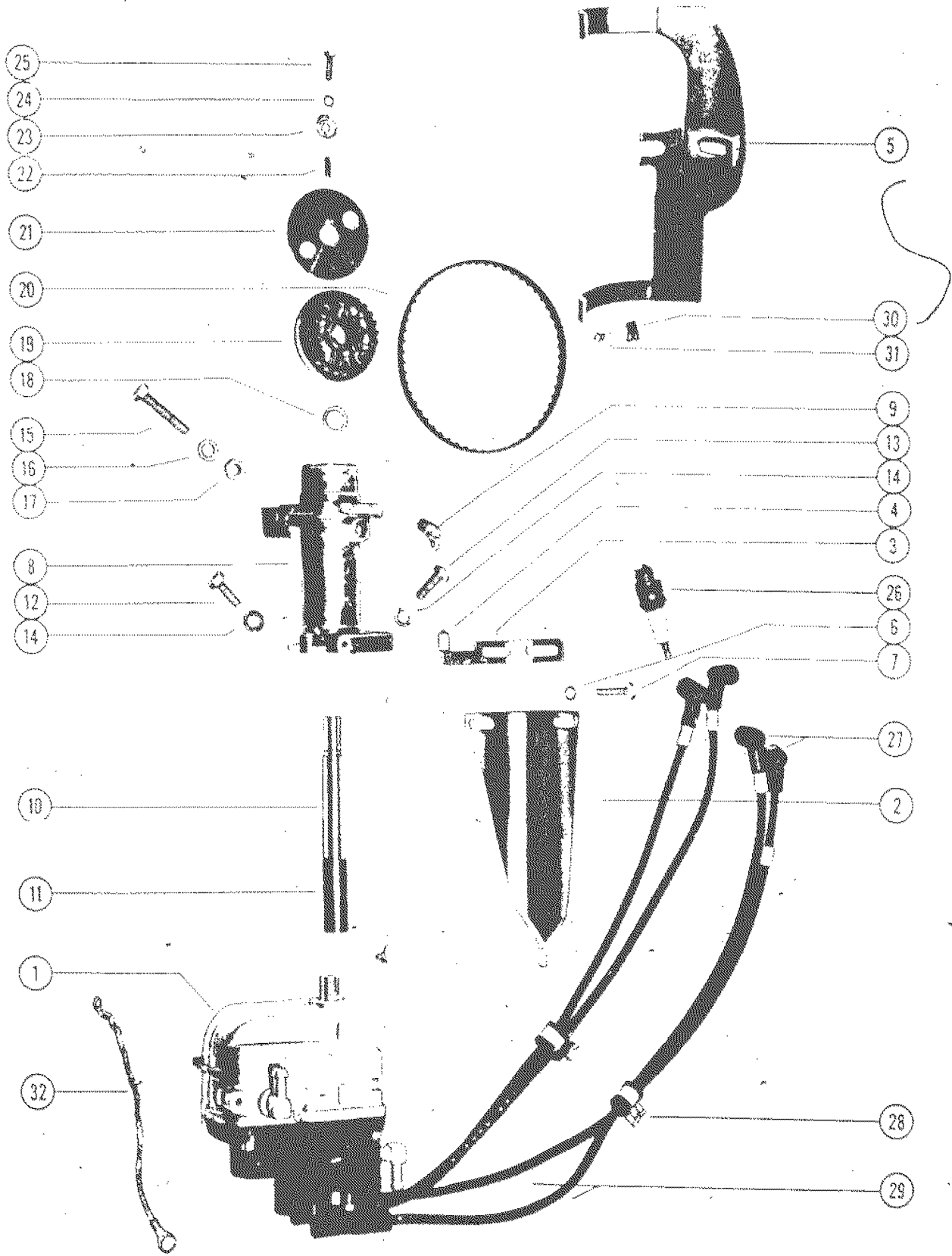
FLYWHEEL ASSEMBLY



FLYWHEEL ASSEMBLY

REF. NO.	PART NO.	SYM.	QTY.	DESCRIPTION
1	209-1093A2		1,,1,	FLYWHEEL ASSEMBLY (SMALL TAPER)
	209-1491A2		,1,,1	FLYWHEEL ASSEMBLY (LARGE TAPER)
2	22823		1,1,1,1	PULLEY, FLYWHEEL
3	17-20392		1,,1,	DOWEL PIN, PULLEY TO FLYWHEEL
	17-26618		,1,,1	DOWEL PIN, PULLEY TO FLYWHEEL
4	20144		1,1,1,1	PLATE, AUXILIARY STARTER
5	10-20031		3,3,3,	SCREW, AUXILIARY PLATE TO FLYWHEEL
	10-28709		,,,3	SCREW, AUXILIARY PLATE TO FLYWHEEL
6	13-26992		3,3,3,	LOCKWASHER, AUXILIARY PLATE SCREW
7	12-20143		1,,1,	WASHER, FLYWHEEL NUT
	12-26617		,1,,1	WASHER, FLYWHEEL NUT
8	11-22339		1,1,1,1	NUT, FLYWHEEL
-	28-20661		1,,1,	KEY, FLYWHEEL DRIVE (3/4" DIA X 3/16 THICK)
-	28-20094		,1,,1	KEY, FLYWHEEL DRIVE (1/2" DIA X 1/8" THICK)

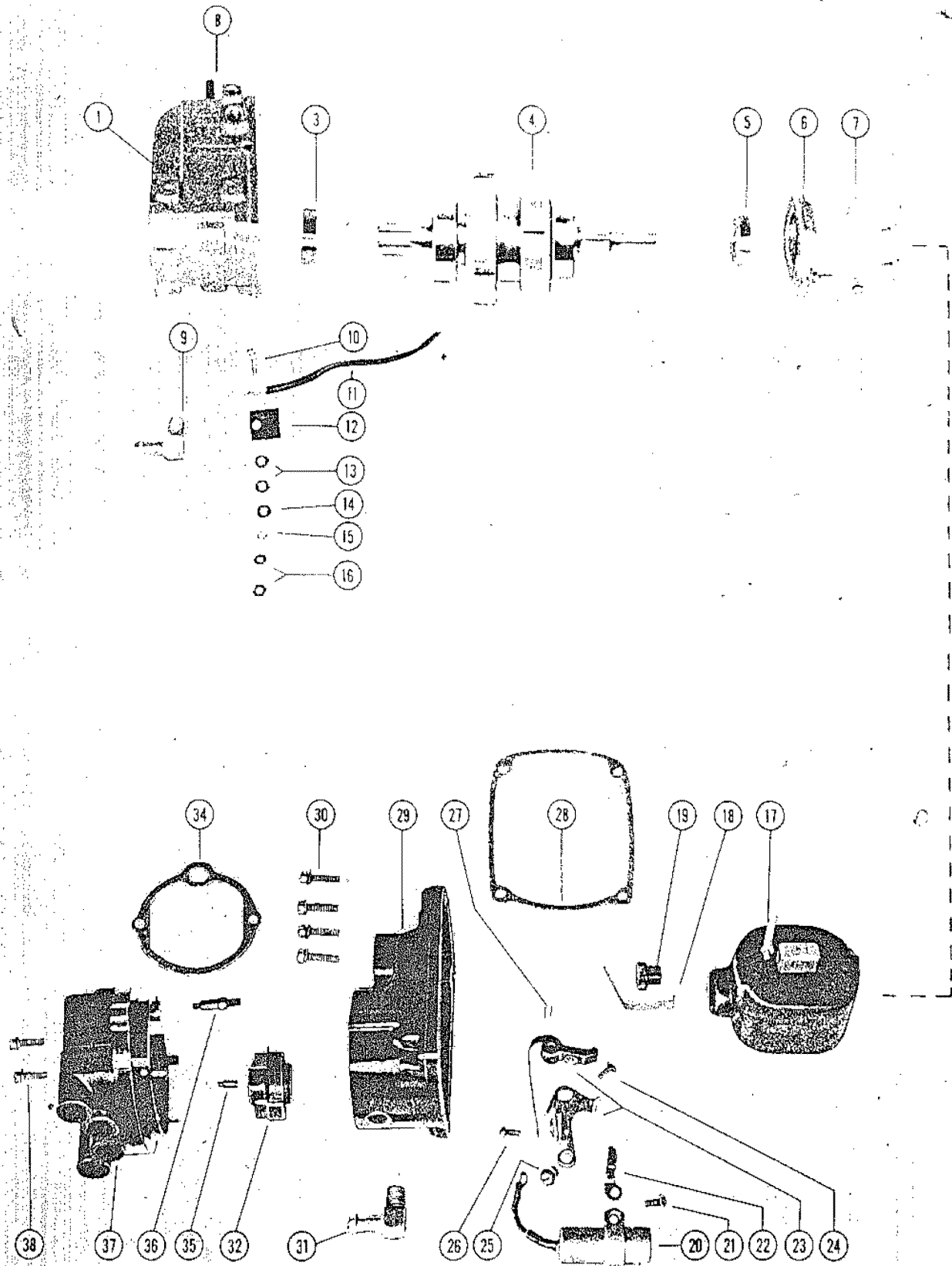
MAGNETO (EXTERNAL PARTS)



MAGNETO (EXTERNAL PARTS)

REF. NO.	PART NO.	SYM.	QTY.	DESCRIPTION
1	322-872		1,,1,	MAGNETO ASSEMBLY, COMPLETE (FM-XV4B70E)
-	394-1069A2		,1,,1	MAGNETO ASSEMBLY, COMPLETE (4D-2)
2	26580		1,1,1,1	BRACKET, MAGNETO ACTUATING
3	23603A1		1,1,,1	BRACKET ASSEMBLY, CARBURETOR ACTUATING
4	23-23601		1,1,,1	SLEEVE, NYLON
5	26009A1		,,1,	THROTTLE ACTUATOR ASSEMBLY
6	12-21249		3,3,3,3	WASHER, ACTUATING BRACKET SCREW
7	10-20146		3,3,,3	SCREW, ACTUATING BRACKETS TO MAGNETO PILOT
	10-20146		,,2,	SCREW, ACTUATING BRACKETS TO MAGNETO PILOT
	10-20474		,,1,	SCREW, ACTUATING BRACKETS TO MAGNETO PILOT
8	24794A1		1,1,1,1	MAGNETO ADAPTOR ASSEMBLY, COMPLETE
9	22-25094		1,1,1,1	FITTING, GREASE
10	45-24808A1		1,,1,	SHAFT ASSEMBLY, MAGNETO DRIVE
11	24791		1,,1,	COUPLING, DRIVE SHAFT
10	45-26812		,1,,1	SHAFT, MAGNETO DRIVE
12	10-28668		3,3,3,3	SCREW, MAGNETO ADAPTOR TO MAGNETO (7/8)
13	10-20146		1,1,1,1	SCREW, MANGETO ADAPTOR TO MAGNETO (5/8)
14	13-26992		4,4,4,4	LOCKWASHER, MAGNETO ADAPTOR SCREW
15	10-22040		3,3,3,3	SCREW, MAGNETO ADAPTOR TO CRANKCASE
16	12-20084		3,3,3,3	WASHER, MAGNETO ADAPTOR SCREW
17	11-20083		3,3,3,3	NUT, MAGNETO ADAPTOR SCREW
18	12-25193		1,1,1,1	SPACER, MAGNETO TIMING PULLEY
19	24807		1,1,1,1	PULLEY, DRIVEN
20	20140		1,1,1,1	BELT, TIMING
21	20136		1,1,1,1	FLANGE, DRIVE PULLEY
22	28-28657		1,1,1,1	KEY, MAGNETO DRIVING
23	12-20138		1,1,1,1	WASHER, PULLEY CLAMPING SCREW
24	13-26996		1,1,1,1	LOCKWASHER, PULLEY CLAMPING SCREW
25	10-20139		1,1,1,1	SCREW, PULLEY CLAMPING
26	33-20982		4,4,4,4	SPARK PLUG
27	20119		4,4,4,4	PROTECTOR, SPARK PLUG
28	54-20534		2,2,2,2	CLIP, HIGH TENSION LEAD TO CYLINDER BLOCK
29	23564		4,4,4,4	CABLE, HIGH TENSION LEAD
-	25-25429		4,4,4,4	"O" RING, HIGH TENSION LEAD CABLE
30	54-25231		1,1,1,1	CLIP, NYLON CABLE TO MAGNETO
31	10-25256		1,1,1,	SCREW, NYLON CABLE CLIP TO MAGNETO
	10-20401		,,,1	SCREW, NYLON CABLE CLIP TO MAGNETO
-	22789		,,,1	"D" WASHER, CABLE CLIP SCREW
32	394-1134A1		1,1,1,1	GROUND STRAP ASSEMBLY, MAGNETO

MAGNETO (INTERNATL PARTS)

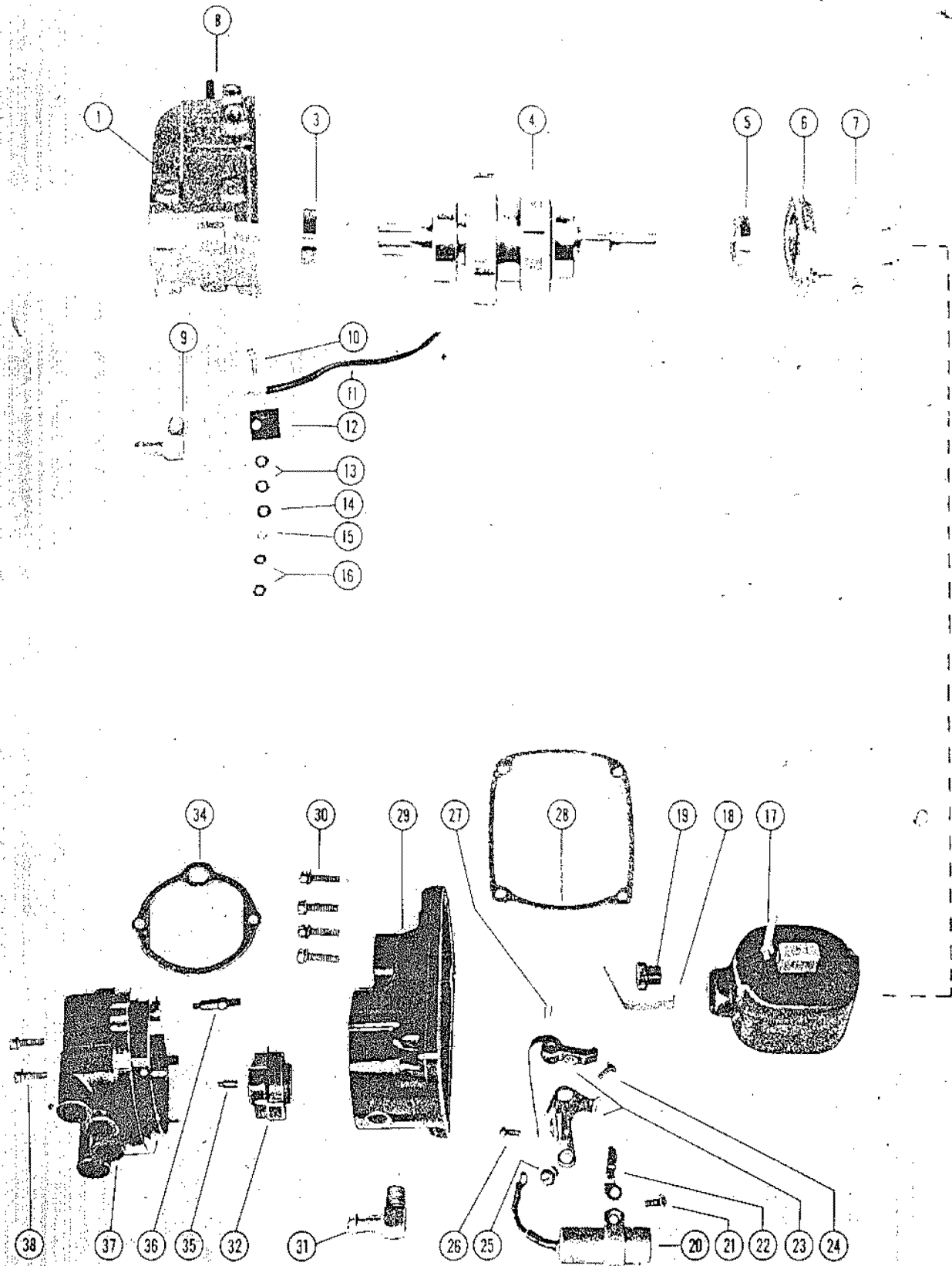


MAGNETO (INTERNATL PARTS)

REF. NO.	PART NO.	SYM.	QTY.	DESCRIPTION
-	322-872		1,1	MAGNETO ASSEMBLY, COMPLETE (FM-XV4B70E)
1	397-903		1,1	FRAME
3	30-24998		1,1	BEARING, BALL (DRIVE END)
4	397-907		1,1	MAGNETIC ROTOR AND SHAFT
5	30-24997		1,1	BEARING, BALL - ROTOR (OPP. DRIVE END)
6	397-918		1,1	SUPPORT, BEARING
7	10-25509		4,4	SCREW, BEARING SUPPORT
8	10-25510		2,2	SCREW, SET - COIL BRIDGE
-	394-1051		1,1	LOCKWIRE, COIL BRIDGE SET SCREW
9	22-20781		1,1	ELBOW, MAGNETO FRAME TO VENT TUBE
10	10-24090		1,1	SCREW, PRIMARY GROUND
11	394-1052		1,1	WIRE, PRIMARY GROUND SWITCH
12	397-371		1,1	INSULATOR, PRIMARY GROUND TERMINAL
-	23-25512		1,1	BUSHING, PRIMARY GROUND TERMINAL INSULATOR
13	12-25719		2,2	WASHER, INSULATING - PRIMARY GROUND SWITCH
14	12-20192		2,2	WASHER, PRIMARY GROUND SCREW
15	13-20193		1,1	LOCKWASHER, PRIMARY GROUND SCREW
16	11-21923		2,2	NUT, PRIMARY GROUND TERMINAL
17	397-430		1,1	COIL, IGNITION
18	394-1050		1,1	CLIP, COIL
-	13-23836		1,1	LOCKWASHER, COIL CLIP NUT
19	24994		1,1	NUT, COIL CLIP
20	394-1130		1,1	CONDENSER
21	10-25509		1,1	SCREW, CONDENSER MOUNTING
22	397-355		1,1	CAM WICK AND HOLDER
23	394-1100A2		1,1	BREAKER ARM ASSEMBLY
24	10-24977		1,1	SCREW, BINDING HEAD
25	10-24980		1,1	SCREW, CONTACT SUPPORT LOCKING
-	13-22542		1,1	LOCKWASHER, CONTACT SUPPORT LOCKING SCREW
-	12-20192		1,1	WASHER, CONTACT SUPPORT LOCKING SCREW
26	10-22541		1,1	SCREW, BREAKER ARM TERMINAL
-	13-20378		1,1	LOCKWASHER, BREAKER ARM TERMINAL SCREW
27	18-25723		1,1	COTTER PIN (HAIR) BRACKET ARM
28	27-22551		1,1	GASKET, END CAP TO FRAME
29	397-429		4,4	END CAP
30	10-25513		4,4	SCREW AND LOCKWASHER, END CAP
31	22-25885		1,1	ELBOW, PLASTIC - END CAP TO VENT LINE
32	397-913		1,1	ROTOR, DISTRIBUTOR
34	27-22536		1,1	GASKET, END CAP COVER

CONTINUED ON NEXT PAGE ➡

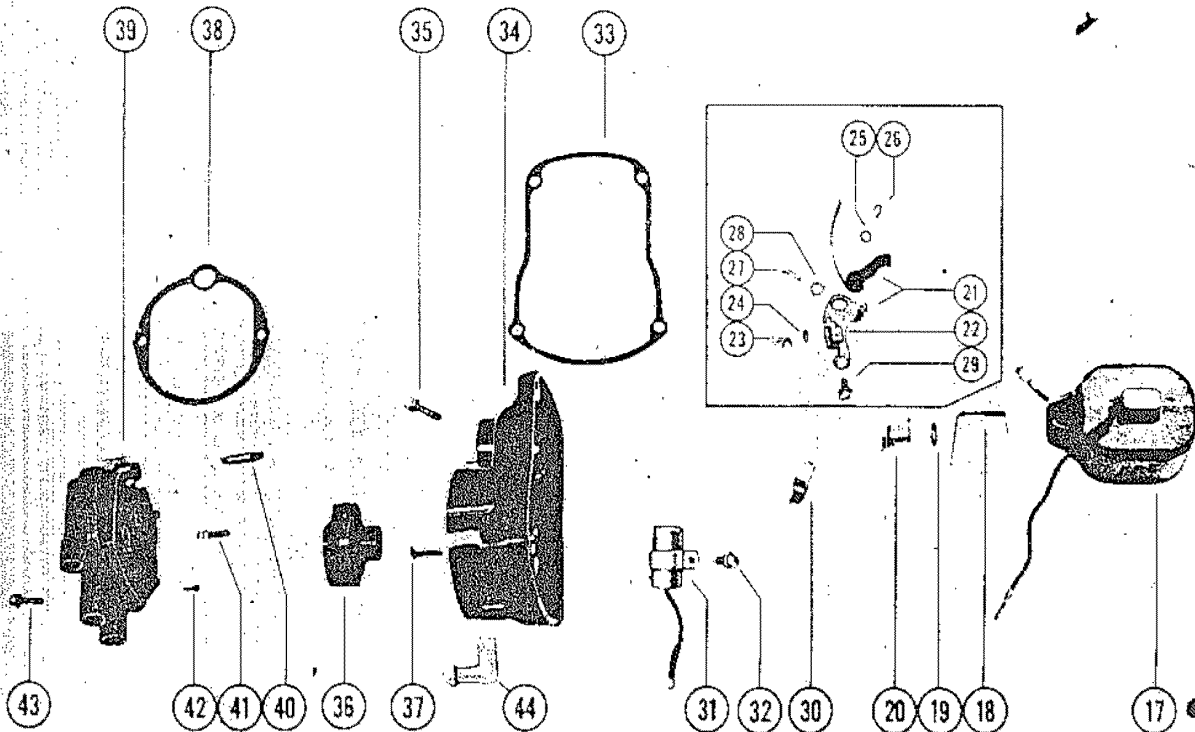
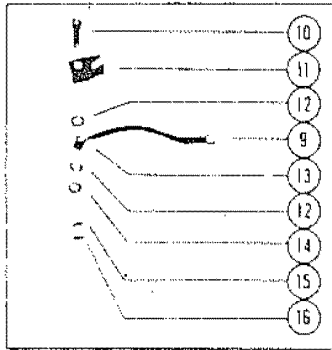
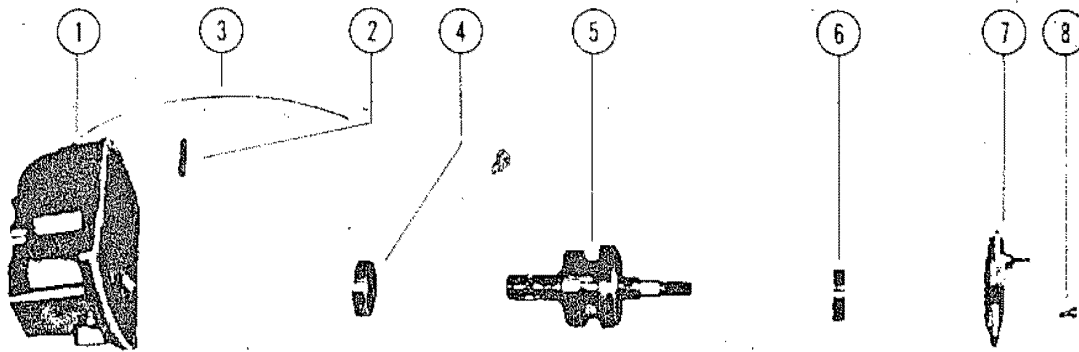
MAGNETO (INTERNATL PARTS)



MAGNETO (INTERNATL PARTS)

REF. NO.	PART NO.	SYM.	QTY.	DESCRIPTION
35	397-360		1,1	BRUSH AND SPRING, COIL LEAD
36	394-1065A1		1,1	LEAD, HIGH TENSION (DISTRIBUTOR)
37	397-1006		1,1	COVER, END CAP
-	10-25517		4,4	SCREW, HIGH TENSION CABLE FASTENING
38	10-22537		2,2	SCREW, END CAP COVER

MAGNETO ASSEMBLY (INTERNAL PARTS)

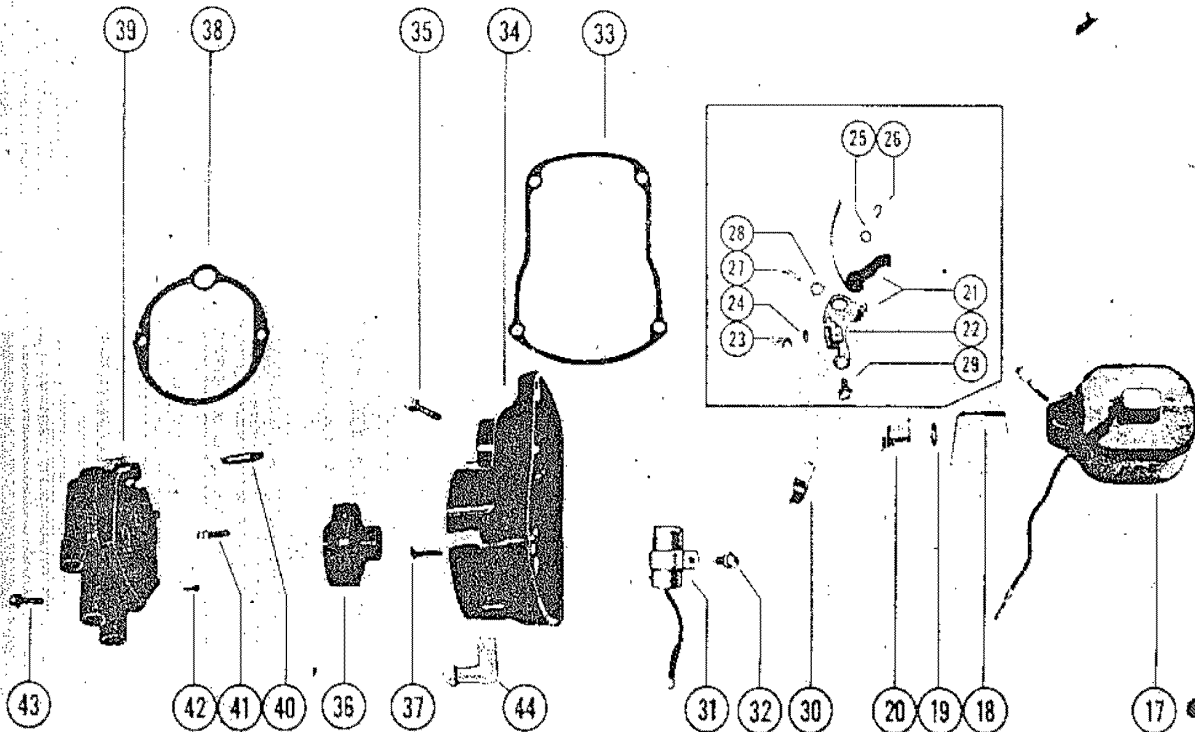
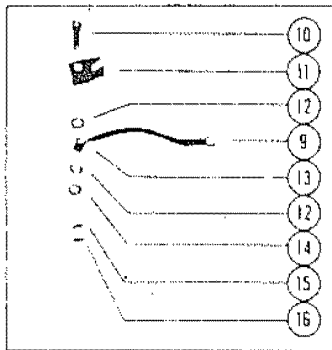
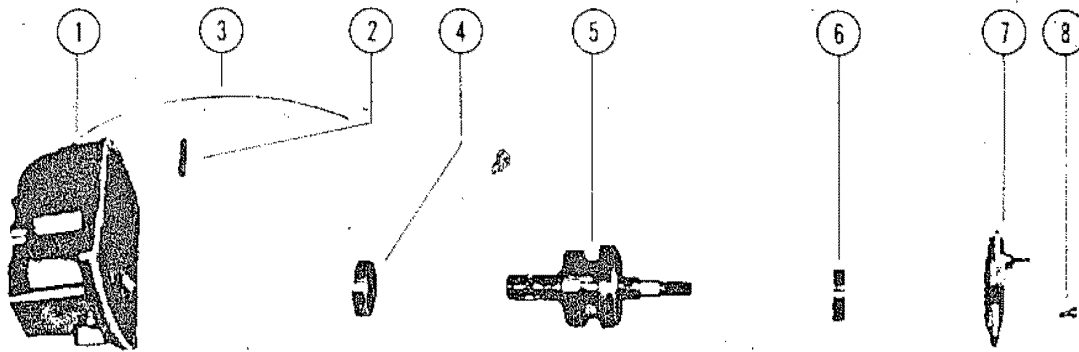


MAGNETO ASSEMBLY (INTERNAL PARTS)

REF. NO.	PART NO.	SYM.	QTY.	DESCRIPTION
-	394-1069A1		1,	MAGNETO ASSEMBLY, COMPLETE (4D-1) SEE NOTE
-	394-1069A2		,1	MAGNETO ASSEMBLY, COMPLETE (4D-2)
1	394-1066		1,	FRAME, MAGNETO HOUSING
	394-1570		,1	FRAME, MAGNETO HOUSING
2	10-25510		2,2	SCREW, SET - COIL BRIDGE
3	394-1051		1,1	LOCKWIRE, COIL BRIDGE SET SCREW
4	30-24998		1,1	BEARING, BALL (DRIVE END)
5	394-1067		1,1	MAGNETIC ROTOR AND SHAFT
6	30-24997		1,1	BEARING, BALL (OPPOSITE DRIVE END)
7	394-1068		1,1	SUPPORT, BALL BEARING
8	10-25509		3,3	SCREW AND LOCKWASHER, SUPPORT TO FRAME
9	394-1052		1,	WIRE, PRIMARY GROUND LEAD
	394-1053A1		,1	WIRE ASSEMBLY, PRIMARY GROUND LEAD
10	10-24609		1,	SCREW, PRIMARY GROUND (#8)
	10-29182		,1	SCREW, PRIMARY GROUND (#10)
11	394-1055		1,	INSULATOR, PRIMARY GROUND TERMINAL
	394-1579		,1	INSULATOR, PRIMARY GROUND TERMINAL
12	12-25719		2,	WASHER, INSULATING - PRIMARY GROUND SCREW
	12-29099		,1	WASHER, INSULATING - PRIMARY GROUND SCREW
13	23-25512		1,	BUSHING, INSULATING - HOUSING FRAME
	23-29101		,1	BUSHING, INSULATING - HOUSING FRAME
14	12-20192		1,	WASHER, PRIMARY GROUND SCREW
	12-26014		,1	WASHER, PRIMARY GROUND SCREW
15	11-28656		1,	NUT, LOCK - PRIMARY GROUND SCREW
	11-24656		,1	NUT, LOCK - PRIMARY GROUND SCREW
16	11-21923		1,	NUT, LOCK - PRIMARY GROUND SCREW
	11-20645		,1	NUT, LOCK - PRIMARY GROUND SCREW
17	394-1128A1		1,1	COIL ASSEMBLY
18	394-1050		1,1	CLIP, COIL - HIGH TENSION
19	13-23836		1,1	LOCKWASHER COIL TERMINAL
20	394-1131		1,1	NUT, COIL CLIP FASTENING
21	394-1100A2		1,1	BREAKER ASSEMBLY
22	394-1163		1,1	GROMMET, PLASTIC - BREAKER BRACKET
23	10-26008		1,1	SCREW, BREAKER TERMINAL
24	13-20378		1,1	LOCKWASHER, BREAKER TERMINAL SCREW
30	394-1106A1		1,1	HOLDER AND CAM WICK ASSEMBLY
25	12-25944		1,1	WASHER, BREAKER ARM
26	18-25723		1,1	COTTER PIN (HAIR) BRACKET ARM
27	10-22032		1,1	SCREW, BRACKET SUPPORT
28	12-20192		1,1	WASHER, BRACKET SUPPORT SCREW
29	10-25509		1,1	SCREW AND LOCKWASHER, BRACKET LOCKING
31	394-1130		1,1	CONDENSER
32	10-25509		1,1	SCREW AND LOCKWASHER, CONDENSER FASTENING

CONTINUED ON NEXT PAGE ➡

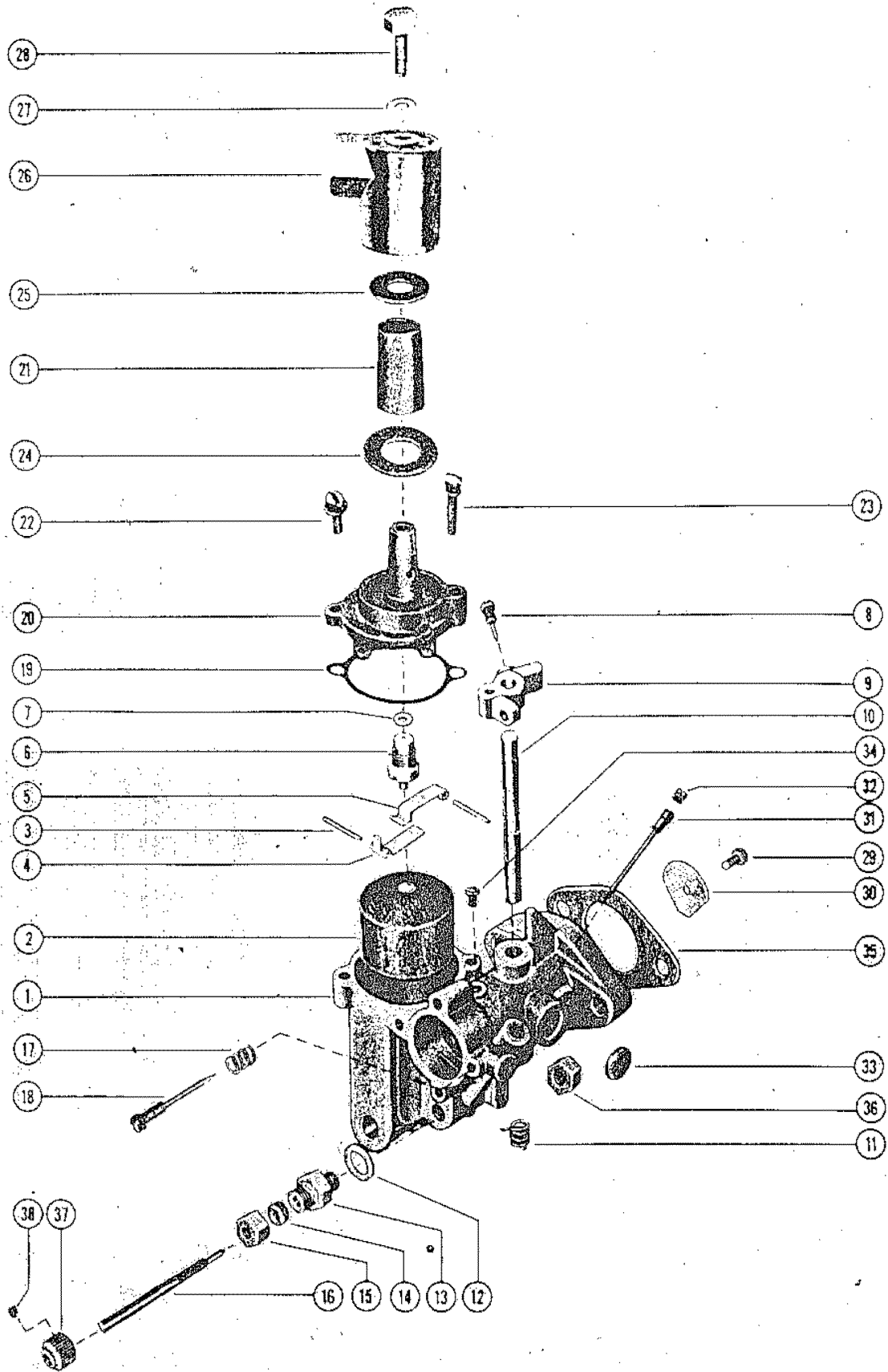
MAGNETO ASSEMBLY (INTERNAL PARTS)



MAGNETO ASSEMBLY (INTERNAL PARTS)

REF. NO.	PART NO.	SYM.	QTY.	DESCRIPTION
33	27-25724		1,	GASKET, MAGNETO COVER
	27-29166		,1	GASKET, MAGNETO COVER
34	394-1057		1,	COVER, MAGNETO
	394-1577		,1	COVER, MAGNETO
35	10-28257		4,	SCREW, COVER TO FRAME
	10-29418		,4	SCREW, COVER TO FRAME
-	14-29157		,4	TAB WASHER, COVER FASTENING SCREW
36	394-1108A1		1,1	MAGNETO ROTOR ASSEMBLY
37	394-1110		1,1	CLIP, SPRING
38	27-25725		1,1	GASKET, END CAP COVER
39	394-1561A1		1,1	END CAP COVER ASSEMBLY
40	394-1065A1		1,1	LEAD ASSEMBLY, HIGH TENSION
41	394-1056A1		1,1	BRUSH AND SPRING ASSEMBLY
42	10-25517		4,4	SCREW, HIGH TENSION CABLE FASTENING
43	10-28259		2,	SCREW, END CAP COVER TO MAGNETO COVER
	10-29418		,2	SCREW, END CAP COVER TO MAGNETO COVER
-	14-29157		,2	TAB WASHER, COVER FASTENING SCREW
44	22-25885		1,1	ELBOW, PLASTIC - MAGNETO COVER VENT

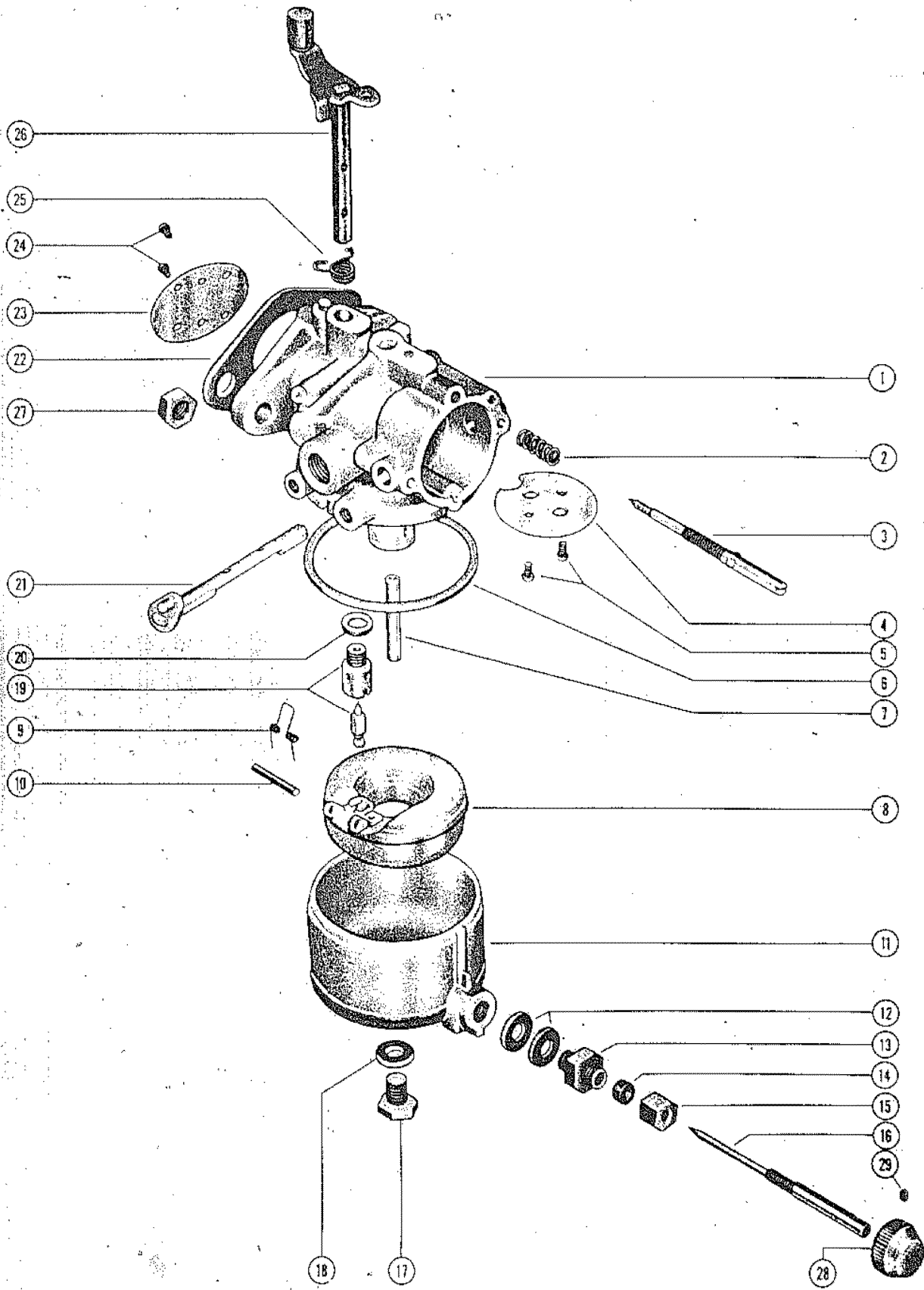
CARBURETOR ASSEMBLY(MK30H,MK30H-1)



CARBURETOR ASSEMBLY(MK30H,MK30H-1)

REF. NO.	PART NO.	SYM.	QTY.	DESCRIPTION
1	1327-1118		2,2	CARBURETOR ASSEMBLY (TILLOTSON AJ-51A)
2	1399-110A1		2,2	FLOAT ASSEMBLY
3	17-20853		4,4	PIN, FLOAT LEVER PINION
4	1399-102		2,2	LEVER, FLOAT (LOWER)
5	1399-101		2,2	LEVER, FLOAT (UPPER)
6	1399-1138		2,2	INLET NEEDLE, SEAT & GASKET
7	27-25033		2,2	GASKET INLET SEAT
8	10-20847		2,2	SCREW, THROTTLE STOP LEVER
9	1399-97		2,2	LEVER, THROTTLE STOP
10	1399-933		2,2	SHAFT, THROTTLE
11	24-20869		2,2	SPRING, THROTTLE SHAFT RETURN
12	27-20848		2,2	GASKET, MAIN ADJUSTMENT SCREW GLAND
13	1399-94		2,2	GLAND, MAIN ADJUSTMENT SCREW
14	1399-108		2,2	PACKING, MAIN ADJUSTMENT SCREW
15	11-20849		2,2	NUT, MAIN ADJUSTMENT SCREW
16	1399-932		2,2	SCREW, MAIN ADJUSTMENT
17	24-27160		2,2	SPRING, IDLE ADJUSTMENT SCREW
18	1399-931		2,2	SCREW, IDLE ADJUSTMENT
19	1399-99		2,2	GASKET, FLOAT BOWL COVER
20	1399-1133		2,2	COVER, FLOAT BOWL
21	1399-1136		2,2	ELEMENT, FILTER
22	10-20854		2,2	SCREW, FLOAT BOWL COVER (SHORT)
23	10-25850		2,2	SCREW, FLOAT BOWL COVER (LONG)
24	27-25851		2,2	GASKET, STRAINER COVER (LARGE)
25	27-25849		2,2	GASKET, STRAINER COVER (SMALL)
26	1399-1135		2,2	COVER, STRAINER
27	27-25848		2,2	GASKET, STRAINER COVER SCREW
28	10-25822		2,2	SCREW, STRAINER COVER FASTENING
29	10-23035		2,2	SCREW & LOCKWASHER, THROTTLE SHUTTER
30	1399-1036		2,2	SHUTTER, THROTTLE
31	1399-960		2,2	TUBE, BY-PASS
32	10-23030		2,2	SCREW, PLUG - BY-PASS TUBE
33	19-20011		2,2	WELCH PLUG, BODY CHANNEL
34	10-20870		2,2	SCREW, PLUG - BODY CHANNEL
-	1399-1145		2,2	GASKET & PACKING SET
-	1399-1146		2,2	REPAIR PARTS KIT
35	27-20183		2,2	GASKET, CARBURETOR FLANGE
36	11-20184		4,4	NUT, CARBURETOR MOUNTING STUD
37	24823A1		2,2	KNOB ASSEMBLY, MAIN ADJUSTMENT SCREW
38	10-22928		2,2	SCREW, KNOW FASTENING (#10)

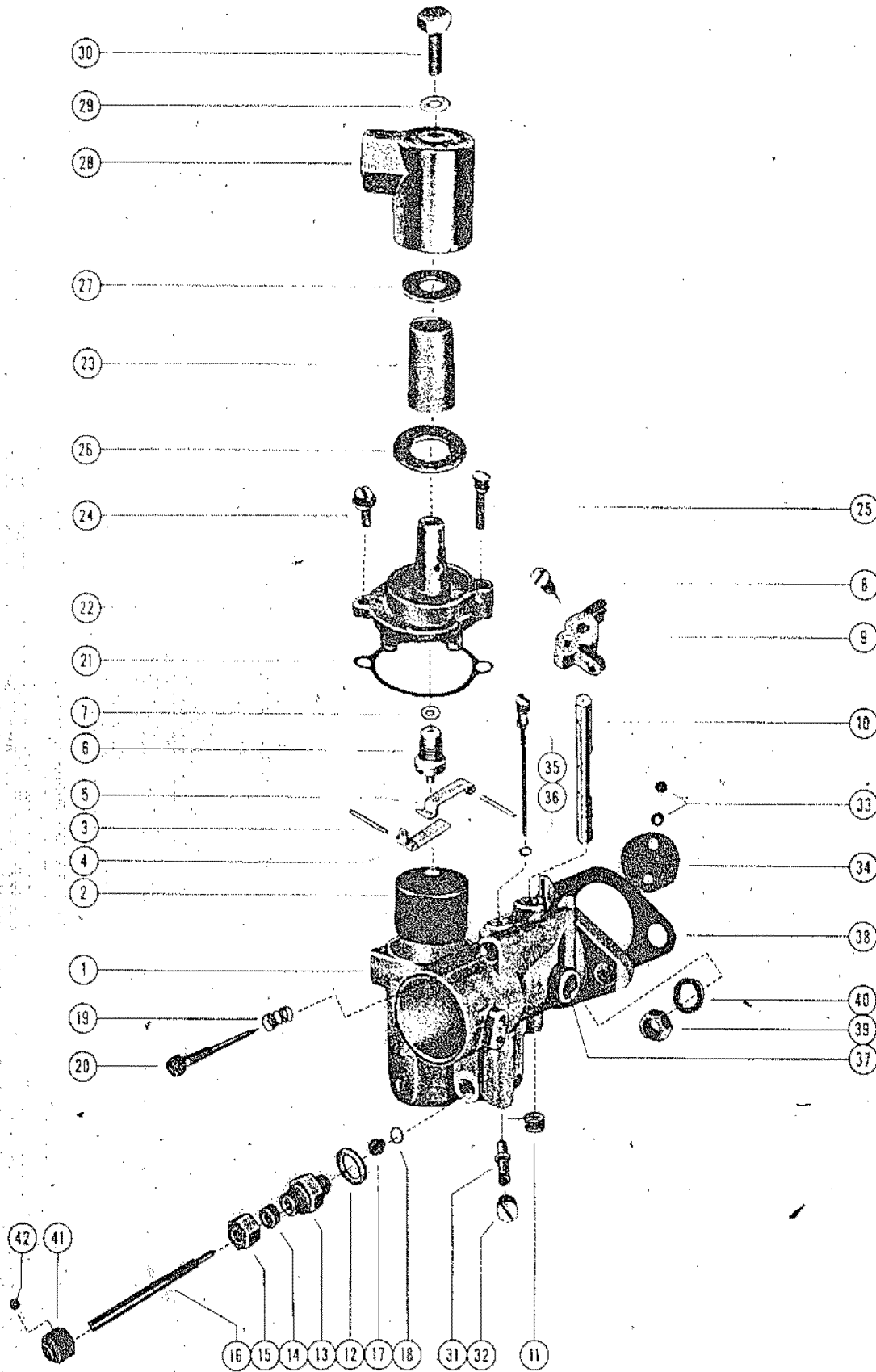
CARBURETOR ASSEMBLY(MK55H)



CARBURETOR ASSEMBLY(MK55H)

REF. NO.	PART NO.	SYM.	QTY.	DESCRIPTION
1	1301-1143		2	CARBURETOR ASSEMBLY (CARTER) SEE NOTE BELOW
2	24-21122		2	SPRING, IDLE ADJUSTMENT SCREW
3	1398-1175		2	SCREW, IDLE ADJUSTMENT
4	1398-159		2	SHUTTER, CHOKE
5	1398-172		4	SCREW, CHOKE SHUTTER FASTENING
6	1398-168		2	GASKET, BOWL RING
7	1398-1169		2	NOZZLE, FUEL DISCHARGE
8	1398-1172		2	FLOAT & LEVER ASSEMBLY
9	24-21124		2	SPRING, FLOAT
10	1398-1173		2	PIN, FLOAT LEVER
11	1398-167		2	COVER, FLOAT BOWL
12	1398-165		4	GASKET, MAIN ADJUSTMENT SCREW GLAND
13	1398-278		2	GLAND, MAIN ADJUSTMENT SCREW
-	1398-164		2	GASKET, PACKING NUT
14	1398-183		2	PACKING, MAIN ADJUSTMENT SCREW
15	11-21759		2	NUT, MAIN ADJUSTMENT SCREW
16	1398-1176		2	SCREW, MAIN ADJUSTMENT
17	1398-1171		2	NUT, FLOAT BOWL COVER
18	1398-165		2	GASKET, FLOAT BOWL NUT
19	1398-1174		2	INLET NEEDLE & SEAT
20	1398-163		2	GASKET, INLET NEEDLE AND SEAT
21	1398-1170		2	CHOKE LEVER & SHAFT ASSEMBLY (NOT AS SHOWN)
-	1398-180		2	BALL, CHOKE SHAFT
-	24-21121		2	SPRING, CHOKE SHAFT
-	19-21120		2	WELCH PLUG, IDLE PASSAGE
-	19-21119		2	WELCH PLUG, IDLE PORT
22	27-20478		2	GASKET, CARBURETOR TO CRANKCASE
23	1398-157		2	SHUTTER, THROTTLE
24	1398-172		4	SCREW, THROTTLE SHUTTER FASTENING
25	24-21123		2	SPRING, THROTTLE RETURN
26	1398-1168		2	THROTTLE SHAFT & LEVER ASSEMBLY (NOT AS SHOWN)
27	11-25594		4	NUT, CARBURETOR MOUNTING STUD
-	12-20084		4	WASHER, CARBURETOR MOUNTING STUD
28	24823A1		2	KNOB ASSEMBLY, MAIN ADJUSTMENT SCREW
29	10-22928		2	SCREW, KNOB TO MAIN ADJUSTMENT SCREW (#10)

CARBURETOR ASSEMBLY(MK55H-1)

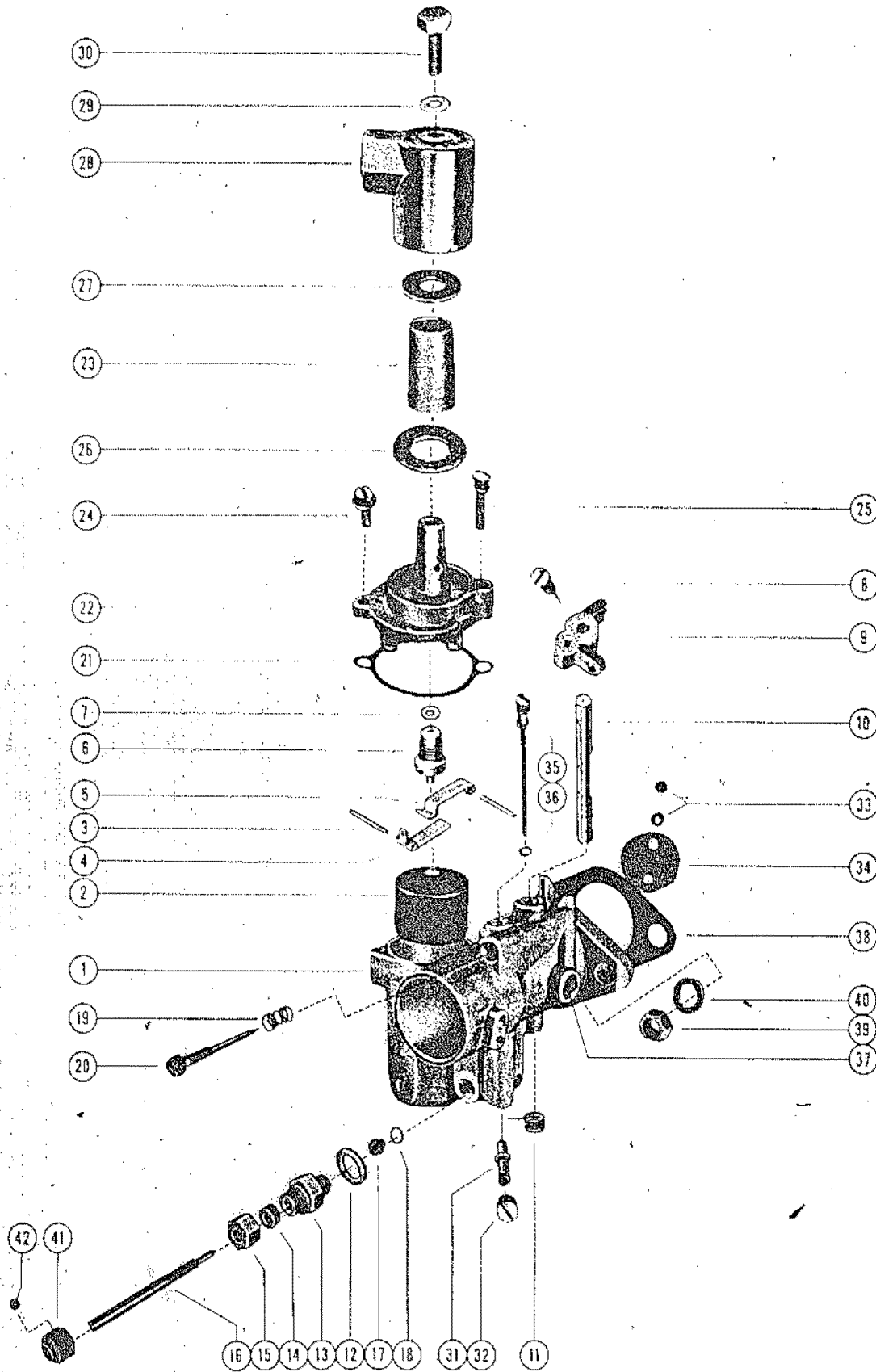


CARBURETOR ASSEMBLY(MK55H-1)

REF. NO.	PART NO.	SYM.	QTY.	DESCRIPTION
1	1333-1609		2	CARBURETOR ASSEMBLY, COMPLETE (TILLOTSON KA-7A)
2	1399-110A1		2	FLOAT ASSEMBLY
3	17-20853		4	PIN, FLOAT LEVER PINION
4	1399-102		2	LEVER, FLOAT (LOWER)
5	1399-101		2	LEVER, FLOAT (UPPER)
6	1399-1473		2	INLET NEEDLE, SEAT AND GASKET (SEE NOTE BELOW)
7	27-25033		2	GASKET, INLET SEAT
8	10-20847		2	SCREW, THROTTLE STOP LEVER
9	1399-97		1	LEVER, THROTTLE STOP
10	1399-1475		2	SHAFT, THROTTLE
11	24-20869		2	SPRING, THROTTLE SHAFT RETURN
12	27-20848		2	GASKET, MAIN ADJUSTMENT SCREW GLAND
13	1399-94		2	GLAND, MAIN ADJUSTMENT SCREW
14	1399-108		2	PACKING, MAIN ADJUSTMENT SCREW
15	11-20849		2	NUT, MAIN ADJUSTMENT SCREW
16	1399-1519		2	SCREW, MAIN ADJUSTMENT
17	1399-1520		2	ORIFICE, MAIN FUEL
18	27-28409		2	GASKET, MAIN FUEL ORIFICE
19	24-27160		2	SPRING, IDLE ADJUSTMENT SCREW
20	1399-1629		2	SCREW, IDLE ADJUSTMENT
21	1399-99		2	GASKET, FLOAT BOWL COVER
22	1399-1133		2	COVER, FLOAT BOWL
23	1399-1754		2	SCREEN, FILTER - NOT AS SHOWN
24	10-20854		2	SCREW, FLOAT BOWL COVER (SHORT)
25	10-25850		2	SCREW, FLOAT BOWL COVER (LONG)
26	27-25851		2	GASKET, STRAINER COVER (LARGE)
27	27-25849		2	GASKET, STRAINER COVER (SMALL)
28	1399-1135		2	COVER, STRAINER
29	27-25848		2	GASKET, STRAINER COVER SCREW
30	10-25822		2	SCREW, STRAINER COVER FASTENING
31	1399-1474		2	NOZZLE, MAIN
32	10-23178		2	SCREW, PLUG - MAIN NOZZLE
33	10-23035		4	SCREW, AND LOCKWASHER, THROTTLE SHUTTER
34	1399-1476		2	SHUTTER, THROTTLE
35	1399-1472		2	TUBE, IDLE
36	27-23180		2	GASKET, IDLE TUBE
37	19-20011		2	WELCH PLUG, BODY CHANNEL
-	10-28845		2	SCREW, PLUG - BODY CHANNEL

CONTINUED ON NEXT PAGE ➡

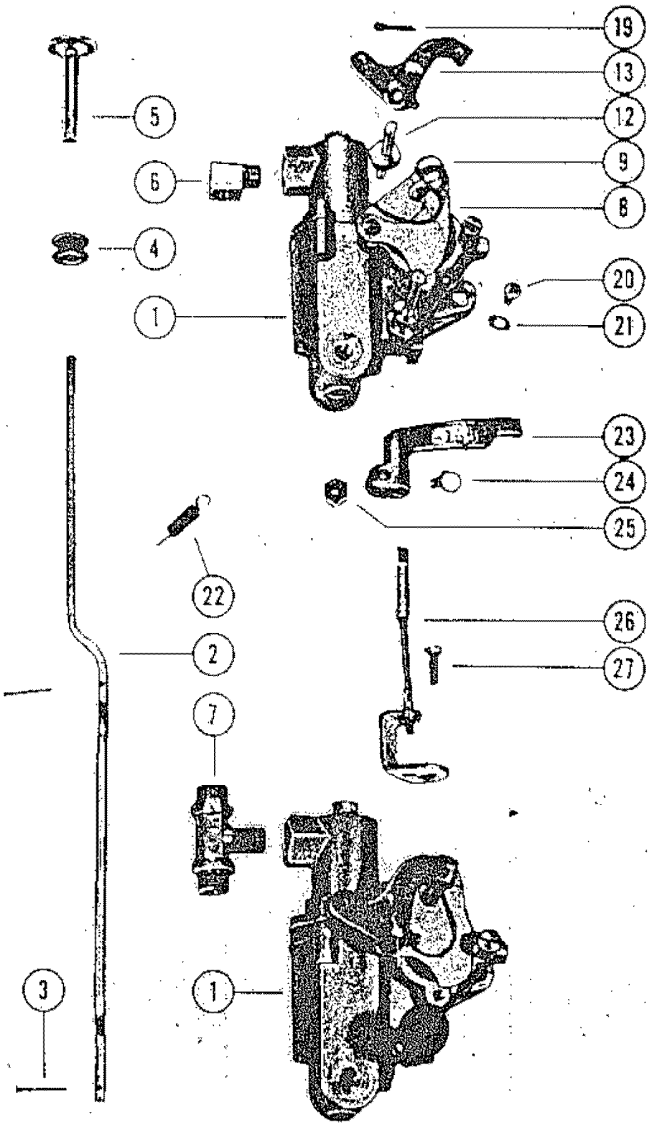
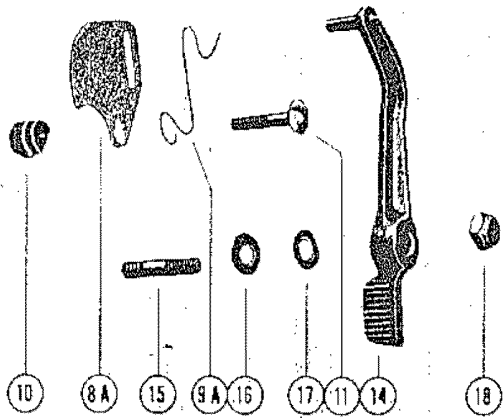
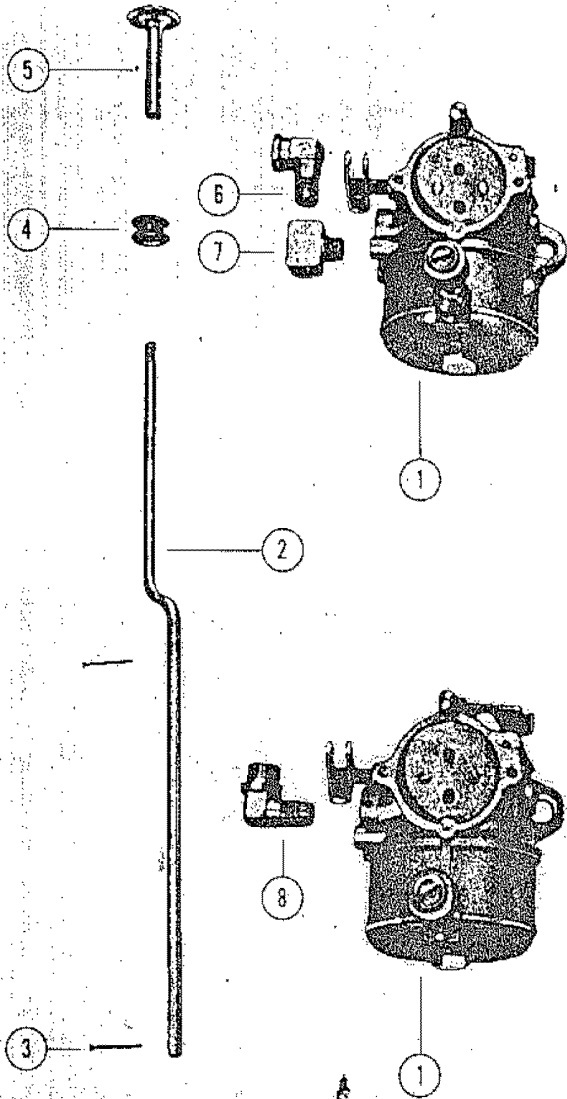
CARBURETOR ASSEMBLY(MK55H-1)



CARBURETOR ASSEMBLY(MK55H-1)

REF. NO.	PART NO.	SYM.	QTY.	DESCRIPTION
38	27-26891		2	GASKET, CARBURETOR FLANGE SEE NOTE NO 2 BELOW NOTE: WHEN CONVERTING MARK 55H ENGINES (SERIAL #997919 AND BELOW) FROM CARTER TO TILLOTSON CARBURETORS, THE 27-20478 FLANGE GASKET MUST BE USED IN PLACE OF 27-26891 FLANGE GASKET.
39	11-20083		4	NUT, CARBURETOR MOUNTING STUD
40	12-20084		4	WASHER, CARBURETOR MOUNTING STUD
41	24823A1		2	KNOB ASSEMBLY, MAIN ADJUSTMENT SCREW
42	10-22928		2	SCREW, KNOB TO MAIN ADJUSTMENT SCREW (#10)

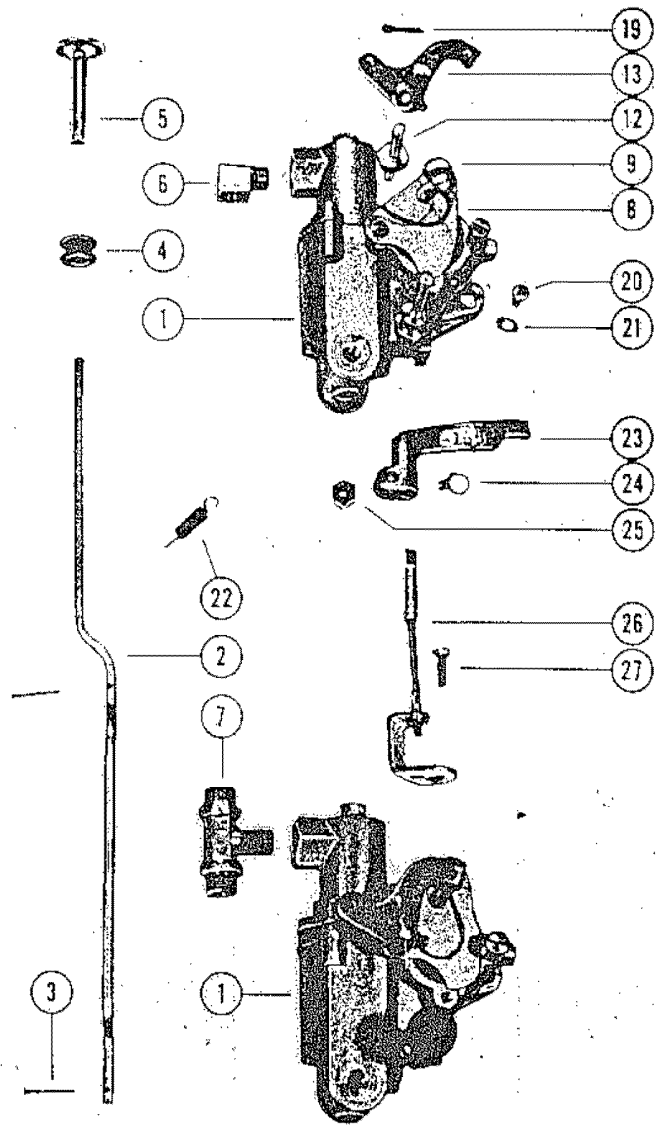
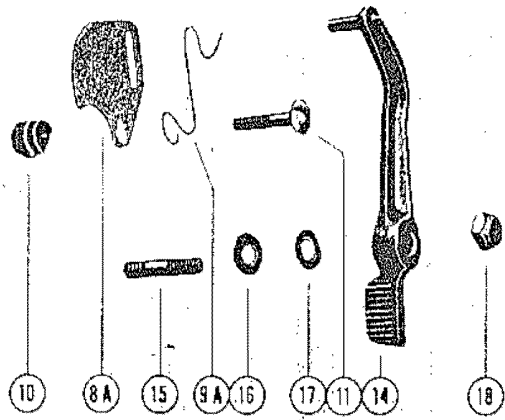
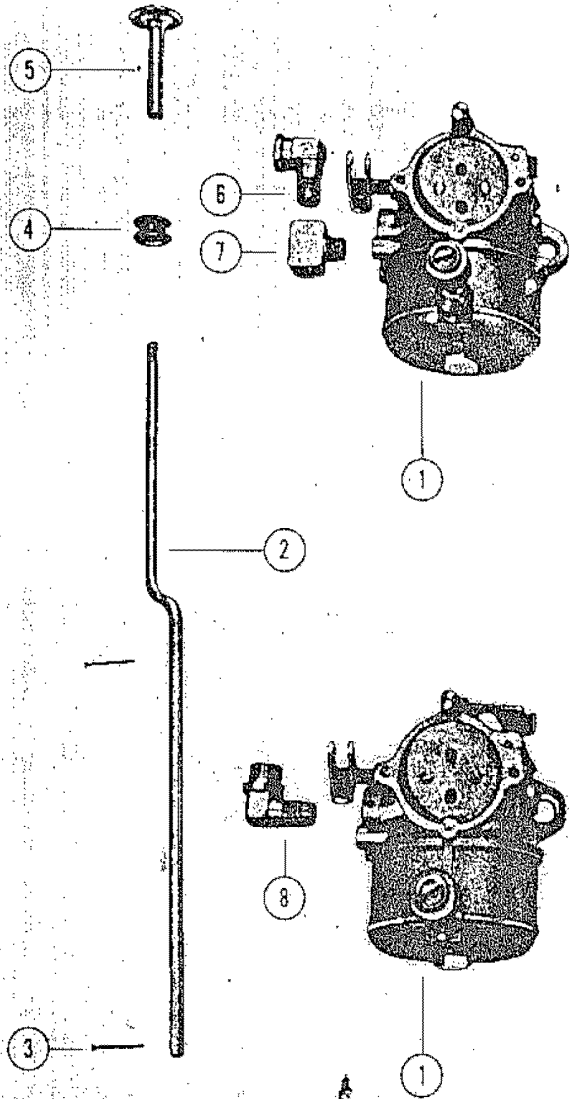
CARBURETOR LINKAGE (MK55H)



CARBURETOR LINKAGE(MK55H)

REF. NO.	PART NO.	SYM.	QTY.	DESCRIPTION
1	1301-1143		2	CARBURETOR ASSEMBLY (CARTER)
2	25911		1	ROD, CHOKE
3	17-25391		2	RIVET, CHOKE ROD TO SHAFT ASSEMBLY
4	25-20116		1	GROMMET, CHOKE ROD
5	20663		1	KNOB, CHOKE ROD
6	22-23125		1	ELBOW, UPPER CARBURETOR TEE TO FUEL LINE
7	22-25956		1	TEE, UPPER CARBURETOR TO FUEL LINE
8	22-22995		1	ELBOW, LOWER CARBURETOR TO FUEL LINE
-	22-22946		1	SLEEVE, RUBBER
-	11-22948		1	NUT, ELBOW

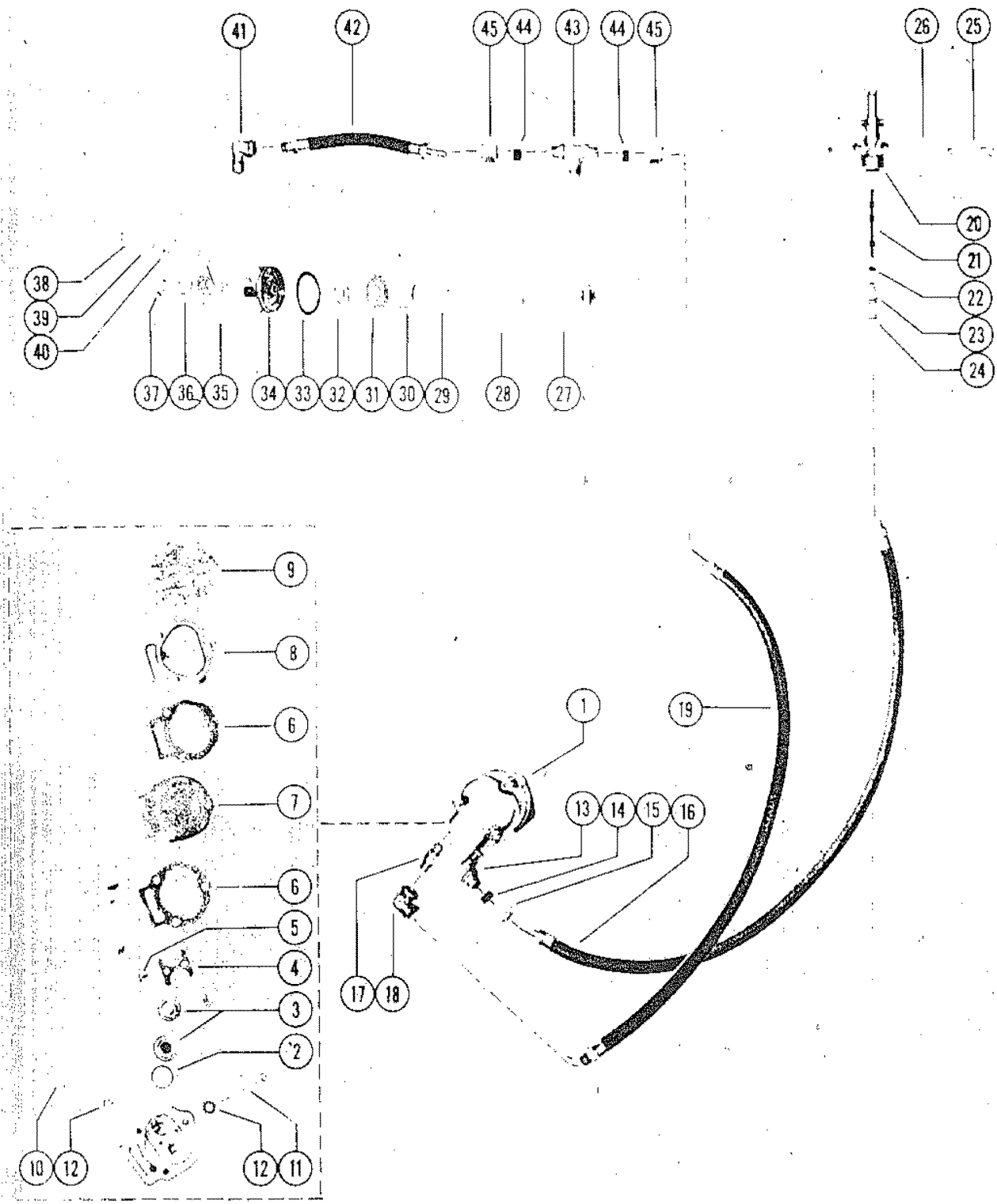
CARBURETOR LINKAGE (MK30H, MK30H-1, MK55H-1)



CARBURETOR LINKAGE(MK30H, MK30H-1, MK55H-1)

REF. NO.	PART NO.	SYM.	QTY.	DESCRIPTION
1	1327-1118		2,2,	CARBURETOR ASSEMBLY (TILLOTSON AJ-51A)
	1333-1609		„2	CARBURETOR ASSEMBLY (TILLOTSON KA-7A)
2	21009		1,1,	ROD, CHOKE
	29319		„1	ROD, CHOKE
3	17-25391		2,2,2	RIVET, CHOKE ROD TO CHOKE LEVER
4	25-20116		1,1,1	GROMMET, CHOKE ROD
5	20663		1,1,1	KNOB, CHOKE ROD
6	22-23125		1,„	ELBOW, UPPER CARBURETOR TO FUEL LINE
	22-25443		„1,1	ELBOW, UPPER CARBURETOR TO FUEL LINE
7	22-23763		1,1,1	TEE, LOWER FILTER
-	22-22946		2,2,2	SLEEVE, RUBBER - LOWER FILTER TEE
-	11-22948		2,2,2	NUT, LOWER FILTER TEE
8	20173		2,2,	SHUTTER, CHOKE
8A	28087		„2	SHUTTER, CHOKE
9	24-26067		2,2,	SPRING, CHOKE SHUTTER
9A	24-20579		„2	SPRING, CHOKE SHUTTER
10	23-28039		„2	SPACER, CHOKE SHUTTER
11	10-28018		„2	SCREW, CHOKE SHUTTER TO CARBURETOR
12	10-20176		2,2,	SCREW, CHOKE LEVER PIVOT PIN
13	23742A1		2,„	CHOKE LEVER ASEMBLY
	25881A1		„2,	CHOKE LEVER ASSEMBLY
14	28075		„2	LEVER, CHOKE
15	16-20581		„2	STUD, CHOKE LEVER
16	12-20533		„2	WASHER, CHOKE LEVER STUD
17	13-20511		„2	WASHER, WAVE - CHOKE LEVER STUD
-	28670		„2	ARM, CHOKE LEVER TO CHOKE ROD
18	11-20586		„2	NUT, CHOKE LEVER FASTENING
19	18-20180		1,1,	COTTER PIN, CHOKE LEVER RETAINING
20	10-20650		1,1,	SCREW, CHOKE ROD SPRING MOUNTING
21	12-20192		1,1,	WASHER, CHOKE ROD SPRING SCREW
22	24-20649		1,1,	SPRING, CHOKE ROD POSITIONING
23	20188		1,1,1	THROTTLE PICKUP
24	10-20189		1,1,1	SCREW, THROTTLE PICKUP LOCKING
25	11-20190		1,1,1	NUT, THROTTLE LOCKING SCREW
26	20185A1		1,1,	THROTTLE PICKUP BRACKET ASSEMBLY
	28007A1		„1	THROTTLE PICKUP BRACKET ASSEMBLY
27	10-29239		1,1,1	SCREW, THROTTLE BRACKET MOUNTING

FUEL PUMP AND FUEL FILTER

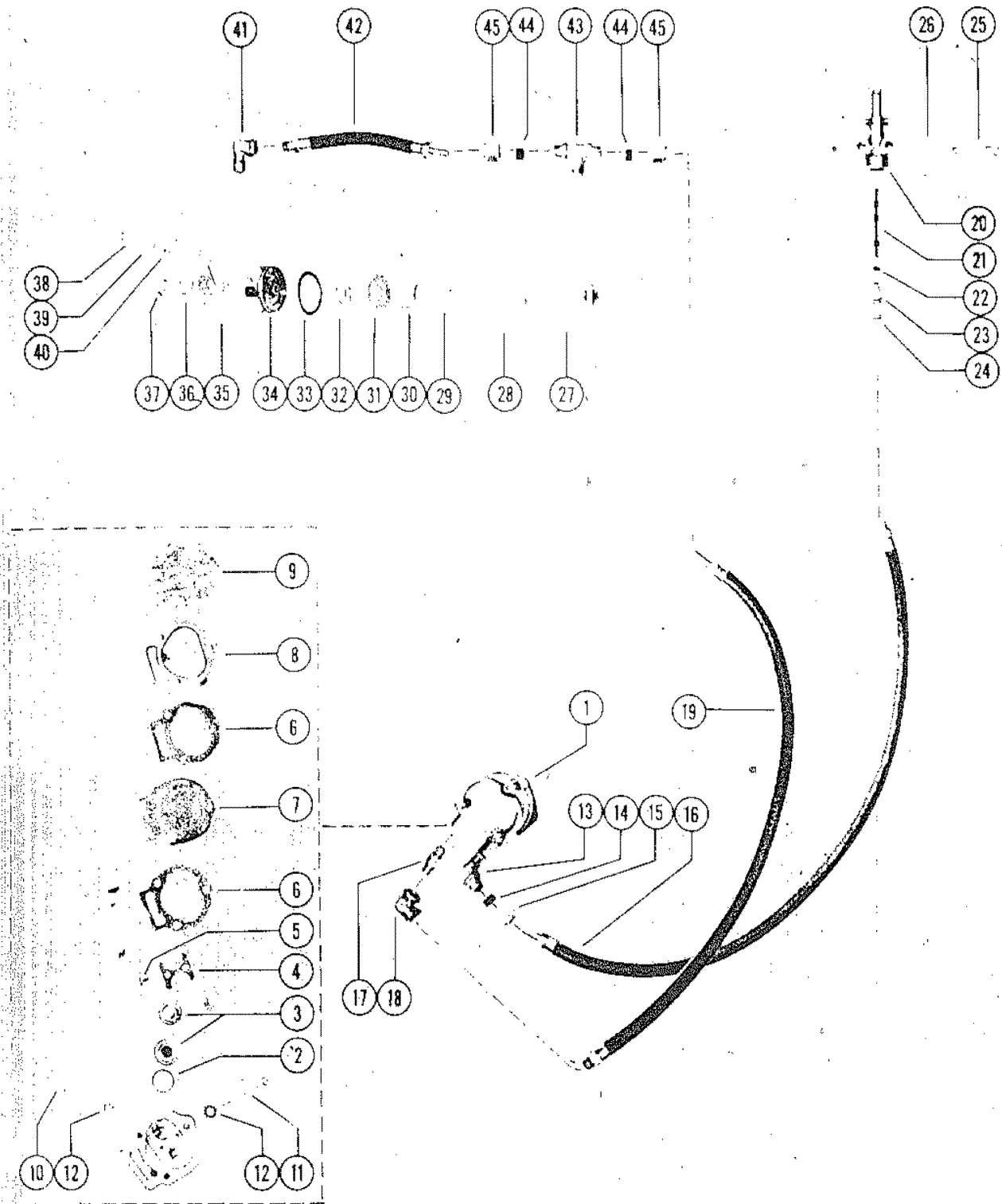


FUEL PUMP AND FUEL FILTER

REF. NO.	PART NO.	SYM.	QTY.	DESCRIPTION
1	23009A1		2,,,	FUEL PUMP ASSEMBLY (SEE NOTE BELOW) SERIAL 0000(1)-00998933
	23009A1		,1,1,1,1	FUEL PUMP ASSEMBLY (SEE NOTE BELOW) SERIAL 5)998934-0Z999999
2	27-23005		4,,,	GASKET, CHECK VALVE TO HOUSING SERIAL 0000(1)-00998933
	27-23005		,2,2,2,2	GASKET, CHECK VALVE TO HOUSING SERIAL 5)998934-0Z999999
3	21-20963		4,,,	CHECK VALVE SERIAL 0000(1)-00998933
	21-20963		,2,2,2,2	CHECK VALVE SERIAL 5)998934-0Z999999
4	23004		2,,,	RETAINER, CHECK VAVLE SERIAL 0000(1)-00998933
	23004		,1,1,1,1	RETAINER, CHECK VAVLE SERIAL 5)998934-0Z999999
5	10-20037		4,,,	SCREW, RETAINER TO HOUSING SERIAL 0000(1)-00998933
	10-20037		,2,2,2,2	SCREW, RETAINER TO HOUSING SERIAL 5)998934-0Z999999
6	27-24863		4,,,	GASKET, FUEL PUMP SERIAL 0000(1)-00998933
	27-24863		,2,2,2,2	GASKET, FUEL PUMP SERIAL 5)998934-0Z999999
7	23014		2,,,	DIAPHRAGM, FUEL PUMP SERIAL 0000(1)-00998933
	23014		,1,1,1,1	DIAPHRAGM, FUEL PUMP SERIAL 5)998934-0Z999999
8	23008		2,,,	COVER, FUEL PUMP SERIAL 0000(1)-00998933
	23008		,1,1,1,1	COVER, FUEL PUMP SERIAL 5)998934-0Z999999
9	27-23013		2,,,	GASKET, FUEL PUMP COVER SERIAL 0000(1)-00998933
	27-23013		,1,1,1,1	GASKET, FUEL PUMP COVER SERIAL 5)998934-0Z999999
10	10-29030		4,,,	SCREW, FUEL PUMP MOUNTING (1 7/8") SERIAL 0000(1)-00998933
	10-29030		,2,2,2,2	SCREW, FUEL PUMP MOUNTING (1 7/8") SERIAL 5)998934-0Z999999
11	10-29029		2,,,	SCREW, FUEL PUMP MOUNTING (1 1/2") SERIAL 0000(1)-00998933
	10-29029		,1,1,1,1	SCREW, FUEL PUMP MOUNTING (1 1/2") SERIAL 5)998934-0Z999999
12	13-20554		6,,,	LOCKWASHER, FUEL PUMP MOUNTING SCREW SERIAL 0000(1)-00998933
	13-20554		,3,3,3,	LOCKWASHER, FUEL PUMP MOUNTING SCREW SERIAL 5)998934-0Z999999
-	26083		,1,1,,1	COVER, FUEL PUMP PAD SERIAL 5)998934-0Z999999
9	27-23013		,1,1,,1	GASKET, FUEL PUMP COVER SERIAL 5)998934-0Z999999
-	10-28257		,3,3,,3	SCREW, PAD COVER TO CYLINDER BLOCK (3/4") SERIAL 5)998934-0Z999999
12	13-20554		,3,3,,	LOCKWASHER, PAD COVER SCREW SERIAL 5)998934-0Z999999
-	22-23125		1,,,,	ELBOW, INLET LOWER PUMP SERIAL 0000(1)-00998933
-	32-23732		1,,,,	FUEL LINE, LOWER PUMP TO UPPER PUMP (8 3/4") SERIAL 0000(1)-00998933
13	22-22995		,1,1,,1	ELBOW, FUEL PUMP TO FUEL LINE SERIAL 5)998934-0Z999999

CONTINUED ON NEXT PAGE ➡

FUEL PUMP AND FUEL FILTER

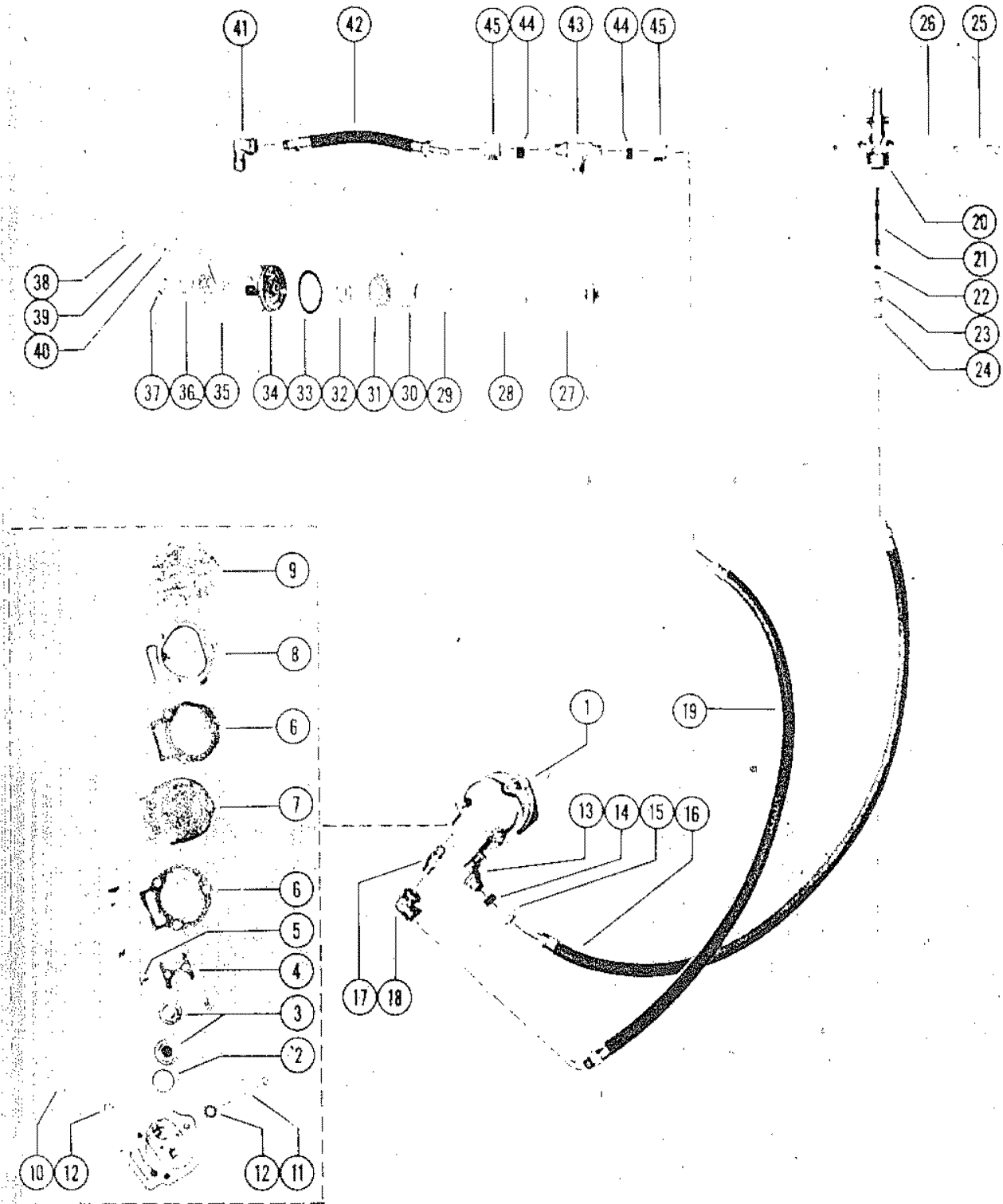


FUEL PUMP AND FUEL FILTER

REF. NO.	PART NO.	SYM.	QTY.	DESCRIPTION
13	22-22995		,,,4,	ELBOW, FUEL PUMP TO FUEL LINE
14	22-22946		,1,1,,1	SLEEVE, RUBBER SERIAL 5)998934-0Z999999
	22-22946		,,,4,	SLEEVE, RUBBER
15	11-22948		,1,1,,1	NUT, ELBOW SERIAL 5)998934-0Z999999
	11-22948		,,,4,	NUT, ELBOW
16	32-23761		,1,,1,	FUEL LINE, ADAPTOR TO FUEL PUMP (18") SERIAL 5)998934-0Z999999
17	22-23595		,1,,1,	CONNECTOR, FUEL PUMP OUTLET TO ELBOW SERIAL 5)998934-0Z999999
18	22-24690		1,,1,,1	ELBOW, CONNECTOR TO FUEL LINE SERIAL 0000(1)-00998933
-	22-25443		,1,1,1,1	ELBOW, PUMP OUTLET TO FUEL LINE SERIAL 5)998934-0Z999999
19	32-23837		1,,,,	FUEL LINE, FUEL PUMP TO FILTER (18 1/2") SERIAL 0000(1)-00998933
-	32-25450		1,1,1,1,1	FUEL LINE, UPPER PUMP TO LOWER FILTER (19 1/2") SERIAL 0000(1)-00998933
20	22833		1,1,1,1,1	ADAPTOR, CHECK UNIT (FUEL LINE) SERIAL 0000(1)-00998933
21	23069		1,1,1,1,1	STEM, CHECK UNIT ADAPTOR SERIAL 0000(1)-00998933
22	25-20415		1,1,1,1,1	"O" RING, ADAPTOR STEM SERIAL 0000(1)-00998933
23	24-23067		1,1,1,1,1	SPRING, ADAPTOR STEM SERIAL 0000(1)-00998933
24	23068		1,1,1,1,1	CUP WASHER, ADAPTOR SERIAL 0000(1)-00998933
25	10-20784		2,2,2,2,2	SCREW, ADAPTOR TO BOTTOM COWL SERIAL 0000(1)-00998933
26	11-24652		2,2,2,2,2	NUT, ADAPTOR SCREW SERIAL 0000(1)-00998933
-	35-20555A2		,,,1,	FUEL FILTER ASSEMBLY
27	20498		,,,1,	BALE ASSEMBLY
28	20497		,,,1,	BOWL, FILTER
29	24-20341		,,,1,	SPRING, FILTER ELEMENT RETAINING
30	35-20555		,,,1,	ELEMENT, FILTER
31	27-20338		,,,1,	GASKET, FILTER ELEMENT
32	20499		,,,1,	PLATE, FILTER ELEMENT GASKET BACKING
33	27-20496		,,,1,	GASKET, FILTER TOP (RUBBER)
34	20495		,,,1,	TOP FILETER
35	25931		,,,1,	PLATE, FUEL FILTER MOUNTING
36	13-20494		,,,1,	LOCKWASHER, FILTER TOP
37	11-20142		,,,1,	NUT, FILTER TO MOUNTING PLATE
38	10-25207		,,,3,	SCREW, MOUNTING PLATE TO CRANKCASE
39	12-20286		,,,3,	WASHER, MOUNTING PLATE SCREW
40	11-21806		,,,3,	NUT, MOUNTING PLATE SCREW
41	22-23125		1,1,,1,	ELBOW, FILTER TO FUEL LINE SERIAL 0000(1)-00998933
	22-25443		,,1,,1	ELBOW, FILTER TO FUEL LINE
42	32-25228		1,1,1,,1	FUEL LINE, FILTER TO FILTER (5 1/2") SERIAL 0000(1)-00998933

CONTINUED ON NEXT PAGE ➡

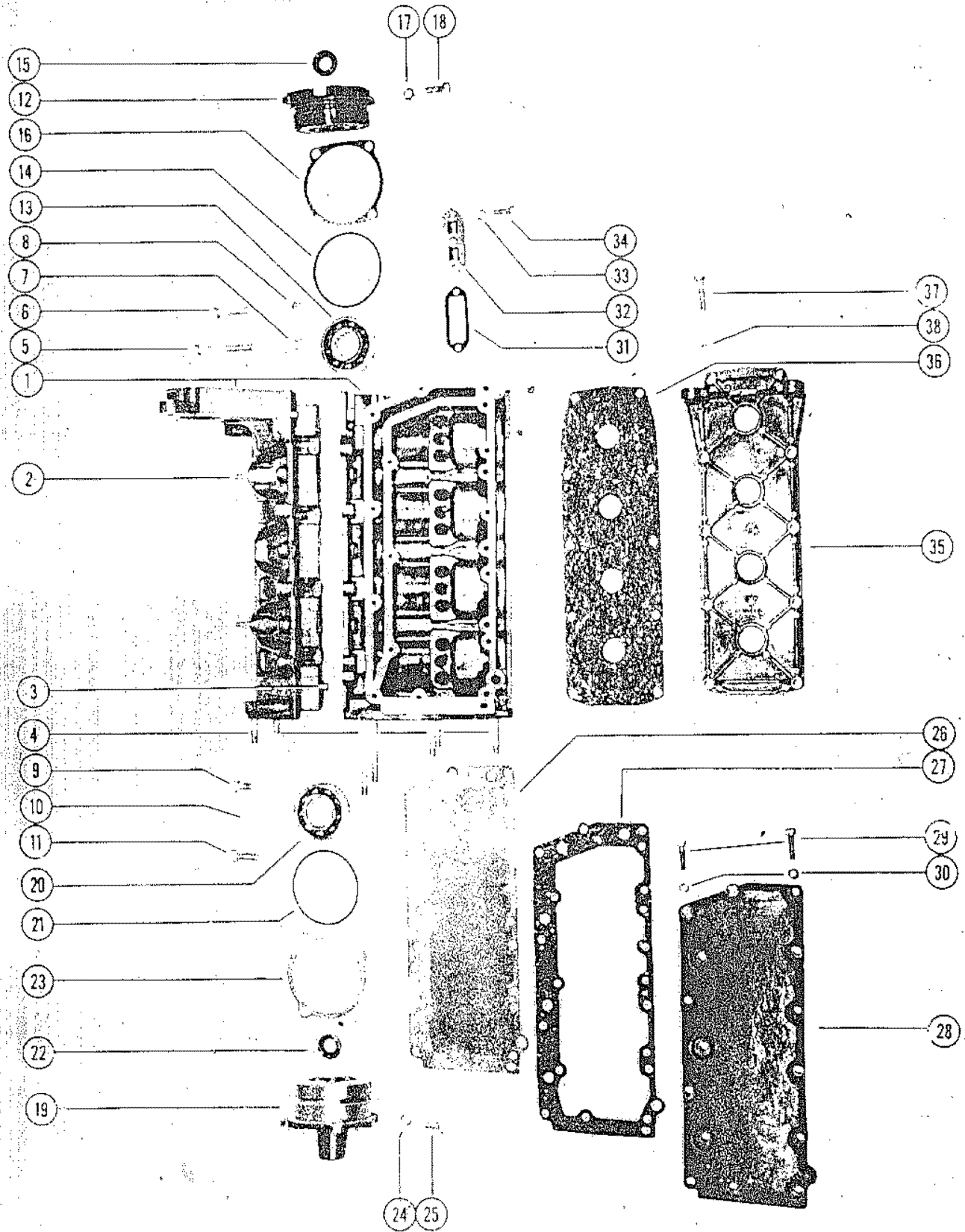
FUEL PUMP AND FUEL FILTER



FUEL PUMP AND FUEL FILTER

REF. NO.	PART NO.	SYM.	QTY.	DESCRIPTION
42	32-25228		,,,1,	FUEL LINE, CARBURETOR TO CARBURETOR (5 1/2")
-	32-23762		,,,1,	FUEL LINE, FILTER OUTLET TO UPPER CARBURETOR (11 1/2")
43	22-23763		1,1,1,,1	TEE ASSEMBLY, LOWER FILTER SERIAL 00000(1)-00998933
44	22-22946		2,2,2,,2	SLEEVE, RUBBER SERIAL 00000(1)-00998933
	22-22946		1,1,1,,1	SLEEVE, RUBBER SERIAL 00000(1)-00998933
45	11-22948		2,2,2,,	NUT, FILTER TEE SERIAL 00000(1)-00998933
	11-22948		,,,1	NUT, FILTER TEE
-	22-25956		,,,1,	TEE, UPPER CARBURETOR

CYLINDER BLOCK AND CRANKCASE ASSEMBLY

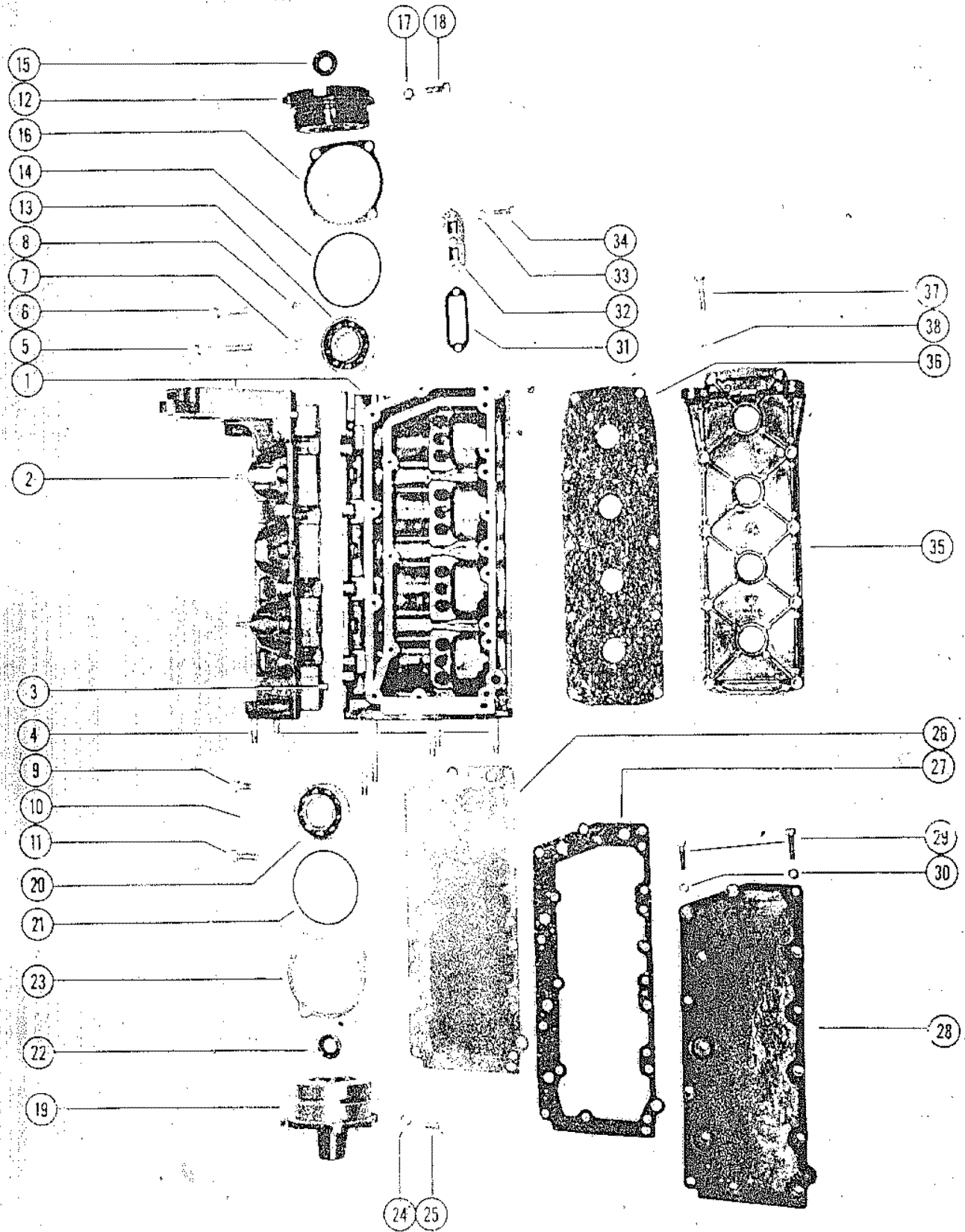


CYLINDER BLOCK AND CRANKCASE ASSEMBLY

REF. NO.	PART NO.	SYM.	QTY.	DESCRIPTION
1	821-1012A6		1,,	CYLINDER BLOCK & CRANKCASE ASSEMBLY
	821-1316A4		,1,,	CYLINDER BLOCK & CRANKCASE ASSEMBLY
	808-1137A2		,,1	CYLINDER BLOCK & CRANKCASE ASSEMBLY
	808-1137A4		,,,1	CYLINDER BLOCK & CRANKCASE ASSEMBLY
-	17-20323		1,1,1,1	DOWEL PIN, CYLINDER BLOCK TO CENTER MAIN BEARING
-	17-20032		2,2,2,2	DOWEL, PIN CYLINDER BLOCK TO MAIN BEARING
-	23-26348		2,2,2,2	BUSHING, CRANKCASE
2	16-25385		4,4,,	STUD, CARBURETOR MOUNTING (1 1/8)
	16-25919		,,4	STUD, CARBURETOR MOUNTING (1 1/8)
	16-21831		,,,4	STUD, CARBURETOR MOUNTING (1 1/4)
3	17-F2033		2,2,2,2	DOWEL PIN, CRANKCASE TO CYLINDER BLOCK
4	16-20357		2,2,2,2	STUD, CRANKCASE TO DRIVE SHAFT HOUSING
	16-20357		6,6,6,6	STUD, CYLINDER BLOCK TO DRIVE SHAFT HOUSING
-	22-21290		2,,	PLUG, PIPE - CYLINDER BLOCK BLEED HOLES
-	22-21290		,3,,	PLUG, PIPE - CYLINDER BLOCK BLEED HOLES
-	22-21290		,,,1	PLUG, PIPE - CYLINDER BLOCK BLEED HOLES
5	10-22039		4,4,4,4	SCREW, CRANKCASE TO CYLINDER BLOCK (2 3/4)
6	10-22040		14,14,14,1	SCREW, CRANKCASE TO CYLINDER BLOCK (1 1/2)
-	12-20084		18,18,18,	WASHER, CRANKCASE SCREW
7	11-25594		3,3,3,	NUT, CRANKCASE SCREW
8	11-20461		15,15,15,	NUT, CRANKCASE SCREW
	11-20461		,,,18	NUT, CRANKCASE SCREW
9	10-20089		2,2,2,2	SCREW, MAIN BEARING LOCKING
10	14-20091		3,3,3,3	TAB WASHER, BEARING LOCKING SCREW
11	10-20359		1,1,1,1	SCREW, CENTER MAIN BEARING LOCKING
12	1100-339A1		1,1,1,1	END CAP ASSEMBLY, UPPER
13	30-20080		1,1,1,1	BEARING, BALL - UPPER END CAP
14	25-20081		1,1,1,1	"O" RING, UPPER END CAP
15	26-25837		1,1,1,1	OIL SEAL
16	15-20082		AR,AR,AR,A	SHIM, UPPER END CAP TO CRANKCASE (.002-3-5-10)
17	13-20223		4,4,4,4	LOCKWASHER, END CAP MOUNTING SCREW
18	10-28782		4,4,4,4	SCREW, END CAP MOUNTING
19	1102-24A3		1,,1	END CAP ASSEMBLY, LOWER
	1102-1484A1		,1,,	END CAP ASSEMBLY, LOWER
	1102-1484A2		,,,1	END CAP ASSEMBLY, LOWER
20	30-20080		1,1,1,1	BEARING, BALL - LOWER END CAP
21	25-20081		1,1,1,1	"O" RING, LOWER END CAP
22	26-25837		1,1,1,	OIL SEAL
	26-25837		,,,2	OIL SEAL
	26-25840		,1,,	OIL SEAL, BOTTOM
-	21-28481A1		,1,,	CHECK VALVE ASSEMBLY
23	15-20085		AR,AR,AR,A	SHIM, LOWER END CAP TO CRANKCASE (.002-3-5-10)

CONTINUED ON NEXT PAGE ➡

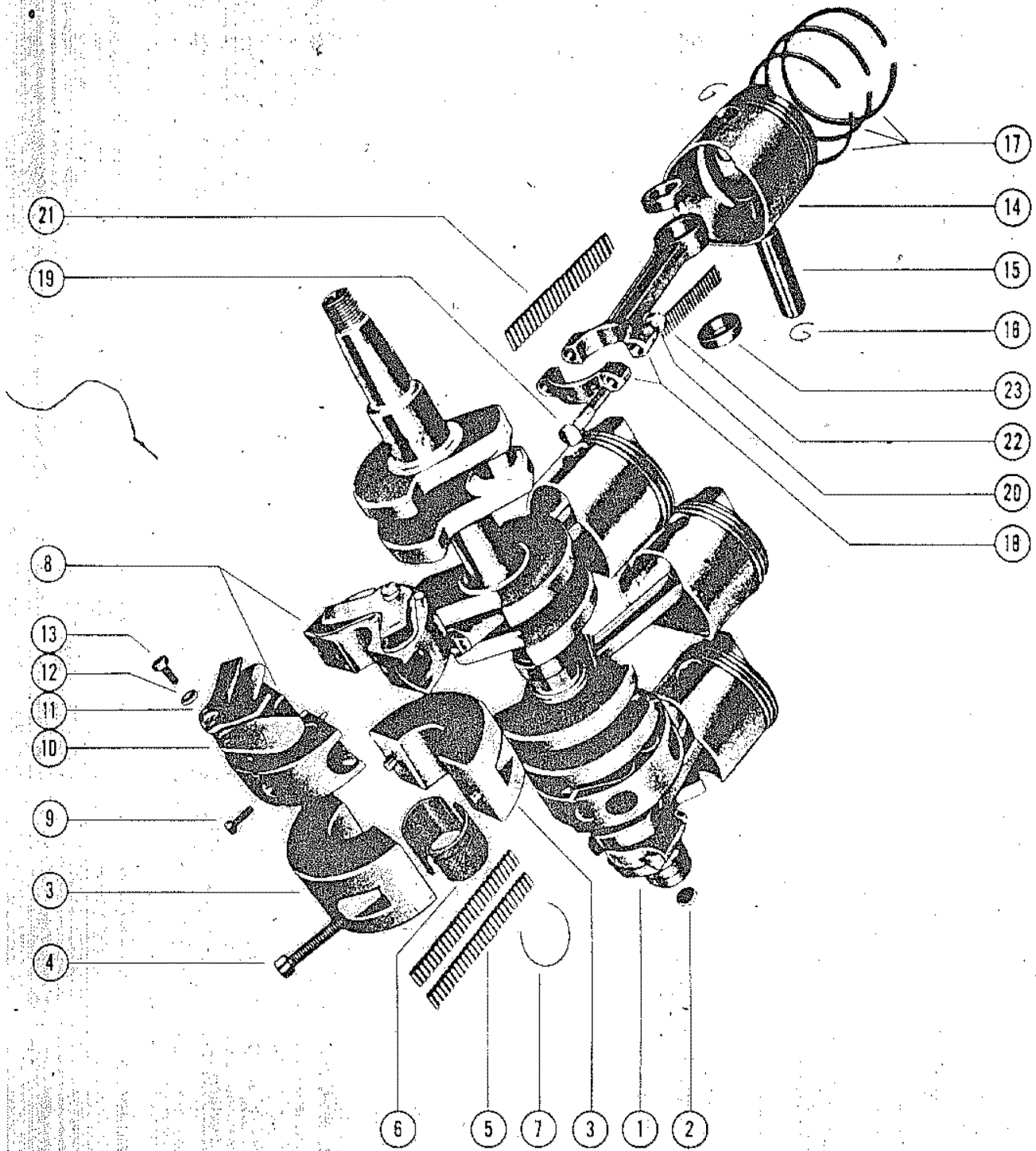
CYLINDER BLOCK AND CRANKCASE ASSEMBLY



CYLINDER BLOCK AND CRANKCASE ASSEMBLY

REF. NO.	PART NO.	SYM.	QTY.	DESCRIPTION
24	13-20223		3,,3,	LOCKWASHER, END CAP TO CRANKCASE
25	10-28782		3,,3,	SCREW, END CAP MOUNTING
	10-29198		,3,,3	SCREW, END CAP MOUNTING
27	27-26923		1,1,1,1	GASKET, CYLINDER BLOCK TO MANIFOLD PLATE
26	26922		1,1,1,1	PLATE, EXHAUST MANIFOLD
27	27-26923		1,1,1,1	GASKET, MANIFOLD PLATE TO COVER
28	28240		1,1,1,1	COVER, EXHAUST MANIFOLD
29	10-28668		15,15,15,	SCREW, MANIFOLD COVER MOUNTING
	10-28668		,,,13	SCREW, MANIFOLD COVER MOUNTING
	10-28666		,,,2	SCREW, MANIFOLD COVER MOUNTING
30	12-20028		2,2,2,2	WASHER, COVER MOUNTING SCREW
31	27-20030		4,,4,	GASKET, TRANSFER PORT COVER
	27-27936		,2,,2	GASKET, TRANSFER PORT COVER
32	25206		4,,4,	COVER, TRANSFER PORT
	27935		,2,,2	COVER, TRANSFER PORT
34	10-20540		8,,8,	SCREW, TRANSFER PORT COVER MOUNTING
33	12-20028		8,,8,	WASHER, TRANSFER PORT COVER SCREW
	12-20028		,6,,6	WASHER, TRANSFER PORT COVER SCREW
35	1000-1A1		1,1,1,1	CYLINDER BLOCK COVER ASSEMBLY
-	23-26348		2,2,2,2	BUSHING, CYLINDER BLOCK COVER
36	27-22333		1,1,1,1	GASKET, CYLINDER BLOCK COVER
37	10-20653		10,10,10,1	SCREW, CYLINDER BLOCK COVER MOUNTING
38	11-24652		10,10,10,1	NUT, COVER MOUNTING SCREW

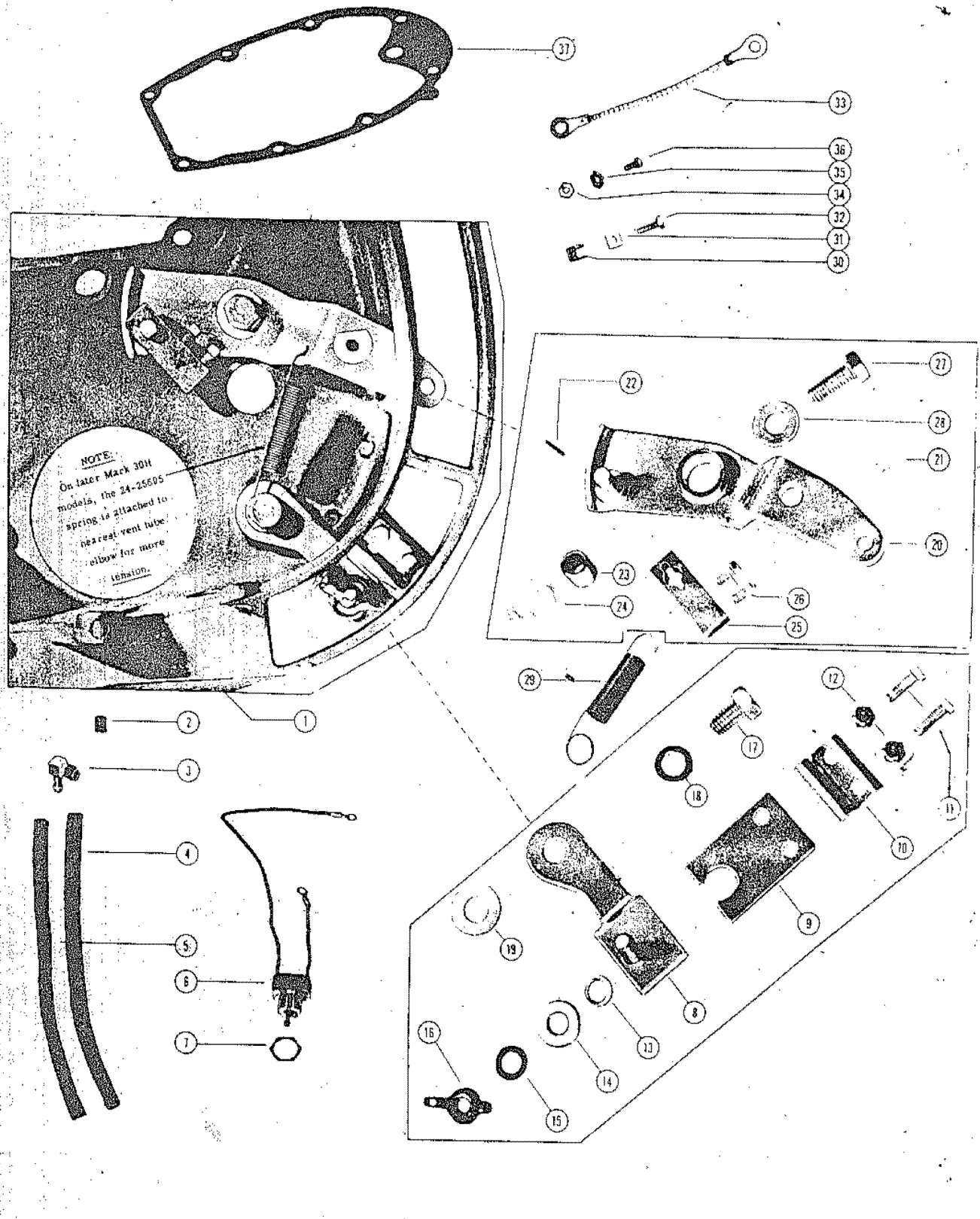
CRANKSHAFT - PISTONS & CONNECTING RODS



CRANKSHAFT - PISTONS & CONNECTING RODS

REF. NO.	PART NO.	SYM.	QTY.	DESCRIPTION
1	400-1396A1		1,,	CRANKSHAFT ASSEMBLY (WITH 28-27773 KEY)
	400-1318		,1,,	CRANKSHAFT (USE 28-20094 KEY)
	400-1395A1		,,1,	CRANKSHAFT ASSEMBLY (WITH 28-27773 KEY)
	400-1319		,,,1	CRANKSHAFT (USE 28-20094 KEY)
2	20043		,,1,1	OILER, FELT - DRIVE SHAFT SPLINE
3	500-1030A1		1,1,1,	CENTER MAIN BEARING ASSEMBLY
	500-12A2		,,,1	CENTER MAIN BEARING ASSEMBLY
-	17-20032		2,2,2,2	DOWEL PIN, CENTER MAIN BEARING
4	10-20482		2,2,2,2	SCREW, CENTER MAIN BEARING CLAMPING
5	29-20046		56,56,56,5	BEARING, NEEDLE
6	20047		1,1,1,1	RACE, OUTER
7	53-20048		1,1,1,1	SNAP RING, OUTER RACE CLAMPING
-	17-20379		1,1,1,1	DOWEL PIN (STEPPED)
8	501-431A2		2,,	MAIN BEARING ASSEMBLY (VALVE TYPE)
	526-1436A1		,2,2	MAIN BEARING ASSEMBLY (VALVE TYPE)
	501-1144A2		,,2,	MAIN BEARING ASSEMBLY (VALVE TYPE)
-	17-20032		20,20,20,2	DOWEL PIN, MAIN BEARING
9	10-20049		4,4,4,4	SCREW, MAIN BEARING CLAMPING
10	34-20888		2,2,2,2	REED SET, MATCHED - MAIN BEARING
11	34-20053		8,8,8,8	REED STOP, MAIN BEARING REED VALVES
12	12-26014		8,8,8,8	WASHER, REED STOP MOUNTING SCREW
13	10-20055		8,8,8,8	SCREW, REED STOP MOUNTING
14	717-1182A4		4,4,,	PISTON & PISTON PIN ASSEMBLY
	700-1142A1		,,4,	PISTON & PISTON PIN ASSEMBLY
	726-1611A4		,,,4	PISTON & PISTON PIN ASSEMBLY
15	N.S.S.		4,4,4,4	PIN, PISTON
16	40-20057		8,8,8,8	LOCK RING, PISTON PIN
17	39-21680		12,12,,	RING, PISTON
	39-20058		,,12,12	RING, PISTON
18	600-7A1		4,4,4,4	CONNECTING ROD & CAP ASSEMBLY
19	10-20060		8,8,8,8	SCREW, CONNECTING ROD
20	11-20061		8,8,8,8	NUT, CONNECTING ROD
21	29-20046		100,100,10	BEARING, NEEDLE - CRANKPIN
22	29-20063		88,88,88,8	BEARING, NEEDLE - PISTON PIN
23	12-20064		8,8,8,8	WASHER, NEEDLE LOCATING
-	708-1179A1		4,,	PISTON & PISTON PIN ASSEMBLY (.015 O.S.)
-	717-1179A1		,4,,	PISTON & PISTON PIN ASSEMBLY (.015 O.S.)
-	716-1178A1		,,4,	PISTON & PISTON PIN ASSEMBLY (.015 O.S.)
-	726-1612A1		,,,4	PISTON & PISTON PIN ASSEMBLY (.015 O.S.)
-	39-20993		12,12,,	RINGS, PISTON (.015 O.S.)
-	39-20993		,,12,12	RINGS, PISTON (.015 O.S.)

BOTTOM COWL ASSEMBLY

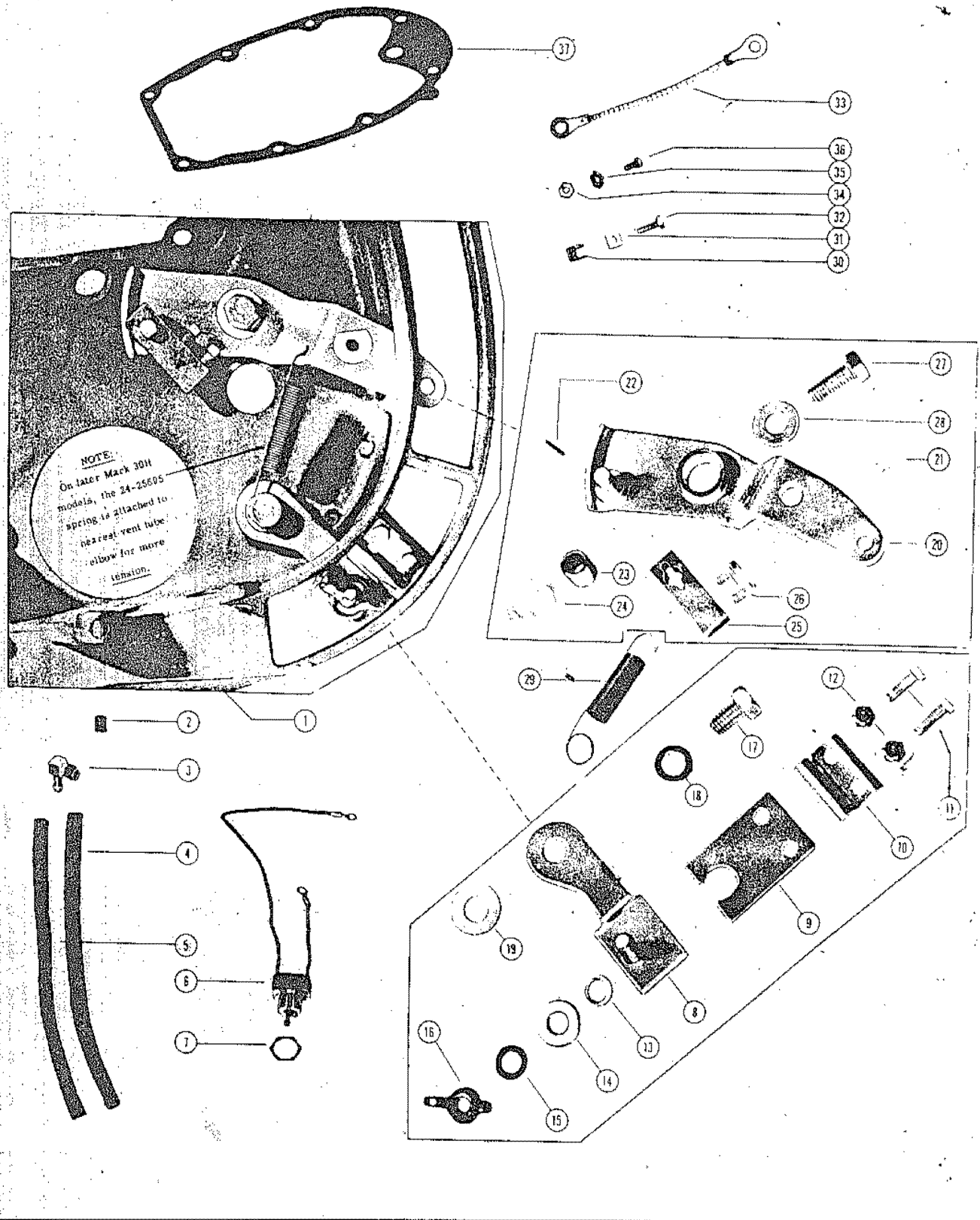


BOTTOM COWL ASSEMBLY

REF. NO.	PART NO.	SYM.	QTY.	DESCRIPTION
1	103-1140A1		1,1,1,1	BOTTOM COWL ASSEMBLY
-	23-25194		1,1,1,1	BUSHING, OILITE
2	21041		1,1,1,1	INSERT, TAP-LOC
-	23760		1,1,1,1	BAFFLE, BOTTOM COWL
-	10-21106		3,3,3,3	SCREW, BAFFLE TO BOTTOM COWL
3	22-20781		2,,2,2	ELBOW, MAGNETO VENT TUBE
	22-25885		,2,,	ELBOW, MAGNETO VENT TUBE
4	32-29164		2,,2,2	TUBE, VENT - MAGNETO (10 1/2")
	32-26338		,1,,	TUBE, VENT - MAGNETO INLET (8 3/4")
5	32-26330		,1,,	TUBE, VENT - MAGNETO OUTLET (11")
6	25710		1,1,1,1	SWITCH, MAGNETO SHORTING
7	11-21971		2,2,2,2	NUT, SHORTING SWITCH TO BOTTOM COWL
-	10-21106		1,1,1,1	SCREW, SHORTING SWITCH GROUND LEAD TO BOTTOM COWL
8	25791A1		1,1,1,1	BRACKET & SCREW ASSEMBLY
9	25787		1,1,1,1	PLATE, BRACKET
10	25788		1,1,1,1	PLATE, CLAMPING
11	10-20456		2,2,2,2	SCREW, CLAMPING PLATE TO BRACKET PLATE
12	11-20190		2,2,2,2	NUT, CLAMPING PLATE SCREW
13	12-20546		1,1,1,1	WASHER, BRACKET ASSEMBLY SCREW
14	12-24666		1,1,1,1	WASHER, BRACKET ASSEMBLY SCREW
15	13-26993		1,1,1,1	LOCKWASHER, BRACKET ASSEMBLY SCREW
16	11-25783		1,1,1,1	NUT, BRACKET PLATE FASTENING
17	10-25785		1,1,1,1	SCREW, BRACKET ASSEMBLY TO BOTTOM COWL
18	13-20758		1,1,1,1	LOCKWASHER, BRACKET TO BOTTOM COWL SCREW
19	12-25790		1,1,1,1	WASHER, BRACKET TO BOTTOM COWL SCREW
20	25779		1,1,1,1	BRACKET, MAGNETO CONTROL
21	23-20304		1,1,1,1	BUSHING, NYLON - CONTROL BRACKET
22	17-23928		1,1,1,1	ROLL PIN, CONTROL BRACKET PIN
23	23-21008		1,1,1,1	BUSHING, STEEL - CONTROL BRACKET
24	23-20008		1,1,1,1	BUSHING, NYLON - CONTROL BRACKET
25	25786		1,1,1,1	PLATE, SWIVEL - CONTROL BRACKET (BRASS)
26	10-25781		2,2,2,2	SCREW, SET - SWIVEL PLATE
27	10-21077		1,1,1,1	SCREW, CONTROL BRACKET TO BOTTOM COWL
28	12-21040		1,1,1,1	WASHER, CONTROL BRACKET SCREW
29	24-25695		1,1,1,1	SPRING, TENSION - CONTROL BRACKET TO VENT ELBOW
30	21968		1,1,1,1	STOP BLOCK, THROTTLE ADJUSTING
	21968		,,,2	STOP BLOCK, THROTTLE ADJUSTING
31	12-21967		1,1,1,1	WASHER, STOP BLOCK SCREW
	12-21967		,,,2	WASHER, STOP BLOCK SCREW
32	10-20474		1,1,1,1	SCREW, STOP BLOCK HOLDING
	10-20474		,,,2	SCREW, STOP BLOCK HOLDING
33	397-416A3		1,1,1,1	GROUND STRAP ASSEMBLY, COWL TO CYLINDER BLOCK

CONTINUED ON NEXT PAGE ➡

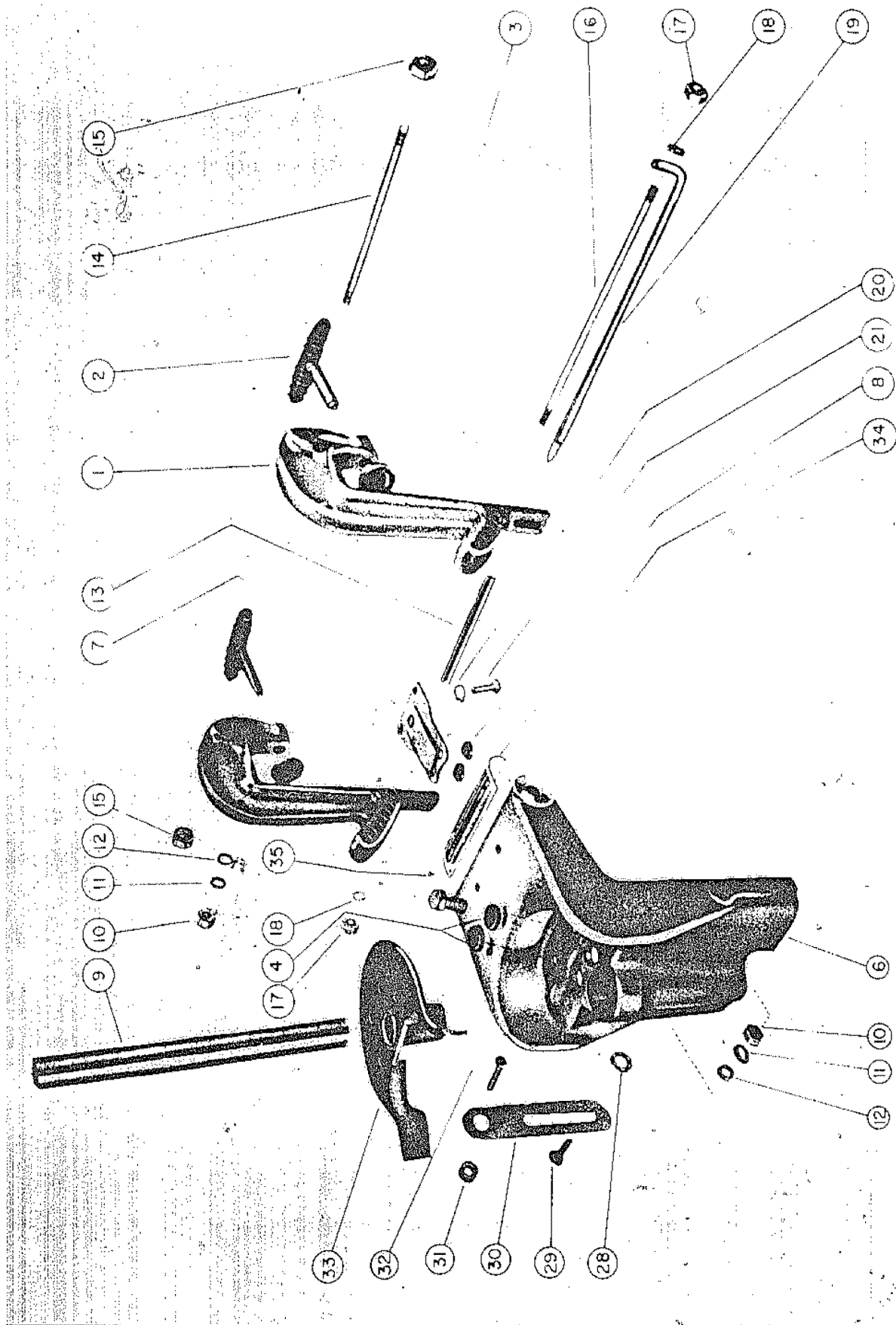
BOTTOM COWL ASSEMBLY



BOTTOM COWL ASSEMBLY

REF. NO.	PART NO.	SYM.	QTY.	DESCRIPTION
36	10-20055		1,1,1,1	SCREW, GROUND STRAP TO BOTTOM COWL
35	13-20554		1,1,1,1	WASHER, SHAKEPROOF - GROUND STRAP SCREW
34	11-20645		1,1,1,1	NUT, GROUND STRAP SCREW
-	27-20389		1,1,1,1	GASKET, BOTTOM COWL TO DRIVE SHAFT HOUSING
37	27-20390		1,1,1,1	GASKET, POWERHEAD TO BOTTOM COWL
-	38-27720		,,1	PLATE, TRADE MARK - BOTTOM COWL
-	53-25539		,,2	FASTENER, PLATE TO BOTTOM COWL

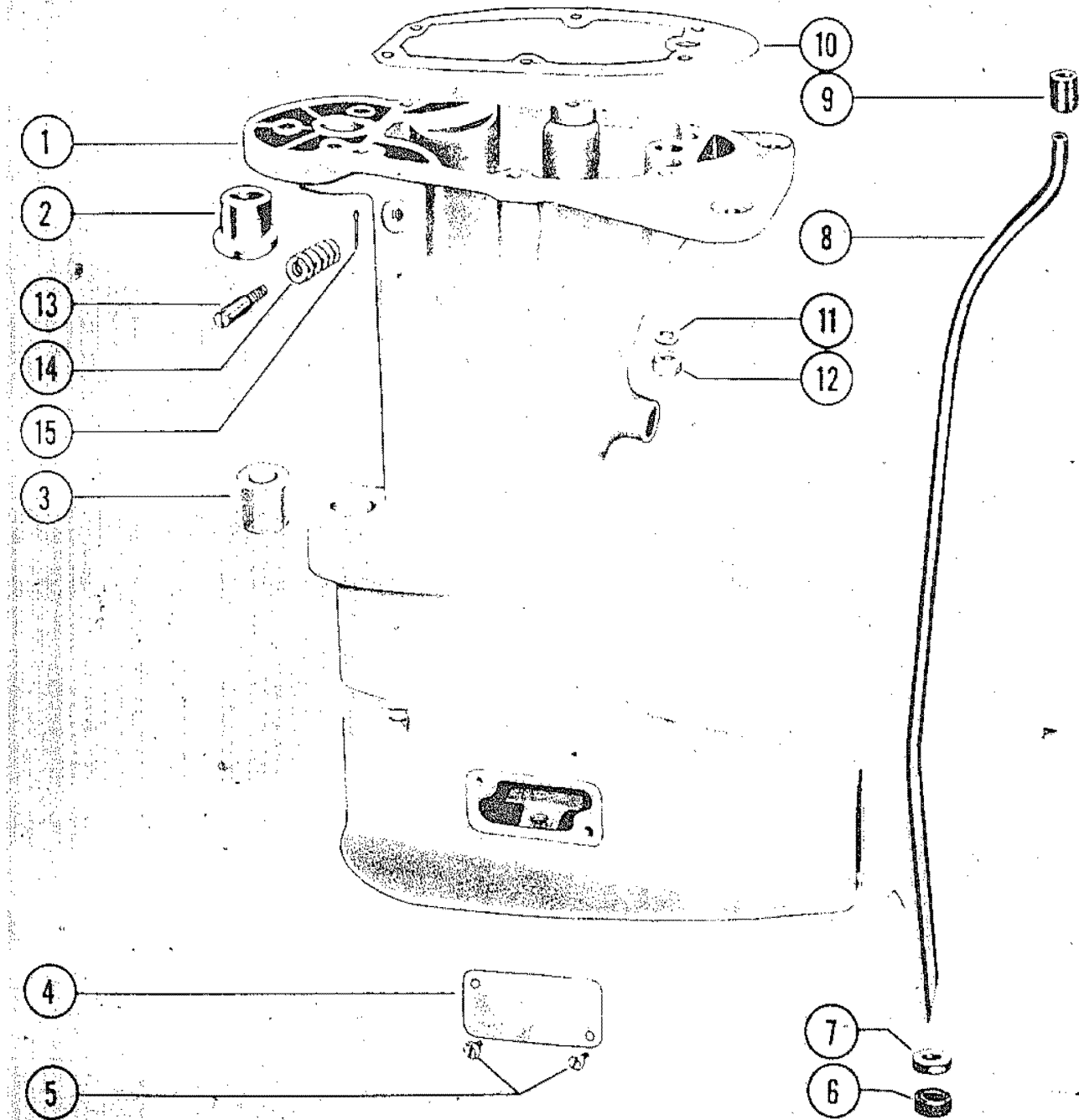
CLAMP AND SWIVEL BRACKET



CLAMP AND SWIVEL BRACKET

REF. NO.	PART NO.	SYM.	QTY.	DESCRIPTION
1	1427-1081A1		2,2,2,2	CLAMP BRACKET ASSEMBLY
2	22477		2,2,2,2	THUMB SCREW ASSEMBLY
3	12-20214		2,2,2,2	WASHER, THUMB SCREW
6	1401-1095A1		1,1,1,1	SWIVEL BRACKET ASSEMBLY
4	23026		3,3,3,3	DISC, FRICTION
-	22-23612		1,1,1,1	FITTING, GREASE
7	20342		1,1,1,1	PLATE, CLAMP
8	23026		3,3,3,3	DISC, FRICTION
9	17-20230		1,1,1,1	SWIVEL PIN
-	19-25705		1,1,1,1	PLUG, SWIVEL PIN HOLE
10	11-20088		4,4,4,4	NUT, LEVER ANCHOR SCREW
11	13-20147		4,4,4,4	LOCKWASHER, LEVER ANCHOR SCREW
12	12-20028		4,4,4,4	WASHER, LEVER ANCHOR SCREW
13	23-20222		1,1,1,1	SPACER, CLAMP BRACKET
14	28122		1,1,1,1	TUBE, TILT - CLAMP BRACKET TO SWIVEL BRACKET
15	11-25599		2,2,2,2	NUT, CLAMP BRACKET TILT TUBE
-	25606		2,2,2,2	CAP, THREADED - TILT TUBE
-	54-25735		1,1,1,1	CLIP, SAFETY CHAIN
16	16-20221		1,1,1,1	STUD, CLAMP BRACKET
17	11-20083		2,2,2,2	NUT, CLAMP BRACKET STUD
18	13-26993		2,2,2,2	LOCKWASHER, CLAMP BRACKET STUD NUT
19	17-20225		1,1,1,1	TILT LOCK PIN
20	13-21804		1,1,1,1	LOCKWASHER, CLAMP PLATE SCREW
21	10-26065		1,1,1,1	SCREW, CLAMP PLATE TO SWIVEL BRACKET
-	15-25600		2,2,2,2	SHIM, CLAMP BRACKET TILT TUBE
28	13-20846		2,2,2,2	WAVE WASHER, RETAINING SCREW
29	10-29237		2,2,2,2	SCREW, RETAINING - TILT STOP LEVER
30	20215		2,2,2,2	LEVER, TILT STOP
31	23-20216		2,2,2,2	SPACER, TILT STOP LEVER
32	10-20217		2,2,2,2	SCREW, ANCHOR - TILT STOP LEVER
33	21906		1,1,1,1	CO-PILOT DISC
34	38-25757		1,1,,	SERIAL PLATE
	38-25684		,,1,1	SERIAL PLATE
35	10-25612		4,4,4,4	SCREW, DRIVE - SERIAL PLATE FASTENING
-	10-26483		,,,2	BOLT, CARRIAGE - CLAMP BRACKET TO BOAT TRAMSON
-	12-26485		,,,2	WASHER, CARRIAGE BOLT
-	11-26484		,,,2	NUT, CARRIAGE BOLT

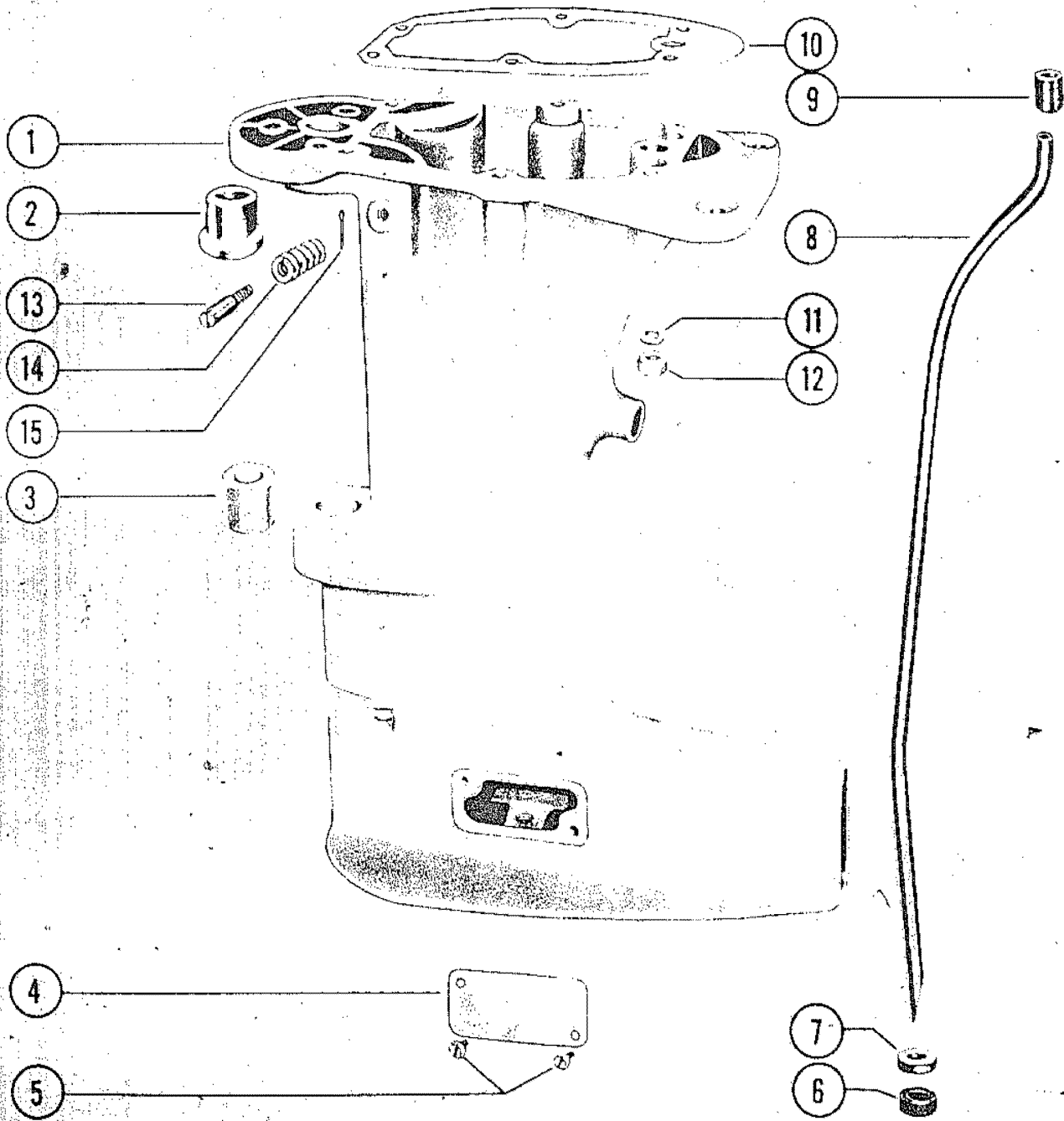
DRIVE SHAFT HOUSING ASSEMBLY



DRIVE SHAFT HOUSING ASSEMBLY

REF. NO.	PART NO.	SYM.	QTY.	DESCRIPTION
1	1505-1115A1		1,1,,	DRIVE SHAFT HOUSING ASSEMBLY
	1505-1091A1		,,1,1	DRIVE SHAFT HOUSING ASSEMBLY
2	23-20196		1,1,1,1	BUSHING, UPPER
3	23-20199		1,1,1,1	BUSHING, LOWER
4	20682		1,1,1,1	PLATE, VOER
5	10-20681		2,2,2,2	SCREW, COVER PLATE FASTENING
6	12-20684		1,1,1,1	SEAL, RUBBER - WATER TUBE
7	12-20683		1,1,,	WASHER, WATER TUBE SEAL
	12-21904		,,1,1	WASHER, WATER TUBE SEAL
8	32-25777		1,1,,	TUBE, WATER INLET
	32-25687		,,1,1	TUBE, WATER INLET
9	26-25192		1,1,1,1	SEAL, RUBBER - WATER INLET TUBE
10	27-20389		1,1,1,1	GASKET, BOTTOM COWL TO HOUSING
-	27-20390		1,1,1,1	GASKET, POWERHEAD TO BOTTOM COWL
11	12-20084		8,8,8,8	WASHER, POWERHEAD STUDS
12	11-25594		8,8,8,8	NUT, POWERHEAD STUDS
13	10-21070		2,2,2,2	SCREW, CO-PILOT TO DRIVE SHAFT HOUSING
14	24-20229		2,2,2,2	SPRING, CO-PILOT SCREW
15	18-21071		2,2,2,2	COTTER PIN, CO-PILOT SCREW HOLDING

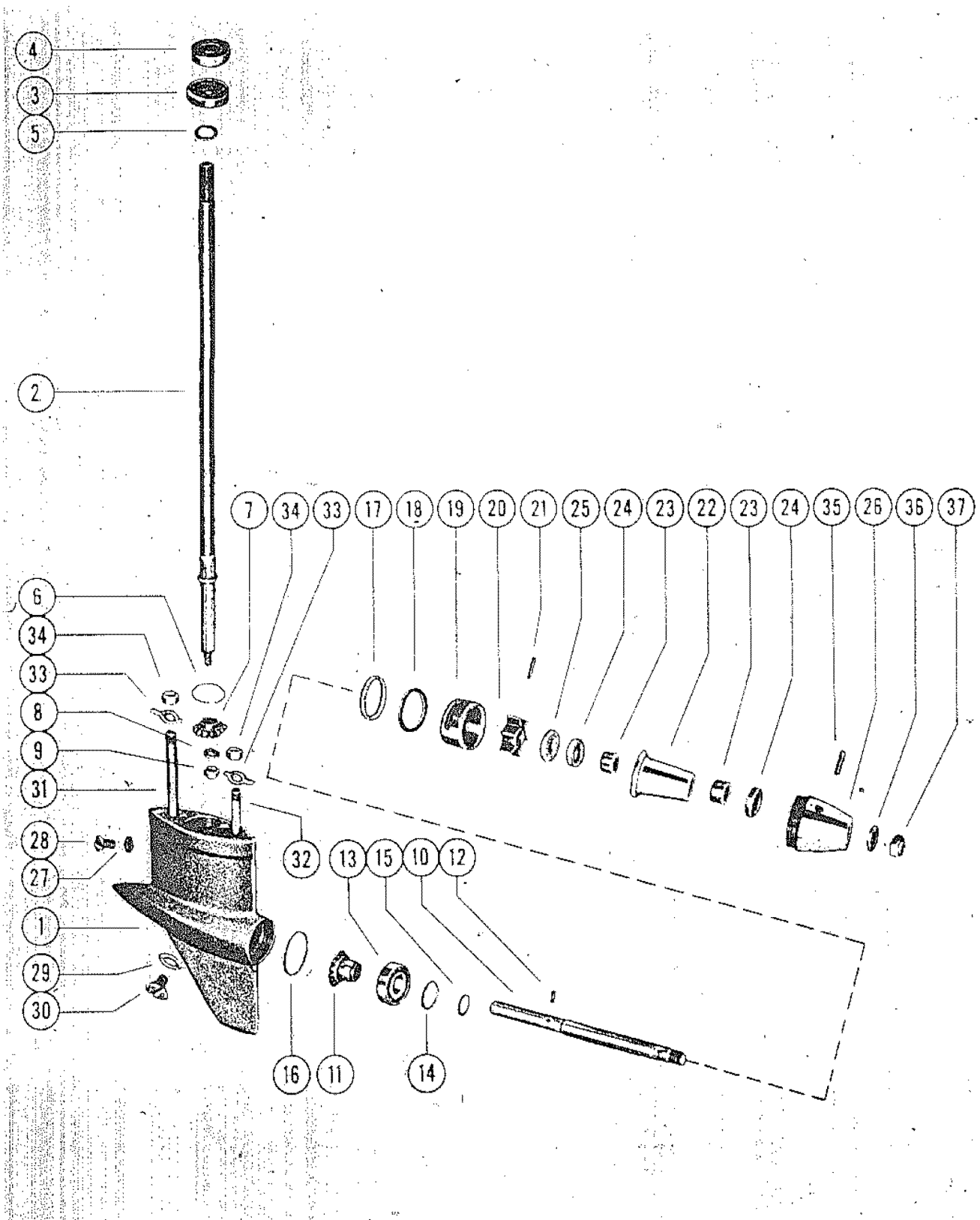
INSIDE AND OUTSIDE STEERING



INSIDE AND OUTSIDE STEERING

REF. NO.	PART NO.	SYM.	QTY.	DESCRIPTION
-	25331A2		1,1,1,1	INSIDE STEERING BRACKET ASEMBLY
-	10-21574		1,1,1,1	SCREW, INSIDE STEERING BRACKET
-	12-20103		1,1,1,1	WASHER, INSIDE STEERING BRACKET PIN
-	11-21528		1,1,1,1	NUT, INSIDE STEERING BRACKET PIN
-	20892A1		1,1,1,1	OUTSIDE STEERING BAR
-	10-20639		2,2,2,2	SCREW, STEERING BAR ATTACHING
-	13-26993		2,2,2,2	LOCKWASHER, STEERING BAR SCREW
-	11-20640		2,2,2,2	NUT, STEERING BAR SCREW
-	29071A1		1,1,1,1	RIDE-GUIDE STEERING WHEEL KIT
-	25917A		1,1,1,1	RIDE GUIDE STEERING CABLE ASS'Y (7FT.THROUGH 20 FT.)

GEAR HOUSING ASSEMBLY(MK30H,MK30H-1)

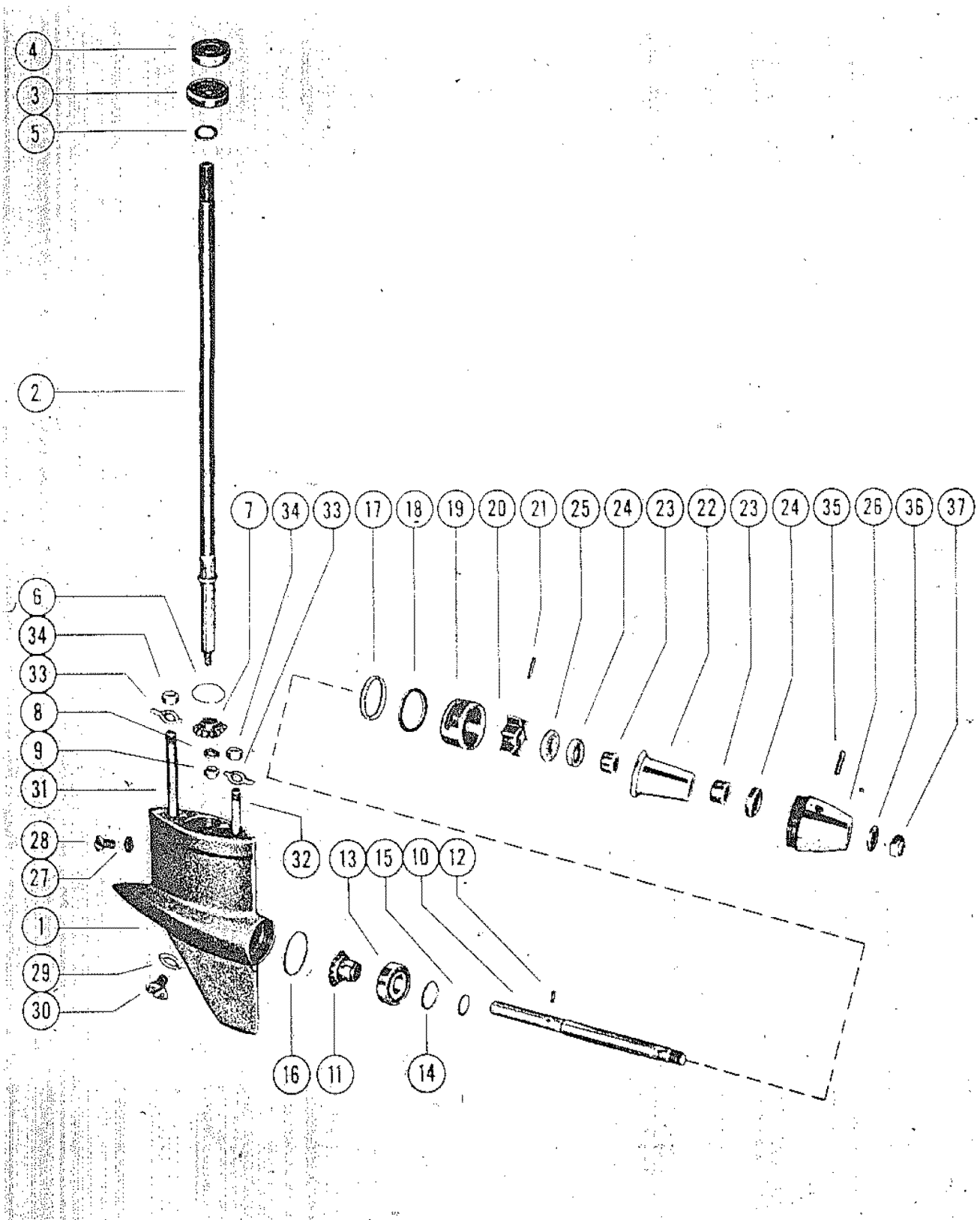


GEAR HOUSING ASSEMBLY(MK30H,MK30H-1)

REF. NO.	PART NO.	SYM.	QTY.	DESCRIPTION
-	1604-1116A1		1,1	GEAR HOUSING ASSEMBLY, COMPLETE
1	1604-1116A2		1,1	GEAR HOUSING ASSEMBLY
-	31-20904		1,1	BEARING, ROLLER - PROPELLER SHAFT
-	31-20908		1,1	BEARING, ROLLER - DRIVE SHAFT
-	10-21048		1,1	PLUG, HEADLESS
31	16-25758		1,1	STUD, GEAR HOUSING TO DRIVE SHAFT HOUSING (LONG)
32	16-20901		1,1	STUD, GEAR HOUSING TO DRIVE SHAFT HOUSING (SHORT)
2	45-25726		1,1	DRIVE SHAFT
3	30-25728		1,1	BEARING, BALL - DRIVE SHAFT
4	25727A1		1,1	PILOT AND OIL SEAL ASSEMBLY
5	26-20070		1,1	OIL SEAL
6	15-20919A1		AR,AR	SHIM, DRIVE SHAFT BEARING TO GEAR HOUSING (.002-3-5)
7&11	43-25693A1		1,1	GEAR ASSEMBLY, PINION AND PROPELLER
8	13-20921		1,1	LOCKWASHER, PINION GEAR LOCKING NUT
9	11-20922		1,1	NUT, PINION GEAR LOCKING
10	44-20923		1,1	SHAFT, PROPELLER
12	17-20937		1,1	PIN, PROPELLER GEAR TO SHAFT
13	30-20938		1,1	BEARING, BALL - PROPELLER SHAFT
14	15-20939A1		AR,AR	SHIM, PROP. GEAR BRG. TO SNAP RING (.003-5-10)
15	53-20940		1,1	RING, SNAP - BALL BEARING TO PROPELLER GEAR
16	15-20941A1		AR,AR	SHIM, PROP. SHAFT BRG. TO GEAR HSG. (.002-3-5-10)
17	12-20942		1,	WASHER, SEALING - WATER PUMP CARTRIDGE
18	25-20812		1,1	SEAL, RUBBER - WATER PUMP CARTRIDGE
19	46-20943A1		1,1	WATER PUMP CARTRIDGE ASSEMBLY
-	26-20903		1,1	OIL SEAL
20	47-20945		1,1	IMPELLER, WATER PUMP
21	17-20946		1,1	PIN, IMPELLER DRIVE
22	46-20905A1		1,1	WATER PUMP COVER ASSEMBLY
23	31-20904		2,2	BEARING, ROLLER
24	26-20903		2,2	OIL SEAL
25	20947		1,1	PLATE, WATER PUMP COVER
26	20902		1,1	COVER, GEAR HOUSING
27	12-20262		1,1	WASHER, GEAR HOUSING VENT SCREW
28	10-28653		1,1	SCREW, GEAR HOUSING VENT
29	12-20260		1,1	WASHER, GREASE FILLER HOLE SCREW
30	10-28634		1,1	SCREW, GREASE FILLER HOLE

CONTINUED ON NEXT PAGE ➡

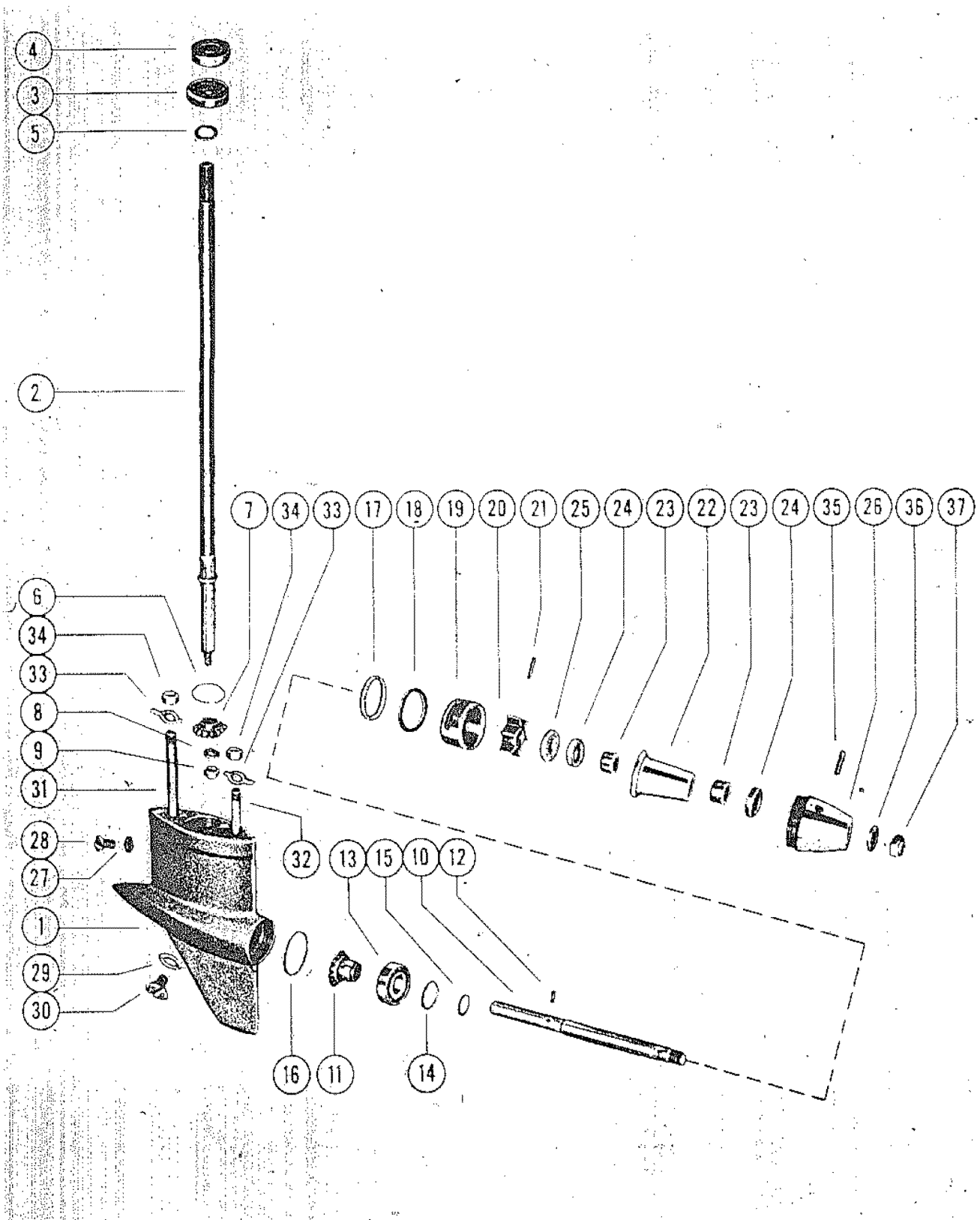
GEAR HOUSING ASSEMBLY(MK30H,MK30H-1)



GEAR HOUSING ASSEMBLY(MK30H,MK30H-1)

REF. NO.	PART NO.	SYM.	QTY.	DESCRIPTION
33	12-20413		2,2	WASHER, GEAR HOUSING STUDS
34	11-25269		2,2	NUT, GEAR HOUSING STUDS
35	17-25971		1,1	PIN, SHEAR
36	12-20959		1,1	WASHER, PROPELLER NUT
37	11-20958		1,1	NUT PROPELLER

GEAR HOUSING ASSEMBLY(MK5555H, MK55H-1)

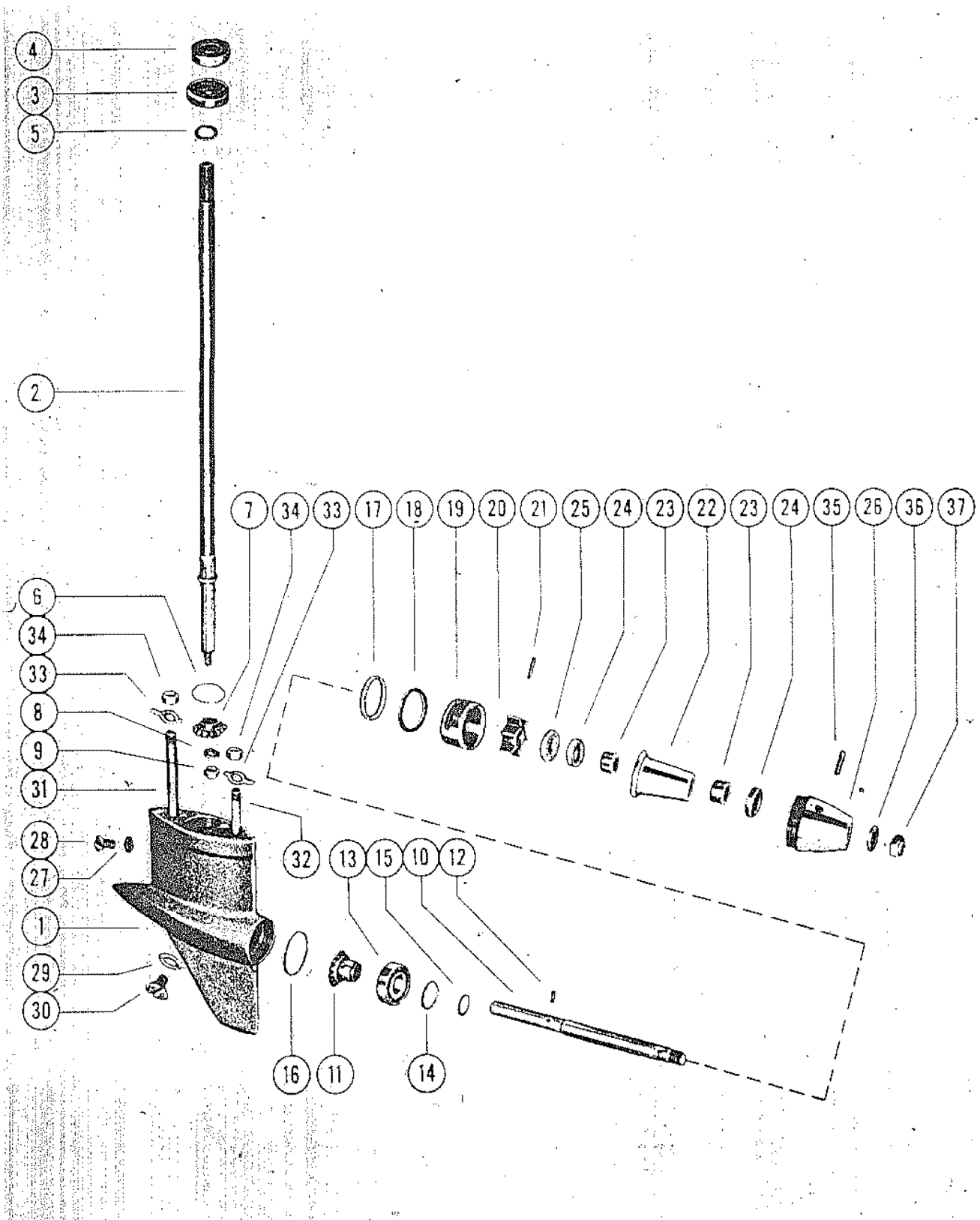


GEAR HOUSING ASSEMBLY(MK5555H, MK55H-1)

REF. NO.	PART NO.	SYM.	QTY.	DESCRIPTION
-	1603-1148A2		1,1	GEAR HOUSING ASSEMBLY, COMPLETE
1	1603-1148A1		1,1	GEAR HOUSING ASSEMBLY
-	31-20790		2,2	BEARING, ROLLER - PROPELLER AND DRIVE SHAFT
-	10-25853		1,1	PLUG, HEADLESS
31	16-24585		1,1	STUD, GEAR HOUSING TO DRIVE SHAFTHOUSING (LONG)
32	16-20313		1,1	STUD, GEAR HOUSING TO DRIVE SHAFT HOUSING (SHORT)
2	45-25681		1,1	DRIVE SHAFT
3	30-21776		1,1	BEARING, BALL - DRIVE SHAFT
4	25842A1		1,1	PILOT AND OIL SEAL ASSEMBLY
5	26-26782		1,1	OIL SEAL
-	15-21887A1		AR,AR	SHIM, BALL BEARING TO DRIVE SHAFT (.003-5-10)
6	15-21886A1		AR,AR	SHIM, BALL BRG. TO GEAR HSG. AND PILOT (.002-3-5-10)
7&11	43-25736A1		1,1	GEAR ASSEMBLY, PINION AND PROPELLER
-	14-20806		1,1	TAB WASHER, PINION GEAR SCREW
-	10-20807		1,1	SCREW, PINION GEAR TO DRIVE SHAFT
10	44-21897		1,1	SHAFT, PROPELLER
12	17-21156		1,1	PIN, PROPELLER GEAR TO SHAFT
13	30-21889		1,1	BEARING, BALL - PROPELLER SHAFT
14	15-21158A1		AR,AR	SHIM, PROPELLER GEAR BRG, TO SNAP RING (.003-5-10)
15	53-21159		1,1	RING, SNAP - BALL BEARING TO PROPELLER GEAR
16	15-21884A1		AR,AR	SHIM, PROP SHAFT BRG. TO GEAR HSG. (.002-3-5-10-31)
17	12-21890		1,1	"L" WASHER, SEALING - WATER PUMP CARTRIDGE
18	25-21891		1,1	SEAL, RUBBER - WATER PUMP CARTRIDGE
19	46-21892A1		1,1	WATER PUMP CARTRIDGE ASSEMBLY
-	26-21589		1,1	OIL SEAL
-	17-20375		1,1	PIN, GROOVE
20	47-21893		1,1	IMPELLER, WATER PUMP
21	17-20946		1,1	KEY, IMPELLER DRIVE
22	46-21587A1		1,1	WATER PUMP COVER ASSEMBLY
23	31-22640		2,2	BEARING, ROLLER
24	26-21589		2,2	OIL SEAL
25	21591		1,1	PLATE, COVER
26	21590		1,1	COVER, GEAR HOUSING
27	12-20262		1,1	WASHER, GEAR HOUSING VENT SCREW
28	10-28653		1,1	SCREW, GEAR HOUSING VENT
29	12-20260		1,1	WASHER, GREASE FILLER HOLE SCREW
30	10-28634		1,1	SCREW, GREASE FILLER HOLE

CONTINUED ON NEXT PAGE ➡

GEAR HOUSING ASSEMBLY(MK5555H, MK55H-1)



GEAR HOUSING ASSEMBLY(MK5555H, MK55H-1)

REF. NO.	PART NO.	SYM.	QTY.	DESCRIPTION
33	12-20413		2,2	WASHER, GEAR HOUSING STUDS
34	11-25269		2,2	NUT, GEAR HOUSING STUDS
35	17-21898		1,1	PIN, SHEAR
36	12-21901		1,1	WASHER, PROPELLER NUT
37	11-21899		1,1	NUT, PROPELLER

PARTS INDEX

Part Number	Description	Pg.	Ref. No.	Part Number	Description	Pg.	Ref. No.
20043	OILER, FELT - DRIVE SHAFT			22831A1	CHECK UNIT ASSEMBLY,		
	SPLINE	45	2		FUEL LINE	3	14
20047	RACE, OUTER	45	6	22833	ADAPTOR, CHECK UNIT		
20119	PROTECTOR, SPARK PLUG	13	27		(FUEL LINE)	37	20
20136	FLANGE, DRIVE PULLEY ..	13	21	23004	RETAINER, CHECK VAVLE ..	35	4
20140	BELT, TIMING	13	20	23004	RETAINER, CHECK VAVLE ..	35	4
20144	PLATE, AUXILIARY			23008	COVER, FUEL PUMP	35	8
	STARTER	11	4	23008	COVER, FUEL PUMP	35	8
20155	RETAINER, STARTER			23009A1	FUEL PUMP ASSEMBLY		
	SPRING	5	10		(SEE NOTE BELOW)	35	1
20157	SHAFT, SHEAVE	5	22	23009A1	FUEL PUMP ASSEMBLY		
20161	RETAINER, WAVE WASHER				(SEE NOTE BELOW)	35	1
	SEE NOTE BELOW	5	18	23014	DIAPHRAGM, FUEL PUMP ..	35	7
20162	PAWL, STARTER	5	14	23014	DIAPHRAGM, FUEL PUMP ..	35	7
20164	PLATE, RETAINER STARTER			23026	DISC, FRICTION	51	4
	PAWL	5	21	23026	DISC, FRICTION	51	8
20172	END CAP, STARTER CABLE			23068	CUP WASHER, ADAPTOR ..	37	24
	(NOT AS SHOWN)	5	25	23069	STEM, CHECK UNIT		
20173	SHUTTER, CHOKE	33	8		ADAPTOR	37	21
20185A1	THROTTLE PICKUP			23083	EMBLEM, FRONT COVER ..	9	6
	BRACKET ASSEMBLY ...	33	26	23564	CABLE, HIGH TENSION		
20188	THROTTLE PIKCUP	33	23		LEAD	13	29
20215	LEVER, TILT STOP	51	30	23603A1	BRACKET ASSEMBLY,		
20342	PLATE, CLAMP	51	7		CARBURETOR		
20485	COVER, TRIM - TOP COWL .	7	--		ACTUATING	13	3
20495	TOP FILETER	37	34	23742A1	CHOKE LEVER ASEMBLY ..	33	13
20497	BOWL, FILTER	37	28	23760	BAFFLE, BOTTOM COWL ..	47	-
20498	BALE ASSEMBLY	37	27	24791	COUPLING, DRIVE SHAFT ..	13	11
20499	PLATE, FILTER ELEMENT			24794A1	MAGNETO ADAPTOR		
	GASKET BACKING	37	32		ASSEMBLY, COMPLETE ..	13	8
20662	HANDLE, STARTER CABLE			24807	PULLEY, DRIVEN	13	19
	(NOT AS SHOWN)	5	24	24823A1	KNOB ASSEMBLY, MAIN		
20663	KNOB, CHOKE ROD	31	5		ADJUSTMENT SCREW ..	23	37
20663	KNOB, CHOKE ROD	33	5	24823A1	KNOB ASSEMBLY, MAIN		
20682	PLATE, VOER	53	4		ADJUSTMENT SCREW ..	25	28
20721	BUMPER, RUBBER - FRONT			24823A1	KNOB ASSEMBLY, MAIN		
	COVER	9	-		ADJUSTMENT SCREW ..	29	41
20721	BUMPER, RUBBER - FRONT			24994	NUT, COIL CLIP	15	19
	COVER (LOWER)	9	-	25206	COVER, TRANSFER PORT ..	43	32
20721	BUMPER, RUBBER - FRONT			25331A2	INSIDE STEERING BRACKET		
	COVER (LOWER)	9	-		ASEMBLY	55	-
20892A1	OUTSIDE STEERING BAR ..	55	-	25426A2	PRIMER BULB AND FUEL		
20902	COVER, GEAR HOUSING ..	57	26		LINE ASSEMBLY	3	12
20947	PLATE, WATER PUMP			25460	EMBLEM, FRONT COVER ..	9	5
	COVER	57	25	25606	CAP, THREADED - TILT		
21009	ROD, CHOKE	33	2		TUBE	51	--
21041	INSERT, TAP-LOC	47	2	25690	SWIVEL, COWL LATCH	9	15
21060	HANDLE, COWL LATCH ...	9	12	25691	HOOK, COWL LATCH		
21590	COVER, GEAR HOUSING ..	61	26		FASTENING	9	16
21591	PLATE, COVER	61	25	25710	SWITCH, MAGNETO		
21906	CO-PILOT DISC	51	33		SHORTING	47	6
21968	STOP BLOCK, THROTTLE			25727A1	PILOT AND OIL SEAL		
	ADJUSTING	47	30		ASSEMBLY	57	4
21968	STOP BLOCK, THROTTLE			25779	BRACKET, MAGNETO		
	ADJUSTING	47	30		CONTROL	47	20
2228	BAFFLE, VENT SCREW	3	--	25786	PLATE, SWIVEL - CONTROL		
22477	THUMB SCREW ASSEMBLY	51	2		BRACKET (BRASS)	47	25
22789	"D" WASHER, CABLE CLIP			25787	PLATE, BRACKET	47	9
	SCREW	13	--	25788	PLATE, CLAMPING	47	10
22823	PULLEY, FLYWHEEL	11	2				

PARTS INDEX

Part Number	Description	Pg.	Ref. No.	Part Number	Description	Pg.	Ref. No.
25842A1	PILOT AND OIL SEAL ASSEMBLY	61	4	10-20060	SCREW, CONNECTING ROD	45	19
25881A1	CHOKE LEVER ASSEMBLY	33	13	10-20089	SCREW, MAIN BEARING LOCKING	41	9
25911	ROD, CHOKE	31	2	10-20139	SCREW, PULLEY CLAMPING	13	25
25917A__	RIDE GUIDE STEERING CABLE ASS'Y (7FT.THROUGH 20 FT.)	55	-	10-20146	SCREW, ACTUATING BRACKETS TO MAGNETO PILOT	13	7
25931	PLATE, FUEL FILTER MOUNTING	37	35	10-20146	SCREW, ACTUATING BRACKETS TO MAGNETO PILOT	13	7
26009A1	THROTTLE ACTUATOR ASSEMBLY	13	5	10-20146	SCREW, MANGETO ADAPTOR TO MAGNETO (5/8)	13	13
26083	COVER, FUEL PUMP PAD	35	--	10-20176	SCREW, CHOKE LEVER PIVOT PIN	33	12
26179	RETAINER, WAVE WASHER SEE NOTE BELOW	5	18	10-20189	SCREW, THROTTLE PICKUP LOCKING	33	24
26183A_	EMBLEM, COWL FRONT COVER (SEE NOTE (2) BELOW)	9	-	10-20217	SCREW, ANCHOR - TILT STOP LEVER	51	32
26580	BRACKET, MAGNETO ACTUATING	13	2	10-20359	SCREW, CENTER MAIN BEARING LOCKING	41	11
26901	BUMPER, RUBBER - FRONT COVER (UPPER)	9	-	10-20401	SCREW, NYLON CABLE CLIP TO MAGNETO	13	31
26922	PLATE, EXHAUST MANIFOLD	43	26	10-20456	SCREW, CLAMPING PLATE TO BRACKET PLATE	47	11
27935	COVER, TRANSFER PORT	43	32	10-20474	SCREW, ACTUATING BRACKETS TO MAGNETO PILOT	13	7
28007A1	THROTTLE PICKUP BRACKET ASSEMBLY	33	26	10-20474	SCREW, STOP BLOCK HOLDING	47	32
28075	LEVER, CHOKE	33	14	10-20474	SCREW, STOP BLOCK HOLDING	47	32
28087	SHUTTER, CHOKE	33	8A	10-20482	SCREW, CENTER MAIN BEARING CLAMPING	45	4
28122	TUBE, TILT - CLAMP BRACKET TO SWIVEL BRACKET	51	14	10-20540	SCREW, TRANSFER PORT COVER MOUNTING	43	34
28240	COVER, EXHAUST MANIFOLD	43	28	10-20639	SCREW, STEERING BAR ATTACHING	55	-
28670	ARM, CHOKE LEVER TO CHOKE ROD	33	--	10-20650	SCREW, CHOKE ROD SPRING MOUNTING	33	20
28747	HANDLE, STARTER CABLE	5	24	10-20653	SCREW, CYLINDER BLOCK COVER MOUNTING	43	37
28748	RETAINER, STARTER CABLE AND HANDLE	7	25	10-20681	SCREW, COVER PLATE FASTENING	53	5
28913	SHAFT, SHEAVE	5	22	10-20784	SCREW, ADAPTOR TO BOTTOM COWL	37	25
28944	HANDLE, TOP COWL	7	26	10-20807	SCREW, PINION GEAR TO DRIVE SHAFT	61	-
28967	SCREEN, VENT - TOP COWL	7	31	10-20847	SCREW, THROTTLE STOP LEVER	23	8
29071A1	RIDE-GUIDE STEERING WHEEL KIT	55	-	10-20847	SCREW, THROTTLE STOP LEVER	27	8
29319	ROD, CHOKE	33	2	10-20854	SCREW, FLOAT BOWL COVER (SHORT)	23	22
N.S.S.	HINGE, COWL LATCH TO COWL ROD	9	11	10-20854	SCREW, FLOAT BOWL COVER (SHORT)	27	24
N.S.S.	PIN, PISTON	45	15	10-20870	SCREW, PLUG - BODY CHANNEL	23	34
10-20031	SCREW, AUXILIARY PLATE TO FLYWHEEL	11	5	10-21048	PLUG, HEADLESS	57	-
10-20031	SCREW, EMBLEM TO FRONT COVER	9	8				
10-20037	SCREW, RETAINER TO HOUSING	35	5				
10-20037	SCREW, RETAINER TO HOUSING	35	5				
10-20049	SCREW, MAIN BEAREING CLAMPING	45	9				
10-20055	SCREW, GROUND STRAP TO BOTTOM COWL	49	36				

PARTS INDEX

Part Number	Description	Pg.	Ref. No.	Part Number	Description	Pg.	Ref. No.
10-21077	SCREW, CONTROL BRACKET TO BOTTOM COWL	47	27	10-25509	SCREW, BEARING SUPPORT	15	7
10-21106	SCREW, BAFFLE TO BOTTOM COWL	47	-	10-25509	SCREW, CONDENSER MOUNTING	15	21
10-21106	SCREW, SHORTING SWITCH GROUND LEAD TO BOTTOM COWL	47	-	10-25510	SCREW, SET - COIL BRIDGE	15	8
10-21574	SCREW, INSIDE STEERING BRACKET	55	-	10-25510	SCREW, SET - COIL BRIDGE	19	2
10-21643	SCREW, TRIM COVER TO TOP COWL	7	--	10-25513	SCREW AND LOCKWASHER, END CAP	15	30
10-22032	SCREW, BRACKET SUPPORT	19	27	10-25517	SCREW, HIGH TENSION CABLE FASTENING	17	--
10-22039	SCREW, CRANKCASE TO CYLINDER BLOCK (2 3/4)	41	5	10-25517	SCREW, HIGH TENSION CABLE FASTENING	21	42
10-22040	SCREW, CRANKCASE TO CYLINDER BLOCK (1 1/2)	41	6	10-25612	SCREW, DRIVE - SERIAL PLATE FASTENING	51	35
10-22040	SCREW, MAGNETO ADAPTOR TO CRANKCASE	13	15	10-25619	SCREW, COWL COVER FASTENING	9	3
10-22224	SCREW, VENT - FILLER CAP	3	11	10-25619	SCREW, COWL COVER FASTENING	9	3
10-22421	SCREW, HANDLE TO TOP COWL	7	29	10-25781	SCREW, SET - SWIVEL PLATE	47	26
10-22537	SCREW, END CAP COVER	17	38	10-25785	SCREW, BRACKET ASSEMBLY TO BOTTOM COWL	47	17
10-22541	SCREW, BREAKER ARM TERMINAL	15	26	10-25822	SCREW, STRAINER COVER FASTENING	23	28
10-22928	SCREW, KNOB TO MAIN ADJUSTMENT SCREW (#10)	25	29	10-25822	SCREW, STRAINER COVER FASTENING	27	30
10-22928	SCREW, KNOB TO MAIN ADJUSTMENT SCREW (#10)	29	42	10-25850	SCREW, FLOAT BOWL COVER (LONG)	23	23
10-22928	SCREW, KNOW FASTENING (#10)	23	38	10-25850	SCREW, FLOAT BOWL COVER (LONG)	27	25
10-23030	SCREW, PLUG - BY-PASS TUBE	23	32	10-25853	PLUG, HEADLESS	61	-
10-23035	SCREW & LOCKWASHER, THROTTLE SHUTTER	23	29	10-26008	SCREW, BREAKER TERMINAL	19	23
10-23035	SCREW, AND LOCKWASHER, THROTTLE SHUTTER	27	33	10-26065	SCREW, CLAMP PLATE TO SWIVEL BRACKET	51	21
10-23178	SCREW, PLUG - MAIN NOZZLE	27	32	10-26483	BOLT, CARRIAGE - CLAMP BRACKET TO BOAT TRAMSON	51	--
10-24090	SCREW, PRIMARY GROUND	15	10	10-28018	SCREW, CHOKE SHUTTER TO CARBURETOR	33	11
10-24609	SCREW, PRIMARY GROUND (#8)	19	10	10-28257	SCREW, COVER TO FRAME	21	35
10-24799	SCREW, DRAIN PLUG	3	3	10-28257	SCREW, PAD COVER TO CYLINDER BLOCK (3/4")	35	--
10-24977	SCREW, BINDING HEAD	15	24	10-28259	SCREW, END CAP COVER TO MAGNETO COVER	21	43
10-24980	SCREW, CONTACT SUPPORT LOCKING	15	25	10-28634	SCREW, GREASE FILLER HOLE	57	30
10-25207	SCREW, MOUNTING PLATE TO CRANKCASE	37	38	10-28634	SCREW, GREASE FILLER HOLE	61	30
10-25256	SCREW, NYLON CABLE CLIP TO MAGNETO	13	31	10-28653	SCREW, GEAR HOUSING VENT	57	28
10-25509	SCREW AND LOCKWASHER, BRACKET LOCKING	19	29	10-28653	SCREW, GEAR HOUSING VENT	61	28
10-25509	SCREW AND LOCKWASHER, CONDENSER FASTENING	19	32	10-28666	SCREW, MANIFOLD COVER MOUNTING	43	29
				10-28668	SCREW, MAGNETO ADAPTOR TO MAGNETO (7/8)	13	12

PARTS INDEX

Part Number	Description	Pg.	Ref. No.	Part Number	Description	Pg.	Ref. No.
10-28668	SCREW, MANIFOLD COVER MOUNTING	43	29	11-20640	NUT, STEERING BAR SCREW	55	-
10-28709	SCREW, AUXILIARY PLATE TO FLYWHEEL	11	5	11-20645	NUT, GROUND STRAP SCREW	49	34
10-28782	SCREW, END CAP MOUNTING	41	18	11-20645	NUT, LOCK - PRIMARY GROUND SCREW	19	16
10-28782	SCREW, END CAP MOUNTING	43	25	11-20849	NUT, MAIN ADJUSTMENT SCREW	23	15
10-28845	SCREW, PLUG - BODY CHANNEL	27	--	11-20849	NUT, MAIN ADJUSTMENT SCREW	27	15
10-29029	SCREW, FUEL PUMP MOUNTING (1 1/2")	35	11	11-20922	NUT, PINION GEAR LOCKING	57	9
10-29029	SCREW, FUEL PUMP MOUNTING (1 1/2")	35	11	11-20958	NUT PROPELLER	59	37
10-29030	SCREW, FUEL PUMP MOUNTING (1 7/8")	35	10	11-21528	NUT, INSIDE STEERING BRACKET PIN	55	-
10-29030	SCREW, FUEL PUMP MOUNTING (1 7/8")	35	10	11-21759	NUT, MAIN ADJUSTMENT SCREW	25	15
10-29182	SCREW, PRIMARY GROUND (#10)	19	10	11-21806	NUT, MOUNTING PLATE SCREW	37	40
10-29198	SCREW, END CAP MOUNTING	43	25	11-21899	NUT, PROPELLER	63	37
10-29199	SCREW, HANDLE TO TOP COWL	7	27	11-21923	NUT, LOCK - PRIMARY GROUND SCREW	19	16
10-29221	SCREW, VENT SCREEN TO TOP COWL	7	32A	11-21923	NUT, PRIMARY GROUND TERMINAL	15	16
10-29237	SCREW, RETAINING - TILT STOP LEVER	51	29	11-21971	NUT, SHORTING SWITCH TO BOTTOM COWL	47	7
10-29239	SCREW, THROTTLE BRACKET MOUNTING	33	27	11-22339	NUT, FLYWHEEL	11	8
10-29418	SCREW, COVER TO FRAME	21	35	11-22948	NUT, ELBOW	31	-
10-29418	SCREW, END CAP COVER TO MAGNETO COVER	21	43	11-22948	NUT, ELBOW	37	15
11-20061	NUT, CONNECTING ROD	45	20	11-22948	NUT, ELBOW	37	15
11-20083	NUT, CARBURETOR MOUNTING STUD	29	39	11-22948	NUT, FILTER TEE	39	45
11-20083	NUT, CLAMP BRACKET STUD	51	17	11-22948	NUT, FILTER TEE	39	45
11-20083	NUT, MAGNETO ADAPTOR SCREW	13	17	11-22948	NUT, LOWER FILTER TEE	33	-
11-20088	NUT, LEVER ANCHOR SCREW	51	10	11-24652	NUT, ADAPTOR SCREW	37	26
11-20142	NUT, FILTER TO MOUNTING PLATE	37	37	11-24652	NUT, COVER MOUNTING SCREW	43	38
11-20166	NUT, SHEAVE SHAFT (LEFT HAND THREAD)	7	34	11-24656	NUT, LOCK - PRIMARY GROUND SCREW	19	15
11-20184	NUT, CARBURETOR MOUNTING STUD	23	36	11-25269	NUT, GEAR HOUSING STUDS	59	34
11-20190	NUT, CLAMPING PLATE SCREW	47	12	11-25269	NUT, GEAR HOUSING STUDS	63	34
11-20190	NUT, THROTTLE LOCKING SCREW	33	25	11-25594	NUT, CARBURETOR MOUNTING STUD	25	27
11-20361	NUT, HANDLE FASTENING SCREW	7	30	11-25594	NUT, CRANKCASE SCREW	41	7
11-20361	NUT, TOP COWL FASTENING	5	9	11-25594	NUT, POWERHEAD STUDS	53	12
11-20461	NUT, CRANKCASE SCREW	41	8	11-25599	NUT, CLAMP BRACKET TILT TUBE	51	15
11-20461	NUT, CRANKCASE SCREW	41	8	11-25783	NUT, BRACKET PLATE FASTENING	47	16
11-20586	NUT, CHOKE LEVER FASTENING	33	18	11-26484	NUT, CARRIAGE BOLT	51	--
				11-28587	WASHER, VENT SCREW SPRING	3	-
				11-28656	NUT, LOCK - PRIMARY GROUND SCREW	19	15
				12-20028	WASHER, COVER MOUNTING SCREW	43	30
				12-20028	WASHER, LEVER ANCHOR SCREW	51	12

PARTS INDEX

Part Number	Description	Pg.	Ref. No.	Part Number	Description	Pg.	Ref. No.
12-20028	WASHER, TOP COWL STUD (1/16 THICK)	5	8	12-20683	WASHER, WATER TUBE SEAL	53	7
12-20028	WASHER, TRANSFER PORT COVER SCREW	43	33	12-20684	SEAL, RUBBER - WATER TUBE	53	6
12-20028	WASHER, TRANSFER PORT COVER SCREW	43	33	12-20942	WASHER, SEALING - WATER PUMP CARTRIDGE	57	17
12-20064	WASHER, NEEDLE LOCATING	45	23	12-20959	WASHER, PROPELLER NUT	59	36
12-20084	WASHER, CARBURETOR MOUNTING STUD	25	--	12-21040	WASHER, CONTROL BRACKET SCREW	47	28
12-20084	WASHER, CARBURETOR MOUNTING STUD	29	40	12-21249	WASHER, ACTUATING BRACKET SCREW	13	6
12-20084	WASHER, CRANKCASE SCREW	41	-	12-21890	"L" WASHER, SEALING - WATER PUMP CARTRIDGE	61	17
12-20084	WASHER, MAGNETO ADAPTOR SCREW	13	16	12-21901	WASHER, PROPELLER NUT	63	36
12-20084	WASHER, POWERHEAD STUDS	53	11	12-21904	WASHER, WATER TUBE SEAL	53	7
12-20103	WASHER, INSIDE STEERING BRACKET PIN	55	-	12-21967	WASHER, STOP BLOCK SCREW	47	31
12-20138	WASHER, PULLEY CLAMPING SCREW	13	23	12-21967	WASHER, STOP BLOCK SCREW	47	31
12-20143	WASHER, FLYWHEEL NUT	11	7	12-22226	WASHER, VENT SCREW SPRING	3	8
12-20192	WASHER, BRACKET SUPPORT SCREW	19	28	12-23537	WASHER, COVER SCREW (NLA ORDER 12-261672)	9	4
12-20192	WASHER, CHOKE ROD SPRING SCREW	33	21	12-24666	WASHER, BRACKET ASSEMBLY SCREW	47	14
12-20192	WASHER, CONTACT SUPPORT LOCKING SCREW	15	--	12-24798	WASHER, DRAIN PLUG SCREW	3	2
12-20192	WASHER, PRIMARY GROUND SCREW	15	14	12-25193	SPACER, MAGNETO TIMING PULLEY	13	18
12-20192	WASHER, PRIMARY GROUND SCREW	19	14	12-25719	WASHER, INSULATING - PRIMARY GROUND SCREW	19	12
12-20214	WASHER, THUMB SCREW	51	3	12-25719	WASHER, INSULATING - PRIMARY GROUND SWITCH	15	13
12-20260	WASHER, GREASE FILLER HOLE SCREW	57	29	12-25790	WASHER, BRACKET TO BOTTOM COWL SCREW	47	19
12-20260	WASHER, GREASE FILLER HOLE SCREW	61	29	12-25944	WASHER, BREAKER ARM	19	25
12-20262	WASHER, GEAR HOUSING VENT SCREW	57	27	12-26014	WASHER, PRIMARY GROUND SCREW	19	14
12-20262	WASHER, GEAR HOUSING VENT SCREW	61	27	12-26014	WASHER, REED STOP MOUNTING SCREW	45	12
12-20286	WASHER, MOUNTING PLATE SCREW	37	39	12-26162	WASHER, COVER SCREW (NYLON)	9	-
12-20346	WASHER, EMBLEM SCREW	9	9	12-26162	WASHER, COVER SCREW (NYLON)	9	-
12-20346	WASHER, TOP COWL STUD (3/4" OD)	5	7	12-26180	WASHER, WAVE WASHER RETAINER	5	19
12-20346	WASHER, TOP COWL STUD (3/4" OD)	5	7	12-26485	WASHER, CARRIAGE BOLT	51	--
12-20413	WASHER, GEAR HOUSING STUDS	59	33	12-26617	WASHER, FLYWHEEL NUT	11	7
12-20413	WASHER, GEAR HOUSING STUDS	63	33	12-27897	WASHER, COVER SCREW (NYLON)	9	-
12-20533	WASHER, CHOKE LEVER STUD	33	16	12-29099	WASHER, INSULATING - PRIMARY GROUND SCREW	19	12
12-20546	WASHER, BRACKET ASSEMBLY SCREW	47	13	13-20147	LOCKWASHER, LEVER ANCHOR SCREW	51	11
12-20583	WASHER, TOP COWL STUD (1/32 THICK)	5	-				

PARTS INDEX

Part Number	Description	Pg.	Ref. No.	Part Number	Description	Pg.	Ref. No.
13-20160	WASHER, WAVE - RETAINER TENSION	5	20	14-29157	TAB WASHER, COVER FASTENING SCREW	21	--
13-20163	WASHER, WAVE - STARTER PAWL	5	15	15-20082	SHIM, UPPER END CAP TO CRANKCASE (.002-3-5-10)	41	16
13-20193	LOCKWASHER, PRIMARY GROUND SCREW	15	15	15-20085	SHIM, LOWER END CAP TO CRANKCASE (.002-3-5-10)	41	23
13-20223	LOCKWASHER, END CAP MOUNTING SCREW	41	17	15-20919A1	SHIM, DRIVE SHAFT BEARING TO GEAR HOUSING (.002-3-5)	57	6
13-20223	LOCKWASHER, END CAP TO CRANKCASE	43	24	15-20939A1	SHIM, PROP. GEAR BRG. TO SNAP RING (.003-5-10) . .	57	14
13-20378	LOCKWASHER, BREAKER ARM TERMINAL SCREW .	15	--	15-20941A1	SHIM, PROP. SHAFT BRG. TO GEAR HSG. (.002-3-5- 10)	57	16
13-20378	LOCKWASHER, BREAKER TERMINAL SCREW	19	24	15-21158A1	SHIM, PROPELLER GEAR BRG, TO SNAP RING (.003-5-10)	61	14
13-20494	LOCKWASHER, FILTER TOP	37	36	15-21884A1	SHIM, PROP SHAFT BRG. TO GEAR HSG. (.002-3-5- 10-31)	61	16
13-20511	WASHER, WAVE - CHOKE LEVER STUD	33	17	15-21886A1	SHIM, BALL BRG. TO GEAR HSG. AND PILOT (.002-3- 5-10)	61	6
13-20554	LOCKWASHER, FUEL PUMP MOUNTING SCREW	35	12	15-21887A1	SHIM, BALL BEARING TO DRIVE SHAFT (.003-5-10)	61	-
13-20554	LOCKWASHER, FUEL PUMP MOUNTING SCREW	35	12	15-25600	SHIM, CLAMP BRACKET TILT TUBE	51	--
13-20554	LOCKWASHER, PAD COVER SCREW	35	12	16-20221	STUD, CLAMP BRACKET . .	51	16
13-20554	WASHER, SHAKEPROOF - GROUND STRAP SCREW	49	35	16-20313	STUD, GEAR HOUSING TO DRIVE SHAFT HOUSING (SHORT)	61	32
13-20758	LOCKWASHER, BRACKET TO BOTTOM COWL SCREW	47	18	16-20353	STUD, FRONT - TOP COWL TO CRANKCASE	5	3
13-20846	WAVE WASHER, RETAINING SCREW	51	28	16-20357	STUD, CRANKCASE TO DRIVE SHAFT HOUSING .	41	4
13-20921	LOCKWASHER, PINION GEAR LOCKING NUT	57	8	16-20357	STUD, CYLINDER BLOCK TO DRIVE SHAFT HOUSING .	41	4
13-21804	LOCKWASHER, CLAMP PLATE SCREW	51	20	16-20500	STUD, REAR - TOP COWL TO COVER	5	2
13-22542	LOCKWASHER, CONTACT SUPPORT LOCKING SCREW	15	--	16-20581	STUD, CHOKE LEVER	33	15
13-23836	LOCKWASHER COIL TERMINAL	19	19	16-20901	STUD, GEAR HOUSING TO DRIVE SHAFT HOUSING (SHORT)	57	32
13-23836	LOCKWASHER, COIL CLIP NUT	15	--	16-20990	STUD, FRONT - TOP COWL TO CRANKCASE	5	3
13-26992	LOCKWASHER, AUXILIARY PLATE SCREW	11	6	16-21831	STUD, CARBURETOR MOUNTING (1 1/4)	41	2
13-26992	LOCKWASHER, MAGNETO ADAPTOR SCREW	13	14	16-24585	STUD, GEAR HOUSING TO DRIVE SHAFTHOUSING (LONG)	61	31
13-26993	LOCKWASHER, BRACKET ASSEMBLY SCREW	47	15	16-25385	STUD, CARBURETOR MOUNTING (1 1/8)	41	2
13-26993	LOCKWASHER, CLAMP BRACKET STUD NUT . . .	51	18	16-25734	STUD, REAR - TOP COWL TO COVER	5	2
13-26993	LOCKWASHER, STEERING BAR SCREW	55	-	16-25758	STUD, GEAR HOUSING TO DRIVE SHAFT HOUSING (LONG)	57	31
13-26996	LOCKWASHER, PULLEY CLAMPING SCREW	13	24	16-25919	STUD, CARBURETOR MOUNTING (1 1/8)	41	2
14-20091	TAB WASHER, BEARING LOCKING SCREW	41	10				
14-20165	TAB WASHER, SHEAVE SHAFT NUT	7	33				
14-20806	TAB WASHER, PINION GEAR SCREW	61	-				

PARTS INDEX

Part Number	Description	Pg.	Ref. No.	Part Number	Description	Pg.	Ref. No.
17-20032	DOWEL PIN, MAIN BEARING	45	-	22-21290	PLUG, PIPE - CYLINDER		
17-20032	DOWEL, PIN CYLINDER				BLOCK BLEED HOLES ..	41	-
	BLOCK TO MAIN BEARING	41	-	22-21290	PLUG, PIPE - CYLINDER		
17-20225	TILT LOCK PIN	51	19		BLOCK BLEED HOLES ..	41	-
17-20230	SWIVEL PIN	51	9	22-22946	SLEEVE, RUBBER	31	-
17-20323	DOWEL PIN, CYLINDER			22-22946	SLEEVE, RUBBER	37	14
	BLOCK TO CENTER MAIN			22-22946	SLEEVE, RUBBER	37	14
	BEARING	41	-	22-22946	SLEEVE, RUBBER	39	44
17-20375	PIN, GROOVE	61	--	22-22946	SLEEVE, RUBBER	39	44
17-20379	DOWEL PIN (STEPPED) ...	45	-	22-22946	SLEEVE, RUBBER - LOWER		
17-20392	DOWEL PIN, PULLEY TO				FILTER TEE	33	-
	FLYWHEEL	11	3	22-22995	ELBOW, FUEL PUMP TO		
17-20853	PIN, FLOAT LEVER PINION .	23	3		FUEL LINE	35	13
17-20853	PIN, FLOAT LEVER PINION .	27	3	22-22995	ELBOW, FUEL PUMP TO		
17-20937	PIN, PROPELLER GEAR TO				FUEL LINE	37	13
	SHAFT	57	12	22-22995	ELBOW, LOWER		
17-20946	KEY, IMPELLER DRIVE	61	21		CARBURETOR TO FUEL		
17-20946	PIN, IMPELLER DRIVE	57	21		LINE	31	8
17-21057	PIN, HINGE - COWL LATCH			22-23125	ELBOW, FILTER TO FUEL		
	HANDLE	9	14		LINE	37	41
17-21156	PIN, PROPELLER GEAR TO			22-23125	ELBOW, INLET LOWER		
	SHAFT	61	12		PUMP	35	--
17-21898	PIN, SHEAR	63	35	22-23125	ELBOW, UPPER		
17-23928	ROLL PIN, CONTROL				CARBURETOR TEE TO		
	BRACKET PIN	47	22	22-23125	FUEL LINE	31	6
17-25391	RIVET, CHOKE ROD TO				ELBOW, UPPER		
	CHOKE LEVER	33	3		CARBURETOR TO FUEL		
17-25391	RIVET, CHOKE ROD TO			22-23595	LINE	33	6
	SHAFT ASSEMBLY	31	3		CONNECTOR, FUEL PUMP		
17-25971	PIN, SHEAR	59	35	22-23612	OUTLET TO ELBOW	37	17
17-26618	DOWEL PIN, PULLEY TO			22-23763	FITTING, GREASE	51	-
	FLYWHEEL	11	3		TEE ASSEMBLY, LOWER		
17-F2033	DOWEL PIN, CRANKCASE			22-23763	FILTER	39	43
	TO CYLINDER BLOCK ...	41	3	22-24690	TEE, LOWER FILTER	33	7
18-20180	COTTER PIN, CHOKE LEVER				ELBOW, CONNECTOR TO		
	RETAINGIN	33	19	22-25094	FUEL LINE	37	18
18-21069	COTTER PIN, COVER			22-25443	FITTING, GREASE	13	9
	FASTENING SCREW	9	7		ELBOW, FILTER TO FUEL		
18-21071	COTTER PIN, CO-PILOT			22-25443	LINE	37	41
	SCREW HOLDING	53	15		ELBOW, PUMP OUTLET TO		
18-25723	COTTER PIN (HAIR)			22-25443	FUEL LINE	37	--
	BRACKET ARM	15	27		ELBOW, UPPER		
18-25723	COTTER PIN (HAIR)				CARBURETOR TO FUEL		
	BRACKET ARM	19	26	22-25885	LINE	33	6
19-20011	WELCH PLUG, BODY				ELBOW, MAGNETO VENT		
	CHANNEL	23	33	22-25885	TUBE	47	3
19-20011	WELCH PLUG, BODY			22-25885	ELBOW, PLASTIC - END CAP		
	CHANNEL	27	37		TO VENT LINE	15	31
19-21119	WELCH PLUG, IDLE PORT .	25	--	22-25885	ELBOW, PLASTIC -		
19-21120	WELCH PLUG, IDLE				MAGNETO COVER VENT	21	44
	PASSAGE	25	--	22-25956	TEE, UPPER CARBURETOR	39	--
19-25705	PLUG, SWIVEL PIN HOLE ..	51	-	22-25956	TEE, UPPER CARBURETOR		
21-20963	CHECK VALVE	35	3		TO FUEL LINE	31	7
21-20963	CHECK VALVE	35	3	23-20008	BUSHING, NYLON -		
21-28481A1	CHECK VALVE ASSEMBLY .	41	--		CONTROL BRACKET	47	24
22-20781	ELBOW, MAGNETO FRAME			23-20158	SPACER, SHEAVE SHAFT .	5	17
	TO VENT TUBE	15	9	23-20159	BUSHING, SPRING GUIDE .	5	12
22-20781	ELBOW, MAGNETO VENT			23-20196	BUSHING, UPPER	53	2
	TUBE	47	3	23-20199	BUSHING, LOWER	53	3
				23-20216	SPACER, TILT STOP LEVER	51	31

PARTS INDEX

Part Number	Description	Pg.	Ref. No.	Part Number	Description	Pg.	Ref. No.
23-20222	SPACER, CLAMP BRACKET	51	13	25-21891	SEAL, RUBBER - WATER		
23-20304	BUSHING, NYLON -			25-25429	PUMP CARTRIDGE	61	18
	CONTROL BRACKET	47	21		"O" RING, HIGH TENSION		
23-20326	SPACER, TOP COWL STUD	5	6		LEAD CABLE	13	--
23-21008	BUSHING, STEEL -			26-20070	OIL SEAL	57	5
	CONTROL BRACKET	47	23	26-20903	OIL SEAL	57	--
23-23072	SPACER, TRIM COVER TO			26-20903	OIL SEAL	57	24
	TOP COWL	7	--	26-21589	OIL SEAL	61	--
23-23601	SLEEVE, NYLON	13	4	26-21589	OIL SEAL	61	24
23-25194	BUSHING, OILITE	47	-	26-25192	SEAL, RUBBER - WATER		
23-25512	BUSHING, INSULATING -				INLET TUBE	53	9
	HOUSING FRAME	19	13	26-25837	OIL SEAL	41	15
23-25512	BUSHING, PRIMARY			26-25837	OIL SEAL	41	22
	GROUND TERMINAL			26-25837	OIL SEAL	41	22
	INSULATOR	15	--	26-25840	OIL SEAL, BOTTOM	41	22
23-26348	BUSHING, CRANKCASE . . .	41	-	26-26782	OIL SEAL	61	5
23-26348	BUSHING, CYLINDER			27-20030	GASKET, TRANSFER PORT		
	BLOCK COVER	43	--		COVER	43	31
23-28039	SPACER, CHOKE SHUTTER	33	10	27-20183	GASKET, CARBURETOR		
23-28911	SPACER, SHEAVE SHAFT .	5	17		FLANGE	23	35
23-28912	BUSHING, SPRING GUIDE .	5	12	27-20338	GASKET, FILTER ELEMENT	37	31
23-28919	BUSHING, NYLON - SHEAVE			27-20389	GASKET, BOTTOM COWL		
	SHAFT SPACER	5	16		TO DRIVE SHAFT		
23-29101	BUSHING, INSULATING -				HOUSING	49	--
	HOUSING FRAME	19	13	27-20389	GASKET, BOTTOM COWL		
24-20229	SPRING, CO-PILOT SCREW	53	14		TO HOUSING	53	10
24-20341	SPRING, FILTER ELEMENT			27-20390	GASKET, POWERHEAD TO		
	RETAINING	37	29		BOTTOM COWL	49	37
24-20579	SPRING, CHOKE SHUTTER	33	9A	27-20390	GASKET, POWERHEAD TO		
24-20649	SPRING, CHOKE ROD				BOTTOM COWL	53	--
	POSITIONING	33	22	27-20478	GASKET, CARBURETOR TO		
24-20869	SPRING, THROTTLE SHAFT				CRANKCASE	25	22
	RETURN	23	11	27-20496	GASKET, FILTER TOP		
24-20869	SPRING, THROTTLE SHAFT				(RUBBER)	37	33
	RETURN	27	11	27-20848	GASKET, MAIN		
24-21121	SPRING, CHOKE SHAFT . . .	25	--		ADJUSTMENT SCREW		
24-21122	SPRING, IDLE ADJUSTMENT				GLAND	23	12
	SCREW	25	2	27-20848	GASKET, MAIN		
24-21123	SPRING, THROTTLE				ADJUSTMENT SCREW		
	RETURN	25	25		GLAND	27	12
24-21124	SPRING, FLOAT	25	9	27-22225	GASKET, VENT SCREW . . .	3	10
24-22227	SPRING, VENT SCREW	3	9	27-22333	GASKET, CYLINDER BLOCK		
24-23067	SPRING, ADAPTOR STEM .	37	23		COVER	43	36
24-23714	SPRING, STARTER REWIND	5	11	27-22536	GASKET, END CAP COVER	15	34
24-25695	SPRING, TENSION -			27-22551	GASKET, END CAP TO		
	CONTROL BRACKET TO				FRAME	15	28
	VENT ELBOW	47	29	27-22851	GASKET, FILLER CAP TO		
24-26067	SPRING, CHOKE SHUTTER	33	9		TANK	3	6
24-27160	SPRING, IDLE ADJUSTMENT			27-23005	GASKET, CHECK VALVE TO		
	SCREW	23	17		HOUSING	35	2
24-27160	SPRING, IDLE ADJUSTMENT			27-23005	GASKET, CHECK VALVE TO		
	SCREW	27	19		HOUSING	35	2
25-20081	"O" RING, LOWER END CAP	41	21	27-23013	GASKET, FUEL PUMP		
25-20081	"O" RING, UPPER END CAP	41	14		COVER	35	9
25-20116	GROMMET, CHOKE KNOB .	5	4	27-23013	GASKET, FUEL PUMP		
25-20116	GROMMET, CHOKE ROD . .	31	4		COVER	35	9
25-20116	GROMMET, CHOKE ROD . .	33	4	27-23013	GASKET, FUEL PUMP		
25-20415	"O" RING, ADAPTOR STEM .	37	22		COVER	35	9
25-20812	SEAL, RUBBER - WATER			27-23180	GASKET, IDLE TUBE	27	36
	PUMP CARTRIDGE	57	18	27-24863	GASKET, FUEL PUMP	35	6

PARTS INDEX

Part Number	Description	Pg.	Ref. No.	Part Number	Description	Pg.	Ref. No.
27-24863	GASKET, FUEL PUMP	35	6	30-24998	BEARING, BALL (DRIVE END)	19	4
27-25033	GASKET INLET SEAT	23	7	30-25728	BEARING, BALL - DRIVE SHAFT	57	3
27-25033	GASKET, INLET SEAT	27	7	31-20790	BEARING, ROLLER - PROPELLER AND DRIVE SHAFT	61	-
27-25724	GASKET, MAGNETO COVER	21	33	31-20904	BEARING, ROLLER	57	23
27-25725	GASKET, END CAP COVER	21	38	31-20904	BEARING, ROLLER - PROPELLER SHAFT	57	-
27-25848	GASKET, STRAINER COVER SCREW	23	27	31-20908	BEARING, ROLLER - DRIVE SHAFT	57	-
27-25848	GASKET, STRAINER COVER SCREW	27	29	31-22640	BEARING, ROLLER	61	23
27-25849	GASKET, STRAINER COVER (SMALL)	23	25	32-22331A2	FUEL LINE PICK UP ASSEMBLY	3	13
27-25849	GASKET, STRAINER COVER (SMALL)	27	27	32-23732	FUEL LINE, LOWER PUMP TO UPPER PUMP (8 3/4")	35	--
27-25851	GASKET, STRAINER COVER (LARGE)	23	24	32-23761	FUEL LINE, ADAPTOR TO FUEL PUMP (18")	37	16
27-25851	GASKET, STRAINER COVER (LARGE)	27	26	32-23762	FUEL LINE, FILTER OUTLET TO UPPER CARBURETOR (11 1/2")	39	--
27-25935	GASKET SET(MOTOR OVERHAUL) MARK 30H & 30H-1	1	--	32-23837	FUEL LINE, FUEL PUMP TO FILTER (18 1/2")	37	19
27-26891	GASKET, CARBURETOR FLANGE SEE NOTE NO 2 BELOW	29	38	32-25228	FUEL LINE, CARBURETOR TO CARBURETOR (5 1/2")	39	42
27-26923	GASKET, CYLINDER BLOCK TO MANIFOLD PLATE	43	27	32-25228	FUEL LINE, FILTER TO FILTER (5 1/2")	37	42
27-26923	GASKET, MANIFOLD PLATE TO COVER	43	27	32-25450	FUEL LINE, UPPER PUMP TO LOWER FILTER (19 1/2")	37	--
27-27936	GASKET, TRANSFER PORT COVER	43	31	32-25687	TUBE, WATER INLET	53	8
27-28409	GASKET, MAIN FUEL ORIFICE	27	18	32-25777	TUBE, WATER INLET	53	8
27-29166	GASKET, MAGNETO COVER	21	33	32-26330	TUBE, VENT - MAGNETO OUTLET (11")	47	5
27-29369	GASKET SET(MOTOR OVERHAUL) MARK 55H	1	--	32-26338	TUBE, VENT - MAGNETO INLET (8 3/4")	47	4
28-20094	KEY, FLYWHEEL DRIVE (1/2" DIA X 1/8" THICK)	11	-	32-29164	TUBE, VENT - MAGNETO (10 1/2")	47	4
28-20661	KEY, FLYWHEEL DRIVE (3/4" DIA X 3/16 THICK)	11	-	33-20982	SPARK PLUG	13	26
28-28657	KEY, MAGNETO DRIVING	13	22	34-20053	REED STOP, MAIN BEARING REED VALVES	45	11
29-20046	BEARING, NEEDLE	45	5	34-20888	REED SET, MATCHED - MAIN BEARING	45	10
29-20046	BEARING, NEEDLE - CRANKPIN	45	21	35-20555	ELEMENT, FILTER	37	30
29-20063	BEARING, NEEDLE - PISTON PIN	45	22	35-20555A2	FUEL FILTER ASSEMBLY	37	--
30-20080	BEARING, BALL - LOWER END CAP	41	20	36-22222A2	FILLER CAP ASSEMBLY	3	5
30-20080	BEARING, BALL - UPPER END CAP	41	13	37-25554	DECAL SET, TOP COWL	5	5
30-20938	BEARING, BALL - PROPELLER SHAFT	57	13	37-25554A1	DECAL SET MARK 30H	1	--
30-21776	BEARING, BALL - DRIVE SHAFT	61	3	37-25615	DECAL SET, TOP COWL	5	5
30-21889	BEARING, BALL - PROPELLER SHAFT	61	13	37-25615A1	DECAL SET MARK 55H	1	--
30-24997	BEARING, BALL (OPPOSITE DRIVE END)	19	6	37-28433	DECAL SET MARK 30H-1	1	--
30-24997	BEARING, BALL - ROTOR (OPP. DRIVE END)	15	5	37-28433	DECAL SET, TOP COWL	5	5
30-24998	BEARING, BALL (DRIVE END)	15	3	37-28698	DECAL, FUEL TANK	3	4
				37-28988	DECAL SET, TOP COWL (COLORED ENGINES)	5	5
				37-28988A1	DECAL SET MARK 55H-1 (COLORED MOTORS)	1	--
				37-28989	DECAL SET, TOP COWL (WHITE ENGINES)	5	5

PARTS INDEX

Part Number	Description	Pg.	Ref. No.	Part Number	Description	Pg.	Ref. No.
37-28989A1	DECAL SET MARK 55H-1(WHITE MOTORS)	1	--	90-26155	MARK 30H AND MARK 55H PARTS LIST, COMPLETE	1	--
38-25684	SERIAL PLATE	51	34	92-25143--1	DECAL SOLUTION (PINT BOTTLE)	1	--
38-25757	SERIAL PLATE	51	34	101-1266A2	TOP COWL ASSEMBLY (DOES NOT INCLUDE DECALS)	5	1
38-27720	PLATE, TRADE MARK - BOTTOM COWL	49	--	103-1140A1	BOTTOM COWL ASSEMBLY	47	1
39-20058	RING, PISTON	45	17	107-1015A1	COWL WRAP AROUND ASSEMBLY	9	10
39-20993	RINGS, PISTON (.015 O.S.) .	45	--	155-1028A2	COWL FRONT COVER ASSEMBLY	9	2
39-20993	RINGS, PISTON (.015 O.S.) .	45	--	155-1029A2	COWL FRONT COVER ASSEMBLY (SEE NOTE (1) BELOW)	9	1
39-21680	RING, PISTON	45	17	155-1029A3	COWL FRONT COVER ASSEMBLY	9	-
40-20057	LOCK RING, PISTON PIN . .	45	16	175-1610A2	COWL FRONT COVER ASSEMBLY	9	-
43-25693A1	GEAR ASSEMBLY, PINION AND PROPELLER	57	7&11	177-1600A2	TOP COWL ASSEMBLY (DOES NOT INCLUDE DECALS)	5	1
43-25736A1	GEAR ASSEMBLY, PINION AND PROPELLER	61	7&11	209-1093A2	FLYWHEEL ASSEMBLY (SMALL TAPER)	11	1
44-20923	SHAFT, PROPELLER	57	10	209-1491A2	FLYWHEEL ASSEMBLY (LARGE TAPER)	11	1
44-21897	SHAFT, PROPELLER	61	10	322-872	MAGNETO ASSEMBLY, COMPLETE (FM-XV4B70E)	13	1
45-24808A1	SHAFT ASSEMBLY, MAGNETO DRIVE	13	10	322-872	MAGNETO ASSEMBLY, COMPLETE (FM-XV4B70E)	15	-
45-25681	DRIVE SHAFT	61	2	394-1050	CLIP, COIL	15	18
45-25726	DRIVE SHAFT	57	2	394-1050	CLIP, COIL - HIGH TENSION	19	18
45-26812	SHAFT, MAGNETO DRIVE . .	13	10	394-1051	LOCKWIRE, COIL BRIDGE SET SCREW	15	-
46-20905A1	WATER PUMP COVER ASSEMBLY	57	22	394-1051	LOCKWIRE, COIL BRIDGE SET SCREW	19	3
46-20943A1	WATER PUMP CARTRIDGE ASSEMBLY	57	19	394-1052	WIRE, PRIMARY GROUND LEAD	19	9
46-21587A1	WATER PUMP COVER ASSEMBLY	61	22	394-1052	WIRE, PRIMARY GROUND SWITCH	15	11
46-21892A1	WATER PUMP CARTRIDGE ASSEMBLY	61	19	394-1053A1	WIRE ASSEMBLY, PRIMARY GROUND LEAD	19	9
47-20945	IMPELLER, WATER PUMP . .	57	20	394-1055	INSULATOR, PRIMARY GROUND TERMINAL	19	11
47-21893	IMPELLER, WATER PUMP . .	61	20	394-1056A1	BRUSH AND SPRING ASSEMBLY	21	41
50-20149	SHEAVE ASSEMBLY, STARTER	5	13	394-1057	COVER, MAGNETO	21	34
50-22791A1	STARTER CABLE ASSEMBLY	5	23	394-1065A1	LEAD ASSEMBLY, HIGH TENSION	21	40
50-28908	SHEAVE ASSEMBLY, STARTER	5	13	394-1065A1	LEAD, HIGH TENSION (DISTRIBUTOR)	17	36
50-28985A1	STARTER CABLE ASSEMBLY	5	23	394-1066	FRAME, MAGNETO HOUSING	19	1
53-20048	SNAP RING, OUTER RACE CLAMPING	45	7	394-1067	MAGNETIC ROTOR AND SHAFT	19	5
53-20940	RING, SNAP - BALL BEARING TO PROPELLER GEAR	57	15	394-1068	SUPPORT, BALL BEARING . .	19	7
53-21058	"E" RING, COWL LATCH HINGE PIN	9	13	394-1069A1	MAGNETO ASSEMBLY, COMPLETE (4D-1) SEE NOTE	19	-
53-21159	RING, SNAP - BALL BEARING TO PROPELLER GEAR	61	15				
53-22220	"E" RING, SPRING RETAINING	3	7				
53-25539	FASTENER, PLATE TO BOTTOM COWL	49	--				
54-20534	CLIP, HIGH TENSION LEAD TO CYLINDER BLOCK . . .	13	28				
54-25231	CLIP, NYLON CABLE TO MAGNETO	13	30				
54-25735	CLIP, SAFETY CHAIN	51	--				
54-28397	CLIP, STARTER SHEAVE . .	5	--				

PARTS INDEX

Part Number	Description	Pg.	Ref. No.	Part Number	Description	Pg.	Ref. No.
394-1069A2	MAGNETO ASSEMBLY, COMPLETE (4D-2)	19	-	700-1142A1	PISTON & PISTON PIN ASSEMBLY	45	14
394-1100A2	BREAKER ARM ASSEMBLY	15	23	708-1179A1	PISTON & PISTON PIN ASSEMBLY (.015 O.S.)	45	--
394-1100A2	BREAKER ASSEMBLY	19	21	716-1178A1	PISTON & PISTON PIN ASSEMBLY (.015 O.S.)	45	--
394-1106A1	HOLDER AND CAM WICK ASSEMBLY	19	30	717-1179A1	PISTON & PISTON PIN ASSEMBLY (.015 O.S.)	45	--
394-1108A1	MAGNETO ROTOR ASSEMBLY	21	36	717-1182A4	PISTON & PISTON PIN ASSEMBLY	45	14
394-1110	CLIP, SPRING	21	37	726-1611A4	PISTON & PISTON PIN ASSEMBLY	45	14
394-1128A1	COIL ASSEMBLY	19	17	726-1612A1	PISTON & PISTON PIN ASSEMBLY (.015 O.S.)	45	--
394-1130	CONDENSER	15	20	808-1137A2	CYLINDER BLOCK & CRANKCASE ASSEMBLY	41	1
394-1130	CONDENSER	19	31	808-1137A4	CYLINDER BLOCK & CRANKCASE ASSEMBLY	41	1
394-1131	NUT, COIL CLIP FASTENING	19	20	821-1012A6	CYLINDER BLOCK & CRANKCASE ASSEMBLY	41	1
394-1134A1	GROUND STRAP ASSEMBLY, MAGNETO	13	32	821-1316A4	CYLINDER BLOCK & CRANKCASE ASSEMBLY	41	1
394-1163	GROMMET, PLASTIC - BREAKER BRACKET	19	22	1000-1A1	CYLINDER BLOCK COVER ASSEMBLY	43	35
394-1561A1	END CAP COVER ASSEMBLY	21	39	1100-339A1	END CAP ASSEMBLY, UPPER	41	12
394-1570	FRAME, MAGNETO HOUSING	19	1	1102-1484A1	END CAP ASSEMBLY, LOWER	41	19
394-1577	COVER, MAGNETO	21	34	1102-1484A2	END CAP ASSEMBLY, LOWER	41	19
394-1579	INSULATOR, PRIMARY GROUND TERMINAL	19	11	1102-24A3	END CAP ASSEMBLY, LOWER	41	19
397-1006	COVER, END CAP	17	37	1203-335A2	FUEL TANK AND CAP ASSEMBLY	3	-
397-355	CAM WICK AND HOLDER	15	22	1203-335A6	FUEL TANK ASSEMBLY	3	1
397-360	BRUSH AND SPRING, COIL LEAD	17	35	1301-1143	CARBURETOR ASSEMBLY (CARTER)	31	1
397-371	INSULATOR, PRIMARY GROUND TERMINAL	15	12	1301-1143	CARBURETOR ASSEMBLY (CARTER) SEE NOTE BELOW	25	1
397-416A3	GROUND STRAP ASSEMBLY, COWL TO CYLINDER BLOCK	47	33	1327-1118	CARBURETOR ASSEMBLY (TILLOTSON AJ-51A)	23	1
397-429	END CAP	15	29	1327-1118	CARBURETOR ASSEMBLY (TILLOTSON AJ-51A)	33	1
397-430	COIL, IGNITION	15	17	1333-1609	CARBURETOR ASSEMBLY (TILLOTSON KA-7A)	33	1
397-903	FRAME	15	1	1333-1609	CARBURETOR ASSEMBLY, COMPLETE (TILLOTSON KA-7A)	27	1
397-907	MAGNETIC ROTOR AND SHAFT	15	4	1398-1168	THROTTLE SHAFT & LEVER ASSEMBLY (NOT AS SHOWN)	25	26
397-913	ROTOR, DISTRIBUTOR	15	32	1398-1169	NOZZLE, FUEL DISCHARGE	25	7
397-918	SUPPORT, BEARING	15	6	1398-1170	CHOKE LEVER & SHAFT ASSEMBLY (NOT AS SHOWN)	25	21
400-1318	CRANKSHAFT (USE 28-20094 KEY)	45	1	1398-1171	NUT, FLOAT BOWL COVER	25	17
400-1319	CRANKSHAFT (USE 28-20094 KEY)	45	1	1398-1172	FLOAT & LEVER ASSEMBLY	25	8
400-1395A1	CRANKSHAFT ASSEMBLY (WITH 28-27773 KEY)	45	1	1398-1173	PIN, FLOAT LEVER	25	10
400-1396A1	CRANKSHAFT ASSEMBLY (WITH 28-27773 KEY)	45	1	1398-1174	INLET NEEDLE & SEAT	25	19
500-1030A1	CENTER MAIN BEARING ASSEMBLY	45	3				
500-12A2	CENTER MAIN BEARING ASSEMBLY	45	3				
501-1144A2	MAIN BEARING ASSEMBLY (VALVE TYPE)	45	8				
501-431A2	MAIN BEARING ASSEMBLY (VALVE TYPE)	45	8				
526-1436A1	MAIN BEARING ASSEMBLY (VALVE TYPE)	45	8				
600-7A1	CONNECTING ROD & CAP ASESEMBLY	45	18				

PARTS INDEX

Part Number	Description	Pg.	Ref. No.	Part Number	Description	Pg.	Ref. No.
1398-1175	SCREW, IDLE ADJUSTMENT	25	3	1399-960	TUBE, BY-PASS	23	31
1398-1176	SCREW, MAIN ADJUSTMENT	25	16	1399-97	LEVER, THROTTLE STOP . .	23	9
1398-157	SHUTTER, THROTTLE	25	23	1399-97	LEVER, THROTTLE STOP . .	27	9
1398-159	SHUTTER, CHOKE	25	4	1399-99	GASKET, FLOAT BOWL		
1398-163	GASKET, INLET NEEDLE AND SEAT	25	20	1399-99	COVER	23	19
1398-164	GASKET, PACKING NUT . . .	25	--		GASKET, FLOAT BOWL		
1398-165	GASKET, FLOAT BOWL NUT	25	18	1401-1095A1	COVER	27	21
1398-165	GASKET, MAIN ADJUSTMENT SCREW				SWIVEL BRACKET		
	GLAND	25	12	1427-1081A1	ASSEMBLY	51	6
1398-167	COVER, FLOAT BOWL	25	11		CLAMP BRACKET		
1398-168	GASKET, BOWL RING	25	6	1505-1091A1	ASSEMBLY	51	1
1398-172	SCREW, CHOKE SHUTTER FASTENING	25	5	1505-1115A1	DRIVE SHAFT HOUSING		
1398-172	SCREW, THROTTLE SHUTTER FASTENING . .	25	24		ASSEMBLY	53	1
1398-180	BALL, CHOKE SHAFT	25	--	1603-1148A1	DRIVE SHAFT HOUSING		
1398-183	PACKING, MAIN ADJUSTMENT SCREW . .	25	14	1603-1148A2	ASSEMBLY	53	1
1398-278	GLAND, MAIN ADJUSTMENT SCREW	25	13	1603-1148A1	GEAR HOUSING ASSEMBLY	61	1
1399-101	LEVER, FLOAT (UPPER) . . .	23	5	1603-1148A2	GEAR HOUSING ASSEMBLY, COMPLETE	61	-
1399-101	LEVER, FLOAT (UPPER) . . .	27	5	1604-1116A1	GEAR HOUSING ASSEMBLY, COMPLETE	57	-
1399-102	LEVER, FLOAT (LOWER) . . .	23	4	1604-1116A2	GEAR HOUSING ASSEMBLY	57	1
1399-102	LEVER, FLOAT (LOWER) . . .	27	4				
1399-1036	SHUTTER, THROTTLE	23	30				
1399-108	PACKING, MAIN ADJUSTMENT SCREW . .	23	14				
1399-108	PACKING, MAIN ADJUSTMENT SCREW . .	27	14				
1399-110A1	FLOAT ASSEMBLY	23	2				
1399-110A1	FLOAT ASSEMBLY	27	2				
1399-1133	COVER, FLOAT BOWL	23	20				
1399-1133	COVER, FLOAT BOWL	27	22				
1399-1135	COVER, STRAINER	23	26				
1399-1135	COVER, STRAINER	27	28				
1399-1136	ELEMENT, FILTER	23	21				
1399-1138	INLET NEEDLE, SEAT & GASKET	23	6				
1399-1145	GASKET & PACKING SET . .	23	--				
1399-1146	REPAIR PARTS KIT	23	--				
1399-1472	TUBE, IDLE	27	35				
1399-1473	INLET NEEDLE, SEAT AND GASKET (SEE NOTE BELOW)	27	6				
1399-1474	NOZZLE, MAIN	27	31				
1399-1475	SHAFT, THROTTLE	27	10				
1399-1476	SHUTTER, THROTTLE	27	34				
1399-1519	SCREW, MAIN ADJUSTMENT	27	16				
1399-1520	ORIFICE, MAIN FUEL	27	17				
1399-1629	SCREW, IDLE ADJUSTMENT	27	20				
1399-1754	SCREEN, FILTER - NOT AS SHOWN	27	23				
1399-931	SCREW, IDLE ADJUSTMENT	23	18				
1399-932	SCREW, MAIN ADJUSTMENT	23	16				
1399-933	SHAFT, THROTTLE	23	10				
1399-94	GLAND, MAIN ADJUSTMENT SCREW	23	13				