



PARTS CATALOG

1A-1B-1C

STERN DRIVES

SERIAL NUMBER

1A/1B/1C 1964 1684188 THRU 1777798

TABLE OF CONTENTS:

DRIVE SHAFT HOUSING ASSEMBLY AND BELL HOUSING ASSEMBLY	14
DRIVE SHAFT HOUSING ASSEMBLY AND GEAR ASSEMBLY	18
GEAR HOUSING ASSEMBLY, COMPLETE (PAGE 1)	22
GEAR HOUSING ASSEMBLY, COMPLETE (PAGE 2)	26
GIMBAL HOUSING ASSEMBLY AND EXHAUST HOSE	6
GIMBAL RING ASSEMBLY AND STEERING LEVER	10
MERCUISER IA, IB AND IC WITH FULL POWER TILT PARTS LIST	28
PARTS INDEX	30
TRANSOM PLATE AND SHIFT CABLE	2

NOTE: *Indented description indicate that these parts are included in preceding assembly.*

AR = As Required

NSS = Not Sold Separate

OPT = Optional

NS = Not Shown

THESE PARTS BOOKS/FICHE CARD ARE COPYRIGHTED AND MAY NOT BE DISTRIBUTED OR REPRODUCED IN ANY OTHER FORMAT BY ANYONE OTHER THAN MERCURY MARINE WITHOUT THE PRIOR WRITTEN CONSENT OF MERCURY MARINE.

REPLACEMENT PARTS ! WARNING !

Electrical, ignition and fuel system components on MerCruiser Engines and Stern Drives are designed and manufactured to comply with U.S. Coast Guard Rules and Regulations to minimize risks of fire or explosion. Use of replacement electrical, ignition or fuel system components, which do not comply to these rules and regulations, could result in a fire or explosion hazard and should be voided.

When servicing the electrical, ignition and fuel systems, it is extremely important that all components are properly installed and tightened. If not, any electrical or ignition component opening would permit sparks to ignite fuel vapors from fuel system leaks, if they existed.

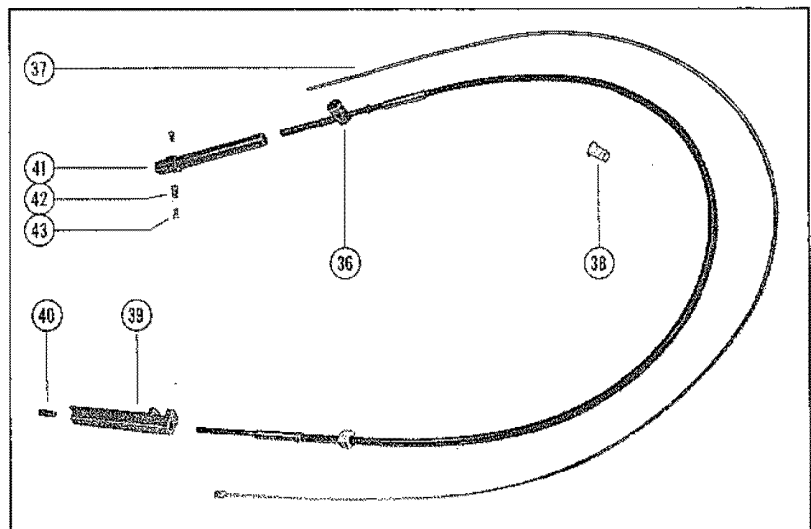
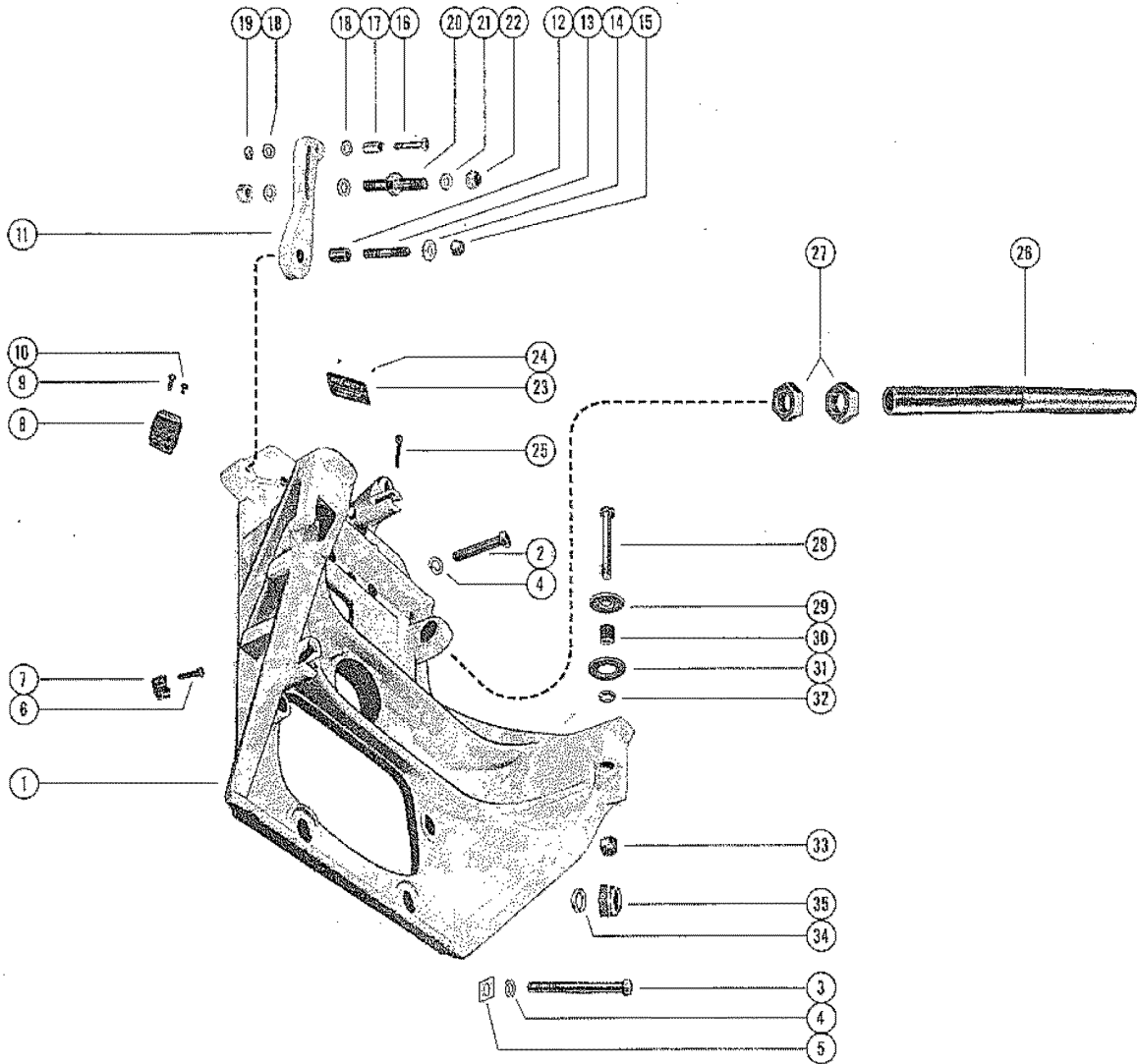
ENGINE MECHANICAL COMPONENTS

Many of the engine mechanical components are designed for marine applications. Unlike automotive engines, marine engines are subjected to extended periods of heavy load and wide- open-throttle operation, therefore, require heavy-duty components. Special marine engine parts have design and manufacturing specifications, which are required to provide long life and dependable performance. Marine engine parts also must be able to resist the corrosive action of salt or brackish water that will rust or corrode standard automotive parts within a short period of time.

Failure to use recommended Mercury Precision Parts OR Quicksilver service replacement parts can result in poor engine performance and/or durability, rapid corrosion of parts subjected to salt water and possibly complete failure of the engine.

Use of parts other than recommended service replacement parts will void the warranty on those parts which are damaged as a result of the use of other than recommended parts.

TRANSOM PLATE AND SHIFT CABLE

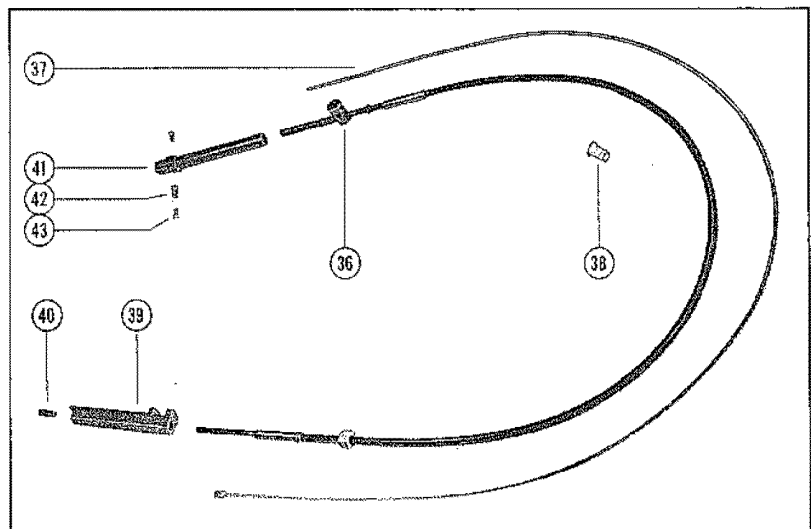
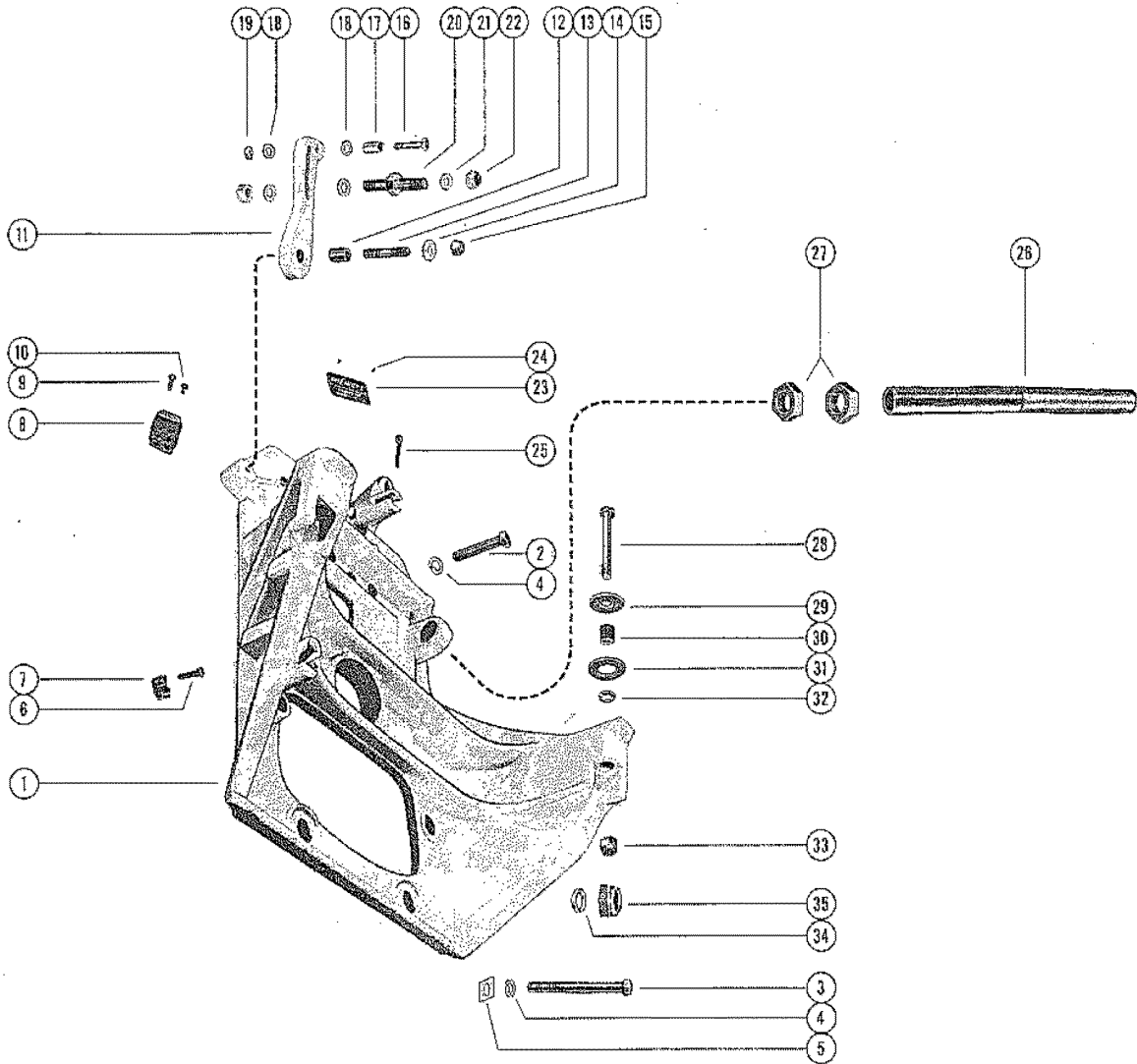


TRANSOM PLATE AND SHIFT CABLE

REF. NO.	PART NO.	SYM.	QTY.	DESCRIPTION
1	35186		1	PLATE, TRANSOM EARLY STYLE
2	10-32695		2	SCREW, TRANSOM PLATE TO GIMBAL HOUSING (2 1/4") EARLY STYLE
3	10-32529		2	SCREW, TRANSOM PLATE TO GIMBAL HOUSING (4 3/16") EARLY STYLE
4	12-22248		4	WASHER, TRANSOM PLATE SCREW EARLY STYLE
1	37278		1	PLATE, TRANSOM LATE STYLE
2	10-37269		2*	SCREW, TRANSOM PLATE TO GIMBAL HOUSING (2") LATE STYLE
3	10-37268		2*	SCREW, TRANSOM PLATE TO GIMBAL HOUSING (4 1/4") LATE STYLE
4	13-37272		4*	LOCKWASHER, TRANSOM PLATE SCREW LATE STYLE
5	12-37271		2*	WASHER, SQUARE - TRANSOM PLATE SCREW (LOWER) LATE STYLE
6	10-26668		1	SCREW, SHIFT ACTUATING CABLE CLAMN TO TRANSOM PLATE
7	54-34050		1	CLAMP, SHIFT ACTUATING CABLE TO TRANSOM PLATE
8	30212		1	TERMINAL BLOCK, TRANSOM PLATE NOT AS SHOWN
9	10-33152		2	SCREW, TERMINAL BLOCK TO TRANSOM PLATE
10	10-30663		2	SCREW, TILT STOP SWITCH LEADS TO TERMINAL BLOCK
11	32585		1	LEVER, SHIFT CONTROL - TRANSOM PLATE
12	23-31758		1	SPACER, SHIFT CONTROL LEVER STUD
13	16-32698		1	STUD, SHIFT CONTROL LEVER TO TRANSOM PLATE
14	12-26825		2	WASHER, SHIFT CONTROL LEVER STUD
15	11-21528		1	NUT, SHIFT CONTROL LEVER TO TRANSOM PLATE STUD
16	10-22659		1	SCREW, SHIFT CABLE ASSEMBLY TO SHIFT CONTROL LEVER
17	23-31866		1	SPACER, SHIFT CABLE ASSEMBLY SCREW
18	12-31760		2	WASHER, SHIFT CABLE ASSEMBLY SCREW
19	11-20361		1	NUT, SHIFT CABLE ASSEMBLY TO SHIFT CONTROL LEVER SCREW
20	16-34069		1	STUD, SHIFT ACTUATING CABLE TO SHIFT CONTROL LEVER
21	12-31760		0	WASHER, SHIFT ACTUATING CABLE STUD 3
22	11-20361		2	NUT, SHIFT ACTUATING CABLE TO SHIFT CONTROL LEVER
23	38-32738		1	NAME PLATE, TRANSOM PLATE
24	10-22290		2	SCREW, DRIVE - NAME PLATE TO TRANSOM PLATE
25	18-32857		1	COTTER PIN, SHIFT ACTUATING CABLE TO TRANSOM PLATE
26	32-35015		1	TUBE, STEERING CABLE GUIDE (7/8" OD)
27	11-35222		2	NUT, JAM - STEERING CABLE GUIDE TUBE
28	10-36289		2	SCREW, TRANSOM PLATE TO ENGINE FLYWHEEL HOUSING (4 3/4")
29	12-28421		2	WASHER, TRANSOM PLATE SCREW
30	23-36290		2	SPACER, TRANSOM PLATE SCREW
31	12-32834		2	WASHER, TRANSOM PLATE SCREW
32	13-33734		2	LOCKWASHER, TRANSOM PLATE SCREW

CONTINUED ON NEXT PAGE ➡

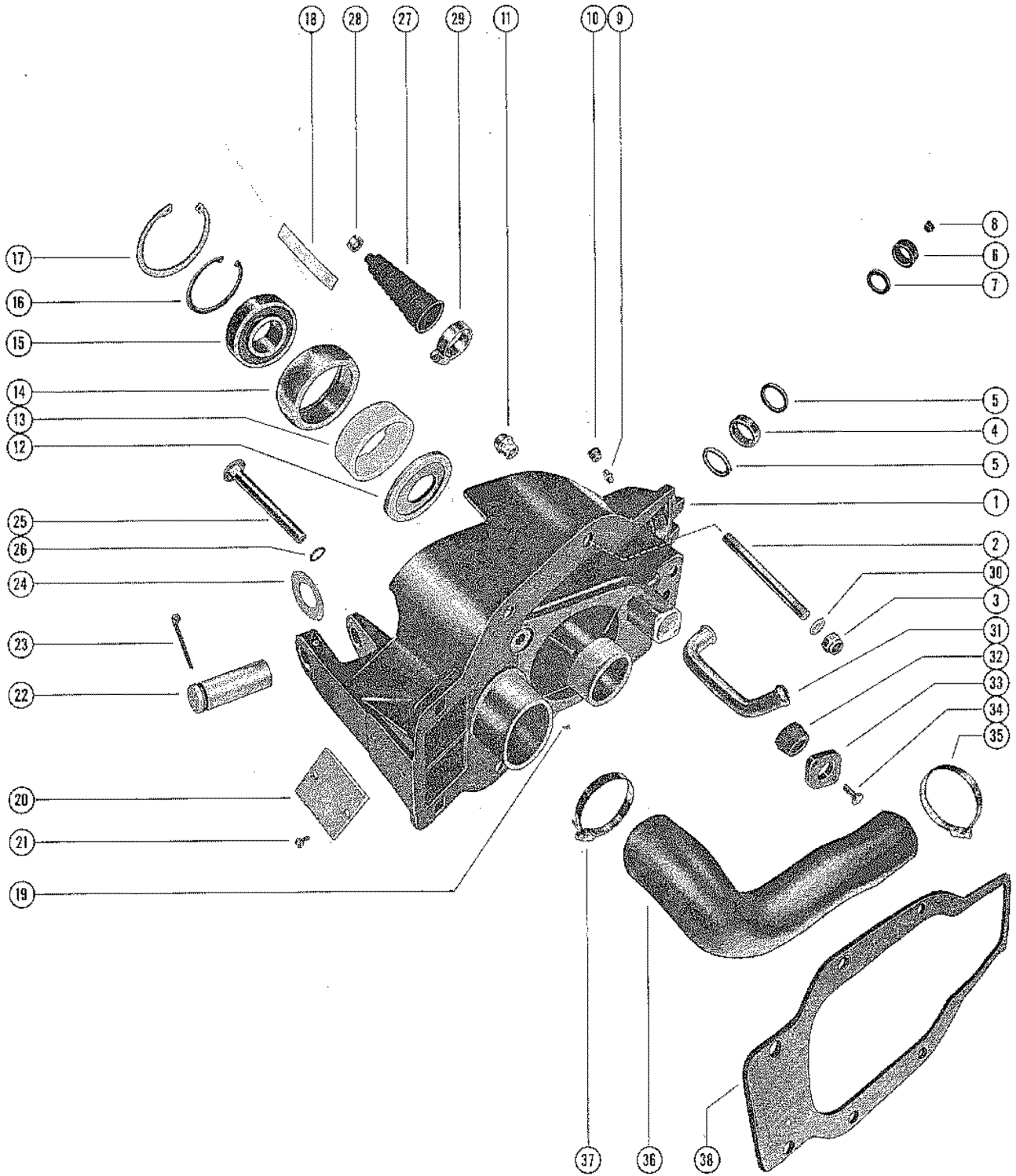
TRANSOM PLATE AND SHIFT CABLE



TRANSOM PLATE AND SHIFT CABLE

REF. NO.	PART NO.	SYM.	QTY.	DESCRIPTION
33	11-20220		2	NUT, TRANSOM PLATE TO ENGINE FLYWHEEL HOUSING SCREW
34	12-21900		2	WASHER, GIMBAL HOUSING TO TRANSOM PLATE BOLT
35	11-34087		2	NUT, GIMBAL HOUSING TO TRANSOM PLATE BOLT
36	35187A2		1	CABLE ASSEMBLY, SHIFT ACTUATING
37	37611A1		1	CORE WIRE AND ANCHOR ASSEMBLY, INNER SHIFT CABLE
38	32-34049		1	TUBE, NYLON - SHIFT ACTUATING CABLE GUIDE
39	33981		1	SLIDE, SHIFT ACTUATING CALBE
40	10-31700		1	SCREW, SET - SHIFT ACTUATING CABLE TO SLIDE
41	29880		1	GUIDE, SHIFT ACTUATING CABLE END
42	20007		1	ANCHOR, SHIFT ACTUATING CABLE END GUIDE
43	10-20518		2	SCREW, SET - ANCHOR TO SHIFT ACTUATING CABLE END GUIDE
-	91-32555		1	ROD, ALIGNMENT - TRANSOM PLATE TO ENGINE

GIMBAL HOUSING ASSEMBLY AND EXHAUST HOSE

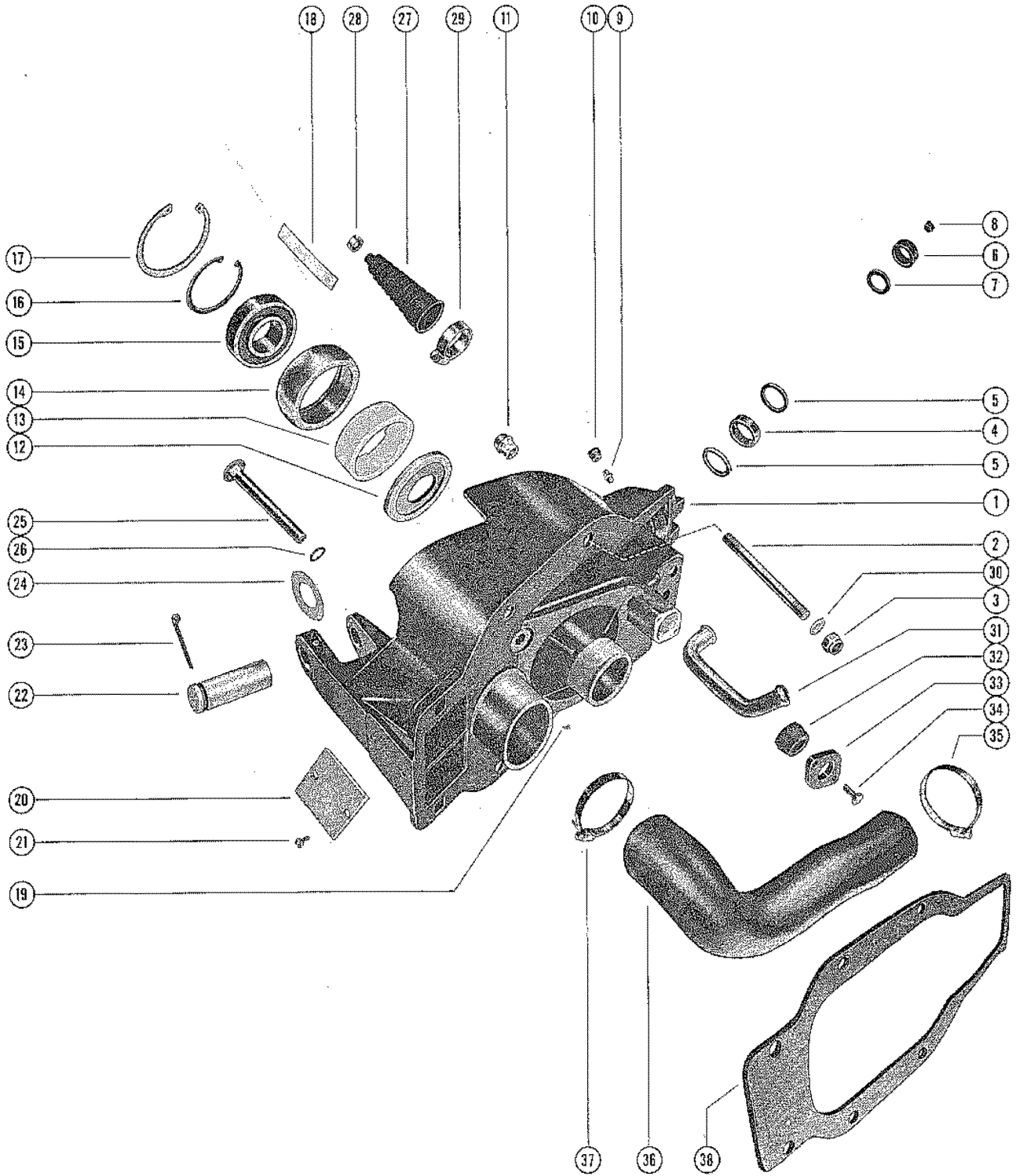


GIMBAL HOUSING ASSEMBLY AND EXHAUST HOSE

REF. NO.	PART NO.	SYM.	QTY.	DESCRIPTION
1	35971A5		1	GIMBAL HOUSING ASSEMBLY (USE WITHOUT FULL POWER TILT) SEE NOTE EARLY STYLE
	36083A4		1	GIMBAL HOUSING ASSEMBLY (USE WITH FULL POWER TILT) SEE NOTE EARLY STYLE
2	16-36451		2	STUD, GIMBAL HOUSING TO TRANSOM PLATE (7/16-20 X 4 5/8") EARLY STYLE
3	11-34933		2	NUT, GIMBAL HOUSING STUD EARLY STYLE
4	31-32536		1	BEARING, ROLLER - GIMBAL HOUSING (LOWER) EARLY STYLE
5	26-32911		2	OIL SEAL, LOWER GIMBAL HOUSING ROLLER BEARING EARLY STYLE
6	31-32535		1	BEARING, ROLLER - GIMBAL HOUSING (UPPER) EARLY STYLE
7	26-32540		1	OIL SEAL, UPPER GIMBAL HOUSING ROLLER BEARING EARLY STYLE
8	22-21290		1	PLUG, PIPE - GIMBAL HOUSING EARLY STYLE
9	22-31345		1	FITTING, GREASE - GIMBAL HOUSING EARLY STYLE
10	29359		1	LUBRICAP, GIMBAL HOUSING GREASE FITTING EARLY STYLE
11	11-32522		6	NUT, SPLINED - TRANSOM PLATE TO GIMBAL HOUSING SCREW EARLY STYLE
12	26-36143		1	SEAL, GREASE-GIMBAL HOUSING EARLY STYLE
13	23-35130		1	ADAPTROR, BEARING CARRIER EARLY STYLE
14	36147		1	CARRIER, BEARING - GIMBAL HOUSING BALL BEARING EARLY STYLE
15	30-36056		1	BEARING, BALL - GIMBAL HOUSING EARLY STYLE
16	53-35129		1	RING, RETAINING - BALL BEARING (SMALL) EARLY STYLE
17	53-35128		1	RING, RETAINING - BEARING CARRIER (LARGE) EARLY STYLE
18	15-35244A1		AR	SHIM, GIMBAL HOUSING BALL BEARING EARLY STYLE
19	10-25612		10	SCREW, DRIVE - GIMBAL HOUSING EXHAUST FLANGE EARLY STYLE
1	37279A5		1	GIMBAL HOUSING ASSEMBLY (USE WITHOUT FULL POWER TILT) LATE STYLE
	37283A9		1	GIMBAL HOUSING ASSEMBLY (USE WITH FULL POWER TILT) LATE STYLE
2	16-37270		2	STUD, GIMBAL HOUSING TO TRANSOM PLATE (7/16-14 X 4 3/4") LATE STYLE
3	11-34933		2	NUT, GIMBAL HOUSING STUD LATE STYLE
4	31-32536		1	BEARING, ROLLER - GIMBAL HOUSING (LOWER) LATE STYLE
5	26-32911		2	OIL SEAL, LOWER GIMBAL HOUSING ROLLER BEARING LATE STYLE
6	31-32535		1	BEARING, ROLLER - GIMBAL HOUSING (UPPER) LATE STYLE
7	26-32540		1	OIL SEAL, UPPER GIMBAL HOUSING ROLLER BEARING LATE STYLE
8	22-21290		1	PLUG, PIPE - GIMBAL HOUSING LATE STYLE

CONTINUED ON NEXT PAGE ➡

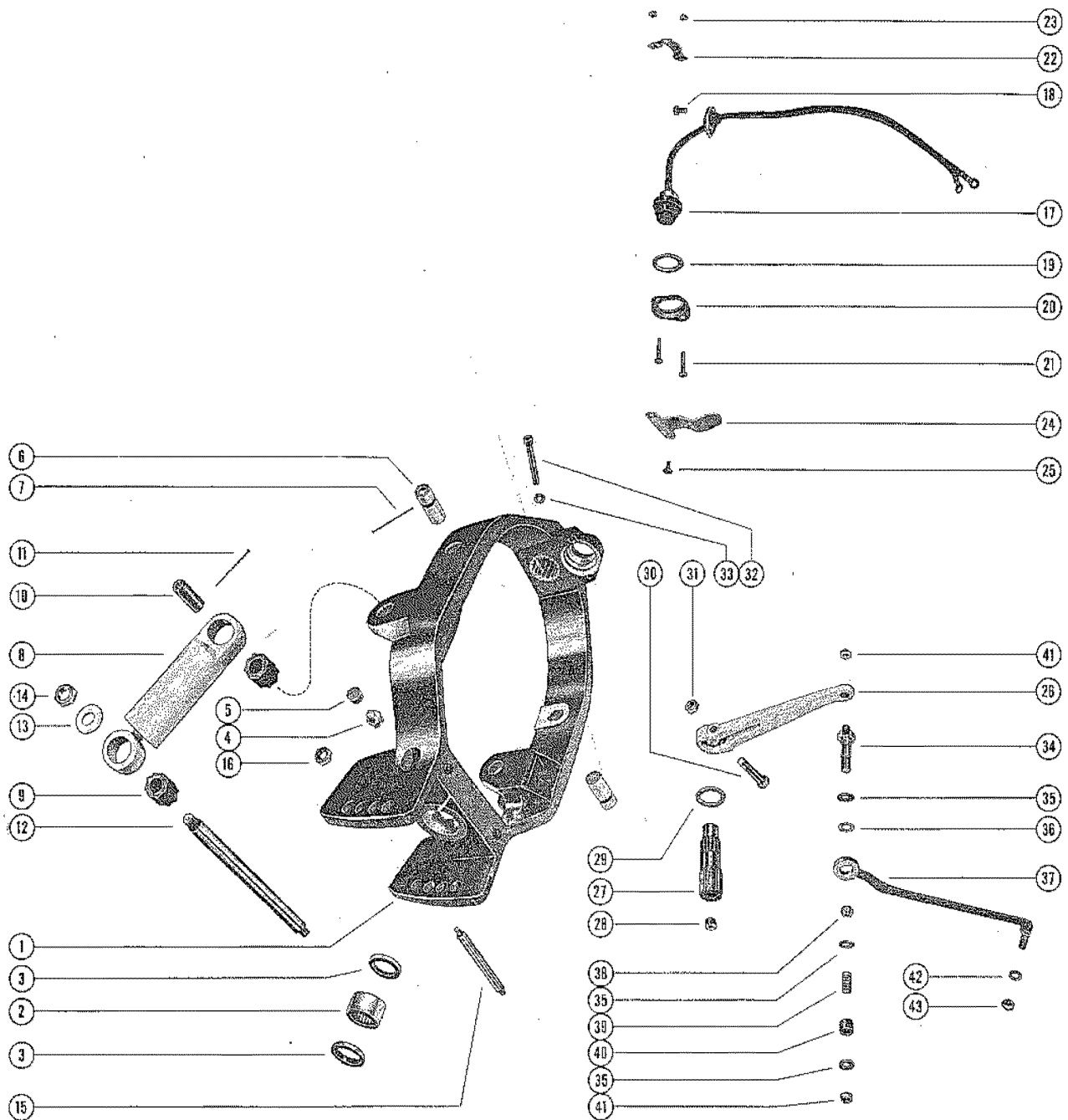
GIMBAL HOUSING ASSEMBLY AND EXHAUST HOSE



GIMBAL HOUSING ASSEMBLY AND EXHAUST HOSE

REF. NO.	PART NO.	SYM.	QTY.	DESCRIPTION
9	22-31345		1	FITTING, GREASE - GIMBAL HOUSING LATE STYLE
10	29359		1	LUBRICAP, GIMBAL HOUSING GREASE FITTING LATE STYLE
12	26-36143		1	SEAL, GREASE - GIMBAL HOUSING LATE STYLE
13	23-35130		1	ADAPTOR, BEARING CARRIER LATE STYLE
15	30-36418		1	BEARING, BALL - GIMBAL HOUSING LATE STYLE
17	53-35128		1	RING, RETAINING - BEARING CARRIER (LARGE) LATE STYLE
18	15-35244A1		AR	SHIM, GIMBAL HOUSING BALL BEARING LATE STYLE
19	10-25612		10	SCREW, DRIVE - GIMBAL HOUSING EXHAUST FLANGE LATE STYLE
20	34762A1		1	PLATE ASSEMBLY, INHIBITOR - GIMBAL HOUSING
21	10-34763		2	SCREW, INHIBITOR PLATE TO GIMBAL HOUSING
22	17-32508		1	PIN, SWIVEL - GIMBAL HOUSING TO GIMBAL RING (LOWER)
23	18-34159		1	COTTER PIN, RETAINING - LOWER SWIVEL PIN
24	12-32518		1	WASHER, GIMBAL HOUSING TO GIMBAL RING LOWER SWIVEL PIN
25	10-35624		2	BOLT, GIMBAL HOUSING TO TRANSOM PLATE (4")
26	12-32620		2	WASHER, GIMBAL HOUSING BOLT
27	31659		1	BELLOWS, SHIFT ACTUATING CABLE COVERING
28	54-20386		1	CLAMP, ACTUATING CABLE BELLOWS TO SHIFT ACTUATING CABLE
29	54-31766		1	CLAMP, SHIFT ACTUATING CABLE BELLOWS TO GIMBAL HOUSING
30	12-22248		2	WASHER, GIMBAL HOUSING STUD PART OF B-37283A9 GIMBAL HOUSING ASSEMBLY
31	32-32631		1	TUBE, WATER - GIMBAL HOUSING
32	23-28055		1	BUSHING, RUBBER - WATER TUBE SEALING
33	32517		1	COVER, WATER TUBE SEALING BUSHING - GIMBAL HOUSING
34	10-28635		2	SCREW, WATER TUBE SEALING COVER TO GIMBAL HOUSING
35	54-32739		2	CLAMP, EXHAUST HOSE TO ENGINE
36	32-32787		1	HOSE, EXHAUST - GIMBAL HOUSING
37	54-32739		2	CLAMP, EXHAUST HOSE TO GIMBAL HOUSING
38	27-32658		1	GASKET, GIMBAL HOUSING TO TRANSOM
-	9233749		1	SEALER, EXHAUST HOSE TO GIMBAL HOUSING

GIMBAL RING ASSEMBLY AND STEERING LEVER

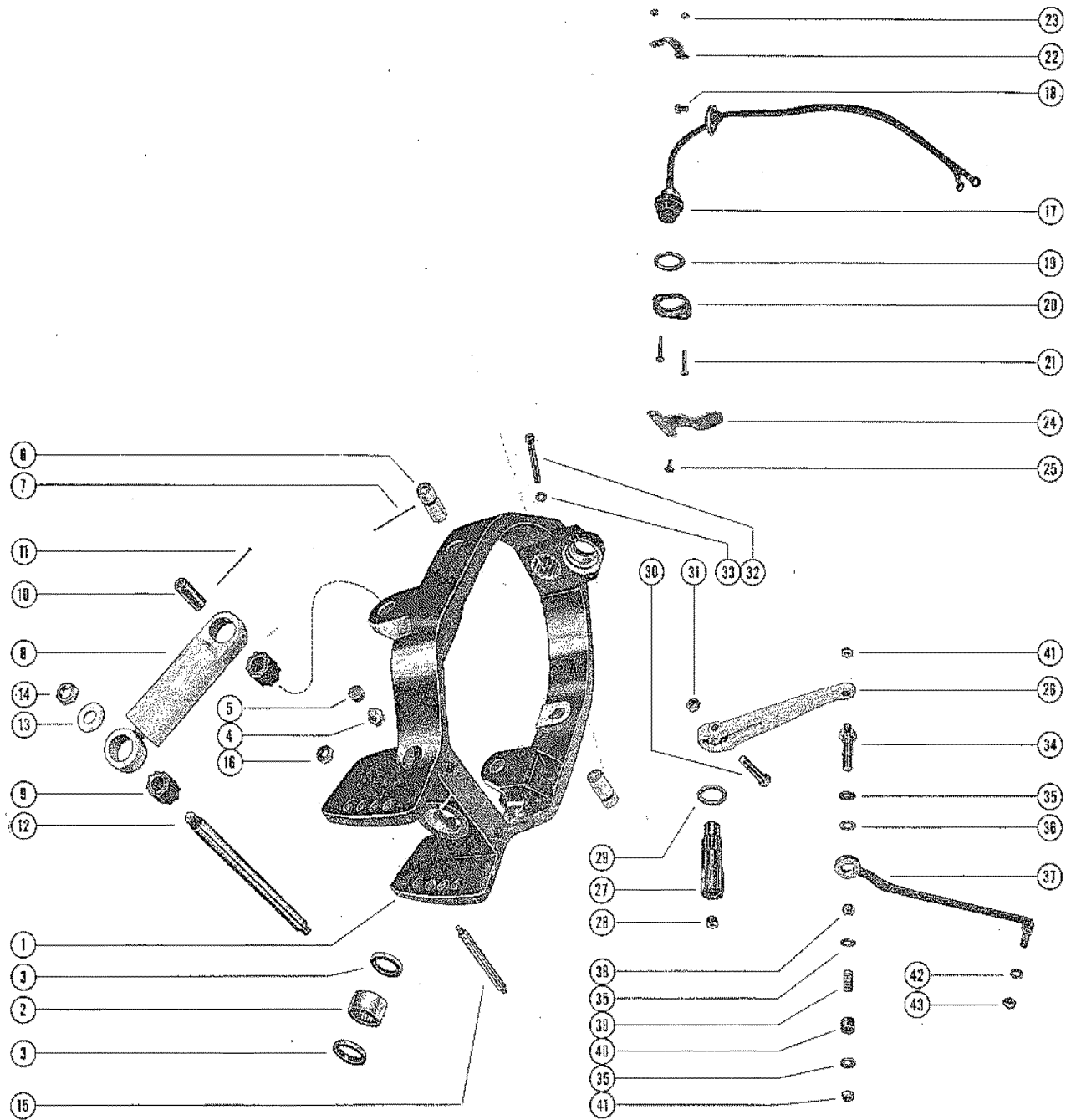


GIMBAL RING ASSEMBLY AND STEERING LEVER

REF. NO.	PART NO.	SYM.	QTY.	DESCRIPTION
1	34285A2		1	GIMBAL RING ASSEMBLY
2	31-32538		1	BEARING, ROLLER - GIMBAL RING
3	26-32541		2	OIL SEAL, GIMBAL RING
4	22-23612		1	FITTING, GREASE-GIMBAL RING
5	29359		1	LUBRICAP, GIMBAL RING GREASE FITTING
6	17-36179		2	PIN, HINGE - GIMBAL RING TO BELL HOUSING
7	17-35571		2	PIN, HINGE PIN RETAINING - GIMBAL RING
8	55-35998		2	SHOCK ABSORBER
9	23-32848		4	BUSHING, RUBBER - SHOCK ABSORBER
10	55-32607		2	PIN, SHOCK ABSORBER TO GIMBAL RING
11	17-35571		2	PIN, SHOCK ABSORBER PIN RETAINING- GIMBAL RING
12	17-35779A1		1	PIN ASSEMBLY, SHOCK ABSORBER TO DRIVE SHAFT HOUSING
13	12-35777		2	WASHER, SHOCK ABSORBER TO DRIVE SHAFT HOUSING PIN
14	11-35778		2	NUT, SHOCK ABSORBER TO DRIVE SHAFT HOUSING PIN
15	17-35813A1		1	TILT PIN ASSEMBLY, GIMBAL RING NOT USED WITH FULL POWER TILT
16	11-35814		2	NUT, TILT ADJUSTMENT PIN NOT USED WITH FULL POWER TILT
17	32688A1		1	TILT STOP SWITCH ASSEMBLY, GIMBAL RING
18	10-20367		2	SCREW, TILT STOP SWITCH COVER TO GIMBAL RING
19	23-31902		1	SPACER, TILT STOP SWITCH TO RETAINING PLATE
20	31899		2	PLATE, RETAINING - TILT STOP SWITCH TO GIMBAL RING
21	10-22387		2	SCREW, RETAINING PLATE AND STRAP TO GIMBAL RING
22	32637		1	STRAP, TILT STOP SWITCH RETAINING
23	11-20110		2	NUT, TILT STOP SWITCH RETAINING PLATE AND STRAP SCREW
24	31897		1	LEVER, TILT STOP SWITCH ACTUATING - GIMBAL RING
25	10-31903		2	SCREW, TILT STOP SWITCH ACTUATING LEVER TO GIMBAL RING
26	32630		1	LEVER, STEERING - UPPER SWIVEL SHAFT
27	32582		1	SHAFT, UPPER SWIVEL - GIMBAL RING TO GIMBAL HOUSING
28	22-32561		1	PLUG, PIPE - UPPER SWIVEL SHAFT
29	12-32996		AR	WASHER, UPPER SWIVEL SHAFT (.015)
	12-32997		AR	WASHER, UPPER SWIVEL SHAFT (.063)
30	10-32995		1	SCREW, STEERING LEVER TO UPPER SWIVEL SHAFT
31	11-20696		1	NUT, STEERING LEVER TO UPPER SWIVEL SHAFT SCREW
32	10-33022		1	SCREW, UPPER SWIVEL SHAFT RETAINING - GIMBAL RING
33	12-20546		1	WASHER, UPPER SWIVEL SHAFT RETAINING SCREW
1	16-32568		1	STUD, PIVOT - STEERING LEVER
35	12-25909		3	WASHER, STEERING LEVER PIVOT STUD
36	12-29330		1	WASHER, NYLON - STEERING LEVER PIVOT STUD
37	29332A1		1	ROD, STEERING LINK - STEERING LEVER PIVOT STUD
38	29698		1	BALL, STEEL - STEERING LEVER PIVOT STUD

CONTINUED ON NEXT PAGE ➡

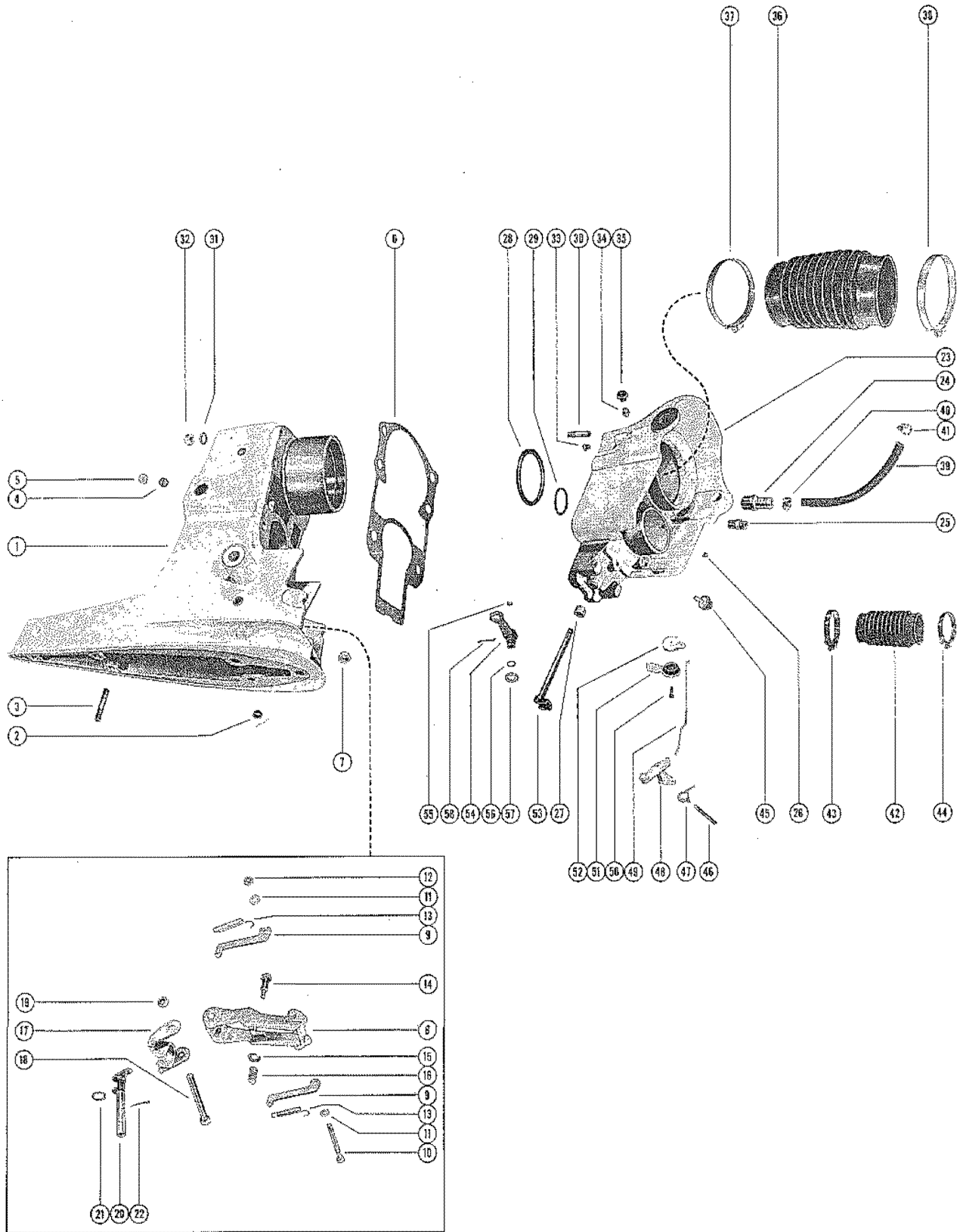
GIMBAL RING ASSEMBLY AND STEERING LEVER



GIMBAL RING ASSEMBLY AND STEERING LEVER

REF. NO.	PART NO.	SYM.	QTY.	DESCRIPTION
39	24-20510		1	SPRING, STEERING LEVER PIVOT STUD
40	23-25915		1	BUSHING, STEERING LEVER PIVOT STUD
41	11-20509		2	NUT, STEERING LEVER PIVOT STUD
42	12-20086		1	WASHER, STEERING LINK ROD
43	11-20509		1	NUT, STEERING LINK ROD

DRIVE SHAFT HOUSING ASSEMBLY AND BELL HOUSING ASSEMBLY

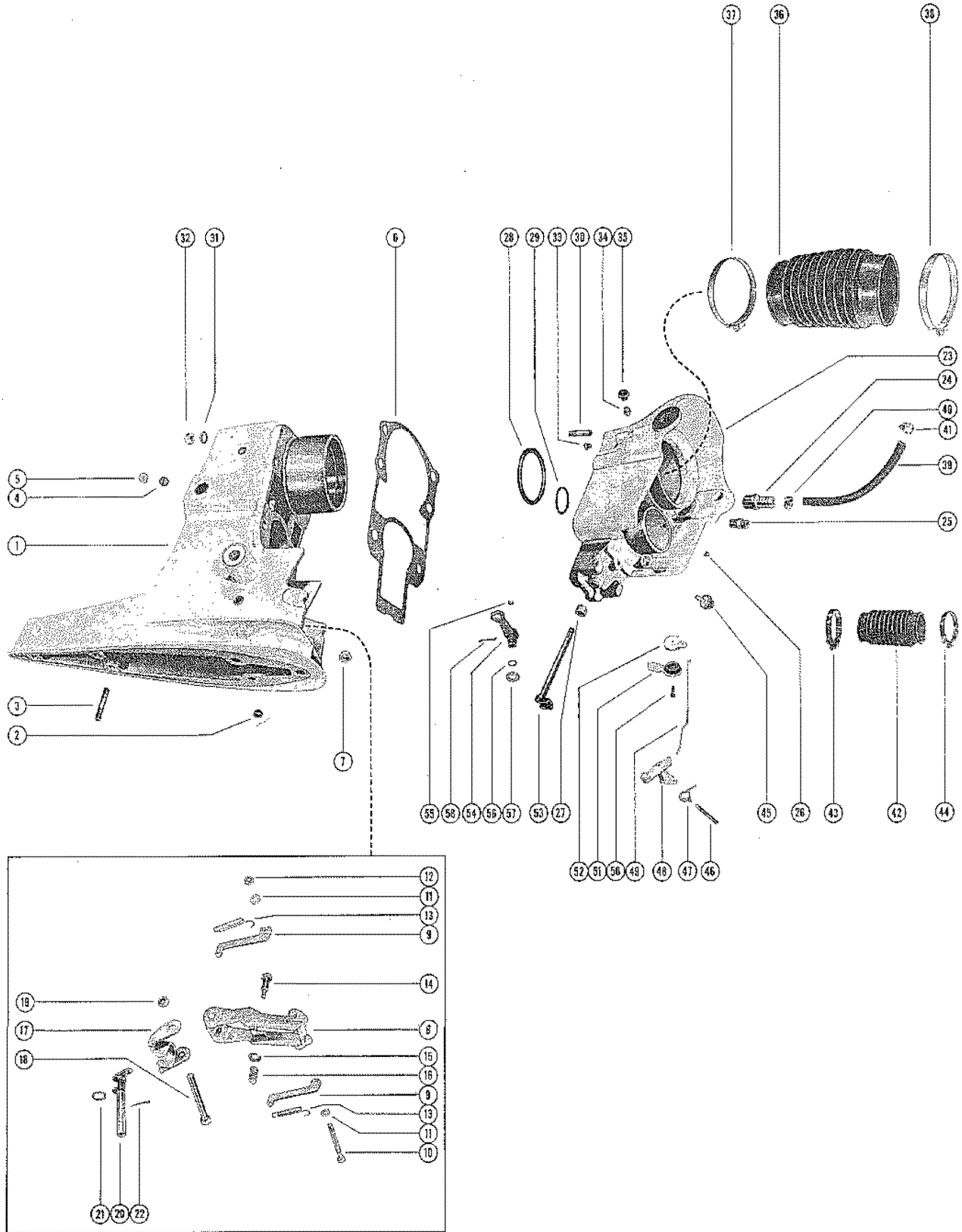


DRIVE SHAFT HOUSING ASSEMBLY AND BELL HOUSING ASSEMBLY

REF. NO.	PART NO.	SYM.	QTY.	DESCRIPTION
1	1547-2411A1		1	DRIVE SHAFT HOUSING ASSEMBLY
2	23-32632		1	BUSHING, DRIVE SHAFT HOUSING
3	16-30929		2	STUD, DRIVE SHAFT HOUSING TO GEAR HOUSING
4	22-31704		1	PLUG, PIPE - DRIVE SHAFT HOUSING (WATER POCKET)
5	19-32652		1	WELCH PLUG, DRIVE SHAFT HOUSING
6	27-35996		1	GASKET, DRIVE SHAFT HOUSING TO BELL HOUSING
7	11-34933		3	NUT, GEAR HOUSING TO DRIVE SHAFT HOUSING STUD
8	32589A1		1	ARM ASSEMBLY, REVERSE HOOK - DRIVE SHAFT HOUSING
9	32520		2	HOOK, REVERSE
10	10-32527		1	SCREW, REVERSE HOOKS TO REVERSE HOOK ARM
11	12-29245		4	WASHER, REVERSE HOOKS TO REVERSE HOOK ARM SCREW
12	11-33825		1	NUT, REVERSE HOOKS TO REVERSE HOOK ARM SCREW
13	24-33761		2	SPRING, TENSION - REVERSE HOOK TO REVERSE HOOK ARM
14	10-32694		1	SCREW, REVERSE HOOK ARM TO DRIVE SHAFT HOUSING
15	12-34016		1	WASHER, REVERSE HOOK ARM TO DRIVE SHAFT HOUSING SCREW
16	24-32659		1	SPRING, TENSION - REVERSE HOOK ARM TO DRIVE SHAFT HOUSING SC
17	32588A1		1	STOP ASSMEBLY, REVERSE HOOK ARM
18	10-32524		1	SCREW, REVERSE HOOK ARM STOP TO REVERSE HOOK ARM
19	11-33826		1	NUT, REVERSE HOOK ARM STOP TO REVERSE HOOK ARM SCREW
20	32628		1	SHAFT, SHIFT - INTERMEDIATE
21	12-32666		1	WASHER, INTERMEDIATE SHIFT SHAFT
22	18-32665		1	COTTER PIN, INTERMEDIATE SHIFT SHAFT RETAINING
23	35970A1		1	BELL HOUSING ASSMEBLY
	27-35996		1	GASKET, DRIVE SHAFT HOUSING TO BELL HOUSING SEE REFERENCE #6
24	22-33066		1	CONNECTOR, WATER HOSE TO BELL HOUSING
25	22-32125		1	CONNECTOR, SHIFT ACTUATING CABLE - BELL HOUSING
26	10-25612		4	SCREW, DRIVE - BELL HOUSING FLANGE
27	23-35088		1	BUSHING, UPPER SHIFT SHAFT - BELL HOUSING
28	27-35982		1	GASKET, RUBBER - BELL HOUSING
29	25-33504		1	"O" RING, BELL HOUSING
30	16-35937		6	STUD, BELL HOUSING TO DRIVE SHAFT HOUSING
31	12-35935		6	WASHER, BELL HOUSING TO DRIVE SHAFT HOUSING STUD
32	11-34933		6	NUT, BELL HOUSING TO DRIVE HOUSING STUD
33	10-36398		2	SCREW, PLUG - BELL HOUSING (1/4")
34	22-31345		2	FITTING, GREASE - BELL HOUSING
35	29359		2	LUBRICAP, BELL HOUSING GREASE FITTING
36	36223A1		1	BELLOWS ASSEMBLY, UNIVERSAL JOINT COVERING

CONTINUED ON NEXT PAGE ➡

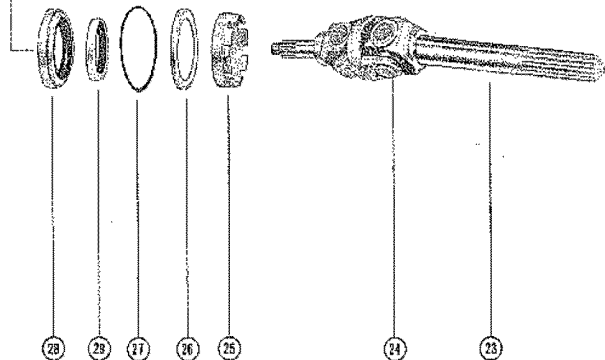
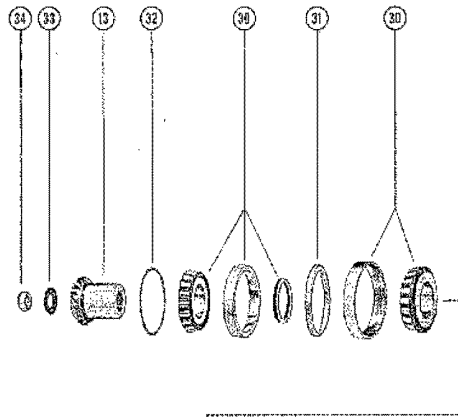
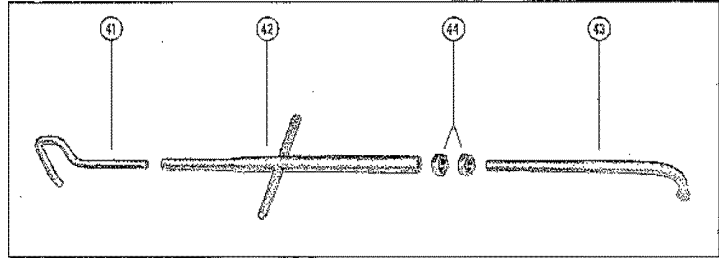
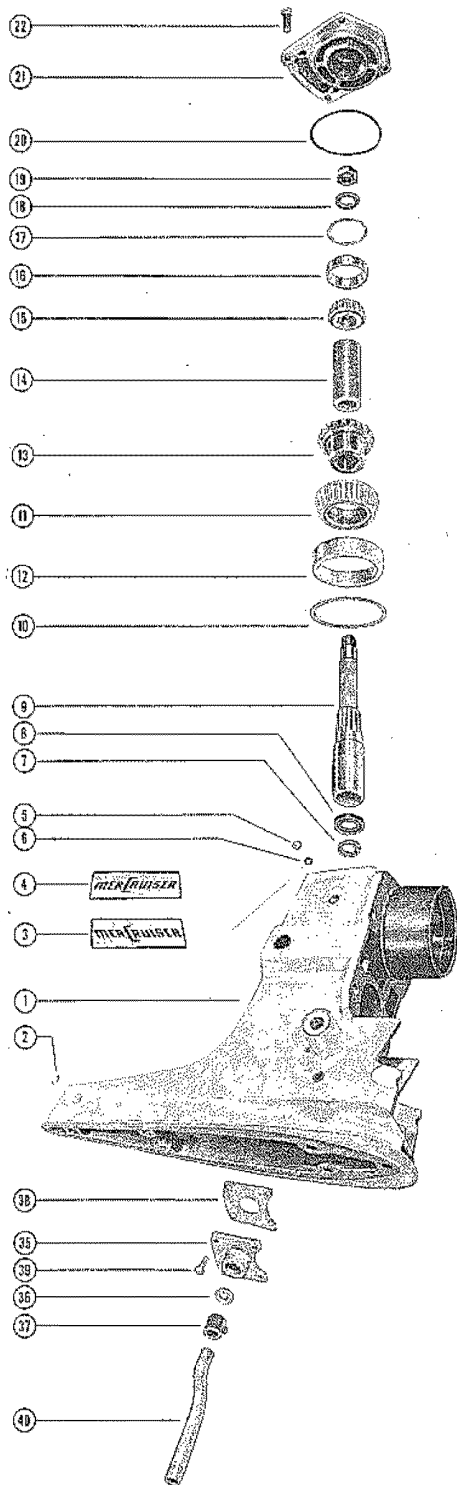
DRIVE SHAFT HOUSING ASSEMBLY AND BELL HOUSING ASSEMBLY



DRIVE SHAFT HOUSING ASSEMBLY AND BELL HOUSING ASSEMBLY

REF. NO.	PART NO.	SYM.	QTY.	DESCRIPTION
37	54-31765		1	CLAMP, UNIVERSAL JOINT BELLOWS TO BELL HOUSING
38	54-31765		1	CLAMP, UNIVERSAL JOINT BELLOWS TO GIMBAL HOUSING
39	32-32461		1	HOSE, WATER - BELL HOUSING TO GIMBAL HOUSING
40	54-32523		1	CLAMP, WATER HOSE TO BELL HOUSING CCONNECTOR
41	54-32523		1	CLAMP, WATER HOSE TO GIMBAL HOUSING WATER TUBE
42	32734		1	BELLOWS, EXHAUST - BELL HOUSING TO GIMBAL HOUSING
43	54-32533		1	CLAMP, EXHAUST BELLOWS TO BELL HOUSING
44	54-32533		1	CLAMP, EXHAUST BELLOWS TO GIMBAL HOUSING
45	31014		1	BUMPER, BELL HOUSING
46	17-20302		1	PIN, PIVOT - REVERSE HOOK RELEASE LEVER TO BELL HOUSING
47	24-36102		1	SPRING, TORSION - REVERSE HOOK RELEASE LEVER
48	32629A1		1	LEVER ASSEMBLY, REVERSE HOOK RELEASE - BELL HOUSING
49	32745		1	LINK ROD, REVERSE HOOK RELEASE HANDLE TO REVERSE HOOK RELEAS
50	10-32651		1	SCREW, BELL CRANK AND HANDLE TO BELL HOUSING
51	32626		1	HANDLE, REVERSE HOOK RELEASE - BELL HOUSING
52	32625		1	CRANK, BELL - REVERSE HOOK RELEASE LINK ROD
53	36097A1		1	SHAFT ASSEMBLY, SHIFT - UPPER
54	36096A1		1	LEVER ASSEMBLY, UPPER SHIFT SHAFT
55	19-32525		1	WELCH PLUG, UPPER SHIFT SHAFT LEVER
56	25-32509		1	"O" RING, UPPER SHIFT SHAFT LEVER SEALING
57	12-32510		1	WASHER, UPPER SHIFT SHAFT LEVER
58	18-32857		1	COTTER PIN, UPPER SHIFT SHAFT TO UPPER SHIFT SHAFT LEVER

DRIVE SHAFT HOUSING ASSEMBLY AND GEAR ASSEMBLY

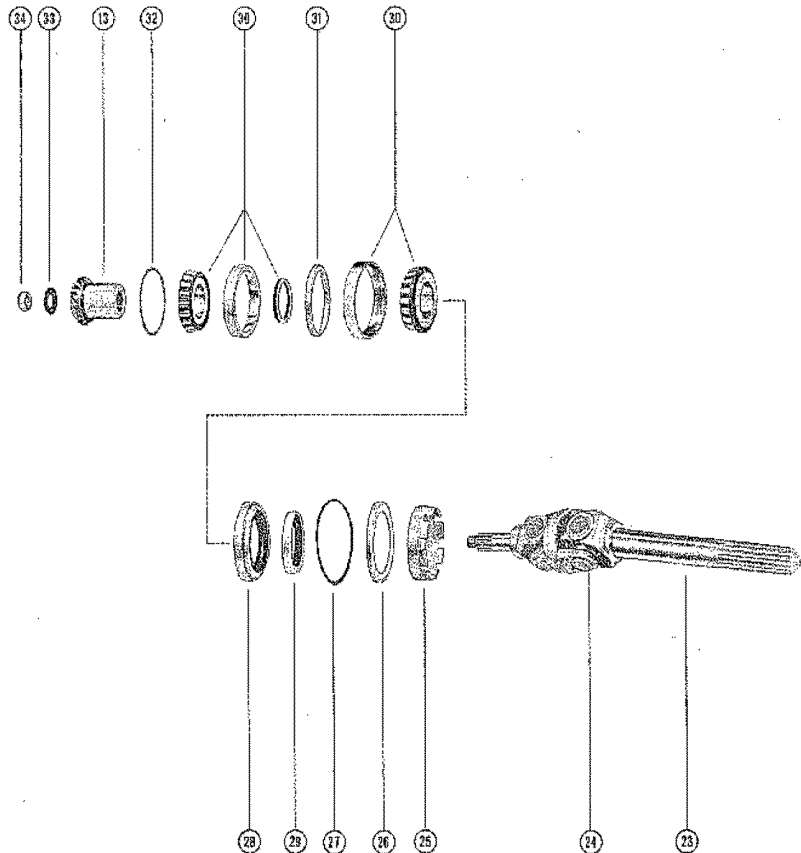
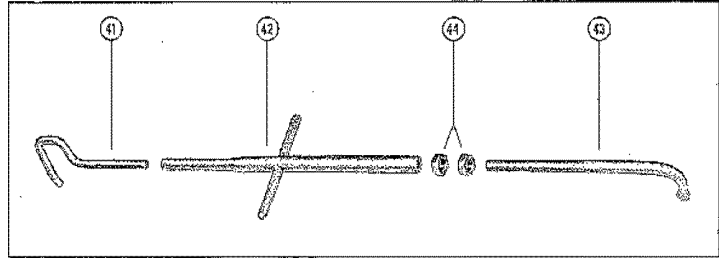
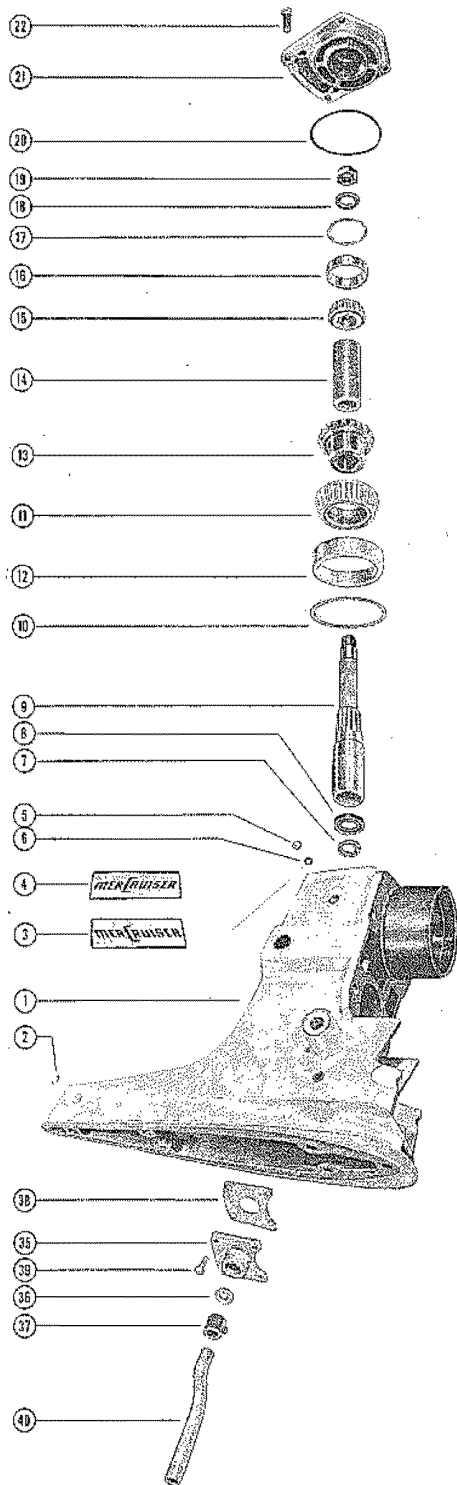


DRIVE SHAFT HOUSING ASSEMBLY AND GEAR ASSEMBLY

REF. NO.	PART NO.	SYM.	QTY.	DESCRIPTION
1	1547-2411A1		1	DRIVE SHAFT HOUSING ASSEMBLY SEE PAGE 7 FOR PARTS BREAKDOWN
2	19-29850		1	PLUG, TRIM TAB HOLE-DRIVE SHAFT HOUSING
3	37-32655		1	DECAL, DRIVE SHAFT HOUSING - PORT
4	37-32654		1	DECAL, DRIVE SHAFT HOUSING - STARBOARD
5	10-28634		2	SCREW, DRIVE SHAFT HOUSING GREASE FILLER AND VENT HOLE
6	12-20260		2	WASHER, DRIVE SHAFT HOUSING GREASE FILLER AND VENT HOLE SCRE
7	26-37259		1	OIL SEAL, DRIVE SHAFT HOUSING - LOWER SEE NOTE
8	26-32511		1	OIL SEAL, GEAR CHAMBER -DRIVE SHAFT HOUSING
9	45-32583		1	DRIVE SHAFT, UPPER
10	15-36178A1		AR	SHIM, BEARING CUP TO DRIVE SHAFT HOUSING (.002-3-5-10-15)
11	631-35990A1		1	TAPERED ROLLER BEARING ASSEMBLY, PINION GEAR
12	31-35991		1	CUP, TAPERED ROLLER BEARING
13	43-36342A1		1	GEAR ASSEMBLY, COMPLETE - MERCUISER IA (21-23 GEAR RATIO)
	43-36219A1		1	GEAR ASSEMBLY, COMPLETE - MERCUISER IB (20-24 GEAR RATIO)
	43-35994A2		1	GEAR AASEMBLY, COMPLETE - MERCUISER IC (24-24 GEAR RATIO)
14	23-32591		1	SPACER, UPPER DRIVE SHAFT
15	31-32575A1		1	TAPERED ROLLER BEARING ASSEMBLY, UPPER DRIVE SHAFT
16	31-32576		1	CUP, TAPERED ROLLER BEARING
17	15-32563A1		AR	SHIM, BEARING CUP TO TOP COVER (.002-3-5-10-25)
18	12-32506		1	WASHER, GEAR AND BEARING TO UPPER DRIVE SHAFT
19	11-22339		1	NUT, GEAR AND BEARING TO UPPER DRIVE SHAFT
20	25-32546		1	"O" RING, TOP COVER SEALING
21	32491		1	COVER, TOP - DRIVE SHAFT HOUSING
22	10-32565		4	SCREW, TOP COVER TO DRIVE SHAFT HOUSING
23	35911A1		1	UNIVERSAL JOINT ASSEMBLY
24	36312		2	CROSS AND BEARING ASSEMBLY, UNIVERSAL JOINT
	39384		1	YOKE, UNIVERSAL JOINT - GEAR END (SHORT)
	39383		1	SOCKET, CENTER - UNIVERSAL JOINT
	39385A1		1	YOKE ASSEMBLY - UNIVERSAL JOINT - COUPLING END (LONG)
	25-25439		2	"O" RING, UNIVERSAL JOINT
25	35992		1	RETAINER, TAPERED ROLLER BEARING - UNIVERSAL JOINT
26	35983		1	RING, ROLLER BEARING RETAINER TO OIL SEAL CARRIER
27	25-35984		1	"O" RING, OIL SEAL CARRIER
28	35993A1		1	CARRIER ASSEMBLY, OIL SEAL
29	26-36054		1	OIL SEAL, CARRIER
30	31-35988A2		1	TAPERED ROLLER BEARING ASSEMBLY, DRIVE GEAR

CONTINUED ON NEXT PAGE ➡

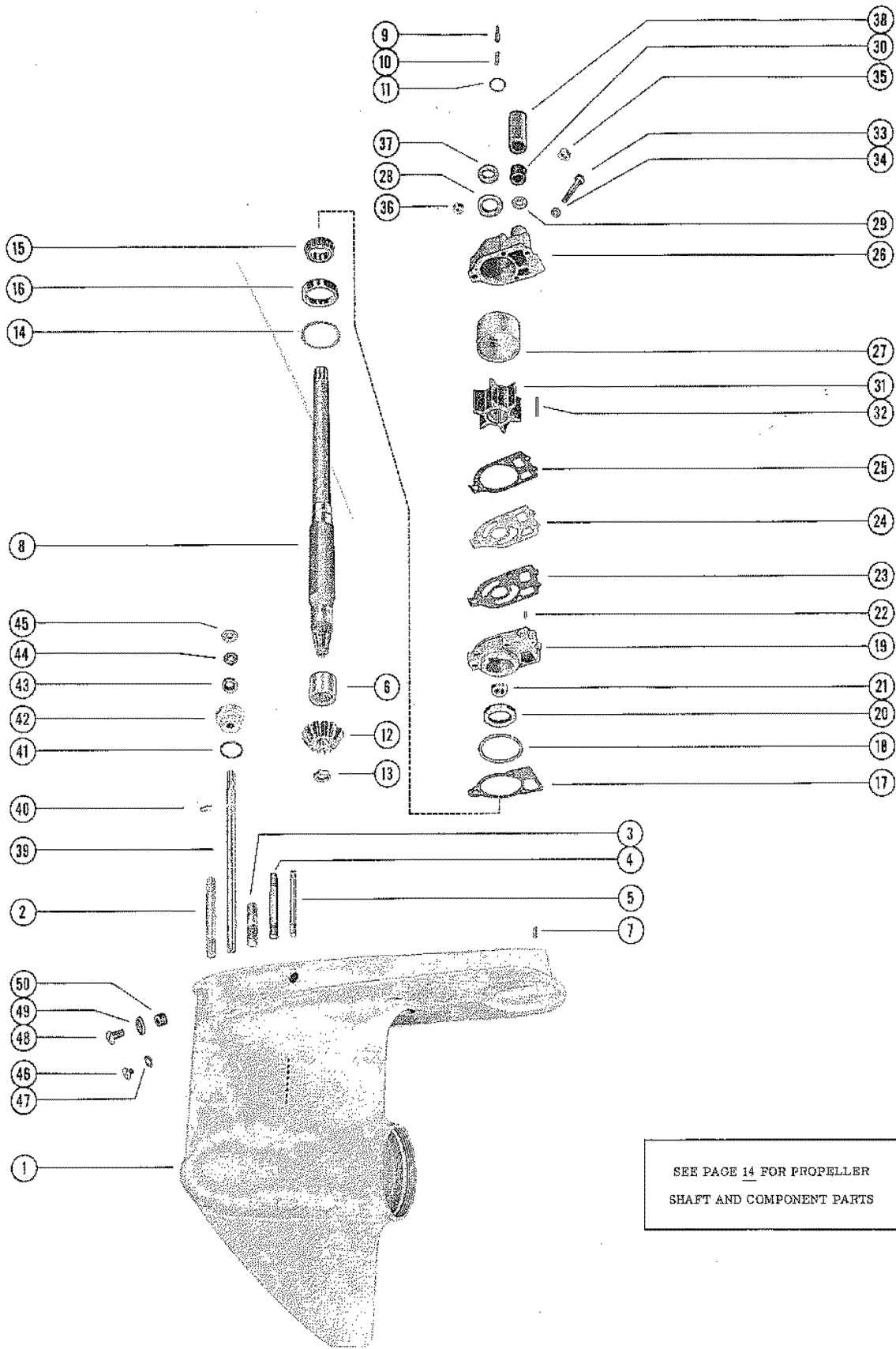
DRIVE SHAFT HOUSING ASSEMBLY AND GEAR ASSEMBLY



DRIVE SHAFT HOUSING ASSEMBLY AND GEAR ASSEMBLY

REF. NO.	PART NO.	SYM.	QTY.	DESCRIPTION
31	23-35985		1	SPACER, DRIVE GEAR ROLLER BEARING CUPS
32	15-35980A1		AR	SHIM,BEARING CUP TO DRIVE SHAFT HOUSING(.002-3-5-10-25)
33	12-35981		1	WASHER, DRIVE GEAR TO UNIVERSAL JOINT NUT
34	11-22339		1	NUT, DRIVE GEAR TO UNIVERSAL JOINT
35	32489A2		1	COVER ASSEMBLY, WATER POCKET - DRIVE SHAFT HOUSING
36	12-36446		1	WASHER, WATER POCKET COVER
37	226-36557		1	SEAL, RUBBER- WATER POCKET COVER
38	27-32569		1	GASKET,WATER POCKET COVER
39	10-28636		4	SCREW, WATER POCKET COVER TO DRIVE SHAFT HOUSING
40	32-32587		1	TUBE, WATER - WATERPOCKET COVER
-	32657A2		1	TURNBUCKLE ASSEMBLY,COMPLETE NOT USED WITH FULL POWER TILT
41	32650		1	HOOK, TURNBUCKLE - (DRIVE SHAFT HOUSING) NOT USED WITH FULL POWER TILT
42	32657A1		1	TURNBUCKLE ASSEMBLY - UPPER AND LOWER HOOKS NOT USED WITH FULL POWER TILT
43	32656		1	HOOK, TURNBUCKLE - UPPER (GIMBAL HOUSING) NOT USED WITH FULL POWER TILT
44	11-21612		2	NUT, TURNBUCKLE - UPPER HOOK NOT USED WITH FULL POWER TILT
-	37-33737		2	DECAL, NAME PLATE - BOAT

GEAR HOUSING ASSEMBLY, COMPLETE (PAGE 1)



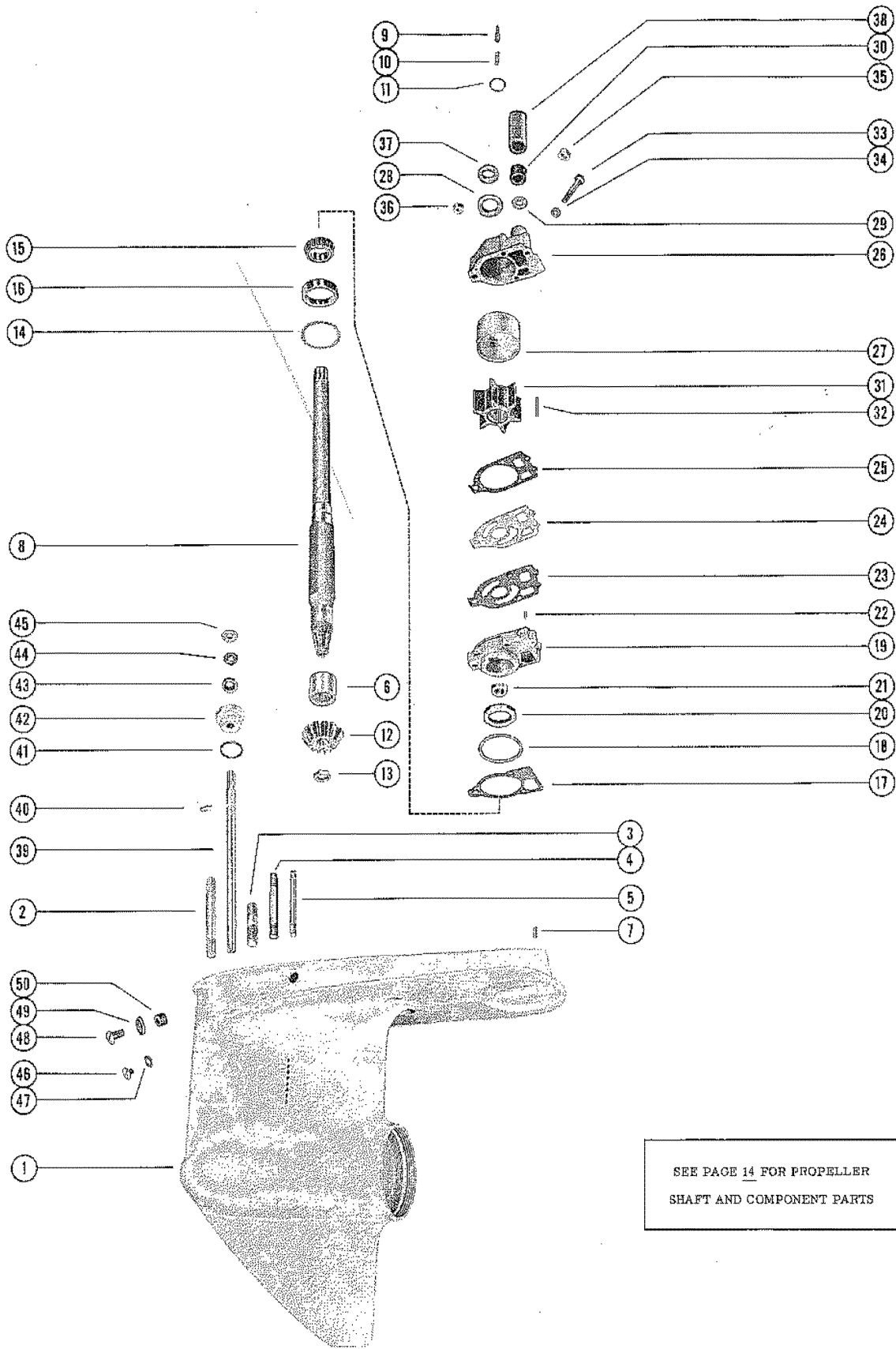
SEE PAGE 14 FOR PROPELLER
SHAFT AND COMPONENT PARTS

GEAR HOUSING ASSEMBLY, COMPLETE (PAGE 1)

REF. NO.	PART NO.	SYM.	QTY.	DESCRIPTION
-	1623-2406A2		1	GEAR HOUSING ASSEMBLY, COMPLETE SEE NOTE #1 BELOW
1	1623-2406A1		1	GEAR HOUSING ASSMEBLY
2	16-29080		1	STUD, GEAR HOUSING TO DRIVE SHAFT HOUSING (3 3/16")
3	16-29078		2	STUD, GEAR HOUSING TO DRIVE SHAFT HOUSING (2")
4	16-36292		1	STUD, WATER PUMP BASE AND BODY TO GEAR HOUSING (3 3/8")
5	16-30667		2	STUD, WATER PUMP BASE AND BODY TO GEAR HOUSING (3 1/8")
6	31-35934		1	BEARING, ROLLER - DRIVE SHAFT
7	17-21438		2	PIN, DOWEL - GEAR HOUSING TO DRIVE SHAFT HOUSING
8	45-36386A1		1	DRIVE SHAFT ASSEMBLY SEE NOTE #2 BELOW
9	17-30545		1	PIN, DRIVE SHAFT
10	24-34576		1	SPRING, COMPRESSION - DRIVE SHAFT
11	25-30613		1	"O" RING, UPPER - DRIVE SHAFT
12	43-35922		1	GEAR, PINION - DRIVE SHAFT
13	11-35921		1	NUT, PINION GEAR TO DRIVE SHAFT
14	15-33143A1		AR	SHIM, BEARING TO GEAR HOUSING (.002-3-5-10)
15	31-36387A1		1	TAPERED ROLLER BEARING ASSEMBLY, DRIVE SHAFT SEE NOTE #2 BELOW
16	31-35923		1	CUP, TAPERED ROLLER BEARING
17	27-33146		1	GASKET, WATER PUMP BASE TO GEAR HOUSING
18	25-33145		1	"O" RING, WATER PUMP BASE
19	46-34447A1		1	WATER PUMP BASE ASSEMBLY
20	26-33144		1	OIL SEAL, WATER PUMP BASE
21	26-31507		1	OIL SEAL, WATER PUMP BASE
22	17-35973		2	DOWEL PIN, WATER PUMP BASE TO WATER PUMP BODY
23	27-32433		1	GASKET, LOWER - WATER PUMP BASE TO FACE PLATE
24	32435		1	PLATE, FACE - WATER PUMP BASE TO WATER PUMP BODY
25	27-32434		1	GASKET, UPPER - FACE PLATE TO WATER PUMP BODY
26	46-32437A3		1	WATER PUMP BODY ASSEMBLY
27	30915		1	INSERT, WATER PUMP BODY
28	26-31507		1	OIL SEAL, WATER PUMP BODY
29	12-36446		1	WASHER, WATER PUMP BODY
30	26-36557		1	SEAL, RUBBER - WATER INLET TUBE
31	47-30221		1	IMPELLER, WATER PUMP
32	17-29967		1	PIN, IMPELLER DRIVE
33	10-30720		1	SCREW, WATER PUMP BODY TO GEAR HOUSING (1/4)
34	13-26992		1	LOCKWASHER, WATER PUMP BODY SCREW (1/4)
35	11-35888		2	NUT, WATER PUMP BODY STUDS (1/4)
36	11-35814		1	NUT, WATER PUMP BODY STUDS (5/16)

CONTINUED ON NEXT PAGE ➡

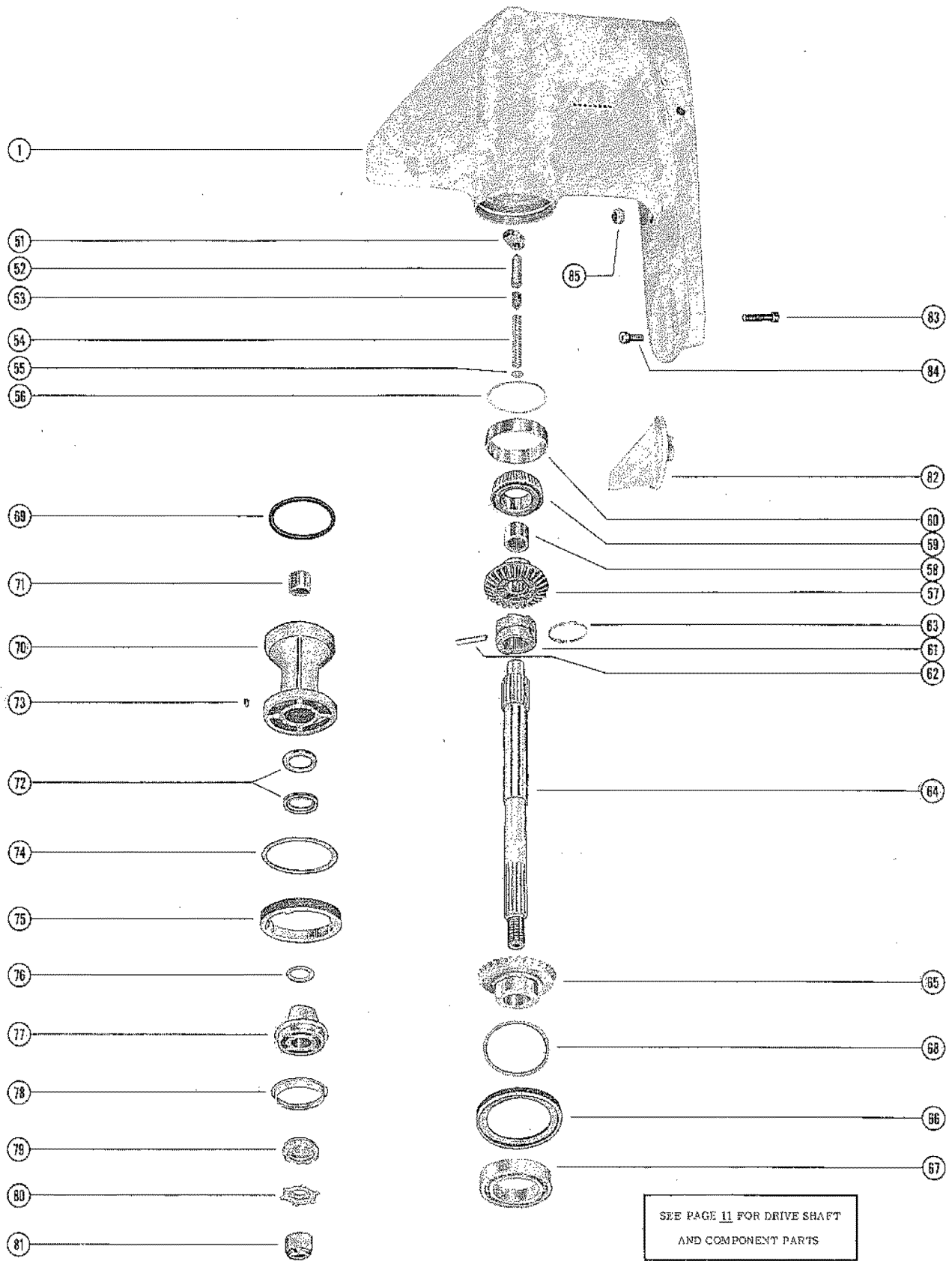
GEAR HOUSING ASSEMBLY, COMPLETE (PAGE 1)



GEAR HOUSING ASSEMBLY, COMPLETE (PAGE 1)

REF. NO.	PART NO.	SYM.	QTY.	DESCRIPTION
37	25-30271		1	RING, RUBBER - CENTRIFUGAL SLINGER (DRIVE SHAFT)
38	23-29804		1	SLEEVE, GUIDE - WATER INLET TUBE
39	35933		1	SHAFT, SHIFT - LOWER
40	18-20233		1	CLIP, RETAINING - SHIFT SHAFT
41	25-25439		1	"O" RING, SHIFT SHAFT BUSHING
42	23-30617A1		1	BUSHING ASSEMBLY, SHIFT SHAFT
43	26-31249		1	OIL SEAL, SHIFT SHAFT BUSHING
44	12-31266		1	WASHING, RUBBER - SHIFT SHAFT BUSHING
45	12-29395		1	WASHER, SHIFT SHAFT
46	10-28634		2	SCREW, GEAR HOUSING GREASE FILLER AND VENT HOLE
47	12-20260		2	WASHER, GEAR HOUSING GREASE FILLER AND VENT HOLE SCREW
48	10-29608		1	SCREW, GEAR HOUSING FLUSHING HOLE
49	27-29586		1	GASKET, GEAR HOUSING FLUSHING HOLE SCREW
50	26-29612		1	SEAL, GEAR HOUSING FLUSHING HOLE SCREW

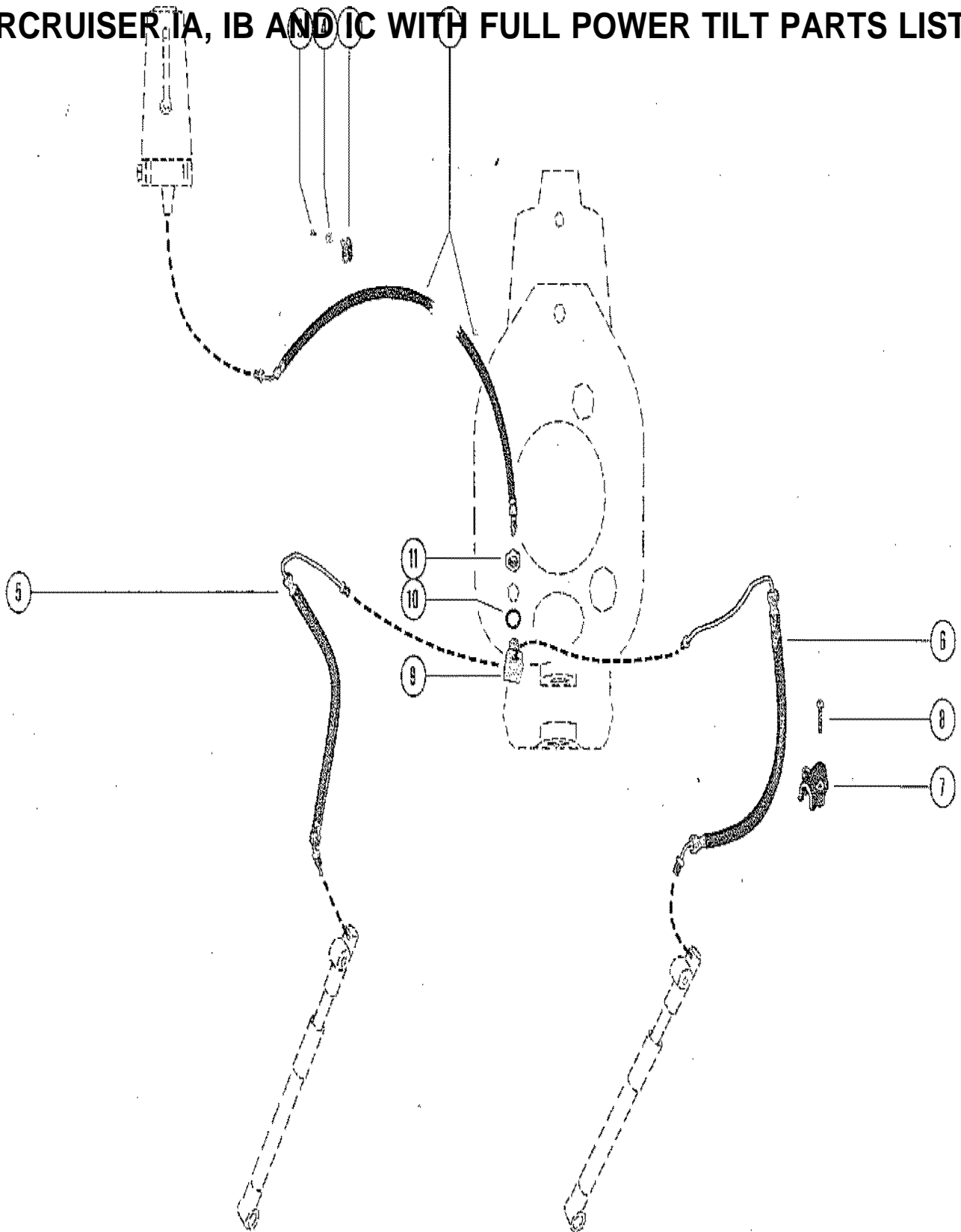
GEAR HOUSING ASSEMBLY, COMPLETE (PAGE 2)



GEAR HOUSING ASSEMBLY, COMPLETE (PAGE 2)

REF. NO.	PART NO.	SYM.	QTY.	DESCRIPTION
-	1623-2406A2		1	GEAR HOUSING ASSEMBLY, COMPLETE SEE NOTE
1	1623-2406A1		1	GEAR HOUSING ASSEMBLY SEE PAGE 11 FOR PARTS BREAKDOWN
51	36288		1	CAM, SHIFT
52	35918		1	FOLLOWER, CAM
53	30624		1	SLIDE, CROSS PIN
54	24-37610A1		1	SPRING ASSEMBLY, COMPRESSION - CAM FOLLOWER
55	12-20583		AR	WASHER, CAM FOLLOWER SPRING
56	15-35931A1		AR	SHIM, BEARING CUP TO GEAR HSG.
	43-35930A1		1	FOWARD GEAR ASSEMBLY, COMP.
57	43-35930		1	FOWARD GEAR ASSEMBLY
58	31-30895		1	BEARING, ROLLER - FOWARD GEAR
59	31-35928A1		1	TAPERED ROLLER BEARING ASSEMBLY
60	31-35927		1	CUP, TAPERED ROLLER BEARING
61	52-35919		1	CLUTCH, SLIDING
62	17-30632		1	PIN, CROSS - SLIDING CLUTCH TO PROPELLER SHAFT
63	24-30893		1	SSPRING, RETANING - CROSS PIN
64	44-35920		1	SHAFT, PROPELLER
	43-35916A1		1	REVERSE GEAR ASSEMBLY, COMPLETE
65	43-35916		1	REVERSE GEAR ASSEMBLY
66	35915		1	RING, THRUST - BEARING CARRIER TO GEAR HOUSING
67	30-35914		1	BEARING, BALL - REVERSE GEAR
68	15-31535A1		AR	SHIM, THRUST RING TO GEAR HSG
69	25-31534		1	"O" RING, BEARING CARRIER
70	35913A1		1	BEARING CARRIER ASSEMBLY
71	31-30956		1	BEARING, ROLLER - BEARING CARRIER
72	26-30550		2	OIL SEAL, BEARING CARRIER
73	28-30281		1	KEY, LOCATING - BEARING CARRIER
74	12-31536		1	WASHER, GEAR HOUSING COVER
75	35912		1	COVER, GEAR HOUSING
76	12-31013		1	WASHER,THRUST - BEARING CARRIER
77	35964A1		1	THRUST HUB AND WASHER ASSEMBLY
78	12-35965		1	WASHER, CUPPED - THRUST HUB
79	12-31211		1	WASHER, SPLINED - PROPELLER SHAFT
80	14-31210		1	TAB WASHER, PROPELLER NUT
81	11-29594		1	NUT, PROPELLER
82	31640		1	TRIM TAB, GEAR HOUSING
	34127		1	TRIM TAB, GEAR HOUSING (LONG)
83	10-32470		1	SCREW, TRIM TAB TO GEAR HOUSING (1 3/4")
84	10-30206		1	SCREW, GEAR HOUSING TO DRIVE SHAFT HOUSING (1")
85	11-34933		2	NUT, DRIVE SHAFT HOUSING TO GEAR HOUSING STUD

MERCUISER 1A, IB AND IC WITH FULL POWER TILT PARTS LIST



MERCUISER IA, IB AND IC WITH FULL POWER TILT PARTS LIST

REF. NO.	PART NO.	SYM.	QTY.	DESCRIPTION
1	32-35284		1	HOSE, LIFT - HYDRAULIC PUMP TO GIMBAL HOUSING
2	54-22740		1	CLIP, LIFT HOSE TO TRANSOM PLATE
3	10-31903		1	SCREW, LIFT HOSE TO TRANSOM (3/8")
4	22789		1	"D" WASHER, LIFT HOSE CLIP SCREW
5	32-36085		1	HOSE, CONNECTING - GIMBAL HSG. TO TILT CYLINDER (PORT)
6	32-36086		1	HOSE, CONNECTING - GIMBAL HSG. TO TILT CYLINDER (STARBOARD)
7	36011		2	COVER, CONNECTING HOSE TO GIMBAL HOUSING
8	10-36070		4	SCREW, COVER TO GIMBAL HOUSING (1 1/4")
9	22-36033		1	CONNECTOR, GIMBAL HOUSING
10	27-36043		1	GASKET, GIMBAL HOUSING CONNECTOR
11	11-36084		1	NUT, GIMBAL HOUSING CONNECTOR

PARTS INDEX

Part Number	Description	Pg.	Ref. No.	Part Number	Description	Pg.	Ref. No.
20007	ANCHOR, SHIFT ACTUATING CABLE END GUIDE	5	42	32625	CRANK, BELL - REVERSE HOOK RELEASE LINK ROD	17	52
22789	"D" WASHER, LIFT HOSE CLIP SCREW	29	4	32626	HANDLE, REVERSE HOOK RELEASE - BELL HOUSING	17	51
29332A1	ROD, STEERING LINK - STEERING LEVER PIVOT STUD	11	37	32628	SHAFT, SHIFT - INTERMEDIATE	15	20
29359	LUBRICAP, BELL HOUSING GREASE FITTING	15	35	32629A1	LEVER ASSEMBLY, REVERSE HOOK RELEASE - BELL HOUSING	17	48
29359	LUBRICAP, GIMBAL HOUSING GREASE FITTING	7	10	32630	LEVER, STEERING - UPPER SWIVEL SHAFT	11	26
29359	LUBRICAP, GIMBAL HOUSING GREASE FITTING	9	10	32637	STRAP, TILT STOP SWITCH RETAINING	11	22
29359	LUBRICAP, GIMBAL RING GREASE FITTING	11	5	32650	HOOK, TURNBUCKLE - (DRIVE SHAFT HOUSING)	21	41
29698	BALL, STEEL - STEERING LEVER PIVOT STUD	11	38	32656	HOOK, TURNBUCKLE - UPPER (GIMBAL HOUSING)	21	43
29880	GUIDE, SHIFT ACTUATING CABLE END	5	41	32657A1	TURNBUCKLE ASSEMBLY - UPPER AND LOWER HOOKS	21	42
30212	TERMINAL BLOCK, TRANSOM PLATE	3	8	32657A2	TURNBUCKLE ASSEMBLY, COMPLETE	21	--
30624	SLIDE, CROSS PIN	27	53	32688A1	TILT STOP SWITCH ASSEMBLY, GIMBAL RING	11	17
30915	INSERT, WATER PUMP BODY	23	27	32734	BELLOWS, EXHAUST - BELL HOUSING TO GIMBAL HOUSING	17	42
31014	BUMPER, BELL HOUSING	17	45	32745	LINK ROD, REVERSE HOOK RELEASE HANDLE TO REVERSE HOOK RELEASE	17	49
31640	TRIM TAB, GEAR HOUSING	27	82	33981	SLIDE, SHIFT ACTUATING CALBE	5	39
31659	BELLOWS, SHIFT ACTUATING CABLE COVERING	9	27	34127	TRIM TAB, GEAR HOUSING (LONG)	27	82
31897	LEVER, TILT STOP SWITCH ACTUATING - GIMBAL RING	11	24	34285A2	GIMBAL RING ASSEMBLY	11	1
31899	PLATE, RETAINING - TILT STOP SWITCH TO GIMBAL RING	11	20	34762A1	PLATE ASSEMBLY, INHIBITOR - GIMBAL HOUSING	9	20
32435	PLATE, FACE - WATER PUMP BASE TO WATER PUMP BODY	23	24	35186	PLATE, TRANSOM	3	1
32489A2	COVER ASSEMBLY, WATER POCKET - DRIVE SHAFT HOUSING	21	35	35187A2	CABLE ASSEMBLY, SHIFT ACTUATING	5	36
32491	COVER, TOP - DRIVE SHAFT HOUSING	19	21	35911A1	UNIVERSAL JOINT ASSEMBLY	19	23
32517	COVER, WATER TUBE SEALING BUSHING - GIMBAL HOUSING	9	33	35912	COVER, GEAR HOUSING	27	75
32520	HOOK, REVERSE	15	9	35913A1	BEARING CARRIER ASSEMBLY	27	70
32582	SHAFT, UPPER SWIVEL - GIMBAL RING TO GIMBAL HOUSING	11	27	35915	RING, THRUST - BEARING CARRIER TO GEAR HOUSING	27	66
32585	LEVER, SHIFT CONTROL - TRANSOM PLATE	3	11	35918	FOLLOWER, CAM	27	52
32588A1	STOP ASSEMBLY, REVERSE HOOK ARM	15	17	35933	SHAFT, SHIFT - LOWER	25	39
32589A1	ARM ASSEMBLY, REVERSE HOOK - DRIVE SHAFT HOUSING	15	8	35964A1	THRUST HUB AND WASHER ASSEMBLY	27	77
				35970A1	BELL HOUSING ASSEMBLY	15	23

PARTS INDEX

Part Number	Description	Pg.	Ref. No.	Part Number	Description	Pg.	Ref. No.
35983	RING, ROLLER BEARING RETAINER TO OIL SEAL CARRIER	19	26	10-25612	SCREW, DRIVE - BELL HOUSING FLANGE	15	26
35992	RETAINER, TAPERED ROLLER BEARING - UNIVERSAL JOINT	19	25	10-25612	SCREW, DRIVE - GIMBAL HOUSING EXHAUST FLANGE	7	19
35993A1	CARRIER ASSEMBLY, OIL SEAL	19	28	10-25612	SCREW, DRIVE - GIMBAL HOUSING EXHAUST FLANGE	9	19
36011	COVER, CONNECTING HOSE TO GIMBAL HOUSING	29	7	10-26668	SCREW, SHIFT ACTUATING CABLE CLAMN TO TRANSOM PLATE	3	6
36083A4	GIMBAL HOUSING ASSEMBLY (USE WITH FULL POWER TILT)	7	1	10-28634	SCREW, DRIVE SHAFT HOUSING GREASE FILLER AND VENT HOLE	19	5
36096A1	LEVER ASSEMBLY, UPPER SHIFT SHAFT	17	54	10-28634	SCREW, GEAR HOUSING GREASE FILLER AND VENT HOLE	25	46
36097A1	SHAFT ASSEMBLY, SHIFT - UPPER	17	53	10-28635	SCREW, WATER TUBE SEALING COVER TO GIMBAL HOUSING	9	34
36147	CARRIER, BEARING - GIMBAL HOUSING BALL BEARING	7	14	10-28636	SCREW, WATER POCKET COVER TO DRIVE SHAFT HOUSING	21	39
36223A1	BELLOWS ASSEMBLY, UNIVERSAL JOINT COVERING	15	36	10-29608	SCREW, GEAR HOUSING FLUSHING HOLE	25	48
36288	CAM, SHIFT	27	51	10-30206	SCREW, GEAR HOUSING TO DRIVE SHAFT HOUSING (1")	27	84
36312	CROSS AND BEARING ASSEMBLY, UNIVERSAL JOINT	19	24	10-30663	SCREW, TILT STOP SWITCH LEADS TO TERMINAL BLOCK	3	10
37278	PLATE, TRANSOM	3	1	10-30720	SCREW, WATER PUMP BODY TO GEAR HOUSING (1/4)	23	33
37279A5	GIMBAL HOUSING ASSEMBLY (USE WITHOUT FULL POWER TILT)	7	1	10-31700	SCREW, SET - SHIFT ACTUATING CABLE TO SLIDE	5	40
37283A9	GIMBAL HOUSING ASSEMBLY (USE WITH FULL POWER TILT)	7	1	10-31903	SCREW, LIFT HOSE TO TRANSOM (3/8")	29	3
37611A1	CORE WIRE AND ANCHOR ASSEMBLY, INNER SHIFT CABLE	5	37	10-31903	SCREW, TILT STOP SWITCH ACTUATING LEVER TO GIMBAL RING	11	25
39383	SOCKET, CENTER - UNIVERSAL JOINT	19	24	10-32470	SCREW, TRIM TAB TO GEAR HOUSING (1 3/4")	27	83
39384	YOKE, UNIVERSAL JOINT - GEAR END (SHORT)	19	24	10-32524	SCREW, REVERSE HOOK ARM STOP TO REVERSE HOOK ARM	15	18
39385A1	YOKE ASSEMBLY - UNIVERSAL JOINT - COUPLING END (LONG)	19	24	10-32527	SCREW, REVERSE HOOKS TO REVERSE HOOK ARM	15	10
9233749	SEALER, EXHAUST HOSE TO GIMBAL HOUSING	9	--	10-32529	SCREW, TRANSOM PLATE TO GIMBAL HOUSING (4 3/16")	3	3
10-20367	SCREW, TILT STOP SWITCH COVER TO GIMBAL RING	11	18	10-32565	SCREW, TOP COVER TO DRIVE SHAFT HOUSING	19	22
10-20518	SCREW, SET - ANCHOR TO SHIFT ACTUATING CABLE END GUIDE	5	43	10-32651	SCREW, BELL CRANK AND HANDLE TO BELL HOUSING	17	50
10-22290	SCREW, DRIVE - NAME PLATE TO TRANSOM PLATE	3	24				
10-22387	SCREW, RETAINING PLATE AND STRAP TO GIMBAL RING	11	21				

PARTS INDEX

Part Number	Description	Pg.	Ref. No.	Part Number	Description	Pg.	Ref. No.
10-32695	SCREW, TRANSOM PLATE TO GIMBAL HOUSING (2 1/4")	3	2	11-33826	NUT, REVERSE HOOK ARM STOP TO REVERSE HOOK ARM SCREW	15	19
10-32995	SCREW, STEERING LEVER TO UPPER SWIVEL SHAFT	11	30	11-34087	NUT, GIMBAL HOUSING TO TRANSOM PLATE BOLT	5	35
10-33022	SCREW, UPPER SWIVEL SHAFT RETAINING - GIMBAL RING	11	32	11-34933	NUT, BELL HOUSING TO DRIVE HOUSING STUD	15	32
10-33152	SCREW, TERMINAL BLOCK TO TRANSOM PLATE	3	9	11-34933	NUT, DRIVE SHAFT HOUSING TO GEAR HOUSING STUD	27	85
10-34763	SCREW, INHIBITOR PLATE TO GIMBAL HOUSING	9	21	11-34933	NUT, GEAR HOUSING TO DRIVE SHAFT HOUSING STUD	15	7
10-35624	BOLT, GIMBAL HOUSING TO TRANSOM PLATE (4")	9	25	11-34933	NUT, GIMBAL HOUSING STUD	7	3
10-36070	SCREW, COVER TO GIMBAL HOUSING (1 1/4")	29	8	11-34933	NUT, GIMBAL HOUSING STUD	7	3
10-36289	SCREW, TRANSOM PLATE TO ENGINE FLYWHEEL HOUSING (4 3/4")	3	28	11-35222	NUT, JAM - STEERING CABLE GUIDE TUBE	3	27
10-36398	SCREW, PLUG - BELL HOUSING (1/4")	15	33	11-35778	NUT, SHOCK ABSORBER TO DRIVE SHAFT HOUSING PIN	11	14
10-37268	SCREW, TRANSOM PLATE TO GIMBAL HOUSING (4 1/4")	3	3	11-35814	NUT, TILT ADJUSTMENT PIN	11	16
10-37269	SCREW, TRANSOM PLATE TO GIMBAL HOUSING (2")	3	2	11-35814	NUT, WATER PUMP BODY STUDS (5/16)	23	36
11-20110	NUT, TILT STOP SWITCH RETAINING PLATE AND STRAP SCREW	11	23	11-35888	NUT, WATER PUMP BODY STUDS (1/4)	23	35
11-20220	NUT, TRANSOM PLATE TO ENGINE FLYWHEEL HOUSING SCREW	5	33	11-35921	NUT, PINION GEAR TO DRIVE SHAFT	23	13
11-20361	NUT, SHIFT ACTUATING CABLE TO SHIFT CONTROL LEVER	3	22	11-36084	NUT, GIMBAL HOUSING CONNECTOR	29	11
11-20361	NUT, SHIFT CABLE ASSEMBLY TO SHIFT CONTROL LEVER SCREW	3	19	12-20086	WASHER, STEERING LINK ROD	13	42
11-20509	NUT, STEERING LEVER PIVOT STUD	13	41	12-20260	WASHER, DRIVE SHAFT HOUSING GREASE FILLER AND VENT HOLE SCRE	19	6
11-20509	NUT, STEERING LINK ROD	13	43	12-20260	WASHER, GEAR HOUSING GREASE FILLER AND VENT HOLE SCREW	25	47
11-20696	NUT, STEERING LEVER TO UPPER SWIVEL SHAFT SCREW	11	31	12-20546	WASHER, UPPER SWIVEL SHAFT RETAINING SCREW	11	33
11-21528	NUT, SHIFT CONTROL LEVER TO TRANSOM PLATE STUD	3	15	12-20583	WASHER, CAM FOLLOWER SPRING	27	55
11-21612	NUT, TURNBUCKLE - UPPER HOOK	21	44	12-21900	WASHER, GIMBAL HOUSING TO TRANSOM PLATE BOLT	5	34
11-22339	NUT, DRIVE GEAR TO UNIVERSAL JOINT	21	34	12-22248	WASHER, GIMBAL HOUSING STUD	9	30
11-22339	NUT, GEAR AND BEARING TO UPPER DRIVE SHAFT	19	19	12-22248	WASHER, TRANSOM PLATE SCREW	3	4
11-29594	NUT, PROPELLER	27	81	12-25909	WASHER, STEERING LEVER PIVOT STUD	11	35
11-32522	NUT, SPLINED - TRANSOM PLATE TO GIMBAL HOUSING SCREW	7	11	12-26825	WASHER, SHIFT CONTROL LEVER STUD	3	14
				12-28421	WASHER, TRANSOM PLATE SCREW	3	29

PARTS INDEX

Part Number	Description	Pg.	Ref. No.	Part Number	Description	Pg.	Ref. No.
12-29330	WASHER, NYLON - STEERING LEVER PIVOT STUD	11	36	14-31210	TAB WASHER, PROPELLER NUT	27	80
12-29395	WASHER, SHIFT SHAFT ...	25	45	15-31535A1	SHIM, THRUST RING TO GEAR HSG	27	68
12-31013	WASHER, THRUST - BEARING CARRIER	27	76	15-32563A1	SHIM, BEARING CUP TO TOP COVER (.002-3-5-10- 25)	19	17
12-31211	WASHER, SPLINED - PROPELLER SHAFT	27	79	15-33143A1	SHIM, BEARING TO GEAR HOUSING (.002-3-5-10) ..	23	14
12-31266	WASHING, RUBBER - SHIFT SHAFT BUSHING	25	44	15-35244A1	SHIM, GIMBAL HOUSING BALL BEARING	7	18
12-31536	WASHER, GEAR HOUSING COVER	27	74	15-35244A1	SHIM, GIMBAL HOUSING BALL BEARING	9	18
12-31760	WASHER, SHIFT ACTUATING CABLE STUD 3	3	21	15-35931A1	SHIM, BEARING CUP TO GEAR HSG.	27	56
12-31760	WASHER, SHIFT CABLE ASSEMBLY SCREW	3	18	15-35980A1	SHIM, BEARING CUP TO DRIVE SHAFT HOUSING(.002-3-5-10-25)	21	32
12-32506	WASHER, GEAR AND BEARING TO UPPER DRIVE SHAFT	19	18	15-36178A1	SHIM, BEARING CUP TO DRIVE SHAFT HOUSING (.002-3-5-10-15)	19	10
12-32510	WASHER, UPPER SHIFT SHAFT LEVER	17	57	16-29078	STUD, GEAR HOUSING TO DRIVE SHAFT HOUSING (2")	23	3
12-32518	WASHER, GIMBAL HOUSING TO GIMBAL RING LOWER SWIVEL PIN	9	24	16-29080	STUD, GEAR HOUSING TO DRIVE SHAFT HOUSING (3 3/16")	23	2
12-32620	WASHER, GIMBAL HOUSING BOLT	9	26	16-30667	STUD, WATER PUMP BASE AND BODY TO GEAR HOUSING (3 1/8")	23	5
12-32666	WASHER, INTERMEDIATE SHIFT SHAFT	15	21	16-30929	STUD, DRIVE SHAFT HOUSING TO GEAR HOUSING	15	3
12-32834	WASHER, TRANSOM PLATE SCREW	3	31	16-32568	STUD, PIVOT - STEERING LEVER	11	1
12-32996	WASHER, UPPER SWIVEL SHAFT (.015)	11	29	16-32698	STUD, SHIFT CONTROL LEVER TO TRANSOM PLATE	3	13
12-32997	WASHER, UPPER SWIVEL SHAFT (.063)	11	29	16-34069	STUD, SHIFT ACTUATING CABLE TO SHIFT CONTROL LEVER	3	20
12-34016	WASHER, REVERSE HOOK ARM TO DRIVE SHAFT HOUSING SCREW	15	15	16-35937	STUD, BELL HOUSING TO DRIVE SHAFT HOUSING ..	15	30
12-35777	WASHER, SHOCK ABSORBER TO DRIVE SHAFT HOUSING PIN ...	11	13	16-36292	STUD, WATER PUMP BASE AND BODY TO GEAR HOUSING (3 3/8")	23	4
12-35935	WASHER, BELL HOUSING TO DRIVE SHAFT HOUSING STUD	15	31	16-36451	STUD, GIMBAL HOUSING TO TRANSOM PLATE (7/16-20 X 4 5/8")	7	2
12-35965	WASHER, CUPPED - THRUST HUB	27	78	16-37270	STUD, GIMBAL HOUSING TO TRANSOM PLATE (7/16-14 X 4 3/4")	7	2
12-35981	WASHER, DRIVE GEAR TO UNIVERSAL JOINT NUT ..	21	33	17-20302	PIN, PIVOT - REVERSE HOOK RELEASE LEVER TO BELL HOUSING	17	46
12-36446	WASHER, WATER POCKET COVER	21	36	17-21438	PIN, DOWEL - GEAR HOUSING TO DRIVE SHAFT HOUSING	23	7
12-36446	WASHER, WATER PUMP BODY	23	29	17-29967	PIN, IMPELLER DRIVE	23	32
12-37271	WASHER, SQUARE - TRANSOM PLATE SCREW (LOWER)	3	5	17-30545	PIN, DRIVE SHAFT	23	9
13-26992	LOCKWASHER, WATER PUMP BODY SCREW (1/4)	23	34				
13-33734	LOCKWASHER, TRANSOM PLATE SCREW	3	32				

PARTS INDEX

Part Number	Description	Pg.	Ref. No.	Part Number	Description	Pg.	Ref. No.
17-30632	PIN, CROSS - SLIDING CLUTCH TO PROPELLER SHAFT	27	62	22-36033	CONNECTOR, GIMBAL HOUSING	29	9
17-32508	PIN, SWIVEL - GIMBAL HOUSING TO GIMBAL RING (LOWER)	9	22	23-25915	BUSHING, STEERING LEVER PIVOT STUD	13	40
17-35571	PIN, HINGE PIN RETAINING - GIMBAL RING	11	7	23-28055	BUSHING, RUBBER - WATER TUBE SEALING	9	32
17-35571	PIN, SHOCK ABSORBER PIN RETAINING- GIMBAL RING	11	11	23-29804	SLEEVE, GUIDE - WATER INLET TUBE	25	38
17-35779A1	PIN ASSEMBLY, SHOCK ABSORBER TO DRIVE SHAFT HOUSING	11	12	23-30617A1	BUSHING ASSEMBLY, SHIFT SHAFT	25	42
17-35813A1	TILT PIN ASSEMBLY, GIMBAL RING	11	15	23-31758	SPACER, SHIFT CONTROL LEVER STUD	3	12
17-35973	DOWEL PIN, WATER PUMP BASE TO WATER PUMP BODY	23	22	23-31866	SPACER, SHIFT CABLE ASSEMBLY SCREW	3	17
17-36179	PIN, HINGE - GIMBAL RING TO BELL HOUSING	11	6	23-31902	SPACER, TILT STOP SWITCH TO RETAINING PLATE	11	19
18-20233	CLIP, RETAINING - SHIFT SHAFT	25	40	23-32591	SPACER, UPPER DRIVE SHAFT	19	14
18-32665	COTTER PIN, INTERMEDIATE SHIFT SHAFT RETAINING	15	22	23-32632	BUSHING, DRIVE SHAFT HOUSING	15	2
18-32857	COTTER PIN, SHIFT ACTUATING CABLE TO TRANSOM PLATE	3	25	23-32848	BUSHING, RUBBER - SHOCK ABSORBER	11	9
18-32857	COTTER PIN, UPPER SHIFT SHAFT TO UPPER SHIFT SHAFT LEVER	17	58	23-35088	BUSHING, UPPER SHIFT SHAFT - BELL HOUSING	15	27
18-34159	COTTER PIN, RETAINING - LOWER SWIVEL PIN	9	23	23-35130	ADAPTOR, BEARING CARRIER	9	13
19-29850	PLUG, TRIM TAB HOLE- DRIVE SHAFT HOUSING	19	2	23-35130	ADAPTROR, BEARING CARRIER	7	13
19-32525	WELCH PLUG, UPPER SHIFT SHAFT LEVER	17	55	23-35985	SPACER, DRIVE GEAR ROLLER BEARING CUPS	21	31
19-32652	WELCH PLUG, DRIVE SHAFT HOUSING	15	5	23-36290	SPACER, TRANSOM PLATE SCREW	3	30
22-21290	PLUG, PIPE - GIMBAL HOUSING	7	8	24-20510	SPRING, STEERING LEVER PIVOT STUD	13	39
22-21290	PLUG, PIPE - GIMBAL HOUSING	7	8	24-30893	SSPRING, RETANING - CROSS PIN	27	63
22-23612	FITTING, GREASE-GIMBAL RING	11	4	24-32659	SPRING, TENSION - REVERSE HOOK ARM TO DRIVE SHAFT HOUSING SC	15	16
22-31345	FITTING, GREASE - BELL HOUSING	15	34	24-33761	SPRING, TENSION - REVERSE HOOK TO REVERSE HOOK ARM	15	13
22-31345	FITTING, GREASE - GIMBAL HOUSING	7	9	24-34576	SPRING, COMPRESSION - DRIVE SHAFT	23	10
22-31345	FITTING, GREASE - GIMBAL HOUSING	9	9	24-36102	SPRING, TORSION - REVERSE HOOK RELEASE LEVER	17	47
22-31704	PLUG, PIPE - DRIVE SHAFT HOUSING (WATER POCKET)	15	4	24-37610A1	SPRING ASSEMBLY, COMPRESSION - CAM FOLLOWER	27	54
22-32125	CONNECTOR, SHIFT ACTUATING CABLE - BELL HOUSING	15	25	25-25439	"O" RING, SHIFT SHAFT BUSHING	25	41
22-32561	PLUG, PIPE - UPPER SWIVEL SHAFT	11	28	25-25439	"O" RING, UNIVERSAL JOINT RING, RUBBER - CENTRIFUGAL SLINGER (DRIVE SHAFT)	25	37
				25-30271	"O" RING, UPPER - DRIVE SHAFT	23	11

PARTS INDEX

Part Number	Description	Pg.	Ref. No.	Part Number	Description	Pg.	Ref. No.
25-31534	"O" RING, BEARING CARRIER	27	69	27-35982	GASKET, RUBBER - BELL HOUSING	15	28
25-32509	"O" RING, UPPER SHIFT SHAFT LEVER SEALING	17	56	27-35996	GASKET, DRIVE SHAFT HOUSING TO BELL HOUSING	15	23
25-32546	"O" RING, TOP COVER SEALING	19	20	27-35996	GASKET, DRIVE SHAFT HOUSING TO BELL HOUSING	15	6
25-33145	"O" RING, WATER PUMP BASE	23	18	27-36043	GASKET, GIMBAL HOUSING CONNECTOR	29	10
25-33504	"O" RING, BELL HOUSING	15	29	28-30281	KEY, LOCATING - BEARING CARRIER	27	73
25-35984	"O" RING, OIL SEAL CARRIER	19	27	30-35914	BEARING, BALL - REVERSE GEAR	27	67
26-29612	SEAL, GEAR HOUSING FLUSHING HOLE SCREW	25	50	30-36056	BEARING, BALL - GIMBAL HOUSING	7	15
26-30550	OIL SEAL, BEARING CARRIER	27	72	30-36418	BEARING, BALL - GIMBAL HOUSING	9	15
26-31249	OIL SEAL, SHIFT SHAFT BUSHING	25	43	31-30895	BEARING, ROLLER - FOWARD GEAR	27	58
26-31507	OIL SEAL, WATER PUMP BASE	23	21	31-30956	BEARING, ROLLER - BEARING CARRIER	27	71
26-31507	OIL SEAL, WATER PUMP BODY	23	28	31-32535	BEARING, ROLLER - GIMBAL HOUSING (UPPER)	7	6
26-32511	OIL SEAL, GEAR CHAMBER -DRIVE SHAFT HOUSING	19	8	31-32535	BEARING, ROLLER - GIMBAL HOUSING (UPPER)	7	6
26-32540	OIL SEAL, UPPER GIMBAL HOUSING ROLLER BEARING	7	7	31-32536	BEARING, ROLLER - GIMBAL HOUSING (UPPER)	7	4
26-32540	OIL SEAL, UPPER GIMBAL HOUSING ROLLER BEARING	7	7	31-32536	BEARING, ROLLER - GIMBAL HOUSING (LOWER)	7	4
26-32541	OIL SEAL, GIMBAL RING	11	3	31-32538	BEARING, ROLLER - GIMBAL HOUSING (LOWER)	7	4
26-32911	OIL SEAL, LOWER GIMBAL HOUSING ROLLER BEARING	7	5	31-32538	BEARING, ROLLER - GIMBAL RING	11	2
26-32911	OIL SEAL, LOWER GIMBAL HOUSING ROLLER BEARING	7	5	31-32575A1	TAPERED ROLLER BEARING ASSEMBLY, UPPER DRIVE SHAFT	19	15
26-33144	OIL SEAL, WATER PUMP BASE	23	20	31-32576	CUP, TAPERED ROLLER BEARING	19	16
26-36054	OIL SEAL, CARRIER	19	29	31-35923	CUP, TAPERED ROLLER BEARING	23	16
26-36143	SEAL, GREASE - GIMBAL HOUSING	9	12	31-35927	CUP, TAPERED ROLLER BEARING	27	60
26-36143	SEAL, GREASE-GIMBAL HOUSING	7	12	31-35928A1	TAPERED ROLLER BEARING ASSEMBLY	27	59
26-36557	SEAL, RUBBER - WATER INLET TUBE	23	30	31-35934	BEARING, ROLLER - DRIVE SHAFT	23	6
26-37259	OIL SEAL, DRIVE SHAFT HOUSING - LOWER	19	7	31-35988A2	TAPERED ROLLER BEARING ASSEMBLY, DRIVE GEAR	19	30
27-29586	GASKET, GEAR HOUSING FLUSHING HOLE SCREW	25	49	31-35991	CUP, TAPERED ROLLER BEARING	19	12
27-32433	GASKET, LOWER - WATER PUMP BASE TO FACE PLATE	23	23	31-36387A1	TAPERED ROLLER BEARING ASSEMBLY, DRIVE SHAFT	23	15
27-32434	GASKET, UPPER - FACE PLATE TO WATER PUMP BODY	23	25	32-32461	HOSE, WATER - BELL HOUSING TO GIMBAL HOUSING	17	39
27-32569	GASKET, WATER POCKET COVER	21	38	32-32587	TUBE, WATER - WATERPOCKET COVER	21	40
27-32658	GASKET, GIMBAL HOUSING TO TRANSOM	9	38	32-32631	TUBE, WATER - GIMBAL HOUSING	9	31
				32-32787	HOSE, EXHAUST - GIMBAL HOUSING	9	36

PARTS INDEX

Part Number	Description	Pg.	Ref. No.	Part Number	Description	Pg.	Ref. No.
32-34049	TUBE, NYLON - SHIFT ACTUATING CABLE GUIDE	5	38	54-22740	CLIP, LIFT HOSE TO TRANSOM PLATE	29	2
32-35015	TUBE, STEERING CABLE GUIDE (7/8" OD)	3	26	54-31765	CLAMP, UNIVERSAL JOINT BELLOWS TO BELL HOUSING	17	37
32-35284	HOSE, LIFT - HYDRAULIC PUMP TO GIMBAL HOUSING	29	1	54-31765	CLAMP, UNIVERSAL JOINT BELLOWS TO GIMBAL HOUSING	17	38
32-36085	HOSE, CONNECTING - GIMBAL HSG. TO TILT CYLINDER (PORT)	29	5	54-31766	CLAMP, SHIFT ACTUATING CABLE BELLOWS TO GIMBAL HOUSING	9	29
32-36086	HOSE, CONNECTING - GIMBAL HSG. TO TILT CYLINDER (STARBOARD)	29	6	54-32523	CLAMP, WATER HOSE TO BELL HOUSING CCONNECTOR	17	40
37-32654	DECAL, DRIVE SHAFT HOUSING - STARBOARD	19	4	54-32523	CLAMP, WATER HOSE TO GIMBAL HOUSING WATER TUBE	17	41
37-32655	DECAL, DRIVE SHAFT HOUSING - PORT	19	3	54-32533	CLAMP, EXHAUST BELLOWS TO BELL HOUSING	17	43
37-33737	DECAL, NAME PLATE - BOAT	21	--	54-32533	CLAMP, EXHAUST BELLOWS TO GIMBAL HOUSING	17	44
38-32738	NAME PLATE, TRANSOM PLATE	3	23	54-32739	CLAMP, EXHAUST HOSE TO ENGINE	9	35
43-35916	REVERSE GEAR ASSEMBLY	27	65	54-32739	CLAMP, EXHAUST HOSE TO GIMBAL HOUSING	9	37
43-35916A1	REVERSE GEAR ASSEMBLY, COMPLETE	27	64	54-34050	CLAMP, SHIFT ACTUATING CABLE TO TRANSOM PLATE	3	7
43-35922	GEAR, PINION - DRIVE SHAFT	23	12	55-32607	PIN, SHOCK ABSORBER TO GIMBAL RING	11	10
43-35930	FOWARD GEAR ASSEMBLY	27	57	55-35998	SHOCK ABSORBER	11	8
43-35930A1	FOWARD GEAR ASSEMBLY, COMP.	27	56	91-32555	ROD, ALIGNMENT - TRANSOM PLATE TO ENGINE	5	--
43-35994A2	GEAR AASEMBLY, COMPLETE - MERCUISER IC (24-24 GEAR RATIO)	19	13	226-36557	SEAL, RUBBER- WATER POCKET COVER	21	37
43-36219A1	GEAR ASSEMBLY, COMPLETE - MERCUISER IB (20-24 GEAR RATIO)	19	13	631-35990A1	TAPERED ROLLER BEARING ASSEMBLY, PINION GEAR	19	11
43-36342A1	GEAR ASSEMBLY, COMPLETE - MERCUISER IA (21-23 GEAR RATIO)	19	13	1547-2411A1	DRIVE SHAFT HOUSING ASSEMBLY	15	1
44-35920	SHAFT, PROPELLER	27	64	1547-2411A1	DRIVE SHAFT HOUSING ASSEMBLY	19	1
45-32583	DRIVE SHAFT, UPPER	19	9	1623-2406A1	GEAR HOUSING ASSEMBLY	27	1
45-36386A1	DRIVE SHAFT ASSEMBLY	23	8	1623-2406A1	GEAR HOUSING ASSMEBLY	23	1
46-32437A3	WATER PUMP BODY ASSEMBLY	23	26	1623-2406A2	GEAR HOUSING ASSEMBLY, COMPLETE	23	-
46-34447A1	WATER PUMP BASE ASSEMBLY	23	19	1623-2406A2	GEAR HOUSING ASSEMBLY, COMPLETE	27	-
47-30221	IMPELLER, WATER PUMP	23	31				
52-35919	CLUTCH, SLIDING	27	61				
53-35128	RING, RETAINING - BEARING CARRIER (LARGE)	7	17				
53-35128	RING, RETAINING - BEARING CARRIER (LARGE)	9	17				
53-35129	RING, RETAINING - BALL BEARING (SMALL)	7	16				