



# PARTS CATALOG

## 120 ENGINE

### SERIAL NUMBER

120 GM 153 I/L4 1964-1972 ..... 1666601 THRU 3377340

# TABLE OF CONTENTS:

CARBURETOR ASSEMBLY .....	24
CYLINDER BLOCK,PISTON AND CRANKSHAFT .....	54
CYLINDER HEAD/ OIL PAN /OIL PUMP AND TIMING COVER (Page 1) .....	60
CYLINDER HEAD/ OIL PAN/ OIL PUMP AND TIMING COVER (Page 2) .....	66
DISTRIBUTOR ASSEMBLY AND COIL .....	12
EXHAUST MANIFOLD ASSEM (ALUMINUM)(SERIAL # 1666601-1725592) .....	28
EXHAUST MANIFOLD ASSEM (CAST IRON)(SERIAL # 1725593-2046624) .....	34
EXHAUST MANIFOLD ASSEM (CAST IRON)(SERIAL # 2046625-2324346) .....	40
EXHAUST MANIFOLD ASSEM (CAST IRON)(SERIAL # 2324347 AND UP) .....	44
FLYWHEEL HOUSING AND ENGINE SUPPORT .....	48
FUEL PUMP, FUEL FILTER AND CARBURETOR .....	18
GASKETS AND GASKET SETS .....	70
PARTS INDEX .....	72
STARTER MOTOR AND ALTERNATOR .....	6
WIRING HARNESS, VOLTAGE REGULATOR AND STARTER SOLENOID .....	2

**NOTE:** Indented description indicate that these parts are included in preceding assembly.

**AR** = As Required

**NSS** = Not Sold Separate

**OPT** = Optional

**NS** = Not Shown

**THESE PARTS BOOKS/FICHE CARD ARE COPYRIGHTED AND MAY NOT BE DISTRIBUTED OR REPRODUCED IN ANY OTHER FORMAT BY ANYONE OTHER THAN MERCURY MARINE WITHOUT THE PRIOR WRITTEN CONSENT OF MERCURY MARINE.**

# **REPLACEMENT PARTS ! WARNING !**

Electrical, ignition and fuel system components on MerCruiser Engines and Stern Drives are designed and manufactured to comply with U.S. Coast Guard Rules and Regulations to minimize risks of fire or explosion. Use of replacement electrical, ignition or fuel system components, which do not comply to these rules and regulations, could result in a fire or explosion hazard and should be voided.

When servicing the electrical, ignition and fuel systems, it is extremely important that all components are properly installed and tightened. If not, any electrical or ignition component opening would permit sparks to ignite fuel vapors from fuel system leaks, if they existed.

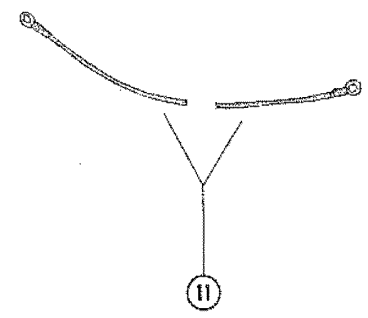
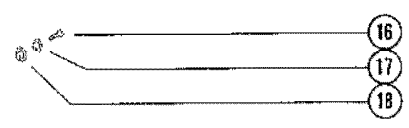
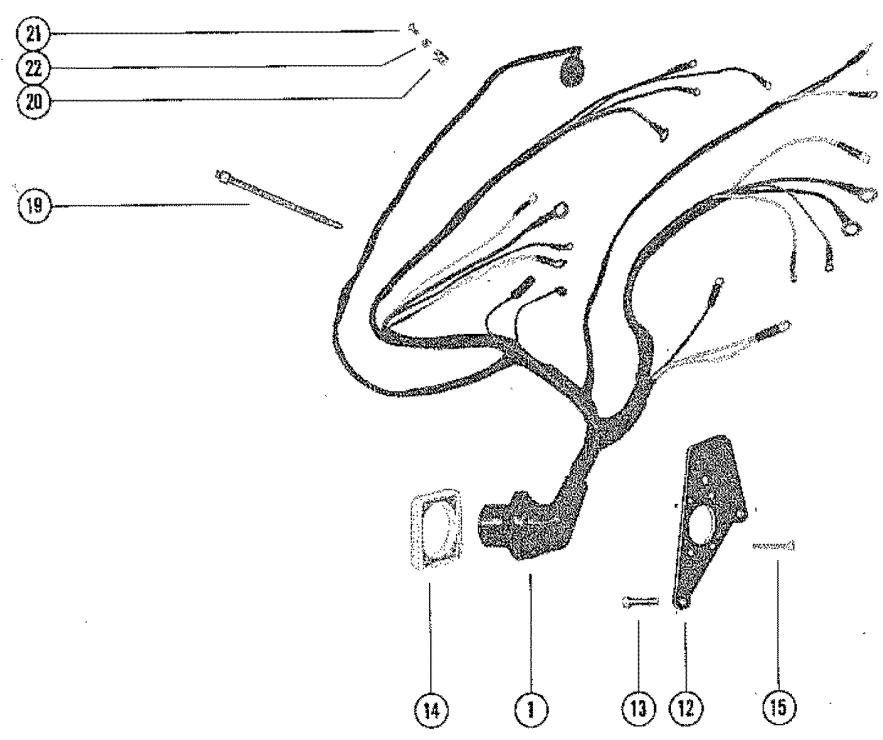
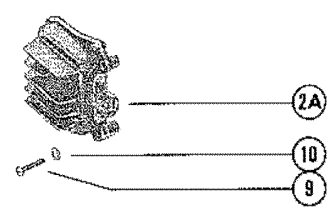
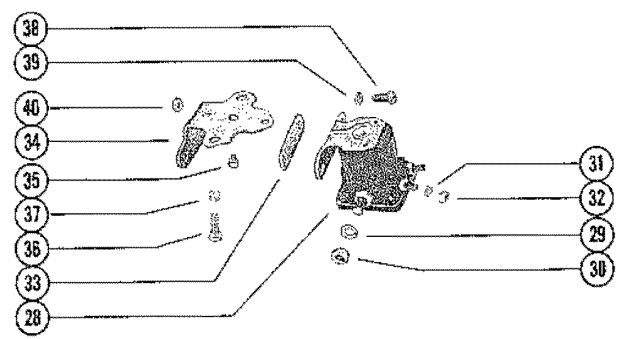
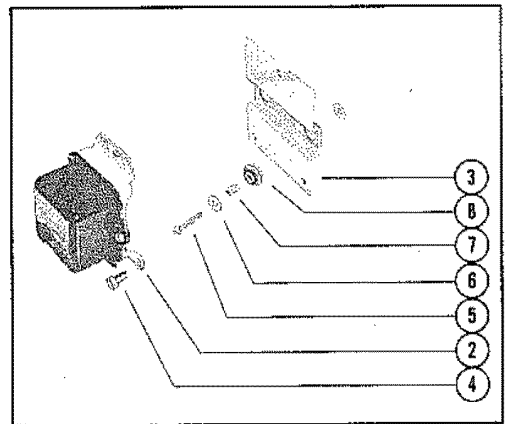
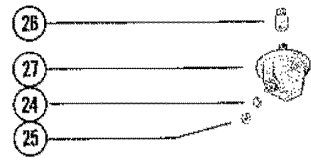
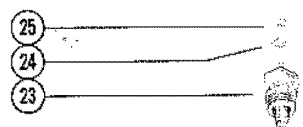
## **ENGINE MECHANICAL COMPONENTS**

Many of the engine mechanical components are designed for marine applications. Unlike automotive engines, marine engines are subjected to extended periods of heavy load and wide- open-throttle operation, therefore, require heavy-duty components. Special marine engine parts have design and manufacturing specifications, which are required to provide long life and dependable performance. Marine engine parts also must be able to resist the corrosive action of salt or brackish water that will rust or corrode standard automotive parts within a short period of time.

Failure to use recommended Mercury Precision Parts OR Quicksilver service replacement parts can result in poor engine performance and/or durability, rapid corrosion of parts subjected to salt water and possibly complete failure of the engine.

Use of parts other than recommended service replacement parts will void the warranty on those parts which are damaged as a result of the use of other than recommended parts.

# WIRING HARNESS, VOLTAGE REGULATOR AND STARTER SOLENOID

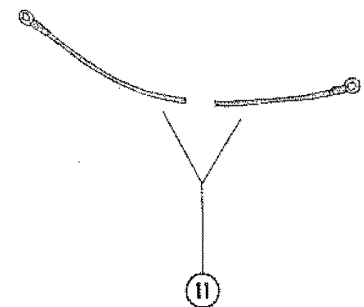
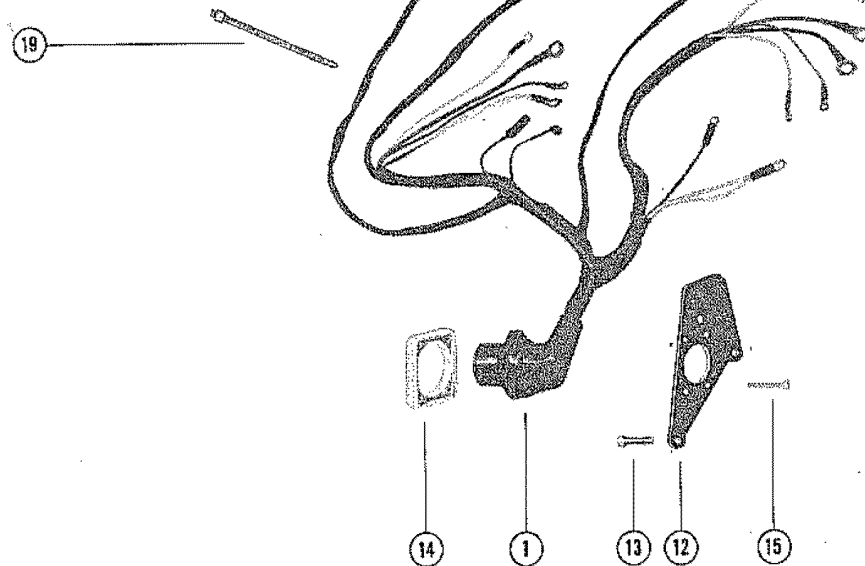
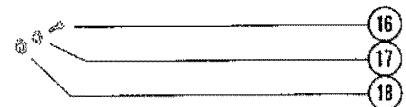
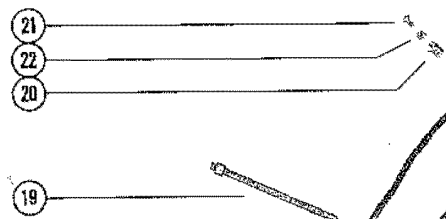
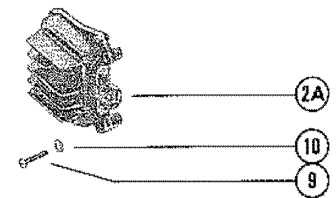
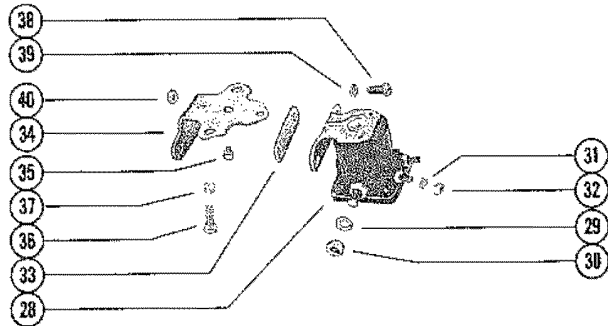
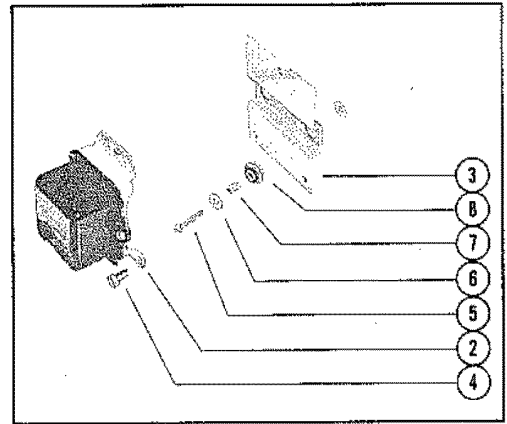
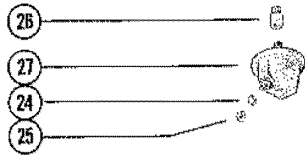
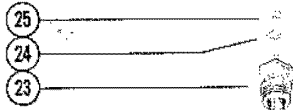


# WIRING HARNESS, VOLTAGE REGULATOR AND STARTER SOLENOID

REF. NO.	PART NO.	SYM.	QTY.	DESCRIPTION
1	34453		1	WIRING HARNESS EXTERNAL SERIAL 00000000-01822428
2	34141		1	VOLTAGE REGULATOR SERIAL 00000000-01822428
3	33614A1		1	MOUNT ASSEMBLY, VOLTAGE REGULATOR TO TRANSOM SERIAL 00000000-01822428
4	10-29238		3	SCREW, VOLTAGE REGULATOR TO MOUNT SERIAL 00000000-01822428
5	10-33615		2	SCREW, VOLTAGE REGULATOR MOUNT TO TRANSOM SERIAL 00000000-01822428
6	12-22887		4	WASHER, VOLTAGE REGULRTOR MOUNT SCREW SERIAL 00000000-01822428
7	23-32818		2	SPACER, VOLTAGE REGULATOR MOUNT SERIAL 00000000-01822428
8	25-28627		2	GROMMET, VOLTAGE REGULATOR MOUNT SERIAL 00000000-01822428
1	37708		1	WIRING HARNESS, EXTERNAL SERIAL 01822429-01951139
2A	37707		1	VOLTAGE REGULATOR, TRANSISTORIZED SERIAL 01822429-02726998
9	10-37908		3	SCREW, VOLTAGE REGULATOR TO TRANSOM (1 1/4") SERIAL 01822429-02726998
10	12-20028		3	WASHER, VOLTAGE REGULATOR SCREW SERIAL 01822429-02726998
1	39543		1	WIRING HARNESS, EXTERNAL SERIAL 01951140-22726998
11	39593		1	BATTERY CABLE, POSITIVE SERIAL 01951140-22726998
	39594		1	BATTERY CABLE, NEGATIVE SERIAL 01951140-22726998
12	39589		1	BRACKET, MOUNTING - BALLAST AND WIRING HARNESS SERIAL 01951140-22726998
13	10-28464		1	SCREW, BRACKET AND FLYWHEEL HOUSING TO BLOCK (1 1/2") SERIAL 01951140-22726998
	10-45754		1	SCREW, BRACKET AND FLYWHEEL HOUSING TO BLOCK (2") SERIAL 01951140-22726998
14	26079		1	PLATE, WIRING HARNESS TO MOUNTING BRACKET SERIAL 01951140-22726998
15	10-46718		4	SCREW, WIRING HARNESS PLATE TO MOUNTING BRACKET (3/4") SERIAL 01951140-22726998
1	55755		1	WIRING HARNESS, EXTERNAL SERIAL 02786857-09999999
11	39593		1	BATTERY CABLE, POSITIVE SERIAL 02786857-09999999
	39594		1	BATTERY CABLE, NEGATIVE SERIAL 02786857-09999999
14	26079		1	PLATE, WIRING HARNESS TO FLYWHEEL HOUSING SERIAL 02786857-09999999
15	10-46718		4	SCREW, WIRING HARNESS PLATE TO FLYWHEEL HOUSING SERIAL 02786857-09999999
16	10-20055		1	SCREW, WIRING HARNESS LEAD TO ALTERNATOR (3/8") SERIAL 02786857-09999999
17	13-26996		1	LOCKWASHER, WIRING HARNESS LEAD SCREW SERIAL 02786857-09999999
18	12-30164		1	WASHER, WIRING HARNESS LEAD SCREW SERIAL 02786857-09999999
19	47764		1	STRAP, NYLON - STARTER SOLENOID LEAD

CONTINUED ON NEXT PAGE ➡

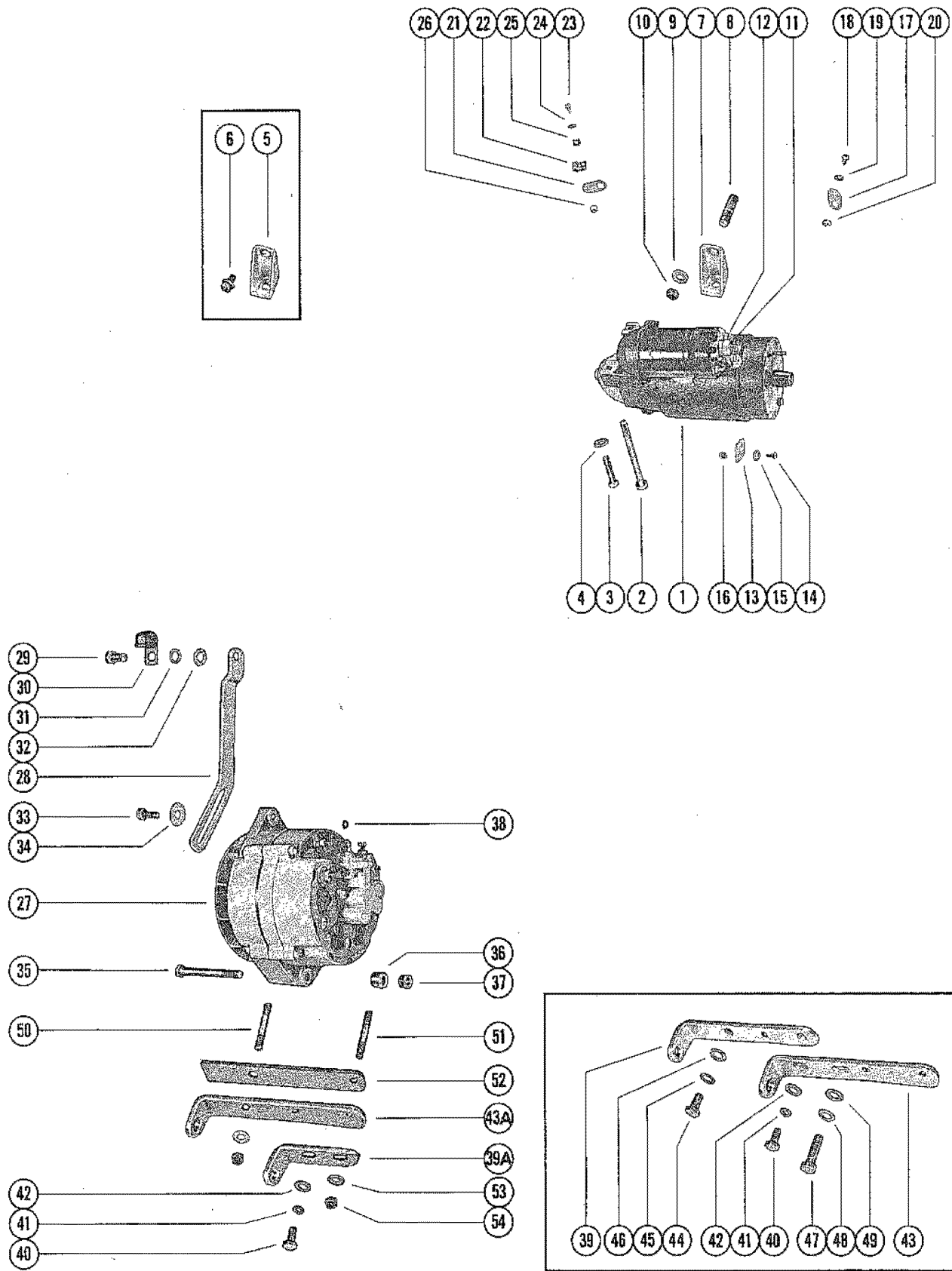
# WIRING HARNESS, VOLTAGE REGULATOR AND STARTER SOLENOID



# WIRING HARNESS, VOLTAGE REGULATOR AND STARTER SOLENOID

REF. NO.	PART NO.	SYM.	QTY.	DESCRIPTION
20	54-22875		2	CLIP, WIRING HARNESS TO BOAT <b>EARLY MODELS ONLY</b>
21	10-22793		2	SCREW, WOOD - WIRING HARNESS CLIP TO BOAT <b>EARLY MODELS ONLY</b>
22	22789		2	"D" WASHER, WIRING HARNESS CLIP SCREW <b>EARLY MODELS ONLY</b>
23	34625		1	WATER TEMPERATURE SENDER ASSEMBLY <b>SERIAL 00000000-02324346</b>
	36525		1	WATER TEMPERATURE SENDER ASSEMBLY <b>SERIAL 02324347-09999999</b>
24	13-26996		2	WASHER, WATER SENDER AND OIL PRESSURE SENDER TERMINAL (#10)
25	11-20645		2	NUT, WATER SENDER AND OIL PRESSURE SENDER TERMINAL (10-32)
26	22-32974		1	ADAPTOR, OIL PRESSURE SENDER TO CYLINDER BLOCK
27	34623		1	OIL PRESSURE SENDER ASSEMBLY
28	25661		1	STARTER SOLENOID
29	13-26993		2	LOCKWASHER, STARTER SOLENOID TERMINAL (5/16")
30	11-20083		2	NUT, STARTER SOLENOID TERMINAL (5/16")
31	13-26996		2	LOCKWASHER, STARTER SOLENOID TERMINAL (#10)
32	11-20645		2	NUT, STARTER SOLENOID TERMINAL (10-32)
33	36177		1	INSULATOR, STARTER SOLENOID BRACKET
34	36176A1		1	BRACKET ASSEMBLY, STARTER SOLENOID MOUNTING
35	49342		1	BUMPER, MOUNTING BRACKET
36	10-39197		2	SCREW, MOUNTING BRACKET TO EXHAUST MANIFOLD (5/8")-ALUMINUM
	10-33231		2	SCREW, MOUNTING BRACKET TO EXHAUST MANIFOLD (1/2")-CAST IRON
37	13-26993		2	LOCKWASHER, MOUNTING BRACKET SCREW - CAST IRON MANIFOLD
38	10-21625		2	SCREW, STARTER SOLENOID TO MOUNTING BRACKET (3/4")
39	13-26992		2	LOCKWASHER, STARTER SOLENOID SCREW
40	11-20088		2	NUT, STARTER SOLENOID SCREW

# STARTER MOTOR AND ALTERNATOR



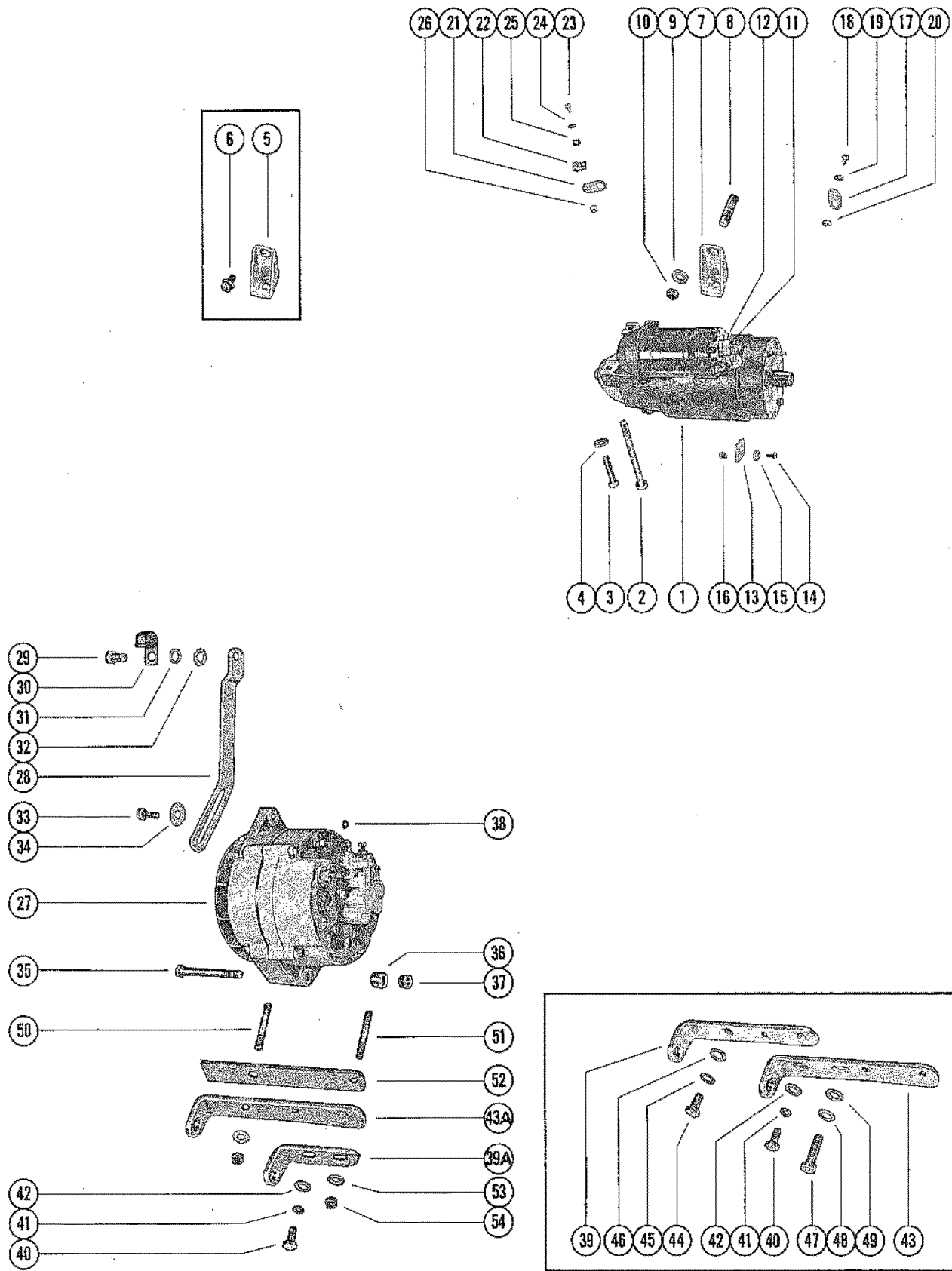


# STARTER MOTOR AND ALTERNATOR

REF. NO.	PART NO.	SYM.	QTY.	DESCRIPTION
1	50-32703		1	STARTER MOTOR ASSEMBLY SEE NOTE BELOW SERIAL <b>00000000-02046624</b>
	50-46282		1	STARTER MOTOR ASSEMBLY SEE NOTE BELOW SERIAL <b>02046625-03042730</b>
	50-59799		1	STARTER MOTOR ASSEMBLY SEE NOTE BELOW SERIAL <b>03129229-09999999</b>
2	10-34545		1	BOLT, STARTER MOTOR MOUNTING (4 21/32")
3	10-34544		1	BOLT, STARTER MOTOR MOUNTING (1 15/16")
4	12-32648		1	WASHER, STARTER MOTOR BOLT <b>EARLY MODELS ONLY</b>
5	34546		1	BRACE, STARTER MOTOR SERIAL <b>02520425-09999999</b>
6	10-48543		2	SCREW, BRACE TO MOTOR AND CYLINDERBLOCK (5/8") <b>SERIAL 02520425-09999999</b>
7	52250		1	BRACE, STARTER MOTOR SERIAL <b>02520425-09999999</b>
8	16-52387		2	STUD, BRACE TO MOTOR AND CYLINDER BLOCK SERIAL <b>02520425-09999999</b>
9	12-20103		2	WASHER, BRACE STUD SERIAL <b>02520425-09999999</b>
10	11-35814		2	NUT, BRACE STUD SERIAL <b>02520425-09999999</b>
11	11-28517		1	NUT, SOLENOID SWITCH TERMINAL (3/8-16)
12	11-26419		1	NUT, SOLENOID SWITCH TERMINAL (8-32)
13	32786		1	TAB, STARTER MOTOR SOLENOID TERMINAL SERIAL <b>00000000-02520424</b>
14	10-20191		1	SCREW, HARNESS LEAD TO SOLENOID TERMINAL TAB <b>SERIAL 00000000-02520424</b>
15	13-26995		1	LOCKWAHSER, WIRING HARNESS LEAD SCREW SERIAL <b>00000000-02520424</b>
16	11-26419		1	NUT, WIRING HARNESS LEAD SCREW SERIAL <b>00000000-02520424</b>
17	32786		1	TAB, WIRING HARNESS LEAD TO CYLINDER BLOCK SERIAL <b>00000000-02520424</b>
18	10-20191		1	SCREW, WIRING HARNESS LEAD TO CYLINDER BLOCK TAB <b>SERIAL 00000000-02520424</b>
19	13-26995		1	LOCKWASHER, WIRING HARNESS LEAD SCREW SERIAL <b>00000000-02520424</b>
20	11-26419		1	NUT, WIRING HARNESS LEAD SCREW SERIAL <b>00000000-02520424</b>
21	32786		1	TAB, STARTER MOTOR TO CYLINDER BLOCK SCREW SERIAL <b>00000000-02520424</b>
22	54-26550		1	CLAMP, WIRING HARNESS TO STARTER MOTOR SERIAL <b>00000000-02520424</b>
23	10-20191		1	SCREW, WIRING HARNESS CLIP TO STARTER MOTOR <b>SERIAL 00000000-02520424</b>
24	13-26995		1	LOCKWASHER, WIRING HARNESS CLIP SCREW SERIAL <b>00000000-02520424</b>
25	22789		1	"D" WASHER, WIRING HARNESS CLIP SCREW SERIAL <b>00000000-02520424</b>
26	11-26419		1	NUT, WIRING HARNESS CLIP SCREW SERIAL <b>00000000-02520424</b>

CONTINUED ON NEXT PAGE ➡

# STARTER MOTOR AND ALTERNATOR

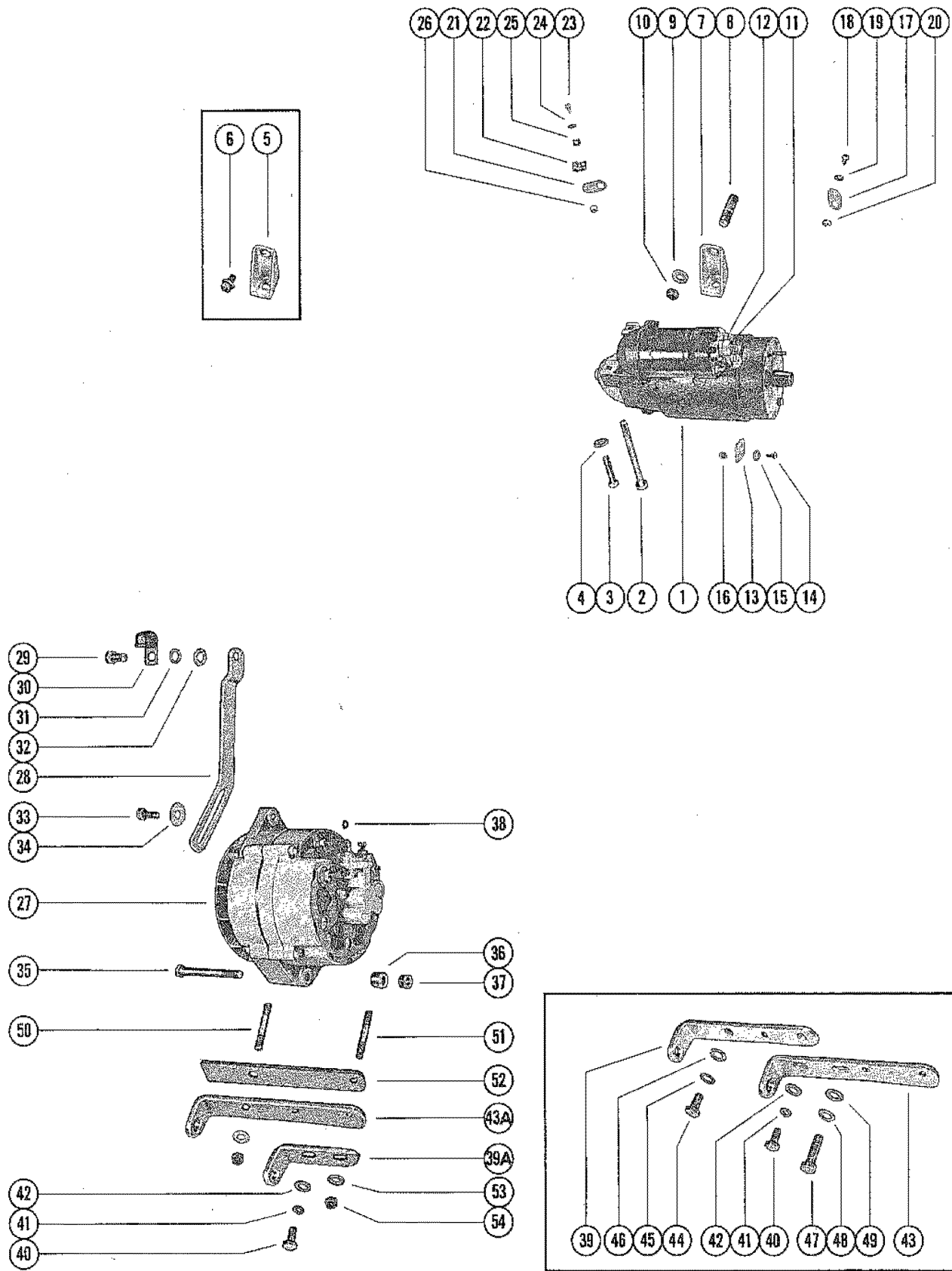


# STARTER MOTOR AND ALTERNATOR

REF. NO.	PART NO.	SYM.	QTY.	DESCRIPTION
27	32701		1	ALTERNATOR ASSEMBLY SEE NOTE BELOW SERIAL <b>00000000-01727397</b>
	37615A1		1	ALTERNATOR ASSEMBLY SEE NOTE BELOW SERIAL <b>01727398-02726998</b>
	56045		1	ALTERNATOR ASSEMBLY SEE NOTE BELOW SERIAL <b>02786857-03042720</b>
	59755		1	ALTERNATOR ASSEMBLY SEE NOTE BELOW SERIAL <b>03129229-09999999</b>
28	32754		1	BRACE, ALTERNATOR TO CYLINDER BLOCK (FRONT)
29	10-27165		1	SCREW, ALTERNATOR BRACE TO CYLINDER BLOCK (3/4")
30	54-54178		1	"J" CLIP, WATER TEMPERATURE SENDER LEAD
31	13-37459		1	LOCKWASHER, ALTERNATOR BRACE SCREW
32	12-20553		1	WASHER, ALTERNATOR BRACE SCREW
33	10-29198		1	SCREW, ALTERNATOR BRACE TO ALTERNATOR (7/8")
34	12-26168		1	WASHER, ALTERNATOR BRACE SCREW
35	10-32775		1	SCREW, ALTERNATOR TO BRACKET (3 1/2") SERIAL <b>00000000-02726998</b>
	10-56057		1	SCREW, ALTERNATOR TO BRACKET (3 3/4") SERIAL <b>02786857-09999999</b>
36	23-32727		1	SPACER, ALTERNATOR SCREW
37	11-23161		1	NUT, ALTERNATOR SCREW
38	12-20192		1	WASHER, ALTERNATOR GROUND TERMINAL
39	32753		1	BRACKET, ALTERNATOR MOUNTING SERIAL <b>00000000-02520424</b>
39A	52817		1	BRACKET, ALTERNATOR MOUNTING SERIAL <b>02520425-09999999</b>
40	10-33524		1	SCREW, ALTERNATOR MOUNTING BRACKET TO CYLINDER BLOCK (5/8")
41	13-26993		1	LOCKWASHER, ALTERNATOR MOUNTING BRACKET SCREW
42	12-26825		1	WASHER, ALTERNATOR MOUNTING BRACKET SCREW
43	32835		1	BRACKET, ALTERNATOR MOUNTING SERIAL <b>00000000-02051444</b>
	46475		1	BRACKET, ALTERNATOR MOUNTING SERIAL <b>02051445-02520424</b>
43A	52818		1	BRACKET, ALTERNATOR M,OUNTING SERIAL <b>02520424-09999999</b>
44	10-27165		1	SCREW, ALTERNATOR MOUNTING BRACKET TO CYLINDER BLOCK (3/4") SERIAL <b>00000000-02520424</b>
45	13-37459		1	LOCKWASHER, ALTERNATOR MOUNTING BRACKET SCREW SERIAL <b>00000000-02520424</b>
46	12-20553		1	WASHER, ALTERNATOR MOUNTING BRACKET SCREW SERIAL <b>00000000-02520424</b>
47	10-26632		1	SCREW, ALTERNATOR MOUNTING BRACKET TO CYLINDER BLOCK (1 1/4" SERIAL <b>00000000-02520424</b>
48	13-37459		1	LOCKWASHER, ALTERNATOR MOUNTING BRACKET SCREW SERIAL <b>00000000-02520424</b>
49	12-20553		1	WASHER, ALTERNATOR MOUNTING BRACKET SCREW SERIAL <b>00000000-02520424</b>

CONTINUED ON NEXT PAGE ➡

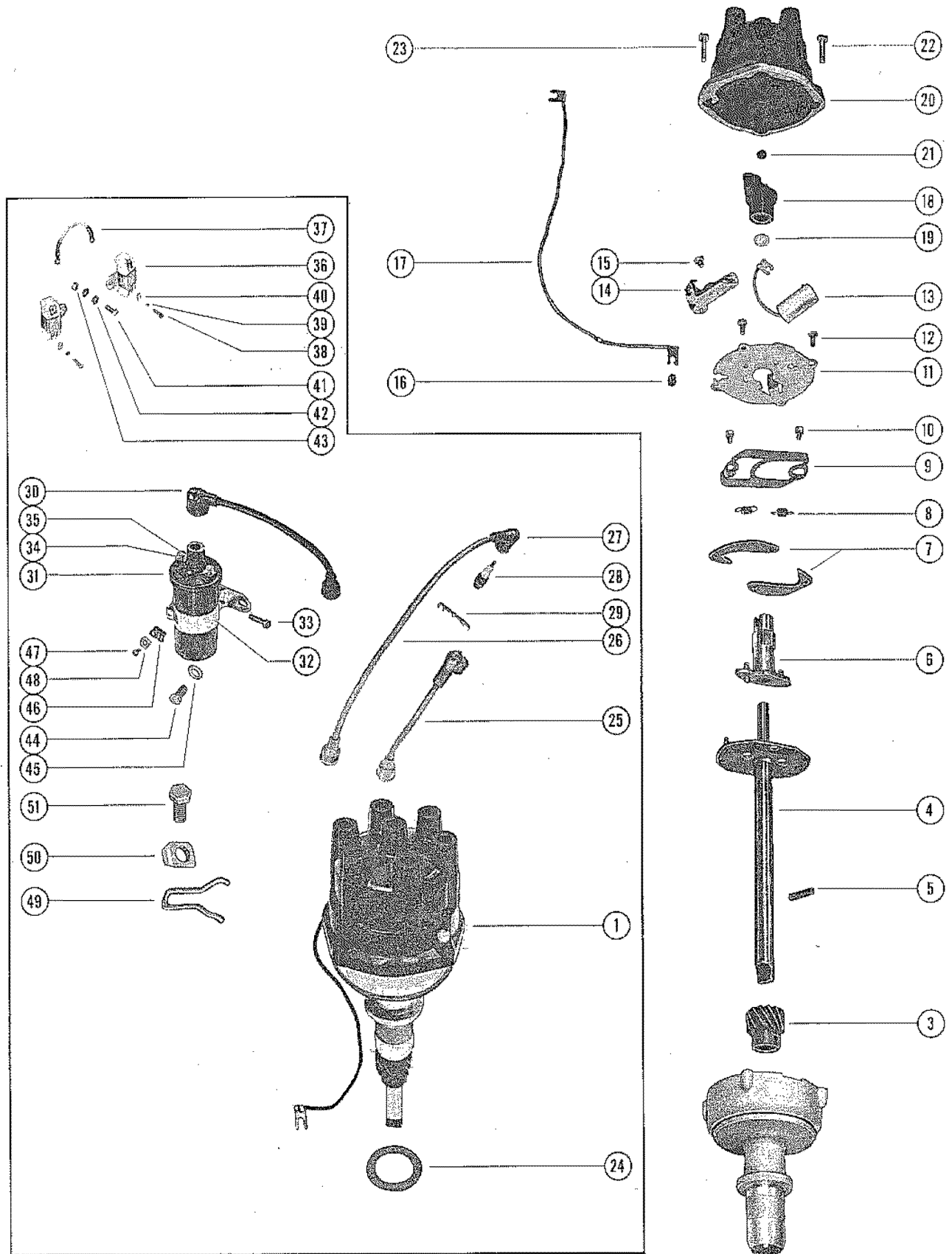
# STARTER MOTOR AND ALTERNATOR



## STARTER MOTOR AND ALTERNATOR

REF. NO.	PART NO.	SYM.	QTY.	DESCRIPTION
50	16-54177		1	STUD, MOUNTING BRACKET TO CYLINDER BLOCK (1 3/8") <b>SERIAL 02520425-09999999</b>
51	16-54176		1	STUD, MOUNTING BRACKET TO CYLINDER BLOCK (1 5/8") <b>SERIAL 02520425-09999999</b>
52	27-53502		1	GASKET, ALTERNATOR MOUNTING BRACKET <b>SERIAL</b> <b>02520425-09999999</b>
53	12-20553		2	WASHER, MOUNTING BRACKET STUD <b>SERIAL 02520425-</b> <b>09999999</b>
54	11-49910		2	NUT, MOUNTING BRACKET STUD <b>SERIAL 02520425-09999999</b>

# DISTRIBUTOR ASSEMBLY AND COIL

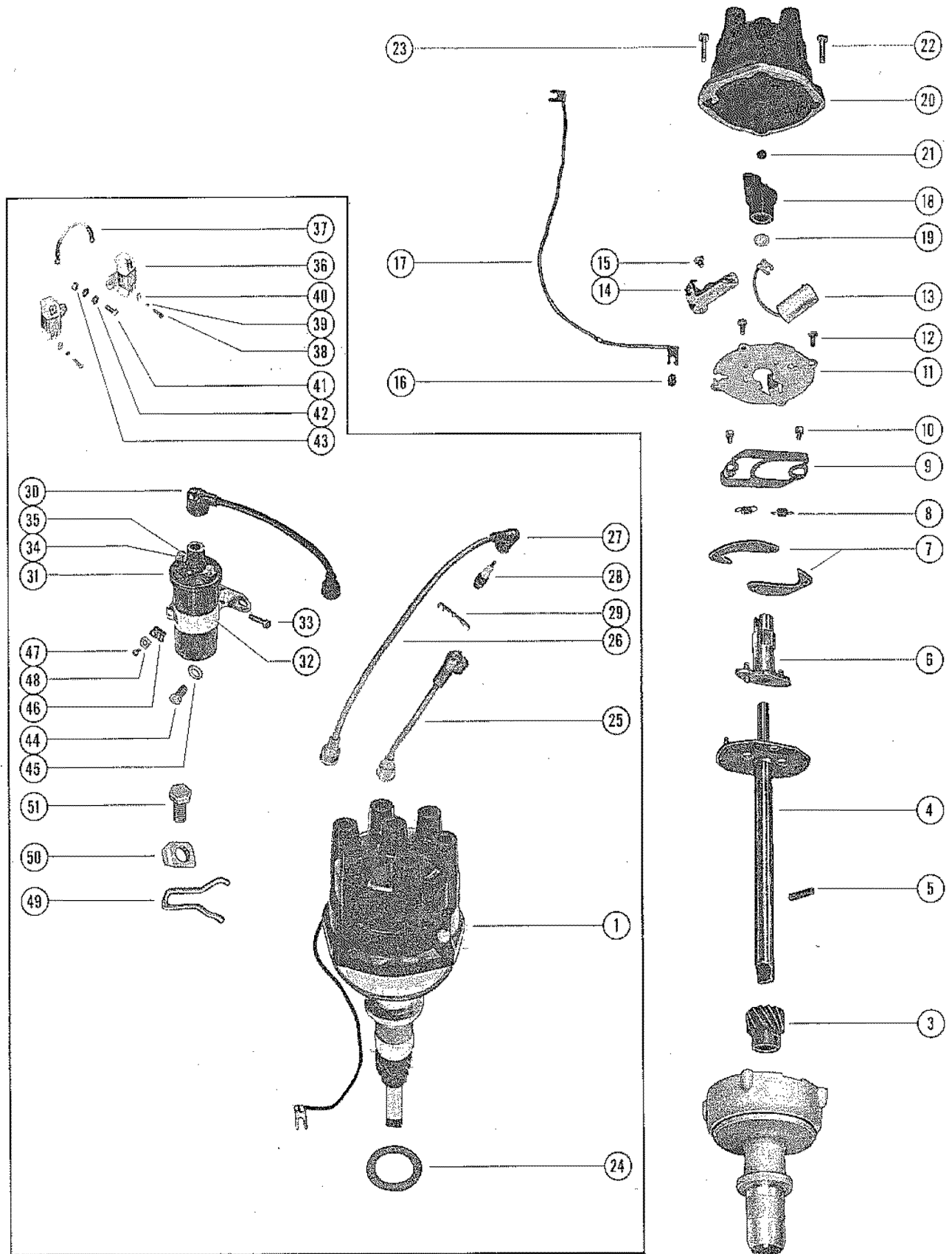


# DISTRIBUTOR ASSEMBLY AND COIL

REF. NO.	PART NO.	SYM.	QTY.	DESCRIPTION
1	33266		1	DISTRIBUTOR ASSEMBLY, COMPLETE SERIAL 00000000-02520424
	52352		1	DISTRIBUTOR ASSEMBLY, COMPLETE SERIAL 02520424-02726998
	58231		1	DISTRIBUTOR ASSEMBLY, COMPLETE SERIAL 02786857-03253905
	62424		1	DISTRIBUTOR ASSEMBLY, COMPLETE SERIAL 03253906-09999999
3	43-33664		1	GEAR, DRIVE - MAIN SHAFT
4	33669		1	MAIN SHAFT AND WEIGHT PLATE SERIAL 00000000-02520424
	52357		1	MAIN SHAFT AND WEIGHT PLATE SERIAL 02520425-02726998
	58237		1	MAIN SHAFT AND WEIGHT PLATE SERIAL 02786857-09999999
5	17-33649		1	PIN, DRIVE GEAR TO MAIN SHAFT
6	33661		1	CAM, BREAKER - ADVANCE SERIAL 00000000-02726998
	58235		1	CAM, BREAKER - ADVANCE SERIAL 02786857-09999999
-	12-58220		1	WASHER, CAM AND SHAFT SERIAL 02786857-09999999
-	26-58219		1	SEAL, HOUSING SERIAL 02786857-09999999
-	33653		1	FELT, BREAKER CAM LUBRICATOR
-	33670		1	RETIANER, BREAKER CAM LUBRICATOR FELT
7	33651		2	WEIGHT, BREACKER CAM ADVANCE SERIAL 00000000-02726998
8	24-33652		2	SPRING, BREAKER CAM ADVANCE WEIGHT SERIAL 00000000-02726998
7	33768		2	WEIGHT, BREACKER CAM ADVANCE SERIAL 02786857-09999999
8	24-58236		2	SPRING, BREAKER CAM ADVANCE WEIGHT SERIAL 02786857-09999999
9	33655		2	PLATE, WEIGHT HOLD DOWN
10	10-33722		2	SCREW, WEIGHT HOLD DOWN PLATE TO WEIGHT PLATE
11	33665		1	PLATE, MOUNTING - BREAKER ASSEMBLY AND CONDENSER
12	10-33648		2	SCREW, MOUNTING PLATE TO PRIMARY HOUSING
-	12-62425		2	WASHER, SEALING - MOUNTING PLATE SCREW
-	62426		1	SCREW, VENT - PRIMARY HOUSING
13	33662		1	CONDENSER
-	48024		1	BRACKET, CONDENSER MOUNTING SERIAL 02786857-09999999
-	10-48021		1	SCREW, CONDENSER BRACKET ATTACHING SERIAL 02786857-09999999
14	34235		1	BREAKER ASSEMBLY, DISTRIBUTOR
15	10-33650		1	SCREW, BREAKER ASSEMBLY TO MOUNTING PLATE
16	25-33666		1	GROMMET, MOUNTING PLATE - PRIMARY WIRE
17	33658		1	LEAD, PRIMARY SERIAL 00000000-02520424
	48025		1	LEAD, PRIMARY SERIAL 02520425-09999999

CONTINUED ON NEXT PAGE ➡

# DISTRIBUTOR ASSEMBLY AND COIL



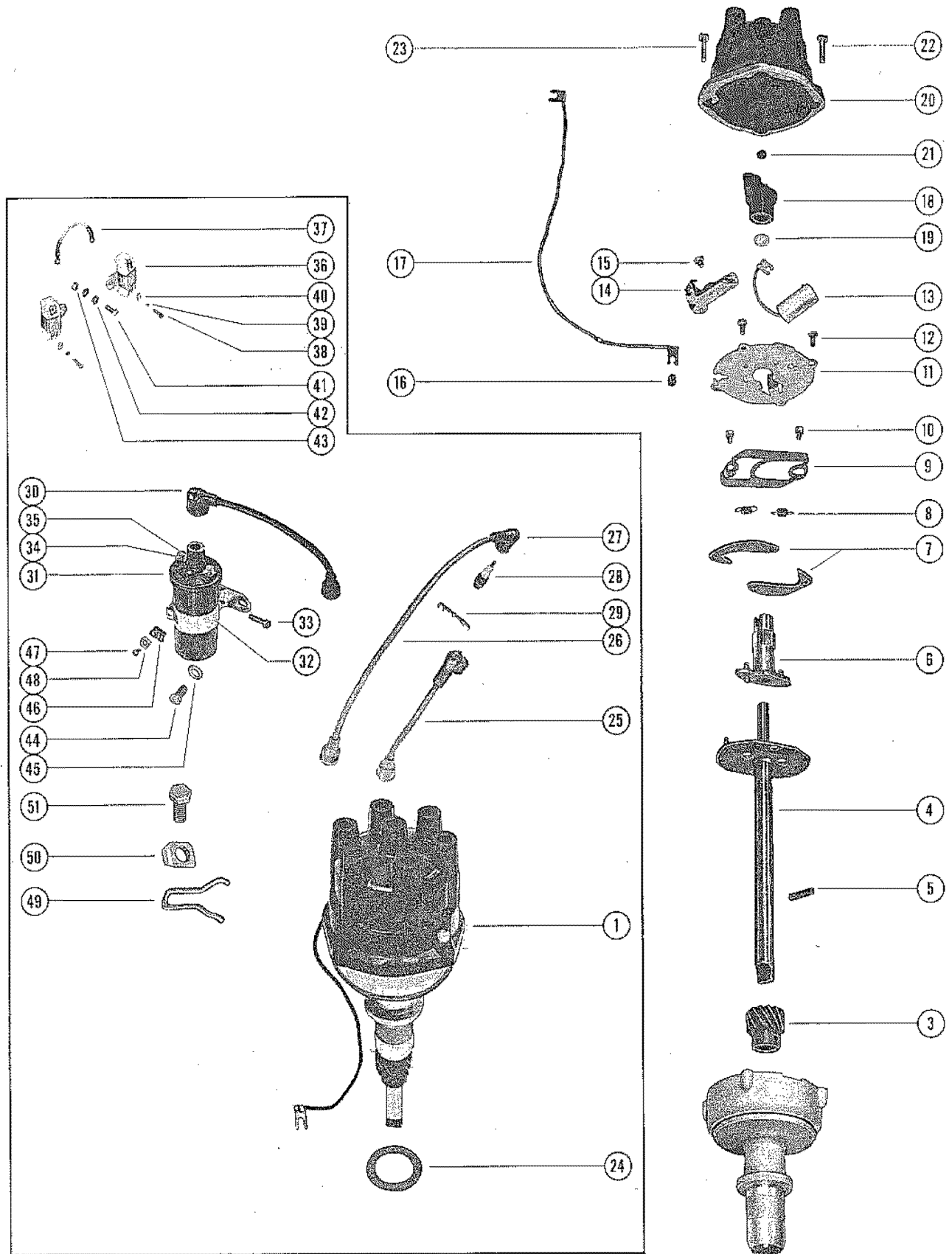


# DISTRIBUTOR ASSEMBLY AND COIL

REF. NO.	PART NO.	SYM.	QTY.	DESCRIPTION
18	33659		1	ROTOR, DISTRIBUTOR <b>SERIAL 00000000-02726998</b>
	58217		1	ROTOR, DISTRIBUTOR <b>SERIAL 02786857-09999999</b>
19	12-36275		1	WASHER, ROTOR
20	33667		1	CAP, DISTRIBUTOR
21	33654		1	BUTTON, CARBON - DISTRIBUTOR CAP
22	10-33660		1	SCREW, DISTRIBUTOR CAP TO PRIMARY HOUSING (8-32)
23	10-33663		1	SCREW, DISTRIBUTOR CAP TO PRIMARY HOUSING (10-32)
24	27-34486		1	GASKET, DISTRIBUTOR
25	32762A1		2	LEAD ASSEMBLY, HIGH TENTION - DISTRIBUTOR (6")
26	32762A2		2	LEAD ASSEMBLY, HIGH TENTION - DISTRIBUTOR (14")
27	47604A1		4	PROTECTOR, HIGH TENTION LEAD
-	<b>393-1275</b>		<b>4</b>	<b>SLEEVE, TERMINAL END COVER</b>
28	33-37405		4	SPARK PLUG (AC#C44N) <b>SERIAL 00000000-02520424</b>
	33-54527		4	SPARK PLUG (AC#CR44N) <b>SERIAL 02520425-09999999</b>
29	32782		1	RETAINER, HIGH TENTION LEADS
30	32763A1		1	WIRE ASSEMBLY, DISTRIBUTOR TO COIL (8 1/4")
31	32704		1	COIL ASSEMBLY, IGNITION <b>SERIAL 00000000-01951139</b>
32	33321		1	BRACKET, IGNITION COIL MOUNTING <b>SERIAL 00000000-01951139</b>
33	10-33311		1	SCREW, MOUNTING BRACKET TO IGNITION COIL <b>SERIAL 00000000-01951139</b>
34	13-26996		2	LOCKWASHER, IGNITION COIL TERMINAL <b>SERIAL 00000000-01951139</b>
35	11-20645		2	NUT, IGNITION COIL TERMINAL <b>SERIAL 00000000-01951139</b>
31	26433		1	COIL, IGNITION <b>SERIAL 01951140-09999999</b>
32	33321		1	BRACKET, IGNITION COIL MOUNTING <b>SERIAL 01951140-09999999</b>
33	10-33311		1	SCREW, MOUNTING BRACKET TO IGNITION COIL (1 1/2") <b>SERIAL 01951140-09999999</b>
	10-37803		1	SCREW, MOUNTING BRACKET TO IGNITION COIL (1 3/8") <b>SERIAL 01951140-09999999</b>
34	12-30164		2	WASHER, IGNITION COIL TERMINAQL <b>SERIAL 01951140-09999999</b>
	13-26996		2	LOCKWASHER, IGNITION COIL TERMINAL <b>SERIAL 01951140-09999999</b>
35	11-20645		2	NUT, IGNITION COIL TERMINAL <b>SERIAL 01951140-09999999</b>
36	393-1286		2	BALLAST <b>SERIAL 00000000-02726998</b>
37	33210		1	JUMPER WIRE, BALLAST TO BALLAST <b>SERIAL 00000000-02726998</b>
38	10-46718		4	SCREW, WIRING HARNESS TO BALLAST <b>SERIAL 00000000-02726998</b>
39	13-26995		4	LOCKWASHER, WIRING HARNESS LEADS SCREW <b>SERIAL 00000000-02726998</b>
40	12-30191		4	WASHER, WIRING HARTNESS LEADS SCREW <b>SERIAL 00000000-02726998</b>
41	10-20653		1	SCREW, BALLAST TO MOUNTING BRACKET (1") <b>SERIAL 00000000-02726998</b>

CONTINUED ON NEXT PAGE ➡

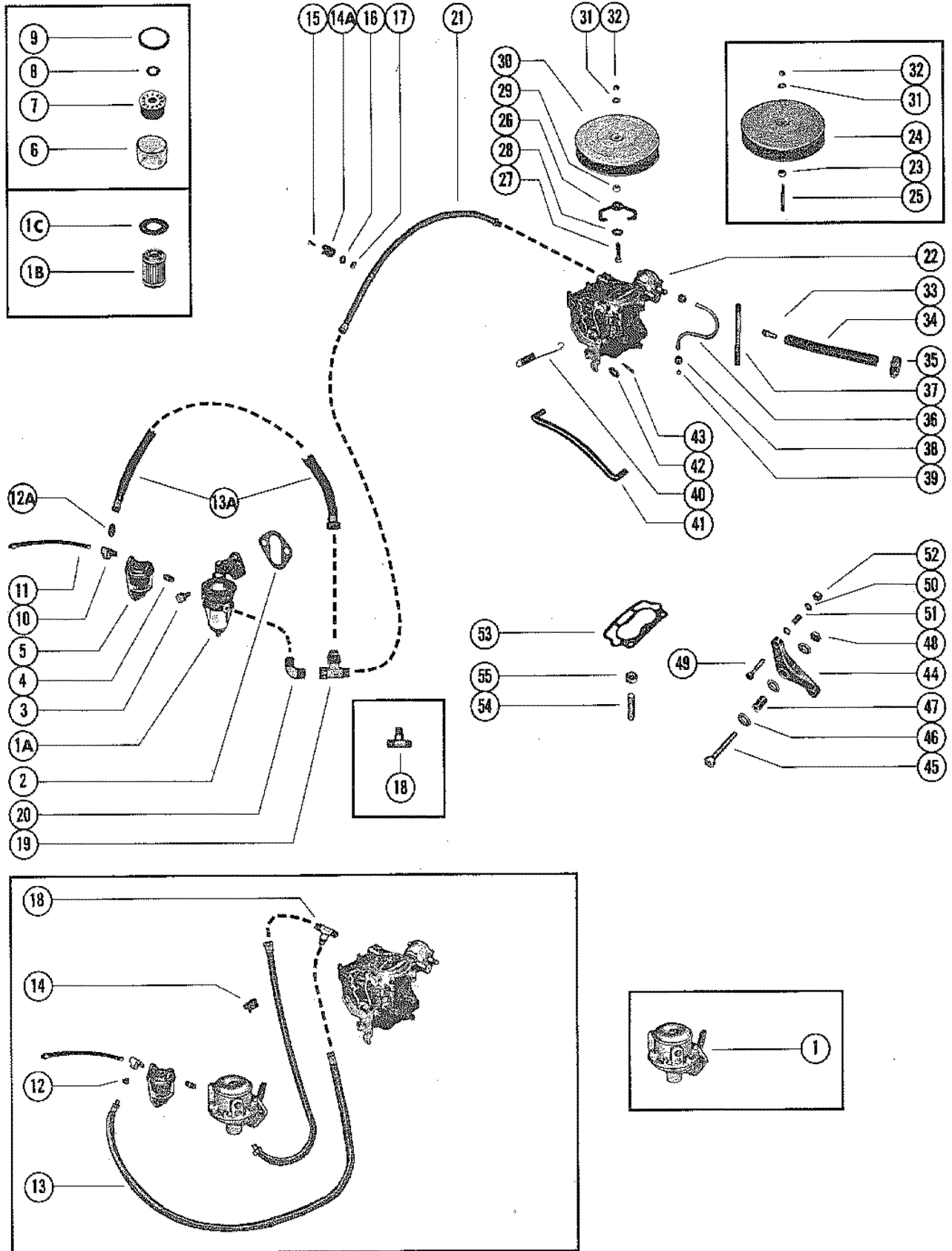
# DISTRIBUTOR ASSEMBLY AND COIL



## DISTRIBUTOR ASSEMBLY AND COIL

REF. NO.	PART NO.	SYM.	QTY.	DESCRIPTION
42	12-28927		2	WASHER, BALLAST TO MOUNTING BRACKET SCREW <b>SERIAL 00000000-02726998</b>
43	11-46887		1	NUT, BALLAST TO MOUNTING BRACKET SCREW <b>SERIAL 00000000-02726998</b>
44	10-27165		1	SCREW, IGNITION COIL TO CYLINDER BLOCK
45	12-20553		1	WASHER, IGNITION COIL SCREW
46	54-23568		1	CLIP, WIRING HARNESS TO COIL BRACKET <b>SERIAL 00000000-02046624</b>
47	10-26668		1	SCREW, WIRING HARNESS CLIP TO COIL BRACKET <b>SERIAL 00000000-02046624</b>
48	22789		1	"D" WASHER, WIRING HARNESS CLIP SCREW <b>SERIAL 00000000-02046624</b>
49	34480		1	CLAMP UNIT, DISTRIBUTOR <b>SERIAL 00000000-03253905</b>
50	62420		1	RETAINER, DISTRIBUTOR <b>SERIAL 00000000-03253905</b>
49	62420		1	CLAMP, DISTRIBUTOR <b>SERIAL 03253906-09999999</b>
51	10-35169		1	SCREW, DISTRIBUTOR TO CYLINDER BLOCK

# FUEL PUMP, FUEL FILTER AND CARBURETOR

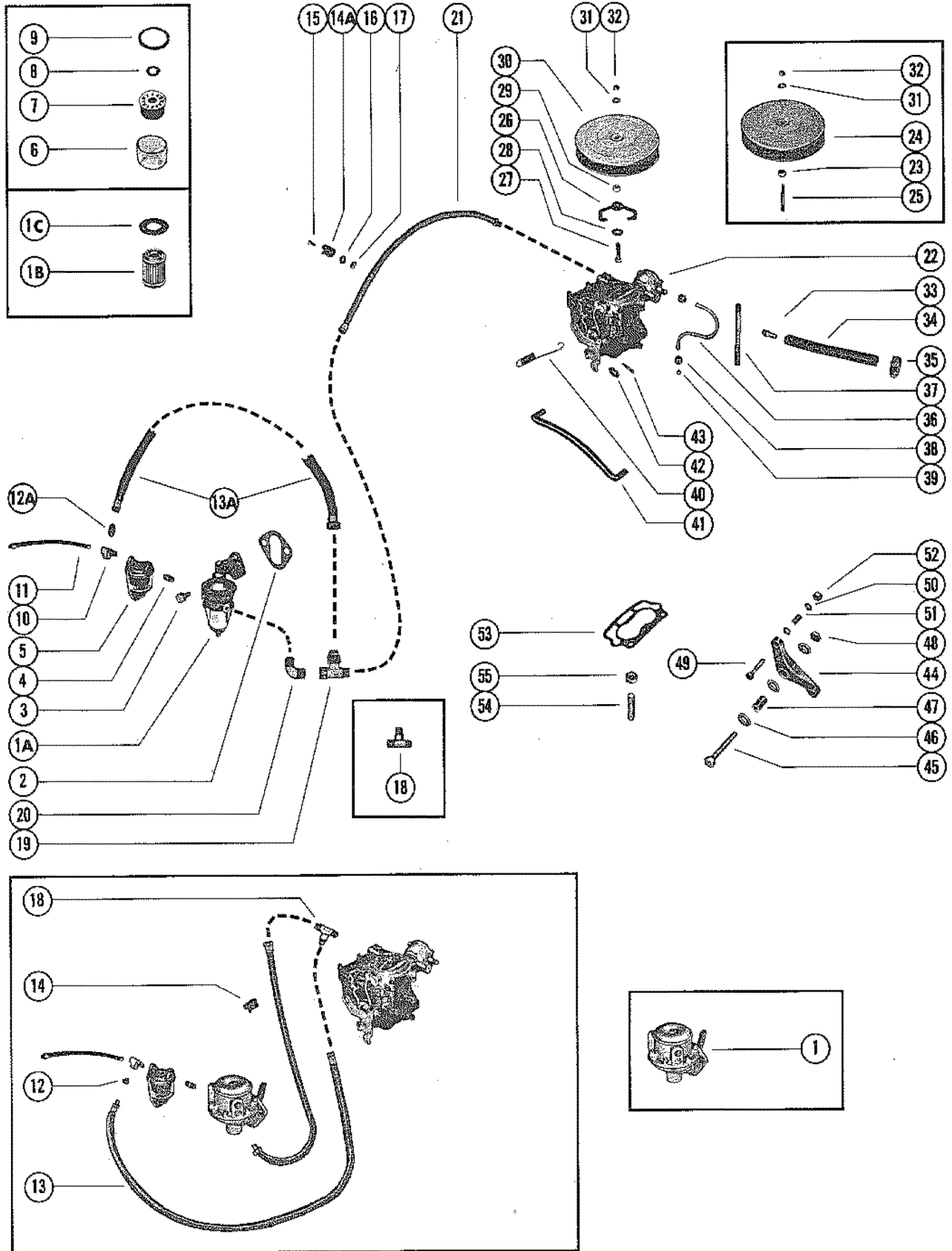


# FUEL PUMP, FUEL FILTER AND CARBURETOR

REF. NO.	PART NO.	SYM.	QTY.	DESCRIPTION
1	32722		1	FUEL PUMP ASSEMBLY AC FUEL PUMP
-	<b>333557</b>		<b>1</b>	<b>FUEL PUMP REPAIR KIT AC FUEL PUMP</b>
-	<b>33358</b>		<b>1</b>	<b>DIAPHRAGM KIT, FUEL PUMP AC FUEL PUMP</b>
1A	47585		1	FUEL PUMP ASSEMBLY CARTER FUEL PUMP
1B	35-49088		1	FILTER, FUEL - FUEL PUMP CARTER FUEL PUMP
1C	49089		1	DIAPHRAGM KIT, FUEL PUMP CARTER FUEL PUMP
2	27-34213		1	GASKET, FUEL PUMP MOUNTING
3	10-45488		2	BOLT, FUEL PUMP TO CYLINDER BLOCK (7/8")
4	22-32876		1	NIPPLE, FUEL FILTER TO FUEL PUMP USE WITH AC FUEL PUMP
5	35-35382A1		1	FUEL FILTER ASSEMBLY USE WITH AC FUEL PUMP
6	35157		1	BOWL, ALUMINUM - FUEL FILTER USE WITH AC FUEL PUMP
7	35-33744		1	ELEMENT, FUEL FILTER USE WITH AC FUEL PUMP
8	27-33746		1	GASKET, FUEL FILTER ELEMENT USE WITH AC FUEL PUMP
9	27-33745		1	GASKET, FUEL FILTER BOWL USE WITH AC FUEL PUMP
10	22-28624		1	TEE, FITTING - FUEL FILTER USE WITH AC FUEL PUMP
11	32-30466		1	FUEL LINE, FUEL TANK TO FUEL PUMP
12	22-35224		1	RESTRICTOR, FUEL FILTER TEE TO FUEL RETURN LINE <b>USE WITH AC FUEL PUMP SERIAL 00000000-01993097</b>
13	32-35469		1	FUEL LINE, RESTRICTOR TO CARBURETOR TEE (36 1/4") <b>USE WITH AC FUEL PUMP SERIAL 00000000-01993097</b>
14	54-28700		1	CLAMP, FUEL LINES TO CYLINDER BLOCK <b>USE WITH AC FUEL PUMP SERIAL 00000000-01993097</b>
12A	22-45122		1	CHECK VALVE, FUEL LINE <b>USE WITH AC FUEL PUMP SERIAL 01993098-09999999</b>
13A	32-45121		1	FUEL LINE, FUEL FILTER TO FUEL PUMP (8 3/4") <b>USE WITH AC FUEL PUMP SERIAL 01993098-09999999</b>
14A	54-28938		1	CLAMP, FUEL LINE TO CYLINDER BLOCK <b>USE WITH AC FUEL PUMP SERIAL 01993098-09999999</b>
15	10-29199		1	SCREW, FUEL LINE CLIP TO CYLINDER BLOCK
16	12-24662		1	WASHER. FUEL LINE CLIP SCREW
17	11-20890		1	FUEL LINE CLIP SCREW
18	22-35471		1	FUEL LINE TO CARBURETOR <b>SERIAL 00000000-02364412</b>
19	22-49210A1		1	TEE ASSEMBLY, FUEL LINE <b>SERIAL 02364413-02520424</b>
20	22-49217		1	FITTING, FUEL LINE TEE <b>SERIAL 02364413-02520424</b>
	22-49217		1	FITTING, FUEL LINE <b>SERIAL 02520425-09999999</b>
21	32-35470		1	FUEL LINE, FUEL PUMP TO CARBURETOR TEE (27 1/2")
22	1336-2076		1	CARBURETOR ASSEMBLY <b>SEE PAGE 10 FOR BREAKDOWN SERIAL 00000000-02520424</b>
23	11-28941		1	NUT, FLAME ARRESTOR MOUNTING STUD (BOTTOM) <b>SERIAL 00000000-02520424</b>
24	45180A1		1	FLAME ARRESTOR ASSEMBLY <b>SERIAL 00000000-02520424</b>
25	16-20500		1	STUD, FLAME ARRESTOR MOUNTING - CARBURETOR <b>SERIAL 00000000-02520424</b>

CONTINUED ON NEXT PAGE ➡

# FUEL PUMP, FUEL FILTER AND CARBURETOR

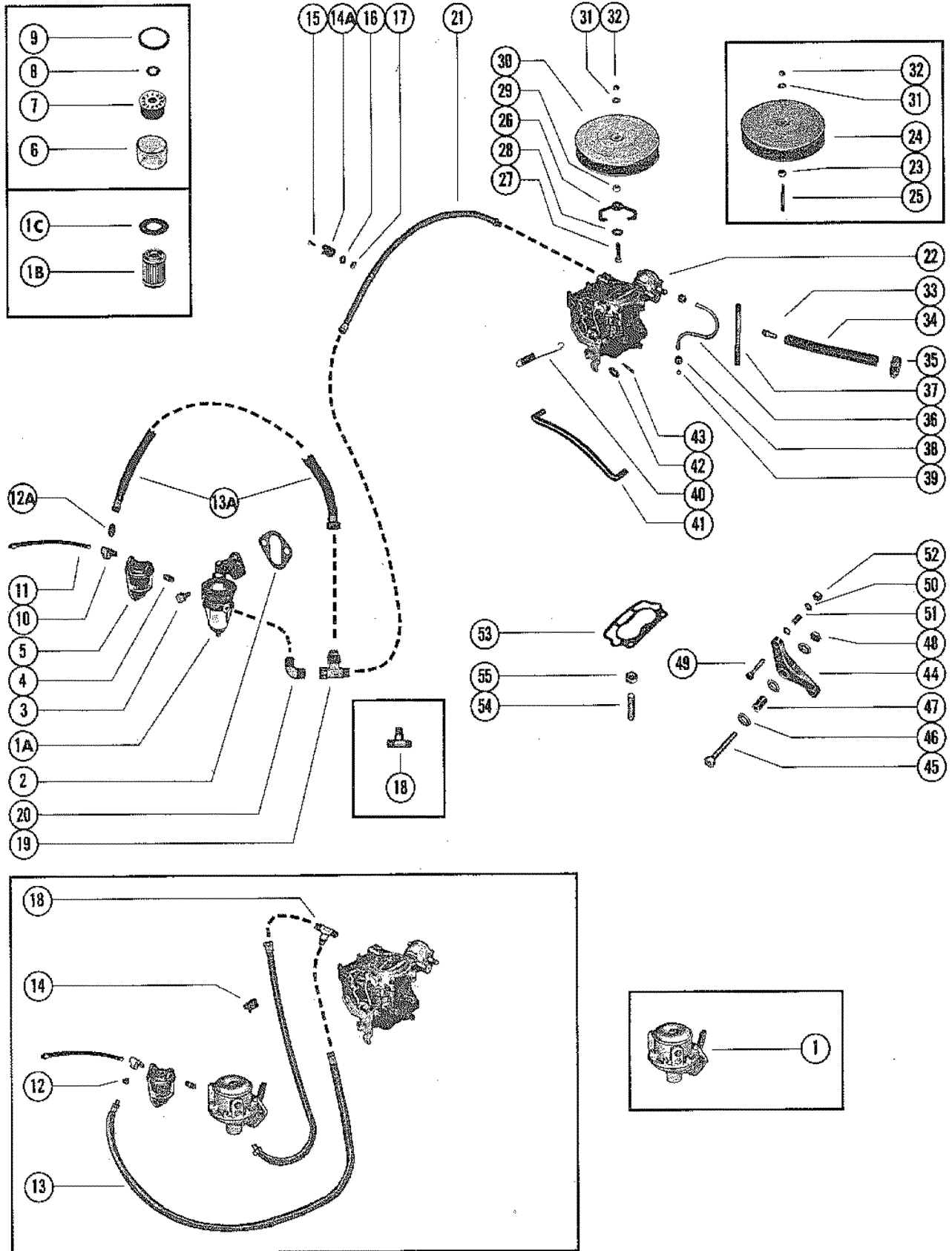


# FUEL PUMP, FUEL FILTER AND CARBURETOR

REF. NO.	PART NO.	SYM.	QTY.	DESCRIPTION
22	1336-3594A1		1	CARBURETOR ASSEMBLY SEE PAGE 10 FOR BREAKDOWN <b>SERIAL 02520425-09999999</b>
26	52734		1	BAIL, FLAME ARRESTOR TO CARBURETOR <b>SERIAL 02520425-09999999</b>
27	10-22956		1	SCREW, FLAME ARRESTOR TO CARBURETOR BAIL <b>SERIAL 02520425-09999999</b>
28	12-20533		1	WASHER, FLAME ARRESTOR SCREW <b>SERIAL 02520425-09999999</b>
29	11-28941		1	NUT, FLAME ARRESTOR SCREW <b>SERIAL 02520425-09999999</b>
30	53001		1	FLAME ARRESTOR <b>SERIAL 02520425-09999999</b>
31	12-22937		1	WASHER, FLAME ARRESTOR MOUNTING STUD
32	11-20586		1	NUT, FLAME ARRESTOR MOUNTING STUD(TOP)
33	22-33060		1	NIPPLE, VENT HOSE TO CARBURETOR <b>SERIAL 00000000-01951139</b>
	22-39446		1	NIPPLE, VENT HOSE TO CARBURETOR <b>SERIAL 01951140-09999999</b>
34	32-32846		1	HOSE, VENT - CARBURETOR TO ROCKER COVER (6 7/8")
35	54-22976		1	CLAMP, HOSE VENT CLAMPING
36	32-32801A1		1	PIPE ASSEMBLY, CHOKE - CARBURETOR TO CHOKE OVEN CONNECTOR
37	34291		1	COVERING, CHOKE PIPE 1
38	11-21310		2	NUT, CHOKE PIPE TO CARBURETOR AND CHOKE OVEN CONNECTOR
39	23-21309		1	SLEEVE, CHOKE PIPE TO CHOKE OVEN CONNECTOR NUT
40	24-35875		1	SPRING, THROTTLE RETURN - CARBURETOR <b>SERIAL 00000000-02050044</b>
	24-46476		1	SPRING, THROTTLE RETURN - CARBURETOR <b>SERIAL 02050045-09999999</b>
41	33866		1	LINK ROD, CARBURETOR AND THROTTLE LEVER
42	12-24662		1	WASHER, CARBURETOR AND THROTTLE LEVER LINK ROD
43	18-26953		1	COTTER PIN, LINK ROD TO CARBURETOR
44	32800		1	LEVER, THROTTLE - INTAKE MANIFOLD COVER <b>SERIAL 00000000-02050044</b>
	46279		1	LEVER, THROTTLE - INTALE MANIFOLD COVER <b>SERIAL 02050045-09999999</b>
45	10-22659		1	SCREW, THROTTLE LEVER TO INTAKE MANIFOLD COVER(1 5/8")
46	12-24664		2	WASHER, THROTTLE LEVER SCREW
47	23-32796		1	BUSHING, THROTTLE LEVER SCREW
48	11-20586		1	NUT, THROTTLE LEVER SCREW
49	10-37892		1	SCREW, REMOTE CONTROL CABLE TO THROTTLE LEVER (1")
50	12-20128		2	WASHER, REMOTE CONTROL CABLE SCREW
51	23-32818		1	BUSHING, REMOTE CONTROL CABLE SCREW
52	11-20190		1	NUT, REMOTE CONTROL CABLE SCREW
53	27-32910		1	GASKET, CARBURETOR TO INTAKE MANIFOLD COVER

CONTINUED ON NEXT PAGE ➡

# FUEL PUMP, FUEL FILTER AND CARBURETOR

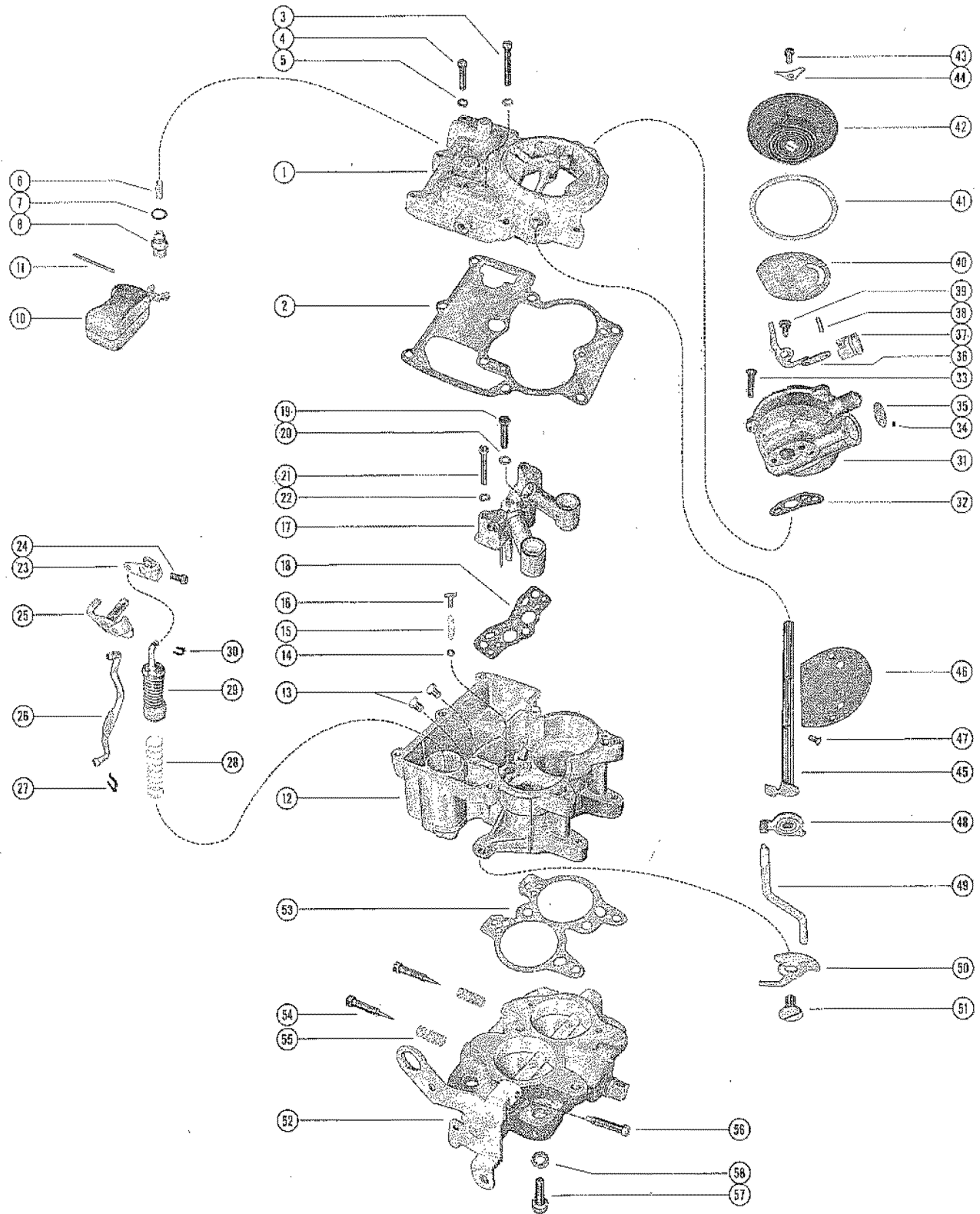




## FUEL PUMP, FUEL FILTER AND CARBURETOR

REF. NO.	PART NO.	SYM.	QTY.	DESCRIPTION
54	16-33111		4	STUD, CARBURETOR MOUNTING - INTAKE MANIFOLD COVER
55	11-46793		4	NUT, CARBURETOR MOUNTING STUD

# CARBURETOR ASSEMBLY

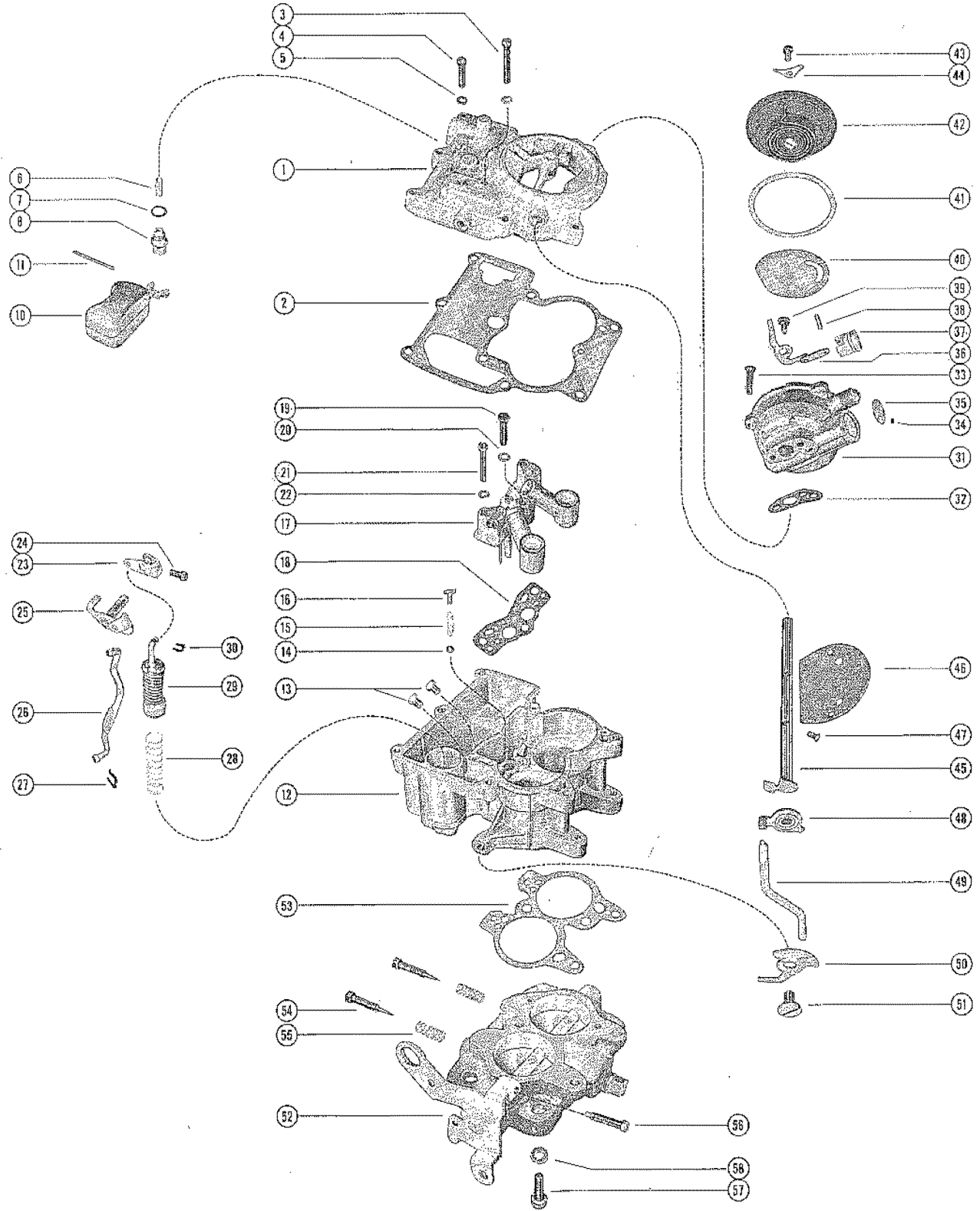


# CARBURETOR ASSEMBLY

REF. NO.	PART NO.	SYM.	QTY.	DESCRIPTION
-	1336-2076		1	CARBURETOR ASSEMBLY, COMPLETE SERIAL 00000000-02520424
-	1336-3594A1		1	CARBURETOR ASSEMBLY, COMPLETE SERIAL 02520425-09999999
1	1397-2069		1	AIR HORN SERIAL 00000000-02520425
	1397-3823		1	AIR HORN SERIAL 02520425-09999999
2			1	GASKET AIR HORN
3	10-33048		1	SCREW, AIR HORN TO FLOAT BOWL (LONG)
4	10-33043		7	SCREW, AIR HOR TO FLOAT BOWL (SHORT)
5	13-26996		8	LOCKWASHER, AIR HORN TO FLOAT BOWL SCREW
6			1	STRAINER, INLET NEEDLE AND SEAT
7			1	GASKET, INLET NEEDLE AND SEAT
8			1	INLET NEEDLE AND SEAT ASSEMBLY
10	1397-2060		1	FLOAT ASSEMBLY
11	17-33037		1	PIN, HINGE - FLOAT TO AIR HORN
12	1397-2075		1	FLOAT BOWL ASSEMBLY
13	1397-2448		2	JET, FLOAT BOWL(STANDARD) SERIAL 00000000-02520424
	1397-3827		2	JET, FLOAT BOWL(STANARD) SERIAL 02520425-09999999
14			1	BALL, PUMP DISCHARGE - FLOAT BOWL
15			1	SPRING, PUMP DISCHARGE - FLOAT BOWL
16			1	GUIDE, PUMP DISCHARGE - FLOAT BOWL
17	1397-2058		1	VENTURI CLUSTER ASSEMBLY, FLOAT BOWL SERIAL 00000000-02520424
	1397-3826		1	VENTURI CLUSTER ASSEMBLY, FLOAT BOWL SERIAL 02510425-09999999
18			1	GASKET, VENTURI CLUSTER
19	10-33034		1	SCREW, VENTURI CLUSTER TO FLOAT BOWL (CENTER)
20			1	GASKET, VENTURI CLUSTER TO FLOAT BOWL SCREW (CENTER)
21	10-33033		2	SCREW, VENTURI CLUSTER TO FLOAT BOWL (OUTER)
22	13-26995		2	LOCKWASHER, VENTURI CLUSTER TO FLOAT BOWL SCREW (OUTER)
23	1397-2048		1	LEVER, PUMP - AIR HORN
24	10-33047		1	SCREW, AIR HORN PUMP LEVER
25	1397-2054		1	PUMP SHAFT AND LEVER ASSEMBLY, AIR HORN
26	1397-2051		1	ROD, PUMP
27			1	CLIP, RETAINER - PUMP ROD
28			1	SPRING, FLOAT BOWL PUMP RETURN
29			1	PUMP ASSEMBLY, FLOAT BOWL
30			1	CLIP, RETAINER - FLOAT BOWL PUMP
31	1397-2064		1	CHOKEHOUSING ASSEMBLY
32			1	GASKET, CHOKE HOUSING
33	10-33053		2	SCREW, CHOKE HOUSING TO AIR HORN
34	1397-2050		1	PLUG, BALL - CHOKE HOUSING
35	19-33041		1	WELCH PLUG, CHOKE HOUSING

CONTINUED ON NEXT PAGE ➡

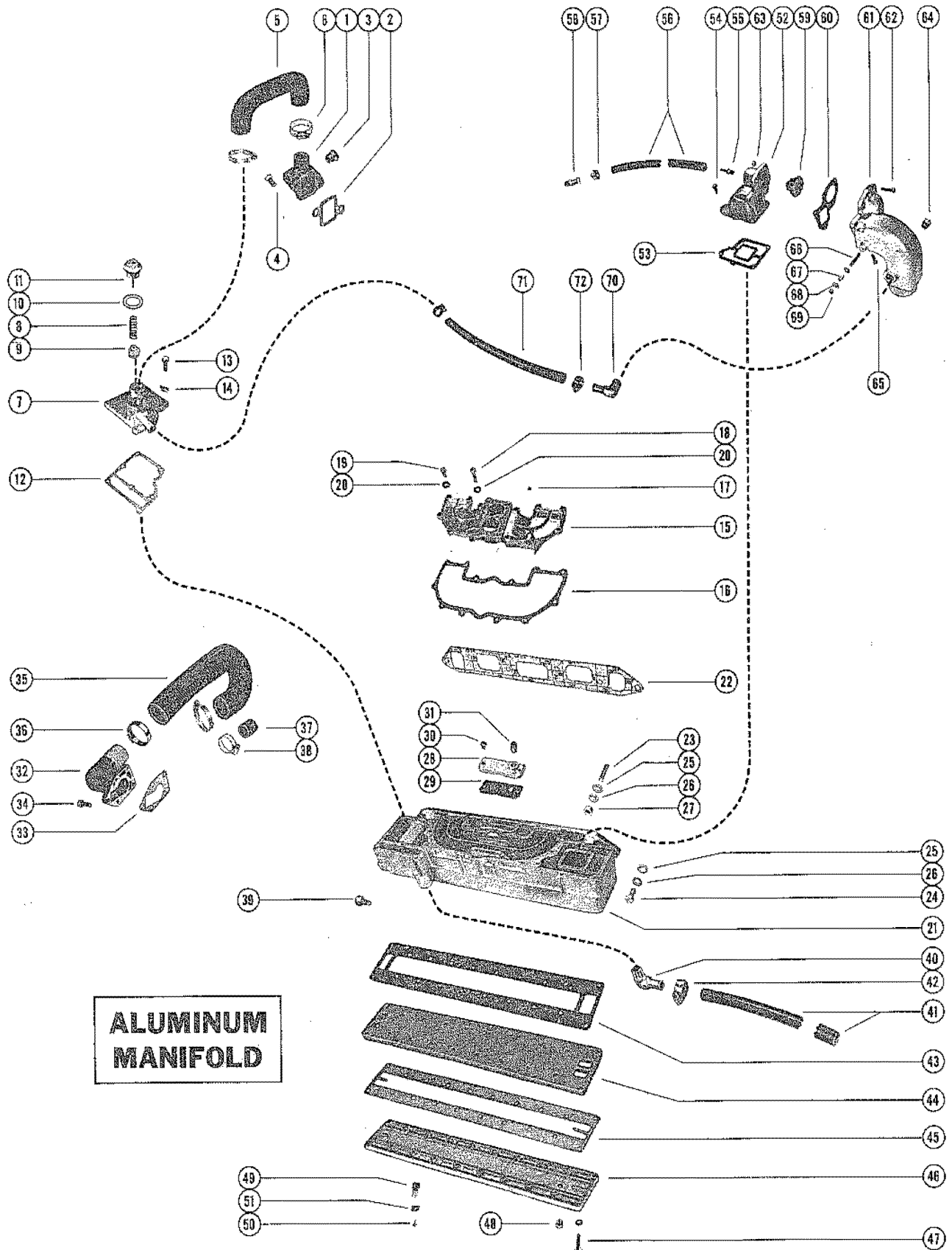
# CARBURETOR ASSEMBLY



# CARBURETOR ASSEMBLY

REF. NO.	PART NO.	SYM.	QTY.	DESCRIPTION
36	1397-2066		1	LEVER ASSEMBLY, CHOKE PISTON
37	1397-2059		1	CHOKE PISTON, CHOKE HOUSING
38	17-33049		1	PIN, CHOKE PISTON TO CHOKE PISTON LEVER
39	10-33056		1	SCREW, CHOKE PISTON LEVER TO CHOKE HOUSING
40	1397-2057		1	PLATE, BAFFLE - CHOKE HOUSING
41			1	GASKET, STAT COVER AND COIL
42	1397-2074		1	STAT COVER AND COIL ASSEMBLY
43	10-33047		3	SCREW, STAT COVER AND COIL TO CHOKE HOUSING
44	54-33036		3	RETAINER, STAT COVER AND COIL TO CHOKE HOUSING SCREW
45	1397-2065		1	CHOKE SHAFT ASSEMBLY
46	1397-2047		1	VALVE, CHOKE - CHOKE SHAFT <b>SERIAL 00000000-02520424</b>
	1397-3825		1	VALVE, CHOKE - CHOKE SHAFT <b>SERIAL 02520425-09999999</b>
47	10-33045		2	SCREW, CHOKE VALVE TO CHOKE SHAFT
48	1397-2056		1	CHOKE LEVER AND COLAR ASSEMBLY, CHOKE SHAFT
49	1397-2052		1	ROD, CHOKE
50	1397-2071		1	CAM, FAST IDLE - FLOAT BOWL
51	10-33042		1	SCREW, FAST IDLE CAM TO FLOAT BOWL
52	1397-2070		1	THROTTLE BODY ASSEMBLY
53			1	GASKET, THROTTLE BODY
54	1397-2062		2	IDLE ADJUSTING NEEDLE, THROTTLE BODY <b>SERIAL 00000000-02520424</b>
	1397-2120		2	IDLE ADJUSTING NEEDLE, THROTTLE BODY <b>SERIAL 02520425-09999999</b>
55	24-33050		2	SPRING, IDLE ADJUSTING NEEDLE
56	1397-2061		1	IDLE STOP SCREW, THROTTLE BODY
57	10-33052		3	SCREW, THROTTLE BODY TO FLOAT BOWL
58	13-21547		3	LOCKWASHER, THROTTLE BODY TO FLOAT BOWL SCREW
-	<b>27-32910</b>		<b>1</b>	<b>GASKET, CARBURETOR FLANGE(INCLUDED WITH)</b>
-	<b>1397-2072</b>		<b>1</b>	<b>OVERHAUL KIT</b>
-	<b>1397-3459</b>		<b>1</b>	<b>POWER CARBURETOR KIT</b>
-	<b>1397-2073</b>		<b>1</b>	<b>GASKET KIT</b>
-	<b>1397-2213</b>		<b>1</b>	<b>ALTITUDE KIT(5,000 FT.)</b>
-	<b>1397-2214</b>		<b>1</b>	<b>ALTITUDE KIT(10,000 FT.)</b>

# EXHAUST MANIFOLD ASSEM (ALUMINUM)(SERIAL # 1666601-1725592)

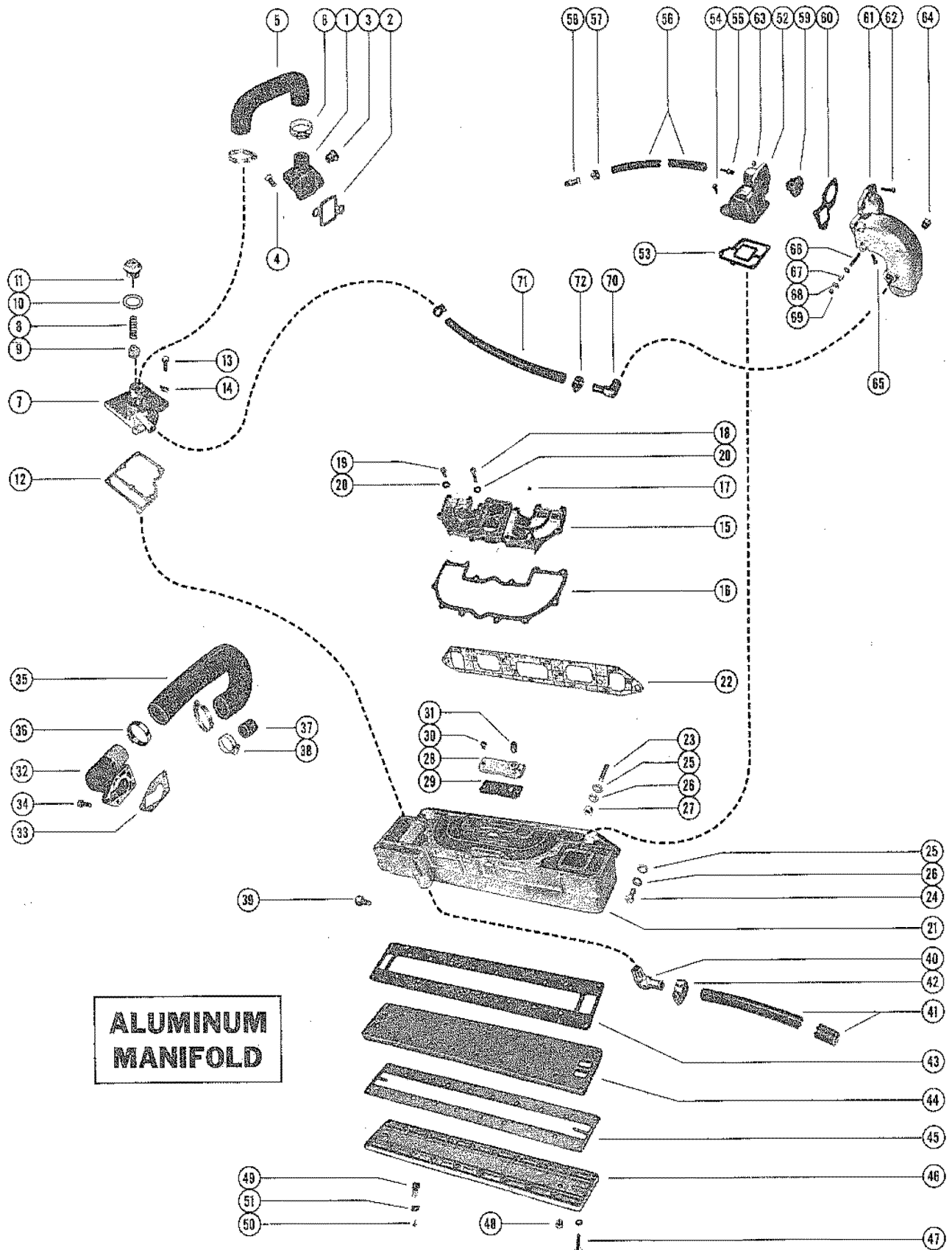


# EXHAUST MANIFOLD ASSEM (ALUMINUM)(SERIAL # 1666601-1725592)

REF. NO.	PART NO.	SYM.	QTY.	DESCRIPTION
1	33483		1	ELBOW, WATER OUTLET - CYLINDER HEAD
2	27-33680		1	GASKET, WATER OUTLET ELBOW
3	22-32804		1	PLUG, PIPE WATER OUTLET ELBOW
4	10-21077		2	SCREW, WATER OUTLET ELBOW TO CYLINDER HEAD (7/8")
5	32-33485		1	HOSE, WATER OUTLET ELBOW TO RELIEF VALVE BODY
6	54-32780		2	CLAMP, HOSE TO WATER OUTLET ELBOW AND RELIEF VALVE BODY
7	35143A1		1	BODY ASSEMBLY, RELIEF VALVE
8	24-35087A1		1	SPRING ASSEMBLY, RELIEF VALVE BODY
9	35086		1	BUTTON, CHECK VALVE - RELIEF VALVE BODY
10	27-32019		1	GASKET, RELIEF VALVE BODY CAP
11	32729A1		1	CAP ASSEMBLY, RELIEF VALVE BODY
12	27-35144		1	GASKET, RELIEF VALVE BODY
13	10-35388		7	SCREW, RELIEF VALVE BODY TO EXHAUST MANIFOLD BODY(1")
14	26551		1	RETAINER, RELIEF VALVE BODY SCREW - THROTTLE RETURN SPRING
15	32683		1	COVER, INTAKE MANIFOLD
16	27-34047		1	GASKET, INTAKE MANIFOLD COVER
17	22-36382		1	PLUG, PIPE - INTAKE MANIFOLD COVER
18	10-35581		4	SCREW, INTAKE MANIFOLD COVER TO EXHAUST MANIFOLD BODY (1 5/8
19	10-35582		8	SCREW, INTAKE MANIFOLD COVER TO EXHAUST MANIFOLD BODY (1")
20	13-26992		12	LOCKWASHER, INTAKE MANIFOLD COVER SCREW
21	35138		1	BODY, EXHAUST MANIFOLD
22	27-32816		1	GASKET, EXHAUST MANIFOLD BODY TO CYLINDER HEAD
23	16-34612		4	STUD, EXHAUST MANIFOLD BODY TO CYLINDER HEAD (1 1/2")
24	10-21077		2	SCREW, EXHAUST MANIFOLD BODY TO CYLINDER HEAD (7/8")
25	12-20553		6	WASHER, EXHAUST MANIFOLD BODY STUD AND SCREW
26	13-37459		6	LOCKWASHER, EXHAUST MANIFOLD BODY STUD AND SCREW
27	11-24883		4	NUT, EXHAUST MANIFOLD BODY STUD
28	32797		1	COVER, CHOKE OVEN - EXHAUST MANIFOLD BODY
29	27-32815		1	GASKET, CHOKE OVEN COVER
30	10-28192		2	SCREW, CHOKE OVEN COVER TO EXHAUST MANIFOLD (1/2")
31	22-21373		1	CONNECTOR, CHOKE OVEN COVER TO CHOKE PIPE
32	35149		1	ELBOW, WATER OUTLET - EXHAUST MANIFOLD BODY
33	27-35150		1	GASKET, EXHAUST MANIFOLD ELBOW
34	10-35388		5	SCREW, WATER OUTLET ELBOW TO EXHAUST MANIFOLD BODY(1")
35	32-33484		1	HOSE, WATER OUTLET ELBOW TO WATER PUMP
36	54-32781		2	CLAMP, HOSE TO WATER OUTLET ELBOW AND WATER PUMP

CONTINUED ON NEXT PAGE ➡

# EXHAUST MANIFOLD ASSEM (ALUMINUM)(SERIAL # 1666601-1725592)



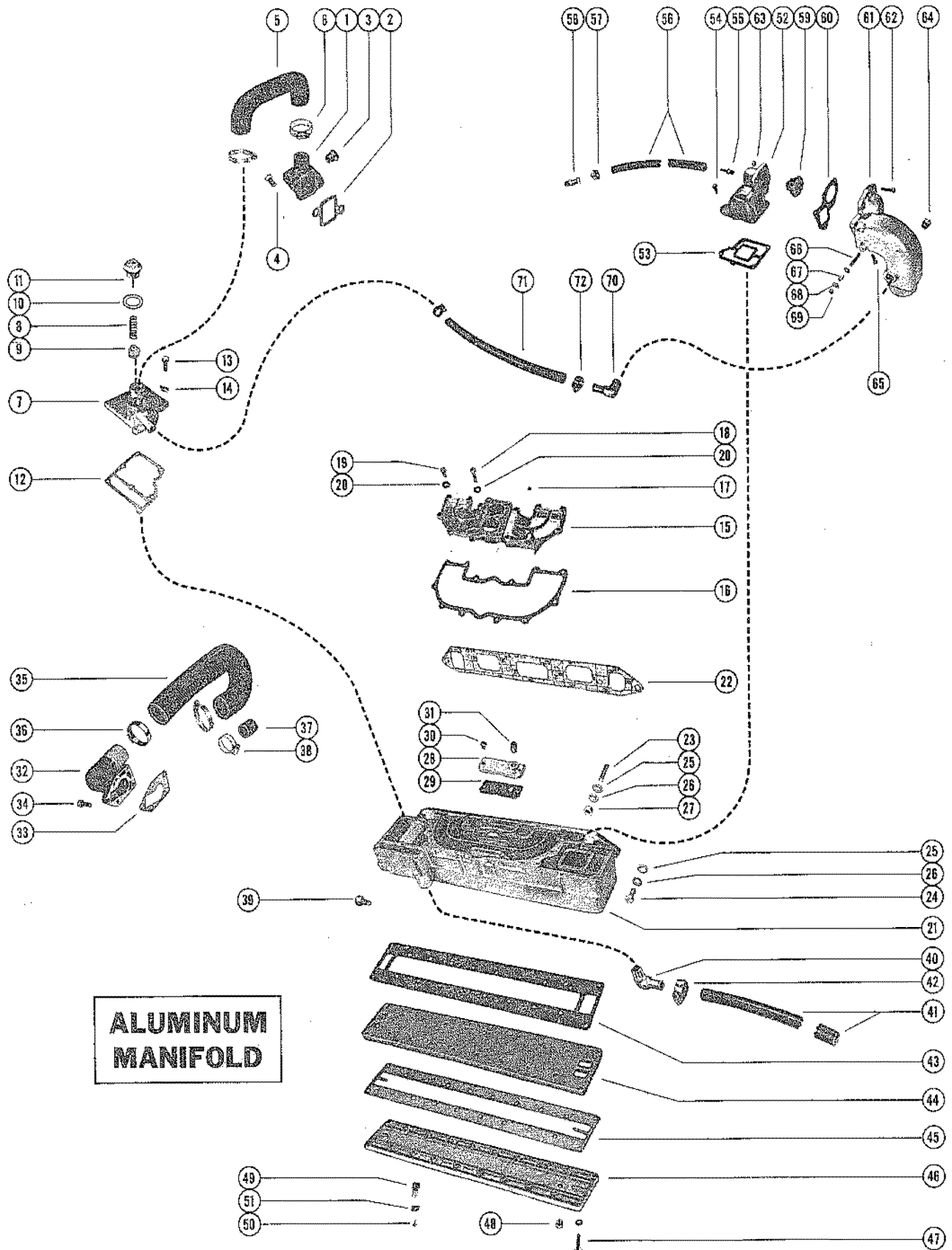


# EXHAUST MANIFOLD ASSEM (ALUMINUM)(SERIAL # 1666601-1725592)

REF. NO.	PART NO.	SYM.	QTY.	DESCRIPTION
37	32877		1	COVER, WATER PUMP
38	54-38426		1	CLAMP, WATER PUMP COVER TO WATER PUMP
39	10-25299		1	SCREW, WATER PUMP FLANGE (3/4")
40	22-32715		1	ELBOW, WATER INLET HOSE - EXHAUST MANIFOLD BODY
41	32-32844		1	HOSE, WATER INLET-EXHAUST MANIFOLD BODY ELBOW-DR. UNIT 26 1/8
42	54-32779		2	CLAMP, HOSE TO EXHAUST MANIFOLD BODY ELBOW AND DRIVE UNIT
43	27-35140		1	GASKET, INNER WATER JACKET COVER TO EXHAUST MANIFOLD BODY
44	35139		1	COVER, WATER JACKET - INNER
45	27-35142		1	GASKET, OUTER COVER TO INNER COVER
46	35141		1	COVER, WATER JACKET - OUTER
47	10-35390		22	SCREW, OUTER AND INNER COVERS TO EXHAUST MANIFOLD BODY (1 3/4")
48	22-32802		1	PLUG, PIPE - OUTER WATER JACKET COVER
49	54-28938		1	CLAMP, WIRING HARNESS TO OUTER WATER JACKET COVER
50	10-20031		1	SCREW, WIRING HARNESS CLAMP TO OUTER WATER JACKET COVER (1/2")
51	22789		1	"D:" WASHER, WIRING HARNESS CLAMP SCREW
52	35145		1	CONTAINER, THERMOSTAT - EXHAUST MANIFOLD BODY
53	27-35146		1	GASKET, THERMOSTAT CONTAINER
54	10-35388		5	SCREW, THERMOSTAT CONTAINER TO EXHAUST MANIFOLD (1")
55	22-33060		1	NIPPLE, BLEED HOSE TO THERMOSTAT CONTAINER
56	32-34394		1	HOSE, BLEED-WATER OUTLET ELBOW TO THERMOSTAT CONTAINER 19 3/8
57	54-20386		2	CLAMP, BLEED HOSE FASTENING
58	22-33060		1	NIPPLE, BLEED HOSE TO WATER OUTLET ELBOW
59	35884		1	THERMOSTAT
60	27-35147		1	GASKET, EXHAUST ELBOW
61	35156		1	ELBOW, EXHAUST - THERMOSTAT CONTAINER
62	10-35156		4	SCREW, EXHAUST ELBOW TO THERMOSTAT CONTAINER(1 1/4")
63	11-24652		4	NUT, EXHAUST ELBOW SCREW
64	22-32803		1	PLUG, PIPE - EXHAUST ELBOW
65	10-35388		1	SCREW, EXHAUST ELBOW TO THERMOSTAT CONTAINER( LOWER) - 1"
66	16-33526		1	TE CONTROL CABLE TO EXHAUST ELBOW
67	23-31866		1	SPACER, REMOTE CONTROL CABLE STUD
68	12-21631		2	WASHER, REMOTE CONTROL CABLE STUD
69	11-20586		1	NUT, REMOTE CONTROL CABLE STUD
70	22-32715		1	ELBOW, DRAIN HOSE - EXHAUST ELBOW
71	32-32843		1	HOSE, DRAIN - RELIEF VALVE BODY TO EXHAUST ELBOW

CONTINUED ON NEXT PAGE ➡

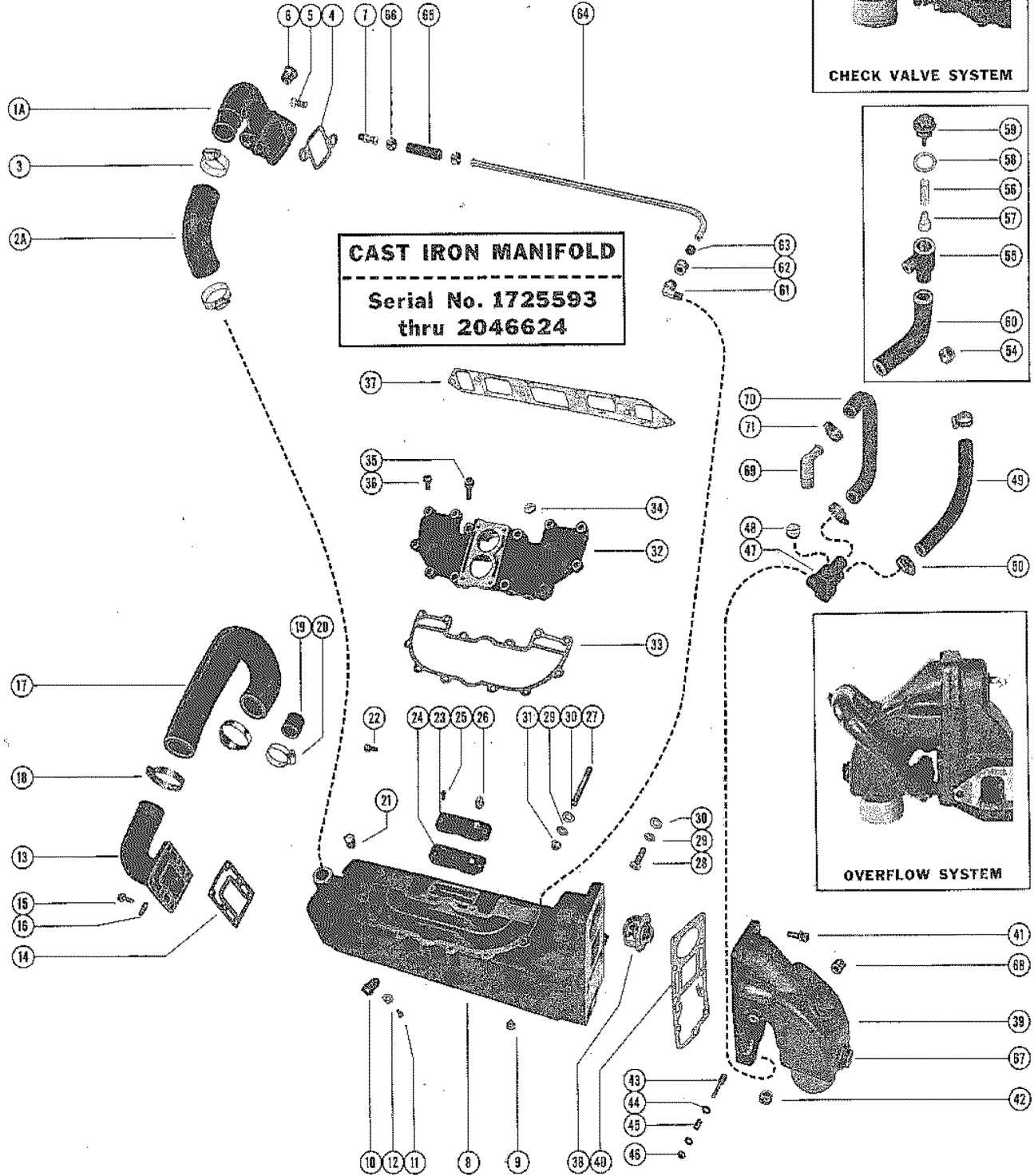
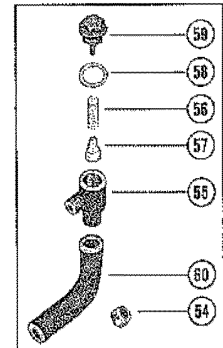
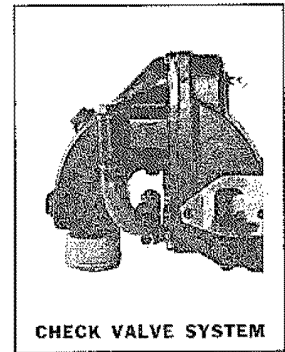
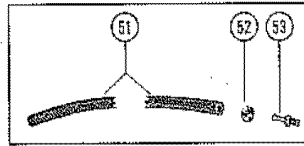
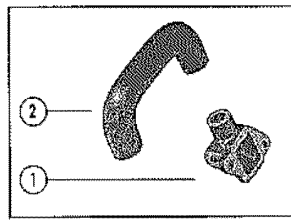
# EXHAUST MANIFOLD ASSEM (ALUMINUM)(SERIAL # 1666601-1725592)



# EXHAUST MANIFOLD ASSEM (ALUMINUM)(SERIAL # 1666601-1725592)

REF. NO.	PART NO.	SYM.	QTY.	DESCRIPTION
72	54-32779		2	CLAMP, DRAIN HOSE TO RELIEF VALVE BODY AND EXHAUST ELBOW

# EXHAUST MANIFOLD ASSEM (CAST IRON)(SERIAL # 1725593-2046624)

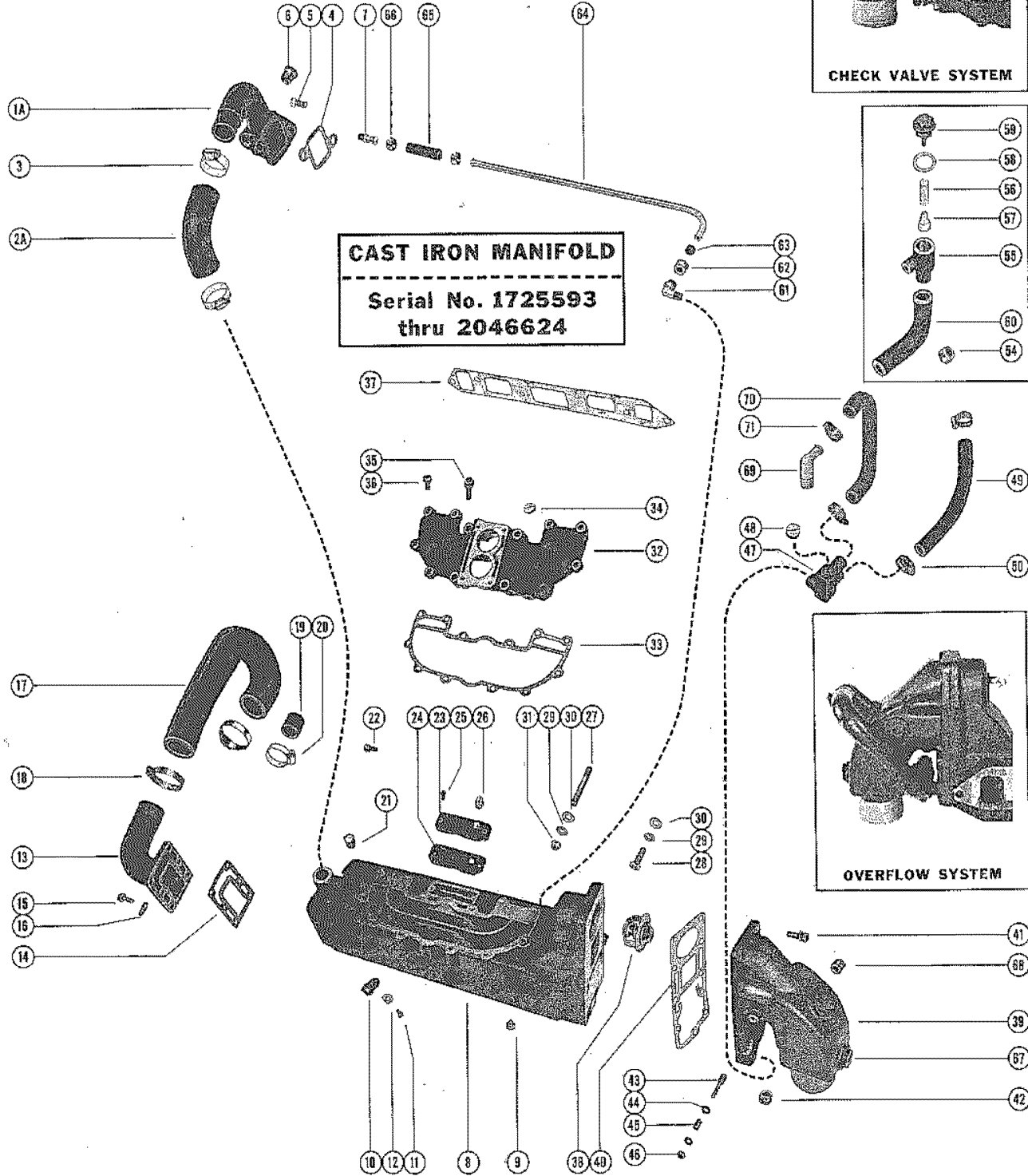
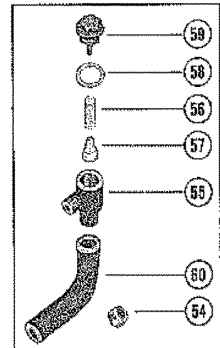
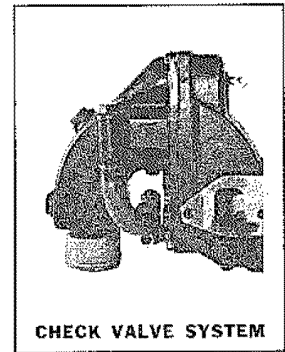
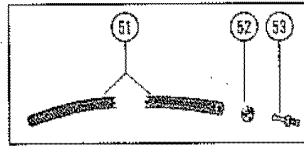
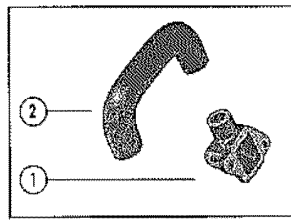


# EXHAUST MANIFOLD ASSEM (CAST IRON)(SERIAL # 1725593-2046624)

REF. NO.	PART NO.	SYM.	QTY.	DESCRIPTION
1	33483		1	ELBOW, WATER OUTLET - CYLINDER HEAD <b>SERIAL 00000000-01822428</b>
2	32-33485		1	HOSE, WATER OUTLET ELBOW TO EXHAUST MANIFOLD <b>SERIAL 00000000-01822428</b>
1A	38057		1	ELBOW, WATER OUTLET - CYLINDEWR HEAD <b>SERIAL 01822429-02046624</b>
2A	32-38066		1	HOSE, WATER OUTLET ELBOW TO EXHAUST MANIFOLD <b>SERIAL 01822429-02046624</b>
3	54-32780		2	CLAMP, HOSE TO WATER OUTLET ELBOW AND EXHAUST MANIFOLD
4	27-33680		1	GASKET, WATER OUTLET ELBOW
5	10-21077		2	SCREW, WATER OUTLET ELBOW TO CYLINDER HEAD (7/8")
6	22-32804		1	PLUG, PIPE - WATER OUTLET ELBOW
7	22-33060		1	NIPPLE, BLEED HOSE TO WATER OUTLET ELBOW
8	35891		1	BODY, EXHAUST MANIFOLD
9	22-32802		1	PLUG, PIPE - EXHAUST MAINFOLD BODY
10	54-22627		1	CLAMP, WIRING HARNESS TO EXHAUST MANIFOLD BODY (1/2")
11	10-29240		1	SCREW, WIRING HARNESS CLAMP FASTENING (5/8")
12	22789		1	"D" WASHER, WIRING HARNESS CLAMP SCREW
13	35893		1	ELBOW, WATER OUTLET - EXHAUST MANIFOLD BODY
14	27-35895		1	GASKET, WATER OUTLET ELBOW
15	10-35388		6	SCREW, WATER OUTLET ELBOE TO EXHAUST MANIFOLD BODY (1")
16	26551		1	RETAINER, WATER OUTLET ELBOW SCREW - THROTTLE RETURN SPRING
17	32-33484		1	HOSE, WATER OUTLET ELBOW TO WATER PUMP
18	54-32781		2	CLAMP, HOSE TO WATER OUTLET ELBOW AND WATER PUMP
19	32877		1	COVER, WATER PUMP
20	54-38426		1	CLAMP, WATER PUMP COVER TO WATER PUMP
21	22-36382		1	PLUG, PIPE - EXHAUST MANIFOLD BODY
22	10-25299		1	SCREW, WATER PUMP FLANGE (3/4")
23	32797		1	COVER, CHOKE OVEN - EXHAUST MANIFOLD BODY
24	27-32815		1	GASKET, CHOKE OVEN COVER
25	10-22028		2	SCREW, CHOKE OVEN COVER TO EXHAUST MANIFOLD BODY (1/2")
26	22-21373		1	CONNETOR, CHOKE OVEN COVER TO CHOKE PIPE
27	16-34612		4	STUD, EXHAUST MANIFOLD BODY TO CYLINDER HEAD (1 1/1")
28	21077		1	SCREW, EXHAUST MANIFOLD TO BODY TO CYLINDER HEAD (7/8")
	10-26632		1	SCREW, EXHAUST MANIFOLD BODY TO CYLINDER HEAD (1 1/4)
29	13-37459		6	LOCKWASHER, EXHAUST MANIFOLD BODY STUD AND SCREW
30	12-20553		6	WASHER, EXHAUST MANIFOLD BODY STUD AND SCREW

CONTINUED ON NEXT PAGE ➡

# EXHAUST MANIFOLD ASSEM (CAST IRON)(SERIAL # 1725593-2046624)

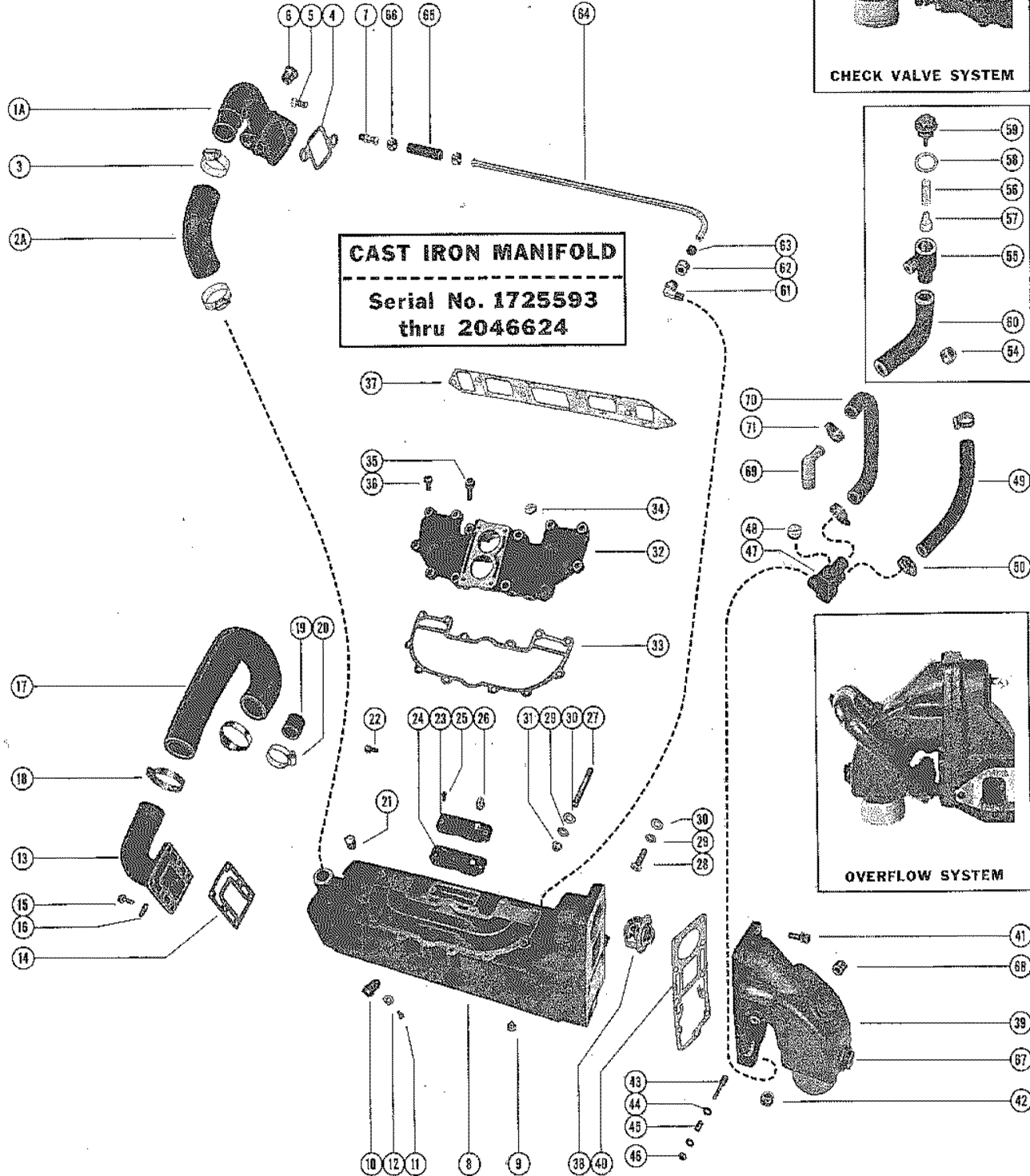
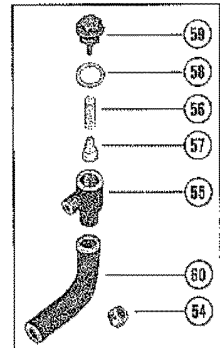
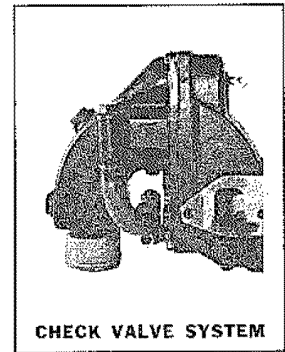
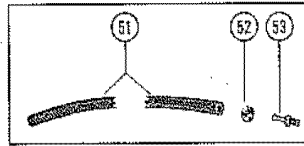
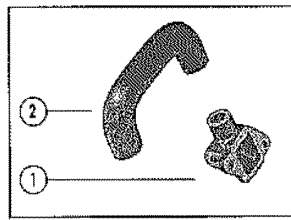


# EXHAUST MANIFOLD ASSEM (CAST IRON)(SERIAL # 1725593-2046624)

REF. NO.	PART NO.	SYM.	QTY.	DESCRIPTION
31	11-20087		4	NUT, EXHAUST MANIFOLD BODY STUD
32	35890		1	COVER, INTAKE MANIFOLD
33	27-35898		1	GASKET, INTAKE MANIFOLD COVER
34	22-36382		1	PLUG, PIPE - INTAKE MANIFOLD COVER
35	10-35390		4	SCREW, INTAKE MANIFOLD COVER TO EXHAUST MANIFOLD BODY 1 3/4"
36	10-35388		8	SCREW, INTAKE MANIFOLD COVER TO EXHAUST MANIFOLD BODY (1")
37	27-32816		1	GASKET, EXHAUST MANIFOLD BODY TO CYLINDER HEAD
38	35884		1	THERMOSTAT
39	35892		1	ELBOW, EXHAUST - EXHAUST MANIFOLD BODY
40	27-35894		1	GASKET, EXHAUST ELBOW
41	10-35388		10	SCREW, EXHAUST ELBOW TO EXHAUST MANIFOLD BODY (1")
42	22-36373		1	PLUG, EXHAUST ELBOW (UNDER BEND)
43	16-35897		1	STUD, REMOTE CONTREOL CABLE TO EXHAUST ELBOW
44	12-21631		2	WASHER, REMOTE CONTROL CABLE STUD
45	23-31866		1	SPACER, REMOTE CONTROL CABLE STUD
46	11-20586		1	NUT, REMOTE CONTROL CABLE STUD
47	22-36106		1	TEE, EXHAUST ELBOW
48	22-32803		1	PLUG, PIPE - EXHAUST ELBOW TEE (3/8-18)
49	32-36107		1	HOSE, WATER INLET - EXHAUST ELBOW TEE (10 1/2")
50	54-32779		2	CLAMP, WATER INLET HOSE FASTENING
51	32-34394		1	HOSE, BLEED - WATER OUTLET ELBOW TO EXHAUST MANIFOLD 19 3/8" <b>SERIAL 00000000-01822572</b>
52	54-20386		2	CLAMP, BLEED HOSE FASTENING <b>SERIAL 00000000-01822572</b>
53	22-33060		1	NIPPLE, BLEED HOSE TO EXHAUST MANIFOLD BODY <b>SERIAL 00000000-01822572</b>
54	22-33198		2	PLUG, EXHAUST ELBOW <b>SERIAL 00000000-01822572</b>
55	35896A1		1	BODY ASSEMBLY, RELIEF VALVE - EXHAUST ELBOW <b>SERIAL 00000000-01822572</b>
56	24-35087A1		1	SPRING ASSEMBLY, RELIEF VALVE BODY <b>SERIAL 00000000-01822572</b>
57	35086		1	BUTTON RELIEF VALVE BODY <b>SERIAL 00000000-01822572</b>
58	27-32019		1	GASKET, RELIEF VALVE BODY CAP <b>SERIAL 00000000-01822572</b>
59	32729A1		1	CAP ASSEMBLY, RELIEF VALVE BODY <b>SERIAL 00000000-01822572</b>
60	32-36109		1	HOSE, EXHAUST ELBOW TEE TO RELIEF VALVE BODY <b>SERIAL 00000000-01822572</b>
-	<b>54-32779</b>		<b>2</b>	<b>CLAMP, HOSE TO EXHAUST ELBOW TEE AND RELIEF VALVE BODY SERIAL 00000000-01822572</b>
61	22-30174		1	ELBOW, BLEED TUBE TO EXHAUST MANIFOLD BODY <b>SERIAL 01822573-02046624</b>
62	22-30177		1	NUT, COMPRESSION - BLEED TUBE ELBOW <b>SERIAL 01822573-02046624</b>

CONTINUED ON NEXT PAGE ➡

# EXHAUST MANIFOLD ASSEM (CAST IRON)(SERIAL # 1725593-2046624)

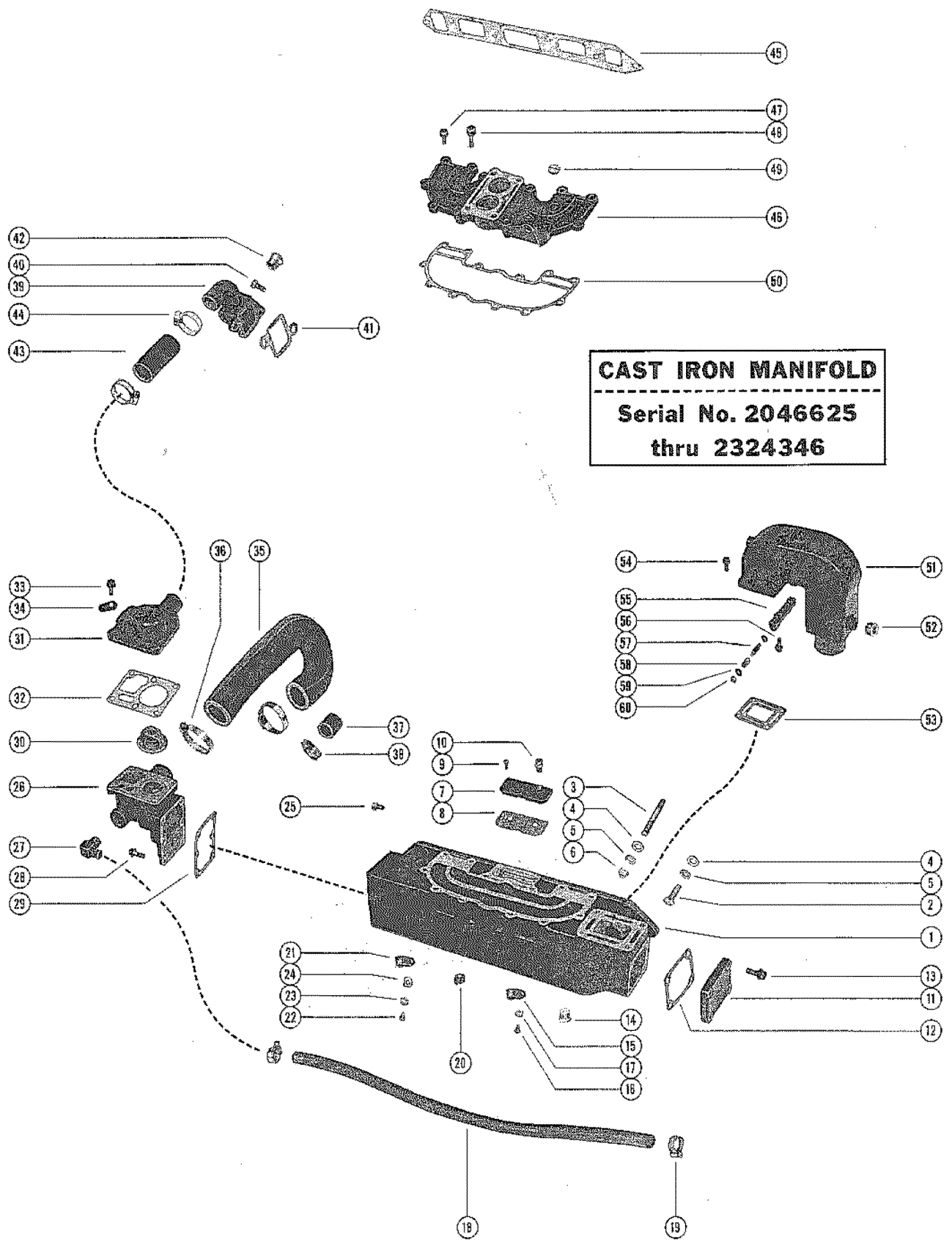




# EXHAUST MANIFOLD ASSEM (CAST IRON)(SERIAL # 1725593-2046624)

REF. NO.	PART NO.	SYM.	QTY.	DESCRIPTION
63	22-30175		1	SLEEVE, COMPRESSION - BLEED TUBE ELBOW SERIAL 01822573-02046624
64	32-38067		1	TUBE, BLEED - BLEED HOSE TO EXHAUST MANIFOLD BODY SERIAL 01822573-02046624
65	32-3872		1	HOSE, BLEED - BLEED TUBE TO WATER OUTLET ELBOW (2") SERIAL 01822573-02046624
66	54-20386		2	CLAMP, BLEED HOSE FASTENING SERIAL 01822573-02046624
67	22-33198		1	PLUG, EXHAUST ELBOW SERIAL 01822573-02046624
68	22-37372		1	PLUG, PIPE - EXHAUST ELBOW (1/2-14) SERIAL 01822573-02046624
69	22-38062		1	FITTING, EXHAUST ELBOW SERIAL 01822573-02046624
70	32-38065		1	HOSE, EXHAUST ELBOW TEE TO EXHAUST ELBOW FITTING SERIAL 01822573-02046624
71	54-32779		2	CLAMP, HOSE TO EXHAUST ELBOW TEE AND FITTING SERIAL 01822573-02046624

# EXHAUST MANIFOLD ASSEM (CAST IRON)(SERIAL # 2046625-2324346)



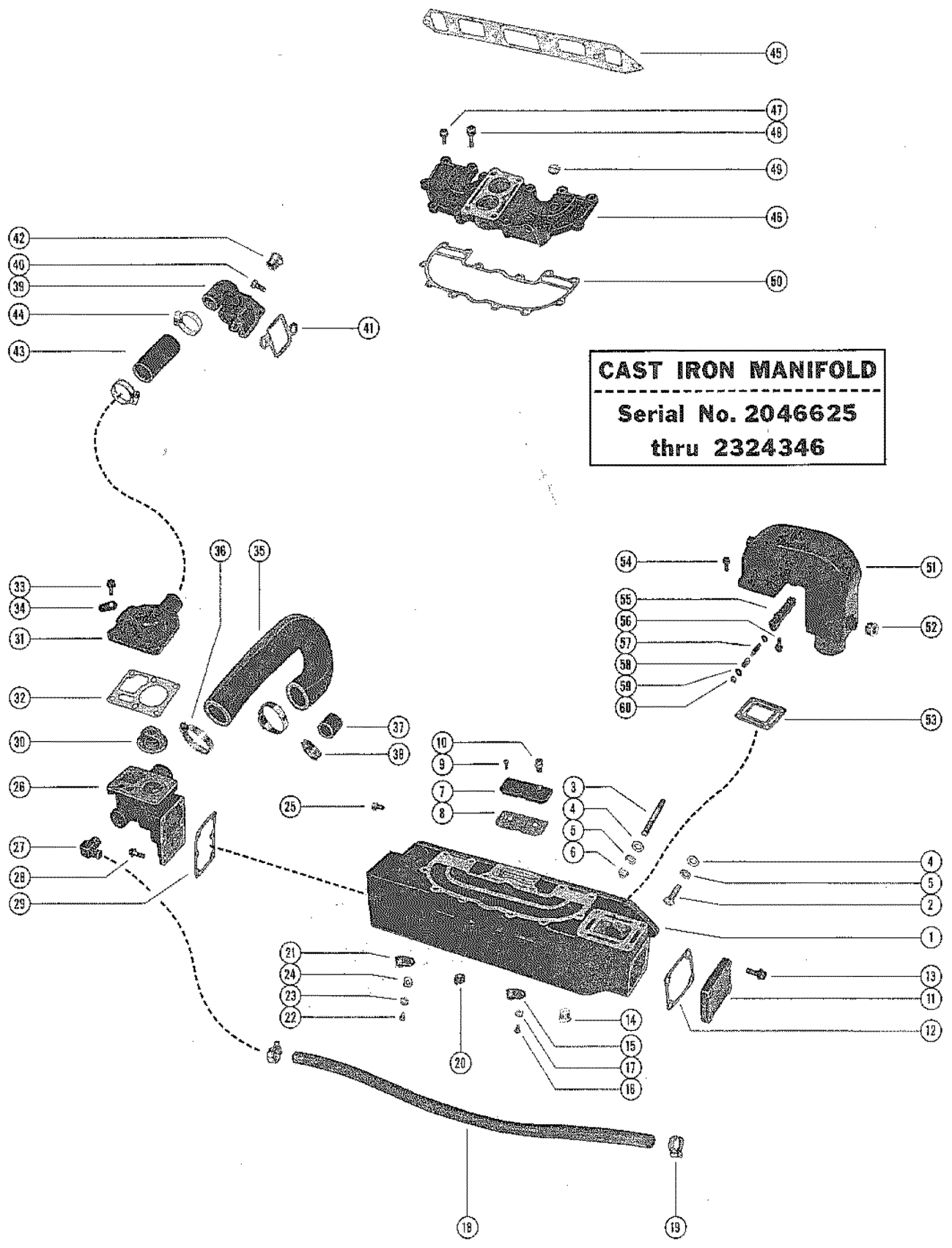
**CAST IRON MANIFOLD**  
 Serial No. 2046625  
 thru 2324346

# EXHAUST MANIFOLD ASSEM (CAST IRON)(SERIAL # 2046625-2324346)

REF. NO.	PART NO.	SYM.	QTY.	DESCRIPTION
1	39950		1	BODY, EXHAUST MANIFOLD
2	10-21077		1	SCREW, EXHAUST MANIFOLD BODY TO CYLINDER HEAD (7/8")
	10-26632		1	SCREW, EXHAUST MANIFOLD BODY TO CYLINDER HEAD (1 1/4")
3	16-34612		4	STUD, EXHAUST MANIFOLD BODY TO CYLINDER HEAD (1 1/2")
4	12-20553		6	WASHER, EXHAUST MANIFOLD BODY STUD AND SCREW
5	13-37459		6	LOCKWASHER, EXHAUST MANIFOLD BODY STUD AND SCREW
6	11-20087		4	NUT, EXHAUST MANIFOLD BODY AND STUD
7	39949		1	COVER, CHOKE OVEN - EXHAUST MANIFOLD BODY
8	27-39947		1	GASKET, CHOKE OVEN COVER
10	22-21373		1	CONNECTOR, CHOKE OVEN COVER TO CHOKE PIPE
11	39916		1	END CAP, EXHAUST MANIFOLD BODY
12	27-39923		1	GASKET, END CAP
13	10-35388		4	SCREW, END CAP TO EXHAUST MANIFOLD BODY (1")
14	22-32802		1	PLUG, PIPE - EXHAUST MANIFOLD BODY (1/8-27)
15	54-28938		1	CLAMP, WIRING HARNESS TO EXHAUST MANIFOLD BODY
16	10-20031		1	SCREW, WIRING HARNESS CLAMP FASTENING (1/2")
17	13-26992		1	LOCKWASHER, WIRING HARNESS CLAMP SCREW
18	32-45045		1	HOSE, INLET - WATER DISTRIBUTION BLOCK TO DRIVE UNIT (36")
19	54-32779		2	CLAMP, INLET HOSE TO WATER DISTRIBUTION BLOCK AND DRIVE UNIT
20	22-33198		2	PLUG, EXHAUST MANIFOLD BODY (3/4-14)
21	54-22740		1	CLAMP, WIRING HARNESS TO EXHAUST MANIFOLD BODY (3/8")
22	10-22028		1	SCREW, WIRING HARNESS CLAMP FASTENING (1/2")
23	13-26996		1	LOCKWASHER, WIRING HARNESS CLAMP SCREW
24	22789		1	"D" WASHER, WIRING HARNESS CLAMP SCREW
25	10-25299		1	SCREW, WATER PUMP FLANGE (3/4")
26	39921		1	BLOCK, WATER DISTRIBUTION - EXHAUST MANIFOLD BODY
27	22-32715		1	ELBOW, WATER DISTRIBUTION BLOCK
28	10-39970		2	SCREW, WATER DISTRIBUTION BLOCK TO EXHAUST MANIFOLD BODY 7/8
	10-45474		4	SCREW, WATER DISTRIBUTION BLK TO EXHAUST MANIFOLD BODY 1 1/2
29	27-39917		1	GASKET, WATER DISTRIBUTION BLOCK
30	35884		1	THERMOSTAT
31	39918		1	CONTAINER, THERMOSTAT
32	27-39914		1	GASKET, THERMOSTAT CONTAINER
33	10-35388		4	SCREW, THERMOSTAT CONTAINER TO WATER DISTRIBUTION BLOCK (1")
	10-35390		2	SCREW, THERMOSTAT CONTAINER TO WATER DISTRIBUTION BLOCK 1 3/4

CONTINUED ON NEXT PAGE ➡

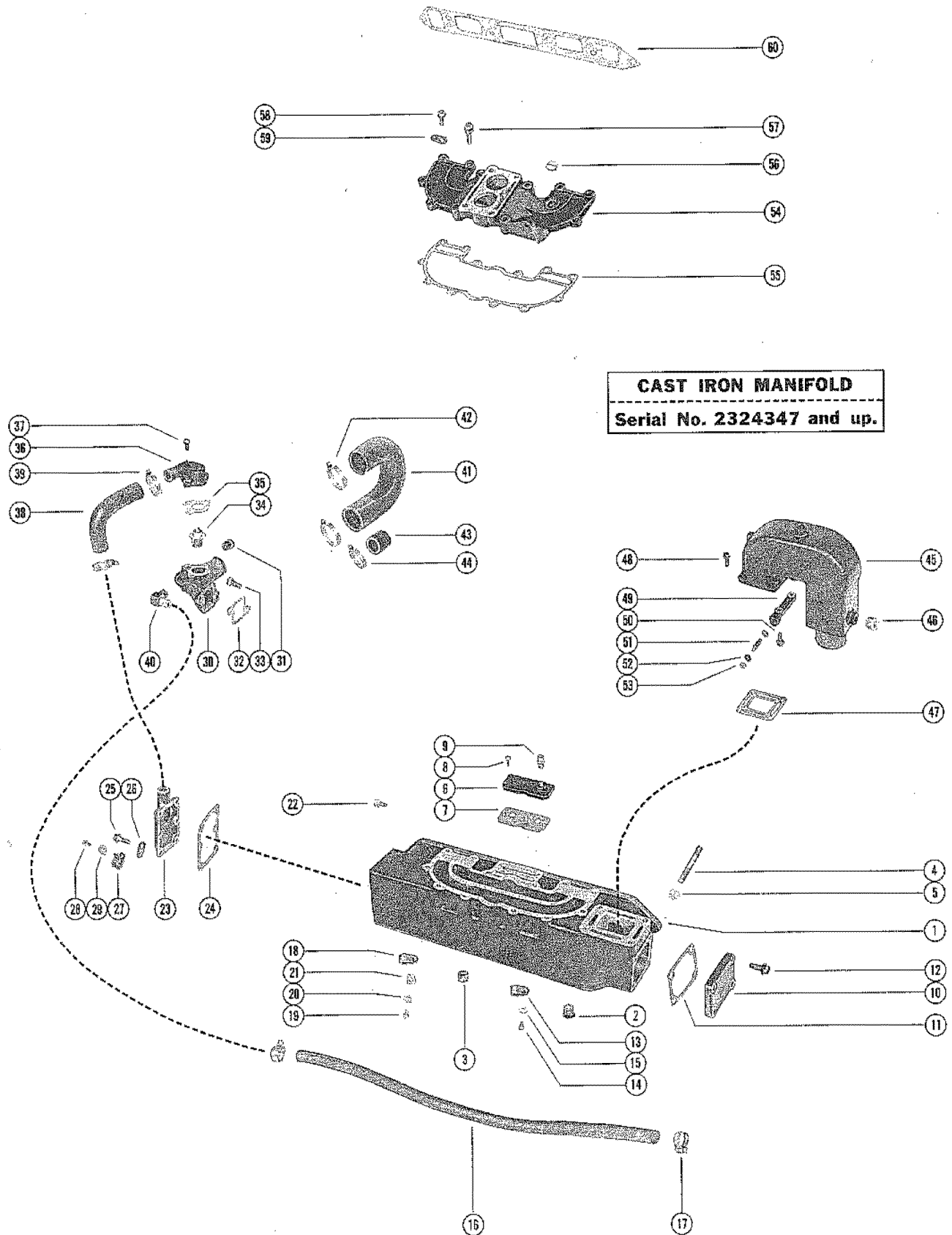
# EXHAUST MANIFOLD ASSEM (CAST IRON)(SERIAL # 2046625-2324346)



## EXHAUST MANIFOLD ASSEM (CAST IRON)(SERIAL # 2046625-2324346)

REF. NO.	PART NO.	SYM.	QTY.	DESCRIPTION
34	26551		1	RETAINER, THERMOSTAT HOUSING SCREW - THROTTLE RETURN SPRING
35	32-33484		1	HOSE, WATER DISTRIBUTION BLOCK TO WATER PUMP
36	54-32781		2	CLAMP, HOSE TO WATER DISTRIBUTION BLOCK AND WATER PUMP
37	32877		1	COVER, WATER PUMP
38	54-38426		1	CLAMP, WATER PUMP COVER TO WATER PUMP
39	39919		1	ELBOW, WATER OUTLET - CYLINDER HEAD
40	10-21077		2	SCREW, WATER OUTLET ELBOW TO CYLINDER HEAD (7/8")
41	27-33680		1	GASKET, WATER OUTLET ELBOW
42	22-32804		1	PLUG, PIPE - WATER OUTLET ELBOW
43	32-39971		1	HOSE, WATER OUTLET ELBOW TO THERMOSTAT CONTAINER (3 3/4")
44	54-32780		2	CLAMP, HOSE TO WATER OUTLET ELBOW AND THERMOSTAT CONTAINER
45	27-32816		1	GASKET, EXHAUST MANIFOLD BODY TO CYLINDER HEAD
46	35890		1	COVER, INTAKE MANIFOLD
47	10-35388		8	SCREW, INTAKE MANIFOLD COVER TO EXHAUST MANIFOLD BODY (1")
48	10-35390		4	SCREW, INTAKE MANIFOLD COVER TO EXHAUST MANIFOLD BODY 1 3/4"
49	22-36382		1	PLUG, PIPR - INTAKE MANIFOLD COVER (1/4-18)
50	27-35898		1	GASKET, INTAKE MANIFOLD COVER
51	39920		1	ELBOW, EXHAUST
52	22-33198		4	PLUG, EXHAUST ELBOW (3/4-14)
53	27-39915		1	GASKET, EXHAUST ELBOW
54	10-35388		4	SCREW, EXHAUST ELBOW TO EXHAUST MANIFOLD BODY (1")
55	39948		1	BRACKET, MOUNTING - REMOTE CONTROL CABLE STUD( EXHAUST ELBOW)
56	10-35388		2	SCREW, MOUNTING BRACKET TO EXHAUST ELBOW (1")
57	16-38525		1	STUD, REMOTE CONTROL CABLE TO MOUNTING BRACKET
58	23-31866		1	SPACER, REMOTE CONTROL CABLE STUD
59	12-21631		2	WASHER, REMOTE CONTROL CABLE STUD
60	11-20586		1	NUT, REMOTE CONTROL CABLE STUD

# EXHAUST MANIFOLD ASSEM (CAST IRON)(SERIAL # 2324347 AND UP)

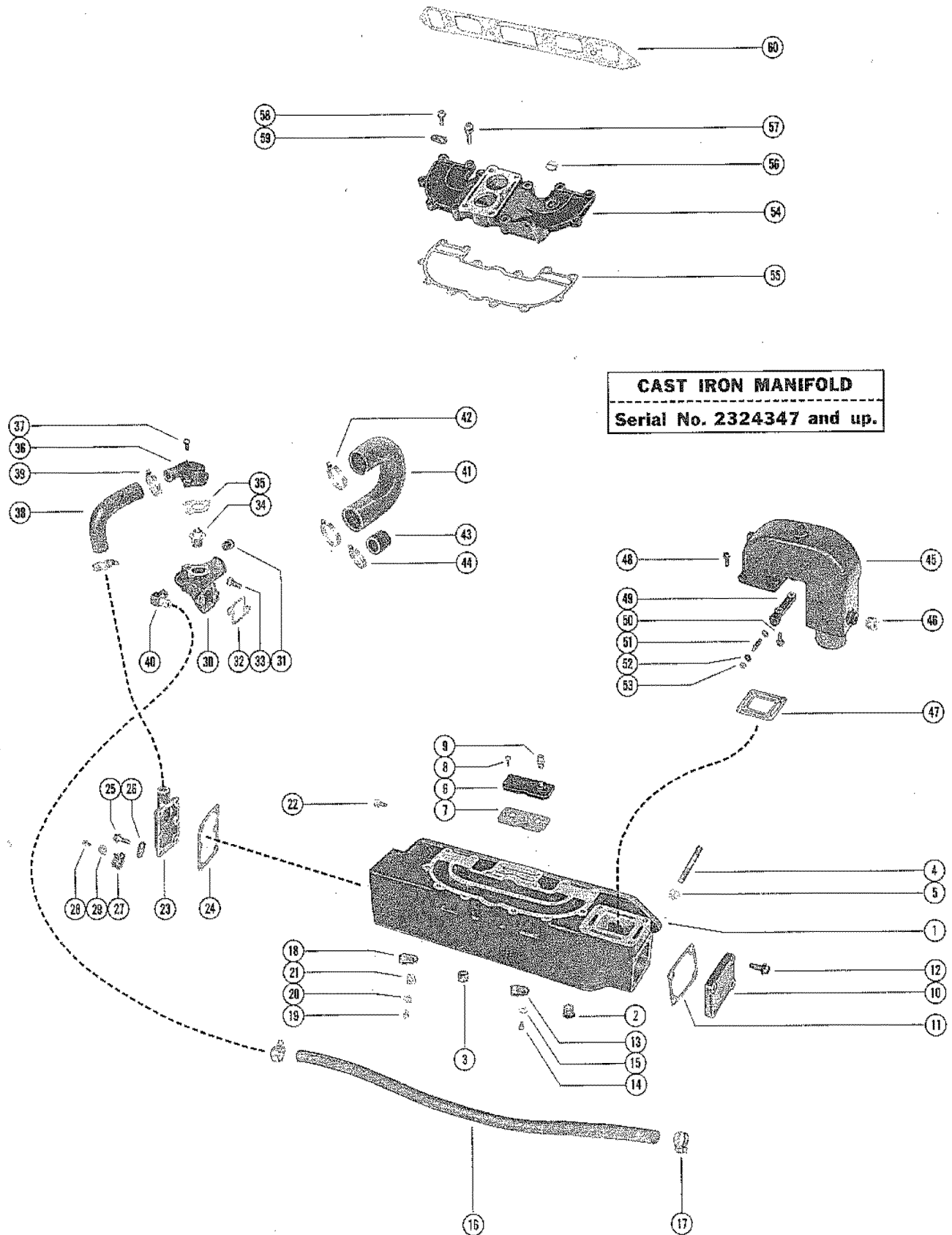


# EXHAUST MANIFOLD ASSEM (CAST IRON)(SERIAL # 2324347 AND UP)

REF. NO.	PART NO.	SYM.	QTY.	DESCRIPTION
1	39950A1		1	EXHAUST MANIFOLD ASSEMBLY
2	22-32802		1	PLUG, PIPE - EXHAUST MANIFOLD (1/8-27)
3	22-33198		2	PLUG, EXHAUST MANIFOLD (3/4-14)
4	16-49915		4	STUD, EXHAUST MANIFOLD TO CYLINDER HEAD (1 1/2")
	16-60799		2	STUD,EXHUAST MANIFOLD TO CYLINDER HEAD (1 1/2")
5	11-49910		6	NUT,EXHAUST MANIFOLD STUD
6	39949		1	COVER,CHOKE OVEN-EXHAUST MANIFOLD
7	27-39947		1	GASKET,CHOKE OVEN COVER
8	10-22028		2	SCREW,CHOKE OVEN COVER TO EXHAUST MANIFOLD (1/2")
9	22-21373		1	CONNECTOR,CHOKE OVEN COVER TO CHOKE PIPE
10	39916		1	END CAP,EXHAUST MANIFOLD
11	27-39923		4	GASKET,END CAP
12	10-35388		1	SCREW,END ACP TO EXHAUST MANIFOLD (1")
13	54-28938		1	CLAMP,WIRING HARNESS TO EXHAUST MANIFOLD
14	10-20031		1	SCREW,WIRING HARNESS CLAMP FASTENING(1/2")
15	13-26992		1	LOCKWASHER,WIRING HARNESS CLAMP SCREW
16	32-39315A1		1	HOSE ASSM,INLET-WATER DISRIBUTRION BLK TO DRIVE UNIT 33 1/2"
17	54-32779		2	CLAMP,INLET HOSE TO WATER DISTRIBUTION BLOCK AND DRIVE UNIT
18	54-60517		1	CLAMP,WIRING HARNESS TO EXHAUST MANIFOLD (3/8")
19	10-22028		1	SCREW,WIRING HARNESS CLAMP FASTENING (1/2")
20	13-26996		1	LOCKWASHER,WIRING HARNESS CLAMP SCREW
21	22789		1	"D" WASHER,WIRING HARNESS CLAMP SCREW
22	10-25299		1	SCREW,WATER PUMP FLANGE <b>SERIAL 00000000-02520424</b>
23	47638		1	ENDS CAP/CONNECTOR,EXHAUST MANIFOLD
24	27-39917		1	GASKET,END CAP/CONNECTOR
25	10-39970		2	SCREW,END CAP/CONNECTOR TO EXHAUST MANIFOLD (7/8")
	10-35388		4	SCREW,END CAP/CONNECTOR TO EXHAUST MANIFOLD(1")
26	26551		1	RETAINER,END CAP/CONNECTOR SCREW-WIRING HARNESS CLIP <b>SERIAL 00000000-02726998</b>
27	54-25231		1	CLIP,WIRING HARNESS TO RETAINER <b>SERIAL 00000000-02726998</b>
28	10-26548		1	SCREW,WIRING HARNESS CLIP TO RETAINER <b>SERIAL 00000000-02726998</b>
29	22789		1	"D" WASHER,WIRING HARNESS CLIP SCREW <b>SERIAL 00000000-02726998</b>
30	47587A2		1	BLOCK ASSEMBLY,WATER DISTRIBUTION-CYLINDER HEAD
31	22-32803		1	PLUG,PIPE-WATER DISTRIBUTION BLOCK
32	27-33680		1	GASKET,WATER DISTRIBUTION BLOCK
33	10-21077		2	SCREW,WATER DISTRIBUTION BLOCK TO CYLINDER HEAD (7/8")
34	59078		1	THERMOSTAT
35	27-47590		1	GASKET,THERMOSTAT COVER
36	60372A1		1	COVER,THERMOSTAT-WATER DISTRIBUTION BLOCK

CONTINUED ON NEXT PAGE ➡

# EXHAUST MANIFOLD ASSEM (CAST IRON)(SERIAL # 2324347 AND UP)

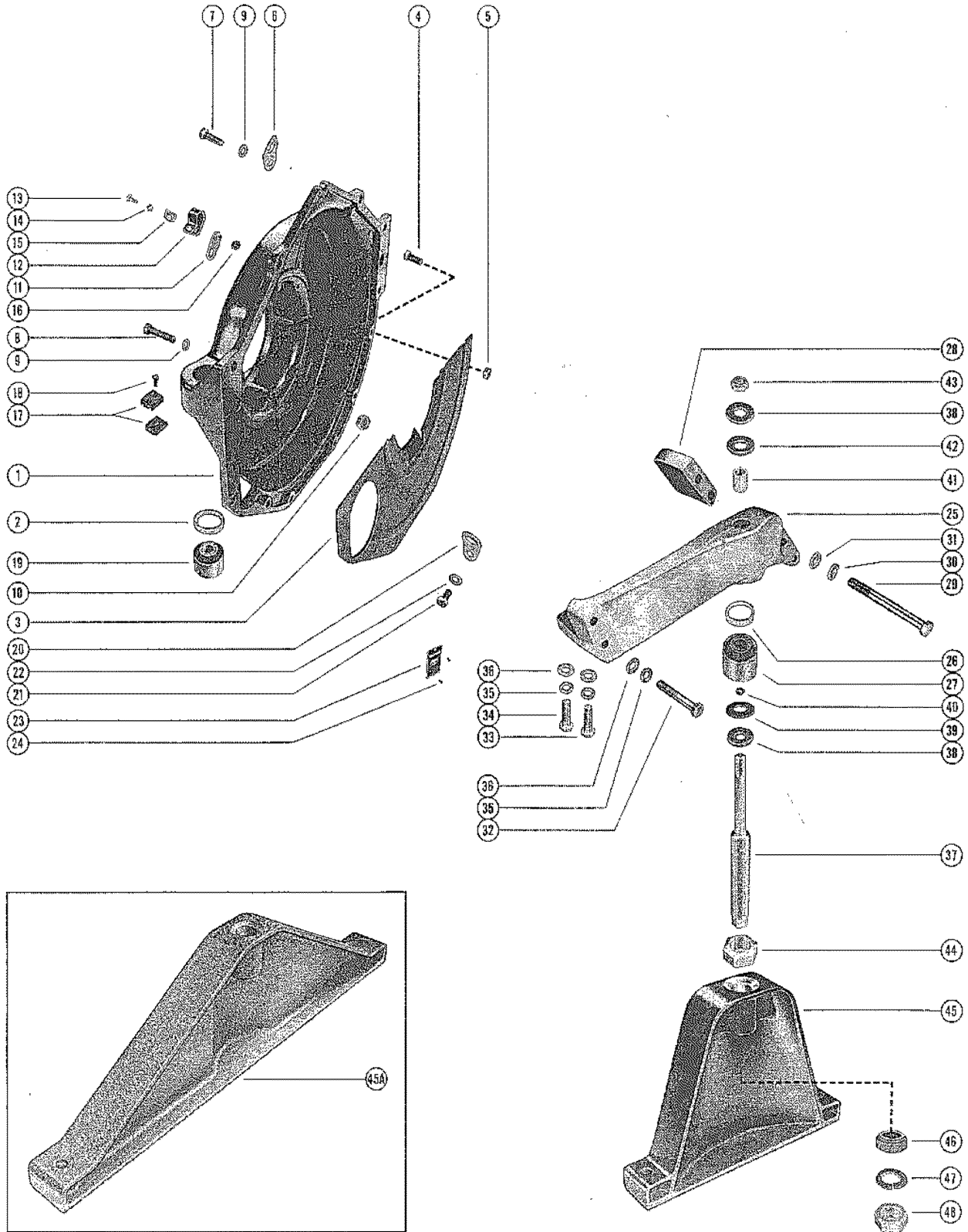




# EXHAUST MANIFOLD ASSEM (CAST IRON)(SERIAL # 2324347 AND UP)

REF. NO.	PART NO.	SYM.	QTY.	DESCRIPTION
37	10-60374		2	SCREW,THERMOSTAT COVER WATER DISTRIBUTION BLOCK (1 1/2") <b>SERIAL 03129858-09999999</b>
	10-53512		2	SCREW,THERMOSTAT COVER TO WATER DISTRIBUTION BLOCK (3/4") <b>SERIAL 03129857-09999999</b>
38	32-47639		1	HOSE,WATER DISTRIBUTION BLOCK TO END CAP/CONNECTOR
39	54-32880		2	CLAMP,HOSE TO WATER DISTRIBUTION BLOCK AND END CAP/CONNECTO
40	22-53509		1	ELBOW,WATER DISTRIBUTION BLOCK
41	32-47640		1	HOSE,WATER DISTRIBUTION BLOCK TO WATER PUMP
42	54-32781		2	CLAMP,HOSE TO WATER DISTRIBUTION BLOCK AND WATER PUMP
43	32877		1	COVER,WATER PUMP
44	54-38426		1	CLAMP,WATER PUMP COVER TO WATER PUMP
45	39920A1		1	ELBOW ASSEMBLY,EXHAUST <b>SERIAL 00000000-02726998</b>
46	22-33198		4	PLUG,EXHAUST ELBOW (3/4-14) <b>SERIAL 00000000-02726998</b>
45	55538A2		4	ELBOW ASSEMBLY,EXHAUST <b>SERIAL 02786857-09999999</b>
46	22-33198		4	PLUG,EXHAUST ELBOW(3/4-14) <b>SERIAL 02786857-09999999</b>
47	27-39915		1	GASKET,EXHAUST ELBOW
48	10-35388		4	SCREW,EXHAUST ELBOW TO EXHAUST MANIFOLD (1")
49	39948		1	BRACKET,MOUNTING-REMOTE CONTROL CABLE STUD (EXHAUST ELBOW) <b>SERIAL 00000000-02726998</b>
50	10-35388		2	SCREW,MOUNTING BRACKET TO EXHAUST ELBOW(1") <b>SERIAL 00000000-02726998</b>
51	16-38525		1	STUD,REMOTE CONTROL CABLE TO MOUNTING BRACKET <b>PART OF 55538A2 ELBOW ASSEMBLY</b>
52	12-21631		2	WASHER,REMOTE CONTROL CABLE STUD
53	11-20586		1	NUT,REMOTE CONTROL CABLE STUD
54	35890		1	COVER,INTAKE MANIFOLD
55	27-35898		1	GASKET,INTAKE MANIFOLD COVER
56	22-36382		4	PLUG,PIPE-INTAKE MANIFOLD COVER (1/4")
57	10-35390		8	SCREW,INTAKE MANIFOLD COVER TO EXHAUST MANIFOLD(1")
59	26551		1	RETAINER,INTAKE MANIFOLD COVER SCREW-THROTTLE RETURN SPRING
60	27-52546		1	GASKET,EXHAUST MANIFOLD TO CYLINDER HEAD

# FLYWHEEL HOUSING AND ENGINE SUPPORT

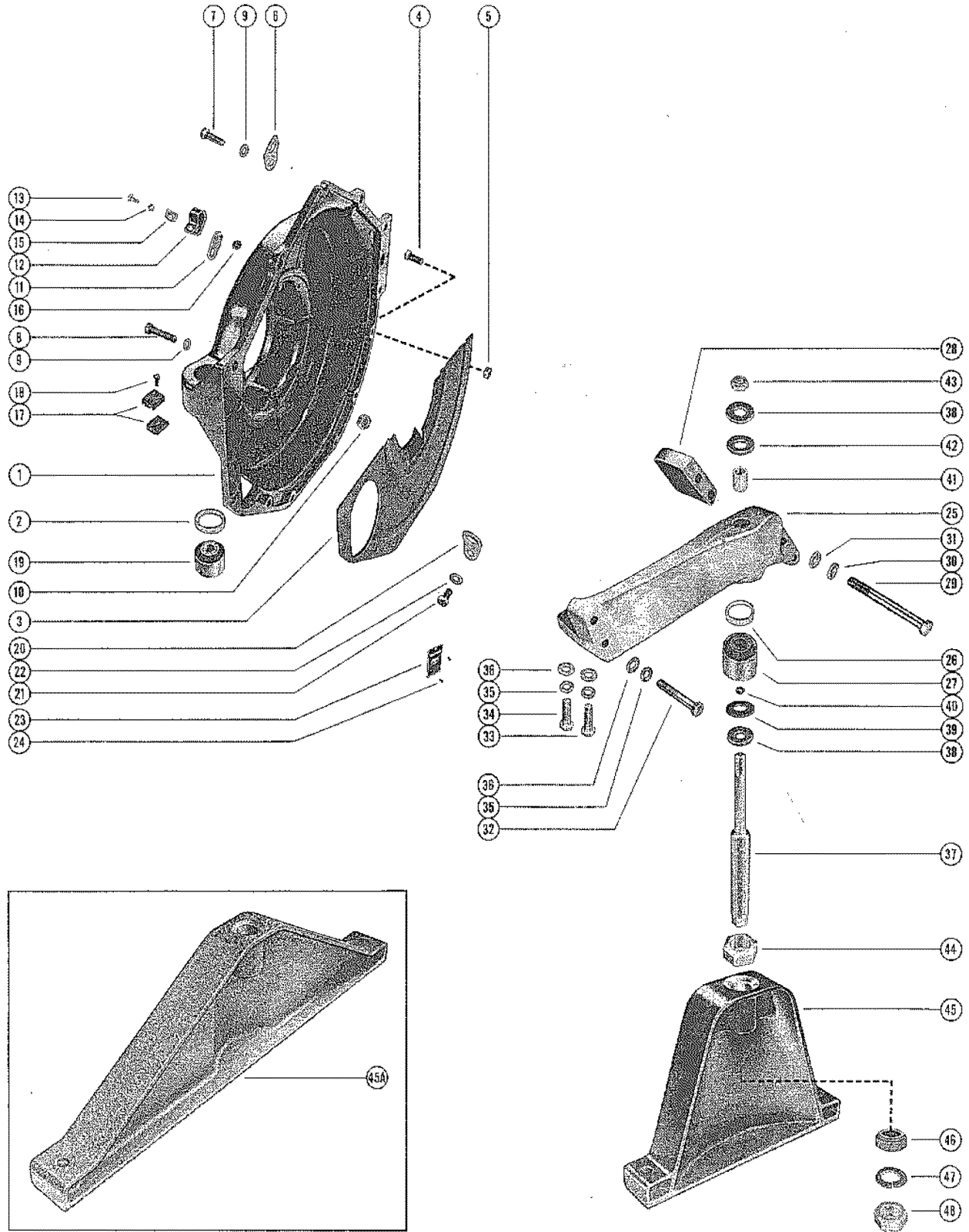


# FLYWHEEL HOUSING AND ENGINE SUPPORT

REF. NO.	PART NO.	SYM.	QTY.	DESCRIPTION
1	35865A2		1	FLYWHEEL HOUSING ASSEMBLY,REAR MOUNTING SERIAL <b>00000000-02046624</b>
	45892A2		1	FLYWHEEL HOUSING ASSEMBLY,REAR MOUNTING SERIAL <b>02046625-02726998</b>
	55898A3		1	FLYWHEEL HOUSING ASSEMBLY,REAR MOUNTING SERIAL <b>02786857-09999999</b>
2	23-46742		2	SPACER,FLYWHEEL HOUSING MOUNT
3	35864		1	COVER PLATE,FLYWHEEL HOUSING
4	10-47277		6	SCREW,COVER PLATE TO FLYWHEEL HOUSING (3/4")
5	11-46793		6	NUT,COVER PLATE SCREW
6	54-34764		1	EYE,LIFTING-FLYWHEEL HOUSING SCREW
7	10-26632		5	SCREW,FLYWHEEL HOUSING TO CYLINDER BLOCK (1 1/4") <b>SERIAL 00000000-01951139</b>
8	10-34613		1	SCREW,FLYWHEEL HOUSING TO CYLINDER BLOCK(1 3/4") <b>SERIAL 00000000-01951139</b>
9	13-37459		6	LOCKWASHER,FLYWHEEL HOUSING SCREW SERIAL <b>00000000-01951139</b>
10	11-32219		1	NUT,FLYWHEEL HOUSING SCREW SERIAL <b>00000000-01951139</b>
7	10-26632		1	SCREW,FLYWHEEL HOUSING TO CYLINDER BLOCK (1 1/4") <b>SERIAL 01951140-02726998</b>
8	10-28464		1	SCREW,BRACKET AND FLYWHEEL HSG.TO CYLINDER BLOCK(1 1/2") SERIAL <b>01951140-02726998</b>
	10-45754		1	SCREW,BRACKET AND FLYWHEEL HSG.TO CYLINDER BLOCK (2") SERIAL <b>01951140-02726998</b>
9	13-37459		6	LOCKWASHER,BRACKET AND FLYWHEEL HOUSING SCREW <b>SERIAL 01951140-02726998</b>
10	11-28517		1	NUT,BRACKET AND FLYWHEEL HOUSING SCREW SERIAL <b>01951140-02726998</b>
7	10-26632		5	SCREW,FLYWHEEL HOUSING TO CYLINDER BLOCK (1 1/4") <b>SERIAL 02786857-09999999</b>
8	10-34613		6	SCREW, FLYWHEEL HOUSING TO CYLINDER BLOCK (1 3/4") <b>SERIAL 02786857-09999999</b>
9	13-37459		1	LOCKWASHER,FLYWHEEL HOUSING SCREW SERIAL <b>02786857-09999999</b>
10	11-28517		1	NUT,FLYWHEEL HOUSING SCREW SERIAL <b>02786857-09999999</b>
11	32786		2	TAB,WIRING HARNESS TO FLYWHEEL HOUSING SERIAL <b>00000000-02046624</b>
12	54-22690		1	CLAMP,WIRING HARNESS TO FLYSHEEL HOUSING SERIAL <b>00000000-02046624</b>
	54-22627		1	CLAMP,WIRING HARNESS TO FLYWHEEL HOUSING SERIAL <b>00000000-02046624</b>
13	10-20191		2	SCREW,WIRING HARNESS CLAMP ATTACHING SERIAL <b>00000000-02046624</b>
14	13-26995		2	LOCKWASHER,WIRING HARNESS CLAMP SCREW SERIAL <b>00000000-02046624</b>
15	22789		2	"D" WASHER,WIRING HARNESS CLAMP SCREW SERIAL <b>00000000-02046624</b>

CONTINUED ON NEXT PAGE ➡

# FLYWHEEL HOUSING AND ENGINE SUPPORT

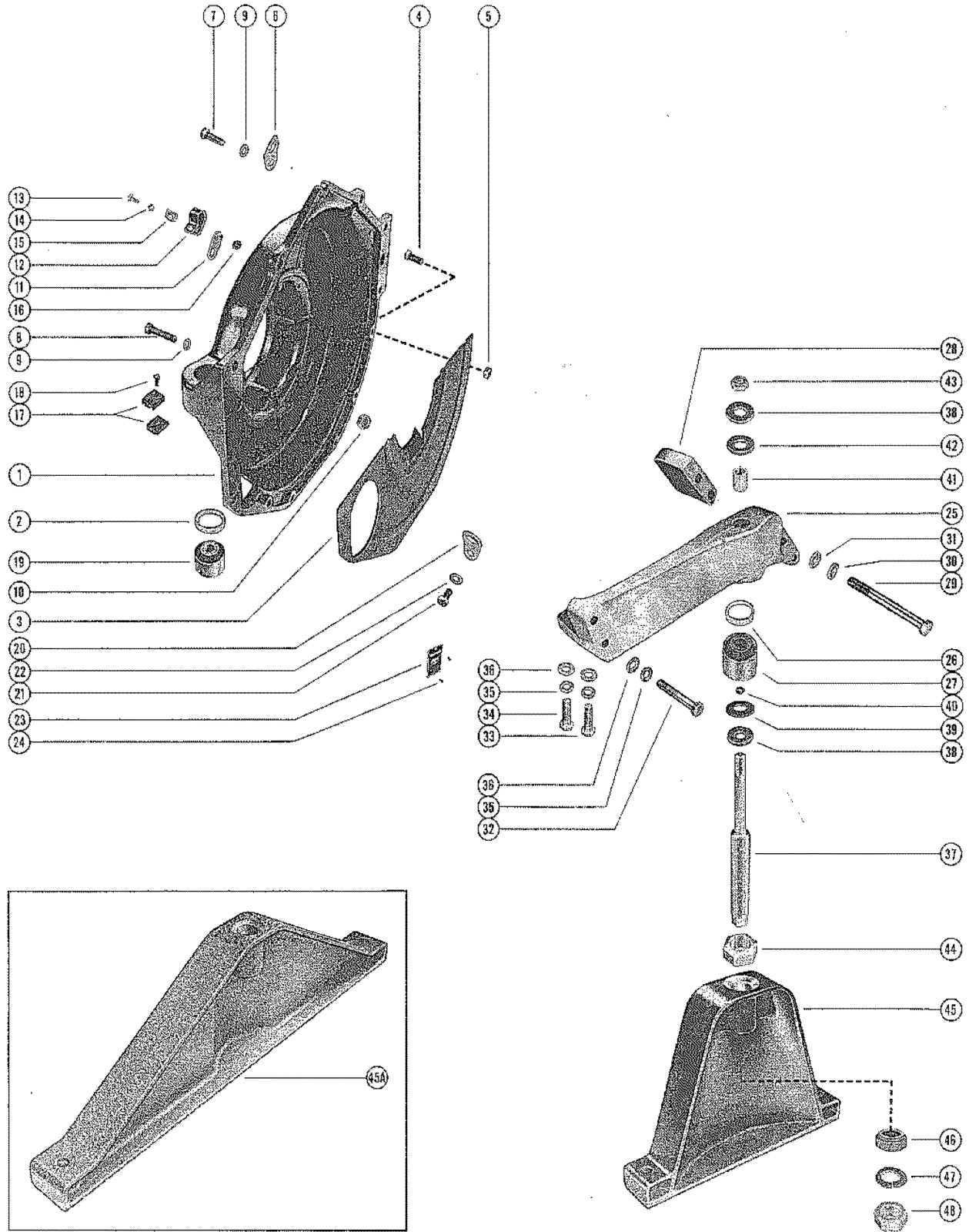


# FLYWHEEL HOUSING AND ENGINE SUPPORT

REF. NO.	PART NO.	SYM.	QTY.	DESCRIPTION
16	11-26419		2	NUT,WIRING HARNESS CLAMP SCREW <b>SERIAL 0000000-02046624</b>
12	54-24871		1	CLAMP,WIRING HARNESS TO FLYWHEEL HOSUING <b>SERIAL 02046625-02726998</b>
13	10-22028		1	SCREW,WIRING HARNESS CLAMP ATTACHING <b>SERIAL 02046625-02726998</b>
14	13-26996		1	LCOKWASHER,WIRING HARNESS CLAMP SCREW <b>SERIAL 02046625-02726998</b>
17	39974		2	CONNECTOR,HARNESS LEADS TO FLYWHEEL HOUSING <b>SERIAL 02046625-02726998</b>
18	10-37892		2	SCREW,CONNECTOR TO FLYWHEEL HOUSING (7/8") <b>SERIAL 02046625-02726998</b>
12	54-24871		1	CLAMP,WIRING HARNESS TO FLYWHEEL HOUSING <b>SERIAL 02786857-09999999</b>
13	10-22028		1	SCREW,WIRING HARNESS CLAMP ATTACHING <b>SERIAL 02786857-09999999</b>
14	13-26996		1	LOCKWASHER,WIRING HARNESS CLAMP SCREW <b>SERIAL 02786857-09999999</b>
17	39974		4	CONNECTOR,HARNESS LEADS TO FLYWHEEL HOUSING <b>SERIAL 02786857-09999999</b>
18	10-47618		4	SCREW,CONNECTOR TO FLYWHEEL HOUSING (1") <b>SERIAL 02786857-09999999</b>
19	32832		1	MOUNT,FLYWHEEL HOUSING (LEFT)
	33149		1	MOUNT,FLYWHEEL HOUSING (RIGHT)
20	54-34764		1	EYE,LIFTING-CYLINDER BLOCK
21	10-27165		1	SCREW,LIFTING EYE TO CYLINDER BLOCK
22	13-37459		1	WASHER,LIFTING EYE SCREW
23	38-31042		1	SERIAL PLATE
24	10-20314		2	SCREW,DRIVE-SERIAL PLATE TO CYLINDER BLCOK
25	36099A2		1	BRACKET ASSEMBLY,FRONT MOUNTING
26	23-46742		1	SPACER,FRONT MOUNTING BRACKET
27	32833		1	MOUNT,FRONT MOUNTING BRACKET
28	35862		1	BLOC,SPACER-FRONT MOUNTIONG BRACKET
29	10-32557		2	SCREW,BRACKET AND SPACER BLOCK TO CYLINDER BLOCK (4 1/2")
30	13-32993		2	LOCKWASHER,BRACKET AND SPACEER BLOCK SCREW
31	12-22248		2	WASHER,BRACKET AND SPACER BLOCK SCREW
32	10-26486		2	SCREW,FRONT MOUNTING BRACKET TO CYLINDER BLOCK (2 3/8")
33	10-26632		1	SCREW,FRONT MOUNTING BRACKET TO CYLINDER BLOCK(1 1/4") <b>SERIAL 00000000-02361801</b>
34	10-28464		1	SCREW,FRONT ,MOUNTING BRACKET TO CYLINDER BLOCK (1 1/2") <b>SERIAL 00000000-02361801</b>
35	13-37459		4	LOCKWASHER,FRONT MOUNTING BRACKET SCREW
36	12-37828		4	WASHER,FRONT MOUNTING BRACKET SCREW
37	16-36100		1	STUD,ADJUSTING-FRONT MOUNTING BRACKET
38	12-36103		2	WASHER,FRONT MOUNTING BRACKET ADJUSTING STUD

CONTINUED ON NEXT PAGE ➡

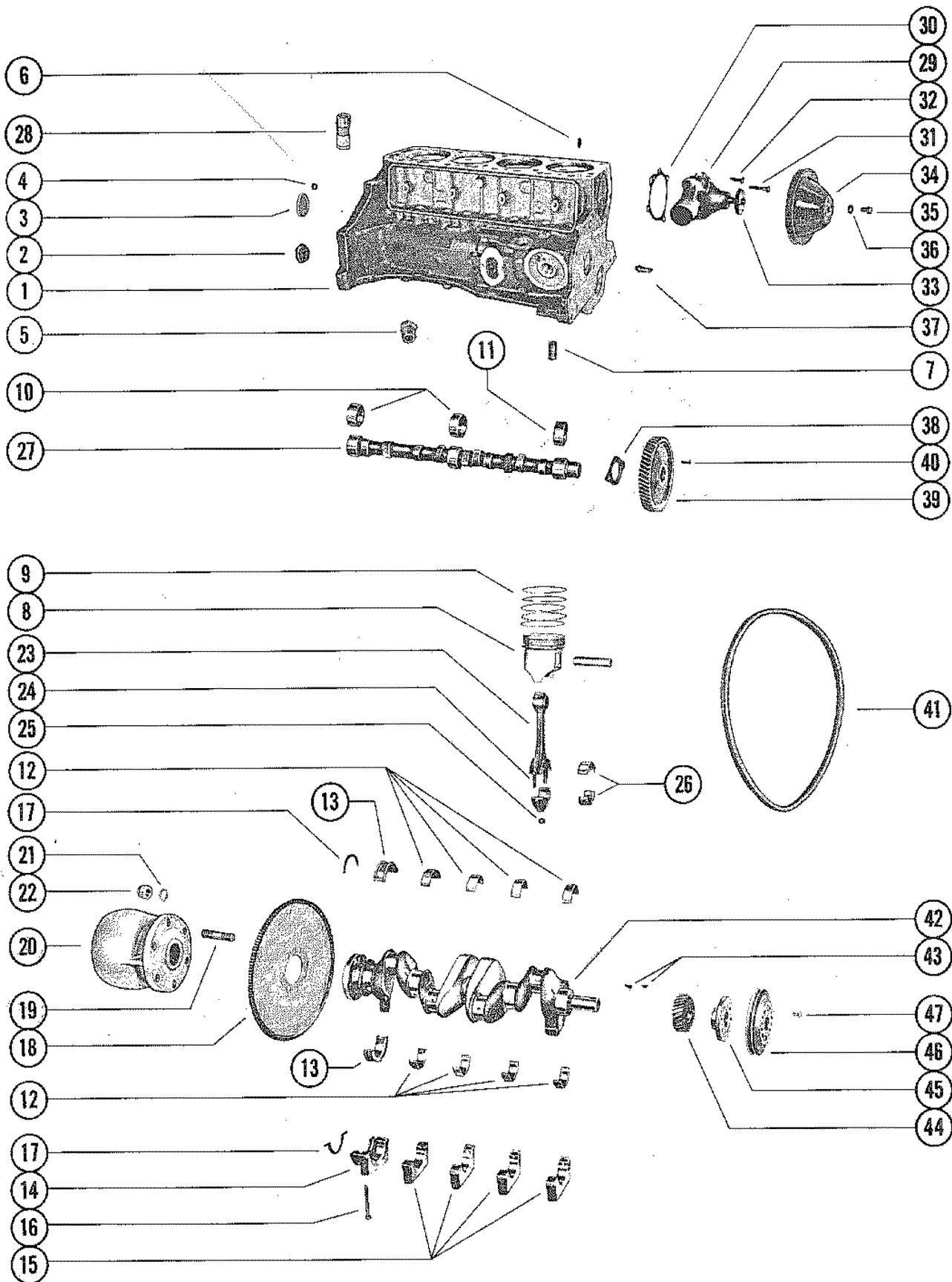
# FLYWHEEL HOUSING AND ENGINE SUPPORT



## FLYWHEEL HOUSING AND ENGINE SUPPORT

REF. NO.	PART NO.	SYM.	QTY.	DESCRIPTION
39	12-32638		1	WASHER,FRONT MOUNTING BRACKET ADJUSTING STUD
40	12-20959		1	WASHER,FRONT MOUNTING BRACKET AJUSTIONG STUD
41	23-36101		1	SPACER,FRONT MOUNTING BRACKET ADJUSTING STUD
42	12-36104		1	WASHER,RUBBER-FRONT MOUNTING BRACKET ADJUSTING STUD
43	11-20220		1	NUT ,FRONT MOUNTING BRACKET ADJUSTING STUD
44	11-32882		1	NUT,FRONT MOUNTING BRACKET ADJUSTING STUD
45	32778		1	SUPPORT,FRONT-ENGINE MOUNT
45A	32849		0	SUPPORT,FRONT-ENGINE MOUNT
46	23-33065		1	SLEEVE,FRONT MOUNTING BRACKET ADJUSTING STUD
47	13-33065		1	LOCKWASHER,FRONT MOUNTING BRACKET ADJUSTING STUD
48	11-30708		1	NUT,JAM-FRONT MOUNTING BRACKET ADJUSTING STUD(BOTTOM)

# CYLINDER BLOCK, PISTON AND CRANKSHAFT



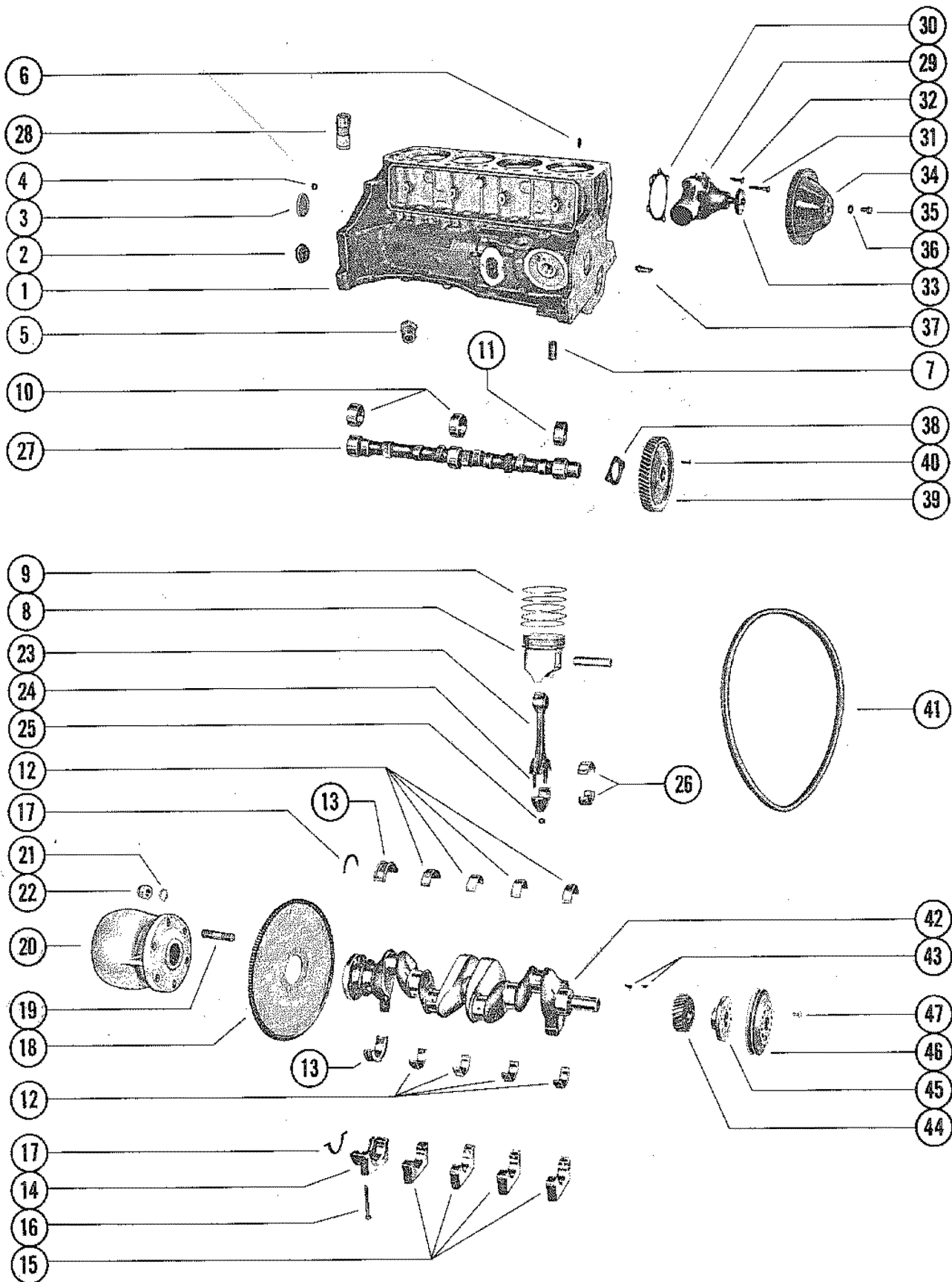


# CYLINDER BLOCK,PISTON AND CRANKSHAFT

REF. NO.	PART NO.	SYM.	QTY.	DESCRIPTION
1	839-2281		1	CYLINDER BLOCK ASSEMBLY <b>SEE NOTE BELOW SERIAL 00000000-02361801</b>
	839-3548		1	CYLINDER BLOCK ASSEMBLY <b>SEE NOTE BELOW SERIAL 02361802-03377340</b>
2	19-34270		2	PLUG,EXPANSION-CYLINDER BLOCK(1 5/8" DIA.)
	19-34271		1	PLUG,EXPANSION-CYLINDER BLOCK(2"DIA)
	19-37531		1	PLUG,OIL CHANNEL-CYLINDER BLOCK
3	19-34488		1	PLUG,EXPANSION-CAMSHAFT BEARING HOLE
4	19-34487		1	PLUG,PIPE-CYLINDER BLOCK(3/8")
5	22-36382		1	PLUG,WATER DRAIN-CYLINDER BLOCK
6	17-35465		2	,PIN,DOWEL-CYLINDER BLOCK TO CYLINDER HEAD
7	23-35168		1	,BEARING,DISTRIBUTOR PILOT SHAFT
8	733-2278		4	PISTON AND PISTON PIN ASSEMBLY(STANDARD)
	736-2343		AR	PISTON AND PISTON PIN ASSEMBLY(.001O.S.) <b>USE STANDARD PISTON RINGS</b>
	733-2231		AR	,PISTON AN DPISTON PIN ASSEMBLY(.002O.S.) <b>USE STANDARD PISTON RINGS</b>
	733-2274		AR	PISTONAND PISTON PIN ASSEMBLY(.020O.S.)
	733-2279		AR	PISTON AND PISTON PIN ASSEMBLY(.030O.S.)
9	39-67119		4	RING,PISTON(STANDARD)
	39-67120		AR	RING,PISTON(.020O.S)
	39-67121		AR	RING,PISTON(.030O.S.)
10	23-52483		2	BEARING UNIT,CAMSHAFT(FRONT AND INTERMEDIATE
11	23-52482		1	BEARING UNIT,CAMSHAFT(REAR)
12	23-49959		4	BEARING UNIT,CRANKSHAFT MAIN(STANDARD)
	23-49960		AR	BEARING UNIT,CRANKSHAFT MAIN(.001 U.S.)
	23-49961		AR	BEARING UNIT,CRANKSHAFT MAIN(.002U.S.)
	23-49962		AR	BEARING UNIT,CRANKSHAFT MAIKN(.010U.S.)
13	23-34464		1	BEARING UNIT,CRANKSHAFT MAIN-REAR(STANDARD)
	23-34490		AR	BEARING UNIT,CRAKSHAFT MAIN-REAR(.001U.S.)
	23-34491		AR	BEARING UNIT,CRANKSHAFT MAIN-REAR(.002U.S.)
	23-34492		AR	BEARING UNIT,CRANKSHAFT MAIN-REAR(.010U.S.)
	23-34493		AR	BEARING UNIT,CRANKSHAFT MAIN-REAR(.020U.S.)
14	34498		1	REAR-CRANKSHAFT BEARING <b>SERIAL 00000000-02361801</b>
	49954		1	CAP,REAR-CRANKSHAFT BEARING <b>SERIAL 02361802-03377340</b>
15	35310		4	CAP,INTERMEDIATE AND FRONT-CRANKSHAFT BEARING
-	<b>15-34533</b>		<b>AR</b>	<b>SHIM UNIT,BEARING CAP-FRONT AND INTERMEDIATE</b>
-	<b>15-34534</b>		<b>AR</b>	<b>SHIM UNIT ,BEARING CAP-REAR</b>
16	10-34499		10	BOLT,CRANKSHAFT BEARING CAP TO CYLINDER BLOCK(2 23/32") <b>SERIAL 00000000-01951139</b>
	10-46717		10	BOLT,CRANKSHAFT BEARING CAP CYLINDER BLOCK (2 31/32") <b>SERIAL 01951140-03377340</b>

CONTINUED ON NEXT PAGE ➡

# CYLINDER BLOCK, PISTON AND CRANKSHAFT

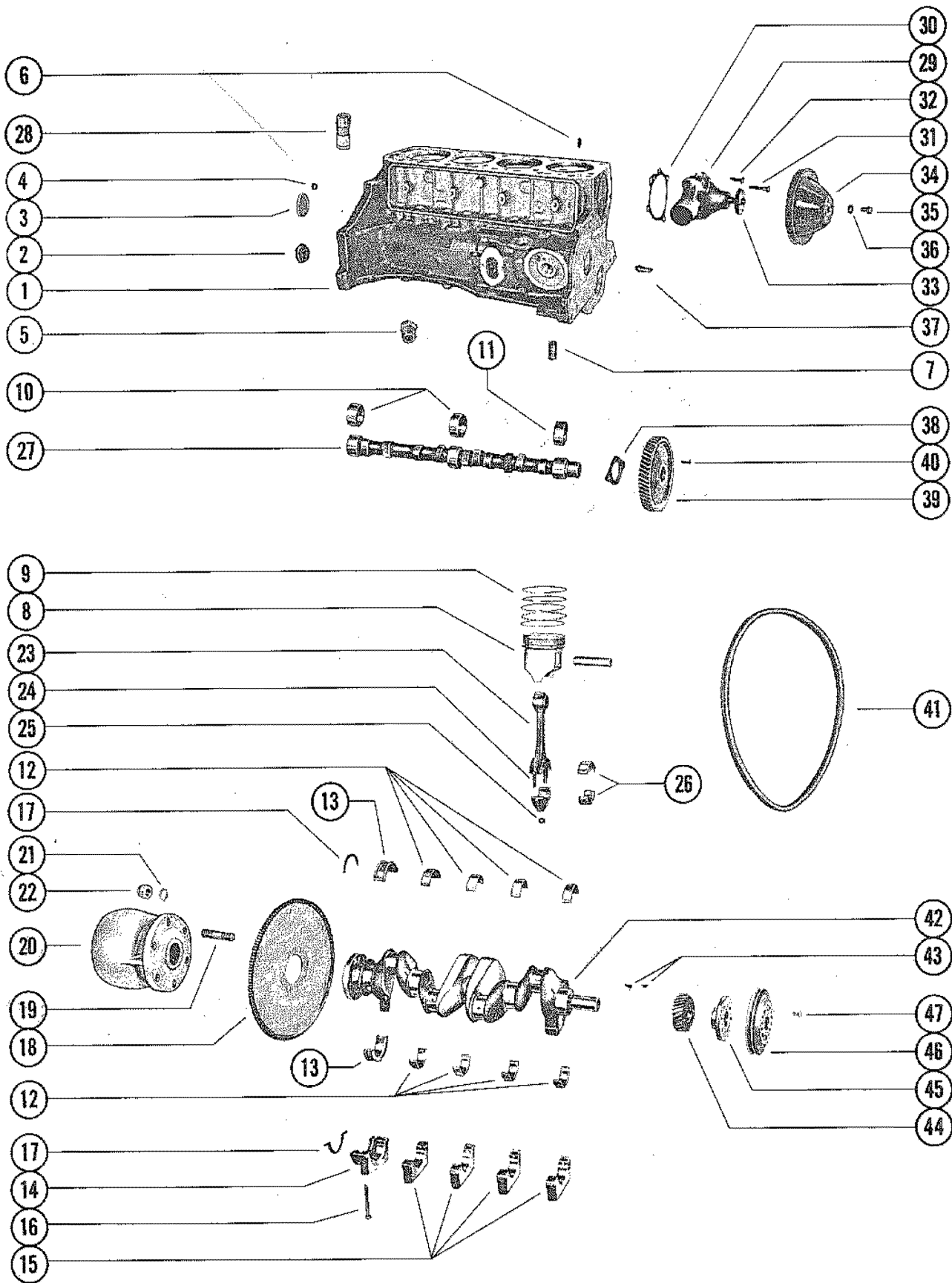


# CYLINDER BLOCK,PISTON AND CRANKSHAFT

REF. NO.	PART NO.	SYM.	QTY.	DESCRIPTION
17	26-34462		1	OIL SEAL UNIT,CRANKSHAFT REAR BEARING SERIAL <b>00000000-02361801</b>
	26-49947		1	OIL SEAL UNTI,CRANKSHAFT REAR BEARING SERIAL <b>02361802-02726998</b>
	26-58203		1	OIL SEAL UNIT,CRANKSHAFT REAR BEARING SERIAL <b>02786857-03377340</b>
-	<b>34543</b>		<b>1</b>	<b>VALVE,BY PASS-OIL FILTER</b>
18	220-2282		1	FLYWHEEL,CRANKSHAFT
19	16-32808		6	STUD,FLYWHEEL TO ENGINE COUPLING
20	38965A1		1	ENGINE COUPLING ASSEMBLY
21	12-35935		6	WASHER,FLYWHEEL STUD
22	11-34933		6	NUT,FLYWHEEL STUD
23	613-2277		4	CONNECTING ROD ASSEMBLY
24	10-34473		8	BOLT,CONNECTING ROD BEARING CAP
25	11-34474		8	NUT,CONNECTING ROD CAP BOLT
26	23-52242		4	EARING(PAIR),CONNECTING ROD (STANDARD)
	23-52243		AR	BEARING(PAIR),CONNECTING ROD (.001U.S.)
	23-52244		AR	BEARING(PAIR),CONNECTING ROD (.002 U.S)
	23-52245		AR	BEARING (PAIR),CONNECTING ROD (.010U.S)
	23-52246		AR	BEARING(PAIR),CONNECTING ROD (.020U.S.)
27	424-2422		1	CAMSHAFT
28	35583		8	LIFTER,HYDRAULIC-TAPPET SERIAL <b>00000000-01951139</b>
	46472		8	LIFTER,HYDRAULIC-TAPPET SERIAL <b>01951140-03377340</b>
29	37369		1	WATER PUMP ASSEMBLY(SPECIAL MARINE) SERIAL <b>00000000-02520424</b>
	52353		1	WATER PUMP ASSEMBLY(SPECIAL MARINE) SERIAL <b>02520425-03377340</b>
30	27-33956		1	GASKET,WATER PUMP
31	10-34471		2	SCREW,WATER PUMP TO CYLINDER BLOCK(1 1/2")
32	10-35339		1	SCREW,WATER PUMP TO CYLINDER BLOCK(3/4")
	10-34505		1	SCREW,WATER PUMP TO CYLINDER BLOCK(7/8")
33	34481		1	HUB,WATER PUMP PULLEY SERIAL <b>00000000-02520424</b>
	37242		1	REINFORCEMENT,WATER PUMP PULLEY SERIAL <b>00000000-02520424</b>
	47282		1	SUPPORT,WATER PUMP PULLEY
34	33864		1	PULLEY,WATER PUMP SERIAL <b>00000000-02520424</b>
	52349		1	PULLEY,WATER PUMP SERIAL <b>02520425-03377340</b>
35	10-47277		4	SCREW,PULLEY AND HUB TO WATER PUMP(3/4")
36	13-39107		4	LOCKWASHER,PULLEY AND HUB SCREW
37	32-34535		1	NOZZLE,OIL-TIMING GEAR SERIAL <b>00000000-01951139</b>
	32-46471		1	NOZZLE,OIL-TIMING GEAR SERIAL <b>01951140-03377340</b>
38	23-34469		1	BEARING,CMASHAFT THRUST
39	43-34467		1	GEAR,TIMING(FIBER) SERIAL <b>00000000-03253905</b>
	43-58283		1	GEAR,TIMING(FIBER) SERIAL <b>03253906-03331603</b>
40	10-21417A1		2	SCREW,TIMING GEAR TO CAMSHAFT(1/4")

CONTINUED ON NEXT PAGE ➡

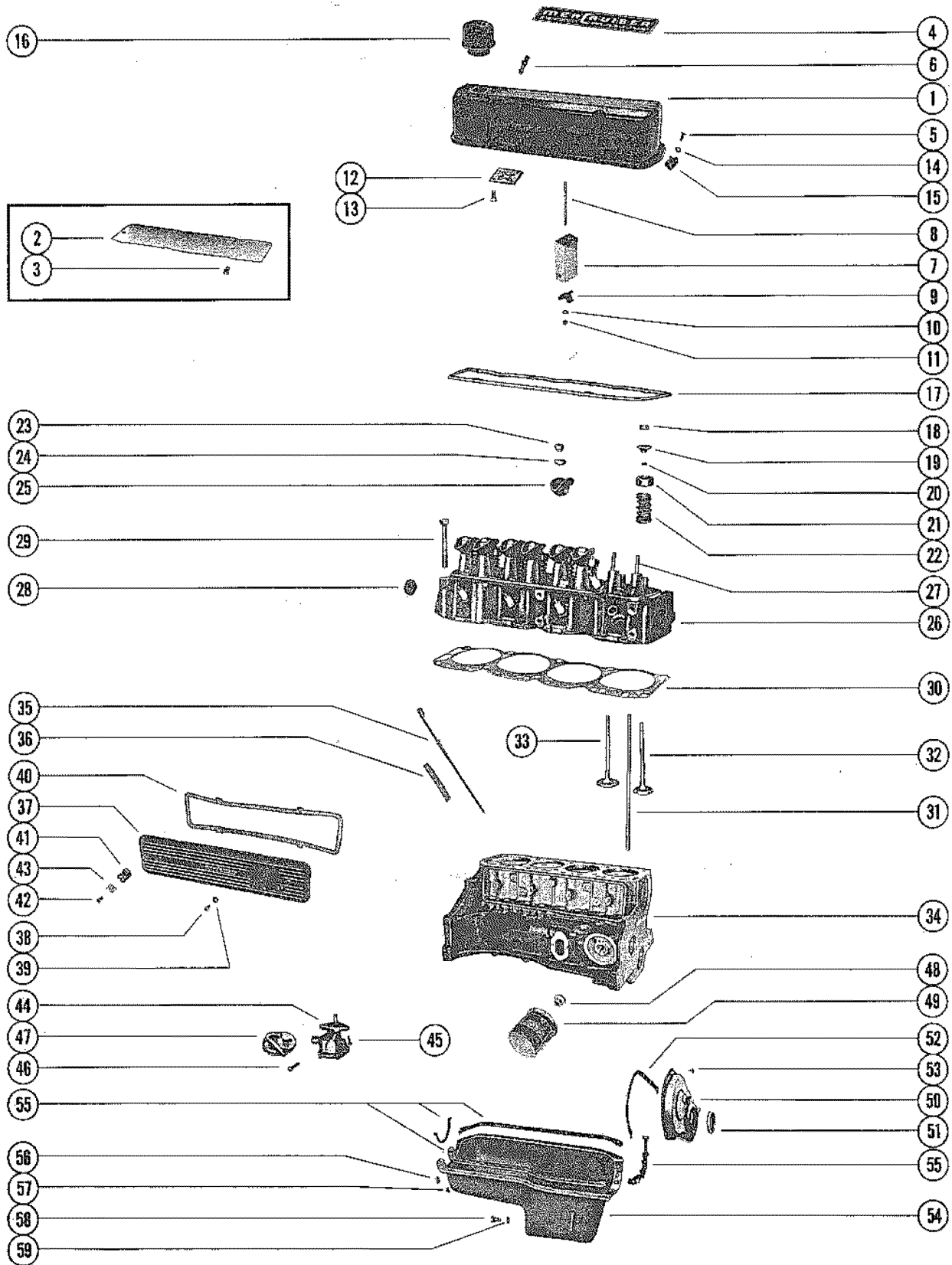
# CYLINDER BLOCK, PISTON AND CRANKSHAFT



## CYLINDER BLOCK,PISTON AND CRANKSHAFT

REF. NO.	PART NO.	SYM.	QTY.	DESCRIPTION
41	57-32850		1	BELT,ALTERNATOR,WATER PULLEY AND CRANKSHAFT PULLEY
42	423-2275		1	CRANKSHAFT
43	28-34466		2	KEY,PULLEY AND GEAR LOCATING
44	43-46743		1	GEAR,CRANKSHAFT(SERIAL#3253905 AND BELOW)(SERIAL #3331604 TH
	43-46743		1	GEAR,CRANKSHAFT(SERIAL #3253906 THRU#3331603)(SERIAL#3331897
45	34220		1	HUB,PULLEY-CRANKSHAFT
46	35602		1	PULLEY,CRANKSHAFT
47	10-34276		0	SCR EW,PULLEY TO CRANKCASE HUB(9/16") 1
	10-34276		2	SCREW,PULLEY TO CRANKCASE HUB(3/8")
-	<b>54-34550</b>		<b>1</b>	<b>CLIP,FUEL FEED PIPE</b>

# CYLINDER HEAD/ OIL PAN /OIL PUMP AND TIMING COVER (Page 1)

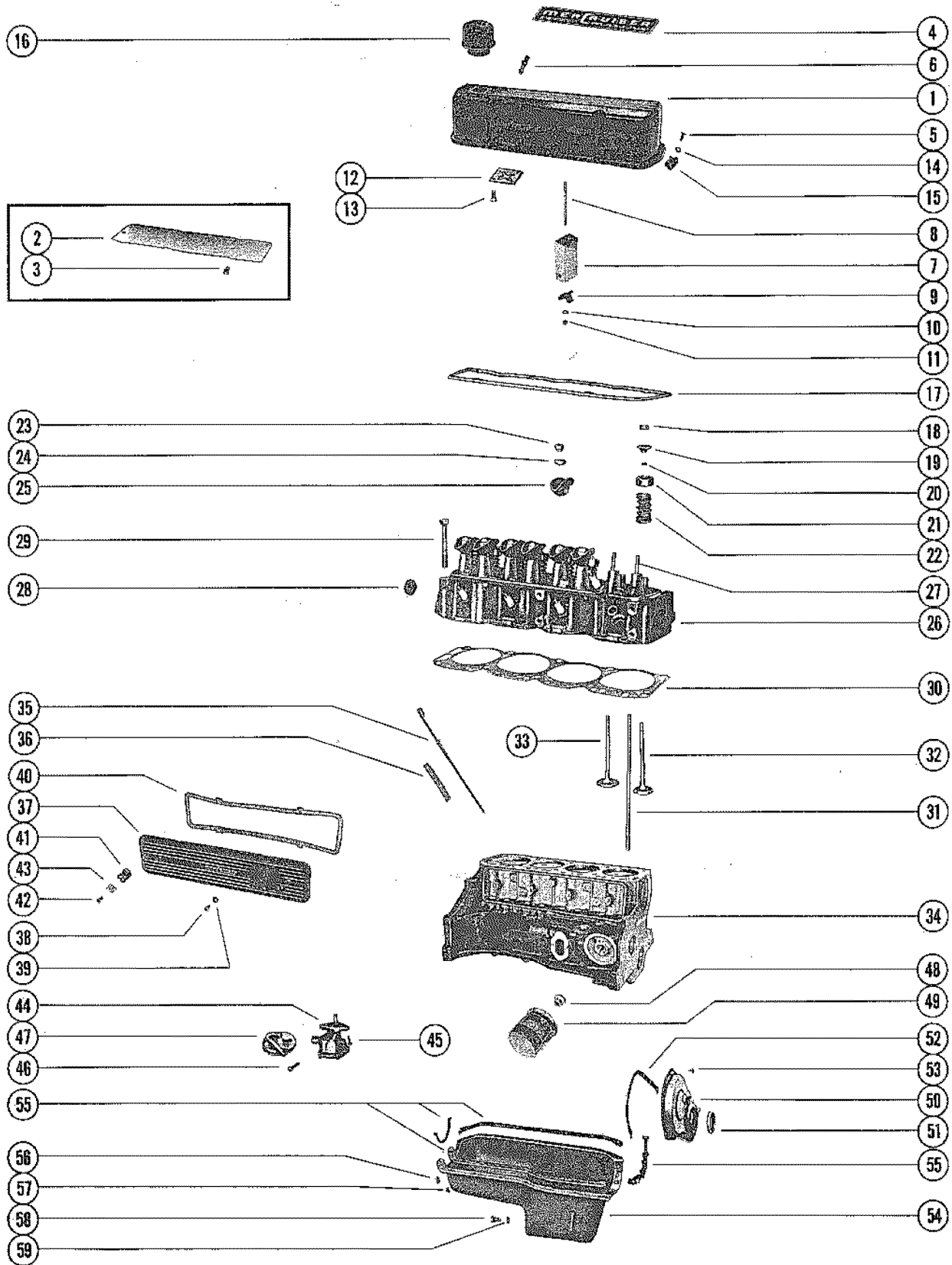


# CYLINDER HEAD/ OIL PAN /OIL PUMP AND TIMING COVER (Page 1)

REF. NO.	PART NO.	SYM.	QTY.	DESCRIPTION
1	32732		1	COVER,ROCKER-CYLINDER HEAD SERIAL 00000000-02220846
2	32747		1	BAFFLE, ROCKER COVER SERIAL 00000000-02220846
3	10-30663		2	SCREW, BAFFLE TO ROCKER COVER SERIAL 00000000-02220846
4	37-32852		1	DECAL, ROCKER COVER SERIAL 00000000-02220846
5	10-35585		5	SCREW, ROCKER COVER TO CYLINDER HEAD (3/4") SERIAL 00000000-02220846
6	22-32820		1	CONNECTOR, ROCKER COVER (VENT HOSE) SERIAL 00000000-02220846
1	46421A2		1	CPOVER, ASSEMBLY,ROCKER SERIAL 02220847-02789792
4	37-32852		1	DECAL, ROCKER COVER SERIAL 02220847-02789792
5	10-35585		5	SCREW, ROCKER COVER TO CYLINDER HEAD(3/4") SERIAL 02220847-02789792
6	22-45370		1	,FITTING, ROCKER COVER(VENT HOSE) SERIAL 02220847-02789792
7	45369		1	CHIMNEY, BREATHER SERIAL 02220847-02789792
8	16-45969		1	ATHER CHIMNEY TO ROCKER COVER (3 5/16") SERIAL 02220847-02789792
9	54-35861		1	CLIP, ROCKER COVER CHIMNEY STUD SERIAL 02220847-02789792
10	12-29245		1	WASHER, ROCKER COVER CHIMNEY STUD SERIAL 02220847-02789792
11	11-20586		1	NUT, ROCKER COVER CHIMNEY STUD SERIAL 02220847-02789792
1	55429A3		1	COVER ASSEMBLY, ROCKER SERIAL 02789793-03042497
4	37-55541		1	DECAL, ROCKER COVER SERIAL 02789793-03042497
5	10-35585		5	SCREW, ROCKER COVER TO CYLINDER HEAD (3/4") SERIAL 02789793-03042497
6	22-45370		1	FITTING, ROCKER COVER (VENT HOSE) SERIAL 02789793-03042497
7	45369		1	CHIMNEY, BREATHER SERIAL 02789793-03042497
8	16-45969		1	STUD, BREATHER CHIMNEY TO ROCKER COVER (3 5/16") SERIAL 02789793-03042497
9	54-35861		1	CLIP, ROCKER COVER CHIMNEY STUD SERIAL 02789793-03042497
10	12-29245		1	WASHER, ROCKER COVER CHIMNEY STUD SERIAL 02789793-03042497
11	11-20586		1	NUT, ROCKER COVER CHIMNEY STUD SERIAL 02789793-03042497
1	58758A3		1	COVER ASSEMBLY, ROCKER SERIAL 03042498-09999999
4	37-55541		1	DECAL, ROCKER COVER SERIAL 03042498-09999999
5	10-35585		5	SCREW, ROCKER COVER TO CYLINDER HEAD(3/4") SERIAL 03042498-09999999
6	22-45370		1	FITTING, ROCKER COVER(VENT HOSE) SERIAL 03042498-09999999
7	45369		1	CHIMNEY, BREATHER SERIAL 03042498-09999999
8	16-45969		1	STUD, BREATHER CHIMNEY TO ROCKER COVER(3 5/16") SERIAL 03042498-09999999

CONTINUED ON NEXT PAGE ➡

# CYLINDER HEAD/ OIL PAN /OIL PUMP AND TIMING COVER (Page 1)



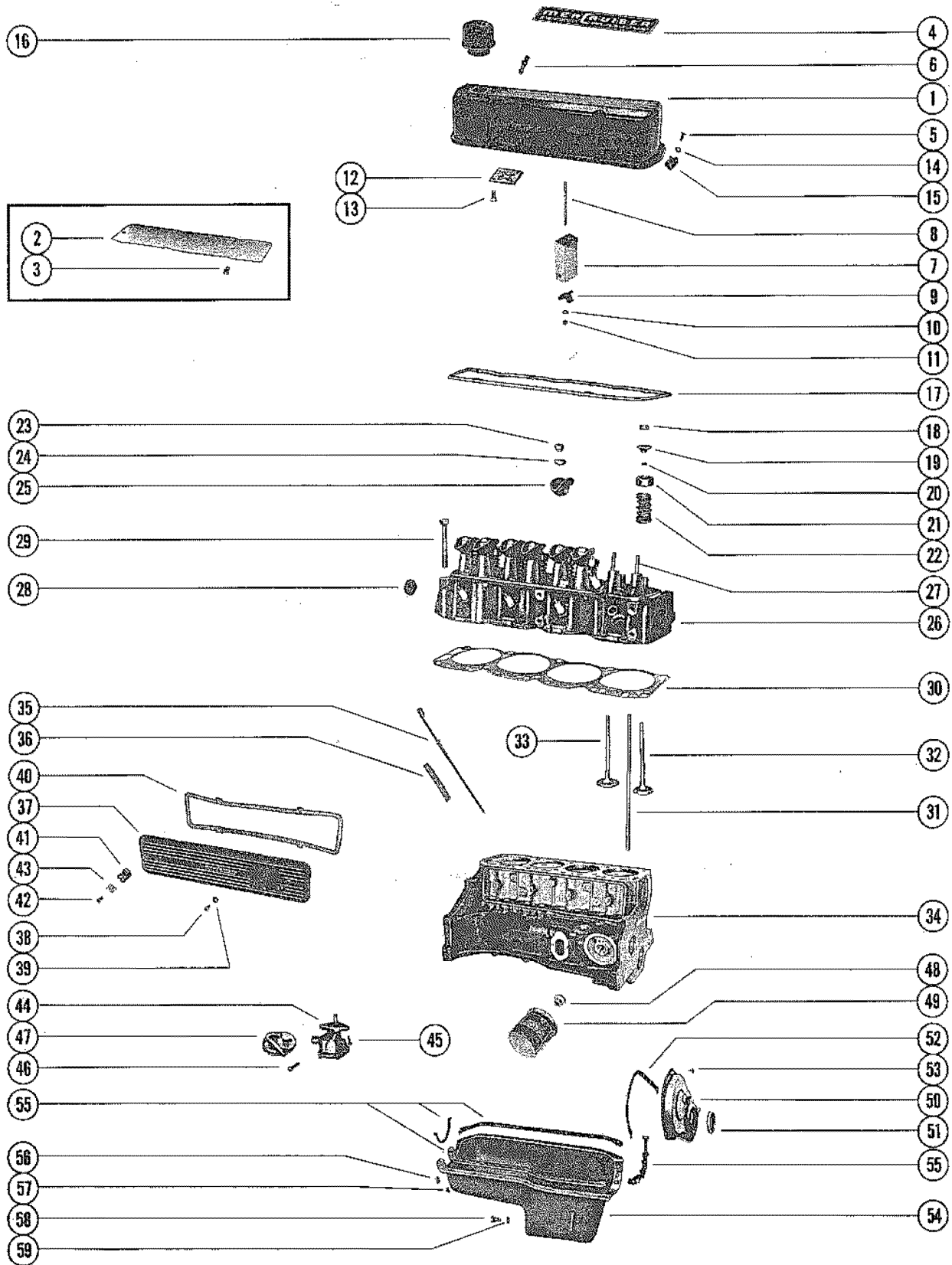


# CYLINDER HEAD/ OIL PAN /OIL PUMP AND TIMING COVER (Page 1)

REF. NO.	PART NO.	SYM.	QTY.	DESCRIPTION
10	12-29245		1	WASHER, ROCKER COVER CHIMNEY STUD <b>SERIAL 03042498-09999999</b>
11	11-20586		1	NUT, ROCKER COVER CHIMNEY STUD <b>SERIAL 03042498-09999999</b>
12	58655		1	BUFFLE, ROCKER COVER <b>SERIAL 03042498-09999999</b>
13	10-38792		4	SCREW, BAFFLE TO ROCKER COVER <b>SERIAL 03042498-09999999</b>
14	12-29245		5	WASHER, ROCKER COVER SCREW
15	54-33361		1	CLIP, ROCKER COVER SCREW <b>SERIAL 02046625-09999999</b>
	54-49542		1	CLAMP, INLET HOSE -ROCKER COVER SCREW
	37-55540		1	DECAL, ROCKER COVER-"120 H.P."
16	32721		1	OIL FILTER CAP ASSEMBLY, ROCKER COVER
17	27-34041		1	GASKET, ROCKER COVER TO CYLINDER HEAD <b>SERIAL 00000000-02361801</b>
	27-52145		8	GASKET, ROCKER COVER TO CYLINDER HEAD <b>SERIAL 02361802-09999999</b>
18	28-34514		8	KEY, VALVE STEM(2PER VALVE)
19	34515		8	CAP, VALVE STEM
20	26-34217		8	SEAL, VALVE SPRING CAP
21	34518		8	SHIELD, VALVE SPRING CAP
22	24-35214		8	SPRIONG, VALVE
23	11-34516		8	NUT, ROCKER VALVE ARM STUD
24	34517		8	BALL UNIT, ROCKER VALVE ARM STUD
25	34519		1	ARM, ROCKER VALVE
26	936-2284		1	CYLINDER HEAD ASSEMBLY <b>SERIAL 00000000-02361801</b>
	936-3549		1	CYLINDER HEAD ASSEMBLY <b>SERIAL 02361802-09999999</b>
27	16-34521		AR	STUD, VALVE ROCKER ARM(.013 O.S.)
	16-34522		AR	STUD, VALVE ROCKER ARM (.003O.S.)
28	19-34272		2	PLUG, EXPANSION-CYLINDER HEAD(15/16"DIA.)
29	10-34510		10	BOLT, CYLINDER HEAD TO CYLINDER BLOCK
30	27-34273		1	GASKET, CYLINDER HEAD TO CYLINDER BLOCK
31	34532		8	ROD, PUSH-VALVE
32	34458		4	VALVE, INLET(STANDARD STEM) <b>SERIAL 00000000-02726998</b>
	34525		AR	VALVE, INLET(.015O.S. STEM) <b>SERIAL 00000000-02726998</b>
	35319		AR	VALVE, INLET(STANDARD STEM) <b>SERIAL 02786857-09999999</b>
	35321		AR	VALVE, INLET(.015O.S. STEM) <b>SERIAL 02786857-09999999</b>
33	34528		AR	VALVE, EXHAUST(STANDARD STEM <b>SERIAL 00000000-02361801</b>
	34529		AR	VALVE, EXHAUST(.015O.S. STEM) <b>SERIAL 00000000-02361801</b>
	35323		AR	VALVE, EXHAUST(STANDARD STEM) <b>SERIAL 02361802-09999999</b>
	49076		AR	VALVE, EXHAUST(.015O.S. STEM) <b>SERIAL 02361802-09999999</b>
34	839-22812		1	CYLINDER BLOCK ASSEMBLY <b>SEE B10 FOR BREAKDOWN SERIAL 00000000-02361801</b>

CONTINUED ON NEXT PAGE ➡

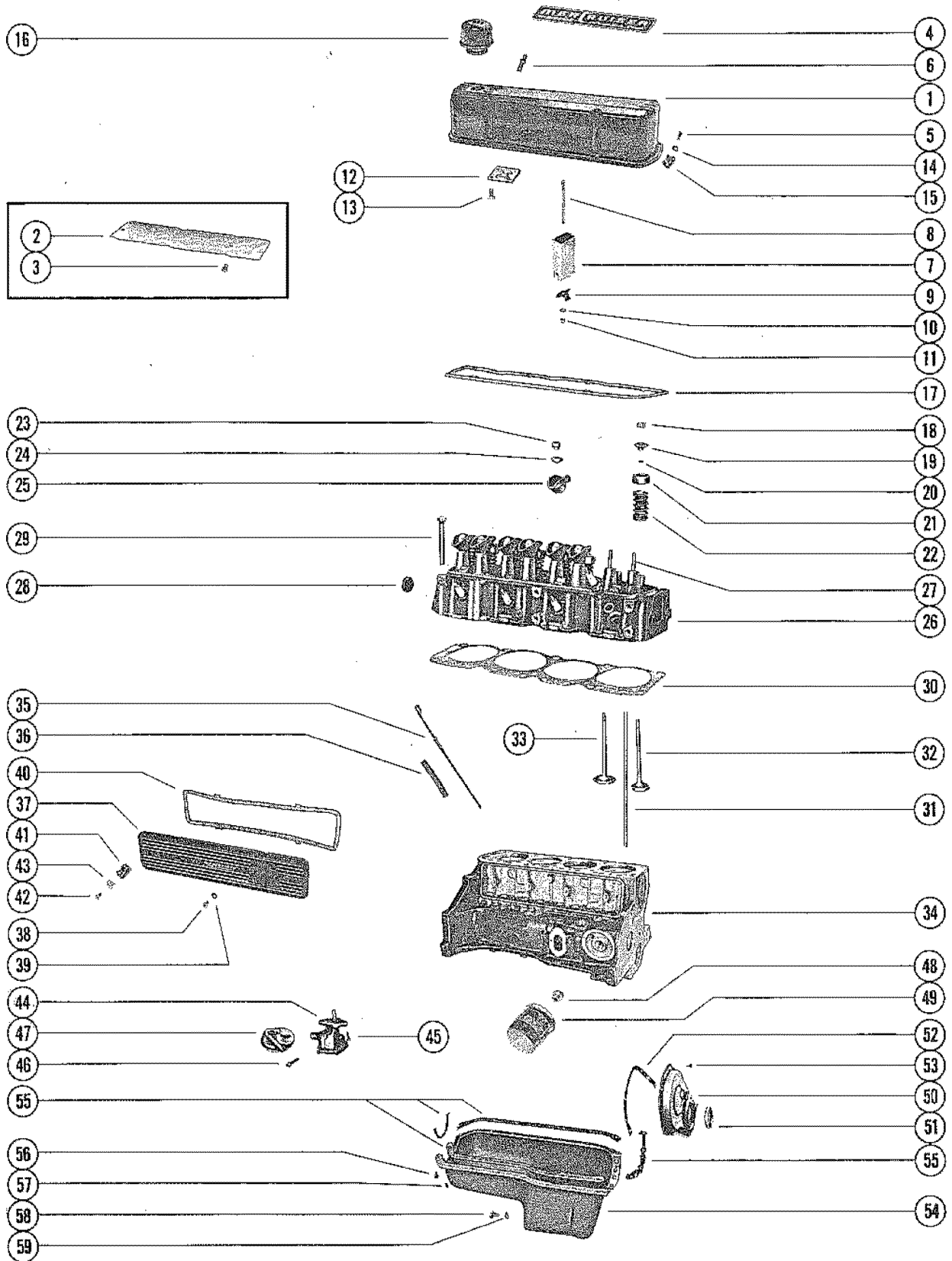
# CYLINDER HEAD/ OIL PAN /OIL PUMP AND TIMING COVER (Page 1)



# CYLINDER HEAD/ OIL PAN /OIL PUMP AND TIMING COVER (Page 1)

REF. NO.	PART NO.	SYM.	QTY.	DESCRIPTION
34	839-3548		1	CYLINDER BLOCK ASSEMBLY SEE B10 FOR BREAKDOWN SERIAL 02361802-09999999

# CYLINDER HEAD/ OIL PAN/ OIL PUMP AND TIMING COVER (Page 2)

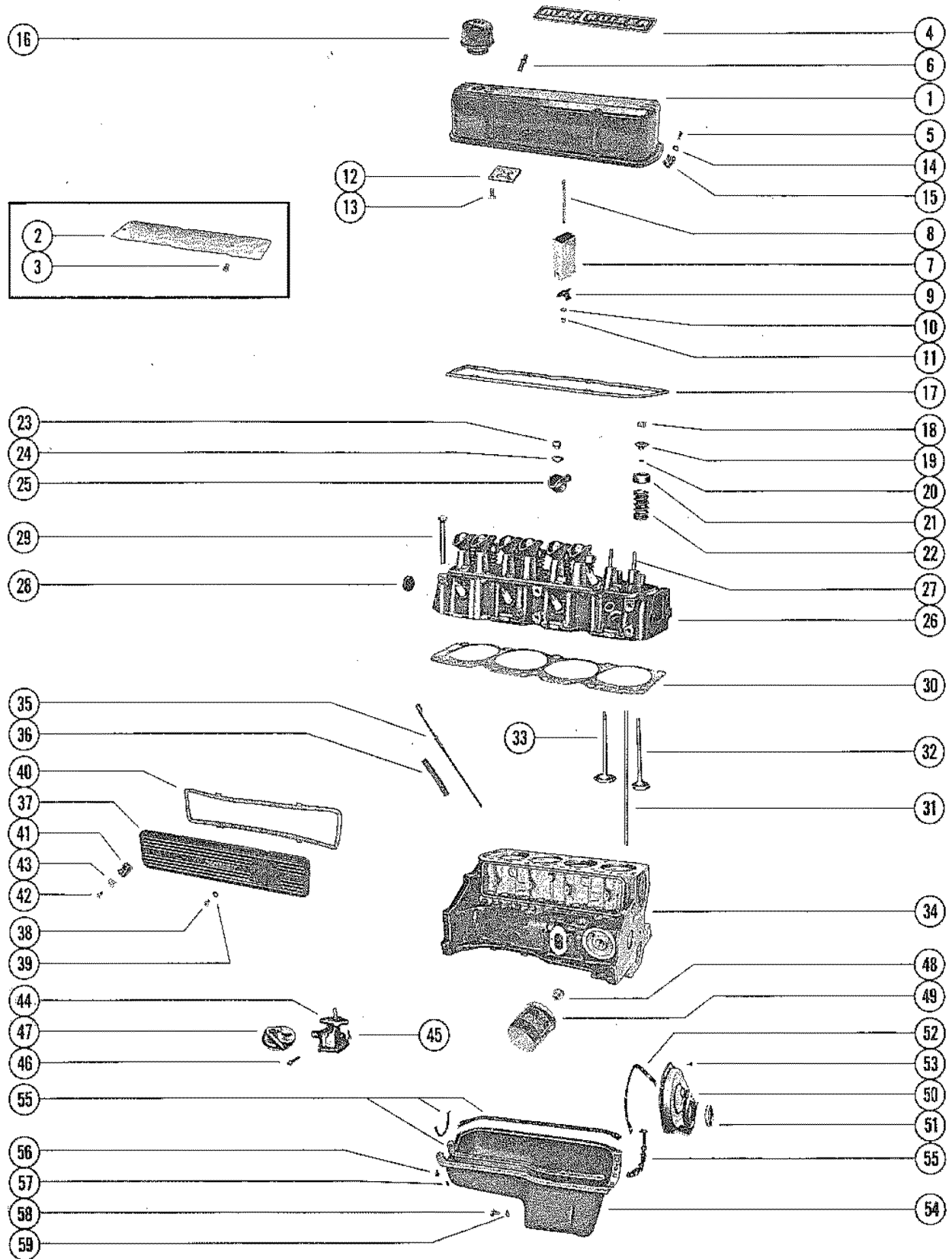


# CYLINDER HEAD/ OIL PAN/ OIL PUMP AND TIMING COVER (Page 2)

REF. NO.	PART NO.	SYM.	QTY.	DESCRIPTION
35	34539		1	GAUGE ASSEMBLY,OIL LEVEL (DIP STICK) SERIAL 00000000-01946513
36	32-34540		1	TUBE,OIL LEVEL GAUGE SERIAL 00000000-01946513
35	45490		1	GAUGE ASSEMBLY,OIL LEVEL(DIP STICK) SERIAL 01946514-09999999
36	32-45489		1	TUBE,OIL LEVEL GAUGE SERIAL 01946514-09999999
37	34489		1	COVER,PUSH ROD SERIAL 00000000-01951139
38	10-34470		4	SCREW,PUSH ROD COVER TO CYLINDER BLOCK SERIAL 00000000-01951139
39	25-25429		4	"O"RING,PUSH ROD COVER SCREW SERIAL 00000000-01951139
37	39332A1		1	COVER ASSEMBLY,PUSH ROD SERIAL 01951140-09999999
38	10-39783		4	SCREW,PUSH ROD COVER TO CYLINDER BLOCK SERIAL 01951140-09999999
40	27-34208		1	GASKET,PUSH ROD COVER
41	54-53883		1	CLIP,WIRING HARNESS TO PUSH ROD COVER SERIAL 02046625-09999999
42	10-30663		1	SCREW,WIRING HARNESS CLIP ATTACHING SERIAL 02046625-09999999
43	22789		1	"D" WASHER,WIRING HARNESS CLIP ATTACHING SCREW SERIAL 02046625-09999999
44	36405		1	OIL PUMP ASSEMBLY
-	<b>27-34460</b>		<b>1</b>	<b>GASKET,OIL PUMP COVER</b>
45	10-35339		2	SCREW,OIL PUMP TO CYLINDER BLOCK(3/4)
46	10-35366		1	SCREW, OIL PUMP SCREEN TO MOUNTING BRACKET(1/2"0
47	37374		1	SCREEN ASSEMBLY,OIL PPUMP SERIAL 00000000-02361801
	52146		1	SCREEN ASSEMBLY,OIL PUMP SERIAL 02361802-09999999
-	<b>10-46470</b>		<b>1</b>	<b>SCREW,OIL PUMPP CSCREEN SUPPORT CLAMPING SERIAL 01951140-09999999</b>
-	<b>34541</b>		<b>1</b>	<b>SUPPORT, OIL PUMP</b>
48	32720		1	CONNECTOR, OIL FILTER TO CYLINDER BLOCK
49	54111		1	OIL FILTER ASSEMBLY
50	35603		1	COVER ASSEMBLY, CRANKCASE SERIAL 00000000-02361801
51	26-34218		1	OIL SEAL,CRANKCASE COVER SERIAL 00000000-02361801
52	27-34216		1	GASKET,CRANKCASE COVER SERIAL 00000000-02361801
53	10-34277		8	BOLT, CRANKCASE COVER TO CYLINDER BLOCK SERIAL 00000000-02361801
54	34234		1	OIL PAN ASSEMBLY SERIAL 00000000-02361801
55	27-34206		1	GASKET SET, OIL PAN SERIAL 00000000-02361801
56	10-34277		18	SCREW,OIL PAN TO CYLINDER BLOCK(1/4) SERIAL 00000000-02361801
57	10-34500		4	SCREW,OIL PAN TO CYLINDER BLOCK (5/16") SERIAL 00000000-02361801
58	10-34501		1	SCREW,DRAIN - OIL PAN SERIAL 00000000-02361801
59	27-34502		1	GASKET,OIL PAN DRAIN SCREW SERIAL 00000000-02361801
50	49951		1	COVER ASSEMBLY,CRANKCASE SERIAL 02361802-09999999

CONTINUED ON NEXT PAGE ➡

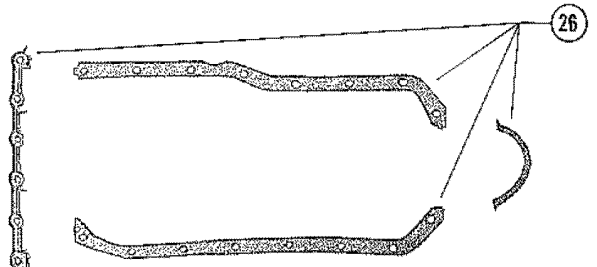
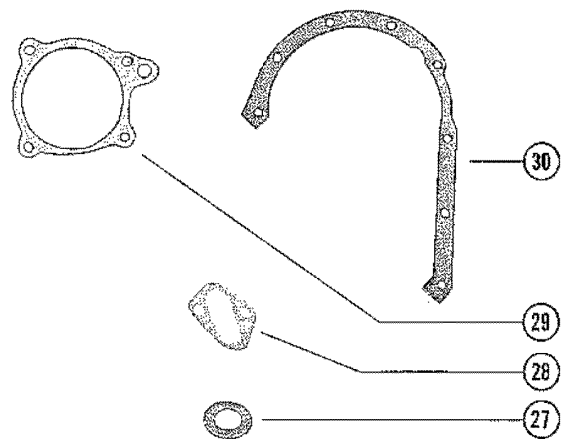
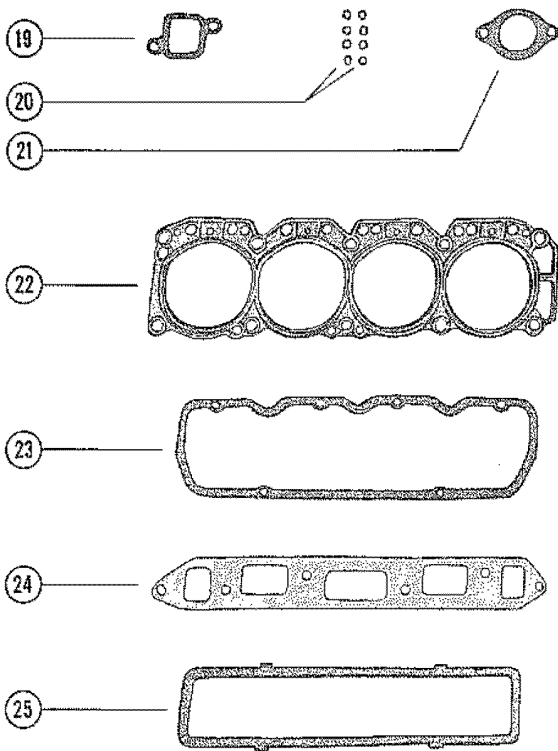
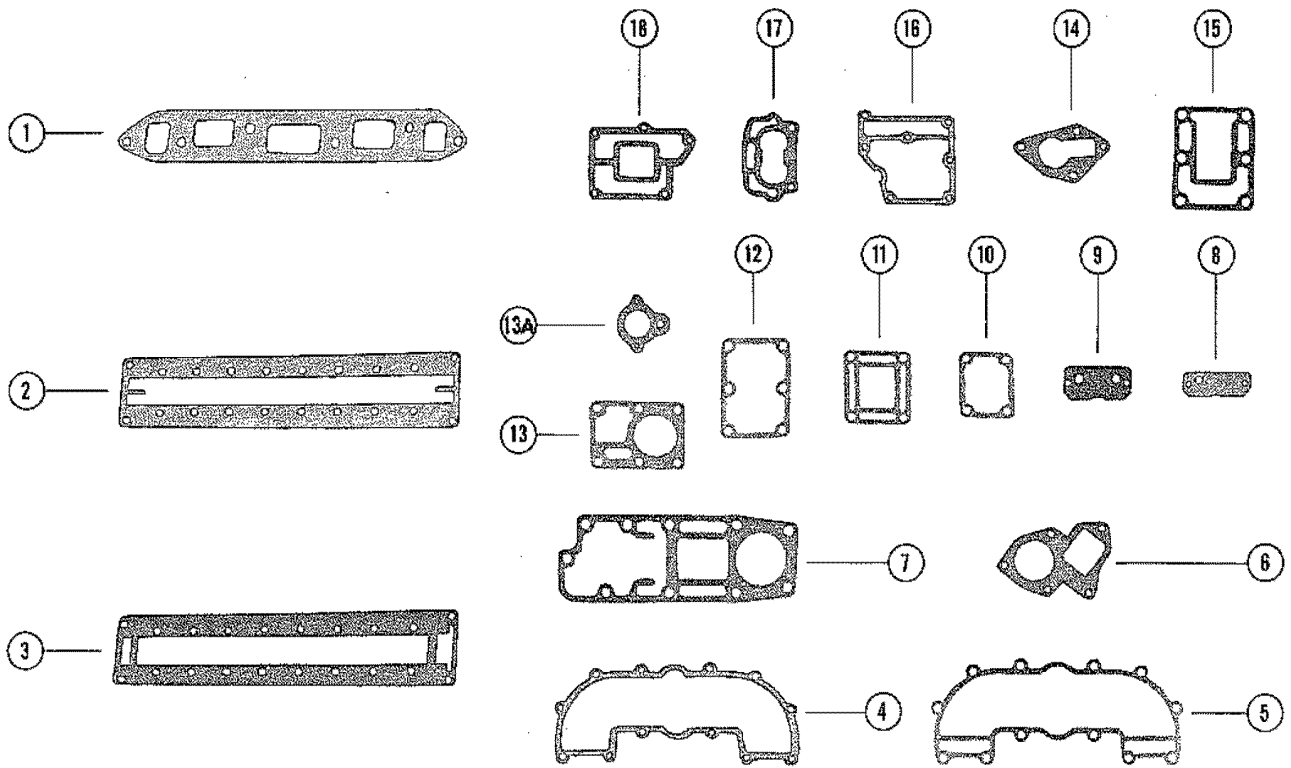
# CYLINDER HEAD/ OIL PAN/ OIL PUMP AND TIMING COVER (Page 2)



## CYLINDER HEAD/ OIL PAN/ OIL PUMP AND TIMING COVER (Page 2)

REF. NO.	PART NO.	SYM.	QTY.	DESCRIPTION
51	26-49952		1	OIL SEAL, CRANKCASE COVER <b>SERIAL 02361802-09999999</b>
52	27-49953		1	GASKET,CRANKCASE COVER <b>SERIAL 02361802-09999999</b>
53	10-34277		8	SCREW,CRANKCASE COVER TO CYLINDER BLOCK(7/16") <b>SERIAL 02361802-09999999</b>
54	52583		1	OIL PAN ASSEMBLY <b>SERIAL 02361802-09999999</b>
55	27-52144		1	GASKET SET, OIL PAN <b>SERIAL 02361802-09999999</b>
56	10-49950		14	SCREW,OIL PAN TO CYLINDER BLOCK (1/4") <b>SERIAL 02361802-09999999</b>
57	10-34500		4	SCREW,OIL PAN TO CYLINDER BLOCK(5/16:) <b>SERIAL 02361802-09999999</b>
58	10-4956		1	SCREW,DRAIN - OIL PAN <b>SERIAL 02361802-09999999</b>
59	27-49955		1	GASKET,OIL PAN DRAIN SCREW <b>SERIAL 02361802-09999999</b>

# GASKETS AND GASKET SETS





# GASKETS AND GASKET SETS

REF. NO.	PART NO.	SYM.	QTY.	DESCRIPTION
-	27-35440A1		1,,,	GASKET SET,EXHAUST MANIFOLD (ALUMINUM MANIFOLD)
-	27-35898A1		,1,,	GASKET SET,EXHAUST MANIFOLD (CAST IRON MAINIFOLD)
-	27-35898A2		,,1,	GASKET SET,EXHAUST MAINIFOLD(CAST IRON MANIFOLD)
-	27-35898A3		,,,1	GASDKET SET,EXHAUST MAINIFOLD(CAST IRON MANIFOLD)
1	27-52546		1,1,1,1	GASKET,EXHAUST MANIFOLD
2	27-35142		1,,,	GASKET,OUTER WATER JACKET COVER
3	27-35140		1,,,	GASKET,INNER WATER JACKET COVER
4	27-34047		1,,,	GASKET,INTAKE MANIFIOLD COVER
5	27-35898		,1,1,1	GASKET,NITAKE MANIFOLD COVER
6	27-35147		1,,,	GASKET,EXHAUST ELBOW
7	27-35894		,1,,	GASKET,EXHAUST ELBOW
8	27-32815		1,1,,	GASKET,CHOKE OVEN COVER
9	27-39947		,,1,1	GASKET,CHOKE OVEN COVER
10	27-39923		,,1,1	GASKET,MANIFOLD END CAP
11	27-39915		,,1,1	GASKET,EXHAUST ELBOW
12	27-39917		,,1,1	GASKET,WATER DISTRIBUTION BLOCK
13	27-39914		,,1,	GASKET,THERMOSTAT CONTAINER
13A	27-47590		,,,1	GASKET,THERMOSTAT COVER
14	27-35150		1,,,	GASKET,WATER OUTLET ELBOW
15	27-35895		,1,,	GASTET,WATER OUTLET ELBOW
16	27-35144		1,,,	GASKET,RELIEF VALVE BODY
17	27-32910		1,1,1,1	GASKET,CARBURETOR
18	27-35146		1,,,	GASKET,THERMOSTAT CONTAINER
-	27-34604A1		1,1,1,	<b>GASKET SET, CYLINDER HEAD</b>
-	27-34604A2		,,,1	<b>GASKET SET CYLINDER HEAD</b>
19	27-33680		1,1,1,1	GASKET,WATER OUTLET HOUSING
20	26-34217		8,8,8,8	SEAL,VALVE STEM
21	27-33918		1,1,1,	GASKET,WATER OUTLET HOUSING
22	27-34273		1,1,1,1	GASKET,CYLINDER HEAD
23	27-34041		1,1,1,	GASKET,ROCKER VALVE COVER
	27-52145		,,,1	GASKET,ROCKER VALVE COVER
24	27-52546		1,1,1,1	GASKET,EXHAUST MANIFOLD
25	27-34208		1,1,1,1	GASKET,PUSH ROD COVER
26	27-34206		1,1,1,	GASKET SET,OIL PAN
	27-52144		,,,1	GASKET SET,OIL PAN
-	27-34213A1		1,1,1,	<b>GASKET SET,MISCELLANEOUS</b>
-	27-34213A2		,,,1	<b>GASKET SET,MISCELLANEOUS</b>
27	27-34486		1,1,1,1	GASKET,DISTRIBUTOR
28	27-34213		1,1,1,1	GASKET,FUEL PUMP
29	27-33956		1,1,1,1	GASKET,WATER PUMP
30	27-34216		1,1,1,	GASKET,CRANKCASE FRONT COVER
	27-49953		,,,1	GASKET,CRANKCASE FRONT COVER

# PARTS INDEX

Part Number	Description	Pg.	Ref. No.	Part Number	Description	Pg.	Ref. No.
21077	SCREW, EXHAUST MANIFOLD TO BODY TO CYLINDER HEAD (7/8") . .	35	28	32729A1	CAP ASSEMBLY, RELIEF VALVE BODY . . . . .	37	59
22789	"D" WASHER, WIRING HARNESS CLAMP SCREW	35	12	32732	COVER,ROCKER-CYLINDER HEAD . . . . .	61	1
22789	"D" WASHER, WIRING HARNESS CLAMP SCREW	41	24	32747	BAFFLE, ROCKER COVER .	61	2
22789	"D" WASHER, WIRING HARNESS CLIP SCREW .	5	22	32753	BRACKET, ALTERNATOR MOUNTING . . . . .	9	39
22789	"D" WASHER, WIRING HARNESS CLIP SCREW .	7	25	32754	BRACE, ALTERNATOR TO CYLINDER BLOCK (FRONT) . . . . .	9	28
22789	"D" WASHER, WIRING HARNESS CLIP SCREW .	17	48	32762A1	LEAD ASSEMBLY, HIGH TENTION - DISTRIBUTOR (6") . . . . .	15	25
22789	"D" WASHER, WIRING HARNESS CLAMP SCREW	45	21	32762A2	LEAD ASSEMBLY, HIGH TENTION - DISTRIBUTOR (14") . . . . .	15	26
22789	"D" WASHER, WIRING HARNESS CLIP ATTACHING SCREW . . . .	67	43	32763A1	WIRE ASSEMBLY, DISTRIBUTOR TO COIL (8 1/4") . . . . .	15	30
22789	"D" WASHER, WIRING HARNESS CLIP SCREW .	45	29	32778	SUPPORT,FRONT-ENGINE MOUNT . . . . .	53	45
22789	"D:" WASHER, WIRING HARNESS CLAMP SCREW	31	51	32782	RETAINER, HIGH TENTION LEADS . . . . .	15	29
25661	STARTER SOLENOID . . . . .	5	28	32786	TAB, STARTER MOTOR SOLENOID TERMINAL . . .	7	13
26079	PLATE, WIRING HARNESS TO FLYWHEEL HOUSING	3	14	32786	TAB, STARTER MOTOR TO CYLINDER BLOCK SCREW . . . . .	7	21
26079	PLATE, WIRING HARNESS TO MOUNTING BRACKET	3	14	32786	TAB, WIRING HARNESS LEAD TO CYLINDER BLOCK . . . . .	7	17
26433	COIL, IGNITION . . . . .	15	31	32786	TAB, WIRING HARNESS TO FLYWHEEL HOUSING . . .	49	11
26551	RETAINER, RELIEF VALVE BODY SCREW - THROTTLE RETURN SPRING . . . . .	29	14	32797	COVER, CHOKE OVEN - EXHAUST MANIFOLD BODY . . . . .	29	28
26551	RETAINER, THERMOSTAT HOUSING SCREW - THROTTLE RETURN SPRING . . . . .	43	34	32797	COVER, CHOKE OVEN - EXHAUST MANIFOLD BODY . . . . .	35	23
26551	RETAINER, WATER OUTLET ELBOW SCREW - THROTTLE RETURN SPRING . . . . .	35	16	32800	LEVER. THROTTLE - INTAKE MANIFOLD COVER . . . . .	21	44
26551	RETAINER,END CAP/CONNECTOR SCREW-WIRING HARNESS CLIP . . . . .	45	26	32832	MOUNT,FLYWHEEL HOUSING (LEFT) . . . . .	51	19
26551	RETAINER,INTAKE MANIFOLD COVER SCREW-THROTTLE RETURN SRING . . . . .	47	59	32833	MOUNT,FRONT MOUNTING BRACKET . . . . .	51	27
32683	COVER, INTAKE MANIFOLD	29	15	32835	BRACKET, ALTERNATOR MOUNTING . . . . .	9	43
32701	ALTERNATOR ASSEMBLY .	9	27	32849	SUPPORT,FRONT-ENGINE MOUNT . . . . .	53	45A
32704	COIL ASSEMBLY, IGNITION	15	31	32877	COVER, WATER PUMP . . . .	31	37
32720	CONNECTOR, OIL FILTER TO CYLINDER BLOCK . . .	67	48	32877	COVER, WATER PUMP . . . .	35	19
32721	OIL FILTER CAP ASSEMBLY, ROCKER COVER . . . . .	63	16	32877	COVER, WATER PUMP . . . .	43	37
32722	FUEL PUMP ASSEMBLY AC FUEL PUMP . . . . .	19	1	32877	COVER, WATER PUMP . . . .	47	43
				33149	MOUNT,FLYWHEEL HOUSING (RIGHT) . . . . .	51	19
				33210	JUMPER WIRE, BALLAST TO BALLAST . . . . .	15	37
				33266	DISTRIBUTOR ASSEMBLY, COMPLETE . . . . .	13	1

# PARTS INDEX

Part Number	Description	Pg.	Ref. No.	Part Number	Description	Pg.	Ref. No.
33321	BRACKET, IGNITION COIL MOUNTING	15	32	34528	VALVE, EXHAUST( STANDARD STEM)	63	33
333557	FUEL PUMP REPAIR KIT AC FUEL PUMP	19	-	34529	VALVE, EXHAUST(.015O.S. STEM)	63	33
33358	DIAPHRAGM KIT, FUEL PUMP AC FUEL PUMP	19	-	34532	ROD, PUSH-VALVE	63	31
33483	ELBOW, WATER OUTLET - CYLINDER HEAD	29	1	34539	GAUGE ASSEMBLY,OIL LEVEL (DIP STICK)	67	35
33483	ELBOW, WATER OUTLET - CYLINDER HEAD	35	1	34541	SUPPORT, OIL PUMP	67	-
33614A1	MOUNT ASSEMBLY, VOLTAGE REGULATOR TO TRANSOM	3	3	34543	VALVE,BY PASS-OIL FILTER	57	-
33651	WEIGHT, BREACKER CAM ADVANCE	13	7	34546	BRACE, STARTER MOTOR	7	5
33653	FELT, BREAKER CAM LUBRICATOR	13	-	34623	OIL PRESSURE SENDER ASSEMBLY	5	27
33654	BUTTON, CARBON - DISTRIBUTOR CAP	15	21	34625	WATER TEMPERATURE SENDER ASSEMBLY	5	23
33655	PLATE, WEIGHT HOLD DOWN	13	9	35086	BUTTON RELIEF VALVE BODY	37	57
33658	LEAD, PRIMARY	13	17	35086	BUTTON, CHECK VALVE - RELIEF VALVE BODY	29	9
33659	ROTOR, DISTRIBUTOR	15	18	35138	BODY, EXHAUST MANIFOLD	29	21
33661	CAM, BREAKER - ADVANCE	13	6	35139	COVER, WATER JACKET - INNER	31	44
33662	CONDENSER	13	13	35141	COVER, WATER JACKET - OUTER	31	46
33665	PLATE, MOUNTING - BREAKER ASSEMBLY AND CONDENSER	13	11	35143A1	BODY ASSEMBLY, RELIEF VALVE	29	7
33667	CAP, DISTRIBUTOR	15	20	35145	CONTAINER, THERMOSTAT - EXHAUST MANIFOLD BODY	31	52
33669	MAIN SHAFT AND WEIGHT PLATE	13	4	35149	ELBOW, WATER OUTLET - EXHAUST MANIFOLD BODY	29	32
33670	RETIANER, BREAKER CAM LUBRICATOR FELT	13	-	35156	ELBOW, EXHAUST - THERMOSTAT CONTAINER	31	61
33768	WEIGHT, BREACKER CAM ADVANCE	13	7	35157	BOWL, ALUMINUM - FUEL FILTER USE WITH AC FUEL PUMP	19	6
33864	PULLEY,WATER PUMP	57	34	35310	CAP,INTERMEDIATE AND FRONT-CRANKSHAFT BEARING	55	15
33866	LINK ROD, CARBURETOR AND THROTTLE LEVER	21	41	35319	VALVE, INLET(STANDARD STEM)	63	32
34141	VOLTAGE REGULATOR	3	2	35321	VALVE, INLET(.015O.S. STEM)	63	32
34220	HUB,PULLEY-CRANKSHAFT	59	45	35323	VALVE, EXHAUST( STANDARD STEM)	63	33
34234	OIL PAN ASSEMBLY	67	54	35583	LIFTER,HYDRAULIC-TAPPET	57	28
34235	BREAKER ASSEMBLY, DISTRIBUTOR	13	14	35602	PULLEY,CRANKSHAFT	59	46
34291	COVERING, CHOKE PIPE 1	21	37	35603	COVER ASSEMBLY, CRANKCASE	67	50
34453	WIRING HARNESS EXTERNAL	3	1	35862	BLOC,SPACER-FRONT MOUNTIONG BRACKET	51	28
34458	VALVE, INLET(STANDARD STEM)	63	32	35864	COVER PLATE,FLYWHEEL HOUSING	49	3
34480	CLAMP UNIT, DISTRIBUTOR	17	49	35865A2	FLYWHEEL HOUSING ASSEMBLY,REAR MOUNTING	49	1
34481	HUB,WATER PUMP PULLEY	57	33	35884	THERMOSTAT	31	59
34489	COVER,PUSH ROD	67	37	35884	THERMOSTAT	37	38
34498	REAR-CRANKSHAFT BEARING	55	14	35884	THERMOSTAT	41	30
34515	CAP, VALVE STEM	63	19				
34517	BALL UNIT, ROCKER VALVE ARM STUD	63	24				
34518	SHIELD, VALVE SPRING CAP	63	21				
34519	ARM, ROCKER VALVE	63	25				

# PARTS INDEX

Part Number	Description	Pg.	Ref. No.	Part Number	Description	Pg.	Ref. No.
35890	COVER, INTAKE MANIFOLD	37	32	39921	BLOCK, WATER DISTRIBUTION - EXHAUST MANIFOLD BODY	41	26
35890	COVER, INTAKE MANIFOLD	43	46				
35890	COVER,INTAKE MANIFOLD	47	54				
35891	BODY, EXHAUST MANIFOLD	35	8	39948	BRACKET, MOUNTING - REMOTE CONTROL CABLE STUD(EXHAUST ELBOW)	43	55
35892	ELBOW, EXHAUST - EXHAUST MANIFOLD BODY	37	39				
35893	ELBOW, WATER OUTLET - EXHAUST MANIFOLD BODY	35	13	39948	BRACKET,MOUNTING- REMOTE CONTROL CABLE STUD (EXHAUST ELBOW)	47	49
35896A1	BODY ASSEMBLY, RELIEF VALVE - EXHAUST ELBOW	37	55	39949	COVER, CHOKE OVEN - EXHAUST MANIFOLD BODY	41	7
36099A2	BRACKET ASSEMBLY,FRONT MOUNTING	51	25	39949	COVER,CHOKE OVEN- EXHAUST MANIFOLD	45	6
36176A1	BRACKET ASSEMBLY, STARTER SOLENOID MOUNTING	5	34	39950	BODY, EXHAUST MANIFOLD	41	1
36177	INSULATOR, STARTER SOLENOID BRACKET	5	33	39950A1	EXHAUST MANIFOLD ASSEMBLY	45	1
36405	OIL PUMP ASSEMBLY	67	44	39974	CONNECTOR,HARNESS LEADS TO FLYWHEEL HOUSING	51	17
36525	WATER TEMPERATURE SENDER ASSEMBLY	5	23	39974	CONNECTOR,HARNESS LEADS TO FLYWHEEL HOUSING	51	17
37242	REINFORCEMENT,WATER PUMP PULLEY	57	33	45180A1	FLAME ARRESTOR ASSEMBLY	19	24
37369	WATER PUMP ASSEMBLY(SPECIAL MARINE)	57	29	45369	CHIMNEY, BREATHER	61	7
37374	SCREEN ASSEMBLY,OIL PPUMP	67	47	45369	CHIMNEY, BREATHER	61	7
37615A1	ALTERNATOR ASSEMBLY	9	27	45369	CHIMNEY, BREATHER	61	7
37707	VOLTAGE REGULATOR, TRANSISTORIZED	3	2A	45490	GAUGE ASSEMBLY,OIL LEVEL(DIP STICK)	67	35
37708	WIRING HARNESS, EXTERNAL	3	1	45892A2	FLYWHEEL HOUSING ASSEMBLY,REAR MOUNTING	49	1
38057	ELBOW, WATER OUTLET - CYLINDEWR HEAD	35	1A	46279	LEVER, THROTTLE - INTALE MANIFOLD COVER	21	44
38965A1	ENGINE COUPLING ASSEMBLY	57	20	46421A2	CPOVER, ASSEMBLY,ROCKER	61	1
39332A1	COVER ASSEMBLY,PUSH ROD	67	37	46472	LIFTER,HYDRAULIC-TAPPET	57	28
39543	WIRING HARNESS, EXTERNAL	3	1	46475	BRACKET, ALTERNATOR MOUNTING	9	43
39589	BRACKET, MOUNTING - BALLAST AND WIRING HARNESS	3	12	47282	SUPPORT,WATER PUMP PULLEY	57	33
39593	BATTERY CABLE, POSITIVE	3	11	47585	FUEL PUMP ASSEMBLY CARTER FUEL PUMP	19	1A
39593	BATTERY CABLE, POSITIVE	3	11	47587A2	BLOCK ASSEMBLY,WATER DISTRIBUTION-CYLINDER HEAD	45	30
39594	BATTERY CABLE, NEGATIVE	3	11				
39594	BATTERY CABLEN NEGATIVE	3	11	47604A1	PROTECTOR, HIGH TENTION LEAD	15	27
39916	END CAP, EXHAUST MANIFOLD BODY	41	11	47638	ENDS CAP/CONNECTOR,EXHAUST MANIFOLD	45	23
39916	END CAP,EXHAUST MANIFOLD	45	10	47764	STRAP, NYLON - STARTER SOLENOID LEAD	3	19
39918	CONTAINER, THERMOSTAT	41	31	48024	BRACKET, CONDENSER MOUNTING	13	--
39919	ELBOW, WATER OUTLET - CYLINDER HEAD	43	39	48025	LEAD, PRIMARY	13	17
39920	ELBOW, EXHAUST	43	51				

# PARTS INDEX

Part Number	Description	Pg.	Ref. No.	Part Number	Description	Pg.	Ref. No.
49089	DIAPHRAGM KIT, FUEL PUMP CARTER FUEL PUMP	19	1C	10-20031	SCREW, WIRING HARNESS CLAMP TO OUTER WATER JACKET COVER (1/2)	31	50
49342	BUMPER, MOUNTING BRACKET	5	35	10-20031	SCREW, WIRING HARNESS CLAMP FASTENING(1/2")	45	14
49951	COVER ASSEMBLY, CRANKCASE	67	50	10-20055	SCREW, WIRING HARNESS LEAD TO ALTERNATOR (3/8")	3	16
49954	CAP, REAR-CRANKSHAFT BEARING	55	14	10-20191	SCREW, HARNESS LEAD TO SOLENOID TERMINAL TAB	7	14
52146	SCREEN ASSEMBLY, OIL PUMP	67	47	10-20191	SCREW, WIRING HARNESS CLIP TO STARTER MOTOR	7	23
52250	BRACE, STARTER MOTOR	7	7	10-20191	SCREW, WIRING HARNESS LEAD TO CYLINDER BLOCK TAB	7	18
52349	PULLEY, WATER PUMP	57	34	10-20191	SCREW, WIRING HARNESS CLAMP ATTACHING	49	13
52352	DISTRIBUTOR ASSEMBLY, COMPLETE	13	1	10-20314	SCREW, DRIVE-SERIAL PLATE TO CYLINDER BLCOK	51	24
52353	WATER PUMP ASSEMBLY( SPECIAL MARINE)	57	29	10-20653	SCREW, BALLAST TO MOUNTING BRACKET (1")	15	41
52357	MAIN SHAFT AND WEIGHT PLATE	13	4	10-21077	SCREW, EXHAUST MANIFOLD BODY TO CYLINDER HEAD (7/8")	29	24
52583	OIL PAN ASSEMBLY	69	54	10-21077	SCREW, EXHAUST MANIFOLD BODY TO CYLINDER HEAD (7/8")	41	2
52734	BAIL, FLAME ARRESTOR TO CARBURETOR	21	26	10-21077	SCREW, WATER OUTLET ELBOW TO CYLINDER HEAD (7/8")	29	4
52817	BRACKET, ALTERNATOR MOUNTING	9	39A	10-21077	SCREW, WATER OUTLET ELBOW TO CYLINDER HEAD (7/8")	35	5
52818	BRACKET, ALTERNATOR M,OUNTING	9	43A	10-21077	SCREW, WATER OUTLET ELBOW TO CYLINDER HEAD (7/8")	43	40
53001	FLAME ARRESTOR	21	30	10-21417A1	SCREW, TIMING GEAR TO CAMSHAFT(1/4")	57	40
54111	OIL FILTER ASSEMBLY	67	49	10-21625	SCREW, STARTER SOLENOID TO MOUNTING BRACKET (3/4")	5	38
55429A3	COVER ASSEMBLY, ROCKER	61	1	10-22028	SCREW, CHOKE OVEN COVER TO EXHAUST MANIFOLD BODY (1/2")	35	25
55538A2	ELBOW ASSEMBLY, EXHAUST	47	45	10-22028	SCREW, WIRING HARNESS CLAMP FASTENING (1/2")	41	22
55755	WIRING HARNESS, EXTERNAL	3	1	10-22028	SCREW, CHOKE OVEN COVER TO EXHAUST MANIFOLD (1/2")	45	8
55898A3	FLYWHEEL HOUSING ASSEMBLY, REAR MOUNTING	49	1	10-22028	SCREW, WIRING HARNESS CLAMP ATTACHING	51	13
56045	ALTERNATOR ASSEMBLY	9	27	10-22028	SCREW, WIRING HARNESS CLAMP ATTACHING	51	13
58217	ROTOR, DISTRIBUTOR	15	18				
58231	DISTRIBUTOR ASSEMBLY, COMPLETE	13	1				
58235	CAM, BREAKER - ADVANCE	13	6				
58237	MAIN SHAFT AND WEIGHT PLATE	13	4				
58655	BUFFLE, ROCKER COVER	63	12				
58758A3	COVER ASSEMBLY, ROCKER	61	1				
59078	THERMOSTAT	45	34				
59755	ALTERNATOR ASSEMBLY	9	27				
60372A1	COVER, THERMOSTAT-WATER DISTRIBUTION BLOCK	45	36				
62420	CLAMP, DISTRIBUTOR	17	49				
62420	RETAINER, DISTRIBUTOR	17	50				
62424	DISTRIBUTOR ASSEMBLY, COMPLETE	13	1				
62426	SCREW, VENT - PRIMARY HOUSING	13	--				
10-20031	SCREW, WIRING HARNESS CLAMP FASTENING (1/2")	41	16				

# PARTS INDEX

Part Number	Description	Pg.	Ref. No.	Part Number	Description	Pg.	Ref. No.
10-22028	SCREW,WIRING HARNESS CLAMP FASTENING (1/2")	45	19	10-28464	SCREW,BRACKET AND FLYWHEEL HSG.TO CYLINDER BLOCK(1 1/2")	49	8
10-22659	SCREW, THROTTLE LEVER TO INTAKE MANIFOLD COVER(1 5/8")	21	45	10-28464	SCREW,FRONT ,MOUNTING BRACKET TO CYLINDER BLOCK (1 1/2")	51	34
10-22793	SCREW, WOOD - WIRING HARNESS CLIP TO BOAT	5	21	10-29198	SCREW, ALTERNATOR BRACE TO ALTERNATOR (7/8")	9	33
10-22956	SCREW, FLAME ARRESTOR TO CARBURETOR BAIL	21	27	10-29199	SCREW, FUEL LINE CLIP TO CYLINDER BLOCK	19	15
10-25299	SCREW, WATER PUMP FLANGE (3/4")	31	39	10-29238	SCREW, VOLTAGE REGULATOR TO MOUNT	3	4
10-25299	SCREW, WATER PUMP FLANGE (3/4")	35	22	10-29240	SCREW, WIRING HARNESS CLAMP FASTENING (5/8")	35	11
10-25299	SCREW, WATER PUMP FLANGE (3/4")	41	25	10-30663	SCREW, BAFFLE TO RCOKER COVER	61	3
10-25299	SCREW,WATER PUMP FLANGE	45	22	10-30663	SCREW,WIRING HARNESS CLIP ATTACHING	67	42
10-26486	SCREW,FRONT MOUNTING BRACKET TO CYLINDER BLOCK (2 3/8")	51	32	10-32557	SCREW,BRACKET AND SPACER BLOCK TO CYLINDER BLOCK (4 1/2")	51	29
10-26548	SCREW,WIRING HARNESS CLIP TO RETAINER	45	28	10-32775	SCREW, ALTERNATOR TO BRACKET (3 1/2")	9	35
10-26632	SCREW, ALTERNATOR MOUNTING BRACKET TO CYLINDER BLOCK (1 1/4"	9	47	10-33033	SCREW, VENTURI CLUSTER TO FLOAT BOWL (OUTER)	25	21
10-26632	SCREW, EXHAUST MANIFOLD BODY TO CYLINDER HEAD (1 1/4")	41	2	10-33034	SCREW, VENTURI CLUSTER TO FLOAT BOWL (CENTER)	25	19
10-26632	SCREW, EXHAUST MANIFOLD BODY TO CYLINDER HEAD (1 1/4)	35	28	10-33042	SCREW, FAST IDLE CAM TO FLOAT BOWL	27	51
10-26632	SCREW,FLYWHEEL HOUSING TO CYLINDER BLOCK (1 1/4")	49	7	10-33043	SCREW, AIR HOR TO FLOAT BOWL (SHORT)	25	4
10-26632	SCREW,FLYWHEEL HOUSING TO CYLINDER BLOCK (1 1/4")	49	7	10-33045	SCREW, CHOKE VALVE TO CHOKE SHAFT	27	47
10-26632	SCREW,FLYWHEEL HOUSING TO CYLINDER BLOCK (1 1/4")	49	7	10-33047	SCREW, AIR HORN PUMP LEVER	25	24
10-26632	SCREW,FRONT MOUNTING BRACKET TO CYLINDER BLOCK(1 1/4")	51	33	10-33047	SCREW, STAT COVER AND COIL TO CHOKE HOUSING	27	43
10-26668	SCREW, WIRING HARNESS CLIP TO COIL BRACKET	17	47	10-33048	SCREW, AIR HORN TO FLOAT BOWL (LONG)	25	3
10-27165	SCREW, ALTERNATOR BRACE TO CYLINDER BLOCK (3/4")	9	29	10-33052	SCREW, THROTTLE BODY TO FLOAT BOWL	27	57
10-27165	SCREW, ALTERNATOR MOUNTING BRACKET TO CYLINDER BLOCK (3/4")	9	44	10-33053	SCREW, CHOKE HOUSING TO AIR HORN	25	33
10-27165	SCREW, IGNITION COIL TO CYLINDER BLOCK	17	44	10-33056	SCREW, CHOKE PISTON LEVER TO CHOKE HOUSING	27	39
10-27165	SCREW,LIFTING EYE TO CYLINDER BLOCK	51	21	10-33231	SCREW, MOUNTING BRACKET TO EXHAUST MANIFOLD (1/2")-CAST IRON	5	36
10-28192	SCREW, CHOKE OVEN COVER TO EXHAUST MANIFOLD (1/2")	29	30	10-33311	SCREW, MOUNTING BRACKET TO IGNITION COIL	15	33
				10-33311	SCREW, MOUNTING BRACKET TO IGNITION COIL (1 1/2")	15	33

# PARTS INDEX

Part Number	Description	Pg.	Ref. No.	Part Number	Description	Pg.	Ref. No.	
10-33615	SCREW, VOLTAGE REGULATOR MOUNT TO TRANSOM . . . . .	3	5	10-35169	SCREW, DISTRIBUTOR TO CYLINDER BLOCK . . . . .	17	51	
10-33648	SCREW, MOUNTING PLATE TO PRIMARY HOUSING . . . . .	13	12	10-35339	SCREW,OIL PUMP TO CYLINDER BLOCK(3/4) . . . . .	67	45	
10-33650	SCREW, BREAKER ASSEMBLY TO MOUNTING PLATE . . . . .	13	15	10-35339	SCREW,WATER PUMP TO CYLINDER BLOCK(3/4") . . . . .	57	32	
10-33660	SCREW, DISTRIBUTOR CAP TO PRIMARY HOUSING (8-32) . . . . .	15	22	10-35366	SCREW, OIL PUMP SCREEN TO MOUNTING BRACKET( 1/2"0 . . . . .	67	46	
10-33663	SCREW, DISTRIBUTOR CAP TO PRIMARY HOUSING (10-32) . . . . .	15	23	10-35388	SCREW, END CAP TO EXHAUST MANIFOLD BODY (1") . . . . .	41	13	
10-33722	SCREW, WEIGHT HOLD DOWN PLATE TO WEIGHT PLATE . . . . .	13	10	10-35388	SCREW, EXHAUST ELBOW TO EXHAUST MANIFOLD BODY (1") . . . . .	37	41	
10-34276	SCR EW,PULLEY TO CRANKCASE HUB(9/16")	1	59	47	10-35388	SCREW, EXHAUST ELBOW TO EXHAUST MANIFOLD BODY (1") . . . . .	43	54
10-34276	SCREW,PULLEY TO CRANKCASE HUB(3/8") . . . . .	59	47	10-35388	SCREW, EXHAUST ELBOW TO THERMOSTAT CONTAINER(LOWER) - 1"	31	65	
10-34277	BOLT, CRANKCASE COVER TO CYLINDER BLOCK . . . . .	67	53	10-35388	SCREW, INTAKE MANIFOLD COVER TO EXHAUST MANIFOLD BODY (1") . . . . .	37	36	
10-34277	SCREW,CRANKCASE COVER TO CYLINDER BLOCK(7/16") . . . . .	69	53	10-35388	SCREW, INTAKE MANIFOLD COVER TO EXHAUST MANIFOLD BODY (1") . . . . .	43	47	
10-34277	SCREW,OIL PAN TO CYLINDER BLOCK(1/4) . . . . .	67	56	10-35388	SCREW, MOUNTING BRACKET TO EXHAUST ELBOW (1") . . . . .	43	56	
10-34470	SCREW,PUSH ROD COVER TO CYLINDER BLOCK . . . . .	67	38	10-35388	SCREW, RELIEF VALVE BODY TO EXHAUST MANIFOLD BODY(1") . . . . .	29	13	
10-34471	SCREW,WATER PUMP TO CYLINDER BLOCK(1 1/2")	57	31	10-35388	SCREW, THERMOSTAT CONTAINER TO EXHAUST MANIFOLD (1") . . . . .	31	54	
10-34473	BOLT,CONNECTING ROD BEARING CAP . . . . .	57	24	10-35388	SCREW, THERMOSTAT CONTAINER TO WATER DISTRIBUTOR IN BLOCK (1")	41	33	
10-34499	BOLT,CRANKSHAFT BEARING CAP TO CYLINDER BLOCK(2 23/32") . . . . .	55	16	10-35388	SCREW, WATER OUTLET ELBOE TO EXHAUST MANIFOLD BODY (1") . . . . .	35	15	
10-34500	SCREW,OIL PAN TO CYLINDER BLOCK (5/16")	67	57	10-35388	SCREW, WATER OUTLET ELBOW TO EXHAUST MANIFOLD BODY(1") . . . . .	29	34	
10-34500	SCREW,OIL PAN TO CYLINDER BLOCK(5/16:)	69	57	10-35388	SCREW,END ACP TO EXHAUST MANIFOLD (1")	45	12	
10-34501	SCREW,DRAIN - OIL PAN . . . . .	67	58	10-35388	SCREW,END CAP/CONNECTOR TO EXHAUST MANIFOLD(1") . . . . .	45	25	
10-34505	SCREW,WATER PUMP TO CYLINDER BLOCK(7/8") . . . . .	57	32	10-35388	SCREW,EXHAUST ELBOW TO EXHAUST MANIFOLD (1") . . . . .	47	48	
10-34510	BOLT, CYLINDER HEAD TO CYLINDER BLOCK . . . . .	63	29	10-35388	SCREW,MOUNTING BRACKET TO ECHAUST ELBOW(1") . . . . .	47	50	
10-34544	BOLT, STARTER MOTOR MOUNTING (1 15/16") . . . . .	7	3	10-35390	SCREW, INTAKE MANIFOLD COVER TO EXHAUST MANIFOLD BODY 1 3/4" . . . . .	37	35	
10-34545	BOLT, STARTER MOTOR MOUNTING (4 21/32") . . . . .	7	2					
10-34613	SCREW, FLYWHEEL HOUSING TO CYLINDER BLOCK (1 3/4") . . . . .	49	8					
10-34613	SCREW,FLYWHEEL HOUSING TO CYLINDER BLOCK(1 3/4") . . . . .	49	8					
10-35156	SCREW, EXHAUST ELBOW TO THERMOSTAT CONTAINER(1 1/4") . . . . .	31	62					

# PARTS INDEX

Part Number	Description	Pg.	Ref. No.	Part Number	Description	Pg.	Ref. No.
10-35390	SCREW, OUTER AND INNER COVERS TO EXHAUST MANIFOLD BODY (1 3/4)	31	47	10-45754	SCREW, BRACKET AND FLYWHEEL HSG. TO CYLINDER BLOCK (2")	49	8
10-35390	SCREW, INTAKE MANIFOLD COVER TO EXHAUST MANIFOLD (1")	47	57	10-46470	SCREW, OIL PUMPP CSCREEN SUPPORT CLAMPING	67	-
10-35390	SCREW, THERMOSTAT CONTAINER TO WATER DISTRIBUTION BLOCK 1 3/4	41	33	10-46717	BOLT, CRANKSHAFT BEARING CAP CYLINDER BLOCK (2 31/32")	55	16
10-35581	SCREW, INTAKE MANIFOLD COVER TO EXHAUST MANIFOLD BODY (1 5/8)	29	18	10-46718	SCREW, WIRING HARNESS PLATE TO FLYWHEEL HOUSING	3	15
10-35582	SCREW, INTAKE MANIFOLD COVER TO EXHAUST MANIFOLD BODY (1")	29	19	10-46718	SCREW, WIRING HARNESS PLATE TO MOUNTING BRACKET (3/4")	3	15
10-35585	SCREW, ROCKER COVER TO CYLINDER HEAD (3/4")	61	5	10-46718	SCREW, WIRING HARNESS TO BALLAST	15	38
10-35585	SCREW, ROCKER COVER TO CYLINDER HEAD (3/4")	61	5	10-47277	SCREW, COVER PLATE TO FLYWHEEL HOUSING (3/4")	49	4
10-35585	SCREW, ROCKER COVER TO CYLINDER HEAD (3/4")	61	5	10-47277	SCREW, PULLEY AND HUB TO WATER PUMP (3/4")	57	35
10-35585	SCREW, ROCKER COVER TO CYLINDER HEAD (3/4")	61	5	10-47618	SCREW, CONNECTOR TO FLYWHEEL HOUSING (1")	51	18
10-37803	SCREW, MOUNTING BRACKET TO IGNITION COIL (1 3/8")	15	33	10-48021	SCREW, CONDENSER BRACKET ATTACHING	13	--
10-37892	SCREW, REMOTE CONTROL CABLE TO THROTTLE LEVER (1")	21	49	10-48543	SCREW, BRACE TO MOTOR AND CYLINDER BLOCK (5/8")	7	6
10-37892	SCREW, CONNECTOR TO FLYWHEEL HOUSING (7/8")	51	18	10-4956	SCREW, DRAIN - OIL PAN	69	58
10-37908	SCREW, VOLTAGE REGULATOR TO TRANSOM (1 1/4")	3	9	10-49950	SCREW, OIL PAN TO CYLINDER BLOCK (1/4")	69	56
10-38792	SCREW, BAFFLE TO ROCKER COVER	63	13	10-53512	SCREW, THERMOSTAT COVER TO WATER DISTRIBUTION BLOCK (3/4")	47	37
10-39197	SCREW, MOUNTING BRACKET TO EXHAUST MANIFOLD (5/8")-ALUMINUM	5	36	10-56057	SCREW, ALTERNATOR TO BRACKET (3 3/4")	9	35
10-39783	SCREW, PUSH ROD COVER TO CYLINDER BLOCK	67	38	10-60374	SCREW, THERMOSTAT COVER WATER DISTRIBUTION BLOCK (1 1/2")	47	37
10-39970	SCREW, WATER DISTRIBUTION BLOCK TO EXHAUST MANIFOLD BODY 7/8	41	28	11-20083	NUT, STARTER SOLENOID TERMINAL (5/16")	5	30
10-39970	SCREW, END CAP/CONNECTOR TO EXHAUST MANIFOLD (7/8")	45	25	11-20087	NUT, EXHAUST MANIFOLD BODY AND STUD	41	6
10-45474	SCREW, WATER DISTRIBUTION BLK TO EXHAUST MANIFOLD BODY 1 1/2	41	28	11-20087	NUT, EXHAUST MANIFOLD BODY STUD	37	31
10-45488	BOLT, FUEL PUMP TO CYLINDER BLOCK (7/8")	19	3	11-20088	NUT, STARTER SOLENOID SCREW	5	40
				11-20190	NUT, REMOTE CONTROL CABLE SCREW	21	52
				11-20220	NUT, FRONT MOUNTING BRACKET ADJUSTING STUD	53	43
				11-20586	NUT, FLAME ARRESTOR MOUNTING STUD (TOP)	21	32
				11-20586	NUT, REMOTE CONTROL CABLE STUD	31	69



# PARTS INDEX

Part Number	Description	Pg.	Ref. No.	Part Number	Description	Pg.	Ref. No.
11-20586	NUT, REMOTE CONTROL CABLE STUD	43	60	11-34474	NUT,CONNECTING ROD CAP BOLT	57	25
11-20586	NUT, ROCKER COVER CHIMNEY STUD	61	11	11-34516	NUT, ROCKER VALVE ARM STUD	63	23
11-20586	NUT, ROCKER COVER CHIMNEY STUD	61	11	11-34933	NUT,FLYWHEEL STUD	57	22
11-20586	NUT, ROCKER COVER CHIMNEY STUD	63	11	11-35814	NUT, BRACE STUD	7	10
11-20586	NUT, THROTTLE LEVER SCREW	21	48	11-46793	NUT, CARBURETOR MOUNTING STUD	23	55
11-20586	NUT,REMOTE CONTROL CABLE STUD	47	53	11-46793	NUT,COVER PLATE SCREW	49	5
11-20645	NUT, IGNITION COIL TERMINAL	15	35	11-46887	NUT, BALLAST TO MOUNTING BRACKET SCREW	17	43
11-20645	NUT, IGNITION COIL TERMINAL	15	35	11-49910	NUT, MOUNTING BRACKET STUD	11	54
11-20645	NUT, STARTER SOLENOID TERMINAL (10-32)	5	32	11-49910	NUT,EXHAUST MANIFOLD STUD	45	5
11-20645	NUT, WATER SENDER AND OIL PRESSURE SENDER TERMINAL (10-32)	5	25	12-20028	WASHER, VOLTAGE REGULATOR SCREW	3	10
11-20890	FUEL LINE CLIP SCREW	19	17	12-20103	WASHER, BRACE STUD	7	9
11-21310	NUT, CHOKE PIPE TO CARBURETOR AND CHOKE OVEN CONNECTOR	21	38	12-20128	WASHER, REMOTE CONTROL CABLE SCREW	21	50
11-23161	NUT, ALTERNATOR SCREW	9	37	12-20192	WASHER, ALTERNATOR GROUND TERMINAL	9	38
11-24652	NUT, EXHAUST ELBOW SCREW	31	63	12-20533	WASHER, FLAME ARRESTOR SCREW	21	28
11-24883	NUT, EXHAUST MANIFOLD BODY STUD	29	27	12-20553	WASHER, ALTERNATOR BRACE SCREW	9	32
11-26419	NUT, SOLENOID SWITCH TERMINAL (8-32)	7	12	12-20553	WASHER, ALTERNATOR MOUNTING BRACKET SCREW	9	46
11-26419	NUT, WIRING HARNESS CLIP SCREW	7	26	12-20553	WASHER, ALTERNATOR MOUNTING BRACKET SCREW	9	49
11-26419	NUT, WIRING HARNESS LEAD SCREW	7	16	12-20553	WASHER, EXHAUST MANIFOLD BODY STUD AND SCREW	29	25
11-26419	NUT, WIRING HARNESS LEAD SCREW	7	20	12-20553	WASHER, EXHAUST MANIFOLD BODY STUD AND SCREW	35	30
11-26419	NUT,WIRING HARNESS CLAMP SCREW	51	16	12-20553	WASHER, EXHAUST MANIFOLD BODY STUD AND SCREW	41	4
11-28517	NUT, SOLENOID SWITCH TERMINAL (3/8-16)	7	11	12-20553	WASHER, IGNITION COIL SCREW	17	45
11-28517	NUT,BRACKET AND FLYWHEEL HOUSING SCREW	49	10	12-20553	WASHER, MOUNTING BRACKET STUD	11	53
11-28517	NUT,FLYWHEEL HOUSING SCREW	49	10	12-20959	WASHER,FRONT MOUNTING BRACKET AJUSTIONG STUD	53	40
11-28941	NUT, FLAME ARRESTOR MOUNTING STUD (BOTTOM)	19	23	12-21631	WASHER, REMOTE CONTROL CABLE STUD	31	68
11-28941	NUT, FLAME ARRESTOR SCREW	21	29	12-21631	WASHER, REMOTE CONTROL CABLE STUD	37	44
11-30708	NUT,JAM-FRONT MOUNTING BRACKET ADJUSTING STUD(BOTTOM)	53	48	12-21631	WASHER, REMOTE CONTROL CABLE STUD	43	59
11-32219	NUT,FLYWHEEL HOUSING SCREW	49	10	12-21631	WASHER,REMOTE CONTROL CABLE STUD	47	52
				12-22248	WASHER,BRACKET AND SPACER BLOCK SCREW	51	31

# PARTS INDEX

Part Number	Description	Pg.	Ref. No.	Part Number	Description	Pg.	Ref. No.
12-22937	WASHER, FLAME ARRESTOR MOUNTING STUD	21	31	13-26992	LOCKWASHER, WIRING HARNESS CLAMP SCREW	41	17
12-24662	WASHER, CARBURETOR AND THROTTLE LEVER LINK ROD	21	42	13-26992	LOCKWASHER, WIRING HARNESS CLAMP SCREW	45	15
12-24662	WASHER, FUEL LINE CLIP SCREW	19	16	13-26993	LOCKWASHER, ALTERNATOR MOUNTING BRACKET SCREW	9	41
12-24664	WASHER, THROTTLE LEVER SCREW	21	46	13-26993	LOCKWASHER, MOUNTING BRACKET SCREW - CAST IRON MANIFOLD	5	37
12-26168	WASHER, ALTERNATOR BRACE SCREW	9	34	13-26993	LOCKWASHER, STARTER SOLENOID TERMINAL (5/16")	5	29
12-26825	WASHER, ALTERNATOR MOUNTING BRACKET SCREW	9	42	13-26995	LOCKWASHER, WIRING HARNESS LEAD SCREW	7	15
12-28927	WASHER, BALLAST TO MOUNTING BRACKET SCREW	17	42	13-26995	LOCKWASHER, VENTURI CLUSTER TO FLOAT BOWL SCREW (OUTER)	25	22
12-29245	WASHER, ROCKER COVER CHIMNEY STUD	61	10	13-26995	LOCKWASHER, WIRING HARNESS CLIP SCREW	7	24
12-29245	WASHER, ROCKER COVER CHIMNEY STUD	61	10	13-26995	LOCKWASHER, WIRING HARNESS LEAD SCREW	7	19
12-29245	WASHER, ROCKER COVER CHIMNEY STUD	63	10	13-26995	LOCKWASHER, WIRING HARNESS LEADS SCREW	15	39
12-29245	WASHER, ROCKER COVER SCREW	63	14	13-26995	LOCKWASHER, WIRING HARNESS CLAMP SCREW	49	14
12-30164	WASHER, IGNITION COIL TERMINAL	15	34	13-26996	LOCKWASHER, WIRING HARNESS CLAMP SCREW	51	14
12-30164	WASHER, WIRING HARNESS LEAD SCREW	3	18	13-26996	LOCKWASHER, AIR HORN TO FLOAT BOWL SCREW	25	5
12-30191	WASHER, WIRING HARNESS LEADS SCREW	15	40	13-26996	LOCKWASHER, IGNITION COIL TERMINAL	15	34
12-32638	WASHER, FRONT MOUNTING BRACKET ADJUSTING STUD	53	39	13-26996	LOCKWASHER, IGNITION COIL TERMINAL	15	34
12-32648	WASHER, STARTER MOTOR BOLT	7	4	13-26996	LOCKWASHER, STARTER SOLENOID TERMINAL (#10)	5	31
12-35935	WASHER, FLYWHEEL STUD	57	21	13-26996	LOCKWASHER, WIRING HARNESS CLAMP SCREW	41	23
12-36103	WASHER, FRONT MOUNTING BRACKET ADJUSTING STUD	51	38	13-26996	LOCKWASHER, WIRING HARNESS LEAD SCREW	3	17
12-36104	WASHER, RUBBER-FRONT MOUNTING BRACKET ADJUSTING STUD	53	42	13-26996	LOCKWASHER, WIRING HARNESS CLAMP SCREW	45	20
12-36275	WASHER, ROTOR	15	19	13-26996	LOCKWASHER, WIRING HARNESS CLAMP SCREW	51	14
12-37828	WASHER, FRONT MOUNTING BRACKET SCREW	51	36	13-26996	WASHER, WATER SENDER AND OIL PRESSURE SENDER TERMINAL (#10)	5	24
12-58220	WASHER, CAM AND SHAFT	13	-	13-32993	LOCKWASHER, BRACKET AND SPACER BLOCK SCREW	51	30
12-62425	WASHER, SEALING - MOUNTING PLATE SCREW	13	--	13-33065	LOCKWASHER, FRONT MOUNTING BRACKET ADJUSTING STUD	53	47
13-21547	LOCKWASHER, THROTTLE BODY TO FLOAT BOWL SCREW	27	58	13-37459	LOCKWASHER, ALTERNATOR BRACE SCREW	9	31
13-26992	LOCKWASHER, INTAKE MANIFOLD COVER SCREW	29	20	13-37459	LOCKWASHER, ALTERNATOR MOUNTING BRACKET SCREW	9	45
13-26992	LOCKWASHER, STARTER SOLENOID SCREW	5	39				

# PARTS INDEX

Part Number	Description	Pg.	Ref. No.	Part Number	Description	Pg.	Ref. No.
13-37459	LOCKWASHER, ALTERNATOR MOUNTING BRACKET SCREW . . . . .	9	48	16-38525	STUD,REMOTE CONTROL CABLE TO MOUNTING BRACKET . . . . .	47	51
13-37459	LOCKWASHER, EXHAUST MANIFOLD BODY STUD AND SCREW . . . . .	29	26	16-45969	ATHER CHIMNEY TO ROCKER COVER (3 5/16")	61	8
13-37459	LOCKWASHER, EXHAUST MANIFOLD BODY STUD AND SCREW . . . . .	35	29	16-45969	STUD, BREATHER CHIMNEY TO ROCKER COVER (3 5/16") . . . . .	61	8
13-37459	LOCKWASHER, EXHAUST MANIFOLD BODY STUD AND SCREW . . . . .	41	5	16-45969	STUD, BREATHER CHIMNEY TO ROCKER COVER(3 5/16") . . . . .	61	8
13-37459	LOCKWASHER,BRACKET AND FLYWHEEL HOUSING SCREW . . . . .	49	9	16-49915	STUD, EXHAUST MANIFOLD TO CYLINDER HEAD (1 1/2") . . . . .	45	4
13-37459	LOCKWASHER,FLYWHEEL HOUSING SCREW . . . . .	49	9	16-52387	STUD, BRACE TO MOTOR AND CYLINDER BLOCK . .	7	8
13-37459	LOCKWASHER,FLYWHEEL HOUSING SCREW . . . . .	49	9	16-54176	STUD, MOUNTING BRACKET TO CYLINDER BLOCK (1 5/8") . . . . .	11	51
13-37459	LOCKWASHER,FRONT MOUNTING BRACKET SCREW . . . . .	51	35	16-54177	STUD, MOUNTING BRACKET TO CYLINDER BLOCK (1 3/8") . . . . .	11	50
13-37459	WASHER,LIFTING EYE SCREW . . . . .	51	22	16-60799	STUD,EXHUAUST MANIFOLD TO CYLINDER HEAD (1 1/2") . . . . .	45	4
13-39107	LOCKWASHER,PULLEY AND HUB SCREW . . . . .	57	36	17-33037	PIN, HINGE - FLOAT TO AIR HORN . . . . .	25	11
15-34533	SHIM UNIT,BEARING CAP-FRONT AND INTERMEDIATE . . . . .	55	-	17-33049	PIN, CHOKE PISTON TO CHOKE PISTON LEVER . .	27	38
15-34534	SHIM UNIT ,BEARING CAP-REAR . . . . .	55	-	17-33649	PIN, DRIVE GEAR TO MAIN SHAFT . . . . .	13	5
16-20500	STUD, FLAME ARRESTOR MOUNTING - CARBURETOR . . . . .	19	25	17-35465	,PIN,DOWEL-CYLINDER BLOCK TO CYLINDER HEAD . . . . .	55	6
16-32808	STUD,FLYWHEEL TO ENGINE COUPLING . . . . .	57	19	18-26953	COTTER PIN, LINK ROD TO CARBURETOR . . . . .	21	43
16-33111	STUD, CARBURETOR MOUNTING - INTAKE MANIFOLD COVER . . . . .	23	54	19-33041	WELCH PLUG, CHOKE HOUSING . . . . .	25	35
16-33526	TE CONTROL CABLE TO EXHAUST ELBOW . . . . .	31	66	19-34270	PLUG,EXPANSION-CYLINDER BLOCK(1 5/8" DIA.) . . . . .	55	2
16-34521	STUD, VALVE ROCKER ARM(.013 O.S.) . . . . .	63	27	19-34271	PLUG,EXPANSION-CYLINDER BLOCK(2"DIA)	55	2
16-34522	STUD, VALVE ROCKER ARM (.003O.S.) . . . . .	63	27	19-34272	PLUG, EXPANSION-CYLINDER HEAD( 15/16"DIA.) . . . . .	63	28
16-34612	STUD, EXHAUST MANIFOLD BODY TO CYLINDER HEAD (1 1/1") . . . . .	35	27	19-34487	PLUG,PIPE-CYLINDER BLOCK(3/8") . . . . .	55	4
16-34612	STUD, EXHAUST MANIFOLD BODY TO CYLINDER HEAD (1 1/2") . . . . .	29	23	19-34488	PLUG,EXPANSION-CAMSHAFT BEARING HOLE . . . . .	55	3
16-34612	STUD, EXHAUST MANIFOLD BODY TO CYLINDER HEAD (1 1/2") . . . . .	41	3	19-37531	PLUG,OIL CHANNEL-CYLINDER BLOCK . . . . .	55	2
16-35897	STUD, REMOTE CONTREOL CABLE TO EXHAUST ELBOW . . . . .	37	43	22-21373	CONNECTOR, CHOKE OVEN COVER TO CHOKE PIPE .	29	31
16-36100	STUD,ADJUSTING-FRONT MOUNTING BRACKET . . .	51	37	22-21373	CONNECTOR, CHOKE OVEN COVER TO CHOKE PIPE .	41	10
				22-21373	CONNECTOR,CHOKE OVEN COVER TO CHOKE PIPE .	45	9

# PARTS INDEX

Part Number	Description	Pg.	Ref. No.	Part Number	Description	Pg.	Ref. No.
22-28624	TEE, FITTING - FUEL FILTER USE WITH AC FUEL PUMP	19	10	22-33198	PLUG, EXHAUST MANIFOLD (3/4-14)	45	3
22-30174	ELBOW, BLEED TUBE TO EXHAUST MANIFOLD BODY	37	61	22-33198	PLUG, EXHAUST MANIFOLD BODY (3/4-14)	41	20
22-30175	SLEEVE, COMPRESSION - BLEED TUBE ELBOW	39	63	22-33198	PLUG, EXHAUST ELBOW (3/4-14)	47	46
22-30177	NUT, COMPRESSION - BLEED TUBE ELBOW	37	62	22-33198	PLUG, EXHAUST ELBOW (3/4-14)	47	46
22-32715	ELBOW, DRAIN HOSE - EXHAUST ELBOW	31	70	22-35224	RESTRICTOR, FUEL FILTER TEE TO FUEL RETURN LINE	19	12
22-32715	ELBOW, WATER DISTRIBUTION BLOCK	41	27	22-35471	FUEL LINE TO CARBURETOR	19	18
22-32715	ELBOW, WATER INLET HOSE - EXHAUST MANIFOLD BODY	31	40	22-36106	TEE, EXHAUST ELBOW	37	47
22-32802	PLUG, PIPE - EXHAUST MAINFOLD BODY	35	9	22-36373	PLUG, EXHAUST ELBOW (UNDER BEND)	37	42
22-32802	PLUG, PIPE - EXHAUST MANIFOLD (1/8-27)	45	2	22-36382	PLUG, PIPE - EXHAUST MANIFOLD BODY	35	21
22-32802	PLUG, PIPE - EXHAUST MANIFOLD BODY (1/8-27)	41	14	22-36382	PLUG, PIPE - INTAKE MANIFOLD COVER	29	17
22-32802	PLUG, PIPE - OUTER WATER JACKET COVER	31	48	22-36382	PLUG, PIPE - INTAKE MANIFOLD COVER	37	34
22-32803	PLUG, PIPE - EXHAUST ELBOW	31	64	22-36382	PLUG, PIPR - INTAKE MANIFOLD COVER (1/4-18)	43	49
22-32803	PLUG, PIPE - EXHAUST ELBOW TEE (3/8-18)	37	48	22-36382	PLUG, PIPE-INTAKE MANIFOLD COVER (1/4")	47	56
22-32803	PLUG, PIPE-WATER DISTRIBUTION BLOCK	45	31	22-36382	PLUG, WATER DRAIN-CYLINDER BLOCK	55	5
22-32804	PLUG, PIPE - WATER OUTLET ELBOW	35	6	22-37372	PLUG, PIPE - EXHAUST ELBOW (1/2-14)	39	68
22-32804	PLUG, PIPE - WATER OUTLET ELBOW	43	42	22-38062	FITTING, EXHAUST ELBOW	39	69
22-32804	PLUG, PIPE WATER OUTLET ELBOW	29	3	22-39446	NIPPLE, VENT HOSE TO CARBURETOR	21	33
22-32820	CONNECTOR, ROCKER COVER (VENT HOSE)	61	6	22-45122	CHECK VALVE, FUEL LINE	19	12A
22-32876	NIPPLE, FUEL FILTER TO FUEL PUMP USE WITH AC FUEL PUMP	19	4	22-45370	FITTING, ROCKER COVER( VENT HOSE)	61	6
22-32974	ADAPTOR, OIL PRESSURE SENDER TO CYLINDER BLOCK	5	26	22-45370	FITTING, ROCKER COVER (VENT HOSE)	61	6
22-33060	NIPPLE, BLEED HOSE TO WATER OUTLET ELBOW	31	58	22-45370	FITTING, ROCKER COVER( VENT HOSE)	61	6
22-33060	NIPPLE, BLEED HOSE TO EXHAUST MANIFOLD BODY	37	53	22-49210A1	TEE ASSEMBLY, FUEL LINE	19	19
22-33060	NIPPLE, BLEED HOSE TO THERMOSTAT CONTAINER	31	55	22-49217	FITTING, FUEL LINE	19	20
22-33060	NIPPLE, BLEED HOSE TO WATER OUTLET ELBOW	35	7	22-49217	FITTING, FUEL LINE TEE	19	20
22-33060	NIPPLE, VENT HOSE TO CARBURETOR	21	33	22-53509	ELBOW, WATER DISTRIBUTION BLOCK	47	40
22-33198	PLUG, EXHAUST ELBOW	37	54	23-21309	SLEEVE, CHOKE PIPE TO CHOKE OVEN	21	39
22-33198	PLUG, EXHAUST ELBOW	39	67	23-31866	CONNECTOR NUT	21	39
22-33198	PLUG, EXHAUST ELBOW (3/4-14)	43	52	23-31866	SPACER, REMOTE CONTROL CABLE STUD	31	67
				23-31866	SPACER, REMOTE CONTROL CABLE STUD	37	45
				23-31866	SPACER, REMOTE CONTROL CABLE STUD	43	58
				23-32727	SPACER, ALTERNATOR SCREW	9	36
				23-32796	BUSHING, THROTTLE LEVER SCREW	21	47

# PARTS INDEX

Part Number	Description	Pg.	Ref. No.	Part Number	Description	Pg.	Ref. No.
23-32818	SPACER, VOLTAGE REGULATOR MOUNT . . .	3	7	24-33050	SPRING, IDLE ADJUSTING NEEDLE . . . . .	27	55
23-33065	SLEEVE,FRONT MOUNTING BRACKET ADJUSTING STUD . . . . .	53	46	24-33652	SPRING, BREAKER CAM ADVANCE WEIGHT . . . . .	13	8
23-34464	BEARING UNIT,CRANKSHAFT MAIN- REAR(STANDARD) . . . . .	55	13	24-35087A1	SPRING ASSEMBLY, RELIEF VALVE BODY . . . . .	29	8
23-34469	BEARING,CMASHAFT THRUST . . . . .	57	38	24-35087A1	SPRING ASSEMBLY, RELIEF VALVE BODY . . . . .	37	56
23-34490	BEARING UNIT,CRANKSHAFT MAIN-REAR(.001U.S.) . . .	55	13	24-35214	SPRING, VALVE . . . . .	63	22
23-34491	BEARING UNIT,CRANKSHAFT MAIN- REAR(.002U.S.) . . . . .	55	13	24-35875	SPRING, THROTTLE RETURN - CARBURETOR	21	40
23-34492	BEARING UNIT,CRANKSHAFT MAIN- REAR(.010U.S.) . . . . .	55	13	24-46476	SPRING, THROTTLE RETURN - CARBURETOR	21	40
23-34493	BEARING UNIT,CRANKSHAFT MAIN- REAR(.020U.S.) . . . . .	55	13	24-58236	SPRING, BREAKER CAM ADVANCE WEIGHT . . . . .	13	8
23-35168	BEARING,DISTRIBUTOR PILOT SHAFT . . . . .	55	7	25-25429	"O"RING,PUSH ROD COVER SCREW . . . . .	67	39
23-36101	SPACER,FRONT MOUNTING BRACKET ADJUSTING STUD . . . . .	53	41	25-28627	GROMMET, VOLTAGE REGULATOR MOUNT . . .	3	8
23-46742	SPACER,FLYWHEEL HOUSING MOUNT . . . . .	49	2	25-33666	GROMMET, MOUNTING PLATE - PRIMARY WIRE .	13	16
23-46742	SPACER,FRONT MOUNTING BRACKET . . . . .	51	26	26-34217	SEAL, VALVE SPRING CAP .	63	20
23-49959	BEARING UNIT,CRANKSHAFT MAIN( STANDARD) . . . . .	55	12	26-34217	SEAL,VALVE STEM . . . . .	71	20
23-49960	BEARING UNIT,CRANKSHAFT MAIN( .001 U.S.) . . . . .	55	12	26-34218	OIL SEAL,CRANKCASE COVER . . . . .	67	51
23-49961	BEARING UNIT,CRANKSHAFT MAIN( .002U.S.) . . . . .	55	12	26-34462	OIL SEAL UNIT,CRANKSHAFT REAR BEARING . . . . .	57	17
23-49962	BEARING UNIT,CRANKSHAFT MAIN(.010U.S.) . . . . .	55	12	26-49947	OIL SEAL UNIT,CRANKSHAFT REAR BEARING . . . . .	57	17
23-52242	EARING(PAIR),CONNECTING ROD (STANDARD) . . . . .	57	26	26-49952	OIL SEAL, CRANKCASE COVER . . . . .	69	51
23-52243	BEARING( PAIR),CONNECTING ROD (.001U.S.) . . . . .	57	26	26-58203	OIL SEAL UNIT,CRANKSHAFT REAR BEARING . . . . .	57	17
23-52244	BEARING( PAIR),CONNECTING ROD (.002 U.S) . . . . .	57	26	26-58219	SEAL, HOUSING . . . . .	13	-
23-52245	BEARING (PAIR),CONNECTING ROD (.010U.S) . . . . .	57	26	27-32019	GASKET, RELIEF VALVE BODY CAP . . . . .	29	10
23-52246	BEARING( PAIR),CONNECTING ROD (.020U.S.) . . . . .	57	26	27-32019	GASKET, RELIEF VALVE BODY CAP . . . . .	37	58
23-52482	BEARING UNIT,CAMSHAFT( REAR) . . . . .	55	11	27-32815	GASKET, CHOKE OVEN COVER . . . . .	29	29
				27-32815	GASKET, CHOKE OVEN COVER . . . . .	35	24
				27-32815	GASKET,CHOKE OVEN COVER . . . . .	71	8
				27-32816	GASKET, EXHAUST MANFOLD BODY TO CYLINDER HEAD . . . . .	29	22
				27-32816	GASKET, EXHAUST MANIFOLD BODY TO CYLINDER HEAD . . . . .	37	37
				27-32816	GASKET, EXHAUST MANIFOLD BODY TO CYLINDER HEAD . . . . .	43	45
				27-32910	GASKET, CARBURETOR FLANGE(INCLUDED WITH)	27	--

# PARTS INDEX

Part Number	Description	Pg.	Ref. No.	Part Number	Description	Pg.	Ref. No.
27-32910	GASKET,CARBURETOR . . .	71	17	27-35140	GASKET,INNER WATER JACKET COVER . . . . .	71	3
27-33680	GASKET, WATER OUTLET ELBOW . . . . .	29	2	27-35142	GASKET, OUTER COVER TO INNER COVER . . . . .	31	45
27-33680	GASKET, WATER OUTLET ELBOW . . . . .	35	4	27-35142	GASKET,OUTER WATER JACKET COVER . . . . .	71	2
27-33680	GASKET, WATER OUTLET ELBOW . . . . .	43	41	27-35144	GASKET, RELIEF VALVE BODY . . . . .	29	12
27-33680	GASKET,WATER DISTRIBUTION BLOCK . .	45	32	27-35144	GASKET,RELIEF VALVE BODY . . . . .	71	16
27-33680	GASKET,WATER OUTLET HOUSING . . . . .	71	19	27-35146	GASKET, THERMOSTAT CONTAINER . . . . .	31	53
27-33745	GASKET, FUEL FILTER BOWL USE WITH AC FUEL PUMP . . . . .	19	9	27-35146	GASKET,THERMOSTAT CONTAINER . . . . .	71	18
27-33746	GASKET, FUEL FILTER ELEMENT USE WITH AC FUEL PUMP . . . . .	19	8	27-35147	GASKET, EXHAUST ELBOW	31	60
27-33918	GASKET,WATER OUTLET HOUSING . . . . .	71	21	27-35147	GASKET,EXHAUST ELBOW	71	6
27-33956	GASKET,WATER PUMP . . . .	57	30	27-35150	GASKET, EXHAUST MANIFOLD ELBOW . . . . .	29	33
27-33956	GASKET,WATER PUMP . . . .	71	29	27-35150	GASKET,WATER OUTLET ELBOW . . . . .	71	14
27-34041	GASKET, ROCKER COVER TO CYLINDER HEAD . . . .	63	17	27-35440A1	GASKET SET,EXHAUST MANIFOLD (ALUMINUM MANIFOLD) . . . . .	71	-
27-34041	GASKET,ROCKER VALVE COVER . . . . .	71	23	27-35894	GASKET, EXHAUST ELBOW	37	40
27-34047	GASKET, INTAKE MANIFOLD COVER . . . . .	29	16	27-35894	GASKET,EXHAUST ELBOW	71	7
27-34047	GASKET,INTAKE MANIFIOLD COVER . . . . .	71	4	27-35895	GASKET, WATER OUTLET ELBOW . . . . .	35	14
27-34206	GASKET SET, OIL PAN . . . .	67	55	27-35895	GASKET,WATER OUTLET ELBOW . . . . .	71	15
27-34206	GASKET SET,OIL PAN . . . .	71	26	27-35898	GASKET, INTAKE MANIFOLD COVER . . . . .	37	33
27-34208	GASKET,PUSH ROD COVER	67	40	27-35898	GASKET, INTAKE MANIFOLD COVER . . . . .	43	50
27-34208	GASKET,PUSH ROD COVER	71	25	27-35898	GASKET,INTAKE MANIFOLD COVER . . . . .	47	55
27-34213	GASKET, FUEL PUMP MOUNTING . . . . .	19	2	27-35898	GASKET,NITAKE MANIFOLD COVER . . . . .	71	5
27-34213	GASKET,FUEL PUMP . . . . .	71	28	27-35898A1	GASKET SET,EXHAUST MANIFOLD (CAST IRON MAINIFOLD) . . . . .	71	-
27-34213A1	GASKET SET,MISCELLANEOUS . .	71	-	27-35898A2	GASKET SET,EXHAUST MAINIFOLD(CAST IRON MANIFOLD) . . . . .	71	-
27-34213A2	GASKET SET,MISCELLANEOUS . .	71	-	27-35898A3	GASDKET SET,EXHAUST MAINIFOLD(CAST IRON MANIFOLD) . . . . .	71	-
27-34216	GASKET,CRANKCASE COVER . . . . .	67	52	27-39914	GASKET, THERMOSTAT CONTAINER . . . . .	41	32
27-34216	GASKET,CRANKCASE FRONT COVER . . . . .	71	30	27-39914	GASKET,THERMOSTAT CONTAINER . . . . .	71	13
27-34273	GASKET, CYLINDER HEAD TO CYLINDER BLOCK . . .	63	30	27-39915	GASKET, EXHAUST ELBOW	43	53
27-34273	GASKET,CYLINDER HEAD . .	71	22	27-39915	GASKET,EXHAUST ELBOW	47	47
27-34460	GASKET,OIL PUMP COVER	67	-	27-39915	GASKET,EXHAUST ELBOW	71	11
27-34486	GASKET, DISTRIBUTOR . . .	15	24	27-39917	GASKET, WATER DISTRIBUTION BLOCK . .	41	29
27-34486	GASKET,DISTRIBUTOR . . . .	71	27	27-39917	GASKET,END CAP/CONNECTOR . . . . .	45	24
27-34502	GASKET,OIL PAN DRAIN SCREW . . . . .	67	59	27-39917	GASKET,WATER DISTRIBUTION BLOCK . .	71	12
27-34604A1	GASKET SET, CYLINDER HEAD . . . . .	71	--	27-39923	GASKET, END CAP . . . . .	41	12
27-34604A2	GASKET SET CYLINDER HEAD . . . . .	71	--				
27-35140	GASKET, INNER WATER JACKET COVER TO EXHAUST MANIFOLD BODY . . . . .	31	43				

# PARTS INDEX

Part Number	Description	Pg.	Ref. No.	Part Number	Description	Pg.	Ref. No.
27-39923	GASKET,END CAP	45	11	32-33485	HOSE, WATER OUTLET		
27-39923	GASKET,MANIFOLD END				ELBOW TO EXHAUST		
	CAP	71	10		MANIFOLD	35	2
27-39947	GASKET, CHOKE OVEN			32-33485	HOSE, WATER OUTLET		
	COVER	41	8		ELBOW TO RELIEF VALVE		
27-39947	GASKET,CHOKE OVEN				BODY	29	5
	COVER	45	7	32-34394	HOSE, BLEED - WATER		
27-39947	GASKET,CHOKE OVEN				OUTLET ELBOW TO		
	COVER	71	9		EXHAUST MANIFOLD 19		
27-47590	GASKET,THERMOSTAT				3/8"	37	51
	COVER	45	35	32-34394	HOSE,BLEED-WATER		
27-47590	GASKET,THERMOSTAT				OUTLET ELBOW TO		
	COVER	71	13A		THERMOSTAT		
27-49953	GASKET,CRANKCASE				CONTAINER 19 3/8	31	56
	COVER	69	52	32-34535	NOZZLE,OIL-TIMING GEAR	57	37
27-49953	GASKET,CRANKCASE			32-34540	TUBE,OIL LEVEL GAUGE	67	36
	FRONT COVER	71	30	32-35469	FUEL LINE, RESTRICTOR		
27-49955	GASKET,OIL PAN DRAIN				TO CARBURETOR TEE (36		
	SCREW	69	59		1/4")	19	13
27-52144	GASKET SET, OIL PAN	69	55	32-35470	FUEL LINE, FUEL PUMP TO		
27-52144	GASKET SET,OIL PAN	71	26		CARBURETOR TEE (27		
27-52145	GASKET, ROCKER COVER				1/2")	19	21
	TO CYLINDER HEAD	63	17	32-36107	HOSE, WATER INLET -		
27-52145	GASKET,ROCKER VALVE				EXHAUST ELBOW TEE (10		
	COVER	71	23		1/2")	37	49
27-52546	GASKET,EXHAUST			32-36109	HOSE, EXHAUST ELBOW		
	MANIFOLD	71	1		TEE TO RELIEF VALVE		
27-52546	GASKET,EXHAUST				BODY	37	60
	MANIFOLD	71	24	32-38065	HOSE, EXHAUST ELBOW		
27-52546	GASKET,EXHAUST				TEE TO EXHAUST ELBOW		
	MANIFOLD TO CYLINDER				FITTING	39	70
	HEAD	47	60	32-38066	HOSE, WATER OUTLET		
27-53502	GASKET, ALTERNATOR				ELBOW TO EXHAUST		
	MOUNTING BRACKET	11	52		MANIFOLD	35	2A
28-34466	KEY,PULLEY AND GEAR			32-38067	TUBE, BLEED - BLEED		
	LOCATING	59	43		HOSE TO EXHAUST		
28-34514	KEY, VALVE STEM(2PER			32-3872	MANIFOLD BODY	39	64
	VALVE)	63	18		HOSE, BLEED - BLEED		
32-30466	FUEL LINE, FUEL TANK TO				TUBE TO WATER OUTLET		
	FUEL PUMP	19	11		ELBOW (2")	39	65
32-32801A1	PIPE ASSEMBLY, CHOKE -			32-39315A1	HOSE ASSM,INLET-WATER		
	CARBURETOR TO CHOKE				DISRIBUTION BLK TO		
	OVEN CONNECTOR	21	36		DRIVE UNIT 33 1/2"	45	16
32-32843	HOSE, DRAIN - RELIEF			32-39971	HOSE, WATER OUTLET		
	VALVE BODY TO				ELBOW TO THERMOSTAT		
	EXHAUST ELBOW	31	71		CONTAINER (3 3/4")	43	43
32-32844	HOSE,WATER INLET-			32-45045	HOSE, INLET - WATER		
	EXHAUST MANIFOLD				DISTRIBUTION BLOCK TO		
	BODY ELBOW-DR. UNIT				DRIVE UNIT (36")	41	18
	26 1/8	31	41	32-45121	FUEL LINE, FUEL FILTER TO		
32-32846	HOSE, VENT -				FUEL PUMP (8 3/4")	19	13A
	CARBURETOR TO			32-45489	TUBE,OIL LEVEL GAUGE	67	36
	ROCKER COVER (6 7/8")	21	34	32-46471	NOZZLE,OIL-TIMING GEAR	57	37
32-33484	HOSE, WATER			32-47639	HOSE,WATER		
	DISTRIBUTION BLOCK TO				DISTRIBUTION BLOCK TO		
	WATER PUMP	43	35		END CAP/CONNECTOR	47	38
32-33484	HOSE, WATER OUTLET			32-47640	HOSE,WATER		
	ELBOW TO WATER PUMP	29	35		DISTRIBUTION BLOCK TO		
32-33484	HOSE, WATER OUTLET				WATER PUMP	47	41
	ELBOW TO WATER PUMP	35	17	33-37405	SPARK PLUG (AC#C44N)	15	28

# PARTS INDEX

Part Number	Description	Pg.	Ref. No.	Part Number	Description	Pg.	Ref. No.
33-54527	SPARK PLUG (AC#CR44N)	15	28	54-26550	CLAMP, WIRING HARNESS TO STARTER MOTOR	7	22
35-33744	ELEMENT, FUEL FILTER USE WITH AC FUEL PUMP	19	7	54-28700	CLAMP, FUEL LINES TO CYLINDER BLOCK	19	14
35-35382A1	FUEL FILTER ASSEMBLY USE WITH AC FUEL PUMP	19	5	54-28938	CLAMP, FUEL LINE TO CYLINDER BLOCK	19	14A
35-49088	FILTER, FUEL - FUEL PUMP CARTER FUEL PUMP	19	1B	54-28938	CLAMP, WIRING HARNESS TO EXHAUST MANIFOLD BODY	41	15
37-32852	DECAL, ROCKER COVER	61	4	54-28938	CLAMP, WIRING HARNESS TO OUTER WATER JACKET COVER	31	49
37-32852	DECAL, ROCKER COVER	61	4	54-28938	CLAMP, WIRING HARNESS TO EXHAUST MANIFOLD BODY	41	15
37-55540	DECAL, ROCKER COVER- "120 H.P."	63	15	54-28938	CLAMP, WIRING HARNESS TO OUTER WATER JACKET COVER	31	49
37-55541	DECAL, ROCKER COVER	61	4	54-28938	CLAMP, WIRING HARNESS TO EXHAUST MANIFOLD	45	13
37-55541	DECAL, ROCKER COVER	61	4	54-32779	CLAMP, DRAIN HOSE TO RELIEF VALVE BODY AND EXHAUST ELBOW	33	72
38-31042	SERIAL PLATE	51	23	54-32779	CLAMP, HOSE TO EXHAUST ELBOW TEE AND FITTING	39	71
39-67119	RING, PISTON (STANDARD)	55	9	54-32779	CLAMP, HOSE TO EXHAUST ELBOW TEE AND RELIEF VALVE BODY	37	--
39-67120	RING, PISTON (.0200 S.)	55	9	54-32779	CLAMP, HOSE TO EXHAUST MANIFOLD BODY ELBOW AND DRIVE UNIT	31	42
39-67121	RING, PISTON (.0300 S.)	55	9	54-32779	CLAMP, INLET HOSE TO WATER DISTRIBUTION BLOCK AND DRIVE UNIT	41	19
43-33664	GEAR, DRIVE - MAIN SHAFT	13	3	54-32779	CLAMP, WATER INLET HOSE FASTENING	37	50
43-34467	GEAR, TIMING (FIBER)	57	39	54-32779	CLAMP, INLET HOSE TO WATER DISTRIBUTION BLOCK AND DRIVE UNIT	45	17
43-46743	GEAR, CRANKSHAFT (SERIAL #3253906 THRU #3331603) (SERIAL #3331897)	59	44	54-32780	CLAMP, HOSE TO WATER OUTLET ELBOW AND EXHAUST MANIFOLD	35	3
43-46743	GEAR, CRANKSHAFT (SERIAL #3253905 AND BELOW) (SERIAL #3331604 THRU #3331897)	59	44	54-32780	CLAMP, HOSE TO WATER OUTLET ELBOW AND RELIEF VALVE BODY	29	6
43-58283	GEAR, TIMING (FIBER)	57	39	54-32780	CLAMP, HOSE TO WATER OUTLET ELBOW AND THERMOSTAT CONTAINER	43	44
50-32703	STARTER MOTOR ASSEMBLY	7	1	54-32781	CLAMP, HOSE TO WATER DISTRIBUTION BLOCK AND WATER PUMP	43	36
50-46282	STARTER MOTOR ASSEMBLY	7	1	54-32781	CLAMP, HOSE TO WATER OUTLET ELBOW AND WATER PUMP	29	36
50-59799	STARTER MOTOR ASSEMBLY	7	1	54-32781	CLAMP, HOSE TO WATER OUTLET ELBOW AND WATER PUMP	35	18
54-20386	CLAMP, BLEED HOSE FASTENING	31	57	54-32781	CLAMP, HOSE TO WATER DISTRIBUTION BLOCK AND WATER PUMP	47	42
54-20386	CLAMP, BLEED HOSE FASTENING	37	52	54-32880	CLAMP, HOSE TO WATER DISTRIBUTION BLOCK AND D END CAP/CONNECTOR	47	39
54-20386	CLAMP, BLEED HOSE FASTENING	39	66				
54-22627	CLAMP, WIRING HARNESS TO EXHAUST MANIFOLD BODY (1/2")	35	10				
54-22627	CLAMP, WIRING HARNESS TO FLYWHEEL HOUSING	49	12				
54-22690	CLAMP, WIRING HARNESS TO FLYSHEEL HOUSING	49	12				
54-22740	CLAMP, WIRING HARNESS TO EXHAUST MANIFOLD BODY (3/8")	41	21				
54-22875	CLIP, WIRING HARNESS TO BOAT	5	20				
54-22976	CLAMP, HOSE VENT CLAMPING	21	35				
54-23568	CLIP, WIRING HARNESS TO COIL BRACKET	17	46				
54-24871	CLAMP, WIRING HARNESS TO FLYWHEEL HOUSING	51	12				
54-24871	CLAMP, WIRING HARNESS TO FLYWHEEL HOUSING	51	12				
54-25231	CLIP, WIRING HARNESS TO RETAINER	45	27				



# PARTS INDEX

Part Number	Description	Pg.	Ref. No.	Part Number	Description	Pg.	Ref. No.
54-33361	CLIP, ROCKER COVER SCREW	63	15	1336-2076	CARBURETOR ASSEMBLY	19	22
54-34550	CLIP,FUEL FEED PIPE	59	-	1336-2076	CARBURETOR ASSEMBLY, COMPLETE	25	-
54-34764	EYE,LIFTING-CYLINDER BLOCK	51	20	1336-3594A1	CARBURETOR ASSEMBLY	21	22
54-34764	EYE,LIFTING-FLYWHEEL HOUSING SCREW	49	6	1336-3594A1	CARBURETOR ASSEMBLY, COMPLETE	25	-
54-35861	CLIP, ROCKER COVER CHIMNEY STUD	61	9	1397-2047	VALVE, CHOKE - CHOKE SHAFT	27	46
54-35861	CLIP, ROCKER COVER CHIMNEY STUD	61	9	1397-2048	LEVER, PUMP - AIR HORN	25	23
54-38426	CLAMP, WATER PUMP COVER TO WATER PUMP	31	38	1397-2050	PLUG, BALL - CHOKE HOUSING	25	34
54-38426	CLAMP, WATER PUMP COVER TO WATER PUMP	35	20	1397-2051	ROD, PUMP	25	26
54-38426	CLAMP, WATER PUMP COVER TO WATER PUMP	43	38	1397-2052	ROD, CHOKE	27	49
54-38426	CLAMP,WATER PUMP COVER TO WATER PUMP	47	44	1397-2054	PUMP SHAFT AND LEVER ASSEMBLY, AIR HORN	25	25
54-49542	CLAMP, INLET HOSE -ROCKER COVER SCREW	63	15	1397-2056	CHOKE LEVER AND COLAR ASSEMBLY, CHOKE SHAFT	27	48
54-53883	CLIP,WIRING HARNESS TO PUSH ROD COVER	67	41	1397-2057	PLATE, BAFFLE - CHOKE HOUSING	27	40
54-54178	"J" CLIP, WATER TEMPERATURE SENDER LEAD	9	30	1397-2058	VENTURI CLUSTER ASSEMBLY, FLOAT BOWL	25	17
54-60517	CLAMP,WIRING HARNESS TO EXHAUST MANIFOLD (3/8")	45	18	1397-2059	CHOKE PISTON, CHOKE HOUSING	27	37
57-32850	BELT,ALTERNATOR,WATER PULLEY AND CRANKSHAFT PULLEY	59	41	1397-2060	FLOAT ASSEMBLY	25	10
220-2282	FLYWHEEL,CRANKSHAFT	57	18	1397-2061	IDLE STOP SCREW, THROTTLE BODY	27	56
393-1275	SLEEVE, TERMINAL END COVER	15	--	1397-2062	IDLE ADJUSTING NEEDLE, THROTTLE BODY	27	54
393-1286	BALLAST	15	36	1397-2064	CHOKEHOUSING ASSEMBLY	25	31
423-2275	CRANKSHAFT	59	42	1397-2065	CHOKE SHAFT ASSEMBLY	27	45
424-2422	CAMSHAFT	57	27	1397-2066	LEVER ASSEMBLY, CHOKE PISTON	27	36
613-2277	CONNECTING ROD ASSEMBLY	57	23	1397-2069	AIR HORN	25	1
733-2231	,PISTON AN DPISTON PIN ASSEMBLY(.0020.S.)	55	8	1397-2070	THROTTLE BODY ASSEMBLY	27	52
733-2274	PISTONAND PISTON PIN ASSEMBLY(.0200.S.)	55	8	1397-2071	CAM, FAST IDLE - FLOAT BOWL	27	50
733-2278	PISTON AND PISTON PIN ASSEMBLY(STANDARD)	55	8	1397-2072	OVERHAUL KIT	27	--
733-2279	PISTON AND PISTON PIN ASSEMBLY(.0300.S.)	55	8	1397-2073	GASKET KIT	27	--
736-2343	PISTON AND PISTON PIN ASSEMBLY(.0010.S.)	55	8	1397-2074	STAT COVER AND COIL ASSEMBLY	27	42
839-2281	CYLINDER BLOCK ASSEMBLY	55	1	1397-2075	FLOAT BOWL ASSEMBLY	25	12
839-22812	CYLINDER BLOCK ASSEMBLY	63	34	1397-2120	IDLE ADJUSTING NEEDLE, THROTTLE BODY	27	54
839-3548	CYLINDER BLOCK ASSEMBLY	55	1	1397-2213	ALTITUDE KIT(5,000 FT.)	27	--
839-3548	CYLINDER BLOCK ASSEMBLY	65	34	1397-2214	ALTITUDE KIT(10,000 FT.)	27	--
936-2284	CYLINDER HEAD ASSEMBLY	63	26	1397-2448	JET, FLOAT BOWL( STANDARD)	25	13
936-3549	CYLINDER HEAD ASSEMBLY	63	26	1397-3459	POWER CARBURETOR KIT	27	--
				1397-3823	AIR HORN	25	1
				1397-3825	VALVE, CHOKE - CHOKE SHAFT	27	46
				1397-3826	VENTURI CLUSTER ASSEMBLY, FLOAT BOWL	25	17
				1397-3827	JET, FLOAT BOWL( STANARD)	25	13