



PARTS CATALOG

MERC 950

SERIAL NUMBER

950 (6 CYL.) 1869776 THRU 2318585

TABLE OF CONTENTS:

BOTTOM COWL AND SHIFT LINKAGE	56
BUILT IN CANADA	38
CARBURETOR ASSEMBLY	40
CARBURETOR LINKAGE AND CHOKE SOLENOID	34
CLAMP AND SWIVEL BRACKET ASSEMBLY	60
COWLING AND FRONT COVER	6
CRANKSHAFT, PISTONS AND CONNECTING RODS	50
CYLINDER BLOCK AND CRANKCASE ASSEMBLY	46
DISTRIBUTOR ADAPTOR AND PILOT ASSEMBLY	10
DISTRIBUTOR ASSEMBLY, COMPLETE (MERC 950E)	18
DISTRIBUTOR ASSEMBLY, COMPLETE (MERC 950E-SS-1)	22
DISTRIBUTOR VERTICAL LINKAGE AND IGNITION COILS	14
DRIVE SHAFT HOUSING ASSEMBLY	64
FLYWHEEL ASSEMBLY AND STATOR	8
FUEL PUMP AND FUEL LINE ASSEMBLY	44
GEAR HOUSING ASSEMBLY, COMPLETE (PAGE 1)	68
GEAR HOUSING ASSEMBLY, COMPLETE (PAGE 2)	72
MISCELLANEOUS PARTS/ACCESSORIES	1
OVERSIZE PISTONS AND RINGS	54
PARTS INDEX	76
STR MTR,STR SOLENOID,RECTIFIER & WIRING HARNESS(MC 950E)	26
STR MTR,STR SOLENOID,RECTIFIER & WIRING HARNESSMC 950E-SS-1)	30
TACHOMETER ASSEMBLY	36
TOP COWL AND SUPPORT BRACKETS	2

NOTE: *Indented description indicate that these parts are included in preceeding assembly.*

AR = As Required

NSS = Not Sold Separate

OPT = Optional

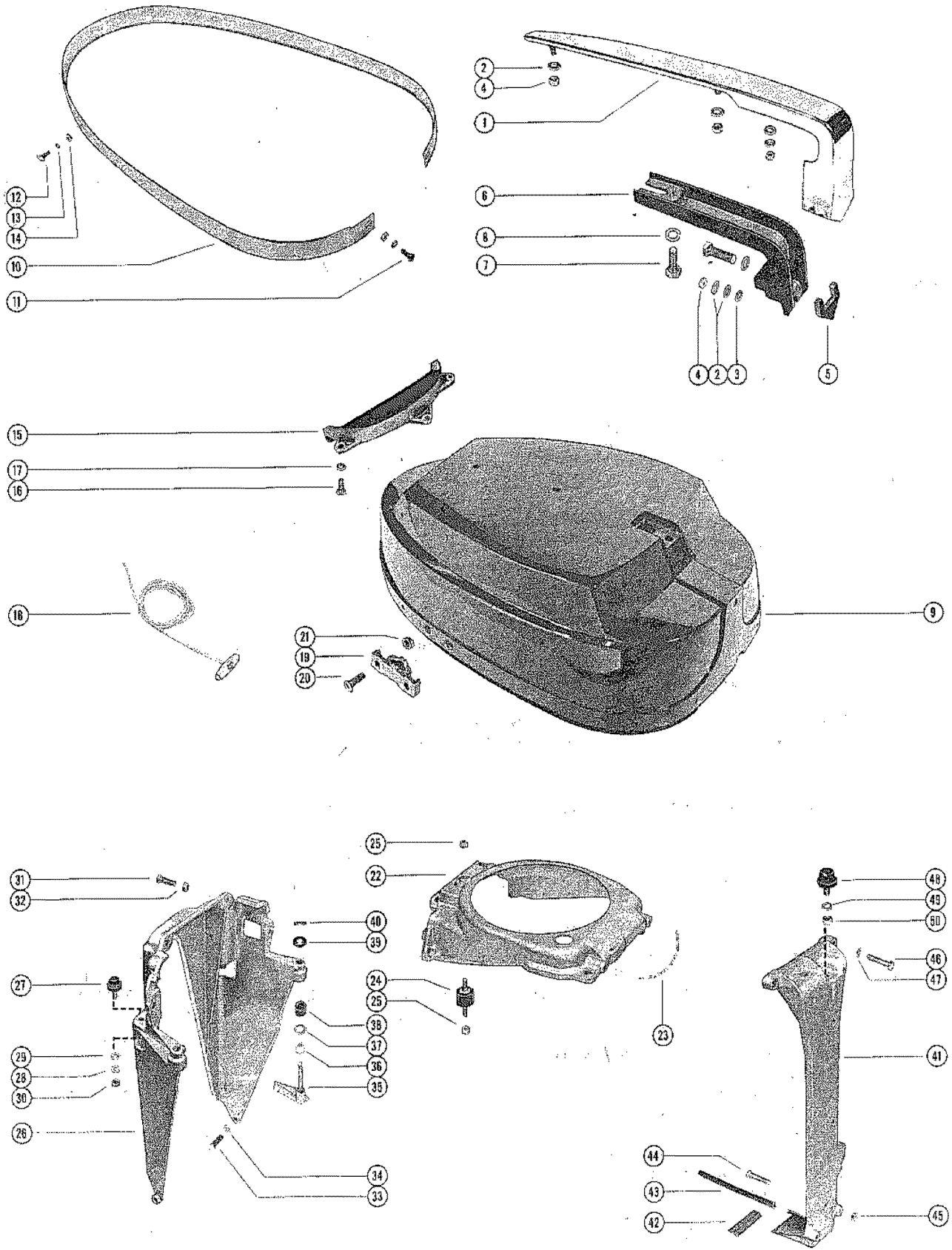
NS = Not Shown

THESE PARTS BOOKS/FICHE CARD ARE COPYRIGHTED AND MAY NOT BE DISTRIBUTED OR REPRODUCED IN ANY OTHER FORMAT BY ANYONE OTHER THAN MERCURY MARINE WITHOUT THE PRIOR WRITTEN CONSENT OF MERCURY MARINE.

MISCELLANEOUS PARTS/ACCESSORIES

REF. NO.	PART NO.	SYM.	QTY.	DESCRIPTION
-	90-39964		0	MERC 950 PARTS LIST, COMPLETE
-	27-37741A1		0	GASKET SET (MOTOR OVERHAUL)950E, 950EL, 950E-SS AND 950EL-SS
-	27-37741A2		0	GASKET SET (MOTOR OVERHAUL)950E-SS-1 AND 950EL-SS-1
-	94-39389		0	SHIPPING CARTON (MERC 950E AND MERC 950E-SS)
-	94-39390		0	SHIPPING CARTON (MERC 950EL AND MERC 950EL-SS)
-	94-29616		0	SHIPPING CARTON (FUEL TANK)
-	32-26329		0	BULK LINE (DISTRIBUTOR VENT TUBES) PER FOOT
-	32-26626		0	BULK LINE (JUMPER LEAD SLEEVES)
-	92-25234--1		0	GLUE (BLANKET ADHESIVE)
-	92-32641-12		0	EXTRA DUTY GEAR LUBRICANT (CASE)
-	46-37433A4		0	EXTRA HEAVY DUTY WATER PUMP KIT
-	37-39605A1		0	DECAL SET (MERC 950E)
-	37-45221A1		0	DECAL SET (MERC 950E-SS)
-	37-45902A1		0	DECAL SET (MERC 950E-SS-1)
-	SEEPAGE		0	TACHOMETER ASSEMBLY

TOP COWL AND SUPPORT BRACKETS

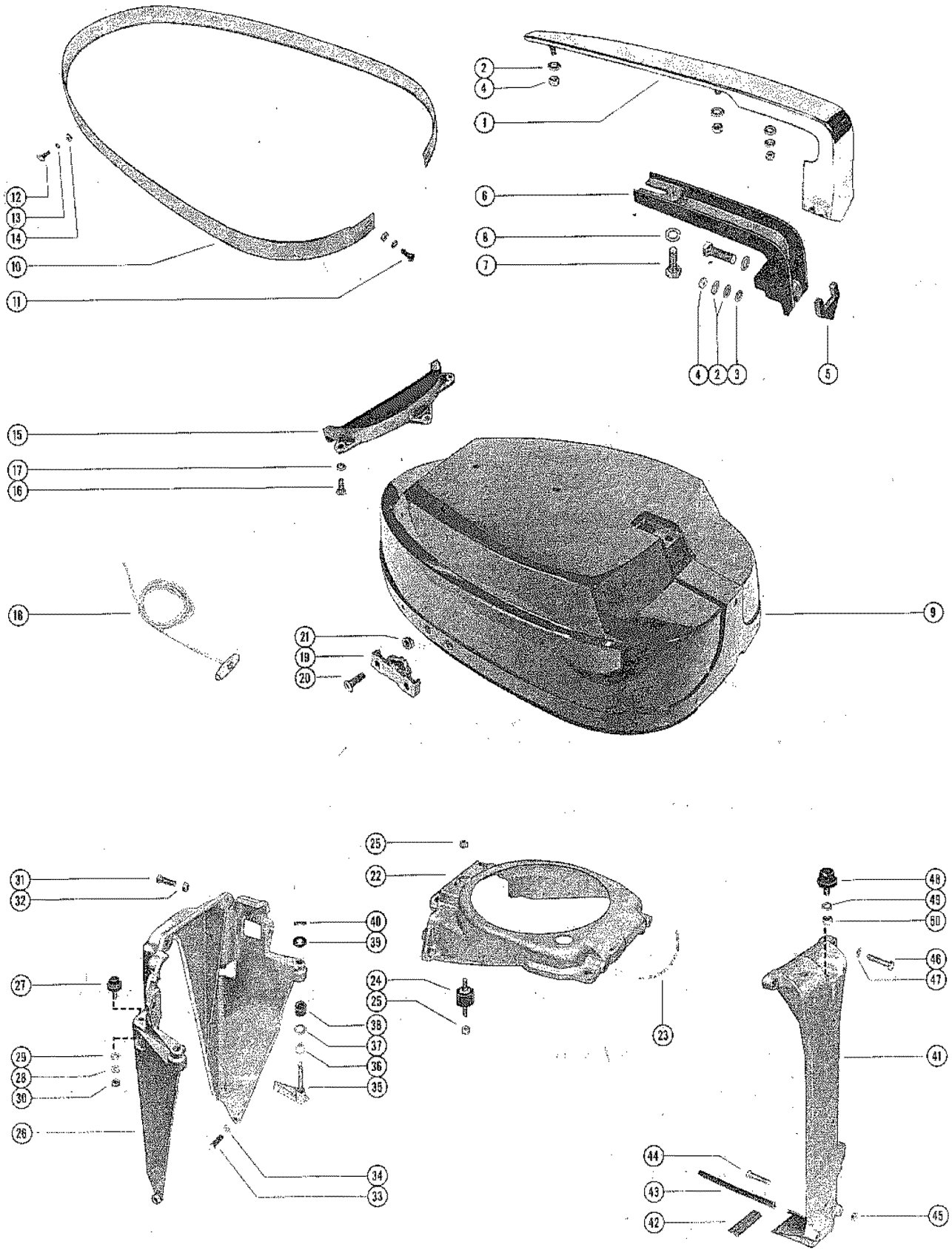


TOP COWL AND SUPPORT BRACKETS

REF. NO.	PART NO.	SYM.	QTY.	DESCRIPTION
1	37408		1,1,1	HANDLE, CHROME - TOP COWL
2	12-20533		6,6,6	WASHER, CHROME HANDLE TO INSIDE HANDLE STUD
3	12-21631		AR,AR,AR	WASHER, CHROME HANDLE TO INSIDE HANDLE STUD (FRONT)
4	11-20361		4,4,4	NUT, CHROME HANDLE TO INSIDE HANDLE STUD
5	35496		1,1,1	PAD, BUMPER - TOP COWL HANDLE
6	37434		1,1,1	HANDLE, INSIDE - TOP COWL
7	10-24234		2,2,2	SCREW, HANDLE TO TOP COWL (1")
8	13-26993		2,2,2	LOCKWASHER, HANDLE TO TOP COWL SCREW
9	2214-2455		1,1,1	COWL, TOP
10	37410A1		1,1,1	TRIM MOULDING ASSEMBLY, TOP COWL
11	10-29227		2,2,2	SCREW, BRASS - MOULDING TO TOP COWL
12	10-29226		2,2,2	SCREW, DECORATIVE - MOULDING TO TOP COWL
13	13-26995		4,4,4	LOCKWASHER, MOULDING FASTENING SCREW
14	11-26419		4,4,4	NUT, MOULDING FASTENING SCREW
15	37569		1,1,1	SHIELD, TOP COWL - REAR
16	10-37370		3,3,3	SCREW, SHIELD TO TOP COWL (5/8")
17	13-37371		3,3,3	LOCKWASHER, SHIELD SCREW
18	50-37901		1,1,1	ROPE, STARTER (FOR MANUAL STARTING ONLY)
19	37411		2,2,2	BRACKET, COWL LATCH - TOP COWL FASTENING
20	10-37560		4,4,4	SCREW, COWL LATCH BRACKET TO TOP COWL
21	11-37556		4,4,4	NUT, COWL LATCH BRACKET SCREW
22	37409		1,1,1	FRAME, TOP COWL SUPPORT
23	37-45200		,1,1	DECAL, TIMING - TOP COWL FRAME
24	37639		3,3,3	MOUNT, RUBBER - TOP COWL FRAME
	46096		OPT,OPT,OP	MOUNT, RUBBER - TOP COWL FRAME (HEAVY DUTY)
25	11-20361		6,6,6	NUT, RUBBER MOUNT TO TOP COWL FRAME
26	39239		1,1,1	BRACKET, TOP COWL SUPPORT - REAR
27	31014		2,2,2	MOUNT, RUBBER - REAR SUPPORT BRACKET
28	13-26922		2,2,2	LOCKWASHER, RUBBER MOUNT TO REAR SUPPORT BRACKET
29	12-20346		2,2,2	WASHER, RUBBER MOUNT TO REAR SUPPORT BRACKET
30	11-20088		2,2,2	NUT, RUBBER MOUNT TO REAR SUPPORT BRACKET
31	10-26065		4,4,4	SCREW, REAR SUPPORT BRACKET TO TOP COWL FRAME (1")
32	11-46793		4,4,4	NUT, REAR SUPPORT BRACKET SCREW
33	10-37558		2,2,2	SCREW, REAR SUPPORT BRACKET TO BOTTOM COWL (1-1/4")
34	13-26993		2,2,2	LOCKWASHER, REAR SUPPORT BRACKET SCREW
35	37412		2,2,2	LEVER, CLAMPING - TOP COWL MOUNTING
36	23-26819		2,2,2	BUSHING - NYLON - CLAMPING LEVER
37	12-38006		2,2,2	WASHER, CLAMPING LEVER
38	23-31293		2,2,2	BUSHING, RUBBER - CLAMPING LEVER
39	53-30428		2,2,2	FASTENER, CLAMPING LEVER

CONTINUED ON NEXT PAGE ➡

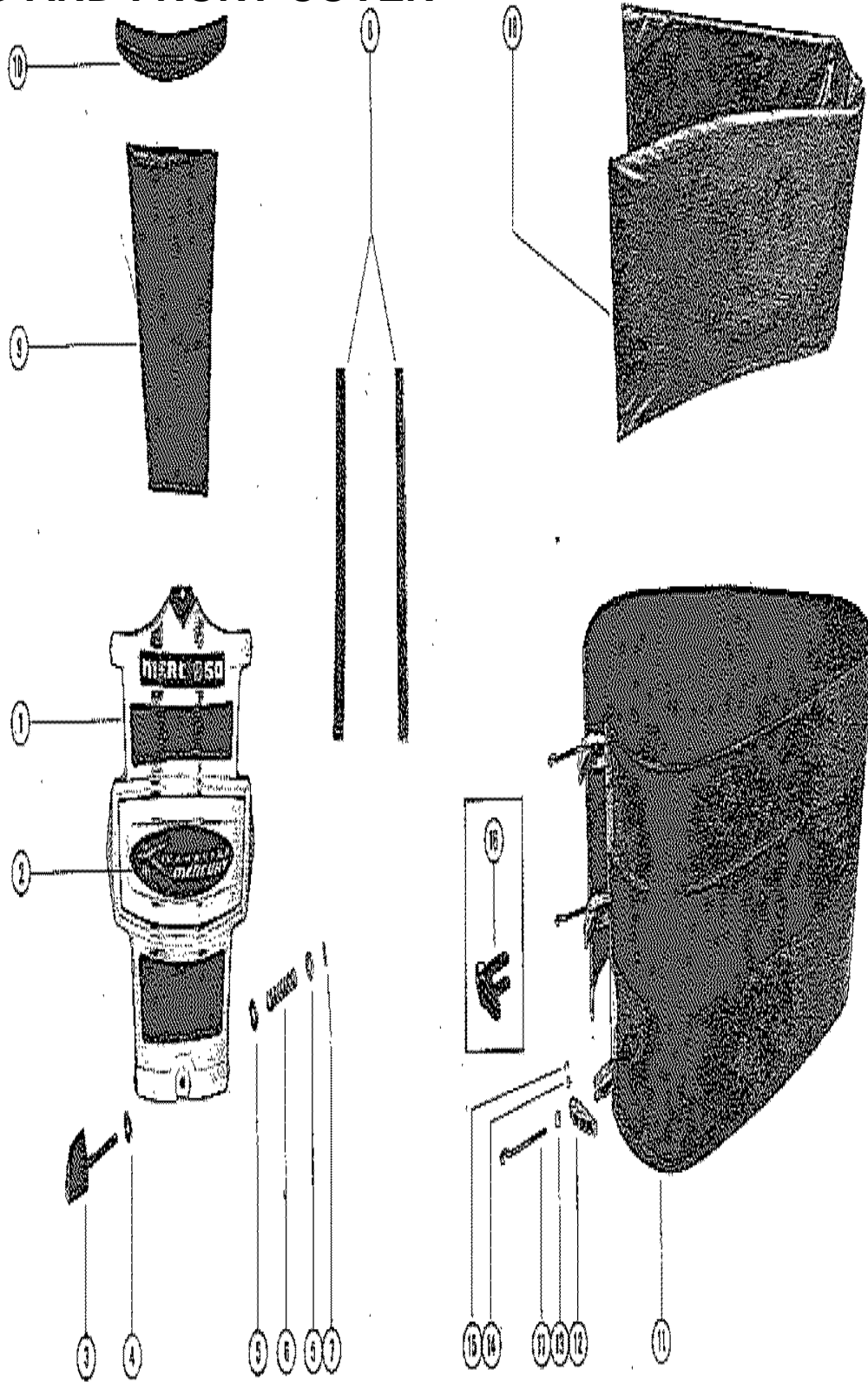
TOP COWL AND SUPPORT BRACKETS



TOP COWL AND SUPPORT BRACKETS

REF. NO.	PART NO.	SYM.	QTY.	DESCRIPTION
40	17-29077		2,2,2	PIN, ROLL - CLAMPING LEVER
41	37667A1		1,,	BRACKET ASSEMBLY, TOP COWL SUPPORT - FRONT
	39978A2		,1,	BRACKET ASSEMBLY, TOP COWL SUPPORT - FRONT
	45883A2		,,1	BRACKET ASSEMBLY, TOP COWL SUPPORT - FRONT
42	37903		1,1,1	FLANGE, RUBBER - FRONT TOP COWL SUPPORT BRACKET
43	32-37670		1,1,1	HOSE, FRONT SUPPORT BRACKET TO BOTTOM COWL
44	10-22040		2,2,2	SCREW, FRONT SUPPORT BRACKET TO BOTTOM COWL (1-1/2")
45	11-46793		2,2,2	NUT, FRONT SUPPORT BRACKET SCREW
46	10-20362		2,2,2	SCREW, FRONT SUPPORT BRACKET TO TOP COWL FRAME (1-1/2")
47	13-26993		2,2,2	LOCKWASHER, FRONT SUPPORT BRACKET SCREW
48	37640		1,1,1	MOUNT, RUBBER - FRONT SUPPORT BRACKET
49	13-26993		1,1,1	LOCKWASHER, RUBBER MOUNT TO FRONT SUPPORT BRACKET
50	11-22053		1,1,1	NUT, RUBBER MOUNT TO FRONT SUPPORT BRACKET

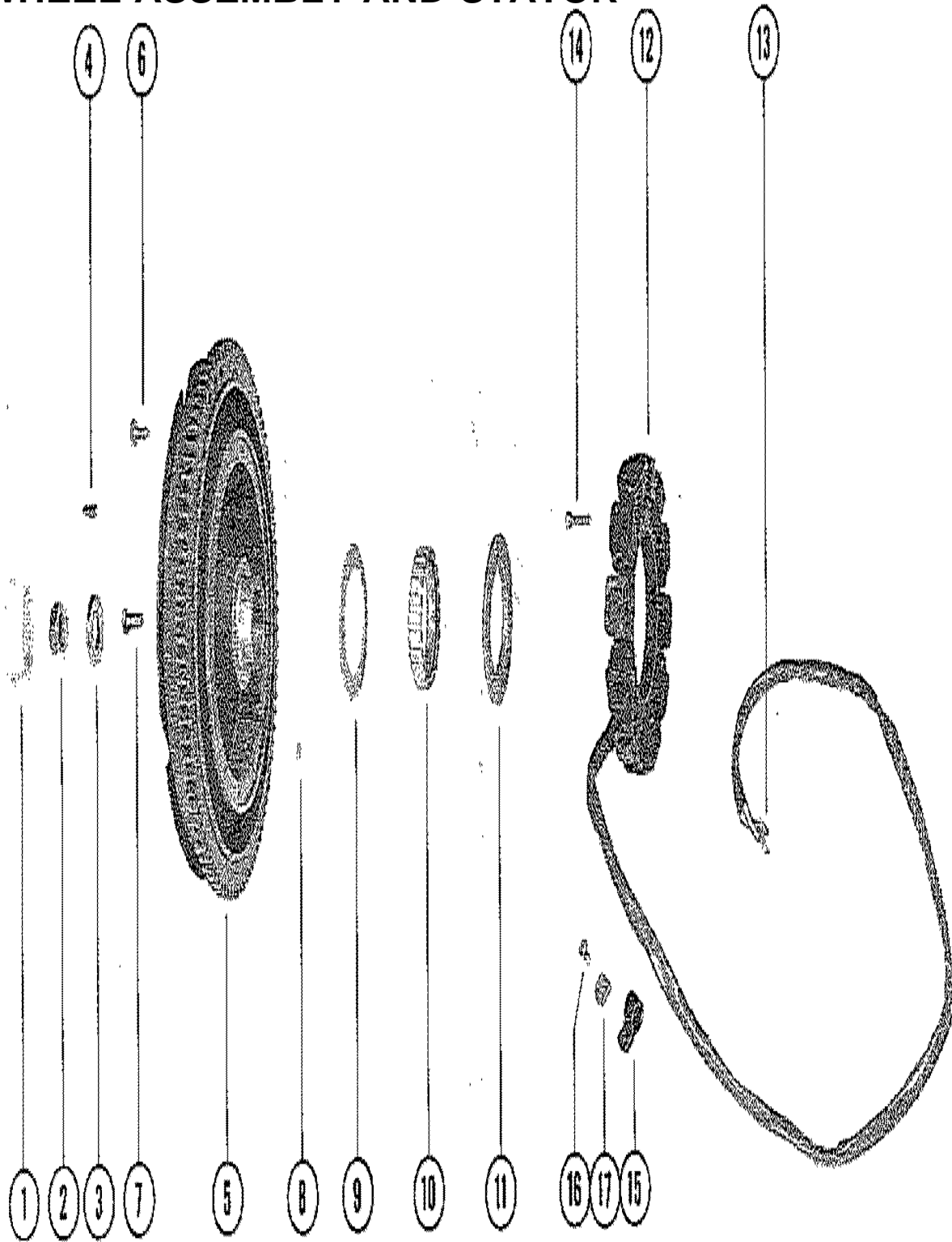
COWLING AND FRONT COVER



COWLING AND FRONT COVER

REF. NO.	PART NO.	SYM.	QTY.	DESCRIPTION
1	2113-2663A1		1,,	COWL FRONT COVER ASSEMBLY
	2113-2663A3		,1,	COWL FRONT COVER ASSEMBLY
	2113-2663A5		,,1	COWL FRONT COVER ASSEMBLY
2	35753		1,1,1	EMBLEM, FRONT COVER
3	32362		1,1,1	KNOB, COWL FRONT COVER FASTENING
4	12-30771		2,2,2	WASHER, COVER FASTENING KNOB (RUBBER)
5	12-26825		2,2,2	WASHER, COVER FASTENING KNOB (STEEL)
6	24-30772		1,1,1	SPRING, TENSION - FASTENING KNOB
7	17-29077		1,1,1	ROLL PIN, TENSION SPRING TO KNOB
8	31089		2,2,2	STRIP, SOUND ABSORBING
9	38675		1,1,1	BLANKET, SOUND ABSORBING
10	35769		1,1,1	SEAL, SOUND ABSORBING - UPPER
11	2120-2620A3		1,1,	WRAP AROUND COWL ASSEMBLY
	2120-2620A5		,,1	WRAP AROUND COWL ASSEMBLY
12	38961		3,3,3	HANDLE, COWL LATCH-EARLY STYLE
13	38964		3,3,3	SWIVEL, COWL LATCH -EARLY STYLE
14	17-21057		6,6,6	PIN, HINGE - COWL LATCH HANDLE -EARLY STYLE
15	53-21058		6,6,6	"E" RING, HANDLE TO HINGE PIN -EARLY STYLE
16	46785A1		,,3	COWL LATCH ASSEMBLY (LATE STYLE)
17	30413		3,3,3	HOOK, COWL LATCH FASTENING
18	30021		1,1,1	BLANKET, SOUND ABSORBING
-	92-25234--1		1,1,1	GLUE, ADHESIVE - BLANKET FASTENING
-	92-27109--1		1,1,1	ADHESIVE COMPOUND, EMBLEM FASTENING

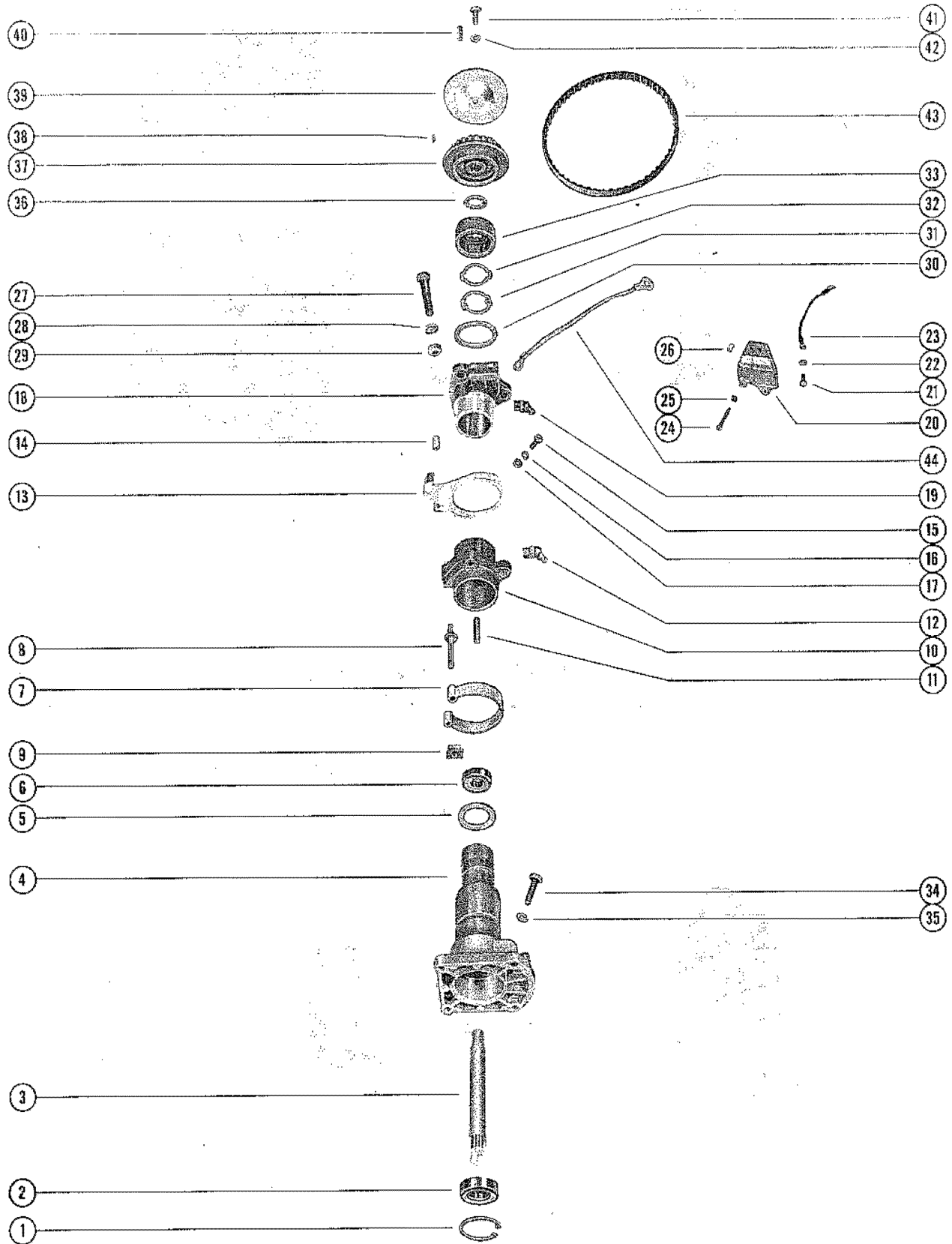
FLYWHEEL ASSEMBLY AND STATOR



FLYWHEEL ASSEMBLY AND STATOR

REF. NO.	PART NO.	SYM.	QTY.	DESCRIPTION
1	19-45907		,,1	PLUG, FLYWHEEL PULLER THREAD
2	11-22339		1,1,1	NUT,FLYWHEEL
3	12-33001		1,1,1	WASHER, FLYWHEEL NUT
4	28-30250		1,1,	KEY, FLYWHEEL DRIVE SERIAL 00000000-02019667
	28-45554		,1,1	KEY, FLYWHEEL DRIVE SERIAL 02019668-09999999
5	225-2494A2		1,1,1	FLYWHEEL ASSEMBLY, COMPLETE
6	10-32417		8,8,8	SCREW, FLEXIBLE PLATE TO FLYWHEEL
7	10-32417		8,8,8	SCREW, PLATE AND HUB TO FLEXIBLE PLATE
8	17-26618		1,1,1	PIN, DOWEL - PULLEY TO FLYWHEEL
9	29788		1,1,1	FLANGE, FLYWHEEL PULLEY
10	30306		1,1,1	PULLEY, FLYWHEEL
11	29787		1,1,1	HUB, FLYWHEEL PULLEY
12	398-2188		1,1,1	STATOR, ALTERNATOR
13	30050		2,2,2	TERMINAL, STATOR LEAD WIRE
14	10-32614		4,4,4	SCREW, STATOR TO UPPER END CAP
15	54-22740		4,,	CLIP, STATOR LEAD FASTENING (3/8")
	54-22875		2,,	CLIP, STATOR LEAD FASTENING (7/16")
	54-26550		,5,	CLIP, STATOR AND WIRING HARNESS LEADS FASTENING (5/16")
	54-26550		,,4	CLIP, STATOR AND WIRING HARNESS LEADS FASTENING (5/16")
16	10-30009		2,,	SCREW, STATOR LEAD CLIP FASTENING (10-24 X 3/8")
	10-30009		,3,	SCREW, STATOR LEAD CLIP FASTENING (10-24 X 3/8")
	10-30009		,,1	SCREW, STATOR LEAD CLIP FASTENING (10-24 X 3/8")
	10-31206		2,2,	SCREW, STATOR LEAD CLIP FASTENING (#10)
	10-31206		,,3	SCREW, STATOR LEAD CLIP FASTENING (#10)
17	22789		4,,4	"D" WASHER, CLIP FASTENING SCREW
	22789		,5,	"D" WASHER, CLIP FASTENING SCREW

DISTRIBUTOR ADAPTOR AND PILOT ASSEMBLY

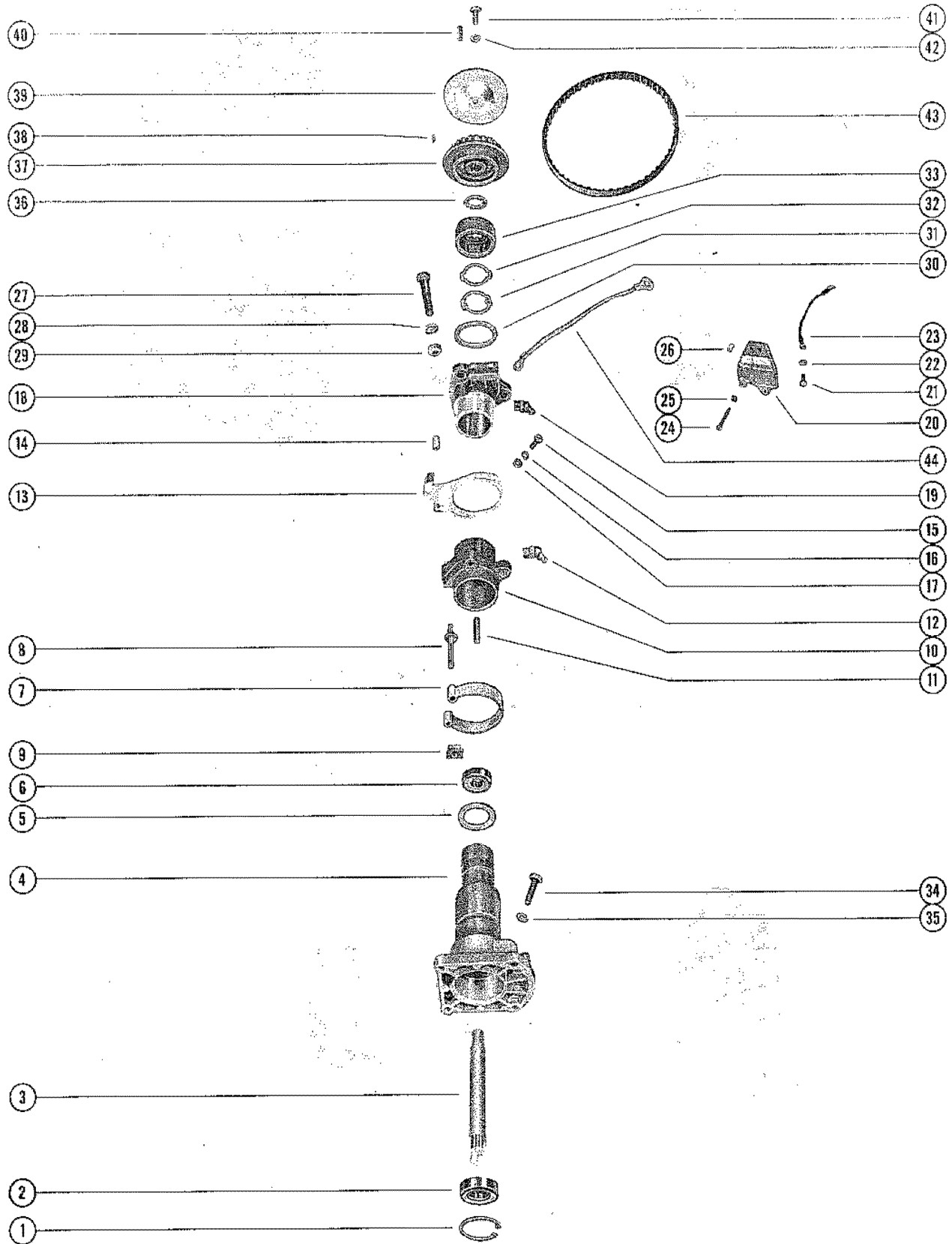


DISTRIBUTOR ADAPTOR AND PILOT ASSEMBLY

REF. NO.	PART NO.	SYM.	QTY.	DESCRIPTION
1	53-26406		1,1,1	RING, SNAP - BALL BEARING RETAINING
2	30-26379		1,1,1	BEARING, BALL - DRIVE SHAFT
3	45-30573		1,1,1	DRIVE SHAFT, DISTRIBUTOR
4	39559A1		1,1,	PILOT ASSEMBLY, DISTRIBUTOR SERIAL 00000000-02099925
	45483A4		,1,	PILOT ASSEMBLY, DISTRIBUTOR SERIAL 02099926-09999999
5	12-45484		,1,1	WASHER, DISTRIBUTOR TO ADAPTOR
4	45960A1		,,1	PILOT ASSEMBLY, DISTRIBUTOR
6	30-20066		1,1,1	BEARING, BALL - DISTRIBUTOR PILOT
7	24-29275		1,1,1	SPRING, HORSESHOE
8	17-27962		1,1,1	PIN, SPRING TERMINAL
9	32197		1,1,1	STOP, SPRING TERMINAL PIN
10	30580A1		1,1,1	ECONOMIZER COLLAR AND PIN ASSEMBLY
11	17-27961		1,1,1	PIN, SPRING RETAINER
12	22-25094		1,1,1	FITTING, GREASE - ECONOMIZER COLLAR
13	32044A1		1,1,1	THROTTLE ACTUATOR ASSEMBLY
14	23-26602		1,1,1	BUSHING, NYLON - THROTTLE ACTUATOR
15	10-20100		2,2,2	SCREW, THROTTLE ACTUATOR TO SECTOR GEAR
16	13-26996		2,2,2	LOCKWASHER, THROTTLE ACTUATOR FASTENING SCREW
17	12-20128		2,2,2	WASHER, THROTTLE ACTUATOR FASTENING SCREW
18	30645		1,1,1	ADAPTOR, DISTRIBUTOR
19	22-25094		1,1,1	FITTING, GREASE - ADAPTOR
20	30585		1,1,1	BRACKET, STOP
21	10-28636		2,2,2	SCREW, STOP BRACKET TO DISTRIBUTOR ADAPTOR
22	12-20533		2,2,2	WASHER, STOP BRACKET FASTENING SCREW
23	37747		1,,	GROUND STRAP, STOP BRACKET TO FRONT SUPPORT BRACKET
24	10-24228		3,3,3	SCREW, STOP BRACKET ADJUSTING
25	11-20890		3,3,3	NUT, STOP BRACKET ADJUSTING SCREW
26	26852		3,3,3	CAP, NYLON - ADJUSTING SCREW
27	10-22040		3,3,3	SCREW, ADAPTOR AND PILOT TO CRANKCASE FLANGE
28	12-20084		3,3,3	WASHER, ADAPTOR AND PILOT FASTENING SCREW
29	11-20083		3,3,3	NUT, ADAPTOR AND PILOT FASTENING SCREW
30	12-27939		1,1,1	WASHER, THRUST - DISTRIBUTOR PILOT
31	14-27960		1,1,1	TAB WASHER, CAP LOCKING
32	13-27959		1,1,1	WASHER, WAVE - TAB WASHER TENSION
33	27955		1,1,1	CAP, ADAPTOR AND PILOT FASTENING
34	10-31299		4,4,	SCREW, ADAPTOR AND PILOT TO DISTRIBUTOR (7/8")
	10-20532		,,4	SCREW, ADAPTOR AND PILOT TO DISTRIBUTOR (1-1/8")
35	13-26992		,,4	LOCKWASHER, ADAPTOR AND PILOT TO DISTRIBUTOR SCREW
36	23-29909		1,1,1	SPACER, DRIVEN PULLEY
37	29906A1		1,1,1	DRIVEN PULLEY ASSEMBLY
38	17-29908		1,1,1	PIN, DRIVEN PULLEY
39	29907		1,1,1	FLANGE, DRIVEN PULLEY

CONTINUED ON NEXT PAGE ➡

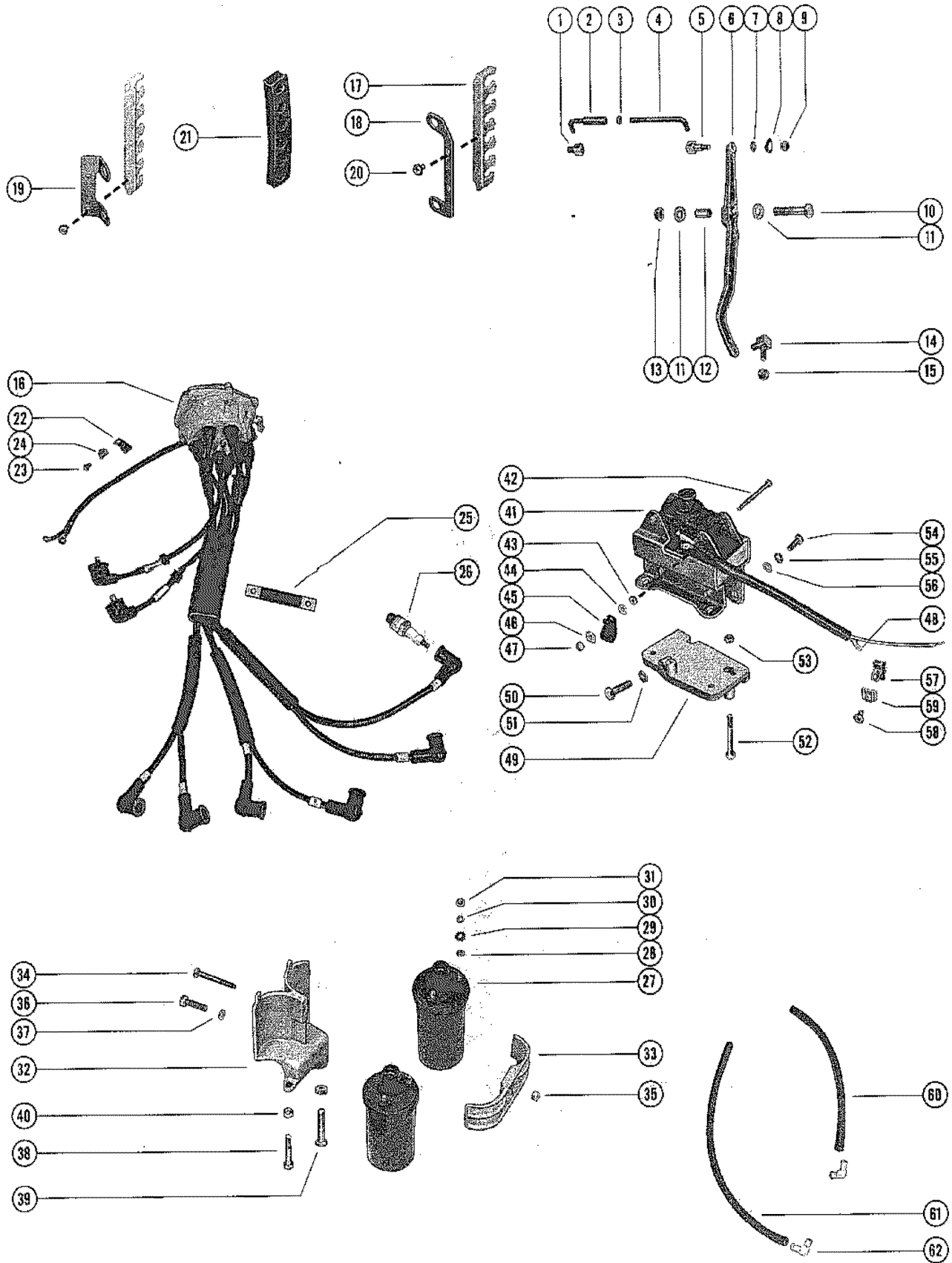
DISTRIBUTOR ADAPTOR AND PILOT ASSEMBLY



DISTRIBUTOR ADAPTOR AND PILOT ASSEMBLY

REF. NO.	PART NO.	SYM.	QTY.	DESCRIPTION
40	28-29910		1,1,1	KEY, MAGNETO DRIVING
41	10-29911		1,1,1	SCREW, PULLEY CLAMPING
42	13-26996		1,1,1	LOCKWASHER, PULLEY CLAMPING SCREW
43	20140		1,1,1	BELT, TIMING
44	30109		1,1,1	GROUND STRAP ASSEMBLY, ADAPTOR TO CRANKCASE

DISTRIBUTOR VERTICAL LINKAGE AND IGNITION COILS

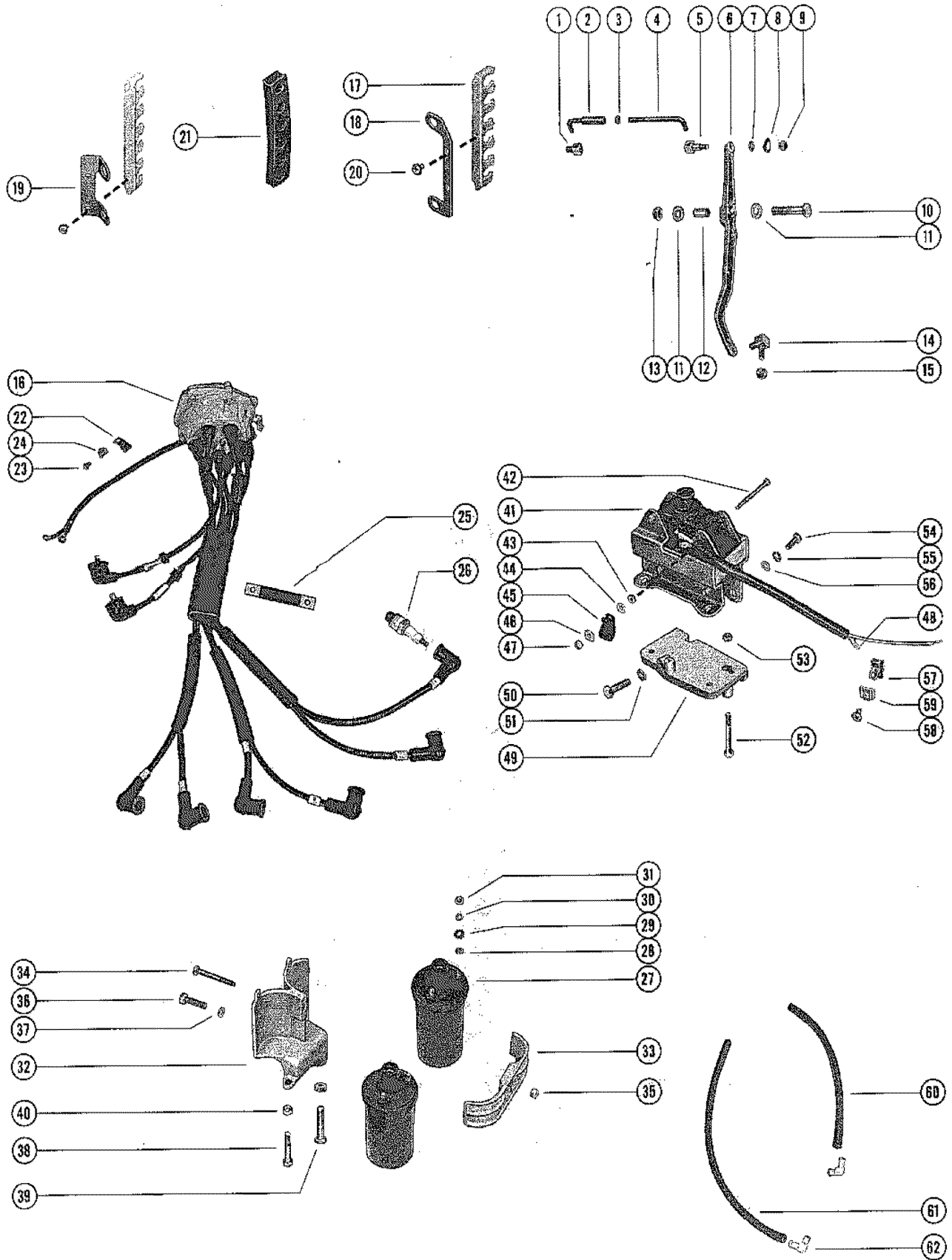


DISTRIBUTOR VERTICAL LINKAGE AND IGNITION COILS

REF. NO.	PART NO.	SYM.	QTY.	DESCRIPTION
1	27947		1,1,1	SWIVEL, LINKAGE - ECONOMIZER COLLAR
2	25996A1		1,1,1	SWIVEL AND LINK ROD ASSEMBLY
3	11-25168		1,1,1	NUT, UPPER LINK ROD ADJUSTING
4	37931		1,1,1	ROD, LINK - UPPER
5	27948		1,1,1	SWIVEL, UPPER LINK ROD TO THROTTLE CONTROL LEVER
6	38702		1,1,1	LEVER, THROTTLE CONTROL
7	12-29245		1,1,1	WASHER, THROTTLE CONTROL LEVER SWIVEL
8	13-25806		1,1,1	WASHER, WAVE - THROTTLE CONTROL LEVER SWIVEL
9	11-20361		1,1,1	NUT, UPPER LINK ROD SWIVEL TO THROTTLE CONTROL
10	10-37559		1,1,1	SCREW, THROTTLE LEVER TO EXHAUST MANIFOLD COVER (1-3/4")
11	12-29395		2,2	WASHER, THROTTLE CONTROL LEVER SCREW
	12-29395		,,1	WASHER, THROTTLE CONTROL LEVER SCREW
12	23-38994		1,1	BUSHING, STEEL - THROTTLE CONTROL LEVER
	23-45818		,,1	BUSHING, STEEL - THROTTLE CONTROL LEVER
13	11-20509		1,1,1	NUT, THROTTLE CONTROL LEVER SCREW
14	37587		1,1,1	SWIVEL, LOWER - THROTTLE CTRL LEVER TO THROTTLE CABLE
15	11-20361		1,1,1	NUT, THROTTLE CABLE TO LOWER SWIVEL
16	393-1282A17		1,,	DISTRIBUTOR ASSEMBLY, COMPLETE
	393-1282A22		,1,	DISTRIBUTOR ASSEMBLY, COMPLETE
	393-2799A2		,,1	DISTRIBUTOR ASSEMBLY, COMPLETE SERIAL 00000000-02211282
	393-2799A9		,,1	DISTRIBUTOR ASSEMBLY, COMPLETE SERIAL 02211283-09999999
-	45409A1		,1,1	WIRE RETAINER ASSEMBLY INCLUDED WITH A-393-1282A22 DISTRIBUTOR ASSEMBLY
17	45409		,2,2	WIRE RETAINER, HIGH TENSION LEADS INCLUDED WITH A-393-1282A22 DISTRIBUTOR ASSEMBLY
18	45392		,1,1	BRACKET, FRONT - WIRE RETAINER INCLUDED WITH A-393-1282A22 DISTRIBUTOR ASSEMBLY
19	45393		,1,1	BRACKET, REAR - WIRE RETAINER INCLUDED WITH A-393-1282A22 DISTRIBUTOR ASSEMBLY
20	10-30663		,4,4	SCREW, FRONT AND REAR BRACKET ATTACHING INCLUDED WITH A-393-1282A22 DISTRIBUTOR ASSEMBLY
21	45391		,1,1	SPACER, RUBBER - HIGH TENSION LEADS INCLUDED WITH A-393-1282A22 DISTRIBUTOR ASSEMBLY
-	25-26547		,13,13	GROMMET, HIGH TENSION LEADS INCLUDED WITH A-393-1282A22 DISTRIBUTOR ASSEMBLY
22	54-22875		1,,	CLIP, DISTRIBUTOR PRIMARY GROUND LEAD
23	10-26548		1,,	SCREW, DISTRIBUTOR PRIMARY GROUND LEAD CLIP FASTENING
24	22789		1,,	"D" WASHER, DISTRIBUTOR PRIMARY GROUND LEAD CLIP SCREW
25	54-37811		1,,	CLAMP, HIGH TENSION LEAD TO MANIFOLD COVER
26	33-39635		6,,	SPARK PLUG (CHAMPION - L4J)
	33-45191		,6,6	SPARK PLUG (CHAMPION - L19V)

CONTINUED ON NEXT PAGE ➡

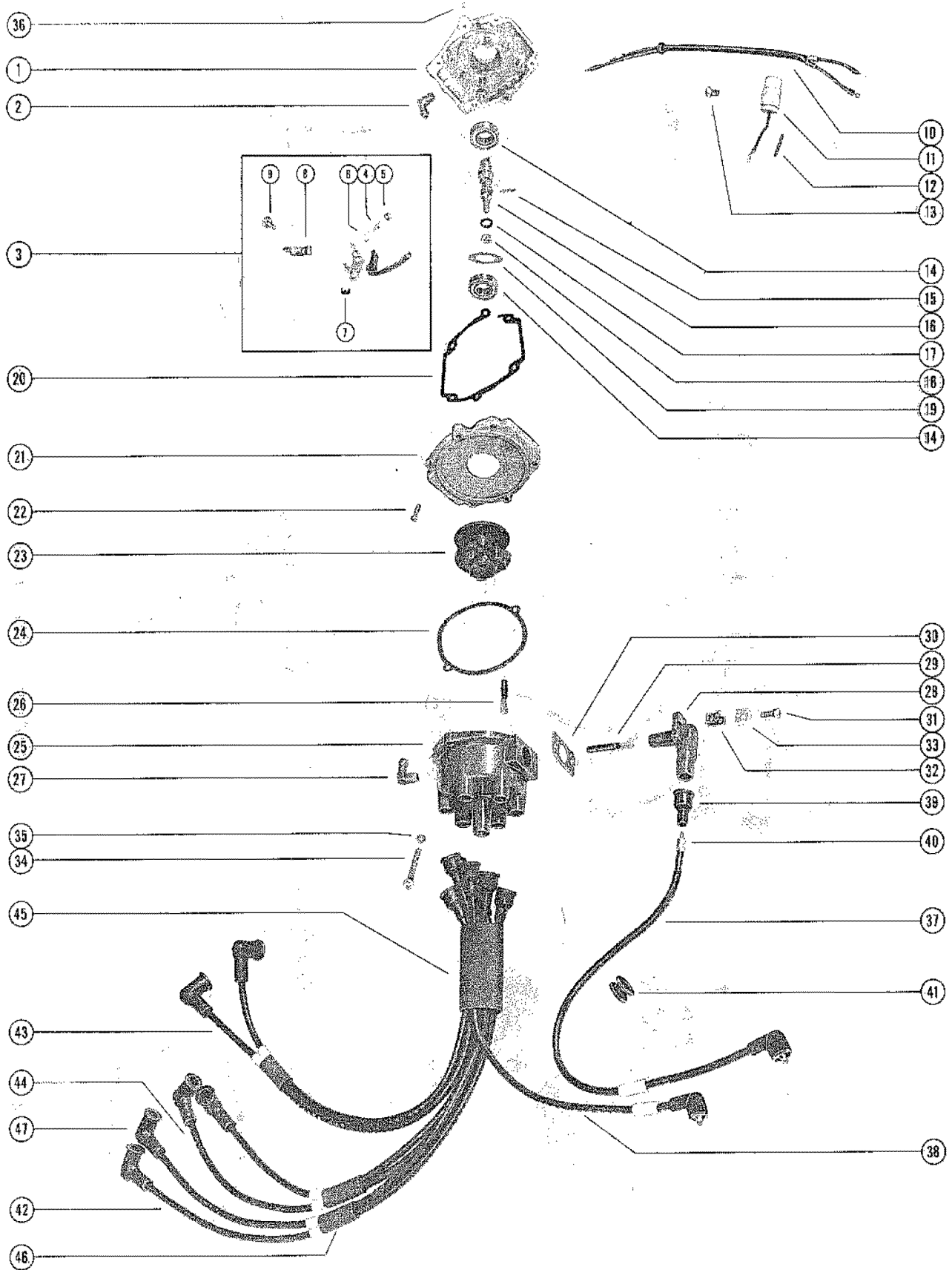
DISTRIBUTOR VERTICAL LINKAGE AND IGNITION COILS



DISTRIBUTOR VERTICAL LINKAGE AND IGNITION COILS

REF. NO.	PART NO.	SYM.	QTY.	DESCRIPTION
27	32193		2,,	COIL, IGNITION
28	25-26543		2,,	"O" RING, IGNITION COIL
29	13-20554		4,,	LOCKWASHER, IGNITION COIL TERMINALS
30	13-26996		4,,	LOCKWASHER, IGNITION COIL TERMINALS
31	11-20645		4,,	NUT, IGNITION COIL TERMINALS
32	26514		1,,	BRACKET, COIL FASTENING
33	32229		1,,	CLAMP, COIL BRACKET
34	10-26889		1,,	SCREW, COIL CLAMP TO BRACKET
35	11-20184		1,,	NUT, COIL CLAMP SCREW
36	10-37558		1,,	SCREW, COIL BRACKET TO BOTTOM COWL (1-1/4") - SIDE
37	13-26993		1,,	LOCKWASHER, COIL BRACKET SCREW
38	10-21937		1,,	SCREW, COIL BRACKET TO BOTTOM COWL (2")
39	10-37742		1,,	SCREW, COIL BRACKET TO BOTTOM COWL (1-3/4") - TOP
40	11-20184		2,,	NUT, COIL BRACKET SCREW
41	332-2826A2		,1,1	IGNITION COIL ASSEMBLY, COMPLETE
42	10-45103		,3,3	SCREW, IGNITION COIL CLAMPING (2")
	10-45102		,1,1	SCREW, IGNITION COIL CLAMPING - CLIP ATTACHING (2-3/8")
43	11-20645		,1,1	NUT, IGNITION COIL CLAMPING SCREW
44	12-37407		,1,1	WASHER, IGNITION COIL CLAMPING SCREW
45	54-22740		,1,1	CLIP, LEAD WIRE TO IGNITION COIL
46	22789		,1,1	"D" WASHER, IGNITION COIL CLAMPING SCREW
47	11-20190		,4,4	NUT, IGNITION COIL CLAMPING SCREW
48	22924		,2,2	TERMINAL, COIL TO SWITCH BOX
49	332-2830		,1,1	BRACKET, COIL MOUNTING
50	10-38837		,1,1	SCREW, COIL MOUNTING BRACKET
51	13-26993		,1,1	LOCKWASHER, COIL MOUNTING BRACKET
52	10-26889		,1,1	SCREW, COIL MOUNTING BRACKET (2-1/4")
	10-45086		,1,1	SCREW, COIL MOUNTING BRACKET (3")
53	11-46887		,2,2	NUT, COIL MOUNTING BRACKET SCREW
54	10-21625		,4,4	SCREW, IGNITION COIL
55	12-29245		,4,4	WASHER, IGNITION COIL
56	13-26992		,4,4	LOCKWASHER, IGNITION COIL
57	54-26550		,1,1	CLIP, IGNITION COIL LEAD
58	10-30009		,1,1	SCREW, LEAD WIRE CLIP TO FRONT MOUNTING BRACKET
59	22789		,1,1	"D" WASHER, LEAD WIRE CLIP SCREW
60	32-26542		1,1,1	HOSE, VENT - DISTRIBUTOR TO ELBOW (13")
61	32-37671		1,1,1	HOSE, VENT - DISTRIBUTOR TO ELBOW (18-1/2")
62	22-31521		2,2,2	ELBOW, VENT HOSE TO BOTTOM COWL

DISTRIBUTOR ASSEMBLY, COMPLETE (MERC 950E)

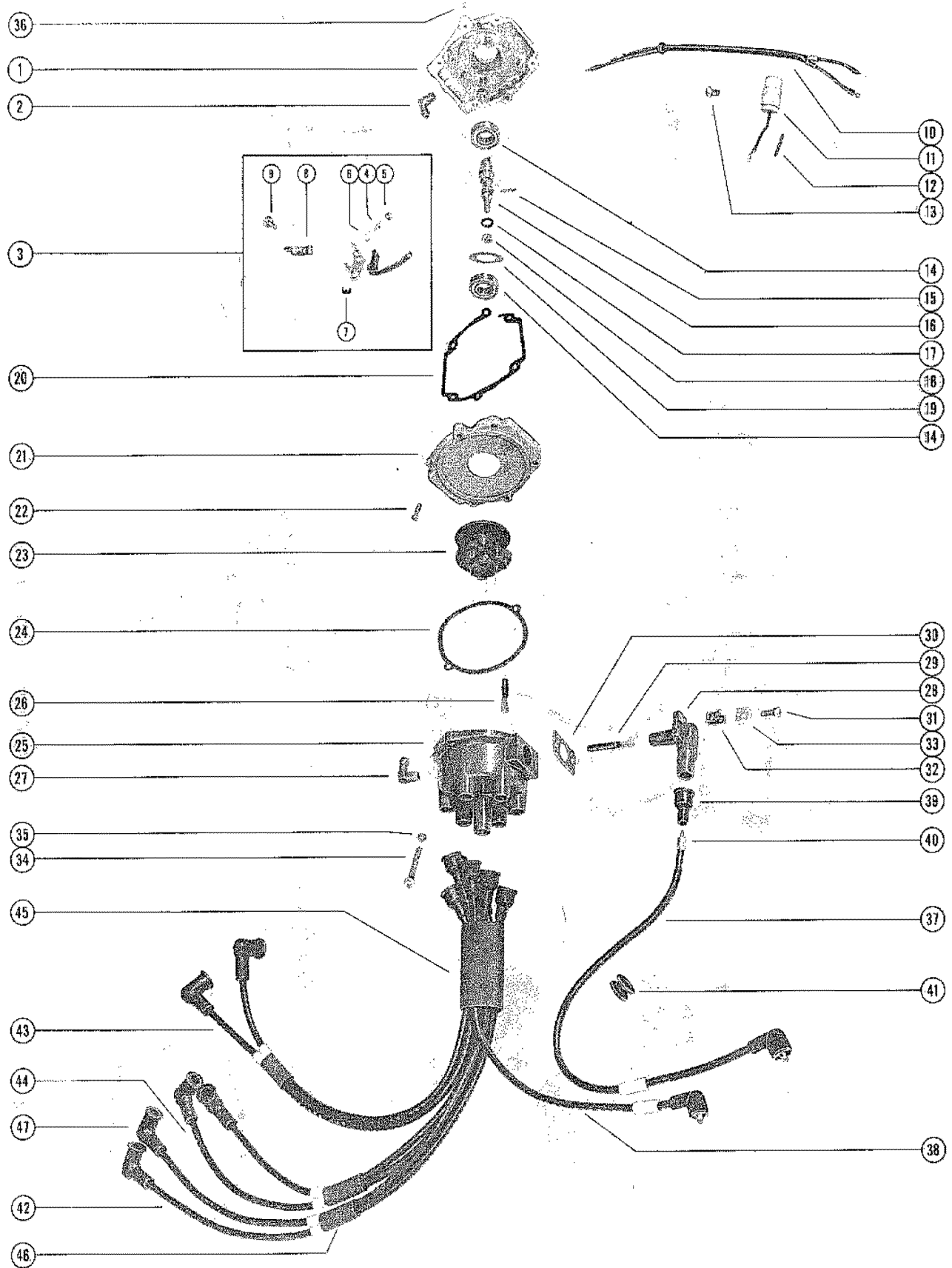


DISTRIBUTOR ASSEMBLY, COMPLETE (MERC 950E)

REF. NO.	PART NO.	SYM.	QTY.	DESCRIPTION
-	393-1282A17		1,	DISTRIBUTOR ASSEMBLY, COMPLETE
-	393-1282A22		,1	DISTRIBUTOR ASSEMBLY, COMPLETE
1	393-1282		1,1	HOUSING, PRIMARY
2	22-25885A1		1,1	ELBOW ASSEMBLY, VENT HOSE - PRIMARY HOUSING
3	393-1504A5		2,2	BREAKER ASSEMBLY, COMPLETE
4	16-29230		2,2	STUD, PRIMARY LEAD AND TENSION SPRING
5	11-29236		2,2	NUT, PRIMARY LEAD FASTENING
6	393-1586		2,2	GROMMET, PLASTIC - BREAKER ASSEMBLY
7	53-21058		2,2	"E" RING, BREAKER TO PIVOT PIN"
8	393-1287A2		2,2	CAM WICK AND HOLDER ASSEMBLY
9	10-20597		2,2	SCREW, BREAKER HOLDER TO HOUSING
10	393-1656		1,1	WIRE, PRIMARY GROUND
11	393-1283		2,	CONDENSER
-	23-45006		,2	SPACER
-	393-2730		,2	BRACKET, SPACER MOUNTING
12	38700		1,1	SNUBBER, CONDENSER AND SPACER
13	10-29434		2,2	SCREW, CONDENSER AND SPACER TO HOUSING
14	30-26379		2,2	BEARING, BALL - CAM SHAFT
15	17-25319		1,1	PIN, ROLL - CAM SHAFT
16	393-1779A2		1,	SHAFT ASSEMBLY - DISTRIBUTOR CAM
	332-2802A2		,1	SHAFT ASSEMBLY, DISTRIBUTOR CAM
17	25-26543		1,1	"O" RING, CAM SHAFT
18	23-28933		1,1	BUSHING, DISTRIBUTOR CAM SHAFT
19	13-26917		2,2	WASHER, WAVE - BALL BEARING TENSION
20	27-26412		1,1	GASKET, HOUSING TO ADAPTOR
21	393-1278		1,1	ADAPTOR, HOUSING TO DISTRIBUTOR CAP
22	10-29180		4,	SCREW, ADAPTOR TO HOUSING
	10-29180		,2	SCREW, ADAPTOR TO HOUSING
23	393-1280A1		1,1	ROTOR, DISTRIBUTOR
24	27-36268		1,1	GASKET, DISTRIBUTOR CAP TO ADAPTOR
25	393-1927A5		1,	DISTRIBUTOR CAP ASSEMBLY
	393-1927A9		,1	DISTRIBUTOR CAP ASSEMBLY
26	393-1293A1		1,1	BRUSH AND SPRING ASSEMBLY
27	22-31521		1,1	ELBOW, VENT HOSE - DISTRIBUTOR CAP
28	393-F1277		1,	SIDE INLET COVER ASSEMBLY
29	393-1292A1		1,	BRUSH AND SPRING ASSEMBLY
28	393-2725		,1	COVER, SIDE INLET (NOT AS SHOWN)
30	27-26447		1,1	GASKET, SIDE INLET COVER TO DISTRIBUTOR CAP
31	10-29167		2,	SCREW, SIDE INLET COVER TO DISTRIBUTOR CAP
	10-45380		,2	SCREW, SIDE INLET COVER TO DISTRIBUTOR CAP
32	54-24836		,1	CLIP, DISTRIBUTOR LEAD WIRE TO SWITCH BOX
33	22789		,1	"D" WASHER, SIDE INLET COVER SCREW
34	10-29158		4,4	SCREW, DISTRIBUTOR CAP TO ADAPTOR TO HOUSING

CONTINUED ON NEXT PAGE ➡

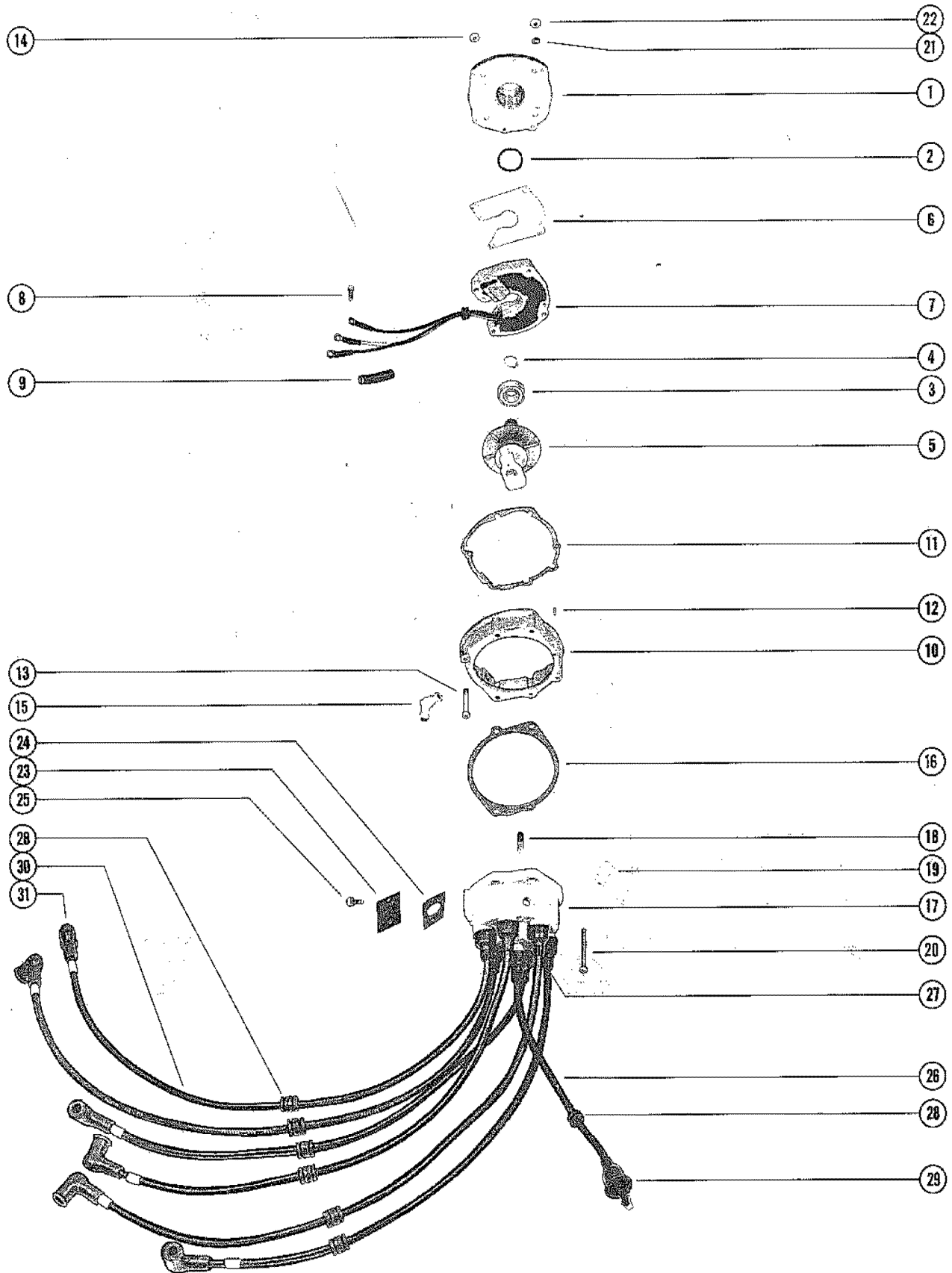
DISTRIBUTOR ASSEMBLY, COMPLETE (MERC 950E)



DISTRIBUTOR ASSEMBLY, COMPLETE (MERC 950E)

REF. NO.	PART NO.	SYM.	QTY.	DESCRIPTION
35	12-26436		4,4	WASHER, DISTRIBUTOR CAP FASTENING SCREW
36	11-21806		4,4	NUT,DISTRIBUTOR CAP FASTENING SCREW
37	393-1621A1		1,	HIGH TENSION CABLE ASSEMBLY COIL (COIL #2)
38	393-1622A1		1,	HIGH TENSION CABLE ASSEMBLY (COIL #1)
	393-2729A1		,1	HIGH TENSION CABLE ASSEMBLY
39	393-1275		2,	SLEEVE, TERMINAL END COVER
	393-1275		,1	SLEEVE, TERMINAL END COVER
-	332-2854		,1	BOOT, TERMINAL END COVER
40	20121		2,	CONNECTOR, HIGH TENSION CABLE (CAP END)
	20121		,1	CONNECTOR, HIGH TENSION CABLE (CAP END)
41	25-26547		2,	GROMMET, HIGH TENSION CABLE
	25-26547		,1	GROMMET, HIGH TENSION CABLE
	25-26547		,12	GROMMET, SPARK PLUG LEAD
42	23564A4		3,3	SPARK PLUG LEAD ASSEMBLY (#3, 4 AND 5)
43	23564A5		2,2	SPARK PLUG LEAD ASSEMBLY (#2 AND 6)
44	23564A6		1,1	SPARK PLUG LEAD ASSEMBLY (#1)
40	20121		6,6	CONNECTOR, SPARK PLUG LEAD
39	393-1275		6,6	SLEEVE, TERMINAL END COVER
45	32-30574		1,	SLEEVE, SPARK PLUG LEAD
46	32-26527		2,	SLEEVE, SPARK PLUG LEAD (1-1/2")
	32-38760		3,	SLEEVE, SPARK PLUG LEAD (5-1/8")
47	20119		6,6	PROTECTOR, SPARK PLUG LEAD

DISTRIBUTOR ASSEMBLY, COMPLETE (MERC 950E-SS-1)

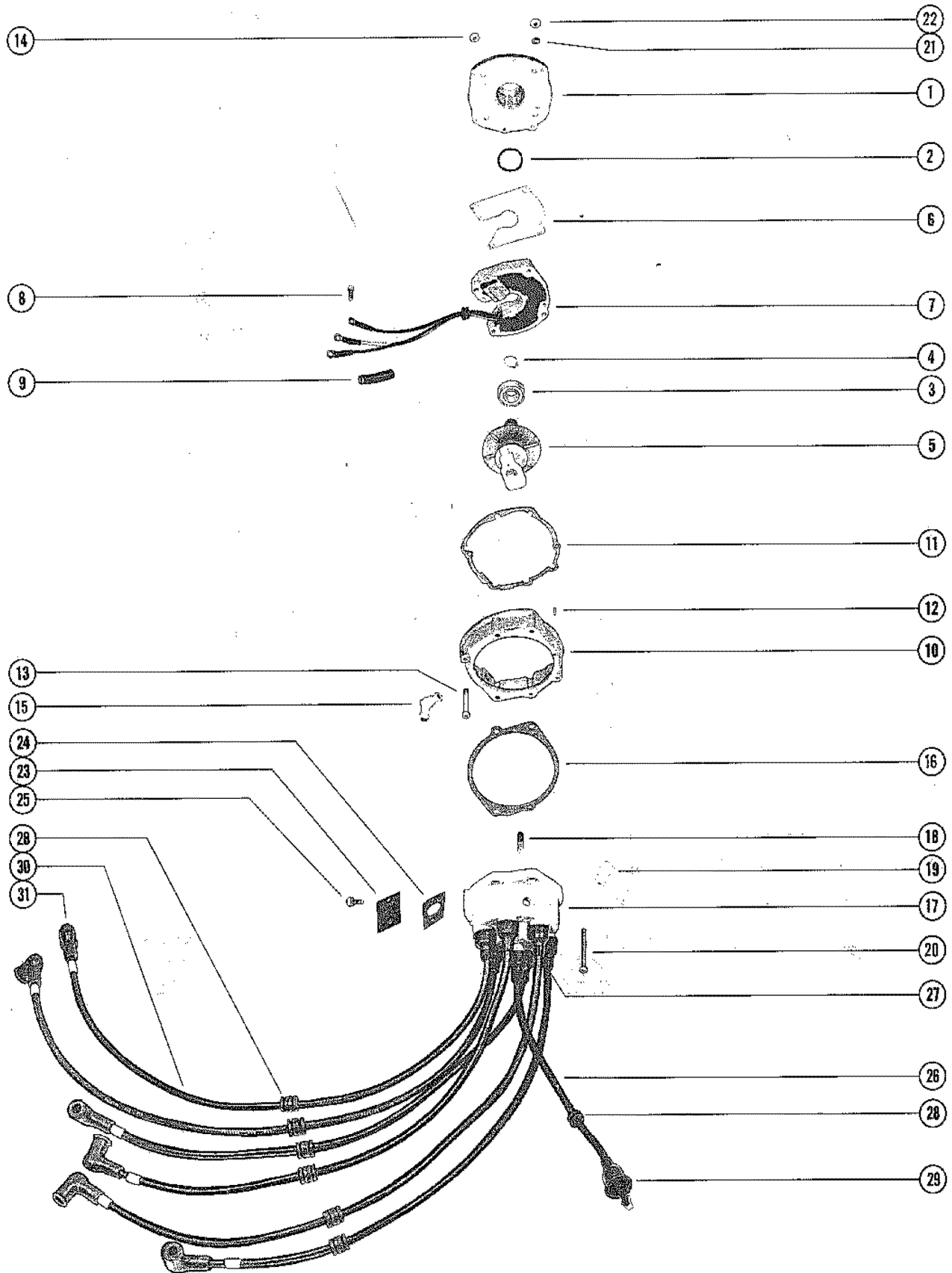


DISTRIBUTOR ASSEMBLY, COMPLETE (MERC 950E-SS-1)

REF. NO.	PART NO.	SYM.	QTY.	DESCRIPTION
-	393-2799A2		1	DISTRIBUTOR ASSEMBLY, COMPLETE SERIAL 00000000-02211282
-	393-2799A9		1	DISTRIBUTOR ASSEMBLY, COMPLETE SERIAL 02211283-09999999
1	393-2799		1	HOUSING, PRIMARY
2	13-26917		2	WASHER, WAVE - PRIMARY HOUSING
3	30-26379		2	BEARING, BALL - ROTOR SHAFT
4	53-45906		2	RING, RETAINER - ROTOR SHAFT BALL BEARING
5	393-2921A1		1	ROTOR SHAFT ASSEMBLY SERIAL 00000000-02211282
	393-2921A7		1	ROTOR SHAFT ASSEMBLY SERIAL 02211283-09999999
6	393-2795		AR	SHIM, TRIGGER HOUSING TO PRIMARY HOUSING
7	393-2918A1		1	TRIGGER HOUSING ASSEMBLY
8	10-20646		2	SCREW, SHIM AND TRIGGER HOUSING TO PRIMARY HOUSING
9	23-32914		1	SLEEVE, TRIGGER HOUSING CABLES
10	393-3014A2		1	ADAPTOR ASSEMBLY, HOUSING TO DISTRIBUTOR CAP
11	27-46351		1	GASKET, ADAPTOR TO PRIMARY HOUSING SEE NOTE BELOW
	27-45910		1	GASKET, ADAPTOR TO PRIMARY HOUSING SEE NOTE BELOW
12	17-20032		2	DOWEL PIN, ADAPTOR TO PRIMARY HOUSING
13	10-32627		2	SCREW, ADAPTOR TO HOUSING
14	11-46438		2	NUT, ADAPTOR TO HOUSING SCREW
15	22-31521A1		1	ELBOW ASSEMBLY, VENT HOSE - ADAPTOR HOUSING
16	27-36268		1	GASKET, DISTRIBUTOR TO ADAPTOR
17	393-1927A9		1	DISTRIBUTOR CAP ASSEMBLY
18	393-1293A1		1	BRUSH AND SPRING ASSEMBLY
19	22-31521		1	ELBOW, VENT HOSE - DISTRIBUTOR CAP
20	10-45914		4	SCREW, DISTRIBUTOR CAP TO ADAPTOR TO HOUSING (2")
21	12-46236		4	WASHER, DISTRIBUTOR CAP FASTENING SCREW
22	11-46438		4	NUT, DISTRIBUTOR CAP FASTENING SCREW
23	393-2725		1	COVER, SIDE INLET - DISTRIBUTOR
24	27-26447		1	GASKET, SIDE INLET COVER TO DISTRIBUTOR CAP
25	10-45380		2	SCREW, SIDE INLET COVER TO DISTRIBUTOR CAP
26	393-2729A1		1	HIGH TENSION CABLE ASSEMBLY - DISTRIBUTOR TO COIL
-	20121		1	CONNECTOR, HIGH TENSION CABLE (CAP END)
27	393-1275		1	SLEEVE, TERMINAL COVER
28	25-26547		1	GROMMET, HIGH TENSION CABLE
29	323-2854		1	BOOT, HIGH TENSION CABLE TO COIL
27	393-1275		6	SLEEVE, TERMINAL END COVER
28	25-26547		12	GROMMET, SPARK PLUG LEAD

CONTINUED ON NEXT PAGE ➡

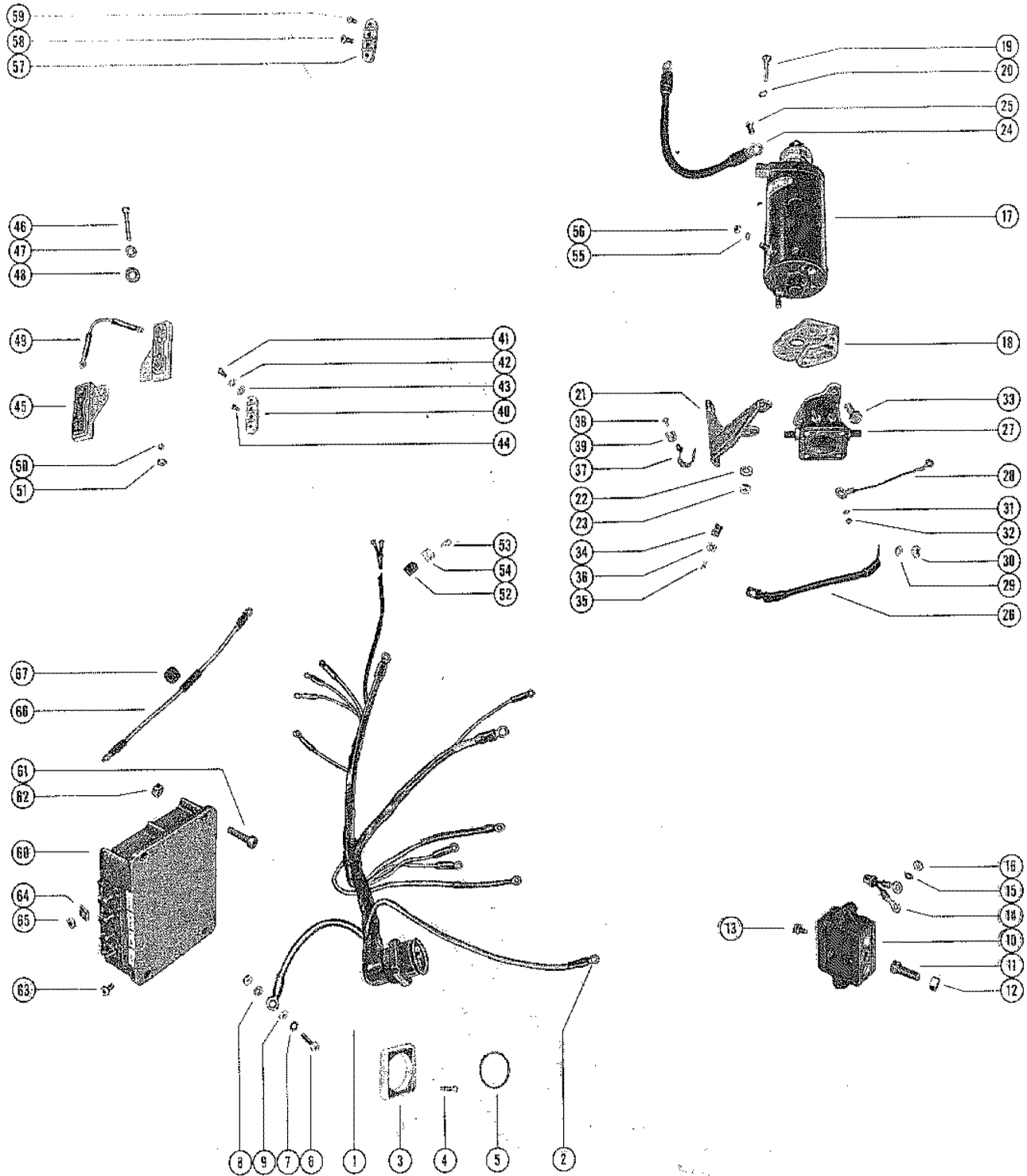
DISTRIBUTOR ASSEMBLY, COMPLETE (MERC 950E-SS-1)



DISTRIBUTOR ASSEMBLY, COMPLETE (MERC 950E-SS-1)

REF. NO.	PART NO.	SYM.	QTY.	DESCRIPTION
30	23564A4		3	SPARK PLUG LEAD ASSEMBLY (#3, #4 AND #5)
	23564A5		2	SPARK PLUG LEAD ASSEMBLY (#2 AND #6)
	23564A6		1	SPARK PLUG LEAD ASSEMBLY (#1)
-	20121		6	CONNECTOR, SPARK PLUG LEAD
31	20119A1		6	PROTECTOR, SPARK PLUG LEAD

STR MTR,STR SOLENOID,RECTIFIER & WIRING HARNESS(MC 950E)

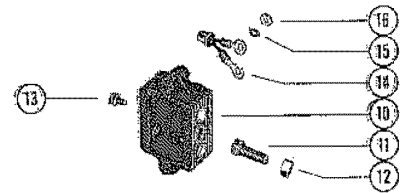
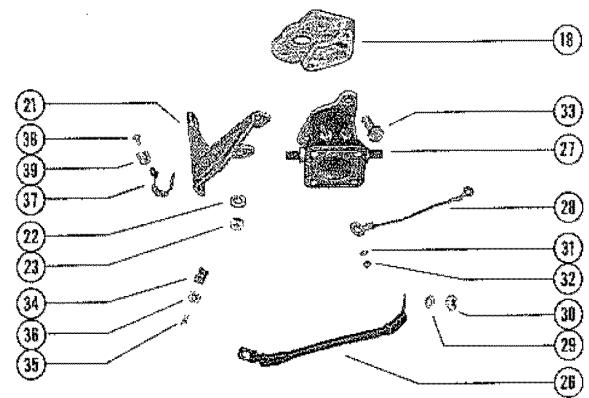
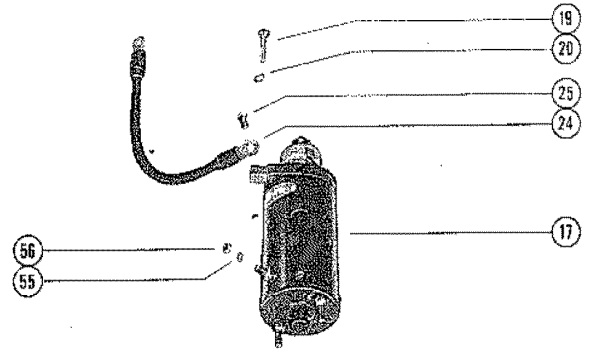
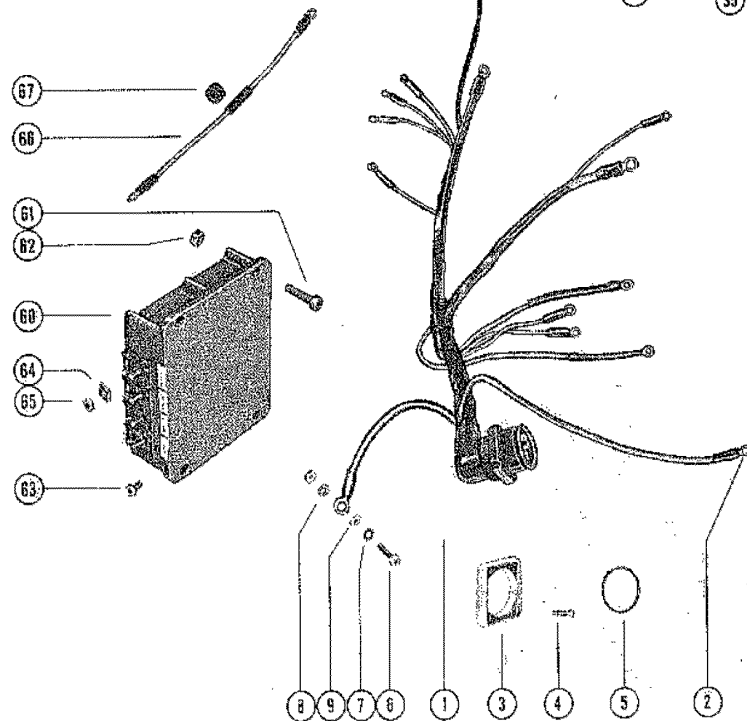
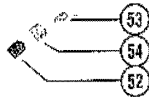
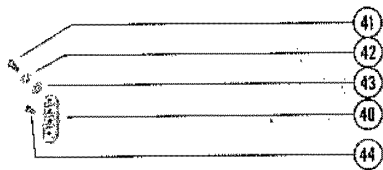
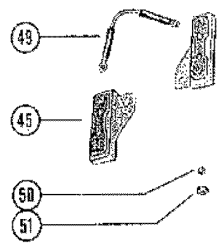
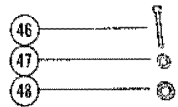
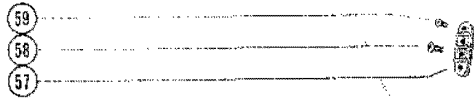


STR MTR,STR SOLENOID,RECTIFIER & WIRING HARNESS(MC 950E)

REF. NO.	PART NO.	SYM.	QTY.	DESCRIPTION
1	39177		1,	WIRING HARNESS, INTERNAL
	45070		,1	WIRING HARNESS, INTERNAL
2	30050		AR,AR	TERMINAL, HARNESS AND MERCURY SWITCH LEADS
3	26079		1,1	PLATE, WIRING HARNESS TO BOTTOM COWL
4	10-26128		4,4	SCREW, HARNESS PLATE FASTENING
5	24-28975		1,1	SPRING, GARTER - INTERNAL WIRING HARNESS
6	10-45087		,1	SCREW, GROUND WIRE TO BOTTOM COWL
7	13-25244		,1	LOCKWASHER, GROUND WIRE SCREW
8	13-24669		,1	LOCKWASHER, GROUND WIRE SCREW
9	11-20088		,2	NUT, GROUND WIRE SCREW
10	32177A1		1,1	RECTIFIER ASSEMBLY
11	10-26065		1,1	SCREW, RECTIFIER TO MOUNTING BRACKET
12	11-29250		1,1	NUT, RECTIFIER MOUNTING SCREW
13	10-29852		1,1	SCREW, HARNESS TERMINAL LEAD TO RECTIFIER
14	332-2868A1		,1	CLIPPER, SHORTING
15	13-26996		2,2	LOCKWASHER, RECTIFIER STATOR LEAD TERMINALS
16	11-20645		2,2	NUT, FASTENING - RECTIFIER STATOR LEADS
17	50-37274A1		1,1	STARTER MOTOR ASSEMBLY
18	37332		1,	PLATE, SPACER - STARTER MOTOR
	45125		,1	PLATE, SPACER - STARTER MOTOR
19	10-22698		2,2	SCREW, STARTER MOTOR TO CRANKCASE FLANGE
20	13-26993		2,2	LOCKWASHER, STARTER MOTOR FASTENING SCREW
21	38747		1,1	BRACKET, SUPPORT - STARTER MOTOR
22	13-24669		2,2	LOCKWASHER, THRU BOLT
23	11-20890		2,2	NUT, THRU BOLT - BRACKET TO STARTER MOTOR
24	25596		,1	CABLE, WIRE - STARTER MOTOR TO FRONT SUPPORT BRACKET
25	10-29197		1,1	SCREW, HARNESS GROUND LEAD TO STARTER MOTOR
26	32107		1,1	CABLE, WIRE - STARTER MOTOR TO SOLENOID
27	32082		1,1	SOLENOID, STARTER
28	32278A1		1,1	GROUND STRAP ASSEMBLY, STARTER SOLENOID
29	13-26993		2,2	LOCKWASHER, SOLENOID TERMINAL (5/16")
30	11-20083		2,2	NUT, SOLENOID TERMINAL (5/16")
31	13-26996		2,2	LOCKWASHER, SOLENOID TERMINAL (#10)
32	11-20645		2,2	NUT, SOLENOID TERMINAL (#10)
33	10-29282		2,2	SCREW, SOLENOID TO STARTER MOTOR
34	54-24836		1,	CLIP, LEAD WIRES TO SUPPORT BRACKET
35	10-26548		1,	SCREW, LEAD WIRE CLIP FASTENING
36	22789		1,	"D" WASHER, CLIP FASTENING SCREW
37	54-24871		1,	CLAMP, WIRING HARNESS TO SUPPORT BRACKET
38	10-26548		1,	SCREW, HARNESS CLAMP FASTENING
39	22789		1,	"D" WASHER, HARNESS CLAMP
40	30212		1,	BLOCK< TERMINAL - UPPER FUEL PUMP PAD

CONTINUED ON NEXT PAGE ➡

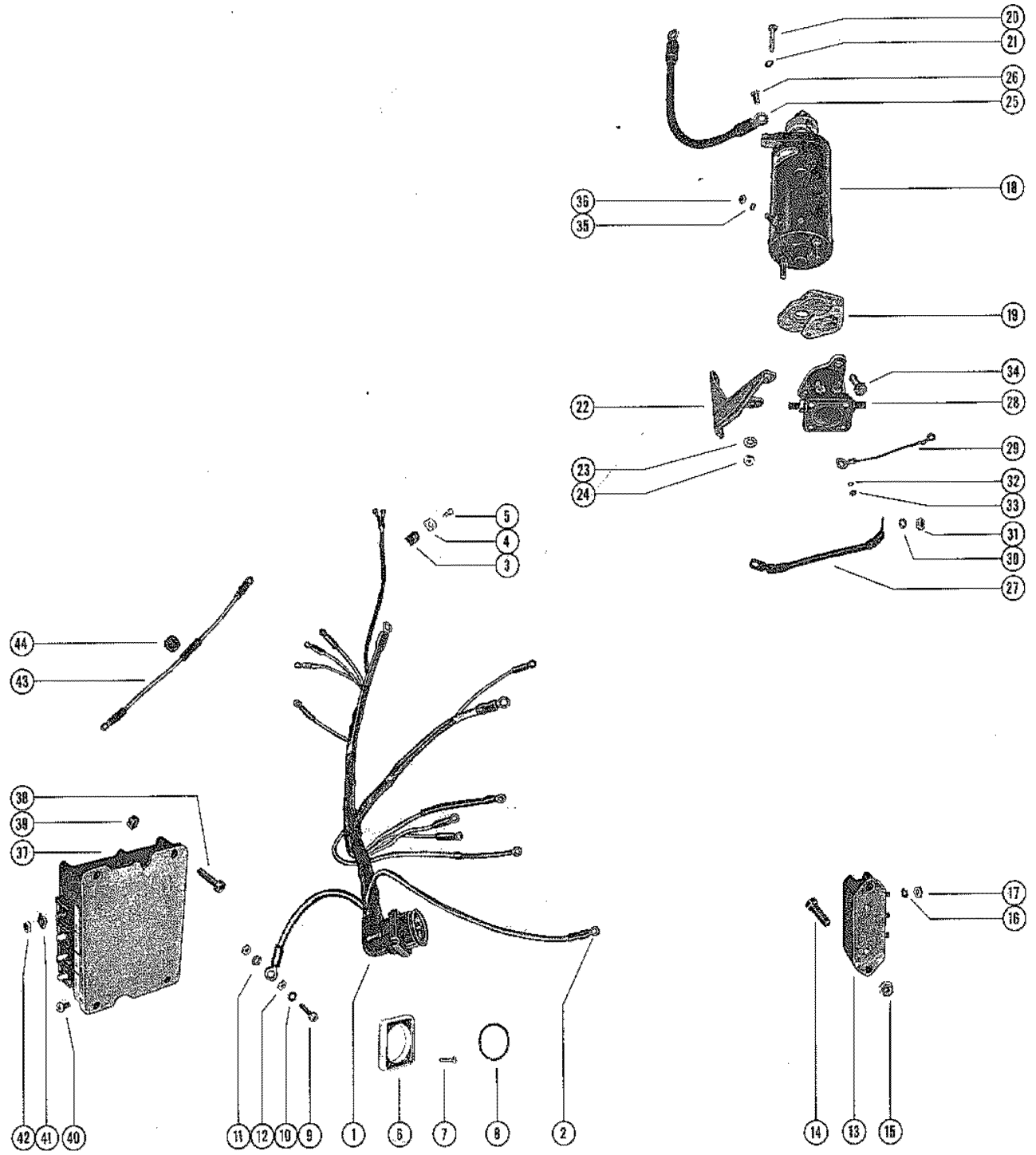
STR MTR,STR SOLENOID,RECTIFIER & WIRING HARNESS(MC 950E)



STR MTR,STR SOLENOID,RECTIFIER & WIRING HARNESS(MC 950E)

REF. NO.	PART NO.	SYM.	QTY.	DESCRIPTION
41	10-22245		2,	SCREW, TERMINAL BLOCK FASTENING
42	13-26996		2,	LOCKWASHER, TERMINAL BLOCK FASTENING SCREW
43	12-26014		2,	WASHER, TERMINAL BLOCK FASTENING SCREW
44	10-30663		2,	SCREW, HARNESS LEADS TO TERMINAL BLOCK
45	32227		2,	BALLAST, IGNITION COIL
46	10-28666		1,	SCREW, BALLAST AND PORT COVER MOUNTING (1")
47	13-26992		1,	LOCKWASHER, BALLAST AND PORT COVER MOUNTING
48	12-20346		3,	WASHER, BALLAST AND PORT COVER MOUNTING
49	39181		1,	JUMPER, BALLAST TO BALLAST
50	13-26995		4,	LOCKWASHER, BALLAST JUMPER LEAD TERMINALS
51	11-21923		4,	NUT, BALLAST JUMPER LEADS FASTENING
52	54-24836		1,	CLIP, WIRING HARNESS TO CRANKCASE FLANGE
53	10-30009		1,	SCREW, HARNESS CLIP FASTENING
54	22789		1,	"D" WASHER, HARNESS CLIP
55	13-26992		1,1	LOCKWASHER, STARTER MOTOR TERMINAL
56	11-20890		1,1	NUT, STARTER MOTOR TERMINAL
57	30212		1,	BLOCK, TERMINAL - EXHAUST COVER
58	10-30663		4,	SCREW, HARNESS LEADS TO TERMINAL BLOCK
59	10-28192		2,	SCREW, TERMINAL BLOCK TO EXHAUST MANIFOLD COVER
60	332-2803A4		,1	SWITCH BOX ASSEMBLY
61	10-31294		,4	SCREW, SWITCH BOX TO FRONT BRACKET
62	11-24652		,4	NUT, SWITCH BOX SCREW
63	10-45218		,1	SCREW, SWITCH BOX
64	12-45075		,5	WASHER, SWITCH BOX TERMINAL
65	11-45076		,5	NUT, SWITCH BOX TERMINAL
66	45146		,1	WIRE, RECTIFIER TO SWITCH BOX
67	25-26547		,1	GROMMET, RECTIFIER TO SWITCH BOX WIRE

STR MTR,STR SOLENOID,RECTIFIER & WIRING HARNESS(MC 950E-SS-1)

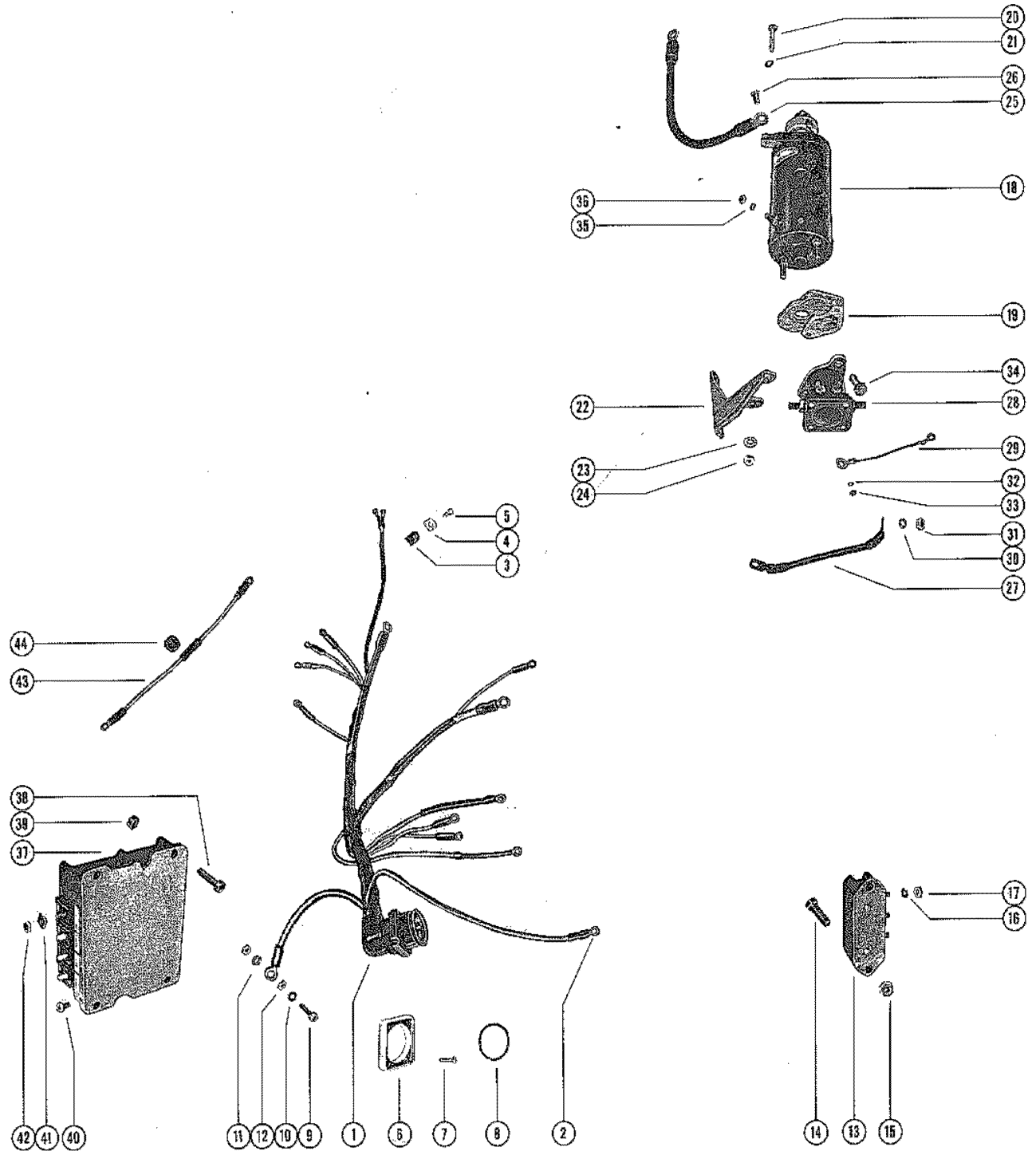


STR MTR,STR SOLENOID,RECTIFIER & WIRING HARNESSMC 950E-SS-1)

REF. NO.	PART NO.	SYM.	QTY.	DESCRIPTION
1	46463		1	WIRING HARNESS, INTERNAL
2	30050		AR	TERMINAL, HARNESS AND MERCURY SWITCH LEADS
3	54-26538		1	CLIP, WIRIN HARNESS TO FRONT BRACKET
4	22789		1	"D" WASHER, WIRING HARNESS CLIP SCREW
5	10-30009		1	SCRWE, WIRING HARNESS TO FRONT BRACKET
3	54-23567		2	CLIP, WIRING HARNESS TO FRONT SUPPORT BRACKET
4	10-31206		2	SCREW, WIRING HARNESS CLIP TO FRONT SUPPORT BRACKET
5	22789		2	"D" WASHER, WIRING HARNESS TO FRONT SUPPORT BRACKET
6	26079		1	PLATE, WIRING HARNESS TO BOTTOM COWL
7	10-45893		4	SCREW, HARNESS PLATE FASTENING
8	24-28975		1	SPRING, GARTER - INTERNAL WIRING HARNESS
9	10-45087		1	SCREW, GROUND WIRE TO BOTTOM COWL
10	13-25244		1	LOCKWASHER, GROUND WIRE SCREW
11	13-24669		1	LOCKWASHER, GROUND WIRE SCREW
12	11-20088		2	NUT, GROUND WIRE SCREW
	10-20776		2	SCREW, GROUND WIRE SCREW
13	332-2910A3		1	RECTIFIER ASSEMBLY
14	10-22485		2	SCREW, RECTIFIER TO MOUNTING SCREW
15	11-46887		2	NUT, RECTIFIER MOUNTING SCREW
16	12-45075		3	WASHER, RECTIFIER STATOR LEAD TERMINAL
17	11-45076		3	NUT, FASTENING - RECTIFIER STATOR LEADS
18	50-45822A1		1	STARTER MOTOR ASSEMBLY
19	45125		1	PLATE, SPACER - STARTER MOTOR
20	10-22698		2	SCREW, STARTER MOTOR TO CRANKCASE FLANGE
21	13-26993		2	LOCKWASHER, STARTER MOTOR FASTENING SCREW
22	38747		1	BRACKET, SUPPORT - STARTER MOTOR
23	13-24669		2	LOCKWASHER, THRU BOLT
24	11-20088		2	NUT, THRU BOLT - BRACKET TO STARTER MOTOR
25	25596		1	CABLE, WIRE - STARTER MOTOR TO FRONT SUPPORT BRACKET
26	10-29197		1	SCREW, HARNESS GROUND LEAD TO STARTER MOTOR
27	32107		1	CABLE, WIRE - STARTER MOTOR TO SOLENOID
28	32082		1	SOLENOID, STARTER
29	46466		1	GROUND STRAP ASSEMBLY, STARTER SOLENOID
30	13-26993		2	LOCKWASHER, SOLENOID TERMINAL (5/16")
31	11-20083		2	NUT, SOLENOID TERMINAL (5/16")
32	13-26996		2	LOCKWASHER, SOLENOID TERMINAL (#10)
33	11-20645		2	NUT, SOLENOID TERMINAL (#10)
34	10-29282		2	SCREW, SOLENOID TO STARTER MOTOR
35	13-26992		1	LOCKWASHER, STARTER MOTOR TERMINAL
36	11-20890		1	NUT, STARTER MOTOR TERMINAL
37	332-2986A4		1	SWITCH BOX ASSEMBLY

CONTINUED ON NEXT PAGE ➡

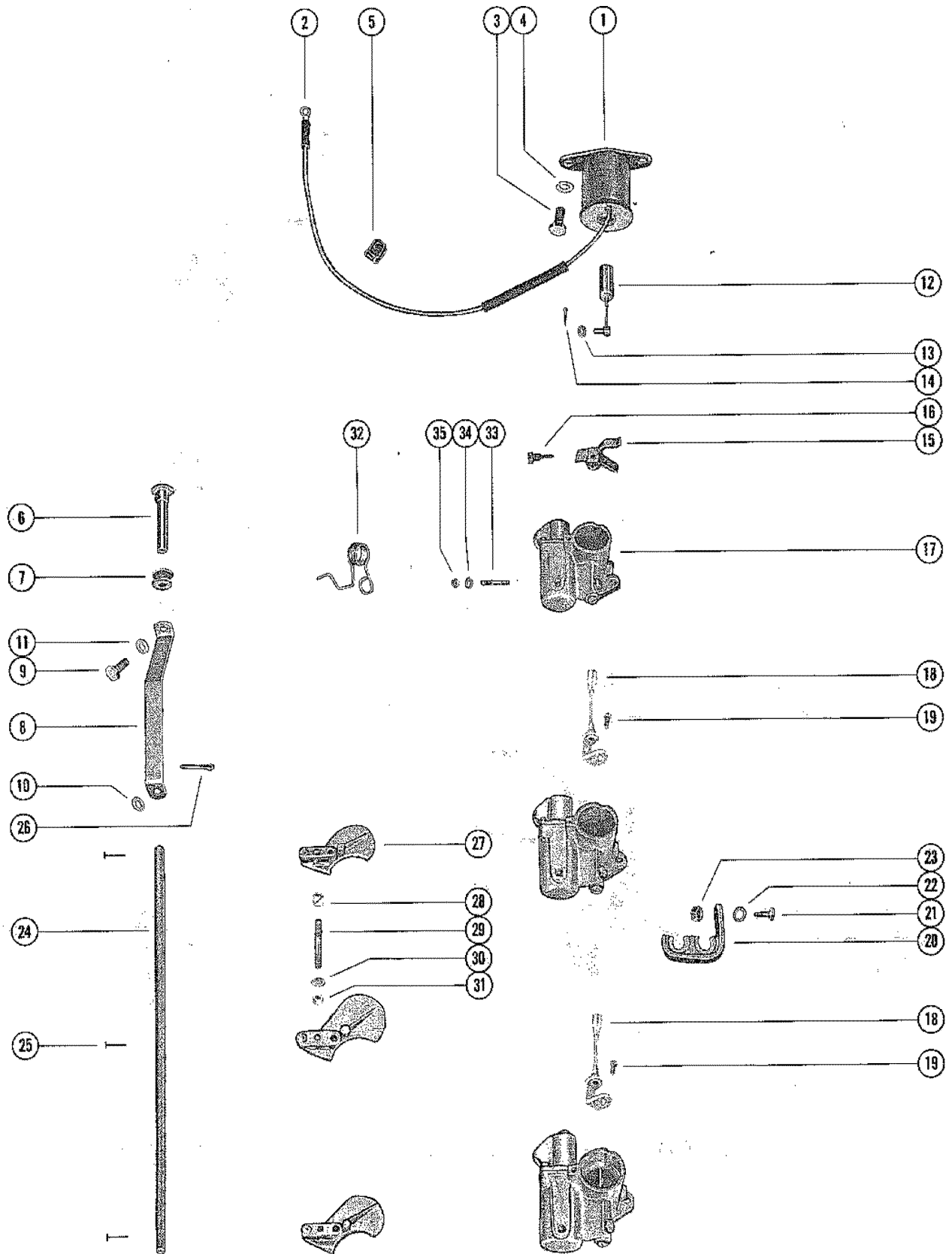
STR MTR,STR SOLENOID,RECTIFIER & WIRING HARNESS(MC 950E-SS-1)



STR MTR,STR SOLENOID,RECTIFIER & WIRING HARNESSMC 950E-SS-1)

REF. NO.	PART NO.	SYM.	QTY.	DESCRIPTION
38	10-31294		4	SCREW, SWITCH BOX TO FRONT MOUNTING BRACKET
39	11-46887		4	NUT, SWITCH BOX SCREW
40	10-45218		1	SCREW, SWITCH BOX
41	12-45075		7	WASHER, SWITCH BOX TERMINAL
42	11-45076		7	NUT, SWITCH BOX TERMINAL
43	45146		1	WIRE, RECTIFIER TO SWITCH BOX (USE ON EARLY MODELS)
44	25-26547		1	GROMMET, RECTIFIER TO SWITCH BOX WIRE

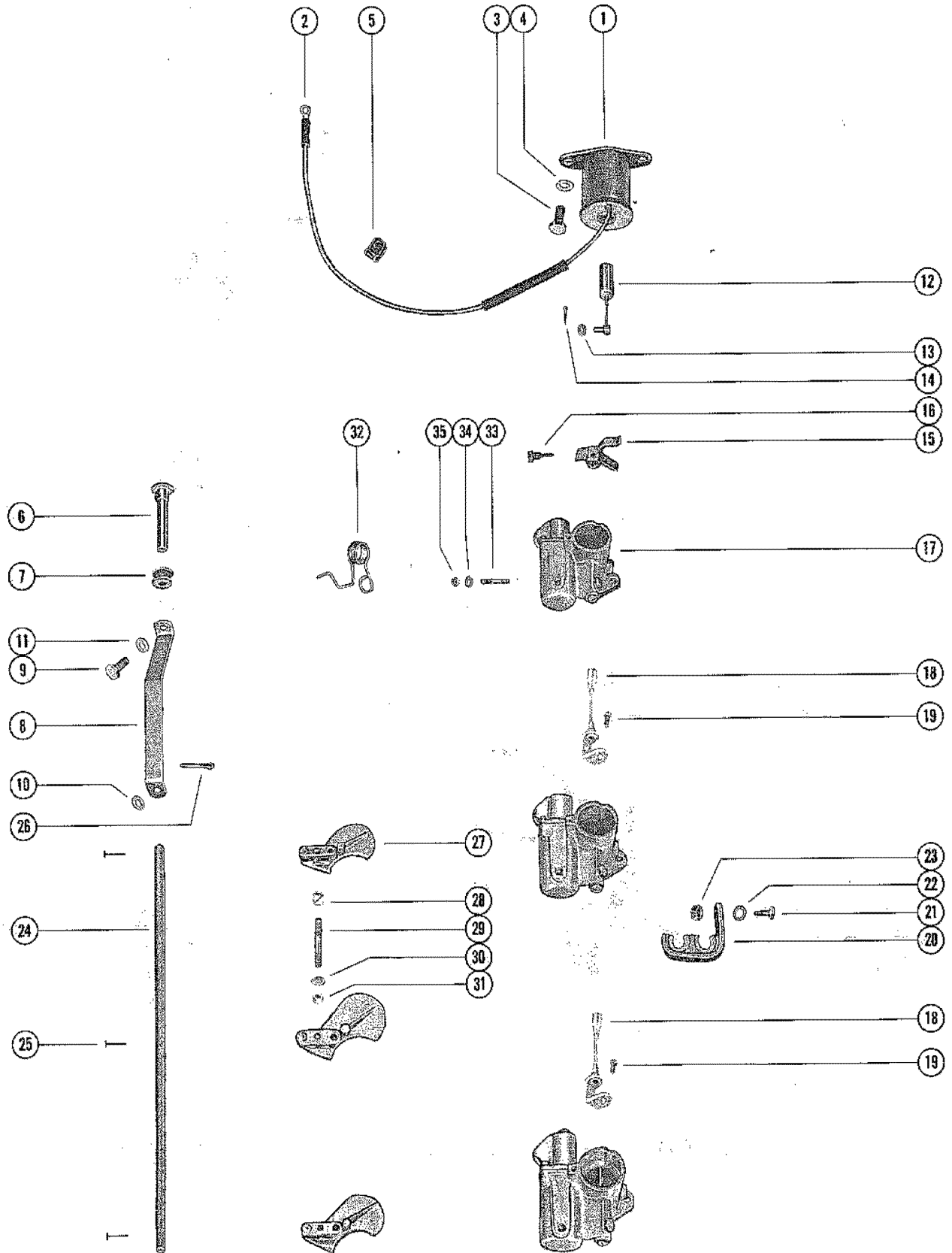
CARBURETOR LINKAGE AND CHOKE SOLENOID



CARBURETOR LINKAGE AND CHOKE SOLENOID

REF. NO.	PART NO.	SYM.	QTY.	DESCRIPTION
1	37585		1,,	CHOKE SOLENOID
2	30050		1,,	TERMINAL, CHOKE SOLENOID LEAD
1	45068		,1,1	CHOKE SOLENOID
-	13-26996		,1,1	LOCKWASHER, SOLENOID TERMINAL
-	11-20645		,1,1	NUT, SOLENOID TERMINAL
3	10-25299		2,2,2	SCREW, CHOKE SOLENOID
4	13-26993		2,2,2	LOCKWASHER, CHOKE SOLENOID SCREW
5	54-33361		1,,	CLIP, CHOKE SOLENOID WIRE
6	22463		1,1,1	KNOB, CHOKE ROD
7	25-20116		1,1,1	GROMMET, CHOKE ROD
8	39469		1,1,	"U" LINK, CHOKE KNOB TO CHOKE ROD SERIAL 00000000-02019667
	45458		,1,1	"U" LINK, CHOKE KNOB SERIAL 02019668-09999999
-	23-45457		,1,1	BUSHING - NYLON SERIAL 02019668-09999999
9	10-20100		1,1,1	SCREW, "U" LINK TO CHOKE KNOB
10	12-37998		,,1	WASHR, "U" LINK
11	13-26996		1,1,1	LOCKWASHER, "U" LINK SCREW
12	27031A4		1,1,1	PLUNGER AND LINK ASSEMBLY, CHOKE SOLENOID
13	12-46101		1,1,1	WASHER, PLUNGER AND LINK
14	18-26953		1,1,1	COTTER PIN, LINK TO UPPER CHOKE LEVER
15	27977		1,1,1	CLUSTER, THROTTLE LEVER (UPPER CARBURETOR)
16	10-20847		1,1,1	SCREW, CLUSTER TO THROTTLE LEVER
17	1335-2475		3,3,3	CARBURETOR ASSEMBLY, COMPLETE
18	28007A6		2,2,2	THROTTLE PICK-UP BRACKET ASSEMBLY
19	10-29239		2,2,2	SCREW, THROTTLE BRACKET MOUNTING
20	26977		1,1,1	BRACKET, COIL LEAD RETAINER
21	10-20031		1,,	SCREW, RETAINER BRACKET TO CENTER CARBURETOR
	10-21548		,1,1	SCREW, RETAINER BRACKET TO FRONT SUPPORT BRACKET
22	13-21272		2,,	LOCKWASHER, RETAINER BRACKET SCREW
23	11-46887		,1,1	NUT, RETAINER BRACKET SCREW
24	39470		1,1,	ROD, CHOKE SERIAL 00000000-02019667
	45456		,1,1	ROD, CHOKE SERIAL 02019668-09999999
25	17-25391		3,3,3	RIVET, CHOKE SHUTTER TO CHOKE ROD
26	18-26953		1,1,1	COTTER PIN, CHOKE ROD
27	39468		3,3,3	SHUTTER, CHOKE - CARBURETOR
28	23-30438		1,1,1	BUSHING, NYLON - UPPER CHOKE SHUTTER
29	16-30172		3,3,3	STUD, CARBURETOR - CHOKE SHUTTER PIVOT
30	12-30164		3,3,3	WASHER, CHOKE SHUTTER CARBURETOR STUD
31	11-20110		3,3,3	NUT, CHOKE SHUTTER TO CARBURETOR STUD
32	24-37678		1,1,1	SPRING, CHOKE ROD TENSION
33	16-39937		1,1,1	STUD, CHOKE ROD SPRING TO CARBURETOR
34	23-32427		1,1,1	SPACER, CHOKE ROD SPRING STUD
35	11-46887		1,1,1	NUT, CHOKE ROD SPRING TO CARBURETOR STUD

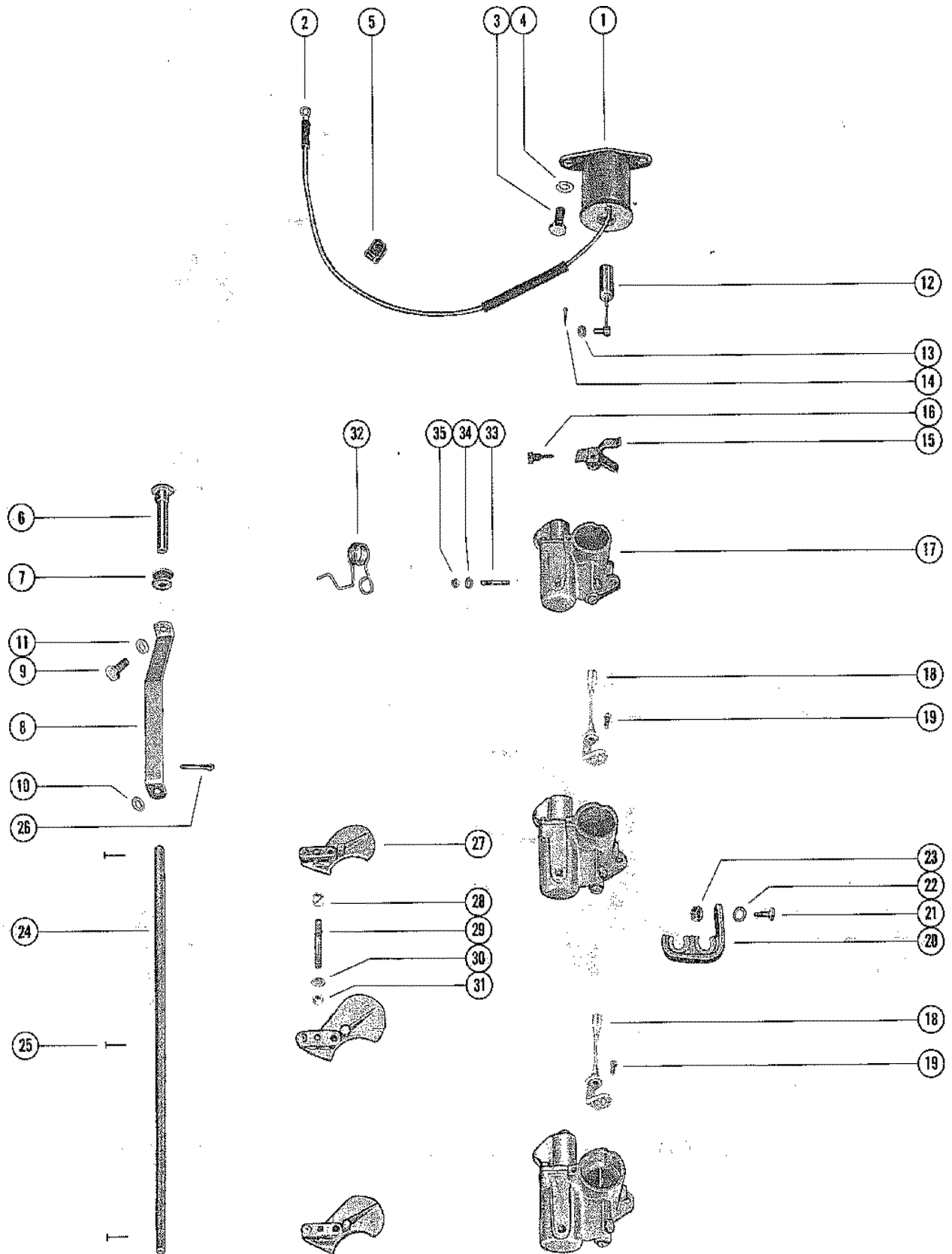
TACHOMETER ASSEMBLY



TACHOMETER ASSEMBLY

REF. NO.	PART NO.	SYM.	QTY.	DESCRIPTION
-	91-45294A1		,1,	TACHOMETER ASSEMBLY SERIAL 00000000-02099893
-	91-45294A2		,1,	TACHOMETER ASSEMBLY SERIAL 02099894-02101742
-	91-45294A3		.,1	TACHOMETER ASSEMBLY SERIAL 02111588-09999999

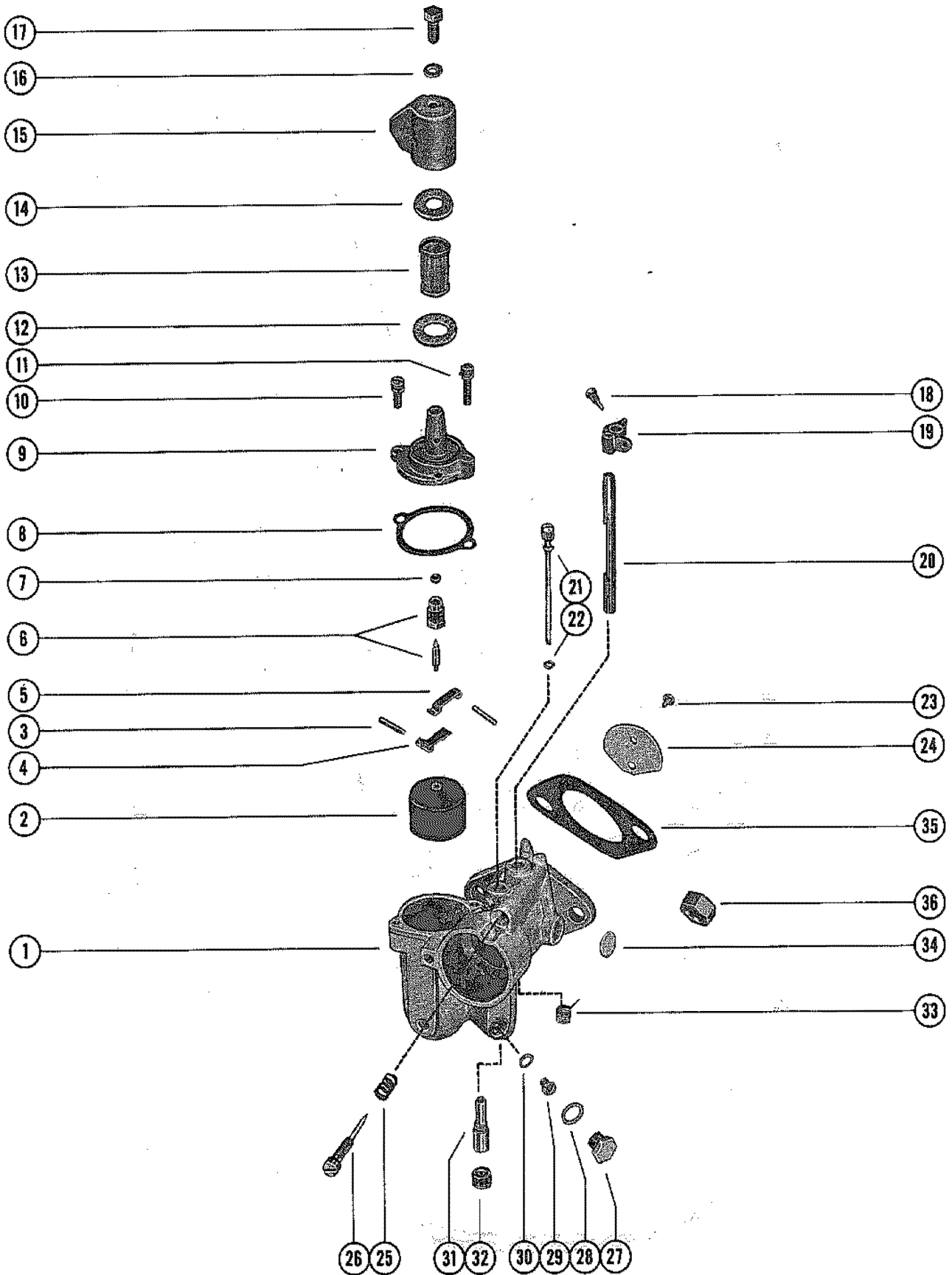
BUILT IN CANADA



BUILT IN CANADA

REF. NO.	PART NO.	SYM.	QTY.	DESCRIPTION
-	91-45294A1		,1,	TACHOMETER ASSEMBLY SERIAL 00000000-01962461
-	91-45294A2		,1,	TACHOMETER ASSEMBLY SERIAL 01962462-02096784
-	91-45294A3		.,1	TACHOMETER ASSEMBLY SERIAL 02097280-09999999

CARBURETOR ASSEMBLY

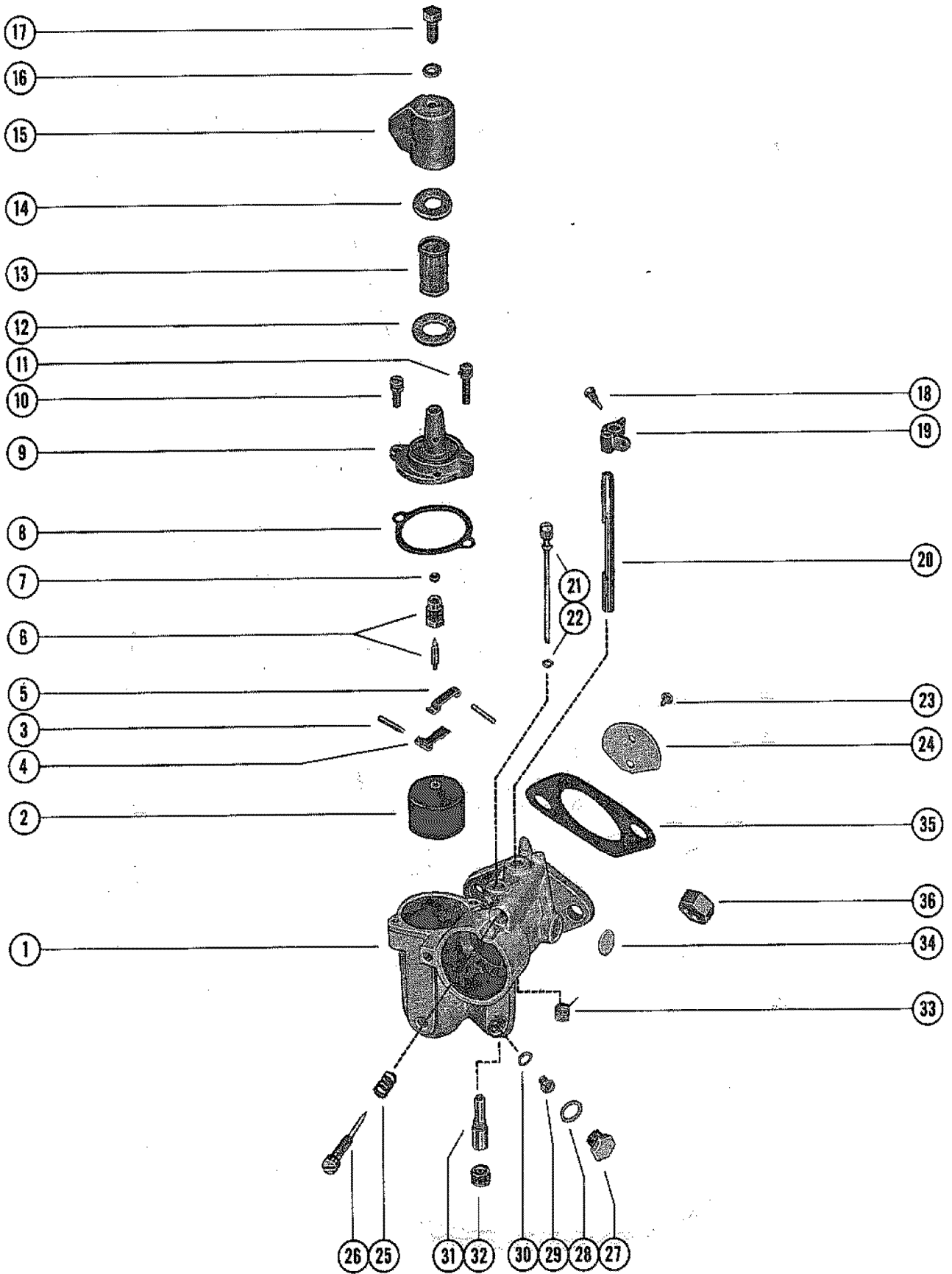


CARBURETOR ASSEMBLY

REF. NO.	PART NO.	SYM.	QTY.	DESCRIPTION
1	1335-2475		3,3,3	CARBURETOR ASSEMBLY, COMPLETE (KC-6A)
2	1399-110A1		3,3,3	FLOAT ASSEMBLY
3	17-20853		6,6,6	PIN, FLOAT LEVER PINON
4	1399-102		3,3,3	LEVER, FLOAT (LOWER)
5	1399-101		3,3,3	LEVER, FLOAT (UPPER)
6	1399-1473		3,3,3	INSET NEEDLE, SEAT AND GASKET
7	27-25033		3,3,3	GASKET, INLET SEAT
8	1399-99		3,3,3	GASKET, FLOAT BOWL COVER
9	1399-1133		3,3,3	COVER, FLOAT BOWL
10	10-20854		3,3,3	SCREW, FLOAT BOWL COVER (SHORT)
11	10-25850		3,3,3	SCREW, FLOAT BOWL COVER (LONG)
12	27-25851		3,3,3	GASKET, STRAINER COVER (LARGE)
13	1399-1754		3,3,3	SCREEN, FILTER
14	27-25849		3,3,3	GASKET, STRAINER COVER (SMALL)
15	1399-1930		3,3,3	COVER, STRAINER
16	27-25848		3,3,3	GASKET, STRAINER COVER SCREW
17	10-25822		3,3,3	SCREW, STRAINER COVER FASTENING
18	10-20847		3,3,3	SCREW, THROTTLE STOP LEVER
19	1399-97		3,3,3	LEVER, THROTTLE STOP (SEE NOTE BELOW)
20	1399-2012		3,3,3	SHAFT, THROTTLE
21	1399-2555		3,3,3	TUBE, IDLE
22	27-23180		3,3,3	GASKET, IDLE TUBE
23	10-23035		6,6,6	SCREW AND LOCKWASHER, THROTTLE SHUTTER
24	1399-2014		3,3,3	SHUTTER, THROTTLE
25	24-27160		3,3,3	SPRING, IDLE ADJUSTMENT SCREW
26	1399-1713		3,3,3	SCREW, IDLE ADJUSTMENT
27	10-28405		3,3,3	SCREW, PLUG - MAIN FUEL JET CHANNEL
28	27-28406		3,3,3	GASKET, JET CHANNEL PLUG SCREW
29	1399-1653		OPT,OPT,OP	JET, MAIN FUEL (.053)
	1399-1651		3,3,3	JET, MAIN FUEL (.051) - STANDARD
	1399-1649		OPT,OPT,OP	JET, MAIN FUEL (.049)
	1399-1767		OPT,OPT,OP	JET, MAIN FUEL (.047)
30	27-28409		3,3,3	GASKET, MAIN FUEL JET
31	1399-2535		3,3,3	NOZZLE, MAIN
32	10-28846		3,3,3	SCREW, PLUG - MAIN NOZZLE
33	24-26890		2,2,2	SPRING, THROTTLE SHAFT RETURN (CTR&LOWER CARBURETOR)
	24-20869		1,1,1	SPRING, THROTTLE SHAFT RETURN (UPPER CARBURETOR)

CONTINUED ON NEXT PAGE ➡

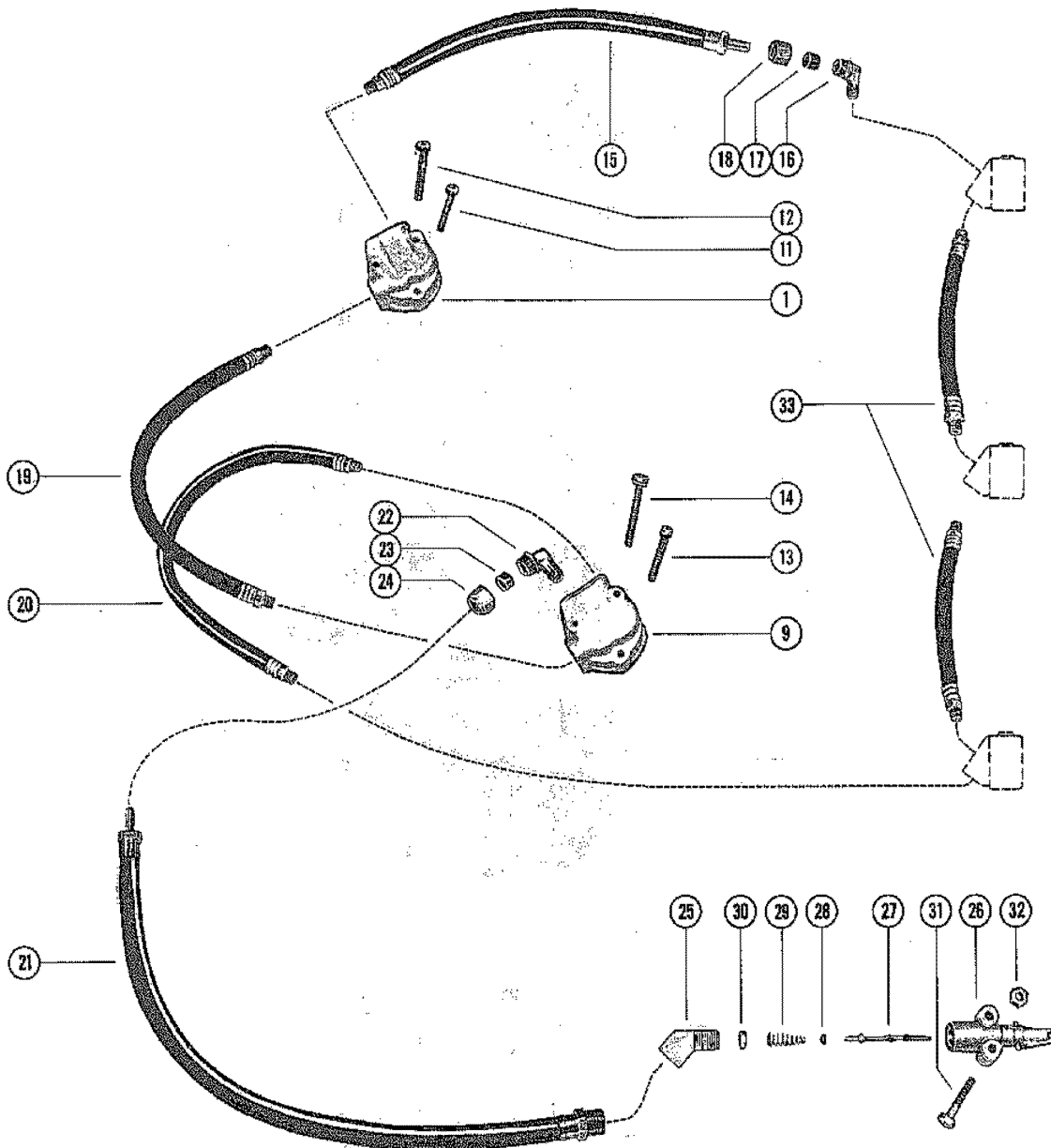
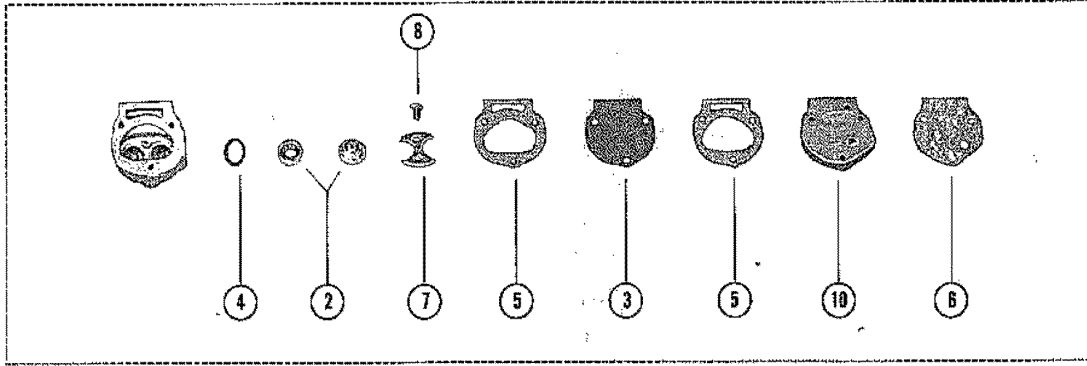
CARBURETOR ASSEMBLY



CARBURETOR ASSEMBLY

REF. NO.	PART NO.	SYM.	QTY.	DESCRIPTION
34	19-32299		3,3,3	WELCH PLUG, BODY CHANNEL
-	1399-2015		3,3,3	GASKET AND PACKING SET (1 PER CARBURETOR)
-	1399-2556		3,3,3	REPAIR PARTS KIT (1 PER CARBURETOR)
35	27-31402		3,3,3	GASKET, CARBURETOR FLANGE
36	11-46793		6,6,6	NUT, CARBURETOR MOUNTING STUD

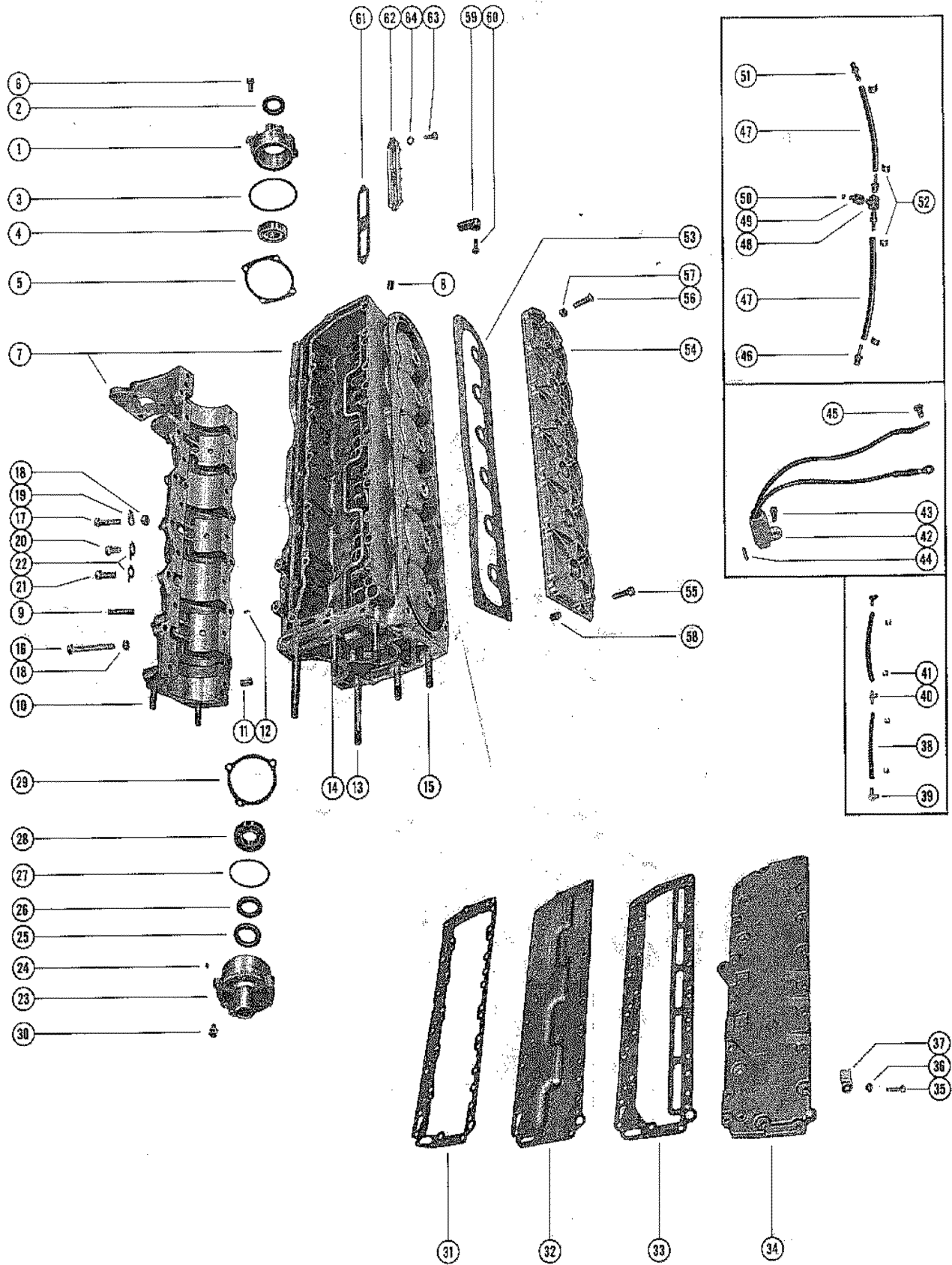
FUEL PUMP AND FUEL LINE ASSEMBLY



FUEL PUMP AND FUEL LINE ASSEMBLY

REF. NO.	PART NO.	SYM.	QTY.	DESCRIPTION
1	30269A2		1,1,1	FUEL PUMP ASSEMBLY - UPPER
2	21-30430A1		1,1,1	CHECK VALVE ASSEMBLY
3	23014A1		1,1,1	DIAPHRAGM KIT
4			2,2,2	GASKET, CHECK VALVE TO HOUSING
5			2,2,2	GASKET, FUEL PUMP
6			1,1,1	GASKET, FUEL PUMP COVER
7	23004		1,1,1	RETAINER, CHECK VALVE
8	10-20037		2,2,2	SCREW, RETAINER TO HOUSING
9	30461A2		1,1,1	FUEL PUMP ASSEMBLY - LOWER
2	21-30430A1		1,1,1	CHECK VALVE ASSEMBLY
3	23014A1		1,1,1	DIAPHRAGM KIT
4			2,2,2	GASKET, CHECK VALVE TO HOUSING
5			2,2,2	GASKET, FUEL PUMP
6			1,1,1	GASKET, FUEL PUMP COVER
7	23004		1,1,1	RETAINER, CHECK VALVE
8	10-20037		2,2,2	SCREW, RETAINER TO HOUSING
10	30275		2,2,2	COVER, FUEL PUMP
11	10-29878		1,1,1	SCREW, PUMP MOUNTING (1-1/2") - UPPER PUMP
12	10-30274		2,2,2	SCREW, PUMP MOUNTING (1-3/4") - UPPER PUMP
13	10-38036		1,1,1	SCREW, PUMP MOUNTING (1-1/2") - LOWER PUMP
14	10-30273		2,2,2	SCREW, PUMP MOUNTING (1-7/8") - LOWER PUMP
15	32-32256A1		1,1,1	FUEL LINE ASS'Y, PUMP TO CARBURETOR (9-7/8")
16	22-30174		1,1,1	ELBOW, UPPER CARBURETOR STRAINER COVER
17	22-30175		1,1,1	SLEEVE, CARBURETOR STRAINER COVER ELBOW
18	22-30177		1,1,1	NUT, UPPER CARBURETOR STRAINER COVER ELBOW
19	32-31552A1		1,1,1	FUEL LINE ASS'Y, PUMP TO PUMP (12-3/8")
20	32-31553A1		1,1,1	FUEL LINE ASS'Y, PUMP TO CARBURETOR (19-3/4")
21	32-30176		1,1,1	FUEL LINE, ADAPTOR TO LOWER FUEL PUMP
22	22-30174		1,1,1	ELBOW, LOWER FUEL PUMP INLET
23	22-30175		1,1,1	SLEEVE, FUEL PUMP INLET ELBOW
24	22-30177		1,1,1	NUT, FUEL PUMP INLET ELBOW
25	22-37682		1,1,1	ELBOW, FUEL LINE TO ADAPTOR
26	30186		1,1,1	ADAPTOR, CHECK UNIT (FUEL LINE)
27	30187		1,1,1	STEM, CHECK UNIT ADAPTOR
28	25-20415		1,1,1	"O" RING, ADAPTOR STEM
29	24-30189		1,1,1	SPRING, ADAPTOR STEM
30	30188		1,1,1	CUP WASHER, ADAPTOR
31	10-37561		2,2,2	SCREW, ADAPTOR TO BOTTOM COWL
32	11-20184		2,2,2	NUT, ADAPTOR FASTENING SCREW
33	32-31550A1		2,2,2	FUEL LINE ASSEMBLY, CARBURETOR (6")

CYLINDER BLOCK AND CRANKCASE ASSEMBLY

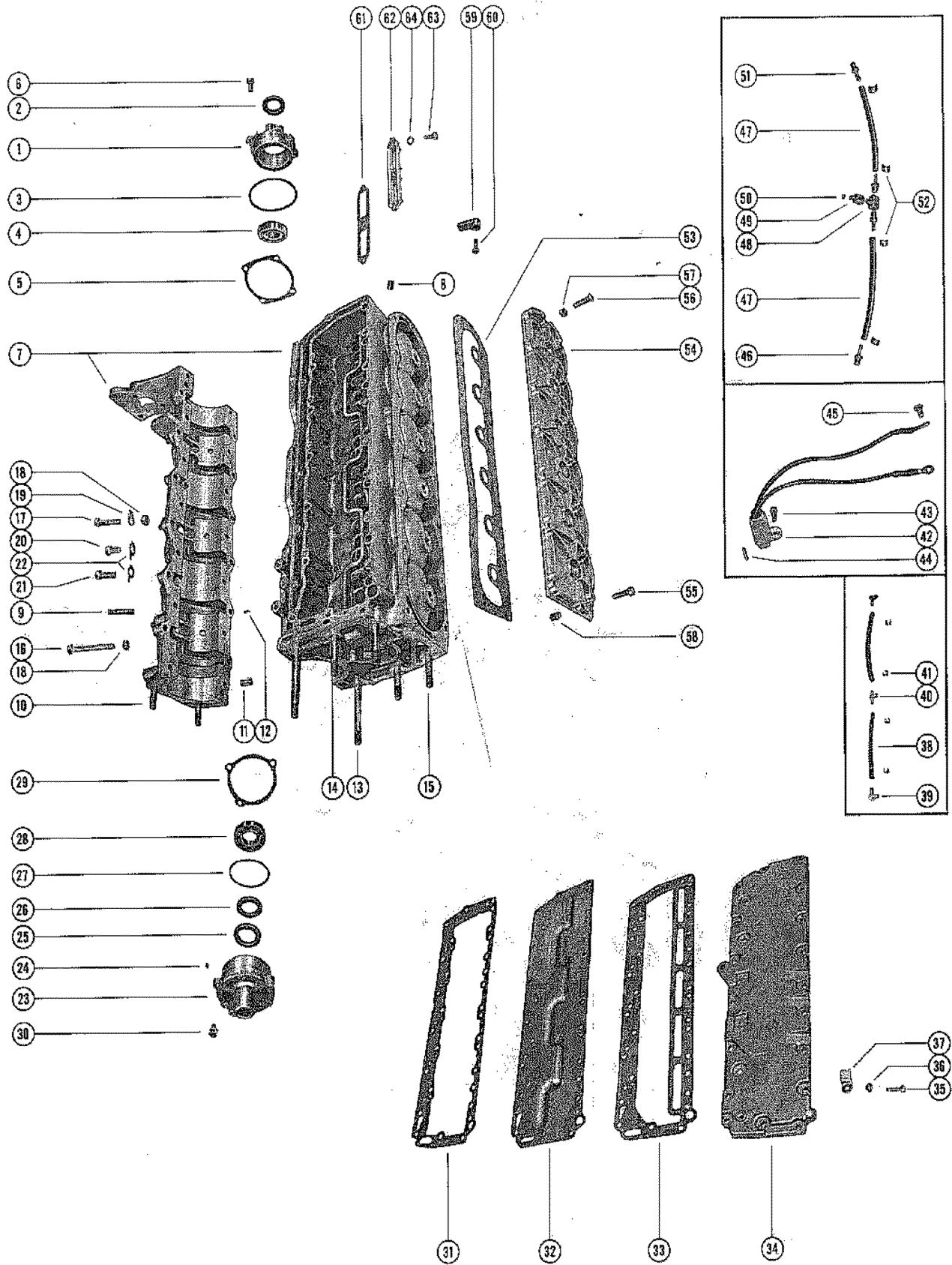


CYLINDER BLOCK AND CRANKCASE ASSEMBLY

REF. NO.	PART NO.	SYM.	QTY.	DESCRIPTION
1	1128-1890A1		1,1,	END CAP ASSEMBLY, UPPER SERIAL 00000000-02019667
	1128-2744A1		,1,1	END CAP ASSEMBLY, UPPER SERIAL 02019668-09999999
2	26-29476		1,1,1	OIL SEAL
3	25-31305		1,1,1	"O" RING
4	30-32117		1,1,1	BEARING, BALL
5	15-31283A1		AR,AR,AR	SHIM, END CAP TO CRANKCASE (.002-3-5-10)
6	10-30225		4,4,4	SCREW, END CAP MOUNTING
7	836-2655A3		1,1,1	CYLINDER BLOCK AND CRANKCASE ASSEMBLY
8	22-30139		1,1,1	PLUG, PIPE - WATER PRESSURE HOLE
9	16-35099		6,6,6	STUD, CARBURETOR MOUNTING
10	16-26133		2,2,2	STUD, CRANKCASE TO DRIVE SHAFT HOUSING (1-7/8")
11	17-20033		2,2,2	PIN, DOWL - CRANKCASE TO CYLINDER BLOCK
12	17-20032		3,3,3	PIN, DOWEL - CYLINDER BLOCK TO MAIN BEARING
13	16-26134		2,2,2	STUD, CYLINDER BLOCK TO DRIVE SHAFT HOUSING (4-1/16")
14	16-37653		2,2,2	STUD, CYLINDER BLOCK TO DRIVE SHAFT HOUSING (2-11/16")
15	16-26135		2,2,2	STUD, CYLINDER BLOCK TO DRIVE SHAFT HOUSING (2-5/16")
16	10-29877		3,3,3	SCREW, CRANKCASE TO CYLINDER BLOCK (3-1/4")
	10-26132		2,2,2	SCREW, CRANKCASE TO CYLINDER BLOCK (2-1/2")
17	10-21574		1,1,1	SCREW, CRANKCASE TO CYLINDER BLOCK (1-5/8")
	10-32293		3,3,	SCREW, CRANKCASE TO CYLINDER BLOCK (1-3/4")
	10-32293		„2	SCREW, CRANKCASE TO CYLINDER BLOCK (1-3/4")
-	12-26825		„2	WASHER, CRANKCASE TO CYLINDER BLOCK SCREW
	10-22040		17,17,17	SCREW, CRANKCASE TO CYLINDER BLOCK (1-1/2")
	10-33860		„1	SCREW, CRANKCASE TO CYLINDER BLOCK (2")
18	11-46793		26,26,26	NUT, CRANKCASE FASTENING SCREW
19	26551		2,2,2	BRACKET, CLAMP EXTENSION
20	10-36351		3,3,3	SCREW, MAIN BEARING LOCKING
21	10-20359		2,2,2	SCREW, CENTER MAIN BEARING LOCKING
22	14-20091		5,5,5	TAB WASHER, BEARING LOCKING SCREW
23	1126-1751A1		1,1,1	END CAP ASSEMBLY, LOWER
24	21-28481A1		1,1,1	CHECK VALVE ASSEMBLY, END CAP
25	26-29478		1,1,1	OIL SEAL, LOWER
26	26-29476		1,1,1	OIL SEAL, UPPER
27	25-20081		1,1,1	"O" RING
28	30-20080		1,1,1	BEARING, BALL
29	15-20085A1		AR,AR,AR	SHIM, END CAP TO CRANKCASE (.002-3-5-10)
30	10-30225		3,3,3	SCREW, END CAP MOUNTING
31	27-37740		1,1,1	GASKET, CYLINDER BLOCK TO BAFFLE PLATE
32	37713		1,1,1	PLATE, BAFFLE - EXHAUST MANIFOLD SERIAL 00000000-02211282

CONTINUED ON NEXT PAGE ➡

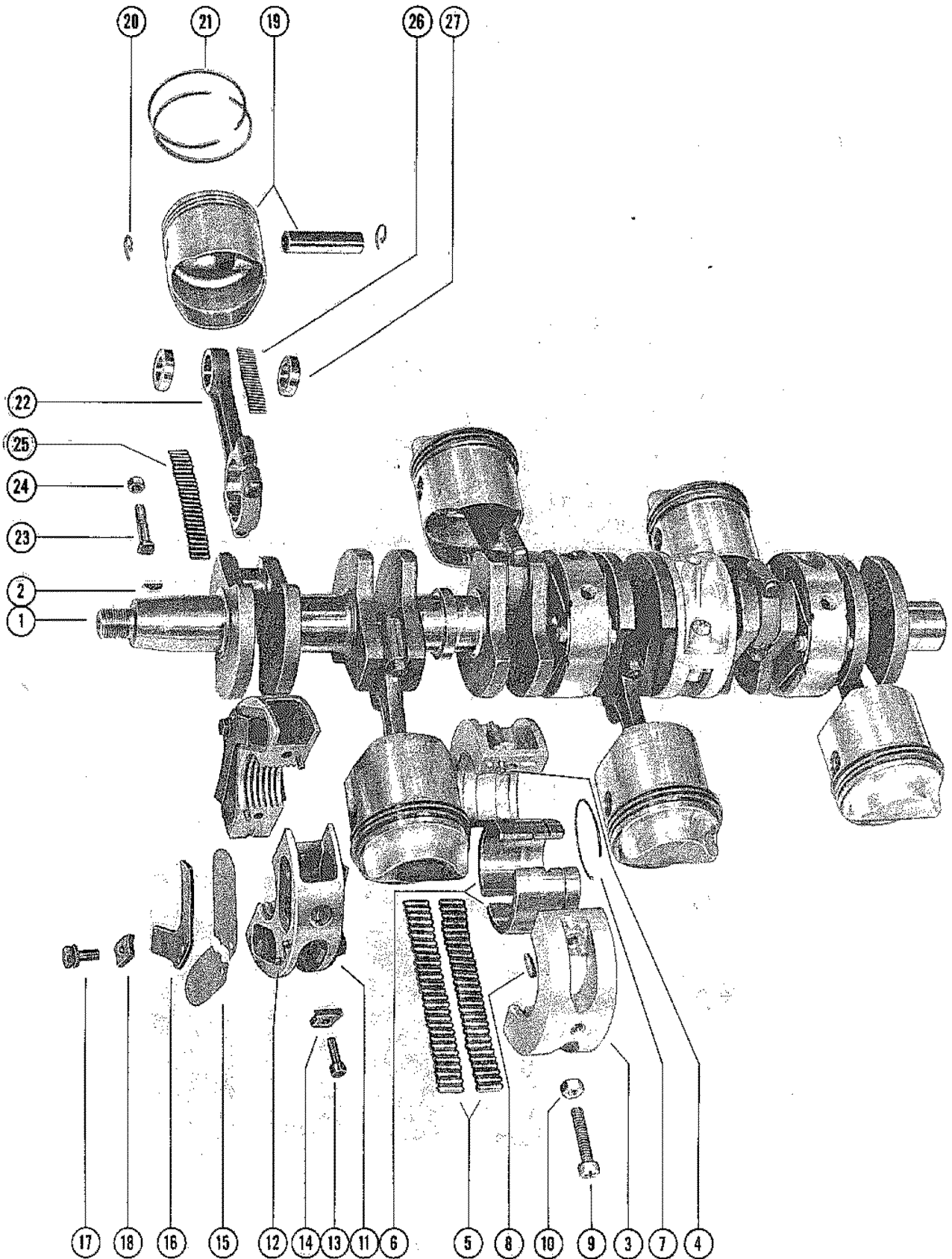
CYLINDER BLOCK AND CRANKCASE ASSEMBLY



CYLINDER BLOCK AND CRANKCASE ASSEMBLY

REF. NO.	PART NO.	SYM.	QTY.	DESCRIPTION
32	47660		„1	PLATE, BAFFLE - EXHAUST MANIFOLD SERIAL 02211283-09999999
33	27-37741		1,1,1	GASKET, BAFFLE PLATE TO EXHAUST MANIFOLD COVER
34	36774		1,1,1	COVER, EXHAUST MANIFOLD
35	10-38837		23,23,23	SCREW, MANIFOLD COVER MOUNTING
36	13-31804		3,,	LOCKWASHER, SPARK PLUG LEADS CLAMP SCREW
37	54-37810		3,,	CLAMP, SPARK PLUG LEADS TO COVER
38	32-33960		2,2,2	TUBE, BALANCE - MAIN BEARING
39	22-20781		2,2,2	ELBOW, BALANCE TUBE TO MAIN BEARING SCREW
40	22-20931		1,1,1	TEE, BALANCE TUBE TO MAIN BEARING SCREW
41	54-20386		4,4,4	CLAMP, BALANCE TUBE TO ELBOW AND TEE
42	33385A1		1,,	SWITCH, MERCURY
43	10-28708		1,,	SCREW, MERCURY SWITCH TO EXHAUST MANIFOLD COVER
42	33385A4		„1,1	SWITCH, MERCURY
43	10-28708		„1,1	SCREW, MERCURY SWITCH TO FRONT MOUNTING BRACKET
44	17-30496		„1,1	PIN, ROLL - MERCURY SWITCH
45	10-30009		„1,1	SCREW, MERCURY SWITCH LEAD
46	22-20445		3,3,3	CONNECTOR, CYLINDER BLEED HOSE - LOWER AND CENTER
47	32-29873		2,2,2	HOSE, UPPER AND LOWER CYLINDER BLEED
48	22-25956		1,1,1	TEE, CHECK VALVE AND ADAPTOR
49	22-28586A1		1,1,1	ADAPTOR AND CHECK VALVE ASSEMBLY
50	21-28481A1		1,1,1	CHECK VALVE ASSEMBLY - ADAPTOR
51	21-28483A1		1,1,1	CHECK VALVE ASSEMBLY, UPPER - BLEED HOSE
50	21-28481A1		1,1,1	CHECK VALVE ASSEMBLY
52	54-20387		4,4,4	CLAMP, BLEED HOSE TO CONNECTOR
53	27-31798		1,1,1	GASKET, CYLINDER BLOCK COVER
54	1011-2484		1,1,1	COVER, CYLINDER BLOCK
55	10-24644		1,1,1	SCREW, CYLINDER BLOCK COVER MOUNTING (1-3/8")
56	10-21091		15,15,15	SCREW, CYLINDER BLOCK COVER MOUNTING (1-1/8")
57	11-46887		16,16,16	NUT, COVER MOUNTING SCREW
58	32-38455		1,1,1	TUBE, RUBBER SPACER, LOWER PORT NUT
59	37440		1,1,1	BRACKET, MOUNT SUPPORT - CYLINDER BLOCK
60	10-24234		1,1,1	SCREW, BRACKET TO CYLINDER BLOCK (1")
61	27-31304		3,3,3	GASKET, TRANSFER PORT COVER
62	31288		3,3,3	COVER, TRANSFER PORT
63	10-20540		5,,	SCREW, TRANSFER PORT COVER MOUNTING (5/8")
	10-20540		„6,6	SCREW, TRANSFER PORT COVER MOUNTING (5/8")
	10-28666		1,,	SCREW, TRANSFER PORT COVER AND BALLAST MOUNTING (1")
	10-28635		3,3,3	SCREW, TRANSFER PORT COVER MOUNTING (5/8")
64	13-26992		1,,	LOCKWASHER, TRSFR PORT COVER&BALLAST MOUNTING SCREW

CRANKSHAFT, PISTONS AND CONNECTING RODS

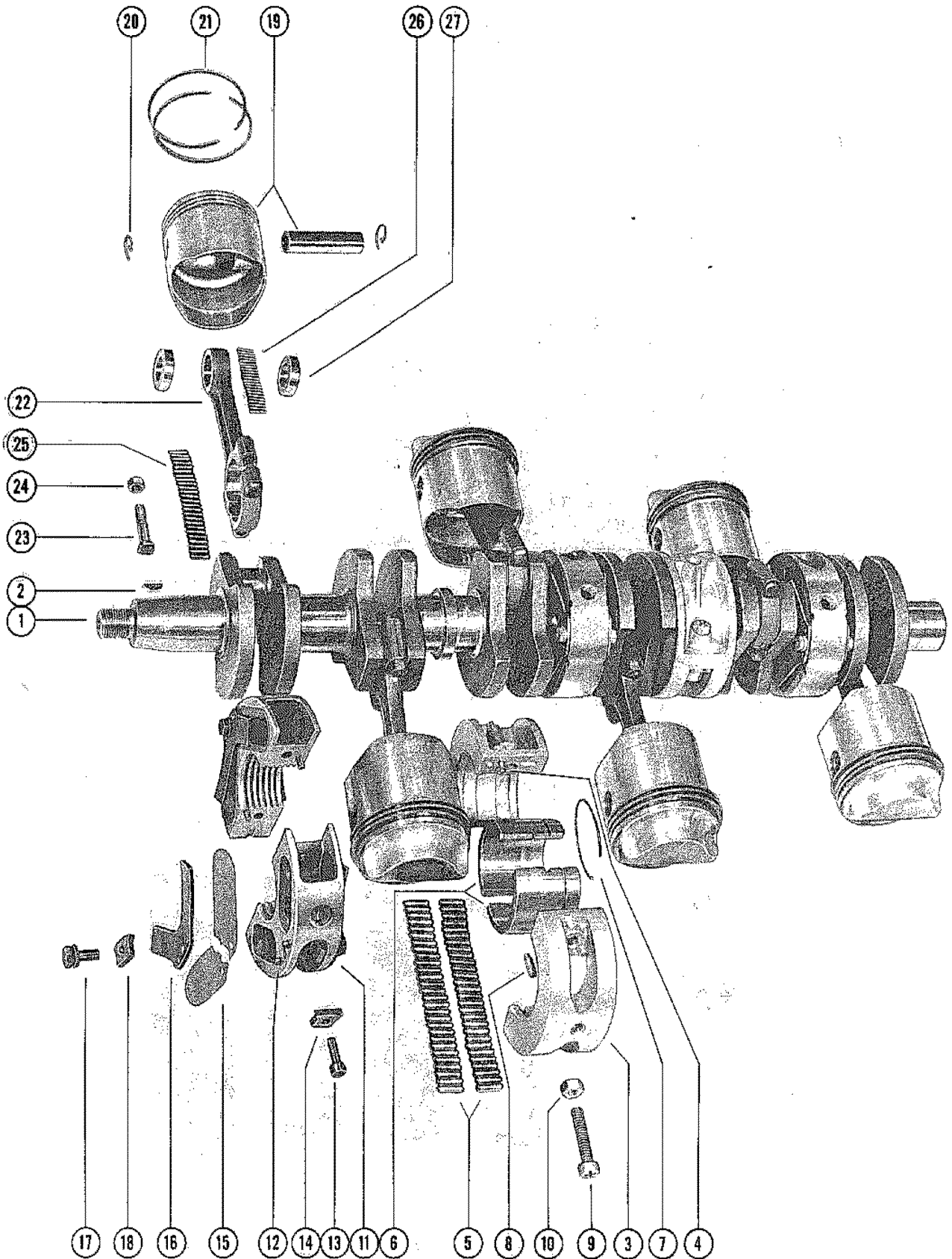


CRANKSHAFT, PISTONS AND CONNECTING RODS

REF. NO.	PART NO.	SYM.	QTY.	DESCRIPTION
1	420-1889		1,1,	CRANKSHAFT SERIAL 00000000-02019667
	420-2742		,1,1	CRANKSHAFT SERIAL 02019668-09999999
2	28-30250		1,1,	KEY, FLYWHEEL DRIVE SERIAL 00000000-02019667
	28-45554		,1,1	KEY, FLYWHEEL DRIVE SERIAL 02019668-09999999
3	531-1884A2		2,2,2	CENTER MAIN BEARING ASSEMBLY
4	17-20032		4,4,4	DOWEL PIN, CENTER MAIN BEARING
5	29-26114		112,112,11	BEARING, NEEDLE - OUTER RACE
6	26113		2,2,2	RACE, OUTER (PAIR)
7	53-26933		2,2,2	RING, SNAP - OUTER RACE
8	17-31245		2,2,2	DOWEL PIN, STEPPED
9	10-22968		4,4,4	SCREW, CENTER MAIN BEARING CLAMPING
10	11-46887		4,4,4	NUT, BEARING CLAMPING SCREW
11	553-2492A2		3,3,	MAIN BEARING ASSEMBLY, VALVE TYPE
12	17-20032		30,30,	DOWEL PIN, MAIN BEARING
13	10-25313		6,6,	SCREW, MAIN BEARING CLAMPING (3/8")
14	11-29469		6,6,	NUT, MAIN BEARING CLAMPING SCREW
11	553-2789A2		„3	MAIN BEARING ASSEMBLY, VALVE TYPE
12	17-20032		„30	DOWEL PIN, MAIN BEARING
13	10-45775		„6	SCREW, MAIN BEARING CLAMPING (9/16")
14	11-45774		„6	NUT, MAIN BEARING CLAMPING SCREW
15	34-30303A1		3,3,	REED SET, MATCHED - MAIN BEARING
	34-20888A1		„3	REED SET, MATCHED - MAIN BEARING
16	34-20053		12,12,12	REED STOP, MAIN BEARING REED VALVES
17	10-29465		12,12,12	SCREW, REED STOP MOUNTING
18	11-29469		12,12,12	NUT, REED STOP MOUNTING SCREW
19	732-2045A4		6,„	PISTON AND PISTON PIN ASSEMBLY
	732-2735A4		„6,	PISTON AND PISTON PIN ASSEMBLY
20	40-32118		12,12,	LOCK RING, PISTON PIN
19	732-2775A4		„6	PISTON AND PISTON PIN ASSEMBLY
20	40-45740		„12	LOCK RING, PISTON PIN
21	39-32921A12		12,„	RING, PISTON (5/64" THICK)
	39-45155A12		„18,18	RING, PISTON (1/16" THICK)
22	611-1885A4		6,6,	CONNECTING ROD AND CAP ASSEMBLY
23	10-20060		12,12,	SCREW, CONNECTING ROD
24	11-20061		12,12,	NUT, CONNECTING ROD SCREW
25	29-38586		192,192,	BEARING, NEEDLE - CRANKPIN
26	29-39656		150,150,	BEARING, NEEDLE - PISTON PIN
27	12-29681		12,12,	WASHER, NEEDLE LOCATING
22	617-2768A2		„6	CONNECTING ROD AND CAP ASSEMBLY

CONTINUED ON NEXT PAGE ➡

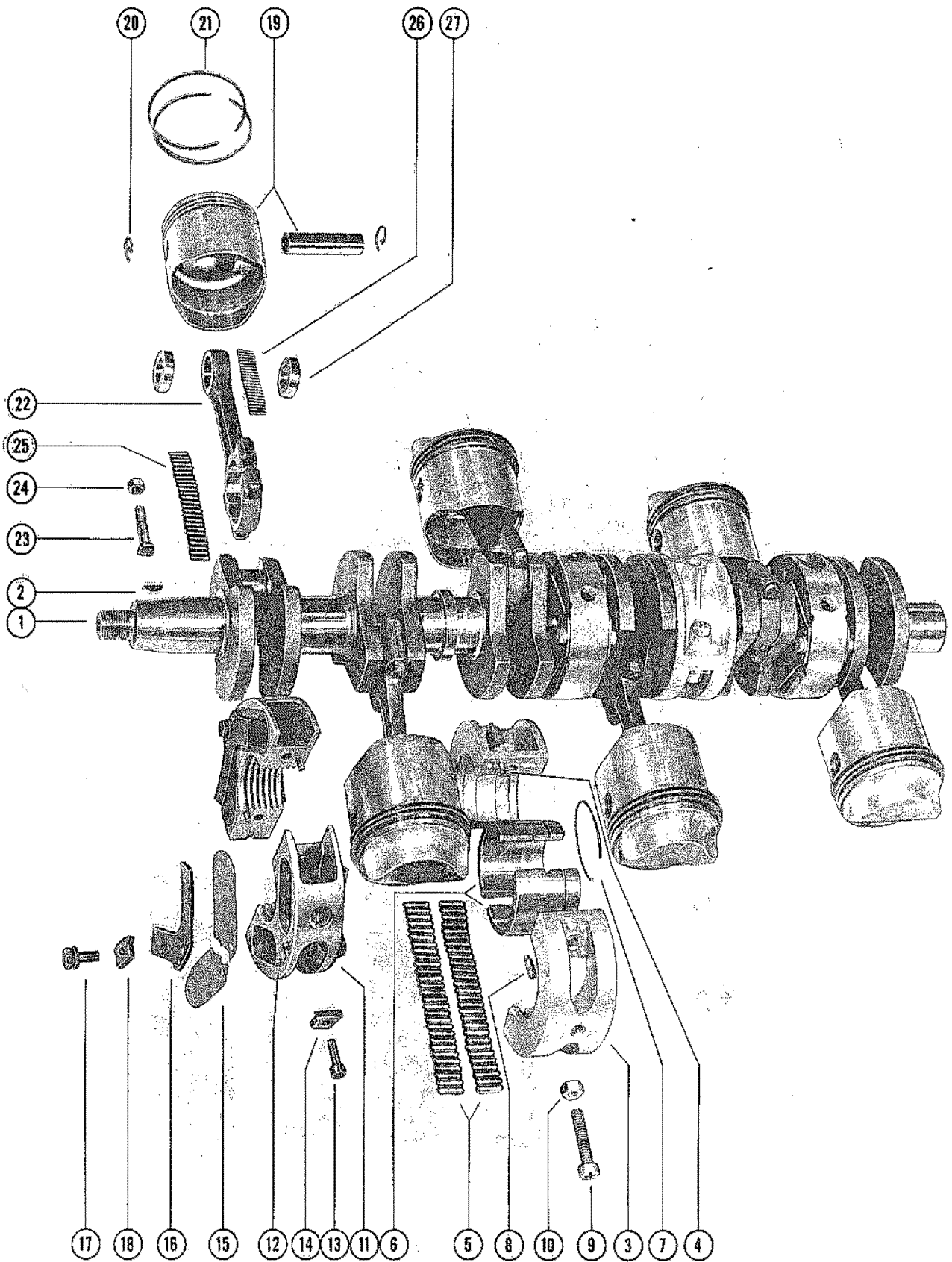
CRANKSHAFT, PISTONS AND CONNECTING RODS



CRANKSHAFT, PISTONS AND CONNECTING RODS

REF. NO.	PART NO.	SYM.	QTY.	DESCRIPTION
23	10-45739		„12	SCREW, CONNECTING ROD
24	11-20061		„12	NUT, CONNECTING ROD SCREW
25	29-38586		„192	BEARING, NEEDLE - CRANKPIN
26	29-39656		„174	BEARING, NEEDLE - PISTON PIN
27	12-45741		„12	WASHER, NEEDLE LOCATING

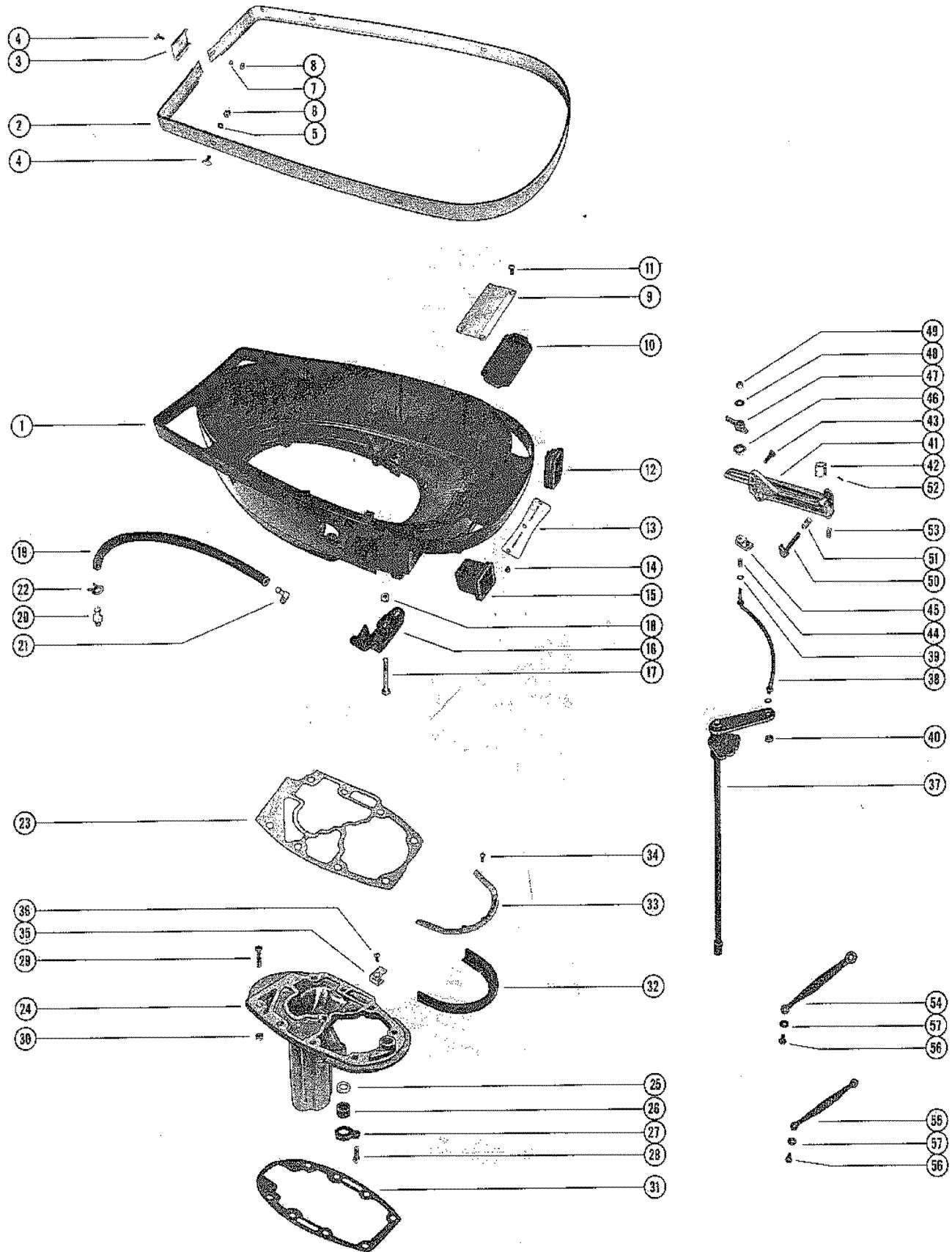
OVERSIZE PISTONS AND RINGS



OVERSIZE PISTONS AND RINGS

REF. NO.	PART NO.	SYM.	QTY.	DESCRIPTION
-	732-2194A1		6,,	PISTON AND PISTON PIN ASSEMBLY (.015 OVERSIZE)
-	732-2739A1		,6,	PISTON AND PISTON PIN ASSEMBLY (.015 OVERSIZE)
-	732-2953A1		12,,	PISTON AND PISTON PIN ASSEMBLY (.015 OVERSIZE)
-	39-33945A12		12,,	RING, PISTON (.015 OVERSIZE) - 5/64" THICK
-	39-45204A12		,18,18	RING, PISTON (.015 OVERSIZE) - 1/16" THICK

BOTTOM COWL AND SHIFT LINKAGE

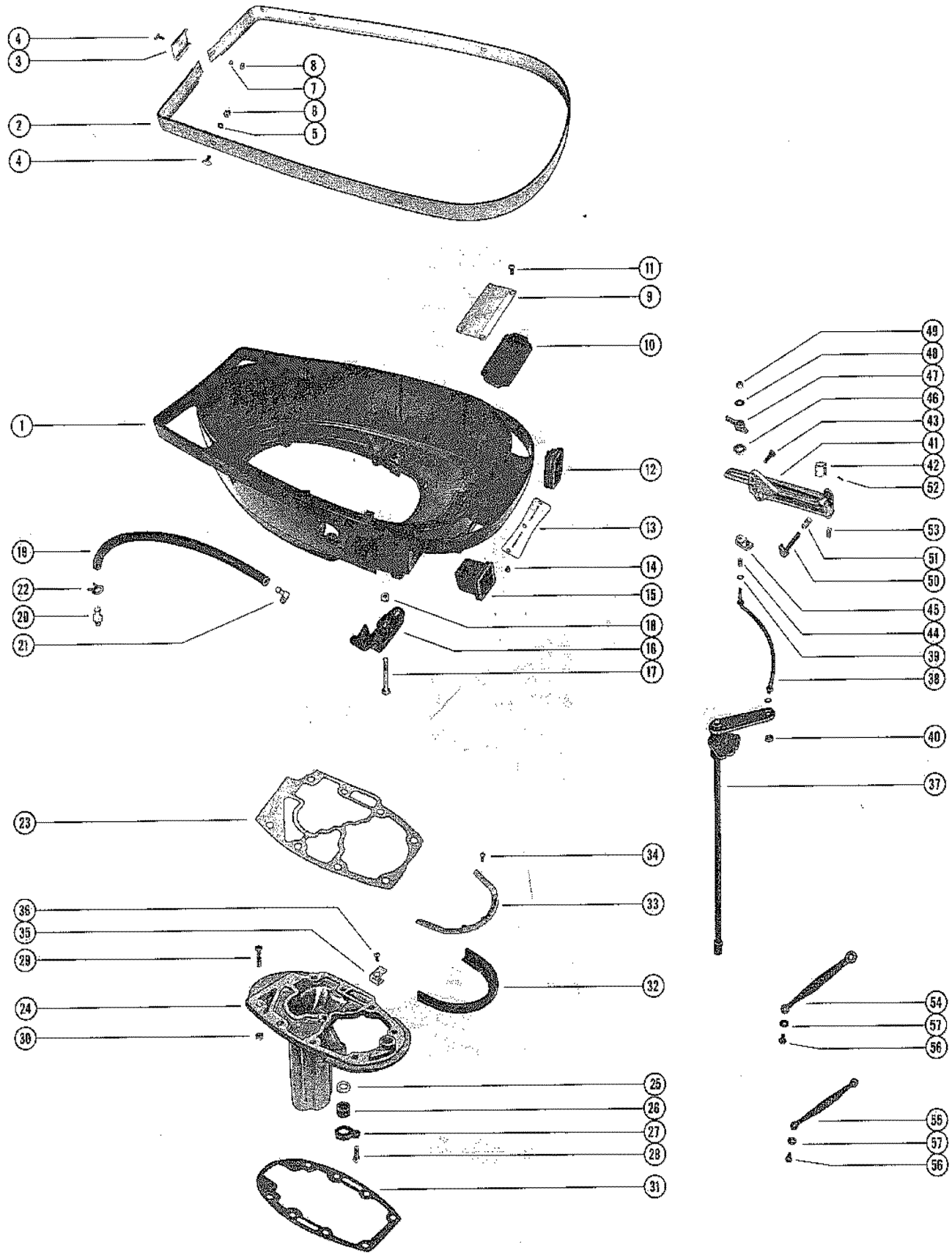


BOTTOM COWL AND SHIFT LINKAGE

REF. NO.	PART NO.	SYM.	QTY.	DESCRIPTION
1	2115-2458		1,1,1	COWL, BOTTOM SERIAL 00000000-02211282
	2115-3012		,,1	COWL, BOTTOM SERIAL 02211283-09999999
2	37415A1		1,1,1	TRIM MOULDING ASSEMBLY, BOTTOM COWL
3	38046		1,1,1	SPLICER, TRIM MOULDING - REAR
4	10-29226		5,5,5	SCREW, DECORATIVE - MOULDING TO BOTTOM COWL
5	12-24671		2,2,2	WASHER, FIBER - MOULDING FASTENING SCREW
6	11-29225		2,2,2	NUT, NYLON CAP - MOULDING FASTENING SCREW
7	13-26995		3,3,3	LOCKWASHER, MOULDING FASTENING SCREW
8	11-26419		3,3,3	NUT, BRASS - MOULDING FASTENING SCREW
9	37920A1		1,1,1	COVER PLATE ASSEMBLY, BOTTOM COWL
10	37940		1,1,1	PAD, SOUND - COVER PLATE
11	10-30009		4,4,4	SCREW, COVER PLATE TO BOTTOM COWL
12	37638		1,1,1	BOOT, CONTROL CABLES - BOTTOM COWL
13	23760		1,1,1	BAFFLE, BOTTOM COWL
14	10-21106		3,3,3	SCREW, BAFFLE TO BOTTOM COWL
15	37637		1,1,1	BOOT, FUEL CONNECTOR - BOTTOM COWL
16	37445		1,1,1	SUPPORT, WIRING HARNESS - BOTTOM COWL
17	10-37990		2,2,2	SCREW, WIRING HARNESS SUPPORT TO BOTTOM COWL
18	11-46887		2,2,2	NUT, WIRING HARNESS SUPPORT SCREW
19	32-26407		1,1,1	HOSE, TELL TALE - EXHAUST COVER TO BOTTOM COWL (16")
20	22-29111		1,1,1	CONNECTOR, TELL TALE HOSE TO BOTTOM COWL
21	22-25885		1,1,1	ELBOW, TELL TALE HOSE TO EXHAUST COVER
22	54-22976		2,2,2	CLAMP, TELL TALE HOSE TO CONNECTOR AND ELBOW
23	27-37437		1,1,1	GASKET, POWERHEAD TO EXHAUST EXTENSION PLATE
24	38468A4		1,1,1	PLATE ASSEMBLY, EXHAUST EXTENSION
25	12-36446		1,,	WASHER, NYLON - WATER INLET TUBE
26	26-36557		1,,	SEAL, RUBBER - WATER INLET TUBE
	26-38970		,1,1	SEAL, RUBBER - WATER INLET TUBE
27	38448		1,1,1	RETAINER, WATER TUBE SEAL
28	10-34439		1,1,1	SCREW, RETAINER TO EXHAUST EXTENSION PLATE (3/4")
29	10-22421		1,1,1	SCREW, EXHAUST EXTENSION PLATE TO DRIVE SHAFT HOUSING
30	11-46887		1,1,1	NUT, EXHAUST EXTENSION PLATE SCREW
31	27-38471		1,1,1	GASKET, EXHAUST EXTENSION PLATE TO DRIVE SHAFT HOUSING
32	37918		1,1,1	SEAL, EXHAUST EXTENSION PLATE
33	38032		1,1,1	STRIP, RETAINING - EXHAUST EXTENSION PLATE SEAL
34	10-37571		5,5,5	SCREW, SEAL&RETAINING STRIP TO EXHAUST EXTENSION PLATE
35	37824		1,1,1	BRACKET, SHIFT SHAFT HOLD DOWN
36	10-34222		1,1,1	SCREW, HOLD DOWN BRACKET TO EXHAUST EXT PLATE (1/2")
37	37430A1		1,1,1	SHIFT SHAFT ASSEMBLY, UPPER (SHORT SHAFT)

CONTINUED ON NEXT PAGE ➡

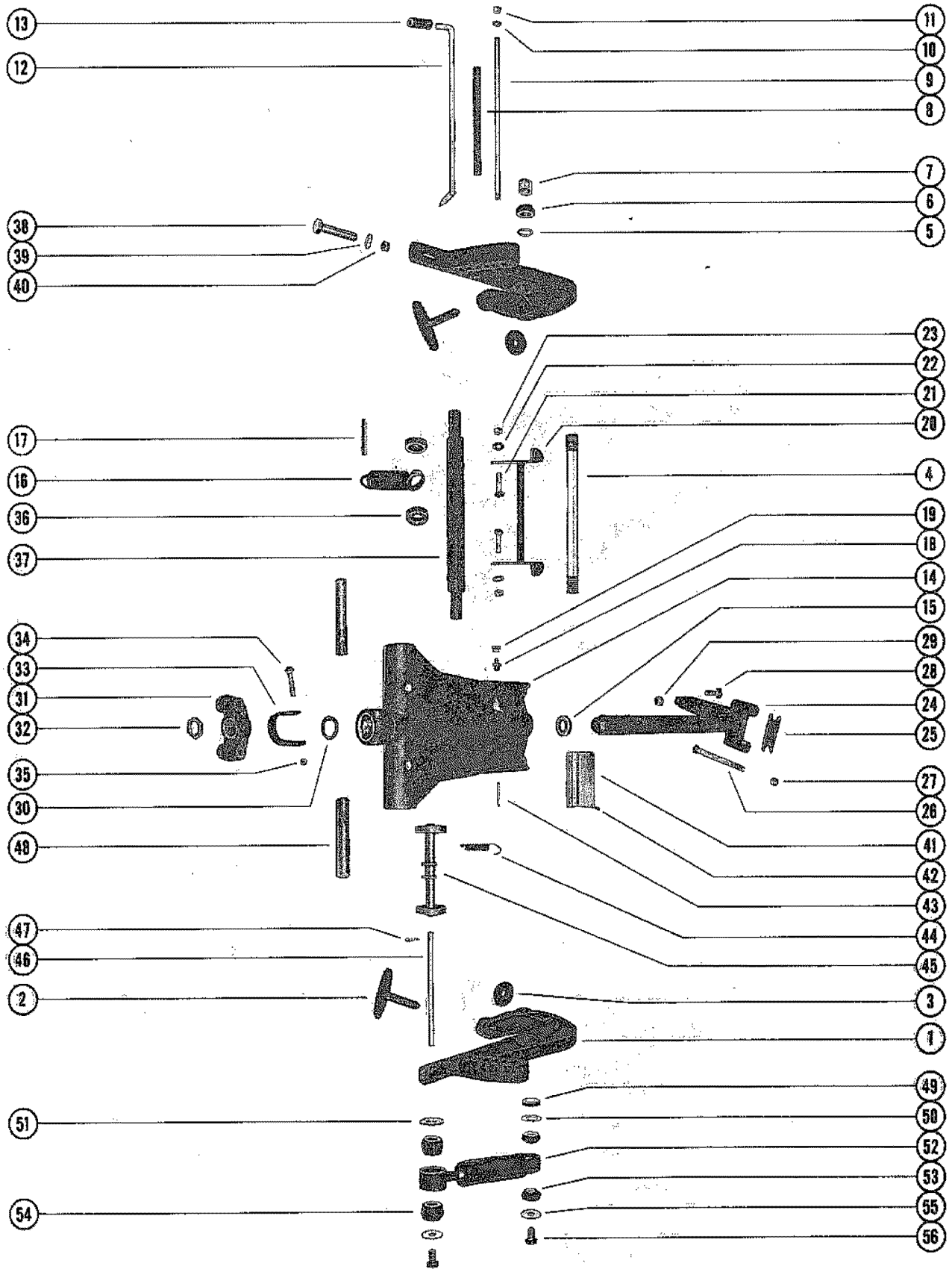
BOTTOM COWL AND SHIFT LINKAGE



BOTTOM COWL AND SHIFT LINKAGE

REF. NO.	PART NO.	SYM.	QTY.	DESCRIPTION
37	37431A1		1,1,1	SHIFT SHAFT ASSEMBLY, UPPER (LONG SHAFT)
38	37899		1,1,	LINK ROD, SHIFT
	46069A1		„1	SHIFT LINK ASSEMBLY
39	13-29720		2,2,2	WASHER, WAVE - LINK ROD
40	18-25191		1,1,1	COTTER PIN, LINK ROD TO SHIFT SHAFT
41	37897		1,1,1	BRACKET, ANCHOR - CONTROL CABLES
42	38802		1,1,1	CAP, BRASS BARREL OF THROTTLE CABLE
43	10-24234		3,3,3	SCREW, ANCHOR BRACKET TO CYLINDER BLOCK (1")
44	24-20099		1,1,1	SPRING, LINK ROD TO GUIDE BLOCK
45	37896		1,1,1	GUIDE BLOCK, LINK ROD
46	12-37905		1,1,1	WASHER, NYLON - LINK ROD
47	38279		1,1,1	LATCH, CONTROL CABLE FASTENING - ANCHOR BRACKET
48	12-21631		1,1,1	WASHER, PLAIN - LINK ROD
49	11-20361		1,1,1	NUT, LINK ROD
50	37913		1,1,1	LEVER, CONTROL CABLE LOCKING - ANCHOR BRACKET
51	24-37911		1,1,1	SPRING, CONTROL CABLE LOCKING LEVER
52	17-23928		1,1,1	PIN, ROLL - CONTROL CABLE LOCKING LEVER
53	24-38472		1,1,1	SPRING, CONTROL, CONTROL CABLE TENSION - ANCHOR BRACKET
54	46933A1		„1	GROUND STRAP ASS'Y, CRANKCASE TO COWL (3-5/8") SERIAL 02211283-09999999
55	46933A2		„1	GROUND STRAP ASS'Y, HOUSING TO COWL (3-3/8") SERIAL 02211283-09999999
56	10-45218		„4	SCREW, GROUND STRAP SERIAL 02211283-09999999
57	13-22238		„4	LOCKWASHER, GROUND STRAP SCREW SERIAL 02211283-09999999

CLAMP AND SWIVEL BRACKET ASSEMBLY

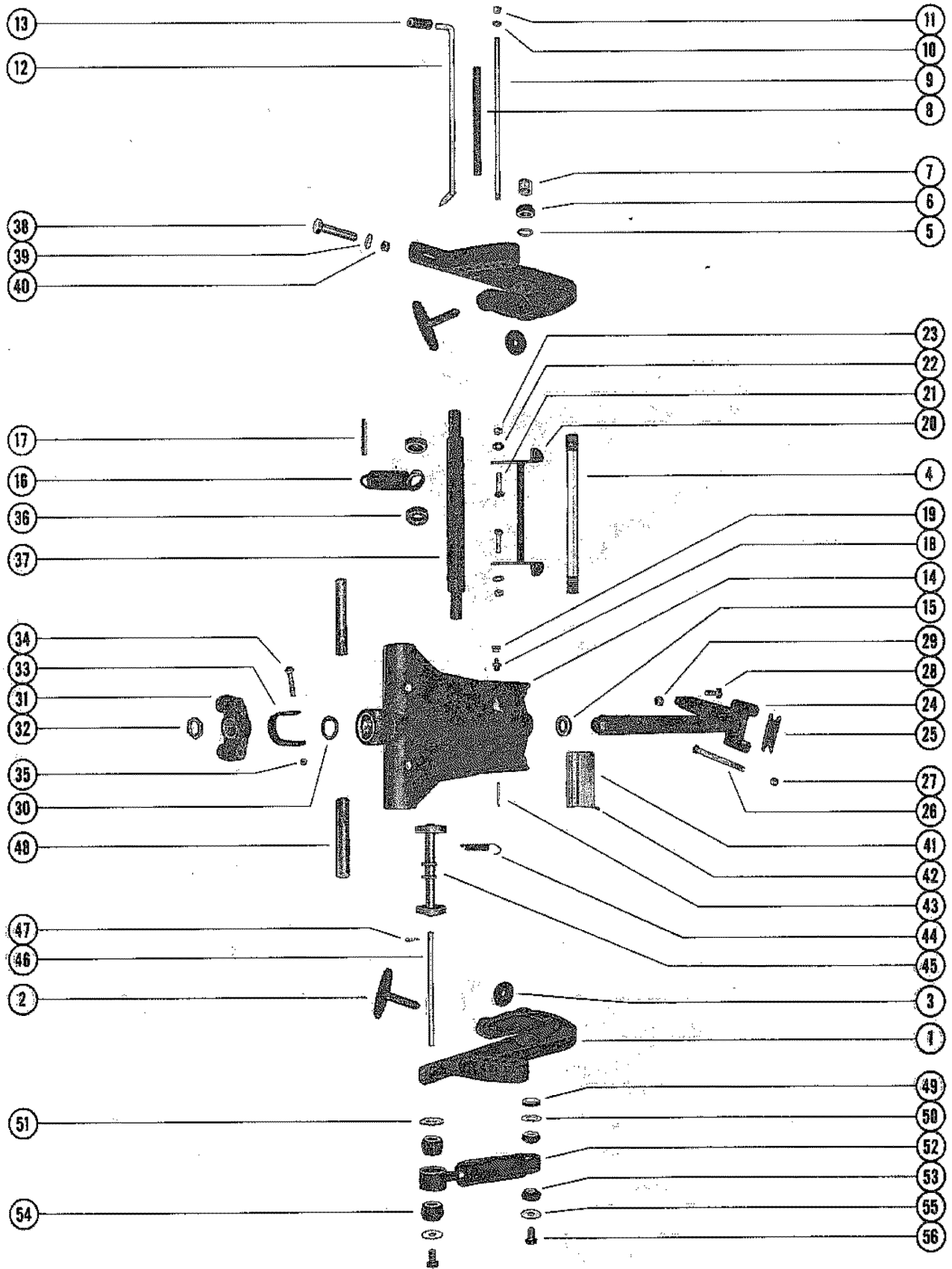


CLAMP AND SWIVEL BRACKET ASSEMBLY

REF. NO.	PART NO.	SYM.	QTY.	DESCRIPTION
1	1440-1796A1		2,2,2	CLAMP BRACKET ASSEMBLY
2	28403A3		2,2,2	THUMB SCREW ASSEMBLY
3	12-28404		2,2,2	WASHER, THUMB SCREW
4	30664		1,1,1	TUBE, TILT - CLAMP BRACKET TO SWIVEL BRACKET
5	15-30497A1		2,2,2	SHIM, CLAMP BRACKET TILT TUBE (.010 -.020)
6	11-30499		2,2,2	NUT, TILT TUBE FASTENING
7	30498		2,2,2	CAP, PLASTIC - TILT TUBE
8	23-20222		1,1,1	SPACER, CLAMP BRACKET STUD
9	16-20221		1,1,1	STUD, CLAMP BRACKET
10	13-26993		2,2,2	LOCKWASHER, CLAMP BRACKET STUD
11	11-20083		2,2,2	NUT, CLAMP BRACKET STUD
12	17-30687A1		1,1,1	TILT LOCK PIN ASSEMBLY
13	32-28052		1,1,1	SLEEVE, RUBBER - TILT LOCK PIN BUMPER
14	1453-2690A1		1,1,1	SWIVEL BRACKET ASSEMBLY (SHORT SHAFT)
	1447-2689A1		1,1,1	SWIVEL BRACKET ASSEMBLY (LONG SHAFT)
15	26-37448		2,2,2	OIL SEAL
16	24-28659		1,1,1	SPRING, COIL - SWIVEL BRACKET
17	17-38311		1,1,1	PIN, COIL SPRING MOUNTING
18	22-23612		1,1,1	FITTING, GREASE
19	29359		1,1,1	LUBRICAP, SWIVEL BRACKET GREASE FITTING
20	30126A1		1,1,1	TILT STOP LEVER ASSEMBLY
21	10-30128		2,2,2	SCREW, TILT STOP LEVER ANCHOR
22	13-31030		2,2,2	WASHER, WAVE - LEVER ANCHOR SCREW
23	11-46793		2,2,2	NUT, LEVER ANCHOR SCREW
24	17-37462A1		1,1,1	SWIVEL PIN AND STEERING ARM ASSEMBLY (SHORT SHAFT)
	17-37423A1		1,1,1	SWIVEL PIN AND STEERING ARM ASSEMBLY (LONG SHAFT)
25	28203		1,1,1	BUMPER, STEERING ARM
26	10-31257		2,2,2	BOLT, STEERING ARM TO UPPER MOUNT
27	11-22178		2,2,2	NUT, STEERING ARM BOLT FASTENING
28	10-31830		1,1,1	SCREW, RIDE - GUIDE ATTACHING
29	11-20509		1,1,1	NUT, RIDE - GUIDE ATTACHING SCREW
30	12-37429		1,1,1	WASHER, SWIVEL PIN - LOWER
31	37419		1,1,1	YOKE, BOTTOM
32	11-37424		1,1,1	NUT, SWIVEL PIN RETAINING
33	28205		1,1,1	STRAP STOP, DRIVE SHAFT HOUSING TO SWIVEL BRACKET
34	10-28200		1,1,1	SCREW, STRAP STOP TO DRIVE SHAFT HOUSING
35	11-25269		1,1,1	NUT, STRAP STOP FASTENING SCREW
36	23-28688		2,2,2	SPACER, RUBBER - COIL SPRING POSITIONING
37	55-28416		1,1,1	PIN, UPPER SHOCK MOUNTING
38	10-28009		2,2,2	BOLT, CLAMP BRACKET TO BOAT TRANSOM
39	12-28008		2,2,2	WASHER, CLAMP BRACKET BOLT
40	11-28010		2,2,2	NUT, CLAMP BRACKET BOLT
41	38-39784		1,1,1	SERIAL PLATE

CONTINUED ON NEXT PAGE ➡

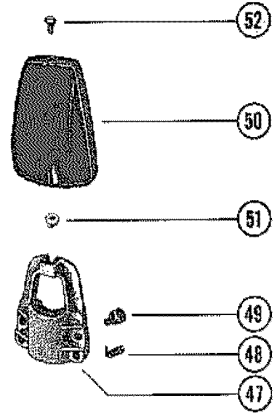
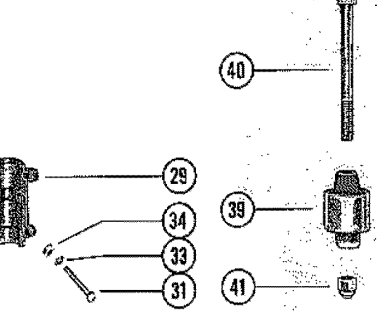
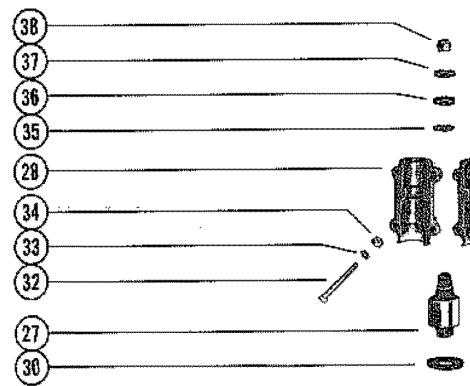
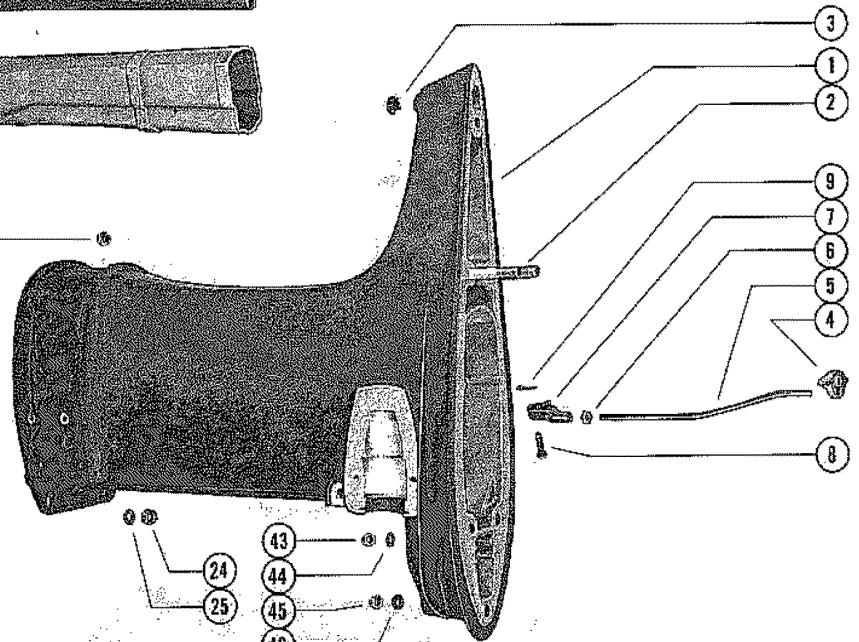
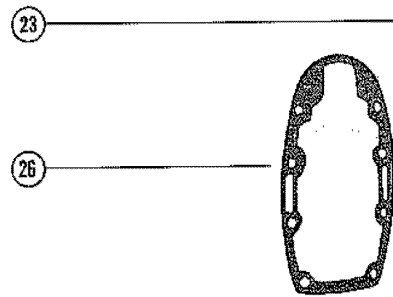
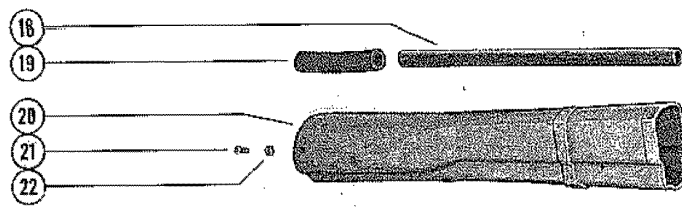
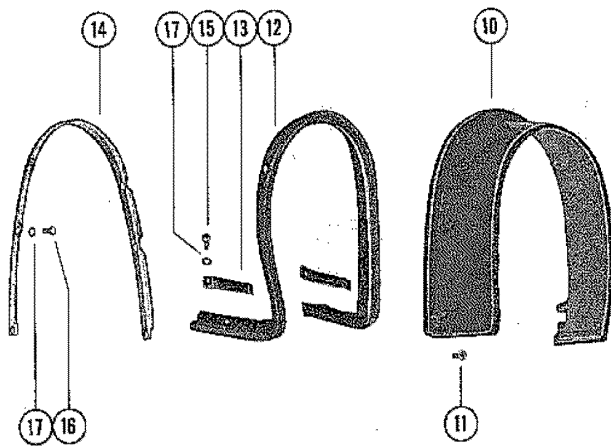
CLAMP AND SWIVEL BRACKET ASSEMBLY



CLAMP AND SWIVEL BRACKET ASSEMBLY

REF. NO.	PART NO.	SYM.	QTY.	DESCRIPTION
42	10-25612		4,4,4	SCREW, DRIVE - SERIAL PLATE TO SWIVEL BRACKET
43	17-25598		1,1,1	PIN, REVERSE LOCK SPRING ATTACHING
44	24-29821		1,1,1	SPRING, REVERSE LOCK TENSION
45	39015A1		1,1,1	REVERSE LOCK ASSEMBLY
46	20208		1,1,1	SHAFT, REVERSE LOCK PIVOT
47	18-45882		1,1,1	COTTER PIN, REVERSE LOCK TO SHAFT
48	55-29247		2,2,2	PIN, LOWER SHOCK MOUNTING (SHORT SHAFT)
	55-28414		2,2,2	PIN, LOWER SHOCK MOUNTING (LONG SHAFT)
-	10-28424		2,2,2	SCREW, LOWER SHOCK PIN (LONG SHAFT)
-	11-46887		2,2,2	NUT, LOWER SHOCK PIN SCREW (LONG SHAFT)
49	23-28199		2,2,2	SPACER, UPPER SHOCK BUSHING TO CLAMP BRACKET
50	12-28196		2,2,2	WASHER, UPPER BUSHING RETAINER (INNER)
51	12-28264		2,2,2	WASHER, LOWER BUSHING RETAINER (INNER)
52	55-31933		2,2,2	SHOCK ABSORBER
53	23-32171		4,4,4	BUSHING, RUBBER - SHOCK ABSORBER (UPPER)
54	23-28198		4,4,4	BUSHING, RUBBER - SHOCK ABSORBER (LOWER)
55	12-28421		4,4,4	WASHER, UPPER AND LOWER BUSHING RETAINER (OUTER)
56	10-28450		4,4,4	SCREW, NYLOK - UPPER AND LOWER SHOCK MOUNTING PIN

DRIVE SHAFT HOUSING ASSEMBLY

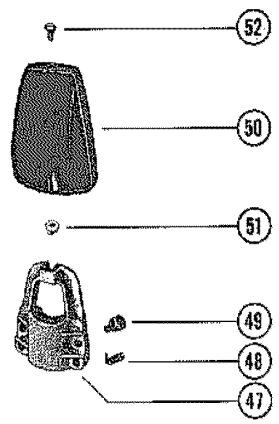
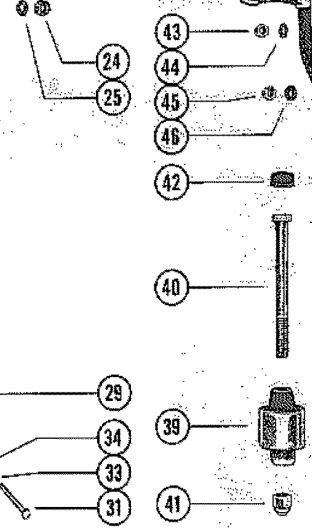
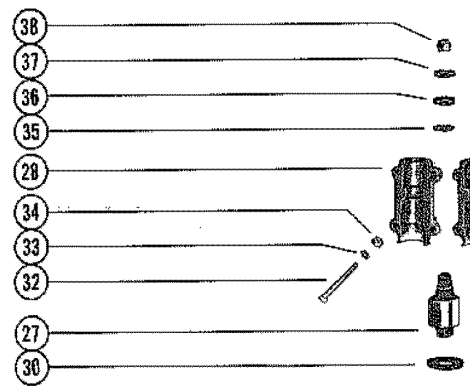
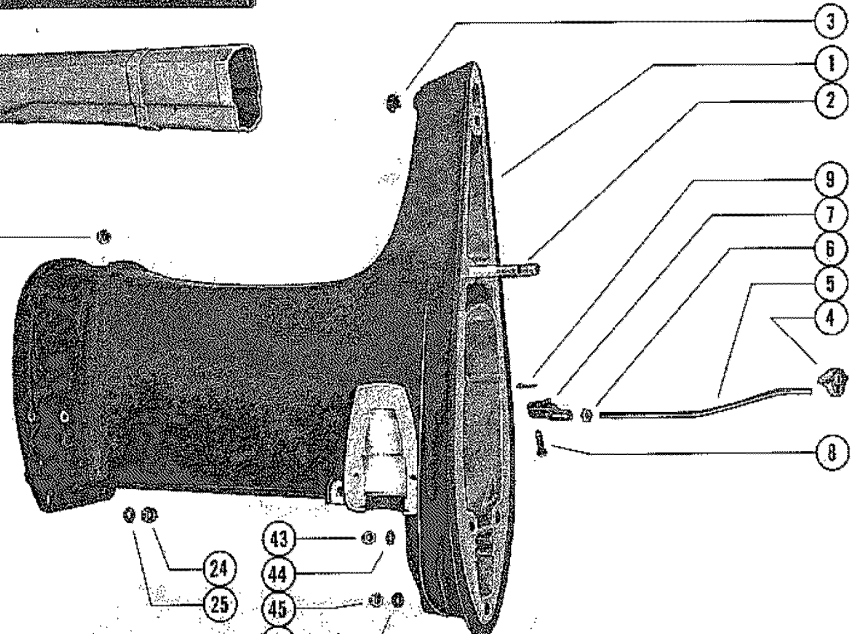
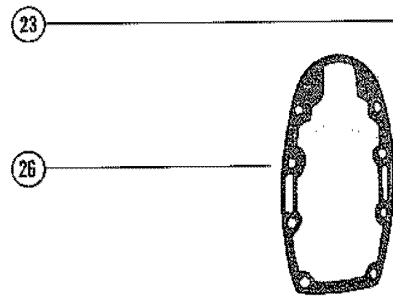
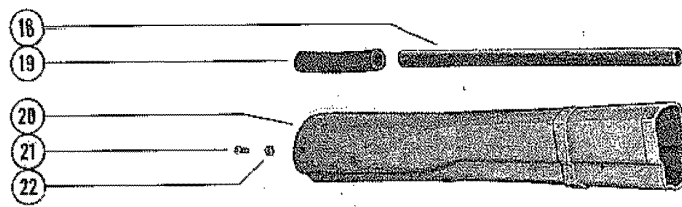
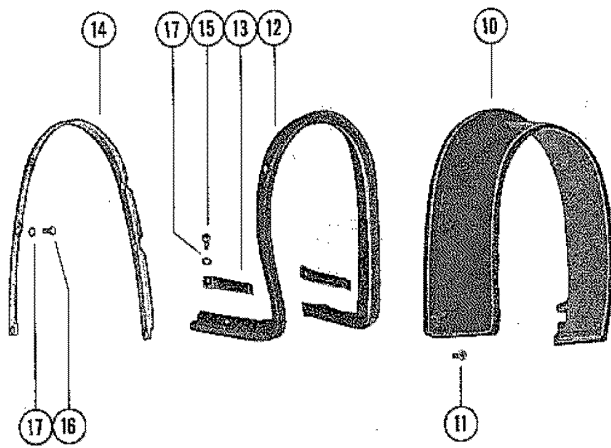


DRIVE SHAFT HOUSING ASSEMBLY

REF. NO.	PART NO.	SYM.	QTY.	DESCRIPTION
1	1552-2463A1		1,1,1	DRIVE SHAFT HOUSING ASSEMBLY (SHORT SHAFT)
	1551-2459A2		1,1,1	DRIVE SHAFT HOUSING ASSEMBLY (LONG SHAFT)
2	16-30929		2,2,2	STUD, DRIVE SHAFT HOUSING TO GEAR HOUSING
3	19-32298		1,1,1	PLUG, PLASTIC - TRIM TAB SCREW HOLE
4	39020		1,1,1	GUIDE, PUSH ROD - REVERSE LOCKING SERIAL 00000000-02211282
5	39018		1,1,1	ROD, PUSH - REVERSE LOCK (SHORT SHAFT) SERIAL 00000000-02211282
	39017		1,1,1	ROD, PUSH - REVERSE LOCK (LONG SHAFT) SERIAL 00000000-02211282
6	11-29250		1,1,1	NUT, JAM - PUSH ROD SERIAL 00000000-02211282
7	39022		1,1,1	YOKE, PUSH ROD SERIAL 00000000-02211282
4	47560		„1	GUIDE, PUSH ROD - REVERSE LOCKING SERIAL 02211283-09999999
5	47591		„1	ROD, PUSH - REVERSE LOCK (SHORT SHAFT) SERIAL 02211283-09999999
	47558		„1	ROD, PUSH - REVERSE LOCK (LONG SHAFT) SERIAL 02211283-09999999
6	11-47661		„1	NUT, JAM - PUSH ROD SERIAL 02211283-09999999
7	47559		„1	YOKE, PUSH ROD SERIAL 02211283-09999999
8	17-39023		1,1,1	PIN, PUSH ROD TO REVERSE LOCK
9	18-25191		1,1,1	COTTER PIN, PUSH ROD PIN
10	37417		1,1,1	COVER, TRIM - DRIVE SHAFT HOUSING
11	10-37571		4,4,4	SCREW, TRIM COVER TO BOTTOM COWL
12	37919		1,1,1	SEAL, TRIM COVER TO DRIVE SHAFT HOUSING
13	37665		2,2,2	STRIP, RETAINING - TRIM COVER SEAL (SIDE)
14	38052		1,1,1	STRIP, RETAINING - TRIM COVER SEAL (REAR)
15	10-38055		2,2,2	SCREW, RETAINING STRIP TO DRIVE SHAFT HOUSING (5/8")
16	10-37571		6,6,6	SCREW, RETAINING STRIP TO DRIVE SHAFT HOUSING (1/2")
17	12-30164		8,8,8	WASHER, RETAINING STRIP SCREW
18	32-37446		1,1,1	TUBE, WATER INLET (SHORT SHAFT)
	32-37438		1,1,1	TUBE, WATER INLET (LONG SHAFT)
19	23-29591		1,1,1	SLEEVE, RUBBER - WATER INLET TUBE
20	38469		1,1,1	TUBE, EXHAUST (SHORT SHAFT)
	38470		1,1,1	TUBE, EXHAUST (LONG SHAFT)
21	10-38601		3,3,3	SCREW, EXHAUST TUBE TO EXHAUST EXTENSION PLATE
22	11-46886		3,3,3	NUT, EXHAUST TUBE SCREW
23	11-23161		6,6,6	NUT, POWERHEAD STUDS
24	11-20509		2,2,2	NUT, POWERHEAD STUDS
25	12-20086		2,2,2	WASHER, POWERHEAD STUDS
26	27-38471		1,1,1	GASKET, EXHAUST EXTENSION PLATE TO DRIVE SHAFT HOUSING
27	37398		2,2,2	MOUNT, RUBBER - UPPER
	38820		OPT,OPT,OP	MOUNT, RUBBER - UPPER (HEAVY DUTY)
28	31260		2,2,2	COVER, UPPER MOUNT - OUTSIDE HALF

CONTINUED ON NEXT PAGE ➡

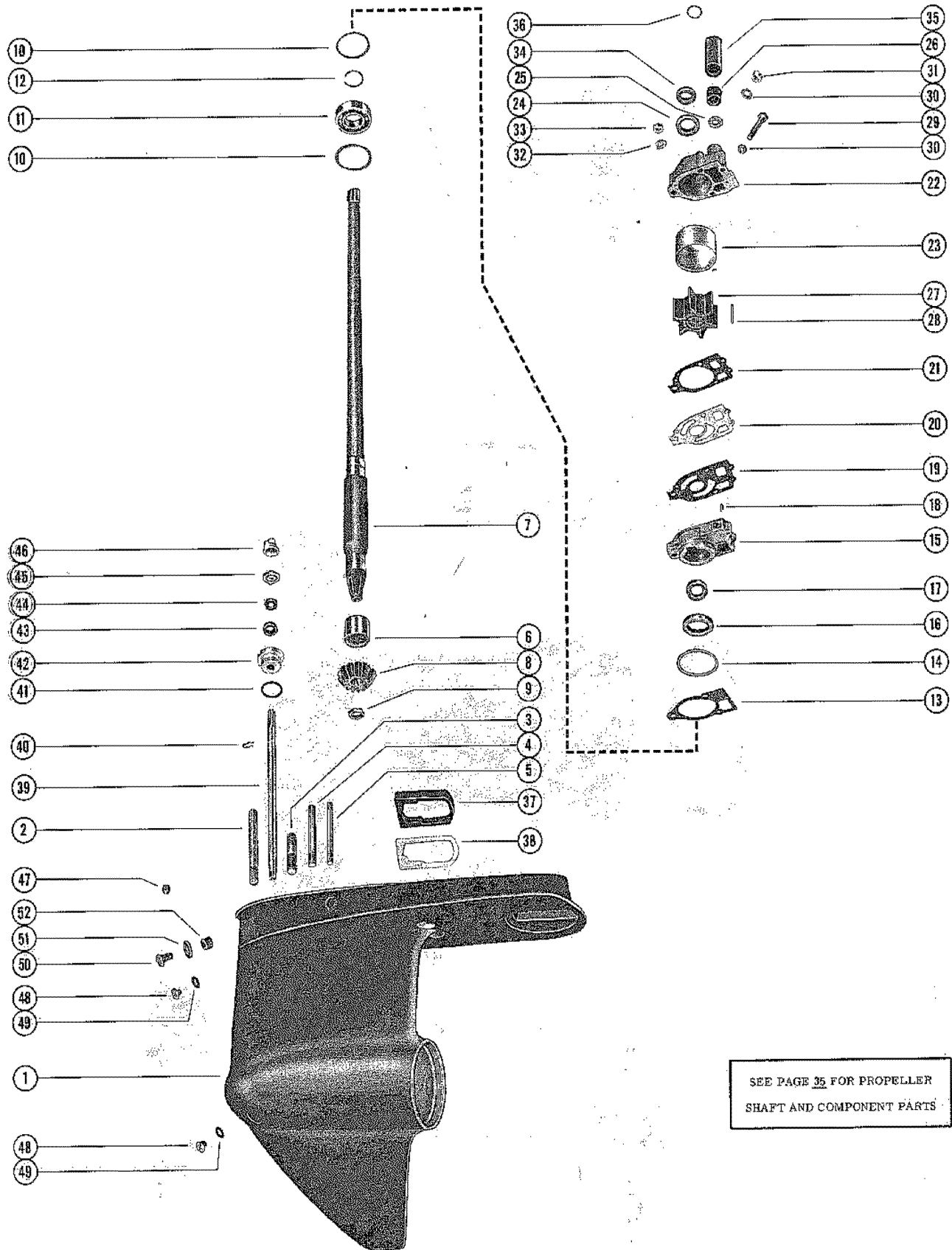
DRIVE SHAFT HOUSING ASSEMBLY



DRIVE SHAFT HOUSING ASSEMBLY

REF. NO.	PART NO.	SYM.	QTY.	DESCRIPTION
29	37712		2,2,2	COVER, UPPER MOUNT - INSIDE HALF
30	24929		2,2,2	PACKING, "U" CUP
31	10-28773		4,4,4	SCREW, UPPER MOUNT COVER (1 5/8")
32	10-28775		4,4,4	SCREW, UPPER MOUNT COVER (2 1/8")
33	12-29245		AR,AR,AR	WASHER, UPPER MOUNT COVER SCREW
34	11-46886		8,8,8	NUT, UPPER MOUNT COVER SCREW
35	12-31262		2,2,2	WASHER, UPPER MOUNT BOLT
36	12-31261		2,2,2	WASHER, RUBBER - UPPER MOUNT BOLT
37	12-31263		2,2,2	WASHER, UPPER MOUNT BOLT
38	11-22178		2,2,2	NUT, UPPER MOUNT BOLT
39	37399		2,2,2	MOUNT, RUBBER - LOWER
	38821	OPT,OPT,OP		MOUNT, RUBBER - LOWER (HEAVY DUTY)
40	10-30452		2,2,2	SCREW, UPPER MOUNT (5 1/2")
41	11-25096		2,2,2	NUT, MOUNT SCREW
42	25067		2,2,2	BUMPER, RUBBER - MOUNTING SCREW
43	11-22178		2,2,2	NUT, GEAR HSG. AND DRIVE SHAFT HSG STUDS
44	12-45176		,2,2	WASHER, GEAR HSG. TO DRIVE SHAFT HSG. STUDS PART OF GEAR HOUSING ASSEMBLY
45	11-29489		1,1,1	NUT, GEAR HSG. AND DRIVE SHAFT HSG. STUDS
46	12-45176		,1,1	WASHER, GEAR HSG. TO DRIVE SHAFT HSG. STUDS PART OF GEAR HOUSING ASSEMBLY
47	35608		2,2,2	CLAMP, LOWER MOUNT TO DRIVE SHAFT HOUSING
48	24-35522		4,4,4	SPRING, TENSION - LOWER MOUNT CLAMP
49	10-29256		4,4,4	SCREW, LOWER MOUNT CLAMP TO DRIVE SHAFT HOUSING
50	35474		2,2,2	COVER, LOWER MOUNT CLAMP
51	11-35521		2,2,2	NUT, LOWER MOUNT CLAMP COVER
52	10-29722		2,2,2	SCREW, COVER TO LOWER CLAMP MOUNT

GEAR HOUSING ASSEMBLY, COMPLETE (PAGE 1)

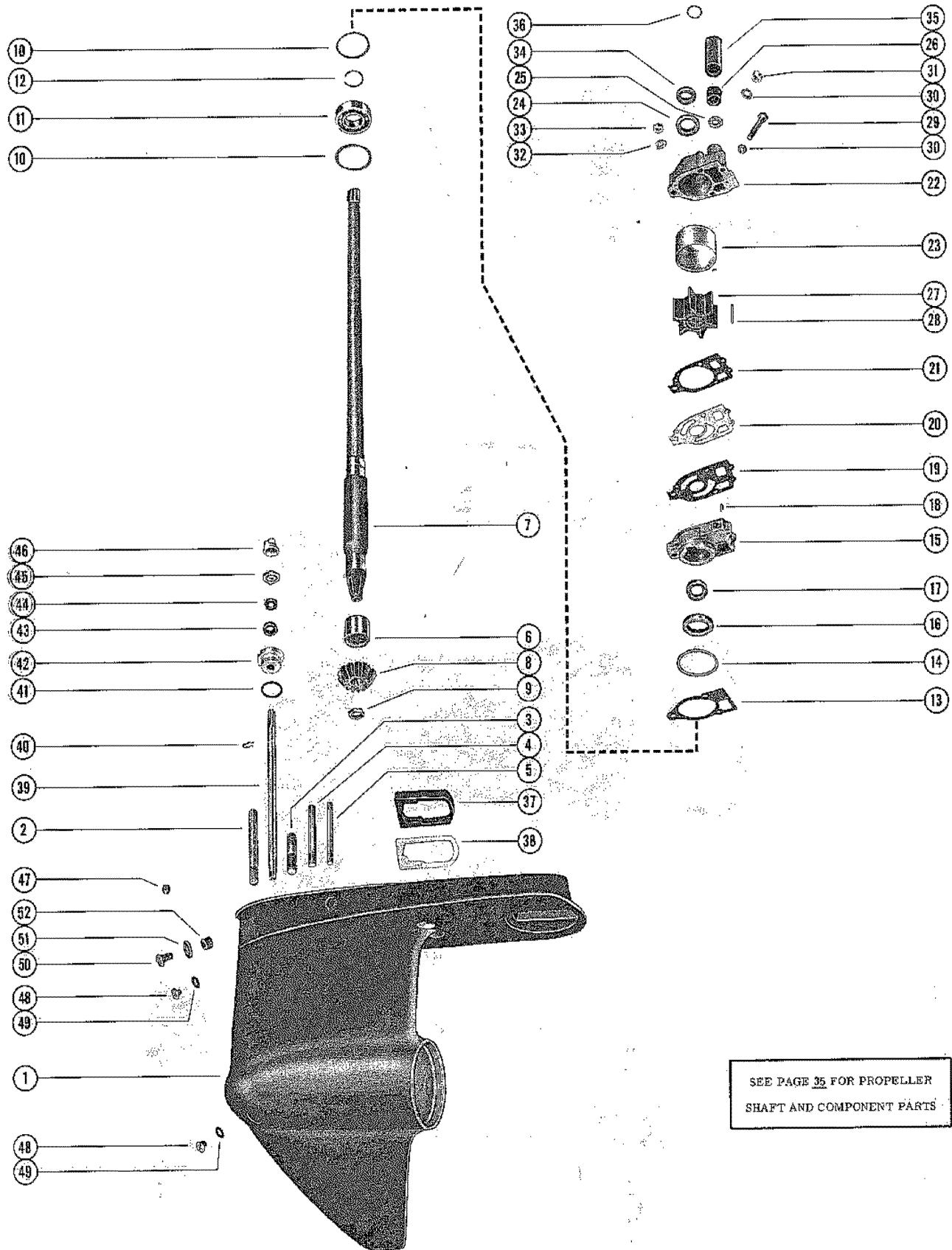


GEAR HOUSING ASSEMBLY, COMPLETE (PAGE 1)

REF. NO.	PART NO.	SYM.	QTY.	DESCRIPTION
-	1623-2460A19		1,,	GEAR HOUSING ASSEMBLY, COMPLETE (SHORT SHAFT) SEE NOTE
-	1623-2460A18		1,,	GEAR HOUSING ASSEMBLY, COMPLETE (LONG SHAFT) SEE NOTE
-	1623-2460A26		,1,1	GEAR HOUSING ASSEMBLY, COMPLETE (SHORT SHAFT) SEE NOTE
-	2460A27		,1,1	GEAR HOUSING ASSEMBLY, COMPLETE (LONG SHAFT) SEE NOTE
1	1623-2460A4		1,,	GEAR HOUSING ASSEMBLY
	1623-2460A20		,1,1	GEAR HOUSING ASSEMBLY
2	16-30661		1,,	STUD, GEAR HOUSING TO DRIVE SHAFT HOUSING (3-15/16")
	16-45199		,1,1	STUD, GEAR HOUSING TO DRIVE SHAFT HOUSING (4")
3	16-29078		2,,	STUD, GEAR HOUSING TO DRIVE SHAFT HOUSING (1-31/32")
	16-45198		,2,2	STUD, GEAR HOUSING TO DRIVE SHAFT HOUSING (2-1/16")
4	16-36292		1,1,1	STUD, WATER PUMP BASE AND BODY TO GEAR HOUSING (3-3/8")
5	16-37435		2,2,2	STUD, WATER PUMP BASE AND BODY TO GEAR HOUSING (3-5/16")
6	31-32898		1,1,1	BEARING, ROLLER - DRIVE SHAFT
7	45-38459		1,1,1	DRIVE SHAFT (SHORT SHAFT)
	45-38460		1,1,1	DRIVE SHAFT (LONG SHAFT)
8	43-31419		1,1,1	GEAR, PINION - DRIVE SHAFT
9	11-30932		1,1,1	NUT, PINION GEAR TO DRIVE SHAFT
10	15-30278A1		AR,AR,AR	SHIM, DRIVE SHAFT BALL BEARING TO GEAR HOUSING
11	30-20464		1,1,1	BEARING, BALL - DRIVE SHAFT
12	53-30726		1,1,1	RING, RETAINING - BALL BEARING
10	15-30278A1		AR,AR,AR	SHIM, WATER PUMP BASE TO GEAR HOUSING
13	27-32438		1,1,1	GASKET, WATER PUMP BASE TO GEAR HOUSING
14	25-30224		1,1,1	"O" RING, WATER PUMP BASE
15	46-38931A1		1,1,1	WATER PUMP BASE ASSEMBLY
16	26-31489		1,1,1	OIL SEAL, WATER PUMP BASE
17	26-31507		1,1,1	OIL SEAL, WATER PUMP BASE
18	17-25973		2,2,2	DOWEL PIN, WATER PUMP BASE TO WATER PUMP BODY
19	27-32433		1,1,1	GASKET, LOWER - WATER PUMP BASE TO FACE PLATE
20	32435		1,1,1	PLATE, FACE - WATER PUMP BASE TO WATER PUMP BODY
21	27-32434		1,1,1	GASKET, UPPER - FACE PLATE TO WATER PUMP BODY
22	46-37433A1		1,1,1	WATER PUMP BODY ASSEMBLY
23	30915		1,1,1	INSERT, WATER PUMP BODY
24	26-31507		1,1,1	OIL SEAL, WATER PUMP BODY
25	12-36446		1,,	WASHER, NYLON - WATER INLET TUBE
26	26-36557		1,,	SEAL, RUBBER - WATER INLET TUBE

CONTINUED ON NEXT PAGE ➡

GEAR HOUSING ASSEMBLY, COMPLETE (PAGE 1)

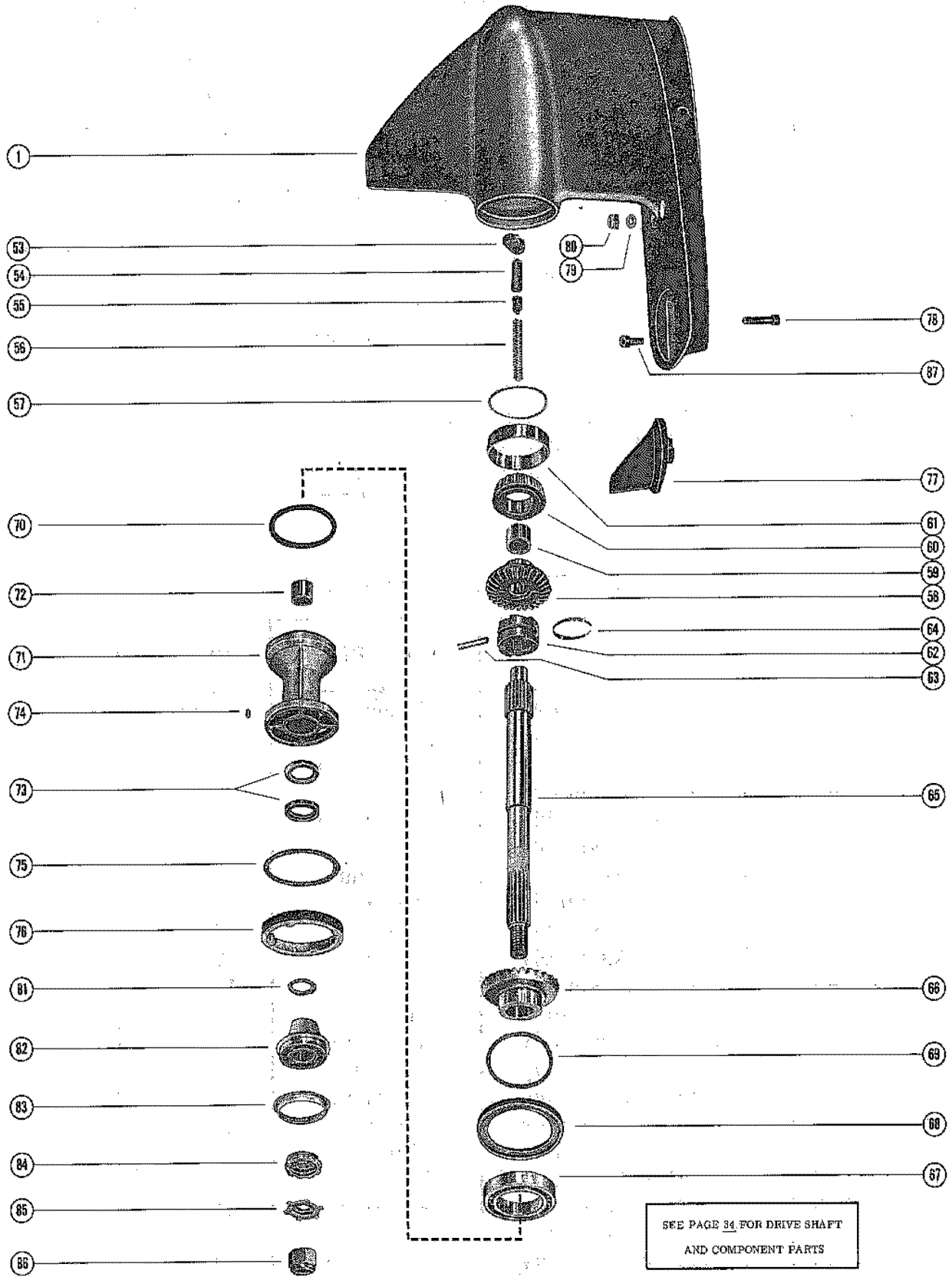


SEE PAGE 35 FOR PROPELLER
SHAFT AND COMPONENT PARTS

GEAR HOUSING ASSEMBLY, COMPLETE (PAGE 1)

REF. NO.	PART NO.	SYM.	QTY.	DESCRIPTION
26	26-38970		,1,1	SEAL, RUBBER - WATER INLET TUBE
27	47-30221		1,1,1	IMPELLER - WATER PUMP
28	17-29967		1,1,1	PIN, IMPELLER DRIVE
29	10-30720		1,1,1	SCREW, WATER PUMP BODY TO GEAR HOUSING (1-1/4")
30	13-26992		3,3,3	LOCKWASHER, WATER PUMP BODY FASTENING SCREW&STUDS (1/4")
31	11-29598		2,2,2	NUT, WATER PUMP BODY FASTENING STUDS (1/4")
32	13-26993		1,1,1	LOCKWASHER, WATER PUMP BODY FASTENING STUD (5/16")
33	11-28770		1,1,1	NUT, WATER PUMP BODY FASTENING STUD (5/16")
34	25-30271		1,1,1	RING, RUBBER - CENTRIFUGAL SLINGER (DRIVE SHAFT)
35	23-29804		1,1,1	SLEEVE, GUIDE - WATER INLET TUBE
36	25-30613		1,1,1	"O" RING, UPPER - DRIVE SHAFT
37	37641		1,1,1	SEAL, EXHAUST TUBE
38	38051		1,1,1	PLATE, SUPPORT - EXHAUST TUBE SEAL
39	37432		1,1,1	SHAFT, SHIFT - LOWER
40	18-20233		1,1,1	CLIP, RETAINING - SHIFT SHAFT
41	25-25439		1,1,1	"O" RING, SHIFT SHAFT BUSHING
42	23-37428A1		1,1,1	BUSHING ASSEMBLY, SHIFT SHAFT
43	26-24590		1,1,1	OIL SEAL, SHIFT SHAFT BUSHING (LOWER)
	26-31249		1,1,1	OIL SEAL, SHIFT SHAFT BUSHING (UPPER)
44	12-31266		1,1,1	WASHER, RUBBER SHIFT SHAFT BUSHING
45	39019		1,1,1	SPACER, LOWER - REVERSE LOCKING
46	39021		1,1,1	CAM, REVERSE LOCKING
47	22-21290		1,1,1	PLUG, PIPE - SHIFT SHAFT GREASE FILLER HOLE
48	10-28634		2,2,2	SCREW, GREASE FILLER AND VENT HOLE
49	12-20260		2,2,2	WASHER, GREASE FILLER AND VENT HOLE SCREW
50	10-29608		1,1,1	SCREW, GEAR HOUSING FLUSHING HOLE
51	27-29586		1,1,1	GASKET, GEAR HOUSING FLUSHING HOLE SCREW
52	26-29612		1,1,1	SEAL, GEAR HOUSING FLUSHING HOLE

GEAR HOUSING ASSEMBLY, COMPLETE (PAGE 2)

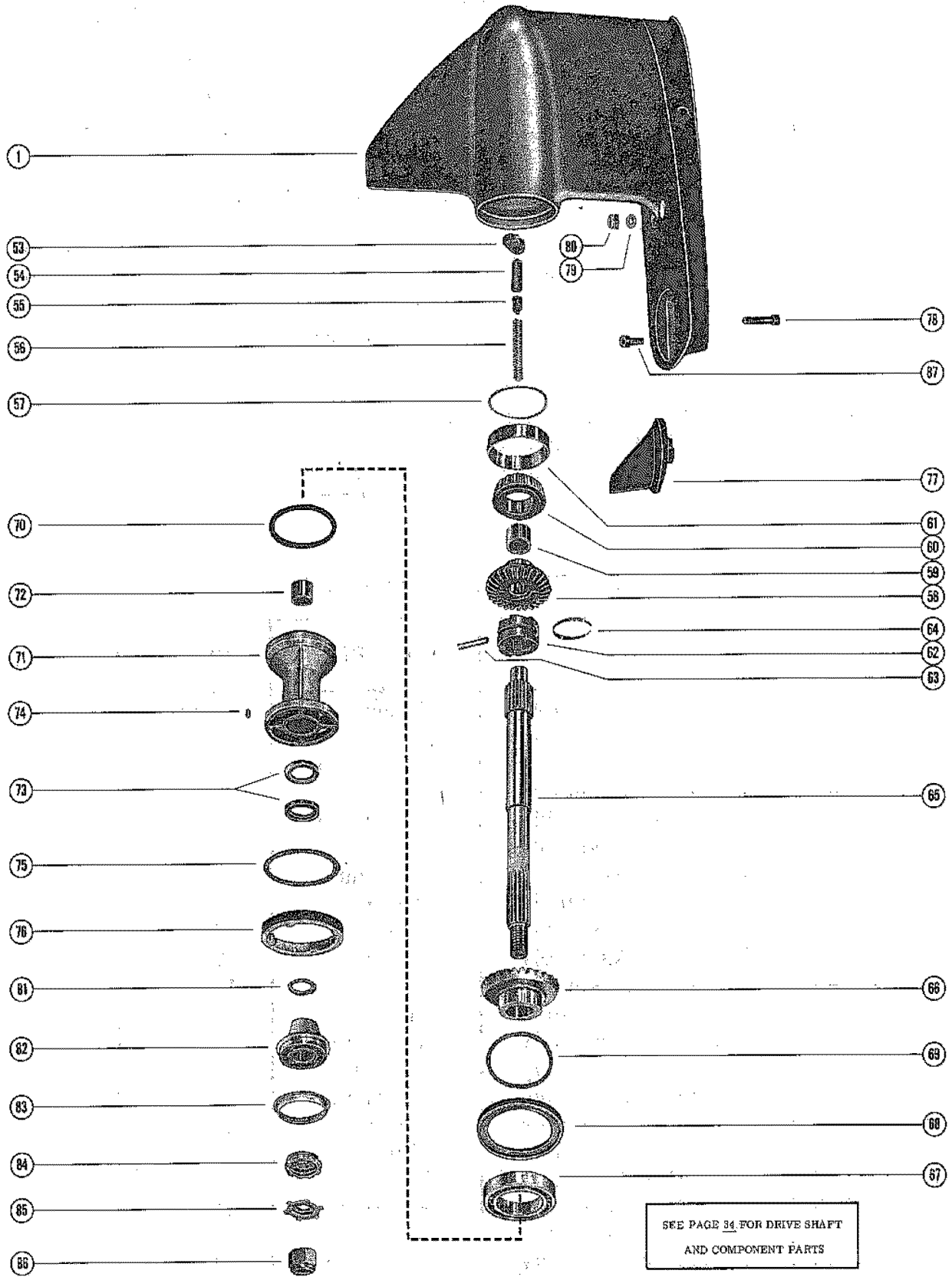


GEAR HOUSING ASSEMBLY, COMPLETE (PAGE 2)

REF. NO.	PART NO.	SYM.	QTY.	DESCRIPTION
-	1623-2460A19		1,,	GEAR HOUSING ASSEMBLY, COMPLETE (SHORT SHAFT) SEE NOTE BELO
-	1623-2460A18		1,,	GEAR HOUSING ASSEMBLY, COMPLETE (LONG SHAFT) SEE NOTE BELOW
-	1623-2460A26		,1,1	GEAR HOUSING ASSEMBLY, COMPLETE (SHORT SHAFT) SEE NOTE BELO
-	1623-2460A27		,1,1	GEAR HOUSING ASSEMBLY, COMPLETE (LONG SHAFT) SEE NOTE BELOW
1	1623-2460A4		1,,	GEAR HOUSING ASSEMBLY SEE PAGE 34 FOR PARTS BREAKDOWN
	1623-2460A20		,1,1	GEAR HOUSING ASSEMBLY SEE PAGE 34 FOR PARTS BREAKDOWN
53	36288		1,1,1	CAM, SHIFT
54	30625		1,1,1	FOLLOWER, CAM
55	30624		1,1,1	SLIDE, CROSS PIN
56	24-30622		1,1,1	SPRING, COMPRESSION - CAM FOLLOWER
57	15-30923A1		AR,AR,AR	SHIM, BEARING OUTER RACE TO GEAR HOUSING
-	43-34085A1		1,1,1	FORWARD GEAR ASSEMBLY, COMPLETE
58	43-34085		1,1,1	FORWARD GEAR ASSEMBLY
59	31-30895		1,1,1	BEARING, ROLLER - FORWARD GEAR
60	31-30894A1		1,1,1	TAPERED ROLLER BEARING ASSEMBLY
61	31-31092		1,1,1	CUP, TAPERED ROLLER BEARING
62	52-34239		1,1,1	RATCHET, SLIDING CLUTCH
63	17-30632		1,1,1	PIN, CROSS - RATCHET TO PROPELLER SHAFT
64	24-30893		1,1,1	SPRING, RETAINING - CROSS PIN
65	44-32164		1,1,1	SHAFT, PROPELLER
-	43-31887A1		1,1,1	REVERSE GEAR ASSEMBLY, COMPLETE
66	43-31887		1,1,1	REVERSE GEAR ASSEMBLY
67	30-31265		1,1,1	BEARING, BALL - REVERSE GEAR
68	12-30633		1,1,1	WASHER, THRUST - BEARING CARRIER TO GEAR HOUSING
69	15-29955A1		AR,AR,AR	SHIM, THRUST WASHER TO GEAR HOUSING
70	25-29976		1,1,1	"O" RING, BEARING CARRIER
71	31284A1		1,1,1	BEARING CARRIER ASSEMBLY
72	31-30956		1,1,1	BEARING, ROLLER - BEARING CARRIER
73	26-30550		2,2,2	OIL SEAL, BEARING CARRIER
74	28-30281		1,1,1	KEY, LOCATING - BEARING CARRIER
75	12-29957		1,1,1	WASHER, GEAR HOUSING COVER
76	31037		1,1,1	COVER, GEAR HOUSING
77	31640		1,1,1	TRIM TAB, GEAR HOUSING
78	10-32470		1,1,1	SCREW, TRIM TAB TO GEAR HOUSING (1-3/4")
79	12-45176		,2,2	WASHER, GEAR HOUSING TO DRIVE SHAFT HOUSING STUDS
80	11-22178		2,2,2	NUT, GEAR HOUSING TO DRIVE SHAFT HOUSING STUDS
81	12-31013		1,1,1	WASHER, THRUST - BEARING CARRIER

CONTINUED ON NEXT PAGE ➡

GEAR HOUSING ASSEMBLY, COMPLETE (PAGE 2)



GEAR HOUSING ASSEMBLY, COMPLETE (PAGE 2)

REF. NO.	PART NO.	SYM.	QTY.	DESCRIPTION
82	30581A1		1,1,1	THRUST HUB AND WASHER ASSEMBLY
83	12-29590		1,1,1	WASHER, CUPPED - THRUST HUB
84	12-31211		1,1,1	WASHER, SPLINED - PROPELLER NUT
85	14-31210		1,1,1	TAB WASHER, PROPELLER NUT
86	11-29594		1,1,1	NUT, PROPELLER
87	10-34353		1,1,1	SCREW, GEAR HOUSING TO DRIVE SHAFT HOUSING (1")

PARTS INDEX

Part Number	Description	Pg.	Ref. No.	Part Number	Description	Pg.	Ref. No.
20119	PROTECTOR, SPARK PLUG LEAD	21	47	23564A6	SPARK PLUG LEAD ASSEMBLY (#1)	21	44
20119A1	PROTECTOR, SPARK PLUG LEAD	25	31	23564A6	SPARK PLUG LEAD ASSEMBLY (#1)	25	30
20121	CONNECTOR, HIGH TENSION CABLE (CAP END)	21	40	23760	BAFFLE, BOTTOM COWL	57	13
20121	CONNECTOR, HIGH TENSION CABLE (CAP END)	21	40	2460A27	GEAR HOUSING ASSEMBLY, COMPLETE (LONG SHAFT) SEE NOTE	69	-
20121	CONNECTOR, HIGH TENSION CABLE (CAP END)	21	40	24929	PACKING, "U" CUP	67	30
20121	CONNECTOR, HIGH TENSION CABLE (CAP END)	23	--	25067	BUMPER, RUBBER - MOUNTING SCREW	67	42
20121	CONNECTOR, SPARK PLUG LEAD	21	40	25596	CABLE, WIRE - STARTER MOTOR TO FRONT SUPPORT BRACKET	27	24
20121	CONNECTOR, SPARK PLUG LEAD	25	--	25596	CABLE, WIRE - STARTER MOTOR TO FRONT SUPPORT BRACKET	31	25
20140	BELT, TIMING	13	43	25996A1	SWIVEL AND LINK ROD ASSEMBLY	15	2
20208	SHAFT, REVERSE LOCK PIVOT	63	46	26079	PLATE, WIRING HARNESS TO BOTTOM COWL	27	3
22463	KNOB, CHOKE ROD	35	6	26079	PLATE, WIRING HARNESS TO BOTTOM COWL	31	6
22789	"D" WASHER, CLIP FASTENING SCREW	9	17	26113	RACE, OUTER (PAIR)	51	6
22789	"D" WASHER, CLIP FASTENING SCREW	9	17	26514	BRACKET, COIL FASTENING	17	32
22789	"D" WASHER, CLIP FASTENING SCREW	27	36	26551	BRACKET, CLAMP EXTENSION	47	19
22789	"D" WASHER, DISTRIBUTOR PRIMARY GROUND LEAD CLIP SCREW	15	24	26852	CAP, NYLON - ADJUSTING SCREW	11	26
22789	"D" WASHER, HARNESS CLAMP	27	39	26977	BRACKET, COIL LEAD RETAINER	35	20
22789	"D" WASHER, HARNESS CLIP	29	54	27031A4	PLUNGER AND LINK ASSEMBLY, CHOKE SOLENOID	35	12
22789	"D" WASHER, IGNITION COIL CLAMPING SCREW	17	46	27947	SWIVEL, LINKAGE - ECONOMIZER COLLAR	15	1
22789	"D" WASHER, LEAD WIRE CLIP SCREW	17	59	27948	SWIVEL, UPPER LINK ROD TO THROTTLE CONTROL LEVER	15	5
22789	"D" WASHER, SIDE INLET COVER SCREW	19	33	27955	CAP, ADAPTOR AND PILOT FASTENING	11	33
22789	"D" WASHER, WIRING HARNESS CLIP SCREW	31	4	27977	CLUSTER, THROTTLE LEVER (UPPER CARBURETOR)	35	15
22789	"D" WASHER, WIRING HARNESS TO FRONT SUPPORT BRACKET	31	5	28007A6	THROTTLE PICK-UP BRACKET ASSEMBLY	35	18
22924	TERMINAL, COIL TO SWITCH BOX	17	48	28203	BUMPER, STEERING ARM	61	25
23004	RETAINER, CHECK VALVE	45	7	28205	STRAP STOP, DRIVE SHAFT HOUSING TO SWIVEL BRACKET	61	33
23004	RETAINER, CHECK VALVE	45	7	28403A3	THUMB SCREW ASSEMBLY	61	2
23014A1	DIAPHRAGM KIT	45	3	29359	LUBRICAP, SWIVEL BRACKET GREASE FITTING	61	19
23014A1	DIAPHRAGM KIT	45	3	29787	HUB, FLYWHEEL PULLEY	9	11
23564A4	SPARK PLUG LEAD ASSEMBLY (#3, #4 AND #5)	25	30	29788	FLANGE, FLYWHEEL PULLEY	9	9
23564A4	SPARK PLUG LEAD ASSEMBLY (#3, 4 AND 5)	21	42	29906A1	DRIVEN PULLEY ASSEMBLY	11	37
23564A5	SPARK PLUG LEAD ASSEMBLY (#2 AND #6)	25	30	29907	FLANGE, DRIVEN PULLEY	11	39
23564A5	SPARK PLUG LEAD ASSEMBLY (#2 AND 6)	21	43				

PARTS INDEX

Part Number	Description	Pg.	Ref. No.	Part Number	Description	Pg.	Ref. No.
30050	TERMINAL, CHOKE			32107	CABLE, WIRE - STARTER		
	SOLENOID LEAD	35	2		MOTOR TO SOLENOID . .	27	26
30050	TERMINAL, HARNESS AND			32107	CABLE, WIRE - STARTER		
	MERCURY SWITCH				MOTOR TO SOLENOID . .	31	27
	LEADS	27	2	32177A1	RECTIFIER ASSEMBLY	27	10
30050	TERMINAL, HARNESS AND			32193	COIL, IGNITION	17	27
	MERCURY SWITCH			32197	STOP, SPRING TERMINAL		
	LEADS	31	2		PIN	11	9
30050	TERMINAL, STATOR LEAD			32227	BALLAST, IGNITION COIL . .	29	45
	WIRE	9	13	32229	CLAMP, COIL BRACKET . . .	17	33
30109	GROUND STRAP			32278A1	GROUND STRAP		
	ASSEMBLY, ADAPTOR TO				ASSEMBLY, STARTER		
	CRANKCASE	13	44		SOLENOID	27	28
30126A1	TILT STOP LEVER			32362	KNOB, COWL FRONT		
	ASSEMBLY	61	20		COVER FASTENING	7	3
30186	ADAPTOR, CHECK UNIT			32435	PLATE, FACE - WATER		
	(FUEL LINE)	45	26		PUMP BASE TO WATER		
30187	STEM, CHECK UNIT				PUMP BODY	69	20
	ADAPTOR	45	27	33385A1	SWITCH, MERCURY	49	42
30188	CUP WASHER, ADAPTOR . .	45	30	33385A4	SWITCH, MERCURY	49	42
30212	BLOCK, TERMINAL -			35474	COVER, LOWER MOUNT		
	EXHAUST COVER	29	57		CLAMP	67	50
30212	BLOCK< TERMINAL - UPPER			35496	PAD, BUMPER - TOP COWL		
	FUEL PUMP PAD	27	40		HANDLE	3	5
30269A2	FUEL PUMP ASSEMBLY -			35608	CLAMP, LOWER MOUNT TO		
	UPPER	45	1		DRIVE SHAFT HOUSING . .	67	47
30275	COVER, FUEL PUMP	45	10	35753	EMBLEM, FRONT COVER . .	7	2
30306	PULLEY, FLYWHEEL	9	10	35769	SEAL, SOUND ABSORBING -		
30413	HOOK, COWL LATCH				UPPER	7	10
	FASTENING	7	17	36288	CAM, SHIFT	73	53
30461A2	FUEL PUMP ASSEMBLY -			36774	COVER, EXHAUST		
	LOWER	45	9		MANIFOLD	49	34
30498	CAP, PLASTIC - TILT TUBE .	61	7	37332	PLATE, SPACER - STARTER		
30580A1	ECONOMIZER COLLAR AND				MOTOR	27	18
	PIN ASSEMBLY	11	10	37398	MOUNT, RUBBER - UPPER . .	65	27
30581A1	THRUST HUB AND WASHER			37399	MOUNT, RUBBER - LOWER	67	39
	ASSEMBLY	75	82	37408	HANDLE, CHROME - TOP		
30585	BRACKET, STOP	11	20		COWL	3	1
30624	SLIDE, CROSS PIN	73	55	37409	FRAME, TOP COWL		
30625	FOLLOWER, CAM	73	54		SUPPORT	3	22
30645	ADAPTOR, DISTRIBUTOR . .	11	18	37410A1	TRIM MOULDING		
30664	TUBE, TILT - CLAMP				ASSEMBLY, TOP COWL . .	3	10
	BRACKET TO SWIVEL			37411	BRACKET, COWL LATCH -		
	BRACKET	61	4		TOP COWL FASTENING . .	3	19
30915	INSERT, WATER PUMP			37412	LEVER, CLAMPING - TOP		
	BODY	69	23		COWL MOUNTING	3	35
31014	MOUNT, RUBBER - REAR			37415A1	TRIM MOULDING		
	SUPPORT BRACKET	3	27		ASSEMBLY, BOTTOM		
31037	COVER, GEAR HOUSING . .	73	76		COWL	57	2
31089	STRIP, SOUND ABSORBING	7	8	37417	COVER, TRIM - DRIVE		
31260	COVER, UPPER MOUNT -				SHAFT HOUSING	65	10
	OUTSIDE HALF	65	28	37419	YOKE, BOTTOM	61	31
31284A1	BEARING CARRIER			37430A1	SHIFT SHAFT ASSEMBLY,		
	ASSEMBLY	73	71		UPPER (SHORT SHAFT) . .	57	37
31288	COVER, TRANSFER PORT . .	49	62	37431A1	SHIFT SHAFT ASSEMBLY,		
31640	TRIM TAB, GEAR HOUSING	73	77		UPPER (LONG SHAFT) . .	59	37
32044A1	THROTTLE ACTUATOR			37432	SHAFT, SHIFT - LOWER . . .	71	39
	ASSEMBLY	11	13	37434	HANDLE, INSIDE - TOP		
32082	SOLENOID, STARTER	27	27		COWL	3	6
32082	SOLENOID, STARTER	31	28				

PARTS INDEX

Part Number	Description	Pg.	Ref. No.	Part Number	Description	Pg.	Ref. No.
37445	SUPPORT, WIRING HARNESS - BOTTOM COWL	57	16	38448	RETAINER, WATER TUBE SEAL	57	27
37569	SHIELD, TOP COWL - REAR	3	15	38468A4	PLATE ASSEMBLY, EXHAUST EXTENSION	57	24
37585	CHOKE SOLENOID	35	1	38469	TUBE, EXHAUST (SHORT SHAFT)	65	20
37587	SWIVEL, LOWER - THROTTLE CTRL LEVER TO THROTTLE CABLE	15	14	38470	TUBE, EXHAUST (LONG SHAFT)	65	20
37637	BOOT, FUEL CONNECTOR - BOTTOM COWL	57	15	38675	BLANKET, SOUND ABSORBING	7	9
37638	BOOT, CONTROL CABLES - BOTTOM COWL	57	12	38700	SNUBBER, CONDENSER AND SPACER	19	12
37639	MOUNT, RUBBER - TOP COWL FRAME	3	24	38702	LEVER, THROTTLE CONTROL	15	6
37640	MOUNT, RUBBER - FRONT SUPPORT BRACKET	5	48	38747	BRACKET, SUPPORT - STARTER MOTOR	27	21
37641	SEAL, EXHAUST TUBE	71	37	38747	BRACKET, SUPPORT - STARTER MOTOR	31	22
37665	STRIP, RETAINING - TRIM COVER SEAL (SIDE)	65	13	38802	CAP, BRASS BARREL OF THROTTLE CABLE	59	42
37667A1	BRACKET ASSEMBLY, TOP COWL SUPPORT - FRONT	5	41	38820	MOUNT, RUBBER - UPPER (HEAVY DUTY)	65	27
37712	COVER, UPPER MOUNT - INSIDE HALF	67	29	38821	MOUNT, RUBBER - LOWER (HEAVY DUTY)	67	39
37713	PLATE, BAFFLE - EXHAUST MANIFOLD	47	32	38961	HANDLE, COWL LATCH- EARLY STYLE	7	12
37747	GROUND STRAP, STOP BRACKET TO FRONT SUPPORT BRACKET	11	23	38964	SWIVEL, COWL LATCH -EARLY STYLE	7	13
37824	BRACKET, SHIFT SHAFT HOLD DOWN	57	35	39015A1	REVERSE LOCK ASSEMBLY	63	45
37896	GUIDE BLOCK, LINK ROD	59	45	39017	ROD, PUSH - REVERSE LOCK (LONG SHAFT)	65	5
37897	BRACKET, ANCHOR - CONTROL CABLES	59	41	39018	ROD, PUSH - REVERSE LOCK (SHORT SHAFT)	65	5
37899	LINK ROD, SHIFT	59	38	39019	SPACER, LOWER - REVERSE LOCKING	71	45
37903	FLANGE, RUBBER - FRONT TOP COWL SUPPORT BRACKET	5	42	39020	GUIDE, PUSH ROD - REVERSE LOCKING	65	4
37913	LEVER, CONTROL CABLE LOCKING - ANCHOR BRACKET	59	50	39021	CAM, REVERSE LOCKING	71	46
37918	SEAL, EXHAUST EXTENSION PLATE	57	32	39022	YOKE, PUSH ROD	65	7
37919	SEAL, TRIM COVER TO DRIVE SHAFT HOUSING	65	12	39177	WIRING HARNESS, INTERNAL	27	1
37920A1	COVER PLATE ASSEMBLY, BOTTOM COWL	57	9	39181	JUMPER, BALLAST TO BALLAST	29	49
37931	ROD, LINK - UPPER	15	4	39239	BRACKET, TOP COWL SUPPORT - REAR	3	26
37940	PAD, SOUND - COVER PLATE	57	10	39468	SHUTTER, CHOKE - CARBURETOR	35	27
38032	STRIP, RETAINING - EXHAUST EXTENSION PLATE SEAL	57	33	39469	"U" LINK, CHOKE KNOB TO CHOKE ROD	35	8
38046	SPLICER, TRIM MOULDING - REAR	57	3	39470	ROD, CHOKE	35	24
38051	PLATE, SUPPORT - EXHAUST TUBE SEAL	71	38	39559A1	PILOT ASSEMBLY, DISTRIBUTOR	11	4
38052	STRIP, RETAINING - TRIM COVER SEAL (REAR)	65	14	39978A2	BRACKET ASSEMBLY, TOP COWL SUPPORT - FRONT	5	41
				45068	CHOKE SOLENOID	35	1
				45070	WIRING HARNESS, INTERNAL	27	1
				45125	PLATE, SPACER - STARTER MOTOR	27	18

PARTS INDEX

Part Number	Description	Pg.	Ref. No.	Part Number	Description	Pg.	Ref. No.
45146	WIRE, RECTIFIER TO SWITCH BOX	29	66	10-20359	SCREW, CENTER MAIN BEARING LOCKING	47	21
45146	WIRE, RECTIFIER TO SWITCH BOX (USE ON EARLY MODELS)	33	43	10-20362	SCREW, FRONT SUPPORT BRACKET TO TOP COWL FRAME (1-1/2")	5	46
45391	SPACER, RUBBER - HIGH TENSION LEADS	15	21	10-20532	SCREW, ADAPTOR AND PILOT TO DISTRIBUTOR (1-1/8")	11	34
45392	BRACKET, FRONT - WIRE RETAINER	15	18	10-20540	SCREW, TRANSFER PORT COVER MOUNTING (5/8")	49	63
45393	BRACKET, REAR - WIRE RETAINER	15	19	10-20540	SCREW, TRANSFER PORT COVER MOUNTING (5/8")	49	63
45409	WIRE RETAINER, HIGH TENSION LEADS	15	17	10-20597	SCREW, BREAKER HOLDER TO HOUSING	19	9
45409A1	WIRE RETAINER ASSEMBLY	15	--	10-20646	SCREW, SHIM AND TRIGGER HOUSING TO PRIMARY HOUSING	23	8
45456	ROD, CHOKE	35	24	10-20776	SCREW, GROUND WIRE SCREW	31	12
45458	"U" LINK, CHOKE KNOB	35	8	10-20847	SCREW, CLUSTER TO THROTTLE LEVER	35	16
45483A4	PILOT ASSEMBLY, DISTRIBUTOR	11	4	10-20847	SCREW, THROTTLE STOP LEVER	41	18
45883A2	BRACKET ASSEMBLY, TOP COWL SUPPORT - FRONT	5	41	10-20854	SCREW, FLOAT BOWL COVER (SHORT)	41	10
45960A1	PILOT ASSEMBLY, DISTRIBUTOR	11	4	10-21091	SCREW, CYLINDER BLOCK COVER MOUNTING (1-1/8")	49	56
46069A1	SHIFT LINK ASSEMBLY	59	38	10-21106	SCREW, BAFFLE TO BOTTOM COWL	57	14
46096	MOUNT, RUBBER - TOP COWL FRAME (HEAVY DUTY)	3	24	10-21548	SCREW, RETAINER BRACKET TO FRONT SUPPORT BRACKET	35	21
46463	WIRING HARNESS, INTERNAL	31	1	10-21574	SCREW, CRANKCASE TO CYLINDER BLOCK (1-5/8")	47	17
46466	GROUND STRAP ASSEMBLY, STARTER SOLENOID	31	29	10-21625	SCREW, IGNITION COIL	17	54
46785A1	COWL LATCH ASSEMBLY (LATE STYLE)	7	16	10-21937	SCREW, COIL BRACKET TO BOTTOM COWL (2")	17	38
46933A1	GROUND STRAP ASS'Y, CRANKCASE TO COWL (3-5/8")	59	54	10-22040	SCREW, ADAPTOR AND PILOT TO CRANKCASE FLANGE	11	27
46933A2	GROUND STRAP ASS'Y, HOUSING TO COWL (3-3/8")	59	55	10-22040	SCREW, CRANKCASE TO CYLINDER BLOCK (1-1/2")	47	17
47558	ROD, PUSH - REVERSE LOCK (LONG SHAFT)	65	5	10-22040	SCREW, FRONT SUPPORT BRACKET TO BOTTOM COWL (1-1/2")	5	44
47559	YOKE, PUSH ROD	65	7	10-22245	SCREW, TERMINAL BLOCK FASTENING	29	41
47560	GUIDE, PUSH ROD - REVERSE LOCKING	65	4	10-22421	SCREW, EXHAUST EXTENSION PLATE TO DRIVE SHAFT HOUSING	57	29
47591	ROD, PUSH - REVERSE LOCK (SHORT SHAFT)	65	5	10-22485	SCREW, RECTIFIER TO MOUNTING SCREW	31	14
47660	PLATE, BAFFLE - EXHAUST MANIFOLD	49	32	10-22698	SCREW, STARTER MOTOR TO CRANKCASE FLANGE	27	19
SEEPAGE	TACHOMETER ASSEMBLY	1	-	10-22698	SCREW, STARTER MOTOR TO CRANKCASE FLANGE	31	20
10-20031	SCREW, RETAINER BRACKET TO CENTER CARBURETOR	35	21	10-22968	SCREW, CENTER MAIN BEARING CLAMPING	51	9
10-20037	SCREW, RETAINER TO HOUSING	45	8				
10-20037	SCREW, RETAINER TO HOUSING	45	8				
10-20060	SCREW, CONNECTING ROD	51	23				
10-20100	SCREW, "U" LINK TO CHOKE KNOB	35	9				

PARTS INDEX

Part Number	Description	Pg.	Ref. No.	Part Number	Description	Pg.	Ref. No.
10-24228	SCREW, STOP BRACKET ADJUSTING	11	24	10-28666	SCREW, BALLAST AND PORT COVER MOUNTING (1")	29	46
10-24234	SCREW, ANCHOR BRACKET TO CYLINDER BLOCK (1")	59	43	10-28666	SCREW, TRANSFER PORT COVER AND BALLAST MOUNTING (1")	49	63
10-24234	SCREW, BRACKET TO CYLINDER BLOCK (1")	49	60	10-28708	SCREW, MERCURY SWITCH TO EXHAUST MANIFOLD COVER	49	43
10-24234	SCREW, HANDLE TO TOP COWL (1")	3	7	10-28708	SCREW, MERCURY SWITCH TO FRONT MOUNTING BRACKET	49	43
10-24644	SCREW, CYLINDER BLOCK COVER MOUNTING (1-3/8")	49	55	10-28773	SCREW, UPPER MOUNT COVER (1 5/8")	67	31
10-25299	SCREW, CHOKE SOLENOID	35	3	10-28775	SCREW, UPPER MOUNT COVER (2 1/8")	67	32
10-25313	SCREW, MAIN BEARING CLAMPING (3/8")	51	13	10-28846	SCREW, PLUG - MAIN NOZZLE	41	32
10-25612	SCREW, DRIVE - SERIAL PLATE TO SWIVEL BRACKET	63	42	10-29158	SCREW, DISTRIBUTOR CAP TO ADAPTOR TO HOUSING	19	34
10-25822	SCREW, STRAINER COVER FASTENING	41	17	10-29167	SCREW, SIDE INLET COVER TO DISTRIBUTOR CAP	19	31
10-25850	SCREW, FLOAT BOWL COVER (LONG)	41	11	10-29180	SCREW, ADAPTOR TO HOUSING	19	22
10-26065	SCREW, REAR SUPPORT BRACKET TO TOP COWL FRAME (1")	3	31	10-29180	SCREW, ADAPTOR TO HOUSING	19	22
10-26065	SCREW, RECTIFIER TO MOUNTING BRACKET	27	11	10-29197	SCREW, HARNESS GROUND LEAD TO STARTER MOTOR	27	25
10-26128	SCREW, HARNESS PLATE FASTENING	27	4	10-29197	SCREW, HARNESS GROUND LEAD TO STARTER MOTOR	31	26
10-26132	SCREW, CRANKCASE TO CYLINDER BLOCK (2-1/2")	47	16	10-29226	SCREW, DECORATIVE - MOULDING TO BOTTOM COWL	57	4
10-26548	SCREW, DISTRIBUTOR PRIMARY GROUND LEAD CLIP FASTENING	15	23	10-29226	SCREW, DECORATIVE - MOULDING TO TOP COWL	3	12
10-26548	SCREW, HARNESS CLAMP FASTENING	27	38	10-29227	SCREW, BRASS - MOULDING TO TOP COWL	3	11
10-26548	SCREW, LEAD WIRE CLIP FASTENING	27	35	10-29239	SCREW, THROTTLE BRACKET MOUNTING	35	19
10-26889	SCREW, COIL CLAMP TO BRACKET	17	34	10-29256	SCREW, LOWER MOUNT CLAMP TO DRIVE SHAFT HOUSING	67	49
10-26889	SCREW, COIL MOUNTING BRACKET (2-1/4")	17	52	10-29282	SCREW, SOLENOID TO STARTER MOTOR	27	33
10-28009	BOLT, CLAMP BRACKET TO BOAT TRANSOM	61	38	10-29282	SCREW, SOLENOID TO STARTER MOTOR	31	34
10-28192	SCREW, TERMINAL BLOCK TO EXHAUST MANIFOLD COVER	29	59	10-29434	SCREW, CONDENSER AND SPACER TO HOUSING	19	13
10-28200	SCREW, STRAP STOP TO DRIVE SHAFT HOUSING	61	34	10-29465	SCREW, REED STOP MOUNTING	51	17
10-28405	SCREW, PLUG - MAIN FUEL JET CHANNEL	41	27	10-29608	SCREW, GEAR HOUSING FLUSHING HOLE	71	50
10-28424	SCREW, LOWER SHOCK PIN (LONG SHAFT)	63	--	10-29722	SCREW, COVER TO LOWER CLAMP MOUNT	67	52
10-28450	SCREW, NYLOK - UPPER AND LOWER SHOCK MOUNTING PIN	63	56				
10-28634	SCREW, GREASE FILLER AND VENT HOLE	71	48				
10-28635	SCREW, TRANSFER PORT COVER MOUNTING (5/8")	49	63				

PARTS INDEX

Part Number	Description	Pg.	Ref. No.	Part Number	Description	Pg.	Ref. No.
10-29877	SCREW, CRANKCASE TO CYLINDER BLOCK (3-1/4")	47	16	10-31830	SCREW, RIDE - GUIDE ATTACHING	61	28
10-29878	SCREW, PUMP MOUNTING (1-1/2") - UPPER PUMP	45	11	10-32293	SCREW, CRANKCASE TO CYLINDER BLOCK (1-3/4")	47	17
10-29911	SCREW, PULLEY CLAMPING	13	41	10-32293	SCREW, CRANKCASE TO CYLINDER BLOCK (1-3/4")	47	17
10-30009	SCREW, COVER PLATE TO BOTTOM COWL	57	11	10-32417	SCREW, FLEXIBLE PLATE TO FLYWHEEL	9	6
10-30009	SCREW, HARNESS CLIP FASTENING	29	53	10-32417	SCREW, PLATE AND HUB TO FLEXIBLE PLATE	9	7
10-30009	SCREW, LEAD WIRE CLIP TO FRONT MOUNTING BRACKET	17	58	10-32470	SCREW, TRIM TAB TO GEAR HOUSING (1-3/4")	73	78
10-30009	SCREW, MERCURY SWITCH LEAD	49	45	10-32614	SCREW, STATOR TO UPPER END CAP	9	14
10-30009	SCREW, STATOR LEAD CLIP FASTENING (10-24 X 3/8")	9	16	10-32627	SCREW, ADAPTOR TO HOUSING	23	13
10-30009	SCREW, STATOR LEAD CLIP FASTENING (10-24 X 3/8")	9	16	10-33860	SCREW, CRANKCASE TO CYLINDER BLOCK (2")	47	17
10-30009	SCREW, STATOR LEAD CLIP FASTENING (10-24 X 3/8")	9	16	10-34222	SCREW, HOLD DOWN BRACKET TO EXHAUST EXT PLATE (1/2")	57	36
10-30009	SCREW, WIRING HARNESS TO FRONT BRACKET	31	5	10-34353	SCREW, GEAR HOUSING TO DRIVE SHAFT HOUSING (1")	75	87
10-30128	SCREW, TILT STOP LEVER ANCHOR	61	21	10-34439	SCREW, RETAINER TO EXHAUST EXTENSION PLATE (3/4")	57	28
10-30225	SCREW, END CAP MOUNTING	47	30	10-36351	SCREW, MAIN BEARING LOCKING	47	20
10-30225	SCREW, END CAP MOUNTING	47	6	10-37370	SCREW, SHIELD TO TOP COWL (5/8")	3	16
10-30273	SCREW, PUMP MOUNTING (1-7/8") - LOWER PUMP	45	14	10-37558	SCREW, COIL BRACKET TO BOTTOM COWL (1-1/4") - SIDE	17	36
10-30274	SCREW, PUMP MOUNTING (1-3/4") - UPPER PUMP	45	12	10-37558	SCREW, REAR SUPPORT BRACKET TO BOTTOM COWL (1-1/4")	3	33
10-30452	SCREW, UPPER MOUNT (5 1/2")	67	40	10-37559	SCREW, THROTTLE LEVER TO EXHAUST MANIFOLD COVER (1-3/4")	15	10
10-30663	SCREW, FRONT AND REAR BRACKET ATTACHING	15	20	10-37560	SCREW, COWL LATCH BRACKET TO TOP COWL	3	20
10-30663	SCREW, HARNESS LEADS TO TERMINAL BLOCK	29	44	10-37561	SCREW, ADAPTOR TO BOTTOM COWL	45	31
10-30663	SCREW, HARNESS LEADS TO TERMINAL BLOCK	29	58	10-37571	SCREW, RETAINING STRIP TO DRIVE SHAFT HOUSING (1/2")	65	16
10-30720	SCREW, WATER PUMP BODY TO GEAR HOUSING (1-1/4")	71	29	10-37571	SCREW, SEAL&RETAINING STRIP TO EXHAUST EXTENSION PLATE	57	34
10-31206	SCREW, STATOR LEAD CLIP FASTENING (#10)	9	16	10-37571	SCREW, TRIM COVER TO BOTTOM COWL	65	11
10-31206	SCREW, STATOR LEAD CLIP FASTENING (#10)	9	16	10-37742	SCREW, COIL BRACKET TO BOTTOM COWL (1-3/4") - TOP	17	39
10-31206	SCREW, WIRING HARNESS CLIP TO FRONT SUPPORT BRACKET	31	4	10-37990	SCREW, WIRING HARNESS SUPPORT TO BOTTOM COWL	57	17
10-31257	BOLT, STEERING ARM TO UPPER MOUNT	61	26	10-38036	SCREW, PUMP MOUNTING (1-1/2") - LOWER PUMP	45	13
10-31294	SCREW, SWITCH BOX TO FRONT BRACKET	29	61				
10-31294	SCREW, SWITCH BOX TO FRONT MOUNTING BRACKET	33	38				
10-31299	SCREW, ADAPTOR AND PILOT TO DISTRIBUTOR (7/8")	11	34				

PARTS INDEX

Part Number	Description	Pg.	Ref. No.	Part Number	Description	Pg.	Ref. No.
10-38055	SCREW, RETAINING STRIP TO DRIVE SHAFT HOUSING (5/8")	65	15	11-20184	NUT, ADAPTOR FASTENING SCREW	45	32
10-38601	SCREW, EXHAUST TUBE TO EXHAUST EXTENSION PLATE	65	21	11-20184	NUT, COIL BRACKET SCREW	17	40
10-38837	SCREW, COIL MOUNTING BRACKET	17	50	11-20184	NUT, COIL CLAMP SCREW	17	35
10-38837	SCREW, MANIFOLD COVER MOUNTING	49	35	11-20190	NUT, IGNITION COIL CLAMPING SCREW	17	47
10-45086	SCREW, COIL MOUNTING BRACKET (3")	17	52	11-20361	NUT, CHROME HANDLE TO INSIDE HANDLE STUD	3	4
10-45087	SCREW, GROUND WIRE TO BOTTOM COWL	27	6	11-20361	NUT, LINK ROD	59	49
10-45087	SCREW, GROUND WIRE TO BOTTOM COWL	31	9	11-20361	NUT, RUBBER MOUNT TO TOP COWL FRAME	3	25
10-45102	SCREW, IGNITION COIL CLAMPING - CLIP ATTACHING (2-3/8")	17	42	11-20361	NUT, THROTTLE CABLE TO LOWER SWIVEL	15	15
10-45103	SCREW, IGNITION COIL CLAMPING (2")	17	42	11-20361	NUT, UPPER LINK ROD SWIVEL TO THROTTLE CONTROL	15	9
10-45218	SCREW, GROUND STRAP	59	56	11-20509	NUT, POWERHEAD STUDS	65	24
10-45218	SCREW, SWITCH BOX	29	63	11-20509	NUT, RIDE - GUIDE ATTACHING SCREW	61	29
10-45218	SCREW, SWITCH BOX	33	40	11-20509	NUT, THROTTLE CONTROL LEVER SCREW	15	13
10-45380	SCREW, SIDE INLET COVER TO DISTRIBUTOR CAP	19	31	11-20645	NUT, FASTENING - RECTIFIER STATOR LEADS	27	16
10-45380	SCREW, SIDE INLET COVER TO DISTRIBUTOR CAP	23	25	11-20645	NUT, IGNITION COIL CLAMPING SCREW	17	43
10-45739	SCREW, CONNECTING ROD	53	23	11-20645	NUT, IGNITION COIL TERMINALS	17	31
10-45775	SCREW, MAIN BEARING CLAMPING (9/16")	51	13	11-20645	NUT, SOLENOID TERMINAL (#10)	27	32
10-45893	SCREW, HARNESS PLATE FASTENING	31	7	11-20645	NUT, SOLENOID TERMINAL (#10)	31	33
10-45914	SCREW, DISTRIBUTOR CAP TO ADAPTOR TO HOUSING (2")	23	20	11-20890	NUT, STARTER MOTOR TERMINAL	29	56
11-20061	NUT, CONNECTING ROD SCREW	51	24	11-20890	NUT, STARTER MOTOR TERMINAL	31	36
11-20061	NUT, CONNECTING ROD SCREW	53	24	11-20890	NUT, STOP BRACKET ADJUSTING SCREW	11	25
11-20083	NUT, ADAPTOR AND PILOT FASTENING SCREW	11	29	11-20890	NUT, THRU BOLT - BRACKET TO STARTER MOTOR	27	23
11-20083	NUT, CLAMP BRACKET STUD	61	11	11-21806	NUT, DISTRIBUTOR CAP FASTENING SCREW	21	36
11-20083	NUT, SOLENOID TERMINAL (5/16")	27	30	11-21923	NUT, BALLAST JUMPER LEADS FASTENING	29	51
11-20083	NUT, SOLENOID TERMINAL (5/16")	31	31	11-22053	NUT, RUBBER MOUNT TO FRONT SUPPORT BRACKET	5	50
11-20088	NUT, GROUND WIRE SCREW	27	9	11-22178	NUT, GEAR HOUSING TO DRIVE SHAFT HOUSING STUDS	73	80
11-20088	NUT, GROUND WIRE SCREW	31	12	11-22178	NUT, GEAR HSG. AND DRIVE SHAFT HSG STUDS	67	43
11-20088	NUT, RUBBER MOUNT TO REAR SUPPORT BRACKET	3	30	11-22178	NUT, STEERING ARM BOLT FASTENING	61	27
11-20088	NUT, THRU BOLT - BRACKET TO STARTER MOTOR	31	24	11-22178	NUT, UPPER MOUNT BOLT	67	38
11-20110	NUT, CHOKE SHUTTER TO CARBURETOR STUD	35	31	11-22339	NUT, FLYWHEEL	9	2

PARTS INDEX

Part Number	Description	Pg.	Ref. No.	Part Number	Description	Pg.	Ref. No.
11-23161	NUT, POWERHEAD STUDS .	65	23	11-46793	NUT, LEVER ANCHOR		
11-24652	NUT, SWITCH BOX SCREW	29	62		SCREW	61	23
11-25096	NUT, MOUNT SCREW	67	41	11-46793	NUT, REAR SUPPORT		
11-25168	NUT, UPPER LINK ROD				BRACKET SCREW	3	32
	ADJUSTING	15	3	11-46886	NUT, EXHAUST TUBE		
11-25269	NUT, STRAP STOP				SCREW	65	22
	FASTENING SCREW	61	35	11-46886	NUT, UPPER MOUNT		
11-26419	NUT, BRASS - MOULDING				COVER SCREW	67	34
	FASTENING SCREW	57	8	11-46887	NUT, BEARING CLAMPING		
11-26419	NUT, MOULDING				SCREW	51	10
	FASTENING SCREW	3	14	11-46887	NUT, CHOKE ROD SPRING		
11-28010	NUT, CLAMP BRACKET				TO CARBURETOR STUD .	35	35
	BOLT	61	40	11-46887	NUT, COIL MOUNTING		
11-28770	NUT, WATER PUMP BODY				BRACKET SCREW	17	53
	FASTENING STUD (5/16")	71	33	11-46887	NUT, COVER MOUNTING		
11-29225	NUT, NYLON CAP -				SCREW	49	57
	MOULDING FASTENING			11-46887	NUT, EXHAUST EXTENSION		
	SCREW	57	6		PLATE SCREW	57	30
11-29236	NUT, PRIMARY LEAD			11-46887	NUT, LOWER SHOCK PIN		
	FASTENING	19	5		SCREW (LONG SHAFT) . .	63	--
11-29250	NUT, JAM - PUSH ROD	65	6	11-46887	NUT, RECTIFIER MOUNTING		
11-29250	NUT, RECTIFIER MOUNTING				SCREW	31	15
	SCREW	27	12	11-46887	NUT, RETAINER BRACKET		
11-29469	NUT, MAIN BEARING				SCREW	35	23
	CLAMPING SCREW	51	14	11-46887	NUT, SWITCH BOX SCREW	33	39
11-29469	NUT, REED STOP			11-46887	NUT, WIRING HARNESS		
	MOUNTING SCREW	51	18		SUPPORT SCREW	57	18
11-29489	NUT, GEAR HSG. AND			11-47661	NUT, JAM - PUSH ROD	65	6
	DRIVE SHAFT HSG.			12-20084	WASHER, ADAPTOR AND		
	STUDS	67	45		PILOT FASTENING		
11-29594	NUT, PROPELLER	75	86		SCREW	11	28
11-29598	NUT, WATER PUMP BODY			12-20086	WASHER, POWERHEAD		
	FASTENING STUDS (1/4")	71	31		STUDS	65	25
11-30499	NUT, TILT TUBE FASTENING	61	6	12-20128	WASHER, THROTTLE		
11-30932	NUT, PINION GEAR TO				ACTUATOR FASTENING		
	DRIVE SHAFT	69	9		SCREW	11	17
11-35521	NUT, LOWER MOUNT			12-20260	WASHER, GREASE FILLER		
	CLAMP COVER	67	51		AND VENT HOLE SCREW	71	49
11-37424	NUT, SWIVEL PIN			12-20346	WASHER, BALLAST AND		
	RETAINING	61	32		PORT COVER MOUNTING	29	48
11-37556	NUT, COWL LATCH			12-20346	WASHER, RUBBER MOUNT		
	BRACKET SCREW	3	21		TO REAR SUPPORT		
11-45076	NUT, FASTENING -			12-20533	BRACKET	3	29
	RECTIFIER STATOR				WASHER, CHROME HANDLE		
	LEADS	31	17	12-20533	TO INSIDE HANDLE STUD	3	2
11-45076	NUT, SWITCH BOX			12-20533	WASHER, STOP BRACKET		
	TERMINAL	29	65		FASTENING SCREW	11	22
11-45076	NUT, SWITCH BOX			12-21631	WASHER, CHROME HANDLE		
	TERMINAL	33	42		TO INSIDE HANDLE STUD		
11-45774	NUT, MAIN BEARING				(FRONT)	3	3
	CLAMPING SCREW	51	14	12-21631	WASHER, PLAIN - LINK ROD	59	48
11-46438	NUT, ADAPTOR TO			12-24671	WASHER, FIBER -		
	HOUSING SCREW	23	14		MOULDING FASTENING		
11-46438	NUT, DISTRIBUTOR CAP				SCREW	57	5
	FASTENING SCREW	23	22	12-26014	WASHER, TERMINAL BLOCK		
11-46793	NUT, CARBURETOR				FASTENING SCREW	29	43
	MOUNTING STUD	43	36	12-26436	WASHER, DISTRIBUTOR		
11-46793	NUT, CRANKCASE				CAP FASTENING SCREW	21	35
	FASTENING SCREW	47	18				

PARTS INDEX

Part Number	Description	Pg.	Ref. No.	Part Number	Description	Pg.	Ref. No.
12-26825	WASHER, CRANKCASE TO CYLINDER BLOCK SCREW	47	--	12-37905	WASHER, NYLON - LINK ROD	59	46
12-27939	WASHER, THRUST - DISTRIBUTOR PILOT	11	30	12-37998	WASHR, "U" LINK	35	10
12-28008	WASHER, CLAMP BRACKET BOLT	61	39	12-38006	WASHER, CLAMPING LEVER	3	37
12-28196	WASHER, UPPER BUSHING RETAINER (INNER)	63	50	12-45075	WASHER, RECTIFIER STATOR LEAD TERMINAL	31	16
12-28264	WASHER, LOWER BUSHING RETAINER (INNER)	63	51	12-45075	WASHER, SWITCH BOX TERMINAL	29	64
12-28404	WASHER, THUMB SCREW	61	3	12-45075	WASHER, SWITCH BOX TERMINAL	33	41
12-28421	WASHER, UPPER AND LOWER BUSHING RETAINER (OUTER)	63	55	12-45176	WASHER, GEAR HOUSING TO DRIVE SHAFT HOUSING STUDS	73	79
12-29245	WASHER, IGNITION COIL	17	55	12-45176	WASHER, GEAR HSG. TO DRIVE SHAFT HSG. STUDS	67	44
12-29245	WASHER, THROTTLE CONTROL LEVER SWIVEL	15	7	12-45176	WASHER, GEAR HSG. TO DRIVE SHAFT HSG. STUDS	67	46
12-29245	WASHER, UPPER MOUNT COVER SCREW	67	33	12-45484	WASHER, DISTRIBUTOR TO ADAPTOR	11	5
12-29395	WASHER, THROTTLE CONTROL LEVER SCREW	15	11	12-45741	WASHER, NEEDLE LOCATING	53	27
12-29395	WASHER, THROTTLE CONTROL LEVER SCREW	15	11	12-46101	WASHER, PLUNGER AND LINK	35	13
12-29590	WASHER, CUPPED - THRUST HUB	75	83	12-46236	WASHER, DISTRIBUTOR CAP FASTENING SCREW	23	21
12-29681	WASHER, NEEDLE LOCATING	51	27	13-20554	LOCKWASHER, IGNITION COIL TERMINALS	17	29
12-29957	WASHER, GEAR HOUSING COVER	73	75	13-21272	LOCKWASHER, RETAINER BRACKET SCREW	35	22
12-30164	WASHER, CHOKE SHUTTER CARBURETOR STUD	35	30	13-22238	LOCKWASHER, GROUND STRAP SCREW	59	57
12-30164	WASHER, RETAINING STRIP SCREW	65	17	13-24669	LOCKWASHER, GROUND WIRE SCREW	27	8
12-30633	WASHER, THRUST - BEARING CARRIER TO GEAR HOUSING	73	68	13-24669	LOCKWASHER, GROUND WIRE SCREW	31	11
12-30771	WASHER, COVER FASTENING KNOB (RUBBER)	7	4	13-24669	LOCKWASHER, THRU BOLT	27	22
12-31013	WASHER, THRUST - BEARING CARRIER	73	81	13-24669	LOCKWASHER, THRU BOLT	31	23
12-31211	WASHER, SPLINED - PROPELLER NUT	75	84	13-25244	LOCKWASHER, GROUND WIRE SCREW	27	7
12-31261	WASHER, RUBBER - UPPER MOUNT BOLT	67	36	13-25244	LOCKWASHER, GROUND WIRE SCREW	31	10
12-31262	WASHER, UPPER MOUNT BOLT	67	35	13-25806	WASHER, WAVE - THROTTLE CONTROL LEVER SWIVEL	15	8
12-31263	WASHER, UPPER MOUNT BOLT	67	37	13-26917	WASHER, WAVE - BALL BEARING TENSION	19	19
12-31266	WASHER, RUBBER SHIFT SHAFT BUSHING	71	44	13-26917	WASHER, WAVE - PRIMARY HOUSING	23	2
12-33001	WASHER, FLYWHEEL NUT	9	3	13-26922	LOCKWASHER, RUBBER MOUNT TO REAR SUPPORT BRACKET	3	28
12-36446	WASHER, NYLON - WATER INLET TUBE	57	25	13-26992	LOCKWASHER, ADAPTOR AND PILOT TO DISTRIBUTOR SCREW	11	35
12-36446	WASHER, NYLON - WATER INLET TUBE	69	25	13-26992	LOCKWASHER, BALLAST AND PORT COVER MOUNTING	29	47
12-37407	WASHER, IGNITION COIL CLAMPING SCREW	17	44				

PARTS INDEX

Part Number	Description	Pg.	Ref. No.	Part Number	Description	Pg.	Ref. No.
13-26992	LOCKWASHER, STARTER MOTOR TERMINAL	29	55	13-26996	LOCKWASHER, SOLENOID TERMINAL (#10)	27	31
13-26992	LOCKWASHER, STARTER MOTOR TERMINAL	31	35	13-26996	LOCKWASHER, SOLENOID TERMINAL (#10)	31	32
13-26992	LOCKWASHER, TRSFR PORT COVER&BALLAST MOUNTING SCREW	49	64	13-26996	LOCKWASHER, TERMINAL BLOCK FASTENING SCREW	29	42
13-26992	LOCKWASHER, WATER PUMP BODY FASTENING SCREW&STUDS (1/4")	71	30	13-26996	LOCKWASHER, THROTTLE ACTUATOR FASTENING SCREW	11	16
13-26993	LOCKWASHER, HANDLE TO TOP COWL SCREW	3	8	13-27959	WASHER, WAVE - TAB WASHER TENSION	11	32
13-26993	LOCKWASHER, CHOKE SOLENOID SCREW	35	4	13-29720	WASHER, WAVE - LINK ROD	59	39
13-26993	LOCKWASHER, CLAMP BRACKET STUD	61	10	13-31030	WASHER, WAVE - LEVER ANCHOR SCREW	61	22
13-26993	LOCKWASHER, COIL BRACKET SCREW	17	37	13-31804	LOCKWASHER, SPARK PLUG LEADS CLAMP SCREW	49	36
13-26993	LOCKWASHER, COIL MOUNTING BRACKET	17	51	13-37371	LOCKWASHER, SHIELD SCREW	3	17
13-26993	LOCKWASHER, FRONT SUPPORT BRACKET SCREW	5	47	14-20091	TAB WASHER, BEARING LOCKING SCREW	47	22
13-26993	LOCKWASHER, REAR SUPPORT BRACKET SCREW	3	34	14-27960	TAB WASHER, CAP LOCKING	11	31
13-26993	LOCKWASHER, RUBBER MOUNT TO FRONT SUPPORT BRACKET	5	49	14-31210	TAB WASHER, PROPELLER NUT	75	85
13-26993	LOCKWASHER, SOLENOID TERMINAL (5/16")	27	29	15-20085A1	SHIM, END CAP TO CRANKCASE (.002-3-5-10)	47	29
13-26993	LOCKWASHER, SOLENOID TERMINAL (5/16")	31	30	15-29955A1	SHIM, THRUST WASHER TO GEAR HOUSING	73	69
13-26993	LOCKWASHER, STARTER MOTOR FASTENING SCREW	27	20	15-30278A1	SHIM, DRIVE SHAFT BALL BEARING TO GEAR HOUSING	69	10
13-26993	LOCKWASHER, STARTER MOTOR FASTENING SCREW	31	21	15-30278A1	SHIM, WATER PUMP BASE TO GEAR HOUSING	69	10
13-26993	LOCKWASHER, WATER PUMP BODY FASTENING STUD (5/16")	71	32	15-30497A1	SHIM, CLAMP BRACKET TILT TUBE (.010 -.020)	61	5
13-26995	LOCKWASHER, BALLAST JUMPER LEAD TERMINALS	29	50	15-30923A1	SHIM, BEARING OUTER RACE TO GEAR HOUSING	73	57
13-26995	LOCKWASHER, MOULDING FASTENING SCREW	3	13	15-31283A1	SHIM, END CAP TO CRANKCASE (.002-3-5-10)	47	5
13-26995	LOCKWASHER, MOULDING FASTENING SCREW	57	7	16-20221	STUD, CLAMP BRACKET	61	9
13-26996	LOCKWASHER, "U" LINK SCREW	35	11	16-26133	STUD, CRANKCASE TO DRIVE SHAFT HOUSING (1-7/8")	47	10
13-26996	LOCKWASHER, IGNITION COIL TERMINALS	17	30	16-26134	STUD, CYLINDER BLOCK TO DRIVE SHAFT HOUSING (4-1/16")	47	13
13-26996	LOCKWASHER, PULLEY CLAMPING SCREW	13	42	16-26135	STUD, CYLINDER BLOCK TO DRIVE SHAFT HOUSING (2-5/16")	47	15
13-26996	LOCKWASHER, RECTIFIER STATOR LEAD TERMINALS	27	15	16-29078	STUD, GEAR HOUSING TO DRIVE SHAFT HOUSING (1-31/32")	69	3
13-26996	LOCKWASHER, SOLENOID TERMINAL	35	-	16-29230	STUD, PRIMARY LEAD AND TENSION SPRING	19	4
				16-30172	STUD, CARBURETOR - CHOKE SHUTTER PIVOT	35	29

PARTS INDEX

Part Number	Description	Pg.	Ref. No.	Part Number	Description	Pg.	Ref. No.
16-30929	STUD, DRIVE SHAFT HOUSING TO GEAR HOUSING	65	2	17-31245	DOWEL PIN, STEPPED	51	8
16-35099	STUD, CARBURETOR MOUNTING	47	9	17-37423A1	SWIVEL PIN AND STEERING ARM ASSEMBLY (LONG SHAFT)	61	24
16-36292	STUD, WATER PUMP BASE AND BODY TO GEAR HOUSING (3-3/8")	69	4	17-37462A1	SWIVEL PIN AND STEERING ARM ASSEMBLY (SHORT SHAFT)	61	24
16-37435	STUD, WATER PUMP BASE AND BODY TO GEAR HOUSING (3-5/16")	69	5	17-38311	PIN, COIL SPRING MOUNTING	61	17
16-37653	STUD, CYLINDER BLOCK TO DRIVE SHAFT HOUSING (2-11/16")	47	14	17-39023	PIN, PUSH ROD TO REVERSE LOCK	65	8
16-39937	STUD, CHOKE ROD SPRING TO CARBURETOR	35	33	18-20233	CLIP, RETAINING - SHIFT SHAFT	71	40
16-45198	STUD, GEAR HOUSING TO DRIVE SHAFT HOUSING (2-1/16")	69	3	18-25191	COTTER PIN, LINK ROD TO SHIFT SHAFT	59	40
16-45199	STUD, GEAR HOUSING TO DRIVE SHAFT HOUSING (4")	69	2	18-25191	COTTER PIN, PUSH ROD PIN	65	9
17-20032	DOWEL PIN, ADAPTOR TO PRIMARY HOUSING	23	12	18-26953	COTTER PIN, CHOKE ROD	35	26
17-20032	DOWEL PIN, CENTER MAIN BEARING	51	4	18-26953	COTTER PIN, LINK TO UPPER CHOKE LEVER	35	14
17-20032	DOWEL PIN, MAIN BEARING	51	12	18-45882	COTTER PIN, REVERSE LOCK TO SHAFT	63	47
17-20032	PIN, DOWEL - CYLINDER BLOCK TO MAIN BEARING	47	12	19-32298	PLUG, PLASTIC - TRIM TAB SCREW HOLE	65	3
17-20033	PIN, DOWL - CRANKCASE TO CYLINDER BLOCK	47	11	19-32299	WELCH PLUG, BODY CHANNEL	43	34
17-20853	PIN, FLOAT LEVER PINON	41	3	19-45907	PLUG, FLYWHEEL PULLER THREAD	9	1
17-21057	PIN, HINGE - COWL LATCH HANDLE -EARLY STYLE	7	14	21-28481A1	CHECK VALVE ASSEMBLY	49	50
17-23928	PIN, ROLL - CONTROL CABLE LOCKING LEVER	59	52	21-28481A1	CHECK VALVE ASSEMBLY - ADAPTOR	49	50
17-25319	PIN, ROLL - CAM SHAFT	19	15	21-28481A1	CHECK VALVE ASSEMBLY, END CAP	47	24
17-25391	RIVET, CHOKE SHUTTER TO CHOKE ROD	35	25	21-28483A1	CHECK VALVE ASSEMBLY, UPPER - BLEED HOSE	49	51
17-25598	PIN, REVERSE LOCK SPRING ATTACHING	63	43	21-30430A1	CHECK VALVE ASSEMBLY	45	2
17-25973	DOWEL PIN, WATER PUMP BASE TO WATER PUMP BODY	69	18	21-30430A1	CHECK VALVE ASSEMBLY	45	2
17-26618	PIN, DOWEL - PULLEY TO FLYWHEEL	9	8	22-20445	CONNECTOR, CYLINDER BLEED HOSE - LOWER AND CENTER	49	46
17-27961	PIN, SPRING RETAINER	11	11	22-20781	ELBOW, BALANCE TUBE TO MAIN BEARING SCREW	49	39
17-27962	PIN, SPRING TERMINAL	11	8	22-20931	TEE, BALANCE TUBE TO MAIN BEARING SCREW	49	40
17-29077	PIN, ROLL - CLAMPING LEVER	5	40	22-21290	PLUG, PIPE - SHIFT SHAFT GREASE FILLER HOLE	71	47
17-29077	ROLL PIN, TENSION SPRING TO KNOB	7	7	22-23612	FITTING, GREASE	61	18
17-29908	PIN, DRIVEN PULLEY	11	38	22-25094	FITTING, GREASE - ADAPTOR	11	19
17-29967	PIN, IMPELLER DRIVE	71	28	22-25094	FITTING, GREASE - ECONOMIZER COLLAR	11	12
17-30496	PIN, ROLL - MERCURY SWITCH	49	44	22-25885	ELBOW, TELL TALE HOSE TO EXHAUST COVER	57	21
17-30632	PIN, CROSS - RATCHET TO PROPELLER SHAFT	73	63	22-25885A1	ELBOW ASSEMBLY, VENT HOSE - PRIMARY HOUSING	19	2
17-30687A1	TILT LOCK PIN ASSEMBLY	61	12	22-25956	TEE, CHECK VALVE AND ADAPTOR	49	48
				22-28586A1	ADAPTOR AND CHECK VALVE ASSEMBLY	49	49

PARTS INDEX

Part Number	Description	Pg.	Ref. No.	Part Number	Description	Pg.	Ref. No.
22-29111	CONNECTOR, TELL TALE HOSE TO BOTTOM COWL	57	20	23-37428A1	BUSHING ASSEMBLY, SHIFT SHAFT	71	42
22-30139	PLUG, PIPE - WATER PRESSURE HOLE	47	8	23-38994	BUSHING, STEEL - THROTTLE CONTROL LEVER	15	12
22-30174	ELBOW, LOWER FUEL PUMP INLET	45	22	23-45006	SPACER	19	--
22-30174	ELBOW, UPPER CARBURETOR STRAINER COVER	45	16	23-45457	BUSHING - NYLON	35	-
22-30175	SLEEVE, CARBURETOR STRAINER COVER ELBOW	45	17	23-45818	BUSHING, STEEL - THROTTLE CONTROL LEVER	15	12
22-30175	SLEEVE, FUEL PUMP INLET ELBOW	45	23	24-20099	SPRING, LINK ROD TO GUIDE BLOCK	59	44
22-30177	NUT, FUEL PUMP INLET ELBOW	45	24	24-20869	SPRING, THROTTLE SHAFT RETURN (UPPER CARBURETOR)	41	33
22-30177	NUT, UPPER CARBURETOR STRAINER COVER ELBOW	45	18	24-26890	SPRING, THROTTLE SHAFT RETURN (CTR&LOWER CARBURETOR)	41	33
22-31521	ELBOW, VENT HOSE - DISTRIBUTOR CAP	19	27	24-27160	SPRING, IDLE ADJUSTMENT SCREW	41	25
22-31521	ELBOW, VENT HOSE - DISTRIBUTOR CAP	23	19	24-28659	SPRING, COIL - SWIVEL BRACKET	61	16
22-31521	ELBOW, VENT HOSE TO BOTTOM COWL	17	62	24-28975	SPRING, GARTER - INTERNAL WIRING HARNESS	27	5
22-31521A1	ELBOW ASSEMBLY, VENT HOSE - ADAPTOR HOUSING	23	15	24-28975	SPRING, GARTER - INTERNAL WIRING HARNESS	31	8
22-37682	ELBOW, FUEL LINE TO ADAPTOR	45	25	24-29275	SPRING, HORSESHOE	11	7
23-20222	SPACER, CLAMP BRACKET STUD	61	8	24-29821	SPRING, REVERSE LOCK TENSION	63	44
23-26602	BUSHING, NYLON - THROTTLE ACTUATOR	11	14	24-30189	SPRING, ADAPTOR STEM	45	29
23-26819	BUSHING - NYLON - CLAMPING LEVER	3	36	24-30622	SPRING, COMPRESSION - CAM FOLLOWER	73	56
23-28198	BUSHING, RUBBER - SHOCK ABSORBER (LOWER)	63	54	24-30772	SPRING, TENSION - FASTENING KNOB	7	6
23-28199	SPACER, UPPER SHOCK BUSHING TO CLAMP BRACKET	63	49	24-30893	SPRING, RETAINING - CROSS PIN	73	64
23-28688	SPACER, RUBBER - COIL SPRING POSITIONING	61	36	24-35522	SPRING, TENSION - LOWER MOUNT CLAMP	67	48
23-28933	BUSHING, DISTRIBUTOR CAM SHAFT	19	18	24-37678	SPRING, CHOKE ROD TENSION	35	32
23-29591	SLEEVE, RUBBER - WATER INLET TUBE	65	19	24-37911	SPRING, CONTROL CABLE LOCKING LEVER	59	51
23-29804	SLEEVE, GUIDE - WATER INLET TUBE	71	35	24-38472	SPRING, CONTROL, CONTROL CABLE TENSION - ANCHOR BRACKET	59	53
23-29909	SPACER, DRIVEN PULLEY	11	36	25-20081	"O" RING	47	27
23-30438	BUSHING, NYLON - UPPER CHOKE SHUTTER	35	28	25-20116	GROMMET, CHOKE ROD	35	7
23-31293	BUSHING, RUBBER - CLAMPING LEVER	3	38	25-20415	"O" RING, ADAPTOR STEM	45	28
23-32171	BUSHING, RUBBER - SHOCK ABSORBER (UPPER)	63	53	25-25439	"O" RING, SHIFT SHAFT BUSHING	71	41
23-32427	SPACER, CHOKE ROD SPRING STUD	35	34	25-26543	"O" RING, CAM SHAFT	19	17
23-32914	SLEEVE, TRIGGER HOUSING CABLES	23	9	25-26543	"O" RING, IGNITION COIL	17	28
				25-26547	GROMMET, HIGH TENSION CABLE	21	41
				25-26547	GROMMET, HIGH TENSION CABLE	21	41

PARTS INDEX

Part Number	Description	Pg.	Ref. No.	Part Number	Description	Pg.	Ref. No.
25-26547	GROMMET, HIGH TENSION LEADS	15	--	27-28406	GASKET, JET CHANNEL PLUG SCREW	41	28
25-26547	GROMMET, RECTIFIER TO SWITCH BOX WIRE	29	67	27-28409	GASKET, MAIN FUEL JET ..	41	30
25-26547	GROMMET, RECTIFIER TO SWITCH BOX WIRE	33	44	27-29586	GASKET, GEAR HOUSING FLUSHING HOLE SCREW	71	51
25-26547	GROMMET, SPARK PLUG LEAD	21	41	27-31304	GASKET, TRANSFER PORT COVER	49	61
25-26547	GROMMET, SPARK PLUG LEAD	23	28	27-31402	GASKET, CARBURETOR FLANGE	43	35
25-29976	"O" RING, BEARING CARRIER	73	70	27-31798	GASKET, CYLINDER BLOCK COVER	49	53
25-30224	"O" RING, WATER PUMP BASE	69	14	27-32433	GASKET, LOWER - WATER PUMP BASE TO FACE PLATE	69	19
25-30271	RING, RUBBER - CENTRIFUGAL SLINGER (DRIVE SHAFT)	71	34	27-32434	GASKET, UPPER - FACE PLATE TO WATER PUMP BODY	69	21
25-30613	"O" RING, UPPER - DRIVE SHAFT	71	36	27-32438	GASKET, WATER PUMP BASE TO GEAR HOUSING	69	13
25-31305	"O" RING	47	3	27-36268	GASKET, DISTRIBUTOR CAP TO ADAPTOR	19	24
26-24590	OIL SEAL, SHIFT SHAFT BUSHING (LOWER)	71	43	27-36268	GASKET, DISTRIBUTOR TO ADAPTOR	23	16
26-29476	OIL SEAL	47	2	27-37437	GASKET, POWERHEAD TO EXHAUST EXTENSION PLATE	57	23
26-29476	OIL SEAL, UPPER	47	26	27-37740	GASKET, CYLINDER BLOCK TO BAFFLE PLATE	47	31
26-29478	OIL SEAL, LOWER	47	25	27-37741	GASKET, BAFFLE PLATE TO EXHAUST MANIFOLD COVER	49	33
26-29612	SEAL, GEAR HOUSING FLUSHING HOLE	71	52	27-37741A1	GASKET SET (MOTOR OVERHAUL)950E, 950EL, 950E-SS AND 950EL-SS	1	-
26-30550	OIL SEAL, BEARING CARRIER	73	73	27-37741A2	GASKET SET (MOTOR OVERHAUL)950E-SS-1 AND 950EL-SS-1	1	-
26-31249	OIL SEAL, SHIFT SHAFT BUSHING (UPPER)	71	43	27-38471	GASKET, EXHAUST EXTENSION PLATE TO DRIVE SHAFT HOUSING	57	31
26-31489	OIL SEAL, WATER PUMP BASE	69	16	27-38471	GASKET, EXHAUST EXTENSION PLATE TO DRIVE SHAFT HOUSING	65	26
26-31507	OIL SEAL, WATER PUMP BASE	69	17	27-45910	GASKET, ADAPTOR TO PRIMARY HOUSING SEE NOTE BELOW	23	11
26-31507	OIL SEAL, WATER PUMP BODY	69	24	27-46351	GASKET, ADAPTOR TO PRIMARY HOUSING SEE NOTE BELOW	23	11
26-36557	SEAL, RUBBER - WATER INLET TUBE	57	26	28-29910	KEY, MAGNETO DRIVING ..	13	40
26-36557	SEAL, RUBBER - WATER INLET TUBE	69	26	28-30250	KEY, FLYWHEEL DRIVE ...	9	4
26-37448	OIL SEAL	61	15	28-30250	KEY, FLYWHEEL DRIVE ...	51	2
26-38970	SEAL, RUBBER - WATER INLET TUBE	57	26	28-30281	KEY, LOCATING - BEARING CARRIER	73	74
26-38970	SEAL, RUBBER - WATER INLET TUBE	71	26	28-45554	KEY, FLYWHEEL DRIVE ...	9	4
27-23180	GASKET, IDLE TUBE	41	22	28-45554	KEY, FLYWHEEL DRIVE ...	51	2
27-25033	GASKET, INLET SEAT	41	7	29-26114	BEARING, NEEDLE - OUTER RACE	51	5
27-25848	GASKET, STRAINER COVER SCREW	41	16	29-38586	BEARING, NEEDLE - CRANKPIN	51	25
27-25849	GASKET, STRAINER COVER (SMALL)	41	14				
27-25851	GASKET, STRAINER COVER (LARGE)	41	12				
27-26412	GASKET, HOUSING TO ADAPTOR	19	20				
27-26447	GASKET, SIDE INLET COVER TO DISTRIBUTOR CAP	19	30				

PARTS INDEX

Part Number	Description	Pg.	Ref. No.	Part Number	Description	Pg.	Ref. No.
29-38586	BEARING, NEEDLE - CRANKPIN	53	25	32-37446	TUBE, WATER INLET (SHORT SHAFT)	65	18
29-39656	BEARING, NEEDLE - PISTON PIN	51	26	32-37670	HOSE, FRONT SUPPORT BRACKET TO BOTTOM COWL	5	43
29-39656	BEARING, NEEDLE - PISTON PIN	53	26	32-37671	HOSE, VENT - DISTRIBUTOR TO ELBOW (18-1/2")	17	61
30-20066	BEARING, BALL - DISTRIBUTOR PILOT	11	6	32-38455	TUBE, RUBBER SPACER, LOWER PORT NUT	49	58
30-20080	BEARING, BALL	47	28	32-38760	SLEEVE, SPARK PLUG LEAD (5-1/8")	21	46
30-20464	BEARING, BALL - DRIVE SHAFT	69	11	33-39635	SPARK PLUG (CHAMPION - L4J)	15	26
30-26379	BEARING, BALL - CAM SHAFT	19	14	33-45191	SPARK PLUG (CHAMPION - L19V)	15	26
30-26379	BEARING, BALL - DRIVE SHAFT	11	2	34-20053	REED STOP, MAIN BEARING REED VALVES	51	16
30-26379	BEARING, BALL - ROTOR SHAFT	23	3	34-20888A1	REED SET, MATCHED - MAIN BEARING	51	15
30-31265	BEARING, BALL - REVERSE GEAR	73	67	34-30303A1	REED SET, MATCHED - MAIN BEARING	51	15
30-32117	BEARING, BALL	47	4	37-39605A1	DECAL SET (MERC 950E)	1	-
31-30894A1	TAPERED ROLLER BEARING ASSEMBLY	73	60	37-45200	DECAL, TIMING - TOP COWL FRAME	3	23
31-30895	BEARING, ROLLER - FORWARD GEAR	73	59	37-45221A1	DECAL SET (MERC 950E-SS)	1	-
31-30956	BEARING, ROLLER - BEARING CARRIER	73	72	37-45902A1	DECAL SET (MERC 950E-SS-1)	1	-
31-31092	CUP, TAPERED ROLLER BEARING	73	61	38-39784	SERIAL PLATE	61	41
31-32898	BEARING, ROLLER - DRIVE SHAFT	69	6	39-32921A12	RING, PISTON (5/64" THICK)	51	21
32-26329	BULK LINE (DISTRIBUTOR VENT TUBES) PER FOOT	1	-	39-33945A12	RING, PISTON (.015 OVERSIZE) - 5/64" THICK	55	--
32-26407	HOSE, TELL TALE - EXHAUST COVER TO BOTTOM COWL (16")	57	19	39-45155A12	RING, PISTON (1/16" THICK)	51	21
32-26527	SLEEVE, SPARK PLUG LEAD (1-1/2")	21	46	39-45204A12	RING, PISTON (.015 OVERSIZE) - 1/16" THICK	55	--
32-26542	HOSE, VENT - DISTRIBUTOR TO ELBOW (13")	17	60	40-32118	LOCK RING, PISTON PIN	51	20
32-26626	BULK LINE (JUMPER LEAD SLEEVES)	1	-	40-45740	LOCK RING, PISTON PIN	51	20
32-28052	SLEEVE, RUBBER - TILT LOCK PIN BUMPER	61	13	43-31419	GEAR, PINION - DRIVE SHAFT	69	8
32-29873	HOSE, UPPER AND LOWER CYLINDER BLEED	49	47	43-31887	REVERSE GEAR ASSEMBLY	73	66
32-30176	FUEL LINE, ADAPTOR TO LOWER FUEL PUMP	45	21	43-31887A1	REVERSE GEAR ASSEMBLY, COMPLETE	73	--
32-30574	SLEEVE, SPARK PLUG LEAD	21	45	43-34085	FORWARD GEAR ASSEMBLY	73	58
32-31550A1	FUEL LINE ASSEMBLY, CARBURETOR (6")	45	33	43-34085A1	FORWARD GEAR ASSEMBLY, COMPLETE	73	--
32-31552A1	FUEL LINE ASS'Y, PUMP TO PUMP (12-3/8")	45	19	44-32164	SHAFT, PROPELLER	73	65
32-31553A1	FUEL LINE ASS'Y, PUMP TO CARBURETOR (19-3/4")	45	20	45-30573	DRIVE SHAFT, DISTRIBUTOR	11	3
32-32256A1	FUEL LINE ASS'Y, PUMP TO CARBURETOR (9-7/8")	45	15	45-38459	DRIVE SHAFT (SHORT SHAFT)	69	7
32-33960	TUBE, BALANCE - MAIN BEARING	49	38	45-38460	DRIVE SHAFT (LONG SHAFT)	69	7
32-37438	TUBE, WATER INLET (LONG SHAFT)	65	18	46-37433A1	WATER PUMP BODY ASSEMBLY	69	22
				46-37433A4	EXTRA HEAVY DUTY WATER PUMP KIT	1	-
				46-38931A1	WATER PUMP BASE ASSEMBLY	69	15
				47-30221	IMPELLER - WATER PUMP	71	27

PARTS INDEX

Part Number	Description	Pg.	Ref. No.	Part Number	Description	Pg.	Ref. No.
50-37901	ROPE, STARTER (FOR MANUAL STARTING ONLY)	3	18	55-28414	PIN, LOWER SHOCK MOUNTING (LONG SHAFT)	63	48
50-45822A1	STARTER MOTOR ASSEMBLY	31	18	55-28416	PIN, UPPER SHOCK MOUNTING	61	37
52-34239	RATCHET, SLIDING CLUTCH	73	62	55-29247	PIN, LOWER SHOCK MOUNTING (SHORT SHAFT)	63	48
53-21058	"E" RING, BREAKER TO PIVOT PIN"	19	7	55-31933	SHOCK ABSORBER	63	52
53-21058	"E" RING, HANDLE TO HINGE PIN -EARLY STYLE	7	15	90-39964	MERC 950 PARTS LIST, COMPLETE	1	-
53-26406	RING, SNAP - BALL BEARING RETAINING . . .	11	1	91-45294A1	TACHOMETER ASSEMBLY .	37	-
53-26933	RING, SNAP - OUTER RACE	51	7	91-45294A1	TACHOMETER ASSEMBLY .	39	-
53-30428	FASTENER, CLAMPING LEVER	3	39	91-45294A2	TACHOMETER ASSEMBLY .	37	-
53-30726	RING, RETAINING - BALL BEARING	69	12	91-45294A2	TACHOMETER ASSEMBLY .	39	-
53-45906	RING, RETAINER - ROTOR SHAFT BALL BEARING . .	23	4	91-45294A3	TACHOMETER ASSEMBLY .	37	-
54-20386	CLAMP, BALANCE TUBE TO ELBOW AND TEE	49	41	91-45294A3	TACHOMETER ASSEMBLY .	39	-
54-20387	CLAMP, BLEED HOSE TO CONNECTOR	49	52	92-25234--1	GLUE (BLANKET ADHESIVE)	1	-
54-22740	CLIP, LEAD WIRE TO IGNITION COIL	17	45	92-25234--1	GLUE, ADHESIVE - BLANKET FASTENING . . .	7	--
54-22740	CLIP, STATOR LEAD FASTENING (3/8")	9	15	92-27109--1	ADHESIVE COMPOUND, EMBLEM FASTENING . . .	7	--
54-22875	CLIP, DISTRIBUTOR PRIMARY GROUND LEAD	15	22	92-32641-12	EXTRA DUTY GEAR LUBRICANT (CASE)	1	-
54-22875	CLIP, STATOR LEAD FASTENING (7/16")	9	15	94-29616	SHIPPING CARTON (FUEL TANK)	1	-
54-22976	CLAMP, TELL TALE HOSE TO CONNECTOR AND ELBOW	57	22	94-39389	SHIPPING CARTON (MERC 950E AND MERC 950E-SS)	1	-
54-23567	CLIP, WIRING HARNESS TO FRONT SUPPORT BRACKET	31	3	94-39390	SHIPPING CARTON (MERC 950EL AND MERC 950EL-SS)	1	-
54-24836	CLIP, DISTRIBUTOR LEAD WIRE TO SWITCH BOX . .	19	32	225-2494A2	FLYWHEEL ASSEMBLY, COMPLETE	9	5
54-24836	CLIP, LEAD WIRES TO SUPPORT BRACKET	27	34	323-2854	BOOT, HIGH TENSION CABLE TO COIL	23	29
54-24836	CLIP, WIRING HARNESS TO CRANKCASE FLANGE . . .	29	52	332-2802A2	SHAFT ASSEMBLY, DISTRIBUTOR CAM	19	16
54-24871	CLAMP, WIRING HARNESS TO SUPPORT BRACKET .	27	37	332-2803A4	SWITCH BOX ASSEMBLY . .	29	60
54-26538	CLIP, WIRIN HARNESS TO FRONT BRACKET	31	3	332-2826A2	IGNITION COIL ASSEMBLY, COMPLETE	17	41
54-26550	CLIP, IGNITION COIL LEAD .	17	57	332-2830	BRACKET, COIL MOUNTING	17	49
54-26550	CLIP, STATOR AND WIRING HARNESS LEADS FASTENING (5/16")	9	15	332-2854	BOOT, TERMINAL END COVER	21	--
54-26550	CLIP, STATOR AND WIRING HARNESS LEADS FASTENING (5/16")	9	15	332-2868A1	CLIPPER, SHORTING	27	14
54-33361	CLIP, CHOKE SOLENOID WIRE	35	5	332-2910A3	RECTIFIER ASSEMBLY	31	13
54-37810	CLAMP, SPARK PLUG LEADS TO COVER	49	37	332-2986A4	SWITCH BOX ASSEMBLY . .	31	37
				393-1275	SLEEVE, TERMINAL COVER	23	27
				393-1275	SLEEVE, TERMINAL END COVER	21	39
				393-1275	SLEEVE, TERMINAL END COVER	21	39
				393-1275	SLEEVE, TERMINAL END COVER	21	39
				393-1275	SLEEVE, TERMINAL END COVER	21	39
				393-1275	SLEEVE, TERMINAL END COVER	21	39
				393-1275	SLEEVE, TERMINAL END COVER	21	39
				393-1278	ADAPTOR, HOUSING TO DISTRIBUTOR CAP	19	21
				393-1280A1	ROTOR, DISTRIBUTOR	19	23
				393-1282	HOUSING, PRIMARY	19	1

PARTS INDEX

Part Number	Description	Pg.	Ref. No.	Part Number	Description	Pg.	Ref. No.
393-1282A17	DISTRIBUTOR ASSEMBLY, COMPLETE	19	-	393-F1277	SIDE INLET COVER ASSEMBLY	19	28
393-1282A22	DISTRIBUTOR ASSEMBLY, COMPLETE	15	16	398-2188	STATOR, ALTERNATOR	9	12
393-1282A22	DISTRIBUTOR ASSEMBLY, COMPLETE	19	-	420-1889	CRANKSHAFT	51	1
393-1283	CONDENSER	19	11	420-2742	CRANKSHAFT	51	1
393-1287A2	CAM WICK AND HOLDER ASSEMBLY	19	8	531-1884A2	CENTER MAIN BEARING ASSEMBLY	51	3
393-1292A1	BRUSH AND SPRING ASSEMBLY	19	29	553-2492A2	MAIN BEARING ASSEMBLY, VALVE TYPE	51	11
393-1293A1	BRUSH AND SPRING ASSEMBLY	19	26	553-2789A2	MAIN BEARING ASSEMBLY, VALVE TYPE	51	11
393-1293A1	BRUSH AND SPRING ASSEMBLY	23	18	611-1885A4	CONNECTING ROD AND CAP ASSEMBLY	51	22
393-1504A5	BREAKER ASSEMBLY, COMPLETE	19	3	617-2768A2	CONNECTING ROD AND CAP ASSEMBLY	51	22
393-1586	GROMMET, PLASTIC - BREAKER ASSEMBLY	19	6	732-2045A4	PISTON AND PISTON PIN ASSEMBLY	51	19
393-1621A1	HIGH TENSION CABLE ASSEMBLY COIL (COIL #2)	21	37	732-2194A1	PISTON AND PISTON PIN ASSEMBLY (.015 OVERSIZE)	55	--
393-1622A1	HIGH TENSION CABLE ASSEMBLY (COIL #1)	21	38	732-2735A4	PISTON AND PISTON PIN ASSEMBLY	51	19
393-1656	WIRE, PRIMARY GROUND	19	10	732-2739A1	PISTON AND PISTON PIN ASSEMBLY (.015 OVERSIZE)	55	--
393-1779A2	SHAFT ASSEMBLY - DISTRIBUTOR CAM	19	16	732-2775A4	PISTON AND PISTON PIN ASSEMBLY	51	19
393-1927A5	DISTRIBUTOR CAP ASSEMBLY	19	25	732-2953A1	PISTON AND PISTON PIN ASSEMBLY (.015 OVERSIZE)	55	--
393-1927A9	DISTRIBUTOR CAP ASSEMBLY	19	25	836-2655A3	CYLINDER BLOCK AND CRANKCASE ASSEMBLY	47	7
393-1927A9	DISTRIBUTOR CAP ASSEMBLY	23	17	1011-2484	COVER, CYLINDER BLOCK	49	54
393-2725	COVER, SIDE INLET (NOT AS SHOWN)	19	28	1126-1751A1	END CAP ASSEMBLY, LOWER	47	23
393-2725	COVER, SIDE INLET - DISTRIBUTOR	23	23	1128-1890A1	END CAP ASSEMBLY, UPPER	47	1
393-2729A1	HIGH TENSION CABLE ASSEMBLY	21	38	1128-2744A1	END CAP ASSEMBLY, UPPER	47	1
393-2729A1	HIGH TENSION CABLE ASSEMBLY - DISTRIBUTOR TO COIL	23	26	1335-2475	CARBURETOR ASSEMBLY, COMPLETE	35	17
393-2730	BRACKET, SPACER MOUNTING	19	--	1335-2475	CARBURETOR ASSEMBLY, COMPLETE (KC-6A)	41	1
393-2795	SHIM, TRIGGER HOUSING TO PRIMARY HOUSING	23	6	1399-101	LEVER, FLOAT (UPPER)	41	5
393-2799	HOUSING, PRIMARY	23	1	1399-102	LEVER, FLOAT (LOWER)	41	4
393-2799A2	DISTRIBUTOR ASSEMBLY, COMPLETE	15	16	1399-110A1	FLOAT ASSEMBLY	41	2
393-2799A2	DISTRIBUTOR ASSEMBLY, COMPLETE	23	-	1399-1133	COVER, FLOAT BOWL	41	9
393-2799A9	DISTRIBUTOR ASSEMBLY, COMPLETE	15	16	1399-1473	INSET NEEDLE, SEAT AND GASKET	41	6
393-2799A9	DISTRIBUTOR ASSEMBLY, COMPLETE	23	-	1399-1649	JET, MAIN FUEL (.049)	41	29
393-2918A1	TRIGGER HOUSING ASSEMBLY	23	7	1399-1651	JET, MAIN FUEL (.051) - STANDARD	41	29
393-2921A1	ROTOR SHAFT ASSEMBLY	23	5	1399-1653	JET, MAIN FUEL (.053)	41	29
393-2921A7	ROTOR SHAFT ASSEMBLY	23	5	1399-1713	SCREW, IDLE ADJUSTMENT	41	26
				1399-1754	SCREEN, FILTER	41	13
				1399-1767	JET, MAIN FUEL (.047)	41	29
				1399-1930	COVER, STRAINER	41	15
				1399-2012	SHAFT, THROTTLE	41	20
				1399-2014	SHUTTER, THROTTLE	41	24

PARTS INDEX

Part Number	Description	Pg.	Ref. No.	Part Number	Description	Pg.	Ref. No.
1399-2535	NOZZLE, MAIN	41	31	2115-3012	COWL, BOTTOM	57	1
1399-2555	TUBE, IDLE	41	21	2120-2620A3	WRAP AROUND COWL ASSEMBLY	7	11
1399-2556	REPAIR PARTS KIT (1 PER CARBURETOR)	43	--	2120-2620A5	WRAP AROUND COWL ASSEMBLY	7	11
1399-97	LEVER, THROTTLE STOP (SEE NOTE BELOW)	41	19	2214-2455	COWL, TOP	3	9
1399-99	GASKET, FLOAT BOWL COVER	41	8				
1440-1796A1	CLAMP BRACKET ASSEMBLY	61	1				
1447-2689A1	SWIVEL BRACKET ASSEMBLY (LONG SHAFT)	61	14				
1453-2690A1	SWIVEL BRACKET ASSEMBLY (SHORT SHAFT)	61	14				
1551-2459A2	DRIVE SHAFT HOUSING ASSEMBLY (LONG SHAFT)	65	1				
1552-2463A1	DRIVE SHAFT HOUSING ASSEMBLY (SHORT SHAFT)	65	1				
1623-2460A18	GEAR HOUSING ASSEMBLY, COMPLETE (LONG SHAFT) SEE NOTE BELOW	73	-				
1623-2460A18	GEAR HOUSING ASSEMBLY, COMPLETE (LONG SHAFT) SEE NOTE	69	-				
1623-2460A19	GEAR HOUSING ASSEMBLY, COMPLETE (SHORT SHAFT) SEE NOTE BELO	73	-				
1623-2460A19	GEAR HOUSING ASSEMBLY, COMPLETE (SHORT SHAFT) SEE NOTE	69	-				
1623-2460A20	GEAR HOUSING ASSEMBLY	69	1				
1623-2460A20	GEAR HOUSING ASSEMBLY SEE PAGE 34 FOR PARTS BREAKDOWN	73	1				
1623-2460A26	GEAR HOUSING ASSEMBLY, COMPLETE (SHORT SHAFT) SEE NOTE BELO	73	-				
1623-2460A26	GEAR HOUSING ASSEMBLY, COMPLETE (SHORT SHAFT) SEE NOTE	69	-				
1623-2460A27	GEAR HOUSING ASSEMBLY, COMPLETE (LONG SHAFT) SEE NOTE BELOW	73	-				
1623-2460A4	GEAR HOUSING ASSEMBLY	69	1				
1623-2460A4	GEAR HOUSING ASSEMBLY SEE PAGE 34 FOR PARTS BREAKDOWN	73	1				
2113-2663A1	COWL FRONT COVER ASSEMBLY	7	1				
2113-2663A3	COWL FRONT COVER ASSEMBLY	7	1				
2113-2663A5	COWL FRONT COVER ASSEMBLY	7	1				
2115-2458	COWL, BOTTOM	57	1				