



# PARTS CATALOG

## 60 H.P.

SERIAL NUMBER

60 ..... 1408611 THRU 1916138

# TABLE OF CONTENTS:

BOTTOM COWL ASSEMBLY	44
CARBURETOR ASSEMBLY (SERIAL NO. 1526209 AND ABOVE)	20
CARBURETOR ASSEMBLY (THRU SERIAL NO. 1526208)	18
CARBURETOR CHOKE LINKAGE ( SERIAL NO. 1526209 AND ABOVE)	24
CARBURETOR CHOKE LINKAGE (SERIAL NO. 1526208 AND BELOW)	22
CLAMP AND SWIVEL BRACKET ASSEMBLY	48
CRANKSHAFT AND MAIN BEARING ASSEMBLY	38
CYLINDER BLOCK AND CRANKCASE ASSEMBLY	34
DRIVE SHAFT HOUSING ASSEMBLY	46
FLYWHEEL AND STATOR PLATE ASSEMBLY	10
FLYWHEEL ASSEMBLY AND THROTTLE CAM LINKAGE	14
FUEL PUMP ASSEMBLY (SERIAL NO. 1552144 AND BELOW)	26
FUEL PUMP ASSEMBLY (SERIAL NO. 1582403 AND ABOVE)	28
GEAR HOUSING ASSEMBLY, COMPLETE (PAGE 1)	52
GEAR HOUSING ASSEMBLY, COMPLETE (PAGE 2)	56
MISCELLANEOUS/ACCESSORIES	1
PARTS INDEX	60
PISTON AND CONNECTING ROD ASSEMBLY	40
SHIFT CONTROL LINKAGE	30
STATOR PLATE ASSEMBLY	16
STEERING HANDLE ASSEMBLY	42
THROTTLE CONTROL LINKAGE	32
TOP COWL AND STARTER ASSEMBLY	2
TOP COWL AND STARTER ASSEMBLY (MERC 60-3 AND MERC 60-4)	6

**NOTE:** *Indented description indicate that these parts are included in preceeding assembly.*

**AR** = As Required

**NSS** = Not Sold Separate

**OPT** = Optional

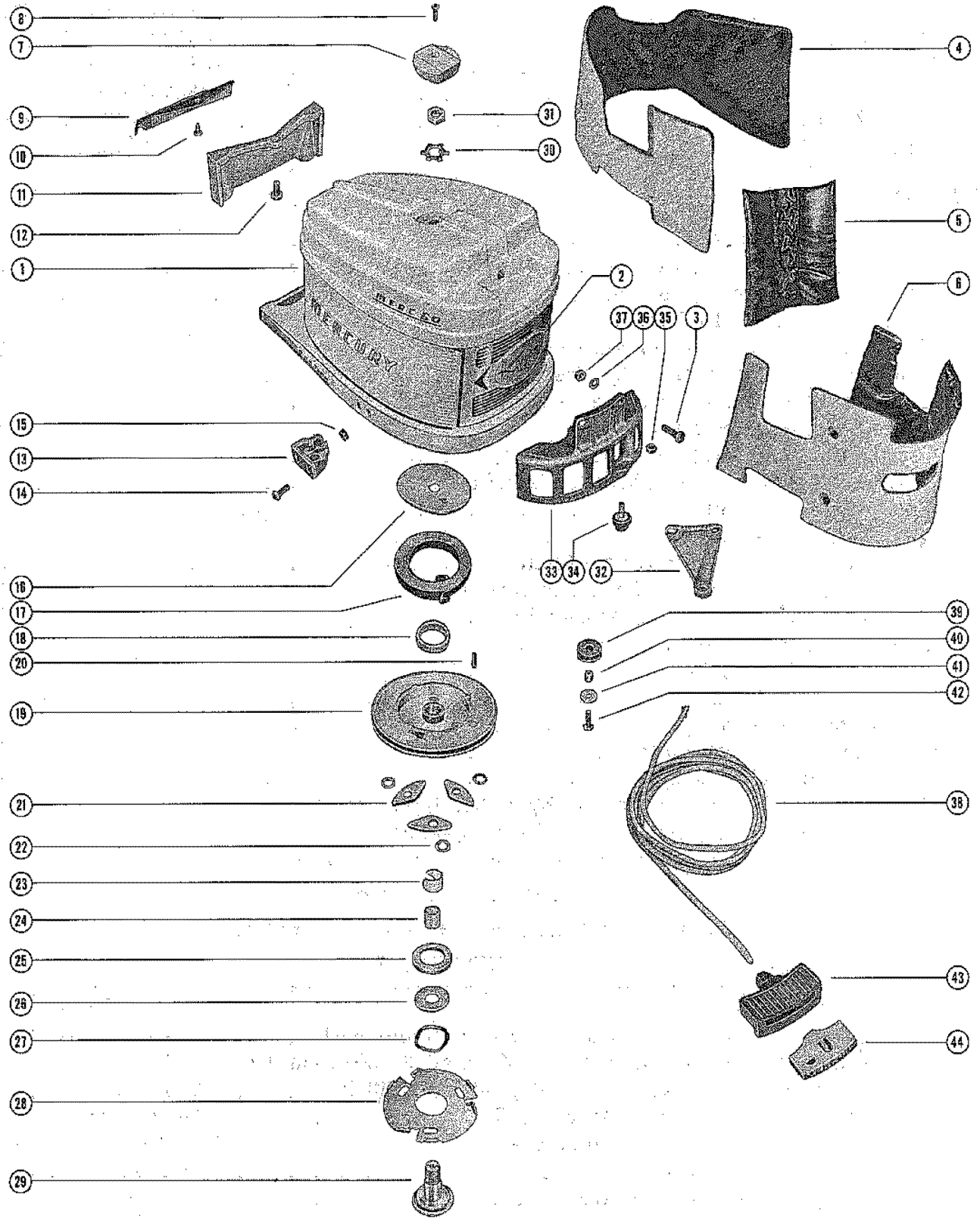
**NS** = Not Shown

**THESE PARTS BOOKS/FICHE CARD ARE COPYRIGHTED AND MAY NOT BE DISTRIBUTED OR REPRODUCED IN ANY OTHER FORMAT BY ANYONE OTHER THAN MERCURY MARINE WITHOUT THE PRIOR WRITTEN CONSENT OF MERCURY MARINE.**

## MISCELLANEOUS/ACCESSORIES

REF. NO.	PART NO.	SYM.	QTY.	DESCRIPTION
-	23597A1		0	FLUSHING ASSEMBLY
-	27-31071		0	GASKET SET (MOTOR OVERHAUL) - MERC 60 AND 60-1
-	27-32215		0	GASKET SET (MOTOR OVERHAUL) - MERC 60-2 AND 60-3 AND 60-4
-	37-31073A1		0	DECAL SET (TOP COWL) - MERC 60, 60-1 AND 60-2
-	37-35484A1		0	DECAL SET (TOP COWL) - MERC 60-3
-	37-37746A1		0	DECAL SET (TOP COWL) - MERC 60-4
-	94-37873		0	SHIPPING CARTON (MOTOR)
-	94-30992		0	SHIPPING CARTON (FUEL TANK)
-	90-31248		0	MERC 60 PARTS LIST
-	92-25234		0	GLUE (BLANKET ADHESIVE)

# TOP COWL AND STARTER ASSEMBLY

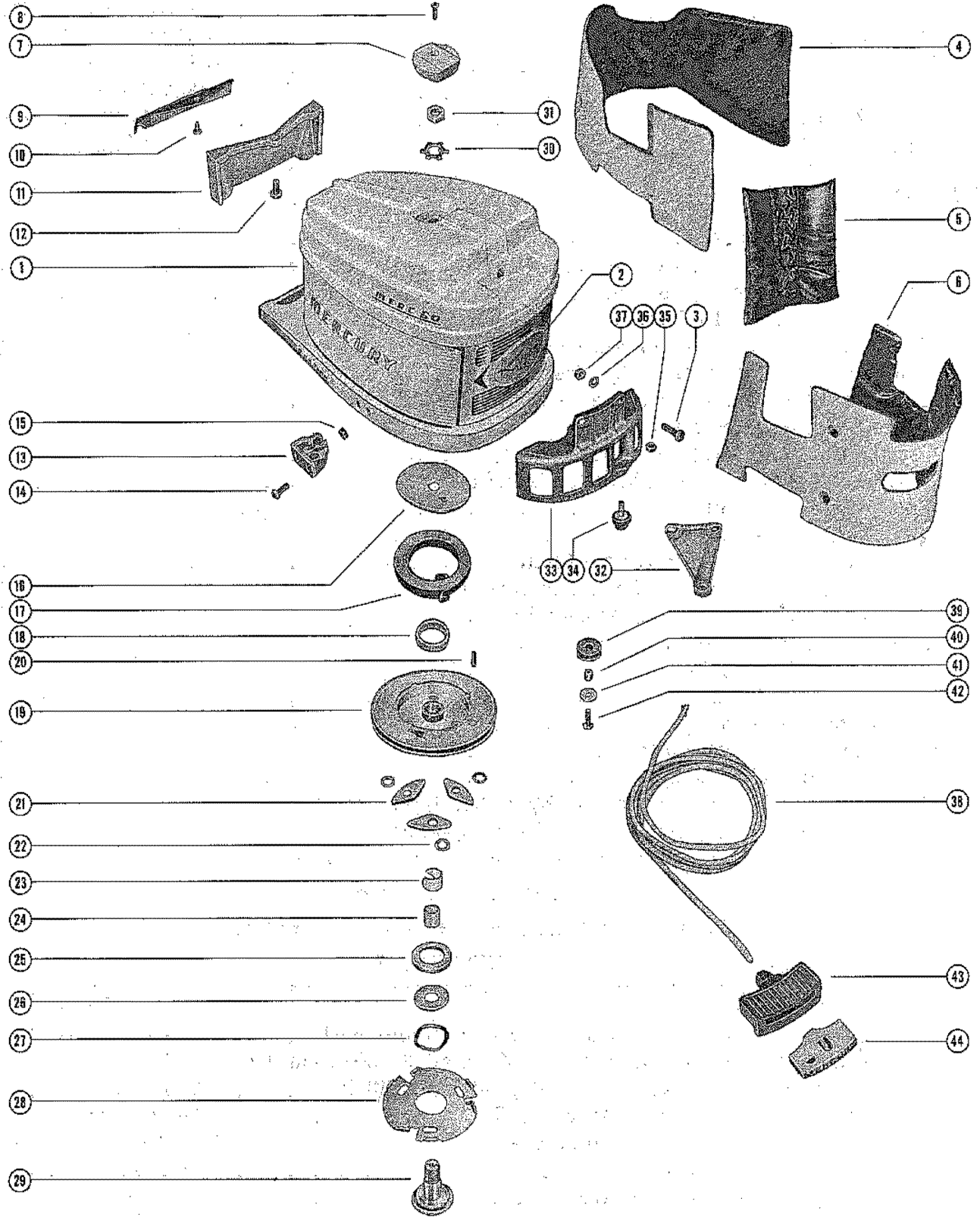


# TOP COWL AND STARTER ASSEMBLY

REF. NO.	PART NO.	SYM.	QTY.	DESCRIPTION
1	191-1827A1		1,1,1	TOP COWL ASSEMBLY
-	<b>37-31073A1</b>		<b>1,1,1</b>	<b>DECAL SET, TOP COWL</b>
2	38-29643		1,1,1	INSIGNIA, FRONT-TOP COWL
3	10-31048		2,2,2	SCREW, FRONT BRACKET TO TOP COWL
4	31113		1,1,	BLANKET, SOUND ABSORBING-TOP COWL
5	31930		„1	BLANKET, SOUND ABSORBING-REAR
6	31807		„1	BLANKET, SOUND ABSORBING-TOP COWL
7	30980		1,1,1	COVER, TRIM-TOP COWL
8	10-23618		1,1,1	SCREW, TRIM COVER TO TOP COWL
9	30985		1,1,1	SCREEN, VENT-TOP COWL
10	10-30663		3,3,3	SCREW, VENT SCREEN TO TOP COWL
11	31024		1,1,1	BRACKET, REAR-TOP COWL MOUNTING
12	10-30110		3,3,3	SCREW, REAR BRACKET TO TOP COWL
13	30833		1,1,1	BRACKET, PORT-TOP COWL FASTENING
	30834		1,1,1	BRACKET, STARBOARD-TOP COWL FASTENING
14	10-37655		4,4,4	SCREW, BRACKET TO TOP COWL
15	11-27164		4,4,4	NUT, BRACKET TO TOP COWL SCREW
16	20155		1,1,1	RETAINER, STARTER SPRING
17	24-29340A1		1,1,1	SPRING, STARTER REWIND
18	23-28912		1,1,1	BUSHING, SPRING GUIDE
19	50-30594A1		1,1,1	STARTER SHEAVE ASSEMBLY
20	17-22896		1,1,1	PIN, RETAINER-STARTER CABLE
21	30596		3,3,3	PAWL, STARTER
22	13-36206		3,3,3	WASHER, WAVE-STARTER PAWL
23	23-28919		1,1,1	BUSHING, NYLON-SHEAVE SHAFT SPACER
24	23-28911		1,1,1	SPACER, SHEAVE SHAFT
25	26179		1,1,1	RETAINER, SHEAVE SHAFT TO STARTER SHEAVE
26	12-26180		1,1,1	WASHER, SHEAVE SHAFT RETAINER
27	13-20160		1,1,1	WASHER, WAVE-RETAINER TENSION
28	30595		1,1,1	PLATE, RETAINER-STARTER PAWL
29	30812		1,1,1	SHAFT, SHEAVE
30	14-20165		1,1,1	TAB WASHER, SHEAVE SHAFT NUT
31	11-20166		1,1,1	NUT, SHEAVE SHAFT (LEFT HAND THREAD)
32	31025		1,1,	BRACKET, FRONT-TOP COWL MOUNTING
33	31906		„1	BRACKET, FRONT-TOP COWL MOUNTING
34	31014		1,1,1	MOUNT, RUBBER-FRONT BRACKET
35	11-20088		1,1,1	NUT, RUBBER MOUNT TO FRONT BRACKET
36	12-29245		2,2,2	WASHER, FRONT BRACKET SCREW
37	11-20361		2,2,2	NUT, FRONT BRACKET TO TOP COWL SCREW
38	50-30823A1		1,1,1	STARTER CABLE ASSEMBLY
39	30976		1,1,1	PULLEY, STARTER CABLE

CONTINUED ON NEXT PAGE ➡

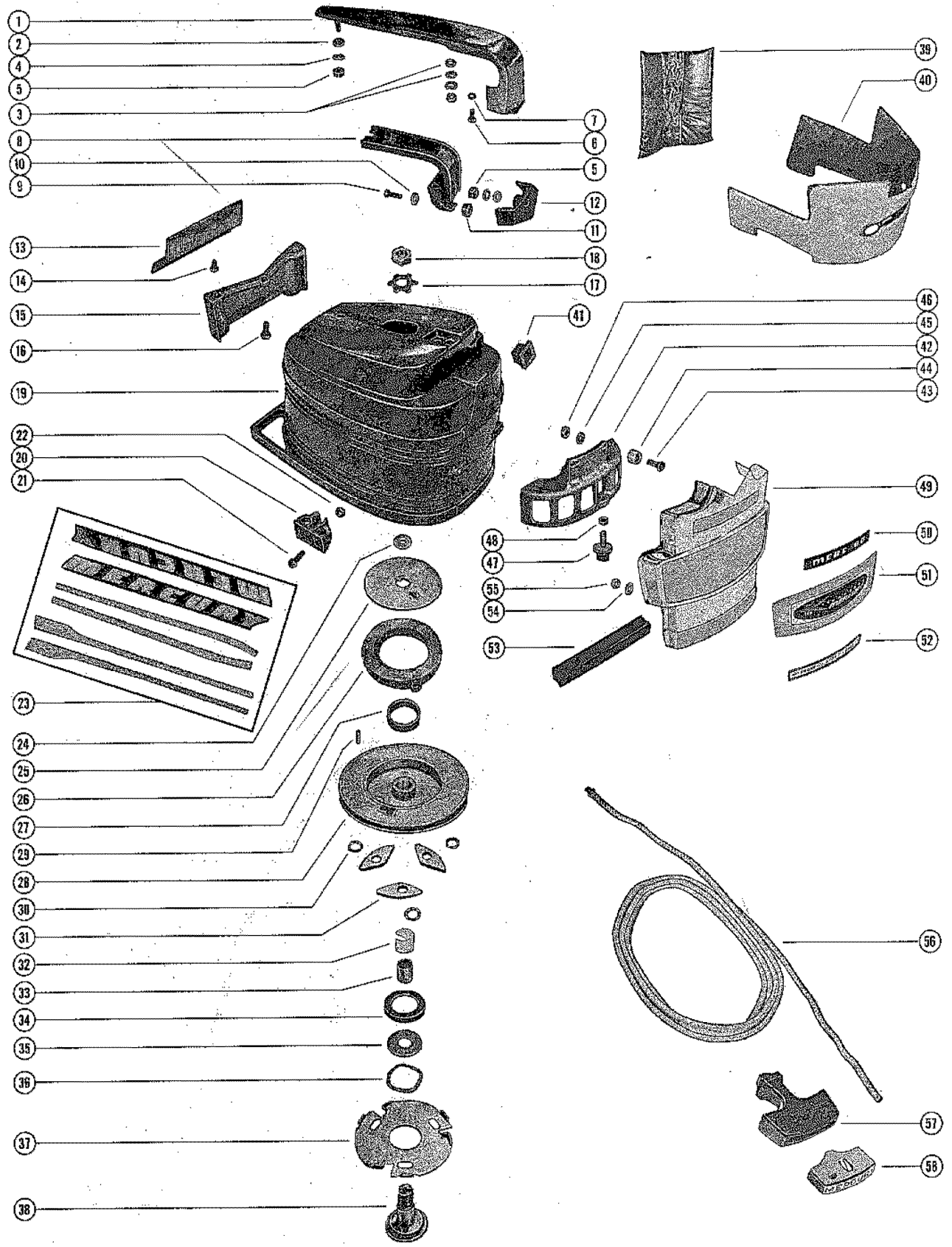
# TOP COWL AND STARTER ASSEMBLY



## TOP COWL AND STARTER ASSEMBLY

REF. NO.	PART NO.	SYM.	QTY.	DESCRIPTION
40	23-30977		1,1,1	SPACER, CABLE PULLEY
41	12-22887		1,1,1	WASHER, PULLEY FASTENING SCREW
42	10-28789		1,1,1	SCREW, PULLEY TO TOP COWL
43	30782		1,1,1	HANDLE, STARTER CABLE
44	28748		1,1,1	RETAINER, STARTER CABLE AND HANDLE

# TOP COWL AND STARTER ASSEMBLY (MERC 60-3 AND MERC 60-4)



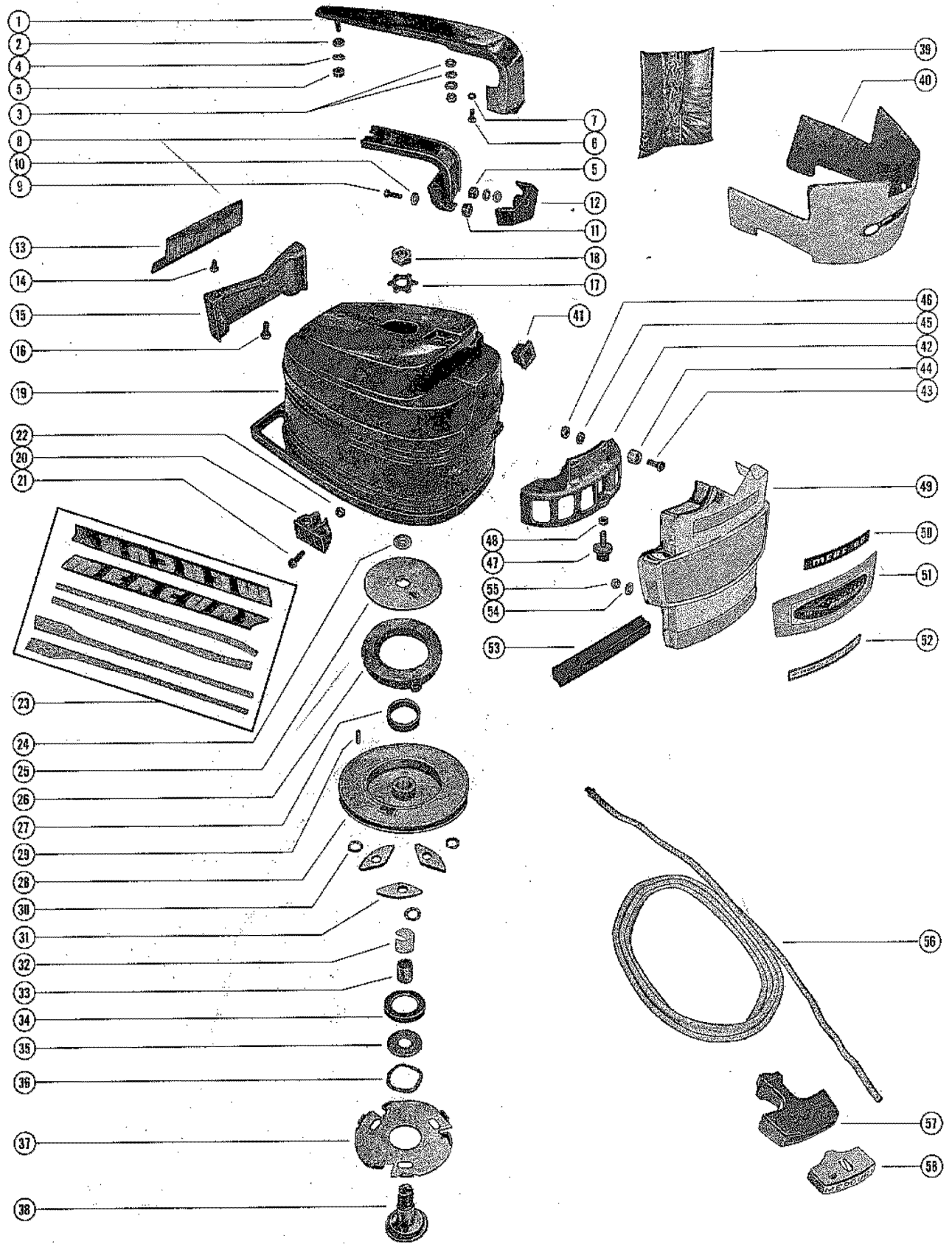


# TOP COWL AND STARTER ASSEMBLY (MERC 60-3 AND MERC 60-4)

REF. NO.	PART NO.	SYM.	QTY.	DESCRIPTION
1	35387		1,1	HANDLE, CHROME-TOP COWL
2	12-20583		1,1	WASHER, CHROME HANDLE STUD
3	12-29245		3,3	WASHER, INSIDE HANDLE TO CHROME HANDLE STUD
4	13-26992		2,2	LOCKWASHER, CHROME HANDLE STUD
	12-22937		1,1	WASHER, CHROME HANDLE STUD
5	11-20088		2,2	NUT, INSIDE HANDLE TO CHROME HANDLE STUD
	11-20361		1,1	NUT, INSIDE HANDLE TO CHROME HANDLE STUD
6	10-28636		1,1	SCREW, INSIDE HANDLE TO CHROME HANDLE
7	13-26992		1,1	LOCKWASHER, INSISDE HANDLE TO CHROME HANDLE SCREW
8	35436		1,1	HANDLE, INSIDE-TOP COWL
9	10-22956		1,1	SCREW, INSIDE HANDLE TO CHROME HANDLE
10	12-29245		1,1	WASHER, INSIDE HANDLE TO CHROME HANDLE SCREW
11	11-24652		1,1	NUT, INSIDE HANDLE TO CHROME HANDLE SCREW
12	35384		1,1	KEY, TOP COWL HANDLE
13	35407		1,1	SCREEN, VENT
14	10-30663		2,2	SCREW, VENT SCREEN TO TOP COWL
15	31024		1,1	BRACKET, REAR-TOP COWL MOUNTING
16	10-38787		3,3	SCREW, REAR BRACKET TO TOP COWL
17	14-20165		1,1	TAB WASHER, SHEAVE SHAFT NUT
18	11-20166		1,1	NUT, SHEAVE SHAFT(LEFT HAND THREAD)
19	2107-2362		1,1	COWL, TOP
20	35437		1,1	BRACKET, PORT-TOP COWL FASTENING <b>SERIAL 00000000-01877455</b>
	35438		1,1	BRACKET, STARBOARD-TOP COWL FASTENING <b>SERIAL 00000000-01877455</b>
	38956		,1	BRACKET, PORT-TOP COWL FASTENING <b>SERIAL 01877456-09999999</b>
	38959		,1	BRACKET, STARBOARD-TOP COWL FASTENING <b>SERIAL 01877456-09999999</b>
21	10-37655		4,4	SCREW, BRACKET TO TOP COWL
22	11-27164		4,4	NUT, BRACKET TO TOP COWL SCREW
23	37-35484A1		1,	DECAL SET, TOP COWL (NOT AS SHOWN)
	37-37746A1		,1	DECAL SET, TOP COWL
24	12-35647		1,	WASHER, STARTER SPRING RETAINER <b>USED ON EARLY PRODUCTION ENGINES ONLY</b>
25	20155		1,1	RETAINER, STARTER SPRING
26	24-29340A1		1,1	SPRING, STARTER REWIND
27	23-28912		1,1	BUSHING, SPRING GUIDE
28	50-30594A1		1,1	STARTER SHEAVE ASSEMBLY
29	17-22896		1,1	PIN, RETAINER-STARTER CABLE
30	13-36206		3,3	WASHER, WAVE-STARTER PAWL
31	30596		3,3	PAWL, STARTER
32	23-28919		1,1	BUSHING, NYLON-SHEAVE SHAFT SPACER
33	23-28911		1,	SPACER, SHEAVE SHAFT

CONTINUED ON NEXT PAGE ➡

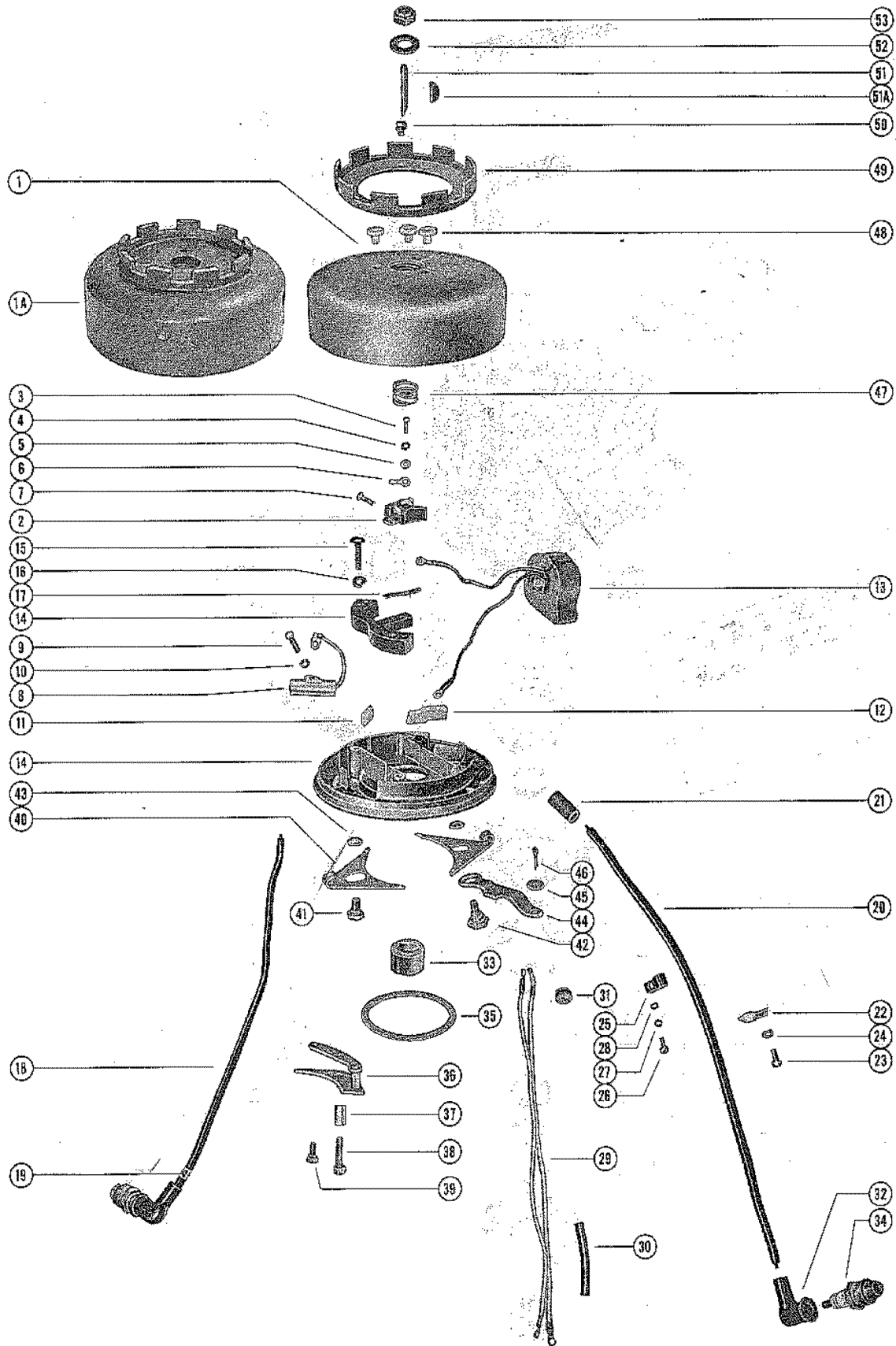
# TOP COWL AND STARTER ASSEMBLY (MERC 60-3 AND MERC 60-4)



## TOP COWL AND STARTER ASSEMBLY (MERC 60-3 AND MERC 60-4)

REF. NO.	PART NO.	SYM.	QTY.	DESCRIPTION
33	23-35560		1,1	SPACER, SHEAVE SHAFT
34	26179		1,1	RETAINER, SHEAVE SHAFT TO STARTER SHEAVE
35	12-26180		1,	WASHER, SHEAVE SHAFT RETAINER
	12-35559		1,1	WASHER, SHEAVE SHAFT RETAINER
36	13-20160		1,1	WASHER, WAVE-RETAINER TENSION
37	30595		1,1	PLATE, RETAINER-STARTER PAWL
38	30812		1,	SHAFT, SHEAVE
	35558		1,1	SHAFT, SHEAVE
39	31930		1,1	BLANKET, SOUND ABSORBING-TOP COWL (REAR)
40	35564		1,1	BLANKET, SOUND ABBSORBING-TOP COWL
41	38454		,1	INSERT, ROPE GUIDE-TOP COWL
42	31906		1,1	BRACKET, FRONT-TOP COWL MOUNTING
43	10-20784		2,2	SCREW, FRONT BRACKET TO TOP COWL
44	23-35555		2,2	SPACER, FRONT BRACKET SCREW
45	12-29245		2,2	WASHER, FRONT BRACKET SCREW
46	11-20361		2,2	NUT, FRONT BRACKET SCREW
47	31014		1,1	MOUNT, RUBBER-FRONT BRACKET
48	11-20088		1,1	NUT, RUBBER MOUNT TO FRONT BRACKET
49	2105-2352A2		1,	COVER ASSEMBLY, FRONT
	2105-2352A5		,1	COVER ASSEMBLY, FRONT
50	37-35482		1,	DECAL, FRONT COVER ("MERC 60")
	37-37752		,1	DECAL, FRONT COVER ("MERC 60")
51	37-35483		1,	DECAL, FRONT COVER
	37-37744		,1	DECAL, FRONT COVER
52	37-37753		,1	DECAL, FRONT COVER ("CHOKE-STOP-FUEL")
53	35497		1,1	STRIP, RUBBER-FRONT COVER (LOWER)
54	12-29245		2,2	WASHER, FRONT COVER STUD
55	11-20361		2,2	NUT, FRONT COVER STUD
56	50-30823A1		1,1	STARTER CABLE ASSEMBLY
57	28747		1,1	HANDLE, STARTER CABLE
58	28748		1,1	RETAINER, STARTER CABLE AND HANDLE

# FLYWHEEL AND STATOR PLATE ASSEMBLY

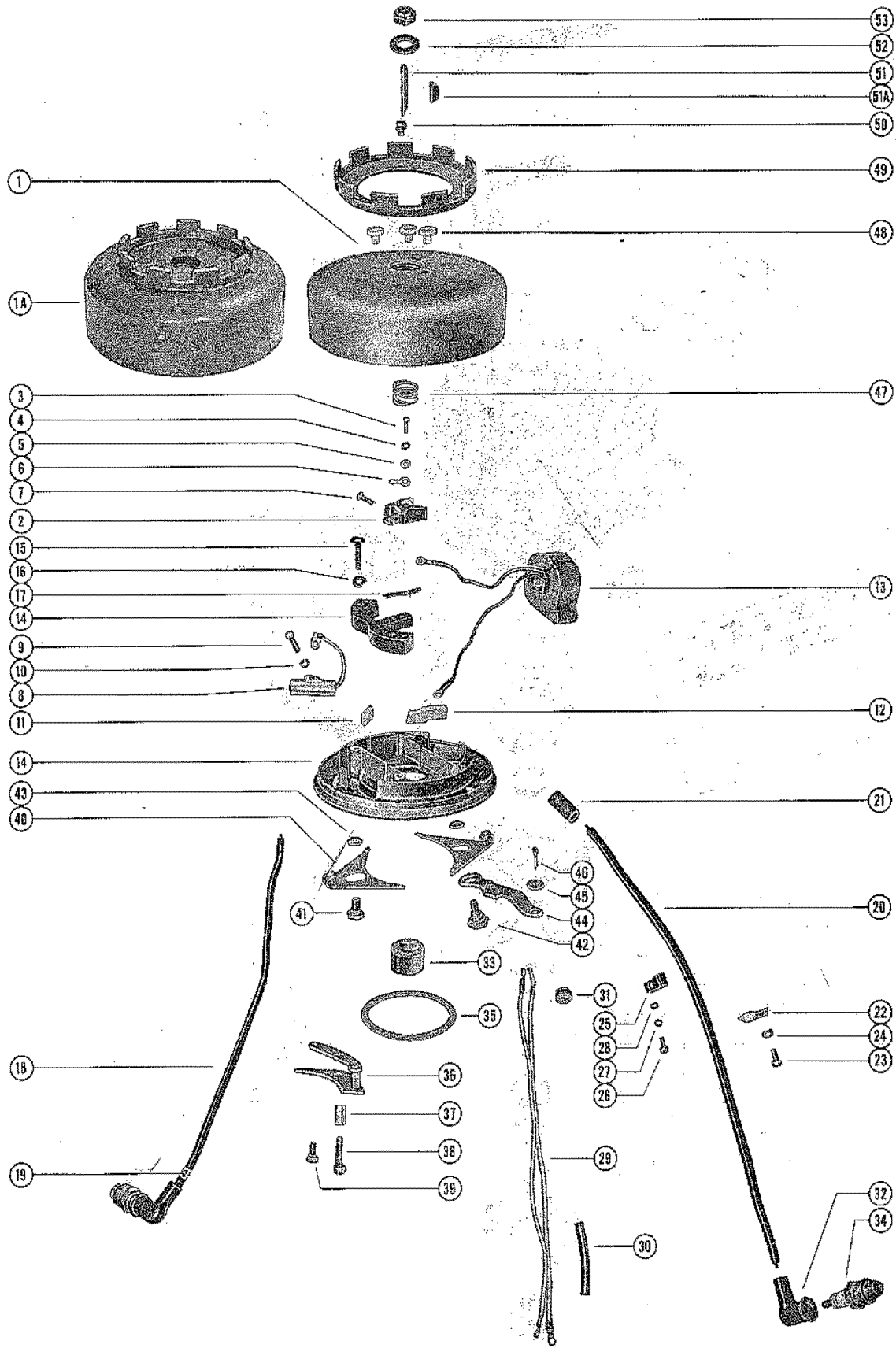


# FLYWHEEL AND STATOR PLATE ASSEMBLY

REF. NO.	PART NO.	SYM.	QTY.	DESCRIPTION
1	398-1858		1,1,1	FLYWHEEL
1A	217-2025A1		,,1	FLYWHEEL ASSEMBLY SERIAL 01526649-09999999
-	<b>398-692A4</b>		<b>1,1,1</b>	<b>STATOR PLATE ASSEMBLY</b>
2	398-174		2,2,2	BREAKER POINT ASSEMBLY
3	10-21133		2,2,2	SCREW, BREAKER FASTENING
4	13-21134		2,2,2	LOCKWASHER, BREAKER FASTENING SCREW
5	12-21135		1,1,1	WASHER, BREAKER FASTENING SCREW
6	398-732		1,1,1	CLIP, GROUND WIRE LEAD
7	10-31058		2,2,2	SCREW, BREAKER CONNECTION
8	398-693		2,2,2	CONDENSER
9	10-21136		2,2,2	SCREW, CONDENSER FASTENING
10	13-21134		2,2,2	LOCKWASHER, CONDENSER FASTENING SCREW
11	398-193		1,1,1	PLUG, FELT
12	398-1859		1,1,1	WIPER, CAM-FELT
13	398-173		2,2,2	COIL, IGNITION
14	398-692		1,1,1	STATOR AND CORE ASSEMBLY
15	398-963		4,4,4	SCREW, CORE FASTENING
16	13-21144		4,4,4	LOCKWASHER, CORE FASTENING SCREW
17	54-31059		2,2,2	CLIP, CORE AND COIL
18	398-965		1,1,1	LEAD WIRE (TOP)
19	20623		1,1,1	MARKER, "TOP"-LEAD WIRE
20	398-965		1,1,1	LEAD WIRE(BOTTOM)
21	32-21137		2,2,2	TUBE, LEAD WIRES
22	398-179		2,2,2	CLAMP, LEAD WIRE TUBE
23	10-23977		2,2,2	SCREW, LEAD WIRE TUBE CLAMP FASTENING
24	13-21134		2,2,2	LOCKWASHER, LEAD WIRE TUBE CLAMP FASTENING
25	398-182		2,2,2	CLAMP, LEAD WIRES
26	10-23977		2,2,2	SCREW, LEAD WIRE CLAMP FASTENING
27	13-21134		2,2,2	LOCKWASHER, LEAD WIRE CLAMP SCREW
28	12-21135		2,2,2	WASHER, LEAD WIRE CLAMP SCREW
29	398-1872		1,1,1	GROUND LEAD, MAGNETO TO TERMINAL BLOCK
30	23-30419		1,1,1	SLEEVE, GROUND LEAD INSULATION
31	25-29051		1,1,1	GROMMET, GROUND LEAD THRU STATOR PLATE
32	20119		2,2,2	PROTECTOR, SPARK PLUG
33	398-694		1,1,1	CAM, BREAKER
34	33-22805		2,2,2	SPARK PLUG(J7J)
35	15-22371		1,1,1	SHIM, MAGNETO PILOT
36	30988A2		1,1,1	THROTTLE CAM ASSEMBLY
37	23-20618		1,1,1	SPACER, THROTTLE CAM
38	10-28706		1,1,1	SCREW, THROTTLE CAM TO STATOR PLATE (LONG)
39	10-28707		1,1,1	SCREW, THROTTLE CAM TO STATOR PLATE (SHORT)
40	23019		2,2,2	CLAMP, MAGNETO FRICTION
41	10-30991		1,1,1	SCREW, FRICTION CLAMP TO STATOR PLATE (SHORT)

CONTINUED ON NEXT PAGE ➡

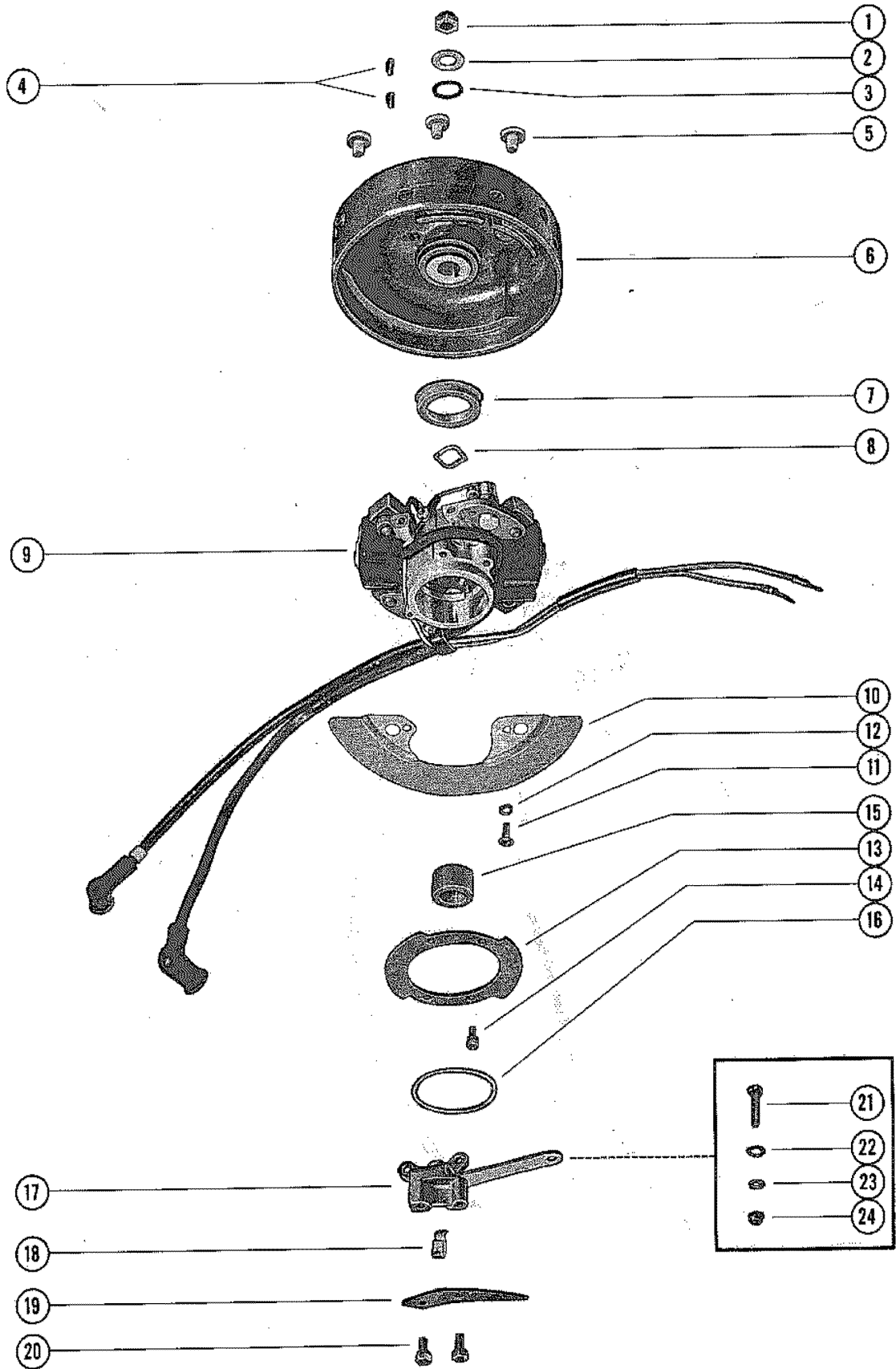
# FLYWHEEL AND STATOR PLATE ASSEMBLY



## FLYWHEEL AND STATOR PLATE ASSEMBLY

REF. NO.	PART NO.	SYM.	QTY.	DESCRIPTION
42	10-30650		1,1,1	SCREW, FRICTION CLAMP AND LINK TO STATOR PLATE (LONG)
43	13-21272		2,2,2	LOCKWASHER, FRICTION CLAMP SCREW
44	30653		1,1,	LINK, MAGNETO-THROTTLE CONTROL
	31431		„1	LINK, MAGNETO-THROTTLE CONTROL
45	12-22907		1,1,1	WASHER, MAGNETO LINK
46	18-20180		1,1,1	COTTER PIN, MAGNETO LINK TO THROTTLE CONTROL LEVER
47	24-22677		1,1,1	SPRING, TENSION-MAGNETO CAM
48	19-29900		3,3,3	PLUG, PLASTIC-FLYWHEEL SCREW HOLES
49	50-30662		1,1,1	RATCHET, FLYWHEEL
50	10-31010		3,3,3	SCREW, RATCHET TO FLYWHEEL
51	28-22818		1,1,1	KEY, FLYWHEEL
51A	28-20094		„2	KEY, FLYWHEEL <b>SERIAL 01487174-09999999</b>
52	12-27025		1,1,1	WASHER, FLYWHEEL NUT
53	11-20696		1,1,1	NUT, FLYWHEEL

# FLYWHEEL ASSEMBLY AND THROTTLE CAM LINKAGE

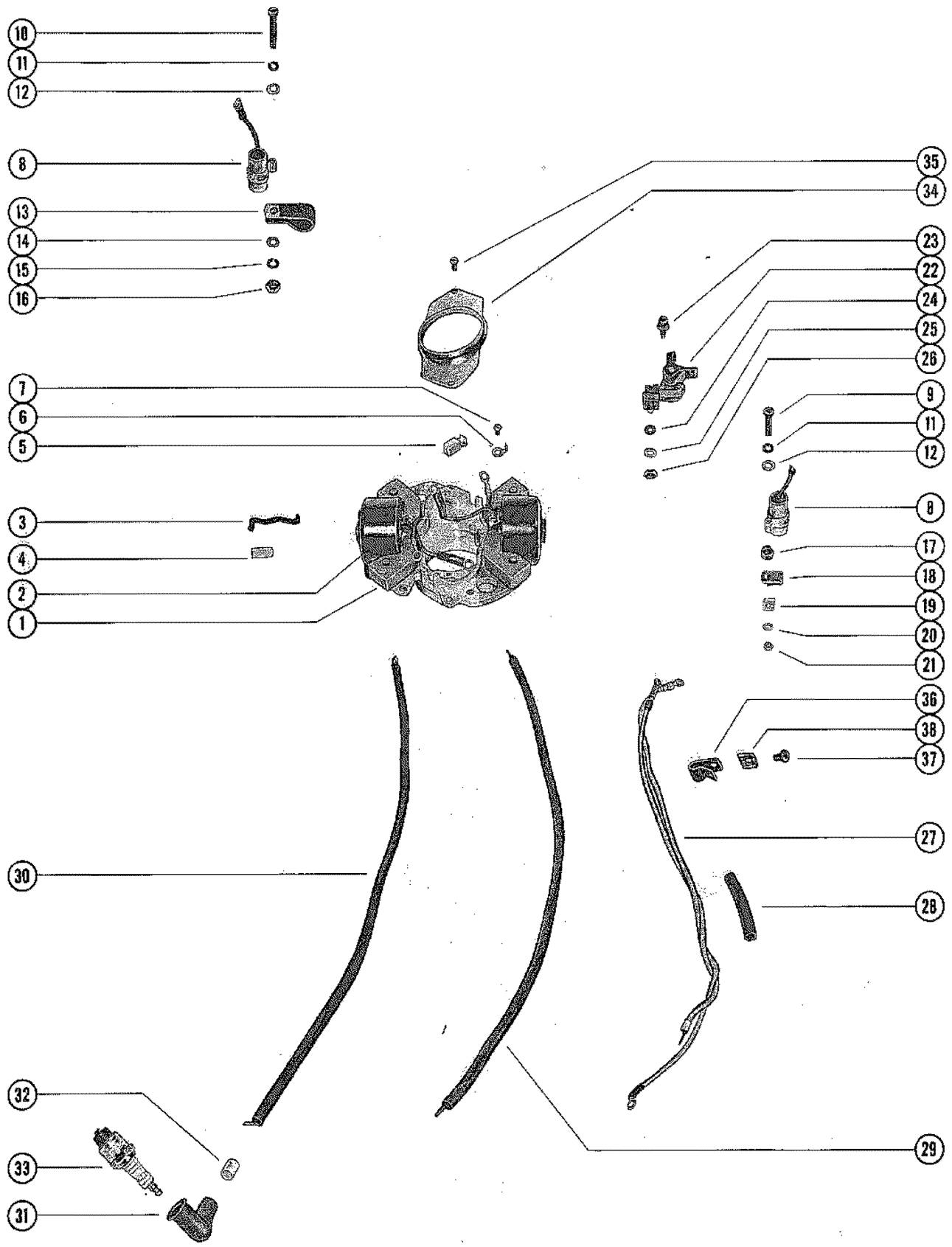




# FLYWHEEL ASSEMBLY AND THROTTLE CAM LINKAGE

REF. NO.	PART NO.	SYM.	QTY.	DESCRIPTION
1	11-20696		1,1,1	NUT, FLYWHEEL
2	12-27025		1,1,	WASHER, FLYWHEEL NUT
	12-36245		,1,	WASHER, FLYWHEEL NUT <b>SERIAL 01677714-01734583</b>
	12-36282		,1,1	WASHER, FLYWHEEL NUT <b>SERIAL 00000000-01734584</b>
3	25-36284		,1,1	"O" RING, FLYWHEEL HUB <b>SERIAL 00000000-01734584</b>
4	28-20094		2,2,2	KEY, FLYWHEEL DRIVE
5	19-29900		3,3,	PLUG, PLASTIC - FLYWHEEL SCREW HOLES
6	219-2246A2		1,1,1	FLYWHEEL ASSEMBLY, COMPLETE
7	23-34367		1,1,1	COLLAR, FLYWHEEL DUST SHIELD
8	13-22027		1,1,1	WASHER, WAVE-MAGNETO CAM TENSION
9	398-2574A1		1,1,1	STATOR PLATE ASSEMBLY, COMPLETE (SEE NOTE BELOW)
10	35599A1		,1,1	SHIELD ASSEMBLY, MAGNETO LEAD WIRE
11	10-34695		,2,2	SCREW, SHIELD TO MAGNETO
12	13-26996		,2,2	LOCKWASHER, SHIELD TO MAGNETO SCREW
13	33904		1,1,1	RING, HOLD DOWN-STATOR PLATE
14	10-35400		4,4,4	SCREW, HOLD DOWN RING TO STATOR PLATE
15	398-2230		1,1,1	CAM, BREAKER
16	15-33910		1,1,1	SHIM, STATOR PLATE TO UPPER END CAP
17	34363A1		1,1,1	THROTTLE CAM BRACKET ASSEMBLY
18	54-34449		1,1,1	CLIP, THROTTLE CAM BRACKET
19	34374		1,1,1	CAM, THROTTLE
20	10-35450		4,4,4	SCREW, THROTTLE CAM TO CAM BRACKET AND STATOR PLATE
21	10-34696		1,1,1	SCREW, THROTTLE CONTROL LEVER TO CAM BRACKET
22	13-29720		1,1,1	WASHER, WAVE-THROTTLE CONTROL LEVER SCREW
23	12-34392		2,2,2	WASHER, THROTTLE CONTROL LEVER SCREW
24	11-28656		1,1,1	NUT, THROTTLE CONTROL LEVER SCREW

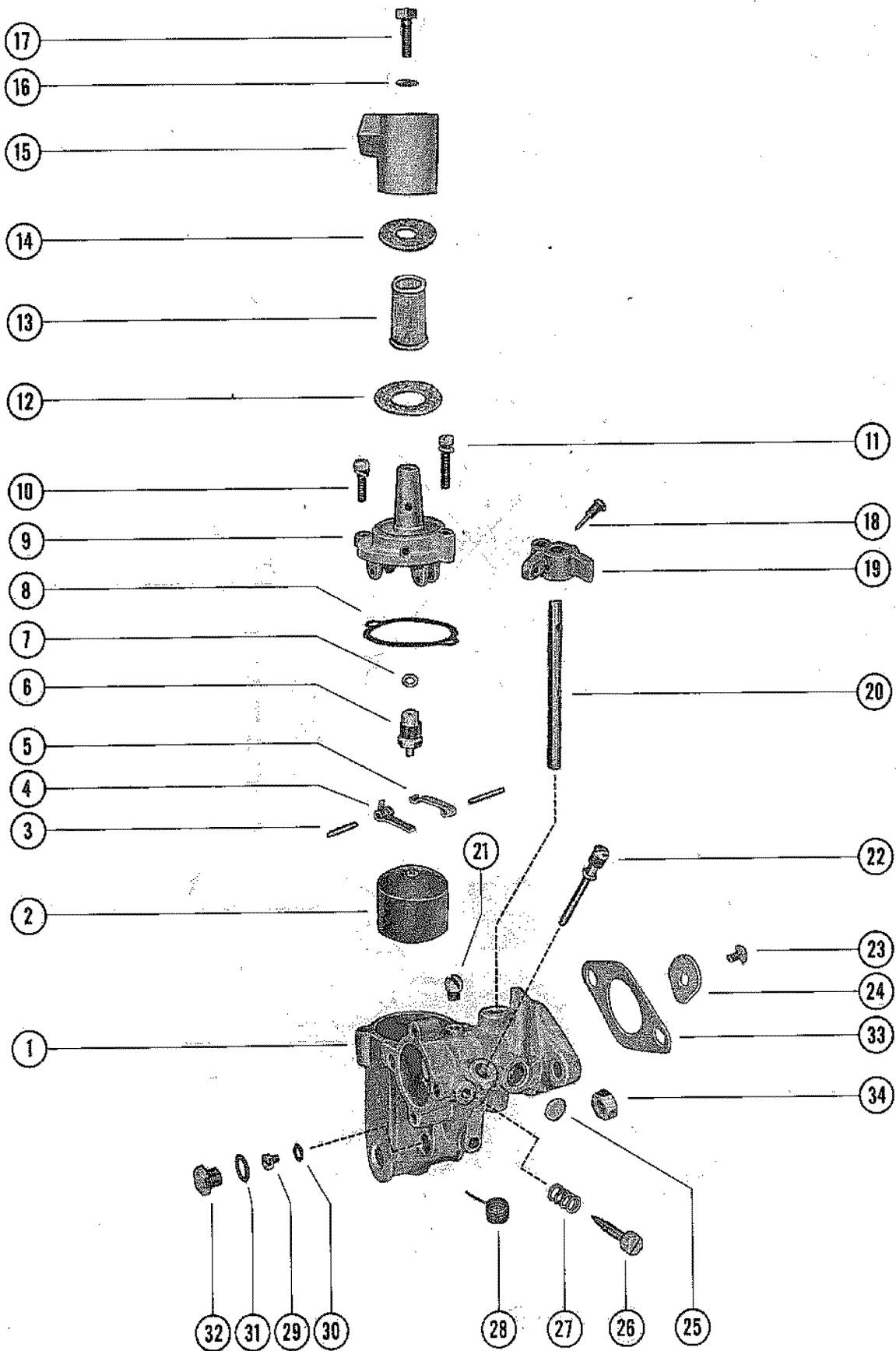
# STATOR PLATE ASSEMBLY



# STATOR PLATE ASSEMBLY

REF. NO.	PART NO.	SYM.	QTY.	DESCRIPTION
-	398-2574A1		1,1,1	STATOR PLATE ASSEMBLY, COMPLETE (SEE NOTE BELOW)
1	398-2221		1,1,1	STATOR PLATE AND CORE
2	398-2545A1		2,2,2	COIL ASSEMBLY
3	398-2321		1,1,1	CLIP, COIL RETAINING
4	398-2413		1,1,1	CLIP, COIL RETAINING
5	398-2207		1,1,1	FELT, CAM-BREAKER
6	398-732		2,2,2	CLIP, GROUND WIRE LEAD
7	10-21130		2,2,2	SCREW, GROUND TERMINAL
8	398-2203		2,2,2	CONDENSER ASSEMBLY
9	10-38395		1,1,1	SCREW, CONDENSER FASTENING (1-1/4")
10	10-33990		1,1,1	SCREW, CONDENSER FASTENING (1-1/4")
11	13-21134		2,2,2	LOCKWASHER, CONDENSER FASTENING SCREW
12	12-21135		2,2,2	WASHER, CONDENSER FASTENING SCREW
13	54-33992		1,1,1	CLAMP, LEAD WIRE
14	12-21135		1,1,1	WASHER, LEAD WIRE CLAMP SCREW
15	13-21134		1,1,1	LOCKWASHER, LEAD WIRE CLAMP SCREW
16	11-21923		1,1,1	NUT, LEAD WIRE CLAMP SCREW
17	11-21825		1,1,1	NUT, COIL LEAD WIRE CLIP SCREW (SPACER)
18	54-24836		1,1,1	CLIP, NYLON-COIL LEAD WIRE
19	22789		1,1,1	"D" WASHER, COIL LEAD WIRE CLIP
20	13-26995		1,1,1	LOCKWASHER, COIL LEAD WIRE CLIP SCREW
21	11-26419		1,1,1	NUT, COIL LEAD WIRE CLIP SCREW
22	398-2202		2,2,2	BREAKER ASSEMBLY
23	10-33988		2,2,2	SCREW AND LOCKWASHER, BREAKER FASTENING
24	12-21135		2,2,2	WASHER, TERMINAL SCREW
25	13-21134		2,2,2	LOCKWASHER, TERMINAL SCREW
26	11-21923		2,2,2	NUT, TERMINAL SCREW
27	398-2206		1,1,1	GROUND LEAD, STATOR TO TERMINAL BLOCK
28	23-30419		1,1,1	SLEEVE, INSULATION-GROUND LEAD
29	398-2205		1,1,1	LEAD WIRE
30	398-2204		1,1,1	LEAD WIRE-TOP
31	20119		2,2,2	PROTECTOR, SPARK PLUG
32	20623		1,1,1	MARKER, "TOP"-LEAD WIRE
33	33-22805		2,2,2	SPARK PLUG, (CHAMPION-J7J)
34	398-2208		1,1,1	COVER, DUST-STATOR PLATE
35	10-36455		2,2,2	SCREW, DUST COVER TO STATOR PLATE
36	54-24836		1,1,1	CLIP, GROUND LEAD
37	10-30663		1,1,1	SCREW, GROUND LEAD CLIP TO MANIFOLD COVER
38	22789		1,1,1	"D" WASHER, CLIP FASTENING SCREW

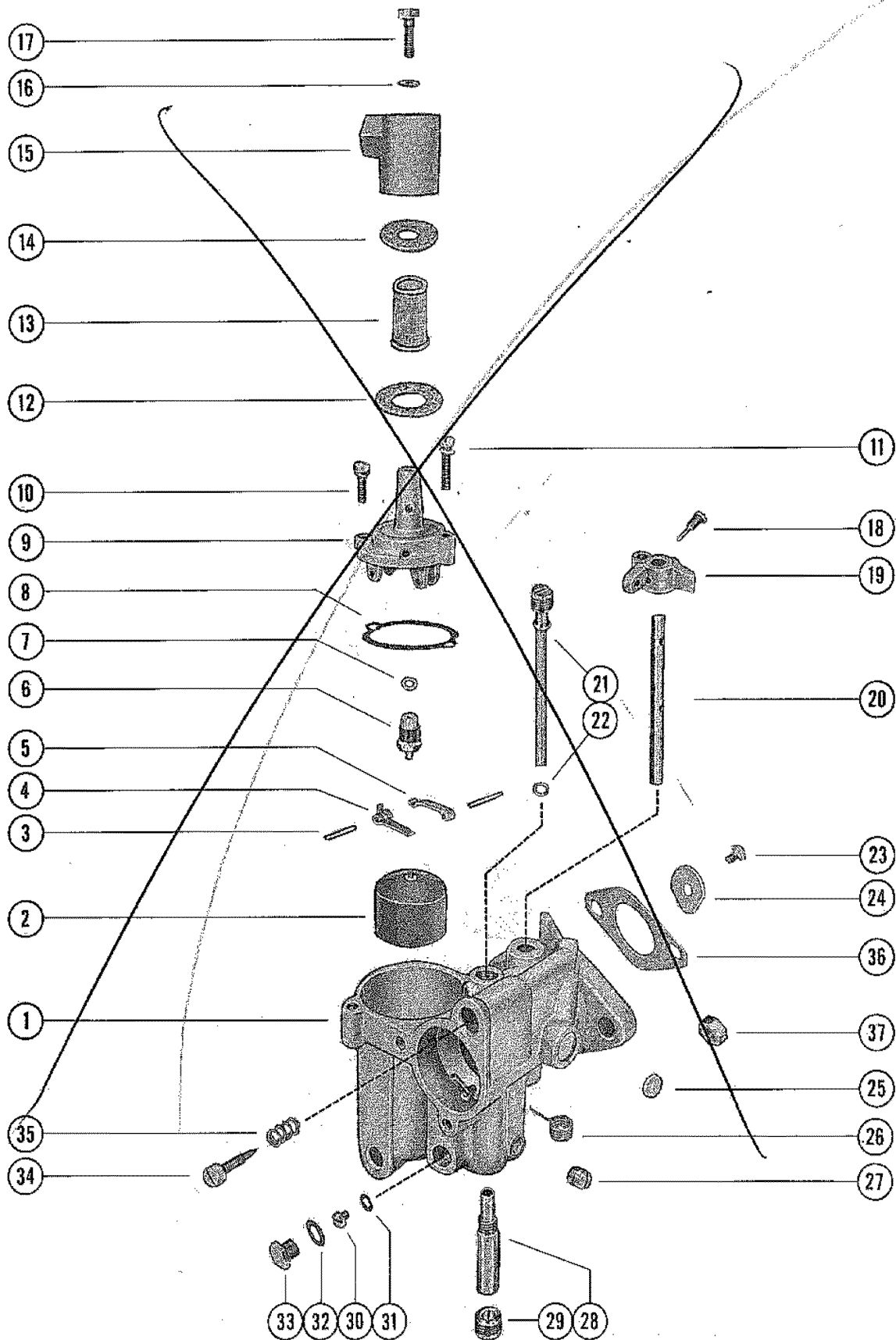
# CARBURETOR ASSEMBLY (THRU SERIAL NO. 1526208)



# CARBURETOR ASSEMBLY (THRU SERIAL NO. 1526208)

REF. NO.	PART NO.	SYM.	QTY.	DESCRIPTION
1	1304-1831		1,1,1	CARBURETOR ASSEMBLY, COMP. (AJ-57A)
2	1399-110A1		1,1,1	FLOAT ASSEMBLY
3	17-20853		2,2,2	PIN, FLOAT LEVER PINION
4	1399-102		1,1,1	LEVER, FLOAT (LOWER)
5	1399-101		1,1,1	LEVER, FLOAT (UPPER)
6	1399-1138		1,1,1	INLET NEEDLE, SEAT AND GASKET
7	27-25033		1,1,1	GASKET, INLET SEAT
8	1399-99		1,1,1	GASKET, FLOAT BOWL COVER
9	1399-1133		1,1,1	COVER, FLOAT BOWL
10	10-20854		1,1,1	SCREW, FLOAT BOWL COVER (SHORT)
11	10-25850		1,1,1	SCREW, FLOAT BOWL COVER (LONG)
12	27-34614		1,1,1	GASKET, STRAINER COVER (LARGE)
13	1399-1754		1,1,1	SCREEN, FILTER
14	27-25849		1,1,1	GASKET, STRAINER COVER (SMALL)
15	1399-1135		1,1,1	COVER, STRAINER
16	27-25848		1,1,1	GASKET, STRAINER COVER SCREW
17	10-25822		1,1,1	SCREW, STRAINER COVER
18	10-20847		1,1,1	SCREW, THROTTLE STOP LEVER
19	1399-97		1,1,1	LEVER, THROTTLE STOP
20	1399-438		1,1,1	SHAFT, THROTTLE
21	10-28405		1,1,1	SCREW, PLUG-BODY CHANNEL
22	1399-700A1		1,1,1	TUBE, IDLE
23	10-23035		1,1,1	SCREW/LOCKWASHER, THROTTLE SHUTTER
24	1399-699		1,1,1	SHUTTER, THROTTLE
25	19-20011		1,1,1	WELCH PLUG, BODY CHANNEL
26	1399-1863		1,1,1	SCREW, IDLE ADJUSTMENT
27	24-27160		1,1,1	SPRING, IDLE ADJUSTMENT SCREW
28	24-20869		1,1,1	SPRING, THROTTLE SHAFT RETURN
29	1399-1649		OPT,OPT,OP	JET, MAIN FUEL (.049)
	1399-1767		OPT,OPT,OP	JET, MAIN FUEL (.047)
	1399-1765		1,1,1	JET, MAIN FUEL (.045)-STANDARD
	1399-1864		OPT,OPT,OP	JET, MAIN FUEL (.043)
	1399-1896		OPT,OPT,OP	JET, MAIN FUEL (.041)
30	27-28409		1,1,1	GASKET, MAIN FUEL JET
31	27-28406		1,1,1	GASKET, JET CHANNEL PLUG SCREW
32	10-20870		1,1,1	SCREW, PLUG-MAIN FUEL JET CHANNEL
-	<b>1399-1145</b>		<b>1,1,1</b>	<b>GASKET AND PACKING SET</b>
-	<b>1399-1865</b>		<b>1,1,1</b>	<b>REPAIR PARTS KIT</b>
33	27-22023		1,1,1	GASKET, CARBURETOR FLANGE
34	11-24652		2,2,2	NUT, CARBURETOR MOUNTING STUDS

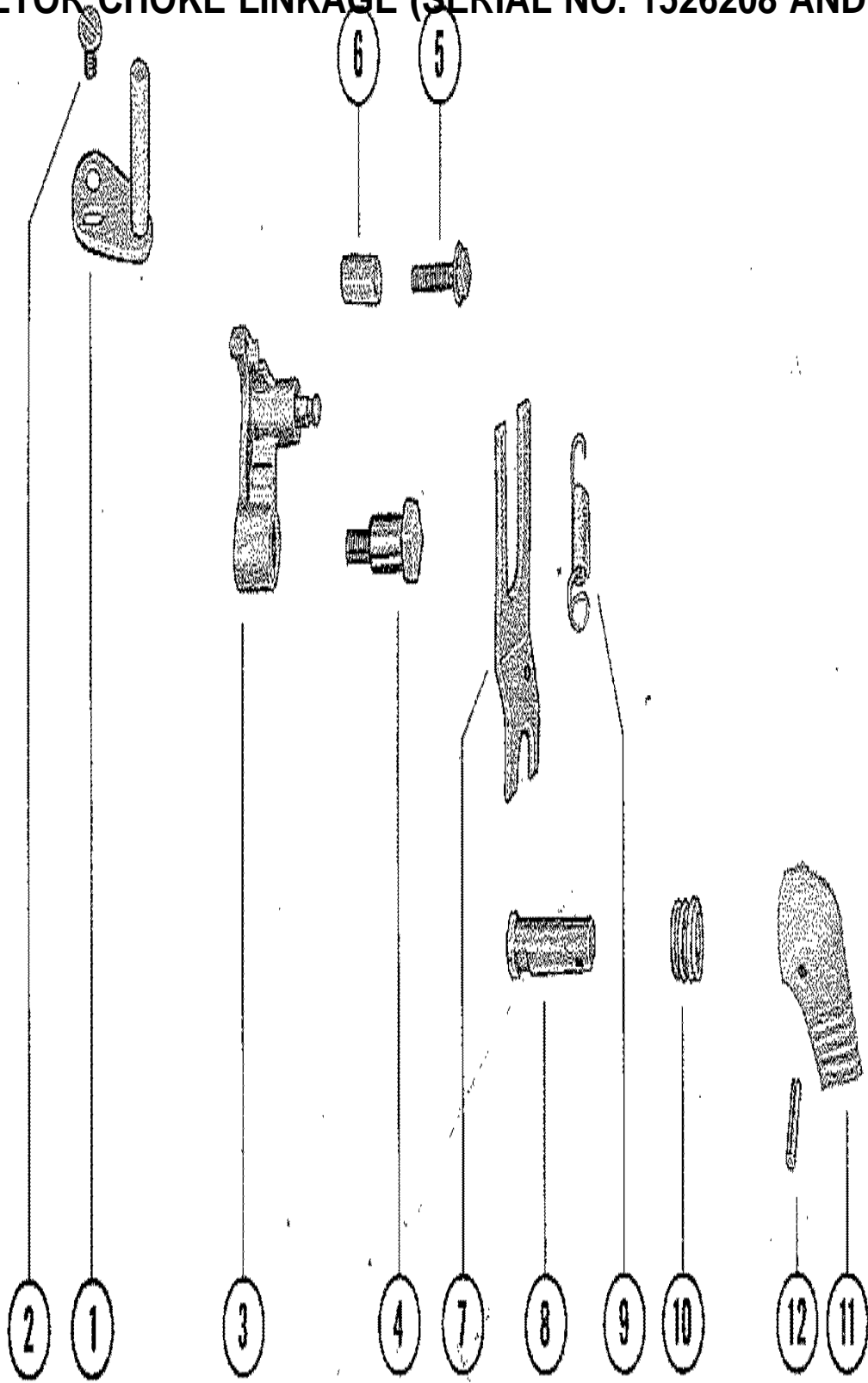
# CARBURETOR ASSEMBLY (SERIAL NO. 1526209 AND ABOVE)



# CARBURETOR ASSEMBLY (SERIAL NO. 1526209 AND ABOVE)

REF. NO.	PART NO.	SYM.	QTY.	DESCRIPTION
1	1334-2031		1,1,1	CARBURETOR ASSEMBLY, COMP. (KB-6A)
2	1399-110A1		1,1,1	FLOAT ASSEMBLY
3	17-20853		2,2,2	PIN, FLOAT LEVER PINION
4	1399-102		1,1,1	LEVER, FLOAT (LOWER)
5	1399-101		1,1,1	LEVER, FLOAT (UPPER)
6	1399-1138		1,1,1	INLET NEEDLE, SEAT AND GASKET
7	27-25033		1,1,1	GASKET, INLET SEAT
8	1399-99		1,1,1	GASKET, FLOAT BOWL COVER
9	1399-1133		1,1,1	COVER, FLOAT BOWL
10	10-20854		1,1,1	SCREW, FLOAT BOWL COVER (SHORT)
11	10-25850		1,1,1	SCREW, FLOAT BOWL COVER (LONG)
12	27-34614		1,1,1	GASKET, STRAINER COVER (LARGE)
13	1399-1754		1,1,1	SCREEN, FILTER
14	27-25849		1,1,1	GASKET, STRAINER COVER (SMALL)
15	1399-1135		1,1,1	COVER, STRAINER
16	27-25848		1,1,1	GASKET, STRAINER COVER SCREW
17	10-25822		1,1,1	SCREW, STRAINER COVER
18	10-20847		1,1,1	SCREW, THROTTLE STOP LEVER
19	1399-97		1,1,1	LEVER, THROTTLE STOP
20	1399-1716		1,1,1	SHAFT, THROTTLE
21	1399-2037		1,1,1	TUBE, IDLE
22	27-23180		1,1,1	GASKET, IDLE TUBE
23	10-23035		1,1,1	SCREW/LOCKWASHER, THROTTLE SHUTTER
24	1399-699		1,1,1	SHUTTER, THROTTLE
25	19-20011		1,1,1	WELCH PLUG, BODY CHANNEL
26	24-26890		1,1,1	SPRING, THROTTLE SHAFT RETURN
27	10-28845		1,1,1	SCREW, PLUG-BODY CHANNEL
28	1399-2036		1,1,1	MAIN NOZZLE
29	10-23178		1,1,1	SCREW, PLUG-MAIN NOZZLE
30	1399-1767		OPT,OPT,OP	JET, MAIN FUEL (.047)
	1399-1765		1,1,1	JET, MAIN FUEL (.045)-STANDARD
	1399-1864		OPT,OPT,OP	JET, MAIN FUEL (.043)
	1399-1896		OPT,OPT,OP	JET, MAIN FUEL (.041)
31	27-28409		1,1,1	GASKET, MAIN FUEL JET
32	27-28406		1,1,1	GASKET, JET CHANNEL PLUG SCREW
33	10-28405		1,1,1	SCREW, PLUG-MAIN FUEL JET CHANNEL
34	1399-2038		1,1,1	SCREW, IDLE ADJUSTMENT
35	24-27160		1,1,1	SPRING, IDLE ADJUSTMENT SCREW
-	<b>1399-1717</b>		<b>1,1,1</b>	<b>GASKET AND PACKING SET</b>
-	<b>1399-2039</b>		<b>1,1,1</b>	<b>REPAIR PARTS KIT</b>
36	27-22023		1,1,1	GASKET, CARBURETOR FLANGE
37	11-24652		2,2,2	NUT, CARBURETOR MOUNTING STUDS

# CARBURETOR CHOKE LINKAGE (SERIAL NO. 1526208 AND BELOW)

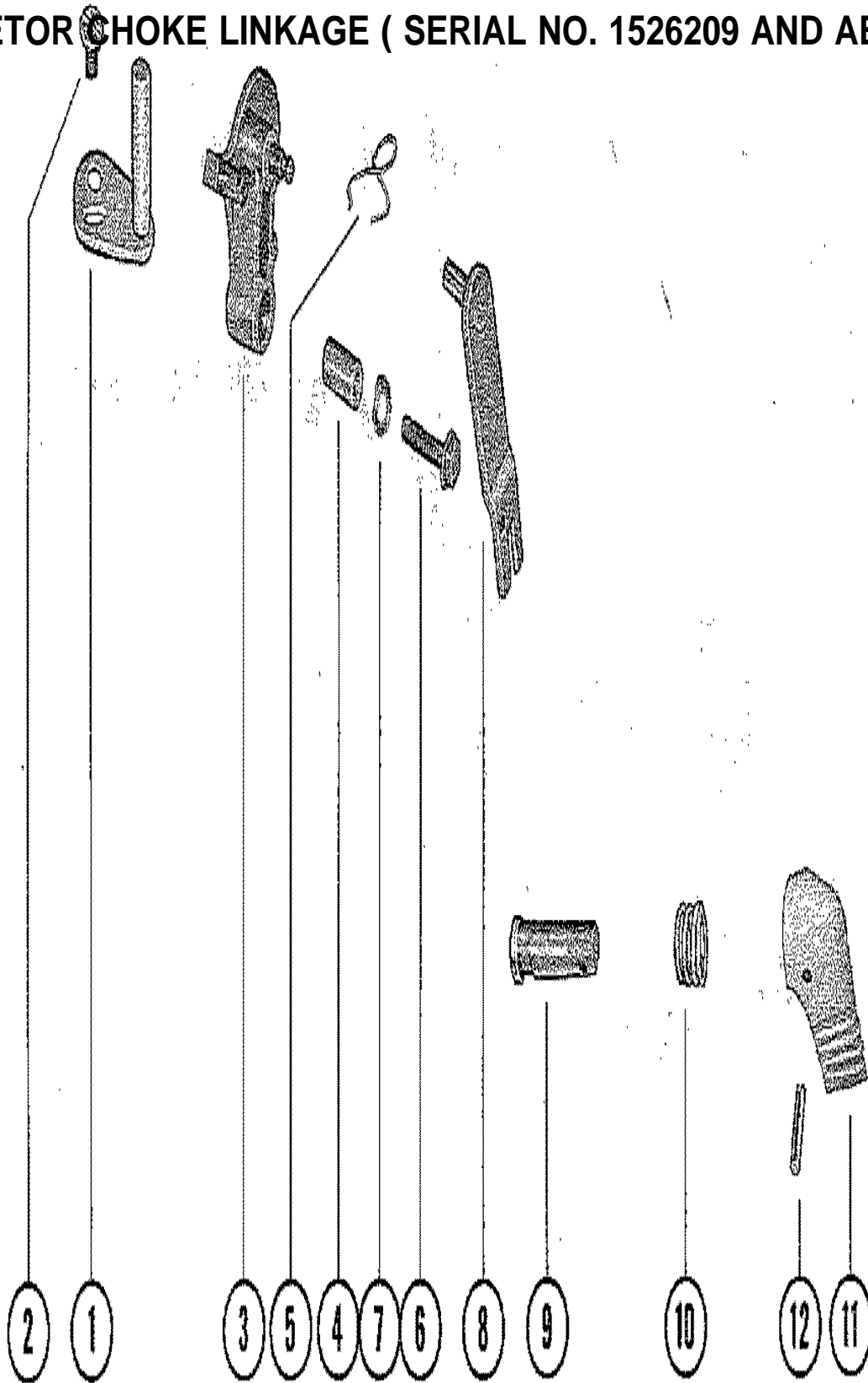




## CARBURETOR CHOKE LINKAGE (SERIAL NO. 1526208 AND BELOW)

REF. NO.	PART NO.	SYM.	QTY.	DESCRIPTION
1	20596A2		1,1,1	THROTTLE LEVER ASSEMBLY
2	10-20597		1,1,1	SCREW, THROTTLE LEVER TO CARBURETOR
3	30984		1,1,1	SHUTTER, CHOKE-CARBURETOR
4	10-30982		1,,	SCREW, CHOKE SHUTTER TO CARBURETOR
5	10-31312		,1,1	SCREW, CHOKE SHUTTER TO CARBURETOR
6	23-31313		,1,1	SPACER, CHOKE SHUTTER FASTENING SCREW
7	30983		1,1,1	LEVER, CHOKE SHUTTER
8	30946		1,1,1	SHAFT, CHOKE LEVER TO CHOKE KNOB
9	24-31204		1,1,1	SPRING, CHOKE SHUTTER TO LEVER
-	<b>12-20084</b>		<b>,1,</b>	<b>WASHER, CHOKE LEVER SHAFT</b>
10	24-30947		1,1,1	SPRING, TENSION-CHOKE KNOB
11	30822		1,1,1	KNOB, CHOKE
12	17-22896		1,1,1	PIN, ROLL-CHOKE KNOB TO SHAFT

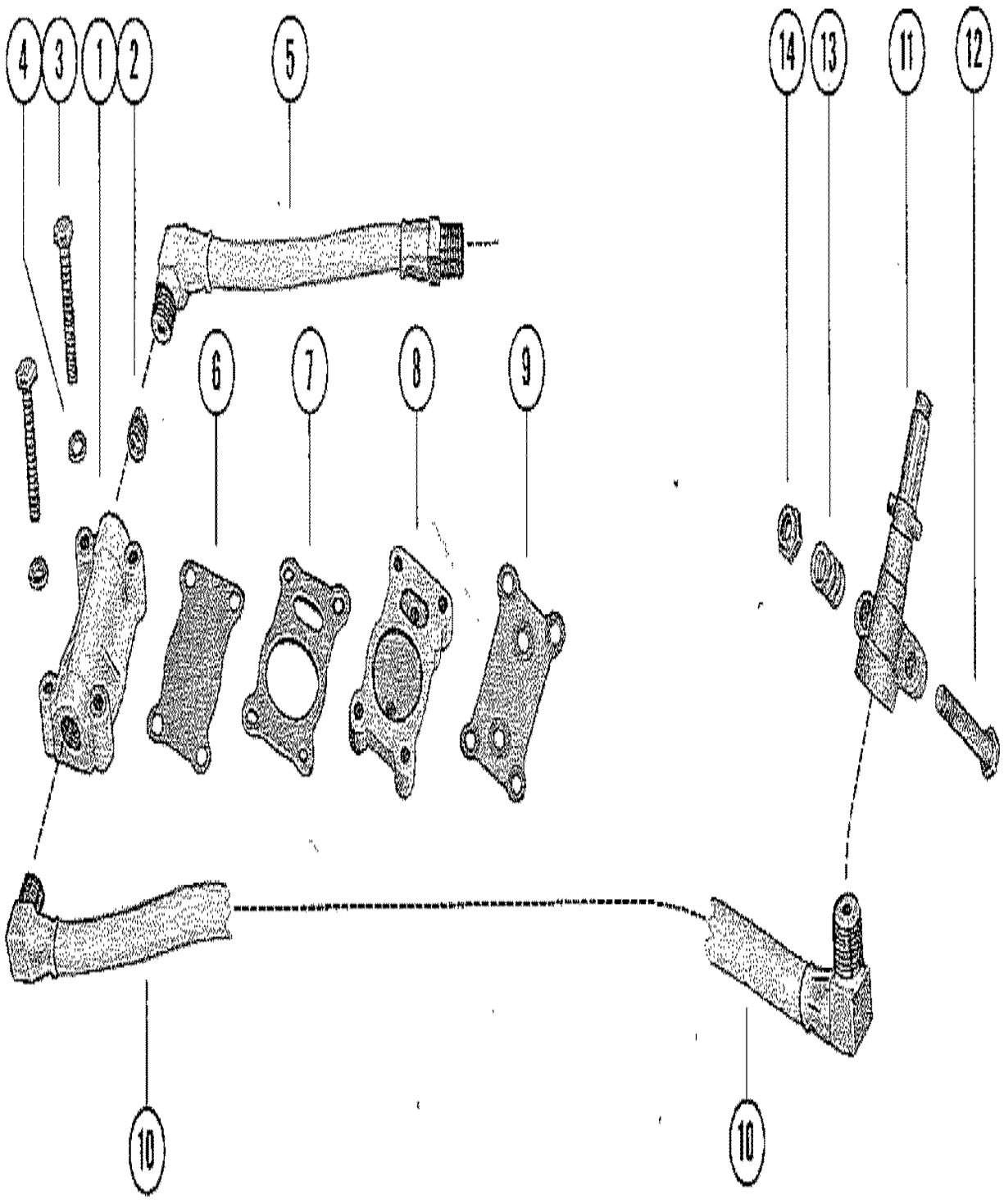
# CARBURETOR CHOKE LINKAGE ( SERIAL NO. 1526209 AND ABOVE)



## CARBURETOR CHOKE LINKAGE ( SERIAL NO. 1526209 AND ABOVE)

REF. NO.	PART NO.	SYM.	QTY.	DESCRIPTION
1	20596A2		1,1,1	THROTTLE LEVER ASSEMBLY
2	10-20597		1,1,1	SCREW, THROTTLE LEVER TO CARBURETOR
3	32374		1,,	SHUTTER, CHOKE-CARBURETOR <b>SERIAL 00000000-01552144</b>
	34245		1,1,1	SHUTTER, CHOKE-CARBURETOR <b>SERIAL 01582403-09999999</b>
4	23-31313		1,1,1	SPACER, CHOKE SHUTTER FASTENING SCREW
5	24-32283		1,1,1	SPRING, CHOKE SHUTTER TO LEVER
6	10-31919		1,1,1	SCREW, CHOKE SHUTTER TO CARBURETOR
7	13-34632		1,1,1	WASHER, WAVE-CHOKE SHUTTER SCREW
8	31920A2		1,1,1	LEVER ASSEMBLY, CHOKE SHUTTER
9	30946		1,1,1	SHAFT, CHOKE LEVER TO CHOKE KNOB
10	24-30947		1,1,1	SPRING, TENSION-CHOKE KNOB
11	30822		1,1,1	KNOB, CHOKE
12	17-22896		1,1,1	PIN, ROLL-CHOKE KNOB TO SHAFT

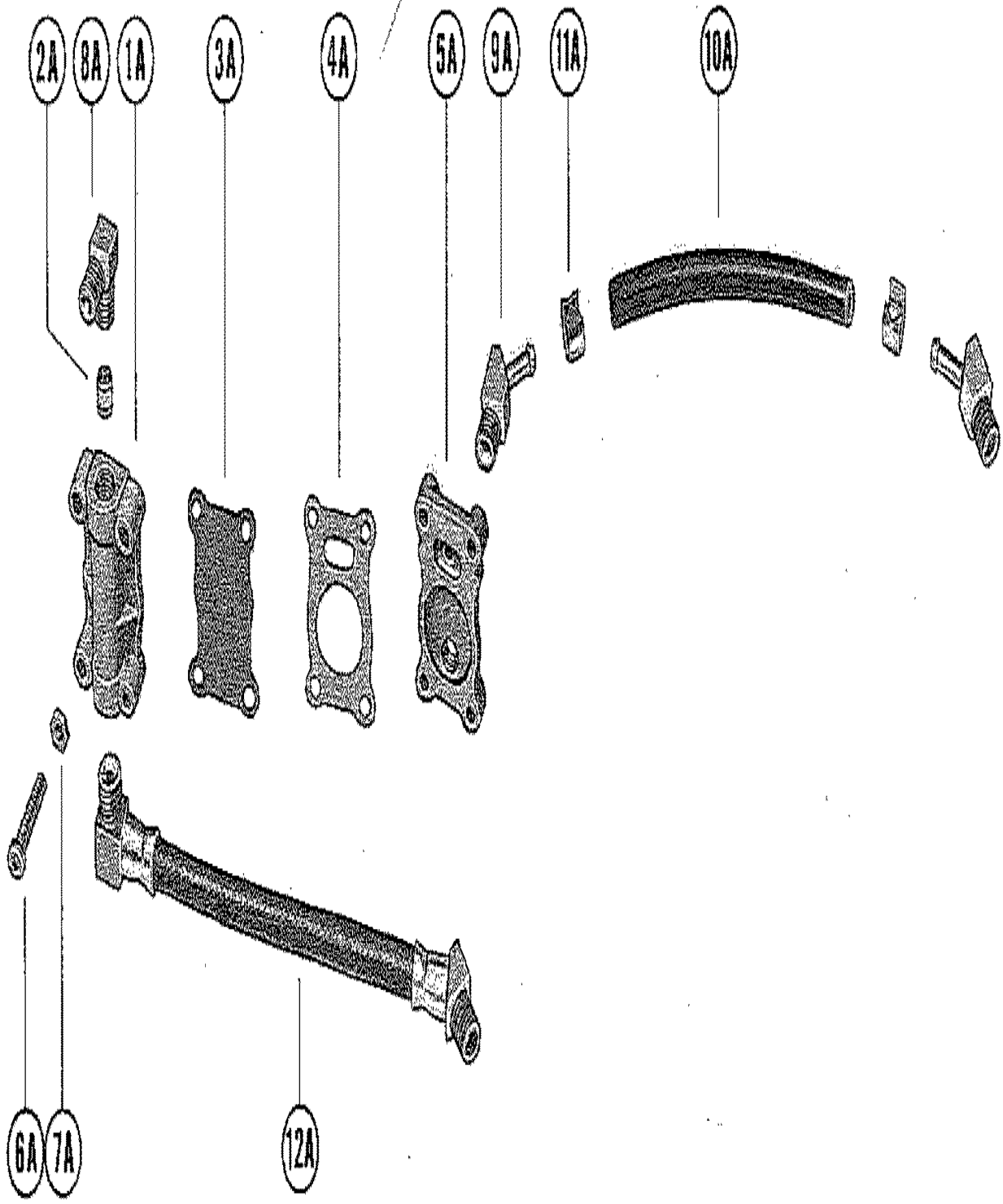
# FUEL PUMP ASSEMBLY (SERIAL NO. 1552144 AND BELOW)



# FUEL PUMP ASSEMBLY (SERIAL NO. 1552144 AND BELOW)

REF. NO.	PART NO.	SYM.	QTY.	DESCRIPTION
1	33852A1		1,1,1	FUEL PUMP ASSEMBLY
2	21-22974A2		2,2,2	CHECK VALVE ASSEMBLY
3	10-24233		4,4,4	SCREW, FUEL PUMP TO CYLINDER BLOCK
4	12-26014		4,4,4	WASHER, FUEL PUMP FASTENING SCREW
5	32-30850		1,1,	FUEL LINE, FUEL PUMP TO CARBURETOR (5")
	32-32230		„1	FUEL LINE, FUEL PUMP TO CARBURETOR (4-3/4")
6	31503		1,1,1	DIAPHRAGM, FUEL PUMP TO GASKET
7	27-30651		1,1,1	GASKET, FUEL PUMP TO SPACER
8	30659		1,1,	SPACER, FUEL PUMP TO CYLINDER BLOCK
	31510		„1	SPACER, FUEL PUMP TO CYLINDER BLOCK
9	27-31509		1,1,1	GASEKT, FUEL PUMP SPACER TO CYLINDER BLOCK
10	32-32617		1,1,1	FUEL LINE, FUEL PUMP TO ADAPTOR (9-3/8")
-	<b>30748</b>		<b>1,1,1</b>	<b>ADAPTOR, CHECK UNIT (FUEL LINE)-N.L.A.-ORDER 32454</b>
-	<b>10-29283</b>		<b>2,2,2</b>	<b>SCREW, ADAPTOR TO BOTTOM COWL (1-1/4")</b>
11	32454		„1	ADAPTOR, CHECK UNIT (FUEL LINE)
12	10-32455		„2	SCREW, ADAPTOR TO BOTTOM COWL (1-1/2")
13	24-28357		„2	SPRING, ADAPTOR FASTENING SCREW
14	11-20110		„2	NUT, ADAPTOR FASTENING SCREW

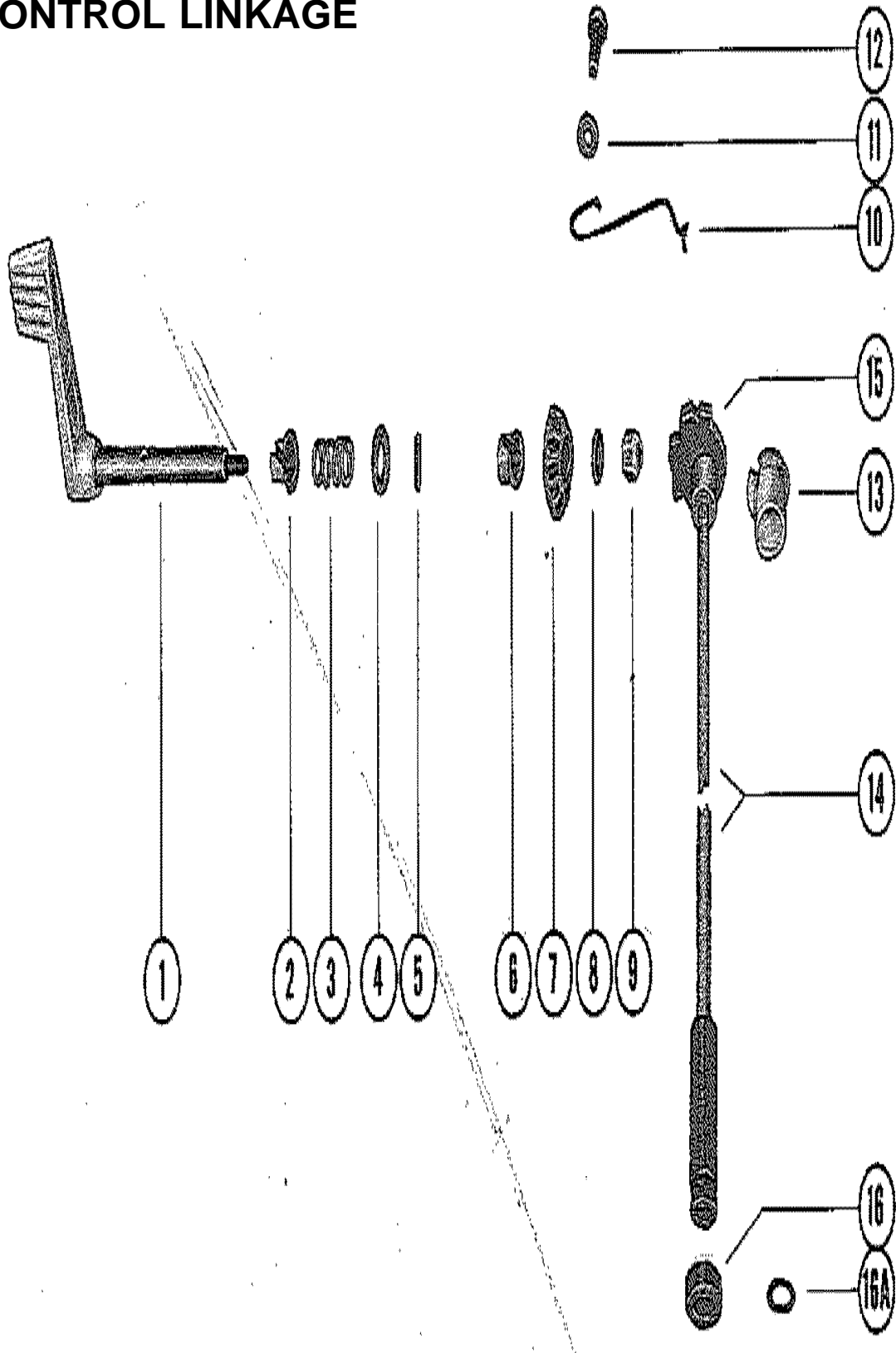
# FUEL PUMP ASSEMBLY (SERIAL NO. 1582403 AND ABOVE)



## FUEL PUMP ASSEMBLY (SERIAL NO. 1582403 AND ABOVE)

REF. NO.	PART NO.	SYM.	QTY.	DESCRIPTION
1A	33852A1		1,1,1	FUEL PUMP ASSEMBLY
2A	21-22974A2		2,2,2	CHECK VALVE ASSEMBLY
3A	31503		1,1,1	DIAPHRAGM, FUEL PUMP TO GASKET
4A	27-30651		1,1,1	GASKET, FUEL PUMP DIAPHRAGM TO SPACER
5A	34571		1,1,1	SPACER, FUEL PUMP
6A	10-23702		4,4,4	SCREW, SPACER TO FUEL PUMP
7A	11-20645		4,4,4	NUT, SPACER TO FUEL PUMP SCREW
8A	22-34577		1,1,1	ELBOW (90), FUEL PUMP TO CARBURETOR
9A	22-34579		2,2,2	ELBOW (45), SPACER TO PRESSURE HOSE TO BLOCK
10A	32-34578		1,1,1	HOSE, PRESSURE-CYLINDER BLOCK TO FUEL PUMP
11A	54-20387		2,2,2	CLAMP, PRESSURE HOSE TO 45 ELBOWS
12A	32-34572		1,1,1	FUEL LINE, FUEL PUMP TO ADAPTOR (5-1/2")
11	32454		1,1,1	ADAPTOR, CHECK UNIT (FUEL LINE) - SEE UPPER PHOTO
12	10-32455		2,2,2	SCREW, ADAPTOR TO BOTTOM COWL (1-1/2") - SEE UPPER PHOTO
13	24-28357		2,2,2	SPRING, ADAPTOR TO BOTTOM COWL SCREW - SEE UPPER PHOTO
14	11-20110		2,2,2	NUT, ADAPTOR TO BOTTOM COWL SCREW - SEE UPPER PHOTO

# SHIFT CONTROL LINKAGE

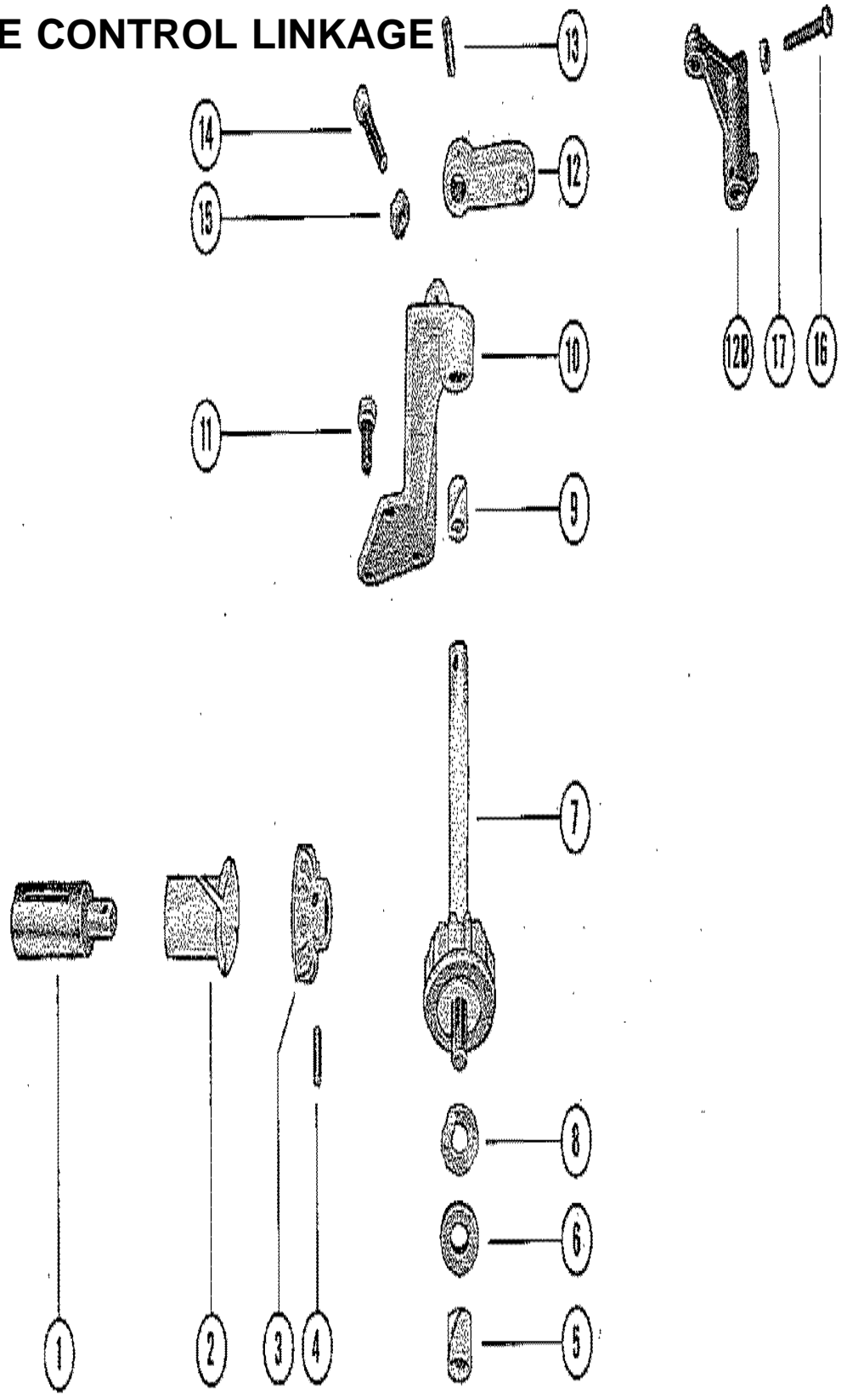




# SHIFT CONTROL LINKAGE

REF. NO.	PART NO.	SYM.	QTY.	DESCRIPTION
1	30747		1,1,1,1,1	HANDLE, SHIFT CONTROL
2	23-30678		1,1,1,1,1	BUSHING, NYLON-SHIFT CONTROL HANDLE
3	24-30817		1,1,1,1,1	SPRING, TENSION-SHIFT CONTROL HANDLE
4	12-20086		1,,,,	WASHER, TENSION SPRING TO HANDLE
5	17-25905		1,,,,	PINE, ROLL-SPRING AND WASHER TO HANDLE
	17-32124		1,1,1,1,1	PIN, DOWEL-TENSION SPRING TO HANDLE
6	23-30678		1,1,1,1,1	BUSHING, NYLON-SHIFT CONTROL HANDLE
7	43-30802		1,1,1,1,1	GEAR, HORIZONTAL-SHIFT CONTROL HANDLE
8	12-29245		1,1,1,1,1	WASHER, SHIFT CONTROL HANDLE
9	11-20361		1,1,1,1,1	NUT, HORIZONTAL GEAR TO SHIFT CONTROL HANDLE
10	24-30816		1,1,1,1,1	SPRING, DETENT-SECTOR GEAR
11	12-29245		1,1,1,,	WASHER, DETENT SPRING SCREW <b>SERIAL 00000000-01552144</b>
12	10-30818		1,1,1,,	SCREW, DETENT SPRING TO BOTTOM COWL <b>SERIAL 00000000-01552144</b>
11	13-21272		,,1,1,1	LOCKWASHER, DETENT SPRING SCREW <b>SERIAL 01582403-09999999</b>
12	10-28639		,,1,1,1	SCREW, DETENT SPRING TO BOTTOM COWL <b>SERIAL 01582403-09999999</b>
13	23-30677		1,1,1,1,1	BUSHING, NYLON-SHIFT CONTROL SHAFT
14	30836A2		1,,,,	SHIFT CONTROL SHAFT ASSEMBLY (SEE NOTE BELOW)
15	43-30838		1,,,,	GEAR, SECTOR-SHIFT CONTROL SHAFT(BRONZE)
14	31335A2		,1,1,,	SHIFT CONTROL SHAFT ASSEMBLY <b>SERIAL 00000(3)-01526318</b>
15	43-31337		,1,1,,	GEAR, SECTOR-SHIFT CONTROL SHAFT (ALUMINUM) <b>SERIAL 00000(3)-01526318</b>
14	31335A4		,,1,1,1	SHIFT CONTROL SHAFT ASSEMBLY <b>SERIAL )1526319-01877455</b>
15	43-32453		,,1,1,1	GEAR, SECTOR-SHIFT CONTROL SHAFT(ALUMINUM) <b>SERIAL )1526319-01877455</b>
16	25-26630		1,1,1,1,1	RING, RUBBER-LOWER SHIFT CONTROL SHAFT <b>SERIAL 00000000-01877455</b>
14	31335A7		,,,1	SHIFT CONTROL ASSEMBLY <b>SERIAL 01877456-09999999</b>
15	43-32453		,,,1	GEAR, SECTOR-SHIFT CONTROL SHAFT (ALUMINUM) <b>SERIAL 01877456-09999999</b>
16A	25-38933		,,,1	"O" RING, LOWER SHIFT CONTROL SHAFT <b>SERIAL 01877456-09999999</b>

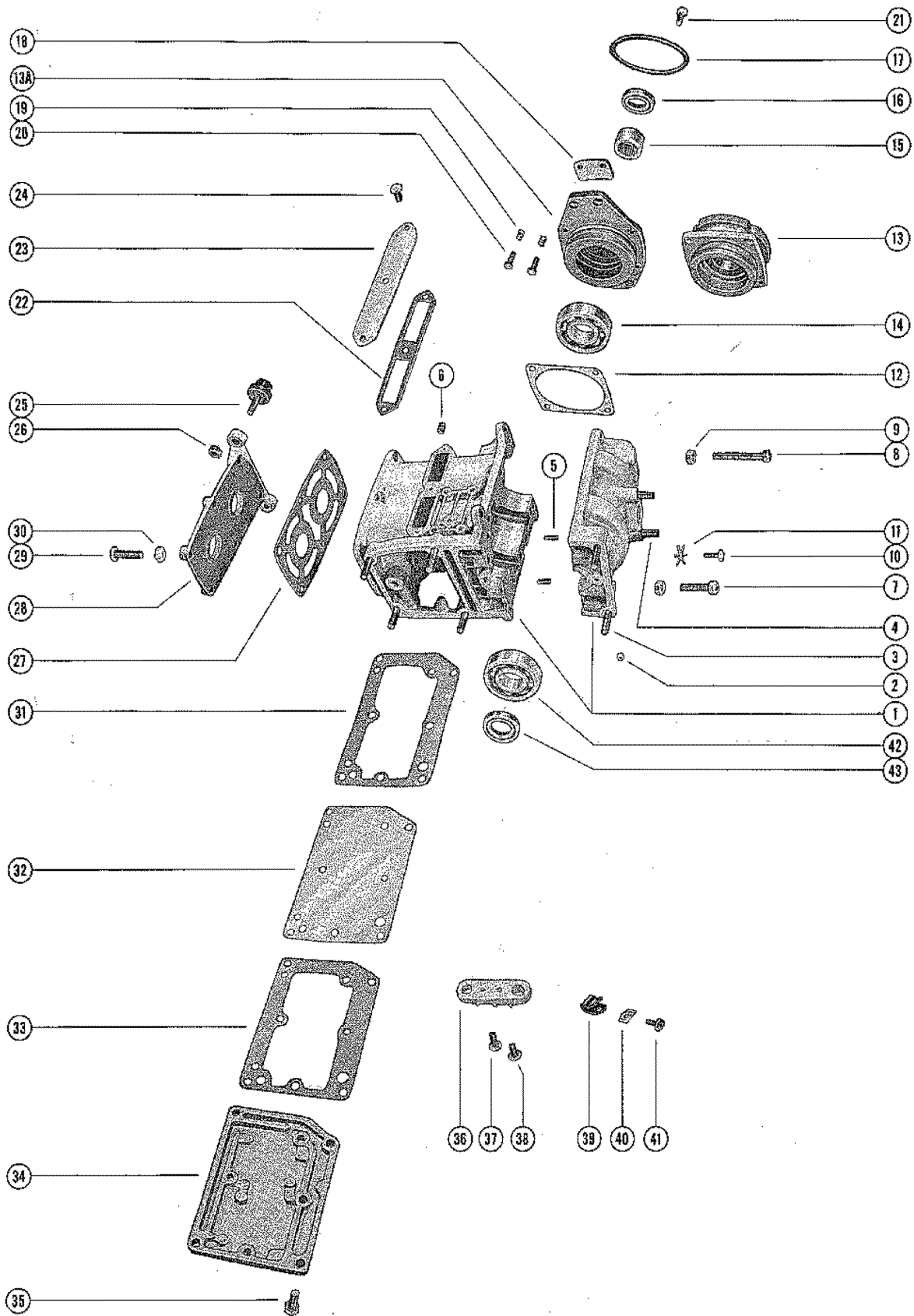
# THROTTLE CONTROL LINKAGE



# THROTTLE CONTROL LINKAGE

REF. NO.	PART NO.	SYM.	QTY.	DESCRIPTION
1	30906A1		1,,,	INNER SLEEVE ASSEMBLY, THROTTLE CONTROL - SEE NOTE BELOW
	31200		1,1,1,1,1	SOCKET ASSEMBLY, THROTTLE CONTROL - SEE NOTE BELOW
2	23-31011		1,1,1,1,1	BUSHING, NYLON-INNER SLEEVE OR SOCKET ASSEMBLY
3	43-30703		1,1,1,1,1	GEAR, HORIZONTAL-THROTTLE CONTROL
4	17-22896		1,1,1,1,1	PIN, ROLL-HORIZONTAL GEAR RETAINING
5	23-30868		1,1,1,1,1	BUSHING, NYLON-GEAR AND SHAFT TO BOTTOM COWL
6	12-30908		1,1,1,,	WASHER, LOWER-GEAR AND SHAFT <b>SERIAL 01526318-09999999</b>
7	43-30702		1,1,1,,	GEAR AND SHAFT, THROTTLE CONTROL <b>SERIAL 01526318-09999999</b>
6	12-32452		,,1,1,	WASHER, LOWER-GEAR AND SHAFT <b>SERIAL 00000000-01526319</b>
7	43-32451		,,1,1,1	GEAR AND SHAFT, THROTTLE CONTROL <b>SERIAL 00000000-01526319</b>
6	12-26702		,,,1	WASHER, LOWER-GEAR AND SHAFT
8	13-34632		,,,1	WASHER, WAVE-GEAR AND SHAFT (LOWER)
9	23-30868		1,1,1,1,1	BUSHING, NYLON-GEAR AND SHAFT TO BRACKET
10	30952		1,1,1,1,1	BRACKET, VERTICAL SHAFT
11	10-31009		3,3,3,3,3	SCREW, VERTICAL SHAFT BRACKET TO BOTTOM COWL
12	30828		1,1,1,,	LEVER, THROTTLE CONTROL <b>SERIAL 01583852-09999999</b>
12B	34386A1		,,1,1,1	LEVER ASSEMBLY, THROTTLE CONTROL
13	17-22896		1,1,1,1,1	PIN, ROLL-LEVER TO VERTICAL SHAFT
14	10-20041		1,1,1,1,1	SCREW, ADJUSTING-THROTTLE IDLE
15	11-30968		1,1,1,1,1	NUT, LOCK-THROTTLE IDLE ADJUSTING SCREW
16	10-22958		,,1,1,1	SCREW, ADJUSTING-THROTTLE ADVANCE STARTED WITH SERIAL #1610
17	11-20645		,,1,1,1	NUT, LOCK - ADJUSTING SCREW

# CYLINDER BLOCK AND CRANKCASE ASSEMBLY

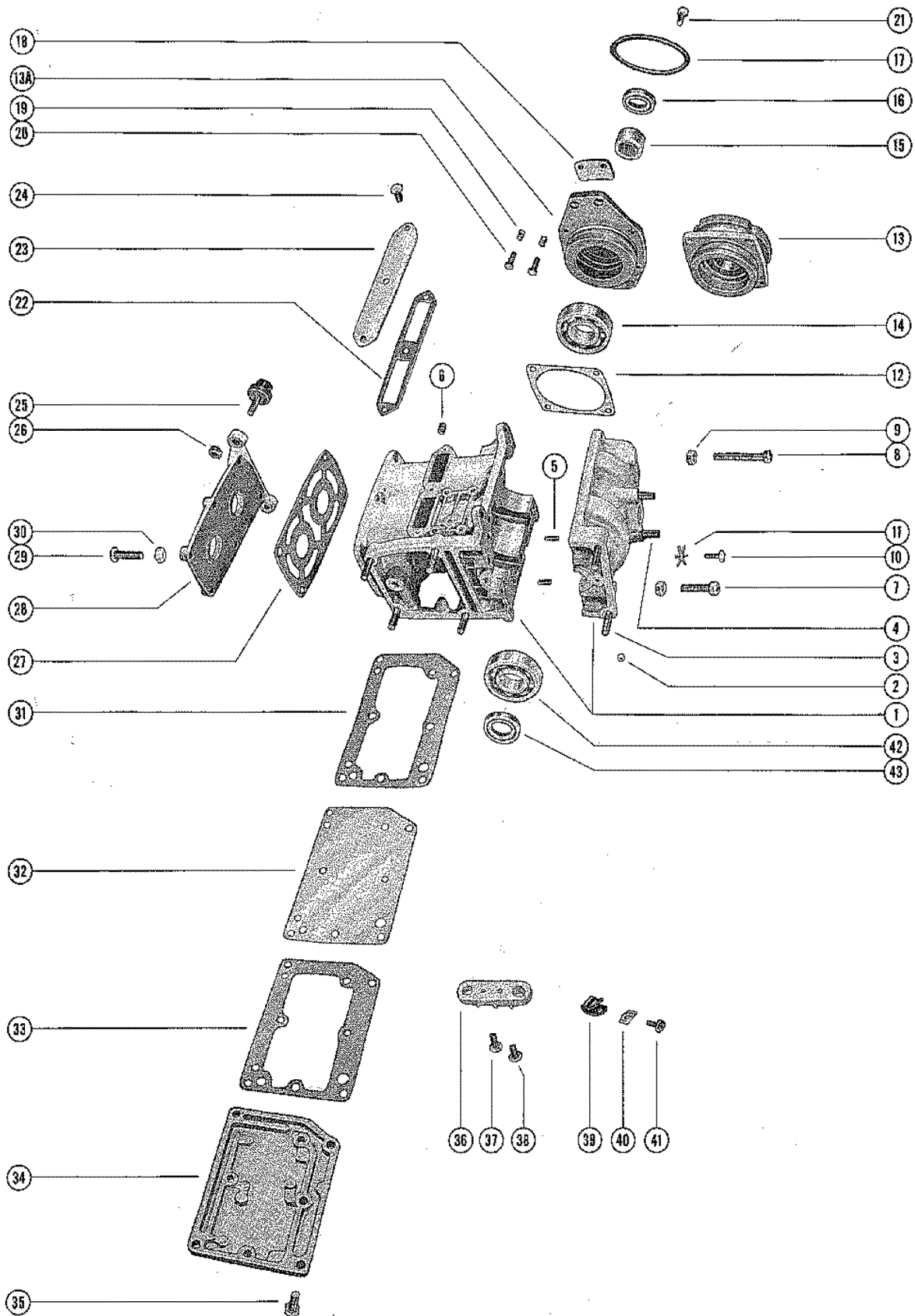


# CYLINDER BLOCK AND CRANKCASE ASSEMBLY

REF. NO.	PART NO.	SYM.	QTY.	DESCRIPTION
1	835-1770A2		1,1,1,,	CYLINDER BLOCK AND CRANKCASE ASSEMBLY SERIAL <b>01489407-09999999</b>
	835-1956A2		,,1,,	CYLINDER BLOCK AND CRANKCASE ASSEMBLY SERIAL <b>00000000-01489408</b>
	835-2294A2		,,1,1,1	CYLINDER BLOCK AND CRANKCASE ASSEMBLY SERIAL <b>00000000-01582403</b>
2	21-30819A1		1,1,1,1,1	CHECK VALVE ASSEMBLY, CRANKCASE
3	16-20789		6,6,6,6,6	STUD, CYLINDER BLOCK AND CRANKCASE TO DRIVE SHAFT HOUSING
4	16-21723		2,2,2,2,2	STUD, CARBURETOR MOUNTING
5	17-21438		2,2,2,2,2	PIN, DOWEL-CRANKCASE TO CYLINDER BLOCK
6	22-30139		,,1,1,1	PLUG, PIPE-CYLINDER BLOCK
7	10-31294		8,8,8,8,8	SCREW, CRANKCASE TO CYLINDER BLOCK (1")
8	10-24624		2,2,2,2,2	SCREW, CRANKCASE TO CYLINDER BLOCK (1-3/4")
9	11-24652		10,10,10,1	NUT, CRANKCASE FASTENING SCREW
10	10-20665		1,1,1,1,1	SCREW, MAIN BEARING LOCKING
11	13-21709		1,1,1,1,1	LOCKWASHER, MAIN BEARING LOCKING SCREW
12	15-30502A1		AR,AR,AR,A	SHIM, UPPER BEARING HOUSING TO CYLINDER BLOCK
13	1127-1775A1		1,1,1,,	BEARING HOUSING ASSEMBLY, UPPER SERIAL <b>01583852-09999999</b>
14	30-20861		1,1,1,,	BEARING, BALL-UPPER BEARING HOUSING SERIAL <b>01583852-09999999</b>
15	31-28157		1,1,1,,	BEARING, ROLLER-UPPER BEARING HOUSING SERIAL <b>01583852-09999999</b>
16	26-30943		1,1,1,,	OIL SEAL, UPPER BEARING HOUSING SERIAL <b>01583852-09999999</b>
13A	1131-2247A2		,,1,1,	BEARING HOUSING ASSEMBLY, UPPER SERIAL <b>00000000-01610265</b>
14	30-20861		,,1,1,	BEARING, BALL-UPPER BEARING HOUSING SERIAL <b>00000000-01610265</b>
15	31-31410		,,1,1,	BEARING, ROLLER-UPPER BEARING HOUSING SERIAL <b>00000000-01610265</b>
16	26-31411		,,1,1,	OIL SEAL, UPPER BEARING HOUSING SERIAL <b>00000000-01610265</b>
17	25-20826		1,1,1,1,1	"O"RING, UPPER BEARING HOUSING SERIAL <b>00000000-01610265</b>
18	33899		,,2,2,	CLAMP, HOLD DOWN RING SERIAL <b>00000000-01610265</b>
19	24-27087		,,4,4,	SPRING, HOLD DOWN RING CLAMP SERIAL <b>00000000-01610265</b>
20	10-20456		,,4,4,	SCREW, HOLD DOWN RING CLAMP TO BEARING HOUSING SERIAL <b>00000000-01610265</b>
13A	1131-2405A1		,,,1,1	BEARING HOUSING ASSEMBLY, UPPER SERIAL <b>01677523-09999999</b>
14	30-20861		,,,1,1	BEARING, BALL-UPPER BEARING HOUSING SERIAL <b>01677523-09999999</b>
15	31-31410		,,,1,1	BEARING, ROLLER-UPPER BEARING HOUSING SERIAL <b>01677523-09999999</b>

CONTINUED ON NEXT PAGE ➡

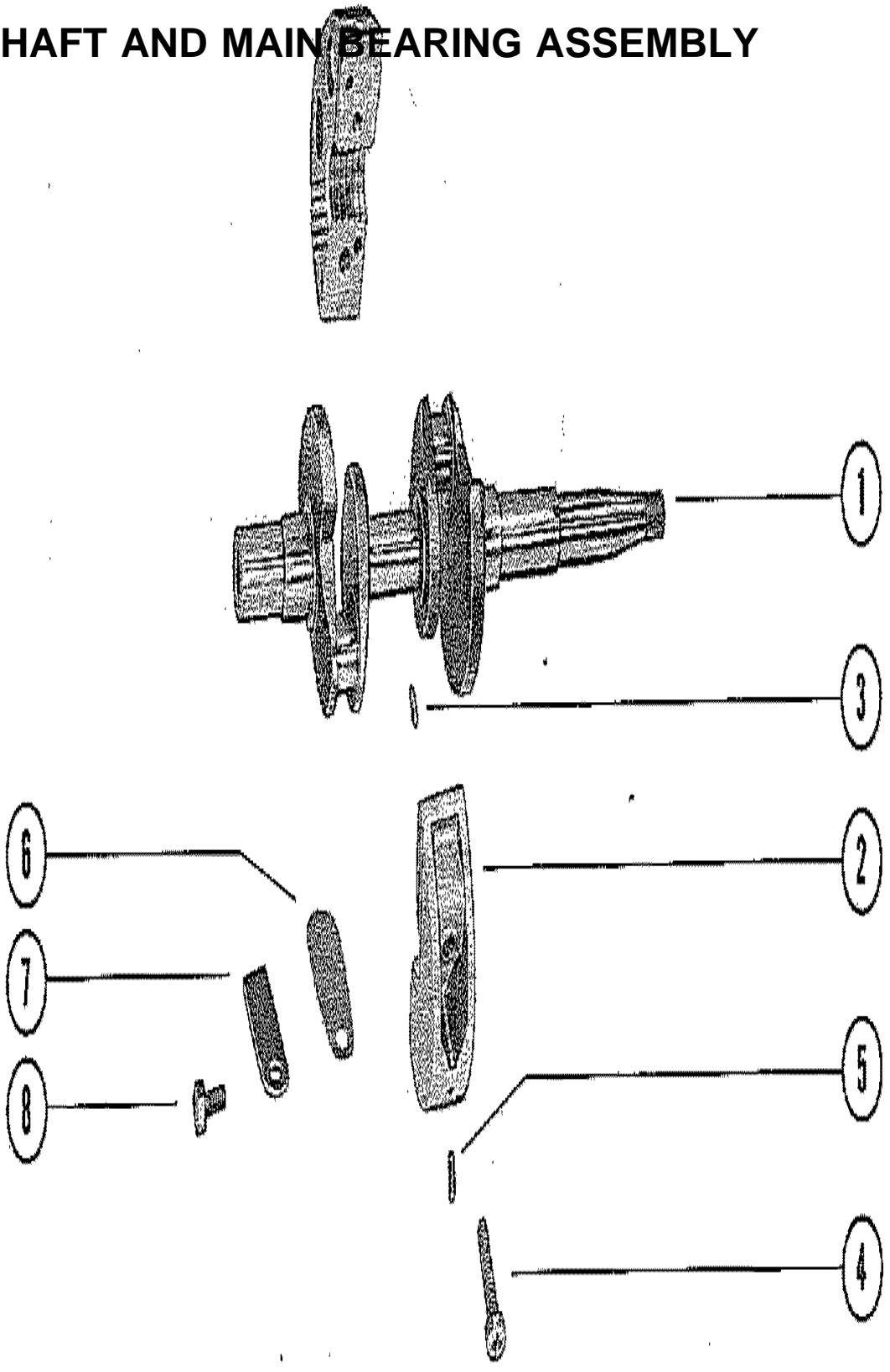
# CYLINDER BLOCK AND CRANKCASE ASSEMBLY



# CYLINDER BLOCK AND CRANKCASE ASSEMBLY

REF. NO.	PART NO.	SYM.	QTY.	DESCRIPTION
16	26-31411		,,,1,1	OIL SEAL, UPPER BEARING HOUSING <b>SERIAL 01677523-09999999</b>
17	25-20826		,,,1,1	"O"RING, UPPER BEARING HOUSING <b>SERIAL 01677523-09999999</b>
18	54-34598		,,,2,2	CLAMP, HOLD DOWN RING <b>SERIAL 01677523-09999999</b>
19	24-34731		,,,4,4	SPRING, HOLD DOWN RING CLAMP <b>SERIAL 01677523-09999999</b>
20	10-36205		,,,4,4	SCREW, HOLD DOWN RING CLAMP TO BEARING HOUSING <b>SERIAL 01677523-09999999</b>
21	10-35662		4,4,4,4,4	SCREW, UPPER BRG. HSG. MOUNTING (10-24X1/2) <b>SERIAL 01879786-09999999</b>
	10-39002		,,,4	SCREW, UPPER BRG. HSG. MOUNTING (12-24X1/2) -SEE NOTE BELOW
22	27-22656		1,1,1,1,1	GASKET, TRANSFER PORT COVER
23	30654		1,1,1,1,1	COVER, TRANSFER PORT
24	10-20665		3,3,3,3,3	SCREW, PORT COVER TO CYLINDER BLOCK
25	31014		2,2,2,2,2	MOUNT, RUBBER-CYLINDER BLOCK COVER TO TOP COWL
-	<b>13-26992</b>		,,,2	<b>LOCKWASHER, RUBBER MOUNT STUD</b>
26	11-20088		2,2,2,2,2	NUT, RUBBER MOUNT TO CYLINDER BLOCK COVER
27	27-30504		1,1,1,1,1	GASKET, CYLINDER BLOCK COVER
28	1013-1774		1,1,1,1,1	COVER, CYLINDER BLOCK
29	10-20653		6,6,6,6,6	SCREW, CYLINDER BLOCK COVER TO CYLINDER BLOCK
30	11-24652		6,6,6,6,6	NUT, CYLINDER BLOCK COVER MOUNTING SCREW
31	27-30656		1,1,1,1,1	GASKET, CYLINDER BLOCK TO BAFFLE PLATE
32	30657		1,1,1,1,1	PLATE, BAFFLE-EXHAUST MANIFOLD
33	27-30656		1,1,1,1,1	GASKET, BAFFLE PLATE TO EXHAUST MANIFOLD COVER
34	30501		1,1,1,1,1	COVER, EXHAUST MANIFOLD
35	10-28636		8,8,8,8,8	SCREW, BAFFLE PLATE AND MANIFOLD COVER MOUNTING
36	30312		1,1,1,1,1	TERMINAL BLOCK, EXHAUST MANIFOLD COVER
37	10-28192		2,2,2,2,2	SCREW, TERMINAL BLOCK TO EXHAUST MANIFOLD COVER
38	10-30663		2,2,2,2,2	SCREW, MAGNETO GROUND LEADS TO TERMINAL BLOCK
39	54-24836		1,1,1,1,1	CLIP, MAGNETO GROUND LEAD
40	22789		1,1,1,1,1	"D" WASHER, GROUND LEAD FASTENING SCREW
41	10-30663		1,1,1,1,1	SCREW, GROUND LEAD CLIP TO MANIFOLD COVER
42	30-20861		1,1,1,1,1	BEARING, BALL-CRANKCASE (LOWER)
43	26-30943		1,1,1,1,1	OIL SEAL, CRANKCASE (LOWER)

# CRANKSHAFT AND MAIN BEARING ASSEMBLY

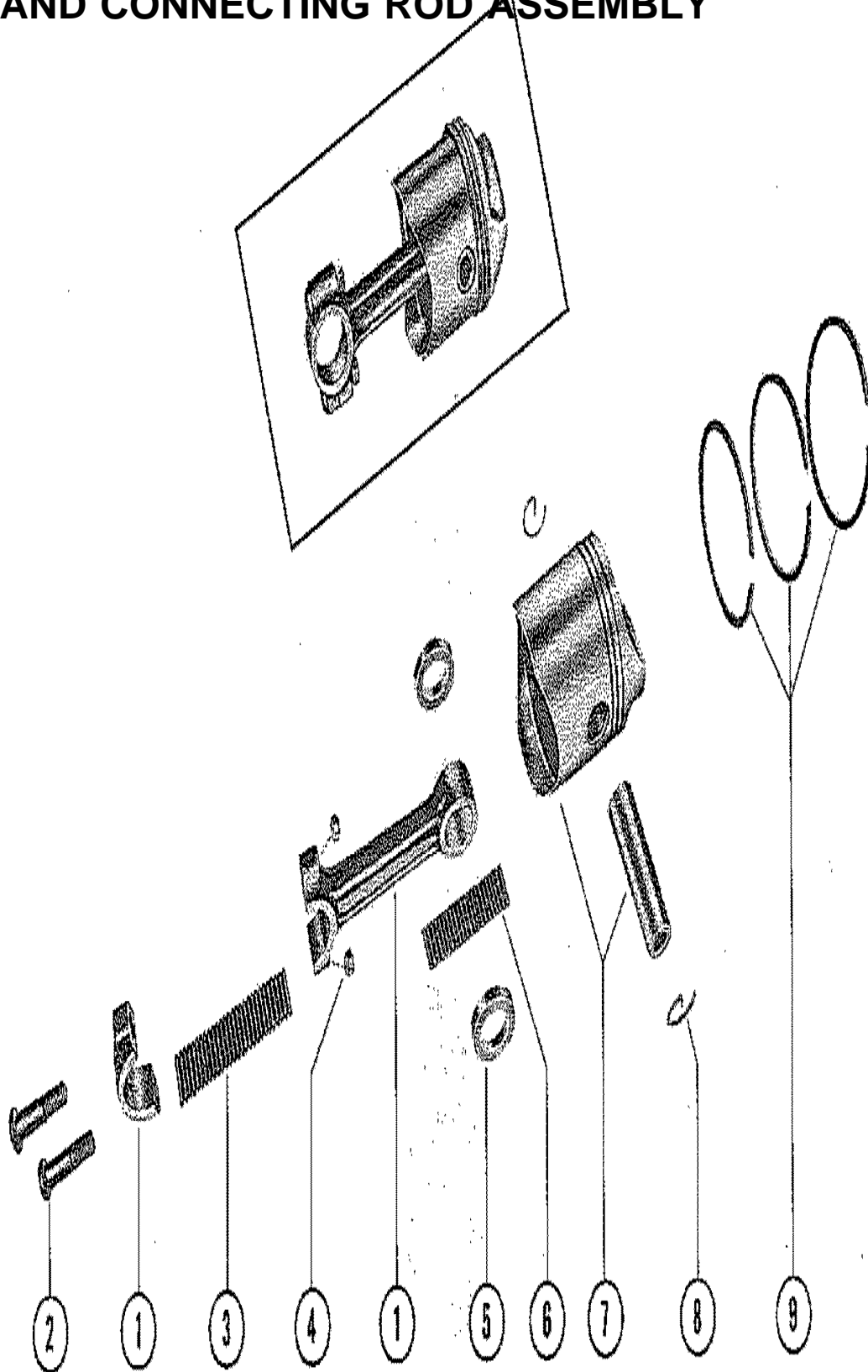




## CRANKSHAFT AND MAIN BEARING ASSEMBLY

REF. NO.	PART NO.	SYM.	QTY.	DESCRIPTION
1	419-1805		1,1,1,,	CRANKSHAFT SERIAL 01583852-09999999
	419-2223		,,1,1,1	CRANKSHAFT SERIAL 00000000-01610265
2	529-1792A1		1,1,1,1,1	MAIN BEARING ASSEMBLY (VALVE TYPE)
3	17-20032		2,2,2,2,2	PIN, DOWEL-MAIN BEARING
4	10-37652		2,2,2,2,2	SCREW, MAIN BEARING CLAMPING
5	17-20032		1,1,1,1,1	PIN, DOWEL-MAIN BEARING
6	34-23087A1		1,1,1,1,1	REED SET, MATCHED-MAIN BEARING
7	34-21721		4,4,4,4,4	REED STOP, MAIN BEARING REED VALVES
8	10-27304		4,4,4,4,4	SCREW, REED STOP MOUNTING

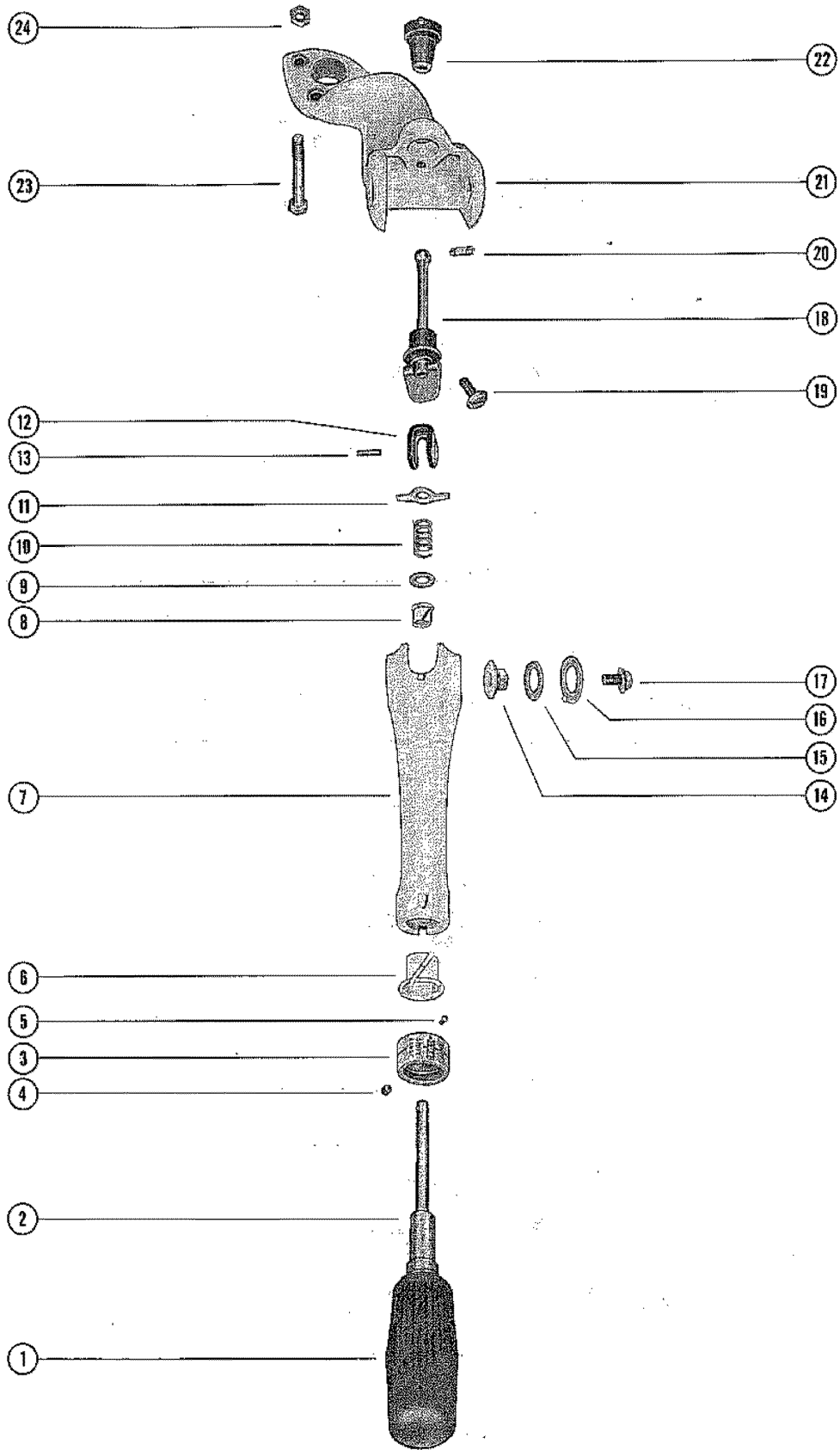
# PISTON AND CONNECTING ROD ASSEMBLY



## PISTON AND CONNECTING ROD ASSEMBLY

REF. NO.	PART NO.	SYM.	QTY.	DESCRIPTION
1	605-378A2		2,2,2,2,2	CONNECTING ROD ASSEMBLY
2	10-21637		4,4,4,4,4	SCREW, CONNECTING ROD
3	29-22591		46,46,46,4	BEARING, NEEDLE-CRANKPIN
4	11-20565		4,4,4,4,4	NUT, CONNECTING ROD SCREW
5	12-30373		4,4,4,4,4	WASHER, NEEDLE BEARING RETAINING
6	29-22591		34,34,34,3	BEARING, NEEDLE-PISTON PIN
7	703-1830A4		2,2,2,2,2	PISTON AND PISTON PIN ASSEMBLY
8	40-22652		4,4,4,4,4	LOCK RING, PISTON PIN
9	39-22593		6,6,6,6,6	RING, PISTON

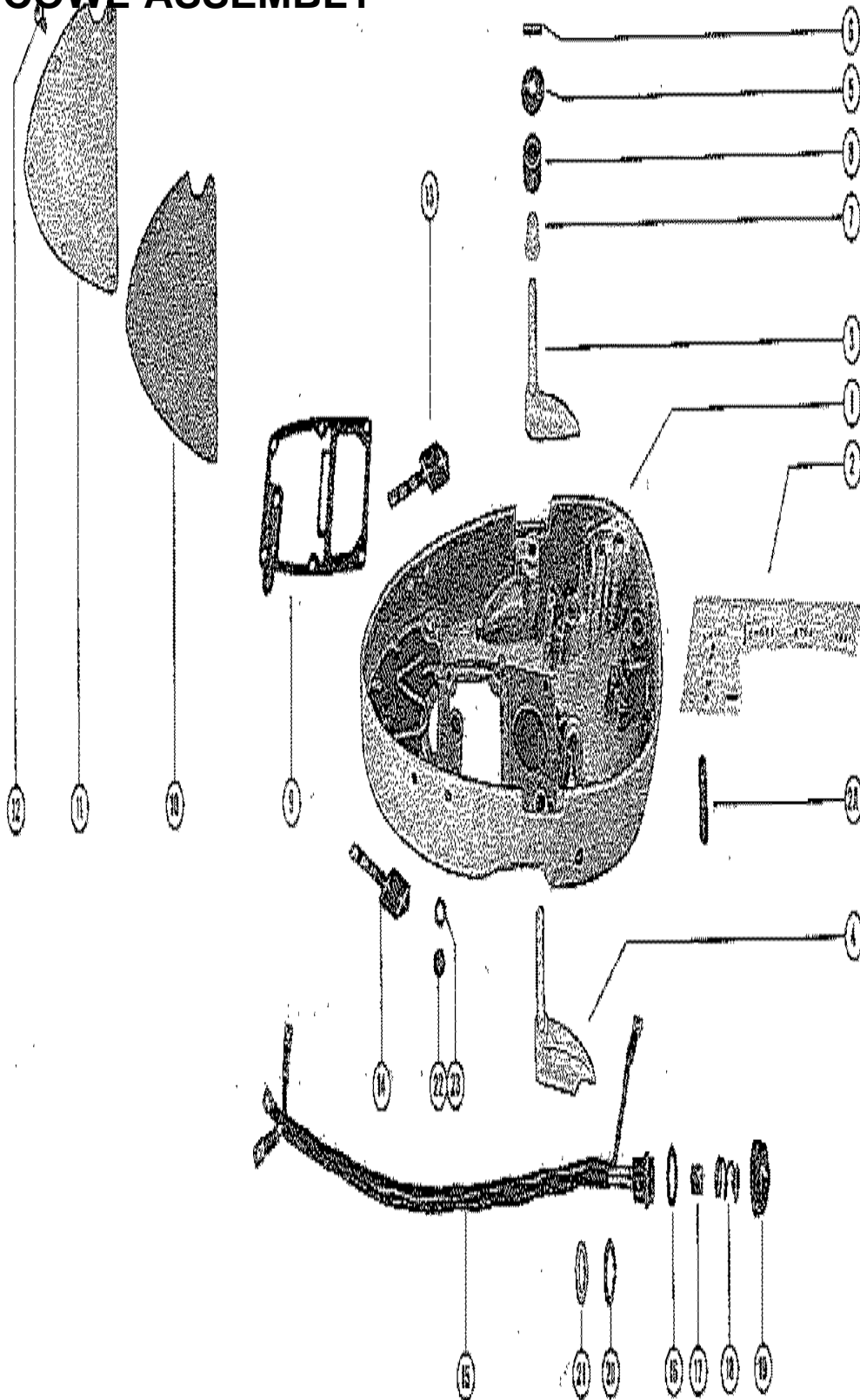
# STEERING HANDLE ASSEMBLY



# STEERING HANDLE ASSEMBLY

REF. NO.	PART NO.	SYM.	QTY.	DESCRIPTION
-	<b>30660A1</b>		1,1,1,1,	<b>STEERING HANDLE ASSEMBLY, COMPLETE</b>
1	27763		1,1,1,1,	GRIP, RUBBER-SHEERING HANDLE BODY
2	31000		1,1,1,1,	BODY AND SHAFT, STEERING HANDLE
3	31001		1,1,1,1,	INDICATOR, SPEED/SHIFT-STEERING HANDLE
4	10-31002		1,1,1,1,	SCREW, SET-SPEED AND SHIFT INDICATOR
5	10-22290		1,1,1,1,	SCREW, INDICATOR TO STEERING HANDLE BODY
6	23-30677		1,1,1,1,	BUSHING, NYLON-STEERING HANDLE TO BODY
7	30660		1,1,1,1,	HANDLE, STEERING-THROTTLE CONTROL
8	23-28100		1,1,1,1,	BUSHING, NYLON-STEERING HANDLE
9	12-20084		1,1,1,1,	WASHER, STEERING HANDLE SHAFT
10	24-26703		1,1,1,1,	SPRING, STEERING HANDLE SHAFT
11	14-26706		1,1,1,1,	TAB WASHER, YOKE PIN HOLDING
12	30235		1,1,1,1,	YOKE, STEERING HANDLE SHAFT
13	17-26862		1,1,1,1,	PIN, YOKE TO STEERING HANDLE SHAFT
-	<b>35908A2</b>		,,,1,1	<b>STEERING HANDLE ASSEMBLY, COMPLETE SERIAL 00000000-01677523</b>
1	27763		,,,1,1	GRIP, RUBBER-STEERING HANDLE BODY
2	35909		,,,1,1	BODY AND SHAFT, STEERING HANDLE
3	31001		,,,1,1	INDICATOR, SPEED/SHIFT-STEERING HANDLE
4	10-31002		,,,1,1	SCREW, SET-SPEED AND SHIFT INDICATOR
5	10-22290		,,,1,1	SCREW, INDICATOR TO STEERING HANDLE BODY
6	23-30677		,,,1,1	BUSHING, NYLON-STEERING HANDLE TO BODY
7	35908A1		,,,1,1	HANDLE, STEERING-THROTTLE CONTROL
8	23-28100		,,,1,1	BUSHING, NYLON-STEERING HANDLE
9	12-20084		,,,1,1	WASHER, STEERING HANDLE SHAFT
10	24-26703		,,,1,1	SPRING, STEERING HANDLE SHAFT
11	14-26706		,,,1,1	TAB WASHER, YOKE PIN HOLDING
12	30235		,,,1,1	YOKE, STEERING HANDLE SHAFT
13	17-26862		,,,1,1	PIN, YOKE TO STEERING HANDLE SHAFT
14	26711		2,2,2,2,2	PIVOT, STEERING HANDLE TO BRACKET
15	15-26707		2,2,2,2,2	SHIM, STEERING HANDLE PIVOT TO BRACKET
16	15-30905		2,2,2,2,2	SHIM, STEERING HANDLE TO ARM BRACKET
17	10-28592		2,2,2,2,2	SCREW, STEERING HANDLE TO ARM BRACKET
18	30911A1		1,.,.,.	THROTTLE CONTROL SHAFT ASSEMBLY SEE NOTE BELOW <b>SERIAL 01413528-09999999</b>
	31202A1		1,1,1,1,1,1	THROTTLE CONTROL SHAFT ASSEMBLY <b>SERIAL 00000000-01413529</b>
19	10-26774		1,1,1,1,1,1	SCREW, THROTTLE CONTROL SHAFT TO BRACKET
20	17-30904		1,.,.,.	#PIN, THROTTLE CONTROL SHAFT
21	30725		1,1,1,1,1,1	BRACKET, STEERING ARM
22	30970		1,1,1,1,1,1	BOOT, RUBBER-THROTTLE CONTROL SHAFT
23	10-30679		3,3,3,3,3,3	SCREW, STEERING ARM BRACKET TO SADDLE
24	11-24652		3,3,3,3,3,3	NUT, STEERING ARM BRACKET FASTENING SCREW

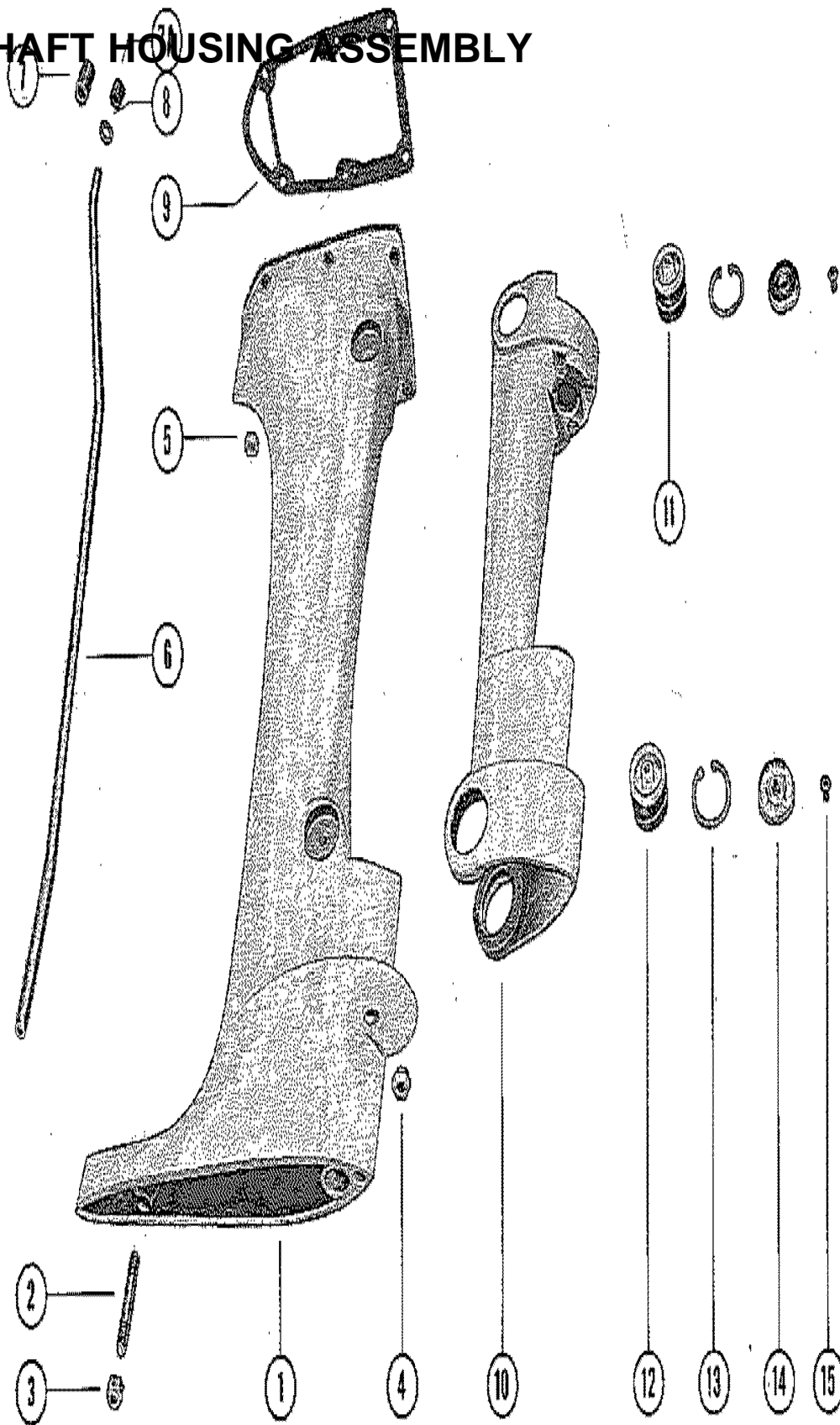
# BOTTOM COWL ASSEMBLY



# BOTTOM COWL ASSEMBLY

REF. NO.	PART NO.	SYM.	QTY.	DESCRIPTION
1	187-1807		1,1,1,,	BOTTOM COWL
	187-1952		,,1,1,1	BOTTOM COWL <b>SERIAL )1489408-09999999</b>
2	37-31035		1,1,1,,	DECAL, SHIFT - CHOKE - STOP - FUEL
	37-35512		,,,1,	DECAL, SHIFT - CHOKE - STOP - FUEL
2A	37-35824		,,,1	DECAL, SHIFT - BOTTOM COWL
3	29082A1		1,1,1,1,1	CLAMPING LEVER ASSEMBLY, PORT
4	29083A1		1,1,1,1,1	CLAMPING LEVER ASSEMBLY, STARBOARD
5	53-30428		2,2,2,2,2	FASTENER, CLAMPING LEVER
6	17-29077		2,2,2,2,2	PIN, ROLL - CLAMPING LEVER
7	23-26819		2,2,2,2,2	BUSHING, NYLON - CLAMPING LEVER SHAFT
8	23-31293		2,2,2,2,2	BUSHING, RUBBER - CLAMPING LEVER SHAFT
9	27-30803		1,1,1,,	GASKET, POWERHEAD TO BOTTOM COWL
	27-31557		,,1,1,1	GASKET, POWERHEAD TO BOTTOM COWL <b>SERIAL )1489408-09999999</b>
10	27-30801		1,1,1,1,1	GASKET, EXHAUST RELIEF COVER TO BOTTOM COWL
11	30800		1,1,1,1,1	COVER, EXHAUST RELIEF
12	10-31206		7,7,7,7,7	SCREW, EXHAUST RELIEF COVER FASTENING
13	37-37754		,,,1	DECAL, BOTTOM COWL - PORT <b>PART OF A-37-37746A1 DECAL SET</b>
14	37-37755		,,,1	DECAL, BOTTOM COWL - STARBOARD <b>PART OF A-37-37746A1 DECAL SET</b>
-	<b>30852A1</b>		<b>1,1,1,1,1</b>	<b>STOP SWITCH ASSEMBLY</b>
-	<b>32372A1</b>		<b>,,,1</b>	<b>STOP SWITCH ASSEMBLY</b>
15	30853		1,1,1,1,1	HARNESS, STOP SWITCH
	32372		,,,1	HARNESS, STOP SWITCH
16	12-30856		1,1,1,1,1	WASHER, SEALING - STOP SWITCH
17	30859		1,1,1,1,1	INSULATOR, SLEEVE - INNER SWITCH TERMINALS
18	24-30858A1		1,1,1,1,1	SPRING AND CONTACT ASSEMBLY
19	30854		1,1,1,1,1	COVER, STOP SWITCH
20	13-21972		1,1,1,1,1	LOCKWASHER, STOP SWITCH CONNECTOR
21	11-21971		1,1,1,1,1	NUT, STOP SWITCH CONNECTOR TO BOTTOM COWL
22	10-28634		,,1,1,1	SCREW, BOTTOM COWL FLUSHING HOLE <b>SERIAL )1489408-09999999</b>
23	12-20260		,,1,1,1	WASHER, BOTTOM COWL FLUSHING HOLE SCREW <b>SERIAL )1489408-09999999</b>

# DRIVE SHAFT HOUSING ASSEMBLY

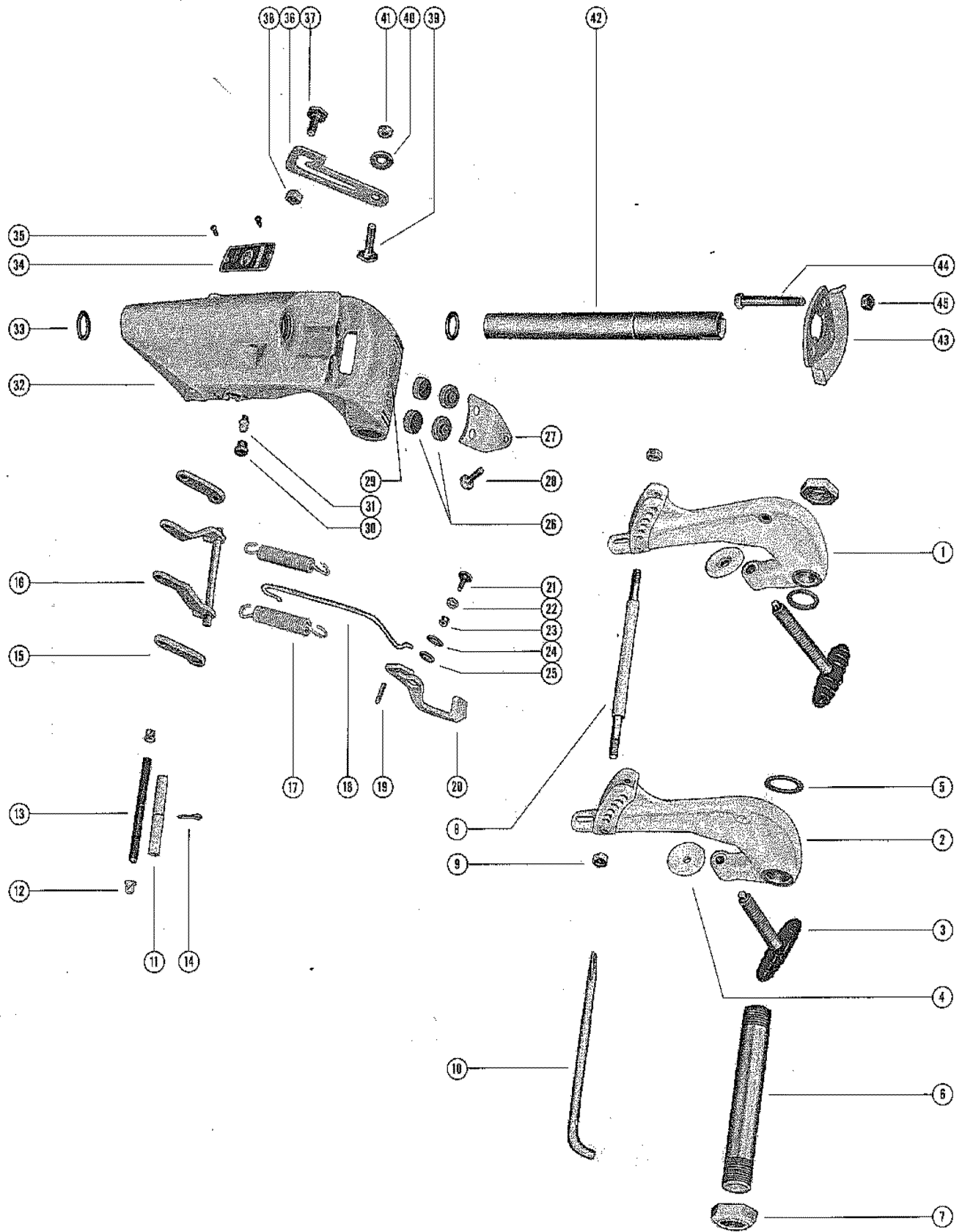




# DRIVE SHAFT HOUSING ASSEMBLY

REF. NO.	PART NO.	SYM.	QTY.	DESCRIPTION
1	1538-1776A1		1,1,,,	DRIVE SHAFT HOUSING ASSEMBLY
	1538-1937A1		,,1,,	DRIVE SHAFT HOUSING ASSEMBLY <b>SERIAL 01552144-09999999</b>
2	16-30715		1,1,1,,	STUD, DRIVE SHAFT HOUSING TO GEAR HOUSING <b>SERIAL 01552144-09999999</b>
1	1538-2243A1		,,1,1,1	DRIVE SHAFT HOUSING ASSEMBLY <b>SERIAL 00000000-01582403</b>
2	16-34378		,,1,1,1	STUD, DRIVE SHAFT HOUSING TO GEAR HOUSING <b>SERIAL 00000000-01582403</b>
3	11-21528		1,1,1,1,1	NUT, DRIVE SHAFT HOUSING TO GEAR HOUSING STUD
4	11-20509		1,1,1,1,1	NUT, GEAR HOUSING TO DRIVE SHAFT HOUSING STUD
5	11-24652		6,6,6,6,6	NUT, DRIVE SHAFT HOUSING TO POWERHEAD STUDS
6	32-30797		1,1,,,	TUBE, WATER OUTLET
	32-31940		,,1,1,1	TUBE, WATER OUTLET
7	26-30811		1,1,1,1,1	SEAL, RUBBER - WATER OUTLET <b>SERIAL 01734583-09999999</b>
7A	26-36556		,,,1,1	SEAL, RUBBER - WATER OUTLET TUBE <b>SERIAL 00000000-17734584</b>
8	12-36554		,,,1,1	WASHER, NYLON - OUTLET TUBE SEAL <b>SERIAL 00000000-17734584</b>
9	27-30804		1,1,1,1,1	GASKET, BOTTOM COWL TO DRIVE SHAFT HOUSING
10	1539-1777		1,1,,,	SADDLE
	1539-1935		,,1,1,1	SADDLE
11	30646A1		2,2,2,2,2	MOUNT ASSEMBLY, UPPER
12	30646A2		2,2,2,2,2	MOUNT ASSEMBLY, LOWER
13	53-26406		4,4,4,4,4	RING, RETAINING - UPPER AND LOWER MOUNT
14	30648		4,4,4,4,4	COVER, UPPER AND LOWER MOUNT
15	10-30675		4,4,4,4,4	SCREW, UPPER AND LOWER MOUNT COVER RETAINING

# CLAMP AND SWIVEL BRACKET ASSEMBLY

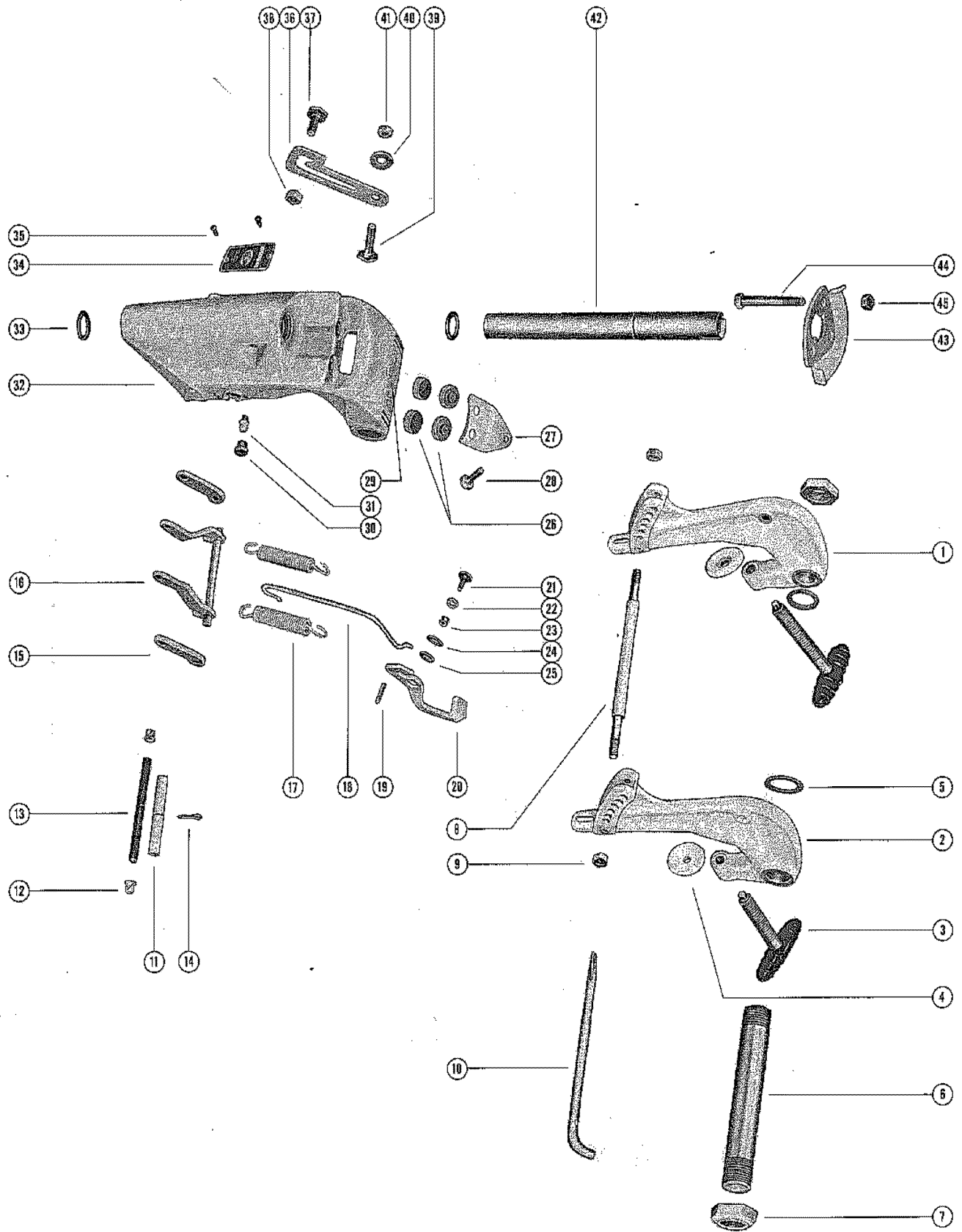


# CLAMP AND SWIVEL BRACKET ASSEMBLY

REF. NO.	PART NO.	SYM.	QTY.	DESCRIPTION
1	1452-1789A1		2,2,2,,	CLAMP BRACKET ASSEMBLY
	1458-2328A1		,,,1,1	CLAMP BRACKET ASSEMBLY (PORT)
2	1459-2329A1		,,,1,1	CLAMP BRACKET ASSEMBLY (STARBOARD)
3	22373A1		2,2,2,2,2	THUMB SCREW ASSEMBLY
4	12-20214		2,2,2,2,2	WASHER, THUMB SCREW
5	15-30497A1		2,2,2,2,2	SHIM, TILT TUBE - CLAMP TO SWIVEL BRACKET
6	30874		1,1,1,1,1	TILT TUBE, CLAMP TO SWIVEL BRACKET
-	<b>54-30954</b>		1,1,1,1,1	<b>CLIP, SAFETY CHAIN - TILT TUBE</b>
7	11-30499		2,2,2,2,2	NUT, TILT TUBE FASTENING
8	16-22035		1,1,1,1,1	STUD, CLAMP BRACKET SPACER
-	<b>12-20583</b>		,,,1,	<b>WASHER, CLAMP BRACKET STUD USE ON EARLY PRODUCTION ENGINES ONLY</b>
9	11-24652		2,2,2,2,2	NUT, CLAMP BRACKET STUD FASTENING
10	17-30673A1		1,1,1,1,1	TILT LOCK PIN ASSEMBLY
11	23-30813		1,1,1,1,1	SPACER, TUBE - REVERSE LOCK LEVER ROD
12	23-26856		2,2,2,2,2	BUSHING, NYLON - REVERSE LOCK LEVER ROD
13	30814		1,1,1,1,1	ROD, REVERSE LOCK TO SWIVEL BRACKET
14	18-25273		1,1,1,1,1	COTTER PIN, REVERSE LOCK LEVER TO ROD
15	30815		2,2,2,2,2	LINK, REVERSE LOCK LEVER
16	30807A1		1,1,1,1,1	REVERSE LOCK LEVER ASSEMBLY
17	24-31918		2,2,2,2,2	SPRING, TENSION - REVERSE LOCK LEVER
18	30872		1,1,1,,	ROD, LINK - REVERSE LOCK LEVER(3/32")
	32350		,,1,1,1	ROD, LINK - REVERSE LOCK LEVER(1/8") <b>SERIAL 00000000-01790910</b>
	38318		,,,1	ROD, LINK - REVERSE LOCK LEVER(5/32") <b>SERIAL 01790911-09999999</b>
19	17-27006		1,1,1,1,1	PIN, ROLL - SWIVEL BRACKET CONTROL LEVER
20	30875		1,1,1,,	LEVER, CONTROL - REVERSE LOCK(3/32" HOLE)
	32351		,,1,1,1	LEVER, CONTROL - REVERSE LOCK(1/8" HOLE)
21	10-30871		1,,,,	SCREW, CONTROL LEVER TO SWIVEL BRACKET
	10-28789		1,1,1,1,1	SCREW, CONTROL LEVER TO SWIVEL BRACKET - SEE NOTE BELOW
22	12-37407		1,1,1,1,1	WASHER, CONTROL LEVER SCREW - SEE NOTE BELOW
23	23-31309		1,1,1,1,1	SPACER, CONTROL LEVER FASTENING SCREW
24	13-27085		1,1,1,1,1	WASHER, WAVE - CONTROL LEVER FASTENING SCREW
25	12-24812		1,1,1,1,1	WASHER, CONTROL LEVER FASTENING SCREW
26	20203		4,4,4,4,4	DISC, FRICTION - CLAMP PLATE AND SWIVEL BRACKET
27	30690		1,1,1,1,1	PLATE, CLAMP - CO-PILOT
28	10-31205		1,1,1,1,1	SCREW, CLAMP PLATE ADJUSTING
29	37-31043		1,1,1,,	DECAL, INSTRUCTION - SWIVEL BRACKET
	37-35513		,,,1,1	DECAL, INSTRUCTION - SWIVEL BRACKET
30	29359		1,1,1,1,1	LUBRICAP, GREASE FITTING
31	22-23612		1,1,,,,	FITTING, GREASE - SWIVEL BRACKET(CENTER-REAR)
	22-31345		1,1,1,1,1	FITTING, GREASE - SWIVEL BRACKET(LOWER-SIDE)

CONTINUED ON NEXT PAGE ➡

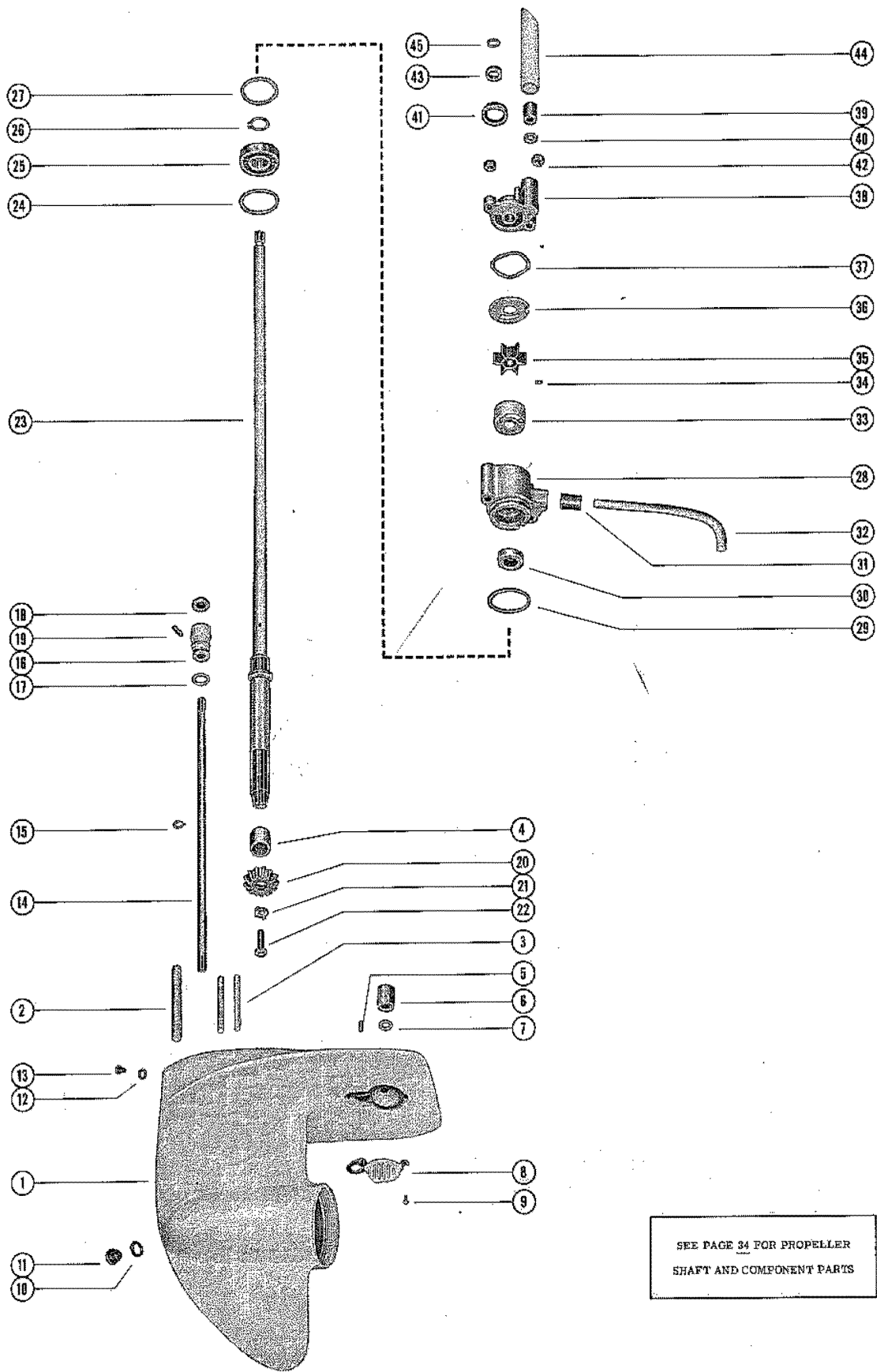
# CLAMP AND SWIVEL BRACKET ASSEMBLY



## CLAMP AND SWIVEL BRACKET ASSEMBLY

REF. NO.	PART NO.	SYM.	QTY.	DESCRIPTION
32	1451-1788		1,1,1,1,1	SWIVEL BRACKET
-	<b>26-30697</b>		<b>2,2,,,</b>	<b>OIL SEAL, SWIVEL BRACKET</b>
33	25-25439		2,2,2,2	"O" RING, SWIVEL BRACKET 2 "O" RINGS USED ON LATER PRODUCTION ENGINES
34	38-31042		1,1,1,1,1	SERIAL PLATE
35	10-28642		2,2,2,2,2	SCREW, DRIVE - SERIAL PLATE TO SWIVEL BRACKET
36	29056		1,1,,,	LEVER, TILT STOP
	31343		1,1,1,1,1	LEVER, TILT STOP (USED ON LATER PRODUCTION ENGINES)
37	10-29237		1,1,1,1,1	SCREW, RETAINING - TILT STOP LEVER
38	11-24652		1,1,1,1,1	NUT, TILT STOP LEVER RETAINING SCREW
39	10-27791		1,1,1,1,1	SCREW, ANCHOR - TILT STOP LEVER
40	13-20846		1,1,1,1,1	WASHER, WAVE - LEVER ANCHOR SCREW
41	11-24652		1,1,1,1,1	NUT, TILT STOP LEVER ANCHOR SCREW
42	17-30688		1,1,1,1,1	SWIVEL PIN, SWIVEL BRACKET TO SADDLE
43	30689		1,1,1,,	CO-PILOT DISC
	35860		,,,1,1	CO-PILOT DISC
44	10-30679		3,3,3,3,3	SCREW, CO-PILOT DISC TO SADDLE
45	11-24652		3,3,3,3,3	NUT, CO-PILOT DISC FASTENING SCREW

# GEAR HOUSING ASSEMBLY, COMPLETE (PAGE 1)



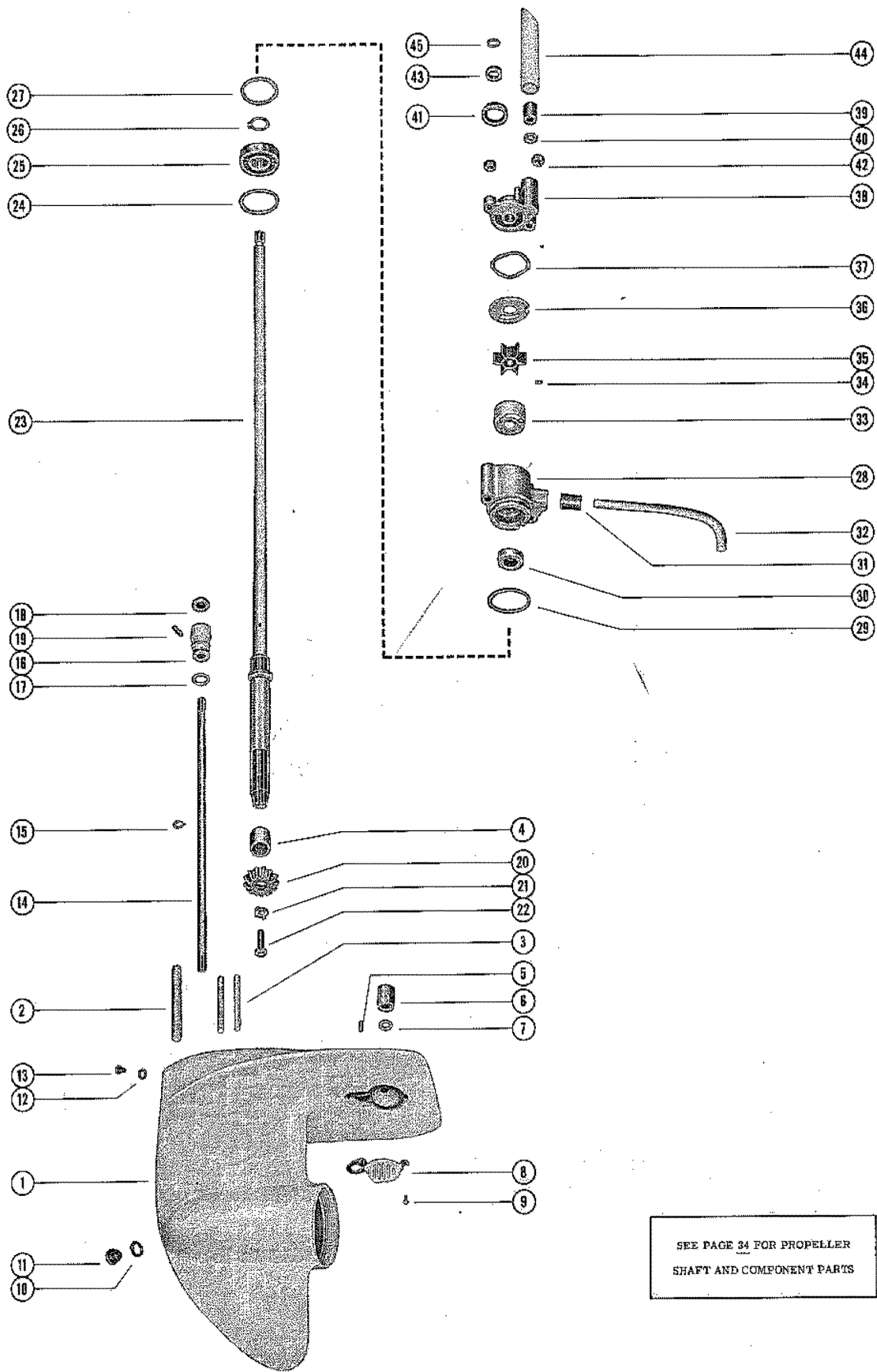
SEE PAGE 34 FOR PROPELLER  
SHAFT AND COMPONENT PARTS

# GEAR HOUSING ASSEMBLY, COMPLETE (PAGE 1)

REF. NO.	PART NO.	SYM.	QTY.	DESCRIPTION
-	1622-1771A3		1,1,,,	GEAR HOUSING ASSEMBLY, COMPLETE - SEE NOTE BELOW
-	1622-1931A8		,,1,,	GEAR HOUSING ASSEMBLY, COMPLETE - SEE NOTE BELOW
-	1622-2244A3		,,1,1,1	GEAR HOUSING ASSEMBLY, COMPLETE - SEE NOTE BELOW
1	1622-1771A1		1,1,,,	GEAR HOUSING ASSEMBLY
	1622-1931A1		,,1,,	GEAR HOUSING ASSEMBLY
	1622-2244A1		,,1,1,1	GEAR HOUSING ASSEMBLY
2	16-30716		1,1,1,1,1	STUD, GEAR HOUSING TO DRIVE SHAFT HOUSING
3	16-30717		2,2,2,2,2	STUD, WATER PUMP HOUSING TO GEAR HOUSING
4	31-22756		1,1,1,1,1	BEARING, ROLLER - DRIVE SHAFT
5	17-20032		1,1,1,1,1	PIN, DOWEL - LOCATING
6	26-30811		1,1,1,,	SEAL, RUBBER - WATER INTAKE TUBE
	26-26865		,,1,1,	SEAL, RUBBER - WATER INTAKE TUBE <b>SERIAL 00000000-01734583</b>
	26-33613		,,,1,1	SEAL, RUBBER - WATER INTAKE TUBE <b>SERIAL 01734584-09999999</b>
7	12-36555		,,,1,1	WASHER, NYLON - INTAKE TUBE SEAL <b>SERIAL 01734584-09999999</b>
8	35-30865		1,1,,,	SCREEN, WATER INTAKE
	35-32234		,,1,,	SCREEN, WATER INTAKE - NOT AS SHOWN
	35-33425		,,1,1,1	SCREEN, WATER INTAKE - NOT AS SHOWN
9	10-28642		,,1,1,1	SCREW, WATER INTAKE SCREEN TO GEAR HOUSING
10	12-20260		1,1,1,1,1	WASHER, GREASE FILLER HOLE SCREW
11	10-28634		1,1,1,1,1	SCREW, GREASE FILLER HOLE
12	12-20262		1,1,1,1,1	WASHER, GREASE VENT HOLE SCREW
13	10-28653		1,1,1,1,1	SCREW, GREASE VENT HOLE
14	30540		1,1,1,1,1	SHAFT, SHIFT - LOWER
15	53-30899		1,1,1,1,1	RING, RETAINING - SHIFT SHAFT
16	23-30676A1		1,1,1,1,1	BUSHING ASSEMBLY, SHIFT SHAFT
17	25-26802		1,1,1,1,1	"O" RING, SHIFT SHAFT BUSHING
18	26-30696		1,1,1,1,1	OIL SEAL, SHIFT SHAFT BUSHING
19	10-39149		1,1,1,1,1	SCREW, SHIFT SHAFT BUSHING RETAINER
20	43-30878		1,1,1,1,1	GEAR, PINION
21	14-30377		1,1,1,1,1	TAB WASHER, PINION GEAR SCREW
22	10-30376		1,1,1,1,1	SCREW, PINION GEAR RETAINING
23	45-30542		1,1,1,,	DRIVE SHAFT <b>SERIAL 00000000-01550044</b>
	45-33079		,,1,1,1	DRIVE SHAFT <b>SERIAL 01550045-09999999</b>
24	15-30527A1	AR,AR,AR,A		SHIM, BALL BEARING TO GEAR HOUSING
25	30-21149		1,1,1,,	BEARING, BALL - DRIVE SHAFT <b>SERIAL 00000000-01550044</b>
	30-33076		,,1,1,1	BEARING, BALL - DRIVE SHAFT <b>SERIAL 01550045-09999999</b>
26	53-30523		1,1,1,1,1	RING, RETAINING - BALL BEARING
27	15-30527A1	AR,AR,AR,A		SHIM, BALL BEARING TO WATER PUMP HOUSING
28	46-30592A1		1,1,1,,	WATER PUMP HOUSING ASS'Y <b>SERIAL 00000000-01490054</b>

CONTINUED ON NEXT PAGE ➡

# GEAR HOUSING ASSEMBLY, COMPLETE (PAGE 1)



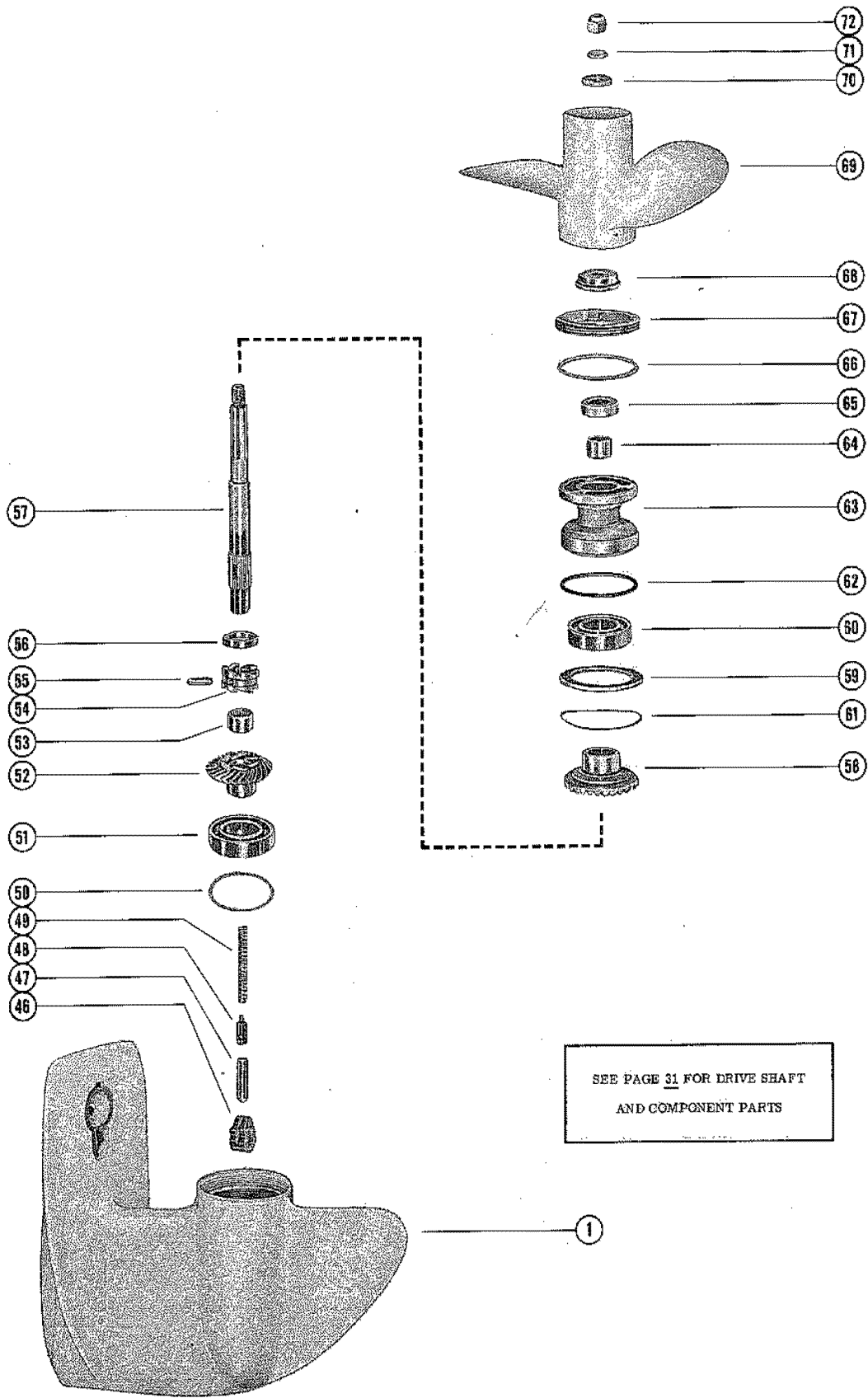
SEE PAGE 34 FOR PROPELLER  
SHAFT AND COMPONENT PARTS



# GEAR HOUSING ASSEMBLY, COMPLETE (PAGE 1)

REF. NO.	PART NO.	SYM.	QTY.	DESCRIPTION
28	46-31696A1		,,1,,	WATER PUMP HOUSING ASS'Y <b>SERIAL 01490055-01550044</b>
	46-33077A1		,,1,,	WATER PUMP HOUSING ASS'Y <b>SERIAL 01550045-01582402</b>
	46-34294A1		,,1,1,1	WATER PUMP HOUSING ASS'Y <b>SERIAL 01582403-09999999</b>
29	25-29439		1,1,1,1,1	"O" RING, WATER PUMP HOUSING
30	26-30900		1,1,1,1,1	OIL SEAL, WATER PUMP HOUSING
31	26-30811		1,1,1,,	SEAL, WATER INTAKE TUBE
	26-33613		,,1,1,1	SEAL, WATER INTAKE TUBE
32	32-30799		1,1,1,,	TUBE, WATER INTAKE
	32-34293		,,1,1,1	TUBE, WATER INTAKE
33	46-22741		1,1,1,,	INSERT, WATER PUMP HOUSING <b>SERIAL 00000000-01490054</b>
	31707		,,1,1,1	INSERT, WATER PUMP HOUSING <b>SERIAL 01490055-09999999</b>
34	17-22060		1,1,1,1,1	PIN, IMPELLER DRIVE
35	47-22748		1,1,1,1,1	IMPELLER, WATER PUMP
36	30674		1,1,1,1,1	PLATE, FACE - WATER PUMP HOUSING TO COVER
37	13-30809		1,1,1,,	WASHER, WAVE - FACE PLATE <b>SERIAL 00000000-01490054</b>
38	30593A1		1,1,1,1,1	WATER PUMP COVER ASSEMBLY
39	26-30811		1,1,1,1,	SEAL, WATER PUMP COVER <b>SERIAL 00000000-01734583</b>
	26-36558		,,,1,1	SEAL, WATER PUMP COVER <b>SERIAL 01734584-09999999</b>
40	12-36554		,,,1,1	WASHER, NYLON - WATER PUMP COVER <b>SERIAL 01734584-09999999</b>
41	26-30913		1,1,1,1,1	OIL SEAL, WATER PUMP COVER
42	11-24652		2,2,2,2,2	NUT, WATER PUMP HOUSING STUDS
43	25-30526		1,1,1,1,1	RING, RUBBER - CENTRIFUGAL SLINGER (DRIVE SHAFT)
44	23-30960		1,1,,	SLEEVE, GUIDE - WATER INLET TUBE
	23-31792		,,1,1,1	SLEEVE, GUIDE - WATER INLET TUBE
45	25-21720		1,1,1,1,1	"O" RING, UPPER - DRIVE SHAFT

# GEAR HOUSING ASSEMBLY, COMPLETE (PAGE 2)

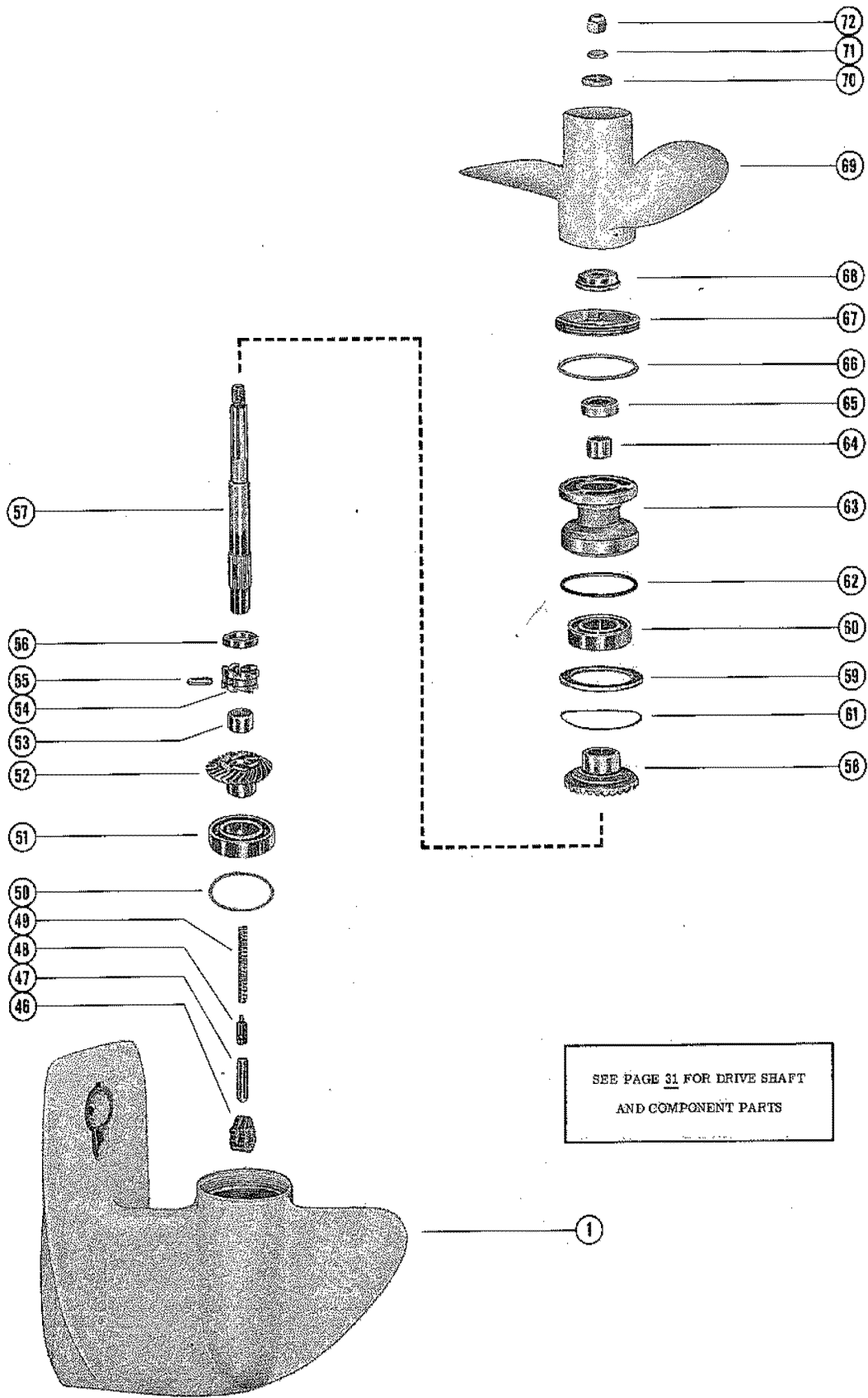


## GEAR HOUSING ASSEMBLY, COMPLETE (PAGE 2)

REF. NO.	PART NO.	SYM.	QTY.	DESCRIPTION
-	1771A3		1,1,,	GEAR HOUSING ASSEMBLY, COMPLETE - SEE NOTE BELOW
-	1622-1931A8		,,1,,	GEAR HOUSING ASSEMBLY, COMPLETE - SEE NOTE BELOW
-	1622-2244A3		,,1,1,1	GEAR HOUSING ASSEMBLY, COMPLETE - SEE NOTE BELOW
1	1622-1771A1		1,1,,	GEAR HOUSING ASSEMBLY - SEE PAGE 11 FOR PARTS BREAKDOWN
	1622-1931A1		,,1,,	GEAR HOUSING ASSEMBLY - SEE PAGE 11 FOR PARTS BREAKDOWN
	1622-2244A1		,,1,1,1	GEAR HOUSING ASSEMBLY - SEE PAGE 11 FOR PARTS BREAKDOWN
46	30599		1,1,1,1,1	CAM, SHIFT
47	30533		1,,,,	FOLLOWER, CAM
	31334		,1,1,1,1	FOLLOWER, CAM
48	30536		1,,,,	SLIDE, CROSS PIN
49	24-30885		1,,,,	SPRING, COMPRESSION - CAM FOLLOWER
	24-31333		,1,1,1,1	SPRING, COMPRESSION - CAM FOLLOWER
50	15-30522A1		AR,AR,AR,A	SHIM, FORWARD GEAR BRG. TO GEAR HSG.
51	30-21889		1,1,1,1,1	BEARING, BALL - FORWARD GEAR
52	43-30880A1		1,1,1,1,1	FORWARD GEAR ASSEMBLY
53	31-22458		1,1,1,1,1	BEARING, ROLLER - FORWARD GEAR
54	30538		1,1,1,,	RATCHET, SLIDING CLUTCH <b>SERIAL 00000000-01526703</b>
56	53-30534		1,1,1,,	RING, RETAINING - CROSS PIN <b>SERIAL 00000000-01526703</b>
54	52-32474A1		,,1,1,1	RATCHET ASSEMBLY, SLIDING CLUTCH <b>SERIAL 01526704-09999999</b>
56	53-32449		,,1,1,1	RING, RETAINING - CROSS PIN <b>SERIAL 01526704-09999999</b>
55	17-30535		1,1,1,1,1	PIN, CROSS - RATCHET TO PROPELLER SHAFT
57	44-30544		1,1,1,,	SHAFT, PROPELLER <b>SERIAL 00000000-01550044</b>
	44-33581		,,1,1,1	SHAFT, PROPELLER <b>SERIAL 01550045-09999999</b>
58	43-30882A1		1,1,1,1,1	REVERSE GEAR ASSEMBLY
59	12-30531		1,1,1,1,1	WASHER, THRUST - REVERSE GEAR
60	30-21889		1,1,1,1,1	BEARING, BALL - REVERSE GEAR
61	15-30532A1		AR,AR,AR,A	SHIM, THRUST WASHER TO GEAR HSG
62	25-30529		1,1,1,1,1	"O" RING, BEARING CARRIER
63	30541A1		1,1,1,1,1	BEARING CARRIER ASSEMBLY
64	31-22458		1,1,1,1,1	BEARING, ROLLER - BEARING CARRIER
65	26-30530		1,1,1,1,1	OIL SEAL, BEARING CARRIER
66	12-30528		1,1,1,1,1	WASHER, GEAR HOUSING COVER
67	30537		1,1,1,1,1	COVER, GEAR HOUSING
68	23-30525		1,1,1,,	COLLAR, GUIDE - PROPELLER SHAFT <b>SERIAL 00000000-01550044</b>
	23-33582		,,1,1,1	COLLAR, GUIDE - PROPELLER SHAFT <b>SERIAL 01550045-09999999</b>
69	48-31105A1		1,1,1,1,1	PROPELLER ASSEMBLY (2 BLADE - ALUMINUM - 8" PITCH)
	48-34398A1		OPT.,OPT.,	PROPELLER ASSEMBLY (2 BLADE - BRONZE - 8" PITCH)

CONTINUED ON NEXT PAGE ➡

# GEAR HOUSING ASSEMBLY, COMPLETE (PAGE 2)



## GEAR HOUSING ASSEMBLY, COMPLETE (PAGE 2)

REF. NO.	PART NO.	SYM.	QTY.	DESCRIPTION
69	48-31214A1		OPT.,OPT.,	PROPELLER ASSEMBLY (2 BLADE - ALUMINUM - 6" PITCH)
	48-37320A1		OPT.,OPT.,	PROPELLER ASSEMBLY (2 BLADE - ALUMINUM - 4" PITCH)
70	12-30524		1,1,1,1,1	WASHER, SPLINED - PROPELLER SHAFT
71	12-20084		1,1,1,1,1	WASHER, PROPELLER NUT
72	11-21528		1,1,1,1,1	NUT, PROPELLER RETAINING

# PARTS INDEX

Part Number	Description	Pg.	Ref. No.	Part Number	Description	Pg.	Ref. No.
1771A3	GEAR HOUSING ASSEMBLY, COMPLETE - SEE NOTE BELOW	57	-	30536	SLIDE, CROSS PIN	57	48
20119	PROTECTOR, SPARK PLUG	11	32	30537	COVER, GEAR HOUSING	57	67
20119	PROTECTOR, SPARK PLUG	17	31	30538	RATCHET, SLIDING CLUTCH	57	54
20155	RETAINER, STARTER SPRING	3	16	30540	SHAFT, SHIFT - LOWER	53	14
20155	RETAINER, STARTER SPRING	7	25	30541A1	BEARING CARRIER ASSEMBLY	57	63
20203	DISC, FRICTION - CLAMP PLATE AND SWIVEL BRACKET	49	26	30593A1	WATER PUMP COVER ASSEMBLY	55	38
20596A2	THROTTLE LEVER ASSEMBLY	23	1	30595	PLATE, RETAINER-STARTER PAWL	3	28
20596A2	THROTTLE LEVER ASSEMBLY	25	1	30595	PLATE, RETAINER-STARTER PAWL	9	37
20623	MARKER, "TOP"-LEAD WIRE	11	19	30596	PAWL, STARTER	3	21
20623	MARKER, "TOP"-LEAD WIRE	17	32	30596	PAWL, STARTER	7	31
22373A1	THUMB SCREW ASSEMBLY	49	3	30599	CAM, SHIFT	57	46
22789	"D" WASHER, CLIP FASTENING SCREW	17	38	30646A1	MOUNT ASSEMBLY, UPPER	47	11
22789	"D" WASHER, COIL LEAD WIRE CLIP	17	19	30646A2	MOUNT ASSEMBLY, LOWER	47	12
22789	"D" WASHER, GROUND LEAD FASTENING SCREW	37	40	30648	COVER, UPPER AND LOWER MOUNT	47	14
23019	CLAMP, MAGNETO FRICTION	11	40	30653	LINK, MAGNETO-THROTTLE CONTROL	13	44
23597A1	FLUSHING ASSEMBLY	1	-	30654	COVER, TRANSFER PORT	37	23
26179	RETAINER, SHEAVE SHAFT TO STARTER SHEAVE	3	25	30657	PLATE, BAFFLE-EXHAUST MANIFOLD	37	32
26179	RETAINER, SHEAVE SHAFT TO STARTER SHEAVE	9	34	30659	SPACER, FUEL PUMP TO CYLINDER BLOCK	27	8
26711	PIVOT, STEERING HANDLE TO BRACKET	43	14	30660	HANDLE, STEERING-THROTTLE CONTROL	43	7
27763	GRIP, RUBBER-SHEERING HANDLE BODY	43	1	30660A1	STEERING HANDLE ASSEMBLY, COMPLETE	43	-
27763	GRIP, RUBBER-STEERING HANDLE BODY	43	1	30674	PLATE, FACE - WATER PUMP HOUSING TO COVER	55	36
28747	HANDLE, STARTER CABLE	9	57	30689	CO-PILOT DISC	51	43
28748	RETAINER, STARTER CABLE AND HANDLE	5	44	30690	PLATE, CLAMP - CO-PILOT	49	27
28748	RETAINER, STARTER CABLE AND HANDLE	9	58	30725	BRACKET, STEERING ARM	43	21
29056	LEVER, TILT STOP	51	36	30747	HANDLE, SHIFT CONTROL	31	1
29082A1	CLAMPING LEVER ASSEMBLY, PORT	45	3	30748	ADAPTOR, CHECK UNIT (FUEL LINE)-N.L.A.- ORDER 32454	27	--
29083A1	CLAMPING LEVER ASSEMBLY, STARBOARD	45	4	30782	HANDLE, STARTER CABLE	5	43
29359	LUBRICAP, GREASE FITTING	49	30	30800	COVER, EXHAUST RELIEF	45	11
30235	YOKE, STEERING HANDLE SHAFT	43	12	30807A1	REVERSE LOCK LEVER ASSEMBLY	49	16
30235	YOKE, STEERING HANDLE SHAFT	43	12	30812	SHAFT, SHEAVE	3	29
30312	TERMINAL BLOCK, EXHAUST MANIFOLD COVER	37	36	30812	SHAFT, SHEAVE	9	38
30501	COVER, EXHAUST MANIFOLD	37	34	30814	ROD, REVERSE LOCK TO SWIVEL BRACKET	49	13
30533	FOLLOWER, CAM	57	47	30815	LINK, REVERSE LOCK LEVER	49	15
				30822	KNOB, CHOKE	23	11
				30822	KNOB, CHOKE	25	11
				30828	LEVER, THROTTLE CONTROL	33	12
				30833	BRACKET, PORT-TOP COWL FASTENING	3	13
				30834	BRACKET, STARBOARD-TOP COWL FASTENING	3	13

# PARTS INDEX

Part Number	Description	Pg.	Ref. No.	Part Number	Description	Pg.	Ref. No.
30852A1	STOP SWITCH ASSEMBLY . . . . .	45	--	31335A2	SHIFT CONTROL SHAFT ASSEMBLY . . . . .	31	14
30853	HARNESS, STOP SWITCH . . . . .	45	15	31335A4	SHIFT CONTROL SHAFT ASSEMBLY . . . . .	31	14
30854	COVER, STOP SWITCH . . . . .	45	19	31335A7	SHIFT CONTROL ASSEMBLY . . . . .	31	14
30859	INSULATOR, SLEEVE - INNER SWITCH TERMINALS . . . . .	45	17	31343	LEVER, TILT STOP (USED ON LATER PRODUCTION ENGINES) . . . . .	51	36
30872	ROD, LINK - REVERSE LOCK LEVER(3/32") . . . . .	49	18	31431	LINK, MAGNETO-THROTTLE CONTROL . . . . .	13	44
30874	TILT TUBE, CLAMP TO SWIVEL BRACKET . . . . .	49	6	31503	DIAPHRAGM, FUEL PUMP TO GASKET . . . . .	27	6
30875	LEVER, CONTROL - REVERSE LOCK(3/32" HOLE) . . . . .	49	20	31503	DIAPHRAGM, FUEL PUMP TO GASKET . . . . .	29	3A
30906A1	INNER SLEEVE ASSEMBLY, THROTTLE CONTROL - SEE NOTE BELOW . . . . .	33	1	31510	SPACER, FUEL PUMP TO CYLINDER BLOCK . . . . .	27	8
30911A1	THROTTLE CONTROL SHAFT ASSEMBLY SEE NOTE BELOW . . . . .	43	18	31707	INSERT, WATER PUMP HOUSING . . . . .	55	33
30946	SHAFT, CHOKE LEVER TO CHOKE KNOB . . . . .	23	8	31807	BLANKET, SOUND ABSORBING-TOP COWL . . . . .	3	6
30946	SHAFT, CHOKE LEVER TO CHOKE KNOB . . . . .	25	9	31906	BRACKET, FRONT-TOP COWL MOUNTING . . . . .	3	33
30952	BRACKET, VERTICAL SHAFT . . . . .	33	10	31906	BRACKET, FRONT-TOP COWL MOUNTING . . . . .	9	42
30970	BOOT, RUBBER-THROTTLE CONTROL SHAFT . . . . .	43	22	31920A2	LEVER ASSEMBLY, CHOKE SHUTTER . . . . .	25	8
30976	PULLEY, STARTER CABLE . . . . .	3	39	31930	BLANKET, SOUND ABSORBING-REAR . . . . .	3	5
30980	COVER, TRIM-TOP COWL . . . . .	3	7	31930	BLANKET, SOUND ABSORBING-TOP COWL (REAR) . . . . .	9	39
30983	LEVER, CHOKE SHUTTER . . . . .	23	7	32350	ROD, LINK - REVERSE LOCK LEVER(1/8") . . . . .	49	18
30984	SHUTTER, CHOKE-CARBURETOR . . . . .	23	3	32351	LEVER, CONTROL - REVERSE LOCK(1/8" HOLE) . . . . .	49	20
30985	SCREEN, VENT-TOP COWL . . . . .	3	9	32372	HARNESS, STOP SWITCH . . . . .	45	15
30988A2	THROTTLE CAM ASSEMBLY . . . . .	11	36	32372A1	STOP SWITCH ASSEMBLY . . . . .	45	--
31000	BODY AND SHAFT, STEERING HANDLE . . . . .	43	2	32374	SHUTTER, CHOKE-CARBURETOR . . . . .	25	3
31001	INDICATOR, SPEED/SHIFT-STEERING HANDLE . . . . .	43	3	32454	ADAPTOR, CHECK UNIT (FUEL LINE) . . . . .	27	11
31001	INDICATOR, SPEED/SHIFT-STEERING HANDLE . . . . .	43	3	32454	ADAPTOR, CHECK UNIT (FUEL LINE) - SEE UPPER PHOTO . . . . .	29	11
31014	MOUNT, RUBBER-CYLINDER BLOCK COVER TO TOP COWL . . . . .	37	25	33852A1	FUEL PUMP ASSEMBLY . . . . .	27	1
31014	MOUNT, RUBBER-FRONT BRACKET . . . . .	3	34	33852A1	FUEL PUMP ASSEMBLY . . . . .	29	1A
31014	MOUNT, RUBBER-FRONT BRACKET . . . . .	9	47	33899	CLAMP, HOLD DOWN RING . . . . .	35	18
31024	BRACKET, REAR-TOP COWL MOUNTING . . . . .	3	11	33904	RING, HOLD DOWN-STATOR PLATE . . . . .	15	13
31024	BRACKET, REAR-TOP COWL MOUNTING . . . . .	7	15	34245	SHUTTER, CHOKE-CARBURETOR . . . . .	25	3
31025	BRACKET, FRONT-TOP COWL MOUNTING . . . . .	3	32	34363A1	THROTTLE CAM BRACKET ASSEMBLY . . . . .	15	17
31113	BLANKET, SOUND ABSORBING-TOP COWL . . . . .	3	4	34374	CAM, THROTTLE . . . . .	15	19
31200	SOCKET ASSEMBLY, THROTTLE CONTROL - SEE NOTE BELOW . . . . .	33	1	34386A1	LEVER ASSEMBLY, THROTTLE CONTROL . . . . .	33	12B
31202A1	THROTTLE CONTROL SHAFT ASSEMBLY . . . . .	43	18	34571	SPACER, FUEL PUMP . . . . .	29	5A
31334	FOLLOWER, CAM . . . . .	57	47	35384	KEY, TOP COWL HANDLE . . . . .	7	12

# PARTS INDEX

Part Number	Description	Pg.	Ref. No.	Part Number	Description	Pg.	Ref. No.
35407	SCREEN, VENT . . . . .	7	13	10-21136	SCREW, CONDENSER FASTENING . . . . .	11	9
35436	HANDLE, INSIDE-TOP COWL	7	8				
35437	BRACKET, PORT-TOP COWL FASTENING . . . . .	7	20	10-21637	SCREW, CONNECTING ROD	41	2
35438	BRACKET, STARBOARD-TOP COWL FASTENING . . . . .	7	20	10-22290	SCREW, INDICATOR TO STEERING HANDLE BODY	43	5
35497	STRIP, RUBBER-FRONT COVER (LOWER) . . . . .	9	53	10-22290	SCREW, INDICATOR TO STEERING HANDLE BODY	43	5
35558	SHAFT, SHEAVE . . . . .	9	38	10-22956	SCREW, INSIDE HANDLE TO CHROME HANDLE . . . . .	7	9
35564	BLANKET, SOUND ABBSORBING-TOP COWL	9	40	10-22958	SCREW, ADJUSTING-THROTTLE ADVANCE STARTED WITH SERIAL #1610 . . . . .	33	16
35599A1	SHIELD ASSEMBLY, MAGNETO LEAD WIRE . . . . .	15	10				
35860	CO-PILOT DISC . . . . .	51	43	10-23035	SCREW/LOCKWASHER, THROTTLE SHUTTER . . . . .	19	23
35908A1	HANDLE, STEERING-THROTTLE CONTROL . . . . .	43	7	10-23035	SCREW/LOCKWASHER, THROTTLE SHUTTER . . . . .	21	23
35908A2	STEERING HANDLE ASSEMBLY, COMPLETE . . . . .	43	-	10-23178	SCREW, PLUG-MAIN NOZZLE . . . . .	21	29
35909	BODY AND SHAFT, STEERING HANDLE . . . . .	43	2	10-23618	SCREW, TRIM COVER TO TOP COWL . . . . .	3	8
38318	ROD, LINK - REVERSE LOCK LEVER(5/32") . . . . .	49	18	10-23702	SCREW, SPACER TO FUEL PUMP . . . . .	29	6A
38454	INSERT, ROPE GUIDE-TOP COWL . . . . .	9	41	10-23977	SCREW, LEAD WIRE CLAMP FASTENING . . . . .	11	26
38956	BRACKET, PORT-TOP COWL FASTENING . . . . .	7	20	10-23977	SCREW, LEAD WIRE TUBE CLAMP FASTENING . . . . .	11	23
38959	BRACKET, STARBOARD-TOP COWL FASTENING . . . . .	7	20	10-24233	SCREW, FUEL PUMP TO CYLINDER BLOCK . . . . .	27	3
10-20041	SCREW, ADJUSTING-THROTTLE IDLE . . . . .	33	14	10-24624	SCREW, CRANKCASE TO CYLINDER BLOCK (1-3/4")	35	8
10-20456	SCREW, HOLD DOWN RING CLAMP TO BEARING HOUSING . . . . .	35	20	10-25822	SCREW, STRAINER COVER	19	17
10-20597	SCREW, THROTTLE LEVER TO CARBURETOR . . . . .	23	2	10-25822	SCREW, STRAINER COVER	21	17
10-20597	SCREW, THROTTLE LEVER TO CARBURETOR . . . . .	25	2	10-25850	SCREW, FLOAT BOWL COVER (LONG) . . . . .	19	11
10-20653	SCREW, CYLINDER BLOCK COVER TO CYLINDER BLOCK . . . . .	37	29	10-25850	SCREW, FLOAT BOWL COVER (LONG) . . . . .	21	11
10-20665	SCREW, MAIN BEARING LOCKING . . . . .	35	10	10-26774	SCREW, THROTTLE CONTROL SHAFT TO BRACKET . . . . .	43	19
10-20665	SCREW, PORT COVER TO CYLINDER BLOCK . . . . .	37	24	10-27304	SCREW, REED STOP MOUNTING . . . . .	39	8
10-20784	SCREW, FRONT BRACKET TO TOP COWL . . . . .	9	43	10-27791	SCREW, ANCHOR - TILT STOP LEVER . . . . .	51	39
10-20847	SCREW, THROTTLE STOP LEVER . . . . .	19	18	10-28192	SCREW, TERMINAL BLOCK TO EXHAUST MANIFOLD COVER . . . . .	37	37
10-20847	SCREW, THROTTLE STOP LEVER . . . . .	21	18	10-28405	SCREW, PLUG-BODY CHANNEL . . . . .	19	21
10-20854	SCREW, FLOAT BOWL COVER (SHORT) . . . . .	19	10	10-28405	SCREW, PLUG-MAIN FUEL JET CHANNEL . . . . .	21	33
10-20854	SCREW, FLOAT BOWL COVER (SHORT) . . . . .	21	10	10-28592	SCREW, STEERING HANDLE TO ARM BRACKET . . . . .	43	17
10-20870	SCREW, PLUG-MAIN FUEL JET CHANNEL . . . . .	19	32	10-28634	SCREW, BOTTOM COWL FLUSHING HOLE . . . . .	45	22
10-21130	SCREW, GROUND TERMINAL . . . . .	17	7	10-28634	SCREW, GREASE FILLER HOLE . . . . .	53	11
10-21133	SCREW, BREAKER FASTENING . . . . .	11	3	10-28636	SCREW, BAFFLE PLATE AND MANIFOLD COVER MOUNTING . . . . .	37	35



# PARTS INDEX

Part Number	Description	Pg.	Ref. No.	Part Number	Description	Pg.	Ref. No.
10-28636	SCREW, INSIDE HANDLE TO CHROME HANDLE . . . . .	7	6	10-30991	SCREW, FRICTION CLAMP TO STATOR PLATE (SHORT) . . . . .	11	41
10-28639	SCREW, DETENT SPRING TO BOTTOM COWL . . . . .	31	12	10-31002	SCREW, SET-SPEED AND SHIFT INDICATOR . . . . .	43	4
10-28642	SCREW, DRIVE - SERIAL PLATE TO SWIVEL BRACKET . . . . .	51	35	10-31002	SCREW, SET-SPEED AND SHIFT INDICATOR . . . . .	43	4
10-28642	SCREW, WATER INTAKE SCREEN TO GEAR HOUSING . . . . .	53	9	10-31009	SCREW, VERTICAL SHAFT BRACKET TO BOTTOM COWL . . . . .	33	11
10-28653	SCREW, GREASE VENT HOLE . . . . .	53	13	10-31010	SCREW, RATCHET TO FLYWHEEL . . . . .	13	50
10-28706	SCREW, THROTTLE CAM TO STATOR PLATE (LONG) . . . . .	11	38	10-31048	SCREW, FRONT BRACKET TO TOP COWL . . . . .	3	3
10-28707	SCREW, THROTTLE CAM TO STATOR PLATE (SHORT) . . . . .	11	39	10-31058	SCREW, BREAKER CONNECTION . . . . .	11	7
10-28789	SCREW, CONTROL LEVER TO SWIVEL BRACKET - SEE NOTE BELOW . . . . .	49	21	10-31205	SCREW, CLAMP PLATE ADJUSTING . . . . .	49	28
10-28789	SCREW, PULLEY TO TOP COWL . . . . .	5	42	10-31206	SCREW, EXHAUST RELIEF COVER FASTENING . . . . .	45	12
10-28845	SCREW, PLUG-BODY CHANNEL . . . . .	21	27	10-31294	SCREW, CRANKCASE TO CYLINDER BLOCK (1") . . . . .	35	7
10-29237	SCREW, RETAINING - TILT STOP LEVER . . . . .	51	37	10-31312	SCREW, CHOKE SHUTTER TO CARBURETOR . . . . .	23	5
10-29283	SCREW, ADAPTOR TO BOTTOM COWL (1-1/4") . . . . .	27	--	10-31919	SCREW, CHOKE SHUTTER TO CARBURETOR . . . . .	25	6
10-30110	SCREW, REAR BRACKET TO TOP COWL . . . . .	3	12	10-32455	SCREW, ADAPTOR TO BOTTOM COWL (1-1/2") . . . . .	27	12
10-30376	SCREW, PINION GEAR RETAINING . . . . .	53	22	10-32455	SCREW, ADAPTOR TO BOTTOM COWL (1-1/2") - SEE UPPER PHOTO . . . . .	29	12
10-30650	SCREW, FRICTION CLAMP AND LINK TO STATOR PLATE (LONG) . . . . .	13	42	10-33988	SCREW AND LOCKWASHER, BREAKER FASTENING . . . . .	17	23
10-30663	SCREW, GROUND LEAD CLIP TO MANIFOLD COVER . . . . .	17	37	10-33990	SCREW, CONDENSER FASTENING (1-1/4") . . . . .	17	10
10-30663	SCREW, GROUND LEAD CLIP TO MANIFOLD COVER . . . . .	37	41	10-34695	SCREW, SHIELD TO MAGNETO . . . . .	15	11
10-30663	SCREW, MAGNETO GROUND LEADS TO TERMINAL BLOCK . . . . .	37	38	10-34696	SCREW, THROTTLE CONTROL LEVER TO CAM BRACKET . . . . .	15	21
10-30663	SCREW, VENT SCREEN TO TOP COWL . . . . .	3	10	10-35400	SCREW, HOLD DOWN RING TO STATOR PLATE . . . . .	15	14
10-30663	SCREW, VENT SCREEN TO TOP COWL . . . . .	7	14	10-35450	SCREW, THROTTLE CAM TO CAM BRACKET AND STATOR PLATE . . . . .	15	20
10-30675	SCREW, UPPER AND LOWER MOUNT COVER RETAINING . . . . .	47	15	10-35662	SCREW, UPPER BRG. HSG. MOUNTING (10-24X1/2) . . . . .	37	21
10-30679	SCREW, CO-PILOT DISC TO SADDLE . . . . .	51	44	10-36205	SCREW, HOLD DOWN RING CLAMP TO BEARING HOUSING . . . . .	37	20
10-30679	SCREW, STEERING ARM BRACKET TO SADDLE . . . . .	43	23	10-36455	SCREW, DUST COVER TO STATOR PLATE . . . . .	17	35
10-30818	SCREW, DETENT SPRING TO BOTTOM COWL . . . . .	31	12	10-37652	SCREW, MAIN BEARING CLAMPING . . . . .	39	4
10-30871	SCREW, CONTROL LEVER TO SWIVEL BRACKET . . . . .	49	21	10-37655	SCREW, BRACKET TO TOP COWL . . . . .	3	14
10-30982	SCREW, CHOKE SHUTTER TO CARBURETOR . . . . .	23	4	10-37655	SCREW, BRACKET TO TOP COWL . . . . .	7	21
				10-38395	SCREW, CONDENSER FASTENING (1-1/4") . . . . .	17	9

# PARTS INDEX

Part Number	Description	Pg.	Ref. No.	Part Number	Description	Pg.	Ref. No.
10-38787	SCREW, REAR BRACKET TO TOP COWL	7	16	11-24652	NUT, CARBURETOR MOUNTING STUDS	21	37
10-39002	SCREW, UPPER BRG. HSG. MOUNTING (12-24X1/2)			11-24652	NUT, CLAMP BRACKET STUD FASTENING	49	9
	-SEE NOTE BELOW	37	21	11-24652	NUT, CO-PILOT DISC FASTENING SCREW	51	45
10-39149	SCREW, SHIFT SHAFT BUSHING RETAINER	53	19	11-24652	NUT, CRANKCASE FASTENING SCREW	35	9
11-20088	NUT, INSIDE HANDLE TO CHROME HANDLE STUD	7	5	11-24652	NUT, CYLINDER BLOCK COVER MOUNTING SCREW	37	30
11-20088	NUT, RUBBER MOUNT TO CYLINDER BLOCK COVER	37	26	11-24652	NUT, DRIVE SHAFT HOUSING TO POWERHEAD STUDS	47	5
11-20088	NUT, RUBBER MOUNT TO FRONT BRACKET	3	35	11-24652	NUT, INSIDE HANDLE TO CHROME HANDLE SCREW	7	11
11-20088	NUT, RUBBER MOUNT TO FRONT BRACKET	9	48	11-24652	NUT, STEERING ARM BRACKET FASTENING SCREW	43	24
11-20110	NUT, ADAPTOR FASTENING SCREW	27	14	11-24652	NUT, TILT STOP LEVER ANCHOR SCREW	51	41
11-20110	NUT, ADAPTOR TO BOTTOM COWL SCREW - SEE UPPER PHOTO	29	14	11-24652	NUT, TILT STOP LEVER RETAINING SCREW	51	38
11-20166	NUT, SHEAVE SHAFT (LEFT HAND THREAD)	3	31	11-24652	NUT, WATER PUMP HOUSING STUDS	55	42
11-20166	NUT, SHEAVE SHAFT(LEFT HAND THREAD)	7	18	11-24652	NUT, COIL LEAD WIRE CLIP SCREW	17	21
11-20361	NUT, FRONT BRACKET SCREW	9	46	11-24652	NUT, BRACKET TO TOP COWL SCREW	3	15
11-20361	NUT, FRONT BRACKET TO TOP COWL SCREW	3	37	11-24652	NUT, BRACKET TO TOP COWL SCREW	7	22
11-20361	NUT, FRONT COVER STUD	9	55	11-26419	NUT, THROTTLE CONTROL LEVER SCREW	15	24
11-20361	NUT, HORIZONTAL GEAR TO SHIFT CONTROL HANDLE	31	9	11-27164	NUT, TILT TUBE FASTENING	49	7
11-20361	NUT, INSIDE HANDLE TO CHROME HANDLE STUD	7	5	11-27164	NUT, LOCK-THROTTLE IDLE ADJUSTING SCREW	33	15
11-20509	NUT, GEAR HOUSING TO DRIVE SHAFT HOUSING STUD	47	4	11-28656	WASHER, CHOKE LEVER SHAFT	23	-
11-20565	NUT, CONNECTING ROD SCREW	41	4	11-30499	WASHER, PROPELLER NUT	59	71
11-20645	NUT, LOCK - ADJUSTING SCREW	33	17	11-30968	WASHER, STEERING HANDLE SHAFT	43	9
11-20645	NUT, SPACER TO FUEL PUMP SCREW	29	7A	12-20084	WASHER, STEERING HANDLE SHAFT	43	9
11-20696	NUT, FLYWHEEL	13	53	12-20084	WASHER, TENSION SPRING TO HANDLE	31	4
11-20696	NUT, FLYWHEEL	15	1	12-20084	WASHER, THUMB SCREW	49	4
11-21528	NUT, DRIVE SHAFT HOUSING TO GEAR HOUSING STUD	47	3	12-20086	WASHER, BOTTOM COWL FLUSHING HOLE SCREW	45	23
11-21528	NUT, PROPELLER RETAINING	59	72	12-20214	WASHER, GREASE FILLER HOLE SCREW	53	10
11-21825	NUT, COIL LEAD WIRE CLIP SCREW (SPACER)	17	17	12-20260	WASHER, GREASE VENT HOLE SCREW	53	12
11-21923	NUT, LEAD WIRE CLAMP SCREW	17	16	12-20260	WASHER, CHROME HANDLE STUD	7	2
11-21923	NUT, TERMINAL SCREW	17	26	12-20262	WASHER, CLAMP BRACKET STUD	49	-
11-21971	NUT, STOP SWITCH CONNECTOR TO BOTTOM COWL	45	21	12-20583	WASHER, BREAKER FASTENING SCREW	11	5
11-24652	NUT, CARBURETOR MOUNTING STUDS	19	34	12-20583			

# PARTS INDEX

Part Number	Description	Pg.	Ref. No.	Part Number	Description	Pg.	Ref. No.
12-21135	WASHER, LEAD WIRE CLAMP SCREW . . . . .	11	28	12-36282	WASHER, FLYWHEEL NUT . . . . .	15	2
12-21135	WASHER, LEAD WIRE CLAMP SCREW . . . . .	17	14	12-36554	WASHER, NYLON - OUTLET TUBE SEAL . . . . .	47	8
12-21135	WASHER, TERMINAL SCREW . . . . .	17	24	12-36554	WASHER, NYLON - WATER PUMP COVER . . . . .	55	40
12-22887	WASHER, PULLEY FASTENING SCREW . . . . .	5	41	12-36555	WASHER, NYLON - INTAKE TUBE SEAL . . . . .	53	7
12-22907	WASHER, MAGNETO LINK . . . . .	13	45	12-37407	WASHER, CONTROL LEVER SCREW - SEE NOTE BELOW . . . . .	49	22
12-22937	WASHER, CHROME HANDLE STUD . . . . .	7	4	13-20160	WASHER, WAVE-RETAINER TENSION . . . . .	3	27
12-24812	WASHER, CONTROL LEVER FASTENING SCREW . . . . .	49	25	13-20160	WASHER, WAVE-RETAINER TENSION . . . . .	9	36
12-26014	WASHER, FUEL PUMP FASTENING SCREW . . . . .	27	4	13-20846	WASHER, WAVE - LEVER ANCHOR SCREW . . . . .	51	40
12-26180	WASHER, SHEAVE SHAFT RETAINER . . . . .	3	26	13-21134	LOCKWASHER, BREAKER FASTENING SCREW . . . . .	11	4
12-26180	WASHER, SHEAVE SHAFT RETAINER . . . . .	9	35	13-21134	LOCKWASHER, CONDENSER FASTENING SCREW . . . . .	11	10
12-26702	WASHER, LOWER-GEAR AND SHAFT . . . . .	33	6	13-21134	LOCKWASHER, CONDENSER FASTENING SCREW . . . . .	17	11
12-27025	WASHER, FLYWHEEL NUT . . . . .	13	52	13-21134	LOCKWASHER, LEAD WIRE CLAMP SCREW . . . . .	11	27
12-27025	WASHER, FLYWHEEL NUT . . . . .	15	2	13-21134	LOCKWASHER, LEAD WIRE CLAMP SCREW . . . . .	17	15
12-29245	WASHER, DETENT SPRING SCREW . . . . .	31	11	13-21134	LOCKWASHER, LEAD WIRE TUBE CLAMP FASTENING SCREW . . . . .	11	24
12-29245	WASHER, FRONT BRACKET SCREW . . . . .	3	36	13-21134	LOCKWASHER, TERMINAL SCREW . . . . .	17	25
12-29245	WASHER, FRONT BRACKET SCREW . . . . .	9	45	13-21134	LOCKWASHER, CORE FASTENING SCREW . . . . .	11	16
12-29245	WASHER, FRONT COVER STUD . . . . .	9	54	13-21272	LOCKWASHER, DETENT SPRING SCREW . . . . .	31	11
12-29245	WASHER, INSIDE HANDLE TO CHROME HANDLE SCREW . . . . .	7	10	13-21272	LOCKWASHER, FRICTION CLAMP SCREW . . . . .	13	43
12-29245	WASHER, INSIDE HANDLE TO CHROME HANDLE STUD . . . . .	7	3	13-21709	LOCKWASHER, MAIN BEARING LOCKING SCREW . . . . .	35	11
12-29245	WASHER, SHIFT CONTROL HANDLE . . . . .	31	8	13-21972	LOCKWASHER, STOP SWITCH CONNECTOR . . . . .	45	20
12-30373	WASHER, NEEDLE BEARING RETAINING . . . . .	41	5	13-22027	WASHER, WAVE-MAGNETO CAM TENSION . . . . .	15	8
12-30524	WASHER, SPLINED - PROPELLER SHAFT . . . . .	59	70	13-26992	LOCKWASHER, CHROME HANDLE STUD . . . . .	7	4
12-30528	WASHER, GEAR HOUSING COVER . . . . .	57	66	13-26992	LOCKWASHER, INSISDE HANDLE TO CHROME HANDLE SCREW . . . . .	7	7
12-30531	WASHER, THRUST - REVERSE GEAR . . . . .	57	59	13-26992	LOCKWASHER, RUBBER MOUNT STUD . . . . .	37	--
12-30856	WASHER, SEALING - STOP SWITCH . . . . .	45	16	13-26995	LOCKWASHER, COIL LEAD WIRE CLIP SCREW . . . . .	17	20
12-30908	WASHER, LOWER-GEAR AND SHAFT . . . . .	33	6	13-26996	LOCKWASHER, SHIELD TO MAGNETO SCREW . . . . .	15	12
12-32452	WASHER, LOWER-GEAR AND SHAFT . . . . .	33	6	13-27085	WASHER, WAVE - CONTROL LEVER FASTENING SCREW . . . . .	49	24
12-34392	WASHER, THROTTLE CONTROL LEVER SCREW . . . . .	15	23				
12-35559	WASHER, SHEAVE SHAFT RETAINER . . . . .	9	35				
12-35647	WASHER, STARTER SPRING RETAINER . . . . .	7	24				
12-36245	WASHER, FLYWHEEL NUT . . . . .	15	2				

# PARTS INDEX

Part Number	Description	Pg.	Ref. No.	Part Number	Description	Pg.	Ref. No.
13-30809	WASHER, WAVE - FACE PLATE . . . . .	55	37	17-20032	PIN, DOWEL-MAIN BEARING	39	5
13-34632	WASHER, WAVE-CHOKE SHUTTER SCREW . . . . .	25	7	17-20853	PIN, FLOAT LEVER PINION .	19	3
13-34632	WASHER, WAVE-GEAR AND SHAFT (LOWER) . . . . .	33	8	17-20853	PIN, FLOAT LEVER PINION .	21	3
13-36206	WASHER, WAVE-STARTER PAWL . . . . .	3	22	17-21438	PIN, DOWEL-CRANKCASE TO CYLINDER BLOCK . . .	35	5
13-36206	WASHER, WAVE-STARTER PAWL . . . . .	7	30	17-22060	PIN, IMPELLER DRIVE . . . .	55	34
14-20165	TAB WASHER, SHEAVE SHAFT NUT . . . . .	3	30	17-22896	PIN, RETAINER-STARTER CABLE . . . . .	3	20
14-20165	TAB WASHER, SHEAVE SHAFT NUT . . . . .	7	17	17-22896	PIN, RETAINER-STARTER CABLE . . . . .	7	29
14-26706	TAB WASHER, YOKE PIN HOLDING . . . . .	43	11	17-22896	PIN, ROLL-CHOKE KNOB TO SHAFT . . . . .	23	12
14-26706	TAB WASHER, YOKE PIN HOLDING . . . . .	43	11	17-22896	PIN, ROLL-CHOKE KNOB TO SHAFT . . . . .	25	12
14-30377	TAB WASHER, PINION GEAR SCREW . . . . .	53	21	17-22896	PIN, ROLL-HORIZONTAL GEAR RETAINING . . . . .	33	4
15-22371	SHIM, MAGNETO PILOT . . .	11	35	17-22896	PIN, ROLL-LEVER TO VERTICAL SHAFT . . . . .	33	13
15-26707	SHIM, STEERING HANDLE PIVOT TO BRACKET . . . .	43	15	17-25905	PINE, ROLL-SPRING AND WASHER TO HANDLE . . .	31	5
15-30497A1	SHIM, TILT TUBE - CLAMP TO SWIVEL BRACKET . . .	49	5	17-26862	PIN, YOKE TO STEERING HANDLE SHAFT . . . . .	43	13
15-30502A1	SHIM, UPPER BEARING HOUSING TO CYLINDER BLOCK . . . . .	35	12	17-26862	PIN, YOKE TO STEERING HANDLE SHAFT . . . . .	43	13
15-30522A1	SHIM, FORWARD GEAR BRG. TO GEAR HSG. . . .	57	50	17-27006	PIN, ROLL - SWIVEL BRACKET CONTROL LEVER . . . . .	49	19
15-30527A1	SHIM, BALL BEARING TO GEAR HOUSING . . . . .	53	24	17-29077	PIN, ROLL - CLAMPING LEVER . . . . .	45	6
15-30527A1	SHIM, BALL BEARING TO WATER PUMP HOUSING .	53	27	17-30535	PIN, CROSS - RATCHET TO PROPELLER SHAFT . . . .	57	55
15-30532A1	SHIM, THRUST WASHER TO GEAR HSG . . . . .	57	61	17-30673A1	TILT LOCK PIN ASSEMBLY .	49	10
15-30905	SHIM, STEERING HANDLE TO ARM BRACKET . . . . .	43	16	17-30688	SWIVEL PIN, SWIVEL BRACKET TO SADDLE . .	51	42
15-33910	SHIM, STATOR PLATE TO UPPER END CAP . . . . .	15	16	17-30904	#PIN, THROTTLE CONTROL SHAFT . . . . .	43	20
16-20789	STUD, CYLINDER BLOCK AND CRANKCASE TO DRIVE SHAFT HOUSING .	35	3	17-32124	PIN, DOWEL-TENSION SPRING TO HANDLE . . . .	31	5
16-21723	STUD, CARBURETOR MOUNTING . . . . .	35	4	18-20180	COTTER PIN, MAGNETO LINK TO THROTTLE CONTROL LEVER . . . . .	13	46
16-22035	STUD, CLAMP BRACKET SPACER . . . . .	49	8	18-25273	COTTER PIN, REVERSE LOCK LEVER TO ROD . . .	49	14
16-30715	STUD, DRIVE SHAFT HOUSING TO GEAR HOUSING . . . . .	47	2	19-20011	WELCH PLUG, BODY CHANNEL . . . . .	19	25
16-30716	STUD, GEAR HOUSING TO DRIVE SHAFT HOUSING .	53	2	19-20011	WELCH PLUG, BODY CHANNEL . . . . .	21	25
16-30717	STUD, WATER PUMP HOUSING TO GEAR HOUSING . . . . .	53	3	19-29900	PLUG, PLASTIC - FLYWHEEL SCREW HOLES . . . . .	15	5
16-34378	STUD, DRIVE SHAFT HOUSING TO GEAR HOUSING . . . . .	47	2	19-29900	PLUG, PLASTIC-FLYWHEEL SCREW HOLES . . . . .	13	48
17-20032	PIN, DOWEL - LOCATING . .	53	5	21-22974A2	CHECK VALVE ASSEMBLY .	27	2
17-20032	PIN, DOWEL-MAIN BEARING	39	3	21-22974A2	CHECK VALVE ASSEMBLY .	29	2A
				21-30819A1	CHECK VALVE ASSEMBLY, CRANKCASE . . . . .	35	2
				22-23612	FITTING, GREASE - SWIVEL BRACKET(CENTER-REAR)	49	31
				22-30139	PLUG, PIPE-CYLINDER BLOCK . . . . .	35	6

# PARTS INDEX

Part Number	Description	Pg.	Ref. No.	Part Number	Description	Pg.	Ref. No.
22-34577	ELBOW (90), FUEL PUMP TO CARBURETOR	29	8A	23-31313	SPACER, CHOKE SHUTTER FASTENING SCREW	23	6
22-34579	ELBOW (45), SPACER TO PRESSURE HOSE TO BLOCK	29	9A	23-31313	SPACER, CHOKE SHUTTER FASTENING SCREW	25	4
23-20618	SPACER, THROTTLE CAM	11	37	23-31792	SLEEVE, GUIDE - WATER INLET TUBE	55	44
23-26819	BUSHING, NYLON - CLAMPING LEVER SHAFT	45	7	23-33582	COLLAR, GUIDE - PROPELLER SHAFT	57	68
23-26856	BUSHING, NYLON - REVERSE LOCK LEVER ROD	49	12	23-34367	COLLAR, FLYWHEEL DUST SHIELD	15	7
23-28100	BUSHING, NYLON-STEERING HANDLE	43	8	23-35555	SPACER, FRONT BRACKET SCREW	9	44
23-28100	BUSHING, NYLON-STEERING HANDLE	43	8	23-35560	SPACER, SHEAVE SHAFT	9	33
23-28911	SPACER, SHEAVE SHAFT	3	24	24-20869	SPRING, THROTTLE SHAFT RETURN	19	28
23-28911	SPACER, SHEAVE SHAFT	7	33	24-22677	SPRING, TENSION-MAGNETO CAM	13	47
23-28912	BUSHING, SPRING GUIDE	3	18	24-26703	SPRING, STEERING HANDLE SHAFT	43	10
23-28912	BUSHING, SPRING GUIDE	7	27	24-26703	SPRING, STEERING HANDLE SHAFT	43	10
23-28919	BUSHING, NYLON-SHEAVE SHAFT SPACER	3	23	24-26890	SPRING, THROTTLE SHAFT RETURN	21	26
23-28919	BUSHING, NYLON-SHEAVE SHAFT SPACER	7	32	24-27087	SPRING, HOLD DOWN RING CLAMP	35	19
23-30419	SLEEVE, GROUND LEAD INSULATION	11	30	24-27160	SPRING, IDLE ADJUSTMENT SCREW	19	27
23-30419	SLEEVE, INSULATION-GROUND LEAD	17	28	24-27160	SPRING, IDLE ADJUSTMENT SCREW	21	35
23-30525	COLLAR, GUIDE - PROPELLER SHAFT	57	68	24-28357	SPRING, ADAPTOR FASTENING SCREW	27	13
23-30676A1	BUSHING ASSEMBLY, SHIFT SHAFT	53	16	24-28357	SPRING, ADAPTOR TO BOTTOM COWL SCREW - SEE UPPER PHOTO	29	13
23-30677	BUSHING, NYLON-SHIFT CONTROL SHAFT	31	13	24-29340A1	SPRING, STARTER REWIND	3	17
23-30677	BUSHING, NYLON-STEERING HANDLE TO BODY	43	6	24-29340A1	SPRING, STARTER REWIND	7	26
23-30677	BUSHING, NYLON-STEERING HANDLE TO BODY	43	6	24-30816	SPRING, DETENT-SECTOR GEAR	31	10
23-30678	BUSHING, NYLON-SHIFT CONTROL HANDLE	31	2	24-30817	SPRING, TENSION-SHIFT CONTROL HANDLE	31	3
23-30678	BUSHING, NYLON-SHIFT CONTROL HANDLE	31	6	24-30858A1	SPRING AND CONTACT ASSEMBLY	45	18
23-30813	SPACER, TUBE - REVERSE LOCK LEVER ROD	49	11	24-30885	SPRING, COMPRESSION - CAM FOLLOWER	57	49
23-30868	BUSHING, NYLON-GEAR AND SHAFT TO BOTTOM COWL	33	5	24-30947	SPRING, TENSION-CHOKE KNOB	23	10
23-30868	BUSHING, NYLON-GEAR AND SHAFT TO BRACKET	33	9	24-30947	SPRING, TENSION-CHOKE KNOB	25	10
23-30960	SLEEVE, GUIDE - WATER INLET TUBE	55	44	24-31204	SPRING, CHOKE SHUTTER TO LEVER	23	9
23-30977	SPACER, CABLE PULLEY	5	40	24-31333	SPRING, COMPRESSION - CAM FOLLOWER	57	49
23-31011	BUSHING, NYLON-INNER SLEEVE OR SOCKET ASSEMBLY	33	2	24-31918	SPRING, TENSION - REVERSE LOCK LEVER	49	17
23-31293	BUSHING, RUBBER - CLAMPING LEVER SHAFT	45	8	24-32283	SPRING, CHOKE SHUTTER TO LEVER	25	5
23-31309	SPACER, CONTROL LEVER FASTENING SCREW	49	23	24-34731	SPRING, HOLD DOWN RING CLAMP	37	19
				25-20826	"O"RING, UPPER BEARING HOUSING	35	17

# PARTS INDEX

Part Number	Description	Pg.	Ref. No.	Part Number	Description	Pg.	Ref. No.
25-20826	"O"RING, UPPER BEARING HOUSING	37	17	27-25033	GASKET, INLET SEAT	19	7
25-21720	"O" RING, UPPER - DRIVE SHAFT	55	45	27-25033	GASKET, INLET SEAT	21	7
25-25439	"O" RING, SWIVEL BRACKET	51	33	27-25848	GASKET, STRAINER COVER SCREW	19	16
25-26630	RING, RUBBER-LOWER SHIFT CONTROL SHAFT	31	16	27-25848	GASKET, STRAINER COVER SCREW	21	16
25-26802	"O" RING, SHIFT SHAFT BUSHING	53	17	27-25849	GASKET, STRAINER COVER (SMALL)	19	14
25-29051	GROMMET, GROUND LEAD THRU STATOR PLATE	11	31	27-25849	GASKET, STRAINER COVER (SMALL)	21	14
25-29439	"O" RING, WATER PUMP HOUSING	55	29	27-28406	GASKET, JET CHANNEL PLUG SCREW	19	31
25-30526	RING, RUBBER - CENTRIFUGAL SLINGER (DRIVE SHAFT)	55	43	27-28406	GASKET, JET CHANNEL PLUG SCREW	21	32
25-30529	"O" RING, BEARING CARRIER	57	62	27-28409	GASKET, MAIN FUEL JET	19	30
25-36284	"O" RING, FLYWHEEL HUB	15	3	27-28409	GASKET, MAIN FUEL JET	21	31
25-38933	"O" RING, LOWER SHIFT CONTROL SHAFT	31	16A	27-30504	GASKET, CYLINDER BLOCK COVER	37	27
26-26865	SEAL, RUBBER - WATER INTAKE TUBE	53	6	27-30651	GASKET, FUEL PUMP DIAPHRAGM TO SPACER	29	4A
26-30530	OIL SEAL, BEARING CARRIER	57	65	27-30651	GASKET, FUEL PUMP TO SPACER	27	7
26-30696	OIL SEAL, SHIFT SHAFT BUSHING	53	18	27-30656	GASKET, BAFFLE PLATE TO EXHAUST MANIFOLD COVER	37	33
26-30697	OIL SEAL, SWIVEL BRACKET	51	--	27-30656	GASKET, CYLINDER BLOCK TO BAFFLE PLATE	37	31
26-30811	SEAL, RUBBER - WATER INTAKE TUBE	53	6	27-30801	GASKET, EXHAUST RELIEF COVER TO BOTTOM COWL	45	10
26-30811	SEAL, RUBBER - WATER OUTLET	47	7	27-30803	GASKET, POWERHEAD TO BOTTOM COWL	45	9
26-30811	SEAL, WATER INTAKE TUBE	55	31	27-30804	GASKET, BOTTOM COWL TO DRIVE SHAFT HOUSING	47	9
26-30811	SEAL, WATER PUMP COVER	55	39	27-31071	GASKET SET (MOTOR OVERHAUL) - MERC 60 AND 60-1	1	-
26-30900	OIL SEAL, WATER PUMP HOUSING	55	30	27-31509	GASEKT, FUEL PUMP SPACER TO CYLINDER BLOCK	27	9
26-30913	OIL SEAL, WATER PUMP COVER	55	41	27-31557	GASKET, POWERHEAD TO BOTTOM COWL	45	9
26-30943	OIL SEAL, CRANKCASE (LOWER)	37	43	27-32215	GASKET SET (MOTOR OVERHAUL) - MERC 60-2 AND 60-3 AND 60-4	1	-
26-30943	OIL SEAL, UPPER BEARING HOUSING	35	16	27-34614	GASKET, STRAINER COVER (LARGE)	19	12
26-31411	OIL SEAL, UPPER BEARING HOUSING	35	16	27-34614	GASKET, STRAINER COVER (LARGE)	21	12
26-31411	OIL SEAL, UPPER BEARING HOUSING	37	16	28-20094	KEY, FLYWHEEL	13	51A
26-33613	SEAL, RUBBER - WATER INTAKE TUBE	53	6	28-20094	KEY, FLYWHEEL DRIVE	15	4
26-33613	SEAL, WATER INTAKE TUBE	55	31	28-22818	KEY, FLYWHEEL	13	51
26-36556	SEAL, RUBBER - WATER OUTLET TUBE	47	7A	29-22591	BEARING, NEEDLE-CRANKPIN	41	3
26-36558	SEAL, WATER PUMP COVER	55	39	29-22591	BEARING, NEEDLE-PISTON PIN	41	6
27-22023	GASKET, CARBURETOR FLANGE	19	33	30-20861	BEARING, BALL-CRANKCASE (LOWER)	37	42
27-22023	GASKET, CARBURETOR FLANGE	21	36				
27-22656	GASKET, TRANSFER PORT COVER	37	22				
27-23180	GASKET, IDLE TUBE	21	22				

# PARTS INDEX

Part Number	Description	Pg.	Ref. No.	Part Number	Description	Pg.	Ref. No.
30-20861	BEARING, BALL-UPPER			37-35483	DECAL, FRONT COVER . . .	9	51
	BEARING HOUSING . . . .	35	14	37-35484A1	DECAL SET (TOP COWL) -		
30-20861	BEARING, BALL-UPPER				MERC 60-3 . . . . .	1	-
	BEARING HOUSING . . . .	35	14	37-35484A1	DECAL SET, TOP COWL		
30-21149	BEARING, BALL - DRIVE				(NOT AS SHOWN) . . . . .	7	23
	SHAFT . . . . .	53	25	37-35512	DECAL, SHIFT - CHOKE -		
30-21889	BEARING, BALL - FORWARD				STOP - FUEL . . . . .	45	2
	GEAR . . . . .	57	51	37-35513	DECAL, INSTRUCTION -		
30-21889	BEARING, BALL - REVERSE				SWIVEL BRACKET . . . . .	49	29
	GEAR . . . . .	57	60	37-35824	DECAL, SHIFT - BOTTOM		
30-33076	BEARING, BALL - DRIVE				COWL . . . . .	45	2A
	SHAFT . . . . .	53	25	37-37744	DECAL, FRONT COVER . . .	9	51
31-22458	BEARING, ROLLER -			37-37746A1	DECAL SET (TOP COWL) -		
	BEARING CARRIER . . . .	57	64		MERC 60-4 . . . . .	1	-
31-22458	BEARING, ROLLER -			37-37746A1	DECAL SET, TOP COWL . . .	7	23
	FORWARD GEAR . . . . .	57	53	37-37752	DECAL, FRONT COVER		
31-22756	BEARING, ROLLER - DRIVE				("MERC 60") . . . . .	9	50
	SHAFT . . . . .	53	4	37-37753	DECAL, FRONT COVER		
31-28157	BEARING, ROLLER-UPPER				("CHOKE-STOP-FUEL") . .	9	52
	BEARING HOUSING . . . .	35	15	37-37754	DECAL, BOTTOM COWL -		
31-31410	BEARING, ROLLER-UPPER				PORT . . . . .	45	13
	BEARING HOUSING . . . .	35	15	37-37755	DECAL, BOTTOM COWL -		
31-31410	BEARING, ROLLER-UPPER				STARBOARD . . . . .	45	14
	BEARING HOUSING . . . .	35	15	38-29643	INSIGNIA, FRONT-TOP		
32-21137	TUBE, LEAD WIRES . . . . .	11	21		COWL . . . . .	3	2
32-30797	TUBE, WATER OUTLET . . . .	47	6	38-31042	SERIAL PLATE . . . . .	51	34
32-30799	TUBE, WATER INTAKE . . . .	55	32	39-22593	RING, PISTON . . . . .	41	9
32-30850	FUEL LINE, FUEL PUMP TO			40-22652	LOCK RING, PISTON PIN . .	41	8
	CARBURETOR (5") . . . . .	27	5	43-30702	GEAR AND SHAFT,		
32-31940	TUBE, WATER OUTLET . . . .	47	6		THROTTLE CONTROL . . .	33	7
32-32230	FUEL LINE, FUEL PUMP TO			43-30703	GEAR, HORIZONTAL-		
	CARBURETOR (4-3/4") . . .	27	5		THROTTLE CONTROL . . .	33	3
32-32617	FUEL LINE, FUEL PUMP TO			43-30802	GEAR, HORIZONTAL-SHIFT		
	ADAPTOR (9-3/8") . . . . .	27	10		CONTROL HANDLE . . . .	31	7
32-34293	TUBE, WATER INTAKE . . . .	55	32	43-30838	GEAR, SECTOR-SHIFT		
32-34572	FUEL LINE, FUEL PUMP TO				CONTROL SHAFT(		
	ADAPTOR (5-1/2") . . . . .	29	12A	43-30878	BRONZE) . . . . .	31	15
32-34578	HOSE, PRESSURE-			43-30880A1	GEAR, PINION . . . . .	53	20
	CYLINDER BLOCK TO				FORWARD GEAR		
	FUEL PUMP . . . . .	29	10A	43-30882A1	ASSEMBLY . . . . .	57	52
33-22805	SPARK PLUG(J7J) . . . . .	11	34	43-31337	REVERSE GEAR ASSEMBLY	57	58
33-22805	SPARK PLUG, (CHAMPION-				GEAR, SECTOR-SHIFT		
	J7J) . . . . .	17	33		CONTROL SHAFT		
34-21721	REED STOP, MAIN BEARING			43-32451	(ALUMINUM) . . . . .	31	15
	REED VALVES . . . . .	39	7		GEAR AND SHAFT,		
34-23087A1	REED SET, MATCHED-MAIN			43-32453	THROTTLE CONTROL . . .	33	7
	BEARING . . . . .	39	6		GEAR, SECTOR-SHIFT		
35-30865	SCREEN, WATER INTAKE . .	53	8		CONTROL SHAFT		
35-32234	SCREEN, WATER INTAKE -			43-32453	(ALUMINUM) . . . . .	31	15
	NOT AS SHOWN . . . . .	53	8		GEAR, SECTOR-SHIFT		
35-33425	SCREEN, WATER INTAKE -				CONTROL SHAFT(		
	NOT AS SHOWN . . . . .	53	8	44-30544	ALUMINUM) . . . . .	31	15
37-31035	DECAL, SHIFT - CHOKE -			44-33581	SHAFT, PROPELLER . . . . .	57	57
	STOP - FUEL . . . . .	45	2	45-30542	SHAFT, PROPELLER . . . . .	57	57
37-31043	DECAL, INSTRUCTION -			45-33079	DRIVE SHAFT . . . . .	53	23
	SWIVEL BRACKET . . . . .	49	29	46-22741	DRIVE SHAFT . . . . .	53	23
37-31073A1	DECAL SET (TOP COWL) -				INSERT, WATER PUMP		
	MERC 60, 60-1 AND 60-2 .	1	-	46-30592A1	HOUSING . . . . .	55	33
37-31073A1	DECAL SET, TOP COWL . . .	3	-		WATER PUMP HOUSING		
					ASS'Y . . . . .	53	28

# PARTS INDEX

Part Number	Description	Pg.	Ref. No.	Part Number	Description	Pg.	Ref. No.
46-31696A1	WATER PUMP HOUSING ASS'Y	55	28	94-37873	SHIPPING CARTON (MOTOR)	1	-
46-33077A1	WATER PUMP HOUSING ASS'Y	55	28	187-1807	BOTTOM COWL	45	1
46-34294A1	WATER PUMP HOUSING ASS'Y	55	28	187-1952	BOTTOM COWL	45	1
47-22748	IMPELLER, WATER PUMP	55	35	191-1827A1	TOP COWL ASSEMBLY	3	1
48-31105A1	PROPELLER ASSEMBLY (2 BLADE - ALUMINUM - 8" PITCH)	57	69	217-2025A1	FLYWHEEL ASSEMBLY	11	1A
48-31214A1	PROPELLER ASSEMBLY (2 BLADE - ALUMINUM - 6" PITCH)	57	69	219-2246A2	FLYWHEEL ASSEMBLY, COMPLETE	15	6
48-34398A1	PROPELLER ASSEMBLY (2 BLADE - BRONZE - 8" PITCH)	57	69	398-173	COIL, IGNITION	11	13
48-37320A1	PROPELLER ASSEMBLY (2 BLADE - ALUMINUM - 4" PITCH)	59	69	398-174	BREAKER POINT ASSEMBLY	11	2
50-30594A1	STARTER SHEAVE ASSEMBLY	3	19	398-179	CLAMP, LEAD WIRE TUBE	11	22
50-30594A1	STARTER SHEAVE ASSEMBLY	7	28	398-182	CLAMP, LEAD WIRES	11	25
50-30662	RATCHET, FLYWHEEL	13	49	398-1858	FLYWHEEL	11	1
50-30823A1	STARTER CABLE ASSEMBLY	3	38	398-1859	WIPER, CAM-FELT	11	12
50-30823A1	STARTER CABLE ASSEMBLY	9	56	398-1872	GROUND LEAD, MAGNETO TO TERMINAL BLOCK	11	29
52-32474A1	RATCHET ASSEMBLY, SLIDING CLUTCH	57	54	398-193	PLUG, FELT	11	11
53-26406	RING, RETAINING - UPPER AND LOWER MOUNT	47	13	398-2202	BREAKER ASSEMBLY	17	22
53-30428	FASTENER, CLAMPING LEVER	45	5	398-2203	CONDENSER ASSEMBLY	17	8
53-30523	RING, RETAINING - BALL BEARING	53	26	398-2204	LEAD WIRE-TOP	17	30
53-30534	RING, RETAINING - CROSS PIN	57	56	398-2205	LEAD WIRE	17	29
53-30899	RING, RETAINING - SHIFT SHAFT	53	15	398-2206	GROUND LEAD, STATOR TO TERMINAL BLOCK	17	27
53-32449	RING, RETAINING - CROSS PIN	57	56	398-2207	FELT, CAM-BREAKER	17	5
54-20387	CLAMP, PRESSURE HOSE TO 45 ELBOWS	29	11A	398-2208	COVER, DUST-STATOR PLATE	17	34
54-24836	CLIP, GROUND LEAD	17	36	398-2221	STATOR PLATE AND CORE	17	1
54-24836	CLIP, MAGNETO GROUND LEAD	37	39	398-2230	CAM, BREAKER	15	15
54-24836	CLIP, NYLON-COIL LEAD WIRE	17	18	398-2321	CLIP, COIL RETAINING	17	3
54-30954	CLIP, SAFETY CHAIN - TILT TUBE	49	-	398-2413	CLIP, COIL RETAINING	17	4
54-31059	CLIP, CORE AND COIL	11	17	398-2545A1	COIL ASSEMBLY	17	2
54-33992	CLAMP, LEAD WIRE	17	13	398-2574A1	STATOR PLATE ASSEMBLY, COMPLETE (SEE NOTE BELOW)	15	9
54-34449	CLIP, THROTTLE CAM BRACKET	15	18	398-2574A1	STATOR PLATE ASSEMBLY, COMPLETE (SEE NOTE BELOW)	17	-
54-34598	CLAMP, HOLD DOWN RING	37	18	398-692	STATOR AND CORE ASSEMBLY	11	14
90-31248	MERC 60 PARTS LIST	1	-	398-692A4	STATOR PLATE ASSEMBLY	11	-
92-25234	GLUE (BLANKET ADHESIVE)	1	-	398-693	CONDENSER	11	8
94-30992	SHIPPING CARTON (FUEL TANK)	1	-	398-694	CAM, BREAKER	11	33
				398-732	CLIP, GROUND WIRE LEAD	11	6
				398-732	CLIP, GROUND WIRE LEAD	17	6
				398-963	SCREW, CORE FASTENING	11	15
				398-965	LEAD WIRE (TOP)	11	18
				398-965	LEAD WIRE(BOTTOM)	11	20
				419-1805	CRANKSHAFT	39	1
				419-2223	CRANKSHAFT	39	1
				529-1792A1	MAIN BEARING ASSEMBLY (VALVE TYPE)	39	2
				605-378A2	CONNECTING ROD ASSEMBLY	41	1
				703-1830A4	PISTON AND PISTON PIN ASSEMBLY	41	7
				835-1770A2	CYLINDER BLOCK AND CRANKCASE ASSEMBLY	35	1
				835-1956A2	CYLINDER BLOCK AND CRANKCASE ASSEMBLY	35	1



# PARTS INDEX

Part Number	Description	Pg.	Ref. No.	Part Number	Description	Pg.	Ref. No.
1013-1774	COVER, CYLINDER BLOCK	37	28	1458-2328A1	CLAMP BRACKET		
1127-1775A1	BEARING HOUSING				ASSEMBLY (PORT)	49	1
	ASSEMBLY, UPPER	35	13	1459-2329A1	CLAMP BRACKET		
1131-2247A2	BEARING HOUSING				ASSEMBLY (STARBOARD)	49	2
	ASSEMBLY, UPPER	35	13A	1538-1776A1	DRIVE SHAFT HOUSING		
1131-2405A1	BEARING HOUSING				ASSEMBLY	47	1
	ASSEMBLY, UPPER	35	13A	1538-1937A1	DRIVE SHAFT HOUSING		
1304-1831	CARBURETOR ASSEMBLY,				ASSEMBLY	47	1
	COMP. (AJ-57A)	19	1	1538-2243A1	DRIVE SHAFT HOUSING		
1334-2031	CARBURETOR ASSEMBLY,				ASSEMBLY	47	1
	COMP. (KB-6A)	21	1	1539-1777	SADDLE	47	10
1399-101	LEVER, FLOAT (UPPER)	19	5	1539-1935	SADDLE	47	10
1399-101	LEVER, FLOAT (UPPER)	21	5	1622-1771A1	GEAR HOUSING ASSEMBLY	53	1
1399-102	LEVER, FLOAT (LOWER)	19	4	1622-1771A1	GEAR HOUSING ASSEMBLY		
1399-102	LEVER, FLOAT (LOWER)	21	4		- SEE PAGE 11 FOR		
1399-110A1	FLOAT ASSEMBLY	19	2		PARTS BREAKDOWN	57	1
1399-110A1	FLOAT ASSEMBLY	21	2	1622-1771A3	GEAR HOUSING ASSEMBLY,		
1399-1133	COVER, FLOAT BOWL	19	9		COMPLETE - SEE NOTE		
1399-1133	COVER, FLOAT BOWL	21	9		BELOW	53	-
1399-1135	COVER, STRAINER	19	15	1622-1931A1	GEAR HOUSING ASSEMBLY	53	1
1399-1135	COVER, STRAINER	21	15	1622-1931A1	GEAR HOUSING ASSEMBLY		
1399-1138	INLET NEEDLE, SEAT AND				- SEE PAGE 11 FOR		
	GASKET	19	6		PARTS BREAKDOWN	57	1
1399-1138	INLET NEEDLE, SEAT AND			1622-1931A8	GEAR HOUSING ASSEMBLY,		
	GASKET	21	6		COMPLETE - SEE NOTE		
1399-1145	GASKET AND PACKING SET	19	--		BELOW	53	-
1399-1649	JET, MAIN FUEL (.049)	19	29	1622-1931A8	GEAR HOUSING ASSEMBLY,		
1399-1716	SHAFT, THROTTLE	21	20		COMPLETE - SEE NOTE		
1399-1717	GASKET AND PACKING SET	21	--		BELOW	57	-
1399-1754	SCREEN, FILTER	19	13	1622-2244A1	GEAR HOUSING ASSEMBLY	53	1
1399-1754	SCREEN, FILTER	21	13	1622-2244A1	GEAR HOUSING ASSEMBLY		
1399-1765	JET, MAIN FUEL (.045)-				- SEE PAGE 11 FOR		
	STANDARD	19	29		PARTS BREAKDOWN	57	1
1399-1765	JET, MAIN FUEL (.045)-			1622-2244A3	GEAR HOUSING ASSEMBLY,		
	STANDARD	21	30		COMPLETE - SEE NOTE		
1399-1767	JET, MAIN FUEL (.047)	19	29		BELOW	53	-
1399-1767	JET, MAIN FUEL (.047)	21	30	1622-2244A3	GEAR HOUSING ASSEMBLY,		
1399-1863	SCREW, IDLE ADJUSTMENT	19	26		COMPLETE - SEE NOTE		
1399-1864	JET, MAIN FUEL (.043)	19	29		BELOW	57	-
1399-1864	JET, MAIN FUEL (.043)	21	30	2105-2352A2	COVER ASSEMBLY, FRONT	9	49
1399-1865	REPAIR PARTS KIT	19	--	2105-2352A5	COVER ASSEMBLY, FRONT	9	49
1399-1896	JET, MAIN FUEL (.041)	19	29	2107-2362	COWL, TOP	7	19
1399-1896	JET, MAIN FUEL (.041)	21	30				
1399-2036	MAIN NOZZLE	21	28				
1399-2037	TUBE, IDLE	21	21				
1399-2038	SCREW, IDLE ADJUSTMENT	21	34				
1399-2039	REPAIR PARTS KIT	21	--				
1399-438	SHAFT, THROTTLE	19	20				
1399-699	SHUTTER, THROTTLE	19	24				
1399-699	SHUTTER, THROTTLE	21	24				
1399-700A1	TUBE, IDLE	19	22				
1399-97	LEVER, THROTTLE STOP	19	19				
1399-97	LEVER, THROTTLE STOP	21	19				
1399-99	GASKET, FLOAT BOWL						
	COVER	19	8				
1399-99	GASKET, FLOAT BOWL						
	COVER	21	8				
1451-1788	SWIVEL BRACKET	51	32				
1452-1789A1	CLAMP BRACKET						
	ASSEMBLY	49	1				