



PARTS CATALOG

MARK 35A MERC 300/350

SERIAL NUMBER

300 350 1271884 THRU 1448139
MARK 35A ALL

TABLE OF CONTENTS:

BOTTOM COWL ASSEMBLY	40
CARBURETOR ASSEMBLY	20
CARBURETOR LINKAGE AND CHOKE SOLENOID	24
CLAMP AND SWIVEL BRACKET	44
COWLING AND FRONT COVER	6
CRANKSHAFT, PISTON AND CONNECTING ROD	36
CYLINDER BLOCK AND CRANKCASE ASSEMBLY	32
DRIVE SHAFT HOUSING ASSEMBLY	48
FLYWHEEL ASSEMBLY AND STATOR	8
FUEL PUMP ASSEMBLY	28
GEAR HOUSING ASSEMBLY (PAGE 1)	52
GEAR HOUSING ASSEMBLY (PAGE 2)	56
MAGNETO ADAPTOR AND PILOT ASSEMBLY	10
MAGNETO ASSEMBLY (INTERNAL PARTS)	16
MISCELLANEOUS PARTS/ACCESSORIES	1
PARTS INDEX	60
RECTIFIER, STARTER SOLENOID AND WIRING HARNESS	58
TOP COWL AND STARTER ASSEMBLY	2

NOTE: *Indented description indicate that these parts are included in preceeding assembly.*

AR = As Required

NSS = Not Sold Separate

OPT = Optional

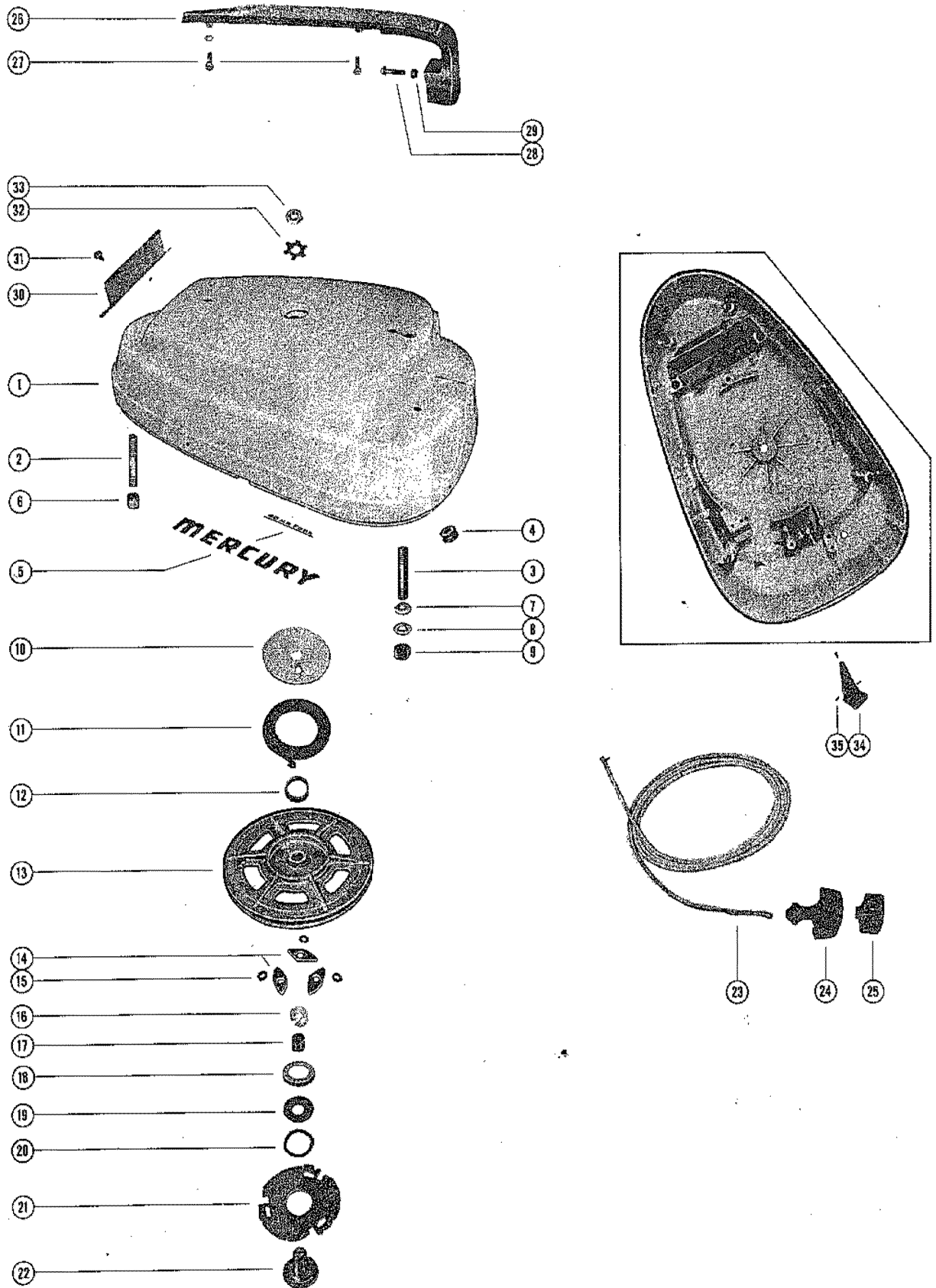
NS = Not Shown

THESE PARTS BOOKS/FICHE CARD ARE COPYRIGHTED AND MAY NOT BE DISTRIBUTED OR REPRODUCED IN ANY OTHER FORMAT BY ANYONE OTHER THAN MERCURY MARINE WITHOUT THE PRIOR WRITTEN CONSENT OF MERCURY MARINE.

MISCELLANEOUS PARTS/ACCESSORIES

REF. NO.	PART NO.	SYM.	QTY.	DESCRIPTION
-	35190		0	BATTERY
-	91-32144		0	BATTERY BOX ASSEMBLY
-	91-25143--1		0	DECAL SOLUTION (PINT BOTTLE)
-	27-26998A1		0	GASKET SET
-	24789A1		0	FLUSHING ASSEMBLY
-	92-29409-12		0	GEAR LUBRICANT
-	92-25234--1		0	GLUE (BLANKET ADHESIVE)
-	94-29616		0	SHIPPING CARTON (FUEL TANK)
-	90-45772		0	MARK 35A, MERC 300, MERC 350 PARTS LIST

TOP COWL AND STARTER ASSEMBLY

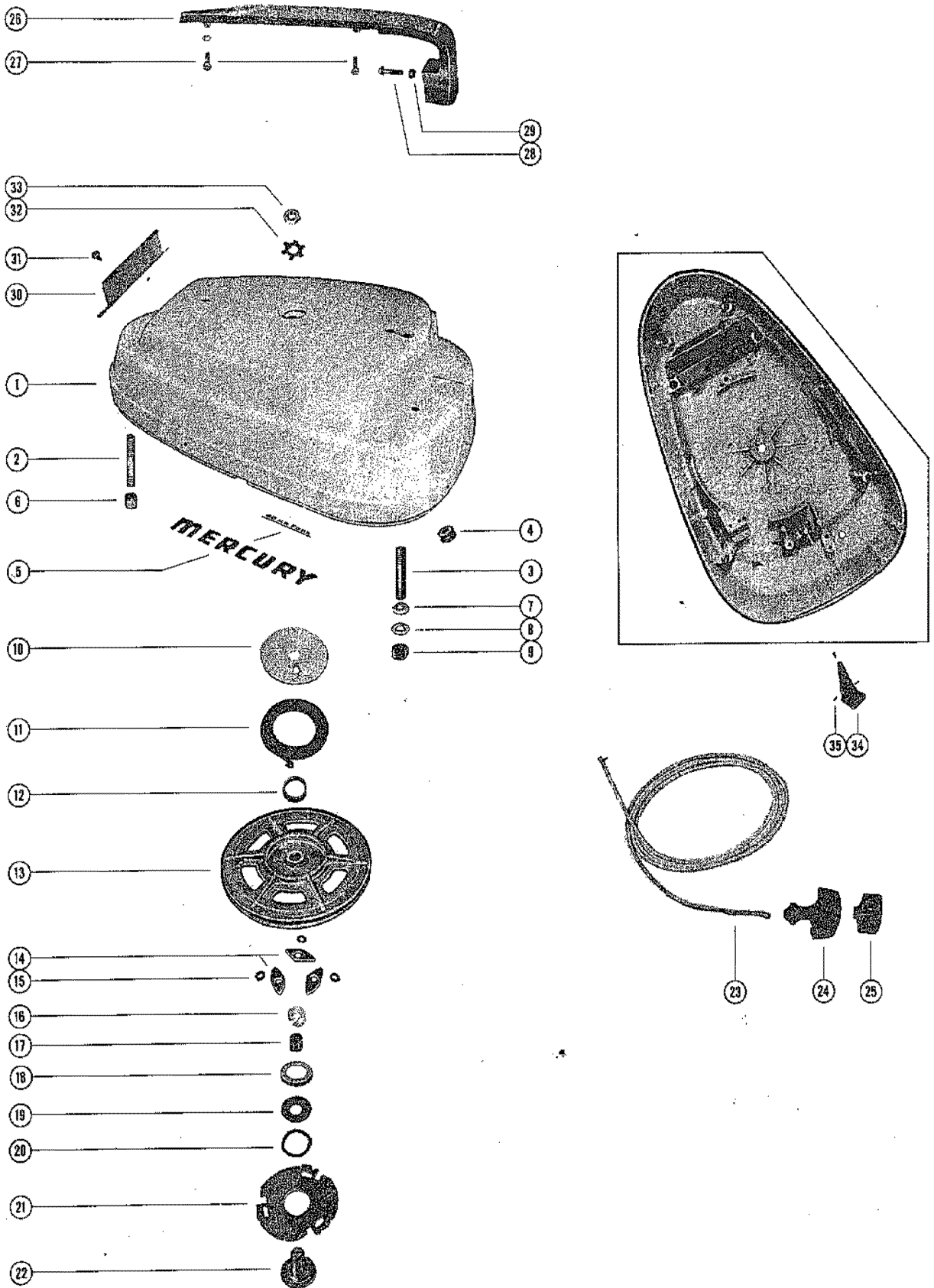


TOP COWL AND STARTER ASSEMBLY

REF. NO.	PART NO.	SYM.	QTY.	DESCRIPTION
1	177-1600A2		1,1,1,1,1,	TOP COWL ASSEMBLY
2	16-20500		2,2,2,2,2,	STUD, REAR - TOP COWL TO COVER
3	16-20353		2,2,2,2,2,	STUD, FRONT-TOP COWL TO CRANKCASE
4	25-20116		1,1,1,1,1,	GROMMET, CHOKE KNOB
5	37-28988A1		1,1,,,,,	DECAL SET, TOP COWL (COLORED ENGINES) - NOT AS SHOWN
	37-28989A1		1,1,,,,,	DECAL SET, TOP COWL (WHITE ENGINES) - NOT AS SHOWN
	37-29834A1		,,1,1,,,,	DECAL SET, TOP COWL (NOT AS SHOWN)
	37-31121A1		,,,,1,1,1	DECAL SET, TOP COWL
6	23-20326		2,2,2,2,2,	SPACER, TOP COWL STUD
7	12-20346		4,4,4,4,4,	WASHER, TOP COWL STUD (3/4" O.D.)
8	12-20028		4,4,4,4,4,	WASHER, TOP COWL STUD (1/16" THICK)
	12-20583		4,4,4,4,4,	WASHER, TOP COWL STUD (1/32" THICK)
9	11-20361		4,4,4,4,4,	NUT, TOP COWL FASTENING
10	20155		1,1,1,1,1,	RETAINER, STARTER SPRING
11	24-29340A1		1,1,1,1,1,	SPRING, STARTER REWIND
12	23-28912		1,1,1,1,1,	BUSHING, SPRING GUIDE
13	50-28908		1,1,1,1,1,	SHEAVE ASSEMBLY
	50-30994		,,,,,,1	SHEAVE ASSEMBLY
14	20162		3,3,3,3,3,	PAWL, STARTER
	30596		,,,,,,3	PAWL, STARTER
15	13-29402		3,3,3,3,3,	WASHER, WAVE-STARTER PAWL
	13-30597		,,,,,,3	WASHER, WAVE-STARTER PAWL
16	23-28919		1,1,1,1,1,	BUSHING, NYLON-SHEAVE SHAFT SPACER
17	23-28911		1,1,1,1,1,	SPACER, SHEAVE SHAFT
18	26179		1,1,1,1,1,	RETAINER, WAVE WASHER
19	12-26180		1,1,1,1,1,	WASHER, WAVE WASHER RETAINER
20	13-20160		1,1,1,1,1,	WASHER, WAVE-RETAINER TENSION
21	20164		1,1,1,1,1,	PLATE, RETAINER STARTER PAWL
	30595		,,,,,,1	PLATE, RETAINER STARTER PAWL
22	28913		1,1,1,1,1,	SHAFT, SHEAVE
23	50-28985A1		1,1,1,1,1,	STARTER CABLE ASSEMBLY
24	28747		1,1,1,1,1,	HANDLE, STARTER CABLE
25	28748		1,1,1,1,1,	RETAINER, STARTER CABLE AND HANDLE
26	28944		1,1,1,1,1,	HANDLE, TOP COWL
27	10-29199		,,2,2,2,2,	SCREW, HANDLE TO TOP COWL
	10-28667		2,2,,,,,	SCREW, HANDLE TO TOP COWL
-	13-26992		2,2,,,,,	LOCKWASHER, HANDLE FASTENING SCREW
28	10-22421		1,1,1,1,1,	SCREW, HANDLE TO TOP COWL
29	11-20361		1,1,1,1,1,	NUT, HANDLE FASTENING SCREW
30	28967		1,1,1,1,1,	SCREEN, VENT-TOP COWL
-	11-28968		4,4,,,,,	NUT, SPEED-VENT SCREEN TO TOP COWL - SEE NOTE #1 BELOW

CONTINUED ON NEXT PAGE ➡

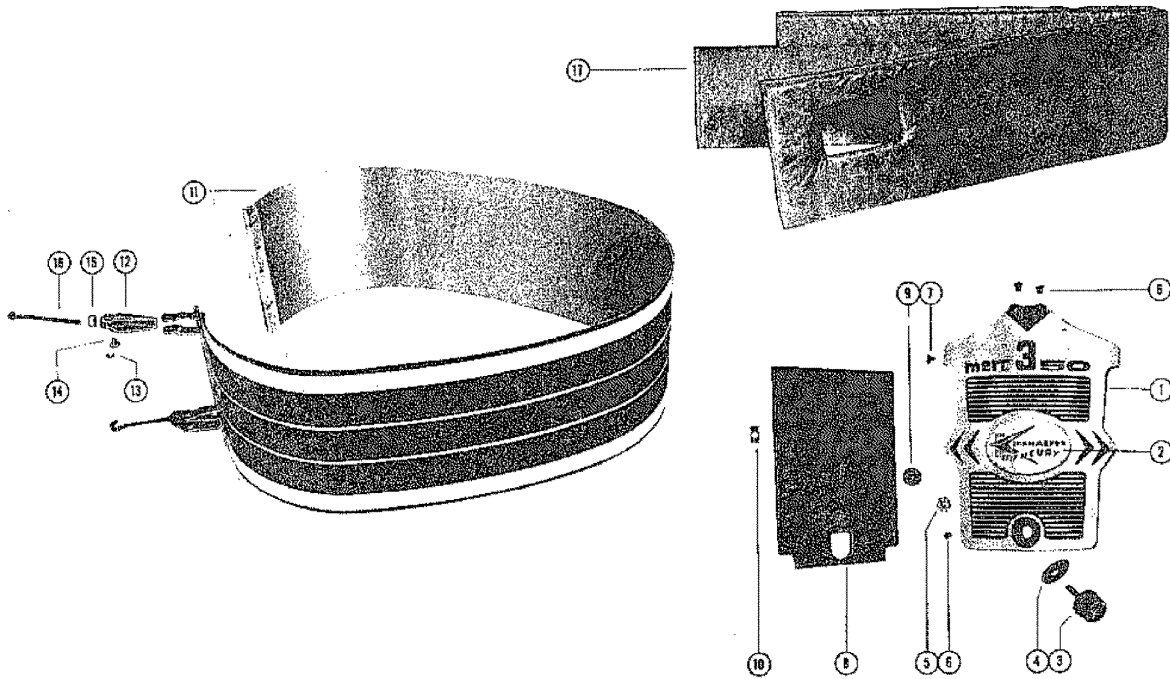
TOP COWL AND STARTER ASSEMBLY



TOP COWL AND STARTER ASSEMBLY

REF. NO.	PART NO.	SYM.	QTY.	DESCRIPTION
31	10-29221		4,4,4,4,4,	SCREW, VENT SCREEN TO TOP COWL - SEE NOTE #1 BELOW
32	14-20165		1,1,1,1,1,	TAB WASHER, SHEAVE SHAFT NUT
33	11-20166		1,1,1,1,1,	NUT, SHEAVE SHAFT (LEFT HAND THREAD)
34	30045		,1,1,1,1,	PLATE, ROPE GUIDE (SEE NOTE #2 BELOW)
35	10-28642		,3,3,3,3,	SCREW, DRIVE-ROPE GUIDE PLATE TO TOP COWL

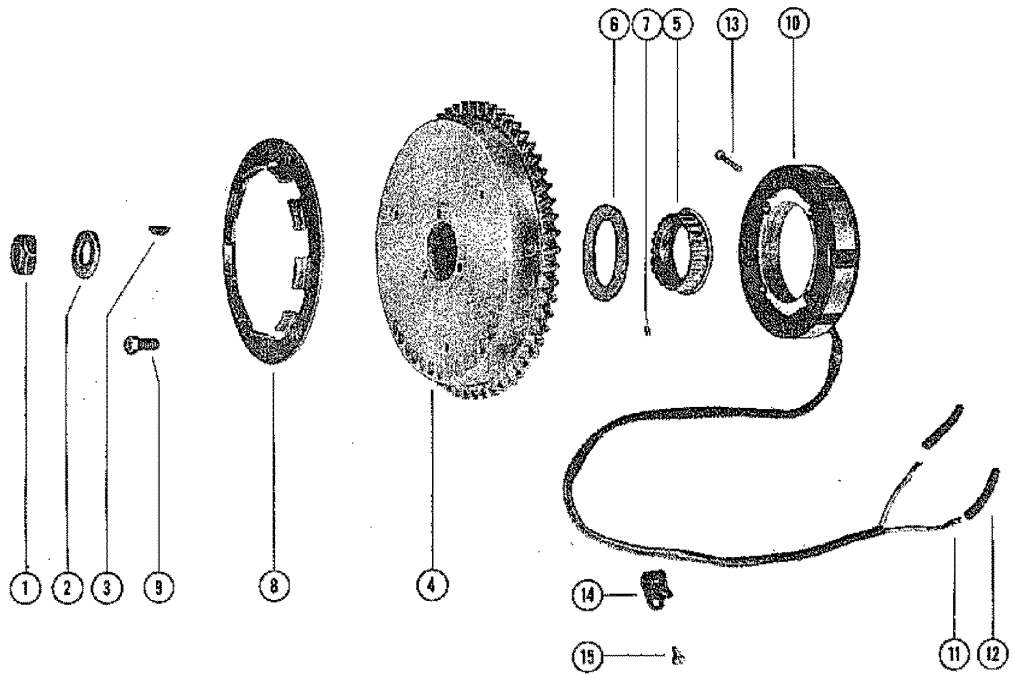
COWLING AND FRONT COVER



COWLING AND FRONT COVER

REF. NO.	PART NO.	SYM.	QTY.	DESCRIPTION
1	175-1562A1		1,1,,,,,	COWLING FRONT COVER ASSEMBLY
	175-1641A1		,,1,1,,,	COWL FRONT COVER ASSEMBLY
	175-1856A1		,,,,1,1,1	COWL FRONT COVER ASSEMBLY
2	26183A5		1,1,1,1,1,	EMBLEM, FRONT COVER (SEE NOTE BELOW)
3	10-29552		1,1,1,1,1,	SCREW, COVER FASTENING
4	12-26162		1,1,1,1,1,	WASHER, COVER FASTENING SCREW
5	12-27897		1,1,1,1,1,	WASHER, COVER FASTENING SCREW
6	20721		4,4,4,4,4,	BUMPER, RUBBER-FRONT COVER (SMALL)
7	26901		2,2,2,2,2,	BUMPER, RUBBER-FRONT COVER (LARGE)
8	28999		1,1,1,1,1,	BLANKET, SOUND ABSORBING-FRONT COVER
9	12-29000		2,2,2,2,2,	WASHER, BLANKET TO FRONT COVER
10	11-28968		1,1,1,1,1,	NUT, SPEED-SOUND BLANKET FASTENING
11	107-1015A3		1,1,,,,,	WRAP AROUND COWL ASSEMBLY
	180-1642A2		,,1,1,1,1,	WRAP AROUND COWL ASSEMBLY
	190-1819A2		,,,,,,1	WRAP AROUND COWL ASSEMBLY
12	21060		2,2,2,2,2,	HANDLE, COWL LATCH
13	53-21058		4,4,4,4,4,	"E" RING, COWL LATCH HINGE PIN
14	17-21057		4,4,4,4,4,	PIN, HINGE-COWL LATCH HANDLE
15	25690		2,2,2,2,2,	SWIVEL, COWL LATCH
16	25691		2,2,2,2,2,	HOOK, COWL LATCH FASTENING
17	24825		1,1,1,1,1,	BLANKET, WRAP AROUND COWL
-	92-25234--1		1,1,1,1,1,	GLUE, ADHESIVE-BLANKET FASTENING
-	92-27109--1		,,,,1,1,1	ADHESIVE COMPOUND (3 1/2 OUNCE KIT) EMBLEM FASTENING

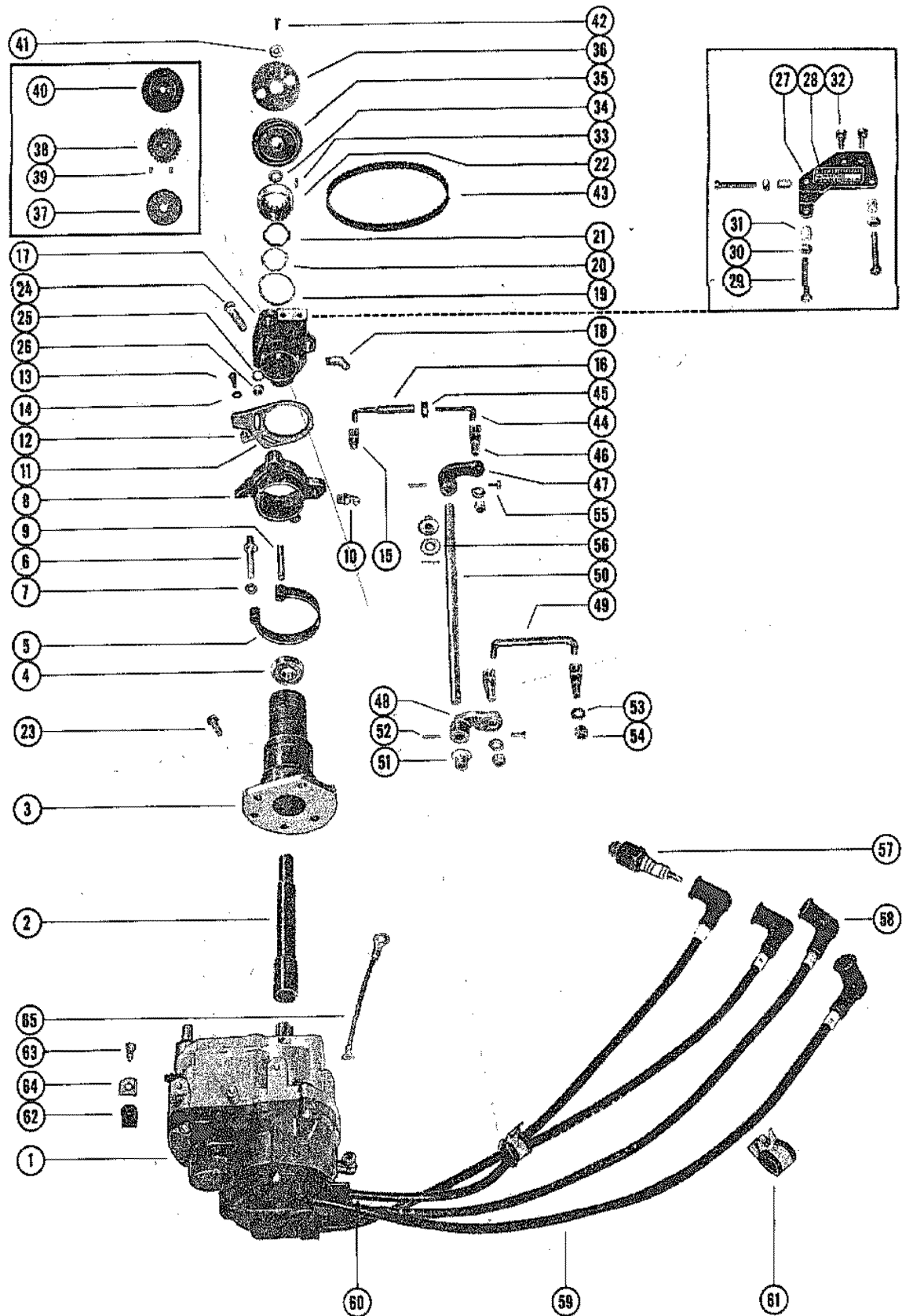
FLYWHEEL ASSEMBLY AND STATOR



FLYWHEEL ASSEMBLY AND STATOR

REF. NO.	PART NO.	SYM.	QTY.	DESCRIPTION
1	11-22339		1,1,1,1,1,	NUT, FLYWHEEL
2	12-26617		1,1,1,1,1,	WASHER, FLYWHEEL NUT
3	28-20994		1,1,1,1,1,	KEY, FLYWHEEL
4	208-1535A1		1,,,,,,	FLYWHEEL ASSEMBLY (LUG HEIGHT 15/32") SEE NOTE #1 BELOW
	208-1385A1		1,,1,,1,1	FLYWHEEL ASSEMBLY (LUG HEIGHT 11/32") SEE NOTE #1 BELOW
	211-1414A4		,1,,,,,	FLYWHEEL ASSEMBLY (WITH SPACERS) SEE NOTE #1 BELOW
	211-1414A2		,1,,,,,	FLYWHEEL ASSEMBLY (WITHOUT SPACERS) SEE NOTE #1 BELOW
	211-1414A7		1,,1,,1,	FLYWHEEL ASSEMBLY (WITHOUT SPACERS) SEE NOTE #1 BELOW
5	22823		1,1,1,1,1,	PULLEY, FLYWHEEL SEE NOTE #2 BELOW
6	12-25293		1,1,1,1,1,	WASHER, PULLEY TO FLYWHEEL SEE NOTE #2 BELOW
-	29788		,1,1,1,1,	FLANGE, FLYWHEEL PULLEY SEE NOTE #2 BELOW
-	30306		,1,1,1,1,	PULLEY, FLYWHEEL SEE NOTE #2 BELOW
-	29787		,1,1,1,1,	HUB, FLANGE-FLYWHEEL PULLEY SEE NOTE #2 BELOW
7	17-26618		1,1,1,1,1,	DOWEL PIN, FLYWHEEL PULLEY
-	12-28927		,3,,,,,	WASHER, RATCHET TO FLYWHEEL (1/8" SPACER)
8	50-25263		1,,1,,1,	RATCHET, FLYWHEEL
9	10-29238		3,3,3,3,	CSREW, RATCHET TO FLYWHEEL
10	398-1455		1,,1,,1,	STATOR, ALTERNATOR-FLYWHEEL
11	22647		2,,2,,2,	DISCONNECT, KNIFE SPLICE-STATOR LEAD WIRE
12	32-26528		2,,2,,2,	SLEEVE, RUBBER-STATOR LEAD WIRE
13	10-29249		4,,4,,4,	SCREW, STATOR TO UPPER END CAP
14	54-24836		1,,1,,1,	CLIP, STATOR LEAD TO CRANKCASE FLANGE
15	10-25255		,1,,,,,	SCREW, STATOR LEAD CLIP FASTENING
	10-30009		,,,1,,1,	SCREW, STATOR LEAD CLIP FASTENING

MAGNETO ADAPTOR AND PILOT ASSEMBLY

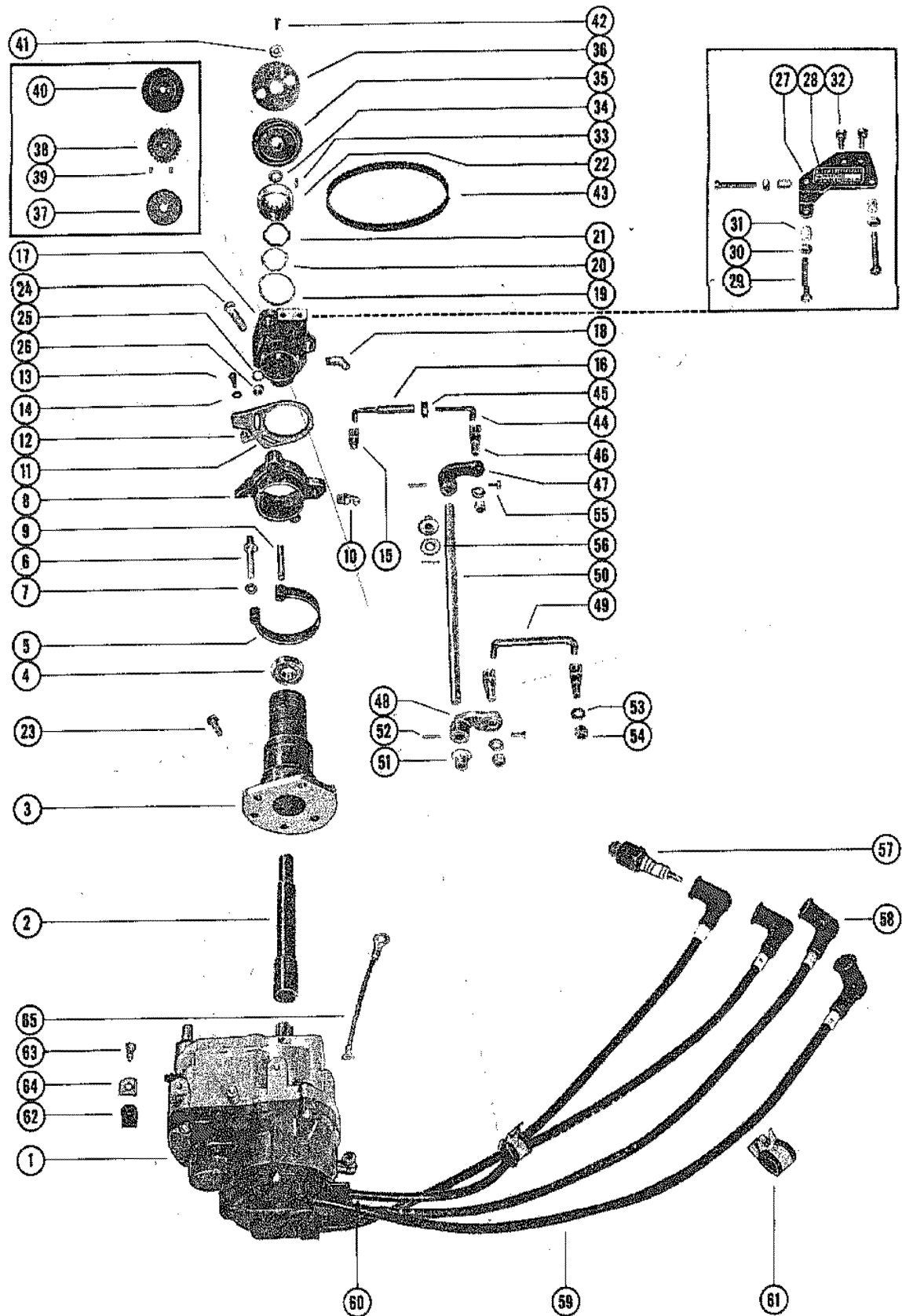


MAGNETO ADAPTOR AND PILOT ASSEMBLY

REF. NO.	PART NO.	SYM.	QTY.	DESCRIPTION
1	394-2271A2		1,1,1,1,1,	MAGNETO ASSEMBLY, COMPLETE
2	45-27951		1,1,1,1,1,	SHAFT, MAGNETO DRIVE
-	27953A3		1,1,,,,,	MAGNETO ADAPTOR AND PILOT ASSEMBLY, COMPLETE SERIAL 00000000-01231089
-	29321A5		1,1,,,,,	MAGNETO ADAPTOR AND PILOT ASSEMBLY, COMPLETE SERIAL 01231090-09999999
-	29321A3		,,1,1,1,1,	MAGNETO ADAPTOR AND PILOT ASSEMBLY, COMPLETE
3	27953A1		1,1,,,,,	MAGNETO PILOT ASSEMBLY SERIAL 00000000-01231089
	29321A1		1,1,1,1,1,	MAGNETO PILOT ASSEMBLY SERIAL 01231090-09999999
4	30-20066		1,1,1,1,1,	BEARING, BALL-MAGNETO PILOT
5	24-27944		1,1,1,1,1,	SPRING, HORSESHOE-MAGNETO PILOT
6	17-27962		1,1,1,1,1,	PIN, ANCHOR-AHORSESHOE SPRING TO PILOT
7	12-29245		1,1,1,1,1,	WASHER, HORSESHOE SPRING TO ANCHOR PIN
8	27946A1		1,1,1,1,1,	ECONOMIZER COLLAR AND PIN ASSEMBLY
9	17-27961		1,1,1,1,1,	PIN, ECONOMIZER COLLAR-SPRING RETAINER
10	22-25094		1,1,1,1,1,	FITTING, GREASE-ECONOMIZER COLLAR
11	27945A1		1,1,,,,,	THROTTLE ACTUATOR ASSEMBLY SERIAL 00000000- 01231089
	29252A1		1,1,,,,,	THROTTLE ACTUATOR ASSEMBLY SERIAL 01231090- 09999999
	29557A1		,,1,1,1,1,	THROTTLE ACTUATOR ASSEMBLY
12	23-26602		2,2,,,,,	BUSHING, NYLON-THROTTLE ACTUATOR
	23-26602		,,1,1,1,1,	BUSHING, NYLON-THROTTLE ACTUATOR
13	10-20665		2,2,2,2,2,	SCREW, THROTTLE ACTUATOR TO ECONOMIZER COLLAR
14	12-20128		2,2,2,2,2,	WASHER, THROTTLE ACTUATOR SCREW
15	27947		1,1,1,1,1,	SWIVEL, LINKAGE-ECONOMIZER COLLAR
16	25996A1		1,1,1,1,1,	SWIVEL AND LINK ROD ASSEMBLY
17	30043		1,1,1,1,1,	ADAPTOR, MAGNETO
18	22-25094		1,1,1,1,1,	FITTING, GREASE-MAGNETO ADAPTOR
19	12-27939		1,1,1,1,1,	WASHER, MAGNETO PILOT
21	14-27959		1,1,1,1,1,	WASHER, WAVE-MAGNETO BALL BEARING TENSION
22	27955		1,1,1,1,1,	CAP, MAGNETO ADAPTOR AND PILOT FASTENING
23	10-28063		4,4,4,4,,,	SCREW, ADAPTOR AND PILOT TO MANGETO
	10-30110		,,,4,4,4	SCREW, ADAPTOR AND PILOT TO MANGETO
-	13-26992		4,4,4,4,,,	LOCKWASHER, ADAPTOR AND PILOT FASTENING SCREW
24	10-22040		3,3,3,3,3,	SCREW, ADAPTOR AND PILOT TO CRANKCASE
25	12-20084		3,3,3,3,3,	WASHER, ADAPTOR AND PILOT TO CRANKCASE SCREW
26	11-20083		3,3,3,3,3,	NUT, ADAPTOR AND PILOT TO CRANKCASE SCREW
27	27943		1,1,,,,,	PLATE, THROTTLE STOP SERIAL 00000000-01231089
	29277		1,1,1,1,1,	PLATE, THROTTLE STOP SERIAL 01231090-09999999
28	37-29315		1,1,1,1,1,	DECAL, THROTTLE STOP PLATE SERIAL 01231090-09999999
29	10-24933		3,3,3,3,3,	SCREW, THROTTLE STOP ADJUSTING 2 EACH REQUIRED WITH A-27943 PLATE
30	11-20088		3,3,3,3,3,	NUT, THROTTLE STOP ADJUSTING SCREW 2 EACH REQUIRED WITH A-27943 PLATE

CONTINUED ON NEXT PAGE ➡

MAGNETO ADAPTOR AND PILOT ASSEMBLY

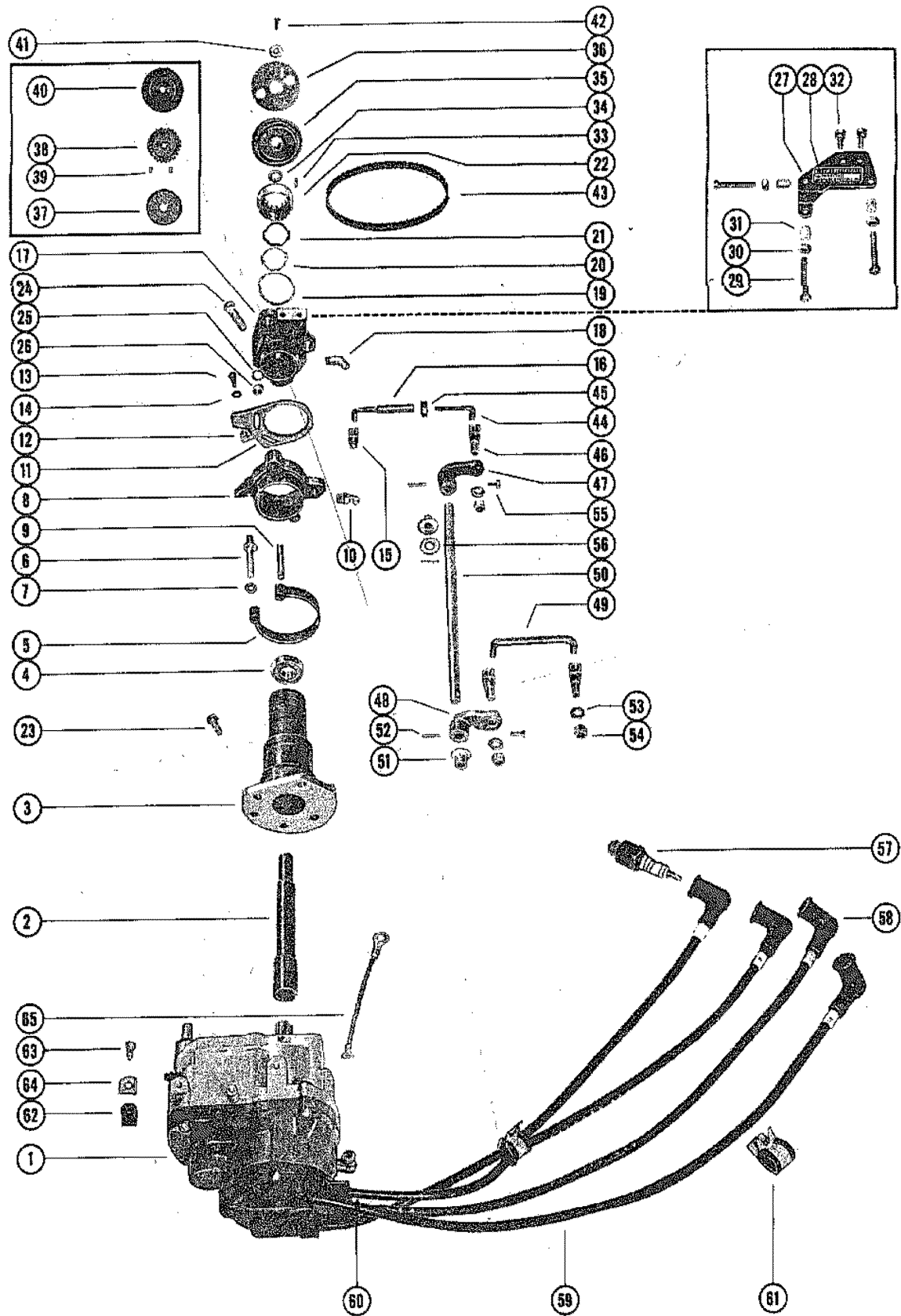


MAGNETO ADAPTOR AND PILOT ASSEMBLY

REF. NO.	PART NO.	SYM.	QTY.	DESCRIPTION
31	26852		3,3,3,3,3	CAP, NYLON-ADJUSTING SCREW 2 EACH REQUIRED WITH A-27943 PLATE
-	10-28635		2,2,,,,,	SCREW, THROTTLE STOP PLATE TO ADAPTOR
-	13-26992		2,2,,,,,	LOCKWASHER, THROTTLE STOP PLATE FASTENING SCREW
32	10-29197		,,2,2,2,2,	SCREW, THROTTLE STOP PLATE TO ADAPTOR
33	28-28657		1,1,1,1,1,	KEY, MAGNETO DRIVING
34	23-27957		1,1,1,1,1,	SPACER, PULLEY TO MAGNETO ADAPTOR CAP - OLD STYLE
35	24807		1,1,1,1,1,	PULLEY, DRIVEN - OLD STYLE
36	20136		1,1,1,1,1,	FLANGE, DRIVEN PULLEY - OLD STYLE
37	29784		,,1,1,1,1,	HUB, DRIVEN PULLEY - NEW STYLE-SEE NOTE BELOW
38	29783A1		,,1,1,1,1,	DRIVEN PULLEY ASSEMBLY - NEW STYLE-SEE NOTE BELOW
39	17-24873		,,2,2,2,2,	ROLL PIN, FLANGE LOCATING - NEW STYLE-SEE NOTE BELOW
40	29785		,,1,1,1,1,	FLANGE, DRIVEN PULLEY - NEW STYLE-SEE NOTE BELOW
41	12-20138		1,1,1,1,1,	WASHER, PULLEY CLAMPING SCREW
-	13-26996		1,1,1,1,,,	LOCKWASHER, PULLEY CLAMPING SCREW
42	10-29240		1,1,1,1,1,	SCREW, PULLEY CLAMPING
43	20140		1,1,1,1,1,	BELT, TIMING
-	27942A1		1,1,,,,,	MAGNETO STOP ASSEMBLY SERIAL 00000000-01231089
-	26597		1,1,,,,,	BUMPER, RUBBER-MAGNETO STOP SERIAL 00000000-01231089
-	10-28635		2,2,,,,,	SCREW, MAGNETO STOP TO PILOT SERIAL 00000000-01231089
-	12-20533		2,2,,,,,	WASHER, MAGNETO STOP FASTENING SCREW SERIAL 00000000-01231089
44	27949		1,1,1,1,1,	ROD, LIN-UPPER
45	11-25168		1,1,1,1,1,	NUT, UPPER LINK ROD ADJUSTING
46	27948		3,3,3,3,3,	SWIVEL, UPPER AND LOWER LIND RODS
47	28061		1,1,1,1,1,	LEVER, LINKAGE-UPPER
48	27941		1,1,1,1,1,	LEVER, LINKAGE-LOWER
49	27950		1,1,1,1,1,	ROD, LIN-LOWER
50	27940		1,1,1,1,1,	SHAFT, VERTICAL
51	23-22981		2,2,2,2,2,	BUSHING, NYLON-VERTICAL SHAFT
52	17-25870		3,3,3,3,3,	ROLL PIN, VERTICAL SHAFT AND LINKAGE LEVERS
53	12-29245		3,3,3,3,3,	WASHER, UPPER AND LOWER SWIVEL
54	11-20361		3,3,3,3,3,	NUT, UPPER AND LOWER SWIVEL TO LEVER AND BRACKET
55	10-25781		2,2,2,2,2,	SCREW, SET-LINKAGE LEVER
56	12-25866		1,1,1,1,1,	WASHER, VERTICAL SHAFT-CENTER
57	33-20127		4,4,4,4,4,	SPARK PLUG
58	20119		4,4,4,4,4,	PROTECTOR, SPARK PLUG
59	23564		4,4,4,4,4,	CABLE, HIGH TENSION LEAD-SPARK PLUG
60	25-25429		4,4,4,4,4,	"O" RING, HIGH TENSION LEAD CABLE TO END CAP COVER
61	54-29425		2,2,,,2,2,	CLIP, HIGH TENSION LEAD CABLE FASTENING
	54-20534		,,2,2,,,	CLIP, HIGH TENSION LEAD CABLE FASTENING

CONTINUED ON NEXT PAGE ➡

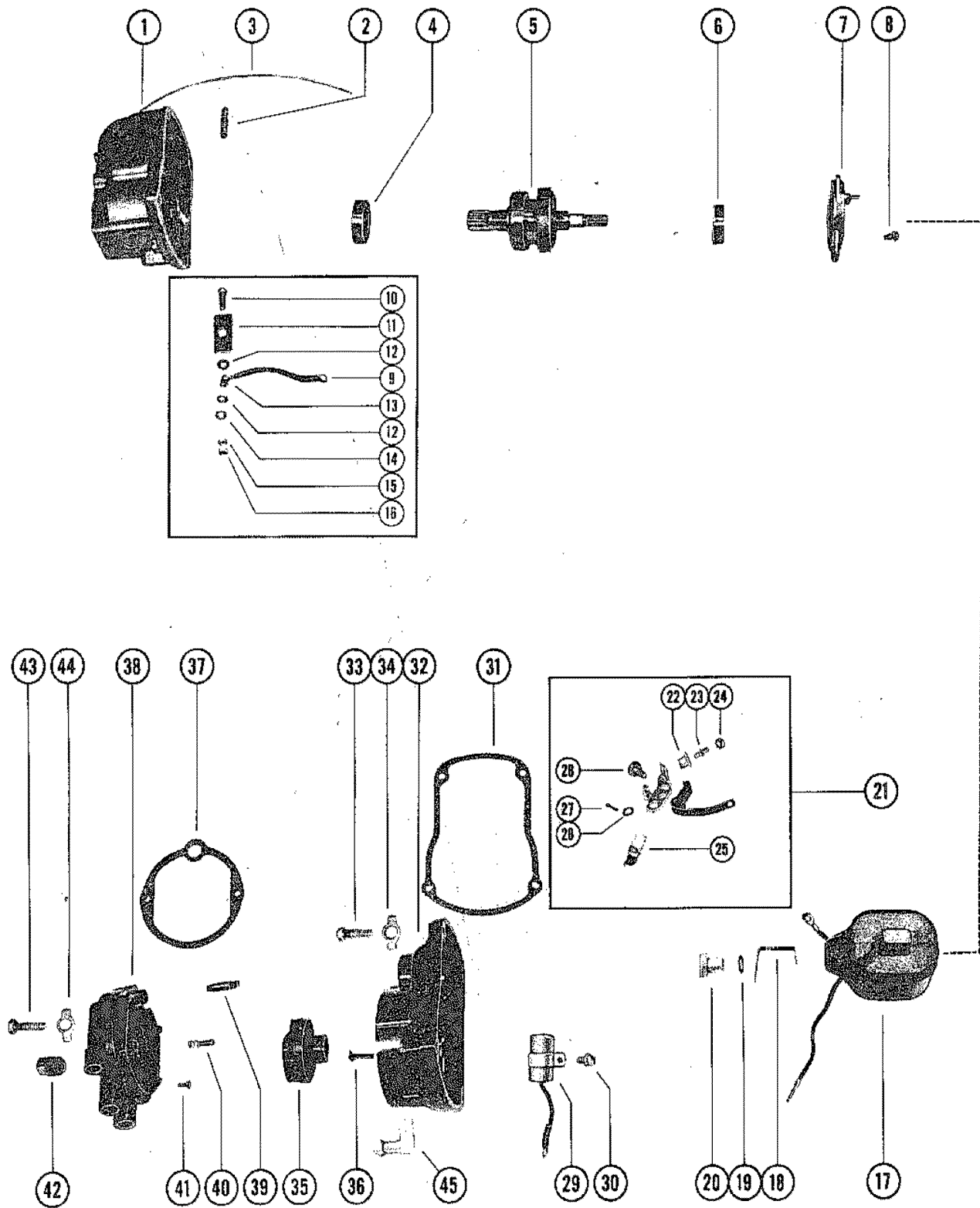
MAGNETO ADAPTOR AND PILOT ASSEMBLY



MAGNETO ADAPTOR AND PILOT ASSEMBLY

REF. NO.	PART NO.	SYM.	QTY.	DESCRIPTION
62	54-25231		2,2,2,2,2,	CLIP, MERCURY SWITCH AND HARNESS LEADS
63	10-20401		1,1,1,1,1,	SCREW, LEAD CLIP TO MAGNETO
64	22789		1,1,1,1,1,	"D" WASHER, CLIP FASTENING SCREW
65	394-1134A1		1,1,1,1,1,	GROUND STRAP ASSEMBLY, MAGNETO TO CRANKCASE

MAGNETO ASSEMBLY (INTERNAL PARTS)

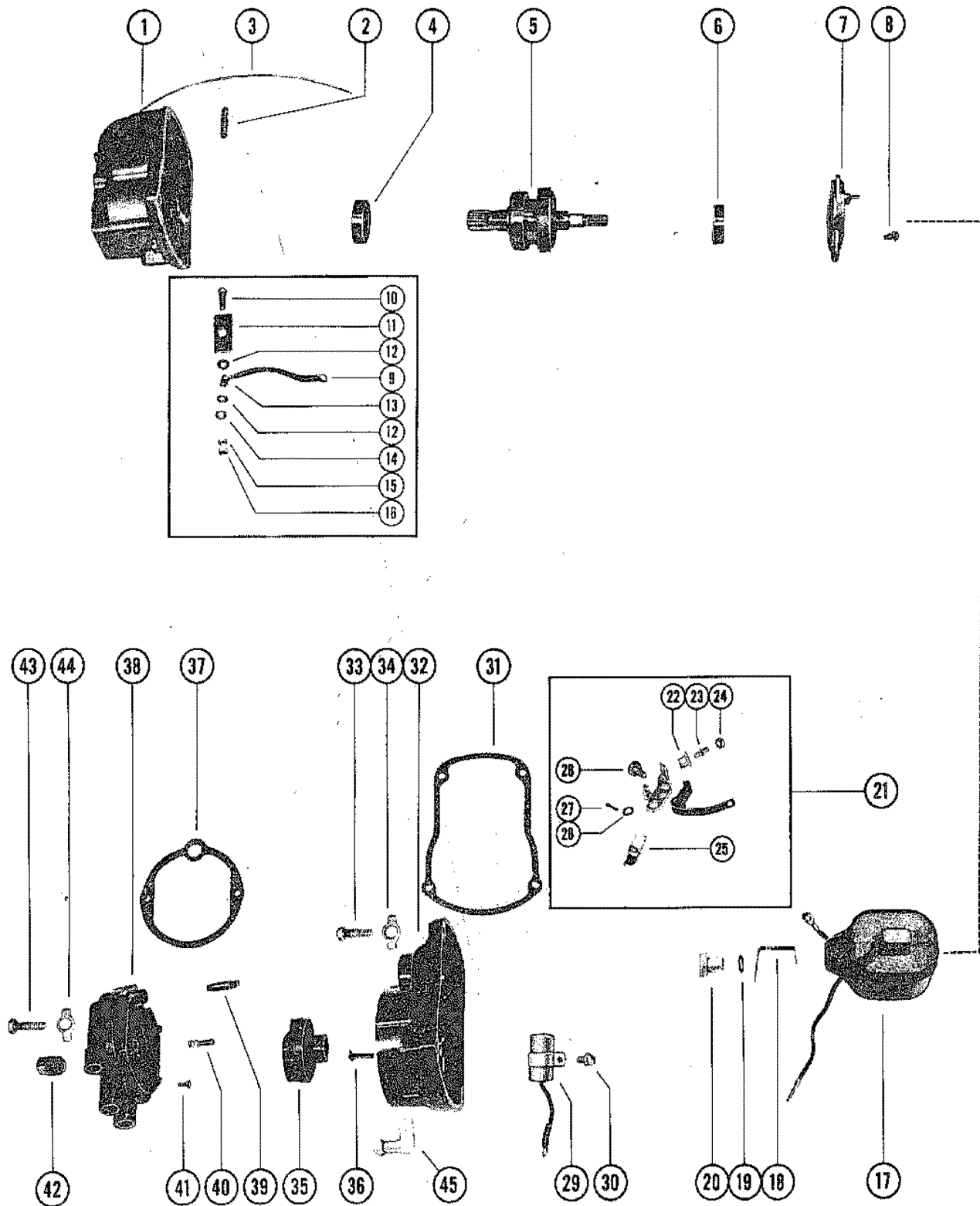


MAGNETO ASSEMBLY (INTERNAL PARTS)

REF. NO.	PART NO.	SYM.	QTY.	DESCRIPTION
-	394-1069A1		1,,,,,,	MAGNETO ASSEMBLY, COMPLETE (4 D-1) SEE NOTE BELOW
-	394-1069A2		,1,,,,,,	MAGNETO ASSEMBLY, COMPLETE (4 D-2) SEE NOTE BELOW
-	394-1652A1		,,1,1,1,1,	MAGNETO ASSEMBLY, COMPLETE (4 D-3) SEE NOTE BELOW
1	394-1066		1,,,,,,	FRAME, MAGNETO HOUSING N.L.A.-ORDER A-394-1570A1 FRAME ASSEMBLY
	394-1570		,1,1,1,1,1	FRAME, MAGNETO HOUSING
2	10-25510		2,2,2,2,2,	SCREW, SET-COIL BRIDGE
3	394-1051		1,1,1,1,1,	LOCKWIRE, COIL BRIDGE SET SCREW
4	30-24998		1,1,1,1,1,	BEARING, BALL (DRIVE END)
5	394-1067		1,1,1,1,1,	MAGNETO ROTOR AND SHAFT
6	30-24997		1,1,1,1,1,	BEARING, BALL (OPPOSITE DRIVE END)
7	394-1068		1,1,,,,,,	SUPPORT, BALL BEARING
	394-1637		,,1,1,1,1,	SUPPORT, BALL BEARING
8	10-25509		3,3,3,3,3,	SCREW AND LOCKWASHER, SUPPORT TO FRAME
9	394-1053A1		1,1,1,1,1,	WIRE ASSEMBLY, PRIMARY GROUND LEAD
10	10-24609		1,,,,,,	SCREW, PRIMARY GROUND (#8)
	10-29182		,1,1,1,1,1	SCREW, PRIMARY GROUND (#10)
-	12-30267		,,1,1,1,1	WASHER, PRIMARY GROUND TERMINAL HOLDING
11	394-1579		1,1,1,1,1,	INSULATOR, PRIMARY GROUND TERMINAL
12	12-25719		2,,,,,,	WASHER, INSULATING-PRIMARY GROUND SCREW
	12-29099		2,2,2,2,2	WASHER, INSULATING-PRIMARY GROUND SCREW
13	23-25512		1,,,,,,	BUSHING, INSULATING-HOUSING FRAME
	23-29101		,1,1,1,1,1	BUSHING, INSULATING-HOUSING FRAME
14	12-20192		1,,,,,,	WASHER, PRIMARY GROUND SCREW
	12-26014		,1,1,1,1,1	WASHER, PRIMARY GROUND SCREW
15	11-28656		1,,,,,,	NUT, LOCK-PRIMARY GROUND SCREW
	11-24656		,1,1,1,1,1	NUT, LOCK-PRIMARY GROUND SCREW
16	11-21923		1,,,,,,	NUT, PRIMARY GROUND SCREW
	11-20645		,1,1,1,1,1	NUT, PRIMARY GROUND SCREW
17	394-1128A1		1,1,1,1,1,	COIL ASSEMBLY
18	394-1050		1,1,1,1,1,	CLIP, COIL-HIGH TENSION
19	13-23836		1,1,1,1,1,	LOCKWASHER, COIL TERMINAL
20	394-1131		1,1,1,1,1,	NUT, COIL CLIP FASTENING
21	394-1100A3		1,1,,,,,,	BREAKER ASSEMBLY
-	394-1163		1,1,,,,,,	GROMMET, PLASTIC-BREAKER BRACKET
-	10-26008		1,1,,,,,,	SCREW, BREAKER TERMINAL
-	13-26994		1,1,,,,,,	LOCKWASHER, BREAKER TERMINAL SCREW
-	394-1106A1		1,1,,,,,,	HOLDER AND CAM WICK ASSEMBLY
	393-1504A6		,,1,1,1,1,	BREAKER ASSEMBLY
22	393-1586		,,1,1,1,1,	GROMMET, PLASTIC-BREAKER BRACKET
23	16-29230		,,1,1,1,1,	STUD, PRIMARY LEAD AND TENSION SPRING FASTENING
24	11-29236		,,1,1,1,1,	NUT, PRIMARY LEAD FASTENING
25	394-1106A1		,,1,1,1,1,	HOLDER AND CAM WICK ASSEMBLY

CONTINUED ON NEXT PAGE ➡

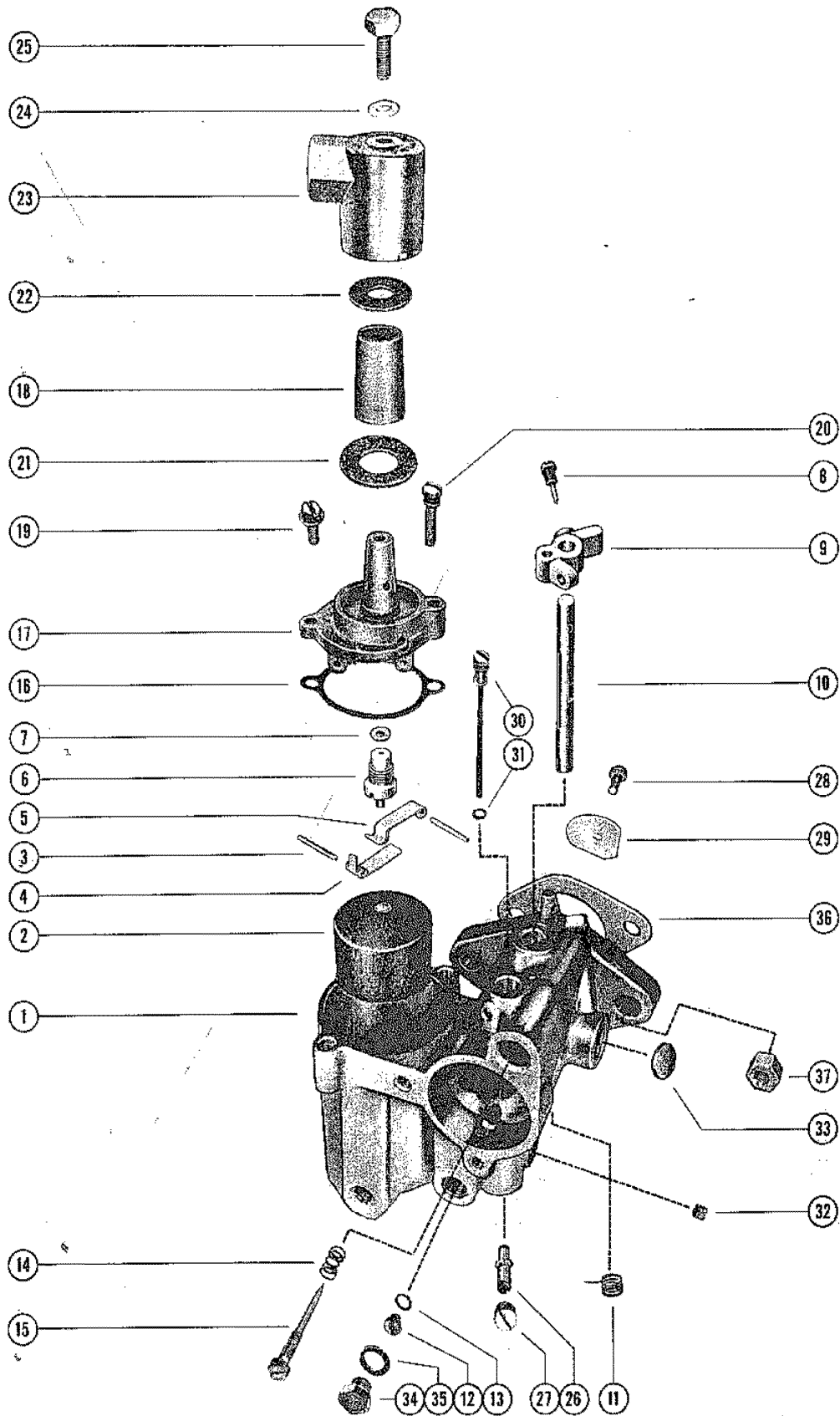
MAGNETO ASSEMBLY (INTERNAL PARTS)



MAGNETO ASSEMBLY (INTERNAL PARTS)

REF. NO.	PART NO.	SYM.	QTY.	DESCRIPTION
26	12-26439		,1,1,1,1,	WASHER, BREAKER PIVOT PIN
27	18-26953		,1,1,1,1,	COTTER PIN, BREAKER TO PIVOT PIN
28	10-20597		,1,1,1,1,	SCREW, BREAKER HOLDER TO HOUSING
-	12-25944		1,1,,,,,	WASHER, BREAKER ARM
-	18-25723		1,1,,,,,	COTTER PIN (HAIR), BRACKET ARM
-	10-22032		1,1,,,,,	SCREW, BRACKET SUPPORT
-	12-20192		1,1,,,,,	WASHER, BRACKET SUPPORT SCREW
-	10-25509		1,1,,,,,	SCREW AND LOCKWASHER, BRACKET LOCKING
29	394-1130		1,1,1,1,1,	CONDENSER
30	10-25509		1,1,1,1,1,	SCREW AND LOCKWASHER, CONDENSER FASTENING
31	27-25724		1,,,,,,	GASKET, MAGNETO COVER
	27-29166		1,1,1,1,1,	GASKET, MAGNETO COVER
32	394-1057		1,,,,,,	COVER, MAGNETO
	394-1577		1,1,1,1,1,	COVER, MAGNETO
33	10-28257		4,,,,,,	SCREW, COVER TO FRAME
	10-29418		4,4,4,4,4,	SCREW, COVER TO FRAME
34	14-38359		4,4,4,4,4,	TAB WASHER, COVER FASTENING SCREW
35	394-2602A1		1,1,1,1,1,	MAGNETO ROTOR ASSEMBLY
36	394-1110		1,1,1,1,1,	CLIP, SPRING
37	27-25725		1,1,1,1,1,	GASKET, END CAP COVER
38	394-1561A2		1,1,1,1,1,	END CAP COVER ASSEMBLY
39	394-1065A1		1,1,1,1,1,	LEAD ASSEMBLY, HIGH TENSION
40	394-1056A1		1,1,1,1,1,	BRUSH AND SPRING ASSEMBLY
41	10-25517		4,4,4,4,4,	SCREW, HIGH TENSION CABLE FASTENING
42	29121		,,1,1,1,1,	PIPE PLUG, END CAP COVER
43	10-28259		2,,,,,,	SCREW, END CAP COVER TO MAGNETO COVER
	10-29418		2,2,2,2,2,	SCREW, END CAP COVER TO MAGNETO COVER
44	14-38359		2,2,2,2,2,	TAB WASHER, COVER FASTENING SCREW
45	22-25885		1,1,1,1,1,	ELBOW, PLASTIC-MAGNETO COVER VENT

CARBURETOR ASSEMBLY

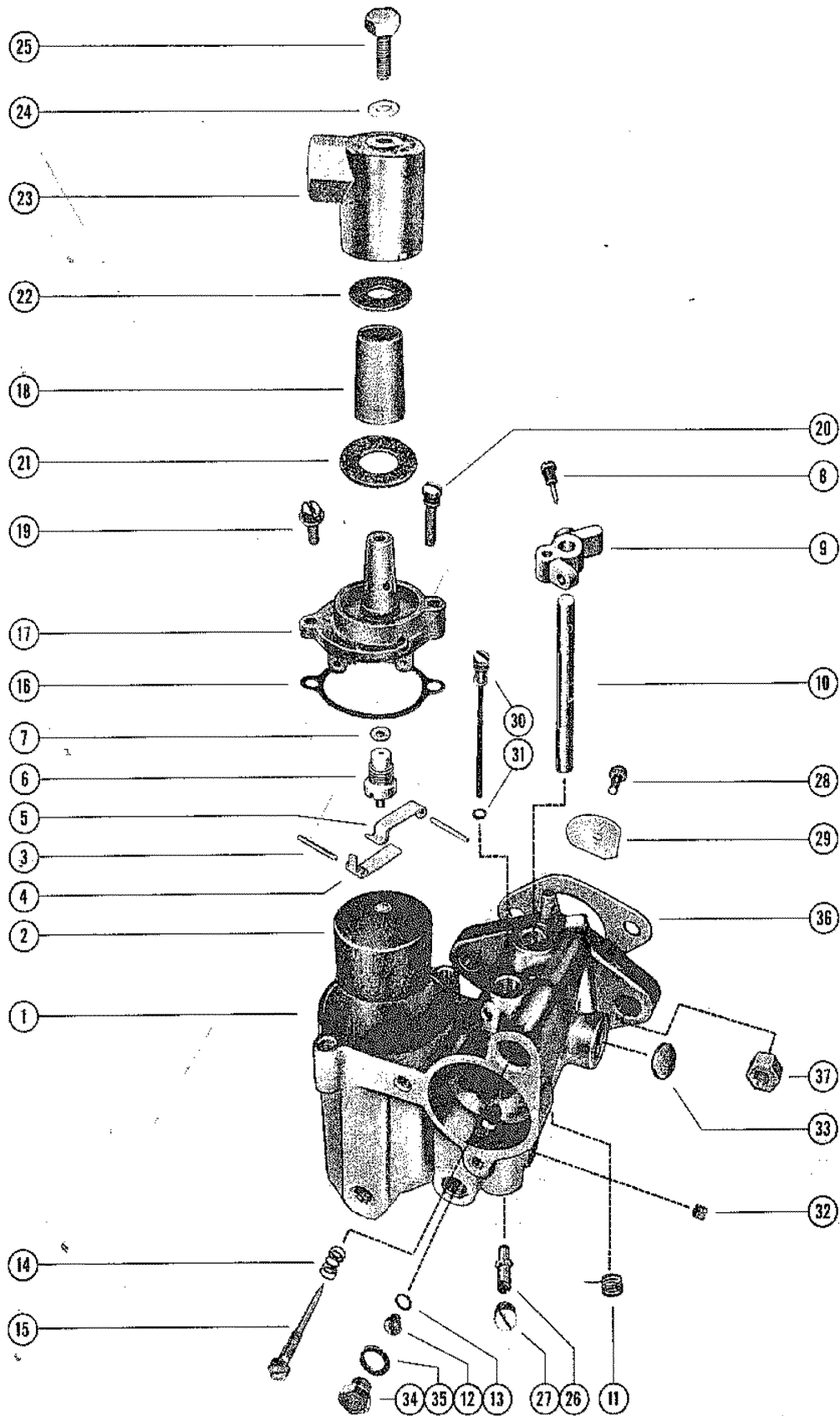


CARBURETOR ASSEMBLY

REF. NO.	PART NO.	SYM.	QTY.	DESCRIPTION
1	1326-1119		2,,,,,,	CARBURETOR ASSEMBLY, COMPLETE (AJ-50A) SERIAL 00000000-01231089
	1326-1604		,2,2,,,,	CARBURETOR ASSEMBLY, COMPLETE (AJ-54A) SERIAL 01231090-01324410
	1334-1701		,,,2,2,2,2	CARBURETOR ASSEMBLY, COMPLETE (KB-2A) SERIAL 01324411-09999999
2	1399-110A1		2,2,2,2,2,	FLOAT ASSEMBLY
3	17-20853		4,4,4,4,4,	PIN, FLOAT LEVER PINION
4	1399-102		2,2,2,2,2,	LEVER, FLOAT (LOWER)
5	1399-101		2,2,2,2,2,	LEVER, FLOAT (UPPER)
6	1399-1138		2,2,2,2,2,	INLET NEEDLE, SEAT AND GASKET
7	27-25033		2,2,2,2,2,	GASKET, INLET SEAT
8	10-20847		2,2,2,2,2,	SCREW, THROTTLE STOP LEVER
9	1399-97		1,1,1,1,1,	LEVER, THROTTLE STOP (SEE NOTE BELOW)
10	1399-933		2,2,2,,,,	SHAFT, THROTTLE
	1399-1716		,,,2,2,2,2	SHAFT, THROTTLE
11	24-20869		1,1,1,1,1,	SPRING, THROTTLE SHAFT RETURN (UPPER CARBURETOR)
	24-26890		1,1,1,1,1,	SPRING, THROTTLE SHAFT RETURN (LOWER CARBURETOR)
-	27-20848		2,,,,,,	GASKET, MAIN ADJUSTMENT SCREW GLAND
-	1399-94		2,,,,,,	GLAND, MAIN ADJUSTMENT SCREW
-	1399-108		2,,,,,,	PACKING, MAIN ADJUSTMENT SCREW
-	11-20849		2,,,,,,	NUT, MAIN ADJUSTMENT SCREW
-	1399-932		2,,,,,,	SCREW, MAIN ADJUSTMENT
12	1399-1655		2,2,2,2,2,	JET, MAIN FUEL (.055)
	1399-1653		OPT,OPT,0	JET, MAIN FUEL (.053)
	1399-1651		OPT,OPT,0	JET, MAIN FUEL (.051)
	1399-1649		OPT,OPT,0	JET, MAIN FUEL (.049)
13	27-28409		2,2,2,2,2,	GASKET, MAIN FUEL JET
14	24-27160		2,2,2,2,2,	SPRING, IDLE ADJUSTMENT SCREW
15	1399-931		2,,,,,,	SCREW, IDLE ADJUSTMENT
	1399-1623		,2,2,,,,	SCREW, IDLE ADJUSTMENT
	1399-1713		,,,2,2,2,2	SCRW, IDLE ADJUSTMENT
16	1399-99		2,2,2,2,2,	GASKET, FLOAT BOWL COVER
17	1399-1133		2,2,2,2,2,	COVER, FLOAT BOWL
18	1399-1754		2,2,2,2,2,	SCREEN, FILTER-NOT AS SHOWN
19	10-20854		2,2,2,2,2,	SCREW, FLOAT BOWL COVER (SHORT)
20	10-25850		2,2,2,2,2,	SCREW, FLOAT BOWL COVER (LONG)
21	27-25851		2,2,2,2,2,	GASKET, STRAINER COVER (LARGE)
22	27-25849		2,2,2,2,2,	GASKET, STRAINER COVER (SMALL)
23	1399-1135		2,2,2,2,2,	COVER, STRAINER
24	27-25848		2,2,2,2,2,	GASKET, STRAINER COVER SCREW
25	10-25822		2,2,2,2,2,	SCREW, STRAINER COVER FASTENING

CONTINUED ON NEXT PAGE ➡

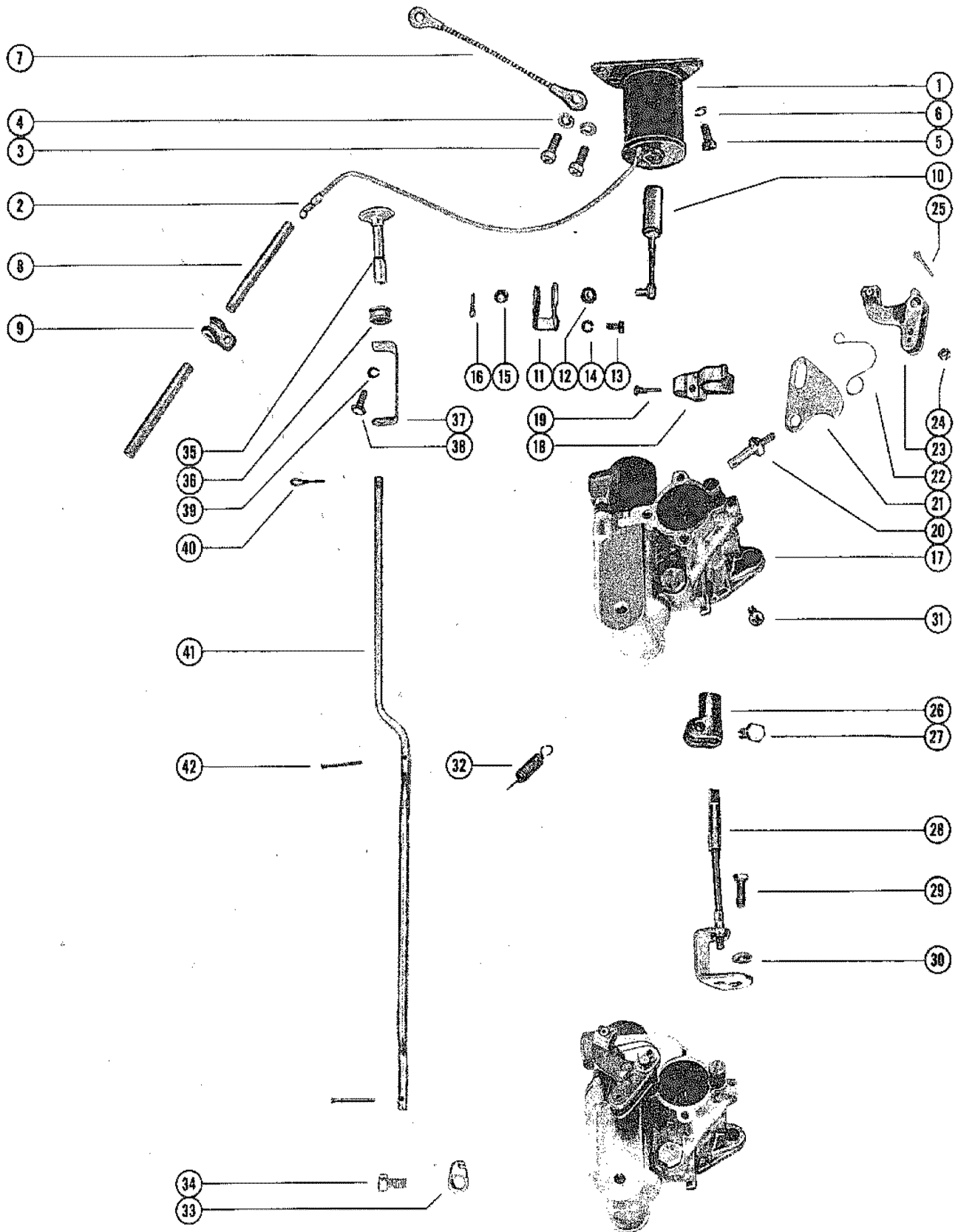
CARBURETOR ASSEMBLY



CARBURETOR ASSEMBLY

REF. NO.	PART NO.	SYM.	QTY.	DESCRIPTION
26	1399-1715		,,2,2,2,2	NOZZLE, MAIN
27	10-23178		,,2,2,2,2	SCREW, PLUG-MAIN NOZZLE
28	10-23035		2,2,2,2,2,	SCREW AND LOCKWASHER, THROTTLE SHUTTER
29	1399-107		2,2,2,2,2,	SHUTTER, THROTTLE
30	1399-960		2,2,2,,,,	TUBE, IDLE
	1399-1714		,,2,2,2,2	TUBE, IDLE
-	10-23030		2,2,2,,,,	SCREW, PLUG-IDLE TUBE
31	27-23180		,,2,2,2,2	GASKET, IDLE TUBE
32	10-20870		2,,2,,,,	SCREW, PLUG-BODY CHANNEL
	10-28405		,2,,,,,,	SCREW, PLUG-BODY CHANNEL
	10-28845		,,2,2,2,2	SCREW, PLUG-BODY CHANNEL
33	19-20011		2,2,2,2,2,	WELCH PLUG, BODY CHANNEL
34	10-28405		,2,2,2,2,	SCREW, PLUG-MAIN FUEL JET CHANNEL
35	27-28406		2,2,2,2,2	GASKET, BODY CHANNEL PLUG SCREW
-	1399-1145		2,2,2,,,,	GASKET AND PACKING SET (1 PER CARBURETOR)
-	1399-1717		,,2,2,2,2	GASKET AND PACKING SE (1 PER CARBURETOR)
-	1399-1146		2,,,,,,	REPAIR PARTS KIT
-	1399-1624		,2,2,,,,	REPAIR PARTS KIT (1 PER CARBURETOR)
-	1399-1718		,,2,2,2,2	REPAIR PARTS KIT (1 PER CARBURETOR)
36	27-20183		2,2,2,2,2,	GASKET, CARBURETOR FLANGE
37	11-24652		4,4,4,4,4,	NUT, CARBURETOR MOUNTING STUD
-	24823A1		2,,,,,,	KNOB ASSEMBLY, MAIN ADJUSTMENT SCREW
-	10-22928		2,,,,,,	SCREW, KNOB FASTENING

CARBURETOR LINKAGE AND CHOKE SOLENOID

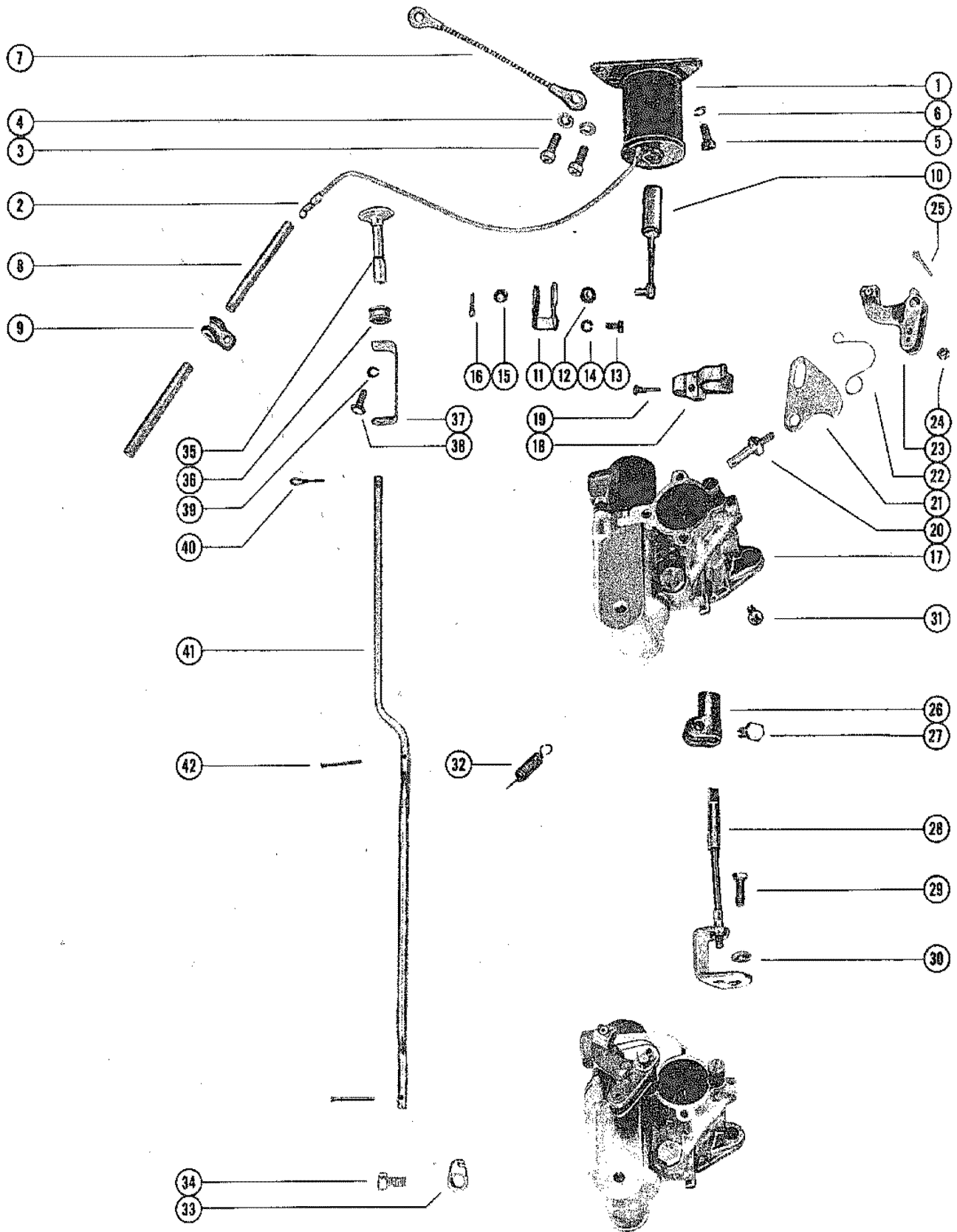


CARBURETOR LINKAGE AND CHOKE SOLENOID

REF. NO.	PART NO.	SYM.	QTY.	DESCRIPTION
1	28936		1,,1,,1,	CHOKE SOLENOID, TOP COWL
2	22647		1,,1,,1,	DISCONNECT, KNIFE SPLICE - CHOKE SOLENOID
3	10-20540		2,,2,,2,	SCREW, CHOKE SOLENOID TO TOP COWL
4	13-26992		2,,2,,2,	LOCKWASHER, CHOKE SOLENOID SCREW
5	10-24773		1,,1,,1,	SCREW, CHOKE SOLENOID TO TOP COWL
6	13-26991		1,,1,,1,	LOCKWASHER, CHOKE SOLENOID SCREW
7	26716A1		1,,1,,1,	GROUND STRAP ASSEMBLY, CHOKE SOLENOID TO ADAPTOR
8	32-26101		2,,2,,2,	SLEEVE, CHOKE SOLENOID WIRE AND HARNESS WIRE
9	54-26643		1,,,,,	CLAMP, CHOKE WIRE TO STARTER SOLENOID
	54-24836		,,,1,,1,	CLAMP, CHOKE WIRE TO STARTER SOLENOID
10	27031A1		1,,1,,1,	PLUNGER ASSEMBLY, CHOKE SOLENOID
11	27126		1,,1,,1,	ADAPTOR PLATE, CHOKE PLUNGER
12	25-26633		1,,1,,1,	GROMMET, ADAPTOR PLATE
13	10-21281		1,,1,,1,	SCREW, ADAPTOR PLATE TO CHOKE ROD BRACKET
14	13-26994		1,,1,,1,	LOCKWASHER, ADAPTOR PLATE FASTENING SCREW
15	12-26014		1,,1,,1,	WASHER, CHOKE SOLENOID LINK
16	18-26953		1,,1,,1,	COTTER PIN, CHOKE SOLENOID LINK FASTENING
17	1326-1119		2,2,,,,,	CARBURETOR ASSEMBLY, COMPLETE
	1326-1604		2,2,2,2,,,	CARBURETOR ASSEMBLY, COMPLETE SERIAL 00000000-01324410
	1334-1701		2,2,2,2,,,	CARBURETOR ASSEMBLY, COMPLETE SERIAL 01324411-09999999
18	29443		1,1,1,1,,,	CLUSTER, THROTTLE LEVER (UPPER CARBURETOR) SERIAL 00000000-01324410
	27917		1,1,1,1,,,	CLUSTER, THROTTLE LEVER (UPPER CARBURETOR) SERIAL 01324411-09999999
19	10-20847		1,1,1,1,1,	SCREW, SET - CLUSTER TO THROTTLE LEVER
20	10-20176		2,2,2,2,2,	SCREW, CHOKE LEVER PIVOT PIN
21	20173		2,2,2,2,,,	SHUTTER, CHOKE SERIAL 00000000-01324410
	30014		2,2,2,2,,,	SHUTTER, CHOKE SERIAL 01324411-09999999
22	24-26067		2,2,2,2,2,	SPRING, CHOKE SHUTTER
23	25881A1		2,,2,,2,2	CHOKE LEVER ASSEMBLY
	25881A1		1,,1,,1,	CHOKE LEVER ASSEMBLY
	26645A1		1,,1,,1,	CHOKE LEVER ASSEMBLY (UPPER CARBURETOR)
24	23-26888		2,,2,,2,	BUSHING, CHOKE LEVER
25	18-20180		2,2,2,2,2,	COTTER PIN, CHOKE LEVER RETAINING
26	27870		1,1,1,1,1,	CLAMP, THROTTLE PICKUP BRACKET
-	12-30164		,,,1,1,1	WASHER, CLAMP TO THROTTLE PICKUP BRACKET SCREW
27	10-20100		1,1,1,1,1,	SCREW, CLAMP TO THROTTLE PICKUP BRACKET
28	20185A1		1,1,1,1,,,	BRACKET, THROTTLE PICKUP SERIAL 00000000-01324410
	28007A3		1,1,1,1,,,	BRACKET, THROTTLE PICKUP SERIAL 01324411-09999999
29	10-20191		1,1,,,,,	SCREW, THROTTLE BRACKET MOUNTING
	10-29239		1,1,1,1,	SCREW, THROTTLE BRACKET MOUNTING

CONTINUED ON NEXT PAGE ➡

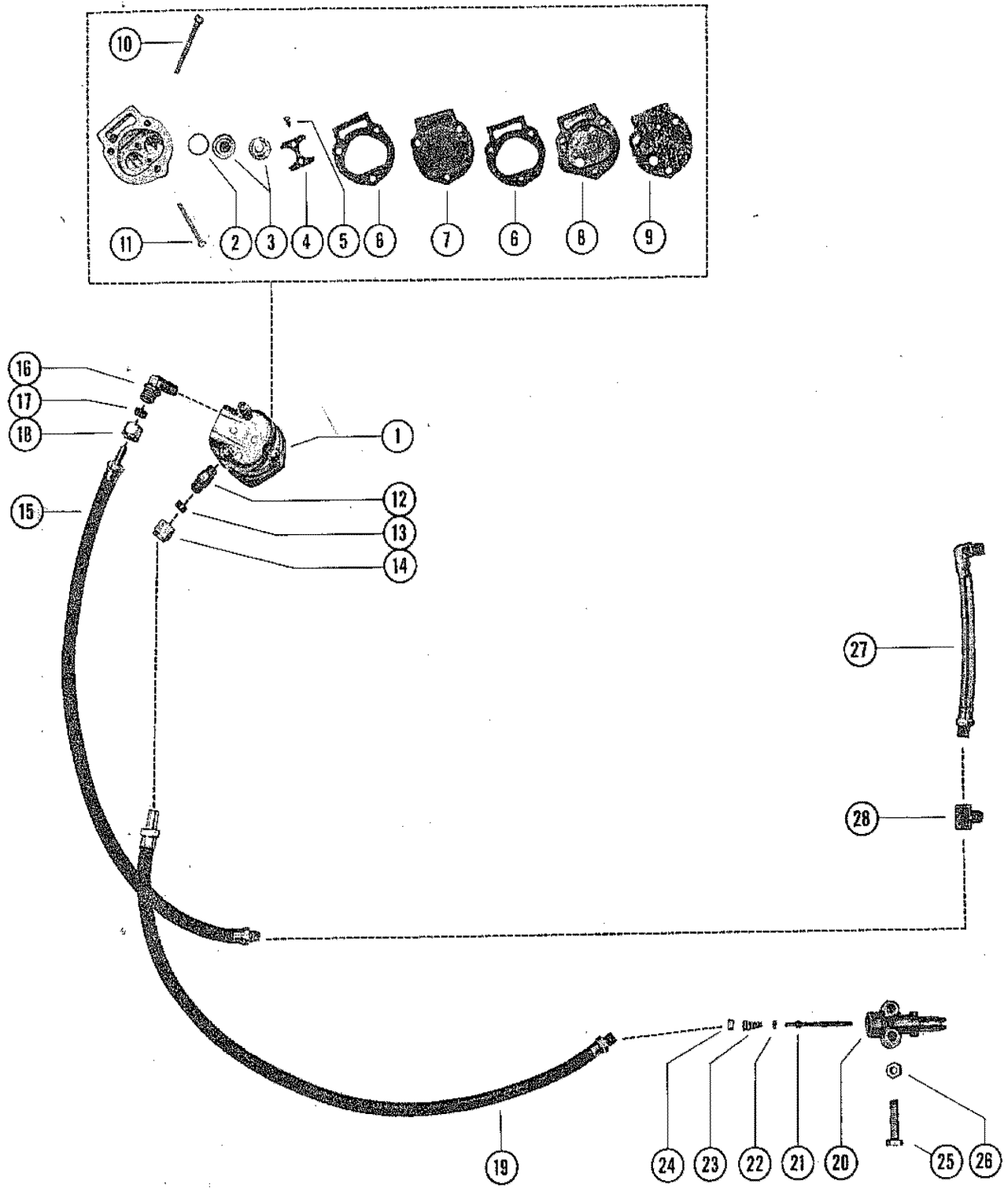
CARBURETOR LINKAGE AND CHOKE SOLENOID



CARBURETOR LINKAGE AND CHOKE SOLENOID

REF. NO.	PART NO.	SYM.	QTY.	DESCRIPTION
-	13-26995		1,1,,,,,	LOCKWASHER, THROTTLE BRACKET SCREW
30	12-20192		1,1,1,1,1,	WASHER, THROTTLE BRACKET SCREW
31	10-20650		1,,1,1,1,	SCREW, CHOKE ROD SPRING MOUNTING
-	12-20192		1,1,,,,,	WASHER, CHOKE ROD SPRING SCREW
32	24-20649		1,,1,1,1,	SPRING, CHOKE ROD POSITIONING
	24-26068		,1,,1,1,	SPRING, CHOKE ROD TO RETAINER
33	27711		,1,,1,1,	RETAINER, CHOKE ROD SPRING
34	10-28713		,1,,1,1,	SCREW, RETAINER TO LOWER CARBURETOR
35	20663		1,,1,1,1,	KNOB, CHOKE ROD
	22463		,1,,1,1,	KNOB, CHOKE ROD
36	25-20116		1,1,1,1,1,	GROMMET, CHOKE ROD
37	22462		,1,,1,1,	"U" LINK, CHOKE KNOB TO CHOKE ROD
38	10-20100		,1,,1,1,	SCREW, "U" LINK TO CHOKE KNOB
39	13-26996		,1,,1,1,	LOCKWASHER, "U" LINK FASTENING SCREW
40	18-20180		,1,,1,1,	COTTPER PIN, CHOKE LEVER AND ROD FASTENING
41	28971		1,,1,1,1,	CHOKE ROD (NOT AS SHOWN)
	28978		,1,,1,1,	CHOKE ROD
42	17-25391		2,2,2,2,2,	RIVET, CHOKE ROD TO CHOKE LEVER

FUEL PUMP ASSEMBLY

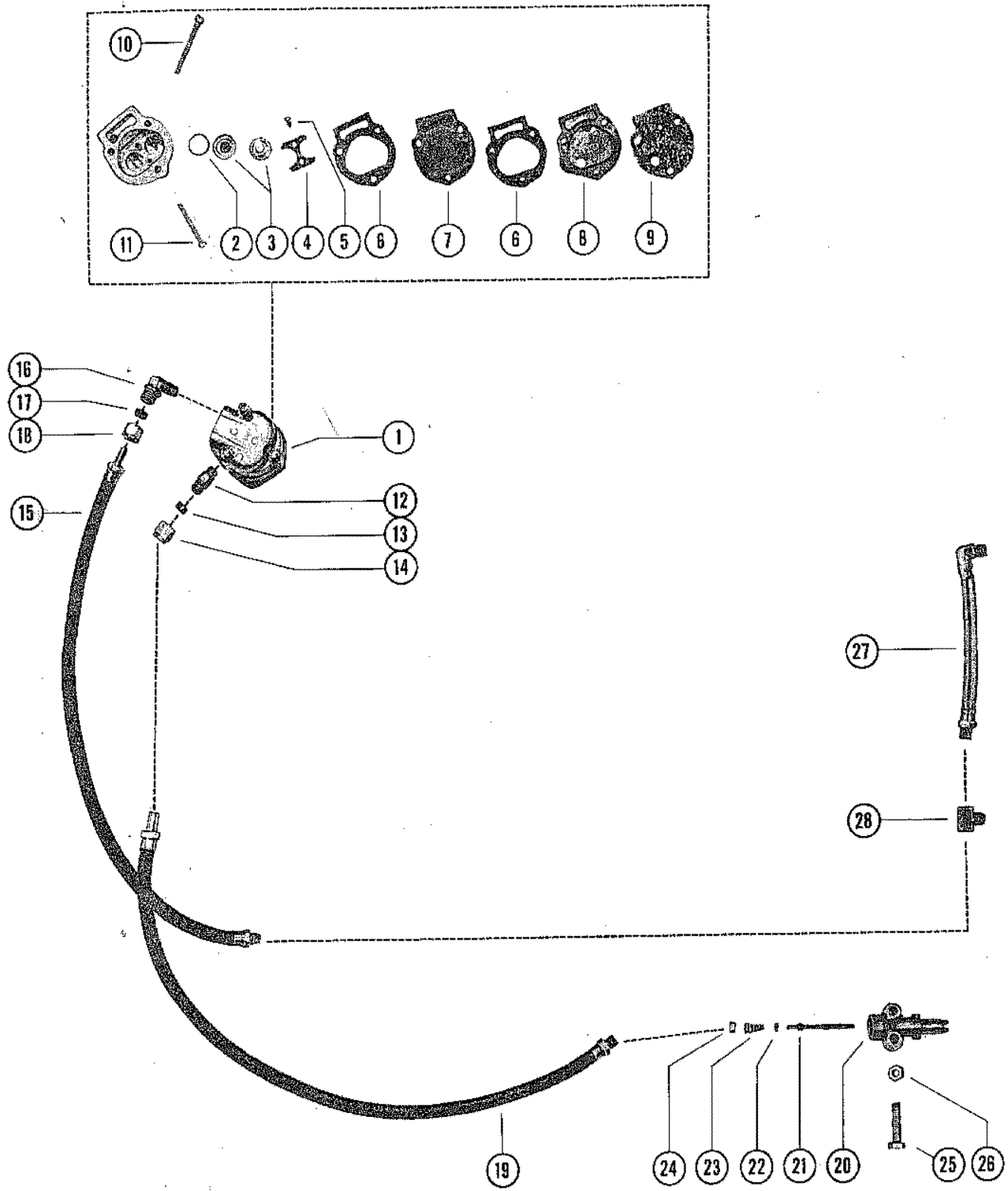


FUEL PUMP ASSEMBLY

REF. NO.	PART NO.	SYM.	QTY.	DESCRIPTION
1	23009A1		1,1,,,,,	FUEL PUMP ASSEMBLY
	29178A2		1,1,1,1,1,	FUEL PUMP ASSEMBLY
	30269A2		,,,,,,1	FUEL PUMP ASSEMBLY
2	27-23005		2,2,2,2,2,	GASKET, CHECK VALVE TO HOUSING
3	21-30430		2,2,2,2,2,	VALVE, CHECK
4	23004		1,1,1,1,1,	RETAINER, CHECK VALVE
5	10-20037		2,2,2,2,2,	SCREW, RETAINER TO HOUSING
6	27-24863		2,2,2,2,2,	GASKET, FUEL PUMP
7	23014		1,1,1,1,1,	DIAPHRAGM, FUEL PUMP
-	22-29380		1,1,1,1,1,	PLUG, PIPE - FUEL PUMP
8	23008		1,1,1,1,1,	COVER, FUEL PUMP
9	27-30276		1,1,1,1,1,	GASKET, FUEL PUMP COVER
10	10-29030		2,2,,,,,	SCREW, FUEL PUMP MOUNTIN (1-7/8") SERIAL 00000000-01261034
	10-29126		2,2,2,2,2,	SCREW, FUEL PUMP MOUNTING (1-3/4") SERIAL 01261035-09999999
11	10-29029		1,1,1,1,1,	SCREW, FUEL PUMP MOUNTING (1-1/2")
-	22-23595		1,1,,,,,	CONNECTOR, PUMP OUTLET TO ELBOW SERIAL 00000000-01261034
-	22-24690		1,1,,,,,	ELBOW, PUMP OUTLET TO FUEL LINE SERIAL 00000000-01261034
12	22-22993		,,1,1,1,1,	CONNECTOR, FUEL LINE TO FUEL PUMP INLET
13	22-22946		,,1,1,1,1,	SLEEVE, RUBBER
14	11-22948		,,1,1,1,1,	NUT, ELBOW
15	32-30035		1,1,1,1,1,	FUEL LINE, FUEL PUMP TO LOWER FILTER
-	22-22995		1,1,,,,,	ELBOW, FUEL PUMP INLET
16	22-22995		,,1,1,1,1,	ELBOW, FUEL PUMP OUTLET TO FUEL LINE
17	22-22946		1,1,1,1,1,	SLEEVE, RUBBER
18	11-22948		1,1,1,1,1,	NUT, ELBOW
19	32-23761		1,1,,,,,	FUEL LINE, FUEL PUMP TO ADAPTOR
	32-30036		,,1,1,1,1,	FUEL LINE, FUEL PUMP TO ADAPTOR
20	22833		1,1,1,1,1,	ADAPTOR, CHECK UNIT (FUEL LINE)
21	23069		1,1,1,1,1,	STEM, CHECK UNIT ADAPTOR
22	25-20415		1,1,1,1,1,	"O" RING, ADAPTOR STEM
23	24-23067		1,1,1,1,1,	SPRING, ADAPTOR STEM
24	23068		1,1,1,1,1,	CUP WASHER, ADAPTOR
25	10-20784		2,2,2,2,2,	SCREW, ADAPTOR TO BOTTOM COWL
26	11-24652		2,2,2,2,2,	NUT, ADAPTOR SCREW
-	22-25443		1,1,,,,,	ELBOW, UPPER FILTER TO FUEL LINE SERIAL 00000000-01261034
-	22-22949		1,1,,,,,	ELBOW, UPPER FILTER TO FUEL LINE SERIAL 01261035-09999999
27	32-25228		1,1,,,,,	FUEL LINE, UPPER TO LOWER FILTER (5-1/2") SERIAL 00000000-01261034

CONTINUED ON NEXT PAGE ➡

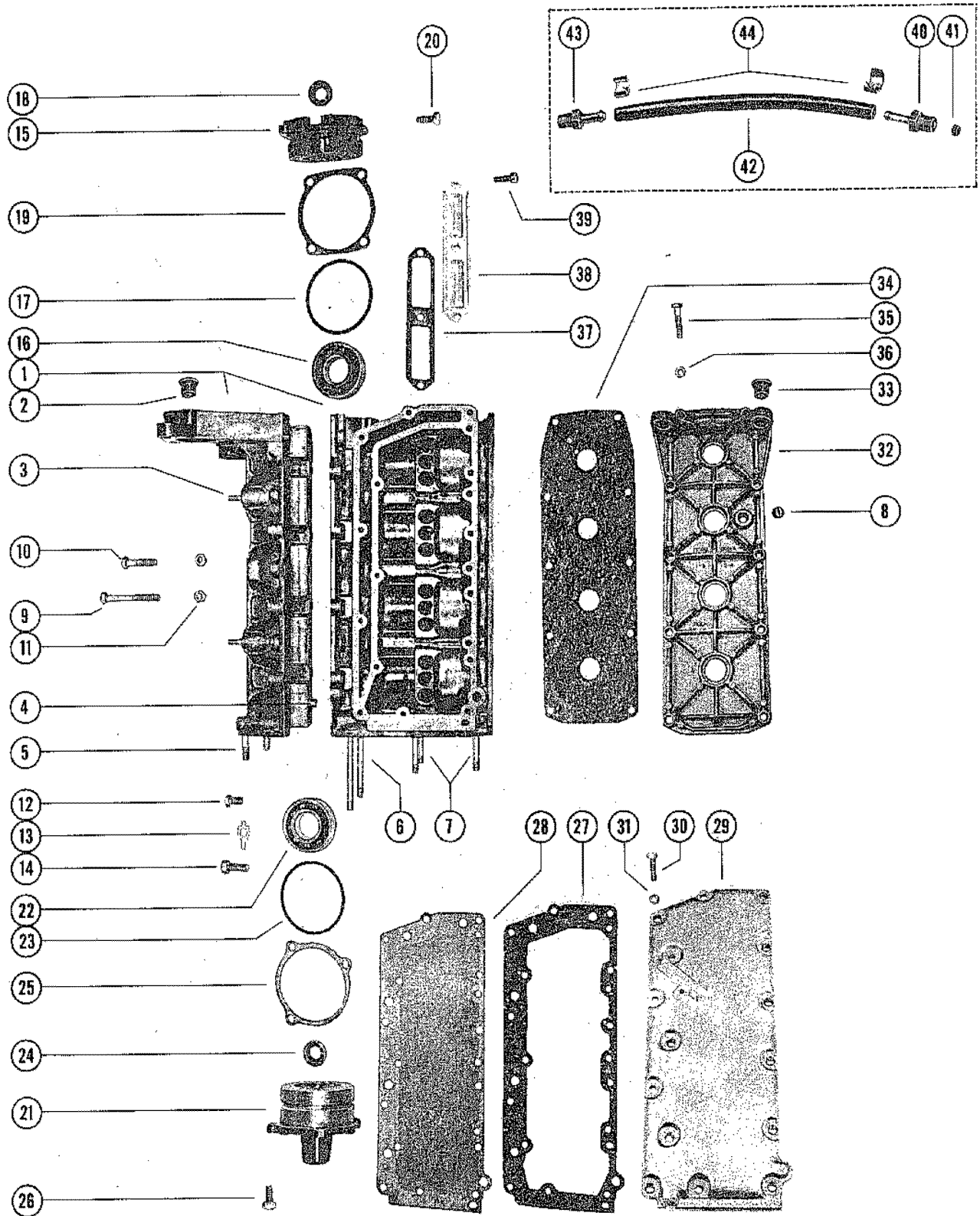
FUEL PUMP ASSEMBLY



FUEL PUMP ASSEMBLY

REF. NO.	PART NO.	SYM.	QTY.	DESCRIPTION
27	32-30038		1,1,,,1,1,	FUEL LINE, UPPER TO LOWER FILTER SERIAL 01261035-09999999
	32-30040		,,1,1,,,	FUEL LINE, UPPER TO LOWER FILTER
28	22-23763		1,1,,,,,	TEE ASSEMBLY, LOWER FILTER SERIAL 00000000-01261034
	22-25956		1,1,1,1,1,	TEE ASSEMBLY, LOWER FILTER SERIAL 01261035-09999999
-	22-22946		2,2,,,,,	SLEEVE, RUBBER
-	11-22948		2,2,,,,,	NUT, FILTER TEE

CYLINDER BLOCK AND CRANKCASE ASSEMBLY

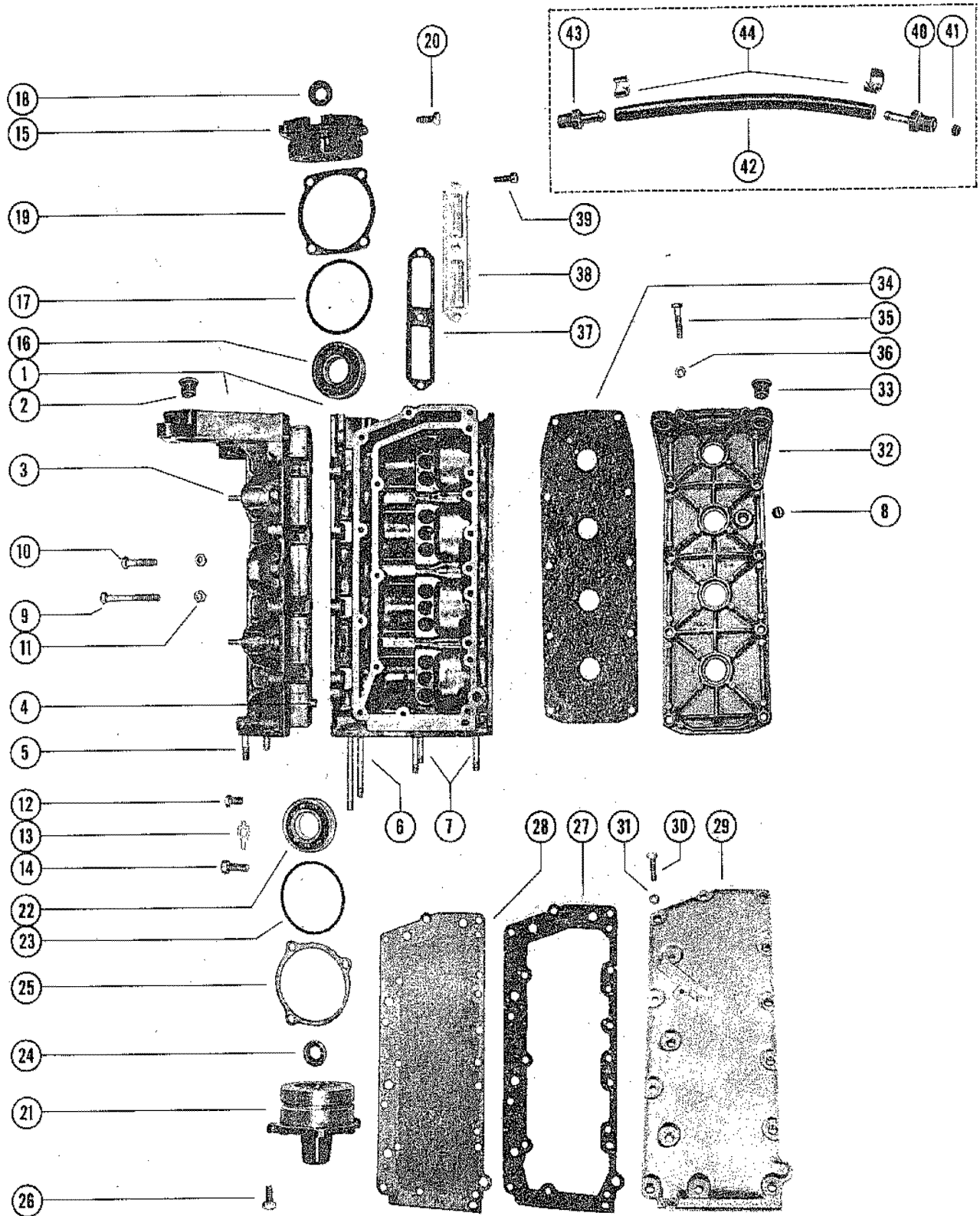


CYLINDER BLOCK AND CRANKCASE ASSEMBLY

REF. NO.	PART NO.	SYM.	QTY.	DESCRIPTION
1	808-1321A4		1,1,1,1,1,	CYLINDER BLOCK AND CRANKCASE ASSEMBLY
-	N.S.S.		1,1,1,1,1,	CRANKCASE
-	17-20323		1,1,1,1,1,	DOWEL PIN, CYLINDER BLOCK TO CENTER MAIN BEARING
-	17-20032		1,1,1,1,1,	DOWEL PIN, CYLINDER BLOCK TO MAIN BEARING
2	23-26348		2,2,2,2,2,	BUSHING, CRANKCASE
3	16-25885		4,4,4,4,4,	STUD, CARBURETOR MOUNTING (1-1/4")
4	17-20033		2,2,2,2,2,	DOWEL PIN, CRANKCASE TO CYLINDER BLOCK
5	16-29988		2,2,2,2,2,	STUD, CRANKCASE TO DRIVE SHAFT HOUSING (1-9/16")
6	16-29990		2,2,2,2,2,	STUD, CYLINDER BLOCK TO DRIVE SHAFT HOUSING (3-3/8")
7	16-29989		4,4,4,4,4,	STUD, SYLINDER BLOCK TO DRIVE SHAFT HOUSING (1-7/8")
8	22-30139		,1,1,1,1,1,	PLUG, PIPE - WATER PRESSURE HOLE (SEE NOTE BELOW)
9	10-22039		4,4,4,4,4,	SCREW, CRANKCASE TO CYLINDER BLOCK (2-3/4")
10	10-22040		14,14,14,1	SCREW, CRANKCASE TO CYLINDR BLOCK (1-1/2")
-	12-20084		2,2,,,,,	WASHER; CRANKCASE SCREW
11	11-29250		18,18,18,1	NUT, CRANKCASE FASTENING SCREW
12	10-20089		2,2,2,2,,,	SCREW, MAIN BEARING LOCKING SERIAL 00000000-01352947
	10-26801		,2,2,2,2,	SCREW, MAIN BEARING LOCKING SERIAL 01352948-09999999
13	14-20091		3,3,3,3,3,	TAB WASHER, BEARING LOCKING SCREW
14	10-20359		1,1,1,1,1,	SCREW, CENTER MAIN BEARING LOCKING
15	00-339A1		1,1,1,1,1,	END CAP ASSEMBLY, UPPER
16	30-20080		1,1,1,1,1,	BEARING, BALL - UPPER END CAP
17	25-20081		1,1,1,1,1,	"O" RING, UPPER END CAP
18	26-29476		1,1,1,1,1,	OIL SEAL
19	15-20082A1		AR,AR,AR,A	SHIM, UPPER END CAP TO CRANKCASE
-	13-26993		4,4,,,,,	LOCKWASHER, UPPER END CAP MOUNTING SCREW
20	10-23703		4,4,,,,,	SCREW, UPPER END CAP MOUNTING
	10-29198		,4,4,4,4,	SCREW, UPPER END CAP MOUNTING
21	1102-1484A1		1,1,1,1,1,	END CAP ASSEMBLY, LOWER
22	30-20080		1,1,1,1,1,	BEARING, BALL - LOWER END CAP
23	25-20081		1,1,1,1,1,	"O" RING, LOWER END CAP
24	26-29476		1,1,1,1,1,	OIL SEAL, UPPER
	26-29477		1,1,1,1,1,	OIL SEAL, LOWER
-	21-28481A1		1,1,1,1,1,	CHECK VALVE ASSEMBLY, LOWER END CAP
25	15-20085A1		AR,AR,AR,A	SHIM, LOWER END CAP TO CRANKCASE
-	13-26993		3,3,,,,,	LOCKWASHR, LOWER END CAP MOUNTING SCREW
26	10-23703		3,3,,,,,	SCREW< LOWER END CAP MOUNTING
	10-29198		,3,3,3,3,	SCREW, LOWER END CAP MOUNTING
27	27-26923		1,1,1,1,1,	GASKET, CYLINDER BLOCK TO MANIFOLD PLATE
28	26922		1,1,1,1,1,	PLATE, EHAUST MANIFOLD
27	27-26923		1,1,1,1,1,	GASKET, MANIFOLD PLATE TO COVER

CONTINUED ON NEXT PAGE ➡

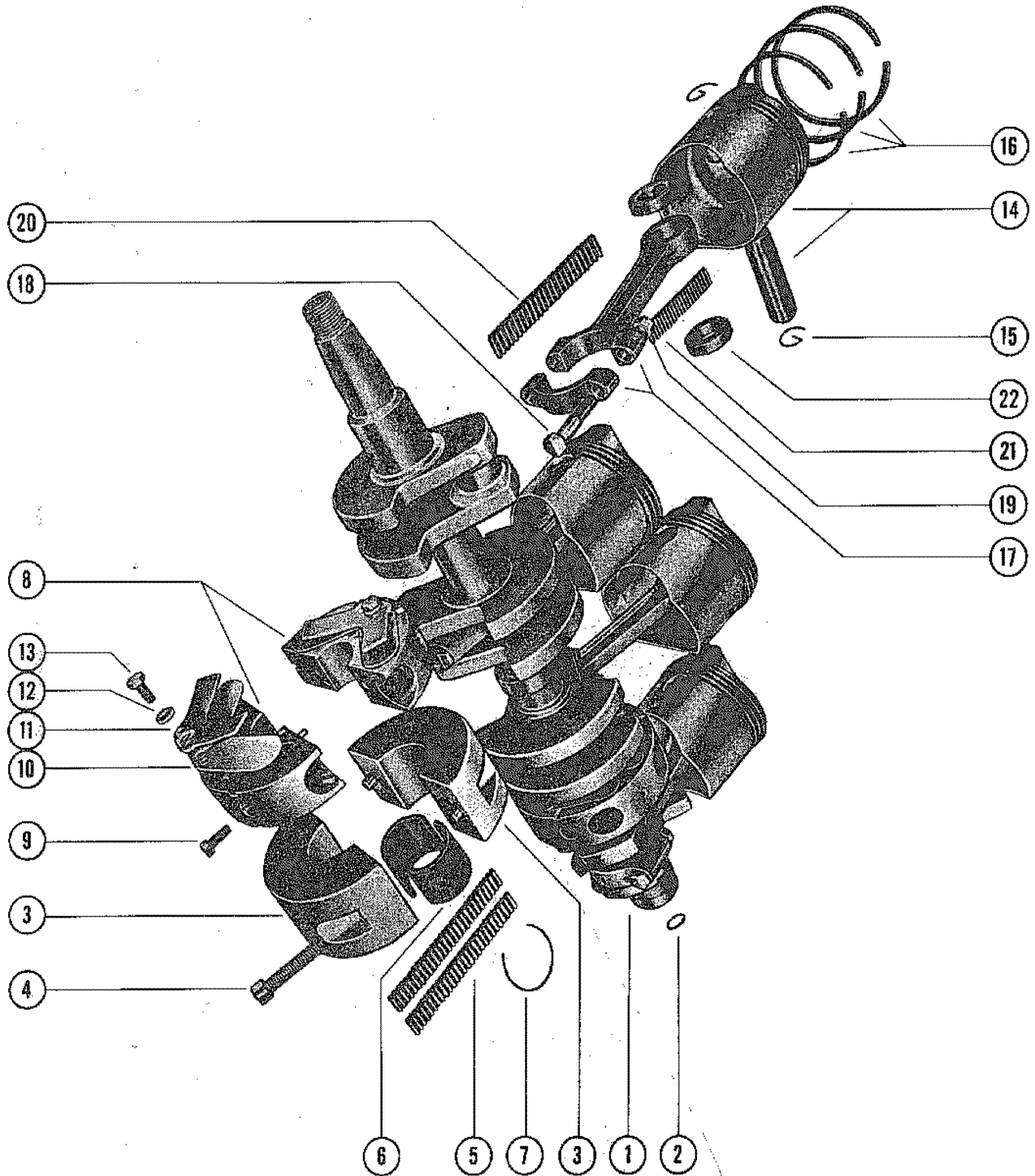
CYLINDER BLOCK AND CRANKCASE ASSEMBLY



CYLINDER BLOCK AND CRANKCASE ASSEMBLY

REF. NO.	PART NO.	SYM.	QTY.	DESCRIPTION
29	28240		1,1,1,1,1,	COVER, EXHAUST MANIFOLD
30	10-28668		13,13,13,1	SCREW, MANIFOLD COVER MOUNTING
	10-28666		2,2,2,2,2,	SCREW, MANIFOLD COVER AND HIGH TENSION LEAD CLIP MOUNTING
31	12-20028		2,2,2,2,2,	WASHER, MANIFOLD COVER AND HIGH TENSION LEAD CLIP SCREWS
32	100-1A1		1,1,1,1,1,	CYLINDER BLOCK COVER ASSEMBLY (SEE NOTE BELOW)
33	23-26348		2,2,2,2,2,	BUSHING, CYLINDER BLCOK COVER
34	27-22333		1,1,1,1,1,	GASKET, CYLINDER BLOCK COVER
35	10-20653		10,10,10,1	SCREW, CYLINDER BLOCK COVER MOUNTING
36	11-24652		10,10,10,1	NUT, COVER MOUNTING SCREW
37	27-27936		2,2,2,2,2,	GASKET, TRANSFER PORT COVER
38	27935		2,2,2,2,2,	COVER, TRANSFER PORT
-	12-20028		6,6,,,,,	WASHER, TRANSFER PORT COVER FASTENING SCREW
39	10-20540		6,6,6,6,6,	SCREW, TRANSFER PORT COVER FASTENING
40	21-28483A1		1,1,1,1,1,	CHECK VALVE ASSEMBLY, BLEED HOSE (UPPER)
41	21-28481A1		1,1,1,1,1,	CHECK VALVE ASSEMBLY, BLEED HOSE
42	32-28654		1,1,1,1,1,	HOSE, CYLINDER BLEED (6-1/2")
43	22-20445		1,1,1,1,1,	CONNECTOR, CYLINDER BLEED HOSE (LOWER)
44	54-20387		2,2,2,2,2,	CLAMP, BLEED HOSE TO CHECK VALVE AND CONNECTOR

CRANKSHAFT, PISTON AND CONNECTING ROD

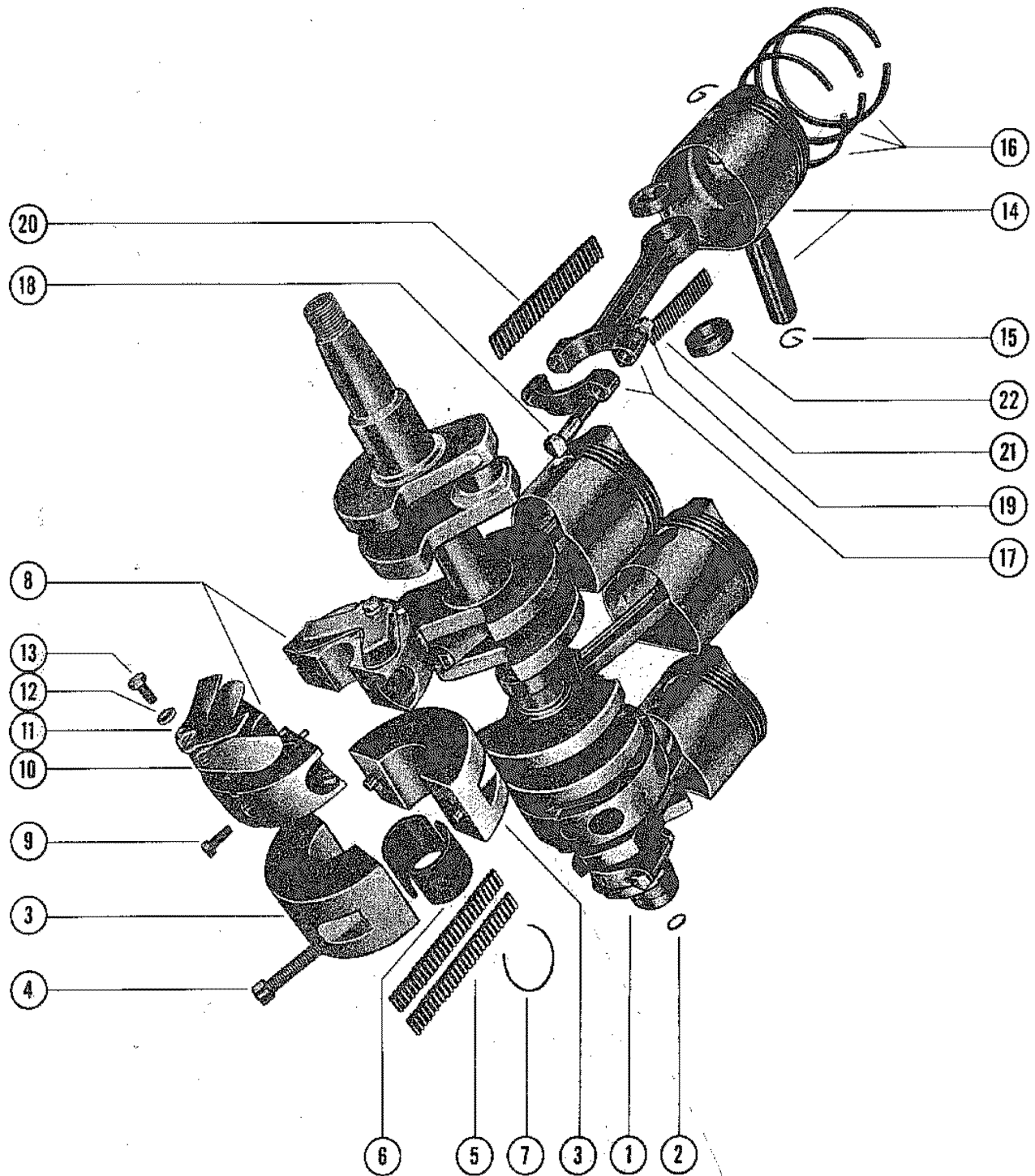


CRANKSHAFT, PISTON AND CONNECTING ROD

REF. NO.	PART NO.	SYM.	QTY.	DESCRIPTION
-	400-1319		,,,1,,,	CRANKSHAFT FOR REPLACEMENT ORDER A-400-1730 CRANKSHAFT AND C-25-29619 "O" RING. SERIAL 00000000-01271993
-	20043		,,,1,,,	OILER, FELT FOR REPLACEMENT ORDER A-400-1730 CRANKSHAFT AND C-25-29619 "O" RING. SERIAL 00000000-01271993
1	400-1730		1,1,1,1,1,	CRANKSHAFT
2	20043		1,1,,,,,	OILER, FELT - DRIVE SHAFT SPLINE (NOT AS SHOWN)
	25-29619		,,1,1,1,1,	"O"RING, DRIVE SHAFT SPLINE
3	500-1030A1		1,1,1,1,1,	CENTER MAIN BEARING ASSEMBLY
-	17-20032		2,2,2,2,2,	DOWEL PIN, CENTER AMIN BEARING
4	10-28666		2,2,2,2,2,	SCREW, CENTER MAIN BEARING CLAMPING
5	29-20046		56,56,56,5	BEARING, NEEDLE
6	20047		1,1,1,1,1,	RACE, OUTER
7	53-20048		1,1,1,1,1,	RING, SNAP - OUTER RACE CLAMPING
-	17-20379		1,1,1,1,1,	DOWEL PIN (STEPPED)
8	526-1436A1		2,2,2,2,2,	MAIN BEARING ASSEMBLY (VALVE TYPE) BRONZE - NO LONGER AVAILABLE, ORDER A-527-1619A1
-	17-20032		20,20,20,2	DOWEL PIN, MAIN BEARING BRONZE - NO LONGER AVAILABLE, ORDER A-527-1619A1
9	10-20049		4,4,4,4,4,	SCREW, MAIN BEARING CLAMPING BRONZE - NO LONGER AVAILABLE, ORDER A-527-1619A1
10	34-20888A1		2,2,2,2,2,	REED SET, MATCHED - MAIN BEARING BRONZE - NO LONGER AVAILABLE, ORDER A-527-1619A1
11	34-20053		8,8,8,8,8,	REED STOP, MAIN BEARING REED VALVES BRONZE - NO LONGER AVAILABLE, ORDER A-527-1619A1
12	12-26014		8,8,8,8,8,	WASHER, REED STOP MOUNTING SCREW BRONZE - NO LONGER AVAILABLE, ORDER A-527-1619A1
13	10-20055		8,8,8,8,8,	SCREW, REED STOP MOUNTING BRONZE - NO LONGER AVAILABLE, ORDER A-527-1619A1
8	526-1436A1		,,2,2,2,2,	MAIN BEARING ASSEMBLY (VALVE TYPE) ALUMINUM
-	17-20032		,,20,20,20	DOWEL PIN, MAIN BEARING ALUMINUM
9	10-26184		,,4,4,4,4,	SCREW, MAIN BEARING CLAMPING ALUMINUM
-	11-24652		,,4,4,4,4,	NUT, MAIN BEARING CLAMPING SCREW ALUMINUM
10	34-20888A1		,,2,2,2,2,	REED SET, MATCHED - MAIN BEARING ALUMINUM
11	34-20053		,,8,8,8,8,	REED STOP, MAIN BEARING REED VALVES ALUMINUM
13	10-29465		,,8,8,8,8,	SCREW, REED STOP MOUNTING ALUMINUM
-	11-29469		,,8,8,8,8,	NUT, REED STOP MOUNTING SCREW ALUMINUM
14	718-1193A2		4,4,4,4,4,	PISTON AND PISTON PIN ASSEMBLY
15	40-20057		8,8,8,8,8,	LOCK RING, PISTON PIN
16	39-20058		12,12,12,1	RING, PISTON
17	600-7A1		4,4,4,4,4,	CONNECTING ROD AND CAP ASSEMBLY (SEE NOTE BELOW)
18	10-20060		8,8,8,8,8,	SCREW, CONNECTING ROD
19	11-20061		8,8,8,8,8,	NUT, CONNECTING ROD SCREW

CONTINUED ON NEXT PAGE ➡

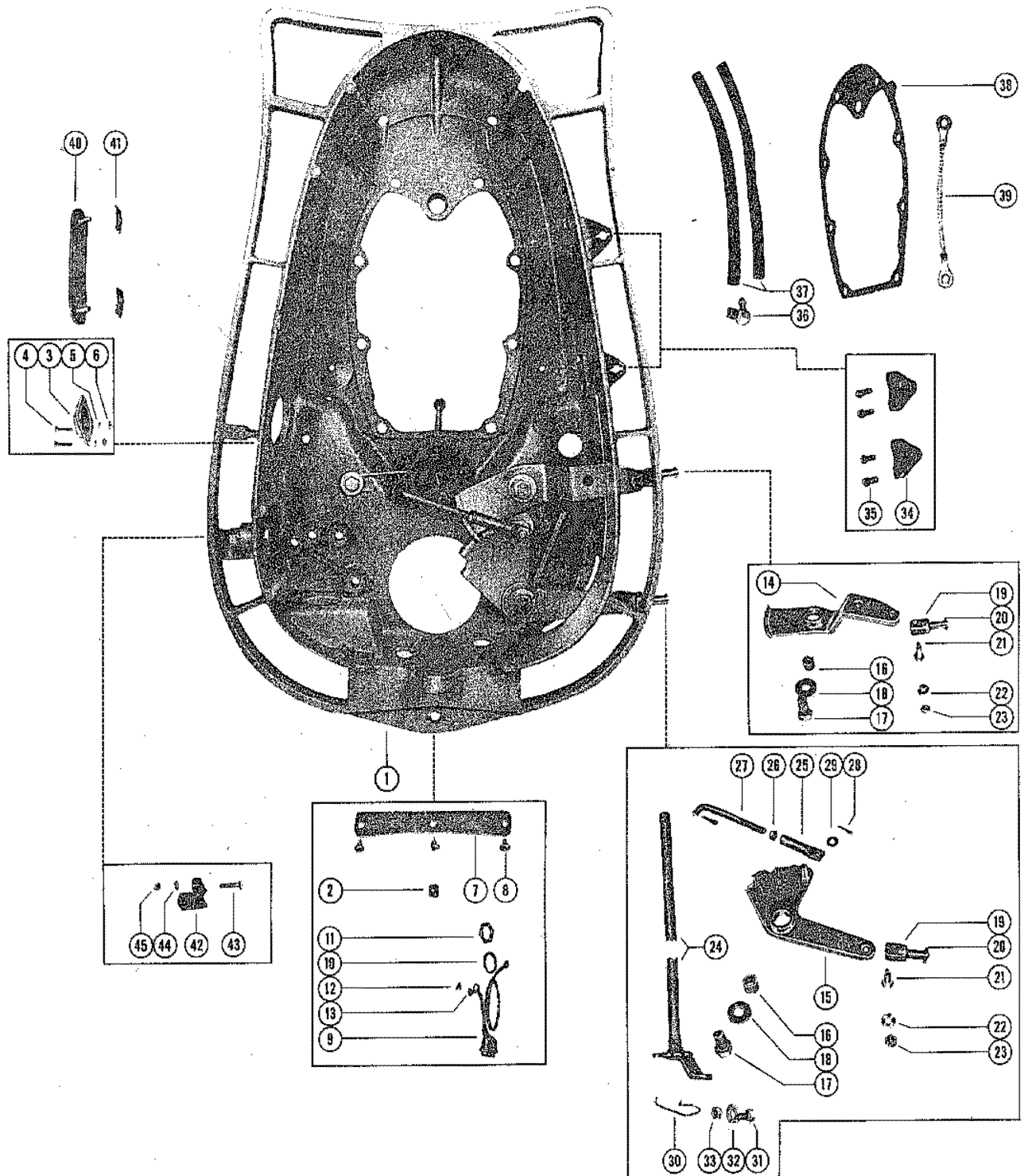
CRANKSHAFT, PISTON AND CONNECTING ROD



CRANKSHAFT, PISTON AND CONNECTING ROD

REF. NO.	PART NO.	SYM.	QTY.	DESCRIPTION
20	29-20046		100,100,10	BEARING, NEEDLE - CRANKPIN
21	29-20063		88,88,88,8	BEARING, NEEDLE - PISTON PIN
22	12-20064		8,8,8,8,8,	WASHER, NEEDLE LOCATING
-	718-1313A1		4,4,4,4,4,	PISTON AND PISTON PIN ASSEMBLY (.015 OVERSIZE)
-	39-20992A12		12,12,12,1	RING, PISTON (.015 OVERSIZE)

BOTTOM COWL ASSEMBLY

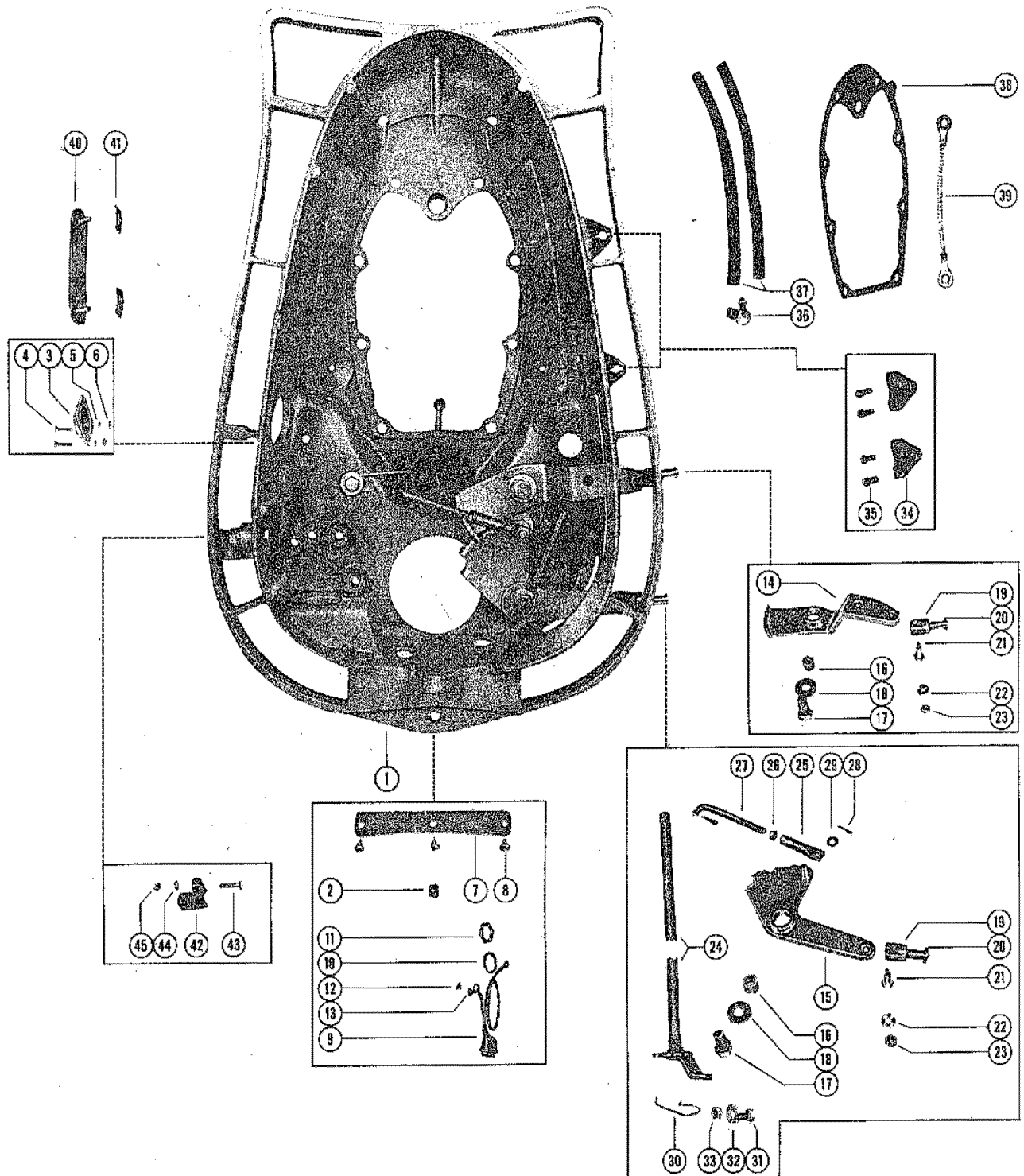


BOTTOM COWL ASSEMBLY

REF. NO.	PART NO.	SYM.	QTY.	DESCRIPTION
1	103-1544A1		1,,,,,	BOTTOM COWL ASSEMBLY
-	23-25194		1,1,1,1,,	BUSHING, OILITE - SHIFT SHAFT
2	21041		1,1,1,1,1,	INSERT, TAP LOCK
3	29206		1,,1,,1,,1	PLUG, BOTTOM COWL HARNESS HOLE
4	10-26128		4,,4,,4,,4	SCREW, PLUG TO BOTTOM COWL
5	13-26995		4,,4,,4,,4	LOCKWASHER, PLUG FASTENING SCREW
6	11-26419		4,,4,,4,,4	NUT, PLUG FASTENING SCREW
-	37-23076		,1,,,,,	DECAL, MERCELECTRIC - BOTTOM COWL
7	23760		1,1,1,1,1,	BAFFLE, BOTTOM COWL
8	10-21106		3,3,3,3,3,	SCREW, BAFFLE TO BOTTOM COWL
9	21104A2		1,,1,,1,,1	CONNECTOR BASE ASSEMBLY
10	13-21972		1,,1,,1,,1	LOCKWSHER, CONNECOTR BASE
11	21971		1,,1,,1,,1	NUT, CONNECTOR BASE FASTENING
12	54-25231		1,,1,,1,,1	CLIP, CONNECTOR BASE LEAD WIRE
13	10-21106		1,,1,,1,,1	SCREW, LEAD WIRE CLIP TO BOTTOM COWL
14	27956		1,1,,,,,	BRACKET, MAGNETO CONTROL (LOWER) SERIAL 00000000-01269884
	29392		1,1,,,,,	BRACKET, MAGNETO CONTROL (LOWER) SERIAL 01269885-09999999
	29532		,1,1,1,1,	BRACKET, MAGNETO CONTROL (LOWER)
-	24-24826		1,1,,,,,	SPRING, CONTROL BRACKET TENSION SERIAL 00000000-01269884
15	28253		1,1,,,,,	LEVER, SHIFT CONTROL SERIAL 00000000-01269884
	29391		1,1,,,,,	LEVER, SHIFT CONTROL SERIAL 01269885-09999999
	30612		,1,1,1,1,	LEVER, SHIFT CONTROL
-	23-20008		2,2,,,,,	BUSHING, MAGNETO BRACKET AND SHIFT LEVER (NYLON) SERIAL 00000000-01269884
-	23-21008		2,2,,,,,	BUSHING, MAGNETO BRACKET AND SHIFT LEVER (STEEL) SERIAL 00000000-01269884
16	23-29529		,2,2,2,2,	SLEEVE, MAGNETO BRACKET AND SHIFT LEVER
17	10-21077		2,2,,,,,	SCREW, BRACKET AND LEVER FASTENING SERIAL 00000000-01269884
	10-26632		,2,2,2,2,	SCREW, BRACKET AND LEVER FASTENING
18	12-21040		2,2,,,,,	WSHER, BRACKET AND LEVER FASTENING SCREW SERIAL 00000000-01269884
	12-29395		,4,4,4,4,	WASHER, BRACKET AND LEVER FASTENING SCREW
-	16-29394		2,2,,,,,	STUD, MAGNETO BRACKET AND SHIFT LEVER SERIAL 01269885-09999999
-	12-29395		4,4,,,,,	WASHER, BRACKET AND LEVER FASTENING STUD SERIAL 01269885-09999999
-	11-23161		2,2,,,,,	NUT, BRACKET AND LEVER FASTENING SERIAL 01269885-09999999
19	17-30978A1		2,2,2,2,2,	PIN ASSEMBLY, CLEVIS YOKE
20	17-23928		2,2,2,2,2,	ROLL PIN, CLEVIS YOKE PIN
21	10-20584		2,2,2,2,2,	SCREW, CLEVIS PIN FASTENING
22	13-29402		2,2,2,2,2,	WASHER, WAVE - IN FASTENING SCREW

CONTINUED ON NEXT PAGE ➡

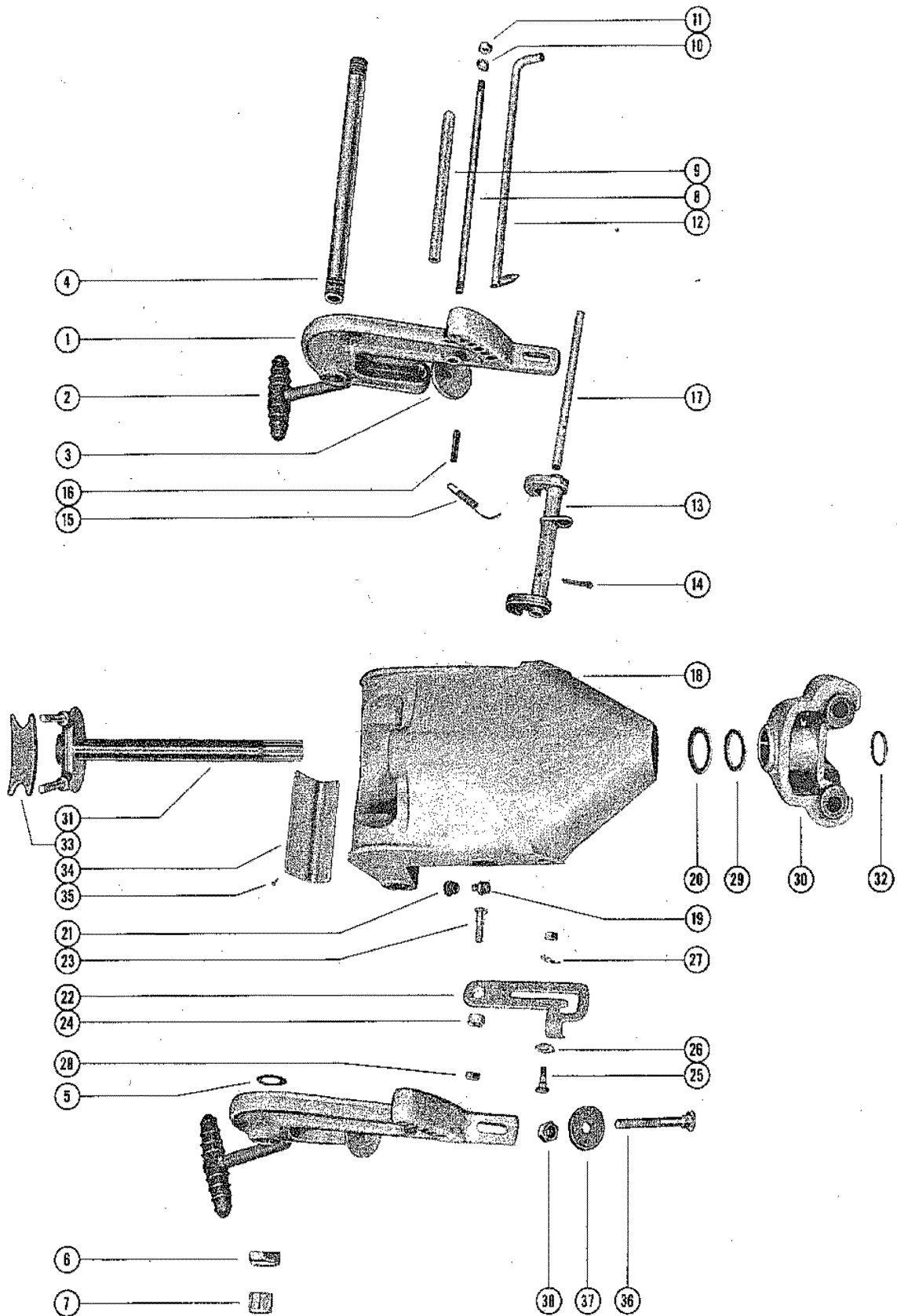
BOTTOM COWL ASSEMBLY



BOTTOM COWL ASSEMBLY

REF. NO.	PART NO.	SYM.	QTY.	DESCRIPTION
-	12-20128		2,2,,,,,	WASHER, PIN FASTENING SCREW
23	11-20110		2,2,,,,,	NUT, PIN FASTENING SCREW
	11-29488		,2,2,2,2,	NUT, PIN FASTENING SCREW
24	25180		1,1,1,1,1,	SHAFT, SHIFT (UPPER) - SHORT SHAFT
	25163		1,1,1,1,1,	SHAFT, SHIFT (UPPER) - LONG SHAFT
25	27714		1,1,1,1,1,	ROD (SLEEVE), SHIFT CONTROL END
26	11-25168		1,1,1,1,1,	NUT, SHIFT SHAFT END ADJUSTING
27	25134		1,1,1,1,1,	ROD, LINK - SHIFT SHAFT END
28	18-20180		2,2,2,2,2,	COTTER PIN, LINK ROD TO SHIFT SHAFT
29	12-20583		1,1,1,1,,,	WASHER, LINK ROD
	12-20583		,,,2,2,2	WASHER, LINK ROD
30	24-25065		1,1,1,1,1,	SPRING, DETENT
31	10-20776		1,1,1,1,1,	SCREW, DETENT SPRING TO BOTTOM COWL
32	12-20346		1,1,1,1,1,	WASHER, DETENT SPRING SCREW
33	11-20013		1,1,1,1,,,	NUT, DETENT SPRING SCREW
	11-20184		,,,1,1,1	NUT, DETENT SPRING SCREW
34	20557		2,2,2,2,2,	BRACKET, CABLE END ANCHOR
35	10-20100		4,4,,,,,	SCREW, ANCHOR BRACKET TO BOTTOM COWL
	10-29200		,,4,4,4,4,	SCREW, ANCHOR BRACKET TO BOTTOM COWL
-	13-20554		4,4,,,,,	LOCKWASHER, ANCHOR BRACKET SCREW
36	22-25885		2,2,2,2,2,	ELBOW, PLASTIC - MAGNETO VENT TUBE
37	32-29164		2,2,2,2,2,	TUBE, VENT - MAGNETO
38	27-20390		1,1,1,1,1,	GASKET, POWERHEAD TO BOTTOM COWL
39	30109		1,1,1,1,1,	GROUND STRAP ASSEMBLY, CYLINDER BLOCK TO COWL
40	38-27720		1,1,1,1,1,	PLATE, TRADE MARK - BOTTOM COWL
41	53-25539		2,2,2,2,2,	FASTENER, PLATE TO BOTTOM COWL
42	26552		,1,,1,,1,	SUPPORT, EXTERNAL WIRING HARNESS
43	10-20639		,1,,1,,1,	SCREW, HARNESS SUPPORT TO BOTTOM COWL
44	12-20084		,1,,1,,1,	WASHER, HARNESS SUPPORT FASTENING SCREW
45	11-29250		,1,,1,,1,	NUT, HARNESS SUPPORT SCREW

CLAMP AND SWIVEL BRACKET

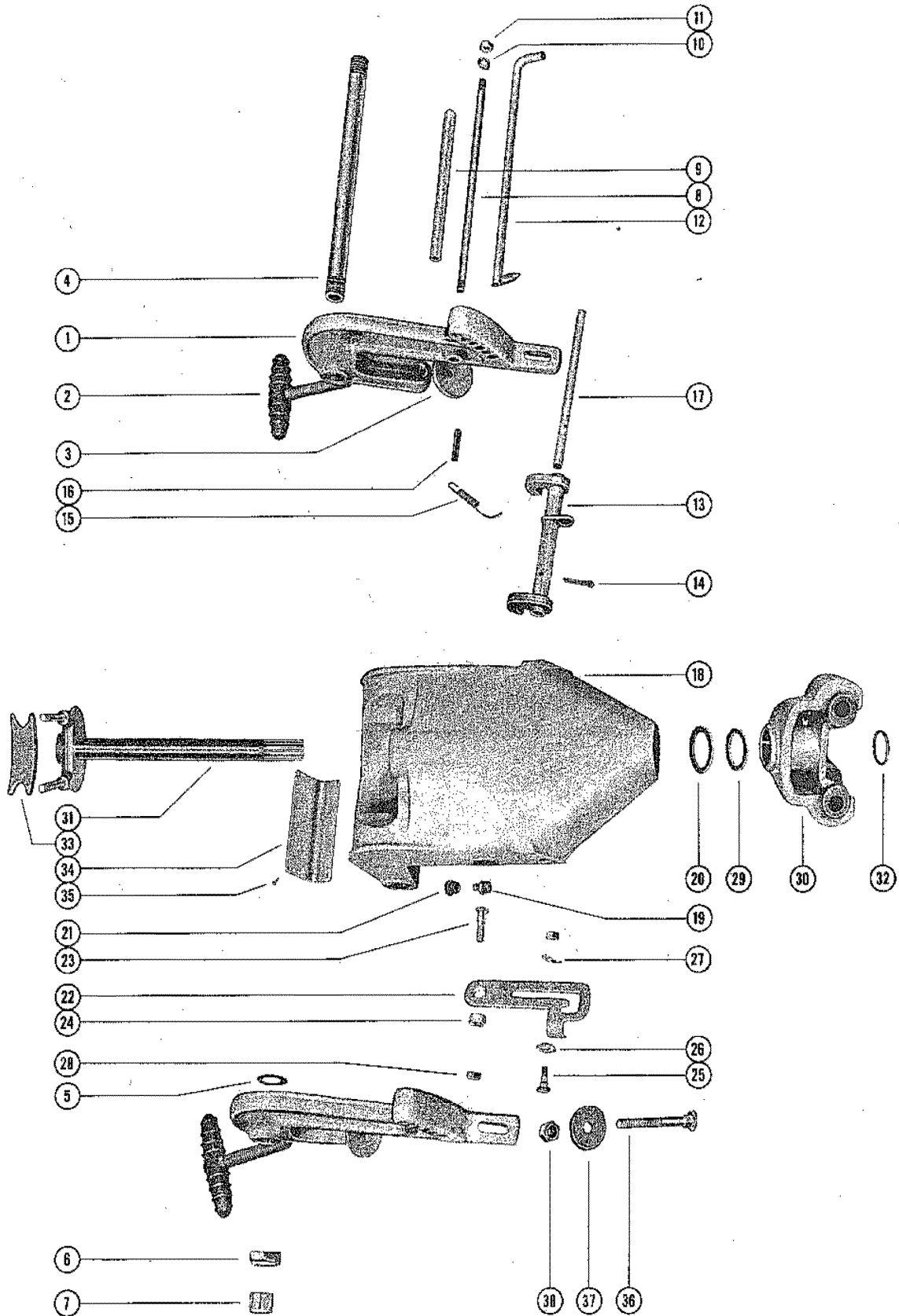


CLAMP AND SWIVEL BRACKET

REF. NO.	PART NO.	SYM.	QTY.	DESCRIPTION
1	1427-1310A1		2,2,2,2,2,	CLAMP BRACKET ASSEMBLY (SHORT SHAFT)
	1440-1464A1		2,2,2,2,2,	CLAMP BRACKET ASSEMBLY (LONG SHAFT)
2	22477A1		2,2,2,2,2,	THUMB SCREW ASSEMBLY (SHORT SHAFT)
	28403A3		2,2,2,2,2,	THUMB SCREW ASSEMBLY (LONG SHAFT)
3	12-26227		2,2,2,2,2,	WASHER, THUMB SCREW (SHORT SHAFT)
	12-28404		2,2,2,2,2,	WASHER, THUMB SCREW (LONG SHAFT)
4	28122		1,1,1,1,1,	TUBE, TILT - CLAMP BRACKET TO SWIVEL BRACKET
5	15-25600		2,2,2,2,2,	SHIM, CLAMP BRACKET TO SWIVEL BRACKET (.010)
6	11-25599		2,2,2,2,2,	NUT, TILT TUBE
7	25606		2,2,2,2,2,	CAP, PLASTIC - TILT TUBE
-	54-25735		1,1,,,,,	CLIP, SAFETY CHAIN (NO LONGER USED ON LATER ENGINES)
8	16-20221		1,1,1,1,1,	STUD, CLAMP BRACKET
9	23-20222		1,1,1,1,1,	SPACER, CLAMP BRACKET STUD
10	13-26993		2,2,2,2,2,	LOCKWASHER, CLAMP BRACKET STUD
11	11-20083		2,2,2,2,2,	NUT, CLAMP BRACKET STUD
12	17-30687A1		1,1,1,1,1,	TILT LOCK PIN ASSEMBLY
13	26903A2		1,1,1,1,1,	REVERSE LOCK ASSEMBLY (SHORT SHAFT)
	26903A3		1,1,1,1,1,	REVERSE LOCK ASSEMBLY (LONG SHAFT)
14	18-20209		1,1,1,1,1,	COTTER PIN, REVERSE LOCK TO SHAFT
15	24-20210		1,1,,,,,	SPRING, REVERSE LOCK TENSION
	24-29821		,,1,1,1,1,	SPRING, REVERSE LOCK TENSION
16	17-25598		1,1,1,1,1,	ROLL PIN, REVERSE LOCK SPRING ATTACHING
17	20208		1,1,1,1,1,	SHAFT, REVERSE LOCK TO SWIVEL BRACKET
18	1401-1080A1		1,1,1,1,1,	SWIVEL BRACKET ASSEMBLY (SHORT SHAFT)
	1442-1400A1		1,1,1,1,1,	SWIVEL BRACKET ASSEMBLY (LONG SHAFT)
19	22-23612		1,1,1,1,1,	FITTING, GREASE - SWIVEL BRACKET
20	26-32911		1,1,1,1,1,	OIL SEAL, SWIVEL BRACKET
21	29359		1,1,1,1,1,	LUBRICAP, SWIVEL BRACKET GREASE FITTING
-	20215		1,1,1,1,1,	LEVER, TILT STOP - STARBOARD SIDE (SHORT SHAFT)
-	29056		1,1,1,1,1,	LEVER, TILT STOP - STARBOARD SIDE (LONG SHAFT)
22	26864		1,1,1,1,1,	LEVER, TILT STOP - PORT SIDE (SHORT SHAFT)
	29057		1,1,1,1,1,	LEVER, TILT STOP - PORT SIDE (LONG SHAFT)
23	10-20217		2,2,2,2,2,	SCREW, ANCHOR - TILT STOP LEVER (SHORT SHAFT)
	10-29054		2,2,2,2,2,	SCREW, ANCHOR - TILT STOP LEVER (LONG SHAFT)
24	23-20216		2,2,2,2,2,	SPACER, TILT STOP LEVER (SHORT SHAFT)
	23-29055		2,2,2,2,2,	SPACER, TILT STOP LEVER (LONG SHAFT)
25	10-29237		2,2,2,2,2,	SCREW, RETAINING - TILT STOP LEVER (SHORT SHAFT)
	10-27790		2,2,2,2,2,	SCREW, RETAINING - TILT STOP LEVER (LONG SHAFT)
26	15-20473		1,1,1,1,1,	SHIM, RETAINING SCREW - PORT SIDE
27	13-20846		1,1,1,1,1,	WASHER, WAVE - RETAINING SCREW - PORT SIDE
-	12-20028		4,4,,,,,	WSHER, ANCHOR AND RETAINING SCREW
-	13-26992		4,4,,,,,	LOCKWASHER, ANCHOR AND RETAINING SCREW

CONTINUED ON NEXT PAGE ➡

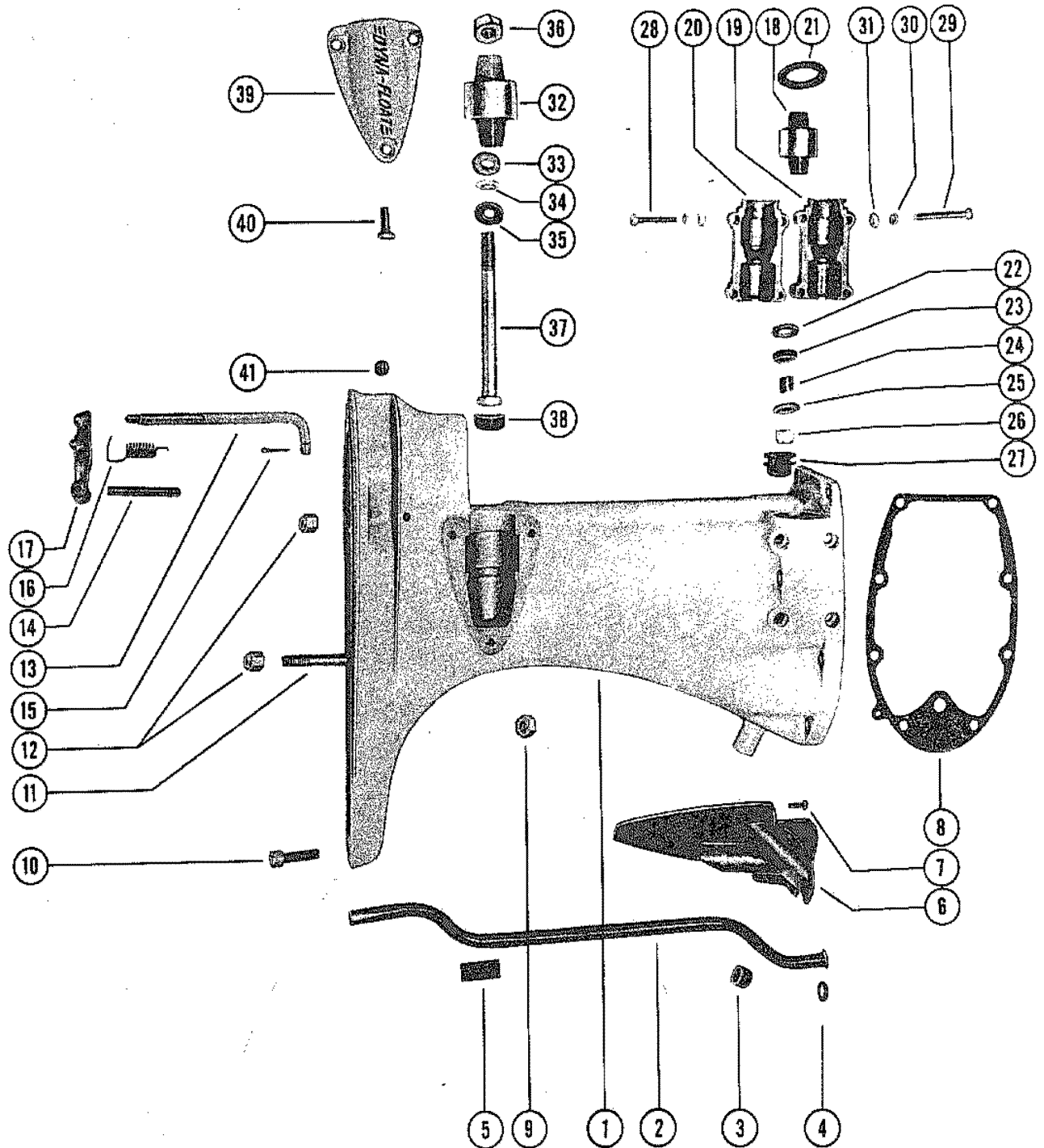
CLAMP AND SWIVEL BRACKET



CLAMP AND SWIVEL BRACKET

REF. NO.	PART NO.	SYM.	QTY.	DESCRIPTION
28	11-24652		4,4,4,4,4,	NUT, ANCHOR AND RETAINING SCREW (.060)
29	12-25176		1,1,1,1,1,	WASHER, SWIVEL PIN TO BOTTOM YOKE
-	12-27964		AR,AR,AR,A	WSHER, SWIVEL PIN TO BOTTOM YOKE (.018)
30	30202A1		1,1,1,1,1,	BOTTOM YOKE ASSEMBLY (SHORT SHAFT) - SEE NOTE BELOW
	30462A1		1,1,1,1,1,	BOTTOM YOKE ASSEMBLY (LONG SHAFT)
31	17-27739A2		1,1,1,1,1,	SWIVEL PIN AND TOP YOKE ASSEMBLY (SHORT SHAFT)
	17-28419A4		1,1,1,1,1,	SWIVEL PIN AND TOP YOKE ASSEMBLY (LONG SHAFT)
32	53-27743		1,1,1,1,1,	RING, RETAINING - SWIVEL PIN (SHORT SHAFT)
	11-28202		1,1,1,1,1,	NUT, SWIVEL PIN (LONG SHAFT) - NOT AS SHOWN
33	30711		1,1,1,1,1,	BUMPER, TOP YOKE
34	38-28850		1,1,,,,,	SERIAL PLATE
	38-29533		,,1,1,,,	SERIAL PLATE
	38-31056		,,,1,1,1	SERIAL PLATE
35	10-25612		4,4,4,4,4,	SCREW, DRIVE - SERIAL PLATE TO SWIVEL BRACKET
36	10-26483		2,2,2,2,2,	BOLT, CARRIAGE - CLAMP BRACKET TO BOAT TRANSOM (SHORT SHAFT)
	10-28009		2,2,2,2,2,	BOLT, CARRIAGE - CLAMP BRACKET TO BOAT TRANSOM (LONG SHAFT)
37	12-26485		2,2,2,2,2,	WASHER, CARRIAGE BOLT (SHORT SHAFT)
	12-28008		2,2,2,2,2,	WASHER, CARRIAGE BOLT (LONG SHAFT)
38	11-26484		2,2,2,2,2,	NUT, CARRIAGE BOLT (SHORT SHAFT)
	11-28010		2,2,2,2,2,	NUT, CARRIAGE BOLT (LONG SHAFT)

DRIVE SHAFT HOUSING ASSEMBLY

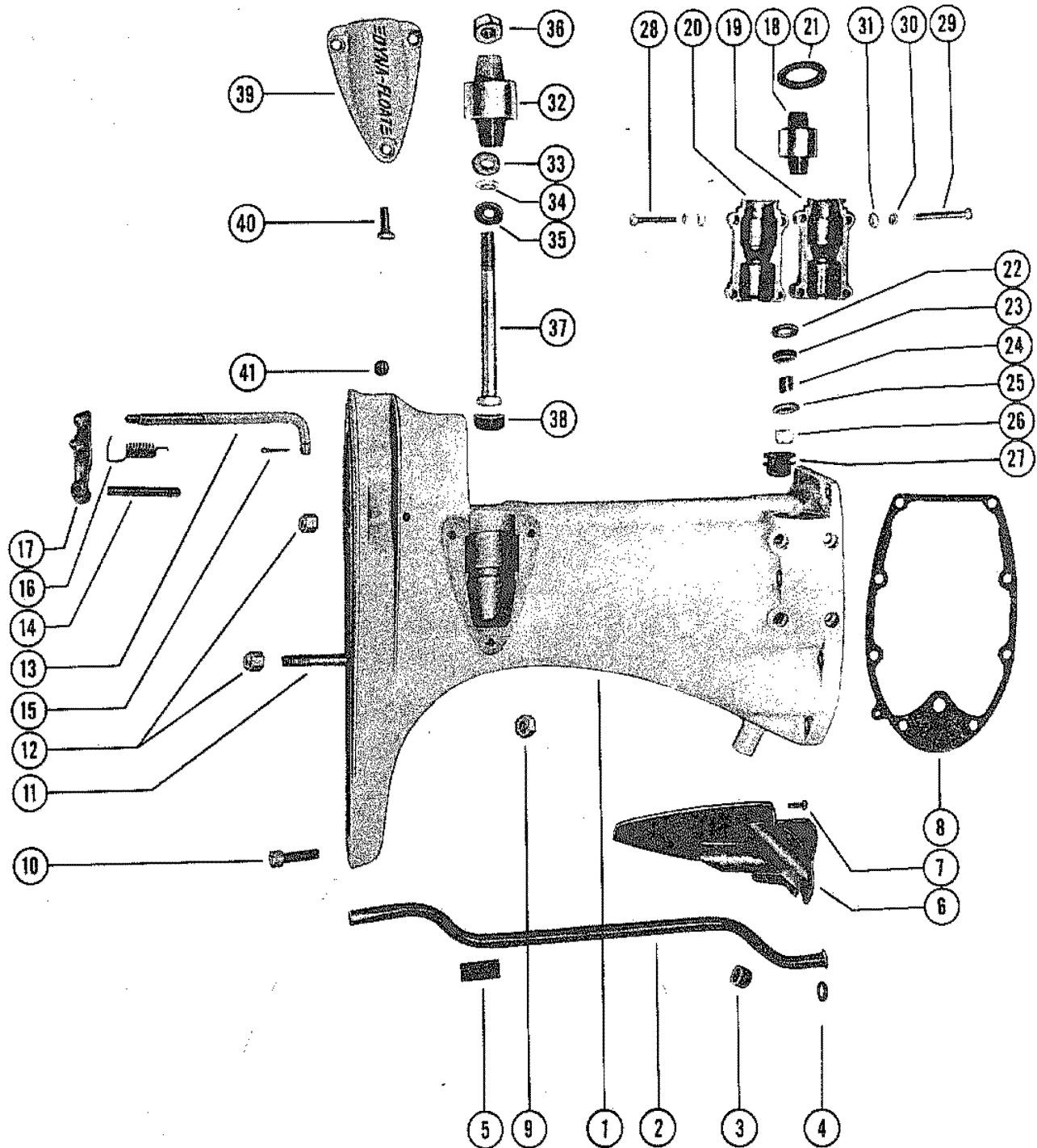


DRIVE SHAFT HOUSING ASSEMBLY

REF. NO.	PART NO.	SYM.	QTY.	DESCRIPTION
1	1522-1446		1,1,,,,,	DRIVE SHAFT HOUSING (USE WITH 3/8" STUD) - SHORT SHAFT
	1535-1441		1,1,,,,,	DRIVE SHAFT HOUSING (USE WITH 3/8" STUD) - LONG SHAFT SERIAL 00000000-01260216
	1522-1567		1,1,1,1,1,	DRIVE SHAFT HOUSING (USE WITH 7/16" STUD) - SHORT SHAFT
	1535-1566		1,1,1,1,1,	DRIVE SHAFT HOUSING (USE WITH 7/16" STUD) - LONG SHAFT SERIAL 01260217-09999999
2	32-25187		1,1,1,1,1,	TUBE, WATER INLET (SHORT SHAFT)
	32-25076		1,1,1,1,1,	TUBE, WATER INLET (LONG SHAFT)
3	25-24961		1,1,1,1,1,	RING, RUBBER - WATER INLET TUBE
4	26-25192		1,1,1,1,1,	SEAL, WATER INLET TUBE
5	23-23651		1,1,1,1,1,	SLEEVE, WATER INLET TUBE
6	24945		1,1,1,1,1,	BAFFLE, EXHAUST RELIEF (SHORT SHAFT)
	27898		1,1,1,1,1,	BAFFLE, EXHAUST RELIEF (LONG SHAFT)
7	10-25255		2,2,2,2,2,	SCREW, BAFFLE TO DRIVE SHAFT HOUSING
8	27-24899		1,1,1,1,1,	GASKET, DRIVE SHAFT HOUSING TO BOTTOM COWL
9	11-25597		8,8,8,8,8,	NUT, POWERHEAD STUDS
10	10-25093		1,1,1,1,1,	SCREW, GEAR HOUSING TO DRIVE SHAFT HOUSING
11	16-23650		1,1,,,,,	STUD, DRIVE SHAFT HOUSING TO GEAR HOUSING (3/8")
	16-29103		1,1,1,1,1,	STUD, DRIVE SHAFT HOUSING TO GEAR HOUSING (7/16")
12	11-23161		3,3,,,,,	NUT, GEAR HOUSING STUDS (3/8")
	11-22178		8,3,3,3,3,	NUT, GEAR HOUSING AND DRIVE SHAFT HOUSING STUDS (7/16")
13	25190		1,1,1,1,1,	ROD, PUSH - REVERSE LOCK (SHORT SHAFT)
	28593		1,1,1,1,1,	ROD, PUSH - REVERSE LOCK (LONG SHAFT)
14	17-24887		1,1,1,1,1,	PIN, REVERSE LOCK LEVER
15	18-25191		1,1,1,1,1,	COTTER PIN, PUSH ROD
16	24-25122		1,1,1,1,1,	SPRING, TENSION - PUSH ROD
17	25140		1,1,1,1,1,	LEVER, REVERSE LOCK
18	24926A1		2,2,2,2,2,	UPPER MOUNT ASSEMBLY, UPPER
19	24935		2,2,2,2,2,	COVER, UPPER MOUNT - OUTSIDE HALF
20	31120		2,2,2,2,2,	COVER, UPPER MOUNT - INSIDE HALF
21	24929		2,2,2,2,2,	PACKING, "U" CUP
22	12-24889		2,2,2,2,2,	WASHER, UPPER MOUNT STUD (17/32" I.D.)
23	12-24891		2,2,2,2,2,	WASHER, RUBBER - UPPER MOUNT STUD
24	23-30474		2,2,2,2,2,	SPACER, UPPER MOUNT STUD
25	12-30473		2,2,2,2,2,	WASHER, UPPER MOUNT STUD (25/64" I.D.)
26	11-23161		2,2,2,2,2,	NUT, UPPER MOUNT STUD
27	25305		2,2,2,2,2,	CAP, RUBBER - UPPER MOUNT
28	10-28772		4,4,4,4,4,	SCREW, UPPER MOUNT COVER (1-1/2")
29	10-29389		4,4,4,4,4,	SCREW, UPPER MOUNT COVER (1-7/8")
30	12-29245		8,8,8,8,8,	WASHER, MOUNTING COVER SCREW
31	11-29322		8,8,8,8,8,	NUT, MOUNTING COVER SCRW

CONTINUED ON NEXT PAGE ➡

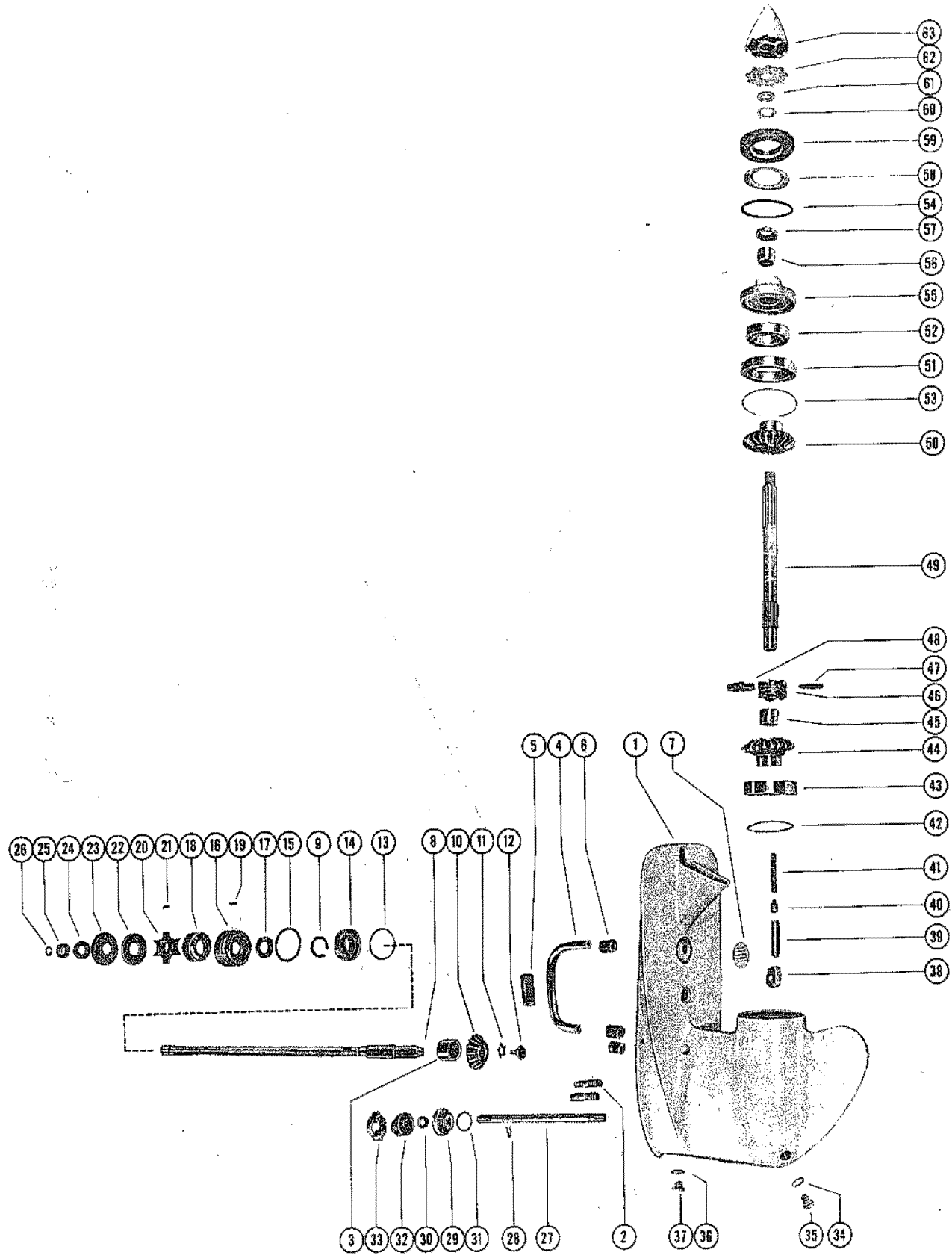
DRIVE SHAFT HOUSING ASSEMBLY



DRIVE SHAFT HOUSING ASSEMBLY

REF. NO.	PART NO.	SYM.	QTY.	DESCRIPTION
32	37395		2,2,2,2,2,	MOUNT, RUBBER - LOWER
33	12-28053		2,2,2,2,2,	WASHER, RUBBER - LOWER MOUNT
34	12-28051		2,2,2,2,2,	WASHER, LOWER MOUNT
35	12-24872		4,4,4,4,4,	WASHER, MOUNTING SCREW (1/16") USE WITH A-25178 BOTTOM YOKE
	12-30119		2,2,2,2,2,	WASHER, MOUNTING SCREW (1/8") USE WITH A-30202A1 BOTTOM YOKE
36	11-25096		2,2,2,2,2,	NUT, MOUNTING SCREW
37	10-24874		2,2,2,2,2,	SCREW, LOWER MOUNT (5-1/2")
38	25067		2,2,2,2,2,	BUMPER, RUBBER - MOUNTINS SCREW
39	28241		1,1,1,1,1,	COVER, LOWER MOUNT (PORT SIDE)
	28242		1,1,1,1,1,	COVER, LOWER MOUNT (STARBOARD SIDE)
-	12-20084		6,6,,,,,	WASHER, LOWER MOUNT COVER SCREW
40	10-28782		6,6,,,,,	SCREW, LOWER MOUNT COVER FASTENING
	10-29256		,,6,6,6,6,	SCREW, LOWER MOUNT COVER FASTENING
41	22-21290		1,1,1,1,1,	PLUG, GREASE - REVERSE LOCK HOLE

GEAR HOUSING ASSEMBLY (PAGE 1)

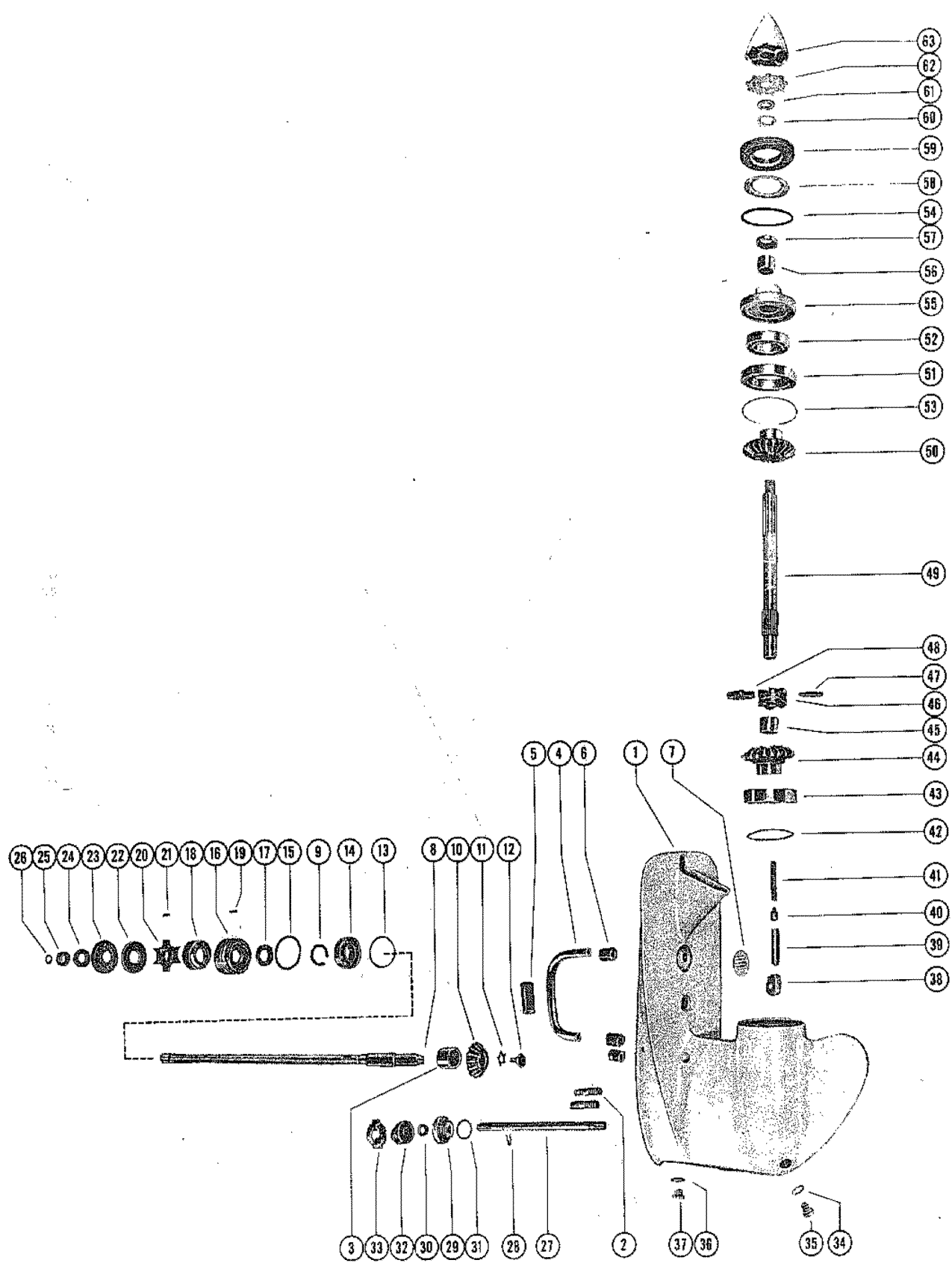


GEAR HOUSING ASSEMBLY (PAGE 1)

REF. NO.	PART NO.	SYM.	QTY.	DESCRIPTION
-	1603-930A7		1,1,,,,,	GEAR HOUSING ASSEMBLY, COMPLETE (3/8" STUD) - SHORT SHAFT SERIAL 00000000-01231089
-	1603-930A8		1,1,,,,,	GEAR HOUSING ASSEMBLY, COMPLETE (3/8" STUD) - LONG SHAFT SERIAL 00000000-01260216
-	1603-1568A4		1,1,,,,,	GEAR HOUSING ASSEMBLY, COMPLETE (7/16" STUD) - SHORT SHAFT SERIAL 01231090-09999999
-	1603-1568A5		1,1,,,,,	GEAR HOUSING ASSEMBLY, COMPLETE (7/16" STUD) - LONG SHAFT 1 SERIAL 01260217-09999999
-	1603-1568A8		,,1,1,1,1,	GEAR HOUSING ASSEMBLY, COMPLETE (7/16" STUD) - SHORT SHAFT
-	1603-1568A9		,,1,1,1,1,	GEAR HOUSING ASSEMBLY, COMPLETE (7/16" STUD) - LONG SHAFT
1	1603-930A3		1,1,,,,,	GEAR HOUSING ASSEMBLY (3/8"STUD) SERIAL 00000000-01231089
	1603-1568A3		1,1,1,1,1,	GEAR HOUSING ASSEMBLY (7/16" STUD) SERIAL 01231090-09999999
2	16-23071		2,2,,,,,	STUD, GEAR HOUSING TO DRIVE SHAFT HOUSING (3/8" X 1-7/8") SERIAL 00000000-01231089
	16-29078		2,2,2,2,2,	STUD, GEAR HOUSING TO DRIVE SHAFT HOUSING (7/16" X 2") SERIAL 01231090-09999999
3	31-20231		1,1,1,1,1,	BEARING, ROLLER - DRIVE SHAFT
4	32-23652		1,1,1,1,1,	TUBE, WATER INLET - LOWER
5	23-23651		1,1,1,1,1,	SLEEVE, WATER INLET TUBE
6	26-20232		3,3,3,3,3,	SEAL, WATER TUBE
7	35-23654		1,1,1,1,1,	SCREEN, WATER INTAKE - GEAR HOUSING
-	27-31367		1,1,1,1,1,	GASKET, WATER INTAKE SCREEN TO GEAR HOUSING
8	45-29617A1		1,1,1,1,1,	DRIVE SHAFT ASSEMBLY (SHORT SHAFT)
	45-29618A1		1,1,1,1,1,	DRIVE SHAFT ASSEMBLY (LONG SHAFT)
9	53-29116		1,1,1,1,1,	RING, RETAINING - BALL BEARING (25/32" I.D.) - SEE NOTE
	53-29115		1,1,,,,,	RING, RETAINING - BALL BEARING (3/4" I.D.) - SEE NOTE
10	43-20834		1,1,1,1,1,	GEAR, PINION
11	14-29163		1,1,1,1,1,	TAB WASHER, PINION GEAR SCREW
12	10-20925		1,1,1,1,1,	SCREW, PINION GEAR RETAINING
13	15-20929A1		AR,AR,AR,A	SHIM, BALL BEARING TO DRIVE SHAFT
14	30-20861		1,1,1,1,1,	BEARING, BALL - DRIVE SHAFT
15	25-20266		1,1,1,1,1,	"O" RING, WATER PUMP CARTRIDGE
16	46-29117A1		1,1,1,1,1,	WATER PUMP CARTRIDGE ASSEMBLY
17	26-23300		1,1,1,1,1,	OIL SEAL
18	28091		1,1,1,1,1,	INSERT, WATER PUMP CARTRIDGE
19	28-28657		1,1,1,1,1,	KEY, WATER PUMP CARTRIDGE
20	47-20268		1,1,1,1,1,	IMPELLER, WATER PUMP
21	17-23733		1,1,1,1,1,	PIN, IMPELLER DRIVE
22	20272		1,1,1,1,1,	PLATE, OUTLET - WATER PUMP COVER
23	20270A2		1,1,1,1,1,	WATER PUMP COVER ASSEMBLY

CONTINUED ON NEXT PAGE ➡

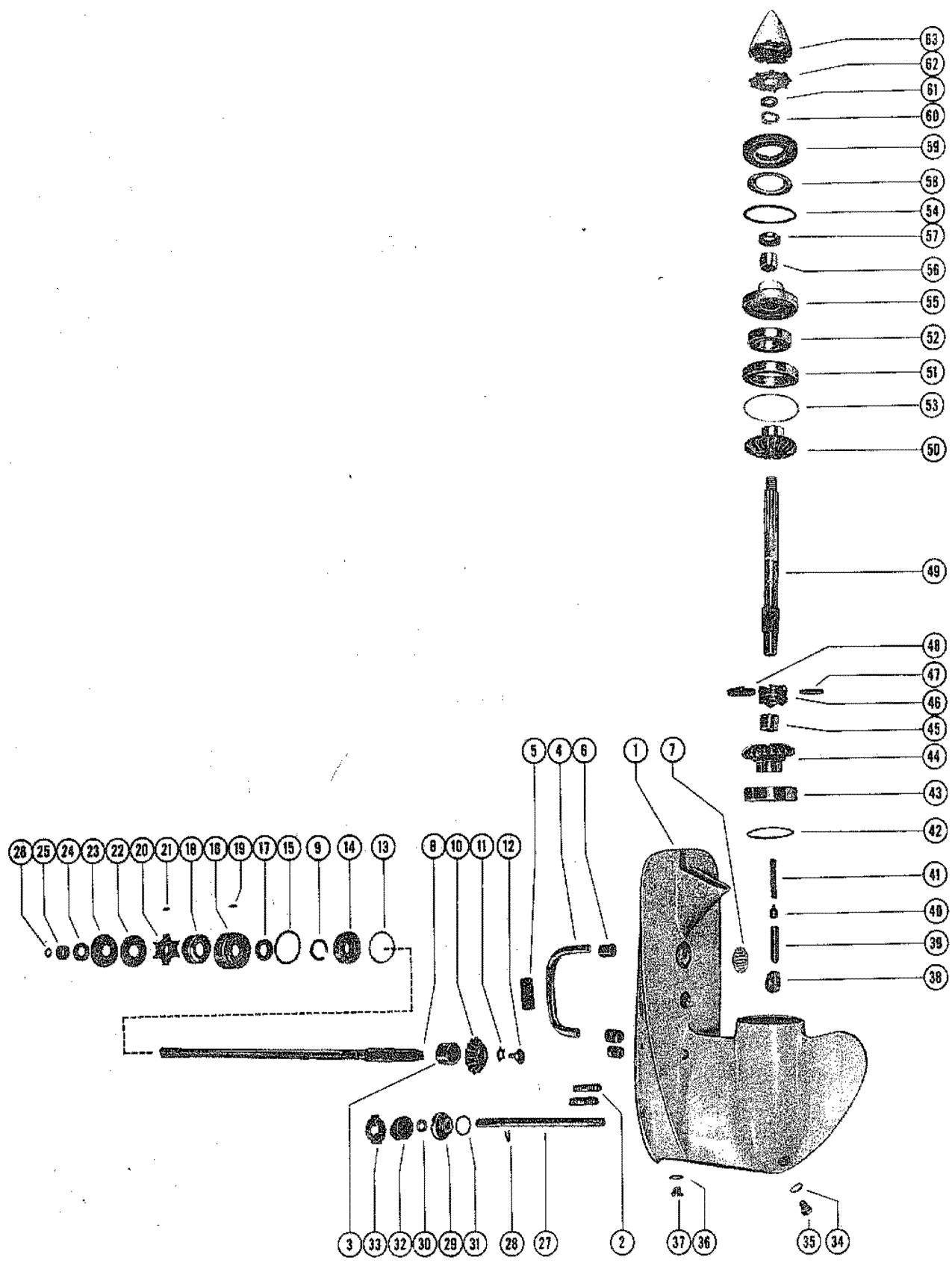
GEAR HOUSING ASSEMBLY (PAGE 1)



GEAR HOUSING ASSEMBLY (PAGE 1)

REF. NO.	PART NO.	SYM.	QTY.	DESCRIPTION
24	26-23517		1,1,1,1,1,	OIL SEAL
25	25-20273		1,1,1,1,1,	RING, RUBBER - CENTRIFUGAL SLINGER
26	25-29619		,1,1,1,1,1,	"O" RING, DRIVE SHAFT - UPPER
27	25136		1,1,1,1,1,	SHAFT, SHIF - LOWER
28	18-20233		1,1,1,1,1,	CLIP, RETAINING - SHIFT SHAFT
29	23-28374A1		1,1,1,1,1,	BUSHING ASSEMBLY, SHIF SHAFT
30	26-31249		1,1,1,1,1,	OIL SEAL (SPRING LOADED)
31	25-25439		1,1,1,1,1,	"O" RING, SHIFT SHAFT BUSHING

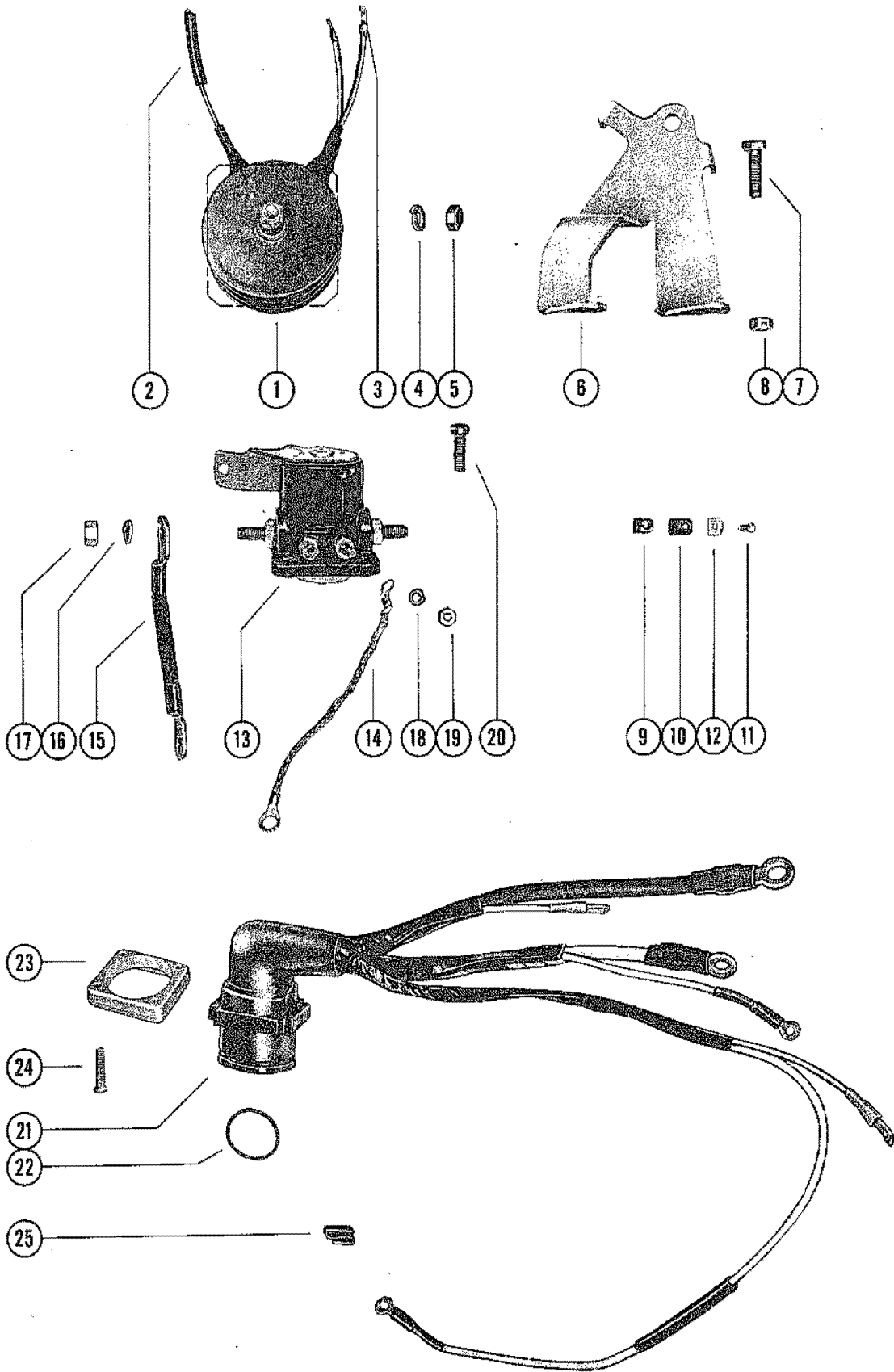
GEAR HOUSING ASSEMBLY (PAGE 2)



GEAR HOUSING ASSEMBLY (PAGE 2)

REF. NO.	PART NO.	SYM.	QTY.	DESCRIPTION
32	25138		1,1,1,1,1,	CAM, LOWER REVERSE LOCKING
33	25139		1,1,,,,,	CAM, UPPER REVERSE LOCKING
	29823		,1,1,1,1,	CAM UPPER REVERSE LOCKING
34	12-20260		2,2,2,2,2,	WASHER, GREASE FILLER AND FLUSHING HOLE SCREW
35	10-28634		2,2,2,2,2,	SCREW, GREASE FILLER AND FLUSHING HOLE
36	12-20262		1,1,1,1,1,	WASHER, GEAR HOUSING VENT SCREW
37	10-28653		1,1,1,1,1,	SCREW, GEAR HOUSING VENT
38	36288		1,1,,,,,	CAM, SHIFT
	30147		,1,1,1,1,	CAM, SHIFT
39	20930		1,1,1,1,1,	FOLLOWER, CAM
40	20843		1,1,1,1,1,	SLIDE, CROSS PIN
41	24-20254		1,1,1,1,1,	SPRING, CAM FOLLOWER PIN
42	15-20928A1		AR,AR,AR,A	SHIM, BALL BEARING TO GEAR HOUSING
43	30-20840		1,1,1,1,1,	BEARING, BALL - FORWARD GEAR
44	43-20975		1,1,1,1,1,	FORWARD GEAR ASSEMBLY
45	31-20249		1,1,1,1,1,	BEARING, ROLLER - FORWARD GEAR
46	52-32189		1,1,1,1,1,	RATCHET, SLIDING CLUTCH
47	17-20841		1,1,1,1,1,	PIN, CROSS - RATCHET TO PROPELLER SHAFT
48	53-20842		1,1,1,1,1,	RING, RETAINING - CROSS PIN
49	44-25254		1,1,1,1,1,	SHAFT, PROPELLER
50	43-20975		1,1,1,1,1,	REVERSE GEAR ASSEMBLY
51	20864		1,1,1,1,1,	RING, ADAPTOR - BALL BEARING
52	30-20839		1,1,1,1,1,	BEARING, BALL - REVERSE GEAR
53	15-20927A1		AR,AR,AR,A	SHIM, ADAPTOR RING TO GEAR HOUSING
54	25-20863		1,1,1,1,1,	"O" RING, BEARING CARRIER
55	20862A1		1,1,1,1,1,	BEARING CARRIER ASSEMBLY
56	31-20249		1,1,1,1,1,	BEARING, ROLLER
57	26-23300		1,1,1,1,1,	OIL SEAL
58	12-22970		1,1,1,1,1,	WASHER, GEAR HOUSING COVER
59	20865		1,1,1,1,1,	COVER, GEAR HOUSING
60	12-25251		AR,AR,AR,A	WASHER, BACKING (1/8")
-	48-29296A2		,,,,1,1,1	PROPELLER ASSEMBLY (2 BLADE - ALUMINUM)
61	12-25252		1,1,1,1,1,	WASHER, BACING (1/32")
62	14-25250		1,1,1,1,1,	TAB WASHER, PROPELLER NUT
63	11-20837		1,1,1,1,1,	NUT, PROPELLER (ALUMINUM)
	11-29825		OPT,OPT,OP	NUT, PROPELLER (NYLON)

RECTIFIER, STARTER SOLENOID AND WIRING HARNESS



RECTIFIER, STARTER SOLENOID AND WIRING HARNESS

REF. NO.	PART NO.	SYM.	QTY.	DESCRIPTION
1	32970A1		1,1,1	RECTIFIER ASSEMBLY
2	32-29267		1,1,1	SLEEVE, RECTIFIER LEAD (RED)
3	22647		3,3,3	DISCONNECT, KNIFE SPLICE - RECTIFIER LEAD WIRES
4	13-26993		1,1,1	LOCKWASHER, RECTIFIER MOUNTING SCREW
5	11-21929		1,1,1	NUT, RECTIFIER MOUNTING SCREW
6	28597		1,1,1	BRACKET, RECTIFIER MOUNTING
7	10-21091		2,2,2	SCREW, RECTIFIER BRACKET TO BOTTOM COWL
8	11-24652		2,2,2	NUT, BRACKET MOUNTING SCREW
9	54-24836		2,2,	CLAMP, LEAD WIRE TO RECTIFIER BRACKET - UPPER (1/4")
	54-24836		,,1	CLAMP, LEAD WIRE TO RECTIFIER BRACKET - UPPER (1/4")
10	54-22740		,,1	CLAMP, LEAD WIRE TO RECTIFIER BRACKET - LOWER (3/8")
11	10-30009		2,2,2	SCREW, LEAD WIRE CLAMP TO BRACKET
12	22789		2,2,2	"D" WASHER, CLAMP FASTENING SCREW
13	32445		1,1,1	SOLENOID, STARTER
14	28016A1		1,1,1	GROUND STRAP ASSEMBLY, SOLENOID TO STARTER
15	25596		1,1,1	WIRE, STRTER TO STARTER SOLENOID
16	13-26993		2,2,2	LOCKWASHER, SOLENOID TERMINAL (5/16")
17	11-20083		1,1,1	NUT, SOLENOID TERMINAL - INSIDE (5/16")
	11-26062		1,1,1	NUT, CAP - SOLENOID TERMINAL - OUTSIDE (5/16")
18	13-26996		1,1,1	LOCKWASHER, SOLENOID TERMINAL (#10)
19	11-20645		2,2,2	NUT, SOLENOID TERMINAL (#10)
20	10-29238		2,2,2	SCREW, SOLENOID TO STARTER MOTOR
-	13-26992		2,,	LOCKWASHER, SOLENOID FATENING SCREW
21	28370		1,1,1	WIRING HARNESS (INTERNAL)
22	24-28975		1,1,1	SPRING, GARTER - INTERNAL WIRING HARNESS
23	26079		1,1,1	PLATE, BACKING - WIRING HARNESS
24	10-26128		4,4,4	SCREW, BACKING PLATE TO BOTTOM COWL
25	54-22783		3,3,3	"S" CLIP, WIRING HARNESS LEADS TO BOTTOM COWL

PARTS INDEX

Part Number	Description	Pg.	Ref. No.	Part Number	Description	Pg.	Ref. No.
20043	OILER, FELT	37	-	22823	PULLEY, FLYWHEEL SEE		
20043	OILER, FELT - DRIVE SHAFT				NOTE #2 BELOW	9	5
	SPLINE (NOT AS SHOWN)	37	2	22833	ADAPTOR, CHECK UNIT		
20047	RACE, OUTER	37	6		(FUEL LINE)	29	20
20119	PROTECTOR, SPARK PLUG	13	58	23004	RETAINER, CHECK VALVE	29	4
20136	FLANGE, DRIVEN PULLEY -			23008	COVER, FUEL PUMP	29	8
	OLD STYLE	13	36	23009A1	FUEL PUMP ASSEMBLY	29	1
20140	BELT, TIMING	13	43	23014	DIAPHRAGM, FUEL PUMP	29	7
20155	RETAINER, STARTER			23068	CUP WASHER, ADAPTOR	29	24
	SPRING	3	10	23069	STEM, CHECK UNIT		
20162	PAWL, STARTER	3	14		ADAPTOR	29	21
20164	PLATE, RETAINER STARTER			23564	CABLE, HIGH TENSION		
	PAWL	3	21		LEAD-SPARK PLUG	13	59
20173	SHUTTER, CHOKE	25	21	23760	BAFFLE, BOTTOM COWL	41	7
20185A1	BRACKET, THROTTLE			24789A1	FLUSHING ASSEMBLY	1	-
	PICKUP	25	28	24807	PULLEY, DRIVEN - OLD		
20208	SHAFT, REVERSE LOCK TO				STYLE	13	35
	SWIVEL BRACKET	45	17	24823A1	KNOB ASSEMBLY, MAIN		
20215	LEVER, TILT STOP -				ADJUSTMENT SCREW	23	--
	STARBOARD SIDE			24825	BLANKET, WRAP AROUND		
	(SHORT SHAFT)	45	--		COWL	7	17
20270A2	WATER PUMP COVER			24926A1	UPPER MOUNT ASSEMBLY,		
	ASSEMBLY	53	23		UPPER	49	18
20272	PLATE, OUTLET - WATER			24929	PACKING, "U" CUP	49	21
	PUMP COVER	53	22	24935	COVER, UPPER MOUNT -		
20557	BRACKET, CABLE END				OUTSIDE HALF	49	19
	ANCHOR	43	34	24945	BAFFLE, EXHAUST RELIEF		
20663	KNOB, CHOKE ROD	27	35		(SHORT SHAFT)	49	6
20721	BUMPER, RUBBER-FRONT			25067	BUMPER, RUBBER -		
	COVER (SMALL)	7	6		MOUNTINS SCREW	51	38
20843	SLIDE, CROSS PIN	57	40	25134	ROD, LINK - SHIFT SHAFT		
20862A1	BEARING CARRIER				END	43	27
	ASSEMBLY	57	55	25136	SHAFT, SHIF - LOWER	55	27
20864	RING, ADAPTOR - BALL			25138	CAM, LOWER REVERSE		
	BEARING	57	51		LOCKING	57	32
20865	COVER, GEAR HOUSING	57	59	25139	CAM, UPPER REVERSE		
20930	FOLLOWER, CAM	57	39		LOCKING	57	33
21041	INSERT, TAP LOCK	41	2	25140	LEVER, REVERSE LOCK	49	17
21060	HANDLE, COWL LATCH	7	12	25163	SHAFT, SHIFT (UPPER) -		
21104A2	CONNECTOR BASE				LONG SHAFT	43	24
	ASSEMBLY	41	9	25180	SHAFT, SHIFT (UPPER) -		
21971	NUT, CONNECTOR BASE				SHORT SHAFT	43	24
	FASTENING	41	11	25190	ROD, PUSH - REVERSE		
22462	"U" LINK, CHOKE KNOB TO				LOCK (SHORT SHAFT)	49	13
	CHOKE ROD	27	37	25305	CAP, RUBBER - UPPER		
22463	KNOB, CHOKE ROD	27	35		MOUNT	49	27
22477A1	THUMB SCREW ASSEMBLY			25596	WIRE, STRTER TO		
	(SHORT SHAFT)	45	2		STARTER SOLENOID	59	15
22647	DISCONNECT, KNIFE			25606	CAP, PLASTIC - TILT TUBE	45	7
	SPLICE - CHOKE			25690	SWIVEL, COWL LATCH	7	15
	SOLENOID	25	2	25691	HOOK, COWL LATCH		
22647	DISCONNECT, KNIFE				FASTENING	7	16
	SPLICE - RECTIFIER LEAD			25881A1	CHOKE LEVER ASSEMBLY	25	23
	WIRES	59	3	25881A1	CHOKE LEVER ASSEMBLY	25	23
22647	DISCONNECT, KNIFE			25996A1	SWIVEL AND LINK ROD		
	SPLICE-STATOR LEAD				ASSEMBLY	11	16
	WIRE	9	11	26079	PLATE, BACKING - WIRING		
22789	"D" WASHER, CLAMP				HARNESS	59	23
	FASTENING SCREW	59	12	26179	RETAINER, WAVE WASHER	3	18

PARTS INDEX

Part Number	Description	Pg.	Ref. No.	Part Number	Description	Pg.	Ref. No.
26552	SUPPORT, EXTERNAL			28016A1	GROUND STRAP		
	WIRING HARNESS	43	42		ASSEMBLY, SOLENOID		
26597	BUMPER, RUBBER-				TO STARTER	59	14
	MAGNETO STOP	13	--	28061	LEVER, LINKAGE-UPPER . .	13	47
26645A1	CHOKE LEVER ASSEMBLY			28091	INSER, WATER UMP		
	(UPPER CARBURETOR) . .	25	23		CARTRIDGE	53	18
26716A1	GROUND STRAP			28122	TUBE, TILT - CLAMP		
	ASSEMBLY, CHOKE				BRACKET TO SWIVEL		
	SOLENOID TO ADAPTOR	25	7		BRACKET	45	4
26852	CAP, NYLON-ADJUSTING			28240	COVER, EXHAUST		
	SCREW	13	31		MANIFOLD	35	29
26864	LEVER, TILT STOP - PORT			28241	COVER, LOWER MOUNT		
	SIDE (SHORT SHAFT) . . .	45	22		(PORT SIDE)	51	39
26901	BUMPER, RUBBER-FRONT			28242	COVER, LOWER MOUNT		
	COVER (LARGE)	7	7		(STARBOARD SIDE)	51	39
26903A2	REVERSE LOCK ASSEMBLY			28253	LEVER, SHIFT CONTROL . .	41	15
	(SHORT SHAFT)	45	13	28370	WIRING HARNESS		
26903A3	REVERSE LOCK ASSEMBLY				(INTERNAL)	59	21
	(LONG SHAFT)	45	13	28403A3	THUMB SCREW ASSEMBLY		
26922	PLATE, EHAUST MANIFOLD	33	28		(LONG SHAFT)	45	2
27031A1	PLUNGER ASSEMBLY,			28593	ROD, PUSH - REVERSE		
	CHOKE SOLENOID	25	10		LOCK (LONG SHAFT) . . .	49	13
27126	ADAPTOR PLATE, CHOKE			28597	BRACKET, RECTIFIER		
	PLUNGER	25	11		MOUNTING	59	6
27711	RETAINER, CHOKE ROD			28747	HANDLE, STARTER CABLE .	3	24
	SPRING	27	33	28748	RETAINER, STARTER		
27714	ROD (SLEEVE), SHIFT				CABLE AND HANDLE . . .	3	25
	CONTROL END	43	25	28913	SHAFT, SHEAVE	3	22
27870	CLAMP, THROTTLE PICKUP			28936	CHOKE SOLENOID, TOP		
	BRACKET	25	26		COWL	25	1
27898	BAFFLE, EXHAUST RELIEF			28944	HANDLE, TOP COWL	3	26
	(LONG SHAFT)	49	6	28967	SCREEN, VENT-TOP COWL	3	30
27917	CLUSTER, THROTTLE			28971	CHOKE ROD (NOT AS		
	LEVER (UPPER				SHOWN)	27	41
	CARBURETOR)	25	18	28978	CHOKE ROD	27	41
27935	COVER, TRANSFER PORT .	35	38	28999	BLANKET, SOUND		
27940	SHAFT, VERTICAL	13	50		ABSORBING-FRONT		
27941	LEVER, LINKAGE-LOWER . .	13	48		COVER	7	8
27942A1	MAGNETO STOP ASSEMBLY	13	--	29056	LEVER, TILT STOP -		
27943	PLATE, THROTTLE STOP . .	11	27		STARBOARD SIDE (LONG		
27945A1	THROTTLE ACTUATOR				SHAFT)	45	--
	ASSEMBLY	11	11	29057	LEVER, TILT STOP - PORT		
27946A1	ECONOMIZER COLLAR AND				SIDE (LONG SHAFT)	45	22
	PIN ASSEMBLY	11	8	29121	PIPE PLUG, END CAP		
27947	SWIVEL, LINKAGE-				COVER	19	42
	ECONOMIZER COLLAR . .	11	15	29178A2	FUEL PUMP ASSEMBLY . . .	29	1
27948	SWIVEL, UPPER AND			29206	PLUG, BOTTOM COWL		
	LOWER LIND RODS	13	46		HARNESS HOLE	41	3
27949	ROD, LIN-UPPER	13	44	29252A1	THROTTLE ACTUATOR		
27950	ROD, LIN-LOWER	13	49		ASSEMBLY	11	11
27953A1	MAGNETO PILOT			29277	PLATE, THROTTLE STOP . .	11	27
	ASSEMBLY	11	3	29321A1	MAGNETO PILOT		
27953A3	MAGNETO ADAPTOR AND				ASSEMBLY	11	3
	PILOT ASSEMBLY,			29321A3	MAGNETO ADAPTOR AND		
	COMPLETE	11	-		PILOT ASSEMBLY,		
27955	CAP, MAGNETO ADAPTOR				COMPLETE	11	-
	AND PILOT FASTENING .	11	22	29321A5	MAGNETO ADAPTOR AND		
27956	BRACKET, MAGNETO				PILOT ASSEMBLY,		
	CONTROL (LOWER)	41	14		COMPLETE	11	-

PARTS INDEX

Part Number	Description	Pg.	Ref. No.	Part Number	Description	Pg.	Ref. No.
29391	LEVER, SHIFT CONTROL ..	41	15	10-20049	SCREW, MAIN BEARING		
29392	BRACKET, MAGNETO CONTROL (LOWER)	41	14	10-20055	CLAMPING	37	9
29443	CLUSTER, THROTTLE LEVER (UPPER CARBURETOR)	25	18	10-20060	SCREW, REED STOP MOUNTING	37	13
29532	BRACKET, MAGNETO CONTROL (LOWER)	41	14	10-20089	SCREW, CONNECTING ROD	37	18
29557A1	THROTTLE ACTUATOR ASSEMBLY	11	11	10-20100	SCREW, MAIN BEARING LOCKING	33	12
29783A1	DRIVEN PULLEY ASSEMBLY - NEW STYLE-SEE NOTE BELOW	13	38	10-20100	SCREW, "U" LINK TO CHOKE KNOB	27	38
29784	HUB, DRIVEN PULLEY - NEW STYLE-SEE NOTE BELOW	13	37	10-20100	SCREW, ANCHOR BRACKET TO BOTTOM COWL	43	35
29785	FLANGE, DRIVEN PULLEY - NEW STYLE-SEE NOTE BELOW	13	40	10-20100	SCREW, CLAMP TO THROTTLE PICKUP BRACKET	25	27
29787	HUB, FLANGE-FLYWHEEL PULLEY SEE NOTE #2 BELOW	9	-	10-20176	SCREW, CHOKE LEVER PIVOT PIN	25	20
29788	FLANGE, FLYWHEEL PULLEY SEE NOTE #2 BELOW	9	-	10-20191	SCREW, THROTTLE BRACKET MOUNTING ...	25	29
29823	CAM UPPER REVERSE LOCKING	57	33	10-20217	SCREW, ANCHOR - TILT STOP LEVER (SHORT SHAFT)	45	23
30014	SHUTTER, CHOKE	25	21	10-20359	SCREW, CENTER MAIN BEARING LOCKING	33	14
30043	ADAPTOR, MAGNETO	11	17	10-20401	SCREW, LEAD CLIP TO MAGNETO	15	63
30045	PLATE, ROPE GUIDE (SEE NOTE #2 BELOW)	5	34	10-20540	SCREW, CHOKE SOLENOID TO TOP COWL	25	3
30109	GROUND STRAP ASSEMBLY, CYLINDER BLOCK TO COWL	43	39	10-20540	SCREW, TRANSFER PORT COVER FASTENING	35	39
30147	CAM, SHIFT	57	38	10-20584	SCREW, CLEVIS PIN FASTENING	41	21
30202A1	BOTTOM YOKE ASSEMBLY (SHORT SHAFT) - SEE NOTE BELOW	47	30	10-20597	SCREW, BREAKER HOLDER TO HOUSING	19	28
30269A2	FUEL PUMP ASSEMBLY ...	29	1	10-20639	SCREW, HARNESS SUPPORT TO BOTTOM COWL	43	43
30306	PULLEY, FLYWHEEL SEE NOTE #2 BELOW	9	-	10-20650	SCREW, CHOKE ROD SPRING MOUNTING	27	31
30462A1	BOTTOM YOKE ASSEMBLY (LONG SHAFT)	47	30	10-20653	SCREW, CYLINDER BLOCK COVER MOUNTING	35	35
30595	PLATE, RETAINER STARTER PAWL	3	21	10-20665	SCREW, THROTTLE ACTUATOR TO ECONOMIZER COLLAR ..	11	13
30596	PAWL, STARTER	3	14	10-20776	SCREW, DETENT SPRING TO BOTTOM COWL	43	31
30612	LEVER, SHIFT CONTROL ..	41	15	10-20784	SCREW, ADAPTOR TO BOTTOM COWL	29	25
30711	BUMPER, TOP YOKE	47	33	10-20847	SCREW, SET - CLUSTER TO THROTTLE LEVER	25	19
31120	COVER, UPPER MOUNT - INSIDE HALF	49	20	10-20847	SCREW, THROTTLE STOP LEVER	21	8
32445	SOLENOID, STARTER	59	13	10-20854	SCREW, FLOAT BOWL COVER (SHORT)	21	19
32970A1	RECTIFIER ASSEMBLY	59	1	10-20870	SCREW, PLUG-BODY CHANNEL	23	32
35190	BATTERY	1	-	10-20925	SCREW, PINION GEAR RETAINING	53	12
36288	CAM, SHIFT	57	38	10-21077	SCREW, BRACKET AND LEVER FASTENING	41	17
37395	MOUNT, RUBBER - LOWER	51	32				
N.S.S.	CRANKCASE	33	-				
00-339A1	END CAP ASSEMBLY, UPPER	33	15				
10-20037	SCREW, RETAINER TO HOUSING	29	5				

PARTS INDEX

Part Number	Description	Pg.	Ref. No.	Part Number	Description	Pg.	Ref. No.
10-21106	SCREW, BAFFLE TO BOTTOM COWL	41	8	10-26128	SCREW, BACKING PLATE TO BOTTOM COWL	59	24
10-21106	SCREW, LEAD WIRE CLIP TO BOTTOM COWL	41	13	10-26128	SCREW, PLUG TO BOTTOM COWL	41	4
10-21281	SCREW, ADAPTOR PLATE TO CHOKE ROD BRACKET	25	13	10-26184	SCREW, MAIN BEARING CLAMPING	37	9
10-22032	SCREW, BRACKET SUPPORT	19	--	10-26483	BOLT, CARRIAGE - CLAMP BRACKET TO BOAT TRANSOM (SHORT SHAFT)	47	36
10-22039	SCREW, CRANKCASE TO CYLINDER BLOCK (2-3/4")	33	9	10-26632	SCREW, BRACKET AND LEVER FASTENING	41	17
10-22040	SCREW, ADAPTOR AND PILOT TO CRANKCASE . .	11	24	10-26801	SCREW, MAIN BEARING LOCKING	33	12
10-22040	SCREW, CRANKCASE TO CYLINDR BLOCK (1-1/2") .	33	10	10-27790	SCREW, RETAINING - TILT STOP LEVER (LONG SHAFT)	45	25
10-22421	SCREW, HANDLE TO TOP COWL	3	28	10-28009	BOLT, CARRIAGE - CLAMP BRACKET TO BOAT TRANSOM (LONG SHAFT)	47	36
10-22928	SCREW, KNOB FASTENING	23	--	10-28063	SCREW, ADAPTOR AND PILOT TO MANGETO	11	23
10-23030	SCREW, PLUG-IDLE TUBE .	23	--	10-28257	SCREW, COVER TO FRAME	19	33
10-23035	SCREW AND LOCKWASHER, THROTTLE SHUTTER . . .	23	28	10-28259	SCREW, END CAP COVER TO MAGNETO COVER . . .	19	43
10-23178	SCREW, PLUG-MAIN NOZZLE	23	27	10-28405	SCREW, PLUG-BODY CHANNEL	23	32
10-23703	SCREW, UPPER END CAP MOUNTING	33	20	10-28405	SCREW, PLUG-MAIN FUEL JET CHANNEL	23	34
10-23703	SCREW< LOWER END CAP MOUNTING	33	26	10-28634	SCREW, GREASE FILLER AND FLUSHING HOLE . . .	57	35
10-24609	SCREW, PRIMARY GROUND (#8)	17	10	10-28635	SCREW, MAGNETO STOP TO PILOT	13	--
10-24773	SCREW, CHOKE SOLENOID TO TOP COWL	25	5	10-28635	SCREW, THROTTLE STOP PLATE TO ADAPTOR	13	--
10-24874	SCREW, LOWER MOUNT (5- 1/2")	51	37	10-28642	SCREW, DRIVE-ROPE GUIDE PLATE TO TOP COWL	5	35
10-24933	SCREW, THROTTLE STOP ADJUSTING	11	29	10-28653	SCREW, GEAR HOUSING VENT	57	37
10-25093	SCREW, GEAR HOUSING TO DRIVE SHAFT HOUSING .	49	10	10-28666	SCREW, CENTER MAIN BEARING CLAMPING	37	4
10-25255	SCREW, BAFFLE TO DRIVE SHAFT HOUSING	49	7	10-28666	SCREW, MANIFOLD COVER AND HIGH TENSION LEAD CLIP MOUNTING	35	30
10-25255	SCREW, STATOR LEAD CLIP FASTENING	9	15	10-28667	SCREW, HANDLE TO TOP COWL	3	27
10-25509	SCREW AND LOCKWASHER, BRACKET LOCKING	19	--	10-28668	SCREW, MANIFOLD COVER MOUNTING	35	30
10-25509	SCREW AND LOCKWASHER, CONDENSER FASTENING	19	30	10-28713	SCREW, RETAINER TO LOWER CARBURETOR . . .	27	34
10-25509	SCREW AND LOCKWASHER, SUPPORT TO FRAME . . .	17	8	10-28772	SCREW, UPPER MOUNT COVER (1-1/2")	49	28
10-25510	SCREW, SET-COIL BRIDGE	17	2	10-28782	SCREW, LOWER MOUNT COVER FASTENING	51	40
10-25517	SCREW, HIGH TENSION CABLE FASTENING	19	41	10-28845	SCREW, PLUG-BODY CHANNEL	23	32
10-25612	SCREW, DRIVE - SERIAL PLATE TO SWIVEL BRACKET	47	35	10-29029	SCREW, FUEL PUMP MOUNTING (1-1/2")	29	11
10-25781	SCREW, SET-LINKAGE LEVER	13	55				
10-25822	SCREW, STRAINER COVER FASTENING	21	25				
10-25850	SCREW, FLOAT BOWL COVER (LONG)	21	20				

PARTS INDEX

Part Number	Description	Pg.	Ref. No.	Part Number	Description	Pg.	Ref. No.
10-29054	SCREW, ANCHOR - TILT STOP LEVER (LONG SHAFT)	45	23	11-20110	NUT, PIN FASTENING SCREW	43	23
10-29126	SCREW, FUEL PUMP MOUNTING (1-3/4")	29	10	11-20166	NUT, SHEAVE SHAFT (LEFT HAND THREAD)	5	33
10-29182	SCREW, PRIMARY GROUND (#10)	17	10	11-20184	NUT, DETENT SPRING SCREW	43	33
10-29197	SCREW, THROTTLE STOP PLATE TO ADAPTOR	13	32	11-20361	NUT, HANDLE FASTENING SCREW	3	29
10-29198	SCREW, LOWER END CAP MOUNTING	33	26	11-20361	NUT, TOP COWL FASTENING	3	9
10-29198	SCREW, UPPER END CAP MOUNTING	33	20	11-20361	NUT, UPPER AND LOWER SWIVEL TO LEVER AND BRACKET	13	54
10-29199	SCREW, HANDLE TO TOP COWL	3	27	11-20645	NUT, PRIMARY GROUND SCREW	17	16
10-29200	SCREW, ANCHOR BRACKET TO BOTTOM COWL	43	35	11-20645	NUT, SOLENOID TERMINAL (#10)	59	19
10-29221	SCREW, VENT SCREEN TO TOP COWL - SEE NOTE #1 BELOW	5	31	11-20837	NUT, PROPELLER (ALUMINUM)	57	63
10-29237	SCREW, RETAINING - TILT STOP LEVER (SHORT SHAFT)	45	25	11-20849	NUT, MAIN ADJUSTMENT SCREW	21	--
10-29238	SCREW, RATCHET TO FLYWHEEL	9	9	11-21923	NUT, PRIMARY GROUND SCREW	17	16
10-29238	SCREW, SOLENOID TO STARTER MOTOR	59	20	11-21929	NUT, RECTIFIER MOUNTING SCREW	59	5
10-29239	SCREW, THROTTLE BRACKET MOUNTING	25	29	11-22178	NUT, GEAR HOUSING AND DRIVE SHAFT HOUSING STUDS (7/16")	49	12
10-29240	SCREW, PULLEY CLAMPING	13	42	11-22339	NUT, FLYWHEEL	9	1
10-29249	SCREW, STATOR TO UPPER END CAP	9	13	11-22948	NUT, ELBOW	29	14
10-29256	SCREW, LOWER MOUNT COVER FASTENING	51	40	11-22948	NUT, ELBOW	29	18
10-29389	SCREW, UPPER MOUNT COVER (1-7/8")	49	29	11-23161	NUT, FILTER TEE	31	--
10-29418	SCREW, COVER TO FRAME	19	33	11-23161	NUT, BRACKET AND LEVER FASTENING	41	--
10-29418	SCREW, END CAP COVER TO MAGNETO COVER	19	43	11-23161	NUT, GEAR HOUSING STUDS (3/8")	49	12
10-29465	SCREW, REED STOP MOUNTING	37	13	11-23161	NUT, UPPER MOUNT STUD	49	26
10-29552	SCREW, COVER FASTENING	7	3	11-24652	NUT, ADAPTOR SCREW	29	26
10-30009	SCREW, LEAD WIRE CLAMP TO BRACKET	59	11	11-24652	NUT, ANCHOR AND RETAINING SCREW (.060)	47	28
10-30009	SCREW, STATOR LEAD CLIP FASTENING	9	15	11-24652	NUT, BRACKET MOUNTING SCREW	59	8
10-30110	SCREW, ADAPTOR AND PILOT TO MAGNETO	11	23	11-24652	NUT, CARBURETOR MOUNTING STUD	23	37
11-20013	NUT, DETENT SPRING SCREW	43	33	11-24652	NUT, COVER MOUNTING SCREW	35	36
11-20061	NUT, CONNECTING ROD SCREW	37	19	11-24652	NUT, MAIN BEARING CLAMPING SCREW	37	-
11-20083	NUT, ADAPTOR AND PILOT TO CRANKCASE SCREW	11	26	11-24656	NUT, LOCK-PRIMARY GROUND SCREW	17	15
11-20083	NUT, CLAMP BRACKET STUD	45	11	11-25096	NUT, MOUNTING SCREW	51	36
11-20083	NUT, SOLENOID TERMINAL - INSIDE (5/16")	59	17	11-25168	NUT, SHIFT SHAFT END ADJUSTING	43	26
				11-25168	NUT, UPPER LINK ROD ADJUSTING	13	45
				11-25597	NUT, POWERHEAD STUDS	49	9
				11-25599	NUT, TILT TUBE	45	6
				11-26062	NUT, CAP - SOLENOID TERMINAL - OUTSIDE (5/16")	59	17

PARTS INDEX

Part Number	Description	Pg.	Ref. No.	Part Number	Description	Pg.	Ref. No.
11-26419	NUT, PLUG FASTENING			12-20192	WASHER, PRIMARY		
	SCREW	41	6		GROUND SCREW	17	14
11-26484	NUT, CARRIAGE BOLT			12-20192	WASHER, THROTTLE		
	(SHORT SHAFT)	47	38		BRACKET SCREW	27	30
11-28010	NUT, CARRIAGE BOLT			12-20260	WASHER, GREASE FILLER		
	(LONG SHAFT)	47	38		AND FLUSHING HOLE		
11-28202	NUT, SWIVEL PIN (LONG				SCREW	57	34
	SHAFT) - NOT AS SHOWN	47	32	12-20262	WASHER, GEAR HOUSING		
11-28656	NUT, LOCK-PRIMARY				VENT SCREW	57	36
	GROUND SCREW	17	15	12-20346	WASHER, DETENT SPRING		
11-28968	NUT, SPEED-SOUND				SCREW	43	32
	BLANKET FASTENING . . .	7	10	12-20346	WASHER, TOP COWL STUD		
11-28968	NUT, SPEED-VENT SCREEN				(3/4" O.D.)	3	7
	TO TOP COWL - SEE			12-20533	WASHER, MAGNETO STOP		
	NOTE #1 BELOW	3	--		FASTENING SCREW	13	--
11-29236	NUT, PRIMARY LEAD			12-20583	WASHER, LINK ROD	43	29
	FASTENING	17	24	12-20583	WASHER, LINK ROD	43	29
11-29250	NUT, CRANKCASE			12-20583	WASHER, TOP COWL STUD		
	FASTENING SCREW	33	11		(1/32" THICK)	3	8
11-29250	NUT, HARNESS SUPPORT			12-21040	WSHER, BRACKET AND		
	SCREW	43	45		LEVER FASTENING		
11-29322	NUT, MOUNTING COVER				SCREW	41	18
	SCRW	49	31	12-22970	WASHER, GEAR HOUSING		
11-29469	NUT, REED STOP				COVER	57	58
	MOUNTING SCREW	37	--	12-24872	WASHER, MOUNTING		
11-29488	NUT, PIN FASTENING				SCREW (1/16")	51	35
	SCREW	43	23	12-24889	WASHER, UPPER MOUNT		
11-29825	NUT, PROPELLER (NYLON)	57	63		STUD (17/32" I.D.)	49	22
12-20028	WASHER, MANIFOLD			12-24891	WASHER, RUBBER - UPPER		
	COVER AND HIGH				MOUNT STUD	49	23
	TENSION LEAD CLIP			12-25176	WASHER, SWIVEL PIN TO		
	SCREWS	35	31		BOTTOM YOKE	47	29
12-20028	WASHER, TOP COWL STUD			12-25251	WASHER, BACKING (1/8") . .	57	60
	(1/16" THICK)	3	8	12-25252	WASHER, BACING (1/32") . .	57	61
12-20028	WASHER, TRANSFER PORT			12-25293	WASHER, PULLEY TO		
	COVER FASTENING				FLYWHEEL SEE NOTE #2		
	SCREW	35	--	12-25719	BELOW	9	6
12-20028	WSHER, ANCHOR AND				WASHER, INSULATING-		
	RETAINING SCREW	45	--		PRIMARY GROUND		
12-20064	WASHER, NEEDLE				SCREW	17	12
	LOCATING	39	22	12-25866	WASHER, VERTICAL SHAFT-		
12-20084	WASHER, ADAPTOR AND				CENTER	13	56
	PILOT TO CRANKCASE			12-25944	WASHER, BREAKER ARM . .	19	--
	SCREW	11	25	12-26014	WASHER, CHOKE		
12-20084	WASHER, HARNESS				SOLENOID LINK	25	15
	SUPPORT FASTENING			12-26014	WASHER, PRIMARY		
	SCREW	43	44		GROUND SCREW	17	14
12-20084	WASHER, LOWER MOUNT			12-26014	WASHER, REED STOP		
	COVER SCREW	51	--		MOUNTING SCREW	37	12
12-20084	WASHER; CRANKCASE			12-26162	WASHER, COVER		
	SCREW	33	--		FASTENING SCREW	7	4
12-20128	WASHER, PIN FASTENING			12-26180	WASHER, WAVE WASHER		
	SCREW	43	--		RETAINER	3	19
12-20128	WASHER, THROTTLE			12-26227	WASHER, THUMB SCREW		
	ACTUATOR SCREW	11	14		(SHORT SHAFT)	45	3
12-20138	WASHER, PULLEY			12-26439	WASHER, BREAKER PIVOT		
	CLAMPING SCREW	13	41		PIN	19	26
12-20192	WASHER, BRACKET			12-26485	WASHER, CARRIAGE BOLT		
	SUPPORT SCREW	19	--		(SHORT SHAFT)	47	37
				12-26617	WASHER, FLYWHEEL NUT .	9	2

PARTS INDEX

Part Number	Description	Pg.	Ref. No.	Part Number	Description	Pg.	Ref. No.
12-27897	WASHER, COVER FASTENING SCREW	7	5	13-26992	LOCKWASHER, HANDLE FASTENING SCREW	3	--
12-27939	WASHER, MAGNETO PILOT	11	19	13-26992	LOCKWASHER, SOLENOID FASTENING SCREW	59	--
12-27964	WSHER, SWIVEL PIN TO BOTTOM YOKE (.018) . . .	47	--	13-26992	LOCKWASHER, THROTTLE STOP PLATE FASTENING SCREW	13	--
12-28008	WASHER, CARRIAGE BOLT (LONG SHAFT)	47	37	13-26993	LOCKWASHER, CLAMP BRACKET STUD	45	10
12-28051	WASHER, LOWER MOUNT .	51	34	13-26993	LOCKWASHER, RECTIFIER MOUNTING SCREW	59	4
12-28053	WASHER, RUBBER - LOWER MOUNT	51	33	13-26993	LOCKWASHER, SOLENOID TERMINAL (5/16")	59	16
12-28404	WASHER, THUMB SCREW (LONG SHAFT)	45	3	13-26993	LOCKWASHER, UPPER END CAP MOUNTING SCREW	33	--
12-28927	WASHER, RATCHET TO FLYWHEEL (1/8" SPACER)	9	-	13-26993	LOCKWASHER, LOWER END CAP MOUNTING SCREW	33	--
12-29000	WASHER, BLANKET TO FRONT COVER	7	9	13-26993	LOCKWASHER, ADAPTOR PLATE FASTENING SCREW	25	14
12-29099	WASHER, INSULATING- PRIMARY GROUND SCREW	17	12	13-26994	LOCKWASHER, BREAKER TERMINAL SCREW	17	--
12-29245	WASHER, HORSESHOE SPRING TO ANCHOR PIN	11	7	13-26995	LOCKWASHER, PLUG FASTENING SCREW	41	5
12-29245	WASHER, MOUNTING COVER SCREW	49	30	13-26995	LOCKWASHER, THROTTLE BRACKET SCREW	27	--
12-29245	WASHER, UPPER AND LOWER SWIVEL	13	53	13-26995	LOCKWASHER, "U" LINK FASTENING SCREW	27	39
12-29395	WASHER, BRACKET AND LEVER FASTENING SCREW	41	18	13-26996	LOCKWASHER, PULLEY CLAMPING SCREW	13	--
12-29395	WASHER, BRACKET AND LEVER FASTENING STUD	41	--	13-26996	LOCKWASHER, SOLENOID TERMINAL (#10)	59	18
12-30119	WASHER, MOUNTING SCREW (1/8")	51	35	13-26996	WASHER, WAVE - IN FASTENING SCREW	41	22
12-30164	WASHER, CLAMP TO THROTTLE PICKUP BRACKET SCREW	25	--	13-29402	WASHER, WAVE-STARTER PAWL	3	15
12-30267	WASHER, PRIMARY GROUND TERMINAL HOLDING	17	--	13-30597	WASHER, WAVE-STARTER PAWL	3	15
12-30473	WASHER, UPPER MOUNT STUD (25/64" I.D.)	49	25	14-20091	TAB WASHER, BEARING LOCKING SCREW	33	13
13-20160	WASHER, WAVE-RETAINER TENSION	3	20	14-20165	TAB WASHER, SHEAVE SHAFT NUT	5	32
13-20554	LOCKWASHER, ANCHOR BRACKET SCREW	43	--	14-25250	TAB WASHER, PROPELLER NUT	57	62
13-20846	WASHER, WAVE - RETAINING SCREW - PORT SIDE	45	27	14-27959	WASHER, WAVE-MAGNETO BALL BEARING TENSION	11	21
13-21972	LOCKWSHER, CONNECOTR BASE	41	10	14-29163	TAB WASHER, PINION GEAR SCREW	53	11
13-23836	LOCKWASHER, COIL TERMINAL	17	19	14-38359	TAB WASHER, COVER FASTENING SCREW	19	34
13-26991	LOCKWASHER, CHOKE SOLENOID SCREW	25	6	14-38359	TAB WASHER, COVER FASTENING SCREW	19	44
13-26992	LOCKWASHER, ADAPTOR AND PILOT FASTENING SCREW	11	--	15-20082A1	SHIM, UPPER END CAP TO CRANKCASE	33	19
13-26992	LOCKWASHER, ANCHOR AND RETAINING SCREW	45	--	15-20085A1	SHIM, LOWER END CAP TO CRANKCASE	33	25
13-26992	LOCKWASHER, CHOKE SOLENOID SCREW	25	4	15-20473	SHIM, RETAINING SCREW - PORT SIDE	45	26
				15-20927A1	SHIM, ADAPTOR RING TO GEAR HOUSING	57	53

PARTS INDEX

Part Number	Description	Pg.	Ref. No.	Part Number	Description	Pg.	Ref. No.
15-20928A1	SHIM, BALL BEARING TO GEAR HOUSING	57	42	17-24887	PIN, REVERSE LOCK LEVER	49	14
15-20929A1	SHIM, BALL BEARING TO DRIVE SHAFT	53	13	17-25391	RIVET, CHOKE ROD TO CHOKE LEVER	27	42
15-25600	SHIM, CLAMP BRACKET TO SWIVEL BRACKET (.010) .	45	5	17-25598	ROLL PIN, REVERSE LOCK SPRING ATTACHING	45	16
16-20221	STUD, CLAMP BRACKET . .	45	8	17-25870	ROLL PIN, VERTICAL SHAFT AND LINKAGE LEVERS . .	13	52
16-20353	STUD, FRONT-TOP COWL TO CRANKCASE	3	3	17-26618	DOWEL PIN, FLYWHEEL PULLEY	9	7
16-20500	STUD, REAR - TOP COWL TO COVER	3	2	17-27739A2	SWIVEL PIN AND TOP YOKE ASSEMBLY (SHORT SHAFT)	47	31
16-23071	STUD, GEAR HOUSING TO DRIVE SHAFT HOUSING (3/8" X 1-7/8")	53	2	17-27961	PIN, ECONOMIZER COLLAR-SPRING RETAINER	11	9
16-23650	STUD, DRIVE SHAFT HOUSING TO GEAR HOUSING (3/8")	49	11	17-27962	PIN, ANCHOR-AHORSESHOE SPRING TO PILOT	11	6
16-25885	STUD, CARBURETOR MOUNTING (1-1/4")	33	3	17-28419A4	SWIVEL PIN AND TOP YOKE ASSEMBLY (LONG SHAFT)	47	31
16-29078	STUD, GEAR HOUSING TO DRIVE SHAFT HOUSING (7/16" X 2")	53	2	17-30687A1	TILT LOCK PIN ASSEMBLY .	45	12
16-29103	STUD, DRIVE SHAFT HOUSING TO GEAR HOUSING (7/16")	49	11	17-30978A1	PIN ASSEMBLY, CLEVIS YOKE	41	19
16-29230	STUD, PRIMARY LEAD AND TENSION SPRING FASTENING	17	23	18-20180	COTTER PIN, LINK ROD TO SHIFT SHAFT	43	28
16-29394	STUD, MAGNETO BRACKET AND SHIFT LEVER	41	--	18-20180	COTTER PIN, CHOKE LEVER AND ROD FASTENING	27	40
16-29988	STUD, CRANKCASE TO DRIVE SHAFT HOUSING (1-9/16")	33	5	18-20180	COTTER PIN, CHOKE LEVER RETAINING	25	25
16-29989	STUD, SYLINDER BLOCK TO DRIVE SHAFT HOUSING (1-7/8")	33	7	18-20209	COTTER PIN, REVERSE LOCK TO SHAFT	45	14
16-29990	STUD, CYLINDER BLOCK TO DRIVE SHAFT HOUSING (3-3/8")	33	6	18-20233	CLIP, RETAINING - SHIFT SHAFT	55	28
17-20032	DOWEL PIN, CENTER AMIN BEARING	37	-	18-25191	COTTER PIN, PUSH ROD . .	49	15
17-20032	DOWEL PIN, CYLINDER BLOCK TO MAIN BEARING	33	-	18-25723	COTTER PIN (HAIR), BRACKET ARM	19	--
17-20032	DOWEL PIN, MAIN BEARING	37	-	18-26953	COTTER PIN, CHOKE SOLENOID LINK FASTENING	25	16
17-20032	DOWEL PIN, MAIN BEARING	37	-	18-26953	COTTER PIN, BREAKER TO PIVOT PIN	19	27
17-20033	DOWEL PIN, CRANKCASE TO CYLINDER BLOCK . . .	33	4	19-20011	WELCH PLUG, BODY CHANNEL	23	33
17-20323	DOWEL PIN, CYLINDER BLOCK TO CENTER MAIN BEARING	33	-	21-28481A1	CHECK VALVE ASSEMBLY, BLEED HOSE	35	41
17-20379	DOWEL PIN (STEPPED) . . .	37	-	21-28481A1	CHECK VALVE ASSEMBLY, LOWER END CAP	33	--
17-20841	PIN, CROSS - RATCHET TO PROPELLER SHAFT	57	47	21-28483A1	CHECK VALVE ASSEMBLY, BLEED HOSE (UPPER) . .	35	40
17-20853	PIN, FLOAT LEVER PINION .	21	3	21-30430	VALVE, CHECK	29	3
17-21057	PIN, HINGE-COWL LATCH HANDLE	7	14	22-20445	CONNECTOR, CYLINDER BLEED HOSE (LOWER) . .	35	43
17-23733	PIN, IMPELLER DRIVE	53	21	22-21290	PLUG, GREASE - REVERSE LOCK HOLE	51	41
17-23928	ROLL PIN, CLEVIS YOKE PIN	41	20	22-22946	SLEEVE, RUBBER	29	13
				22-22946	SLEEVE, RUBBER	29	17
				22-22946	SLEEVE, RUBBER	31	--
				22-22949	ELBOW, UPPER FILTER TO FUEL LINE	29	--

PARTS INDEX

Part Number	Description	Pg.	Ref. No.	Part Number	Description	Pg.	Ref. No.
22-22993	CONNECTOR, FUEL LINE TO FUEL PUMP INLET	29	12	23-28374A1	BUSHING ASSEMBLY, SHIF SHAFT	55	29
22-22995	ELBOW, FUEL PUMP INLET	29	--	23-28911	SPACER, SHEAVE SHAFT .	3	17
22-22995	ELBOW, FUEL PUMP OUTLET TO FUEL LINE . .	29	16	23-28912	BUSHING, SPRING GUIDE .	3	12
22-23595	CONNECTOR, PUMP OUTLET TO ELBOW	29	--	23-28919	BUSHING, NYLON-SHEAVE SHAFT SPACER	3	16
22-23612	FITTING, GREASE - SWIVEL BRACKET	45	19	23-29055	SPACER, TILT STOP LEVER (LONG SHAFT)	45	24
22-23763	TEE ASSEMBLY, LOWER FILTER	31	28	23-29101	BUSHING, INSULATING-HOUSING FRAME	17	13
22-24690	ELBOW, PUMP OUTLET TO FUEL LINE	29	--	23-29529	SLEEVE, MAGNETO BRACKET AND SHIFT LEVER	41	16
22-25094	FITTING, GREASE-ECONOMIZER COLLAR . .	11	10	23-30474	SPACER, UPPER MOUNT STUD	49	24
22-25094	FITTING, GREASE-MAGNETO ADAPTOR	11	18	24-20210	SPRING, REVERSE LOCK TENSION	45	15
22-25443	ELBOW, UPPER FILTER TO FUEL LINE	29	--	24-20254	SPRING, CAM FOLLOWER PIN	57	41
22-25885	ELBOW, PLASTIC - MAGNETO VENT TUBE . .	43	36	24-20649	SPRING, CHOKE ROD POSITIONING	27	32
22-25885	ELBOW, PLASTIC-MAGNETO COVER VENT	19	45	24-20869	SPRING, THROTTLE SHAFT RETURN (UPPER CARBURETOR)	21	11
22-25956	TEE ASSEMBLY, LOWER FILTER	31	28	24-23067	SPRING, ADAPTOR STEM .	29	23
22-29380	PLUG, PIPE - FUEL PUMP . .	29	-	24-24826	SPRING, CONTROL BRACKET TENSION	41	--
22-30139	PLUG, PIPE - WATER PRESSURE HOLE (SEE NOTE BELOW)	33	8	24-25065	SPRING, DETENT	43	30
23-20008	BUSHING, MAGNETO BRACKET AND SHIFT LEVER (NYLON)	41	--	24-25122	SPRING, TENSION - PUSH ROD	49	16
23-20216	SPACER, TILT STOP LEVER (SHORT SHAFT)	45	24	24-26067	SPRING, CHOKE SHUTTER	25	22
23-20222	SPACER, CLAMP BRACKET STUD	45	9	24-26068	SPRING, CHOKE ROD TO RETAINER	27	32
23-20326	SPACER, TOP COWL STUD	3	6	24-26890	SPRING, THROTTLE SHAFT RETURN (LOWER CARBURETOR)	21	11
23-21008	BUSHING, MAGNETO BRACKET AND SHIFT LEVER (STEEL)	41	--	24-27160	SPRING, IDLE ADJUSTMENT SCREW	21	14
23-22981	BUSHING, NYLON-VERTICAL SHAFT	13	51	24-27944	SPRING, HORSESHOE-MAGNETO PILOT	11	5
23-23651	SLEEVE, WATER INLET TUBE	49	5	24-28975	SPRING, GARTER - INTERNAL WIRING HARNESS	59	22
23-23651	SLEEVE, WATER INLET TUBE	53	5	24-29340A1	SPRING, STARTER REWIND	3	11
23-25194	BUSHING, OILITE - SHIFT SHAFT	41	-	24-29821	SPRING, REVERSE LOCK TENSION	45	15
23-25512	BUSHING, INSULATING-HOUSING FRAME	17	13	25-20081	"O" RING, LOWER END CAP	33	23
23-26348	BUSHING, CRANKCASE . . .	33	2	25-20081	"O" RING, UPPER END CAP	33	17
23-26348	BUSHING, CYLINDER BLCOK COVER	35	33	25-20116	GROMMET, CHOKE KNOB .	3	4
23-26602	BUSHING, NYLON-THROTTLE ACTUATOR . .	11	12	25-20116	GROMMET, CHOKE ROD . .	27	36
23-26602	BUSHING, NYLON-THROTTLE ACTUATOR . .	11	12	25-20266	"O" RING, WATER PUMP CARTRIDGE	53	15
23-26888	BUSHING, CHOKE LEVER . .	25	24	25-20273	RING, RUBBER - CENTRIFUGAL SLINGER .	55	25
				25-20415	"O" RING, ADAPTOR STEM .	29	22
				25-20863	"O" RING, BEARING CARRIER	57	54
				25-24961	RING, RUBBER - WATER INLET TUBE	49	3

PARTS INDEX

Part Number	Description	Pg.	Ref. No.	Part Number	Description	Pg.	Ref. No.
25-25439	"O" RING, SHIFT SHAFT			28-20994	KEY, FLYWHEEL	9	3
	BUSHING	55	31	28-28657	KEY, MAGNETO DRIVING . .	13	33
25-26633	GROMMET, ADAPTOR			28-28657	KEY, WATER PUMP		
	PLATE	25	12		CARTRIDGE	53	19
25-29619	"O" RING, DRIVE SHAFT -			29-20046	BEARING, NEEDLE	37	5
	UPPER	55	26	29-20046	BEARING, NEEDLE -		
25-29619	"O"RING, DRIVE SHAFT				CRANKPIN	39	20
	SPLINE	37	2	29-20063	BEARING, NEEDLE - PISTON		
26-20232	SEAL, WATER TUBE	53	6		PIN	39	21
26-23300	OIL SEAL	53	17	30-20066	BEARING, BALL-MAGNETO		
26-23300	OIL SEAL	57	57		PILOT	11	4
26-23517	OIL SEAL	55	24	30-20080	BEARING, BALL - LOWER		
26-25192	SEAL, WATER INLET TUBE .	49	4		END CAP	33	22
26-29476	OIL SEAL	33	18	30-20080	BEARING, BALL - UPPER		
26-29476	OIL SEAL, UPPER	33	24		END CAP	33	16
26-29477	OIL SEAL, LOWER	33	24	30-20839	BEARING, BALL - REVERSE		
26-31249	OIL SEAL (SPRING LOADED)	55	30		GEAR	57	52
26-32911	OIL SEAL, SWIVEL			30-20840	BEARING, BALL - FORWARD		
	BRACKET	45	20		GEAR	57	43
27-20183	GASKET, CARBURETOR			30-20861	BEARING, BALL - DRIVE		
	FLANGE	23	36		SHAFT	53	14
27-20390	GASKET, POWERHEAD TO			30-24997	BEARING, BALL (OPPOSITE		
	BOTTOM COWL	43	38		DRIVE END)	17	6
27-20848	GASKET, MAIN			30-24998	BEARING, BALL (DRIVE		
	ADJUSTMENT SCREW				END)	17	4
	GLAND	21	--	31-20231	BEARING, ROLLER - DRIVE		
27-22333	GASKET, CYLINDER BLOCK				SHAFT	53	3
	COVER	35	34	31-20249	BEARING, ROLLER	57	56
27-23005	GASKET, CHECK VALVE TO			31-20249	BEARING, ROLLER -		
	HOUSING	29	2		FORWARD GEAR	57	45
27-23180	GASKET, IDLE TUBE	23	31	32-23652	TUBE, WATER INLET -		
27-24863	GASKET, FUEL PUMP	29	6		LOWER	53	4
27-24899	GASKET, DRIVE SHAFT			32-23761	FUEL LINE, FUEL PUMP TO		
	HOUSING TO BOTTOM				ADAPTOR	29	19
	COWL	49	8	32-25076	TUBE, WATER INLET (LONG		
27-25033	GASKET, INLET SEAT	21	7		SHAFT)	49	2
27-25724	GASKET, MAGNETO COVER	19	31	32-25187	TUBE, WATER INLET		
27-25725	GASKET, END CAP COVER	19	37		(SHORT SHAFT)	49	2
27-25848	GASKET, STRAINER COVER			32-25228	FUEL LINE, UPPER TO		
	SCREW	21	24		LOWER FILTER (5-1/2") . .	29	27
27-25849	GASKET, STRAINER COVER			32-26101	SLEEVE, CHOKE SOLENOID		
	(SMALL)	21	22		WIRE AND HARNESS		
27-25851	GASKET, STRAINER COVER				WIRE	25	8
	(LARGE)	21	21	32-26528	SLEEVE, RUBBER-STATOR		
27-26923	GASKET, CYLINDER BLOCK				LEAD WIRE	9	12
	TO MANIFOLD PLATE . . .	33	27	32-28654	HOSE, CYLINDER BLEED (6-		
27-26923	GASKET, MANIFOLD PLATE				1/2")	35	42
	TO COVER	33	27	32-29164	TUBE, VENT - MAGNETO . .	43	37
27-26998A1	GASKET SET	1	-	32-29267	SLEEVE, RECTIFIER LEAD		
27-27936	GASKET, TRANSFER PORT				(RED)	59	2
	COVER	35	37	32-30035	FUEL LINE, FUEL PUMP TO		
27-28406	GASKET, BODY CHANNEL				LOWER FILTER	29	15
	PLUG SCREW	23	35	32-30036	FUEL LINE, FUEL PUMP TO		
27-28409	GASKET, MAIN FUEL JET . .	21	13		ADAPTOR	29	19
27-29166	GASKET, MAGNETO COVER	19	31	32-30038	FUEL LINE, UPPER TO		
27-30276	GASKET, FUEL PUMP				LOWER FILTER	31	27
	COVER	29	9	32-30040	FUEL LINE, UPPER TO		
27-31367	GASKET, WATER INTAKE				LOWER FILTER	31	27
	SCREEN TO GEAR			33-20127	SPARK PLUG	13	57
	HOUSING	53	-				

PARTS INDEX

Part Number	Description	Pg.	Ref. No.	Part Number	Description	Pg.	Ref. No.
34-20053	REED STOP, MAIN BEARING			53-29115	RING, RETAINING - BALL BEARING (3/4" I.D.) - SEE NOTE	53	9
	REED VALVES	37	11				
34-20888A1	REED SET, MATCHED - MAIN BEARING	37	10	53-29116	RING, RETAINING - BALL BEARING (25/32" I.D.) - SEE NOTE	53	9
34-20888A1	REED SET, MATCHED - MAIN BEARING	37	10	54-20387	CLAMP, BLEED HOSE TO CHECK VALVE AND CONNECTOR	35	44
35-23654	SCREEN, WATER INTAKE - GEAR HOUSING	53	7	54-20534	CLIP, HIGH TENSION LEAD CABLE FASTENING	13	61
37-23076	DECAL, MERCELECTRIC - BOTTOM COWL	41	-	54-22740	CLAMP, LEAD WIRE TO RECTIFIER BRACKET - LOWER (3/8")	59	10
37-28988A1	DECAL SET, TOP COWL (COLORED ENGINES) - NOT AS SHOWN	3	5	54-22783	"S" CLIP, WIRING HARNESS LEADS TO BOTTOM COWL	59	25
37-28989A1	DECAL SET, TOP COWL (WHITE ENGINES) - NOT AS SHOWN	3	5	54-24836	CLAMP, CHOKE WIRE TO STARTER SOLENOID	25	9
37-29315	DECAL, THROTTLE STOP PLATE	11	28	54-24836	CLAMP, LEAD WIRE TO RECTIFIER BRACKET - UPPER (1/4")	59	9
37-29834A1	DECAL SET, TOP COWL (NOT AS SHOWN)	3	5	54-24836	CLAMP, LEAD WIRE TO RECTIFIER BRACKET - UPPER (1/4")	59	9
37-31121A1	DECAL SET, TOP COWL	3	5	54-24836	CLIP, STATOR LEAD TO CRANKCASE FLANGE	9	14
38-27720	PLATE, TRADE MARK - BOTTOM COWL	43	40	54-25231	CLIP, CONNECTOR BASE LEAD WIRE	41	12
38-28850	SERIAL PLATE	47	34	54-25231	CLIP, MERCURY SWITCH AND HARNESS LEADS	15	62
38-29533	SERIAL PLATE	47	34	54-25735	CLIP, SAFETY CHAIN (NO LONGER USED ON LATER ENGINES)	45	-
38-31056	SERIAL PLATE	47	34	54-26643	CLAMP, CHOKE WIRE TO STARTER SOLENOID	25	9
39-20058	RING, PISTON	37	16	54-29425	CLIP, HIGH TENSION LEAD CABLE FASTENING	13	61
39-20992A12	RING, PISTON (.015 OVERSIZE)	39	--	90-45772	MARK 35A, MERC 300, MERC 350 PARTS LIST	1	-
40-20057	LOCK RING, PISTON PIN	37	15	91-25143--1	DECAL SOLUTION (PINT BOTTLE)	1	-
43-20834	GEAR, PINION	53	10	91-32144	BATTERY BOX ASSEMBLY	1	-
43-20975	FORWARD GEAR ASSEMBLY	57	44	92-25234--1	GLUE (BLANKET ADHESIVE)	1	-
43-20975	REVERSE GEAR ASSEMBLY	57	50	92-25234--1	GLUE, ADHESIVE-BLANKET FASTENING	7	--
44-25254	SHAFT, PROPELLER	57	49	92-27109--1	ADHESIVE COMPOUND (3 1/2 OUNCE KIT) EMBLEM FASTENING	7	--
45-27951	SHAFT, MAGNETO DRIVE	11	2	92-29409-12	GEAR LUBRICANT	1	-
45-29617A1	DRIVE SHAFT ASSEMBLY (SHORT SHAFT)	53	8	94-29616	SHIPPING CARTON (FUEL TANK)	1	-
45-29618A1	DRIVE SHAFT ASSEMBLY (LONG SHAFT)	53	8	100-1A1	CYLINDER BLOCK COVER ASSEMBLY (SEE NOTE BELOW)	35	32
46-29117A1	WATER PUMP CARTRIDGE ASSEMBLY	53	16	103-1544A1	BOTTOM COWL ASSEMBLY	41	1
47-20268	IMPELLER, WATER PUMP	53	20	107-1015A3	WRAP AROUND COWL ASSEMBLY	7	11
48-29296A2	PROPELLER ASSEMBLY (2 BLADE - ALUMINUM)	57	--	175-1562A1	COWLING FRONT COVER ASSEMBLY	7	1
50-25263	RATCHET, FLYWHEEL	9	8				
50-28908	SHEAVE ASSEMBLY	3	13				
50-28985A1	STARTER CABLE ASSEMBLY	3	23				
50-30994	SHEAVE ASSEMBLY	3	13				
52-32189	RATCHET, SLIDING CLUTCH	57	46				
53-20048	RING, SNAP - OUTER RACE CLAMPING	37	7				
53-20842	RING, RETAINING - CROSS PIN	57	48				
53-21058	"E" RING, COWL LATCH HINGE PIN	7	13				
53-25539	FASTENER, PLATE TO BOTTOM COWL	43	41				

PARTS INDEX

Part Number	Description	Pg.	Ref. No.	Part Number	Description	Pg.	Ref. No.
175-1641A1	COWL FRONT COVER ASSEMBLY	7	1	394-1163	GROMMET, PLASTIC-BREAKER BRACKET	17	--
175-1856A1	COWL FRONT COVER ASSEMBLY	7	1	394-1561A2	END CAP COVER ASSEMBLY	19	38
177-1600A2	TOP COWL ASSEMBLY	3	1	394-1570	FRAME, MAGNETO HOUSING	17	1
180-1642A2	WRAP AROUND COWL ASSEMBLY	7	11	394-1577	COVER, MAGNETO	19	32
190-1819A2	WRAP AROUND COWL ASSEMBLY	7	11	394-1579	INSULATOR, PRIMARY GROUND TERMINAL	17	11
208-1385A1	FLYWHEEL ASSEMBLY (LUG HEIGHT 11/32") SEE NOTE #1 BELOW	9	4	394-1637	SUPPORT, BALL BEARING	17	7
208-1535A1	FLYWHEEL ASSEMBLY (LUG HEIGHT 15/32") SEE NOTE #1 BELOW	9	4	394-1652A1	MAGNETO ASSEMBLY, COMPLETE (4 D-3) SEE NOTE BELOW	17	-
211-1414A2	FLYWHEEL ASSEMBLY (WITHOUT SPACERS) SEE NOTE #1 BELOW	9	4	394-2271A2	MAGNETO ASSEMBLY, COMPLETE	11	1
211-1414A4	FLYWHEEL ASSEMBLY (WITH SPACERS) SEE NOTE #1 BELOW	9	4	394-2602A1	MAGNETO ROTOR ASSEMBLY	19	35
211-1414A7	FLYWHEEL ASSEMBLY (WITHOUT SPACERS) SEE NOTE #1 BELOW	9	4	398-1455	STATOR, ALTERNATOR-FLYWHEEL	9	10
393-1504A6	BREAKER ASSEMBLY	17	21	400-1319	CRANKSHAFT	37	-
393-1586	GROMMET, PLASTIC-BREAKER BRACKET	17	22	400-1730	CRANKSHAFT	37	1
394-1050	CLIP, COIL-HIGH TENSION	17	18	500-1030A1	CENTER MAIN BEARING ASSEMBLY	37	3
394-1051	LOCKWIRE, COIL BRIDGE SET SCREW	17	3	526-1436A1	MAIN BEARING ASSEMBLY (VALVE TYPE)	37	8
394-1053A1	WIRE ASSEMBLY, PRIMARY GROUND LEAD	17	9	526-1436A1	MAIN BEARING ASSEMBLY (VALVE TYPE)	37	8
394-1056A1	BRUSH AND SPRING ASSEMBLY	19	40	600-7A1	CONNECTING ROD AND CAP ASSEMBLY (SEE NOTE BELOW)	37	17
394-1057	COVER, MAGNETO	19	32	718-1193A2	PISTON AND PISTON PIN ASSEMBLY	37	14
394-1065A1	LEAD ASSEMBLY, HIGH TENSION	19	39	718-1313A1	PISTON AND PISTON PIN ASSEMBLY (.015 OVERSIZE)	39	--
394-1066	FRAME, MAGNETO HOUSING	17	1	808-1321A4	CYLINDER BLOCK AND CRANKCASE ASSEMBLY	33	1
394-1067	MAGNETO ROTOR AND SHAFT	17	5	1102-1484A1	END CAP ASSEMBLY, LOWER	33	21
394-1068	SUPPORT, BALL BEARING	17	7	1326-1119	CARBURETOR ASSEMBLY, COMPLETE	25	17
394-1069A1	MAGNETO ASSEMBLY, COMPLETE (4 D-1) SEE NOTE BELOW	17	-	1326-1119	CARBURETOR ASSEMBLY, COMPLETE (AJ-50A)	21	1
394-1069A2	MAGNETO ASSEMBLY, COMPLETE (4 D-2) SEE NOTE BELOW	17	-	1326-1604	CARBURETOR ASSEMBLY, COMPLETE	25	17
394-1100A3	BREAKER ASSEMBLY	17	21	1326-1604	CARBURETOR ASSEMBLY, COMPLETE (AJ-54A)	21	1
394-1106A1	HOLDER AND CAM WICK ASSEMBLY	17	--	1334-1701	CARBURETOR ASSEMBLY, COMPLETE	25	17
394-1106A1	HOLDER AND CAM WICK ASSEMBLY	17	25	1334-1701	CARBURETOR ASSEMBLY, COMPLETE (KB-2A)	21	1
394-1110	CLIP, SPRING	19	36	1399-101	LEVER, FLOAT (UPPER)	21	5
394-1128A1	COIL ASSEMBLY	17	17	1399-102	LEVER, FLOAT (LOWER)	21	4
394-1130	CONDENSER	19	29	1399-107	SHUTTER, THROTTLE	23	29
394-1131	NUT, COIL CLIP FASTENING	17	20	1399-108	PACKING, MAIN ADJUSTMENT SCREW	21	--
394-1134A1	GROUND STRAP ASSEMBLY, MAGNETO TO CRANKCASE	15	65	1399-110A1	FLOAT ASSEMBLY	21	2
				1399-1133	COVER, FLOAT BOWL	21	17
				1399-1135	COVER, STRAINER	21	23

PARTS INDEX

Part Number	Description	Pg.	Ref. No.	Part Number	Description	Pg.	Ref. No.
1399-1145	GASKET AND PACKING SET (1 PER CARBURETOR) . . .	23	--	1603-1568A8	GEAR HOUSING ASSEMBLY, COMPLETE (7/16"STUD) - SHORT SHAFT	53	-
1399-1146	REPAIR PARTS KIT	23	--				
1399-1623	SCREW, IDLE ADJUSTMENT	21	15	1603-1568A9	GEAR HOUSING ASSEMBLY, COMPLETE (7/16" STUD) - LONG SHAFT	53	-
1399-1624	REPAIR PARTS KIT (1 PER CARBURETOR)	23	--				
1399-1649	JET, MAIN FUEL (.049)	21	12	1603-930A3	GEAR HOUSING ASSEMBLY (3/8"STUD)	53	1
1399-1651	JET, MAIN FUEL (.051)	21	12				
1399-1653	JET, MAIN FUEL (.053)	21	12	1603-930A7	GEAR HOUSING ASSEMBLY, COMPLETE (3/8" STUD) - SHORT SHAFT	53	-
1399-1655	JET, MAIN FUEL (.055)	21	12				
1399-1713	SCRW, IDLE ADJUSTMENT .	21	15				
1399-1714	TUBE, IDLE	23	30	1603-930A8	GEAR HOUSING ASSEMBLY, COMPLETE (3/8" STUD) - LONG SHAFT	53	-
1399-1715	NOZZLE, MAIN	23	26				
1399-1716	SHAFT, THROTTLE	21	10				
1399-1717	GASKET AND PACKING SE (1 PER CARBURETOR) . . .	23	--				
1399-1718	REPAIR PARTS KIT (1 PER CARBURETOR)	23	--				
1399-1754	SCREEN, FILTER-NOT AS SHOWN	21	18				
1399-931	SCREW, IDLE ADJUSTMENT	21	15				
1399-932	SCREW, MAIN ADJUSTMENT	21	--				
1399-933	SHAFT, THROTTLE	21	10				
1399-94	GLAND, MAIN ADJUSTMENT SCREW	21	--				
1399-960	TUBE, IDLE	23	30				
1399-97	LEVER, THROTTLE STOP (SEE NOTE BELOW)	21	9				
1399-99	GASKET, FLOAT BOWL COVER	21	16				
1401-1080A1	SWIVEL BRACKET ASSEMBLY (SHORT SHAFT)	45	18				
1427-1310A1	CLAMP BRACKET ASSEMBLY (SHORT SHAFT)	45	1				
1440-1464A1	CLAMP BRACKET ASSEMBLY (LONG SHAFT)	45	1				
1442-1400A1	SWIVEL BRACKET ASSEMBLY (LONG SHAFT)	45	18				
1522-1446	DRIVE SHAFT HOUSING (USE WITH 3/8" STUD) - SHORT SHAFT	49	1				
1522-1567	DRIVE SHAFT HOUSING (USE WITH 7/16" STUD) - SHORT SHAFT	49	1				
1535-1441	DRIVE SHAFT HOUSING (USE WITH 3/8" STUD) - LONG SHAFT	49	1				
1535-1566	DRIVE SHAFT HOUSING (USE WITH 7/16" STUD) - LONG SHAFT	49	1				
1603-1568A3	GEAR HOUSING ASSEMBLY (7/16" STUD)	53	1				
1603-1568A4	GEAR HOUSING ASSEMBLY, COMPLETE (7/16" STUD) - SHORT SHAFT	53	-				