



# PARTS CATALOG

## MERC 650

### SERIAL NUMBER

650 (4 CYL.) ..... 2309311 THRU 2803561

# TABLE OF CONTENTS:

BOTTOM COWL AND SHIFT LINKAGE .....	50
CARBURETOR ASSEMBLY .....	34
CARBURETOR LINKAGE AND CHOKE SOLENOID .....	30
CLAMP AND SWIVEL BRACKET ASSEMBLY .....	54
COWLING AND FRONT COVER .....	6
CRANKSHAFT, PISTON AND CONNECTING ROD .....	48
CYLINDER BLOCK AND CRANKCASE ASSEMBLY .....	42
DISTRIBUTOR ADAPTOR AND PILOT ASSEMBLY .....	12
DISTRIBUTOR ASSEMBLY, COMPLETE .....	22
DRIVE SHAFT HOUSING ASSEMBLY .....	58
FLYWHEEL ASSEMBLY AND STATOR .....	8
FUEL PUMP AND FUEL LINE ASSEMBLY .....	38
GEAR HOUSING ASSEMBLY, COMPLETE (PAGE 1) .....	62
GEAR HOUSING ASSEMBLY, COMPLETE (PAGE 2) .....	66
IGNITION DRIVER ADAPTOR AND PILOT ASSEMBLY .....	10
IGNITION DRIVER AND DISTRIBUTOR VERTICAL LINKAGE AND EXTERNA .....	14
IGNITION DRIVER ASSEMBLY, COMPLETE .....	18
MISCELLANEOUS PARTS/ACCESSORIES .....	1
PARTS INDEX .....	70
STARTER MOTOR, STARTER SOLENOID, RECTIFIER AND WIRING HARNES .....	24
TOP COWL AND SUPPORT BRACKETS .....	2

**NOTE:** *Indented description indicate that these parts are included in preceeding assembly.*

**AR** = As Required

**NSS** = Not Sold Separate

**OPT** = Optional

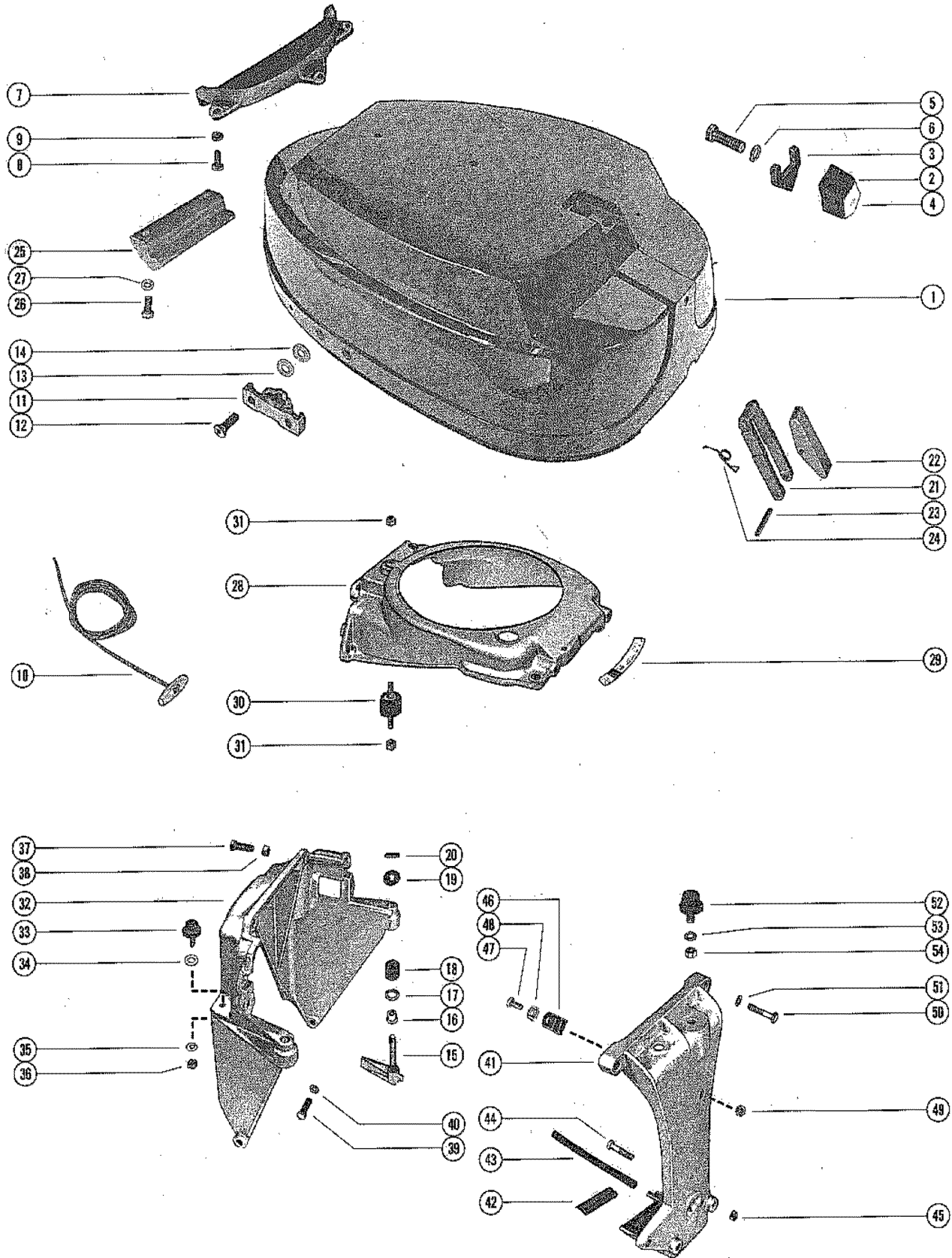
**NS** = Not Shown

**THESE PARTS BOOKS/FICHE CARD ARE COPYRIGHTED AND MAY NOT BE DISTRIBUTED OR REPRODUCED IN ANY OTHER FORMAT BY ANYONE OTHER THAN MERCURY MARINE WITHOUT THE PRIOR WRITTEN CONSENT OF MERCURY MARINE.**

# MISCELLANEOUS PARTS/ACCESSORIES

REF. NO.	PART NO.	SYM.	QTY.	DESCRIPTION
-	90-48822		0	MERC 650E-5 PARTS LIST
-	27-37414A3		0	GASKET SET (MOTOR OVERHAUL)
-	37-47888A1		0	DECAL SET(MERC 650 E-5-SS)
-	37-52749A1		0	DECAL SET(MERC 650 E-6-SS)
-	94-39391		0	SHIPPING CARTON (ENGINE-SHORT)
-	94-39392		0	SHIPPING CARTON (ENGINE-LONG)
-	94-29616		0	SHIPPING CARTON (FUEL TANK)
-	46-38505A2		0	EXTRA HEAVY DUTY WATER PUMP KIT
-	91-48168A6		0	TACHOMETER ASSEMBLY (MERC 650E-5-SS)
-	52552A3		0	TACHOMETER MODULE ASSEMBLY (MERC 650S-5)

# TOP COWL AND SUPPORT BRACKETS

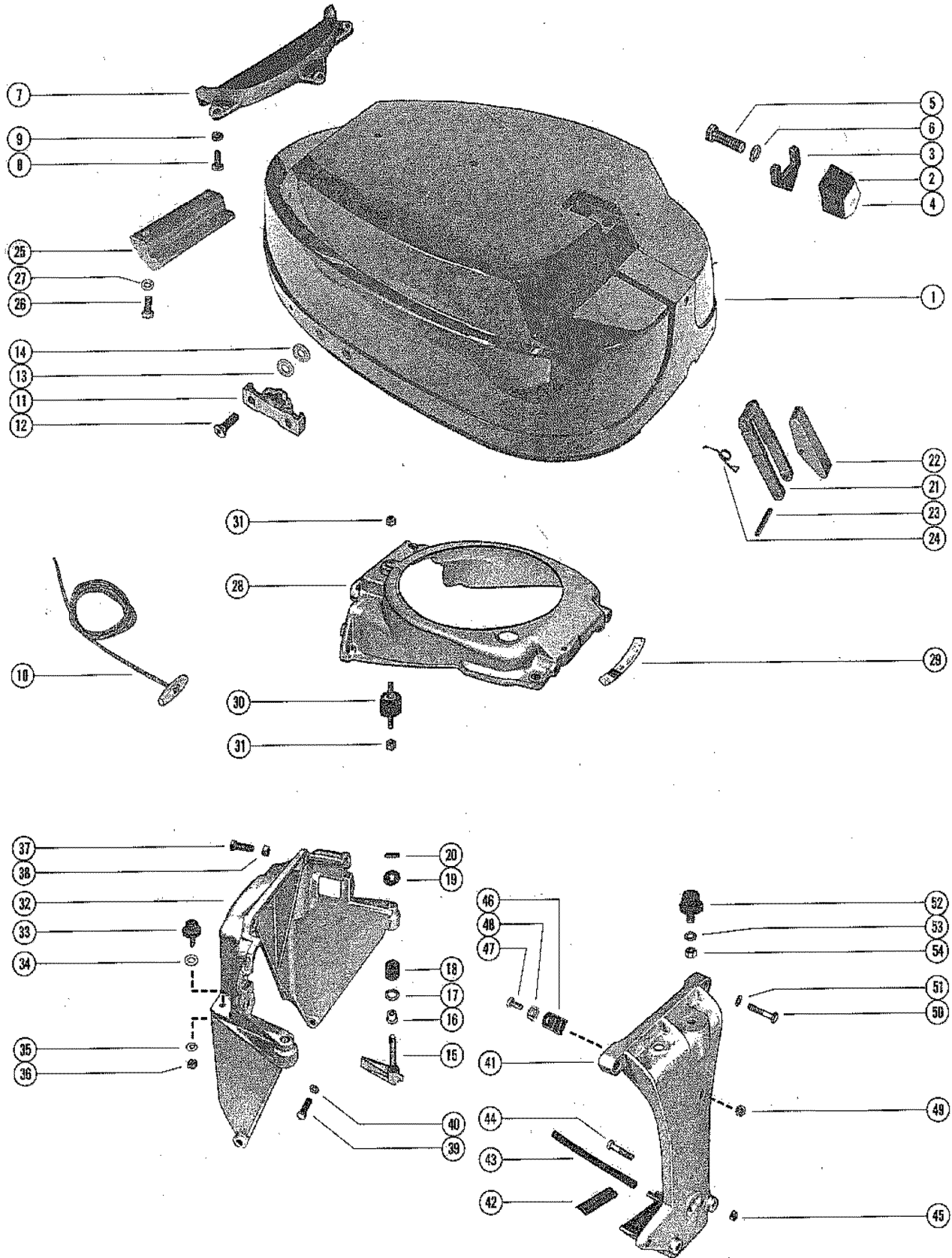


# TOP COWL AND SUPPORT BRACKETS

REF. NO.	PART NO.	SYM.	QTY.	DESCRIPTION
1	2114-3168		1,1,	COWL, TOP
	2114-3591		„1	COWL, TOP
2	47555A1		1,1,	RETAINER ASSEMBLY, TOP COWL <b>SERIAL 00000000-02446774</b>
	52733A1		„1	RETAINER ASSEMBLY, TOP COWL <b>SERIAL 02446775-09999999</b>
3	35496		1,1,1	PAD, BUMPER - TOP COWL RETAINER
4	46141		1,1,1	EMBLEM, TOP COWL RETAINER
5	10-37558		1,1,1	SCREW, RETAINER TO TOP COWL (1 1/4")
6	13-37371		1,1,1	LOCKWASHER, RETAINER FASTENING SCREW
7	37569		1,1,	SHIELD, TOP COWL - REAR
	49448		1,1,1	SHIELD, TOP COWL - REAR
8	10-37370		3,3,3	SCREW, SHIELD TO TOP COWL (5/8")
9	13-37371		3,3,3	LOCKWASHER, SHIELD SCREW
10	47341A1		1,1,1	ROPE, STARTER (FOR MANUAL STARTING ONLY)
11	46144		2,2,	BRACKET, COWL LATCH - TOP COWL FASTENING
12	10-21091		4,4,	SCREW, COWL LATCH BRACKET TO TOP COWL (1 1/8")
13	12-29245		AR,AR,	WASHER, COWL LATCH BRACKET SCREW (1/16" THICK)
14	12-37998		AR,AR,	WASHER, COWL LATCH BRACKET SCREW (1/32" THICK)
15	37412		2,2,	LEVER, CLAMPING - TOP COWL MOUNTING
16	23-26819		2,2,	BUSHING, NYLON - CLAMPING LEVER
17	12-38006		2,2,	WASHER, CLAMPING LEVER
18	23-31293		2,2,	BUSHING, RUBBER - CLAMPING LEVER
19	53-30428		2,2,	FASTENER, CLAMPING LEVER
20	17-29077		2,2,	PIN, ROLL - CLAMPING LEVER
21	52739		„1	HINGE, COWL LATCH - TOP COWL
22	52737		„1	LEVER, COWL LATCH HINGE
23	17-33522		„1	PIN, COWL LATCH LEVER TO HINGE
24	52739		„1	SPRING, COWL LATCH HINGE
25	52737		„1	HOOK, TOP COWL LATCH - REAR
26	10-22956		„2	SCREW, REAR HOOK TO TOP COWL (7/8")
27	13-26992		„2	LOCKWASHER, REAR HOOK MOUNTING SCREW
28	47271		1,1,1	FRAME, TOP COWL SUPPORT
29	37-45201		1,1,1	DECAL, TIMING - TOP COWL FRAME
30	37639		3,3,3	MOUNT, RUBBER - TOP COWL FRAME
31	11-20361		5,5,5	NUT, RUBBER MOUNT TO TOP COWL FRAME
	11-20586		1,1,1	NUT, RUBBER MOUNT TO TOP COWL FRAME
32	46170		1,1,	BRACKET, TOP COWL SUPPORT - REAR
	52740		„1	BRACKET, TOP COWL SUPPORT - REAR
33	31014		2,2,2	MOUNT, RUBBER - REAR SUPPORT BRACKET
34	12-20346		2,2,2	WASHER, RUBBER MOUNT STUD
35	13-26992		2,2,2	LOCKWASHER, RUBBER MOUNT TO REAR SUPPORT BRACKET
36	11-20088		2,2,2	NUT, RUBBER MOUNT TO REAR SUPPORT BRACKET

CONTINUED ON NEXT PAGE ➡

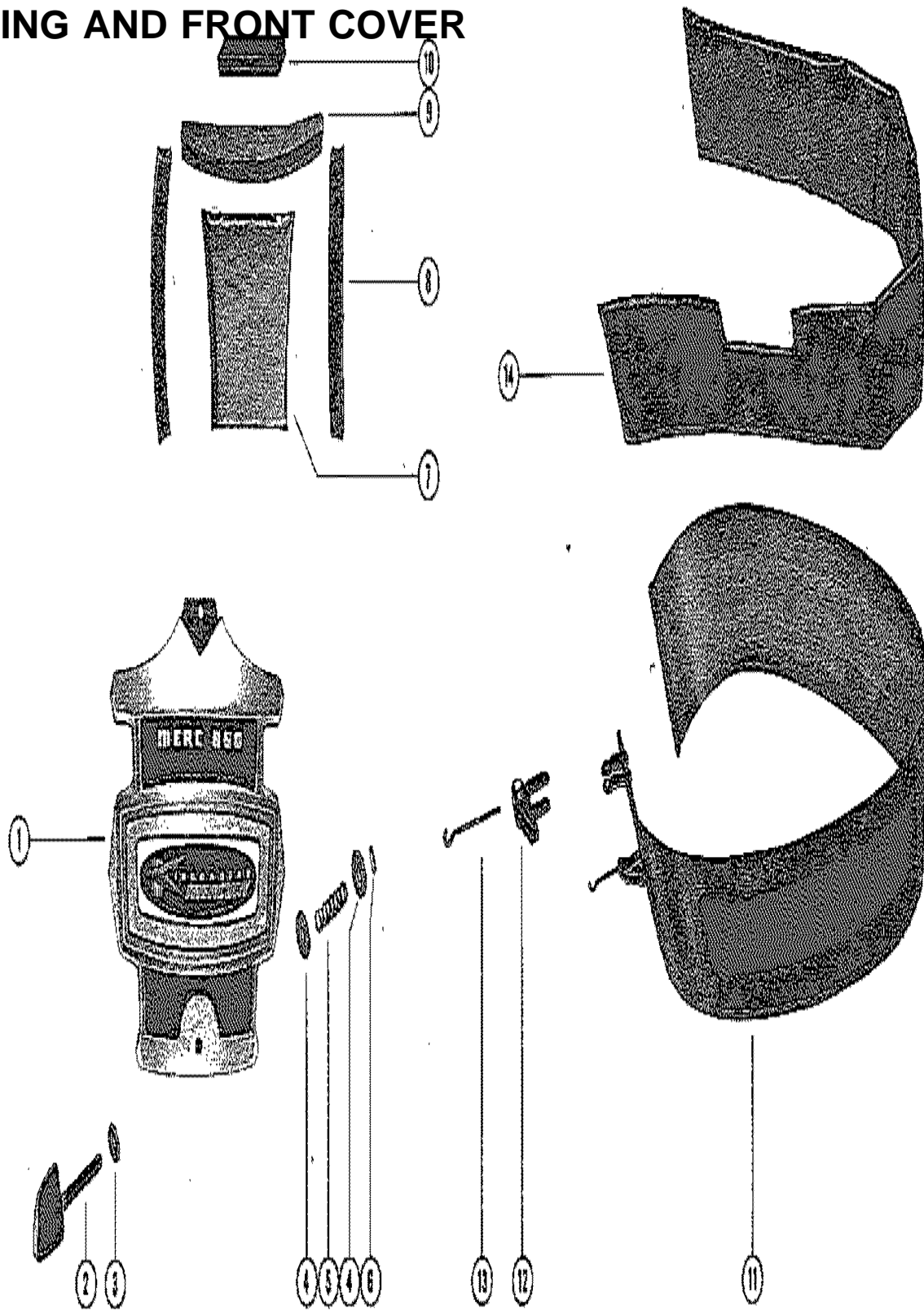
# TOP COWL AND SUPPORT BRACKETS



# TOP COWL AND SUPPORT BRACKETS

REF. NO.	PART NO.	SYM.	QTY.	DESCRIPTION
37	10-26065		4,4,4	SCREW, REAR SUPPORT BRACKET TO TOP COWL FRAME (1")
38	11-46793		4,4,4	NUT, REAR SUPPORT BRACKET SCREW
39	10-37558		2,2,2	SCREW, REAR SUPPORT BRACKET TO BOTTOM COWL (1 1/4")
40	13-26993		2,2,2	LOCKWASHER, REAR SUPPORT BRACKET SCREW
41	48105A2		1,,	BRACKET ASSEMBLY, TOP COWL SUPPORT - FRONT
	46240A5		,1,	BRACKET ASSEMBLY, TOP COWL SUPPORT - FRONT
	52635		,,1	BRACKET, TOP COWL SUPPORT - FRONT
42	37903		1,1,	FLANGE, RUBBER - FRONT TOP COWL SUPPORT BRACKET
43	32-37670		1,1,1	HOSE, FRONT SUPPORT BRACKET TO BOTTOM COWL (7 1/2")
44	10-22040		2,2,2	SCREW, FRONT SUPPORT BRACKET TO BOTTOM COWL (1 1/2")
45	11-46793		2,2,2	NUT, FRONT SUPPORT BRACKET SCREW
46	54-22875		1,1,	CLIP, WIRING HARNESS LEAD TO FRONT SUPPORT BRACKET
	54-39844		,,1	CLIP, WIRING HARNESS LEAD TO FRONT SUPPORT BRACKET
47	10-29072		1,1,1	SCREW, WIRING HARNESS LEAD CLIP ATTACHING (5/8")
48	22789		1,1,1	"D" WASHER, WIRING HARNESS LEAD CLIP ATTACHING SCREW
49	11-24656		1,1,1	NUT, WIRING HARNESS LEAD CLIP ATTACHING SCREW
50	10-20362		2,2,2	SCREW, FRONT BRACKET TO TOP COWL FRAME (1 1/2")
51	13-26993		2,2,2	LOCKWASHER, FRONT SUPPORT BRACKET SCREW
52	37640		1,1,1	MOUNT, RUBBER - FRONT SUPPORT BRACKET
53	13-26993		1,1,1	LOCKWASHER, RUBBER MOUNT TO FRONT SUPPORT BRACKET
54	11-22053		1,1,1	NUT, RUBBER MOUNT TO FRONT SUPPORT BRACKET

# COWLING AND FRONT COVER

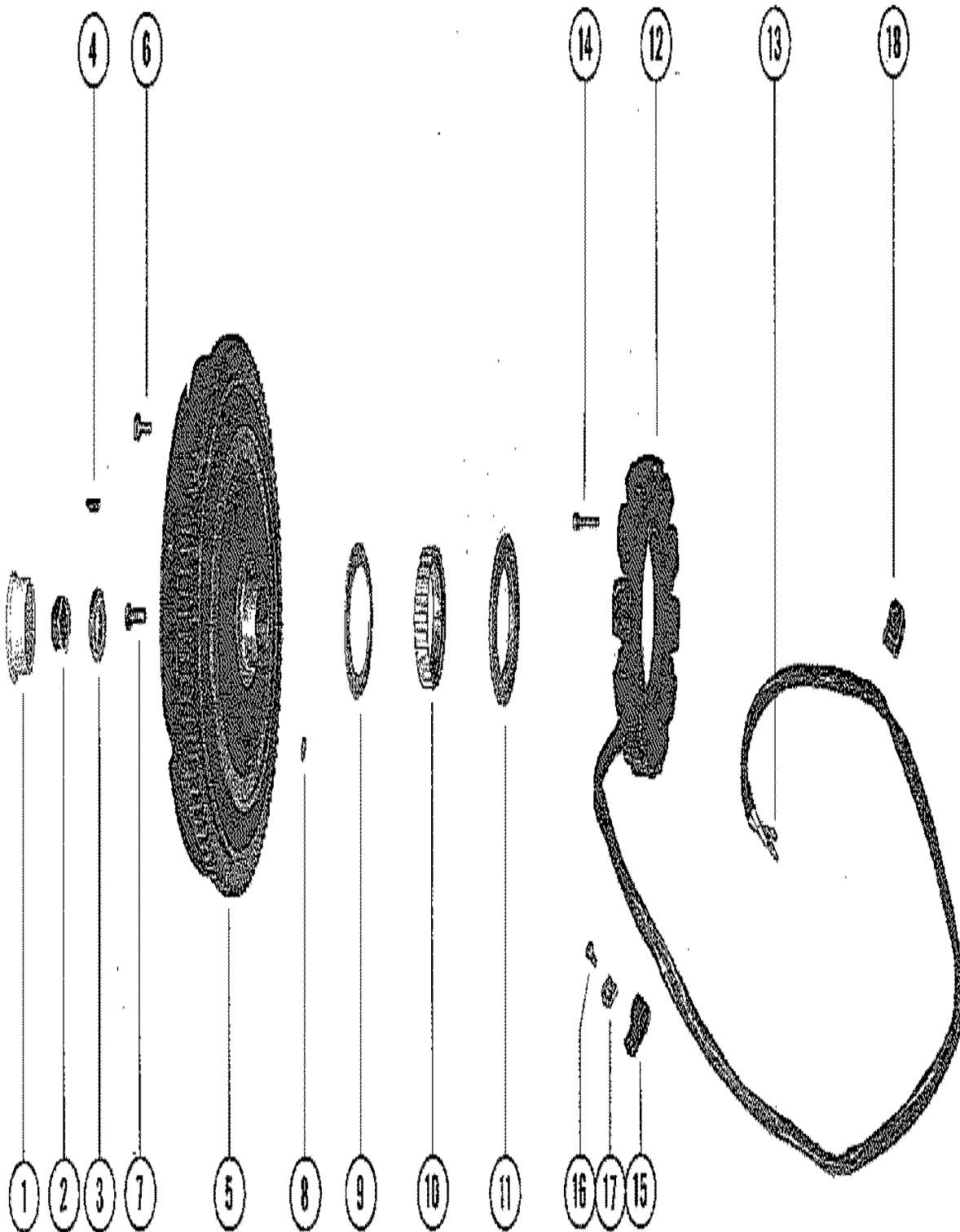




## COWLING AND FRONT COVER

REF. NO.	PART NO.	SYM.	QTY.	DESCRIPTION
1	2104-2654A15		1,1,	COWL FRONT COVER ASSEMBLY
	2104-2654A16		„1	COWL FRONT COVER ASSEMBLY
2	32362		1,1,1	KNOB, COWL FRONT COVER FASTENING
3	12-30771		2,2,2	WASHER, COVER FASTENING KNOB (RUBBER)
4	12-27129		2,2,2	WASHER, COVER FASTENING KNOB (STEEL)
5	24-32271		1,1,1	SPRING, TENSION - COVER FASTENING KNOB
6	17-29077		1,1,1	ROLL PIN, TENSION SPRING TO KNOB
7	38674		1,1,1	BLANKET, SOUND ABSORBING - FRONT COVER
8	31095		2,2,2	STRIP, SOUND - LOWER SECTION
9	35552		1,1,1	SEAL, SOUND - UPPER SECTION
10	53334		„1	SEAL, SOUND - TOP
11	2119-3248A3		1,1,1	WRAP AROUND COWL ASSEMBLY
12	46785A1		2,2,2	COWL LATCH ASSEMBLY
13	30413		2,2,2	HOOK, COWL LATCH FASTENING
14	31935		1,1,1	BLANKET, SOUND ABSORBING - WRAP AROUND COWL
-	<b>92-25234--1</b>		<b>1,1,1</b>	<b>GLUE, ADHESIVE - SOUND BLANKET FASTENING</b>

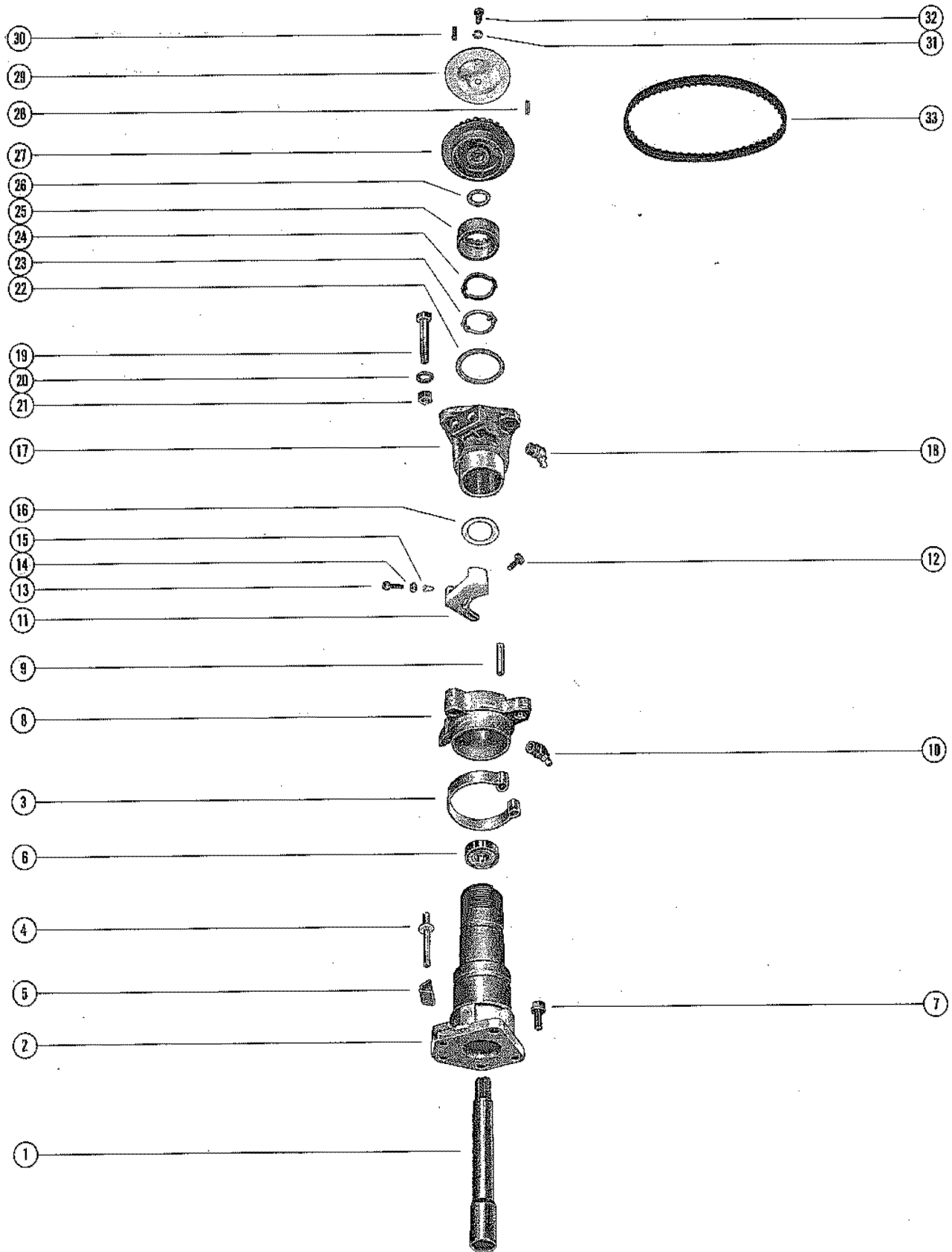
# FLYWHEEL ASSEMBLY AND STATOR



# FLYWHEEL ASSEMBLY AND STATOR

REF. NO.	PART NO.	SYM.	QTY.	DESCRIPTION
1	19-45907		1,1,1	PLUG, FLYWHEEL PULLER THREADS
2	11-22339		1,1,1	NUT, FLYWHEEL
3	12-33001		1,1,1	WASHER, FLYWHEEL NUT
4	28-45554		1,1,1	KEY, FLYWHEEL DRIVE
5	225-2498A6		1,,	FLYWHEEL ASSEMBLY, COMPLETE
	225-2498A5		,1,	FLYWHEEL ASSEMBLY, COMPLETE <b>SERIAL 00000000-02446774</b>
	225-2498A8		,1,1	FLYWHEEL ASSEMBLY, COMPLETE <b>SERIAL 02446775-09999999</b>
6	10-32417		1,1,1	SCREW, FLEXIBLE PLATE TO FLYWHEEL 11-
7	10-49006		8,8,8	SCREW, PLATE AND HUB TO FLEXIBLE PLATE
8	17-26618		1,1,1	PINE, DOWELL - PULLEY TO FLYWHELL
9	29788		1,1,1	FLANGE, FLYWHEEL PULLEY
10	30306		1,1,1	PULLEY, FLYWHEEL
11	29787		1,1,1	HUB, FLYWHEEL PULLEY
12	398-2997		,1,	STATOR, ALTERNATOR
	398-3687		,,1	STATOR, ALTERNATOR
13	30050		,2,2	TERMINAL, STATOR LEAD WIRE
14	10-52720		,4,4	SCREW, STATOR TO UPPER END CAP (7/8")
15	54-22740		,1,1	CLIP, STATOR LEAD TO UPPER END CAP
16	10-34222		,1,1	SCREW, STATOR LEAD CLIP FASTENING (1/2")
17	22789		,1,1	"D" WASHER, CLIP FASTENING SCREW
18	54-46409		,1,1	CLIP, STATOR LEAD CLIP TO TOP MOUNT

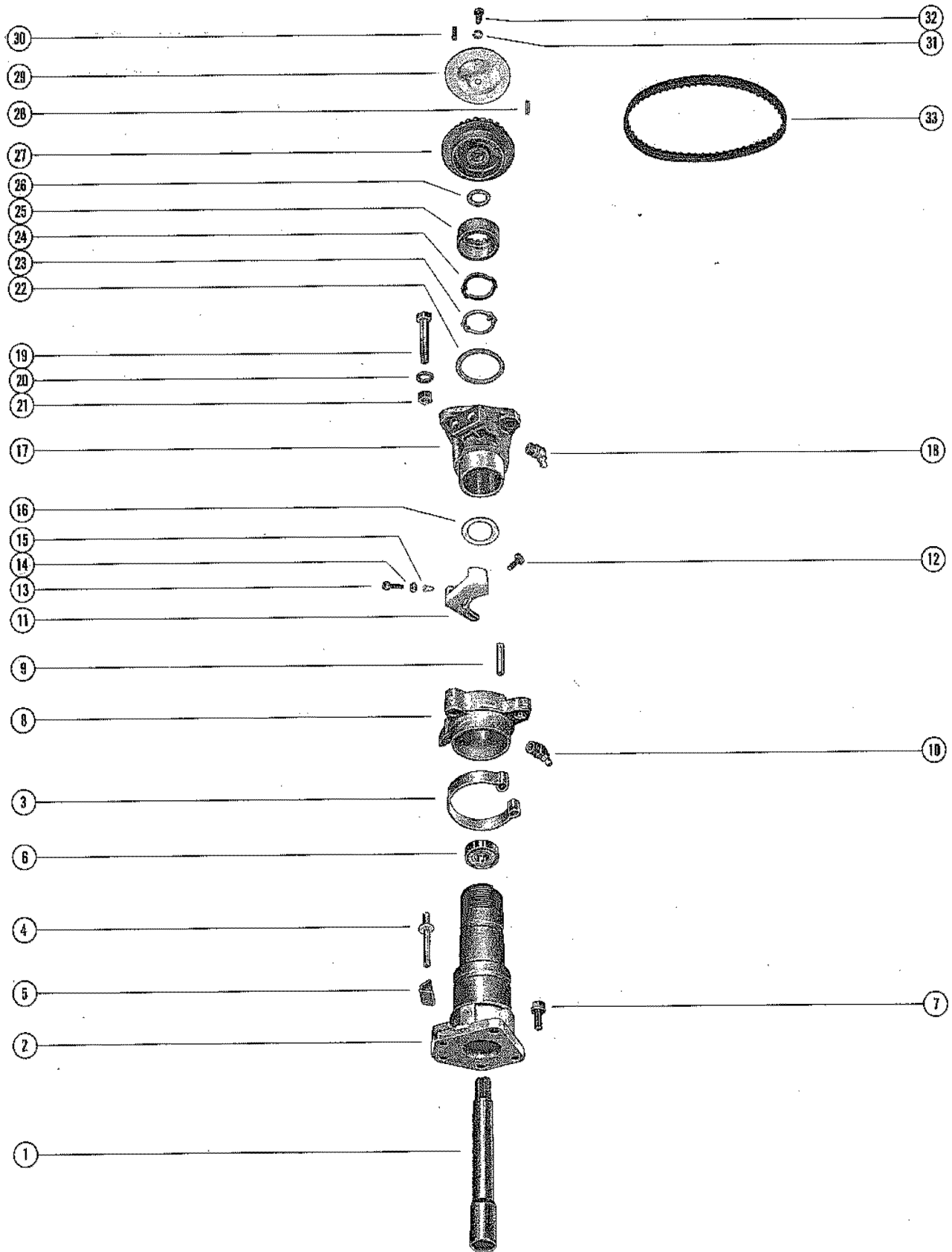
# IGNITION DRIVER ADAPTOR AND PILOT ASSEMBLY



# IGNITION DRIVER ADAPTOR AND PILOT ASSEMBLY

REF. NO.	PART NO.	SYM.	QTY.	DESCRIPTION
1	45-33007		1,1	SHAFT, DRIVE - IGNITION DRIVER
2	47885A1		1,1	IGNITION DRIVER PILOT ASSEMBLY
3	24-27944		1,1	SPRING, HORSESHOE - IGNITION DRIVER PILOT
4	17-27962		1,1	PIN, ANCHOR - HORSESHOE SPRING TO PILOT
5	33020		1,1	STOP, SPARK ADVANCE - IGNITION DRIVER PILOT
6	30-20066		1,1	BEARING, BALL - IGNITION DRIVER PILOT
7	10-47910		4,4	SCREW, PILOT ASSEMBLY TO IGNITION DRIVER (5/8")
8	48103A1		1,1	ECONOMIZER COLLAR AND PIN ASSEMBLY
9	17-27961		1,1	PIN, ECONOMIZER COLLAR - SPRING RETAINER
10	22-25094		1,1	FITTING, GREASE - ECONOMIZER COLLAR
11	48306		1,1	PLATE, THROTTLE ACTUATOR
12	10-46420		2,2	SCREW, THROTTLE ACTUATOR TO ECONOMIZER (1/2")
13	10-23702		1,1	SCREW, ADJUSTING - THROTTLE ACTUATOR (1-1/8")
14	11-20645		1,1	NUT, THROTTLE ACTUATOR ADJUSTING SCREW
15	48039		1,1	CAP, THROTTLE ACTUATOR ADJUSTING SCREW
16	12-46246		1,1	WASHER, IGNITION DRIVER PILOT TO ADAPTOR
17	30408		1,1	ADAPTOR, IGNITION DRIVER
18	22-25094		1,1	FITTING, GREASE - IGNITION DRIVER
19	10-22040		3,3	SCREW, IGNITION DRIVER ADAPTOR AND PILOT TO CRANKCASE
20	12-20084		3,3	WASHER, IGNITION DRIVER ADAPTOR AND PILOT SCREW
21	11-20083		3,3	NUT, IGNITION DRIVER ADAPTOR AND PILOT SCREW
22	12-27939		1,1	WASHER, IGNITION DRIVER PILOT
23	14-27960		1,1	TAB WASHER, ADAPTOR CAP FASTENING
24	13-27959		1,1	WASHER, WAVE-IGNITION DRIVER BALL BEARING TENSION
25	27955		1,1	CAP, IGNITION DRIVER ADAPTOR AND PILOT FASTENING
26	23-29909		1,1	SPACER, DRIVE PULLEY
27	29906A1		1,1	DRIVEN PULLEY ASSEMBLY
28	17-29908		1,1	PIN, ROLL - FLANGE LOCATING
29	29907		1,1	FLANGE, DRIVEN PULLEY
30	28-29910		1,1	KEY, IGNITION DRIVER
31	13-26996		1,	LOCKWASHER, PULLEY CLAMPING SCREW
32	10-29911		1,	SCREW, PULLEY CLAMPING (7/16")
31	12-38832		,1	WASHER, PULLEY CLAMPING SCREW
32	10-49989		,1	SCREW, PULLEY CLAMPING (5/8")
33	20140		1,1	BELT, TIMING

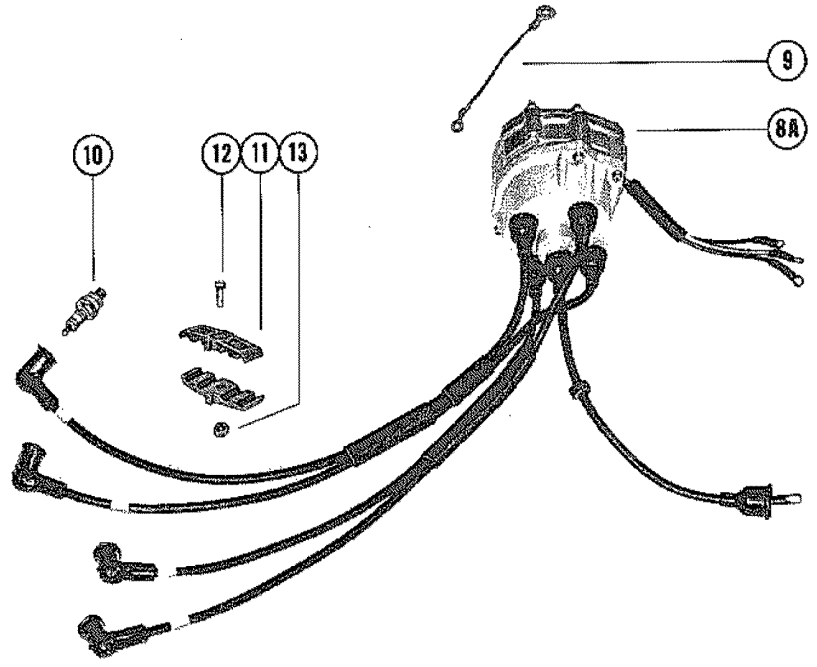
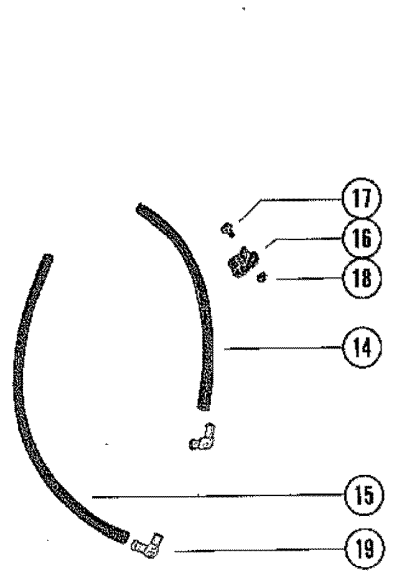
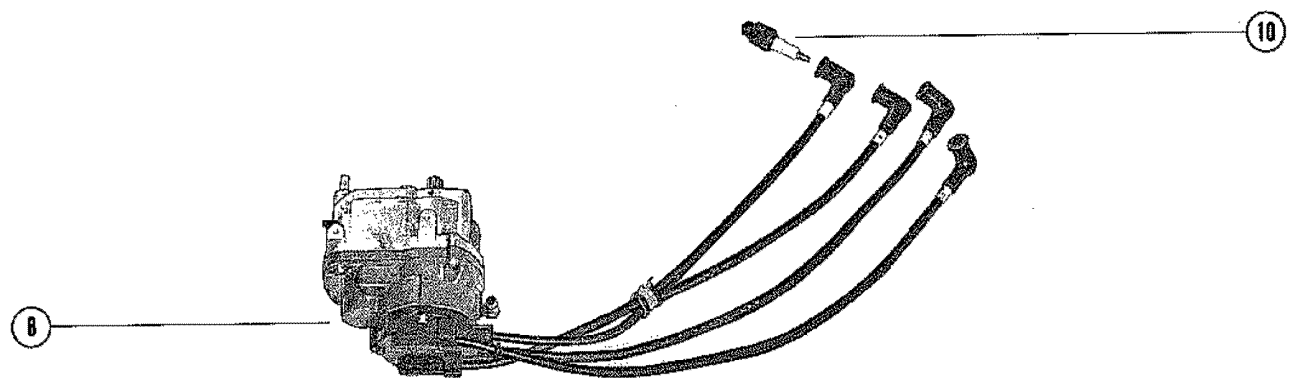
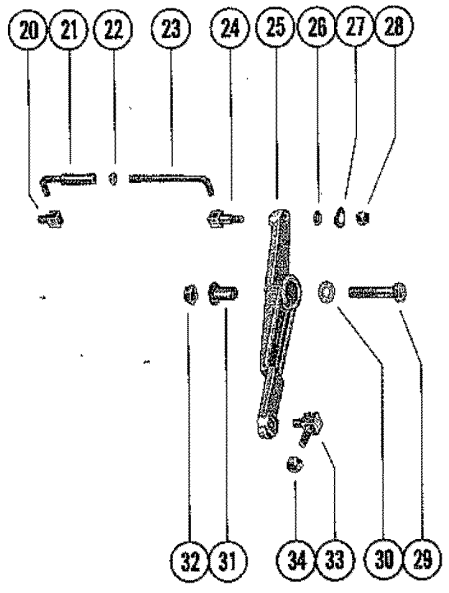
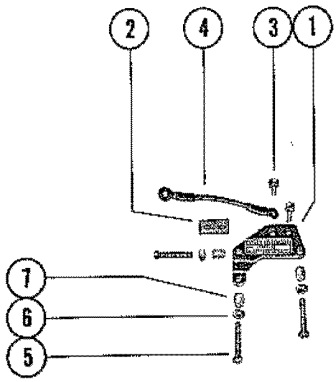
# DISTRIBUTOR ADAPTOR AND PILOT ASSEMBLY



# DISTRIBUTOR ADAPTOR AND PILOT ASSEMBLY

REF. NO.	PART NO.	SYM.	QTY.	DESCRIPTION
1	45-47953		1	SHAFT, DRIVE - DISTRIBUTOR
2	46242A1		1	DISTRIBUTOR PILOT ASSEMBLY
3	24-27944		1	SPRING, HORSESHOE - DISTRIBUTOR PILOT
4	17-27962		1	PIN, ANCHOR - HORSESHOE SPRING TO PILOT
6	30-20066		1	BEARING, BALL - DISTRIBUTOR PILOT
7	10-48291		4	SCREW, PILOT ASSEMBLY TO DISTRIBUTOR (1-1/8")
8	48103A1		1	ECONOMIZER COLLAR AND PIN ASSEMBLY
9	17-27961		1	PIN, ECONOMIZER COLLAR - SPRING RETAINER
10	22-25094		1	FITTING, GREASE - ECONOMIZER COLLAR
11	48306		1	PLATE, THROTTLE ACTUATOR
12	10-46420		2	SCREW, THROTTLE ACTUATOR TO ECONOMIZER COLLAR (1/2")
13	10-23702		1	SCREW, ADJUSTING 0 THROTTLE ACTUATOR (1-1/8")
14	11-20645		1	NUT, THROTTLE ACTUATOR ADJUSTING SCREW
15	48039		1	CAP, THROTTLE ACTUATOR ADJUSTING SCREW
16	12-46246		1	WASHER, PILOT TO DISTRIBUTOR ADAPTOR
17	30043		1	ADAPTOR, DISTRIBUTOR
18	22-25094		1	FITING, GREASE - DISTRIBUTOR ADAPTOR
19	10-22040		3	SCREW, DISTRIBUTOR ADAPTOR AND PILOT TO CRANKCASE
20	12-20084		3	WASHER, DISTRIBUTOR ADAPTOR AND PILOT SCREW
21	11-20083		3	NUT, DISTRIBUTOR ADAPTOR AND PILOT SCREW
22	12-27939		1	WASHER, DISTRIBUTOR PILOT
23	14-27960		1	TAB WASHER, ADAPTOR CAP FASTENING
24	13-27959		1	WASHER, WAVE - DISTRIBUTOR BALL BEARING TENSION
25	27955		1	CAP, DISTRIBUTING ADAPTOR AND PILOT FASTENING
26	23-29909		1	SPACER, DRIVE PULLEY
27	29906A1		1	DRIVEN PULLEY ASSEMBLY
28	17-29908		1	PIN, ROLL - FLANGE LOCATING
29	29907		1	FLANGE, DRIVEN PULLEY
30	28-29910		1	KEY, DISTRIBUTOR DRIVER
31	13-26996		1	LOCKWASHER, PULLEY CLAMPING SCREW
32	10-29911		1	SCREW, PULLEY CLAMPING
33	20140		1	BELT, TIMING

# IGNITION DRIVER AND DISTRIBUTOR VERTICAL LINKAGE AND EXTERNA



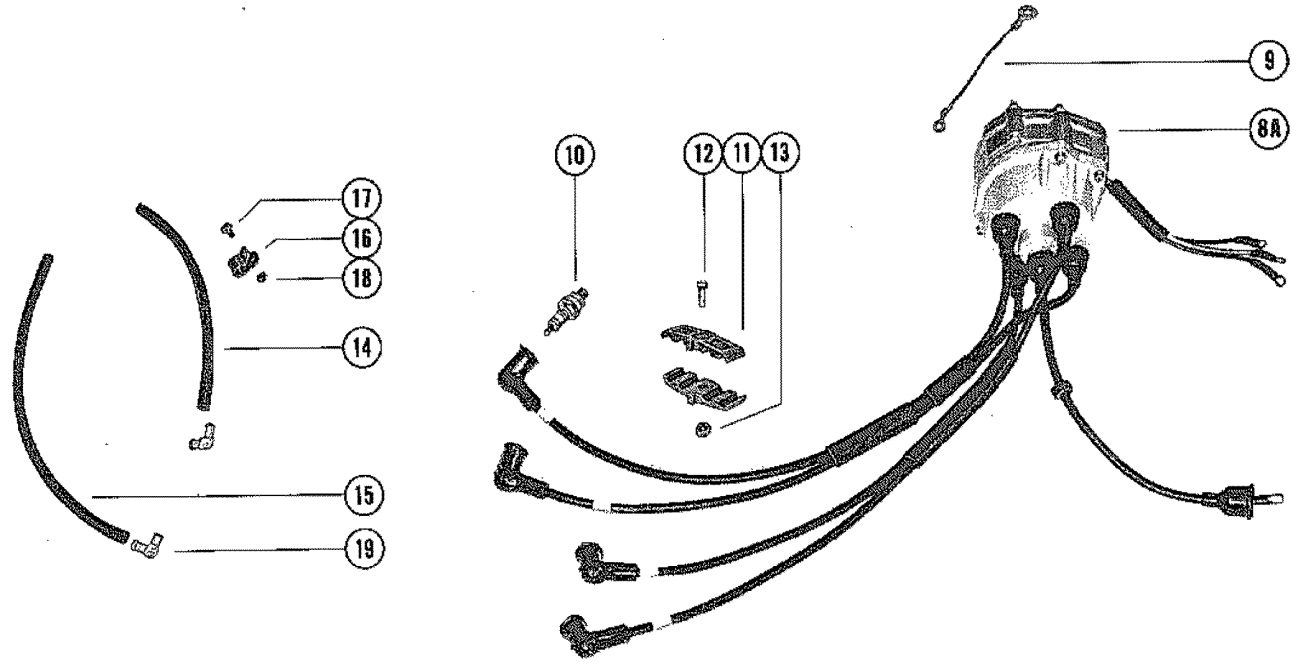
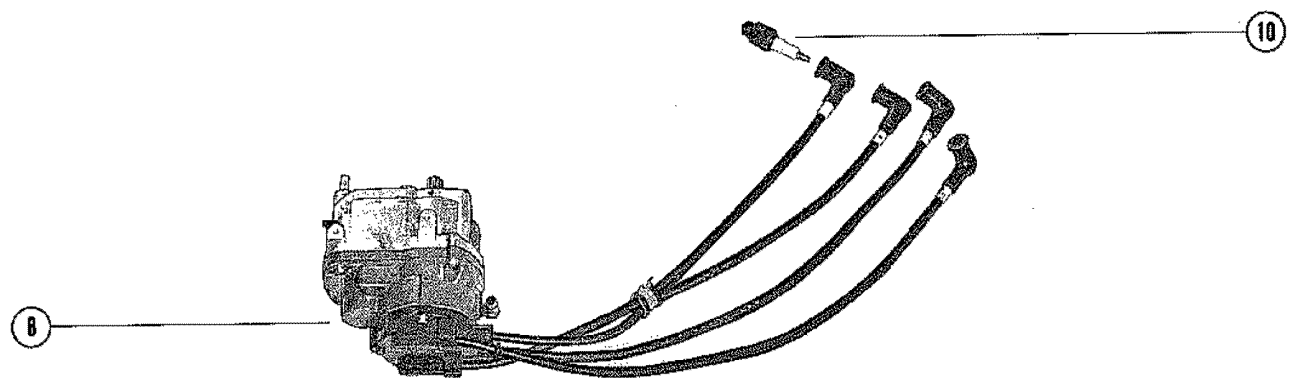
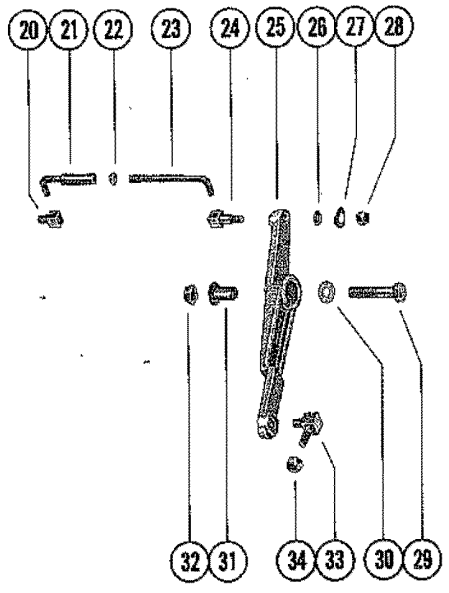
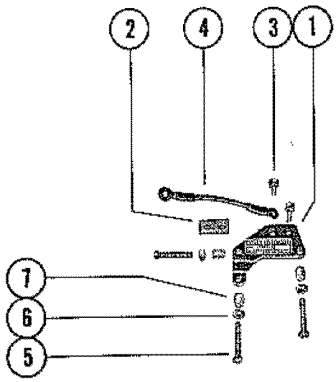


# IGNITION DRIVER AND DISTRIBUTOR VERTICAL LINKAGE AND EXTERNA

REF. NO.	PART NO.	SYM.	QTY.	DESCRIPTION
1	29277		1,1,1	PLATE, THROTTLE STOP <b>SERIAL )2446775-09999999</b>
	46251		,1,	PLATE, THROTTLE STOP
2	23-48456		1,1,1	SPACER, THROTTLE PLATE TO ADAPTOR <b>SERIAL )2446775-09999999</b>
3	10-31299		2,2,2	SCREW, THROTTLE STOP PLATE TO ADAPTOR (7/8") <b>SERIAL )2446775-09999999</b>
	10-29282		,2,	SCREW, THROTTLE STOP PLATE TO ADAPTOR (3/4")
4	37747		1,,	GROUND STRAP, STOP BRACKET TO FRONT SUPPORT BRACKET
5	10-24933		3,3,3	SCREW, ADJUSTING - THROTTLE STOP (1-1/2") <b>SERIAL )2446775-09999999</b>
	10-21504		,3,	SCREW, ADJUSTING - THROTTLE STOP (1-1/4")
6	11-20013		3,3,3	NUT, THROTTLE STOP ADJUSTING SCREW <b>SERIAL )2446775-09999999</b>
	25-46252		,3,	GROMMET, THROTTLE STOP ADJUSTING SCREW (NOT AS SHOWN)
7	26852		3,3,3	CAP, NYLON - ADJUSTING SCREW
8	333-3144A4		1,1,1	IGNITION DRIVER ASSY, COMPLETE (SEE PG. 10 FOR BREAKDOWN) <b>SERIAL )2446775-09999999</b>
8A	393-2799A19		,1,	DISTRIBUTOR ASSY, COMPLETE (SEE PG. 11 FOR BREAKDOWN)
9	30109		,1,	GROUND ASSEMBLY, DISTRIBUTOR TO CRANKCASE
10	33-45191		4,4,4	SPARK PLUG (CHAMPION - L19V)
11	46281		4,4,4	RETAINER, HIGH TENSION LEADS
12	10-46378		2,2,2	SCREW, HIGH TENSION LEAD RETAINER (1")
13	11-20013		2,2,2	NUT, HIGH TENSION LEAD RETAINER SCREW
14	32-52031		1,1,1	HOSE, VENT - DISTRIBUTOR AND IGNITION DRIVER TO ELBOW (11")
15	32-49242		1,1,1	HOSE, VENT - DISTRIBUTOR AND IGNITION DRIVER TO ELBOW (15")
16	54-49218		2,2,2	CLAMP, VENT HOSE TO FRONT SUPORT BRACKET <b>SERIAL )2446775-09999999</b>
17	10-21722		2,2,	SCREW, VENT HOSE CLAMP (5/8") <b>SERIAL )2446775-09999999</b>
	10-49997		,,1	SCREW, VENT HOSE CLAMP (5/8")
18	11-46887		2,2,2	NUT, VENT HOSE CLAMP SCREW <b>SERIAL )2446775-09999999</b>
16	54-22875		,1,	CLAMP, VENT HOSE TO FRONT SUPPORT BRACKET
17	10-29072		,1,	SCREW, VENT HOSE CLAMP
18	11-24656		,1,	NUT, CLAMP FASTENING SCREW
-	<b>22789</b>		,1,	<b>"D" WASHER, CLAMP FASTENING SCREW</b>
19	22-31521		2,2,2	ELBOW, VENT HOSE TO BOTTOM COWL
20	27947		1,1,1	SWIVEL, LINKAGE - ECONOMIZER COLLAR
21	25996A1		1,1,1	SWIVEL AND LINK ROD ASSEMBLY
22	11-25168		1,1,1	NUT, UPPER LINK ROD ADJUSTING
23	37588		1,1,1	ROD, LINK - UPPER
24	27948		1,1,1	SWIVEL, UPPER LINK ROD TO THROTTLE CONTROL LEVER
25	48562		1,1,1	LEVER, THROTTLE CONTROL

CONTINUED ON NEXT PAGE ➡

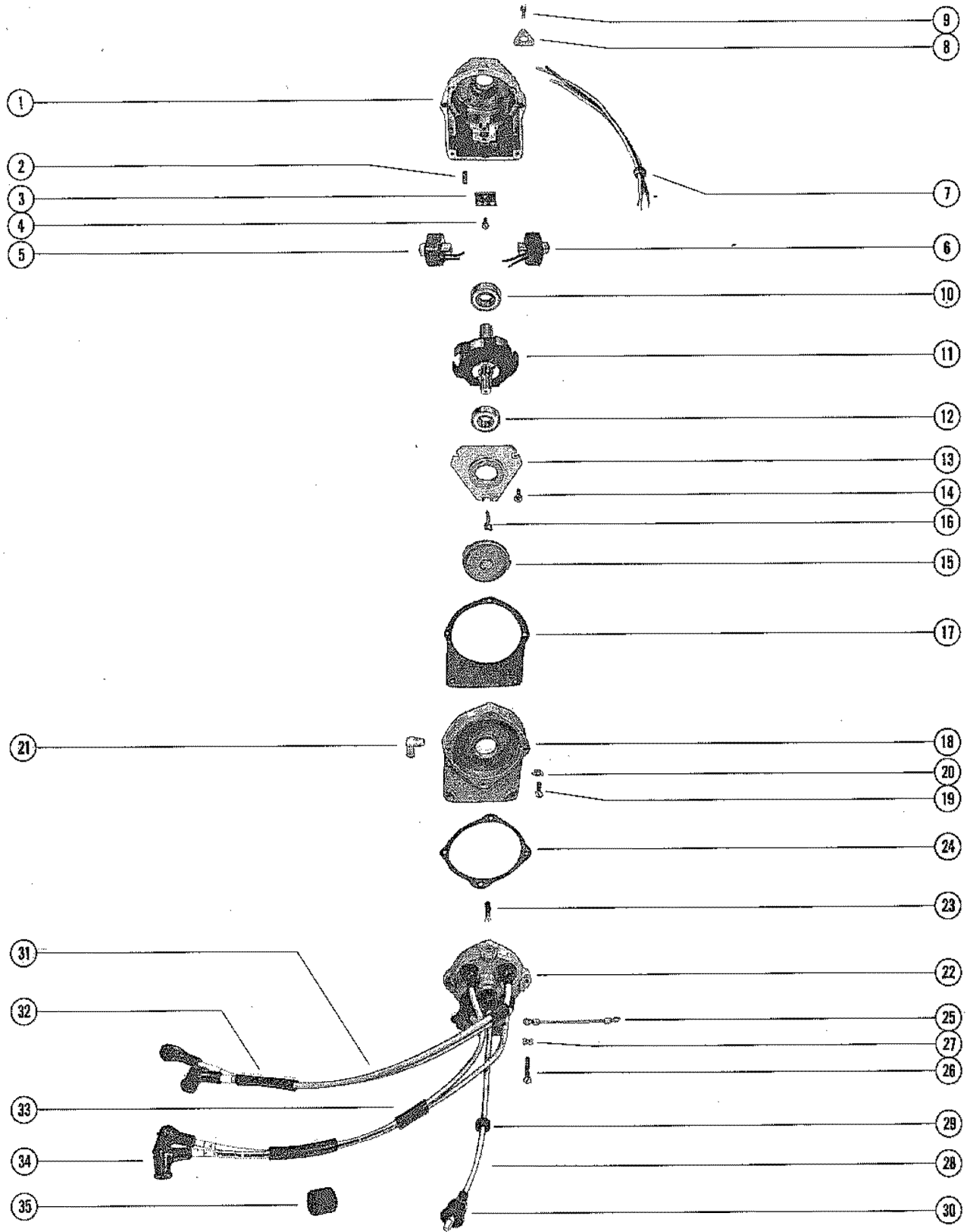
# IGNITION DRIVER AND DISTRIBUTOR VERTICAL LINKAGE AND EXTERNA



## IGNITION DRIVER AND DISTRIBUTOR VERTICAL LINKAGE AND EXTERNA

REF. NO.	PART NO.	SYM.	QTY.	DESCRIPTION
26	12-29245		1,1,1	WASHER, THROTTLE CONTROL LEVER SWIVEL
27	13-25806		1,1,1	WASHER, WAVE - THROTTLE CONTROL LEVER SWIVEL
28	11-20361		1,1,1	NUT, UPPER UPPER LINK ROD TO THROTTLE CONTROL LEVER
29	10-37559		1,1,1	SCREW, THROTTLE LEVER TO EXHAUST COVER (1-3/4")
30	12-29395		1,1,1	WASHER, THROTTLE CONTROL LEVER SCREW
31	23-45818		1,1,1	BUSHING, THROTTLE CONTROL LEVER SCREW
32	11-20509		1,1,1	NUT, THROTTLE CONTROL LEVER SCREW
33	37587		1,1,1	SWIVEL, LOWER - THROTTLE CTRL LEVER TO THROTTLE CABLE
34	11-20361		1,1,1	NUT, THROTTLE CABLE TO LOWER SWIVEL

# IGNITION DRIVER ASSEMBLY, COMPLETE

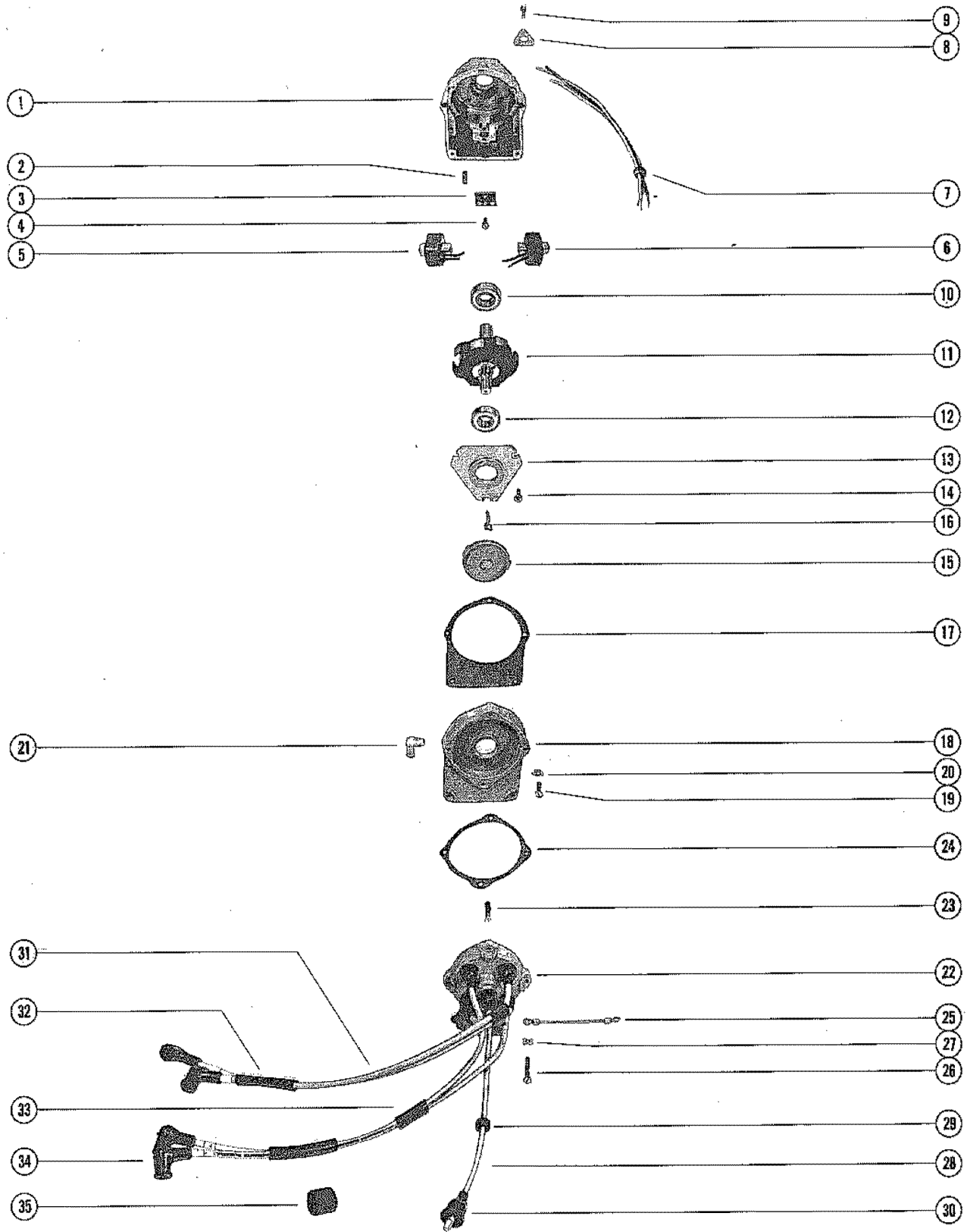


# IGNITION DRIVER ASSEMBLY, COMPLETE

REF. NO.	PART NO.	SYM.	QTY.	DESCRIPTION
-	<b>333-3144A4</b>		<b>1,1</b>	<b>IGNITION DRIVER ASSEMBLY, COMPLETE</b>
1	333-3144		1,1	HOUSING, IGNITION DRIVER
2	10-47183		4,4	SCREW, SET - COIL ASSEMBLY FASTENING
3	333-3172A1		1,1	TERMINAL BOARD ASSEMBLY, IGNITION DRIVER
4	10-47182		1,1	SCREW, TERMINAL BOARD ASSEMBLY FASTENING (1/2")
5	333-3175		1,1	COIL ASSEMBLY, IGNITION DRIVER (RED)
6	333-3176		1,1	COIL ASSEMBLY, IGNITION DRIVER (BLUE)
7	333-3173		1,1	HARNESS, PRIMARY CABLE - IGNITION DRIVER
8	54-47188		1,1	CLAMP, PRIMARY HARNESS CABLE - IGNITION DRIVER
9	10-28259		3,3	SCREW, PRIMARY HARNESS CABLE CLAMP FASTENING (5/8")
10	30-24998		1,1	BEARING, BALL - DRIVER END (1-3/8" O.D.)
11	333-3198A1		1,1	SHAFT ASSEMBLY, IGNITION DRIVER
12	30-49090		1,1	BEARING, BALL - IGNITION DRIVER END (1-1/4" O.D.)
13	333-3166		1,1	CAP, BEARING - IGNITION DRIVER HOUSING
14	10-47194		3,3	SCREW, BEARING CAP FASTENING (9/16")
15	333-3143A1		1,1	ROTOR ASSEMBLY, IGNITION DRIVER
16	54-47187		1,1	CLIP, SPRING - IGNITION DRIVER ROTOR
17	27-47189		1,1	GASKET, IGNITION DRIVER COVER
18	333-3141		1,1	COVER, IGNITION DRIVER
19	10-47185		2,2	SCREW, IGNITION DRIVER COVER FASTENING (3/4")
20	14-29157		2,2	TAB WASHER, IGNITION DRIVER COVER FASTENING
21	22-31521		1,1	ELBOW, VENT - IGNITION DRIVER COVER
22	333-3142A3		1,1	CAP ASSEMBLY, IGNITION DRIVER
23	333-3165A1		1,1	BRUSH AND SPRING ASSEMBLY
24	27-47190		1,1	GASKET, IGNITION DRIVER CAP
25	394-1134A2		1,1	GROUND STRAP ASSEMBLY
26	10-47181		3,3	SCREW, IGNITION DRIVER CAP FASTENING (1-7/8")
	10-47184		1,1	SCREW, IGNITION DRIVER CAP FASTENING (1-1/2")
27	14-29157		4,4	TAB WASHER, IGNITION DRIVER CAP FASTENING SCREW
28	393-3250A1		1,1	LEAD ASSEMBLY, HIGH TENSION - IGNITION DRIVER TO COIL
-	<b>20121</b>		<b>1,1</b>	<b>TERMINAL, HIGH TENSION LEAD</b>
-	<b>393-1275</b>		<b>1,1</b>	<b>SLEEVE, HIGH TENSION LEAD TERMINAL COVER</b>
29	25-26547		1,1	GROMMET, COIL WIRE BRACKET
30	332-2854		1,1	BOOT, HIGH TENSION LEAD CABLE
31	47899A9		4,4	SPARK PLUG LEAD ASSEMBLY (27-1/2") <b>ORDER A-36549A1 KIT FOR REPLACEMENT OF LEAD WIRE MARKERS</b>
-	<b>20121</b>		<b>4,4</b>	<b>CONNECTOR, SPARK PLUG LEAD</b>

CONTINUED ON NEXT PAGE ➡

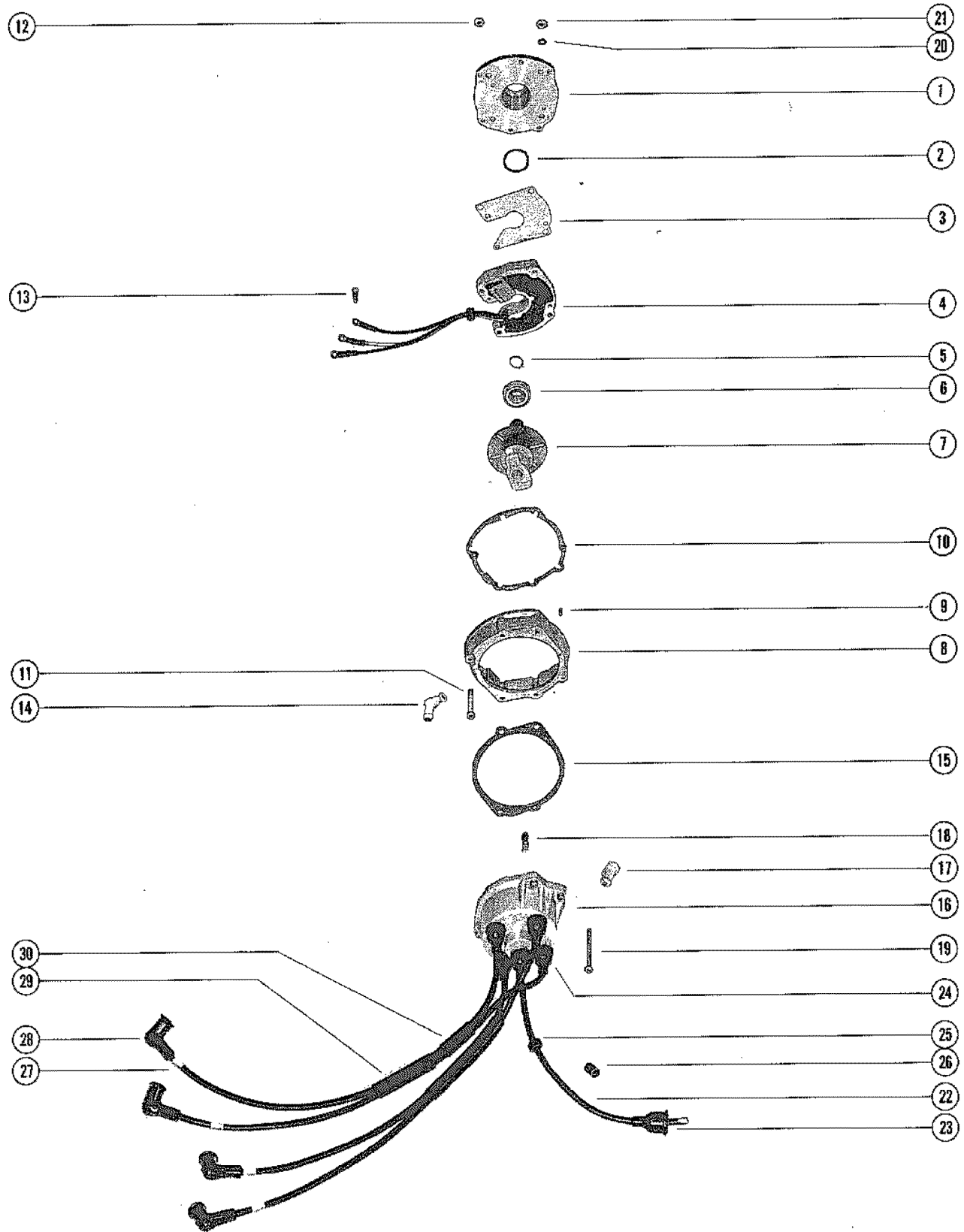
# IGNITION DRIVER ASSEMBLY, COMPLETE



# IGNITION DRIVER ASSEMBLY, COMPLETE

REF. NO.	PART NO.	SYM.	QTY.	DESCRIPTION
-	393-1275		4,4	SLEEVE, SPARK PLUG LEAD TO IGNITION DRIVER
32	32-46768		2,2	SLEEVE, SPARK PLUG LEAD (6")
33	32-26527		2,2	SLEEVE, SPARK PLUG LEAD (1-1/2")
34	47604A1		4,4	PROTECTOR ASSEMBLY, SPARK PLUG LEADS
35	32-46398		1,1	SLEEVE, HIGH TENSION CABLE (3/4")

# DISTRIBUTOR ASSEMBLY, COMPLETE

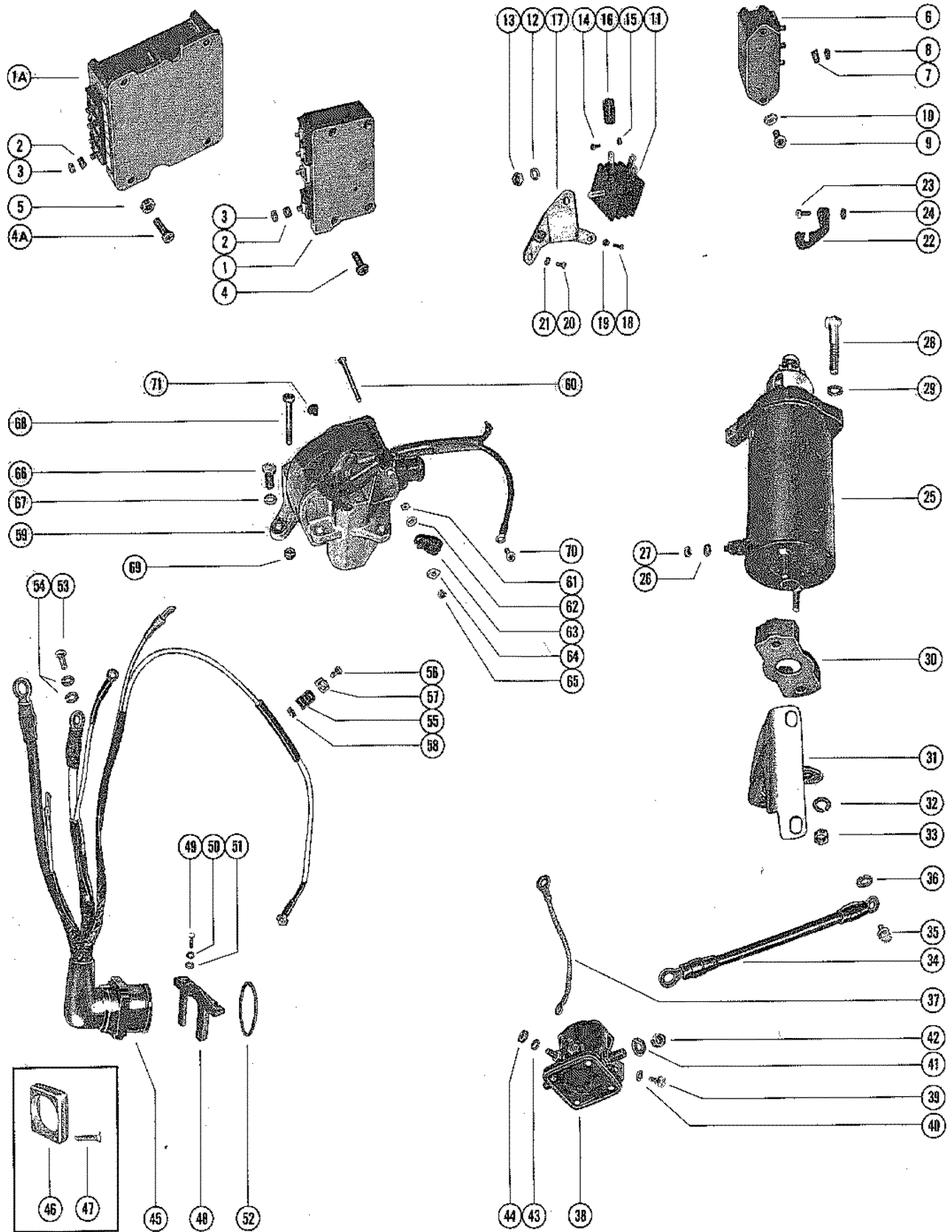




# DISTRIBUTOR ASSEMBLY, COMPLETE

REF. NO.	PART NO.	SYM.	QTY.	DESCRIPTION
-	<b>393-2799A19</b>		<b>1</b>	<b>DISTRIBUTOR ASSEMBLY, COMPLETE</b>
1	393-2799A21		1	HOUSING ASSEMBLY, PRIMARY
2	13-26917		2	WASHER, WAVE - PRIMARY HOUSING
3	393-2795		AR	SHIM, TRIGGER HOUSING TO PRIMARY HOUSING
4	393-2918A3		1	TRIGGER HOUSING ASSEMBLY
5	53-45906		2	RING, RETAINER - ROTOR SHAFT BALL BEARING
6	30-26379		2	BEARING, BALL - ROTOR SHAFT
7	393-3269A3		1	ROTOR SHAFT ASSEMBLY
8	393-3014A2		1	ADAPTOR ASSEMBLY, HOUSING TO DISTRIBUTOR CAP
9	17-20032		2	DOWEL PIN, ADAPTOR TO PRIMARY HOUSING
10	27-46351		1	GASKET, ADAPTOR TO PRIMARY HOUSING
11	10-32627		2	SCREW, ADAPTOR TO HOUSING
12	11-46438		2	NUT, ADAPTOR TO HOUSING SCREW
13	10-20646		2	SCREW, SHIM/TRIGGER HOUSING TO PRIMARY HOUSING (5/8")
	10-45218		2	SCREW, SHIM/TRIGGER HOUSING TO PRIMARY HOUSING (3/8")
14	22-31521A1		1	ELBOW ASSEMBLY, VENT HOSE - ADAPTOR HOUSING
15	27-36268		1	GASKET, DISTRIBUTOR CAP TO ADAPTOR
16	393-2955A2		1	DISTRIBUTOR CAP ASSEMBLY
17	22-31521		1	ELBOW, VENT HOSE - DISTRIBUTOR CAP
18	393-1293A1		1	BRUSH AND SPRING ASSEMBLY
19	10-45914		4	SCREW, DISTRIBUTOR CAP TO ADAPTOR TO HOUSING (2")
20	12-26436		4	WASHER, DISTRIBUTOR CAP FASTENING SCREW
21	11-46438		4	NUT, DISTRIBUTOR CAP FASTENING SCREW
22	393-3294A1		1	HIGH TENSION CABLE ASSEMBLY, DISTRIBUTOR TO COIL
-	<b>20121</b>		<b>1</b>	<b>CONNECTOR, HIGH TENSION CABLE (CAP END)</b>
23	332-2854		1	BOOT, HIGH TENSION CABLE TO COIL
24	393-1275		1	SLEEVE, HIGH TENSION CABLE
25	25-26547		1	GROMMET, HIGH TENSION CABLE
26	32-46398		1	SLEEVE, HIGH TENSION CABLE
27	47899A9		4	SPARK PLUG LEAD ASSEMBLY #1, #2, #3 AND #4 ORDER <b>A-36549A1</b> KIT FOR REPLACEMENT OF LEAD WIRE MARKERS
-	<b>20121</b>		<b>4</b>	<b>CONNECTOR, SPARK PLUG LEAD</b>
24	393-1275		4	SLEEVE, SPARK PLUG LEAD TO DISTRIBUTOR
28	47604A1		4	PROTECTOR, SPARK PLUG LEAD
29	32-46768		2	SLEEVE (LEADS 1, 2, 3, 4) - 6"
30	32-26527		2	SLEEVE, HIGH TENSION LEAD (LEADS 1, 2, 3, 4)

# STARTER MOTOR, STARTER SOLENOID, RECTIFIER AND WIRING HARNESS

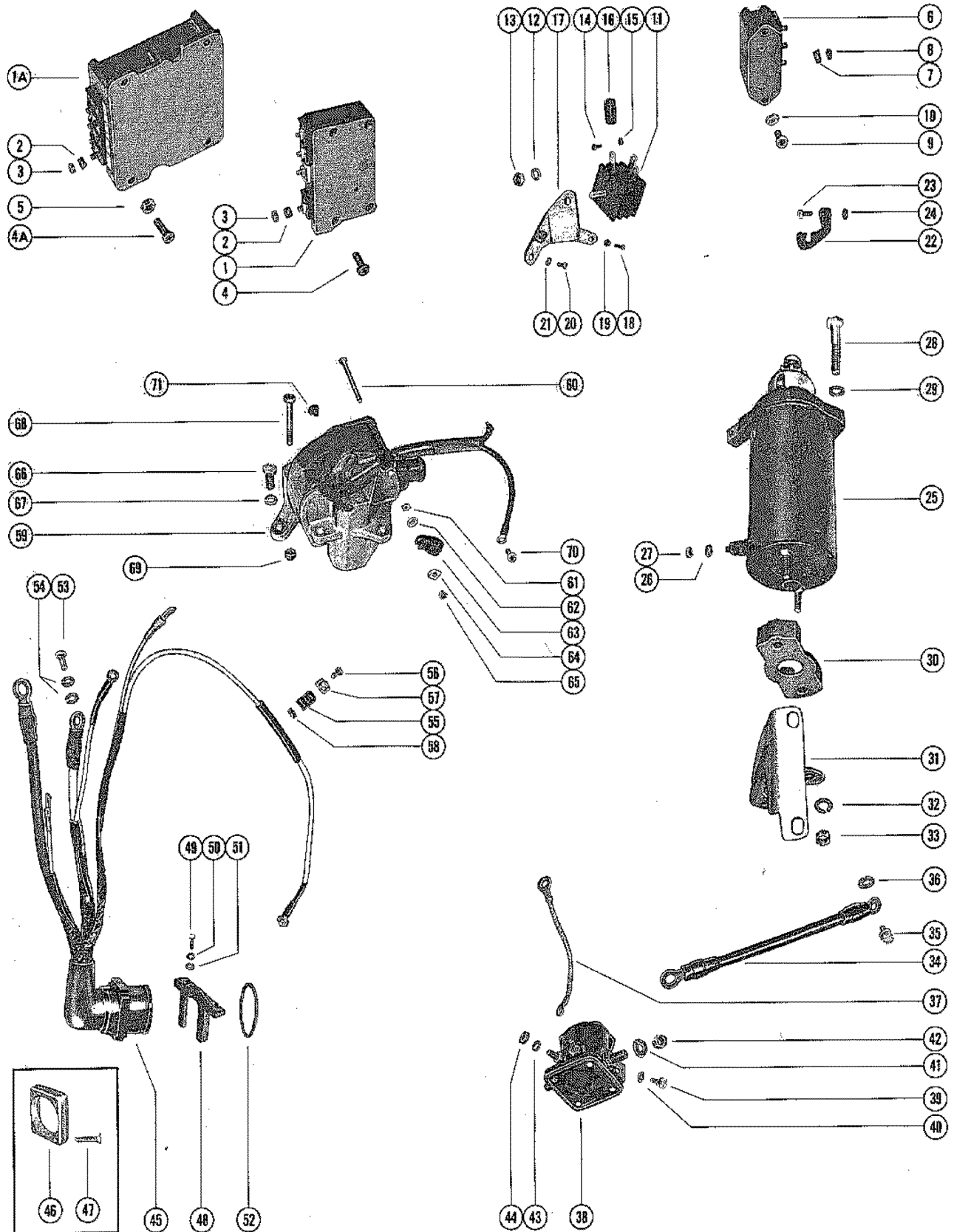


# STARTER MOTOR, STARTER SOLENOID, RECTIFIER AND WIRING HARNES

REF. NO.	PART NO.	SYM.	QTY.	DESCRIPTION
1	333-3213A3		(1),(1),(1)	SWITCH BOX ASSEMBLY, COMPLETE SERIAL )2446775-09999999
1A	332-2986A3		,1,	SWITCH BOX ASSEMBLY, COMPLETE
2	12-45075		3,3,3	WASHER, SWITCH BOX TERMINAL SERIAL )2446775-09999999
	12-45075		,7,	WASHER, SWITCH BOX TERMINAL
3	11-45076		4,4,4	NUT, SWITCH BOX TERMINAL SERIAL )2446775-09999999
	11-45076		,7,	NUT, SWITCH BOX TERMINAL
4	10-24866		4,4,4	SCREW, SWITCH BOX TO FRONT SUPPORT BRACKET (3/4") SERIAL )2446775-09999999
4A	10-22485		,4,	SCREW, SWITCH BOX TO FRONT SUPPORT BRACKET (3/4")
5	11-46887		,4,	NUT, SWITCH BOX TO FRONT SUPPORT BRACKET SCREW
6	332-2910A3		,4,	RECTIFIER ASSEMBLY, COMPLETE SERIAL 00000000-02446774
7	12-45075		,3,	WASHER, RECTIFIER TERMINAL SERIAL 00000000-02446774
8	11-45076		,3,	NUT, RECTIFIER TERMINAL SERIAL 00000000-02446774
10	10-22485		,2,	NUT, RECTIFIER TO FRONT SUPPORT BRACKET SCREW SERIAL 00000000-02446774
11	49184		,1,1	RECTIFIER SERIAL 02446775-09999999
12	13-26993		,1,1	LOCKWASHER, RECTIFIER TO RECTIFIER MOUNTING BRACKET SERIAL 02446775-09999999
13	11-20922		,1,1	NUT, RECTIFIER TO RECTIFIER MOUNTING BRACKET SERIAL 02446775-09999999
14	10-29852		,1,1	SCREW, RECTIFIER TERMINALS SERIAL 02446775-09999999
15	11-29488		,3,3	NUT, RECTIFIER TERMINALS SERIAL 02446775-09999999
16	32-28373		,3,3	SLEEVE, RECTIFIER TERMINALS SERIAL 02446775-09999999
17	49730		,1,	BRACKET, RECTIFIER MOUNTING SERIAL 02446775-09999999
18	10-29072		,1,	SCREW, RECTIFIER MOUNTING BRACKET TO COIL BRACKET (5/8") SERIAL 02446775-09999999
19	11-24656		,1,	NUT, RECTIFIER MOUNTING BRACKET SCREW SERIAL 02446775-09999999
20	10-20776		,1,	SCREW, RECTIFIER MOUNTING BRACKET TO COIL BRACKET (1/2") SERIAL 02446775-09999999
21	13-24669		,1,	LOCKWASHER, RECTIFIER MOUNTING BRACKET SCREW SERIAL 02446775-09999999
17	53145		,,1	BRACKET, RECTIFIER MOUNTING (NOT AS SHOWN)
18	10-28192		,,2	SCREW, RECTIFIER MOUNTING BRACKET TO COIL BRACKET (1/2")
22	46280		1,1,1	BRACKET, RETAINER - HIGH TENSION LEAD
23	10-21722		1,1,	SCREW, RETAINER BRACKET TO FRONT SUPPORT BRACKET (5/8")
	10-22956		,,1	SCREW, RETAINER BRACKET TO FRONT SUPPORT BRACKET (7/8")
24	11-46887		1,1,1	NUT, RETAINER BRACKET SCREW
25	50-45822A1		1,1,1	STARTER MOTOR ASSEMBLY
26	13-26992		1,1,1	LOCKWASHER, STARTER MOTOR TERMINAL
27	11-20890		1,1,1	NUT, STARTER MOTOR TERMINAL
28	10-22698		2,2,2	SCREW, STARTER MOTOR TO CRANKCASE FLANGE (1-3/4")

CONTINUED ON NEXT PAGE ➡

# STARTER MOTOR, STARTER SOLENOID, RECTIFIER AND WIRING HARNESS

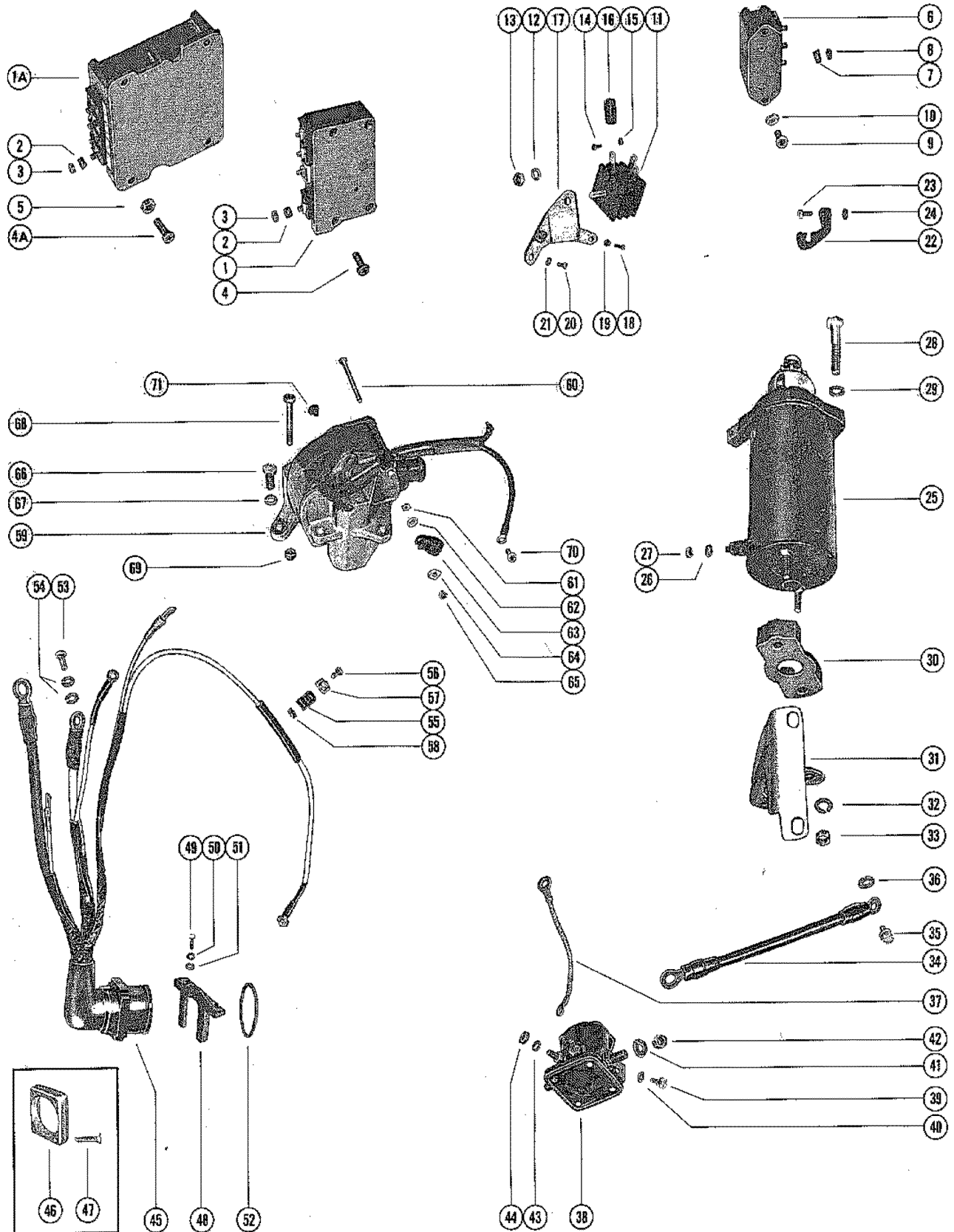


# STARTER MOTOR, STARTER SOLENOID, RECTIFIER AND WIRING HARNES

REF. NO.	PART NO.	SYM.	QTY.	DESCRIPTION
29	13-26993		2,2,2	LOCKWASHER, STARTER MOTOR SCREW
30	37331		1,1,1	PLATE, SPACER - STARTER MOTOR TO BRACKET
31	38747		1,1,1	BRACKET, SUPPORT - STARTER MOTOR
32	13-24669		2,2,2	LOCKWASHER, THRU BOLT - BRACKET TO STARTER MOTOR
33	11-20088		2,2,2	NUT, THRU BOLT - BRACKET TO STARTER MOTOR
34	25596		1,,	WIRE, STARTER MOTOR TO STARTER SOLENOID AND TOP MOUNT <b>SERIAL 00000000-02446774</b>
	25596		,2,	WIRE, STARTER MOTOR TO STARTER SOLENOID AND TOP MOUNT <b>SERIAL 00000000-02446774</b>
	49731		,1,1	WIRE, STARTER MOTOR TO STARTER SOLENOID STARTED <b>SERIAL 02446775-09999999</b>
	26511		,1,1	WIRE, STARTER MOTOR TO TO MOUNT <b>SERIAL 02446775-09999999</b>
35	10-29197		1,1,1	SCREW, GROUND WIRE TO STARTER MOTOR
36	13-26992		1,1,1	LOCKWASHER, GROUND WIRE FASTENING SCREW
37	46287		1,1,	GROUND STRAP ASSEMBLY
38	32445		1,1,	STARTER SOLENOID <b>SERIAL 00000000-02446774</b>
39	10-31208		2,2,	SCREW, STARTER SOLENOID TO STARTER MOTOR <b>SERIAL 00000000-02446774</b>
38	25661		,1,1	STARTER SOLENOID <b>SERIAL 02446775-09999999</b>
39	10-21625		,2,2	SCREW, STARTER SOLENOID TO COIL BRACKET <b>SERIAL 02446775-09999999</b>
40	13-26992		,2,2	LOCKWASHER, STARTER SOLENOID MOUNTING SCREW <b>SERIAL 02446775-09999999</b>
41	13-26993		2,2,2	LOCKWASHER, SOLENOID TERMINAL (5/16")
42	11-20083		2,2,2	NUT, SOLENOID TERMINAL - INSIDE (5/16")
43	13-26996		2,2,2	LOCKWASHER, SOLENOID TERMINAL (#10)
44	11-20645		2,2,2	NUT, SOLENOID TERMINAL (#10)
45	47956		1,,	WIRING HARNESS (INTERNAL)
	46985		,2,	WIRING HARNESS (INTERNAL)
	49370		,1,	WIRING HARNESS (INTERNAL)
	52820		,,1	WIRING HARNESS (INTERNAL)
46	26079		1,1,	PLATE, BACKING - WIRING HARNESS
47	10-45893		4,4,	SCREW, BACKING PLATE TO BOTTOM COWL (7/8")
48	54-52876		,,1	CLAMP, WIRE HARNESS TO BOTTM COWL
51	10-45862		,,2	ING HARNESS CLAMP TO BOTTOM COWL (7/8")
54	13-26996		,,1	LOCKWASHER, WIRING HARNESS CLAMP SCREW
51	12-20128		,,2	WASHER, WIRING HARNESS CLAMP SCREW
52	24-28975		1,1,1	SPRING, GARTER -INTERNAL WIRING HARNESS
53	10-20776		,1,1	SCREW, WIRING HARNESS LEAD TO BOTTOM COWL (1/2")
54	13-24669		,1,1	LOCKWASHER, WIRING HARNESS LEAD SCREW
	13-25244		,1,1	LOCKWASHER, WIRING HARNESS LEAD SCREW
55	54-24836		2,,2	CLIP, WIRING HARNESS LEAD
	54-26550		,1,	CLIP, WIRING HARNESS LEAD <b>SERIAL )2446775-09999999</b>
	54-26550		,3,	CLIP, WIRING HARNESS LEAD <b>SERIAL )2446775-09999999</b>

CONTINUED ON NEXT PAGE ➡

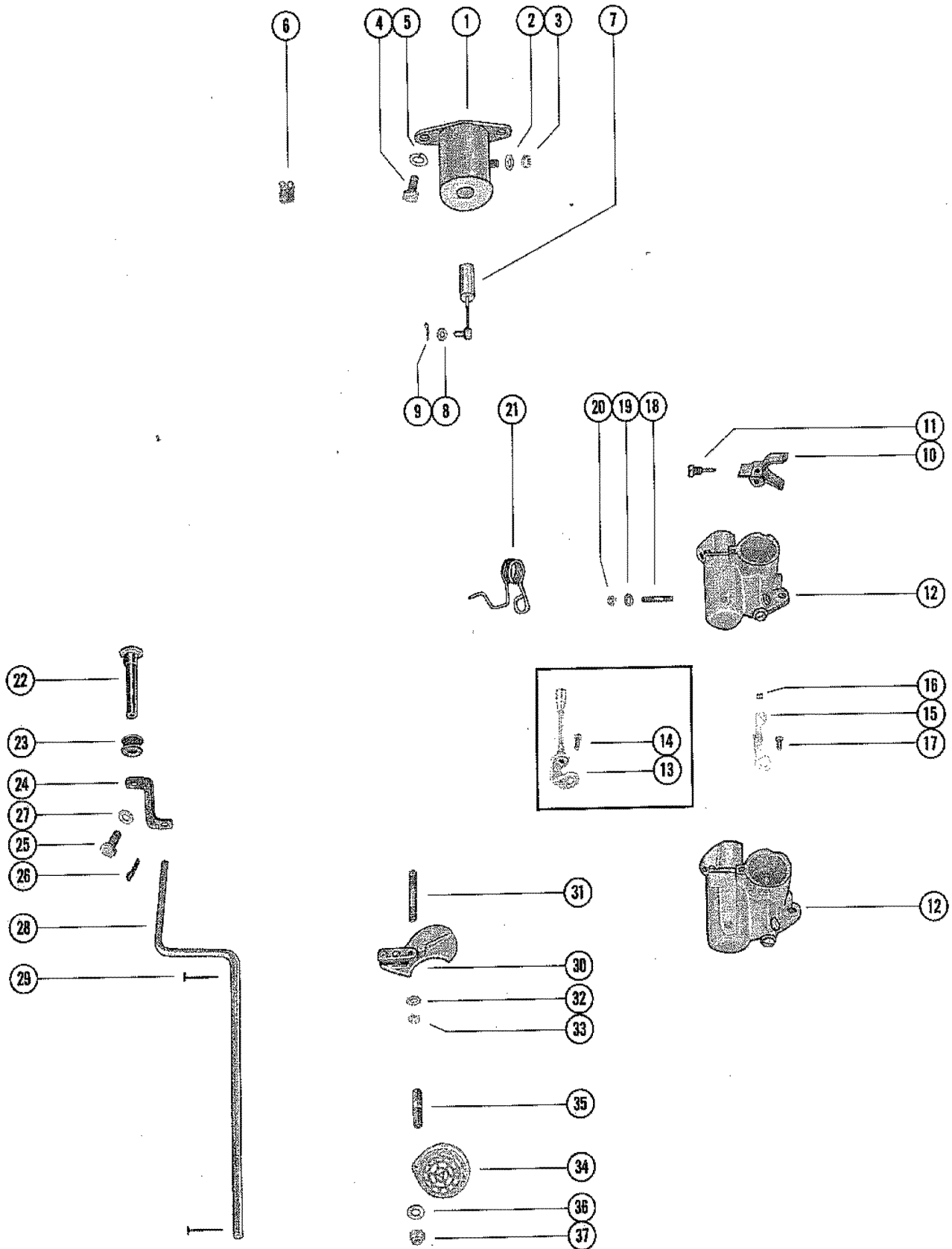
# STARTER MOTOR, STARTER SOLENOID, RECTIFIER AND WIRING HARNESS



# STARTER MOTOR, STARTER SOLENOID, RECTIFIER AND WIRING HARNES

REF. NO.	PART NO.	SYM.	QTY.	DESCRIPTION
56	10-29072		,1,1	SCREW, WIRING HARNESS LEAD CLIP ATTACHING (5/8")
	10-29072		2,,	SCREW, WIRING HARNESS LEAD CLIP ATTACHING (5/8")
	10-29072		,3,	SCREW, WIRING HARNESS LEAD CLIP ATTACHING (5/8") <b>SERIAL )2446775-09999999</b>
	10-37370		,,1	SCREW, WIRING HARNESS LEAD CLIP ATTACHING (5/8")
	10-31206		,,1	SCREW, WIRING HARNESS LEAD CLIP ATTACHING (7/16")
57	22789		2,,	"D" WASHER, WIRING HARNESS LEAD CLIP ATTACHING SCREW
	22789		,1,	"D" WASHER, WIRING HARNESS LEAD CLIP ATTACHING SCREW
	22789		,3,3	"D" WASHER, WIRING HARNESS LEAD CLIP ATTACHING SCREW <b>SERIAL )2446775-09999999</b>
58	11-24656		2,,2	NUT, WIRING HARNESS LEAD CLIP ATTACHING SCREW
	11-24656		,1,	NUT, WIRING HARNESS LEAD CLIP ATTACHING SCREW
	11-24656		,3,	NUT, WIRING HARNESS LEAD CLIP ATTACHING SCREW <b>SERIAL )2446775-09999999</b>
59	332-2983A9		1,,	IGNITION COIL ASSEMBLY, COMPLETE
	332-2983A3		,1,	IGNITION COIL ASSEMBLY, COMPLETE <b>SERIAL 00000000-02446774</b>
	332-2983A13		,1,1	IGNITION COIL ASSEMBLY, COMPLETE <b>SERIAL 02446775-09999999</b>
60	10-46368		2,,	SCREW, IGNITION CIOL CLAMPING (2-1/4")
	10-46368		,1,1	SCREW, IGNITION CIOL CLAMPING (2-1/4")
	10-46368		,1,1	SCREW, IGNITION COIL CLAMPING - CLIP ATTACHING (2-1/2")
61	11-20645		,1,1	NUT, IGNITION COIL CLAMPING SCREW
62	12-37407		,1,1	WASHER, IGNITION COIL CLAMPING SCREW
63	54-22740		,1,1	CLIP, LEAD WIRE TO IGNITION COIL
64	22789		,1,1	"D" WASHER, IGNITION COIL CLAMPING SCREW
65	11-20190		2,2,2	NUT, IGNITION COIL CLAMPING SCREW
66	10-22486		1,1,1	SCREW, IGNITION COIL TO BOTTOM COWL (7/8")
67	13-26992		1,1,1	LOCKWASHER, IGNITION COIL SCREW
68	10-37561		1,1,1	SCREW, IGNITION COIL TO BOTTOM COWL
69	11-46887		1,1,1	NUT, IGNITION COIL SCREW
70	10-45218		1,1,1	SCREW, IGNITION COIL WIRE TO SWITCH BOX (3/8")
71	26901		,1,1	BUMPER, IGNITION COIL

# CARBURETOR LINKAGE AND CHOKE SOLENOID



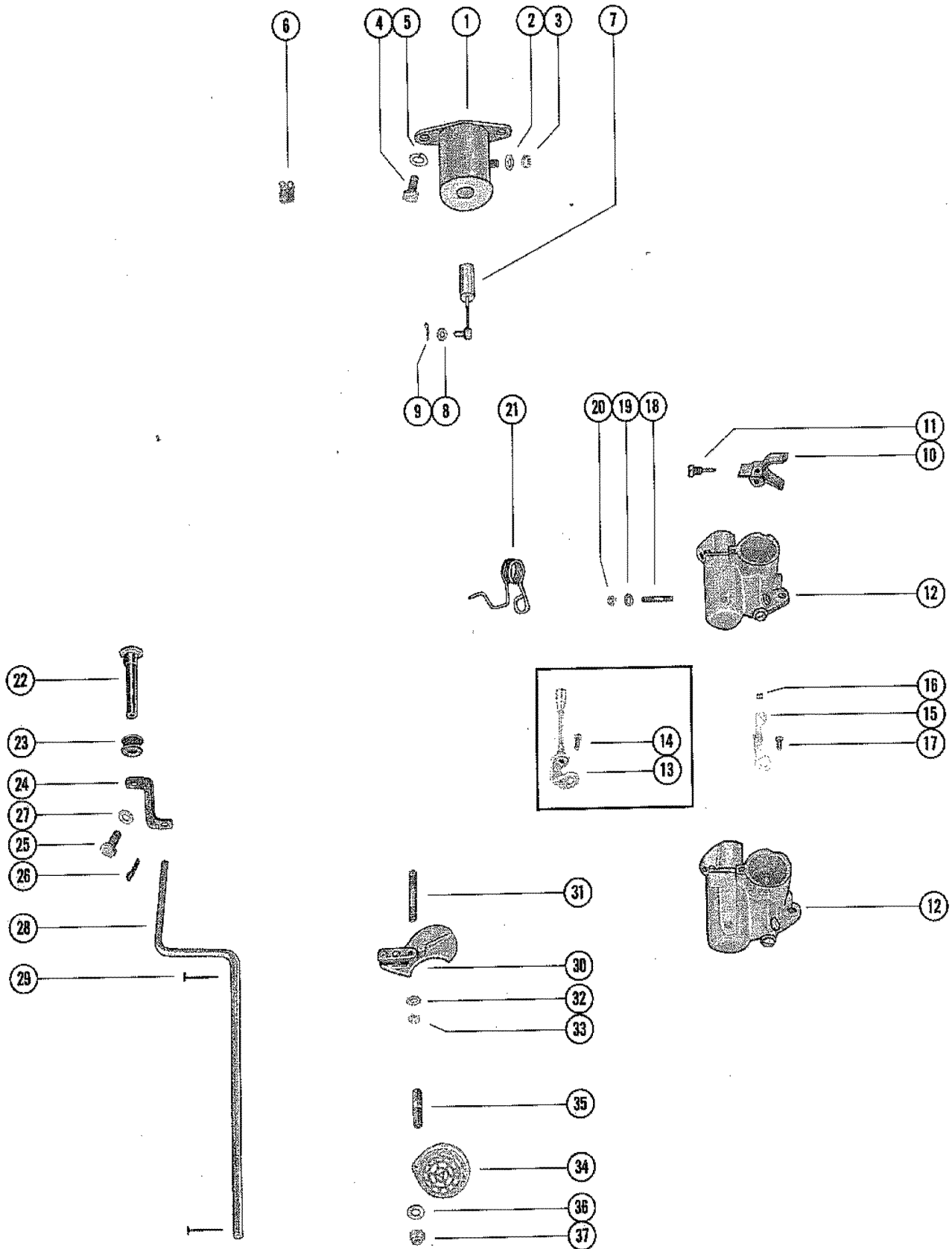


# CARBURETOR LINKAGE AND CHOKE SOLENOID

REF. NO.	PART NO.	SYM.	QTY.	DESCRIPTION
1	45068		1,1,1	CHOKE SOLENOID
2	13-26996		1,1,1	LOCKWASHER, HARNESS LEAD TO CHOKE SOLENOID
3	11-20645		1,1,1	NUT, WIRE HARNESS LEAD TO CHOKE SOLENOID
4	10-25299		2,2,2	SCREW, CHOKE SOLENOID ATTACHING (3/4")
5	13-26993		2,2,2	LOCKWASHER, CHOKE SOLENOID ATTACHING SCREW
6	54-33361		1,1,1	CLIP, CHOKE SOLENOID WIRE
7	48315A4		1,1,1	PLUNGER AND LINK ASSEMBLY, CHOKE SOLENOID
8	12-46101		1,1,1	WASHER, PLUNGER AND LINK
9	18-26953		1,1,1	COTTER PIN, LINK TO UPPER CHOKE LEVER
10	33148		1,,	CLUSTER, THROTTLE LEVER <b>SERIAL 00000000-02352091</b>
	46319		,1,	CLUSTER, THROTTLE LEVER <b>SERIAL 00000000-02352091</b>
	49682		1,1,1	CLUSTER, THROTTLE LEVER <b>SERIAL 02352092-09999999</b>
11	10-20847		1,1,1	SCREW, CLUSTER TO THROTTLE LEVER
12	1335-3358		2,2,	CARBURETOR ASSEMBLY, COMPLETE
	1335-3683		,,2	CARBURETOR ASSEMBLY, COMPLETE
13	28007A6		1,1,1	THROTTLE PICK-UP BRACKET ASSEMBLY <b>SERIAL 00000000-02602884</b>
14	10-29239		1,1,1	SCREW, THROTTLE BRCKET MOUNTING (1/2") <b>SERIAL 00000000-02602884</b>
15	53649A2		,,1	THROTTLE PICK-UP BRACKET ASSEMBLY <b>SERIAL 02602885-09999999</b>
16	53665		,,1	INSERT, THROTTLE PICK-UP BRACKET <b>SERIAL 02602885-09999999</b>
17	10-53651		,,1	SCREW, THROTTLE BRACKET MOUNTING (1/2") <b>SERIAL 02602885-09999999</b>
18	16-21723		1,1,1	STUD, CHOKE ROD SPRING TO CARBURETOR (1")
19	23-32427		1,1,1	SPACER, CHOKE ROD SPRING STUD
20	11-46887		1,1,1	NUT, CHOKE ROD SPRING TO CARBURETOR STUD
21	24-37678		1,1,1	SPRING, TENSION - CHOKE ROD
22	22463		1,1,1	KNOB, CHOKE ROD
23	25-20116		1,1,1	GROMMET, CHOKE ROD
24	46303		1,1,	LINK, CHOKE KNOB TO CHOKE ROD
	53121		,,1	LINK, CHOKE KNOB TO CHOKE ROD
25	10-20100		1,1,1	SCREW, LINK TO CHOKE KNOB <b>SERIAL 00000000-02602884</b>
26	18-26953		,,1	COTTER PIN, LINK TO CHOKE KNOB <b>SERIAL 02602885-09999999</b>
27	13-26996		1,1,1	LOCKWASHER, LINK SCREW AND PIN
28	46302		1,1,1	ROD, CHOKE
29	17-25391		2,2,2	RIVET, CHOKE SHUTTER TO CHOKE ROD
30	47804		2,2,2	SHUTTER, CHOKE - CARBURETOR
31	16-30172		2,2,	STUD, CARBURETOR - CHOKE SHUTTER PIVOT (1-1/4")
	16-52906		,,2	STUD, CARBURETOR - CHOKE SHUTTER PIVOT (1-3/8")
32	12-30164		3,3,	WASHER, CHOKE SHUTTER CARBURETOR STUD
	12-30164		,,2	WASHER, CHOKE SHUTTER CARBURETOR STUD

CONTINUED ON NEXT PAGE ➡

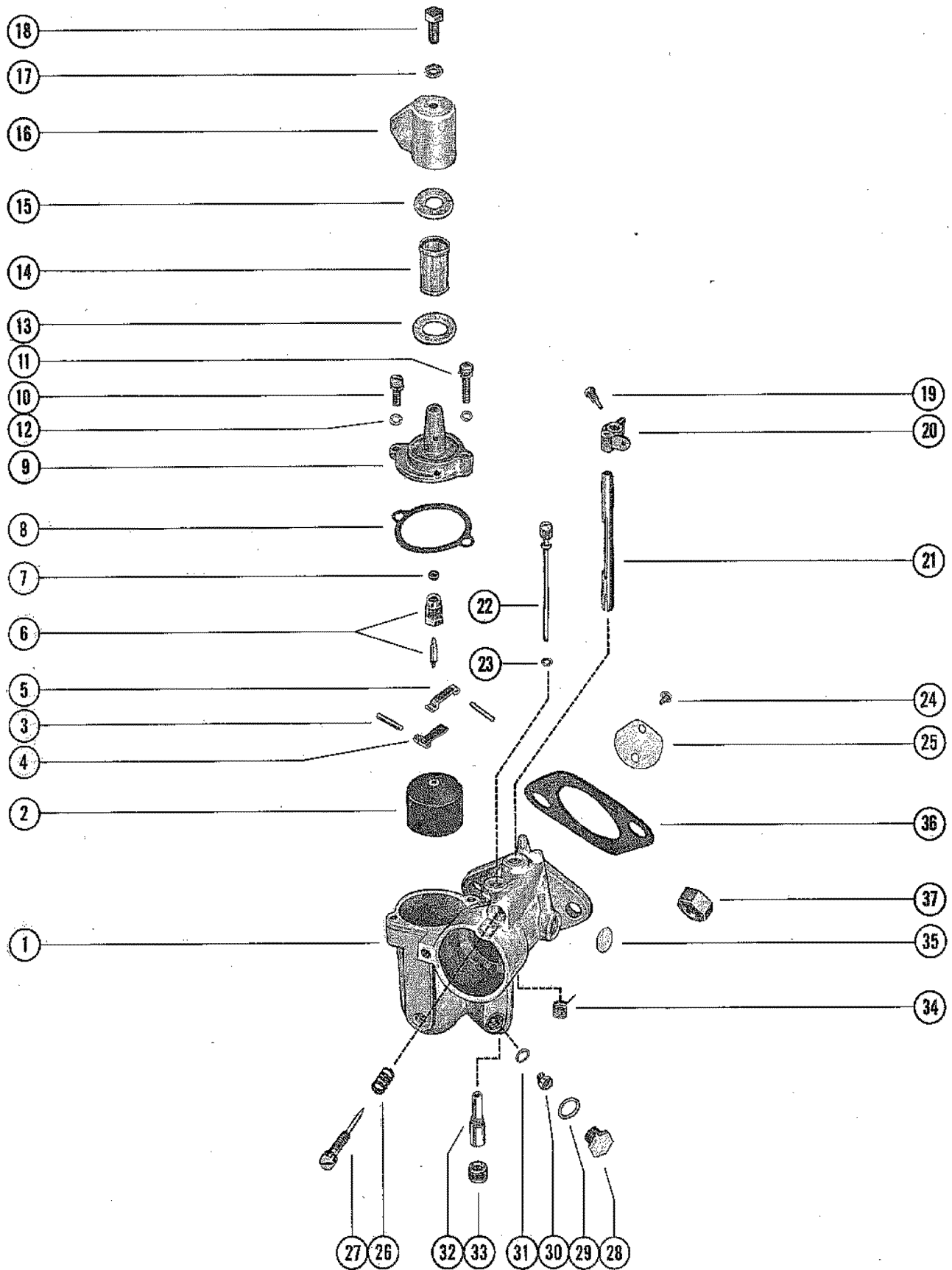
# CARBURETOR LINKAGE AND CHOKE SOLENOID



## CARBURETOR LINKAGE AND CHOKE SOLENOID

REF. NO.	PART NO.	SYM.	QTY.	DESCRIPTION
33	11-20110		2,2,2	NUT, CHOKE SHUTT ER TO CARBURETOR STUD
34	35-52896		„2	SCREEN, FILTER - CARBURETOR
35	16-52898		„2	STUD, FILTER TO CARBURETOR (1-1/8")
36	12-30164		„2	WASHER, CARBURETOR SCREEN STUD
37	11-20110		„2	NUT, CARBURETOR SCREEN STUD

# CARBURETOR ASSEMBLY

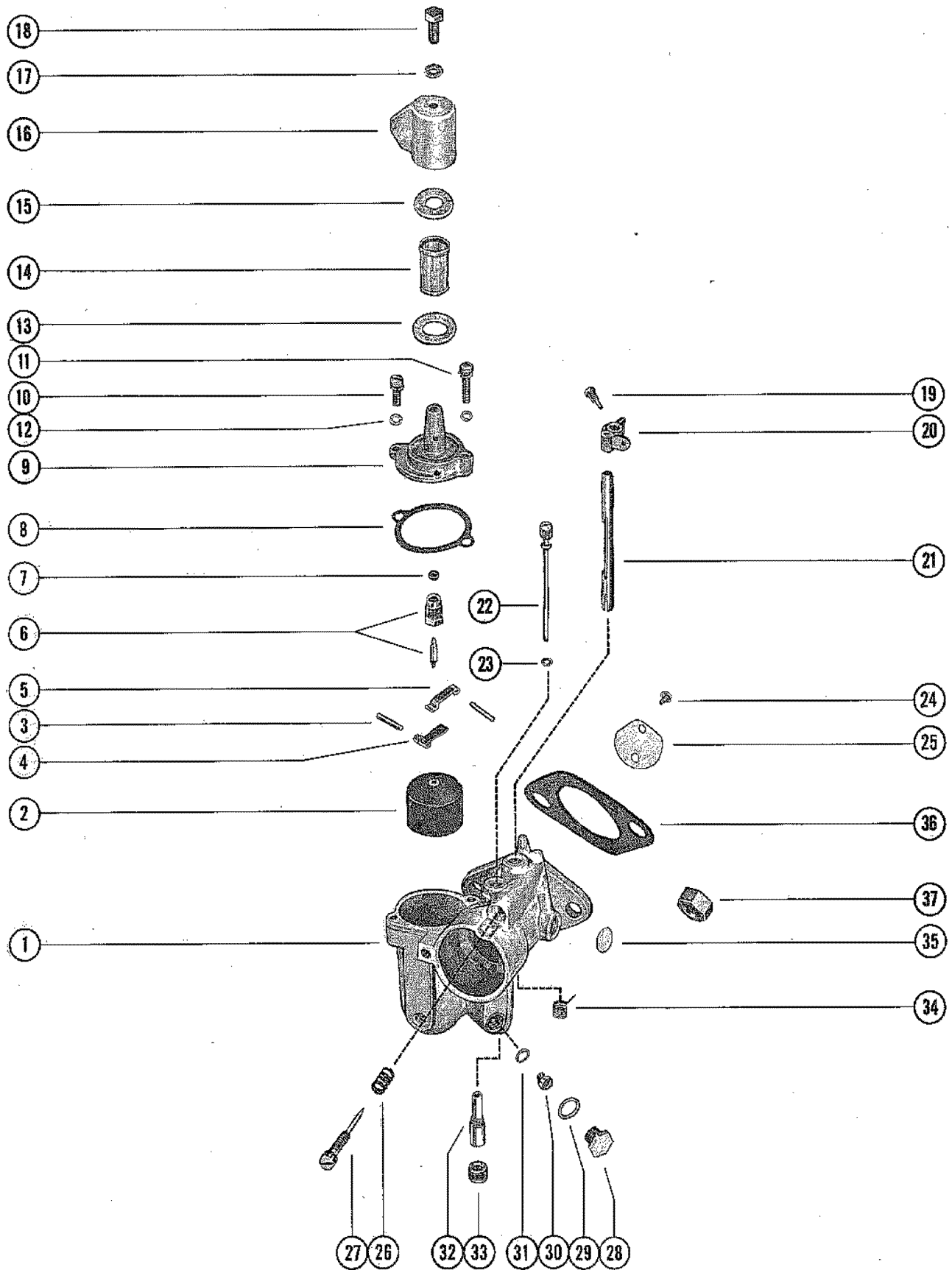


# CARBURETOR ASSEMBLY

REF. NO.	PART NO.	SYM.	QTY.	DESCRIPTION
1	1335-3358		2,2,	CARBURETOR ASSEMBLY, COMPLETE (KC-5C)
	1335-3683		,,2	CARBURETOR ASSEMBLY, COMPLETE (KC-11A)
2	1399-110A1		2,2,2	FLOAT ASSEMBLY
3			4,4,4	PIN, FLOAT LEVER PINION
4			2,2,2	LEVER, FLOAT (LOWER)
5			2,2,2	LEVER, FLOAT (UPPER)
6	1399-1473		2,2,2	INLET NEEDLE, SEAT AND GASKET
7			2,2,2	GASKET, INLET SEAT
8			2,2,2	GASKET, FLOAT BOWL COVER
9	1399-1133		2,2,2	COVER, FLOAT BOWL
10	10-20854		2,2,	SCREW, FLOAT BOWL COVER (SHORT)
11	10-25850		2,2,	SCREW, FLOAT BOWL COVER (LONG)
10	10-52195		,,2	SCREW, FLOAT BOWL COVER (SHORT)
11	10-52196		,,2	SCREW, FLOAT BOWL COVER (LONG)
12	13-52197		,,4	LOCKWASHER, FLOAT BOWL COVER SCREWS
13			2,2,2	GASKET, STRAINER COVER (LARGE)
14	1399-1754		2,2,2	SCREEN, FILTER
15			2,2,2	GASKET, STRAINER COVER (SMALL)
16	1399-1930		2,2,2	COVER, STRAINER
17			2,2,2	GASKET, STRAINER COVER SCREW
18	10-25822		2,2,2	SCREW, STRAINER COVER FASTENING
19	10-20847		2,2,2	SCREW, THROTTLE STOP LEVER
20	1399-97		2,2,2	LEVER, THROTTLE STOP (SEE NOTE BELOW)
21	1399-2012		2,2,2	SHAFT, THROTTLE
22			2,2,2	TUBE, IDLE
23			2,2,2	GASKET, IDLE TUBE
24			4,4,4	SCREW AND LOCKWSHER, THROTTLE SHUTTER
25	1399-3401		2,2,2	SHUTTER, THROTTLE
26			2,2,2	SPRING, IDLE ADJUSTMENT SCREW
27	1399-1713		2,2,2	SCREW, IDLE ADJUSTMENT
28	10-28405		2,2,2	SCREW, PLUG - MAIN FUEL JET CHANNEL
29			2,2,2	GASKET, JET CHANNEL PLUG SCREW
30	1399-1463		OPT,OPT,OP	JET, MAIN FUEL (.063)
	1399-1461		2,2,2	JET, MAIN FUEL (.061) - STANDARD
	1399-1459		OPT,OPT,OP	JET, MAIN FUEL (.059)
	1399-1457		OPT,OPT,OP	JET, MAIN FUEL (.057)
31			2,2,2	GASKET, MAIN FUEL JET
32			2,2,2	NOZZLE, MAIN
33	10-28846		2,2,2	SCREW, PLUG - MAIN NOZZLE
34			1,1,1	SPRING, THROTTLE SHAFT RETURN (LOWER CARBURETOR)
			1,1,1	SPRING, THROTTLE SHAFT RETURN (UPPER CARBURETOR)

CONTINUED ON NEXT PAGE ➡

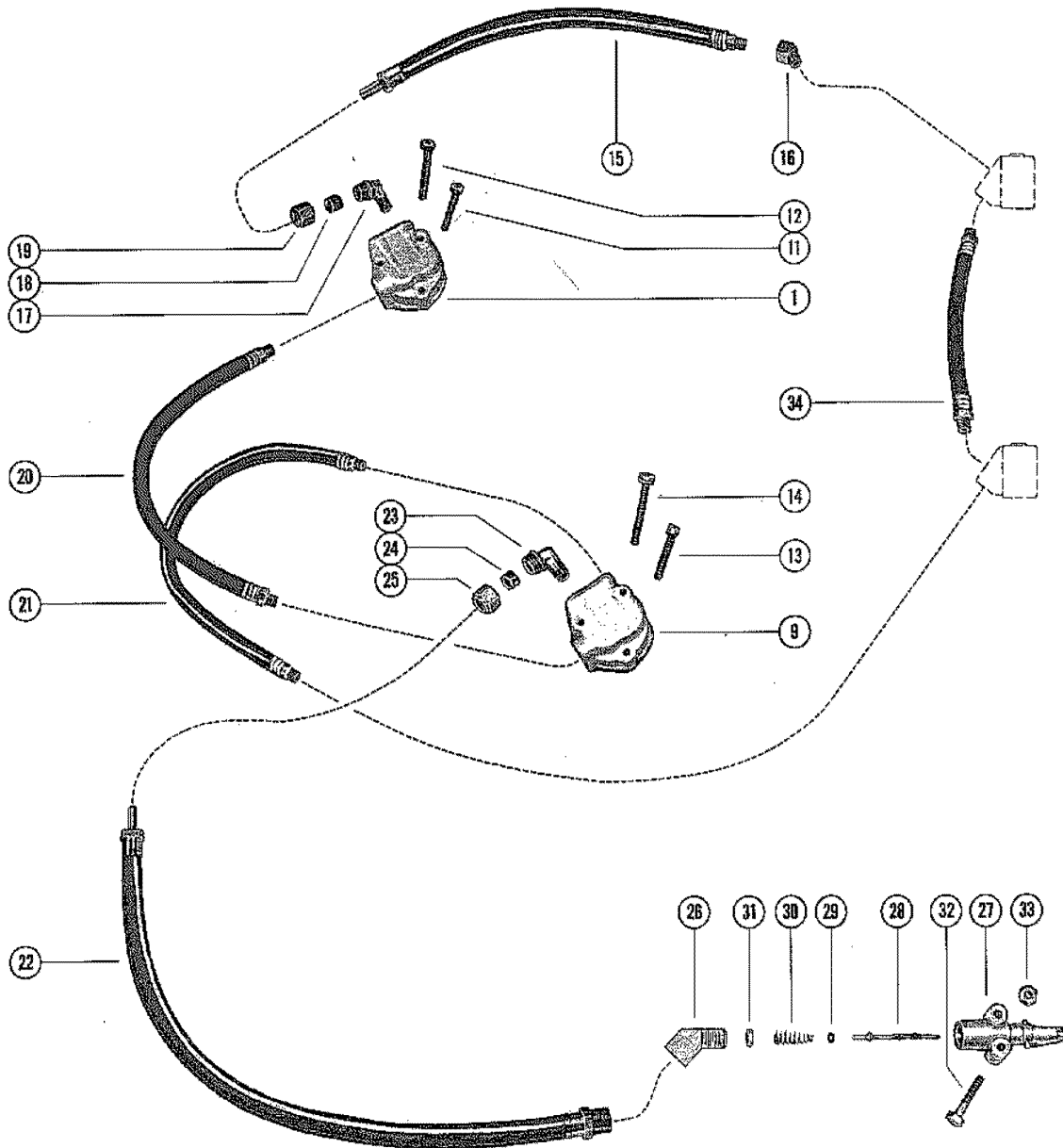
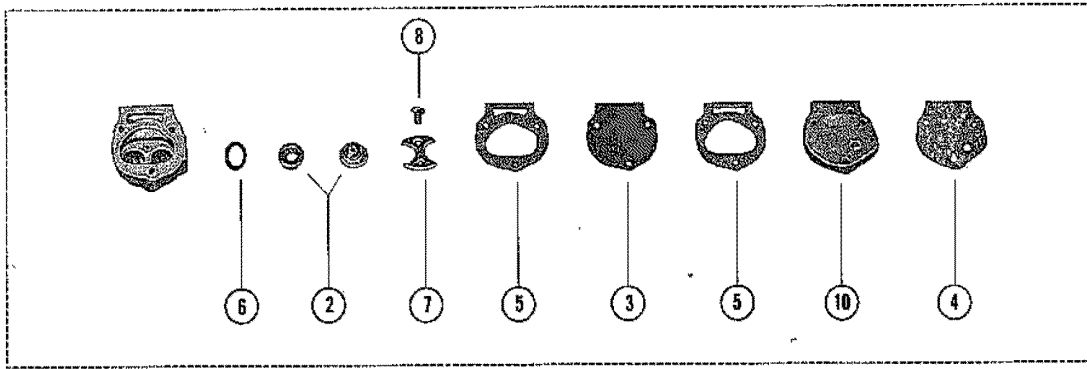
# CARBURETOR ASSEMBLY



# CARBURETOR ASSEMBLY

REF. NO.	PART NO.	SYM.	QTY.	DESCRIPTION
35			2,2,2	WELCH PLUG, BODY CHANNEL
-	<b>1399-2015</b>		<b>2,2,2</b>	<b>GASKET AND PACKING SET (1 PER CARBURETOR)</b>
-	<b>1399-3470</b>		<b>2,2,2</b>	<b>REPAIR PARTS KIT ( PER CARBURETOR)</b>
36	27-31402		2,2,2	GASKET, CARBURETOR FLANGE
37	11-46793		4,4,4	NUT, CARBURETOR MOUNTING STUD

# FUEL PUMP AND FUEL LINE ASSEMBLY



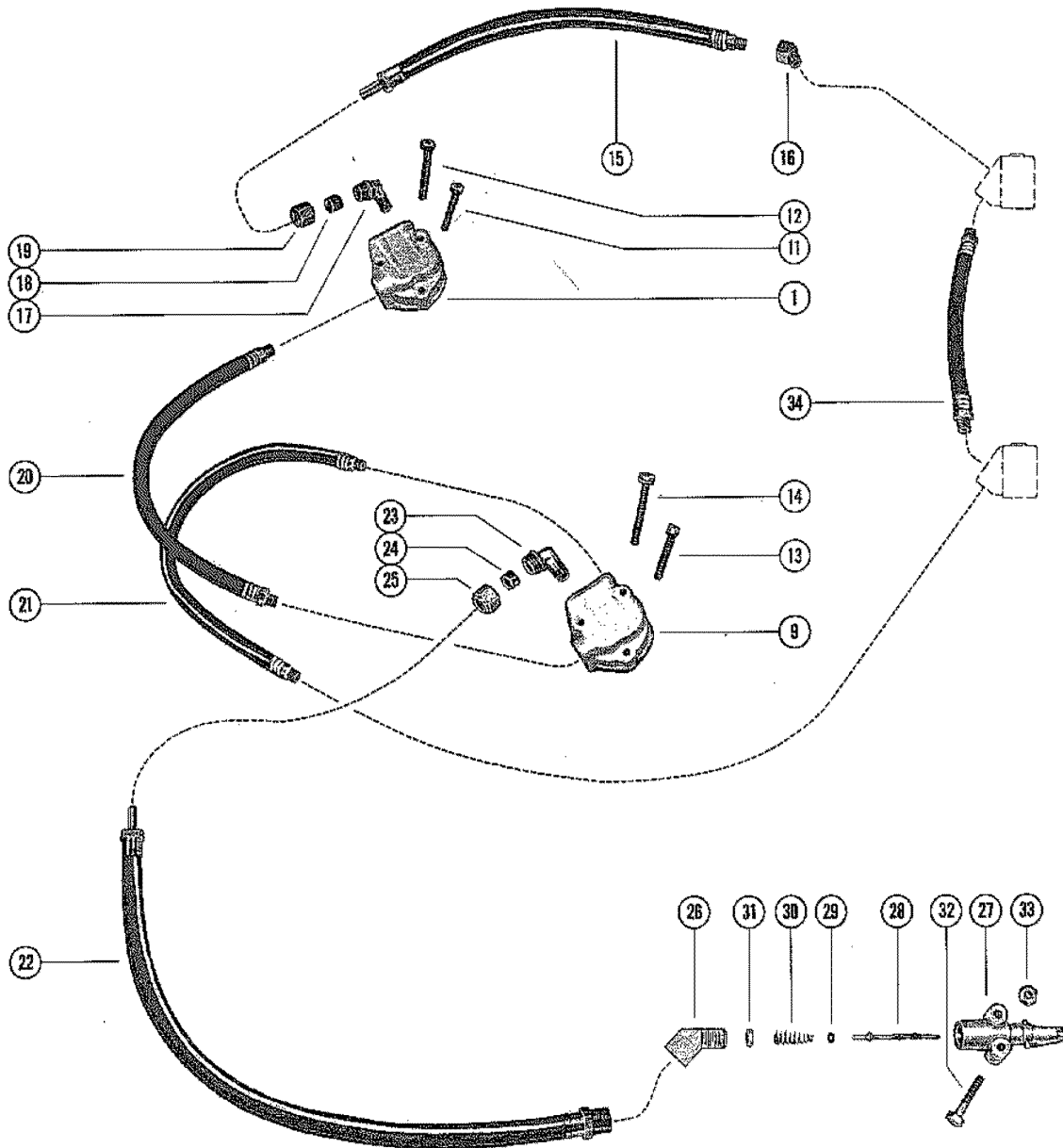
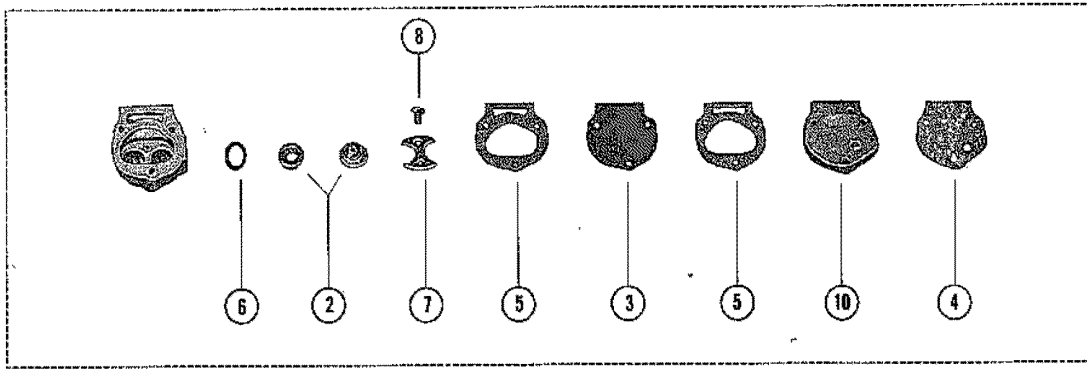


# FUEL PUMP AND FUEL LINE ASSEMBLY

REF. NO.	PART NO.	SYM.	QTY.	DESCRIPTION
1	30269A2		1,1,	FUEL PUMP ASSEMBLY-UPPER
	53156A3		„1	FUEL PUMP ASSEMBLY-UPPER
2	21-30430A1		1,1,1	CHECK VALVE ASSEMBLY
3	23014A1		1,1,1	DIAPHRAGM KIT
4			1,1,1	GASKET, FUEL PUMP COVER
5			2,2,2	GASKET, FUEL PUMP
6			2,2,2	GASKET, CHECK VALVE TO HOUSING
7	23004		1,1,1	RETAINER, CHECK VALVE
8	10-20037		2,2,2	SCREW, RETAINER TO HOUSING
9	30461A2		1,1,1	FUEL PUMP ASSEMBLY-LOWER
2	21-30430A1		1,1,1	CHECK VALVE ASSEMBLY
3	23014A1		1,1,1	DIAPHRAGM KIT
4			1,1,1	GASKET, FUEL PUMP COVER
5			2,2,2	GASKET, FUEL PUMP
6			2,2,2	GASKET, CHECK VALVE TO HOUSING
7	23004		1,1,1	RETAINER, CHECK VALVE
8	10-20037		2,2,2	SCREW, RETAINER TO HOUSING
10	30275		2,2,2	COVER, FUEL PUMP
11	10-29878		1,1,	SCREW, PUMP MOUNTING (1-1/2")-UPPER PUMP
12	10-30274		2,2,	SCREW, PUMP MOUNTING (1-3/4")-UPPER PUMP
11	10-38036		„1	SCREW, PUMP MOUNTING (1-1/2")-UPPER PUMP
12	10-30273		„2	SCREW, PUMP MOUNTING (1-7/8")-UPPER PUMP
13	10-38036		1,1,1	SCREW, PUMP MOUNTING (1-1/2")-LOWER PUMP
14	10-30273		2,2,2	SCREW, PUMP MOUNTING (1-7/8")-LOWER PUMP
15	32-33154A1		1,1,1	FUEL LINE ASS'Y, PUMP TO CARBURETOR (13-1/2")
16	22-29085		1,1,1	ELBOW (45), UPPER CARBURETOR
17	22-30174		1,1,1	ELBOW, UPPER FUEL PUMP OUTLET
18	22-30175		1,1,1	SLEEVE, FUEL PUMP OUTLET ELBOW
19	22-30177		1,1,1	NUT, FUEL PUMP OUTLET ELBOW
20	32-31552A1		1,1,1	FUEL LINE ASS'Y, PUMP TO PUMP (12-3/8")
21	32-31553A1		1,1,1	FUEL LINE ASS'Y, PUMP TO CARBURETOR (19-3/4")
22	32-30176		1,1,1	FUEL LINE, ADAPTOR TO LOWER FUEL PUMP INLET (18")
23	22-30174		1,1,1	ELBOW, LOWER FUEL PUMP INLET
24	22-30175		1,1,1	SLEEVE, FUEL PUMP INLET ELBOW
25	22-30177		1,1,1	NUT, FUEL PUMP INLET ELBOW
26	22-37682		1,1,	ELBOW, FUEL LINE TO ADAPTOR
27	30186		1,1,1	ADAPTOR, CHECK UNIT (FUEL LINE)
28	30187		1,1,1	STEM, CHECK UNIT ADAPTOR
29	25-20415		1,1,1	"O" RING, ADAPTOR STEM
30	24-30189		1,1,1	SPRING, ADAPTOR STEM

CONTINUED ON NEXT PAGE ➡

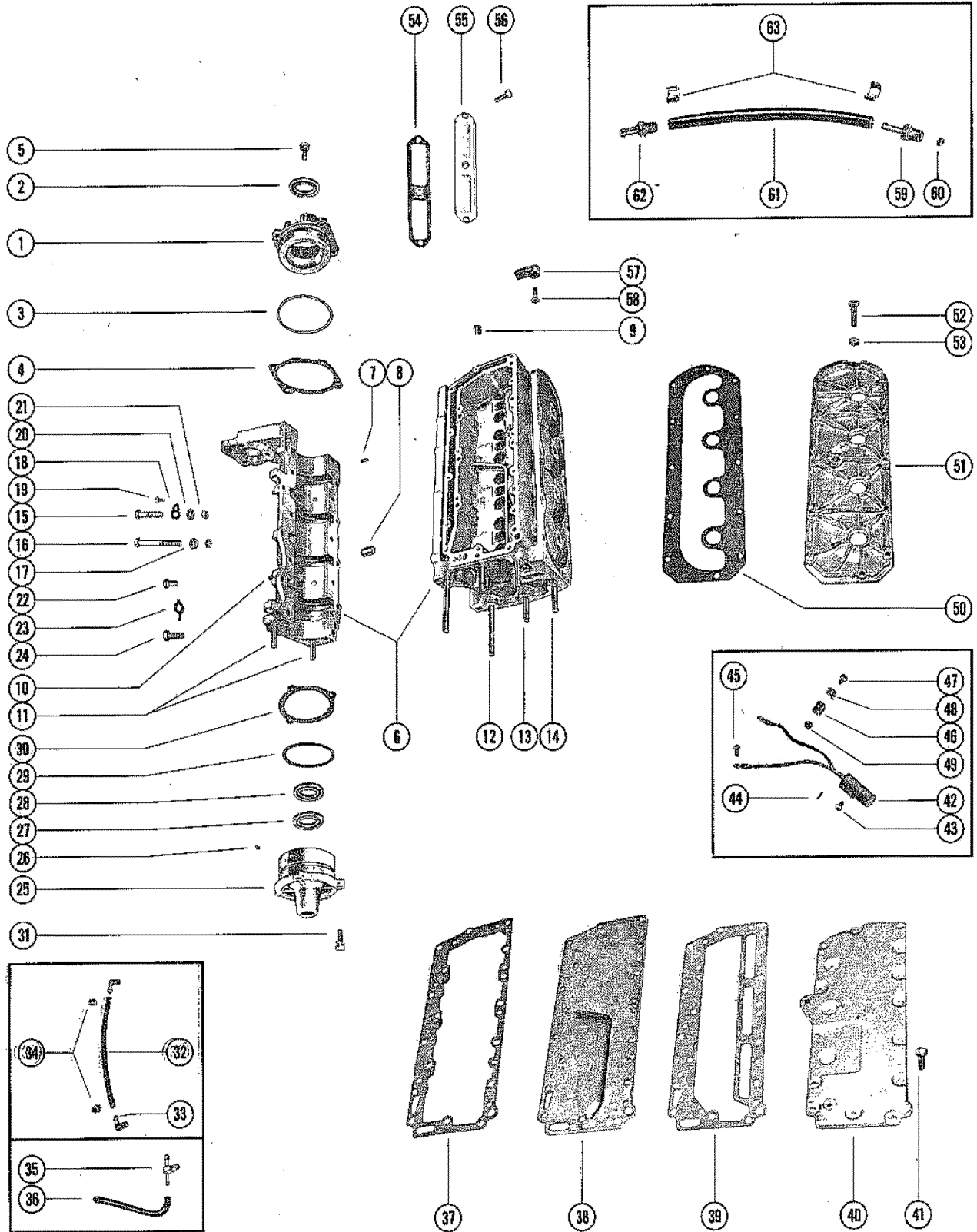
# FUEL PUMP AND FUEL LINE ASSEMBLY



## FUEL PUMP AND FUEL LINE ASSEMBLY

REF. NO.	PART NO.	SYM.	QTY.	DESCRIPTION
31	30188		1,1,1	CUP WASHER, ADAPTOR
32	10-37561		1,1,1	SCREW, ADAPTOR TO BOTTOM COWL (2-1/2")
	10-37990		1,1,1	SCREW, ADAPTOR TO BOTTOM COWL (1-3/4")
33	11-46887		2,2,2	NUT, ADAPTOR FASTENING SCREW
34	32-31550A1		1,1,1	FUEL LINE ASS'Y, UPPER TO LOWER CARBURETOR (6")

# CYLINDER BLOCK AND CRANKCASE ASSEMBLY

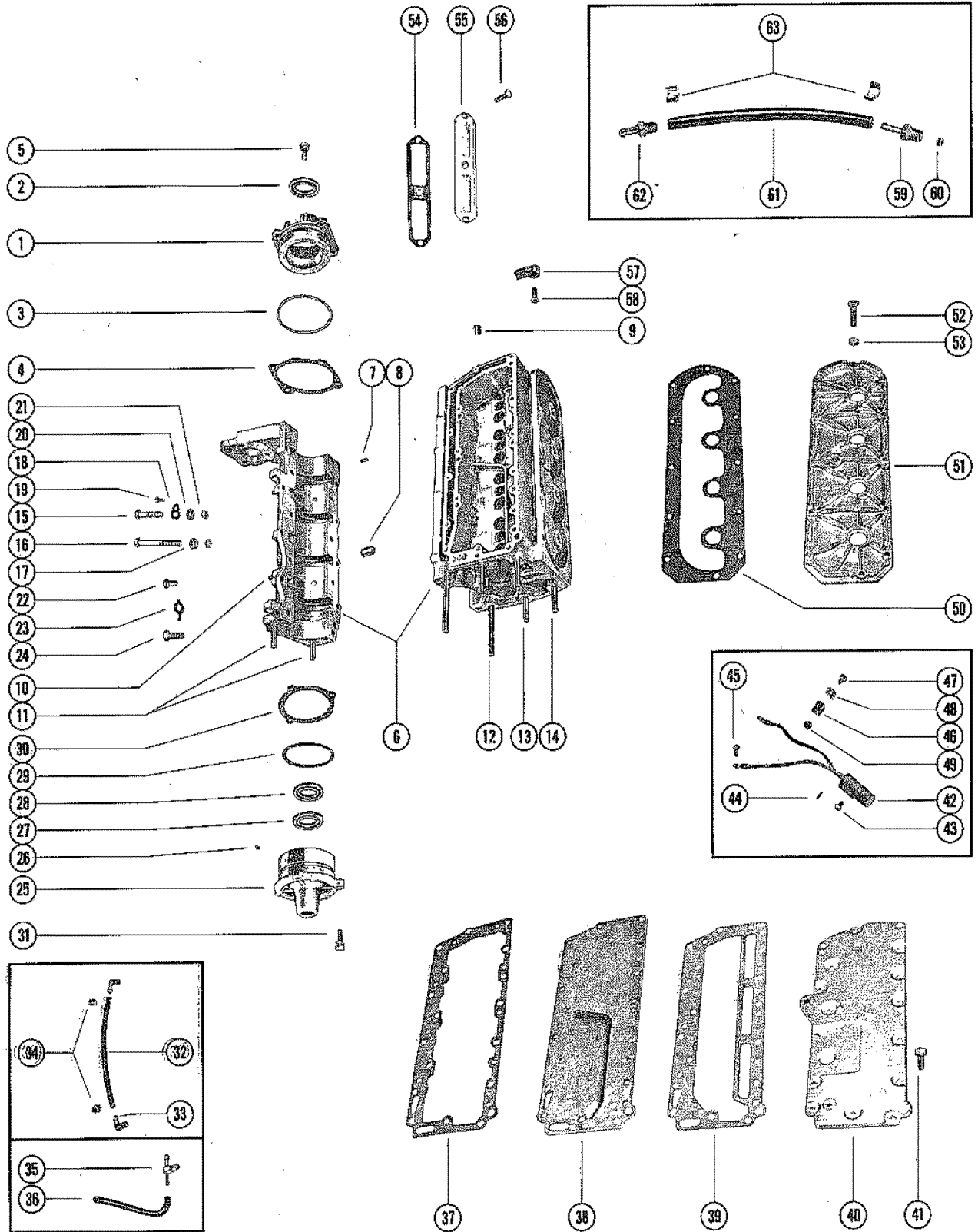


# CYLINDER BLOCK AND CRANKCASE ASSEMBLY

REF. NO.	PART NO.	SYM.	QTY.	DESCRIPTION
1	1128-3367A1		1,1,1	END CAP ASSEMBLY, UPPER
2	26-29476		1,1,1	OIL SEAL
3	25-31305		1,1,1	"O" RING
4	15-31283A1	AR,AR,AR		SHIM, UPPER END CAP TO CRANKCASE (.002-3-5-10)
5	10-30225		4,4,4	SCREW, UPPER END CAP MOUNTING
6	834-3261A3		1,1,	CYLINDER BLOCK AND CRANKCASE ASSEMBLY
	834-3729A3		,,1	CYLINDER BLOCK AND CRANKCASE ASSEMBLY
7	17-20032		2,2,2	DOWEL PIN, CYLINDER BLOCK TO MAIN BEARING
8	17-20033		2,2,2	DOWEL PIN, CRANKCASE TO CYLINDER BLOCK
9	22-32802		1,1,1	PLUG, PIPE-WATER PRESSURE HOLE (CYLINDER BLOCK)
10	16-35099		4,4,4	STUD, CARBURETOR MOUNTING (1-1/4")
11	16-26133		2,2,2	STUD, CRANKCASE TO DRIVE SHAFT HOUSING (1-7/8")
12	16-26134		2,2,2	STUD, CYLINDER BLOCK TO DRIVE SHAFT HOUSING (4-1/16")
13	16-26135		2,2,	STUD, CYLINDER BLOCK TO DRIVE SHAFT HOUSING (2-5/16") <b>SERIAL 00000000-02312935</b>
14	16-37653		2,2,	STUD, CYLINDER BLOCK TO DRIVE SHAFT HOUSING (2-11/16") <b>SERIAL 00000000-02312935</b>
	16-48770		4,4,4	STUD, CYLINDER BLOCK TO DRIVE SHAFT HOUSING (3-9/16") <b>SERIAL 02312936-09999999</b>
15	10-26132		2,2,2	SCREW, CRANKCASE TO CYLINDER BLOCK (2-1/2")
	10-32293		12,12,12	SCREW, CRANKCASE TO CYLINDER BLOCK (1-3/4")
	10-33860		2,2,2	SCREW, CRANKCASE TO CYLINDER BLOCK (2")
16	10-33008		2,2,2	SCREW, CRANKCASE&STARTER MTR BRCKT TO CYL BLK (3-1/2")
17	12-26825		2,2,2	WASHER, CRANKCASE AND STARTER MOTOR BRACKET SCREW
18	26551		1,1,1	BRACKET, GROUND STRAP TO CRANKCASE
19	10-26548		1,1,1	SCREW, GROUND STRAP TO BRACKET
20	12-20084		1,1,1	WASHER, GROUND STRAP AND CRANKCASE SCREW
21	11-46793		18,18,18	NUT, CRANKCASE TO CYLINDER BLOCK SCREW
22	10-36351		2,2,2	SCREW, MAIN BEARING LOCKING
23	14-20091		3,3,3	TAB WASHER, BEARING LOCKING SCREW
24	10-20359		1,1,1	SCREW, CENTER MAIN BEARING LOCKING
25	1126-3369A1		1,1,	END CAP ASSEMBLY, LOWER
	1126-3369A2		,,1	END CAP ASSEMBLY, LOWER
26	21-28481A1		1,1,1	CHECK VALVE ASSEMBLY, END CAP
27	26-29478		1,1,	OIL SEAL, LOWER
28	26-29476		1,,	OIL SEAL, UPPER
	26-29476		,,2	OIL SEAL, UPPER
29	25-20081		1,1,1	"O" RING
30	15-20085A1	AR,AR,AR		SHIM, LOWER END CAP TO CRANKCASE (.002-3-5-10)
31	10-30225		3,3,3	SCREW, LOWER END CAP MOUNTING
32	32-33729		1,1,1	TUBE, BALANCE-MAIN BEARING
33	22-25885		2,2,2	ELBOW, BALANCE TUBE TO MAIN BEARING

CONTINUED ON NEXT PAGE ➡

# CYLINDER BLOCK AND CRANKCASE ASSEMBLY

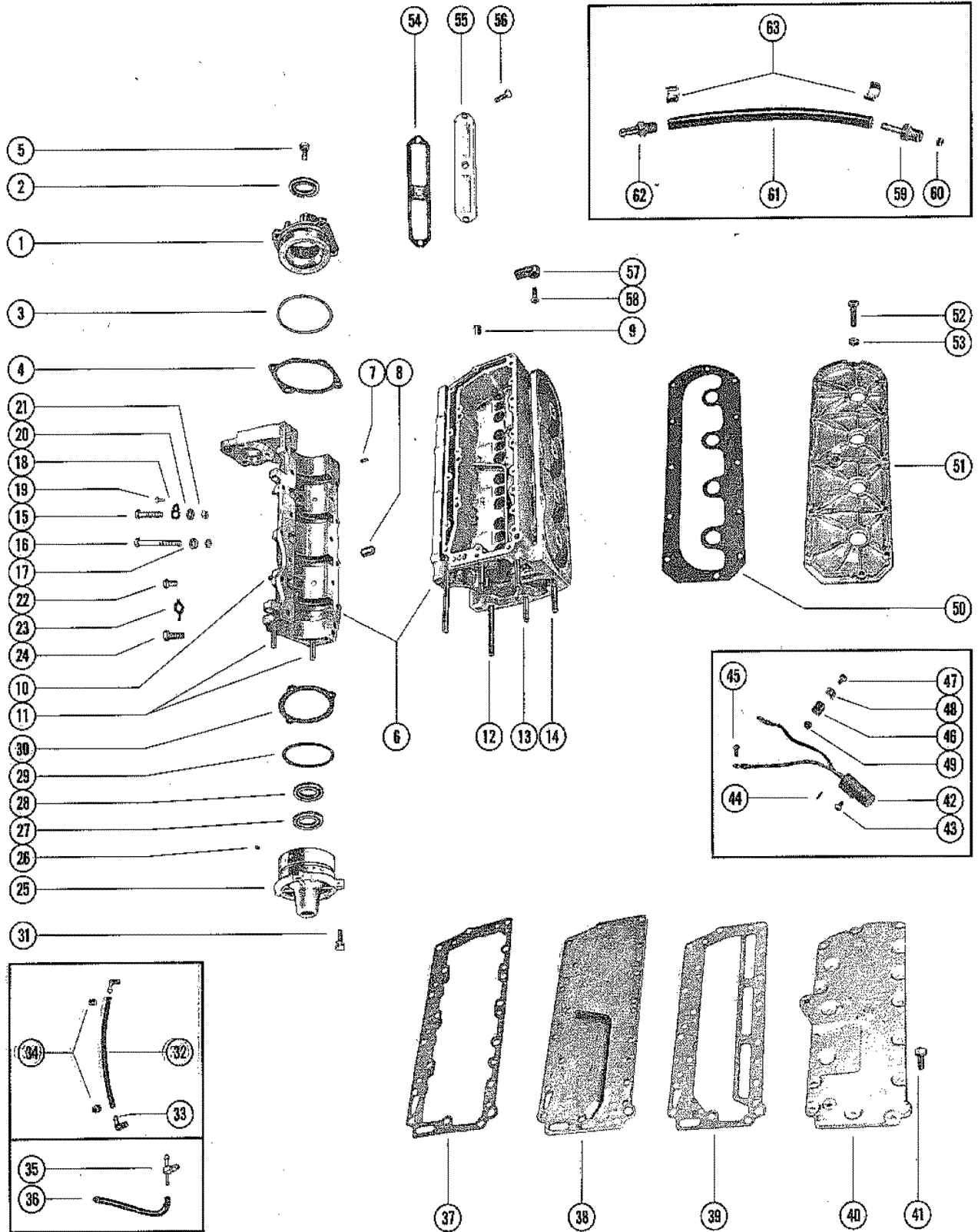


# CYLINDER BLOCK AND CRANKCASE ASSEMBLY

REF. NO.	PART NO.	SYM.	QTY.	DESCRIPTION
34	54-20386		2,2,2	CLAMP, BALANCE TUBE TO ELBOW
	54-20387		,,2	CLAMP, LOWER BLEED HOSE
35	22-53491		,,1	TEE, BLEED AND BALANCE HOSE TO CYLINDER BLOCK
36	32-26060		,,1	HOSE, CYLINDER BLEED-LOWER (8-1/2")
37	27-37449		1,1,1	GASKET, CYLINDER BLOCK TO BAFFLE PLATE
38	37447		1,1,1	PLATE, BAFFLE PLATE TO MANIFOLD COVER
39	27-37414		1,1,1	GASKET, BAFFLE PLATE TO MANIFOLD COVER
40	46298		1,1,1	COVER, EXHAUST MANIFOLD
41	10-38837		17,17,17	SCREW, BAFFLE PLATE AND COVER MOUNTING
42	48278A1		1,,	SWITCH, MERCURY
	33385A5		,1,	SWITCH, MERCURY
43	10-28708		1,1,	SCREW, MERCURY SWITCH TO MANIFOLD COVER (1/2")
42	33385A6		,,1	SWITCH, MERCURY
43	10-25764		,,1	SCREW, MERCURY SWITCH TO FRONT SUPPORT BRACKET (1/2")
44	17-30496		,,1	PIN, ROLL-MERCURY SWITCH
45	10-30009		,,1	SCREW, MERCURY SWITCH LEADS (3/8")
46	54-25231		4,,	CLIP, MERCURY SWITCH LEAD FASTENING
	54-26538		,1,	CLIP, MERCURY SWITCH LEAD TO CRANKCASE
47	10-20100		1,,	SCREW, MERC SWITCH LEAD TO FRONT SUPPORT BRACKET (1/2")
	10-34222		3,,	SCREW, MERCURY SWITCH LEAD CLIP TO CRANKCASE (1/2")
	10-34222		,1,	SCREW, MERCURY SWITCH LEAD CLIP TO CRANKCASE (1/2")
48	22789		4,,	"D" WASHER, MERCURY SWITCH LEAD CLIP SCREW
	22789		,1,	"D" WASHER, MERCURY SWITCH LEAD CLIP SCREW
49	11-24656		1,,	NUT, MERCURY SWITCH LEAD FASTENING SCREW
50	27-33015		1,1,1	GASKET, CYLINDER BLOCK COVER
51	1012-2445		1,1,1	COVER, CYLINDER BLOCK
52	10-22421		12,12,12	SCREW, CYLINDER BLOCK COVER MOUNTING (1-1/4")
53	11-46887		12,12,12	NUT, COVER MOUNTING SCREW
54	27-31304		2,2,2	GASKET, TRANSFER PORT COVER
55	31288		2,2,2	COVER, TRANSFER PORT
56	10-28635		4,4,4	SCREW, TRANSFER PORT COVER TO CYLINDER BLOCK (5/8")
	10-20540		2,2,2	SCREW, TRANSFER PORT COVER TO CYLINDER BLOCK (5/8")
57	37440		1,1,1	BRACKET, MOUNT SUPPORT-CYLINDER BLOCK
58	10-24234		1,1,1	SCREW, BRACKET TO CYLINDER BLOCK (1")
59	21-28483A1		1,1,	CHECK VALVE ASSEMBLY, UPPER-BLEED HOSE
	21-28483A1		,,2	CHECK VALVE ASSEMBLY, UPPER-BLEED HOSE
60	21-28481A1		1,1,	CHECK VALVE ASSEMBLY
	21-28481A1		,,2	CHECK VALVE ASSEMBLY
61	32-33500		1,1,1	HOSE, CYLINDER BLEED-UPPER (9-1/2")
62	22-20445		1,1,1	CONNECTOR, UPPER-BLEED HOSE

CONTINUED ON NEXT PAGE ➡

# CYLINDER BLOCK AND CRANKCASE ASSEMBLY

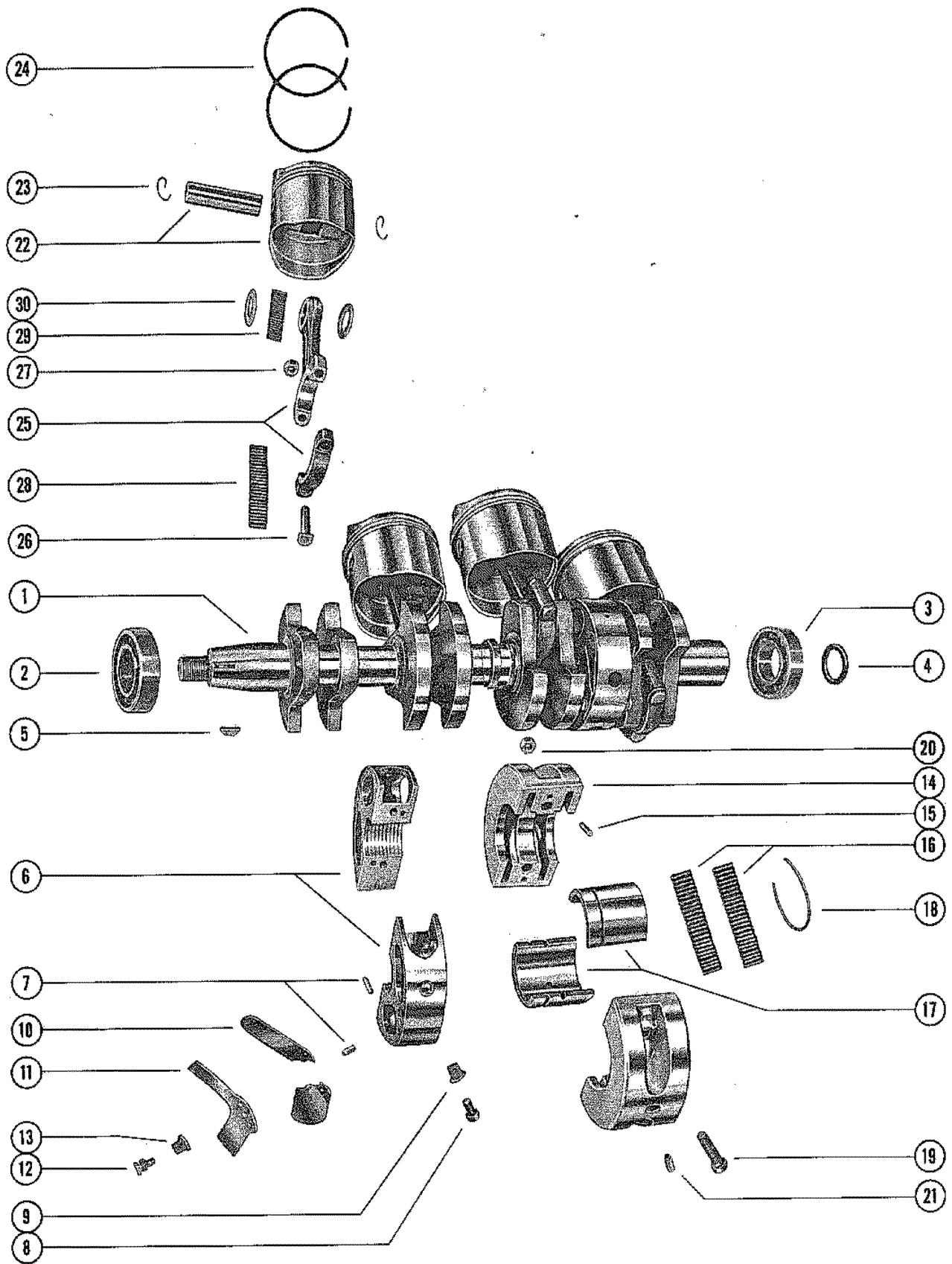




# CYLINDER BLOCK AND CRANKCASE ASSEMBLY

REF. NO.	PART NO.	SYM.	QTY.	DESCRIPTION
63	54-20387		2,2,2	CLAMP, BLEED HOSE TO CHECK VALVE AND CONNECTOR

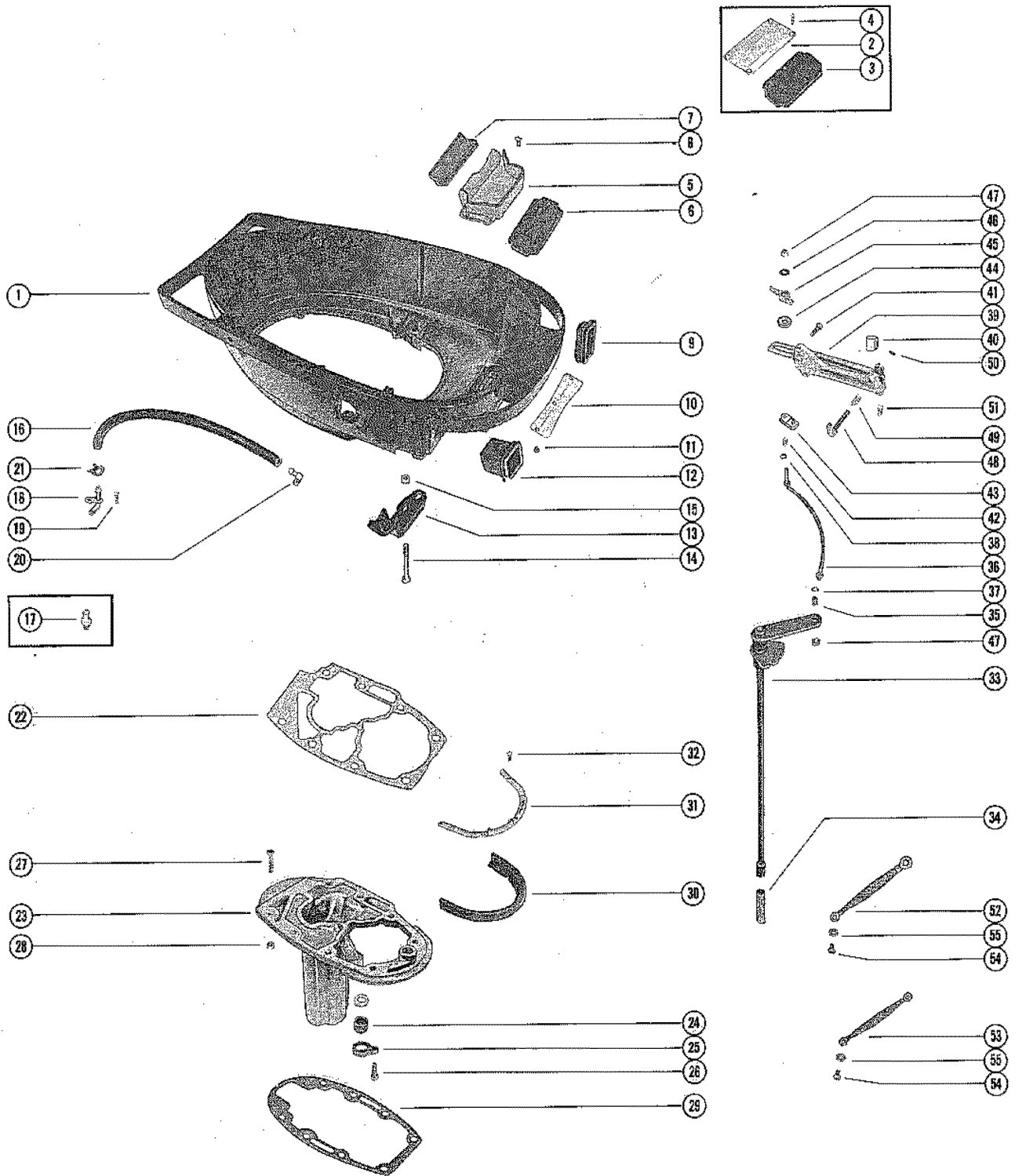
# CRANKSHAFT, PISTON AND CONNECTING ROD



## CRANKSHAFT, PISTON AND CONNECTING ROD

REF. NO.	PART NO.	SYM.	QTY.	DESCRIPTION
1	418-3249A2		1,1,1	CRANKSHAFT ASSEMBLY
2	30-32117		1,1,1	BEARING, BALL- UPPER
3	30-20080		1,1,1	BEARING, BALL- LOWER
4	25-30613		1,1,1	"O" RING, DRIVE SHAFT SPLINE
5	28-45554		1,1,1	KEY, FLYWHEEL DRIVE
6	533-2761A2		2,2,2	MAIN BEARING ASSEMBLY (VALVE TYPE)
7	17-20032		20,20,20	DOWEL PIN, MAIN BEARING
8	10-45775		4,4,4	SCREW, MAIN BEARING CLAMPING
9	11-45774		4,4,4	NUT, MAIN BEARING CLAMPING SCREW
10	34-45506A1		2,2,2	REED SET, MATCHED-MAIN BEARING
11	34-31240		8,8,8	REED STOP, MAIN BEARING REED VALVES
12	10-29465		8,8,8	SCREW, REED STOP MOUNTING
13	11-29469		8,8,8	NUT, REED STOP MOUNTING SCREW
14	531-1884A3		1,1,1	CENTER MAIN BEARING ASSEMBLY
15	17-20032		2,2,2	DOWEL PIN, CENTER MAIN BEARING
16	29-48410		56,56,56	BEARING, NEEDLE
17	26113		1,1,1	RACE, OUTER (PAIR)
18	53-26933		1,1,1	RING, SNAP-OUTER RACE CLAMPING
19	10-22968		2,2,2	SCREW, CENTER MAIN BEARING CLAMPING
20	11-46887		2,2,2	NUT, MAIN BEARING CLAMPING SCREW
21	17-31245		1,1,1	DOWEL PIN (STEPPED)
22	739-3284A2		4,4,4	PISTON AND PISTON PIN ASSEMBLY
23	40-45740		8,8,8	LOCK RING, PISTON PIN
24	39-45153A12		1,1,1	RING, PISTON
25	617-2768A3		4,4,4	CONNECTING ROD AND CAP ASSEMBLY
26	10-45739		8,8,8	SCREW, CAP TO CONNECTING ROD
27	11-20061		8,8,8	NUT, CONNECTING ROD SCREW
28	29-47897		128,128,12	BEARING, NEEDLE-CRANKPIN
29	29-39656		116,116,11	BEARING, NEEDLE-PISTON PIN
30	12-45741		8,8,8	WASHER, NEEDLE LOCATING
-	<b>739-3380A2</b>		<b>4,4,4</b>	<b>PISTON AND PISTON PIN ASSEMBLY (.015 OVERSIZED)</b>
-	<b>39-45205A12</b>		<b>1,1,1</b>	<b>RING, PISTON (.015 OVERSIZED)</b>

# BOTTOM COWL AND SHIFT LINKAGE

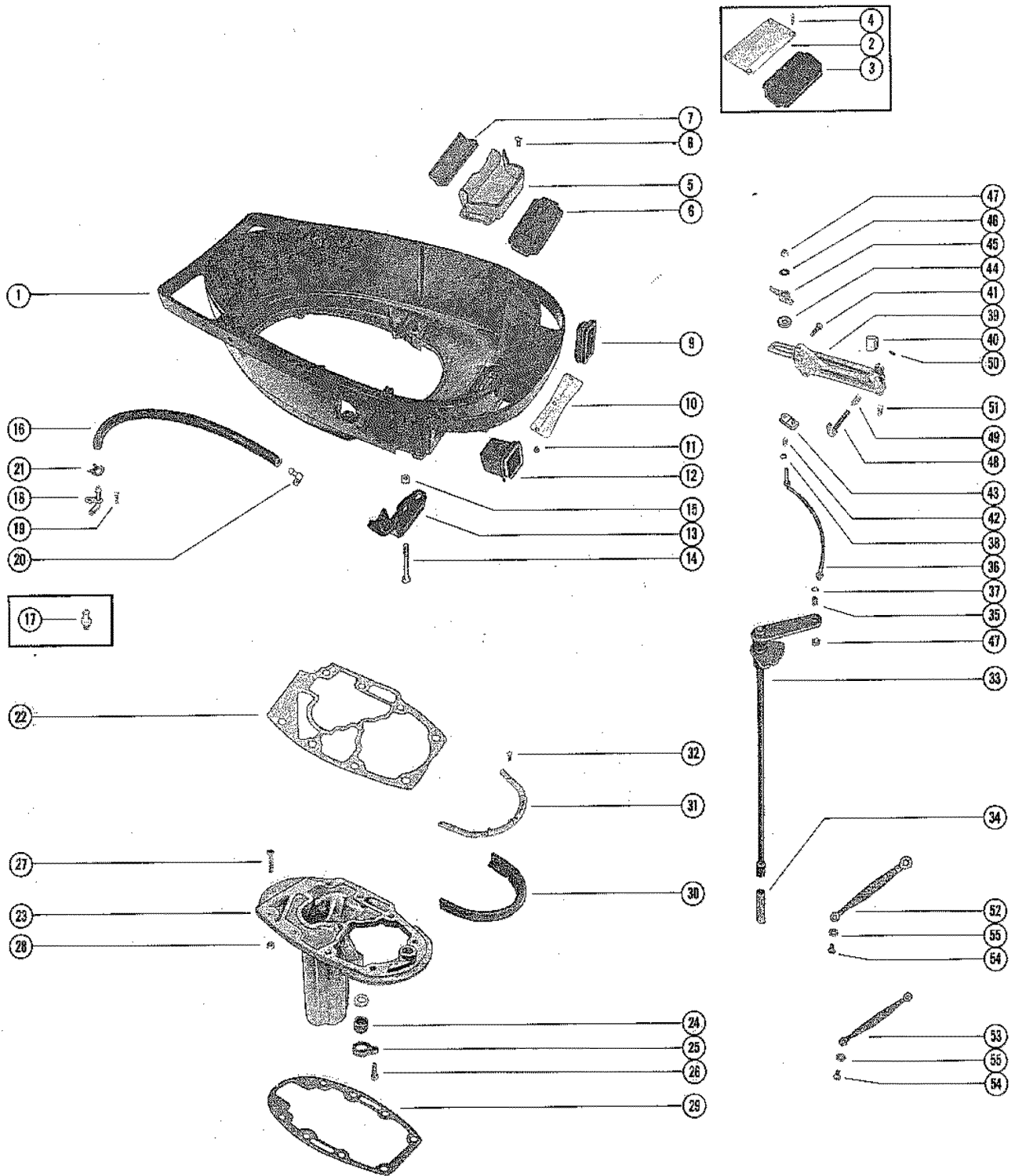


## BOTTOM COWL AND SHIFT LINKAGE

REF. NO.	PART NO.	SYM.	QTY.	DESCRIPTION
1	2115-3205		1,1,	COWL, BOTTOM
	2115-3617		„1	COWL, BOTTOM
2	37920A1		1,1,	COVER PLATE ASSEMBLY, BOTTOM COWL
3	37940		1,1,	PAD, SOUND-COVER PLATE
4	10-30009		4,4,	SCREW, COVER PLATE TO BOTTOM COWL (3/8")
5	52862A1		„1	DRIP TRAY ASSEMBLY, BOTTOM COWL
6	37940		„1	PAD, SOUND-DRIP TRAY
7	37903		„1	FLANGE, RUBBER-DRIP TRAY
8	10-34222		„4	SCREW, DRIP TRAY TO BOTTOM COWL (1/2")
9	37638		1,1,1	BOOT, CONTROL CABLES-BOTTOM COWL
10	23760		1,1,1	BAFFLE, BOTTOM COWL
11	10-21106		3,3,	SCREW, BAFFLE TO BOTTOM COWL
	10-52867		„3	SCREW, BAFFLE TO BOTTOM COWL
12	37637		1,1,1	BOOT, FUEL CONNECTOR-BOTTOM COWL
13	37445		1,1,1	SUPPORT, WIRING HARNESS-BOTTOM COWL
14	10-37561		1,1,1	SCREW, WIRING HARNESS SUPPORT TO BOTTOM COWL (2-1/2")
	10-37990		1,1,1	SCREW, WIRING HARNESS SUPPORT TO BOTTOM COWL (1-3/4")
15	11-46887		2,2,2	NUT, WIRING HARNESS SUPPORT SCREW
16	32-26407		1,1,1	HOSE, TELL TALE - EXHAUST COVER TO BOTTOM COWL (16")
17	22-29111		1,1,	CONNECTOR, TELL TALE HOSE TO BOTTOM COWL
18	52889		„1	NOZZLE, TELL TALE HOSE TO BOTTOM COWL
19	10-34222		„1	SCREW, TELL TALE NOZZLE TO BOTTOM COWL (1/2")
20	22-25885		1,1,1	ELBOW, TELL TALE HOSE TO EXHAUST COVER
21	54-48123		2,2,2	CLAMP, TELL TALE HOSE TO CONNECTOR AND ELBOW
22	27-47257		1,1,1	GASKET, POWERHEAD TO EXHAUST EXTENSION PLATE
23	38468A4		1,1,	PLATE ASSEMBLY, EXHAUST EXTENSION <b>SERIAL 0000000-02312935</b>
	49087A2		1,1,	PLATE ASSEMBLY, EXHAUST EXTENSION <b>SERIAL 02312936-09999999</b>
	52932A2		„1	PLATE ASSEMBLY, EXHAUST EXTENSION
24	26-38970		1,1,1	SEAL, RUBBER-WATER INLET TUBE
25	38448		1,1,1	RETAINER, WATER TUBE SEAL
26	10-34439		1,1,1	SCREW, RETAINER TO EXTENSION PLATE (3/4")
27	10-24226		1,1,1	SCREW, EXTENSION PLATE TO DRIVE SHAFT HOUSING (1-1/4")
28	11-46887		1,1,1	NUT, EXHAUST EXTENSION PLATE SCREW
29	27-38471		1,1,1	GASKET, EXHAUST PLATE TO DRIVE SHAFT HOUSING
30	37918		1,1,1	SEAL, EXHAUST EXTENSION PLATE
31	38032		1,1,1	STRIP, RETAINING-EXHAUST EXTENSION PLATE SEAL
32	10-37571		5,5,5	SCREW, SEAL AND STRIP TO EXHAUST EXTENSION PLATE (1/2")
33	47325A1		1,1,	SHIFT SHAFT ASSEMBLY, UPPER (SHORT SHAFT)

CONTINUED ON NEXT PAGE ➡

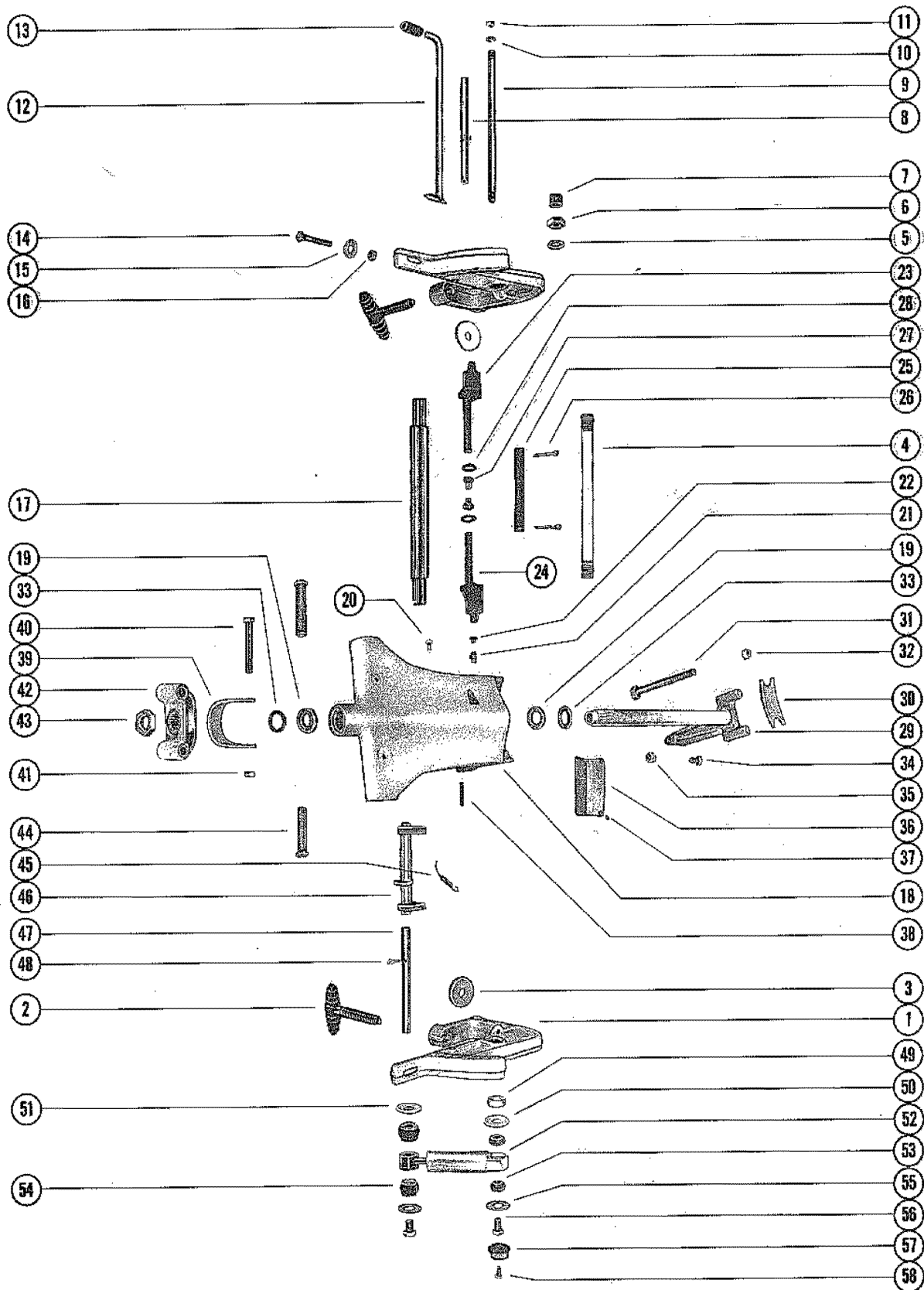
# BOTTOM COWL AND SHIFT LINKAGE



## BOTTOM COWL AND SHIFT LINKAGE

REF. NO.	PART NO.	SYM.	QTY.	DESCRIPTION
33	47326A1		1,1,	SHIFT SHAFT ASSEMBLY, UPPER (LONG SHAFT)
	49904A1		„1	SHIFT SHAFT ASSEMBLY, UPPER (SHORT SHAFT) <b>SERIAL 00000000-02606012</b>
	49905A1		„1	SHIFT SHAFT ASSEMBLY, UPPER (LONG SHAFT) <b>SERIAL 00000000-02606012</b>
	53889A4		„1	SHIFT SHAFT ASSEMBLY, UPPER (SHORT SHAFT) <b>SERIAL 02606013-09999999</b>
	53889A3		„1	SHIFT SHAFT ASSEMBLY, UPPER (LONG SHAFT) <b>SERIAL 02606013-09999999</b>
34	55692		„1	COUPLING, SHIFT SHAFT <b>SERIAL 02606013-09999999</b>
35	23-26600		„1	BUSHING, NYLON-UPPER SHIFT SHAFT <b>SERIAL 02606013-09999999</b>
36	48047A1		1,1,1	LINK ROD ASSEMBLY
37	12-24664		„1	WASHER, LINK ROD (SHIFT LEVER END)
38	13-29720		2,2,2	WASHER, WAVE-LINK ROD
39	47869A1		1,1,1	BRACKET ASSEMBLY, ANCHOR CONTROL CABLES
40	38802		1,1,1	CAP, BRASS BARREL OF THROTTLE CABLE
	49935		1,1,1	CAP, BRASS BARREL OF THROTTLE CABLE
41	10-24234		3,3,3	SCREW, ANCHOR BRACKET TO CYLINDER BLOCK (1")
42	24-20099		1,1,1	SPRING, LINK ROD TO GUIDE BLOCK
43	37896		1,1,1	GUIDE BLOCK, LINK ROD
44	12-37905		1,1,	WASHER, NYLON-LINK ROD
	52100		„1	WEAR PLATE, LINK ROD (NOT AS SHOWN)
45	38279		1,1,1	LATCH, CONTROL CABLE FASTENING-ANCHOR BRACKET
46	12-21631		1,1,1	WASHER, CONTROL CABLE LATCH LINK ROD
47	11-20361		2,2,2	NUT, LINK ROD
48	37913		1,1,	LEVER, CONTROL CABLE LOCKING-ANCHOR BRACKET
	49932A1		„1	LEVER ASSEMBLY, CONTROL CABLE LOCKING-ANCHOR BRACKET
49	24-37911		1,1,1	SPRING, CONTROL CABLE LOCKING LEVER
50	17-23928		1,1,1	PIN, ROLL-CONTROL CABLE LOCKING LEVER
51	24-38472		1,1,1	SPRING, CONTROL CABLE TENSION-ANCHOR BRACKET
52	46933A1		2,2,2	GROUND STRAP ASSEMBLY, CRANKCASE TO BOTTOM COWL
53	46933A2		2,2,2	GROUND STRAP ASSY,DRIVE SHAFT HOUSING TO BOTTOM COWL
54	10-30663		4,4,4	SCREW, GROUND STRAP ATTACHING (3/8")
55	13-22238		4,4,4	WASHER, GROUND STRAP SCREW

# CLAMP AND SWIVEL BRACKET ASSEMBLY



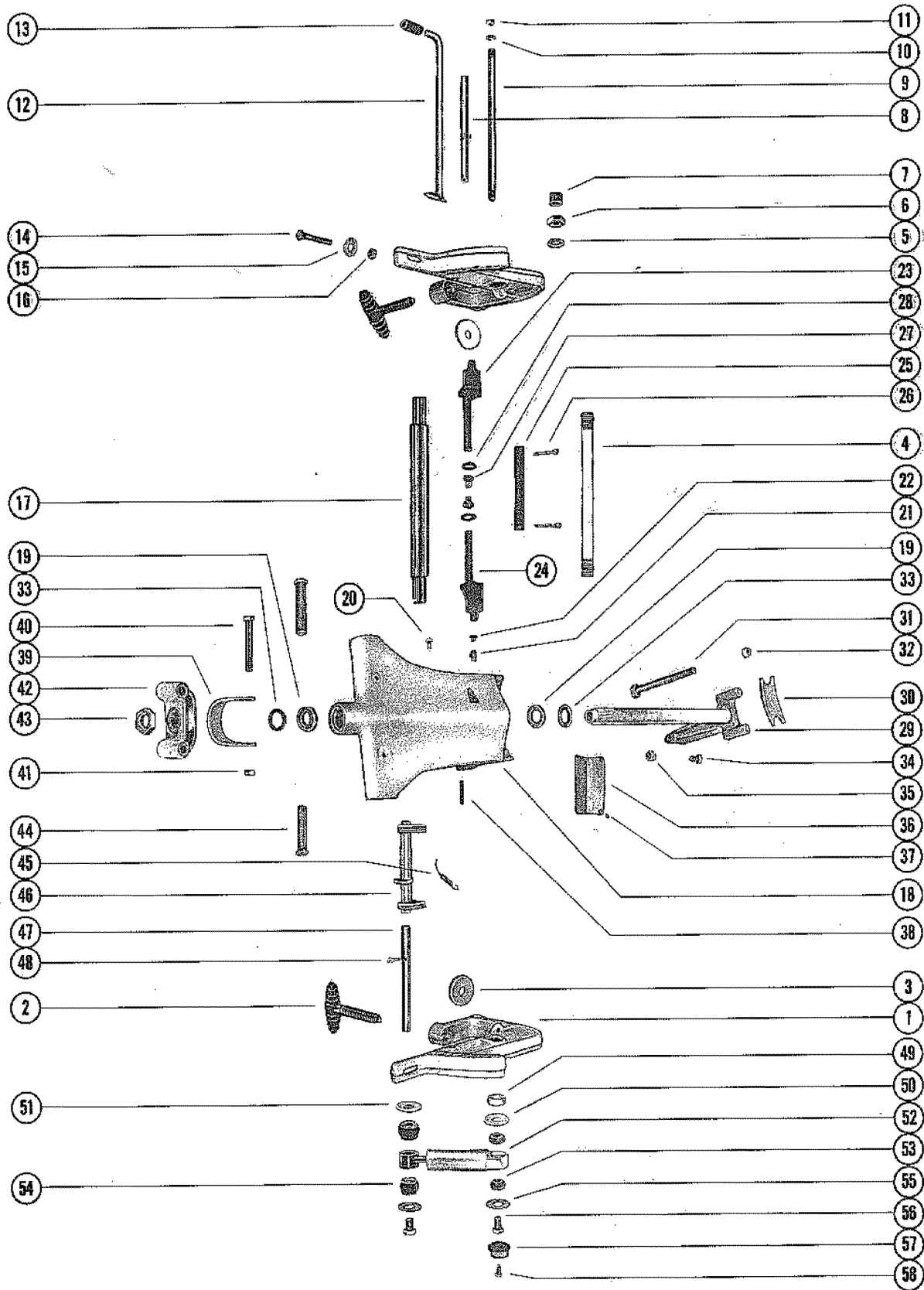


# CLAMP AND SWIVEL BRACKET ASSEMBLY

REF. NO.	PART NO.	SYM.	QTY.	DESCRIPTION
1	1440-3291A1		2,2,2	CLAMP BRACKET ASSEMBLY
2	28403A3		2,2,2	THUMB SCREW ASSEMBLY
3	12-28404		2,2,2	WASHER, THUMB SCREW
4	30664		1,1,1	TUBE, TILT-CLAMP BRACKET TO SWIVEL BRACKET
5	15-30497A1		2,2,	SHIM, CLAMP BRACKET TILT TUBE (.010-.020)
	12-52864		„2	WASHER, CLAMP BRACKET TILT TUBE
6	11-30499		2,2,2	NUT, TILT TUBE FASTENING
7	30498		2,2,	CAP, PLASTIC-TILT TUBE
	53078		„2	CAP, PLASTIC-TILT TUBE
8	23-20222		1,1,1	SPACER, CLAMP BRACKET STUD
9	16-20221		1,1,1	STUD, CLAMP BRACKET
10	13-26993		2,2,2	LOCKWASHER, CLAMP BRACKET STUD
11	11-20083		2,2,2	NUT, CLAMP BRACKET STUD
12	17-49930A1		1,1,1	TILT LOCK PIN ASSEMBLY
13	32-28052		1,1,1	SLEEVE, RUBBER-TILT LOCK PIN BUMPER
14	10-28009		2,2,2	BOLT, CLAMP BRACKET TO BOAT TRANSOM (LOWER)
15	12-28008		2,2,2	WASHER, CLAMP BRACKET BOLT (LOWER)
14	10-31827		„1	BOLT, CLAMP BRACKET TO BOAT TRANSOM (UPPER)
15	12-28421		„1	WASHER, CLAMP BRACKET BOLT (UPPER)
16	11-28010		2,2,2	NUT, CLAMP BRACKET BOLT
17	55-28416		1,1,1	PIN, UPPER SHOCK MOUNTING
18	1453-3258A1		1,1,1	SWIVEL BRACKET ASSEMBLY (SHORT SHAFT)
	1447-3257A1		1,1,1	SWIVEL BRACKET ASSEMBLY (LONG SHAFT)
19	26-37448		2,2,2	OIL SEAL, SWIVEL BRACKET
20	10-47828		1,1,1	SCREW, DRIVE-SWIVEL BRACKET
21	22-23612		1,1,1	FITTING, GREASE
22	53216		1,1,1	LUBRICAP, SWIVEL BRACKET GREASE FITTING
23	47799A1		1,1,1	TILT LOCK ASSEMBLY, STARBOARD
24	47800A1		1,1,1	TILT LOCK ASSEMBLY, PORT
25	47802		1,1,1	TUBE, TILT LOCK
26	18-47959		2,2,2	COTTER PIN, TILT LOCK TUBE
27	23-47803		2,2,2	BUSHING, TILT LOCK TUBE
28	13-24850		2,2,2	WASHER, WAVE-TILT LOCK TUBE
29	17-37462A1		1,1,	SWIVEL PIN AND STEERING ARM ASSEMBLY (SHORT SHAFT)
	17-37423A1		1,1,	SWIVEL PIN AND STEERING ARM ASSEMBLY (LONG SHAFT)
	17-49841A1		„1	SWIVEL PIN AND STEERING ARM ASSEMBLY (SHORT SHAFT)
	17-49840A1		„1	SWIVEL PIN AND STEERING ARM ASSEMBLY (LONG SHAFT)
30	28203		1,1,1	BUMPER, STEERING ARM
31	10-30453		2,2,2	BOLT, STEERING ARM TO UPPER MOUNT
32	11-22178		2,2,2	NUT, STEERING ARM BOLT FASTENING
33	12-37429		1,1,1	WASHER, SWIVEL PIN-LOWER (TOP WASHER OPTIONAL)
34	10-31830		1,1,1	SCREW, RIDE-GUIDE ATTACHING (1-3/4")
35	11-20509		1,1,1	NUT, RIDE-GUIDE ATTACHING SCREW

CONTINUED ON NEXT PAGE ➡

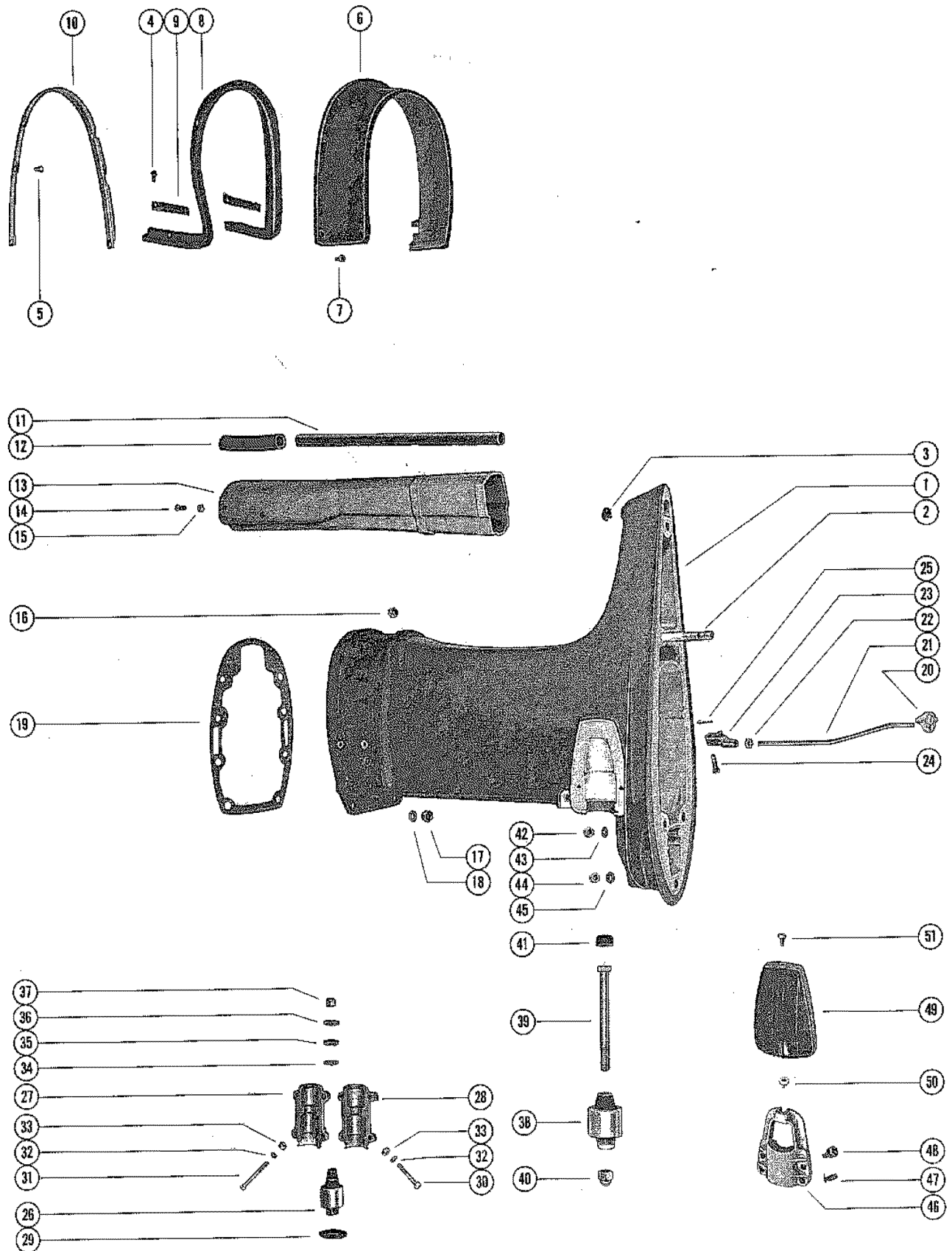
# CLAMP AND SWIVEL BRACKET ASSEMBLY



## CLAMP AND SWIVEL BRACKET ASSEMBLY

REF. NO.	PART NO.	SYM.	QTY.	DESCRIPTION
36	38-39784		1,1,1	SERIAL PLATE
37	10-25612		4,4,4	SCREW, DRIVE-SERIAL PLATE TO SWIVEL BRACKET
38	17-25598		1,1,1	PIN, REVERSE LOCK SPRING ATTACHING
39	28205		1,1,1	STRAP STOP, DRIVE SHAFT HOUSING TO SWIVEL BRACKET
40	10-28200		1,1,1	SCREW, STRAP STOP TO DRIVE SHAFT HOUSING (2-7/8")
41	11-25269		1,1,1	NUT, STRAP STOP FASTENING SCREW
42	37419		1,1,1	YOKE, BOTTOM
43	11-37424		1,1,1	NUT, SWIVEL PIN RETAINING
44	55-29247		2,2,2	PIN, LOWER SHOCK MOUNTING (SHORT SHAFT)
	55-28414		2,2,2	PIN, LOWER SHOCK MOUNTING (LONG SHAFT)
-	<b>10-28424</b>		<b>2,2,2</b>	<b>SCREW, LOWER SHOCK PIN (LONG SHAFT)</b>
-	<b>11-46887</b>		<b>2,2,2</b>	<b>NUT, LOWER SHOCK PIN SCREW (LONG SHAFT)</b>
45	24-29821		1,1,1	SPRING, REVERSE LOCK TENSION
46	39015A1		1,1,1	REVERSE LOCK ASSEMBLY
47	20208		1,1,1	SHAFT, REVERSE LOCK PIVOT
48	18-45882		1,1,1	COTTER PIN, REVERSE LOCK TO SHAFT
49	23-28199		2,2,2	SPACER, UPPER SHOCK BUSHING TO CLAMP BRACKET
50	12-28196		2,2,2	WASHER, UPPER BUSHING RETAINER (INNER)
51	12-28264		2,2,2	WASHER, LOWER BUSHING RETAINER (INNER)
52	55-31933		2,2,2	SHOCK ABSORBER
53	23-32171		4,4,4	BUSHING, RUBBER-SHOCK ABSORBER (UPPER)
54	23-28198		4,4,4	BUSHING, RUBBER-SHOCK ABSORBER (LOWER)
55	12-28421		4,4,4	WASHER, UPPER AND LOWER BUSHING RETAINER (OUTER)
56	10-28450		4,4,	SCREW, NYLOK-UPPER AND LOWER SHOCK MOUNTING PIN
	10-53077		„4	SCREW, UPPER AND LOWER SHOCK MOUNTING PIN (3/4")
57	53071		„4	COVER, UPPER AND LOWER SHOCK MOUNTING PIN
58	10-37655		„4	SCREW, COVER TO SHOCK MOUNTING SCREWS (1/2")

# DRIVE SHAFT HOUSING ASSEMBLY

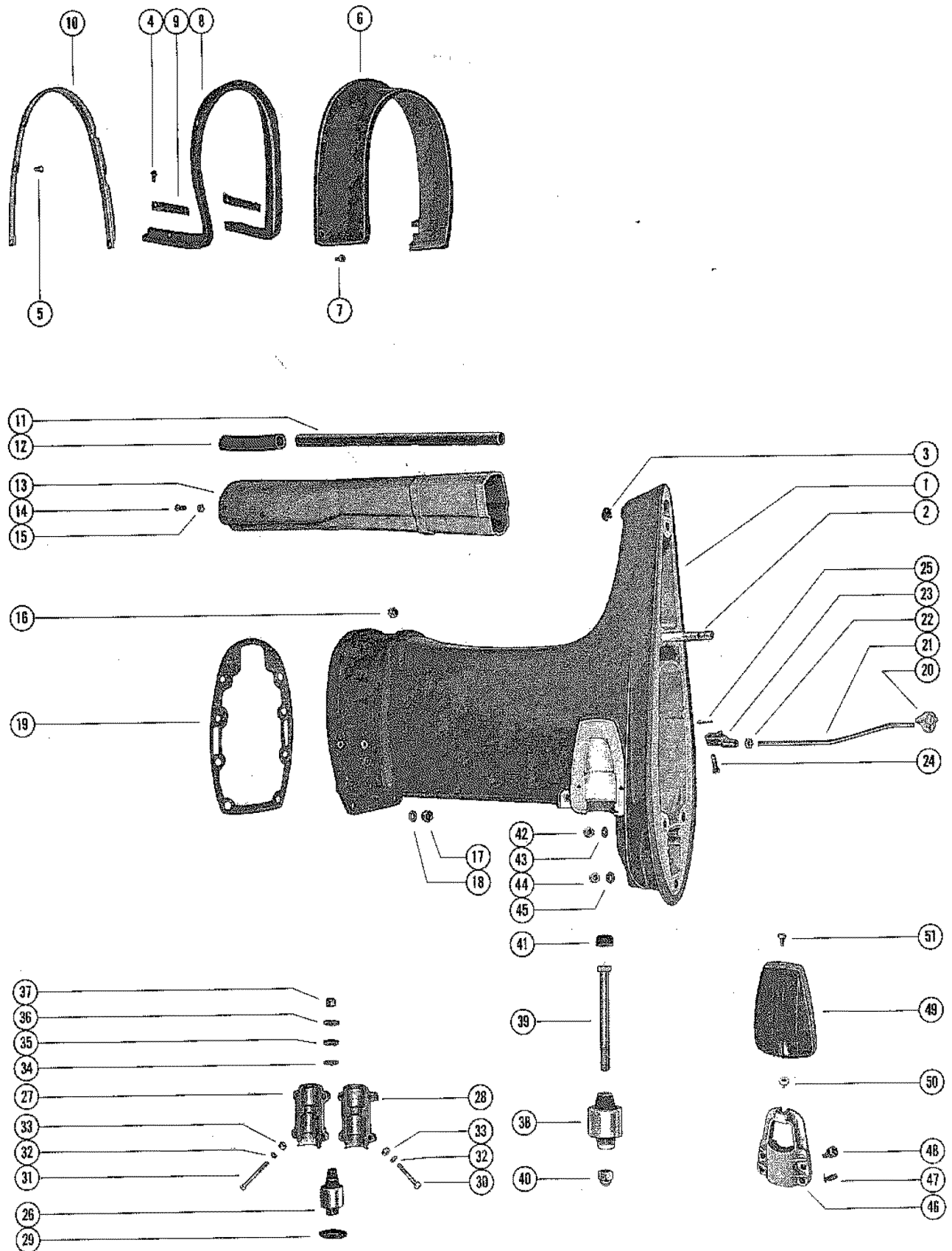


# DRIVE SHAFT HOUSING ASSEMBLY

REF. NO.	PART NO.	SYM.	QTY.	DESCRIPTION
1	1552-2463A5		1,1,	DRIVE SHAFT HOUSING ASSEMBLY (SHORT SHAFT) SERIAL 00000000-02312935
	1552-3429A3		1,1,	DRIVE SHAFT HOUSING ASSEMBLY (SHORT SHAFT) SERIAL 02312936-09999999
	1552-3670A3		„1	DRIVE SHAFT HOUSING ASSEMBLY (SHORT SHAFT)
	1551-2459A8		1,1,	DRIVE SHAFT HOUSING ASSEMBLY (LONG SHAFT) SERIAL 00000000-02312935
	1551-3428A4		1,1,	DRIVE SHAFT HOUSING ASSEMBLY (LONG SHAFT) SERIAL 02312936-09999999
	1551-3669A4		„1	DRIVE SHAFT HOUSING ASSEMBLY (LONG SHAFT)
2	16-47165		2,2,	STUD, DRIVE SHAFT HOUSING TO GEAR HOUSING (2-3/4")
	16-46910		„2	STUD, DRIVE SHAFT HOUSING TO GEAR HOUSING (2-11/16")
3	19-47579		1,1,1	PLUG, PLASTIC -TRIM TAB SCREW HOLE
4	10-48409		2,2,2	CREW, RETAINING STRIP TO DRIVE SHAFT HOUSING (5/8")
5	10-48408		6,6,6	SCREW, RETAINING STRIP TO DRIVE SHAFT HOUSING (1/2")
6	37417		1,1,1	COVER, TRIM-DRIVE SHAFT HOUSING
7	10-37571		4,4,4	SCREW, TRIM COVER TO BOTTOM COWL (1/2")
8	37919		1,1,1	SEAL, TRIM COVER TO DRIVE SHAFT HOUSING
9	37665		2,2,2	STRIP, RETAINING-TRIM COVER SEAL (SIDE)
10	38052		1,1,1	STRIP, RETAINING-TRIM COVER SEAL (REAR)
11	32-37446		1,1,1	TUBE, WATER INLET (SHORT SHAFT)
	32-37438		1,1,1	TUBE, WATER INLET (LONG SHAFT)
12	23-29591		1,1,	SLEEVE, RUBBER-WATER INLET TUBE
13	38469		1,1,1	TUBE, EXHAUST (SHORT SHAFT)
	38470		1,1,1	TUBE, EXHAUST (LONG SHAFT)
14	10-38601		2,2,2	SCREW, EXHAUST TUBE TO EXHAUST EXTENSION PLATE (5/8")
15	11-29322		2,2,2	NUT, EXHAUST TUBE SCREW
16	11-23161		6,6,6	NUT, POWERHEAD STUDS
17	11-20509		2,2,2	NUT, POWERHEAD STUDS
18	12-20086		2,2,2	WASHER, POWERHEAD STUDS
19	27-38471		1,1,1	GASKET, EXHAUST EXTENSION PLATE TO DRIVE SHAFT HOUSING
20	47560		1,1,	GUIDE, PUSH ROD-REVERSE LOCKING
	52887		„1	GUIDE, PUSH ROD-REVERSE LOCKING
21	47591		1,1,1	ROD, PUSH-REVERSE LOCK (SHORT SHAFT)
	47558		1,1,1	ROD, PUSH-REVERSE LOCK (LONG SHAFT)
22	11-47661		1,1,1	NUT, JAM-PUSH ROD
23	47559		1,1,1	YOKE, PUSH ROD
24	17-39023		1,1,1	PIN, PUSH ROD TO REVERSE LOCK
25	18-25191		1,1,1	COTTER PIN, PUSH ROD PIN
26	37396		2,2,2	MOUNT, RUBBER-UPPER

CONTINUED ON NEXT PAGE ➡

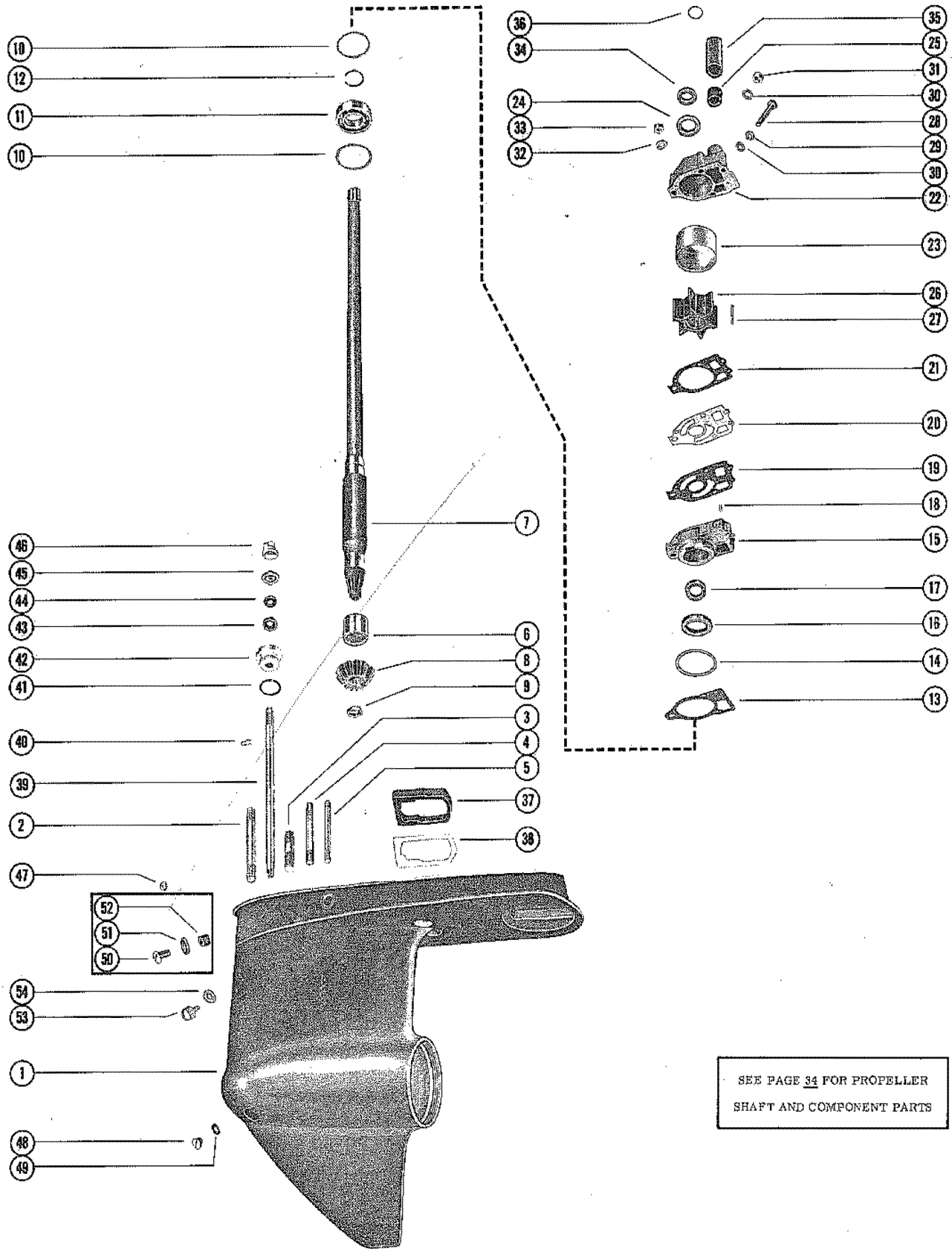
# DRIVE SHAFT HOUSING ASSEMBLY



# DRIVE SHAFT HOUSING ASSEMBLY

REF. NO.	PART NO.	SYM.	QTY.	DESCRIPTION
27	26218		2,2,2	COVER, UPPER MOUNT-OUTSIDE HALF
28	26217		2,2,2	COVER, UPPER MOUNT-INSIDE HALF
29	24929		2,2,2	PACKING, "U" CUP
30	10-28773		4,4,4	SCREW, UPPER MOUNT COVER (1-5/8")
31	10-28775		4,4,4	SCREW, UPPER MOUNT COVER (2-1/8")
32	12-29245		AR,AR,AR	WASHER, UPPER MOUNT COVER SCREW
33	11-46886		8,8,8	NUT, UPPER MOUNT COVER SCREW
34	12-30515		2,2,2	WASHER, UPPER MOUNT BOLT
35	12-47894		2,2,2	WASHER, RUBBER-UPPER MOUNT BOLT
36	12-30514		2,2,2	WASHER, UPPER MOUNT BOLT
37	11-22178		2,2,2	NUT, UPPER MOUNT BOLT
38	37397		2,2,2	MOUNT, RUBBER-LOWER
39	10-49318		2,2,2	SCREW, UPPER MOUNT (5-1/2")
40	11-25096		2,2,2	NUT, MOUNT SCREW
41	25067		2,2,2	BUMPER, RUBBER-MOUNTING SCREW
42	11-34933		2,2,2	NUT, GEAR HOUSING AND DRIVE SHAFT HOUSING STUDS
43	12-45176		2,2,2	WASHER, GEAR HOUSING TO DRIVE SHAFT HOUSING STUDS
44	11-29489		1,1,1	NUT, GEAR HOUSING AND DRIVE SHAFT HOUSING STUDS
45	12-45176		1,1,1	WASHER, GEAR HOUSING TO DRIVE SHAFT HOUSING STUDS
46	35608		2,2,2	CLAMP, LOWER MOUNT TO DRIVE SHAFT HOUSING
47	24-35522		4,4,4	SPRING, TENSION-LOWER MOUNT CLAMP
48	10-29256		4,4,4	SCREW, LOWER MOUNT CLAMP TO DRIVE SHAFT HOUSING (7/8")
49	35474		2,2,2	COVER, LOWER MOUNT CLAMP
50	11-35521		2,2,2	NUT, MOUNT CLAMP COVER
51	10-29722		2,2,2	SCREW, COVER TO LOWER CLAMP MOUNT

# GEAR HOUSING ASSEMBLY, COMPLETE (PAGE 1)



SEE PAGE 34 FOR PROPELLER  
SHAFT AND COMPONENT PARTS

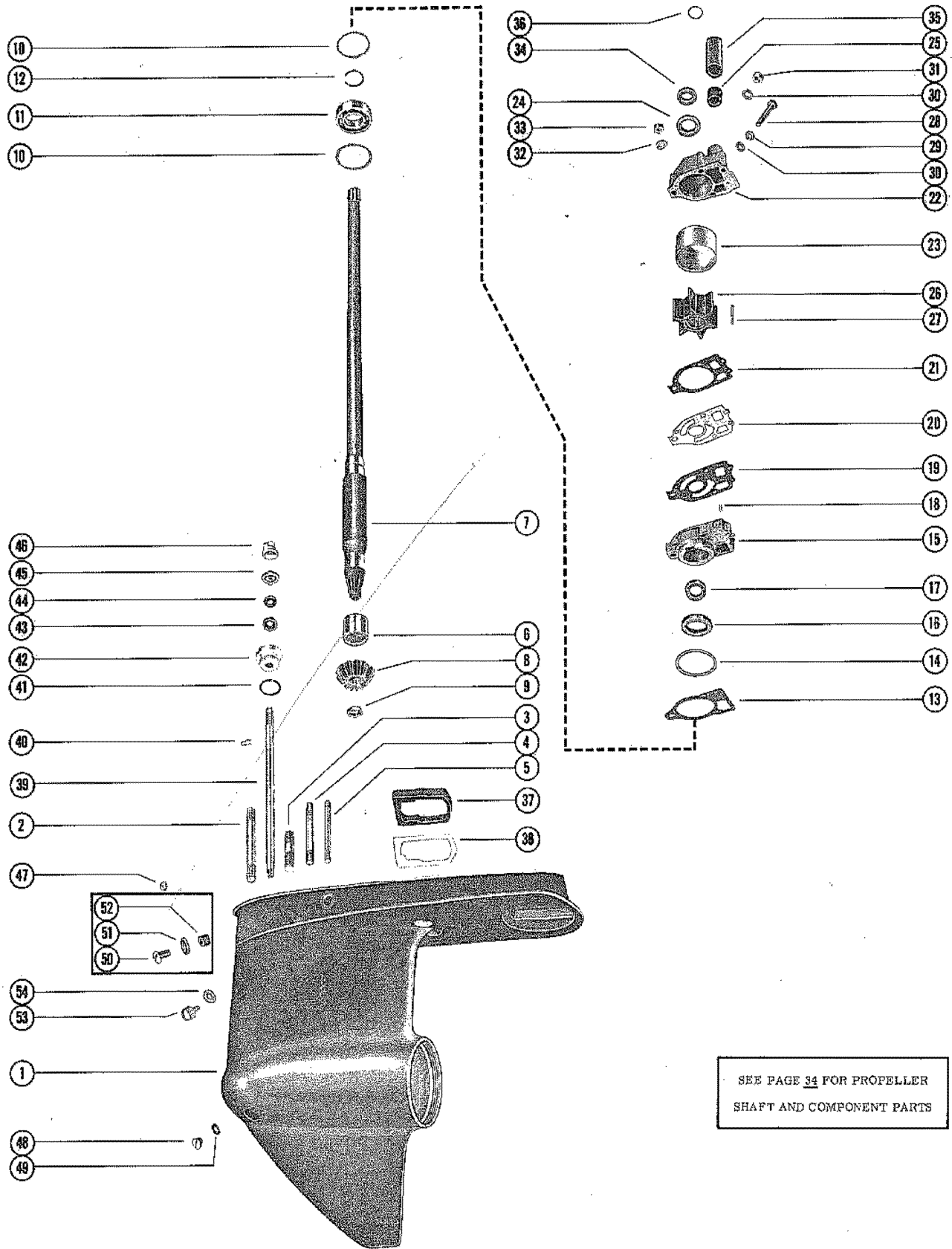


# GEAR HOUSING ASSEMBLY, COMPLETE (PAGE 1)

REF. NO.	PART NO.	SYM.	QTY.	DESCRIPTION
-	1623-2460A35		1,1,	GEAR HOUSING ASSEMBLY, COMPLETE (SHORT SHAFT) SEE NOTE BELOW
-	1623-2460A36		1,1,	GEAR HOUSING ASSEMBLY, COMPLETE (LONG SHAFT) SEE NOTE BELOW
-	1623-3486A8		„1	GEAR HOUSING ASSEMBLY, COMPLETE (SHORT SHAFT) SEE NOTE BELOW
-	1623-3486A9		„1	GEAR HOUSING ASSEMBLY, COMPLETE (LONG SHAFT) SEE NOTE BELOW
1	1623-2460A20		1,1,	GEAR HOUSING ASSEMBLY
	1623-3486A4		„1	GEAR HOUSING ASSEMBLY
2	16-45199		1,1,1	STUD, GEAR HOUSING TO DRIVE SHAFT HOUSING (4")
3	16-45198		2,2,	STUD, GEAR HOUSING TO DRIVE SHAFT HOUSING (2- 1/16")
	16-52614		„2	STUD, GEAR HOUSING TO DRIVE SHAFT HOUSING (2- 1/16")
4	16-36292		1,1,1	STUD, WATER PUMP BASE AND BODY TO GEAR HOUSING (3-3/8")
5	16-37435		2,2,2	STUD, WATER PUMP BASE AND BODY TO GEAR HOUSING (3-5/16")
6	31-32898		1,1,1	BEARING, ROLLER-DRIVE SHAFT
7	45-47433		1,1,1	DRIVE SHAFT (SHORT SHAFT)
	45-47434		1,1,1	DRIVE SHAFT (LONG SHAFT)
8	43-47351		1,1,	GEAR, PINION-DRIVE SHAFT
	43-49751		„1	GEAR, PINION-DRIVE SHAFT
9	11-35921		1,1,1	NUT, PINION GEAR TO DRIVE SHAFT
10	15-30278A1		AR,AR,AR	SHIM, DRIVE SHAFT BALL BEARING TO GEAR HOUSING (.002-3-5-10)
11	30-20464		1,1,1	BEARING, BALL-DRIVE SHAFT
12	53-30726		1,1,1	RING, RETAINING-BALL BEARING
10	15-30278A1		AR,AR,AR	SHIM, WATER PUMP BASE TO GEAR HOUSING (.002-3-5- 10)
13	27-32438		1,1,1	GASKET, WATER PUMP BASE TO GEAR HOUSING
14	25-30224		1,1,1	"O" RING, WATER PUMP BASE
15	46-38931A1		1,1,	WATER PUMP BASE ASSEMBLY (ALUMINUM)
	46-48747A1		„1	WATER PUMP BASE ASSEMBLY (PLASTIC)
16	26-31489		1,1,1	OIL SEAL, WATER PUMP BASE
17	26-31507		1,1,1	OIL SEAL, WATER PUMP BASE
18	17-35973		2,2,2	DOWEL PIN, WATER PUMP BASE TO WATER PUMP BODY
19	27-32433		1,1,1	GASKET, LOWER-WATER PUMP BASE TO FACE PLATE
20	32435		1,1,1	PLATE, FACE-WATER PUMP BASE TO WATER PUMP BODY
21	27-32434		1,1,1	GASKET, UPPER-FACE PLATE TO WATER PUMP BODY
22	46-37433A1		1,1,	WATER PUMP BODY ASSEMBLY (ALUMINUM)
	46-48743A1		„1	WATER PUMP BODY ASSEMBLY (PLASTIC)
23	30915		1,1,	INSERT, WATER PUMP BODY (ALUMINUM)
	48752		„1	INSERT, WATER PUMP BODY (PLASTIC)

CONTINUED ON NEXT PAGE ➡

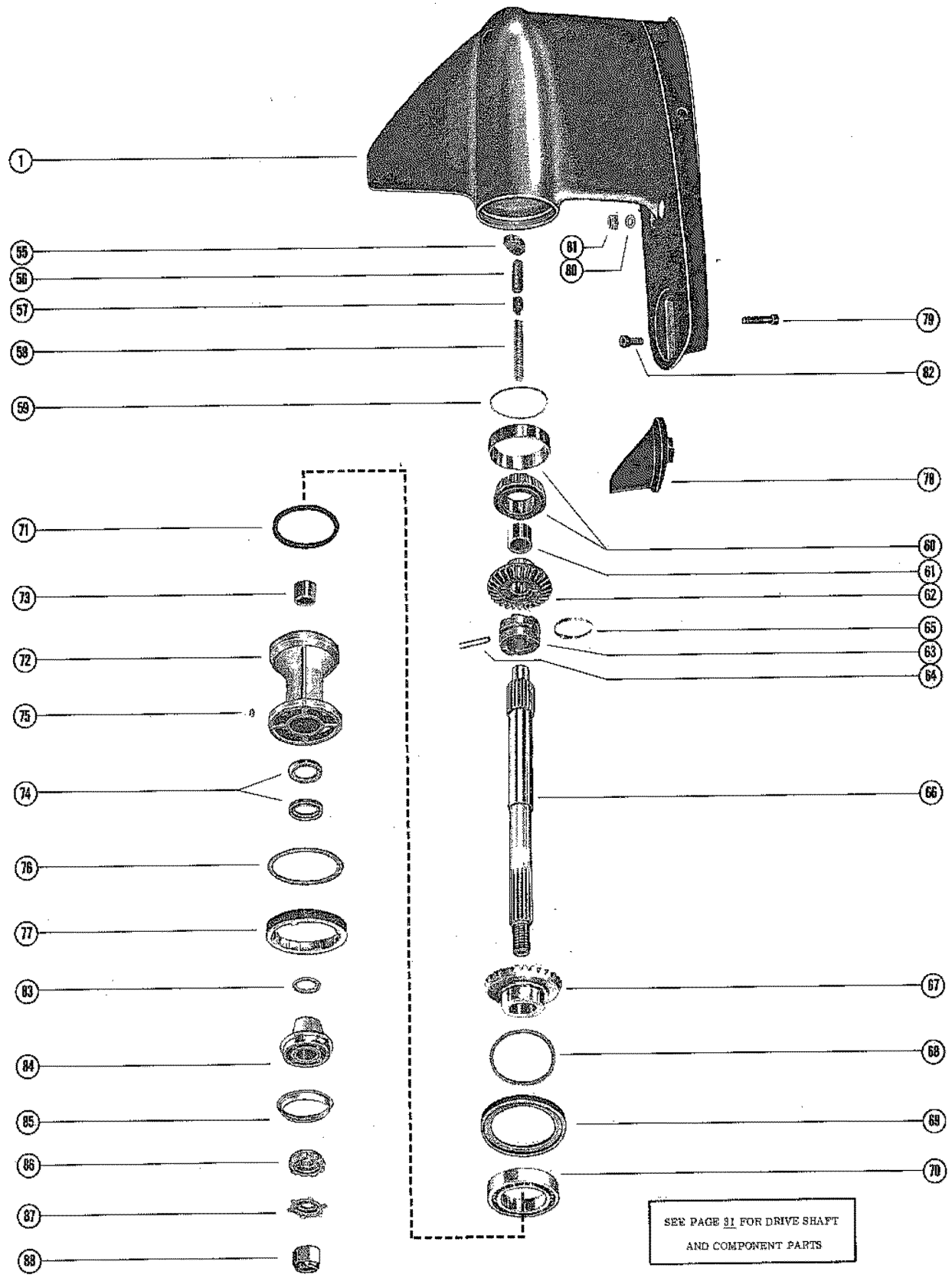
# GEAR HOUSING ASSEMBLY, COMPLETE (PAGE 1)



# GEAR HOUSING ASSEMBLY, COMPLETE (PAGE 1)

REF. NO.	PART NO.	SYM.	QTY.	DESCRIPTION
24	26-31507		1,1,1	OIL SEAL, WATER PUMP BODY
25	26-38970		1,1,1	SEAL, RUBBER-WATER INLET TUBE
26	47-30221		1,1,1	IMPELLER, WATER PUMP
27	17-29967		1,1,1	PIN, IMPELLER DRIVE
28	10-30720		1,1,1	SCREW, WATER PUMP BODY TO GEAR HOUSING (2-1/4")
30	13-26992		3,3,	LOCKWASHER, WATER PUMP BODY FSTNG SCREW&STUDS (1/4")
31	11-29598		2,2,	NUT, WATER PUMP BODY FASTENING STUDS (1/4")
32	13-26993		1,1,	LOCKWASHER, WATER PUMP BODY FASTENING STUD (5/16")
33	11-28770		1,1,	NUT, WATER PUMP BODY FASTENING STUD (5/16")
29	13-26992		„1	LOCKWASHER, WATER PUMP BODY SCREW
30	12-38753		„3	WASHER, WATER PUMP BODY FASTENING SCREW AND STUD
31	11-35045		„2	NUT, WATER PUMP BODY FASTENING STUD
32	12-36001		„1	WASHER, WATER PUMP BODY FASTENING STUD
33	11-45592		„1	NUT, WATER PUMP BODY FASTENING STUD
34	25-30271		1,1,1	RING, RUBBER-CENTRIFUGAL SLINGER (DRIVE SHAFT)
35	23-29804		1,1,1	SLEEVE, GUIDE-WATER INLET TUBE
36	25-30613		1,1,1	"O" RING, UPPER-DRIVE SHAFT
37	37641		1,1,1	SEAL, EXHAUST TUBE
38	38051		1,1,1	PLATE, SUPPORT-EXHAUST TUBE SEAL
39	37432		1,1,1	SHAFT, SHIFT-LOWER
40	18-20233		1,1,1	CLIP, RETAINING-SHIFT SHAFT
41	25-25439		1,1,1	"O" RING, SHIFT SHAFT BUSHING
42	23-37428A1		1,1,1	BUSHING ASSEMBLY, SHIFT SHAFT
43	26-24590		1,1,1	OIL SEAL, SHIFT SHAFT BUSHING (LOWER)
	26-31249		1,1,1	OIL SEAL, SHIFT SHAFT BUSHING (UPPER)
44	12-31266		1,1,1	WASHER, RUBBER-SHIFT SHAFT BUSHING
45	39019		1,1,1	SPACER, LOWER-REVERSE LOCKING
46	39021		1,1,1	CAM, REVERSE LOCKING
47	22-21290		1,1,	PLUG, PIPE-SHIFT SHAFT GREASE FILLER HOLE
48	10-28634		2,2,2	SCREW, GREASE FILLER AND VENT HOLE
49	12-20260		2,2,2	WASHER, GREASE FILLER AND VENT HOLE SCREW
50	10-29608		1,1,	SCREW, GEAR HOUSING FLUSHING HOLE (ALUMINUM)
51	27-29586		1,1,	GASKET, GEAR HOUSING FLUSHING HOLE SCREW (ALUMINUM)
52	26-29612		1,1,	SEAL, GEAR HOUSING FLUSHING HOLE (ALUMINUM)
53	19-48750		„1	PLUG, GEAR HOUSING FLUSHING HOLE (PLASTIC)
54	12-49221		„1	WASHER, GEAR HOUSING FLUSHING HOLE PLUG (PLASTIC)

# GEAR HOUSING ASSEMBLY, COMPLETE (PAGE 2)



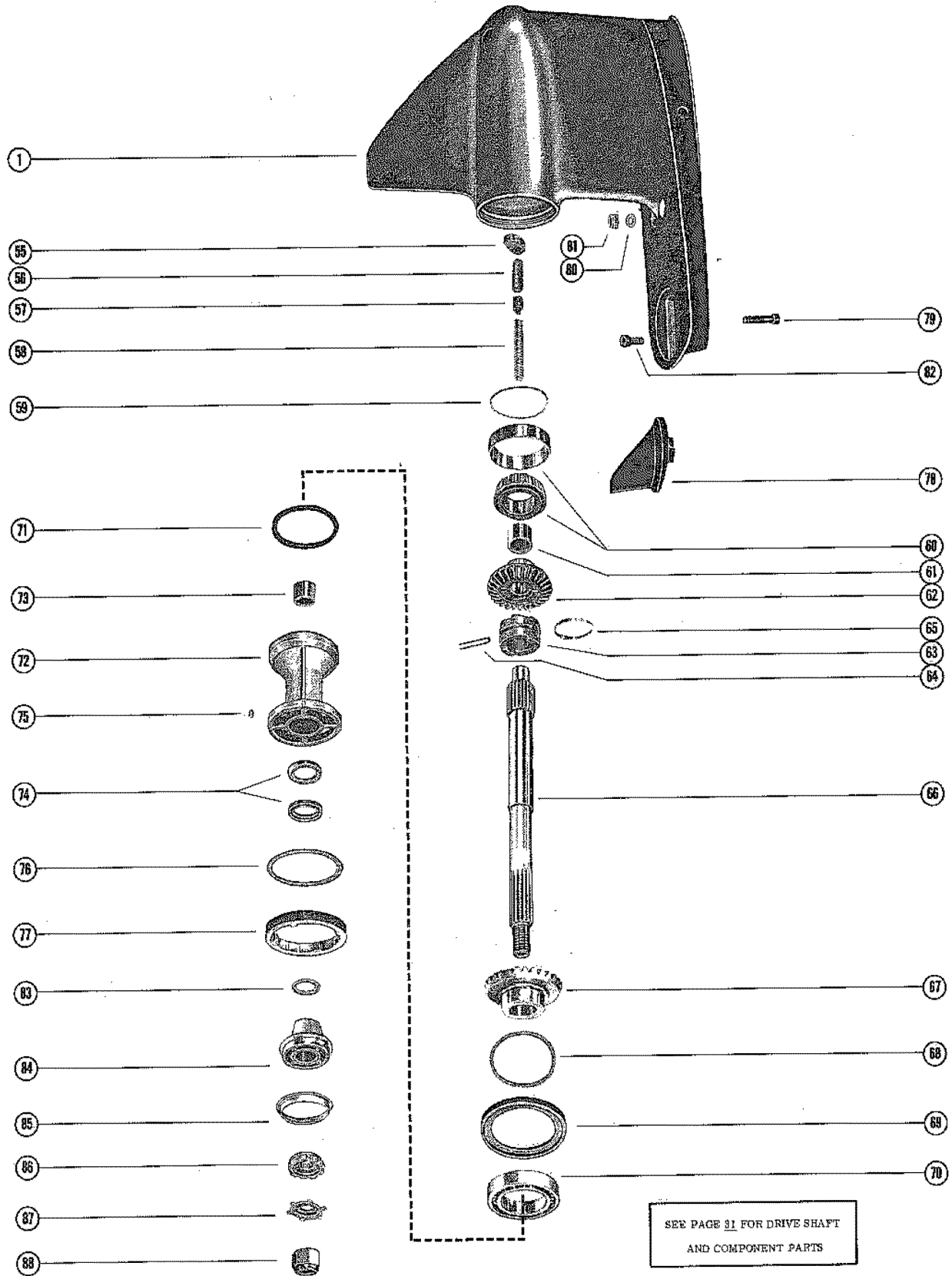
SEE PAGE 91 FOR DRIVE SHAFT  
AND COMPONENT PARTS

## GEAR HOUSING ASSEMBLY, COMPLETE (PAGE 2)

REF. NO.	PART NO.	SYM.	QTY.	DESCRIPTION
-	1623-2460A35		1,1,	GEAR HOUSING ASSEMBLY, COMPLETE (SHORT SHAFT) SEE NOTE BELOW
-	1623-2460A36		1,1,	GEAR HOUSING ASSEMBLY, COMPLETE (LONG SHAFT) SEE NOTE BELOW
-	1623-3486A8		„1	GEAR HOUSING ASSEMBLY, COMPLETE (SHORT SHAFT) SEE NOTE BELOW
-	1623-3486A9		„1	GEAR HOUSING ASSEMBLY, COMPLETE (LONG SHAFT) SEE NOTE BELOW
1	1623-2460A20		1,1,	GEAR HOUSING ASSEMBLY-SEE PAGE 31 FOR BREAKDOWN
	1623-3486A4		„1	GEAR HOUSING ASSEMBLY
55	36288		1,1,1	CAM, SHIFT <b>SERIAL 00000000-02712072</b>
	54346		„1	CAM, SHIFT <b>SERIAL 02712073-09999999</b>
56	30625		1,1,1	FOLLOWER, CAM
57	20634		1,1,1	SLIDE, CROSS PIN
58	24-30622		1,1,1	SPRING, COMPRESSION-CAM FOLLOWER
59	15-30923A1		AR,AR,AR	SHIM, BEARING OUTER RACE TO GEAR HOUSING (.002-3- 5-10)
60	31-30894A1		1,1,1	TAPERED ROLLER BEARING ASSEMBLY
61	31-30895		1,1,1	BEARING, ROLLER-FORWARD GEAR
62	43-34085		1,1,	FORWARD GEAR ASSEMBLY
	43-53100		„1	FORWARD GEAR ASSEMBLY
63	52-34239		1,1,1	RATCHET, SLIDING CLUTCH
64	17-30632		1,1,1	PIN, CROSS-RATCHET TO PROPELLER SHAFT
65	24-30893		1,1,1	SPRING, RETAINING-CROSS PIN
66	44-47900		1,1,	SHAFT, PROPELLER
	44-52542		„1	SHAFT, PROPELLER
67	43-31887		1,1,1	REVERSE GEAR ASSEMBLY
68	15-29955A1		AR,AR,AR	SHIM, THRUST WASHER TO GEAR HOUSING (.002-3-5-10)
69	12-30633		1,1,1	WASHER, THRUST-BEARING CARRIER TO GEAR HOUSING
70	30-31265		1,1,1	BEARING, BALL-REVERSE GEAR
71	25-29976		1,1,1	"O" RING, BEARING CARRIER
72	31284A1		1,1,	BEARING CARRIER ASSEMBLY
	52132A1		„1	BEARING CARRIER ASSEMBLY
73	31-30956		1,1,1	BEARING, ROLLER-BEARING CARRIER
74	26-30550		2,2,2	OIL SEAL, BEARING CARRIER
75	28-30281		1,1,1	KEY, LOCATING-BEARING CARRIER
76	12-29957		1,1,	WASHER, GEAR HOUSING COVER
77	31037		1,1,	COVER, GEAR HOUSING
76	14-52700		„1	TAB WASHER, GEAR HOUSING COVER
77	52699		„1	COVER, GEAR HOUSING
78	31640A1		1,1,1	TRIM TAB ASSEMBLY, GEAR HOUSING
79	10-47580		1,1,1	SCREW, TRIM TAB TO GEAR HOUSING (1-3/4")
80	12-45176		2,2,2	WASHER, GEAR HOUSING TO DRIVE SHAFT HOUSING STUDS

CONTINUED ON NEXT PAGE ➡

# GEAR HOUSING ASSEMBLY, COMPLETE (PAGE 2)



## GEAR HOUSING ASSEMBLY, COMPLETE (PAGE 2)

REF. NO.	PART NO.	SYM.	QTY.	DESCRIPTION
81	11-34933		2,2,2	NUT, GEAR HOUSING TO DRIVE SHAFT HOUSING STUDS
82	10-34353		1,1,1	SCREW, GEAR HOUSING TO DRIVE SHAFT HOUSING (1")
83	12-31013		1,1,	WASHER, THRUST-BEARING CARRIER
84	46961A1		1,1,1	<b>THRUST HUB AND WASHER ASSEMBLY PART OF A-1623-3486A8 AND A9 GEAR HOUSING ASSEMBLIES COMPLETE</b>
85	12-29590		1,1,1	<b>WASHER, CUPPED-THRUST HUB PART OF A-1623-3486A8 AND A9 GEAR HOUSING ASSEMBLIES COMPLETE</b>
86	12-31211		1,1,1	WASHER, SPLINED-PROPELLER NUT
87	14-31210		1,1,1	TAB WASHER, PROPELLER NUT
88	11-29594		1,1,	NUT, PROPELLER
	11-52707		„1	NUT, PROPELLER

# PARTS INDEX

Part Number	Description	Pg.	Ref. No.	Part Number	Description	Pg.	Ref. No.
20121	CONNECTOR, HIGH TENSION CABLE (CAP END) . . . . .	23	--	26218	COVER, UPPER MOUNT- OUTSIDE HALF . . . . .	61	27
20121	CONNECTOR, SPARK PLUG LEAD . . . . .	19	--	26511	WIRE, STARTER MOTOR TO MOUNT . . . . .	27	34
20121	CONNECTOR, SPARK PLUG LEAD . . . . .	23	--	26551	BRACKET, GROUND STRAP TO CRANKCASE . . . . .	43	18
20121	TERMINAL, HIGH TENSION LEAD . . . . .	19	--	26852	CAP, NYLON - ADJUSTING SCREW . . . . .	15	7
20140	BELT, TIMING . . . . .	11	33	26901	BUMPER, IGNITION COIL . .	29	71
20140	BELT, TIMING . . . . .	13	33	27947	SWIVEL, LINKAGE - ECONOMIZER COLLAR . .	15	20
20208	SHAFT, REVERSE LOCK PIVOT . . . . .	57	47	27948	SWIVEL, UPPER LINK ROD TO THROTTLE CONTROL LEVER . . . . .	15	24
20634	SLIDE, CROSS PIN . . . . .	67	57	27955	CAP, DISTRIBUTING ADAPTOR AND PILOT FASTENING . . . . .	13	25
22463	KNOB, CHOKE ROD . . . . .	31	22	27955	CAP, IGNITION DRIVER ADAPTOR AND PILOT FASTENING . . . . .	11	25
22789	"D" WASHER, CLAMP FASTENING SCREW . . . .	15	--	28007A6	THROTTLE PICK-UP BRACKET ASSEMBLY . . .	31	13
22789	"D" WASHER, CLIP FASTENING SCREW . . . .	9	17	28203	BUMPER, STEERING ARM . .	55	30
22789	"D" WASHER, IGNITION COIL CLAMPING SCREW . . . .	29	64	28205	STRAP STOP, DRIVE SHAFT HOUSING TO SWIVEL BRACKET . . . . .	57	39
22789	"D" WASHER, MERCURY SWITCH LEAD CLIP SCREW . . . . .	45	48	28403A3	THUMB SCREW ASSEMBLY . .	55	2
22789	"D" WASHER, MERCURY SWITCH LEAD CLIP SCREW . . . . .	45	48	29277	PLATE, THROTTLE STOP . .	15	1
22789	"D" WASHER, WIRING HARNESS LEAD CLIP ATTACHING SCREW . . . .	5	48	29787	HUB, FLYWHEEL PULLEY . .	9	11
22789	"D" WASHER, WIRING HARNESS LEAD CLIP ATTACHING SCREW . . . .	29	57	29788	FLANGE, FLYWHEEL PULLEY . . . . .	9	9
22789	"D" WASHER, WIRING HARNESS LEAD CLIP ATTACHING SCREW . . . .	29	57	29906A1	DRIVEN PULLEY ASSEMBLY . .	11	27
22789	"D" WASHER, WIRING HARNESS LEAD CLIP ATTACHING SCREW . . . .	29	57	29906A1	DRIVEN PULLEY ASSEMBLY . .	13	27
22789	"D" WASHER, WIRING HARNESS LEAD CLIP ATTACHING SCREW . . . .	29	57	29907	FLANGE, DRIVEN PULLEY . .	11	29
22789	"D" WASHER, WIRING HARNESS LEAD CLIP ATTACHING SCREW . . . .	29	57	29907	FLANGE, DRIVEN PULLEY . .	13	29
23004	RETAINER, CHECK VALVE . .	39	7	30043	ADAPTOR, DISTRIBUTOR . .	13	17
23004	RETAINER, CHECK VALVE . .	39	7	30050	TERMINAL, STATOR LEAD WIRE . . . . .	9	13
23014A1	DIAPHRAGM KIT . . . . .	39	3	30109	GROUND ASSEMBLY, DISTRIBUTOR TO CRANKCASE . . . . .	15	9
23014A1	DIAPHRAGM KIT . . . . .	39	3	30186	ADAPTOR, CHECK UNIT (FUEL LINE) . . . . .	39	27
23760	BAFFLE, BOTTOM COWL . . .	51	10	30187	STEM, CHECK UNIT ADAPTOR . . . . .	39	28
24929	PACKING, "U" CUP . . . . .	61	29	30188	CUP WASHER, ADAPTOR . .	41	31
25067	BUMPER, RUBBER-MOUNTING SCREW . . . .	61	41	30269A2	FUEL PUMP ASSEMBLY- UPPER . . . . .	39	1
25596	WIRE, STARTER MOTOR TO STARTER SOLENOID AND TOP MOUNT . . . . .	27	34	30275	COVER, FUEL PUMP . . . . .	39	10
25596	WIRE, STARTER MOTOR TO STARTER SOLENOID AND TOP MOUNT . . . . .	27	34	30306	PULLEY, FLYWHEEL . . . . .	9	10
25661	STARTER SOLENOID . . . . .	27	38	30408	ADAPTOR, IGNITION DRIVER . . . . .	11	17
25996A1	SWIVEL AND LINK ROD ASSEMBLY . . . . .	15	21	30413	HOOK, COWL LATCH FASTENING . . . . .	7	13
26079	PLATE, BACKING - WIRING HARNESS . . . . .	27	46	30461A2	FUEL PUMP ASSEMBLY- LOWER . . . . .	39	9
26113	RACE, OUTER (PAIR) . . . .	49	17	30498	CAP, PLASTIC-TILT TUBE . .	55	7
				30625	FOLLOWER, CAM . . . . .	67	56



# PARTS INDEX

Part Number	Description	Pg.	Ref. No.	Part Number	Description	Pg.	Ref. No.
30915	INSERT, WATER PUMP BODY (ALUMINUM) . . . . .	63	23	37638	BOOT, CONTROL CABLES- BOTTOM COWL . . . . .	51	9
31014	MOUNT, RUBBER - REAR SUPPORT BRACKET . . . . .	3	33	37639	MOUNT, RUBBER - TOP COWL FRAME . . . . .	3	30
31037	COVER, GEAR HOUSING . . . . .	67	77	37640	MOUNT, RUBBER - FRONT SUPPORT BRACKET . . . . .	5	52
31095	STRIP, SOUND - LOWER SECTION . . . . .	7	8	37641	SEAL, EXHAUST TUBE . . . . .	65	37
31284A1	BEARING CARRIER ASSEMBLY . . . . .	67	72	37665	STRIP, RETAINING-TRIM COVER SEAL (SIDE) . . . . .	59	9
31288	COVER, TRANSFER PORT . . . . .	45	55	37747	GROUND STRAP, STOP BRACKET TO FRONT SUPPORT BRACKET . . . . .	15	4
31640A1	TRIM TAB ASSEMBLY, GEAR HOUSING . . . . .	67	78	37896	GUIDE BLOCK, LINK ROD . . . . .	53	43
31935	BLANKET, SOUND ABSORBING - WRAP AROUND COWL . . . . .	7	14	37903	FLANGE, RUBBER - FRONT TOP COWL SUPPORT BRACKET . . . . .	5	42
32362	KNOB, COWL FRONT COVER FASTENING . . . . .	7	2	37903	FLANGE, RUBBER-DRIP TRAY . . . . .	51	7
32435	PLATE, FACE-WATER PUMP BASE TO WATER PUMP BODY . . . . .	63	20	37913	LEVER, CONTROL CABLE LOCKING-ANCHOR BRACKET . . . . .	53	48
32445	STARTER SOLENOID . . . . .	27	38	37918	SEAL, EXHAUST EXTENSION PLATE . . . . .	51	30
33020	STOP, SPARK ADVANCE - IGNITION DRIVER PILOT . . . . .	11	5	37919	SEAL, TRIM COVER TO DRIVE SHAFT HOUSING . . . . .	59	8
33148	CLUSTER, THROTTLE LEVER . . . . .	31	10	37920A1	COVER PLATE ASSEMBLY, BOTTOM COWL . . . . .	51	2
33385A5	SWITCH, MERCURY . . . . .	45	42	37940	PAD, SOUND-COVER PLATE . . . . .	51	3
33385A6	SWITCH, MERCURY . . . . .	45	42	37940	PAD, SOUND-DRIP TRAY . . . . .	51	6
35474	COVER, LOWER MOUNT CLAMP . . . . .	61	49	38032	STRIP, RETAINING- EXHAUST EXTENSION PLATE SEAL . . . . .	51	31
35496	PAD, BUMPER - TOP COWL RETAINER . . . . .	3	3	38051	PLATE, SUPPORT-EXHAUST TUBE SEAL . . . . .	65	38
35552	SEAL, SOUND - UPPER SECTION . . . . .	7	9	38052	STRIP, RETAINING-TRIM COVER SEAL (REAR) . . . . .	59	10
35608	CLAMP, LOWER MOUNT TO DRIVE SHAFT HOUSING . . . . .	61	46	38279	LATCH, CONTROL CABLE FASTENING-ANCHOR BRACKET . . . . .	53	45
36288	CAM, SHIFT . . . . .	67	55	38448	RETAINER, WATER TUBE SEAL . . . . .	51	25
37331	PLATE, SPACER - STARTER MOTOR TO BRACKET . . . . .	27	30	38468A4	PLATE ASSEMBLY, EXHAUST EXTENSION . . . . .	51	23
37396	MOUNT, RUBBER-UPPER . . . . .	59	26	38469	TUBE, EXHAUST (SHORT SHAFT) . . . . .	59	13
37397	MOUNT, RUBBER-LOWER . . . . .	61	38	38470	TUBE, EXHAUST (LONG SHAFT) . . . . .	59	13
37412	LEVER, CLAMPING - TOP COWL MOUNTING . . . . .	3	15	38674	BLANKET, SOUND ABSORBING - FRONT COVER . . . . .	7	7
37417	COVER, TRIM-DRIVE SHAFT HOUSING . . . . .	59	6	38747	BRACKET, SUPPORT - STARTER MOTOR . . . . .	27	31
37419	YOKE, BOTTOM . . . . .	57	42	38802	CAP, BRASS BARREL OF THROTTLE CABLE . . . . .	53	40
37432	SHAFT, SHIFT-LOWER . . . . .	65	39	39015A1	REVERSE LOCK ASSEMBLY . . . . .	57	46
37440	BRACKET, MOUNT SUPPORT-CYLINDER BLOCK . . . . .	45	57	39019	SPACER, LOWER-REVERSE LOCKING . . . . .	65	45
37445	SUPPORT, WIRING HARNES-BOTTOM COWL . . . . .	51	13	39021	CAM, REVERSE LOCKING . . . . .	65	46
37447	PLATE, BAFFLE PLATE TO MANIFOLD COVER . . . . .	45	38	45068	CHOKE SOLENOID . . . . .	31	1
37569	SHIELD, TOP COWL - REAR . . . . .	3	7				
37587	SWIVEL, LOWER - THROTTLE CTRL LEVER TO THROTTLE CABLE . . . . .	17	33				
37588	ROD, LINK - UPPER . . . . .	15	23				
37637	BOOT, FUEL CONNECTOR- BOTTOM COWL . . . . .	51	12				

# PARTS INDEX

Part Number	Description	Pg.	Ref. No.	Part Number	Description	Pg.	Ref. No.
46144	BRACKET, COWL LATCH - TOP COWL FASTENING	3	11	47804	SHUTTER, CHOKE - CARBURETOR	31	30
46170	BRACKET, TOP COWL SUPPORT - REAR	3	32	47869A1	BRACKET ASSEMBLY, ANCHOR CONTROL CABLES	53	39
46240A5	BRACKET ASSEMBLY, TOP COWL SUPPORT - FRONT	5	41	47885A1	IGNITION DRIVER PILOT ASSEMBLY	11	2
46242A1	DISTRIBUTOR PILOT ASSEMBLY	13	2	47899A9	SPARK PLUG LEAD ASSEMBLY #1, #2, #3 AND #4	23	27
46251	PLATE, THROTTLE STOP	15	1	47899A9	SPARK PLUG LEAD ASSEMBLY (27-1/2")	19	31
46280	BRACKET, RETAINER - HIGH TENSION LEAD	25	22	47956	WIRING HARNESS (INTERNAL)	27	45
46281	RETAINER, HIGH TENSION LEADS	15	11	48039	CAP, THROTTLE ACTUATOR ADJUSTING SCREW	11	15
46287	GROUND STRAP ASSEMBLY	27	37	48039	CAP, THROTTLE ACTUATOR ADJUSTING SCREW	13	15
46298	COVER, EXHAUST MANIFOLD	45	40	48047A1	LINK ROD ASSEMBLY	53	36
46302	ROD, CHOKE	31	28	48103A1	ECONOMIZER COLLAR AND PIN ASSEMBLY	11	8
46303	LINK, CHOKE KNOB TO CHOKE ROD	31	24	48103A1	ECONOMIZER COLLAR AND PIN ASSEMBLY	13	8
46319	CLUSTER, THROTTLE LEVER	31	10	48105A2	BRACKET ASSEMBLY, TOP COWL SUPPORT - FRONT	5	41
46785A1	COWL LATCH ASSEMBLY	7	12	48278A1	SWITCH, MERCURY	45	42
46933A1	GROUND STRAP ASSEMBLY, CRANKCASE TO BOTTOM COWL	53	52	48306	PLATE, THROTTLE ACTUATOR	11	11
46933A2	GROUND STRAP ASSY, DRIVE SHAFT HOUSING TO BOTTOM COWL	53	53	48306	PLATE, THROTTLE ACTUATOR	13	11
46961A1	THRUST HUB AND WASHER ASSEMBLY	69	84	48315A4	PLUNGER AND LINK ASSEMBLY, CHOKE SOLENOID	31	7
46985	WIRING HARNESS (INTERNAL)	27	45	48562	LEVER, THROTTLE CONTROL	15	25
47271	FRAME, TOP COWL SUPPORT	3	28	48752	INSERT, WATER PUMP BODY (PLASTIC)	63	23
47325A1	SHIFT SHAFT ASSEMBLY, UPPER (SHORT SHAFT)	51	33	49087A2	PLATE ASSEMBLY, EXHAUST EXTENSION	51	23
47326A1	SHIFT SHAFT ASSEMBLY, UPPER (LONG SHAFT)	53	33	49184	RECTIFIER	25	11
47341A1	ROPE, STARTER (FOR MANUAL STARTING ONLY)	3	10	49370	WIRING HARNESS (INTERNAL)	27	45
47555A1	RETAINER ASSEMBLY, TOP COWL	3	2	49448	SHIELD, TOP COWL - REAR	3	7
47558	ROD, PUSH-REVERSE LOCK (LONG SHAFT)	59	21	49682	CLUSTER, THROTTLE LEVER	31	10
47559	YOKE, PUSH ROD	59	23	49730	BRACKET, RECTIFIER MOUNTING	25	17
47560	GUIDE, PUSH ROD- REVERSE LOCKING	59	20	49731	WIRE, STARTER MOTOR TO STARTER SOLENOID	27	34
47591	ROD, PUSH-REVERSE LOCK (SHORT SHAFT)	59	21	49904A1	SHIFT SHAFT ASSEMBLY, UPPER (SHORT SHAFT)	53	33
47604A1	PROTECTOR ASSEMBLY, SPARK PLUG LEADS	21	34	49905A1	SHIFT SHAFT ASSEMBLY, UPPER (LONG SHAFT)	53	33
47604A1	PROTECTOR, SPARK PLUG LEAD	23	28	49932A1	LEVER ASSEMBLY, CONTROL CABLE LOCKING-ANCHOR BRACKET	53	48
47799A1	TILT LOCK ASSEMBLY, STARBOARD	55	23	49935	CAP, BRASS BARREL OF THROTTLE CABLE	53	40
47800A1	TILT LOCK ASSEMBLY, PORT	55	24				
47802	TUBE, TILT LOCK	55	25				

# PARTS INDEX

Part Number	Description	Pg.	Ref. No.	Part Number	Description	Pg.	Ref. No.
52100	WEAR PLATE, LINK ROD (NOT AS SHOWN) . . . . .	53	44	10-20100	SCREW, LINK TO CHOKE KNOB . . . . .	31	25
52132A1	BEARING CARRIER ASSEMBLY . . . . .	67	72	10-20100	SCREW, MERC SWITCH LEAD TO FRONT SUPPORT BRACKET (1/2")	45	47
52552A3	TACHOMETER MODULE ASSEMBLY (MERC 650S-5) . . . . .	1	-	10-20359	SCREW, CENTER MAIN BEARING LOCKING . . . . .	43	24
52635	BRACKET, TOP COWL SUPPORT - FRONT . . . . .	5	41	10-20362	SCREW, FRONT BRACKET TO TOP COWL FRAME (1 1/2") . . . . .	5	50
52699	COVER, GEAR HOUSING . .	67	77	10-20540	SCREW, TRANSFER PORT COVER TO CYLINDER BLOCK (5/8") . . . . .	45	56
52733A1	RETAINER ASSEMBLY, TOP COWL . . . . .	3	2	10-20646	SCREW, SHIM/TRIGGER HOUSING TO PRIMARY HOUSING (5/8") . . . . .	23	13
52737	HOOK, TOP COWL LATCH - REAR . . . . .	3	25	10-20776	SCREW, RECTIFIER MOUNTING BRACKET TO COIL BRACKET (1/2") . . .	25	20
52737	LEVER, COWL LATCH HINGE . . . . .	3	22	10-20776	SCREW, WIRING HARNESS LEAD TO BOTTOM COWL (1/2") . . . . .	27	53
52739	HINGE, COWL LATCH - TOP COWL . . . . .	3	21	10-20847	SCREW, CLUSTER TO THROTTLE LEVER . . . . .	31	11
52739	SPRING, COWL LATCH HINGE . . . . .	3	24	10-20847	SCREW, THROTTLE STOP LEVER . . . . .	35	19
52740	BRACKET, TOP COWL SUPPORT - REAR . . . . .	3	32	10-20854	SCREW, FLOAT BOWL COVER (SHORT) . . . . .	35	10
52820	WIRING HARNESS (INTERNAL) . . . . .	27	45	10-21091	SCREW, COWL LATCH BRACKET TO TOP COWL (1 1/8") . . . . .	3	12
52862A1	DRIP TRAY ASSEMBLY, BOTTOM COWL . . . . .	51	5	10-21106	SCREW, BAFFLE TO BOTTOM COWL . . . . .	51	11
52887	GUIDE, PUSH ROD- REVERSE LOCKING . . . . .	59	20	10-21504	SCREW, ADJUSTING - THROTTLE STOP (1-1/4")	15	5
52889	NOZZLE, TELL TALE HOSE TO BOTTOM COWL . . . . .	51	18	10-21625	SCREW, STARTER SOLENOID TO COIL BRACKET . . . . .	27	39
52932A2	PLATE ASSEMBLY, EXHAUST EXTENSION . .	51	23	10-21722	SCREW, RETAINER BRACKET TO FRONT SUPPORT BRACKET (5/8")	25	23
53071	COVER, UPPER AND LOWER SHOCK MOUNTING PIN . . . . .	57	57	10-21722	SCREW, VENT HOSE CLAMP (5/8") . . . . .	15	17
53078	CAP, PLASTIC-TILT TUBE . .	55	7	10-22040	SCREW, DISTRIBUTOR ADAPTOR AND PILOT TO CRANKCASE . . . . .	13	19
53121	LINK, CHOKE KNOB TO CHOKE ROD . . . . .	31	24	10-22040	SCREW, FRONT SUPPORT BRACKET TO BOTTOM COWL (1 1/2") . . . . .	5	44
53145	BRACKET, RECTIFIER MOUNTING (NOT AS SHOWN) . . . . .	25	17	10-22040	SCREW, IGNITION DRIVER ADAPTOR AND PILOT TO CRANKCASE . . . . .	11	19
53156A3	FUEL PUMP ASSEMBLY- UPPER . . . . .	39	1	10-22421	SCREW, CYLINDER BLOCK COVER MOUNTING (1- 1/4") . . . . .	45	52
53216	LUBRICAP, SWIVEL BRACKET GREASE FITTING . . . . .	55	22	10-22485	NUT, RECTIFIER TO FRONT SUPPORT BRACKET SCREW . . . . .	25	10
53334	SEAL, SOUND - TOP . . . . .	7	10				
53649A2	THROTTLE PICK-UP BRACKET ASSEMBLY . . .	31	15				
53665	INSERT, THROTTLE PICK- UP BRACKET . . . . .	31	16				
53889A3	SHIFT SHAFT ASSEMBLY, UPPER (LONG SHAFT) . .	53	33				
53889A4	SHIFT SHAFT ASSEMBLY, UPPER (SHORT SHAFT) .	53	33				
54346	CAM, SHIFT . . . . .	67	55				
55692	COUPLING, SHIFT SHAFT . .	53	34				
10-20037	SCREW, RETAINER TO HOUSING . . . . .	39	8				

# PARTS INDEX

Part Number	Description	Pg.	Ref. No.	Part Number	Description	Pg.	Ref. No.
10-22486	SCREW, IGNITION COIL TO BOTTOM COWL (7/8") . . .	29	66	10-28405	SCREW, PLUG - MAIN FUEL JET CHANNEL . . . . .	35	28
10-22698	SCREW, STARTER MOTOR TO CRANKCASE FLANGE (1-3/4") . . . . .	25	28	10-28424	SCREW, LOWER SHOCK PIN (LONG SHAFT) . . . . .	57	--
10-22956	SCREW, REAR HOOK TO TOP COWL (7/8") . . . . .	3	26	10-28450	SCREW, NYLOK-UPPER AND LOWER SHOCK MOUNTING PIN . . . . .	57	56
10-22956	SCREW, RETAINER BRACKET TO FRONT SUPPORT BRACKET (7/8")	25	23	10-28634	SCREW, GREASE FILLER AND VENT HOLE . . . . .	65	48
10-22968	SCREW, CENTER MAIN BEARING CLAMPING . . . .	49	19	10-28635	SCREW, TRANSFER PORT COVER TO CYLINDER BLOCK (5/8") . . . . .	45	56
10-23702	SCREW, ADJUSTING - THROTTLE ACTUATOR (1- 1/8") . . . . .	11	13	10-28708	SCREW, MERCURY SWITCH TO MANIFOLD COVER (1/2") . . . . .	45	43
10-23702	SCREW, ADJUSTING 0 THROTTLE ACTUATOR (1- 1/8") . . . . .	13	13	10-28773	SCREW, UPPER MOUNT COVER (1-5/8") . . . . .	61	30
10-24226	SCREW, EXTENSION PLATE TO DRIVE SHAFT HOUSING (1-1/4") . . . . .	51	27	10-28775	SCREW, UPPER MOUNT COVER (2-1/8") . . . . .	61	31
10-24234	SCREW, ANCHOR BRACKET TO CYLINDER BLOCK (1")	53	41	10-28846	SCREW, PLUG - MAIN NOZZLE . . . . .	35	33
10-24234	SCREW, BRACKET TO CYLINDER BLOCK (1") . .	45	58	10-29072	SCREW, RECTIFIER MOUNTING BRACKET TO COIL BRACKET (5/8") . . .	25	18
10-24866	SCREW, SWITCH BOX TO FRONT SUPPORT BRACKET (3/4") . . . . .	25	4	10-29072	SCREW, VENT HOSE CLAMP . . . . .	15	17
10-24933	SCREW, ADJUSTING - THROTTLE STOP (1-1/2")	15	5	10-29072	SCREW, WIRING HARNESS LEAD CLIP ATTACHING (5/8") . . . . .	5	47
10-25299	SCREW, CHOKE SOLENOID ATTACHING (3/4") . . . . .	31	4	10-29072	SCREW, WIRING HARNESS LEAD CLIP ATTACHING (5/8") . . . . .	29	56
10-25612	SCREW, DRIVE-SERIAL PLATE TO SWIVEL BRACKET . . . . .	57	37	10-29072	SCREW, WIRING HARNESS LEAD CLIP ATTACHING (5/8") . . . . .	29	56
10-25764	SCREW, MERCURY SWITCH TO FRONT SUPPORT BRACKET (1/2") . . . . .	45	43	10-29072	SCREW, WIRING HARNESS LEAD CLIP ATTACHING (5/8") . . . . .	29	56
10-25822	SCREW, STRAINER COVER FASTENING . . . . .	35	18	10-29197	SCREW, GROUND WIRE TO STARTER MOTOR . . . . .	27	35
10-25850	SCREW, FLOAT BOWL COVER (LONG) . . . . .	35	11	10-29239	SCREW, THROTTLE BRACKET MOUNTING (1/2")	31	14
10-26065	SCREW, REAR SUPPORT BRACKET TO TOP COWL FRAME (1") . . . . .	5	37	10-29256	SCREW, LOWER MOUNT CLAMP TO DRIVE SHAFT HOUSING (7/8") . . . . .	61	48
10-26132	SCREW, CRANKCASE TO CYLINDER BLOCK (2-1/2")	43	15	10-29282	SCREW, THROTTLE STOP PLATE TO ADAPTOR (3/4")	15	3
10-26548	SCREW, GROUND STRAP TO BRACKET . . . . .	43	19	10-29465	SCREW, REED STOP MOUNTING . . . . .	49	12
10-28009	BOLT, CLAMP BRACKET TO BOAT TRANSOM (LOWER)	55	14	10-29608	SCREW, GEAR HOUSING FLUSHING HOLE (ALUMINUM) . . . . .	65	50
10-28192	SCREW, RECTIFIER MOUNTING BRACKET TO COIL BRACKET (1/2") . . .	25	18	10-29722	SCREW, COVER TO LOWER CLAMP MOUNT . . . . .	61	51
10-28200	SCREW, STRAP STOP TO DRIVE SHAFT HOUSING (2-7/8") . . . . .	57	40	10-29852	SCREW, RECTIFIER TERMINALS . . . . .	25	14
10-28259	SCREW, PRIMARY HARNESS CABLE CLAMP FASTENING (5/8") . . . . .	19	9	10-29878	SCREW, PUMP MOUNTING (1-1/2")-UPPER PUMP . . .	39	11
				10-29911	SCREW, PULLEY CLAMPING	13	32

# PARTS INDEX

Part Number	Description	Pg.	Ref. No.	Part Number	Description	Pg.	Ref. No.
10-30009	SCREW, COVER PLATE TO BOTTOM COWL (3/8") . . .	51	4	10-34439	SCREW, RETAINER TO EXTENSION PLATE (3/4")	51	26
10-30009	SCREW, MERCURY SWITCH LEADS (3/8") . . . . .	45	45	10-36351	SCREW, MAIN BEARING LOCKING . . . . .	43	22
10-30225	SCREW, LOWER END CAP MOUNTING . . . . .	43	31	10-37370	SCREW, SHIELD TO TOP COWL (5/8") . . . . .	3	8
10-30225	SCREW, UPPER END CAP MOUNTING . . . . .	43	5	10-37370	SCREW, WIRING HARNESS LEAD CLIP ATTACHING (5/8") . . . . .	29	56
10-30273	SCREW, PUMP MOUNTING (1-7/8")-LOWER PUMP . . .	39	14	10-37558	SCREW, REAR SUPPORT BRACKET TO BOTTOM COWL (1 1/4") . . . . .	5	39
10-30273	SCREW, PUMP MOUNTING (1-7/8")-UPPER PUMP . . .	39	12	10-37558	SCREW, RETAINER TO TOP COWL (1 1/4") . . . . .	3	5
10-30274	SCREW, PUMP MOUNTING (1-3/4")-UPPER PUMP . . .	39	12	10-37559	SCREW, THROTTLE LEVER TO EXHAUST COVER (1- 3/4") . . . . .	17	29
10-30453	BOLT, STEERING ARM TO UPPER MOUNT . . . . .	55	31	10-37561	SCREW, ADAPTOR TO BOTTOM COWL (2-1/2") . .	41	32
10-30663	SCREW, GROUND STRAP ATTACHING (3/8") . . . . .	53	54	10-37561	SCREW, IGNITION COIL TO BOTTOM COWL . . . . .	29	68
10-30720	SCREW, WATER PUMP BODY TO GEAR HOUSING (2-1/4") . . . . .	65	28	10-37561	SCREW, WIRING HARNESS SUPPORT TO BOTTOM COWL (2-1/2") . . . . .	51	14
10-31206	SCREW, WIRING HARNESS LEAD CLIP ATTACHING (7/16") . . . . .	29	56	10-37571	SCREW, SEAL AND STRIP TO EXHAUST EXTENSION PLATE (1/2") . . . . .	51	32
10-31208	SCREW, STARTER SOLENOID TO STARTER MOTOR . . . . .	27	39	10-37571	SCREW, TRIM COVER TO BOTTOM COWL (1/2") . . .	59	7
10-31299	SCREW, THROTTLE STOP PLATE TO ADAPTOR (7/8")	15	3	10-37655	SCREW, COVER TO SHOCK MOUNTING SCREWS (1/2") . . . . .	57	58
10-31827	BOLT, CLAMP BRACKET TO BOAT TRANSOM (UPPER)	55	14	10-37990	SCREW, ADAPTOR TO BOTTOM COWL (1-3/4") . .	41	32
10-31830	SCREW, RIDE-GUIDE ATTACHING (1-3/4") . . . . .	55	34	10-37990	SCREW, WIRING HARNESS SUPPORT TO BOTTOM COWL (1-3/4") . . . . .	51	14
10-32293	SCREW, CRANKCASE TO CYLINDER BLOCK (1-3/4")	43	15	10-38036	SCREW, PUMP MOUNTING (1-1/2")-LOWER PUMP . . .	39	13
10-32417	SCREW, FLEXIBLE PLATE TO FLYWHEEL 11- . . . . .	9	6	10-38036	SCREW, PUMP MOUNTING (1-1/2")-UPPER PUMP . . .	39	11
10-32627	SCREW, ADAPTOR TO HOUSING . . . . .	23	11	10-38601	SCREW, EXHAUST TUBE TO EXHAUST EXTENSION PLATE (5/8") . . . . .	59	14
10-33008	SCREW, CRANKCASE&STARTER MTR BRCKT TO CYL BLK (3-1/2") . . . . .	43	16	10-38837	SCREW, BAFFLE PLATE AND COVER MOUNTING .	45	41
10-33860	SCREW, CRANKCASE TO CYLINDER BLOCK (2") . .	43	15	10-45218	SCREW, IGNITION COIL WIRE TO SWITCH BOX (3/8") . . . . .	29	70
10-34222	SCREW, DRIP TRAY TO BOTTOM COWL (1/2") . . .	51	8	10-45218	SCREW, SHIM/TRIGGER HOUSING TO PRIMARY HOUSING (3/8") . . . . .	23	13
10-34222	SCREW, MERCURY SWITCH LEAD CLIP TO CRANKCASE (1/2") . . . . .	45	47	10-45739	SCREW, CAP TO CONNECTING ROD . . . . .	49	26
10-34222	SCREW, MERCURY SWITCH LEAD CLIP TO CRANKCASE (1/2") . . . . .	45	47	10-45775	SCREW, MAIN BEARING CLAMPING . . . . .	49	8
10-34222	SCREW, STATOR LEAD CLIP FASTENING (1/2") . . . . .	9	16	10-45862	ING HARNESS CLAMP TO BOTTOM COWL (7/8") . . .	27	51
10-34222	SCREW, TELL TALE NOZZLE TO BOTTOM COWL (1/2")	51	19	10-45893	SCREW, BACKING PLATE TO BOTTOM COWL (7/8")	27	47
10-34353	SCREW, GEAR HOUSING TO DRIVE SHAFT HOUSING (1") . . . . .	69	82				

# PARTS INDEX

Part Number	Description	Pg.	Ref. No.	Part Number	Description	Pg.	Ref. No.
10-45914	SCREW, DISTRIBUTOR CAP TO ADAPTOR TO HOUSING (2")	23	19	10-52867	SCREW, BAFFLE TO BOTTOM COWL	51	11
10-46368	SCREW, IGNITION COIL CLAMPING (2-1/4")	29	60	10-53077	SCREW, UPPER AND LOWER SHOCK MOUNTING PIN (3/4")	57	56
10-46368	SCREW, IGNITION COIL CLAMPING (2-1/4")	29	60	10-53651	SCREW, THROTTLE BRACKET MOUNTING (1/2")	31	17
10-46368	SCREW, IGNITION COIL CLAMPING - CLIP ATTACHING (2-1/2")	29	60	11-20013	NUT, HIGH TENSION LEAD RETAINER SCREW	15	13
10-46378	SCREW, HIGH TENSION LEAD RETAINER (1")	15	12	11-20013	NUT, THROTTLE STOP ADJUSTING SCREW	15	6
10-46420	SCREW, THROTTLE ACTUATOR TO ECONOMIZER (1/2")	11	12	11-20061	NUT, CONNECTING ROD SCREW	49	27
10-46420	SCREW, THROTTLE ACTUATOR TO ECONOMIZER COLLAR (1/2")	13	12	11-20083	NUT, CLAMP BRACKET STUD	55	11
10-47181	SCREW, IGNITION DRIVER CAP FASTENING (1-7/8")	19	26	11-20083	NUT, DISTRIBUTOR ADAPTOR AND PILOT SCREW	13	21
10-47182	SCREW, TERMINAL BOARD ASSEMBLY FASTENING (1/2")	19	4	11-20083	NUT, IGNITION DRIVER ADAPTOR AND PILOT SCREW	11	21
10-47183	SCREW, SET - COIL ASSEMBLY FASTENING	19	2	11-20083	NUT, SOLENOID TERMINAL - INSIDE (5/16")	27	42
10-47184	SCREW, IGNITION DRIVER CAP FASTENING (1-1/2")	19	26	11-20088	NUT, RUBBER MOUNT TO REAR SUPPORT BRACKET	3	36
10-47185	SCREW, IGNITION DRIVER COVER FASTENING (3/4")	19	19	11-20088	NUT, THRU BOLT - BRACKET TO STARTER MOTOR	27	33
10-47194	SCREW, BEARING CAP FASTENING (9/16")	19	14	11-20110	NUT, CARBURETOR SCREEN STUD	33	37
10-47580	SCREW, TRIM TAB TO GEAR HOUSING (1-3/4")	67	79	11-20110	NUT, CHOKE SHUTTER TO CARBURETOR STUD	31	33
10-47828	SCREW, DRIVE-SWIVEL BRACKET	55	20	11-20190	NUT, IGNITION COIL CLAMPING SCREW	29	65
10-47910	SCREW, PILOT ASSEMBLY TO IGNITION DRIVER (5/8")	11	7	11-20361	NUT, LINK ROD	53	47
10-48291	SCREW, PILOT ASSEMBLY TO DISTRIBUTOR (1-1/8")	13	7	11-20361	NUT, RUBBER MOUNT TO TOP COWL FRAME	3	31
10-48408	SCREW, RETAINING STRIP TO DRIVE SHAFT HOUSING (1/2")	59	5	11-20361	NUT, THROTTLE CABLE TO LOWER SWIVEL	17	34
10-48409	SCREW, RETAINING STRIP TO DRIVE SHAFT HOUSING (5/8")	59	4	11-20361	NUT, UPPER UPPER LINK ROD TO THROTTLE CONTROL LEVER	17	28
10-49006	SCREW, PLATE AND HUB TO FLEXIBLE PLATE	9	7	11-20509	NUT, POWERHEAD STUDS	59	17
10-49318	SCREW, UPPER MOUNT (5-1/2")	61	39	11-20509	NUT, RIDE-GUIDE ATTACHING SCREW	55	35
10-49989	SCREW, PULLEY CLAMPING (5/8")	11	32	11-20509	NUT, THROTTLE CONTROL LEVER SCREW	17	32
10-49997	SCREW, VENT HOSE CLAMP (5/8")	15	17	11-20586	NUT, RUBBER MOUNT TO TOP COWL FRAME	3	31
10-52195	SCREW, FLOAT BOWL COVER (SHORT)	35	10	11-20645	NUT, IGNITION COIL CLAMPING SCREW	29	61
10-52196	SCREW, FLOAT BOWL COVER (LONG)	35	11	11-20645	NUT, SOLENOID TERMINAL (#10)	27	44
				11-20645	NUT, THROTTLE ACTUATOR ADJUSTING SCREW	11	14
				11-20645	NUT, THROTTLE ACTUATOR ADJUSTING SCREW	13	14

# PARTS INDEX

Part Number	Description	Pg.	Ref. No.	Part Number	Description	Pg.	Ref. No.
11-20890	NUT, STARTER MOTOR TERMINAL .....	25	27	11-35521	NUT, MOUNT CLAMP COVER .....	61	50
11-20922	NUT, RECTIFIER TO RECTIFIER MOUNTING BRACKET .....	25	13	11-35921	NUT, PINION GEAR TO DRIVE SHAFT .....	63	9
11-22053	NUT, RUBBER MOUNT TO FRONT SUPPORT BRACKET .....	5	54	11-37424	NUT, SWIVEL PIN RETAINING .....	57	43
11-22178	NUT, STEERING ARM BOLT FASTENING .....	55	32	11-45076	NUT, RECTIFIER TERMINAL	25	8
11-22178	NUT, UPPER MOUNT BOLT	61	37	11-45076	NUT, SWITCH BOX TERMINAL .....	25	3
11-22339	NUT, FLYWHEEL .....	9	2	11-45592	NUT, WATER PUMP BODY FASTENING STUD .....	65	33
11-23161	NUT, POWERHEAD STUDS	59	16	11-45774	NUT, MAIN BEARING CLAMPING SCREW .....	49	9
11-24656	NUT, CLAMP FASTENING SCREW .....	15	18	11-46438	NUT, ADAPTOR TO HOUSING SCREW .....	23	12
11-24656	NUT, MERCURY SWITCH LEAD FASTENING SCREW	45	49	11-46438	NUT, DISTRIBUTOR CAP FASTENING SCREW ....	23	21
11-24656	NUT, RECTIFIER MOUNTING BRACKET SCREW .....	25	19	11-46793	NUT, CARBURETOR MOUNTING STUD .....	37	37
11-24656	NUT, WIRING HARNESS LEAD CLIP ATTACHING SCREW .....	5	49	11-46793	NUT, CRANKCASE TO CYLINDER BLOCK SCREW .....	43	21
11-24656	NUT, WIRING HARNESS LEAD CLIP ATTACHING SCREW .....	29	58	11-46793	NUT, FRONT SUPPORT BRACKET SCREW .....	5	45
11-24656	NUT, WIRING HARNESS LEAD CLIP ATTACHING SCREW .....	29	58	11-46793	NUT, REAR SUPPORT BRACKET SCREW .....	5	38
11-24656	NUT, WIRING HARNESS LEAD CLIP ATTACHING SCREW .....	29	58	11-46886	NUT, UPPER MOUNT COVER SCREW .....	61	33
11-25096	NUT, MOUNT SCREW .....	61	40	11-46887	NUT, ADAPTOR FASTENING SCREW .....	41	33
11-25168	NUT, UPPER LINK ROD ADJUSTING .....	15	22	11-46887	NUT, CHOKE ROD SPRING TO CARBURETOR STUD .	31	20
11-25269	NUT, STRAP STOP FASTENING SCREW ....	57	41	11-46887	NUT, COVER MOUTNING SCREW .....	45	53
11-28010	NUT, CLAMP BRACKET BOLT .....	55	16	11-46887	NUT, EXHAUST EXTENSION PLATE SCREW .....	51	28
11-28770	NUT, WATER PUMP BODY FASTENING STUD (5/16")	65	33	11-46887	NUT, IGNITION COIL SCREW	29	69
11-29322	NUT, EXHAUST TUBE SCREW .....	59	15	11-46887	NUT, LOWER SHOCK PIN SCREW (LONG SHAFT) ..	57	--
11-29469	NUT, REED STOP MOUNTING SCREW ....	49	13	11-46887	NUT, MAIN BEARING CLAMPING SCREW .....	49	20
11-29488	NUT, RECTIFIER TERMINALS .....	25	15	11-46887	NUT, RETAINER BRACKET SCREW .....	25	24
11-29489	NUT, GEAR HOUSING AND DRIVE SHAFT HOUSING STUDS .....	61	44	11-46887	NUT, SWITCH BOX TO FRONT SUPPORT BRACKET SCREW .....	25	5
11-29594	NUT, PROPELLER .....	69	88	11-46887	NUT, VENT HOSE CLAMP SCREW .....	15	18
11-29598	NUT, WATER PUMP BODY FASTENING STUDS (1/4")	65	31	11-46887	NUT, WIRING HARNESS SUPPORT SCREW .....	51	15
11-30499	NUT, TILT TUBE FASTENING	55	6	11-47661	NUT, JAM-PUSH ROD .....	59	22
11-34933	NUT, GEAR HOUSING AND DRIVE SHAFT HOUSING STUDS .....	61	42	11-52707	NUT, PROPELLER .....	69	88
11-34933	NUT, GEAR HOUSING TO DRIVE SHAFT HOUSING STUDS .....	69	81	12-20084	WASHER, DISTRIBUTOR ADAPTOR AND PILOT SCREW .....	13	20
				12-20084	WASHER, GROUND STRAP AND CRANKCASE SCREW	43	20

# PARTS INDEX

Part Number	Description	Pg.	Ref. No.	Part Number	Description	Pg.	Ref. No.
12-20086	WASHER, POWERHEAD STUDS	59	18	12-30771	WASHER, COVER FASTENING KNOB (RUBBER)	7	3
12-20128	WASHER, WIRING HARNESS CLAMP SCREW	27	51	12-31013	WASHER, THRUST-BEARING CARRIER	69	83
12-20260	WASHER, GREASE FILLER AND VENT HOLE SCREW	65	49	12-31211	WASHER, SPLINED-PROPELLER NUT	69	86
12-20346	WASHER, RUBBER MOUNT STUD	3	34	12-31266	WASHER, RUBBER-SHIFT SHAFT BUSHING	65	44
12-21631	WASHER, CONTROL CABLE LATCH LINK ROD	53	46	12-33001	WASHER, FLYWHEEL NUT	9	3
12-24664	WASHER, LINK ROD (SHIFT LEVER END)	53	37	12-36001	WASHER, WATER PUMP BODY FASTENING STUD	65	32
12-26436	WASHER, DISTRIBUTOR CAP FASTENING SCREW	23	20	12-37407	WASHER, IGNITION COIL CLAMPING SCREW	29	62
12-26825	WASHER, CRANKCASE AND STARTER MOTOR BRACKET SCREW	43	17	12-37429	WASHER, SWIVEL PIN-LOWER (TOP WASHER OPTIONAL)	55	33
12-27129	WASHER, COVER FASTENING KNOB (STEEL)	7	4	12-37905	WASHER, NYLON-LINK ROD	53	44
12-27939	WASHER, DISTRIBUTOR PILOT	13	22	12-37998	WASHER, COWL LATCH BRACKET SCREW (1/32" THICK)	3	14
12-27939	WASHER, IGNITION DRIVER PILOT	11	22	12-38006	WASHER, CLAMPING LEVER	3	17
12-28008	WASHER, CLAMP BRACKET BOLT (LOWER)	55	15	12-38753	WASHER, WATER PUMP BODY FASTENING SCREW AND STUD	65	30
12-28196	WASHER, UPPER BUSHING RETAINER (INNER)	57	50	12-38832	WASHER, PULLEY CLAMPING SCREW	11	31
12-28264	WASHER, LOWER BUSHING RETAINER (INNER)	57	51	12-45075	WASHER, RECTIFIER TERMINAL	25	7
12-28404	WASHER, THUMB SCREW	55	3	12-45075	WASHER, SWITCH BOX TERMINAL	25	2
12-28421	WASHER, CLAMP BRACKET BOLT (UPPER)	55	15	12-45075	WASHER, SWITCH BOX TERMINAL	25	2
12-28421	WASHER, UPPER AND LOWER BUSHING RETAINER (OUTER)	57	55	12-45176	WASHER, GEAR HOUSING TO DRIVE SHAFT HOUSING STUDS	61	43
12-29245	WASHER, COWL LATCH BRACKET SCREW (1/16" THICK)	3	13	12-45176	WASHER, GEAR HOUSING TO DRIVE SHAFT HOUSING STUDS	61	45
12-29245	WASHER, THROTTLE CONTROL LEVER SWIVEL	17	26	12-45176	WASHER, GEAR HOUSING TO DRIVE SHAFT HOUSING STUDS	67	80
12-29245	WASHER, UPPER MOUNT COVER SCREW	61	32	12-45741	WASHER, NEEDLE LOCATING	49	30
12-29395	WASHER, THROTTLE CONTROL LEVER SCREW	17	30	12-46101	WASHER, PLUNGER AND LINK	31	8
12-29590	WASHER, CUPPED-THRUST HUB	69	85	12-46246	WASHER, IGNITION DRIVER PILOT TO ADAPTOR	11	16
12-29957	WASHER, GEAR HOUSING COVER	67	76	12-46246	WASHER, PILOT TO DISTRIBUTOR ADAPTOR	13	16
12-30164	WASHER, CARBURETOR SCREEN STUD	33	36	12-47894	WASHER, RUBBER-UPPER MOUNT BOLT	61	35
12-30164	WASHER, CHOKE SHUTTER CARBURETOR STUD	31	32	12-49221	WASHER, GEAR HOUSING FLUSHING HOLE PLUG (PLASTIC)	65	54
12-30164	WASHER, CHOKE SHUTTER CARBURETOR STUD	31	32	12-52864	WASHER, CLAMP BRACKET TILT TUBE	55	5
12-30514	WASHER, UPPER MOUNT BOLT	61	36	13-22238	WASHER, GROUND STRAP SCREW	53	55
12-30515	WASHER, UPPER MOUNT BOLT	61	34				



# PARTS INDEX

Part Number	Description	Pg.	Ref. No.	Part Number	Description	Pg.	Ref. No.
13-24669	LOCKWASHER, THRU BOLT - BRACKET TO STARTER MOTOR	27	32	13-26996	LOCKWASHER, LINK SCREW AND PIN	31	27
13-24669	LOCKWASHER, WIRING HARNESS LEAD SCREW	27	54	13-26996	LOCKWASHER, PULLEY CLAMPING SCREW	11	31
13-24850	WASHER, WAVE-TILT LOCK TUBE	55	28	13-26996	LOCKWASHER, PULLEY CLAMPING SCREW	13	31
13-25244	LOCKWASHER, WIRING HARNESS LEAD SCREW	27	54	13-26996	LOCKWASHER, SOLENOID TERMINAL (#10)	27	43
13-25806	WASHER, WAVE - THROTTLE CONTROL LEVER SWIVEL	17	27	13-26996	LOCKWASHER, WIRING HARNESS CLAMP SCREW	27	54
13-26917	WASHER, WAVE - PRIMARY HOUSING	23	2	13-27959	WASHER, WAVE - DISTRIBUTOR BALL BEARING TENSION	13	24
13-26992	LOCKWASHER, GROUND WIRE FASTENING SCREW	27	36	13-27959	WASHER, WAVE-IGNITION DRIVER BALL BEARING TENSION	11	24
13-26992	LOCKWASHER, IGNITION COIL SCREW	29	67	13-29720	WASHER, WAVE-LINK ROD	53	38
13-26992	LOCKWASHER, REAR HOOK MOUNTING SCREW	3	27	13-37371	LOCKWASHER, RETAINER FASTENING SCREW	3	6
13-26992	LOCKWASHER, RUBBER MOUNT TO REAR SUPPORT BRACKET	3	35	13-37371	LOCKWASHER, SHIELD SCREW	3	9
13-26992	LOCKWASHER, STARTER MOTOR TERMINAL	25	26	13-52197	LOCKWASHER, FLOAT BOWL COVER SCREWS	35	12
13-26992	LOCKWASHER, STARTER SOLENOID MOUNTING SCREW	27	40	14-20091	TAB WASHER, BEARING LOCKING SCREW	43	23
13-26992	LOCKWASHER, WATER PUMP BODY FSTNG SCREW&STUDS (1/4")	65	30	14-27960	TAB WASHER, ADAPTOR CAP FASTENING	11	23
13-26992	LOCKWASHER, WATER PUMP BODY SCREW	65	29	14-27960	TAB WASHER, ADAPTOR CAP FASTENING	13	23
13-26993	LOCKWASHER, CHOKE SOLENOID ATTACHING SCREW	31	5	14-29157	TAB WASHER, IGNITION DRIVER CAP FASTENING SCREW	19	27
13-26993	LOCKWASHER, CLAMP BRACKET STUD	55	10	14-29157	TAB WASHER, IGNITION DRIVER COVER FASTENING	19	20
13-26993	LOCKWASHER, FRONT SUPPORT BRACKET SCREW	5	51	14-31210	TAB WASHER, PROPELLER NUT	69	87
13-26993	LOCKWASHER, REAR SUPPORT BRACKET SCREW	5	40	14-52700	TAB WASHER, GEAR HOUSING COVER	67	76
13-26993	LOCKWASHER, RECTIFIER TO RECTIFIER MOUNTING BRACKET	25	12	15-20085A1	SHIM, LOWER END CAP TO CRANKCASE (.002-3-5-10)	43	30
13-26993	LOCKWASHER, RUBBER MOUNT TO FRONT SUPPORT BRACKET	5	53	15-29955A1	SHIM, THRUST WASHER TO GEAR HOUSING (.002-3-5-10)	67	68
13-26993	LOCKWASHER, SOLENOID TERMINAL (5/16")	27	41	15-30278A1	SHIM, DRIVE SHAFT BALL BEARING TO GEAR HOUSING (.002-3-5-10)	63	10
13-26993	LOCKWASHER, STARTER MOTOR SCREW	27	29	15-30278A1	SHIM, WATER PUMP BASE TO GEAR HOUSING (.002-3-5-10)	63	10
13-26993	LOCKWASHER, WATER PUMP BODY FASTENING STUD (5/16")	65	32	15-30497A1	SHIM, CLAMP BRACKET TILT TUBE (.010-.020)	55	5
13-26996	LOCKWASHER, HARNESS LEAD TO CHOKE SOLENOID	31	2	15-30923A1	SHIM, BEARING OUTER RACE TO GEAR HOUSING (.002-3-5-10)	67	59
				15-31283A1	SHIM, UPPER END CAP TO CRANKCASE (.002-3-5-10)	43	4
				16-20221	STUD, CLAMP BRACKET	55	9
				16-21723	STUD, CHOKE ROD SPRING TO CARBURETOR (1")	31	18

# PARTS INDEX

Part Number	Description	Pg.	Ref. No.	Part Number	Description	Pg.	Ref. No.
16-26133	STUD, CRANKCASE TO DRIVE SHAFT HOUSING (1-7/8")	43	11	17-26618	PINE, DOWELL - PULLEY TO FLYWHEEL	9	8
16-26134	STUD, CYLINDER BLOCK TO DRIVE SHAFT HOUSING (4-1/16")	43	12	17-27961	PIN, ECONOMIZER COLLAR - SPRING RETAINER	11	9
16-26135	STUD, CYLINDER BLOCK TO DRIVE SHAFT HOUSING (2-5/16")	43	13	17-27961	PIN, ECONOMIZER COLLAR - SPRING RETAINER	13	9
16-30172	STUD, CARBURETOR - CHOKE SHUTTER PIVOT (1-1/4")	31	31	17-27962	PIN, ANCHOR - HORSESHOE SPRING TO PILOT	11	4
16-35099	STUD, CARBURETOR MOUNTING (1-1/4")	43	10	17-27962	PIN, ANCHOR - HORSESHOE SPRING TO PILOT	13	4
16-36292	STUD, WATER PUMP BASE AND BODY TO GEAR HOUSING (3-3/8")	63	4	17-29077	PIN, ROLL - CLAMPING LEVER	3	20
16-37435	STUD, WATER PUMP BASE AND BODY TO GEAR HOUSING (3-5/16")	63	5	17-29077	ROLL PIN, TENSION SPRING TO KNOB	7	6
16-37653	STUD, CYLINDER BLOCK TO DRIVE SHAFT HOUSING (2-11/16")	43	14	17-29908	PIN, ROLL - FLANGE LOCATING	11	28
16-45198	STUD, GEAR HOUSING TO DRIVE SHAFT HOUSING (2-1/16")	63	3	17-29908	PIN, ROLL - FLANGE LOCATING	13	28
16-45199	STUD, GEAR HOUSING TO DRIVE SHAFT HOUSING (4")	63	2	17-29967	PIN, IMPELLER DRIVE	65	27
16-46910	STUD, DRIVE SHAFT HOUSING TO GEAR HOUSING (2-11/16")	59	2	17-30496	PIN, ROLL-MERCURY SWITCH	45	44
16-47165	STUD, DRIVE SHAFT HOUSING TO GEAR HOUSING (2-3/4")	59	2	17-30632	PIN, CROSS-RATCHET TO PROPELLER SHAFT	67	64
16-48770	STUD, CYLINDER BLOCK TO DRIVE SHAFT HOUSING (3-9/16")	43	14	17-31245	DOWEL PIN (STEPPED)	49	21
16-52614	STUD, GEAR HOUSING TO DRIVE SHAFT HOUSING (2-1/16")	63	3	17-33522	PIN, COWL LATCH LEVER TO HINGE	3	23
16-52898	STUD, FILTER TO CARBURETOR (1-1/8")	33	35	17-35973	DOWEL PIN, WATER PUMP BASE TO WATER PUMP BODY	63	18
16-52906	STUD, CARBURETOR - CHOKE SHUTTER PIVOT (1-3/8")	31	31	17-37423A1	SWIVEL PIN AND STEERING ARM ASSEMBLY (LONG SHAFT)	55	29
17-20032	DOWEL PIN, ADAPTOR TO PRIMARY HOUSING	23	9	17-37462A1	SWIVEL PIN AND STEERING ARM ASSEMBLY (SHORT SHAFT)	55	29
17-20032	DOWEL PIN, CENTER MAIN BEARING	49	15	17-39023	PIN, PUSH ROD TO REVERSE LOCK	59	24
17-20032	DOWEL PIN, CYLINDER BLOCK TO MAIN BEARING	43	7	17-49840A1	SWIVEL PIN AND STEERING ARM ASSEMBLY (LONG SHAFT)	55	29
17-20032	DOWEL PIN, MAIN BEARING	49	7	17-49841A1	SWIVEL PIN AND STEERING ARM ASSEMBLY (SHORT SHAFT)	55	29
17-20033	DOWEL PIN, CRANKCASE TO CYLINDER BLOCK	43	8	17-49930A1	TILT LOCK PIN ASSEMBLY	55	12
17-23928	PIN, ROLL-CONTROL CABLE LOCKING LEVER	53	50	18-20233	CLIP, RETAINING-SHIFT SHAFT	65	40
17-25391	RIVET, CHOKE SHUTTER TO CHOKE ROD	31	29	18-25191	COTTER PIN, PUSH ROD PIN	59	25
				18-26953	COTTER PIN, LINK TO CHOKE KNOB	31	26
				18-26953	COTTER PIN, LINK TO UPPER CHOKE LEVER	31	9
				18-45882	COTTER PIN, REVERSE LOCK TO SHAFT	57	48
				18-47959	COTTER PIN, TILT LOCK TUBE	55	26
				19-45907	PLUG, FLYWHEEL PULLER THREADS	9	1

# PARTS INDEX

Part Number	Description	Pg.	Ref. No.	Part Number	Description	Pg.	Ref. No.
19-47579	PLUG, PLASTIC -TRIM TAB SCREW HOLE . . . . .	59	3	22-37682	ELBOW, FUEL LINE TO ADAPTOR . . . . .	39	26
19-48750	PLUG, GEAR HOUSING FLUSHING HOLE (PLASTIC) . . . . .	65	53	22-53491	TEE, BLEED AND BALANCE HOSE TO CYLINDER BLOCK . . . . .	45	35
21-28481A1	CHECK VALVE ASSEMBLY .	45	60	23-20222	SPACER, CLAMP BRACKET STUD . . . . .	55	8
21-28481A1	CHECK VALVE ASSEMBLY .	45	60	23-26600	BUSHING, NYLON-UPPER SHIFT SHAFT . . . . .	53	35
21-28481A1	CHECK VALVE ASSEMBLY, END CAP . . . . .	43	26	23-26819	BUSHING, NYLON - CLAMPING LEVER . . . . .	3	16
21-28483A1	CHECK VALVE ASSEMBLY, UPPER-BLEED HOSE . . .	45	59	23-28198	BUSHING, RUBBER-SHOCK ABSORBER (LOWER) . . .	57	54
21-28483A1	CHECK VALVE ASSEMBLY, UPPER-BLEED HOSE . . .	45	59	23-28199	SPACER, UPPER SHOCK BUSHING TO CLAMP BRACKET . . . . .	57	49
21-30430A1	CHECK VALVE ASSEMBLY .	39	2	23-29591	SLEEVE, RUBBER-WATER INLET TUBE . . . . .	59	12
21-30430A1	CHECK VALVE ASSEMBLY .	39	2	23-29804	SLEEVE, GUIDE-WATER INLET TUBE . . . . .	65	35
22-20445	CONNECTOR, UPPER- BLEED HOSE . . . . .	45	62	23-29909	SPACER, DRIVE PULLEY . .	11	26
22-21290	PLUG, PIPE-SHIFT SHAFT GREASE FILLER HOLE . .	65	47	23-29909	SPACER, DRIVE PULLEY . .	13	26
22-23612	FITTING, GREASE . . . . .	55	21	23-31293	BUSHING, RUBBER - CLAMPING LEVER . . . . .	3	18
22-25094	FITING, GREASE - DISTRIBUTOR ADAPTOR .	13	18	23-32171	BUSHING, RUBBER-SHOCK ABSORBER (UPPER) . . . .	57	53
22-25094	FITTING, GREASE - ECONOMIZER COLLAR . .	11	10	23-32427	SPACER, CHOKE ROD SPRING STUD . . . . .	31	19
22-25094	FITTING, GREASE - ECONOMIZER COLLAR . .	13	10	23-37428A1	BUSHING ASSEMBLY, SHIFT SHAFT . . . . .	65	42
22-25094	FITTING, GREASE - IGNITION DRIVER . . . . .	11	18	23-45818	BUSHING, THROTTLE CONTROL LEVER SCREW .	17	31
22-25885	ELBOW, BALANCE TUBE TO MAIN BEARING . . . . .	43	33	23-47803	BUSHING, TILT LOCK TUBE	55	27
22-25885	ELBOW, TELL TALE HOSE TO EXHAUST COVER . . .	51	20	23-48456	SPACER, THROTTLE PLATE TO ADAPTOR . . . . .	15	2
22-29085	ELBOW (45), UPPER CARBURETOR . . . . .	39	16	24-20099	SPRING, LINK ROD TO GUIDE BLOCK . . . . .	53	42
22-29111	CONNECTOR, TELL TALE HOSE TO BOTTOM COWL .	51	17	24-27944	SPRING, HORSESHOE - DISTRIBUTOR PILOT . . . .	13	3
22-30174	ELBOW, LOWER FUEL PUMP INLET . . . . .	39	23	24-27944	SPRING, HORSESHOE - IGNITION DRIVER PILOT .	11	3
22-30174	ELBOW, UPPER FUEL PUMP OUTLET . . . . .	39	17	24-28975	SPRING, GARTER -INTERNAL WIRING HARNES . . . . .	27	52
22-30175	SLEEVE, FUEL PUMP INLET ELBOW . . . . .	39	24	24-29821	SPRING, REVERSE LOCK TENSION . . . . .	57	45
22-30175	SLEEVE, FUEL PUMP OUTLET ELBOW . . . . .	39	18	24-30189	SPRING, ADAPTOR STEM .	39	30
22-30177	NUT, FUEL PUMP INLET ELBOW . . . . .	39	25	24-30622	SPRING, COMPRESSION- CAM FOLLOWER . . . . .	67	58
22-30177	NUT, FUEL PUMP OUTLET ELBOW . . . . .	39	19	24-30893	SPRING, RETAINING-CROSS PIN . . . . .	67	65
22-31521	ELBOW, VENT - IGNITION DRIVER COVER . . . . .	19	21	24-32271	SPRING, TENSION - COVER FASTENING KNOB . . . . .	7	5
22-31521	ELBOW, VENT HOSE - DISTRIBUTOR CAP . . . . .	23	17	24-35522	SPRING, TENSION-LOWER MOUNT CLAMP . . . . .	61	47
22-31521	ELBOW, VENT HOSE TO BOTTOM COWL . . . . .	15	19	24-37678	SPRING, TENSION - CHOKE ROD . . . . .	31	21
22-31521A1	ELBOW ASSEMBLY, VENT HOSE - ADAPTOR HOUSING . . . . .	23	14	24-37911	SPRING, CONTROL CABLE LOCKING LEVER . . . . .	53	49
22-32802	PLUG, PIPE-WATER PRESSURE HOLE (CYLINDER BLOCK) . . . . .	43	9				

# PARTS INDEX

Part Number	Description	Pg.	Ref. No.	Part Number	Description	Pg.	Ref. No.
25-20081	"O" RING	43	29	27-32438	GASKET, WATER PUMP		
25-20116	GROMMET, CHOKE ROD	31	23		BASE TO GEAR HOUSING	63	13
25-20415	"O" RING, ADAPTOR STEM	39	29	27-33015	GASKET, CYLINDER BLOCK		
25-25439	"O" RING, SHIFT SHAFT				COVER	45	50
	BUSHING	65	41	27-36268	GASKET, DISTRIBUTOR CAP		
25-26547	GROMMET, COIL WIRE				TO ADAPTOR	23	15
	BRACKET	19	29	27-37414	GASKET, BAFFLE PLATE TO		
25-26547	GROMMET, HIGH TENSION				MANIFOLD COVER	45	39
	CABLE	23	25	27-37414A3	GASKET SET (MOTOR		
25-29976	"O" RING, BEARING				OVERHAUL)	1	-
	CARRIER	67	71	27-37449	GASKET, CYLINDER BLOCK		
25-30224	"O" RING, WATER PUMP				TO BAFFLE PLATE	45	37
	BASE	63	14	27-38471	GASKET, EXHAUST		
25-30271	RING, RUBBER-				EXTENSION PLATE TO		
	CENTRIFUGAL SLINGER				DRIVE SHAFT HOUSING	59	19
	(DRIVE SHAFT)	65	34	27-38471	GASKET, EXHAUST PLATE		
25-30613	"O" RING, DRIVE SHAFT				TO DRIVE SHAFT		
	SPLINE	49	4		HOUSING	51	29
25-30613	"O" RING, UPPER-DRIVE			27-46351	GASKET, ADAPTOR TO		
	SHAFT	65	36		PRIMARY HOUSING	23	10
25-31305	"O" RING	43	3	27-47189	GASKET, IGNITION DRIVER		
25-46252	GROMMET, THROTTLE				COVER	19	17
	STOP ADJUSTING SCREW			27-47190	GASKET, IGNITION DRIVER		
	(NOT AS SHOWN)	15	6		CAP	19	24
26-24590	OIL SEAL, SHIFT SHAFT			27-47257	GASKET, POWERHEAD TO		
	BUSHING (LOWER)	65	43		EXHAUST EXTENSION		
26-29476	OIL SEAL	43	2		PLATE	51	22
26-29476	OIL SEAL, UPPER	43	28	28-29910	KEY, DISTRIBUTOR DRIVER	13	30
26-29476	OIL SEAL, UPPER	43	28	28-29910	KEY, IGNITION DRIVER	11	30
26-29478	OIL SEAL, LOWER	43	27	28-30281	KEY, LOCATING-BEARING		
26-29612	SEAL, GEAR HOUSING				CARRIER	67	75
	FLUSHING HOLE			28-45554	KEY, FLYWHEEL DRIVE	9	4
	(ALUMINUM)	65	52	28-45554	KEY, FLYWHEEL DRIVE	49	5
26-30550	OIL SEAL, BEARING			29-39656	BEARING, NEEDLE-PISTON		
	CARRIER	67	74		PIN	49	29
26-31249	OIL SEAL, SHIFT SHAFT			29-47897	BEARING, NEEDLE-		
	BUSHING (UPPER)	65	43		CRANKPIN	49	28
26-31489	OIL SEAL, WATER PUMP			29-48410	BEARING, NEEDLE	49	16
	BASE	63	16	30-20066	BEARING, BALL -		
26-31507	OIL SEAL, WATER PUMP				DISTRIBUTOR PILOT	13	6
	BASE	63	17	30-20066	BEARING, BALL - IGNITION		
26-31507	OIL SEAL, WATER PUMP				DRIVER PILOT	11	6
	BODY	65	24	30-20080	BEARING, BALL- LOWER	49	3
26-37448	OIL SEAL, SWIVEL			30-20464	BEARING, BALL-DRIVE		
	BRACKET	55	19		SHAFT	63	11
26-38970	SEAL, RUBBER-WATER			30-24998	BEARING, BALL - DRIVER		
	INLET TUBE	51	24		END (1-3/8" O.D.)	19	10
26-38970	SEAL, RUBBER-WATER			30-26379	BEARING, BALL - ROTOR		
	INLET TUBE	65	25		SHAFT	23	6
27-29586	GASKET, GEAR HOUSING			30-31265	BEARING, BALL-REVERSE		
	FLUSHING HOLE SCREW				GEAR	67	70
	(ALUMINUM)	65	51	30-32117	BEARING, BALL- UPPER	49	2
27-31304	GASKET, TRANSFER PORT			30-49090	BEARING, BALL - IGNITION		
	COVER	45	54		DRIVER END (1-1/4" O.D.)	19	12
27-31402	GASKET, CARBURETOR			31-30894A1	TAPERED ROLLER BEARING		
	FLANGE	37	36		ASSEMBLY	67	60
27-32433	GASKET, LOWER-WATER			31-30895	BEARING, ROLLER-		
	PUMP BASE TO FACE				FORWARD GEAR	67	61
	PLATE	63	19	31-30956	BEARING, ROLLER-		
					BEARING CARRIER	67	73

# PARTS INDEX

Part Number	Description	Pg.	Ref. No.	Part Number	Description	Pg.	Ref. No.
31-32898	BEARING, ROLLER-DRIVE SHAFT	63	6	37-45201	DECAL, TIMING - TOP COWL FRAME	3	29
32-26060	HOSE, CYLINDER BLEED-LOWER (8-1/2")	45	36	37-47888A1	DECAL SET(MERC 650 E-5-SS)	1	-
32-26407	HOSE, TELL TALE - EXHAUST COVER TO BOTTOM COWL (16")	51	16	37-52749A1	DECAL SET(MERC 650 E-6-SS)	1	-
32-26527	SLEEVE, HIGH TENSION LEAD (LEADS 1, 2, 3, 4)	23	30	38-39784	SERIAL PLATE	57	36
32-26527	SLEEVE, SPARK PLUG LEAD (1-1/2")	21	33	39-45153A12	RING, PISTON	49	24
32-28052	SLEEVE, RUBBER-TILT LOCK PIN BUMPER	55	13	39-45205A12	RING, PISTON (.015 OVERSIZED)	49	--
32-28373	SLEEVE, RECTIFIER TERMINALS	25	16	40-45740	LOCK RING, PISTON PIN	49	23
32-30176	FUEL LINE, ADAPTOR TO LOWER FUEL PUMP INLET (18")	39	22	43-31887	REVERSE GEAR ASSEMBLY	67	67
32-31550A1	FUEL LINE ASS'Y, UPPER TO LOWER CARBURETOR (6")	41	34	43-34085	FORWARD GEAR ASSEMBLY	67	62
32-31552A1	FUEL LINE ASS'Y, PUMP TO PUMP (12-3/8")	39	20	43-47351	GEAR, PINION-DRIVE SHAFT	63	8
32-31553A1	FUEL LINE ASS'Y, PUMP TO CARBURETOR (19-3/4")	39	21	43-49751	GEAR, PINION-DRIVE SHAFT	63	8
32-33154A1	FUEL LINE ASS'Y, PUMP TO CARBURETOR (13-1/2")	39	15	43-53100	FORWARD GEAR ASSEMBLY	67	62
32-33500	HOSE, CYLINDER BLEED-UPPER (9-1/2")	45	61	44-47900	SHAFT, PROPELLER	67	66
32-33729	TUBE, BALANCE-MAIN BEARING	43	32	44-52542	SHAFT, PROPELLER	67	66
32-37438	TUBE, WATER INLET (LONG SHAFT)	59	11	45-33007	SHAFT, DRIVE - IGNITION DRIVER	11	1
32-37446	TUBE, WATER INLET (SHORT SHAFT)	59	11	45-47433	DRIVE SHAFT (SHORT SHAFT)	63	7
32-37670	HOSE, FRONT SUPPORT BRACKET TO BOTTOM COWL (7 1/2")	5	43	45-47434	DRIVE SHAFT (LONG SHAFT)	63	7
32-46398	SLEEVE, HIGH TENSION CABLE	23	26	45-47953	SHAFT, DRIVE - DISTRIBUTOR	13	1
32-46398	SLEEVE, HIGH TENSION CABLE (3/4")	21	35	46-37433A1	WATER PUMP BODY ASSEMBLY (ALUMINUM)	63	22
32-46768	SLEEVE (LEADS 1, 2, 3, 4) - 6"	23	29	46-38505A2	EXTRA HEAVY DUTY WATER PUMP KIT	1	-
32-46768	SLEEVE, SPARK PLUG LEAD (6")	21	32	46-38931A1	WATER PUMP BASE ASSEMBLY (ALUMINUM)	63	15
32-49242	HOSE, VENT - DISTRIBUTOR AND IGNITION DRIVER TO ELBOW (15")	15	15	46-48743A1	WATER PUMP BODY ASSEMBLY (PLASTIC)	63	22
32-52031	HOSE, VENT - DISTRIBUTOR AND IGNITION DRIVER TO ELBOW (11")	15	14	46-48747A1	WATER PUMP BASE ASSEMBLY (PLASTIC)	63	15
33-45191	SPARK PLUG (CHAMPION - L19V)	15	10	47-30221	IMPELLER, WATER PUMP	65	26
34-31240	REED STOP, MAIN BEARING REED VALVES	49	11	50-45822A1	STARTER MOTOR ASSEMBLY	25	25
34-45506A1	REED SET, MATCHED-MAIN BEARING	49	10	52-34239	RATCHET, SLIDING CLUTCH	67	63
35-52896	SCREEN, FILTER - CARBURETOR	33	34	53-26933	RING, SNAP-OUTER RACE CLAMPING	49	18
				53-30428	FASTENER, CLAMPING LEVER	3	19
				53-30726	RING, RETAINING-BALL BEARING	63	12
				53-45906	RING, RETAINER - ROTOR SHAFT BALL BEARING	23	5
				54-20386	CLAMP, BALANCE TUBE TO ELBOW	45	34
				54-20387	CLAMP, BLEED HOSE TO CHECK VALVE AND CONNECTOR	47	63
				54-20387	CLAMP, LOWER BLEED HOSE	45	34
				54-22740	CLIP, LEAD WIRE TO IGNITION COIL	29	63

# PARTS INDEX

Part Number	Description	Pg.	Ref. No.	Part Number	Description	Pg.	Ref. No.
54-22875	CLAMP, VENT HOSE TO FRONT SUPPORT BRACKET	15	16	225-2498A8	FLYWHEEL ASSEMBLY, COMPLETE	9	5
54-22875	CLIP, WIRING HARNESS LEAD TO FRONT SUPPORT BRACKET	5	46	332-2854	BOOT, HIGH TENSION CABLE TO COIL	23	23
54-24836	CLIP, WIRING HARNESS LEAD	27	55	332-2854	BOOT, HIGH TENSION LEAD CABLE	19	30
54-25231	CLIP, MERCURY SWITCH LEAD FASTENING	45	46	332-2910A3	RECTIFIER ASSEMBLY, COMPLETE	25	6
54-26538	CLIP, MERCURY SWITCH LEAD TO CRANKCASE	45	46	332-2983A13	IGNITION COIL ASSEMBLY, COMPLETE	29	59
54-26550	CLIP, WIRING HARNESS LEAD	27	55	332-2983A3	IGNITION COIL ASSEMBLY, COMPLETE	29	59
54-26550	CLIP, WIRING HARNESS LEAD	27	55	332-2983A9	IGNITION COIL ASSEMBLY, COMPLETE	29	59
54-33361	CLIP, CHOKE SOLENOID WIRE	31	6	332-2986A3	SWITCH BOX ASSEMBLY, COMPLETE	25	1A
54-39844	CLIP, WIRING HARNESS LEAD TO FRONT SUPPORT BRACKET	5	46	333-3141	COVER, IGNITION DRIVER	19	18
54-46409	CLIP, STATOR LEAD CLIP TO TOP MOUNT	9	18	333-3142A3	CAP ASSEMBLY, IGNITION DRIVER	19	22
54-47187	CLIP, SPRING - IGNITION DRIVER ROTOR	19	16	333-3143A1	ROTOR ASSEMBLY, IGNITION DRIVER	19	15
54-47188	CLAMP, PRIMARY HARNESS CABLE - IGNITION DRIVER	19	8	333-3144	HOUSING, IGNITION DRIVER	19	1
54-48123	CLAMP, TELL TALE HOSE TO CONNECTOR AND ELBOW	51	21	333-3144A4	IGNITION DRIVER ASSEMBLY, COMPLETE	19	-
54-49218	CLAMP, VENT HOSE TO FRONT SUPORT BRACKET	15	16	333-3144A4	IGNITION DRIVER ASSY, COMPLETE (SEE PG. 10 FOR BREAKDOWN)	15	8
54-52876	CLAMP, WIRE HARNESS TO BOTTM COWL	27	48	333-3165A1	BRUSH AND SPRING ASSEMBLY	19	23
55-28414	PIN, LOWER SHOCK MOUNTING (LONG SHAFT)	57	44	333-3166	CAP, BEARING - IGNITION DRIVER HOUSING	19	13
55-28416	PIN, UPPER SHOCK MOUNTING	55	17	333-3172A1	TERMINAL BOARD ASSEMBLY, IGNITION DRIVER	19	3
55-29247	PIN, LOWER SHOCK MOUNTING (SHORT SHAFT)	57	44	333-3173	HARNESS, PRIMARY CABLE - IGNITION DRIVER	19	7
55-31933	SHOCK ABSORBER	57	52	333-3175	COIL ASSEMBLY, IGNITION DRIVER (RED)	19	5
90-48822	MERC 650E-5 PARTS LIST	1	-	333-3176	COIL ASSEMBLY, IGNITION DRIVER (BLUE)	19	6
91-48168A6	TACHOMETER ASSEMBLY (MERC 650E-5-SS)	1	-	333-3198A1	SHAFT ASSEMBLY, IGNITION DRIVER	19	11
92-25234--1	GLUE, ADHESIVE - SOUND BLANKET FASTENING	7	--	333-3213A3	SWITCH BOX ASSEMBLY, COMPLETE	25	1
94-29616	SHIPPING CARTON (FUEL TANK)	1	-	393-1275	SLEEVE, HIGH TENSION CABLE	23	24
94-39391	SHIPPING CARTON (ENGINE-SHORT)	1	-	393-1275	SLEEVE, HIGH TENSION LEAD TERMINAL COVER	19	--
94-39392	SHIPPING CARTON (ENGINE-LONG)	1	-	393-1275	SLEEVE, SPARK PLUG LEAD TO DISTRIBUTOR	23	24
225-2498A5	FLYWHEEL ASSEMBLY, COMPLETE	9	5	393-1275	SLEEVE, SPARK PLUG LEAD TO IGNITION DRIVER	21	--
225-2498A6	FLYWHEEL ASSEMBLY, COMPLETE	9	5	393-1293A1	BRUSH AND SPRING ASSEMBLY	23	18
				393-2795	SHIM, TRIGGER HOUSING TO PRIMARY HOUSING	23	3
				393-2799A19	DISTRIBUTOR ASSEMBLY, COMPLETE	23	--

# PARTS INDEX

Part Number	Description	Pg.	Ref. No.	Part Number	Description	Pg.	Ref. No.
393-2799A21	HOUSING ASSEMBLY, PRIMARY .....	23	1	1399-1754	SCREEN, FILTER .....	35	14
393-2918A3	TRIGGER HOUSING ASSEMBLY .....	23	4	1399-1930	COVER, STRAINER .....	35	16
393-2955A2	DISTRIBUTOR CAP ASSEMBLY .....	23	16	1399-2012	SHAFT, THROTTLE .....	35	21
393-3014A2	ADAPTOR ASSEMBLY, HOUSING TO DISTRIBUTOR CAP .....	23	8	1399-2015	GASKET AND PACKING SET (1 PER CARBURETOR) ..	37	--
393-3250A1	LEAD ASSEMBLY, HIGH TENSION - IGNITION DRIVER TO COIL .....	19	28	1399-3401	SHUTTER, THROTTLE ....	35	25
393-3269A3	ROTOR SHAFT ASSEMBLY ..	23	7	1399-3470	REPAIR PARTS KIT ( PER CARBURETOR) .....	37	--
393-3294A1	HIGH TENSION CABLE ASSEMBLY, DISTRIBUTOR TO COIL .....	23	22	1399-97	LEVER, THROTTLE STOP (SEE NOTE BELOW) ....	35	20
394-1134A2	GROUND STRAP ASSEMBLY	19	25	1440-3291A1	CLAMP BRACKET ASSEMBLY .....	55	1
398-2997	STATOR, ALTERNATOR ...	9	12	1447-3257A1	SWIVEL BRACKET ASSEMBLY (LONG SHAFT) .....	55	18
398-3687	STATOR, ALTERNATOR ...	9	12	1453-3258A1	SWIVEL BRACKET ASSEMBLY (SHORT SHAFT) .....	55	18
418-3249A2	CRANKSHAFT ASSEMBLY ..	49	1	1551-2459A8	DRIVE SHAFT HOUSING ASSEMBLY (LONG SHAFT) .....	59	1
531-1884A3	CENTER MAIN BEARING ASSEMBLY .....	49	14	1551-3428A4	DRIVE SHAFT HOUSING ASSEMBLY (LONG SHAFT) .....	59	1
533-2761A2	MAIN BEARING ASSEMBLY (VALVE TYPE) .....	49	6	1551-3669A4	DRIVE SHAFT HOUSING ASSEMBLY (LONG SHAFT) .....	59	1
617-2768A3	CONNECTING ROD AND CAP ASSEMBLY .....	49	25	1552-2463A5	DRIVE SHAFT HOUSING ASSEMBLY (SHORT SHAFT) .....	59	1
739-3284A2	PISTON AND PISTON PIN ASSEMBLY .....	49	22	1552-3429A3	DRIVE SHAFT HOUSING ASSEMBLY (SHORT SHAFT) .....	59	1
739-3380A2	PISTON AND PISTON PIN ASSEMBLY (.015 OVERSIZED) .....	49	--	1623-2460A20	GEAR HOUSING ASSEMBLY	63	1
834-3261A3	CYLINDER BLOCK AND CRANKCASE ASSEMBLY	43	6	1623-2460A20	GEAR HOUSING ASSEMBLY-SEE PAGE 31 FOR BREAKDOWN .....	67	1
834-3729A3	CYLINDER BLOCK AND CRANKCASE ASSEMBLY	43	6	1623-2460A35	GEAR HOUSING ASSEMBLY, COMPLETE (SHORT SHAFT) .....	63	-
1012-2445	COVER, CYLINDER BLOCK ..	45	51	1623-2460A35	GEAR HOUSING ASSEMBLY, COMPLETE (SHORT SHAFT) .....	67	-
1126-3369A1	END CAP ASSEMBLY, LOWER .....	43	25	1623-2460A36	GEAR HOUSING ASSEMBLY, COMPLETE (LONG SHAFT) .....	63	-
1126-3369A2	END CAP ASSEMBLY, LOWER .....	43	25	1623-2460A36	GEAR HOUSING ASSEMBLY, COMPLETE (LONG SHAFT) .....	67	-
1128-3367A1	END CAP ASSEMBLY, UPPER .....	43	1	1623-3486A4	GEAR HOUSING ASSEMBLY	67	1
1335-3358	CARBURETOR ASSEMBLY, COMPLETE .....	31	12	1623-3486A4	GEAR HOUSING ASSEMBLY	67	1
1335-3358	CARBURETOR ASSEMBLY, COMPLETE (KC-5C) ....	35	1	1623-3486A8	GEAR HOUSING ASSEMBLY, COMPLETE (SHORT SHAFT) .....	63	-
1335-3683	CARBURETOR ASSEMBLY, COMPLETE .....	31	12	1623-3486A8	GEAR HOUSING ASSEMBLY, COMPLETE (SHORT SHAFT) .....	63	-
1335-3683	CARBURETOR ASSEMBLY, COMPLETE (KC-11A) ....	35	1	1623-3486A8	GEAR HOUSING ASSEMBLY, COMPLETE (SHORT SHAFT) .....	63	-
1399-110A1	FLOAT ASSEMBLY .....	35	2	1623-3486A8	GEAR HOUSING ASSEMBLY, COMPLETE (SHORT SHAFT) .....	63	-
1399-1133	COVER, FLOAT BOWL ....	35	9	1623-3486A8	GEAR HOUSING ASSEMBLY, COMPLETE (SHORT SHAFT) .....	63	-
1399-1457	JET, MAIN FUEL (.057) ....	35	30	1623-3486A8	GEAR HOUSING ASSEMBLY, COMPLETE (SHORT SHAFT) .....	63	-
1399-1459	JET, MAIN FUEL (.059) ....	35	30	1623-3486A8	GEAR HOUSING ASSEMBLY, COMPLETE (SHORT SHAFT) .....	63	-
1399-1461	JET, MAIN FUEL (.061) - STANDARD .....	35	30	1623-3486A8	GEAR HOUSING ASSEMBLY, COMPLETE (SHORT SHAFT) .....	63	-
1399-1463	JET, MAIN FUEL (.063) ....	35	30	1623-3486A8	GEAR HOUSING ASSEMBLY, COMPLETE (SHORT SHAFT) .....	63	-
1399-1473	INLET NEEDLE, SEAT AND GASKET .....	35	6				
1399-1713	SCREW, IDLE ADJUSTMENT	35	27				

# PARTS INDEX

Part Number	Description	Pg.	Ref. No.	Part Number	Description	Pg.	Ref. No.
1623-3486A9	GEAR HOUSING ASSEMBLY, COMPLETE (LONG SHAFT) .....	63	-				
1623-3486A9	GEAR HOUSING ASSEMBLY, COMPLETE (LONG SHAFT) .....	67	-				
2104-2654A15	COWL FRONT COVER ASSEMBLY .....	7	1				
2104-2654A16	COWL FRONT COVER ASSEMBLY .....	7	1				
2114-3168	COWL, TOP .....	3	1				
2114-3591	COWL, TOP .....	3	1				
2115-3205	COWL, BOTTOM .....	51	1				
2115-3617	COWL, BOTTOM .....	51	1				
2119-3248A3	WRAP AROUND COWL ASSEMBLY .....	7	11				