

MERCURY
Precision Parts

QUICKSILVER®
Marine Parts & Accessories

PARTS CATALOG

ACCESSORIES ELECTRICAL VOLUMN II

TABLE OF CONTENTS:

"T" HARNESS KIT	14
CONTROL PANEL ASSEMBLY	12
KEY SWITCH ASSEMBLY	6
KEY SWITCH ASSEMBLY (WITH KEY #30431)	8
LANYARD SWITCH KIT	22
PARTS INDEX	26
POWER TRIM CONTROL PANEL	16
POWER TRIM EXTENSION KIT	2
REMOTE CONTROL ADAPTOR KIT	20
START/STOP SWITCH PANEL	10
TILT SWITCH KIT	4
TOGGLE SWITCH TRIM CONTROL PANEL	18
TRIM SWITCH KIT	24

NOTE: Indented description indicate that these parts are included in preceeding assembly.

AR = As Required

NSS = Not Sold Separate

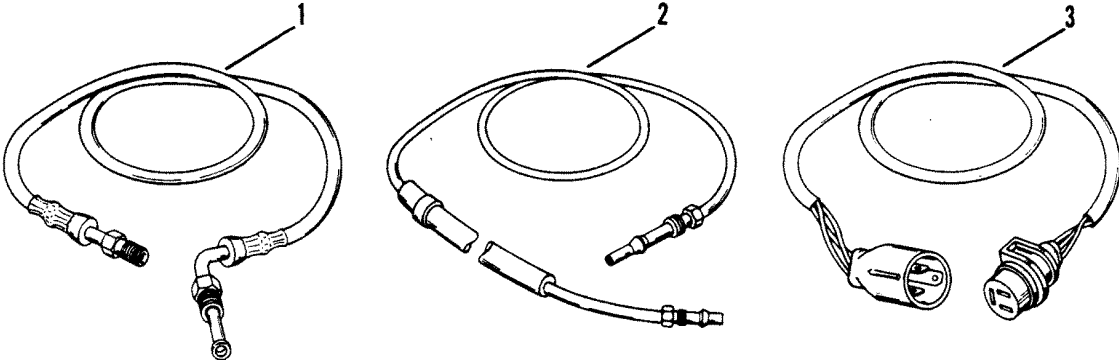
OPT = Optional

NS = Not Shown

THESE PARTS BOOKS/FICHE CARD ARE COPYRIGHTED AND MAY NOT BE DISTRIBUTED OR REPRODUCED IN ANY OTHER FORMAT BY ANYONE OTHER THAN MERCURY MARINE WITHOUT THE PRIOR WRITTEN CONSENT OF MERCURY MARINE.

THIS PAGE INTENTIONALLY LEFT BLANK

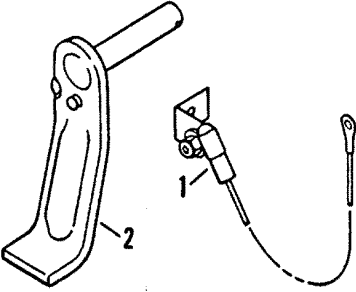
POWER TRIM EXTENSION KIT



POWER TRIM EXTENSION KIT

REF. NO.	PART NO.	SYM.	QTY.	DESCRIPTION
-	32-97010A2		1	POWER TRIM EXTENSION KIT
1	32-97009A1		1	HOSE POWER TRIM "UP" (46")
2	32-97010A1		1	HOSE POWER TRIM "DOWN" (47-1/2")
3	84-87222A1		1	HARNESS ASSEMBLY (6)

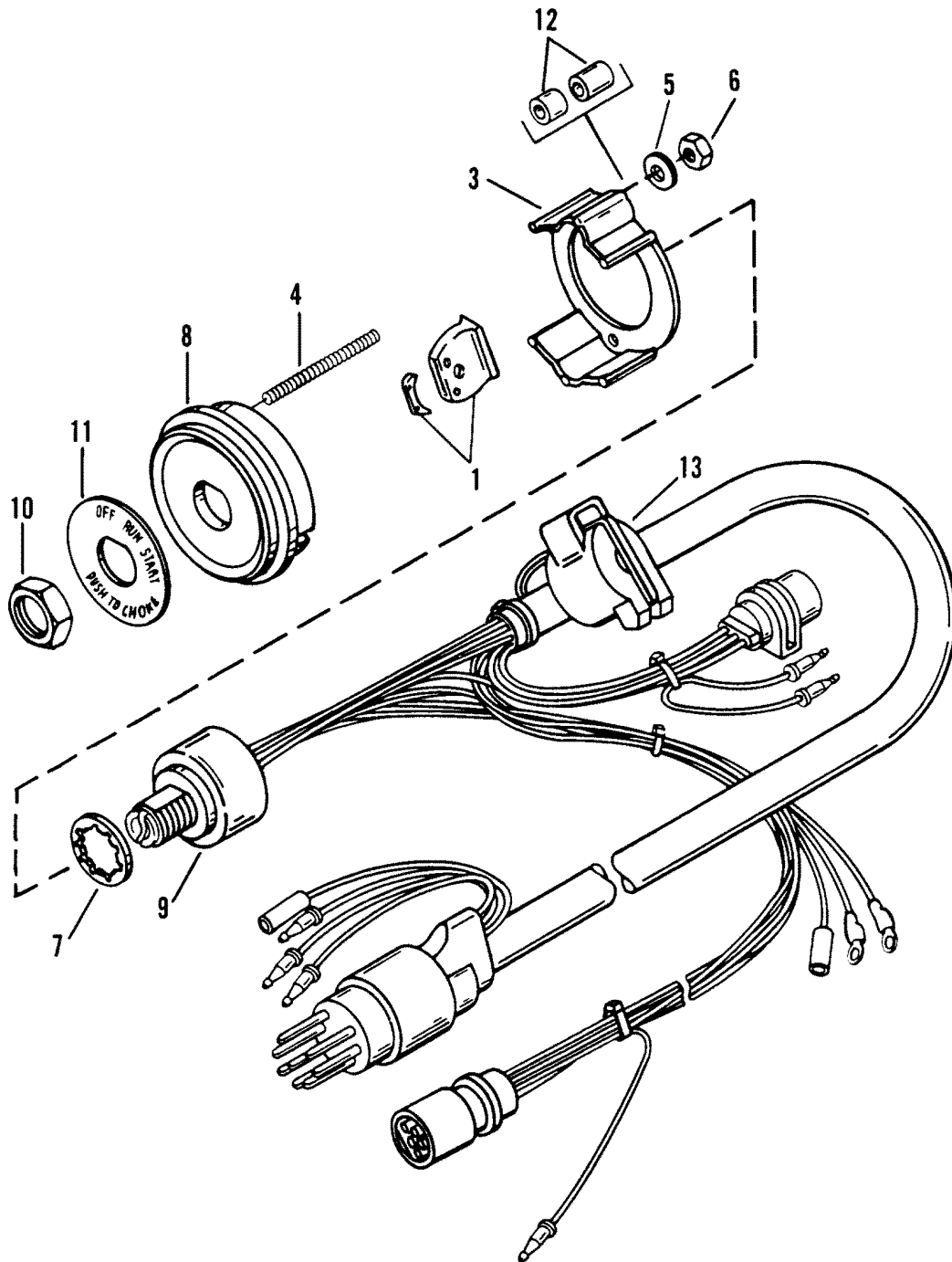
TILT SWITCH KIT



TILT SWITCH KIT

REF. NO.	PART NO.	SYM.	QTY.	DESCRIPTION
-	87-814407A3		1	TILT SWITCH KIT
1	87-814407A2		1	TILT SWITCH
2	99629A3		1	TILT LEVER

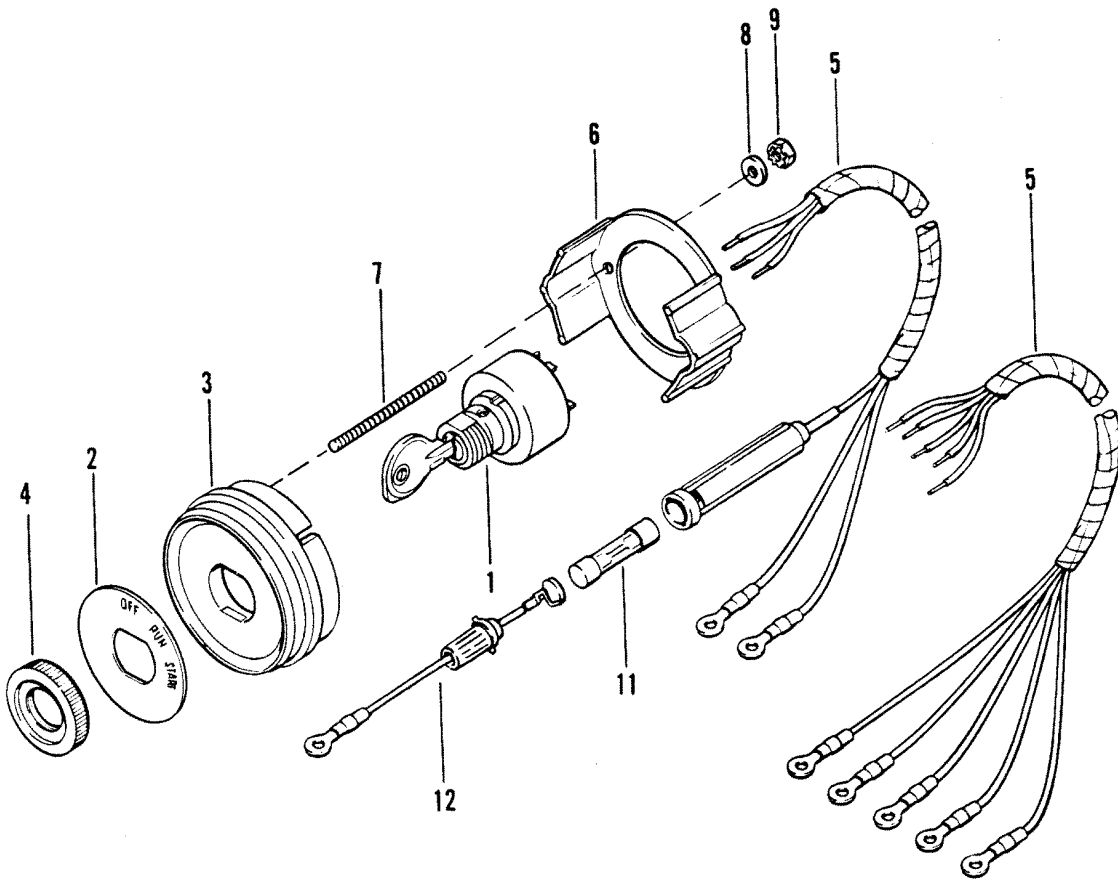
KEY SWITCH ASSEMBLY



KEY SWITCH ASSEMBLY

REF. NO.	PART NO.	SYM.	QTY.	DESCRIPTION
-	84-816626A2		1	KEY SWITCH ASSEMBLY (2)
-	84-816626A15		1	KEY SWITCH ASSEMBLY (15)
-	84-816626A20		1	KEY SWITCH ASSEMBLY (20)
-	84-816626A25		1	KEY SWITCH ASSEMBLY (25)
1	90468A1		2	COVER
3	76424		1	BRACKET
4	16-55422		2	STUD
5	12-24676		2	WASHER
6	11-68219		2	NUT
7	13-89989		1	LOCKWASHER
8	816479		1	PLATE
9	87-88107		1	SWITCH (SEE CHART FOR KEY)
10	11-93543		1	NUT
11	38-90311		1	INSERT
12	23-812711--1		2	SPACER (3/8")
	23-812711		2	SPACER (1/4")
13	816492A1		1	ALARM

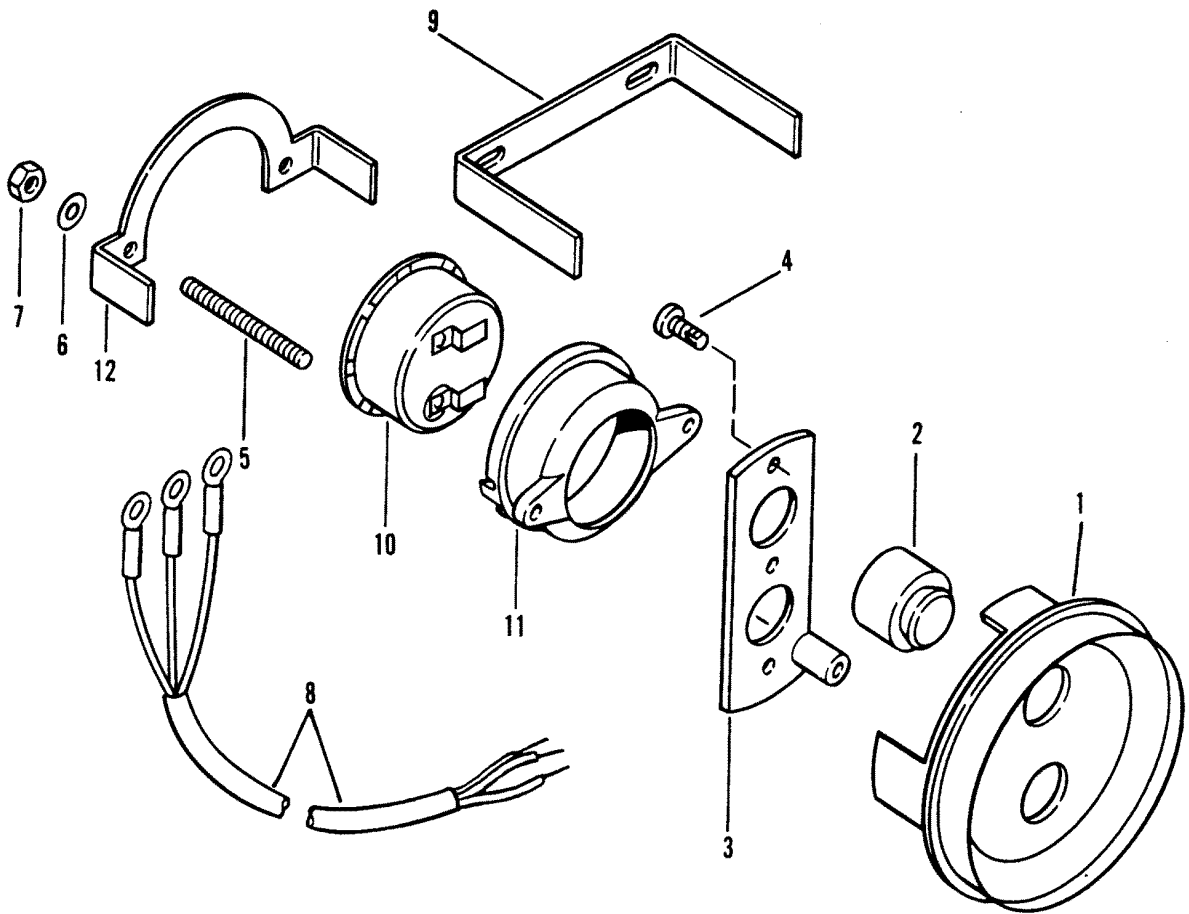
KEY SWITCH ASSEMBLY (WITH KEY #30431)



KEY SWITCH ASSEMBLY (WITH KEY #30431)

REF. NO.	PART NO.	SYM.	QTY.	DESCRIPTION
-	54212A7		1	KEY SWITCH ASSEMBLY
1	54212A8		1	SWITCH (WITH KEY #30431)
2	38-46971		1	INSERT
3	816478		1	PLATE
4	68863		1	BEZEL
5	NLA		1	HARNESS
6	76424		1	BRACKET
7	16-55422		2	STUD
8	12-24676		2	WASHER
9	11-68219		2	NUT
11	88-79091		1	FUSE, 20 AMP
12	84-78995A1		1	HARNESS ASSEMBLY

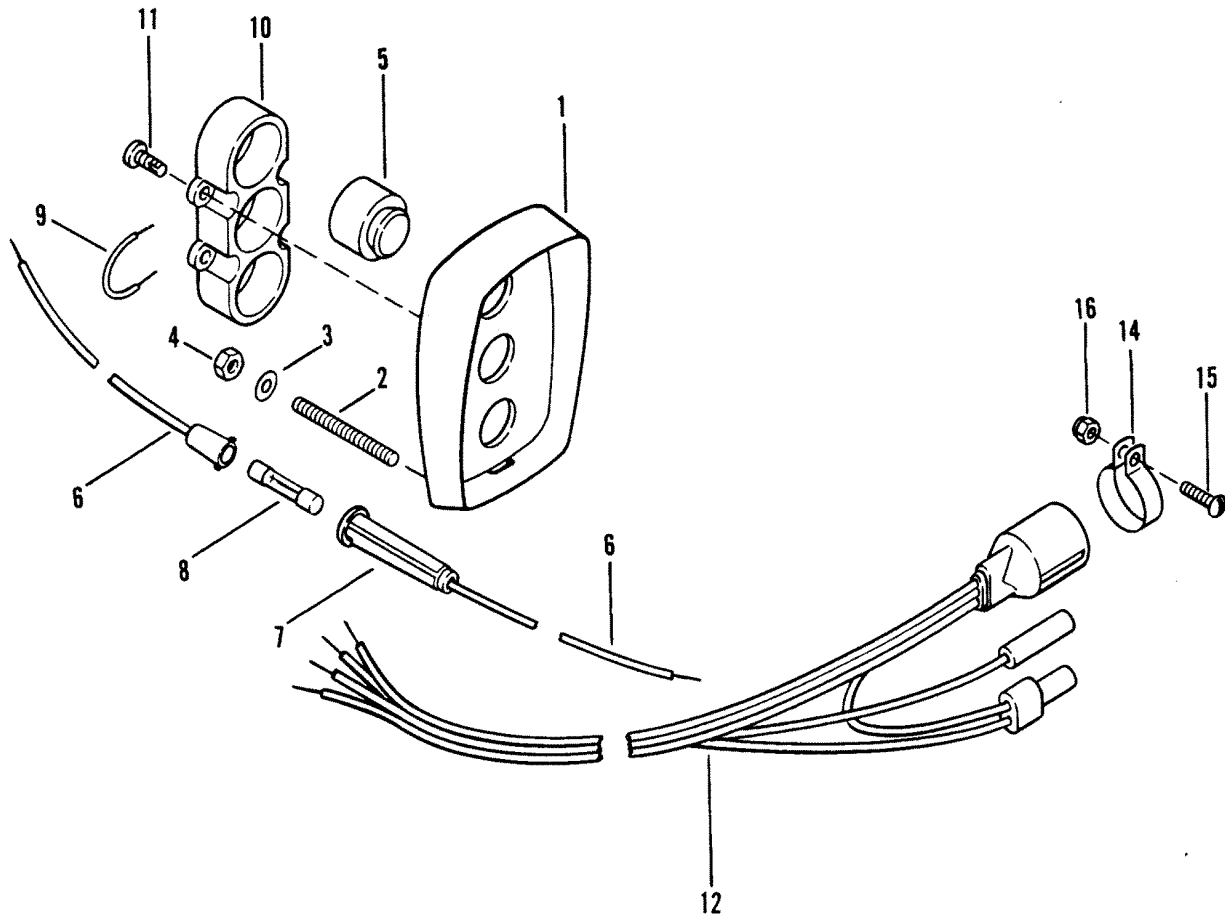
START/STOP SWITCH PANEL



START/STOP SWITCH PANEL

REF. NO.	PART NO.	SYM.	QTY.	DESCRIPTION
-	76426A9		1	START/STOP ASSY. (MERCUSIER)
-	76426A7		1	START/STOP ASSY. (OUTBOARD)
1	76426		1	PANEL
2	55738A1		2	SWITCH ASSEMBLY, PUSH BUTTON
3	77642		1	RETAINER
4	10-69079		3	SCREW
5	16-55422		2	STUD (2")
6	12-24676		2	WASHER
7	11-45076		2	NUT
8	N.S.S.		1	HARNESS MERCUISER
9	79101T		1	STRAP MERCUISER
10	68878A6		1	ALARM HORN OUTBOARD
11	68879		1	COVER OUTBOARD
12	77676		1	MOUNTING BRACKET OUTBOARD

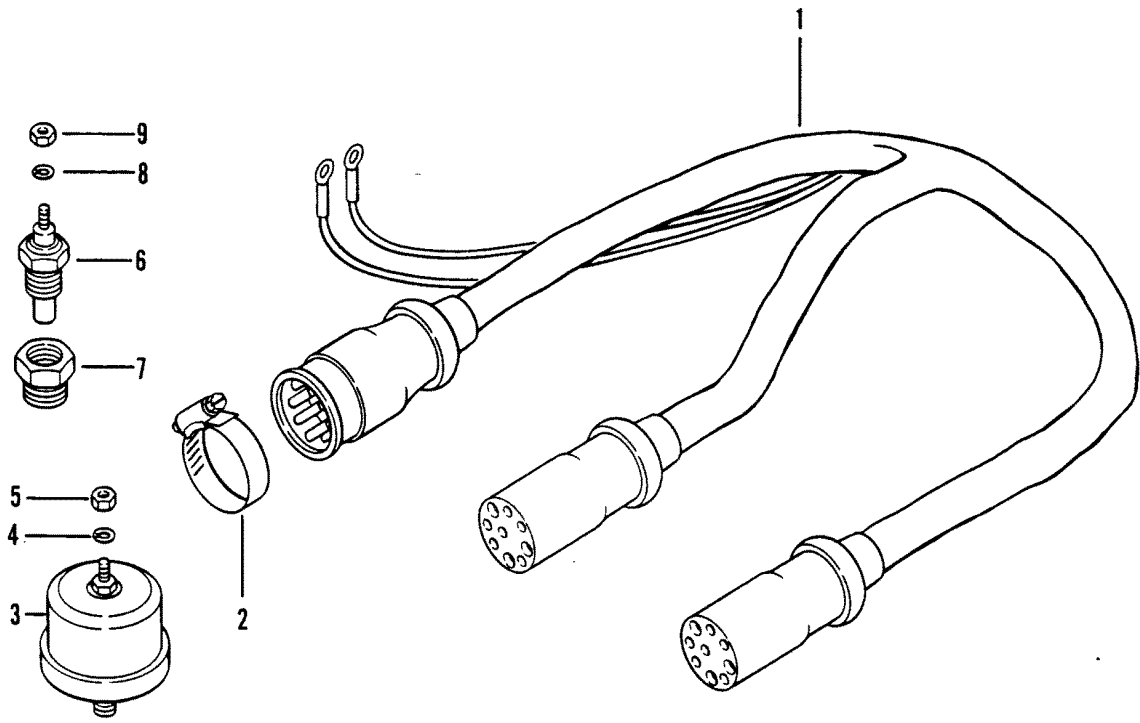
CONTROL PANEL ASSEMBLY



CONTROL PANEL ASSEMBLY

REF. NO.	PART NO.	SYM.	QTY.	DESCRIPTION
-	55642A13		1	CONTROL PANEL ASSEMBLY, COMPLETE
1	55642A17		1	PANEL ASSEMBLY
2	16-55422		4	STUD (2")
3	12-24676		4	WASHER
4	11-27164		4	NUT
5	55738A1		3	SWITCH, PUSH BUTTON
6	84-69174A2		2	WIRE (RED - 24")
7	88-69358A1		1	CAP ASSEMBLY
8	88-79091		1	FUSE (20 AMP)
9	53107		1	JUMPER WIRE (PURPLE-3")
10	55641		1	RETAINER
11	10-62568		4	SCREW (1/2")
12	84-87394A20		1	HARNESS
14	54-46770		1	CLAMP
15	10-29227		1	SCREW (1/2")
16	11-34388		1	NUT

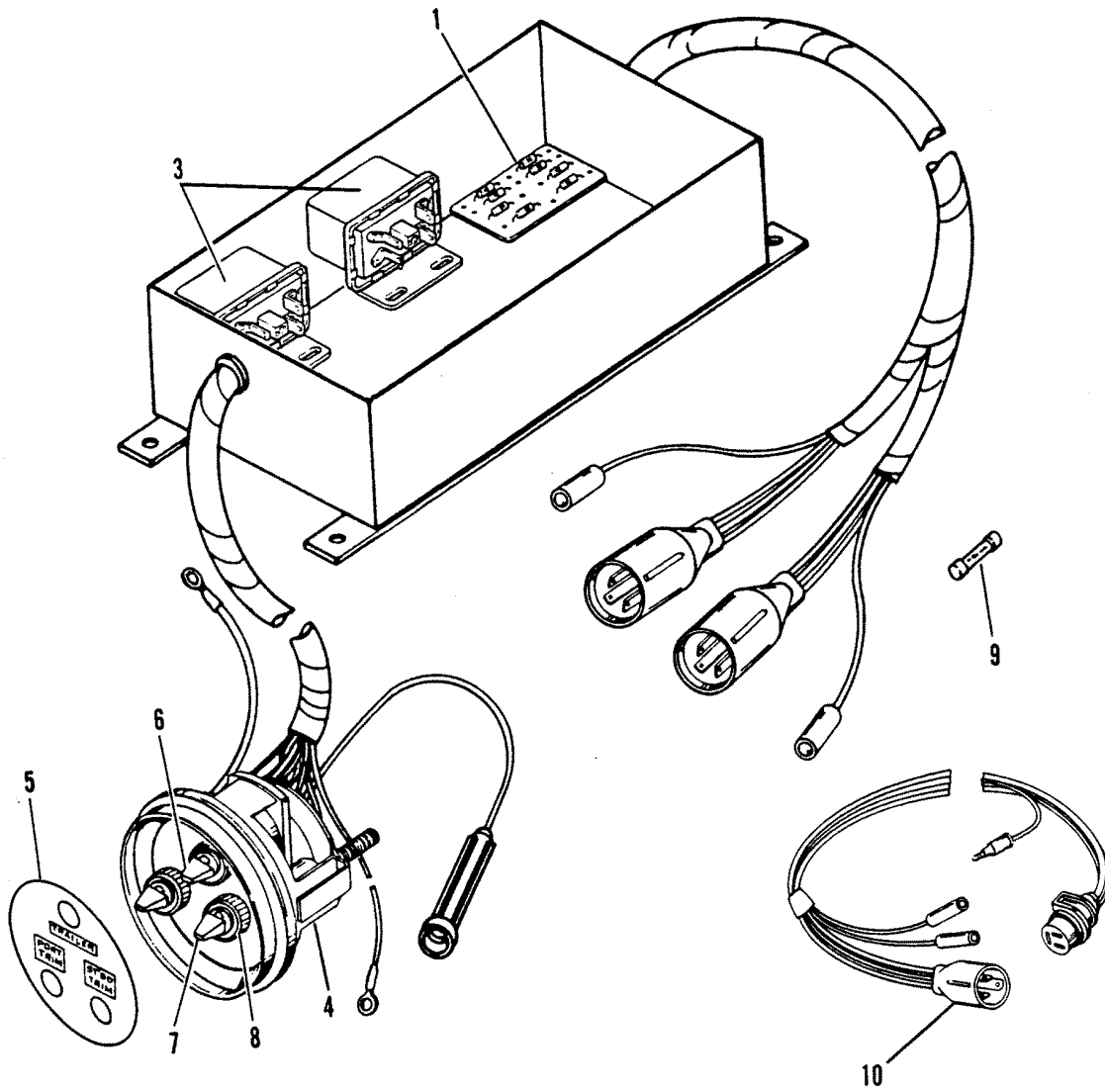
"T" HARNESS KIT



"T" HARNESS KIT

REF. NO.	PART NO.	SYM.	QTY.	DESCRIPTION
1	84-91942A4		1	T-HARNESS KIT
2	54-815504220		2	CLAMP
3	37293		1	DUAL OIL PRESSURE SENDER ASSEMBLY
4	13-26996		1	LOCKWASHER (#10)
5	11-68219		1	NUT (10-32)
6	49734A1		1	DUAL WATER TEMPERATURE SENDER
7	22-52382		1	REDUCER BUSHING
8	13-26996		1	LOCKWASHER (#10)
9	11-68219		1	NUT (10-32)

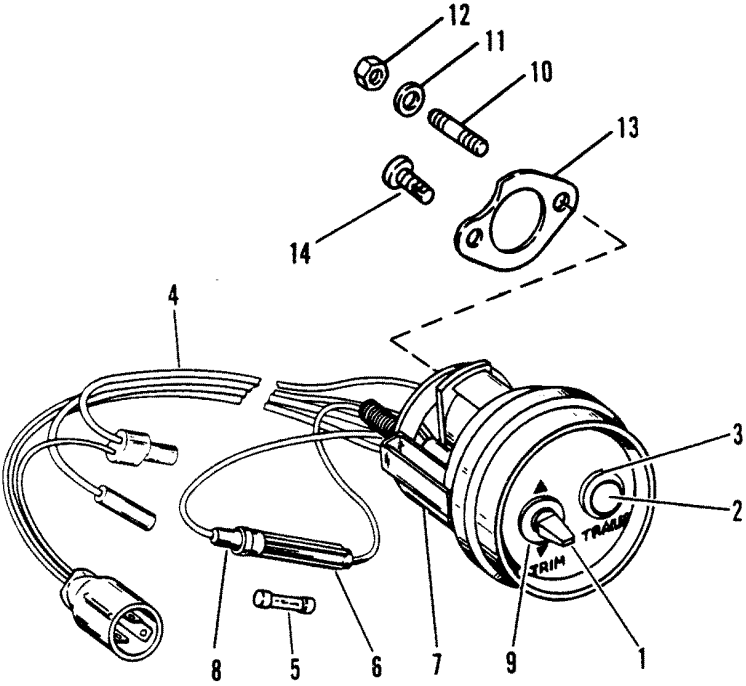
POWER TRIM CONTROL PANEL



POWER TRIM CONTROL PANEL

REF. NO.	PART NO.	SYM.	QTY.	DESCRIPTION
-	90362A3		1	POWER TRIM CONTROL PANEL (DUAL ENGINE)
1	339-7747A2		1	DIODE PACK
3	87-89074A3		2	RELAY ASSEMBLY
4	87452A4		1	PANEL ASSEMBLY
5	37-87582		1	DECAL (DUAL TRIM)
6	87-87578		1	TOGGLE SWITCH
7	87-78406		2	TOGGLE SWITCH
8	11-21923		2	NUT
9	88-79091		1	FUSE (20 AMP)
10	84-87538A3		2	WIRING HARNESS ASSEMBLY

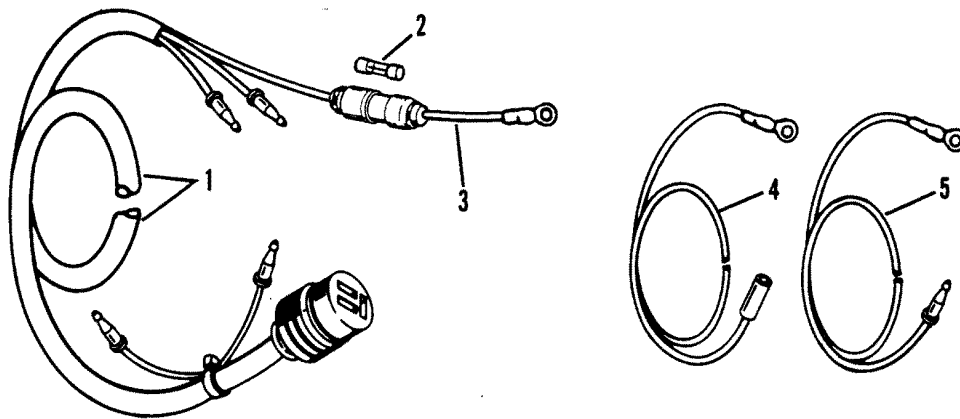
TOGGLE SWITCH TRIM CONTROL PANEL



TOGGLE SWITCH TRIM CONTROL PANEL

REF. NO.	PART NO.	SYM.	QTY.	DESCRIPTION
-	78408A5		1	TRIM CONTROL PANEL ASSEMBLY
1	87-78406		1	TOGGLE SWITCH
2	55738A1		1	SWITCH ASSEMBLY, PUSH BUTTON
3	55741		1	BOOT ASSEMBLY
4	84-87394A20		1	HARNESS ASSEMBLY
5	88-79091		1	FUSE (20 AMP)
6	88-69358A1		1	FUSE HOLDER ASSEMBLY
7	79101T		1	STRAP
8	84-69174A2		2	CABLE ASSEMBLY (RED)
9	49440		1	LOCK NUT
10	16-76550		2	STUD
11	12-24676		2	WASHER
12	11-27164		2	NUT
13	55691		1	COVER
14	10-62568		2	SCREW

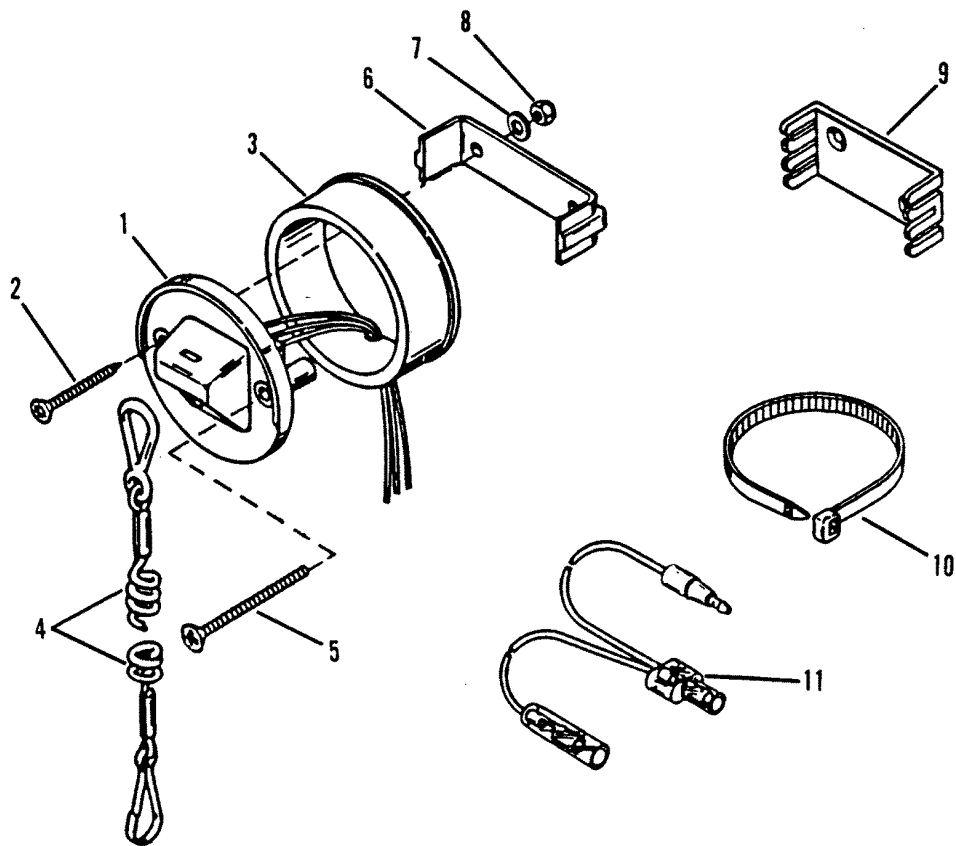
REMOTE CONTROL ADAPTOR KIT



REMOTE CONTROL ADAPTOR KIT

REF. NO.	PART NO.	SYM.	QTY.	DESCRIPTION
-	18060A2		1	ADAPTOR HARNESS KIT
1	84-99695A5		1	CONTROL HARNESS
2	88-79091		1	FUSE
3	84-95084A2		1	CABLE ASSEMBLY, FUSE
4	84-88824A5		1	CABLE ASSEMBLY (TAN)
5	84-88537A10		1	CABLE ASSEMBLY (BROWN/WHITE)

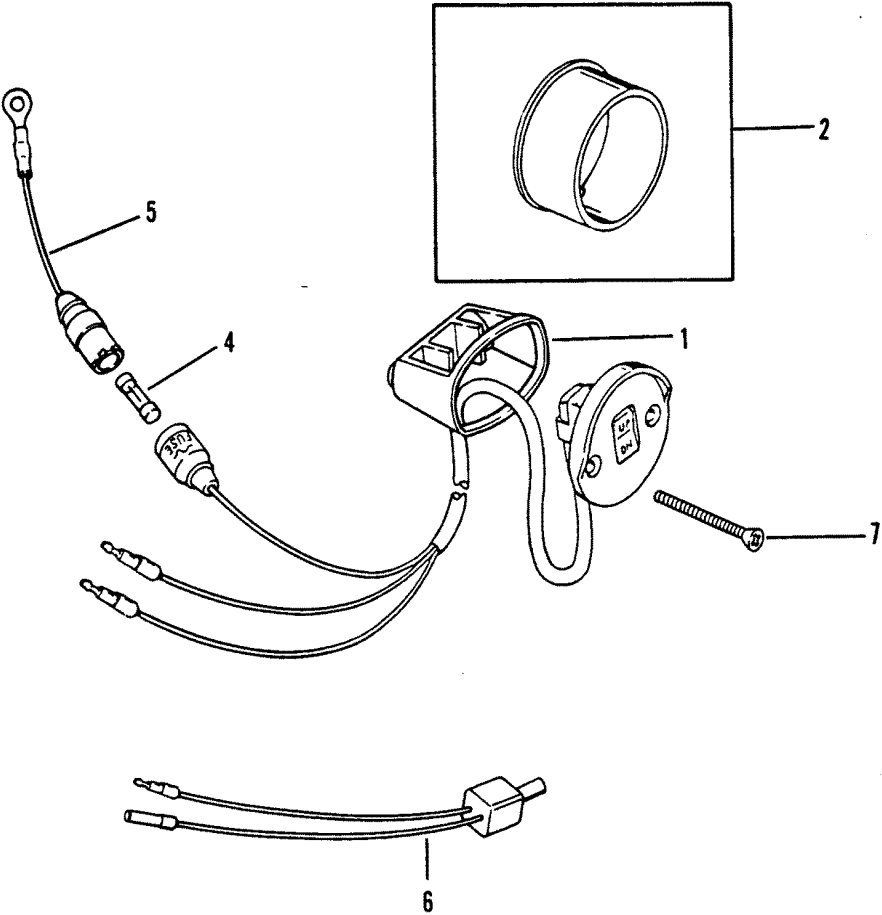
LANYARD SWITCH KIT



LANYARD SWITCH KIT

REF. NO.	PART NO.	SYM.	QTY.	DESCRIPTION
-	87-19674A2		1	LANYARD SWITCH KIT
1	87-19674A1		1	LANYARD SWITCH/DIODE KIT
2	10-18303		2	SCREW
3	813679		1	ADAPTOR
4	15920A54		1	LANYARD
5	10-32866		2	SCREW
6	18321		1	CLAMP
7	12-24676		2	WASHER
8	11-68219		4	NUT
9	79146		1	RETAINER
10	54-816311		7	STA-STRAP
11	84-11149A3		1	CABLE ASSEMBLY

TRIM SWITCH KIT



TRIM SWITCH KIT

REF. NO.	PART NO.	SYM.	QTY.	DESCRIPTION
-	87-18286A17		1	TRIM SWITCH KIT
-	87-18286A18		1	TRIM SWITCH KIT
-	87-18286A19		1	TRIM SWITCH KIT
1	18861		1	RETAINER
2	814820		1	ADAPTOR
4	88-79091		1	FUSE
5	84-95084A2		1	CABLE
6	84-11149A2		2	CABLE
7	10-19209		2	SCREW (10-32)
	10-813523		2	SCREW (10-16)

PARTS INDEX

Part Number	Description	Pg.	Ref. No.	Part Number	Description	Pg.	Ref. No.
15920A54	LANYARD	23	4	10-813523	SCREW (10-16)	25	7
18060A2	ADAPTOR HARNESS KIT	21	-	11-21923	NUT	17	8
18321	CLAMP	23	6	11-27164	NUT	13	4
18861	RETAINER	25	1	11-27164	NUT	19	12
37293	DUAL OIL PRESSURE SENDER ASSEMBLY	15	3	11-34388	NUT	13	16
49440	LOCK NUT	19	9	11-45076	NUT	11	7
49734A1	DUAL WATER TEMPERATURE SENDER	15	6	11-68219	NUT	7	6
53107	JUMPER WIRE (PURPLE-3")	13	9	11-68219	NUT	9	9
54212A7	KEY SWITCH ASSEMBLY	9	-	11-68219	NUT (10-32)	23	8
54212A8	SWITCH (WITH KEY #30431)	9	1	11-68219	NUT (10-32)	15	5
55641	RETAINER	13	10	11-93543	NUT	15	9
55642A13	CONTROL PANEL ASSEMBLY, COMPLETE	13	-	12-24676	NUT	7	10
55642A17	PANEL ASSEMBLY	13	1	12-24676	WASHER	7	5
55691	COVER	19	13	12-24676	WASHER	9	8
55738A1	SWITCH ASSEMBLY, PUSH BUTTON	11	2	12-24676	WASHER	11	6
55738A1	SWITCH ASSEMBLY, PUSH BUTTON	19	2	12-24676	WASHER	13	3
55738A1	SWITCH, PUSH BUTTON	13	5	12-24676	WASHER	19	11
55741	BOOT ASSEMBLY	19	3	12-24676	WASHER	23	7
68863	BEZEL	9	4	13-26996	LOCKWASHER (#10)	15	4
68878A6	ALARM HORN OUTBOARD	11	10	13-26996	LOCKWASHER (#10)	15	8
68879	COVER OUTBOARD	11	11	13-89989	LOCKWASHER	7	7
76424	BRACKET	7	3	16-55422	STUD	7	4
76424	BRACKET	9	6	16-55422	STUD	9	7
76426	PANEL	11	1	16-55422	STUD (2")	11	5
76426A7	START/STOP ASSY. (OUTBOARD)	11	-	16-55422	STUD (2")	13	2
76426A9	START/STOP ASSY. (MERCURISIER)	11	-	16-76550	STUD	19	10
77642	RETAINER	11	3	22-52382	REDUCER BUSHING	15	7
77676	MOUNTING BRACKET OUTBOARD	11	12	23-812711	SPACER (1/4")	7	12
78408A5	TRIM CONTROL PANEL ASSEMBLY	19	-	23-812711--1	SPACER (3/8")	7	12
79101T	STRAP	19	7	32-97009A1	HOSE POWER TRIM "UP" (46")	3	1
79101T	STRAP MERCURISIER	11	9	32-97010A1	HOSE POWER TRIM "DOWN" (47-1/2")	3	2
79146	RETAINER	23	9	32-97010A2	POWER TRIM EXTENSION KIT	3	-
813679	ADAPTOR	23	3	37-87582	DECAL (DUAL TRIM)	17	5
814820	ADAPTOR	25	2	38-46971	INSERT	9	2
816478	PLATE	9	3	38-90311	INSERT	7	11
816479	PLATE	7	8	54-46770	CLAMP	13	14
816492A1	ALARM	7	13	54-815504220	CLAMP	15	2
87452A4	PANEL ASSEMBLY	17	4	54-816311	STA-STRAP	23	10
90362A3	POWER TRIM CONTROL PANEL (DUAL ENGINE)	17	-	84-11149A2	CABLE	25	6
90468A1	COVER	7	1	84-11149A3	CABLE ASSEMBLY	23	11
99629A3	TILT LEVER	5	2	84-69174A2	CABLE ASSEMBLY (RED)	19	8
N.S.S.	HARNESS MERCURISIER	11	8	84-69174A2	WIRE (RED - 24")	13	6
NLA	HARNESS	9	5	84-78995A1	HARNESS ASSEMBLY	9	12
10-18303	SCREW	23	2	84-816626A15	KEY SWITCH ASSEMBLY (15)	7	-
10-19209	SCREW (10-32)	25	7	84-816626A2	KEY SWITCH ASSEMBLY (2)	7	-
10-29227	SCREW (1/2")	13	15	84-816626A20	KEY SWITCH ASSEMBLY (20)	7	-
10-32866	SCREW	23	5	84-816626A25	KEY SWITCH ASSEMBLY (25)	7	-
10-62568	SCREW	19	14	84-87222A1	HARNESS ASSEMBLY (6)	3	3
10-62568	SCREW (1/2")	13	11	84-87394A20	HARNESS	13	12
10-69079	SCREW	11	4	84-87394A20	HARNESS ASSEMBLY	19	4
				84-87538A3	WIRING HARNESS ASSEMBLY	17	10
				84-88537A10	CABLE ASSEMBLY (BROWN/WHITE)	21	5

PARTS INDEX

Part Number	Description	Pg.	Ref. No.	Part Number	Description	Pg.	Ref. No.
84-88824A5	CABLE ASSEMBLY (TAN) ..	21	4				
84-91942A4	T-HARNESS KIT	15	1				
84-95084A2	CABLE	25	5				
84-95084A2	CABLE ASSEMBLY, FUSE ..	21	3				
84-99695A5	CONTROL HARNESS	21	1				
87-18286A17	TRIM SWITCH KIT	25	-				
87-18286A18	TRIM SWITCH KIT	25	-				
87-18286A19	TRIM SWITCH KIT	25	-				
87-19674A1	LANYARD SWITCH/DIODE KIT	23	1				
87-19674A2	LANYARD SWITCH KIT	23	-				
87-78406	TOGGLE SWITCH	17	7				
87-78406	TOGGLE SWITCH	19	1				
87-814407A2	TILT SWITCH	5	1				
87-814407A3	TILT SWITCH KIT	5	-				
87-87578	TOGGLE SWITCH	17	6				
87-88107	SWITCH (SEE CHART FOR KEY)	7	9				
87-89074A3	RELAY ASSEMBLY	17	3				
88-69358A1	CAP ASSEMBLY	13	7				
88-69358A1	FUSE HOLDER ASSEMBLY .	19	6				
88-79091	FUSE	21	2				
88-79091	FUSE	25	4				
88-79091	FUSE (20 AMP)	13	8				
88-79091	FUSE (20 AMP)	17	9				
88-79091	FUSE (20 AMP)	19	5				
88-79091	FUSE, 20 AMP	9	11				
339-7747A2	DIODE PACK	17	1				