



PARTS CATALOG

MARINER W48

SERIAL NUMBER

W-48 M 670-007191 AND UP
W-48 ML 670-334241 AND UP

TABLE OF CONTENTS:

BOTTOM COWLING	4
CARBURETOR	22
CLAMP AND SWIVEL BRACKET	32
CRANKCASE AND CYLINDER HEAD	16
CRANKSHAFT AND PISTON	18
DRIVESHAFT HOUSING	40
FUEL LINE AND FILTER	26
FUEL PUMP	24
FUEL TANK	50
FUEL TANK AND FUEL LINE ASSEMBLY	48
GEAR SHIFT LINKAGE	28
GEARHOUSING ASSEMBLY	42
IGNITION SYSTEM	10
INTAKE MANIFOLD	20
MOUNTING SYSTEM	38
OPTIONAL PARTS	52
PARTS INDEX	54
RECOIL STARTER	6
REVERSE LOCK	30
STEERING HANDLE	34
THROTTLE CONTROL	14
TOP COWLING	2

NOTE: Indented description indicate that these parts are included in preceeding assembly.

AR = As Required

NSS = Not Sold Seperate

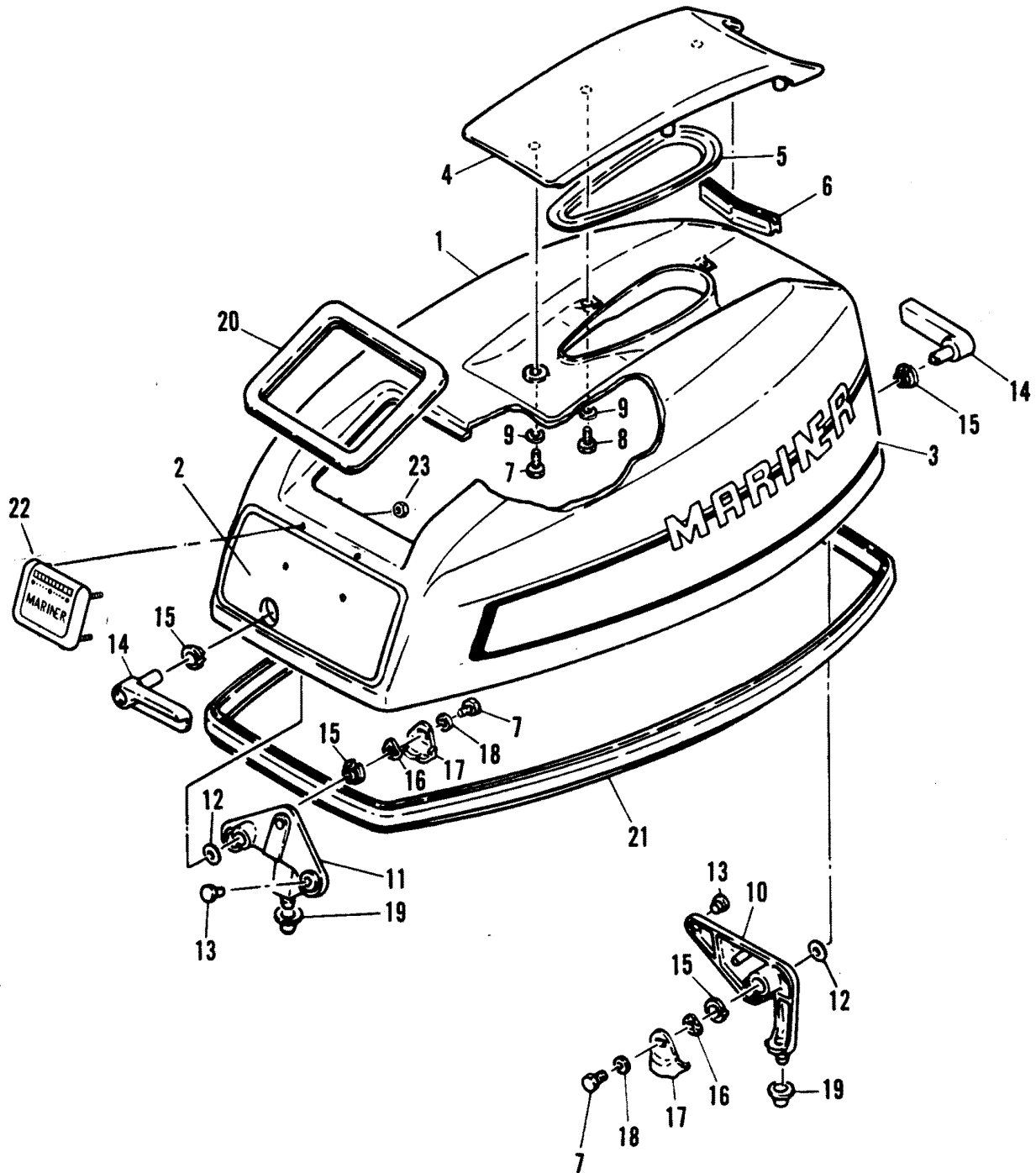
OPT = Optional

NS = Not Shown

THESE PARTS BOOKS/FICHE CARD ARE COPYRIGHTED AND MAY NOT BE DISTRIBUTED OR REPRODUCED IN ANY OTHER FORMAT BY ANYONE OTHER THAN MERCURY MARINE WITHOUT THE PRIOR WRITTEN CONSENT OF MERCURY MARINE.

THIS PAGE INTENTIONALLY LEFT BLANK

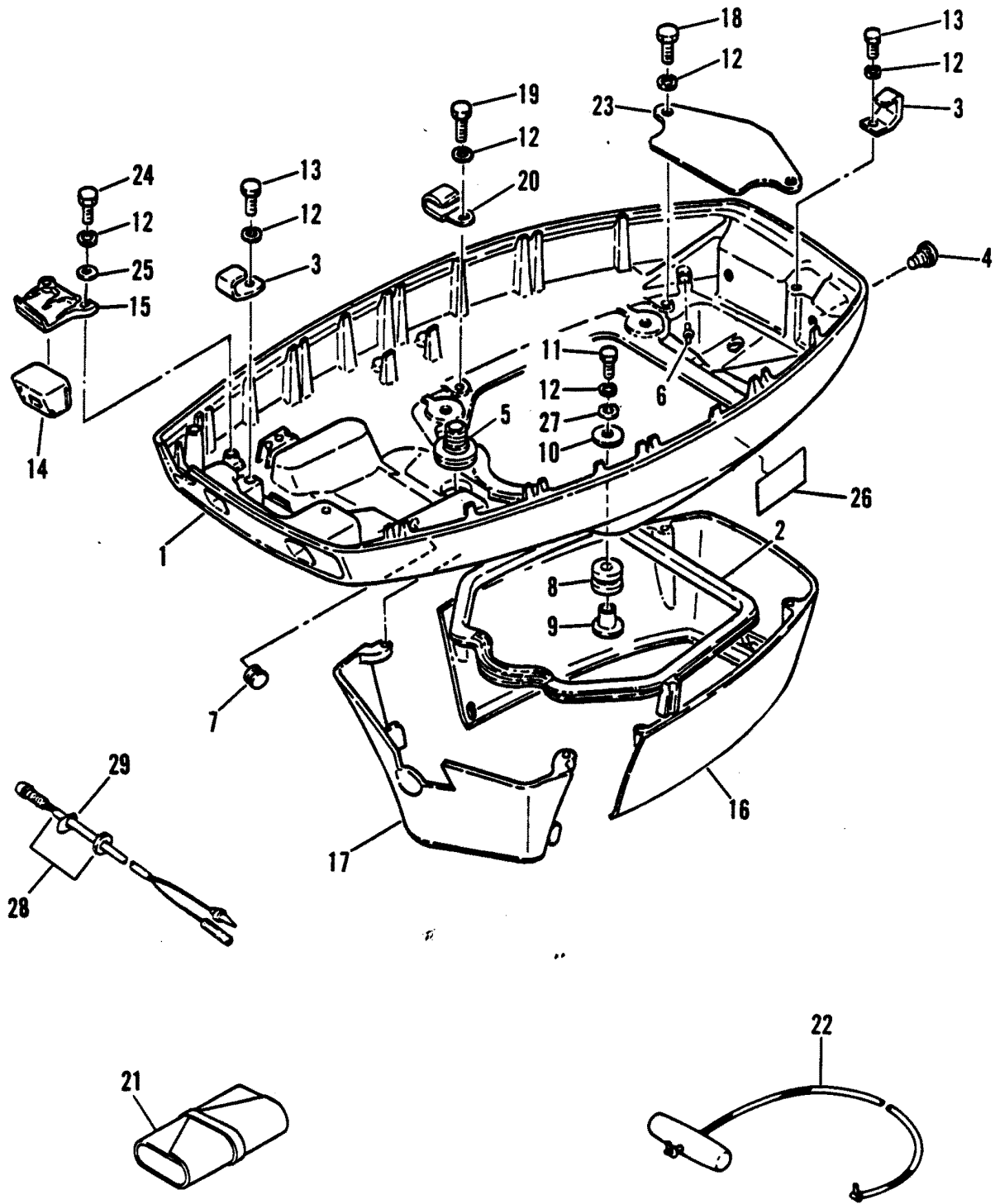
TOP COWLING



TOP COWLING

REF. NO.	PART NO.	SYM.	QTY.	DESCRIPTION
1	2168-8916M		1	TOP COWLING ASS'Y
2	97797M		1	DECAL, FRONT
3	37-98941M		1	DECAL, SIDE AND REAR SET
4	83024M		1	COVER, AIR DUCT
5	83025M		1	SEAL
6	83039M		1	SEAL, RUBBER
7	10-84303M		2	BOLT
8	10-84247M		1	BOLT
9	13-82199M		5	WASHER, LOCK
10	83040M		1	HOLDER, CLAMP BAND
11	83041M		1	HOLDER, CLAMP BAND
12	12-97098M		2	WASHER
13	17-82982M		6	RIVET
14	83026M		2	LEVER, CLAMP
15	23-41823M		4	BUSHING
16	13-81871M		2	WASHER, WAVE
17	83027M		2	LEVER
18	12-81794M		2	WASHER
19	83042M		2	DAMPER
20	41824M		1	SEAL
21	83043M		1	SEAL
22	79-41299M		1	TACHOMETER
23	11-41300M		2	NUT

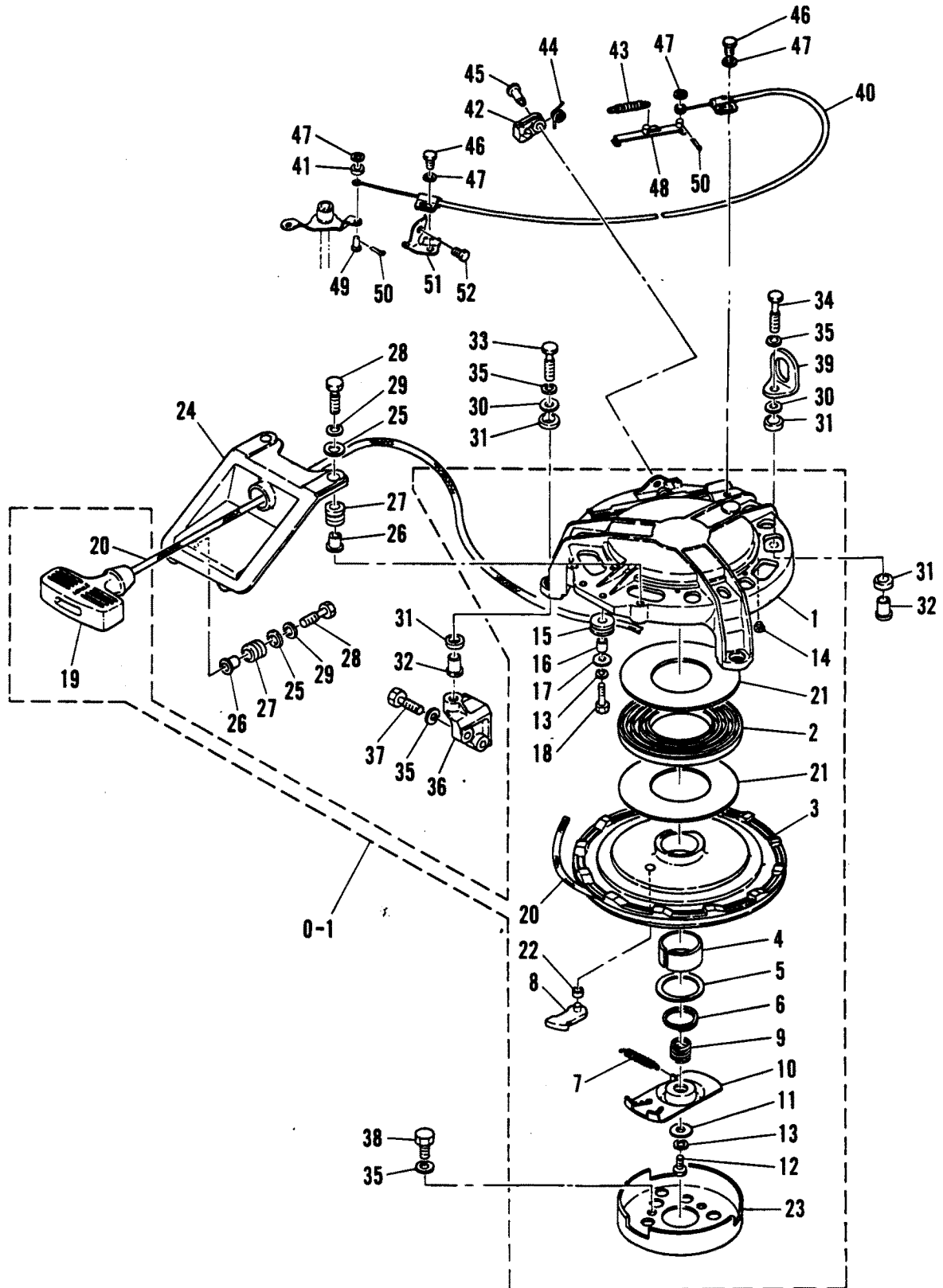
BOTTOM COWLING



BOTTOM COWLING

REF. NO.	PART NO.	SYM.	QTY.	DESCRIPTION
1	2168-8817M		1	COWLING,BOTTOM
2	27-83044M		1	SEAL, BOTTOM COWL TO APRON
3	83045M		2	BRACKET
4	25-83142M		2	GROMMET
5	25-81369M		1	GROMMET
6	22-81326M		1	FITTING
7	25-82061M		1	GROMMET
8	25-93101M		4	GROMMET
9	23-83610M		4	COLLAR
10	12-81796M		4	WASHER
11	10-84237M		4	BOLT
12	13-82197M		12	WASHER, LOCK
13	10-84211M		2	BOLT
14	81371M		1	BUMPER,COWL
15	83153M		1	RETAINER, COWL BUMPER
16	81374M		1	APRON, COWL-REAR
17	81378M		1	APRON, COWL-FRONT
18	10-84058M		2	BOLT
19	10-82453M		2	BOLT
20	54-82041M		1	CLAMP
21	91-81669M		1	TOOL KIT (OPTIONAL)
22	47341A1		1	STARTER ROPE, EMERGENCY
23	83047M		1	COVER, BOTTOM
24	10-84247M		2	BOLT
25	13-82199M		2	WASHER
26	37-97099M		2	DECAL
27	13-82199M		4	WASHER
28	41308M		1	INDICATOR, OVERHEAT WARNING
29	41309M		1	DECAL

RECOIL STARTER

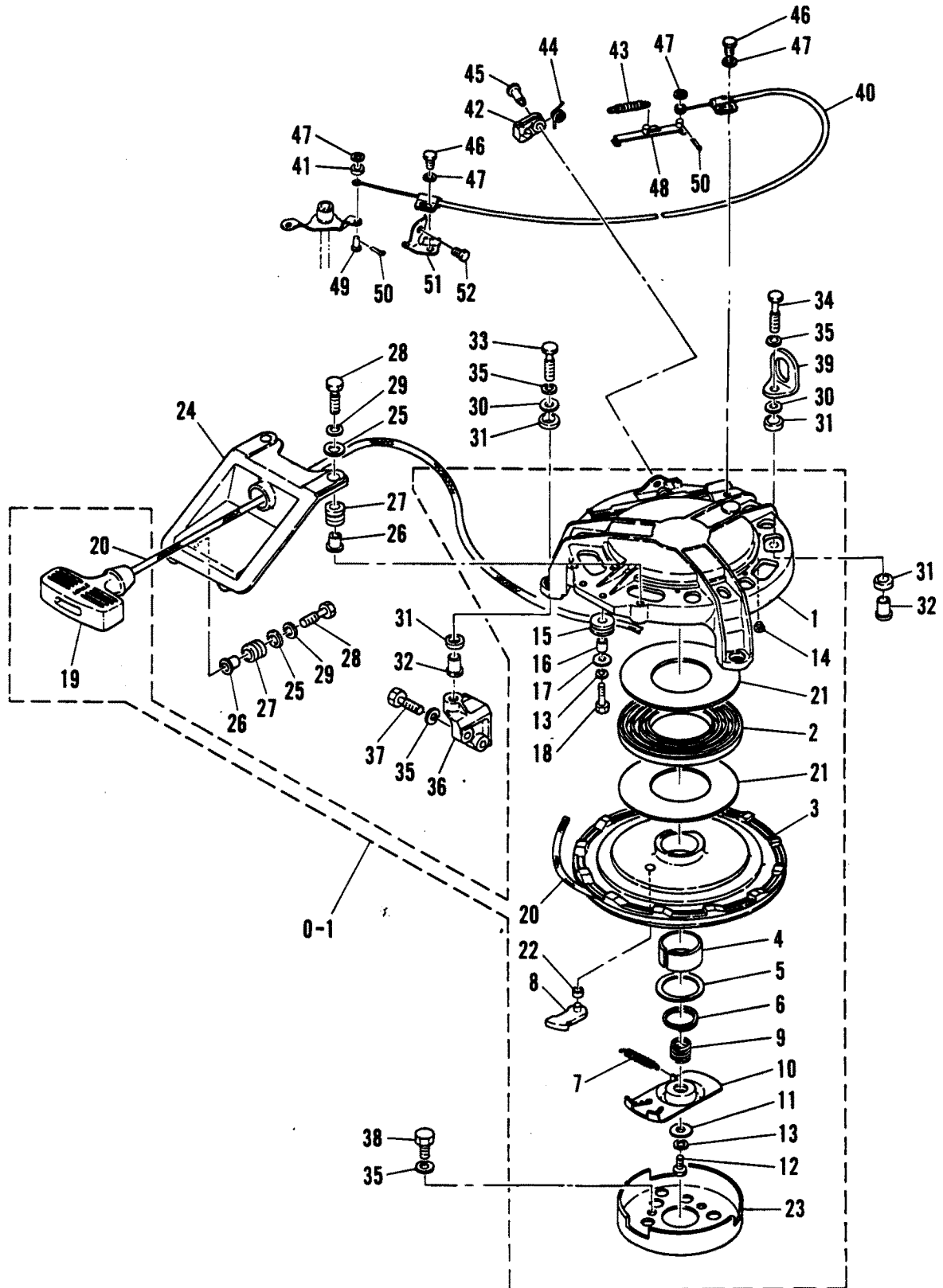


RECOIL STARTER

REF. NO.	PART NO.	SYM.	QTY.	DESCRIPTION
0-1	41291M		1	STARTER ASS'Y
1	84449M		1	HOUSING, STARTER
2	24-81295M		1	SPRING, STARTER
3	50-81296M		1	STARTER PULLEY
4	23-81309M		1	COLLAR, ENGAGEMENT CAM
5	12-81301M		1	WASHER
6	53-81305M		1	SNAP RING
7	24-41294M		1	SPRING, RETURN
8	81304M		1	PAWL, STARTER
9	24-81297M		1	SPRING, ENGAGEMENT CAM
10	41295M		1	CAM, PAWL ENGAGEMENT
11	12-81299M		1	WASHER
12	10-84446M		1	BOLT
13	13-82197M		2	WASHER, LOCK
14	19-41293M		6	PLUG, STARTER HOUSING
15	81307M		1	ROLER, STARTER ROPE
16	23-81308M		1	BUSHING
17	12-83149M		1	WASHER
18	10-83141M		1	BOLT
19	80063M		1	HANDLE, STARTER
20	79629A1		1	STARTER ROPE
21	12-83151M		2	WASHER
22	23-83150M		1	BUSHING
23	41292M		1	DRIVE CUP, PAWL
24	98942M		1	GUIDE, STARTER ROPE
25	12-82198M		4	WASHER
26	23-82851M		4	BUSHING
27	81523M		4	MOUNT, GUIDE
28	10-84237M		4	BOLT
29	13-82197M		4	WASHER, LOCK
30	13-81799M		3	WASHER, LOCK
31	25-41825M		6	GROMMET
32	23-84489M		3	COLLAR
33	10-82442M		2	BOLT
34	10-84236M		1	BOLT
35	13-82200M		8	WASHER, LOCK
36	81313M		1	BRACKET, STARTER HOUSING
37	10-82441M		2	BOLT
38	10-41826M		3	BOLT
39	41827M		1	HANGER, ENGINE
40	92689M		1	LOCKOUT CABLE COMP
41	83152M		1	RING,RETAINER
42	81317M		1	CAM, LOCKOUT

CONTINUED ON NEXT PAGE ➡

RECOIL STARTER

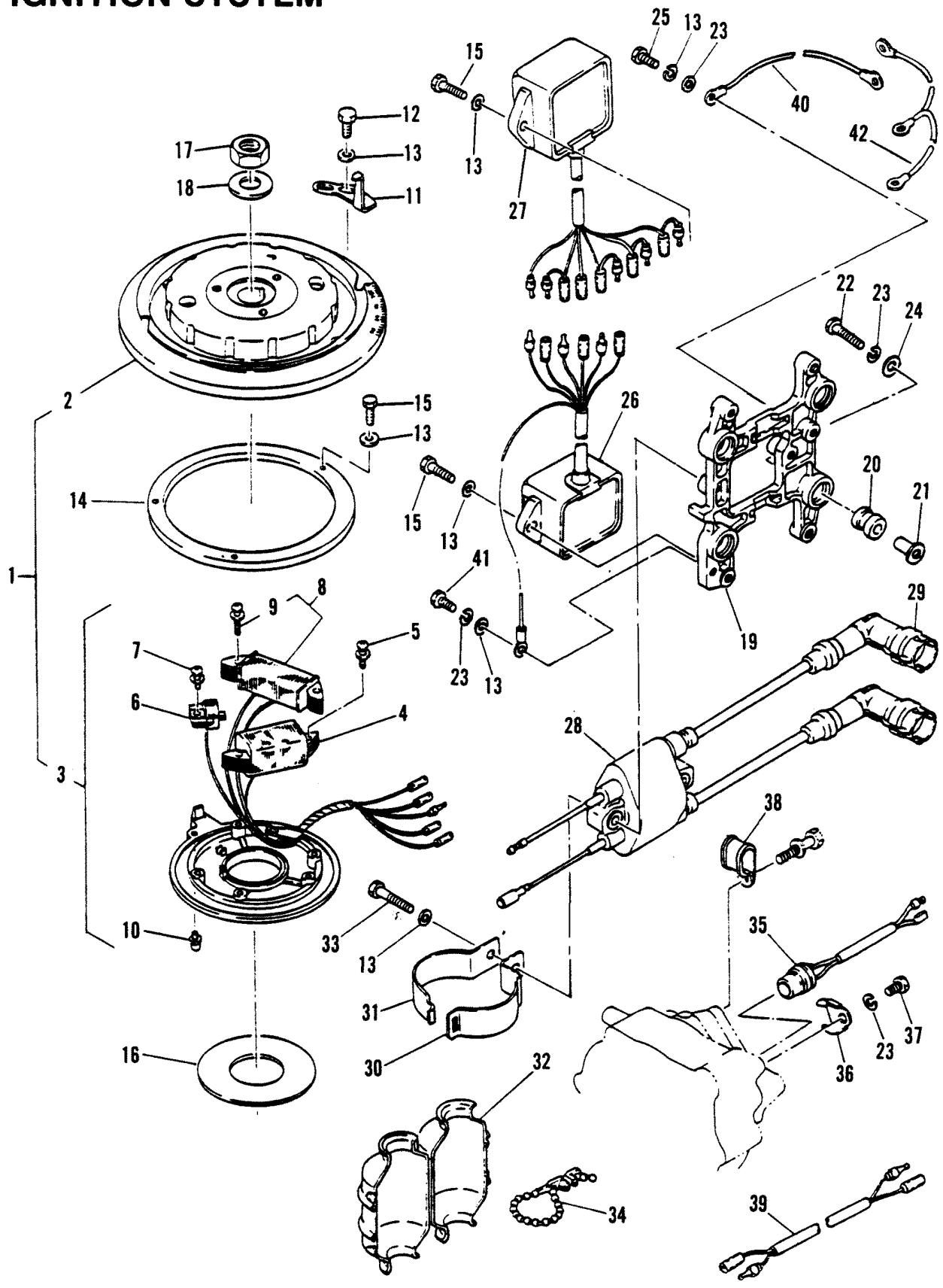


RECOIL STARTER

REF. NO.	PART NO.	SYM.	QTY.	DESCRIPTION
43	24-82102M		1	SPRING, LOCKOUT LEVER
44	24-82106M		1	SPRING, LOCKOUT CAM RETURN
45	10-81751M		1	PIVOT, LOCKOUT CAM
46	10-84315M		2	BOLT
47	12-82198M		4	WASHER
48	81303M		1	LEVER, LOCKOUT
49	17-82136M		1	PIN, CLEVIS
50	18-82126M		2	PIN, COTTER
51	81314M		1	BRACKET, LOCKOUT CABLE
52	10-82436M		1	BOLT

IGNITION SYSTEM

IGNITION SYSTEM



IGNITION SYSTEM

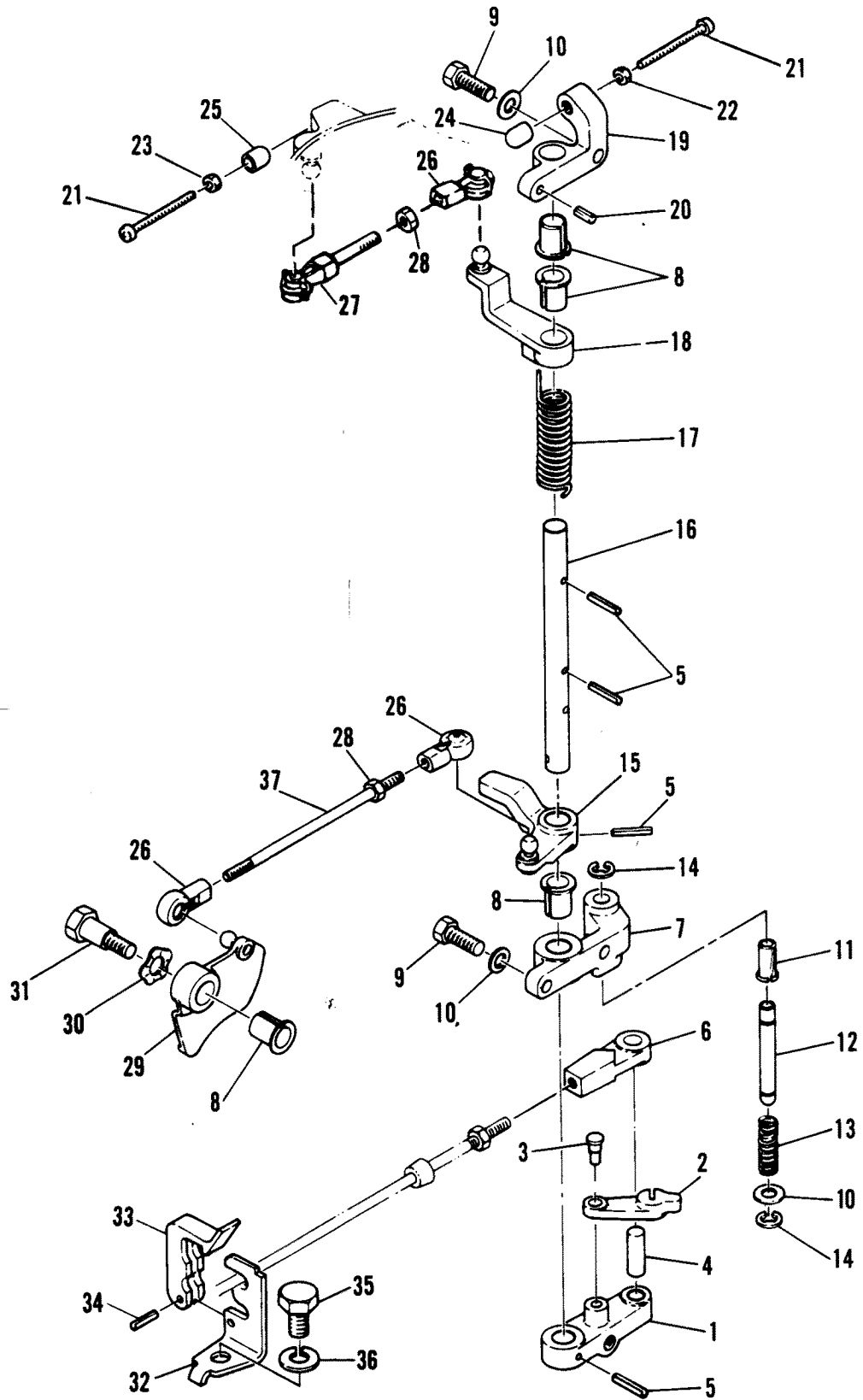
REF. NO.	PART NO.	SYM.	QTY.	DESCRIPTION
1	253-8816M		1	I. MAGNETO ASS'Y
2	41303M		1	FLYWHEEL ASS'Y
3	41304M		1	BASE ASS'Y
4	41829M		1	COIL ASS'Y (CHARGE)
5	10-96346M		2	SCREW W/WASHER
6	41830M		1	COIL ASS'Y, TRIGGER
7	10-91691M		1	SCREW W/WASHER
8	41831M		1	COIL ASS'Y, LIGHTING
9	10-97803M		2	SCREW, W/WASHER
10	84305M		2	JOINT, BALL
11	97074M		1	PLATE, TIMING
12	10-84247M		1	BOLT
13	13-82199M		12	WASHER
14	82678M		1	RETAINER, MAGNETO BASE
15	10-83539M		7	BOLT
16	12-81343M		1	WASHER, MAGNETO
17	11-81773M		1	NUT
18	12-84436M		1	WASHER
19	41302M		1	BRACKET
20	81523M		4	GROMMET
21	23-82851M		4	BUSHING
22	10-82405M		4	BOLT
23	13-82197M		7	WASHER
24	12-82979M		4	WASHER
25	10-84303M		1	BOLT
26	41305M		1	I ASS'Y
27	41306M		1	CONTROL ASS'Y
28	41832M		1	COIL ASS'Y, IGNITION
29	80935M		2	CAP, SPARK PLUG (NOISE SIPPRESSOR)
	82788M		2	SPARK PLUG
30	41833M		1	CLAMP
31	41834M		1	CLAMP{
32	41835M		1	COVER, TERMINAL
33	10-84237M		2	BOLT
34	54-41836M		1	CLAMP
35	87-97834M		1	THERMO-SWITCH ASS'Y
36	97835M		1	PLATE
37	10-84315M		1	BOLT

CONTINUED ON NEXT PAGE ➡

IGNITION SYSTEM

REF. NO.	PART NO.	SYM.	QTY.	DESCRIPTION
38	54-97561M		1	CLAMP
39	84-41310M		1	GROUND WIRE
40	84-81250M		1	GROUND WIRE
41	10-84303M		1	BOLT
42	84-97078M		1	GROUND WIRE

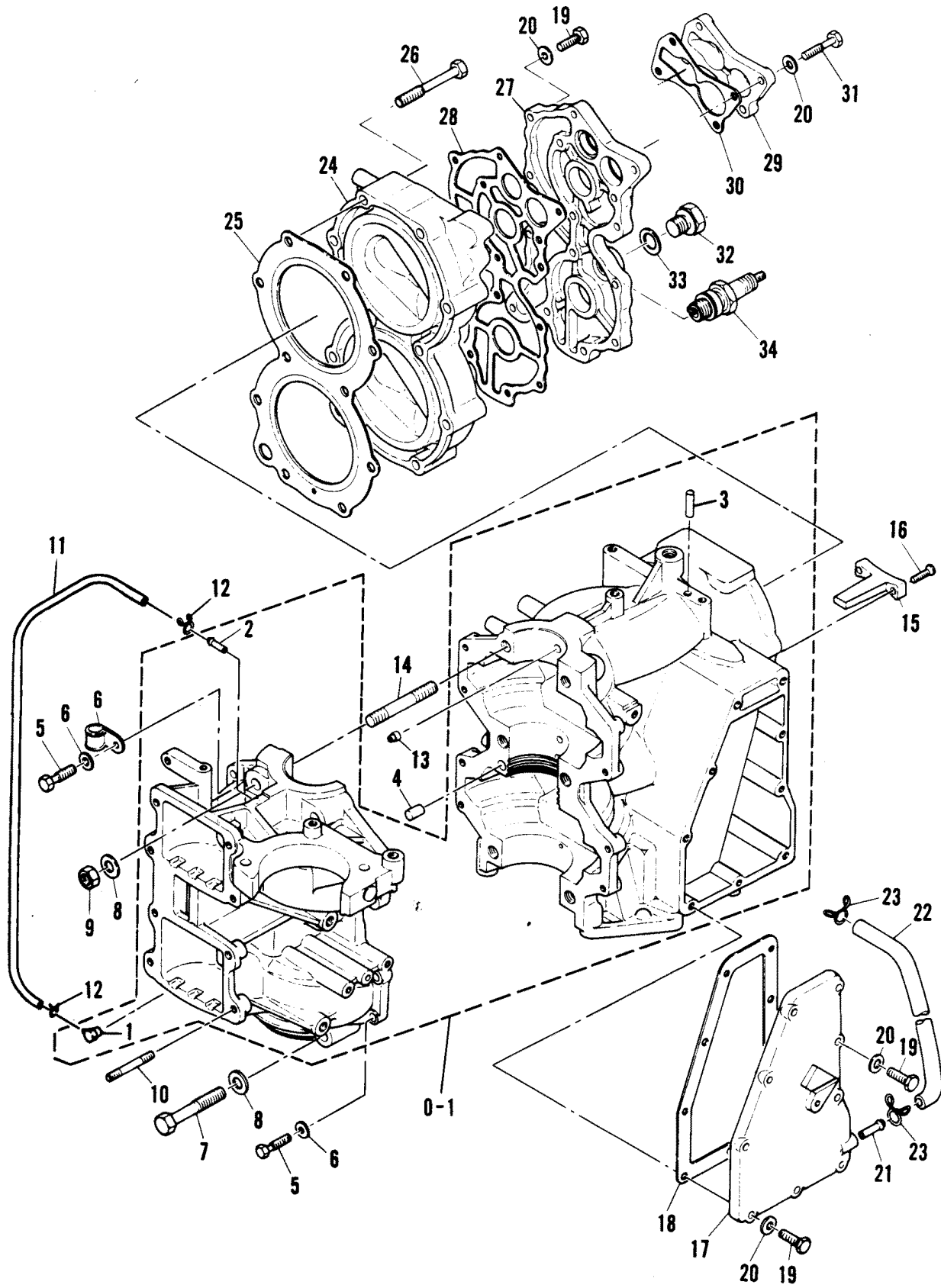
THROTTLE CONTROL



THROTTLE CONTROL

REF. NO.	PART NO.	SYM.	QTY.	DESCRIPTION
1	81345M		1	LEVER, C.D.I. CONTROL
2	81341M		1	STOPPER, FREE ACCEL-LINK
3	17-82976M		1	PIN
4	17-82367M		1	PIN, DOWEL
5	17-82149M		4	PIN, ROLL
6	81480M		1	CLEVIS , THROTTLE CABLE
7	81350M		1	BRACKET, SHAFT
8	23-81946M		4	BUSHING
9	10-82423M		3	BOLT
10	13-82199M		4	WASHER, LOCK
11	23-41311M		1	BUSHING
12	81403M		1	STOP, SHAFT BRACKET
13	24-82074M		1	SPRING, COMPRESSION
14	53-82330M		2	SNAP RING
15	81346M		1	LEVER, C.D.I. CONTROL
16	81347M		1	SHAFT, LINK CONNECTING
17	24-82113M		1	SPRING, TORSION
18	81344M		1	LEVER, C.D.I. CONTROL
19	81349M		1	BRACKET, SHAFT-UPPER
20	17-82154M		1	PIN,ROLL
21	10-83050M		2	SCREW
22	11-82381M		1	NUT
23	11-81764M		1	NUT
24	81415M		1	CAP
25	97087M		1	CAP
26	81225M		3	CLEVIS
27	98943M		1	ROD, CONTROL
28	11-82378M		2	NUT
29	81334M		1	CAM
30	13-81868M		1	WASHER, WAVE
31	10-81713M		1	BOLT
32	81483M		1	BRACKET, REMOTE CONTROL
33	81484M		1	CLAMP, CABLE
34	17-82146M		1	PIN, ROLL
35	10-82437M		1	BOLT
36	13-82200M		1	WASHER, LOCK
37	81333M		1	ROD, LINK

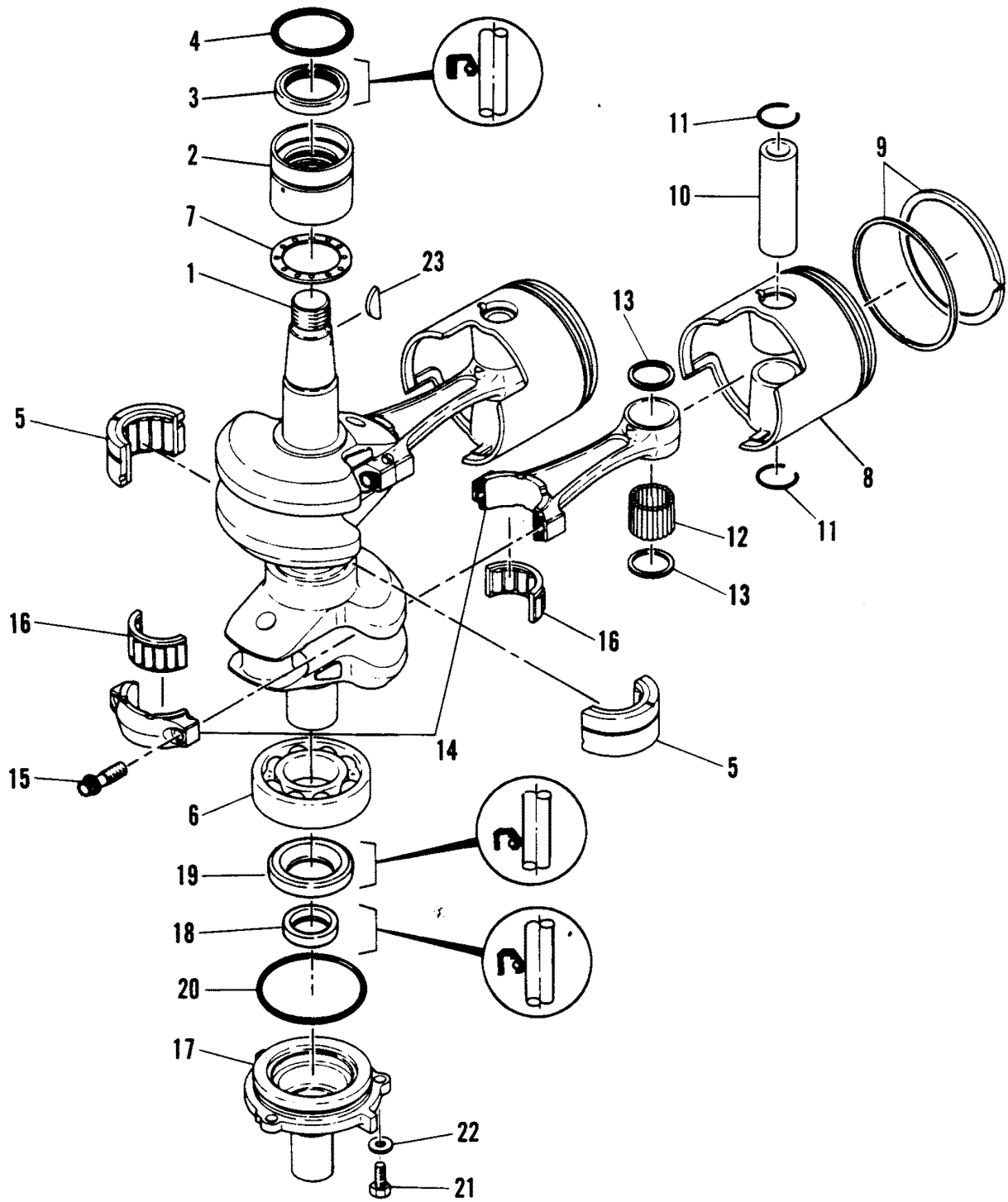
CRANKCASE AND CYLINDER HEAD



CRANKCASE AND CYLINDER HEAD

REF. NO.	PART NO.	SYM.	QTY.	DESCRIPTION
0-1	870-8913M		1	CRANKCASE AND CYLINDER ASS'Y
1	21-80727M		2	CHECK VALVE ASS'Y
2	22-80122M		1	FITTING, CRANKCASE DRAIN
3	17-82354M		1	PIN, DOWEL
4	17-82368M		1	PIN, DOWEL
5	10-41837M		8	BOLT
6	54-82033M		1	CLAMP, WIRE
7	10-41838M		4	BOLT
8	12-81807M		6	WASHER
9	11-82387M		2	NUT
10	16-81735M		8	STUD
11	32-81995M		2	HOSE, DRAIN
12	54-82046M		4	CLAMP, HOSE
13	17-81258M		2	LOCK, BEARING
14	16-81743M		2	STUD
15	81255M		1	ANODE
16	10-82532M		2	SCREW
17	81330M		1	COVER, EXHAUST-OUTER
18	27-81331M		1	GASKET, EXHAUST COVER
19	10-83539M		21	BOLT
20	13-82199M		25	WASHER, LOCK
17	22-80756M		1	XHAUST COVER
22	32-81324M		1	HOSE, EXHAUST COVER
23	54-82047M		2	CLAMP, HOSE
24	968-7974M		1	HEAD, CYLINDER
25	27-81252M		1	GASKET, CYLINDER HEAD
26	10-41839M		10	BOLT
27	81253M		1	COVER, CYLINDER HEAD
28	27-81254M		1	GASKET, CYLINDER HEAD COVER
29	81265M		1	COVER, THERMOSTAT
30	27-81266M		1	GASKET, THERMOSTAT COVER
31	10-84237M		4	BOLT
32	22-81926M		1	PLUG, COVER
33	27-81990M		1	GASKET, COVER PLUG
34	33-82371M		2	SPARK PLUG B-7HS-(NGK)"
	41301M		1	POWERHEAD ASS'Y, COMPLETE (SEE NOTE) REPLACEMENT PARTS
	27-84168M		1	GASKET SET, POWERHEAD REPLACEMENT PARTS

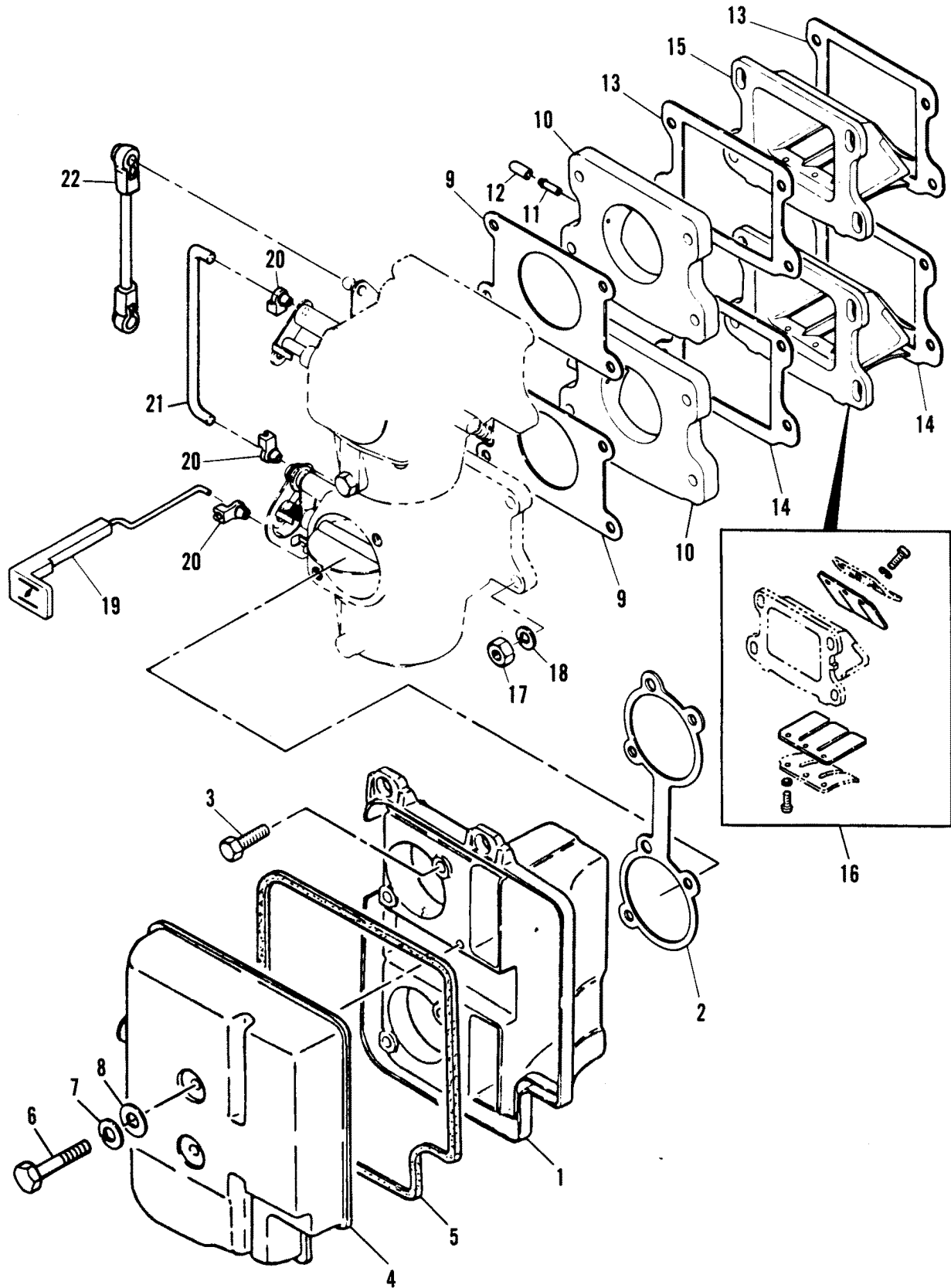
CRANKSHAFT AND PISTON



CRANKSHAFT AND PISTON

REF. NO.	PART NO.	SYM.	QTY.	DESCRIPTION
1	463-6825M		1	CRANKSHAFT ASS'Y
2	31-82312M		1	BEARING, NEEDLE
3	26-82249M		1	OIL SEAL, CRANKSHAFT-UPPER
4	25-82276M		1	O-RING, CRANKSHAFT-UPPER
5	31-97837M		1	BEARING, CENTER MAIN
6	30-41296M		1	BEARING, CRANKSHAFT-LOWER
7	15-81259M		1	SHIM, CRANKSHAFT
8	761-8810M		AR	PISTON (STANDARD)
	761-8811M		AR	PISTON (1ST O.S.-82.25 MM)
	761-8812M		AR	PISTON (2ND O.S.-82.50 MM)
9	39-92625M		2	PISTON RING SET (STD)
	39-92626M		AR	PISTON RING SET (1ST O.S. - 82.25 MM)
	39-92627M		AR	PISTON RING SET (2ND O.S.- 82.50MM)
10	41-81263M		2	PIN, PISTON
11	53-41297M		4	CLIP, PISTON PIN
12	29-82353M		56	BEARING, NEEDLE- CONNECTING ROD
13	12-81831M		4	RETAINER
14	629-8813M		2	CONNECTING ROD ASS'Y
15	10-81715M		4	BOLT, ROD CAP
16	31-41298M		2	BEARING, CONNECTING ROD
17	41828M		1	HOUSING, OIL SEAL
18	26-82255M		1	OIL SEAL, CRANKSHAFT-LOWER
19	26-82248M		1	OIL SEAL, CRANKSHAFT-LOWER
20	25-82286M		1	O-RING, OIL SEAL HOUSING
21	10-91725M		3	BOLT
22	12-82214M		3	WASHER
23	28-81915M		1	KEY, CRANKSHAFT TO FLYWHEEL

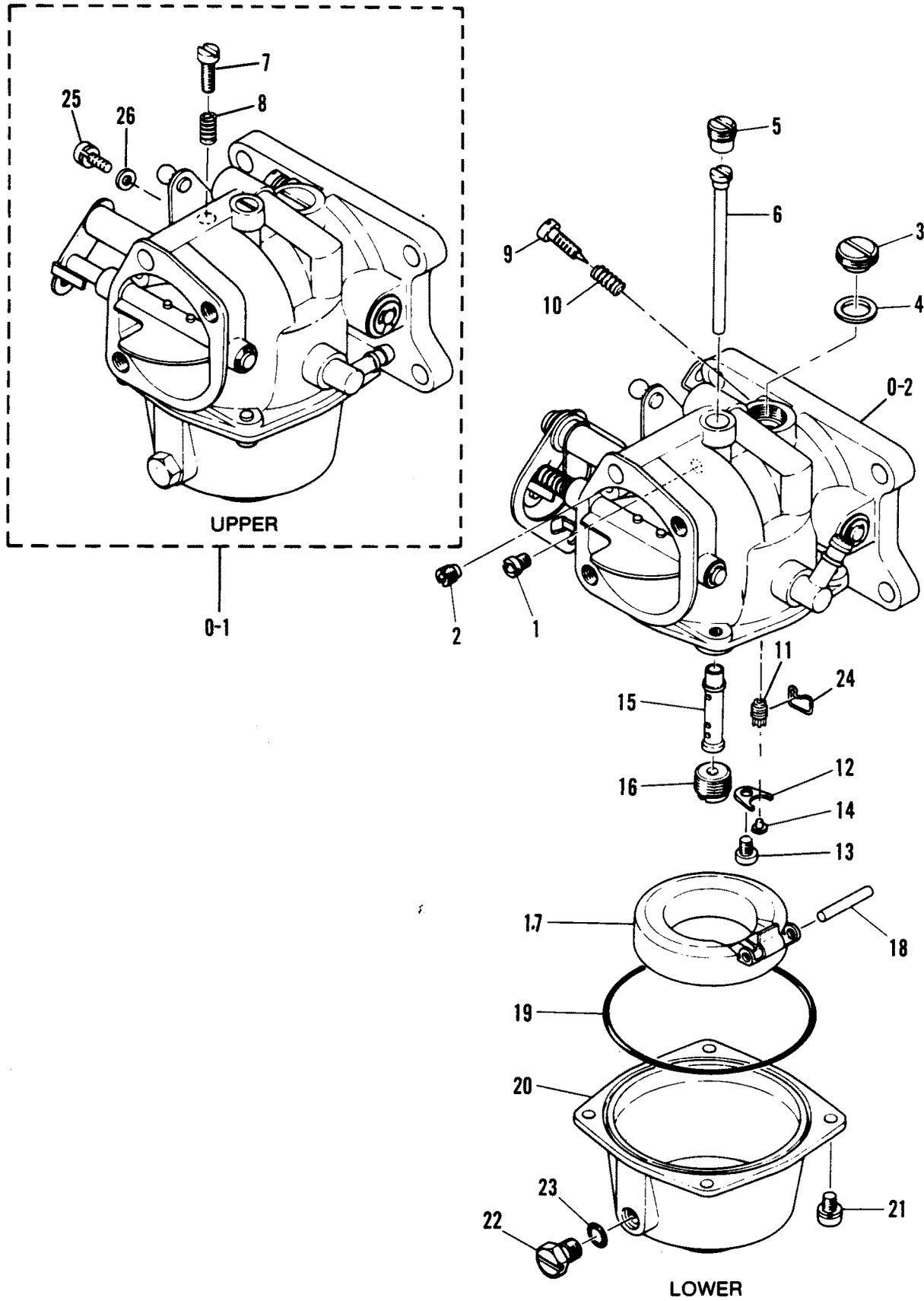
INTAKE MANIFOLD



INTAKE MANIFOLD

REF. NO.	PART NO.	SYM.	QTY.	DESCRIPTION
1	92629M		1	BASE, AIR INTAKE
2	27-81276M		1	GASKET, AIR INTAKE TO CARBURETOR
3	10-82405M		4	BOLT
4	92630M		1	COVER, AIR INTAKE
5	27-92631M		1	GASKET, AIR INTAKE
6	10-84657M		2	BOLT
7	13-82197M		2	WASHER
8	13-82199M		2	WASHER, LOCK
9	27-81272M		2	GASKET, CARBURETOR TO MANIFOLD
10	92677M		2	MANIFOLD, INTAKE
11	22-80122M		2	PIPE, OVERFLOW
12	80454M		1	CAP, OVERFLOW PIPE
13	27-81569M		2	GASKET, REED VALVE-UPPER
14	27-81270M		2	GASKET, REED VALVE-LOWER
15	34-92675M		2	REED VALVE ASS'Y
16	34-92676M		1	REED SET (REED STOPS NOT INCLUDED)
17	11-82380M		8	NUT
18	13-82197M		8	WASHER, LOCK
19	81338M		1	ROD, CHOKE
20	81191M		3	CONNECTOR, CHOKE LEVER
21	82988M		1	ROD, CHOKE INK
22	97844M		1	ROD, THROTTLE LEVER

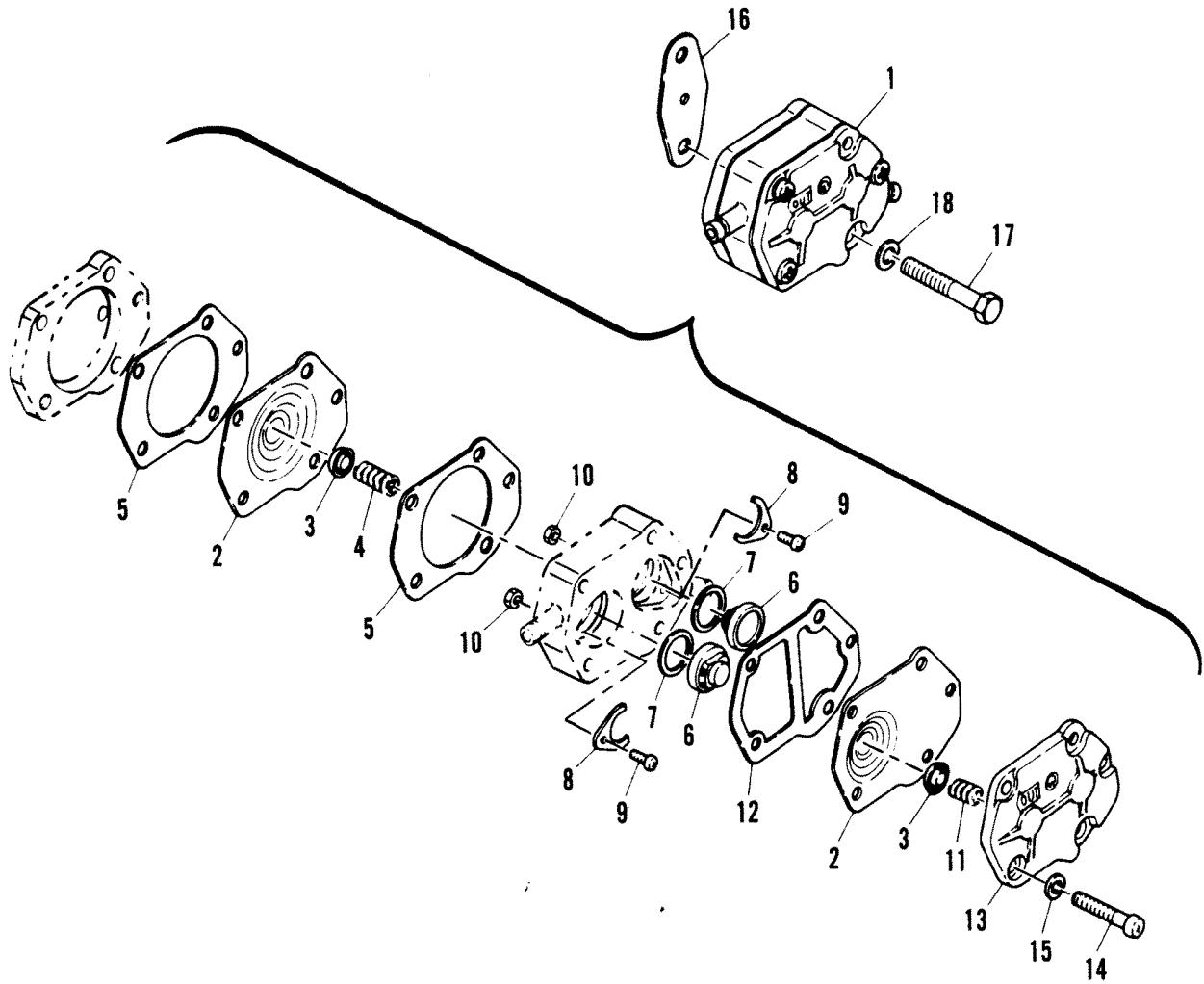
CARBURETOR



CARBURETOR

REF. NO.	PART NO.	SYM.	QTY.	DESCRIPTION
0-1	1383-8814M		1	CARBURETOR ASS'Y (UPPER)
0-2	1383-8815M		1	CARBURETOR ASS'Y (LOWER)
1	97849M		2	JET, PILOT AIR (#110)
2	92678M		2	JET, MAIN AIR (# 135)
3	10-81292M		2	SCREW, PLUG
4	12-92636M		2	WASHER
5	10-97080M		2	SCREW, PLUG
6	41840M		2	JET, PILOT (#88)
7	10-81277M		1	SCREW, THROTTLE (UPPER)
8	24-82080M		1	SPRING, COMPRESSION (UPPER)
9	10-81281M		2	SCREW, IDLE SPEED
10	24-82073M		2	SPRING, COMPRESSION
11	41841M		2	VALVE SEAT ASS'Y
12	80026M		2	RETAINER, VALVE SEAT
13	10-82499M		2	SCREW
14	17-92639M		2	PIN, VALVE
15	81287M		2	NOZZLE, MAIN
16	92637M		2	JET, MAIN (#165)
17	81291M		2	FLOAT
18	17-81278M		2	PIN, FLOAT
19	25-82288M		2	O-RING
20	81290M		2	BOWL, FLOAT
21	10-81758M		8	SCREW W/WASHER
22	10-81293M		2	SCREW, DRAIN
23	25-94498M		2	O-RING
24	54-82781M		2	CLIP
25	10-97082M		1	SCREW W/WASHER (UPPER)
26	12-83372M		1	WASHER (UPPER)
	41842M			REPAIR KIT, CARBURETOR

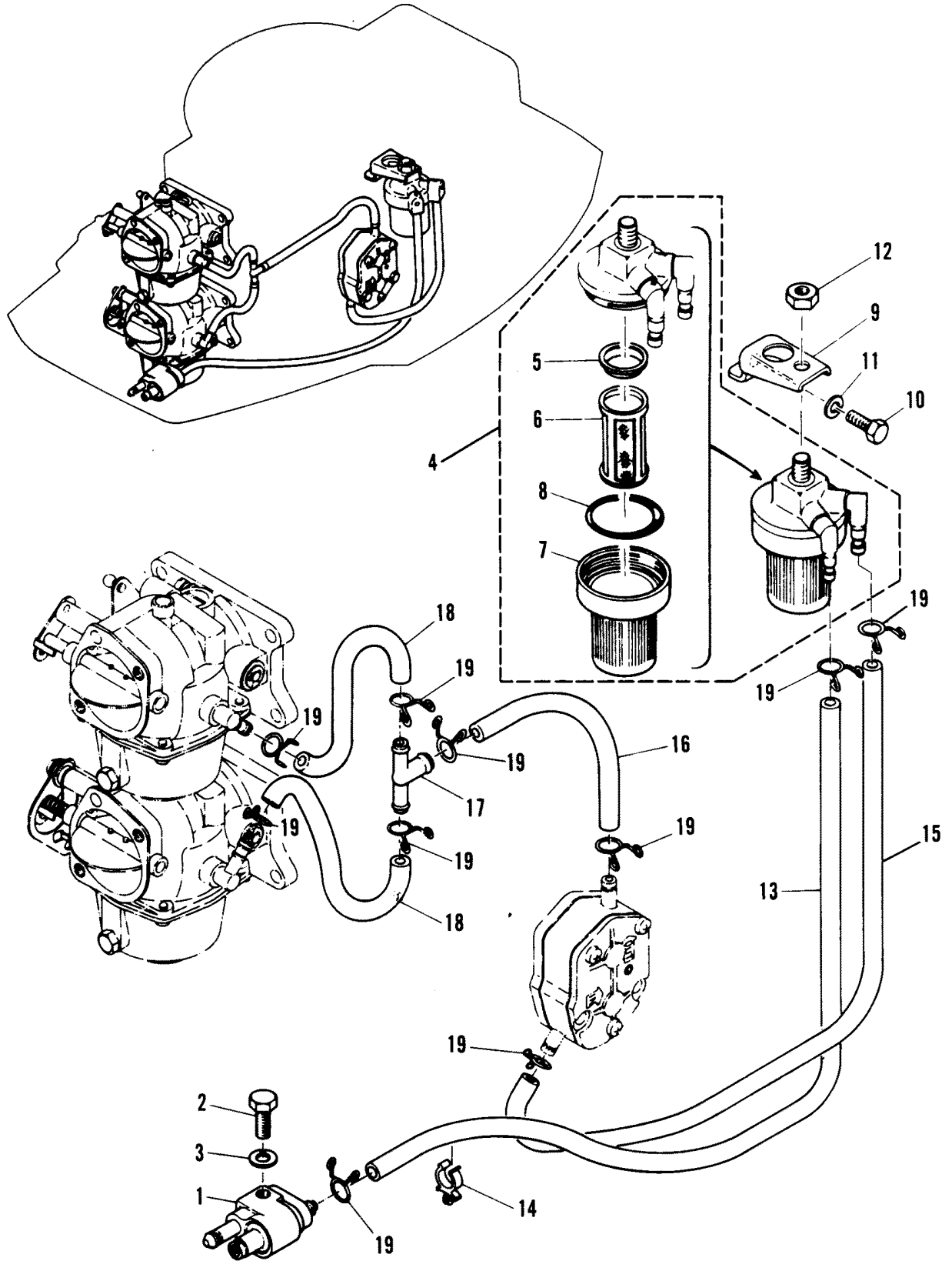
FUEL PUMP



FUEL PUMP

REF. NO.	PART NO.	SYM.	QTY.	DESCRIPTION
1	93045M		1	FUEL PUMP ASS'Y
2	80606M		2	DIAPHRAGM
3	80611M		2	PLATE, SPRING GUIDE
4	24-80610M		1	SPRING
5	27-80613M		2	GASKET, BODY TO BASE
6	21-80608M		2	CHECK VALVE
7	27-80612M		2	GASKET, CHECK VALVE
8	80609M		2	RETAINER, CHECK VALVE
9	10-82511M		2	SCREW
10	11-84515M		2	NUT
11	24-80615M		1	SPRING
12	27-80614M		1	GASKET, BODY TO COVER
13	80607M		1	COVER
14	10-82522M		3	SCREW
15	13-82208M		3	WASHER, LOCK
16	27-80757M		1	GASKET, FUEL PUMP TO CRANKCASE
17	10-82428M		2	BOLT
18	12-82198M		2	WASHER

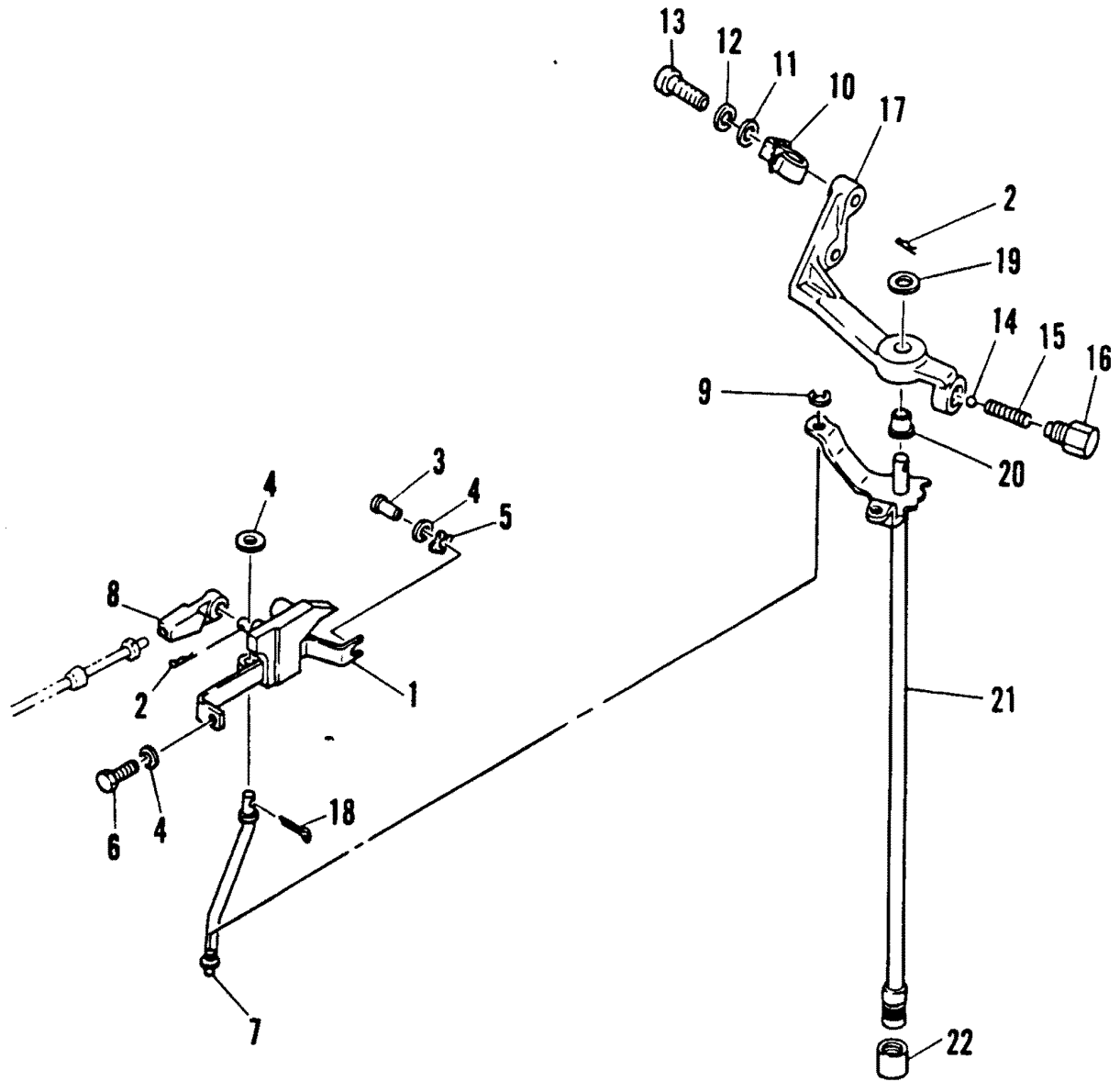
FUEL LINE AND FILTER



FUEL LINE AND FILTER

REF. NO.	PART NO.	SYM.	QTY.	DESCRIPTION
1	93099M		1	FUEL LINE CONNECTOR ASS'Y
2	10-83539M		1	BOLT
3	13-82212M		1	WASHER, LOCK
4	35-80617M		1	FUEL FILTER ASS'Y
5	27-82790M		1	GASKET, FILTER
6	35-82783M		1	ELEMENT, FILTER
7	82784M		1	FUEL BOWL
8	25-84957M		1	O-RING
9	80620M		1	BRACKET, FUEL FILTER
10	10-84211M		1	BOLT
11	13-82197M		1	WASHER, LOCK
12	11-82382M		1	NUT
13	32-84956M		1	FUEL LINE, CONNECTOR TO PUMP
14	54-82037M		1	CLAMP
15	32-82010M		1	FUEL LINE, FILEER TO PUMP
16	32-82020M		1	FUEL LINE, PUMP TO TEE
17	22-97083M		1	TEE FITTING, FUEL LINE
18	32-82004M		2	FUEL LINE, TEE TO CARBURETOR
19	54-82047M		9	CLAMP

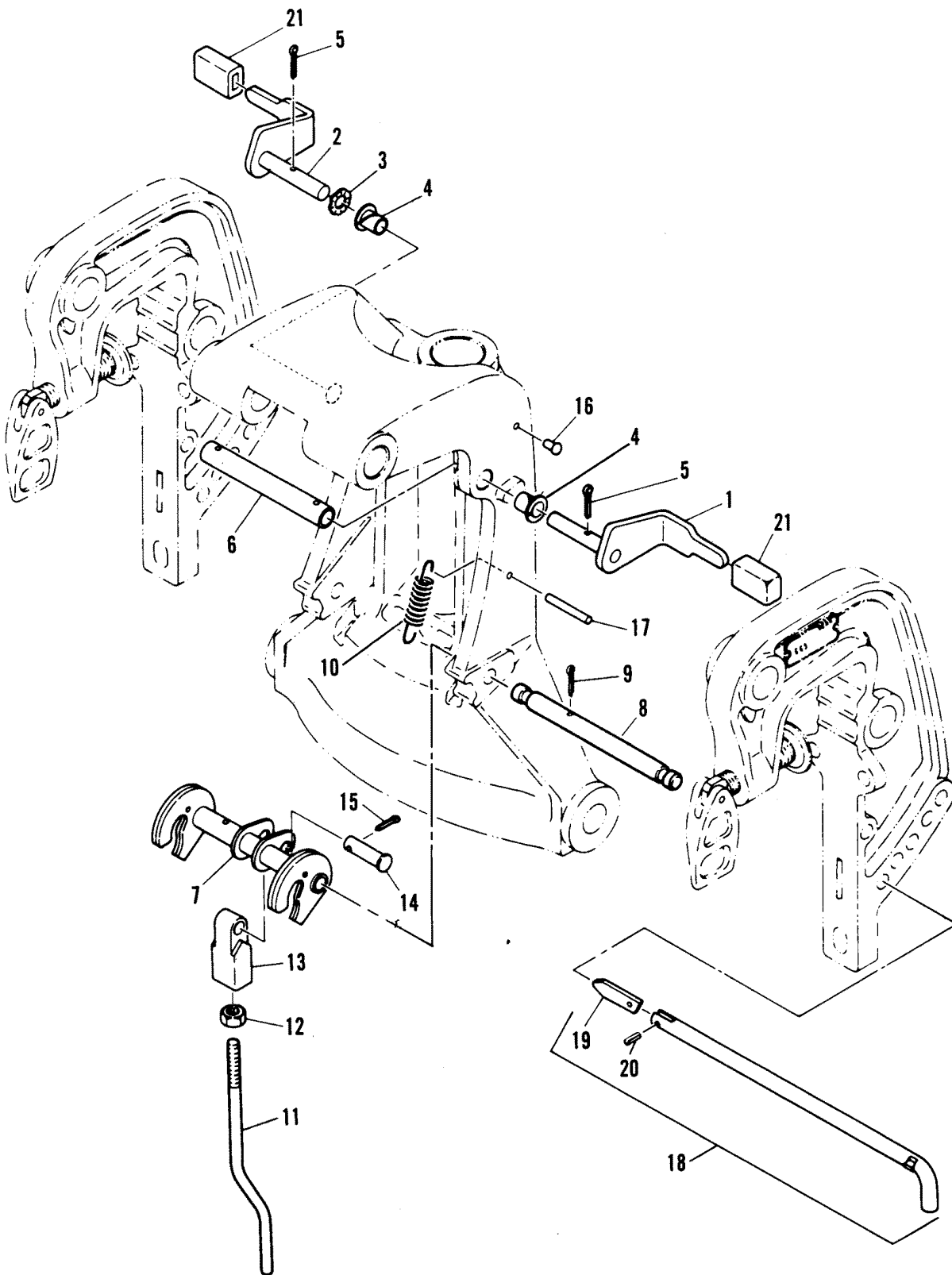
GEAR SHIFT LINKAGE



GEAR SHIFT LINKAGE

REF. NO.	PART NO.	SYM.	QTY.	DESCRIPTION
1	98919M		1	BRACKET, SHIFT
2	18-82053M		2	PIN, COTTER
3	17-82137M		1	PIN, CLEVIS
4	13-82199M		3	WASHER, LOCK
5	13-81866M		1	WASHER, WAVE
6	10-82423M		1	BOLT
7	84209M		1	LEVER, SHIFT ROD
8	81480M		1	CLEVIS, SHIFT CONTROL CABLE
9	53-82330M		1	SNAP RING
10	54-92664M		1	CLAMP
11	12-82202M		2	WASHER
12	13-82200M		2	WASHER, LOCK
13	10-82441M		2	BOLT
14	92659M		1	BALL, DETENT
15	24-82081M		1	SPRING, DETENT
16	23-80635M		1	RETAINER, COMPRESSION SPRING
17	98920M		1	BRACKET, SHIFT ROD
18	18-82126M		1	PIN, COTTER
19	12-82216M		1	WASHER
20	23-98923M		1	BUSHING
21	98945M		1	SHIFT ROD ASS'Y, UPPER (M)
	98946M		1	SHIFT ROD ASS'Y, UPPER (ML)
22	98924M		1	BOOT, SHIFT ROD

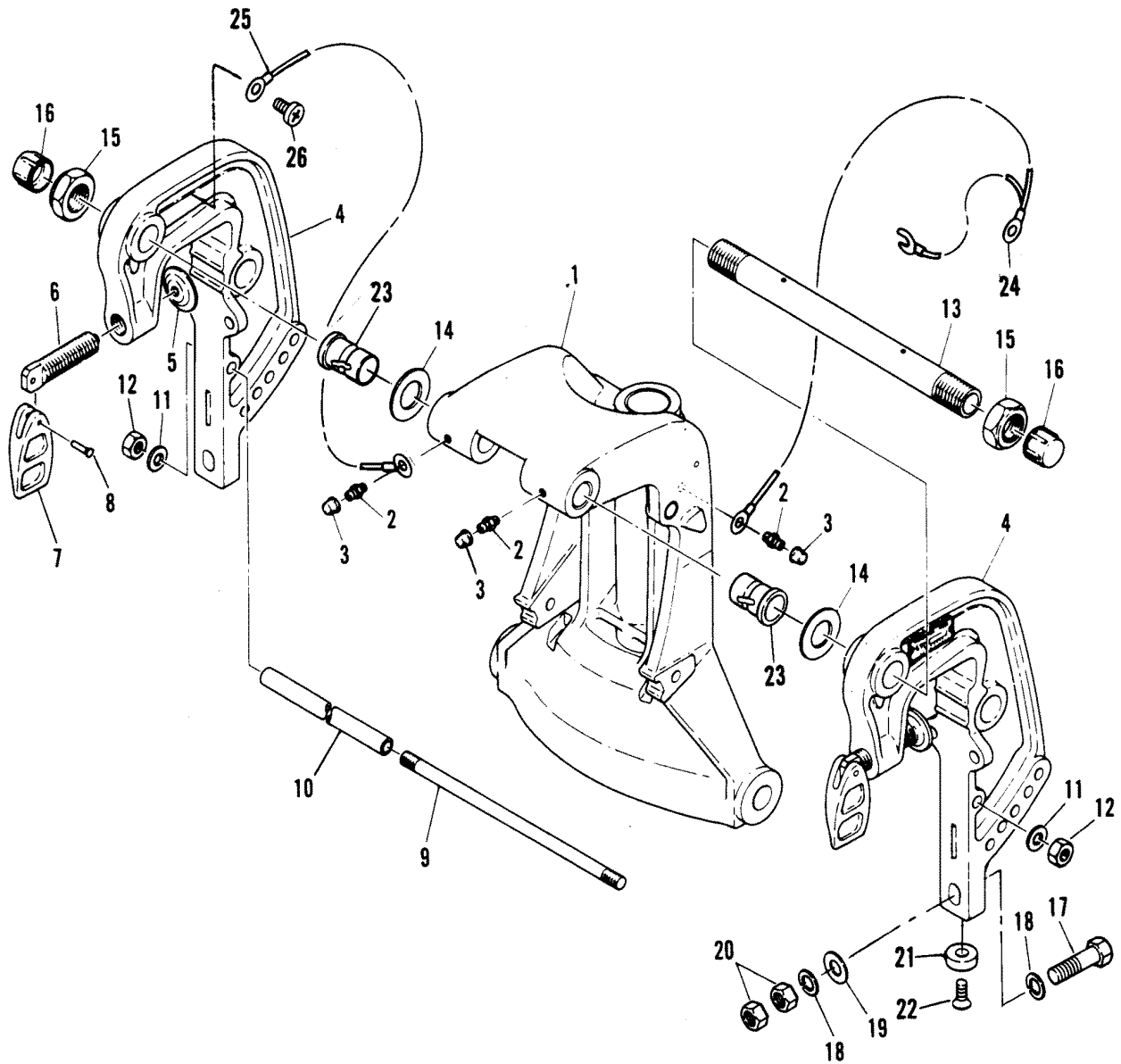
REVERSE LOCK



REVERSE LOCK

REF. NO.	PART NO.	SYM.	QTY.	DESCRIPTION
1	81393M		1	LEVER, TILT STOP SUPPORT (PORT)
2	81394M		1	LEVER, TILT STOP SUPPORT (STARBOARD)
3	13-92652M		1	WASHER, WAVE
4	23-81947M		2	BUSHING
5	18-82131M		2	PIN, COTTER
6	23-81980M		1	COLLAR, TILT STOP SUPPORT
7	41315M		1	REVERSE LOCK
8	17-41314M		1	ROD, REVERSE LOCK
9	18-82130M		1	PIN, COTTER
10	24-82103M		1	SPRING, TENSION
11	83132M		1	ROD, REVERSE LOCK (M)
	83065M		1	ROD, REVERSE LOCK (ML)
12	11-82400M		1	NUT
13	81400M		1	CLEVIS, REVERSE LOCK
14	17-82138M		1	PIN, CLEVIS
15	18-82128M		1	PIN, COTTER
16	17-81909M		1	RIVET
17	17-82159M		1	PIN, ROLL
18	17-83904M		1	TILT LOCK PIN ASS'Y
19	84044M		1	STOPPER PLATE
20	17-82145M		1	PIN, ROLL
21	81395M		2	COVER

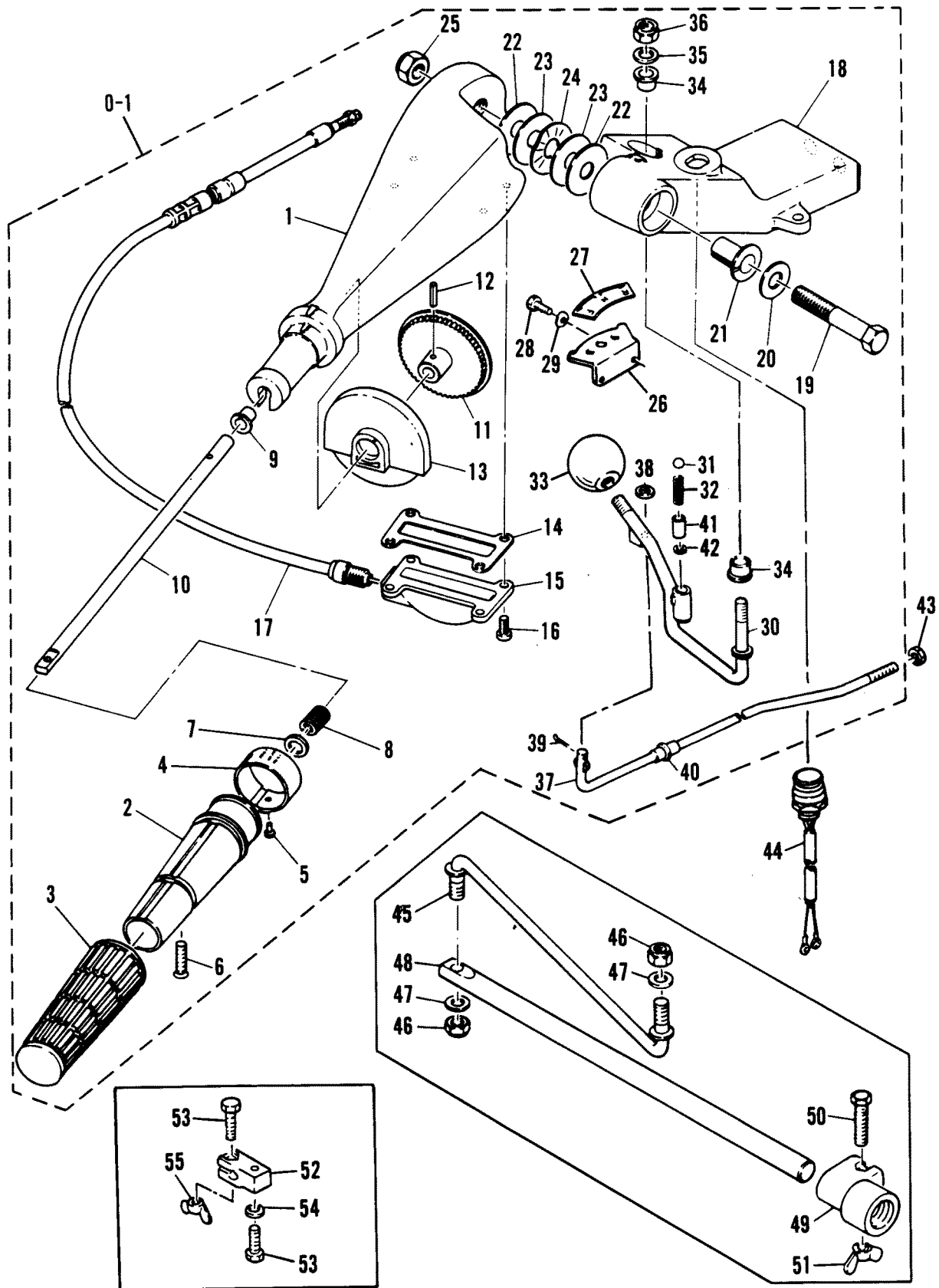
CLAMP AND SWIVEL BRACKET



CLAMP AND SWIVEL BRACKET

REF. NO.	PART NO.	SYM.	QTY.	DESCRIPTION
1	1485-8818M		1	SWIVEL BRACKET (M)
	1485-8819M		1	SWIVEL BRACKET (ML)
2	22-82369M		2	FITTING, GREASE
3	81439M		3	CAP, GREASE FITTING
4	1484-6839M		2	CLAMP BRACKET
5	12-80638M		2	PAD, TRANSOM CLAMP SCREW
6	10-81381M		2	SCREW, TRANSOM CLAMP
7	81382M		2	HANDLE, TRANSOM CLAMP SCREW
8	17-81889M		2	PIN
9	16-81383M		1	STUD, CLAMP BRACKET
10	23-81981M		1	SPACER, CLAMP BRACKET STUD
11	12-82220M		2	WASHER
12	11-82395M		2	NUT
13	10-41312M		1	STUD, CLAMP BRACKET
14	12-81836M		2	WASHER
15	11-81787M		2	NUT
16	81388M		2	CAP, CLAMP BRACKET STUD
17	10-84970M		4	BOLT
18	12-82220M		8	WASHER
19	12-81812M		4	WASHER
20	11-82395M		8	NUT
21	41843M		1	ANODE
22	10-92679M		1	SCREW
23	23-41313M		1	BUSHING
24	41844M		1	WIRE (M)
	41845M		1	WIRE (ML)
25	41846M		1	WIRE
26	10-83568M		1	SCREW

STEERING HANDLE

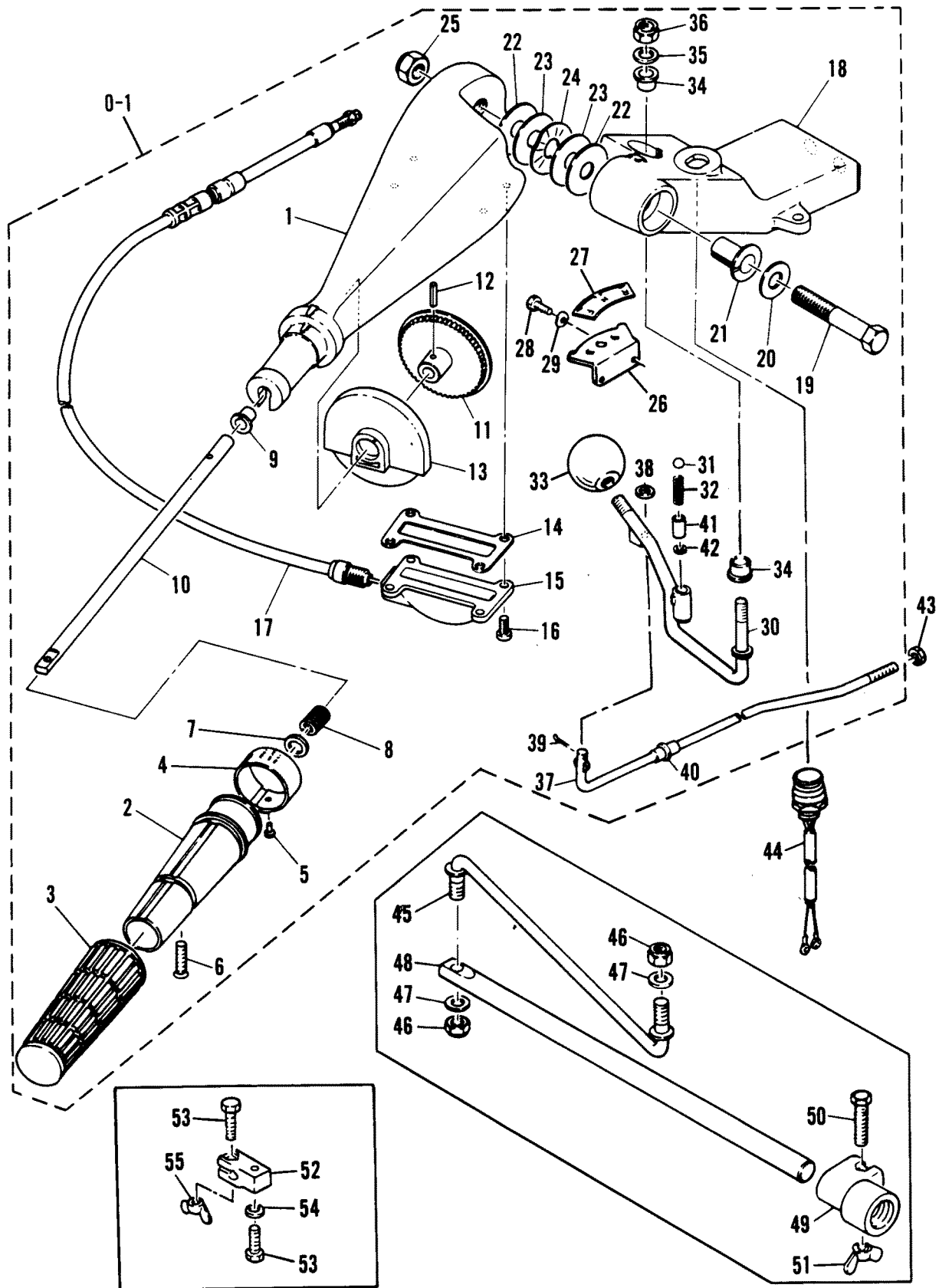


STEERING HANDLE

REF. NO.	PART NO.	SYM.	QTY.	DESCRIPTION
0-1	92680M		1	STEERING HANDLE ASS'Y
1	82553M		1	ARM, STEERING
2	81585M		1	HANDLE, THROTTLE
	81585M		1	HANDLE, THROTTLE
4	98947M		1	INDICATOR, THROTTLE
5	17-81907M		1	RIVET
6	10-82483M		1	SCREW
7	12-82204M		1	WASHER
8	24-82095M		1	SPRING, THROTTLE SHAFT
9	23-81945M		1	BUSHING
10	81351M		1	SHAFT, THROTTLE
11	81357M		1	CAM, THROTTLE
12	17-82152M		1	PIN, ROLL
13	81355M		1	HOUSING, THROTTLE CAM
14	27-81353M		1	GASKET, THROTTLE CAM COVER
15	81354M		1	COVER, THROTTLE CAM
16	10-83570M		4	SCREW
17	81329M		1	THROTTLE CABLE
18	92681M		1	BRACKET, STEERING
19	10-81710M		1	BOLT
20	12-83524M		1	WASHER
21	23-81950M		1	BUSHING
22	12-81853M		2	WASHER
23	12-81815M		2	WASHER
24	13-81870M		1	WASHER, WAVE
25	11-81786M		1	NUT, ARM BOLT
26	92682M		1	BRACKET, INDICATOR
27	81414M		1	INDICATOR, F-N-R
28	10-84247M		2	BOLT
29	13-82197M		2	WASHER, LOCK
30	92683M		1	HANDLE, GEAR SHIFT
31	92684M		1	BALL
32	24-92685M		1	SPRING
33	81413M		1	LEVER, SHIFT CONTROL
34	23-81946M		2	BUSHING
35	12-81804M		1	WASHER
36	11-81785M		1	NUT
37	81358M		1	ROD, MANUAL SHIFT
38	12-82214M		1	WASHER
39	18-82129M		1	PIN, COTTER
40	23-81943M		1	BUSHING
41	23-97107M		1	COLLAR
42	12-98948M		1	WASHER

CONTINUED ON NEXT PAGE ➡

STEERING HANDLE



STEERING HANDLE

REF. NO.	PART NO.	SYM.	QTY.	DESCRIPTION
43	11-82920M		1	NUT, CABLE END
44	87-41307M		1	STOP SWITCH ASS'Y OPTIONAL PARTS
45	41848M		1	ROD, STEERING LINK OPTIONAL PARTS
46	11-83502M		2	NUT OPTIONAL PARTS
47	12-82217M		2	WASHER OPTIONAL PARTS
48	83705M		1	SHAFT, FRICTION OPTIONAL PARTS
49	83706M		1	PIECE, FRICTION OPTIONAL PARTS
50	10-96293M		1	BOLT OPTIONAL PARTS
51	11-82703M		1	NUT, WING OPTIONAL PARTS
52	84472M		1	PIECE, FRICTION (THROTTLE) OPTIONAL PARTS
53	10-82453M		2	BOLT OPTIONAL PARTS
54	12-82214M		1	WASHER OPTIONAL PARTS
55	11-82703M		1	NUT, WING OPTIONAL PARTS

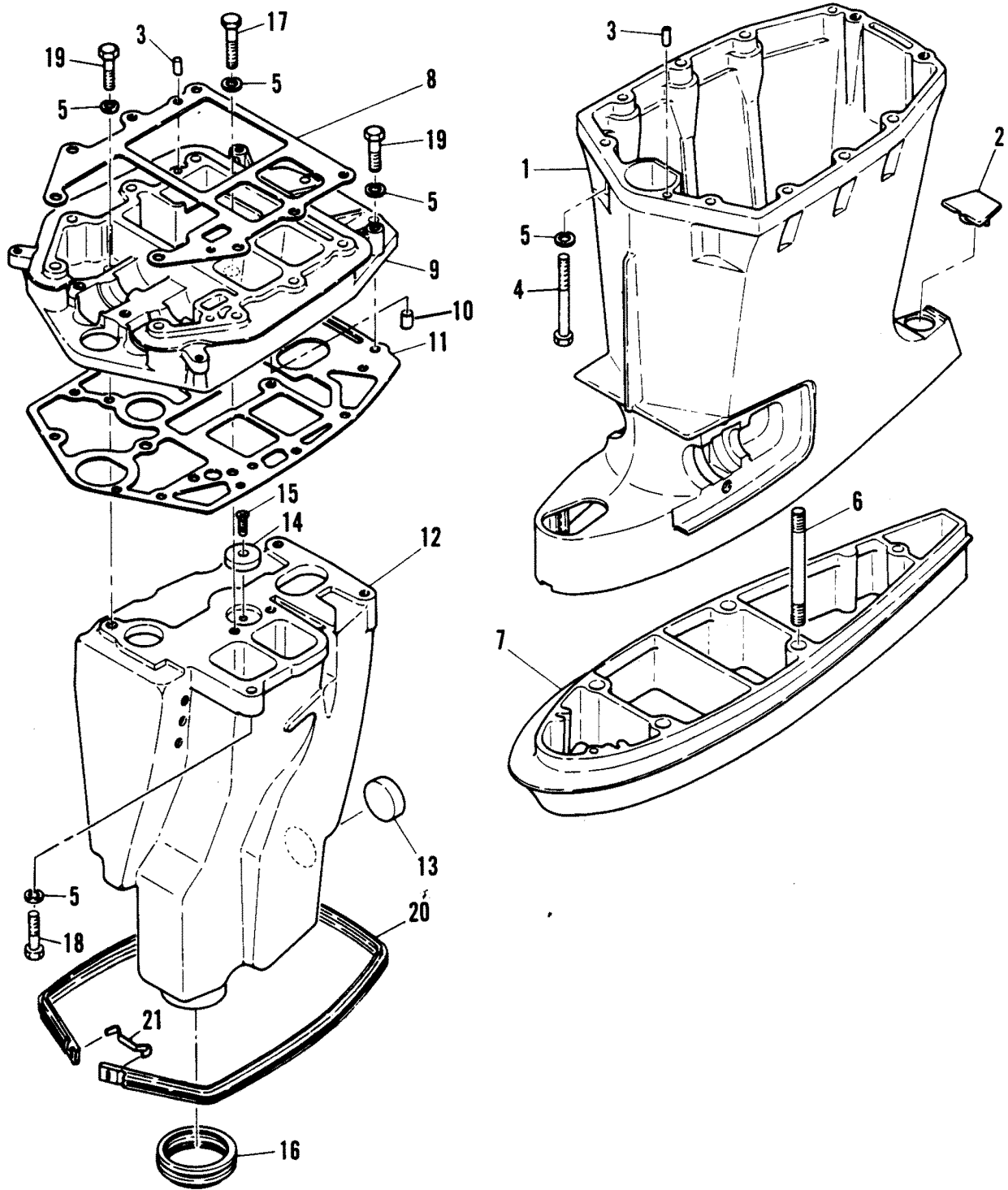
MOUNTING SYSTEM

* * * * MISSING ILLUSTRATION * * * *

MOUNTING SYSTEM

REF. NO.	PART NO.	SYM.	QTY.	DESCRIPTION
1	81359M		1	ARM & SHAFT ASS'Y (M)
	81360M		1	ARM & SHAFT ASS'Y (ML)
2	16-81742M		2	STUD, STEERING PLATE
3	12-81838M		1	WASHER
4	23-81955M		2	BUSHING
5	26-98950M		1	OIL SEAL, STEERING SHAFT
6	12-81839M		1	WASHER
7	81432M		1	HOUSING, LOWER MOUNT
8	53-92654M		1	SNAP RING
9	81435M		2	HOUSING MOUNT, LOWER
10	12-81860M		2	WASHER
11	12-81819M		2	WASHER
12	10-81717M		2	BOLT
13	83130M		2	BUMPER
14	12-84429M		4	WASHER
15	11-82397M		2	NUT
16	81433M		2	RETAINER, LOWER MOUNT
17	24-82087M		4	SPRING, COMPRESSION
18	10-82464M		4	BOLT
19	13-82215M		7	WASHER, LOCK
20	81434M		2	COVER, LOWER MOUNT
21	10-82172M		2	SCREW
22	11-81779M		2	NUT
23	81676M		2	HOUSING MOUNT, UPPER
24	81431M		2	BUMPER
25	10-81714M		2	BOLT
26	12-81825M		2	WASHER
27	12-83702M		2	WASHER
28	12-81803M		2	WAHSER
29	11-81783M		1	NUT
30	81429M		1	RETAINER, UPPER MOUNT
31	10-82466M		3	BOLT
32	11-81785M		2	NUT

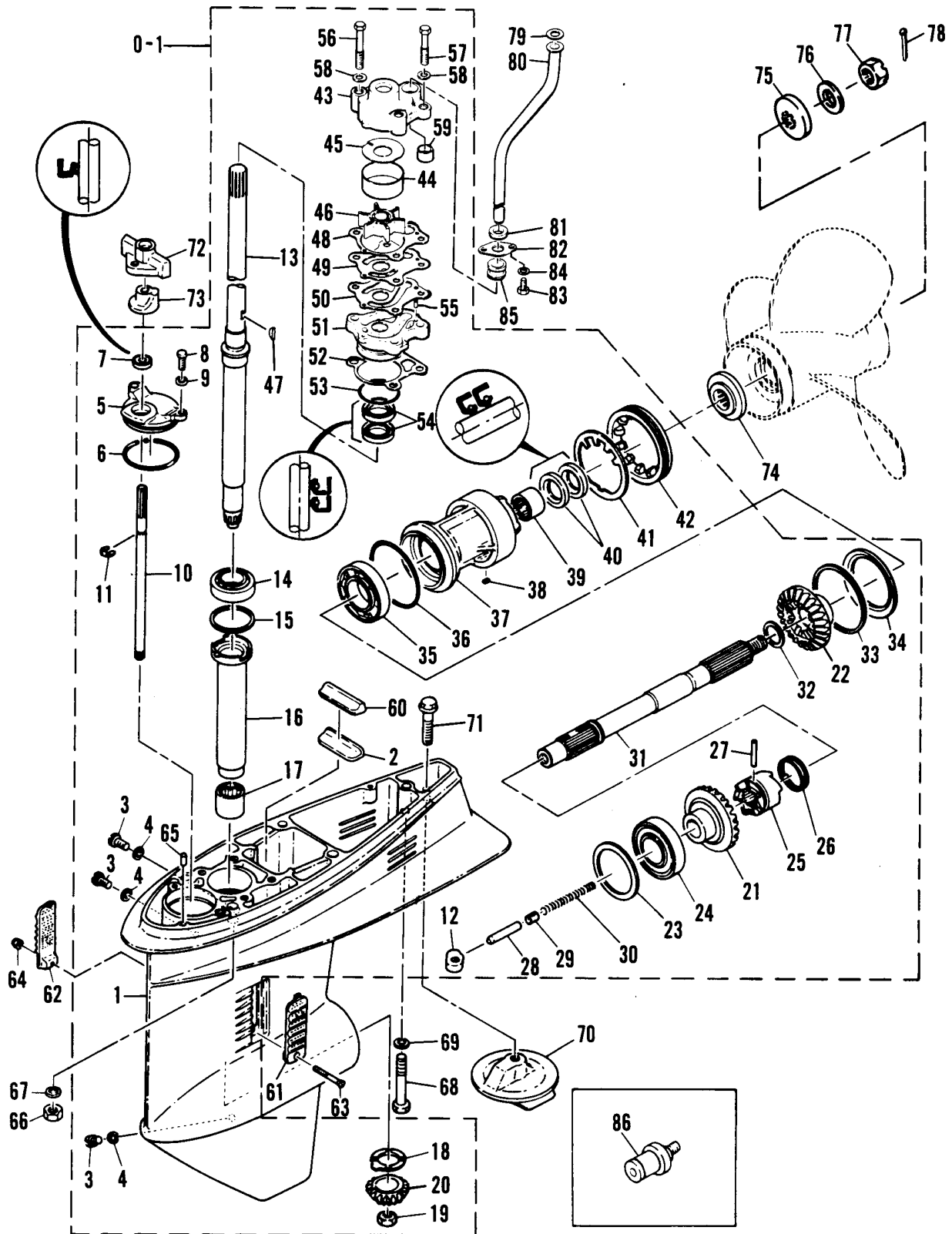
DRIVESHAFT HOUSING



DRIVESHAFT HOUSING

REF. NO.	PART NO.	SYM.	QTY.	DESCRIPTION
1	1587-8615M		1	DRIVESHAFT HOUSING (M)
	1587-8616M		1	DRIVESHAFT HOUSING (ML)
2	81441M		1	CAP, DRIVESHAFT HOUSING (M)
	81442M		1	CAP, DRIVESHAFT HOUSING (ML)
3	17-82364M		6	PIN, DOWEL
4	10-84427M		8	BOLT
5	13-82215M		16	WASHER, LOCK
6	16-81744M		4	STUD
7	98951M		1	EXTENSION
8	27-81437M		1	GASKET, EXHAUST GUIDE - UPPER
9	41849M		1	GUIDE, EXHAUST
10	23-84426M		1	BUSHING
11	27-98952M		1	GASKET, EXHAUST GUIDE
12	1587-8911M		1	DRIVESHAFT HOUSING, INNER (M)
	1587-8912M		1	DRIVESHAFT HOUSING, INNER (ML)
13	19-81922M		1	PLUG
14	84422M		1	ANODE
15	10-92679M		1	SCREW
16	27-81440M		1	SEAL, INNER TO OUTER HOUSING
17	10-97749M		1	BOLT
18	10-82466M		1	BOLT
19	10-82465M		6	BOLT
20	27-83033M		1	SEAL, RUBBER
21	83034M		1	HOOK, RUBBER SEAL

GEARHOUSING ASSEMBLY

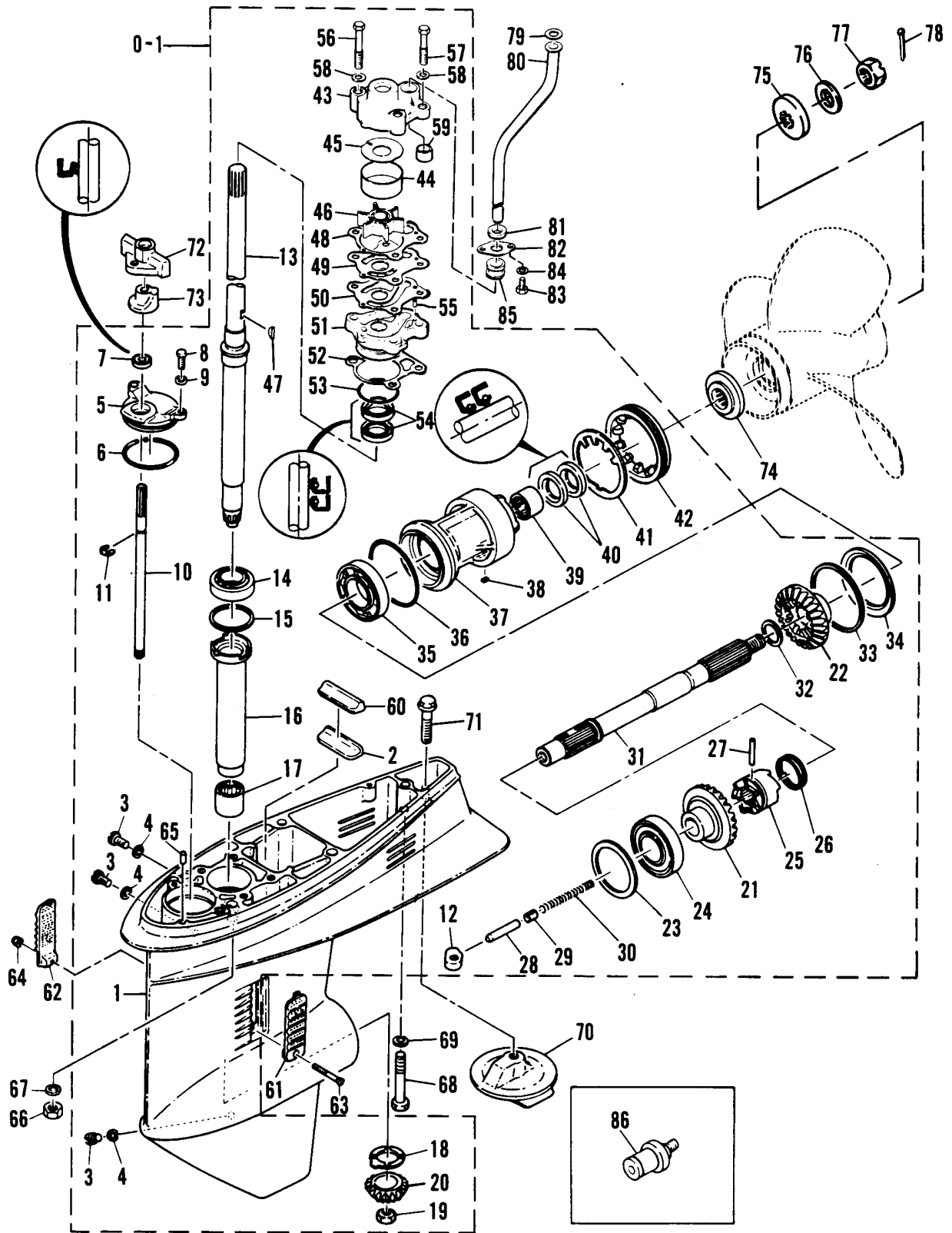


GEARHOUSING ASSEMBLY

REF. NO.	PART NO.	SYM.	QTY.	DESCRIPTION
0-1	1651-7978M		1	GEAR HOUSING ASS'Y (M)
	1651-7979M		1	GEAR HOUSING ASS'Y (ML)
1	1651-7971M		1	GEAR HOUSING
2	81449M		1	GUIDE, SEAL
3	22-81924M		3	SCREW
4	27-81987M		3	GASKET
5	81445M		1	COFER, GEAR HOUSING
6	25-82281M		1	O-RING
7	26-82257M		1	OIL SEAL, GEAR HOUSING COVER
8	10-91725M		2	BOLT
9	12-82214M		2	WASHER
10	81408M		1	ROD, SHIFT - LOWER
11	53-82334M		1	SNAP RING
12	81409M		1	CAM, SHIFT
13	45-81678M		1	DRIVESHAFT (M)
	45-81679M		1	DRIVESHAFT (ML)
14	31-98933M		1	BEARING, TAPERED ROLLER
15	15-81467M		AR	SHIM, DRIVESHAFT BEARING (.05MM)
	15-81468M		AR	SHIM, DRIVESHAFT BEARING (.08MM)
	15-81469M		AR	SHIM, DRIVESHAFT BEARING (.12MM)
	15-81470M		AR	SHIM, DRIVESHAFT BEARING (.30MM)
	15-81471M		AR	SHIM, DRIVESHAFT BEARING (.50MM)
16	23-81453M		1	SLEEVE, DRIVESHAFT
17	31-82316M		1	BEARING, NEEDLE
18	12-81455M		1	THRUST WASHER
19	11-81772M		1	NUT, DRIVESHAFT
20	43-84442M		1	GEAR, PINION
21	43-84443M		1	GEAR, FORWARD
22	43-84444M		1	GEAR REVERSE
23	15-81456M		AR	SHIM, FORWARD GEAR ADJUST (.05 MM)
	15-81457M		AR	SHIM, FORWARD GEAR ADJUST (.08 MM)
	15-81458M		AR	SHIM, FORWARD GEAR ADJUST (.12 MM)
	15-81459M		AR	SHIM, FORWARD GEAR ADJUST (.30 MM)
	15-81460M		AR	SHIM, FORWARD GEAR ADJUST (.50 MM)
24	31-82320M		1	BEARING, TAPERED ROLLER
25	52-81473M		1	CLUTCH
26	81474M		1	RING, CROSS PIN
27	17-81903M		1	CROS PIN, CLUTCH
28	92643M		1	PLUNGER, SHIFT
29	81475M		1	SLIDE, SHIFT
30	24-82091M		1	SPRING, SHIFT
31	44-92644M		1	SHAFT, PROPELLER
32	12-81837M		1	WASHER, REVERSE GEAR

CONTINUED ON NEXT PAGE ➡

GEARHOUSING ASSEMBLY

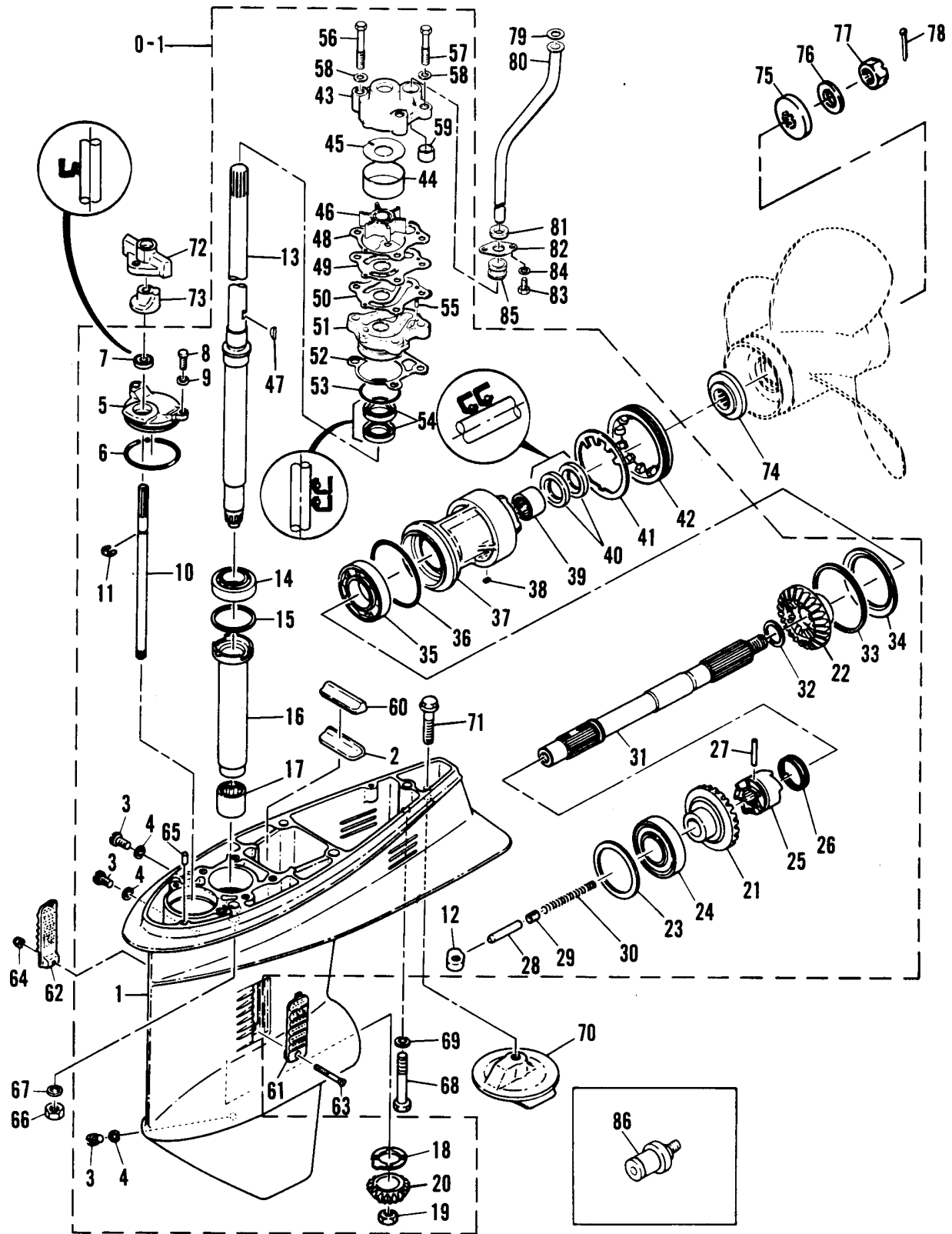


GEARHOUSING ASSEMBLY

REF. NO.	PART NO.	SYM.	QTY.	DESCRIPTION
33	15-81432M		AR	SHIM, REVERSE GEAR ADJUST (.05 MM)
	15-81463M		AR	SHIM, REVERSE GEAR ADJUST (.08 MM)
	15-81464M		AR	SHIM, REVERSE GEAR ADJUST (.12 MM)
	15-81465M		AR	SHIM, REVERSE GEAR ADJUST (.30 MM)
	15-81466M		AR	SHIM, REVERSE GEAR ADJUST (.50 MM)
34	12-81461M		1	THRUST WASHER, REVERSE GEAR
35	30-82296M		1	BEARING, BALL
36	25-82289M		1	O-RING
37	81446M		1	BEARING CARRIER
38	28-81916M		1	KEY
39	31-82317M		1	BEARING, NEEDLE
40	26-82233M		2	OIL SEAL, PROPELLER SHAFT
41	14-81877M		1	WASHER, TAB
42	11-81450M		1	NUT
43	46-81416M		1	BODY, WATER PUMP
44	81672M		1	INSERT, CARTRIDGE
45	83131M		1	INNER PLATE, CARTRIDGE
46	47-97108M		1	IMPELLER, WATER PUMP
47	28-97089M		1	KEY
48	27-81417M		1	GASKET, WATER PUMP
49	81673M		1	OUTER PLATE, CARTRIDGE
50	27-81421M		1	GASKET, CARTRIDGE OUTER PLATE
51	46-81422M		1	BASE, WATER PUMP
52	27-81418M		1	GASKET, WATER PUMP BASE
53	25-82275M		1	O-RING
54	26-82234M		2	OIL SEAL, WATER PUMP
55	17-82354M		2	PIN, DOWEL
56	10-84057M		2	BOLT
57	10-82468M		2	BOLT
58	12-82217M		4	WASHER
59	26-81426M		1	SEAL
60	81448M		1	SEAL, RUBBER
61	97091M		1	COVER, WATER INLET - PORT
62	97092M		1	COVER, WATER INLET - STARBOARD
63	10-82484M		1	SCREW
64	11-81781M		1	NUT
65	17-82364M		2	PIN, DOWEL
66	11-82395M		4	NUT
67	13-82218M		4	WASHER, LOCK
68	10-98953M		1	BOLT W/WASHER
70	83859M		1	TRIM TAB
71	10-82801M		1	BOLT, TRIM TAB ATTACHING
72	98937M		1	GUIDE, REVERSE ROD

CONTINUED ON NEXT PAGE ➡

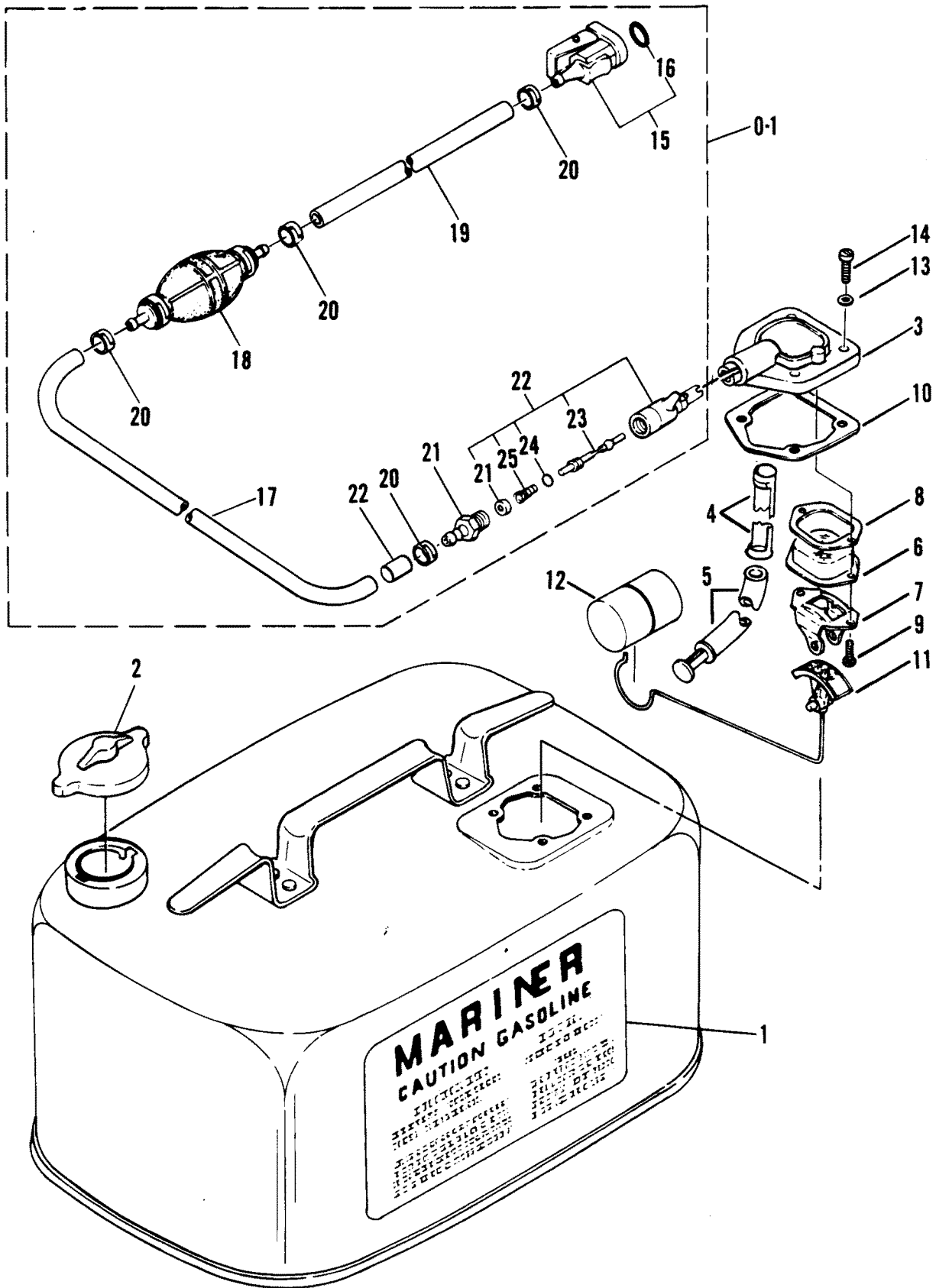
GEARHOUSING ASSEMBLY



GEARHOUSING ASSEMBLY

REF. NO.	PART NO.	SYM.	QTY.	DESCRIPTION
73	81410M		1	CAM, REVERSE ROD
74	73345		1	THRUST WASHER (FOR MARINER REPLACEMENT PROPELLER)
	12-81477M		1	THRUST WASHER (FOR ORIGINAL PROPELLER)
75	23-84445M		1	THRUST WASHER , REAR (FOR ORIGINAL PROPELLER)
76	12-83700M		1	WASHER
77	11-81775M		1	NUT, PROPELLER
78	18-84428M		1	PIN, COTTER
79	12-81852M		1	WASHER, WATER TUBE
80	32-81674M		1	TUBE, WATER (M)
	32-81675M		1	TUBE, WATER (ML)
81	25-81989M		1	GASKET, WATER TUBE
82	81428M		1	SET PLATE, WATER TUBE
83	10-82448M		2	BOLT
84	13-82212M		2	WASHER, LOCK
85	26-81427M		1	SEAL, WATER TUBE LOWER
86	22-80218M		1	PLUG, WATER FLUSH (OPT)
	27-92648M		1	GASKET SET, LOWER UNIT REPLACEMENT PARTS
	84187M		1	REPAIR KIT, WATER PUMP REPLACEMENT PARTS

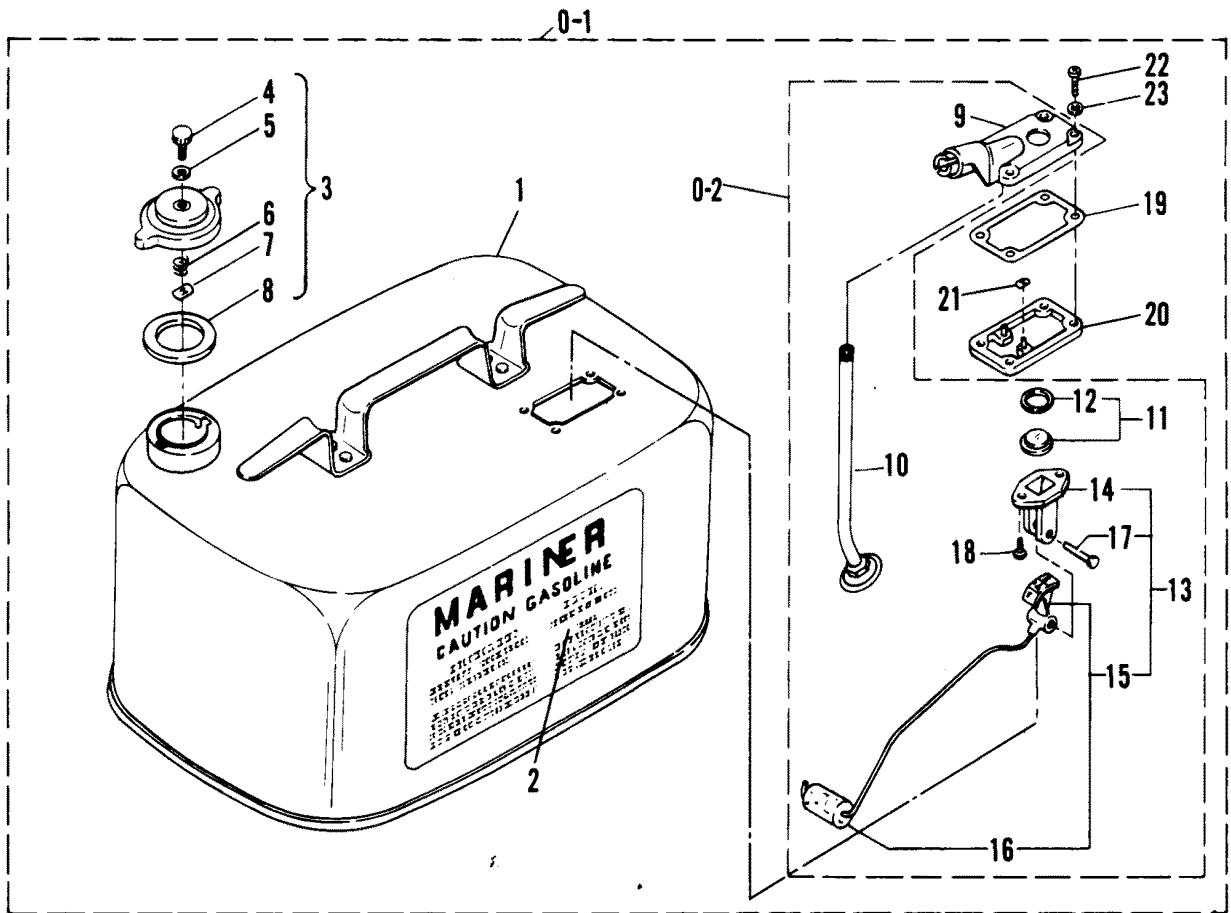
FUEL TANK AND FUEL LINE ASSEMBLY



FUEL TANK AND FUEL LINE ASSEMBLY

REF. NO.	PART NO.	SYM.	QTY.	DESCRIPTION
1	37-82984M		2	DECAL, SIDE
2	36-83617M		1	FUEL TANK CAP
3	83618M		1	FUEL METER ASSY
4	54-83764M		1	CLAMP, PICKUP HOSE
5	32-83626M		1	HOSE, PICKUP
6	80269M		1	LENS, INDICATOR
7	80268M		1	BRACKET, INDICATOR
8	27-80270M		1	GASKET, HOUSING TO LENS INDICATOR
9	10-82518M		2	SCREW
10	27-81320M		1	GASKET, HOUSING TO TANK
11	81318M		1	INDICATOR, FUEL LEVEL
12	81319M		1	FLOAT, INDICATOR
13	12-80271M		4	WASHER, HOUSING SCREW
14	10-82496M		4	SCREW, HOUSING ATTACHING
0-1	32-83628M		1	FUEL LINE ASS'Y
15	22-81042M		1	FUEL CONNECTOR, ENGINE END
16	25-82789M		1	O-RING
17	32-84955M		1	HOSE, CONNECTOR HOUSING TO BULB
18	81325M		1	BULB, PRIMER
19	32-82023M		1	HOSE, BULB TO CONNECTOR
20	54-80752M		4	CLAMP, HOUSE
21	23-81327M		1	COLLAR
22	30185A1		1	BAYONET BODY ASS'Y
23	30187		1	STEM. BAYONET BODY
24	25-20415		1	O-RING, BAYONET BODY STEM
25	24-30189		1	SPRING, BAYONET BODY STEM
26	30188		1	WASHER, CAP
27	22-63187		1	FITTING, FUEL LINE

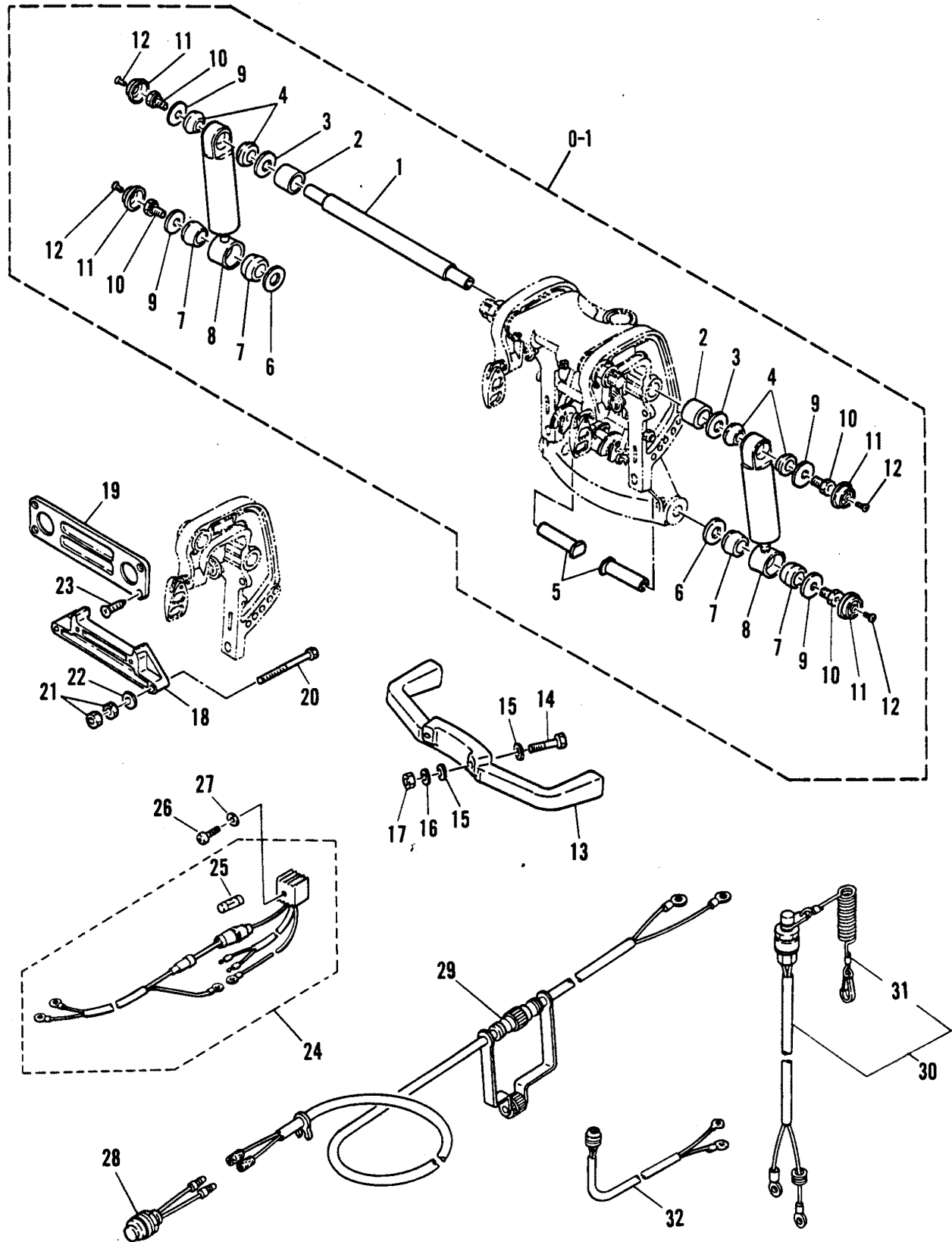
FUEL TANK



FUEL TANK

REF. NO.	PART NO.	SYM.	QTY.	DESCRIPTION
0-1	1225-1529A21		1	FUEL TANK ASSEMBLY
1	1225-1529		1	FUEL TANK
2	37-75881		1	DECAL, FUEL TANK
3	36-25392A2		1	FILLER CAP ASSEMBLY
4	10-25575		1	SCREW, VENT-FILLER CAP
5	12-49221		1	WAHER, VENT SCREW
6	24-22227		1	SPRING, TENSION-VENT SCREW
7	11-28587		1	NUT, SPEED-SPRING RETAINER
8	27-25568		1	GASKET, FILLER CAP TO FUEL TANK
0-2	64841A1		1	COVER ASSEMBLY, COMPLETE
9	64841A3		1	COVER ASSEMBLY, FUEL TANK
10	32-33909A3		1	TUBE ASSEMBLY
11	54920A1		1	LENS ASSEMBLY, FUEL GAUGE
12	27-54921		1	GASKET, FUEL GAUGE LENS
13	28897A2		1	FUEL GAUGE ASSEMBLY, COMPLETE
14	20430		1	RETAINER, FUEL GAUGE
15	28897A1		1	INDICATOR AND FLOAT ASSEMBLY
16	20427		1	FLOAT, FUEL GAUGE
17	17-20426		1	RIVET, INDICATOR TO RETAINER
18	10-62568		2	SCREW, RETAINER TO FUEL TANK COVER
19	27-28862		1	GASKET, COVER ASSEMBLY TO FRAME
20	28860		1	FRAME, RETAINING-FUEL TANK TO COVER
21	53-28903		2	FASTENER, RETAINING FRAME TO FUEL TANK
22	10-20411		4	SCREW, FUEL TANK COVER TO FUEL TANK
23	12-74711		4	WASHER, FUEL TANK COVER FASTENING SCREW

OPTIONAL PARTS



OPTIONAL PARTS

REF. NO.	PART NO.	SYM.	QTY.	DESCRIPTION
0-1	55-84477M		1	SHOCK ABSORBER KIT
1	17-81386M		1	PIN, UPPER SHOCK MOUNT
2	23-82120M		2	SPACER
3	12-81830M		2	WASHER
4	23-81939M		4	BUSHING
5	17-81384M		2	PIN, LOWER SHOCK MOUNT
6	12-81859M		2	WASHER
7	23-81938M		4	BUSHING
8	55-92650M		2	SHOCK ABSORBER
9	12-81812M		4	WASHER
10	10-81718M		4	BOLT
11	92651M		4	COVER, SHOCK MOUNT
12	10-82533M		4	SCREW
13	84478M		1	CARRYING HANDLE
14	10-82406M		2	BOLT
15	13-81799M		4	WASHER
16	13-82200M		2	WASHER, LOCK
17	11-82382M		2	NUT
18	84479M		1	TRANSOM PLATE
19	84480M		1	PLATE, TRANSOM
20	10-84481M		4	BOLT
21	11-82392M		8	NUT
22	12-82217M		4	WASHER
23	10-84482M		4	SCREW
24	84329M		1	RECTIFIER ASS'Y, ENGINE MOUNT
25	88-81522M		1	FUSE
26	10-84245M		1	SCREW
27	13-82193M		1	WASHER, LOCK
28	87-84966M		1	STOP SWITCH
29	93053M		1	EXTENSION
30	87-97757M		1	KILL SWITCH
31	97756M		1	STOPPER
32	87-41307M		1	STOP SWITCH, REMOTE

PARTS INDEX

Part Number	Description	Pg.	Ref. No.	Part Number	Description	Pg.	Ref. No.
20427	FLOAT, FUEL GAUGE	51	16	80454M	CAP, OVERFLOW PIPE	21	12
20430	RETAINER, FUEL GAUGE	51	14	80606M	DIAPHRAGM	25	2
28860	FRAME, RETAINING-FUEL TANK TO COVER	51	20	80607M	COVER	25	13
28897A1	INDICATOR AND FLOAT ASSEMBLY	51	15	80609M	RETAINER, CHECK VALVE	25	8
28897A2	FUEL GAUGE ASSEMBLY, COMPLETE	51	13	80611M	PLATE, SPRING GUIDE	25	3
30185A1	BAYONET BODY ASS'Y	49	22	80620M	BRACKET, FUEL FILTER	27	9
30187	STEM, BAYONET BODY	49	23	80935M	CAP, SPARK PLUG (NOISE SIPPRESSOR)	11	29
30188	WASHER, CAP	49	26	81191M	CONNECTOR, CHOKE LEVER	21	20
41291M	STARTER ASS'Y	7	0-1	81225M	CLEVIS	15	26
41292M	DRIVE CUP, PAWL	7	23	81253M	COVER, CYLINDER HEAD	17	27
41295M	CAM, PAWL ENGAGEMENT	7	10	81255M	ANODE	17	15
41301M	POWERHEAD ASS'Y, COMPLETE (SEE NOTE)	17	34	81265M	COVER, THERMOSTAT	17	29
41302M	BRACKET	11	19	81287M	NOZZLE, MAIN	23	15
41303M	FLYWHEEL ASS'Y	11	2	81290M	BOWL, FLOAT	23	20
41304M	BASE ASS'Y	11	3	81291M	FLOAT	23	17
41305M	I ASS'Y	11	26	81303M	LEVER, LOCKOUT	9	48
41306M	CONTROL ASS'Y	11	27	81304M	PAWL, STARTER	7	8
41308M	INDICATOR, OVERHEAT WARNING	5	28	81307M	ROLER, STARTER ROPE	7	15
41309M	DECAL	5	29	81313M	BRACKET, STARTER HOUSING	7	36
41315M	REVERSE LOCK	31	7	81314M	BRACKET, LOCKOUT CABLE	9	51
41824M	SEAL	3	20	81317M	CAM, LOCKOUT	7	42
41827M	HANGER, ENGINE	7	39	81318M	INDICATOR, FUEL LEVEL	49	11
41828M	HOUSING, OIL SEAL	19	17	81319M	FLOAT, INDICATOR	49	12
41829M	COIL ASS'Y (CHARGE)	11	4	81325M	BULB, PRIMER	49	18
41830M	COIL ASS'Y, TRIGGER	11	6	81329M	THROTTLE CABLE	35	17
41831M	COIL ASS'Y, LIGHTING	11	8	81330M	COVER, EXHAUST-OUTER	17	17
41832M	COIL ASS'Y, IGNITION	11	28	81333M	ROD, LINK	15	37
41833M	CLAMP	11	30	81334M	CAM	15	29
41834M	CLAMP{	11	31	81338M	ROD, CHOKE	21	19
41835M	COVER, TERMINAL	11	32	81341M	STOPPER, FREE ACCEL- LINK	15	2
41840M	JET, PILOT (#88)	23	6	81344M	LEVER, C.D.I. CONTROL	15	18
41841M	VALVE SEAT ASS'Y	23	11	81345M	LEVER, C.D.I. CONTROL	15	1
41842M	REPAIR KIT, CARBURETOR	23	26	81346M	LEVER, C.D.I. CONTROL	15	15
41843M	ANODE	33	21	81347M	SHAFT, LINK CONNECTING	15	16
41844M	WIRE (M)	33	24	81349M	BRACKET, SHAFT-UPPER	15	19
41845M	WIRE (ML)	33	24	81350M	BRACKET, SHAFT	15	7
41846M	WIRE	33	25	81351M	SHAFT, THROTTLE	35	10
41848M	ROD, STEERING LINK	37	45	81354M	COVER, THROTTLE CAM	35	15
41849M	GUIDE, EXHAUST	41	9	81355M	HOUSING, THROTTLE CAM	35	13
47341A1	STARTER ROPE, EMERGENCY	5	22	81357M	CAM, THROTTLE	35	11
54920A1	LENS ASSEMBLY, FUEL GAUGE	51	11	81358M	ROD, MANUAL SHIFT	35	37
64841A1	COVER ASSEMBLY, COMPLETE	51	0-2	81359M	ARM & SHAFT ASS'Y (M)	39	1
64841A3	COVER ASSEMBLY, FUEL TANK	51	9	81360M	ARM & SHAFT ASS'Y (ML)	39	1
73345	THRUST WASHER (FOR MARINER REPLACEMENT PROPELLER)	47	74	81371M	BUMPER, COWL	5	14
79629A1	STARTER ROPE	7	20	81374M	APRON, COWL-REAR	5	16
80026M	RETAINER, VALVE SEAT	23	12	81378M	APRON, COWL-FRONT	5	17
80063M	HANDLE, STARTER	7	19	81382M	HANDLE, TRANSOM CLAMP SCREW	33	7
80268M	BRACKET, INDICATOR	49	7	81388M	CAP, CLAMP BRACKET STUD	33	16
80269M	LENS, INDICATOR	49	6	81393M	LEVER, TILT STOP SUPPORT (PORT)	31	1
				81394M	LEVER, TILT STOP SUPPORT (STARBOARD)	31	2
				81395M	COVER	31	21
				81400M	CLEVIS, REVERSE LOCK	31	13

PARTS INDEX

Part Number	Description	Pg.	Ref. No.	Part Number	Description	Pg.	Ref. No.
81403M	STOP, SHAFT BRACKET . . .	15	12	83153M	RETAINER, COWL BUMPER	5	15
81408M	ROD, SHIFT - LOWER	43	10	83618M	FUEL METER ASSY	49	3
81409M	CAM, SHIFT	43	12	83705M	SHAFT, FRICTION	37	48
81410M	CAM, REVERSE ROD	47	73	83706M	PIECE, FRICTION	37	49
81413M	LEVER, SHIFT CONTROL . . .	35	33	83859M	TRIM TAB	45	70
81414M	INDICATOR, F-N-R	35	27	84044M	STOPPER PLATE	31	19
81415M	CAP	15	24	84187M	REPAIR KIT, WATER PUMP	47	86
81428M	SET PLATE, WATER TUBE . .	47	82	84209M	LEVER, SHIFT ROD	29	7
81429M	RETAINER, UPPER MOUNT	39	30	84305M	JOINT, BALL	11	10
81431M	BUMPER	39	24	84329M	RECTIFIER ASS'Y, ENGINE		
81432M	HOUSING, LOWER MOUNT . .	39	7		MOUNT	53	24
81433M	RETAINER, LOWER MOUNT	39	16	84422M	ANODE	41	14
81434M	COVER, LOWER MOUNT . .	39	20	84449M	HOUSING, STARTER	7	1
81435M	HOUSING MOUNT, LOWER . .	39	9	84472M	PIECE, FRICTION		
81439M	CAP, GREASE FITTING	33	3		(THROTTLE)	37	52
81441M	CAP, DRIVESHAFT			84478M	CARRYING HANDLE	53	13
	HOUSING (M)	41	2	84479M	TRANSOM PLATE	53	18
81442M	CAP, DRIVESHAFT			84480M	PLATE, TRANSOM	53	19
	HOUSING (ML)	41	2	92629M	BASE, AIR INTAKE	21	1
81445M	COFER, GEAR HOUSING . .	43	5	92630M	COVER, AIR INTAKE	21	4
81446M	BEARING CARRIER	45	37	92637M	JET, MAIN (#165)	23	16
81448M	SEAL, RUBBER	45	60	92643M	PLUNGER, SHIFT	43	28
81449M	GUIDE, SEAL	43	2	92651M	COVER, SHOCK MOUNT . . .	53	11
81474M	RING, CROSS PIN	43	26	92659M	BALL, DETENT	29	14
81475M	SLIDE, SHIFT	43	29	92677M	MANIFOLD, INTAKE	21	10
81480M	CLEVIS , THROTTLE CABLE	15	6	92678M	JET, MAIN AIR (# 135)	23	2
81480M	CLEVIS, SHIFT CONTROL			92680M	STEERING HANDLE ASS'Y . .	35	0-1
	CABLE	29	8	92681M	BRACKET, STEERING	35	18
81483M	BRACKET, REMOTE			92682M	BRACKET, INDICATOR	35	26
	CONTROL	15	32	92683M	HANDLE, GEAR SHIFT	35	30
81484M	CLAMP, CABLE	15	33	92684M	BALL	35	31
81523M	GROMMET	11	20	92689M	LOCKOUT CABLE COMP . . .	7	40
81523M	MOUNT, GUIDE	7	27	93045M	FUEL PUMP ASS'Y	25	1
81585M	HANDLE, THROTTLE	35	2	93053M	EXTENSION	53	29
81585M	HANDLE, THROTTLE	35	2	93099M	FUEL LINE CONNECTOR		
81672M	INSERT, CARTRIDGE	45	44		ASS'Y	27	1
81673M	OUTER PLATE, CARTRIDGE	45	49	97074M	PLATE, TIMING	11	11
81676M	HOUSING MOUNT, UPPER . .	39	23	97087M	CAP	15	25
82553M	ARM, STEERING	35	1	97091M	COVER, WATER INLET -		
82678M	RETAINER, MAGNETO BASE	11	14		PORT	45	61
82784M	FUEL BOWL	27	7	97092M	COVER, WATER INLET -		
82788M	SPARK PLUG	11	29		STARBOARD	45	62
82988M	ROD, CHOKE INK	21	21	97756M	STOPPER	53	31
83024M	COVER, AIR DUCT	3	4	97797M	DECAL, FRONT	3	2
83025M	SEAL	3	5	97835M	PLATE	11	36
83026M	LEVER, CLAMP	3	14	97844M	ROD, THROTTLE LEVER . . .	21	22
83027M	LEVER	3	17	97849M	JET, PILOT AIR (#110)	23	1
83034M	HOOK, RUBBER SEAL	41	21	98919M	BRACKET, SHIFT	29	1
83039M	SEAL, RUBBER	3	6	98920M	BRACKET, SHIFT ROD	29	17
83040M	HOLDER, CLAMP BAND . . .	3	10	98924M	BOOT, SHIFT ROD	29	22
83041M	HOLDER, CLAMP BAND . . .	3	11	98937M	GUIDE, REVERSE ROD	45	72
83042M	DAMPER	3	19	98942M	GUIDE, STARTER ROPE . . .	7	24
83043M	SEAL	3	21	98943M	ROD, CONTROL	15	27
83045M	BRACKET	5	3	98945M	SHIFT ROD ASS'Y, UPPER		
83047M	COVER, BOTTOM	5	23		(M)	29	21
83065M	ROD, REVERSE LOCK (ML)	31	11	98946M	SHIFT ROD ASS'Y, UPPER		
83130M	BUMPER	39	13		(ML)	29	21
83131M	INNER PLATE, CARTRIDGE	45	45	98947M	INDICATOR, THROTTLE . . .	35	4
83132M	ROD, REVERSE LOCK (M) . .	31	11	98951M	EXTENSION	41	7
83152M	RING,RETAINER	7	41				

PARTS INDEX

Part Number	Description	Pg.	Ref. No.	Part Number	Description	Pg.	Ref. No.
10-25575	SCREW, VENT-FILLER CAP	51	4	10-83570M	SCREW	35	16
10-41312M	STUD, CLAMP BRACKET	33	13	10-84057M	BOLT	45	56
10-41826M	BOLT	7	38	10-84058M	BOLT	5	18
10-41837M	BOLT	17	5	10-84211M	BOLT	5	13
10-41838M	BOLT	17	7	10-84211M	BOLT	27	10
10-41839M	BOLT	17	26	10-84236M	BOLT	7	34
10-62568	SCREW, RETAINER TO FUEL TANK COVER	51	18	10-84237M	BOLT	5	11
10-81277M	SCREW, THROTTLE (UPPER)	23	7	10-84237M	BOLT	7	28
10-81281M	SCREW, IDLE SPEED	23	9	10-84237M	BOLT	11	33
10-81292M	SCREW, PLUG	23	3	10-84237M	BOLT	17	31
10-81293M	SCREW, DRAIN	23	22	10-84245M	SCREW	53	26
10-81381M	SCREW, TRANSOM CLAMP	33	6	10-84247M	BOLT	3	8
10-81710M	BOLT	35	19	10-84247M	BOLT	5	24
10-81713M	BOLT	15	31	10-84247M	BOLT	11	12
10-81714M	BOLT	39	25	10-84247M	BOLT	35	28
10-81715M	BOLT, ROD CAP	19	15	10-84303M	BOLT	3	7
10-81717M	BOLT	39	12	10-84303M	BOLT	11	25
10-81718M	BOLT	53	10	10-84303M	BOLT	13	41
10-81751M	PIVOT, LOCKOUT CAM	9	45	10-84315M	BOLT	9	46
10-81758M	SCREW W/WASHER	23	21	10-84315M	BOLT	11	37
10-82172M	SCREW	39	21	10-84427M	BOLT	41	4
10-82405M	BOLT	11	22	10-84446M	BOLT	7	12
10-82405M	BOLT	21	3	10-84481M	BOLT	53	20
10-82406M	BOLT	53	14	10-84482M	SCREW	53	23
10-82423M	BOLT	15	9	10-84657M	BOLT	21	6
10-82423M	BOLT	29	6	10-84970M	BOLT	33	17
10-82428M	BOLT	25	17	10-91691M	SCREW W/WASHER	11	7
10-82436M	BOLT	9	52	10-91725M	BOLT	19	21
10-82437M	BOLT	15	35	10-91725M	BOLT	43	8
10-82441M	BOLT	7	37	10-92679M	SCREW	33	22
10-82441M	BOLT	29	13	10-92679M	SCREW	41	15
10-82442M	BOLT	7	33	10-96293M	BOLT	37	50
10-82448M	BOLT	47	83	10-96346M	SCREW W/WASHER	11	5
10-82453M	BOLT	5	19	10-97080M	SCREW, PLUG	23	5
10-82453M	BOLT	37	53	10-97082M	SCREW W/WASHER (UPPER)	23	25
10-82464M	BOLT	39	18	10-97749M	BOLT	41	17
10-82465M	BOLT	41	19	10-97803M	SCREW, W/WASHER	11	9
10-82466M	BOLT	39	31	10-98953M	BOLT W/WASHER	45	68
10-82466M	BOLT	41	18	11-28587	NUT, SPEED-SPRING RETAINER	51	7
10-82468M	BOLT	45	57	11-41300M	NUT	3	23
10-82483M	SCREW	35	6	11-81450M	NUT	45	42
10-82484M	SCREW	45	63	11-81764M	NUT	15	23
10-82496M	SCREW, HOUSING ATTACHING	49	14	11-81772M	NUT, DRIVESHAFT	43	19
10-82499M	SCREW	23	13	11-81773M	NUT	11	17
10-82511M	SCREW	25	9	11-81775M	NUT, PROPELLER	47	77
10-82518M	SCREW	49	9	11-81779M	NUT	39	22
10-82522M	SCREW	25	14	11-81781M	NUT	45	64
10-82532M	SCREW	17	16	11-81783M	NUT	39	29
10-82533M	SCREW	53	12	11-81785M	NUT	35	36
10-82801M	BOLT, TRIM TAB ATTACHING	45	71	11-81785M	NUT	39	32
10-83050M	SCREW	15	21	11-81786M	NUT, ARM BOLT	35	25
10-83141M	BOLT	7	18	11-81787M	NUT	33	15
10-83539M	BOLT	11	15	11-82378M	NUT	15	28
10-83539M	BOLT	17	19	11-82380M	NUT	21	17
10-83539M	BOLT	27	2	11-82381M	NUT	15	22
10-83568M	SCREW	33	26	11-82382M	NUT	27	12
				11-82382M	NUT	53	17
				11-82387M	NUT	17	9

PARTS INDEX

Part Number	Description	Pg.	Ref. No.	Part Number	Description	Pg.	Ref. No.
11-82392M	NUT	53	21	12-82220M	WASHER	33	18
11-82395M	NUT	33	12	12-82979M	WASHER	11	24
11-82395M	NUT	33	20	12-83149M	WASHER	7	17
11-82395M	NUT	45	66	12-83151M	WASHER	7	21
11-82397M	NUT	39	15	12-83372M	WASHER (UPPER)	23	26
11-82400M	NUT	31	12	12-83524M	WASHER	35	20
11-82703M	NUT, WING	37	51	12-83700M	WASHER	47	76
11-82703M	NUT, WING	37	55	12-83702M	WASHER	39	27
11-82920M	NUT, CABLE END	37	43	12-84429M	WASHER	39	14
11-83502M	NUT	37	46	12-84436M	WASHER	11	18
11-84515M	NUT	25	10	12-92636M	WASHER	23	4
12-49221	WASHER, VENT SCREW	51	5	12-97098M	WASHER	3	12
12-74711	WASHER, FUEL TANK COVER FASTENING SCREW	51	23	12-98948M	WASHER	35	42
12-80271M	WASHER, HOUSING SCREW	49	13	13-81799M	WASHER	53	15
12-80638M	PAD, TRANSOM CLAMP SCREW	33	5	13-81799M	WASHER, LOCK	7	30
12-81299M	WASHER	7	11	13-81866M	WASHER, WAVE	29	5
12-81301M	WASHER	7	5	13-81868M	WASHER, WAVE	15	30
12-81343M	WASHER, MAGNETO	11	16	13-81870M	WASHER, WAVE	35	24
12-81455M	THRUST WASHER	43	18	13-81871M	WASHER, WAVE	3	16
12-81461M	THRUST WASHER, REVERSE GEAR	45	34	13-82193M	WASHER, LOCK	53	27
12-81477M	THRUST WASHER (FOR ORIGINAL PROPELLER)	47	74	13-82197M	WASHER	11	23
12-81794M	WASHER	3	18	13-82197M	WASHER, LOCK	5	12
12-81796M	WASHER	5	10	13-82197M	WASHER, LOCK	7	13
12-81803M	WASHER	39	28	13-82197M	WASHER, LOCK	7	29
12-81804M	WASHER	35	35	13-82197M	WASHER, LOCK	21	18
12-81807M	WASHER	17	8	13-82197M	WASHER, LOCK	27	11
12-81812M	WASHER	33	19	13-82197M	WASHER, LOCK	35	29
12-81812M	WASHER	53	9	13-82199M	WASHER	5	25
12-81815M	WASHER	35	23	13-82199M	WASHER	5	27
12-81819M	WASHER	39	11	13-82199M	WASHER	11	13
12-81825M	WASHER	39	26	13-82199M	WASHER, LOCK	3	9
12-81830M	WASHER	53	3	13-82199M	WASHER, LOCK	15	10
12-81831M	RETAINER	19	13	13-82199M	WASHER, LOCK	17	20
12-81836M	WASHER	33	14	13-82199M	WASHER, LOCK	21	8
12-81837M	WASHER, REVERSE GEAR	43	32	13-82199M	WASHER, LOCK	29	4
12-81838M	WASHER	39	3	13-82200M	WASHER, LOCK	7	35
12-81839M	WASHER	39	6	13-82200M	WASHER, LOCK	15	36
12-81852M	WASHER, WATER TUBE	47	79	13-82200M	WASHER, LOCK	29	12
12-81853M	WASHER	35	22	13-82200M	WASHER, LOCK	53	16
12-81859M	WASHER	53	6	13-82208M	WASHER, LOCK	25	15
12-81860M	WASHER	39	10	13-82212M	WASHER, LOCK	27	3
12-82198M	WASHER	7	25	13-82212M	WASHER, LOCK	47	84
12-82198M	WASHER	9	47	13-82215M	WASHER, LOCK	39	19
12-82198M	WASHER	25	18	13-82215M	WASHER, LOCK	41	5
12-82202M	WASHER	29	11	13-82218M	WASHER, LOCK	45	67
12-82204M	WASHER	35	7	13-92652M	WASHER, WAVE	31	3
12-82214M	WASHER	19	22	14-81877M	WASHER, TAB	45	41
12-82214M	WASHER	35	38	15-81259M	SHIM, CRANKSHAFT	19	7
12-82214M	WASHER	37	54	15-81432M	SHIM, REVERSE GEAR ADJUST (.05 MM)	45	33
12-82214M	WASHER	43	9	15-81456M	SHIM, FORWARD GEAR ADJUST (.05 MM)	43	23
12-82216M	WASHER	29	19	15-81457M	SHIM, FORWARD GEAR ADJUST (.08 MM)	43	23
12-82217M	WASHER	37	47	15-81458M	SHIM, FORWARD GEAR ADJUST (.12 MM)	43	23
12-82217M	WASHER	45	58	15-81459M	SHIM, FORWARD GEAR ADJUST (.30 MM)	43	23
12-82217M	WASHER	53	22				
12-82220M	WASHER	33	11				

PARTS INDEX

Part Number	Description	Pg.	Ref. No.	Part Number	Description	Pg.	Ref. No.
15-81463M	SHIM, REVERSE GEAR ADJUST (.08 MM)	45	33	18-84428M	PIN, COTTER	47	78
15-81464M	SHIM, REVERSE GEAR ADJUST (.12 MM)	45	33	19-41293M	PLUG, STARTER HOUSING	7	14
15-81465M	SHIM, REVERSE GEAR ADJUST (.30 MM)	45	33	19-81922M	PLUG	41	13
15-81466M	SHIM, REVERSE GEAR ADJUST (.50 MM)	45	33	21-80608M	CHECK VALVE	25	6
15-81467M	SHIM, DRIVESHAFT BEARING (.05MM)	43	15	21-80727M	CHECK VALVE ASS'Y	17	1
15-81468M	SHIM, DRIVESHAFT BEARING (.08MM)	43	15	22-63187	FITTING, FUEL LINE	49	27
15-81469M	SHIM, DRIVESHAFT BEARING (.12MM)	43	15	22-80122M	FITTING, CRANKCASE DRAIN	17	2
15-81470M	SHIM, DRIVESHAFT BEARING (.30MM)	43	15	22-80122M	PIPE, OVERFLOW	21	11
15-81471M	SHIM, DRIVESHAFT BEARING (.50MM)	43	15	22-80218M	PLUG, WATER FLUSH (OPT)	47	86
16-81383M	STUD, CLAMP BRACKET	33	9	22-80756M	XHAUST COVER	17	17
16-81735M	STUD	17	10	22-81042M	FUEL CONNECTOR, ENGINE END	49	15
16-81742M	STUD, STEERING PLATE	39	2	22-81326M	FITTING	5	6
16-81743M	STUD	17	14	22-81924M	SCREW	43	3
16-81744M	STUD	41	6	22-81926M	PLUG, COVER	17	32
17-20426	RIVET, INDICATOR TO RETAINER	51	17	22-82369M	FITTING, GREASE	33	2
17-41314M	ROD, REVERSE LOCK	31	8	22-97083M	TEE FITTING, FUEL LINE	27	17
17-81258M	LOCK, BEARING	17	13	23-41311M	BUSHING	15	11
17-81278M	PIN, FLOAT	23	18	23-41313M	BUSHING	33	23
17-81384M	PIN, LOWER SHOCK MOUNT	53	5	23-41823M	BUSHING	3	15
17-81386M	PIN, UPPER SHOCK MOUNT	53	1	23-80635M	RETAINER, COMPRESSION SPRING	29	16
17-81889M	PIN	33	8	23-81308M	BUSHING	7	16
17-81903M	CROS PIN, CLUTCH	43	27	23-81309M	COLLAR, ENGAGEMENT CAM	7	4
17-81907M	RIVET	35	5	23-81327M	COLLAR	49	21
17-81909M	RIVET	31	16	23-81453M	SLEEVE, DRIVESHAFT	43	16
17-82136M	PIN, CLEVIS	9	49	23-81938M	BUSHING	53	7
17-82137M	PIN, CLEVIS	29	3	23-81939M	BUSHING	53	4
17-82138M	PIN, CLEVIS	31	14	23-81943M	BUSHING	35	40
17-82145M	PIN, ROLL	31	20	23-81945M	BUSHING	35	9
17-82146M	PIN, ROLL	15	34	23-81946M	BUSHING	15	8
17-82149M	PIN, ROLL	15	5	23-81946M	BUSHING	35	34
17-82152M	PIN, ROLL	35	12	23-81947M	BUSHING	31	4
17-82154M	PIN,ROLL	15	20	23-81950M	BUSHING	35	21
17-82159M	PIN, ROLL	31	17	23-81955M	BUSHING	39	4
17-82354M	PIN, DOWEL	17	3	23-81980M	COLLAR, TILT STOP SUPPORT	31	6
17-82354M	PIN, DOWEL	45	55	23-81981M	SPACER, CLAMP BRACKET STUD	33	10
17-82364M	PIN, DOWEL	41	3	23-82120M	SPACER	53	2
17-82364M	PIN, DOWEL	45	65	23-82851M	BUSHING	7	26
17-82367M	PIN, DOWEL	15	4	23-82851M	BUSHING	11	21
17-82368M	PIN, DOWEL	17	4	23-83150M	BUSHING	7	22
17-82976M	PIN	15	3	23-83610M	COLLAR	5	9
17-82982M	RIVET	3	13	23-84426M	BUSHING	41	10
17-83904M	TILT LOCK PIN ASS'Y	31	18	23-84445M	THRUST WASHER , REAR (FOR ORIGINAL PROPELLER)	47	75
17-92639M	PIN, VALVE	23	14	23-84489M	COLLAR	7	32
18-82053M	PIN, COTTER	29	2	23-97107M	COLLAR	35	41
18-82126M	PIN, COTTER	9	50	23-98923M	BUSHING	29	20
18-82126M	PIN, COTTER	29	18	24-22227	SPRING, TENSION-VENT SCREW	51	6
18-82128M	PIN, COTTER	31	15	24-30189	SPRING, BAYONET BODY STEM	49	25
18-82129M	PIN, COTTER	35	39	24-41294M	SPRING, RETURN	7	7
18-82130M	PIN, COTTER	31	9	24-80610M	SPRING	25	4
18-82131M	PIN, COTTER	31	5	24-80615M	SPRING	25	11

PARTS INDEX

Part Number	Description	Pg.	Ref. No.	Part Number	Description	Pg.	Ref. No.
24-81295M	SPRING, STARTER	7	2	27-80757M	GASKET, FUEL PUMP TO CRANKCASE	25	16
24-81297M	SPRING, ENGAGEMENT CAM	7	9	27-81252M	GASKET, CYLINDER HEAD	17	25
24-82073M	SPRING, COMPRESSION	23	10	27-81254M	GASKET, CYLINDER HEAD COVER	17	28
24-82074M	SPRING, COMPRESSION	15	13	27-81266M	GASKET, THERMOSTAT COVER	17	30
24-82080M	SPRING, COMPRESSION (UPPER)	23	8	27-81270M	GASKET, REED VALVE-LOWER	21	14
24-82081M	SPRING, DETENT	29	15	27-81272M	GASKET, CARBURETOR TO MANIFOLD	21	9
24-82087M	SPRING, COMPRESSION	39	17	27-81276M	GASKET, AIR INTAKE TO CARBURETOR	21	2
24-82091M	SPRING, SHIFT	43	30	27-81320M	GASKET, HOUSING TO TANK	49	10
24-82095M	SPRING, THROTTLE SHAFT	35	8	27-81331M	GASKET, EXHAUST COVER	17	18
24-82102M	SPRING, LOCKOUT LEVER	9	43	27-81353M	GASKET, THROTTLE CAM COVER	35	14
24-82103M	SPRING, TENSION	31	10	27-81417M	GASKET, WATER PUMP	45	48
24-82106M	SPRING, LOCKOUT CAM RETURN	9	44	27-81418M	GASKET, WATER PUMP BASE	45	52
24-82113M	SPRING, TORSION	15	17	27-81421M	GASKET, CARTRIDGE OUTER PLATE	45	50
24-92685M	SPRING	35	32	27-81437M	GASKET, EXHAUST GUIDE - UPPER	41	8
25-20415	O-RING, BAYONET BODY STEM	49	24	27-81440M	SEAL, INNER TO OUTER HOUSING	41	16
25-41825M	GROMMET	7	31	27-81569M	GASKET, REED VALVE-UPPER	21	13
25-81369M	GROMMET	5	5	27-81987M	GASKET	43	4
25-81989M	GASKET, WATER TUBE	47	81	27-81990M	GASKET, COVER PLUG	17	33
25-82061M	GROMMET	5	7	27-82790M	GASKET, FILTER	27	5
25-82275M	O-RING	45	53	27-83033M	SEAL, RUBBER	41	20
25-82276M	O-RING, CRANKSHAFT-UPPER	19	4	27-83044M	SEAL, BOTTOM COWL TO APRON	5	2
25-82281M	O-RING	43	6	27-84168M	GASKET SET, POWERHEAD	17	34
25-82286M	O-RING, OIL SEAL HOUSING	19	20	27-92631M	GASKET, AIR INTAKE	21	5
25-82288M	O-RING	23	19	27-92648M	GASKET SET, LOWER UNIT	47	86
25-82289M	O-RING	45	36	27-98952M	GASKET, EXHAUST GUIDE	41	11
25-82789M	O-RING	49	16	28-81915M	KEY, CRANKSHAFT TO FLYWHEEL	19	23
25-83142M	GROMMET	5	4	28-81916M	KEY	45	38
25-84957M	O-RING	27	8	28-97089M	KEY	45	47
25-93101M	GROMMET	5	8	29-82353M	BEARING, NEEDLE-CONNECTING ROD	19	12
25-94498M	O-RING	23	23	30-41296M	BEARING, CRANKSHAFT-LOWER	19	6
26-81426M	SEAL	45	59	30-82296M	BEARING, BALL	45	35
26-81427M	SEAL, WATER TUBE LOWER	47	85	31-41298M	BEARING, CONNECTING ROD	19	16
26-82233M	OIL SEAL, PROPELLER SHAFT	45	40	31-82312M	BEARING, NEEDLE	19	2
26-82234M	OIL SEAL, WATER PUMP	45	54	31-82316M	BEARING, NEEDLE	43	17
26-82248M	OIL SEAL, CRANKSHAFT-LOWER	19	19	31-82317M	BEARING, NEEDLE	45	39
26-82249M	OIL SEAL, CRANKSHAFT-UPPER	19	3	31-82320M	BEARING, TAPERED ROLLER	43	24
26-82255M	OIL SEAL, CRANKSHAFT-LOWER	19	18	31-97837M	BEARING, CENTER MAIN	19	5
26-82257M	OIL SEAL, GEAR HOUSING COVER	43	7	31-98933M	BEARING, TAPERED ROLLER	43	14
26-98950M	OIL SEAL, STEERING SHAFT	39	5	32-33909A3	TUBE ASSEMBLY	51	10
27-25568	GASKET, FILLER CAP TO FUEL TANK	51	8	32-81324M	HOSE, EXHAUST COVER	17	22
27-28862	GASKET, COVER ASSEMBLY TO FRAME	51	19				
27-54921	GASKET, FUEL GAUGE LENS	51	12				
27-80270M	GASKET, HOUSING TO LENS INDICATOR	49	8				
27-80612M	GASKET, CHECK VALVE	25	7				
27-80613M	GASKET, BODY TO BASE	25	5				
27-80614M	GASKET, BODY TO COVER	25	12				

PARTS INDEX

Part Number	Description	Pg.	Ref. No.	Part Number	Description	Pg.	Ref. No.
32-81674M	TUBE, WATER (M)	47	80	54-82047M	CLAMP	27	19
32-81675M	TUBE, WATER (ML)	47	80	54-82047M	CLAMP, HOSE	17	23
32-81995M	HOSE, DRAIN	17	11	54-82781M	CLIP	23	24
32-82004M	FUEL LINE, TEE TO CARBURETOR	27	18	54-83764M	CLAMP, PICKUP HOSE	49	4
32-82010M	FUEL LINE, FILEER TO PUMP	27	15	54-92664M	CLAMP	29	10
32-82020M	FUEL LINE, PUMP TO TEE .	27	16	54-97561M	CLAMP	13	38
32-82023M	HOSE, BULB TO CONNECTOR	49	19	55-84477M	SHOCK ABSORBER KIT ...	53	0-1
32-83626M	HOSE, PICKUP	49	5	55-92650M	SHOCK ABSORBER	53	8
32-83628M	FUEL LINE ASS'Y	49	0-1	79-41299M	TACHOMETER	3	22
32-84955M	HOSE, CONNECTOR HOUSING TO BULB	49	17	84-41310M	GROUND WIRE	13	39
32-84956M	FUEL LINE, CONNECTOR TO PUMP	27	13	84-81250M	GROUND WIRE	13	40
33-82371M	SPARK PLUG B-7HS-(NGK)"	17	34	84-97078M	GROUND WIRE	13	42
34-92675M	REED VALVE ASS'Y	21	15	87-41307M	STOP SWITCH ASS'Y	37	44
34-92676M	REED SET (REED STOPS NOT INCLUDED)	21	16	87-41307M	STOP SWITCH, REMOTE ..	53	32
35-80617M	FUEL FILTER ASS'Y	27	4	87-84966M	STOP SWITCH	53	28
35-82783M	ELEMENT, FILTER	27	6	87-97757M	KILL SWITCH	53	30
36-25392A2	FILLER CAP ASSEMBLY ...	51	3	87-97834M	THERMO-SWITCH ASS'Y ..	11	35
36-83617M	FUEL TANK CAP	49	2	88-81522M	FUSE	53	25
37-75881	DECAL, FUEL TANK	51	2	91-81669M	TOOL KIT (OPTIONAL)	5	21
37-82984M	DECAL, SIDE	49	1	253-8816M	I. MAGNETO ASS'Y	11	1
37-97099M	DECAL	5	26	463-6825M	CRANKSHAFT ASS'Y	19	1
37-98941M	DECAL, SIDE AND REAR SET	3	3	629-8813M	CONNECTING ROD ASS'Y .	19	14
39-92625M	PISTON RING SET (STD) ...	19	9	761-8810M	PISTON (STANDARD)	19	8
39-92626M	PISTON RING SET (1ST O.S. - 82.25 MM)	19	9	761-8811M	PISTON (1ST O.S.-82.25 MM)	19	8
39-92627M	PISTON RING SET (2ND O.S.- 82.50MM)	19	9	761-8812M	PISTON (2ND O.S.-82.50 MM)	19	8
41-81263M	PIN, PISTON	19	10	870-8913M	CRANKCASE AND CYLINDER ASS'Y	17	0-1
43-84442M	GEAR, PINION	43	20	968-7974M	HEAD, CYLINDER	17	24
43-84443M	GEAR, FORWARD	43	21	1225-1529	FUEL TANK	51	1
43-84444M	GEAR REVERSE	43	22	1225-1529A21	FUEL TANK ASSEMBLY ...	51	0-1
44-92644M	SHAFT, PROPELLER	43	31	1383-8814M	CARBURETOR ASS'Y (UPPER	23	0-1
45-81678M	DRIVESHAFT (M)	43	13	1383-8815M	CARBURETOR ASS'Y (LOWER)	23	0-2
45-81679M	DRIVESHAFT (ML)	43	13	1484-6839M	CLAMP BRACKET	33	4
46-81416M	BODY, WATER PUMP	45	43	1485-8818M	SWIVEL BRACKET (M)	33	1
46-81422M	BASE, WATER PUMP	45	51	1485-8819M	SWIVEL BRACKET (ML) ...	33	1
47-97108M	IMPELLER, WATER PUMP .	45	46	1587-8615M	DRIVESHAFT HOUSING (M)	41	1
50-81296M	STARTER PULLEY	7	3	1587-8616M	DRIVESHAFT HOUSING (ML)	41	1
52-81473M	CLUTCH	43	25	1587-8911M	DRIVESHAFT HOUSING, INNER (M)	41	12
53-28903	FASTENER, RETAINING FRAME TO FUEL TANK ..	51	21	1587-8912M	DRIVESHAFT HOUSING, INNER (ML)	41	12
53-41297M	CLIP, PISTON PIN	19	11	1651-7971M	GEAR HOUSING	43	1
53-81305M	SNAP RING	7	6	1651-7978M	GEAR HOUSING ASS'Y (M) .	43	0-1
53-82330M	SNAP RING	15	14	1651-7979M	GEAR HOUSING ASS'Y (ML)	43	0-1
53-82330M	SNAP RING	29	9	2168-8817M	COWLING,BOTTOM	5	1
53-82334M	SNAP RING	43	11	2168-8916M	TOP COWLING ASS'Y	3	1
53-92654M	SNAP RING	39	8				
54-41836M	CLAMP	11	34				
54-80752M	CLAMP, HOUSE	49	20				
54-82033M	CLAMP, WIRE	17	6				
54-82037M	CLAMP	27	14				
54-82041M	CLAMP	5	20				
54-82046M	CLAMP, HOSE	17	12				