



# PARTS CATALOG

## MERC 1150E-SS

SERIAL NUMBER

1150 ..... 2836019 THRU 3525440

# TABLE OF CONTENTS:

BOTTOM COWL AND SHIFT LINKAGE .....	40
CARBURETOR ASSEMBLY .....	24
CARBURETOR LINKAGE AND CHOKE SOLENOID .....	22
CLAMP AND SWIVEL BRACKET ASSEMBLY .....	44
COWLING AND FRONT COVER .....	6
CRANKSHAFT, PISTONS AND CONNECTING RODS .....	36
CYLINDER BLOCK AND CRANKCASE ASSEMBLY .....	30
DISTRIBUTOR ADAPTOR AND VERTICAL LINKAGE .....	14
DISTRIBUTOR HOUSING AND ROTOR .....	10
DRIVE SHAFT HOUSING ASSEMBLY .....	48
FLYWHEEL ASSEMBLY AND STATOR .....	8
FUEL PUMP AND FUEL LINE ASSEMBLY .....	28
GEAR HOUSING ASSEMBLY, COMPLETE (PAGE 1) .....	52
GEAR HOUSING ASSEMBLY, COMPLETE (PAGE 2) .....	56
HYDRAULIC PUMP AND CONTROL PANEL .....	62
HYDRAULIC PUMP ASSEMBLY .....	60
MISCELLANEOUS PARTS/ACCESSORIES .....	1
OVERSIZE PISTONS AND RINGS .....	38
PARTS INDEX .....	70
STARTER MOTOR, STARTER SOLENOID, RECTIFIER & WIRING HARNESS .....	18
TOP COWL AND SUPPORT BRACKETS .....	2
TRIM CYLINDERS AND HYDRAULIC HOSES .....	66

**NOTE:** Indented description indicate that these parts are included in preceding assembly.

**AR** = As Required

**NSS** = Not Sold Separate

**OPT** = Optional

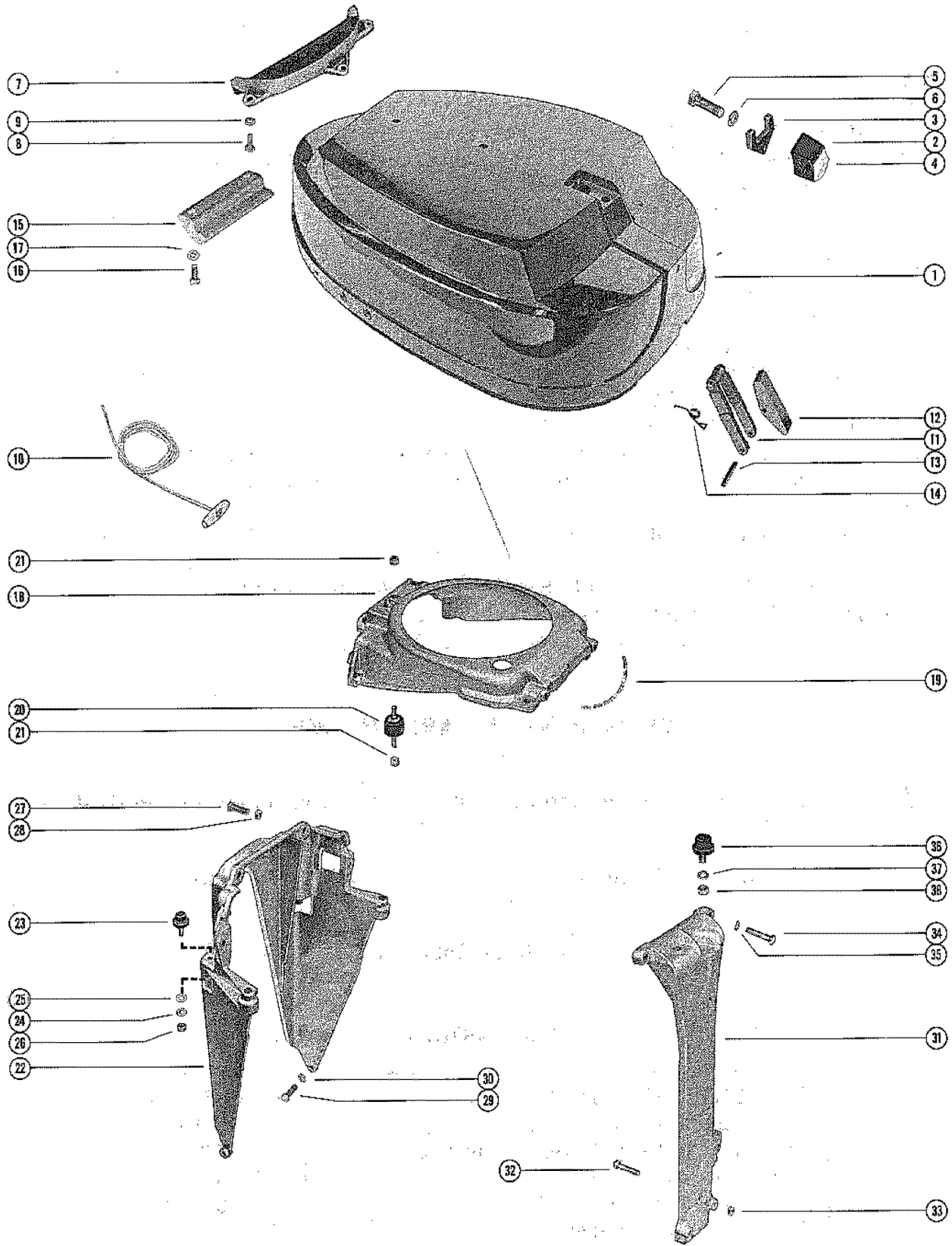
**NS** = Not Shown

**THESE PARTS BOOKS/FICHE CARD ARE COPYRIGHTED AND MAY NOT BE DISTRIBUTED OR REPRODUCED IN ANY OTHER FORMAT BY ANYONE OTHER THAN MERCURY MARINE WITHOUT THE PRIOR WRITTEN CONSENT OF MERCURY MARINE.**

## MISCELLANEOUS PARTS/ACCESSORIES

REF. NO.	PART NO.	SYM.	QTY.	DESCRIPTION
-	90-56974		0	MERC 1150E-SS PARTS LIST
-	27-55284A1		0	GASKET SET (MOTOR OVERHAUL)
-	46-37433A4		0	EXTRA HEAVY DUTY WATER PUMP KIT
-	37-56691A1		0	DECAL SET (SERIAL #2933900 AND BELOW)
-	37-56691A2		0	DECAL SET (SERIAL #3023086 THRU #3114543)
-	37-60893A72		0	DECAL SET (SERIAL #3270480 AND UP)
-	55398A4		0	TACHOMETER ASSEMBLY

# TOP COWL AND SUPPORT BRACKETS

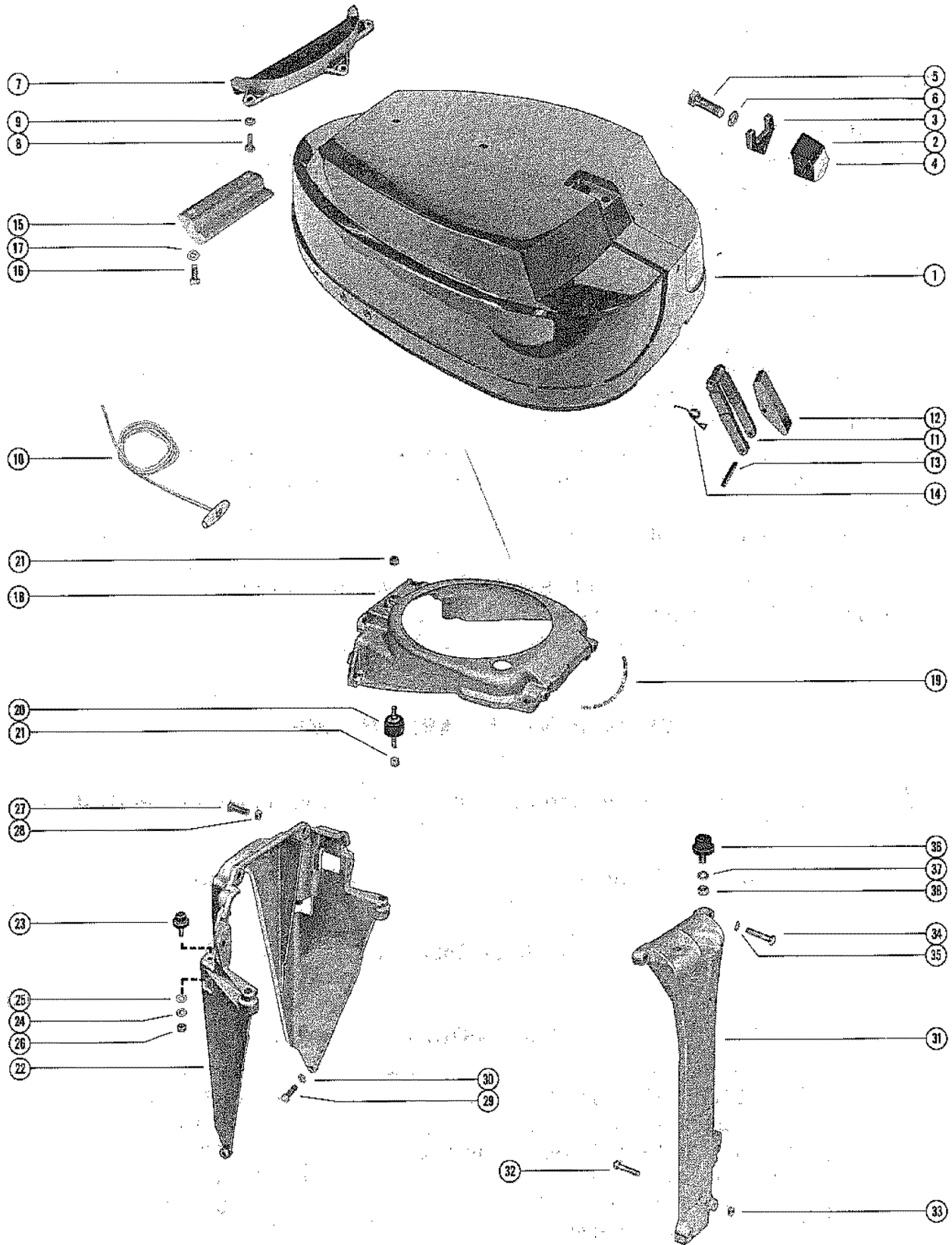


# TOP COWL AND SUPPORT BRACKETS

REF. NO.	PART NO.	SYM.	QTY.	DESCRIPTION
1	2114-3806		1	COWL, TOP
2	52733A3		1	RETAINER ASSEMBLY, TOP COWL <b>SERIAL 00000000-02933900</b>
3	35496		1	PAD, BUMPER - TOP COWL RETAINER <b>SERIAL 00000000-02933900</b>
4	56186		1	EMBLEM, TOP COWL RETAINER <b>SERIAL 00000000-02933900</b>
2	52733A4		1	RETAINER ASSEMBLY - TOP COWL RETAINER <b>SERIAL 03023086-03114543</b>
	52733A5		1	RETAINER ASSEMBLY - TOP COWL RETAINER <b>SERIAL 03270480-09999999</b>
3	35496		1	PAD< BUMPER - COWL RETAINER
5	10-37558		1	SCREW, RETAINER TO TOP COWL (1 1/4")
6	13-39107		1	LOCKWASHER, RETAINER TO TOP COWL SCREW
7	49448		1	SHIELD, TOP COWL - REAR
8	10-37370		3	SCREW, SHIELD TO TOP COWL (5/8")
9	13-37371		3	LOCKWASHER, SHIELD SCREW
10	47341A1		1	ROPE, STARTER (FOR MANUAL STARTING ONLY)
11	52739		1	HINGE, COWL LATCH - TOP COWL
12	52737		1	LEVER, COWL LATCH HINGE
13	17-33522		1	PIN, ROLL - COWL LATCH LEVER TO HINGE
14	24-53019		1	SPRING, COWL LATCH HINGE <b>SERIAL 00000000-03114543</b>
15	55455		1	HOOK, TOP COWL LATCH - REAR
16	10-22956		2	SCREW, REAR HOOK TO TOP COWL (7/8")
17	13-26992		2	LOCKWASHER, REAR HOOK MOUNTING SCREW
18	47271		1	FRAME, TOP COWL SUPPORT
19	37-54108		1	DECAL, TIMING <b>SERIAL 00000000-02933900</b>
	37-60204		1	DECAL, TIMING <b>SERIAL 03023086-09999999</b>
20	37639		3	MOUNT, RUBBER - TOP COWL FRAME
	46096		OPT	MOUNT, RUBBER - TOP COWL FRAME (HEAVY DUTY)
21	11-20361		6	NUT, RUBBER MOUNT TO TOP COWL FRAME
22	54685		1	BRACKET, TOP COWL SUPPORT - REAR
23	31014		2	MOUNT, RUBBER - REAR SUPPORT BRACKET
24	13-26992		2	LOCKWASHER, RUBBER MOUNT TO REAR SUPPORT BRACKET
26	11-20088		2	NUT, RUBBER MOUNT TO REAR SUPPORT BRACKET
27	10-26065		4	SCREW, REAR BRACKET TO TOP COWL FRAME (1")
28	11-46793		4	NUT, REAR BRACKET SCREW
29	10-24234		4	SCREW, REAR BRACKET TO BOTTOM COWL (1")
30	13-26993		4	LOCKWASHER, REAR SUPPORT BRACKET SCREW
31	52725A2		1	BRACKET ASSEMBLY, TOP COWL SUPPORT - FRONT
32	10-22040		2	SCREW, FRONT BRACKET TO BOTTOM COWL (1 1/2")
33	11-46793		2	NUT, FRONT SUPPORT BRACKET SCREW

CONTINUED ON NEXT PAGE ➡

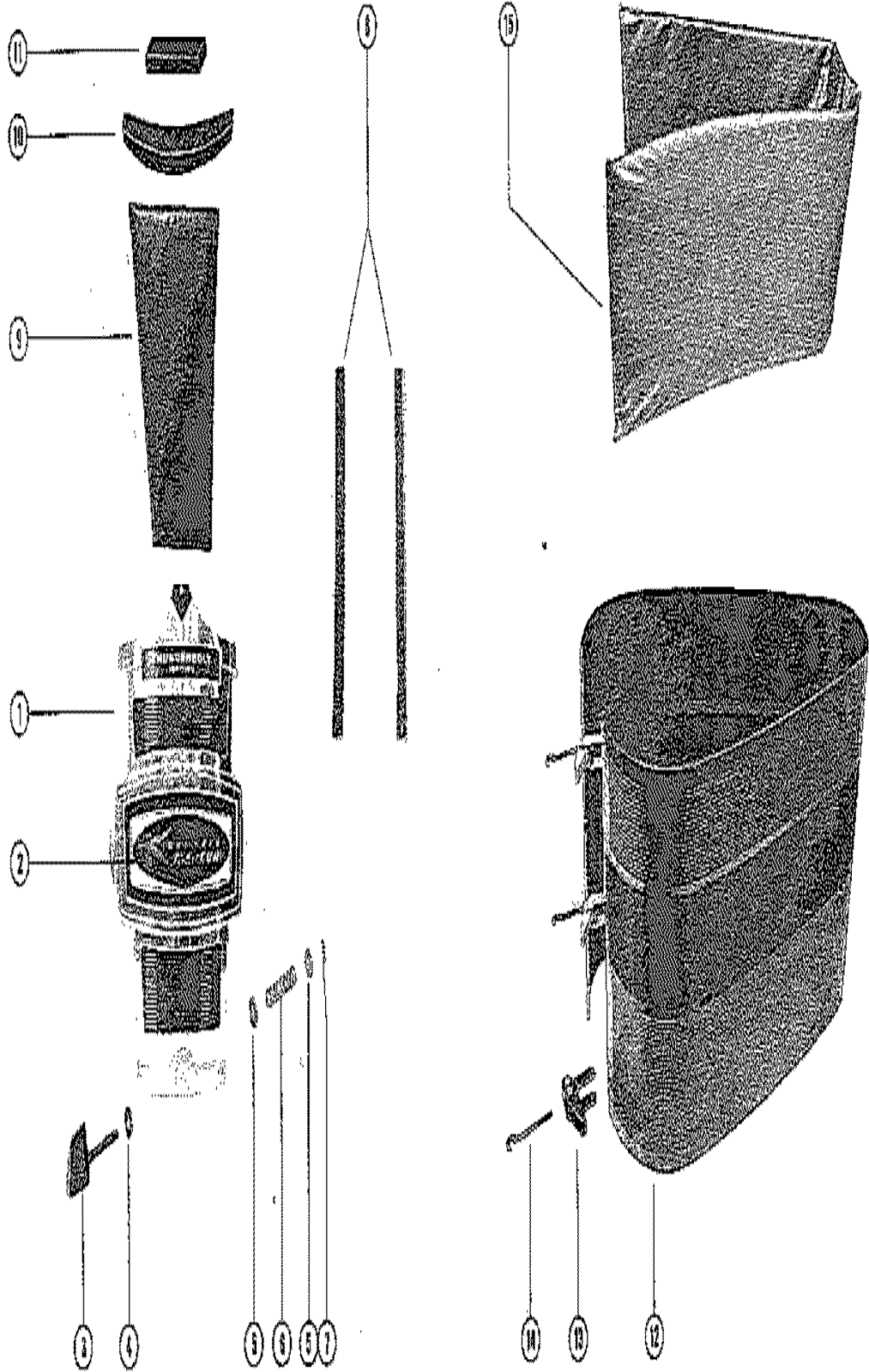
# TOP COWL AND SUPPORT BRACKETS



## TOP COWL AND SUPPORT BRACKETS

REF. NO.	PART NO.	SYM.	QTY.	DESCRIPTION
34	10-20362		2	SCREW, FRONT BRACKET TO TOP COWL FRAME (1 1/2")
35	13-26993		2	LOCKWASHER, FRONT SUPPORT BRACKET SCREW
36	37640		1	MOUNT, RUBBER - FRONT SUPPORT BRACKET
37	13-26993		1	LOCKWASHER, RUBBER MOUNT TO FRONT SUPPORT BRACKET
38	11-22053		1	NUT, RUBBER MOUNT TO FRONT SUPPORT BRACKET

# COWLING AND FRONT COVER

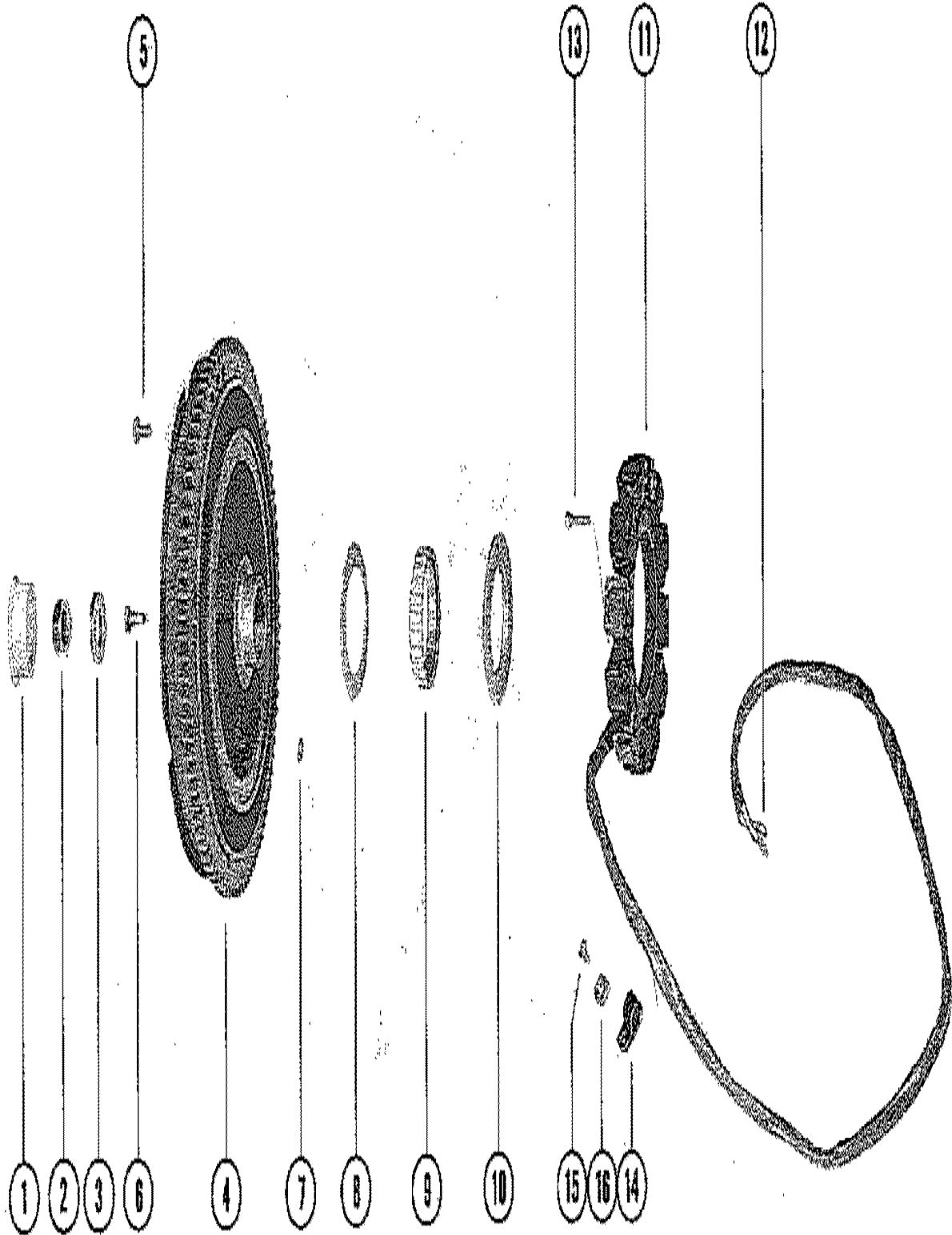




## COWLING AND FRONT COVER

REF. NO.	PART NO.	SYM.	QTY.	DESCRIPTION
1	2113-2663A11		1	COWL FRONT COVER ASSEMBLY <b>SERIAL 00000000-02933900</b>
	2113-2663A12		1	COWL FRONT COVER ASSEMBLY <b>SERIAL 03023086-03114543</b>
	2113-2663A13		1	COWL FRONT COVER ASSEMBLY <b>SERIAL 03270480-09999999</b>
2	35753		1	EMBLEM< FRONT COVER <b>SERIAL 00000000-03114543</b>
3	56849		1	KNOB, COWL FRONT COVER FASTENING
4	12-30771		2	WASHER, COVER FASTENING KNOB (RUBBER)
5	12-59572		2	WASHER, COVER FASTENING KNOB (PLASTIC)
6	24-30772		1	SPRING, TENSION - FASTENING KNOB
7	17-29077		1	ROLL PIN, TENSION SPRING TO KNOB
8	31089		2	STRIP, SOUND ABSORBING
9	38675		1	BLANKET, SOUND ABSORBING
10	35769		1	SEAL, SOUND ABSORBING - UPPER
11	53334		1	SEAL, SOUND ABSORBING - TOP
12	2136-3613A3		1	WRAP AROUND COWL ASSEMBLY <b>SERIAL 00000000-03114543</b>
	2136-4660A4		1	WRAP AROUND COWL ASSEMBLY <b>SERIAL 03270480-09999999</b>
13	46785A1		3	COWL LATCH ASSEMBLY
14	30413		3	HOOK, COWL LATCH FASTENING
15	30021		1	BLANKET, SOUND ABSORBING
-	<b>92-25234--1</b>		1	<b>GLUE, ADHESIVE - BLANKET FASTENING</b>
-	<b>92-27109--1</b>		1	<b>ADHESIVE COMPOUND, EMBLEM FASTENING</b>

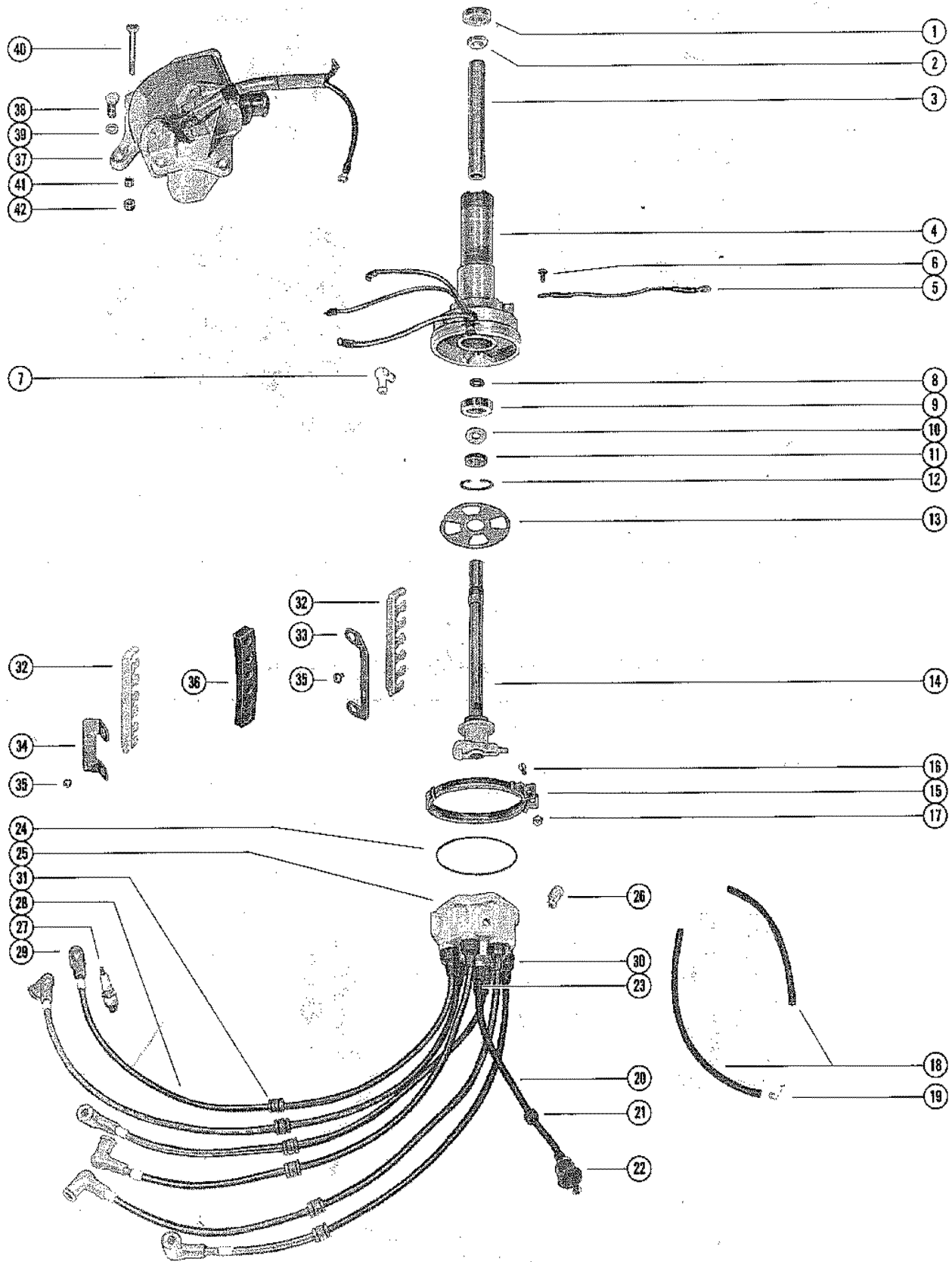
# FLYWHEEL ASSEMBLY AND STATOR



# FLYWHEEL ASSEMBLY AND STATOR

REF. NO.	PART NO.	SYM.	QTY.	DESCRIPTION
1	19-45907		1	PLUG, FLYWHEEL PULLER THREADS
2	11-52901		1	NUT, FLYWHEEL ( <b>PART OF A-436-4842A3 CRANKSHAFT ASSEMBLY</b> )
3	12-33001		1	WASHER, FLYWHEEL NUT
4	225-2494A12		1	FLYWHEEL ASSEMBLY, COMPLETE (SERIAL #3114543 AND BELOW) <b>SERIAL 00000000-03114543</b>
	225-2494A14		1	FLYWHEEL ASSEMBLY, COMPLETE (SERIAL #3270480 AND UP) <b>SERIAL 03270480-09999999</b>
5	10-32417		8	SCREW, FLEXIBLE PLATE TO FLYWHEEL (5/8")
6	10-49006		8	SCREW, PLATE AND HUB TO FLEXIBLE PLATE (3/4")
7	17-26618		1	PIN, DOWEL - PULLEY TO FLYWHEEL
8	29788		1	FLANGE, FLYWHEEL PULLEY
9	30306		1	PULLEY, FLYWHEEL
10	29787		1	HUB, FLYWHEEL PULLEY
11	398-4793		1	STATOR, ALTERNATOR
12	30050		2	TERMINAL, STATOR LEAD WIRE
13	10-63136		4	SCREW, STATOR TO UPPER END CAP (7/8")
14	54-22875		2	CLIP, STATOR LEAD FASTENING (7/16")
	54-26550		1	CLIP STATOR/WIRING HARNESS LEADS FASTENING (5/16")
15	10-30663		3	SCREW, STATOR LEAD CLIP FASTENING (3/8")
16	22789		3	"D" WASHER, CLIP FASTENING SCREW

# DISTRIBUTOR HOUSING AND ROTOR

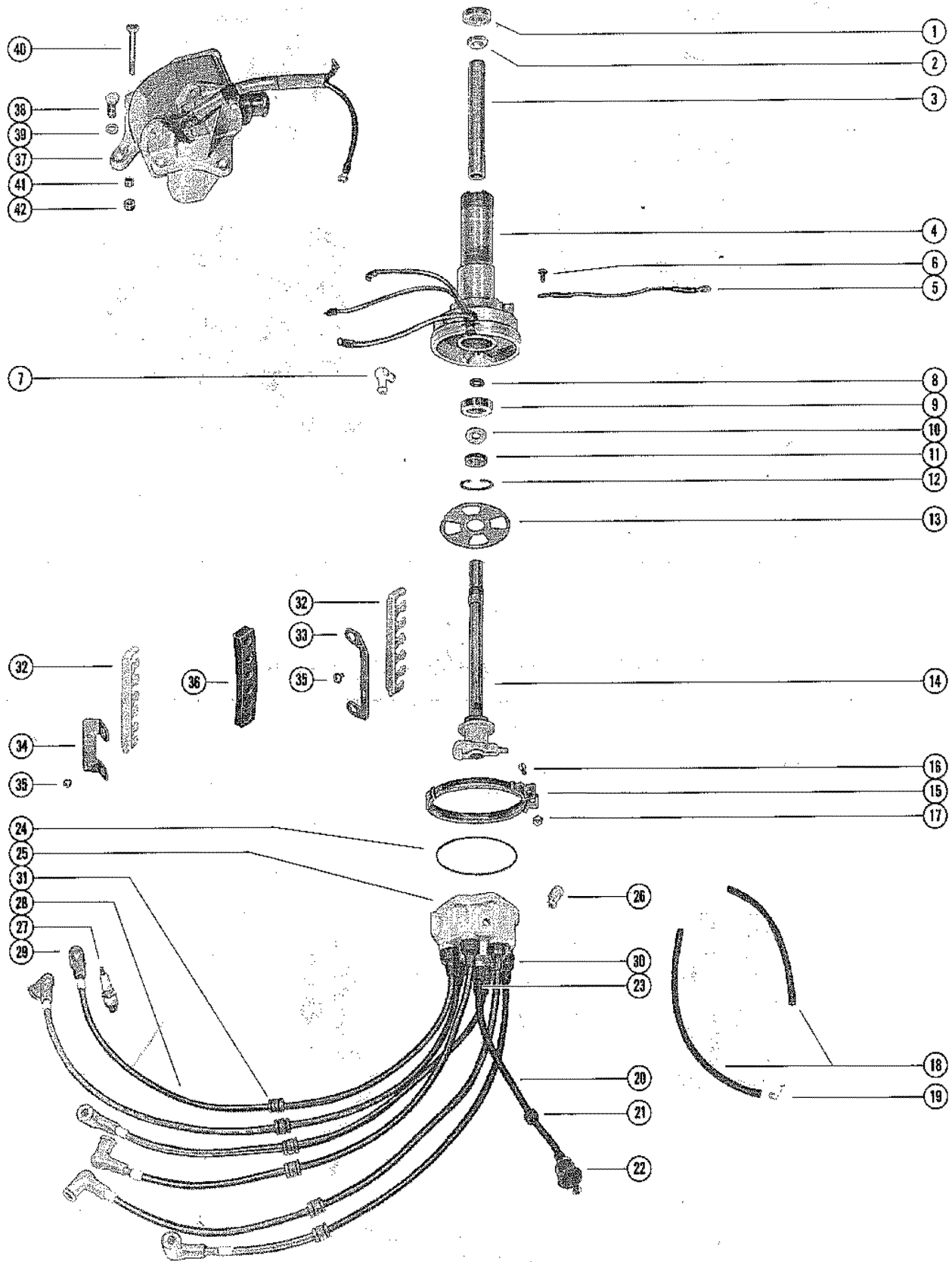


# DISTRIBUTOR HOUSING AND ROTOR

REF. NO.	PART NO.	SYM.	QTY.	DESCRIPTION
1	30-20066		1	BALL BEARING, DISTRIBUTOR HOUSING (UPPER)
2	11-54209		1	NUT, ROTOR SHAFT TO DISTRIBUTOR HOUSING
3	23-53539		1	SLEEVE, ROTOR SHAFT
4	393-3736A3		1	HOUSING ASSEMBLY, DISTRIBUTOR <b>SERIAL 00000000-02933900</b>
	393-3736A23		1	HOUSING ASSEMBLY, DISTRIBUTOR <b>SERIAL 03023086-09999999</b>
5	53417		1	GROUND STRAP ASSEMBLY, DISTRIBUTOR TO CRANKCASE
6	10-30663		1	SCREW, GROUND STRAP ATTACHING (3/8")
7	22-55262		1	ELBOW, VENT - DISTRIBUTOR HOUSING <b>SERIAL 00000000-03114543</b>
	58807A1		1	FLAME ARRESTOR, VENT - DISTRIBUTOR HOUSING <b>SERIAL 03270480-09999999</b>
8	15-55853		1	SHIM, BALL BEARING TO DISTRIBUTOR HOUSING
9	30-26379		1	BALL BEARING, DISTRIBUTOR HOUSING (LOWER)
10	15-21148A1		AR	SHIM, BALL BEARING TO SPACER
11	23-53538		1	SPACER, ROTOR SHAFT
12	53-26406		1	RING, RETAINER - BALL BEARING TO DISTRIBUTOR HOUSING
13	393-4248		1	DISC, ROTOR <b>SERIAL 00000000-02928720</b>
14	393-3738		1	ROTOR, DISTRIBUTOR <b>SERIAL 00000000-02928720</b>
13	393-4313		1	DISC, ROTOR <b>SERIAL 02928721-09999999</b>
14	393-4312		1	ROTOR, DISTRIBUTOR <b>SERIAL 02928721-09999999</b>
15	54-59588		1	CLAMP, DISTRIBUTOR CAP TO DISTRIBUTOR HOUSING <b>SERIAL 00000000-02933900</b>
	54-60768		1	CLAMP, DISTRIBUTOR CAP TO DISTRIBUTOR HOUSING <b>PART OF DIST. CAP ASS'Y SERIAL 03023086-09999999</b>
16	10-62802		1	SCREW, DISTRIBUTOR CAP CLAMP (1 1/4") <b>PART OF DIST. CAP ASS'Y</b>
17	11-26768		1	NUT, DISTRIBUTOR CAP CLAMP SCREW <b>PART OF DIST. CAP ASS'Y</b>
18	32-34395A1		1	HOSE, VENT - DISTRIBUTOR TO ELBOW (11 1/2") <b>SERIAL 00000000-03114543</b>
	32-34395A1		1	HOSE, VENT - DISTRIBUTOR TO ELBOW (13 1/2") <b>SERIAL 00000000-03114543</b>
19	22-31521		2	ELBOW, VENT HOSE TO BOTTOM COWL <b>SERIAL 00000000-03114543</b>
20	393-3836A1		1	HIGH TENSION CABLE ASSEMBLY, DISTRIBUTOR CAP TO COIL
21	25-26547		1	GROMMET, HIGH TENSION CABLE
22	332-2854		1	BOOT, HIGH TENSION CABLE TO COIL
23	393-1275		1	SLEEVE, HIGH TENSION CABLE
24	27-55896		1	GASKET, DISTRIBUTOR CAP
25	393-3751A2		1	DISTRIBUTOR CAP ASSEMBLY <b>SERIAL 00000000-03114543</b>
	393-4506A7		1	DISTRIBUTOR CAP ASSEMBLY <b>SERIAL 03270480-03366101</b>
	393-4841A2		1	DISTRIBUTOR CAP ASSEMBLY <b>SERIAL 03366102-09999999</b>
-	<b>393-1293A1</b>		<b>1</b>	<b>BRUSH AND SPRING ASSEMBLY</b>

CONTINUED ON NEXT PAGE ➡

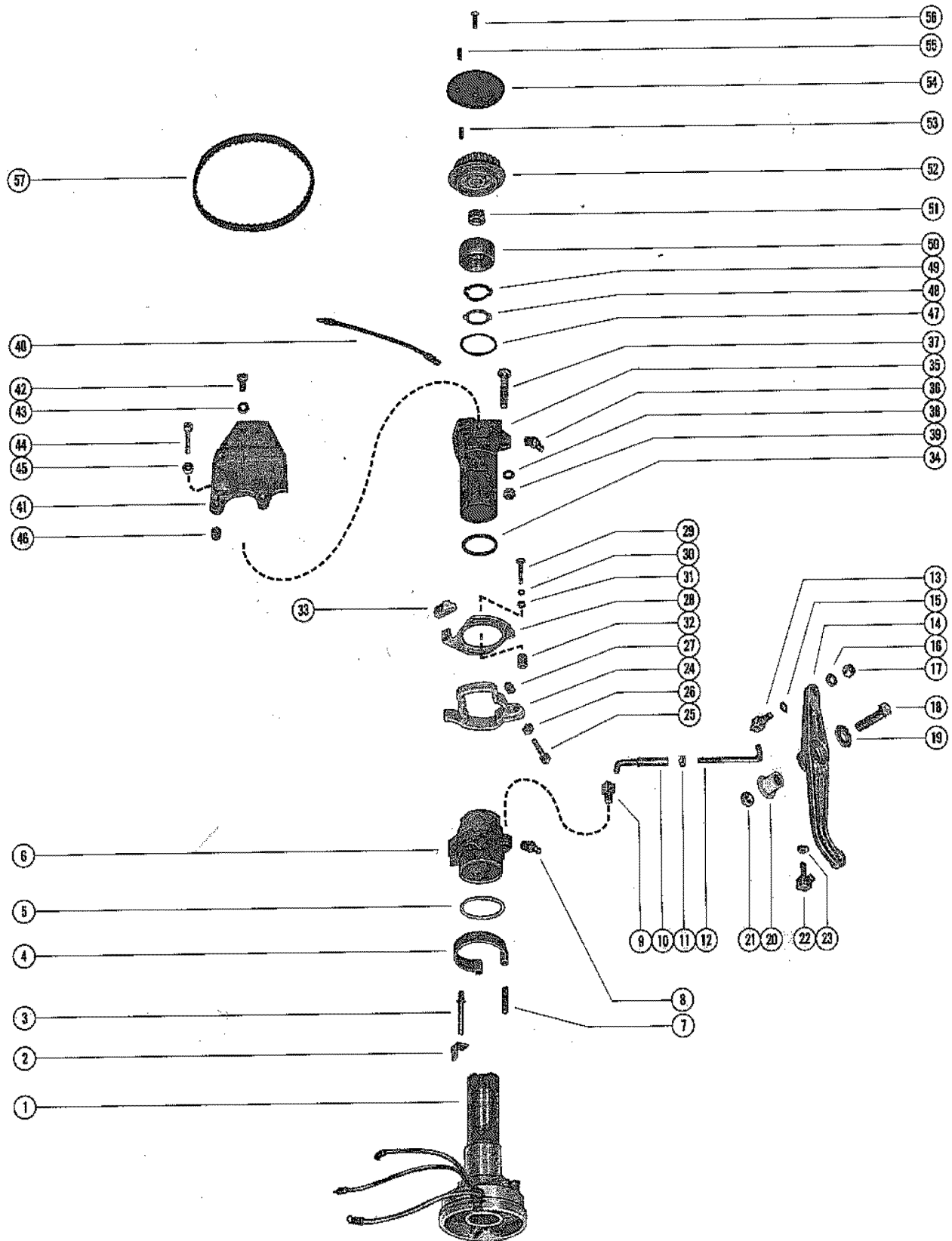
# DISTRIBUTOR HOUSING AND ROTOR



## DISTRIBUTOR HOUSING AND ROTOR

REF. NO.	PART NO.	SYM.	QTY.	DESCRIPTION
26	22-31521		1	ELBOW, VENT - DISTRIBUTOR CAP <b>SERIAL 0000000-03114543</b>
	58807A1		1	FLAME ARRESTOR, VENT - DISTRIBUTOR CAP <b>SERIAL 03270480-09999999</b>
27	33-57451		6	SPARK PLUG (AC-V40FFM)
28	47899A9		6	SPARK PLUG LEAD ASSEMBLY #1, #2, #3, #4, #5 AND #6 <b>ORDER A-36549A1 KIT FOR REPLACEMENT OF LEAD WIRE MARKERS</b>
-	<b>20121</b>		<b>6</b>	<b>CONNECTOR, SPARK PLUG LEAD</b>
29	47604A1		6	PROTECTOR, SPARK PLUG LEAD
30	393-1275		6	SLEEVE, SPARK PLUG LEAD TO DISTRIBUTOR
31	25-26547		12	GROMMET, SPARK PLUG LEADS
32	45409		2	WIRE RETAINER, HIGH TENSION LEADS
33	45392		1	BRACKET, FRONT - WIRE RETAINER
34	47398		1	BRACKET, REAR - WIRE RETAINER
35	10-30663		4	SCREW, FRONT AND REAR BRACKET ATTACHING
36	45391		2	SPACER, RUBBER - HIGH TENSION LEADS
37	332-2983A5		1	IGNITION COIL ASSEMBLY, COMPLETE
38	10-24624		1	SCREW, COIL MOUNTING BRACKET ( 1 3/4")
39	13-26992		1	LOCKWASHER, COIL MOUNTING BRACKET
40	10-31471		2	SCREW, COIL MOUNTING BRACKER (3 1/4")
41	23-52933		3	SPACER, COIL BRACKET TO BOTTOM COWL
42	11-46887		2	NUT, COIL MOUNTING BRACKET SCREW

# DISTRIBUTOR ADAPTOR AND VERTICAL LINKAGE



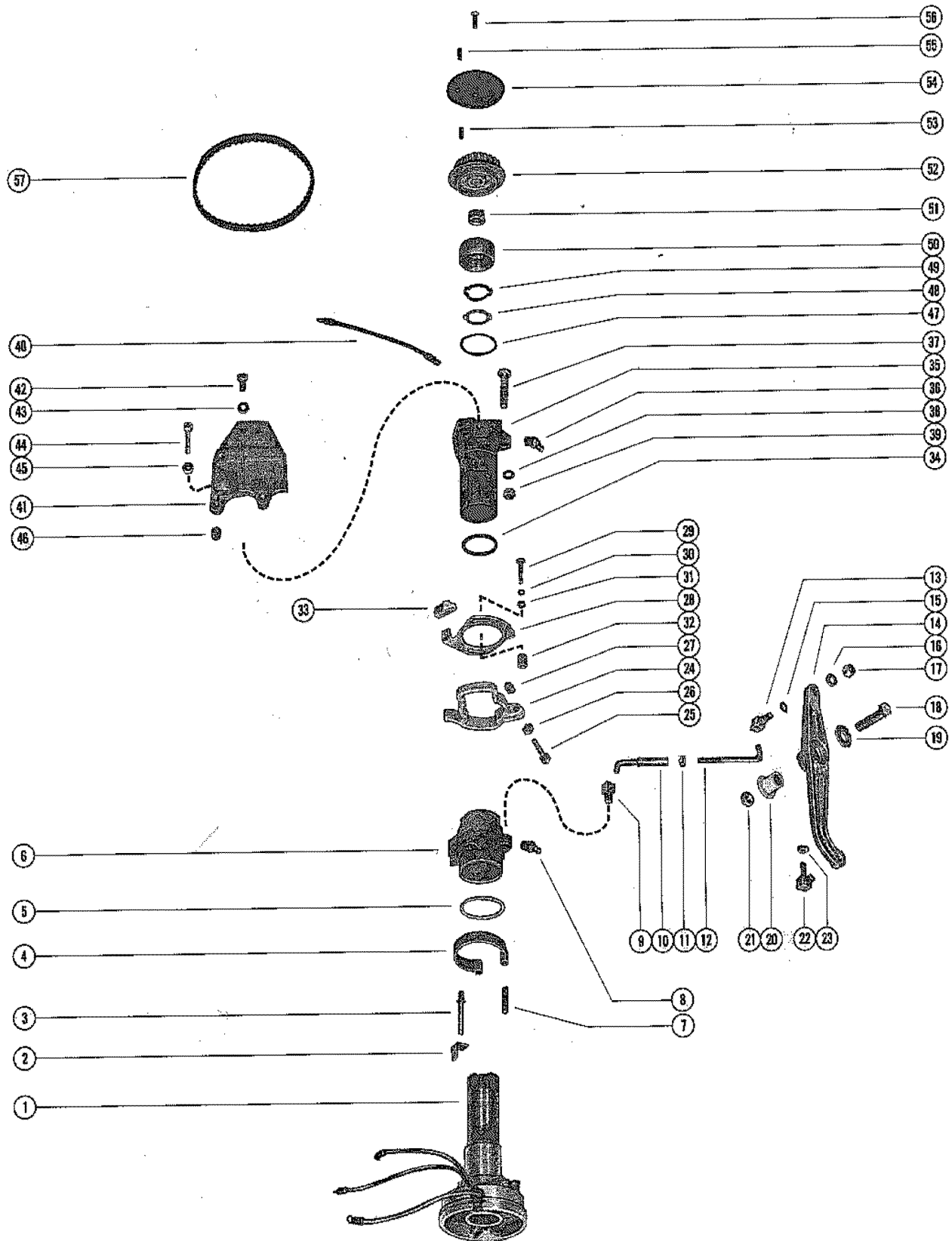


# DISTRIBUTOR ADAPTOR AND VERTICAL LINKAGE

REF. NO.	PART NO.	SYM.	QTY.	DESCRIPTION
1	393-3736A3		1	HOUSING ASSEMBLY, DISTRIBUTOR <b>SERIAL 00000000-02933900</b>
	393-3736A23		1	HOUSING ASSEMBLY, DISTRIBUTOR <b>SERIAL 03023086-09999999</b>
2	32197		1	STOP, SPARK ADVANCE - DISTRIBUTOR HOUSING
3	17-27962		1	PIN, ANCHO SPRING - DISTRIBUTOR HOUSING
4	24-27944		1	SPRING, HORSESHOE - DISTRIBUTOR HOUSING
5	12-53540		1	WASHER, ECONOMIZER COLLAR - DISTRIBUTOR HOUSING
6	55804A1		1	ECONOMIZER COLLAR ASSEMBLY
7	17-27961		1	PIN, ECONOMIZER COLLAR - SPRING RETAINER
8	22-25094		1	FITTING, GREASE - ECONOMIZER COLLAR
9	27947		1	SWIVER, LINKAGE - ECONOMIZER COLLAR
10	25996A1		1	SWIVERL AND LINK ROD ASSEMBLY
11	11-25168		1	NUT, UPPER LINK ROD ADJUSTING
12	37700		1	ROD, LINK - UPPER
13	27948		1	SWIVEL, UPPER LINK ROD TO THROTTLE CONTROL LEVER
14	48856		1	LEVER, THROTTLE CONTROL
15	13-25806		1	WASHER, WAVE - THROTTLE CONTROL LEVER SWIVEL
16	12-29245		1	WASHER, THROTTLE CONTROL LEVER SWIVEL
17	11-20361		1	NUT, UPPER LINK ROD TO THROTTLE CONTROL LEVER
18	10-37559		1	SCREW, THROTTLE LEVER TO EXHAUST COVER (1 3/4")
19	12-29395		1	WASHER, THROTTLE CONTROL LEVER SCREW
20	23-45818		1	BUSHING, THROTTLE CONTROL LEVER SCREW
21	11-20509		1	NUT, THROTTLE CONTROL LEVER SCREW
22	37587		1	SWIVEL, LOWER - THROTTLE CONTROL LEVER TO THROTTLE CABLE
23	11-20361		1	NUT, THROTTLE CABLE TO LOWER SWIVEL
24	48692		1	COLLAR, THROTTLE ACTUATOR
25	10-48675		1	SCREW, ADJUSTING - THROTTLE ACTUATOR COLLAR (1 1/2")
26	11-20890		1	NUT, THROTTLE ACTUATOR COLLAR ADJUSTING SCREW
27	52023		1	CAP, NYLON - THROTTLE ACTUATOR COLLAR ADJUSTING SCREW
28	48671		1	PLATE, THROTTLE ACTUATOR
29	10-37892		2	SCREW, THROTTLE ACTUATOR PLATE TO ECONOMIZER COLLAR (1")
30	12-20128		2	WASHER, THROTTLE ACTUATOR PLATE FASTENING SCREW
31	13-26996		2	LOCKWASHER, THROTTLE ACTUATOR PLATE FASTENING SCREW
32	23-48674		2	SPACER, THROTTLE ACTUATOR PLATE SCREW
33	54239		1	CAM, THROTTLE ACTUATOR PLATE (SERIAL #2928767 AND BELOW) <b>SERIAL 00000000-02928767</b>
	58454		1	CAM, THROTTLE ACTUATOR PLATE (SERIAL #2928768 AND UP) <b>SERIAL 02928768-09999999</b>
34	12-46246		1	WASHER, ADAPTOR - DISTRIBUTOR HOUSING
35	48666A1		1	ADAPTOR ASSEMBLY, DISTRIBUTOR

CONTINUED ON NEXT PAGE ➡

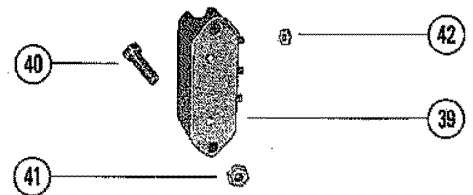
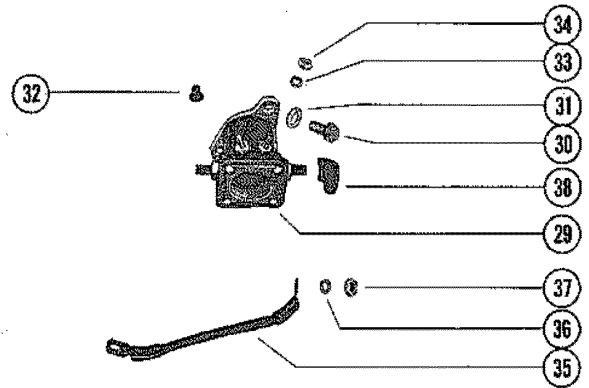
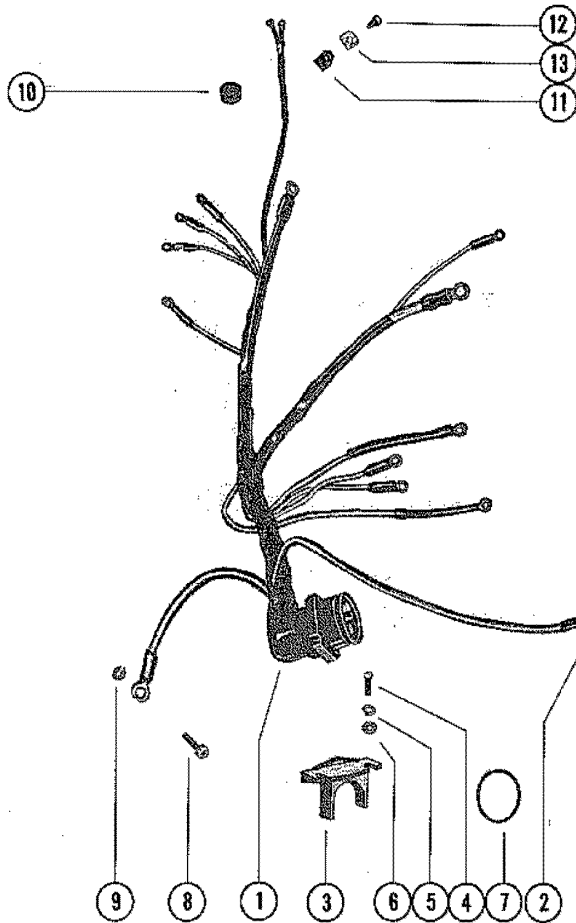
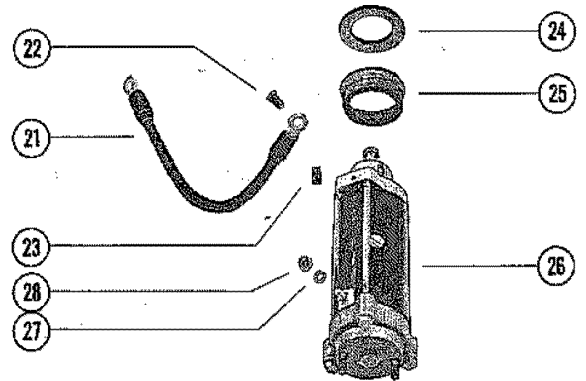
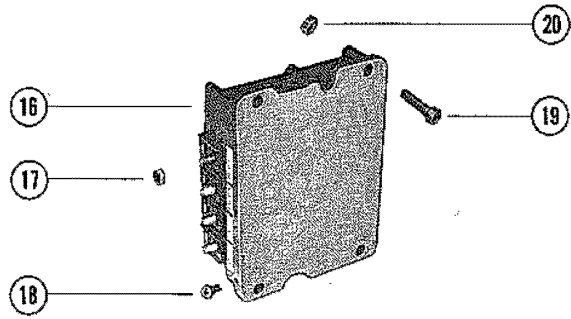
# DISTRIBUTOR ADAPTOR AND VERTICAL LINKAGE



## DISTRIBUTOR ADAPTOR AND VERTICAL LINKAGE

REF. NO.	PART NO.	SYM.	QTY.	DESCRIPTION
36	22-25094		1	FITTING, GREASE - DISTRIBUTOR ADAPTOR
37	10-22040		3	SCREW, DISTRIBUTOR HOUSING TO CRANKCASE (1 1/2")
38	12-20084		3	WASHER, DISTRIBUTOR HOUSING SCREW
39	11-20083		3	NUT, DISTRIBUTOR HOUSING SCREW
40	57602		1	WIRE, GROUND - DISTRIBUTOR ADAPTOR TO FRONT SUPPORT BRACKET
41	55805		1	BRACKET, STOP
42	10-28636		2	SCREW, DISTRIBUTOR ADAPTOR TO STOP BRACKET (3/4")
43	12-20533		2	WASHER, STOP BRACKET FASTENING SCREW
44	10-24227		3	SCREW, STOP BRACKET ADJUSTING (2 1/8")
45	11-20890		3	NUT, STOP BRACKET ADJUSTING SCREW
46	52023		3	CAP, NYLON - STOP BRACKET ADJUSTING SCREW
47	12-27939		1	WASHER, DISTRIBUTOR HOUSING
48	14-27960		1	TAB WASHER, ADAPTOR CAP FASTENING
49	13-27959		1	WASHER, WAVE - DISTRIBUTOR BALL BEARING TENSION
50	54567		1	CAP, DISTRIBUTOR HOUSING
51	23-47250		1	SPACER, DRIVER PULLEY
52	29906A1		1	DRIVEN PULLEY ASSEMBLY
53	17-29908		1	PIN, ROLL - FLANGE LOCATING
54	29907		1	FLANGE, DRIVEN PULLEY
55	28-29910		1	KEY, DISTRIBUTOR DRIVER
56	10-58354		1	SCREW, PULLEY CLAMPING
57	20140		1	BELT, TIMING

# STARTER MOTOR, STARTER SOLENOID, RECTIFIER & WIRING HARNESS

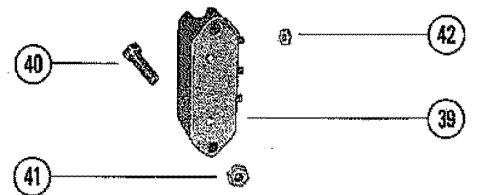
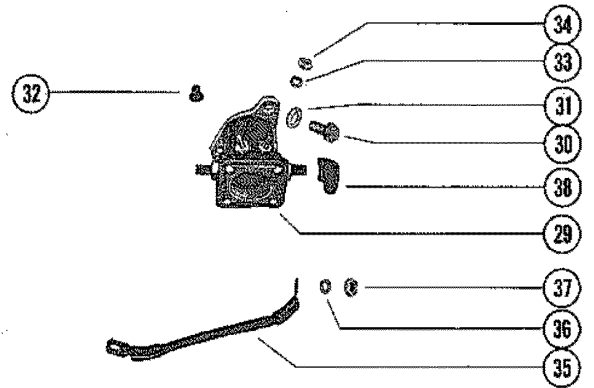
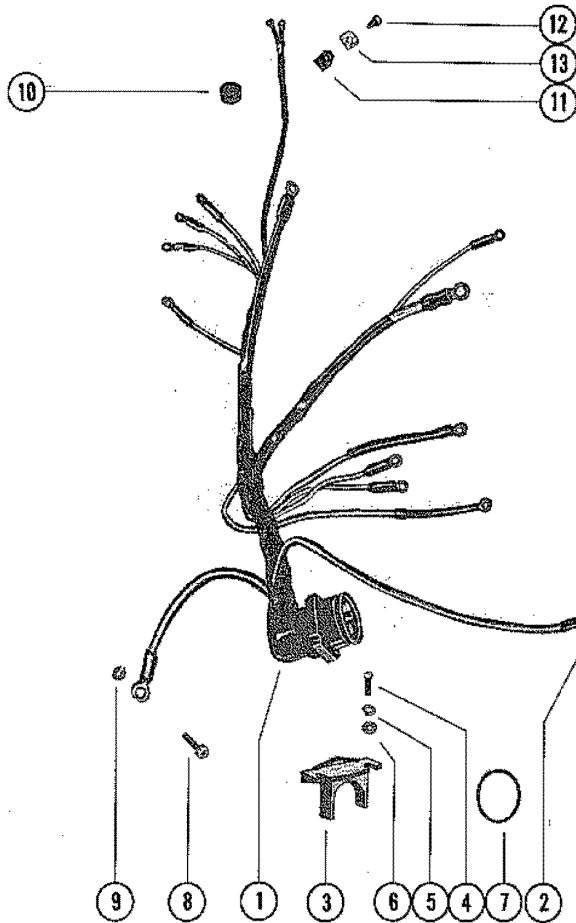
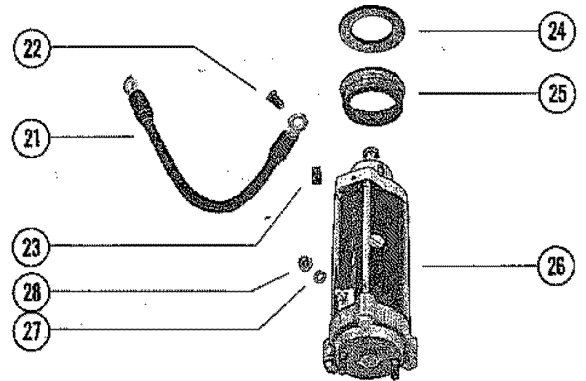
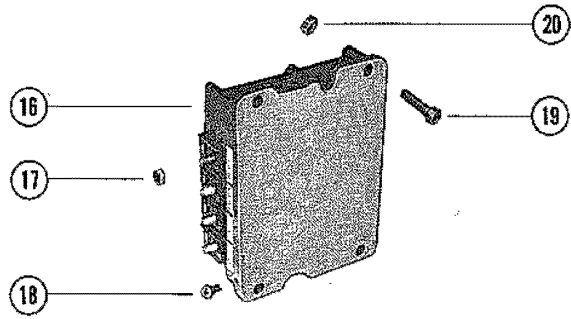


# STARTER MOTOR, STARTER SOLENOID, RECTIFIER & WIRING HARNESS

REF. NO.	PART NO.	SYM.	QTY.	DESCRIPTION
1	52769		1	WIRING HARNESS, INTERNAL
2	30050		AR	TERMINAL, HARNESS AND MERCURY SWITCH LEADS
3	54-52876		1	CLAMP, WIRING HARNESS TO BOTTOM COWL
4	10-45862		2	SCREW, WIRING HARNESS CLAMP TO BOTTOM COWL (7/8")
5	13-26996		2	LOCKWASHER, WIRING HARNESS CLAMP SCREW
6	12-20128		2	WASHER, WIRING HARNESS CLMAP SCREW
7	24-28975		1	SPRING, GARTER - INTERNAL WIRING HARNESS
8	10-20776		1	SCREW, GROUND WIRE TO BOTTOM COWL
9	13-24669		1	LOCKWASHER, GROUND WIRE SCREW
10	25-26547		1	GROMMET, RECTIFIER TO SWITCH BOX WIRE (SERIAL #3114543 AND B <b>SERIAL 00000000-03114543</b> )
11	54-26538		1	CLIP, WIRING HARNESS TO FRONT BRACKET (1/8")
12	10-30663		1	SCREW, WIRING HARNESS TO FRONT BRACKET (3/8")
13	22789		1	"D" WASHER, WIRING HARNESS CLIP SCREW
14	45559		1	TERMINAL BLOCK, STATOR LEADS
15	10-30663		4	SCREW, STATOR LEADS TO TERMINAL BLOCK (3/8")
16	332-2986A4		1	SWITCH BOX ASSEMBLY
17	11-45076		7	NUT, SWITCH BOX TERMINAL
18	10-45218		1	SCREW, SWITCH BOX (3/8")
19	10-24866		4	SCREW, SWITCH BOX TO FRONT MOUNTING BRACKET (1")
20	11-46887		4	NUT, SWITCH BOX SCREW
21	25596		1	CABLE, WIRE - STARTER MOTOR TO FRONT SUPPORT BRACKET
22	10-29197		1	SCREW, WIRE CABLE TO STARTER MOTOR
23	57247		1	STOP, RUBBER - STARTER MOTOR
24	23-56774		AR	SPACER, COLLAR TO TOP MOUNTING CAP
25	56703		2	COLLAR, RUBBER - STARTER MOTOR MOUNT
26	50-57465A1		1	STARTER MOTOR ASSEMBLY
27	13-26992		1	LOCKWASHER, STARTER MOTOR TERMINAL
28	11-20890		1	NUT, STARTER MOTOR TERMINAL
29	25661		1	SOLENOID, STARTER
30	10-21625		2	SCREW, SOLENOID TO COIL BRACKET (3/4")
31	13-26992		2	LOCKWASHER, STARTER SOLENOID FASTENING SCREW
32	26901		1	BUMPER, RUBBER - STARTER SOLENOID
33	13-26996		2	LOCKWASHER, SOLENOID TERMINAL (#10)
34	11-20645		2	NUT, SOLENOID TERMINAL (#10)
35	48396		1	CABLE, WIRE - STARTER MOTOR TO SOLENOID
36	13-26993		2	LOCKWASHER, SOLENOID TERMINAL (5/16")
37	11-20083		2	NUT, SOLENOID TERMINAL (5/16")

CONTINUED ON NEXT PAGE ➡

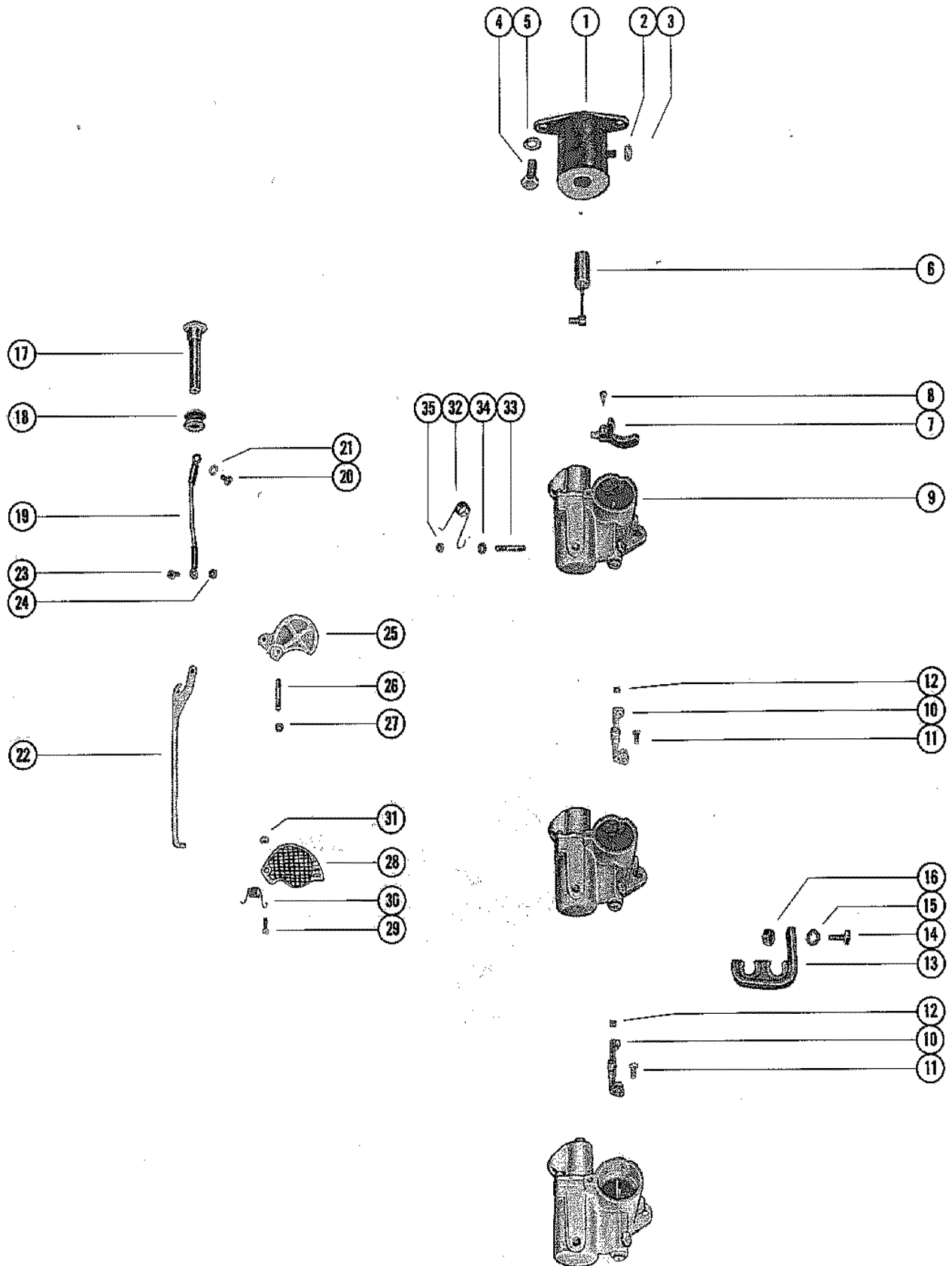
# STARTER MOTOR, STARTER SOLENOID, RECTIFIER & WIRING HARNESS



# STARTER MOTOR, STARTER SOLENOID, RECTIFIER & WIRING HARNESS

REF. NO.	PART NO.	SYM.	QTY.	DESCRIPTION
38	46265		1	BOOT, SOLENOID TERMINAL
39	332-2910A3		1	RECTIFIER ASSEMBLY
40	10-31294		2	SCREW, RECTIFIER TO MOUNTING BRACKET (1")
41	11-46887		2	NUT, RECTIFIER MOUNTING SCREW
42	11-45076		3	NUT, FASTENING - RECTIFIER STATOR LEADS

# CARBURETOR LINKAGE AND CHOKE SOLENOID

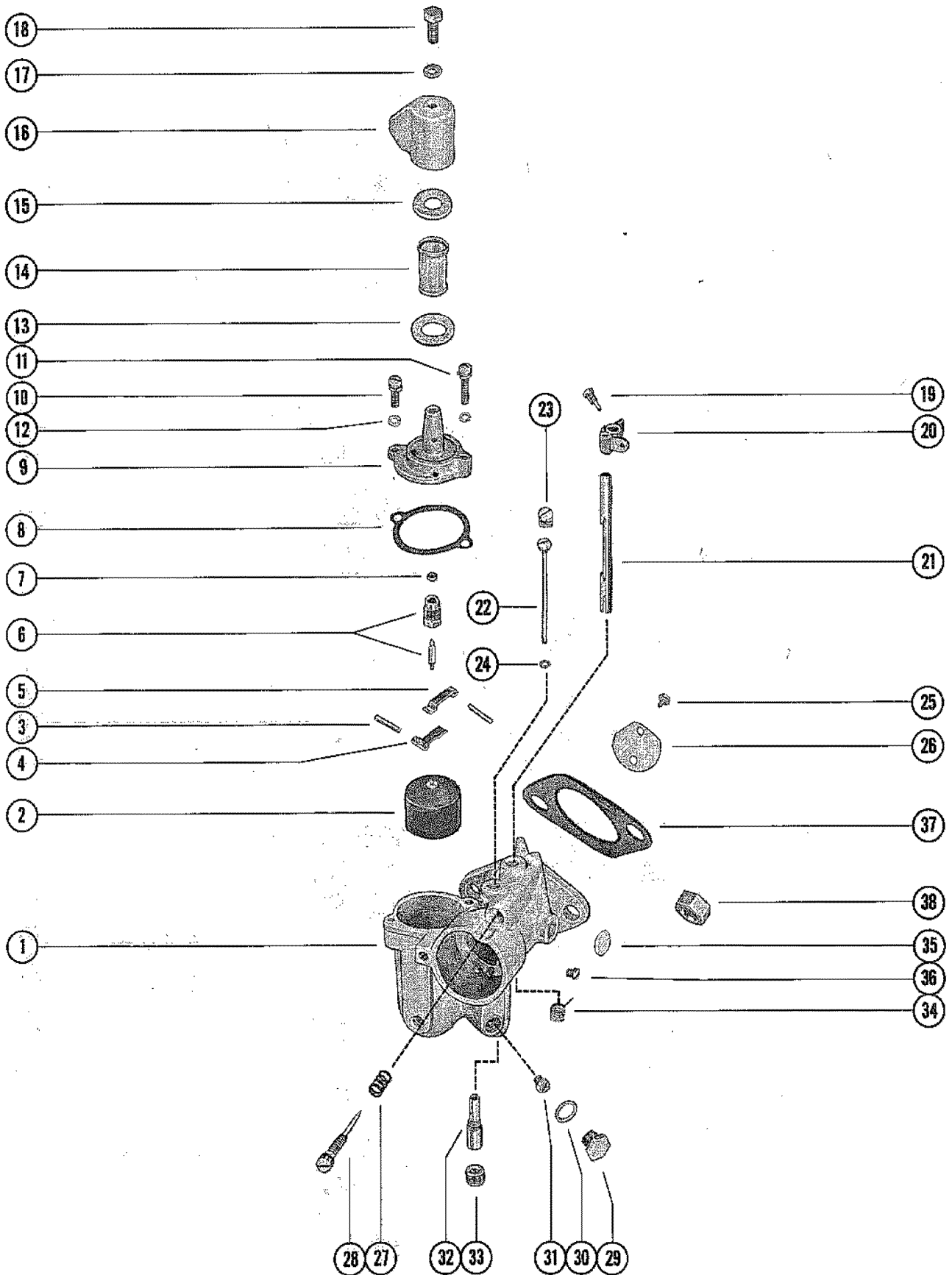




## CARBURETOR LINKAGE AND CHOKE SOLENOID

REF. NO.	PART NO.	SYM.	QTY.	DESCRIPTION
1	54293A4		1	CHOKE SOLENOID
2	13-26996		1	LOCKWASHER, SOLENOID TERMINAL
3	11-20645		1	NUT, SOLENOID TERMINAL
4	10-25299		2	SCREW, CHOKE SOLENOID (3/4")
5	13-26993		2	LOCKWASHER, CHOKE SOLENOID SCREW
6	54283A1		1	PLUNGER AND LINK ASSEMBLY, CHOKE SOLENOID
7	52518		1	CLUSTER, THROTTLE LEVER (UPPER CARBURETOR)
8	10-20847		1	SCREW, CLUSTER TO THROTTLE LEVER
9	1352-3966		3	CARBURETOR ASSEMBLY, COMPLETE (KD-6A) <b>SERIAL 00000000-02928767</b>
	1352-4322		3	CARBURETOR ASSEMBLY, COMPLETE (KD-6B) <b>SERIAL 02928768-02933900</b>
	1352-4509A1		3	CARBURETOR ASSEMBLY, COMPLETE (WMK-3) <b>SERIAL 03023086-09999999</b>
10	53720A2		2	THROTTLE PICK-UP BRACKET ASSEMBLY
11	10-53651		2	SCREW, THROTTLE BRACKET MOUNTING
12	53665		2	INSERT, THROTTLE COUPLING
13	59757		1	BRACKET, COIL LEAD RETAINER
14	10-31294		1	SCREW, COIL BRACKET (1")
15	12-29245		1	WASHER, COIL BRACKET SCREW
16	11-46887		1	NUT, COIL BRACKET SCREW
17	22463		1	KNOB, CHOKE ROD
18	25-20116		1	GROMMET, CHOKE ROD
19	49589		1	STRAP, CHOKE KNOB TO CHOKE ROD
20	10-48591		1	SCREW, STRAP TO CHOKE KNOB (1/2")
21	13-26996		1	LOCKWASHER, STRAP SCREW
22	48203		1	ROD, CHOKE
23	10-48591		1	SCREW, STRAP TO CHOKE ROD (1/2")
24	11-20565		1	NUT, STRAP TO CHOKE ROD SCREW
25	48152		2	SHUTTER, CHOKE - CARBURETOR
26	16-52898		2	STUD, CARBURETOR - CHOKE SHUTTER PIVOT
27	11-20110		2	NUT, CHOKE SHUTTER TO CARBURETOR STUD
28	35-57819		3	SCREEN ASSEMBLY, FILTER - CARBURETOR
29	10-22523		1	SCREW, LOWER CARBURETOR FILTER SCREEN TO CARBURETOR (5/8")
	10-23015		2	SCREW, UPPER CARBURETOR FILTER SCREEN TO CARBURETOR (1")
30	24-57818		2	SPRING, UPPER FILTER SCREEN SCREW
31	11-20110		3	NUT, CARBURETOR FILTER SCREEN FASTENING SREW
32	24-48230		1	SPRING, CHOKE ROD TENSION
33	16-39937		1	STUD, CHOKE ROD SPRING TO CARBURETOR
34	23-32427		1	SPACER, CHOKE ROD SPRING STUD
35	11-46887		1	NUT, CHOKE ROD SPRING TO CARBURETOR STUD

# CARBURETOR ASSEMBLY

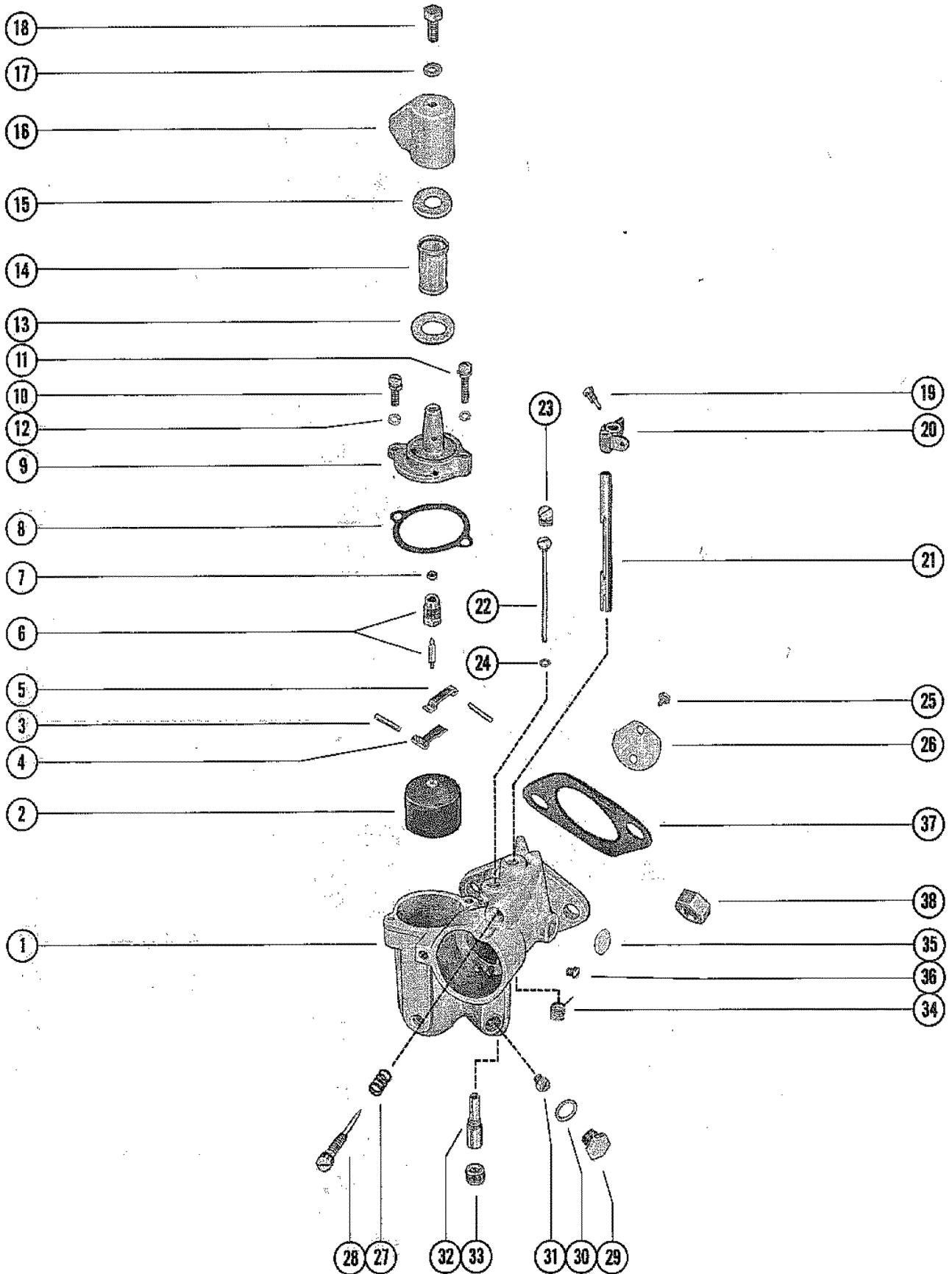


# CARBURETOR ASSEMBLY

REF. NO.	PART NO.	SYM.	QTY.	DESCRIPTION
1	1352-3966		3	CARBURETOR ASSEMBLY, COMPLETE (KD-6A) <b>SERIAL 00000000-02928767</b>
	1352-4322		3	CARBURETOR ASSEMBLY, COMPLETE (KD-6B) - <b>SERIAL 02928768-02933900</b>
	1352-4509A1		3	CARBURETOR ASSEMBLY, COMPLETE (WMK-3) - <b>SERIAL 02928768-09999999</b>
2	1399-110A1		3	FLOAT ASSEMBLY
3			6	PIN, FLOAT LEVER PINION
4			3	LEVER, FLOAT (LOWER)
5			3	LEVER, FLOAT (UPPER)
6	1399-1473		3	INLET NEEDLE, SEAT AND GASKET <b>SERIAL 00000000-02933900</b>
	1395-4555		3	INLET NEEDLE, SEAT AND GASKET <b>SERIAL 00302308-09999999</b>
7			3	GASKET, INLET SEAT
8			3	GASKET, FLOAT BOWL COVER
9	1399-1133		3	COVER, FLOAT BOWL <b>SERIAL 00000000-02933900</b>
	1399-4559		3	COVER, FLOAT BOWL <b>SERIAL 03023086-09999999</b>
10	10-52195		3	SCREW, FLOAT BOWL COVER (SHORT)
11	10-52196		3	SCREW, FLOAT BOWL COVER (LONG)
12	13-26995		6	LOCKWASHER, FLOAT BOWL COVER SCREW
13	27-25851		3	GASKET, STRAINER COVER (LARGE)
14	1399-3938		3	SCREEN, FILTER
15	27-25849		3	GASKET, STRAINER COVER (SMALL)
16	1399-4791		3	COVER, STRAINER
17			3	GASKET, STRAINER COVER SCREW
18	10-25822		3	SCREW, STAINER COVER FASTENING
19	10-20847		3	SCREW, THROTTLE STOP LEVER
20	1399-97		3	LEVER, THROTTLE STOP (SEE NOTE BELOW)
21	1399-3527		3	SHAFT, THROTTLE
22			3	TUBE, IDLE
23	10-23178		3	SCREW, BODY (IDLE TUBE) <b>SERIAL 00000000-02933900</b>
	1395-4540		3	SCREW, BODY (IDLE TUBE) <b>SERIAL 03023086-09999999</b>
24			3	GASKET, IDLE TUBE
25			6	SCREW AND LOCKWASHER, THROTTLE SHUTTER
26	1399-3528		3	SHUTTER, THROTTLE <b>SERIAL 00000000-02928767</b>
	1399-4412		3	SHUTTER, THROTTLE <b>SERIAL 02928768-09999999</b>
27			3	SPRING, IDLE ADJUSTMENT SCREW
28	1399-3515		3	SCREW, IDLE ADJUSTMENT
29	10-28405		3	SCREW, PLUG - MAIN FUEL JET CHANNEL <b>SERIAL 00000000-02933900</b>
	1395-4541		3	SCREW, PLUG - MAIN FUEL JET CHANNEL <b>SERIAL 03023086-09999999</b>
30			3	GASKET, JET CHANNEL PLUG SCREW
31	1399-4214		OPT	JET, MAIN FUEL (.068)

CONTINUED ON NEXT PAGE ➡

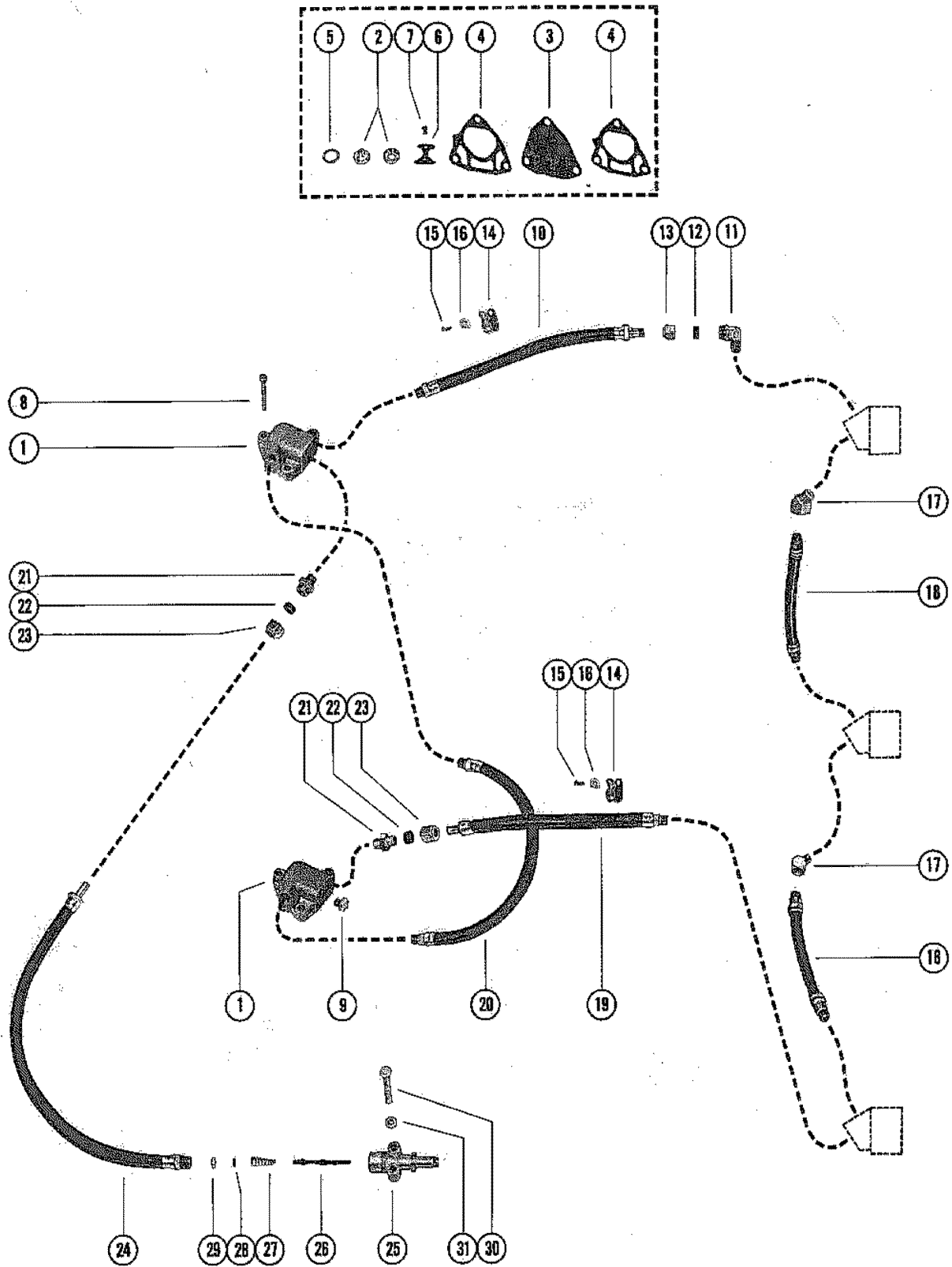
# CARBURETOR ASSEMBLY



# CARBURETOR ASSEMBLY

REF. NO.	PART NO.	SYM.	QTY.	DESCRIPTION
31	1399-4215		3	JET, MAIN FUEL (.066) - STANDARD
	1399-4216		OPT	JET, MAIN FUEL (.064)
	1399-4217		OPT	JET, MAIN FUEL (.062)
32			3	NOZZLE, MAIN
33	1399-3522		3	SCREW, PLUG - MAIN NOZZLE <b>SERIAL 00000000-03023086</b>
	1395-4542		3	SCREW, PLUG - MAIN NOZLE <b>SERIAL 03023086-09999999</b>
34			2	SPRING, THROTTLE SHAFT RETURN (CENTER AND LOWER CARBURETOR)
			1	SPRING, THROTTLE SHAFT RETURN (UPPER CARBURETOR)
35			3	WELCH PLUG, BODY CHANNEL
36	10-23030		3	SCREW, BODY CHANNEL <b>SERIAL 00000000-02933900</b>
	1395-4543		3	SCREW, BODY CHANNEL <b>SERIAL 03023086-09999999</b>
-	<b>1399-3523</b>		<b>3</b>	<b>GASKET AND PACKING SET (1 PER CARBURETOR)</b>
-	<b>1399-4218</b>		<b>3</b>	<b>REPAIR PARTS KIT (1 PER CARBURETOR) SERIAL 00000000-02942990</b>
-	<b>1395-4558</b>		<b>3</b>	<b>REPAIR PARTS KIT (1 PER CARBURETOR) SERIAL 00000000-03023086</b>
37	27-48164		3	GAKSET, CARBURETOR FLANGE
38	11-46793		6	NUT, CARBURETOR MOUNTING STUD

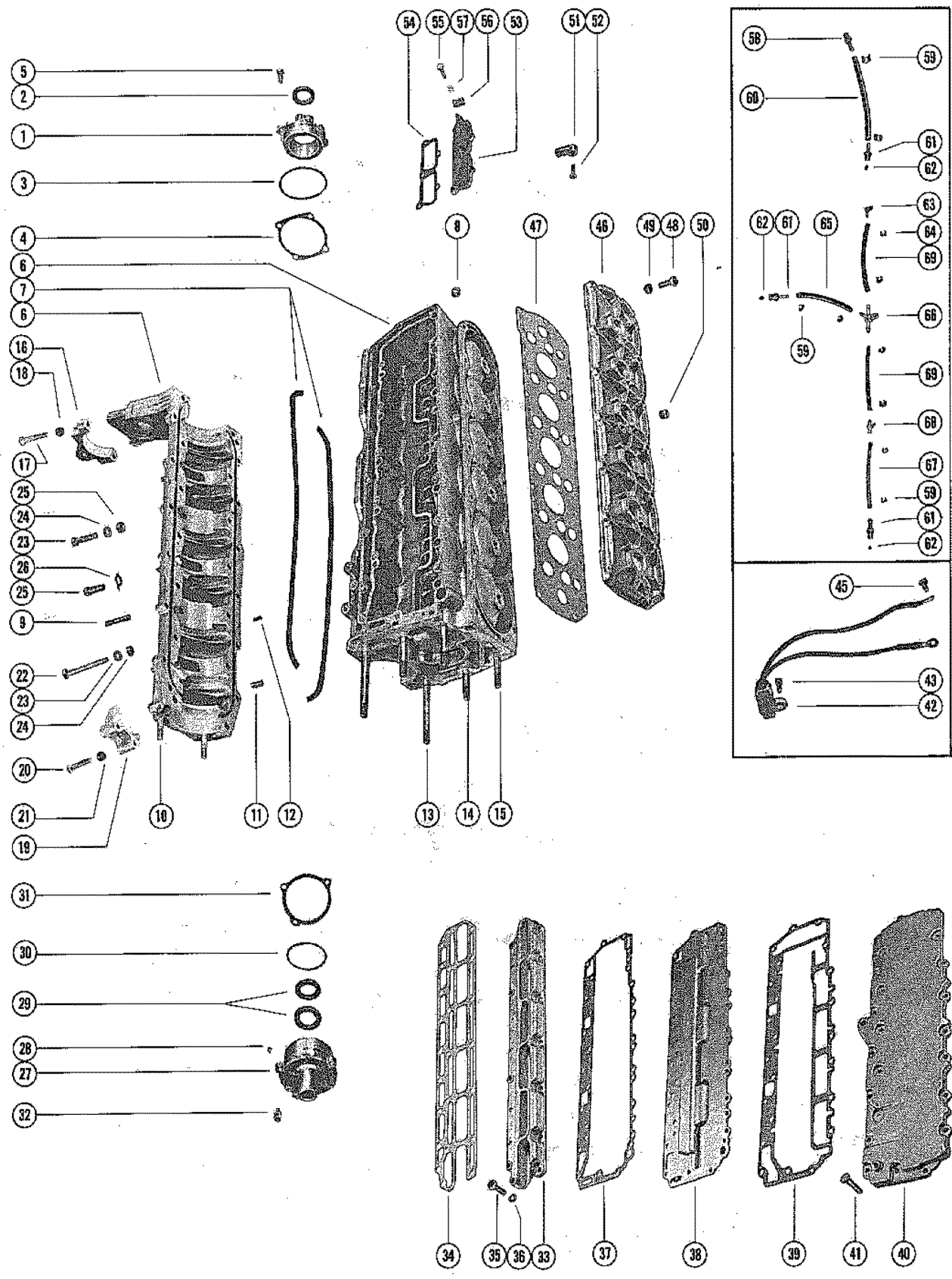
# FUEL PUMP AND FUEL LINE ASSEMBLY



## FUEL PUMP AND FUEL LINE ASSEMBLY

REF. NO.	PART NO.	SYM.	QTY.	DESCRIPTION
1	55156A5		2	FUEL PUMP ASSEMBLY
2	21-30430A3		2	CHECK VALVE ASSEMBLY
3	55278A1		2	DIAPHRAGM KIT
4			4	GASKET, FUEL PUMP
5			4	GAKSET, CHECK VALVE TO HOUSING
6	23004		2	RETAINER, CHECK VALVE
7	10-20037		4	SCREW, RETAINER TO HOUSING
8	10-27281		6	SCREW, FUEL PUMP MOUNTING (1 3/8")
9	22-32802		1	PLUG, PIPE - BOTTOM PUMP
10	32-33154A1		1	FUEL LINE ASSEMBLY, PUMP TO CARBURETOR (14 1/8")
11	22-30174		1	ELBOW, UPPER CARBURETOR STRAINER COVER (90)
12	22-30175		1	SLEEVE, CARBURETOR STRAINER COVER ELBOW
13	22-30177		1	NUT, UPPER CARBURETOR STRAINER COVER ELBOW
14	54-22627		2	CLIP, FUEL LINE TO CYLINDER BLOCK
15	10-30663		2	SCREW, FUEL LINE CLIP TO CYLINDER BLOCK (3/8")
16	22789		2	:D: WASHER, FUEL LINE CLIP SCREW
17	22-29085		2	ELBOW, FUEL LINE TO CARBURETOR (45)
18	32-31584A1		2	FUEL LINE ASSEMBLY, CARBURETOR TO CARBURETOR
19	32-55827A1		1	FUEL LINE ASSEMBLY, PUMP TO CARBURETOR (9 1/2")
20	32-55828A1		1	FUEL LINE ASSEMBLY, PUMP TO PUMP (13 3/4")
21	22-30468		2	FITTING, TOP PUMP
22	22-30175		2	SLEEVE, OTP PUMP FITTING
23	22-30177		2	NUT, TOP PUMP FITTING
24	32-55829		1	FUEL LINE, ADAPTOR TO LOWER FUEL PUMP
25	30186		1	ADAPTOR, CHECK UNIT (FUEL LINE)
26	30187		1	STEM, CHECK UNIT ADAPTOR
27	24-30189		1	SPRING, ADAPTOR STEM
28	25-20415		1	"O" RING, ADAPTOR STEM
29	30188		1	CUP WASHER, ADAPTOR
30	10-37990		1	SCREW, ADAPTOR TO BOTTOM COWL (1 3/4")
	10-31471		1	SCREW, ADAPTOR TO BOTTOM COWL (3 1/4")
31	11-46887		2	NUT, ADAPTOR FASTENING SCREW

# CYLINDER BLOCK AND CRANKCASE ASSEMBLY



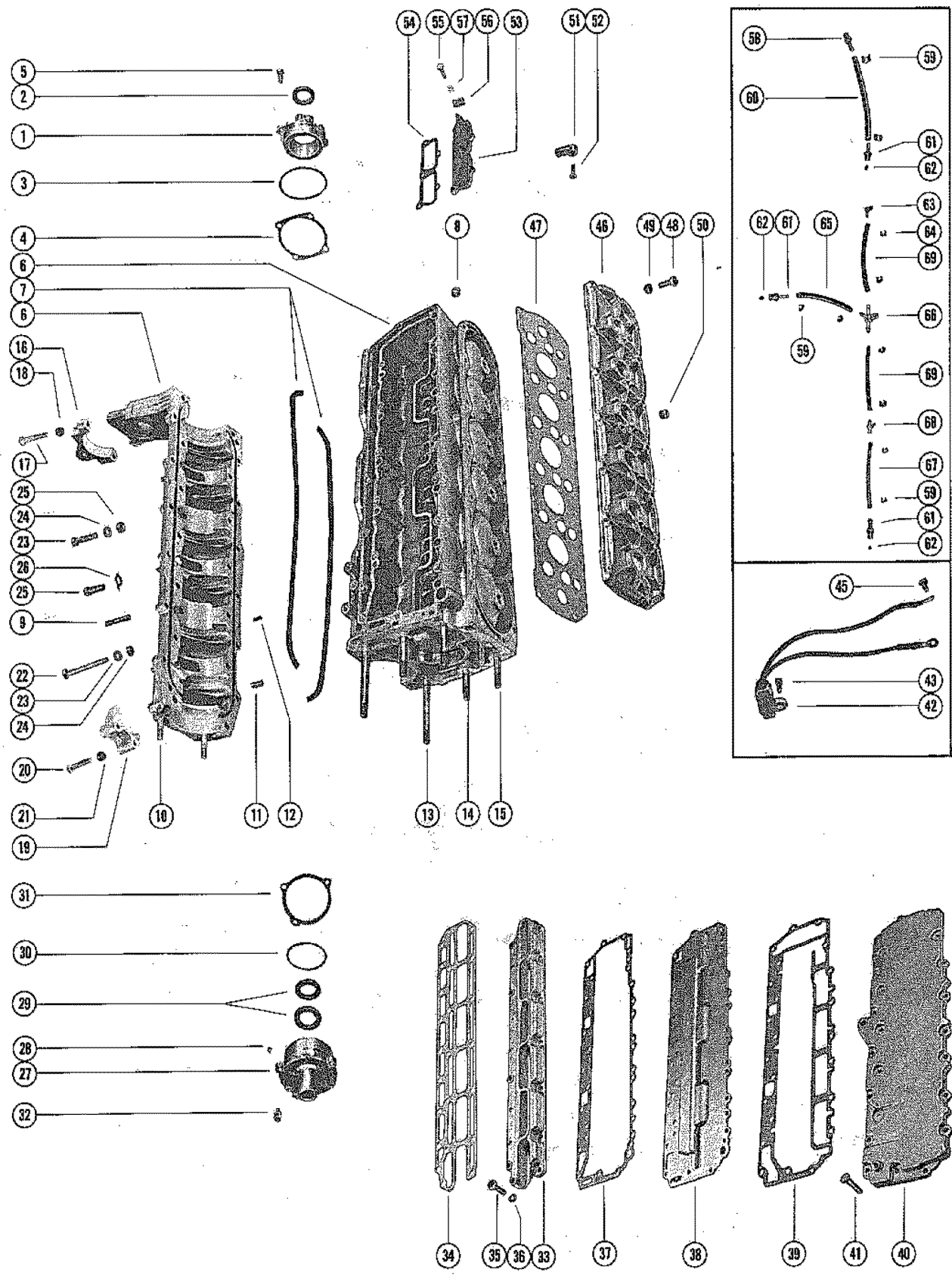


# CYLINDER BLOCK AND CRANKCASE ASSEMBLY

REF. NO.	PART NO.	SYM.	QTY.	DESCRIPTION
1	1134-3197A1		1	END CAP ASSEMBLY, UPPER
2	26-29476		1	OIL SEAL, END CAP
3	25-47254		1	"O" RING
4	15-47248A1		AR	SHIM, END CAP TO CRANKCASE (.002-3-5-10)
5	10-30225		4	SCREW, END CAP MOUNTING
6	852-3884A3		1	CYLINDER BLOCK AND CRANKCASE ASSEMBLY <b>SERIAL 00000000-03023086</b>
	852-4741A5		1	CYLINDER BLOCK AND CRANKCASE ASSEMBLY <b>SERIAL 03270480-03274148</b>
	852-4843A5		1	CYLINDER BLOCK AND CRANKCASE ASSEMBLY <b>SERIAL 03274149-09999999</b>
7	27-53862		2	GASKET, CRANKCASE TO CYLINDER BLOCK
8	57854		5	RESTRICTION, CRANKCASE BLEED
9	16-35099		6	STUD, CARBURETOR MOUNTING (1 3/16")
10	16-26133		2	STUD, CRANKCASE TO DRIVE SHAFT HOUSING (1 7/8")
11	17-20033		2	PIN, DOWEL - CRANKCASE TO CYLINDER BLOCK
12	17-20323		3	PIN, DOWEL - CYLINDER BLOCK TO MAIN BEARING
13	16-26134		2	STUD, CYLINDER BLOCK TO DRIVE SHAFT HOUSING (4 1/16")
14	16-48770		4	STUD, CYLINDER BLOCK TO DRIVE SHAFT HOUSING (3 9/16")
15	16-26324		2	STUD, CYLINDER BLOCK TO DRIVE SHAFT HOUSING (2 7/8")
16	56029		1	COVER, STARTER MOTOR BRACKET - TOP
17	10-26132		1	SCREW, TOP COVER ATTACHING (2 1/2")
	10-21449		1	SCREW, TOP COVER ATTACHING (2")
18	11-46793		2	NUT, COVER SCREW
19	56030		1	COVER, STARTER MOTOR BRACKET - BOTTOM
20	10-33473		1	SCREW, BOTTOM COVER ATTACHING (2 5/8")
	10-39767		1	SCREW, BOTTOM COVER ATTACHING (1 7/8")
21	11-46793		1	NUT, COVER SCREW
22	10-33473		3	SCREW, CRANKCASE TO CYLINDER BLOCK (2 5/8")
	10-32293		2	SCREW, CRANKCASE TO CYLINDER BLOCK (1 3/4")
	10-21574		21	SCREW, CRANKCASE TO CYLINDER BLOCK (1 5/8")
23	12-22753		26	WASHER, CRANKCASE TO CYLINDER BLOCK SCREWS
24	11-46793		26	NUT, CRANKCASE FASTENING SCREWS
25	10-20359		2	SCREW, CENTER MAIN BEARING LOCKING
26	14-20091		2	TAB WASHER, BEARING LOCKING SCREW
27	1126-3196A3		1	END CAP ASSEMBLY, LOWER
28	21-56011A1		1	CHECK VALVE ASSEMBLY, END CAP
29	26-29476		2	OIL SEAL, END CAP
30	25-20081		1	"O" RING< END CAP
31	15-20085A1		AR	SHIM, END CAP TO CRANKCASE (.002-3-5-10)
32	10-30225		3	SCREW, END CAP MOUNTING (1")

CONTINUED ON NEXT PAGE ➡

# CYLINDER BLOCK AND CRANKCASE ASSEMBLY

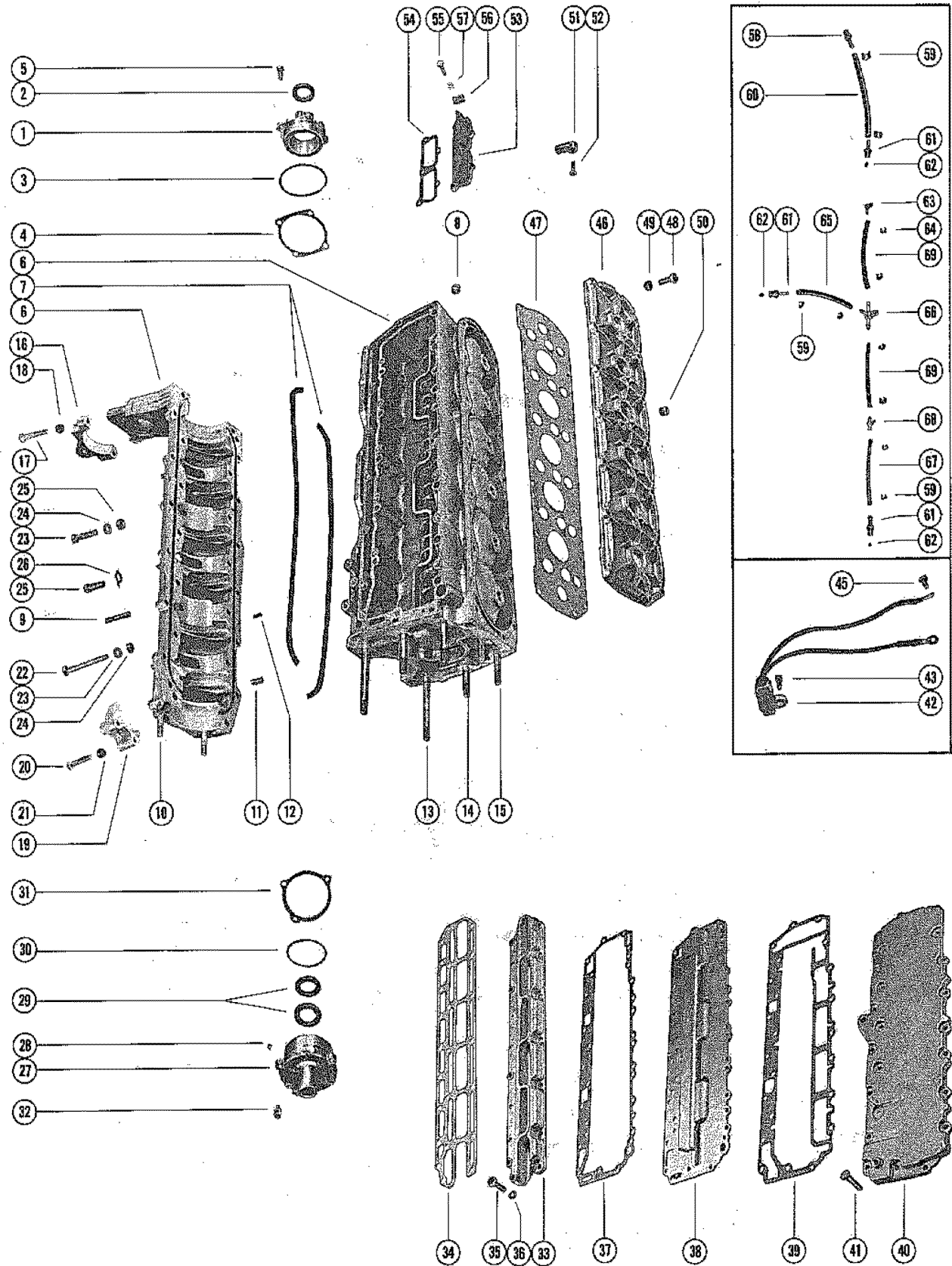


# CYLINDER BLOCK AND CRANKCASE ASSEMBLY

REF. NO.	PART NO.	SYM.	QTY.	DESCRIPTION
33	55200		1	COVER, WATER JACKET - CYLINDER BLOCK <b>SERIAL 00000000-03114543</b>
	62278		1	COVER, WATER JACKET - CYLINDER BLOCK <b>SERIAL 03270480-09999999</b>
34	27-47228		1	GASKET, WATER JACKET COVER
35	10-53167		23	SCREW, WATER JACKET COVER TO CYLINDER BLOCK (7/8")
36	13-53166		23	LOCKWASHER, WATER JACKET COVER FASTENING SCREW
37	27-55283		1	GASKET, CYLINDER BLOCK TO BAFFLE PLATE
38	55282		1	PLATE, BAFFLE - EXHAUST MANIFOLD <b>SERIAL 00000000-03114543</b>
	62277		1	PLATE, BAFFLE - EXHAUST MANIFOLD <b>SERIAL 03270480-09999999</b>
39	27-55284		1	GASKET, BAFFLE PLATE TO EXHAUST MANIFOLD COVER
40	55281		1	COVER, EXHAUST MANIFOLD
41	10-38837		23	SCREW, MANIFOLD COVER MOUNTING
42	58124A4		1	SWITCH, MERCURY
43	10-28708		1	SCREW, SWITCH TO FRONT MOUNTING BRACKET (1/2")
45	10-30663		1	SCREW, MERCURY SWITCH LEAD
46	1023-3755		1	COVER, CYLINDER BLOCK
47	27-53863		1	GASKET, CYLINDER BLOCK COVER
48	10-21091		16	SCREW, CYLINDER BLOCK COVER MOUNTING (1 1/8")
49	11-46887		16	NUT, COVER MOUNTING SCREW
50	22-32802		1	PLUG, PIPE - CYLINDER BLOCK COVER
51	37440		1	BRAACKET, MOUNT SUPPORT - CYLINDER BLOCK
52	10-24234		1	SCREW, BRACKET TO CYLINDER BLOCK (1")
53	62301		1	COVER, TRANSFER PORT - TOP
	62300		2	COVER, TRANSFER PORT - BOTTOM <b>SERIAL 00000000-03367060</b>
	62978		2	COVER, TRANSFER PORT - BOTTOM <b>SERIAL 03367061-09999999</b>
54	27-55279		3	GASKET, TRANSFER PORT COVER <b>SERIAL 00000000-02933900</b>
	27-60145		1	GASKET, TRANSFER PORT COVER <b>SERIAL 03023086-09999999</b>
55	10-53556		18	SCREW, TRANSFER PORT COVER MOUNTING (1")
	10-28636		3	SCREW, TRANSFER PORT COVER MOUNTING (3/4")
56	54-37282		1	CLAMP, CYLINDER BLEED HOSE TO TOP COVER
57	37281		1	"D" WASHER, BLEED HOSE CLAMP
58	22-20445		1	FITTING, UPPER CYLINDER BLEED
59	54-20387		6	CLAMP, BLEED HOSE TO CONNECTOR
60	32-52742A1		1	HOSE, CYLINDER BLEED - UPPER (13 1/2")
61	22-62365A1		3	CHECK VALVE ASSEMBLY, BLEED HOSE
62	21-28481A1		3	CHECK VALVE ASSEMBLY
63	22-20781		1	ELBOW, BALANCE TUBE TO MAIN BEARING SCREW
64	54-20386		4	CLAMP, BALANCE TUBE TO ELBOW AND TEE

CONTINUED ON NEXT PAGE ➡

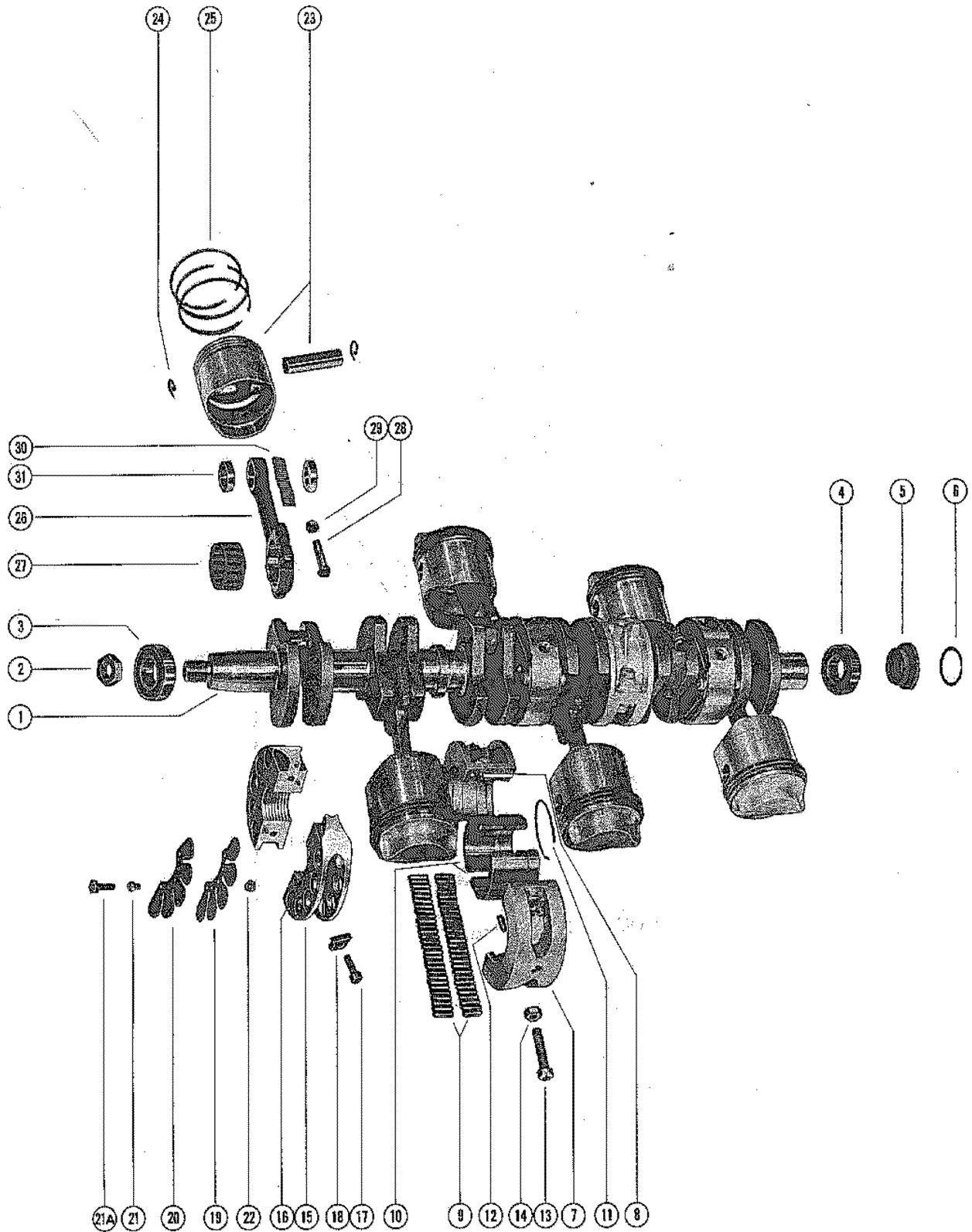
# CYLINDER BLOCK AND CRANKCASE ASSEMBLY



# CYLINDER BLOCK AND CRANKCASE ASSEMBLY

REF. NO.	PART NO.	SYM.	QTY.	DESCRIPTION
65	32-52742A1		1	HOSE, CENTER CYLINDER BLEED (7 1/2")
66	22-53492		1	TEE, BLEED HOSE TO CYLINDER BLOCK - CENTER
67	32-52742A1		1	HOSE, CYLINDER BLEED - LOWER (8 1/2")
68	22-53491		1	TEE, BLEED HOSE TO CYLINDER BLOCK - LOWER
69	32-33960		2	TUBE, BALANCE - MAIN BEARING

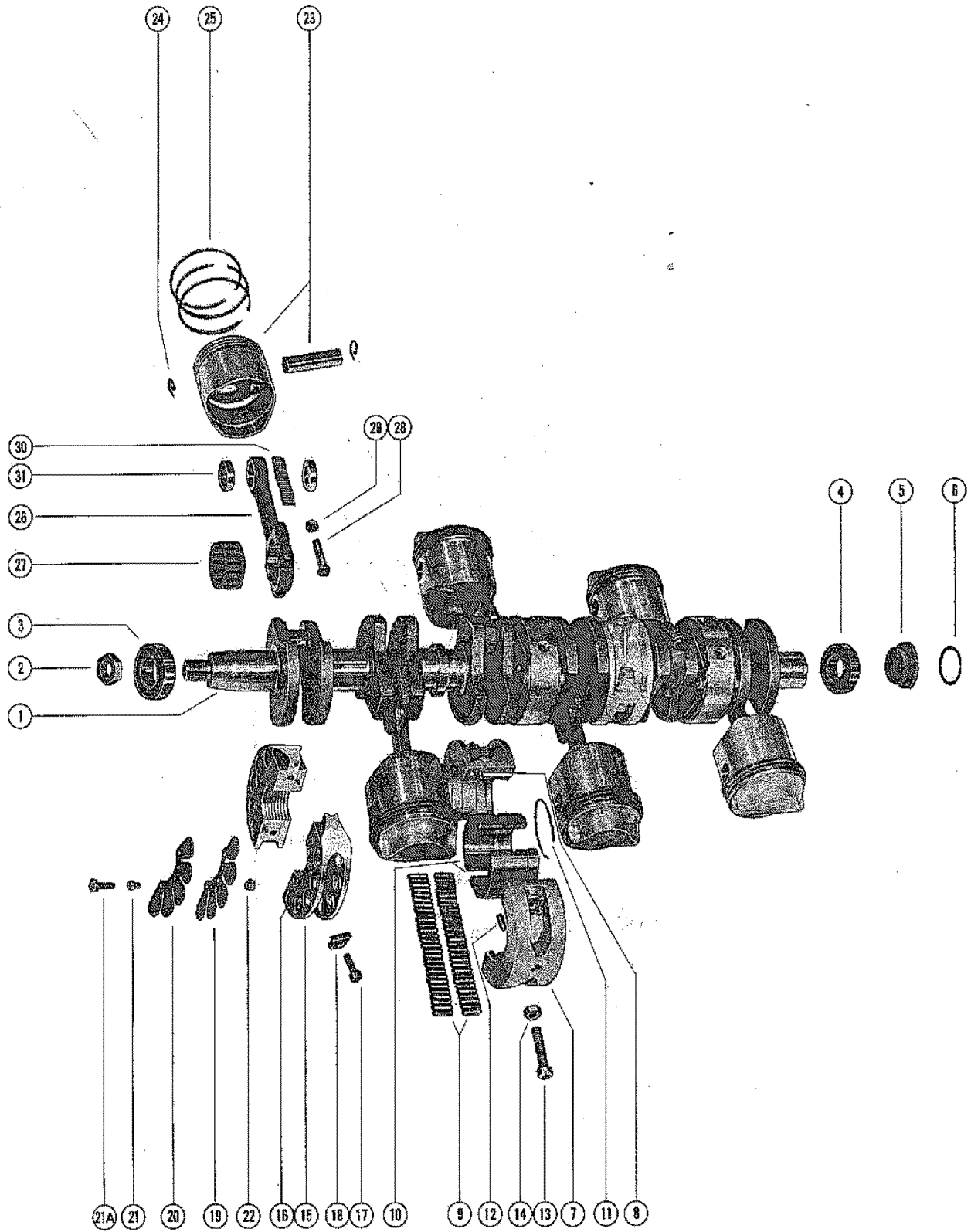
# CRANKSHAFT, PISTONS AND CONNECTING RODS



# CRANKSHAFT, PISTONS AND CONNECTING RODS

REF. NO.	PART NO.	SYM.	QTY.	DESCRIPTION
1	436-4842A3		1	CRANKSHAFT ASSEMBLY
2	11-52901		1	NUT, FLYWHEEL TO CRANKSHAFT
3	30-62567		1	BEARING, BALL - UPPER
4	30-53853		1	BEARING, BALL - LOWER
5	54196A1		1	CARRIER ASSEMBLY, "O" RING <b>SERIAL 02933580-09999999</b>
6	25-35126		1	"O" RING, CARRIER <b>SERIAL 02933580-09999999</b>
7	535-3190A1		2	CENTER MAIN BEARING ASSEMBLY
8	17-20032		4	DOWEL PIN, CENTER MAIN BEARING
9	29-48410		112	BEARING, NEEDLE - OUTER RACE
10	26113		2	RACE, OUTER (PAIR)
11	53-26933		2	RING, SNAP - OUTER RACE
12	17-47246		2	DOWEL PIN, STEPPED
13	10-22968		4	SCREW, CENTER MAIN BEARING CLAMPING
14	11-46887		4	NUT, BEARING CLAMPING SCREW
15	540-3943A2		3	MAIN BEARING ASSEMBLY, VALVE TYPE <b>SERIAL 00000000-03274149</b>
	540-4857A4		3	MAIN BEARING ASSEMBLY, VALVE TYPE <b>SERIAL 03274150-09999999</b>
16	17-20032		6	DOWEL PIN, MAIN BEARING
17	10-45775		6	SCREW, MAIN BEARING CLAMPING
18	11-45774		6	NUT, MAIN BEARING CLAMPING SCREW
19	34-56007A1		3	REED SET, MATCHED - MAIN BEARING
20	34-57422		12	REED STOP, MAIN BEARING REED VALVES
21	10-20055		60	SCREW, REED STOP MOUNTING ( <b>SERIAL 00000000-03274149</b>
21A	10-62204		30	SCREW, REED STOP MOUNTING <b>SERIAL 03274150-09999999</b>
22	11-53153		30	NUT, REED STOP MOUNTING SCREW <b>SERIAL 03274150-09999999</b>
23	745-4879A2		6	PISTON AND PISTON PIN ASSEMBLY
24	40-52035		12	LOCK RING, PISTON PIN
25	39-45155A12		2	RING, PISTON (1/16" THICK)
26	622-4850A4		6	CONNECTING ROD AND CAP ASSEMBLY
27	31-63075A1		6	BEARING ASSEMBLY, CRANKPIN
28	10-54803		12	SCREW, CONNECTING ROD
29	11-49091		12	NUT, CONNECTING ROD SCREW
30	29-47270		174	BEARING, NEEDLE - PISTON PIN
31	12-47247		12	WASHER, NEEDLE LOCATING

# OVERSIZE PISTONS AND RINGS

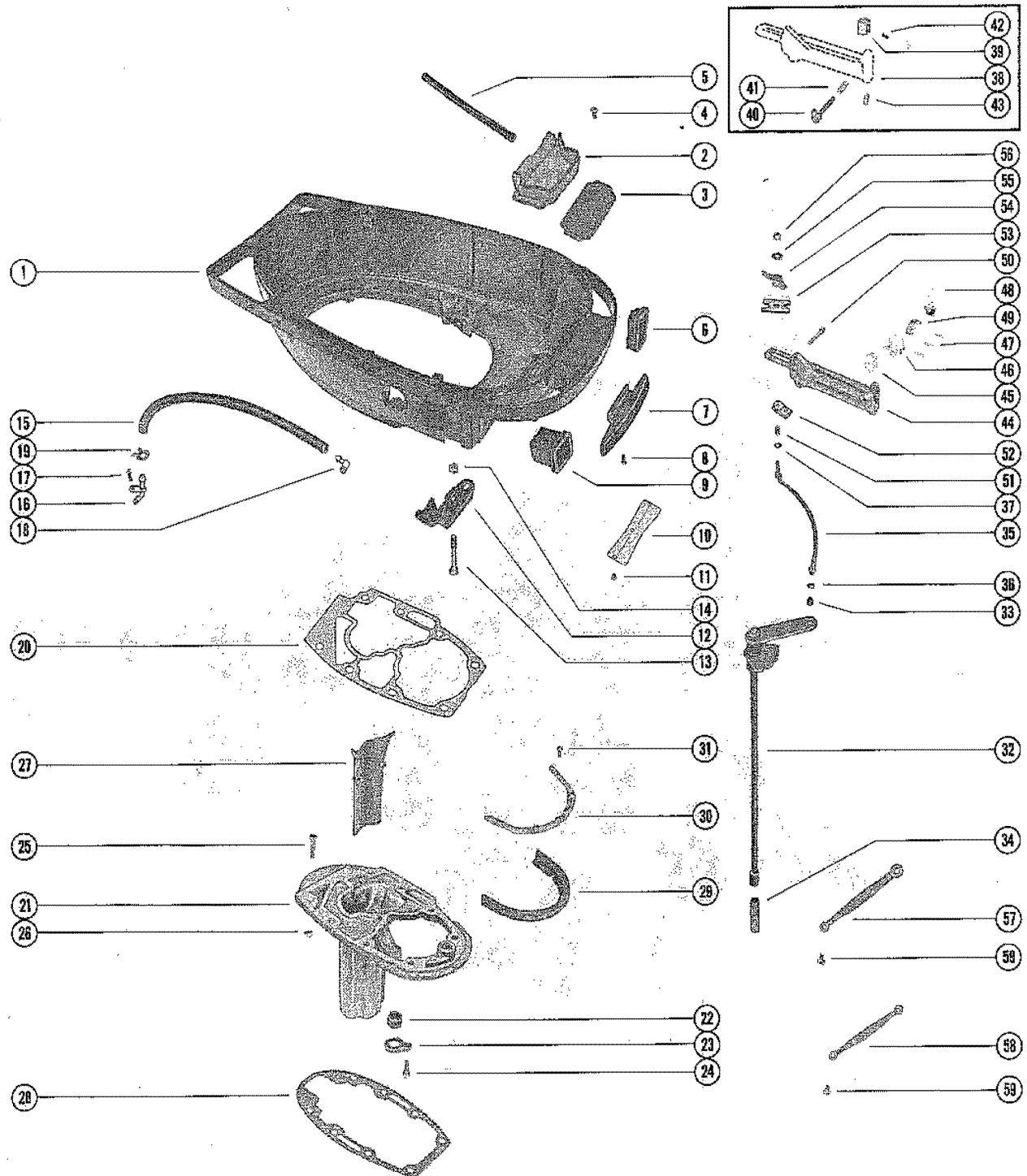




# OVERSIZE PISTONS AND RINGS

REF. NO.	PART NO.	SYM.	QTY.	DESCRIPTION
-	745-4912A1		6	PISTON AND PISTON PIN ASSEMBLY (.015 OVERSIZE)
-	39-45204A12		2	RING, PISTON (.015 OVERSIZE) - 1/16" THICK

# BOTTOM COWL AND SHIFT LINKAGE

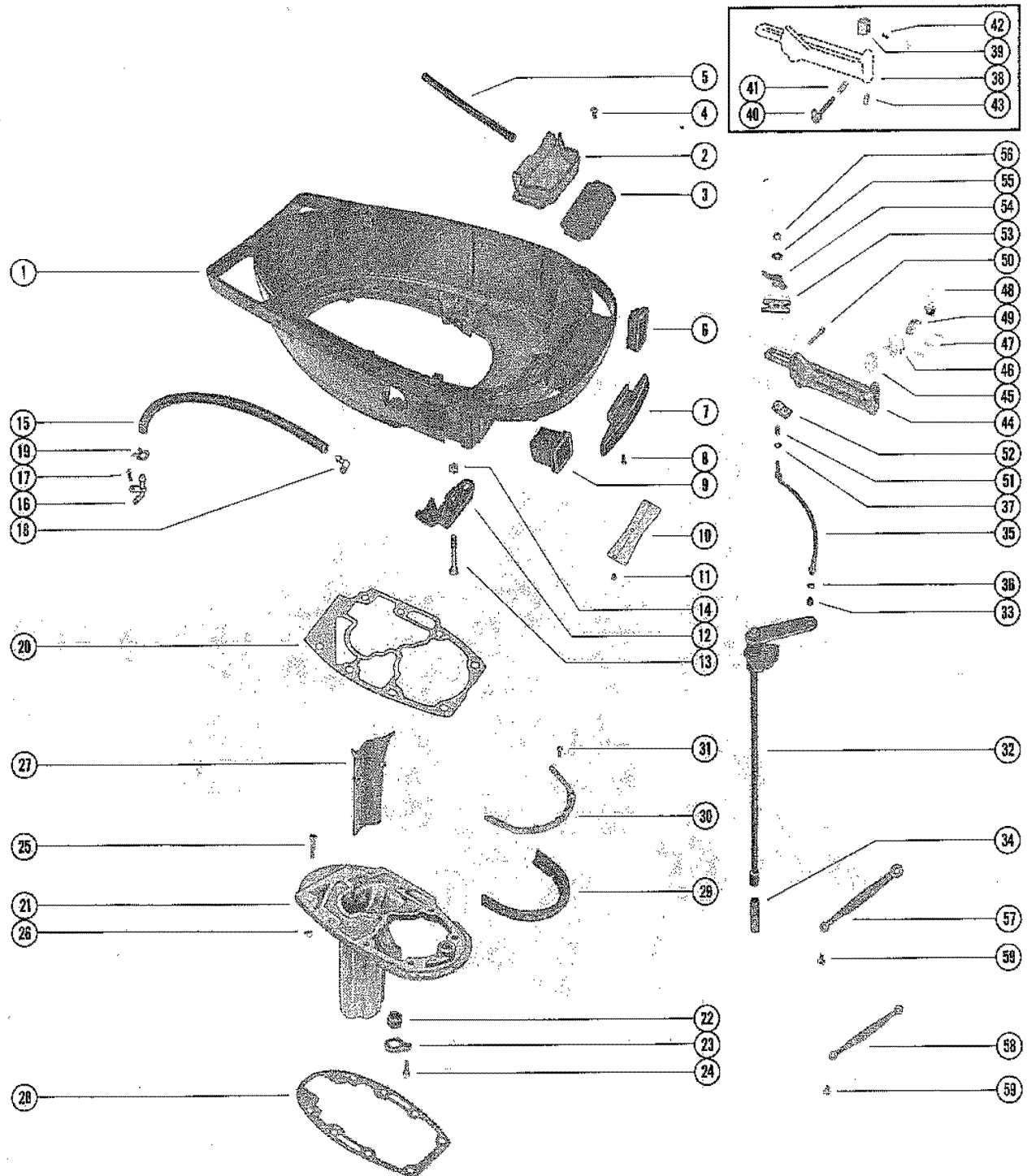


## BOTTOM COWL AND SHIFT LINKAGE

REF. NO.	PART NO.	SYM.	QTY.	DESCRIPTION
1	2115-3786		1	COWL, BOTTOM SERIAL 00000000-03274150
	2115-3919		1	COWL, BOTTOM SERIAL 02928721-09999999
2	52862A2		1	DRIP TRAY ASSEMBLY, BOTTOM COWL
3	37940		1	PAD, SOUND - DRIP TRAY
4	10-35519		4	SCREW, DRIP TRAY TO BOTTOM COWL (1/2")
5	32-34395A1		1	HOSE, DRIP TRAY TO BOTTOM COWL (8")
6	37638		1	BOOT, CONTROL CABLES - BOTTOM COWL SERIAL 00000000-00298720
	39616		1	BOOT, CONTROL CABLES - BOTTOM COWL SERIAL 02928721-09999999
7	48231		1	SPACER, BOTTOM COWL (COWL FRONT COVER)
8	10-48591		2	SCREW, SPACER TO BOTTOM COWL (1/2")
9	37637		1	BOOT, FUEL CONNECTOR - BOTTOM COWL
10	23760		1	BAFFLE, BOTTOM COWL SERIAL 00000000-03114543
11	10-52867		3	SCREW, BAFFLE TO BOTTOM COWL SERIAL 00000000-03114543
12	37445		1	SUPPORT, WIRING HARNESS - BOTTOM COWL
13	10-37990		1	SCREW, WIRING HARNESS SUPPORT TO BOTTOM COWL (1 3/4")
	10-31471		1	SCREW, WIRING HARNESS SUPPORT TO BOTTOM COWL (3 1/4")
14	11-46887		2	NUT, WIRING HARNESS SUPPORT SCREW
15	32-34395A1		1	HOSE, TELL TALE - EXHAUST COVER TO BOTTOM COWL (16")
16	52889		1	NOZZLE, TELL TALE HOSE TO BOTTOM COWL
17	10-35519		1	SCREW, TELL TALE NOZZLE TO BOTTOM COWL (1/2")
18	22-25885		1	ELBOW, TELL TALE HOSE TO EXHAUST COVER
19	54-48123		2	CLAP, TELL TALE HOSE TO CONNECTOR AND ELBOW
20	27-56028		1	GAKSET, POWERHEAD TO EXHAUST EXTENSION PLATE
21	56306A2		1	PLATE ASSEMBLY, EXHAUST EXTENSION
22	26-38970		1	SEAL, RUBBER - WATER INLET TUBE
23	38448		1	RETAINER, WATER TUBE SEAL
24	10-34439		1	SCREW, RETAINER TO EXHAUST EXTENSION PLATE (3/4")
25	10-24226		1	SCREW, EXHUAUST EXTENSION PLATE TO DRIVE SHAFT HOUSING
26	11-46887		1	NUT, EXHAUST EXTENSION PLATE SCREW
27	58478A1		1	DIVIDER ASSEMBLY, EXHAUST (SEE NOTE BELOW)
28	27-48801		1	GASKET, EXHAUST EXTENSION PLATE TO DRIVE SHAFT HOUSING
29	37918		1	SEAL, EXHAUST EXTENSION PLATE
30	38032		1	STRIP, RETAINING - EXHAUST EXTENSION PLATE SEAL
31	10-37571		5	SCREW, SEAL AND RETAINING STRIP TO EXTENSION PLATE (1/2")
32	60304A9		1	SHIFT SHAFT ASSEMBLY, UPPER (SHORT SHAFT)
	60304A10		1	SHIFT SHAFT ASSEMBLY, UPPER (LONG SHAFT)

CONTINUED ON NEXT PAGE ➡

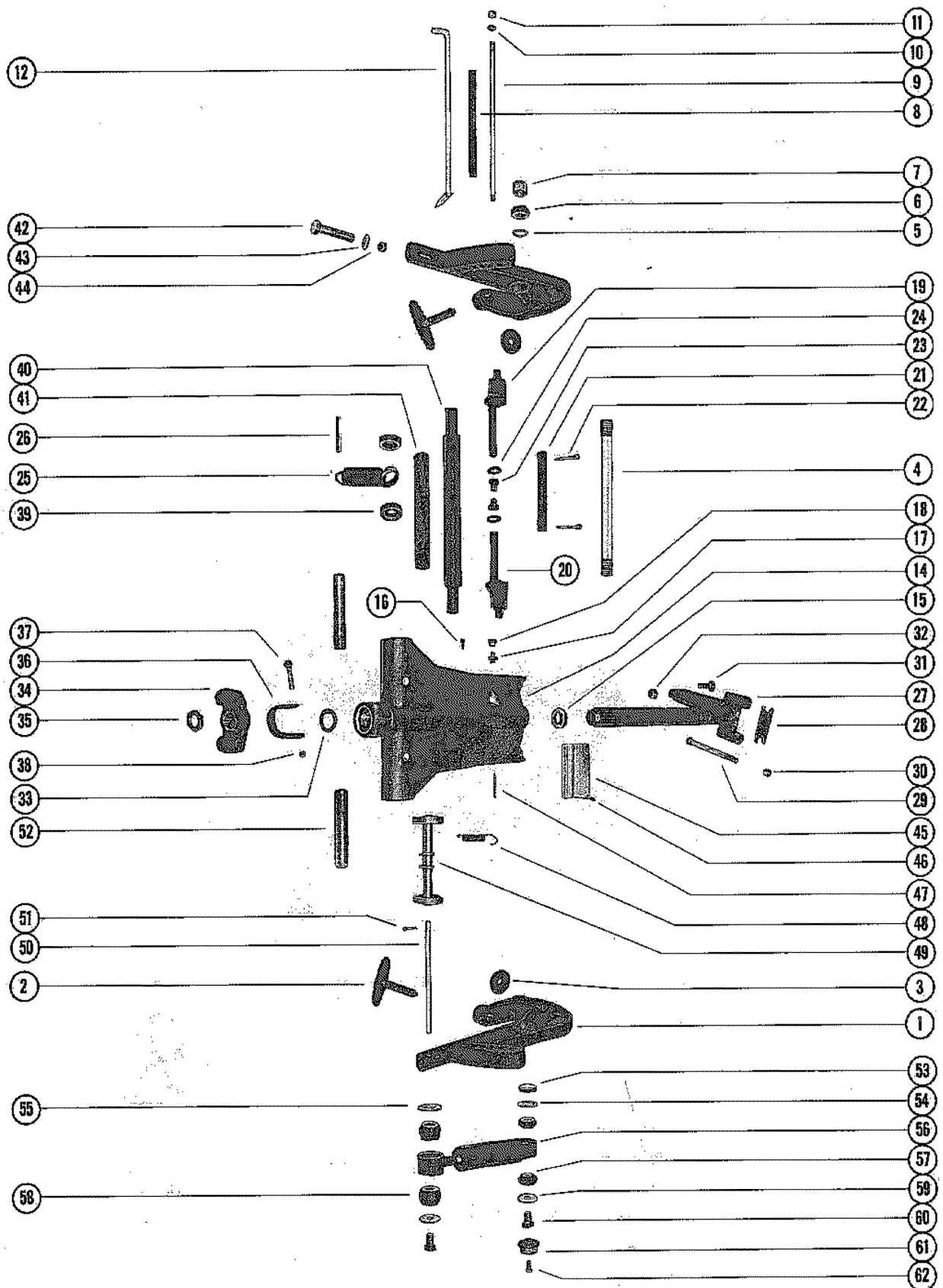
# BOTTOM COWL AND SHIFT LINKAGE



## BOTTOM COWL AND SHIFT LINKAGE

REF. NO.	PART NO.	SYM.	QTY.	DESCRIPTION
33	23-26600		1	BUSHING, SHIFT SHAFT
34	55692		1	COUPLING, SHIFT SHAFT
35	48047A1		1	LINK ROD ASSEMBLY
36	12-24664		1	WASHER, LINK ROD
37	13-29720		1	WASHER, WAVE - LINK ROD
38	47869A1		1	BRACKET ASSEMBLY, ANCHOR CONTROL CABLES <b>SERIAL 00000000-02928720</b>
39	38802		1	CAP, BRASS BARREL TO THROTTLE CABLE <b>SERIAL 00000000-02928720</b>
	49935		1	CAP, BRASS BARREL TO THROTTLE CABLE <b>SERIAL 00000000-02928720</b>
40	49932A1		1	LEVER ASSEMBLY, CONTROL CABLE LOCKING - ANCHOR BRACKET <b>SERIAL 00000000-02928720</b>
41	24-37911		1	SPRING, CONTROL CABLE LOCKING LEVER <b>SERIAL 00000000-02928720</b>
42	17-23928		1	PIN, ROLL - CONTROL CABLE LOCKING LEVER <b>SERIAL 00000000-02928720</b>
43	24-38472		1	SPRING, CONTROL CABLE TENSION - ANCHOR BRACKET <b>SERIAL 00000000-02928720</b>
44	52732		1	BRACKET, ANCHOR - CONTROL CABLES SERIAL #2928721 AND UP <b>SERIAL 02928721-09999999</b>
45	39519		1	CAP, BARREL RETAINER - ANCHOR BRACKET <b>SERIAL 02928721-09999999</b>
46	39618		1	LEVER NYLON - SHIFT CABLE LOCKING <b>SERIAL 02928721-09999999</b>
47	17-47175		3	PIN, LOCKING LEVER AND COVER FASTENING <b>SERIAL 02928721-09999999</b>
48	39667		1	COVER, NYLON - SHIFT CABLE <b>SERIAL 02928721-09999999</b>
49	39536		1	LINK, LOCKING LEVER TO COVER <b>SERIAL 02928721-09999999</b>
50	10-24234		3	SCREW, ANCHOR BRACKET TO CYLINDER BLOCK (1")
51	24-20099		1	SPRING, LINK ROD TO GUIDE BLOCK
52	37896		1	GUIDE BLOCK, LINK ROD
53	52100		1	WEAR PLATE, LINK ROD
54	38279		1	LATCH, CONTROL CABLE FASTENING - ANCHOR BRACKET
55	12-21631		1	WASHER, PLAIN - LINK ROD
56	11-20664		2	NUT, LINK ROD
57	46933A1		2	GROUND STRAP ASSEMBLY, CRANKCASE TO COWL (3 5/8")
58	46933A2		2	GROUND STRAP ASSEMBLY, HOUSING TO COWL (3 3/8")
59	10-30663		4	SCREW, GROUND STRAP FASTENING

# CLAMP AND SWIVEL BRACKET ASSEMBLY

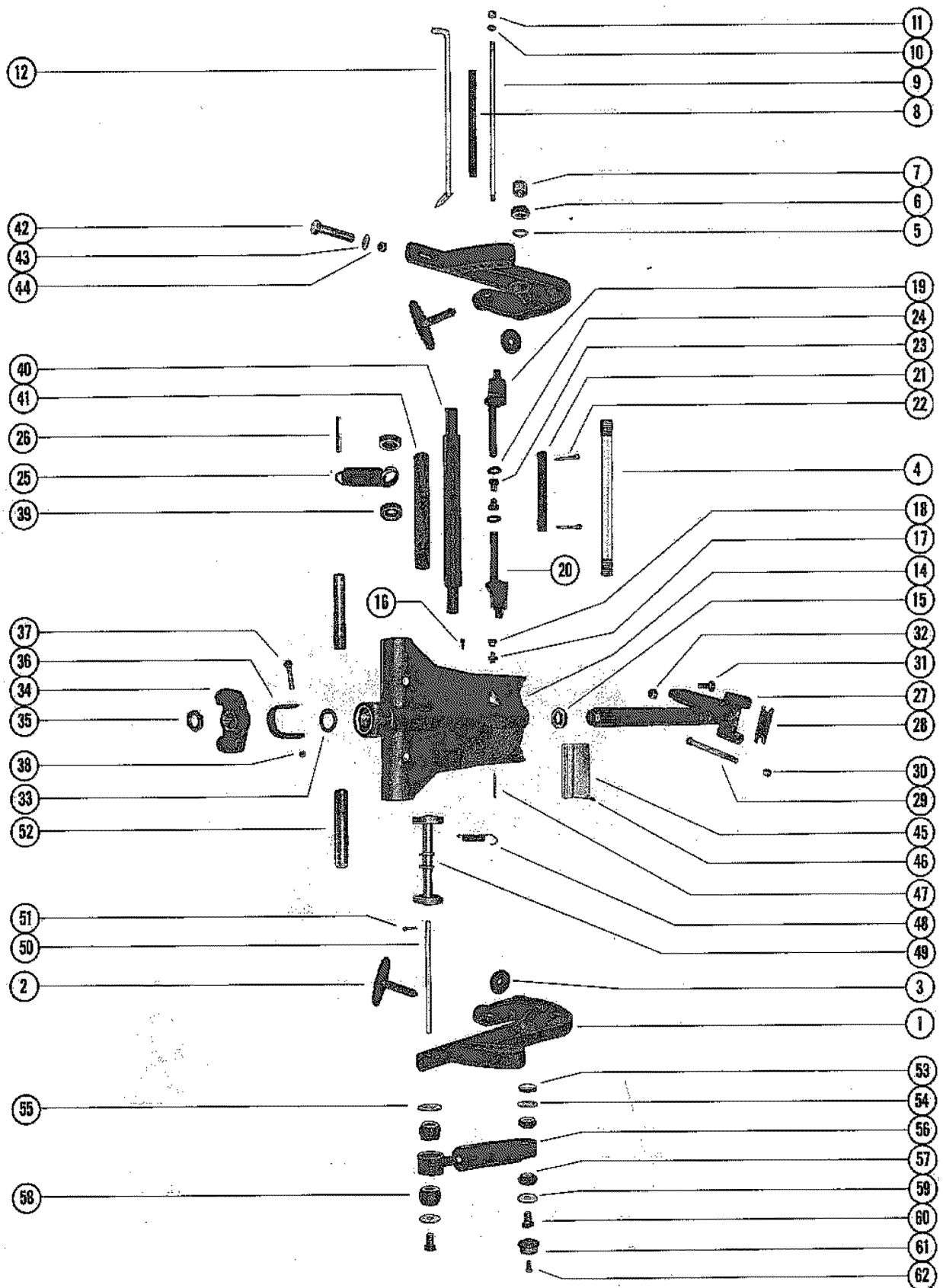


# CLAMP AND SWIVEL BRACKET ASSEMBLY

REF. NO.	PART NO.	SYM.	QTY.	DESCRIPTION
1	1440-3291A1		2	CLAMP BRACKET ASSEMBLY
2	28403A3		2	THUMB SCREW ASSEMBLY
3	12-28404		2	WASHER, THUMB SCREW
4	30664		1	TUBE, TILT - CLAMP BRACKET TO SWIVEL BRACKET
5	12-52864		2	WASHER, CLMAP BRACKET TILT TUBE
6	11-56041		2	NUT, TILT TUBE FASTENING
7	53078		2	CAP, PLASTIC - TILT TUBE
8	23-59624		1	SPACER, CLAMP BRACKET STUD
9	16-59625		1	STUD, CLAMP BRACKET <b>(NOT USED WITH FULL POWER TRIM)</b>
10	13-26993		2	LOCKWASHER, CLAMP BRACKET STUD
11	11-28770		2	NUT, CLAMP BRACKET STUD
12	17-49930A1		1	TILT LOCK PIN ASSEMBLY
14	1453-4886A4		1	SWIVEL BRACKET ASSEMBLY (SHORT SHAFT)
	1447-4885A4		1	SWIVEL BRACKET ASSEMBLY (LONG SHAFT)
15	26-37448		2	OIL SEAL, SWIVEL BRACKET
16	10-47828		1	SCREW, DRIVE - SWIVEL BRACKET
17	22-23612		1	FITTING, GREASE - SWIVEL BRACKET
18	29359		1	LUBRICAP, SWIVEL BRACKET GREASE FITTING
19	47799A1		1	TILT LOCK ASSEMBLY, STARBOARD
20	47800A1		1	TILT LOCK ASSEMBLY, PORT
21	47802		2	TUBE, TILT LOCK
22	18-47959		2	COTTER PIN, TILT LOCK TUBE
23	23-47803		2	BUSHING, TILT LOCK TUBE
24	13-24850		1	WASHER, WAVE - TILT LOCK TUBE
25	24-28659		1	SPRING, COIL - SWIVEL BRACKET <b>(NOT USED WITH FULL POWER TRIM)</b>
26	17-38311		2	PIN, COIL SPRING MOUNTING <b>(NOT USED WITH FULL POWER TRIM)</b>
27	17-49841A1		1	SWIVEL PIN AND STEERING ARM ASSEMBLY (SHORT SHAFT)
	17-49840A1		1	SWIVEL PIN AND STEERING ARM ASSEMBLY (LONG SHAFT)
28	28203		1	BUMPER, STEERING ARM
29	10-49554		2	BOLT, STEERING ARM TO UPPER MOUNT (5 7/8")
30	11-34933		2	NUT, STEERING ARM BOLT FASTENING
31	10-31830		1	SCREW, RIDE-GUIDE ATTACHING
32	11-20509		1	NUT, RIDE-GUIDE ATTACHING SCREW
33	12-37429		1	WASHER, SWIVEL PIN - LOWER
34	37419		1	YOKE, BOTTOM
35	11-37424		1	NUT, SWIVEL PIN RETAINING
36	28205		1	STRAP STOP, DRIVE SHAFT HOUSING TO SWIVEL BRACKET
37	10-28200		1	SCREW, STRAP STOP TO DRIVE SHAFT HOUSING (2 7/8")
38	11-25269		1	NUT, STRAP STOP FASTENING SCREW
39	23-28688		2	SPACER, RUBBER - COIL SPRING POSITIONING
40	55-28416		1	PIN, UPPER SHOCK MOUNTING

CONTINUED ON NEXT PAGE ➡

# CLAMP AND SWIVEL BRACKET ASSEMBLY

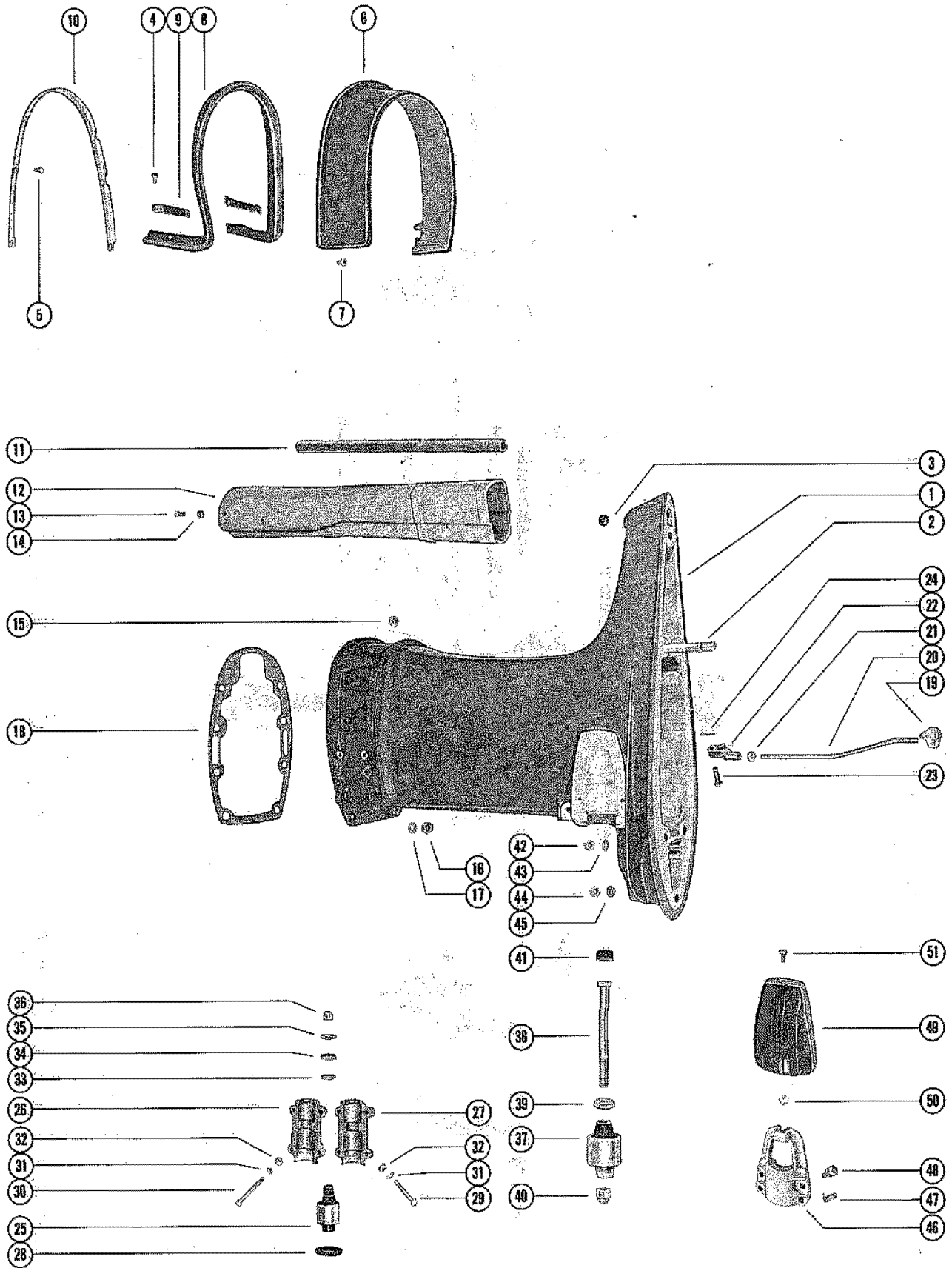




## CLAMP AND SWIVEL BRACKET ASSEMBLY

REF. NO.	PART NO.	SYM.	QTY.	DESCRIPTION
41	63473		1	TUBE, CUSHION - SHOCK PIN
42	10-28009		2	BOLT, CLAMP BRACKET TO BOAT TRANSOM (LOWER)
	10-31827		2	BOLT, CLAMP BRACKET TO BOAT TRANSOM (UPPER)
43	12-28008		2	WASHER, CLAMP BRACKET BOLT (LOWER)
	12-21040		2	WASHER, CLAMP BRACKET BOLT (UPPER)
44	11-28010		4	NUT, CLAMP BRACKET BOLT
45	38-56267		1	SERIAL PLATE
46	10-25612		4	SCREW, DRIVE - SERIAL PLATE TO SWIVEL BRACKET
47	17-25598		1	PIN, REVERSE LOCK SPRING ATTACHING <b>(NOT USED WITH FULL POWER TRIM)</b>
48	24-29821		1	SPRING, REVERSE LOCK TENSION <b>(NOT USED WITH FULL POWER TRIM)</b>
49	39015A1		1	REVERSE LOCK ASSEMBLY <b>(NOT USED WITH FULL POWER TRIM)</b>
50	56349		1	SHAFT, REVERSE LOCK PIVOT <b>(NOT USED WITH FULL POWER TRIM)</b>
51	18-45882		1	COTTER PIN, REVERSE LOCK TO SHAFT <b>(NOT USED WITH FULL POWER TRIM)</b>
52	55-29247		2	PIN, LOWER SHOCK MOUNTING (SHORT SHAFT)
	55-28414		2	PIN, LOWER SHOCK MOUNTING LONG SHAFT
-	<b>10-28424</b>		<b>2</b>	<b>SCREW, LOWER SHOCK PIN LONG SHAFT</b>
-	<b>11-46887</b>		<b>2</b>	<b>NUT, LOWER SHOCK PIN SCREW LONG SHAFT</b>
53	23-28199		2	SPACER, UPPER SHOCK BUSHING TO CLAMP BRACKET
54	12-28196		2	WASHER, UPPER BUSHING RETAINER (INNER)
55	12-59378		2	WASHER, LOWER BUSHING RETAINER (INNER) <b>(NOT USED WITH FULL POWER TRIM)</b>
56	55-31933		2	SHOCK ABSORBER <b>(NOT USED WITH FULL POWER TRIM)</b>
57	23-32171		4	BUSHING, RUBBER - SHOCK ABSORBER (UPPER) <b>(NOT USED WITH FULL POWER TRIM)</b>
58	23-28198		4	BUSHING, RUBBER - SHOCK ABSORBER (LOWER) <b>(NOT USED WITH FULL POWER TRIM)</b>
59	12-28421		4	WASHER, UPPER AND LOWER BUSHING RETAINER (OUTER)
60	10-53077		4	SCREW, UPPER AND LOWER SHOCK MOUNTING PIN <b>(NOT USED WITH FULL POWER TRIM)</b>
61	53071		4 (2)	COVER, UPPER AND LOWER SHOCK MOUNTING PIN
62	10-37655		4 (2)	SCREW, COVER TO SHOCK MOUNTING SCREW

# DRIVE SHAFT HOUSING ASSEMBLY

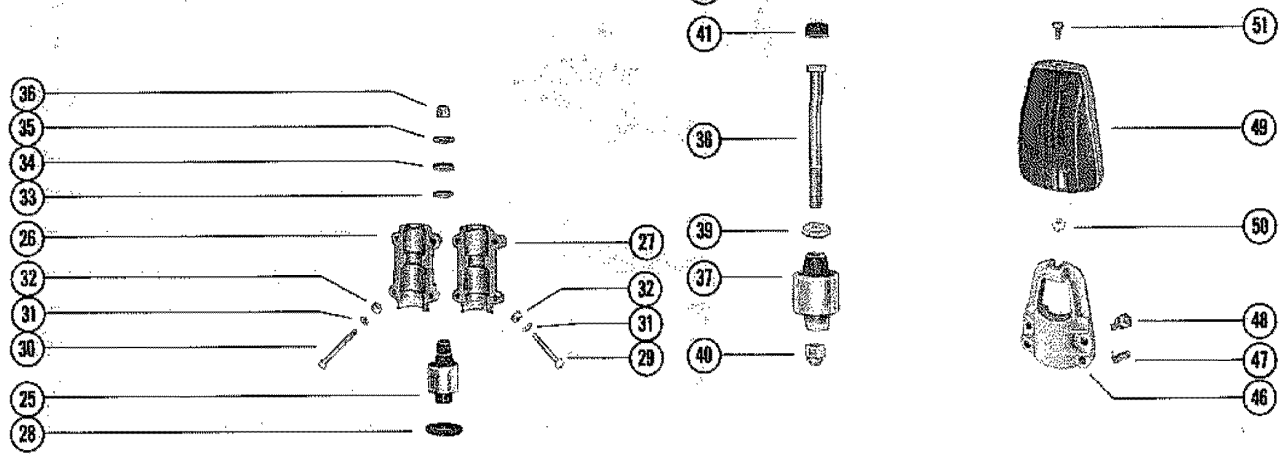
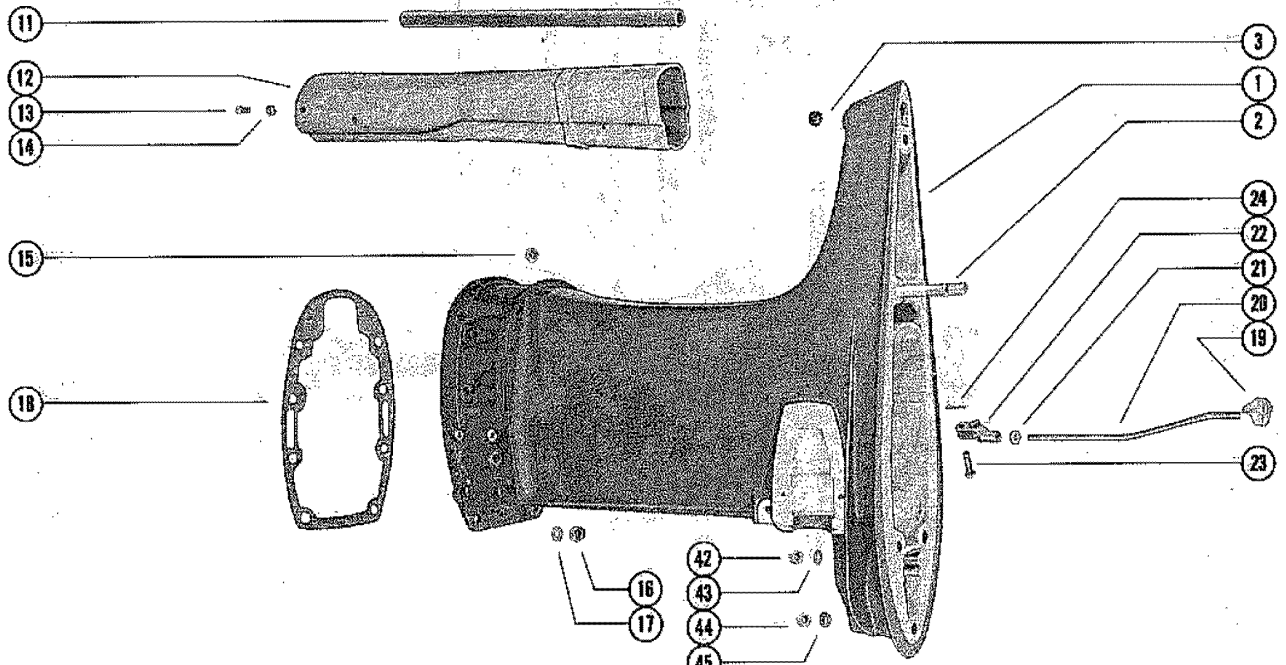
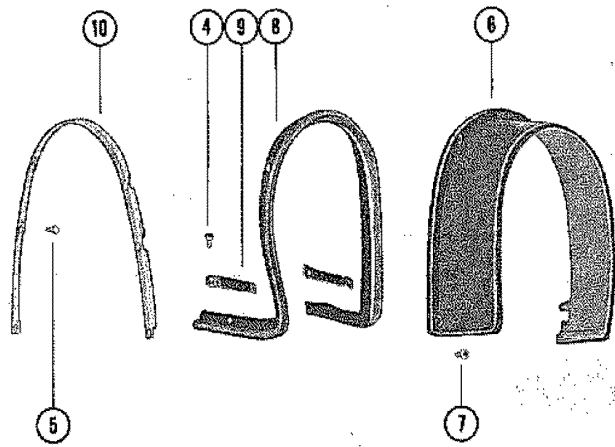


# DRIVE SHAFT HOUSING ASSEMBLY

REF. NO.	PART NO.	SYM.	QTY.	DESCRIPTION
1	1552-3911A3		1	DRIVE SHAFT HOUSING ASSEMBLY (SHORT SHAFT)
	1551-3918A3		1	DRIVE SHAFT HOUSING ASSEMBLY (LONG SHAFT)
2	16-56295		2	STUD, DRIVE SHAFT HOUSING TO GEAR HOUSING
3	19-32297		1	PLUG, PLASTIC - TRIM TAB SCREW HOLE
4	10-48409		2	SCREW RETAINING STRIP TO DRIVE SHAFT HOUSING (5/8")
5	10-48408		6	SCREW, RETAINING STRIP TO DRIVE SHAFT HOUSING (1/2")
6	37417		1	COVER, TRIM - DRIVE SHAFT HOUSING
7	10-37571		4	SCREW, TRIM COVER TO BOTTOM COWL <b>SERIAL 00000000-02928720</b>
	10-57807		4	SCREW, TRIM COVER TO BOTTOM COWL <b>SERIAL 02928721-09999999</b>
-	<b>25-57806</b>		<b>4</b>	<b>GROMMET, PLASTIC - TRIM COVER SCREW SERIAL 02928721-09999999</b>
8	37919		1	SEAL, TRIM COVER TO DRIVE SHAFT HOUSING
9	37665		2	STRIP, RETAINING - TRIM COVER SEAL (SIDE)
10	38052		1	STRIP, RETAINING - TRIM COVER SEAL (REAR)
11	32-37446		1	TUBE, WATER INLET (SHORT SHAFT)
	32-37438		1	TUBE, WATER INLET (LONG SHAFT)
12	38469		1	TUBE, EXHAUST (SHORT SHAFT)
	38470		1	TUBE, EXHAUST (LONG SHAFT)
13	10-28668		2	SCREW, TUBE TO EXTENSION PLATE (7/8") <b>SERIAL 00000000-02933900</b>
	10-36137		2	SCREW, TUBE TO EXTENSION PLATE (1") <b>SERIAL 03023086-09999999</b>
14	11-46886		2	NUT, EXHAUST TUBE SCREW <b>SERIAL 00000000-02933900</b>
	11-63149		2	NUT, EXHAUST TUBE SCREW <b>SERIAL 03023086-09999999</b>
15	11-35814		2	NUT, POWERHEAD STUDS (5/16-24)
16	11-20509		2	NUT, POWERHEAD STUBS (3/8-24)
	11-23161		6	NUT, POWERHEAD STUDS (3/8-24)
17	12-20086		2	WASHER, POWERHEAD STUDS
18	27-48801		1	GASKET, EXHAUST EXTENSION PLATE TO DRIVE SHAFT HOUSING
19	52887		1	GUIDE, PUSH ROD - REVERSE LOCKING <b>NOT TO BE USED WITH FULL POWER TRIM</b>
20	47591		1	ROD, PUSH - REVERSE LOCK (SHORT SHAFT) <b>NOT TO BE USED WITH FULL POWER TRIM</b>
	47558		1	ROD, PUSH - REVERSE LOCK (LONG SHAFT) <b>NOT TO BE USED WITH FULL POWER TRIM</b>
21	11-47661		1	NUT, JAM - RUSH ROD <b>NOT TO BE USED WITH FULL POWER TRIM</b>
22	47559		1	YOKE, PUSH ROD <b>NOT TO BE USED WITH FULL POWER TRIM</b>
23	17-39023		1	PIN, PUSH ROD TO REVERSE LOCK <b>NOT TO BE USED WITH FULL POWER TRIM</b>
24	18-25191		1	COTTER PIN, PUSH ROD PIN <b>NOT TO BE USED WITH FULL POWER TRIM</b>

CONTINUED ON NEXT PAGE ➡

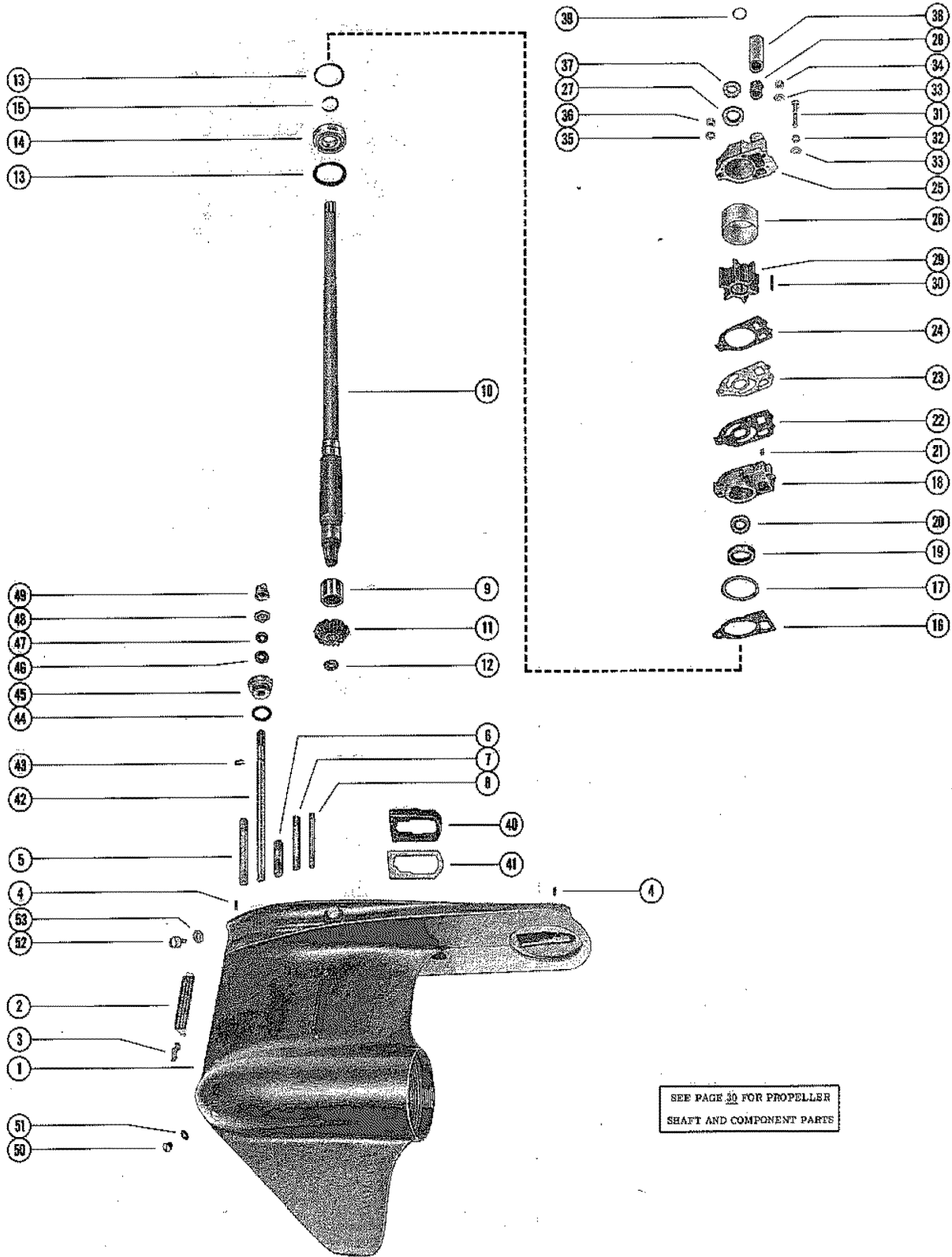
# DRIVE SHAFT HOUSING ASSEMBLY



# DRIVE SHAFT HOUSING ASSEMBLY

REF. NO.	PART NO.	SYM.	QTY.	DESCRIPTION
25	37398		2	MOUNT, RUBBER - UPPER
	38820		OPT	MOUNT, RUBBER - UPPER (HEAVY DUTY)
26	49239		2	COVER, UPPER MOUNT - OUTSIDE HALF
27	53141		2	COVER, UPPERMOUNT - INSIDE HALF
28	24929		2	PACKING, "U" CUP
29	10-28773		4	SCREW, UPPER MOUNT COVER (1 5/8")
30	10-28775		4	SCREW, UPPER MOUNT COVER (2 1/8")
31	12-29245		AR	WASHER, UPPER MOUNT COVER SCREW
32	11-46886		8	NUT, UPPER MOUNT COVER SCREW
33	12-31262		2	WASHER, UPPERMOUNT BOLT
34	12-47840		2	WASHER, RUBBER - UPPER MOUNT BOLT
35	12-31263		2	WAASHER, UPPER MOUNT BOLT
36	11-34933		2	NUT, UPPER MOUNT BOLT
37	49455		2	MOUNT, RUBBER - LOWER (SHORT SHAFT)
	49456		2	MOUNT, RUBBER - LOWER (LONG SHAFT)
	38821		OPT	MOUNT, RUBBER - LOWER (HEAVY DUTY)
38	10-49318		2	SCREW, LOWER MOUJNT (5 1/2")
39	12-49339		2	WASHER, LOWER MOUNT SCREW
40	11-25096		2	NUT, LOWER MOUNT SCREW
41	25067		2	BUMPER, RUBBER - LOWER MOUNTING SCREW
42	11-34933		2	NUT, GEAR HOUSING AND DRIVE SHAFT HOUSING STUDS
43	12-45176		2	WASHER, GEAR HOUSING TO DRIVE SHAFT HOUSING STUDS
44	11-29489		1	NUT, GEAR HOUSING AND DRIVE SHAFT HOUSING STUDS
45	12-45176		1	WASHER, GEAR HOUSING TO DRIVWE SHAFT HOUSING STUDS
46	35608		2	CLAMP, LOWER MOUNT TO DRIVE SHAFT HOUSING
47	24-35522		4	SPRING, TENSION - LOWER MOUNT CLAMP
48	10-29256		4	SCREW, LOWER MOUNT CLAMP TO DRIVE SHAFT HOUSING
49	35474		2	COVER, LOWER MOUNT CLAMP
50	11-35521		2	NUT, LWOER MOUNT CLAMP COVER
51	10-29722		2	SCREW, COVER TO LOWER CLAMP MOUNT

# GEAR HOUSING ASSEMBLY, COMPLETE (PAGE 1)

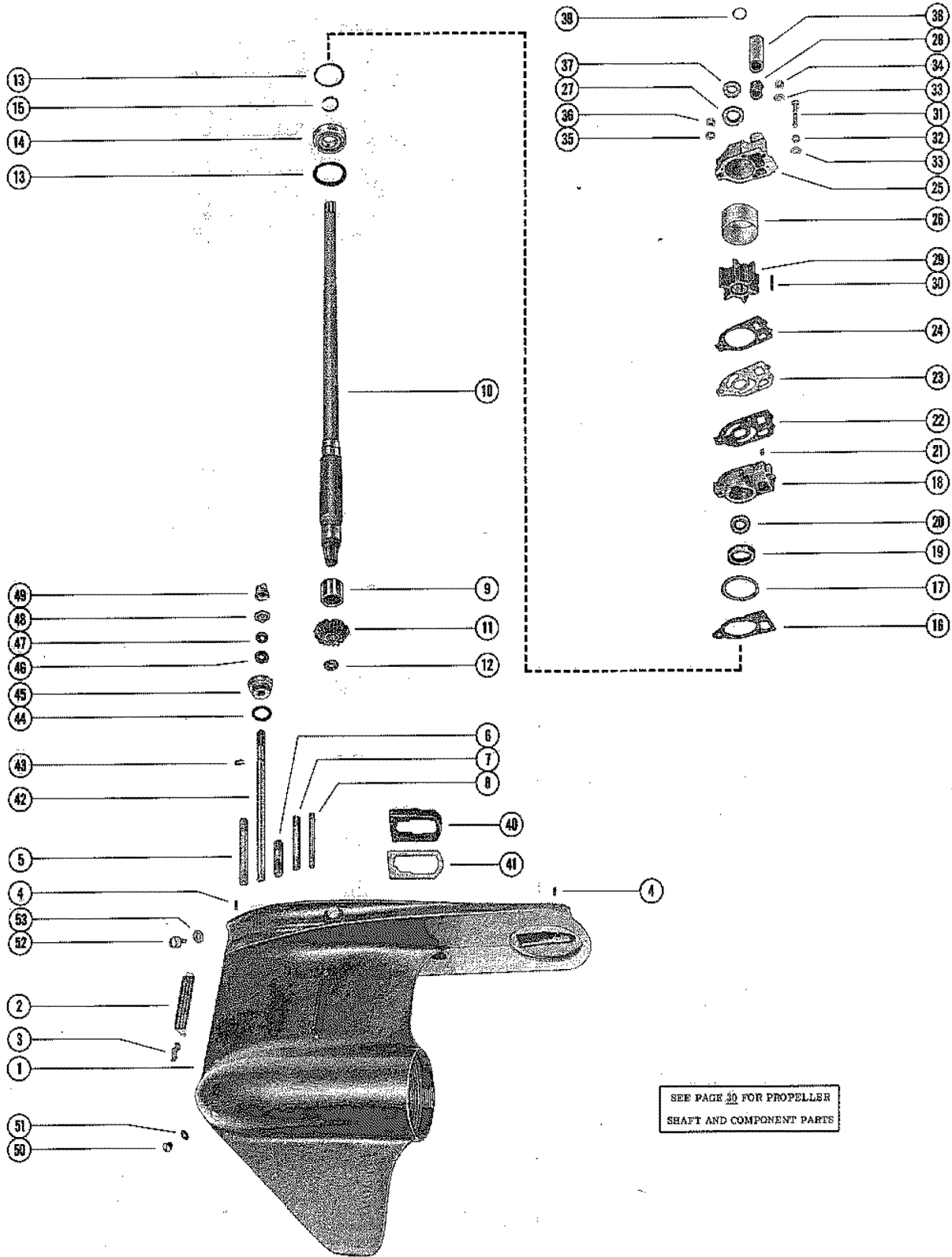


# GEAR HOUSING ASSEMBLY, COMPLETE (PAGE 1)

REF. NO.	PART NO.	SYM.	QTY.	DESCRIPTION
-	1623-3909A5		1	GEAR HOUSING ASSEMBLY, COMPLETE (SHORT SHAFT) SEE NOTE BEL
-	1623-3909A3		1	GEAR HOUSING ASSEMBLY, COMPLETE (LONG SHAFT) SEE NOTE
1	1623-3909A6		1	GEAR HOUSING ASSEMBLY
2	55662		2	SCREEN, WATER INLET EARLY MODELS ONLY <b>EARLY MODELS ONLY</b>
3	24-57430		1	SPRING, WATER INLET SCREEN RETAINING <b>EARLY MODELS ONLY</b>
4	17-21438		2	DOWEL PIN, GEAR HOUSING LOCATING
5	16-57921		1	STUD, GEAR HOUSING TO DRIVE SHARFT HOUSING (4")
6	16-57920		2	STUD, GEAR HOUSING TO DRIVE SHAFT HOUSING (2 1/16")
7	16-56297		1	STUD, WATER PUMP TO GEAR HOUSING (3 3/8")
8	16-57919		2	STUD, WATER PUMP TO GEAR HOUSING (5/16-18 X 3 5/16")
	16-30667		2	STUD, WATER PUMP TO GEAR HOUSING (1/4-20 X 3 1/8")
9	31-32898		1	BEARING, ROLLER - DRIVE SHAFT
10	45-47433		1	DRIVE SHAFT (SHOFT SHAFT) <b>SERIAL 00000000-02933900</b>
	45-47434		1	DRIVE SHAFT (LONG SHAFT) <b>SERIAL 00000000-02933900</b>
	45-57026		1	DRIVE SHAFT (SHORT SHAFT) <b>SERIAL 03023086-09999999</b>
	45-57025A1		1	DRIVE SHAFT (LONG SHAFT) <b>SERIAL 03023086-09999999</b>
11	43-55688		1	GEAR, PINION - DRIVE SHAFT
12	11-35921		1	NUT, PINION GEAR TO DRIVE SHAFT
13	15-30278A1		AR	SHIM, DRIVE SHAFT BALL BEARING TO GEAR HOUSING (.002-3-5-10)
	15-30278A1		AR	SHIM, WATER PUMP BASE TO GEAR HOUSING (.002-3-5-10)
14	30-63326		1	BEARING, BALL - DRIVE SHAFT
15	53-30726		1	RING, RETAINING - BALL BEARING
16	27-32438		1	GASKET, WATER PUMP BASE TO GEAR HOUSING
17	25-30224		1	"O" RING, WATER PUMP BASE
18	46-48747A1		1	WATER PUMP BASE ASSEMBLY
19	26-31489		1	OIL SEAL, WATER PUMP BASE
20	26-31507		1	OIL SEAL, WATER PUMP BASE
21	17-35973		2	DOWEL PIN, WATER PUMP BASE TO WATER PUMP BODY
22	27-32433		1	GASKET, LOWER - WATER PUMP BASE TO FACE PLATE
23	32435		1	PLATE, FACE - WATER PUMP BASE TO WATER PUMP BODY
24	27-32434		1	GASKET, UPPER - FACE PLATE TO WATER PUMP BODY
25	46-48743A1		1	WATER PUMP BODY ASSEMBLY
26	48752		1	INSERT, WATER PUMP BODY
27	26-31507		1	OIL SEAL, WATER PUMP BODY

CONTINUED ON NEXT PAGE ➡

# GEAR HOUSING ASSEMBLY, COMPLETE (PAGE 1)

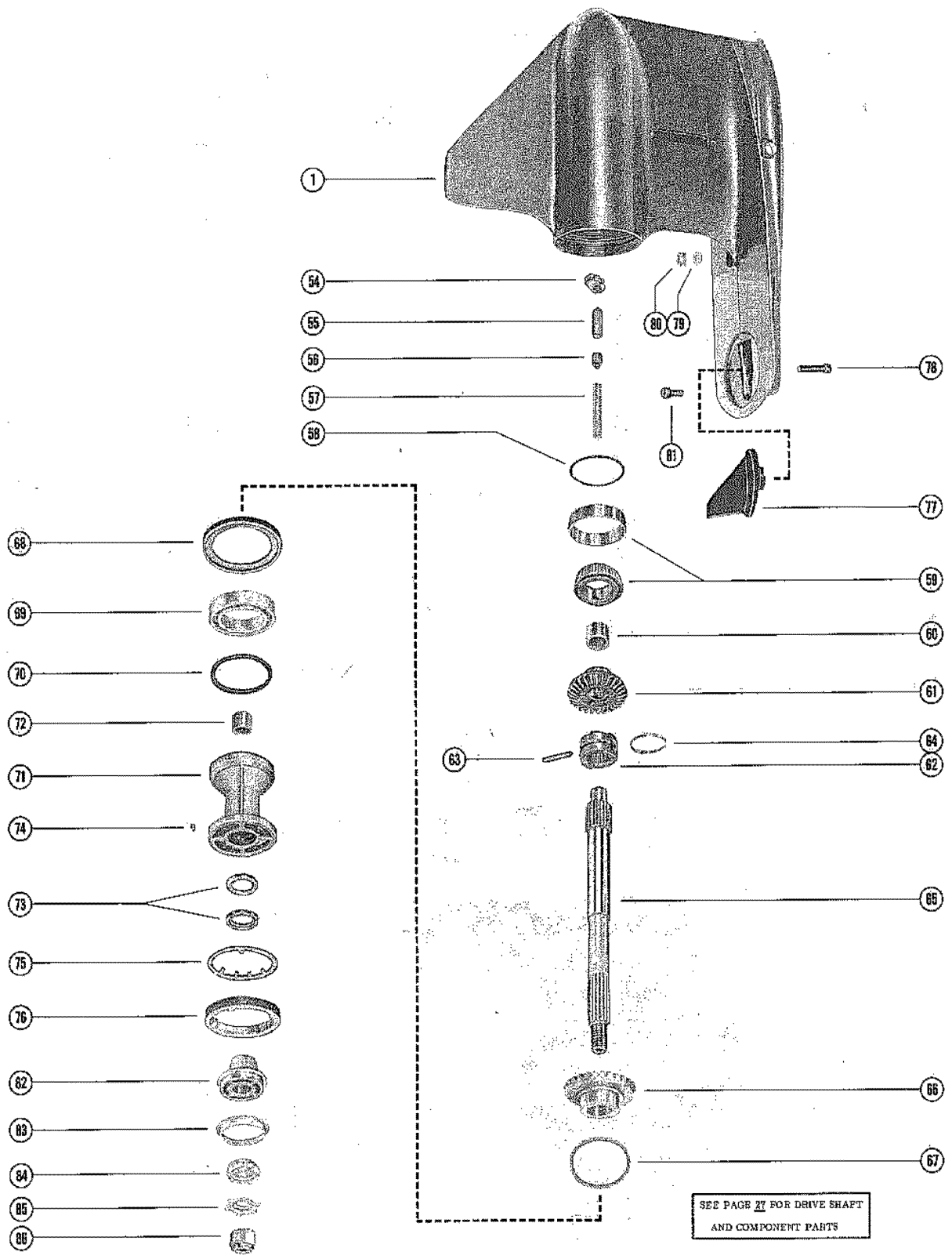




# GEAR HOUSING ASSEMBLY, COMPLETE (PAGE 1)

REF. NO.	PART NO.	SYM.	QTY.	DESCRIPTION
28	26-38970		1	SEAL, RUBBER - WATER INLET TUBE
29	47-30221		1	IMPELLER - WATER PUMP
30	28-56654		1	KEY, IMPELLER DRIVE
31	10-30720		1	SCREW, WATER PUMP BODY TO GEAR HOUSING (2 1/4")
32	13-26992		1	LOCKWASHER, WATER PUMP BODY SCREW
33	12-29245		3	WASHER, WATER PUMP BODY FASTENING SCREW AND STUD
34	11-35045		2	NUT, WATER PUMP FASTENING SCREW
35	12-36001		1	WASHER, WATER PUMP BODY FASTENING STUD
36	11-45592		1	NUT, WATER PUMP BODY FASTENING STUD
37	25-30271		1	RING, RUBBER - CENTRIFUGAL SLINGER (DRIVE SHAFT)
38	23-29804		1	SLEEVE, GUIDE - WATER INLET TUBE
39	25-30613		1	"O" RING, UPPER - DRIVE SHAFT (SERIAL #29335769 AND BELOW) <b>SERIAL 00000000-29335769</b>
40	37641		1	SEAL, EXHAUST TUBE
41	38051		1	PLATE, SUPPORT - EXHAUST TUBE SEAL
42	55421A1		1	SHAFT ASSEMBLY, SHIFT - LOWER
43	53-29641		1	"E" RING, RETAINING - SHIFT SHAFT
44	25-25439		1	"O" RING, SHIFT SHAFT BUSHING
45	23-55419A1		1	BUSHING ASSEMBLY, SHIFT SHAFT
46	26-24590		1	OIL SEAL, SHIFT SHAFT HOUSING (LOWER)
	26-31249		1	OIL SEAL, SHIFT SHAFT BUSHING (UPPER)
47	12-31266		1	WASHER, RUBBER - SHIFT SHAFT BUSHING
48	39019		1	SPACER, LOWER - REVERSE LOCKING NOT USED WITH FULL POWER <b>NOT USED WITH FULL POWER TRIM</b>
49	39021		1	CAM, REVERSE LOCKING <b>NOT USED WITH FULL POWER TRIM</b>
50	10-28634		2	SCREW, GREASE FILLER AND VENT HOLE
51	12-20260		2	WASHER, GREASE FILLER AND VENT HOLE SCREW
52	19-48750		1	PLUG, GEAR HOUSING FLUSHING HOLE
53	12-49221		1	WASHER, GEAR HOUSING FLUSHING HOLE PLUG

# GEAR HOUSING ASSEMBLY, COMPLETE (PAGE 2)

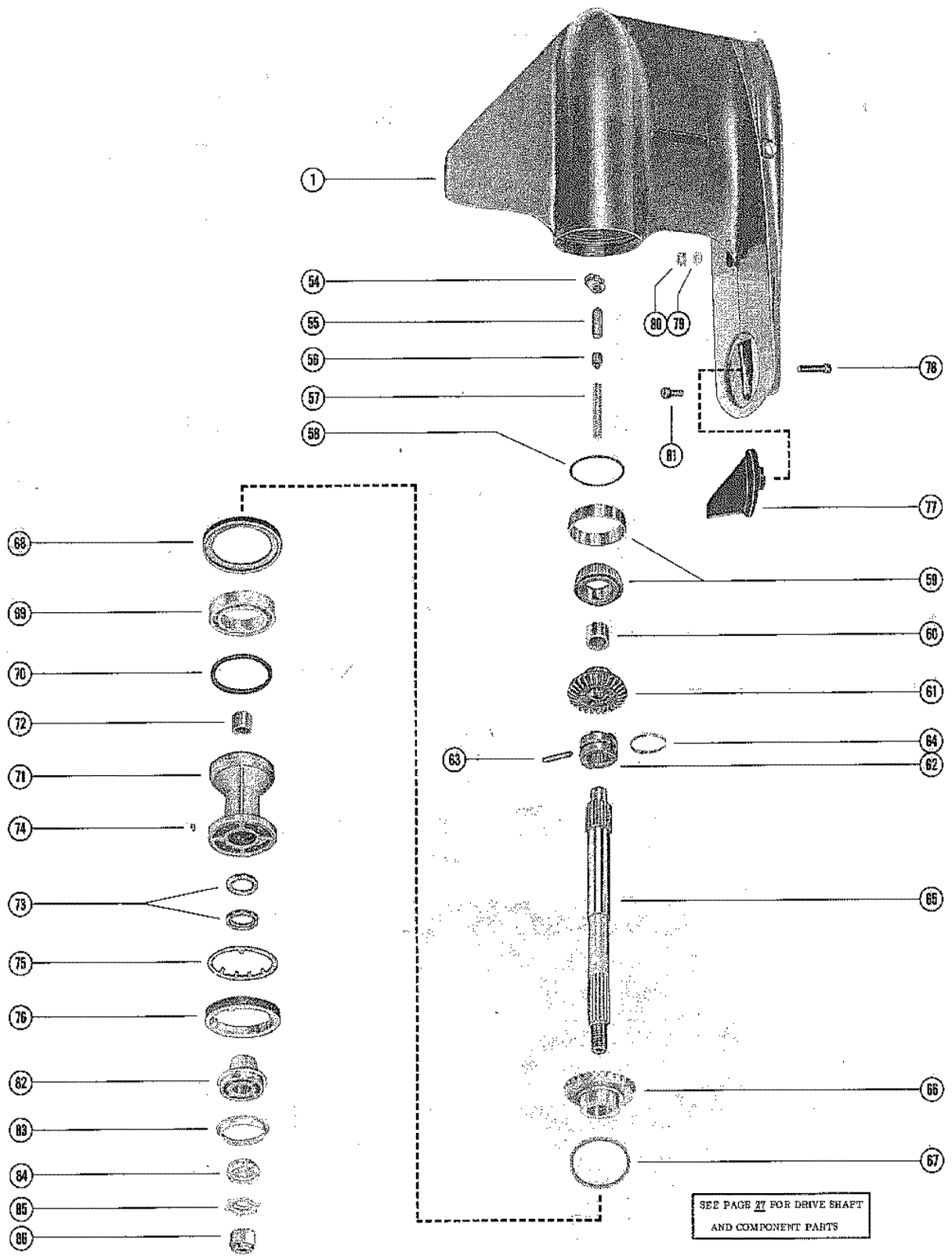


## GEAR HOUSING ASSEMBLY, COMPLETE (PAGE 2)

REF. NO.	PART NO.	SYM.	QTY.	DESCRIPTION
-	1623-3909A5		1	GEAR HOUSING ASSEMBLY, COMPLETE (SHORT SHAFT) SEE NOTE BELOW
-	1623-3909A3		1	GEAR HOUSING ASSEMBLY, COMPLETE (LONG SHAFT) SEE NOTE BELOW
1	1623-3909A6		1	GEAR HOUSING ASSEMBLY (SEE PAGE 27 FOR PARTS BREAKDOWN)
54	54346		1	CAM, SHIFT
55	30625		1	FOLLOWER, CAM
56	30624		1	SLIDE, CROSS PIN
57	24-30622		1	SPRING, COMPRESSION - CAM FOLLOWER
58	15-30923A1		AR	SHIM, BEARING OUTER RACE TO GEAR HOUSING (.002-3- 5-10)
59	31-30894A1		1	TAPERED ROLLER BEARING ASSEMBLY
60	31-30895		1	BEARING, ROLLER - FORWARD GEAR
61	43-57011		1	FORWARD GEAR ASSEMBLY
62	52-34239		1	RATCHET, SLIDING CLUTCH
63	17-30632		1	PIN, CROSS - RATCHET TO PROPELLER SHAFT
64	24-30893		1	SPRING, RETAINING - CROSS PIN
65	44-52542		1	SHAFT, PROPELLER
66	43-55689		1	REVERSE GEAR ASSEMBLY
67	15-29955A1		AR	SHIM, THRUST WASHER TO GEAR HOUSING (.002-3-5-10)
68	12-30633		1	WASHER, THRUST - BEARING CARRIER TO GEAR HOUSING
69	30-31265		1	BEARING, BALL - REVERSE GEAR
70	25-29976		1	"O" RING, BEARING CARRIER
71	52132A1		1	BEARING CARRIER ASSEMBLY
72	31-30956		1	BEARING, ROLLER - BEARING CARRIER
73	26-30550		2	OIL SEAL, BEARING CARRIER
74	28-30281		1	KEY, LOATING - BEARING CARRIER
75	14-52700		1	TAB WASHER, GEAR HOUSING COVER
76	52699		1	COVER, GEAR HOUSING
77	31640A1		1	TRIM TAB, GEAR HOUSING
78	10-55726		1	SCREW, TRIM TAB TO GEAR HOUSING (1 3/4")
79	12-45176		2	WASHER, GEAR HOUSING TO DRIVE SHAFT HOUSING STUDS
80	11-34933		2	NUT, GEAR HOUSING TO DRIVE SHAFT HOUSING STUDS
81	10-34353		1	SCREW, GEAR HOUSING TO DRIVE SHAFT HOUSING (1") <b>PART OF A-1623-3909A3 AND A5 GEAR HOUSING ASSEMBLY ,COMPLETE</b>

CONTINUED ON NEXT PAGE ➡

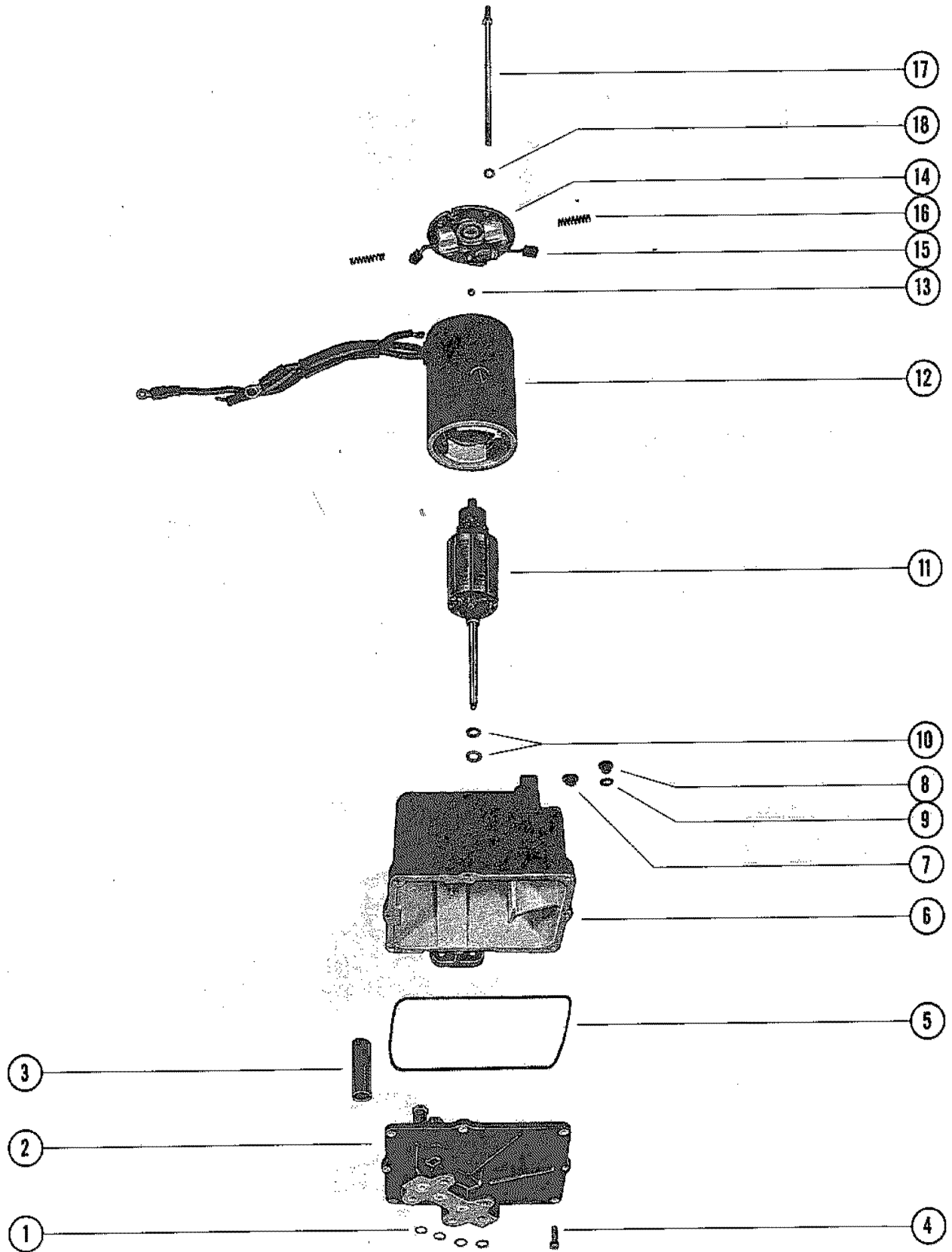
# GEAR HOUSING ASSEMBLY, COMPLETE (PAGE 2)



## GEAR HOUSING ASSEMBLY, COMPLETE (PAGE 2)

REF. NO.	PART NO.	SYM.	QTY.	DESCRIPTION
82			1	THRUST HUB AND WASHER ASSEMBLY PART OF A-1623-3909A3 AND A5 GEAR HOUSING ASSEMBLY ,COMPLETE
83	12-29590		1	WASHER, CUPPED - THRUST HUB
84	12-31211		1	WASHER, SPLINED - PROPELLER NUT
85	14-31210		1	TAB WASHER, PROPELLER NUT PART OF A-1623-3909A3 AND A5 GEAR HOUSING ASSEMBLY, COMPLETE
86	11-52707		1	NUT, PROPELLER (PART OF A-1623-3909A3 AND A5 GEAR HOUSING AS

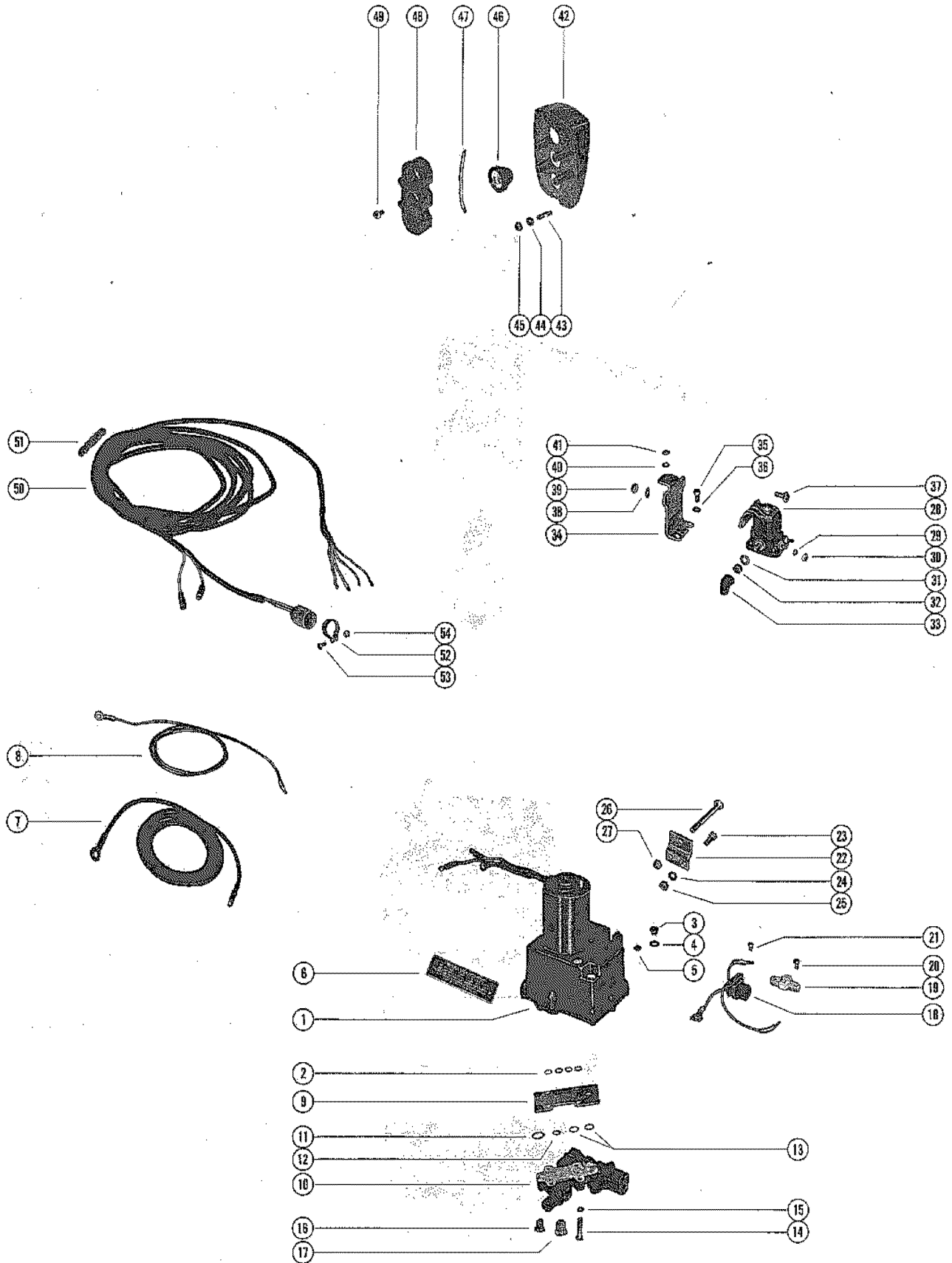
# HYDRAULIC PUMP ASSEMBLY



# HYDRAULIC PUMP ASSEMBLY

REF. NO.	PART NO.	SYM.	QTY.	DESCRIPTION
-	45060A7		1	HYDRAULIC PUMP ASSEMBLY, COMPLETE
1	25-21720		4	"O" RING, HYDRAULIC PUMP
2	392-2936		1	VALVE BODY AND GEAR ASSEMBLY
3	392-2618		2	CAN, VALVE BODY
4	10-20411		8	SCREW, VALVE BODY TO RESERVIOR
5	392-2937		1	SEAL, RESERVIOR TO VALVE BODY AND GEAR
6	392-2939		1	RESERVIOR ASSEMBLY
7	10-38257		1	SCREW, VENT - HYDRAULIC PUMP
8	10-28634		1	SCREW, FILLER - HYDRAULIC PUMP
9	12-20260		1	WASHER, SEALING - FILLER SCREW
10	392-2623		AR	WASHER, THRUST - ARMATURE
11	392-2943		1	ARMATURE, FIELD AND FRAME
12	392-2942		1	FIELD AND FRAME ASSEMBLY
13	392-2944		1	BALL, COMMUTATOR END PLATE
14	392-2940		1	PLATE ASSEMBLY, COMMUTATOR END
15	392-2941		1	BRUSH SET, COMMUTATOR END PLATE
16	392-2529		1	SPRING SET, BRUSH TENSION
17	392-2938		1	BOLT SET, THRU - PLATE AND FRAME TO RESERVOIR
18	13-26996		2	LOCKWASHER, THRU BOLT

# HYDRAULIC PUMP AND CONTROL PANEL



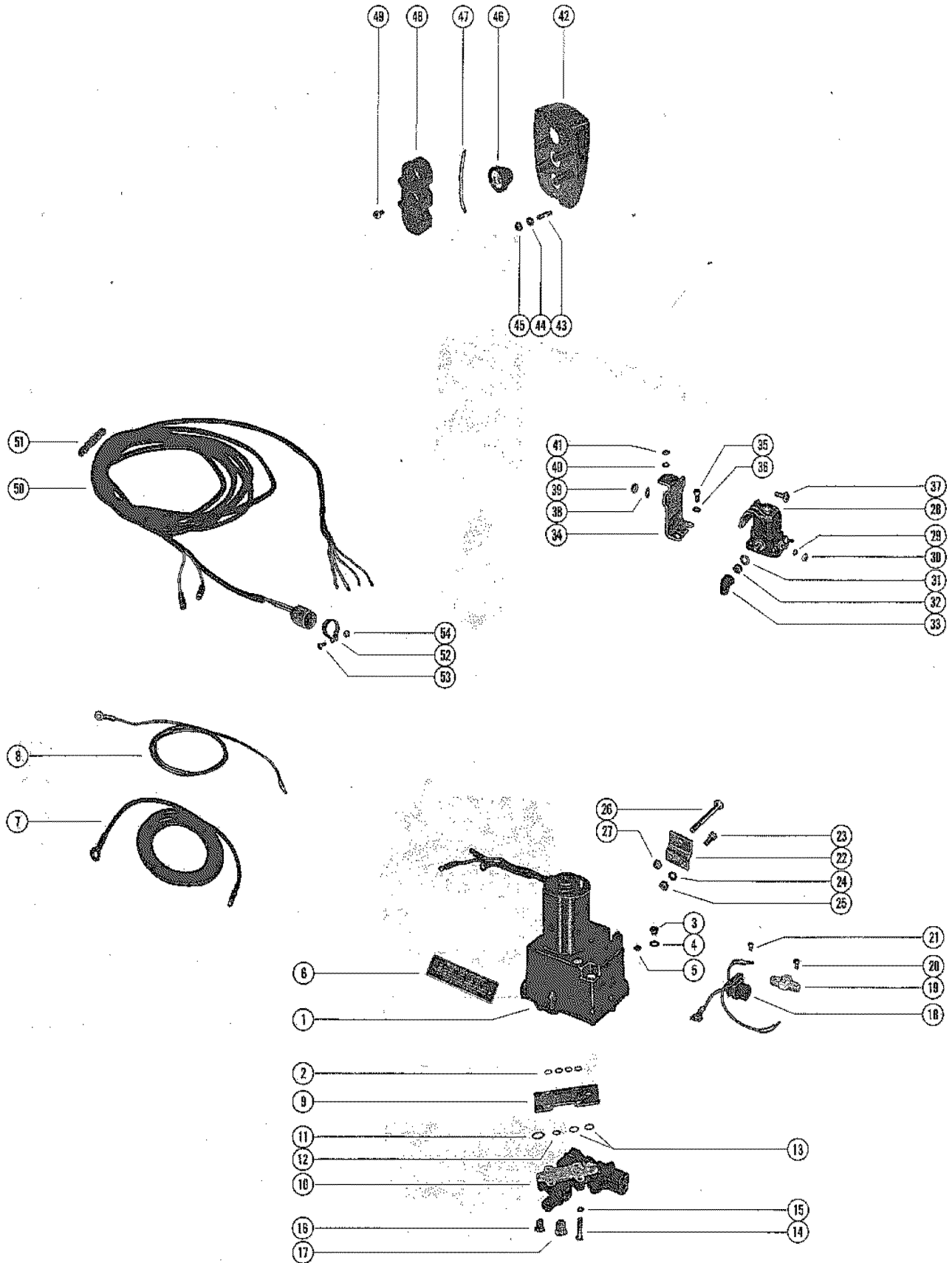


# HYDRAULIC PUMP AND CONTROL PANEL

REF. NO.	PART NO.	SYM.	QTY.	DESCRIPTION
1	45060A7		1	HYDRAULIC PUMP ASSEMBLY
2	25-21720		4	"O" RING, HYDRAULIC PUMP TO MANIFOLD PLATE
3	10-28634		1	SCREW, FILLER - HYDRAULIC PUMP
4	12-20260		1	WASHER, SEALING - HYDRAULIC PUMP FILLER SCREW
5	10-38257		1	SCREW, VENT - HYDRAULIC PUMP
6	37-55901		1	DECAL, INSTRUCTION - HYDRAULIC PUMP
7	32979		1	BATTERY LEAD (POSITIVE)
8	32988		1	BATTERY LEAD (NEGATIVE)
9	45336		1	PLATE, MANIFOLD
10	45197A2		1	CONTROL VALVE ASSEMBLY
-	<b>25-21720</b>		<b>4</b>	<b>"O" RING, HYDRAULIC PUMP TO MANIFOLD PLATE</b>
11	25-45254		1	"O" RING, CONTROL VALVE TO MANIFOLD PLATE (3/4"O.D.)
12	25-21720		1	"O" RING, CONTROL VALVE TO MANIFOLD PLATE (1/2"O.D.)
13	25-45253		2	"O" RING, CONTROL VALVE TO MANIFOLD PLATE (5/8"O.D.)
14	10-56500		4	SCREW, CONTROL VALVE AND MANIFOLD PLATE TO HYDRAULIC PUMP (1
15	13-26992		4	LOCKWASHER, CONTROL VALVE AND MANIFOLD PLATE SCREW
16	22-38609		2	PLUG, CONTROL VALVE (3/8-24")
17	22-46008		2	PLUG, CONTROL VALVE (1/2-20")
18	45325		1	CONNECTOR AND HARNESS
19	45559		1	TERMINAL BLOCK, HYDRAULIC PUMP
20	10-35519		2	SCREW, TERMINAL BLOCK TO HYDRAULIC PUMP (1/2")
21	10-30663		2	SCREW, HANRESS LEADS TO TERMINAL BLOCK (3/8")
22	45377		2	BRACKET, MOUNTING - HYDRAULIC PUMP TO BOAT
23	10-24234		4	SCREW, MOUNTING BRACKET TO HYDRAULIC PUMP (1")
24	13-39107		4	LOCKWASHER, MOUNTING BRACKET SCREW
25	11-21908		4	NUT, MOUNTING BRACKET SCREW
26	10-28009		2	BOLT, HYDRAULIC PUMP TO BOAT (3 1/4")
27	11-35304		2	NUT, HYDRAULIC PUMP BOLT
28	25661		1	STARTER SOLENOID
29	13-26996		2	LOCKWASHER, STARTER SOLENOID TERMINAL (#10)
30	11-20645		2	NUT, STARTER SOLENOID TERMINAL (#10)
31	13-26993		2	LOCKWASHER, STARTER SOLENOID TERMINAL (5/16")
32	11-20083		2	NUT, STARTER SOLENOID TERMINAL (5/16")
33	46265		2	BOOT, RUBBER - STARTER SOLENOID TERMINAL
34	45321		1	BRACKET, MOUNTING - STARTER SOLENOID
35	10-21140		2	SCREW, MOUNTING BRACKET TO HYDRAULIC PUMP (1/2")
36	13-26992		2	LOCKWASHER, MOUNTING BRAK CET SCREW
37	10-24290		2	SCREW, STARTER SOLENOID TO MOUNTING BRACKET (5/8")
38	13-26992		2	LOCKWASHER, STARTER SOLENOID SCREW

CONTINUED ON NEXT PAGE ➡

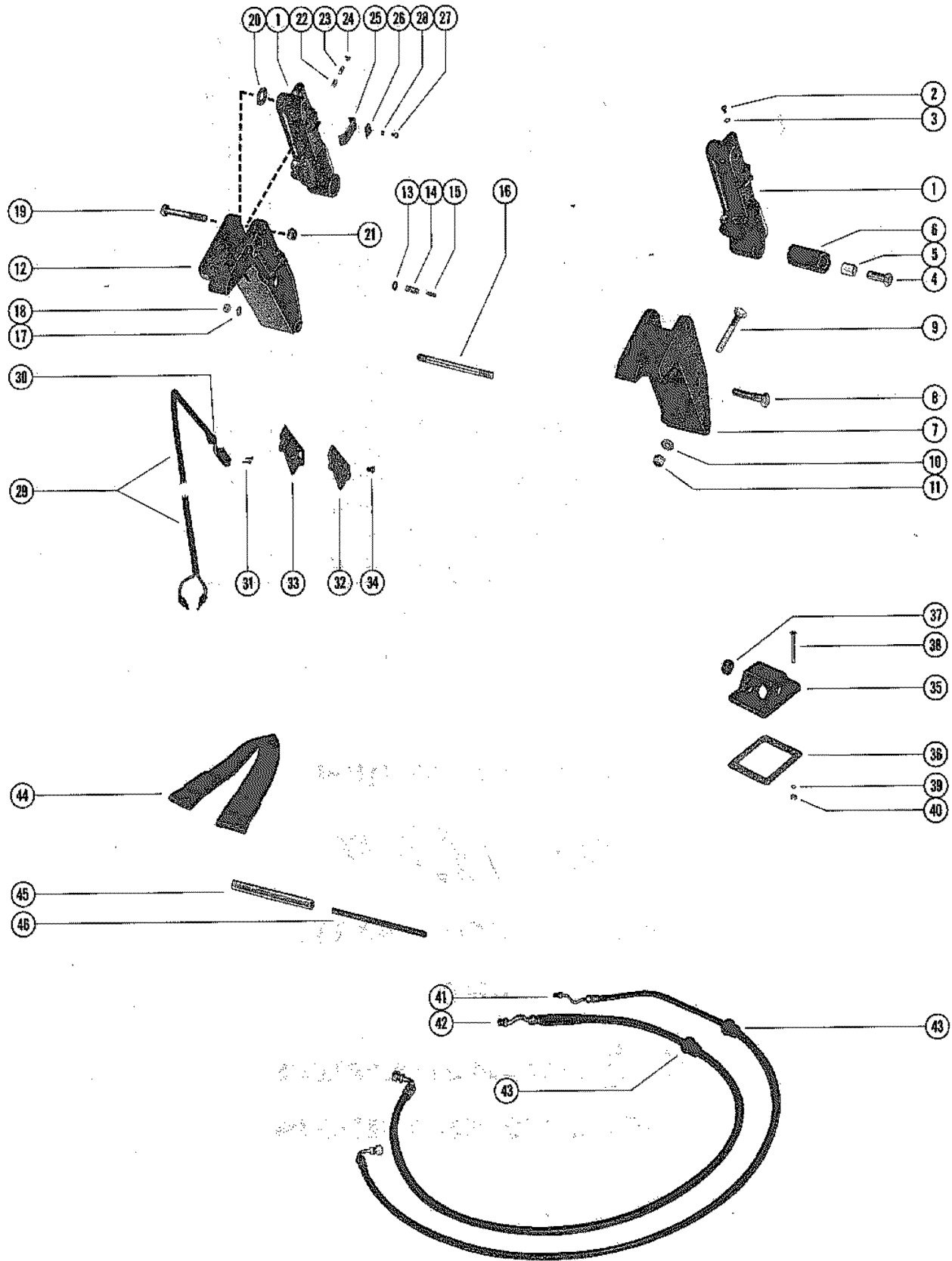
# HYDRAULIC PUMP AND CONTROL PANEL



## HYDRAULIC PUMP AND CONTROL PANEL

REF. NO.	PART NO.	SYM.	QTY.	DESCRIPTION
39	11-21825		2	NUT, STARTER SOLENOID SCREW
40	13-27660		1	LOCKWASHER, HYDRAULIC PUMP THRU BOLT
41	11-20645		1	NUT, MOUNTING BRACKET TO HYDRAULIC PUMP THRU BOLT
-	<b>55642A3</b>		<b>1</b>	<b>CONTROL PANEL ASSEMBLY, COMPLETE</b>
42	55642A1		1	PANEL, CONTROL
43	16-55422		4	STUD, CONTROL PANEL TO BOAT (2")
44	12-24676		4	WASHER, CONTROL PANEL STUD
45	11-27164		4	NUT, CONTROL PANEL STUD
46	55738A1		3	SWITCH, PUSH BUTTON - CONTROL PANEL
47	48078		1	JUMPER WIRE, PUSH BUTTON SWITCH (RED - 3-1/4")
	53107		1	JUMPER WIRE, PUSH BUTTON SWITCH (PURPLE -3")
48	55641		1	RETAINER, PUSH BUTTON SWITCH
49	10-30663		4	SCREW, SWITCH RETAINER TO CONTROL PANEL (1/2")
50	45341-20		1	HARNESS, CONTROL PANEL (20 FEET)
51	33865		1	BINDER, NYLON - CONTROL PANEL HARNESS
52	54-46770		1	CLAMP, HARNESS FASTENING
53	10-29227		1	SCREW, HARNESS FASTENING CLAMP (1/2")
54	11-34388		1	NUT, HARNESS FASTENING SCREW

# TRIM CYLINDERS AND HYDRAULIC HOSES

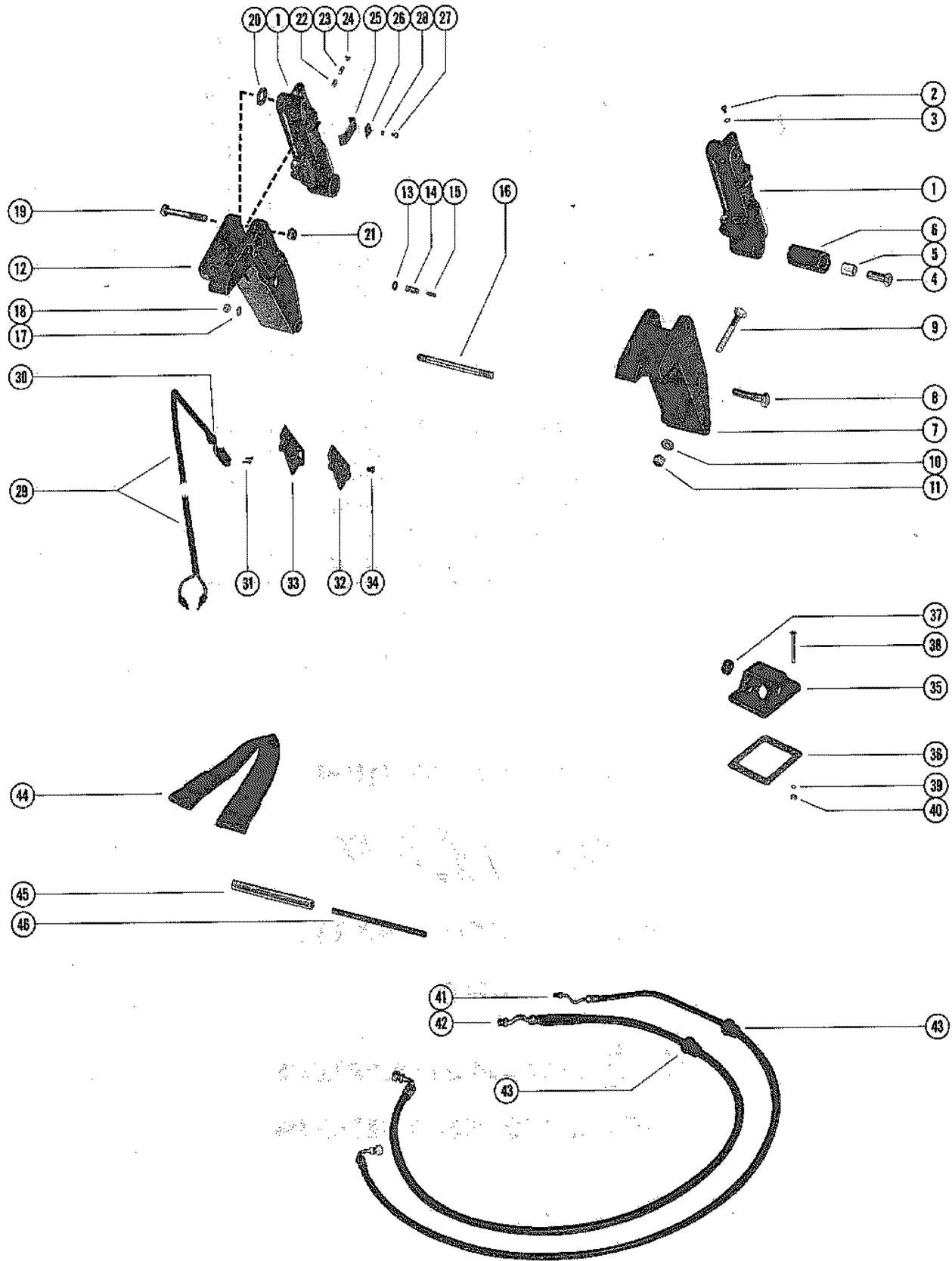


# TRIM CYLINDERS AND HYDRAULIC HOSES

REF. NO.	PART NO.	SYM.	QTY.	DESCRIPTION
1	45194A9		2	TRIM CYLINDER ASSEMBLY
2	10-45265		4	SCREW, BLEED - SHOCK CYLINDER
3	25-45016		4	"O" RING, SHOCK CYLINDER BLEED SCREW
4	10-45264		2	SCREW, SHOCK CYLINDER TO LOWER SHOCK PIN (1 9/16")
5	23-45280		2	SPACER, SHOCK CYLINDER - LOWER
6	23-45281		2	BUSHING, RUBBER - SHOCK CYLINDER
7	45195		1	BRACKET, MOUNTING - SHOCK CYLINDER (PORT)
8	10-45263		2	SCREW, MOUNTING BRACKET TO UPPER SHOCK PIN (2 1/4")
9	10-28009		4	BOLT, MOUNTING BRACKET TO BOAT TRANSOM (3 1/4")
10	12-28008		4	WASHER, MOUNTING BRACKET BOLT
11	11-28010		4	NUT, MOUNTING BRACKET BOLT
12	45196A2		1	BRACKET ASSEMBLY, MOUNTING - SHOCK CYLINDER (STARBOARD)
13	26-24590		1	OIL SEAL, STARBOARD MOUNTING BRACKET
14	45286		1	PLUNGER, LIMIT SWITCH PLUNGER
15	24-45272		1	SPRING, TENSION - LIMIT SWITCH PLUNGER
16	16-45282		1	STUD, MOUNTING BRACKET AND CLAMP BRACKET
17	13-26993		2	LOCKWASHER, MOUNTING BRACKET TO CLAMP BRACKET STUD
18	11-28770		2	NUT, MOUNTING BRACKET TO CLAMP BRACKET STUD
19	10-45328		2	SCREW, SHOCK CYLINDER TO MOUNTING BRACKET (3 9/16")
20	12-37807		1	WASHER, SHOCK CYLINDER SCREW (STARBOARD ONLY)
21	11-20696		2	NUT, SHOCK CYLINDER SCREW
22	24-24390		1	SPRING, TENSION - ADJUSTING STUD
23	16-21085		1	STUD, ADJUSTING - CUT-OUT LIMIT SWITCH
24	11-29488		1	NUT, JAM - LIMIT SWITCH ADJUSTING STUD
25	45508		1	CAM, LIMIT SWITCH ADJUSTING STUD
26	45509		1	PLATE, RETAINING - LIMIT SWITCH CAM
27	10-31903		1	SCREW, RETAINING PLATE AND CAM TO SHOCK CYLINDER
28	13-26996		1	LOCKWASHER, RETAINING PLATE AND CAM SCREW
29	45326A2		1	SWITCH ASSEMBLY, CUT-OUT LIMIT SWITCH
30	23-45354		1	BUSHING, RUBBER - CUT-OUT LIMIT SWITCH
31	10-47255		2	SCREW, CUT-OUT LIMIT SWITCH TO MOUNTING BRACKET (9/16")
32	45287		1	COVER, LIMIT SWITCH
33	27-45275		1	GASKET, LIMIT SWITCH COVER
34	10-24942		5	SCREW, LIMIT SWITCH COVER TO MOUNTING BRACKET (7/16")
35	45289		1	COVER, INLET - TRANSOM
36	27-45274		1	GASKET, INLET COVER
37	25-45507		1	GROMMET, RUBBER - INLET COVER
38	10-32866		4	SCREW, INLET COVER TO BOAT (2")
39	12-20878		4	WASHER, INLET COVER SCREW
40	11-29488		4	NUT, INLET COVER SCREW

CONTINUED ON NEXT PAGE ➡

# TRIM CYLINDERS AND HYDRAULIC HOSES



## TRIM CYLINDERS AND HYDRAULIC HOSES

REF. NO.	PART NO.	SYM.	QTY.	DESCRIPTION
41	32-45327		2	HOSE, TRIM - CYLINDER TO CONTROL VALVE (5') - 13/32"O.D.
42	32-45959		2	HOSE, LIFE - CYLINDER TO CONTROL VALVE (5') - 17/32"O.D.
43	23-35977		4	GROMMET, RUBBER - LIFT HOSE AND TRIM HOSE
44	63443		1	TILT STOP
45	63441		1	TUBE, MOUNTING - TILT STOP
46	17-63442		1	PIN, MOUNTING TUBE

# PARTS INDEX

Part Number	Description	Pg.	Ref. No.	Part Number	Description	Pg.	Ref. No.
20121	CONNECTOR, SPARK PLUG LEAD	13	--	30664	TUBE, TILT - CLAMP BRACKET TO SWIVEL BRACKET	45	4
20140	BELT, TIMING	17	57	31014	MOUNT, RUBBER - REAR SUPPORT BRACKET	3	23
22463	KNOB, CHOKE ROD	23	17	31089	STRIP, SOUND ABSORBING	7	8
22789	"D" WASHER, CLIP FASTENING SCREW	9	16	31640A1	TRIM TAB, GEAR HOUSING	57	77
22789	"D" WASHER, WIRING HARNESS CLIP SCREW	19	13	32197	STOP, SPARK ADVANCE - DISTRIBUTOR HOUSING	15	2
22789	:D: WASHER, FUEL LINE CLIP SCREW	29	16	32435	PLATE, FACE - WATER PUMP BASE TO WATER PUMP BODY	53	23
23004	RETAINER, CHECK VALVE	29	6	32979	BATTERY LEAD (POSITIVE)	63	7
23760	BAFFLE, BOTTOM COWL	41	10	32988	BATTERY LEAD (NEGATIVE)	63	8
24929	PACKING, "U" CUP	51	28	33865	BINDER, NYLON - CONTROL PANEL HARNESS	65	51
25067	BUMPER, RUBBER - LOWER MOUNTING SCREW	51	41	35474	COVER, LOWER MOUNT CLAMP	51	49
25596	CABLE, WIRE - STARTER MOTOR TO FRONT SUPPORT BRACKET	19	21	35496	PAD, BUMPER - TOP COWL RETAINER	3	3
25661	SOLENOID, STARTER	19	29	35496	PAD< BUMPER - COWL RETAINER	3	3
25661	STARTER SOLENOID	63	28	35608	CLAMP, LOWER MOUNT TO DRIVE SHAFT HOUSING	51	46
25996A1	SWIVERL AND LINK ROD ASSEMBLY	15	10	35753	EMBLEM< FRONT COVER	7	2
26113	RACE, OUTER (PAIR)	37	10	35769	SEAL, SOUND ABSORBING - UPPER	7	10
26901	BUMPER, RUBBER - STARTER SOLENOID	19	32	37281	"D" WASHER, BLEED HOSE CLAMP	33	57
27947	SWIVER, LINKAGE - ECONOMIZER COLLAR	15	9	37398	MOUNT, RUBBER - UPPER	51	25
27948	SWIVEL, UPPER LINK ROD TO THROTTLE CONTROL LEVER	15	13	37417	COVER, TRIM - DRIVE SHAFT HOUSING	49	6
28203	BUMPER, STEERING ARM	45	28	37419	YOKE, BOTTOM	45	34
28205	STRAP STOP, DRIVE SHAFT HOUSING TO SWIVEL BRACKET	45	36	37440	BRAACKET, MOUNT SUPPORT - CYLINDER BLOCK	33	51
28403A3	THUMB SCREW ASSEMBLY	45	2	37445	SUPPORT, WIRING HARNESS - BOTTOM COWL	41	12
29359	LUBRICAP, SWIVEL BRACKET GREASE FITTING	45	18	37587	SWIVEL, LOWER - THROTTLE CONTROL LEVER TO THROTTLE CABLE	15	22
29787	HUB, FLYWHEEL PULLEY	9	10	37637	BOOT, FUEL CONNECTOR - BOTTOM COWL	41	9
29788	FLANGE, FLYWHEEL PULLEY	9	8	37638	BOOT, CONTROL CABLES - BOTTOM COWL	41	6
29906A1	DRIVEN PULLEY ASSEMBLY	17	52	37639	MOUNT, RUBBER - TOP COWL FRAME	3	20
29907	FLANGE, DRIVEN PULLEY	17	54	37640	MOUNT, RUBBER - FRONT SUPPORT BRACKET	5	36
30021	BLANKET, SOUND ABSORBING	7	15	37641	SEAL, EXHAUST TUBE	55	40
30050	TERMINAL, HARNESS AND MERCURY SWITCH LEADS	19	2	37665	STRIP, RETAINING - TRIM COVER SEAL (SIDE)	49	9
30050	TERMINAL, STATOR LEAD WIRE	9	12	37700	ROD, LINK - UPPER	15	12
30186	ADAPTOR, CHECK UNIT (FUEL LINE)	29	25	37896	GUIDE BLOCK, LINK ROD	43	52
30187	STEM, CHECK UNIT ADAPTOR	29	26	37918	SEAL, EXHAUST EXTENSION PLATE	41	29
30188	CUP WASHER, ADAPTOR	29	29	37919	SEAL, TRIM COVER TO DRIVE SHAFT HOUSING	49	8
30306	PULLEY, FLYWHEEL	9	9				
30413	HOOK, COWL LATCH FASTENING	7	14				
30624	SLIDE, CROSS PIN	57	56				
30625	FOLLOWER, CAM	57	55				



# PARTS INDEX

Part Number	Description	Pg.	Ref. No.	Part Number	Description	Pg.	Ref. No.
37940	PAD, SOUND - DRIP TRAY	41	3	45326A2	SWITCH ASSEMBLY, CUT-OUT LIMIT SWITCH	67	29
38032	STRIP, RETAINING - EXHAUST EXTENSION			45336	PLATE, MANIFOLD	63	9
	PLATE SEAL	41	30	45341-20	HARNESS, CONTROL PANEL (20 FEET)	65	50
38051	PLATE, SUPPORT - EXHAUST TUBE SEAL	55	41	45377	BRACKET, MOUNTING - HYDRAULIC PUMP TO BOAT	63	22
38052	STRIP, RETAINING - TRIM COVER SEAL (REAR)	49	10	45391	SPACER, RUBBER - HIGH TENSION LEADS	13	36
38279	LATCH, CONTROL CABLE FASTENING - ANCHOR BRACKET	43	54	45392	BRACKET, FRONT - WIRE RETAINER	13	33
38448	RETAINER, WATER TUBE SEAL	41	23	45409	WIRE RETAINER, HIGH TENSION LEADS	13	32
38469	TUBE, EXHAUST (SHORT SHAFT)	49	12	45508	CAM, LIMIT SWITCH ADJUSTING STUD	67	25
38470	TUBE, EXHAUST (LONG SHAFT)	49	12	45509	PLATE, RETAINING - LIMIT SWITCH CAM	67	26
38675	BLANKET, SOUND ABSORBING	7	9	45559	TERMINAL BLOCK, HYDRAULIC PUMP	63	19
38802	CAP, BRASS BARREL TO THROTTLE CABLE	43	39	45559	TERMINAL BLOCK, STATOR LEADS	19	14
38820	MOUNT, RUBBER - UPPER (HEAVY DUTY)	51	25	46096	MOUNT, RUBBER - TOP COWL FRAME (HEAVY DUTY)	3	20
38821	MOUNT, RUBBER - LOWER (HEAVY DUTY)	51	37	46265	BOOT, RUBBER - STARTER SOLENOID TERMINAL	63	33
39015A1	REVERSE LOCK ASSEMBLY	47	49	46265	BOOT, SOLENOID TERMINAL	21	38
39019	SPACER, LOWER - REVERSE LOCKING NOT USED WITH FULL POWER	55	48	46785A1	COWL LATCH ASSEMBLY	7	13
39021	CAM, REVERSE LOCKING	55	49	46933A1	GROUND STRAP ASSEMBLY, CRANKCASE TO COWL (3 5/8")	43	57
39519	CAP, BARREL RETAINER - ANCHOR BRACKET	43	45	46933A2	GROUND STRAP ASSEMBLY, HOUSING TO COWL (3 3/8")	43	58
39536	LINK, LOCKING LEVER TO COVER	43	49	47271	FRAME, TOP COWL SUPPORT	3	18
39616	BOOT, CONTROL CABLES - BOTTOM COWL	41	6	47341A1	ROPE, STARTER (FOR MANUAL STARTING ONLY)	3	10
39618	LEVER NYLON - SHIFT CABLE LOCKING	43	46	47398	BRACKET, REAR - WIRE RETAINER	13	34
39667	COVER, NYLON - SHIFT CABLE	43	48	47558	ROD, PUSH - REVERSE LOCK (LONG SHAFT)	49	20
45060A7	HYDRAULIC PUMP ASSEMBLY	63	1	47559	YOKE, PUSH ROD	49	22
45060A7	HYDRAULIC PUMP ASSEMBLY, COMPLETE	61	-	47591	ROD, PUSH - REVERSE LOCK (SHORT SHAFT)	49	20
45194A9	TRIM CYLINDER ASSEMBLY	67	1	47604A1	PROTECTOR, SPARK PLUG LEAD	13	29
45195	BRACKET, MOUNTING - SHOCK CYLINDER (PORT)	67	7	47799A1	TILT LOCK ASSEMBLY, STARBOARD	45	19
45196A2	BRACKET ASSEMBLY, MOUNTING - SHOCK CYLINDER (STARBOARD)	67	12	47800A1	TILT LOCK ASSEMBLY, PORT	45	20
45197A2	CONTROL VALVE ASSEMBLY	63	10	47802	TUBE, TILT LOCK	45	21
45286	PLUNGER, LIMIT SWITCH PLUNGER	67	14	47869A1	BRACKET ASSEMBLY, ANCHOR CONTROL CABLES	43	38
45287	COVER, LIMIT SWITCH	67	32				
45289	COBER, INLET - TRANSOM	67	35				
45321	BRACKET, MOUNTING - STARTER SOLENOID	63	34				
45325	CONNECTOR AND HARNESS	63	18				

# PARTS INDEX

Part Number	Description	Pg.	Ref. No.	Part Number	Description	Pg.	Ref. No.
48047A1	LINK ROD ASSEMBLY . . . . .	43	35	52737	LEVER, COWL LATCH		
48078	JUMPER WIRE, PUSH BUTTON SWITCH (RED - 3-1/4") . . . . .	65	47	52739	HINGE . . . . .	3	12
48152	SHUTTER, CHOKE - CARBURETOR . . . . .	23	25	52769	HINGE, COWL LATCH - TOP COWL . . . . .	3	11
48203	ROD, CHOKE . . . . .	23	22	52862A2	WIRING HARNESS, INTERNAL . . . . .	19	1
48231	SPACER, BOTTOM COWL (COWL FRONT COVER) . . . . .	41	7	52887	DRIP TRAY ASSEMBLY, BOTTOM COWL . . . . .	41	2
48396	CABLE, WIRE - STARTER MOTOR TO SOLENOID . . . . .	19	35	52889	GUIDE, PUSH ROD - REVERSE LOCKING . . . . .	49	19
48666A1	ADAPTOR ASSEMBLY, DISTRIBUTOR . . . . .	15	35	52889	NOZZLE, TELL TALE HOSE TO BOTTOM COWL . . . . .	41	16
48671	PLATE, THROTTLE ACTUATOR . . . . .	15	28	53071	COVER, UPPER AND LOWER SHOCK MOUNTING PIN . . . . .	47	61
48692	COLLAR, THROTTLE ACTUATOR . . . . .	15	24	53078	CAP, PLASTIC - TILT TUBE . . . . .	45	7
48752	INSERT, WATER PUMP BODY . . . . .	53	26	53107	JUMPER WIRE, PUSH BUTTON SWITCH (PURPLE -3") . . . . .	65	47
48856	LEVER, THROTTLE CONTROL . . . . .	15	14	53141	COVER, UPPERMOUNT - INSIDE HALF . . . . .	51	27
49239	COVER, UPPER MOUNT - OUTSIDE HALF . . . . .	51	26	53334	SEAL, SOUND ABSORBING - TOP . . . . .	7	11
49448	SHIELD, TOP COWL - REAR	3	7	53417	GROUND STRAP ASSEMBLY, DISTRIBUTOR TO CRANKCASE . . . . .	11	5
49455	MOUNT, RUBBER - LOWER (SHORT SHAFT) . . . . .	51	37	53665	INSERT, THROTTLE COUPLING . . . . .	23	12
49456	MOUNT, RUBBER - LOWER (LONG SHAFT) . . . . .	51	37	53720A2	THROTTLE PICK-UP BRACKET ASSEMBLY . . . . .	23	10
49589	STRAP, CHOKE KNOB TO CHOKE ROD . . . . .	23	19	54196A1	CARRIER ASSEMBLY, "O" RING . . . . .	37	5
49932A1	LEVER ASSEMBLY, CONTROL CABLE LOCKING - ANCHOR BRACKET . . . . .	43	40	54239	CAM, THROTTLE ACTUATOR PLATE (SERIAL #2928767 AND BELOW) . . . . .	15	33
49935	CAP, BRASS BARREL TO THROTTLE CABLE . . . . .	43	39	54283A1	PLUNGER AND LINK ASSEMBLY, CHOKE SOLENOID . . . . .	23	6
52023	CAP, NYLON - STOP BRACKET ADJUSTING SCREW . . . . .	17	46	54293A4	CHOKE SOLENOID . . . . .	23	1
52023	CAP, NYLON - THROTTLE ACTUATOR COLLAR ADJUSTING SCREW . . . . .	15	27	54346	CAM, SHIFT . . . . .	57	54
52100	WEAR PLATE, LINK ROD . . . . .	43	53	54567	CAP, DISTRIBUTOR HOUSING . . . . .	17	50
52132A1	BEARING CARRIER ASSEMBLY . . . . .	57	71	54685	BRACKET, TOP COWL SUPPORT - REAR . . . . .	3	22
52518	CLUSTER, THROTTLE LEVER (UPPER CARBURETOR) . . . . .	23	7	55156A5	FUEL PUMP ASSEMBLY . . . . .	29	1
52699	COVER, GEAR HOUSING . . . . .	57	76	55200	COVER, WATER JACKET - CYLINDER BLOCK . . . . .	33	33
52725A2	BRACKET ASSEMBLY, TOP COWL SUPPORT - FRONT	3	31	55278A1	DIAPHRAGM KIT . . . . .	29	3
52732	BRACKET, ANCHOR - CONTROL CABLES SERIAL #2928721 AND UP	43	44	55281	COVER, EXHAUST MANIFOLD . . . . .	33	40
52733A3	RETAINER ASSEMBLY, TOP COWL . . . . .	3	2	55282	PLATE, BAFFLE - EXHAUST MANIFOLD . . . . .	33	38
52733A4	RETAINER ASSEMBLY - TOP COWL RETAINER . . . . .	3	2	55398A4	TACHOMETER ASSEMBLY . . . . .	1	-
52733A5	RETAINER ASSEMBLY - TOP COWL RETAINER . . . . .	3	2	55421A1	SHAFT ASSEMBLY, SHIFT - LOWER . . . . .	55	42
				55455	HOOK, TOP COWL LATCH - REAR . . . . .	3	15
				55641	RETAINER, PUSH BUTTON SWITCH . . . . .	65	48

# PARTS INDEX

Part Number	Description	Pg.	Ref. No.	Part Number	Description	Pg.	Ref. No.
55642A1	PANEL, CONTROL .....	65	42	63441	TUBE, MOUNTING - TILT STOP .....	69	45
55642A3	CONTROL PANEL ASSEMBLY, COMPLETE .	65	--	63443	TILT STOP .....	69	44
55662	SCREEN, WATER INLET EARLY MODELS ONLY ..	53	2	63473	TUBE, CUSHION - SHOCK PIN .....	47	41
55692	COUPLING, SHIFT SHAFT ..	43	34	10-20037	SCREW, RETAINER TO HOUSING .....	29	7
55738A1	SWITCH, PUSH BUTTON - CONTROL PANEL .....	65	46	10-20055	SCREW, REED STOP MOUNTING ( .....	37	21
55804A1	ECONOMIZER COLLAR ASSEMBLY .....	15	6	10-20359	SCREW, CENTER MAIN BEARING LOCKING .....	31	25
55805	BRACKET, STOP .....	17	41	10-20362	SCREW, FRONT BRACKET TO TOP COWL FRAME (1 1/2") .....	5	34
56029	COVER, STARTER MOTOR BRACKET - TOP .....	31	16	10-20411	SCREW, VALVE BODY TO RESERVIOR .....	61	4
56030	COVER, STARTER MOTOR BRACKET - BOTTOM .....	31	19	10-20776	SCREW, GROUND WIRE TO BOTTOM COWL .....	19	8
56186	EMBLEM, TOP COWL RETAINER .....	3	4	10-20847	SCREW, CLUSTER TO THROTTLE LEVER .....	23	8
56306A2	PLATE ASSEMBLY, EXHAUST EXTENSION ..	41	21	10-20847	SCREW, THROTTLE STOP LEVER .....	25	19
56349	SHAFT, REVERSE LOCK PIVOT .....	47	50	10-21091	SCREW, CYLINDER BLOCK COVER MOUNTING (1 1/8") .....	33	48
56703	COLLAR, RUBBER - STARTER MOTOR MOUNT	19	25	10-21140	SCREW, MOUNTING BRACKET TO HYDRAULIC PUMP (1/2") .....	63	35
56849	KNOB, COWL FRONT COVER FASTENING .....	7	3	10-21449	SCREW, TOP COVER ATTACHING (2") .....	31	17
57247	STOP, RUBBER - STARTER MOTOR .....	19	23	10-21574	SCREW, CRANKCASE TO CYLINDER BLOCK (1 5/8")	31	22
57602	WIRE, GROUND - DISTRIBUTOR ADAPTOR TO FRONT SUPPORT BRACKET .....	17	40	10-21625	SCREW, SOLENOID TO COIL BRACKET (3/4") .....	19	30
57854	RESTRICTION, CRANKCASE BLEED .....	31	8	10-22040	SCREW, DISTRIBUTOR HOUSING TO CRANKCASE (1 1/2") .....	17	37
58124A4	SWITCH, MERCURY .....	33	42	10-22040	SCREW, FRONT BRACKET TO BOTTOM COWL (1 1/2") .....	3	32
58454	CAM, THROTTLE ACTUATOR PLATE (SERIAL #2928768 AND UP) .....	15	33	10-22523	SCREW, LOWER CARBURETOR FILTER SCREEN TO CARBURETOR (5/8") .....	23	29
58478A1	DIVIDER ASSEMBLY, EXHAUST (SEE NOTE BELOW) .....	41	27	10-22956	SCREW, REAR HOOK TO TOP COWL (7/8") .....	3	16
58807A1	FLAME ARRESTOR, VENT - DISTRIBUTOR CAP .....	13	26	10-22968	SCREW, CENTER MAIN BEARING CLAMPING .....	37	13
58807A1	FLAME ARRESTOR, VENT - DISTRIBUTOR HOUSING .	11	7	10-23015	SCREW, UPPER CARBURETOR FILTER SCREEN TO CARBURETOR (1") .....	23	29
59757	BRACKET, COIL LEAD RETAINER .....	23	13	10-23030	SCREW, BODY CHANNEL ..	27	36
60304A10	SHIFT SHAFT ASSEMBLY, UPPER (LONG SHAFT) ..	41	32	10-23178	SCREW, BODY (IDLE TUBE)	25	23
60304A9	SHIFT SHAFT ASSEMBLY, UPPER (SHORT SHAFT) .	41	32	10-24226	SCREW, EXHUAUST EXTENSION PLATE TO DRIVE SHAFT HOUSING .	41	25
62277	PLATE, BAFFLE - EXHAUST MANIFOLD .....	33	38	10-24227	SCREW, STOP BRACKET ADJUSTING (2 1/8") .....	17	44
62278	COVER, WATER JACKET - CYLINDER BLOCK .....	33	33				
62300	COVER, TRANSFER PORT - BOTTOM .....	33	53				
62301	COVER, TRANSFER PORT - TOP .....	33	53				

# PARTS INDEX

Part Number	Description	Pg.	Ref. No.	Part Number	Description	Pg.	Ref. No.
10-24234	SCREW, BRACKET TO CYLINDER BLOCK (1")	33	52	10-28773	SCREW, UPPER MOUNT COVER (1 5/8")	51	29
10-24234	SCREW, MOUNTING BRACKET TO HYDRAULIC PUMP (1")	63	23	10-28775	SCREW, UPPER MOUNT COVER (2 1/8")	51	30
10-24234	SCREW, REAR BRACKET TO BOTTOM COWL (1")	3	29	10-29197	SCREW, WIRE CABLE TO STARTER MOTOR	19	22
10-24290	SCREW, STARTER SOLENOID TO MOUNTING BRACKET (5/8")	63	37	10-29227	SCREW, HARNESS FASTENING CLAMP (1/2")	65	53
10-24624	SCREW, COIL MOUNTING BRACKET (1 3/4")	13	38	10-29256	SCREW, LOWER MOUNT CLAMP TO DRIVE SHAFT HOUSING	51	48
10-24866	SCREW, SWITCH BOX TO FRONT MOUNTING BRACKET (1")	19	19	10-29722	SCREW, COVER TO LOWER CLAMP MOUNT	51	51
10-24942	SCREW, LIMIT SWITCH COVER TO MOUNTING BRACKET (7/16")	67	34	10-30225	SCREW, END CAP MOUNTING	31	5
10-25299	SCREW, CHOKE SOLENOID (3/4")	23	4	10-30225	SCREW, END CAP MOUNTING (1")	31	32
10-25612	SCREW, DRIVE - SERIAL PLATE TO SWIVEL BRACKET	47	46	10-30663	SCREW, FRONT AND REAR BRACKET ATTACHING	13	35
10-25822	SCREW, STAINER COVER FASTENING	25	18	10-30663	SCREW, FUEL LINE CLIP TO CYLINDER BLOCK (3/8")	29	15
10-26065	SCREW, REAR BRACKET TO TOP COWL FRAME (1")	3	27	10-30663	SCREW, GROUND STRAP ATTACHING (3/8")	11	6
10-26132	SCREW, TOP COVER ATTACHING (2 1/2")	31	17	10-30663	SCREW, GROUND STRAP FASTENING	43	59
10-27281	SCREW, FUEL PUMP MOUNTING (1 3/8")	29	8	10-30663	SCREW, HANRESS LEADS TO TERMINAL BLOCK (3/8")	63	21
10-28009	BOLT, CLAMP BRACKET TO BOAT TRANSOM (LOWER)	47	42	10-30663	SCREW, MERCURY SWITCH LEAD	33	45
10-28009	BOLT, HYDRAULIC PUMP TO BOAT (3 1/4")	63	26	10-30663	SCREW, STATOR LEAD CLIP FASTENING (3/8")	9	15
10-28009	BOLT, MOUNTING BRACKET TO BOAT TRANSOM (3 1/4")	67	9	10-30663	SCREW, STATOR LEADS TO TERMINAL BLOCK (3/8")	19	15
10-28200	SCREW, STRAP STOP TO DRIVE SHAFT HOUSING (2 7/8")	45	37	10-30663	SCREW, SWITCH RETAINER TO CONTROL PANEL (1/2")	65	49
10-28405	SCREW, PLUG - MAIN FUEL JET CHANNEL	25	29	10-30663	SCREW, WIRING HARNESS TO FRONT BRACKET (3/8")	19	12
10-28424	SCREW, LOWER SHOCK PIN LONG SHAFT	47	--	10-30720	SCREW, WATER PUMP BODY TO GEAR HOUSING (2 1/4")	55	31
10-28634	SCREW, FILLER - HYDRAULIC PUMP	61	8	10-31294	SCREW, COIL BRACKET (1")	23	14
10-28634	SCREW, FILLER - HYDRAULIC PUMP	63	3	10-31294	SCREW, RECTIFIER TO MOUNTING BRACKET (1")	21	40
10-28634	SCREW, GREASE FILLER AND VENT HOLE	55	50	10-31471	SCREW, ADAPTOR TO BOTTOM COWL (3 1/4")	29	30
10-28636	SCREW, DISTRIBUTOR ADAPTOR TO STOP BRACKET (3/4")	17	42	10-31471	SCREW, COIL MOUNTING BRACKER (3 1/4")	13	40
10-28636	SCREW, TRANSFER PORT COVER MOUNTING (3/4")	33	55	10-31471	SCREW, WIRING HARNESS SUPPORT TO BOTTOM COWL (3 1/4")	41	13
10-28668	SCREW, TUBE TO EXTENSION PLATE (7/8")	49	13	10-31827	BOLT, CLAMP BRACKET TO BOAT TRANSOM (UPPER)	47	42
				10-31830	SCREW, RIDE-GUIDE ATTACHING	45	31
				10-31903	SCREW, RETAINING PLATE AND CAM TO SHOCK CYLINDER	67	27

# PARTS INDEX

Part Number	Description	Pg.	Ref. No.	Part Number	Description	Pg.	Ref. No.
10-32293	SCREW, CRANKCASE TO CYLINDER BLOCK (1 3/4")	31	22	10-45264	SCREW, SHOCK CYLINDER TO LOWER SHOCK PIN (1 9/16")	67	4
10-32417	SCREW, FLEXIBLE PLATE TO FLYWHEEL (5/8")	9	5	10-45265	SCREW, BLEED - SHOCK CYLINDER	67	2
10-32866	SCREW, INLET COVER TO BOAT (2")	67	38	10-45328	SCREW, SHOCK CYLINDER TO MOUNTING BRACKET (3 9/16")	67	19
10-33473	SCREW, BOTTOM COVER ATTACHING (2 5/8")	31	20	10-45775	SCREW, MAIN BEARING CLAMPING	37	17
10-33473	SCREW, CRANKCASE TO CYLINDER BLOCK (2 5/8")	31	22	10-45862	SCREW, WIRING HARNESS CLAMP TO BOTTOM COWL (7/8")	19	4
10-34353	SCREW, GEAR HOUSING TO DRIVE SHAFT HOUSING (1")	57	81	10-47255	SCREW, CUT-OUT LIMIT SWITCH TO MOUNTING BRACKET (9/16")	67	31
10-34439	SCREW, RETAINER TO EXHAUST EXTENSION PLATE (3/4")	41	24	10-47828	SCREW, DRIVE - SWIVEL BRACKET	45	16
10-35519	SCREW, DRIP TRAY TO BOTTOM COWL (1/2")	41	4	10-48408	SCREW, RETAINING STRIP TO DRIVE SHAFT HOUSING (1/2")	49	5
10-35519	SCREW, TELL TALE NOZZLE TO BOTTOM COWL (1/2")	41	17	10-48409	SCREW RETAINING STRIP TO DRIVE SHAFT HOUSING (5/8")	49	4
10-35519	SCREW, TERMINAL BLOCK TO HYDRAULIC PUMP (1/2")	63	20	10-48591	SCREW, SPACER TO BOTTOM COWL (1/2")	41	8
10-36137	SCREW, TUBE TO EXTENSION PLATE (1")	49	13	10-48591	SCREW, STRAP TO CHOKE KNOB (1/2")	23	20
10-37370	SCREW, SHIELD TO TOP COWL (5/8")	3	8	10-48591	SCREW, STRAP TO CHOKE ROD (1/2")	23	23
10-37558	SCREW, RETAINER TO TOP COWL (1 1/4")	3	5	10-48675	SCREW, ADJUSTING - THROTTLE ACTUATOR COLLAR (1 1/2")	15	25
10-37559	SCREW, THROTTLE LEVER TO EXHAUST COVER (1 3/4")	15	18	10-49006	SCREW, PLATE AND HUB TO FLEXIBLE PLATE (3/4")	9	6
10-37571	SCREW, SEAL AND RETAINING STRIP TO EXTENSION PLATE (1/2")	41	31	10-49318	SCREW, LOWER MOUJNT (5 1/2")	51	38
10-37571	SCREW, TRIM COVER TO BOTTOM COWL	49	7	10-49554	BOLT, STEERING ARM TO UPPER MOUNT (5 7/8")	45	29
10-37655	SCREW, COVER TO SHOCK MOUNTING SCREW	47	62	10-52195	SCREW, FLOAT BOWL COVER (SHORT)	25	10
10-37892	SCREW, THROTTLE ACTUATOR PLATE TO ECONOMIZER COLLAR (1")	15	29	10-52196	SCREW, FLOAT BOWL COVER (LONG)	25	11
10-37990	SCREW, ADAPTOR TO BOTTOM COWL (1 3/4")	29	30	10-52867	SCREW, BAFFLE TO BOTTOM COWL	41	11
10-37990	SCREW, WIRING HARNESS SUPPORT TO BOTTOM COWL (1 3/4")	41	13	10-53077	SCREW, UPPER AND LOWER SHOCK MOUNTING PIN	47	60
10-38257	SCREW, VENT - HYDRAULIC PUMP	61	7	10-53167	SCREW, WATER JACKET COVER TO CYLINDER BLOCK (7/8")	33	35
10-38257	SCREW, VENT - HYDRAULIC PUMP	63	5	10-53556	SCREW, TRANSFER PORT COVER MOUNTING (1")	33	55
10-38837	SCREW, MANIFOLD COVER MOUNTING	33	41	10-53651	SCREW, THROTTLE BRACKET MOUNTING	23	11
10-39767	SCREW, BOTTOM COVER ATTACHING (1 7/8")	31	20	10-54803	SCREW, CONNECTING ROD	37	28
10-45218	SCREW, SWITCH BOX (3/8")	19	18	10-55726	SCREW, TRIM TAB TO GEAR HOUSING (1 3/4")	57	78
10-45263	SCREW, MOUNTING BRACKET TO UPPER SHOCK PIN (2 1/4")	67	8				

# PARTS INDEX

Part Number	Description	Pg.	Ref. No.	Part Number	Description	Pg.	Ref. No.
10-57807	SCREW, TRIM COVER TO BOTTOM COWL	49	7	11-22053	NUT, RUBBER MOUNT TO FRONT SUPPORT BRACKET	5	38
10-58354	SCREW, PULLEY CLAMPING	17	56	11-23161	NUT, POWERHEAD STUDS (3/8-24)	49	16
10-62204	SCREW, REED STOP MOUNTING	37	21A	11-25096	NUT, LOWER MOUNT SCREW	51	40
10-62802	SCREW, DISTRIBUTOR CAP CLAMP (1 1/4")	11	16	11-25168	NUT, UPPER LINK ROD ADJUSTING	15	11
10-63136	SCREW, STATOR TO UPPER END CAP (7/8")	9	13	11-25269	NUT, STRAP STOP FASTENING SCREW	45	38
11-20083	NUT, DISTRIBUTOR HOUSING SCREW	17	39	11-26768	NUT, DISTRIBUTOR CAP CLAMP SCREW	11	17
11-20083	NUT, SOLENOID TERMINAL (5/16")	19	37	11-27164	NUT, CONTROL PANEL STUD	65	45
11-20083	NUT, STARTER SOLENOID TERMINAL (5/16")	63	32	11-28010	NUT, CLAMP BRACKET BOLT	47	44
11-20088	NUT, RUBBER MOUNT TO REAR SUPPORT BRACKET	3	26	11-28010	NUT, MOUNTING BRACKET BOLT	67	11
11-20110	NUT, CARBURETOR FILTER SCREEN FASTENING SREW	23	31	11-28770	NUT, CLAMP BRACKET STUD	45	11
11-20110	NUT, CHOKE SHUTTER TO CARBURETOR STUD	23	27	11-28770	NUT, MOUNTING BRACKET TO CLAMP BRACKET STUD	67	18
11-20361	NUT, RUBBER MOUNT TO TOP COWL FRAME	3	21	11-29488	NUT, INLET COVER SCREW	67	40
11-20361	NUT, THROTTLE CABLE TO LOWER SWIVEL	15	23	11-29488	NUT, JAM - LIMIT SWITCH ADJUSTING STUD	67	24
11-20361	NUT, UPPER LINK ROD TO THROTTLE CONTROL LEVER	15	17	11-29489	NUT, GEAR HOUSING AND DRIVE SHAFT HOUSING STUDS	51	44
11-20509	NUT, POWERHEAD STUBS (3/8-24)	49	16	11-34388	NUT, HARNESS FASTENING SCREW	65	54
11-20509	NUT, RIDE-GUIDE ATTACHING SCREW	45	32	11-34933	NUT, GEAR HOUSING AND DRIVE SHAFT HOUSING STUDS	51	42
11-20509	NUT, THROTTLE CONTROL LEVER SCREW	15	21	11-34933	NUT, GEAR HOUSING TO DRIVE SHAFT HOUSING STUDS	57	80
11-20565	NUT, STRAP TO CHOKE ROD SCREW	23	24	11-34933	NUT, STEERING ARM BOLT FASTENING	45	30
11-20645	NUT, MOUNTING BRACKET TO HYDRAULIC PUMP THRU BOLT	65	41	11-34933	NUT, UPPER MOUNT BOLT	51	36
11-20645	NUT, SOLENOID TERMINAL	23	3	11-35045	NUT, WATER PUMP FASTENING SCREW	55	34
11-20645	NUT, SOLENOID TERMINAL (#10)	19	34	11-35304	NUT, HYDRAULIC PUMP BOLT	63	27
11-20645	NUT, STARTER SOLENOID TERMINAL (#10)	63	30	11-35521	NUT, LWOER MOUNT CLAMP COVER	51	50
11-20664	NUT, LINK ROD	43	56	11-35814	NUT, POWERHEAD STUDS (5/16-24)	49	15
11-20696	NUT, SHOCK CYLINDER SCREW	67	21	11-35921	NUT, PINION GEAR TO DRIVE SHAFT	53	12
11-20890	NUT, STARTER MOTOR TERMINAL	19	28	11-37424	NUT, SWIVEL PIN RETAINING	45	35
11-20890	NUT, STOP BRACKET ADJUSTING SCREW	17	45	11-45076	NUT, FASTENING - RECTIFIER STATOR LEADS	21	42
11-20890	NUT, THROTTLE ACTUATOR COLLAR ADJUSTING SCREW	15	26	11-45076	NUT, SWITCH BOX TERMINAL	19	17
11-21825	NUT, STARTER SOLENOID SCREW	65	39	11-45592	NUT, WATER PUMP BODY FASTENING STUD	55	36
11-21908	NUT, MOUNTING BRACKET SCREW	63	25				

# PARTS INDEX

Part Number	Description	Pg.	Ref. No.	Part Number	Description	Pg.	Ref. No.
11-45774	NUT, MAIN BEARING CLAMPING SCREW . . . . .	37	18	12-20128	WASHER, WIRING HARNESS CLMAP SCREW . . . . .	19	6
11-46793	NUT, CARBURETOR MOUNTING STUD . . . . .	27	38	12-20260	WASHER, GREASE FILLER AND VENT HOLE SCREW . . . . .	55	51
11-46793	NUT, COVER SCREW . . . . .	31	18	12-20260	WASHER, SEALING - FILLER SCREW . . . . .	61	9
11-46793	NUT, COVER SCREW . . . . .	31	21	12-20260	WASHER, SEALING - HYDRAULIC PUMP FILLER SCREW . . . . .	63	4
11-46793	NUT, CRANKCASE FASTENING SCREWS . . . . .	31	24	12-20533	WASHER, STOP BRACKET FASTENING SCREW . . . . .	17	43
11-46793	NUT, FRONT SUPPORT BRACKET SCREW . . . . .	3	33	12-20878	WASHER, INLET COVER SCREW . . . . .	67	39
11-46793	NUT, REAR BRACKET SCREW . . . . .	3	28	12-21040	WASHER, CLAMP BRACKET BOLT (UPPER) . . . . .	47	43
11-46886	NUT, EXHAUST TUBE SCREW . . . . .	49	14	12-21631	WASHER, PLAIN - LINK ROD . . . . .	43	55
11-46886	NUT, UPPER MOUNT COVER SCREW . . . . .	51	32	12-22753	WASHER, CRANKCASE TO CYLINDER BLOCK SCREWS . . . . .	31	23
11-46887	NUT, ADAPTOR FASTENING SCREW . . . . .	29	31	12-24664	WASHER, LINK ROD . . . . .	43	36
11-46887	NUT, BEARING CLAMPING SCREW . . . . .	37	14	12-24676	WASHER, CONTROL PANEL STUD . . . . .	65	44
11-46887	NUT, CHOKE ROD SPRING TO CARBURETOR STUD . . . . .	23	35	12-27939	WASHER, DISTRIBUTOR HOUSING . . . . .	17	47
11-46887	NUT, COIL BRACKET SCREW . . . . .	23	16	12-28008	WASHER, CLAMP BRACKET BOLT (LOWER) . . . . .	47	43
11-46887	NUT, COIL MOUNTING BRACKET SCREW . . . . .	13	42	12-28008	WASHER, MOUNTING BRACKET BOLT . . . . .	67	10
11-46887	NUT, COVER MOUNTING SCREW . . . . .	33	49	12-28196	WASHER, UPPER BUSHING RETAINER (INNER) . . . . .	47	54
11-46887	NUT, EXHAUST EXTENSION PLATE SCREW . . . . .	41	26	12-28404	WASHER, THUMB SCREW . . . . .	45	3
11-46887	NUT, LOWER SHOCK PIN SCREW LONG SHAFT . . . . .	47	--	12-28421	WASHER, UPPER AND LOWER BUSHING RETAINER (OUTER) . . . . .	47	59
11-46887	NUT, RECTIFIER MOUNTING SCREW . . . . .	21	41	12-29245	WASHER, COIL BRACKET SCREW . . . . .	23	15
11-46887	NUT, SWITCH BOX SCREW . . . . .	19	20	12-29245	WASHER, THROTTLE CONTROL LEVER SWIVEL . . . . .	15	16
11-46887	NUT, WIRING HARNESS SUPPORT SCREW . . . . .	41	14	12-29245	WASHER, UPPER MOUNT COVER SCREW . . . . .	51	31
11-47661	NUT, JAM - RUSH ROD . . . . .	49	21	12-29245	WASHER, WATER PUMP BODY FASTENING SCREW AND STUD . . . . .	55	33
11-49091	NUT, CONNECTING ROD SCREW . . . . .	37	29	12-29395	WASHER, THROTTLE CONTROL LEVER SCREW . . . . .	15	19
11-52707	NUT, PROPELLER (PART OF A-1623-3909A3 AND A5 GEAR HOUSING AS . . . . .	59	86	12-29590	WASHER, CUPPED - THRUST HUB . . . . .	59	83
11-52901	NUT, FLYWHEEL . . . . .	9	2	12-30633	WASHER, THRUST - BEARING CARRIER TO GEAR HOUSING . . . . .	57	68
11-52901	NUT, FLYWHEEL TO CRANKSHAFT . . . . .	37	2	12-30771	WASHER, COVER FASTENING KNOB (RUBBER) . . . . .	7	4
11-53153	NUT, REED STOP MOUNTING SCREW . . . . .	37	22	12-31211	WASHER, SPLINED - PROPELLER NUT . . . . .	59	84
11-54209	NUT, ROTOR SHAFT TO DISTRIBUTOR HOUSING . . . . .	11	2	12-31262	WASHER, UPPERMOUNT BOLT . . . . .	51	33
11-56041	NUT, TILT TUBE FASTENING . . . . .	45	6	12-31263	WASHER, UPPER MOUNT BOLT . . . . .	51	35
11-63149	NUT, EXHAUST TUBE SCREW . . . . .	49	14				
12-20084	WASHER, DISTRIBUTOR HOUSING SCREW . . . . .	17	38				
12-20086	WASHER, POWERHEAD STUDS . . . . .	49	17				
12-20128	WASHER, THROTTLE ACTUATOR PLATE FASTENING SCREW . . . . .	15	30				

# PARTS INDEX

Part Number	Description	Pg.	Ref. No.	Part Number	Description	Pg.	Ref. No.
12-33001	WASHER, FLYWHEEL NUT	9	3	13-26992	LOCKWASHER, STARTER SOLENOID SCREW	63	38
12-36001	WASHER, WATER PUMP BODY FASTENING STUD	55	35	13-26992	LOCKWASHER, WATER PUMP BODY SCREW	55	32
12-37429	WASHER, SWIVEL PIN - LOWER	45	33	13-26993	LOCKWASHER, CHOKE SOLENOID SCREW	23	5
12-37807	WASHER, SHOCK CYLINDER SCREW (STARBOARD ONLY)	67	20	13-26993	LOCKWASHER, CLAMP BRACKET STUD	45	10
12-45176	WASHER, GEAR HOUSING TO DRIVE SHAFT HOUSING STUDS	51	43	13-26993	LOCKWASHER, FRONT SUPPORT BRACKET SCREW	5	35
12-45176	WASHER, GEAR HOUSING TO DRIVE SHAFT HOUSING STUDS	57	79	13-26993	LOCKWASHER, MOUNTING BRACKET TO CLAMP BRACKET STUD	67	17
12-45176	WASHER, GEAR HOUSING TO DRIVE SHAFT HOUSING STUDS	51	45	13-26993	LOCKWASHER, REAR SUPPORT BRACKET SCREW	3	30
12-46246	WASHER, ADAPTOR - DISTRIBUTOR HOUSING	15	34	13-26993	LOCKWASHER, RUBBER MOUNT TO FRONT SUPPORT BRACKET	5	37
12-47247	WASHER, NEEDLE LOCATING	37	31	13-26993	LOCKWASHER, SOLENOID TERMINAL (5/16")	19	36
12-47840	WASHER, RUBBER - UPPER MOUNT BOLT	51	34	13-26993	LOCKWASHER, STARTER SOLENOID TERMINAL (5/16")	63	31
12-49221	WASHER, GEAR HOUSING FLUSHING HOLE PLUG	55	53	13-26995	LOCKWASHER, FLOAT BOWL COVER SCREW	25	12
12-49339	WASHER, LOWER MOUNT SCREW	51	39	13-26996	LOCKWASHER, RETAINING PLATE AND CAM SCREW	67	28
12-52864	WASHER, CLMAP BRACKET TILT TUBE	45	5	13-26996	LOCKWASHER, SOLENOID TERMINAL	23	2
12-53540	WASHER, ECONOMIZER COLLAR - DISTRIBUTOR HOUSING	15	5	13-26996	LOCKWASHER, SOLENOID TERMINAL (#10)	19	33
12-59378	WASHER, LOWER BUSHING RETAINER (INNER)	47	55	13-26996	LOCKWASHER, STARTER SOLENOID TERMINAL (#10)	63	29
12-59572	WASHER, COVER FASTENING KNOB (PLASTIC)	7	5	13-26996	LOCKWASHER, STRAP SCREW	23	21
13-24669	LOCKWASHER, GROUND WIRE SCREW	19	9	13-26996	LOCKWASHER, THROTTLE ACTUATOR PLATE FASTENING SCREW	15	31
13-24850	WASHER, WAVE - TILT LOCK TUBE	45	24	13-26996	LOCKWASHER, THRU BOLT	61	18
13-25806	WASHER, WAVE - THROTTLE CONTROL LEVER SWIVEL	15	15	13-26996	LOCKWASHER, WIRING HARNESS CLAMP SCREW	19	5
13-26992	LOCKWASHER, COIL MOUNTING BRACKET	13	39	13-27660	LOCKWASHER, HYDRAULIC PUMP THRU BOLT	65	40
13-26992	LOCKWASHER, CONTROL VALVE AND MANIFOLD PLATE SCREW	63	15	13-27959	WASHER, WAVE - DISTRIBUTOR BALL BEARING TENSION	17	49
13-26992	LOCKWASHER, MOUNTING BRACKET SCREW	63	36	13-29720	WASHER, WAVE - LINK ROD	43	37
13-26992	LOCKWASHER, REAR HOOK MOUNTING SCREW	3	17	13-37371	LOCKWASHER, SHIELD SCREW	3	9
13-26992	LOCKWASHER, RUBBER MOUNT TO REAR SUPPORT BRACKET	3	24	13-39107	LOCKWASHER, MOUNTING BRACKET SCREW	63	24
13-26992	LOCKWASHER, STARTER MOTOR TERMINAL	19	27	13-39107	LOCKWASHER, RETAINER TO TOP COWL SCREW	3	6
				13-53166	LOCKWASHER, WATER JACKET COVER FASTENING SCREW	33	36



# PARTS INDEX

Part Number	Description	Pg.	Ref. No.	Part Number	Description	Pg.	Ref. No.
14-27960	TAB WASHER, ADAPTOR CAP FASTENING . . . . .	17	48	16-57920	STUD, GEAR HOUSING TO DRIVE SHAFT HOUSING (2 1/16") . . . . .	53	6
14-31210	TAB WASHER, PROPELLER NUT . . . . .	59	85	16-57921	STUD, GEAR HOUSING TO DRIVE SHARFT HOUSING (4") . . . . .	53	5
14-52700	TAB WASHER, GEAR HOUSING COVER . . . . .	57	75	16-59625	STUD, CLAMP BRACKET . . .	45	9
15-20085A1	SHIM, END CAP TO CRANKCASE (.002-3-5-10)	31	31	17-20032	DOWEL PIN, CENTER MAIN BEARING . . . . .	37	8
15-21148A1	SHIM, BALL BEARING TO SPACER . . . . .	11	10	17-20032	DOWEL PIN, MAIN BEARING	37	16
15-29955A1	SHIM, THRUST WASHER TO GEAR HOUSING (.002-3-5- 10) . . . . .	57	67	17-20033	PIN, DOWEL - CRANKCASE TO CYLINDER BLOCK . . .	31	11
15-30278A1	SHIM, DRIVE SHAFT BALL BEARING TO GEAR HOUSING (.002-3-5-10 . . .	53	13	17-20323	PIN, DOWEL - CYLINDER BLOCK TO MAIN BEARING	31	12
15-30278A1	SHIM, WATER PUMP BASE TO GEAR HOUSING (.002- 3-5-10) . . . . .	53	13	17-21438	DOWEL PIN, GEAR HOUSING LOCATING . . .	53	4
15-30923A1	SHIM, BEARING OUTER RACE TO GEAR HOUSING (.002-3-5-10) . . . . .	57	58	17-23928	PIN, ROLL - CONTROL CABLE LOCKING LEVER . .	43	42
15-47248A1	SHIM, END CAP TO CRANKCASE (.002-3-5-10)	31	4	17-25598	PIN, REVERSE LOCK SPRING ATTACHING . . . .	47	47
15-55853	SHIM, BALL BEARING TO DISTRIBUTOR HOUSING . .	11	8	17-26618	PIN, DOWEL - PULLEY TO FLYWHEEL . . . . .	9	7
16-21085	STUD, ADJUSTING - CUT- OUT LIMIT SWITCH . . . . .	67	23	17-27961	PIN, ECONOMIZER COLLAR - SPRING RETAINER . . . .	15	7
16-26133	STUD, CRANKCASE TO DRIVE SHAFT HOUSING (1 7/8") . . . . .	31	10	17-27962	PIN, ANCHO SPRING - DISTRIBUTOR HOUSING . .	15	3
16-26134	STUD, CYLINDER BLOCK TO DRIVE SHAFT HOUSING (4 1/16") . . . . .	31	13	17-29077	ROLL PIN, TENSION SPRING TO KNOB . . . . .	7	7
16-26324	STUD, CYLINDER BLOCK TO DRIVE SHAFT HOUSING (2 7/8") . . . . .	31	15	17-29908	PIN, ROLL - FLANGE LOCATING . . . . .	17	53
16-30667	STUD, WATER PUMP TO GEAR HOUSING (1/4-20 X 3 1/8") . . . . .	53	8	17-30632	PIN, CROSS - RATCHET TO PROPELLER SHAFT . . . .	57	63
16-35099	STUD, CARBURETOR MOUNTING (1 3/16") . . . .	31	9	17-33522	PIN, ROLL - COWL LATCH LEVER TO HINGE . . . . .	3	13
16-39937	STUD, CHOKE ROD SPRING TO CARBURETOR . . . . .	23	33	17-35973	DOWEL PIN, WATER PUMP BASE TO WATER PUMP BODY . . . . .	53	21
16-45282	STUD, MOUNTING BRACKET AND CLAMP BRACKET . .	67	16	17-38311	PIN, COIL SPRING MOUNTING . . . . .	45	26
16-48770	STUD, CYLINDER BLOCK TO DRIVE SHAFT HOUSING (3 9/16") . . . . .	31	14	17-39023	PIN, PUSH ROD TO REVERSE LOCK . . . . .	49	23
16-52898	STUD, CARBURETOR - CHOKE SHUTTER PIVOT	23	26	17-47175	PIN, LOCKING LEVER AND COVER FASTENING . . . .	43	47
16-55422	STUD, CONTROL PANEL TO BOAT (2") . . . . .	65	43	17-47246	DOWEL PIN, STEPPED . . . .	37	12
16-56295	STUD, DRIVE SHAFT HOUSING TO GEAR HOUSING . . . . .	49	2	17-49840A1	SWIVEL PIN AND STEERING ARM ASSEMBLY (LONG SHAFT) . . . . .	45	27
16-56297	STUD, WATER PUMP TO GEAR HOUSING (3 3/8") . .	53	7	17-49841A1	SWIVEL PIN AND STEERING ARM ASSEMBLY (SHORT SHAFT) . . . . .	45	27
				17-49930A1	TILT LOCK PIN ASSEMBLY . .	45	12
				17-63442	PIN, MOUNTING TUBE . . . .	69	46
				18-25191	COTTER PIN, PUSH ROD PIN . . . . .	49	24
				18-45882	COTTER PIN, REVERSE LOCK TO SHAFT . . . . .	47	51
				18-47959	COTTER PIN, TILT LOCK TUBE . . . . .	45	22
				19-32297	PLUG, PLASTIC - TRIM TAB SCREW HOLE . . . . .	49	3

# PARTS INDEX

Part Number	Description	Pg.	Ref. No.	Part Number	Description	Pg.	Ref. No.
19-45907	PLUG, FLYWHEEL PULLER THREADS . . . . .	9	1	23-28199	SPACER, UPPER SHOCK BUSHING TO CLAMP BRACKET . . . . .	47	53
19-48750	PLUG, GEAR HOUSING FLUSHING HOLE . . . . .	55	52	23-28688	SPACER, RUBBER - COIL SPRING POSITIONING . .	45	39
21-28481A1	CHECK VALVE ASSEMBLY .	33	62	23-29804	SLEEVE, GUIDE - WATER INLET TUBE . . . . .	55	38
21-30430A3	CHECK VALVE ASSEMBLY .	29	2	23-32171	BUSHING, RUBBER - SHOCK ABSORBER (UPPER) . . . .	47	57
21-56011A1	CHECK VALVE ASSEMBLY, END CAP . . . . .	31	28	23-32427	SPACER, CHOKE ROD SPRING STUD . . . . .	23	34
22-20445	FITTING, UPPER CYLINDER BLEED . . . . .	33	58	23-35977	GROMMET, RUBBER - LIFT HOSE AND TRIM HOSE . .	69	43
22-20781	ELBOW, BALANCE TUBE TO MAIN BEARING SCREW .	33	63	23-45280	SPACER, SHOCK CYLINDER - LOWER . . . . .	67	5
22-23612	FITTING, GREASE - SWIVEL BRACKET . . . . .	45	17	23-45281	BUSHING, RUBBER - SHOCK CYLINDER . . . . .	67	6
22-25094	FITTING, GREASE - DISTRIBUTOR ADAPTOR	17	36	23-45354	BUSHING, RUBBER - CUT- OUT LIMIT SWITCH . . . .	67	30
22-25094	FITTING, GREASE - ECONOMIZER COLLAR . .	15	8	23-45818	BUSHING, THROTTLE CONTROL LEVER SCREW	15	20
22-25885	ELBOW, TELL TALE HOSE TO EXHAUST COVER . . .	41	18	23-47250	SPACER, DRIVER PULLEY .	17	51
22-29085	ELBOW, FUEL LINE TO CARBURETOR (45) . . . .	29	17	23-47803	BUSHING, TILT LOCK TUBE	45	23
22-30174	ELBOW, UPPER CARBURETOR STRAINER COVER (90) . . . . .	29	11	23-48674	SPACER, THROTTLE ACTUATOR PLATE SCREW . . . . .	15	32
22-30175	SLEEVE, CARBURETOR STRAINER COVER ELBOW . . . . .	29	12	23-52933	SPACER, COIL BRACKET TO BOTTOM COWL . . . . .	13	41
22-30175	SLEEVE, OTP PUMP FITTING . . . . .	29	22	23-53538	SPACER, ROTOR SHAFT . .	11	11
22-30177	NUT, TOP PUMP FITTING . .	29	23	23-53539	SLEEVE, ROTOR SHAFT . . .	11	3
22-30177	NUT, UPPER CARBURETOR STRAINER COVER ELBOW . . . . .	29	13	23-55419A1	BUSHING ASSEMBLY, SHIFT SHAFT . . . . .	55	45
22-30468	FITTING, TOP PUMP . . . . .	29	21	23-56774	SPACER, COLLAR TO TOP MOUNTING CAP . . . . .	19	24
22-31521	ELBOW, VENT - DISTRIBUTOR CAP . . . . .	13	26	23-59624	SPACER, CLAMP BRACKET STUD . . . . .	45	8
22-31521	ELBOW, VENT HOSE TO BOTTOM COWL . . . . .	11	19	24-20099	SPRING, LINK ROD TO GUIDE BLOCK . . . . .	43	51
22-32802	PLUG, PIPE - BOTTOM PUMP . . . . .	29	9	24-24390	SPRING, TENSION - ADJUSTING STUD . . . . .	67	22
22-32802	PLUG, PIPE - CYLINDER BLOCK COVER . . . . .	33	50	24-27944	SPRING, HORSESHOE - DISTRIBUTOR HOUSING .	15	4
22-38609	PLUG, CONTROL VALVE (3/8-24") . . . . .	63	16	24-28659	SPRING, COIL - SWIVEL BRACKET . . . . .	45	25
22-46008	PLUG, CONTROL VALVE (1/2-20") . . . . .	63	17	24-28975	SPRING, GARTER - INTERNAL WIRING HARNESS . . . . .	19	7
22-53491	TEE, BLEED HOSE TO CYLINDER BLOCK - LOWER . . . . .	35	68	24-29821	SPRING, REVERSE LOCK TENSION . . . . .	47	48
22-53492	TEE, BLEED HOSE TO CYLINDER BLOCK - CENTER . . . . .	35	66	24-30189	SPRING, ADAPTOR STEM .	29	27
22-55262	ELBOW, VENT - DISTRIBUTOR HOUSING .	11	7	24-30622	SPRING, COMPRESSION - CAM FOLLOWER . . . . .	57	57
22-62365A1	CHECK VALVE ASSEMBLY, BLEED HOSE . . . . .	33	61	24-30772	SPRING, TENSION - FASTENING KNOB . . . . .	7	6
23-26600	BUSHING, SHIFT SHAFT . . .	43	33	24-30893	SPRING, RETAINING - CROSS PIN . . . . .	57	64
23-28198	BUSHING, RUBBER - SHOCK ABSORBER (LOWER) . . .	47	58	24-35522	SPRING, TENSION - LOWER MOUNT CLAMP . . . . .	51	47
				24-37911	SPRING, CONTROL CABLE LOCKING LEVER . . . . .	43	41

# PARTS INDEX

Part Number	Description	Pg.	Ref. No.	Part Number	Description	Pg.	Ref. No.
24-38472	SPRING, CONTROL CABLE TENSION - ANCHOR BRACKET	43	43	26-24590	OIL SEAL, SHIFT SHAFT HOUSING (LOWER)	55	46
24-45272	SPRING, TENSION - LIMIT SWITCH PLUNGER	67	15	26-24590	OIL SEAL, STARBOARD MOUNTING BRACKET	67	13
24-48230	SPRING, CHOKE ROD TENSION	23	32	26-29476	OIL SEAL, END CAP	31	2
24-53019	SPRING, COWL LATCH HINGE	3	14	26-29476	OIL SEAL, END CAP	31	29
24-57430	SPRING, WATER INLET SCREEN RETAINING	53	3	26-30550	OIL SEAL, BEARING CARRIER	57	73
24-57818	SPRING, UPPER FILTER SCREEN SCREW	23	30	26-31249	OIL SEAL, SHIFT SHAFT BUSHING (UPPER)	55	46
25-20081	"O" RING< END CAP	31	30	26-31489	OIL SEAL, WATER PUMP BASE	53	19
25-20116	GROMMET, CHOKE ROD	23	18	26-31507	OIL SEAL, WATER PUMP BASE	53	20
25-20415	"O" RING, ADAPTOR STEM	29	28	26-31507	OIL SEAL, WATER PUMP BODY	53	27
25-21720	"O" RING, CONTROL VALVE TO MANIFOLD PLATE (1/2"O.D.)	63	12	26-37448	OIL SEAL, SWIVEL BRACKET	45	15
25-21720	"O" RING, HYDRAULIC PUMP	61	1	26-38970	SEAL, RUBBER - WATER INLET TUBE	41	22
25-21720	"O" RING, HYDRAULIC PUMP TO MANIFOLD PLATE	63	--	26-38970	SEAL, RUBBER - WATER INLET TUBE	55	28
25-21720	"O" RING, HYDRAULIC PUMP TO MANIFOLD PLATE	63	2	27-25849	GASKET, STRAINER COVER (SMALL)	25	15
25-25439	"O" RING, SHIFT SHAFT BUSHING	55	44	27-25851	GASKET, STRAINER COVER (LARGE)	25	13
25-26547	GROMMET, HIGH TENSION CABLE	11	21	27-32433	GASKET, LOWER - WATER PUMP BASE TO FACE PLATE	53	22
25-26547	GROMMET, RECTIFIER TO SWITCH BOX WIRE (SERIAL #3114543 AND B	19	10	27-32434	GASKET, UPPER - FACE PLATE TO WATER PUMP BODY	53	24
25-26547	GROMMET, SPARK PLUG LEADS	13	31	27-32438	GASKET, WATER PUMP BASE TO GEAR HOUSING	53	16
25-29976	"O" RING, BEARING CARRIER	57	70	27-45274	GASKET, INLET COVER	67	36
25-30224	"O" RING, WATER PUMP BASE	53	17	27-45275	GASKET, LIMIT SWITCH COVER	67	33
25-30271	RING, RUBBER - CENTRIFUGAL SLINGER (DRIVE SHAFT)	55	37	27-47228	GASKET, WATER JACKET COVER	33	34
25-30613	"O" RING, UPPER - DRIVE SHAFT (SERIAL #29335769 AND BELOW)	55	39	27-48164	GASKET, CARBURETOR FLANGE	27	37
25-35126	"O" RING, CARRIER	37	6	27-48801	GASKET, EXHAUST EXTENSION PLATE TO DRIVE SHAFT HOUSING	41	28
25-45016	"O" RING, SHOCK CYLINDER BLEED SCREW	67	3	27-48801	GASKET, EXHAUST EXTENSION PLATE TO DRIVE SHAFT HOUSING	49	18
25-45253	"O" RING, CONTROL VALVE TO MANIFOLD PLATE (5/8"O.D.)	63	13	27-53862	GASKET, CRANKCASE TO CYLINDER BLOCK	31	7
25-45254	"O" RING, CONTROL VALVE TO MANIFOLD PLATE (3/4"O.D.)	63	11	27-53863	GASKET, CYLINDER BLOCK COVER	33	47
25-45507	GROMMET, RUBBER - INLET COVER	67	37	27-55279	GASKET, TRANSFER PORT COVER	33	54
25-47254	"O" RING	31	3	27-55283	GASKET, CYLINDER BLOCK TO BAFFLE PLATE	33	37
25-57806	GROMMET, PLASTIC - TRIM COVER SCREW	49	-	27-55284	GASKET, BAFFLE PLATE TO EXHAUST MANIFOLD COVER	33	39
				27-55284A1	GASKET SET (MOTOR OVERHAUL)	1	-

# PARTS INDEX

Part Number	Description	Pg.	Ref. No.	Part Number	Description	Pg.	Ref. No.
27-55896	GASKET, DISTRIBUTOR CAP	11	24	32-45959	HOSE, LIFE - CYLINDER TO CONTROL VALVE (5') - 17/32"O.D. ....	69	42
27-56028	GASKET, POWERHEAD TO EXHAUST EXTENSION PLATE .....	41	20	32-52742A1	HOSE, CENTER CYLINDER BLEED (7 1/2") .....	35	65
27-60145	GASKET, TRANSFER PORT COVER .....	33	54	32-52742A1	HOSE, CYLINDER BLEED - LOWER (8 1/2") .....	35	67
28-29910	KEY, DISTRIBUTOR DRIVER	17	55	32-52742A1	HOSE, CYLINDER BLEED - UPPER (13 1/2") .....	33	60
28-30281	KEY, LOATING - BEARING CARRIER .....	57	74	32-55827A1	FUEL LINE ASSEMBLY, PUMP TO CARBURETOR (9 1/2") .....	29	19
28-56654	KEY, IMPELLER DRIVE ....	55	30	32-55828A1	FUEL LINE ASSEMBLY, PUMP TO PUMP (13 3/4")	29	20
29-47270	BEARING, NEEDLE - PISTON PIN .....	37	30	32-55829	FUEL LINE, ADAPTOR TO LOWER FUEL PUMP ....	29	24
29-48410	BEARING, NEEDLE - OUTER RACE .....	37	9	33-57451	SPARK PLUG (AC-V40FFM)	13	27
30-20066	BALL BEARING, DISTRIBUTOR HOUSING (UPPER) .....	11	1	34-56007A1	REED SET, MATCHED - MAIN BEARING .....	37	19
30-26379	BALL BEARING, DISTRIBUTOR HOUSING (LOWER) .....	11	9	34-57422	REED STOP, MAIN BEARING REED VALVES .....	37	20
30-31265	BEARING, BALL - REVERSE GEAR .....	57	69	35-57819	SCREEN ASSEMBLY, FILTER - CARBURETOR .	23	28
30-53853	BEARING, BALL - LOWER ..	37	4	37-54108	DECAL, TIMING .....	3	19
30-62567	BEARING, BALL - UPPER ..	37	3	37-55901	DECAL, INSTRUCTION - HYDRAULIC PUMP .....	63	6
30-63326	BEARING, BALL - DRIVE SHAFT .....	53	14	37-56691A1	DECAL SET (SERIAL #2933900 AND BELOW) ..	1	-
31-30894A1	TAPERED ROLLER BEARING ASSEMBLY .....	57	59	37-56691A2	DECAL SET (SERIAL #3023086 THRU #3114543)	1	-
31-30895	BEARING, ROLLER - FORWARD GEAR .....	57	60	37-60204	DECAL, TIMING .....	3	19
31-30956	BEARING, ROLLER - BEARING CARRIER .....	57	72	37-60893A72	DECAL SET (SERIAL #3270480 AND UP) .....	1	-
31-32898	BEARING, ROLLER - DRIVE SHAFT .....	53	9	38-56267	SERIAL PLATE .....	47	45
31-63075A1	BEARING ASSEMBLY, CRANKPIN .....	37	27	39-45155A12	RING, PISTON (1/16" THICK)	37	25
32-31584A1	FUEL LINE ASSEMBLY, CARBURETOR TO CARBURETOR .....	29	18	39-45204A12	RING, PISTON (.015 OVERSIZE) - 1/16" THICK	39	--
32-33154A1	FUEL LINE ASSEMBLY, PUMP TO CARBURETOR (14 1/8") .....	29	10	40-52035	LOCK RING, PISTON PIN ..	37	24
32-33960	TUBE, BALANCE - MAIN BEARING .....	35	69	43-55688	GEAR, PINION - DRIVE SHAFT .....	53	11
32-34395A1	HOSE, DRIP TRAY TO BOTTOM COWL (8") ....	41	5	43-55689	REVERSE GEAR ASSEMBLY	57	66
32-34395A1	HOSE, TELL TALE - EXHAUST COVER TO BOTTOM COWL (16") ...	41	15	43-57011	FORWARD GEAR ASSEMBLY .....	57	61
32-34395A1	HOSE, VENT - DISTRIBUTOR TO ELBOW (11 1/2") ....	11	18	44-52542	SHAFT, PROPELLER .....	57	65
32-34395A1	HOSE, VENT - DISTRIBUTOR TO ELBOW (13 1/2") ....	11	18	45-47433	DRIVE SHAFT (SHORT SHAFT) .....	53	10
32-37438	TUBE, WATER INLET (LONG SHAFT) .....	49	11	45-47434	DRIVE SHAFT (LONG SHAFT) .....	53	10
32-37446	TUBE, WATER INLET (SHORT SHAFT) .....	49	11	45-57025A1	DRIVE SHAFT (LONG SHAFT) .....	53	10
32-45327	HOSE, TRIM - CYLINDER TO CONTROL VALVE (5') - 13/32"O.D. ....	69	41	45-57026	DRIVE SHAFT (SHORT SHAFT) .....	53	10
				46-37433A4	EXTRA HEAVY DUTY WATER PUMP KIT .....	1	-
				46-48743A1	WATER PUMP BODY ASSEMBLY .....	53	25
				46-48747A1	WATER PUMP BASE ASSEMBLY .....	53	18
				47-30221	IMPELLER - WATER PUMP .	55	29

# PARTS INDEX

Part Number	Description	Pg.	Ref. No.	Part Number	Description	Pg.	Ref. No.
52-34239	RATCHET, SLIDING CLUTCH	57	62	332-2983A5	IGNITION COIL ASSEMBLY,		
53-26406	RING, RETAINER - BALL BEARING TO DISTRIBUTOR HOUSING	11	12	332-2986A4	COMPLETE	13	37
53-26933	RING, SNAP - OUTER RACE	37	11	392-2529	SWITCH BOX ASSEMBLY	19	16
53-29641	"E" RING, RETAINING - SHIFT SHAFT	55	43	392-2618	SPRING SET, BRUSH TENSION	61	16
53-30726	RING, RETAINING - BALL BEARING	53	15	392-2623	CAN, VALVE BODY	61	3
54-20386	CLAMP, BALANCE TUBE TO ELBOW AND TEE	33	64	392-2936	WASHER, THRUST - ARMATURE	61	10
54-20387	CLAMP, BLEED HOSE TO CONNECTOR	33	59	392-2937	VALVE BODY AND GEAR ASSEMBLY	61	2
54-22627	CLIP, FUEL LINE TO CYLINDER BLOCK	29	14	392-2938	SEAL, RESERVIOR TO VALVE BODY AND GEAR	61	5
54-22875	CLIP, STATOR LEAD FASTENING (7/16")	9	14	392-2939	BOLT SET, THRU - PLATE AND FRAME TO RESERVOIR	61	17
54-26538	CLIP, WIRING HARNESS TO FRONT BRACKET (1/8")	19	11	392-2940	RESERVIOR ASSEMBLY	61	6
54-26550	CLIP STATOR/WIRING HARNESS LEADS FASTENING (5/16")	9	14	392-2941	PLATE ASSEMBLY, COMMUTATOR END	61	14
54-37282	CLAMP, CYLINDER BLEED HOSE TO TOP COVER	33	56	392-2942	BRUSH SET, COMMUTATOR END PLATE	61	15
54-46770	CLAMP, HARNESS FASTENING	65	52	392-2943	FIELD AND FRAME ASSEMBLY	61	12
54-48123	CLAP, TELL TALE HOSE TO CONNECTOR AND ELBOW	41	19	392-2944	ARMATURE, FIELD AND FRAME	61	11
54-52876	CLAMP, WIRING HARNESS TO BOTTOM COWL	19	3	392-2944	BALL, COMMUTATOR END PLATE	61	13
54-59588	CLAMP, DISTRIBUTOR CAP TO DISTRIBUTOR HOUSING	11	15	393-1275	SLEEVE, HIGH TENSION CABLE	11	23
54-60768	CLAMP, DISTRIBUTOR CAP TO DISTRIBUTOR HOUSING	11	15	393-1275	SLEEVE, SPARK PLUG LEAD TO DISTRIBUTOR	13	30
55-28414	PIN, LOWER SHOCK MOUNTING LONG SHAFT	47	52	393-1293A1	BRUSH AND SPRING ASSEMBLY	11	--
55-28416	PIN, UPPER SHOCK MOUNTING	45	40	393-3736A23	HOUSING ASSEMBLY, DISTRIBUTOR	11	4
55-29247	PIN, LOWER SHOCK MOUNTING (SHORT SHAFT)	47	52	393-3736A23	HOUSING ASSEMBLY, DISTRIBUTOR	15	1
55-31933	SHOCK ABSORBER	47	56	393-3736A3	HOUSING ASSEMBLY, DISTRIBUTOR	11	4
90-56974	MERC 1150E-SS PARTS LIST	1	-	393-3736A3	HOUSING ASSEMBLY, DISTRIBUTOR	15	1
92-25234--1	GLUE, ADHESIVE - BLANKET FASTENING	7	--	393-3738	ROTOR, DISTRIBUTOR	11	14
92-27109--1	ADHESIVE COMPOUND, EMBLEM FASTENING	7	--	393-3751A2	DISTRIBUTOR CAP ASSEMBLY	11	25
225-2494A12	FLYWHEEL ASSEMBLY, COMPLETE (SERIAL #3114543 AND BELOW)	9	4	393-3836A1	HIGH TENSION CABLE ASSEMBLY, DISTRIBUTOR CAP TO COIL	11	20
225-2494A14	FLYWHEEL ASSEMBLY, COMPLETE (SERIAL #3270480 AND UP)	9	4	393-4248	DISC, ROTOR SERIAL	11	13
332-2854	BOOT, HIGH TENSION CABLE TO COIL	11	22	393-4312	ROTOR, DISTRIBUTOR	11	14
332-2910A3	RECTIFIER ASSEMBLY	21	39	393-4313	DISC, ROTOR SERIAL	11	13
				393-4506A7	DISTRIBUTOR CAP ASSEMBLY	11	25
				393-4841A2	DISTRIBUTOR CAP ASSEMBLY	11	25
				398-4793	STATOR, ALTERNATOR	9	11
				436-4842A3	CRANKSHAFT ASSEMBLY	37	1
				535-3190A1	CENTER MAIN BEARING ASSEMBLY	37	7
				540-3943A2	MAIN BEARING ASSEMBLY, VALVE TYPE	37	15

# PARTS INDEX

Part Number	Description	Pg.	Ref. No.	Part Number	Description	Pg.	Ref. No.
622-4850A4	CONNECTING ROD AND CAP ASSEMBLY . . . . .	37	26	1399-4559	COVER, FLOAT BOWL . . . . .	25	9
745-4879A2	PISTON AND PISTON PIN ASSEMBLY . . . . .	37	23	1399-4791	COVER, STRAINER . . . . .	25	16
745-4912A1	PISTON AND PISTON PIN ASSEMBLY (.015 OVERSIZE) . . . . .	39	--	1399-97	LEVER, THROTTLE STOP (SEE NOTE BELOW) . . . . .	25	20
852-3884A3	CYLINDER BLOCK AND CRANKCASE ASSEMBLY	31	6	1440-3291A1	CLAMP BRACKET ASSEMBLY . . . . .	45	1
852-4741A5	CYLINDER BLOCK AND CRANKCASE ASSEMBLY	31	6	1447-4885A4	SWIVEL BRACKET ASSEMBLY (LONG SHAFT) . . . . .	45	14
852-4843A5	CYLINDER BLOCK AND CRANKCASE ASSEMBLY	31	6	1453-4886A4	SWIVEL BRACKET ASSEMBLY (SHORT SHAFT) . . . . .	45	14
1023-3755	COVER, CYLINDER BLOCK .	33	46	1551-3918A3	DRIVE SHAFT HOUSING ASSEMBLY (LONG SHAFT) . . . . .	49	1
1126-3196A3	END CAP ASSEMBLY, LOWER . . . . .	31	27	1552-3911A3	DRIVE SHAFT HOUSING ASSEMBLY (SHORT SHAFT) . . . . .	49	1
1134-3197A1	END CAP ASSEMBLY, UPPER . . . . .	31	1	1623-3909A3	GEAR HOUSING ASSEMBLY, COMPLETE (LONG SHAFT) . . . . .	57	-
1352-3966	CARBURETOR ASSEMBLY, COMPLETE (KD-6A) . . . . .	23	9	1623-3909A3	GEAR HOUSING ASSEMBLY, COMPLETE (LONG SHAFT) SEE NOTE . . . . .	53	-
1352-3966	CARBURETOR ASSEMBLY, COMPLETE (KD-6A) . . . . .	25	1	1623-3909A5	GEAR HOUSING ASSEMBLY, COMPLETE (SHORT SHAFT) . . . . .	57	-
1352-4322	CARBURETOR ASSEMBLY, COMPLETE (KD-6B) . . . . .	23	9	1623-3909A5	GEAR HOUSING ASSEMBLY, COMPLETE (SHORT SHAFT) SEE NOTE BEL . . . . .	53	-
1352-4322	CARBURETOR ASSEMBLY, COMPLETE (KD-6B) - . . . . .	25	1	1623-3909A6	GEAR HOUSING ASSEMBLY	53	1
1352-4509A1	CARBURETOR ASSEMBLY, COMPLETE (WMK-3) . . . . .	23	9	1623-3909A6	GEAR HOUSING ASSEMBLY (SEE PAGE 27 FOR PARTS BREAKDOWN) . . . . .	57	1
1352-4509A1	CARBURETOR ASSEMBLY, COMPLETE (WMK-3) - . . . . .	25	1	2113-2663A11	COWL FRONT COVER ASSEMBLY . . . . .	7	1
1395-4540	SCREW, BODY (IDLE TUBE)	25	23	2113-2663A12	COWL FRONT COVER ASSEMBLY . . . . .	7	1
1395-4541	SCREW, PLUG - MAIN FUEL JET CHANNEL . . . . .	25	29	2113-2663A13	COWL FRONT COVER ASSEMBLY . . . . .	7	1
1395-4542	SCREW, PLUG - MAIN NOZLE . . . . .	27	33	2114-3806	COWL, TOP . . . . .	3	1
1395-4543	SCREW, BODY CHANNEL . .	27	36	2115-3786	COWL, BOTTOM . . . . .	41	1
1395-4555	INLET NEEDLE, SEAT AND GASKET . . . . .	25	6	2115-3919	COWL, BOTTOM . . . . .	41	1
1395-4558	REPAIR PARTS KIT (1 PER CARBURETOR) . . . . .	27	--	2136-3613A3	WRAP AROUND COWL ASSEMBLY . . . . .	7	12
1399-110A1	FLOAT ASSEMBLY . . . . .	25	2	2136-4660A4	WRAP AROUND COWL ASSEMBLY . . . . .	7	12
1399-1133	COVER, FLOAT BOWL . . . . .	25	9				
1399-1473	INLET NEEDLE, SEAT AND GASKET . . . . .	25	6				
1399-3515	SCREW, IDLE ADJUSTMENT	25	28				
1399-3522	SCREW, PLUG - MAIN NOZZLE . . . . .	27	33				
1399-3523	GASKET AND PACKING SET (1 PER CARBURETOR) . . . . .	27	--				
1399-3527	SHAFT, THROTTLE . . . . .	25	21				
1399-3528	SHUTTER, THROTTLE . . . . .	25	26				
1399-3938	SCREEN, FILTER . . . . .	25	14				
1399-4214	JET, MAIN FUEL (.068) . . . . .	25	31				
1399-4215	JET, MAIN FUEL (.066) - STANDARD . . . . .	27	31				
1399-4216	JET, MAIN FUEL (.064) . . . . .	27	31				
1399-4217	JET, MAIN FUEL (.062) . . . . .	27	31				
1399-4218	REPAIR PARTS KIT (1 PER CARBURETOR) . . . . .	27	--				
1399-4412	SHUTTER, THROTTLE . . . . .	25	26				