



# PARTS CATALOG

## MERC 1350

SERIAL NUMBER

1350 ..... 2839369 THRU 3293233

# TABLE OF CONTENTS:

BOTTOM COWL AND SHIFT LINKAGE .....	36
CARBURETOR ASSEMBLY .....	24
CARBURETOR LINKAGE AND CHOKE SOLENOID .....	22
CLAMP AND SWIVEL BRACKET ASSEMBLY .....	40
COWLING AND FRONT COVER .....	6
CRANKSHAFT, PISTONS AND CONNECTING RODS .....	34
CYLINDER BLOCK AND CRANKCASE ASSEMBLY .....	30
DISTRIBUTOR ADAPTOR AND VERTICAL LINKAGE .....	14
DISTRIBUTOR HOUSING AND ROTOR .....	10
DRIVE SHAFT HOUSING ASSEMBLY .....	44
FLYWHEEL ASSEMBLY AND STATOR .....	8
FUEL PUMP AND FUEL LINE ASSEMBLY .....	28
GEAR HOUSING ASSEMBLY, COMPLETE .....	52
GEAR HOUSING ASSEMBLY, COMPLETE (CONT) .....	48
MISCELLANEOUS PARTS/ACCESSORIES .....	1
PARTS INDEX .....	56
STARTER MOTOR, STARTER SOLENOID, RECTIFIER AND WIRING HARNES .....	18
TOP COWL AND SUPPORT BRACKETS .....	2

**NOTE:** Indented description indicate that these parts are included in preceeding assembly.

**AR** = As Required

**NSS** = Not Sold Separate

**OPT** = Optional

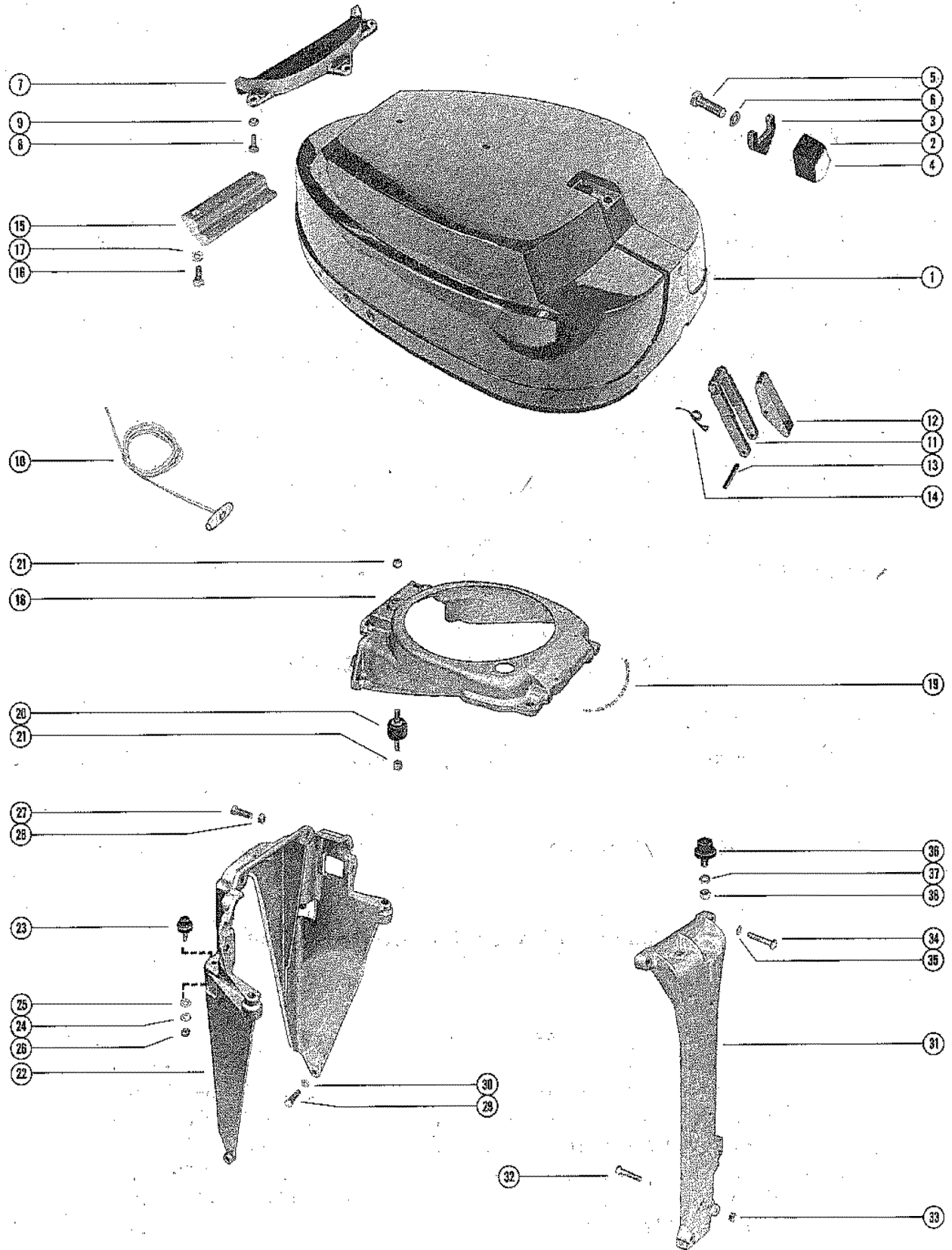
**NS** = Not Shown

**THESE PARTS BOOKS/FICHE CARD ARE COPYRIGHTED AND MAY NOT BE DISTRIBUTED OR REPRODUCED IN ANY OTHER FORMAT BY ANYONE OTHER THAN MERCURY MARINE WITHOUT THE PRIOR WRITTEN CONSENT OF MERCURY MARINE.**

## MISCELLANEOUS PARTS/ACCESSORIES

REF. NO.	PART NO.	SYM.	QTY.	DESCRIPTION
-	90-56976		0	MERC 1350E-SS PARTS LIST
-	27-55284A1		0	GASKET SET (MOTOR OVERHAUL)
-	46-48743A5		0	EXTRA HEAVY DUTY PUMP KIT
-	37-56697A1		0	DECAL SET
-	37-56697A2		0	DECAL SET
-	55398A4		0	TACHOMETER ASSEMBLY

# TOP COWL AND SUPPORT BRACKETS

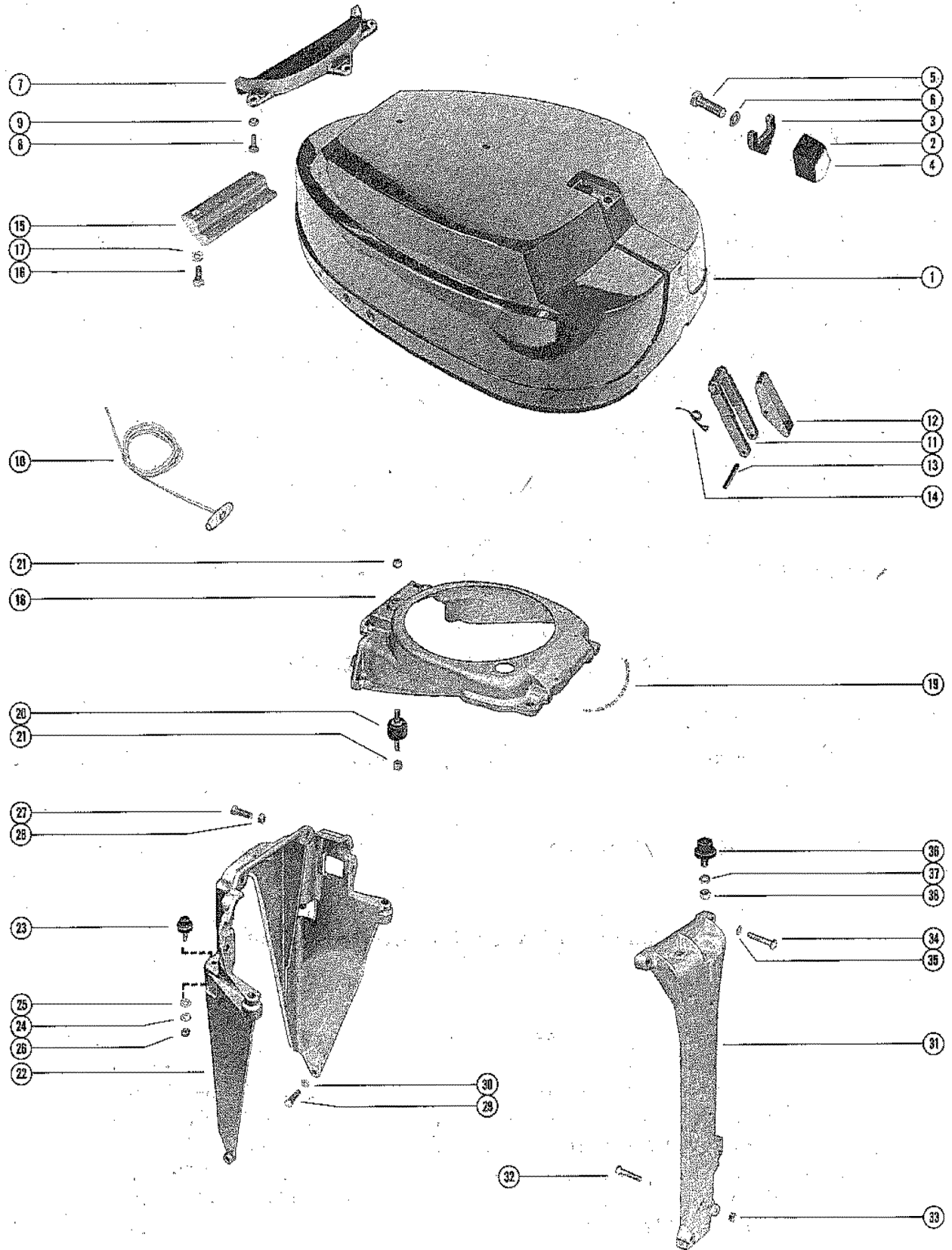


# TOP COWL AND SUPPORT BRACKETS

REF. NO.	PART NO.	SYM.	QTY.	DESCRIPTION
1	2114-3806		1	COWL, TOP
2	52733A3		1	RETAINER ASSEMBLY, TOP COWL <b>SERIAL 00000000-02942990</b>
	52733A4		1	RETAINER ASSEMBLY, TOP COWL <b>SERIAL 03036066-09999999</b>
3	35496		1	PAD, BUMPER-TOP COWL RETAINER
4	56186		1	EMBLEM, TOP COWL RETAINER <b>SERIAL 00000000-02942990</b>
5	10-37558		1	SCREW, RETAINER TO TOP COWL (1 1/4")
6	13-39107		1	LOCKWASHER, RETAINER TO TOP COWL SCREW
7	49448		1	SHIELD, TOP COWL-REAR
8	10-37370		3	SCREW, SHIELD TO TOP COWL (5/8")
9	13-37371		3	LOCKWASHER, SHIELD SCREW
10	47341A1		1	ROPE, STARTER (FOR MANUAL STARTING ONLY)
11	52739		1	HINGE, COWL LATCH-TOP COWL
12	52737		1	LEVER, COWL LATCH HINGE
13	17-33522		1	PIN, ROLL-COWL LATCH LEVER TO HINGE
14	24-53019		1	SPRING, COWL LATCH HINGE
15	55455		1	HOOK, TOP COWL LATCH-REAR
16	10-22956		2	SCREW, REAR HOOK TO TOP COWL (7/8")
17	13-26992		2	LOCKWASHER, REAR HOOK MOUNTING SCREW
18	47271		1	FRAME, TOP COWL SUPPORT
19	37-54108		1	DECAL, TIMING <b>SERIAL 00000000-00294990</b>
	37-60204		1	DECAL, TIMING <b>SERIAL 03036066-09999999</b>
20	37639		3	MOUNT, RUBBER-TOP COWL FRAME
	46096		OPT	MOUNT, RUBBER-TOP COWL FRAME (HEAVY DUTY)
21	11-20361		6	NUT, RUBBER MOUNT TO TOP COWL FRAME
22	54685		1	BRACKET, TOP COWL SUPPORT-REAR
23	31014		2	MOUNT, RUBBER-REAR SUPPORT BRACKET
24	13-26992		2	LOCKWASHER, RUBBER MOUNT TO REAR SUPPORT BRACKET
25	12-20346		2	WASHER, RUBBER MOUNT TO REAR SUPPORT BRACKET
26	11-20088		2	NUT, RUBBER MOUNT TO REAR SUPPORT BRACKET
27	10-26065		4	SCREW, REAR BRACKET TO TOP COWL FRAME (1")
28	11-46793		4	NUT, REAR BRACKET SCREW
29	10-24234		4	SCREW, REAR BRACKET TO BOTTOM COWL (1")
30	13-26993		4	LOCKWASHER, REAR SUPPORT BRACKET SCREW
31	52725A2		1	BRACKET ASSEMBLY, TOP COWL SUPPORT-FRONT
32	10-22040		2	SCREW, FRONT BRACKET TO BOTTOM COWL (1 1/2")
33	11-46793		2	NUT, FRONT SUPPORT BRACKET SCREW

CONTINUED ON NEXT PAGE ➡

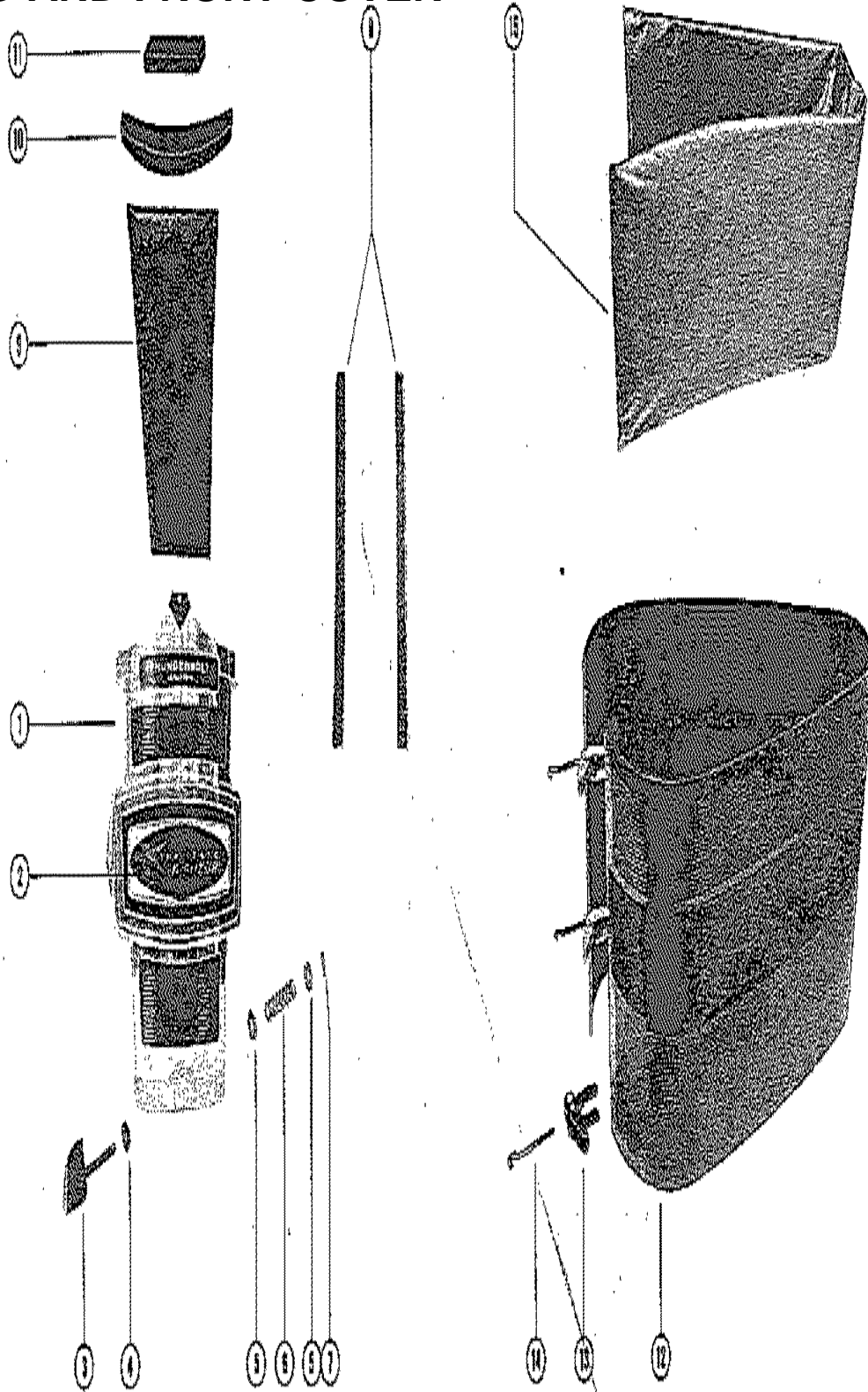
# TOP COWL AND SUPPORT BRACKETS



## TOP COWL AND SUPPORT BRACKETS

REF. NO.	PART NO.	SYM.	QTY.	DESCRIPTION
34	10-20362		2	SCREW, FRONT BRACKET TO TOP COWL FRAME (1 1/2")
35	13-26993		2	LOCKWASHER, FRONT SUPPORT BRACKET SCREW
36	37640		1	MOUNT, RUBBER-FRONT SUPPORT BRACKET
37	13-26993		1	LOCKWASHER, RUBBER MOUNT TO FRONT SUPPORT BRACKET
38	11-22053		1	NUT, RUBBER MOUNT TO FRONT SUPPORT BRACKET

# COWLING AND FRONT COVER

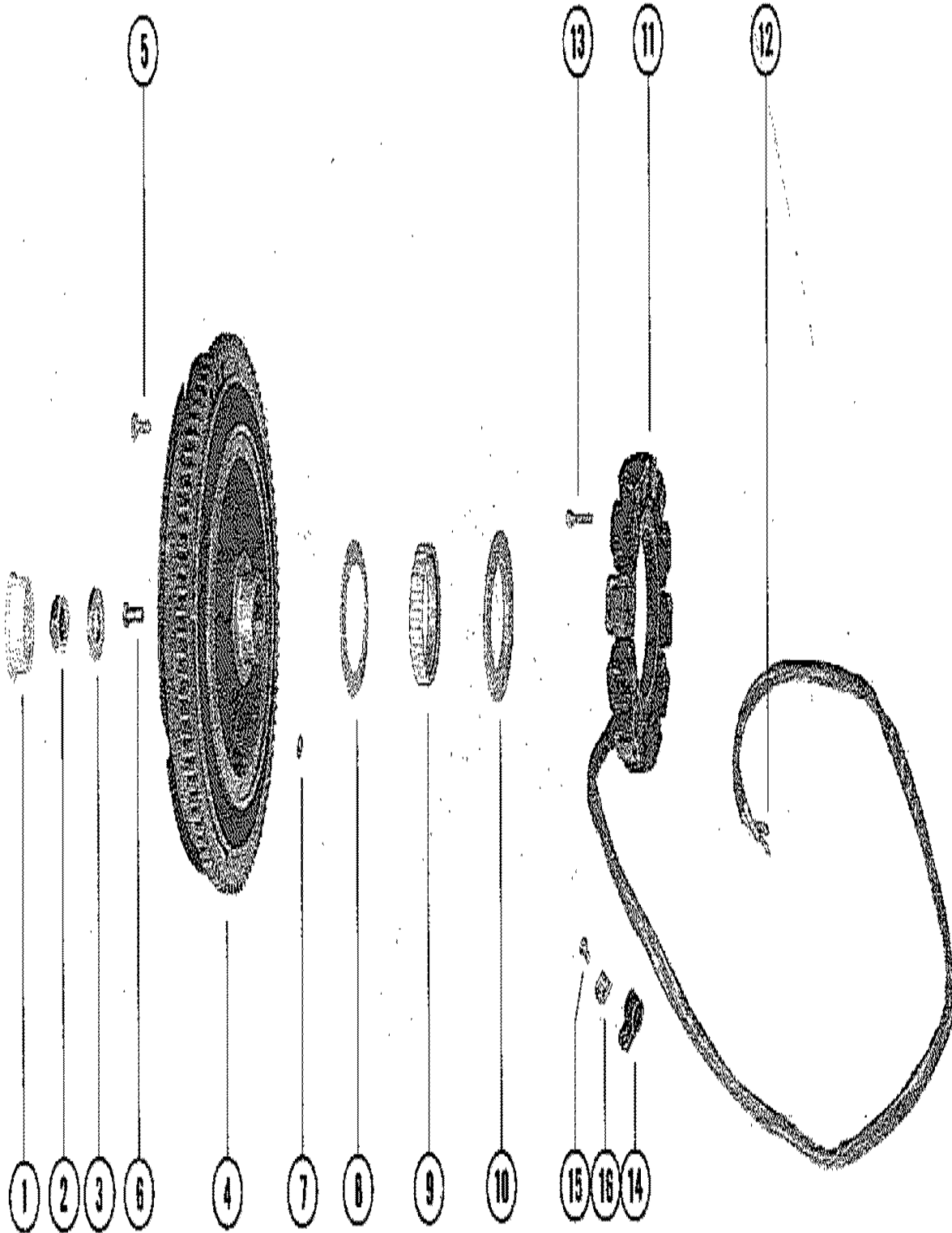




## COWLING AND FRONT COVER

REF. NO.	PART NO.	SYM.	QTY.	DESCRIPTION
1	2113-2663A11		1	COWL FRONT COVER ASSEMBLY <b>SERIAL 00000000-02933900</b>
	2113-2663A12		1	COWL FRONT COVER ASSEMBLY <b>SERIAL 03023086-09999999</b>
2	35753		1	EMBLEM, FRONT COVER
3	56849		1	KNOB, COWL FRONT COVER FASTENING
4	12-30771		2	WASHER, COVER FASTENING KNOB (RUBBER)
5	12-59572		2	WASHER, COVER FASTENING KNOB (PLASTIC)
6	24-30772		1	SPRING, TENSION - FASTENING KNOB
7	17-29077		1	ROLL PIN, TENSION SPRING TO KNOB
8	31089		2	STRIP, SOUND ABSORBING
9	38675		1	BLANKET, SOUND ABSORBING
10	35769		1	SEAL, SOUND ABSORBING - UPPER
11	53334		1	SEAL, SOUND ABSORBING - TOP
12	2136-3613A3		1	WRAP AROUND COWL ASSEMBLY
13	46785A1		3	COWL LATCH ASSEMBLY
14	30413		3	HOOK, COWL LATCH FASTENING
15	30021		1	BLANKET, SOUND ABSORBING
-	<b>92-25234--1</b>		<b>1</b>	<b>GLUE, ADHESIVE - BLANKET FASTENING</b>
-	<b>92-27109--1</b>		<b>1</b>	<b>ADHESIVE COMPOUND, EMBLEM FASTENING</b>

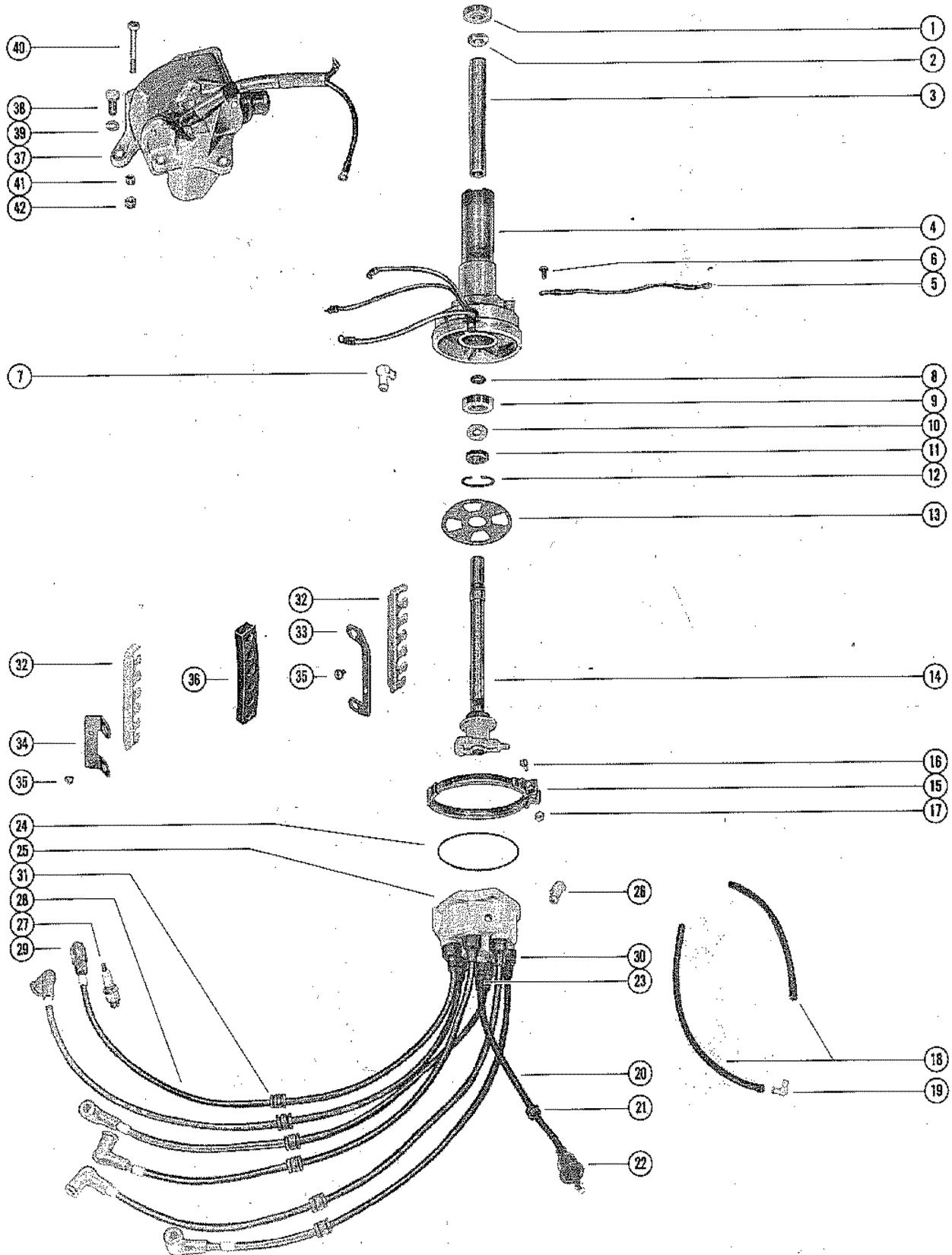
# FLYWHEEL ASSEMBLY AND STATOR



## FLYWHEEL ASSEMBLY AND STATOR

REF. NO.	PART NO.	SYM.	QTY.	DESCRIPTION
1	19-45907		1	PLUG, FLYWHEEL PULLER THREADS
2	11-52901		1	NUT, FLYWHEEL (PART OF A-436-3187A4 CRANKSHAFT ASSEMBLY)
3	12-33001		1	WASHER, FLYWHEEL NUT
4	225-2494A14		1	FLYWHEEL ASSEMBLY, COMPLETE
5	10-32417		8	SCREW, FLEXIBLE PLATE TO FLYWHEEL (5/8")
6	10-49006		8	SCREW, PLATE AND HUB TO FLEXIBLE PLATE (3/4")
7	17-26618		1	PIN, DOWEL - PULLEY TO FLYWHEEL
8	29788		1	FLANGE, FLYWHEEL PULLEY
9	30306		1	PULLEY, FLYWHEEL
10	29787		1	HUB, FLYWHEEL PULLEY
11	398-3587		1	STATOR, ALTERNATOR
12	30050		2	TERMINAL, STATOR LEAD WIRE
13	10-57021		4	SCREW, STATOR TO UPPER END CAP (7/8")
14	54-22875		2	CLIP, STATOR LEAD FASTENING (7/16")
	54-26550		1	CLIP, STATOR/WIRING HARNESS LEADS FASTENING (5/16")
15	10-30663		3	SCREW, STATOR LEAD CLIP FASTENING (3/8")
16	22789		3	"D" WASHER, CLIP FASTENING SCREW

# DISTRIBUTOR HOUSING AND ROTOR

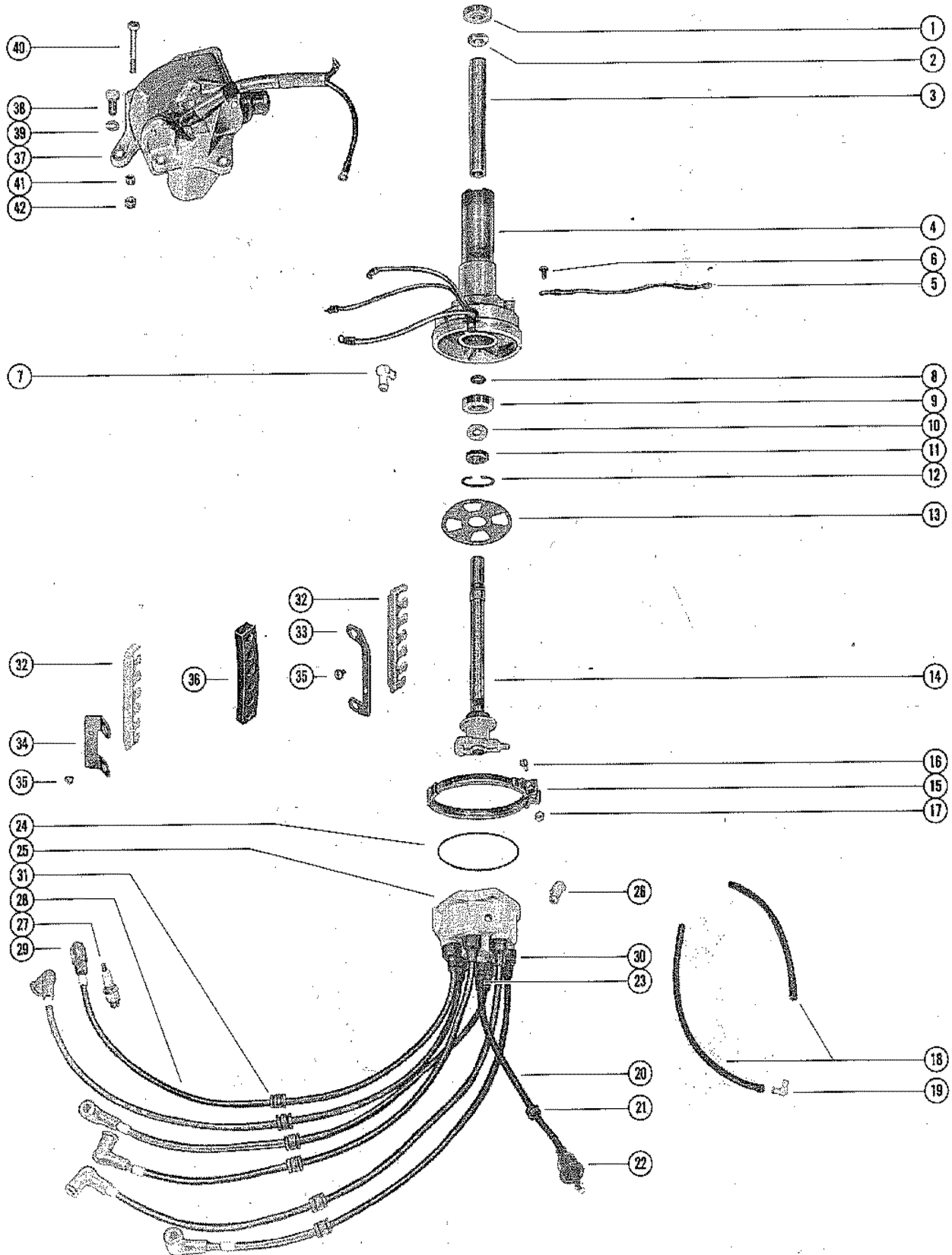


## DISTRIBUTOR HOUSING AND ROTOR

REF. NO.	PART NO.	SYM.	QTY.	DESCRIPTION
1	30-20066		1	BALL BEARING, DISTRIBUTOR HOUSING (UPPER)
2	11-54209		1	NUT, ROTOR SHAFT TO DISTRIBUTOR HOUSING
3	23-53539		1	SLEEVE, ROTOR SHAFT
4	393-3736A3		1	HOUSING ASSEMBLY, DISTRIBUTOR <b>SERIAL 00000000-02942990</b>
	393-3736A23		1	HOUSING ASSEMBLY, DISTRIBUTOR <b>SERIAL 03036066-09999999</b>
5	53417		1	GROUND STRAP ASSEMBLY, DISTRIBUTOR TO CRANKCASE
6	10-30663		1	SCREW, GROUND STRAP ATTACHING (3/8")
7	22-55262		1	ELBOW, VENT - DISTRIBUTOR HOUSING
8	15-55853		1	SHIM, BALL BEARING TO DISTRIBUTOR HOUSING
9	30-26379		1	BALL BEARING, DISTRIBUTOR HOUSING (LOWER)
10	15-21148A1		AR	SHIM, BALL BEARING TO SPACER
11	23-53538		1	SPACER, ROTOR SHAFT
12	53-26406		1	RING, RETAINER - BALL BEARING TO DISTRIBUTOR HOUSING
13	393-4248		1	DISC, ROTOR <b>SERIAL 00000000-02940020</b>
14	393-3738		1	ROTOR, DISTRIBUTOR <b>SERIAL 00000000-02940020</b>
13	393-4313		1	DISC, ROTOR <b>SERIAL 02940021-09999999</b>
14	393-4312		1	ROTOR, DISTRIBUTOR <b>SERIAL 02940021-09999999</b>
15	54-55651		1	CLAMP, DISTRIBUTOR CAP TO DISTRIBUTOR HOUSING <b>SERIAL 00000000-00294290</b>
	54-59588		1	CLAMP, DISTRIBUTOR CAP TO DISTRIBUTOR HOUSING <b>SERIAL 03036066-09999999</b>
16	10-54281		1	SCREW, DISTRIBUTOR CAP CLAMP (1 1/4")
17	11-26768		1	NUT, DISTRIBUTOR CAP CLAMP SCREW
18	32-34395A1		1	HOSE, VENT - DISTRIBUTOR TO ELBOW (11 1/2")
	32-34395A1		1	HOSE, VENT - DISTRIBUTOR TO ELBOW (13 1/2")
19	22-31521		2	ELBOW, VENT HOSE TO BOTTOM COWL
20	393-3836A1		1	HIGH TENSION CABLE ASSEMBLY, DISTRIBUTOR CAP TO COIL
21	25-26547		1	GROMMET, HIGH TENSION CABLE
22	332-2854		1	BOOT, HIGH TENSION CABLE TO COIL
23	393-1275		1	SLEEVE, HIGH TENSION CABLE
24	27-55896		1	GASKET, DISTRIBUTOR CAP
25	393-3751A2		1	DISTRIBUTOR CAP ASSEMBLY <b>SERIAL 00000000-02942990</b>
	393-4506A2		1	DISTRIBUTOR CAP ASSEMBLY <b>SERIAL 03036066-09999999</b>
-	<b>393-1293A1</b>		<b>1</b>	<b>BRUSH AND SPRING ASSEMBLY</b>
26	22-31521		1	ELBOW, VENT - DISTRIBUTOR CAP
27	33-57451		6	SPARK PLUG (AC-V40FFM)
28	47899A9		6	SPARK PLUG LEAD ASSEMBLY #1, #2, #3, #4, #5, AND #6 <b>ORDER A-36549A1 KIT FOR REPLACEMENT OF LEAD WIRE MARKERS</b>
-	<b>20121</b>		<b>6</b>	<b>CONNECTOR, SPARK PLUG LEAD</b>
29	47604A1		6	PROTECTOR, SPARK PLUG LEAD

CONTINUED ON NEXT PAGE ➡

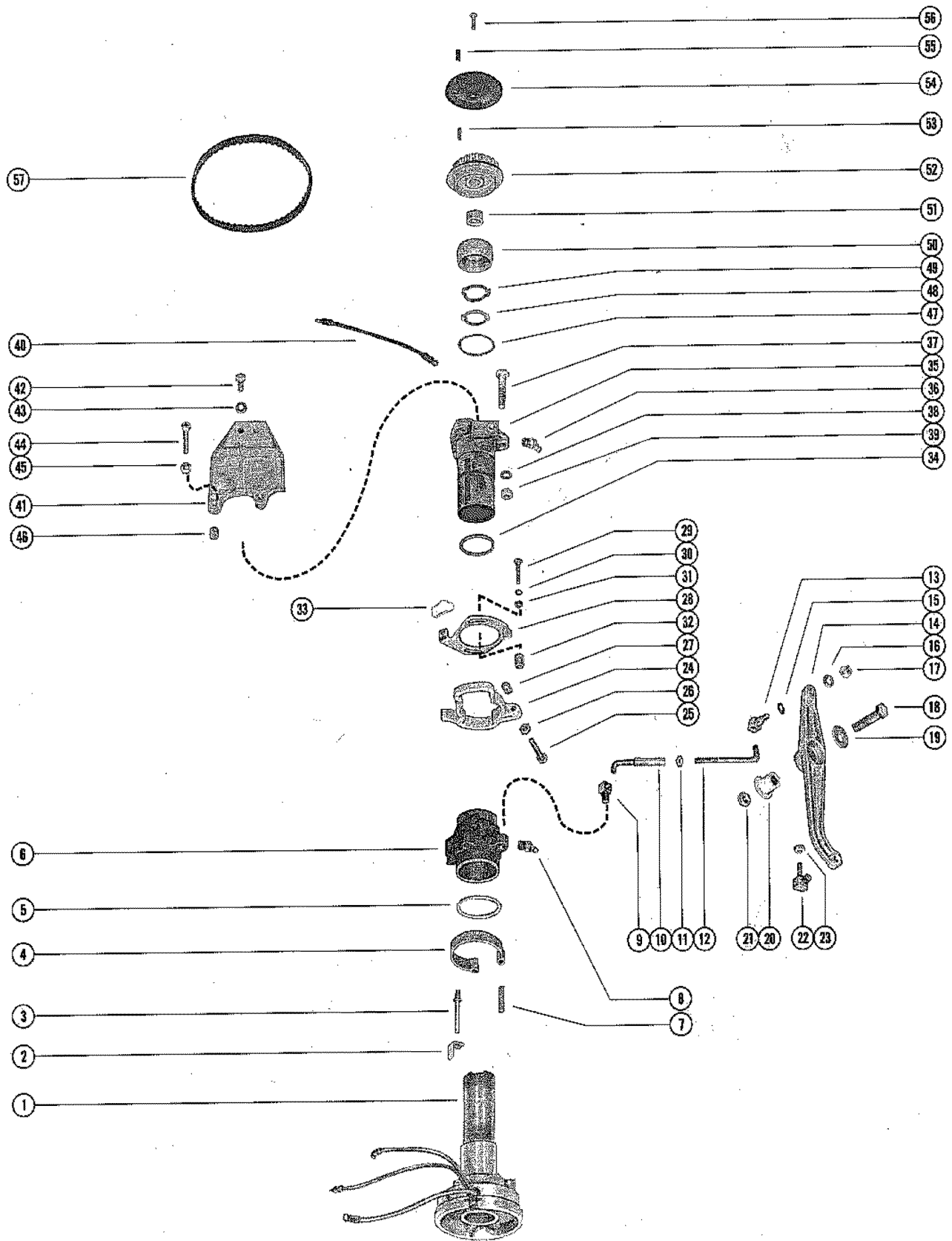
# DISTRIBUTOR HOUSING AND ROTOR



## DISTRIBUTOR HOUSING AND ROTOR

REF. NO.	PART NO.	SYM.	QTY.	DESCRIPTION
30	393-1275		6	SLEEVE, SPARK PLUG LEAD TO DISTRIBUTOR
31	25-26547		12	GROMMET, SPARK PLUG LEADS
32	45409		2	WIRE RETAINER, HIGH TENSION LEADS
33	45392		1	BRACKET, FRONT - WIRE RETAINER
34	47398		1	BRACKET, REAR - WIRE RETAINER
35	10-30663		4	SCREW, FRONT AND REAR BRACKET ATTACHING
36	45391		2	SPACER, RUBBER - HIGH TENSION LEADS
37	332-2983A5		1	IGNITION COIL ASSEMBLY, COMPLETE
38	10-24624		1	SCREW, COIL MOUNTING BRACKET (1 3/4")
39	13-26992		1	LOCKWASHER, COIL MOUNTING BRACKET
40	10-31471		2	SCREW, COIL MOUNTING BRACKET (3 1/4")
41	23-52933		3	SPACER, COIL BRACKET TO BOTTOM COWL
42	11-46887		2	NUT, COIL MOUNTING BRACKET SCREW

# DISTRIBUTOR ADAPTOR AND VERTICAL LINKAGE



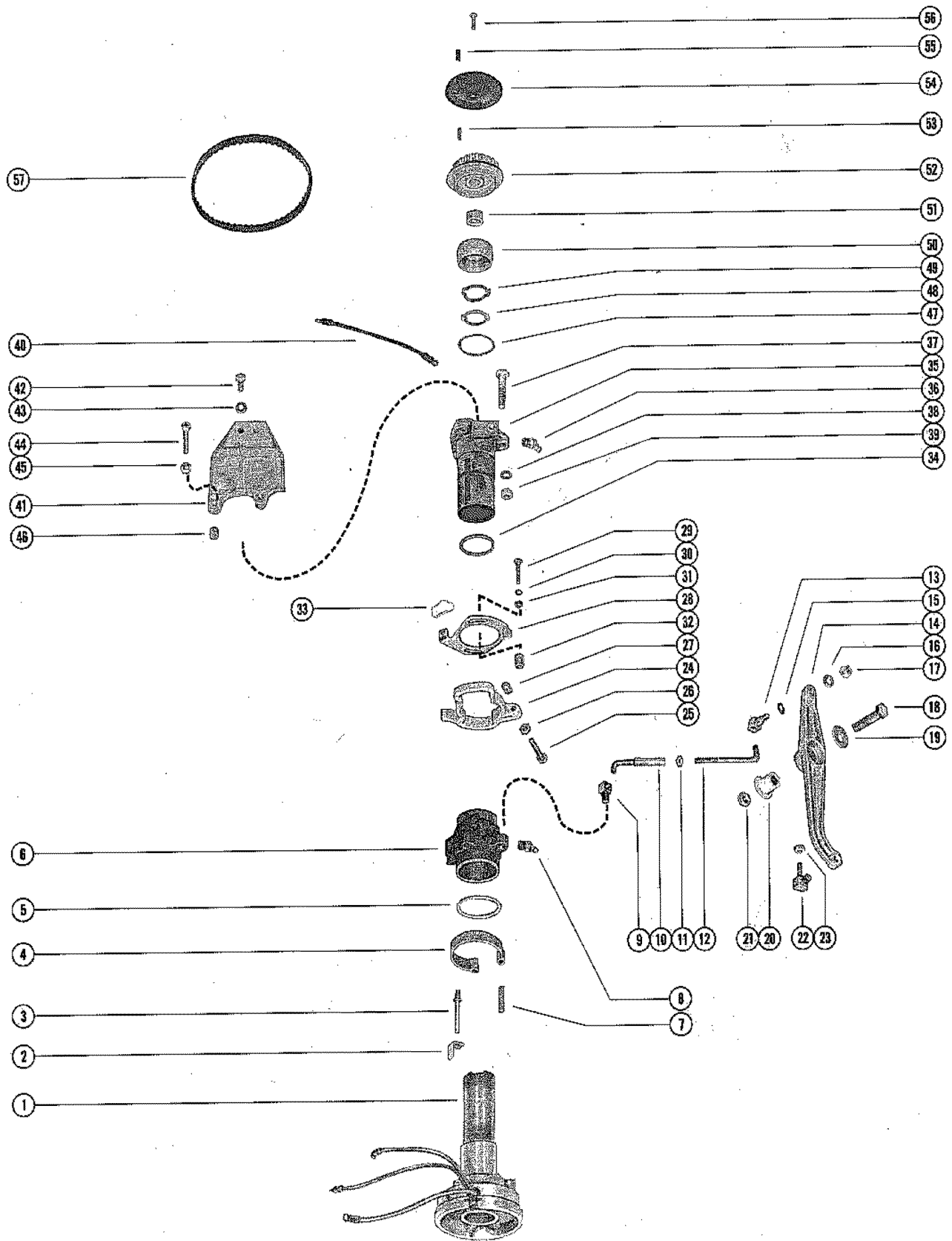


# DISTRIBUTOR ADAPTOR AND VERTICAL LINKAGE

REF. NO.	PART NO.	SYM.	QTY.	DESCRIPTION
1	393-3736A3		1	HOUSING ASSEMBLY, DISTRIBUTOR SERIAL 00000000-02942990
	393-3736A23		1	HOUSING ASSEMBLY, DISTRIBUTOR SERIAL 03036066-09999999
2	32197		1	STOP, SPARK ADVANCE - DISTRIBUTOR HOUSING
3	17-27962		1	PIN, ANCHOR SPRING - DISTRIBUTOR HOUSING
4	24-27944		1	SPRING, HORSESHOE - DISTRIBUTOR HOUSING
5	12-53540		1	WASHER, ECONOMIZER COLLAR - DISTRIBUTOR HOUSING
6	55804A1		1	ECONOMIZER COLLAR ASSEMBLY
7	17-27961		1	PIN, ECONOMIZER COLLAR - SPRING RETAINER
8	22-25094		1	FITTING, GREASE - ECONOMIZER COLLAR
9	27947		1	SWIVEL, LINKAGE - ECONOMIZER COLLAR
10	25996A1		1	SWIVEL AND LINK ROD ASSEMBLY
11	11-25168		1	NUT, UPPER LINK ROD ADJUSTING
12	37700		1	ROD, LINK - UPPER
13	27948		1	SWIVEL, UPPER LINK ROD TO THROTTLE CONTROL LEVER
14	48856		1	LEVER, THROTTLE CONTROL
15	13-25806		1	WASHER, WAVE - THROTTLE CONTROL LEVER SWIVEL
16	12-29245		1	WASHER, THROTTLE CONTROL LEVER SWIVEL
17	11-20361		1	NUT, UPPER LINK ROD TO THROTTLE CONTROL LEVER
18	10-37559		1	SCREW, THROTTLE LEVER TO EXHAUST COVER (1 3/4")
19	12-29395		1	WASHER, THROTTLE CONTROL LEVER SCREW
20	23-45818		1	BUSHING, THROTTLE CONTROL LEVER SCREW
21	11-20509		1	NUT, THROTTLE CONTROL LEVER SCREW
22	37587		1	SWIVEL, LOWER - THROTTLE CONTROL LEVER TO THROTTLE CABLE
23	11-20361		1	NUT, THROTTLE CABLE TO LOWER SWIVEL
24	48692		1	COLLAR, THROTTLE ACTUATOR
25	10-48675		1	SCREW, ADJUSTING - THROTTLE ACTUATOR COLLAR (1 1/2")
26	11-20890		1	NUT, THROTTLE ACTUATOR COLLAR ADJUSTING SCREW
27	52023		1	CAP, NYLON - THROTTLE ACTUATOR COLLAR ADJUSTING SCREW
28	48671		1	PLATE, THROTTLE ACTUATOR
29	10-37892		2	SCREW, THROTTLE ACTUATOR PLATE TO ECONOMIZER COLLAR (1")
30	12-20128		2	WASHER, THROTTLE ACTUATOR PLATE FASTENING SCREW
31	13-26996		2	LOCKWASHER, THROTTLE ACTUATOR PLATE FASTENING SCREW
32	23-48674		2	SPACER, THROTTLE ACTUATOR PLATE SCREW
33	54239		1	CAM, THROTTLE ACTUATOR PLATE SERIAL 00000000-02940020
	58454		1	CAM, THROTTLE ACTUATOR PLATE SERIAL 02940021-09999999
34	12-46246		1	WASHER, ADAPTOR - DISTRIBUTOR HOUSING
35	48666A1		1	ADAPTOR ASSEMBLY, DISTRIBUTOR

CONTINUED ON NEXT PAGE ➡

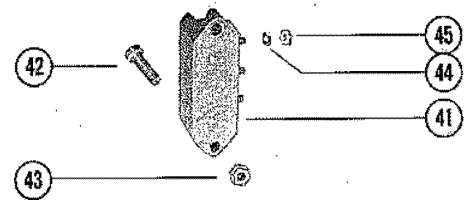
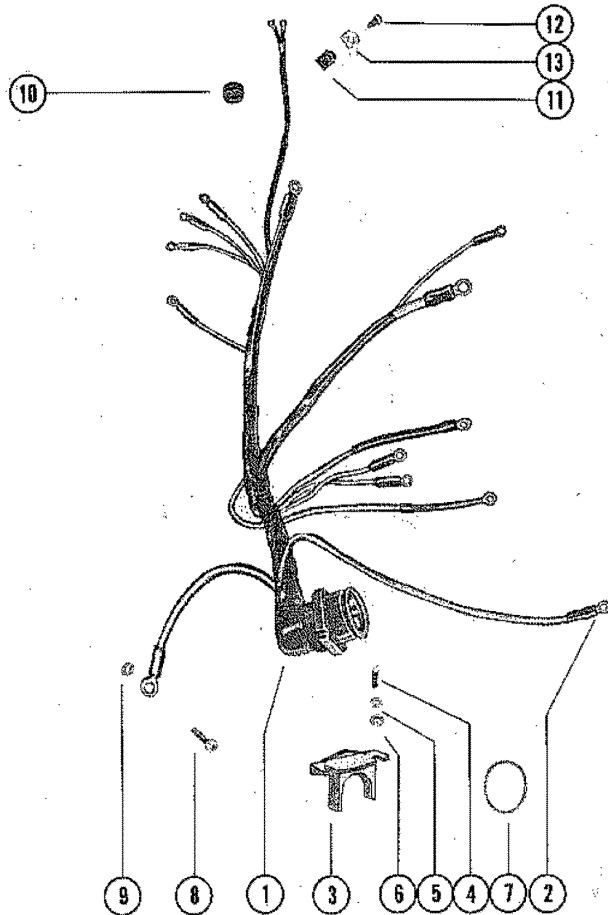
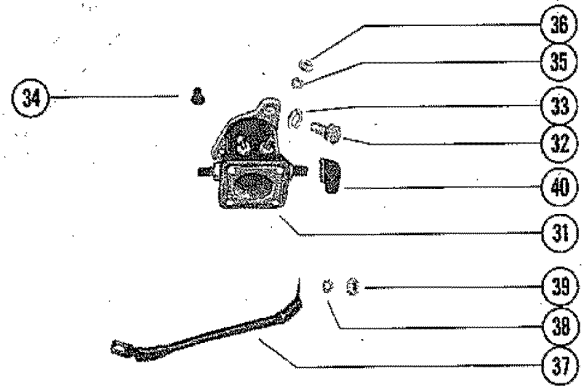
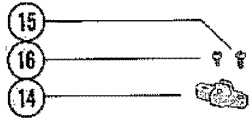
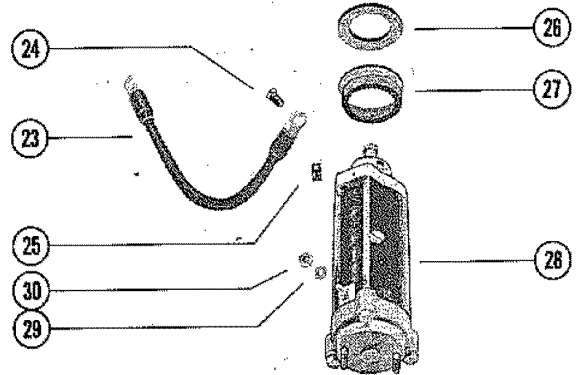
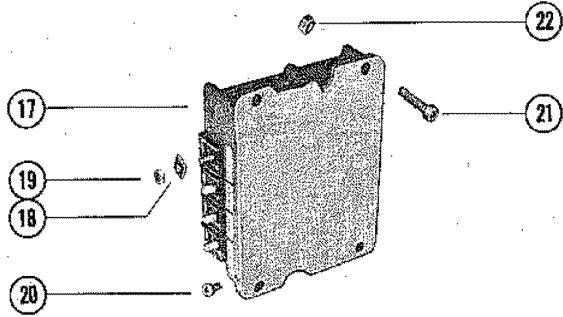
# DISTRIBUTOR ADAPTOR AND VERTICAL LINKAGE



## DISTRIBUTOR ADAPTOR AND VERTICAL LINKAGE

REF. NO.	PART NO.	SYM.	QTY.	DESCRIPTION
36	22-25094		1	FITTING, GREASE - DISTRIBUTOR ADAPTOR
37	10-22040		3	SCREW, DISTRIBUTOR HOUSING TO CRANKCASE (1 1/2")
38	12-20084		3	WASHER, DISTRIBUTOR HOUSING SCREW
39	11-20083		3	NUT, DISTRIBUTOR HOUSING SCREW
40	57602		1	WIRE, GROUND - DISTRIBUTOR ADAPTOR TO FRONT SUPPORT BRACKET
41	55805		1	BRACKET, STOP
42	10-28636		2	SCREW, DISTRIBUTOR ADAPTOR TO STOP BRACKET (3/4")
43	12-20533		2	WASHER, STOP BRACKET FASTENING SCREW
44	10-24228		3	SCREW, STOP BRACKET ADJUSTING (1 7/8") <b>SERIAL 00000000-02940020</b>
	10-24227		3	SCREW, STOP BRACKET ADJUSTING (2 1/8") <b>SERIAL 02940021-09999999</b>
45	11-20890		3	NUT, STOP BRACKET ADJUSTING SCREW
46	52023		3	CAP, NYLON - STOP BRACKET ADJUSTING SCREW
47	12-27939		1	WASHER, DISTRIBUTOR HOUSING
48	14-27960		1	TAB WASHER, ADAPTOR CAP FASTENING
49	13-27959		1	WASHER, WAVE - DISTRIBUTOR BALL BEARING TENSION
50	54567		1	CAP, DISTRIBUTOR HOUSING
51	23-47250		1	SPACER, DRIVE PULLEY
52	29906A1		1	DRIVEN PULLEY ASSEMBLY
53	17-29908		1	PIN, ROLL - FLANGE LOCATING
54	29907		1	FLANGE, DRIVEN PULLEY
55	28-29910		1	KEY, DISTRIBUTOR DRIVER
56	10-58354		1	SCREW, PULLEY CLAMPING
57	20140		1	BELT, TIMING

# STARTER MOTOR, STARTER SOLENOID, RECTIFIER AND WIRING HARNESS

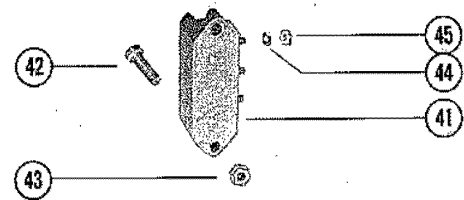
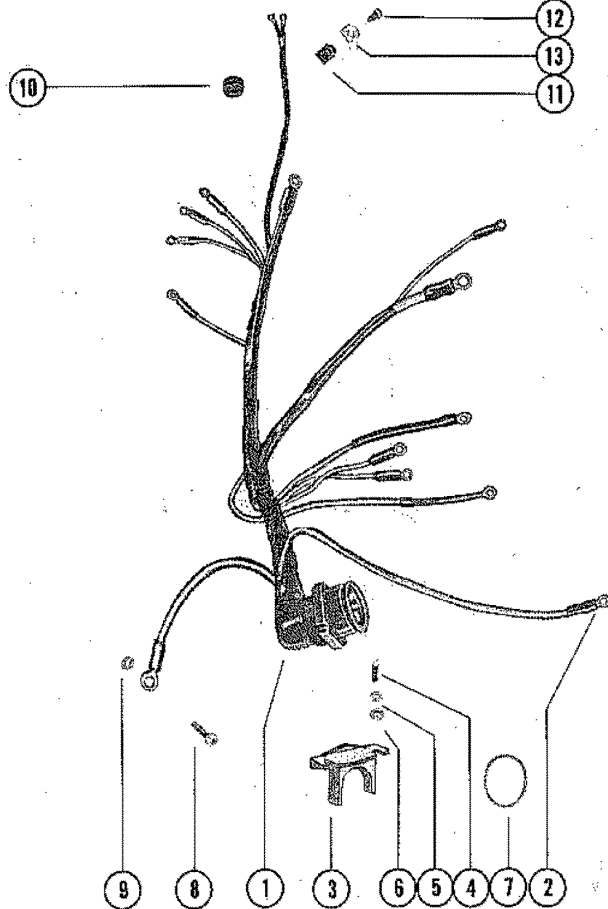
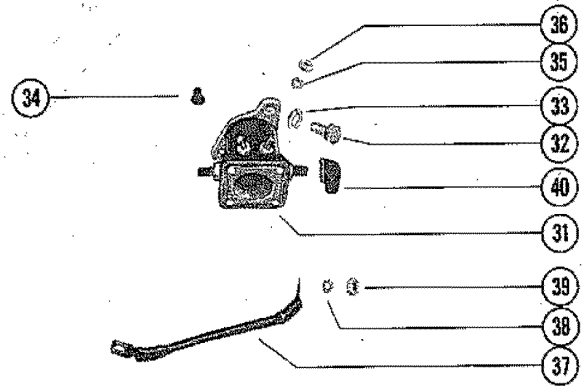
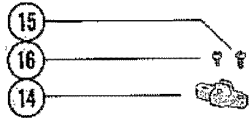
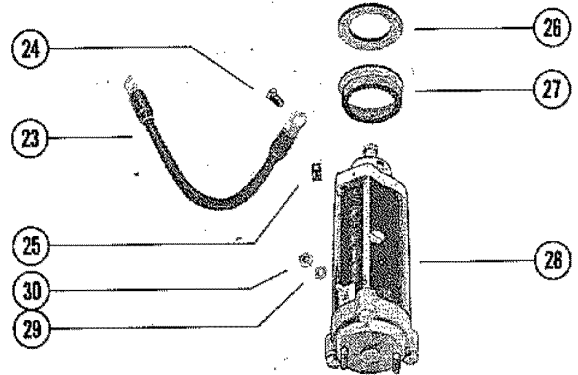
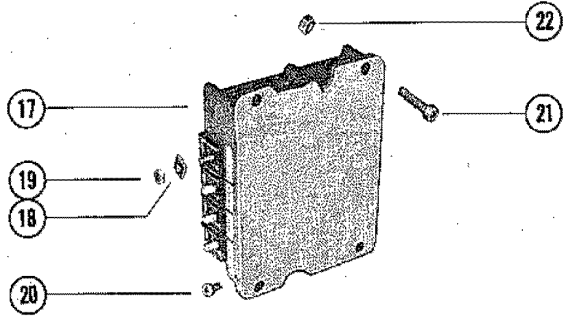


# STARTER MOTOR, STARTER SOLENOID, RECTIFIER AND WIRING HARNES

REF. NO.	PART NO.	SYM.	QTY.	DESCRIPTION
1	52769		1	WIRING HARNESS, INTERNAL
2	30050		AR	TERMINAL, HARNESS AND MERCURY SWITCH LEADS
3	54-52876		1	CLAMP, WIRING HARNESS TO BOTTOM COWL
4	10-45862		2	SCREW, WIRING HARNESS CLAMP TO BOTTOM COWL (7/8")
5	13-26996		2	LOCKWASHER, WIRING HARNESS CLAMP SCREW
6	12-20128		2	WASHER, WIRING HARNESS CLAMP SCREW
7	24-28975		1	SPRING, GARTER - INTERNAL WIRING HARNESS
8	10-20776		1	SCREW, GROUND WIRE TO BOTTOM COWL
9	13-24669		1	LOCKWASHER, GROUND WIRE SCREW
10	25-26547		1	GROMMET, RECTIFIER TO SWITCH BOX WIRE
11	54-26538		1	CLIP, WIRING HARNESS TO FRONT BRACKET (1/8")
12	10-30663		1	SCREW, WIRING HARNESS TO FRONT BRACKET (3/8")
13	22789		1	"D" WASHER, WIRING HARNESS CLIP SCREW
14	45559		1	TERMINAL BLOCK, STATOR LEADS
15	10-35519		2	SCREW, TERMINAL BLOCK FASTENING (1/2")
16	10-30663		2	SCREW, STATOR LEADS TO TERMINAL BLOCK (3/8")
17	332-2986A4		1	SWITCH BOX ASSEMBLY
18	12-45075		7	WASHER, SWITCH BOX TERMINAL
19	11-45076		7	NUT, SWITCH BOX TERMINAL
20	10-45218		1	SCREW, SWITCH BOX (3/8")
21	10-24866		4	SCREW, SWITCH BOX TO FRONT MOUNTING BRACKET (1")
22	11-46887		4	NUT, SWITCH BOX SCREW
23	25596		1	CABLE, WIRE - STARTER MOTOR TO FRONT SUPPORT BRACKET
24	10-29197		1	SCREW, WIRE CABLE TO STARTER MOTOR
25	57247		1	STOP, RUBBER - STARTER MOTOR
26	23-56774		AR	SPACER, COLLAR TO TOP MOUNTING CAP
27	56703		2	COLLAR, RUBBER - STARTER MOTOR MOUNT
28	50-57465A1		1	STARTER MOTOR ASSEMBLY
29	13-26992		1	LOCKWASHER, STARTER MOTOR TERMINAL
30	11-20890		1	NUT, STARTER MOTOR TERMINAL
31	25661		1	SOLENOID, STARTER
32	10-21625		2	SCREW, SOLENOID TO COIL BRACKET (3/4")
33	13-26992		2	LOCKWASHER, STARTER SOLENOID FASTENING SCREW
34	26901		1	BUMPER, RUBBER - STARTER SOLENOID
35	13-26996		2	LOCKWASHER, SOLENOID TERMINAL (#10)
36	11-20645		2	NUT, SOLENOID TERMINAL (#10)
37	48396		1	CABLE, WIRE - STARTER MOTOR TO SOLENOID
38	13-26993		2	LOCKWASHER, SOLENOID TERMINAL (5/16")
39	11-20083		2	NUT, SOLENOID TERMINAL (5/16")
40	46265		1	BOOT, SOLENOID TERMINAL

CONTINUED ON NEXT PAGE ➡

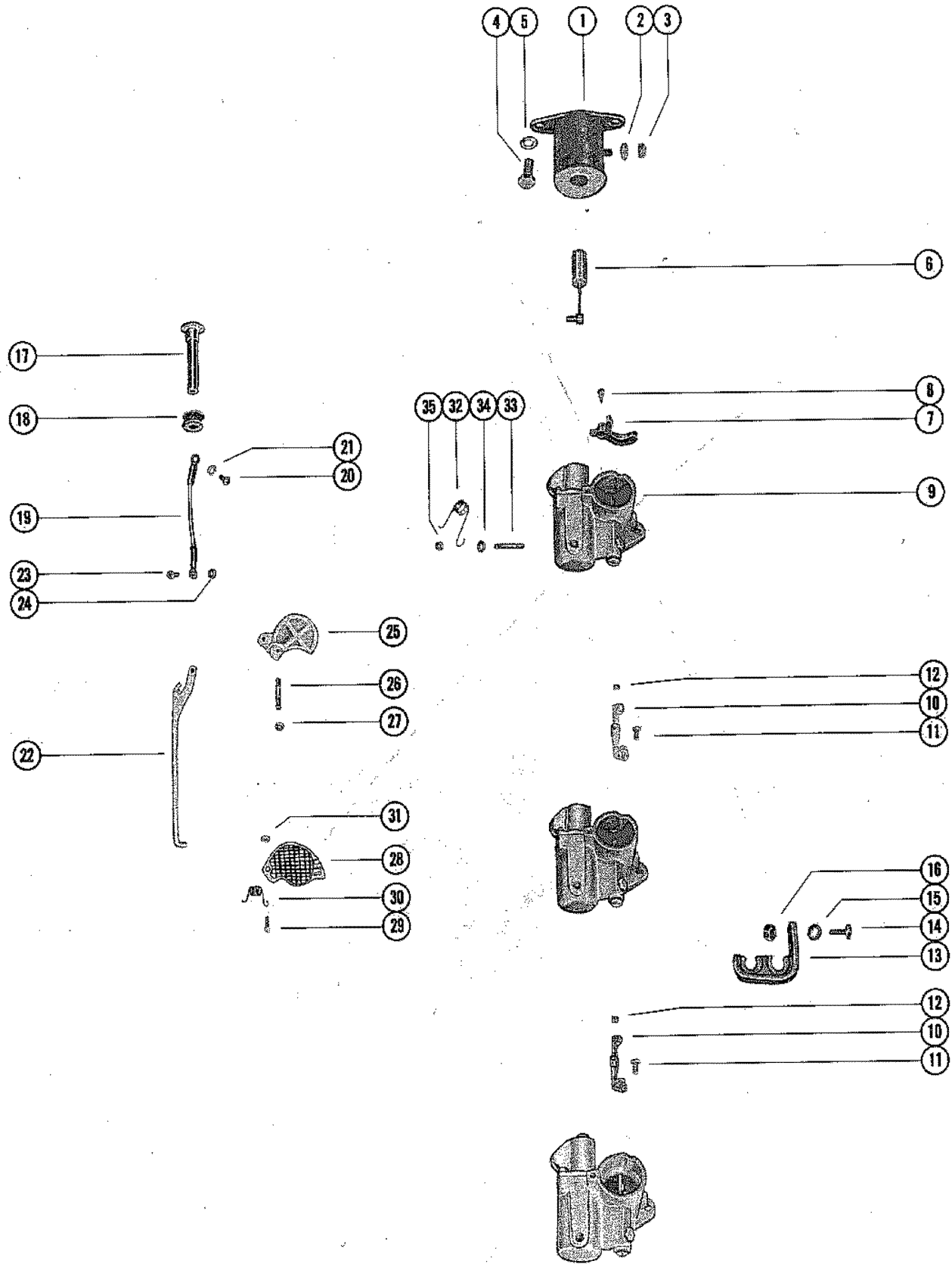
# STARTER MOTOR, STARTER SOLENOID, RECTIFIER AND WIRING HARNESS



# STARTER MOTOR, STARTER SOLENOID, RECTIFIER AND WIRING HARNES

REF. NO.	PART NO.	SYM.	QTY.	DESCRIPTION
41	332-2910A3		1	RECTIFIER ASSEMBLY
42	10-31294		2	SCREW, RECTIFIER TO MOUNTING BRACKET
43	11-46887		2	NUT, RECTIFIER MOUNTING SCREW
44	12-45075		3	WASHER, RECTIFIER STATOR LEAD TERMINAL
45	11-45076		3	NUT, FASTENING - RECTIFIER STATOR LEADS

# CARBURETOR LINKAGE AND CHOKE SOLENOID

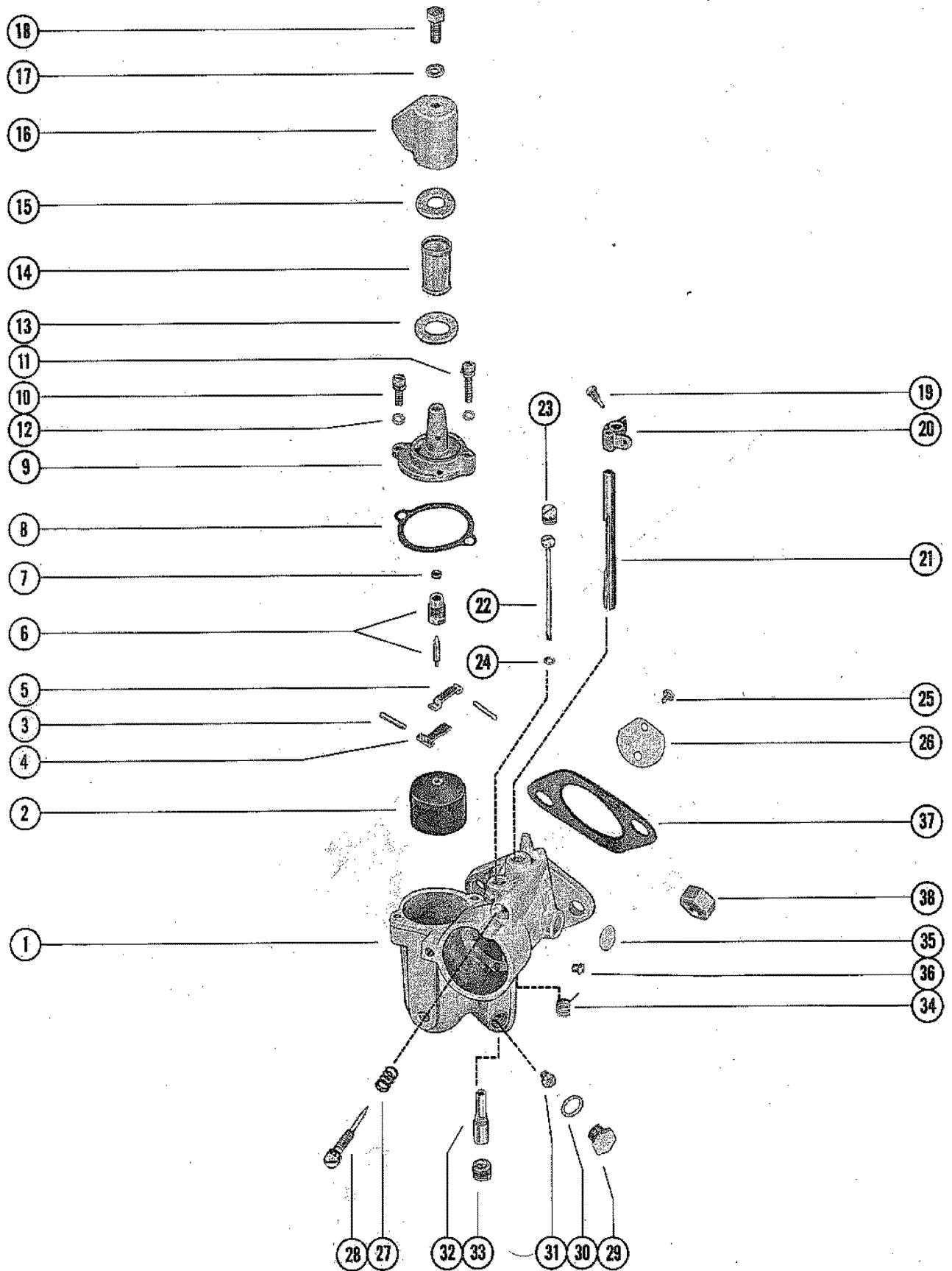




# CARBURETOR LINKAGE AND CHOKE SOLENOID

REF. NO.	PART NO.	SYM.	QTY.	DESCRIPTION
1	54293A4		1	CHOKE SOLENOID
2	13-26996		1	LOCKWASHER, SOLENOID TERMINAL
3	11-20645		1	NUT, SOLENOID TERMINAL
4	10-25299		2	SCREW, CHOKE SOLENOID (3/4")
5	13-26993		2	LOCKWASHER, CHOKE SOLENOID SCREW
6	54283A1		1	PLUNGER AND LINK ASSEMBLY, CHOKE SOLENOID
7	52518		1	CLUSTER, THROTTLE LEVER (UPPER CARBURETOR)
8	10-20847		1	SCREW, CLUSTER TO THROTTLE LEVER
9	1352-3968		3	CARBURETOR ASS'Y, COMP. (KD-7A) <b>SERIAL 0000000-02940020</b>
	1352-4323		3	CARBURETOR ASS'Y, COMP. (KD-7B) <b>SERIAL 02940021-02941990</b>
	1352-4510A1		3	CARBURETOR ASS'Y, COMP. (WMK-4) <b>SERIAL 03036066-09999999</b>
10	53720A2		2	THROTTLE PICK-UP BRACKET ASSEMBLY
11	10-53651		2	SCREW, THROTTLE BRACKET MOUNTING (3/4")
12	53665		2	INSERT, THROTTLE COUPLING
13	59757		1	BRACKET, COIL LEAD RETAINER
14	10-31294		1	SCREW, COIL BRACKET (1")
15	12-29245		1	WASHER, COIL BRACKET SCREW
16	11-46887		1	NUT, COIL BRACKET SCREW
17	22463		1	KNOB, CHOKE ROD
18	25-20116		1	GROMMET, CHOKE ROD
19	49589		1	STRAP, CHOKE KNOB TO CHOKE ROD
20	10-48591		1	SCREW, STRAP TO CHOKE KNOB (1/2")
21	13-26996		1	LOCKWASHER, STRAP SCREW
22	48203		1	ROD, CHOKE
23	10-48591		1	SCREW, STRAP TO CHOKE ROD (1/2")
24	11-20565		1	NUT, STRAP TO CHOKE ROD SCREW
25	48152		2	SHUTTER, SHOKE - CARBURETOR
26	16-52898		2	STUD, CARBURETOR - CHOKE SHUTTER PIVOT
27	11-20110		2	NUT, CHOKE SHUTTER TO CARBURETOR STUD
28	35-57819		3	SCREEN ASSEMBLY, FILTER - CARBURETOR
29	10-22523		1	SCREW, LOWER CARB. FILTER SCREEN TO CARB. (3/4")
	10-23015		2	SCREW, UPPER CARB. FILTER SCREEN TO CARB. (1")
30	24-57818		2	SPRING, UPPER FILTER SCREEN SCREW
31	11-20110		3	NUT, CARBURETOR FILTER SCREEN FASTENING SCREW
32	24-48230		1	SPRING, CHOKE ROD TENSION
33	16-39937		1	STUD, CHOKE ROD SPRING TO CARBURETOR
34	23-32427		1	SPACER, CHOKE ROD SPRING STUD
35	11-46887		1	NUT, CHOKE ROD SPRING TO CARBURETOR STUD

# CARBURETOR ASSEMBLY

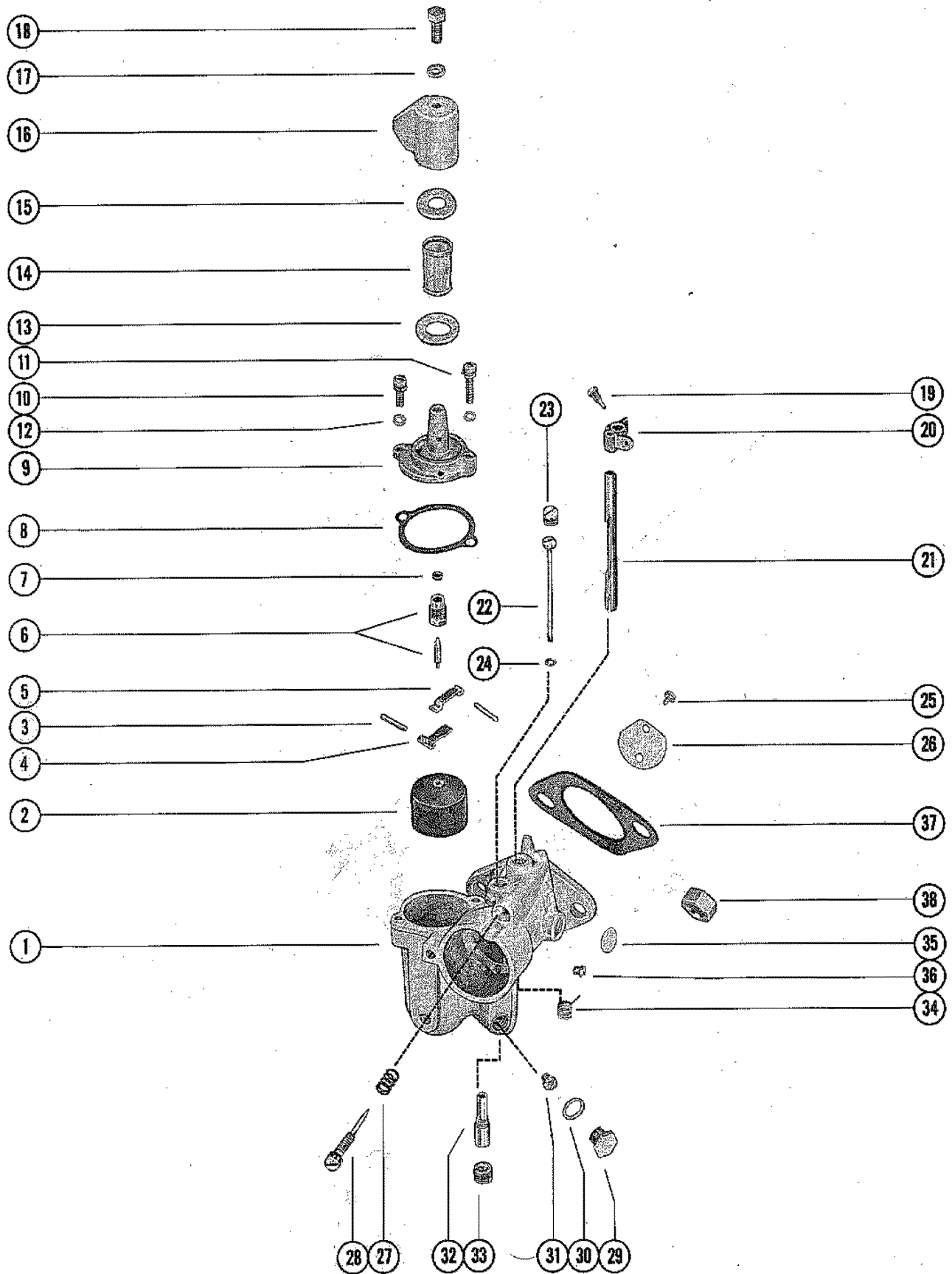


# CARBURETOR ASSEMBLY

REF. NO.	PART NO.	SYM.	QTY.	DESCRIPTION
1	1352-3968		3	CARBURETOR ASSEMBLY, COMPLETE (KD-7A) <b>SERIAL 00000000-02940020</b>
	1352-4323		3	CARBURETOR ASSEMBLY, COMPLETE (KD-7B) <b>SERIAL 02940021-02942990</b>
	1352-4510A1		3	CARBURETOR ASSEMBLY, COMPLETE (WMK-4) <b>SERIAL 00000000-03036066</b>
2	1399-110A1		3	FLOAT ASSEMBLY
3			6	PIN, FLOAT LEVER PINION
4			3	LEVER, FLOAT (LOWER)
5			3	LEVER, FLOAT (UPPER)
6	1399-1473		3	INLET NEEDLE, SEAT AND GASKET <b>SERIAL 00000000-02942990</b>
	1395-4555		3	INLET NEEDLE, SEAT AND GASKET <b>SERIAL 03036066-09999999</b>
7			3	GASKET, INLET SEAT
8			3	GASKET, FLOAT BOWL COVER
9	1399-1133		3	COVER, FLOAT BOWL <b>SERIAL 00000000-02942990</b>
	1399-4559		3	COVER, FLOAT BOWL <b>SERIAL 03036066-09999999</b>
10	10-52195		3	SCREW, FLOAT BOWL COVER (SHORT)
11	10-52196		3	SCREW, FLOAT BOWL COVER (LONG)
12	13-26995		6	LOCKWASHER, FLOAT BOWL COVER SCREW
13			3	GASKET, STRAINER COVER (LARGE)
14	1399-3938		3	SCREEN, FILTER
15			3	GASKET, STRAINER COVER (SMALL)
16	1399-1930		3	COVER, STRAINER
17			3	GASKET, STRAINER COVER SCREW
18	10-25822		3	SCREW, STRAINER COVER FASTENING
19	10-20847		3	SCREW, THROTTLE STOP LEVER
20	1399-97		3	LEVER, THROTTLE STOP <b>USED ON CENTER AND LOWER CARBURETOR ONLY--REPLACED WITH A-52518 CLUSTER ON UPPER CARBURETOR</b>
21	1399-3527		3	SHAFT, THROTTLE
22			3	TUBE, IDLE
23	10-23178		3	SCREW, BODY (IDLE TUBE) <b>SERIAL 00000000-02942990</b>
	1395-4540		3	SCREW, BODY (IDLE TUBE) <b>SERIAL 03036066-09999999</b>
24			3	GASKET, IDLE TUBE
25			6	SCREW AND LOCKWASHER, THROTTLE SHUTTER
26	1399-3528		3	SHUTTER, THROTTLE <b>SERIAL 00000000-02940020</b>
	1399-4412		3	SHUTTER, THROTTLE <b>SERIAL 02940021-09999999</b>
27			3	SPRING, IDLE ADJUSTMENT SCREW
28	1399-3515		3	SCREW, IDLE ADJUSTMENT
29	10-28405		3	SCREW, PLUG - MAIN FUEL JET CHANNEL <b>SERIAL 00000000-02942990</b>
	1395-4541		3	SCREW, PLUG - MAIN FUEL JET CHANNEL <b>SERIAL 03036066-09999999</b>

CONTINUED ON NEXT PAGE ➡

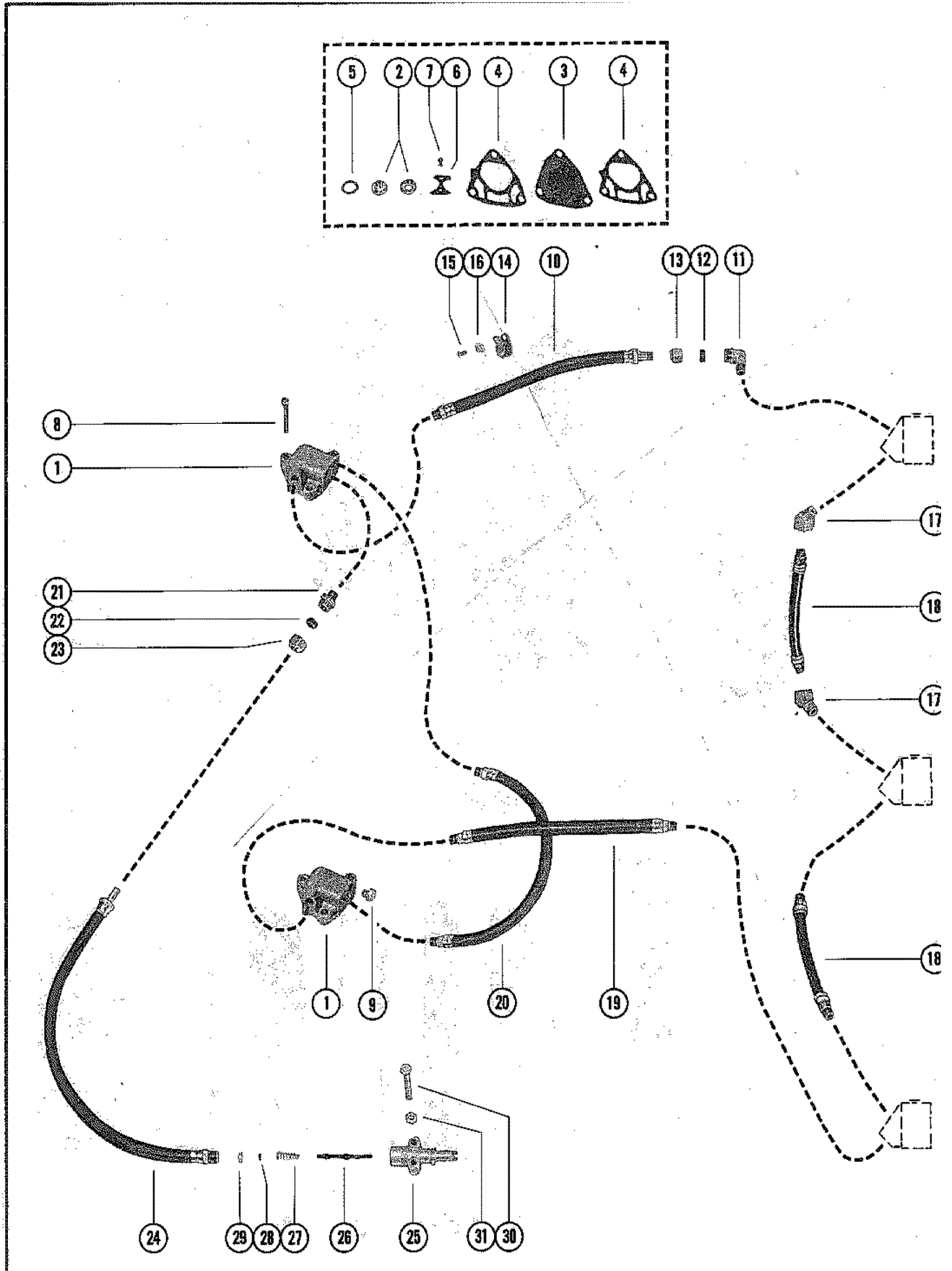
# CARBURETOR ASSEMBLY



# CARBURETOR ASSEMBLY

REF. NO.	PART NO.	SYM.	QTY.	DESCRIPTION
30			3	GASKET, JET CHANNEL PLUG SCREW
31	1399-3519		OPT	JET, MAIN FUEL (.080)
	1399-3520		3	JET, MAIN FUEL (.0785) - STANDARD
	1399-3796		OPT	JET, MAIN FUEL (.076)
	1399-3794		OPT	JET, MAIN FUEL (.074)
32			3	NOZZLE, MAIN
33	1399-3522		3	SCREW, PLUG - MAIN NOZZLE <b>SERIAL 00000000-02942990</b>
	1395-4542		3	SCREW, PLUG - MAIN NOZZLE <b>SERIAL 03036066-09999999</b>
34			2	SPRING, THROTTLE SHAFT RETURN (CENTER AND LOWER CARBURETOR)
			1	SPRING, THROTTLE SHAFT RETURN (UPPER CARBURETOR)
35			3	WELCH PLUG, BODY CHANNEL
36	10-23030		3	SCREW, BODY CHANNEL <b>SERIAL 00000000-02942990</b>
	1395-4543		3	SCREW, BODY CHANNEL <b>SERIAL 03036066-09999999</b>
-	<b>1399-3523</b>		<b>3</b>	<b>GASKET AND PACKING SET (1 PER CARBURETOR)</b>
-	<b>1399-4219</b>		<b>3</b>	<b>REPAIR PARTS KIT (1 PER CARBURETOR) SERIAL 00000000-02942990</b>
-	<b>1395-4556</b>		<b>3</b>	<b>REPAIR PARTS KIT (1 PER CARBURETOR) SERIAL 03036066-09999999</b>
37	27-48164		3	GASKET, CARBURETOR FLANGE
38	11-46793		6	NUT, CARBURETOR MOUNTING STUD

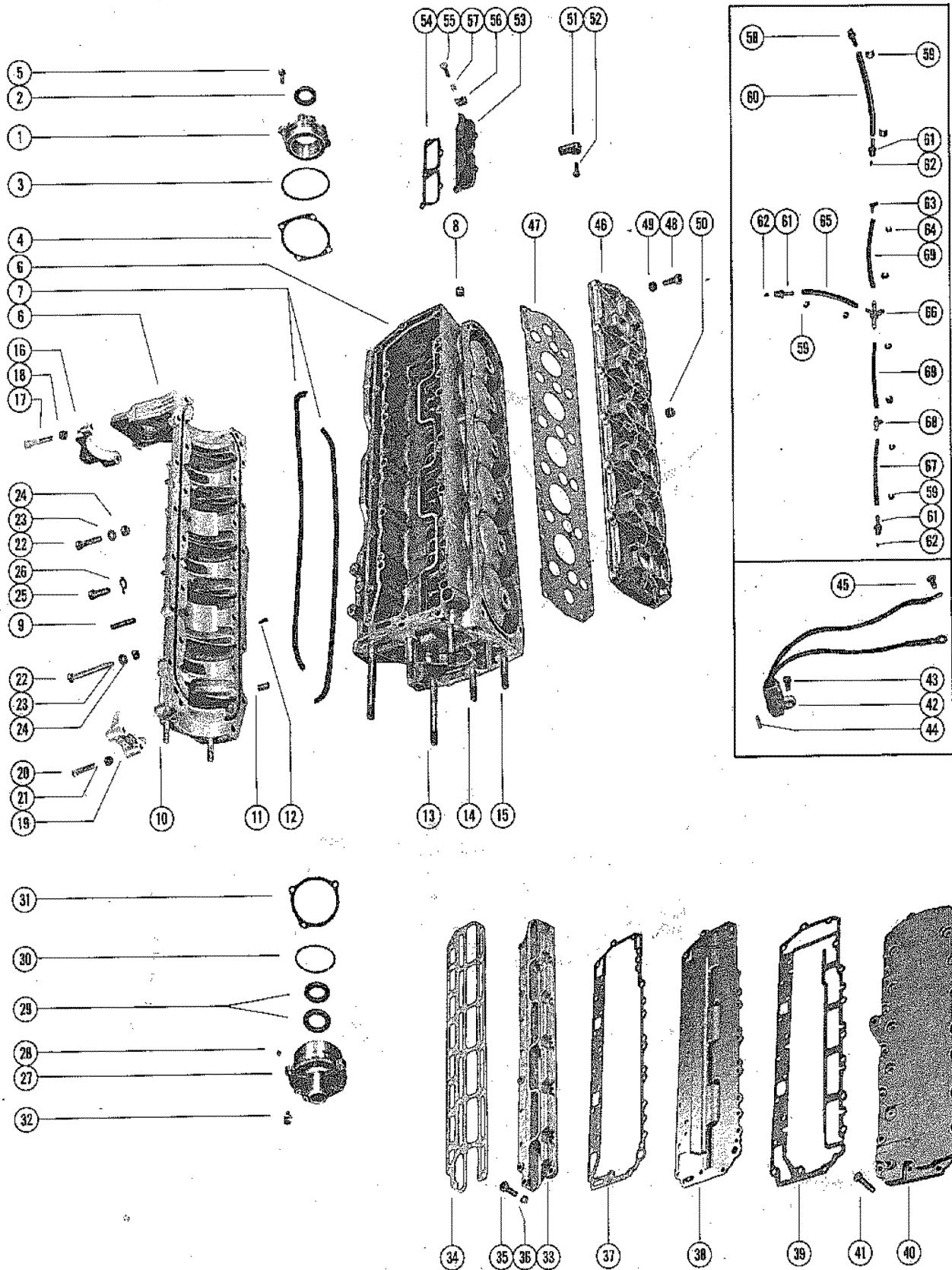
# FUEL PUMP AND FUEL LINE ASSEMBLY



## FUEL PUMP AND FUEL LINE ASSEMBLY

REF. NO.	PART NO.	SYM.	QTY.	DESCRIPTION
1	55156A5		2	FUEL PUMP ASSEMBLY
2	21-30430A3		2	CHECK VALVE ASSEMBLY
3	55278A1		2	DIAPHRAGM KIT
4			4	GASKET, FUEL PUMP
5			4	GASKET, CHECK VALVE TO HOUSING
6	23004		2	RETAINER, CHECK VALVE
7	10-20037		4	SCREW, RETAINER TO HOUSING
8	10-27281		6	SCREW, FUEL PUMP MOUNTING (1 3/8")
9	22-32802		1	PLUG, PIPE - BOTTOM PUMP
10	32-33154A1		1	FUEL LINE ASSEMBLY, PUMP TO CARBURETOR (14 1/8")
11	22-30174		1	ELBOW, UPPER CARBURETOR STRAINER COVER (90)
12	22-30175		1	SLEEVE, CARBURETOR STRAINER COVER ELBOW
13	22-30177		1	NUT, UPPER CARBURETOR STRAINER COVER ELBOW
14	54-22627		1	CLIP, FUEL LINE TO CYLINDER BLOCK
15	10-30663		1	SCREW, FUEL LINE CLIP TO CYLINDER BLOCK (3/8")
16	22789		1	"D" WASHER, FUEL LINE CLIP SCREW
17	22-29085		2	ELBOW, FUEL LINE TO CARBURETOR (45)
18	32-31584A1		2	FUEL LINE ASSEMBLY, CARBURETOR TO CARBURETOR
19	32-52944A1		1	FUEL LINE ASSEMBLY, PUMP TO CARBURETOR (10")
20	32-55828A1		1	FUEL LINE ASSEMBLY, PUMP TO PUMP (13 3/4")
21	22-30468		1	FITTING, TOP PUMP
22	22-30175		1	SLEEVE, TOP PUMP FITTING
23	22-30177		1	NUT, TOP PUMP FITTING
24	32-55829		1	FUEL LINE, ADAPTOR TO LOWER FUEL PUMP
25	30186		1	ADAPTOR, CHECK UNIT (FUEL LINE)
26	30187		1	STEM, CHECK UNIT ADAPTOR
27	24-30189		1	SPRING, ADAPTOR STEM
28	25-20415		1	"O" RING, ADAPTOR STEM
29	30188		1	CUP WASHER, ADAPTOR
30	10-37990		1	SCREW, ADAPTOR TO BOTTOM COWL (1 3/4")
	10-37561		1	SCREW, ADAPTOR TO BOTTOM COWL (2 1/2")
31	11-46887		2	NUT, ADAPTOR FASTENING SCREW

# CYLINDER BLOCK AND CRANKCASE ASSEMBLY



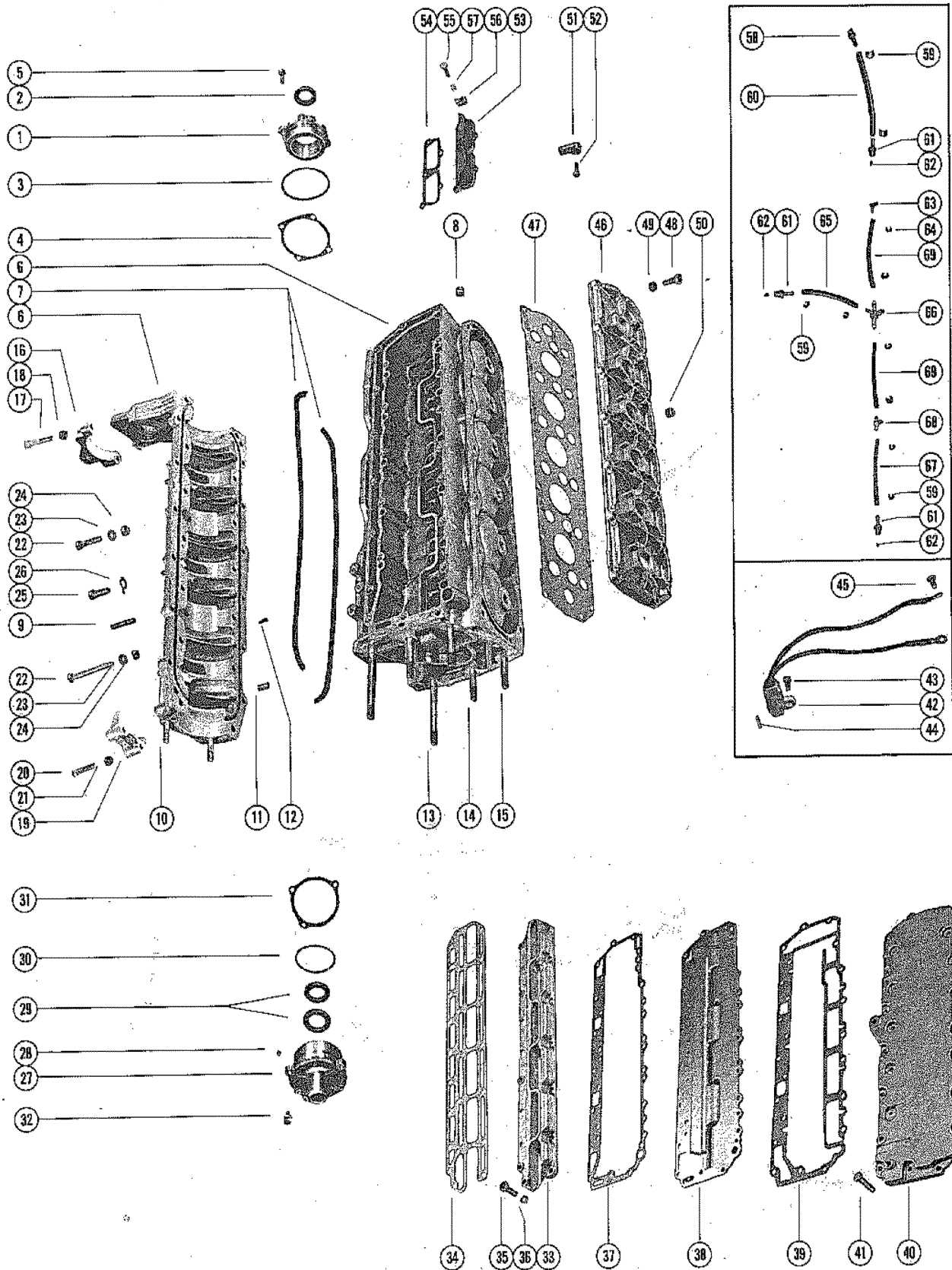


# CYLINDER BLOCK AND CRANKCASE ASSEMBLY

REF. NO.	PART NO.	SYM.	QTY.	DESCRIPTION
1	1134-3197A1		1	END CAP ASSEMBLY, UPPER
2	26-29476		1	OIL SEAL, END CAP
3	25-47254		1	"O" RING
4	15-47248A1		AR	SHIM, END CAP TO CRANKCASE (.002-3-5-10)
5	10-30225		4	SCREW, END CAP MOUNTING
6	852-3884A3		1	CYLINDER BLOCK AND CRANKCASE ASSEMBLY
7	27-53862		2	GASKET, CRANKCASE TO CYLINDER BLOCK
8	57854		5	RESTRICTION, CRANKCASE BLEED
9	16-35099		6	STUD, CARBURETOR MOUNTING (1 3/16")
10	16-26133		2	STUD, CRANKCASE TO DRIVE SHAFT HOUSING (1 7/8")
11	17-20033		2	PIN, DOWEL - CRANKCASE TO CYLINDER BLOCK
12	17-20323		3	PIN, DOWEL - CYLINDER BLOCK TO MAIN BEARING
13	16-26134		2	STUD, CYLINDER BLOCK TO DRIVE SHAFT HOUSING (4 1/16")
14	16-48770		4	STUD, CYLINDER BLOCK TO DRIVE SHAFT HOUSING (3 9/16")
15	16-26324		2	STUD, CYLINDER BLOCK TO DRIVE SHAFT HOUSING (2 7/8")
16	56029		1	COVER, STARTER MOTOR BRACKET - TOP
17	10-26132		1	SCREW, TOP COVER ATTACHING (2 1/2")
	10-21449		1	SCREW, TOP COVER ATTACHING (2"0
18	11-46793		2	NUT, COVER SCREW
19	56030		1	COVER, STARTER MOTOR BRACKET - BOTTOM
20	10-33473		1	SCREW, BOTTOM COVER ATTACHING (2 5/8")
	10-39767		1	SCREW, BOTTOM COVER ATTACHING (1 7/8")
21	11-46793		1	NUT, COVER SCREW
22	10-33476		3	SCREW, CRANKCASE TO CYLINDER BLOCK (2 5/8")
	10-32293		2	SCREW, CRANKCASE TO CYLINDER BLOCK (1 3/4")
	10-21574		21	SCREW, CRANKCASE TO CYLINDER BLOCK (1 5/8")
23	12-22753		26	WASHER, CRANKCASE TO CYLINDER BLOCK SCREWS
24	11-46793		26	NUT, CRANKCASE FASTENING SCREWS
25	10-20359		2	SCREW, CENTER MAIN BEARING LOCKING
26	14-20091		2	TAB WASHER, BEARING LOCKING SCREW
27	1126-3196A3		1	END CAP ASSEMBLY, LOWER
28	21-56011A1		1	CHECK VALVE ASSEMBLY, END CAP
29	26-29476		2	OIL SEAL, END CAP
30	25-20081		1	"O" RING, END CAP
31	15-20085A1		AR	SHIM, END CAP TO CRANKCASE (.002-3-5-10)
32	10-30225		3	SCREW, END CAP MOUNTING (1")
33	55200		1	COVER, WATER JACKET - CYLINDER BLOCK
34	27-47228		1	GASKET, WATER JACKET COVER
35	10-53167		23	SCREW, WATER JACKET COVER TO CYLINDER BLOCK (7/8")
36	13-53166		23	LOCKWASHER, WATER JACKET COVER FASTENING SCREW
37	27-55283		1	GASKET, CYLINDER BLOCK TO BAFFLE PLATE

CONTINUED ON NEXT PAGE ➡

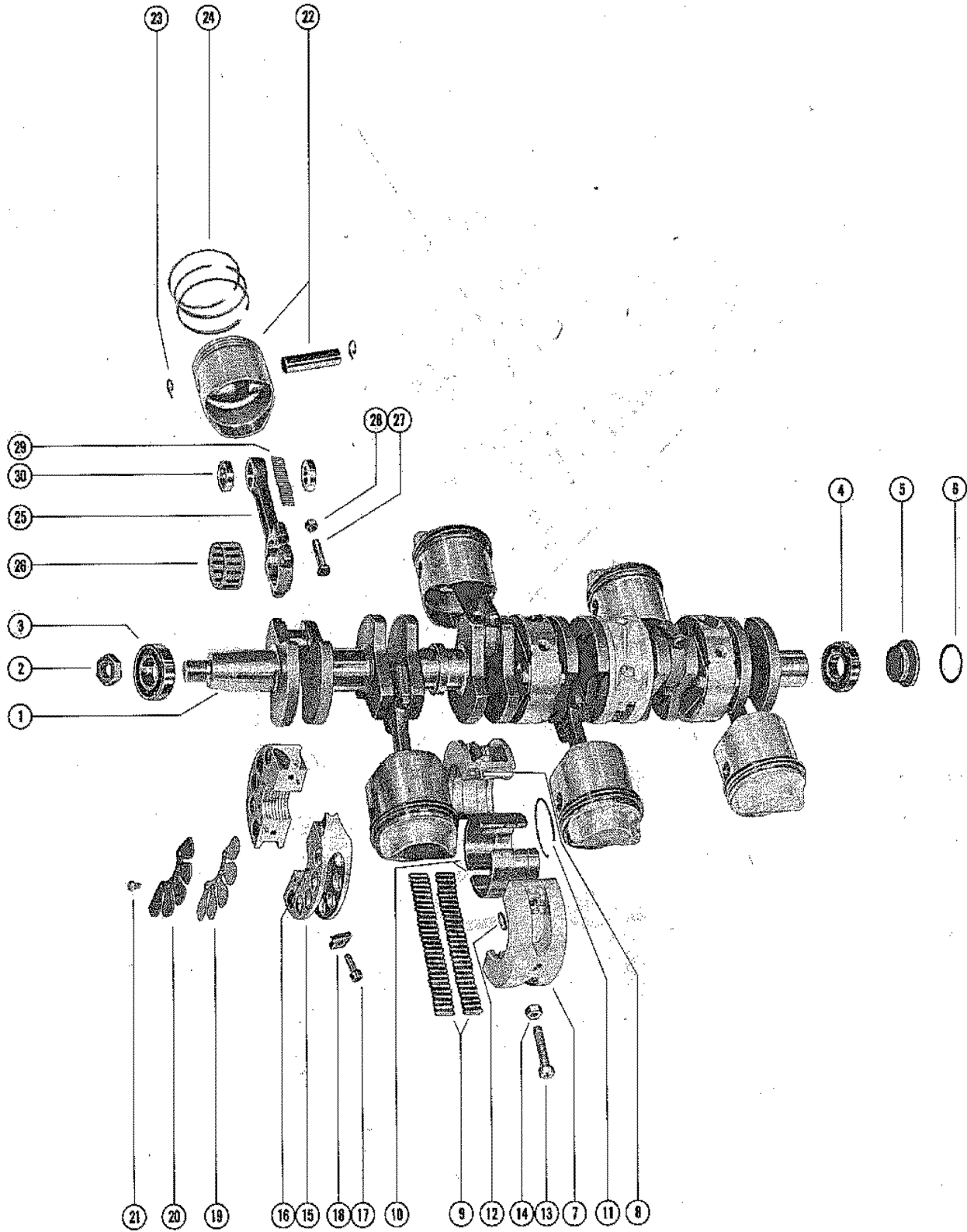
# CYLINDER BLOCK AND CRANKCASE ASSEMBLY



# CYLINDER BLOCK AND CRANKCASE ASSEMBLY

REF. NO.	PART NO.	SYM.	QTY.	DESCRIPTION
38	55282		1	PLATE, BAFFLE - EXHAUST MANIFOLD
39	27-55284		1	GASKET, BAFFLE PLATE TO EXHAUST MANIFOLD COVER
40	55281		1	COVER, EXHAUST MANIFOLD
41	10-38837		23	SCREW, MANIFOLD COVER MOUNTING
42	58124A4		1	SWITCH, MERCURY
43	10-28708		1	SCREW, SWITCH TO FRONT MOUNTING BRACKET (1/2")
44	17-30496		1	PIN, ROLL - MERCURY SWITCH
45	10-30663		1	SCREW, MERCURY SWITCH LEAD
46	1023-3755		1	COVER, CYLINDER BLOCK
47	27-53863		1	GASKET, CYLINDER BLOCK COVER
48	10-21091		16	SCREW, CYLINDER BLOCK COVER MOUNTING (1 1/8")
49	11-46887		16	NUT, COVER MOUNTING SCREW
50	22-32802		1	PLUG, PIPE - CYLINDER BLOCK COVER
51	37440		1	BRACKET, MOUNT SUPPORT - CYLINDER BLOCK
52	10-24234		1	SCREW, BRACKET TO CYLINDER BLOCK ( 1")
53	56031		1	COVER, TRANSFER PORT - TOP
	55155		2	COVER, TRANSFER PORT - BOTTOM
54	27-60145		1	GASKET, TRANSFER PORT COVER
55	10-53556		18	SCREW, TRANSFER PORT COVER MOUNTING (1")
	10-28636		3	SCREW, TRANSFER PORT COVER MOUNTING (3/4")
56	54-37282		1	CLAMP, CYLINDER BLEED HOSE TO TOP COVER
57	37281		1	"D" WASHER, BLEED HOSE CLAMP
58	22-20445		1	FITTING, UPPER CYLINDER BLEED
59	54-20387		6	CLAMP, BLEED HOSE TO CONNECTPR
60	32-52742A1		1	HOSE, CYLINDER BLEED - UPPER (13 1/2")
61	21-28483A1		3	CHECK VALVE ASSEMBLY, BLEED HOSE
62	21-28481A1		3	CHECK VALVE ASSEMBLY
63	22-20781		1	ELBOW, BALANCE TUBE TO MAIN BEARING SCREW
64	54-20386		4	CLAMP, BALANCE TUBE TO ELBOW AND TEE
65	32-52742A1		1	HOSE, CENTER CYLINDER BLEED (7 1/2")
66	22-53492		1	TEE, BLEED HOSE TO CYLINDER BLOCK - CENTER
67	32-52742A1		1	HOSE, CYLINDER BLEED - LOWER (8 1/2")
68	22-53491		1	TEE, BLEED HOSE TO CYLINDER BLOCK - LOWER
69	32-33960		2	TUBE, BALANCE - MAIN BEARING

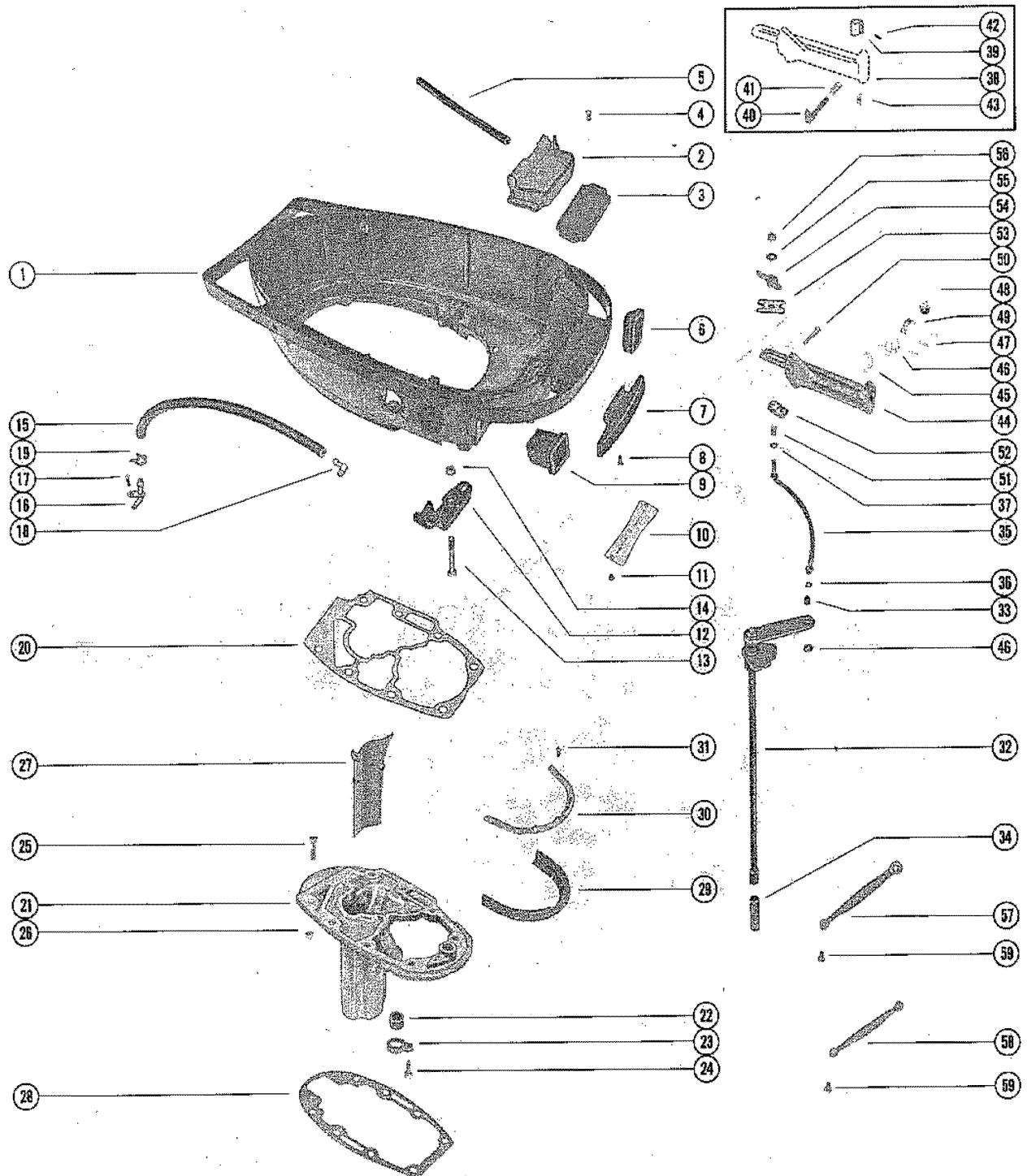
# CRANKSHAFT, PISTONS AND CONNECTING RODS



# CRANKSHAFT, PISTONS AND CONNECTING RODS

REF. NO.	PART NO.	SYM.	QTY.	DESCRIPTION
1	436-3187A4		1	CRANKSHAFT ASSEMBLY
2	11-52901		1	NUT, FLYWHEEL TO CRANKSHAFT
3	30-32117		1	BEARING, BALL - UPPER
4	30-53853		1	BEARING, BALL - LOWER
5	54196A1		1	CARRIER ASSEMBLY, "O" RING <b>SERIAL 02940021-09999999</b>
6	25-35126		1	"O" RING, CARRIER <b>SERIAL 02940021-09999999</b>
7	535-3190A1		2	CENTER MAIN BEARING ASSEMBLY
8	17-20032		4	DOWEL PIN, CENTER MAIN BEARING
9	29-48410		112	BEARING, NEEDLE - OUTER RACE
10	26113		2	RACE, OUTER (PAIR)
11	53-26933		2	RING, SNAP - OUTER RACE
12	17-47246		2	DOWEL PIN, STEPPED
13	10-22968		4	SCREW, CENTER MAIN BEARING CLAMPING
14	11-46887		4	NUT, BEARING CLAMPING SCREW
15	540-3943A1		3	MAIN BEARING ASSEMBLY, VALVE TYPE
16	17-20032		6	DOWEL PIN, MAIN BEARING
17	10-45775		6	SCREW, MAIN BEARING CLAMPING
18	11-45774		6	NUT, MAIN BEARING CLAMPING SCREW
19	34-56007A1		3	REED SET, MATCHED - MAIN BEARING
20	34-56008		12	REED STOP, MAIN BEARING REED VALVES
21	10-20055		60	SCREW, REED STOP MOUNTING
22	745-3560A2		6	PISTON AND PISTON PIN ASSEMBLY
23	40-52035		12	LOCK RING, PISTON PIN
24	39-45155A12		2	RING, PISTON (1/16")
25	622-3666A5		6	CONNECTING ROD AND CAP ASSEMBLY <b>SERIAL 00000000-02942990</b>
	622-3666A6		6	CONNECTING ROD AND CAP ASSEMBLY <b>SERIAL 03036066-09999999</b>
26	31-55332A1		6	BEARING ASSEMBLY, CRANKPIN <b>SERIAL 00000000-02942990</b>
	31-58859A1		6	BEARING ASSEMBLY, CRANKPIN <b>SERIAL 03036066-09999999</b>
27	10-54803		12	SCREW, CONNECTING ROD
28	11-49091		12	NUT, CONNECTING ROD SCREW
29	29-47270		174	BEARING, NEEDLE - PISTON PIN
30	12-47247		12	WASHER, NEEDLE LOCATING
-	<b>745-3778A1</b>		<b>6</b>	<b>PISTON AND PISTON PIN ASSEMBLY (.015 OVERSIZE) OVERSIZE PISTONS AND RINGS</b>
-	<b>39-45204A12</b>		<b>2</b>	<b>RING, PISTON (.015 OVERSIZE) - 1/16" THICK OVERSIZE PISTONS AND RINGS</b>

# BOTTOM COWL AND SHIFT LINKAGE

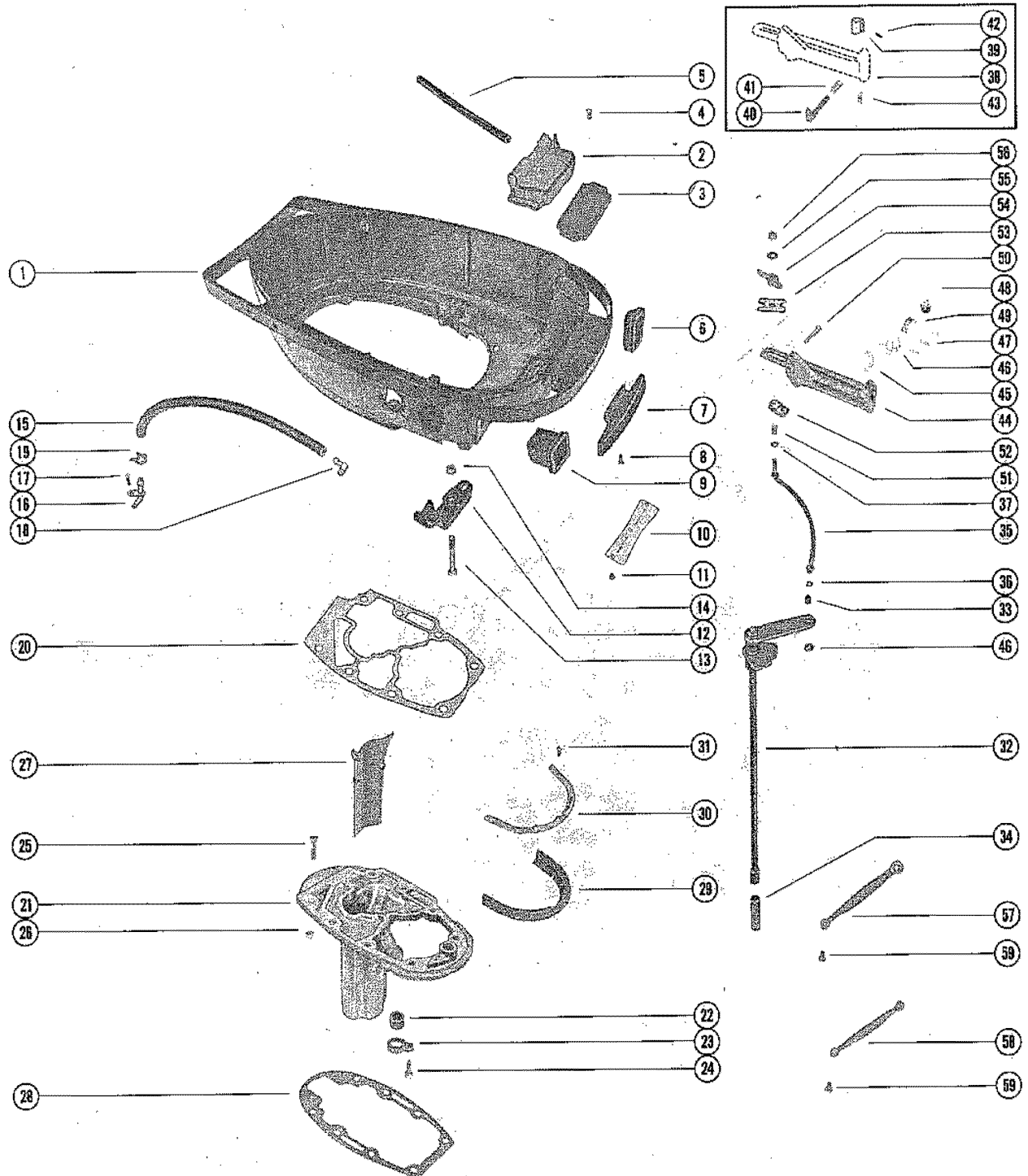


## BOTTOM COWL AND SHIFT LINKAGE

REF. NO.	PART NO.	SYM.	QTY.	DESCRIPTION
1	2115-3786		1	COWL, BOTTOM SERIAL 00000000-02940020
	2115-3919		1	COWL, BOTTOM SERIAL 02940021-09999999
2	52862A2		1	DRIP TRAY ASSEMBLY, BOTTOM COWL
3	37940		1	SOUND - DRIP TRAY
4	10-35519		4	SCREW, DRIP TRAY TO BOTTOM COWL (1/2")
5	32-34395A1		1	HOSE, DRIP TRAY TO BOTTOM COWL (8")
6	37638		1	BOOT, CONTROL CABLES - BOTTOM COWL SERIAL 00000000-02940020
	39616		1	BOOT, CONTROL CABLES - BOTTOM COWL SERIAL 02940021-09999999
7	48231		1	SPACER, BOTTOM COWL (COWL FRONT COVER)
8	10-48591		2	SCREW, SPACER TO BOTTOM COWL (1/2")
9	37637		1	BOOT, FUEL CONNECTOR - BOTTOM COWL
10	23760		1	BAFFLE, BOTTOM COWL
11	10-52867		3	SCREW, BAFFLE TO BOTTOM COWL
12	37445		1	SUPPORT, WIRING HARNESS - BOTTOM COWL
13	10-37990		1	SCREW, WIRING HARNESS SUPPORT TO BOTTOM COWL (1 3/4")
	10-37561		1	SCREW, WIRING HARNESS SUPPORT TO BOTTOM COWL (2 1/2")
14	11-46887		2	NUT, WIRING HARNESS SUPPORT SCREW
15	32-34395A1		1	HOSE, TELL TALE - EXHAUST COVER TO BOTTOM COWL (16")
16	52889		1	NOZZLE, TELL TALE HOSE TO BOTTOM COWL
17	10-35519		1	SCREW, TELL TALE NOZZLE TO BOTTOM COWL (1/2")
18	22-25885		1	ELBOW, TELL TALE HOSE TO EXHAUST COVER
19	54-48123		2	CLAMP, TELL TALE HOSE TO CONNECTOR AND ELBOW
20	27-56028		1	GASKET, POWERHEAD TO EXHAUST EXTENSION PLATE
21	56306A2		1	PLATE ASSEMBLY, EXHAUST EXTENSION
22	26-38970		1	SEAL, RUBBER - WATER INLET TUBE
23	38448		1	RETAINER, WATER TUBE SEAL
24	10-34439		1	SCREW, RETAINER TO EXHAUST EXTENSION PLATE (3/4")
25	10-24226		1	SCREW, EXHAUST EXTENSION PLATE TO DRIVE SHAFT HOUSING
26	11-46887		1	NUT, EXHAUST EXTENSION PLATE SCREW
27	58478A1		1	DIVIDER ASSEMBLY, EXHAUST A-58478A1 DIVIDER ASSEMBLY INCLUDES EXHAUST TUBE ATTACHING SCREW (C-10-59702) AND NUT (C-11-29322)
28	27-48801		1	GASKET, EXHAUST EXTENSION PLATE TO DRIVE SHAFT HOUSING
29	37918		1	SEAL, EXHAUST EXTENSION PLATE
30	38032		1	STRIP, RETAINING - EXHAUST EXTENSION PLATE SEAL
31	10-37571		5	SCREW, SEAL AND RETAINING STRIP TO EXTENSION PLATE (1/2")
32	53889A4		1	SHIFT SHAFT ASSEMBLY, UPPER (SHORT SHAFT)
	53889A3		1	SHIFT SHAFT ASSEMBLY, UPPER (LONG SHAFT)

CONTINUED ON NEXT PAGE ➡

# BOTTOM COWL AND SHIFT LINKAGE

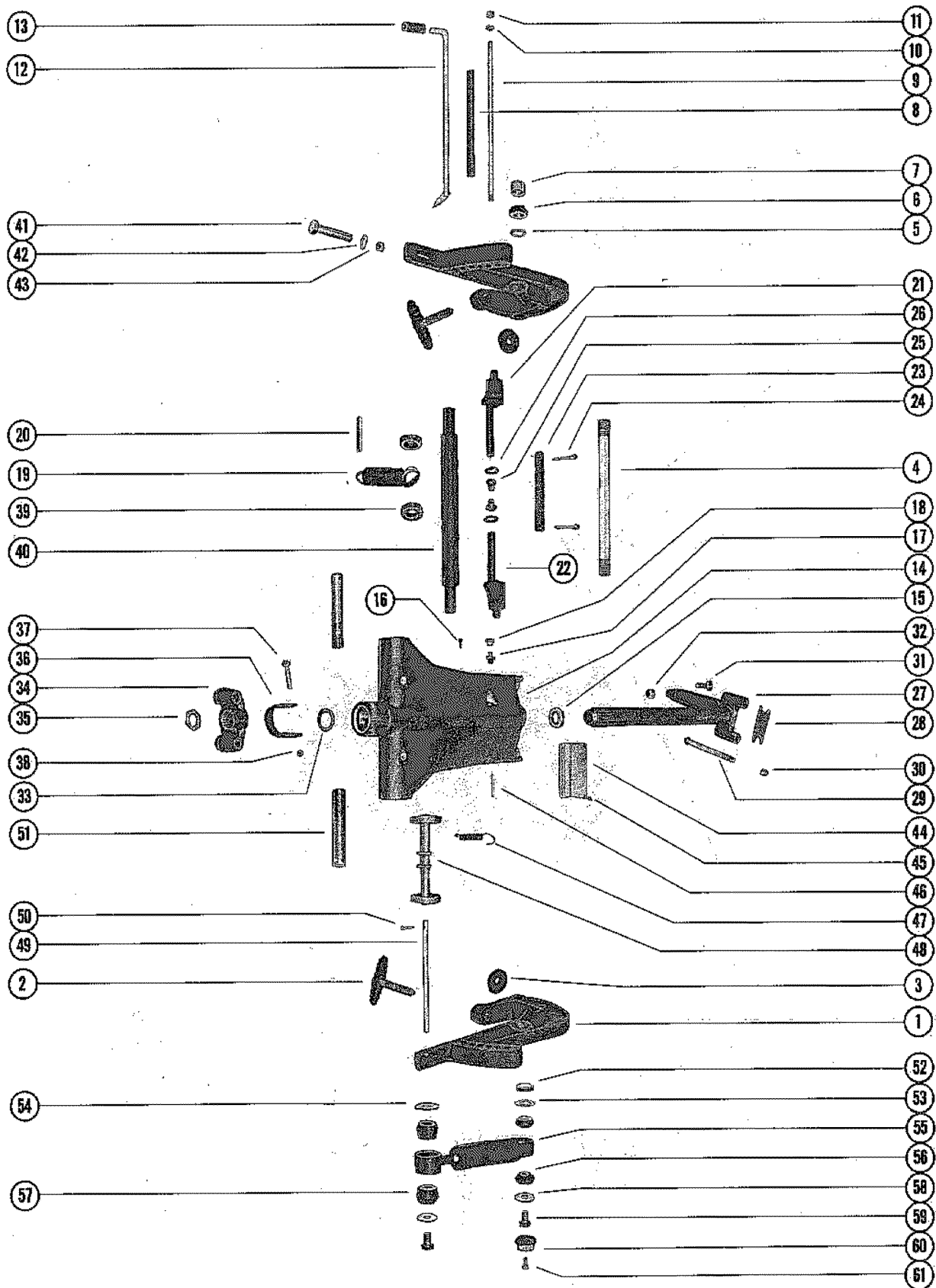




## BOTTOM COWL AND SHIFT LINKAGE

REF. NO.	PART NO.	SYM.	QTY.	DESCRIPTION
33	23-26600		1	BUSHING, SHIFT SHAFT
34	55692		1	COUPLING, SHIFT SHAFT
35	48047A1		1	LINK ROD ASSEMBLY
36	12-24664		1	WASHER, LINK ROD
37	13-29720		1	WASHER, WAVE - LINK ROD
38	47869A1		1	BRACKET ASSEMBLY, ANCHOR CONTROL CABLES <b>SERIAL 00000000-02940020</b>
39	38802		1	CAP, BRASS BARREL TO THROTTLE CABLE <b>SERIAL 00000000-02940020</b>
	49935		1	CAP, BRASS BARREL TO THROTTLE CABLE <b>SERIAL 00000000-02940020</b>
40	49932A1		1	LEVER ASSEMBLY, CONTROL CABLE LOCKING - ANCHOR BRACKET <b>SERIAL 00000000-02940020</b>
41	24-37911		1	SPRING, CONTROL CABLE LOCKING LEVER <b>SERIAL 00000000-02940020</b>
42	17-23928		1	PIN, ROLL - CONTROL CABLE LOCKING LEVER <b>SERIAL 00000000-02940020</b>
43	24-38472		1	SPRING, CONTROL CABLE TENSION - ANCHOR BRACKET <b>SERIAL 00000000-02940020</b>
44	52732		1	BRACKET, ANCHOR - CONTROL CABLES <b>SERIAL 02940021-09999999</b>
45	39519		1	CAP, BARREL RETAINER - ANCHOR BRACKET <b>SERIAL 02940021-09999999</b>
46	39618		1	LEVER, NYLON - SHIFT CABLE LOCKING <b>SERIAL 02940021-09999999</b>
47	17-47175		3	PIN, LOCKING LEVER AND COVER FASTENING <b>SERIAL 02940021-09999999</b>
48	39667		1	COVER, NYLON - SHIFT CABLE <b>SERIAL 02940021-09999999</b>
49	39536		1	LINK, LOCKING LEVER TO COVER <b>SERIAL 02940021-09999999</b>
50	10-24234		3	SCREW, ANCHOR BRACKET TO CYLINDER BLOCK (1")
51	24-20099		1	SPRING, LINK ROD TO GUIDE BLOCK
52	37896		1	GUIDE BLOCK, LINK ROD
53	52100		1	WEAR PLATE, LINK ROD
54	38279		1	LATCH, CONTROL CABLE FASTENING - ANCHOR BRACKET
55	12-21631		1	WASHER, PLAIN - LINK ROD
56	11-20664		2	NUT, LINK LKROD
57	46933A1		2	GROUND STRAP ASSEMBLY, CRANKCASE TO COWL (3 5/8")
58	46933A2		2	GROUND STRAP ASSEMBLY, HOUSING TO COWL (3 3/8")
59	10-30663		4	SCREW, GROUND STRAP FASTENING

# CLAMP AND SWIVEL BRACKET ASSEMBLY

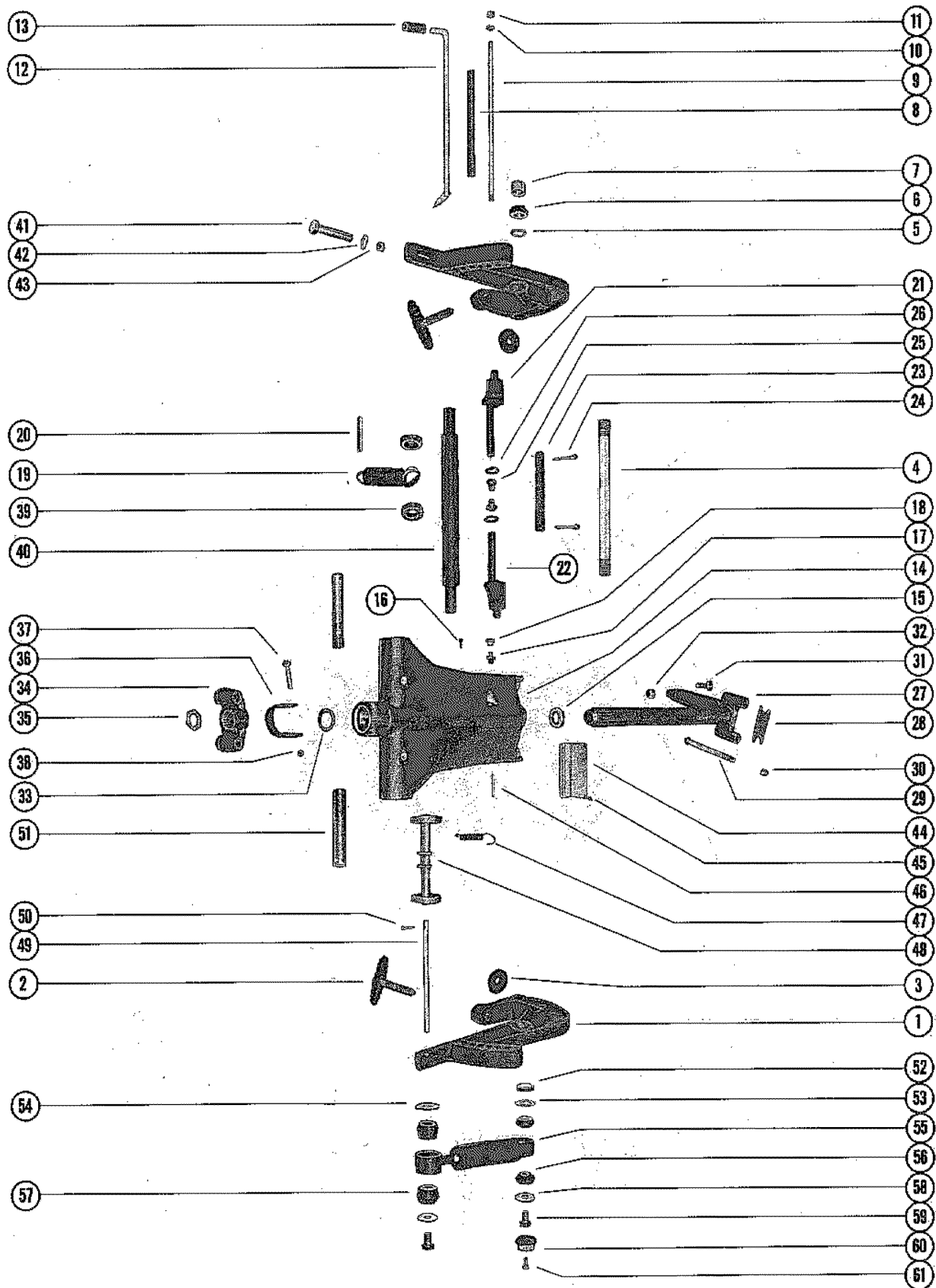


# CLAMP AND SWIVEL BRACKET ASSEMBLY

REF. NO.	PART NO.	SYM.	QTY.	DESCRIPTION
1	1440-3291A1		2	CLAMP BRACKET ASSEMBLY
2	28403A3		2	THUMB SCREW ASSEMBLY
3	12-28404		2	WASHER, THUMB SCREW
4	30664		1	TUBE, TILT - CLAMP BRACKET TO SWIVEL BRACKET
5	12-52864		2	WASHER, CLAMP BRACKET TILT TUBE
6	11-56041		2	NUT, TILT TUBE FASTENING
7	53078		2	CAP, PLASTIC - TILT TUBE
8	23-20222		1	SPACER, CLAMP BRACKET STUD <b>SERIAL 00000000-02942990</b>
9	16-20221		1	STUD, CLAMP BRACKET <b>SERIAL 00000000-02942990</b>
10	13-26993		2	LOCKWASHER, CLAMP BRACKET STUD <b>SERIAL 00000000-02942990</b>
11	11-20083		2	NUT, CLAMP BRACKET STUD <b>SERIAL 00000000-02942990</b>
8	23-59624		1	SPACER, CLAMP BRACKET STUD <b>SERIAL 03036066-09999999</b>
9	16-59625		1	STUD, CLAMP BRACKET <b>SERIAL 03036066-09999999</b>
11	11-28770		2	NUT, CLAMP BRACKET STUD <b>SERIAL 03036066-09999999</b>
12	17-49930A1		1	TILT LOCK PIN ASSEMBLY
13	32-28052		1	SLEEVE, RUBBER - TILT PIN BUMPER
14	1453-3258A1		1	SWIVEL BRACKET ASSEMBLY (SHORT SHAFT)
	1447-3257A1		1	SWIVEL BRACKET ASSEMBLY (LONG SHAFT)
15	26-37448		2	OIL SEAL, SWIVEL BRACKET
16	10-47828		1	SCREW, DRIVE - SWIVEL BRACKET
17	22-23612		1	FITTING, GREASE - SWIVEL BRACKET
18	29359		1	LUBRICAP, SWIVEL BRACKET GREASE FITTING
19	24-28659		1	SPRING, COIL - SWIVEL BRACKET
20	17-38311		1	PIN, COIL SPRING MOUNTING
21	47799A1		1	TILT LOCK ASSEMBLY, STARBOARD
22	47800A1		1	TILT LOCK ASSEMBLY, PORT
23	47802		1	TUBE, TILT LOCK
24	18-47959		2	COTTER PIN, TILT LOCK TUBE
25	23-47803		2	BUSHING, TILT LOCK TUBE
26	13-24850		2	WASHER, WAVE - TILT LOCK TUBE
27	17-49841A1		1	SWIVEL PIN AND STEERING ARM ASSEMBLY (SHORT SHAFT)
	17-49840A1		1	SWIVEL PIN AND STEERING ARM ASSEMBLY (LONG SHAFT)
28	28203		1	BUMPER, STEERING ARM
29	10-49554		2	BOLT, STEERING ARM TO UPPER MOUNT (5 7/8")
30	11-34933		2	NUT, STEERING ARM BOLT FASTENING
31	10-31830		1	SCREW, RIDE-GUIDE ATTACHING
32	11-20509		1	NUT, RIDE-GUIDE ATTACHING SCREW
33	12-37429		1	WASHER, SWIVEL PIN - LOWER
34	55482		1	YOKE, BOTTOM
35	11-37424		1	NUT, SWIVEL PIN RETAINING
36	28205		1	STRAP STOP, DRIVE SHAFT HOUSING TO SWIVEL BRACKET
37	10-28200		1	SCREW, STRAP STOP TO DRIVE SHAFT HOUSING (2 7/8")

CONTINUED ON NEXT PAGE ➡

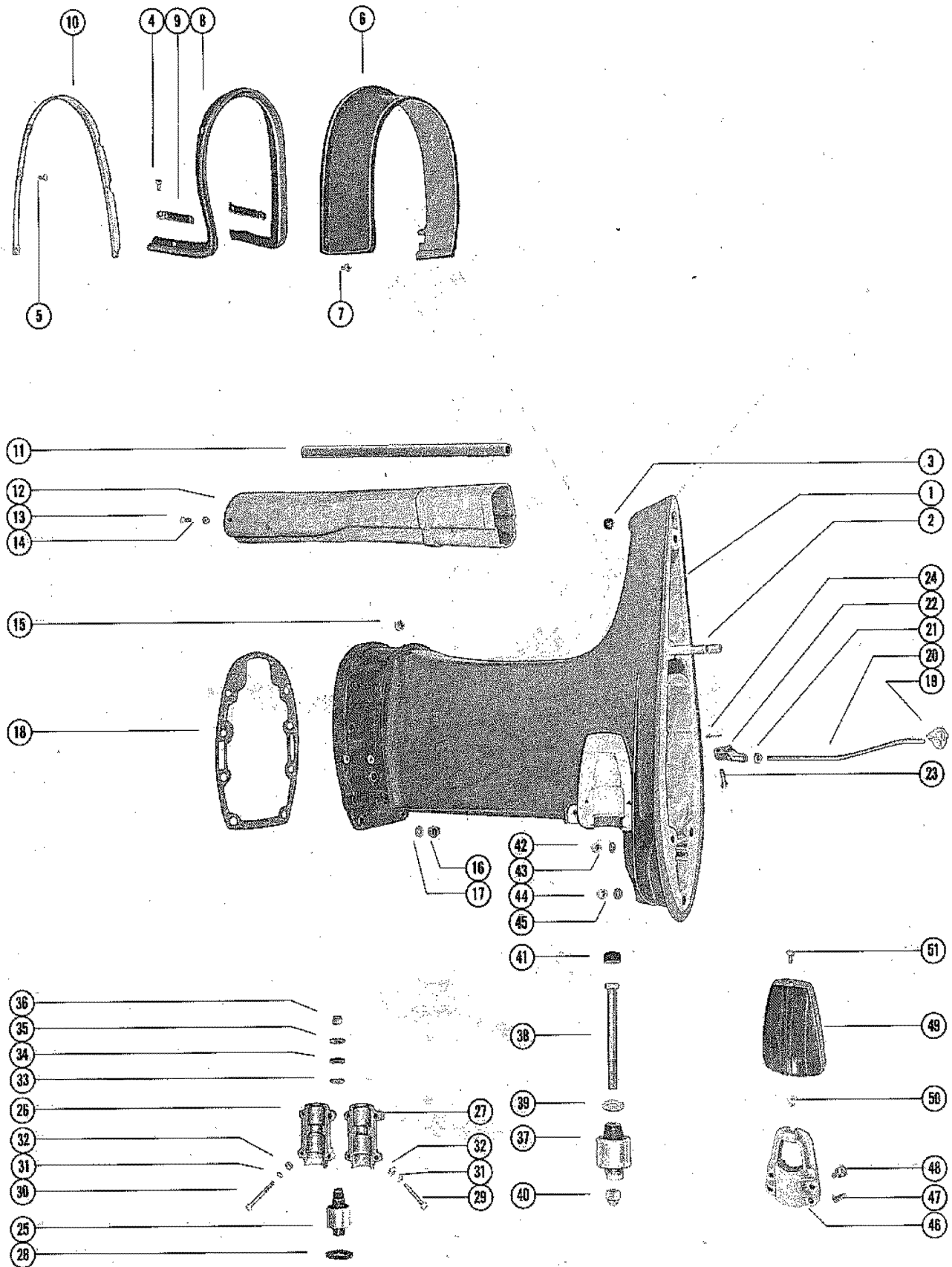
# CLAMP AND SWIVEL BRACKET ASSEMBLY



## CLAMP AND SWIVEL BRACKET ASSEMBLY

REF. NO.	PART NO.	SYM.	QTY.	DESCRIPTION
38	11-25269		1	NUT, STRAP STOP FASTENING SCREW
39	23-28688		2	SPACER, RUBBER - COIL SPRING POSITIONING
40	55-28416		1	PIN, UPPER SHOCK MOUNTING
41	10-28009		2	BOLT, CLAMP BRACKET TO BOAT TRANSOM (LOWER)
	10-31827		2	BOLT, CLAMP BRACKET TO BOAT TRANSOM (UPPER)
42	12-28008		2	WASHER, CLAMP BRACKET BOLT (LOWER)
	12-21040		2	WASHER, CLAMP BRACKET BOLT (UPPER)
43	11-28010		4	NUT, CLAMP BRACKET BOLT
44	38-56267		1	SERIAL PLATE
45	10-25612		4	SCREW, DRIVE - SERIAL PLATE TO SWIVEL BRACKET
46	17-25598		1	PIN, REVERSE LOCK SPRING ATTACHING
47	24-29821		1	SPRING, REVERSE LOCK TENSION
48	39015A1		1	REVERSE LOCK ASSEMBLY
49	56349		1	SHAFT, REVERSE LOCK PIVOT
50	18-45882		1	COTTER PIN, REVERSE LOCK TO SHAFT
51	55-29247		2	PIN, LOWER SHOCK MOUNTING (SHORT SHAFT)
	55-28414		2	PIN, LOWER SHOCK MOUNTING - LONG SHAFT
-	<b>10-28424</b>		<b>2</b>	<b>SCREW, LOWER SHOCK PIN - LONG SHAFT</b>
-	<b>11-46887</b>		<b>2</b>	<b>NUT, LOWER SHOCK PIN SCREW - LONG SHAFT</b>
52	23-28199		2	SPACER, UPPER SHOCK BUSHING TO CLAMP BRACKET
53	12-28196		2	WASHER, UPPER BUSHING RETAINER (INNER)
54	12-59378		2	WASHER, LOWER BUSHING RETAINER (INNER)
55	55-31933		2	SHOCK ABSORBER
56	23-32171		4	BUSHING, RUBBER - SHOCK ABSORBER (UPPER)
57	23-28198		4	BUSHING, RUBBER - SHOCK ABSORBER (LOWER)
58	12-28421		4	WASHER, UPPER AND LOWER BUSHING RETAINER (OUTER)
59	10-53077		4	SCREW, UPPER AND LOWER SHOCK MOUNTING PIN
60	53071		4	COVER, UPPER AND LOWER SHOCK MOUNTING PIN
61	10-37655		4	SCREW, COVER TO SHOCK MOUNTING SCREW

# DRIVE SHAFT HOUSING ASSEMBLY

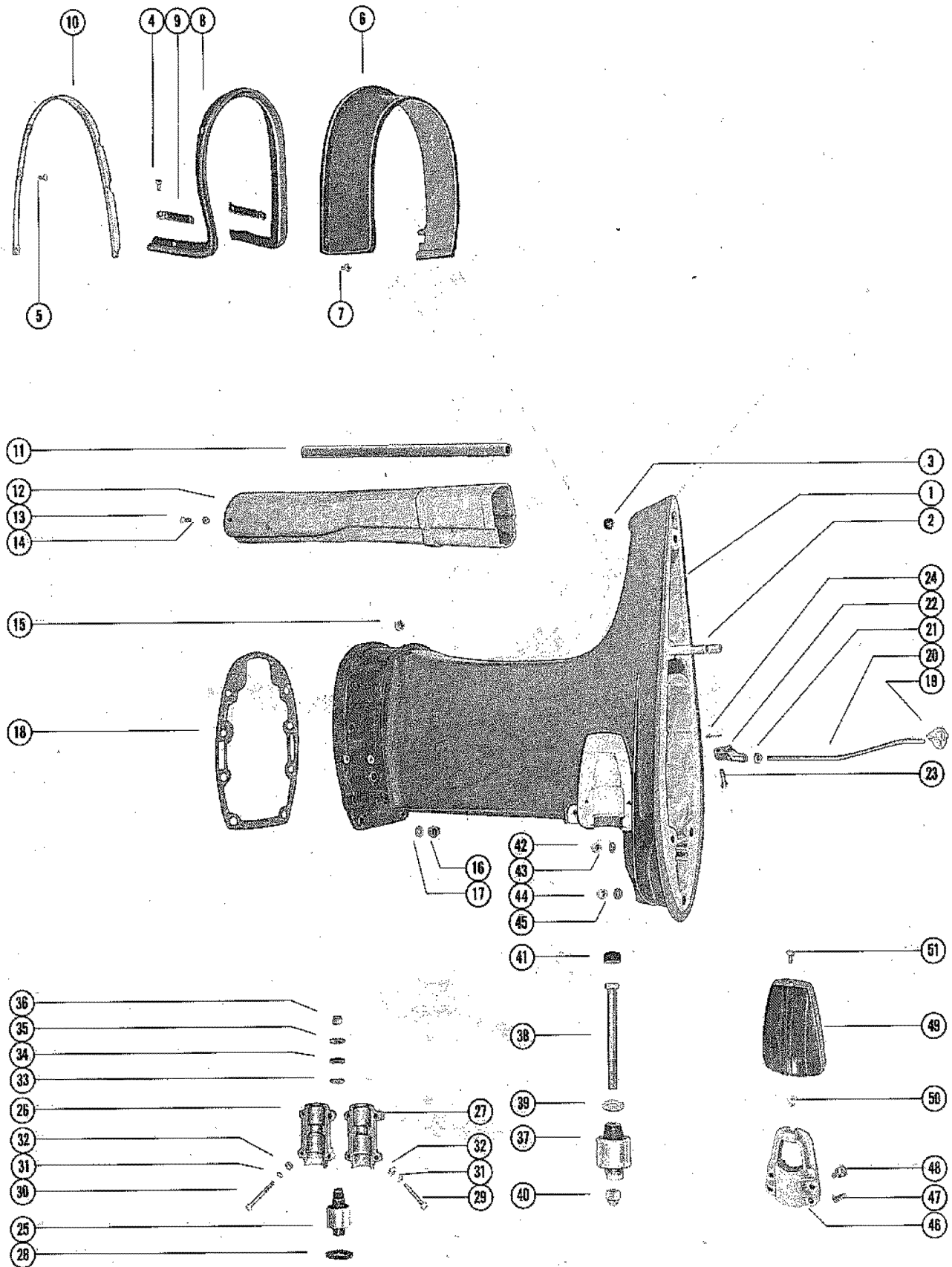


# DRIVE SHAFT HOUSING ASSEMBLY

REF. NO.	PART NO.	SYM.	QTY.	DESCRIPTION
1	1552-3911A3		1	DRIVE SHAFT HOUSING ASSEMBLY (SHORT SHAFT)
	1551-3918A3		1	DRIVE SHAFT HOUSING ASSEMBLY (LONG SHAFT)
2	16-56295		2	STUD, DRIVE SHAFT HOUSING TO GEAR HOUSING
3	19-32297		1	PLUG, PLASTIC - TRIM TAB SCREW HOLE
4	10-48409		2	SCREW, RETAINING STRIP TO DRIVE SHAFT HOUSING (5/8")
5	10-48408		6	SCREW, RETAINING STRIP TO DRIVE SHAFT HOUSING (1/2")
6	37417		1	COVER, TRIM - DRIVE SHAFT HOUSING
7	10-37571		4	SCREW, TRIM COVER TO BOTTOM COWL <b>SERIAL 00000000-02940020</b>
	10-57807		4	SCREW, TRI COVER TO BOTTOM COWL <b>SERIAL 02940021-09999999</b>
-	<b>25-57806</b>		<b>4</b>	<b>GROMMET, PLASTIC - TRIM COVER SCREW SERIAL 02940021-09999999</b>
8	37919		1	SEAL, TRIM COVER TO DRIVE SHAFT HOUSING
9	37665		2	STRIP, RETAINING - TRIM COVER SEAL (SIDE)
10	38052		1	STRIP, RETAINING - TRIM COVER SEAL (REAR)
11	32-37446		1	TUBE, WATER INLET (SHORT SHAFT)
	32-37438		1	TUBE, WATER INLET (LONG SHAFT)
12	38469		1	TUBE, EXHAUST (SHORT SHAFT)
	38470		1	TUBE, EXHAUST (LONG SHAFT)
13	10-28668		2	SCREW, TUBE TO EXTENSION PLATE (7/8") <b>SERIAL 00000000-02843223</b>
	10-38601		2	SCREW, TUBE TO EXTENSION PLATE (7/8") <b>SERIAL 02940021-02942990</b>
	10-59702		2	SCREW, TUBE TO EXTENSION PLATE (7/8") <b>SERIAL 03036066-09999999</b>
14	11-46886		2	NUT, EXHAUST TUBE SCREW <b>SERIAL 00000000-02940020</b>
	11-29322		2	NUT, EXHAUST TUBE SCREW <b>SERIAL 02940021-09999999</b>
15	11-35814		2	NUT, POWERHEAD STUDS (5/16-24)
16	11-20509		2	NUT, POWERHEAD STUDS (3/8-24)
	11-23161		6	NUT, POWERHEAD STUDS (3/8-24)
17	12-20086		2	WASHER, POWERHEAD STUDS
18	27-48801		1	GASKET, EXHAUST EXTENSION PLATE TO DRIVE SHAFT HOUSING
19	52887		1	GUIDE, PUSH ROD - REVERSE LOCKING
20	47591		1	ROD, PUSH - REVERSE LOCK (SHORT SHAFT)
	47558		1	ROD, PUSH - REVERSE LOCK (LONG SHAFT)
21	11-47661		1	NUT, JAM - PUSH ROD
22	47559		1	YOKE, PUSH ROD
23	17-39023		1	PIN, PUSH ROD TO REVERSE LOCK
24	18-25191		1	COTTER PIN, PUSH ROD PIN
25	37398		2	MOUNT, RUBBER - UPPER
	38820		OPT	MOUNT, RUBBER - UPPER (HEAVY DUTY)

CONTINUED ON NEXT PAGE ➡

# DRIVE SHAFT HOUSING ASSEMBLY

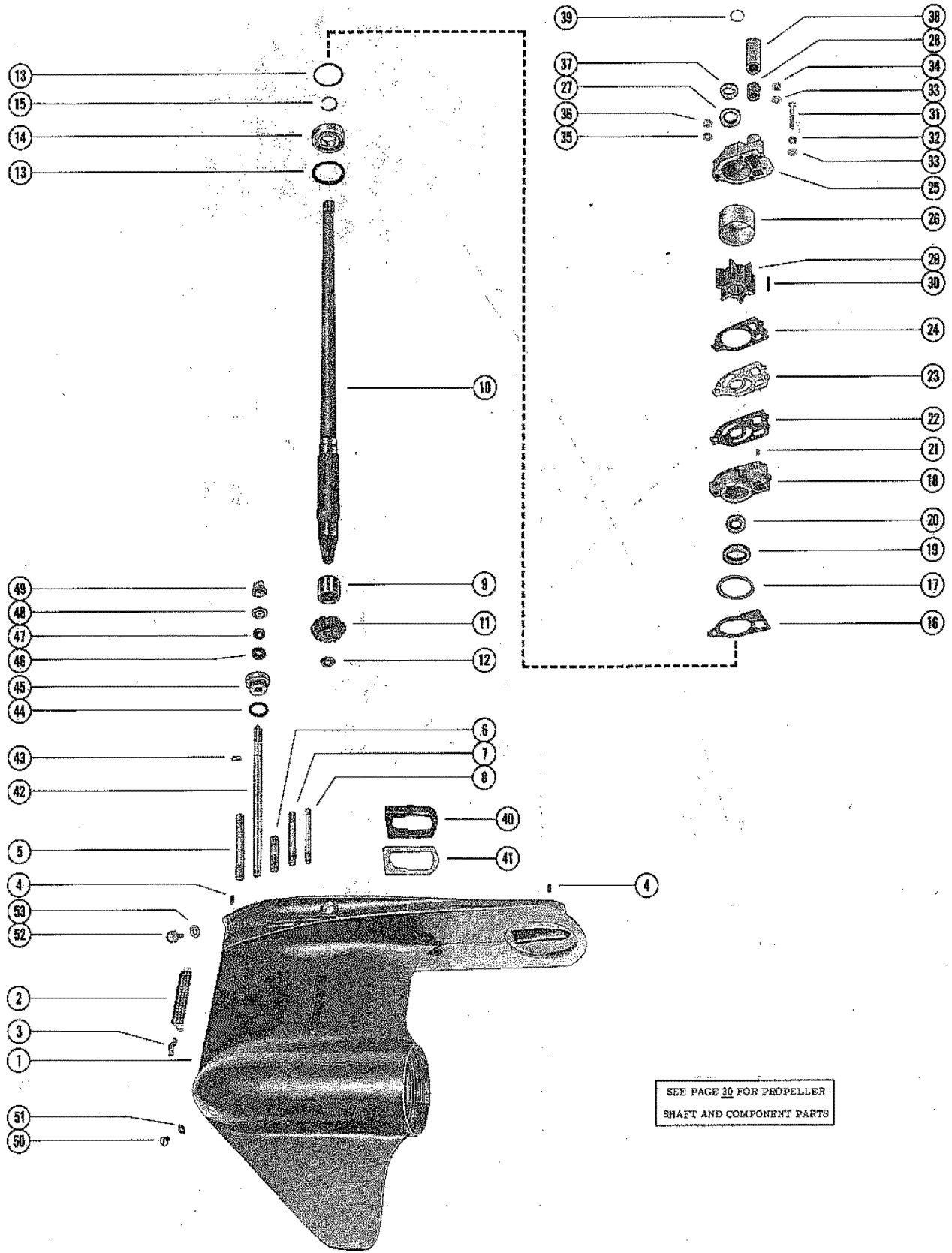




# DRIVE SHAFT HOUSING ASSEMBLY

REF. NO.	PART NO.	SYM.	QTY.	DESCRIPTION
26	49239		2	COVER, UPPER MOUNT - OUTSIDE HALF
27	53141		2	COVER, UPPER MOUNT - INSIDE HALF
28	24949		2	PACKING, "U" CUP
29	10-28773		4	SCREW, UPPER MOUNT COVER (1 5/8")
30	10-28775		4	SCREW, UPPER MOUNT COVER (2 1/8")
31	12-29245		AR	WASHER, UPPER MOUNT COVER SCREW
32	11-46886		8	NUT, UPPER MOUNT COVER SCREW
33	12-31262		2	WASHER, UPPER MOUNT BOLT
34	12-47840		2	WASHER, RUBBER - UPPER MOUNT BOLT
35	12-31263		2	WASHER, UPPER MOUNT BOLT
36	11-34933		2	NUT, UPPER MOUNT BOLT
37	49455		2	MOUNT, RUBBER - LOWER (SHORT SHAFT)
	49456		2	MOUNT, RUBBER - LOWER (LONG SHAFT)
	38821		OPT	MOUNT, RUBBER - LOWER (HEAVY DUTY)
38	10-49318		2	SCREW, LOWER MOUNT (5 1/2")
39	12-49339		2	WASHER, LOWER MOUNT SCREW
40	11-25096		2	NUT, LOWER MOUNT SCREW
41	25067		2	BUMPER, RUBBER - LOWER MOUNTING SCREW
42	11-34933		2	NUT, GEAR HOUSING AND DRIVE SHAFT HOUSING STUDS
43	12-45176		2	WASHER, GEAR HOUSING TO DRIVE SHAFT HOUSING STUDS
44	11-29489		1	NUT, GEAR HOUSING AND DRIVE SHAFT HOUSING STUDS
45	12-45176		1	WASHER, GEAR HOUSING TO DRIVE SHAFT HOUSING STUDS
46	35608		2	CLAMP, LOWER MOUNT TO DRIVE SHAFT HOUSING
47	24-35522		4	SPRING, TENSION - LOWER MOUNT CLAMP
48	10-29256		4	SCREW, LOWER MOUNT CLAMP TO DRIVE SHAFT HOUSING
49	35474		2	COVER, LOWER MOUNT CLAMP
50	11-35521		2	NUT, LOWER MOUNT CLAMP COVER
51	10-29722		2	SCREW, COVER TO LOWER CLAMP MOUNT

# GEAR HOUSING ASSEMBLY, COMPLETE (CONT)

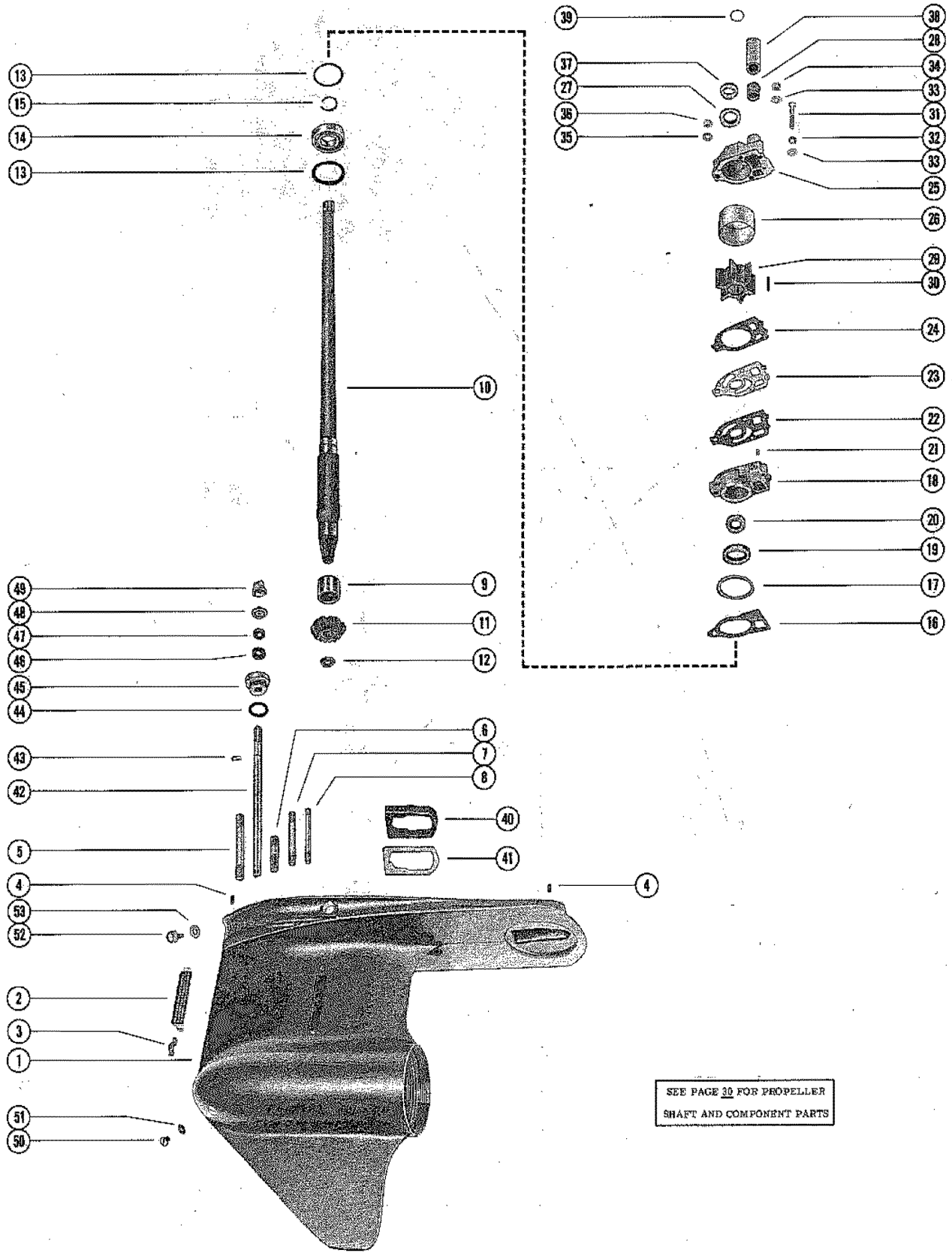


## GEAR HOUSING ASSEMBLY, COMPLETE (CONT)

REF. NO.	PART NO.	SYM.	QTY.	DESCRIPTION
-	1623-3909A5		1	GEAR HOUSING ASSEMBLY, COMPLETE (SHORT SHAFT) A-1623-3909A3 AND A5 GEAR HOUSING ASSEMBLIES, COMPLETE INCLUDE ALL PARTS FROM REFERENCE #78 AS LISTED ON PAGES 27 AND 30
-	1623-3909A3		1	GEAR HOUSING ASSEMBLY, COMPLETE (LONG SHAFT) A-1623-3909A3 AND A5 GEAR HOUSING ASSEMBLIES, COMPLETE INCLUDE ALL PARTS FROM REFERENCE #78 AS LISTED ON PAGES 27 AND 30
1	1623-3909A6		1	GEAR HOUSING ASSEMBLY
2	55662		2	SCREEN, WATER INLET <b>EARLY MODELS ONLY</b>
3	24-57430		1	SPRING, WATER INLET SCREEN RETAINING <b>EARLY MODELS ONLY</b>
4	17-21438		2	DOWEL PIN, GEAR HOUSING LOCATING
5	16-57921		1	STUD, GEAR HOUSING TO DRIVE SHAFT HOUSING (4")
6	16-57920		2	STUD, GEAR HOUSING TO DRIVE SHAFT HOUSING (2 1/16)
7	16-56297		1	STUD, WATER PUMP BASE AND BODY TO GEAR HOUSING (3 3/8")
8	16-57919		2	STUD, WATER PUMP BASE AND BODY TO GEAR HOUSING (3 5/16)
9	31-32898		1	BEARING, ROLLER - DRIVE SHAFT
10	45-47433		1	DRIVE SHAFT (SHORT SHAFT) <b>SERIAL 00000000-02910020</b>
	45-47434		1	DRIVE SHAFT (LONG SHAFT) <b>SERIAL 00000000-02910020</b>
	45-57026A1		1	DRIVE SHAFT (SHORT SHAFT) <b>SERIAL 02940021-09999999</b>
	45-57025A1		1	DRIVE SHAFT (LONG SHAFT) <b>SERIAL 02940021-09999999</b>
11	43-55688		1	GEAR, PINION - DRIVE SHAFT
12	11-35921		1	NUT, PINION GEAR TO DRIVE SHAFT
13	15-30278A1		AR	SHIM, DRIVE SHAFT BALL BEARING TO GEAR HOUSING (.002-3-5-10)
	15-30278A1		AR	SHIM, WATER PUMP BASE TO GEAR HOUSING (.002-3-5-10)
14	30-54215		1	BEARING, BALL - DRIVE SHAFT
15	53-30726		1	RING, RETAINING - BALL BEARING
16	27-32438		1	GASKET, WATER PUMP BASE TO GEAR HOUSING
17	25-30224		1	"O" RING, WATER PUMP BASE
18	46-48747A1		1	WATER PUMP BASE ASSEMBLY
19	26-31489		1	OIL SEAL, WATER PUMP BASE
20	26-31507		1	OIL SEAL, WATER PUMP BASE
21	17-35973		2	DOWEL PIN, WATER PUMP BASE TO WATER PUMP BODY
22	27-32433		1	GASKET, LOWER - WATER PUMP BASE TO FACE PLATE
23	32435		1	PLATE, FACE - WATER PUMP BASE TO WATER PUMP BODY
24	27-32434		1	GASKET, UPPER - FACE PLATE TO WATER PUMP BODY
25	46-48743A1		1	WATER PUMP BODY ASSEMBLY
26	48752		1	INSERT, WATER PUMP BODY
27	26-31507		1	OIL SEAL, WATER PUMP BODY

CONTINUED ON NEXT PAGE ➡

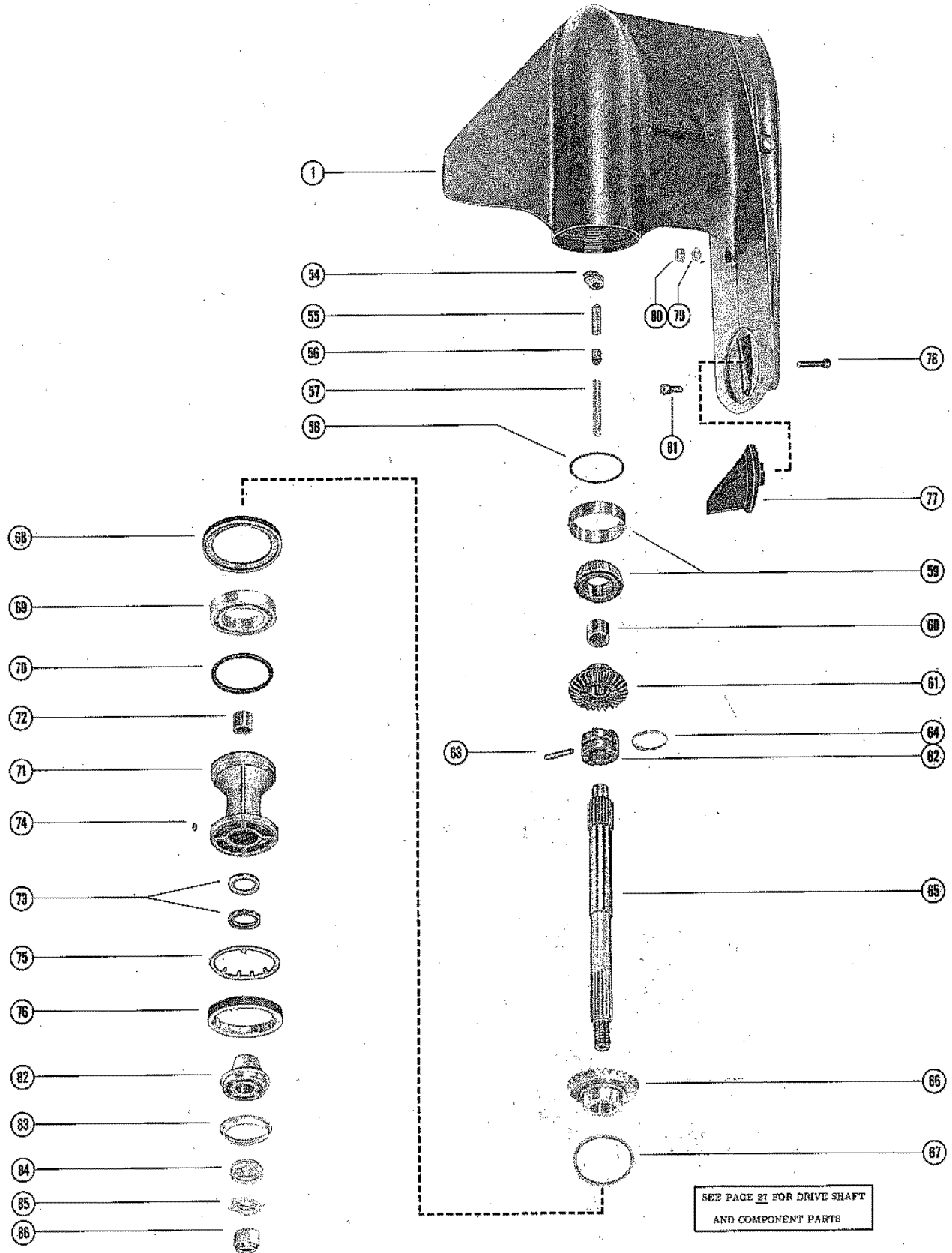
# GEAR HOUSING ASSEMBLY, COMPLETE (CONT)



## GEAR HOUSING ASSEMBLY, COMPLETE (CONT)

REF. NO.	PART NO.	SYM.	QTY.	DESCRIPTION
28	26-38970		1	SEAL, RUBBER - WATER INLET TUBE
29	47-30221		1	IMPELLER - WATER PUMP
30	28-56654		1	KEY, IMPELLER DRIVE
31	10-30720		1	SCREW, WATER PUMP BODY TO GEAR HOUSING (2 1/4")
32	13-26992		1	LOCKWASHER, WATER PUMP BODY SCREW
33	12-29245		3	WASHER, WATER PUMP BODY FASTENING SCREW AND STUD
34	11-35045		2	NUT, WATER PUMP FASTENING SCREW
35	12-36001		1	WASHER, WATER PUMP BODY FASTENING STUD
36	11-45592		1	NUT, WATER PUMP BODY FASTENING STUD
37	25-30271		1	RING, RUBBER - CENTRIFUGAL SLINGER (DRIVE SHAFT)
38	23-29804		1	SLEEVE, GUIDE - WATER INLET TUBE
39	25-30613		1	"O" RING, UPPER - DRIVE SHAFT
40	37641		1	SEAL, EXHAUST TUBE
41	38051		1	PLATE, SUPPORT - EXHAUST TUBE SEAL
42	55421A1		1	SHAFT ASSEMBLY, SHIFT - LOWER
43	53-29641		1	"E" RING, RETAINING - SHIFT SHAFT
44	25-25439		1	"O" RING, SHIFT SHAFT BUSHING
45	23-55419A1		1	BUSHING ASSEMBLY, SHIFT SHAFT
46	26-24590		1	OIL SEAL, SHIFT SHAFT HOUSING (LOWER)
	26-31249		1	OIL SEAL, SHIFT SHAFT BUSHING (UPPER)
47	12-31266		1	WASHER, RUBBER - SHIFT SHAFT BUSHING
48	39019		1	SPACER, LOWER - REVERSE LOCKING
49	39021		2	CAM, REVERSE LOCKING
50	10-28634		2	SCREW, GREASE FILLER AND VENT HOLE
51	12-20260		2	WASHER, GREASE FILLER AND VENT HOLE SCREW
52	16-48750		1	PLUG, GEAR HOUSING FLUSHING HOLE
53	12-49221		1	WASHER, GEAR HOUSING FLUSHING HOLE PLUG

# GEAR HOUSING ASSEMBLY, COMPLETE

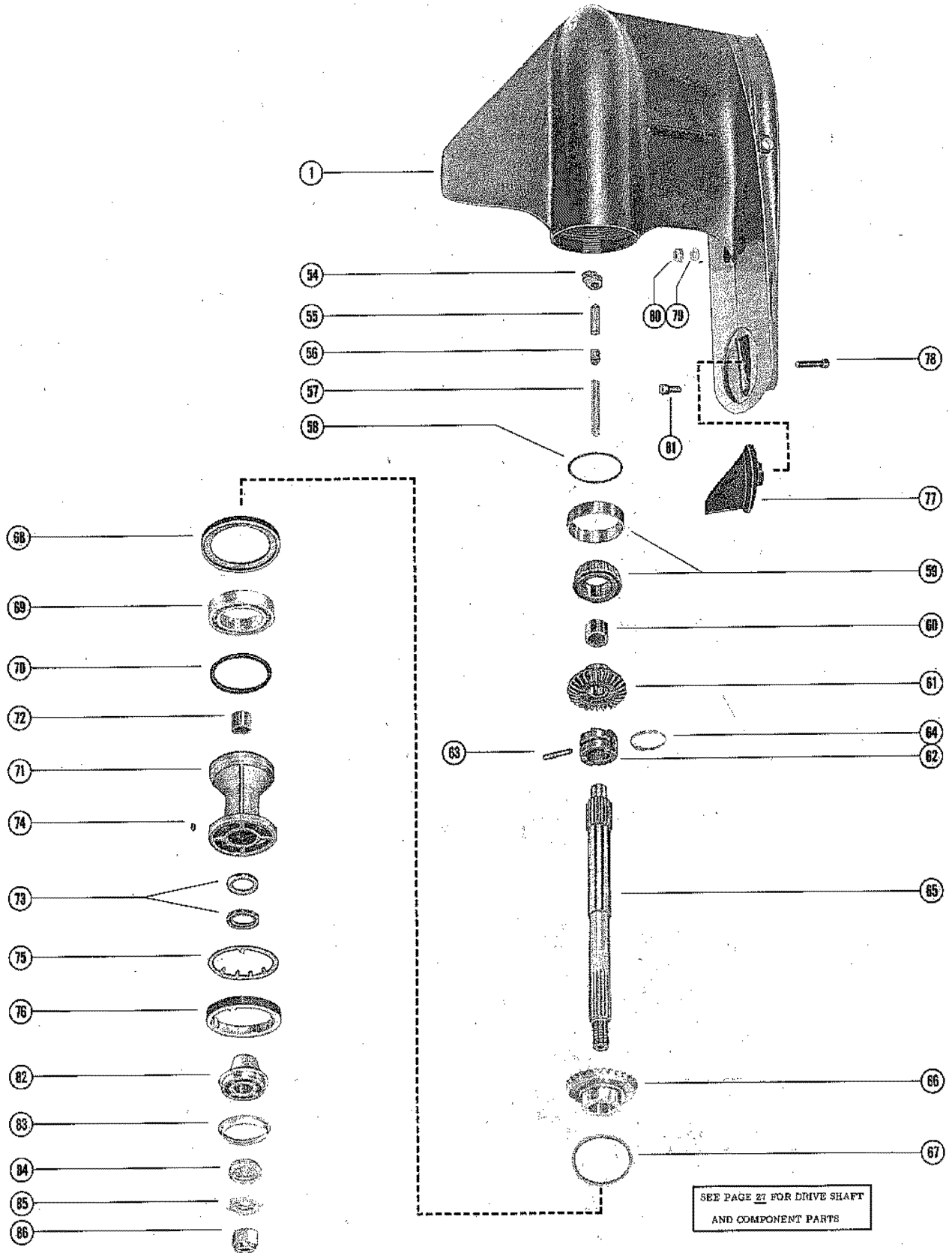


# GEAR HOUSING ASSEMBLY, COMPLETE

REF. NO.	PART NO.	SYM.	QTY.	DESCRIPTION
-	1623-3909A5		1	GEAR HOUSING ASSEMBLY, COMPLETE (SHORT SHAFT) A-1623-3909A3 AND A5 GEAR HOUSING ASSEMBLIES, COMPLETE INCLUDE ALL PARTS FROM REFERENCE #78 AS LISTED ON PAGES 27 AND 30
-	1623-3909A3		1	GEAR HOUSING ASSEMBLY, COMPLETE (LONG SHAFT) A-1623-3909A3 AND A5 GEAR HOUSING ASSEMBLIES, COMPLETE INCLUDE ALL PARTS FROM REFERENCE #78 AS LISTED ON PAGES 27 AND 30
1	1623-3909A6		1	GEAR HOUSING ASSEMBLY (SEE PAGE 27 FOR PARTS BREAKDOWN)
54	54346		1	CAM, SHIFT
55	30625		1	FOLLOWER, CAM
56	30624		1	SLIDE, CROSS PIN
57	24-30622		1	SPRING, COMPRESSION - CAM FOLLOWER
58	15-30923A1		AR	SHIM, BEARING OUTER RACE TO GEAR HOUSING (.002-3-5-10)
59	31-30894A1		1	TAPERED ROLLER BEARING ASSEMBLY
60	31-30895		1	BEARING, ROLLER - FORWARD GEAR
61	43-57011		1	FORWARD GEAR ASSEMBLY
62	52-34239		1	RATCHET, SLIDING CLUTCH
63	17-30632		1	PIN, CROSS - RATCHET TO PROPELLER SHAFT
64	24-30893		1	SPRING, RETAINING - CROSS PIN
65	44-52542		1	SHAFT, PROPELLER
66	43-55689		1	REVERSE GEAR ASSEMBLY
67	15-29955A1		AR	SHIM, THRUST WASHER TO GEAR HOUSING (.002-3-5-10)
68	12-30633		1	WASHER, THRUST - BEARING CARRIER TO GEAR HOUSING
69	30-31265		1	BEARING, BALL - REVERSE GEAR
70	25-29976		1	"O" RING, BEARING CARRIER
71	52132A1		1	BEARING CARRIER ASSEMBLY
72	31-30956		1	BEARING, ROLLER - BEARING CARRIER
73	26-30550		2	OIL SEAL, BEARING CARRIER
74	28-30281		1	KEY, LOCATING - BEARING CARRIER
75	14-52700		1	TAB WASHER, GEAR HOUSING COVER
76	52699		1	COVER, GEAR HOUSING
77	31640A1		1	TRIM TAB, GEAR HOUSING
78	10-55726		1	SCREW, TRIM TAB TO GEAR HOUSING (1 3/4")
79	12-45176		2	WASHER, GEAR HOUSING TO DRIVE SHAFT HOUSING STUDS
80	11-34933		2	NUT, GEAR HOUSING TO DRIVE SHAFT HOUSING STUDS
81	10-34353		1	SCREW, GEAR HOUSING TO DRIVE SHAFT HOUSING (1")

CONTINUED ON NEXT PAGE ➡

# GEAR HOUSING ASSEMBLY, COMPLETE





## GEAR HOUSING ASSEMBLY, COMPLETE

REF. NO.	PART NO.	SYM.	QTY.	DESCRIPTION
82	46961A1		1	THRUST HUB AND WASHER ASSEMBLY PART OF A-1623-3909A3 AND A5 GEAR HOUSING ASSEMBLY, COMPLETE
83	12-29590		1	WASHER, CUPPED - THRUST HUB PART OF A-1623-3909A3 AND A5 GEAR HOUSING ASSEMBLY, COMPLETE
84	12-31211		1	WASHER, SPLINED - PROPELLER NUT
85	14-31210		1	TAB WASHER, PROPELLER NUT
86	11-52707		1	NUT, PROPELLER (

# PARTS INDEX

Part Number	Description	Pg.	Ref. No.	Part Number	Description	Pg.	Ref. No.
20121	CONNECTOR, SPARK PLUG LEAD	11	--	31014	MOUNT, RUBBER-REAR SUPPORT BRACKET	3	23
20140	BELT, TIMING	17	57	31089	STRIP, SOUND ABSORBING	7	8
22463	KNOB, CHOKE ROD	23	17	31640A1	TRIM TAB, GEAR HOUSING	53	77
22789	"D" WASHER, CLIP FASTENING SCREW	9	16	32197	STOP, SPARK ADVANCE - DISTRIBUTOR HOUSING	15	2
22789	"D" WASHER, FUEL LINE CLIP SCREW	29	16	32435	PLATE, FACE - WATER PUMP BASE TO WATER PUMP BODY	49	23
22789	"D" WASHER, WIRING HARNESS CLIP SCREW	19	13	35474	COVER, LOWER MOUNT CLAMP	47	49
23004	RETAINER, CHECK VALVE	29	6	35496	PAD, BUMPER-TOP COWL RETAINER	3	3
23760	BAFFLE, BOTTOM COWL	37	10	35608	CLAMP, LOWER MOUNT TO DRIVE SHAFT HOUSING	47	46
24949	PACKING, "U" CUP	47	28	35753	EMBLEM, FRONT COVER	7	2
25067	BUMPER, RUBBER - LOWER MOUNTING SCREW	47	41	35769	SEAL, SOUND ABSORBING - UPPER	7	10
25596	CABLE, WIRE - STARTER MOTOR TO FRONT SUPPORT BRACKET	19	23	37281	"D" WASHER, BLEED HOSE CLAMP	33	57
25661	SOLENOID, STARTER	19	31	37398	MOUNT, RUBBER - UPPER	45	25
25996A1	SWIVEL AND LINK ROD ASSEMBLY	15	10	37417	COVER, TRIM - DRIVE SHAFT HOUSING	45	6
26113	RACE, OUTER (PAIR)	35	10	37440	BRACKET, MOUNT SUPPORT - CYLINDER BLOCK	33	51
26901	BUMPER, RUBBER - STARTER SOLENOID	19	34	37445	SUPPORT, WIRING HARNESS - BOTTOM COWL	37	12
27947	SWIVEL, LINKAGE - ECONOMIZER COLLAR	15	9	37587	SWIVEL, LOWER - THROTTLE CONTROL LEVER TO THROTTLE CABLE	15	22
27948	SWIVEL, UPPER LINK ROD TO THROTTLE CONTROL LEVER	15	13	37637	BOOT, FUEL CONNECTOR - BOTTOM COWL	37	9
28203	BUMPER, STEERING ARM	41	28	37638	BOOT, CONTROL CABLES - BOTTOM COWL	37	6
28205	STRAP STOP, DRIVE SHAFT HOUSING TO SWIVEL BRACKET	41	36	37639	MOUNT, RUBBER-TOP COWL FRAME	3	20
28403A3	THUMB SCREW ASSEMBLY	41	2	37640	MOUNT, RUBBER-FRONT SUPPORT BRACKET	5	36
29359	LUBRICAP, SWIVEL BRACKET GREASE FITTING	41	18	37641	SEAL, EXHAUST TUBE	51	40
29787	HUB, FLYWHEEL PULLEY	9	10	37665	STRIP, RETAINING - TRIM COVER SEAL (SIDE)	45	9
29788	FLANGE, FLYWHEEL PULLEY	9	8	37700	ROD, LINK - UPPER	15	12
29906A1	DRIVEN PULLEY ASSEMBLY	17	52	37896	GUIDE BLOCK, LINK ROD	39	52
29907	FLANGE, DRIVEN PULLEY	17	54	37918	SEAL, EXHAUST EXTENSION PLATE	37	29
30021	BLANKET, SOUND ABSORBING	7	15	37919	SEAL, TRIM COVER TO DRIVE SHAFT HOUSING	45	8
30050	TERMINAL, HARNESS AND MERCURY SWITCH LEADS	19	2	37940	SOUND - DRIP TRAY	37	3
30050	TERMINAL, STATOR LEAD WIRE	9	12	38032	STRIP, RETAINING - EXHAUST EXTENSION PLATE SEAL	37	30
30186	ADAPTOR, CHECK UNIT (FUEL LINE)	29	25	38051	PLATE, SUPPORT - EXHAUST TUBE SEAL	51	41
30187	STEM, CHECK UNIT ADAPTOR	29	26	38052	STRIP, RETAINING - TRIM COVER SEAL (REAR)	45	10
30188	CUP WASHER, ADAPTOR	29	29				
30306	PULLEY, FLYWHEEL	9	9				
30413	HOOK, COWL LATCH FASTENING	7	14				
30624	SLIDE, CROSS PIN	53	56				
30625	FOLLOWER, CAM	53	55				

# PARTS INDEX

Part Number	Description	Pg.	Ref. No.	Part Number	Description	Pg.	Ref. No.
38448	RETAINER, WATER TUBE SEAL .....	37	23	47591	ROD, PUSH - REVERSE LOCK (SHORT SHAFT) ..	45	20
38469	TUBE, EXHAUST (SHORT SHAFT) .....	45	12	47604A1	PROTECTOR, SPARK PLUG LEAD .....	11	29
38470	TUBE, EXHAUST (LONG SHAFT) .....	45	12	47799A1	TILT LOCK ASSEMBLY, STARBOARD .....	41	21
38675	BLANKET, SOUND ABSORBING .....	7	9	47800A1	TILT LOCK ASSEMBLY, PORT .....	41	22
38802	CAP, BRASS BARREL TO THROTTLE CABLE .....	39	39	47802	TUBE, TILT LOCK .....	41	23
38820	MOUNT, RUBBER - UPPER (HEAVY DUTY) .....	45	25	47869A1	BRACKET ASSEMBLY, ANCHOR CONTROL CABLES .....	39	38
38821	MOUNT, RUBBER - LOWER (HEAVY DUTY) .....	47	37	47899A9	SPARK PLUG LEAD ASSEMBLY #1, #2, #3, #4, #5, AND #6 .....	11	28
39015A1	REVERSE LOCK ASSEMBLY	43	48	48047A1	LINK ROD ASSEMBLY .....	39	35
39019	SPACER, LOWER - REVERSE LOCKING .....	51	48	48152	SHUTTER, SHOKE - CARBURETOR .....	23	25
39021	CAM, REVERSE LOCKING ..	51	49	48203	ROD, CHOKE .....	23	22
39519	CAP, BARREL RETAINER - ANCHOR BRACKET .....	39	45	48231	SPACER, BOTTOM COWL (COWL FRONT COVER) ..	37	7
39536	LINK, LOCKING LEVER TO COVER .....	39	49	48396	CABLE, WIRE - STARTER MOTOR TO SOLENOID ..	19	37
39616	BOOT, CONTROL CABLES - BOTTOM COWL .....	37	6	48666A1	ADAPTOR ASSEMBLY, DISTRIBUTOR .....	15	35
39618	LEVER, NYLON - SHIFT CABLE LOCKING .....	39	46	48671	PLATE, THROTTLE ACTUATOR .....	15	28
39667	COVER, NYLON - SHIFT CABLE .....	39	48	48692	COLLAR, THROTTLE ACTUATOR .....	15	24
45391	SPACER, RUBBER - HIGH TENSION LEADS .....	13	36	48752	INSERT, WATER PUMP BODY .....	49	26
45392	BRACKET, FRONT - WIRE RETAINER .....	13	33	48856	LEVER, THROTTLE CONTROL .....	15	14
45409	WIRE RETAINER, HIGH TENSION LEADS .....	13	32	49239	COVER, UPPER MOUNT - OUTSIDE HALF .....	47	26
45559	TERMINAL BLOCK, STATOR LEADS .....	19	14	49448	SHIELD, TOP COWL-REAR ..	3	7
46096	MOUNT, RUBBER-TOP COWL FRAME (HEAVY DUTY) .....	3	20	49455	MOUNT, RUBBER - LOWER (SHORT SHAFT) .....	47	37
46265	BOOT, SOLENOID TERMINAL .....	19	40	49456	MOUNT, RUBBER - LOWER (LONG SHAFT) .....	47	37
46785A1	COWL LATCH ASSEMBLY ..	7	13	49589	STRAP, CHOKE KNOB TO CHOKE ROD .....	23	19
46933A1	GROUND STRAP ASSEMBLY, CRANKCASE TO COWL (3 5/8") .....	39	57	49932A1	LEVER ASSEMBLY, CONTROL CABLE LOCKING - ANCHOR BRACKET .....	39	40
46933A2	GROUND STRAP ASSEMBLY, HOUSING TO COWL (3 3/8") .....	39	58	49935	CAP, BRASS BARREL TO THROTTLE CABLE .....	39	39
46961A1	THRUST HUB AND WASHER ASSEMBLY .....	55	82	52023	CAP, NYLON - STOP BRACKET ADJUSTING SCREW .....	17	46
47271	FRAME, TOP COWL SUPPORT .....	3	18	52023	CAP, NYLON - THROTTLE ACTUATOR COLLAR ADJUSTING SCREW .....	15	27
47341A1	ROPE, STARTER (FOR MANUAL STARTING ONLY) .....	3	10	52100	WEAR PLATE, LINK ROD ..	39	53
47398	BRACKET, REAR - WIRE RETAINER .....	13	34	52132A1	BEARING CARRIER ASSEMBLY .....	53	71
47558	ROD, PUSH - REVERSE LOCK (LONG SHAFT) ..	45	20	52518	CLUSTER, THROTTLE LEVER (UPPER CARBURETOR) .....	23	7
47559	YOKE, PUSH ROD .....	45	22				

# PARTS INDEX

Part Number	Description	Pg.	Ref. No.	Part Number	Description	Pg.	Ref. No.
52699	COVER, GEAR HOUSING . . .	53	76	55282	PLATE, BAFFLE - EXHAUST		
52725A2	BRACKET ASSEMBLY, TOP COWL SUPPORT-FRONT	3	31		MANIFOLD . . . . .	33	38
52732	BRACKET, ANCHOR - CONTROL CABLES . . . . .	39	44	55398A4	TACHOMETER ASSEMBLY .	1	-
52733A3	RETAINER ASSEMBLY, TOP COWL . . . . .	3	2	55421A1	SHAFT ASSEMBLY, SHIFT - LOWER . . . . .	51	42
52733A4	RETAINER ASSEMBLY, TOP COWL . . . . .	3	2	55455	HOOK, TOP COWL LATCH- REAR . . . . .	3	15
52737	LEVER, COWL LATCH HINGE . . . . .	3	12	55482	YOKE, BOTTOM . . . . .	41	34
52739	HINGE, COWL LATCH-TOP COWL . . . . .	3	11	55662	SCREEN, WATER INLET . . .	49	2
52769	WIRING HARNESS, INTERNAL . . . . .	19	1	55692	COUPLING, SHIFT SHAFT . .	39	34
52862A2	DRIP TRAY ASSEMBLY, BOTTOM COWL . . . . .	37	2	55804A1	ECONOMIZER COLLAR ASSEMBLY . . . . .	15	6
52887	GUIDE, PUSH ROD - REVERSE LOCKING . . . . .	45	19	55805	BRACKET, STOP . . . . .	17	41
52889	NOZZLE, TELL TALE HOSE TO BOTTOM COWL . . . . .	37	16	56029	COVER, STARTER MOTOR BRACKET - TOP . . . . .	31	16
53071	COVER, UPPER AND LOWER SHOCK MOUNTING PIN . . . . .	43	60	56030	COVER, STARTER MOTOR BRACKET - BOTTOM . . . . .	31	19
53078	CAP, PLASTIC - TILT TUBE .	41	7	56031	COVER, TRANSFER PORT - TOP . . . . .	33	53
53141	COVER, UPPER MOUNT - INSIDE HALF . . . . .	47	27	56186	EMBLEM, TOP COWL RETAINER . . . . .	3	4
53334	SEAL, SOUND ABSORBING - TOP . . . . .	7	11	56306A2	PLATE ASSEMBLY, EXHAUST EXTENSION . .	37	21
53417	GROUND STRAP ASSEMBLY, DISTRIBUTOR TO CRANKCASE . . . . .	11	5	56349	SHAFT, REVERSE LOCK PIVOT . . . . .	43	49
53665	INSERT, THROTTLE COUPLING . . . . .	23	12	56703	COLLAR, RUBBER - STARTER MOTOR MOUNT	19	27
53720A2	THROTTLE PICK-UP BRACKET ASSEMBLY . . . . .	23	10	56849	KNOB, COWL FRONT COVER FASTENING . . . . .	7	3
53889A3	SHIFT SHAFT ASSEMBLY, UPPER (LONG SHAFT) . . . . .	37	32	57247	STOP, RUBBER - STARTER MOTOR . . . . .	19	25
53889A4	SHIFT SHAFT ASSEMBLY, UPPER (SHORT SHAFT) . . . . .	37	32	57602	WIRE, GROUND - DISTRIBUTOR ADAPTOR TO FRONT SUPPORT BRACKET . . . . .	17	40
54196A1	CARRIER ASSEMBLY, "O" RING . . . . .	35	5	57854	RESTRICTION, CRANKCASE BLEED . . . . .	31	8
54239	CAM, THROTTLE ACTUATOR PLATE . . . . .	15	33	58124A4	SWITCH, MERCURY . . . . .	33	42
54283A1	PLUNGER AND LINK ASSEMBLY, CHOKE SOLENOID . . . . .	23	6	58454	CAM, THROTTLE ACTUATOR PLATE . . . . .	15	33
54293A4	CHOKE SOLENOID . . . . .	23	1	58478A1	DIVIDER ASSEMBLY, EXHAUST . . . . .	37	27
54346	CAM, SHIFT . . . . .	53	54	59757	BRACKET, COIL LEAD RETAINER . . . . .	23	13
54567	CAP, DISTRIBUTOR HOUSING . . . . .	17	50	10-20037	SCREW, RETAINER TO HOUSING . . . . .	29	7
54685	BRACKET, TOP COWL SUPPORT-REAR . . . . .	3	22	10-20055	SCREW, REED STOP MOUNTING . . . . .	35	21
55155	COVER, TRANSFER PORT - BOTTOM . . . . .	33	53	10-20359	SCREW, CENTER MAIN BEARING LOCKING . . . . .	31	25
55156A5	FUEL PUMP ASSEMBLY . . .	29	1	10-20362	SCREW, FRONT BRACKET TO TOP COWL FRAME (1 1/2") . . . . .	5	34
55200	COVER, WATER JACKET - CYLINDER BLOCK . . . . .	31	33	10-20776	SCREW, GROUND WIRE TO BOTTOM COWL . . . . .	19	8
55278A1	DIAPHRAGM KIT . . . . .	29	3	10-20847	SCREW, CLUSTER TO THROTTLE LEVER . . . . .	23	8
				10-20847	SCREW, THROTTLE STOP LEVER . . . . .	25	19

# PARTS INDEX

Part Number	Description	Pg.	Ref. No.	Part Number	Description	Pg.	Ref. No.
10-21449	SCREW, TOP COVER ATTACHING (2"0	31	17	10-28405	SCREW, PLUG - MAIN FUEL JET CHANNEL	25	29
10-21574	SCREW, CRANKCASE TO CYLINDER BLOCK (1 5/8")	31	22	10-28424	SCREW, LOWER SHOCK PIN - LONG SHAFT	43	--
10-21625	SCREW, SOLENOID TO COIL BRACKET (3/4")	19	32	10-28634	SCREW, GREASE FILLER AND VENT HOLE	51	50
10-22040	SCREW, DISTRIBUTOR HOUSING TO CRANKCASE (1 1/2")	17	37	10-28636	SCREW, DISTRIBUTOR ADAPTOR TO STOP BRACKET (3/4")	17	42
10-22040	SCREW, FRONT BRACKET TO BOTTOM COWL (1 1/2")	3	32	10-28636	SCREW, TRANSFER PORT COVER MOUNTING (3/4")	33	55
10-22523	SCREW, LOWER CARB. FILTER SCREEN TO CARB. (3/4")	23	29	10-28668	SCREW, TUBE TO EXTENSION PLATE (7/8")	45	13
10-22956	SCREW, REAR HOOK TO TOP COWL (7/8")	3	16	10-28708	SCREW, SWITCH TO FRONT MOUNTING BRACKET (1/2")	33	43
10-22968	SCREW, CENTER MAIN BEARING CLAMPING	35	13	10-28773	SCREW, UPPER MOUNT COVER (1 5/8")	47	29
10-23015	SCREW, UPPER CARB. FILTER SCREEN TO CARB. (1")	23	29	10-28775	SCREW, UPPER MOUNT COVER (2 1/8")	47	30
10-23030	SCREW, BODY CHANNEL	27	36	10-29197	SCREW, WIRE CABLE TO STARTER MOTOR	19	24
10-23178	SCREW, BODY (IDLE TUBE)	25	23	10-29256	SCREW, LOWER MOUNT CLAMP TO DRIVE SHAFT HOUSING	47	48
10-24226	SCREW, EXHAUST EXTENSION PLATE TO DRIVE SHAFT HOUSING	37	25	10-29722	SCREW, COVER TO LOWER CLAMP MOUNT	47	51
10-24227	SCREW, STOP BRACKET ADJUSTING (2 1/8")	17	44	10-30225	SCREW, END CAP MOUNTING	31	5
10-24228	SCREW, STOP BRACKET ADJUSTING (1 7/8")	17	44	10-30225	SCREW, END CAP MOUNTING (1")	31	32
10-24234	SCREW, ANCHOR BRACKET TO CYLINDER BLOCK (1")	39	50	10-30663	SCREW, FRONT AND REAR BRACKET ATTACHING	13	35
10-24234	SCREW, BRACKET TO CYLINDER BLOCK ( 1")	33	52	10-30663	SCREW, FUEL LINE CLIP TO CYLINDER BLOCK (3/8")	29	15
10-24234	SCREW, REAR BRACKET TO BOTTOM COWL (1")	3	29	10-30663	SCREW, GROUND STRAP ATTACHING (3/8")	11	6
10-24624	SCREW, COIL MOUNTING BRACKET (1 3/4")	13	38	10-30663	SCREW, GROUND STRAP FASTENING	39	59
10-24866	SCREW, SWITCH BOX TO FRONT MOUNTING BRACKET (1")	19	21	10-30663	SCREW, MERCURY SWITCH LEAD	33	45
10-25299	SCREW, CHOKE SOLENOID (3/4")	23	4	10-30663	SCREW, STATOR LEAD CLIP FASTENING (3/8")	9	15
10-25612	SCREW, DRIVE - SERIAL PLATE TO SWIVEL BRACKET	43	45	10-30663	SCREW, STATOR LEADS TO TERMINAL BLOCK (3/8")	19	16
10-25822	SCREW, STRAINER COVER FASTENING	25	18	10-30663	SCREW, WIRING HARNESS TO FRONT BRACKET (3/8")	19	12
10-26065	SCREW, REAR BRACKET TO TOP COWL FRAME (1")	3	27	10-30720	SCREW, WATER PUMP BODY TO GEAR HOUSING (2 1/4")	51	31
10-26132	SCREW, TOP COVER ATTACHING (2 1/2")	31	17	10-31294	SCREW, COIL BRACKET (1")	23	14
10-27281	SCREW, FUEL PUMP MOUNTING (1 3/8")	29	8	10-31294	SCREW, RECTIFIER TO MOUNTING BRACKET	21	42
10-28009	BOLT, CLAMP BRACKET TO BOAT TRANSOM (LOWER)	43	41	10-31471	SCREW, COIL MOUNTING BRACKET (3 1/4")	13	40
10-28200	SCREW, STRAP STOP TO DRIVE SHAFT HOUSING (2 7/8")	41	37	10-31827	BOLT, CLAMP BRACKET TO BOAT TRANSOM (UPPER)	43	41
				10-31830	SCREW, RIDE-GUIDE ATTACHING	41	31

# PARTS INDEX

Part Number	Description	Pg.	Ref. No.	Part Number	Description	Pg.	Ref. No.
10-32293	SCREW, CRANKCASE TO CYLINDER BLOCK (1 3/4")	31	22	10-47828	SCREW, DRIVE - SWIVEL BRACKET	41	16
10-32417	SCREW, FLEXIBLE PLATE TO FLYWHEEL (5/8")	9	5	10-48408	SCREW, RETAINING STRIP TO DRIVE SHAFT HOUSING (1/2")	45	5
10-33473	SCREW, BOTTOM COVER ATTACHING (2 5/8")	31	20	10-48409	SCREW, RETAINING STRIP TO DRIVE SHAFT HOUSING (5/8")	45	4
10-33476	SCREW, CRANKCASE TO CYLINDER BLOCK (2 5/8")	31	22	10-48591	SCREW, SPACER TO BOTTOM COWL (1/2")	37	8
10-34353	SCREW, GEAR HOUSING TO DRIVE SHAFT HOUSING (1")	53	81	10-48591	SCREW, STRAP TO CHOKE KNOB (1/2")	23	20
10-34439	SCREW, RETAINER TO EXHAUST EXTENSION PLATE (3/4")	37	24	10-48591	SCREW, STRAP TO CHOKE ROD (1/2")	23	23
10-35519	SCREW, DRIP TRAY TO BOTTOM COWL (1/2")	37	4	10-48675	SCREW, ADJUSTING - THROTTLE ACTUATOR COLLAR (1 1/2")	15	25
10-35519	SCREW, TELL TALE NOZZLE TO BOTTOM COWL (1/2")	37	17	10-49006	SCREW, PLATE AND HUB TO FLEXIBLE PLATE (3/4")	9	6
10-35519	SCREW, TERMINAL BLOCK FASTENING (1/2")	19	15	10-49318	SCREW, LOWER MOUNT (5 1/2")	47	38
10-37370	SCREW, SHIELD TO TOP COWL (5/8")	3	8	10-49554	BOLT, STEERING ARM TO UPPER MOUNT (5 7/8")	41	29
10-37558	SCREW, RETAINER TO TOP COWL (1 1/4")	3	5	10-52195	SCREW, FLOAT BOWL COVER (SHORT)	25	10
10-37559	SCREW, THROTTLE LEVER TO EXHAUST COVER (1 3/4")	15	18	10-52196	SCREW, FLOAT BOWL COVER (LONG)	25	11
10-37561	SCREW, ADAPTOR TO BOTTOM COWL (2 1/2")	29	30	10-52867	SCREW, BAFFLE TO BOTTOM COWL	37	11
10-37561	SCREW, WIRING HARNESS SUPPORT TO BOTTOM COWL (2 1/2")	37	13	10-53077	SCREW, UPPER AND LOWER SHOCK MOUNTING PIN	43	59
10-37571	SCREW, SEAL AND RETAINING STRIP TO EXTENSION PLATE (1/2")	37	31	10-53167	SCREW, WATER JACKET COVER TO CYLINDER BLOCK (7/8")	31	35
10-37571	SCREW, TRIM COVER TO BOTTOM COWL	45	7	10-53556	SCREW, TRANSFER PORT COVER MOUNTING (1")	33	55
10-37655	SCREW, COVER TO SHOCK MOUNTING SCREW	43	61	10-53651	SCREW, THROTTLE BRACKET MOUNTING (3/4")	23	11
10-37892	SCREW, THROTTLE ACTUATOR PLATE TO ECONOMIZER COLLAR (1")	15	29	10-54281	SCREW, DISTRIBUTOR CAP CLAMP (1 1/4")	11	16
10-37990	SCREW, ADAPTOR TO BOTTOM COWL (1 3/4")	29	30	10-54803	SCREW, CONNECTING ROD	35	27
10-37990	SCREW, WIRING HARNESS SUPPORT TO BOTTOM COWL (1 3/4")	37	13	10-55726	SCREW, TRIM TAB TO GEAR HOUSING (1 3/4")	53	78
10-38601	SCREW, TUBE TO EXTENSION PLATE (7/8")	45	13	10-57021	SCREW, STATOR TO UPPER END CAP (7/8")	9	13
10-38837	SCREW, MANIFOLD COVER MOUNTING	33	41	10-57807	SCREW, TRI COVER TO BOTTOM COWL	45	7
10-39767	SCREW, BOTTOM COVER ATTACHING (1 7/8")	31	20	10-58354	SCREW, PULLEY CLAMPING	17	56
10-45218	SCREW, SWITCH BOX (3/8")	19	20	10-59702	SCREW, TUBE TO EXTENSION PLATE (7/8")	45	13
10-45775	SCREW, MAIN BEARING CLAMPING	35	17	11-20083	NUT, CLAMP BRACKET STUD	41	11
10-45862	SCREW, WIRING HARNESS CLAMP TO BOTTOM COWL (7/8")	19	4	11-20083	NUT, DISTRIBUTOR HOUSING SCREW	17	39
				11-20083	NUT, SOLENOID TERMINAL (5/16")	19	39

# PARTS INDEX

Part Number	Description	Pg.	Ref. No.	Part Number	Description	Pg.	Ref. No.
11-20110	NUT, CARBURETOR FILTER SCREEN FASTENING SCREW . . . . .	23	31	11-34933	NUT, UPPER MOUNT BOLT	47	36
11-20110	NUT, CHOKE SHUTTER TO CARBURETOR STUD . . . .	23	27	11-35045	NUT, WATER PUMP FASTENING SCREW . . . .	51	34
11-20361	NUT, RUBBER MOUNT TO TOP COWL FRAME . . . . .	3	21	11-35521	NUT, LOWER MOUNT CLAMP COVER . . . . .	47	50
11-20361	NUT, THROTTLE CABLE TO LOWER SWIVEL . . . . .	15	23	11-35814	NUT, POWERHEAD STUDS (5/16-24) . . . . .	45	15
11-20361	NUT, UPPER LINK ROD TO THROTTLE CONTROL LEVER . . . . .	15	17	11-35921	NUT, PINION GEAR TO DRIVE SHAFT . . . . .	49	12
11-20509	NUT, POWERHEAD STUDS (3/8-24) . . . . .	45	16	11-37424	NUT, SWIVEL PIN RETAINING . . . . .	41	35
11-20509	NUT, RIDE-GUIDE ATTACHING SCREW . . . .	41	32	11-45076	NUT, FASTENING - RECTIFIER STATOR LEADS . . . . .	21	45
11-20509	NUT, THROTTLE CONTROL LEVER SCREW . . . . .	15	21	11-45076	NUT, SWITCH BOX TERMINAL . . . . .	19	19
11-20565	NUT, STRAP TO CHOKE ROD SCREW . . . . .	23	24	11-45592	NUT, WATER PUMP BODY FASTENING STUD . . . . .	51	36
11-20645	NUT, SOLENOID TERMINAL	23	3	11-45774	NUT, MAIN BEARING CLAMPING SCREW . . . . .	35	18
11-20645	NUT, SOLENOID TERMINAL (#10) . . . . .	19	36	11-46793	NUT, CARBURETOR MOUNTING STUD . . . . .	27	38
11-20664	NUT, LINK LKROD . . . . .	39	56	11-46793	NUT, COVER SCREW . . . . .	31	18
11-20890	NUT, STARTER MOTOR TERMINAL . . . . .	19	30	11-46793	NUT, COVER SCREW . . . . .	31	21
11-20890	NUT, STOP BRACKET ADJUSTING SCREW . . . .	17	45	11-46793	NUT, CRANKCASE FASTENING SCREWS . . .	31	24
11-20890	NUT, THROTTLE ACTUATOR COLLAR ADJUSTING SCREW . . . . .	15	26	11-46793	NUT, FRONT SUPPORT BRACKET SCREW . . . . .	3	33
11-22053	NUT, RUBBER MOUNT TO FRONT SUPPORT BRACKET . . . . .	5	38	11-46793	NUT, REAR BRACKET SCREW . . . . .	3	28
11-23161	NUT, POWERHEAD STUDS (3/8-24) . . . . .	45	16	11-46886	NUT, EXHAUST TUBE SCREW . . . . .	45	14
11-25096	NUT, LOWER MOUNT SCREW . . . . .	47	40	11-46886	NUT, UPPER MOUNT COVER SCREW . . . . .	47	32
11-25168	NUT, UPPER LINK ROD ADJUSTING . . . . .	15	11	11-46887	NUT, ADAPTOR FASTENING SCREW . . . . .	29	31
11-25269	NUT, STRAP STOP FASTENING SCREW . . . .	43	38	11-46887	NUT, BEARING CLAMPING SCREW . . . . .	35	14
11-26768	NUT, DISTRIBUTOR CAP CLAMP SCREW . . . . .	11	17	11-46887	NUT, CHOKE ROD SPRING TO CARBURETOR STUD .	23	35
11-28010	NUT, CLAMP BRACKET BOLT . . . . .	43	43	11-46887	NUT, COIL BRACKET SCREW . . . . .	23	16
11-28770	NUT, CLAMP BRACKET STUD . . . . .	41	11	11-46887	NUT, COIL MOUNTING BRACKET SCREW . . . . .	13	42
11-29322	NUT, EXHAUST TUBE SCREW . . . . .	45	14	11-46887	NUT, COVER MOUNTING SCREW . . . . .	33	49
11-29489	NUT, GEAR HOUSING AND DRIVE SHAFT HOUSING STUDS . . . . .	47	44	11-46887	NUT, EXHAUST EXTENSION PLATE SCREW . . . . .	37	26
11-34933	NUT, GEAR HOUSING AND DRIVE SHAFT HOUSING STUDS . . . . .	47	42	11-46887	NUT, LOWER SHOCK PIN SCREW - LONG SHAFT . .	43	--
11-34933	NUT, GEAR HOUSING TO DRIVE SHAFT HOUSING STUDS . . . . .	53	80	11-46887	NUT, RECTIFIER MOUNTING SCREW . . . . .	21	43
				11-46887	NUT, SWITCH BOX SCREW	19	22
				11-46887	NUT, WIRING HARNESS SUPPORT SCREW . . . . .	37	14
				11-47661	NUT, JAM - PUSH ROD . . . .	45	21
				11-49091	NUT, CONNECTING ROD SCREW . . . . .	35	28
				11-52707	NUT, PROPELLER ( . . . . .	55	86

# PARTS INDEX

Part Number	Description	Pg.	Ref. No.	Part Number	Description	Pg.	Ref. No.
11-52901	NUT, FLYWHEEL TO CRANKSHAFT . . . . .	35	2	12-31263	WASHER, UPPER MOUNT BOLT . . . . .	47	35
11-54209	NUT, ROTOR SHAFT TO DISTRIBUTOR HOUSING .	11	2	12-31266	WASHER, RUBBER - SHIFT SHAFT BUSHING . . . . .	51	47
11-56041	NUT, TILT TUBE FASTENING	41	6	12-33001	WASHER, FLYWHEEL NUT .	9	3
12-20084	WASHER, DISTRIBUTOR HOUSING SCREW . . . . .	17	38	12-36001	WASHER, WATER PUMP BODY FASTENING STUD	51	35
12-20086	WASHER, POWERHEAD STUDS . . . . .	45	17	12-37429	WASHER, SWIVEL PIN - LOWER . . . . .	41	33
12-20128	WASHER, THROTTLE ACTUATOR PLATE FASTENING SCREW . . . .	15	30	12-45075	WASHER, RECTIFIER STATOR LEAD TERMINAL	21	44
12-20128	WASHER, WIRING HARNESS CLAMP SCREW . . . . .	19	6	12-45075	WASHER, SWITCH BOX TERMINAL . . . . .	19	18
12-20260	WASHER, GREASE FILLER AND VENT HOLE SCREW	51	51	12-45176	WASHER, GEAR HOUSING TO DRIVE SHAFT HOUSING STUDS . . . . .	47	43
12-20346	WASHER, RUBBER MOUNT TO REAR SUPPORT BRACKET . . . . .	3	25	12-45176	WASHER, GEAR HOUSING TO DRIVE SHAFT HOUSING STUDS . . . . .	47	45
12-20533	WASHER, STOP BRACKET FASTENING SCREW . . . .	17	43	12-45176	WASHER, GEAR HOUSING TO DRIVE SHAFT HOUSING STUDS . . . . .	53	79
12-21040	WASHER, CLAMP BRACKET BOLT (UPPER) . . . . .	43	42	12-46246	WASHER, ADAPTOR - DISTRIBUTOR HOUSING .	15	34
12-21631	WASHER, PLAIN - LINK ROD	39	55	12-47247	WASHER, NEEDLE LOCATING . . . . .	35	30
12-22753	WASHER, CRANKCASE TO CYLINDER BLOCK SCREWS . . . . .	31	23	12-47840	WASHER, RUBBER - UPPER MOUNT BOLT . . . . .	47	34
12-24664	WASHER, LINK ROD . . . . .	39	36	12-49221	WASHER, GEAR HOUSING FLUSHING HOLE PLUG . .	51	53
12-27939	WASHER, DISTRIBUTOR HOUSING . . . . .	17	47	12-49339	WASHER, LOWER MOUNT SCREW . . . . .	47	39
12-28008	WASHER, CLAMP BRACKET BOLT (LOWER) . . . . .	43	42	12-52864	WASHER, CLAMP BRACKET TILT TUBE . . . . .	41	5
12-28196	WASHER, UPPER BUSHING RETAINER (INNER) . . . .	43	53	12-53540	WASHER, ECONOMIZER COLLAR - DISTRIBUTOR HOUSING . . . . .	15	5
12-28404	WASHER, THUMB SCREW .	41	3	12-59378	WASHER, LOWER BUSHING RETAINER (INNER) . . . .	43	54
12-28421	WASHER, UPPER AND LOWER BUSHING RETAINER (OUTER) . . . .	43	58	12-59572	WASHER, COVER FASTENING KNOB (PLASTIC) . . . . .	7	5
12-29245	WASHER, COIL BRACKET SCREW . . . . .	23	15	13-24669	LOCKWASHER, GROUND WIRE SCREW . . . . .	19	9
12-29245	WASHER, THROTTLE CONTROL LEVER SWIVEL	15	16	13-24850	WASHER, WAVE - TILT LOCK TUBE . . . . .	41	26
12-29245	WASHER, UPPER MOUNT COVER SCREW . . . . .	47	31	13-25806	WASHER, WAVE - THROTTLE CONTROL LEVER SWIVEL . . . . .	15	15
12-29245	WASHER, WATER PUMP BODY FASTENING SCREW AND STUD . . . . .	51	33	13-26992	LOCKWASHER, COIL MOUNTING BRACKET . . .	13	39
12-29395	WASHER, THROTTLE CONTROL LEVER SCREW	15	19	13-26992	LOCKWASHER, REAR HOOK MOUNTING SCREW . . . .	3	17
12-29590	WASHER, CUPPED - THRUST HUB . . . . .	55	83	13-26992	LOCKWASHER, RUBBER MOUNT TO REAR SUPPORT BRACKET . . . .	3	24
12-30633	WASHER, THRUST - BEARING CARRIER TO GEAR HOUSING . . . . .	53	68	13-26992	LOCKWASHER, STARTER MOTOR TERMINAL . . . . .	19	29
12-30771	WASHER, COVER FASTENING KNOB (RUBBER) . . . . .	7	4				
12-31211	WASHER, SPLINED - PROPELLER NUT . . . . .	55	84				



# PARTS INDEX

Part Number	Description	Pg.	Ref. No.	Part Number	Description	Pg.	Ref. No.
13-26992	LOCKWASHER, WATER PUMP BODY SCREW . . .	51	32	15-30923A1	SHIM, BEARING OUTER RACE TO GEAR HOUSING (.002-3-5-10) . . . . .	53	58
13-26993	LOCKWASHER, CHOKE SOLENOID SCREW . . . . .	23	5	15-47248A1	SHIM, END CAP TO CRANKCASE (.002-3-5-10)	31	4
13-26993	LOCKWASHER, CLAMP BRACKET STUD . . . . .	41	10	15-55853	SHIM, BALL BEARING TO DISTRIBUTOR HOUSING . . .	11	8
13-26993	LOCKWASHER, FRONT SUPPORT BRACKET SCREW . . . . .	5	35	16-20221	STUD, CLAMP BRACKET . . .	41	9
13-26993	LOCKWASHER, REAR SUPPORT BRACKET SCREW . . . . .	3	30	16-26133	STUD, CRANKCASE TO DRIVE SHAFT HOUSING (1 7/8") . . . . .	31	10
13-26993	LOCKWASHER, RUBBER MOUNT TO FRONT SUPPORT BRACKET . . . . .	5	37	16-26134	STUD, CYLINDER BLOCK TO DRIVE SHAFT HOUSING (4 1/16") . . . . .	31	13
13-26993	LOCKWASHER, SOLENOID TERMINAL (5/16") . . . . .	19	38	16-26324	STUD, CYLINDER BLOCK TO DRIVE SHAFT HOUSING (2 7/8") . . . . .	31	15
13-26995	LOCKWASHER, FLOAT BOWL COVER SCREW . . . . .	25	12	16-35099	STUD, CARBURETOR MOUNTING (1 3/16") . . . . .	31	9
13-26996	LOCKWASHER, SOLENOID TERMINAL . . . . .	23	2	16-39937	STUD, CHOKE ROD SPRING TO CARBURETOR . . . . .	23	33
13-26996	LOCKWASHER, SOLENOID TERMINAL (#10) . . . . .	19	35	16-48750	PLUG, GEAR HOUSING FLUSHING HOLE . . . . .	51	52
13-26996	LOCKWASHER, STRAP SCREW . . . . .	23	21	16-48770	STUD, CYLINDER BLOCK TO DRIVE SHAFT HOUSING (3 9/16") . . . . .	31	14
13-26996	LOCKWASHER, THROTTLE ACTUATOR PLATE FASTENING SCREW . . . . .	15	31	16-52898	STUD, CARBURETOR - CHOKE SHUTTER PIVOT	23	26
13-26996	LOCKWASHER, WIRING HARNESS CLAMP SCREW	19	5	16-56295	STUD, DRIVE SHAFT HOUSING TO GEAR HOUSING . . . . .	45	2
13-27959	WASHER, WAVE - DISTRIBUTOR BALL BEARING TENSION . . . . .	17	49	16-56297	STUD, WATER PUMP BASE AND BODY TO GEAR HOUSING (3 3/8") . . . . .	49	7
13-29720	WASHER, WAVE - LINK ROD	39	37	16-57919	STUD, WATER PUMP BASE AND BODY TO GEAR HOUSING (3 5/16) . . . . .	49	8
13-37371	LOCKWASHER, SHIELD SCREW . . . . .	3	9	16-57920	STUD, GEAR HOUSING TO DRIVE SHAFT HOUSING (2 1/16 . . . . .	49	6
13-39107	LOCKWASHER, RETAINER TO TOP COWL SCREW . . .	3	6	16-57921	STUD, GEAR HOUSING TO DRIVE SHAFT HOUSING (4") . . . . .	49	5
13-53166	LOCKWASHER, WATER JACKET COVER FASTENING SCREW . . . . .	31	36	16-59625	STUD, CLAMP BRACKET . . .	41	9
14-20091	TAB WASHER, BEARING LOCKING SCREW . . . . .	31	26	17-20032	DOWEL PIN, CENTER MAIN BEARING . . . . .	35	8
14-27960	TAB WASHER, ADAPTOR CAP FASTENING . . . . .	17	48	17-20032	DOWEL PIN, MAIN BEARING	35	16
14-31210	TAB WASHER, PROPELLER NUT . . . . .	55	85	17-20033	PIN, DOWEL - CRANKCASE TO CYLINDER BLOCK . . .	31	11
14-52700	TAB WASHER, GEAR HOUSING COVER . . . . .	53	75	17-20323	PIN, DOWEL - CYLINDER BLOCK TO MAIN BEARING	31	12
15-20085A1	SHIM, END CAP TO CRANKCASE (.002-3-5-10)	31	31	17-21438	DOWEL PIN, GEAR HOUSING LOCATIN . . . . .	49	4
15-21148A1	SHIM, BALL BEARING TO SPACER . . . . .	11	10	17-23928	PIN, ROLL - CONTROL CABLE LOCKING LEVER . . .	39	42
15-29955A1	SHIM, THRUST WASHER TO GEAR HOUSING (.002-3-5-10) . . . . .	53	67	17-25598	PIN, REVERSE LOCK SPRING ATTACHING . . . . .	43	46
15-30278A1	SHIM, DRIVE SHAFT BALL BEARING TO GEAR HOUSING (.002-3-5-10 . . .	49	13	17-26618	PIN, DOWEL - PULLEY TO FLYWHEEL . . . . .	9	7

# PARTS INDEX

Part Number	Description	Pg.	Ref. No.	Part Number	Description	Pg.	Ref. No.
17-27962	PIN, ANCHOR SPRING - DISTRIBUTOR HOUSING .	15	3	22-30175	SLEEVE, CARBURETOR STRAINER COVER		
17-29077	ROLL PIN, TENSION SPRING TO KNOB . . . . .	7	7	22-30175	ELBOW . . . . .	29	12
17-29908	PIN, ROLL - FLANGE LOCATING . . . . .	17	53	22-30177	SLEEVE, TOP PUMP FITTING . . . . .	29	22
17-30496	PIN, ROLL - MERCURY SWITCH . . . . .	33	44	22-30177	NUT, TOP PUMP FITTING . .	29	23
17-30632	PIN, CROSS - RATCHET TO PROPELLER SHAFT . . . .	53	63	22-30468	NUT, UPPER CARBURETOR STRAINER COVER		
17-33522	PIN, ROLL-COWL LATCH LEVER TO HINGE . . . . .	3	13	22-31521	ELBOW . . . . .	29	13
17-35973	DOWEL PIN, WATER PUMP BASE TO WATER PUMP BODY . . . . .	49	21	22-31521	FITTING, TOP PUMP . . . . .	29	21
17-38311	PIN, COIL SPRING MOUNTING . . . . .	41	20	22-32802	ELBOW, VENT - DISTRIBUTOR CAP . . . . .	11	26
17-39023	PIN, PUSH ROD TO REVERSE LOCK . . . . .	45	23	22-32802	ELBOW, VENT HOSE TO BOTTOM COWL . . . . .	11	19
17-47175	PIN, LOCKING LEVER AND COVER FASTENING . . . .	39	47	22-53491	PLUG, PIPE - BOTTOM PUMP . . . . .	29	9
17-47246	DOWEL PIN, STEPPED . . . .	35	12	22-53492	PLUG, PIPE - CYLINDER BLOCK COVER . . . . .	33	50
17-49840A1	SWIVEL PIN AND STEERING ARM ASSEMBLY (LONG SHAFT) . . . . .	41	27	22-55262	TEE, BLEED HOSE TO CYLINDER BLOCK - LOWER . . . . .	33	68
17-49841A1	SWIVEL PIN AND STEERING ARM ASSEMBLY (SHORT SHAFT) . . . . .	41	27	23-20222	TEE, BLEED HOSE TO CYLINDER BLOCK - CENTER . . . . .	33	66
17-49930A1	TILT LOCK PIN ASSEMBLY .	41	12	23-26600	ELBOW, VENT - DISTRIBUTOR HOUSING .	11	7
18-25191	COTTER PIN, PUSH ROD PIN . . . . .	45	24	23-28198	SPACER, CLAMP BRACKET STUD . . . . .	41	8
18-45882	COTTER PIN, REVERSE LOCK TO SHAFT . . . . .	43	50	23-28199	BUSHING, SHIFT SHAFT . . .	39	33
18-47959	COTTER PIN, TILT LOCK TUBE . . . . .	41	24	23-28688	BUSHING, RUBBER - SHOCK ABSORBER (LOWER) . . .	43	57
19-32297	PLUG, PLASTIC - TRIM TAB SCREW HOLE . . . . .	45	3	23-29804	SPACER, UPPER SHOCK BUSHING TO CLAMP BRACKET . . . . .	43	52
19-45907	PLUG, FLYWHEEL PULLER THREADS . . . . .	9	1	23-29804	SPACER, RUBBER - COIL SPRING POSITIONING . .	43	39
21-28481A1	CHECK VALVE ASSEMBLY .	33	62	23-32171	SLEEVE, GUIDE - WATER INLET TUBE . . . . .	51	38
21-28483A1	CHECK VALVE ASSEMBLY, BLEED HOSE . . . . .	33	61	23-32427	BUSHING, RUBBER - SHOCK ABSORBER (UPPER) . . . .	43	56
21-30430A3	CHECK VALVE ASSEMBLY .	29	2	23-45818	SPACER, CHOKE ROD SPRING STUD . . . . .	23	34
21-56011A1	CHECK VALVE ASSEMBLY, END CAP . . . . .	31	28	23-47250	BUSHING, THROTTLE CONTROL LEVER SCREW	15	20
22-20445	FITTING, UPPER CYLINDER BLEED . . . . .	33	58	23-47803	SPACER, DRIVE PULLEY . .	17	51
22-20781	ELBOW, BALANCE TUBE TO MAIN BEARING SCREW .	33	63	23-48674	BUSHING, TILT LOCK TUBE	41	25
22-23612	FITTING, GREASE - SWIVEL BRACKET . . . . .	41	17	23-52933	SPACER, THROTTLE ACTUATOR PLATE SCREW . . . . .	15	32
22-25094	FITTING, GREASE - DISTRIBUTOR ADAPTOR	17	36	23-52933	SPACER, COIL BRACKET TO BOTTOM COWL . . . . .	13	41
22-25094	FITTING, GREASE - ECONOMIZER COLLAR . .	15	8	23-53538	SPACER, ROTOR SHAFT . .	11	11
22-25885	ELBOW, TELL TALE HOSE TO EXHAUST COVER . . .	37	18	23-53539	SLEEVE, ROTOR SHAFT . . .	11	3
22-29085	ELBOW, FUEL LINE TO CARBURETOR (45) . . . . .	29	17	23-55419A1	BUSHING ASSEMBLY, SHIFT SHAFT . . . . .	51	45
				23-56774	SPACER, COLLAR TO TOP MOUNTING CAP . . . . .	19	26
				23-59624	SPACER, CLAMP BRACKET STUD . . . . .	41	8

# PARTS INDEX

Part Number	Description	Pg.	Ref. No.	Part Number	Description	Pg.	Ref. No.
24-27944	SPRING, HORSESHOE -			26-31249	OIL SEAL, SHIFT SHAFT		
	DISTRIBUTOR HOUSING .	15	4		BUSHING (UPPER) . . . . .	51	46
24-28659	SPRING, COIL - SWIVEL			26-31489	OIL SEAL, WATER PUMP		
	BRACKET . . . . .	41	19		BASE . . . . .	49	19
24-28975	SPRING, GARTER -			26-31507	OIL SEAL, WATER PUMP		
	INTERNAL WIRING				BASE . . . . .	49	20
	HARNESS . . . . .	19	7	26-31507	OIL SEAL, WATER PUMP		
24-29821	SPRING, REVERSE LOCK				BODY . . . . .	49	27
	TENSION . . . . .	43	47	26-37448	OIL SEAL, SWIVEL		
24-30189	SPRING, ADAPTOR STEM .	29	27		BRACKET . . . . .	41	15
24-30622	SPRING, COMPRESSION -			26-38970	SEAL, RUBBER - WATER		
	CAM FOLLOWER . . . . .	53	57		INLET TUBE . . . . .	37	22
24-30772	SPRING, TENSION -			26-38970	SEAL, RUBBER - WATER		
	FASTENING KNOB . . . . .	7	6		INLET TUBE . . . . .	51	28
24-30893	SPRING, RETAINING -			27-32433	GASKET, LOWER - WATER		
	CROSS PIN . . . . .	53	64		PUMP BASE TO FACE		
24-35522	SPRING, TENSION - LOWER				PLATE . . . . .	49	22
	MOUNT CLAMP . . . . .	47	47	27-32434	GASKET, UPPER - FACE		
24-37911	SPRING, CONTROL CABLE				PLATE TO WATER PUMP		
	LOCKING LEVER . . . . .	39	41		BODY . . . . .	49	24
24-38472	SPRING, CONTROL CABLE			27-32438	GASKET, WATER PUMP		
	TENSION - ANCHOR				BASE TO GEAR HOUSING	49	16
	BRACKET . . . . .	39	43	27-47228	GASKET, WATER JACKET		
24-48230	SPRING, CHOKE ROD				COVER . . . . .	31	34
	TENSION . . . . .	23	32	27-48164	GASKET, CARBURETOR		
24-53019	SPRING, COWL LATCH				FLANGE . . . . .	27	37
	HINGE . . . . .	3	14	27-48801	GASKET, EXHAUST		
24-57430	SPRING, WATER INLET				EXTENSION PLATE TO		
	SCREEN RETAINING . . . .	49	3		DRIVE SHAFT HOUSING .	37	28
24-57818	SPRING, UPPER FILTER			27-48801	GASKET, EXHAUST		
	SCREEN SCREW . . . . .	23	30		EXTENSION PLATE TO		
25-20081	"O" RING, END CAP . . . . .	31	30		DRIVE SHAFT HOUSING .	45	18
25-20116	GROMMET, CHOKE ROD . .	23	18	27-53862	GASKET, CRANKCASE TO		
25-20415	"O" RING, ADAPTOR STEM .	29	28		CYLINDER BLOCK . . . . .	31	7
25-25439	"O" RING, SHIFT SHAFT			27-53863	GASKET, CYLINDER BLOCK		
	BUSHING . . . . .	51	44		COVER . . . . .	33	47
25-26547	GROMMET, HIGH TENSION			27-55283	GASKET, CYLINDER BLOCK		
	CABLE . . . . .	11	21		TO BAFFLE PLATE . . . . .	31	37
25-26547	GROMMET, RECTIFIER TO			27-55284	GASKET, BAFFLE PLATE TO		
	SWITCH BOX WIRE . . . . .	19	10		EXHAUST MANIFOLD		
25-26547	GROMMET, SPARK PLUG				COVER . . . . .	33	39
	LEADS . . . . .	13	31	27-55284A1	GASKET SET (MOTOR		
25-29976	"O" RING, BEARING				OVERHAUL) . . . . .	1	-
	CARRIER . . . . .	53	70	27-55896	GASKET, DISTRIBUTOR CAP	11	24
25-30224	"O" RING, WATER PUMP			27-56028	GASKET, POWERHEAD TO		
	BASE . . . . .	49	17		EXHAUST EXTENSION		
25-30271	RING, RUBBER -				PLATE . . . . .	37	20
	CENTRIFUGAL SLINGER			27-60145	GASKET, TRANSFER PORT		
	(DRIVE SHAFT) . . . . .	51	37		COVER . . . . .	33	54
25-30613	"O" RING, UPPER - DRIVE			28-29910	KEY, DISTRIBUTOR DRIVER	17	55
	SHAFT . . . . .	51	39	28-30281	KEY, LOCATING - BEARING		
25-35126	"O" RING, CARRIER . . . . .	35	6		CARRIER . . . . .	53	74
25-47254	"O" RING . . . . .	31	3	28-56654	KEY, IMPELLER DRIVE . . . .	51	30
25-57806	GROMMET, PLASTIC - TRIM			29-47270	BEARING, NEEDLE - PISTON		
	COVER SCREW . . . . .	45	-		PIN . . . . .	35	29
26-24590	OIL SEAL, SHIFT SHAFT			29-48410	BEARING, NEEDLE - OUTER		
	HOUSING (LOWER) . . . . .	51	46		RACE . . . . .	35	9
26-29476	OIL SEAL, END CAP . . . . .	31	2	30-20066	BALL BEARING,		
26-29476	OIL SEAL, END CAP . . . . .	31	29		DISTRIBUTOR HOUSING		
					(UPPER) . . . . .	11	1

# PARTS INDEX

Part Number	Description	Pg.	Ref. No.	Part Number	Description	Pg.	Ref. No.
30-26379	BALL BEARING, DISTRIBUTOR HOUSING (LOWER) . . . . .	11	9	34-56008	REED STOP, MAIN BEARING REED VALVES . . . . .	35	20
30-31265	BEARING, BALL - REVERSE GEAR . . . . .	53	69	35-57819	SCREEN ASSEMBLY, FILTER - CARBURETOR . . . . .	23	28
30-32117	BEARING, BALL - UPPER . . . . .	35	3	37-54108	DECAL, TIMING . . . . .	3	19
30-53853	BEARING, BALL - LOWER . . . . .	35	4	37-56697A1	DECAL SET . . . . .	1	-
30-54215	BEARING, BALL - DRIVE SHAFT . . . . .	49	14	37-56697A2	DECAL SET . . . . .	1	-
31-30894A1	TAPERED ROLLER BEARING ASSEMBLY . . . . .	53	59	37-60204	DECAL, TIMING . . . . .	3	19
31-30895	BEARING, ROLLER - FORWARD GEAR . . . . .	53	60	38-56267	SERIAL PLATE . . . . .	43	44
31-30956	BEARING, ROLLER - BEARING CARRIER . . . . .	53	72	39-45155A12	RING, PISTON (1/16") . . . . .	35	24
31-32898	BEARING, ROLLER - DRIVE SHAFT . . . . .	49	9	39-45204A12	RING, PISTON (.015 OVERSIZE) - 1/16" THICK	35	--
31-55332A1	BEARING ASSEMBLY, CRANKPIN . . . . .	35	26	40-52035	LOCK RING, PISTON PIN . . . . .	35	23
31-58859A1	BEARING ASSEMBLY, CRANKPIN . . . . .	35	26	43-55688	GEAR, PINION - DRIVE SHAFT . . . . .	49	11
32-28052	SLEEVE, RUBBER - TILT PIN BUMPER . . . . .	41	13	43-55689	REVERSE GEAR ASSEMBLY FORWARD GEAR . . . . .	53	66
32-31584A1	FUEL LINE ASSEMBLY, CARBURETOR TO CARBURETOR . . . . .	29	18	43-57011	ASSEMBLY . . . . .	53	61
32-33154A1	FUEL LINE ASSEMBLY, PUMP TO CARBURETOR (14 1/8") . . . . .	29	10	44-52542	SHAFT, PROPELLER . . . . .	53	65
32-33960	TUBE, BALANCE - MAIN BEARING . . . . .	33	69	45-47433	DRIVE SHAFT (SHORT SHAFT) . . . . .	49	10
32-34395A1	HOSE, DRIP TRAY TO BOTTOM COWL (8") . . . . .	37	5	45-47434	DRIVE SHAFT (LONG SHAFT) . . . . .	49	10
32-34395A1	HOSE, TELL TALE - EXHAUST COVER TO BOTTOM COWL (16") . . . . .	37	15	45-57025A1	DRIVE SHAFT (LONG SHAFT) . . . . .	49	10
32-34395A1	HOSE, VENT - DISTRIBUTOR TO ELBOW (11 1/2") . . . . .	11	18	45-57026A1	DRIVE SHAFT (SHORT SHAFT) . . . . .	49	10
32-34395A1	HOSE, VENT - DISTRIBUTOR TO ELBOW (13 1/2") . . . . .	11	18	46-48743A1	WATER PUMP BODY ASSEMBLY . . . . .	49	25
32-37438	TUBE, WATER INLET (LONG SHAFT) . . . . .	45	11	46-48743A5	EXTRA HEAVY DUTY PUMP KIT . . . . .	1	-
32-37446	TUBE, WATER INLET (SHORT SHAFT) . . . . .	45	11	46-48747A1	WATER PUMP BASE ASSEMBLY . . . . .	49	18
32-52742A1	HOSE, CENTER CYLINDER BLEED (7 1/2") . . . . .	33	65	47-30221	IMPELLER - WATER PUMP . . . . .	51	29
32-52742A1	HOSE, CYLINDER BLEED - LOWER (8 1/2") . . . . .	33	67	50-57465A1	STARTER MOTOR ASSEMBLY . . . . .	19	28
32-52742A1	HOSE, CYLINDER BLEED - UPPER (13 1/2") . . . . .	33	60	52-34239	RATCHET, SLIDING CLUTCH . . . . .	53	62
32-52944A1	FUEL LINE ASSEMBLY, PUMP TO CARBURETOR (10") . . . . .	29	19	53-26406	RING, RETAINER - BALL BEARING TO . . . . .	11	12
32-55828A1	FUEL LINE ASSEMBLY, PUMP TO PUMP (13 3/4") . . . . .	29	20	53-26933	DISTRIBUTOR HOUSING . . . . .	11	12
32-55829	FUEL LINE, ADAPTOR TO LOWER FUEL PUMP . . . . .	29	24	53-29641	RING, SNAP - OUTER RACE "E" RING, RETAINING - . . . . .	35	11
33-57451	SPARK PLUG (AC-V40FFM)	11	27	53-30726	SHIFT SHAFT . . . . .	51	43
34-56007A1	REED SET, MATCHED - MAIN BEARING . . . . .	35	19	53-20386	RING, RETAINING - BALL BEARING . . . . .	49	15
				54-20387	CLAMP, BALANCE TUBE TO ELBOW AND TEE . . . . .	33	64
				54-20387	CLAMP, BLEED HOSE TO CONNECTPR . . . . .	33	59
				54-22627	CLIP, FUEL LINE TO CYLINDER BLOCK . . . . .	29	14
				54-22875	CLIP, STATOR LEAD FASTENING (7/16") . . . . .	9	14
				54-26538	CLIP, WIRING HARNESS TO FRONT BRACKET (1/8") . . . . .	19	11
				54-26550	CLIP, STATOR/WIRING HARNESS LEADS FASTENING (5/16") . . . . .	9	14
				54-37282	CLAMP, CYLINDER BLEED HOSE TO TOP COVER . . . . .	33	56

# PARTS INDEX

Part Number	Description	Pg.	Ref. No.	Part Number	Description	Pg.	Ref. No.
54-48123	CLAMP, TELL TALE HOSE TO CONNECTOR AND ELBOW	37	19	436-3187A4	CRANKSHAFT ASSEMBLY	35	1
54-52876	CLAMP, WIRING HARNESS TO BOTTOM COWL	19	3	535-3190A1	CENTER MAIN BEARING ASSEMBLY	35	7
54-55651	CLAMP, DISTRIBUTOR CAP TO DISTRIBUTOR HOUSING	11	15	540-3943A1	MAIN BEARING ASSEMBLY, VALVE TYPE	35	15
54-59588	CLAMP, DISTRIBUTOR CAP TO DISTRIBUTOR HOUSING	11	15	622-3666A5	CONNECTING ROD AND CAP ASSEMBLY	35	25
55-28414	PIN, LOWER SHOCK MOUNTING - LONG SHAFT	43	51	622-3666A6	CONNECTING ROD AND CAP ASSEMBLY	35	25
55-28416	PIN, UPPER SHOCK MOUNTING	43	40	745-3560A2	PISTON AND PISTON PIN ASSEMBLY	35	22
55-29247	PIN, LOWER SHOCK MOUNTING (SHORT SHAFT)	43	51	745-3778A1	PISTON AND PISTON PIN ASSEMBLY (.015 OVERSIZE)	35	--
55-31933	SHOCK ABSORBER	43	55	852-3884A3	CYLINDER BLOCK AND CRANKCASE ASSEMBLY	31	6
90-56976	MERC 1350E-SS PARTS LIST	1	-	1023-3755	COVER, CYLINDER BLOCK	33	46
92-25234--1	GLUE, ADHESIVE - BLANKET FASTENING	7	--	1126-3196A3	END CAP ASSEMBLY, LOWER	31	27
92-27109--1	ADHESIVE COMPOUND, EMBLEM FASTENING	7	--	1134-3197A1	END CAP ASSEMBLY, UPPER	31	1
225-2494A14	FLYWHEEL ASSEMBLY, COMPLETE	9	4	1352-3968	CARBURETOR ASS'Y, COMP. (KD-7A)	23	9
332-2854	BOOT, HIGH TENSION CABLE TO COIL	11	22	1352-3968	CARBURETOR ASSEMBLY, COMPLETE (KD-7A)	25	1
332-2910A3	RECTIFIER ASSEMBLY	21	41	1352-4323	CARBURETOR ASS'Y, COMP. (KD-7B)	23	9
332-2983A5	IGNITION COIL ASSEMBLY, COMPLETE	13	37	1352-4323	CARBURETOR ASSEMBLY, COMPLETE (KD-7B)	25	1
332-2986A4	SWITCH BOX ASSEMBLY	19	17	1352-4510A1	CARBURETOR ASS'Y, COMP. (WMK-4)	23	9
393-1275	SLEEVE, HIGH TENSION CABLE	11	23	1352-4510A1	CARBURETOR ASSEMBLY, COMPLETE (WMK-4)	25	1
393-1275	SLEEVE, SPARK PLUG LEAD TO DISTRIBUTOR	13	30	1395-4540	SCREW, BODY (IDLE TUBE)	25	23
393-1293A1	BRUSH AND SPRING ASSEMBLY	11	--	1395-4541	SCREW, PLUG - MAIN FUEL JET CHANNEL	25	29
393-3736A23	HOUSING ASSEMBLY, DISTRIBUTOR	11	4	1395-4542	SCREW, PLUG - MAIN NOZZLE	27	33
393-3736A23	HOUSING ASSEMBLY, DISTRIBUTOR	15	1	1395-4543	SCREW, BODY CHANNEL	27	36
393-3736A3	HOUSING ASSEMBLY, DISTRIBUTOR	11	4	1395-4555	INLET NEEDLE, SEAT AND GASKET	25	6
393-3736A3	HOUSING ASSEMBLY, DISTRIBUTOR	15	1	1395-4556	REPAIR PARTS KIT (1 PER CARBURETOR)	27	--
393-3738	ROTOR, DISTRIBUTOR	11	14	1399-110A1	FLOAT ASSEMBLY	25	2
393-3751A2	DISTRIBUTOR CAP ASSEMBLY	11	25	1399-1133	COVER, FLOAT BOWL	25	9
393-3836A1	HIGH TENSION CABLE ASSEMBLY, DISTRIBUTOR CAP TO COIL	11	20	1399-1473	INLET NEEDLE, SEAT AND GASKET	25	6
393-4248	DISC, ROTOR	11	13	1399-1930	COVER, STRAINER	25	16
393-4312	ROTOR, DISTRIBUTOR	11	14	1399-3515	SCREW, IDLE ADJUSTMENT	25	28
393-4313	DISC, ROTOR	11	13	1399-3519	JET, MAIN FUEL (.080)	27	31
393-4506A2	DISTRIBUTOR CAP ASSEMBLY	11	25	1399-3520	JET, MAIN FUEL (.0785) - STANDARD	27	31
398-3587	STATOR, ALTERNATOR	9	11	1399-3522	SCREW, PLUG - MAIN NOZZLE	27	33
				1399-3523	GASKET AND PACKING SET (1 PER CARBURETOR)	27	--
				1399-3527	SHAFT, THROTTLE	25	21
				1399-3528	SHUTTER, THROTTLE	25	26
				1399-3794	JET, MAIN FUEL (.074)	27	31
				1399-3796	JET, MAIN FUEL (.076)	27	31

# PARTS INDEX

Part Number	Description	Pg.	Ref. No.	Part Number	Description	Pg.	Ref. No.
1399-3938	SCREEN, FILTER . . . . .	25	14				
1399-4219	REPAIR PARTS KIT (1 PER CARBURETOR) . . . . .	27	--				
1399-4412	SHUTTER, THROTTLE . . . . .	25	26				
1399-4559	COVER, FLOAT BOWL . . . . .	25	9				
1399-97	LEVER, THROTTLE STOP . . . . .	25	20				
1440-3291A1	CLAMP BRACKET ASSEMBLY . . . . .	41	1				
1447-3257A1	SWIVEL BRACKET ASSEMBLY (LONG SHAFT) . . . . .	41	14				
1453-3258A1	SWIVEL BRACKET ASSEMBLY (SHORT SHAFT) . . . . .	41	14				
1551-3918A3	DRIVE SHAFT HOUSING ASSEMBLY (LONG SHAFT) . . . . .	45	1				
1552-3911A3	DRIVE SHAFT HOUSING ASSEMBLY (SHORT SHAFT) . . . . .	45	1				
1623-3909A3	GEAR HOUSING ASSEMBLY, COMPLETE (LONG SHAFT) . . . . .	49	-				
1623-3909A3	GEAR HOUSING ASSEMBLY, COMPLETE (LONG SHAFT) . . . . .	53	-				
1623-3909A5	GEAR HOUSING ASSEMBLY, COMPLETE (SHORT SHAFT) . . . . .	49	-				
1623-3909A5	GEAR HOUSING ASSEMBLY, COMPLETE (SHORT SHAFT) . . . . .	53	-				
1623-3909A6	GEAR HOUSING ASSEMBLY	49	1				
1623-3909A6	GEAR HOUSING ASSEMBLY (SEE PAGE 27 FOR PARTS BREAKDOWN) . . . . .	53	1				
2113-2663A11	COWL FRONT COVER ASSEMBLY . . . . .	7	1				
2113-2663A12	COWL FRONT COVER ASSEMBLY . . . . .	7	1				
2114-38063	COWL, TOPR, RUBBER MOUNT TO FRONT SUPPORT BRACKET . . . . .	3	1				
2115-3786	COWL, BOTTOM . . . . .	37	1				
2115-3919	COWL, BOTTOM . . . . .	37	1				
2136-3613A3	WRAP AROUND COWL ASSEMBLY . . . . .	7	12				