



# PARTS CATALOG

## II STERN DRIVE (1.78:1 GEAR RATIO)

### SERIAL NUMBER

II (1.78:1) 1968-1969 ..... 2398798 THRU 2671321

# TABLE OF CONTENTS:

DRIVE SHAFT HOUSING ASSEMBLY AND GEAR ASSEMBLY .....	20
DRIVE SHAFT HOUSING ASSEMBLY AND SHIFT CABLE .....	18
GEAR HOUSING ASSEMBLY, COMPLETE .....	24
GIMBAL HOUSING AND GIMBAL RING .....	14
HYDRAULIC PUMP AND CONTROL PANEL .....	28
HYDRAULIC PUMP ASSEMBLY, COMPLETE .....	32
INNER AND OUTER TRANSOM PLATE AND SHIFT ARM .....	2
INNER AND OUTER TRANSOM PLATE AND SHIFT ARM(TRANSOM MOUNTED) .....	6
PARTS INDEX .....	38
REVERSE LOCK VALVE ASSEMBLY .....	34
STEERING LEVER HOUSING ASSEMBLY .....	10
TRIM CYLINDER AND HYDRAULIC HOSES .....	36

**NOTE:** *Indented description indicate that these parts are included in preceeding assembly.*

**AR** = As Required

**NSS** = Not Sold Separate

**OPT** = Optional

**NS** = Not Shown

**THESE PARTS BOOKS/FICHE CARD ARE COPYRIGHTED AND MAY NOT BE DISTRIBUTED OR REPRODUCED IN ANY OTHER FORMAT BY ANYONE OTHER THAN MERCURY MARINE WITHOUT THE PRIOR WRITTEN CONSENT OF MERCURY MARINE.**

# **REPLACEMENT PARTS ! WARNING !**

Electrical, ignition and fuel system components on MerCruiser Engines and Stern Drives are designed and manufactured to comply with U.S. Coast Guard Rules and Regulations to minimize risks of fire or explosion. Use of replacement electrical, ignition or fuel system components, which do not comply to these rules and regulations, could result in a fire or explosion hazard and should be voided.

When servicing the electrical, ignition and fuel systems, it is extremely important that all components are properly installed and tightened. If not, any electrical or ignition component opening would permit sparks to ignite fuel vapors from fuel system leaks, if they existed.

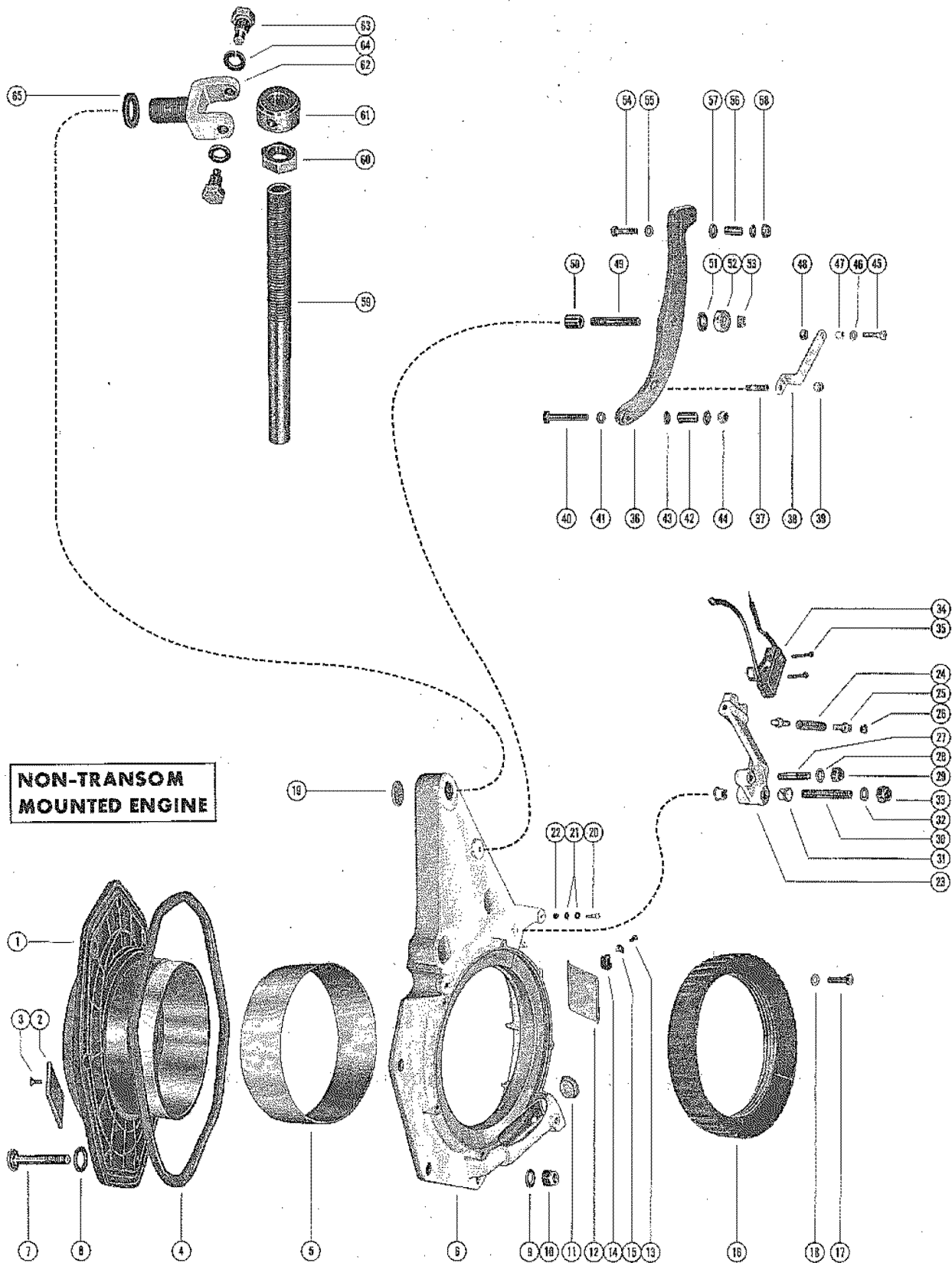
## **ENGINE MECHANICAL COMPONENTS**

Many of the engine mechanical components are designed for marine applications. Unlike automotive engines, marine engines are subjected to extended periods of heavy load and wide- open-throttle operation, therefore, require heavy-duty components. Special marine engine parts have design and manufacturing specifications, which are required to provide long life and dependable performance. Marine engine parts also must be able to resist the corrosive action of salt or brackish water that will rust or corrode standard automotive parts within a short period of time.

Failure to use recommended Mercury Precision Parts OR Quicksilver service replacement parts can result in poor engine performance and/or durability, rapid corrosion of parts subjected to salt water and possibly complete failure of the engine.

Use of parts other than recommended service replacement parts will void the warranty on those parts which are damaged as a result of the use of other than recommended parts.

# INNER AND OUTER TRANSOM PLATE AND SHIFT ARM

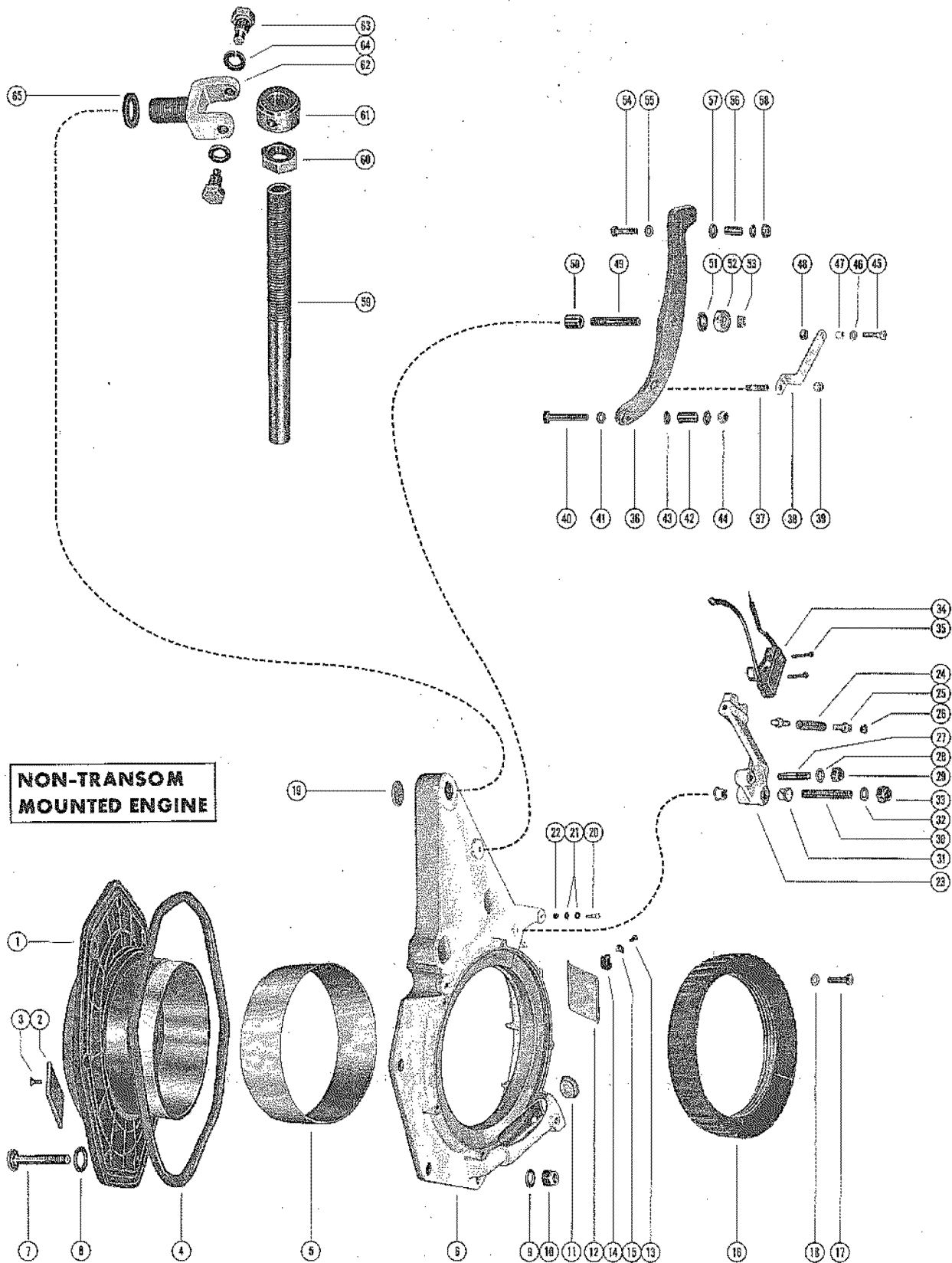


# INNER AND OUTER TRANSOM PLATE AND SHIFT ARM

REF. NO.	PART NO.	SYM.	QTY.	DESCRIPTION
1	32276A2		1	PLATE ASSEMBLY, TRANSOM - OUTER (WITH B-32795 LINER)
	53042A2		1	PLATE ASSEMBLY, TRANSOM - OUTER (WITHOUT B-32795 LINER)
2	34762A1		1	PLATE ASSEMBLY, INHIBITOR - OUTER TRANSOM PLATE
3	10-34763		2	SCREW, INHIBITOR PLATE TO OUTER TRANSOM PLATE
4	31636		1	SEAL, RUBBER - OUTER TRANSOM PLATE TO TRANSOM
5	32795		1	LINER, OUTER TRANSOM PLATE(USE WITH B-32276A2 TRANSOM PLATE
6	49282A4		1	PLATE ASSEMBLY, TRANSOM - INNER
7	10-35624		8	BOLT, OUTER TRANSOM PLATE TO INNER TRANSOM PLATE (4")
8	12-32620		8	WASHER, RUBBER - OUTER TRANSOM PLATE BOLT
9	12-21900		8	WASHER, OUTER TRANSOM PLATE BOLT
10	11-34087		8	NUT, OUTER TRANSOM PLATE BOLT
11	19-49434		1	CAP, TRANSOM PLATE
12	34056		1	COVER, LOCK-IN LIMIT SWITCH - INNER TRANSOM PLATE
13	10-22794		2	SCREW, COVER TO INNER TRANSOM PLATE
14	54-39788		2	CLAMP, CUT-OUT SWITCH LEADS ATTACHING SCREW
15	22789		2	"D" WASHER, CUT-OUT SWITCH LEADS ATTACHING SCREW
16	52757		1	CLAMP NUT, STEERING LEVER HOUSING
17	10-47258		1	SCREW, LOCKING - CLAMP NUT
18	12-26168		1	WASHER, CLAMP NUT LOCKING SCREW
19	19-35684		1	WELCH PLUG, INNER TRANSOM PLATE
20	10-24644		1	SCREW, SHIFT CABLE TO TRANSOM PLATE
21	12-29245		1	WASHER, SHIFT CABLE SCREW
22	11-20361		1	NUT, SHIFT CABLE SCREW
23	52853A1		1	ARM ASSEMBLY, CUT-OUT SWITCH ACTUATING - INNER TRANSOM PLATE
24	24-32922		1	SPRING, COMPRESSION - SWITCH ACTUATING ARM PLUNGER TENSION
25	32464		2	PLUNGER, SWITCH ACTUATING ARM
26	33501		1	RETAINER, SPRING AND PLUNGER TO SWITCH ACTUATING ARM
27	16-20789		1	STUD, SHIFT ACTUATING CABLE TO SWITCH ACTUATING ARM
28	12-29245		1	WASHER, SWITCH ACTUATING ARM CABLE STUD
29	11-20361		1	NUT, SWITCH ACTUATING ARM CABLE STUD
30	16-32467		1	STUD, SWITCH ACTUATING ARM TO INNER TRANSOM PLATE (2 5/16")
31	23-26841		2	BUSHING, SWITCH ACTUATING ARM TO INNER TRANSOM PLATE STUD
32	12-20546		1	WASHER, SWITCH ACTUATING ARM TO INNER TRANSOM PLATE STUD
33	11-35814		1	NUT, SWITCH ACTUATING ARM TO INNER TRANSOM PLATE STUD

CONTINUED ON NEXT PAGE ➡

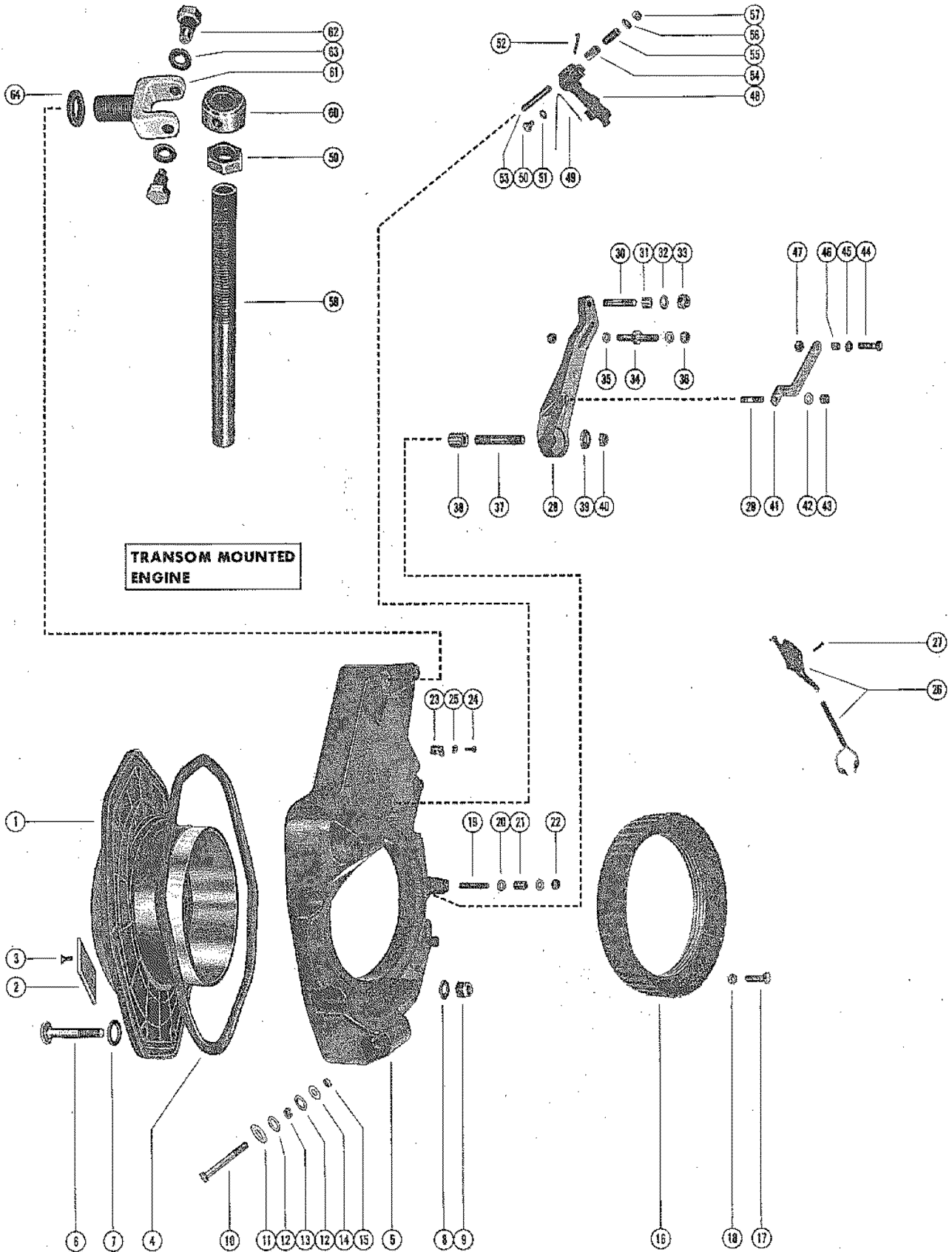
# INNER AND OUTER TRANSOM PLATE AND SHIFT ARM



# INNER AND OUTER TRANSOM PLATE AND SHIFT ARM

REF. NO.	PART NO.	SYM.	QTY.	DESCRIPTION
34	49646A1		1	SWITCH ASSEMBLY, CUT-OUT - INNER TRANSOM PLATE
35	10-30902		2	SCREW, CUT-OUT SWITCH TO INNER TRANSOM PLATE
36	49406A1		1	ARM ASSEMBLY, SHIFT CABLE MOUNTING
37	16-25385		1	STUD, MOUNTING ARM TO LINK ROD
38	49414		1	LINK ROD
39	11-20586		1	NUT, LINK ROD TO MOUNTING ARM STUD
40	10-37990		1	SCREW, SHIFT CABLE ASSEMBLY TO SHIFT CABLE MNTG ARM (1 3/4")
41	12-29245		1	WASHER, SHIFT CABLE ASSEMBLY SCREW
42	23-31866		1	SPACER, SHIFT CABLE ASSEMBLY SCREW
43	12-39143		2	WASHER, SHIFT CABLE ASSEMBLY SCREW
44	11-20361		1	NUT, SHIFT CABLE ASSEMBLY SCREW
45	10-20653		1	SCREW, LINK ROD TO REVERSE LOCK VALVE
46	12-35462		1	WASHER, LINK ROD SCREW
47	23-31866		1	SPACER, LINK ROD SCREW
48	11-20586		1	NUT, LINK ROD SCREW
49	16-30715		1	STUD, SHIFT CABLE MOUNTING ARM TO INNER TRANSOM PLATE
50	23-31758		1	SPACER, SHIFT CABLE MOUNTING ARM STUD
51	12-26825		2	WASHER, SHIFT CABLE MOUNTING ARM STUD
52	23-27818		1	SPACER, SHIFT CABLE MOUNTING ARM STUD
53	11-35814		1	NUT, SHIFT CABLE MOUNTING ARM STUD
54	10-22659		1	SCREW, SHIFT ACTUATING CABLE TO SHIFT CABLE MNTG ARM (1 5/8")
55	12-29245		1	WASHER, SHIFT ACTUATING CABLE SCEW
56	23-31866		1	SPACER, SHIFT ACTUATING CABLE SCEW
57	12-39143		2	WASHER, SHIFT ACTUATING CABLE SCEW
58	11-20361		1	NUT, SHIFT ACTUATING CABLE SCEW
59	32-35015		1	TUBE, STEERING CABLE GUIDE
60	11-37984		1	NUT, JAM - STEERING CABLE GUIDE TUBE
61	35221		1	RING, CABLE GUIDE TUBE PIVOT YOKE
62	34125		1	YOKE, CABLE GUIDE TUBE PIVOT - STEERING CABLE BRACKET
63	10-31832		2	BOLT, PIVOT - PIVOT YOKE TO SWING RING
64	13-31848		2	LOCKWASHER, PIVOT YOKE TO SWIVEL RING PIVOT BOLT
65	12-35683		1	WASHER, CABLE GUIDE PIVOT YOKE

# INNER AND OUTER TRANSOM PLATE AND SHIFT ARM(TRANSOM MOUNTED)



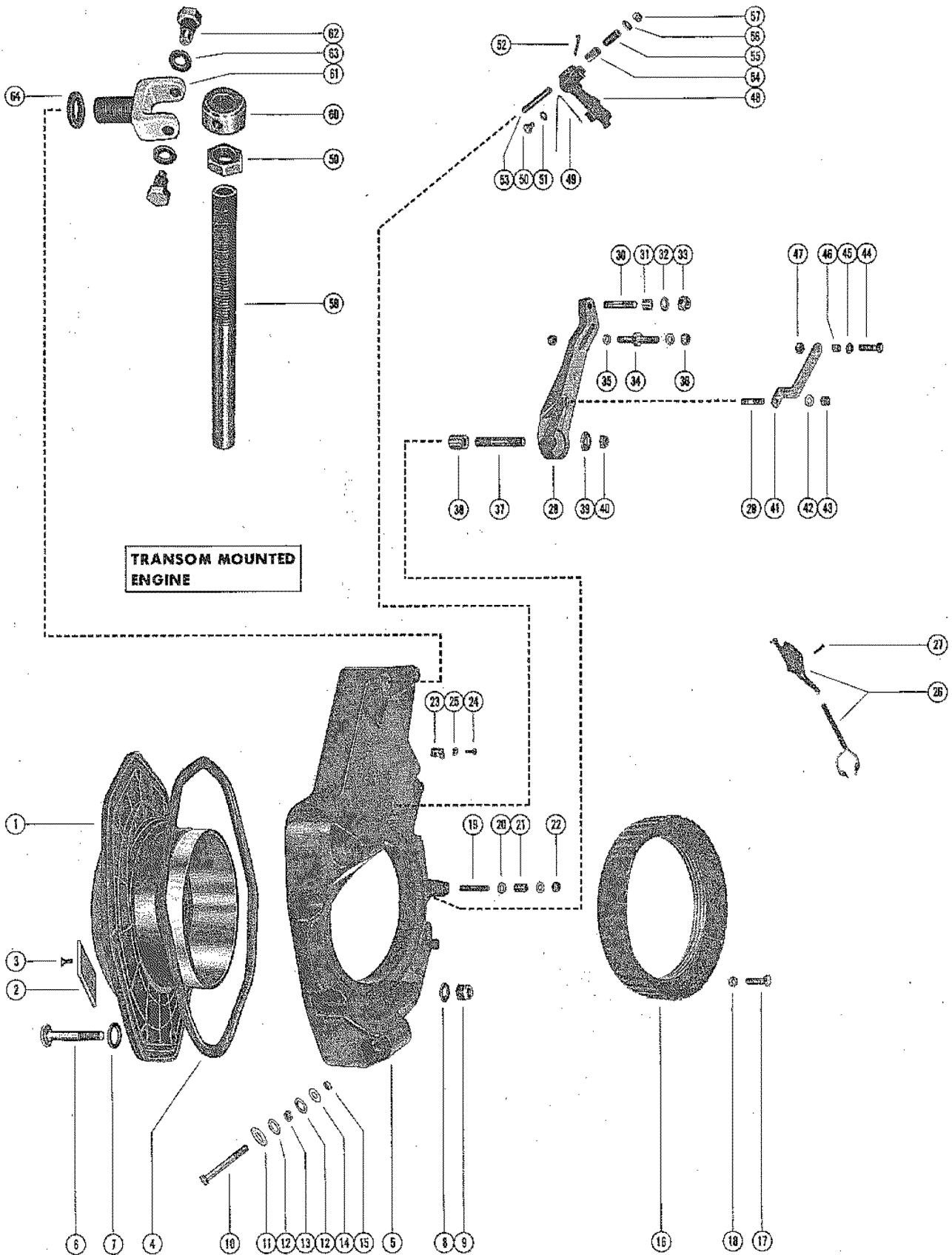


## INNER AND OUTER TRANSOM PLATE AND SHIFT ARM(TRANSOM MOUNTED)

REF. NO.	PART NO.	SYM.	QTY.	DESCRIPTION
1	53042A2		1	PLATE ASSEMBLY, TRANSOM - OUTER
2	34762A1		1	PLATE ASSEMBLY, INHIBITOR - OUTER TRANSOM PLATE
3	10-34763		2	SCREW, INHIBITOR PLATE TO OUTER TRANSOM PLATE
4	31636		1	SEAL, RUBBER - OUTER TRANSOM PLATE TO TRANSOM
5	53723		1	PLATE, TRANSOM - INNER
6	10-35624		8	SCREW, OUTER TRANSOM PLATE TO INNER TRANSOM PLATE (4")
7	12-32660		8	WASHER, RUBBER - OUTER TRANSOM PLATE SCREW
8	12-21900		8	WASHER, OUTER TRANSOM PLATE SCREW
9	11-34087		8	NUT, OUTER TRANSOM PLATE SCREW
10	10-47467		2	SCREW, INNER TRANSOM PLATE TO ENGINE (5 1/2")
11	12-47475		2	WASHER, INNER TRANSOM PLATE SCREW
12	12-47466		4	WASHER, FIBER - INNER TRANSOM PLATE SCREW
13	13-34846		2	LOCKWASHER, INNER TRANSOM PLATE SCREW
14	12-33171		2	WASHER, INNER TRANSOM PLATE SCREW
15	11-22339		2	NUT, INNER TRANSOM PLATE SCREW
16	52757		1	CLAMP NUT, STEERING LEVER HOUSING
17	10-53809		2	SCREW, LOCKING - CLAMP NUT
18	11-21612		2	NUT, LOCKING SCREW
19	16-47360		2	STUD, SHIFT CABLE TO TRANSOM PLATE
20	12-39143		2	WASHER, SHIFT CABLE STUD
21	23-31866		1	SLEEVE, SHIFT CABLE STUD
22	11-20361		1	NUT, SHIFT CABLE STUD
23	54-23568		3	CLIP, SWITCH HARNESS TO TRANSOM PLATE
24	10-22794		3	SCREW, SWITCH HARNESS CLIP ATTACHING (1/2")
25	22789		3	"D" WASHER, HARNESS CLIP SCREW
26	49646A1		1	SWITCH ASSEMBLY, CUT-OUT - INNER TRANSOM PLATE
27	10-30902		2	SCREW, CUT-OUT SWITCH TO INNER TRANSOM PLATE (3/4")
28	53721A1		1	ARM ASSEMBLY, SHIFT CABLE MOUNTING
29	16-25385		1	STUD, LINK ROD TO MOUNTING ARM
30	16-47360		1	STUD, SHIFT CABLE TO MOUNTING ARM
31	23-53811		1	SPACER, SHIFT CABLE STUD
32	12-31760		3	WASHER, SHIFT CABLE STUD
33	11-20361		1	NUT, SHIFT CABLE STUD
34	16-34069		1	STUD, SHIFT ACTUATING CABLE TO MOUNTING ARM
35	12-31760		3	WASHER, SHIFT ACTUATING CABLE STUD
36	11-20361		2	NUT, SHIFT ACTUATING CABLE STUD
37	16-32698		1	STUD, MOUNTING ARM TO INNER TRANSOM PLATE
38	23-31758		1	SPACER, MOUNTING ARM STUD
39	12-26825		2	WASHER, MOUNTING ARM STUD
40	11-35814		1	NUT, MOUNTING ARM STUD
41	53808		1	LINK ROD
42	12-31760		1	WASHER, LINK ROD STUD

CONTINUED ON NEXT PAGE ➡

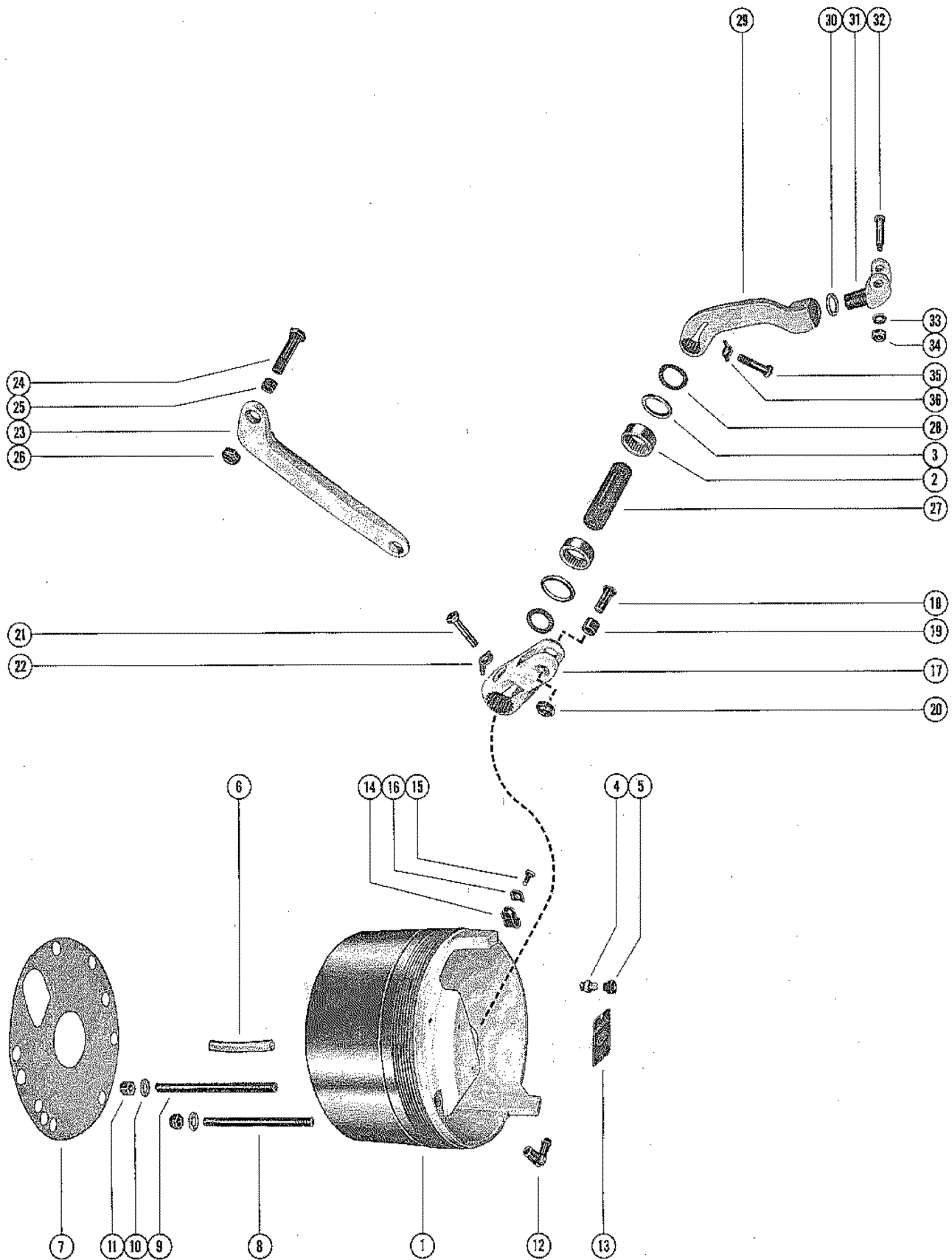
# INNER AND OUTER TRANSOM PLATE AND SHIFT ARM(TRANSOM MOUNTED)



## INNER AND OUTER TRANSOM PLATE AND SHIFT ARM(TRANSOM MOUNTED)

REF. NO.	PART NO.	SYM.	QTY.	DESCRIPTION
43	11-20361		1	NUT, LINK ROD STUD
44	10-20653		1	SCREW, LINK ROD TO REVERSE LOCK VALVE (1")
45	12-35462		1	WASHER, LINK ROD SCREW
46	23-53810		1	SLEEVE, LINK ROD SCREW
47	11-20361		1	NUT, LINK ROD SCREW
48	45517A3		1	ARM ASSEMBLY, SWITCH ACTUATING
49	24-53812		1	SPRING, TENSION - SWITCH ACTUATING ARM
50	10-33231		1	SCREW, TENSION SPRING TO ARM (1/2)
51	12-26825		1	WASHER, TENSION SPRING SCREW
52	18-32857		1	COTTON PIN, SHIFT ACTUATING CABLE TO ARM
53	16-32467		1	STUD, SWITCH ACTUATING ARM TO INNER TRANSOM PLATE (2 5/16")
54	23-45600		1	SLEEVE, SWITCH ACTUATING ARM STUD
55	23-37981		1	SPACER, SWITCH ACTUATING ARM STUD
56	12-26825		3	WASHER, SWITCH ACTUATING ARM STUD
57	11-20102		1	NUT, SWITCH ACTUATING ARM STUD
58	32-35015		1	TUBE, STEERING CABLE GUIDE
59	11-37984		1	NUT, JAM - STEERING CABLE GUIDE TUBE
60	35221		1	RING, SWIVEL - CABLE GUIDE TUBE PIVOT YOKE
61	34125		1	YOKE, CABLE GUIDE PIVOT - STEERING CABLE BRACKET
62	10-31832		2	BOLT, PIVOT - YOKE TO SWIVEL RING
63	13-31848		2	LOCKWASHER, PIVOT BOLT
64	12-35683		1	WASHER, CABLE GUIDE PIVOT YOKE

# STEERING LEVER HOUSING ASSEMBLY

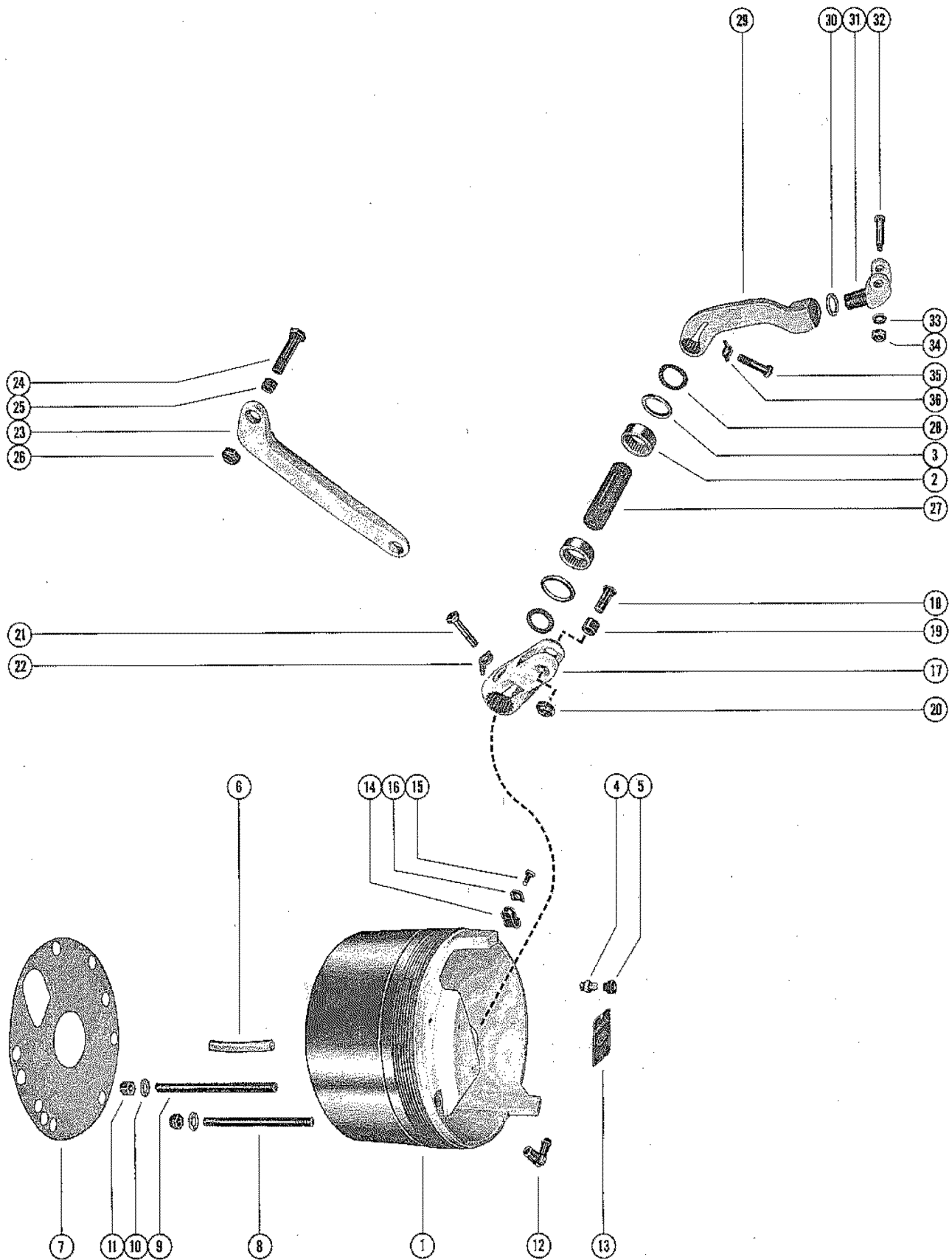


# STEERING LEVER HOUSING ASSEMBLY

REF. NO.	PART NO.	SYM.	QTY.	DESCRIPTION
1	32420A2		1	STEERING LEVER HOUSING ASSEMBLY 15 1/2" "U" JOINT COUPLING YOKE
	52756A2		1	STEERING LEVER HOUSING ASSEMBLY 11 1/2" "U" JOINT COUPLING YOKE
2	31-30457		2	BEARING, ROLLER - STEERING LEVER HOUSING
3	26-31851		2	OIL SEAL, STEERING LEVER HOUSING
4	22-23612		1	FITTING, GREASE - STEERING LEVER HOUSING
5	29359		1	LUBRICAPM, STEERING LEVER HOUSING GREASE FITTING
6	32-31879		1	TUBE, NYLON - SHIFT ACTUATING CABLE GUIDE
7	27-32423		1	GASKET, STEERING LEVER HOUSING TO GIMBAL HOUSING
8	16-32422		1	STUD, STEERING LEVER HOUSING TO GIMBAL HOUSING (6 5/8")
9	16-32421		1	STUD, STEERING LEVER HOUSING TO GIMBAL HOUSING (7 1/4")
10	12-20959		2	WASHER, STEERING LEVER HOUSING STUD
11	11-28040		2	NUT, STEERING LEVER HOUSING STUD
12	22-25885		1	ELBOW, STEERING LEVER HOUSING STUD
13	37-39395		1	DECAL, SERIAL NUMBER
14	54-24836		1	CLIP, TILT STOP SWITCH LEADS TO STEERING LEVER HOUSING
15	10-26548		1	SCREW, TILT STOP SWITCH LEADS CLIP TO STEERING LEVER HOUSING
16	22789		1	"D" WASHER, TILT STOP SWITCH LEADS CLIP SCREW
17	34903		1	ARM, STEERING - LOWER
18	10-31846		1	BOLT, LINK ROD TO LOWER STEERING ARM (2 1/16")
19	23-31853		1	BUSHING, LINK ROD BOLT
20	11-31847		1	NUT, LINK ROD BOLT
21	10-31830		1	SCREW, LOWER STEERING ARM TO STEERING SHAFT (1 3/4")
22	14-31828		1	TAB WASHER, LOWER STEERING ARM SCREW
23	34009		1	LINK ROD, LOWER STEERING ROD TO GIMBAL RING
24	10-34954		1	BOLT, LINK ROD TO GIMBAL RING
25	23-31853		1	BUSHING, LINK ROD BOLT
26	11-31844		1	NUT, LINK ROD BOLT
27	31844		1	SHAFT, STEERING - LEVER HOUSING
28	12-31829		2	WASHER, NYLON - UPPER AND LOWER STEERING ARMS TO SHAFT
29	33775		1	ARM, STEERING - UPPER (15 1/2" "U" JOINT COUPLING YOKE)
	52744		1	ARM, STEERING - UPPER (11 1/2" "U" JOINT COUPLING YOKE)
	53355		1	ARM, STEERING - UPPER (TRANSOM MOUNTED ENGINE)
30	12-35685		1	WASHER, UPPER STEERING ARM YOKE
31	35096		1	YOKE, UPPER STEERING ARM <b>SERIAL 00000000-02558100</b>
32	10-35095		1	SCREW, STEERING CABLE TO YOKE <b>SERIAL 00000000-02558100</b>

CONTINUED ON NEXT PAGE ➡

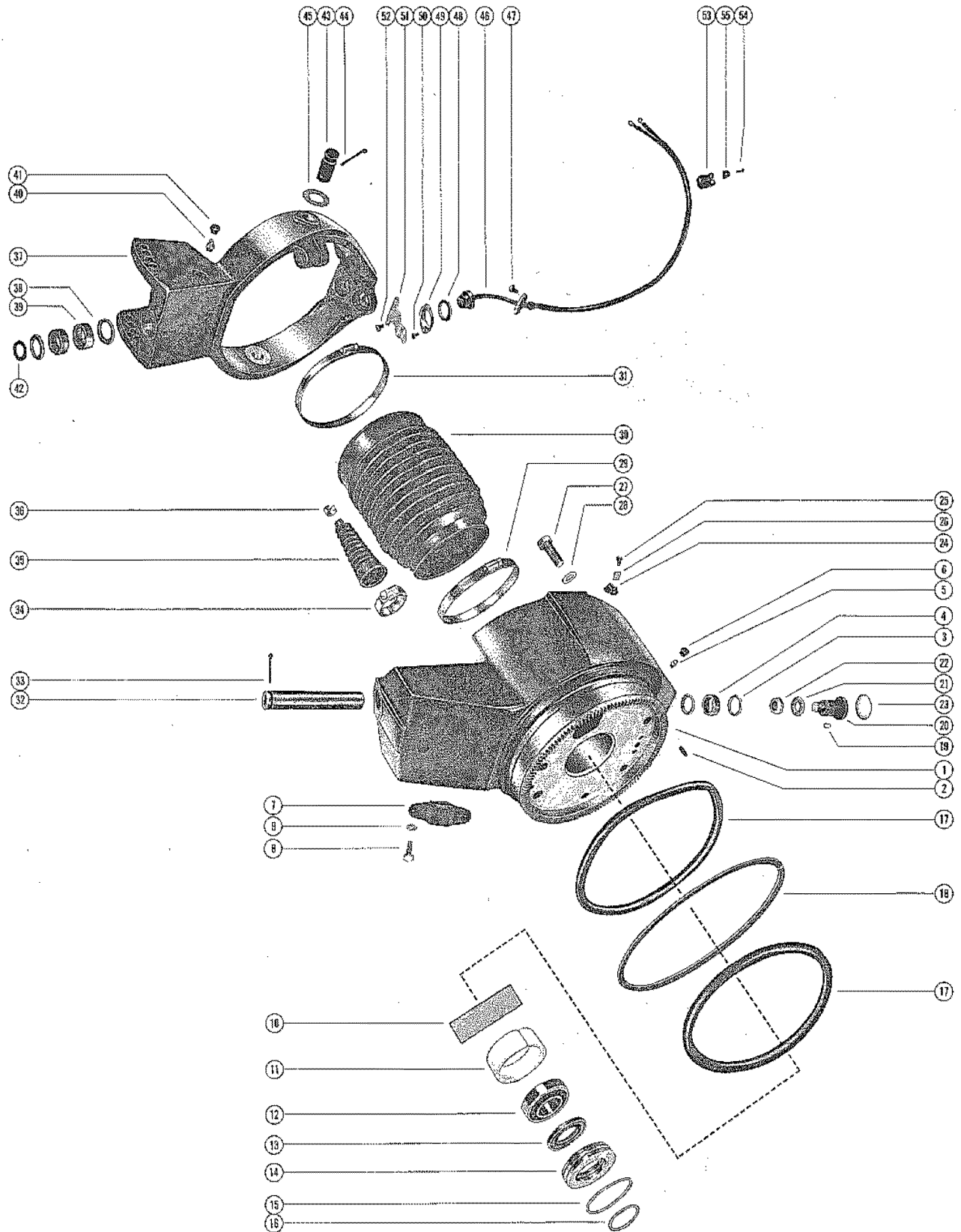
# STEERING LEVER HOUSING ASSEMBLY



## STEERING LEVER HOUSING ASSEMBLY

REF. NO.	PART NO.	SYM.	QTY.	DESCRIPTION
33	12-20084		1	WASHER, STEERING CABLE SCREW <b>SERIAL 00000000-02558100</b>
34	11-20102		1	NUT, STEERING CABLE SCREW <b>SERIAL 00000000-02558100</b>
31	53213A1		1	YOKE ASSEMBLY, UPPER STEERING ARM <b>SERIAL 02558101-09999999</b>
32	10-24644		1	SCREW, STEERING CABLE TO YOKE <b>SERIAL 02558101-09999999</b>
33	23-47643		1	BUSHING, STEERING CABLE SCREW <b>SERIAL 02558101-09999999</b>
34	11-20361		1	NUT, STEERING CABLE SCREW <b>SERIAL 02558101-09999999</b>
35	10-31830		1	SCREW, UPPER STEERING ARM TO STEERING SHAFT (1 3/4")
36	14-31828		1	TAB WASHER, UPPER STEERING ARM SCREW

# GIMBAL HOUSING AND GIMBAL RING



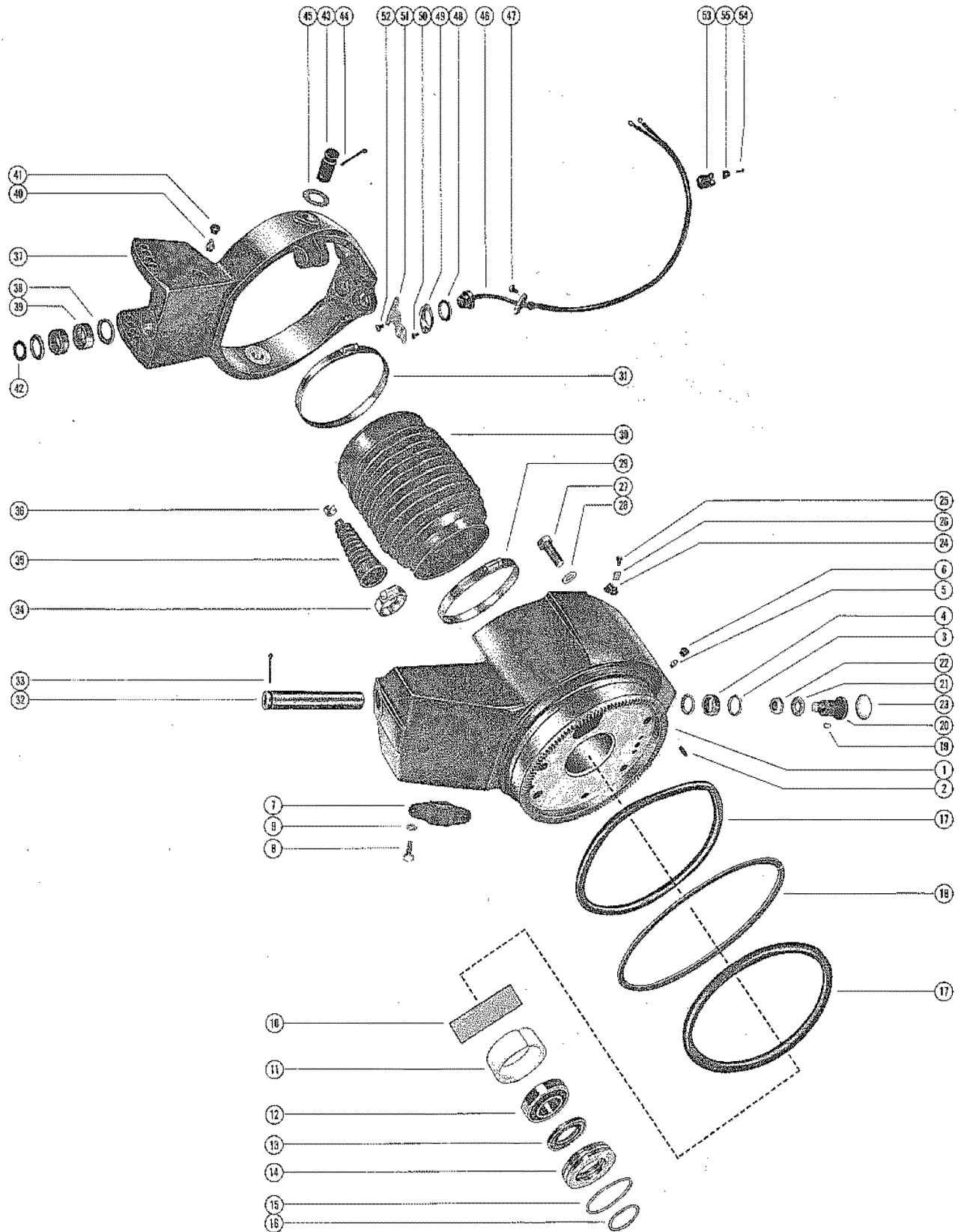


# GIMBAL HOUSING AND GIMBAL RING

REF. NO.	PART NO.	SYM.	QTY.	DESCRIPTION
1	49280A1		1	GIMBAL HOUSING ASSEMBLY
2	17-49546		1	PIN, DOWEL - GIMBAL HOUSING
3	26-32911		2	OIL SEAL, GIMBAL HOUSING
4	31-31559		1	BEARING, ROLLER - GIMBAL HOUSING
5	22-31345		1	FITTING, GREASE - GIMBAL HOUSING
6	29359		1	LUBRICAP, GIMBAL HOUSING GREASE FITTING
7	47347		1	CONNECTOR, HYDRAULIC - GIMBAL HOUSING
8	10-36167		2	SCREW, HYDRAULIC CONNECTOR TO GIMBAL HOUSING
9	13-26992		2	LOCKWASHER, HYDRALIC CONNECTOR SCREW
10	15-35244A1		AR	SHIM, GIMBAL HOUSING BALL BEARING (.002-3-4-5-6-7-8-10)
11	23-35130		1	ADAPTOR, BALL BEARING
12	30-36418		1	BEARING, BALL - GIMBAL HOUSING
13	26-36143		1	GREASE SEAL, GIMBAL HOUSING ADAPTOR
14	37250		1	ADAPTOR, GIMBAL HOUSING
15	25-31305		1	"O" RING, GIMBAL HOUSING ADAPTOR (LARGE)
16	25-32424		1	"O"RING, GIMBAL HOUSING ADAPTOR (SMALL)
17	31635		2	SEAL, RUBBER - GIMBAL HOUSING TO OUTER TRANSOM PLATE
18	12-31653		1	WASHER, SEPARATING - GIMBAL HOUSING TO OUTER TRANSOM PLATE
19	17-31627		1	PIN, UPPER PIVOT BOLT LOCKING
20	10-31628		1	BOLT, PIVOT - GIMBAL HOUSING TO GIMBAL RING (UPPER)
21	12-36362		1	WASHER, UPPER PIVOT BOLT
22	11-22339		1	NUT, UPPER PIVOT BOLT
23	19-31843		1	WELCH PLUG, UPPER PIVOT BOLT COVER - GIMBAL HOUSING
24	54-24836		1	CLIP, TILT STOP SWITCH LEADS TO GIMBAL HOUSING
25	10-26548		1	SCREW, TILT STOP SWITCH LEADS CLIP TO GIMBAL HOUSING (3/8")
26	22789		1	"D" WASHER, TILT STOP SWITCH LEADS CLIP SCREW
27	10-31877		4	SCREW, GIMBAL HOUSING TO STEERING LEVER HOUSING (1 1/2")
28	12-20959		4	WASHER, GIMBAL HOUSING SCREW
29	54-31765		1	CLAMP, UNIVERSAL JOINT BELLOWS TO GIMBAL HOUSING (SMALL)
30	34088		1	BELLOWS, UNIVERSAL JOINT COVERING
31	54-31767		1	CLAMP, , UNIVERSAL JOINT BELLOWS TO DRIVE SHAFT HOUSING (LAR
32	17-31634		1	PIN, SWIVEL - GIMBAL HOUSING TO GIMBAL RING (LOWER)
33	18-36377		1	COTTEN PIN, RETAINING - LOWER SWIVEL PIN
34	54-31766		1	CLAMP, SHIFT ACTUATING CABLE BELLOWS TO GIMBAL HOUSING
35	31659		1	BELLOWS, SHIFT ACTUATING CABLE COVER
36	54-38863		1	CLAMP, SHIFT ACTUATING CABLE BELLOWS TO SHIFT ACTUATING CABL

CONTINUED ON NEXT PAGE ➡

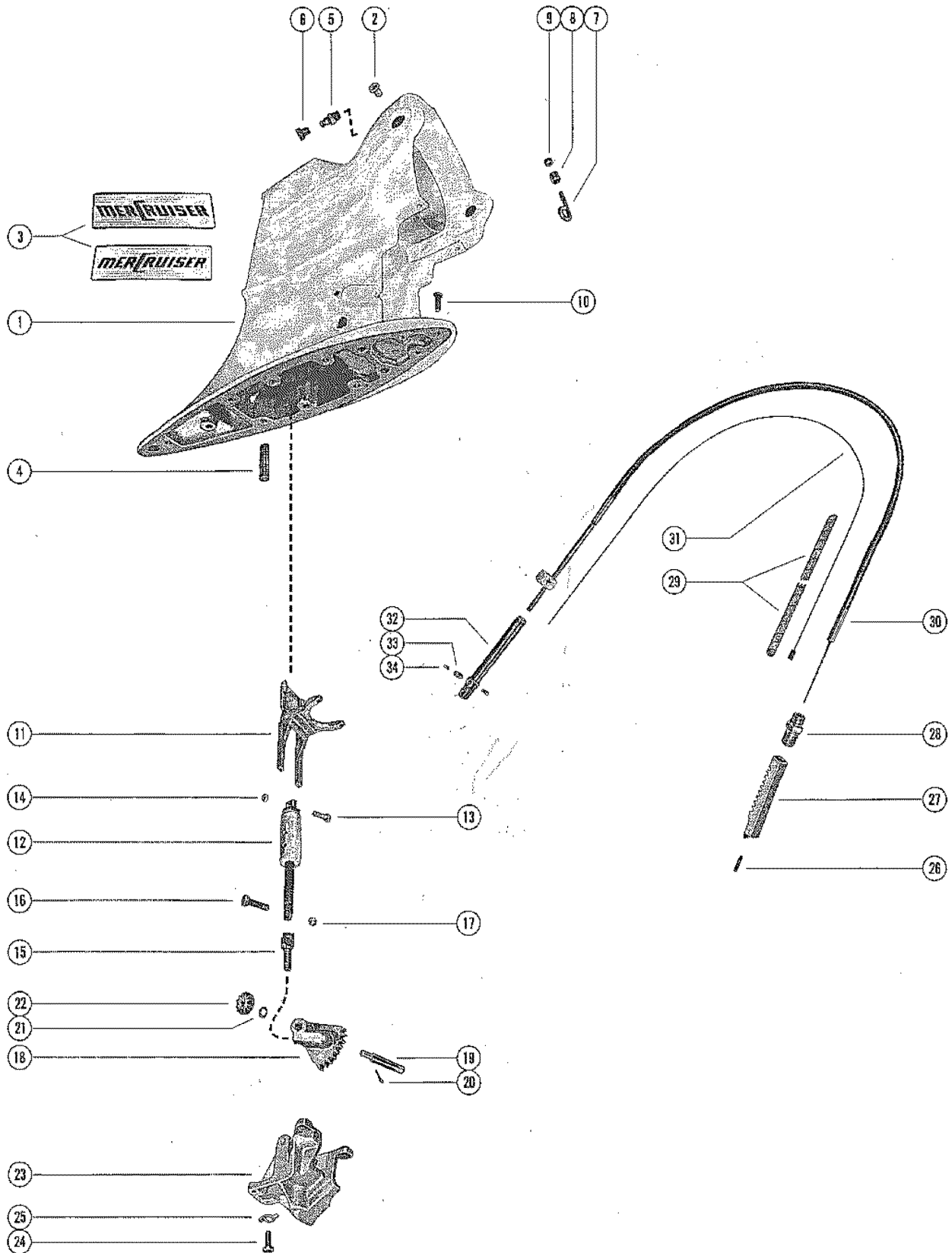
# GIMBAL HOUSING AND GIMBAL RING



## GIMBAL HOUSING AND GIMBAL RING

REF. NO.	PART NO.	SYM.	QTY.	DESCRIPTION
37	52466A3		1	GIMBAL RING ASSEMBLY
38	26-32911		2	OIL SEAL, GIMBAL RING
39	31-31559		2	BEARING, ROLLER - GIMBAL RING
40	22-23612		1	FITTING, GREASE -GIMBAL RING
41	29359		1	LUBRICAP, GIMBAL RING GREASE FITTING
42	12-31581		3	WASHER, GIMBAL RING TO GIMBAL HOUSING
43	17-35601		2	PIN, HINGE - GIMBAL RING TO DRIVE SHAFT HOUSING
44	18-34212		2	COTTEN PIN, HINGE PIN RETAINING - GIMBAL RING
45	12-38334		2	WASHER, SYNTHANE - GIMBAL RING HINGE PIN
46	49430A1		1	TILT SWITCH SWING ASSEMBLY, GIMBAL RING 15 1/2" "U" <b>JOINT COUPLING YOKE</b>
	52958A1		1	TILT SWITCH SWING ASSEMBLY, GIMBAL RING 11 1/2" "U" <b>JOINT COUPLING YOKE</b>
47	10-20031		2	SCREW, TILT STOP SWITCH COVER TO GIMBAL HOUSING (1/2")
48	23-31902		1	SPACER, TILT STOP SWITCH TO RETAINING PLATE
49	31899		1	PLATE, RETAINING - TILT STOP SWITCH TO GIMBAL RING
50	10-31903		2	SCREW, RETAINING PLATE TO GIMBAL RING (3/8)
51	49343		1	LEVER, TILT STOP SWITCH ACUTATING - GIMBAL RING
52	10-31903		2	SCREW, TILT STOP SWITCH ACUTATING LEVER TO GIMBAL RING (3/8)
53	54-22740		1	CLIP, TILT STOP SWITCH LEADS ATTACHING
54	10-31903		1	SCREW, TILT STOP SWITCH LEADS CLAMP
55	22789		1	"D" WASHER, TILT STOP SWITCH LEADS CLAMP SCREW

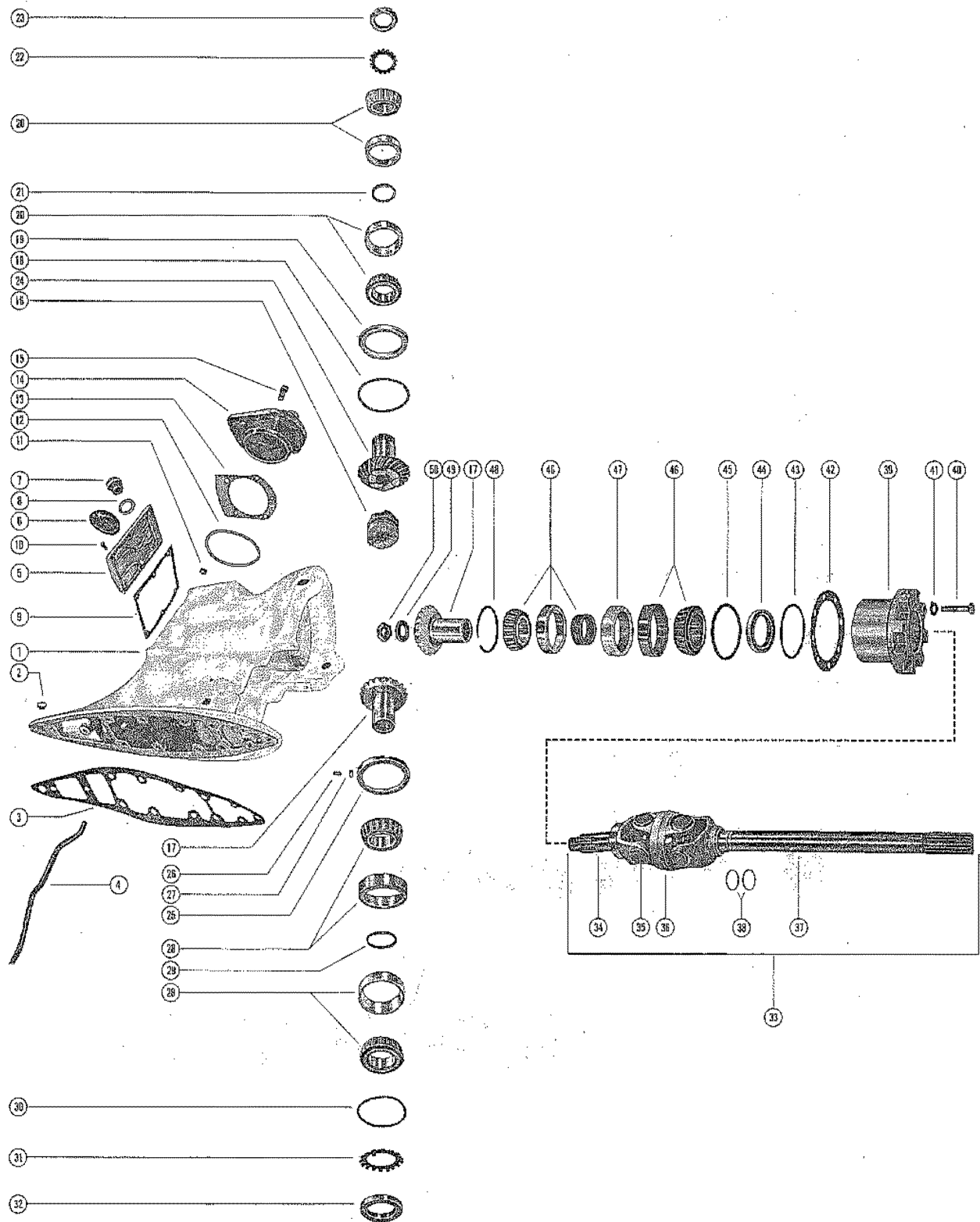
# DRIVE SHAFT HOUSING ASSEMBLY AND SHIFT CABLE



# DRIVE SHAFT HOUSING ASSEMBLY AND SHIFT CABLE

REF. NO.	PART NO.	SYM.	QTY.	DESCRIPTION
1	1544-3442A1		1	DRIVE SHAFT HOUSING ASSEMBLY
2	23-38335		2	BUSHING, SYNTHANE - DRIVE SHAFT HOUSING
3	37-39428A1		1	DECAL SET, DRIVE SHAFT HOUSING
4	16-32129		8	STUD, DRIVE SHAFT HOUSING TO GEAR HOUSING
5	22-31345		2	FITTING, GREASE - DRIVE SHAFT HOUSING
6	29359		2	LUBRICAP, DRIVE SHAFT HOUSING GREASE FITTING
7	34057A1		1	EYE ASSEMBLY, SHIFT ACTUATING CABLE GUIDE
8	23-34058		1	SPACER, SHIFT ACTUATING CABLE GUIDE EYE
9	11-34059		1	NUT, SHIFT ACTUATING CABLE GUIDE EYE
10	10-28668		3	SCREW, DRIVE SHAFT HOUSING TO GEAR HOUSING
11	49286		1	FORK, SHIFT - SLIDING CLUTCH ACTUATING
12	35181A1		1	SHIFT LINK ASSEMBLY, DRIVE SHAFT HOUSING
13	10-31856		1	SCREW, SHIFT LINK TO SHIFT FORK (1")
14	11-20664		1	NUT, SHIFT LINK SCREW
15	35180		1	YOKE, SHIFT LINKER TO SECTOR GEAR
16	10-36285		1	SCREW, SHIFT LINK TO YOKE (3/4)
17	11-20061		1	NUT, SHIFT LINK SCREW
18	43-35178		1	GEAR, SECTOR - GEAR RACK GUIDE
19	31722		1	SHAFT, SPLINED - SECTOR GEAR PIVOT
20	18-20180		1	COTTER PIN, SECTOR GEAR PIVOT SHAFT
21	12-30283		1	WASHER, SECTOR GEAR PIVOT SHAFT
22	43-31719		1	GEAR, REVERSE LOCK - SECTOR GEAR PIVOT SHAFT
23	31655		1	GUIDE, GEAR RACK - DRIVE SHAFT HOUSING
24	10-28668		4	SCREW, GEAR RACK TO DRIVE SHAFT HOUSING (7/8")
25	14-31651		4	TAB WASHER, GEAR RACK GUIDE SCREW
26	10-31700		1	SCREW, SET-SHIFT ACTUATING CABLE TO GEAR RACK
27	31573		1	RACK, GEAR-SHIFT ACTUATING CABLE
28	22-32125		1	CONNECTOR, SHIFT ACTUATING CABLE
29	52922		1	WRAPPING, SHIFT ACTUATING CABLE <b>11 1/2" "U" JOINT COUPLING YOKE</b>
30	31720A1		1	CABLE ASSEMBLY, SHIFT ACTUATING (NON-TRANSOM MOUNTED ENGINE)
	53764A1		1	CABLE ASSEMBLY, SHIFT ACTUATING (TRANSOM MOUNTED ENGINE)
-	<b>12-39279</b>		<b>1</b>	<b>WASHER, LEATHER-SHIFT ACTUATING CABLE</b>
31	33075A2		1	CORE WIRE AND ANCHOR ASSEMBLY, INNER
32	29880		1	GUIDE, SHIFT ACTUATING CABLE END
33	20007		1	ANCHOR, SHIFT ACTUATING CABLE END
34	10-20518		2	SCREW, SET-ANCHOR TO SHIFT ACTUATING CABLE END

# DRIVE SHAFT HOUSING ASSEMBLY AND GEAR ASSEMBLY

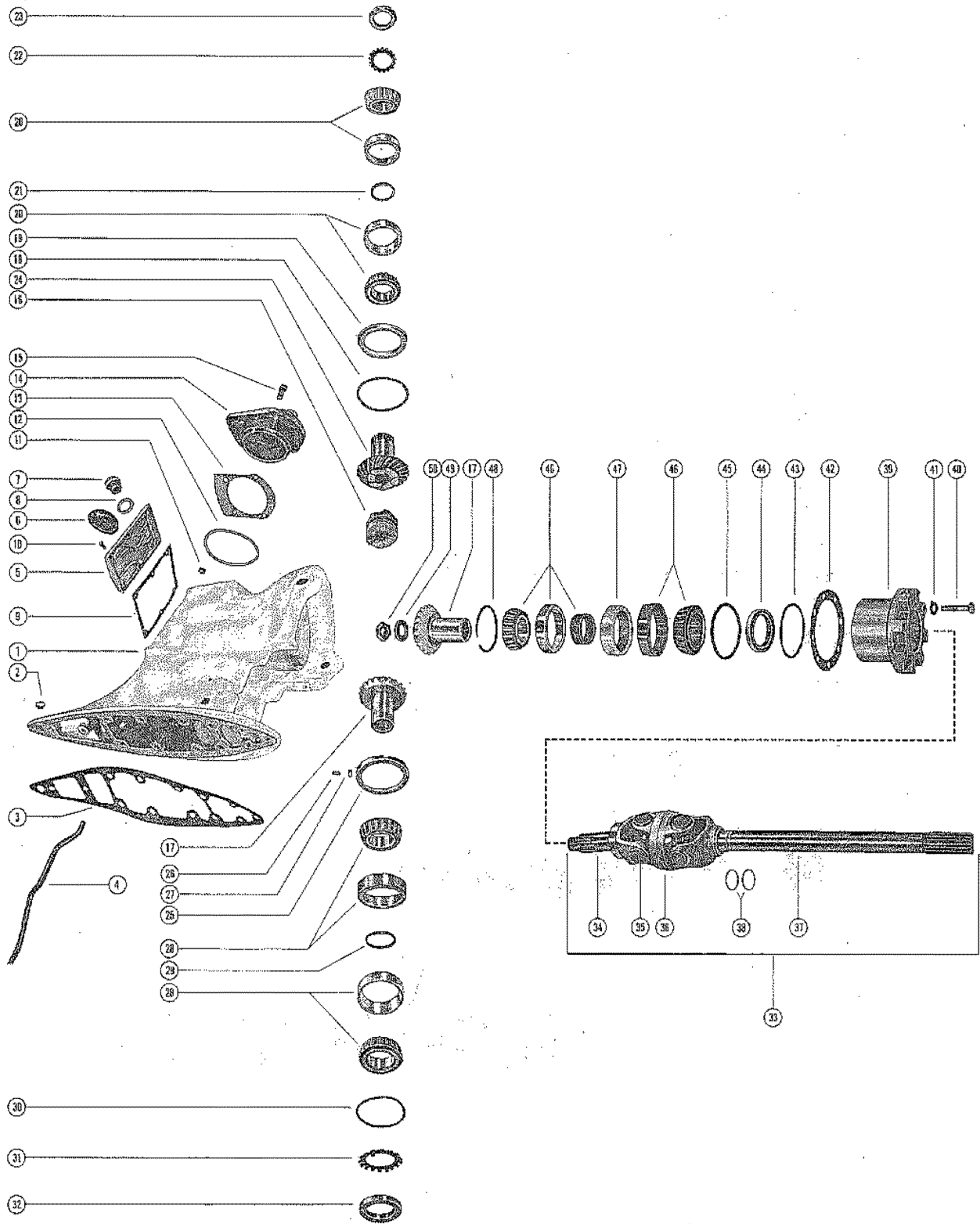


# DRIVE SHAFT HOUSING ASSEMBLY AND GEAR ASSEMBLY

REF. NO.	PART NO.	SYM.	QTY.	DESCRIPTION
1	1544-3442A1		1	DRIVE SHAFT HOUSING ASSEMBLY (SEE D2 FOR BREAKDOWN)
2	19-47579		1	PLUG, TRIM TAB HOLE-DRIVE SHAFT HOUSING
3	27-32277		1	GASKET, DRIVE SHAFT HOUSING TO GEAR HOUSING
4	32-35127		1	TUBE, OIL-DRIVE SHAFT HOUSING
5	35231A1		1	COVER ASSEMBLY, SHIFT FORK
6	26183A5		1	EMBLEM ASSEMBLY, SHIFT FORK COVER
7	22-32018		1	PLUG, OIL FILLER-SHIFT FORK COVER
8	25-35126		1	RING, OIL FILLER PLUG
9	27-32366		1	GASKET, SHIFT FORK COVER
10	10-31716		6	SCREW, SHIFT FORK COVER TO DRIVE SHAFT HOUSING (5/8")
11	22-20025		1	PLUG, PIPE-OIL CHANNEL-DRIVE SHAFT HOUSING
12	25-32068		1	"O" RING, TOP COVER SEALING
13	15-32363A1		AR	SHIM, TOP COVER TO DRIVE SHAFT HOUSING (.002-3-3-10)
14	49271		1	COVER, TOP-DRIVE SHAFT HOUSING
15	10-31985		5	SCREW, TOP COVER TO DRIVE SHAFT HOUSING (1 1/4")
16	52-49270		1	CLUTCH, SLIDING-SHIFT FORK
17	43-49265A2		1	GEAR ASSEMBLY, COMPLETE (INCLUDES FORWARD AND PINION GEAR)
18	15-49724A1		AR	SHIM, WASHER TO DRIVE SHAFT HOUSING (.002-3-5-10-25)
19	12-49273		1	WASHER, UPPER GEAR TAPERED ROLLER BEARING
20	31-35928A2		1	TAPERED ROLLER BEARING ASSEMBLY, UPPER GEAR
21	23-49267		1	SPACER, TAPERED ROLLER BEARING CUPS
22	14-32054		1	TAB WASHER, TAPERED ROLLER BEARING TO UPPER GEAR NUT <b>EARLY MODELS ONLY</b>
23	11-32060		1	NUT, TAPERED ROLLER BEARING TO UPPER GEAR
24	43-49265		1	GEAR, REVERSE
25	49268		1	RETAINER, LOWER GEAR TAPERED ROLLER BEARING CUP
26	10-36375		2	SCREW, SET-TAPERED ROLLER BEARING CUP RETAINER
27	11-26484		2	NUT, JAM-TAPERED ROLLER BEARING CUP RETAINER SET SCREW
28	31-35928A2		1	TAPERED ROLLER BEARING ASSEMBLY, LOWER GEAR
29	23-49267		1	SPACER, TAPERED ROLLER BEARING CUPS
30	15-49264A1		AR	SHIM, BEARING CUP TO DRIVE SHAFT HOUSING (.002-3-5-10-15)
31	14-32054		1	TAB WASHER, TAPERED ROLLER BEARING TO LOWER GEAR NUT <b>EARLY MODELS ONLY</b>
32	11-32060		1	NUT, TAPERED ROLLER BEARING TO LOWER GEAR
33	36013A1		1	UNIVERSAL JOINT ASSEMBLY, PINION GEAR 15 1/2" "U" <b>JOINT COUPLING YOKE</b>
	52722A1		1	UNIVERSAL JOINT ASSEMBLY, PINION GEAR 11 1/2" "U" <b>JOINT COUPLING YOKE</b>
34	39495		1	YOKE, UNIVERSAL JOINT (GEAR END)
35	36312		2	CROSS AND BEARING ASSEMBLY, UNIVERSAL JOINT

CONTINUED ON NEXT PAGE ➡

# DRIVE SHAFT HOUSING ASSEMBLY AND GEAR ASSEMBLY

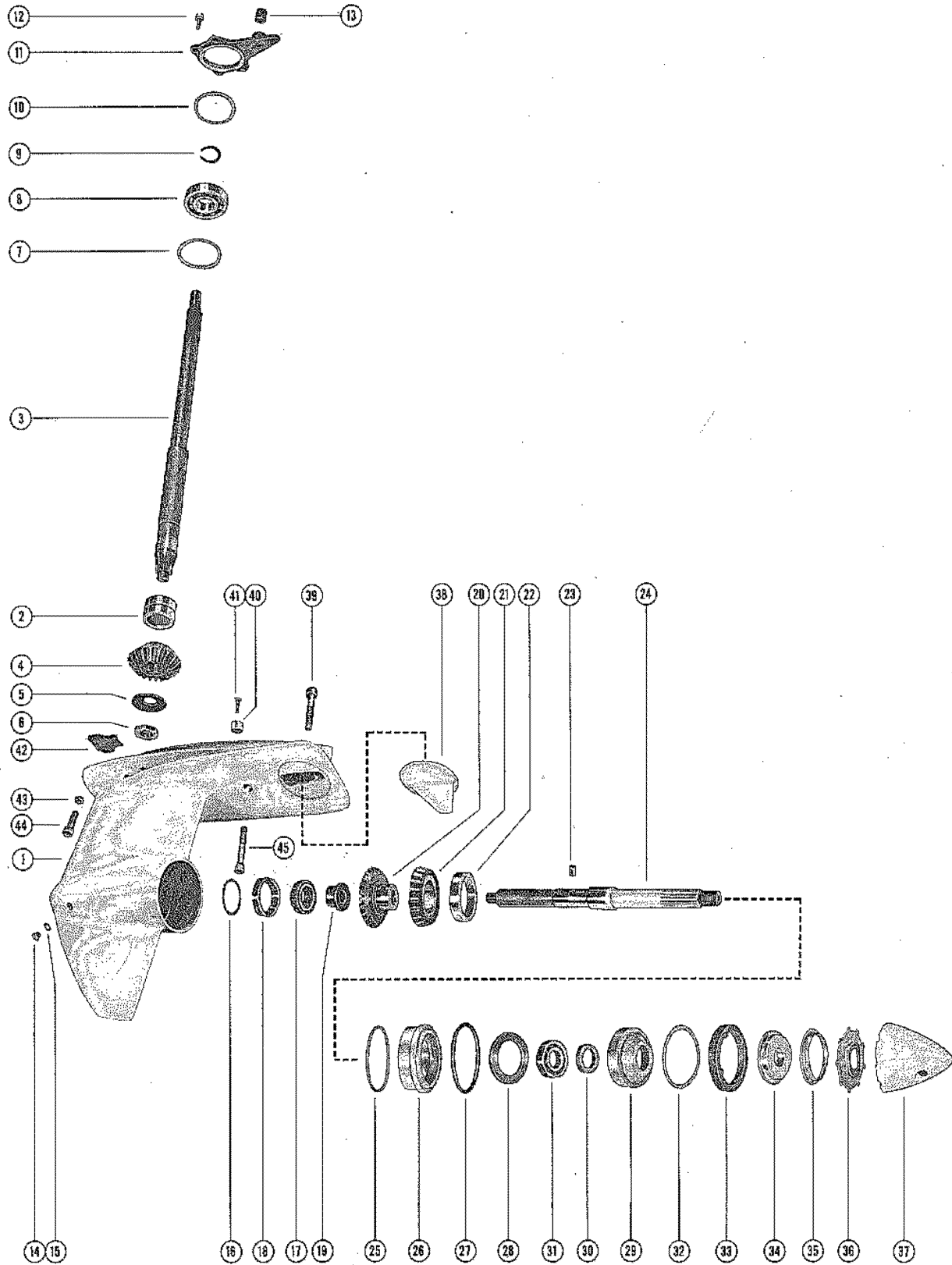




# DRIVE SHAFT HOUSING ASSEMBLY AND GEAR ASSEMBLY

REF. NO.	PART NO.	SYM.	QTY.	DESCRIPTION
36	39383		1	SOCKET, CENTER-UNIVERSAL JOINT
37	39496		1	YOKE, UNIVERSAL JOINT (COUPLING END)-15 1/2"
	52721		1	YOKE, UNIVERSAL JOINT (COUPLING END)-11 1/2"
38	25-25439		2	"O" RING, UNIVERSAL JOINT
39	49397		1	RETAINER, PINION GEAR ROLLER BEARING
40	10-32132		8	SCREW, RETAINER TO DRIVE SHAFT HOUSING (1 3/4")
41	14-31828		8	TAB WASHER, RETAINER SCREW
42	15-32062A1		AR	SHIM, RETAINER TO DRIVE SHAFT HOUSING (.002-3-5-10-25)
43	25-32069		1	"O" RING, ROLLER BEARING RETAINER
44	26-36054		1	OIL SEAL, ROLLER BEARING RETAINER
45	15-49412A1		AR	SHIM, ROLLER BEARING CUP TO RETAINER (.002-3-5-10-25)
46	31-49398A2		1	TAPERED ROLLER BEARING ASSEMBLY, PINION GEAR
47	23-49401		1	SPACER, PINION GEAR ROLLER BEARING CUPS
48	53-49900		1	RING, RETAINING-PINION GEAR ROLLER BEARING CUP TO RETAINER
49	12-32073		1	WASHER, PINION GEAR TO UNIVERSAL JOINT NUT
50	11-30499		1	NUT, PINION GEAR TO UNIVERSAL JOINT
-	<b>92-27109--1</b>		1	<b>ADHESIVE COMPOUND (3 1/2 OUNCE KIT), EMBLEM FASTENING</b>

# GEAR HOUSING ASSEMBLY, COMPLETE

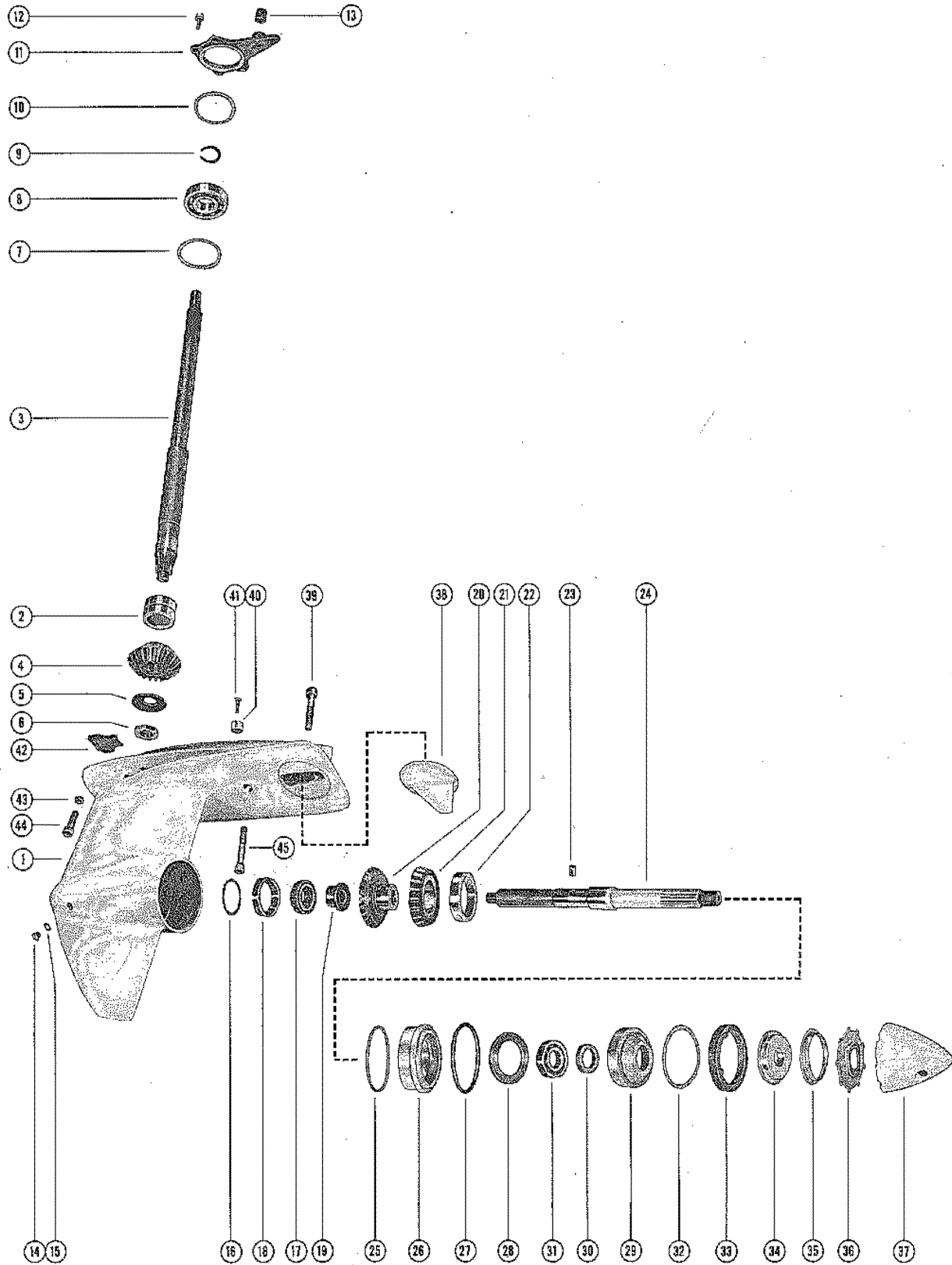


# GEAR HOUSING ASSEMBLY, COMPLETE

REF. NO.	PART NO.	SYM.	QTY.	DESCRIPTION
-	<b>1625-3503A3</b>		1	<b>GEAR HOUSING ASSEMBLY, COMPLETE</b>
1	1625-3503A1		1	GEAR HOUSING ASSEMBLY
2	31-49920		1	BEARING, ROLLER-DRIVE SHAFT
3	45-49919		1	DRIVE SHAFT
4	43-49672		1	GEAR, PINION-DRIVE SHAFT
5	34953		1	SHIELD, OIL
6	11-31538		1	NUT, PINION GEAR TO DRIVE SHAFT
7	15-20928A1		AR	SHIM, BEARING TO GEAR HOUSING (.002-3-5-10)
8	30-32165		1	BEARING, BALL-DRIVE SHAFT
9	53-31539		1	RING, SNAP-BALL BEARING TO GEAR HOUSING
10	15-20928A1		AR	SHIM, DRIVE SHAFT BALL BEARING TO RETAINER
11	34956		1	RETAINER, BALL BEARING-DRIVE SHAFT
12	10-30225		4	SCREW, BALL BEARING RETAINER TO HOUSING (1")
13	26-33613		1	SEAL, OIL TUBE-BALL BEARING RETAINER
14	10-28634		1	SCREW, GEAR HOUSING GREASE FILLER HOLE
15	12-20260		1	WASHER, GEAR HOUSING GREASE FILLER HOLE SCREW
16	15-38374A1		AR	SHIM, BEARING CUP TO GEAR HOUSING (.002-3-5-10)
17	31-38356A1		1	TAPERED ROLLER BEARING ASSEMBLY, PROPELLER SHAFT
18	31-38357		1	CUP, TAPERED ROLLER BEARING
19	49918		1	ADAPTOR, TAPERED ROLLER BEARING TO PROPELLER SHAFT
20	43-31526		1	GEAR, PROPELLER-PROPELLER SHAFT
21	31-30894A1		1	TAPERED ROLLER BEARING ASSEMBLY, PROPELLER GEAR
22	31-31092		1	CUP, TAPERED ROLLER BEARING
23	17-31537		1	PIN, DOWEL-PROPELLER GEAR TO PROPELLER SHAFT
24	44-32245		1	SHAFT, PROPELLER
25	15-31535A1		AR	SHIM, BEARING CARRIER TO GEAR HOUSING (.002-3-5-10)
26	34955		1	CARRIER, BEARING-PROPELLER GEAR ROLLER BEARING
27	25-31534		1	"O" RING, BEARING CARRIER TO GEAR HOUSING COVER
28	32248		1	RING, BALL BEARING TO GEAR HOUSING COVER
29	32244A1		1	COVER ASSEMBLY, GEAR HOUSING
30	26-31554		1	OIL SEAL, GEAR HOUSING COVER
31	30-20840		1	BEARING, BALL-GEAR HOUSING COVER
32	12-31536		1	WASHER, GEAR HOUSING COVER TO RETAINER
33	32247		1	RETAINER, GEAR HOUSING COVER
34	31643A1		1	THRUST HUB AND WASHER ASSEMBLY, PROPELLER SHAFT
35	12-31642		1	WASHER, CUPPED-THRUST HUB
36	14-31644		1	TAB WASHER, PROPELLER SHAFT
37	11-31608		1	NUT, PROPELLER
38	31640A1		1	TRIM TAB, GEAR HOUSING
39	10-49354		1	SCREW, TRIM TAB TO GEAR HOUSING (2 1/2")
40	32209		1	MAGNET, GEAR HOUSING

CONTINUED ON NEXT PAGE ➡

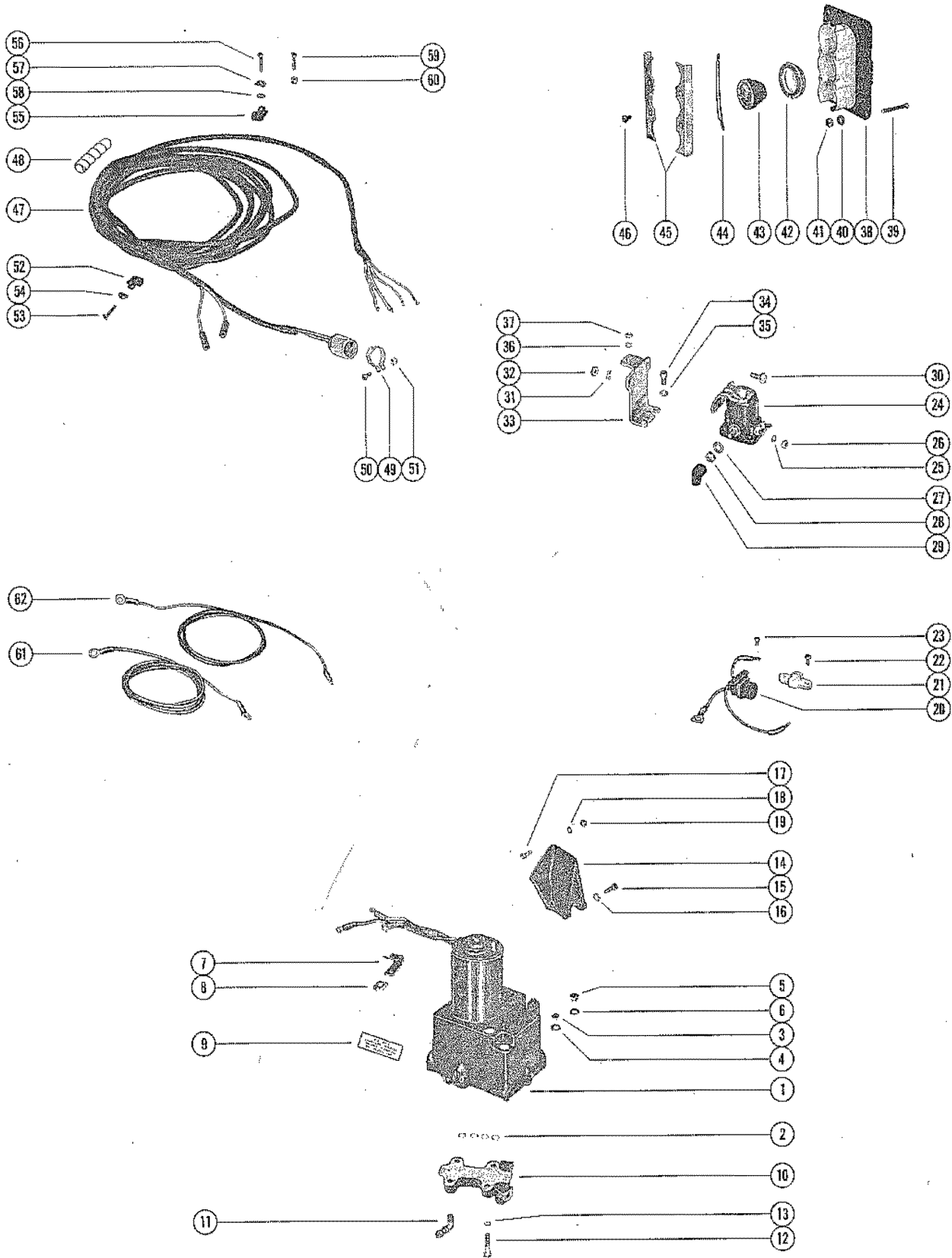
# GEAR HOUSING ASSEMBLY, COMPLETE



## GEAR HOUSING ASSEMBLY, COMPLETE

REF. NO.	PART NO.	SYM.	QTY.	DESCRIPTION
41	10-24878		1	SCREW, MAGNET TO GEAR HOUSING (1 1/4")
42	35-32250		1	SCREEN, FILTER-GEAR HOUSING
43	11-34933		8	NUT, DRIVE SHAFT HOUSING STUDS
44	10-32470		1	SCREW, GEAR HOUSING TO DRIVE SHAFT HOUSING (1 3/4")
45	10-31717		1	SCREW, GEAR HOUSING TO DRIVE SHAFT HOUSING (3 1/8")

# HYDRAULIC PUMP AND CONTROL PANEL

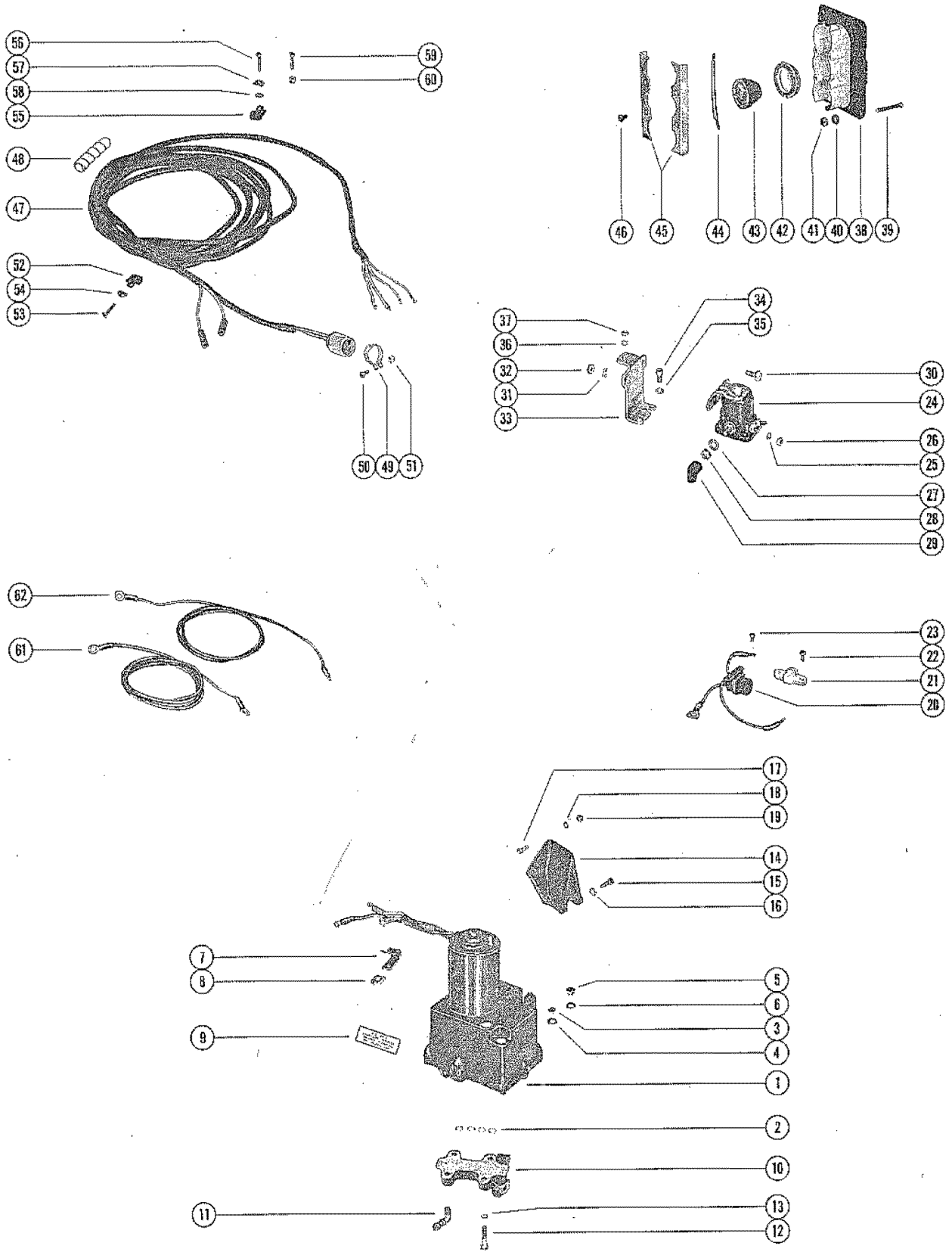


# HYDRAULIC PUMP AND CONTROL PANEL

REF. NO.	PART NO.	SYM.	QTY.	DESCRIPTION
1	45060A7		1	HYDRAULIC PUMP ASSEMBLY
2	25-26834		4	"O" RING, HYDRAULIC PUMP TO CONTROL VALVE
3	10-46918		1	SCREW, VENT-HYDRAULIC PUMP
4	13-46917		1	LOCKWASHER, SEALING-VENT SCREW
5	10-28634		1	SCREW, FILLER-HYDRAULIC PUMP
6	12-20260		1	WASHER, SEALING-HYDRAULIC PUMP FILLER SCREW
7	54-37282		1	CLAMP, HYDRAULIC PUMP HARNESS
8	37281		1	"D" WASHER, HYDRAULIC PUMP HARNESS CLAMP
9	38-45372		1	DECAL, INSTRUCTIONS-HYDRAULIC PUMP
10	48077A6		1	CONTROL VALVE ASSEMBLY (NON-TRANSOM MOUNTED ENGINE)
	48077A8		1	CONTROL VALVE ASSEMBLY (TRANSOM MOUNTED ENGINE)
-	<b>25-26834</b>		<b>4</b>	<b>"O" RING, HYDRAULIC PUMP TO CONTROL VALVE (SEE REFERENCE #2)</b>
11	22-48169		1	ELBOW, CONTROL VALVE
12	10-21091		4	SCREW, CONTROL VALVE TO HYDRAULIC PUMP (1 1/8")
13	13-26992		4	LOCKWASHER, CONTROL VALVE SCREW
14	49405		1	BRACKET, MOUNTING-HYDRAULIC PUMP (NOT AS SHOWN)
15	10-31984		3	SCREW, MOUNTING BRACKET TO TRANSOM PLATE (1 3/8")
16	13-20305		3	LOCKWASHER, MOUNTING BRACKET SCREW
17	10-26066		3	SCREW, HYDRAULIC PUMP TO MOUNTING BRACKET (1 1/4")
18	12-20546		3	WASHER, HYDRAULIC PUMP SCREW
19	11-21528		3	NUT, HYDRAULIC PUMP SCREW
20	45325		1	CONNECTOR AND HARNESS
21	45559		1	TERMINAL BLOCK, HYDRAULIC PUMP
22	10-28192		2	SCREW, TERMINAL BLOCK TO HYDRAULIC PUMP (1/2")
23	10-30663		2	SCREW, HARNESS LEADS TO TERMINAL BLOCK (3/8")
24	25661		1	STARTER SOLENOID
25	13-26996		2	LOCKWASHER, STARTER SOLENOID TERMINAL (#10)
26	11-20645		2	NUT, STARTER SOLENOID TERMINAL (#10)
27	13-26993		2	LOCKWASHER, STARTER SOLENOID TERMINAL (5/16")
28	11-20083		2	NUT, STARTER SOLENOID TERMINAL (5/16")
29	46265		2	BOOT, RUBBER-STARTER SOLENOID TERMINAL
30	10-34290		2	SCREW, STARTER SOLENOID TO MOUNTING BRACKET (5/8")
31	13-26992		2	LOCKWASHER, STARTER SOLENOID SCREW
32	11-21825		2	NUT, STARTER SOLENOID SCREW
33	45321		1	BRACKET, MOUNTING-STARTER SOLENOID
34	10-21140		2	SCREW, MOUNTING BRACKET TO HYDRAULIC PUMP (1/2")
35	13-26992		2	LOCKWASHER, MOUNTING BRACKET SCREW
36	13-27660		1	LOCKWASHER, HYDRAULIC PUMP THRU BOLT
37	11-20645		1	NUT, MOUNTING BRACKET TO HYDRAULIC PUMP THRU BOLT
-	<b>48413A2</b>		<b>1</b>	<b>CONTROL PANEL ASSEMBLY COMPLETE (GREEN, WHITE AND YELLOW PUSH BUTTONS)</b>

CONTINUED ON NEXT PAGE ➡

# HYDRAULIC PUMP AND CONTROL PANEL

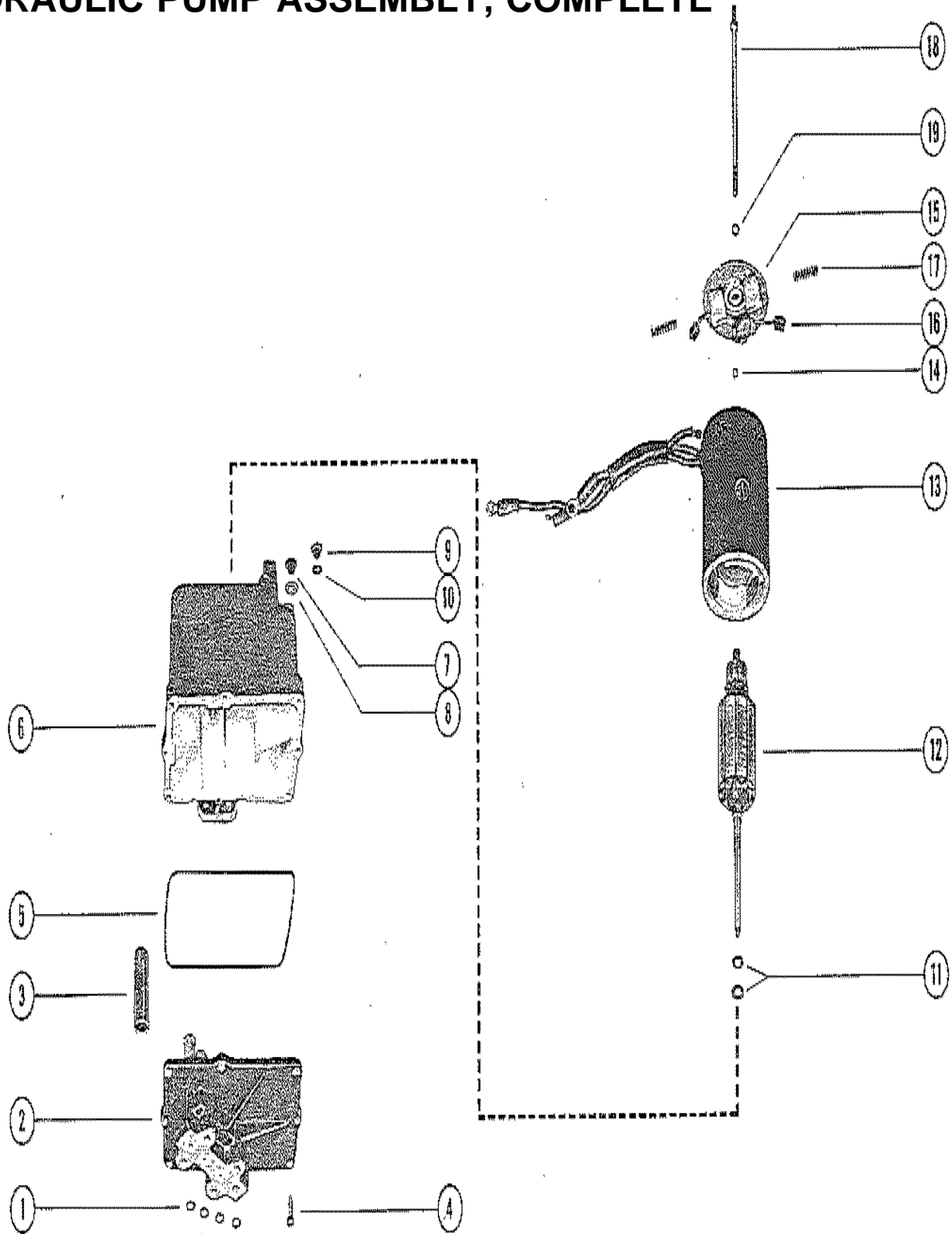




## HYDRAULIC PUMP AND CONTROL PANEL

REF. NO.	PART NO.	SYM.	QTY.	DESCRIPTION
-	<b>48413A5</b>		<b>1</b>	<b>CONTROL PANEL ASSEMBLY COMPLETE (RED/GREEN, WHITE AND RED PUSH BUTTONS)</b>
38	48413		1	PANEL, CONTROL
39	10-32866		4	SCREW, CONTROL PANEL TO BOAT (2")
40	12-24676		4	WASHER, CONTROL PANEL SCREW
41	11-20190		4	NUT, CONTROL PANEL SCREW
42	48055		1	PUSH BUTTON, CONTROL PANEL (OUT-GREEN)
	48056		1	PUSH BUTTON, CONTROL PANEL (DOWN/IN-WHITE)
	48057		1	PUSH BUTTON, CONTROL PANEL (UP-YELLOW)
	53108		1	PUSH BUTTON, CONTROL PANEL (UP/OUT-RED/GREEN)
	53109		1	PUSH BUTTON, CONTROL PANEL (IN-WHITE)
	53110		1	PUSH BUTTON, CONTROL PANEL (UP-RED)
-	<b>53517</b>		<b>2</b>	<b>ANCHOR STRIP</b>
43	29759		3	SWITCH, PUSH BUTTON-CONTROL PANEL
44	48078		2	JUMPER WIRE, PUSH BUTTON SWITCH (RED)
	53107		1	JUMPER WIRE, PUSH BUTTON SWITCH (PURPLE)
45	48438		2	RETAINER, PUSH BUTTON SWITCH
46	10-32024		4	SCREW, SWITCH RETAINER TO CONTROL PANEL (5/8")
47	45341		1	HARNESS, CONTROL PANEL
48	33865		1	BINDER, NYLON-CONTROL PANEL HARNESS
49	54-46770		1	CLAMP, HARNESS ATTACHING
50	10-29227		1	SCREW, HARNESS ATTACHING CLAMP (1/2")
51	11-34388		1	NUT, HARNESS ATTACHING CLAMP SCREW
52	54-23567		3	CLAMP, HARNESS TO BOAT (9/16")
	54-22875		1	CLAMP, HARNESS TO BOAT (7/16")
53	10-35401		4	SCREW, WOOD-HARNESS TO BOAT (1")
54	22789		4	"D" WASHER, HARNESS CLAMP SCREW
55	54-22875		3	CLAMP, HARNESS TO BOAT
56	10-33615		3	SCREW, WOOD-HARNESS CLAMP TO BOAT (1")
57	22789		3	"D" WASHER, HARNESS CLAMP SCREW
58	12-24676		3	WASHER, HARNESS CLAMP SCREW
59	10-20644		3	SCREW, HARNESS CLAMP TO BOAT (1")
60	11-20645		3	NUT, HARNESS CLAMP SCREW
61	45551		1	BATTERY LEAD (POSITIVE)-18" (15 1/2" "U" JOINT COUPLING YOKE
	52957		1	BATTERY LEAD (POSITIVE)-31" (11 1/2" "U" JOINT COUPLING YOKE
	53891		1	BATTERY LEAD (POSITIVE)-14" (TRANSOM MOUNTED ENGINE)
62	45552		1	BATTERY LEAD (NEGATIVE)

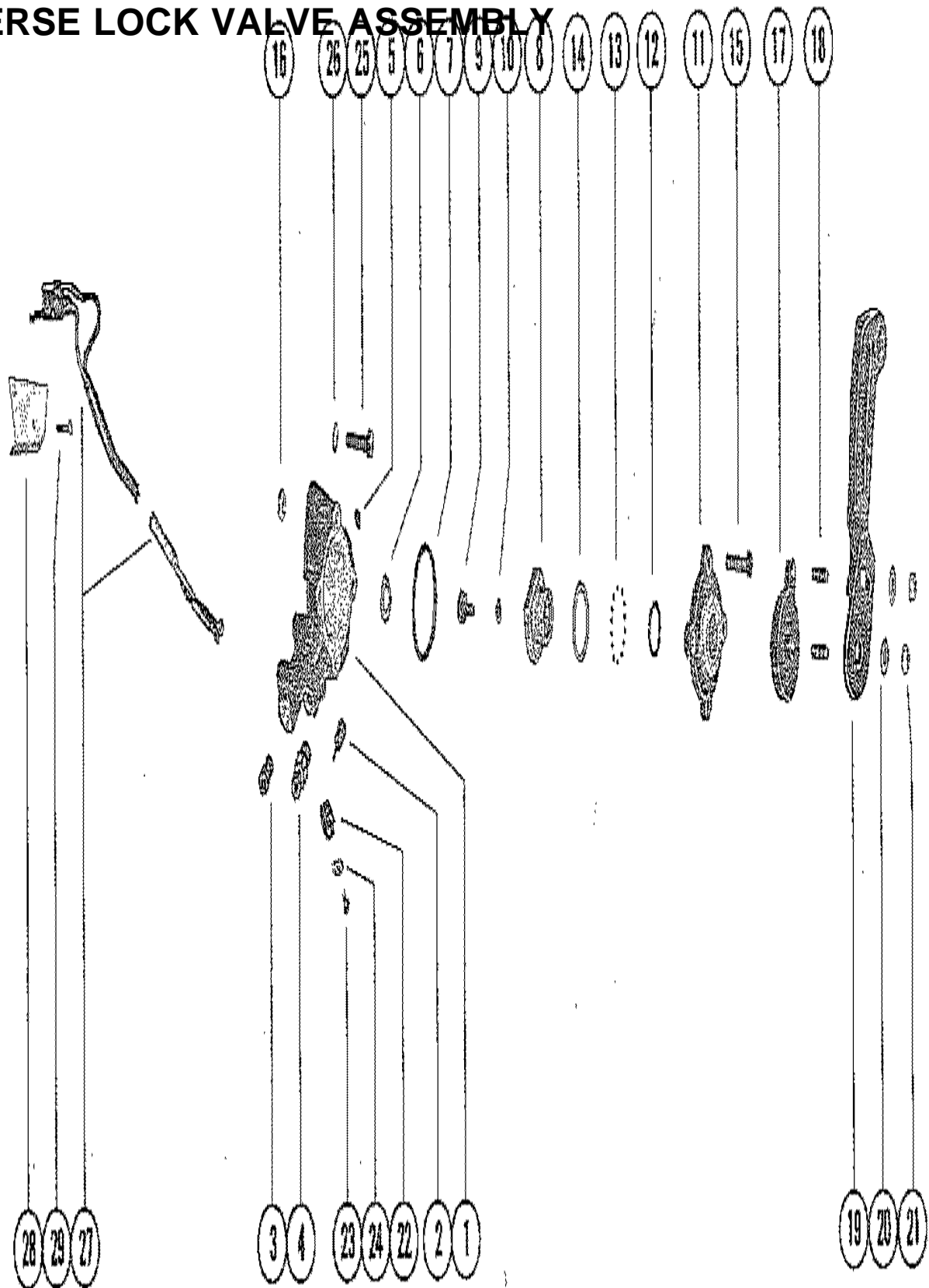
# HYDRAULIC PUMP ASSEMBLY, COMPLETE



## HYDRAULIC PUMP ASSEMBLY, COMPLETE

REF. NO.	PART NO.	SYM.	QTY.	DESCRIPTION
-	45060A7		1	HYDRAULIC PUMP ASSEMBLY, COMPLETE
1	25-26834		4	"O" RING, HYDRAULIC PUMP
2	392-2936		1	VALVE BODY AND GEAR ASSEMBLY
3	392-2618		1	CAM, VALVE BODY
4	10-20411		8	SCREW, VALVE BODY TO RESERVIOR (5/8")
5	392-2937		1	SEAL, RESERVIOR TO VALVE BODY AND GEAR
6	392-2939		1	RESERVIOR ASSEMBLY
7	10-46918		1	SCREW, VENT-HYDRAULIC PUMP
8	13-46917		1	LOCKWASHER, SEALING-VENT SCREW
9	10-28634		1	SCREW, FILLER-HYDRAULIC PUMP
10	12-20260		1	WASHER, SEALING-FILLER SCREW
11	392-2623		AR	WASHER, THRUST-ARMATURE
12	392-2943		1	ARMATURE, FIELD AND FRAME
13	392-2942		1	FIELD AND FRAME ASSEMBLY
14	392-2944		1	BALL, COMMUTATOR END PLATE
15	392-2940		1	PLATE ASSEMBLY, COMMUTATOR END
16	392-2941		1	BRUSH SET, COMMUTATOR END PLATE
17	392-2529		1	SPRING SET, BRUSH TENSION
18	392-2938		1	BOLT SET, THRU-PLATE AND FRAME TO RESERVIOR
19	13-26996		2	LOCKWASHER, THRU BOLT

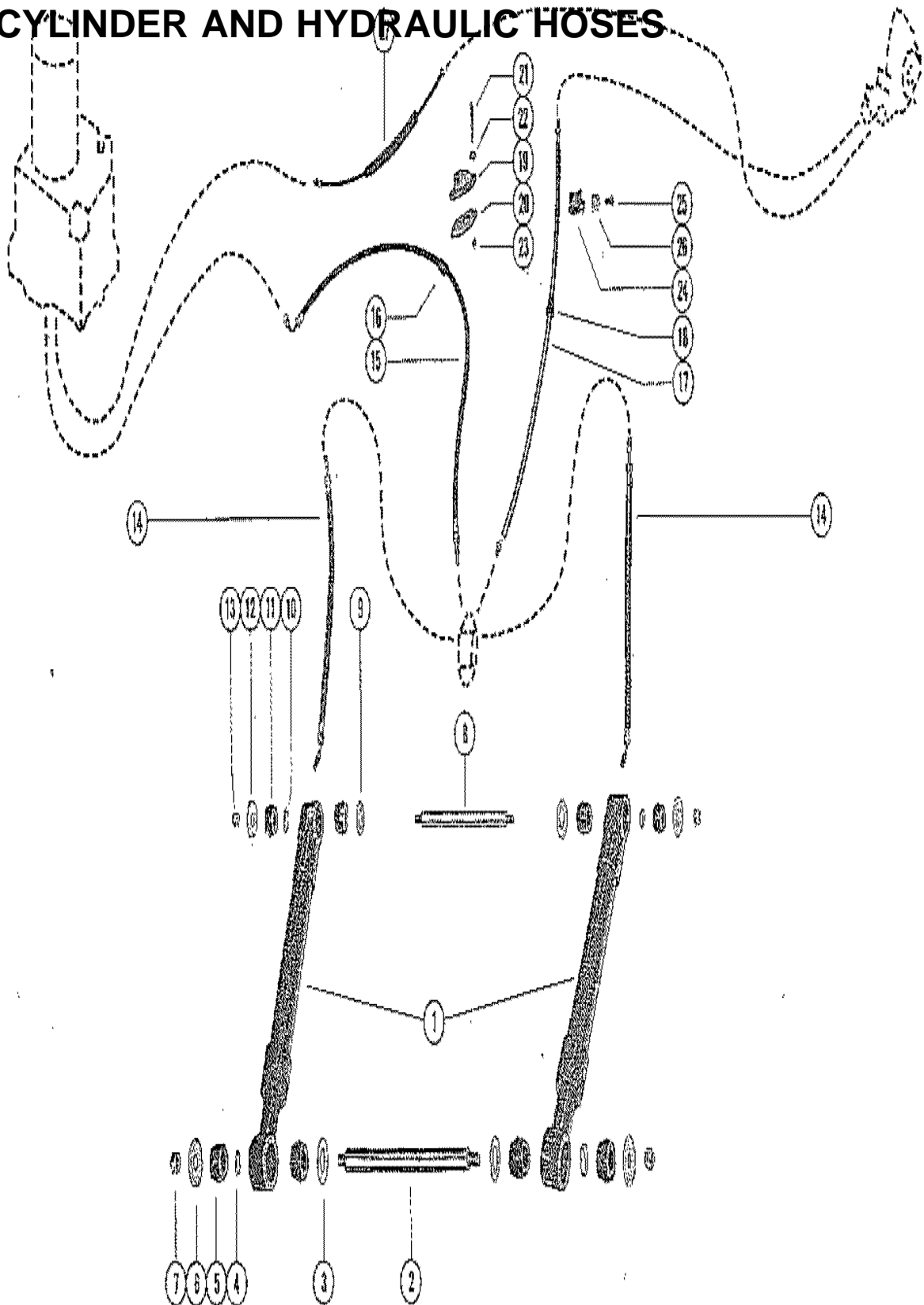
# REVERSE LOCK VALVE ASSEMBLY



# REVERSE LOCK VALVE ASSEMBLY

REF. NO.	PART NO.	SYM.	QTY.	DESCRIPTION
1	48165A5		1	REVERSE LOCK VALVE ASSEMBLY
2	45709		1	FOLLOWER, CAM
3	22-48166		1	ELBOW, HYDRAULIC TRIM HOSE TO REVERSE LOCK VALVE
4	22-48167		1	CONNECTOR, ELBOW
5	22-21290		1	PLUG, PIPE-REVERSE LOCK VALVE
6	13-25906		1	WASHER, WAVE-REVERSE LOCK VALVE
7	25-45710		1	"O" RING, REVERSE LOCK VALVE
8	45526		1	CAM, REVERSE LOCK VALVE
9	10-46736		1	SCREW, CAM TO CAM LEVER (1/2")
10	13-26996		1	LOCKWASHER, CAM SCREW
11	45528		1	COVER, REVERSE LOCK VALVE
12	25-45711		1	"O" RING, VALVE COVER
13	30-45712		30	BALL, VALVE COVER
14	12-45713		1	WASHER, RETAINING-BALL TO VALVE COVER
15	10-45716		4	SCREW, COVER TO REVERSE LOCK VALVE (15/16")
16	11-20110		4	NUT, COVER SCREW
17	46732A1		1	LEVER ASSEMBLY, CAM
18	16-45715		2	STUD, SHIFT CONTROL LEVER TO CAM LEVER (23/32")
19	49413		1	LEVER, SHIFT CONTROL-CAM LEVER (NON-TRANSOM MOUNTED ENGINE)
	53759		1	LEVER, SHIFT CONTROL-CAM LEVER (TRANSOM MOUNTED ENGINE)
20	12-21273		2	WASHER, CAM LEVER STUD
21	11-20110		2	NUT, SHIFT CONTROL LEVER TO CAM LEVER STUD
22	54-23568		1	CLIP, CUT-OUT SEITCH LEAD TO REVERSE LOCK VALVE
23	10-21643		1	SCREW, CUT-OUT SWITCH LEAD CLIP ATTACHING (1/2")
24	22789		1	"D" WASHER, CLIP ATTACHING SCREW
25	10-25299		2	SCREW, REVERSE LOCK VALVE TO TRANSOM PLATE (3/4")
26	13-21804		2	LOCKWASHER, REVERSE LOCK VALVE SCREW
27	49639A1		1	SWITCH ASSEMBLY, CUT-OUT-REVERSE LOCK VALVE
28	45717		1	SHIELD, CUT-OUT SWITCH
29	10-36003		2	SCREW, SHIELD AND SWITCH TO REVERSE LOCK VALVE (3/4")

# TRIM CYLINDER AND HYDRAULIC HOSES



# TRIM CYLINDER AND HYDRAULIC HOSES

REF. NO.	PART NO.	SYM.	QTY.	DESCRIPTION
1	47342A2		2	TRIM CYLINDER ASSEMBLY, COMPLETE
2	17-49279		1	PIN, ANCHOR-DRIVE SHAFT HOUSING (10 3/4")
3	12-47395		2	WASHER, DRIVE SHAFT HOUSING ANCHOR PIN 959/64" I.D.)
4	24-49593		2	SPRING, DRIVE SHAFT HOUSING ANCHOR PIN
5	23-47392		4	BUSHING, RUBBER-DRIVE SHAFT HOUSING ANCHOR PIN
6	12-47394		2	WASHER, DRIVE SHAFT HOUSING ANCHOR PIN (33/64" I.D.)
7	11-35000		2	NUT, DRIVE SHAFT HOUSING ANCHOR PIN
8	17-49278		1	PIN, ANCHOR-TRIM CYLINDER TO GIMBAL RING (12 1/4")
9	12-47395		2	WASHER, GIMBAL RING ANCHOR PIN (59/64" I.D.)
10	24-49593		2	SPRING, GIMBAL RING ANCHOR PIN
11	23-47392		4	BUSHING, RUBBER-GIMBAL RING ANCHOR PIN
12	12-47394		2	WASHER, GIMBAL RING ANCHOR PIN (33/64" I.D.)
13	11-35000		2	NUT, GIMBAL RING ANCHOR PIN
14	32-47373		4	HOSE, HYDRAULIC-CONNECTOR TO TRIM CYLINDER (12 1/2")
15	32-49433		1	HOSE, HYDRAULIC-CONNECTOR TO HYDRAULIC PUMP (42")
16	23-35977		1	GROMMET, RUBBER-HYDRAULIC HOSE
17	32-49433		1	HOSE, HYDRAULIC-CONNECTOR TO REVERSE LOCK VALVE (42")- <b>NON TRANSOM MOUNTED ENGINE</b>
	32-53861		1	HOSE, HYDRAULIC-CONNECTOR TO REVERSE LOCK VALVE (49") <b>TRANSOM MOUNTED ENGINE</b>
18	23-35977		1	GROMMET, RUBBER-HYDRAULIC HOSE
19	36135		2	COVER, INLET-TRANSOM
20	27-36079		2	GASKET, INLET COVER
21	10-33684		4	SCREW, INLET COVER TO TRANSOM (3")
22	12-30971		4	WASHER, INLET COVER SCREW
23	11-33825		4	NUT, INLET COVER SCREW
24	54-22740		1	CLIP HYDRAULIC HOSE TO TRANSOM PLATE (3/8")
25	10-30663		1	SCREW, HYDRAULIC HOSE CLIP
26	22789		1	"D" WASHER, HYDRAULIC HOSE CLIP SCREW
27	32-52951A1		1	TUBE ASS'Y, PUMP TO REVERSE LOCK VALVE (31 1/4")

# PARTS INDEX

Part Number	Description	Pg.	Ref. No.	Part Number	Description	Pg.	Ref. No.
20007	ANCHOR, SHIFT			31720A1	CABLE ASSEMBLY, SHIFT		
	ACTUATING CABLE END . . . . .	19	33		ACTUATING (NON-		
22789	"D" WASHER, CLIP				TRANSOM MOUNTED		
	ATTACHING SCREW . . . . .	35	24		ENGINE) . . . . .	19	30
22789	"D" WASHER, CUT-OUT			31722	SHAFT, SPLINED - SECTOR		
	SWITCH LEADS				GEAR PIVOT . . . . .	19	19
	ATTACHING SCREW . . . . .	3	15	31844	SHAFT, STEERING - LEVER		
22789	"D" WASHER, HARNESS				HOUSING . . . . .	11	27
	CLAMP SCREW . . . . .	31	54	31899	PLATE, RETAINING - TILT		
22789	"D" WASHER, HARNESS				STOP SWITCH TO		
	CLAMP SCREW . . . . .	31	57		GIMBAL RING . . . . .	17	49
22789	"D" WASHER, HARNESS			32209	MAGNET, GEAR HOUSING . . . . .	25	40
	CLIP SCREW . . . . .	7	25	32244A1	COVER ASSEMBLY, GEAR		
22789	"D" WASHER, HYDRAULIC				HOUSING . . . . .	25	29
	HOSE CLIP SCREW . . . . .	37	26	32247	RETAINER, GEAR HOUSING		
22789	"D" WASHER, TILT STOP				COVER . . . . .	25	33
	SWITCH LEADS CLAMP			32248	RING, BALL BEARING TO		
	SCREW . . . . .	17	55		GEAR HOUSING COVER . . . . .	25	28
22789	"D" WASHER, TILT STOP			32276A2	PLATE ASSEMBLY,		
	SWITCH LEADS CLIP				TRANSOM - OUTER (WITH		
	SCREW . . . . .	11	16		B-32795 LINER) . . . . .	3	1
22789	"D" WASHER, TILT STOP			32420A2	STEERING LEVER HOUSING		
	SWITCH LEADS CLIP				ASSEMBLY . . . . .	11	1
	SCREW . . . . .	15	26	32464	PLUNGER, SWITCH		
25661	STARTER SOLENOID . . . . .	29	24		ACTUATING ARM . . . . .	3	25
26183A5	EMBLEM ASSEMBLY, SHIFT			32795	LINER, OUTER TRANSOM		
	FORK COVER . . . . .	21	6		PLATE(USE WITH B-		
29359	LUBRICAP, DRIVE SHAFT				32276A2 TRANSOM		
	HOUSING GREASE				PLATE . . . . .	3	5
	FITTING . . . . .	19	6	33075A2	CORE WIRE AND ANCHOR		
29359	LUBRICAP, GIMBAL				ASSEMBLY, INNER . . . . .	19	31
	HOUSING GREASE			33501	RETAINER, SPRING AND		
	FITTING . . . . .	15	6		PLUNGER TO SWITCH		
29359	LUBRICAP, GIMBAL RING				ACTUATING ARM . . . . .	3	26
	GREASE FITTING . . . . .	17	41	33775	ARM, STEERING - UPPER		
29359	LUBRICAPM, STEERING				(15 1/2" "U" JOINT		
	LEVER HOUSING GREASE				COUPLING YOKE) . . . . .	11	29
	FITTING . . . . .	11	5	33865	BINDER, NYLON-CONTROL		
29759	SWITCH, PUSH BUTTON-				PANEL HARNESS . . . . .	31	48
	CONTROL PANEL . . . . .	31	43	34009	LINK ROD, LOWER		
29880	GUIDE, SHIFT ACTUATING				STEERING ROD TO		
	CABLE END . . . . .	19	32		GIMBAL RING . . . . .	11	23
31573	RACK, GEAR-SHIFT			34056	COVER, LOCK-IN LIMIT		
	ACTUATING CABLE . . . . .	19	27		SWITCH - INNER		
31635	SEAL, RUBBER - GIMBAL				TRANSOM PLATE . . . . .	3	12
	HOUSING TO OUTER			34057A1	EYE ASSEMBLY, SHIFT		
	TRANSOM PLATE . . . . .	15	17		ACTUATING CABLE		
31636	SEAL, RUBBER - OUTER				GUIDE . . . . .	19	7
	TRANSOM PLATE TO			34088	BELLOWS, UNIVERSAL		
	TRANSOM . . . . .	3	4		JOINT COVERING . . . . .	15	30
31636	SEAL, RUBBER - OUTER			34125	YOKE, CABLE GUIDE PIVOT		
	TRANSOM PLATE TO				- STEERING CABLE		
	TRANSOM . . . . .	7	4		BRACKET . . . . .	9	61
31640A1	TRIM TAB, GEAR HOUSING	25	38	34125	YOKE, CABLE GUIDE TUBE		
31643A1	THRUST HUB AND WASHER				PIVOT - STEERING CABLE		
	ASSEMBLY, PROPELLER				BRACKET . . . . .	5	62
	SHAFT . . . . .	25	34	34762A1	PLATE ASSEMBLY,		
31655	GUIDE, GEAR RACK - DRIVE				INHIBITOR - OUTER		
	SHAFT HOUSING . . . . .	19	23		TRANSOM PLATE . . . . .	3	2



# PARTS INDEX

Part Number	Description	Pg.	Ref. No.	Part Number	Description	Pg.	Ref. No.
34903	ARM, STEERING - LOWER	11	17	46732A1	LEVER ASSEMBLY, CAM	35	17
34953	SHIELD, OIL	25	5	47342A2	TRIM CYLINDER ASSEMBLY, COMPLETE	37	1
34955	CARRIER, BEARING-PROPELLER GEAR			47347	CONNECTOR, HYDRAULIC - GIMBAL HOUSING	15	7
	ROLLER BEARING	25	26	48055	PUSH BUTTON, CONTROL PANEL (OUT-GREEN)	31	42
34956	RETAINER, BALL BEARING-DRIVE SHAFT	25	11	48056	PUSH BUTTON, CONTROL PANEL (DOWN/IN-WHITE)	31	42
35096	YOKE, UPPER STEERING ARM	11	31	48057	PUSH BUTTON, CONTROL PANEL (UP-YELLOW)	31	42
35180	YOKE, SHIFT LINKER TO SECTOR GEAR	19	15	48077A6	CONTROL VALVE ASSEMBLY (NON-TRANSOM MOUNTED ENGINE)	29	10
35181A1	SHIFT LINK ASSEMBLY, DRIVE SHAFT HOUSING	19	12	48077A8	CONTROL VALVE ASSEMBLY (TRANSOM MOUNTED ENGINE)	29	10
35221	RING, CABLE GUIDE TUBE PIVOT YOKE	5	61	48078	JUMPER WIRE, PUSH BUTTON SWITCH (RED)	31	44
35221	RING, SWIVEL - CABLE GUIDE TUBE PIVOT YOKE	9	60	48165A5	REVERSE LOCK VALVE ASSEMBLY	35	1
35231A1	COVER ASSEMBLY, SHIFT FORK	21	5	48413	PANEL, CONTROL	31	38
36013A1	UNIVERSAL JOINT ASSEMBLY, PINION GEAR	21	33	48413A2	CONTROL PANEL ASSEMBLY	29	--
36135	COVER, INLET-TRANSOM	37	19	48413A5	CONTROL PANEL ASSEMBLY	31	--
36312	CROSS AND BEARING ASSEMBLY, UNIVERSAL JOINT	21	35	48438	RETAINER, PUSH BUTTON SWITCH	31	45
37250	ADAPTOR, GIMBAL HOUSING	15	14	49268	RETAINER, LOWER GEAR TAPERED ROLLER BEARING CUP	21	25
37281	"D" WASHER, HYDRAULIC PUMP HARNESS CLAMP	29	8	49271	COVER, TOP-DRIVE SHAFT HOUSING	21	14
39383	SOCKET, CENTER-UNIVERSAL JOINT	23	36	49280A1	GIMBAL HOUSING ASSEMBLY	15	1
39495	YOKE, UNIVERSAL JOINT (GEAR END)	21	34	49282A4	PLATE ASSEMBLY, TRANSOM - INNER	3	6
39496	YOKE, UNIVERSAL JOINT (COUPLING END)-15 1/2"	23	37	49286	FORK, SHIFT - SLIDING CLUTCH ACTUATING	19	11
45060A7	HYDRAULIC PUMP ASSEMBLY	29	1	49343	LEVER, TILT STOP SWITCH ACUTATING - GIMBAL RING	17	51
45060A7	HYDRAULIC PUMP ASSEMBLY, COMPLETE	33	-	49397	RETAINER, PINION GEAR ROLLER BEARING	23	39
45321	BRACKET, MOUNTING-STARTER SOLENOID	29	33	49405	BRACKET, MOUNTING-HYDRAULIC PUMP (NOT AS SHOWN)	29	14
45325	CONNECTOR AND HARNESS	29	20	49406A1	ARM ASSEMBLY, SHIFT CABLE MOUNTING	5	36
45341	HARNESS, CONTROL PANEL	31	47	49413	LEVER, SHIFT CONTROL-CAM LEVER (NON-TRANSOM MOUNTED ENGINE)	35	19
45517A3	ARM ASSEMBLY, SWITCH ACTUATING	9	48	49414	LINK ROD	5	38
45526	CAM, REVERSE LOCK VALVE	35	8	49430A1	TILT SWITCH SWING ASSEMBLY, GIMBAL RING	17	46
45528	COVER, REVERSE LOCK VALVE	35	11	49639A1	SWITCH ASSEMBLY, CUT-OUT-REVERSE LOCK VALVE	35	27
45551	BATTERY LEAD (POSITIVE)-18" (15 1/2" "U" JOINT COUPLING YOKE	31	61				
45552	BATTERY LEAD (NEGATIVE)	31	62				
45559	TERMINAL BLOCK, HYDRAULIC PUMP	29	21				
45709	FOLLOWER, CAM	35	2				
45717	SHIELD, CUT-OUT SWITCH	35	28				

# PARTS INDEX

Part Number	Description	Pg.	Ref. No.	Part Number	Description	Pg.	Ref. No.
49646A1	SWITCH ASSEMBLY, CUT-OUT - INNER TRANSOM PLATE	5	34	53764A1	CABLE ASSEMBLY, SHIFT ACTUATING (TRANSOM MOUNTED ENGINE)	19	30
49646A1	SWITCH ASSEMBLY, CUT-OUT - INNER TRANSOM PLATE	7	26	53808	LINK ROD	7	41
49918	ADAPTOR, TAPERED ROLLER BEARING TO PROPELLER SHAFT	25	19	53891	BATTERY LEAD (POSITIVE)-14" (TRANSOM MOUNTED ENGINE)	31	61
52466A3	GIMBAL RING ASSEMBLY	17	37	10-20031	SCREW, TILT STOP SWITCH COVER TO GIMBAL HOUSING (1/2")	17	47
52721	YOKE, UNIVERSAL JOINT (COUPLING END)-11 1/2"	23	37	10-20411	SCREW, VALVE BODY TO RESERVIOR (5/8")	33	4
52722A1	UNIVERSAL JOINT ASSEMBLY, PINION GEAR	21	33	10-20518	SCREW, SET-ANCHOR TO SHIFT ACTUATING CABLE END	19	34
52744	ARM, STEERING - UPPER (11 1/2" "U" JOINT COUPLING YOKE)	11	29	10-20644	SCREW, HARNESS CLAMP TO BOAT (1")	31	59
52756A2	STEERING LEVER HOUSING ASSEMBLY	11	1	10-20653	SCREW, LINK ROD TO REVERSE LOCK VALVE	5	45
52757	CLAMP NUT, STEERING LEVER HOUSING	3	16	10-20653	SCREW, LINK ROD TO REVERSE LOCK VALVE (1")	9	44
52757	CLAMP NUT, STEERING LEVER HOUSING	7	16	10-21091	SCREW, CONTROL VALVE TO HYDRAULIC PUMP (1 1/8")	29	12
52853A1	ARM ASSEMBLY, CUT-OUT SWITCH ACTUATING - INNER TRANSOM PLATE	3	23	10-21140	SCREW, MOUNTING BRACKET TO HYDRAULIC PUMP (1/2")	29	34
52922	WRAPPING, SHIFT ACTUATING CABLE	19	29	10-21643	SCREW, CUT-OUT SWITCH LEAD CLIP ATTACHING (1/2")	35	23
52957	BATTERY LEAD (POSITIVE)-31" (11 1/2" "U" JOINT COUPLING YOKE)	31	61	10-22659	SCREW, SHIFT ACTUATING CABLE TO SHIFT CABLE MNTG ARM (1 5/8")	5	54
52958A1	TILT SWITCH SWING ASSEMBLY, GIMBAL RING	17	46	10-22794	SCREW, COVER TO INNER TRANSOM PLATE	3	13
53042A2	PLATE ASSEMBLY, TRANSOM - OUTER	7	1	10-22794	SCREW, SWITCH HARNESS CLIP ATTACHING (1/2")	7	24
53042A2	PLATE ASSEMBLY, TRANSOM - OUTER (WITHOUT B-32795 LINER)	3	1	10-24644	SCREW, SHIFT CABLE TO TRANSOM PLATE	3	20
53107	JUMPER WIRE, PUSH BUTTON SWITCH (PURPLE)	31	44	10-24644	SCREW, STEERING CABLE TO YOKE	13	32
53108	PUSH BUTTON, CONTROL PANEL (UP/OUT-RED/GREEN)	31	42	10-24878	SCREW, MAGNET TO GEAR HOUSING (1 1/4")	27	41
53109	PUSH BUTTON, CONTROL PANEL (IN-WHITE)	31	42	10-25299	SCREW, REVERSE LOCK VALVE TO TRANSOM PLATE (3/4")	35	25
53110	PUSH BUTTON, CONTROL PANEL (UP-RED)	31	42	10-26066	SCREW, HYDRAULIC PUMP TO MOUNTING BRACKET (1 1/4")	29	17
53213A1	YOKE ASSEMBLY, UPPER STEERING ARM	13	31	10-26548	SCREW, TILT STOP SWITCH LEADS CLIP TO GIMBAL HOUSING (3/8")	15	25
53355	ARM, STEERING - UPPER (TRANSOM MOUNTED ENGINE)	11	29	10-26548	SCREW, TILT STOP SWITCH LEADS CLIP TO STEERING LEVER HOUSING	11	15
53517	ANCHOR STRIP	31	--	10-28192	SCREW, TERMINAL BLOCK TO HYDRAULIC PUMP (1/2")	29	22
53721A1	ARM ASSEMBLY, SHIFT CABLE MOUNTING	7	28				
53723	PLATE, TRANSOM - INNER	7	5				
53759	LEVER, SHIFT CONTROL-CAM LEVER (TRANSOM MOUNTED ENGINE)	35	19				

# PARTS INDEX

Part Number	Description	Pg.	Ref. No.	Part Number	Description	Pg.	Ref. No.
10-28634	SCREW, FILLER-HYDRAULIC PUMP	29	5	10-31903	SCREW, TILT STOP SWITCH LEADS CLAMP	17	54
10-28634	SCREW, FILLER-HYDRAULIC PUMP	33	9	10-31984	SCREW, MOUNTING BRACKET TO TRANSOM PLATE (1 3/8")	29	15
10-28634	SCREW, GEAR HOUSING GREASE FILLER HOLE	25	14	10-31985	SCREW, TOP COVER TO DRIVE SHAFT HOUSING (1 1/4")	21	15
10-28668	SCREW, DRIVE SHAFT HOUSING TO GEAR HOUSING	19	10	10-32024	SCREW, SWITCH RETAINER TO CONTROL PANEL (5/8")	31	46
10-28668	SCREW, GEAR RACK TO DRIVE SHAFT HOUSING (7/8")	19	24	10-32132	SCREW, RETAINER TO DRIVE SHAFT HOUSING (1 3/4")	23	40
10-29227	SCREW, HARNESS ATTACHING CLAMP (1/2")	31	50	10-32470	SCREW, GEAR HOUSING TO DRIVE SHAFT HOUSING (1 3/4")	27	44
10-30225	SCREW, BALL BEARING RETAINER TO HOUSING (1")	25	12	10-32866	SCREW, CONTROL PANEL TO BOAT (2")	31	39
10-30663	SCREW, HARNESS LEADS TO TERMINAL BLOCK (3/8")	29	23	10-33231	SCREW, TENSION SPRING TO ARM (1/2)	9	50
10-30663	SCREW, HYDRAULIC HOSE CLIP	37	25	10-33615	SCREW, WOOD-HARNESS CLAMP TO BOAT (1")	31	56
10-30902	SCREW, CUT-OUT SWITCH TO INNER TRANSOM PLATE	5	35	10-33684	SCREW, INLET COVER TO TRANSOM (3")	37	21
10-30902	SCREW, CUT-OUT SWITCH TO INNER TRANSOM PLATE (3/4")	7	27	10-34290	SCREW, STARTER SOLENOID TO MOUNTING BRACKET (5/8")	29	30
10-31628	BOLT, PIVOT - GIMBAL HOUSING TO GIMBAL RING (UPPER)	15	20	10-34763	SCREW, INHIBITOR PLATE TO OUTER TRANSOM PLATE	3	3
10-31700	SCREW, SET-SHIFT ACTUATING CABLE TO GEAR RACK	19	26	10-34763	SCREW, INHIBITOR PLATE TO OUTER TRANSOM PLATE	7	3
10-31716	SCREW, SHIFT FORK COVER TO DRIVE SHAFT HOUSING (5/8")	21	10	10-34954	BOLT, LINK ROD TO GIMBAL RING	11	24
10-31717	SCREW, GEAR HOUSING TO DRIVE SHAFT HOUSING (3 1/8")	27	45	10-35095	SCREW, STEERING CABLE TO YOKE	11	32
10-31830	SCREW, LOWER STEERING ARM TO STEERING SHAFT (1 3/4")	11	21	10-35401	SCREW, WOOD-HARNESS TO BOAT (1")	31	53
10-31830	SCREW, UPPER STEERING ARM TO STEERING SHAFT (1 3/4")	13	35	10-35624	BOLT, OUTER TRANSOM PLATE TO INNER TRANSOM PLATE (4")	3	7
10-31832	BOLT, PIVOT - PIVOT YOKE TO SWING RING	5	63	10-35624	SCREW, OUTER TRANSOM PLATE TO INNER TRANSOM PLATE (4")	7	6
10-31832	BOLT, PIVOT - YOKE TO SWIVEL RING	9	62	10-36003	SCREW, SHIELD AND SWITCH TO REVERSE LOCK VALVE (3/4")	35	29
10-31846	BOLT, LINK ROD TO LOWER STEERING ARM (2 1/16")	11	18	10-36167	SCREW, HYDRAULIC CONNECTOR TO GIMBAL HOUSING	15	8
10-31856	SCREW, SHIFT LINK TO SHIFT FORK (1")	19	13	10-36285	SCREW, SHIFT LINK TO YOKE (3/4)	19	16
10-31877	SCREW, GIMBAL HOUSING TO STEERING LEVER HOUSING (1 1/2")	15	27	10-36375	SCREW, SET-TAPERED ROLLER BEARING CUP RETAINER	21	26
10-31903	SCREW, RETAINING PLATE TO GIMBAL RING (3/8)	17	50	10-37990	SCREW, SHIFT CABLE ASSEMBLY TO SHIFT CABLE MNTG ARM (1 3/4")	5	40

# PARTS INDEX

Part Number	Description	Pg.	Ref. No.	Part Number	Description	Pg.	Ref. No.
10-45716	SCREW, COVER TO REVERSE LOCK VALVE (15/16")	35	15	11-22339	NUT, INNER TRANSOM PLATE SCREW	7	15
10-46736	SCREW, CAM TO CAM LEVER (1/2")	35	9	11-22339	NUT, UPPER PIVOT BOLT	15	22
10-46918	SCREW, VENT-HYDRAULIC PUMP	29	3	11-26484	NUT, JAM-TAPERED ROLLER BEARING CUP		
10-46918	SCREW, VENT-HYDRAULIC PUMP	33	7	11-28040	RETAINER SET SCREW	21	27
10-47258	SCREW, LOCKING - CLAMP NUT	3	17	11-30499	NUT, STEERING LEVER HOUSING STUD	11	11
10-47467	SCREW, INNER TRANSOM PLATE TO ENGINE (5 1/2")	7	10	11-31538	NUT, PINION GEAR TO UNIVERSAL JOINT	23	50
10-49354	SCREW, TRIM TAB TO GEAR HOUSING (2 1/2")	25	39	11-31608	NUT, PINION GEAR TO DRIVE SHAFT	25	6
10-53809	SCREW, LOCKING - CLAMP NUT	7	17	11-31844	NUT, PROPELLER	25	37
11-20061	NUT, SHIFT LINK SCREW	19	17	11-31847	NUT, LINK ROD BOLT	11	26
11-20083	NUT, STARTER SOLENOID TERMINAL (5/16")	29	28	11-32060	NUT, LINK ROD BOLT	11	20
11-20102	NUT, STEERING CABLE SCREW	13	34	11-32060	NUT, TAPERED ROLLER BEARING TO LOWER GEAR	21	32
11-20102	NUT, SWITCH ACTUATING ARM STUD	9	57	11-32060	NUT, TAPERED ROLLER BEARING TO UPPER GEAR	21	23
11-20110	NUT, COVER SCREW	35	16	11-33825	NUT, INLET COVER SCREW	37	23
11-20110	NUT, SHIFT CONTROL LEVER TO CAM LEVER STUD	35	21	11-34059	NUT, SHIFT ACTUATING CABLE GUIDE EYE	19	9
11-20190	NUT, CONTROL PANEL SCREW	31	41	11-34087	NUT, OUTER TRANSOM PLATE BOLT	3	10
11-20361	NUT, LINK ROD SCREW	9	47	11-34087	NUT, OUTER TRANSOM PLATE SCREW	7	9
11-20361	NUT, LINK ROD STUD	9	43	11-34388	NUT, HARNESS ATTACHING CLAMP SCREW	31	51
11-20361	NUT, SHIFT ACTUATING CABLE SCREW	5	58	11-34933	NUT, DRIVE SHAFT HOUSING STUDS	27	43
11-20361	NUT, SHIFT ACTUATING CABLE STUD	7	36	11-35000	NUT, DRIVE SHAFT HOUSING ANCHOR PIN	37	7
11-20361	NUT, SHIFT CABLE ASSEMBLY SCREW	5	44	11-35000	NUT, GIMBAL RING ANCHOR PIN	37	13
11-20361	NUT, SHIFT CABLE SCREW	3	22	11-35814	NUT, MOUNTING ARM STUD	7	40
11-20361	NUT, SHIFT CABLE STUD	7	22	11-35814	NUT, SHIFT CABLE MOUNTING ARM STUD	5	53
11-20361	NUT, SHIFT CABLE STUD	7	33	11-35814	NUT, SWITCH ACTUATING ARM TO INNER TRANSOM PLATE STUD	3	33
11-20361	NUT, STEERING CABLE SCREW	13	34	11-37984	NUT, JAM - STEERING CABLE GUIDE TUBE	5	60
11-20361	NUT, SWITCH ACTUATING ARM CABLE STUD	3	29	11-37984	NUT, JAM - STEERING CABLE GUIDE TUBE	9	59
11-20586	NUT, LINK ROD SCREW	5	48	12-20084	WASHER, STEERING CABLE SCREW	13	33
11-20586	NUT, LINK ROD TO MOUNTING ARM STUD	5	39	12-20260	WASHER, GEAR HOUSING GREASE FILLER HOLE SCREW	25	15
11-20645	NUT, HARNESS CLAMP SCREW	31	60	12-20260	WASHER, SEALING-FILLER SCREW	33	10
11-20645	NUT, MOUNTING BRACKET TO HYDRAULIC PUMP THRU BOLT	29	37	12-20260	WASHER, SEALING-HYDRAULIC PUMP FILLER SCREW	29	6
11-20645	NUT, STARTER SOLENOID TERMINAL (#10)	29	26	12-20546	WASHER, HYDRAULIC PUMP SCREW	29	18
11-20664	NUT, SHIFT LINK SCREW	19	14				
11-21528	NUT, HYDRAULIC PUMP SCREW	29	19				
11-21612	NUT, LOCKING SCREW	7	18				

# PARTS INDEX

Part Number	Description	Pg.	Ref. No.	Part Number	Description	Pg.	Ref. No.
12-20959	WASHER, GIMBAL HOUSING SCREW	15	28	12-35462	WASHER, LINK ROD SCREW	5	46
12-20959	WASHER, STEERING LEVER HOUSING STUD	11	10	12-35462	WASHER, LINK ROD SCREW	9	45
12-21273	WASHER, CAM LEVER STUD	35	20	12-35683	WASHER, CABLE GUIDE PIVOT YOKE	5	65
12-21900	WASHER, OUTER TRANSOM PLATE BOLT	3	9	12-35683	WASHER, CABLE GUIDE PIVOT YOKE	9	64
12-21900	WASHER, OUTER TRANSOM PLATE SCREW	7	8	12-35685	WASHER, UPPER STEERING ARM YOKE	11	30
12-24676	WASHER, CONTROL PANEL SCREW	31	40	12-36362	WASHER, UPPER PIVOT BOLT	15	21
12-24676	WASHER, HARNESS CLAMP SCREW	31	58	12-38334	WASHER, SYNTHANE - GIMBAL RING HINGE PIN	17	45
12-26168	WASHER, CLAMP NUT LOCKING SCREW	3	18	12-39143	WASHER, SHIFT ACTUATING CABLE SCEW	5	57
12-26825	WASHER, MOUNTING ARM STUD	7	39	12-39143	WASHER, SHIFT CABLE ASSEMBLY SCREW	5	43
12-26825	WASHER, SHIFT CABLE MOUNTING ARM STUD	5	51	12-39143	WASHER, SHIFT CABLE STUD	7	20
12-26825	WASHER, SWITCH ACTUATING ARM STUD	9	56	12-39279	WASHER, LEATHER-SHIFT ACTUATING CABLE	19	--
12-26825	WASHER, TENSION SPRING SCREW	9	51	12-45713	WASHER, RETAINING-BALL TO VALVE COVER	35	14
12-29245	WASHER, SHIFT ACTUATING CABLE SCEW	5	55	12-47394	WASHER, DRIVE SHAFT HOUSING ANCHOR PIN (33/64" I.D.)	37	6
12-29245	WASHER, SHIFT CABLE ASSEMBLY SCREW	5	41	12-47394	WASHER, GIMBAL RING ANCHOR PIN (33/64" I.D.)	37	12
12-29245	WASHER, SHIFT CABLE SCREW	3	21	12-47395	WASHER, DRIVE SHAFT HOUSING ANCHOR PIN (959/64" I.D.)	37	3
12-29245	WASHER, SWITCH ACTUATING ARM CABLE STUD	3	28	12-47395	WASHER, GIMBAL RING ANCHOR PIN (59/64" I.D.)	37	9
12-30283	WASHER, SECTOR GEAR PIVOT SHAFT	19	21	12-47466	WASHER, FIBER - INNER TRANSOM PLATE SCREW	7	12
12-30971	WASHER, INLET COVER SCREW	37	22	12-47475	WASHER, INNER TRANSOM PLATE SCREW	7	11
12-31536	WASHER, GEAR HOUSING COVER TO RETAINER	25	32	12-49273	WASHER, UPPER GEAR TAPERED ROLLER BEARING	21	19
12-31581	WASHER, GIMBAL RING TO GIMBAL HOUSING	17	42	13-20305	LOCKWASHER, MOUNTING BRACKET SCREW	29	16
12-31642	WASHER, CUPPED-THRUST HUB	25	35	13-21804	LOCKWASHER, REVERSE LOCK VALVE SCREW	35	26
12-31653	WASHER, SEPARATING - GIMBAL HOUSING TO OUTER TRANSOM PLATE	15	18	13-25906	WASHER, WAVE-REVERSE LOCK VALVE	35	6
12-31760	WASHER, LINK ROD STUD	7	42	13-26992	LOCKWASHER, CONTROL VALVE SCREW	29	13
12-31760	WASHER, SHIFT ACTUATING CABLE STUD	7	35	13-26992	LOCKWASHER, HYDRAULIC CONNECTOR SCREW	15	9
12-31760	WASHER, SHIFT CABLE STUD	7	32	13-26992	LOCKWASHER, MOUNTING BRACKET SCREW	29	35
12-31829	WASHER, NYLON - UPPER AND LOWER STEERING ARMS TO SHAFT	11	28	13-26992	LOCKWASHER, STARTER SOLENOID SCREW	29	31
12-32073	WASHER, PINION GEAR TO UNIVERSAL JOINT NUT	23	49	13-26993	LOCKWASHER, STARTER SOLENOID TERMINAL (5/16")	29	27
12-32620	WASHER, RUBBER - OUTER TRANSOM PLATE BOLT	3	8	13-26996	LOCKWASHER, CAM SCREW	35	10
12-32660	WASHER, RUBBER - OUTER TRANSOM PLATE SCREW	7	7				

# PARTS INDEX

Part Number	Description	Pg.	Ref. No.	Part Number	Description	Pg.	Ref. No.
13-26996	LOCKWASHER, THRU BOLT	33	19	16-25385	STUD, LINK ROD TO MOUNTING ARM . . . . .	7	29
13-27660	LOCKWASHER, HYDRAULIC PUMP THRU BOLT . . . . .	29	36	16-25385	STUD, MOUNTING ARM TO LINK ROD . . . . .	5	37
13-31848	LOCKWASHER, PIVOT BOLT	9	63	16-30715	STUD, SHIFT CABLE MOUNTING ARM TO INNER TRANSOM PLATE	5	49
13-31848	LOCKWASHER, PIVOT YOKE TO SWIVEL RING PIVOT BOLT . . . . .	5	64	16-32129	STUD, DRIVE SHAFT HOUSING TO GEAR HOUSING . . . . .	19	4
13-34846	LOCKWASHER, INNER TRANSOM PLATE SCREW	7	13	16-32421	STUD, STEERING LEVER HOUSING TO GIMBAL HOUSING (7 1/4") . . . . .	11	9
13-46917	LOCKWASHER, SEALING-VENT SCREW . . . . .	29	4	16-32422	STUD, STEERING LEVER HOUSING TO GIMBAL HOUSING (6 5/8") . . . . .	11	8
13-46917	LOCKWASHER, SEALING-VENT SCREW . . . . .	33	8	16-32467	STUD, SWITCH ACTUATING ARM TO INNER TRANSOM PLATE (2 5/16") . . . . .	3	30
14-31644	TAB WASHER, PROPELLER SHAFT . . . . .	25	36	16-32467	STUD, SWITCH ACTUATING ARM TO INNER TRANSOM PLATE (2 5/16") . . . . .	9	53
14-31651	TAB WASHER, GEAR RACK GUIDE SCREW . . . . .	19	25	16-32698	STUD, MOUNTING ARM TO INNER TRANSOM PLATE	7	37
14-31828	TAB WASHER, LOWER STEERING ARM SCREW .	11	22	16-34069	STUD, SHIFT ACTUATING CABLE TO MOUNTING ARM . . . . .	7	34
14-31828	TAB WASHER, RETAINER SCREW . . . . .	23	41	16-45715	STUD, SHIFT CONTROL LEVER TO CAM LEVER (23/32") . . . . .	35	18
14-31828	TAB WASHER, UPPER STEERING ARM SCREW .	13	36	16-47360	STUD, SHIFT CABLE TO MOUNTING ARM . . . . .	7	30
14-32054	TAB WASHER, TAPERED ROLLER BEARING TO LOWER GEAR NUT . . . . .	21	31	16-47360	STUD, SHIFT CABLE TO TRANSOM PLATE . . . . .	7	19
14-32054	TAB WASHER, TAPERED ROLLER BEARING TO UPPER GEAR NUT . . . . .	21	22	17-31537	PIN, DOWEL-PROPELLER GEAR TO PROPELLER SHAFT . . . . .	25	23
15-20928A1	SHIM, BEARING TO GEAR HOUSING (.002-3-5-10) . . . . .	25	7	17-31627	PIN, UPPER PIVOT BOLT LOCKING . . . . .	15	19
15-20928A1	SHIM, DRIVE SHAFT BALL BEARING TO RETAINER .	25	10	17-31634	PIN, SWIVEL - GIMBAL HOUSING TO GIMBAL RING (LOWER) . . . . .	15	32
15-31535A1	SHIM, BEARING CARRIER TO GEAR HOUSING (.002-3-5-10) . . . . .	25	25	17-35601	PIN, HINGE - GIMBAL RING TO DRIVE SHAFT HOUSING . . . . .	17	43
15-32062A1	SHIM, RETAINER TO DRIVE SHAFT HOUSING (.002-3-5-10-25) . . . . .	23	42	17-49278	PIN, ANCHOR-TRIM CYLINDER TO GIMBAL RING (12 1/4") . . . . .	37	8
15-32363A1	SHIM, TOP COVER TO DRIVE SHAFT HOUSING (.002-3-3-10) . . . . .	21	13	17-49279	PIN, ANCHOR-DRIVE SHAFT HOUSING (10 3/4") . . . . .	37	2
15-35244A1	SHIM, GIMBAL HOUSING BALL BEARING (.002-3-4-5-6-7-8-10) . . . . .	15	10	17-49546	PIN, DOWEL - GIMBAL HOUSING . . . . .	15	2
15-38374A1	SHIM, BEARING CUP TO GEAR HOUSING (.002-3-5-10) . . . . .	25	16	18-20180	COTTER PIN, SECTOR GEAR PIVOT SHAFT . . . . .	19	20
15-49264A1	SHIM, BEARING CUP TO DRIVE SHAFT HOUSING (.002-3-5-10-15) . . . . .	21	30	18-32857	COTTON PIN, SHIFT ACTUATING CABLE TO ARM . . . . .	9	52
15-49412A1	SHIM, ROLLER BEARING CUP TO RETAINER (.002-3-5-10-25) . . . . .	23	45	18-34212	COTTEN PIN, HINGE PIN RETAINING - GIMBAL RING . . . . .	17	44
15-49724A1	SHIM, WASHER TO DRIVE SHAFT HOUSING (.002-3-5-10-25) . . . . .	21	18				
16-20789	STUD, SHIFT ACTUATING CABLE TO SWITCH ACTUATING ARM . . . . .	3	27				

# PARTS INDEX

Part Number	Description	Pg.	Ref. No.	Part Number	Description	Pg.	Ref. No.
18-36377	COTTEN PIN, RETAINING - LOWER SWIVEL PIN . . . .	15	33	23-35977	GROMMET, RUBBER- HYDRAULIC HOSE . . . . .	37	18
19-31843	WELCH PLUG, UPPER PIVOT BOLT COVER - GIMBAL HOUSING . . . . .	15	23	23-37981	SPACER, SWITCH ACTUATING ARM STUD . . . .	9	55
19-35684	WELCH PLUG, INNER TRANSOM PLATE . . . . .	3	19	23-38335	BUSHING, SYNTHANE - DRIVE SHAFT HOUSING . . . .	19	2
19-47579	PLUG, TRIM TAB HOLE- DRIVE SHAFT HOUSING . . . .	21	2	23-45600	SLEEVE, SWITCH ACTUATING ARM STUD . . . .	9	54
19-49434	CAP, TRANSOM PLATE . . . .	3	11	23-47392	BUSHING, RUBBER-DRIVE SHAFT HOUSING ANCHOR PIN . . . . .	37	5
22-20025	PLUG, PIPE-OIL CHANNEL- DRIVE SHAFT HOUSING . . . .	21	11	23-47392	BUSHING, RUBBER-GIMBAL RING ANCHOR PIN . . . . .	37	11
22-21290	PLUG, PIPE-REVERSE LOCK VALVE . . . . .	35	5	23-47643	BUSHING, STEERING CABLE SCREW . . . . .	13	33
22-23612	FITTING, GREASE - STEERING LEVER HOUSING . . . . .	11	4	23-49267	SPACER, TAPERED ROLLER BEARING CUPS . . . . .	21	21
22-23612	FITTING, GREASE -GIMBAL RING . . . . .	17	40	23-49267	SPACER, TAPERED ROLLER BEARING CUPS . . . . .	21	29
22-25885	ELBOW, STEERING LEVER HOUSING STUD . . . . .	11	12	23-49401	SPACER, PINION GEAR ROLLER BEARING CUPS . . . .	23	47
22-31345	FITTING, GREASE - DRIVE SHAFT HOUSING . . . . .	19	5	23-53810	SLEEVE, LINK ROD SCREW	9	46
22-31345	FITTING, GREASE - GIMBAL HOUSING . . . . .	15	5	23-53811	SPACER, SHIFT CABLE STUD . . . . .	7	31
22-32018	PLUG, OIL FILLER-SHIFT FORK COVER . . . . .	21	7	24-32922	SPRING, COMPRESSION - SWITCH ACTUATING ARM PLUNGER TENSION . . . .	3	24
22-32125	CONNECTOR, SHIFT ACTUATING CABLE . . . . .	19	28	24-49593	SPRING, DRIVE SHAFT HOUSING ANCHOR PIN . . . .	37	4
22-48166	ELBOW, HYDRAULIC TRIM HOSE TO REVERSE LOCK VALVE . . . . .	35	3	24-49593	SPRING, GIMBAL RING ANCHOR PIN . . . . .	37	10
22-48167	CONNECTOR, ELBOW . . . .	35	4	24-53812	SPRING, TENSION - SWITCH ACTUATING ARM . . . . .	9	49
22-48169	ELBOW, CONTROL VALVE . . . .	29	11	25-25439	"O" RING, UNIVERSAL JOINT	23	38
23-26841	BUSHING, SWITCH ACTUATING ARM TO INNER TRANSOM PLATE STUD . . . . .	3	31	25-26834	"O" RING, HYDRAULIC PUMP . . . . .	33	1
23-27818	SPACER, SHIFT CABLE MOUNTING ARM STUD . . . .	5	52	25-26834	"O" RING, HYDRAULIC PUMP TO CONTROL VALVE . . . . .	29	2
23-31758	SPACER, MOUNTING ARM STUD . . . . .	7	38	25-26834	"O" RING, HYDRAULIC PUMP TO CONTROL VALVE (SEE REFERENCE #2 . . . . .	29	--
23-31758	SPACER, SHIFT CABLE MOUNTING ARM STUD . . . .	5	50	25-31305	"O" RING, GIMBAL HOUSING ADAPTOR (LARGE) . . . . .	15	15
23-31853	BUSHING, LINK ROD BOLT . . . .	11	19	25-31534	"O" RING, BEARING CARRIER TO GEAR HOUSING COVER . . . . .	25	27
23-31853	BUSHING, LINK ROD BOLT . . . .	11	25	25-32068	"O" RING, TOP COVER SEALING . . . . .	21	12
23-31866	SLEEVE, SHIFT CABLE STUD . . . . .	7	21	25-32069	"O" RING, ROLLER BEARING RETAINER . . . . .	23	43
23-31866	SPACER, LINK ROD SCREW	5	47	25-32424	"O"RING, GIMBAL HOUSING ADAPTOR (SMALL) . . . . .	15	16
23-31866	SPACER, SHIFT ACTUATING CABLE SCEW . . . . .	5	56	25-35126	RING, OIL FILLER PLUG . . . .	21	8
23-31866	SPACER, SHIFT CABLE ASSEMBLY SCREW . . . . .	5	42	25-45710	"O" RING, REVERSE LOCK VALVE . . . . .	35	7
23-31902	SPACER, TILT STOP SWITCH TO RETAINING PLATE . . . . .	17	48	25-45711	"O" RING, VALVE COVER . . . .	35	12
23-34058	SPACER, SHIFT ACTUATING CABLE GUIDE EYE . . . . .	19	8	26-31554	OIL SEAL, GEAR HOUSING COVER . . . . .	25	30
23-35130	ADAPTOR, BALL BEARING . . . .	15	11				

# PARTS INDEX

Part Number	Description	Pg.	Ref. No.	Part Number	Description	Pg.	Ref. No.
26-31851	OIL SEAL, STEERING LEVER HOUSING	11	3	32-47373	HOSE, HYDRAULIC-CONNECTOR TO TRIM CYLINDER (12 1/2")	37	14
26-32911	OIL SEAL, GIMBAL HOUSING	15	3	32-49433	HOSE, HYDRAULIC-CONNECTOR TO HYDRAULIC PUMP (42")	37	15
26-32911	OIL SEAL, GIMBAL RING	17	38	32-49433	HOSE, HYDRAULIC-CONNECTOR TO REVERSE LOCK VALVE (42")-	37	17
26-33613	SEAL, OIL TUBE-BALL BEARING RETAINER	25	13	32-52951A1	TUBE ASS'Y, PUMP TO REVERSE LOCK VALVE (31 1/4")	37	27
26-36054	OIL SEAL, ROLLER BEARING RETAINER	23	44	32-53861	HOSE, HYDRAULIC-CONNECTOR TO REVERSE LOCK VALVE (49")	37	17
26-36143	GREASE SEAL, GIMBAL HOUSING ADAPTOR	15	13	35-32250	SCREEN, FILTER-GEAR HOUSING	27	42
27-32277	GASKET, DRIVE SHAFT HOUSING TO GEAR HOUSING	21	3	37-39395	DECAL, SERIAL NUMBER	11	13
27-32366	GASKET, SHIFT FORK COVER	21	9	37-39428A1	DECAL SET, DRIVE SHAFT HOUSING	19	3
27-32423	GASKET, STEERING LEVER HOUSING TO GIMBAL HOUSING	11	7	38-45372	DECAL, INSTRUCTIONS-HYDRAULIC PUMP	29	9
27-36079	GASKET, INLET COVER	37	20	43-31526	GEAR, PROPELLER-PROPELLER SHAFT	25	20
30-20840	BEARING, BALL-GEAR HOUSING COVER	25	31	43-31719	GEAR, REVERSE LOCK - SECTOR GEAR PIVOT SHAFT	19	22
30-32165	BEARING, BALL-DRIVE SHAFT	25	8	43-35178	GEAR, SECTOR - GEAR RACK GUIDE	19	18
30-36418	BEARING, BALL - GIMBAL HOUSING	15	12	43-49265	GEAR, REVERSE	21	24
30-45712	BALL, VALVE COVER	35	13	43-49265A2	GEAR ASSEMBLY, COMPLETE (INCLUDES FORWARD AND PINION GEAR)	21	17
31-30457	BEARING, ROLLER - STEERING LEVER HOUSING	11	2	43-49672	GEAR, PINION-DRIVE SHAFT	25	4
31-30894A1	TAPERED ROLLER BEARING ASSEMBLY, PROPELLER GEAR	25	21	44-32245	SHAFT, PROPELLER	25	24
31-31092	CUP, TAPERED ROLLER BEARING	25	22	45-49919	DRIVE SHAFT	25	3
31-31559	BEARING, ROLLER - GIMBAL HOUSING	15	4	52-49270	CLUTCH, SLIDING-SHIFT FORK	21	16
31-31559	BEARING, ROLLER - GIMBAL RING	17	39	53-31539	RING, SNAP-BALL BEARING TO GEAR HOUSING	25	9
31-35928A2	TAPERED ROLLER BEARING ASSEMBLY, LOWER GEAR	21	28	53-49900	RING, RETAINING-PINION GEAR ROLLER BEARING CUP TO RETAINER	23	48
31-35928A2	TAPERED ROLLER BEARING ASSEMBLY, UPPER GEAR	21	20	54-22740	CLIP HYDRAULIC HOSE TO TRANSOM PLATE (3/8")	37	24
31-38356A1	TAPERED ROLLER BEARING ASSEMBLY, PROPELLER SHAFT	25	17	54-22740	CLIP, TILT STOP SWITCH LEADS ATTACHING	17	53
31-38357	CUP, TAPERED ROLLER BEARING	25	18	54-22875	CLAMP, HARNESS TO BOAT	31	55
31-49398A2	TAPERED ROLLER BEARING ASSEMBLY, PINION GEAR	23	46	54-22875	CLAMP, HARNESS TO BOAT (7/16")	31	52
31-49920	BEARING, ROLLER-DRIVE SHAFT	25	2	54-23567	CLAMP, HARNESS TO BOAT (9/16")	31	52
32-31879	TUBE, NYLON - SHIFT ACTUATING CABLE GUIDE	11	6	54-23568	CLIP, CUT-OUT SWITCH LEAD TO REVERSE LOCK VALVE	35	22
32-35015	TUBE, STEERING CABLE GUIDE	5	59	54-23568	CLIP, SWITCH HARNESS TO TRANSOM PLATE	7	23
32-35015	TUBE, STEERING CABLE GUIDE	9	58				



# PARTS INDEX

Part Number	Description	Pg.	Ref. No.	Part Number	Description	Pg.	Ref. No.
54-24836	CLIP, TILT STOP SWITCH LEADS TO GIMBAL HOUSING . . . . .	15	24				
54-24836	CLIP, TILT STOP SWITCH LEADS TO STEERING LEVER HOUSING . . . . .	11	14				
54-31765	CLAMP, UNIVERSAL JOINT BELLOWS TO GIMBAL HOUSING (SMALL) . . . . .	15	29				
54-31766	CLAMP, SHIFT ACTUATING CABLE BELLOWS TO GIMBAL HOUSING . . . . .	15	34				
54-31767	CLAMP, , UNIVERSAL JOINT BELLOWS TO DRIVE SHAFT HOUSING (LAR . .	15	31				
54-37282	CLAMP, HYDRAULIC PUMP HARNESS . . . . .	29	7				
54-38863	CLAMP, SHIFT ACTUATING CABLE BELLOWS TO SHIFT ACTUATING CABL	15	36				
54-39788	CLAMP, CUT-OUT SWITCH LEADS ATTACHING SCREW . . . . .	3	14				
54-46770	CLAMP, HARNESS ATTACHING . . . . .	31	49				
92-27109--1	ADHESIVE COMPOUND (3 1/2 OUNCE KIT), EMBLEM FASTENING . . . . .	23	--				
392-2529	SPRING SET, BRUSH TENSION . . . . .	33	17				
392-2618	CAM, VALVE BODY . . . . .	33	3				
392-2623	WASHER, THRUST- ARMATURE . . . . .	33	11				
392-2936	VALVE BODY AND GEAR ASSEMBLY . . . . .	33	2				
392-2937	SEAL, RESERVIOR TO VALVE BODY AND GEAR	33	5				
392-2938	BOLT SET, THRU-PLATE AND FRAME TO RESERVIOR . . . . .	33	18				
392-2939	RESERVIOR ASSEMBLY . . .	33	6				
392-2940	PLATE ASSEMBLY, COMMUTATOR END . . . . .	33	15				
392-2941	BRUSH SET, COMMUTATOR END PLATE . . . . .	33	16				
392-2942	FIELD AND FRAME ASSEMBLY . . . . .	33	13				
392-2943	ARMATURE, FIELD AND FRAME . . . . .	33	12				
392-2944	BALL, COMMUTATOR END PLATE . . . . .	33	14				
1544-3442A1	DRIVE SHAFT HOUSING ASSEMBLY . . . . .	19	1				
1544-3442A1	DRIVE SHAFT HOUSING ASSEMBLY (SEE D2 FOR BREAKDOWN) . . . . .	21	1				
1625-3503A1	GEAR HOUSING ASSEMBLY	25	1				
1625-3503A3	GEAR HOUSING ASSEMBLY, COMPLETE . . . . .	25	-				