



PARTS CATALOG

350 INBOARD ENGINE

SERIAL NUMBER

350 MIE GM 454 V-8 1974-1976 3780450 THRU 4623109

TABLE OF CONTENTS:

CARBURETOR ASSEMBLY, COMPLETE	14
CYLINDER BLOCK, PISTONS AND CRANKSHAFT	34
CYLINDER HEAD AND ROCKER COVER	42
DISTRIBUTOR ASSEMBLY, COMPLETE	8
EXHAUST MANIFOLD AND EXHAUST ELBOW	18
FLYWHEEL HOUSING	30
FUEL PUMP, FUEL FILTER AND CARBURETOR	10
INTAKE MANIFOLD AND WATER PUMP	40
MOUNTING BRACKETS	46
OIL COOLER, OIL FILTER AND HOSES	26
OIL PAN AND OIL PUMP	44
PARTS INDEX	56
STARTER MOTOR AND ALTERNATOR	2
TRANSMISSION ASSEMBLY (INBOARD)	48
TRANSMISSION ASSEMBLY (V-DRIVE)	52
WATER DISTRIBUTION HOSES	32
WATER PUMP ASSEMBLY, COMPLETE	22
WIRING HARNESS, SWITCH BOX AND IGNITION COIL	4

NOTE: *Indented description indicate that these parts are included in preceeding assembly.*

AR = As Required

NSS = Not Sold Separate

OPT = Optional

NS = Not Shown

THESE PARTS BOOKS/FICHE CARD ARE COPYRIGHTED AND MAY NOT BE DISTRIBUTED OR REPRODUCED IN ANY OTHER FORMAT BY ANYONE OTHER THAN MERCURY MARINE WITHOUT THE PRIOR WRITTEN CONSENT OF MERCURY MARINE.

REPLACEMENT PARTS ! WARNING !

Electrical, ignition and fuel system components on MerCruiser Engines and Stern Drives are designed and manufactured to comply with U.S. Coast Guard Rules and Regulations to minimize risks of fire or explosion. Use of replacement electrical, ignition or fuel system components, which do not comply to these rules and regulations, could result in a fire or explosion hazard and should be voided.

When servicing the electrical, ignition and fuel systems, it is extremely important that all components are properly installed and tightened. If not, any electrical or ignition component opening would permit sparks to ignite fuel vapors from fuel system leaks, if they existed.

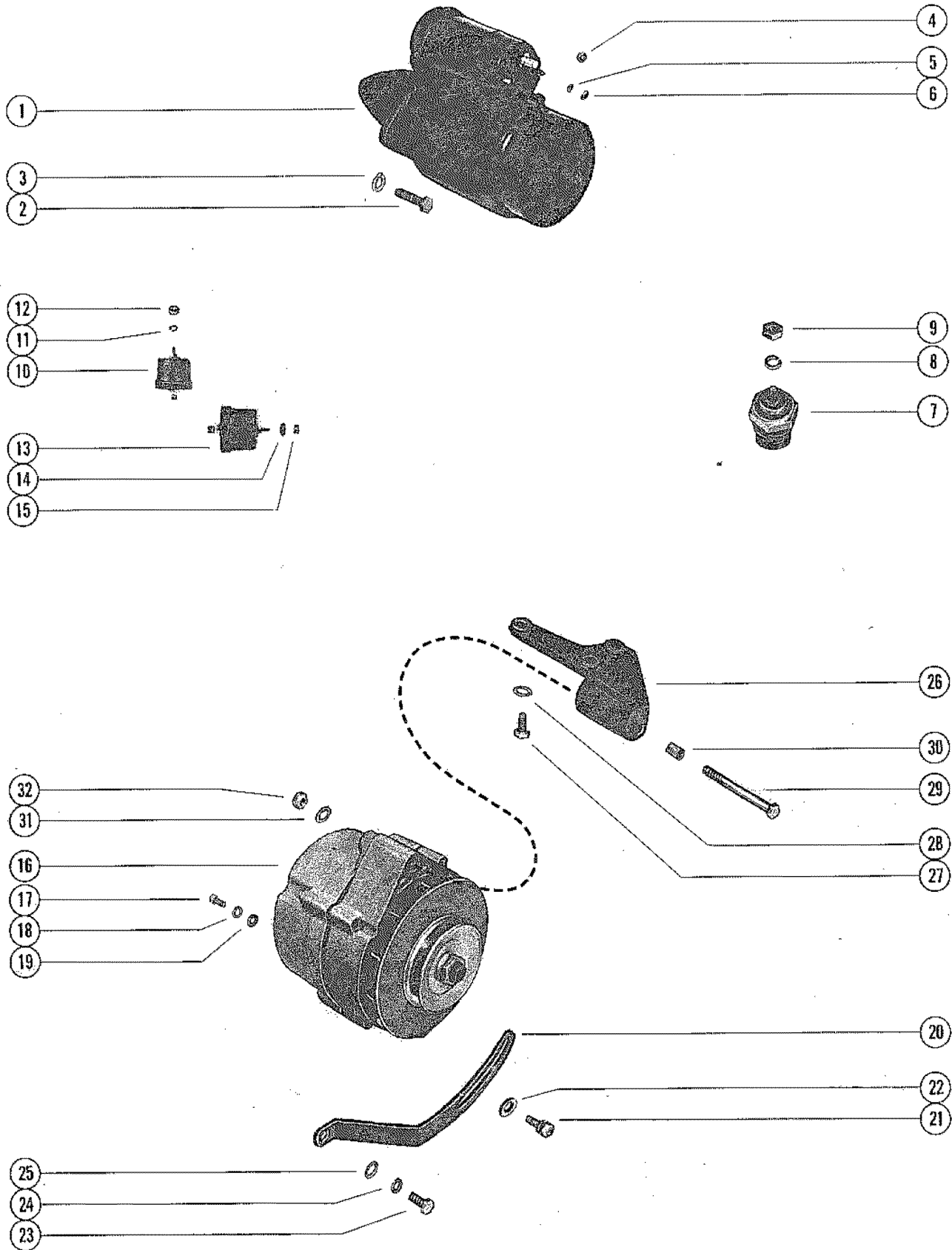
ENGINE MECHANICAL COMPONENTS

Many of the engine mechanical components are designed for marine applications. Unlike automotive engines, marine engines are subjected to extended periods of heavy load and wide- open-throttle operation, therefore, require heavy-duty components. Special marine engine parts have design and manufacturing specifications, which are required to provide long life and dependable performance. Marine engine parts also must be able to resist the corrosive action of salt or brackish water that will rust or corrode standard automotive parts within a short period of time.

Failure to use recommended Mercury Precision Parts OR Quicksilver service replacement parts can result in poor engine performance and/or durability, rapid corrosion of parts subjected to salt water and possibly complete failure of the engine.

Use of parts other than recommended service replacement parts will void the warranty on those parts which are damaged as a result of the use of other than recommended parts.

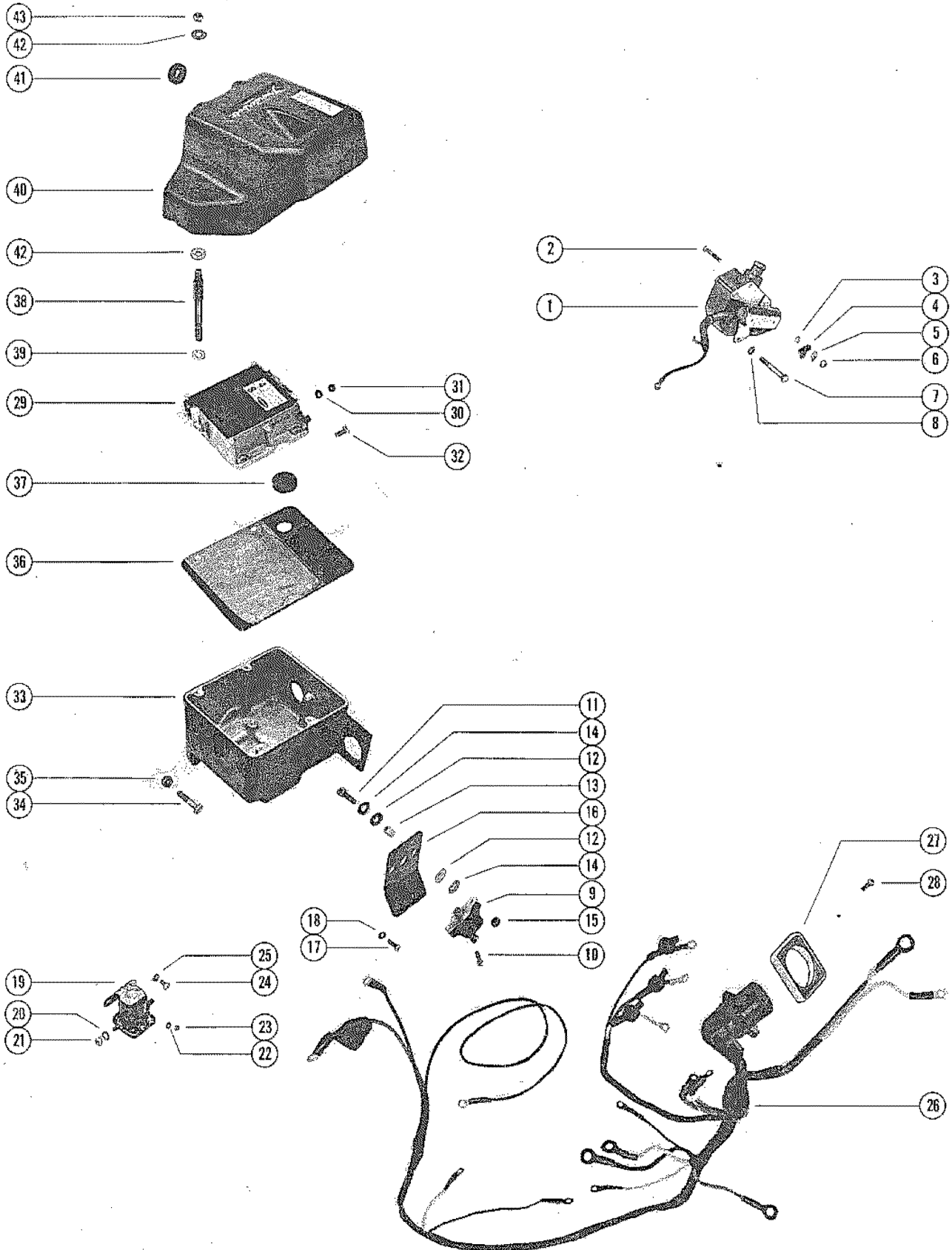
STARTER MOTOR AND ALTERNATOR



STARTER MOTOR AND ALTERNATOR

REF. NO.	PART NO.	SYM.	QTY.	DESCRIPTION
1	50-65784A1		1	STARTER MOTOR ASS'Y(LEFT HAND CRANKSHAFT ROTATION) SEE NOTE BELOW
	50-65785A1		1	STARTER MOTOR ASS'Y(RIGHT HAND CRANKSHAFT ROTATION) SEE NOTE BELOW
2	10-47462		2	SCREW, STARTER MOTOR TO CYLINDER BLOCK (1 1/4")
3	13-32993		2	LOCKWASHER, STARTER MOTOR SCREW
4	11-26995		1	NUT, STARTER TERMINAL (3/8")
5	13-26995		2	LOCKWASHER, STARTER TERMINAL (#8)
6	11-26419		2	NUT, STARTER TERMINAL (#8)
7	34625		1	WATER TEMPERATURE SENDER ASSEMBLY
8	13-26996		1	LOCKWASHER, WATER TEMPERATURE SENDER TERMINAL (#10)
9	11-20645		1	NUT, WATER TEMPERATURE SENDER TEMINAL (#10)
10	34623		1	OIL PRESSURE SENDER ASSEMBLY
11	13-26996		1	LOCKWASHER, OIL PRESSURE SENDER TERMINAL (#10)
12	11-20645		1	NUT, OIL PRESSURE SENDER TERMINAL (#10)
13	38559		1	SWITCH, OIL PRESSURE
14	12-20878		1	WASHER, OIL PRESSURE SWITCH TERMINAL (#10)
15	11-20645		1	NUT, OIL PRESSURE SWITCH TERMINAL (#10)
16	59755		1	ALTERNATOR ASSEMBLY SEE NOTE BELOW SERIAL 00000000-04178869
	69729		1	ALTERNATOR ASSEMBLY SEE NOTE BELOW SERIAL 04178870-09999999
17	10-20055		1	SCREW, GROUND CABLE TO ALTERNATOR
18	13-26996		1	LOCKWASHER, GROUND CABLE SCREW
19	12-30164		1	WASHER, GROUND CABLE SCREW
20	47498		1	BRACE, ALTERNATOR ADJUSTING
21	10-29198		1	SCREW, ALTERNATOR BRACE TO ALTERNATOR (7/8")
22	12-26168		1	WASHER, ALTERNATOR BRACE SCREW
23	10-31381		1	SCREW, ALTERNATOR BRACE TO CYLINDER BLOCK (1")
24	13-32993		1	LOCKWASHER, ALTERNATOR BRACE SCREW
25	12-22248		1	WASHER, ALTERNATOR BRACE SCREW
26	47487		1	BRACKET, ALTERNATOR MOUNTING
27	10-34353		2	SCREW, ALTERNATOR BRACKET TO EXHAUST MANIFOLD (1")
	10-32774		1	SCREW, ALTERNATOR BRACKET TO EXHAUST MANIFOLD (2")
28	13-35048		3	LOCKWASHER, ALTERNATOR BRACKET SCREW
29	10-48308		1	SCREW, ALTERNATOR TO ALTERNATOR BRACKET (3 3/4")
30	23-33186		1	BUSHING, ALTERNATOR BRACKET SCREW
31	12-20553		1	WASHER, ALTERNATOR BRACKET SCREW
32	11-23161		1	NUT, ALTERNATOR BRACKET SCREW

WIRING HARNESS, SWITCH BOX AND IGNITION COIL

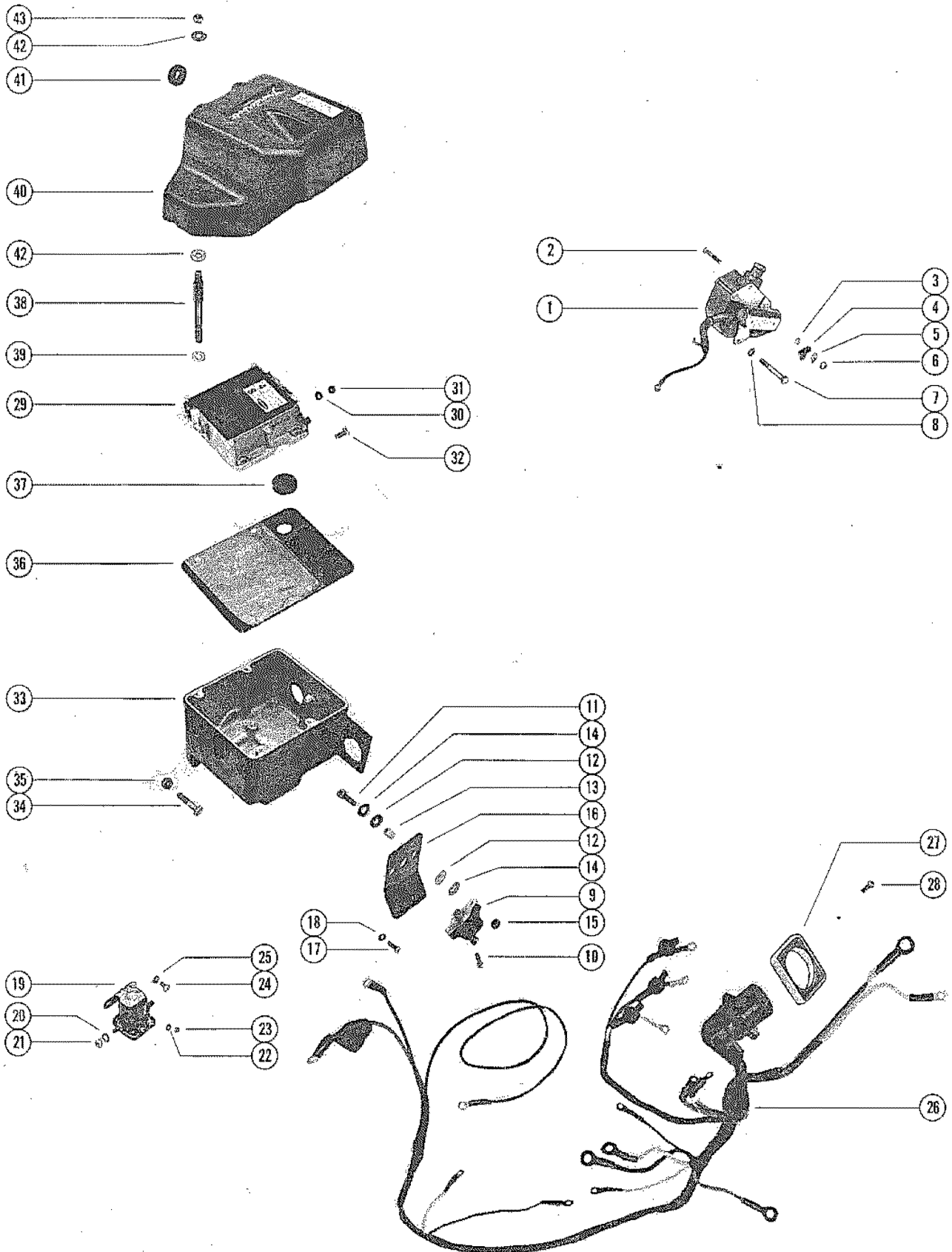


WIRING HARNESS, SWITCH BOX AND IGNITION COIL

REF. NO.	PART NO.	SYM.	QTY.	DESCRIPTION
1	332-2983A17		1	IGNITION COIL ASSEMBLY
2	10-45102		1	SCREW, IGNITION COIL CLAMPING (2 3/8")
	10-45103		1	SCREW, IGNITION COIL CLAMPING (2")
3	12-37407		1	WASHER, IGNITION COIL SREW
4	54-22740		1	CLIP, IGNITION COIL LEAD
5	22789		1	"D" WASHER, IGNITION COIL SCREW
6	11-20645		2	NUT, IGNITION COIL SCREW
7	10-27337		2	SCREW, IGNITION COIL TO ELECTRICAL COMPARTMENT
8	13-26992		2	LOCKWASHER, IGNITION COIL SCREW
9	59816		1	CIRCUIT BREAKER SERIAL 00000000-04178869
10	10-36046		2	SCREW, CIRCUIT BREAKER (1/4") SERIAL 00000000-04178869
9	88-65093		1	CIRCUIT BREAKER SERIAL 04178870-09999999
11	10-47618		2	SCREW, CIRCUIT BREAKER TO BRACKET (1")
12	25-61999		4	GROMMET, CIRCUIT BREAKER SCREW
13	23-61998		2	SPACER, CIRCUIT BREAKER SCREW
14	12-47960		4	WASHER, CIRCUIT BREAKER SCREW
15	11-46438		2	NUT, CIRCUIT BREAKER SCREW
16	65940		1	BRACKET, CIRCUIT BREAKER
17	10-53787		2	SCREW, BRACKET TO ELECTRICAL COMPARTMENT (3/8")
18	13-26996		2	LOCKWASHER, BRACKET SCREW
19	25661		1	STARTER SOLENOID
20	13-26993		2	LOCKWASHER, STARTER SOLENOID TERMINAL (5/16")
21	11-20083		2	NUT, STARTER SOLENOID TERMINAL (5/16-24)
22	13-26996		2	LOCKWASHER, STARTER SOLENOID TERMINAL (#10)
23	11-20645		2	NUT, STARTER SOLENOID TERMINAL (10-32)
24	10-20031		2	SCREW, STARTER SOLENOID TO ELECTRICAL COMPARTMENT (1/2")
25	13-26992		2	LOCKWASHER, STARTER SOLENOID SCREW
26	84-64408		1	WIRING HARNESS
27	26079		1	PLATE, WIRING HARNESS TO MOUNTING BRACKET
28	10-46718		4	SCREW, WIRING HARNESS PLATE TO MOUNTING BRACKET (3/4")
29	332-2986A22		1	SWITCH BOX ASSEMBLY
30	13-26996		7	LOCKWASHER, SWITCH BOX TERMINAL
31	11-45076		7	NUT, SWITCH BOX TERMINAL
32	10-45218		1	SCREW, GROUND WIRE TO SWITCH BOX (3/8")
33	63878		1	COMPARTMENT, ELECTRICAL
34	10-52498		2	SCREW, ELECTRICAL COMPARTMENT TO ENGINE (1 1/2")
35	11-20696		2	NUT, ELECTRICAL COMPARTMENT SCREW
36	63879		1	PLATE, SWITCH BOX
37	25-57009		1	GROMMET, SWITCH BOX PLATE
38	16-65941		4	STUD, SWITCH BOX AND COVER ATTACHING

CONTINUED ON NEXT PAGE ➡

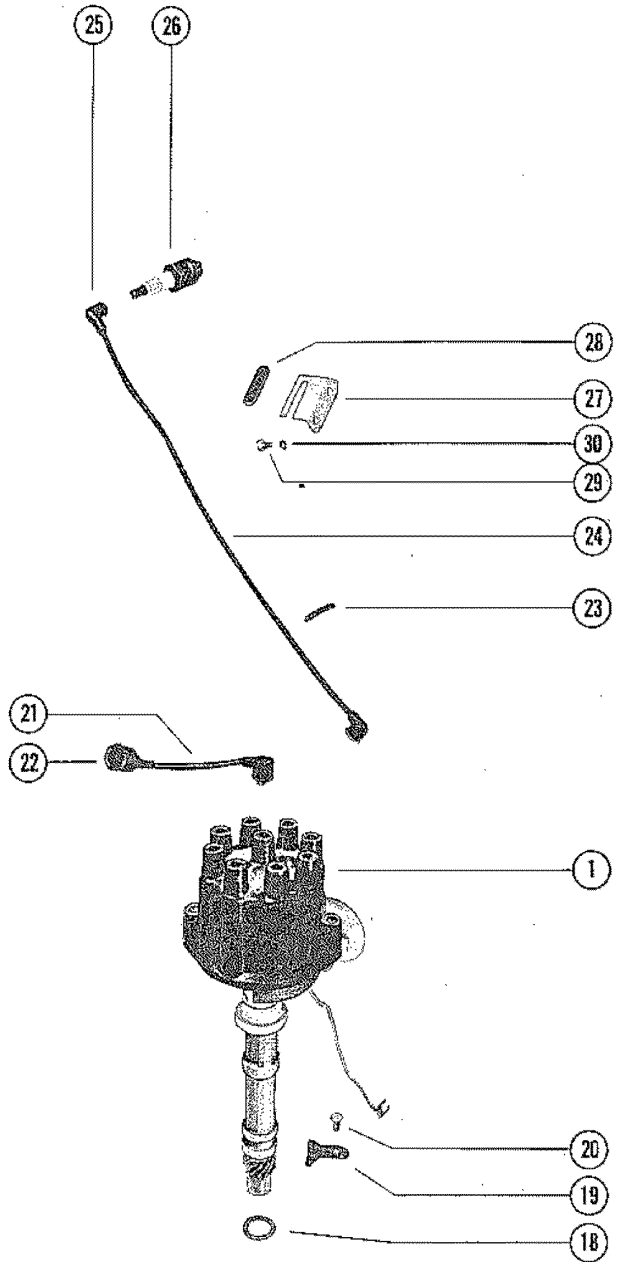
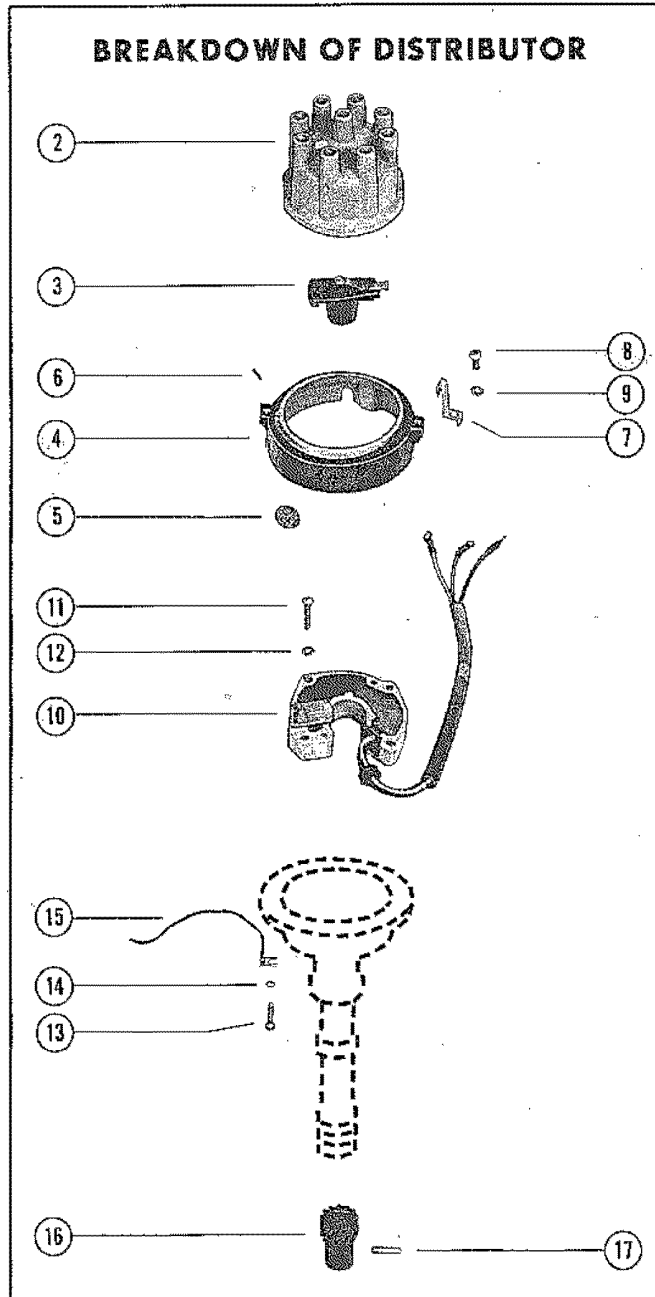
WIRING HARNESS, SWITCH BOX AND IGNITION COIL



WIRING HARNESS, SWITCH BOX AND IGNITION COIL

REF. NO.	PART NO.	SYM.	QTY.	DESCRIPTION
39	13-22773		4	LOCKWASHER, SWITCH BOX AND COVER STUD
40	65939A1		1	COVER ASSEMBLY, ELECTRICAL COMPARTMENT
41	25-21099		1	GROMMET, ELECTRICAL COMPARTMENT COVER
42	12-21249		8	WASHER, COVER STUD
43	11-20664		4	NUT, COVER STUD

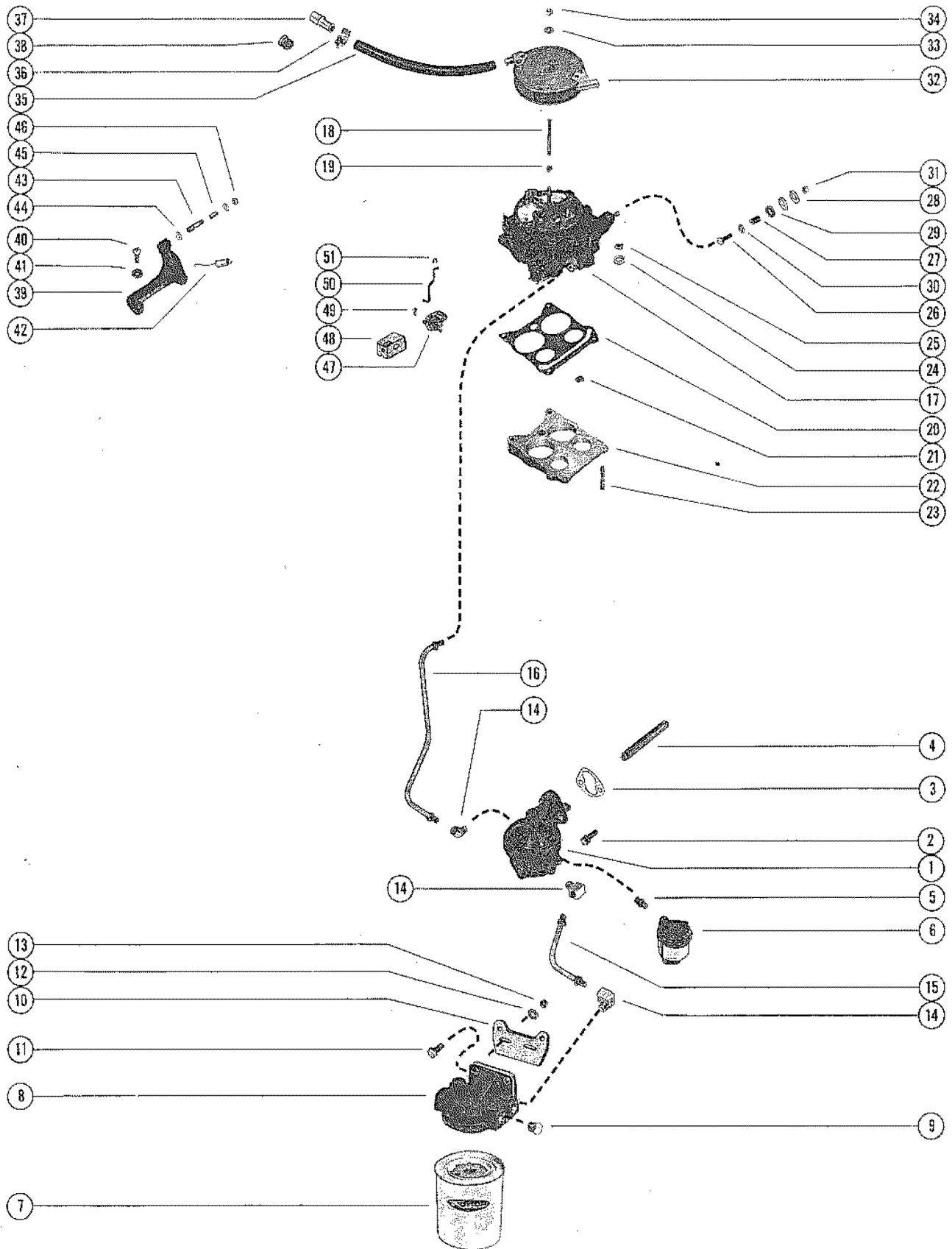
DISTRIBUTOR ASSEMBLY, COMPLETE



DISTRIBUTOR ASSEMBLY, COMPLETE

REF. NO.	PART NO.	SYM.	QTY.	DESCRIPTION
1	47493A12		1	DISTRIBUTOR ASSEMBLY
2	393-4988		1	CAP, DISTRIBUTOR
3	65864		1	ROTOR, DISTRIBUTOR
4	59754A1		1	HOUSING, ASSEMBLY, ADAPTOR
5	35-60047A1		2	FLAME ARRESTOR ASSEMBLY
6	17-20032		2	PIN, DOWEL - ADAPTOR HOUSING
7	54-65783A2		2	CLAMP ASSEMBLY, CAP TO ADAPTOR HOUSING
8	10-21335		2	SCREW, CLAMP TO ADAPTOR HOUSING (7/8")
9	13-26996		2	LOCKWASHER, DISTRIBUTOR CLAMP FASTENING SCREW
10	393-2918A8		1	TRIGGER ASSEMBLY
11	10-47618		4	SCREW, TRIGGER ATTACHING (1")
12	13-26996		4	LOCKWASHER, TRIGGER ATTACHING SCREW
13	10-26595		4	SCREW, ADAPTOR HOUSING FASTENING (3/4")
14	13-26995		4	LOCKWASHER, ADAPTOR HOUSING SCREW
15	52618		1	WIRE. GROUND
16	43-47619		1	GEAR, DISTRIBUTOR
17	17-47617		1	ROLL PIN, GEAR TO DISTRIBUTOR
18	27-52184		1	GASKET, DISTRIBUTOR
19	52185		1	CLAMP, DISTRIBUTOR TO INTAKE MANIFOLD
20	10-54528		1	SCREW, DISTRIBUTOR CLAMP ATTACHING (1")
21	47862A2		1	LEAD ASSEMBLY, DISTRIBUTOR TO COIL (13 1/2")
22	332-2854		1	BOOT, COIL TOWER
23	32782		1	RETAINER, HIGH TENSION LEADS (2 WIRE)
	32783		2	RETAINER, HIGH TENSION LEADS (3 WIRE)
	32784		2	RETAINER, HIGH TENSION LEADS (4 WIRE)
24	47861A1		1	LEAD ASSEMBLY, HIGH TENSION (44") - CYL. #1
	47861A2		1	LEAD ASSEMBLY, HIGH TENSION (42") - CYL. #2
	47861A3		2	LEAD ASSEMBLY, HIGH TENSION (37") - CYL. #3 AND #4
	47861A4		2	LEAD ASSEMBLY, HIGH TENSION (33") - CYL. #5 AND #6
	47861A6		2	LEAD ASSEMBLY, HIGH TENSION (28") - CYL. #7 AND #8
25	47604A1		8	PROTECTOR, SPARK PLUG
26	33-59660		8	SPARK PLUG, (AC-MR 41T)
27	47763		2	BRACKET, RETAINER - HIGH TENSION LEADS
28	25-38930		2	GROMMET, RETAINER BRACKET
29	10-27165		2	SCREW, RETAINER BRACKET TO CYLINDER HEAD (3/4")
30	13-35048		2	LOCKWASHER, RETAINER BRACKET SCREW

FUEL PUMP, FUEL FILTER AND CARBURETOR

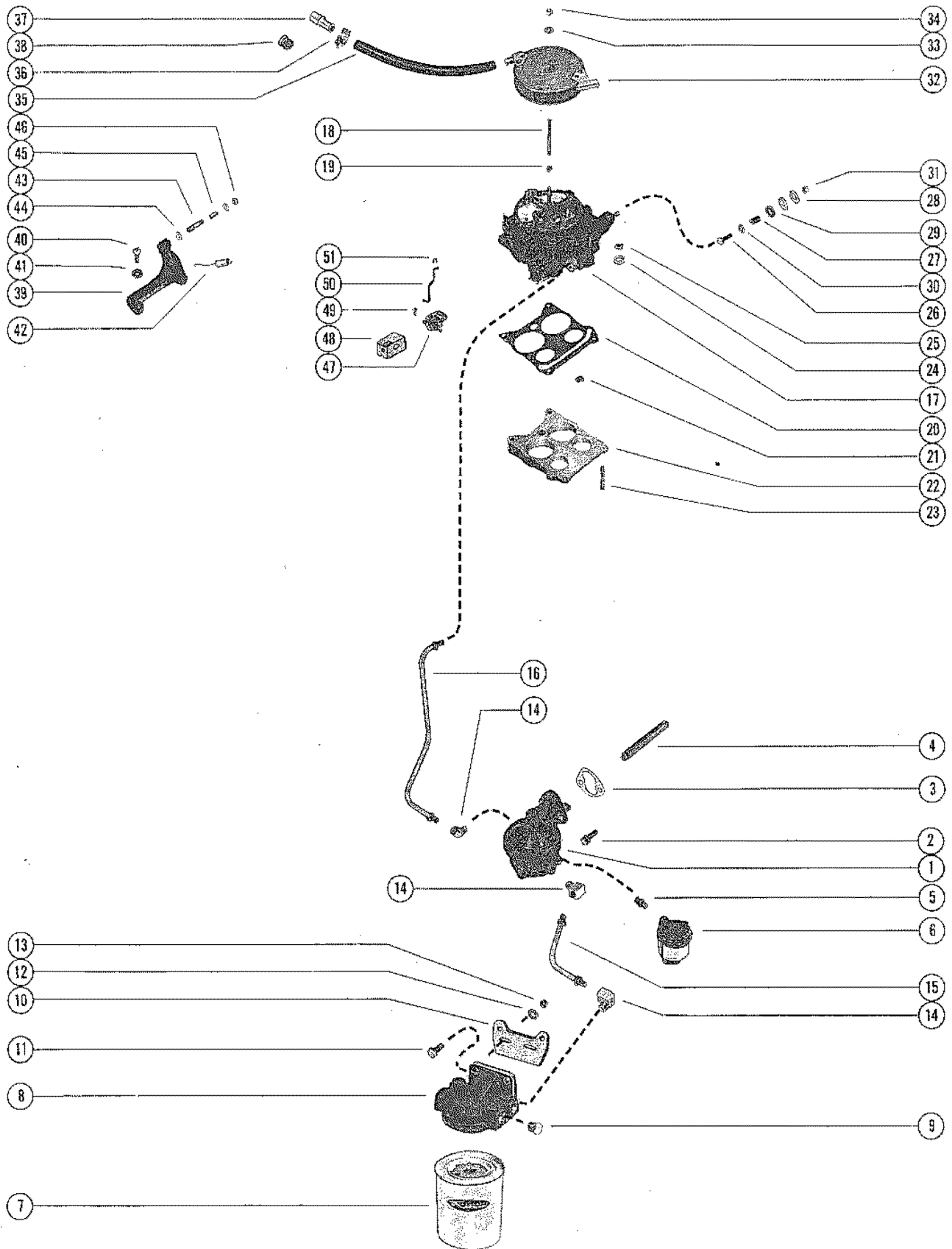


FUEL PUMP, FUEL FILTER AND CARBURETOR

REF. NO.	PART NO.	SYM.	QTY.	DESCRIPTION
1	63196		1	FUEL PUP ASSEMBLY
2	10-35169		2	SCREW, FUEL PUMP TO CYLINDER BLOCK (1 1/8")
3	27-34213		1	GASKET, FUEL PUMP TO CYLINDER BLOCK
4	35377		1	ROD, PUSH - FUEL PUMP
5	22-32876		1	NIPPLE, SIGHT GLASS TO FUEL PUMP
6	47816		1	SIGHT GLASS
7	35-60494		1	FUEL FILTER
8	55481		1	BASE, FUEL FILTER
9	22-36382		2	PLUG, PIPE - FUEL FILTER
10	54646		1	BRACKET, MOUNTING - FUEL FILTER
11	10-20639		2	SCREW, FUEL FILTER TO MOUNTING BRACKET (1/2")
12	12-20084		2	WASHER, FUEL FILTER SCREW
13	11-35814		2	NUT, FUEL FILTER SCREW
14	22-33821		3	ELBOW, FUEL LINE TO FUEL PUMP AND FUEL FILTER
15	32-62872		1	FUEL LINE, FUEL FILTER TO FUEL PUMP (STEEL TUBING)
16	32-62873		1	FUEL LINE, FUEL PUMP TO CARBURETOR (STEEL TUBING)
17	1347-5326A2		1	CARBURETOR ASSEMBLY
18	16-33213		1	STUD, FLAME ARRESTOR MOUNTING - CARBURETOR
19	11-28941		1	NUT, JAM - FLAME ARRESTOR MOUNTING STUD (BOTTOM)
20	27-52457		2	GASKET, CARBURETOR
21	22-48358		1	PLUG, INTAKE MANIFOLD VACUUM HOLE
22	53513		1	WEDGE, CARBURETOR MOUNTING
23	16-63332		2	STUD, CARBURETOR MOUNTING (1 1/4")
	16-53722		2	STUD, CARBURETOR MOUNTING (4 3/8")
	16-54345		2	STUD, CARBURETOR MOUNTING (1 5/16")
24	12-20084		6	WASHER, CARBURETOR MOUNTING STUD
25	11-46793		6	NUT, CARBURETOR MOUNTING STUD
26	10-22958		1	SCREW, THROTTLE CABLE TO CARBURETOR (1 1/8")
27	23-32818		1	BUSHING, THROTTLE CABLE SCREW
28	12-24662		2	WASHER, THROTTLE CABLE SCREW
29	12-29245		1	WASHER, THROTTLE CABLE SCREW
30	12-20128		2	WASHER, THROTTLE CABLE SCREW
31	11-20190		1	NUT, THROTTLE CABLE SCREW
32	47833		1	FLAME ARRESTOR, CARBURETOR
33	12-22937		1	WASHER, FLAME ARRESTOR STUD
34	11-20586		1	NUT, FLAME ARRESTOR STUD
35	32-47996		1	HOSE, VEN - CARBURETOR (9 3/4")
	32-47996		1	HOSE, VENT - CARBURETOR (8 1/4")
36	54-53101		4	CLAMP, VENT HOSE ATTACHING
37	47957		2	CONNECTOR, VENT HOSE TO ROCKER COVER
38	25-59987		2	GROMMET, ROCKER COVER TO VENT HOSE CONNECTOR
39	57096		1	BRACKET, MOUNTING - THROTTLE CABLE

CONTINUED ON NEXT PAGE ➡

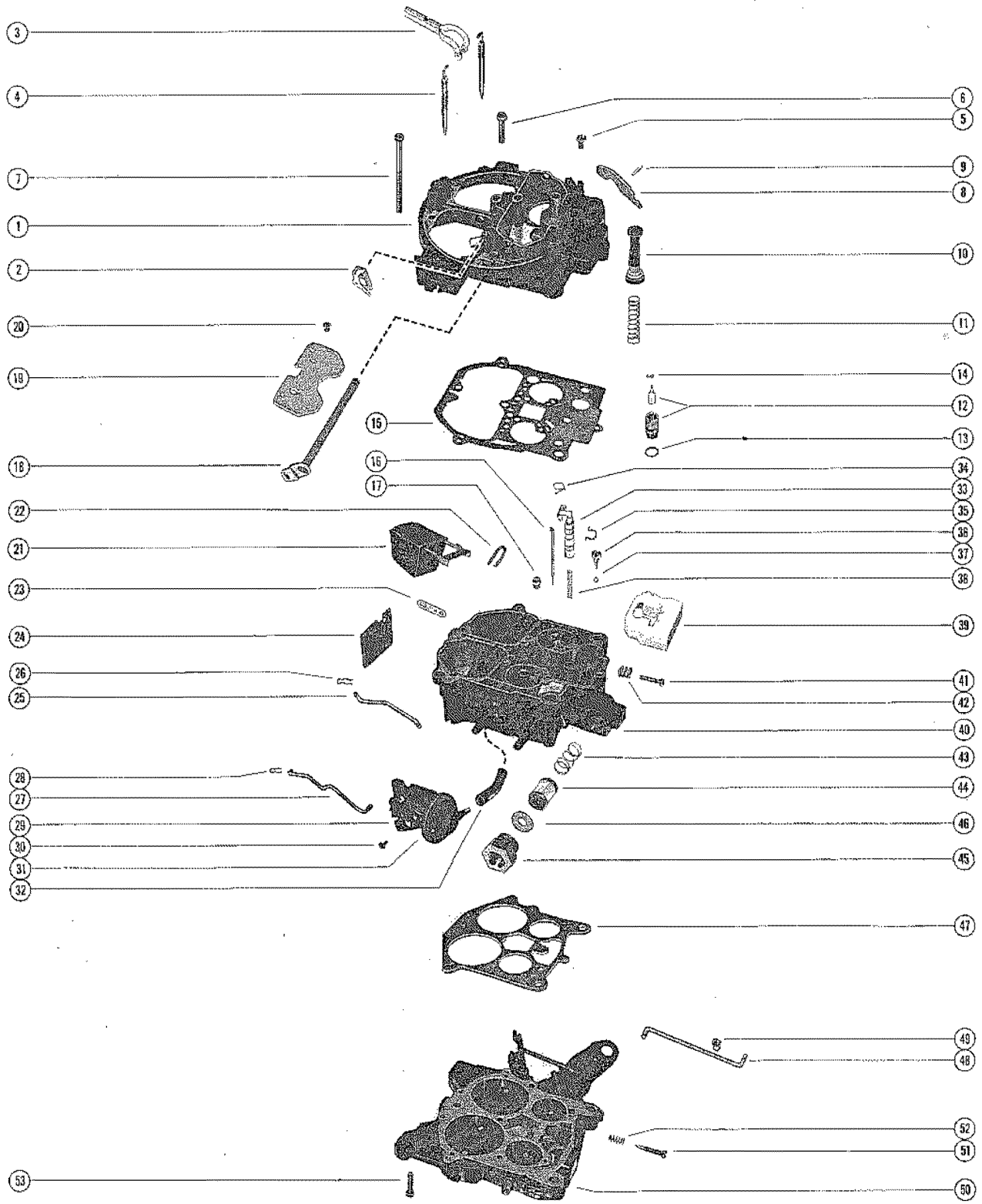
FUEL PUMP, FUEL FILTER AND CARBURETOR



FUEL PUMP, FUEL FILTER AND CARBURETOR

REF. NO.	PART NO.	SYM.	QTY.	DESCRIPTION
40	10-35386		2	SCREW, THROTTLE CABLE BRACKET TO MANIFOLD
41	12-20084		2	WASHER, THROTTLE CABLE BRACKET SCREW
42	24-32817		1	SPRING, THROTTLE RETURN
43	16-35897		1	STUD, THROTTLE CABLE TO MOUNTING BRACKET (1 11/16")
44	12-21631		2	WASHER, THROTTLE CABLE STUD
45	23-31866		1	SPACER, THROTTLE CABLE STUD
46	11-20586		1	NUT, THROTTLE CABLE STUD
47	66205		1	CHOKE, AUTOMATIC - CARBURETOR
48	66198		1	COVER, AUTOMATIC CHOKE
49	10-48360		1	SCREW, AUTOMATIC CHOKE THERMOSTAT (5/8")
50	66197		1	ROD, AUTOMATIC CHOKE
51	54-59989		1	CLIP, AUTOMATIC CHOKE ROD

CARBURETOR ASSEMBLY, COMPLETE

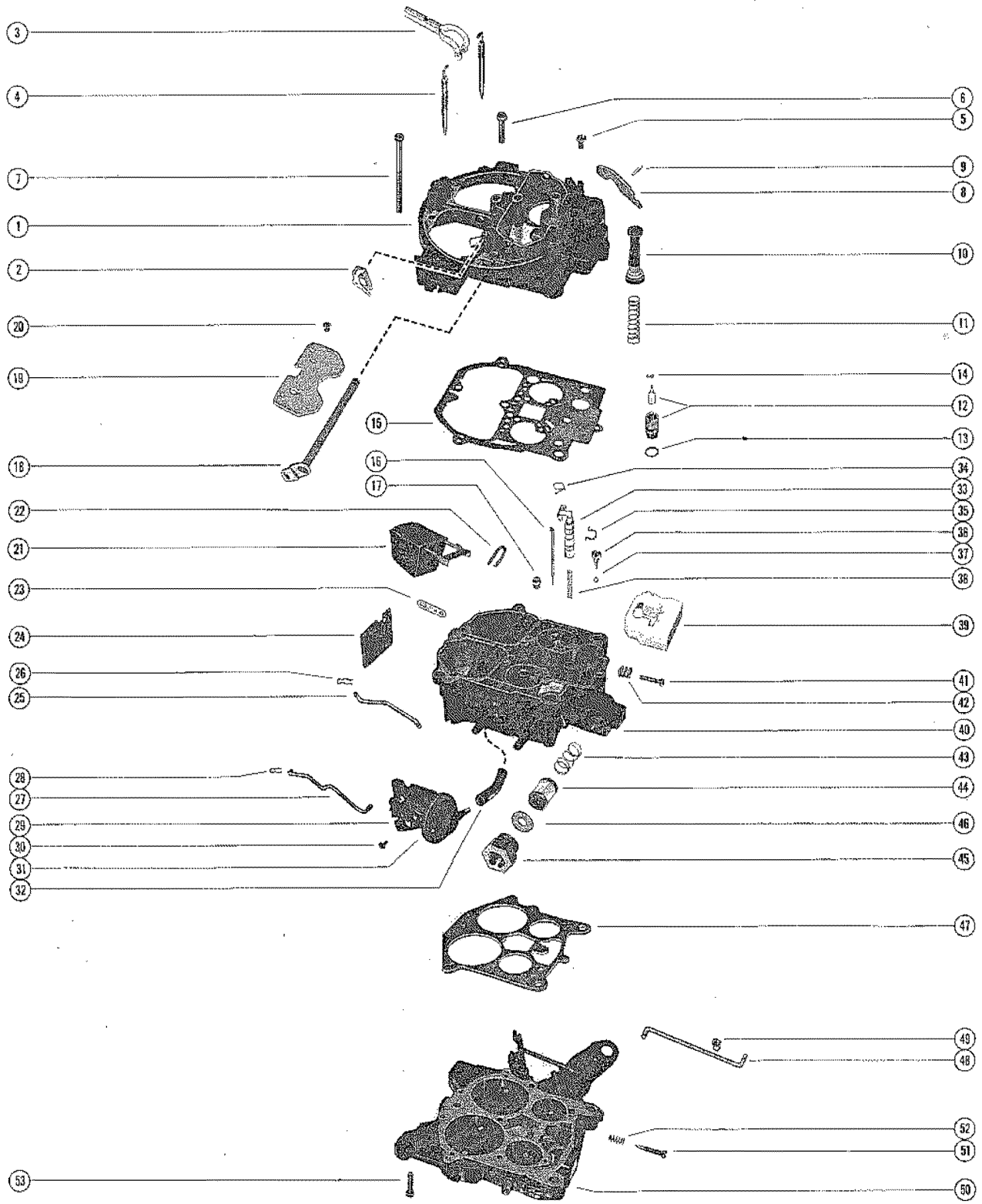


CARBURETOR ASSEMBLY, COMPLETE

REF. NO.	PART NO.	SYM.	QTY.	DESCRIPTION
-	1347-5326A2		1	CARBURETOR ASSEMBLY, COMPLETE
1	1397-5637		1	AIR HORN ASSEMBLY
2	1397-5640		1	LEVER, AIR VALVE LOCKOUT
3	1397-3313		1	HOLDER KIT, SECONDARY METERING ROD
4	1397-5639		2	METERING ROD, SECONDARY
5	10-48137		2	SCREW, AIR HORN TO FLOAT BOWL (3/8")
6	10-34370		5	SCREW, AIR HORN TO FLOAT BOWL (1")
7	10-48395		2	SCREW, AIR HORN TO FLOAT BOWL (3")
8	1397-5638		1	LEVER, ACTUATING - PUMP
9			1	ROLL PIN, HINGE - PUMP LEVER
10			1	PUMP ASSEMBLY
11			1	SPRING, PUMP RETURN
12			1	NEEDLE AND SEAT ASSEMBLY
13			1	GASKET, NEEDLE AND SEAT
14			1	PULL CLIP, FLOAT NEEDLE
15			1	GASKET, AIR HORN
16			2	METERING ROD, PRIMARY
17			2	JET, PRIMARY
18	1397-4326		1	CHOKE SHAFT AND LEVER ASSEMBLY
19	1397-4587		1	VALVE, CHOKE - CHOKE SHAFT
20	10-48139		2	SCREW, CHOKE VALVE TO CHOKE SHAFT
21	1397-3327		1	FLOAT ASSEMBLY
22	17-48140		1	PIN, HINGE - FLOAT
23	1397-3323		1	LEVER, INTERMEDIATE CHOKE
24	1397-3332		1	BAFFLE, FLOAT BOWL
25	1397-3324		1	ROD, CHOKE
26			1	CLIP, CHOKE ROD
27	1397-3318		1	ROD, VACUUM CONTROL
28			1	CLIP, VACUUM CONTROL ROD
29	1397-3339		1	BRACKET ASSEMBLY, VACUUM CONTROL
30	10-48138		1	SCREW, VACUUM CONTROL BRACKET TO FLOAT BOWL
31	1397-3317		1	CONTROL ASSEMBLY, VACUUM
32	1397-3320		1	HOSE, VACUUM
33	1397-5641		1	POWER PISTON ASSEMBLY
34	24-48142		1	SPRING, METERING ROD - PRIMARY
35	1397-3329		1	RETAINER, POWER PISTON
36	1397-3326		1	RETAINER, PUMP DISCHARGE BALL
37			1	BALL, PUMP DISCHARGE
38	24-48141		1	SPRING, POWER PISTON
39	1397-3331		1	INSERT, FLOAT BOWL
40	1397-3325		1	FLOAT BOWL ASSEMBLY
41	10-48144		1	SCREW, IDLE STOP
42	24-34373		1	SPRING, IDLE STOP SCREW

CONTINUED ON NEXT PAGE ➡

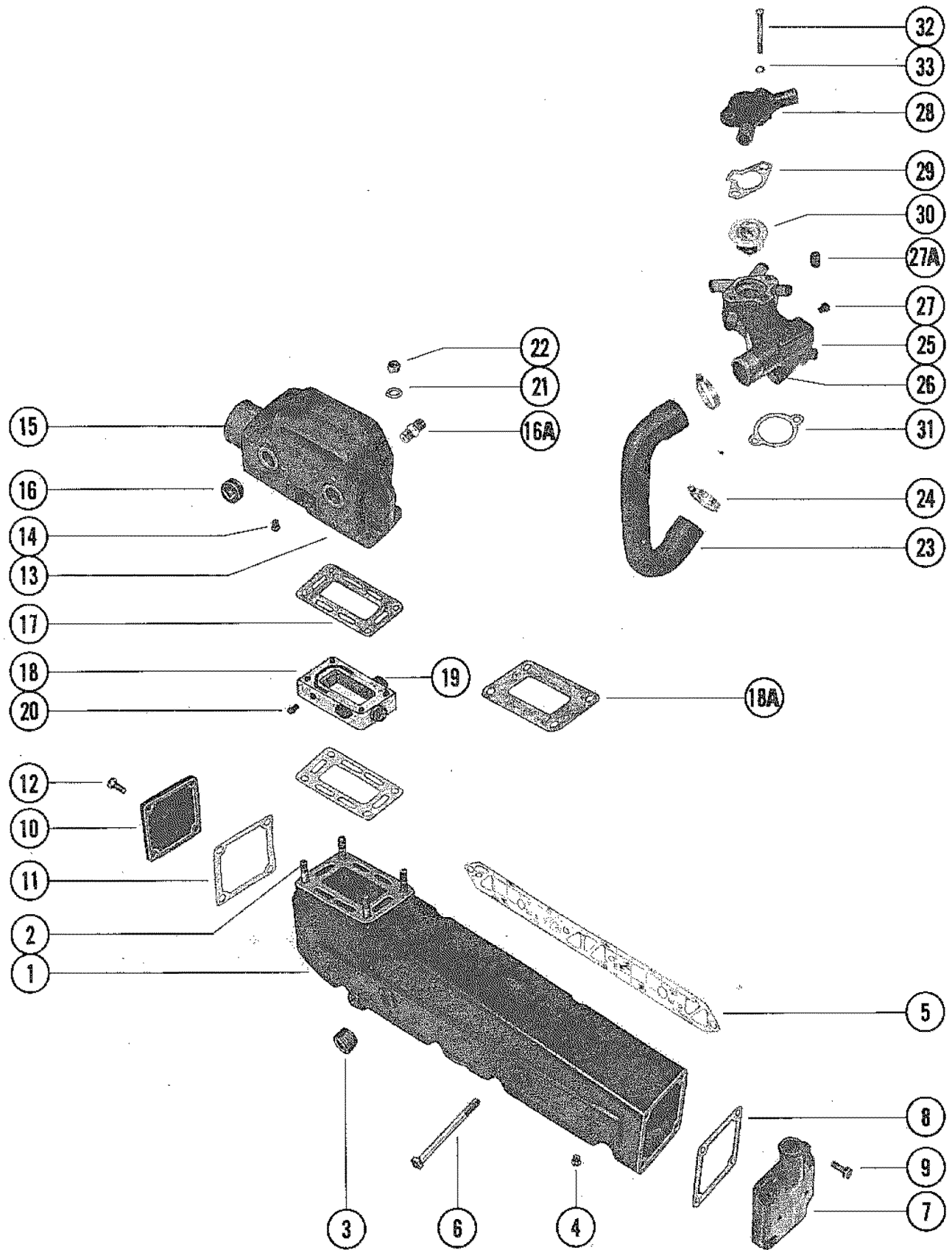
CARBURETOR ASSEMBLY, COMPLETE



CARBURETOR ASSEMBLY, COMPLETE

REF. NO.	PART NO.	SYM.	QTY.	DESCRIPTION
43	24-48143		1	SPRING, FILTER NUT
44	35-53336		1	FILTER, FUEL INLET
45	1397-3330		1	NUT, FILTER - FUEL INLET
46			1	GASKET, FILTER NUT
47			1	GASKET, THROTTLE BODY
48	1397-3333		1	ROD, PUMP
49			1	CLIP, PUMP ROD
50	1397-4588		1	TROTTLE BODY ASSEMBLY
51			2	IDLE NEEDLE, THROTTLE BODY
52	24-33050		2	SPRING IDLE NEEDLE
53	1397-4333		3	SCREW, THROTTLE BODY TO FLOAT BOWL
-	1397-3315		1	SPRING AND CAM KIT, AIR VALVE
-	1397-5635		1	OVERHAUL KIT
-	1397-3309		1	GASKET SET
-	1397-3465		1	OFF ENGINE KIT

EXHAUST MANIFOLD AND EXHAUST ELBOW

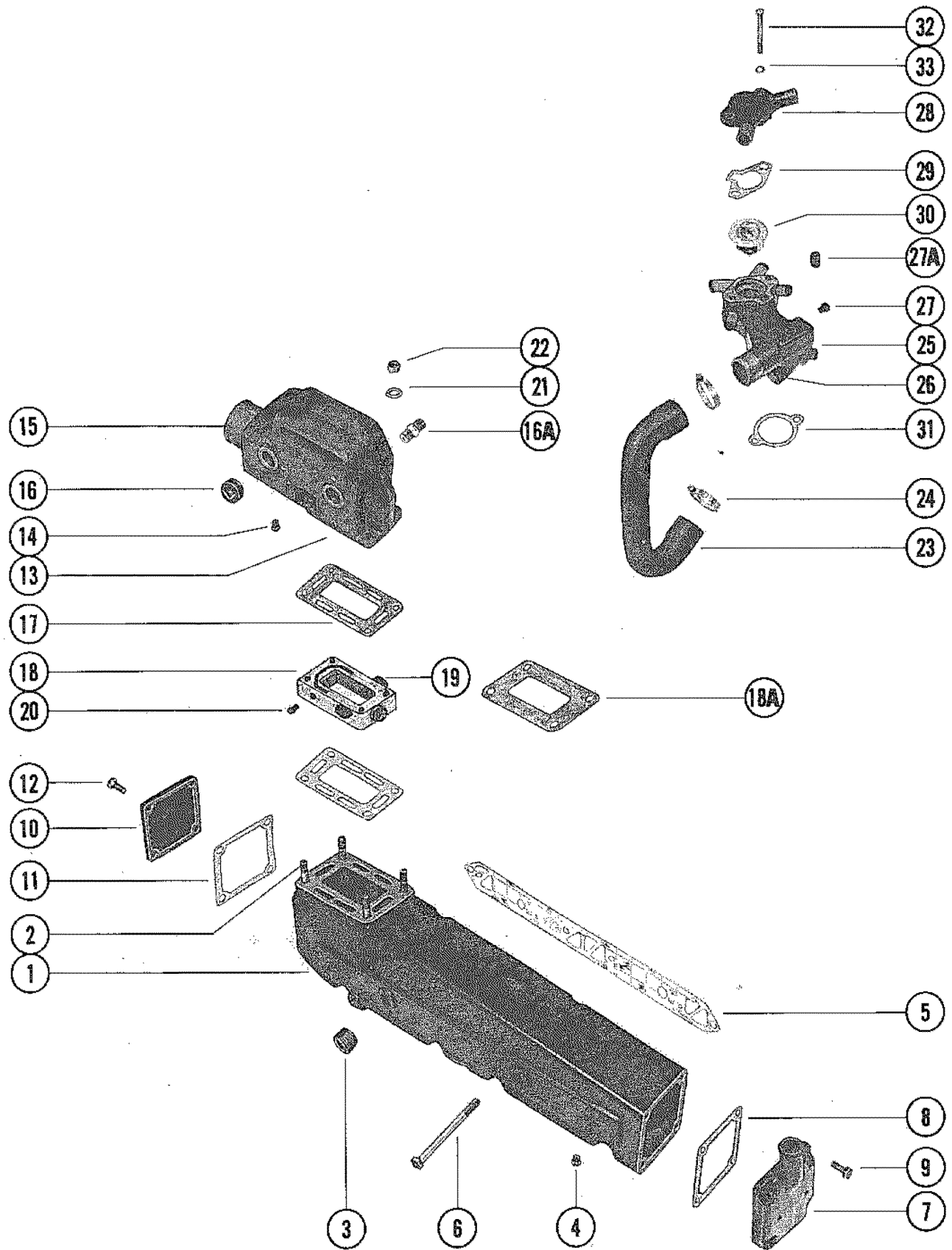


EXHAUST MANIFOLD AND EXHAUST ELBOW

REF. NO.	PART NO.	SYM.	QTY.	DESCRIPTION
1	47735A1		1	EXHAUST MANIFOLD ASSEMBLY, PORT
	47736A1		1	EXHAUST MANIFOLD ASSEMBLY, STARBOARD
2	16-52988		8	STUD, EXHAUST MANIFOLD TO ELBOW (3 1/4") SERIAL 00000000-04501640
	16-49545		8	STUD, EXHAUST MANIFOLD TO ELBOW (1 3/4") SERIAL 04501641-09999999
3	22-48118		6	PLUG, EXHAUST MANIFOLD
4	22-32802		2	PLUG, PIPE - EXHAUST MANIFOLD
5	27-46820		2	GASKET, EXHAUST MANIFOLD TO CYLINDER HEAD
6	10-37612		8	SCREW, EXHAUST MANIFOLD TO CYLINDER HEAD (1 1/4")
	10-26486		8	SCREW, EXHAUST MANIFOLD TO CYLINDER HEAD (2 3/8") 8
7	60252		2	END CAP/CONNECTOR, EXHAUST MAN, (FRONT) SERIAL 00000000-04501640
	60252		4	END CAP/CONNECTOR, EXHAUST MAN. (FRONT) SERIAL 04501641-09999999
8	27-48043		2	GASKET, END CAP/CONNECTOR TO EXHAUST MANIFOLD
9	10-35386		6	SCREW, END CAP TO EXH. MAN. (1") SERIAL 00000000-04501640
	10-35386		14	SCREW, END CAP TO EXH. MAN. (1") SERIAL 04501641-09999999
	10-53016		2	SCREW, END CAP/CONNECTOR TO EXHAUST MANIFOLD 1 1/4")
10	54870		2	END CAP, EXHAUST MANIFOLD (REAR) SERIAL #AND BELOW SERIAL 00000000-04501640
11	27-48043		2	GASKET, END CAP TO EXHAUST MANIFOLD SERIAL SERIAL 00000000-04501640
12	10-25038		8	SCREW, END CAP TO EXHAUST MANIFOLD (7/8") SERIAL 00000000-04501640
13	48101A4		2	EXHAUST ELBOW ASSEMBLY SERIAL 00000000-04501640
	72963A1		2	EXHAUST ELBOW ASSEMBLY SERIAL 04501641-09999999
14	22-32802		2	PLUG, PIPE - EXHAUST ELBOW
15	32-58616A1		2	TUBE, WATER SEPARATIO - EXHAUST ELBOW
16	22-48118		8	PLUG, EXHAUST ELBOW SERIAL 00000000-04501640
	22-33198		8	PLUG, EXHAUST ELBOW SERIAL 04501641-09999999
16A	22-45084		2	FITTING, EXHAUST ELBOW SERIAL 04501641-09999999
17	27-48042		4	GASKET, EXHAUST ELBOW TO EXHAUST MANIFOLD
18	60390A1		1	WATER DISTRIBUTION HOUSING ASSEMBLY (STARBOARD) SERIAL 00000000-04501640
	60391A1		1	WATER DISTRIBUTION HOUSING ASSEMBLY (PORT) SERIAL 00000000-04501640
19	23-52020		4	SLEEVE, WATER DISTRIBUTION HOUSING SERIAL 00000000-04501640
20	22-32802		2	PLUG, PIPE - WATER DISTRIBUTION HOUSING SERIAL 00000000-04501640
18A	73782		2	PLATE, EXHAUST ELBOW TO MAN. SERIAL 04501641-09999999
21	13-37459		8	LOCKWASHER, EXHAUST ELBOW TO MANIFOLD STUD

CONTINUED ON NEXT PAGE ➡

EXHAUST MANIFOLD AND EXHAUST ELBOW

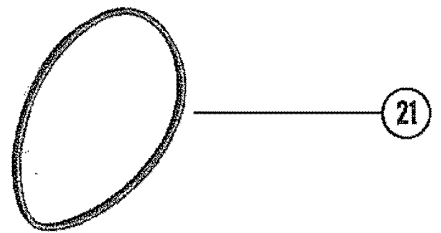
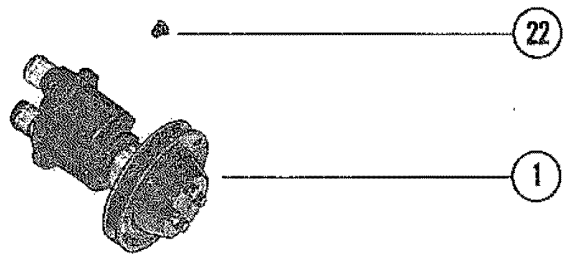
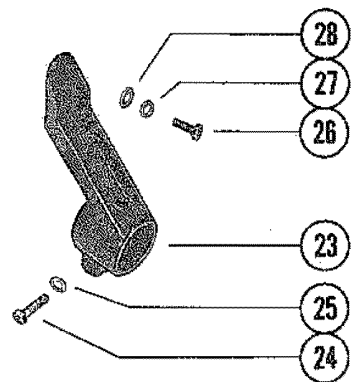
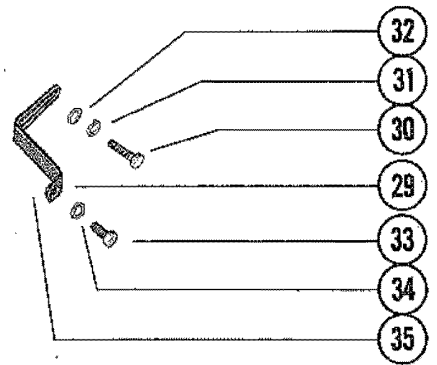
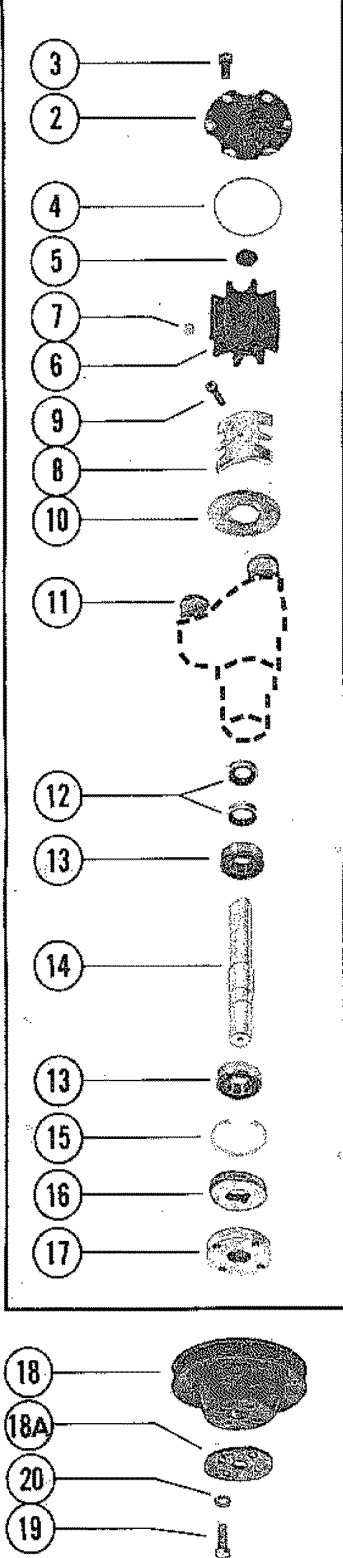


EXHAUST MANIFOLD AND EXHAUST ELBOW

REF. NO.	PART NO.	SYM.	QTY.	DESCRIPTION
22	11-49838		8	NUT, EXHAUST ELBOW TO EXHAUST MANIFOLD STUD
23	32-46828		1	HOSE, THERMOSTAT HOUSING TO WATER PUMP
24	54-32781		2	CLAMP, HOSE TO THERMOSTAT HOUSING AND WATER PUMP
25	59862A1		1	THERMOSTAT HOUSING ASSEMBLY SERIAL 00000000-04178869
	59862A3		1	THERMOSTAT HOUSING ASSEMBLY SERIAL 04178870-09999999
26	23-47511		1	SLEEVE, THERMOSTAT HOUSING
27	22-47540		2	PLUG, THERMOSTAT HOUSING 2
27A	22-33198		1	PLUG, THERMOSTAT HOUSING SERIAL 04178870-09999999
28	47442		1	COVER, THERMOSTAT HOUSING
29	27-48818		1	GASKET, THERMOSTAT HOUSING (UPPER)
30	59137		1	THERMOSTAT
31	27-53045		1	GASKET. THERMOSTAT HOUSING TO MANIFOLD (LOWER)
32	10-33389		2	SCREW, THERMOSTAT HSG. TO WATER METERING HSG. (3 1/2")
33	13-37459		2	LOCKWASHER, THERMOSTAT HOUSING SCREW

WATER PUMP ASSEMBLY, COMPLETE

BREAKDOWN OF WATER PUMP



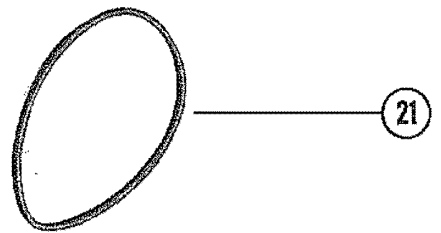
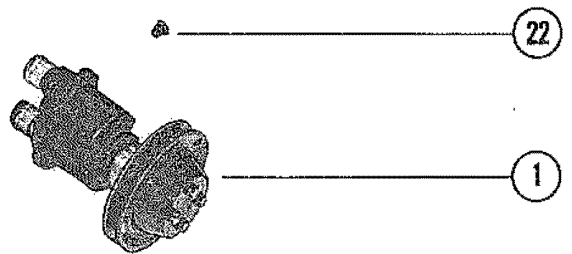
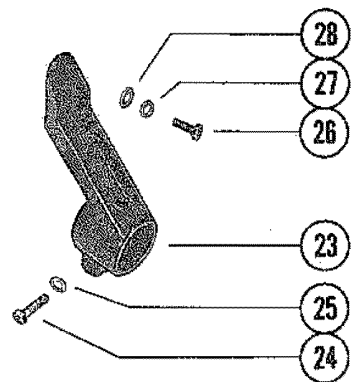
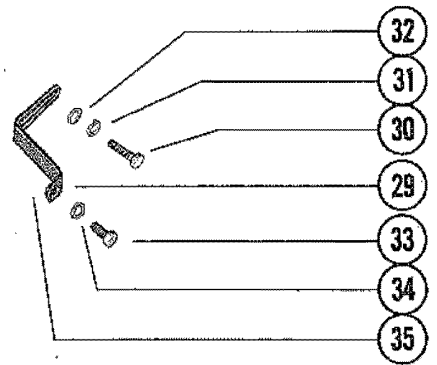
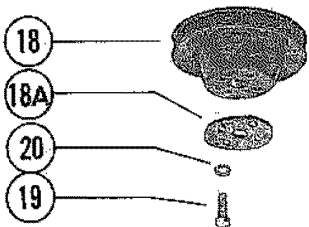
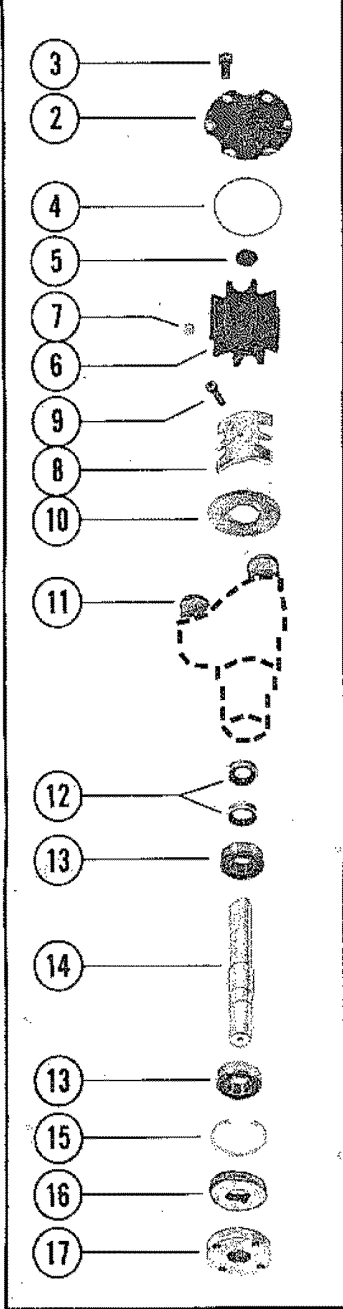
WATER PUMP ASSEMBLY, COMPLETE

REF. NO.	PART NO.	SYM.	QTY.	DESCRIPTION
1	46-63450A2		1	WATER PUMP ASSEMBLY, COMPLETE SERIAL 00000000-04178869
	46-73823A7		1	WATER PUMP ASSEMBLY, COMPLETE SERIAL 04178870-09999999
2	59155		1	COVER, WATER PUMP
3	10-28635		6	SCREW, WATER PUMP COVER ATTACHING (5/8")
4	25-59712		1	"O" RING, WATER PUMP COVER
5	19-59504		1	PLUG, IMPELLER
6	47-59362A1		1	IMPELLER ASSEMBLY
7	28-56662		2	KEY, IMPELLER DRIVE
8	59363A1		1	CAM SEGMENT ASSEMBLY, WATER PUMP
9	10-60777		1	SCREW, CAM SEGMENT ATTACHING (1/2")
10	59503		1	WEAR PLATE
11	23-47511		2	SLEEVE, WATER PUMP COVER
12	26-23300		2	OIL SEAL, WATER PUMP SHAFT
13	30-20861		2	BALL BEARING, WATER PUMP SHAFT SERIAL 00000000-04178869
	30-72961		2	BALL BEARING, WATER PUMP SHAFT SERIAL 04178870-09999999
14	59501		1	SHAFT, WATER PUMP
15	53-23720		1	RING, SNAP - BALL BEARING RETAINING
16	26-59564		1	OIL SEAL, WATER PUMP SHAFT SERIAL 00000000-04178869
	26-72785		1	OIL SEAL, WATER PUMP SHAFT SERIAL 04178870-09999999
17	47530		1	HUB, WATER PUMP PULLEY
18	59762		1	PULLEY, WATER PUMP SERIAL 00000000-04501640
	73798		1	PULLEY, WATER PUMP SERIAL 04501641-09999999
18A	58265		1	CLAMP RING, WATER PUMP PULLEY SERIAL 04501641-09999999
19	10-20705		4	SCREW, PULLEY TO WATER PUMP (3/4") SERIAL 00000000-04501640
	10-33524		4	SCREW, PULLEY TO WATER PUMP (5/8") SERIAL 04501641-09999999
20	13-39107		4	LOCKWASHER, WATER PUMP PULLEY SCREW
21	57-39756		1	BELT, WATER PUMP SERIAL 00000000-04501640
	57-74271		1	BELT, WATER PUMP SERIAL 04501641-09999999
22	22-32802		1	PLUG, PIPE - WATER PUMP
23	47489		1	BRACKET, WATER PUMP
24	10-34354		1	SCREW, WATER PUMP BRACKET ATTACHING (1 1/2")
25	13-35048		1	LOCKWASHER, WATER PUMP BRACKET SCREW
26	10-48948		1	SCREW, WATER PUMP BRACKET TO ENGINE (7/8")
	10-47461		1	SCREW, WATER PUMP BRACKET TO ENGINE (1")
27	13-32993		2	LOCKWAHER, WATER PUMP BRACKET SCREW
28	12-30315		1	WASHER, WATER PUMP BRACKET

CONTINUED ON NEXT PAGE ➡

WATER PUMP ASSEMBLY, COMPLETE

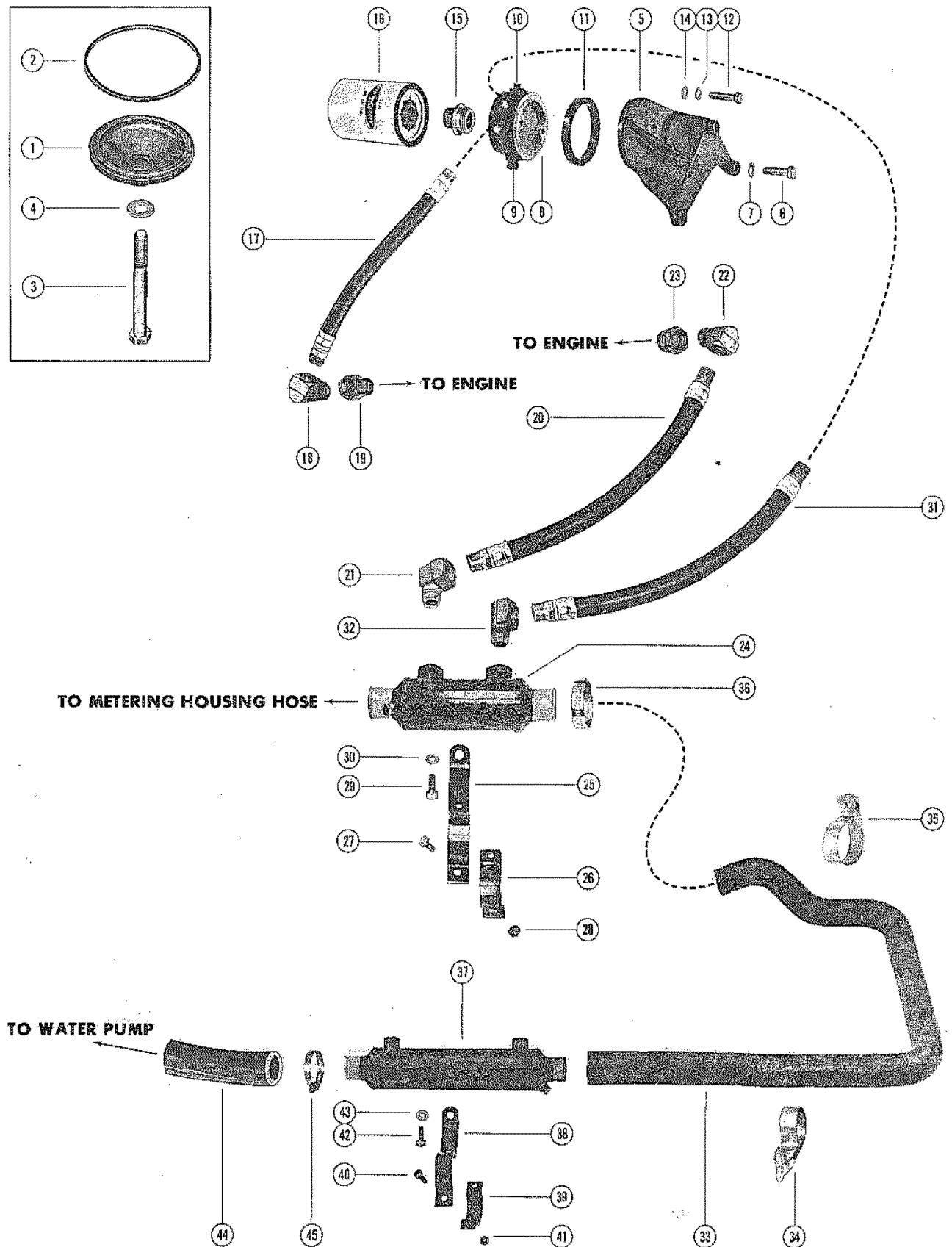
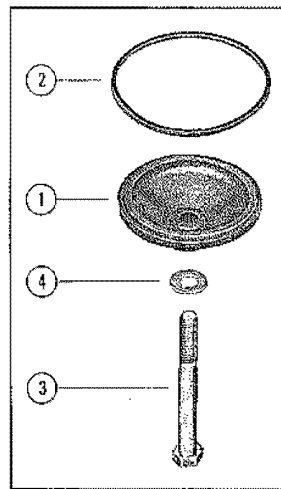
BREAKDOWN OF WATER PUMP



WATER PUMP ASSEMBLY, COMPLETE

REF. NO.	PART NO.	SYM.	QTY.	DESCRIPTION
29	47544		1	BRACE, WATER PUMP ADJUSTING
30	10-34353		1	SCREW, ADJUSTING BRACE TO OIL PAN (1") 1
31	13-35048		1	LOCKWASHER, ADJUSTING BRACE SCREW
32	12-20572		1	WASHER, ADJUSTING BRACE SCREW
33	10-35786		1	SCREW, ADJUSTING BRACE TO BRACKET (1")
34	13-37459		1	LOCKWASHER, ADJUSTING BRACE
35	11-24883		1	NUT, ADJUSTING BRACE SCREW

OIL COOLER, OIL FILTER AND HOSES

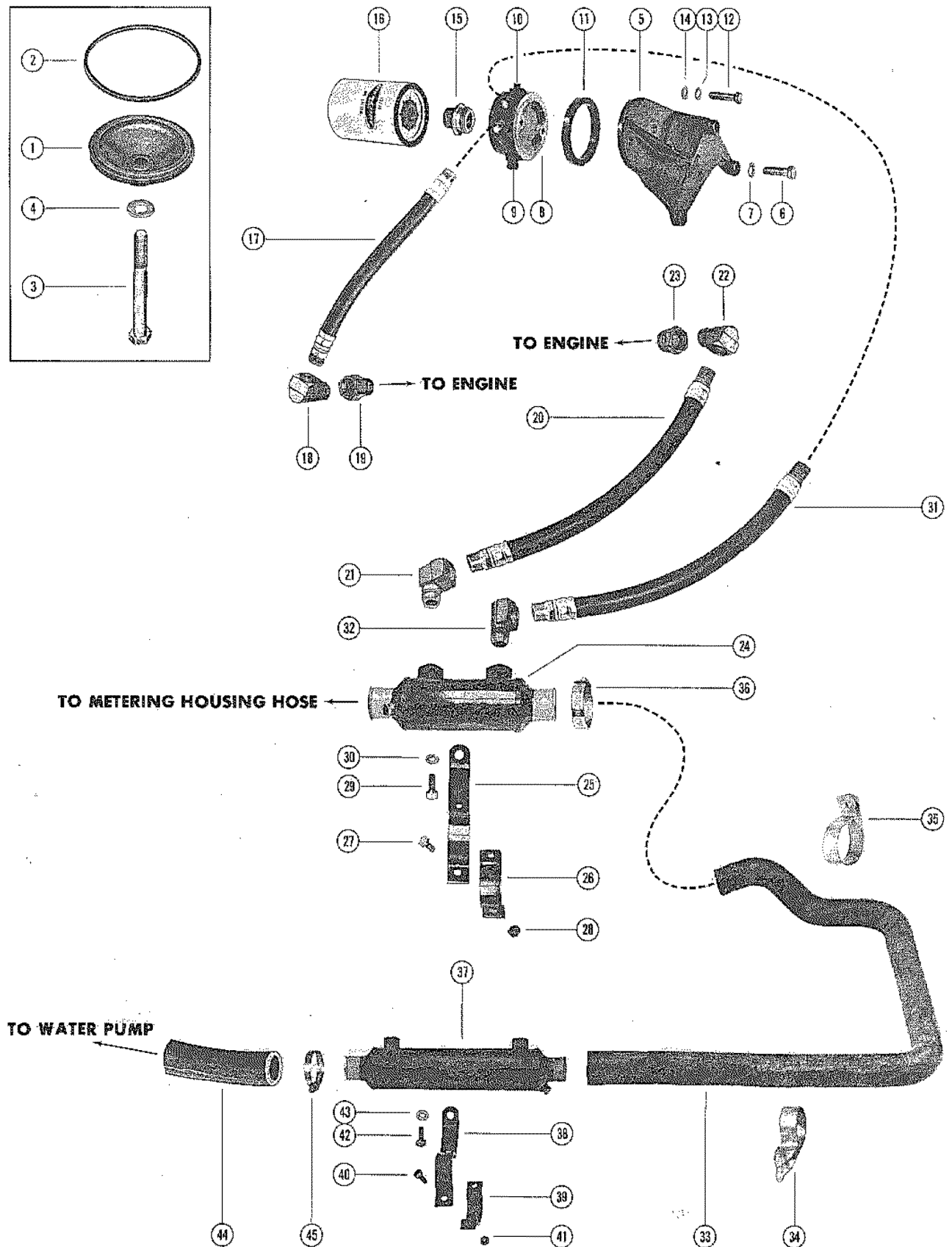
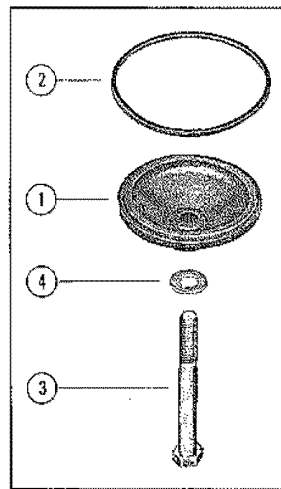


OIL COOLER, OIL FILTER AND HOSES

REF. NO.	PART NO.	SYM.	QTY.	DESCRIPTION
1	48699		1	COVER, PLUG, CYLINDER BLOCK
2	25-33756		1	RING, SEALING - PLUG COVER
3	10-48831		1	SCREW, PLUG COVER TO CYLINDER BLOCK (4")
4	12-47523		1	WASHER, PLUG COVER SCREW
5	63880		1	BRACKET, MOUNTING - OIL FILTER SERIAL 00000000-04501640
6	10-47651		3	SCREW, MOUNTING BRACKET TO ENGINE (1 1/2") SERIAL 00000000-04178869
7	13-32993		3	LOCKWASHER, MOUNTING BRACKET SCREW SERIAL 00000000-04178869
6	10-47651		2	SCREW, MOUNTING BRACKET TO ENGINE (7/16-24X1 1/2") SERIAL 04178870-04501640
7	13-32993		2	LOCKWASHER, MOUNTING BRACKET TO ENGINE SCREW SERIAL 04178870-04501640
6	10-34354		1	SCREW, MOUNTING BRACKET TO ENGINE (3/8-16X1 1/2") SERIAL 04178870-04501640
7	13-35048		1	LOCKWASHER, MOUNTING BRACKET TO ENGINE SCREW SERIAL 04178870-04501640
5	73867		1	BRACKET, MOUNTING - OIL FILTER (NOT AS SHOWN) SERIAL 04501641-09999999
6	10-48424		2	SCREW, MOUNTING ENGINE TO BRACKET (3/8 - 16 X 5/8") SERIAL 04501641-09999999
7	13-35048		2	LOCKWASHER, MOUNTING ENGINE TO BRACKET SCREW SERIAL 04501641-09999999
8	48504		1	ADAPTOR, OIL FILTER
9	22-36373		1	PLUG, PIPE - OIL FILTER ADAPTOR (3/8-18)
10	22-32802		1	PLUG, PIPE - OIL FILTER ADAPTOR (1/8-27)
11	12-48506		1	WASHER, INSULATOR - ADAPTOR TO MOUNTING BRACKET
12	10-47954		2	SCREW, OIL FILTER ADAPTOR ATTACHING (1 5/8") SERIAL 00000000-04501640
	10-20359		2	SCREW, OIL FILTER ADAPTOR ATTACHING (1") SERIAL 04501641-09999999
13	13-37459		2	LOCKWASHER, OIL FILTER ADAPTOR SCREW
14	12-20553		2	WASHER, OIL FILTER ADAPTOR SCREW
15	32720		1	FITTING, OIL FILTER TO ADAPTOR
16	52731		1	OIL FILTER
17	32-48944--2		1	HOSE, OIL FILTER ADAPTOR TO ENGINE (13 1/2")
18	22-63825		1	ELBOW, HOSE TO ENGINE (90 DEGREES)
19	22-48874		1	REDUCER, ELBOW TO ENGINE
20	32-48944--3		1	HOSE, OIL COOLER TO ENGINE (15")
21	22-48246		1	ELBOW, HOSE TO OIL COOLER (90 DEGREES)
22	22-63825		1	ELBOW, HOSE TO ENGINE (90 DEGREES)
23	22-48873		1	EXTENDER, ELBOW TO ENGINE
24	63831		1	OIL COOLER (5")
25	63820--1		1	BRACKET, OIL COOLER CLAMPING (LONG)
26	56328		1	BRACKET, OIL COOLER CLAMPING (SHORT)

CONTINUED ON NEXT PAGE ➡

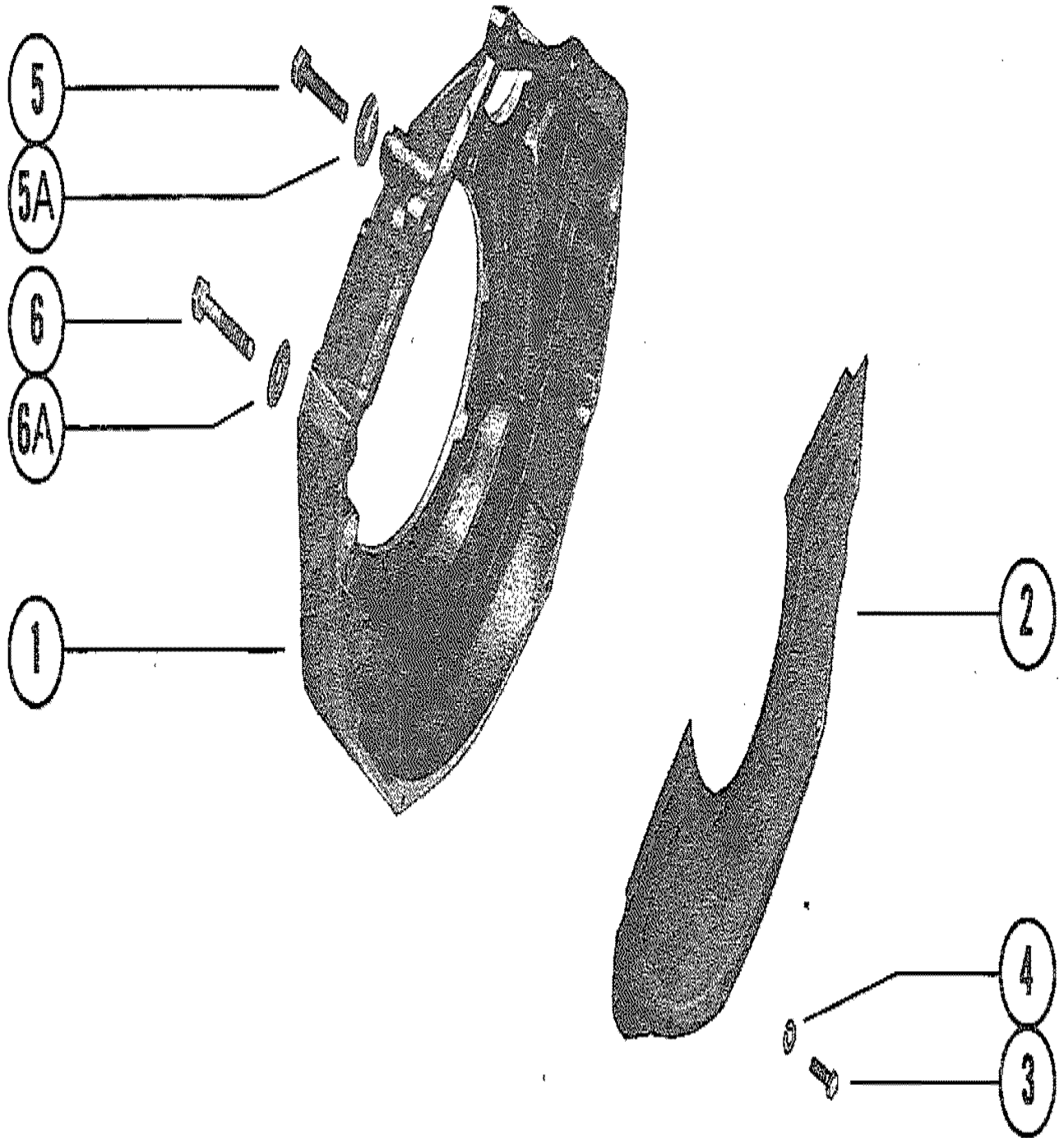
OIL COOLER, OIL FILTER AND HOSES



OIL COOLER, OIL FILTER AND HOSES

REF. NO.	PART NO.	SYM.	QTY.	DESCRIPTION
27	10-21625		2	SCREW, CLAMPING BRACKET (3/4")
28	11-21625		2	NUT, CLAMPING BRACKET SCREW
29	10-47277		1	SCREW, OIL COOLER BRACKET TO ENGINE (3/4")
30	12-26825		1	WASHER, OIL COOLER BRACKET SCREW
31	32-48944--4		1	HOSE, OIL FILTER ADAPTOR TO OIL COOLER (27") SERIAL 00000000-04501640
	32-48944--6		1	HOSE, OIL FILTER ADAPTOR TO OIL COOLER (30") SERIAL 04501641-09999999
32	22-63825		1	ELBOW, HOSE TO OIL COOLER (90 DEGREES)
33	32-63829		1	HOSE, MOLDED - OIL COOLER TO OIL COOLER
34	54-64489		1	CLAMP, MOLDED HOSE TO FLYWHEEL HOUSING (PORT)
35	54-47715		1	CLAMP, MOLDED HOSE TO FLYWHEEL HOUSING (STARBOARD)
36	54-32780		2	CLAMP, MOLDED HOSE ATTACHING
37	63832--1		1	OIL COOLER (9")
	63832--2		1	OIL COOLER (12") - V DRIVE ONLY
38	63820--1		1	BRACKET, OIL COOLER CLAMPING (LONG)
39	63828		1	BRACKET, OIL COOLER CLAMPING SHORT
40	10-21625		2	SCREW, CLAMPING BRACKET (3/4")
41	11-30506		2	NUT, CLAMPING BRACKET SCREW
42	10-47258		1	SCREW, OIL COOLER BRACKET TO ENGINE (5/8")
43	13-26993		1	LOCKWASHER, OIL COOLER BRACKET SCREW
44	32-54862		1	HOSE, OIL COOLER TO PICKUP WATER PUMP (8")
45	54-32780		1	CLAMP, HOSE ATTACHING

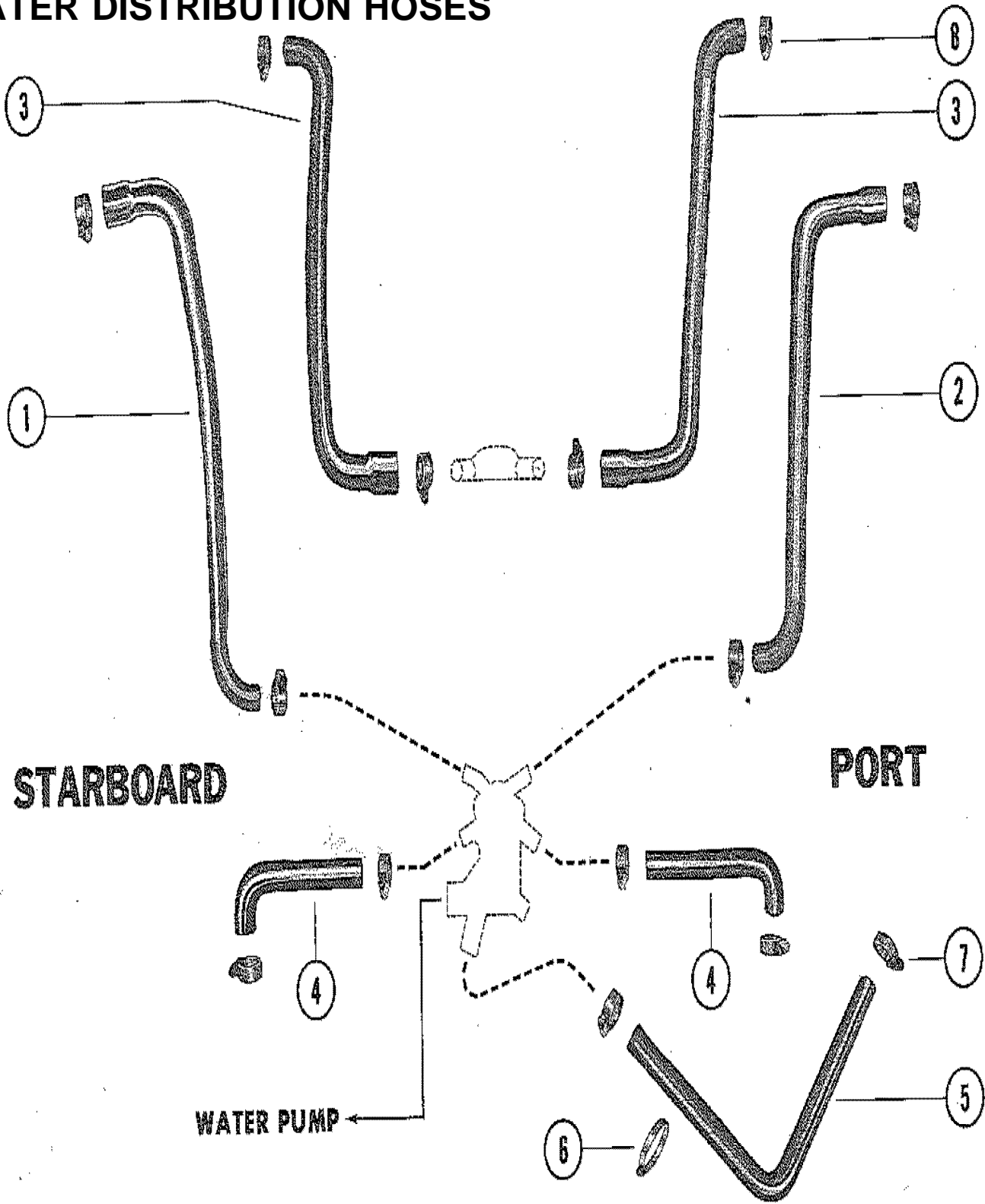
FLYWHEEL HOUSING



FLYWHEEL HOUSING

REF. NO.	PART NO.	SYM.	QTY.	DESCRIPTION
1	63828		1	HOUSING, FLYWHEEL
2	63833		1	COVER, FLYWHEEL HOUSING
3	10-20031		3	SCREW, COVER TO FLYWHEEL HOUSING (1/2")
	10-28635		1	SCREW, COVER TO FLYWHEEL HOUSING (5/8")
4	13-26992		4	LOCKWASHER, COVER SCREW
5	10-34353		3	SCREW, FLYWHEEL HOUSING TO ENGINE (1")
5A	13-37459		6	LOCKWASHER, FLYWHEEL HOUSING TO ENGINE SCREW
6	10-63826		2	SCREW, FLYWHEEL HOUSING TO ENGINE (2 1/2")
6A	12-20572		1	WASHER, FLYWHEEL HOUSING TO ENGINE SCREW

WATER DISTRIBUTION HOSES



WATER DISTRIBUTION HOSES

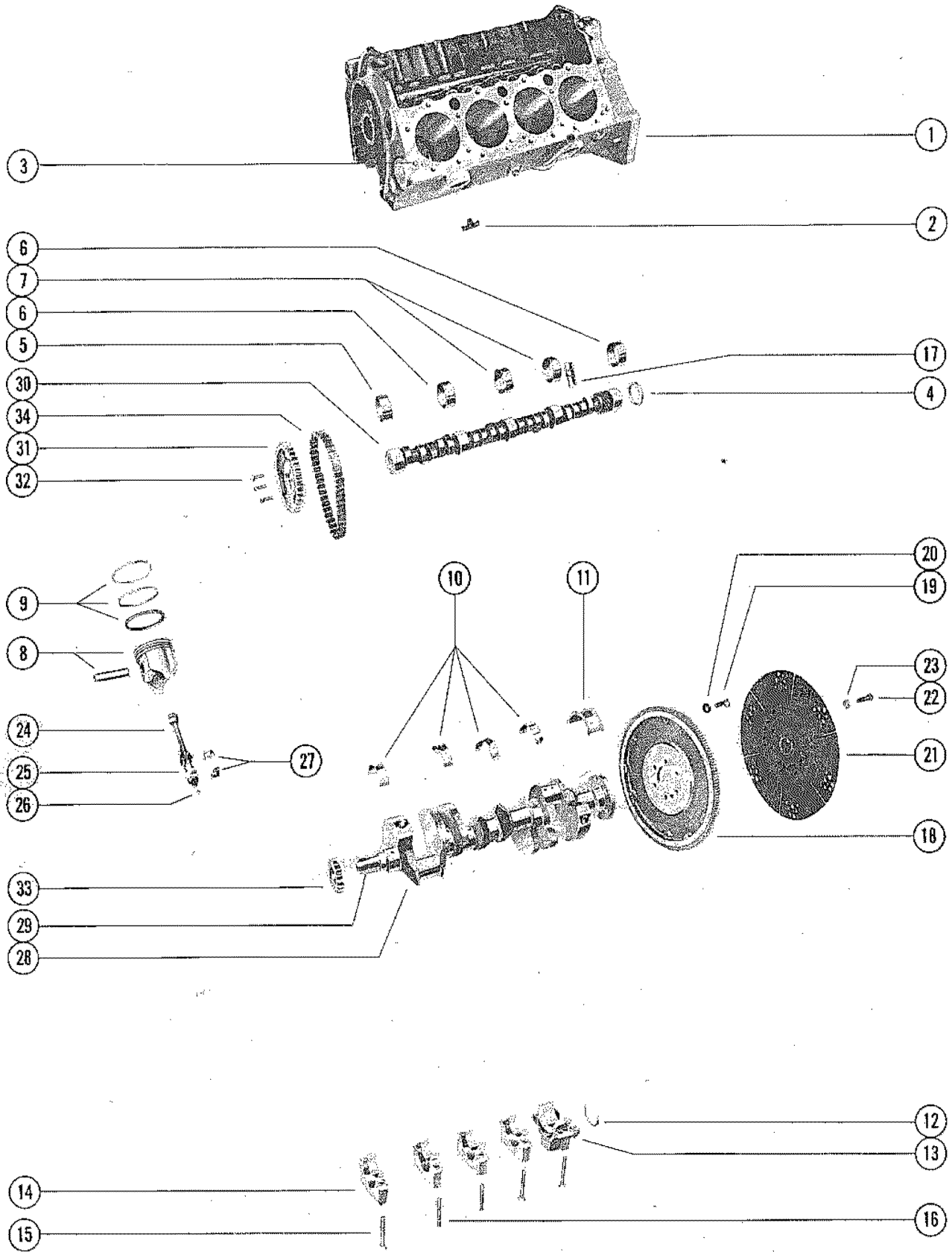
REF. NO.	PART NO.	SYM.	QTY.	DESCRIPTION
1	32-60095		1	HOSE, THERMOSTAT COVER TO DIST. HSG. (STBD.) NOT AS SHOWN SERIAL 00000000-04501640
2	32-60094		1	HOSE, THERMOSTAT COVER TO DIST. HSG. (PORT) NOT AS SHOWN SERIAL 00000000-04501640
3	32-59877		2	HOSE, THERMOSTAT COVER TO EXH. MAN. NOT AS SHOWN SERIAL 00000000-04501640
1 & 2	32-60089		2	HOSE, THERMOSTAT COVER TO EXHAUST ELBOW SERIAL # SERIAL 04501641-09999999
3	32-73821		1	HOSE, THERMOSTAT HSG. TO END CAP (STBD.) SERIAL 04501641-09999999
	32-73820		2	HOSE, THERMOSTAT HSG. TO END CAP (PORT) SERIAL 04501641-09999999
4	32-48132		2	HOSE, THERMOSTAT HOUSING TO END CAP
5	32-64346		1	HOSE METERING HOUSING TO OIL COOLER
6	54-47715		1	CLIP, HOSE TO CYLINDER BLOCK
7	54-32780		2	CLAMP, HOSE TO OIL COOLER AND METERING HOUSING
8	54-32880		12	CLAMP, HOSE ATTACHING

CYLINDER BLOCK, PISTONS AND CRANKSHAFT

REF. NO.	PART NO.	SYM.	QTY.	DESCRIPTION
1	842-5539		1	CYLINDER BLOCK ASSEMBLY SERIAL 00000000-04178869
	842-6035		1	CYLINDER BLOCK ASSEMBLY SERIAL 04178870-04501640
	842-6356		1	CYLINDER BLOCK ASSEMBLY SERIAL 04501641-09999999
-	22-49146		1	PLUG, PIPE - CYLINDER BLOCK (3/4")
-	19-37478		8	PLUG, PIPE - CYLINDER BLOCK (1 3/4")
-	22-48340		9	PLUG, PIPE - CYLINDER BLOCK (1/4")
-	22-67865		8	PLUG, PIPE - CYLINDER BLOCK
-	22-48358		1	PLUG, PIPE - CYLINDER BLOCK (3/8")
2	22-64426		2	DRAIN COCK, WATER - CYLINDER BLOCK
3	17-52190		4	PIN, DOWEL - CYLINDER BLOCK TO CYLINDER HEAD
4	19-52191		1	PLUG, EXPANSION - CAMSHAFT BEARING HOLE
5	23-49150		1	BEARING UNIT, CAMSHAFT (FRONT)
6	23-49151		2	BEARING UNIT, CAMSHAFT (FRONT INTERMEDIATE AND REAR)
7	23-49152		2	BEARING UNIT, CAMSHAFT (CENTER AND REAR INTERMEDIATE)
8	737-5536		8	PISTON AND PISTON PIN ASSEMBLY (STANDARD) NOT INCLUDED WITH CYLINDER BLOCK ASSEMBLY
	737-5537		AR	PISTON AND PISTON PIN ASSEMBLY (.030 O.S.) NOT INCLUDED WITH CYLINDER BLOCK ASSEMBLY
9	39-67127		8	RING, PISTON (STANDARD) NOT INCLUDED WITH CYLINDER BLOCK ASSEMBLY
	39-67128		AR	RING, PISTON (.030 O.S.) NOT INCLUDED WITH CYLINDER BLOCK ASSEMBLY
10	23-68600		4	BEARING UNIT, CRANKSHAFT MAIN (STANDARD) NOT INCLUDED WITH CYLINDER BLOCK ASSEMBLY
	23-68601		AR	BEARING UNIT, CRANKSHAFT MAIN (.030 U.S.) NOT INCLUDED WITH CYLINDER BLOCK ASSEMBLY
	23-68602		AR	BEARING UNIT, CRANKSHAFT MAIN (.002 U.S.) NOT INCLUDED WITH CYLINDER BLOCK ASSEMBLY
	23-68603		AR	BEARING UNIT, CRANKSHAFT MAIN (.010 U.S.) NOT INCLUDED WITH CYLINDER BLOCK ASSEMBLY
	23-68604		AR	BEARING UNIT, CRANKSHAFT MAIN (.020 U.S.) NOT INCLUDED WITH CYLINDER BLOCK ASSEMBLY
11	23-49163		1	BEARING UNIT, CRANKSHAFT MAIN - REAR (STANDARD) NOT INCLUDED WITH CYLINDER BLOCK ASSEMBLY
	23-49164		AR	BEARING UNIT, CRANKSHAFT MAIN - REAR (.001 U.S.) NOT INCLUDED WITH CYLINDER BLOCK ASSEMBLY
	23-49165		AR	BEARING UNIT, CRANKSHAFT MAIN - REAR (.002 U.S.) NOT INCLUDED WITH CYLINDER BLOCK ASSEMBLY
	23-49166		AR	BEARING UNIT, CRANKSHAFT MAIN - REAR (.010 U.S.) NOT INCLUDED WITH CYLINDER BLOCK ASSEMBLY
	23-49167		AR	BEARING UNIT, CRANKSHAFT MAIN - REAR (.020 U.S.) NOT INCLUDED WITH CYLINDER BLOCK ASSEMBLY
12	26-67855		2	OIL SEAL, REAR CRANKSHAFT BEARING CAP (LEFT HAND ROTATION) NOT INCLUDED WITH CYLINDER BLOCK ASSEMBLY

CONTINUED ON NEXT PAGE ➡

CYLINDER BLOCK, PISTONS AND CRANKSHAFT

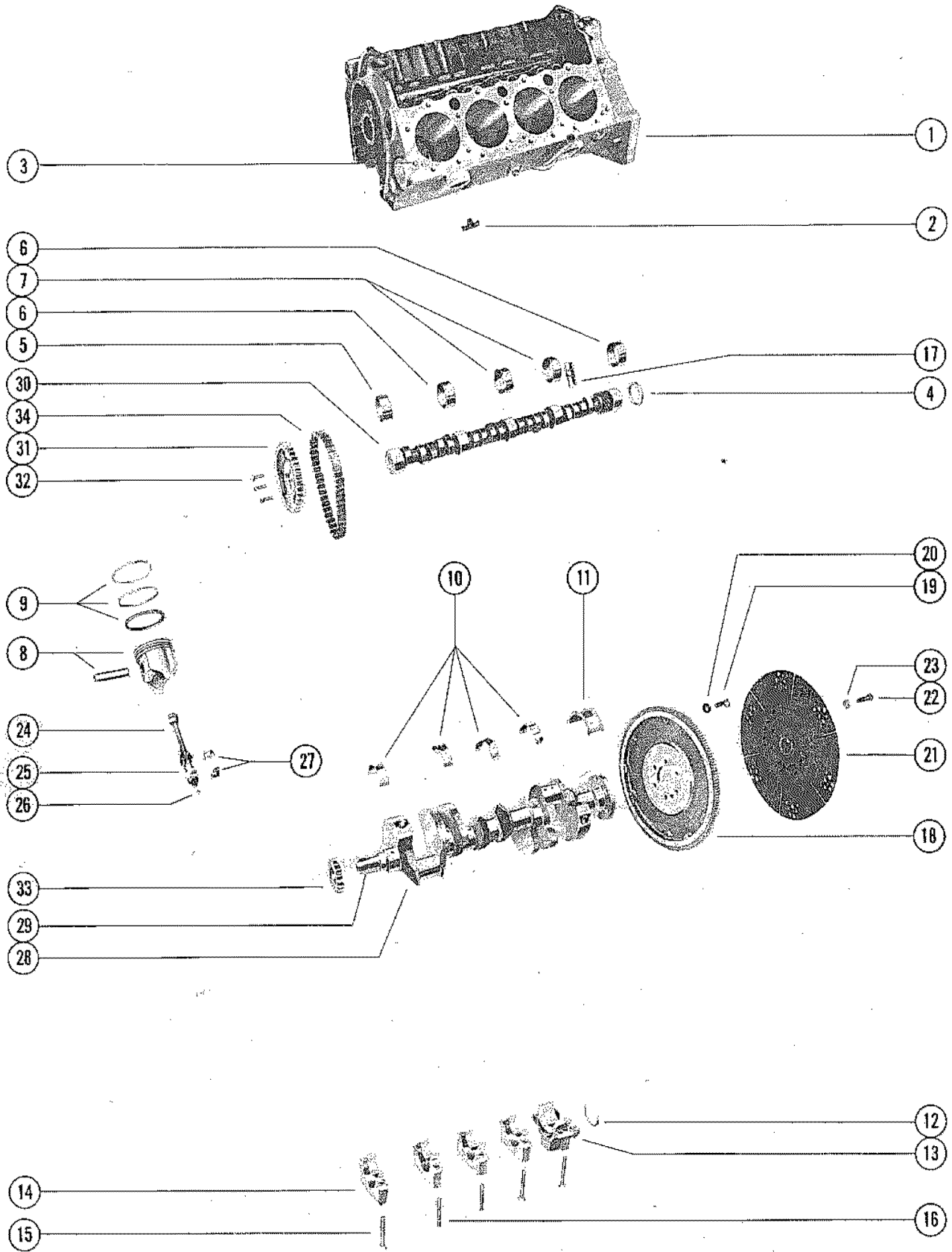


CYLINDER BLOCK, PISTONS AND CRANKSHAFT

REF. NO.	PART NO.	SYM.	QTY.	DESCRIPTION
12	26-37479		2	OIL SEAL, REAR CRANKSHAFT BEARING CAP (RIGHT HAND ROTATION) NOT INCLUDED WITH CYLINDER BLOCK ASSEMBLY
13	49142		1	CAP, REAR - CRANKSHAFT BEARING
14	49143		4	CAP, INTERMEDIATE AND FRONT - CRANKSHAFT BEARING
15	10-49145		6	BOLT, CRANKSHAFT BEARING CAP TO CYLINDER BLOCK (2 5/8")
	10-49147		6	BOLT, CRANKSHAFT BEARING CAP TO CYLINDER BLOCK (3 3/8")
16	16-49144		4	STUD, CRANKSHAFT BEARING CAP TO CYLINDER BLOCK
17	49117		16	LIFTER, HYDRAULIC VALVE - TAPPET
18	230-5534		1	FLYWHEEL ASSEMBLY
19	10-49845		6	SCREW, FLYWHEEL TO CRANKSHAFT
20	13-39131		6	LOCKWASHER, FLYWHEEL SCREW
21	47607		1	DRIVE PLATE, FLYWHEEL
22	10-35091		6	SCREW, DRIVE PLATE TO FLYWHEEL
23	13-35048		6	LOCKWASHER, DRIVE PLATE SCREW
24	614-5538		8	CONNECTING ROD ASSEMBLY SERIAL 00000000-04501640
25	10-67864		16	BOLT, CONNECTING ROD CAP SERIAL 00000000-04501640
26	11-58506		16	NUT, CONNECTING ROD CAP BOLT SERIAL 00000000-04501640
24	614-3553		8	CONNECTING ROD ASSEMBLY SERIAL 04501641-09999999
25	10-52192		16	BOLT, CONNECTING ROD CAP SERIAL 04501641-09999999
26	11-37493		16	NUT, CONNECTING ROD CAP BOLT SERIAL 04501641-09999999
27	23-69884		1	BEARING SET (8 PAIR), CONNECTING ROD (STANDARD)
	23-69885		AR	BEARING UNIT (PAIR), CONNECTING ROD (.001 U.S.)
	23-69886		AR	BEARING UNIT (PAIR), CONNECTING ROD (.002 U.S.)
	23-69887		AR	BEARING UNIT (PAIR), CONNECTING ROD (.010 U.S.)
	23-69888		AR	BEARING UNIT (PAIR), CONNECTING ROD (.020 U.S.)
28	429-5533		1	CRANKSHAFT
29	28-34466		3	KEY, CRANKSHAFT GEAR, CAMSHAFT GEAR AND DAMPER
30	431-4734		1	CAMSHAFT LEFT HAND CRANKSHAFT ROTATION
31	43-61726		1	SPROCKET, CAMSHAFT LEFT HAND CRANKSHAFT ROTATION
32	10-34505		3	BOLT, CAMSHAFT SPROCKET LEFT HAND CRANKSHAFT ROTATION
33	43-61727		1	SPROCKET, CAMSHAFT LEFT HAND CRANKSHAFT ROTATION
34	61728		1	CHAIN DRIVE LEFT HAND CRANKSHAFT ROTATION
30	431-3427		1	CAMSHAFT RIGHT HAND CRANKSHAFT ROTATION
-	23-49124		1	THRUST PLATE, CAMSHAFT RIGHT HAND CRANKSHAFT ROTATION
31	43-67115		1	GEAR, CAMSHAFT RIGHT HAND CRANKSHAFT ROTATION
32	10-34277		2	BOLT, CAMSHAFT GEAR RIGHT HAND CRANKSHAFT ROTATION

CONTINUED ON NEXT PAGE ➡

CYLINDER BLOCK, PISTONS AND CRANKSHAFT



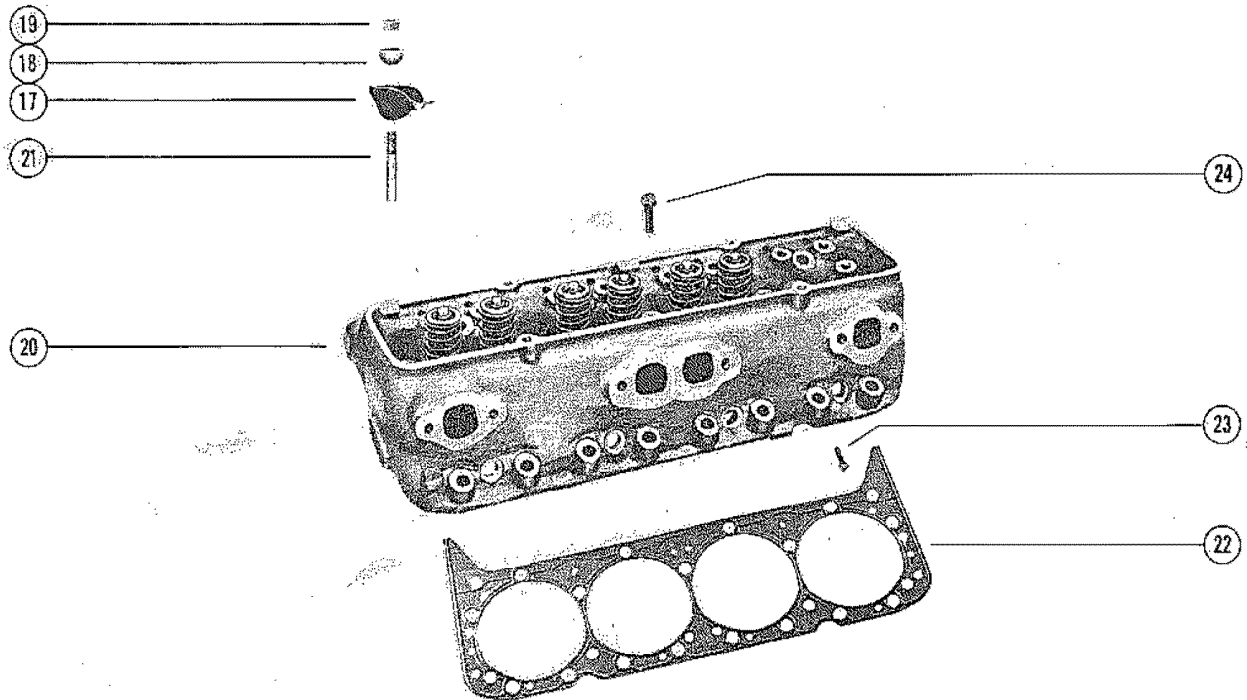
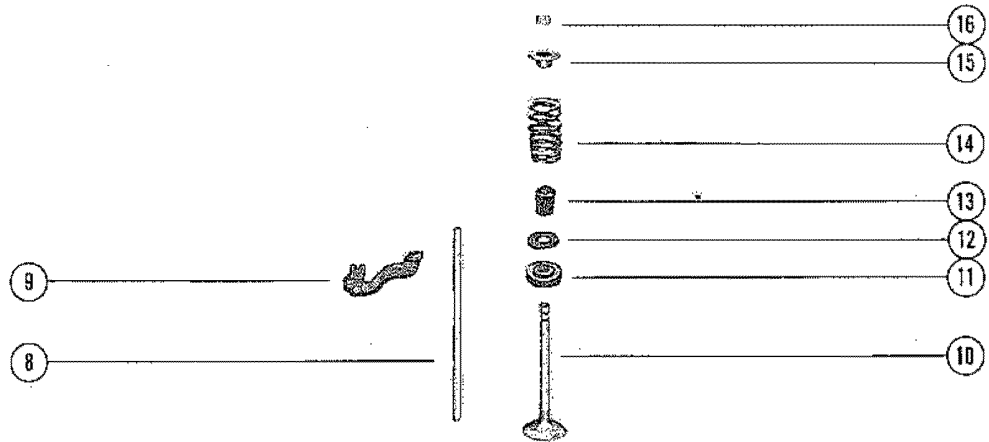
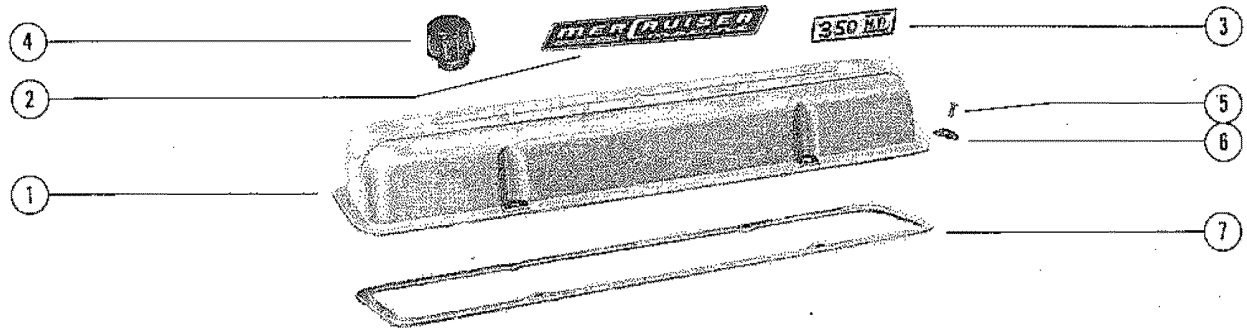
CYLINDER BLOCK, PISTONS AND CRANKSHAFT

REF. NO.	PART NO.	SYM.	QTY.	DESCRIPTION
33	43-49114		1	GEAR, CRANKSHAFT RIGHT HAND CRANKSHAFT ROTATION

INTAKE MANIFOLD AND WATER PUMP

REF. NO.	PART NO.	SYM.	QTY.	DESCRIPTION
1	59974		1	INTAKE MANIFOLD
2	22-66201		1	CONNECTOR, INTAKE MANIFOLD - BY-PASS HOSE
3	32-66206		1	HOSE, BY-PASS - INTAKE MANIFOLD TO WATER PUMP
4	54-38426		2	CLAMP, BY-PASS HOSE ATTACHING
5	10-37510		16	BOLT, INTAKE MANIFOLD TO CYLINDER BLOCK (1 1/4")
6	22-48336		1	PLUG, PIPE - INTAKE MANIFOLD
7	54-47513		1	EYE, LIFTING - REAR
	54-64628		1	EYE, LIFTING - FRONT
8	10-34354		4	SCREW, LIFTING EYE ATTACHING (1 1/2")
9	13-35048		4	LOCKWASHER, LIFTING EYE SCREW
10	27-65184		1	GASKET SET, INTAKE MANIFOLD
11	67859		1	WATER PUMP ASSEMBLY
12	27-49110		2	GASKET, WATER PUMP MOUNTING
13	22-66201		1	CONNECTOR, WATER PUMP - BY-PASS HOSE
14	22-48336		1	PLUG, PISE - WATER PUMP
15	10-32132		4	SCREW, WATER PUMP TO CYLINDER BLOCK (1 3/4")
16	59775		1	PULLEY, WATER PUMP
17	10-47277		4	SCREW, PULLEY TO WATER PUMP (3/4")
18	13-39107		4	LOCKWASHER, WATER PUMP PULLEY SCREW
19	67858		1	DAMPER, TORSIONAL - CRANKSHAFT
20	52181		1	PULLEY, TORSIONAL DAMPER
21	10-49101		1	BOLT, PULLEY AND TORSIONAL DAMPER TO CRANKSHAFT
22	13-49102		1	LOCKWASHER, PULLEY AND TORSIONAL DAMPER BOLT
23	12-49103		1	WASHER, PULLEY AND TORSIONAL DAMPER BOLT
24	10-27165		3	BOLT, CRANKSHAFT PULLEY TO TORSIONAL DAMPER
25	13-35048		3	LOCKWASHER, CRANKSHAFT PULLEY BOLT
26	57-48122		1	BELT, ALTERNATOR DRIVE (48")
27	66215		1	COVER ASSEMBLY, CRANKCASE FRONT END
28	26-49154		1	OIL SEAL, CRANKCASE FRONT END COVER
	59966		1	POINTER, TIMING(LEFT HAND CRANKSHAFT ROTATION)
	59981		1	POINTER, TIMING(RIGHT HAND CRANKSHAFT ROTATION)
30	27-54529		1	GASKET, CRANKCASE FRONT END COVER
31	10-34277		10	SCREW, CRANKCASE FRONT END COVER TO CYLINDER BLOCK (7/16")
32	842-5539		1	CYLINDER BLOCK ASSEMBLY SEE F8 FOR BREAKDOWN SERIAL 00000000-04178869
	842-6035		1	CYLINDER BLOCK ASSEMBLY SEE F8 FOR BREAKDOWN SERIAL 04178870-04501640
	842-6356		1	CYLINDER BLOCK ASSEMBLY SEE F8 FOR BREAKDOWN SERIAL 04501641-09999999
-	34344		1	VALVE, BY-PASS

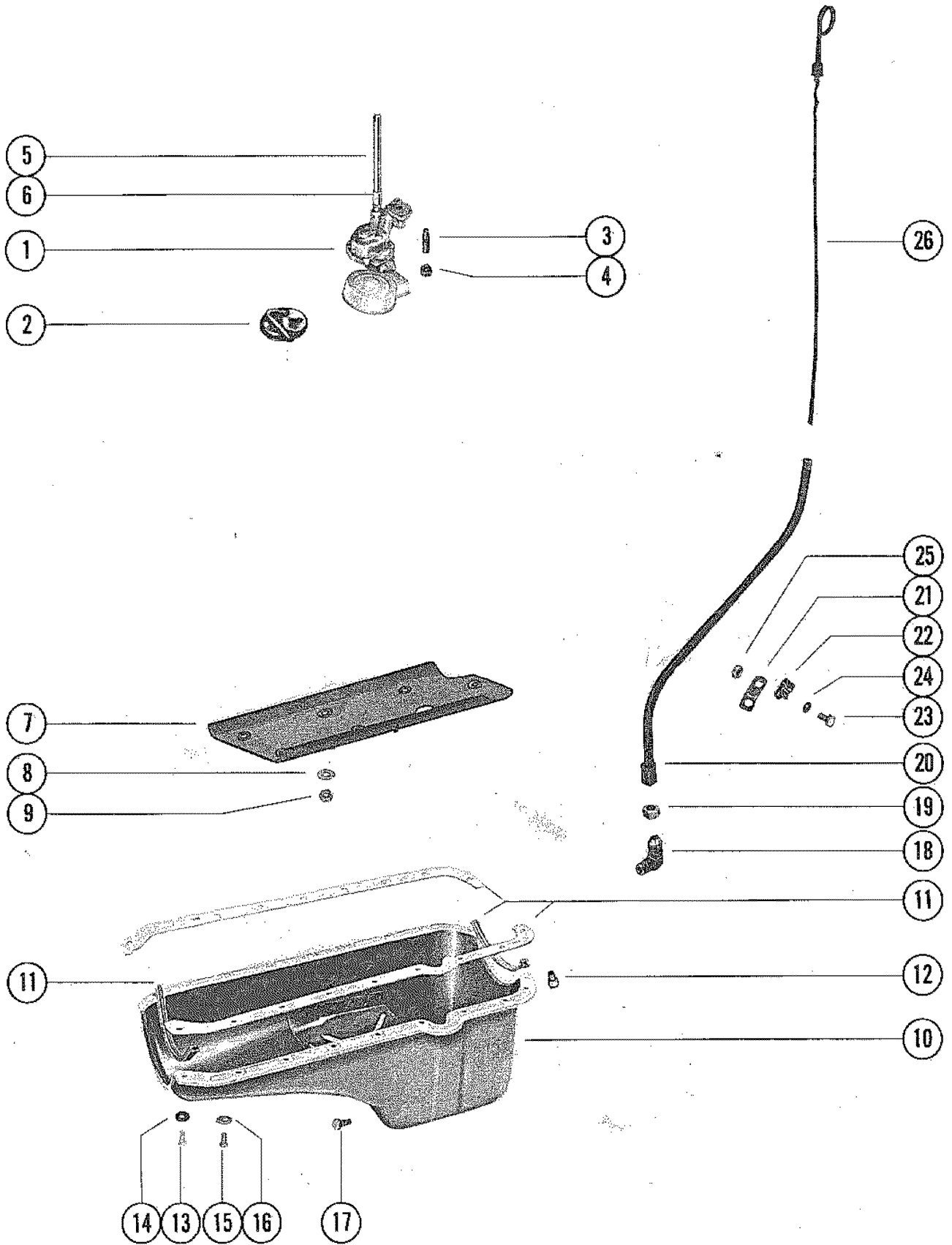
CYLINDER HEAD AND ROCKER COVER



CYLINDER HEAD AND ROCKER COVER

REF. NO.	PART NO.	SYM.	QTY.	DESCRIPTION
1	66207		1	COVER, ROCKER (LEFT)
	66208		1	COVER, ROCKER (RIGHT)
2	37-34443		2	DECAL, ROCKER COVER
3	37-66702		1	DECAL, ROCKER COVER (350 H.P.)
4	59965		1	CAP, OIL FILLER
5	10-35366		14	SCREW, ROCKER COVER TO CYLINDER HEAD (1/2")
6	49174		14	REINFORCEMENT, ROCKER COVER SCREW
7	27-49121		2	GASKET, ROCKER COVER
8	49115		8	ROD, VALVE PUSH (INLET)
	49116		8	ROD, VALVE PUSH (EXHAUST)
9	49132		8	GUIDE, PUSH ROD
10	67861		8	VALVE, EXHAUST (STANDARD)
	68572		AR	VALVE, EXHAUST (.015 O.S.)
	49134		8	VALVE, INLET (STANDARD) SERIAL 00000000-04501640
	49135		AR	VALVE, INLET (.015 O.S.) SERIAL 00000000-04501640
	75406		8	VALVE, INLET (STANDARD) SERIAL 04501641-09999999
	75407		AR	VALVE, INLET (.015 O.S.) SERIAL 04501641-09999999
11	67862		8	ROTATOR, EXHAUST VALVE SPRING
12	15-54531		16	SHIM, INLET VALVE SPRING (THIN)
13	26-49131		8	SEAL, VALVE STEM (INTAKE)
	26-67863		8	SEAL, VALVE STEM (EXHAUST)
14	24-66212		16	SPRING, VALVE
15	49129		16	CAP, VALVE SPRING
16	28-54530		32	KEY, VALVE STEM
17	49781		16	ARM, ROCKER VALVE SERIAL 00000000-04178869
	72609		16	ARM, ROCKER VALVE SERIAL 04178870-09999999
18	58041		16	BALL UNIT, ROCKER VALVE ARM
19	11-49119		16	NUT, ROCKER VALVE ARM STUD
20	938-5535		2	CYLINDER HEAD ASSEMBLY
21	16-49133		16	STUD, ROCKER VALVE ARM
22	27-65157		2	GASKET, CYLINDER HEAD
23	10-49106		8	BOLT, CYLINDER TO CYLINDER BLOCK(2")
24	10-49105		24	BOLT, CYLINDER TO CYLINDER BLOCK(4 1/8")
-	66648A3		0	ROTATION SERIAL 00000000-04178869
-	66651A3		0	H ROTATION SERIAL 00000000-04178869
-	69735A3		0	ROTATION SERIAL 04178870-04501640
-	69737A3		0	H ROTATION SERIAL 04178870-04501640
-	72988A3		0	ROTATION SERIAL 04501641-09999999
-	72990A3		0	H ROTATION SERIAL 04501641-09999999

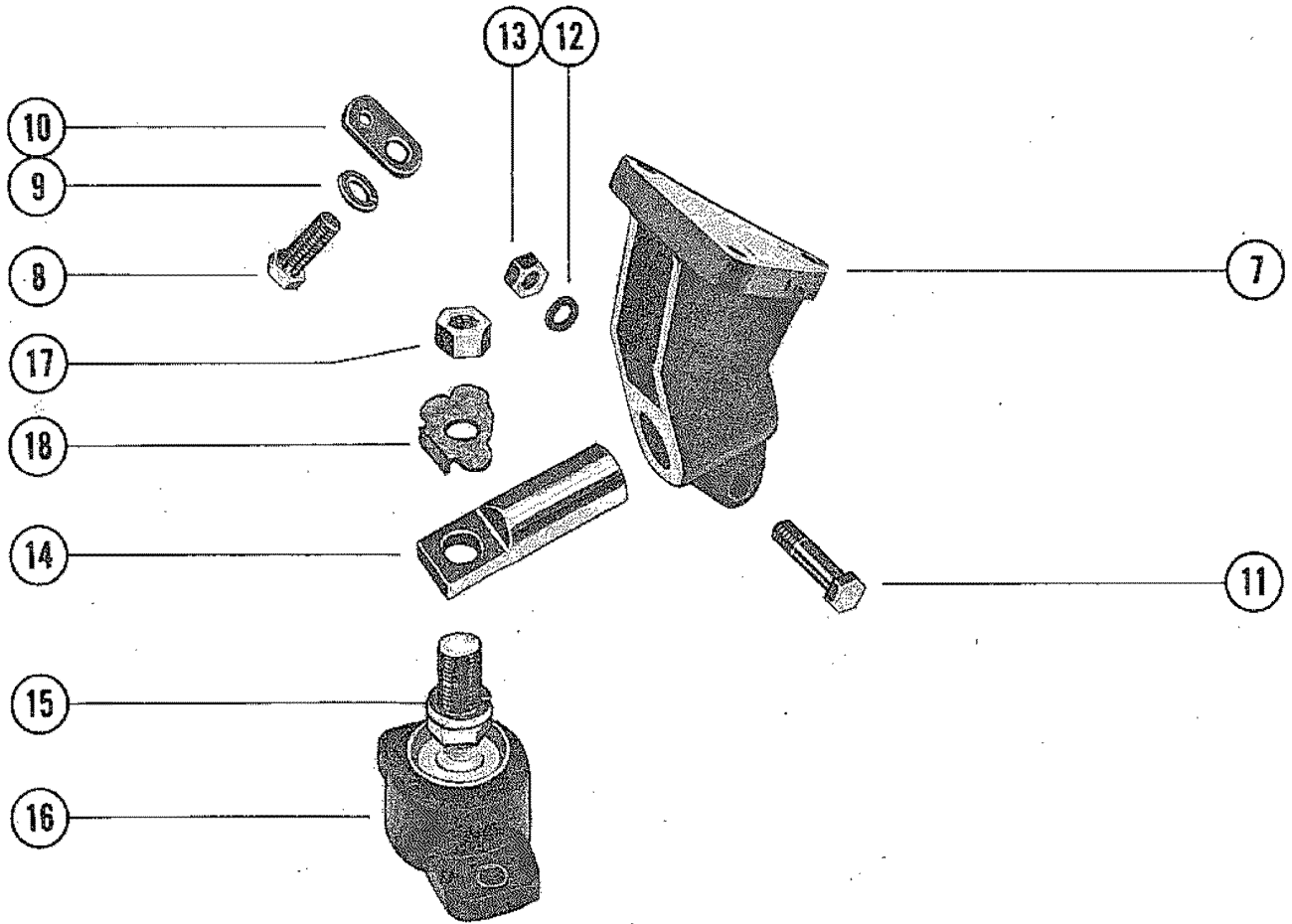
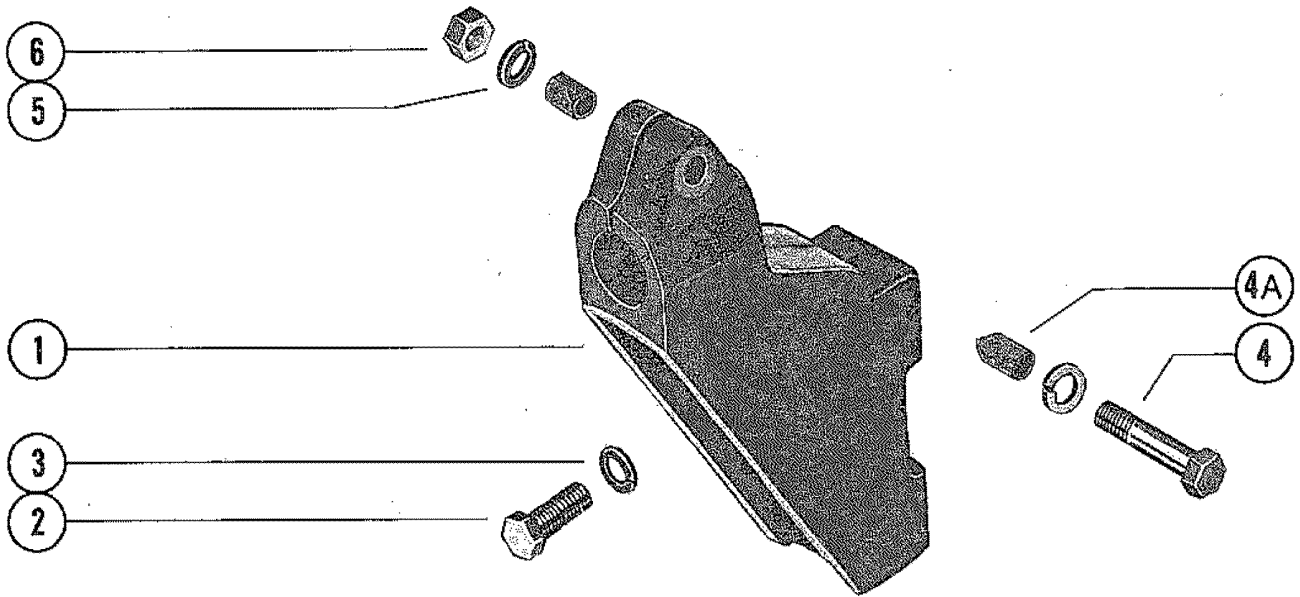
OIL PAN AND OIL PUMP



OIL PAN AND OIL PUMP

REF. NO.	PART NO.	SYM.	QTY.	DESCRIPTION
1	59978		1	OIL PUMP ASSEMBLY
2	59977		1	SCREEN, OIL PUMP
3	16-49108		1	STUD, OIL PUMP TO CYLINDER BLOCK
4	11-37500		1	NUT, OIL PUMP STUD
5	49149		1	SHAFT, OIL PUMP TO DISTRIBUTOR
6	23-52193		1	RETAINER, OIL PUMP SHAFT
7	49198		1	BAFFLE, OIL PAN (CYLINDER BLOCK)
8	12-49112		4	WASHER, BAFFLE BOLT
9	11-37500		4	NUT, BAFFLE TO CYLINDER BLOC STUD
10	47552		1	OIL PAN
11	27-52550		1	GASKET SET, OIL PAN
12	19-47815		2	PLUG, RUBBER - OIL PAN
13	10-55714		10	SCREW, OIL PAN TO BLOCK (5/16-18 X 7/8)
14	13-26993		10	LOCKWASHER, OIL PAN SCREW (5/16")
15	10-55715		3	SCREW, OIL PAN TO BLOCK (1/4-20 X 7/8)
16	13-26992		3	LOCKWASHER, OIL PAN SCREW (1/4")
17	22-36373		1	PLUG, PIPE - OIL DRAIN
18	22-47625		1	ELBOW, OIL LEVEL GAUGE TUBE TO OIL PAN
19	11-47626		1	NUT, OIL LEVEL GAUGE TUBE
20	47492		1	TUBE, OIL LEVEL GAUGE
21	48134		1	BRACKET, OIL LEVEL TUBE
22	54-47545		1	CLIP, OIL LEVEL GAUGE TUBE
23	10-33524		1	SCREW, CLIP TO BRACKET (5/8")
24	13-39107		1	LOCKWASHER, CLIP SCREW
25	11-22053		1	NUT, OIL LEVEL GAUGE TUBE CLIP SCREW
26	57403		1	GAUGE, OIL LEVEL (DIPSTICK)-INBOARD
	49661		1	GAUGE, OIL LEVEL (DIPSTICK)-V-DRIVE

MOUNTING BRACKETS



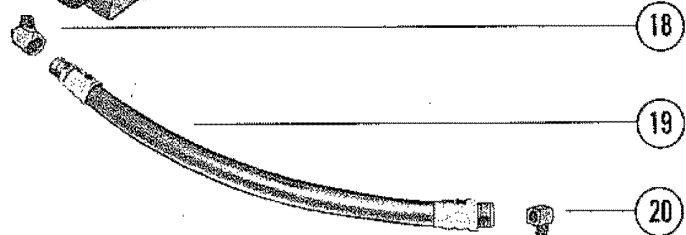
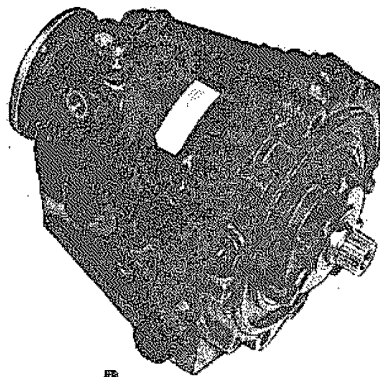
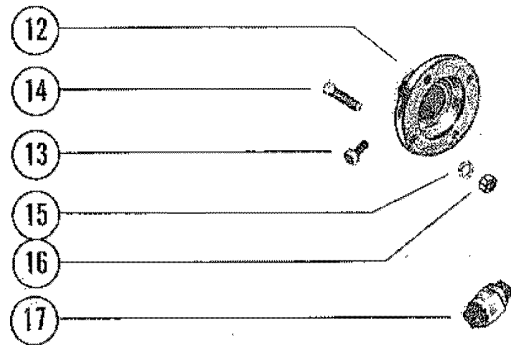
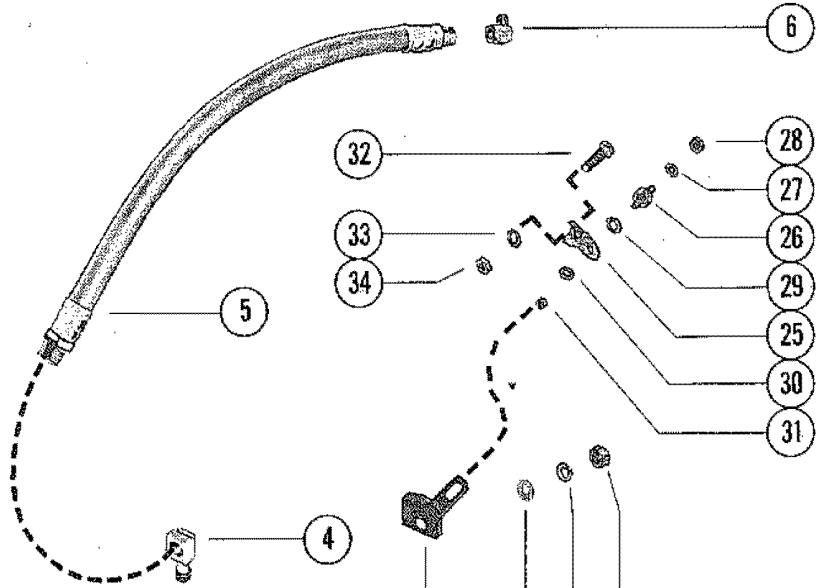
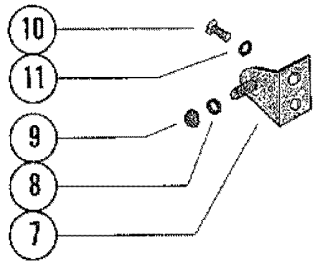
MOUNTING BRACKETS

REF. NO.	PART NO.	SYM.	QTY.	DESCRIPTION
1	66167		2	BRACKET, MOUNTING - TRANSMISSION (REAR) INBOARD
2	10-37269		4	SCREW, BACKET TO TRANSMISSION (2") INBOARD
3	13-32993		4	LOCKWASHER, BRACKET SCREW INBOARD
4	10-57357		2	SCREW, CLAMPING - MOUNTING BRACKET (2 1/4") INBOARD
1	62285		2	BRACKET, MOUNTING (REAR) V-DRIVE
2	10-47462		6	SCREW, BRACKET TO TRANSMISSION (1 1/4") V-DRIVE
3	13-32993		6	LOCKWASHER, BRACKET SCREW V-DRIVE
4	10-47654		2	SCREW, CLAMPING - MOUNTING BRACKET (2 3/4") V-DRIVE
4A	54-47528		4	CLAMP, ADJUSTING TRUNNION SCREW
5	13-32993		2	LOCKWASHER, CLAMPING SCREW
6	11-29553		2	NUT, CLAMPING SCREW
7	66418		2	BRACKET, MOUNTING - ENGINE (FRONT)
8	10-68101		6	SCREW, MOUNTING BRACKET TO ENGINE (1 3/8")
9	13-35048		6	LOCKWASHER, MOUNTING BRACKET SCREW
10	64884		1	TAB, MOUNTING BRACKET SCREW
11	10-37269		2	SCREW, CLAMPING - MOUNTING BRACKET (2")
12	13-32993		2	LOCKWASHER, CLAMPING SCREW
13	11-29553		2	NUT, CLAMPING SCREW
14	66166		4	TRUNNION, ADJUSTING - MOUNTING BRACKET
15	13-68102		4	LOCKWASHER, MOUNTING BRACKET
16	66284		4	BASE, ENGINE MOUNT
17	11-20739		8	NUT, JAM - ENGINE MOUNT BASE
18	14-66658		2	TAB WASHER, CLAMPING SCREW

TRANSMISSION ASSEMBLY (INBOARD)

INBOARD

OIL COOLER ←



OIL COOLER ←

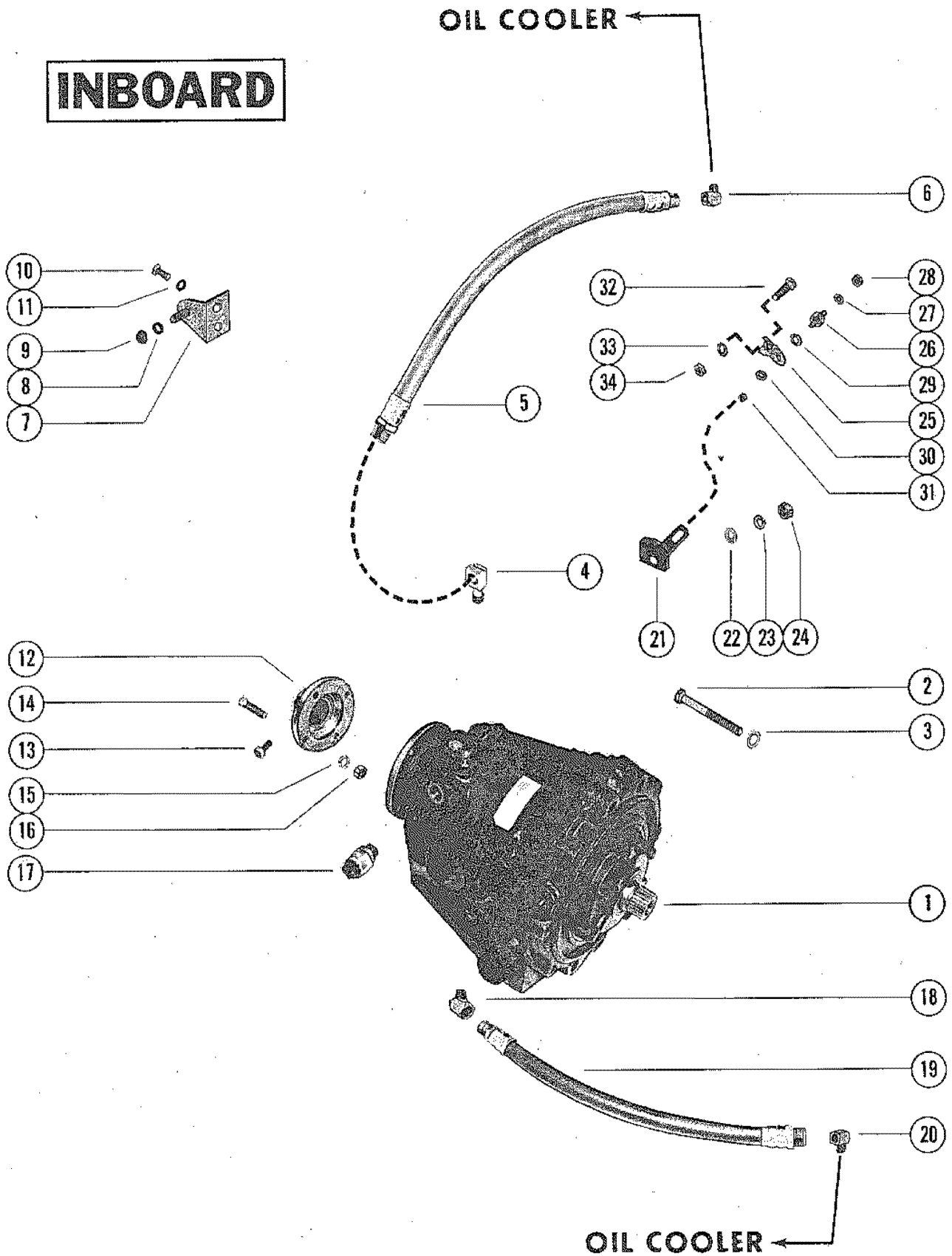
TRANSMISSION ASSEMBLY (INBOARD)

REF. NO.	PART NO.	SYM.	QTY.	DESCRIPTION
1	47810		1	TRANSMISSION(DIRECT DRIVE) 72 SERIES
	47811		1	TRANSMISSION(1.523:1 REDUCTION) 72 SERIES
	47812		1	TRANSMISSION(1.909:1 REDUCTION) 72 SERIES
	47813		1	TRANSMISSION(5.57:1 REDUCTION) 72 SERIES
	47814		1	TRANSMISSION(2.909:1 REDUCTION) 72 SERIES
2	10-60179		6	SCREW, TRANSMISSION TO ENGINE (3 1/2")
3	13-32993		6	LOCKWASHER, TRANSMISSION SCREW
4	22-63824		1	ELBOW, HOSE TO TRANSMISSION (90 DEGREES)
5	32-47516--6		1	HOSE, TRANSMISSION TO OIL COOLER (30")
6	22-47629		1	ELBOW, HOSE TO OIL COOLER (90 DEGREES)
7	63815A2		1	BRACKET ASSEMBLY, SHIFT CABLE
8	12-56681		1	WASHER, SHIFT CABLE STUD
9	11-46438		1	NUT, SHIFT CABLE STUD
10	10-35583		2	SCREW, BRACKET TO FLYWHEEL HOUSING (3/4")
11	13-26992		2	LOCKWASHER, BRACKET SCREW
12	48386A1		OPT.	FLANGE ASSEMBLY (1")
	48387A1		OPT.	FLANGE ASSEMBLY (1 1/8")
	48388A1		OPT.	FLANGE ASSEMBLY (1 1/4")
	48389A1		OPT.	FLANGE ASSEMBLY (1 3/8")
	48390A1		OPT.	FLANGE ASSEMBLY (1 1/2")
	57295A1		OPT.	FLANGE ASSEMBLY (1 3/4")
	57296A1		OPT.	FLANGE ASSEMBLY (2")
13	10-60171		2	SCREW, FLANGE TO PROPELLER SHAFT (1 1/4") SEE NOTE BELOW
	10-60170		2	SCREW, FLANGE TO PROPELLER SHAFT (1") SEE NOTE BELOW
	10-60169		2	SCREW, FLANGE TO PROPELLER SHAFT (3/4") SEE NOTE BELOW
14	10-60106		4	SCREW, TRANSMISSION FLANGE TO PROPELLER FLANGE(1 1/4")
15	13-32993		4	LOCKWASHER, FLANGE SCREW
16	11-22024		4	NUT, FLANGE SCREW
17	47613		1	SWITCH, NEUTRAL SAFETY
18	22-63835		1	ELBOW, HOSE TO TRANSMISSION (45 DEGREES)
19	32-47516--2		1	HOSE, OIL COOLER TO TRANSMISSION (16 3/4")
20	22-47629		1	ELBOW, HOSE TO OIL COOLER (90 DEGREES)
21	48515		1	LEVER, SHIFT - TRANSMISSION
22	12-20722		1	WASHER, SHIFT LEVER TO TRANSMISSION
23	13-26993		1	LOCKWASHER, SHIFT LEVER TO TRANSMISSION
24	11-20083		1	NUT, SHIFT LEVER TO TRANSMISSION
25	48652		1	ADAPTOR, SHIFT CABLE TO SHIFT LEVER
26	16-48680		1	STUD, SHIFT CABLE ADAPTOR TO SHIFT LEVER (1 1/4")
27	12-20533		1	WASHER, SHIFT CANLE ADAPTOR STUD
28	11-46887		1	NUT, SHIFT CABLE ADAPTOR STUD (1/4-28)

CONTINUED ON NEXT PAGE ➡

TRANSMISSION ASSEMBLY (INBOARD)

INBOARD



TRANSMISSION ASSEMBLY (INBOARD)

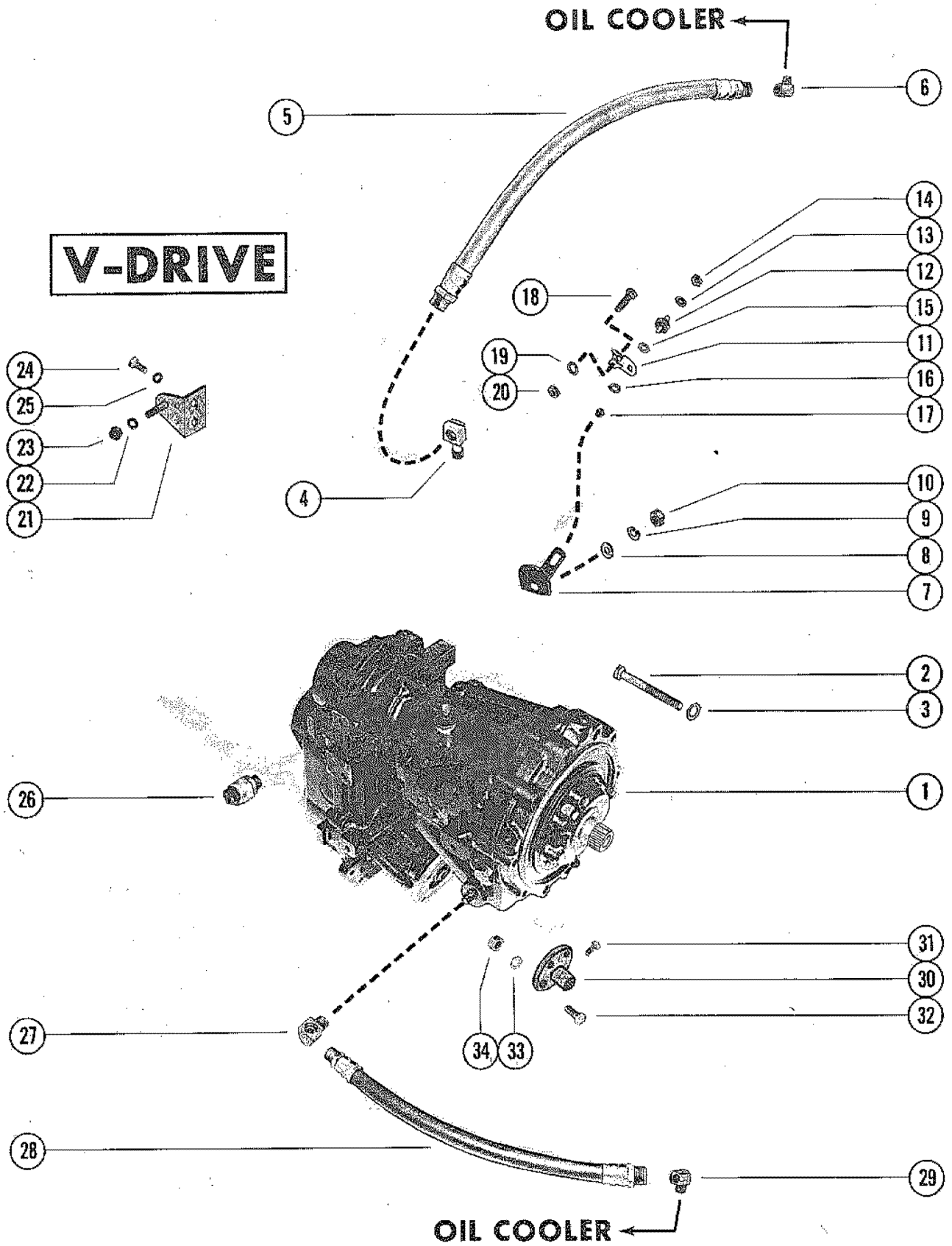
REF. NO.	PART NO.	SYM.	QTY.	DESCRIPTION
29	13-29402		1	WAVE WASHER, SHIFT CABLE ADAPTOR STUD
30	12-37407		1	WASHER, SHIFT CABLE ADAPTOR STUD
31	11-46438		1	NUT, SHIFT CABLE ADAPTOR STUD (10-32)
32	10-20639		1	SCREW, SHIFT CABLE TO ADAPTOR (1 1/8")
33	12-22753		1	WASHER, SHIFT CABLE SCREW
34	11-46793		1	NUT, SHIFT CABLE SCREW (5/16-24)

TRANSMISSION ASSEMBLY (V-DRIVE)

REF. NO.	PART NO.	SYM.	QTY.	DESCRIPTION
1	60958		1	TRANSMISSION(DIRECT DRIVE)
	60959		1	TRANSMISSION(1.51:1 REDUCTION)
	60960		1	TRANSMISSION(1.99:1 REDUCTION)
	60961		1	TRANSMISSION(2.49:1 REDUCTION)
	60962		1	TRANSMISSION(3.14:1 REDUCTION)
2	10-60179		6	SCREW, TRANSMISSION TO ENGINE (3 1/2")
3	13-32993		6	LOCKWASHER, TRANSMISSION SCREW
4	22-63824		1	ELBOW, HOSE TO TRANSMISSION (90 DEGREES)
5	32-47516-10		1	HOSE, TRANSMISSION TO OIL COOLER (33")
6	22-47629		1	ELBOW, HOSE TO OIL COOLER (90 DEGREES)
7	48515		1	LEVER, SHIFT - TRANSMISSION
8	12-20722		1	WASHER, SHIFT LEVER TO TRANSMISSION
9	13-26993		1	LOCKWASHER, SHIFT LEVER TO TRANSMISSION
10	11-20083		1	NUT, SHIFTLIVER TO TRANSMISSION
11	48652		1	ADAPTOR, SHIFT CABLE TO SHIFT LEVER
12	16-48680		1	STUD, SHIFT CABLE ADAPTOR TO SHIFT LEVER (1 1/4")
13	12-20533		1	WASHER, SHIFT CABLE ADAPTOR STUD
14	11-46887		1	NUT, SHIFT ADAPTOR STUD (1/4-28)
15	13-29402		1	WAVE WASHER, SHIFT CABLE ADAPTOR STUD
16	12-37407		1	WASHER, SHIFT CABLE ADAPTOR STUD
17	11-46438		1	NUT, SHIFT CABLE ADAPTOR STUD (10-32)
18	10-20639		1	SCREW, SHIFT CABLE TO ADAPTOR (1 1/8")
19	12-22753		1	WASHER, SHIFT CABLE SCREW
20	11-46793		1	NUT, SHIFT CABLE SCREW (5/16-24)
21	63815A2		1	BRACKET ASSEMBLY, SHIFT CABLE
22	12-56681		1	WASHER, SHIFT CABLE STUD
23	11-46438		1	NUT, SHIFT CABLE STUD
24	10-35585		2	SCREW, BRACKET TO FLYWHEEL HOUSING (3/4")
25	13-26992		2	LOCKWASHER, BRACKET SCREW
26	47613		1	SWITCH, NEUTRAL SAFETY
27	22-47629		1	ELBOW, HOSE TO TRANSMISSION(90 DEGREES)
28	32-47516--9		1	HOSE, OIL COOLER TO TRANSMISSION (37")
29	22-47629		1	ELBOW, HOSE TO OIL COOLER(90 DEGREES)
30	48386A1		OPT	FLANGE ASSEMBLY (1")
	48387A1		OPT	FLANGE ASSEMBLY (1 1/8")
	48388A1		OPT	FLANGE ASSEMBLY (1 1/8")
	48389A1		OPT	FLANGE ASSEMBLY (1 3/8")
	48390A1		OPT	FLANGE ASSEMBLY (1 1/2")
	57295A1		OPT	FLANGE ASSEMBLY (1 3/4")
	57296A1		OPT	FLANGE ASSEMBLY (2")
31	10-60171		2	SCREW, FLANGE TO PROPELLER SHAFT (1 1/4") SEE NOTE BELOW
	10-60170		2	SCREW, FLANGE TO PROPELLER SHAFT (1") SEE NOTE BELOW

CONTINUED ON NEXT PAGE ➡

TRANSMISSION ASSEMBLY (V-DRIVE)



TRANSMISSION ASSEMBLY (V-DRIVE)

REF. NO.	PART NO.	SYM.	QTY.	DESCRIPTION
31	10-60169		2	SCREW, FLANGE TO PROPELLER SHAFT (3/4") SEE NOTE BELOW
32	10-60106		4	SCREW, TRANSMISSION FLANGE TO PROPELLER FLANGE (1 1/4")
33	13-32993		4	LOCKWASHER, FLANGE SCREW
34	11-22024		4	NUT, FLANGE SCREW
-	27-52457		1	GASKET, CARBURETOR
-	10-28701		1	SCREW, CARBURETOR MOUNTING (3 1/2")
-	10-52743		1	SCREW, CARBURETOR MOUNTING (3 3/4")
-	16-54343		2	STUD, CARBURETOR MOUNTING (1 3/8")
-	61111		1	ROD, CHOKE

PARTS INDEX

Part Number	Description	Pg.	Ref. No.	Part Number	Description	Pg.	Ref. No.
22789	"D" WASHER, IGNITION COIL SCREW	5	5	47861A3	LEAD ASSEMBLY, HIGH TENSION (37") - CYL. #3 AND #4	9	24
25661	STARTER SOLENOID	5	19	47861A4	LEAD ASSEMBLY, HIGH TENSION (33") - CYL. #5 AND #6	9	24
26079	PLATE, WIRING HARNESS TO MOUNTING BRACKET	5	27	47861A6	LEAD ASSEMBLY, HIGH TENSION (28") - CYL. #7 AND #8	9	24
32720	FITTING, OIL FILTER TO ADAPTOR	27	15	47862A2	LEAD ASSEMBLY, DISTRIBUTOR TO COIL (13 1/2")	9	21
32782	RETAINER, HIGH TENSION LEADS (2 WIRE)	9	23	47957	CONNECTOR, VENT HOSE TO ROCKER COVER	11	37
32783	RETAINER, HIGH TENSION LEADS (3 WIRE)	9	23	48101A4	EXHAUST ELBOW ASSEMBLY	19	13
32784	RETAINER, HIGH TENSION LEADS (4 WIRE)	9	23	48134	BRACKET, OIL LEVEL TUBE	45	21
34344	VALVE, BY-PASS	41	--	48386A1	FLANGE ASSEMBLY (1")	49	12
34623	OIL PRESSURE SENDER ASSEMBLY	3	10	48386A1	FLANGE ASSEMBLY (1")	53	30
34625	WATER TEMPERATURE SENDER ASSEMBLY	3	7	48387A1	FLANGE ASSEMBLY (1 1/8")	49	12
35377	ROD, PUSH - FUEL PUMP	11	4	48387A1	FLANGE ASSEMBLY (1 1/8")	53	30
38559	SWITCH, OIL PRESSURE	3	13	48388A1	FLANGE ASSEMBLY (1 1/4")	49	12
47442	COVER, THERMOSTAT HOUSING	21	28	48388A1	FLANGE ASSEMBLY (1 1/8")	53	30
47487	BRACKET, ALTERNATOR MOUNTING	3	26	48389A1	FLANGE ASSEMBLY (1 3/8")	49	12
47489	BRACKET, WATER PUMP	23	23	48389A1	FLANGE ASSEMBLY (1 3/8")	53	30
47492	TUBE, OIL LEVEL GAUGE	45	20	48390A1	FLANGE ASSEMBLY (1 1/2")	49	12
47493A12	DISTRIBUTOR ASSEMBLY	9	1	48390A1	FLANGE ASSEMBLY (1 1/2")	53	30
47498	BRACE, ALTERNATOR ADJUSTING	3	20	48504	ADAPTOR, OIL FILTER	27	8
47530	HUB, WATER PUMP PULLEY	23	17	48515	LEVER, SHIFT - TRANSMISSION	49	21
47544	BRACE, WATER PUMP ADJUSTING	25	29	48515	LEVER, SHIFT - TRANSMISSION	53	7
47552	OIL PAN	45	10	48652	ADAPTOR, SHIFT CABLE TO SHIFT LEVER	49	25
47604A1	PROTECTOR, SPARK PLUG	9	25	48652	ADAPTOR, SHIFT CABLE TO SHIFT LEVER	53	11
47607	DRIVE PLATE, FLYWHEEL	37	21	48699	COVER, PLUG, CYLINDER BLOCK	27	1
47613	SWITCH, NEUTRAL SAFETY	49	17	49115	ROD, VALVE PUSH (INLET)	43	8
47613	SWITCH, NEUTRAL SAFETY	53	26	49116	ROD, VALVE PUSH (EXHAUST)	43	8
47735A1	EXHAUST MANIFOLD ASSEMBLY, PORT	19	1	49117	LIFTER, HYDRAULIC VALVE - TAPPET	37	17
47736A1	EXHAUST MANIFOLD ASSEMBLY, STARBOARD	19	1	49129	CAP, VALVE SPRING	43	15
47763	BRACKET, RETAINER - HIGH TENSION LEADS	9	27	49132	GUIDE, PUSH ROD	43	9
47810	TRANSMISSION(DIRECT DRIVE) 72 SERIES	49	1	49134	VALVE, INLET (STANDARD)	43	10
47811	TRANSMISSION(1.523:1 REDUCTION) 72 SERIES	49	1	49135	VALVE, INLET (.015 O.S.)	43	10
47812	TRANSMISSION(1.909:1 REDUCTION) 72 SERIES	49	1	49142	CAP, REAR - CRANKSHAFT BEARING	37	13
47813	TRANSMISSION(5.57:1 REDUCTION) 72 SERIES	49	1	49143	CAP, INTERMEDIATE AND FRONT - CRANKSHAFT BEARING	37	14
47814	TRANSMISSION(2.909:1 REDUCTION) 72 SERIES	49	1	49149	SHAFT, OIL PUMP TO DISTRIBUTOR	45	5
47816	SIGHT GLASS	11	6	49174	REINFORCEMENT, ROCKER COVER SCREW	43	6
47833	FLAME ARRESTOR, CARBURETOR	11	32	49198	BAFFLE, OIL PAN (CYLINDER BLOCK)	45	7
47861A1	LEAD ASSEMBLY, HIGH TENSION (44") - CYL. #1	9	24	49661	GAUGE, OIL LEVEL (DIPSTICK)-V-DRIVE	45	26
47861A2	LEAD ASSEMBLY, HIGH TENSION (42") - CYL. #2	9	24				

PARTS INDEX

Part Number	Description	Pg.	Ref. No.	Part Number	Description	Pg.	Ref. No.
49781	ARM, ROCKER VALVE	43	17	60391A1	WATER DISTRIBUTION HOUSING ASSEMBLY (PORT)	19	18
52181	PULLEY, TORSIONAL DAMPER	41	20	60958	TRANSMISSION(DIRECT DRIVE)	53	1
52185	CLAMP, DISTRIBUTOR TO INTAKE MANIFOLD	9	19	60959	TRANSMISSION(1.51:1 REDUCTION)	53	1
52618	WIRE, GROUND	9	15	60960	TRANSMISSION(1.99:1 REDUCTION)	53	1
52731	OIL FILTER	27	16	60961	TRANSMISSION(2.49:1 REDUCTION)	53	1
53513	WEDGE, CARBURETOR MOUNTING	11	22	60962	TRANSMISSION(3.14:1 REDUCTION)	53	1
54646	BRACKET, MOUNTING - FUEL FILTER	11	10	61111	ROD, CHOKE	55	--
54870	END CAP, EXHAUST MANIFOLD (REAR) SERIAL #AND BELOW . . .	19	10	61728	CHAIN DRIVE	37	34
55481	BASE, FUEL FILTER	11	8	62285	BRACKET, MOUNTING (REAR) V-DRIVE	47	1
56328	BRACKET, OIL COOLER CLAMPING (SHORT)	27	26	63196	FUEL PUP ASSEMBLY	11	1
57096	BRACKET, MOUNTING - THROTTLE CABLE	11	39	63815A2	BRACKET ASSEMBLY, SHIFT CABLE	49	7
57295A1	FLANGE ASSEMBLY (1 3/4")	49	12	63815A2	BRACKET ASSEMBLY, SHIFT CABLE	53	21
57295A1	FLANGE ASSEMBLY (1 3/4")	53	30	63820--1	BRACKET, OIL COOLER CLAMPING (LONG)	27	25
57296A1	FLANGE ASSEMBLY (2") . . .	49	12	63820--1	BRACKET, OIL COOLER CLAMPING (LONG)	29	38
57296A1	FLANGE ASSEMBLY (2") . . .	53	30	63828	BRACKET, OIL COOLER CLAMPING SHORT	29	39
57403	GAUGE, OIL LEVEL (DIPSTICK)-INBOARD . . .	45	26	63828	HOUSING, FLYWHEEL	31	1
58041	BALL UNIT, ROCKER VALVE ARM	43	18	63831	OIL COOLER (5")	27	24
58265	CLAMP RING, WATER PUMP PULLEY	23	18A	63832--1	OIL COOLER (9")	29	37
59137	THERMOSTAT	21	30	63832--2	OIL COOLER (12") - V DRIVE ONLY	29	37
59155	COVER, WATER PUMP	23	2	63833	COVER, FLYWHEEL HOUSING	31	2
59363A1	CAM SEGMENT ASSEMBLY, WATER PUMP	23	8	63878	COMPARTMENT, ELECTRICAL	5	33
59501	SHAFT, WATER PUMP	23	14	63879	PLATE, SWITCH BOX	5	36
59503	WEAR PLATE	23	10	63880	BRACKET, MOUNTING - OIL FILTER	27	5
59754A1	HOUSING, ASSEMBLY, ADAPTOR	9	4	64884	TAB, MOUNTING BRACKET SCREW	47	10
59755	ALTERNATOR ASSEMBLY . . .	3	16	65864	ROTOR, DISTRIBUTOR	9	3
59762	PULLEY, WATER PUMP . . .	23	18	65939A1	COVER ASSEMBLY, ELECTRICAL COMPARTMENT	7	40
59775	PULLEY, WATER PUMP . . .	41	16	65940	BRACKET, CIRCUIT BREAKER	5	16
59816	CIRCUIT BREAKER	5	9	66166	TRUNNION, ADJUSTING - MOUNTING BRACKET . . .	47	14
59862A1	THERMOSTAT HOUSING ASSEMBLY	21	25	66167	BRACKET, MOUNTING - TRANSMISSION (REAR) INBOARD	47	1
59862A3	THERMOSTAT HOUSING ASSEMBLY	21	25	66197	ROD, AUTOMATIC CHOKE . .	13	50
59965	CAP, OIL FILLER	43	4	66198	COVER, AUTOMATIC CHOKE	13	48
59966	POINTER, TIMING(LEFT HAND CRANKSHAFT ROTATION)	41	29	66205	CHOKE, AUTOMATIC - CARBURETOR	13	47
59974	INTAKE MANIFOLD	41	1	66207	COVER, ROCKER (LEFT) . .	43	1
59977	SCREEN, OIL PUMP	45	2	66208	COVER, ROCKER (RIGHT) .	43	1
59978	OIL PUMP ASSEMBLY	45	1				
59981	POINTER, TIMING(RIGHT HAND CRANKSHAFT ROTATION)	41	29				
60252	END CAP/CONNECTOR, EXHAUST MAN, (FRONT)	19	7				
60252	END CAP/CONNECTOR, EXHAUST MAN. (FRONT)	19	7				

PARTS INDEX

Part Number	Description	Pg.	Ref. No.	Part Number	Description	Pg.	Ref. No.
66215	COVER ASSEMBLY, CRANKCASE FRONT END	41	27	10-26486	SCREW, EXHAUST MANIFOLD TO CYLINDER HEAD (2 3/8") 8	19	6
66284	BASE, ENGINE MOUNT	47	16	10-26595	SCREW, ADAPTOR HOUSING FASTENING (3/4")	9	13
66418	BRACKET, MOUNTING - ENGINE (FRONT)	47	7	10-27165	BOLT, CRANKSHAFT PULLEY TO TORSIONAL DAMPER	41	24
66648A3	ROTATION	43	--	10-27165	SCREW, RETAINER BRACKET TO CYLINDER HEAD (3/4")	9	29
66651A3	H ROTATION	43	--	10-27337	SCREW, IGNITION COIL TO ELECTRICAL COMPARTMENT	5	7
67858	DAMPER, TORSIONAL - CRANKSHAFT	41	19	10-28635	SCREW, COVER TO FLYWHEEL HOUSING (5/8")	31	3
67859	WATER PUMP ASSEMBLY	41	11	10-28635	SCREW, WATER PUMP COVER ATTACHING (5/8")	23	3
67861	VALVE, EXHAUST (STANDARD)	43	10	10-28701	SCREW, CARBURETOR MOUNTING (3 1/2")	55	--
67862	ROTATOR, EXHAUST VALVE SPRING	43	11	10-29198	SCREW, ALTERNATOR BRACE TO ALTERNATOR (7/8")	3	21
68572	VALVE, EXHAUST (.015 O.S.)	43	10	10-31381	SCREW, ALTERNATOR BRACE TO CYLINDER BLOCK (1")	3	23
69729	ALTERNATOR ASSEMBLY	3	16	10-32132	SCREW, WATER PUMP TO CYLINDER BLOCK (1 3/4")	41	15
69735A3	ROTATION	43	--	10-32774	SCREW, ALTERNATOR BRACKET TO EXHAUST MANIFOLD (2")	3	27
69737A3	H ROTATION	43	--	10-33389	SCREW, THERMOSTAT HSG. TO WATER METERING HSG. (3 1/2")	21	32
72609	ARM, ROCKER VALVE	43	17	10-33524	SCREW, CLIP TO BRACKET (5/8")	45	23
72963A1	EXHAUST ELBOW ASSEMBLY	19	13	10-33524	SCREW, PULLEY TO WATER PUMP (5/8")	23	19
72988A3	ROTATION	43	--	10-34277	BOLT, CAMSHAFT GEAR	37	32
72990A3	H ROTATION	43	--	10-34277	SCREW, CRANKCASE FRONT END COVER TO CYLINDER BLOCK (7/16")	41	31
73782	PLATE, EXHAUST ELBOW TO MAN.	19	18A	10-34353	SCREW, ADJUSTING BRACE TO OIL PAN (1") 1	25	30
73798	PULLEY, WATER PUMP	23	18	10-34353	SCREW, ALTERNATOR BRACKET TO EXHAUST MANIFOLD (1")	3	27
73867	BRACKET, MOUNTING - OIL FILTER (NOT AS SHOWN)	27	5	10-34353	SCREW, FLYWHEEL HOUSING TO ENGINE (1")	31	5
75406	VALVE, INLET (STANDARD)	43	10	10-34354	SCREW, LIFTING EYE ATTACHING (1 1/2")	41	8
75407	VALVE, INLET (.015 O.S.)	43	10	10-34354	SCREW, MOUNTING BRACKET TO ENGINE (3/8-16X1 1/2")	27	6
10-20031	SCREW, COVER TO FLYWHEEL HOUSING (1/2")	31	3	10-34354	SCREW, WATER PUMP BRACKET ATTACHING (1 1/2")	23	24
10-20031	SCREW, STARTER SOLENOID TO ELECTRICAL COMPARTMENT (1/2")	5	24				
10-20055	SCREW, GROUND CABLE TO ALTERNATOR	3	17				
10-20359	SCREW, OIL FILTER ADAPTOR ATTACHING (1")	27	12				
10-20639	SCREW, FUEL FILTER TO MOUNTING BRACKET (1/2")	11	11				
10-20639	SCREW, SHIFT CABLE TO ADAPTOR (1 1/8")	51	32				
10-20639	SCREW, SHIFT CABLE TO ADAPTOR (1 1/8")	53	18				
10-20705	SCREW, PULLEY TO WATER PUMP (3/4")	23	19				
10-21335	SCREW, CLAMP TO ADAPTOR HOUSING (7/8")	9	8				
10-21625	SCREW, CLAMPING BRACKET (3/4")	29	27				
10-21625	SCREW, CLAMPING BRACKET (3/4")	29	40				
10-22958	SCREW, THROTTLE CABLE TO CARBURETOR (1 1/8")	11	26				

PARTS INDEX

Part Number	Description	Pg.	Ref. No.	Part Number	Description	Pg.	Ref. No.
10-34505	BOLT, CAMSHAFT			10-47618	SCREW, CIRCUIT BREAKER		
	SPROCKET	37	32		TO BRACKET (1")	5	11
10-35091	SCREW, DRIVE PLATE TO			10-47618	SCREW, TRIGGER		
	FLYWHEEL	37	22		ATTACHING (1")	9	11
10-35169	SCREW, FUEL PUMP TO			10-47651	SCREW, MOUNTING		
	CYLINDER BLOCK (1 1/8")	11	2		BRACKET TO ENGINE (1		
10-35366	SCREW, ROCKER COVER				1/2")	27	6
	TO CYLINDER HEAD (1/2")	43	5	10-47651	SCREW, MOUNTING		
10-35386	SCREW, END CAP TO EXH.				BRACKET TO ENGINE		
	MAN. (1")	19	9		(7/16-24X1 1/2")	27	6
10-35386	SCREW, END CAP TO EXH.			10-47654	SCREW, CLAMPING -		
	MAN. (1")	19	9		MOUNTING BRACKET (2		
10-35386	SCREW, THROTTLE CABLE				3/4") V-DRIVE	47	4
	BRACKET TO MANIFOLD	13	40	10-47954	SCREW, OIL FILTER		
10-35583	SCREW, BRACKET TO				ADAPTOR ATTACHING (1		
	FLYWHEEL HOUSING				5/8")	27	12
	(3/4")	49	10	10-48137	SCREW, AIR HORN TO		
10-35585	SCREW, BRACKET TO				FLOAT BOWL (3/8")	15	5
	FLYWHEEL HOUSING			10-48138	SCREW, VACUUM CONTROL		
	(3/4")	53	24		BRACKET TO FLOAT		
10-35786	SCREW, ADJUSTING BRACE				BOWL	15	30
	TO BRACKET (1")	25	33	10-48139	SCREW, CHOKE VALVE TO		
10-36046	SCREW, CIRCUIT BREAKER				CHOKE SHAFT	15	20
	(1/4")	5	10	10-48144	SCREW, IDLE STOP	15	41
10-37269	SCREW, BACKET TO			10-48308	SCREW, ALTERNATOR TO		
	TRANSMISSION (2")				ALTERNATOR BRACKET		
	INBOARD	47	2		(3 3/4")	3	29
10-37269	SCREW, CLAMPING -			10-48360	SCREW, AUTOMATIC		
	MOUNTING BRACKET (2")	47	11		CHOKE THERMOSTAT		
10-37510	BOLT, INTAKE MANIFOLD				(5/8")	13	49
	TO CYLINDER BLOCK (1			10-48395	SCREW, AIR HORN TO		
	1/4")	41	5		FLOAT BOWL (3")	15	7
10-37612	SCREW, EXHAUST			10-48424	SCREW, MOUNTING		
	MANIFOLD TO CYLINDER				ENGINE TO BRACKET (3/8		
	HEAD (1 1/4")	19	6		- 16 X 5/8")	27	6
10-45102	SCREW, IGNITION COIL			10-48831	SCREW, PLUG COVER TO		
	CLAMPING (2 3/8")	5	2		CYLINDER BLOCK (4")	27	3
10-45103	SCREW, IGNITION COIL			10-48948	SCREW, WATER PUMP		
	CLAMPING (2")	5	2		BRACKET TO ENGINE		
10-45218	SCREW, GROUND WIRE TO				(7/8")	23	26
	SWITCH BOX (3/8")	5	32	10-49101	BOLT, PULLEY AND		
10-46718	SCREW, WIRING HARNESS				TORSIONAL DAMPER TO		
	PLATE TO MOUNTING				CRANKSHAFT	41	21
	BRACKET (3/4")	5	28	10-49105	BOLT, CYLINDER TO		
10-47258	SCREW, OIL COOLER				CYLINDER BLOCK(4 1/8")	43	24
	BRACKET TO ENGINE			10-49106	BOLT, CYLINDER TO		
	(5/8")	29	42		CYLINDER BLOCK(2")	43	23
10-47277	SCREW, OIL COOLER			10-49145	BOLT, CRANKSHAFT		
	BRACKET TO ENGINE				BEARING CAP TO		
	(3/4")	29	29		CYLINDER BLOCK (2 5/8")	37	15
10-47277	SCREW, PULLEY TO WATER			10-49147	BOLT, CRANKSHAFT		
	PUMP (3/4")	41	17		BEARING CAP TO		
10-47461	SCREW, WATER PUMP				CYLINDER BLOCK (3 3/8")	37	15
	BRACKET TO ENGINE (1")	23	26	10-49845	SCREW, FLYWHEEL TO		
10-47462	SCREW, BRACKET TO				CRANKSHAFT	37	19
	TRANSMISSION (1 1/4") V-			10-52192	BOLT, CONNECTING ROD		
	DRIVE	47	2		CAP	37	25
10-47462	SCREW, STARTER MOTOR			10-52498	SCREW, ELECTRICAL		
	TO CYLINDER BLOCK (1				COMPARTMENT TO		
	1/4")	3	2		ENGINE (1 1/2")	5	34

PARTS INDEX

Part Number	Description	Pg.	Ref. No.	Part Number	Description	Pg.	Ref. No.
10-52743	SCREW, CARBURETOR MOUNTING (3 3/4")	55	--	11-20083	NUT, STARTER SOLENOID TERMINAL (5/16-24)	5	21
10-53016	SCREW, END CAP/CONNECTOR TO EXHAUST MANIFOLD 1 (1/4")	19	9	11-20190	NUT, THROTTLE CABLE SCREW	11	31
10-53787	SCREW, BRACKET TO ELECTRICAL COMPARTMENT (3/8")	5	17	11-20586	NUT, FLAME ARRESTOR STUD	11	34
10-54528	SCREW, DISTRIBUTOR CLAMP ATTACHING (1")	9	20	11-20586	NUT, THROTTLE CABLE STUD	13	46
10-55714	SCREW, OIL PAN TO BLOCK (5/16-18 X 7/8)	45	13	11-20645	NUT, IGNITION COIL SCREW	5	6
10-55715	SCREW, OIL PAN TO BLOCK (1/4-20 X 7/8)	45	15	11-20645	NUT, OIL PRESSURE SENDER TERMINAL (#10)	3	12
10-57357	SCREW, CLAMPING - MOUNTING BRACKET (2 1/4") INBOARD	47	4	11-20645	NUT, OIL PRESSURE SWITCH TERMINAL (#10)	3	15
10-60106	SCREW, TRANSMISSION FLANGE TO PROPELLER FLANGE (1 1/4")	55	32	11-20645	NUT, STARTER SOLENOID TERMINAL (10-32)	5	23
10-60106	SCREW, TRANSMISSION FLANGE TO PROPELLER FLANGE (1 1/4")	49	14	11-20645	NUT, WATER TEMPERATURE SENDER TERMINAL (#10)	3	9
10-60169	SCREW, FLANGE TO PROPELLER SHAFT (3/4")	49	13	11-20664	NUT, COVER STUD	7	43
10-60169	SCREW, FLANGE TO PROPELLER SHAFT (3/4")	55	31	11-20696	NUT, ELECTRICAL COMPARTMENT SCREW	5	35
10-60170	SCREW, FLANGE TO PROPELLER SHAFT (1")	49	13	11-20739	NUT, JAM - ENGINE MOUNT BASE	47	17
10-60170	SCREW, FLANGE TO PROPELLER SHAFT (1")	53	31	11-21625	NUT, CLAMPING BRACKET SCREW	29	28
10-60171	SCREW, FLANGE TO PROPELLER SHAFT (1 1/4")	49	13	11-22024	NUT, FLANGE SCREW	49	16
10-60171	SCREW, FLANGE TO PROPELLER SHAFT (1 1/4")	53	31	11-22024	NUT, FLANGE SCREW	55	34
10-60171	SCREW, FLANGE TO PROPELLER SHAFT (1 1/4")	49	13	11-22053	NUT, OIL LEVEL GAUGE TUBE CLIP SCREW	45	25
10-60171	SCREW, FLANGE TO PROPELLER SHAFT (1 1/4")	53	31	11-23161	NUT, ALTERNATOR BRACKET SCREW	3	32
10-60179	SCREW, TRANSMISSION TO ENGINE (3 1/2")	49	2	11-24883	NUT, ADJUSTING BRACE SCREW	25	35
10-60179	SCREW, TRANSMISSION TO ENGINE (3 1/2")	53	2	11-26419	NUT, STARTER TERMINAL (#8)	3	6
10-60777	SCREW, CAM SEGMENT ATTACHING (1/2")	23	9	11-26995	NUT, STARTER TERMINAL (3/8")	3	4
10-63826	SCREW, FLYWHEEL HOUSING TO ENGINE (2 1/2")	31	6	11-28941	NUT, JAM - FLAME ARRESTOR MOUNTING STUD (BOTTOM)	11	19
10-67864	BOLT, CONNECTING ROD CAP	37	25	11-29553	NUT, CLAMPING SCREW	47	13
10-68101	SCREW, MOUNTING BRACKET TO ENGINE (1 3/8")	47	8	11-29553	NUT, CLAMPING SCREW	47	6
11-20083	NUT, SHIFT LEVER TO TRANSMISSION	49	24	11-30506	NUT, CLAMPING BRACKET SCREW	29	41
11-20083	NUT, SHIFTLVER TO TRANSMISSION	53	10	11-35814	NUT, FUEL FILTER SCREW	11	13
				11-37493	NUT, CONNECTING ROD CAP BOLT	37	26
				11-37500	NUT, BAFFLE TO CYLINDER BLOC STUD	45	9
				11-37500	NUT, OIL PUMP STUD	45	4
				11-45076	NUT, SWITCH BOX TERMINAL	5	31
				11-46438	NUT, CIRCUIT BREAKER SCREW	5	15
				11-46438	NUT, SHIFT CABLE ADAPTOR STUD (10-32)	51	31
				11-46438	NUT, SHIFT CABLE ADAPTOR STUD (10-32)	53	17
				11-46438	NUT, SHIFT CABLE STUD	49	9
				11-46438	NUT, SHIFT CABLE STUD	53	23

PARTS INDEX

Part Number	Description	Pg.	Ref. No.	Part Number	Description	Pg.	Ref. No.
11-46793	NUT, CARBURETOR MOUNTING STUD	11	25	12-26825	WASHER, OIL COOLER BRACKET SCREW	29	30
11-46793	NUT, SHIFT CABLE SCREW (5/16-24)	51	34	12-29245	WASHER, THROTTLE CABLE SCREW	11	29
11-46793	NUT, SHIFT CABLE SCREW (5/16-24)	53	20	12-30164	WASHER, GROUND CABLE SCREW	3	19
11-46887	NUT, SHIFT ADAPTOR STUD (1/4-28)	53	14	12-30315	WASHER, WATER PUMP BRACKET	23	28
11-46887	NUT, SHIFT CABLE ADAPTOR STUD (1/4-28)	49	28	12-37407	WASHER, IGNITION COIL SREW	5	3
11-47626	NUT, OIL LEVEL GAUGE TUBE	45	19	12-37407	WASHER, SHIFT CABLE ADAPTOR STUD	51	30
11-49119	NUT, ROCKER VALVE ARM STUD	43	19	12-37407	WASHER, SHIFT CABLE ADAPTOR STUD	53	16
11-49838	NUT, EXHAUST ELBOW TO EXHAUST MANIFOLD STUD	21	22	12-47523	WASHER, PLUG COVER SCREW	27	4
11-58506	NUT, CONNECTING ROD CAP BOLT	37	26	12-47960	WASHER, CIRCUIT BREAKER SCREW	5	14
12-20084	WASHER, CARBURETOR MOUNTING STUD	11	24	12-48506	WASHER, INSULATOR - ADAPTOR TO MOUNTING BRACKET	27	11
12-20084	WASHER, FUEL FILTER SCREW	11	12	12-49103	WASHER, PULLEY AND TORSIONAL DAMPER BOLT	41	23
12-20084	WASHER, THROTTLE CABLE BRACKET SCREW	13	41	12-49112	WASHER, BAFFLE BOLT	45	8
12-20128	WASHER, THROTTLE CABLE SCREW	11	30	12-56681	WASHER, SHIFT CABLE STUD	49	8
12-20533	WASHER, SHIFT CABLE ADAPTOR STUD	53	13	12-56681	WASHER, SHIFT CABLE STUD	53	22
12-20533	WASHER, SHIFT CANLE ADAPTOR STUD	49	27	13-22773	LOCKWASHER, SWITCH BOX AND COVER STUD	5	39
12-20553	WASHER, ALTERNATOR BRACKET SCREW	3	31	13-26992	LOCKWASHER, BRACKET SCREW	49	11
12-20553	WASHER, OIL FILTER ADAPTOR SCREW	27	14	13-26992	LOCKWASHER, BRACKET SCREW	53	25
12-20572	WASHER, ADJUSTING BRACE SCREW	25	32	13-26992	LOCKWASHER, COVER SCREW	31	4
12-20572	WASHER, FLYWHEEL HOUSING TO ENGINE SCREW	31	6A	13-26992	LOCKWASHER, IGNITION COIL SCREW	5	8
12-20722	WASHER, SHIFT LEVER TO TRANSMISSION	49	22	13-26992	LOCKWASHER, OIL PAN SCREW (1/4")	45	16
12-20722	WASHER, SHIFT LEVER TO TRANSMISSION	53	8	13-26992	LOCKWASHER, STARTER SOLENOID SCREW	5	25
12-20878	WASHER, OIL PRESSURE SWITCH TERMINAL (#10)	3	14	13-26993	LOCKWASHER, OIL COOLER BRACKET SCREW	29	43
12-21249	WASHER, COVER STUD	7	42	13-26993	LOCKWASHER, OIL PAN SCREW (5/16")	45	14
12-21631	WASHER, THROTTLE CABLE STUD	13	44	13-26993	LOCKWASHER, SHIFT LEVER TO TRANSMISSION	49	23
12-22248	WASHER, ALTERNATOR BRACE SCREW	3	25	13-26993	LOCKWASHER, SHIFT LEVER TO TRANSMISSION	53	9
12-22753	WASHER, SHIFT CABLE SCREW	51	33	13-26993	LOCKWASHER, STARTER SOLENOID TERMINAL (5/16")	5	20
12-22753	WASHER, SHIFT CABLE SCREW	53	19	13-26995	LOCKWASHER, ADAPTOR HOUSING SCREW	9	14
12-22937	WASHER, FLAME ARRESTOR STUD	11	33	13-26995	LOCKWASHER, STARTER TERMINAL (#8)	3	5
12-24662	WASHER, THROTTLE CABLE SCREW	11	28				

PARTS INDEX

Part Number	Description	Pg.	Ref. No.	Part Number	Description	Pg.	Ref. No.
13-26996	LOCKWASHER, BRACKET SCREW	5	18	13-35048	LOCKWASHER, DRIVE PLATE SCREW	37	23
13-26996	LOCKWASHER, DISTRIBUTOR CLAMP FASTENING SCREW	9	9	13-35048	LOCKWASHER, LIFTING EYE SCREW	41	9
13-26996	LOCKWASHER, GROUND CABLE SCREW	3	18	13-35048	LOCKWASHER, MOUNTING BRACKET SCREW	47	9
13-26996	LOCKWASHER, OIL PRESSURE SENDER TERMINAL (#10)	3	11	13-35048	LOCKWASHER, MOUNTING BRACKET TO ENGINE SCREW	27	7
13-26996	LOCKWASHER, STARTER SOLENOID TERMINAL (#10)	5	22	13-35048	LOCKWASHER, MOUNTING ENGINE TO BRACKET SCREW	27	7
13-26996	LOCKWASHER, SWITCH BOX TERMINAL	5	30	13-35048	LOCKWASHER, RETAINER BRACKET SCREW	9	30
13-26996	LOCKWASHER, TRIGGER ATTACHING SCREW	9	12	13-35048	LOCKWASHER, WATER PUMP BRACKET SCREW	23	25
13-26996	LOCKWASHER, WATER TEMPERATURE SENDER TERMINAL (#10)	3	8	13-37459	LOCKWASHER, ADJUSTING BRACE	25	34
13-29402	WAVE WASHER, SHIFT CABLE ADAPTOR STUD	51	29	13-37459	LOCKWASHER, EXHAUST ELBOW TO MANIFOLD STUD	19	21
13-29402	WAVE WASHER, SHIFT CABLE ADAPTOR STUD	53	15	13-37459	LOCKWASHER, FLYWHEEL HOUSING TO ENGINE SCREW	31	5A
13-32993	LOCKWASHER, WATER PUMP BRACKET SCREW	23	27	13-37459	LOCKWASHER, OIL FILTER ADAPTOR SCREW	27	13
13-32993	LOCKWASHER, ALTERNATOR BRACE SCREW	3	24	13-37459	LOCKWASHER, THERMOSTAT HOUSING SCREW	21	33
13-32993	LOCKWASHER, BRACKET SCREW INBOARD	47	3	13-39107	LOCKWASHER, CLIP SCREW	45	24
13-32993	LOCKWASHER, BRACKET SCREW V-DRIVE	47	3	13-39107	LOCKWASHER, WATER PUMP PULLEY SCREW	23	20
13-32993	LOCKWASHER, CLAMPING SCREW	47	12	13-39107	LOCKWASHER, WATER PUMP PULLEY SCREW	41	18
13-32993	LOCKWASHER, CLAMPING SCREW	47	5	13-39131	LOCKWASHER, FLYWHEEL SCREW	37	20
13-32993	LOCKWASHER, FLANGE SCREW	49	15	13-49102	LOCKWASHER, PULLEY AND TORSIONAL DAMPER BOLT	41	22
13-32993	LOCKWASHER, FLANGE SCREW	55	33	13-68102	LOCKWASHER, MOUNTING BRACKET	47	15
13-32993	LOCKWASHER, MOUNTING BRACKET SCREW	27	7	14-66658	TAB WASHER, CLAMPING SCREW	47	18
13-32993	LOCKWASHER, MOUNTING BRACKET TO ENGINE SCREW	27	7	15-54531	SHIM, INLET VALVE SPRING (THIN)	43	12
13-32993	LOCKWASHER, STARTER MOTOR SCREW	3	3	16-33213	STUD, FLAME ARRESTOR MOUNTING - CARBURETOR	11	18
13-32993	LOCKWASHER, TRANSMISSION SCREW	49	3	16-35897	STUD, THROTTLE CABLE TO MOUNTING BRACKET (1 11/16")	13	43
13-32993	LOCKWASHER, TRANSMISSION SCREW	53	3	16-48680	STUD, SHIFT CABLE ADAPTOR TO SHIFT LEVER (1 1/4")	49	26
13-35048	LOCKWASHER, ADJUSTING BRACE SCREW	25	31	16-48680	STUD, SHIFT CABLE ADAPTOR TO SHIFT LEVER (1 1/4")	53	12
13-35048	LOCKWASHER, ALTERNATOR BRACKET SCREW	3	28	16-49108	STUD, OIL PUMP TO CYLINDER BLOCK	45	3
13-35048	LOCKWASHER, CRANKSHAFT PULLEY BOLT	41	25				

PARTS INDEX

Part Number	Description	Pg.	Ref. No.	Part Number	Description	Pg.	Ref. No.
16-49133	STUD, ROCKER VALVE ARM	43	21	22-47629	ELBOW, HOSE TO OIL		
16-49144	STUD, CRANKSHAFT BEARING CAP TO CYLINDER BLOCK	37	16	22-47629	COOLER (90 DEGREES)	49	6
16-49545	STUD, EXHAUST MANIFOLD TO ELBOW (1 3/4")	19	2	22-47629	ELBOW, HOSE TO OIL COOLER (90 DEGREES)	53	6
16-52988	STUD, EXHAUST MANIFOLD TO ELBOW (3 1/4")	19	2	22-47629	ELBOW, HOSE TO OIL COOLER(90 DEGREES)	53	29
16-53722	STUD, CARBURETOR MOUNTING (4 3/8")	11	23	22-48118	ELBOW, HOSE TO TRANSMISSION(90 DEGREES)	53	27
16-54343	STUD, CARBURETOR MOUNTING (1 3/8")	55	--	22-48118	PLUG, EXHAUST ELBOW	19	16
16-54345	STUD, CARBURETOR MOUNTING (1 5/16")	11	23	22-48246	PLUG, EXHAUST MANIFOLD	19	3
16-63332	STUD, CARBURETOR MOUNTING (1 1/4")	11	23	22-48336	ELBOW, HOSE TO OIL COOLER (90 DEGREES)	27	21
16-65941	STUD, SWITCH BOX AND COVER ATTACHING	5	38	22-48336	PLUG, PIPE - INTAKE MANIFOLD	41	6
17-20032	PIN, DOWEL - ADAPTOR HOUSING	9	6	22-48340	PLUG, PIPE - WATER PUMP	41	14
17-47617	ROLL PIN, GEAR TO DISTRIBUTOR	9	17	22-48340	PLUG, PIPE - CYLINDER BLOCK (1/4")	35	-
17-48140	PIN, HINGE - FLOAT	15	22	22-48358	PLUG, INTAKE MANIFOLD VACUUM HOLE	11	21
17-52190	PIN, DOWEL - CYLINDER BLOCK TO CYLINDER HEAD	35	3	22-48358	PLUG, PIPE - CYLINDER BLOCK (3/8")	35	-
19-37478	PLUG, PIPE - CYLINDER BLOCK (1 3/4")	35	-	22-48873	EXTENDER, ELBOW TO ENGINE	27	23
19-47815	PLUG, RUBBER - OIL PAN	45	12	22-48874	REDUCER, ELBOW TO ENGINE	27	19
19-52191	PLUG, EXPANSION - CAMSHAFT BEARING HOLE	35	4	22-49146	PLUG, PIPE - CYLINDER BLOCK (3/4")	35	-
19-59504	PLUG, IMPELLER	23	5	22-63824	ELBOW, HOSE TO TRANSMISSION (90 DEGREES)	49	4
22-32802	PLUG, PIPE - EXHAUST ELBOW	19	14	22-63824	ELBOW, HOSE TO TRANSMISSION (90 DEGREES)	53	4
22-32802	PLUG, PIPE - EXHAUST MANIFOLD	19	4	22-63825	ELBOW, HOSE TO ENGINE (90 DEGREES)	27	18
22-32802	PLUG, PIPE - OIL FILTER ADAPTOR (1/8-27)	27	10	22-63825	ELBOW, HOSE TO ENGINE (90 DEGREES)	27	22
22-32802	PLUG, PIPE - WATER DISTRIBUTION HOUSING	19	20	22-63825	ELBOW, HOSE TO OIL COOLER (90 DEGREES)	29	32
22-32802	PLUG, PIPE - WATER PUMP	23	22	22-63835	ELBOW, HOSE TO TRANSMISSION (45 DEGREES)	49	18
22-32876	NIPPLE, SIGHT GLASS TO FUEL PUMP	11	5	22-64426	DRAIN COCK, WATER - CYLINDER BLOCK	35	2
22-33198	PLUG, EXHAUST ELBOW	19	16	22-66201	CONNECTOR, INTAKE MANIFOLD - BY-PASS HOSE	41	2
22-33198	PLUG, THERMOSTAT HOUSING	21	27A	22-66201	CONNECTOR, WATER PUMP - BY-PASS HOSE	41	13
22-33821	ELBOW, FUEL LINE TO FUEL PUMP AND FUEL FILTER	11	14	22-67865	PLUG, PIPE - CYLINDER BLOCK	35	-
22-36373	PLUG, PIPE - OIL DRAIN	45	17	23-31866	SPACER, THROTTLE CABLE STUD	13	45
22-36373	PLUG, PIPE - OIL FILTER ADAPTOR (3/8-18)	27	9	23-32818	BUSHING, THROTTLE CABLE SCREW	11	27
22-36382	PLUG, PIPE - FUEL FILTER	11	9	23-33186	BUSHING, ALTERNATOR BRACKET SCREW	3	30
22-45084	FITTING, EXHAUST ELBOW	19	16A	23-47511	SLEEVE, THERMOSTAT HOUSING	21	26
22-47540	PLUG, THERMOSTAT HOUSING 2	21	27				
22-47625	ELBOW, OIL LEVEL GAUGE TUBE TO OIL PAN	45	18				

PARTS INDEX

Part Number	Description	Pg.	Ref. No.	Part Number	Description	Pg.	Ref. No.
23-47511	SLEEVE, WATER PUMP COVER	23	11	24-32817	SPRING, THROTTLE RETURN	13	42
23-49124	THRUST PLATE, CAMSHAFT	37	--	24-33050	SPRING IDLE NEEDLE	17	52
23-49150	BEARING UNIT, CAMSHAFT (FRONT)	35	5	24-34373	SPRING, IDLE STOP SCREW	15	42
23-49151	BEARING UNIT, CAMSHAFT (FRONT INTERMEDIATE AND REAR)	35	6	24-48141	SPRING, POWER PISTON	15	38
23-49152	BEARING UNIT, CAMSHAFT (CENTER AND REAR INTERMEDIATE)	35	7	24-48142	SPRING, METERING ROD - PRIMARY	15	34
23-49163	BEARING UNIT, CRANKSHAFT MAIN - REAR (STANDARD)	35	11	24-48143	SPRING, FILTER NUT	17	43
23-49164	BEARING UNIT, CRANKSHAFT MAIN - REAR (.001 U.S.)	35	11	24-66212	SPRING, VALVE	43	14
23-49165	BEARING UNIT, CRANKSHAFT MAIN - REAR (.002 U.S.)	35	11	25-21099	GROMMET, ELECTRICAL COMPARTMENT COVER	7	41
23-49166	BEARING UNIT, CRANKSHAFT MAIN - REAR (.010 U.S.)	35	11	25-33756	RING, SEALING - PLUG COVER	27	2
23-49167	BEARING UNIT, CRANKSHAFT MAIN - REAR (.020 U.S.)	35	11	25-38930	GROMMET, RETAINER BRACKET	9	28
23-52020	SLEEVE, WATER DISTRIBUTION HOUSING	19	19	25-57009	GROMMET, SWITCH BOX PLATE	5	37
23-52193	RETAINER, OIL PUMP SHAFT	45	6	25-59712	"O" RING, WATER PUMP COVER	23	4
23-61998	SPACER, CIRCUIT BREAKER SCREW	5	13	25-59987	GROMMET, ROCKER COVER TO VENT HOSE CONNECTOR	11	38
23-68600	BEARING UNIT, CRANKSHAFT MAIN (STANDARD)	35	10	25-61999	GROMMET, CIRCUIT BREAKER SCREW	5	12
23-68601	BEARING UNIT, CRANKSHAFT MAIN (.030 U.S.)	35	10	26-23300	OIL SEAL, WATER PUMP SHAFT	23	12
23-68602	BEARING UNIT, CRANKSHAFT MAIN (.002 U.S.)	35	10	26-37479	OIL SEAL, REAR CRANKSHAFT BEARING CAP (RIGHT HAND ROTATION)	37	12
23-68603	BEARING UNIT, CRANKSHAFT MAIN (.010 U.S.)	35	10	26-49131	SEAL, VALVE STEM (INTAKE)	43	13
23-68604	BEARING UNIT, CRANKSHAFT MAIN (.020 U.S.)	35	10	26-49154	OIL SEAL, CRANKCASE FRONT END COVER	41	28
23-69884	BEARING SET (8 PAIR), CONNECTING ROD (STANDARD)	37	27	26-59564	OIL SEAL, WATER PUMP SHAFT	23	16
23-69885	BEARING UNIT (PAIR), CONNECTING ROD (.001 U.S.)	37	27	26-67855	OIL SEAL, REAR CRANKSHAFT BEARING CAP (LEFT HAND ROTATION)	35	12
23-69886	BEARING UNIT (PAIR), CONNECTING ROD (.002 U.S.)	37	27	26-67863	SEAL, VALVE STEM (EXHAUST)	43	13
23-69887	BEARING UNIT (PAIR), CONNECTING ROD (.010 U.S.)	37	27	26-72785	OIL SEAL, WATER PUMP SHAFT	23	16
				27-34213	GASKET, FUEL PUMP TO CYLINDER BLOCK	11	3
				27-46820	GASKET, EXHAUST MANIFOLD TO CYLINDER HEAD	19	5
				27-48042	GASKET, EXHAUST ELBOW TO EXHAUST MANIFOLD	19	17
				27-48043	GASKET, END CAP TO EXHAUST MANIFOLD SERIAL	19	11
				27-48043	GASKET, END CAP/CONNECTOR TO EXHAUST MANIFOLD	19	8
				27-48818	GASKET, THERMOSTAT HOUSING (UPPER)	21	29

PARTS INDEX

Part Number	Description	Pg.	Ref. No.	Part Number	Description	Pg.	Ref. No.
27-49121	GASKET, ROCKER COVER . . .	43	7	32-60095	HOSE, THERMOSTAT COVER TO DIST. HSG. (STBD.)	33	1
27-52184	GASKET, DISTRIBUTOR . . .	9	18				
27-52457	GASKET, CARBURETOR . . .	11	20	32-62872	FUEL LINE, FUEL FILTER TO FUEL PUMP (STEEL TUBING)	11	15
27-52457	GASKET, CARBURETOR . . .	55	--				
27-52550	GASKET SET, OIL PAN	45	11	32-62873	FUEL LINE, FUEL PUMP TO CARBURETOR (STEEL TUBING)	11	16
27-53045	GASKET, THERMOSTAT HOUSING TO MANIFOLD (LOWER)	21	31	32-63829	HOSE, MOLDED - OIL COOLER TO OIL COOLER	29	33
27-54529	GASKET, CRANKCASE FRONT END COVER	41	30	32-64346	HOSE METERING HOUSING TO OIL COOLER	33	5
27-65157	GASKET, CYLINDER HEAD . .	43	22	32-66206	HOSE, BY-PASS - INTAKE MANIFOLD TO WATER PUMP	41	3
27-65184	GASKET SET, INTAKE MANIFOLD	41	10	32-73820	HOSE, THERMOSTAT HSG. TO END CAP (PORT)	33	3
28-34466	KEY, CRANKSHAFT GEAR, CAMSHAFT GEAR AND DAMPER	37	29	32-73821	HOSE, THERMOSTAT HSG. TO END CAP (STBD.) . . .	33	3
28-54530	KEY, VALVE STEM	43	16	33-59660	SPARK PLUG, (AC-MR 41T)	9	26
28-56662	KEY, IMPELLER DRIVE	23	7	35-53336	FILTER, FUEL INLET	17	44
30-20861	BALL BEARING, WATER PUMP SHAFT	23	13	35-60047A1	FLAME ARRESTOR ASSEMBLY	9	5
30-72961	BALL BEARING, WATER PUMP SHAFT	23	13	35-60494	FUEL FILTER	11	7
32-46828	HOSE, THERMOSTAT HOUSING TO WATER PUMP	21	23	37-34443	DECAL, ROCKER COVER . .	43	2
32-47516--2	HOSE, OIL COOLER TO TRANSMISSION (16 3/4") .	49	19	37-66702	DECAL, ROCKER COVER (350 H.P.)	43	3
32-47516--6	HOSE, TRANSMISSION TO OIL COOLER (30")	49	5	39-67127	RING, PISTON (STANDARD)	35	9
32-47516--9	HOSE, OIL COOLER TO TRANSMISSION (37") . . .	53	28	39-67128	RING, PISTON (.030 O.S.) . .	35	9
32-47516-10	HOSE, TRANSMISSION TO OIL COOLER (33")	53	5	43-47619	GEAR, DISTRIBUTOR	9	16
32-47996	HOSE, VEN - CARBURETOR (9 3/4")	11	35	43-49114	GEAR, CRANKSHAFT	39	33
32-47996	HOSE, VENT - CARBURETOR (8 1/4") . . .	11	35	43-61726	SPROCKET, CAMSHAFT . . .	37	31
32-48132	HOSE, THERMOSTAT HOUSING TO END CAP . .	33	4	43-61727	SPROCKET, CAMSHAFT . . .	37	33
32-48944--2	HOSE, OIL FILTER ADAPTOR TO ENGINE (13 1/2")	27	17	43-67115	GEAR, CAMSHAFT	37	31
32-48944--3	HOSE, OIL COOLER TO ENGINE (15")	27	20	46-63450A2	WATER PUMP ASSEMBLY, COMPLETE	23	1
32-48944--4	HOSE, OIL FILTER ADAPTOR TO OIL COOLER (27")	29	31	46-73823A7	WATER PUMP ASSEMBLY, COMPLETE	23	1
32-48944--6	HOSE, OIL FILTER ADAPTOR TO OIL COOLER (30")	29	31	47-59362A1	IMPELLER ASSEMBLY	23	6
32-54862	HOSE, OIL COOLER TO PICKUP WATER PUMP (8")	29	44	50-65784A1	STARTER MOTOR ASS'Y(LEFT HAND CRANKSHAFT ROTATION)	3	1
32-58616A1	TUBE, WATER SEPARATIO - EXHAUST ELBOW	19	15	50-65785A1	STARTER MOTOR ASS'Y(RIGHT HAND CRANKSHAFT ROTATION) .	3	1
32-59877	HOSE, THERMOSTAT COVER TO EXH. MAN. . .	33	3	53-23720	RING, SNAP - BALL BEARING RETAINING	23	15
32-60089	HOSE, THERMOSTAT COVER TO EXHAUST ELBOW SERIAL #	33	1 & 2	54-22740	CLIP, IGNITION COIL LEAD .	5	4
				54-32780	CLAMP, HOSE ATTACHING	29	45
				54-32780	CLAMP, HOSE TO OIL COOLER AND METERING HOUSING	33	7
				54-32780	CLAMP, MOLDED HOSE ATTACHING	29	36
				54-32781	CLAMP, HOSE TO THERMOSTAT HOUSING AND WATER PUMP	21	24
				54-32880	CLAMP, HOSE ATTACHING	33	8

PARTS INDEX

Part Number	Description	Pg.	Ref. No.	Part Number	Description	Pg.	Ref. No.
54-47513	EYE, LIFTING - REAR	41	7	1397-3313	HOLDER KIT, SECONDARY		
54-47528	CLAMP, ADJUSTING TRUNNION SCREW	47	4A	1397-3315	METERING ROD	15	3
54-47545	CLIP, OIL LEVEL GAUGE TUBE	45	22	1397-3317	SPRING AND CAM KIT, AIR VALVE	17	--
54-47715	CLAMP, MOLDED HOSE TO FLYWHEEL HOUSING (STARBOARD)	29	35	1397-3318	CONTROL ASSEMBLY, VACUUM	15	31
54-47715	CLIP, HOSE TO CYLINDER BLOCK	33	6	1397-3320	ROD, VACUUM CONTROL	15	27
54-53101	CLAMP, VENT HOSE ATTACHING	11	36	1397-3323	HOSE, VACUUM	15	32
54-59989	CLIP, AUTOMATIC CHOKE ROD	13	51	1397-3324	LEVER, INTERMEDIATE CHOKE	15	23
54-64489	CLAMP, MOLDED HOSE TO FLYWHEEL HOUSING (PORT)	29	34	1397-3325	ROD, CHOKE	15	25
54-64628	EYE, LIFTING - FRONT	41	7	1397-3326	FLOAT BOWL ASSEMBLY	15	40
54-65783A2	CLAMP ASSEMBLY, CAP TO ADAPTOR HOUSING	9	7	1397-3327	RETAINER, PUMP DISCHARGE BALL	15	36
57-39756	BELT, WATER PUMP	23	21	1397-3329	FLOAT ASSEMBLY	15	21
57-48122	BELT, ALTERNATOR DRIVE (48")	41	26	1397-3330	RETAINER, POWER PISTON	15	35
57-74271	BELT, WATER PUMP	23	21	1397-3331	NUT, FILTER - FUEL INLET	17	45
84-64408	WIRING HARNESS	5	26	1397-3332	INSERT, FLOAT BOWL	15	39
88-65093	CIRCUIT BREAKER	5	9	1397-3333	BAFFLE, FLOAT BOWL	15	24
230-5534	FLYWHEEL ASSEMBLY	37	18	1397-3339	ROD, PUMP	17	48
332-2854	BOOT, COIL TOWER	9	22	1397-3465	BRACKET ASSEMBLY, VACUUM CONTROL	15	29
332-2983A17	IGNITION COIL ASSEMBLY	5	1	1397-4326	OFF ENGINE KIT	17	--
332-2986A22	SWITCH BOX ASSEMBLY	5	29	1397-4333	CHOKE SHAFT AND LEVER ASSEMBLY	15	18
393-2918A8	TRIGGER ASSEMBLY	9	10	1397-4333	SCREW, THROTTLE BODY TO FLOAT BOWL	17	53
393-4988	CAP, DISTRIBUTOR	9	2	1397-4587	VALVE, CHOKE - CHOKE SHAFT	15	19
429-5533	CRANKSHAFT	37	28	1397-4588	TROTTLE BODY ASSEMBLY	17	50
431-3427	CAMSHAFT	37	30	1397-5635	OVERHAUL KIT	17	--
431-4734	CAMSHAFT	37	30	1397-5637	AIR HORN ASSEMBLY	15	1
614-3553	CONNECTING ROD ASSEMBLY	37	24	1397-5638	LEVER, ACTUATING - PUMP	15	8
614-5538	CONNECTING ROD ASSEMBLY	37	24	1397-5639	METERING ROD, SECONDARY	15	4
737-5536	PISTON AND PISTON PIN ASSEMBLY (STANDARD)	35	8	1397-5640	LEVER, AIR VALVE LOCKOUT	15	2
737-5537	PISTON AND PISTON PIN ASSEMBLY (.030 O.S.)	35	8	1397-5641	POWER PISTON ASSEMBLY	15	33
842-5539	CYLINDER BLOCK ASSEMBLY	35	1				
842-5539	CYLINDER BLOCK ASSEMBLY	41	32				
842-6035	CYLINDER BLOCK ASSEMBLY	35	1				
842-6035	CYLINDER BLOCK ASSEMBLY	41	32				
842-6356	CYLINDER BLOCK ASSEMBLY	35	1				
842-6356	CYLINDER BLOCK ASSEMBLY	41	32				
938-5535	CYLINDER HEAD ASSEMBLY	43	20				
1347-5326A2	CARBURETOR ASSEMBLY	11	17				
1347-5326A2	CARBURETOR ASSEMBLY, COMPLETE	15	-				
1397-3309	GASKET SET	17	--				