



PARTS CATALOG

140 HORSEPOWER

SERIAL NUMBER

140 USA 5443030 AND UP

TABLE OF CONTENTS:

.015 OVERSIZE PISTONS AND RINGS	26
BOTTOM COWL AND SHIFT LINKAGE	28
CARBURETOR ASSEMBLY	16
CARBURETOR LINKAGE AND CHOKE SOLENOID	14
CLAMP BRACKET AND REVERSE LOCK	34
COWLING AND FRONT COVER	4
CRANKSHAFT, PISTONS AND CONNECTING RODS	24
CYLINDER BLOCK AND CRANKCASE ASSEMBLY	20
DRIVE SHAFT HOUSING ASSEMBLY	38
END CAP, MANIFOLD AND EXHAUST COVERS	22
EXHAUST EXTENSION PLATE	30
FLYWHEEL, STARTER MOTOR AND STATOR	6
FUEL LINE ASSEMBLY (8' AND 12')	58
FUEL PUMP AND FUEL LINE ASSEMBLY	18
FUEL TANK ASSEMBLY (6 GALLON)	60
GEAR HOUSING ASSEMBLY, COMPLETE (PAGE 1)	40
GEAR HOUSING ASSEMBLY, COMPLETE (PAGE 2)	44
HYDRAULIC PUMP AND CONTROL VALVE	48
HYDRAULIC PUMP ASSEMBLY	46
MISCELLANEOUS PARTS/ACCESSORIES	1
PARTS INDEX	72
POWER TRIM CYLINDER REPAIR KITS	56
REMOTE CONTROL ASSEMBLY (ELECTRIC)	62
REMOTE CONTROL ASSEMBLY (ELECTRIC) (USE ON MARINER 90)	66
STARTER MOTOR ASSEMBLY, COMPLETE	70
SWIVEL BRACKET ASSEMBLY	32
THROTTLE LEVER AND LINK RODS	8
TOP COWL AND SUPPORT BRACKETS	2
TRIM CYLINDERS AND HYDRAULIC HOSES	52
WIRING HARNESS, SWITCH BOX AND IGNITION COIL	10

NOTE: Indented description indicate that these parts are included in preceeding assembly.

AR = As Required

NSS = Not Sold Separate

OPT = Optional

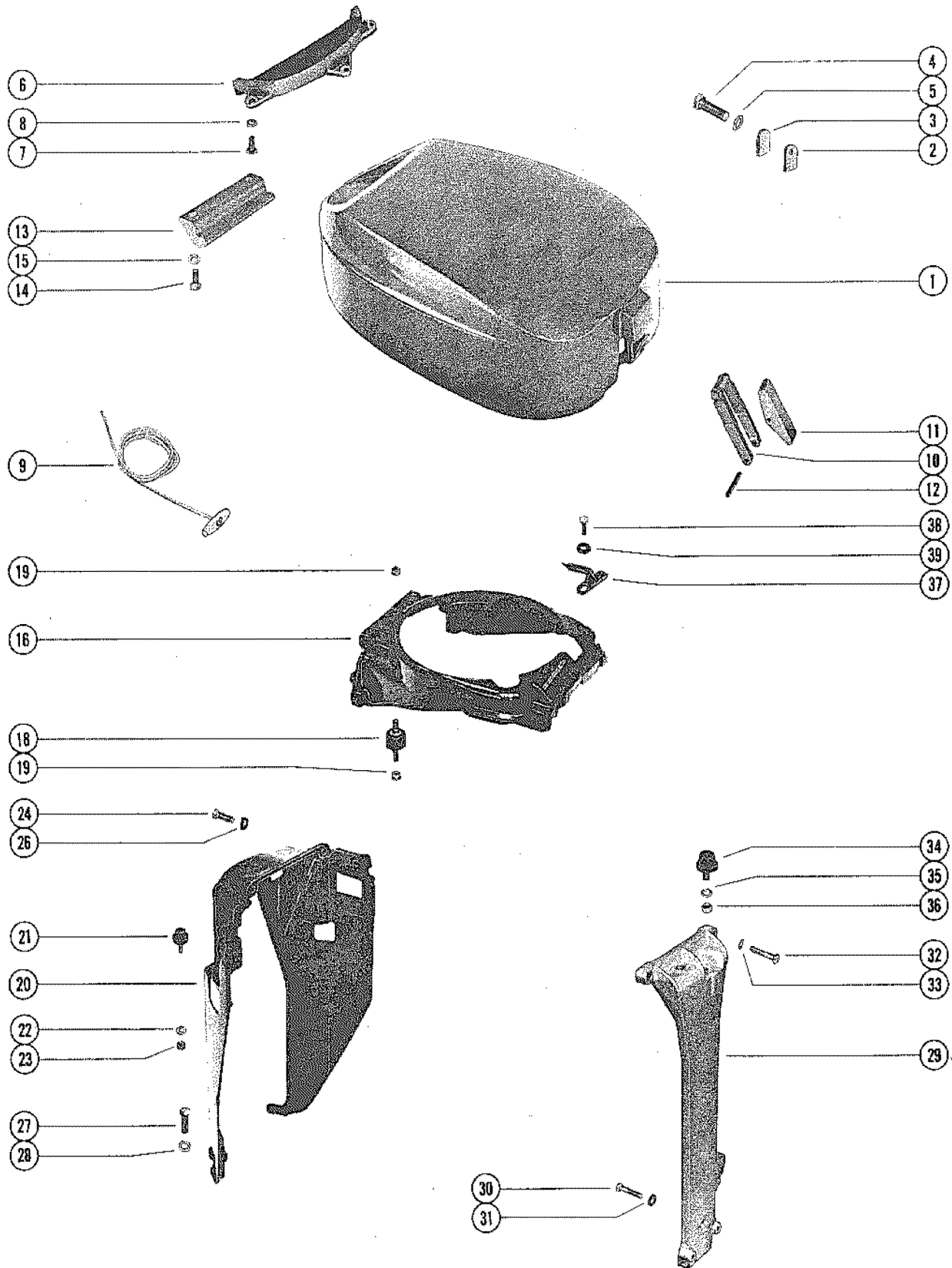
NS = Not Shown

THESE PARTS BOOKS/FICHE CARD ARE COPYRIGHTED AND MAY NOT BE DISTRIBUTED OR REPRODUCED IN ANY OTHER FORMAT BY ANYONE OTHER THAN MERCURY MARINE WITHOUT THE PRIOR WRITTEN CONSENT OF MERCURY MARINE.

MISCELLANEOUS PARTS/ACCESSORIES

REF. NO.	PART NO.	SYM.	QTY.	DESCRIPTION
-	90-84518		0	MARINER 140 PARTS LIST
-	27-85653A79		0	GASKET SET
-	37-87134A79		0	DECAL SET
-	45194A27		0	POWER TRIM KIT

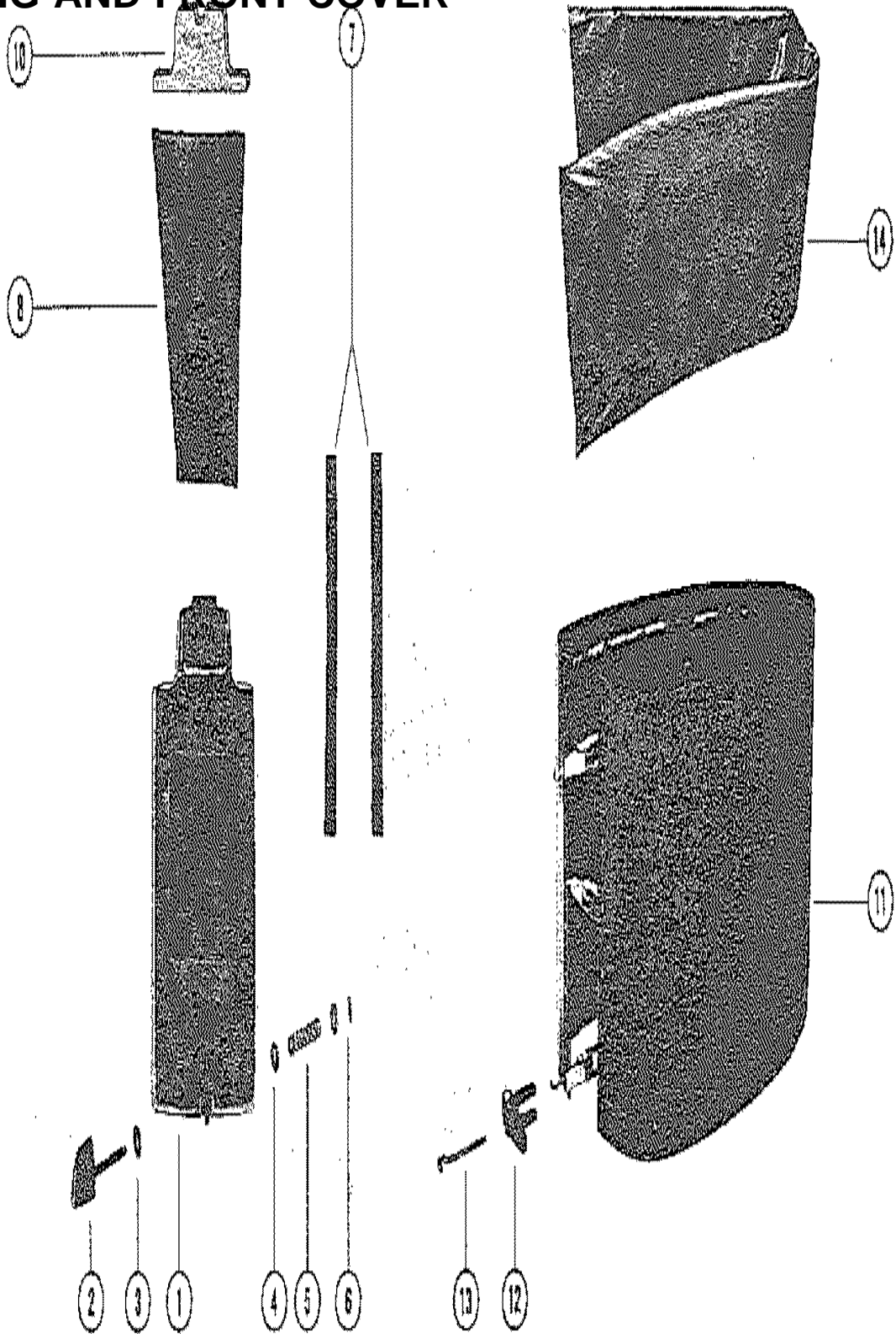
TOP COWL AND SUPPORT BRACKETS



TOP COWL AND SUPPORT BRACKETS

REF. NO.	PART NO.	SYM.	QTY.	DESCRIPTION
1	2162-6392		1	COWL, TOP (WITHOUT DECALS)
2	76440		1	RETAINER, TOP COWL
3	76505		1	PAD, BUMPER - TOP COWL RETAINER
4	10-25299		1	SCREW, RETAINER TO TOP COWL (3/4)
5	13-39107		1	LOCKWASHER, RETAINER TO TOP COWL SCREW
6	76433		1	SHEILD, TOP COWL - REAR
7	10-37370		3	SCREW, SHIELD TO TOP COWL (5/8")
8	13-37371		3	LOCKWASHER, SHIELD SCREW
9	47341A1		1	ROPE, STARTER (FOR MANUAL STARTING ONLY)
10	52739		1	HINGE, COWL LATCH - TOP COWL
11	76581		1	LEVER, COWL LATCH HINGE
12	17-58998		1	PIN, ROLL - COWL LATCH LEVER TO HINGE
13	55455		1	HOOK, TOP COWL LATCH - REAR
14	10-22956		2	SCREW, REAR HOOK TO TOP COWL (7/8")
15	13-26992		2	LOCKWASHER, REAR HOOK MOUNTING SCREW
16	79897		1	FRAME, TOP COWL SUPPORT
18	63007		3	MOUNT, RUBBER - TOP COWL FRAME
	46096		OPT	MOUNT, RUBBER - TOP COWL FRAME (HEAVY DUTY)
19	11-35888		6	NUT, RUBBER MOUNT TO TOP COWL FRAME
20	86472		1	BRACKET, TOP COWL SUPPORT - REAR
21	31014		2	MOUNT, RUBBER - REAR SUPPORT BRACKET
22	13-26992		2	LOCKWASHER, RUBBER MOUNT TO REAR SUPPORT BRACKET
23	11-39598		2	NUT, RUBBER MOUNT TO REAR SUPPORT BRACKET
24	10-37562		4	SCREW, REAR BRACKET TO FRAME (1")
26	13-26993		4	LOCKWASHER, REAR BRACKET SCREW
27	10-37562		4	SCREW, REAR BRACKET TO BOTTOM COWL (1")
28	13-26993		4	LOCKWASHER, REAR SUPPORT BRACKET SCREW
29	89034A1		1	BRACKET ASSEMBLY, TOP COWL - FRONT
30	10-69092		2	SCREW, FRONT BRACKET TO BOTTOM COWL (1 1/4")
31	13-26993		2	LOCKWASHER, FRONT SUPPORT BRACKET SCREW
32	10-69092		2	SCREW, FRONT BRACKET TO TOP COWL FRAME (1 1/2")
33	13-26993		2	LOCKWASHER, FRONT SUPPORT BRACKET SCREW
34	37640		1	MOUNT, RUBBER FRONT SUPPORT BRACKET
35	13-26993		1	LOCKWASHER, RUBBER MOUNT TO FRONT SUPPORT BRACKET
36	11-28770		1	NUT, RUBBER MOUNT TO FRONT SUPPORT BRACKET
37	87991		1	POINTER, TIMING
38	10-28636		1	SCREW, TIMING POINTER ATTACHING (3/4")
39	12-35462		1	WASHER, TIMING POINTER SCREW

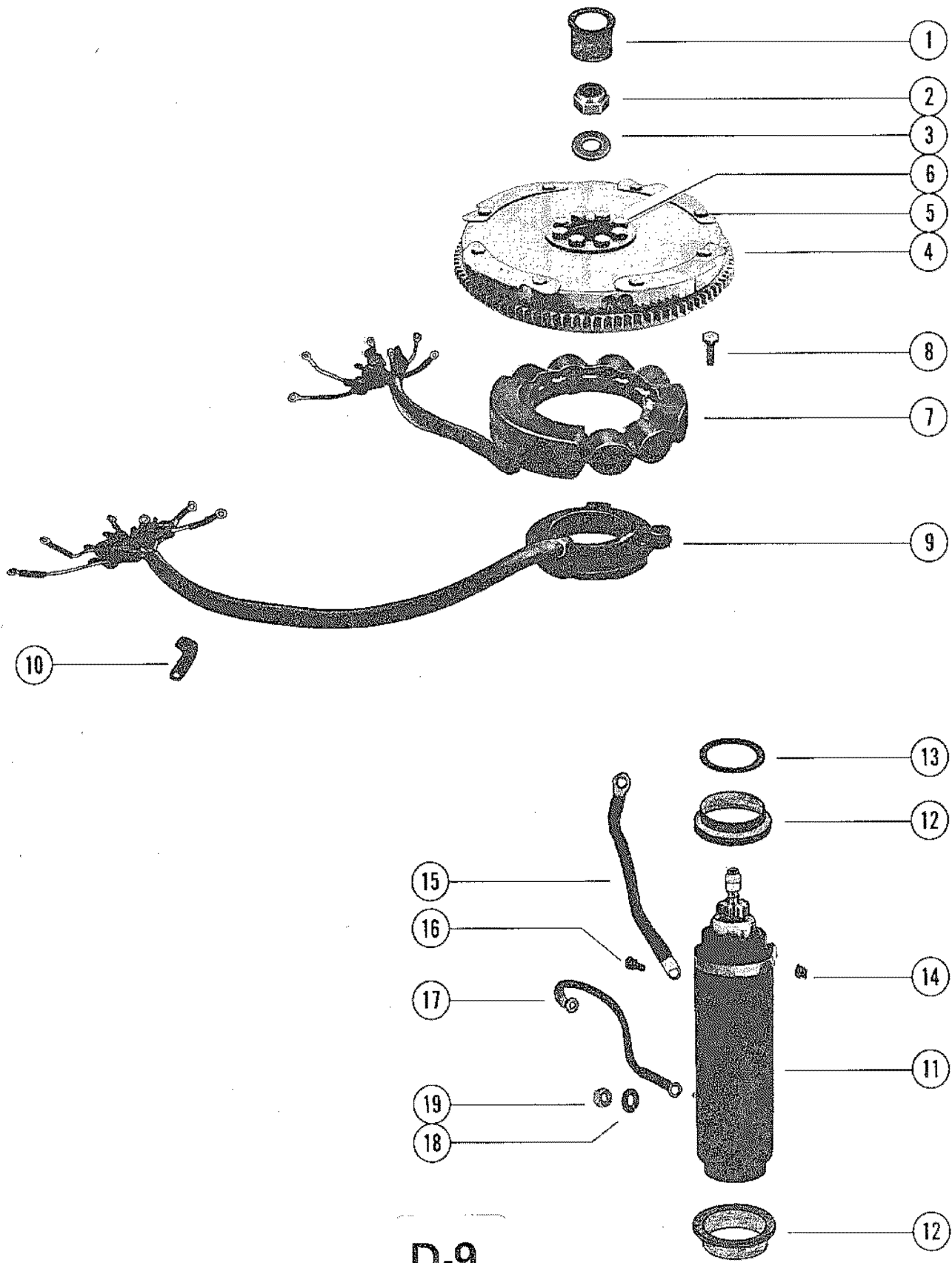
COWLING AND FRONT COVER



COWLING AND FRONT COVER

REF. NO.	PART NO.	SYM.	QTY.	DESCRIPTION
1	2171-6497A2		1	COWL FRONT COVER ASSEMBLY (WITHOUT DECALS)
2	56849		1	KNOB, COWL FRONT COVER FASTENING
3	12-30771		2	WASHER, COVER FASTENING KNOB (RUBBER)
4	12-59572		2	WASHER, COVER FASTENING KNOB (PLASTIC)
5	24-30772		1	SPRING, TENSION - FASTENING KNOB
6	17-29077		1	ROLL PIN, TENSION SPRING TO KNOB
7	77790		2	STRIP, SOUND ABSORBING
8	38674		1	BAG, STARTER ROPE
10	77544		1	SEAL, SOUND AVSORBING-TOP
11	2172-6498A3		1	WRAP AROUND COWL ASSEMBLY (WITHOUT DECALS)
12	46785A1		3	COWL LATCH ASSEMBLY
13	30413		3	HOOK, COWL LATCH FASTENING
14	30021		1	BLANKET, SOUND ABSORBING
-	92-25234--1		1	GLUE, ADHESIVE - BLANKET FASTENING
-	92-27109--1		1	ADHESIVE COMPOUND, EMBLEM FASTENING

FLYWHEEL, STARTER MOTOR AND STATOR

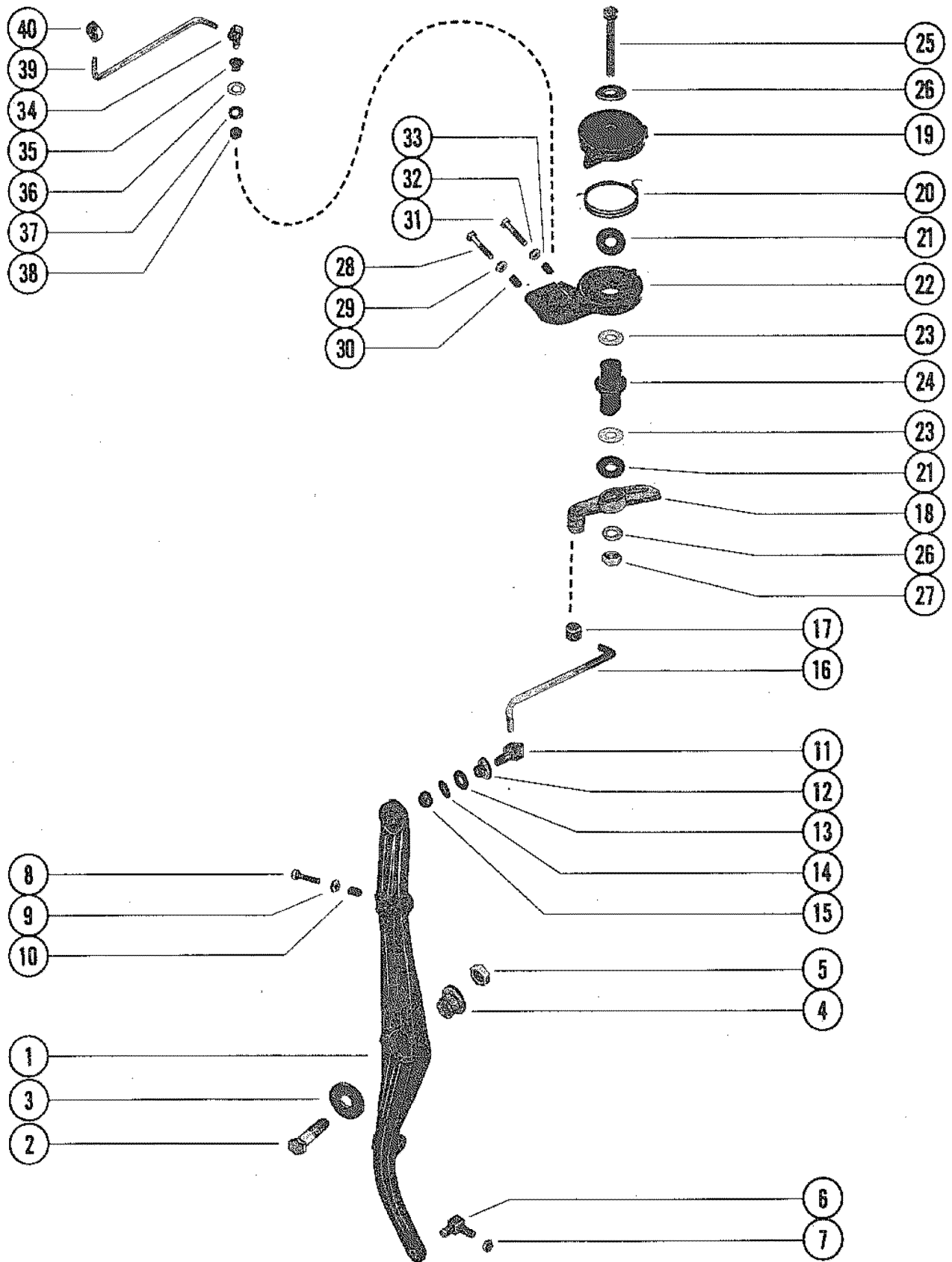


D-9

FLYWHEEL, STARTER MOTOR AND STATOR

REF. NO.	PART NO.	SYM.	QTY.	DESCRIPTION
1	19-45907		1	PLUG, FLYWHEEL
2	11-52901		1	NUT, FLYWHEEL ATTATCHING
3	12-68229		1	WASHER, FLYWHEEL ATTATCHING
4	248-5977A28		1	FLYWHEEL ASSEMBLY, COMP.
5	10-32417		8	SCREW, FLYWHEEL PLATE
6	10-68997		8	SCREW, FLYWHEEL HUB
7	398-5454A8		1	STATOR ASSEMBLY
8	10-75840		4	SCREW, STATOR ATTACHING (7/8")
9	68162A8		1	TRIGGER PLATE ASSEMBLY
10	54-61001		3	CLAMP, TRIGGER HARNESS
11	50-72467		1	STARTER MOTOR
12	56703		2	COLLAR, STARTER MOTOR
13	23-56774		AR	SPACER, STARTER MOTOR
14	57247		2	STOP, RUBBER - STARTER MOTOR
15	84-66008A1		1	WIRE ASSEMBLY, PLATE TO STARTER MOTOR (BLACK)
16	10-69035		1	SCREW, CABLE TO STARTER MOTOR
17	84-73453		1	WIRE ASSEMBLY, SOLENOID TO STARTER MOTOR (YELLOW)
18	13-26992		1	LOCKWASHER, STARTER MOTOR TERMINAL
19	11-64015		1	NUT, STARTER MOTOR TERMINAL

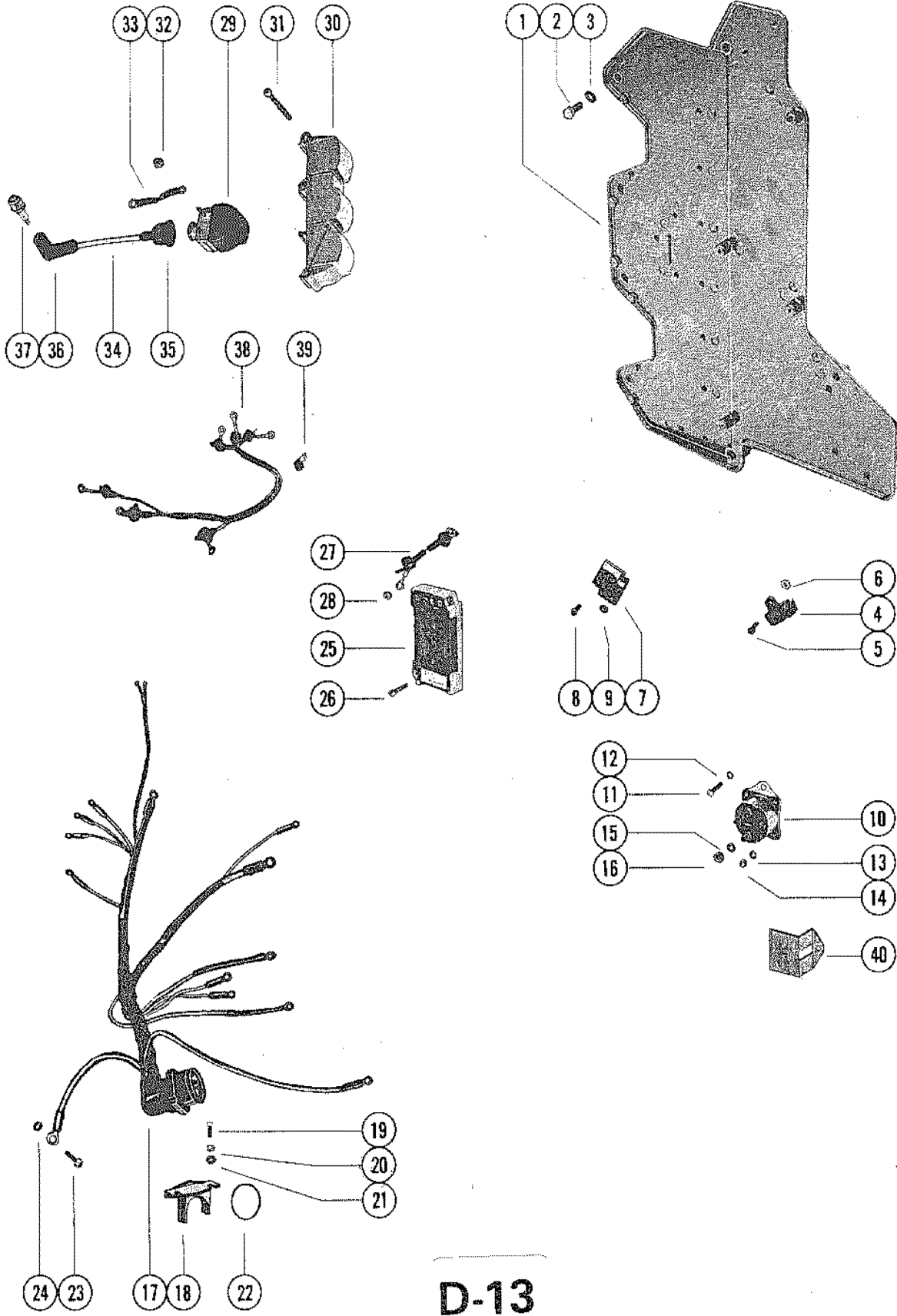
THROTTLE LEVER AND LINK RODS



THROTTLE LEVER AND LINK RODS

REF. NO.	PART NO.	SYM.	QTY.	DESCRIPTION
1	79900		1	LEVER, THROTTLE
2	10-37559		1	SCREW, THROTTLE LEVER TO EXHAUST COVER
3	12-29395		1	WASHER, THROTTLE LEVER SCREW
4	23-45818		1	BRUSHING, THROTTLE LEVER SCREW
5	11-20509		1	NUT, THROTTLE LEVER SCREW
6	37587		1	SWIVEL, THROTTLE LEVER TO THROTTLE CABLE
7	11-20509		1	NUT, THROTTLE CABLE TO SWIVEL
8	10-75168		2	SCREW, ADJUSTING - THROTTLE LEVER
9	11-29598		2	NUT, ADJUSTING SCREW
10	52023		2	CAP, NYLON - ADJUSTING SCREW
11	77013A1		1	SWIVEL ASSEMBLY, THROTTLE LEVER
12	23-26856		1	BUSHING, SWIVEL
13	12-33786		1	WASHER, SWIVEL
14	13-29402		1	WAVE WASHER, SWIVEL
15	11-15774		1	NUT, SWIVEL TO THROTTLE LEVER
16	85300		1	LINK ROD, THROTTLE
17	23-74213		1	SWIVEL, LINK ROD TO THROTTLE CAM
18	88754		1	THROTTLE CAM
19	85082		1	HOUSING, THROTTLE - UPPER
20	24-85442		1	SPRING, TORSION - SHAFT
21	12-85303		2	WASHER, PLASTIC - THROTTLE CAM
22	79903		1	HOUSING, THROTTLE - LOWER
23	12-86498		2	WAVE WASHER, SHAFT
24	87937		1	SHAFT, THROTTLE AND SPARK ADVANCE
25	10-28239		1	SCREW, THROTTLE HOUSING
26	12-35462		2	WASHER, THROTTLE HOUSING SCREW
27	11-72008		1	NUT, THROTTLE HOUSING SCREW
28	10-75168		1	SCREW, ADJUSTING - LOWER HOUSING (2 1/4")
29	11-29598		1	NUT, ADJUSTING SCREW
30	52023		1	CAP, NYLON - ADJUSTING SCREW
31	10-25158		1	SCREW, ADJUSTING - LOWER HOUSING (1 1/2")
32	11-68219		1	NUT, ADJUSTING SCREW
33	48039		1	CAP, NYLON - ADJUSTING SCREW
34	77013A1		1	SWIVEL ASSEMBLY, SPARK LINK
35	23-26856		1	BUSHING, SWIVEL
36	12-33786		1	WASHER, SWIVEL
37	13-29402		1	WAVE WASHER, SWIVEL
38	11-45774		1	NUT, SWIVEL
39	85301		1	SPARK LINK
40	74897		1	BARREL, SPARK LINK TO TRIGGER

WIRING HARNESS, SWITCH BOX AND IGNITION COIL



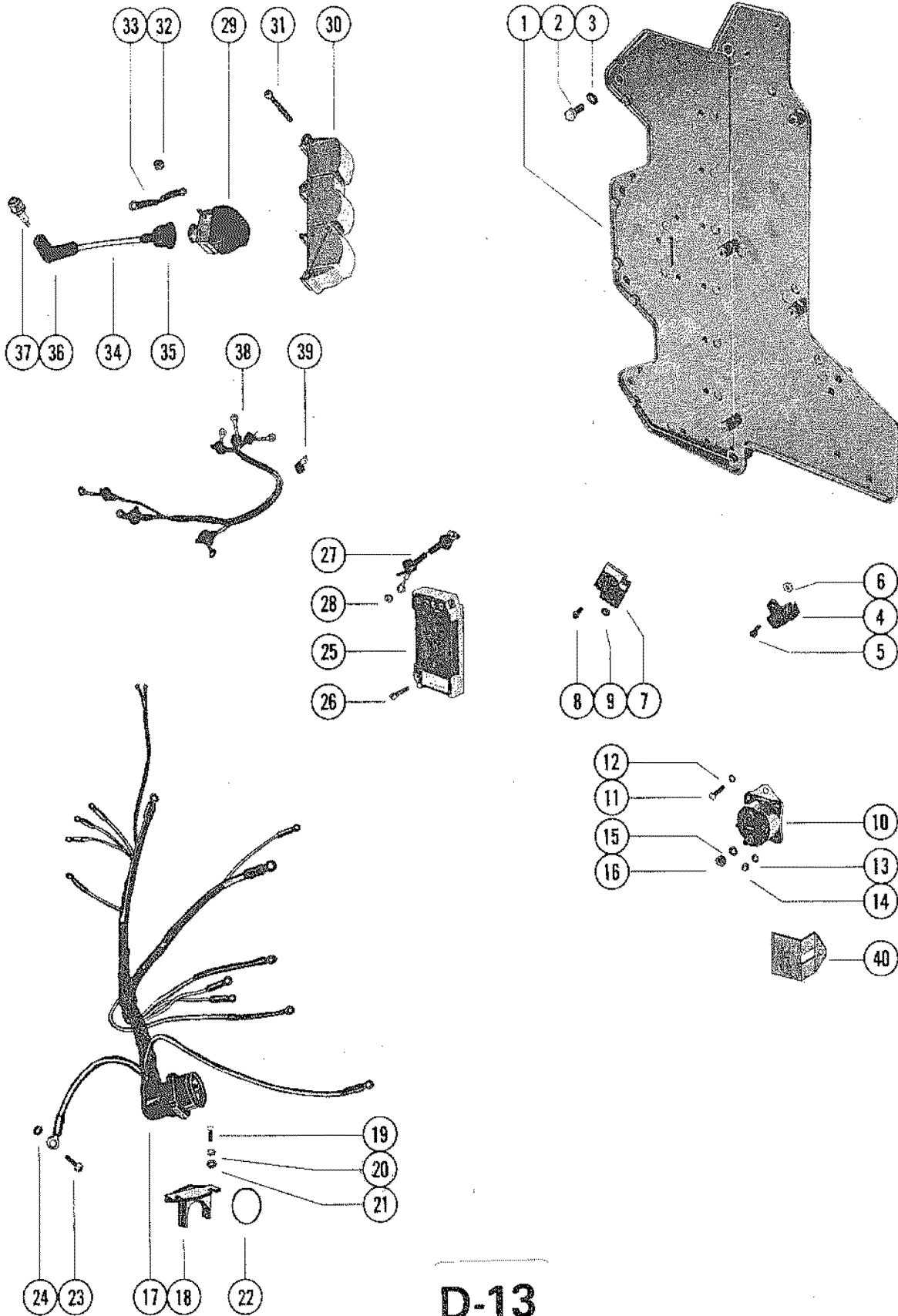
D-13

WIRING HARNESS, SWITCH BOX AND IGNITION COIL

REF. NO.	PART NO.	SYM.	QTY.	DESCRIPTION
1	79479		1	PLATE, ELECTRICAL MOUNTING
2	10-86885		4	SCREW, PLATE TO CYLINDER BLOCK (1 1/2")
	10-28636		2	SCREW, PLATE TO CYLINDER BLOCK (3/4")
	10-28667		3	SCREW, PLATE TO CYLINDER BLOCK (1")
3	12-38753		7	WASHER, PLATE SCREW
4	87-33386A2		1	SWITCH ASSEMBLY, MERCURY
5	10-25764		1	SCREW, MERCURY SWITCH TO PLATE (5/8")
6	11-45076		1	NUT, WIRE TO MERCURY SWITCH
7	62351A1		1	RECTIFIER ASSEMBLY
8	10-25764		2	SCREW, RECTIFIER TO IGNITION PLATE (5/8")
9	11-45076		3	NUT, RECTIFIER TERMINALS
10	89-76545		1	SOLENOID, STARTER
11	10-38601		2	SCREW, STARTER SOLENOID TO PLATE (1/2")
12	13-26992		2	LOCKWASHER, STARTER SOLENOID SCREW
13	13-26996		2	LOCKWASHER, SOLENOID TERMINALS (#10)
14	11-68219		2	NUT, SOLENOID TERMINALS (10-32)
15	13-26993		2	LOCKWASHER, SOLENOID TERMINALS (5/16")
16	11-68292		2	NUT, SOLENOID TERMINALS (5/16-18)
17	84-85532		1	WIRING HARNESS, INTERNAL
18	54-76368		1	CLAMP, WIRING HARNESS TO BOTTOM COWL
19	10-69020		2	SCREW, WIRING HARNESS CLAMP TO BOTTOM COWL (7/8")
20	13-26996		2	LOCKWASHER, WIRING HARNESS CLAMP SCREW
21	12-30164		2	WASHER, WIRING HARNESS CLAMP SCREW
22	24-28975		1	SPRING, GARTER - INTERNAL WIRING HARNESS
23	10-69052		1	SCREW, GROUND WIRE TO BOTTOM COWL
24	13-26992		1	LOCKWASHER, GROUND WIRE SCREW
25	332-5524A1		2	SWITCH BOX ASSEMBLY
26	10-26251		4	SCREW, SWITCH BOX TO IGNITION COIL (7/8")
27	84-62310A3		1	CABLE ASS'Y, SWITCH BOX TO SWITCH BOX (WHITE AND BLACK)
28	11-45076		20	NUT, SWITCH BOX TERMINAL
29	338-4995A2		6	COIL ASSEMBLY, IGITION
30	73218		2	COVER, IGNITION COIL
31	10-69046		12	SCREW, IGNITION COIL COVER (2")
32	11-45076		12	NUT, IGNITION COIL TERMINAL
33	84-60466A1		6	CABLE ASSEMBLY, IGNITION COIL (BLACK)
34	84-73451A8		6	CABLE, HIGH TENSION
35	332-2854		6	BOOT, HIGH TENSION CABLE
36	85-71006A1		6	PROTECTOR, HIGH TENSION CABLE

CONTINUED ON NEXT PAGE ➡

WIRING HARNESS, SWITCH BOX AND IGNITION COIL

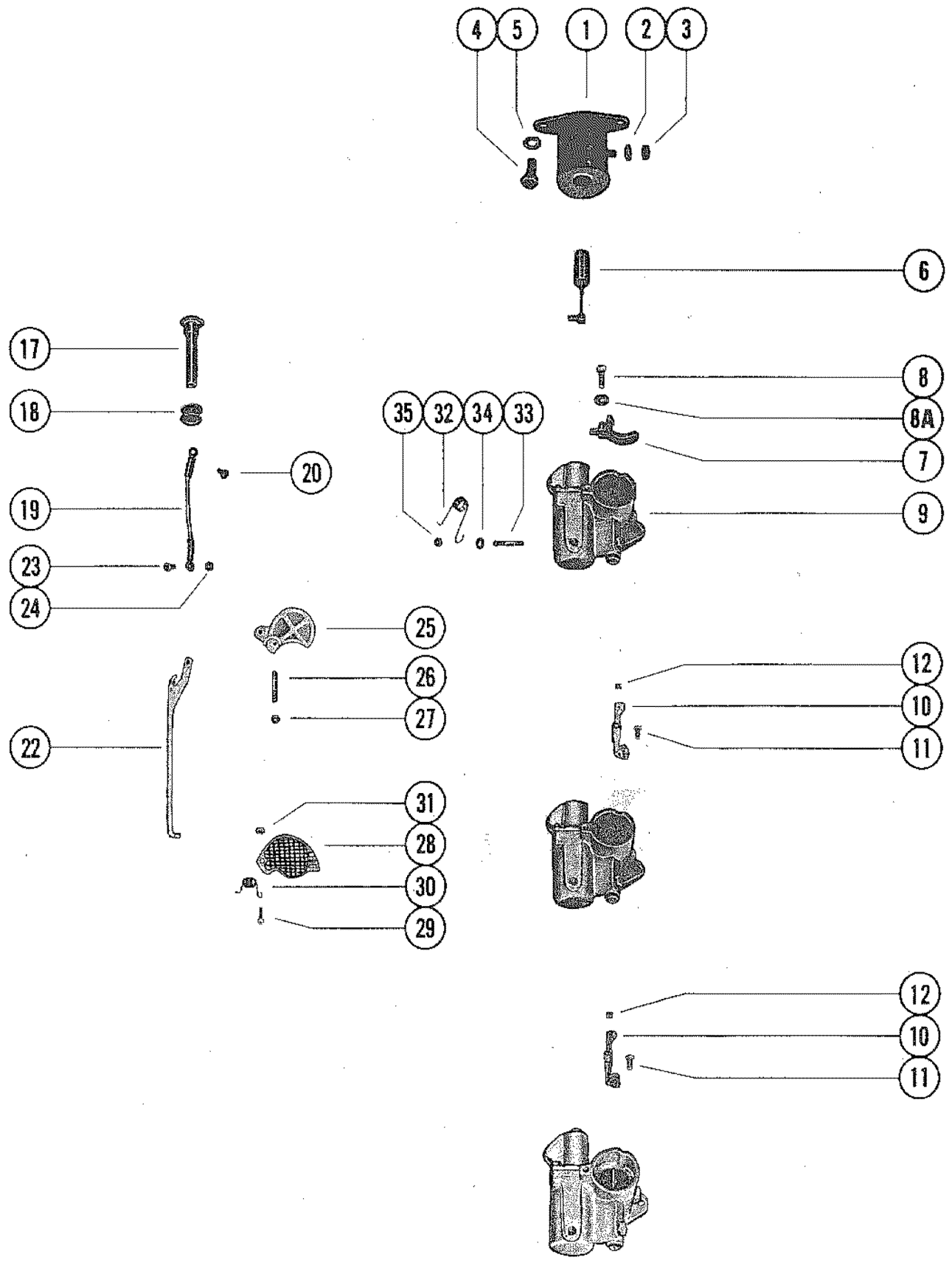


D-13

WIRING HARNESS, SWITCH BOX AND IGNITION COIL

REF. NO.	PART NO.	SYM.	QTY.	DESCRIPTION
37	33-68057		6	SPARK PLUG (CHAMPION #L76-V)
38	84-85537A2		1	HARNESS ASSEMBLY, COIL TO SWITCH BOX (#2, 4 AND 6)
	84-85537A1		1	HARNESS ASSEMBLY, COIL TO SWITCH BOX (#1, 3 AND 5)
39	54-63153		2	CLIP, HARNESS TO COIL COVER
40	85-78866		1	INSULATOR, STARTER SOLENOID

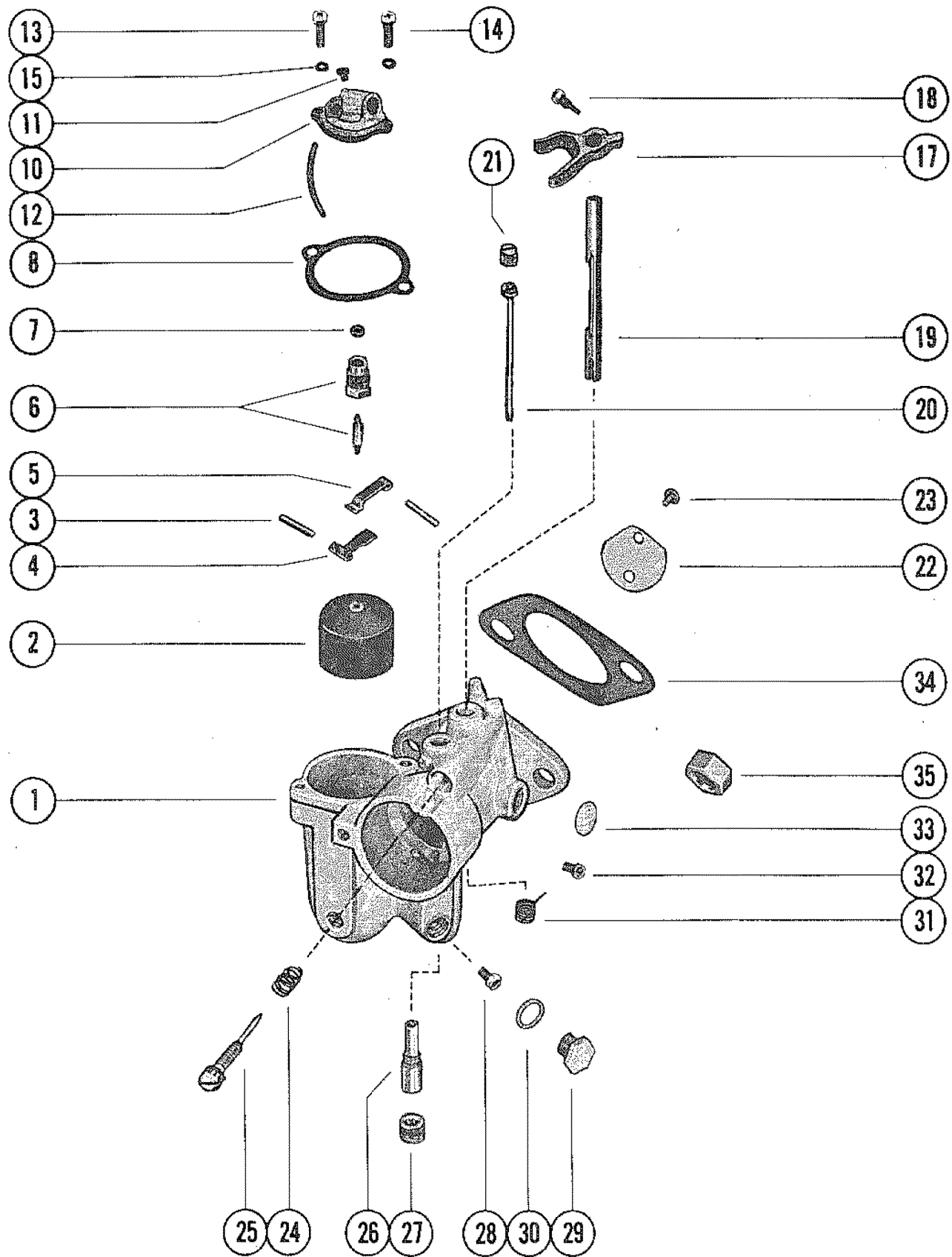
CARBURETOR LINKAGE AND CHOKE SOLENOID



CARBURETOR LINKAGE AND CHOKE SOLENOID

REF. NO.	PART NO.	SYM.	QTY.	DESCRIPTION
1	54293A4		1	CHOKE SOLENOID
2	13-26996		1	LOCKWASHER, SOLENOID TERMINAL
3	11-68219		1	NUT, SOLENOID TERMINAL
4	10-25299		2	SCREW, CHOKE SOLENOID (3/4")
5	13-26993		2	LOCKWASHER, CHOKE SOLENOID SCREW
6	54283A1		1	PLUNGER AND LINK ASSEMBLY, CHOKE SOLENOID
7	85943A1		1	LEVER, THROTTLE (UPPER CARBURETOR)
8	10-60293		1	SCREW, THROTTLE LEVER
8A	12-74726		1	WASHER, THROTTLE LEVER SCREW
9	1368-7466A1		1	CARBURETOR ASSEMBLY (TOP)
	1368-7466A3		2	CARBURETOR ASSEMBLY (CENTER/BOTTOM)
10	53720A2		2	THROTTLE PICK-UP BRACKET ASSEMBLY
11	10-66104		2	SCREW, THROTTLE BRACKET MOUNTING
12	53665		2	INSERT, THROTTLE COUPLING
17	73755A1		1	KNOB, CHOKEM ROD
18	25-20116		1	GROMMET, CHOKE ROD
19	49589		1	STRAP, CHOKE KNOB TO CHOKE ROD
20	10-76196		1	SCREW, STRAP TO CHOKE KNOB (5/8")
22	48203		1	ROD, CHOKE
23	10-48591		1	SCREW, STRAP TO CHOKE ROD (1/2")
24	11-46438		1	NUT, STRAP TO CHOKE ROD SCREW
25	48152		2	SHUTTER, CHOKE - CARBURETOR
26	16-69037		2	STUD, CARBURETOR - CHOKE SHUTTER PIVOT
27	11-20110		2	NUT, CHOKE SHUTTER TO CORBURETOR STUD
28	35-57819		3	SCREEN ASSEMBLY FILTER - CARBURETOR
29	10-22523		1	SCREW, LOWER CARBURETOR FILTER SCREEN TO CARB. (5/8")
	10-23015		2	SCREW, UPPER CARBURETOR FILTER SCREEN TO CARB. (1")
30	24-57818		2	SPRING, UPPER FILTER SCREEN SCREW
31	11-20110		3	NUT, CARBURETOR FILTER SCREEN FASTENING SCREW
32	24-48230		1	SPRING, CHOKE ROD TENSION
33	16-39937		1	STUD, CHOKE ROD SPRING TO CARBURETOR
34	23-32427		1	SPACER, CHOKE ROD SPRING STUD
35	11-46887		1	NUT, CHOKE ROD SPRING TO CARBURETOR STUD

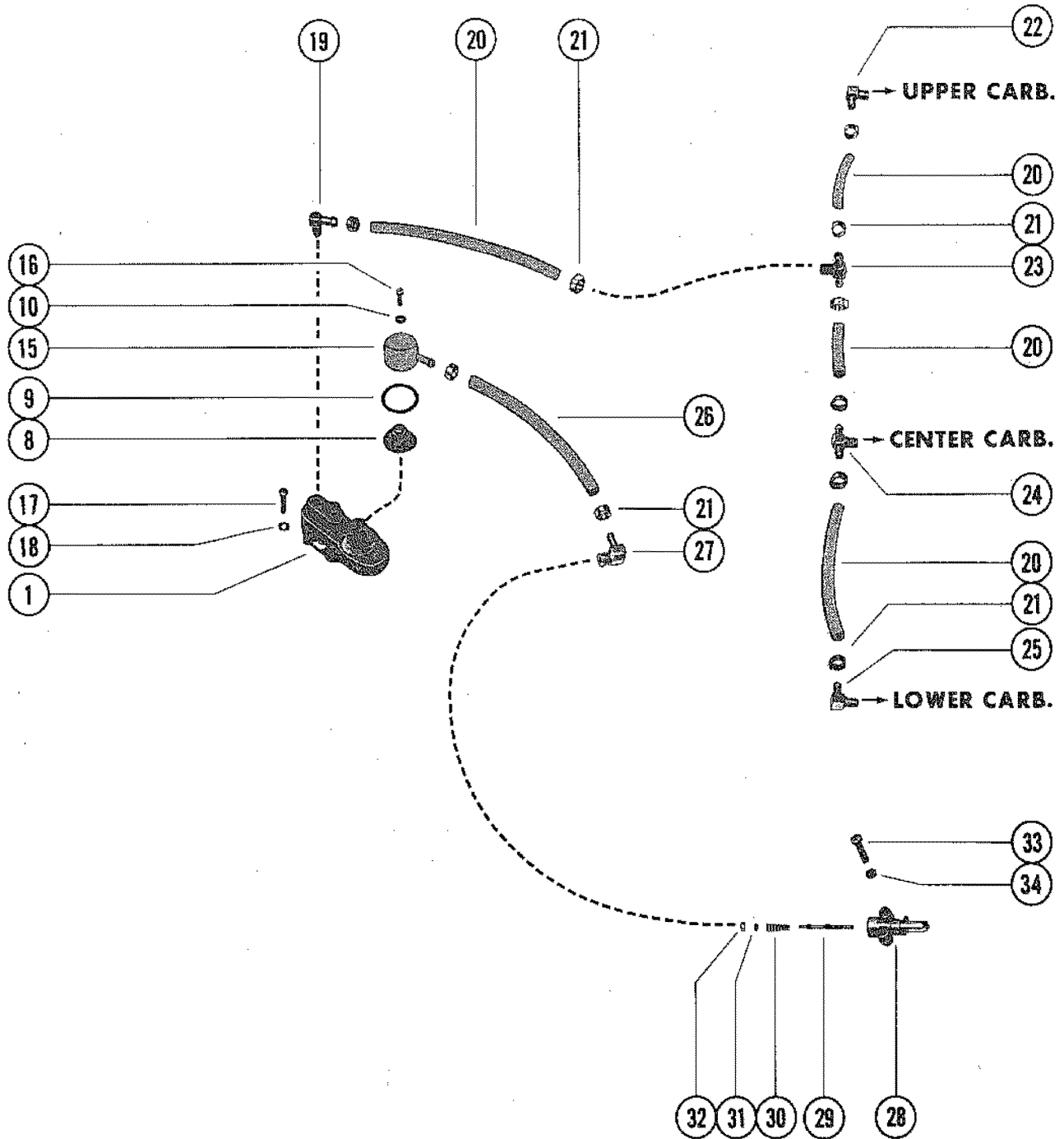
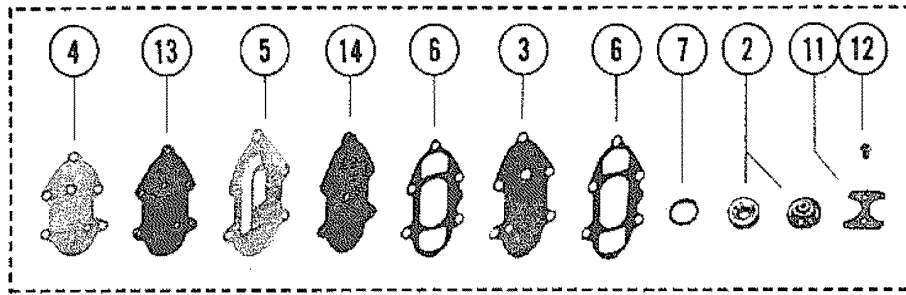
CARBURETOR ASSEMBLY



CARBURETOR ASSEMBLY

REF. NO.	PART NO.	SYM.	QTY.	DESCRIPTION
1	1368-7466A1		1	CARBURETOR ASSEMBLY (TOP)
	1368-7466A3		2	CARBURETOR ASSEMBLY (CENTER/BOTTOM)
2	1395-5353		3	FLOAT ASSEMBLY
3			6	PIN, FLOAT LEVER PINION
4			3	LEVER, FLOAT (LOWER)
5			3	LEVER, FLOAT (UPPER)
6	1395-7297		3	INLET NEEDLE, SEAT AND GASKET
7			3	GASKET, INLET SEAT
8			3	GASKET, FLOAT BOWL COVER
10	1395-5680		3	COVER, FLOAT BOWL
11	1395-6247		3	JET, BOWL VENT (.090)
12	1395-5734		3	HOSE, ECONOMIZER
13	10-52195		3	SCREW, FLOAT BOWL COVER
14	1395-4804		3	SCREW, FLOAT BOWL COVER
15	13-26995		6	LOCKWASHER, FLOAT BOWL COVER SCREW
17	1399-97		3	LEVER, THROTTLE(SEE NOTE BELOW)
18	10-20847		3	SCREW, THROTTLE STOP LEVER
19	1395-7614		1	SHAFT, THROTTLE (TOP)
	1399-3527		2	SHAFT THROTTLE (CENTER/BOTTOM)
20			3	TUBE, IDLE
21	1395-4540		3	SCREW, BODY (IDLE TUBE)
22	1395-7639		3	SHUTTER, THROTTLE
23			6	SCREW AND LOCKWASHER, THROTTLE SHUTTER
24			3	SPRING, IDLE ADJUSTMENT SCREW
25			3	SCREW, IDLE ADJUSTMENT
26			3	NOZZLE, MAIN
27	1395-4542		3	SCREW, PLUG - MAIN NOZZLE
28	1399-3794		3	JET, MAIN FUEL (.074) - STANDARD
	1395-6207		OPT.	JET, MAIN FUEL (.072)
	1395-6030		OPT.	JET, MAIN FUEL (.070)
	1395-6029		OPT.	JET, MAIN FUEL (.068)
29	1395-4541		3	SCREW, PLUG - MAIN FUEL JET CHANNEL
30			3	GASKET, JET CHANNEL PLUG SCREW
31			3	SPRING, THROTTLE SHAFT RETURN
32	1395-4543		3	SCREW, BODY CHANNEL
33			3	WELCH PLUG, BODY CHANNEL
-	1395-4808		3	GASKET AND PACKING SET (1 PER CARBURETOR)
-	1395-7662		3	REPAIR PARTS KIT (1 PER CARBURETOR)
34	27-48164		3	GASKET, CARBURETOR FLANGE
35	11-64809		6	NUT, CARBURETOR MOUNTING STUD

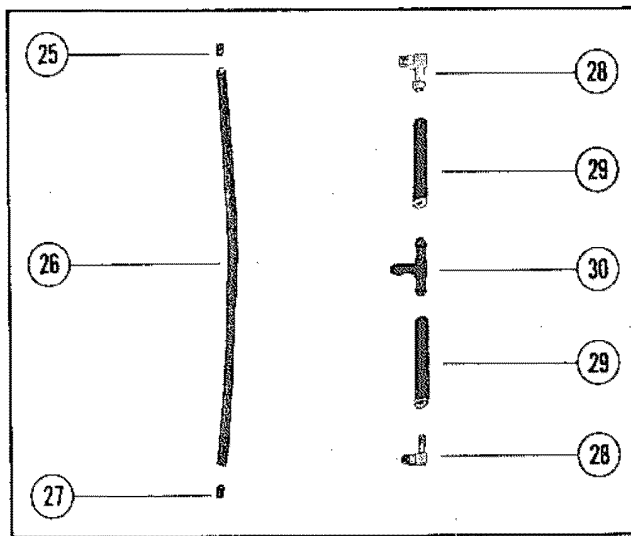
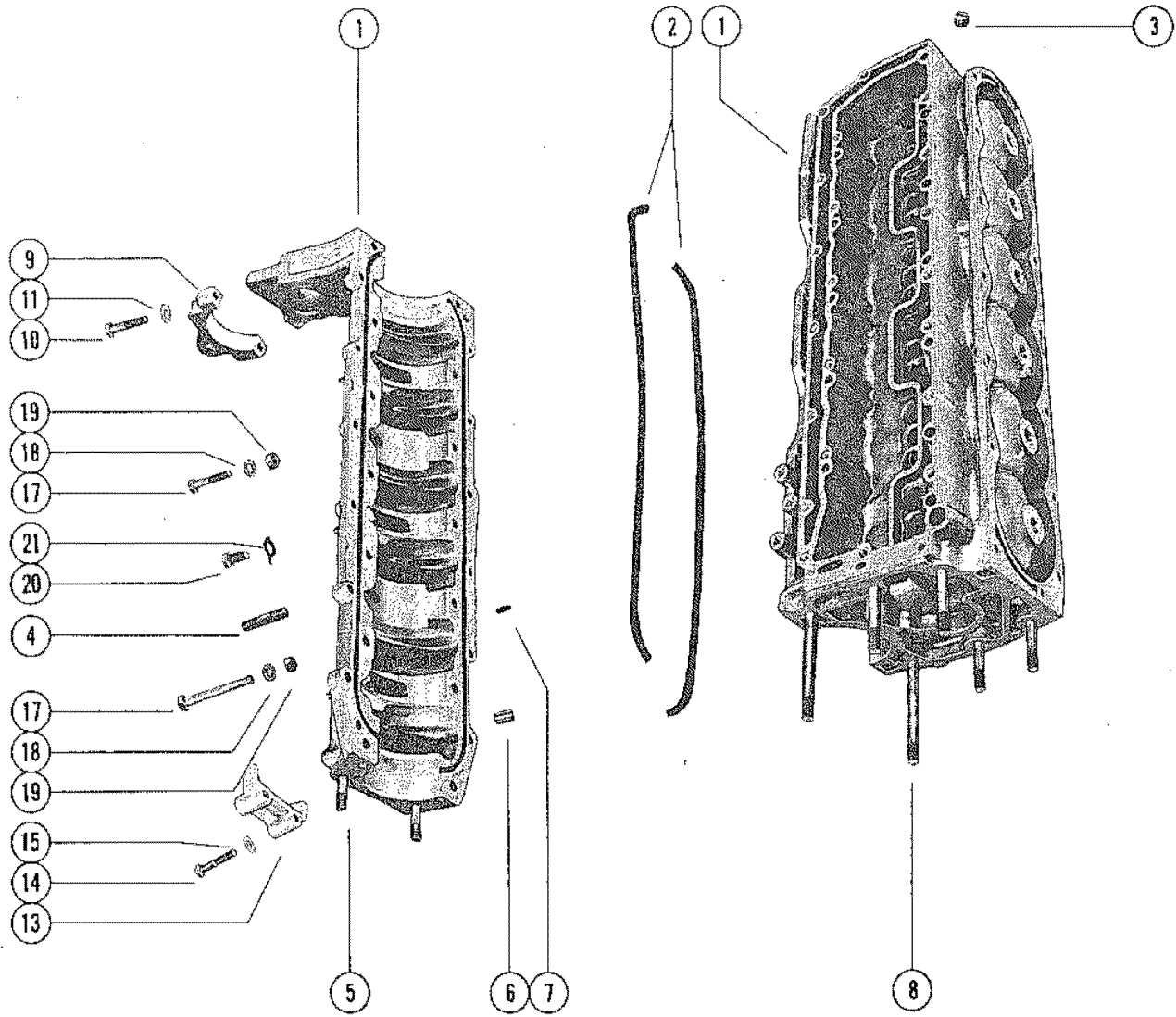
FUEL PUMP AND FUEL LINE ASSEMBLY



FUEL PUMP AND FUEL LINE ASSEMBLY

REF. NO.	PART NO.	SYM.	QTY.	DESCRIPTION
1	66530A6		1	FUEL PUMP ASSEMBLY
2	21-30430A10		1	CHECK VALVE ASSEMBLY
3	66599A3		1	DIAPHRAGM ASSEMBLY
4			1	GASKET, FUEL PUMP
5			1	GASKET, PULSE CHAMBER
6			2	GASKET, FUEL PUMP
7			2	GASKET, CHECK VALVE TO HOUSING
8	35-59072		1	SCREEN, FUEL INLET
9			1	"O" RING, FUEL INLET COVER
10			1	GASKET, COVER ATTACHING SCREW
11	23004		1	RETAINER, CHECK VALVE
12	10-20037		2	SCREW, RETAINER ATTACHING
13	86295		1	BASE, FUEL PUMP
14	87990		1	CHAMBER, PULSE - FUEL PUMP
15	59071		1	COVER, FUEL INLET
16	10-37370		1	SCREW, FUEL FILTER COVER ATTACHING (5/8")
17	10-73013		5	SCREW, FUEL PUMP ATTACHING (1 1/2")
18	13-26996		5	LOCKWASHER, FUEL PUMP ATTACHING SCREW
19	22-64704		1	FITTING, FUEL OUTLET
20	32-70432		4	FUEL LINE. FUEL PUMP TO CARBURETOR (6 1/4"-2 3/4")
21	54-69424		10	CLAMP, FUEL LINE ATTACHING
22	22-64704		1	FITTING, ELBOW - UPPER CORBURETOR
23	22-73318		1	TEE, FUEL LINE
24	22-64706		1	FITTING, TEE - CENTER CARBURETOR
25	22-64704		1	FITTING, ELBOW - LOWER CARBURETOR
26	32-70432		1	FUEL LINE, ADAPTOR TO FUEL PUMP (16")
27	22-63981		1	ELBOW, FUEL LINE TO ADAPTOR
28	22833		1	ADAPTOR, CHECK UNIT (FUEL LINE)
29	23069		1	STEM, CHECK UNIT ADAPTOR
30	24-23067		1	SPRING, ADAPTOR STEM
31	25-20415		1	"O" RING, ADAPTOR STEM
32	30188		1	CUP WASHER, ADAPTOR
33	10-69029		2	SCREW, ADAPTOR TO BOTTOM COWL (1 3/4")
34	11-36069		2	NUT, ADAPTER SCREW

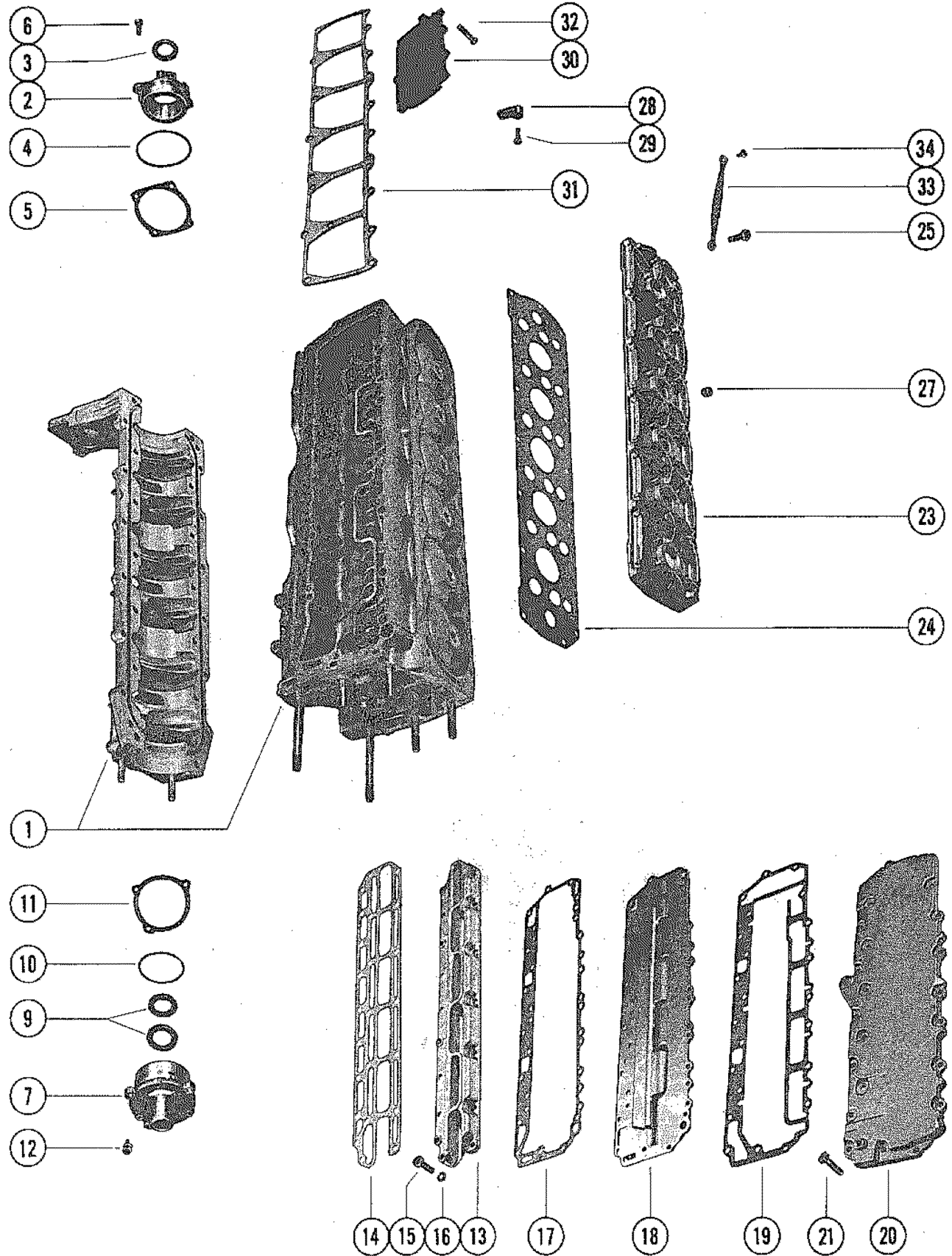
CYLINDER BLOCK AND CRANKCASE ASSEMBLY



CYLINDER BLOCK AND CRANKCASE ASSEMBLY

REF. NO.	PART NO.	SYM.	QTY.	DESCRIPTION
1	852-7739A3		1	CYLINDER BLOCK AND CRANKCASE ASSEMBLY
2	27-53862		2	GASKET, CRANKCASE TO CYLINDER BLOCK
3	66517		5	RESTRICTION, CRANKCASE BLEED
4	16-64280		6	STUD, CARBURETOR MOUNTING (1 3/16")
5	16-64281		2	STUD, CRANKCASE TO EXHAUST EXTENSION PLATE (1 7/8")
6	17-20033		2	PIN, DOWEL - CRANKCASE TO CYLINDER BLOCK
7	17-63779		3	PIN, DOWEL - CYLINDER BLOCK TO MAIN BEARING
8	16-64282		6	STUD, CYLINDER BLOCK TO DRIVE SHAFT HOUSING PLATE (4")
9	86473		1	COVER, STARTER MOTOR BRACKET - TOP
10	10-77065		2	SCREW, TOP COVER ATTATCHING (2")
11	13-26993		2	LOCKWASHER, TOP COVER SCREWS
13	76867		1	COVER, STARTER MOTOR BRACKET - BOTTOM
14	10-69268		2	SCREW, BOTTOM COVER ATTATCHING (1 7/8")
15	13-26993		2	LOCKWASHER, BOTTOM COVER SCREW
17	10-57841		3	SCREW, CRANKCASE TO CYLINDER BLOCK (2 3/4")
	10-32293		3	SCREW, CRANKCASE TO CYLINDER BLOCK (1 3/4")
	10-73657		20	SCREW, CRANKCASE TO CYLINDER BLOCK (1 1/2")
	10-53016		2	SCREW, CRANKCASE TO CYLINDER BLOCK (1 1/4")
18	12-22753		25	WASHER, CRANKCASE TO CYLINDER BLOCK SCREWS
19	11-29250		2	NUT, CRANKCASE TO CYLINDER BLOCK SCREWS (LOWER)
20	10-20359		2	SCREW, CENTER MAIN BEARING LOCKING
21	14-20091		2	TAB WASHER, BEARING LOCKING SCREW
25	21-77560		1	CHECH VALVE, BLEED HOSE - UPPER
26	32-54936		1	HOSE, BLEED (22")
27	21-77561		1	CHECK VALVE, BLEED HOSE - LOWER
28	22-25885		2	ELBOW, BALANCE HOSE
29	32-34395A1		2	HOSE, BALANCE - MAIN BEARING (6 1/4")
30	22-85578		1	TEE, BALANCE HOSE

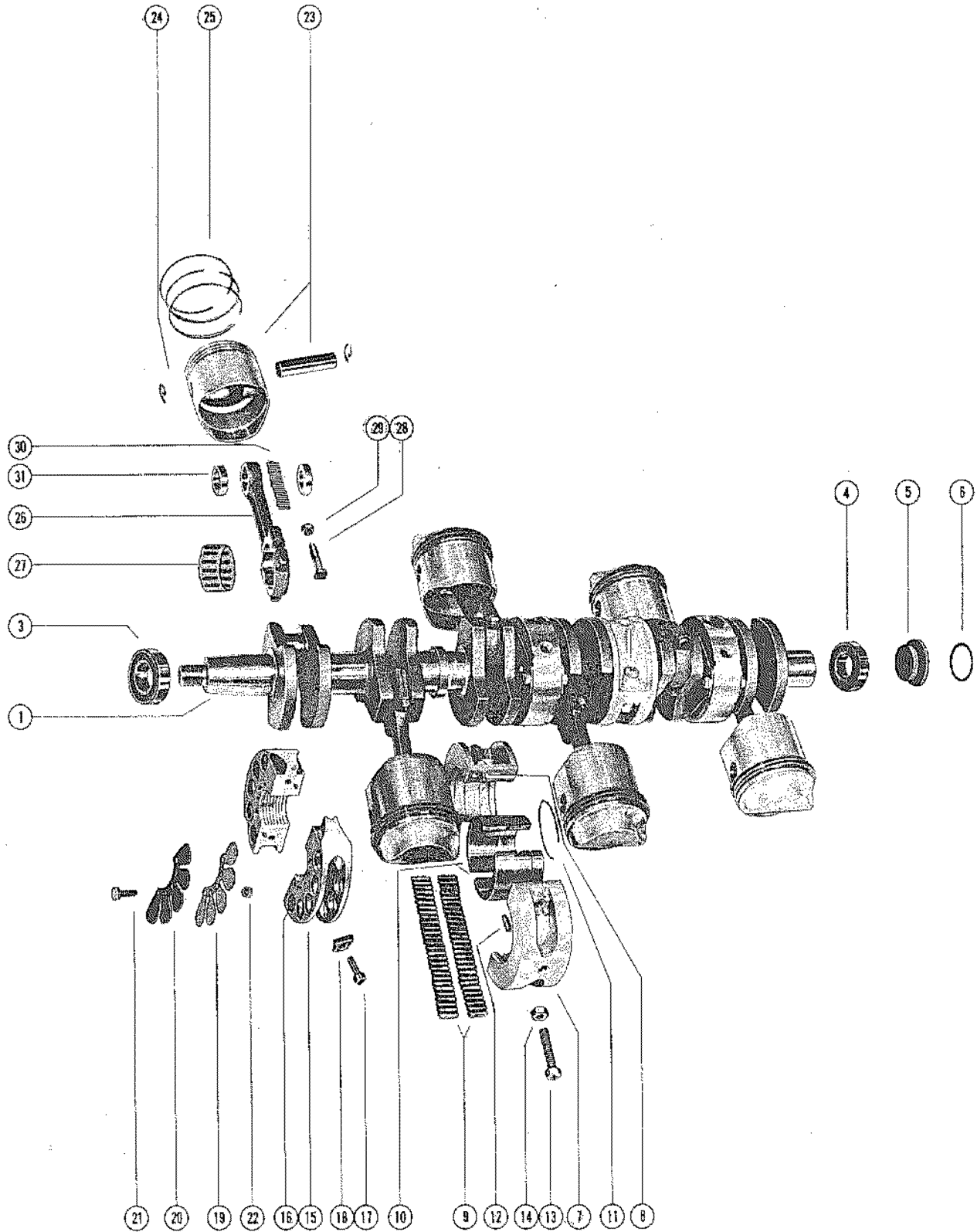
END CAP, MANIFOLD AND EXHAUST COVERS



END CAP, MANIFOLD AND EXHAUST COVERS

REF. NO.	PART NO.	SYM.	QTY.	DESCRIPTION
1	852-7739A3		1	CYLINDER BLOCK AND CRANKCASE ASSEMBLY
2	1161-5940A2		1	END CAP ASSEMBLY
3	26-29476		1	OIL SEAL, END CAP
4	25-47254		1	"O" RING
5	15-73644A1		AR	SHIM, END CAP TO CRANKCASE (.0006-10)
6	10-73169		4	SCREW, END CAP MOUNTING (1")
7	1148-5410A1		1	END CAP ASSEMBLY, LOWER
9	26-29476		2	OIL SEAL, END CAP
10	25-32546		1	"O" RING, END CAP
11	15-20085A1		AR	SHIM, END CAP TO CRANKCASE (.005-10)
12	10-69034		3	SCREW, END CAP MOUNTING (1")
13	71808		1	COVER, WATER JACKET - CYLINDER BLOCK
14	27-72142		1	GASKET, WATER JACKET COVER
15	10-53167		23	SCREW, WATER JACKET COVER TO CYLINDER BLOCK (7/8")
16	12-70132		23	WASHER, WATER JACKET COVER FASTENING SCREW
17	27-72507		1	GASKET, CYLINDER BLOCK TO BAFFLE PLATE
18	75778		1	PLATE, BAFFLE - EXHAUST MANIFOLD
19	27-72509		1	GASKET, BAFFLE PLATE TO EXHAUST MANIFOLD COVER
20	86316		1	COVER, EXHAUST MANIFOLD
21	10-53576		24	SCREW, MANIFOLD COVER MOUNTING
23	1023-5070		1	COVER, CYLINDER BLOCK
24	27-72506		1	GASKET, CYLINDER BLOCK COVER
25	10-69100		16	SCREW, COVER MOUNTING (1")
27	22-68307		1	PLUG, PIPE - CYLINDER BLOCK COVER
28	37440		1	BRACKET, MOUNT SUPPORT - CYLINDER BLOCK
29	10-24234		1	SCREW, BRACKET TO CYLINDER BLOCK (1")
30	87872		3	COVER, TRANSFER PORT
31	38-85653		1	GASKET, TRANSFER PORT COVER
32	10-28636		24	SCREW, TRANSFER PORT COVER MOUNTING (3/4")
33	46933A3		2	GROUND STRAP ASSEMBLY, CYLINDER BLOCK COVER
34	10-62568		2	SCREW, GROUND STRAP ATTACHING (3/8")

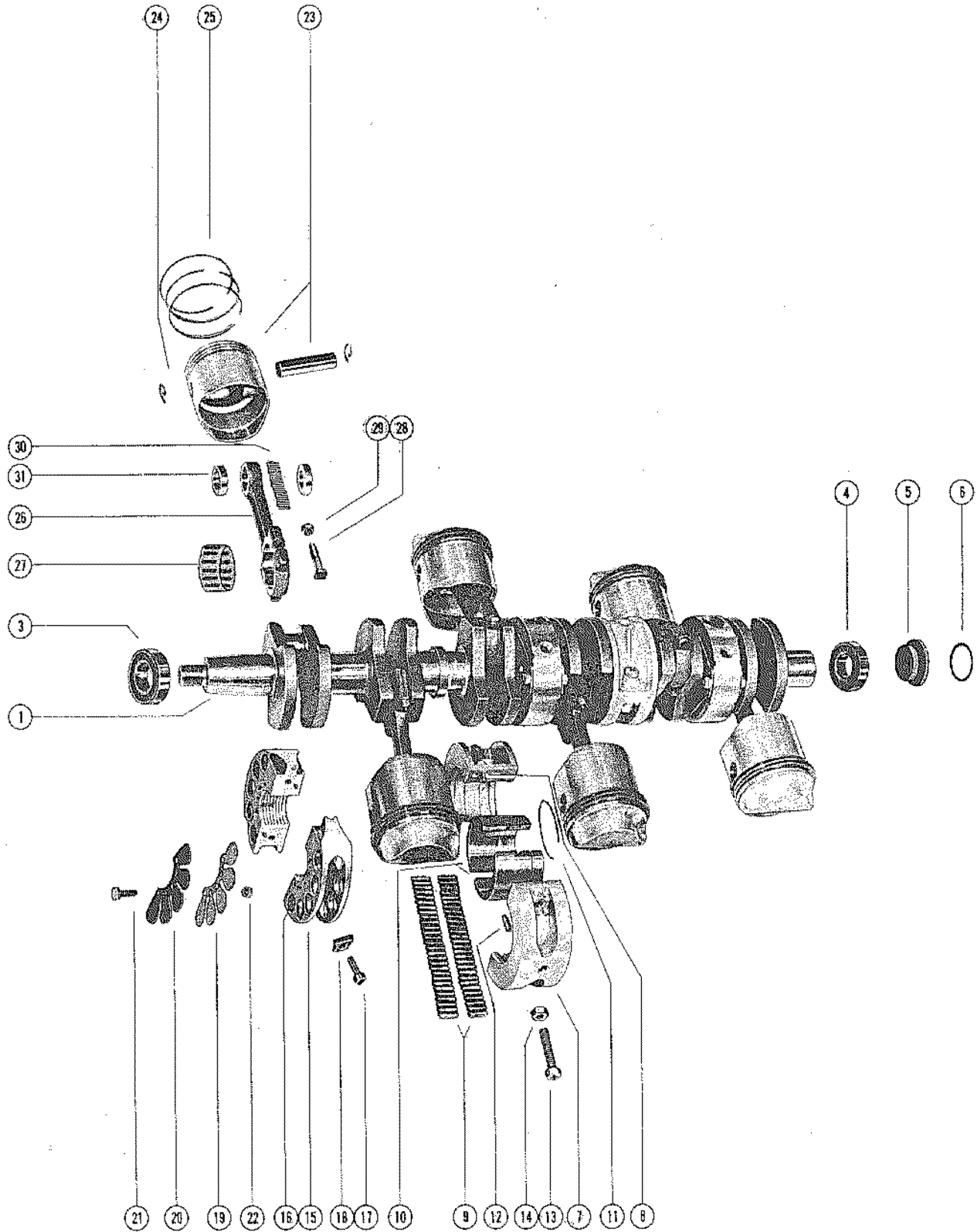
CRANKSHAFT, PISTONS AND CONNECTING RODS



CRANKSHAFT, PISTONS AND CONNECTING RODS

REF. NO.	PART NO.	SYM.	QTY.	DESCRIPTION
1	436-6646A2		1	CRANKSHAFT ASSEMBLY
3	30-62567		1	BEARING, BALL - UPPER
4	30-63742		1	BEARING, BALL - LOWER
5	54196A6		1	CARRIER ASSEMBLY, "O" RING
6	65800		1	"O" RING, CARRIER
7	535-5397A4		2	CENTER MAIN BEARING ASSEMBLY
8	17-20032		4	DOWEL PIN, CENTER MAIN BEARING
9	29-52168		112	BEARING, NEEDLE - OUTER RACE
10	26113		2	RACE, OUTER (PAIR)
11	53-26933		2	RING, SNAP - OUTER RACE
12	17-47246		2	DOWEL PIN, STEPPED
13	10-22968		4	SCREW, CENTER MAIN BEARING CLAMPING
14	11-46887		4	NUT, BEARING CLAMPING SCREW
15	540-5266A4		3	MAIN BEARING ASSEMBLY, VALVE TYPE
16	17-20032		6	DOWELL PIN, MAIN BEARING
17	10-45775		6	SCREW, MAIN BEARING CLAMPING
18	11-45774		6	NUT, MAIN BEARING CLAMPING SCREW
19	34-65312A1		4	REED SET, MATCHED - MAIN BEARING
20	34-65319		12	REED STOP, MAIN BEARING REED VALVES
21	10-62204		30	SCREW, REED STOP MOUNTING
22	11-53153		30	NUT, REED STOP SCREW
23	745-6637A3		6	PISTON AND PISTON PIN ASSEMBLY
24	40-52035		12	LOCK RING, PISTON PIN
25	39-78816A12		2	RING, PISTON
26	622-4850A3		6	CONNECTING ROD AND CAP ASSEMBLY
27	31-62596A1		6	BEARING ASSEMBLY, CRANKPIN
28	10-54803		12	SCREW, CONNECTING ROD
29	11-49091		12	NUT, CONNECTING ROD SCREW
30	29-47270		174	BEARING, NEEDLE-PISTON PIN
31	12-47247		12	WASHER, NEEDLE LOCATING

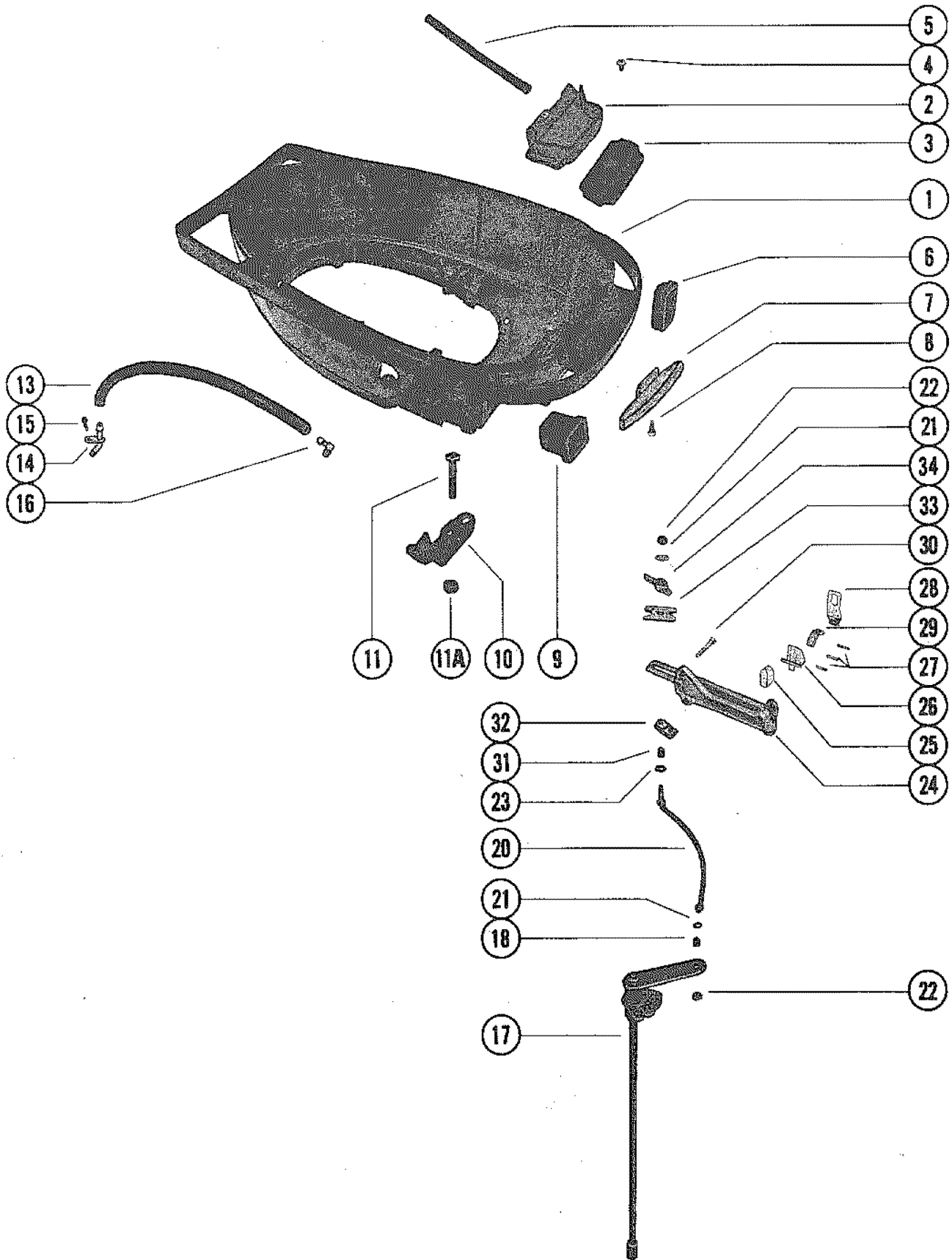
.015 OVERSIZE PISTONS AND RINGS



.015 OVERSIZE PISTONS AND RINGS

REF. NO.	PART NO.	SYM.	QTY.	DESCRIPTION
-	745-6694A2		6	PISTON AND PISTON PIN ASSEMBLY .015 OVERSIZED
-	39-78811A12		2	RING, PISTON .015 OVERSIZED

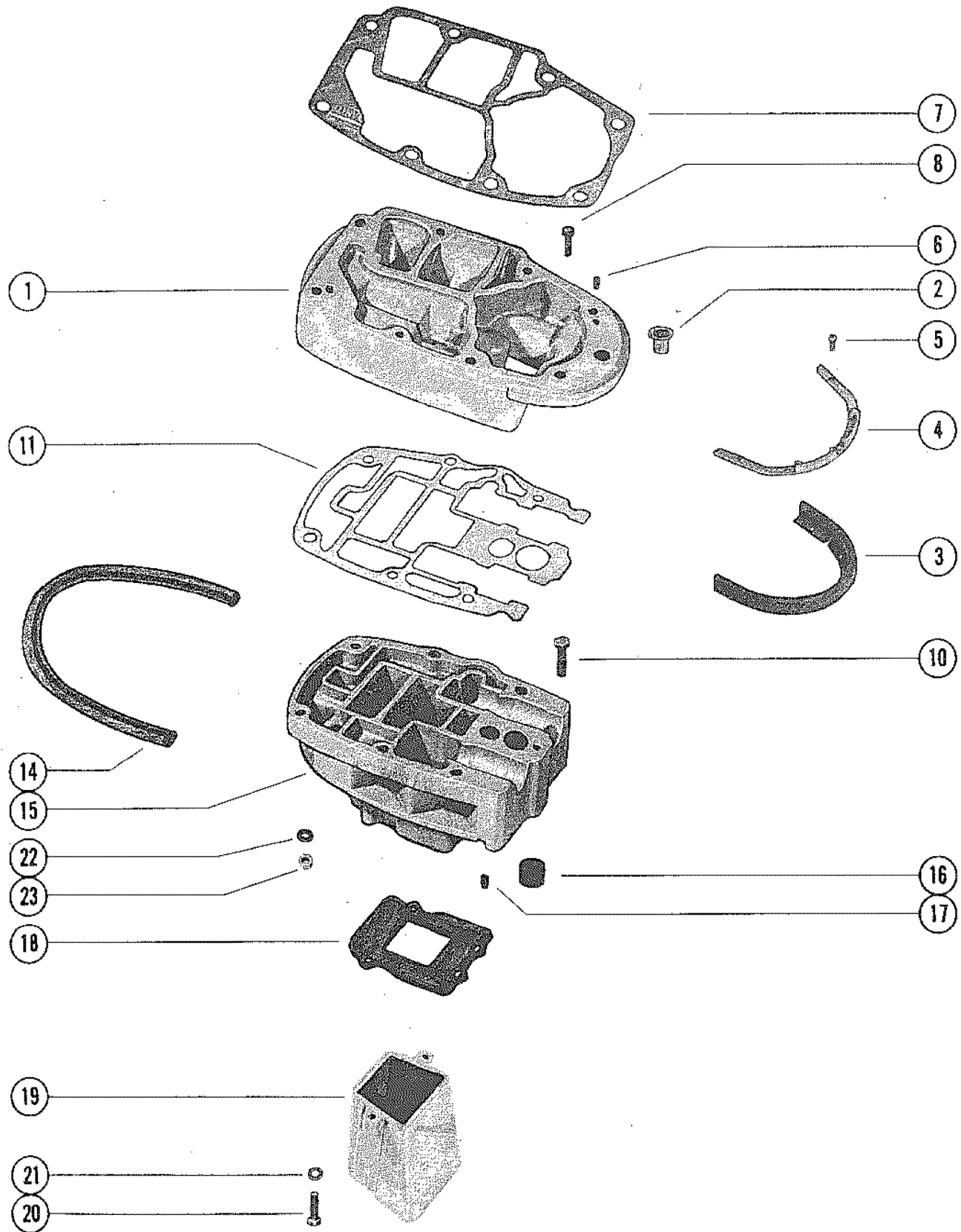
BOTTOM COWL AND SHIFT LINKAGE



BOTTOM COWL AND SHIFT LINKAGE

REF. NO.	PART NO.	SYM.	QTY.	DESCRIPTION
1	2115-6462		1	COWL, BOTTOM
2	52862A2		1	DRIP TRAY ASSEMBLY, BOTTOM COWL
3	37940		1	PAD, SOUND - DRIP TRAY
4	10-48408		4	SCREW, DRIP TRAY TO BOTTOM COWL (1/2")
5	32-34395A1		1	HOSE, DRIP TRAY TO BOTTOM COWL(8")
6	39616		1	BOOT, CONTROL CABLES - BOTTOM COWL
7	76369		1	SPACER, BOTTOM COWL (COWL FRONT COVER)
8	10-48591		2	SCREW, SPACER TO BOTTOM COWL (1/2)
9	37637		1	BOOT, FUEL CONNECTOR - BOTTOM COWL
10	37445		1	SUPPORT, WIRING HARNESS - BOTTOM COWL
11	10-69029		2	SCREW, SUPPORT TO BOTTOM COWL (1 3/4")
11A	11-36069		2	NUT, SUPPORT SCREW
13	32-34395A1		1	HOSE, TELL TALE - AXHAUST COVER TO BOTTOM COWL (21 1/2")
14	52889		1	NOZZLE, TELL TALE HOSE TO BOTTOM COWL
15	10-48408		1	SCREW, TELL TALE NOZZLE TO BOTTOM COWL (1/2")
16	22-78279		1	ELBOW, TELL TALE HOSE TO CYLINGER BLOCK
17	60304A54		1	SHIFT SHAFT ASSEMBLY, UPPER
18	23-26600		1	
20	48047A1		1	LINK ROD ASSEMBLY
21	12-35462		2	WASHER, LINK ROD
22	11-20664		2	NUT, LINK ROD
23	13-29720		1	WASHER, WAVE - LINK ROD
24	52732		1	BRACKET, ANCHOR - CONTROL CABLES
25	39519		1	CAP, BARREL RETAINER - ANCHOR BRACKET
26	39618		1	LEVER, NYLON - SHIFT CABLE LOCKING
27	17-47175		3	PIN, LOCKING LEVER AND COVER FASTENING
28	39667		1	COVER, NYLON - SHIFT CABLE
29	65799		1	LINK, LOCKING LEVER TO COVER
30	10-24234		3	SCREW, ANCHOR BRACKET TO CYLINDER BLOCK (1")
31	24-20099		1	SPRING, LINK ROD TO GUIDE BLOCK
32	37896		1	GUIDE BLOCK, LINK ROD
33	52100		1	WEAR PLATE, LINK ROD
34	38279		1	LATCH, CONTROL CABLE FASTENING - ANCHOR BRACKET

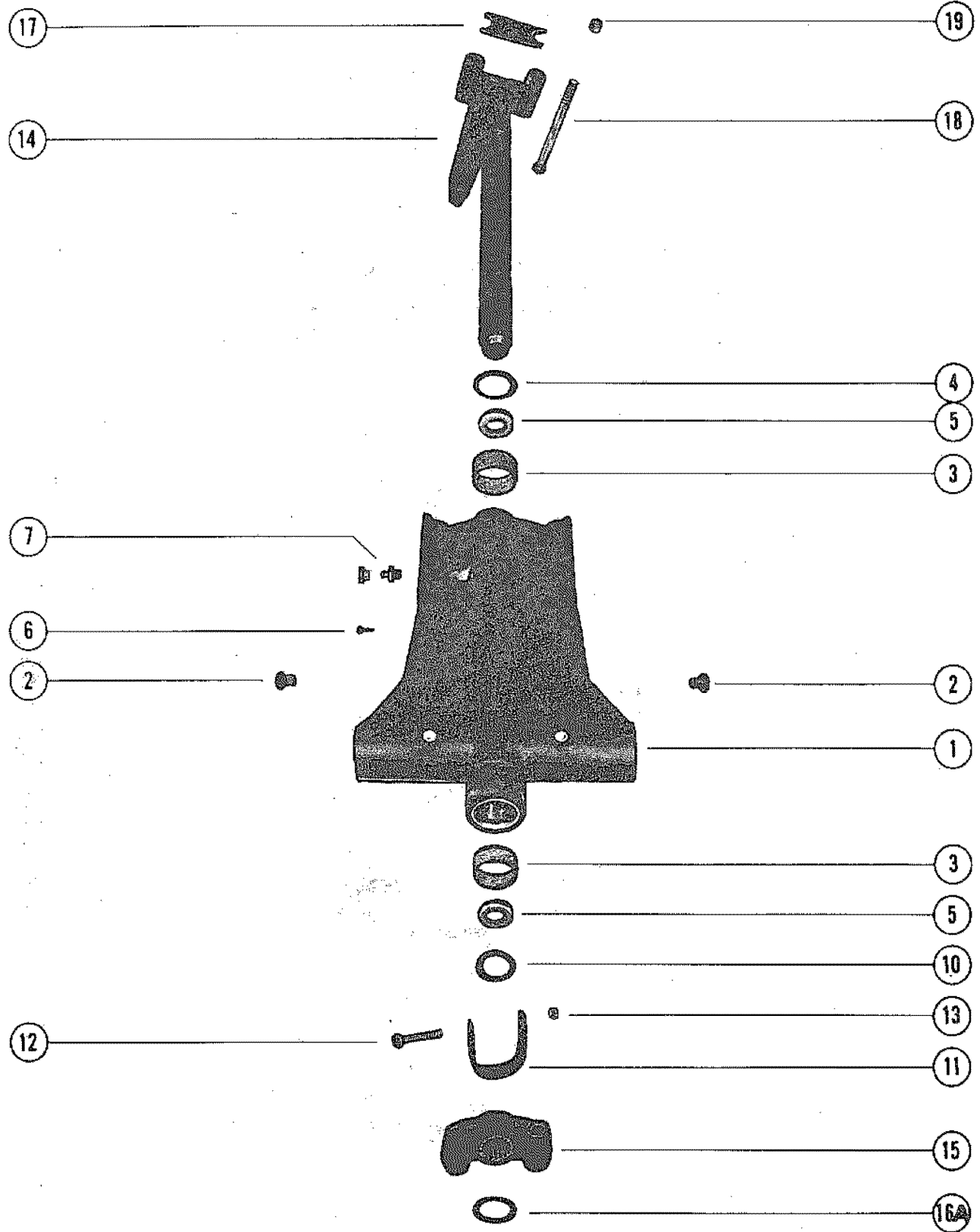
EXHAUST EXTENSION PLATE



EXHAUST EXTENSION PLATE

REF. NO.	PART NO.	SYM.	QTY.	DESCRIPTION
1	66096A1		1	PLATE ASSEMBLY, EXHAUST EXTENSION
2	23-27132		1	BUSHING, NYLON - EXHAUST EXTENSION PLATE
3	37918		1	SEAL, EXHAUST EXTENSION PLATE
4	38032		1	STRIP, RETAINING - EXHAUST EXTENSION PLATE SEAL
5	10-37571		5	SCREW, SEAL AND RETAINING STRIP TO EXT, PLATE (1/2")
6	17-23784		2	DOWEL PIN, EXHAUST EXTENSION PLATE
7	27-69238		1	GASKET, POWERHEAD TO EXTENSION PLATE
8	10-66023		2	SCREW, ADAPTOR PLATE TO HOUSING PLATE (2")
10	10-66023		7	SCREW, HOUSING PLATE TO DRIVE SHAFT HSG. (2")
11	27-66102		1	GASKET, PLATE TO DRIVE SHAFT HSG. PLATE
14	26-60898		1	SEAL, DRIVE SHAFT HOUSING PLATE
15	74257A3		1	PLATE ASSEMBLY, DRIVE SHAFT HOUSING
16	26-38970		1	SEAL, RUBBER - WATER INLET TUBE
17	17-23784		2	DOWEL PIN, DRIVE SHAFT HOUSING PLATE
18	27-62362		1	GASKET, MEGAPHONE TO DRIVE SHAFT HOUSING PLATE
19	60437		1	MEGAPHONE, EXHAUST
20	10-60480		3	SCREW, MEGAPHONE TO DRIVE SHAFT HOUSING PLATE (1 1/8")
21	12-29245		3	WASHER, MEGAPHONE SCREW
22	12-25970		6	WASHER, POWERHEAD STUD
23	11-34932		6	NUT, POWERHEAD STUD

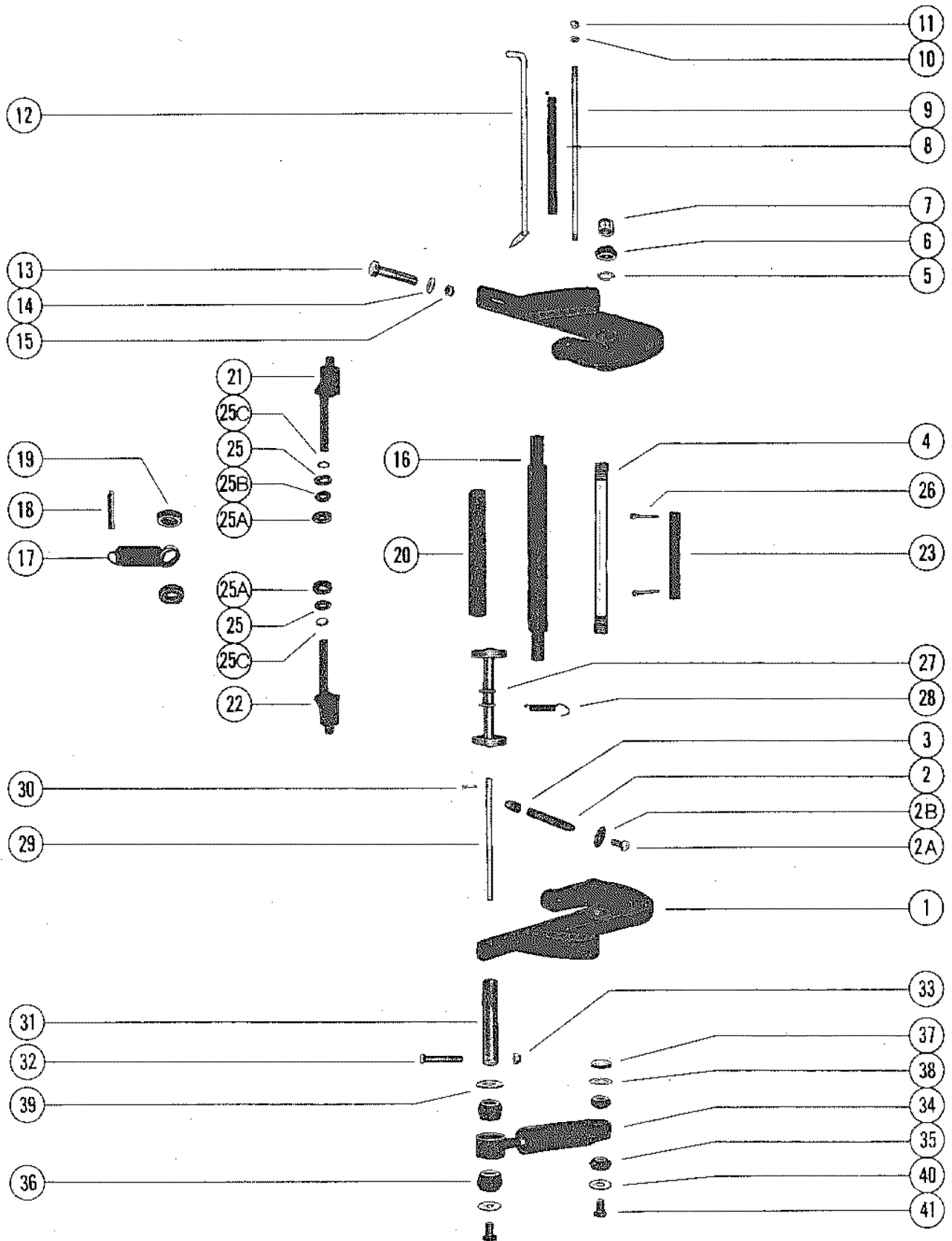
SWIVEL BRACKET ASSEMBLY



SWIVEL BRACKET ASSEMBLY

REF. NO.	PART NO.	SYM.	QTY.	DESCRIPTION
1	1482-6386A4		1	SWIVEL BRACKET ASSEMBLY
2	23-69132		2	BUSHING, REVERSE LOCK PIVOT SHAFT
3	23-69341		2	BUSHING, SWIVEL BRACKET
4	12-69342		1	WASHER, SWIVEL PIN - UPPER
5	26-37448		2	OIL SEAL, SWIVEL BRACKET
6	10-47828		1	SCREW, DRIVE - SWIVEL BRACKET
7	22-74036		4	FITTING, GREASE - SWIVEL BRACKET
10	12-69380		1	WASHER, SWIVEL PIN - LOWER
11	28205		1	STRAP STO, DRIVE SHAFT HOUSING TO SWIVEL BRACKET
12	10-28200		1	SCREW, STRAP STOP TO DRIVE SHAFT HOUSING (2 7/8")
13	11-25269		1	NUT, STRAP STOP FASTENING SCREW
14	17-73593A1		1	SWIVEL PING AND ARM ASSEMBLY
15	73984		1	YOKE, BOTTOM
16A	53-73591		1	RETAINING RING, BOTTOM YOKE ATTACHING
17	28203		1	BUMPER, STEERING ARM
18	10-49554		2	BOLT, STEERING ARM TO UPPER MOUNT (5 7/8")
19	11-34933		2	NUT, STEERING ARM BOLT FASTENEING

CLAMP BRACKET AND REVERSE LOCK

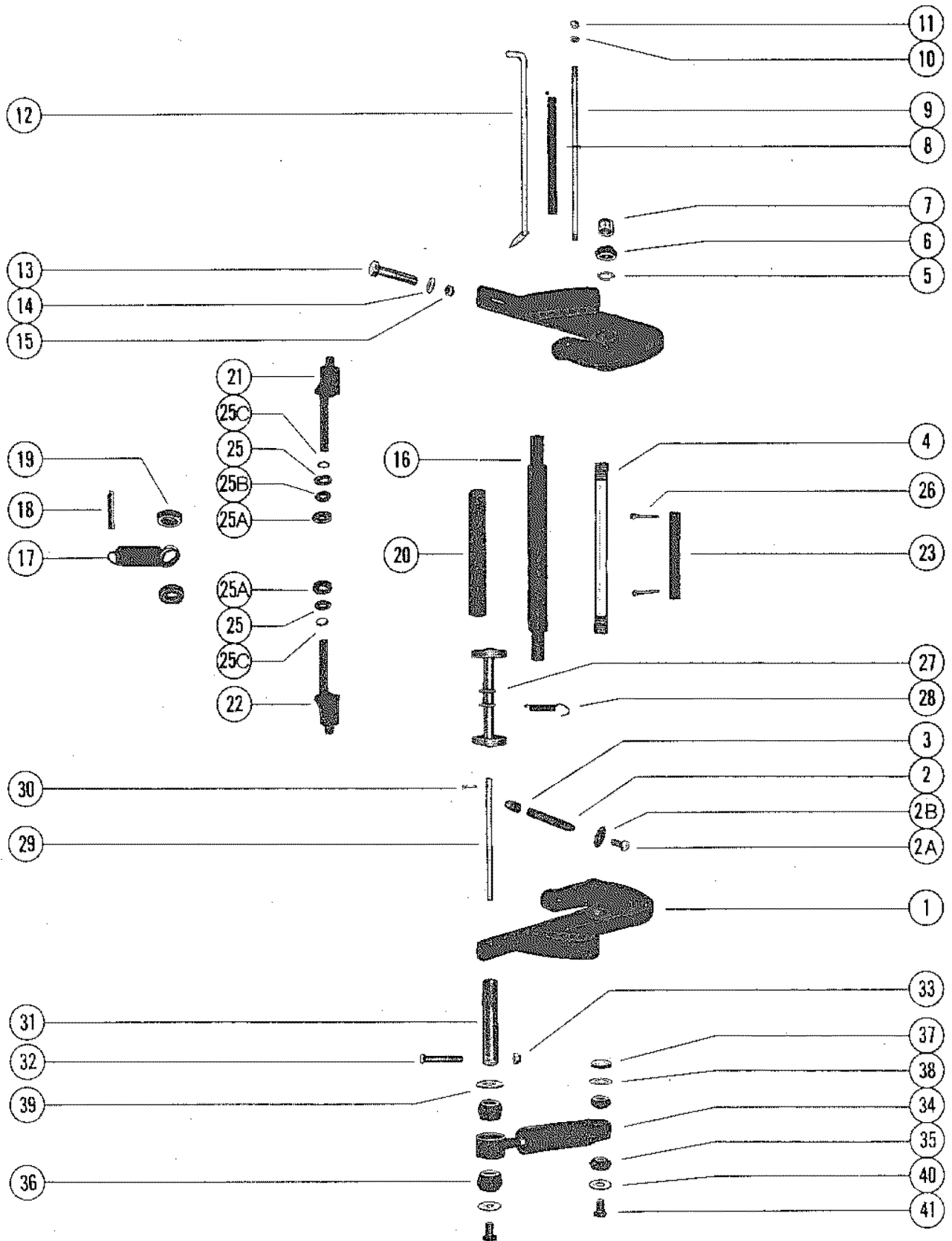


CLAMP BRACKET AND REVERSE LOCK

REF. NO.	PART NO.	SYM.	QTY.	DESCRIPTION
1	1440-6625A3		2	CLAMP BRACKET ASSEMBLY
2	10-78492A1		2	THUMB SCREW ASSEMBLY
2A	10-78495		2	SCREW, WASHER ATTACHING
2B	12-78493		2	WAHSER, THUMB SCREW
3	75043		2	CAP, THUMB SCREW
4	74528		1	TUBE TILT - CLAMP BRACKET TO SWIVEL BRACKET
5	12-52864		2	WASHER, CLAMP BRACKET TILT TUBE
6	11-56041		2	NUT, TILT TUBE FASTENING
7	53078		2	CAP, PLASTIC - TILT TUBE
8	23-59624		1	SPACER, CLAMP BRACKET STUD
9	16-59625		1	STUD, CLAMP BRACKET (NOT USED WITH FULL POWER TRIM)
10	13-26993		2	LOCKWASHER, CLAMP BRACKET STUD
11	11-28770		2	NUT, CLAMP BRACKET STUD
12	17-49930A1		1	TILT LOCK PIN ASSEMBLY (NOT USED WITH FULL POWER TRIM)
13	10-68298		2	BOLT, CLAMP BRACKET TO BOAT TRANSOM (LOWER)
	10-68299		2	BOLT, CLAMP BRACKET TO BOAT TRANSOM (UPPER)
14	12-68410		2	WASHER, CLAMP BRACKET BOLT (LOWER)
	12-48300		2	WASHER, CLAMP BRACKET BOLT (UPPER)
15	11-68411		4	NUT, CLAMP BRACKET BOLT
16	55-28416		1	PIN, UPPER SHOCK MOUNTING
17	24-28659		1	SPRING, COIL - SWIVEL BRACKET NOT USED WITH FULL POWER TRIM
18	17-38311		1	PIN, COIL SPRING MOUNTING NOT USED WITH FULL POWER TRIM
19	23-28688		2	SPACER, RUBBER - COIL SPRING POSITIONING NOT USED W/FULL TRM
20	63473		1	TUBE, CUSHION - SHOCK PIN (USED WITH FULL POWER TRIM)
21	76386		1	TILT LOCK ASSEMBLY (STARBOARD)
22	76385		1	TILT LOCK ASSEMBLY (PORT)
23	76387		1	TUBE, TILT LOCK
25	13-69150		1	WASHER, WAVE - TILT LOCK (STARBOARD SIDE ONLY)
25A	26-22734		2	OIL SEAL, SWIVEL BRACKET (TILT LOCK)
25B	12-76388		1	WASHER, TILT LOCK (STARBOARD SIDE ONLY)
25C	25-62702		2	"O" RING, TILT LOCK
26	18-47959		2	COTTER PIN, TILT LOCK
27	70692		1	REVERSE LOCK ASSEMBLY NOT USED WITH FULL POWER TRIM
28	24-78203A1		1	SPRING, REVERSE LOCK TENSION NOT USED WITH FULL POWER TRIM
29	56349		1	SHAFT, REVERSE LOCK PIVOT NOT USED WITH FULL POWER TRIM
30	18-45882		1	COTTER PIN, REVERSE LOCK TO SHAFT NOT USED W/FULL POWER TRIM

CONTINUED ON NEXT PAGE ➡

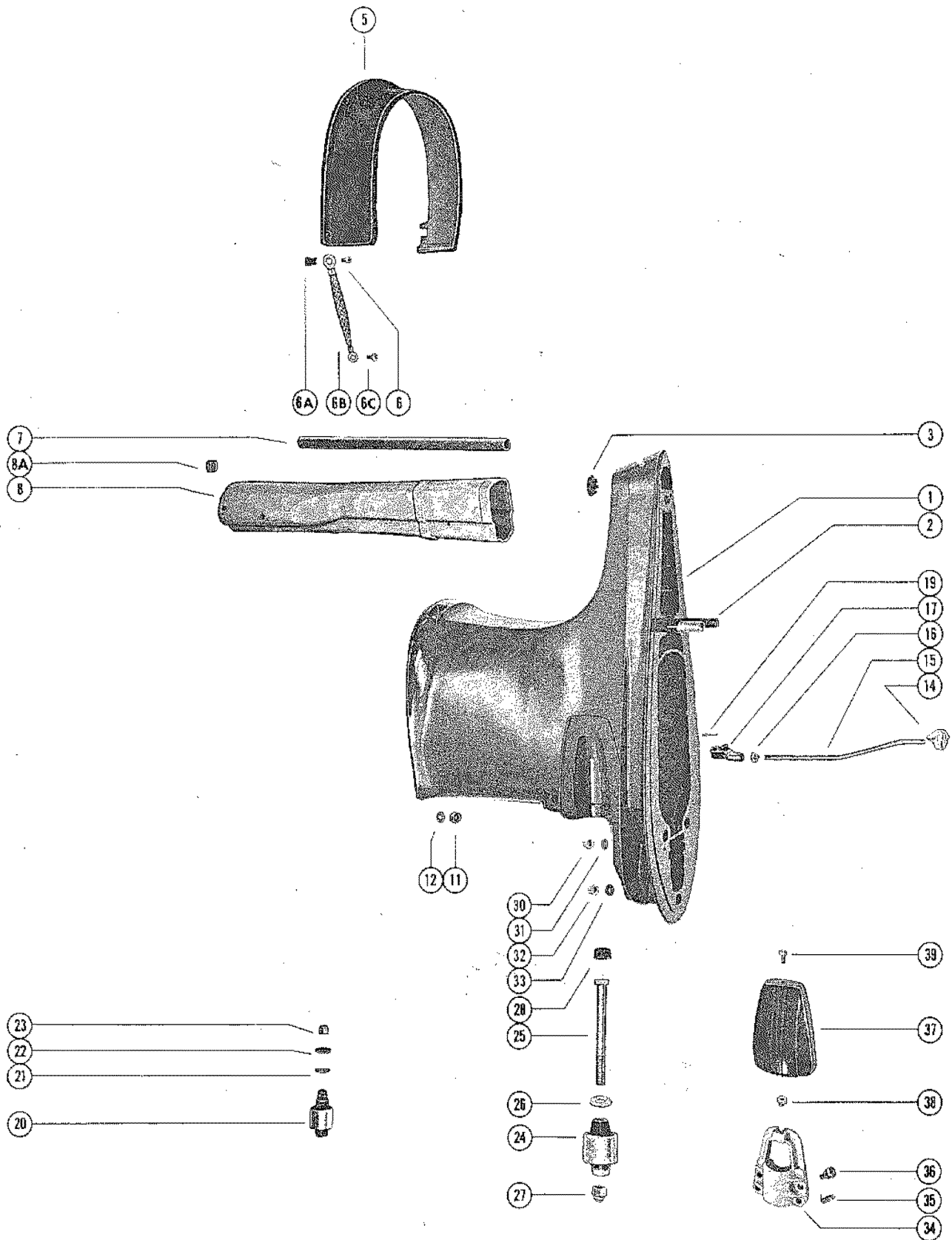
CLAMP BRACKET AND REVERSE LOCK



CLAMP BRACKET AND REVERSE LOCK

REF. NO.	PART NO.	SYM.	QTY.	DESCRIPTION
31	55-28414		2	PIN, LOWER SHOCK MOUNTING
32	10-21937		2	SCREW, LOWER SHOCK PIN
33	11-46887		2	NUT, LOWER SHOCK PIN SCREW
34	55-58780A2		2	SHOCK ABSORBER NOT USED WITH FULL POWER TRIM
35	23-32171		4	BUSHING, RUBBER - SHOCK ABSORBER (UPPER) NOT USD W/FUL PW TR
36	23-28198		4	BUSHING, RUBBER - SHOCK ABSORBER (LOWER) NOT USD W/FUL PW TR
37	23-73203		2	SPACER, UPPER SHOCK BUSHING TO CLAMP BRACKET
38	12-28196		2	WASHER, UPPER BUSHING RETAINER (INNER)
39	12-59378		2	WASHER, LOWER BUSHING RETAINER (INNER)
40	12-69374		4	WASHER, UPPER AND LOWER BUSHING RETAINER (OUTER)
41	10-69375		4	SCREW, UPPER AND LOWER SHCOK MOUNTING PIN

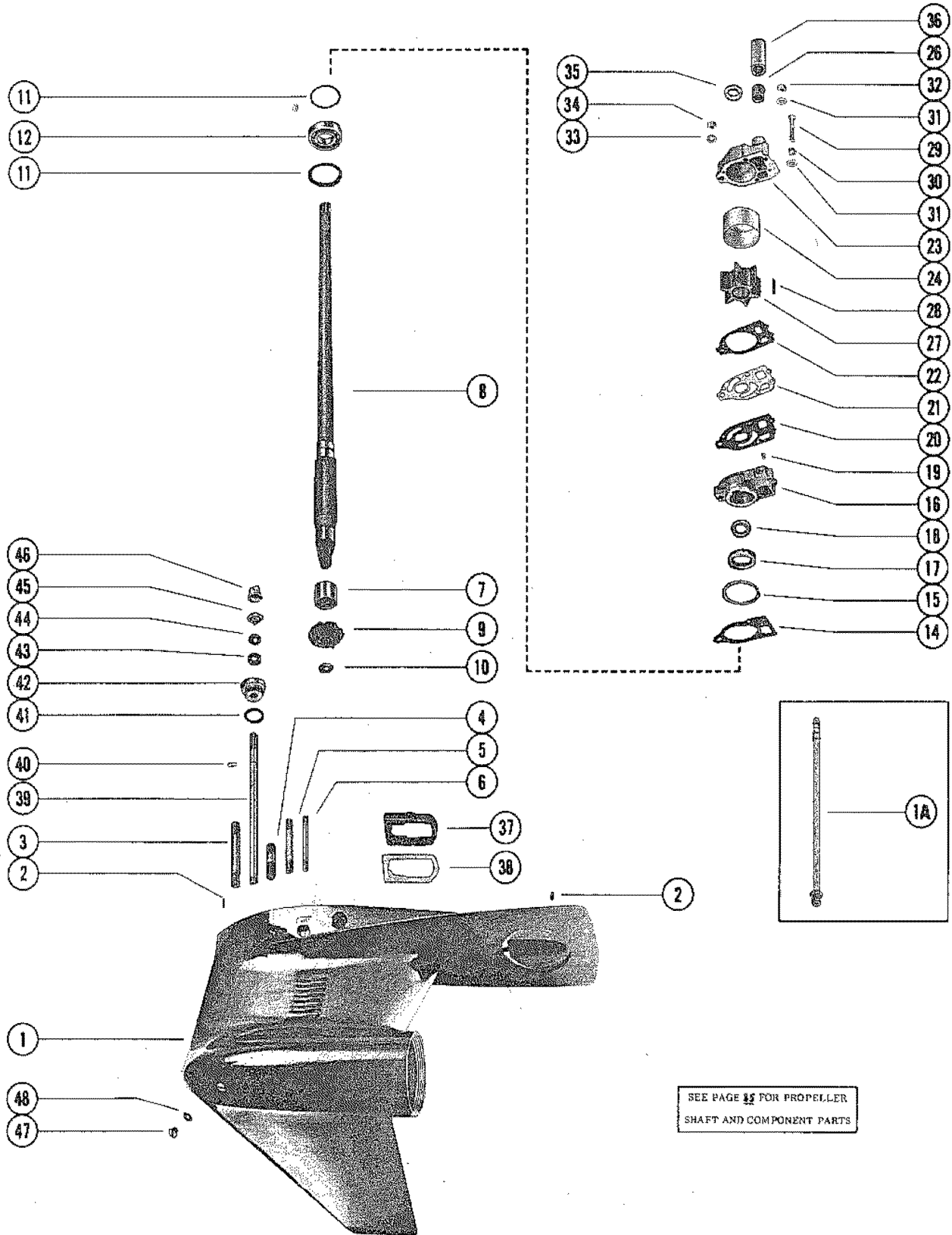
DRIVE SHAFT HOUSING ASSEMBLY



DRIVE SHAFT HOUSING ASSEMBLY

REF. NO.	PART NO.	SYM.	QTY.	DESCRIPTION
1	1573-5239A4		1	DRIVE SHAFT HOUSING ASSEMBLY
2	16-56295		2	STUD, DRIVE SHAFT HOUSING TO GEAR HOUSING 92 (11/16")
3	19-64649		1	PLUG, PLASTIC - TRIM TAB SCREW HOLE
5	37417		1	COVER, TRIM - DRIVE SHAFT HOUSING
6	10-57807		4	SCREW, TRIM COVER TO BOTTOM COWL
6A	25-57806		4	GROMMET, PLASTIC - TRIM COVER SCREW
6B	46933A2		2	GROUND STRAP ASSEMBLY, TRIM COVER SCREW
6C	10-62568		2	SCREW, GROUND STRAP ATTACHING
7	32-60897		1	TUBE, WATER INLET
8	78184		1	TUBE, EXHAUST
8A	65638		2	BOOT, TUBE MOUNT
11	11-69254		2	NUT, POWERHEAD STUDS (3/8-24)
12	12-25970		2	WASHER, POWERHEAD STUDS
14	52887		1	GUIDE, PUSH ROD - REVERSE LOCKING NOT USED WITH FULL POWER T
15	47558		1	ROD, PUSH - REVERSE LOCK NOT USED WITH FULL POWER TRIM
16	11-47661		1	NUT, JAM - PUSH ROD NOT USED WITH FULL POWER TRIM
17	47559		1	YOKE, PUSH ROD NOT USED WITH FULL POWER TRIM
19	18-25191		1	COTTER PIN, PUSH ROD PIN NOT USED WITH FULL POWER TRIM
20	75296		2	MOUNT, RUBBER - UPPER
21	12-47840		2	WASHER, RUBBER - UPPER MOUNT BOLT
22	12-31263		2	WASHER, UPPER MOUNT BOLT
23	11-34933		2	NUT, UPPER MOUNT BOLT
24	75299		2	MOUNT RUBBER - LOWER
25	10-49318		2	SCREW, LOWER MOUNT (5 1/2")
26	12-49339		2	WASHER, LOWER MOUNT SCREW
27	11-25096		2	NUT, LOWER MOUNT SCREW
28	25067		2	BUMPER, RUBBER - LOWER MOUNTING SCREW
30	11-34933		2	NUT, GEAR HOUSING AND DRIVE SHAFT HOUSING STUDS
31	12-45176		2	WASHER, GEAR HOUSING TO DRIVE SHAFT HOUSING STUDS
32	11-29489		1	NUT, GEAR HOUSING AND DRIVE SHAFT HOUSING STUDS
33	12-45176		1	WASHER, GEAR HOUSING TO DRIVE SHAFT HOUSING STUDS
34	35608		2	CLAMP, LOWER MOUNT TO DRIVE SHAFT HOUSING
35	24-35522		4	SPRING, TENSION - LOWER MOUNT CLAMP
36	10-29256		4	SCREW, LOWER MOUNT CLAMP TO DRIVE SHAFT HOUSING
37	35474		2	COVER, LOWER MOUNT CLAMP
38	11-35521		2	NUT, LOWER MOUNT TO CLAMP COVER
39	10-29722		2	SCREW, COVER TO LOWER CLAMP MOUNT

GEAR HOUSING ASSEMBLY, COMPLETE (PAGE 1)

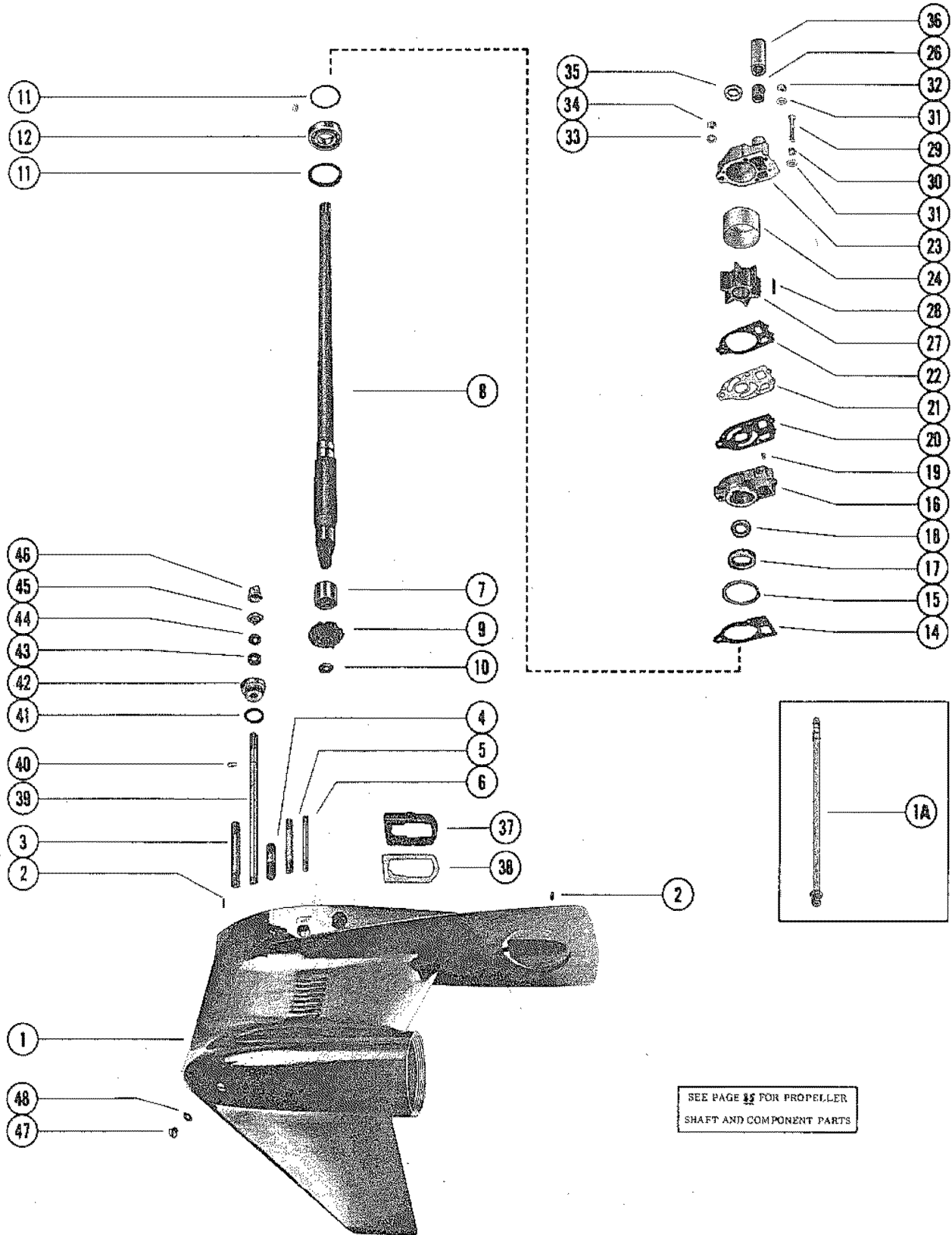


GEAR HOUSING ASSEMBLY, COMPLETE (PAGE 1)

REF. NO.	PART NO.	SYM.	QTY.	DESCRIPTION
-	1655-7333A45		1	GEAR HOUSING ASS'Y, COMP (SEE NOTE BELOW)
1	1655-7333A23		1	GEAR HOUSING ASS'Y
1A	22-85822A1		1	CONNECTOR ASSEMBLY, SPEEDOMETER
2	17-46912		2	DOWEL PIN, GEAR HOUSING LOCATING
3	16-57921		1	STUD, GEAR HOUSING TO DRIVE SHAFT HOUSING (4")
4	16-57920		2	STUD, GEAR HOUSING TO DRIVE SHAFT HOUSING (2 1/16")
5	16-56297		1	STUD, WATER PUMP BASE AND BODY TO GEAR HOUSING (3 3/8")
6	16-30667		2	STUD WATER PUMP BASE AND BODY TO GEAR HOUSING (3 1/8")
7	31-32898		1	BEARING, ROLLER - DRIVE SHAFT
8	45-69251		1	DRIVE SHAFT
9	43-68548		1	GEAR, PINION - DRIVE SHAFT
10	11-35921		1	NUT, PINION GEAR TO DRIVE SHAFT
	11-35921		1	NUT PINION GEAR TO DRIVE SHAFT
11	23-70412		1	SPACER, BALL BEARING TO BASE
	15-57007A1		AR	SPACER, BALL BEARING TO BASE
	15-57007A1		AR	SHIM, BALL BEARING TO BASE
12	31-69220		1	ROLLER BEARING TO DRIVE SHAFT
14	27-33146		1	GASKET, WATER PUMP BASE
15	25-33145		1	"O" RING, WATER PUMP BASE
16	46-73804A1		1	WATR PUMP BASE ASSEMBLY
17	26-31489		1	OIL SEAL, WATE PUMP BASE
18	26-31507		1	OIL SEAL, WATER PUMP BASE
19	17-35973		2	DOWEL PIN, WATER PUMP BASE TO WATER PUMP BODY
20	27-32433		1	GASKET, LOWER - WATER PUMP BASE TO FACE PLATE
21	32435		1	PLATE, FACE - WATER PUMP BASE TO WATER PUMP BODY
22	27-32434		1	GASKET, UPPER - FACE PLATE TO WATER PUMP BODY
23	46-64141A1		1	WATER PUMP BODY ASSEMBLY
24	48752		1	INSERT, WATER PUMP BODY
26	26-38970		1	SEAL, RUBBER - WATER INLET TUBE
27	47-65960		1	IMPELLER, WATER PUMP
29	10-30720		1	SCREW, WATER PUMP BODY TO GEAR HOUSING (2 1/4")
30	13-26992		1	LOCKWASHER, WATER PUMP BODY SCREW
31	12-29245		3	WASHER, WATER PUMP BODY FASTENING SCREW AND STUD
32	11-35888		2	NUT, WATER PUMP FASTENING SCREW
33	12-36001		1	ASHER, WATER PUMP BODY FASTENING STUD
34	11-35814		1	NUT, WATER PUMP BODY FASTENING STUD
35	25-30271		1	RING, RUBBER - CENTRIFUGAL SLINGER (DRIVE SHAFT)
36	23-29804		1	SLEEVE, GUIDE - WATER INLET TUBE
37	37641		1	SEAL, EXHAUST ELBOW

CONTINUED ON NEXT PAGE ➡

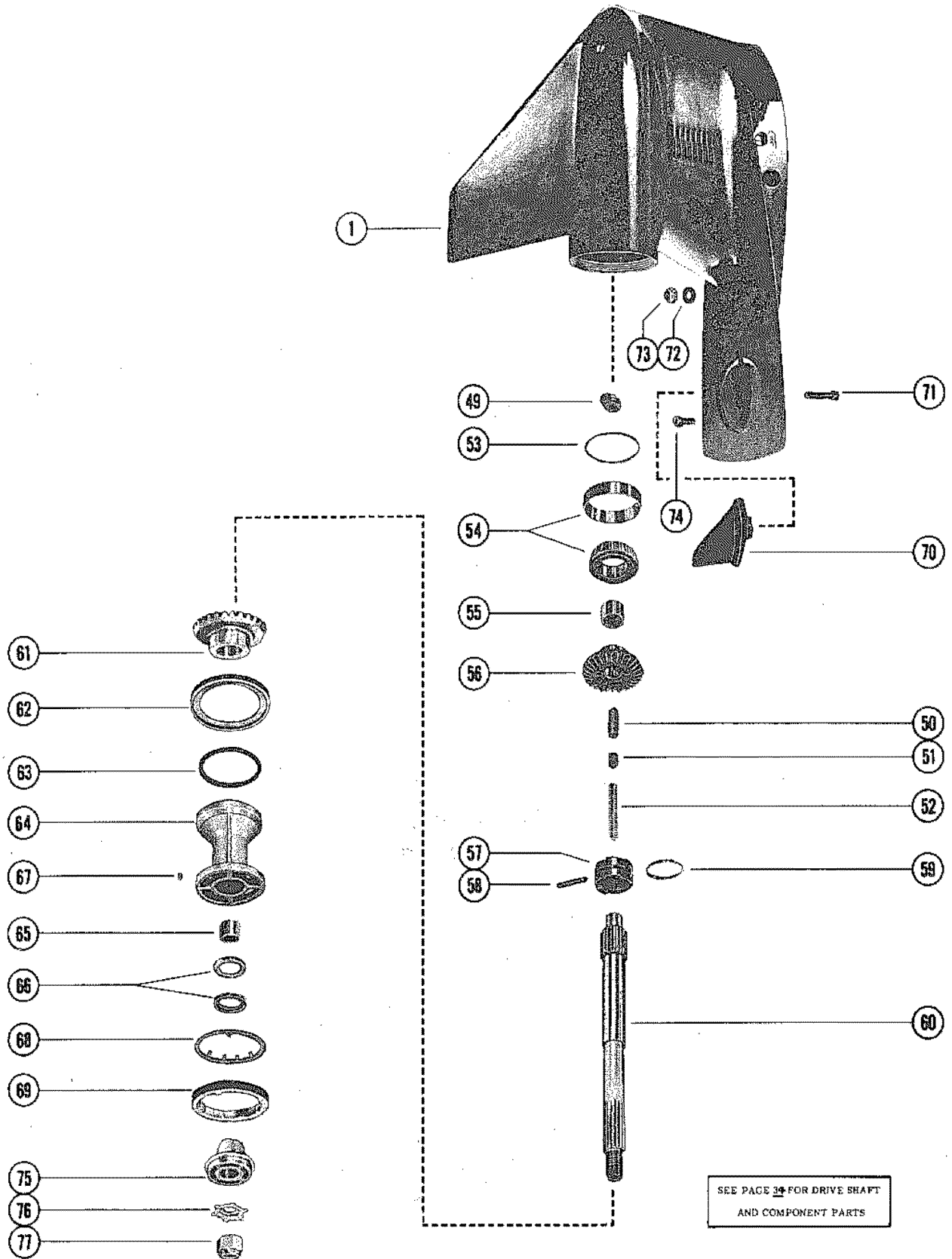
GEAR HOUSING ASSEMBLY, COMPLETE (PAGE 1)



GEAR HOUSING ASSEMBLY, COMPLETE (PAGE 1)

REF. NO.	PART NO.	SYM.	QTY.	DESCRIPTION
38	38051		1	PLATE, SUPPORT - EXHAUST TUBE SEAL
39	76062A1		1	SHAFT ASSEMBLY, SHIFT - LOWER
	76062A1		1	SHAFT ASSEMBLY, SHIFT - LOWER
40	53-29641		1	"E" RING, RETAINING - SHIFT SHAFT
41	25-25439		1	"O" RING, SHIFT SHAFT BUSHING
42	23-77631A2		1	BUSHING ASSEMBLY, SHIFT SHAFT
43	26-76384		1	OIL SEAL, SHIFT SHAFT BUSHING
44	12-77674		1	WASHER, RUBBER - SHIFT SHAFT BUSHING
45	39019		1	SPACER, LOWER - REVERSE LOCKING NOT USED WITH FULL POWER TR
46	39021		1	CAM, REVERSE LOCKING NOT USED WITH FULL POWER TRIM
47	10-79953		1	SCREW, GREASE FILLER AND VENT HOLE
	22-67892		1	PLUG, DRAIN (MAGNETIC)
48	12-20260		2	WASHER, GREASE FILLER AND VENT HOLE SCREW

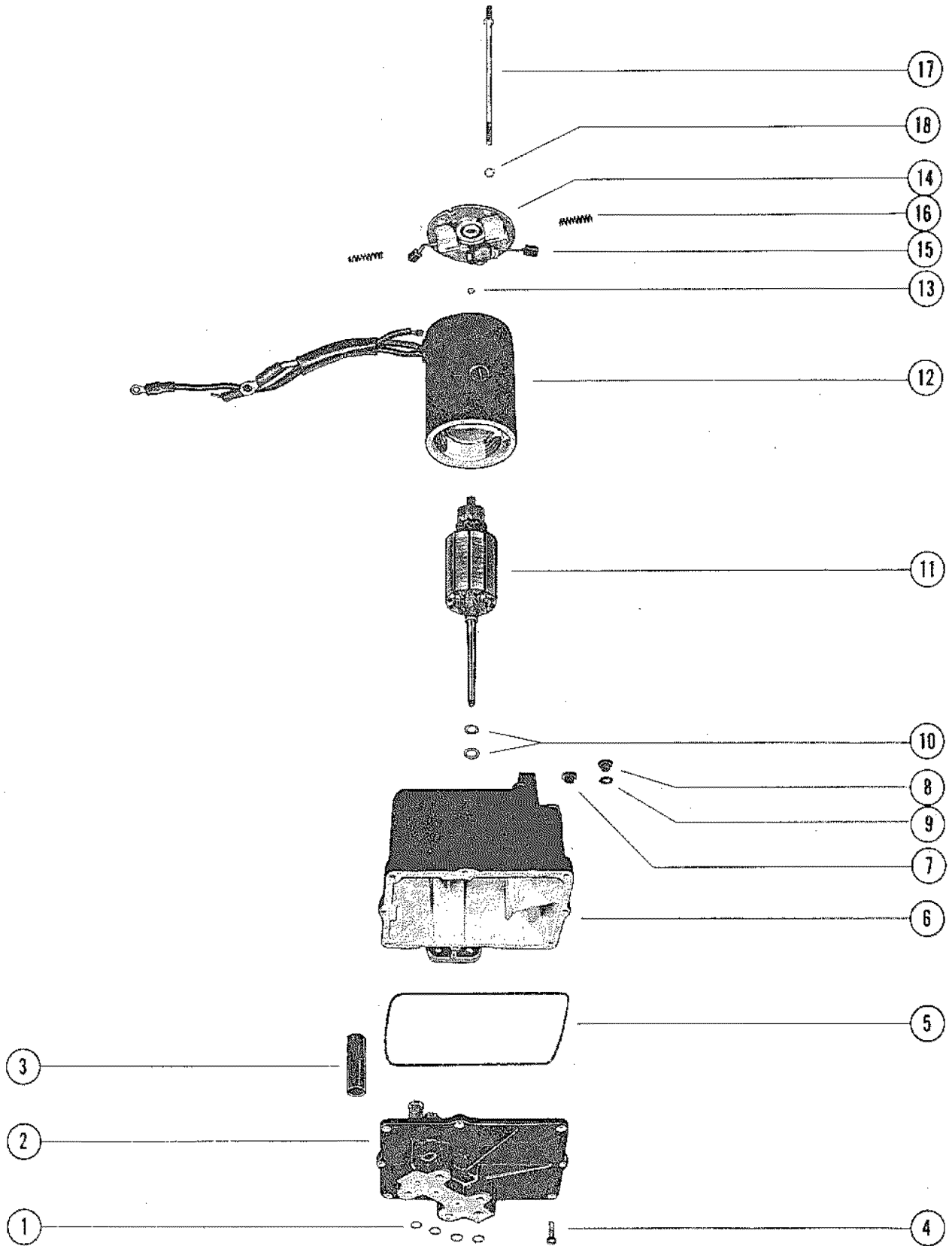
GEAR HOUSING ASSEMBLY, COMPLETE (PAGE 2)



GEAR HOUSING ASSEMBLY, COMPLETE (PAGE 2)

REF. NO.	PART NO.	SYM.	QTY.	DESCRIPTION
-	1655-7333A45		1	GEAR HOUSING ASS'Y COMP. (SEE NOT BELOW)
1	1655-7333A23		1	GEAR HOUSING ASS'Y
49	76039		1	SHIFT
50	30625		1	FOLLOWER, CAM
51	30624		1	SLIDE, CROSS PIN
52	24-30622		1	SPRING, COMPRESSION - CAM FOLLOWER
53	15-30923A1		AR	SHIM, BEARING OUTER RACE TO HOUSING (.002-3-5-10)
54	31-30894A1		1	TAPERED ROLLER BEARING ASSEMBLY
55	31-30895		1	BEARING, ROLLER - FORWARD GEAR
56	43-68447		1	FORWARD GEAR
57	52-34239		1	RATCHET, SLIDING GEAR
58	17-30632		1	PIN, CROSS - RATCHET TO PROPELLER SHAFT
59	24-30893		1	SPRING, RETAINING - CROSS PIN
60	44-52542		1	SHAFT, PROPELLER
61	43-76250		1	REVERSE GEAR
62	12-76805		1	WASHER, THRUST - BEARING CARRIER TO GEAR HOUSING
63	25-29976		1	"O" RING BEARING CARRIER
64	77520A1		1	BEARING CARRIER ASSEMBLY
65	31-30956		1	BEARING, ROLLER - BEARING CARRIER
66	26-76868		2	OIL SEAL, BEARING CARRIER
67	28-30281		1	KEY, LOCATING - BEARING CARRIER
68	14-52700		1	TAB WASHER, GEAR HOUSING COVER
69	52699		1	COVER, GEAR HOUSING
70	31640A1		1	TRIM TAB, GEAR HOUSING
71	10-66024		1	SCREW, TRIM TAV TO GEAR HOUSING (1 3/4")
72	12-45176		2	WASHER, GEAR HOUSING TO DRIVE SHAFT HOUSING STUDS
73	11-34933		2	NUT, GEAR HOUSING TO DRIVE SHAFT HOUSING STUDS
74	10-65210		1	SCREW, GEAR HOUSING TO DRIVE SHAFT HOUSING (1")
75	75282		1	THRUST HUB AND WASHER ASSEMBLY
76	14-31210		1	TAB WASHER, PROPELLER NUT
77	11-52707		1	NUT, PROPELLER

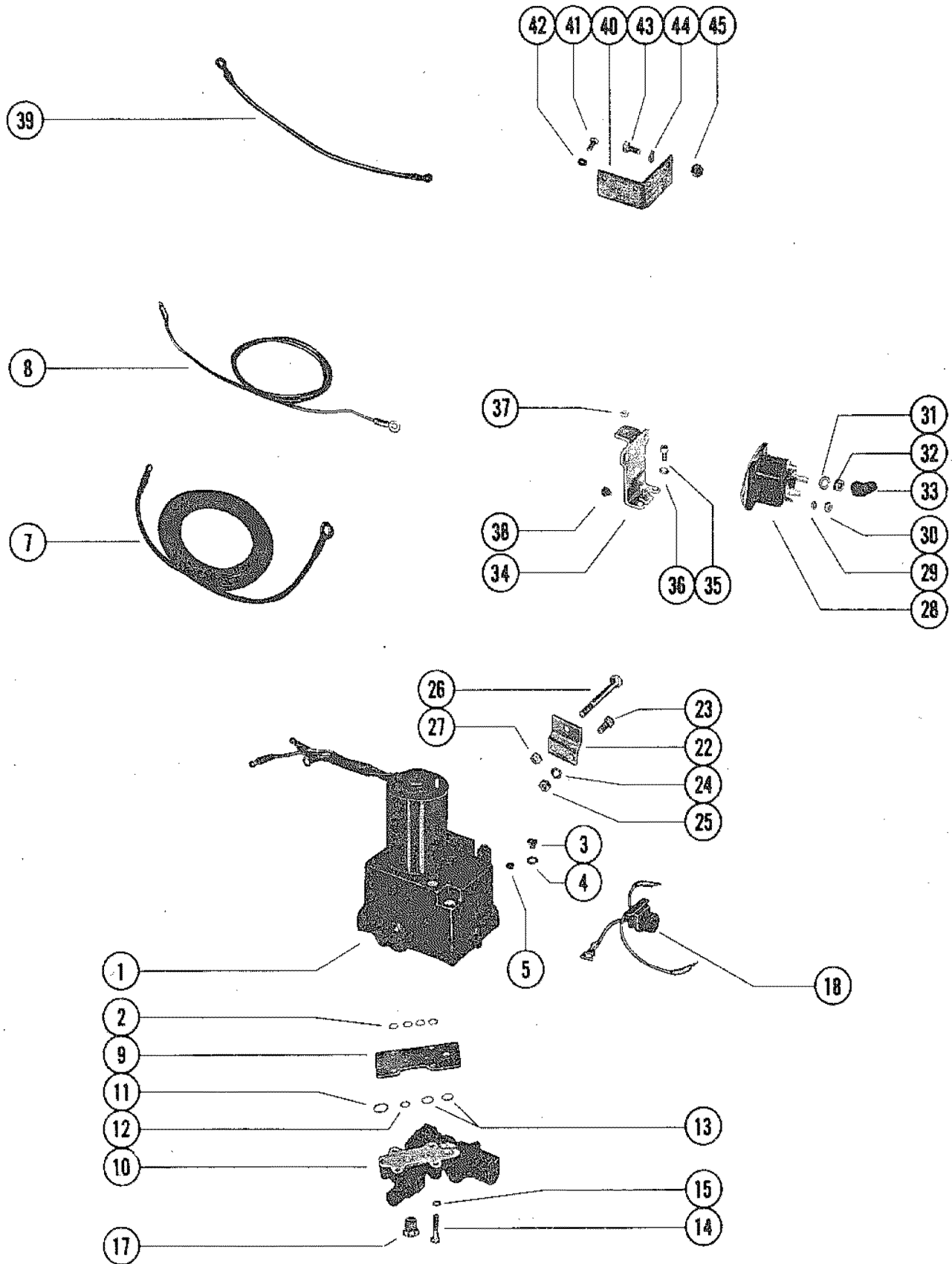
HYDRAULIC PUMP ASSEMBLY



HYDRAULIC PUMP ASSEMBLY

REF. NO.	PART NO.	SYM.	QTY.	DESCRIPTION
-	76395A5		1	HYDRAULIC PUMP ASSEMBLY, COMPLETE
1	25-21720		4	"O"RING ASSEMBLY, COMPLETE
2	392-2936		1	VALVE BODY AND GEAR ASSEMBLY
3	392-2618		2	CAN, VALVE BODY
4	10-20411		8	SCREW, VALVE BODY TO RESEVOIR
5	392-2937		1	SEAL, RESERVOIR TO VALVE BODY AND GEAR
6	392-2939		1	RESERVOIR ASSEMBLY
7	10-38257		1	SCREW, VENT - HYDRAULIC PUMP
8	10-28634		1	SCREW, FILLER - HYDRAULIC PUMP
9	12-20260		1	WASHER, SEALING - FILLER SCREW
10	392-2623		AR	WASHER, THRUST - ARMATURE
11	392-2943		1	ARMATURE, FIELD AND FRAME
12	392-2942		1	FIELD AND FRAME ASSEMBLY
13	392-2944		1	BALL, COMMUTATOR END PLATE
14	392-2940		1	PLATE ASSEMBLY, COMMUTATOR END
15	392-2941		1	BRUSH SET, COMMUTATOR END PLATE
16	392-2529		1	SPRING SET, BRUSH TENSION
17	392-2938		1	BOLT SET, THRU - PLATE AND FRAME TO RESERVOIR
18	13-26996		2	LOCKWASHER, THRU BOLT

HYDRAULIC PUMP AND CONTROL VALVE

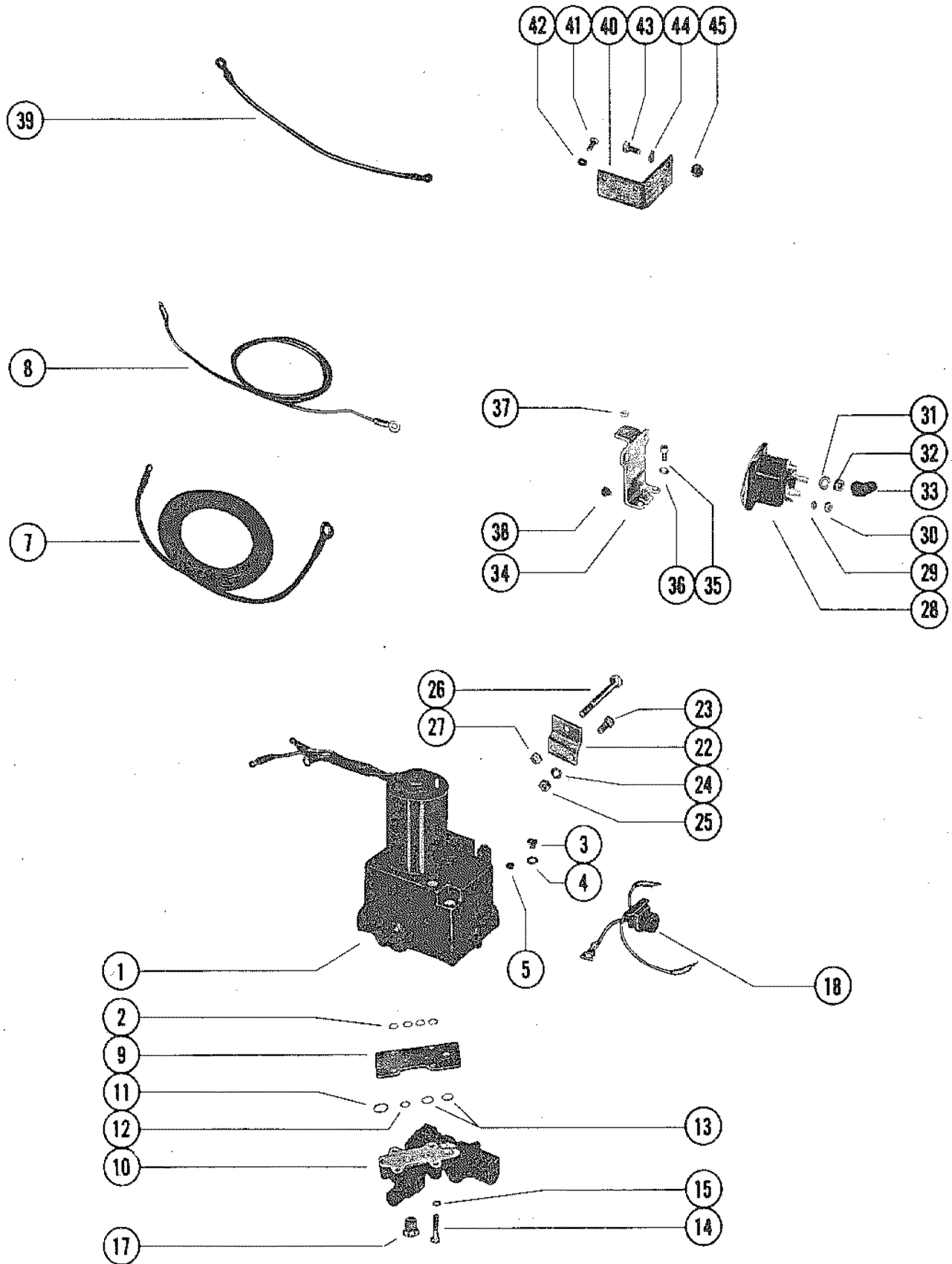


HYDRAULIC PUMP AND CONTROL VALVE

REF. NO.	PART NO.	SYM.	QTY.	DESCRIPTION
1	76395A5		1	HYDRAULIC PUMP ASSEMBLY (SEE NOTE BELOW)
2	25-21720		4	"O" RING, HYDRAULIC PUMP TO MANIFOLD PLATE
3	10-28634		1	SCREW, FILLER - HYDRAULIC PUMP
4	12-20260		1	WASHER, SEALING - HYDRAULIC PUMP FILLER SCREW
5	10-38257		1	SCREW, VENT - HYDRAULIC PUMP
7	32979		1	BATTERY LEAD (POSITIVE)
8	32988		1	BATTERY LEAD (NEGATIVE)
9	45336		1	PLATE, MANIFOLD
10	45197A2		1	CONTROL VALVE ASSEMBLY
-	25-21720		4	"O" RING, PUMP TO MANIFOLD PLATE (SEE REGERENCE #2)
11	25-45254		1	"O" RING, CONTROL VALVE TO MANIFOLD PLATE (3/4" O.D.)
12	25-21720		1	"O" RING, CONTROL VALVE TO MANIFOLD PLATE (1/2" O.D.)
13	25-45253		2	"O" RING, CONTROL VALVE TO MANIFOLD PLATE (5/8"O.D.)
14	10-56500		4	SCREW, VALVE AND MANIFOLD PLATE TO PUMP (1 1/4")
15	13-26992		4	LOCKWASHER, CONTROL VALVE AND MANIFOLD PLATE SCREW
17	22-46008		2	PLUG, CONTROL VALVE (1/2-20")
18	84-74023		1	CONNECTOR AND HARNESS
22	45377		2	BRACKET, MONTING - HYDRAULIC PUMP TO BOAT
23	10-24234		4	SCREW, MOUNTING BRACKET TO HYDRAULIC PUMP (1")
24	13-39107		4	LOCKWASHER, MOUNTING BRACKET SCREW
25	11-21908		4	NUT, MOUNTING BRACKET SCREW
26	10-68298		2	BOLT, HYDRAULIC PUMP TO BOAT (3 1/4")
27	11-68411		2	NUT, HYDRAULIC PUMP BOLT
28	89-68258		2	STARTER SOLENOID
29	13-26996		4	LOCKWASHER, STARTER SOLENOID TERMINAL (#10)
30	11-68219		4	NUT, STARTER SOLENOID TERMINAL (#10)
31	13-26993		4	LOCKWASHER, STARTER SOLENOID TERMINAL (5/16")
32	11-68292		4	NUT, STARTER SOLENOID TERMINAL (5/16")
33	46265		4	BOOT, RUBBER - STARTER SOLENOID TERMINAL
34	74407		1	BRACKET, MOUNTING - STARTER SOLENOID
35	10-21140		2	SCREW, MOUNTING BRACKET TO HYDRAULIC PUMP (1/2")
36	13-26992		2	LOCKWASHER, MOUNTING BRACKET SCREW
37	11-24656		1	NUT, MOUNTING BRACKET TO HYDRAULIC PUMP THRU BOLT
38	26901		1	BUMPER, RUBBER - SOLENOID BRACKET
39	55991		1	BATTERY LEAD (POSITIVE)
	55992		1	BATTERY LEAD (NEGATIVE)
40	74406		1	BRACKET, MOUNTING - STARTER SOLENOID

CONTINUED ON NEXT PAGE ➡

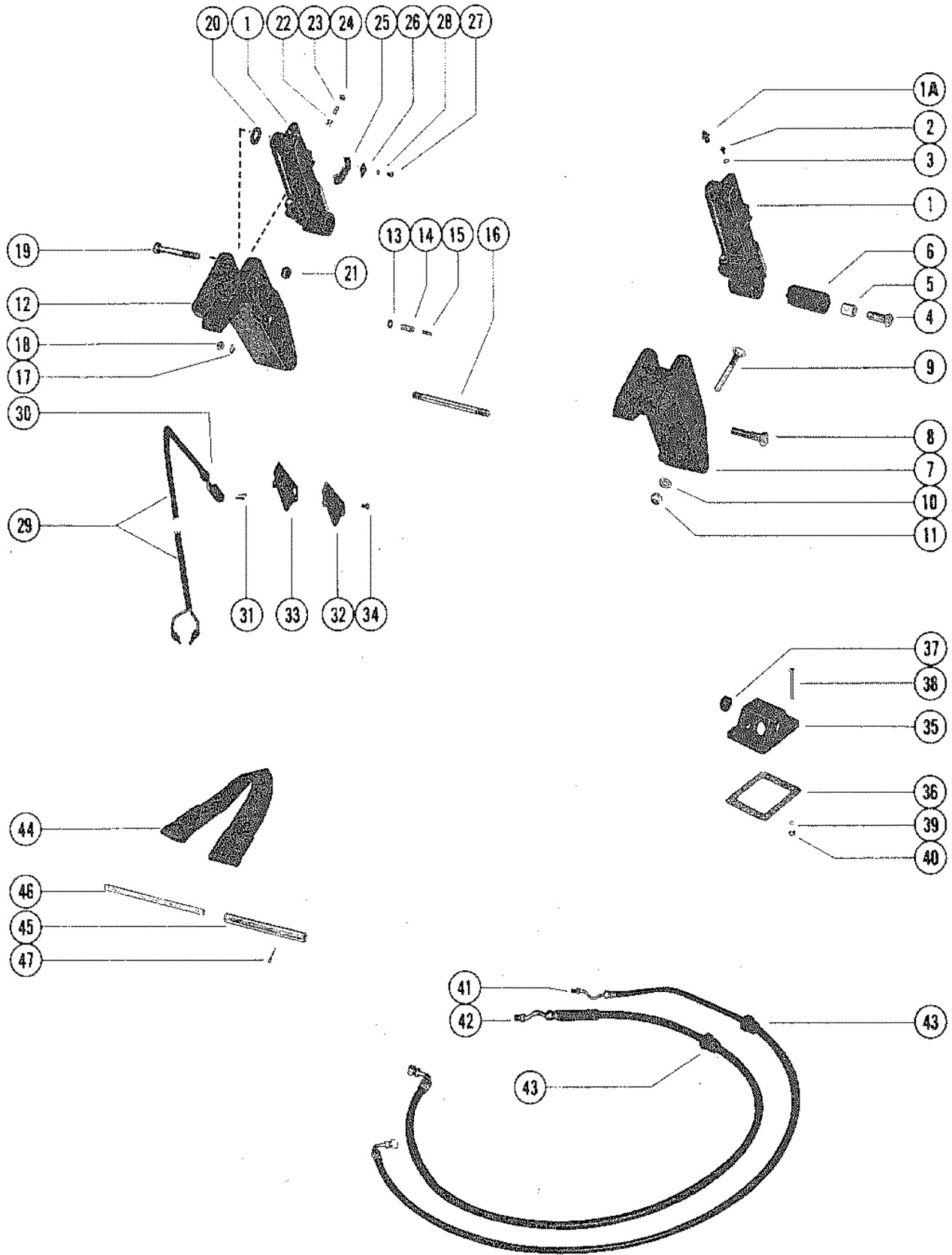
HYDRAULIC PUMP AND CONTROL VALVE



HYDRAULIC PUMP AND CONTROL VALVE

REF. NO.	PART NO.	SYM.	QTY.	DESCRIPTION
41	10-69028		2	SCREW, MOUNTING BRACKET TO HYDRAULIC PUMP (3/4")
42	13-26992		2	LOCKWASHER, MOUNTING BRACKET SCREW
43	10-34290		2	SCREW, STARTER SOLENOID TO MOUNTING BRACKET (5/8")
44	13-26992		2	LOCKWASHER, STARTER SOLENOID SCREW
45	11-21825		4	NUT, STARTER SOLENOID SCREW

TRIM CYLINDERS AND HYDRAULIC HOSES

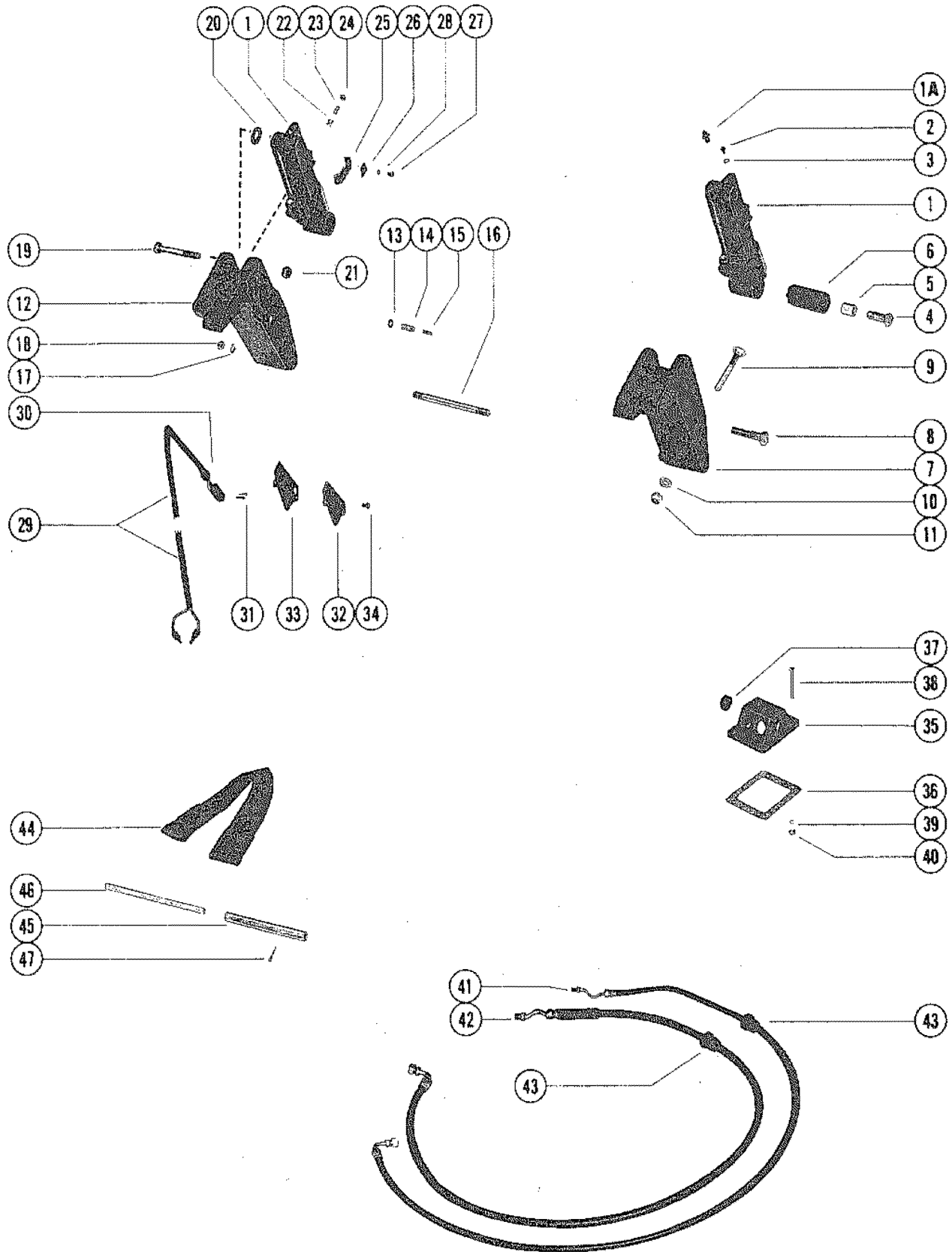


TRIM CYLINDERS AND HYDRAULIC HOSES

REF. NO.	PART NO.	SYM.	QTY.	DESCRIPTION
1	76509A3		2	TRIM CYLINDER ASSEMBLY (SEE PAGE 43 FOR REPAIR KIT)
1A	22-74036		2	GREASE FITTING
2	10-45265		4	SCREW, BLEED - SHOCK CYLINDER
3	25-45016		4	"O" RING, SHOCK CYLINDER BLEED SCREW
4	10-45264		2	SCREW, SHOCK CYLINDER TO LOWER SHOCK PIN (1 9/16")
5	23-45280		2	SPACER, SHOCK CYLINDER - LOWER
6	23-45281		2	BUSHING, RUBBER - SHOCK CYLINDER
7	66084		1	BRACKET, MOUNTING - SHOCK CYLINDER (PORT)
8	10-45263		2	SCREW, MOUNTING BRACKET TO UPPER SHOCK PIN (2 1/4")
9	10-68298		4	BOLT, MOUNTING BRACKET TO BOAT TRANSOM (3 1/4")
10	12-68410		4	WASHER, MOUNTING BRACKET BOLT
11	11-68411		4	NUT, MOUNTING BRACKET BOLT
12	45196A2		1	BRACKET ASSEMBLY, MOUNTING - SHOCK CYLINDER (STARBOARD)
13	26-70608		1	OIL SEAL, STARBOARD MOUNTING BRACKET
14	45286		1	PLUNGER, LIMIT SWITCH ACTUATING
15	24-45272		1	SPRING, TENSION - LIMIT SWITCH PLUNGER
16	16-45282		1	STUD, MOUNTING BRACKET AND CLAMP BRACKET
17	13-26993		2	LOCKWASHER, MOUNTING BRACKET TO CLAMP BRACKET STUD
18	11-28770		2	NUT, MOUNTING BRACKET TO CLAMP BRACKET STUD
19	10-45328		2	SCREW, SHOCK CYLINDER TO MOUNTING BRACKET (3 9/16")
20	12-37807		1	WASHER, SHOCK CYLINDER SCREW (STARBOARD ONLY)
21	11-20696		2	NUT, SHOCK CYLINDER SCREW
22	24-24390		1	SPRING TENSION - ADJUSTING STUD
23	16-21085		1	STUD, ADJUSTING - CUT-OUT LIMIT SWITCH (15/16")
24	11-45812		1	NUT, JAM - :O,OT SWOTCJ ADKISTOM STID
25	45508		1	CAM, LIMIT SWITCH ADJUSTING STUD
26	86967		1	PLATE, RETAINING - LIMIT SWITCH CAM
27	10-68513		1	SCREW, RETAINING PLATE AND CAM TO SHOCK CYLINDER (3/8")
28	13-26996		1	LOCKWASHER, RETAINING PLATE AND CAM SCREW
29	45326A2		1	SWITCH ASSEMBLY, CUT-OUT LIMIT
30	23-45354		1	BUSHING, RUBBER - CUT-OUT LIMIT SWITCH
31	10-47255		2	SCREW, CUT-OUT LIMIT SWITCH TO MOUNTING BRACKET (9/16")
32	45287		1	COVER, LIMIT SWITCH
33	27-45275		1	GASKET, LIMIT SWITCH COVER
34	10-24942		5	SCREW, LIMIT SWITCH COVER TO MOUNTING BRACKET (7/16")
35	45289		1	COVER, INLET - TRANSOM
36	27-45274		1	GASKET, INLET COVER
37	25-45507		1	GROMMET, RUBBER - INLET COVER
38	10-32866		4	SCREW, INLET COVER TO BOAT (2")

CONTINUED ON NEXT PAGE ➡

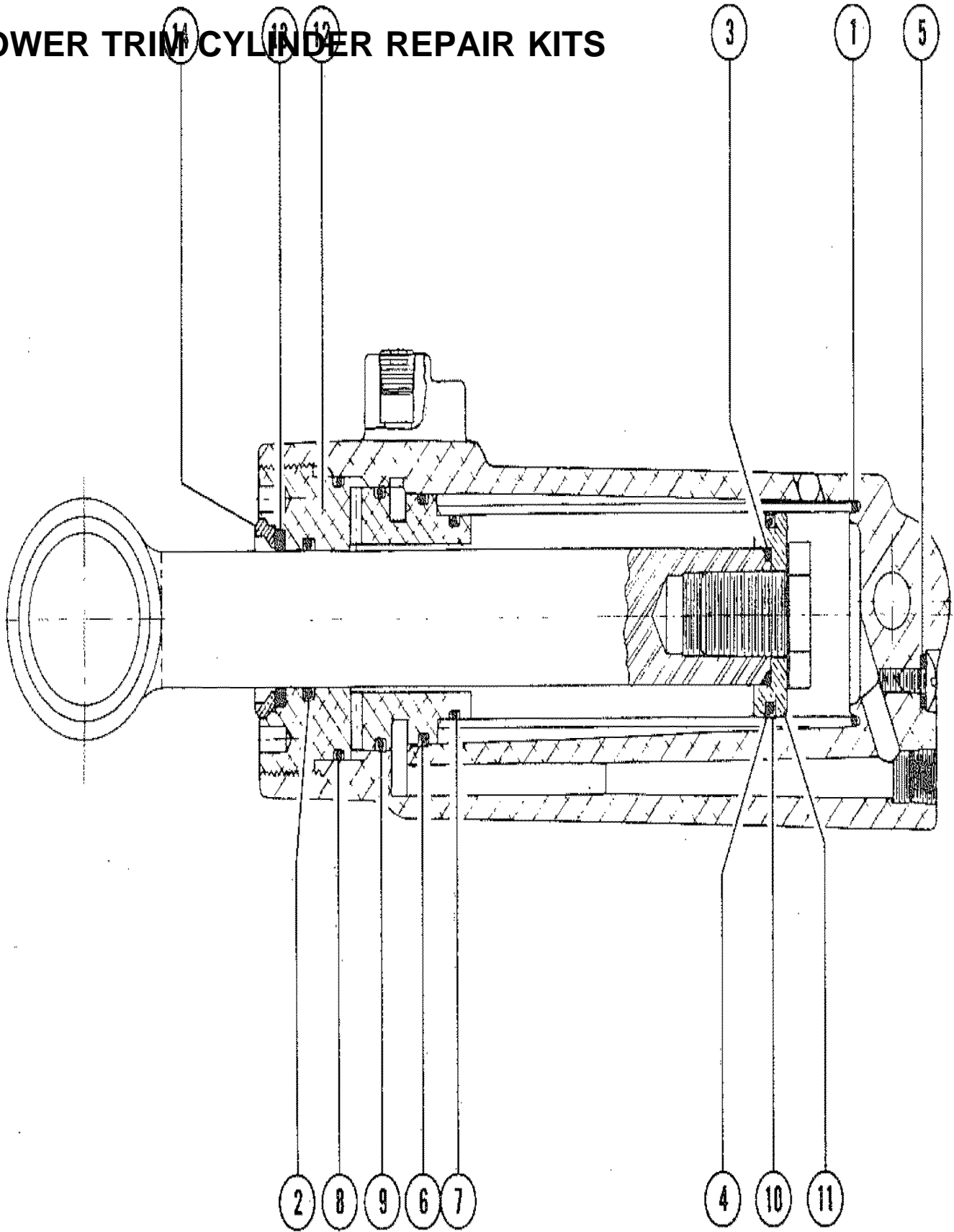
TRIM CYLINDERS AND HYDRAULIC HOSES



TRIM CYLINDERS AND HYDRAULIC HOSES

REF. NO.	PART NO.	SYM.	QTY.	DESCRIPTION
39	12-20878		4	WASHER, INLET COVER SCREW
40	11-29488		4	NUT, INLET COVER SCREW
41	32-45327		2	HOSE, TRIM - CYLINDER TO CONTROL VALVE (5') - 13/32" O.D.
42	32-45959		2	HOSE, LIFT - CYLINDER TO CONTROL VALVE (5') - 17/32" O.D.
43	23-35977		4	GROMMET, RUBBER - LIFT HOSE AND TRIM HOSE
44	73519A1		1	TILT STOP
45	69259		1	TUBE, MOUNTING - TILT STOP
46	77669		1	PIN, MOUNTING TUBE
47	18-36391		1	COTTER PIN, MOUNTING TUBE PIN

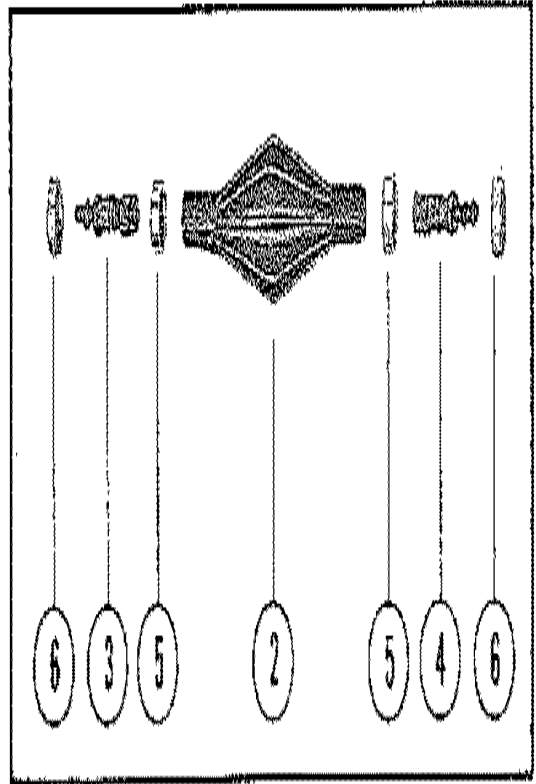
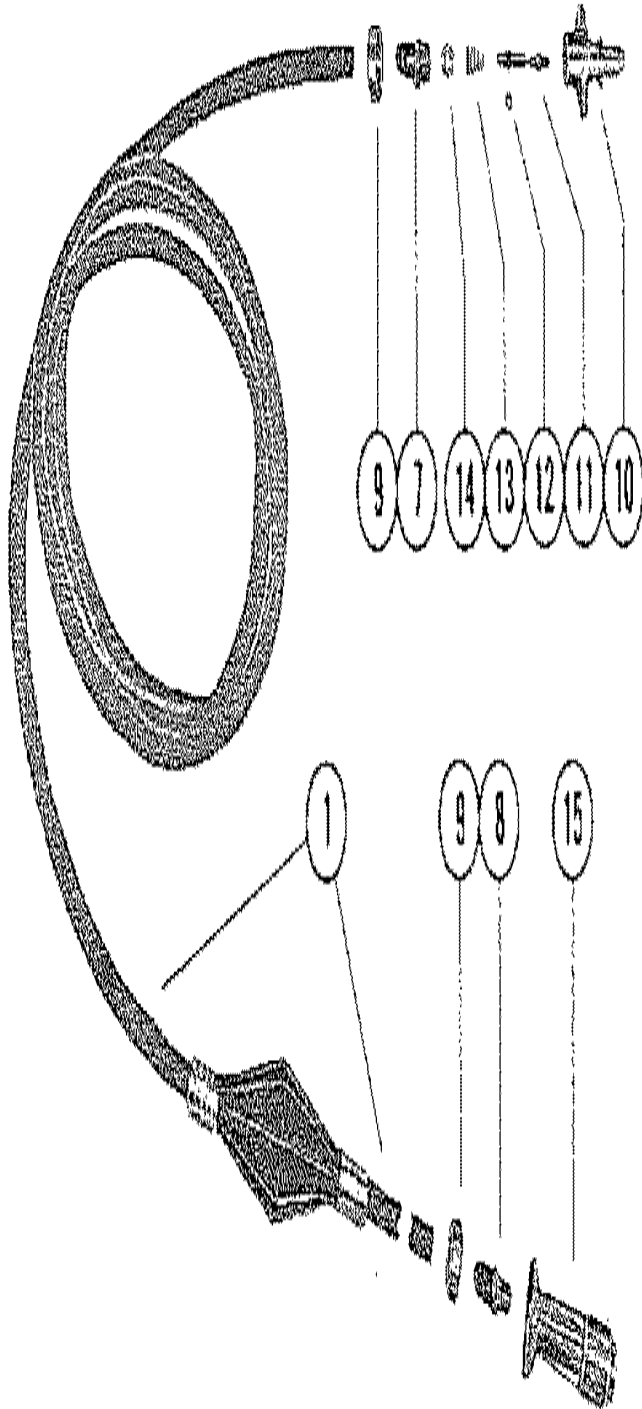
POWER TRIM CYLINDER REPAIR KITS



POWER TRIM CYLINDER REPAIR KITS

REF. NO.	PART NO.	SYM.	QTY.	DESCRIPTION
-	64507A1		1	REPAIR KIT
1	N.S.S.		1	"O" RING (1 1/2" X 1 5/8" X 1/16")
2	N.S.S.		1	"O" RING (3/4" X 15/16" X 1/8")
3	N.S.S.		1	"O" RING (5/8" X 3/4" X 1/16")
4	N.S.S.		1	"O" RING (1 1/4" X 1 7/16" X 1/16")
5	N.S.S.		1	"O" RING (7/32" X 11/32" X 1/16")
6	N.S.S.		1	"O" RING (1 5/8" X 1 13/16" X 1/8")
7	N.S.S.		1	"O" RING (1 5/16" X 1 1/2" X 1/8")
8	N.S.S.		1	"O" RING (1 7/8" X 2" X 1/8")
9	N.S.S.		1	"O" RING (1 3/4" X 1 15/16" X 1/8")
10	N.S.S.		1	SEAL, SLIPPER- PISTON
11	N.S.S.		1	PISTON, ROD - HEAVY DUTY
12	64505A1		1	RETAINER ASSEMBLY, PISTON
13	N.S.S.		1	ROD, SCRAPER
14	N.S.S.		1	RETAINER, SCRAPER

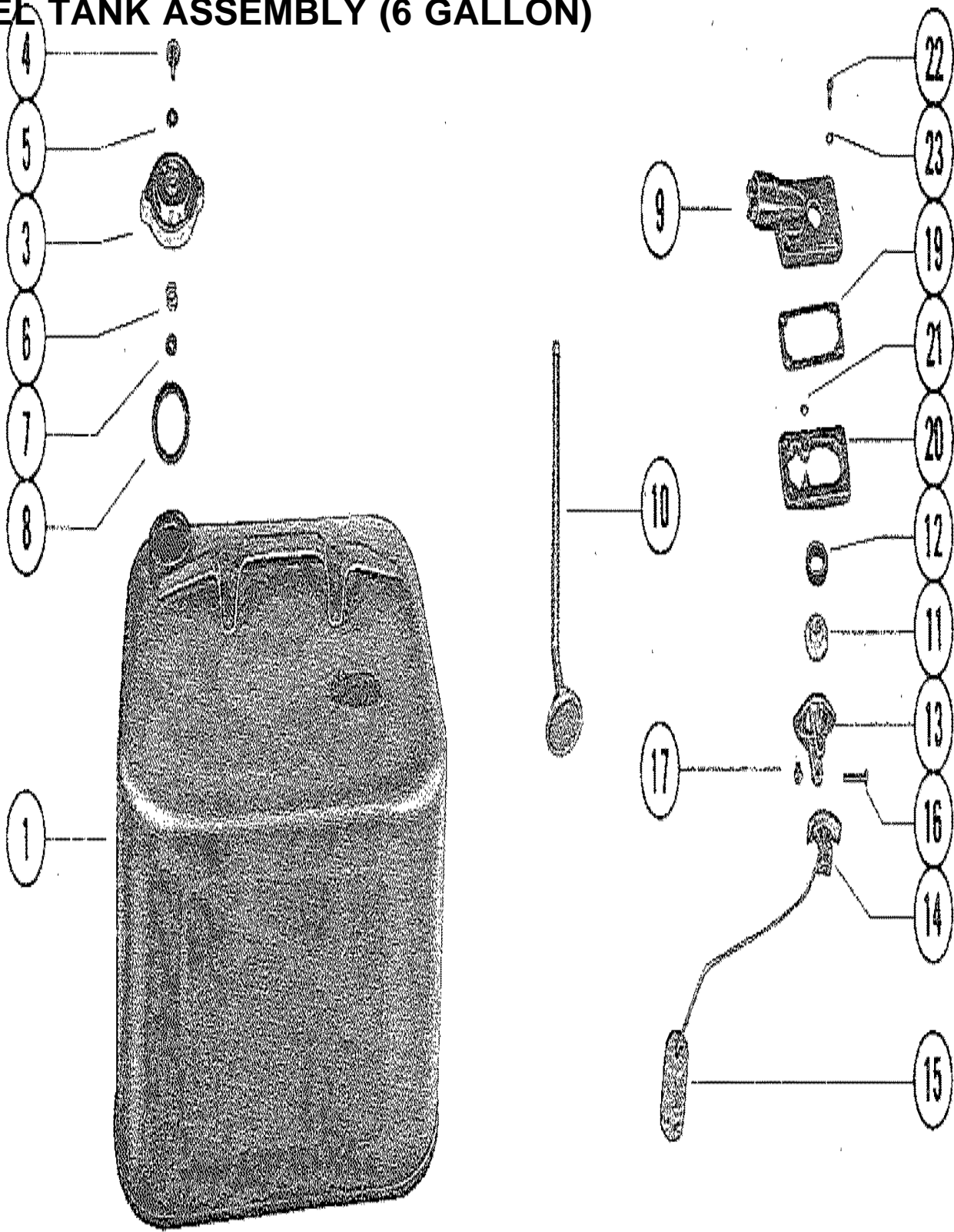
FUEL LINE ASSEMBLY (8' AND 12')



FUEL LINE ASSEMBLY (8' AND 12')

REF. NO.	PART NO.	SYM.	QTY.	DESCRIPTION
1	29479A33		1	FUEL LINE ASSEMBLY (8')
	29479A32		1	FUEL LINE ASSEMBLY (12')
2	58805A1		1	PRIMER BULB ASSEMBLY
3	21-57306A1		1	CHECK VALVE ASSEMBLY
4	21-57306		1	FITTING, FUEL LINE TO PRIMER BULB
5	54-27764		2	CLAMP, PRIMER BULB TO CHECK VALVE (LARGE)
6	54-55206		2	CLAMP, FUEL LINE TO CHECK VALVE (SMALL)
7	22-63187		1	CONNECTOR, FUEL LINE (FUEL TANK END)
8	22-63186		1	CONNECTOR, FUEL LINE (ENGINE END)
9	54-55206		2	CLAMP, FUEL LINE TO CONNECTOR
10	30185A1		1	BAYONET BODY ASSEMBLY (FUEL TANK END) THE ENCLOSED PARTS ARE INCLUDED WITH ENGINE.
11	30187		1	STEM, BAYONET BODY THE ENCLOSED PARTS ARE INCLUDED WITH ENGINE.
12	25-20415		1	"O" RING, BAYONET BODY STEM THE ENCLOSED PARTS ARE INCLUDED WITH ENGINE.
13	24-30189		1	SPRIN, BAYONET BODY STEM THE ENCLOSED PARTS ARE INCLUDED WITH ENGINE.
14	30188		1	WASHER, CUPPED - BAYONET BODY SPRING THE ENCLOSED PARTS ARE INCLUDED WITH ENGINE.
15	22831A1		1	CHECK UNIT ASSEMBLY (ENGINE END) THE ENCLOSED PARTS ARE INCLUDED WITH ENGINE.

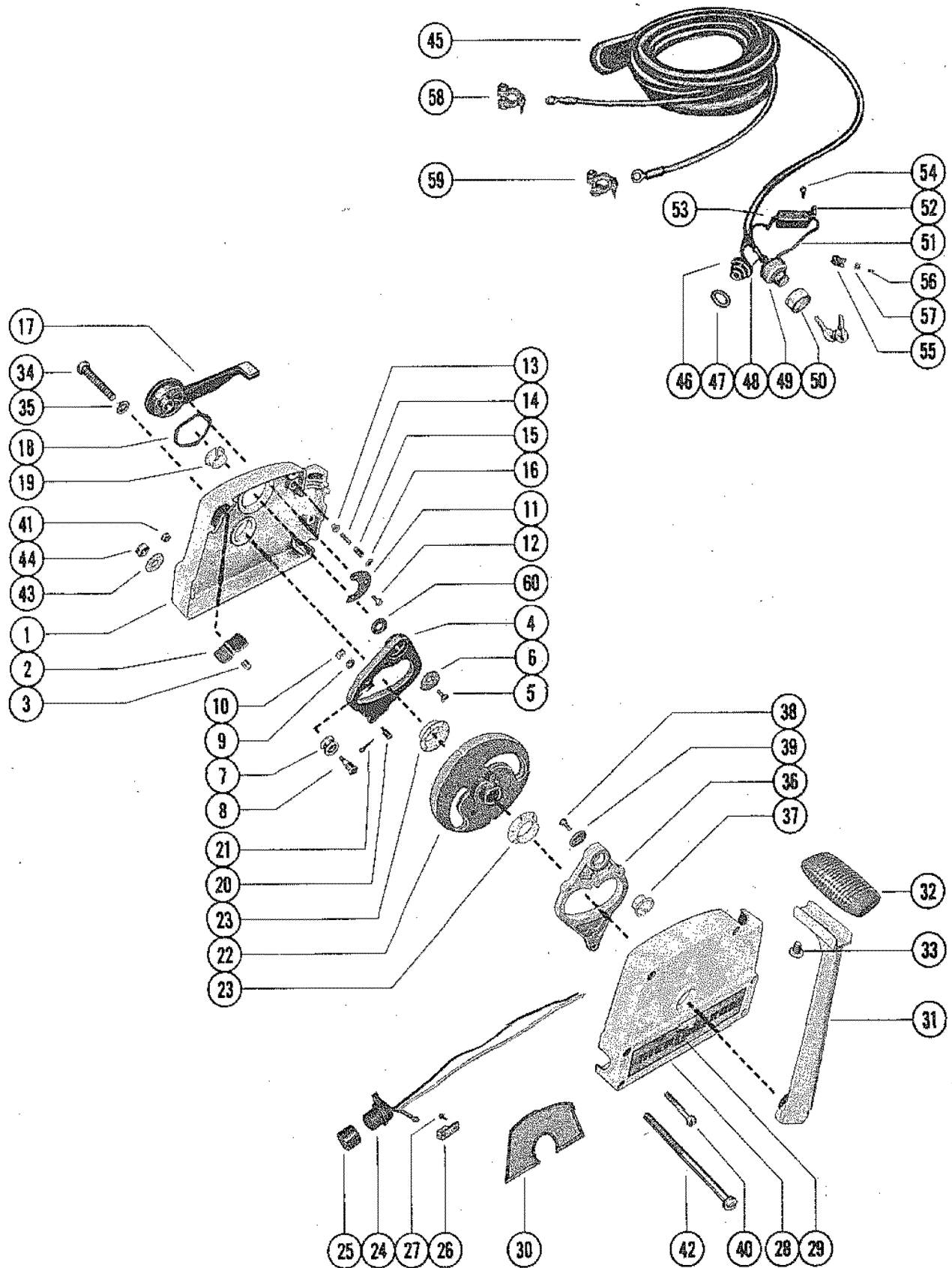
FUEL TANK ASSEMBLY (6 GALLON)



FUEL TANK ASSEMBLY (6 GALLON)

REF. NO.	PART NO.	SYM.	QTY.	DESCRIPTION
-	1225-1529A16		1	FUEL TANK ASSEMBLY, COMPLETE (6 GALLON)
1	1225-1529		1	FUEL TANK (6 GALLON)
-	37-75881		1	DECAL, FUEL TANK
3	36-25392A2		1	FILLER CAP ASSEMBLY
4	10-25575		1	SCREW, VENT - FILLER CAP
5	12-49221		1	WASHER, VENT SCREW
6	24-22227		1	SPRING, TENSION - VENT SCREW
7	11-28587		1	NUT, SPEED - SPRING RETAINER
8	27-25568		1	GASKET, FILLER CAP TO FUEL TANK
-	64841A1		1	COVER ASSEMBLY, COMPLETE - FUEL TANK
9	64841A3		1	COVER ASS'Y, FUEL TANK (1/4-18 TAPPED HOLE)
10	32-33909A3		1	TUBE ASS'Y (1/4-18 CONNECTOR & 1/2" TUBE)
11	54920A1		1	LENS ASSEMBLY, FUEL GAUGE
12	27-54921		1	GASKET, FUEL GAUGE LENS
-	28897A2		1	FUEL GAUGE ASSEMBLY, COMPLETE
13	20430		1	RETAINER, FUEL GAUGE
14	28897A1		1	INDICATOR AND FLOAT ASSEMBLY
15	20427		1	FLOAT, FUEL GAUGE
16	17-20426		1	RIVET, INDICATOR TO RETAINER
17	10-62568		2	SCREW, RETAINER TO FUEL TANK COVER (5/16")
19	27-28862		1	GASKET, COVER ASSEMBLY TO FRAME
20	28860		1	FRAME, RETAINING - FUEL TANK COVER
21	53-28903		2	FASTENER, RETAINING FRAME TO FUEL TANK
22	10-20411		4	SCREW, FUEL TANK COVER TO FUEL TANK
23	12-74711		4	WASHER, FUEL TANK COVER FATENING SCREW

REMOTE CONTROL ASSEMBLY (ELECTRIC)

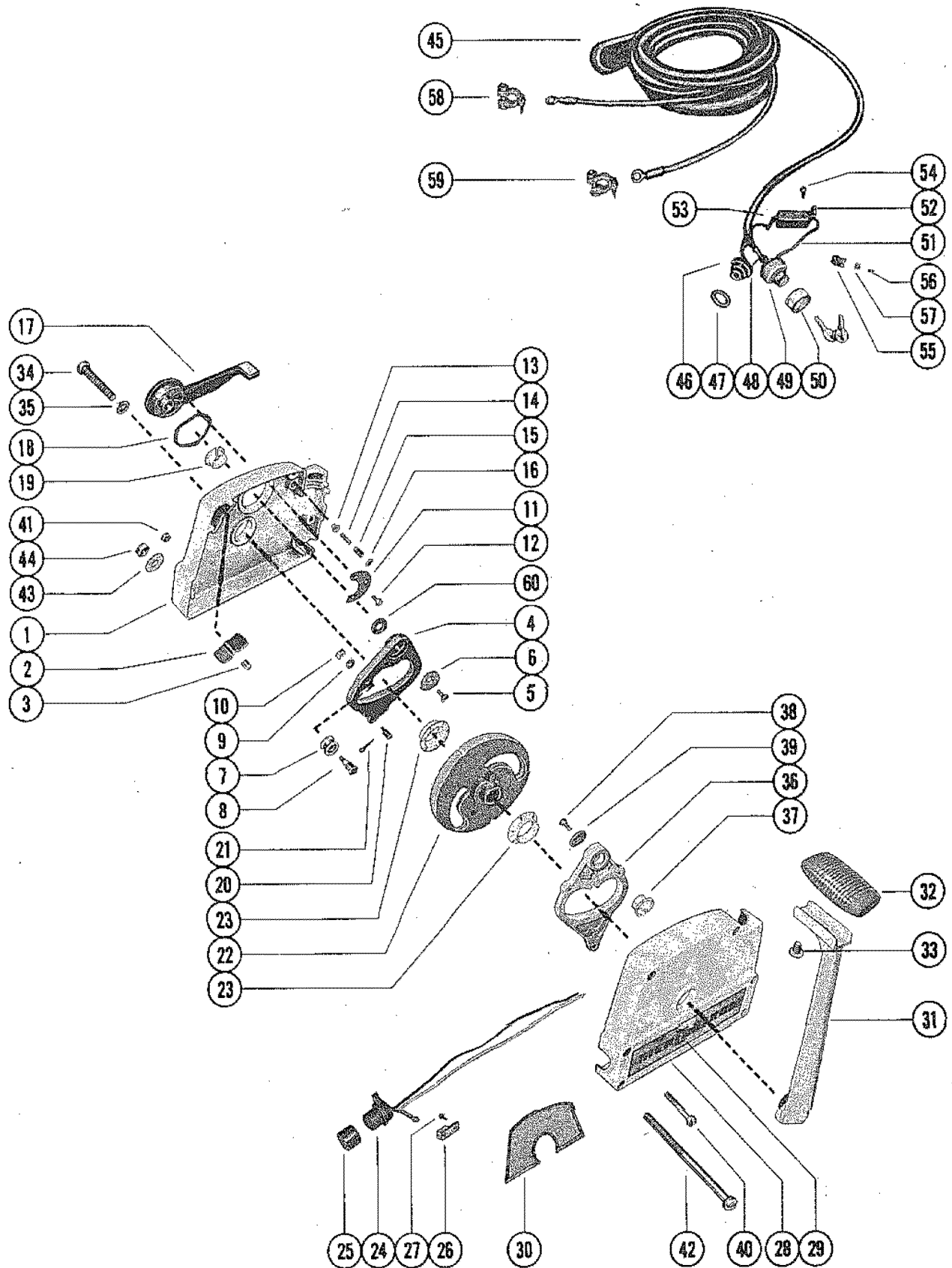


REMOTE CONTROL ASSEMBLY (ELECTRIC)

REF. NO.	PART NO.	SYM.	QTY.	DESCRIPTION
-	76714A		1	ELECTRIC REMOTE CONTROL ASSEMBLY, COMPLETE
1	45880--2		1	HOUSING, REMOTE CONTROL (STARBOARD)
2	24-34683		2	SPRING, DETENT - CONTROL HOUSING
3	34992		1	ROLLER, DETENT SPRING
4	34671		1	LEVER, THROTTLE - CONTROL HOUSING
5	10-34676		1	SCREW, THROTTLE LEVER TO NEUTRAL WARM-UP LEVER
6	12-34675		1	WASHER, THROTTLE LEVER SCREW
7	34672		1	CAM ROLLER, THROTTLE LEVER
8	17-34673		1	PIN, CAM ROLLER TO THROTTLE LEVER
9	12-34680		1	WASHER, CAM ROLLER PIN
10	11-24656		1	NUT, CAM ROLLER TO THROTTLE LEVER PIN
11	34679		1	PLATE, THRUST - CONTROL HOUSING
12	10-47220		3	SCREW, THRUST PLATE TO NEUTRAL WARM-UP LEVER
13	17-20009		1	PIN, DETENT - CONTROL HOUSING NEUTRAL WARM-UP LEVER
14	24-35210		1	SPRING, DETENT PIN
15	24-35227		1	SPRING, DETENT PIN TENSION
16	19-20011		1	WELCH PLUG, DETENT PIN AND SPRING RETAINING
17	34670--2		1	LEVER, NEUTRAL WARM-UP
18	13-34678		1	WASHER, WAVE - NEUTRAL WARM-UP LEVER
19	23-33589		1	BUSHING, NYLON - NEUTRAL WARM-UP LEVER (5/8" I.D.)
20	17-34692		2	PIN, SHIFT AND THROTTLE LEVERS
21	18-29623		2	COTTER PIN, SHIFT AND THROTTLE LEVER PINS
22	59369		1	FACE CAM
23	23-34677		2	BUSHING, NYLON - FACE CAM (1" I.D.)
24	45887		1	CONNECTOR, TACHOMETER LEAD TO REMOTE CONTROL
25	45940		1	CAP, TACHOMETER LEAD CONNECTOR
26	86-63577		1	TERMINAL BLOCK, CONNECTOR LEADS
27	10-37260		2	SCREW, TERMINAL BLOCK TO CONTROL HOUSING (7/16")
28	45939--2		1	HOUSING, REMOTE CONTROL (PORT)
29	37-76703		1	DECAL, CONTROL HOUSING (MARINER) - NOT AS SHOWN
30	37-64043		1	DECAL, CONTROL HOUSING (MERCANTROL)
31	34689--2		1	LEVER, CONTROL
32	36005		1	GIP, CONTROL LEVER
33	10-37342		2	SCREW, GRIP TO CONTROL LEVER (7/16")
34	10-68909		1	SCREW, CONTROL LEVER TO FACE CAM (1 1/2")
35	13-26992		1	LOCKWASHER, CONTROL LEVER SCREW
36	34682		1	LEVER, SHIFT - CONTROL HOUSING
37	23-33589		1	BUSHING, NYLON - SHIFT LEVER (5/8" I.D.)
38	10-34676		1	SCREW, SHIFT LEVER TO CONTROL HOUSING
39	12-34675		1	WASHER, SHIFT LEVER SCREW
40	10-37941		4	SCREW, REMOTE CONTROL HOUSING CLAMPING
41	11-34688		4	NUT, REMOTE CONTROL HOUSING CLAMPING SCREW

CONTINUED ON NEXT PAGE ➡

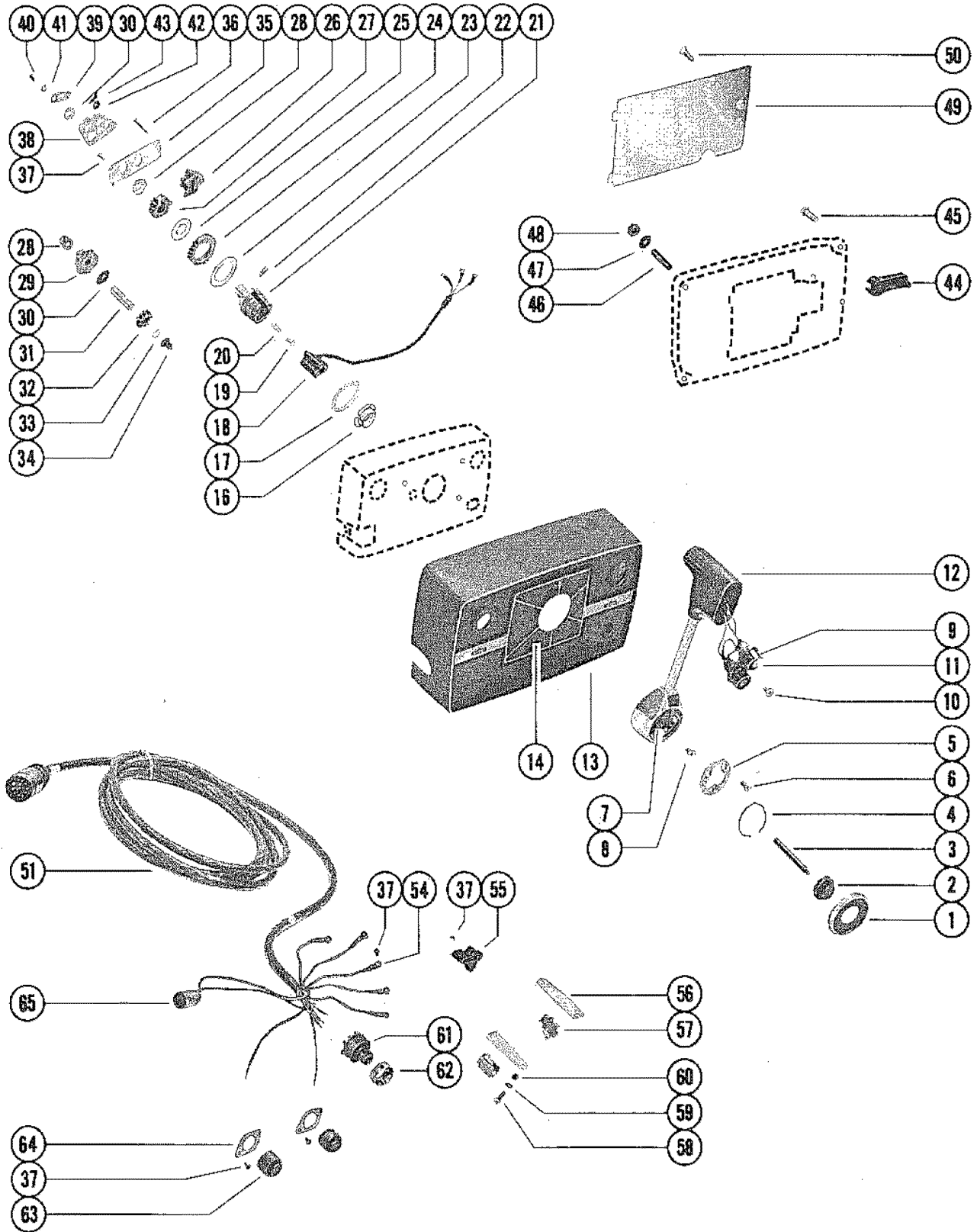
REMOTE CONTROL ASSEMBLY (ELECTRIC)



REMOTE CONTROL ASSEMBLY (ELECTRIC)

REF. NO.	PART NO.	SYM.	QTY.	DESCRIPTION
42	10-34900		2	SCREW, REMOTE CONTROL TO BOAT (4 1/4")
43	12-20346		2	WASHER, REMOTE CONTROL SCREW
44	11-24652		2	NUT, REMOTE CONTROL TO BOAT TRANSOM
45	45876		1	WIRING HARNESS, EXTERNAL (AVAILABLE IN LENTHS OF 10', 15',
46	29759		1	SWITCH, CHOKE
47	30053		1	COLLAR, CHOKE SWITCH TO CONTROL HOUSING
48	39180		1	JUMPER WIRE, CHOKE SWITCH TO IGNITION SWITCH
49	54211		1	SWITCH, IGNITION (WITH KEYS) KEY PART #C-30431 WHEN ORERING REPLACEMENT KEYS ALSO LIST NUMBER STAMPED ON KEY.
50	22628		1	BEZEL,IGNITION SWITCH TO CONTROL HOUSING
51	30795		1	JUMPER WIRE, SAFETY SWITCH TO IGNITION SWITCH
52	34621		1	SWITCH, SAFETY
53	23-37961--2		2	SLEEVE, SAFETY SWITCH LEADS
54	10-30902		2	SCREW, SAFETY SWITCH TO CONTROL HOUSING
55	54-22627		1	CLIP, INNER - WIRING HARNESS TO CONTROL HOUSING
56	10-37260		1	SCREW, WIRING HARNESS CLIP TO CONTROL HOUSING (7/16")
57	22789		1	"D" WASHER, WIRING HARNESS CLIP SCREW
58	27913		1	BATTERY TERMINAL, NEGATIVE (WITH BOLT AND NUT)
59	27912		1	BATTERY TERMINAL, POSITIVE (WITH BOLT AND NUT)
60	13-60861		1	WASHER, WAVE - THROTTLE LEVER

REMOTE CONTROL ASSEMBLY (ELECTRIC) (USE ON MARINER 90)

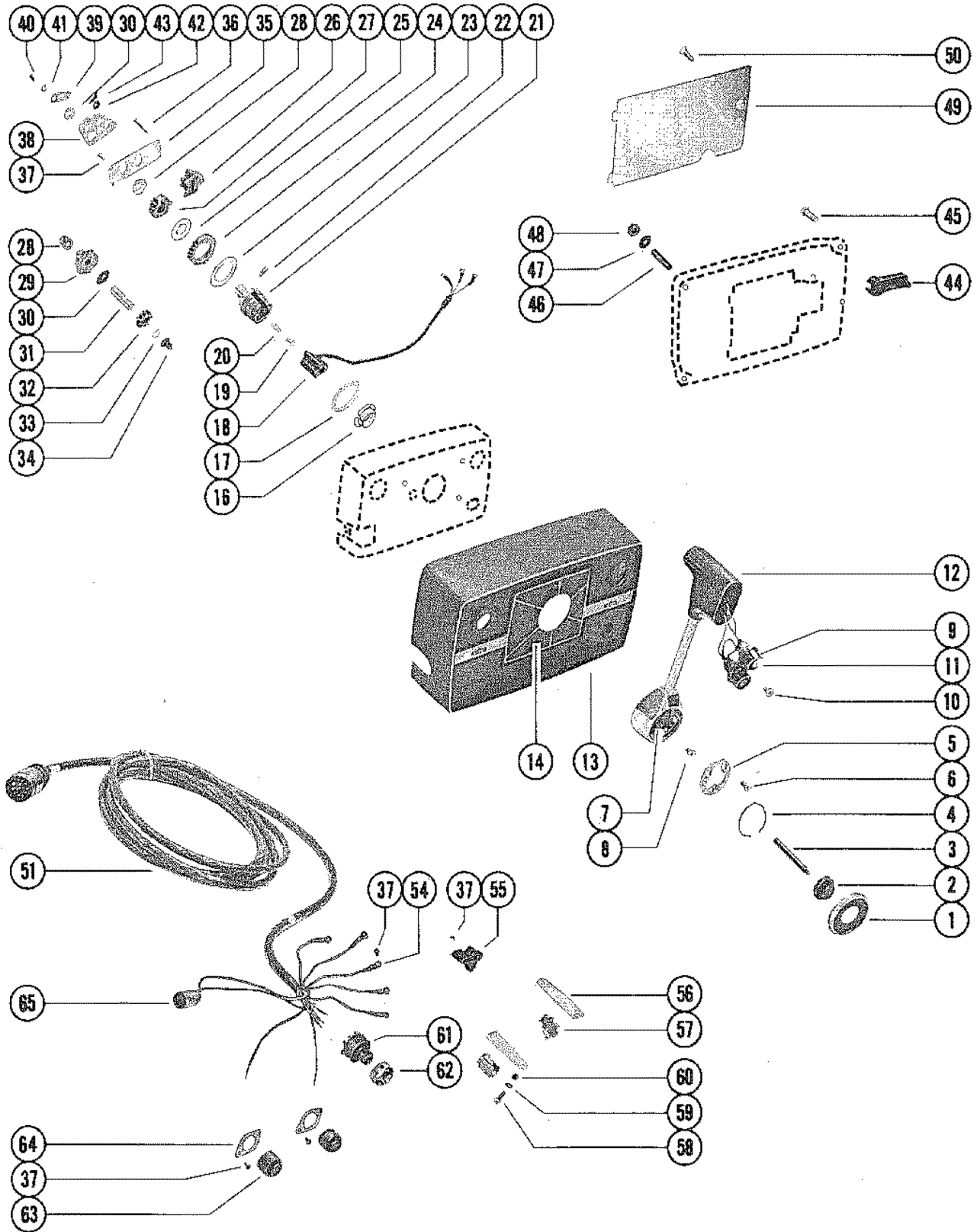


REMOTE CONTROL ASSEMBLY (ELECTRIC) (USE ON MARINER 90)

REF. NO.	PART NO.	SYM.	QTY.	DESCRIPTION
-	78025A		1	REMOTE CONTROL ASSEMBLY, COMPLETE (ELECTRIC) - SEE NOTE NOTE: A-78025A REMOTE CONTROL IS AVAILABLE IN LENGTHS OF 10', 15', 20', AND 40'. FOR USE ON MARINER 90 WITH POWER TRIM.
1	65953A1		1	COVER ASSEMBLY, HUB
2	65676		1	BOOT, RUBBER - SHAFT
3	65673		1	SHAFT
4	56773		1	RETAINER, HUB COVER
5	65954		1	PLATE, CONTROL HANDLE
6	10-70903		3	SCREW, PLATE TO CONTROL HANDLE (1/2")
7	65955		1	CONNECTOR
8	10-20650		3	SCREW, CONNECTOR TO DISCONNECT (3/8")
9	74646		1	RETAINER, PUSH BUTTON SWITCHES
10	10-77444		2	SCREW, RETAINER TO CONTROL HANDLE (5/16")
11	87-68691		1	SWITCH, PUSH BUTTON (BLACK)
	87-68033		1	SWITCH, PUSH BUTTON (RED)
12	55719		1	HANDLE, CONTROL
13	68034		1	COVER, REMOTE CNTROL
14	37-77992		1	DECAL, REMOTE CONTROL COVER (NOT AS SHOWN)
16	23-55399		1	BUSHING, NYLON - PORT CONTROL HOUSING
17	68026		1	PLATE, RETAINING - DISCONNECT PLUSG
18	65672		1	PLUG, DISCONNECT
19	17-68672		1	PIN, CONTROL HUB
20	24-73190		1	SPRING, CONTROL HUB
21	65665		1	HUB, CONTROL
22	28-68024		1	KEY, CONTROL HUB
23	12-68025		1	WASHER, CONTROL HUB
24	43-65731		1	GEAR, THROTTLE
25	12-65986		1	WASHER, NYLON - CONTROL HUB
26	68876A1		1	DETENT ASSEMBLY
27	43-65733		1	GEAR, SHIFT
28	23-74647		2	BUSHING, NYLON - SUPPORT PLATE
29	43-65734		1	PINION GEAR, SHIFT
30	12-68032		1	WASHER, THROTTLE SHAFT
31	65730		1	SHAFT, THROTTLE
32	43-65732		1	PINION GEAR, THROTTLE
33	53-68030		1	RING, RETAINING - THROTTLE PINION
34	23-65830		1	BUSHING, NYLON - THROTTLE SHAFT
35	65832		1	PLATE, SUPPORT SHAFT AND DETENT
36	10-47184		2	SCREW, PALTE TO CONTROL HOUSING (1 1/2")
37	10-69079		13	SCREW (7/16")
38	65655A1		1	LEVER ASSEMBLY, SHIFT
39	65657A1		1	LEVER ASSEMBLY, THROTTLE
40	10-37571		1	SCREW, THROTTLE LEVER TO THROTTLE SCREW (1/2")

CONTINUED ON NEXT PAGE ➡

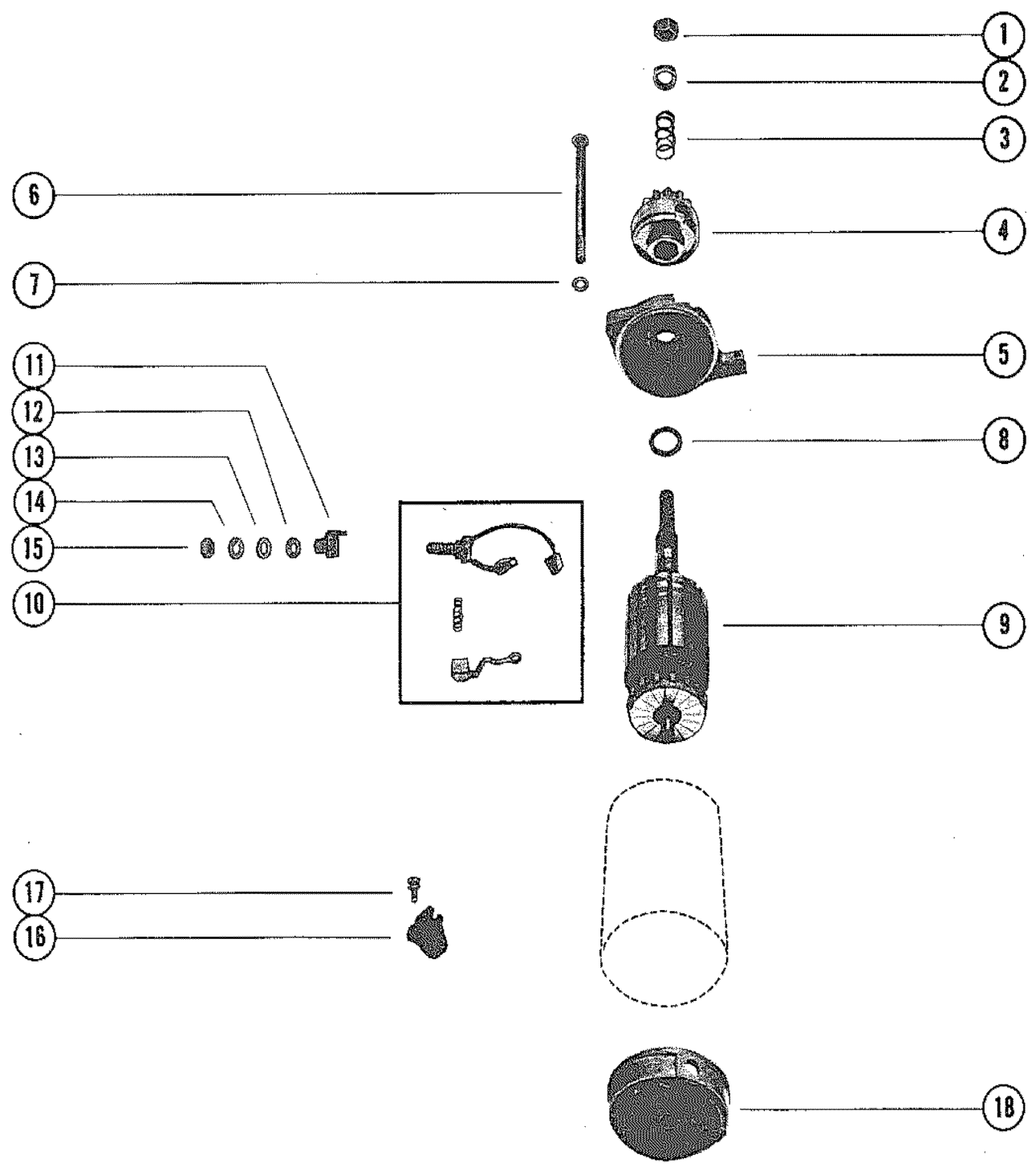
REMOTE CONTROL ASSEMBLY (ELECTRIC) (USE ON MARINER 90)



REMOTE CONTROL ASSEMBLY (ELECTRIC) (USE ON MARINER 90)

REF. NO.	PART NO.	SYM.	QTY.	DESCRIPTION
41	12-72761		1	WASHER, THROTTLE LEVER SCREW
42	12-35950		2	WASHER, CABLE ATTACHING
43	18-21071		2	COTTER PIN, CABLE ATTACHING
44	68023		1	HOUSING, CABLE
45	10-24234		2	SCREW, CONTROL HOUSING ATTACHING (1")
46	16-29208		2	STUD, PORT CONTROL HOUSING (2 1/2")
47	12-26168		2	WASHER, PORT CONTROL HOUSING STUD
48	11-46793		2	NUT, PORT CONTROL HOUSING STUD
49	65956		1	COVER, STARBOARD CONTROL HOUSING
50	10-25504		2	SCREW, COVER ATTACHING (3/4")
51	84-76407		1	WIRING HARNESS (AVAILABLE IN LENGTHS OF 10', 15', 20' AND 4
54	86-60878		4	TERMINAL, WIRING HARNESS
55	86-65738		1	TERMINAL BLOCK
56	74596		1	PLATE, MICRO SWITCH MOUNTING
57	87-74605		1	SWITCH, MICRO
58	10-63680		2	SCREW, MICRO SWITCH TO PLATE (5/8")
59	13-24658		2	LOCKWASHER, MICRO SWITCH SCREW
60	11-63683		2	NUT, MICRO SWITCH SCREW
61	54211		1	IGNITION SWITCH (WITH KEYS) KEY PART #C-30431 WHEN ORDERING REPLACEMENT KEYS ALSO LIST NUMBER STAMPED ON KEY.
62	68863		1	BEZEL, IGNITION SWITCH
63	55738A1		2	SWITCH ASSEMBLY, PUSH BUTTON
64	55691		2	COVER, PUSH BUTTON SWITCH
65	84-76353		1	HARNESS, TRIM (AVAILABLE IN LENGTHS OF 10', 15', 25' AND 45

STARTER MOTOR ASSEMBLY, COMPLETE



STARTER MOTOR ASSEMBLY, COMPLETE

REF. NO.	PART NO.	SYM.	QTY.	DESCRIPTION
-	50-72467		1	STARTER MOTOR ASSEMBLY, COMPLETE
1	11-68580		1	NUT, RETAINING - DRIVE ASSEMBLY
2	23-61788		1	SPACER, DRIVE ASSEMBLY
3	24-61790		1	SPRING, ANT DRIFT
4	68575		1	DRIVE ASSEMBLY
5	74966		1	PLATE ASSEMBLY, DRIVE END
6	10-74968		2	BOLT, THRU - PLATE TO END CAP
7	13-61789		2	LOCKWASHER, THRU BOLT
8	12-57383		1	WASHER, THRUST - ARMATURE
9	74964		1	ARMATURE
10	63292		1	BRUSH SET
11	23-57387		1	BUSHING, INSULATING - INPUT STUD
12	12-57388		1	WASHER, INSULATING - INPUT STUD
13	12-38013		1	WSHER, INPUT STUD
14	13-38019		1	LOCKWASHER, INPUT ST
15	11-20890		1	NUT, INPUT STUD
16	61787		2	HOLDER, BRUSH
17	10-68586		2	SCREW, BRUSH AND HOLDER TO CAP
18	68579		1	END CAP ASSEMBLY, COMMUTATOR

PARTS INDEX

Part Number	Description	Pg.	Ref. No.	Part Number	Description	Pg.	Ref. No.
20427	FLOAT, FUEL GAUGE	61	15	32979	BATTERY LEAD (POSITIVE)	49	7
20430	RETAINER, FUEL GAUGE . .	61	13	32988	BATTERY LEAD (NEGATIVE)	49	8
22628	BEZEL,IGNITION SWITCH TO CONTROL HOUSING	65	50	34621	SWITCH, SAFETY	65	52
22789	"D" WASHER, WIRING HARNESS CLIP SCREW . .	65	57	34670--2	LEVER, NEUTRAL WARM-UP	63	17
22831A1	CHECK UNIT ASSEMBLY (ENGINE END)	59	15	34671	LEVER, THROTTLE - CONTROL HOUSING	63	4
22833	ADAPTOR, CHECK UNIT (FUEL LINE)	19	28	34672	CAM ROLLER, THROTTLE LEVER	63	7
23004	RETAINER, CHECK VALVE . .	19	11	34679	PLATE, THRUST - CONTROL HOUSING	63	11
23069	STEM, CHECK UNIT ADAPTOR	19	29	34682	LEVER, SHIFT - CONTROL HOUSING	63	36
25067	BUMPER, RUBBER - LOWER MOUNTING SCREW	39	28	34689--2	LEVER, CONTROL	63	31
26113	RACE, OUTER (PAIR)	25	10	34992	ROLLER, DETENT SPRING .	63	3
26901	BUMPER, RUBBER - SOLENOID BRACKET . . .	49	38	35474	COVER, LOWER MOUNT CLAMP	39	37
27912	BATTERY TERMINAL, POSITIVE (WITH BOLT AND NUT)	65	59	35608	CLAMP, LOWER MOUNT TO DRIVE SHAFT HOUSING .	39	34
27913	BATTERY TERMINAL, NEGATIVE (WITH BOLT AND NUT)	65	58	36005	GIP, CONTROL LEVER	63	32
28203	BUMPER, STEERING ARM . .	33	17	37417	COVER, TRIM - DRIVE SHAFT HOUSING	39	5
28205	STRAP STO, DRIVE SHAFT HOUSING TO SWIVEL BRACKET	33	11	37440	BRACKET, MOUNT SUPPORT - CYLINDER BLOCK	23	28
28860	FRAME, RETAINING - FUEL TANK COVER	61	20	37445	SUPPORT, WIRING HARNESS - BOTTOM COWL	29	10
28897A1	INDICATOR AND FLOAT ASSEMBLY	61	14	37587	SWIVEL, THROTTLE LEVER TO THROTTLE CABLE . . .	9	6
28897A2	FUEL GAUGE ASSEMBLY, COMPLETE	61	--	37637	BOOT, FUEL CONNECTOR - BOTTOM COWL	29	9
29479A32	FUEL LINE ASSEMBLY (12')	59	1	37640	MOUNT, RUBBER FRONT SUPPORT BRACKET	3	34
29479A33	FUEL LINE ASSEMBLY (8')	59	1	37641	SEAL, EXHAUST ELBOW . .	41	37
29759	SWITCH, CHOKE	65	46	37896	GUIDE BLOCK, LINK ROD . .	29	32
30021	BLANKET, SOUND ABSORBING	5	14	37918	SEAL, EXHAUST EXTENSION PLATE	31	3
30053	COLLAR, CHOKE SWITCH TO CONTROL HOUSING . .	65	47	37940	PAD, SOUND - DRIP TRAY .	29	3
30185A1	BAYONET BODY ASSEMBLY (FUEL TANK END)	59	10	38032	STRIP, RETAINING - EXHAUST EXTENSION PLATE SEAL	31	4
30187	STEM, BAYONET BODY . . .	59	11	38051	PLATE, SUPPORT - EXHAUST TUBE SEAL . . .	43	38
30188	CUP WASHER, ADAPTOR . .	19	32	38279	LATCH, CONTROL CABLE FASTENING - ANCHOR BRACKET	29	34
30188	WASHER, CUPPED - BAYONET BODY SPRING	59	14	38674	BAG, STARTER ROPE	5	8
30413	HOOK, COWL LATCH FASTENING	5	13	39019	SPACER, LOWER - REVERSE LOCKING NOT USED WITH FULL POWER TR	43	45
30624	SLIDE, CROSS PIN	45	51	39021	CAM, REVERSE LOCKING NOT USED WITH FULL POWER TRIM	43	46
30625	FOLLOWER, CAM	45	50	39180	JUMPER WIRE, CHOKE SWITCH TO IGNITION SWITCH	65	48
30795	JUMPER WIRE, SAFETY SWITCH TO IGNITION SWITCH	65	51	39519	CAP, BARREL RETAINER - ANCHOR BRACKET	29	25
31014	MOUNT, RUBBER - REAR SUPPORT BRACKET	3	21				
31640A1	TRIM TAB, GEAR HOUSING	45	70				
32435	PLATE, FACE - WATER PUMP BASE TO WATER PUMP BODY	41	21				

PARTS INDEX

Part Number	Description	Pg.	Ref. No.	Part Number	Description	Pg.	Ref. No.
39618	LEVER, NYLON - SHIFT			48203	ROD, CHOKE	15	22
	CABLE LOCKING	29	26	48752	INSERT, WATER PUMP		
39667	COVER, NYLON - SHIFT				BODY	41	24
	CABLE	29	28	49589	STRAP, CHOKE KNOB TO		
45194A27	POWER TRIM KIT	1	-		CHOKE ROD	15	19
45196A2	BRACKET ASSEMBLY,			52023	CAP, NYLON - ADJUSTING		
	MOUNTING - SHOCK				SCREW	9	10
	CYLINDER (STARBOARD)	53	12	52023	CAP, NYLON - ADJUSTING		
45197A2	CONTROL VALVE				SCREW	9	30
	ASSEMBLY	49	10	52100	WEAR PLATE, LINK ROD	29	33
45286	PLUNGER, LIMIT SWITCH			52699	COVER, GEAR HOUSING	45	69
	ACTUATING	53	14	52732	BRACKET, ANCHOR -		
45287	COVER, LIMIT SWITCH	53	32		CONTROL CABLES	29	24
45289	COVER, INLET - TRANSOM	53	35	52739	HINGE, COWL LATCH - TOP		
45326A2	SWITCH ASSEMBLY, CUT-				COWL	3	10
	OUT LIMIT	53	29	52862A2	DRIP TRAY ASSEMBLY,		
45336	PLATE, MANIFOLD	49	9		BOTTOM COWL	29	2
45377	BRACKET, MONTING -			52887	GUIDE, PUSH ROD -		
	HYDRAULIC PUMP TO				REVERSE LOCKING NOT		
	BOAT	49	22		USED WITH FULL POWER		
45508	CAM, LIMIT SWITCH				T	39	14
	ADJUSTING STUD	53	25	52889	NOZZLE, TELL TALE HOSE		
45876	WIRING HARNESS,				TO BOTTOM COWL	29	14
	EXTERNAL (AVAILABLE IN			53078	CAP, PLASTIC - TILT TUBE	35	7
	LENTHS OF 10', 15',	65	45	53665	INSERT, THROTTLE		
45880--2	HOUSING, REMOTE				COUPLING	15	12
	CONTROL (STARBOARD)	63	1	53720A2	THROTTLE PICK-UP		
45887	CONNECTOR,				BRACKET ASSEMBLY	15	10
	TACHOMETER LEAD TO			54196A6	CARRIER ASSEMBLY, "O"		
	REMOTE CONTROL	63	24		RING	25	5
45939--2	HOUSING, REMOTE			54211	IGNITION SWITCH (WITH		
	CONTROL (PORT)	63	28		KEYS) KEY PART #C-		
45940	CAP, TACHOMETER LEAD				30431	69	61
	CONNECTOR	63	25	54211	SWITCH, IGNITION (WITH		
46096	MOUNT, RUBBER - TOP				KEYS) KEY PART #C-		
	COWL FRAME (HEAVY				30431	65	49
	DUTY)	3	18	54283A1	PLUNGER AND LINK		
46265	BOOT, RUBBER - STARTER				ASSEMBLY, CHOKE		
	SOLENOID TERMINAL	49	33		SOLENOID	15	6
46785A1	COWL LATCH ASSEMBLY	5	12	54293A4	CHOKE SOLENOID	15	1
46933A2	GROUND STRAP			54920A1	LENS ASSEMBLY, FUEL		
	ASSEMBLY, TRIM COVER				GAUGE	61	11
	SCREW	39	6B	55455	HOOK, TOP COWL LATCH -		
46933A3	GROUND STRAP				REAR	3	13
	ASSEMBLY, CYLINDER			55691	COVER, PUSH BUTTON		
	BLOCK COVER	23	33		SWITCH	69	64
47341A1	ROPE, STARTER (FOR			55719	HANDLE, CONTROL	67	12
	MANUAL STARTING			55738A1	SWITCH ASSEMBLY, PUSH		
	ONLY)	3	9		BUTTON	69	63
47558	ROD, PUSH - REVERSE			55991	BATTERY LEAD (POSITIVE)	49	39
	LOCK NOT USED WITH			55992	BATTERY LEAD (NEGATIVE)	49	39
	FULL POWER TRIM	39	15	56349	SHAFT, REVERSE LOCK		
47559	YOKE, PUSH ROD NOT				PIVOT NOT USED WITH		
	USED WITH FULL POWER				FULL POWER TRIM	35	29
	TRIM	39	17	56703	COLLAR, STARTER MOTOR	7	12
48039	CAP, NYLON - ADJUSTING			56773	RETAINER, HUB COVER	67	4
	SCREW	9	33	56849	KNOB, COWL FRONT		
48047A1	LINK ROD ASSEMBLY	29	20		COVER FASTENING	5	2
48152	SHUTTER, CHOKE -			57247	STOP, RUBBER - STARTER		
	CARBURETOR	15	25		MOTOR	7	14

PARTS INDEX

Part Number	Description	Pg.	Ref. No.	Part Number	Description	Pg.	Ref. No.
58805A1	PRIMER BULB ASSEMBLY	59	2	70692	REVERSE LOCK ASSEMBLY		
59071	COVER, FUEL INLET	19	15		NOT USED WITH FULL		
59369	FACE CAM	63	22		POWER TRIM	35	27
60304A54	SHIFT SHAFT ASSEMBLY, UPPER	29	17	71808	COVER, WATER JACKET - CYLINDER BLOCK	23	13
60437	MEGAPHONE, EXHAUST	31	19	73218	COVER, IGNITION COIL	11	30
61787	HOLDER, BRUSH	71	16	73519A1	TILT STOP	55	44
62351A1	RECTIFIER ASSEMBLY	11	7	73755A1	KNOB, CHOKE ROD	15	17
63007	MOUNT, RUBBER - TOP COWL FRAME	3	18	73984	YOKE, BOTTOM	33	15
63292	BRUSH SET	71	10	74257A3	PLATE ASSEMBLY, DRIVE SHAFT HOUSING	31	15
63473	TUBE, CUSHION - SHOCK PIN (USED WITH FULL POWER TRIM)	35	20	74406	BRACKET, MOUNTING - STARTER SOLENOID	49	40
64505A1	RETAINER ASSEMBLY, PISTON	57	12	74407	BRACKET, MOUNTING - STARTER SOLENOID	49	34
64507A1	REPAIR KIT	57	-	74528	TUBE TILT - CLAMP BRACKET TO SWIVEL BRACKET	35	4
64841A1	COVER ASSEMBLY, COMPLETE - FUEL TANK	61	-	74596	PLATE, MICRO SWITCH MOUNTING	69	56
64841A3	COVER ASS'Y, FUEL TANK (1/4-18 TAPPED HOLE)	61	9	74646	RETAINER, PUSH BUTTON SWITCHES	67	9
65638	BOOT, TUBE MOUNT	39	8A	74897	BARREL, SPARK LINK TO TRIGGER	9	40
65655A1	LEVER ASSEMBLY, SHIFT	67	38	74964	ARMATURE	71	9
65657A1	LEVER ASSEMBLY, THROTTLE	67	39	74966	PLATE ASSEMBLY, DRIVE END	71	5
65665	HUB, CONTROL	67	21	75043	CAP, THUMB SCREW	35	3
65672	PLUG, DISCONNECT	67	18	75282	THRUST HUB AND WASHER ASSEMBLY	45	75
65673	SHAFT	67	3	75296	MOUNT, RUBBER - UPPER	39	20
65676	BOOT, RUBBER - SHAFT	67	2	75299	MOUNT RUBBER - LOWER	39	24
65730	SHAFT, THROTTLE	67	31	75778	PLATE, BAFFLE - EXHAUST MANIFOLD	23	18
65799	LINK, LOCKING LEVER TO COVER	29	29	76039	SHIFT	45	49
65800	"O" RING, CARRIER	25	6	76062A1	SHAFT ASSEMBLY, SHIFT - LOWER	43	39
65832	PLATE, SUPPORT SHAFT AND DETENT	67	35	76062A1	SHAFT ASSEMBLY, SHIFT - LOWER	43	39
65953A1	COVER ASSEMBLY, HUB	67	1	76369	SPACER, BOTTOM COWL (COWL FRONT COVER)	29	7
65954	PLATE, CONTROL HANDLE	67	5	76385	TILT LOCK ASSEMBLY (PORT)	35	22
65955	CONNECTOR	67	7	76386	TILT LOCK ASSEMBLY (STARBOARD)	35	21
65956	COVER, STARBOARD CONTROL HOUSING	69	49	76387	TUBE, TILT LOCK	35	23
66084	BRACKET, MOUNTING - SHOCK CYLINDER (PORT)	53	7	76395A5	HYDRAULIC PUMP ASSEMBLY (SEE NOTE BELOW)	49	1
66096A1	PLATE ASSEMBLY, EXHAUST EXTENSION	31	1	76395A5	HYDRAULIC PUMP ASSEMBLY, COMPLETE	47	-
66517	RESTRICTION, CRANKCASE BLEED	21	3	76433	SHEILD, TOP COWL - REAR	3	6
66530A6	FUEL PUMP ASSEMBLY	19	1	76440	RETAINER, TOP COWL	3	2
66599A3	DIAPHRAGM ASSEMBLY	19	3	76505	PAD, BUMPER - TOP COWL RETAINER	3	3
68023	HOUSING, CABLE	69	44	76509A3	TRIM CYLINDER ASSEMBLY (SEE PAGE 43 FOR REPAIR KIT)	53	1
68026	PLATE, RETAINING - DISCONNECT PLUSG	67	17	76581	LEVER, COWL LATCH HINGE	3	11
68034	COVER, REMOTE CNTRL	67	13				
68162A8	TRIGGER PLATE ASSEMBLY	7	9				
68575	DRIVE ASSEMBLY	71	4				
68579	END CAP ASSEMBLY, COMMUTATOR	71	18				
68863	BEZEL, IGNITION SWITCH	69	62				
68876A1	DETENT ASSEMBLY	67	26				
69259	TUBE, MOUNTING - TILT STOP	55	45				

PARTS INDEX

Part Number	Description	Pg.	Ref. No.	Part Number	Description	Pg.	Ref. No.
76714A	ELECTRIC REMOTE CONTROL ASSEMBLY, COMPLETE	63	-	N.S.S.	"O" RING (1 7/8" X 2" X 1/8")	57	8
76867	COVER, STARTER MOTOR BRACKET - BOTTOM	21	13	N.S.S.	"O" RING (3/4" X 15/16" X 1/8")	57	2
77013A1	SWIVEL ASSEMBLY, SPARK LINK	9	34	N.S.S.	"O" RING (5/8" X 3/4" X 1/16")	57	3
77013A1	SWIVEL ASSEMBLY, THROTTLE LEVER	9	11	N.S.S.	"O" RING (7/32" X 11/32" X 1/16")	57	5
77520A1	BEARING CARRIER ASSEMBLY	45	64	N.S.S.	PISTON, ROD - HEAVY DUTY	57	11
77544	SEAL, SOUND AVSORBING-TOP	5	10	N.S.S.	RETAINER, SCRAPER	57	14
77669	PIN, MOUNTING TUBE	55	46	N.S.S.	ROD, SCRAPER	57	13
77790	STRIP, SOUND ABSORBING	5	7	N.S.S.	SEAL, SLIPPER- PISTON	57	10
78025A	REMOTE CONTROL ASSEMBLY, COMPLETE (ELECTRIC) - SEE NOTE	67	-	10-20037	SCREW, RETAINER ATTACHING	19	12
78184	TUBE, EXHAUST	39	8	10-20359	SCREW, CENTER MAIN BEARING LOCKING	21	20
79479	PLATE, ELECTRICAL MOUNTING	11	1	10-20411	SCREW, FUEL TANK COVER TO FUEL TANK	61	22
79897	FRAME, TOP COWL SUPPORT	3	16	10-20411	SCREW, VALVE BODY TO RESEVOIR	47	4
79900	LEVER, THROTTLE	9	1	10-20650	SCREW, CONNECTOR TO DISCONNECT (3/8")	67	8
79903	HOUSING, THROTTLE - LOWER	9	22	10-20847	SCREW, THROTTLE STOP LEVER	17	18
85082	HOUSING, THROTTLE - UPPER	9	19	10-21140	SCREW, MOUNTING BRACKET TO HYDRAULIC PUMP (1/2")	49	35
85300	LINK ROD, THROTTLE	9	16	10-21937	SCREW, LOWER SHOCK PIN	37	32
85301	SPARK LINK	9	39	10-22523	SCREW, LOWER CARBURETOR FILTER SCREEN TO CARB. (5/8")	15	29
85943A1	LEVER, THROTTLE (UPPER CARBURETOR)	15	7	10-22956	SCREW, REAR HOOK TO TOP COWL (7/8")	3	14
86295	BASE, FUEL PUMP	19	13	10-22968	SCREW, CENTER MAIN BEARING CLAMPING	25	13
86316	COVER, EXHAUST MANIFOLD	23	20	10-23015	SCREW, UPPER CARBURETOR FILTER SCREEN TO CARB. (1")	15	29
86472	BRACKET, TOP COWL SUPPORT - REAR	3	20	10-24234	SCREW, ANCHOR BRACKET TO CYLINDER BLOCK (1")	29	30
86473	COVER, STARTER MOTOR BRACKET - TOP	21	9	10-24234	SCREW, BRACKET TO CYLINDER BLOCK (1")	23	29
86967	PLATE, RETAINING - LIMIT SWITCH CAM	53	26	10-24234	SCREW, CONTROL HOUSING ATTACHING (1")	69	45
87872	COVER, TRANSFER PORT	23	30	10-24234	SCREW, MOUNTING BRACKET TO HYDRAULIC PUMP (1")	49	23
87937	SHAFT, THROTTLE AND SPARK ADVANCE	9	24	10-24942	SCREW. LIMIT SWITCH COVER TO MOUNTING BRACKET (7/16")	53	34
87990	CHAMBER, PULSE - FUEL PUMP	19	14	10-25158	SCREW, ADJUSTING - LOWER HOUSING (1 1/2")	9	31
87991	POINTER, TIMING	3	37	10-25299	SCREW, CHOKE SOLENOID (3/4")	15	4
88754	THROTTLE CAM	9	18	10-25299	SCREW, RETAINER TO TOP COWL (3/4)	3	4
89034A1	BRACKET ASSEMBLY, TOP COWL - FRONT	3	29	10-25504	SCREW, COVER ATTACHING (3/4")	69	50
N.S.S.	"O" RING (1 1/2" X 1 5/8" X 1/16")	57	1	10-25575	SCREW, VENT - FILLER CAP	61	4
N.S.S.	"O" RING (1 1/4" X 1 7/16" X 1/16")	57	4	10-25764	SCREW, MERCURY SWITCH TO PLATE (5/8")	11	5
N.S.S.	"O" RING (1 3/4" X 1 15/16" X 1/8")	57	9				
N.S.S.	"O" RING (1 5/16" X 1 1/2" X 1/8")	57	7				
N.S.S.	"O" RING (1 5/8" X 1 13/16" X 1/8")	57	6				

PARTS INDEX

Part Number	Description	Pg.	Ref. No.	Part Number	Description	Pg.	Ref. No.
10-25764	SCREW, RECTIFIER TO IGNITION PLATE (5/8")	11	8	10-37562	SCREW, REAR BRACKET TO BOTTOM COWL (1")	3	27
10-26251	SCREW, SWITCH BOX TO IGNITION COIL (7/8")	11	26	10-37562	SCREW, REAR BRACKET TO FRAME (1")	3	24
10-28200	SCREW, STRAP STOP TO DRIVE SHAFT HOUSING (2 7/8")	33	12	10-37571	SCREW, SEAL AND RETAINING STRIP TO EXT, PLATE (1/2")	31	5
10-28239	SCREW, THROTTLE HOUSING	9	25	10-37571	SCREW, THROTTLE LEVER TO THROTTLE SCREW (1/2")	67	40
10-28634	SCREW, FILLER - HYDRAULIC PUMP	47	8	10-37941	SCREW, REMOTE CONTROL HOUSING CLAMPING	63	40
10-28634	SCREW, FILLER - HYDRAULIC PUMP	49	3	10-38257	SCREW, VENT - HYDRAULIC PUMP	47	7
10-28636	SCREW, PLATE TO CYLINDER BLOCK (3/4")	11	2	10-38257	SCREW, VENT - HYDRAULIC PUMP	49	5
10-28636	SCREW, TIMING POINTER ATTACHING (3/4")	3	38	10-38601	SCREW, STARTER SOLENOID TO PLATE (1/2")	11	11
10-28636	SCREW, TRANSFER PORT COVER MOUNTING (3/4")	23	32	10-45263	SCREW, MOUNTING BRACKET TO UPPER SHOCK PIN (2 1/4")	53	8
10-28667	SCREW, PLATE TO CYLINDER BLOCK (1")	11	2	10-45264	SCREW, SHOCK CYLINDER TO LOWER SHOCK PIN (1 9/16")	53	4
10-29256	SCREW, LOWER MOUNT CLAMP TO DRIVE SHAFT HOUSING	39	36	10-45265	SCREW, BLEED - SHOCK CYLINDER	53	2
10-29722	SCREW, COVER TO LOWER CLAMP MOUNT	39	39	10-45328	SCREW, SHOCK CYLINDER TO MOUNTING BRACKET (3 9/16")	53	19
10-30720	SCREW, WATER PUMP BODY TO GEAR HOUSING (2 1/4")	41	29	10-45775	SCREW, MAIN BEARING CLAMPING	25	17
10-30902	SCREW, SAFETY SWITCH TO CONTROL HOUSING	65	54	10-47184	SCREW, PALTE TO CONTROL HOUSING (1 1/2")	67	36
10-32293	SCREW, CRANKCASE TO CYLINDER BLOCK (1 3/4")	21	17	10-47220	SCREW, THRUST PLATE TO NEUTRAL WARM-UP LEVER	63	12
10-32417	SCREW, FLYWHEEL PLATE	7	5	10-47255	SCREW, CUT-OUT LIMIT SWITCH TO MOUNTING BRACKET (9/16")	53	31
10-32866	SCREW, INLET COVER TO BOAT (2")	53	38	10-47828	SCREW, DRIVE - SWIVEL BRACKET	33	6
10-34290	SCREW, STARTER SOLENOID TO MOUNTING BRACKET (5/8")	51	43	10-48408	SCREW, DRIP TRAY TO BOTTOM COWL (1/2")	29	4
10-34676	SCREW, SHIFT LEVER TO CONTROL HOUSING	63	38	10-48408	SCREW, TELL TALE NOZZLE TO BOTTOM COWL (1/2")	29	15
10-34676	SCREW, THROTTLE LEVER TO NEUTRAL WARM-UP LEVER	63	5	10-48591	SCREW, SPACER TO BOTTOM COWL (1/2")	29	8
10-34900	SCREW, REMOTE CONTROL TO BOAT (4 1/4")	65	42	10-48591	SCREW, STRAP TO CHOKE ROD (1/2")	15	23
10-37260	SCREW, TERMINAL BLOCK TO CONTROL HOUSING (7/16")	63	27	10-49318	SCREW, LOWER MOUNT (5 1/2")	39	25
10-37260	SCREW, WIRING HARNESS CLIP TO CONTROL HOUSING (7/16")	65	56	10-49554	BOLT, STEERING ARM TO UPPER MOUNT (5 7/8")	33	18
10-37342	SCREW, GRIP TO CONTROL LEVER (7/16")	63	33	10-52195	SCREW, FLOAT BOWL COVER	17	13
10-37370	SCREW, FUEL FILTER COVER ATTACHING (5/8")	19	16	10-53016	SCREW, CRANKCASE TO CYLINDER BLOCK (1 1/4")	21	17
10-37370	SCREW, SHIELD TO TOP COWL (5/8")	3	7				

PARTS INDEX

Part Number	Description	Pg.	Ref. No.	Part Number	Description	Pg.	Ref. No.
10-53576	SCREW, MANIFOLD COVER MOUNTING	23	21	10-69029	SCREW, SUPPORT TO BOTTOM COWL (1 3/4")	29	11
10-54803	SCREW, CONNECTING ROD	25	28	10-69034	SCREW, END CAP MOUNTING (1")	23	12
10-56500	SCREW, VALVE AND MANIFOLD PLATE TO PUMP (1 1/4")	49	14	10-69035	SCREW, CABLE TO STARTER MOTOR	7	16
10-57807	SCREW, TRIM COVER TO BOTTOM COWL	39	6	10-69046	SCREW, IGNITION COIL COVER (2")	11	31
10-57841	SCREW, CRANKCASE TO CYLINDER BLOCK (2 3/4")	21	17	10-69052	SCREW, GROUND WIRE TO BOTTOM COWL	11	23
10-60293	SCREW, THROTTLE LEVER	15	8	10-69079	SCREW (7/16")	67	37
10-60480	SCREW, MEGAPHONE TO DRIVE SHAFT HOUSING PLATE (1 1/8")	31	20	10-69092	SCREW, FRONT BRACKET TO BOTTOM COWL (1 1/4")	3	30
10-62204	SCREW, REED STOP MOUNTING	25	21	10-69092	SCREW, FRONT BRACKET TO TOP COWL FRAME (1 1/2")	3	32
10-62568	SCREW, GROUND STRAP ATTACHING	39	6C	10-69100	SCREW, COVER MOUNTING (1")	23	25
10-62568	SCREW, GROUND STRAP ATTACHING (3/8")	23	34	10-69268	SCREW, BOTTOM COVER ATTACHING (1 7/8")	21	14
10-62568	SCREW, RETAINER TO FUEL TANK COVER (5/16")	61	17	10-69375	SCREW, UPPER AND LOWER SHOCK MOUNTING PIN	37	41
10-63680	SCREW, MICRO SWITCH TO PLATE (5/8")	69	58	10-70903	SCREW, PLATE TO CONTROL HANDLE (1/2")	67	6
10-65210	SCREW, GEAR HOUSING TO DRIVE SHAFT HOUSING (1")	45	74	10-73013	SCREW, FUEL PUMP ATTACHING (1 1/2")	19	17
10-66023	SCREW, ADAPTOR PLATE TO HOUSING PLATE (2")	31	8	10-73169	SCREW, END CAP MOUNTING (1")	23	6
10-66023	SCREW, HOUSING PLATE TO DRIVE SHAFT HSG. (2")	31	10	10-73657	SCREW, CRANKCASE TO CYLINDER BLOCK (1 1/2")	21	17
10-66024	SCREW, TRIM TAV TO GEAR HOUSING (1 3/4")	45	71	10-74968	BOLT, THRU - PLATE TO END CAP	71	6
10-66104	SCREW, THROTTLE BRACKET MOUNTING	15	11	10-75168	SCREW, ADJUSTING - LOWER HOUSING (2 1/4")	9	28
10-68298	BOLT, CLAMP BRACKET TO BOAT TRANSOM (LOWER)	35	13	10-75168	SCREW, ADJUSTING - THROTTLE LEVER	9	8
10-68298	BOLT, HYDRAULIC PUMP TO BOAT (3 1/4")	49	26	10-75840	SCREW, STATOR ATTACHING (7/8")	7	8
10-68298	BOLT, MOUNTING BRACKET TO BOAT TRANSOM (3 1/4")	53	9	10-76196	SCREW, STRAP TO CHOKE KNOB (5/8")	15	20
10-68299	BOLT, CLAMP BRACKET TO BOAT TRANSOM (UPPER)	35	13	10-77065	SCREW, TOP COVER ATTACHING (2")	21	10
10-68513	SCREW, RETAINING PLATE AND CAM TO SHOCK CYLINDER (3/8")	53	27	10-77444	SCREW, RETAINER TO CONTROL HANDLE (5/16")	67	10
10-68586	SCREW, BRUSH AND HOLDER TO CAP	71	17	10-78492A1	THUMB SCREW ASSEMBLY	35	2
10-68909	SCREW, CONTROL LEVER TO FACE CAM (1 1/2")	63	34	10-78495	SCREW, WASHER ATTACHING	35	2A
10-68997	SCREW, FLYWHEEL HUB	7	6	10-79953	SCREW, GREASE FILLER AND VENT HOLE	43	47
10-69020	SCREW, WIRING HARNESS CLAMP TO BOTTOM COWL (7/8")	11	19	10-86885	SCREW, PLATE TO CYLINDER BLOCK (1 1/2")	11	2
10-69028	SCREW, MOUNTING BRACKET TO HYDRAULIC PUMP (3/4")	51	41	11-15774	NUT, SWIVEL TO THROTTLE LEVER	9	15
				11-20110	NUT, CARBURETOR FILTER SCREEN FASTENING SCREW	15	31
				11-20110	NUT, CHOKE SHUTTER TO CORBURETOR STUD	15	27

PARTS INDEX

Part Number	Description	Pg.	Ref. No.	Part Number	Description	Pg.	Ref. No.
11-20509	NUT, THROTTLE CABLE TO SWIVEL	9	7	11-35888	NUT, WATER PUMP FASTENING SCREW	41	32
11-20509	NUT, THROTTLE LEVER SCREW	9	5	11-35921	NUT PINION GEAR TO DRIVE SHAFT	41	10
11-20664	NUT, LINK ROD	29	22	11-35921	NUT, PINION GEAR TO DRIVE SHAFT	41	10
11-20696	NUT, SHOCK CYLINDER SCREW	53	21	11-36069	NUT, ADAPTER SCREW	19	34
11-20890	NUT, INPUT STUD	71	15	11-36069	NUT, SUPPORT SCREW	29	11A
11-21825	NUT, STARTER SOLENOID SCREW	51	45	11-39598	NUT, RUBBER MOUNT TO REAR SUPPORT BRACKET	3	23
11-21908	NUT, MOUNTING BRACKET SCREW	49	25	11-45076	NUT, IGNITION COIL TERMINAL	11	32
11-24652	NUT, REMOTE CONTROL TO BOAT TRANSOM	65	44	11-45076	NUT, RECTIFIER TERMINALS	11	9
11-24656	NUT, CAM ROLLER TO THROTTLE LEVER PIN	63	10	11-45076	NUT, SWITCH BOX TERMINAL	11	28
11-24656	NUT, MOUNTING BRACKET TO HYDRAULIC PUMP THRU BOLT	49	37	11-45076	NUT, WIRE TO MERCURY SWITCH	11	6
11-25096	NUT, LOWER MOUNT SCREW	39	27	11-45774	NUT, MAIN BEARING CLAMPING SCREW	25	18
11-25269	NUT, STRAP STOP FASTENING SCREW	33	13	11-45774	NUT, SWIVEL	9	38
11-28587	NUT, SPEED - SPRING RETAINER	61	7	11-45812	NUT, JAM - :O,OT SWOTCJ ADKISTOM STID	53	24
11-28770	NUT, CLAMP BRACKET STUD	35	11	11-46438	NUT, STRAP TO CHOKE ROD SCREW	15	24
11-28770	NUT, MOUNTING BRACKET TO CLAMP BRACKET STUD	53	18	11-46793	NUT, PORT CONTROL HOUSING STUD	69	48
11-28770	NUT, RUBBER MOUNT TO FRONT SUPPORT BRACKET	3	36	11-46887	NUT, BEARING CLAMPING SCREW	25	14
11-29250	NUT, CRANKCASE TO CYLINDER BLOCK SCREWS (LOWER)	21	19	11-46887	NUT, CHOKE ROD SPRING TO CARBURETOR STUD	15	35
11-29488	NUT, INLET COVER SCREW	55	40	11-46887	NUT, LOWER SHOCK PIN SCREW	37	33
11-29489	NUT, GEAR HOUSING AND DRIVE SHAFT HOUSING STUDS	39	32	11-47661	NUT, JAM - PUSH ROD NOT USED WITH FULL POWER TRIM	39	16
11-29598	NUT, ADJUSTING SCREW	9	29	11-49091	NUT, CONNECTING ROD SCREW	25	29
11-29598	NUT, ADJUSTING SCREW	9	9	11-52707	NUT, PROPELLER	45	77
11-34688	NUT, REMOTE CONTROL HOUSING CLAMPING SCREW	63	41	11-52901	NUT, FLYWHEEL ATTATCHING	7	2
11-34932	NUT, POWERHEAD STUD	31	23	11-53153	NUT, REED STOP SCREW	25	22
11-34933	NUT, GEAR HOUSING AND DRIVE SHAFT HOUSING STUDS	39	30	11-56041	NUT, TILT TUBE FASTENING	35	6
11-34933	NUT, GEAR HOUSING TO DRIVE SHAFT HOUSING STUDS	45	73	11-63683	NUT, MICRO SWITCH SCREW	69	60
11-34933	NUT, STEERING ARM BOLT FASTENEING	33	19	11-64015	NUT, STARTER MOTOR TERMINAL	7	19
11-34933	NUT, UPPER MOUNT BOLT	39	23	11-64809	NUT, CARBURETOR MOUNTING STUD	17	35
11-35521	NUT, LOWER MOUNT TO CLAMP COVER	39	38	11-68219	NUT, ADJUSTING SCREW	9	32
11-35814	NUT, WATER PUMP BODY FASTENING STUD	41	34	11-68219	NUT, SOLENOID TERMINAL	15	3
				11-68219	NUT, SOLENOID TERMINALS (10-32)	11	14
				11-68219	NUT, STARTER SOLENOID TERMINAL (#10)	49	30
				11-68292	NUT, SOLENOID TERMINALS (5/16-18)	11	16
				11-68292	NUT, STARTER SOLENOID TERMINAL (5/16")	49	32

PARTS INDEX

Part Number	Description	Pg.	Ref. No.	Part Number	Description	Pg.	Ref. No.
11-68411	NUT, CLAMP BRACKET BOLT	35	15	12-35950	WASHER, CABLE ATTACHING	69	42
11-68411	NUT, HYDRAULIC PUMP BOLT	49	27	12-36001	WASHER, WATER PUMP BODY FASTENING STUD	41	33
11-68411	NUT, MOUNTING BRACKET BOLT	53	11	12-37807	WASHER, SHOCK CYLINDER SCREW (STARBOARD ONLY)	53	20
11-68580	NUT, RETAINING - DRIVE ASSEMBLY	71	1	12-38013	WASHER, INPUT STUD	71	13
11-69254	NUT, POWERHEAD STUDS (3/8-24)	39	11	12-38753	WASHER, PLATE SCREW	11	3
11-72008	NUT, THROTTLE HOUSING SCREW	9	27	12-45176	WASHER, GEAR HOUSING TO DRIVE SHAFT HOUSING STUDS	39	31
12-20260	WASHER, GREASE FILLER AND VENT HOLE SCREW	43	48	12-45176	WASHER, GEAR HOUSING TO DRIVE SHAFT HOUSING STUDS	39	33
12-20260	WASHER, SEALING - FILLER SCREW	47	9	12-45176	WASHER, GEAR HOUSING TO DRIVE SHAFT HOUSING STUDS	45	72
12-20260	WASHER, SEALING - HYDRAULIC PUMP FILLER SCREW	49	4	12-47247	WASHER, NEEDLE LOCATING	25	31
12-20346	WASHER, REMOTE CONTROL SCREW	65	43	12-47840	WASHER, RUBBER - UPPER MOUNT BOLT	39	21
12-20878	WASHER, INLET COVER SCREW	55	39	12-48300	WASHER, CLAMP BRACKET BOLT (UPPER)	35	14
12-22753	WASHER, CRANKCASE TO CYLINDER BLOCK SCREWS	21	18	12-49221	WASHER, VENT SCREW	61	5
12-25970	WASHER, POWERHEAD STUD	31	22	12-49339	WASHER, LOWER MOUNT SCREW	39	26
12-25970	WASHER, POWERHEAD STUDS	39	12	12-52864	WASHER, CLAMP BRACKET TILT TUBE	35	5
12-26168	WASHER, PORT CONTROL HOUSING STUD	69	47	12-57383	WASHER, THRUST - ARMATURE	71	8
12-28196	WASHER, UPPER BUSHING RETAINER (INNER)	37	38	12-57388	WASHER, INSULATING - INPUT STUD	71	12
12-29245	WASHER, MEGAPHONE SCREW	31	21	12-59378	WASHER, LOWER BUSHING RETAINER (INNER)	37	39
12-29245	WASHER, WATER PUMP BODY FASTENING SCREW AND STUD	41	31	12-59572	WASHER, COVER FASTENING KNOB (PLASTIC)	5	4
12-29395	WASHER, THROTTLE LEVER SCREW	9	3	12-65986	WASHER, NYLON - CONTROL HUB	67	25
12-30164	WASHER, WIRING HARNESS CLAMP SCREW	11	21	12-68025	WASHER, CONTROL HUB	67	23
12-30771	WASHER, COVER FASTENING KNOB (RUBBER)	5	3	12-68032	WASHER, THROTTLE SHAFT	67	30
12-31263	WASHER, UPPER MOUNT BOLT	39	22	12-68229	WASHER, FLYWHEEL ATTACHING	7	3
12-33786	WASHER, SWIVEL	9	13	12-68410	WASHER, CLAMP BRACKET BOLT (LOWER)	35	14
12-33786	WASHER, SWIVEL	9	36	12-68410	WASHER, MOUNTING BRACKET BOLT	53	10
12-34675	WASHER, SHIFT LEVER SCREW	63	39	12-69342	WASHER, SWIVEL PIN - UPPER	33	4
12-34675	WASHER, THROTTLE LEVER SCREW	63	6	12-69374	WASHER, UPPER AND LOWER BUSHING RETAINER (OUTER)	37	40
12-34680	WASHER, CAM ROLLER PIN	63	9	12-69380	WASHER, SWIVEL PIN - LOWER	33	10
12-35462	WASHER, LINK ROD	29	21	12-70132	WASHER, WATER JACKET COVER FASTENING SCREW	23	16
12-35462	WASHER, THROTTLE HOUSING SCREW	9	26	12-72761	WASHER, THROTTLE LEVER SCREW	69	41
12-35462	WASHER, TIMING POINTER SCREW	3	39				

PARTS INDEX

Part Number	Description	Pg.	Ref. No.	Part Number	Description	Pg.	Ref. No.
12-74711	WASHER, FUEL TANK COVER FATENING SCREW	61	23	13-26993	LOCKWASHER, REAR BRACKET SCREW	3	26
12-74726	WASHER, THROTTLE LEVER SCREW	15	8A	13-26993	LOCKWASHER, REAR SUPPORT BRACKET SCREW	3	28
12-76388	WASHER, TILT LOCK (STARBOARD SIDE ONLY)	35	25B	13-26993	LOCKWASHER, SOLENOID TERMINALS (5/16")	11	15
12-76805	WASHER, THRUST - BEARING CARRIER TO GEAR HOUSING	45	62	13-26993	LOCKWASHER, STARTER SOLENOID TERMINAL (5/16")	49	31
12-77674	WASHER, RUBBER - SHIFT SHAFT BUSHING	43	44	13-26993	LOCKWASHER, TOP COVER SCREWS	21	11
12-78493	WAHSER, THUMB SCREW	35	2B	13-26995	LOCKWASHER, FLOAT BOWL COVER SCREW	17	15
12-85303	WASHER, PLASTIC - THROTTLE CAM	9	21	13-26996	LOCKWASHER, FUEL PUMP ATTATCHING SCREW	19	18
12-86498	WAVE WASHER, SHAFT	9	23	13-26996	LOCKWASHER, RETAINING PLATE AND CAM SCREW	53	28
13-24658	LOCKWASHER, MICRO SWITCH SCREW	69	59	13-26996	LOCKWASHER, SOLENOID TERMINAL	15	2
13-26992	LOCKWASHER, CONTROL LEVER SCREW	63	35	13-26996	LOCKWASHER, SOLENOID TERMINALS (#10)	11	13
13-26992	LOCKWASHER, CONTROL VALVE AND MANIFOLD PLATE SCREW	49	15	13-26996	LOCKWASHER, STARTER SOLENOID TERMINAL (#10)	49	29
13-26992	LOCKWASHER, GROUND WIRE SCREW	11	24	13-26996	LOCKWASHER, THRU BOLT	47	18
13-26992	LOCKWASHER, MOUNTING BRACKET SCREW	49	36	13-26996	LOCKWASHER, WIRING HARNESS CLAMP SCREW	11	20
13-26992	LOCKWASHER, MOUNTING BRACKET SCREW	51	42	13-29402	WAVE WASHER, SWIVEL	9	14
13-26992	LOCKWASHER, REAR HOOK MOUNTING SCREW	3	15	13-29402	WAVE WASHER, SWIVEL	9	37
13-26992	LOCKWASHER, RUBBER MOUNT TO REAR SUPPORT BRACKET	3	22	13-29720	WASHER, WAVE - LINK ROD	29	23
13-26992	LOCKWASHER, STARTER MOTOR TERMINAL	7	18	13-34678	WASHER, WAVE - NEUTRAL WARM-UP LEVER	63	18
13-26992	LOCKWASHER, STARTER SOLENOID SCREW	11	12	13-37371	LOCKWASHER, SHIELD SCREW	3	8
13-26992	LOCKWASHER, STARTER SOLENOID SCREW	51	44	13-38019	LOCKWASHER, INPUT ST	71	14
13-26992	LOCKWASHER, WATER PUMP BODY SCREW	41	30	13-39107	LOCKWASHER, MOUNTING BRACKET SCREW	49	24
13-26993	LOCKWASHER, RUBBER MOUNT TO FRONT SUPPORT BRACKET	3	35	13-39107	LOCKWASHER, RETAINER TO TOP COWL SCREW	3	5
13-26993	LOCKWASHER, BOTTOM COVER SCREW	21	15	13-60861	WASHER, WAVE - THROTTLE LEVER	65	60
13-26993	LOCKWASHER, CHOKE SOLENOID SCREW	15	5	13-61789	LOCKWASHER, THRU BOLT	71	7
13-26993	LOCKWASHER, CLAMP BRACKET STUD	35	10	13-69150	WASHER, WAVE - TILT LOCK (STARBOARD SIDE ONLY)	35	25
13-26993	LOCKWASHER, FRONT SUPPORT BRACKET SCREW	3	31	14-20091	TAB WASHER, BEARING LOCKING SCREW	21	21
13-26993	LOCKWASHER, FRONT SUPPORT BRACKET SCREW	3	33	14-31210	TAB WASHER, PROPELLER NUT	45	76
13-26993	LOCKWASHER, MOUNTING BRACKET TO CLAMP BRACKET STUD	53	17	14-52700	TAB WASHER, GEAR HOUSING COVER	45	68
				15-20085A1	SHIM, END CAP TO CRANKCASE (.005-10)	23	11
				15-30923A1	SHIM, BEARING OUTER RACE TO HOUSING (.002-3-5-10)	45	53
				15-57007A1	SHIM, BALL BEARING TO BASE	41	11

PARTS INDEX

Part Number	Description	Pg.	Ref. No.	Part Number	Description	Pg.	Ref. No.
15-73644A1	SHIM, END CAP TO CRANKCASE (.0006-10)	23	5	17-34692	PIN, SHIFT AND THROTTLE LEVERS	63	20
16-21085	STUD, ADJUSTING - CUT-OUT LIMIT SWITCH (15/16")	53	23	17-35973	DOWEL PIN, WATER PUMP BASE TO WATER PUMP BODY	41	19
16-29208	STUD, PORT CONTROL HOUSING (2 1/2")	69	46	17-38311	PIN, COIL SPRING MOUNTING NOT USED WITH FULL POWER TRIM	35	18
16-30667	STUD WATER PUMP BASE AND BODY TO GEAR HOUSING (3 1/8")	41	6	17-46912	DOWEL PIN, GEAR HOUSING LOCATING	41	2
16-39937	STUD, CHOKE ROD SPRING TO CARBURETOR	15	33	17-47175	PIN, LOCKING LEVER AND COVER FASTENING	29	27
16-45282	STUD, MOUNTING BRACKET AND CLAMP BRACKET	53	16	17-47246	DOWEL PIN, STEPPED	25	12
16-56295	STUD. DRIVE SHAFT HOUSING TO GEAR HOUSING (92 11/16")	39	2	17-49930A1	TILT LOCK PIN ASSEMBLY (NOT USED WITH FULL POWER TRIM)	35	12
16-56297	STUD, WATER PUMP BASE AND BODY TO GEAR HOUSING (3 3/8")	41	5	17-58998	PIN, ROLL - COWL LATCH LEVER TO HINGE	3	12
16-57920	STUD, GEAR HOUSING TO DRIVE SHAFT HOUSING (2 1/16")	41	4	17-63779	PIN, DOWEL - CYLINDER BLOCK TO MAIN BEARING	21	7
16-57921	STUD, GEAR HOUSING TO DRIVE SHAFT HOUSING (4")	41	3	17-68672	PIN, CONTROL HUB	67	19
16-59625	STUD, CLAMP BRACKET (NOT USED WITH FULL POWER TRIM)	35	9	17-73593A1	SWIVEL PING AND ARM ASSEMBLY	33	14
16-64280	STUD, CARBURETOR MOUNTING (1 3/16")	21	4	18-21071	COTTER PIN, CABLE ATTACHING	69	43
16-64281	STUD, CRANKCASE TO EXHAUST EXTENSION PLATE (1 7/8")	21	5	18-25191	COTTER PIN, PUSH ROD PIN NOT USED WITH FULL POWER TRIM	39	19
16-64282	STUD, CYLINDER BLOCK TO DRIVE SHAFT HOUSING PLATE (4")	21	8	18-29623	COTTER PIN, SHIFT AND THROTTLE LEVER PINS	63	21
16-69037	STUD, CARBURETOR - CHOKE SHUTTER PIVOT	15	26	18-36391	COTTER PIN, MOUNTING TUBE PIN	55	47
17-20009	PIN, DETENT - CONTROL HOUSING NEUTRAL WARM-UP LEVER	63	13	18-45882	COTTER PIN, REVERSE LOCK TO SHAFT NOT USED W/FULL POWER TRIM	35	30
17-20032	DOWEL PIN, CENTER MAIN BEARING	25	8	18-47959	COTTER PIN, TILT LOCK	35	26
17-20032	DOWELL PIN, MAIN BEARING	25	16	19-20011	WELCH PLUG, DETENT PIN AND SPRING RETAINING	63	16
17-20033	PIN, DOWEL - CRANKCASE TO CYLINDER BLOCK	21	6	19-45907	PLUG, FLYWHEEL	7	1
17-20426	RIVET, INDICATOR TO RETAINER	61	16	19-64649	PLUG, PLASTIC - TRIM TAB SCREW HOLE	39	3
17-23784	DOWEL PIN, DRIVE SHAFT HOUSING PLATE	31	17	21-30430A10	CHECK VALVE ASSEMBLY	19	2
17-23784	DOWEL PIN, EXHAUST EXTENSION PLATE	31	6	21-57306	FITTING, FUEL LINE TO PRIMER BULB	59	4
17-29077	ROLL PIN, TENSION SPRING TO KNOB	5	6	21-57306A1	CHECK VALVE ASSEMBLY	59	3
17-30632	PIN, CROSS - RATCHET TO PROPELLER SHAFT	45	58	21-77560	CHECH VALVE, BLEED HOSE - UPPER	21	25
17-34673	PIN, CAM ROLLER TO THROTTLE LEVER	63	8	21-77561	CHECK VALVE, BLEED HOSE - LOWER	21	27
				22-25885	ELBOW, BALANCE HOSE	21	28
				22-46008	PLUG, CONTROL VALVE (1/2-20")	49	17
				22-63186	CONNECTOR, FUEL LINE (ENGINE END)	59	8
				22-63187	CONNECTOR, FUEL LINE (FUEL TANK END)	59	7
				22-63981	ELBOW, FUEL LINE TO ADAPTOR	19	27

PARTS INDEX

Part Number	Description	Pg.	Ref. No.	Part Number	Description	Pg.	Ref. No.
22-64704	FITTING, ELBOW - UPPER CORBURETOR	19	22	23-59624	SPACER, CLAMP BRACKET STUD	35	8
22-64704	FITTING, FUEL OUTLET	19	19	23-61788	SPACER, DRIVE ASSEMBLY	71	2
22-64706	FITTING, TEE - CENTER CARBURETOR	19	24	23-65830	BUSHING, NYLON - THROTTLE SHAFT	67	34
22-67892	PLUG, DRAIN (MAGNETIC)	43	47	23-69132	BUSHING, REVERSE LOCK PIVOT SHAFT	33	2
22-68307	PLUG, PIPE - CYLINDER BLOCK COVER	23	27	23-69341	BUSHING, SWIVEL BRACKET	33	3
22-73318	TEE, FUEL LINE	19	23	23-70412	SPACER, BALL BEARING TO BASE	41	11
22-74036	FITTING, GREASE - SWIVEL BRACKET	33	7	23-73203	SPACER, UPPER SHOCK BUSHING TO CLAMP BRACKET	37	37
22-74036	GREASE FITTING	53	1A	23-74213	SWIVEL, LINK ROD TO THROTTLE CAM	9	17
22-78279	ELBOW, TELL TALE HOSE TO CYLINDER BLOCK	29	16	23-74647	BUSHING, NYLON - SUPPORT PLATE	67	28
22-85578	TEE, BALANCE HOSE	21	30	23-77631A2	BUSHING ASSEMBLY, SHIFT SHAFT	43	42
22-85822A1	CONNECTOR ASSEMBLY, SPEEDOMETER	41	1A	24-20099	SPRING, LINK ROD TO GUIDE BLOCK	29	31
23-26600		29	18	24-22227	SPRING, TENSION - VENT SCREW	61	6
23-26856	BUSHING, SWIVEL	9	12	24-23067	SPRING, ADAPTOR STEM	19	30
23-26856	BUSHING, SWIVEL	9	35	24-24390	SPRING TENSION - ADJUSTING STUD	53	22
23-27132	BUSHING, NYLON - EXHAUST EXTENSION PLATE	31	2	24-28659	SPRING, COIL - SWIVEL BRACKET NOT USED	35	17
23-28198	BUSHING, RUBBER - SHOCK ABSORBER (LOWER) NOT USD W/FUL PW TR	37	36	24-28975	SPRING, GARTER - INTERNAL WIRING HARNESS	11	22
23-28688	SPACER, RUBBER - COIL SPRING POSITIONING NOT USED W/FULL TRM	35	19	24-30189	SPRING, BAYONET BODY STEM	59	13
23-29804	SLEEVE, GUIDE - WATER INLET TUBE	41	36	24-30622	SPRING, COMPRESSION - CAM FOLLOWER	45	52
23-32171	BUSHING, RUBBER - SHOCK ABSORBER (UPPER) NOT USD W/FUL PW TR	37	35	24-30772	SPRING, TENSION - FASTENING KNOB	5	5
23-32427	SPACER, CHOKE ROD SPRING STUD	15	34	24-30893	SPRING, RETAINING - CROSS PIN	45	59
23-33589	BUSHING, NYLON - NEUTRAL WARM-UP LEVER (5/8" I.D.)	63	19	24-34683	SPRING, DETENT - CONTROL HOUSING	63	2
23-33589	BUSHING, NYLON - SHIFT LEVER (5/8" I.D.)	63	37	24-35210	SPRING, DETENT PIN	63	14
23-34677	BUSHING, NYLON - FACE CAM (1" I.D.)	63	23	24-35227	SPRING, DETENT PIN TENSION	63	15
23-35977	GROMMET, RUBBER - LIFT HOSE AND TRIM HOSE	55	43	24-35522	SPRING, TENSION - LOWER MOUNT CLAMP	39	35
23-37961--2	SLEEVE, SAFETY SWITCH LEADS	65	53	24-45272	SPRING, TENSION - LIMIT SWITCH PLUNGER	53	15
23-45280	SPACER, SHOCK CYLINDER - LOWER	53	5	24-48230	SPRING, CHOKE ROD TENSION	15	32
23-45281	BUSHING, RUBBER - SHOCK CYLINDER	53	6	24-57818	SPRING, UPPER FILTER SCREEN SCREW	15	30
23-45354	BUSHING, RUBBER - CUT-OUT LIMIT SWITCH	53	30	24-61790	SPRING, ANT DRIFT	71	3
23-45818	BRUSHING, THROTTLE LEVER SCREW	9	4	24-73190	SPRING, CONTROL HUB	67	20
23-55399	BUSHING, NYLON - PORT CONTROL HOUSING	67	16	24-78203A1	SPRING, REVERSE LOCK TENSION NOT USED	35	28
23-56774	SPACER, STARTER MOTOR	7	13		WITH FULL POWER TRIM	9	20
23-57387	BUSHING, INSULATING - INPUT STUD	71	11	24-85442	SPRING, TORSION - SHAFT		

PARTS INDEX

Part Number	Description	Pg.	Ref. No.	Part Number	Description	Pg.	Ref. No.
25-20116	GROMMET, CHOKE ROD ..	15	18	27-25568	GASKET, FILLER CAP TO FUEL TANK	61	8
25-20415	"O" RING, ADAPTOR STEM ..	19	31	27-28862	GASKET, COVER ASSEMBLY TO FRAME ..	61	19
25-20415	"O" RING, BAYONET BODY STEM	59	12	27-32433	GASKET, LOWER - WATER PUMP BASE TO FACE PLATE	41	20
25-21720	"O" RING, CONTROL VALVE TO MANIFOLD PLATE (1/2" O.D.)	49	12	27-32434	GASKET, UPPER - FACE PLATE TO WATER PUMP BODY	41	22
25-21720	"O" RING, HYDRAULIC PUMP TO MANIFOLD PLATE	49	2	27-33146	GASKET, WATER PUMP BASE	41	14
25-21720	"O" RING, PUMP TO MANIFOLD PLATE (SEE REGERENCE #2)	49	--	27-45274	GASKET, INLET COVER ...	53	36
25-21720	"O"RING ASSEMBLY, COMPLETE	47	1	27-45275	GASKET, LIMIT SWITCH COVER	53	33
25-25439	"O" RING, SHIFT SHAFT BUSHING	43	41	27-48164	GASKET, CARBURETOR FLANGE	17	34
25-29976	"O" RING BEARING CARRIER	45	63	27-53862	GASKET, CRANKCASE TO CYLINDER BLOCK	21	2
25-30271	RING, RUBBER - CENTRIFUGAL SLINGER (DRIVE SHAFT)	41	35	27-54921	GASKET, FUEL GAUGE LENS	61	12
25-32546	"O" RING, END CAP	23	10	27-62362	GASKET, MEGAPHONE TO DRIVE SHAFT HOUSING PLATE	31	18
25-33145	"O" RING, WATER PUMP BASE	41	15	27-66102	GASKET, PLATE TO DRIVE SHAFT HSG. PLATE	31	11
25-45016	"O" RING, SHOCK CYLINDER BLEED SCREW	53	3	27-69238	GASKET, POWERHEAD TO EXTENSION PLATE	31	7
25-45253	"O" RING, CONTROL VALVE TO MANIFOLD PLATE (5/8"O.D.)	49	13	27-72142	GASKET, WATER JACKET COVER	23	14
25-45254	"O" RING, CONTROL VALVE TO MANIFOLD PLATE (3/4" O.D.)	49	11	27-72506	GASKET, CYLINDER BLOCK COVER	23	24
25-45507	GROMMET, RUBBER - INLET COVER	53	37	27-72507	GASKET, CYLINDER BLOCK TO BAFFLE PLATE	23	17
25-47254	"O" RING	23	4	27-72509	GASKET, BAFFLE PLATE TO EXHAUST MANIFOLD COVER	23	19
25-57806	GROMMET, PLASTIC - TRIM COVER SCREW	39	6A	27-85653A79	GASKET SET	1	-
25-62702	"O" RING, TILT LOCK	35	25C	28-30281	KEY, LOCATING - BEARING CARRIER	45	67
26-22734	OIL SEAL, SWIVEL BRACKET (TILT LOCK) ..	35	25A	28-68024	KEY, CONTROL HUB	67	22
26-29476	OIL SEAL, END CAP	23	3	29-47270	BEARING, NEEDLE-PISTON PIN	25	30
26-29476	OIL SEAL, END CAP	23	9	29-52168	BEARING, NEEDLE - OUTER RACE	25	9
26-31489	OIL SEAL, WATE PUMP BASE	41	17	30-62567	BEARING, BALL - UPPER ..	25	3
26-31507	OIL SEAL, WATER PUMP BASE	41	18	30-63742	BEARING, BALL - LOWER ..	25	4
26-37448	OIL SEAL, SWIVEL BRACKET	33	5	31-30894A1	TAPERED ROLLER BEARING ASSEMBLY	45	54
26-38970	SEAL, RUBBER - WATER INLET TUBE	31	16	31-30895	BEARING, ROLLER - FORWARD GEAR	45	55
26-38970	SEAL, RUBBER - WATER INLET TUBE	41	26	31-30956	BEARING, ROLLER - BEARING CARRIER	45	65
26-60898	SEAL, DRIVE SHAFT HOUSING PLATE	31	14	31-32898	BEARING, ROLLER - DRIVE SHAFT	41	7
26-70608	OIL SEAL, STARBOARD MOUNTING BRACKET ...	53	13	31-62596A1	BEARING ASSEMBLY, CRANKPIN	25	27
26-76384	OIL SEAL, SHIFT SHAFT BUSHING	43	43	31-69220	ROLLER BEARING TO DRIVE SHAFT	41	12

PARTS INDEX

Part Number	Description	Pg.	Ref. No.	Part Number	Description	Pg.	Ref. No.
32-34395A1	HOSE, BALANCE - MAIN BEARING (6 1/4")	21	29	50-72467	STARTER MOTOR	7	11
32-34395A1	HOSE, DRIP TRAY TO BOTTOM COWL(8")	29	5	50-72467	STARTER MOTOR ASSEMBLY, COMPLETE	71	-
32-34395A1	HOSE, TELL TALE - AXHAUST COVER TO BOTTOM COWL (21 1/2")	29	13	52-34239	RATCHET, SLIDING GEAR	45	57
32-45327	HOSE, TRIM - CYLINDER TO CONTROL VALVE (5') - 13/32" O.D.	55	41	53-26933	RING, SNAP - OUTER RACE	25	11
32-45959	HOSE, LIFT - CYLINDER TO CONTROL VALVE (5') - 17/32" O.D.	55	42	53-28903	FASTENER, RETAINING FRAME TO FUEL TANK	61	21
32-54936	HOSE, BLEED (22")	21	26	53-29641	"E" RING, RETAINING - SHIFT SHAFT	43	40
32-60897	TUBE, WATER INLET	39	7	53-68030	RING, RETAINING - THROTTLE PINION	67	33
32-70432	FUEL LINE, ADAPTOR TO FUEL PUMP (16")	19	26	53-73591	RETAINING RING, BOTTOM YOKE ATTACHING	33	16A
32-70432	FUEL LINE. FUEL PUMP TO CARBURETOR (6 1/4"-2 3/4")	19	20	54-22627	CLIP, INNER - WIRING HARNESS TO CONTROL HOUSING	65	55
33-68057	SPARK PLUG (CHAMPION #L76-V)	13	37	54-27764	CLAMP, PRIMER BULB TO CHECK VALVE (LARGE)	59	5
34-65312A1	REED SET, MATCHED - MAIN BEARING	25	19	54-55206	CLAMP, FUEL LINE TO CHECK VALVE (SMALL)	59	6
34-65319	REED STOP, MAIN BEARING REED VALVES	25	20	54-55206	CLAMP, FUEL LINE TO CONNECTOR	59	9
35-57819	SCREEN ASSEMBLY FILTER - CARBURETOR	15	28	54-61001	CLAMP, TRIGGER HARNESS	7	10
35-59072	SCREEN, FUEL INLET	19	8	54-63153	CLIP, HARNESS TO COIL COVER	13	39
36-25392A2	FILLER CAP ASSEMBLY	61	3	54-69424	CLAMP, FUEL LINE ATTACHING	19	21
37-64043	DECAL, CONTROL HOUSING (MERCONTROL)	63	30	54-76368	CLAMP, WIRING HARNESS TO BOTTOM COWL	11	18
37-75881	DECAL, FUEL TANK	61	-	55-28414	PIN, LOWER SHOCK MOUNTING	37	31
37-76703	DECAL, CONTROL HOUSING (MARINER) - NOT AS SHOWN	63	29	55-28416	PIN, UPPER SHOCK MOUNTING	35	16
37-77992	DECAL, REMOTE CONTROL COVER (NOT AS SHOWN)	67	14	55-58780A2	SHOCK ABSORBER NOT USED WITH FULL POWER TRIM	37	34
37-87134A79	DECAL SET	1	-	84-60466A1	CABLE ASSEMBLY, IGNITION COIL (BLACK)	11	33
38-85653	GASKET, TRANSFER PORT COVER	23	31	84-62310A3	CABLE ASS'Y, SWITCH BOX TO SWITCH BOX (WHITE AND BLACK)	11	27
39-78811A12	RING, PISTON .015 OVERSIZED	27	--	84-66008A1	WIRE ASSEMBLY, PLATE TO STARTER MOTOR (BLACK)	7	15
39-78816A12	RING, PISTON	25	25	84-73451A8	CABLE, HIGH TENSION	11	34
40-52035	LOCK RING, PISTON PIN	25	24	84-73453	WIRE ASSEMBLY, SOLENOID TO STARTER MOTOR (YELLOW)	7	17
43-65731	GEAR, THROTTLE	67	24	84-74023	CONNECTOR AND HARNESS	49	18
43-65732	PINION GEAR, THROTTLE	67	32	84-76353	HARNESS, TRIM (AVAILABLE IN LENGTHS OF 10', 15', 25' AND 45')	69	65
43-65733	GEAR, SHIFT	67	27	84-76407	WIRING HARNESS (AVAILABLE IN LENGTHS OF 10', 15', 20' AND 4')	69	51
43-65734	PINION GEAR, SHIFT	67	29	84-85532	WIRING HARNESS, INTERNAL	11	17
43-68447	FORWARD GEAR	45	56				
43-68548	GEAR, PINION - DRIVE SHAFT	41	9				
43-76250	REVERSE GEAR	45	61				
44-52542	SHAFT, PROPELLER	45	60				
45-69251	DRIVE SHAFT	41	8				
46-64141A1	WATER PUMP BODY ASSEMBLY	41	23				
46-73804A1	WATR PUMP BASE ASSEMBLY	41	16				
47-65960	IMPELLER, WATER PUMP	41	27				

PARTS INDEX

Part Number	Description	Pg.	Ref. No.	Part Number	Description	Pg.	Ref. No.
84-85537A2	HARNESS ASSEMBLY, COIL TO SWITCH BOX (#2, 4 AND 6)	13	38	622-4850A3	CONNECTING ROD AND CAP ASSEMBLY	25	26
85-71006A1	PROTECTOR, HIGH TENSION CABLE	11	36	745-6637A3	PISTON AND PISTON PIN ASSEMBLY	25	23
85-78866	INSULATOR, STARTER SOLENOID	13	40	745-6694A2	PISTON AND PISTON PIN ASSEMBLY .015 OVERSIZED	27	--
86-60878	TERMINAL, WIRING HARNESS	69	54	852-7739A3	CYLINDER BLOCK AND CRANKCASE ASSEMBLY	21	1
86-63577	TERMINAL BLOCK, CONNECTOR LEADS	63	26	852-7739A3	CYLINDER BLOCK AND CRANKCASE ASSEMBLY	23	1
86-65738	TERMINAL BLOCK	69	55	1023-5070	COVER, CYLINDER BLOCK .	23	23
87-33386A2	SWITCH ASSEMBLY, MERCURY	11	4	1148-5410A1	END CAP ASSEMBLY, LOWER	23	7
87-68033	SWITCH, PUSH BUTTON (RED)	67	11	1161-5940A2	END CAP ASSEMBLY	23	2
87-68691	SWITCH, PUSH BUTTON (BLACK)	67	11	1225-1529	FUEL TANK (6 GALLON) . . .	61	1
87-74605	SWITCH, MICRO	69	57	1225-1529A16	FUEL TANK ASSEMBLY, COMPLETE (6 GALLON) .	61	-
89-68258	STARTER SOLENOID	49	28	1368-7466A1	CARBURETOR ASSEMBLY (TOP)	15	9
89-76545	SOLENOID, STARTER	11	10	1368-7466A1	CARBURETOR ASSEMBLY (TOP)	17	1
90-84518	MARINER 140 PARTS LIST .	1	-	1368-7466A3	CARBURETOR ASSEMBLY (CENTER/BOTTOM)	15	9
92-25234--1	GLUE, ADHESIVE - BLANKET FASTENING	5	--	1368-7466A3	CARBURETOR ASSEMBLY (CENTER/BOTTOM)	17	1
92-27109--1	ADHESIVE COMPOUND, EMBLEM FASTENING	5	--	1395-4540	SCREW, BODY (IDLE TUBE)	17	21
248-5977A28	FLYWHEEL ASSEMBLY, COMP.	7	4	1395-4541	SCREW, PLUG - MAIN FUEL JET CHANNEL	17	29
332-2854	BOOT, HIGH TENSION CABLE	11	35	1395-4542	SCREW, PLUG - MAIN NOZZLE	17	27
332-5524A1	SWITCH BOX ASSEMBLY . .	11	25	1395-4543	SCREW, BODY CHANNEL . .	17	32
338-4995A2	COIL ASSEMBLY, IGITION .	11	29	1395-4804	SCREW, FLOAT BOWL COVER	17	14
392-2529	SPRING SET, BRUSH TENSION	47	16	1395-4808	GASKET AND PACKING SET (1 PER CARBURETOR) . .	17	--
392-2618	CAN, VALVE BODY	47	3	1395-5353	FLOAT ASSEMBLY	17	2
392-2623	WASHER, THRUST - ARMATURE	47	10	1395-5680	COVER, FLOAT BOWL	17	10
392-2936	VALVE BODY AND GEAR ASSEMBLY	47	2	1395-5734	HOSE, ECONOMIZER	17	12
392-2937	SEAL, RESERVOIR TO VALVE BODY AND GEAR	47	5	1395-6029	JET, MAIN FUEL (.068)	17	28
392-2938	BOLT SET, THRU - PLATE AND FRAME TO RESERVOIR	47	17	1395-6030	JET, MAIN FUEL (.070)	17	28
392-2939	RESERVOIR ASSEMBLY . . .	47	6	1395-6207	JET, MAIN FUEL (.072)	17	28
392-2940	PLATE ASSEMBLY, COMMUTATOR END	47	14	1395-6247	JET, BOWL VENT (.090) . . .	17	11
392-2941	BRUSH SET, COMMUTATOR END PLATE	47	15	1395-7297	INLET NEEDLE, SEAT AND GASKET	17	6
392-2942	FIELD AND FRAME ASSEMBLY	47	12	1395-7614	SHAFT, THROTTLE (TOP) . .	17	19
392-2943	ARMATURE, FIELD AND FRAME	47	11	1395-7639	SHUTTER, THROTTLE	17	22
392-2944	BALL, COMMUTATOR END PLATE	47	13	1395-7662	REPAIR PARTS KIT (1 PER CARBURETOR)	17	--
398-5454A8	STATOR ASSEMBLY	7	7	1399-3527	SHAFT THROTTLE (CENTER/BOTTOM)	17	19
436-6646A2	CRANKSHAFT ASSEMBLY . .	25	1	1399-3794	JET, MAIN FUEL (.074) - STANDARD	17	28
535-5397A4	CENTER MAIN BEARING ASSEMBLY	25	7	1399-97	LEVER, THROTTLE(SEE NOTE BELOW)	17	17
				1440-6625A3	CLAMP BRACKET ASSEMBLY	35	1
				1482-6386A4	SWIVEL BRACKET ASSEMBLY	33	1

PARTS INDEX

Part Number	Description	Pg.	Ref. No.	Part Number	Description	Pg.	Ref. No.
1655-7333A23	GEAR HOUSING ASS'Y	41	1				
1655-7333A23	GEAR HOUSING ASS'Y	45	1				
1655-7333A45	GEAR HOUSING ASS'Y COMP. (SEE NOT BELOW)	45	-				
1655-7333A45	GEAR HOUSING ASS'Y, COMP (SEE NOTE BELOW)	41	-				
2115-6462	COWL, BOTTOM	29	1				
2162-6392	COWL, TOP (WITHOUT DECALS)	3	1				
2171-6497A2	COWL FRONT COVER ASSEMBLY (WITHOUT DECALS)	5	1				
2172-6498A3	WRAP AROUND COWL ASSEMBLY (WITHOUT DECALS)	5	11				