



# PARTS CATALOG

## 255 ENGINE

### SERIAL NUMBER

255 MIE GM 350 V-8 1975-1980 ..... 4175500 THRU 5907057

# TABLE OF CONTENTS:

CARBURETOR AND AUTOMATIC CHOKE .....	10
CARBURETOR ASSEMBLY, COMPLETE .....	12
CRANKSHAFT AND PISTONS .....	26
CYLINDER BLOCK AND CAMSHAFT .....	28
DISTRIBUTOR ASSEMBLY (MALLORY) .....	6
EXHAUST MANIFOLD AND EXHAUST ELBOW .....	16
FLYWHEEL HOUSING AND OIL COOLER .....	34
FUEL PUMP AND FUEL FILTER .....	8
INTAKE MANIFOLD .....	32
OIL PAN AND OIL PUMP .....	30
PARTS INDEX .....	50
REMOTE OIL FILTER .....	48
ROCKER COVER AND CYLINDER HEAD .....	24
STARTER MOTOR AND ALTERNATOR .....	2
THERMOSTAT HOUSING .....	20
TRANSMISSION AND ENGINE MOUNTING (INBOARD) .....	36
TRANSMISSION AND ENGINE MOUNTING (V-DRIVE) .....	46
TRANSMISSION AND RELATED PARTS (INBOARD) .....	38
TRANSMISSION AND RELATED PARTS (V-DRIVE) .....	42
WATER DISTRIBUTION HOSES .....	22
WATER PUMP ASSEMBLY .....	18
WIRING HARNESS, CIRCUIT BREAKER AND STARTER SOLENOID .....	4

**NOTE:** Indented description indicate that these parts are included in preceeding assembly.

**AR** = As Required

**NSS** = Not Sold Separate

**OPT** = Optional

**NS** = Not Shown

**THESE PARTS BOOKS/FICHE CARD ARE COPYRIGHTED AND MAY NOT BE DISTRIBUTED OR REPRODUCED IN ANY OTHER FORMAT BY ANYONE OTHER THAN MERCURY MARINE WITHOUT THE PRIOR WRITTEN CONSENT OF MERCURY MARINE.**

# **REPLACEMENT PARTS ! WARNING !**

Electrical, ignition and fuel system components on MerCruiser Engines and Stern Drives are designed and manufactured to comply with U.S. Coast Guard Rules and Regulations to minimize risks of fire or explosion. Use of replacement electrical, ignition or fuel system components, which do not comply to these rules and regulations, could result in a fire or explosion hazard and should be voided.

When servicing the electrical, ignition and fuel systems, it is extremely important that all components are properly installed and tightened. If not, any electrical or ignition component opening would permit sparks to ignite fuel vapors from fuel system leaks, if they existed.

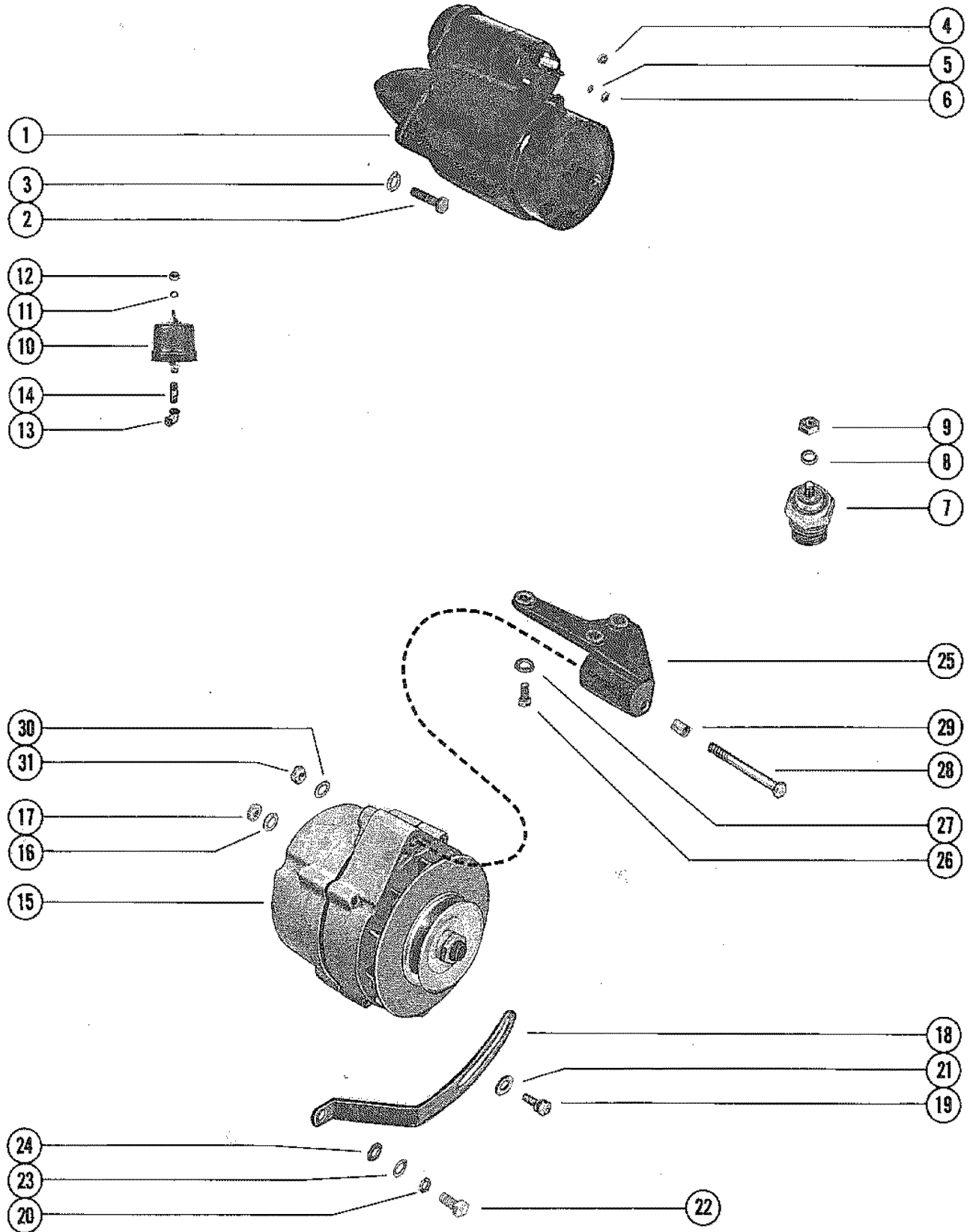
## **ENGINE MECHANICAL COMPONENTS**

Many of the engine mechanical components are designed for marine applications. Unlike automotive engines, marine engines are subjected to extended periods of heavy load and wide- open-throttle operation, therefore, require heavy-duty components. Special marine engine parts have design and manufacturing specifications, which are required to provide long life and dependable performance. Marine engine parts also must be able to resist the corrosive action of salt or brackish water that will rust or corrode standard automotive parts within a short period of time.

Failure to use recommended Mercury Precision Parts OR Quicksilver service replacement parts can result in poor engine performance and/or durability, rapid corrosion of parts subjected to salt water and possibly complete failure of the engine.

Use of parts other than recommended service replacement parts will void the warranty on those parts which are damaged as a result of the use of other than recommended parts.

# STARTER MOTOR AND ALTERNATOR

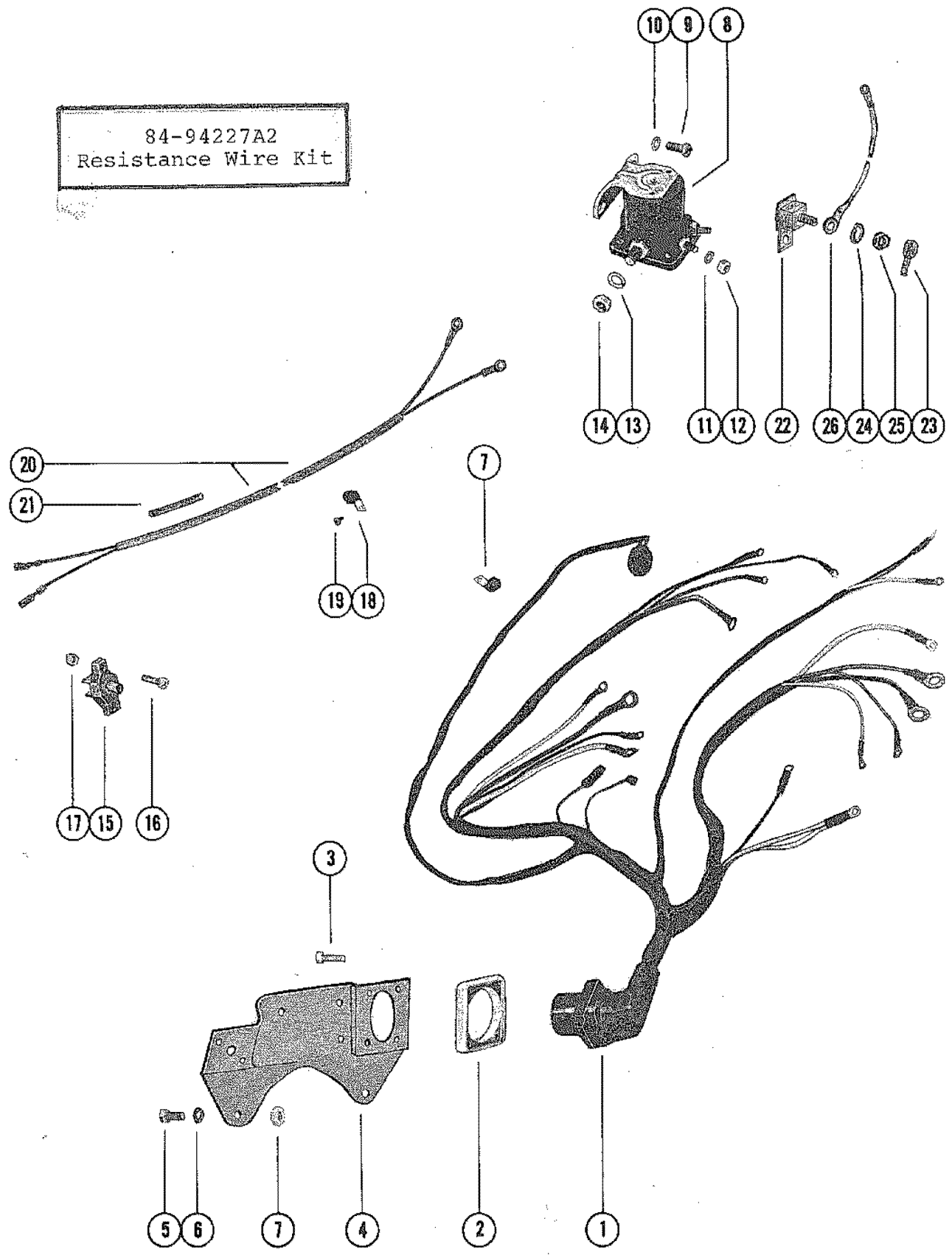


# STARTER MOTOR AND ALTERNATOR

REF. NO.	PART NO.	SYM.	QTY.	DESCRIPTION
1	50-76965A3		1	STARTER MOTOR ASS'Y(DELCO REMY #1109485)-L.H. ROTATION
	50-79604A3		1	STARTER MOTOR ASS'Y(DELCO REMY #1109484)-R.H. ROTATION
2	10-47462		2	SCREW, STARTER MOTOR TO CYLINDER BLOCK (1 1/4")
3	13-32993		2	LOCKWASHER, STARTER MOTOR SCREW
4	11-32219		1	NUT, STARTER TERMINAL (3/8")
5	13-26995		2	LOCKWASHER, STARTER TERMINAL (#8)
6	11-26419		2	NUT, STARTER TERMINAL (#8)
7	34625		1	WATER TEMPERATURE SENDER ASSEMBLY
8	13-26996		1	LOCKWASHER, WATER TEMPERATURE SENDER TERMINAL (#10)
9	11-68219		1	NUT, WATER TEMPERATURE SENDER TERMINAL (#10)
10	34623		1	OIL PRESSURE SENDER ASSEMBLY
11	13-26996		1	LOCKWASHER, OIL PRESSURE SENDER TERMINAL (#10)
12	11-68219		1	NUT, OIL PRESSURE SENDER TERMINAL (#10)
13	22-46932		1	ELBOW, OIL PRESSURE SENDER
14	22-38992		1	NIPPLE, OIL PRESSURE SENDER
15	78403A1		1	ALTERNATOR ASSEMBLY(MOTOROLA #8MR2023F)
16	13-26996		1	LOCKWASHER, ALTERNATOR TERMINAL NUT
	13-26992		1	LOCKWASHER, ALTERNATOR TERMINAL NUT
17	11-30968		1	NUT, ALTERNATOR TERMINAL (10-24)
	11-20890		1	NUT, ALTERNATOR TERMINAL (1/4-20)
18	85013		1	BRACE, ALTERNATOR ADJUSTING
19	10-29198		1	SCREW, ALTERNATOR BRACE TO ALTERNATOR (7/8")
20	13-39107		1	LOCKWASHER, ALTERNATOR BRACE SCREW
21	12-26168		1	WASHER, ALTERNATOR BRACE SCREW
22	10-27165		1	SCREW, ALTERNATOR BRACE TO CYLINDER BLOCK (3/4")
23	13-35048		1	LOCKWASHER, ALTERNATOR BRACE SCREW
24	12-20553		1	WASHER, ALTERNATOR BRACE SCREW
25	48104		1	BRACKET, ALTERNATOR MOUNTING
26	10-76926		3	SCREW, ALTERNATOR BRACKET TO EXHAUST MANIFOLD (7/8")
27	13-35048		3	LOCKWASHER, ALTERNATOR BRACKET SCREW
28	10-48308		1	SCREW, ALTERNATOR TO ALTERNATOR BRACKET (3 3/4")
29	23-33186		1	BUSHING, ALTERNATOR TO BRACKET SCREW
30	12-20553		2	WASHER, ALTERNATOR BRACKET SCREW
31	11-23161		1	NUT, ALTERNATOR BRACKET SCREW

# WIRING HARNESS, CIRCUIT BREAKER AND STARTER SOLENOID

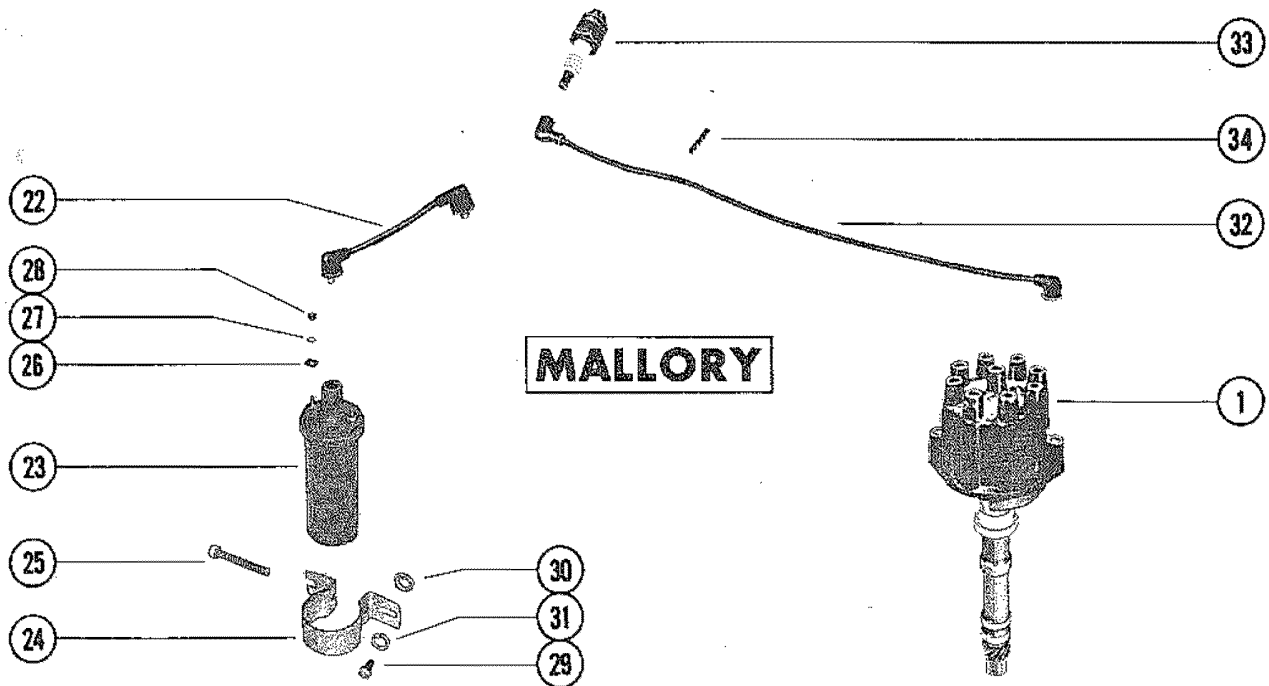
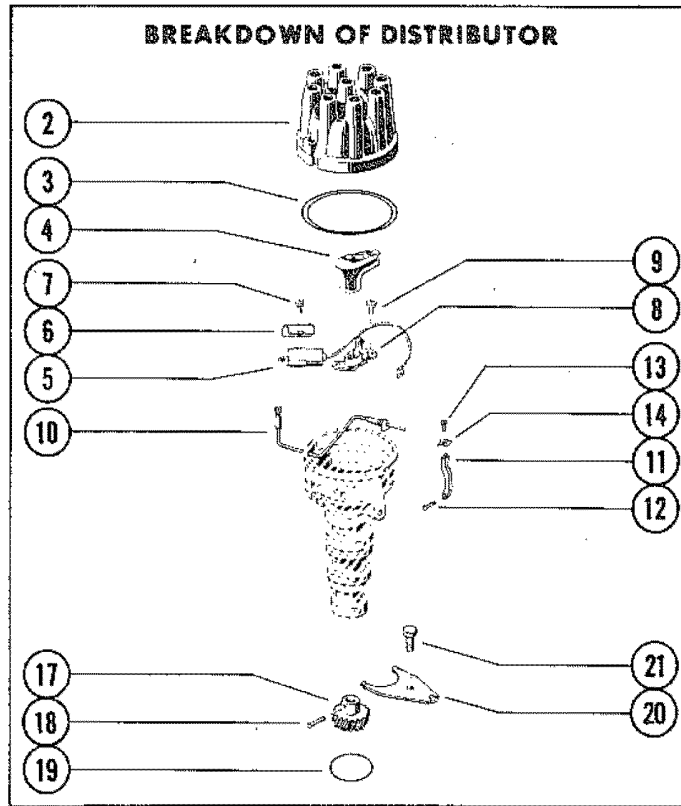
84-94227A2  
Resistance Wire Kit



# WIRING HARNESS, CIRCUIT BREAKER AND STARTER SOLENOID

REF. NO.	PART NO.	SYM.	QTY.	DESCRIPTION
1	84-70959A2		1	WIRING HARNESS (FUSED ENGINES)
	84-86677A2		1	WIRING HARNESS (NON FUSED ENGINES)
2	26079		1	PLATE, WIRING HARNESS TO MOUNTING BRACKET
3	10-46718		4	SCREW, WIRING HARNESS PLATE TO MOUNTING BRACKET (3/4")
4	87090		1	BRACKET, MOUNTING - HARNESS AND CIRCUIT BREAKER
5	10-47461		2	SCREW, MOUNTING BRACKET ATTACHING (1")
6	13-32993		2	LOCKWASHER, MOUNTING BRACKET SCREW
7	64884		1	TAB, WIRING HARNESS (USED WITH B-84-70959A2
	54-55098		1	"J" CLIP (USED WITH B-84-86672A2)
8	89-68258		1	STARTER SOLENOID
9	10-69054		2	SCREW, STARTER SOLENOID TO MOUNTING BRACKET (5/8")
10	13-26992		2	LOCKWASHER, STARTER SOLENOID SCREW
11	13-26996		2	LOCKWASHER, STARTER SOLENOID TERMINAL (#10)
12	11-68219		2	NUT, STARTER SOLENOID TERMINAL (10-32)
13	13-26993		2	LOCKWASHER, STARTER SOLENOID TERMINAL (5/16")
14	11-68292		2	NUT, STARTER SOLENOID TERMINAL (5/16")
15	88-78813		1	CIRCUIT BREAKER
-	<b>11-68219</b>		<b>2</b>	<b>NUT, CIRCUIT BREAKER TERMINAL</b>
-	<b>13-26996</b>		<b>2</b>	<b>LOCKWASHER, CIRCUIT BREAKER TERMINAL</b>
16	10-24637		2	SCREW, CIRCUIT BREAKER TO BRACKET (7/8")
17	11-46438		2	NUT, CIRCUIT BREAKER SCREW
18	54-73668		1	"J" CLIP, WIRING HARNESS - MAIN HARNESS LEAD
	54-54178		1	"J" CLIP, WIRING HARNESS - TEMPERATURE SENDER LEAD
19	10-25703		1	SCREW, "J" CLIP ATTACHING (1/2")
20	84-78581A3		1	HARNESS ASSEMBLY, ALTERNATOR - <b>USED WITH FUSED ENGINES</b>
21	57908--2		2	SLEEVE, ALTERNATOR HARNESS - <b>USED WITH FUSED ENGINES</b>
22	88-79023A90		1	FUSE ASSEMBLY, SOLENOID - <b>USED WITH FUSED ENGINES</b>
23	85-79695		1	INSULATOR BOOT, HARNESS LEAD TO FUSE - <b>USED WITH FUSED ENGINES</b>
24	13-24669		1	LOCKWASHER, LEAD TO FUSE STUD NUT - <b>USED WITH FUSED ENGINES</b>
25	11-21825		1	NUT, LEAD TO FUSE STUD - <b>USED WITH FUSED ENGINES</b>
26	84-79139A7		1	WIRING ASSEMBLY, FUSE TO CIRCUIT BREAKER - <b>USED WITH FUSED ENGINES</b>

# DISTRIBUTOR ASSEMBLY (MALLORY)

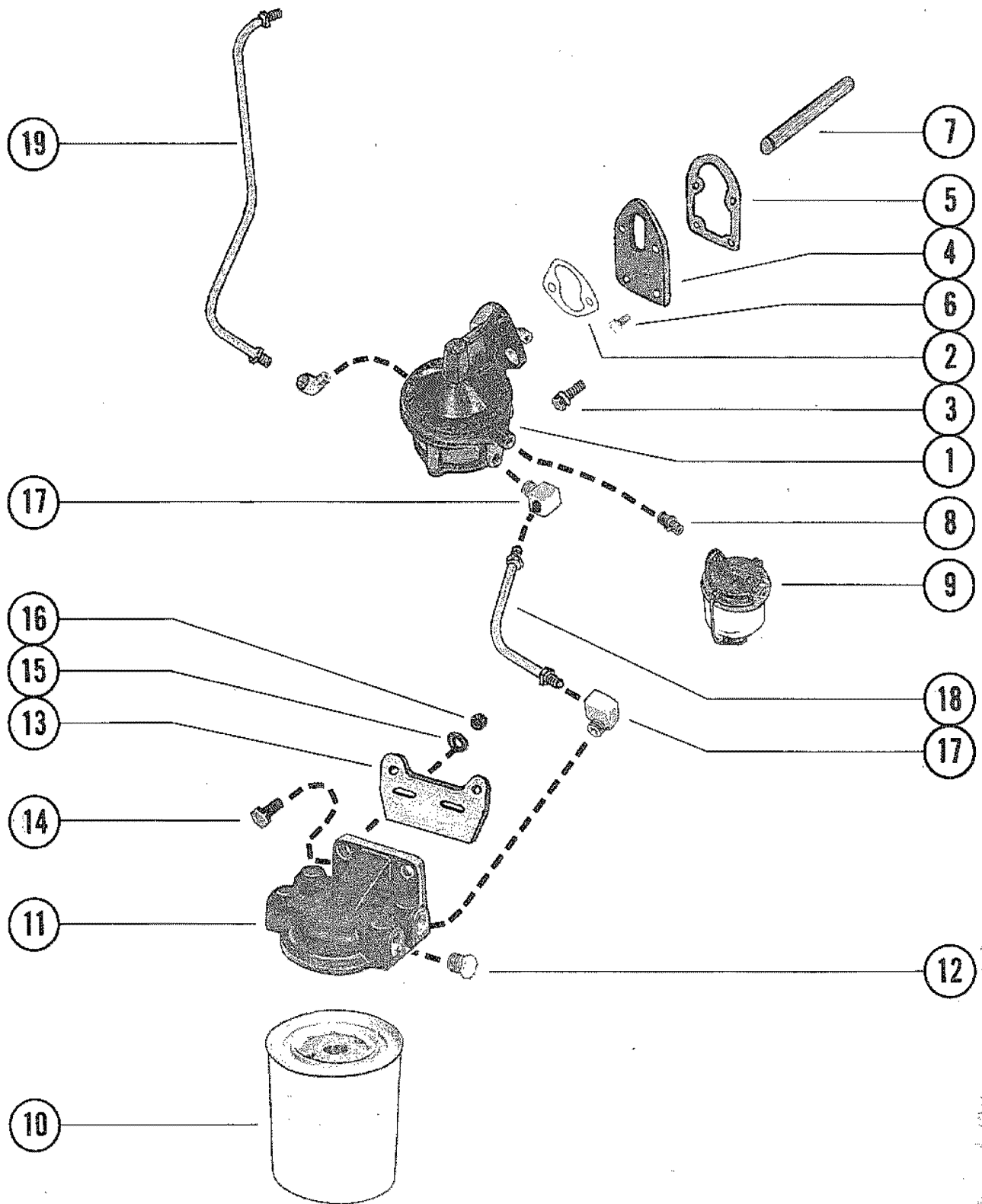




## DISTRIBUTOR ASSEMBLY (MALLORY)

REF. NO.	PART NO.	SYM.	QTY.	DESCRIPTION
1	91823A3		1	DISTRIBUTOR ASSEMBLY, COMPLETE
2	391-5075		1	CAP, DISTRBUTOR
3	391-5076		1	GASKET, DISTRIBUTOR CAP
4	391-7057		1	ROTOR
5	391-5092		1	CONDENSER
6	391-5093		1	BRACKET, CONDENSER ATTACHING
7	391-5091		1	SCREW, CONDENSER BRACKET ATTACHING
8	391-5090		1	BREAKER ASSEMBLY
9	391-5089		1	SCREW, BREAKER ATTACHING
10	84-65773A6		1	LEAD ASSEMBLY, PRIMARY TERMINAL
11	391-5085		2	CLAMP, DISTRIBUTOR CAP ATTACHING
12	391-5084		2	PIN, CLAMP TO DISTRIBUTOR
13	391-5087		2	SCREW, DISTRIBUTOR CAP ATTACHING
14	391-5086		2	WASHER, DISTRIBUTOR CAP SCREW
17	391-6390		1	GEAR, DRIVE
18	391-6391		1	PIN, DRIVE GEAR
19	27-52184		1	GASKET, DISTRIBUTOR
20	52185		1	CLAMP, DISTRIBUTOR TO INTAKE MANIFOLD
21	10-54528		1	SCREW, DISTRIBUTOR CLAMP ATTACHING (7/8")
22	84-75901		1	LEAD ASSEMBLY, DISTRIBUTOR TO COIL (5")
23	32193		1	COIL, IGNITION
24	77294		1	BRACKET, IGNTION COIL MOUNTING
25	10-66652		1	SCREW, BRACKET TO IGNITION COIL (1 1/2")
26	12-30164		2	WASHER, IGNITION CCOIL TERMINAL
27	13-26996		2	LOCKWASHER, IGNITION COIL TERMINAL
28	11-68219		2	NUT, IGNITION COIL TERMINAL
29	10-25299		2	SCREW, IGNITION COIL ATTACHING (3/4")
30	12-20084		2	WASHER, IGNITION COIL ATTACHING SCREW
31	13-26993		2	LOCKWASHER, IGNTION COIL ATTACHING SCREW
32	84-67957--5		1	LEAD ASSEMBLY, HIGH TENSION (38 1/2")
	84-67957--8		1	LEAD ASSEMBLY, HIGH TENSION (37")
	84-67957--4		1	LEAD ASSEMBLY, HIGH TENSION (34")
	84-67957--1		1	LEAD ASSEMBLY, HIGH TENSION (31")
	84-67957-10		2	LEAD ASSEMBLY, HIGH TENSION (29 1/2")
	84-67957--7		1	LEAD ASSEMBLY, HIGH TENSION (24")
	84-67957-11		1	LEAD ASSEMBLY, HIGH TENSION (42")
33	33-59571		8	SPARK PLUG (AC#MR43T)
34	54676		2	RETAINER, HIGH TENSION LEADS (2 WIRE)
	32783		2	RETAINER, HIGH TENSION LEADS (3 WIRE)
	32784		2	RETAINER, HIGH TENSION LEADS (4 WIRE)

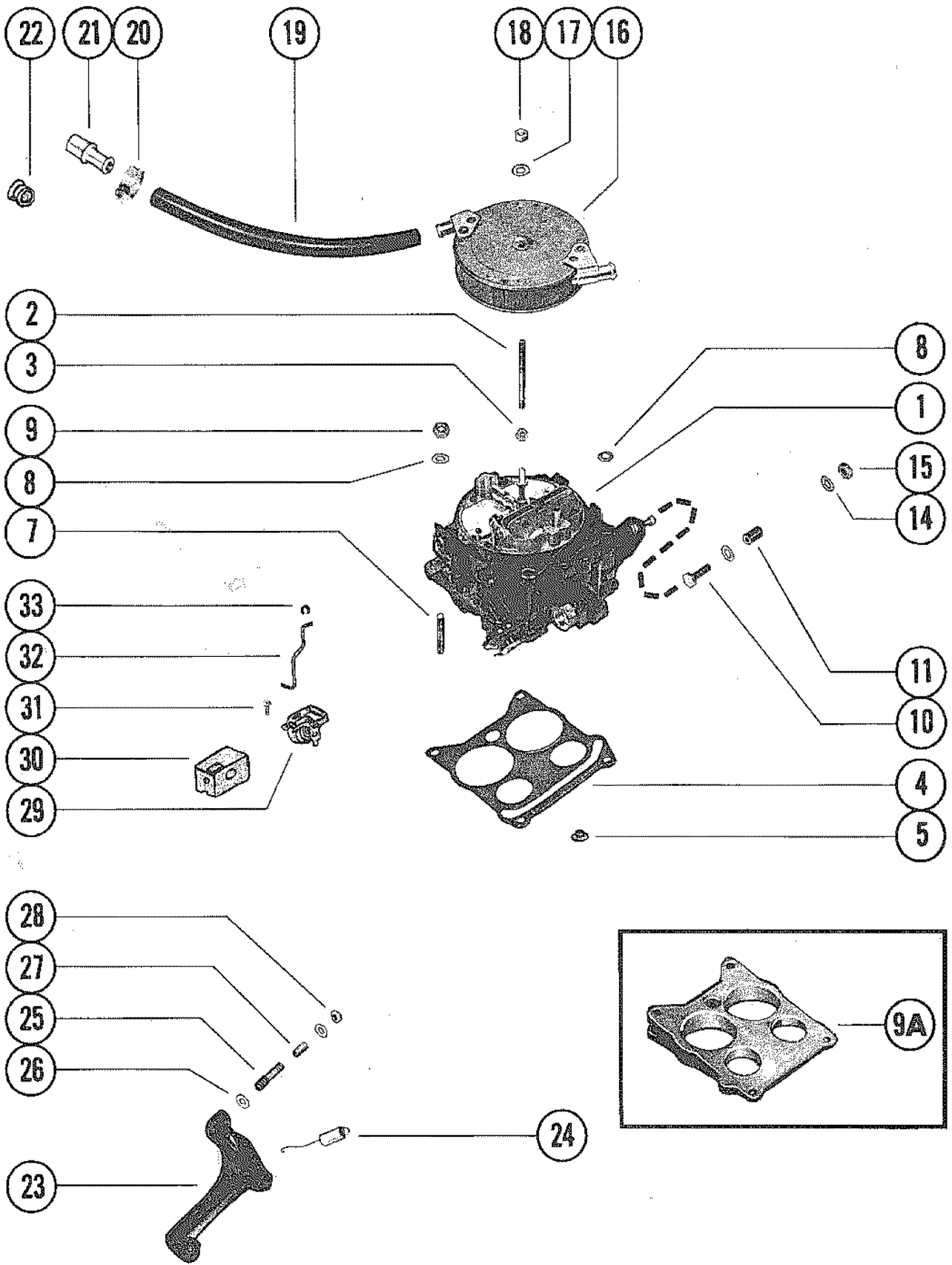
# FUEL PUMP AND FUEL FILTER



## FUEL PUMP AND FUEL FILTER

REF. NO.	PART NO.	SYM.	QTY.	DESCRIPTION
1	86246		1	FUEL PUMP ASSEMBLY
2	27-34213		1	GASKET, FUEL PUMP TO CYLINDER BLOCK
3	10-35374		2	SCREW, FUEL PUMP TO MOUNTING PLATE (1 1/8")
4	35373		1	PLATE, FUEL PUMP MOUNTING
5	27-34898		1	GASKET, FULE PUMP MOUNTING PLATE
6	10-34277		2	SCREW, FUEL PUMP MOUNTING PLATE
7	35377		1	ROD, PUSH - FUEL PUMP
8	22-32876		1	NIPPLE, SIGHT GLASS TO FUEL PUMP
9	47816		1	SIGHT GLASS
10	35-60494		1	FUEL FILTER
11	89876		1	BASE, FUEL FILTER
12	22-20025		2	PLUG, PIPE - FUEL FILTER (SLOTTED) - EARLY MODELS
13	77453		1	BRACKET, MOUNTING - FUEL FILTER
14	10-26066		2	SCREW, FUEL FILTER TO BRACKET (1 1/4")
15	12-20084		2	WASHER, FUEL FILTER SCREW
16	11-35814		2	NUT, FUEL FILTER SCREW
17	22-33821		3	ELBOW, FUEL LINE TO PUMP AND FUEL FILTER
18	32-71325		1	FUEL LINE, FUEL FILTER TO FUEL PUMP (STEEL TUBING)
19	32-71326		1	FUEL LINE, FUEL PUMP TO CARBURETOR
	32-32874		1	FUEL LINE, FUEL PUMP TO CARBURETOR (V-DRIVE ONLY)

# CARBURETOR AND AUTOMATIC CHOKE



## CARBURETOR AND AUTOMATIC CHOKE

REF. NO.	PART NO.	SYM.	QTY.	DESCRIPTION
1	1347-7365A1		1	CARBURETOR ASSEMBLY
2	16-33213		1	STUD, FLAME ARRESTOR MOUNTING - CARBURETOR
3	11-28941		1	NUT, JAM - FLAME ARRESTOR
4	27-52457		1	GASKET, CARBURETOR
5	22-48358		1	PLUG, INTAKE MANIFOLD VACUUM HOLE
7	16-63332		2	STUD, CARBURETOR MOUNTING (1 9/32")
	16-53724		2	STUD, CARBURETOR MOUNTING (1 3/4")
	16-53722		2	STUD, CARBURETOR MOUNTING (4 3/8")
8	12-20084		6	WASHER, CARBURETOR STUDS
9	11-46793		6	NUT, CARBURETOR STUDS
9A	53513		1	WEDGE, CARBURETOR
10	10-22958		1	SCREW, THROTTLE CABLE TO CARBURETOR (1 1/8")
14	12-20128		3	WASHER, THROTTLE CABLE SCREW
11	23-57938		1	BUSHING, THROTTLE CABLE SCREW
	23-34948		1	BUSHING, THROTTLE CABLE SCREW
14	12-56681		1	WASHER, THROTTLE CABLE SCREW
15	11-20190		1	NUT, THROTTLE CABLE SCREW
16	85785		1	FLAME ARRESTOR, CARBURETOR
17	12-86400		1	WASHER, FLAME ARRESTOR STUD
18	11-20586		1	NUT, FLAME ARRESTOR STUD
19	32-47996		2	HOSE, VENT HOSE ATTACHING
20	54-53101		4	CLAMP, VENT HOSE ATTACHING
21	47957		2	CONNECTOR, VENT HOSE TO ROCKER COVER
22	25-52188		2	GROMMET, ROCKER COVER TO VENT HOSE CONNECTOR
23	47502		1	BRACKET, MOUNTING - THROTTLE CABLE (V-DRIVE)
	49929		1	BRACKET, MOUNTING - THROTTLE CABLE (INBOARD)
24	24-32817		1	SPRING, THROTTLE RETURN
25	16-35897		1	STUD, THROTTLE CABLE TO MOUNTING BRACKET (1 11/16")
26	12-21631		2	WASHER, THROTTLE CABLE STUD
27	23-31866		1	SPACER, THROTTLE CABLE STUD
28	11-20586		1	NUT, THROTTLE CABLE STUD
29	72625		1	CHOKE, AUTOMATIC - CARBURETOR
30	66198		1	COVER, AUTOMATIC CHOKE
31	10-59994		1	SCREW, AUTOMATIC CHOKE THERMOSTAT (5/8")
32	61112		1	ROD, AUTOMATIC CHOKE - V-DRIVE
33	54-59989		1	CLIP, AUTOMATIC CHOKE ROD - V-DRIVE
32	60915		1	ROD, AUTOMATIC CHOKE - INBOARD
33	54-48376		1	CLIP, AUTOMATIC CHOKE ROD - INBOARD

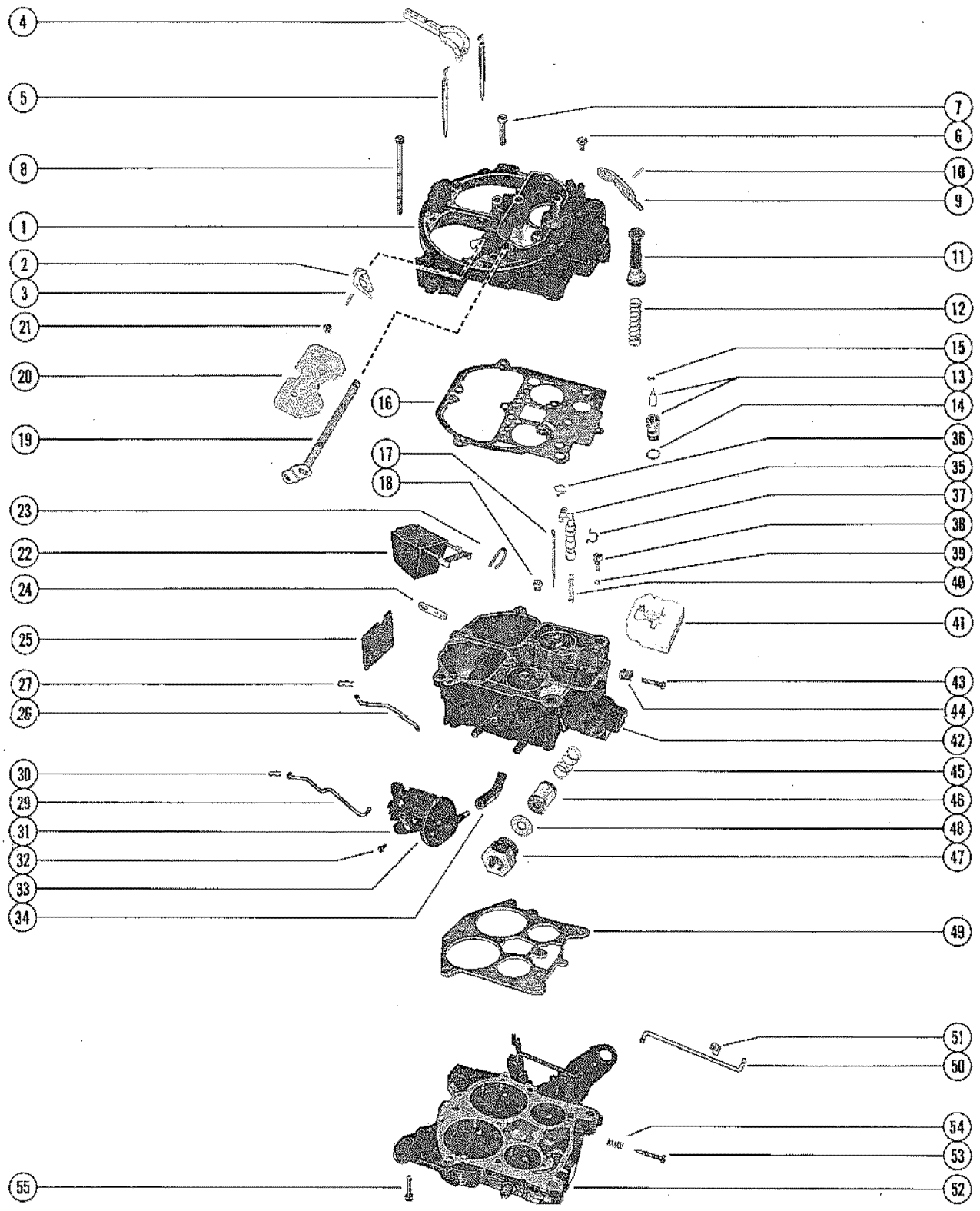


# CARBURETOR ASSEMBLY, COMPLETE

REF. NO.	PART NO.	SYM.	QTY.	DESCRIPTION
-	1347-7365A1		1	<b>CARBURETOR ASSEMBLY, COMPLETE</b>
1	N.S.S.		1	AIR HORN ASSEMBLY (ROCHESTER #17051603)
2	N.S.S.		1	LEVER, AIR VALVE LOCKOUT (ROCHESTER #7037968)
3			1	ROLL PIN, LOCKOUT LEVER
4	N.S.S.		1	HOLDER KIT, SECONDARY METERING ROD (ROCHESTER #7034522)
5	N.S.S.		2	METERING ROD, SECONDARY (ROCHESTER #7045779)
6	N.S.S.		2	SCREW, AIR HORN TO FLOAT BOWL (3/8") - ROCHESTER #7031105
7	N.S.S.		5	SCREW, AIR HORN TO FLOAT BOWL (1") - ROCHESTER #7014699
8	N.S.S.		2	SCREW, AIR HORN TO FLOAT BOWL (3") - ROCHESTER #7029912
9	N.S.S.		1	LEVER, ACTUATING - PUMP (ROCHESTER #7048169)
10			1	ROL PIN, HINGE - PUMP LEVER
11			1	PUMP ASSEMBLY
12			1	SPRING, PUMP RETURN
13			1	NEEDLE AND SEAT ASSEMBLY
14			1	GASKET, NEEDLE AND SEAT
15			1	PULL CLIP, FLOAT NEEDLE
16			1	GASKET, AIR HORN
17			2	METERING ROD, PROMARY
18			2	JET, PRIMARY
19	N.S.S.		1	CHOKE SHAFT AND LEVER ASSEMBLY (ROCHESTER #7036059)
20	N.S.S.		1	VALVE, CHOKE - CHOKE SHAFT ( ROCHESTER #7036021)
21	N.S.S.		2	SCREW, CHOKE VALVE TO CHOKE SHAFT (ROCHESTER #7029866)
22	1397-3327		1	FLOAT ASSEMBLY
23	N.S.S.		1	PIN, HINGE - FLOAT (ROCHESTER #7029856)
24	N.S.S.		1	LEVER, INTERMEDIATE CHOKE (ROCHESTER #7031231)
25	N.S.S.		1	BAFFLE, FLOAT BOWL (ROCHESTER #7031365)
26	N.S.S.		1	ROD, CHOKE (ROCHESTER #7031394)
27			1	CLIP, CHOKE ROD
29	N.S.S.		1	ROD, VACUUM CONTROL (ROCHESTER #7038167)
30			1	CLIP, VACUUM CONTROL ROD
31	N.S.S.		1	BRACKET ASSEMBLY, VACUUM CONTROL (ROCHESTER #17060265)
32	N.S.S.		1	SCREW, VACUUM CONTROL BRAKCTET TO FLOAT BOWL (ROCHESTER #703
33	1397-3317		1	CONTROL ASSEMBLY, VACUUM
34	N.S.S.		1	HOSE, VACUUM (ROCHESTER #7026339)
35	N.S.S.		1	POWER PISTON ASSEMBLY (ROCHESTER #7034637)
36	N.S.S.		1	SPRING, METERING ROD - PRIMARY (ROCHESTER #7029862)
37	N.S.S.		1	RETAINER, POWER PISTON (ROCHESTER #7034339)

CONTINUED ON NEXT PAGE ➡

# CARBURETOR ASSEMBLY, COMPLETE

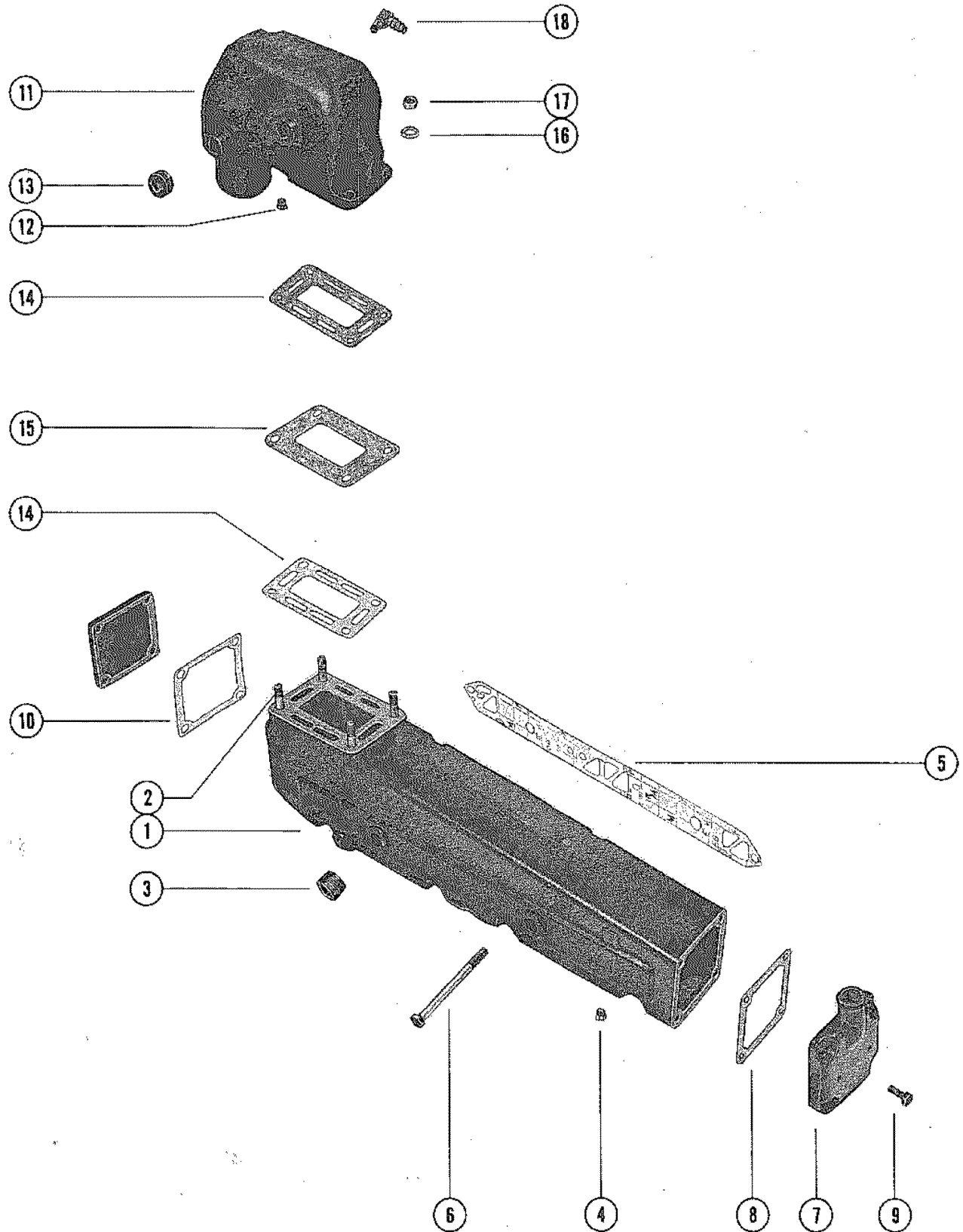




## CARBURETOR ASSEMBLY, COMPLETE

REF. NO.	PART NO.	SYM.	QTY.	DESCRIPTION
38	N.S.S.		1	RETAINER, PUMP DISCHARGE BALL (ROCHESTER #7029849)
39			1	BALL, PUMP DISCHARGE
40	24-48141		1	SPRING, POWER PISTON
41	N.S.S.		1	INSERT, FLOAT BOWL (ROCHESTER #7034361)
42	N.S.S.		1	FLOAT BOWL ASSEMBLY (ROCHESTER #7041584)
43	N.S.S.		1	SCREW, IDLE STOP (ROCHESTER #7002121)
44	N.S.S.		1	SPRING, IDLE STOP SCREW (ROCHESTER #7003176)
45	24-48143		1	SPRING, FILTER NUT
46	35-53336		1	FILTER, FUEL INLET
47	1397-3330		1	NUT, FILTER - FUEL INLET
48			1	GASKET, FILTER NUT
49			1	GASKET, THROTTLE BODY
50	N.S.S.		1	ROD, PUMP (ROCHESTER #7026138)
51			1	CLIP, PUMP ROD
52	N.S.S.		1	THROTTLE BODY ASSEMBLY (ROCHESTER #7044819)
53			2	IDLE NEEDLE, THROTTLE BODY
54	24-87734		2	SPRING, IDLE NEEDLE
55	N.S.S.		3	SCREW, THROTTLE BODY TO FLOAT BOWL (ROCHESTER #7035790)
-	<b>1397-3315</b>		<b>1</b>	<b>SPRING AND CAM KIT, AIR VALVE</b>
-	<b>1397-7540</b>		<b>1</b>	<b>OVERHAUL KIT</b>
-	<b>1397-3309</b>		<b>1</b>	<b>GASKET SET</b>

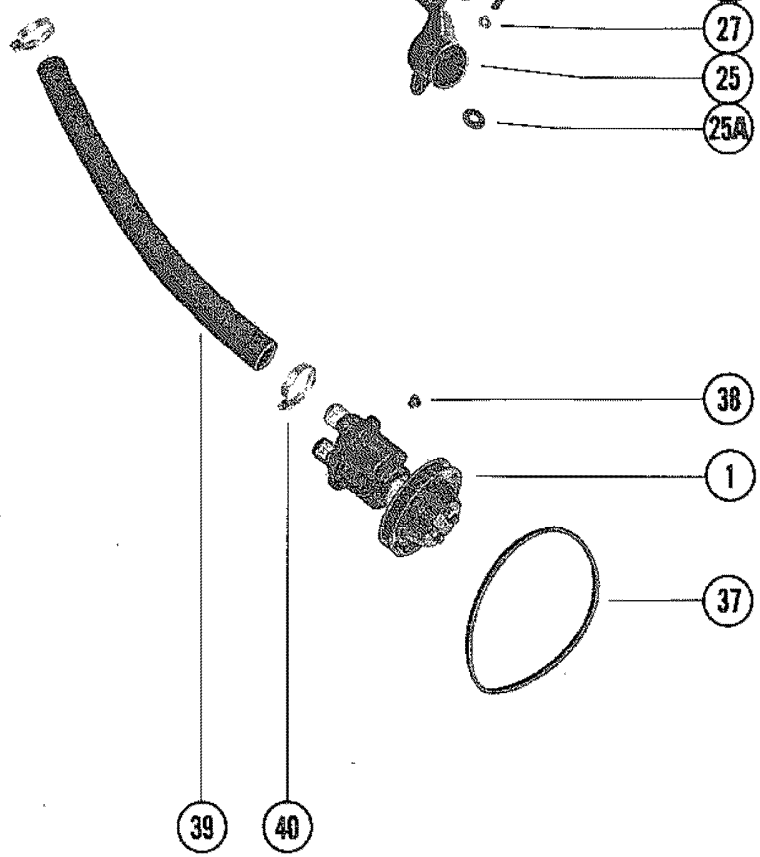
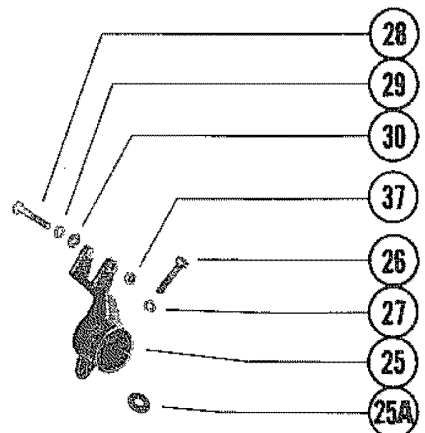
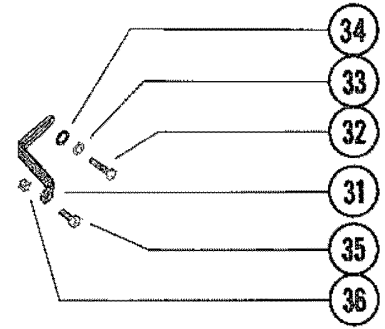
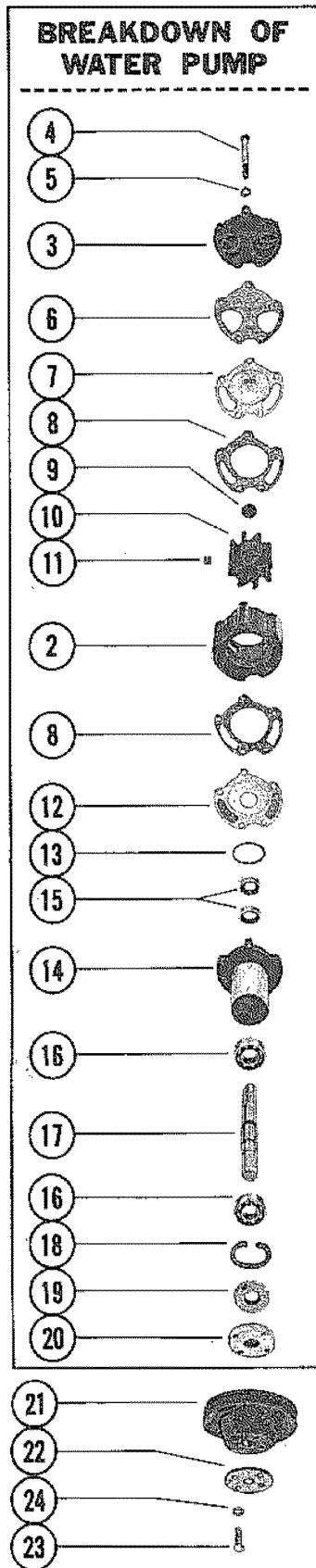
# EXHAUST MANIFOLD AND EXHAUST ELBOW



## EXHAUST MANIFOLD AND EXHAUST ELBOW

REF. NO.	PART NO.	SYM.	QTY.	DESCRIPTION
1	77234A2		1	EXHAUST MANIFOLD ASSEMBLY, PORT
	77235A2		1	EXHAUST MANIFOLD ASSEMBLY, STARBOARD
2	16-49545		8	STUD, EXHAUST MANIFOLD TO ELBOW (1 3/4")
3	22-48118		6	PLUG, EXHAUST MANIFOLD
4	22-32802		2	PLUG, PIPE - EXHAUST MANIFOLD
5	27-33395		2	GASKET, EXHAUST MANIFOLD TO CYLINDER HEAD
6	10-53728		8	SCREW, EXHAUST MANIFOLD TO CYLINDER HEAD (4 5/8")
7	60252		4	END CAP/CONNECTOR, EXHAUST MANIFOLD
8	27-48043		2	GASKET, END CAP/CONNECTOR TO EXHAUST MANIFOLD
9	10-24234		14	SCREW, END CAP TO EXH. MAN. (1")
	10-73657		2	SCREW, END CAP TO EXH. MAN. (1 1/2")(FRONT LOWER)
10	27-48043		2	GASKET, END CAP TO EXHAUST MANIFOLD
11	76771A2		2	EXHAUST ELBOW ASSEMBLY
12	22-32802		2	PLUG, PIPE - EXHAUST ELBOW
13	22-33198A1		8	PLUG, EXHAUST ELBOW
14	27-48042		4	GASKET, EXHAUST ELBOW TO EXH. MAN. (V-DRIVE)
	27-52076		4	GASKET, EXHAUST ELBOW TO EXH.MAN. (INBOARD)
15	55730		2	PLATE, EXHAUST ELBOW TO EXHAUST MANIFOLD
16	13-35048		8	LOCKWASHER, EXHAUST ELBOW TO EXHAUST MANIFOLD STUD
17	11-49838		8	NUT, EXHAUST ELBOW TO EXHAUST MANIFOLD STUD
18	222-45084		2	FITTING, EXH. ELBOW (PART OF B-76771A2 EXH. ELBOW ASS'Y

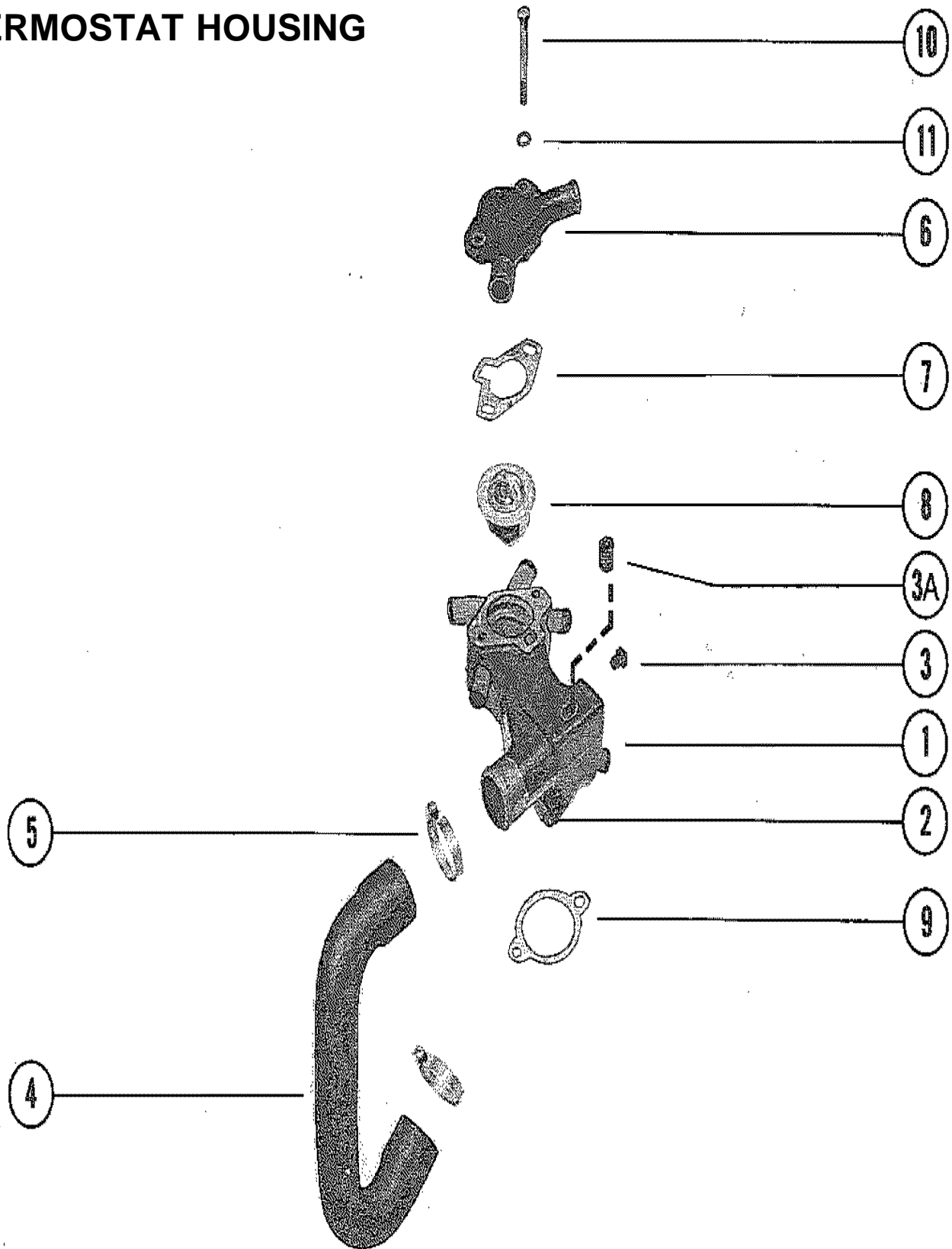
# WATER PUMP ASSEMBLY



# WATER PUMP ASSEMBLY

REF. NO.	PART NO.	SYM.	QTY.	DESCRIPTION
1	46-72774A11		1	WATER PUMP ASSEMBLY
2	46-72774		1	WATER PUMP BODY
3	87631		1	COVER, WATER PUMP
4	10-63328		5	SCREW, COVER TO BODY (3")
5	12-20084		5	WASHER, COVER TO BODY SCREW
6	27-72779		1	GASKET, COVER TO OUTER WEAR PLATE
7	72777		1	WEAR PLATE
8	27-72780		2	GASKET, BODY TO WEAR PLATE
9	19-59504		1	PLUG, IMPELLER
10	47-59362A1		1	IMPELLER ASSEMBLY
11	28-56662		1	KEY, IMPELLER DRIVE
12	72778		1	WEAR PLATE
13	25-37340		1	"O" RING, PUMP HOUSING TO INNER WEAR PLATE
14	46-71497A2		1	PUMP HOUSING
15	26-23300		2	OIL SEAL, WATER PUMP SHAFT
16	30-72961		2	BALL BEARING, WATER PUMP SHAFT
17	59501		1	SHAFT, WATER PUMP
18	53-23720		1	RING, SNAP - BALL BEARING RETAINING
19	26-72785		1	OIL SEAL, WATER PUMP SHAFT
20	47530		1	HUB, WATER PUMP PULLEY
21	73798		1	PULLEY, WATER PUMP
22	58265		1	CLAMPING RING, PUMP PULLEY
23	10-47277		4	SCREW, PULLEY TO WATER PUMP (3/4")
24	13-39107		4	LOCKWASHER, WATER PUMP PULLEY SCREW
25	47488A1		1	BRACKET, WATER PUMP
25A	12-79643		1	WASHER, BRACE SCREW (FOR SLOT)
26	10-34354		1	SCREW, WATER PUMP BRACKET CLAMPING
27	13-35048		1	LOCKWASHER, WATER PUMP BRACKET SCREW
28	10-34353		1	SCREW, WATER PUMP BRACKET TO ENGINE (1")
29	13-35048		1	LOCKWASHER, WATER PUMP BRACKET SCREW
30	12-34714		1	WASHER, WATER PUMP BRACKET SCREW
31	47544		1	BRACE, WATER PUMP ADJUSTING
32	10-34353		1	SCREW, BRACE TO STEERING PUMP
33	13-35048		1	LOCKWASHER, ADJUSTING BRACE SCREW
34	12-34714		1	WASHER, ADJUSTING BRACE SCREW
35	10-35786		1	SCREW, ADJUSTING BRACE TO BRACKET SCREW (1")
36	11-24883		1	NUT, ADJUSTING BRACE SCREW
37	57-74271		1	BELT, WATER PUMP
38	22-32802		1	PLUG, PIPE (FOR WATER PUMP BODY)
39	32-86216		1	HOSE, MOLDED - WATER PUMP TO TRANSMISSION COOLER
40	54-32780		2	CLAMP, HOSE ATTACHING

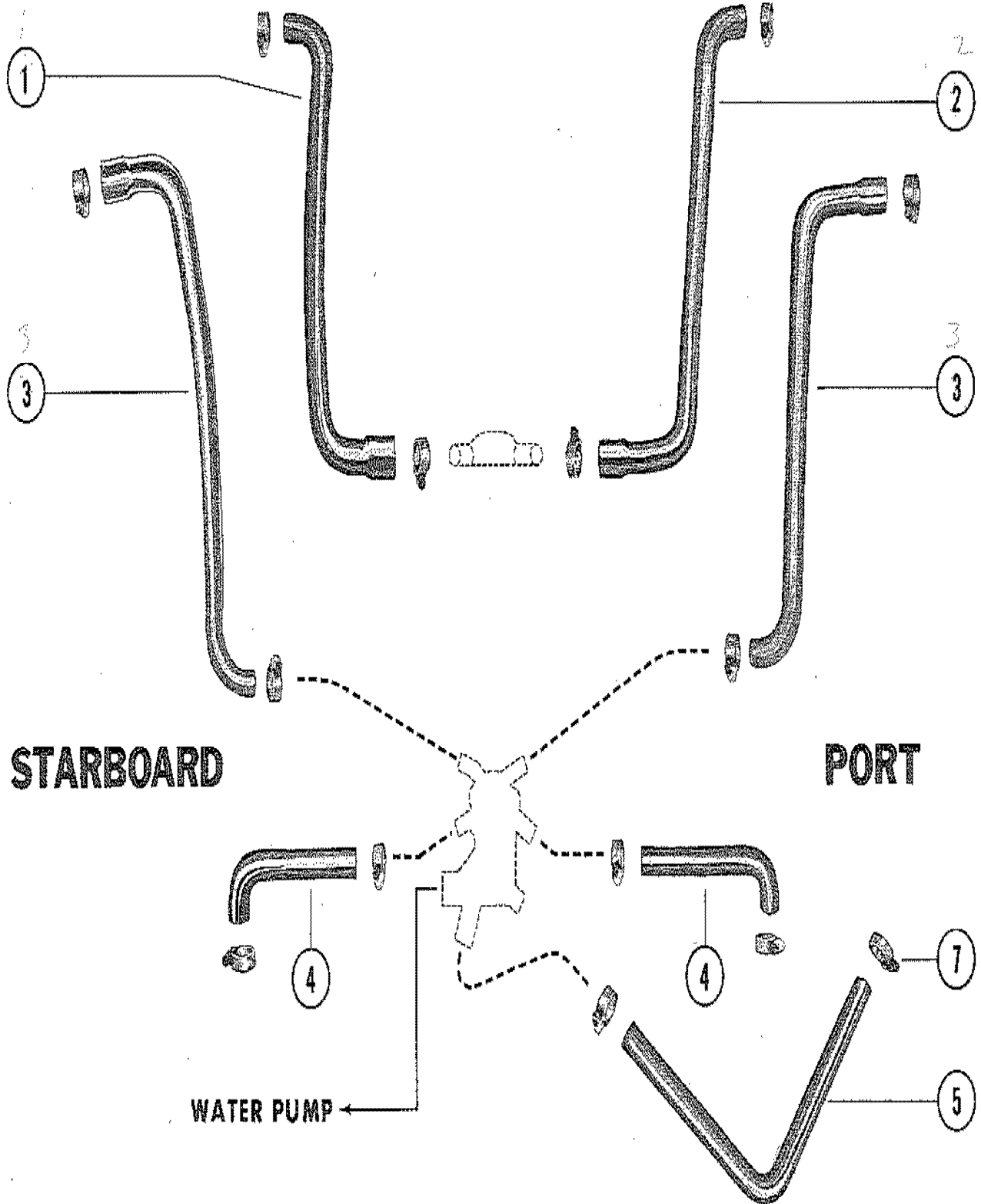
# THERMOSTAT HOUSING



# THERMOSTAT HOUSING

REF. NO.	PART NO.	SYM.	QTY.	DESCRIPTION
1	78984A1		1	THERMOSTAT HOUSING ASSEMBLY
2	23-47511		1	SLEEVE, THERMOSTAT HOUSING
3	22-47540		2	PLUG, THERMOSTAT HOUSING
3A	22-33198A1		1	PLUG, THERMOSTAT HOUSING
4	32-33189		1	HOSE, THERMOSTAT HOUSING TO WATER PUMP
5	54-32781		2	CLAMP, HOSE TO THERMOSTAT HOUSING AND WATER PUMP
6	47441		1	COVER, THERMOSTAT HOUSING
7	27-48818		1	GASKET, THERMOSTAT HOUSING (UPPER)
8	59137		1	THERMOSTAT
9	27-53045		1	GASKET, THERMOSTAT HOUSING TO MANIFOLD (LOWER)
10	10-33389		2	SCREW, THERMOSTAT HOUSING ATTACHING (4 1/4")
11	13-37459		2	LOCKWASHER, THERMOSTAT HOUSING SCREW

# WATER DISTRIBUTION HOSES

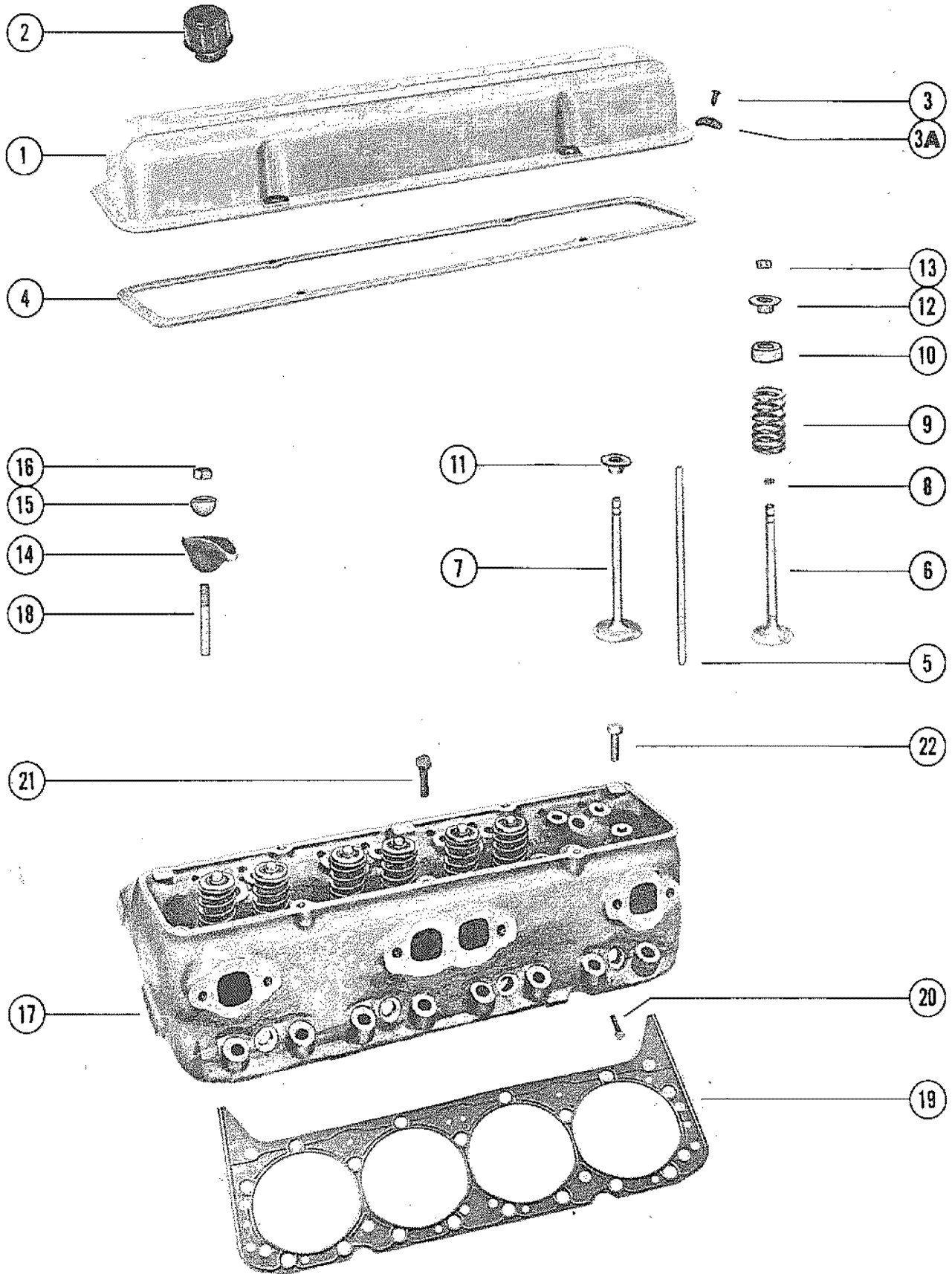




## WATER DISTRIBUTION HOSES

REF. NO.	PART NO.	SYM.	QTY.	DESCRIPTION
1&2	32-73796		2	HOSE, THERMOSTAT COVER TO EXH. MAN. (REAR)
3	32-73794		1	HOSE, THERMOSTAT HSG. TO EXH. MAN. (STBD.)
	32-73795		2	HOSE, THERMOSTAT HSG. TO EXH. MAN. (PORT)
4	32-48132		2	HOSE, THERMOSTAT HOUSING TO EXHAUST MANIFOLD (FRONT)
5	32-71613		1	HOSE, THERMOSTAT HOUSING OIL COOLER
7	54-32780		16	CLAMP, HOSE TO OIL COOLER AND THERMOSTAT HOUSING

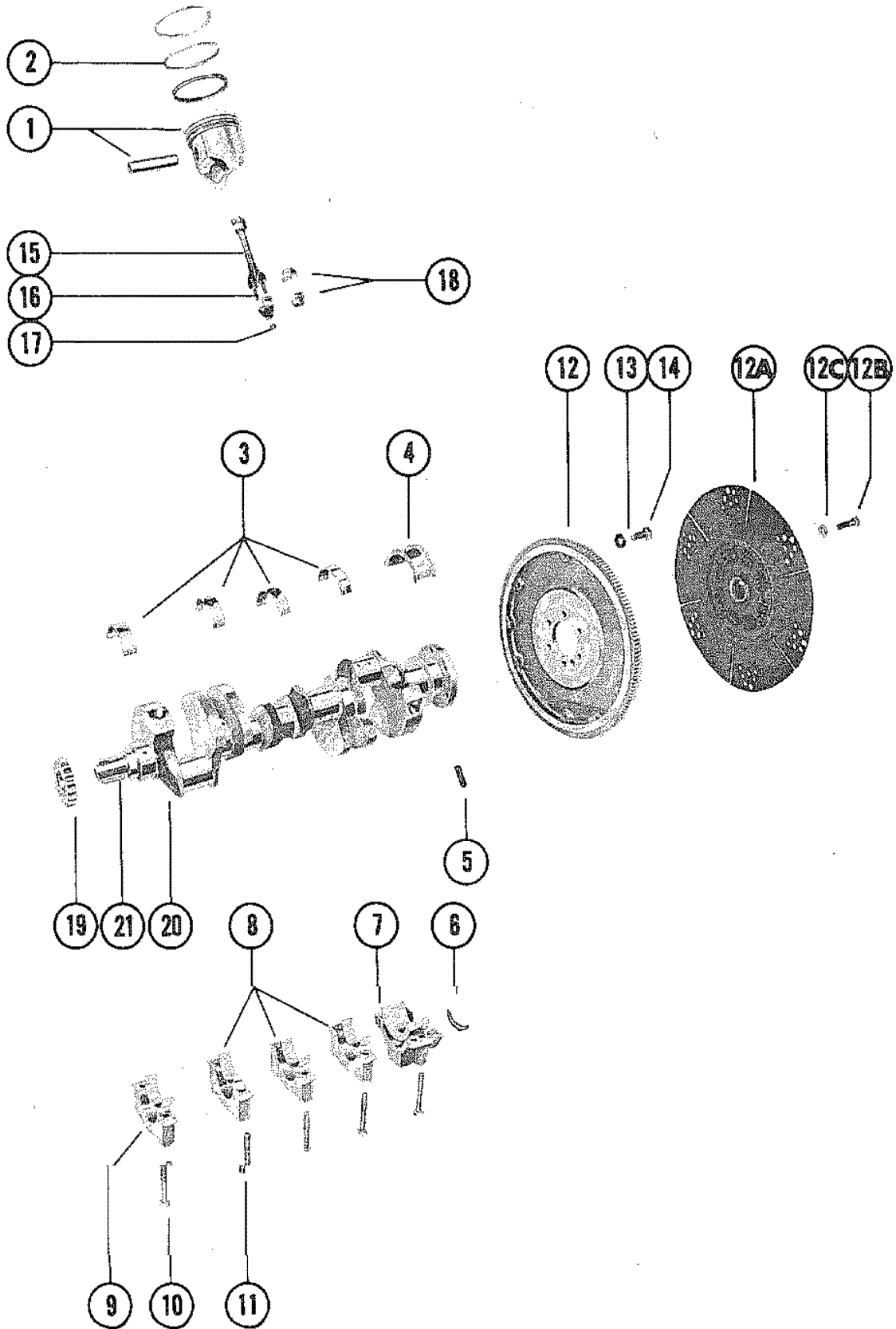
# ROCKER COVER AND CYLINDER HEAD



## ROCKER COVER AND CYLINDER HEAD

REF. NO.	PART NO.	SYM.	QTY.	DESCRIPTION
1	79961		2	COVER, ROCKER
2	49288		1	CAP, OIL FILLER
-	<b>37-77255</b>		<b>2</b>	<b>DECAL, ROCKER COVER - "WAVES"</b>
-	<b>37-77257</b>		<b>2</b>	<b>DECAL, ROCKER COVER (225 H.P.)</b>
3	10-35366		8	SCREW, ROCKER VALVE COVER TO CYLINDER HEAD (1/2")
3A	49174		8	REINFORCEMENT, VALVE ROCKER COVER
4	27-52202		2	GASKET, ROCKER VALVE COVER
5	35330		16	ROD, VALVE PUSH
6	85803		8	VALVE, EXHAUST (STANDARD) -SEE NOTE BELOW
	49076		AR	VALVE, EXHAUST (.015 O.S.) -SEE NOTE BELOW
7	52365		8	VALVE, INLET (STANDARD)
	72641		AR	VALVE, INLET (.015 O.S.)
8	26-34217		16	SEAL, VALVE
9	24-48347		8	SPRING, VALVE (INLET) - SEE NOTE BELOW
	24-72642		8	SPRING, VALVE (EXHAUST) - SEE NOTE BELOW
10	34518		16	SHIELD, VALVE SPRING CAP
11	48348		8	CAO, INLET VALVE
12	35328		8	ROTATOR ASSEMBLY, VALVE SPRING - EXHAUST VALVE
13	28-54797		32	KEY, VALVE STEM
14	35329		16	ARM, ROCKER VALVE
15	35331		16	BALL UNIT, ROCKER VALVE ARM
16	11-34516		16	NUT, ROCKER VALVE ARM STUD
17	938-7499		2	CYLINDER HEAD ASSEMBLY (SEE NOTE BELOW)
18	16-34522		AR	STUD, ROCKER VALVE ARM (.003 O.S.)
	16-34521		AR	STUD, ROCKER VALVE ARM (.013 O.S.)
19	27-75611		2	GASKET, CYLINDER HEAD
20	10-35317		16	BOLT, CYLINDER HEAD TO CYLINDER BLOCK (1 3/4")
21	10-35318		4	BOLT, CYLINDER HEAD TO CYLINDER BLOCK (3")
22	10-35316		14	BOLT, CYLINDER HEAD TO CYLINDER BLOCK (3 3/4")

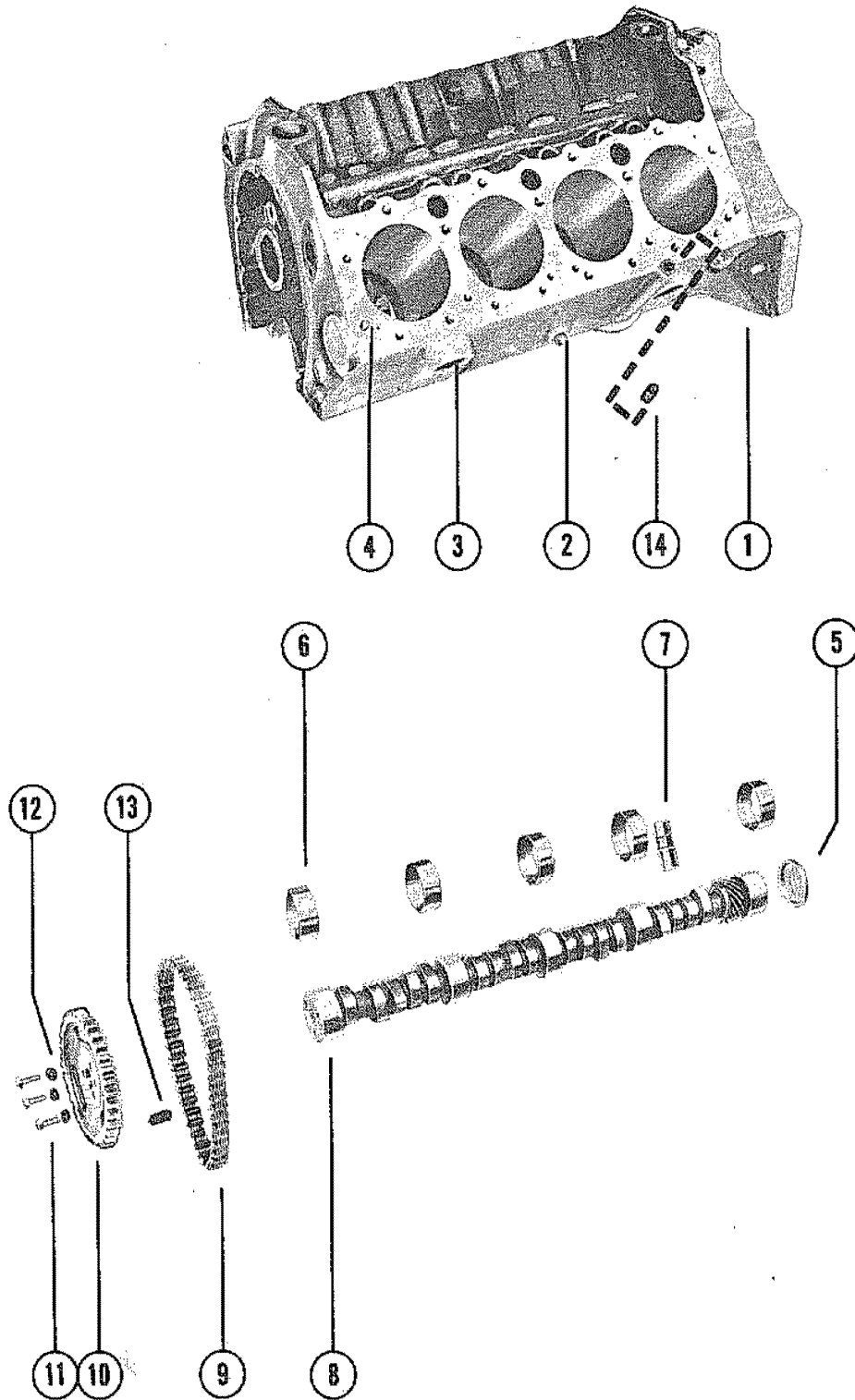
# CRANKSHAFT AND PISTONS



# CRANKSHAFT AND PISTONS

REF. NO.	PART NO.	SYM.	QTY.	DESCRIPTION
1	735-6370		AR	PISTON AND PISTON PIN ASSEMBLY (.001 O.S.) - USE STD. RING
	735-6371		AR	PISTON AND PISTON PIN ASSEMBLY (.030 O.S.)
2	39-65153		8	RING, PISTON - 8 SETS (STANDARD)
	39-67126		AR	RING, PISTON - 8 SETS (.030 O.S.)
3	23-85694		4	BEARING UNIT (PAIR), CRANKSHAFT (STANDARD)
	23-85695		AR	BEARING UNIT (PAIR), CRANKSHAFT (.001 U.S.)
	23-85696		AR	BEARING UNIT, CRANKSHAFT MAIN (.010 U.S.)
	23-85697		AR	BEARING UNIT, CRANKSHAFT MAIN (.020 U.S.)
4	23-85698		1	BEARING UNIT, CRANKSHAFT MAIN - REAR (STANDARD)
	23-85699		AR	BEARING UNIT, CRANKSHAFT MAIN - REAR (.001 U.S.)
	23-85700		AR	BEARING UNIT, CRANKSHAFT MAIN - REAR (.010 U.S.)
	23-52216		AR	BEARING UNIT, CRANKSHAFT MAIN - REAR (.020 U.S.)
5	17-24813		1	PIN, DOWEL - REAR CRANKSHAFT BEARING CAP (1/4"DIA.)
6	26-58203		2	OIL SEAL, REAR BEARING CAP (L.H. ROTATION)
	23-35313		2	OIL SEAL, REAR BEARING CAP (R.H. ROTATION)
7	52217		1	CAP, REAR - CRANKSHAFT BEARING
9	54789		4	CAP, FRONT AND INTERMEDIATE - CRANKSHAFT BEARING
10	10-54788		5	BOLT, CRANKSHAFT BEARING CAP TO CYL. BLOCK (2 31/32")
	10-49106		6	BOLT, CRANKSHAFT BEARING CAP TO CYL. BLOCK (2 1/2")
11	16-54790		5	STUD, OIL PAN BAFFLE ATTACHING
-	<b>17-35312</b>		<b>4</b>	<b>PIN, DOWEL - CRANKCASE FRONT END COVER AND OIL PUMP</b>
12	230-4614		1	FLYWHEEL ASSEMBLY
12A	47608		1	DRIVE PLATE, FLYWHEEL
12B	10-35091		6	SCREW, DRIVE PLATE TO FLYWHEEL
12C	13-35048		6	LOCKWASHER, DRIVE PLATE SCREW
13	13-39131		6	LOCKWASHER, FLYWHEEL SCREW
14	10-49845		6	SCREW, FLYWHEEL TO CRANKSHAFT
15	614-3595		8	CONNECTING ROD ASSEMBLY <b>SERIAL 00000000-05522209</b>
	614-8164		8	CONNECTING ROD ASSEMBLY <b>SERIAL 05522210-09999999</b>
16	10-85802		16	BOLT, CONNECTING ROD CAP
17	11-37493		16	NUT, CONNECTING ROD CAP BOLT
18	23-85701		1	BEARING SET (4 PAIR), CONNECTING ROD (STANDARD)
	23-85702		AR	BEARING UNIT (PAIR), CONNECTING ROD (.001 U.S.)
	23-85703		AR	BEARING UNIT (PAIR), CONNECTING ROD (.010 U.S.)
	23-85705		AR	BEARING UNIT (PAIR), CONNECTING ROD (.020 U.S.)
19	43-48338		1	SPROCKET, TIMING (22 TEETH) - L.H. ROTATION
	43-48334		1	SPROCKET, TIMING (22 TEETH) - R.H. ROTATION
20	429-6369		1	CRANKSHAFT (L.H. ROTATION)
	429-6372		1	CRANKSHAFT (R.H. ROTATION)
21	28-34466		2	KEY, CRANKSHAFT PULLEY AND BALANCER

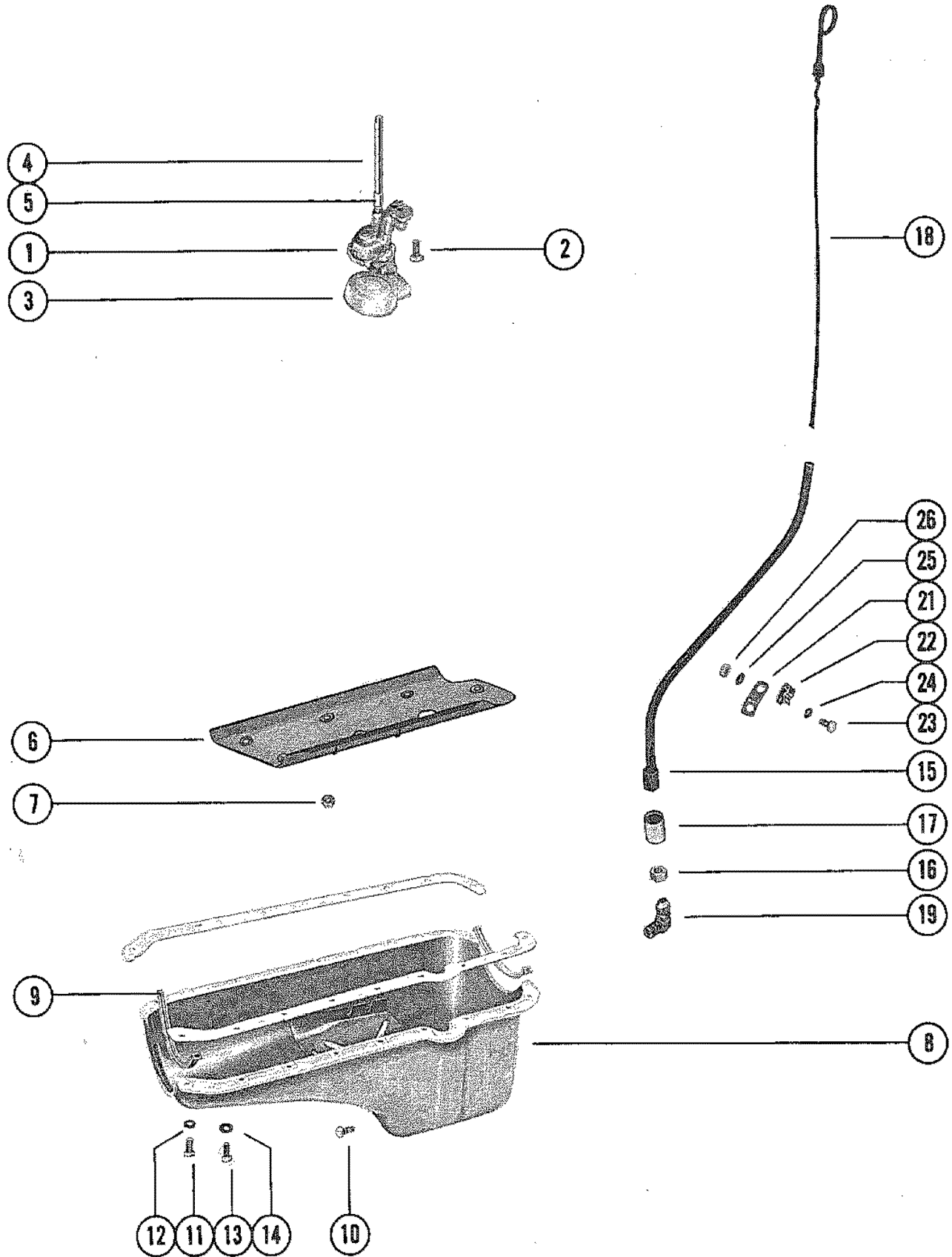
# CYLINDER BLOCK AND CAMSHAFT



## CYLINDER BLOCK AND CAMSHAFT

REF. NO.	PART NO.	SYM.	QTY.	DESCRIPTION
1	841-6368		1	CYLINDER BLOCK ASSEMBLY <b>SERIAL 00000000-05522209</b>
	841-8163		1	CYLINDER BLOCK ASSEMBLY <b>SERIAL 05522210-09999999</b>
2	22-87238		2	DRAIN COCK, CYLINDER BLOCK
3	19-34270		8	PLUG, EXPANSION - CYLINDER BLOCK (1 5/8" DIA.)
-	<b>22-48340</b>		<b>9</b>	<b>PLUG, PIPE - CYLINDER BLOCK (1/4" DIA.)</b>
4	17-35465		4	PIN, DOWEL - CYLINDER BLOCK TO CYL. HEAD (5/16" DIA.)
5	22-72640		1	PLUG, EXPANSION - CAMSHAFT BEARING HOLE
6	23-85674		1	BEARING UNIT, CAMSHAFT
7	72638		16	LIFTER, HYDRAULIC VALVE - TAPPET
8	431-5943		1	CAMSHAFT (L.H. ROTATION)
	431-3357		1	CAMSHAFT (R.H. ROTATION)
9	35378		1	CHAIN, CAMSHAFT TIMING
10	43-35338		1	SPROCKET, CAMSHAFT TIMING (44 TEETH) - L.H. ROTATION
	43-48356		1	SPROCKET, CAMSHAFT TIMING (44 TEETH) - R.H. ROTATION
11	10-34505		3	BOLT, CAMSHAFT TIMING SPROCKETS (3/4")
12	12-39167		3	WASHER, CAMSHAFT TIMING SPROCKET BOLT
13	17-24813		1	PIN, DOWEL - CAMSHAFT TIMING SPROCKET (1/4" DIA.)
14	19-71900		1	PLUG, OIL LEVEL GAUGE HOLE - CYLINDER BLOCK

# OIL PAN AND OIL PUMP

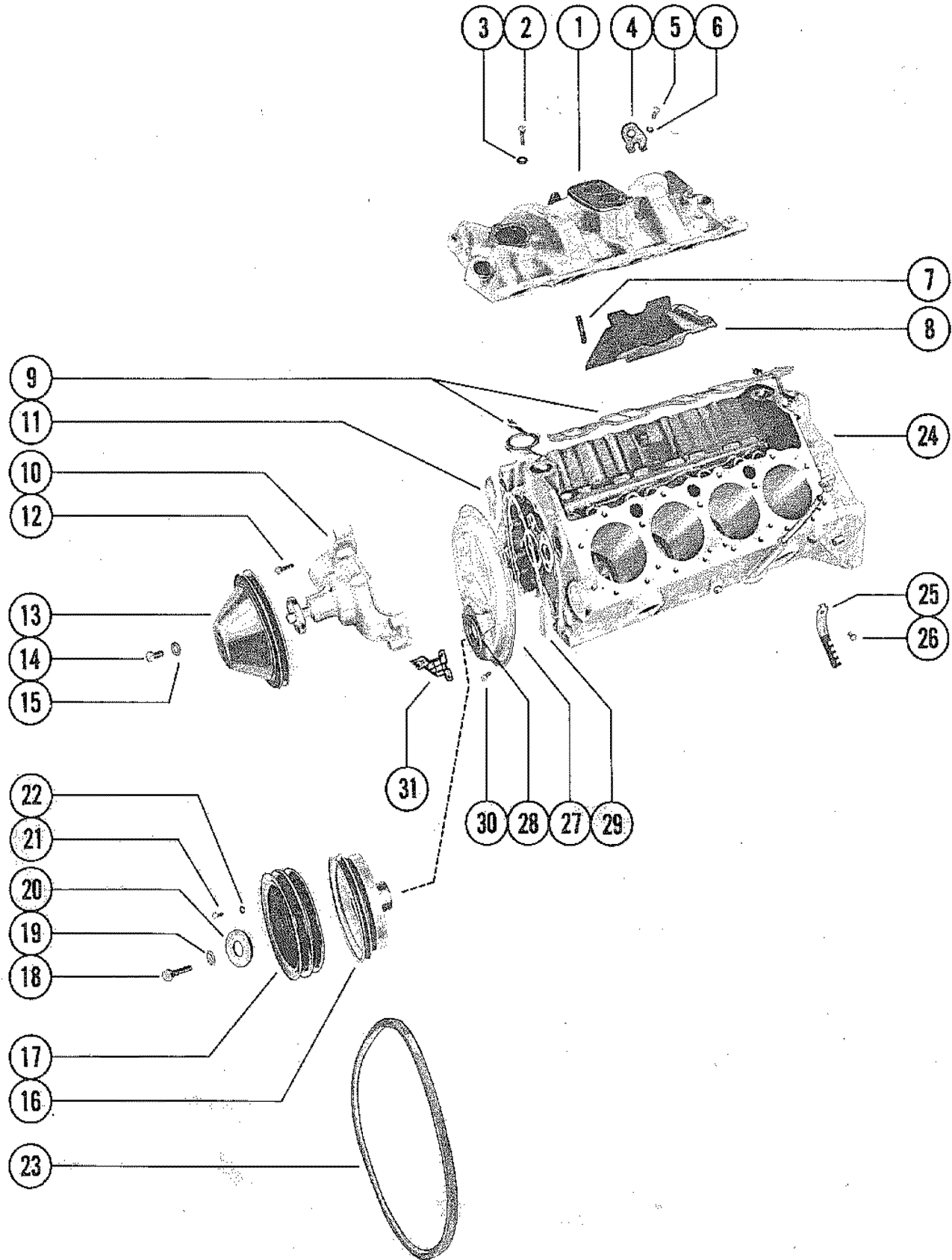




## OIL PAN AND OIL PUMP

REF. NO.	PART NO.	SYM.	QTY.	DESCRIPTION
1	35352		1	OIL PUMP ASSEMBLY
2	10-48333		1	BOLT, OIL PUMP TO CYLINDER BLOCK (2")
3	35354		1	SCREEN ASSEMBLY, OIL PUMP
4	36184		1	SHAFT, OIL PUMP TO DISTRIBUTOR
5	23-36183		1	RETAINER, OIL PUMP SHAFT
6	52198		1	BAFFLE, OIL PAN (CYLINDER BLOCK)
7	11-37500		5	NUT, BAFFLE TO CYLINDER BLOCK STUD
8	71872A1		1	OIL PAN <b>SERIAL 00000000-05522209</b>
9	27-85817A1		1	GASKET SET, OIL PAN <b>SERIAL 00000000-05522209</b>
8	87758A1		1	OIL PAN <b>SERIAL 05522210-09999999</b>
9	27-90458A1		1	GASKET SET, OIL PAN <b>SERIAL 05522210-09999999</b>
10	22-87543		1	PLUG, PIPE - OIL PAN DRAIN
11	10-55714		4	SCREW, OIL PAN TO BLOCK (5/16 - 18 X 7/8)
12	13-26993		4	LOCKWASHER, OIL PAN SCREW
13	10-55715		7	SCREW, OIL PAN TO BLOCK (1/4 - 20 X 7/8)
14	13-26992		7	LOCKWASHER, OIL PAN SCREW
15	86890A1		1	TUBE, OIL LEVEL GAUGE
16	11-47626		1	NUT, OIL LEVEL GAUGE TUBE
17	22-78039		1	COUPLING, OIL LEVEL GAUGE
18	87353		1	GAUGE, OIL LEVEL (DIPSTICK)
19	22-47625		1	ELBOW, OIL LEVEL GAUGE TUBE TO OIL PAN
21	87182		1	BRACKET, OIL LEVEL GAUGE
22	54-47545		1	CLIP, OIL LEVEL TUBE
23	10-33524		1	SCREW, CLIP TO BRACKET (5/8")
24	13-39107		1	LOCKWASHER, CLIP SCREW
25	12-20553		1	WASHER, OIL LEVEL TUBE BRACKET
26	11-22053		1	NUT, CLIP SCREW

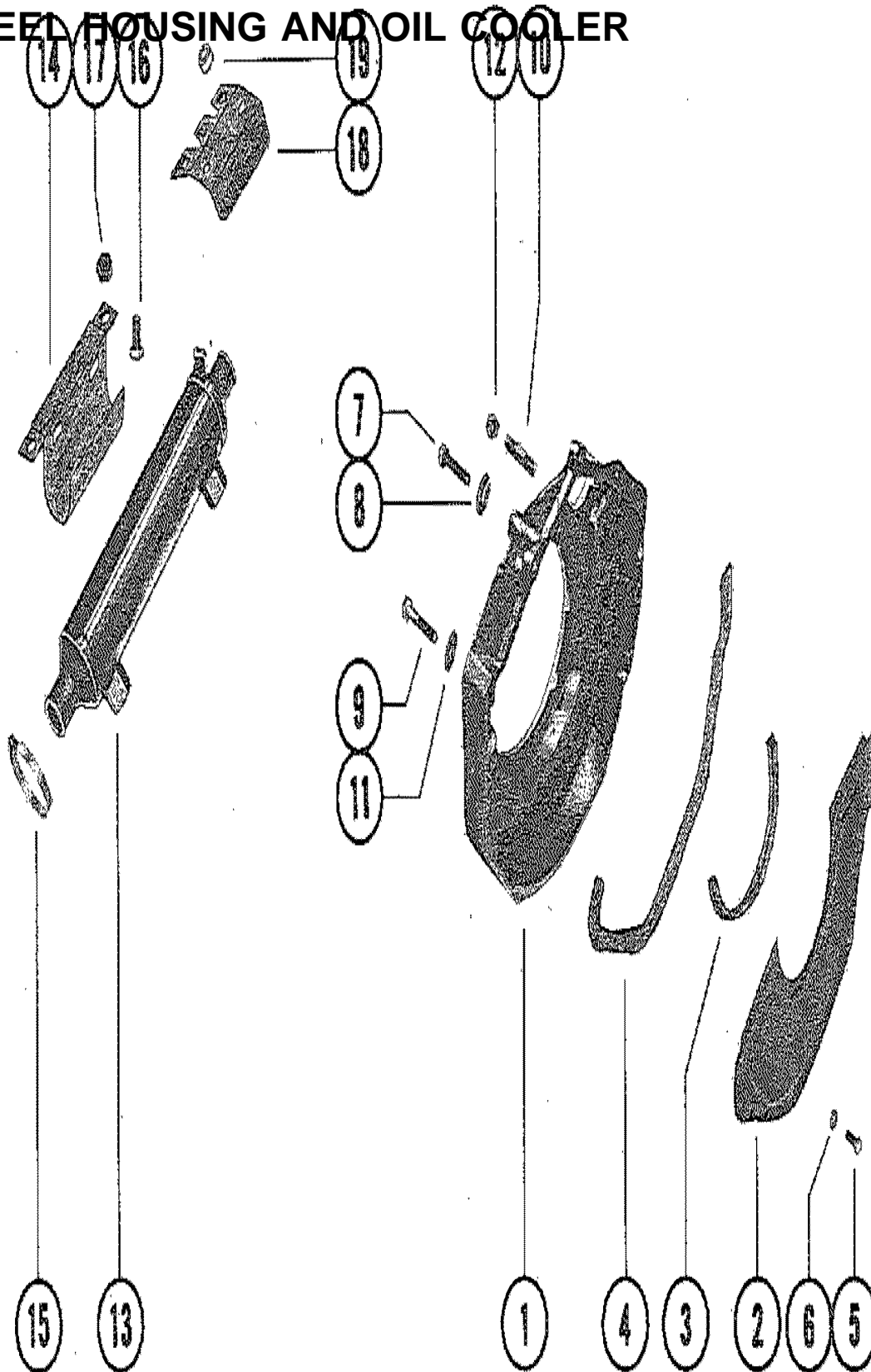
# INTAKE MANIFOLD



# INTAKE MANIFOLD

REF. NO.	PART NO.	SYM.	QTY.	DESCRIPTION
1	72646		1	INTAKE MANIFOLD
2	10-26487		9	BOLT, INTAKE MANIFOLD TO CYLINDER BLOCK (1 1/8")
	10-37510		3	BOLT, INTAKE MANIFOLD TO CYLINDER BLOCK (1 1/2")
3	12-49112		3	WASHER, INTAKE MANIFOLD BOLT
4	54-47512		1	EYE, LIFTING
5	10-34354		2	SCREW, LIFTING EYE ATTACHING (1 1/2")
6	13-35048		2	LOCKWASHER, LIFTING EYE SCREW
7	16-66203		4	STUD, GAUGE TO INTAKE MANIFOLD
8	72647		1	GUARD, INTAKE MANIFOLD
9	27-72637		1	GASKET SET, INTAKE MANIFOLD
10	60658		1	WATER PUMP ASSEMBLY
11	27-34897		2	GASKET, WATER PUMP MOUNTING
12	10-52200		1	SCREW, WATER PUMP TO CYLINDER BLOCK (1 1/2")
	10-32132		1	SCREW, WATER PUMP TO CYLINDER BLOCK (1 3/4")
	10-47688		1	SCREW, WATER PUMP TO CYLINDER BLOCK (2 3/4")
	16-35342		1	STUD, WATER PUMP TO CYLINDER BLOCK
13	52349		1	PULLEY, WATER PUMP
14	10-47277		4	SCREW, PULLEY TO WATER PUMP (3/4")
15	13-39107		4	LOCKWASHER, WATER PUMP PULLEY SCREW
16	75420		1	BALANCER, HARMONIC - CRANKSHAFT
17	33863		1	PULLEY, HARMONIC BALANCER
18	10-72626		1	BOLT, PULLEY AND HARMONIC BALANCER TO CRANKSHAFT (2")
19	13-39131		1	LOCKWASHER, PULLEY AND HARMONIC BALANCER BOLT
20	12-35332		1	WASHER, PULLEY AND HARMONIC BALANCER BOLT
21	10-34352		3	BOLT, CRANKSHAFT PULLEY TO HARMONIC BALANCER
22	13-35048		3	LOCKWASHER, CRANKSHAFT PULLEY BOLT
23	57-49213		1	BELT, ALTERNATOR DRIVE (44")
24	81-6368		1	CYLINDER BLOCK ASSEMBLY <b>SERIAL 00000000-05522209</b>
	841-8163		1	CYLINDER BLOCK ASSEMBLY <b>SERIAL 05522210-09999999</b>
25	35365		2	SUPPORT, SPARK PLUG LEAD WIRE
26	10-35366		2	SCREW, LEAD WIRE SUPPORT TO CYLINDER (2 1/2")
27	60656A1		1	COVER ASS'Y, CRANKCASE FRONT (R.H. ROTATION)
	75612		1	COVER ASS'Y, CRANKCASE FRONT (L.H. ROTATION)
28	26-79223		1	OIL SEAL, FRONT COVER
29	27-34895		1	GASKET, CRANKCASE FRONT END COVER
30	10-34277		10	SCREW, CRANKCASE FRONT END COVER TO CYL BLOCK (7/16")
31	75435A1		1	POINTER, TIMING

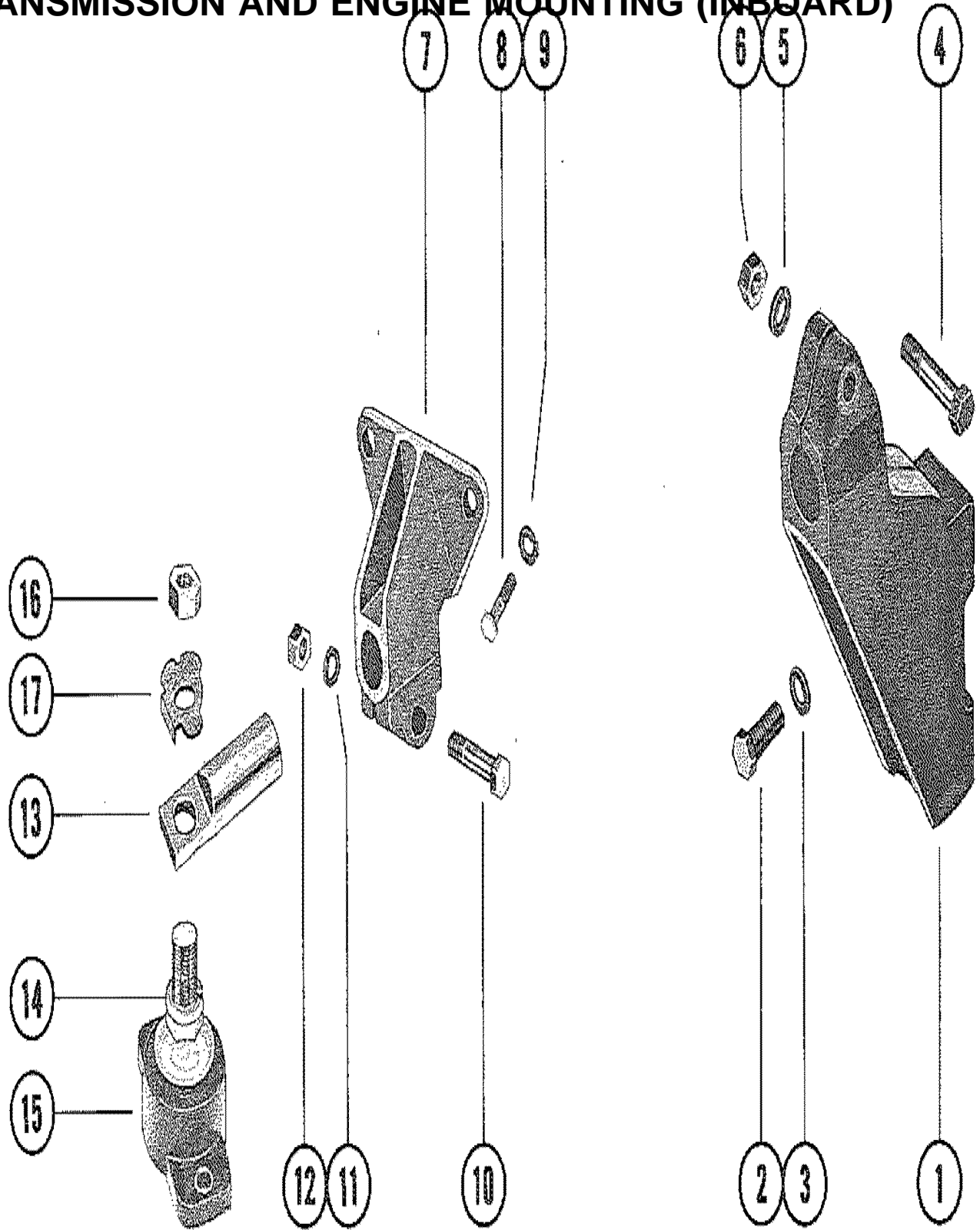
# FLYWHEEL HOUSING AND OIL COOLER



## FLYWHEEL HOUSING AND OIL COOLER

REF. NO.	PART NO.	SYM.	QTY.	DESCRIPTION
1	86019		1	HOUSING, FLYWHEEL
2	86014A1		1	COVER ASSEMBLY, FLYWHEEL HOUSING
3	87690		1	SEAL, FLYWHEEL HOUSING COVER
4	27-86015		1	GASKET, FLYWHEEL HOUSING COVER
5	10-20031		8	SCREW, COVER TO FLYWHEEL HOUSING (1/2")
6	13-26992		8	LOCKWASHER, COVER SCREW
7	10-34353		2	SCREW, HOUSING TO ENGINE (1")
8	13-37459		7	LOCKWASHER, HOUSING SCREW
9	10-63826		2	SCREW, FLYWHEEL HOUSING TO ENGINE (2 1/2")
	10-48424		2	SCREW, FLYWHEEL HOUSING TO ENGINE (1 5/8")
10	16-64066		1	STUD, FLYWHEEL HOUSING TO ENGINE (2 1/4")
11	12-20572		2	WASHER, FLYWHEEL HOUSING TO ENGINE SCREW
12	11-32219		1	NUT, FLYWHEEL STUD
13	63832--1		1	COOLER, OIL (9")
	63832--2		1	COOLER, OIL (12") - V-DRIVE ONLY
14	49748A1		1	BRACKET ASSEMBLY, OIL COOLER
15	54-32781		2	CLAMP, OIL COOLER TO BRACKET
16	10-27165		1	SCREW, OIL COOLER BRACKET (3/4")
17	11-52412		1	NUT, OIL COOLER BRACKET SCREW
18	49735		1	BRACKET, OIL COOLER
19	23-36365		2	SPACER, OIL COOLER BRACKET

# TRANSMISSION AND ENGINE MOUNTING (INBOARD)

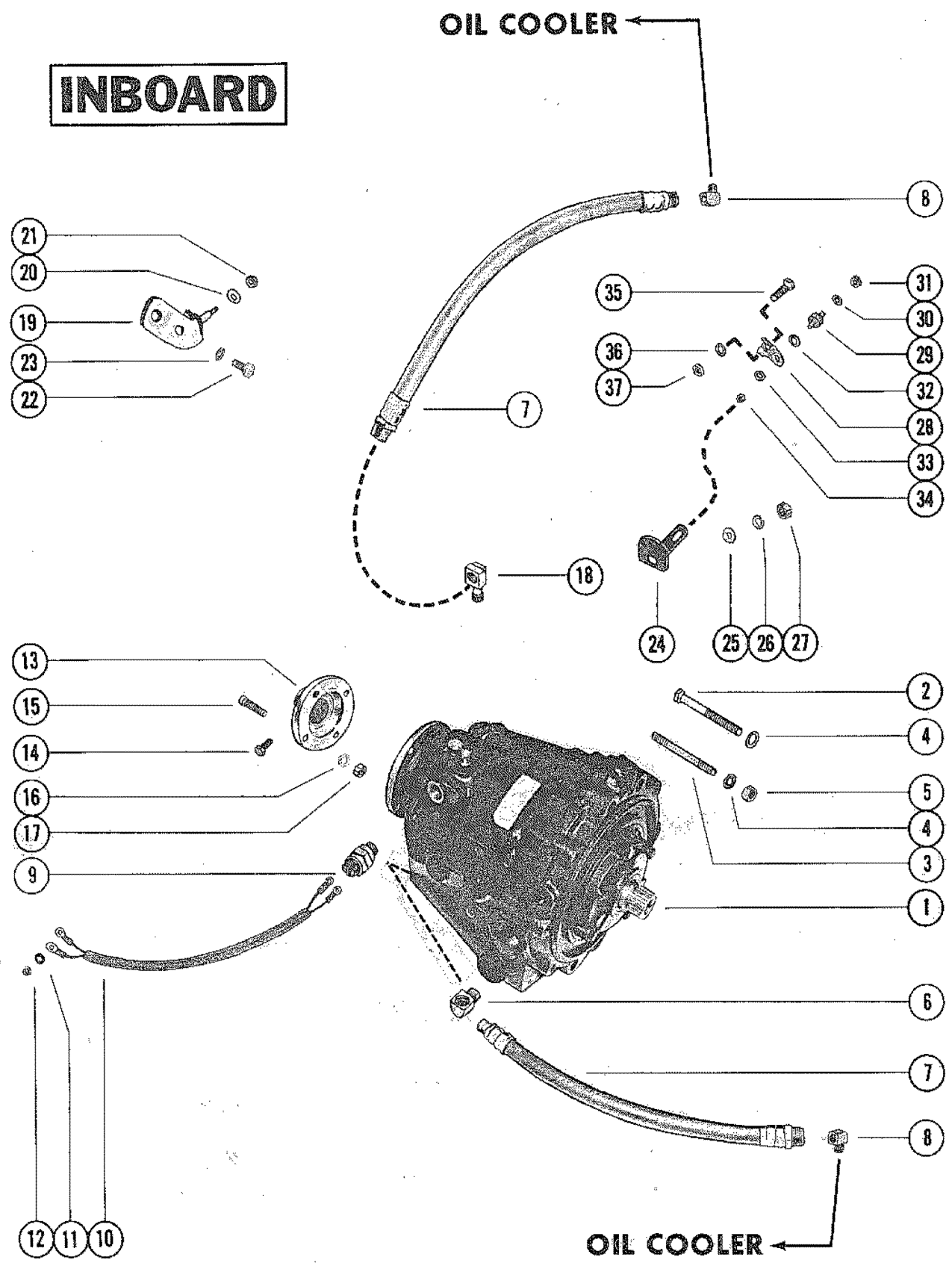


## TRANSMISSION AND ENGINE MOUNTING (INBOARD)

REF. NO.	PART NO.	SYM.	QTY.	DESCRIPTION
1	66417		2	BRACKET, MOUNTING - TRANSMISSION (REAR)
2	10-37269		4	SCREW, BRACKET TO TRANSMISSION (2")
3	13-32993		4	LOCKWASHER, BRACKET SCREW
4	10-57357		2	SCREW, CLAMPING - MOUNTING BRACKET (2 1/4")
5	13-32993		2	LOCKWASHER, CLAMPING SCREW
6	11-29553		2	NUT, CLAMPING SCREW
7	71128		2	BRACKET, MOUNTING - ENGINE (FRONT)
8	10-37612		4	SCREW, MOUNTING BRACKET TO ENGINE (1 1/4")
9	13-35048		4	LOCKWASHER, MOUNTING BRACKET SCREW
8	10-48424		2	SCREW, MOUNTING BRACKET TO ENGINE (1 5/8")
9	13-35048		2	LOCKWASHER, MOUNTING BRACKET SCREW
10	10-37269		2	SCREW, CLAMPING - MOUNTING BRACKET (2")
11	13-32993		2	LOCKWASHER, CLAMPING SCREW
12	11-29553		2	NUT, CLAMPING SCREW
13	66166		4	TRUNNION, ADJUSTING - MOUNTING BRACKET
14	13-68102		4	LOCKWASHER, MOUNTING BRACKET
15	66284		4	BASE, ENGINE MOUNT
16	11-20739		8	NUT, JAM - ENGINE MOUNT BASE
17	14-66658		2	TAB WASHER, BASE NUT

# TRANSMISSION AND RELATED PARTS (INBOARD)

**INBOARD**





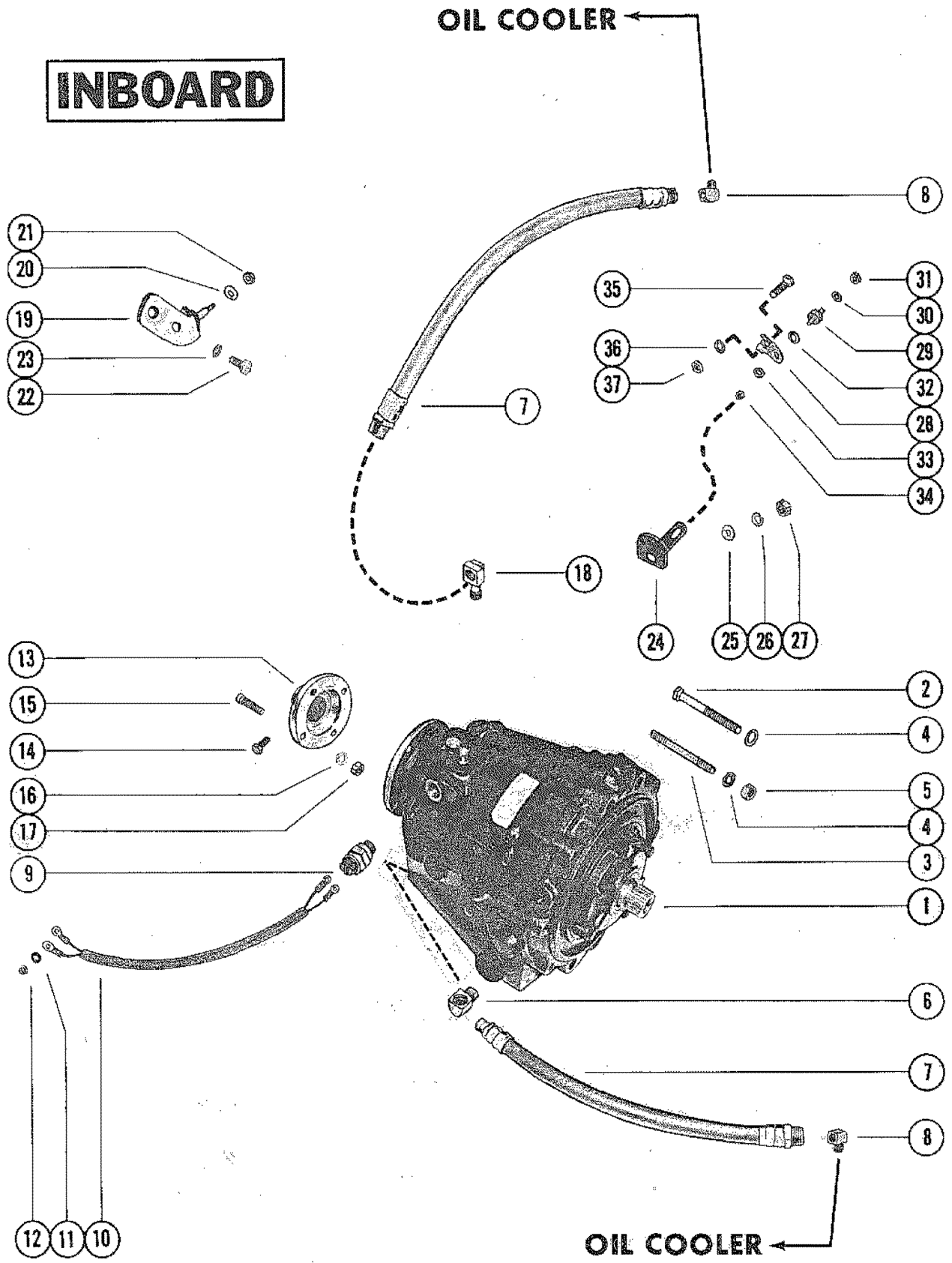
## TRANSMISSION AND RELATED PARTS (INBOARD)

REF. NO.	PART NO.	SYM.	QTY.	DESCRIPTION
1	47805		1, , , ,	TRANSMISSION (DIRECT DRIVE)
	47806		, 1, , ,	TRANSMISSION (1.523:1 REDUCTION)
	47807		, , 1, ,	TRANSMISSION (1.909:1 REDUCTION)
	47808		, , , 1,	TRANSMISSION (2.57:1 REDUCTION)
	47809		, , , , 1	TRANSMISSION (2.909:1 REDUCTION)
2	10-47724		4, , , ,	SCREW, TRANSMISSION TO ENGINE (3")
	10-60179		, 6, 6, 6, 6	SCREW, TRANSMISSION TO ENGINE (3 1/2")
3	16-57921		2, , , ,	STUD, TRANSMISSION TO ENGINE (4")
4	13-32993		, 6, 6, 6, 6, 6	LOCKWASHER, TRANSMISSION SCREW AND STUD
5	11-22024		2, , , ,	NUT, TRANSMISSION STUD
6	22-47629		, 1, 1, 1, 1	ELBOW, HOSE TO TRANSMISSION (90 )
	22-63835		, 1, 1, 1, 1	ELBOW, HOSE TO TRANSMISSION (45 )
7	32-47516-11		1, , , ,	HOSE, TRANSMISSION TO OIL COOLER (28")
	32-47516-12		, 1, 1, 1, 1	HOSE, TRANSMISSION TO OIL COOLER (20")
	32-47516--9		1, 1, 1, 1, 1	HOSE, TRANSMISSION TO OIL COOLER (37")
8	22-47629		2, 2, 2, 2, 2	ELBOW, HOSE TO OIL COOLER
9	47613		1, 1, 1, 1, 1	SWITCH, NEUTRAL SAFETY
10	84-73125A1		1, 1, 1, 1, 1	HARNESS, NEUTRAL SAFETY SWITCH
11	13-26996		2, 2, 2, 2, 2	LOCKWASHER, HARNESS ATTACHING
12	11-68219		2, 2, 2, 2, 2	NUT, HARNESS ATTACHING
13	48381A1		OPT, , , ,	FLANGE ASSEMBLY (1") - SEE NOTE A
	48382A1		OPT, , , ,	FLANGE ASSEMBLY (1 1/8") - SEE NOTE A
	48383A1		OPT, , , ,	FLANGE ASSEMBLY (1 1/4") - SEE NOTE A
	48384A1		OPT, , , ,	FLANGE ASSEMBLY (1 3/8") - SEE NOTE A
	48385A1		OPT, , , ,	FLANGE ASSEMBLY (1 1/2") - SEE NOTE A
	48386A1		OPT, OPT, 0	FLANGE ASSEMBLY (1") - SEE NOTE B
	48387A1		OPT, OPT, 0	FLANGE ASSEMBLY (1 1/8") - SEE NOTE B
	48388A1		OPT, OPT, 0	FLANGE ASSEMBLY (1 1/4") - SEE NOTE B
	48389A1		OPT, OPT, 0	FLANGE ASSEMBLY (1 3/8") - SEE NOTE B
48390A1		OPT, OPT, 0	FLANGE ASSEMBLY ( 1 1/2") - SEE NOTE B	
14	10-60168		2, , , ,	SCREW, FLANGE TO PROPELLER SHAFT (1 1/2") - <b>SEE NOTE A AND B</b>
	10-60171		, 2, 2, 2, 2	SCREW, FLANGE TO PROPELLER SHAFT (1 1/4") - <b>SEE NOTE A AND B</b>
	10-60170		, 2, 2, 2, 2	SCREW, FLANGE TO PROPELLER SHAFT (1") - <b>SEE NOTE A AND B</b>
	10-60169		2, , , ,	SCREW, FLANGE PROPELLER SHAFT (3/4") - <b>SEE NOTE A AND B</b>
15	10-37909		4, , , ,	SCREW, FLANGE TO TRANSMISSION (1 1/8")
16	13-35048		4, , , ,	LOCKWASHER, TRANSMISSION FLANGE SCREW
17	11-24883		4, , , ,	NUT, TRANSMISSION FLANGE SCREW
15	10-60106		, 4, 4, 4, 4	SCREW, TRANSMISSION FLANGE TO PROPELLER FLANGE (1 1/4")
16	13-32993		, 4, 4, 4, 4	LOCKWASHER, FLANGE SCREW

CONTINUED ON NEXT PAGE ➡

# TRANSMISSION AND RELATED PARTS (INBOARD)

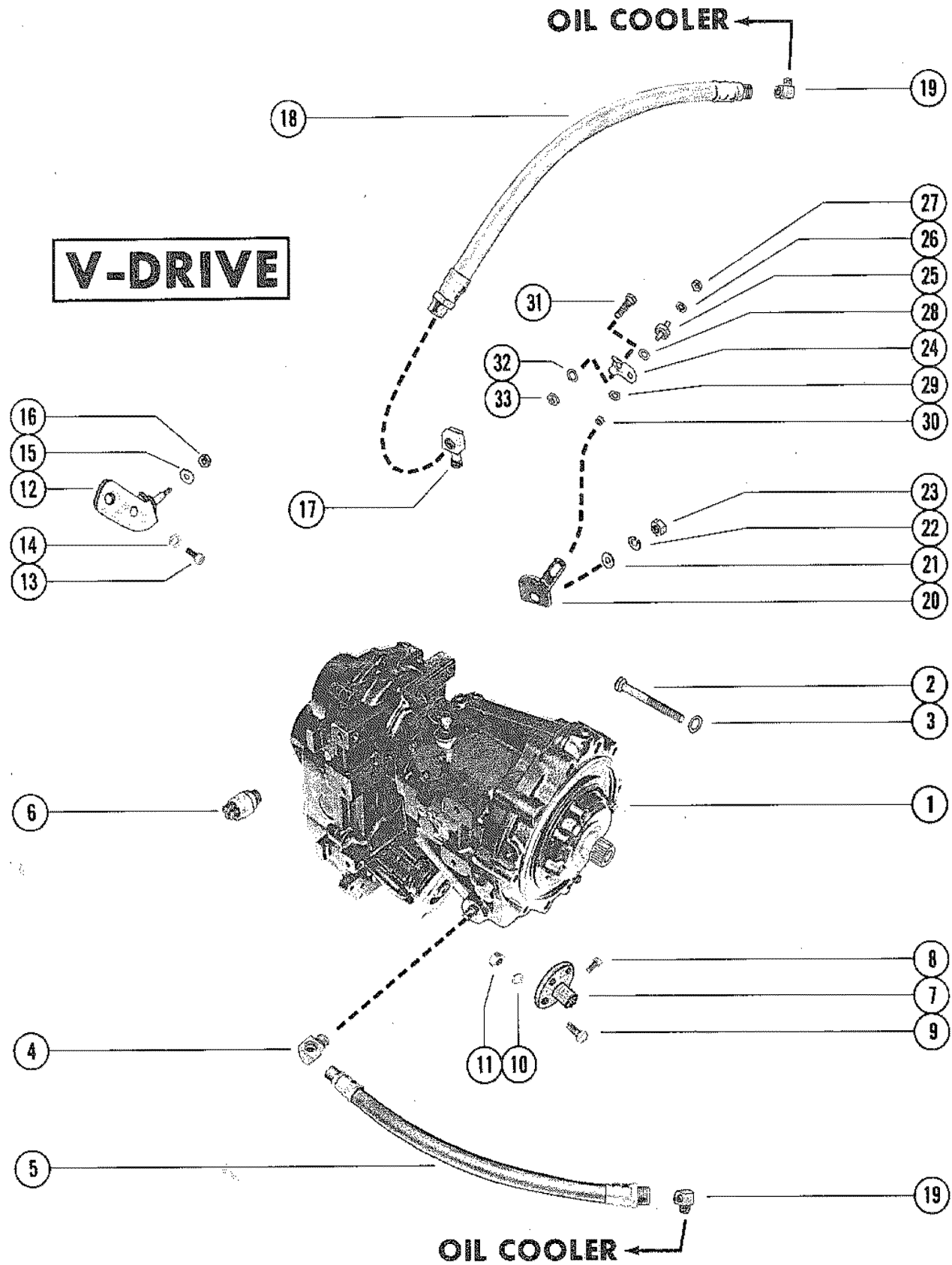
**INBOARD**



## TRANSMISSION AND RELATED PARTS (INBOARD)

REF. NO.	PART NO.	SYM.	QTY.	DESCRIPTION
17	11-22024		4,4,4,4	NUT, FLANGE SCREW
18	22-47629		1,,,,	ELBOW, HOSE TO TRANSMISSION (90 )
	22-63824		1,1,1,1	ELBOW, HOSE TO TRANSMISSION (90 )
19	63815A1		1,1,1,1,1	BRACKET, SHIFT CABLE
20	12-56681		1,1,1,1,1	WASHER, SHIFT CABLE TO BRACKET STUD
21	11-46438		1,1,1,1,1	NUT, SHIFT CABLE TO BRACKET STUD (10-32)
22	10-35585		2,2,2,2,2	SCREW, BRACKET TO TRANSMISSION (3/4")
23	13-26992		2,2,2,2,2	LOCKWASHER, BRACKET SCREW
24	48515		1,1,1,1,1	LEVER, SHIFT - TRANSMISSION
25	12-20722		1,1,1,1,1	WASHER, SHIFT LEVER
26	13-26993		1,1,1,1,1	LOCKWASHER, SHIFT LEVER
27	11-20083		1,1,1,1,1	NUT, SHIFT LEVER
28	48652		1,1,1,1,1	ADAPTOR, SHIFT CABLE
29	16-48680		1,1,1,1,1	STUD, SHIFT CABLE ADAPTOR
30	12-20533		1,1,1,1,1	WASHER, SHIFT CABLE ADAPTOR
31	11-46887		1,1,1,1,1	NUT, SHIFT CABLE ADAPTOR
32	13-29402		1,1,1,1,1	WAVE WASHER, SHIFT CABLE
33	12-56681		1,1,1,1,1	WASHER, SHIFT CABLE ADAPTOR
34	11-46438		1,1,1,1,1	NUT, SHIFT CABLE ADAPTOR STUD
35	10-20639		1,1,1,1,1	SCREW, SHIFT CABLE TO ADAPTOR
36	12-22753		1,1,1,1,1	WASHER, SHIFT CABLE SCREW
37	11-46793		1,1,1,1,1	NUT, SHIFT CABLE SCREW

# TRANSMISSION AND RELATED PARTS (V-DRIVE)

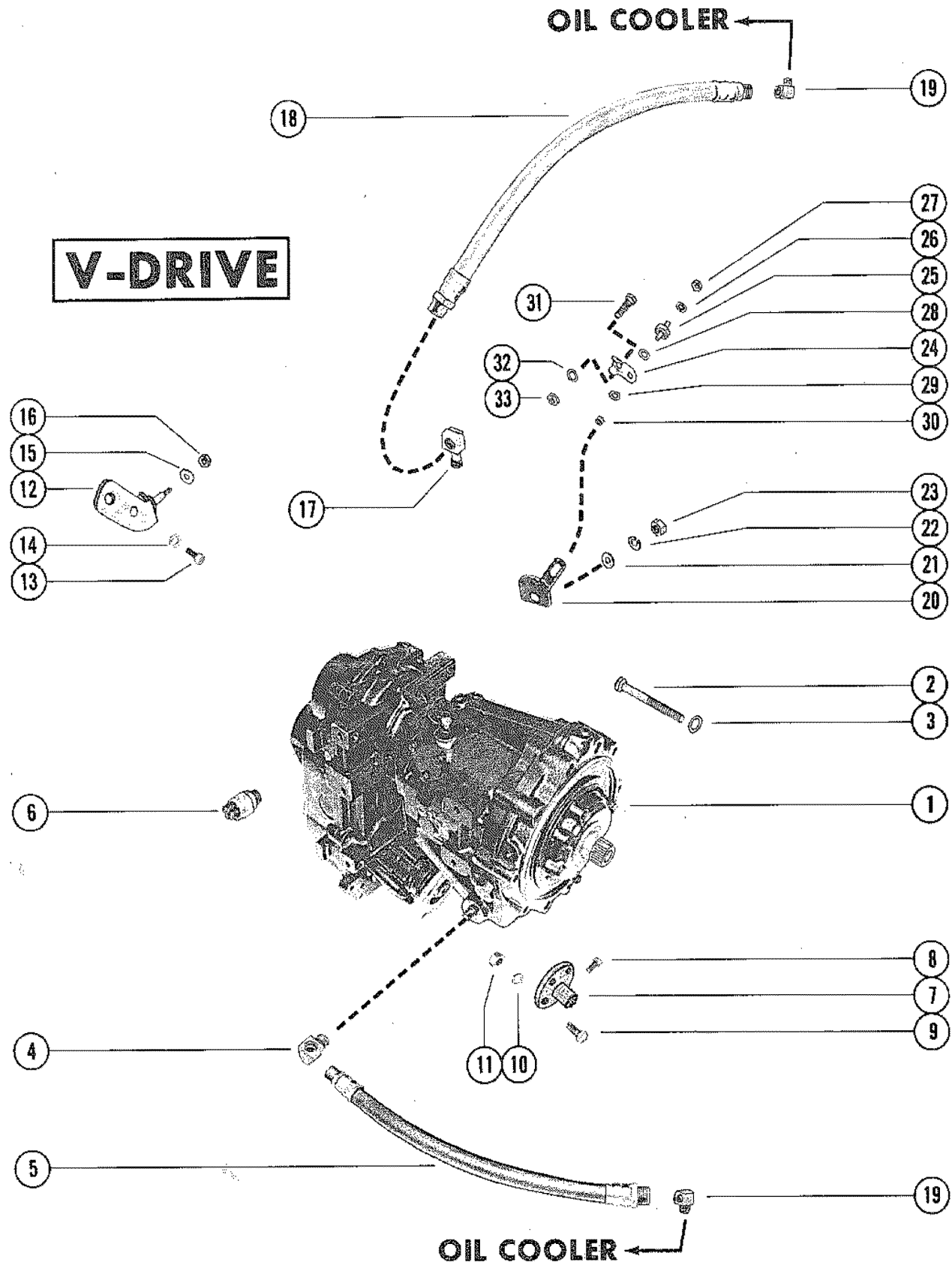


## TRANSMISSION AND RELATED PARTS (V-DRIVE)

REF. NO.	PART NO.	SYM.	QTY.	DESCRIPTION
1	60953		1	TRANSMISSION, V-DRIVE (DIRECT DRIVE)
	60588		1	TRANSMISSION, V-DRIVE (1.51:1 REDUCTION)
	60954		1	TRANSMISSION, V-DRIVE (1.99:1 REDUCTION)
	60955		1	TRANSMISSION, V-DRIVE (2.49:1 REDUCTION)
	60956		1	TRANSMISSION, V-DRIVE (3.14:1 REDUCTION)
2	10-47724		6	SCREW, TRANSMISSION TO ENGINE (3")
3	13-32993		6	LOCKWASHER, TRANSMISSION SCREW
4	22-63824		1	ELBOW, HOSE TO TRANSMISSION (90 )
5	32-47516--9		1	HOSE, OIL COOLER TO TRANSMISSION 937")
6	47613		1	SWITCH, NEUTRAL SAFETY
7	48386A1		OPT	FLANGE ASSEMBLY (1")
	48387A1		OPT	FLANGE ASSEMBLY (1 1/8")
	48388A1		OPT	FLANGE ASSEMBLY (1 1/4")
	48389A1		OPT	FLANGE ASSEMBLY (1 3/8")
	48390A1		OPT	FLANGE ASSEMBLY (1 1/2")
	57295A1		OPT	FLANGE ASSEMBLY (1 3/4")
	57296A1		OPT	FLANGE ASSEMBLY (2")
8	10-60171		2	SCREW, FLANGE TO PROPELLER SHAFT (1 1/4") - SEE NOTE BELOW
	60170		2	SCREW, FLANGE TO PROPELLER SHAFT (1") - SEE NOTE BELOW
	10-60169		2	SCREW, FLANGE TO PROPELLER SHAFT (3/4") - SEE NOTE BELOW
9	10-60106		4	SCREW, TRANSMISSION FLANGE TO PROPELLER FLANGE (1 1/4")
10	13-32993		4	LOCKWASHER, FLANGE SCREW
11	11-22024		4	NUT, FLANGE SCREW
12	63815A1		1	BRACKET, SHIFT CABLE
13	10-35585		2	SCREW, BRACKET TO FLYWHEEL HOUSING
14	13-26992		2	LOCKWASHER, BRACKET TO TRANSMISSION SCREW
15	12-56681		1	WASHER, SHIFT CABLE TO BRACKET STUD
16	11-46438		1	NUT, SHIFT CABLE TO BRACKET STUD (10-32)
17	22-47629		1	ELBOW, HOSE TO TRANSMISSION (90 )
18	32-47516-10		1	HOSE, TRANSMISSION TO OIL COOLER (33")
19	22-47629		2	ELBOW, HOSE TO OIL COOLER (90 )
20	48515		1	LEVER, SHIFT - TRANSMISSION
21	12-20722		1	WASHER, SHIFT LEVER
22	13-26993		1	LOCKWASHER, SHIFT LEVER
23	11-20083		1	NUT, SHIFT LEVER
24	48652		1	ADAPTOR, SHIFT CABLE
25	16-48680		1	STUD, SHIFT CABLE ADAPTOR
26	12-20533		1	WASHER, SHIFT CABLE
27	11-46887		1	NUT, SHIFT CABLE
28	13-29402		1	WAVE WASHER, SHIFT

CONTINUED ON NEXT PAGE ➡

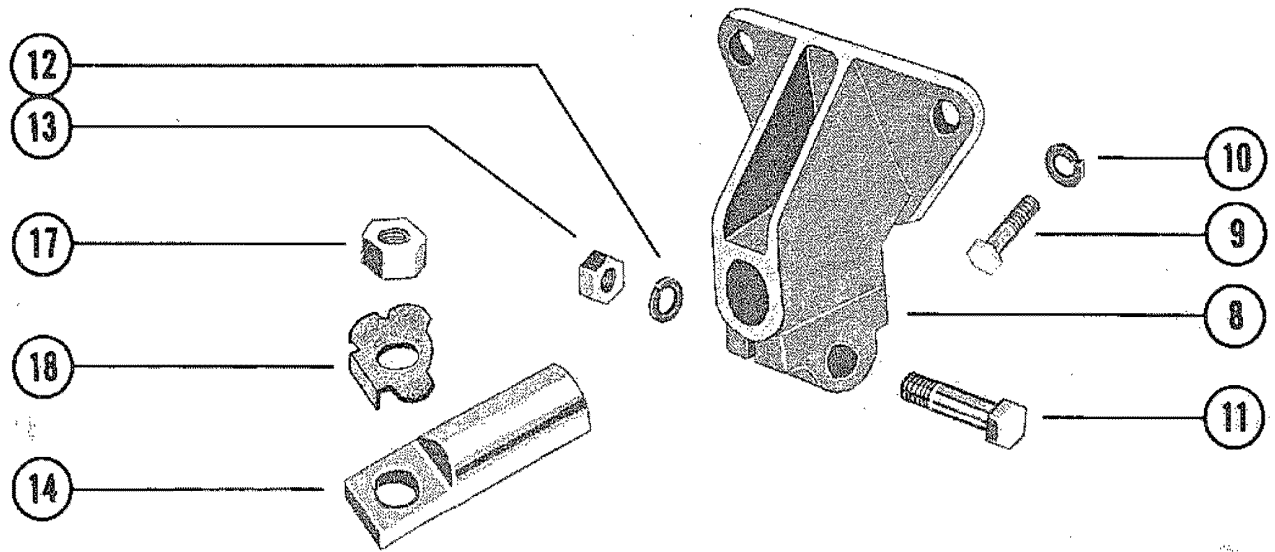
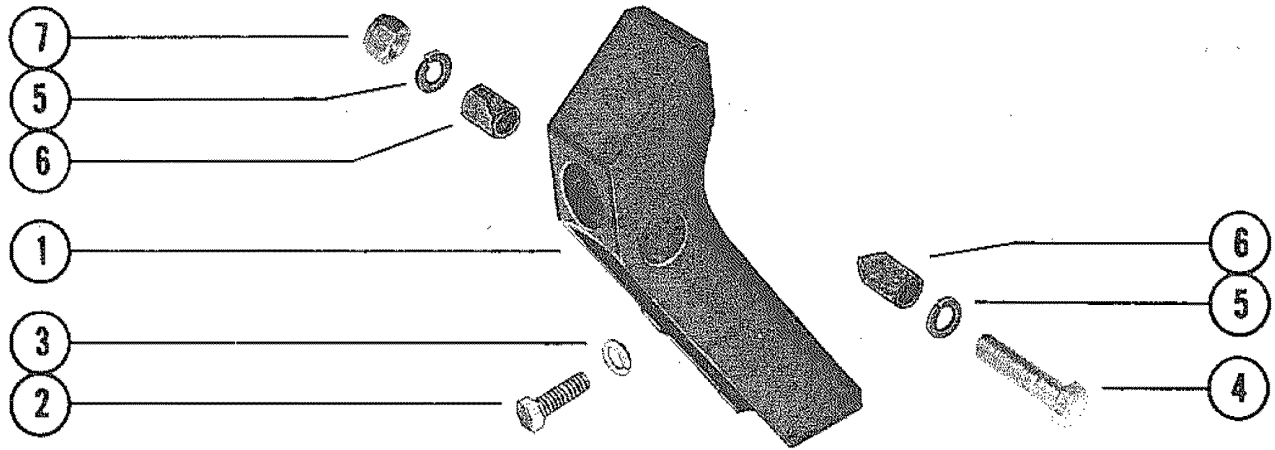
# TRANSMISSION AND RELATED PARTS (V-DRIVE)



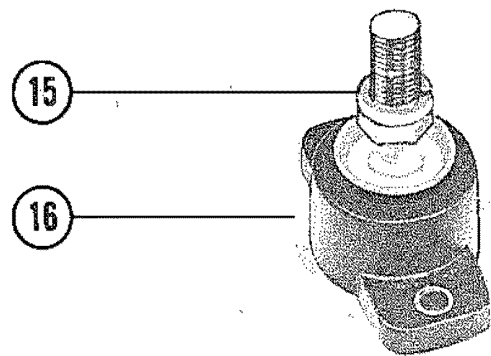
## TRANSMISSION AND RELATED PARTS (V-DRIVE)

REF. NO.	PART NO.	SYM.	QTY.	DESCRIPTION
29	12-56681		1	WASHER, SHIFT CABLE
30	11-46438		1	NUT, SHIFT CABLE
31	10-20639		1	SCREW, SHIFT CABLE
32	12-22753		1	WASHER, SHIFT CABLE
33	11-46793		1	NNUT, SHIFT CABLE

# TRANSMISSION AND ENGINE MOUNTING (V-DRIVE)



**V-DRIVE**

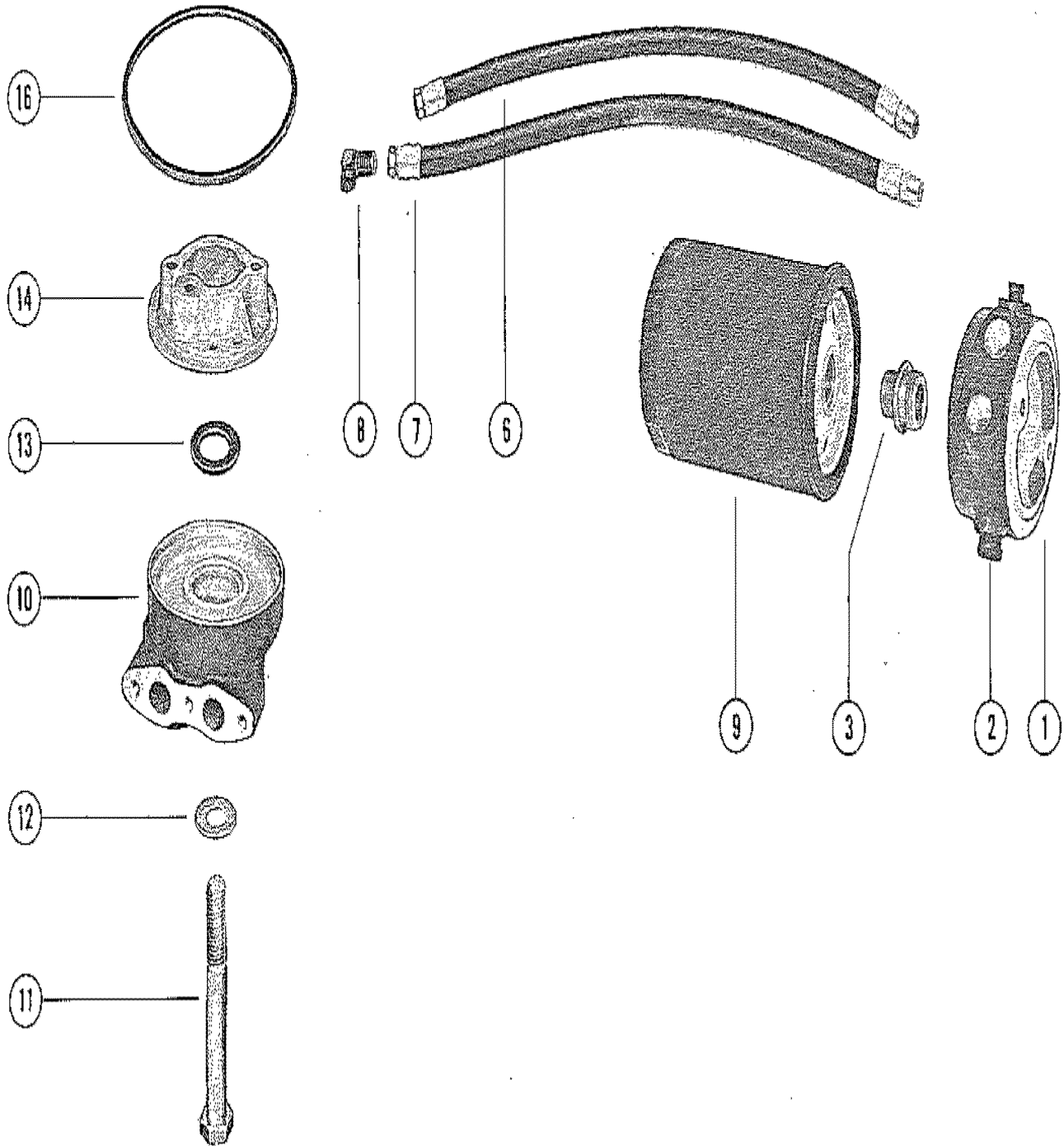




## TRANSMISSION AND ENGINE MOUNTING (V-DRIVE)

REF. NO.	PART NO.	SYM.	QTY.	DESCRIPTION
1	62285		2	BRACKET, MOUNTING (REAR)
2	10-47462		4	SCREW, MOUNTING BRACKET TO TRANSMISSION (1 1/4")
3	13-32993		4	LOCKWASHER, MOUNTING BRACKET SCREW
4	10-47654		2	SCREW, CLAMPING - MOUNTING BRACKET (2 3/4")
5	13-32993		2	LOCKWASHER, CLAMPING SCREW
6	54-47528		4	CLAMP, ADJUSTING TRUNNION SCREW
7	11-29553		2	NUT, SCREW CLAMPING
8	71128		2	BRACKET, MOUNTING - ENGINE (FRONT)
9	10-37612		4	SCREW, MOUNTING BRACKET TO ENGINE (1 1/4")
10	13-35048		4	LOCKWASHER, MOUNTING BRACKET SCREW
11	10-37269		2	SCREW, CLAMPING - MOUNTING BRACKET (2")
12	13-32993		2	LOCKWASHER, SCREW CLAMPING
13	11-29553		2	NUT, SCREW CLAMPING
14	66166		4	TRUNNION, ADJUSTING - MOUNTING BRACKET
15	13-68102		4	LOCKWASHER, MOUNTING BRACKET
16	66284		4	BASE, ENGINE MOUNT
17	11-20739		8	NUT, JAM - ENGINE MOUNT BASE
18	14-66658		2	TAB WASHER, ENGINE MOUNT BASE
-	<b>16-46857</b>		<b>2</b>	<b>STUD, CARBURETOR MOUNTING (1 7/8")</b>
-	<b>10-28701</b>		<b>2</b>	<b>SCREW, CARBURETOR MOUNTING (3 1/2")</b>
-	<b>13-39107</b>		<b>2</b>	<b>LOCKWASHER, CARBURETOR MOUNTING SCREW</b>
-	<b>49457</b>		<b>1</b>	<b>GAUGE, OIL LEVEL (DIPSTICK)</b>
-	<b>22-39072</b>		<b>2</b>	<b>PLUG, EXHAUST ELBOW</b>

# REMOTE OIL FILTER



## REMOTE OIL FILTER

REF. NO.	PART NO.	SYM.	QTY.	DESCRIPTION
1	78610A1		1	ADAPTOR, OIL FILTER
2	22-36382		1	PLUG, PIPE - OIL FILTER ADAPTOR (1/4-18)
3	32720		1	FITTING, OIL FILTER TO ADAPTOR
6	32-86217		1	HOSE, OIL INLET (24")
7	32-86218		1	HOSE, OIL OUTLET (29 1/2")
8	22-71923		1	ELBOW, OIL ADAPTOR (45 )
	22-71924		1	ELBOW, OIL ADAPTOR (45 )
9	52731		1	OIL FILTER
10	86029		1	ADAPTOR, OIL
11	10-86402		1	SCREW, OIL ADAPTOR TO CYLINDER BLOCK (2 1/2")
	10-86403		1	SCREW, OIL ADAPTOR TO CYLINDER BLOCK (3 1/2")
12	12-86401		2	WASHER, OIL ADAPTOR SCREW
13	26-73522		1	SEAL, OIL ADAPTOR
14	54785		1	ADAPTOR ASSEMBLY, OIL FILTER BY-PASS
16	25-33756		1	RING, SEALING - ADAPTOR AND VALVE

# PARTS INDEX

Part Number	Description	Pg.	Ref. No.	Part Number	Description	Pg.	Ref. No.
26079	PLATE, WIRING HARNESS TO MOUNTING BRACKET	5	2	48104	BRACKET, ALTERNATOR MOUNTING	3	25
32193	COIL, IGNITION	7	23	48348	CAO, INLET VALVE	25	11
32720	FITTING, OIL FILTER TO ADAPTOR	49	3	48381A1	FLANGE ASSEMBLY (1") - SEE NOTE A	39	13
32783	RETAINER, HIGH TENSION LEADS (3 WIRE)	7	34	48382A1	FLANGE ASSEMBLY (1 1/8") - SEE NOTE A	39	13
32784	RETAINER, HIGH TENSION LEADS (4 WIRE)	7	34	48383A1	FLANGE ASSEMBLY (1 1/4") - SEE NOTE A	39	13
33863	PULLEY, HARMONIC BALANCER	33	17	48384A1	FLANGE ASSEMBLY (1 3/8") - SEE NOTE A	39	13
34518	SHIELD, VALVE SPRING CAP	25	10	48385A1	FLANGE ASSEMBLY (1 1/2") - SEE NOTE A	39	13
34623	OIL PRESSURE SENDER ASSEMBLY	3	10	48386A1	FLANGE ASSEMBLY (1")	43	7
34625	WATER TEMPERATURE SENDER ASSEMBLY	3	7	48386A1	FLANGE ASSEMBLY (1") - SEE NOTE B	39	13
35328	ROTATOR ASSEMBLY, VALVE SPRING - EXHAUST VALVE	25	12	48387A1	FLANGE ASSEMBLY (1 1/8")	43	7
35329	ARM, ROCKER VALVE	25	14	48387A1	FLANGE ASSEMBLY (1 1/8") - SEE NOTE B	39	13
35330	ROD, VALVE PUSH	25	5	48388A1	FLANGE ASSEMBLY (1 1/4")	43	7
35331	BALL UNIT, ROCKER VALVE ARM	25	15	48388A1	FLANGE ASSEMBLY (1 1/4") - SEE NOTE B	39	13
35352	OIL PUMP ASSEMBLY	31	1	48389A1	FLANGE ASSEMBLY (1 3/8")	43	7
35354	SCREEN ASSEMBLY, OIL PUMP	31	3	48389A1	FLANGE ASSEMBLY (1 3/8") - SEE NOTE B	39	13
35365	SUPPORT, SPARK PLUG LEAD WIRE	33	25	48390A1	FLANGE ASSEMBLY (1 1/2") - SEE NOTE B	39	13
35373	PLATE, FUEL PUMP MOUNTING	9	4	48390A1	FLANGE ASSEMBLY (1 1/2")	43	7
35377	ROD, PUSH - FUEL PUMP	9	7	48515	LEVER, SHIFT - TRANSMISSION	41	24
35378	CHAIN, CAMSHAFT TIMING	29	9	48515	LEVER, SHIFT - TRANSMISSION	43	20
36184	SHAFT, OIL PUMP TO DISTRIBUTOR	31	4	48652	ADAPTOR, SHIFT CABLE	41	28
47441	COVER, THERMOSTAT HOUSING	21	6	48652	ADAPTOR, SHIFT CABLE	43	24
47488A1	BRACKET, WATER PUMP	19	25	49076	VALVE, EXHAUST (.015 O.S.) -SEE NOTE BELOW	25	6
47502	BRACKET, MOUNTING - THROTTLE CABLE (V-DRIVE)	11	23	49174	REINFORCEMENT, VALVE ROCKER COVER	25	3A
47530	HUB, WATER PUMP PULLEY	19	20	49288	CAP, OIL FILLER	25	2
47544	BRACE, WATER PUMP ADJUSTING	19	31	49457	GAUGE, OIL LEVEL (DIPSTICK)	47	--
47608	DRIVE PLATE, FLYWHEEL	27	12A	49735	BRACKET, OIL COOLER	35	18
47613	SWITCH, NEUTRAL SAFETY	39	9	49748A1	BRACKET ASSEMBLY, OIL COOLER	35	14
47613	SWITCH, NEUTRAL SAFETY	43	6	49929	BRACKET, MOUNTING - THROTTLE CABLE (INBOARD)	11	23
47805	TRANSMISSION (DIRECT DRIVE)	39	1	52185	CLAMP, DISTRIBUTOR TO INTAKE MANIFOLD	7	20
47806	TRANSMISSION (1.523:1 REDUCTION)	39	1	52198	BAFFLE, OIL PAN (CYLINDER BLOCK)	31	6
47807	TRANSMISSION (1.909:1 REDUCTION)	39	1	52217	CAP, REAR - CRANKSHAFT BEARING	27	7
47808	TRANSMISSION (2.57:1 REDUCTION)	39	1	52349	PULLEY, WATER PUMP	33	13
47809	TRANSMISSION (2.909:1 REDUCTION)	39	1	52365	VALVE, INLET (STANDARD)	25	7
47816	SIGHT GLASS	9	9	52731	OIL FILTER	49	9
47957	CONNECTOR, VENT HOSE TO ROCKER COVER	11	21	53513	WEDGE, CARBURETOR	11	9A
				54676	RETAINER, HIGH TENSION LEADS (2 WIRE)	7	34

# PARTS INDEX

Part Number	Description	Pg.	Ref. No.	Part Number	Description	Pg.	Ref. No.
54789	CAP, FRONT AND INTERMEDIATE -			72638	LIFTER, HYDRAULIC VALVE		
	CRANKSHAFT BEARING	27	9	72641	- TAPPET	29	7
55730	PLATE, EXHAUST ELBOW TO EXHAUST MANIFOLD	17	15	72646	VALVE, INLET (.015 O.S.)	25	7
57295A1	FLANGE ASSEMBLY (1 3/4")	43	7	72647	INTAKE MANIFOLD	33	1
57296A1	FLANGE ASSEMBLY (2")	43	7	72777	GUARD, INTAKE MANIFOLD	33	8
57908--2	SLEEVE, ALTERNATOR HARNESS	5	21	72778	WEAR PLATE	19	7
58265	CLAMPING RING, PUMP PULLEY	19	22	73798	WEAR PLATE	19	12
59137	THERMOSTAT	21	8	75420	PULLEY, WATER PUMP	19	21
59501	SHAFT, WATER PUMP	19	17	75435A1	BALANCER, HARMONIC - CRANKSHAFT	33	16
60170	SCREW, FLANGE TO PROPELLER SHAFT (1") - SEE NOTE BELOW	43	8	75612	POINTER, TIMING	33	31
60252	END CAP/CONNECTOR, EXHAUST MANIFOLD	17	7	76771A2	COVER ASS'Y, CRANKCASE FRONT (L.H. ROTATION)	33	27
60588	TRANSMISSION, V-DRIVE (1.51:1 REDUCTION)	43	1	77234A2	EXHAUST ELBOW ASSEMBLY	17	11
60656A1	COVER ASS'Y, CRANKCASE FRONT (R.H. ROTATION)	33	27	77235A2	EXHAUST MANIFOLD ASSEMBLY, PORT	17	1
60658	WATER PUMP ASSEMBLY	33	10	77235A2	EXHAUST MANIFOLD ASSEMBLY, STARBOARD	17	1
60915	ROD, AUTOMATIC CHOKE - INBOARD	11	32	77294	BRACKET, IGNITION COIL MOUNTING	7	24
60953	TRANSMISSION, V-DRIVE (DIRECT DRIVE)	43	1	77453	BRACKET, MOUNTING - FUEL FILTER	9	13
60954	TRANSMISSION, V-DRIVE (1.99:1 REDUCTION)	43	1	78403A1	ALTERNATOR ASSEMBLY(MOTOROLA #8MR2023F)	3	15
60955	TRANSMISSION, V-DRIVE (2.49:1 REDUCTION)	43	1	78610A1	ADAPTOR, OIL FILTER	49	1
60956	TRANSMISSION, V-DRIVE (3.14:1 REDUCTION)	43	1	78984A1	THERMOSTAT HOUSING ASSEMBLY	21	1
61112	ROD, AUTOMATIC CHOKE - V-DRIVE	11	32	79961	COVER, ROCKER	25	1
62285	BRACKET, MOUNTING (REAR)	47	1	85013	BRACE, ALTERNATOR ADJUSTING	3	18
63815A1	BRACKET, SHIFT CABLE	41	19	85785	FLAME ARRESTOR, CARBURETOR	11	16
63815A1	BRACKET, SHIFT CABLE	43	12	85803	VALVE, EXHAUST (STANDARD) -SEE NOTE BELOW	25	6
63832--1	COOLER, OIL (9")	35	13	86014A1	COVER ASSEMBLY, FLYWHEEL HOUSING	35	2
63832--2	COOLER, OIL (12") - V-DRIVE ONLY	35	13	86019	HOUSING, FLYWHEEL	35	1
64884	TAB, WIRING HARNESS (USED WITH B-84-70959A2)	5	7	86029	ADAPTOR, OIL	49	10
66166	TRUNNION, ADJUSTING - MOUNTING BRACKET	37	13	86246	FUEL PUMP ASSEMBLY	9	1
66166	TRUNNION, ADJUSTING - MOUNTING BRACKET	47	14	86890A1	TUBE, OIL LEVEL GAUGE	31	15
66198	COVER, AUTOMATIC CHOKE	11	30	87090	BRACKET, MOUNTING - HARNESS AND CIRCUIT BREAKER	5	4
66284	BASE, ENGINE MOUNT	37	15	87182	BRACKET, OIL LEVEL GAUGE	31	21
66284	BASE, ENGINE MOUNT	47	16	87353	GAUGE, OIL LEVEL (DIPSTICK)	31	18
66417	BRACKET, MOUNTING - TRANSMISSION (REAR)	37	1	87631	COVER, WATER PUMP	19	3
71128	BRACKET, MOUNTING - ENGINE (FRONT)	47	8	87690	SEAL, FLYWHEEL HOUSING COVER	35	3
71128	BRACKET, MOUNTING - ENGINE (FRONT)	37	7	87758A1	OIL PAN	31	8
71872A1	OIL PAN	31	8	89876	BASE, FUEL FILTER	9	11
				91823A3	DISTRIBUTOR ASSEMBLY, COMPLETE	7	1
				N.S.S.	AIR HORN ASSEMBLY (ROCHESTER #17051603)	13	1
				N.S.S.	BAFFLE, FLOAT BOWL (ROCHESTER #7031365)	13	25

# PARTS INDEX

Part Number	Description	Pg.	Ref. No.	Part Number	Description	Pg.	Ref. No.
N.S.S.	BRACKET ASSEMBLY, VACUUM CONTROL (ROCHESTER #17060265)	13	31	N.S.S.	SPRING, IDLE STOP SCREW (ROCHESTER #7003176)	15	44
N.S.S.	CHOKE SHAFT AND LEVER ASSEMBLY (ROCHESTER #7036059)	13	19	N.S.S.	SPRING, METERING ROD - PRIMARY (ROCHESTER #7029862)	13	36
N.S.S.	FLOAT BOWL ASSEMBLY (ROCHESTER #7041584)	15	42	N.S.S.	THROTTLE BODY ASSEMBLY (ROCHESTER #7044819)	15	52
N.S.S.	HOLDER KIT, SECONDARY METERING ROD (ROCHESTER #7034522)	13	4	N.S.S.	VALVE, CHOKE - CHOKE SHAFT ( ROCHESTER #7036021)	13	20
N.S.S.	HOSE, VACUUM (ROCHESTER #7026339)	13	34	10-20031	SCREW, COVER TO FLYWHEEL HOUSING (1/2")	35	5
N.S.S.	INSERT, FLOAT BOWL (ROCHESTER #7034361)	15	41	10-20639	SCREW, SHIFT CABLE	45	31
N.S.S.	LEVER, ACTUATING - PUMP (ROCHESTER #7048169)	13	9	10-20639	SCREW, SHIFT CABLE TO ADAPTOR	41	35
N.S.S.	LEVER, AIR VALVE LOCKOUT (ROCHESTER #7037968)	13	2	10-22958	SCREW, THROTTLE CABLE TO CARBURETOR (1 1/8")	11	10
N.S.S.	LEVER, INTERMEDIATE CHOKE (ROCHESTER #7031231)	13	24	10-24234	SCREW, END CAP TO EXH. MAN. (1")	17	9
N.S.S.	METERING ROD, SECONDARY (ROCHESTER #7045779)	13	5	10-24637	SCREW, CIRCUIT BREAKER TO BRACKET (7/8")	5	16
N.S.S.	PIN, HINGE - FLOAT (ROCHESTER #7029856)	13	23	10-25299	SCREW, IGNITION COIL ATTACHING (3/4")	7	29
N.S.S.	POWER PISTON ASSEMBLY (ROCHESTER #7034637)	13	35	10-25703	SCREW, "J" CLIP ATTACHING (1/2")	5	19
N.S.S.	RETAINER, POWER PISTON (ROCHESTER #7034339)	13	37	10-26066	SCREW, FUEL FILTER TO BRACKET (1 1/4")	9	14
N.S.S.	RETAINER, PUMP DISCHARGE BALL (ROCHESTER #7029849)	15	38	10-26487	BOLT, INTAKE MANIFOLD TO CYLINDER BLOCK (1 1/8")	33	2
N.S.S.	ROD, CHOKE (ROCHESTER #7031394)	13	26	10-27165	SCREW, ALTERNATOR BRACE TO CYLINDER BLOCK (3/4")	3	22
N.S.S.	ROD, PUMP (ROCHESTER #7026138)	15	50	10-27165	SCREW, OIL COOLER BRACKET (3/4")	35	16
N.S.S.	ROD, VACUUM CONTROL (ROCHESTER #7038167)	13	29	10-28701	SCREW, CARBURETOR MOUNTING (3 1/2")	47	--
N.S.S.	SCREW, AIR HORN TO FLOAT BOWL (1") - ROCHESTER #7014699	13	7	10-29198	SCREW, ALTERNATOR BRACE TO ALTERNATOR (7/8")	3	19
N.S.S.	SCREW, AIR HORN TO FLOAT BOWL (3") - ROCHESTER #7029912	13	8	10-32132	SCREW, WATER PUMP TO CYLINDER BLOCK (1 3/4")	33	12
N.S.S.	SCREW, AIR HORN TO FLOAT BOWL (3/8") - ROCHESTER #7031105	13	6	10-33389	SCREW, THERMOSTAT HOUSING ATTACHING (4 1/4")	21	10
N.S.S.	SCREW, CHOKE VALVE TO CHOKE SHAFT (ROCHESTER #7029866)	13	21	10-33524	SCREW, CLIP TO BRACKET (5/8")	31	23
N.S.S.	SCREW, IDLE STOP (ROCHESTER #7002121)	15	43	10-34277	SCREW, CRANKCASE FRONT END COVER TO CYL BLOCK (7/16")	33	30
N.S.S.	SCREW, THROTTLE BODY TO FLOAT BOWL (ROCHESTER #7035790)	15	55	10-34277	SCREW, FUEL PUMP MOUNTING PLATE	9	6
				10-34352	BOLT, CRANKSHAFT PULLEY TO HARMINIC BALANCER	33	21
				10-34353	SCREW, BRACE TO STEERING PUMP	19	32

# PARTS INDEX

Part Number	Description	Pg.	Ref. No.	Part Number	Description	Pg.	Ref. No.
10-34353	SCREW, WATER PUMP BRACKET TO ENGINE (1")	19	28	10-47654	SCREW, CLAMPING - MOUNTING BRACKET (2 3/4")	47	4
10-34354	SCREW, LIFTING EYE ATTACHING (1 1/2")	33	5	10-47688	SCREW, WATER PUMP TO CYLINDER BLOCK (2 3/4")	33	12
10-34354	SCREW, WATER PUMP BRACKET CLAMPING	19	26	10-47724	SCREW, TRANSMISSION TO ENGINE (3")	39	2
10-34505	BOLT, CAMSHAFT TIMING SPROCKETS (3/4")	29	11	10-47724	SCREW, TRANSMISSION TO ENGINE (3")	43	2
10-35091	SCREW, DRIVE PLATE TO FLYWHEEL	27	12B	10-48308	SCREW, ALTERNATOR TO ALTERNATOR BRACKET (3 3/4")	3	28
10-35316	BOLT, CYLINDER HEAD TO CYLINDER BLOCK (3 3/4")	25	22	10-48333	BOLT, OIL PUMP TO CYLINDER BLOCK (2")	31	2
10-35317	BOLT, CYLINDER HEAD TO CYLINDER BLOCK (1 3/4")	25	20	10-48424	SCREW, FLYWHEEL HOUSING TO ENGINE (1 5/8")	35	9
10-35318	BOLT, CYLINDER HEAD TO CYLINDER BLOCK (3")	25	21	10-48424	SCREW, MOUNTING BRACKET TO ENGINE (1 5/8")	37	8
10-35366	SCREW, LEAD WIRE SUPPORT TO CYLINDER (2 1/2")	33	26	10-49106	BOLT, CRANKSHAFT BEARING CAP TO CYL. BLOCK (2 1/2")	27	10
10-35366	SCREW, ROCKER VALVE COVER TO CYLINDER HEAD (1/2")	25	3	10-49845	SCREW, FLYWHEEL TO CRANKSHAFT	27	14
10-35374	SCREW, FUEL PUMP TO MOUNTING PLATE (1 1/8")	9	3	10-52200	SCREW, WATER PUMP TO CYLINDER BLOCK (1 1/2")	33	12
10-35585	SCREW, BRACKET TO FLYWHEEL HOUSING	43	13	10-53728	SCREW, EXHAUST MANIFOLD TO CYLINDER HEAD (4 5/8")	17	6
10-35585	SCREW, BRACKET TO TRANSMISSION (3/4")	41	22	10-54528	SCREW, DISTRIBUTOR CLAMP ATTACHING (7/8")	7	21
10-35786	SCREW, ADJUSTING BRACE TO BRACKET SCREW (1")	19	35	10-54788	BOLT, CRANKSHAFT BEARING CAP TO CYL. BLOCK (2 31/32")	27	10
10-37269	SCREW, BRACKET TO TRANSMISSION (2")	37	2	10-55714	SCREW, OIL PAN TO BLOCK (5/16 - 18 X 7/8)	31	11
10-37269	SCREW, CLAMPING - MOUNTING BRACKET (2")	37	10	10-55715	SCREW, OIL PAN TO BLOCK (1/4 - 20 X 7/8)	31	13
10-37269	SCREW, CLAMPING - MOUNTING BRACKET (2")	47	11	10-57357	SCREW, CLAMPING - MOUNTING BRACKET (2 1/4")	37	4
10-37510	BOLT, INTAKE MANIFOLD TO CYLINDER BLOCK (1 1/2")	33	2	10-59994	SCREW, AUTOMATIC CHOKE THERMOSTAT (5/8")	11	31
10-37612	SCREW, MOUNTING BRACKET TO ENGINE (1 1/4")	37	8	10-60106	SCREW, TRANSMISSION FLANGE TO PROPELLER FLANGE (1 1/4")	39	15
10-37612	SCREW, MOUNTING BRACKET TO ENGINE (1 1/4")	47	9	10-60106	SCREW, TRANSMISSION FLANGE TO PROPELLER FLANGE (1 1/4")	43	9
10-37909	SCREW, FLANGE TO TRANSMISSION (1 1/8")	39	15	10-60168	SCREW, FLANGE TO PROPELLER SHAFT (1 1/2")	39	14
10-46718	SCREW, WIRING HARNESS PLATE TO MOUNTING BRACKET (3/4")	5	3	10-60169	SCREW, FLANGE PROPELLER SHAFT (3/4")	39	14
10-47277	SCREW, PULLEY TO WATER PUMP (3/4")	19	23	10-60169	SCREW, FLANGE TO PROPELLER SHAFT (3/4")	43	8
10-47277	SCREW, PULLEY TO WATER PUMP (3/4")	33	14				
10-47461	SCREW, MOUNTING BRACKET ATTACHING (1")	5	5				
10-47462	SCREW, MOUNTING BRACKET TO TRANSMISSION (1 1/4")	47	2				

# PARTS INDEX

Part Number	Description	Pg.	Ref. No.	Part Number	Description	Pg.	Ref. No.
10-60171	SCREW, FLANGE TO PROPELLER SHAFT (1 1/4")	39	14	11-28941	NUT, JAM - FLAME ARRESTOR	11	3
10-60171	SCREW, FLANGE TO PROPELLER SHAFT (1 1/4") - SEE NOTE BELOW	43	8	11-29553	NUT, CLAMPING SCREW	37	12
10-60179	SCREW, TRANSMISSION TO ENGINE (3 1/2")	39	2	11-29553	NUT, CLAMPING SCREW	37	6
10-63328	SCREW, COVER TO BODY (3")	19	4	11-29553	NUT, SCREW CLAMPING	47	13
10-63826	SCREW, FLYWHEEL HOUSING TO ENGINE (2 1/2")	35	9	11-30968	NUT, SCREW CLAMPING	47	7
10-66652	SCREW, BRACKET TO IGNITION COIL (1 1/2")	7	25	11-30968	NUT, ALTERNATOR TERMINAL (10-24)	3	17
10-69054	SCREW, STARTER SOLENOID TO MOUNTING BRACKET (5/8")	5	9	11-32219	NUT, FLYWHEEL STUD	35	12
10-72626	BOLT, PULLEY AND HARMONIC BALANCER TO CRANKSHAFT (2")	33	18	11-32219	NUT, STARTER TERMINAL (3/8")	3	4
10-73657	SCREW, END CAP TO EXH. MAN. (1 1/2")(FRONT LOWER)	17	9	11-34516	NUT, ROCKER VALVE ARM STUD	25	16
10-76926	SCREW, ALTERNATOR BRACKET TO EXHAUST MANIFOLD (7/8")	3	26	11-35814	NUT, FUEL FILTER SCREW	9	16
10-85802	BOLT, CONNECTING ROD CAP	27	16	11-37493	NUT, CONNECTING ROD CAP BOLT	27	17
10-86402	SCREW, OIL ADAPTOR TO CYLINDER BLOCK (2 1/2")	49	11	11-37500	NUT, BAFFLE TO CYLINDER BLOCK STUD	31	7
10-86403	SCREW, OIL ADAPTOR TO CYLINDER BLOCK (3 1/2")	49	11	11-46438	NUT, CIRCUIT BREAKER SCREW	5	17
11-20083	NUT, SHIFT LEVER	41	27	11-46438	NUT, SHIFT CABLE	45	30
11-20083	NUT, SHIFT LEVER	43	23	11-46438	NUT, SHIFT CABLE ADAPTOR STUD	41	34
11-20190	NUT, THROTTLE CABLE SCREW	11	15	11-46438	NUT, SHIFT CABLE TO BRACKET STUD (10-32)	41	21
11-20586	NUT, FLAME ARRESTOR STUD	11	18	11-46438	NUT, SHIFT CABLE TO BRACKET STUD (10-32)	43	16
11-20586	NUT, THROTTLE CABLE STUD	11	28	11-46793	NNUT, SHIFT CABLE	45	33
11-20739	NUT, JAM - ENGINE MOUNT BASE	37	16	11-46793	NUT, CARBURETOR STUDS	11	9
11-20739	NUT, JAM - ENGINE MOUNT BASE	47	17	11-46887	NUT, SHIFT CABLE SCREW	41	37
11-20890	NUT, ALTERNATOR TERMINAL (1/4-20)	3	17	11-46887	NUT, SHIFT CABLE ADAPTOR	41	31
11-21825	NUT, LEAD TO FUSE STUD	5	25	11-47626	NUT, OIL LEVEL GAUGE TUBE	31	16
11-22024	NUT, FLANGE SCREW	41	17	11-49838	NUT, EXHAUST ELBOW TO EXHAUST MANIFOLD STUD	17	17
11-22024	NUT, FLANGE SCREW	43	11	11-52412	NUT, OIL COOLER BRACKET SCREW	35	17
11-22024	NUT, TRANSMISSION STUD	39	5	11-68219	NUT, CIRCUIT BREAKER TERMINAL	5	--
11-22053	NUT, CLIP SCREW	31	26	11-68219	NUT, HARNESS ATTACHING	39	12
11-23161	NUT, ALTERNATOR BRACKET SCREW	3	31	11-68219	NUT, IGNITION COIL TERMINAL	7	28
11-24883	NUT, ADJUSTING BRACE SCREW	19	36	11-68219	NUT, OIL PRESSURE SENDER TERMINAL (#10)	3	12
11-24883	NUT, TRANSMISSION FLANGE SCREW	39	17	11-68219	NUT, STARTER SOLENOID TERMINAL (10-32)	5	12
11-26419	NUT, STARTER TERMINAL (#8)	3	6	11-68292	NUT, WATER TEMPERATURE SENDER TERMINAL (#10)	3	9
				12-20084	NUT, STARTER SOLENOID TERMINAL (5/16")	5	14
				12-20084	WASHER, CARBURETOR STUDS	11	8
				12-20084	WASHER, COVER TO BODY SCREW	19	5
				12-20084	WASHER, FUEL FILTER SCREW	9	15



# PARTS INDEX

Part Number	Description	Pg.	Ref. No.	Part Number	Description	Pg.	Ref. No.
12-20084	WASHER, IGNITION COIL ATTACHING SCREW . . . .	7	30	13-26992	LOCKWASHER, BRACKET TO TRANSMISSION SCREW . . . . .	43	14
12-20128	WASHER, THROTTLE CABLE SCREW . . . . .	11	14	13-26992	LOCKWASHER, COVER SCREW . . . . .	35	6
12-20533	WASHER, SHIFT CABLE . . .	43	26	13-26992	LOCKWASHER, OIL PAN SCREW . . . . .	31	14
12-20533	WASHER, SHIFT CABLE ADAPTOR . . . . .	41	30	13-26992	LOCKWASHER, STARTER SOLENOID SCREW . . . . .	5	10
12-20553	WASHER, ALTERNATOR BRACE SCREW . . . . .	3	24	13-26993	LOCKWASHER, IGNITION COIL ATTACHING SCREW	7	31
12-20553	WASHER, ALTERNATOR BRACKET SCREW . . . . .	3	30	13-26993	LOCKWASHER, OIL PAN SCREW . . . . .	31	12
12-20553	WASHER, OIL LEVEL TUBE BRACKET . . . . .	31	25	13-26993	LOCKWASHER, SHIFT LEVER . . . . .	41	26
12-20572	WASHER, FLYWHEEL HOUSING TO ENGINE SCREW . . . . .	35	11	13-26993	LOCKWASHER, SHIFT LEVER . . . . .	43	22
12-20722	WASHER, SHIFT LEVER . . .	41	25	13-26993	LOCKWASHER, STARTER SOLENOID TERMINAL (5/16") . . . . .	5	13
12-20722	WASHER, SHIFT LEVER . . .	43	21	13-26995	LOCKWASHER, STARTER TERMINAL (#8) . . . . .	3	5
12-21631	WASHER, THROTTLE CABLE STUD . . . . .	11	26	13-26996	LOCKWASHER, ALTERNATOR TERMINAL NUT . . . . .	3	16
12-22753	WASHER, SHIFT CABLE . . .	45	32	13-26996	LOCKWASHER, CIRCUIT BREAKER TERMINAL . . .	5	--
12-22753	WASHER, SHIFT CABLE SCREW . . . . .	41	36	13-26996	LOCKWASHER, HARNESS ATTACHING . . . . .	39	11
12-26168	WASHER, ALTERNATOR BRACE SCREW . . . . .	3	21	13-26996	LOCKWASHER, IGNITION COIL TERMINAL . . . . .	7	27
12-30164	WASHER, IGNITION COIL TERMINAL . . . . .	7	26	13-26996	LOCKWASHER, OIL PRESSURE SENDER TERMINAL (#10) . . . . .	3	11
12-34714	WASHER, ADJUSTING BRACE SCREW . . . . .	19	34	13-26996	LOCKWASHER, STARTER SOLENOID TERMINAL (#10) . . . . .	5	11
12-34714	WASHER, WATER PUMP BRACKET SCREW . . . . .	19	30	13-29402	LOCKWASHER, WATER TEMPERATURE SENDER TERMINAL (#10) . . . . .	3	8
12-35332	WASHER, PULLEY AND HARMONIC BALANCER BOLT . . . . .	33	20	13-29402	WAVE WASHER, SHIFT . . . .	43	28
12-39167	WASHER, CAMSHAFT TIMING SPROCKET BOLT	29	12	13-29402	WAVE WASHER, SHIFT CABLE . . . . .	41	32
12-49112	WASHER, INTAKE MANIFOLD BOLT . . . . .	33	3	13-32993	LOCKWASHER, BRACKET SCREW . . . . .	37	3
12-56681	WASHER, SHIFT CABLE . . .	45	29	13-32993	LOCKWASHER, CLAMPING SCREW . . . . .	37	11
12-56681	WASHER, SHIFT CABLE ADAPTOR . . . . .	41	33	13-32993	LOCKWASHER, CLAMPING SCREW . . . . .	37	5
12-56681	WASHER, SHIFT CABLE TO BRACKET STUD . . . . .	41	20	13-32993	LOCKWASHER, CLAMPING SCREW . . . . .	47	5
12-56681	WASHER, SHIFT CABLE TO BRACKET STUD . . . . .	43	15	13-32993	LOCKWASHER, FLANGE SCREW . . . . .	39	16
12-56681	WASHER, THROTTLE CABLE SCREW . . . . .	11	14	13-32993	LOCKWASHER, FLANGE SCREW . . . . .	43	10
12-79643	WASHER, BRACE SCREW (FOR SLOT) . . . . .	19	25A	13-32993	LOCKWASHER, MOUNTING BRACKET SCREW . . . . .	5	6
12-86400	WASHER, FLAME ARRESTOR STUD . . . . .	11	17	13-32993	LOCKWASHER, MOUNTING BRACKET SCREW . . . . .	47	3
12-86401	WASHER, OIL ADAPTOR SCREW . . . . .	49	12	13-24669	LOCKWASHER, LEAD TO FUSE STUD NUT . . . . .	5	24
13-24669	LOCKWASHER, LEAD TO FUSE STUD NUT . . . . .	5	24	13-26992	LOCKWASHER, ALTERNATOR TERMINAL NUT . . . . .	3	16
13-26992	LOCKWASHER, ALTERNATOR TERMINAL NUT . . . . .	3	16	13-26992	LOCKWASHER, BRACKET SCREW . . . . .	41	23
13-26992	LOCKWASHER, BRACKET SCREW . . . . .	41	23				

# PARTS INDEX

Part Number	Description	Pg.	Ref. No.	Part Number	Description	Pg.	Ref. No.
13-32993	LOCKWASHER, STARTER MOTOR SCREW . . . . .	3	3	13-68102	LOCKWASHER, MOUNTING BRACKET . . . . .	37	14
13-32993	LOCKWASHER, TRANSMISSION SCREW . . . . .	43	3	13-68102	LOCKWASHER, MOUNTING BRACKET . . . . .	47	15
13-32993	LOCKWASHER, TRANSMISSION SCREW AND STUD . . . . .	39	4	14-66658	TAB WASHER, BASE NUT . . . . .	37	17
13-35048	LOCKWASHER, ADJUSTING BRACE SCREW . . . . .	19	33	14-66658	TAB WASHER, ENGINE MOUNT BASE . . . . .	47	18
13-35048	LOCKWASHER, ALTERNATOR BRACE SCREW . . . . .	3	23	16-33213	STUD, FLAME ARRESTOR MOUNTING - CARBURETOR . . . . .	11	2
13-35048	LOCKWASHER, ALTERNATOR BRACKET SCREW . . . . .	3	27	16-34521	STUD, ROCKER VALVE ARM (.013 O.S.) . . . . .	25	18
13-35048	LOCKWASHER, CRANKSHAFT PULLEY BOLT . . . . .	33	22	16-34522	STUD, ROCKER VALVE ARM (.003 O.S.) . . . . .	25	18
13-35048	LOCKWASHER, DRIVE PLATE SCREW . . . . .	27	12C	16-35342	STUD, WATER PUMP TO CYLINDER BLOCK . . . . .	33	12
13-35048	LOCKWASHER, EXHAUST ELBOW TO EXHAUST MANIFOLD STUD . . . . .	17	16	16-35897	STUD, THROTTLE CABLE TO MOUNTING BRACKET (1 11/16") . . . . .	11	25
13-35048	LOCKWASHER, LIFTING EYE SCREW . . . . .	33	6	16-46857	STUD, CARBURETOR MOUNTING (1 7/8") . . . . .	47	--
13-35048	LOCKWASHER, MOUNTING BRACKET SCREW . . . . .	37	9	16-48680	STUD, SHIFT CABLE ADAPTOR . . . . .	41	29
13-35048	LOCKWASHER, MOUNTING BRACKET SCREW . . . . .	37	9	16-48680	STUD, SHIFT CABLE ADAPTOR . . . . .	43	25
13-35048	LOCKWASHER, MOUNTING BRACKET SCREW . . . . .	47	10	16-49545	STUD, EXHAUST MANIFOLD TO ELBOW (1 3/4") . . . . .	17	2
13-35048	LOCKWASHER, TRANSMISSION FLANGE SCREW . . . . .	39	16	16-53722	STUD, CARBURETOR MOUNTING (4 3/8") . . . . .	11	7
13-35048	LOCKWASHER, WATER PUMP BRACKET SCREW . . . . .	19	27	16-53724	STUD, CARBURETOR MOUNTING (1 3/4") . . . . .	11	7
13-35048	LOCKWASHER, WATER PUMP BRACKET SCREW . . . . .	19	29	16-54790	STUD, OIL PAN BAFFLE ATTACHING . . . . .	27	11
13-37459	LOCKWASHER, HOUSING SCREW . . . . .	35	8	16-57921	STUD, TRANSMISSION TO ENGINE (4") . . . . .	39	3
13-37459	LOCKWASHER, THERMOSTAT HOUSING SCREW . . . . .	21	11	16-63332	STUD, CARBURETOR MOUNTING (1 9/32") . . . . .	11	7
13-39107	LOCKWASHER, ALTERNATOR BRACE SCREW . . . . .	3	20	16-64066	STUD, FLYWHEEL HOUSING TO ENGINE (2 1/4") . . . . .	35	10
13-39107	LOCKWASHER, CARBURETOR MOUNTING SCREW . . . . .	47	--	16-66203	STUD, GAUGE TO INTAKE MANIFOLD . . . . .	33	7
13-39107	LOCKWASHER, CLIP SCREW . . . . .	31	24	17-24813	PIN, DOWEL - CAMSHAFT TIMING SPROCKET (1/4" DIA.) . . . . .	29	13
13-39107	LOCKWASHER, WATER PUMP PULLEY SCREW . . . . .	19	24	17-24813	PIN, DOWEL - REAR CRANKSHAFT BEARING CAP (1/4"DIA.) . . . . .	27	5
13-39107	LOCKWASHER, WATER PUMP PULLEY SCREW . . . . .	33	15	17-35312	PIN, DOWEL - CRANKCASE FRONT END COVER AND OIL PUMP . . . . .	27	--
13-39131	LOCKWASHER, FLYWHEEL SCREW . . . . .	27	13	17-35465	PIN, DOWEL - CYLINDER BLOCK TO CYL. HEAD (5/16" DIA.) . . . . .	29	4
13-39131	LOCKWASHER, PULLEY AND HARMONIC BALANCER BOLT . . . . .	33	19	19-34270	PLUG, EXPANSIPON - CYLINDER BLOCK (1 5/8" DIA.) . . . . .	29	3
				19-59504	PLUG, IMPELLER . . . . .	19	9
				19-71900	PLUG, OIL LEVEL GAUGE HOLE - CYLINDER BLOCK . . . . .	29	14

# PARTS INDEX

Part Number	Description	Pg.	Ref. No.	Part Number	Description	Pg.	Ref. No.
22-32802	PLUG, PIPE (FOR WATER PUMP BODY) . . . . .	19	38	23-34948	BUSHING, THROTTLE CABLE SCREW . . . . .	11	11
22-32802	PLUG, PIPE - EXHAUST ELBOW . . . . .	17	12	23-35313	OIL SEAL, REAR BEARING CAP (R.H. ROTATION) . . .	27	6
22-32802	PLUG, PIPE - EXHAUST MANIFOLD . . . . .	17	4	23-36183	RETAINER, OIL PUMP SHAFT . . . . .	31	5
22-32876	NIPPLE, SIGHT GLASS TO FUEL PUMP . . . . .	9	8	23-36365	SPACER, OIL COOLER BRACKET . . . . .	35	19
22-33198A1	PLUG, EXHAUST ELBOW . .	17	13	23-47511	SLEEVE, THERMOSTAT HOUSING . . . . .	21	2
22-33198A1	PLUG, THERMOSTAT HOUSING . . . . .	21	3A	23-52216	BEARING UNIT, CRANKSHAFT MAIN - REAR (.020 U.S.) . . . . .	27	4
22-33821	ELBOW, FUEL LINE TO PUMP AND FUEL FILTER . . . . .	9	17	23-57938	BUSHING, THROTTLE CABLE SCREW . . . . .	11	11
22-36382	PLUG, PIPE - OIL FILTER ADAPTOR (1/4-18) . . . . .	49	2	23-85674	BEARING UNIT, CAMSHAFT . . . . .	29	6
22-38992	NIPPLE, OIL PRESSURE SENDER . . . . .	3	14	23-85694	BEARING UNIT (PAIR), CRANKSHAFT (STANDARD) . . . . .	27	3
22-39072	PLUG, EXHAUST ELBOW . .	47	--	23-85695	BEARING UNIT (PAIR), CRANKSHAFT (.001 U.S.) . . . . .	27	3
22-46932	ELBOW, OIL PRESSURE SENDER . . . . .	3	13	23-85696	BEARING UNIT, CRANKSHAFT MAIN (.010 U.S.) . . . . .	27	3
22-47540	PLUG, THERMOSTAT HOUSING . . . . .	21	3	23-85697	BEARING UNIT, CRANKSHAFT MAIN (.020 U.S.) . . . . .	27	3
22-47625	ELBOW, OIL LEVEL GAUGE TUBE TO OIL PAN . . . . .	31	19	23-85698	BEARING UNIT, CRANKSHAFT MAIN - REAR (STANDARD) . . . . .	27	4
22-47629	ELBOW, HOSE TO OIL COOLER . . . . .	39	8	23-85699	BEARING UNIT, CRANKSHAFT MAIN - REAR (.001 U.S.) . . . . .	27	4
22-47629	ELBOW, HOSE TO OIL COOLER (90 ) . . . . .	43	19	23-85700	BEARING UNIT, CRANKSHAFT MAIN - REAR (.010 U.S.) . . . . .	27	4
22-47629	ELBOW, HOSE TO TRANSMISSION (90 ) . . . . .	39	6	23-85701	BEARING SET (4 PAIR), CONNECTING ROD (STANDARD) . . . . .	27	18
22-47629	ELBOW, HOSE TO TRANSMISSION (90 ) . . . . .	41	18	23-85702	BEARING UNIT (PAIR), CONNECTING ROD (.001 U.S.) . . . . .	27	18
22-47629	ELBOW, HOSE TO TRANSMISSION (90 ) . . . . .	43	17	23-85703	BEARING UNIT (PAIR), CONNECTING ROD (.010 U.S.) . . . . .	27	18
22-48118	PLUG, EXHAUST MANIFOLD . . . . .	17	3	23-85705	BEARING UNIT (PAIR), CONNECTING ROD (.020 U.S.) . . . . .	27	18
22-48340	PLUG, PIPE - CYLINDER BLOCK (1/4" DIA.) . . . . .	29	-	24-32817	SPRING, THROTTLE RETURN . . . . .	11	24
22-48358	PLUG, INTAKE MANIFOLD VACUUM HOLE . . . . .	11	5	24-48141	SPRING, POWER PISTON . . . . .	15	40
22-63824	ELBOW, HOSE TO TRANSMISSION (90 ) . . . . .	41	18	24-48143	SPRING, FILTER NUT . . . . .	15	45
22-63824	ELBOW, HOSE TO TRANSMISSION (90 ) . . . . .	43	4	24-48347	SPRING, VALVE (INLET) - SEE NOTE BELOW . . . . .	25	9
22-63835	ELBOW, HOSE TO TRANSMISSION (45 ) . . . . .	39	6	24-72642	SPRING, VALVE (EXHAUST) - SEE NOTE BELOW . . . . .	25	9
22-71923	ELBOW, OIL ADAPTOR (45 ) . . . . .	49	8	24-87734	SPRING, IDLE NEEDLE . . . . .	15	54
22-71924	ELBOW, OIL ADAPTOR (45 ) . . . . .	49	8	25-33756	RING, SEALING - ADAPTOR AND VALVE . . . . .	49	16
22-72640	PLUG, EXPANSION - CAMSHAFT BEARING HOLE . . . . .	29	5				
22-78039	COUPLING, OIL LEVEL GAUGE . . . . .	31	17				
22-87238	DRAIN COCK, CYLINDER BLOCK . . . . .	29	2				
22-87543	PLUG, PIPE - OIL PAN DRAIN . . . . .	31	10				
23-31866	SPACER, THROTTLE CABLE STUD . . . . .	11	27				
23-33186	BUSHING, ALTERNATOR TO BRACKET SCREW . . . . .	3	29				

# PARTS INDEX

Part Number	Description	Pg.	Ref. No.	Part Number	Description	Pg.	Ref. No.
25-52188	GROMMET, ROCKER COVER TO VENT HOSE CONNECTOR	11	22	32-33189	HOSE, THERMOSTAT HOUSING TO WATER PUMP	21	4
26-23300	OIL SEAL, WATER PUMP SHAFT	19	15	32-47516--9	HOSE, OIL COOLER TO TRANSMISSION (937")	43	5
26-34217	SEAL, VALVE	25	8	32-47516--9	HOSE, TRANSMISSION TO OIL COOLER (37")	39	7
26-58203	OIL SEAL, REAR BEARING CAP (L.H. ROTATION)	27	6	32-47516-10	HOSE, TRANSMISSION TO OIL COOLER (33")	43	18
26-72785	OIL SEAL, WATER PUMP SHAFT	19	19	32-47516-11	HOSE, TRANSMISSION TO OIL COOLER (28")	39	7
26-73522	SEAL, OIL ADAPTOR	49	13	32-47516-12	HOSE, TRANSMISSION TO OIL COOLER (20")	39	7
26-79223	OIL SEAL, FRONT COVER	33	28	32-47996	HOSE, VENT HOSE ATTACHING	11	19
27-33395	GASKET, EXHAUST MANIFOLD TO CYLINDER HEAD	17	5	32-48132	HOSE, THERMOSTAT HOUSING TO EXHAUST MANIFOLD (FRONT)	23	4
27-34213	GASKET, FUEL PUMP TO CYLINDER BLOCK	9	2	32-71325	FUEL LINE, FUEL FILTER TO FUEL PUMP (STEEL TUBING)	9	18
27-34895	GASKET, CRANKCASE FRONT END COVER	33	29	32-71326	FUEL LINE, FUEL PUMP TO CARBURETOR	9	19
27-34897	GASKET, WATER PUMP MOUNTING	33	11	32-71613	HOSE, THERMOSTAT HOUSING OIL COOLER	23	5
27-34898	GASKET, FULE PUMP MOUNTING PLATE	9	5	32-73794	HOSE, THERMOSTAT HSG. TO EXH. MAN. (STBD.)	23	3
27-48042	GASKET, EXHAUST ELBOW TO EXH. MAN. (V-DRIVE)	17	14	32-73795	HOSE, THERMOSTAT HSG. TO EXH. MAN. (PORT)	23	3
27-48043	GASKET, END CAP TO EXHAUST MANIFOLD	17	10	32-73796	HOSE, THERMOSTAT COVER TO EXH. MAN. (REAR)	23	1&2
27-48043	GASKET, END CAP/CONNECTOR TO EXHAUST MANIFOLD	17	8	32-86216	HOSE, MOLDED - WATER PUMP TO TRANSMISSION COOLER	19	39
27-48818	GASKET, THERMOSTAT HOUSING (UPPER)	21	7	32-86217	HOSE, OIL INLET (24")	49	6
27-52076	GASKET, EXHAUST ELBOW TO EXH.MAN. (INBOARD)	17	14	32-86218	HOSE, OIL OUTLET (29 1/2")	49	7
27-52184	GASKET, DISTRIBUTOR	7	19	33-59571	SPARK PLUG (AC#MR43T)	7	33
27-52202	GASKET, ROCKER VALVE COVER	25	4	35-53336	FILTER, FUEL INLET	15	46
27-52457	GASKET, CARBURETOR	11	4	35-60494	FUEL FILTER	9	10
27-53045	GASKET, THERMOSTAT HOUSING TO MANIFOLD (LOWER)	21	9	37-77255	DECAL, ROCKER COVER - "WAVES"	25	-
27-72637	GASKET SET, INTAKE MANIFOLD	33	9	37-77257	DECAL, ROCKER COVER (225 H.P.)	25	-
27-72779	GASKET, COVER TO OUTER WEAR PLATE	19	6	39-65153	RING, PISTON - 8 SETS (STANDARD)	27	2
27-72780	GASKET, BODY TO WEAR PLATE	19	8	39-67126	RING, PISOTN - 8 SETS (.030 O.S.)	27	2
27-75611	GASKET, CYLINDER HEAD	25	19	43-35338	SPROCKET, CAMSHAFT TIMING (44 TEETH) - L.H. ROTATION	29	10
27-85817A1	GASKET SET, OIL PAN	31	9	43-48334	SPROCKET, TIMING (22 TEETH) - R.H. ROTATION	27	19
27-86015	GASKET, FLYWHEEL HOUSING COVER	35	4	43-48338	SPROCKET, TIMING (22 TEETH) - L.H. ROTATION	27	19
27-90458A1	GASKET SET, OIL PAN	31	9	43-48356	SPROCKET, CAMSHAFT TIMING (44 TEETH) - R.H. ROTATION	29	10
28-34466	KEY, CRANKSHAFT PULLEY AND BALANCER	27	21	46-71497A2	PUMP HOUSING	19	14
28-54797	KEY, VALVE STEM	25	13	46-72774	WATER PUMP BODY	19	2
28-56662	KEY, IMPELLER DRIVE	19	11				
30-72961	BALL BEARING, WATER PUMP SHAFT	19	16				

# PARTS INDEX

Part Number	Description	Pg.	Ref. No.	Part Number	Description	Pg.	Ref. No.
46-72774A11	WATER PUMP ASSEMBLY	19	1	84-75901	LEAD ASSEMBLY,		
47-59362A1	IMPELLER ASSEMBLY	19	10		DISTRIBUTOR TO COIL		
50-76965A3	STARTER MOTOR ASS'Y( DELCO REMY #1109485)- L.H. ROTATION	3	1	84-78581A3	HARNESS ASSEMBLY, ALTERNATOR	7	22
50-79604A3	STARTER MOTOR ASS'Y( DELCO REMY #1109484)- R.H. ROTATION	3	1	84-79139A7	WIRING ASSEMBLY, FUSE TO CIRCUIT BREAKER	5	20
53-23720	RING, SNAP - BALL BEARING RETAINING	19	18	84-86677A2	WIRING HARNESS (NON FUSED ENGINES)	5	1
54-32780	CLAMP, HOSE ATTACHING	19	40	85-79695	INSULATOR BOOT, HARNESS LEAD TO FUSE	5	23
54-32780	CLAMP, HOSE TO OIL COOLER AND THERMOSTAT HOUSING	23	7	88-78813	CIRCUIT BREAKER	5	15
54-32781	CLAMP, HOSE TO THERMOSTAT HOUSING AND WATER PUMP	21	5	88-79023A90	FUSE ASSEMBLY, SOLENOID	5	22
54-32781	CLAMP, OIL COOLER TO BRACKET	35	15	89-68258	STARTER SOLENOID	5	8
54-47512	EYE, LIFTING	33	4	222-45084	FITTING, EXH. ELBOW (PART OF B-76771A2 EXH. ELBOW ASS'Y)	17	18
54-47528	CLAMP, ADJUSTING TRUNNION SCREW	47	6	230-4614	FLYWHEEL ASSEMBLY	27	12
54-47545	CLIP, OIL LEVEL TUBE	31	22	391-5075	CAP, DISTRIBUTOR	7	2
54-48376	CLIP, AUTOMATIC CHOKE ROD - INBOARD	11	33	391-5076	GASKET, DISTRIBUTOR CAP	7	3
54-53101	CLAMP, VENT HOSE ATTACHING	11	20	391-5084	PIN, CLAMP TO DISTRIBUTOR	7	12
54-54178	"J" CLIP, WIRING HARNESS - TEMPERATURE SENDER LEAD	5	18	391-5085	CLAMP, DISTRIBUTOR CAP ATTACHING	7	11
54-55098	"J" CLIP (USED WITH B-84- 86672A2)	5	7	391-5086	WASHER, DISTRIBUTOR CAP SCREW	7	14
54-59989	CLIP, AUTOMATIC CHOKE ROD - V-DRIVE	11	33	391-5087	SCREW, DISTRIBUTOR CAP ATTACHING	7	13
54-73668	"J" CLIP, WIRING HARNESS - MAIN HARNESS LEAD	5	18	391-5089	SCREW, BREAKER ATTACHING	7	9
57-49213	BELT, ALTERNATOR DRIVE (44")	33	23	391-5090	BREAKER ASSEMBLY	7	8
57-74271	BELT, WATER PUMP	19	37	391-5091	SCREW, CONDENSER BRACKET ATTACHING	7	7
81-6368	CYLINDER BLOCK ASSEMBLY	33	24	391-5092	CONDENSER	7	5
84-65773A6	LEAD ASSEMBLY, PRIMARY TERMINAL	7	10	391-5093	BRACKET, CONDENSER ATTACHING	7	6
84-67957--1	LEAD ASSEMBLY, HIGH TENSION (31")	7	32	391-6390	GEAR, DRIVE	7	17
84-67957--4	LEAD ASSEMBLY, HIGH TENSION (34")	7	32	391-6391	PIN, DRIVE GEAR	7	18
84-67957--5	LEAD ASSEMBLY, HIGH TENSION (38 1/2")	7	32	391-7057	ROTOR	7	4
84-67957--7	LEAD ASSEMBLY, HIGH TENSION (24")	7	32	429-6369	CRANKSHAFT (L.H. ROTATION)	27	20
84-67957--8	LEAD ASSEMBLY, HIGH TENSION (37")	7	32	429-6372	CRANKSHAFT (R.H. ROTATION)	27	20
84-67957-10	LEAD ASSEMBLY, HIGH TENSION (29 1/2")	7	32	431-3357	CAMSHAFT (R.H. ROTATION)	29	8
84-67957-11	LEAD ASSEMBLY, HIGH TENSION (42")	7	32	431-5943	CAMSHAFT (L.H. ROTATION)	29	8
84-70959A2	WIRING HARNESS (FUSED ENGINES)	5	1	614-3595	CONNECTING ROD ASSEMBLY	27	15
				614-8164	CONNECTING ROD ASSEMBLY	27	15
				735-6370	PISTON AND PISTON PIN ASSEMBLY (.001 O.S.) - USE STD. RING	27	1
				735-6371	PISTON AND PISTON PIN ASSEMBLY (.030 O.S.)	27	1
				841-6368	CYLINDER BLOCK ASSEMBLY	29	1
				841-8163	CYLINDER BLOCK ASSEMBLY	29	1

# PARTS INDEX

Part Number	Description	Pg.	Ref. No.	Part Number	Description	Pg.	Ref. No.
841-8163	CYLINDER BLOCK ASSEMBLY . . . . .	33	24				
938-7499	CYLINDER HEAD ASSEMBLY (SEE NOTE BELOW) . . . .	25	17				
1347-7365A1	CARBURETOR ASSEMBLY .	11	1				
1347-7365A1	CARBURETOR ASSEMBLY, COMPLETE . . . . .	13	-				
1397-3309	GASKET SET . . . . .	15	--				
1397-3315	SPRING AND CAM KIT, AIR VALVE . . . . .	15	--				
1397-3317	CONTROL ASSEMBLY, VACUUM . . . . .	13	33				
1397-3327	FLOAT ASSEMBLY . . . . .	13	22				
1397-3330	NUT, FILTER - FUEL INLET .	15	47				
1397-7540	OVERHAUL KIT . . . . .	15	--				