



PARTS CATALOG

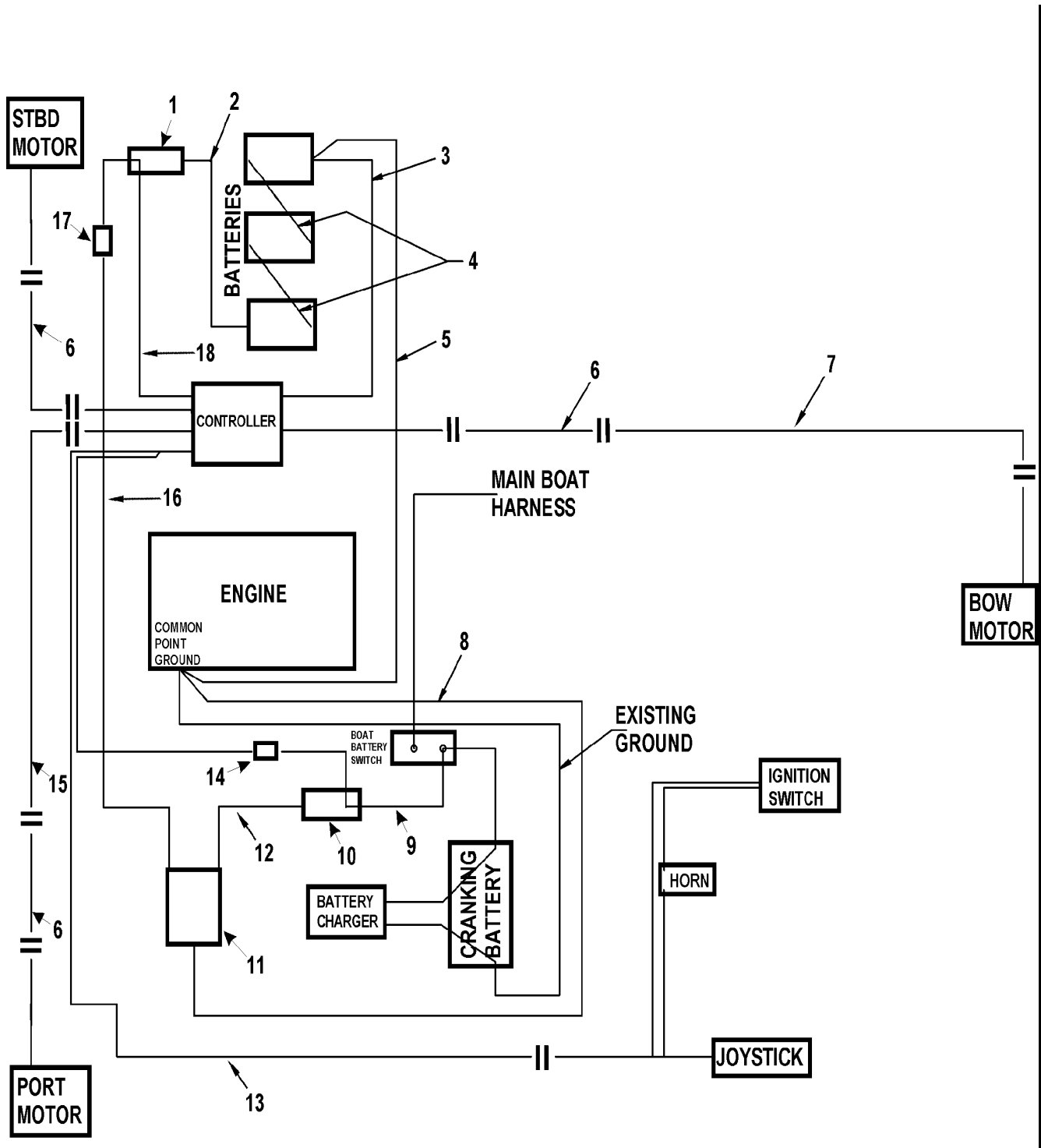
DOCKING SYSTEM (SEARAY - Precision Piloting) (MAXUM - Control Max)

SERIAL NUMBER

DOCKING SYSTEM (AB01PP3ZD)USA 0H023100 THRU 0H023546

THIS PAGE INTENTIONALLY LEFT BLANK

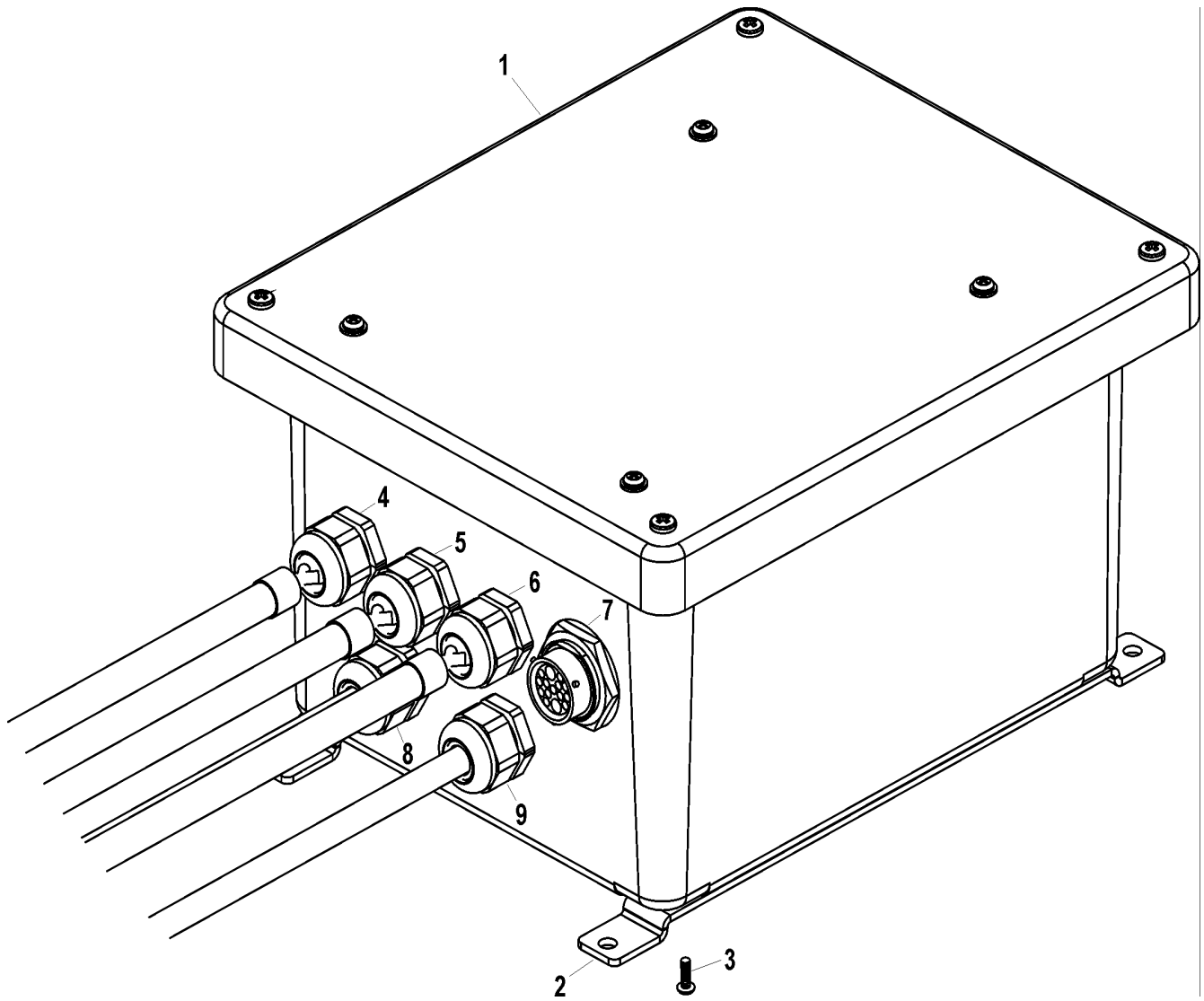
WIRE HARNESS AND COMPONENTS



WIRE HARNESS AND COMPONENTS

REF. NO.	PART NO.	SYM.	QTY.	DESCRIPTION
1	88-881809T		1	SWITCH/BREAKER ASSEMBLY (150 AMP)
2	84-40569A2		1	CABLE ASSEMBLY (Marked 84-40569A1) (Battery Bank To Switch/Breaker)
3	NSS		1	CABLE ASSEMBLY (Marked 84-40594A1) (Controller Housing Ground) (Service With Complete Electrical Box 40614A2)
4	84-40570A3		2	CABLE KIT (Marked 84-40570A1) (Battery To Battery)
5	84-40572A2		1	CABLE ASSEMBLY (Marked 84-40572A1) (Battery Bank Ground)
6	84-40639A3		3	HARNESS ASSEMBLY (Marked 84-40639A1) (Bulkhead Jumper - Sea Ray Models Only)
NS	32-828547353		1	CONDUIT (.350 x 3.00 Feet Bulk) (Cut As Required)
7	84-40591A4		1	HARNESS ASSEMBLY (Marked 84-40591A3) (Bow Motor Jumper)
NS	32-828547753		1	CONDUIT (.750 x 3.00 Feet Bulk) (Cut As Required)
8	84-40574A2		1	CABLE ASSEMBLY (Marked 84-40574A1) (Equalizer To Ground)
9	84-40617A2		1	CABLE ASSEMBLY (Marked 84-40617A1) (Battery Switch To Breaker)
10	88-881808T		1	SWITCH/BREAKER ASSEMBLY (50 AMP)
11	883105T		1	EQUALIZER KIT
NS	54-816311T		6	CABLE TIE (8.00 Inch)
	32-828547753		1	CONDUIT (.750 x 3.00 Feet Bulk) (Cut 4.00 Inches)
12	84-40566A2		1	CABLE ASSEMBLY (Marked 84-40566A1) (Breaker To Equalizer)
13	84-40581A2		1	HARNESS ASSEMBLY (Marked 84-40581A1) (Joystick To Electrical Box)
14	88-40556-20		1	FUSE (20 AMP - 58 Volt)
NS	828054		1	COVER-Fuse
	32-828547253		1	CONDUIT (.250 x 3.00 Feet Bulk) (Cut As Required)
	32-828547T1		1	CONDUIT (.500 x 3.00 Feet Bulk) (Cut As Required)
15	84-40592A2		1	HARNESS ASSEMBLY (Marked 84-40592A1) (Aft Motor Jumper)
NS	32-828547753		1	CONDUIT (.750 x 3.00 Feet Bulk) (Cut As Required)
16	84-40568A2		1	HARNESS ASSEMBLY (Marked 84-40568A1) (Equalizer Out To Switch/Breaker)
17	88-40556-20		1	FUSE (20 AMP - 58 Volt)
NS	828054		1	COVER-Fuse
	32-828547253		1	CONDUIT (.250 x 3.00 Feet Bulk) (Cut As Required)
18	NSS		1	CABLE ASSEMBLY (Marked 84-40567A1) (Electrical Box To Switch/Breaker) (Service With Complete Electrical Box 40614A2)

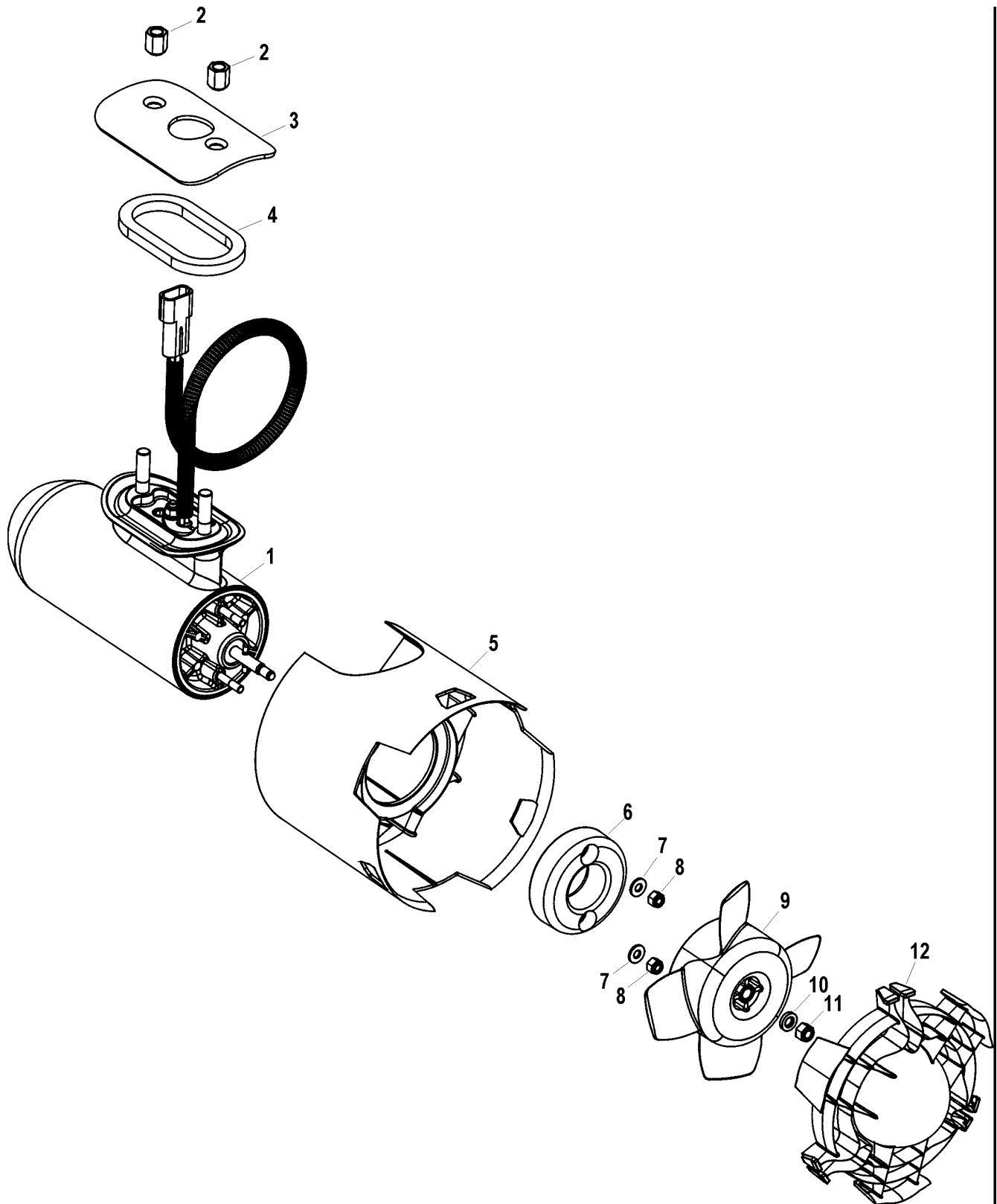
CONTROLLER BOX ASSEMBLY



CONTROLLER BOX ASSEMBLY

REF. NO.	PART NO.	SYM.	QTY.	DESCRIPTION
1	40614A2		1	CONTROLLER BOX ASSEMBLY-Electrical System
2	40615		2	STRAP-Box Mounting
3	10-882764038		4	SCREW (#10-32 x .380)
4	NSS		1	HARNESS ASSEMBLY (Marked 84-40582A2) (Solenoid Bank To Port Motor)
NS	32-828547353		1	CONDUIT (.350 x 3.00 Feet Bulk) (Cut As Required)
5	NSS		1	HARNESS ASSEMBLY (Marked 84-40593A2) (Solenoid Bank To Bow Motor)
NS	32-828547353		1	CONDUIT (.350 x 3.00 Feet Bulk) (Cut As Required)
6	NSS		1	HARNESS ASSEMBLY (Marked 84-40595A2) (Solenoid Bank To Starboard Motor)
NS	32-828547353		1	CONDUIT (.350 x 3.00 Feet Bulk) (Cut As Required)
7	NSS		1	HARNESS ASSEMBLY (Marked 84-40629A1) (Controller To Electrical Box)
8	NSS		1	CABLE ASSEMBLY (Marked 84-40567A1) (Electrical Box To Switch/Breaker)
9	NSS		1	CABLE ASSEMBLY (Marked 84-40594A1) (Controller Housing Ground)

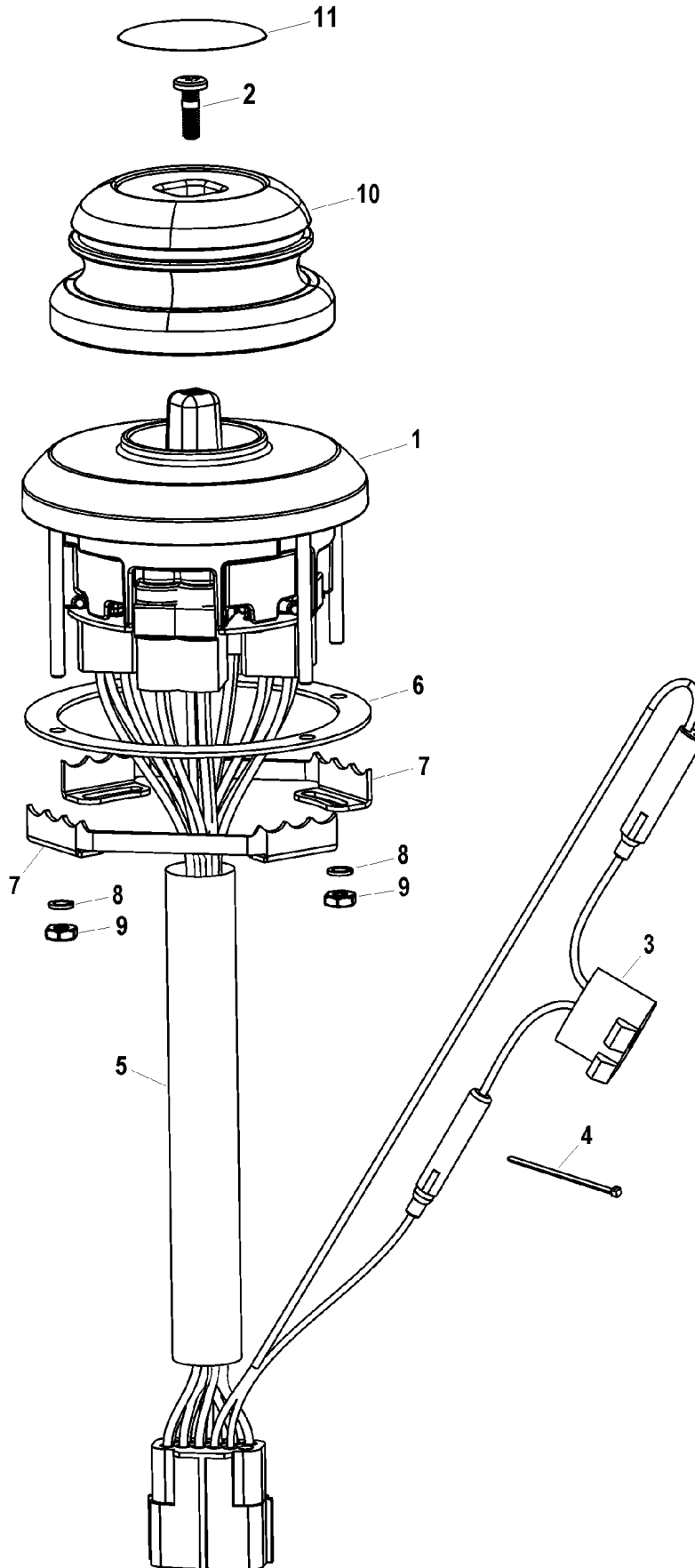
MOTOR ASSEMBLY



MOTOR ASSEMBLY

REF. NO.	PART NO.	SYM.	QTY.	DESCRIPTION
1	40503T4		3	MOTOR ASSEMBLY
2	11-40515		6	NUT (Special)
3	40534		3	PLATE-Reinforcing
4	27-40646T		3	GASKET
5	40544T		1	GRATE-Front (Bow Motor)
6	40509T		3	ANODE
7	12-35044		6	WASHER
8	11-13438		6	NUT (.250-28)
9	47-40535T		3	IMPELLER
10	12-40514		3	WASHER
11	11-46356		3	NUT (.312-24)
12	40545T		1	GRATE-Rear (Bow Motor)

JOYSTICK ASSEMBLY

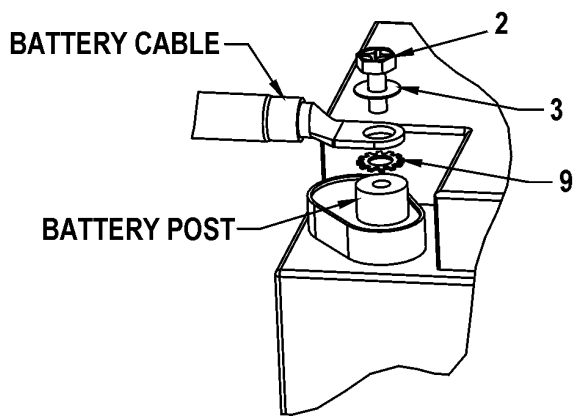
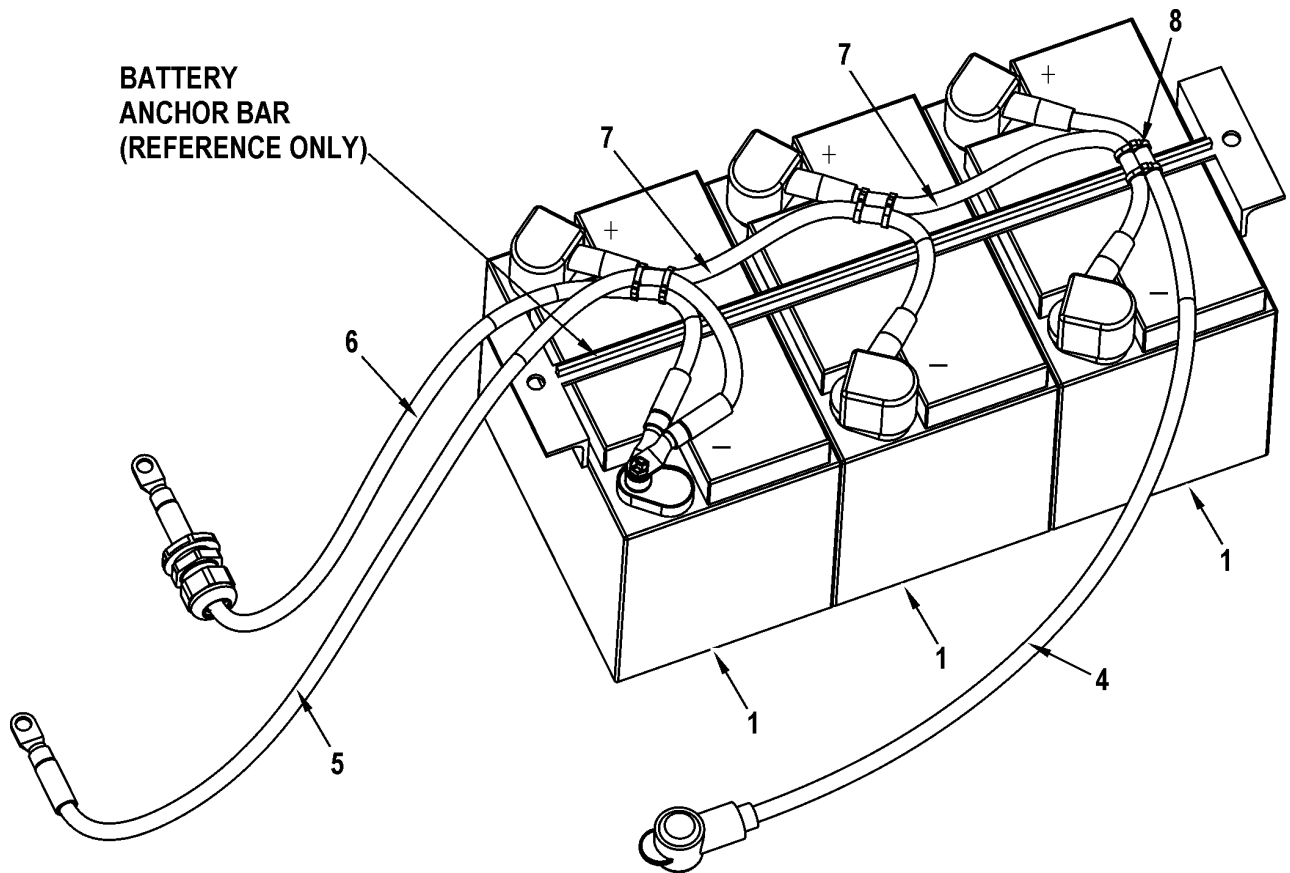


JOYSTICK ASSEMBLY

REF. NO.	PART NO.	SYM.	QTY.	DESCRIPTION
1	40563A3		1	JOYSTICK ASSEMBLY
2	10-37655		1	SCREW (#10-32 x .500)
3	816492A1		1	ALARM ASSEMBLY
4	69355		1	STA STRAP
5	32-828547633		1	CONDUIT (.630 x 3.00 Feet Bulk) (Cut As Required)
6	27-40520		1	GASKET
7	40521		2	BRACKET-Mounting
8	13-26995		4	LOCKWASHER (#8)
9	11-40558		4	NUT (#8-32)
10		✂	1	KNOB-Joystick Control
11		✂	1	EMBLEM-Joystick Handle

✂ = ORDER PARTS THRU BOAT MANUFACTURER

BATTERY AND WIRE CONNECTIONS



BATTERY AND WIRE CONNECTIONS

REF. NO.	PART NO.	SYM.	QTY.	DESCRIPTION
1	883170		3	BATTERY (35 AMP)
2	NSS		6	SCREW (Included With Battery)
3	NSS		6	WASHER-Flat (Brass) (Included With Battery)
4	84-40569A2		1	CABLE ASSEMBLY (Marked 84-40569A1) (Battery Bank To Switch/Breaker)
5	84-40572A2		1	CABLE ASSEMBLY (Marked 84-40572A1) (Battery Bank Ground)
6	NSS		1	CABLE ASSEMBLY (Marked 84-40594A1) (Controller Housing Ground) (Service With Complete Electrical Box 40614A2)
7	84-40570A3		2	CABLE KIT (Marked 84-40570A1) (Battery To Battery)
8	86507		6	STA STRAP (6.75 Inch)
9	13-40650		6	LOCKWASHER (.250 External)

LITERATURE AND PAINT

REF. NO.	PART NO.	SYM.	QTY.	DESCRIPTION
NS	90-40647		1	MANUAL-Owners
	90-864212		1	MANUAL-Service
	90-883241		1	CATALOG-Parts
	92-802878Q1		AR	PAINT-Black (12 Ounce - 355 ML Spray Can)
	92-802878Q2		AR	PAINT-Black (.5 Ounce - 15 ML Brush Bottle)

PARTS INDEX

Part Number	Description	Pg.	Ref. No.	Part Number	Description	Pg.	Ref. No.
40503T4	MOTOR ASSEMBLY	7	1	88-881808T	SWITCH/BREAKER ASSEMBLY	3	10
40509T	ANODE	7	6	88-881809T	SWITCH/BREAKER ASSEMBLY	3	1
40521	BRACKET-Mounting	9	7	90-40647	MANUAL-Owners	12	NS
40534	PLATE-Reinforcing	7	3	90-864212	MANUAL-Service	12	NS
40544T	GRATE-Front (Bow Motor)	7	5	90-883241	CATALOG-Parts	12	NS
40545T	GRATE-Rear (Bow Motor)	7	12	92-802878Q1	PAINT-Black	12	NS
40563A3	JOYSTICK ASSEMBLY	9	1	92-802878Q2	PAINT-Black	12	NS
40614A2	CONTROLLER BOX ASSEMBLY-Electrical System	5	1				
40615	STRAP-Box Mounting	5	2				
69355	STA STRAP	9	4				
816492A1	ALARM ASSEMBLY	9	3				
828054	COVER-Fuse	3	NS				
828054	COVER-Fuse	3	NS				
86507	STA STRAP (6.75 Inch)	11	8				
883105T	EQUALIZER KIT	3	11				
883170	BATTERY (35 AMP)	11	1				
10-37655	SCREW (#10-32 x .500)	9	2				
10-882764038	SCREW (#10-32 x .380)	5	3				
11-13438	NUT (.250-28)	7	8				
11-40515	NUT (Special)	7	2				
11-40558	NUT (#8-32)	9	9				
11-46356	NUT (.312-24)	7	11				
12-35044	WASHER	7	7				
12-40514	WASHER	7	10				
13-26995	LOCKWASHER (#8)	9	8				
13-40650	LOCKWASHER (.250 External)	11	9				
27-40520	GASKET	9	6				
27-40646T	GASKET	7	4				
32-828547253	CONDUIT	3	NS				
32-828547253	CONDUIT	3	NS				
32-828547353	CONDUIT	3	NS				
32-828547353	CONDUIT	5	NS				
32-828547353	CONDUIT	5	NS				
32-828547353	CONDUIT	5	NS				
32-828547633	CONDUIT	9	5				
32-828547753	CONDUIT	3	NS				
32-828547753	CONDUIT	3	NS				
32-828547753	CONDUIT	3	NS				
32-828547T1	CONDUIT	3	NS				
47-40535T	IMPELLER	7	9				
54-816311T	CABLE TIE (8.00 Inch)	3	NS				
84-40566A2	CABLE ASSEMBLY	3	12				
84-40568A2	HARNESS ASSEMBLY	3	16				
84-40569A2	CABLE ASSEMBLY	3	2				
84-40569A2	CABLE ASSEMBLY	11	4				
84-40570A3	CABLE KIT	3	4				
84-40570A3	CABLE KIT	11	7				
84-40572A2	CABLE ASSEMBLY	3	5				
84-40572A2	CABLE ASSEMBLY	11	5				
84-40574A2	CABLE ASSEMBLY	3	8				
84-40581A2	HARNESS ASSEMBLY	3	13				
84-40591A4	HARNESS ASSEMBLY	3	7				
84-40592A2	HARNESS ASSEMBLY	3	15				
84-40617A2	CABLE ASSEMBLY	3	9				
84-40639A3	HARNESS ASSEMBLY	3	6				
88-40556-20	FUSE (20 AMP - 58 Volt)	3	14				
88-40556-20	FUSE (20 AMP - 58 Volt)	3	17				