



PARTS CATALOG

70 H.P.

SERIAL NUMBER

70 H.P. (1991-1995)E000001 THRU E138599

TABLE OF CONTENTS:

* MODEL INDEX *	94
BOTTOM COWL	8
CARBURETOR	34
CARBURETOR (91B THRU 92C)	30
CRANKSHAFT AND PISTON	48
CYLINDER BLOCK	44
DESIGN 1 - POWER TRIM UNIT WITH BAYONET CONN. (91B THRU 92A)	76
DESIGN 11-POWER TRIM UNIT WITH BULLET CONN. (91B THRU 92C)	78
DESIGN III - POWER TRIM UNIT WITH BULLET CONNECTORS	80
DRIVESHAFT	72
DRIVESHAFT HOUSING	66
ELECTRICAL COMPONENTS	16
FUEL INTAKE AND PRIME SYSTEM	28
FUEL INTAKE SYSTEM	26
FUEL PUMP ASSEMBLY	38
FUEL PUMP ASSEMBLY (91B THRU 92C)	36
FUEL TANK AND LINE - (PLASTIC - 6.0 GALLON)(91B THRU 92C)	88
FUEL TANK AND LINE - (PLASTIC - 6.6 GALLON)	90
GEAR HOUSING	74
GEAR SHIFT LINKAGE	68
IGNITION COMPONENTS	14
IGNITION COMPONENTS (1991B - 1992C)	10
MISCELLANEOUS ENGINE PARTS	4
OVERHEAT BUZZER	54
PARTS INDEX	95
PROPELLER	2
PUMP/MOTOR KIT	82
RECIRCULATION SYSTEM	24
RECIRCULATION SYSTEM (91B THRU 92C)	22
REMOTE CONTROL	84
SPACER PLATE (91B MODELS)	56
SPACER PLATE (91C THRU 92C)	58
STARTER	20
SWIVEL BRACKET/STERN BRACKETS (MANUAL TILT)	60
SWIVEL BRACKET/STERN BRACKETS (POWER TRIM)	64
THERMOSTAT	52
TOOLS - SPECIAL	92
TOP COWL	6
TOWERSHAFT ASSEMBLY	42
TOWERSHAFT ASSEMBLY (91B THRU 92C)	40
WATER PUMP	70

NOTE: Indented description indicate that these parts are included in preceeding assembly.

AR = As Required

NSS = Not Sold Separate

OPT = Optional

NS = Not Shown

NOTE: Following symbols are located in **SYM** column.

● = COMPONENT OF POWERHEAD ASSY
[800-818153A6], [800-818153A10], [800-818153A21]

■ = CONTENTS OF GEAR HOUSING
COMPLETE [1600-819123A3]

■ = CONTENTS OF POWERHEAD GASKET
SET [27-FG1037-1], [27-820724A1]

◇ = CONTENTS OF REPAIR KIT

▲ = CONTENTS OF GEAR HOUSING SEAL
KIT [26-814669A1]

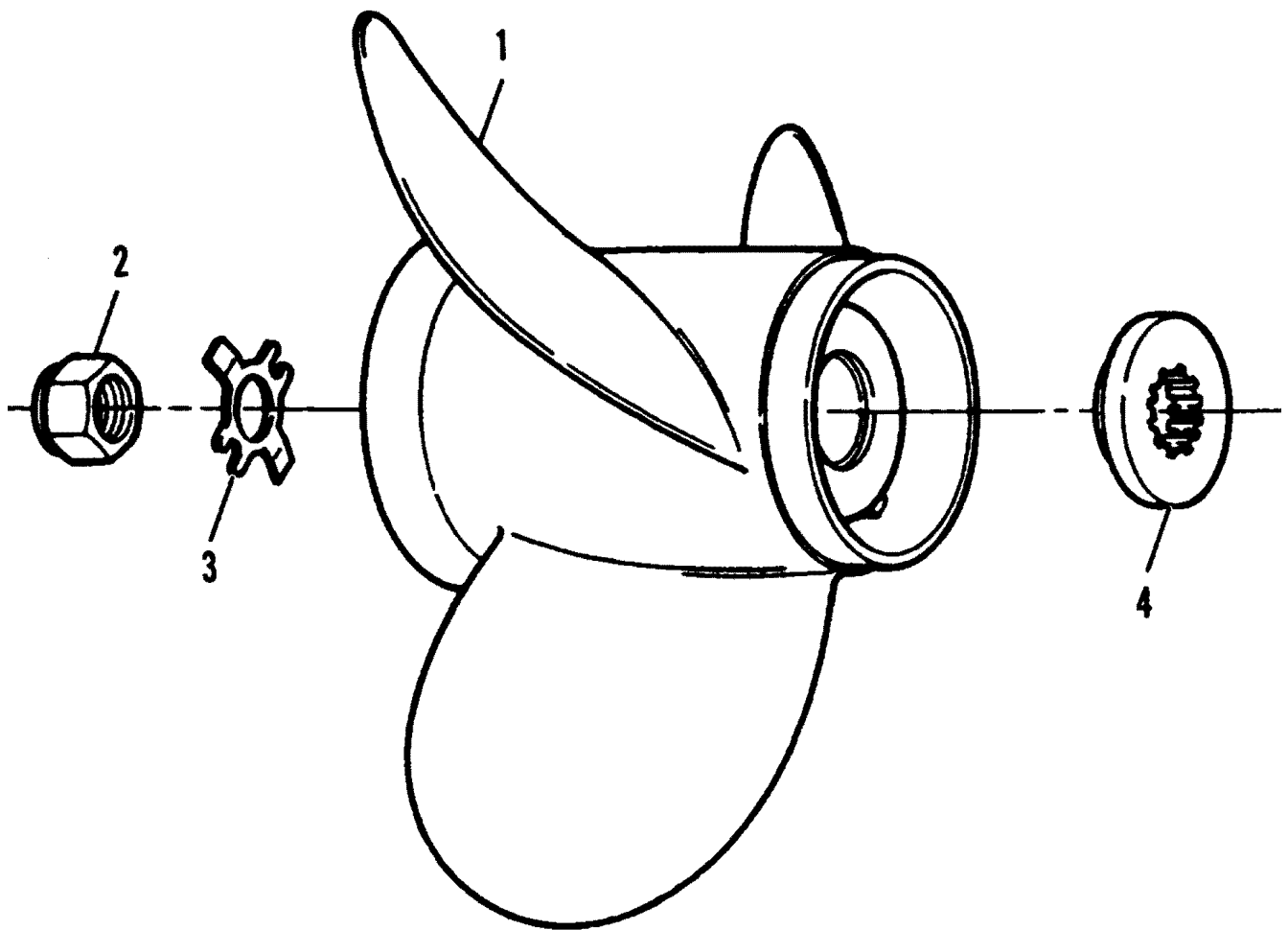
† = CONTENTS OF GEAR HOUSING BASIC
[1600-819123A4]

❖ = CONTENTS OF GASKET SET

THESE PARTS BOOKS/FICHE CARD ARE COPYRIGHTED AND MAY NOT BE DISTRIBUTED OR REPRODUCED IN ANY OTHER FORMAT BY ANYONE OTHER THAN MERCURY MARINE WITHOUT THE PRIOR WRITTEN CONSENT OF MERCURY MARINE.

THIS PAGE INTENTIONALLY LEFT BLANK

PROPELLER



PROPELLER

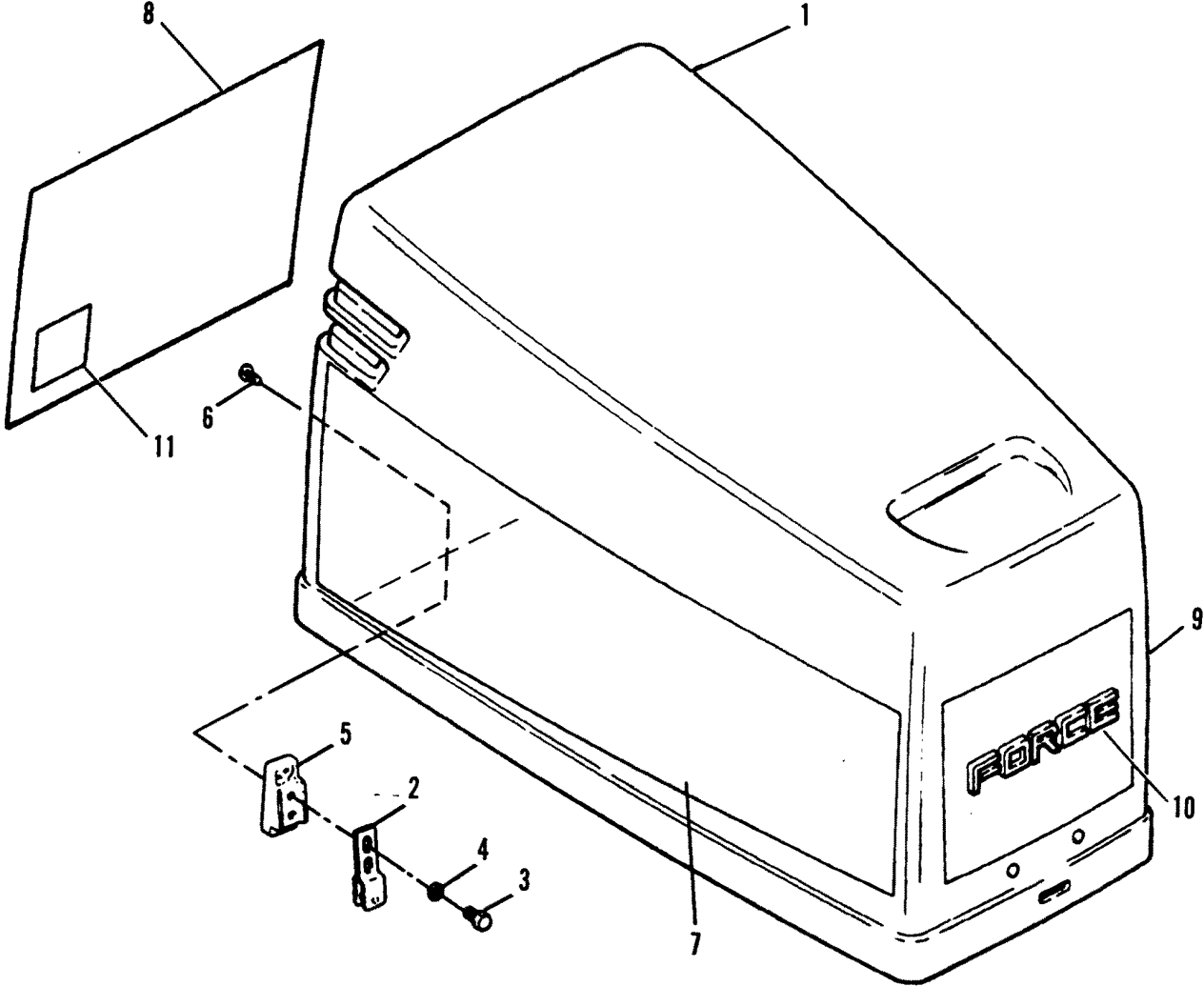
REF. NO.	PART NO.	SYM.	QTY.	DESCRIPTION
002	11-69578A1		0	NUT KIT-PROPSHAFT
003	14-76281		0	WASHER-TAB
004	73345A1		0	HUB-THRUST

MISCELLANEOUS ENGINE PARTS

REF. NO.	PART NO.	SYM.	QTY.	DESCRIPTION
-	90-819682		1	OPERATORS MANUAL (1991B THRU 1992C)
-	90-819681930		1	OPERATORS MANUAL SERIAL 0E000001-0E031999
-	90-819681941		1	OPERATORS MANUAL SERIAL 0E032000-0E093699
-	90-826878950		1	OPERATORS MANUAL SERIAL 0E093700-0Z999999
-	92-819104-12		AR	LACQUER GRAY ACRYLIC, SPRAY CAN (12 PER CASE)
-	92-825321-12		AR	LACQUER GRAY ACRYLIC, BRUSH BOTTLE (12 PER BOX)
-	92-819107-12		AR	LACQUER CLEAR ACRYLIC, SPRAY CAN (12 PER CASE)

THIS PAGE INTENTIONALLY LEFT BLANK

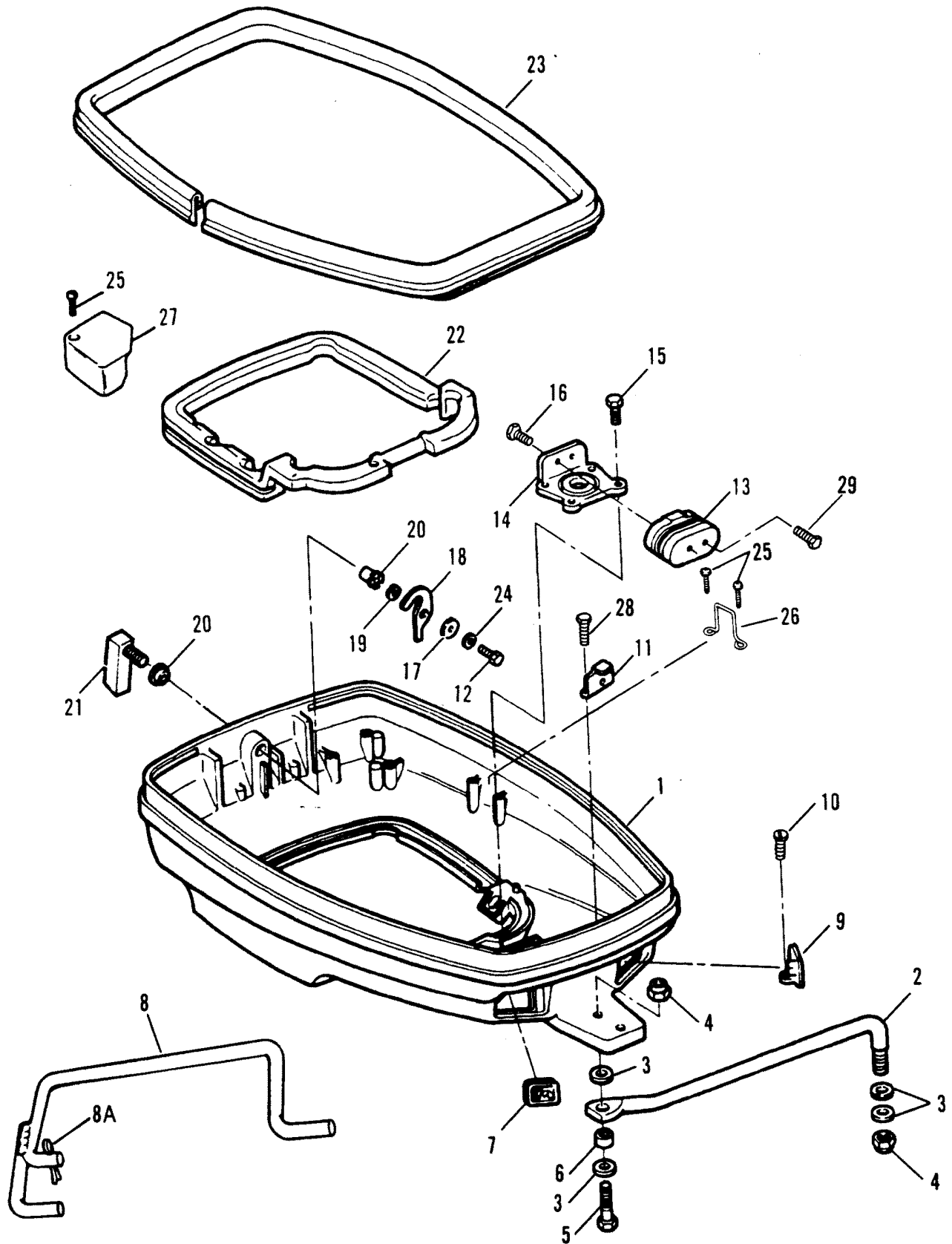
TOP COWL



TOP COWL

REF. NO.	PART NO.	SYM.	QTY.	DESCRIPTION
1	100-819046A5		1	COWL ASSEMBLY, TOP (WITHOUT DECALS) (PAINTED)
2	18173		1	BRACKET ASSEMBLY, LATCH ROLLER
3	10-90285		2	SCREW (5/16-18 X 5/8")
4	13-53166		2	LOCKWASHER (5/16")
5	F684774		1	BRACKET, COWL LATCH REAR
6	10-28639		2	SCREW (1/4-20 X 5/8")
-	F749984		1	BLANKET, SOUND, TOP
-	F749985		2	BLANKET, SOUND, SIDE
7	37-F749396		1	DECAL, STARBOARD 1991 FORCE MODELS
	37-F749397		1	DECAL, PORT 1991 FORCE MODELS
8	37-F749528-1		1	DECAL, REAR 1991 FORCE MODELS
9	37-F749892		1	DECAL, FRONT 1991 FORCE MODELS
7	37-FP749396		1	DECAL, STARBOARD 1992 FORCE MODELS
	37-FP749397		1	DECAL, PORT 1992 FORCE MODELS
8	37-FP749528		1	DECAL, REAR 1992 FORCE MODELS
9	37-FP749892		1	DECAL, FRONT 1992 FORCE MODELS
7	37-FX749396		1	DECAL, STARBOARD 1991 BAYLINER MODELS
	37-FX749397		1	DECAL, PORT 1991 BAYLINER MODELS
8	37-819055--1		1	DECAL, REAR 1991 BAYLINER MODELS
9	37-FX749892		1	DECAL, FRONT 1991 BAYLINER MODELS
7	37-819564		1	DECAL, STARBOARD 1992 BAYLINER MODELS
	37-819565		1	DECAL, PORT 1992 BAYLINER MODELS
8	37-819566		1	DECAL, REAR 1992 BAYLINER MODELS
9	37-819567		1	DECAL, FRONT 1992 BAYLINER MODELS
7	37-FZ749396		1	DECAL, STARBOARD 1991 MAXUM MODELS
	37-FZ749397		1	DECAL, PORT 1991 MAXUM MODELS
8	37-819056--1		1	DECAL, REAR 1991 MAXUM MODELS
9	37-FZ749892		1	DECAL, FRONT 1991 MAXUM MODELS
7	37-819585		1	DECAL, STARBOARD 1992 MAXUM MODELS
	37-819586		1	DECAL, PORT 1992 MAXUM MODELS
8	37-819587		1	DECAL, REAR 1992 MAXUM MODELS
9	37-819588		1	DECAL, FRONT 1992 MAXUM MODELS
10	819169		1 OR 2	MEDALLION (91B/92C & SER.#E00001 THRU E093699) FORCE
11	37-F694366-1		1	MEDALLION, US MARINE (SILVER)(BAYLINER) 1991/1992
	FZ718366		1	MEDALLION, US MARINE (GOLD) (MAXUM) 1991/1992
-	37-820522A93		1	DECAL SET FORCE SERIAL 0E009500-0E093699
-	37-820736A95		1	DECAL SET FORCE SERIAL 0E093700-0Z999999
-	37-820523A94		1	DECAL SET BAYLINER SERIAL 0E009500-0E093699
-	37-820741A95		1	DECAL SET BAYLINER SERIAL 0E093700-0Z999999

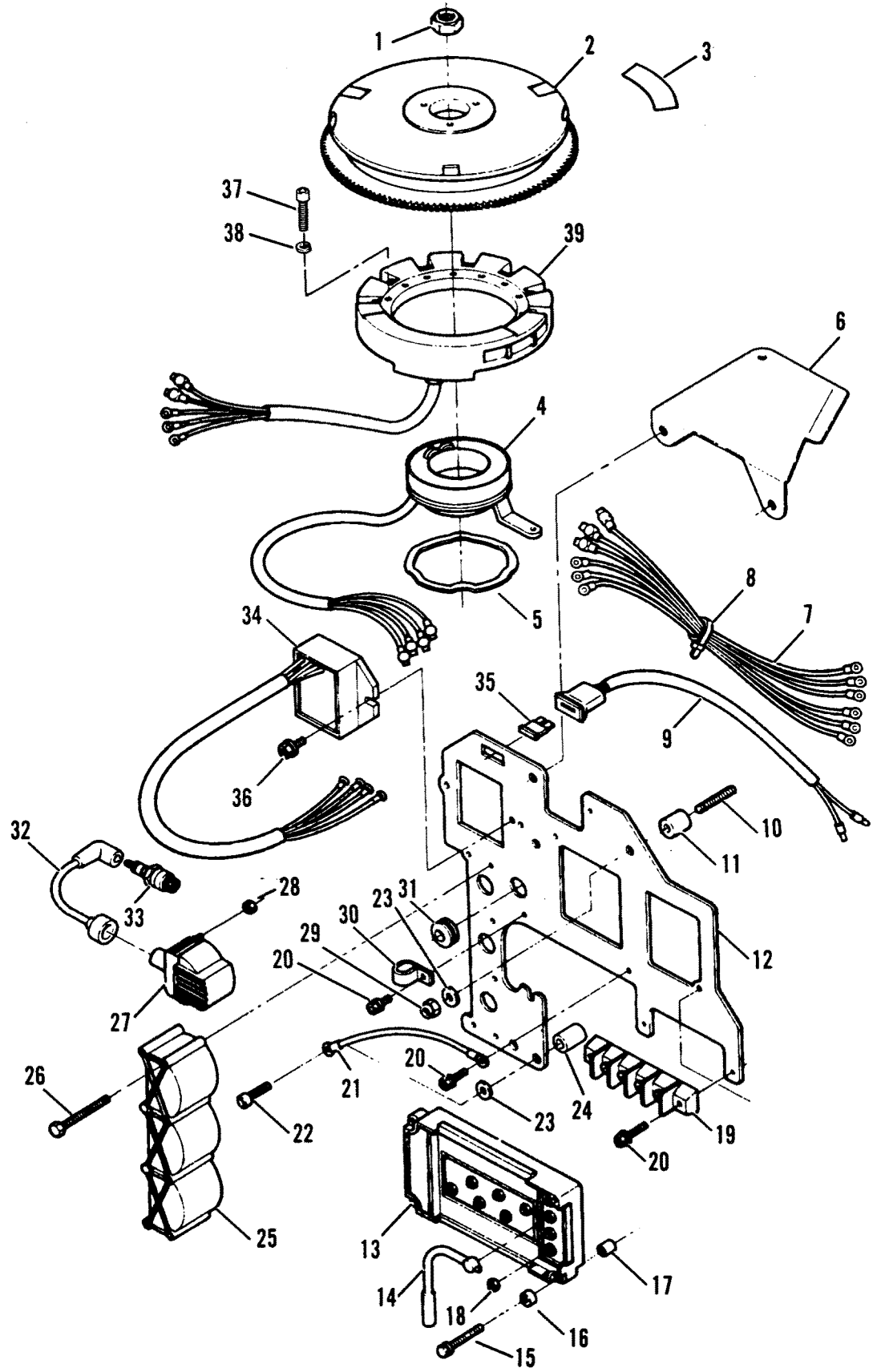
BOTTOM COWL



BOTTOM COWL

REF. NO.	PART NO.	SYM.	QTY.	DESCRIPTION
1	100-819372A2		1	PLATE KIT, BOTTOM COWL SUPPORT (PAINTED)
2	F5H141		1	LINK KIT, STEERING
3	12-37828		4	WASHER
4	11-34863		2	NUT (3/8-24)
5	10-90072		1	SCREW (3/8-24 X 1-3/4")
6	23-F522359		1	SPACER, STEERING LINK
7	23-819006--2		1	BUSHING, CABLE ENTRY
8	F5H216		1	BRACKET KIT, TILT LOCK
8A	18-F525629		1	PIN, COTTER
9	23-828763		1	BUSHING, CABLE ENTRY
10	10-F1733		2	SCREW (10-24 X 9/16")
11	F663480-1		1	RETAINER, COWL FRONT
12	10-19923062		1	SCREW (1/4-20 X 5/8") WITH DRY LOC
13	F203965-1		1	MOUNT, SHOCK UPPER
14	F684354		1	BRACKET, UPPER SHOCK MOUNT
15	10-F1532		4	SCREW (1/4-20 X 1")
16	10-826381		2	SCREW (1/4-28 X 5/8") WITH DRY LOC
17	12-40023-16		1	WASHER
18	F481777		1	CAM, LATCH SHAFT
19	13-F2047		1	WASHER, WAVE
20	23-812707		2	BUSHING
21	820000A4		1	HANDLE ASSEMBLY, COWL LATCH (PAINTED)
22	F684989		1	SEAL, BOTTOM COWL PLATE
23	F663756-1		1	PACKING (70") CUT AS REQ'D
24	13-26992		1	LOCKWASHER (1/4")
25	10-41772		3	SCREW (10-24 X 1/2")
26	819495--1		1	BRACKET, BATTERY CABLE
27	F684408		1	COVER, STARTER RELAY
28	10-28635		2	SCREW (1/4-20 X 5/8")
29	10-826376		2	SCREW (1/4-28 X 5/8") WITH DRY LOC
-	37-818029		1	DECAL, FUEL MIX

IGNITION COMPONENTS (1991B - 1992C)



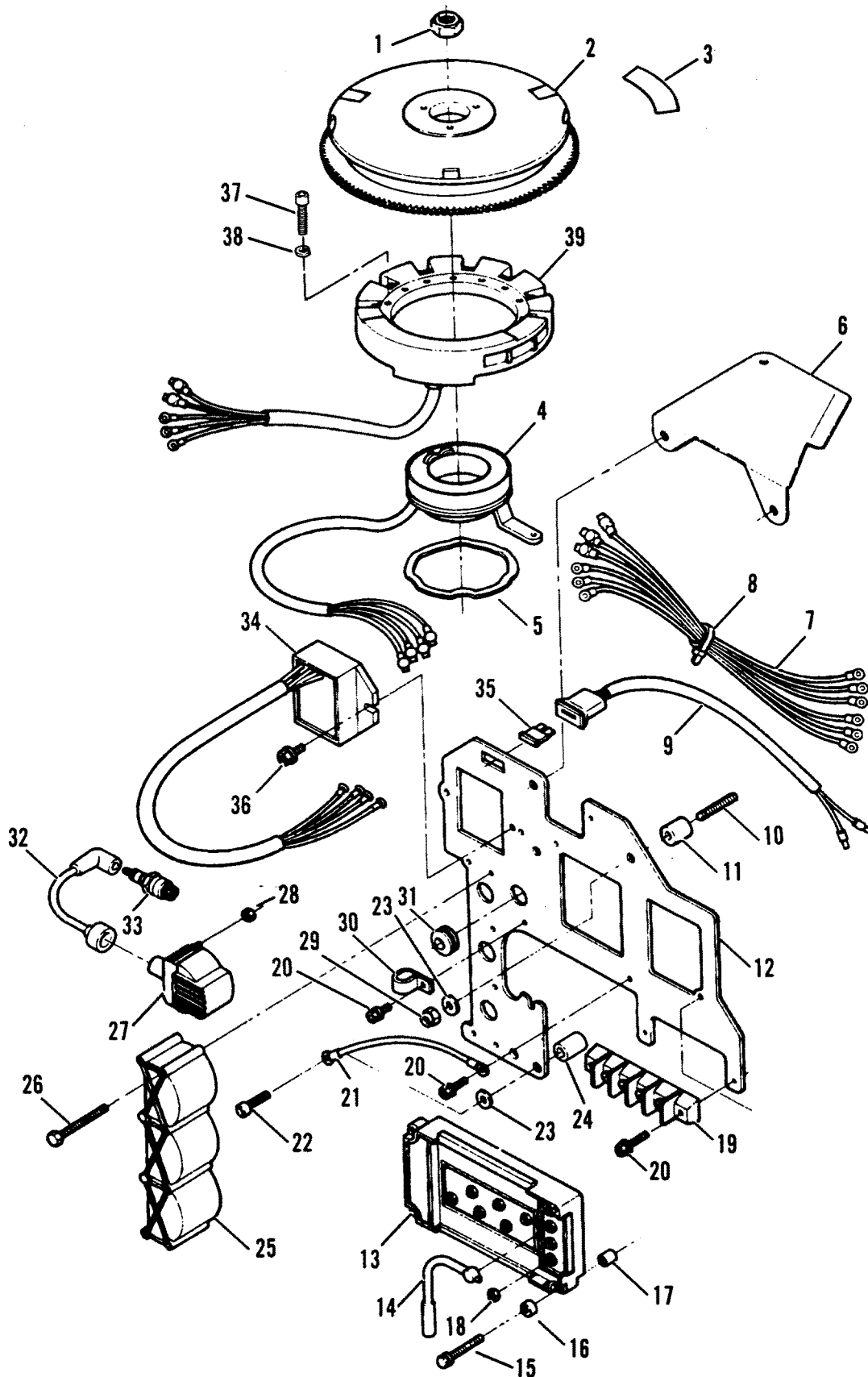
IGNITION COMPONENTS (1991B - 1992C)

REF. NO.	PART NO.	SYM.	QTY.	DESCRIPTION
1	11-F1968		1	NUT (3/4-16)
2	200-817494A2		1	FLYWHEEL ASSEMBLY
3	FA609853		1	DECAL KIT, SHIFT TO NEUTRAL
4	817029A3		1	TRIGGER ASSEMBLY
5	13-F2442		1	WASHER, WAVE
6	819111		1	GUARD, IGNITION HARNESS
7	84-817441A1		1	HARNESS ASSEMBLY, COIL TO SWITCHBOX
8	54-816311		AR	CABLE TIE (8")
9	88-19637		1	SOCKET, FUSE
10	16-F746210	●	4	STUD (5/16-18 X 2-1/4")
11	23-F722932		3 OR 4	SPACER, IGNITION PLATE
12	817268--5		1	PLATE, IGNITION MOUNTING
13	332-7778A12		1	SWITCHBOX ASSEMBLY
14	84-88807A34		1	CABLE ASSEMBLY
15	10-812987		2	SCREW (10-24 X 1-1/4")
16	23-94304		2	SPACER
17	23-91912		2	BUSHING
18	11-45076		10	NUT (10-32)
19	817492		1	BLOCK, TERMINAL (91B THRU 92C) SERIAL 0E000001-0E009499
20	10-41805		3 OR 5	SCREW (10-24 X 5/8")
21	84-88807A29		1	CABLE ASSEMBLY (BLACK)
22	10-F2192		1	SCREW (1/4-20 X 1-3/4") 1991B THRU 1992C SERIAL 0E000001-0E009499
23	12-71055		4	WASHER 1991B THRU 1992C SERIAL 0E000001-0E009499
24	23-F722452		1	SPACER 1991B THRU 1992C SERIAL 0E000001-0E009499
25	43542		1	COVER, COIL
26	10-817458		6	SCREW (10-24 X 2-1/4")
27	339-7370A23		3	COIL ASSEMBLY, IGNITION
28	11-45076		6	NUT (10-24)
29	11-F7006		3 OR 4	NUT (5/16-18)
30	54-63153		2	CLIP (91B THRU 92C & SERIAL 0E000001-0E009499
31	25-817491		1	GROMMET
32	84-821945A28		3	CABLE ASSEMBLY, HIGH TENSION
33	33-97180		3	SPARK PLUG (NGK # BUHW)
	33-14103550		OPT.	SPARK PLUG (RFI) (NGK # BUZHW)
34	817411		1	RECTIFIER (91B THRU 92C) SERIAL 0E000001-0E009499
	817411--1		1	RECTIFIER SERIAL 0E009500-0E039023
35	88-812619		1	FUSE (20 AMP)
36	10-817505		2	SCREW (1/4-20 X 5/8")
37	10-76566		6	SCREW (10-24 X 1")

● = COMPONENT OF POWERHEAD ASSY [800-818153A6], [800-818153A10], [800-818153A21]

CONTINUED ON NEXT PAGE ➡

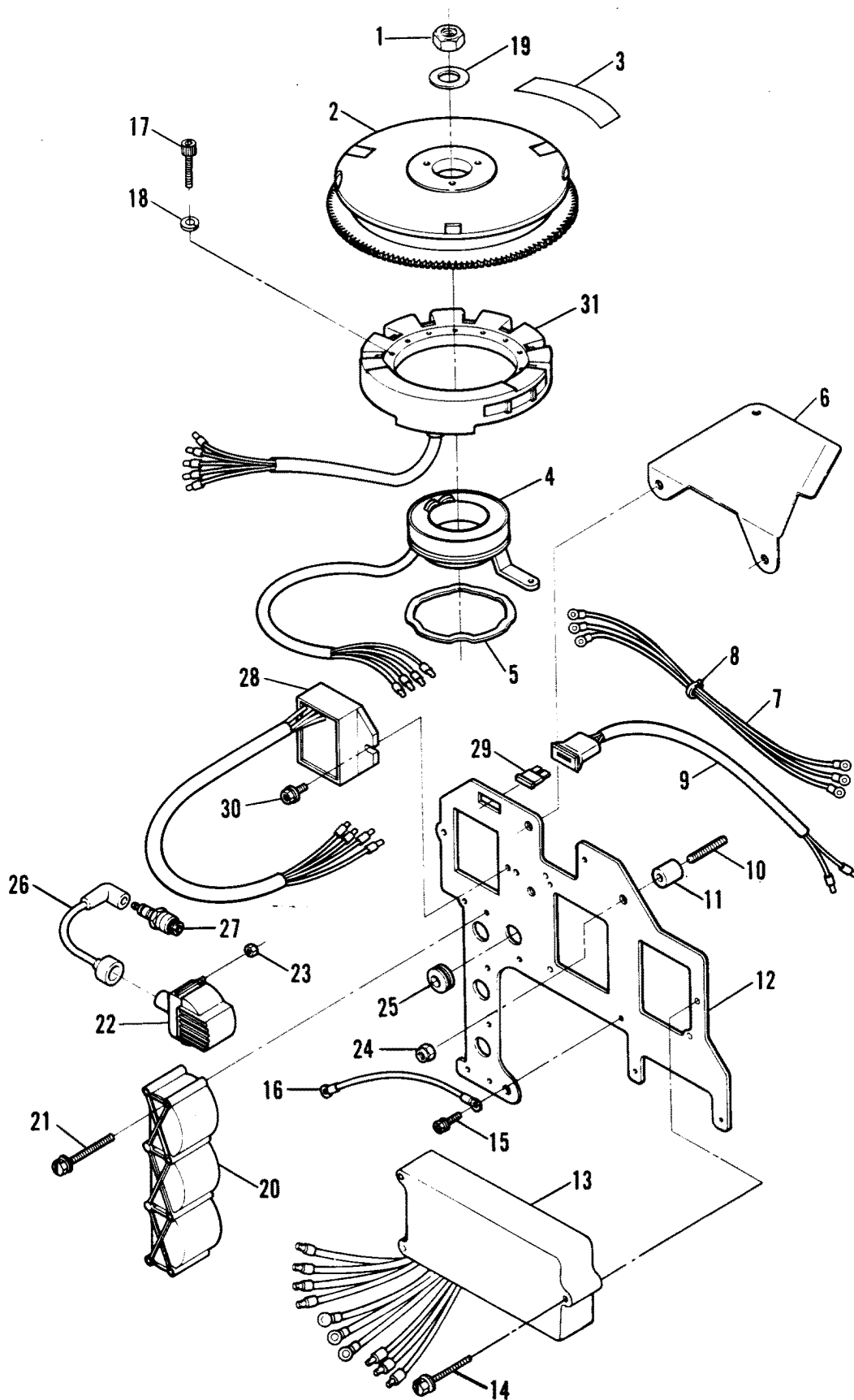
IGNITION COMPONENTS (1991B - 1992C)



IGNITION COMPONENTS (1991B - 1992C)

REF. NO.	PART NO.	SYM.	QTY.	DESCRIPTION
38	13-26996		6	LOCKWASHER (#10)
39	398-8778A10		1	STATOR ASSY. (91B THRU 92C) SERIAL 0E000001-0E009499
	398-8778A26		1	STATOR ASSEMBLY SERIAL 0E009500-0E039023
-	56762		AR	CABLE TIE (4")
-	800-818153A6		0	POWERHEAD ASSEMBLY

IGNITION COMPONENTS

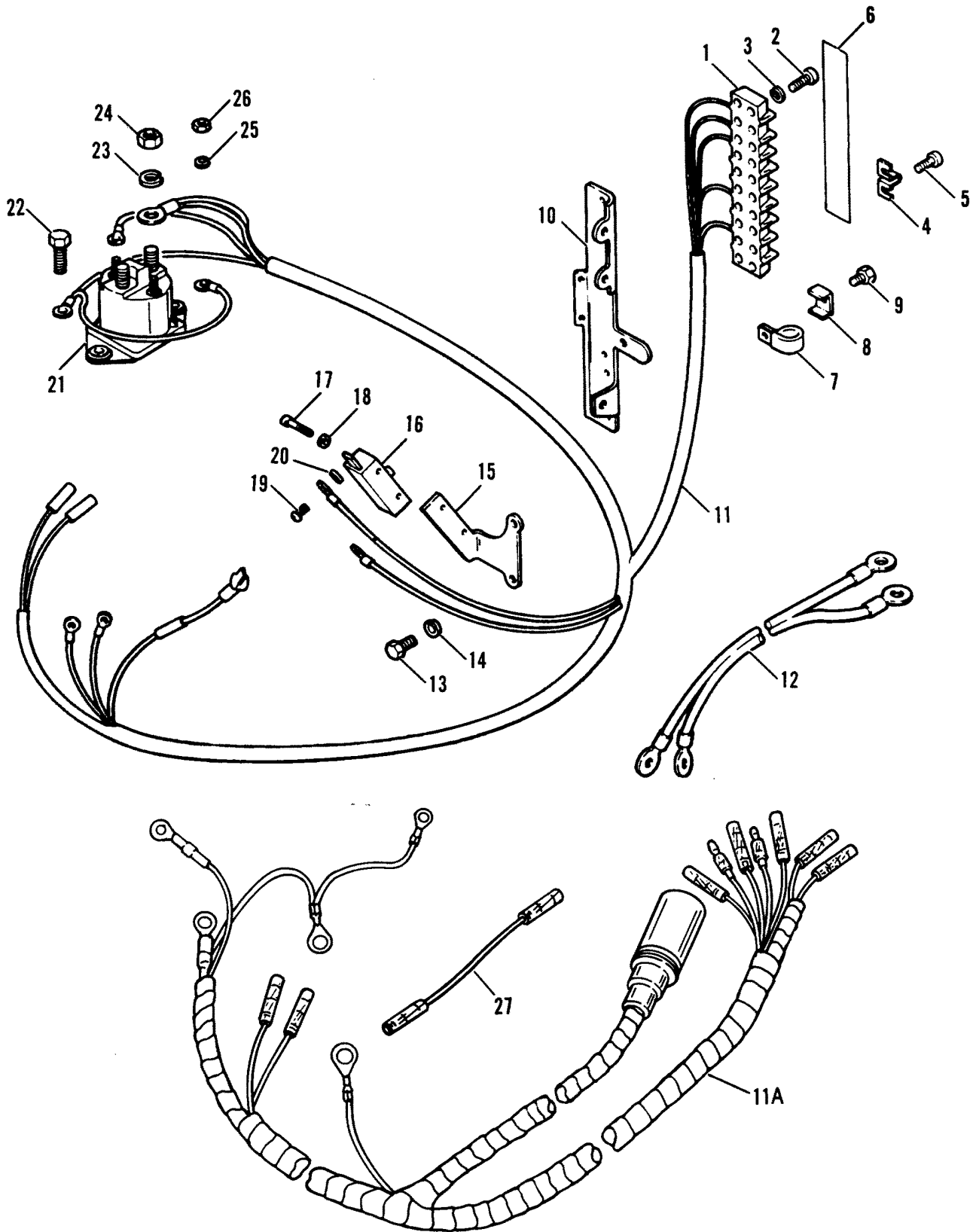


IGNITION COMPONENTS

REF. NO.	PART NO.	SYM.	QTY.	DESCRIPTION
1	11-F1968		1	NUT (3/4-16)
2	200-817494A2		1	FLYWHEEL ASSEMBLY
3	FA609853		1	DECAL KIT, SHIFT TO NEUTRAL
4	817029A9		1	TRIGGERASSEMBLY
5	13-F2442		1	WASHER, WAVE
6	819111		1	GUARD, IGNITION HARNESS
7	84-817441A3		1	HARNESS ASSEMBLY, GROUND
8	54-816311		4	CABLE TIE (8")
9	88-19637		1	SOCKET ASSEMBLY, FUSE
10	16-826393	●	4	STUD (5/16-18 X 2-1/4")W/DL SERIAL 0E039024-0E065371
	16-826393	●	3	STUD (5/16-18 X 2-1/4")W/DL SERIAL 0E065372-0Z999999
11	23-F722932		4	SPACER, ELECTRICAL BRACKET SERIAL 0E039024-0E065371
	23-F722932		3	SPACER, ELECTRICAL BRACKET SERIAL 0E065372-0Z999999
12	817268--5		1	PLATE, IGNITION MOUNTING
13	18495A12		1	SWITCHBOX ASSEMBLY
14	10-812987		3	SCREW (10-24 X 1-1/4")
15	10-41805		1	SCREW (10-24 X 5/8")
16	84-88807A29		1	CABLE ASSEMBLY (BLACK)
17	10-76566		6	SCREW (10-24 X 1") SERIAL 0E039024-0E065371
	10-19926100		6	SCREW (10-24 X 1") WITH DRY LOC SERIAL 0E065372-0Z999999
18	13-26996		6	LOCKWASHER (#10) SERIAL 0E039024-0E065371
19	12-31247		1	WASHER
20	43542		1	COVER, COIL
21	10-817458		6	SCREW (10-24 X 2-1/4")
22	339-7370A23		3	COIL ASSEMBLY, IGNITION
23	11-45076		6	NUT (10-24)
24	11-F7006		3	NUT (5/16-18)
25	25-64872		1	GROMMET
26	84-821945A28		3	CABLE ASSEMBLY, HIGH TENSION
27	33-97180		3	SPARK PLUG (NGK # BUHW)
	33-14103550		OPT.	SPARK PLUG (RFI) (NGK # BUZHW)
28	817411--1		1	RECTIFIER/REGULATOR SERIAL 0E039024-0E065371
	815279T4		1	VOLTAGE REGULATOR SERIAL 0E065372-0Z999999
29	88-812619		1	FUSE (20 AMP)
30	10-817505		2	SCREW (1/4-20 X 5/8") SERIAL 0E039024-E0654371
	10-817504		2	SCREW (1/4-20 X 1-1/2") SERIAL 0E065372-0Z999999
31	398-8778A29		1	STATOR ASSEMBLY
-	56762		3	CABLE TIE (4")
-	800-818153A6		0	POWERHEAD ASSEMBLY
-	800-818153A10		0	POWERHEAD ASSEMBLY
-	800-818153A21		0	POWERHEAD ASSEMBLY

● = COMPONENT OF POWERHEAD ASSY [800-818153A6], [800-818153A10], [800-818153A21]

ELECTRICAL COMPONENTS

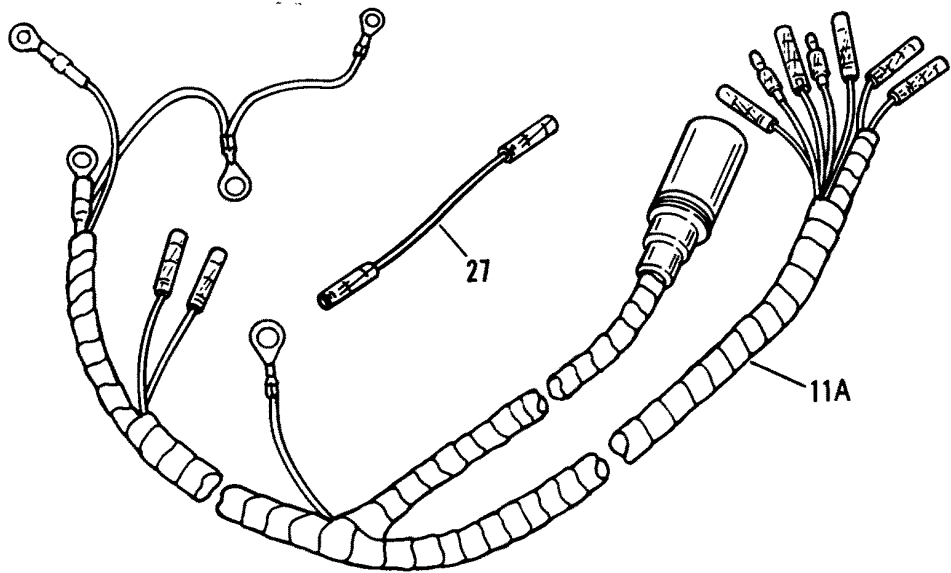
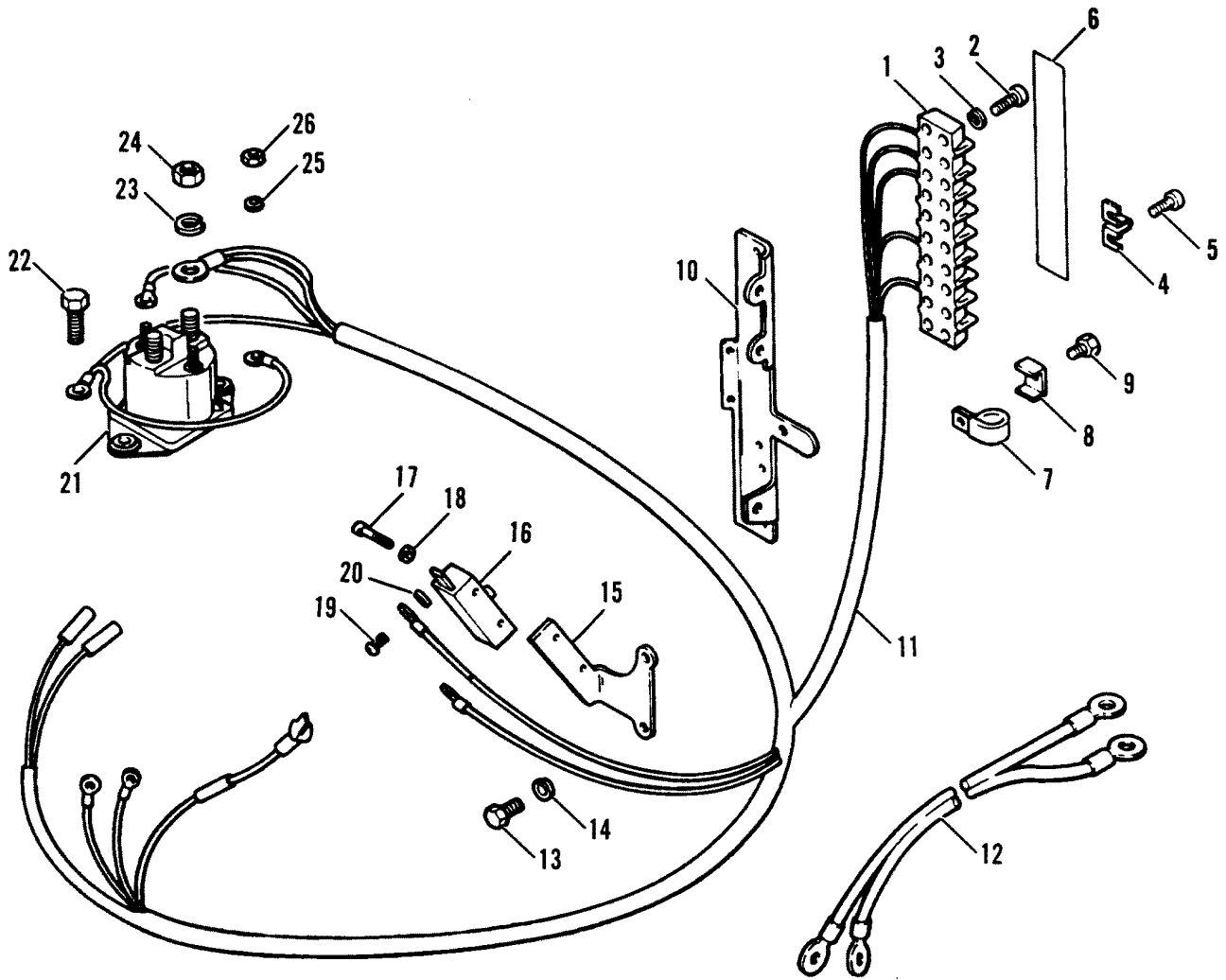


ELECTRICAL COMPONENTS

REF. NO.	PART NO.	SYM.	QTY.	DESCRIPTION
1	FA616497		1	BLOCK KIT, TERMINAL SERIAL 0E000001-0E009499 (2 ROW - 8 POSITION) (1991B THRU 1992C)
2	10-41069		2	SCREW (10-24 X 3/4") SERIAL 0E000001-0E009499 (1991B THRU 1992C)
3	13-26996		2	LOCKWASHER (#10) SERIAL 0E000001-0E009499 (1991B THRU 1992C)
4	54-F307317		2	CLIP, GROUND SERIAL 0E000001-0E009499 (1991B THRU 1992C)
5	10-41069		2	SCREW (10-24 X 3/4") SERIAL 0E000001-0E009499 (1991B THRU 1992C)
6	37-F529398-1		1	DECAL, WIRING SERIAL 0E000001-0E009499 (1991B THRU 1992C)
7	54-F289446-1		1	CLAMP SERIAL 0E000001-0E009499 (1991B THRU 1992C)
8	54-F438668		1	RETAINER, CABLE CLAMP SERIAL 0E000001-0E009499 (1991B THRU 1992C)
9	10-34939		1	SCREW (1/4-20 X 1/2") SERIAL 0E000001-0E009499 (1991B THRU 1992C)
10	F438493		1	BRACKET, TERMINAL BLOCK SERIAL 0E000001-0E009499 (1991B THRU 1992C)
11	84-817459A1		1	HARNESS ASSEMBLY, WIRING SERIAL 0E000001-0E009499 (1991B THRU 1992C)
11A	84-823392A1		1	HARNESS ASSEMBLY, WIRING SERIAL 0E009500-0E093699
	84-827244A1		1	HARNESS ASSEMBLY, WIRING SERIAL 0E093700-0Z999999
12	84-F381896-4		1	CABLE, BATTERY SERIAL 0E000001-0E009499 (1991B THRU 1992C)
13	10-F1532		2	SCREW (1/4-20 X 1") SERIAL 0E000001-0E009499 (1991B THRU 1992C)
14	13-26996		2	LOCKWASHER (#10) SERIAL 0E000001-0E009499 (1991B THRU 1992C)
15	F749551-1		1	BRACKET, INTERLOCK SWITCH SERIAL 0E000001-0E009499 (1991B THRU 1992C)
16	87-F84449		1	SWITCH, STARTER INTERLOCK SERIAL 0E000001-0E009499 (1991B THRU 1992C)
17	10-F2193		2	SCREW (6-32 X 7/8") SERIAL 0E000001-0E009499 (1991B THRU 1992C)
18	12-27882		2	WASHER (1991B THRU 1992C) SERIAL 0E000001-0E009499
19	10-69080		2	SCREW (6-32 X 1/4") SERIAL 0E000001-0E009499 (1991B THRU 1992C)
20	13-F1704		2	LOCKWASHER (#6)
21	89-F460917-1		1	RELAY, STARTER
22	10-820628		2	SCREW (1/4-20 X 5/8")
23	13-53166		2	LOCKWASHER (5/16")

CONTINUED ON NEXT PAGE ➡

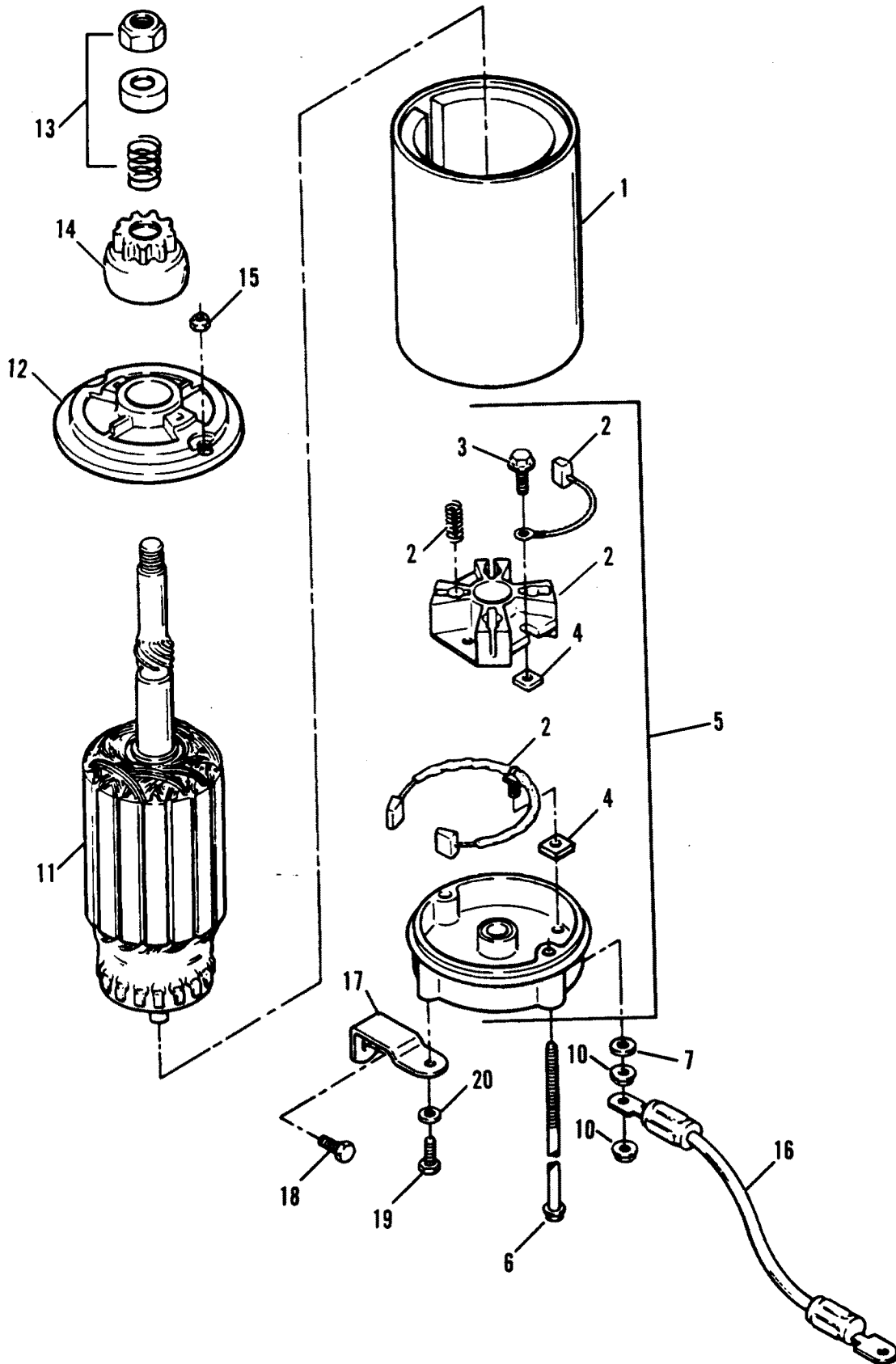
ELECTRICAL COMPONENTS



ELECTRICAL COMPONENTS

REF. NO.	PART NO.	SYM.	QTY.	DESCRIPTION
24	11-68292		2	NUT (5/16-18)
25	13-26996		2	LOCKWASHER (#10)
26	11-68219		2	NUT (10-32)
27	84-825275A1		1	CABLE ASSEMBLY (BLACK/YELLOW) SERIAL 0E039024-0Z999999
-	54-823461		AR	CABLE TIE (8-1/2")

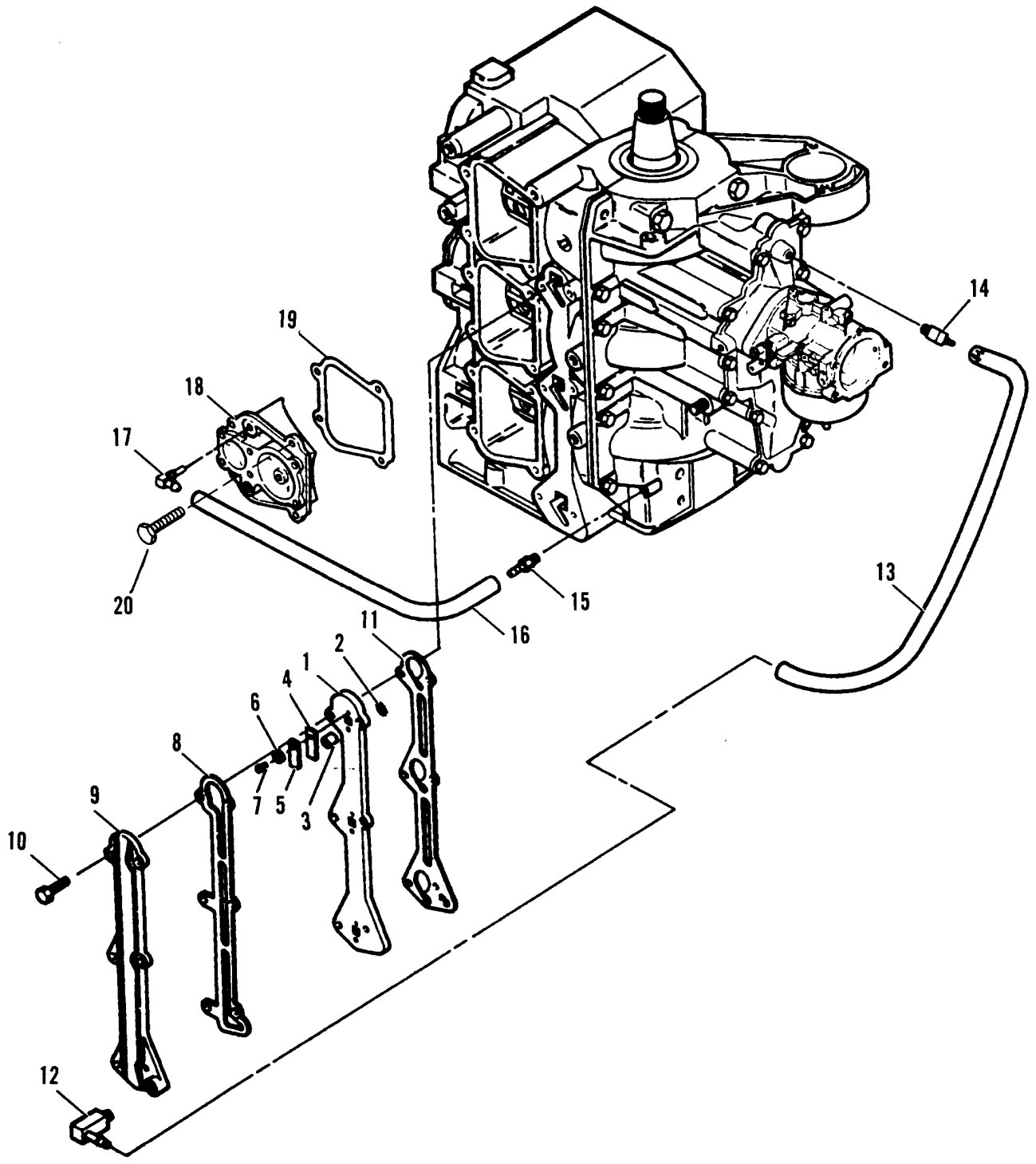
STARTER



STARTER

REF. NO.	PART NO.	SYM.	QTY.	DESCRIPTION
1	50-819085		1	STARTER ASSEMBLY
2	F15190		1	BRUSH KIT
3	F15158		2	SCREW
4	F15159		2	INSULATOR
5	F15189		1	END CAP, COMMUTATOR
6	F15178		2	THRU BOLT
7	F15160		1	WASHER
10	F15162		2	NUT
11	F15177		1	ARMATURE
12	F15176		1	END CAP, DRIVE
13	90644		1	DRIVE KIT
14	819222		1	PINION
15	11-20361		2	NUT (1/4-28)
16	84-820574		1	WIRE, STARTER
17	F616675		1	BRACKET, STARTER MOUNT
18	10-19923062		1	SCREW (1/4-20 X 5/8") WITH DRY LOC
19	10-19923062		1	SCREW (1/4-20 X 5/8") WITH DRY LOC
20	13-26992		1	LOCKWASHER (1/4")
-	47341A1		1	ROPE & HANDLE, EMERGENCY START
-	37-825064		1	DECAL, CAUTION, START IN GEAR
-	37-825066		1	DECAL, WARNING, HI-VOLTAGE

RECIRCULATION SYSTEM (91B THRU 92C)

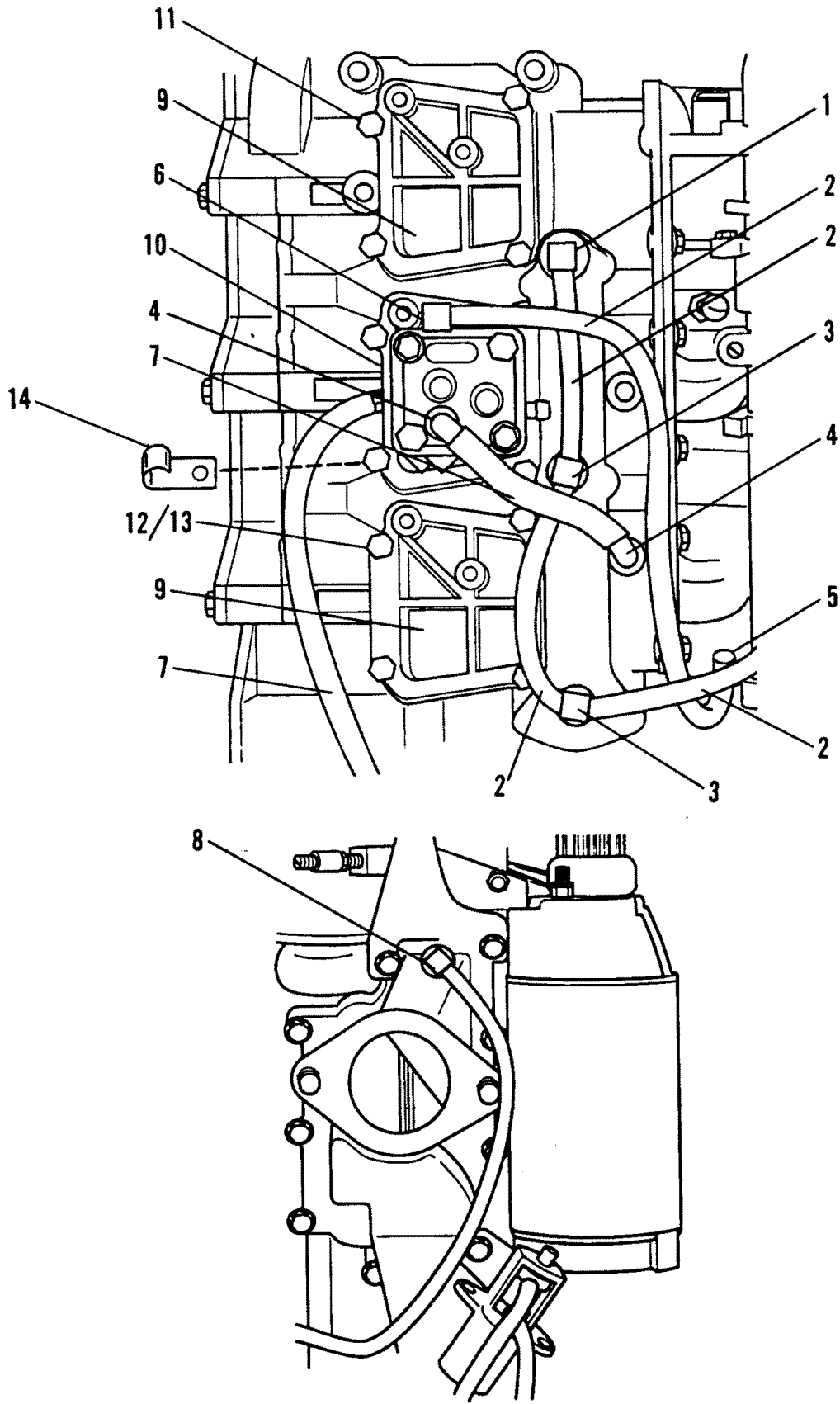


RECIRCULATION SYSTEM (91B THRU 92C)

REF. NO.	PART NO.	SYM.	QTY.	DESCRIPTION
1	F2A404757	●	1	REED PLATE ASSEMBLY, CYLINDER DRAIN
2	35-F93811		3	SCREEN
3	F433473		3	CUP, METERING
4	34-F18160-3		3	REED
5	F93920		3	STOP, REED
6	12-18552		3	WASHER
7	10-F1286		3	SCREW (4-40 X 3/16")
8	27-F85472-2	■●	1	GASKET, CYLINDER DRAIN COVER
9	817787A1	■	1	COVER KIT, CYLINDER DRAIN
10	10-76630	■	6	SCREW (1/4-20 X 1")
11	27-F85748-2	■●	1	GASKET, CYLINDER DRAIN REED PLATE
12	22-F404801		1	FITTING CUT AS REQ'D (1991B THRU 1992C) SERIAL 0E000001-0E009499
13	32-99128-78		1	HOSE (21-1/2") CUT AS REQ'D (1991B THRU 1992C) SERIAL 0E000001-0E009499
14	22-818103--1		1	FITTING CUT AS REQ'D (1991B THRU 1992C) SERIAL 0E000001-0E009499
12	22-88780	■	1	FITTING CUT AS REQ'D SERIAL 0E009500-0E065371
13	32-99130122		1	HOSE (21-1/2") CUT AS REQ'D SERIAL 0E009500-0E065371
14	22-88780	■	1	ELBOW CUT AS REQ'D SERIAL 0E009500-0E065371
15	21-42658	■	1	FITTING
16	32-99130122		1	HOSE (10-1/2")
17	22-F743314	■	1	ELBOW
18	817790A1	■	2	COVER KIT, TRANSFER PORT
19	27-820500	■●	2	GASKET, TRANSFER PORT
20	10-98254	■	6	SCREW (1/4-20 X 5/8")
-	800-818153A6		0	POWERHEAD ASSEMBLY
-	27-FG1037-1		0	GASKET SET

● = COMPONENT OF POWERHEAD ASSY [800-818153A6], [800-818153A10], [800-818153A21]
 ■ = CONTENTS OF POWERHEAD GASKET SET [27-FG1037-1], [27-820724A1]

RECIRCULATION SYSTEM

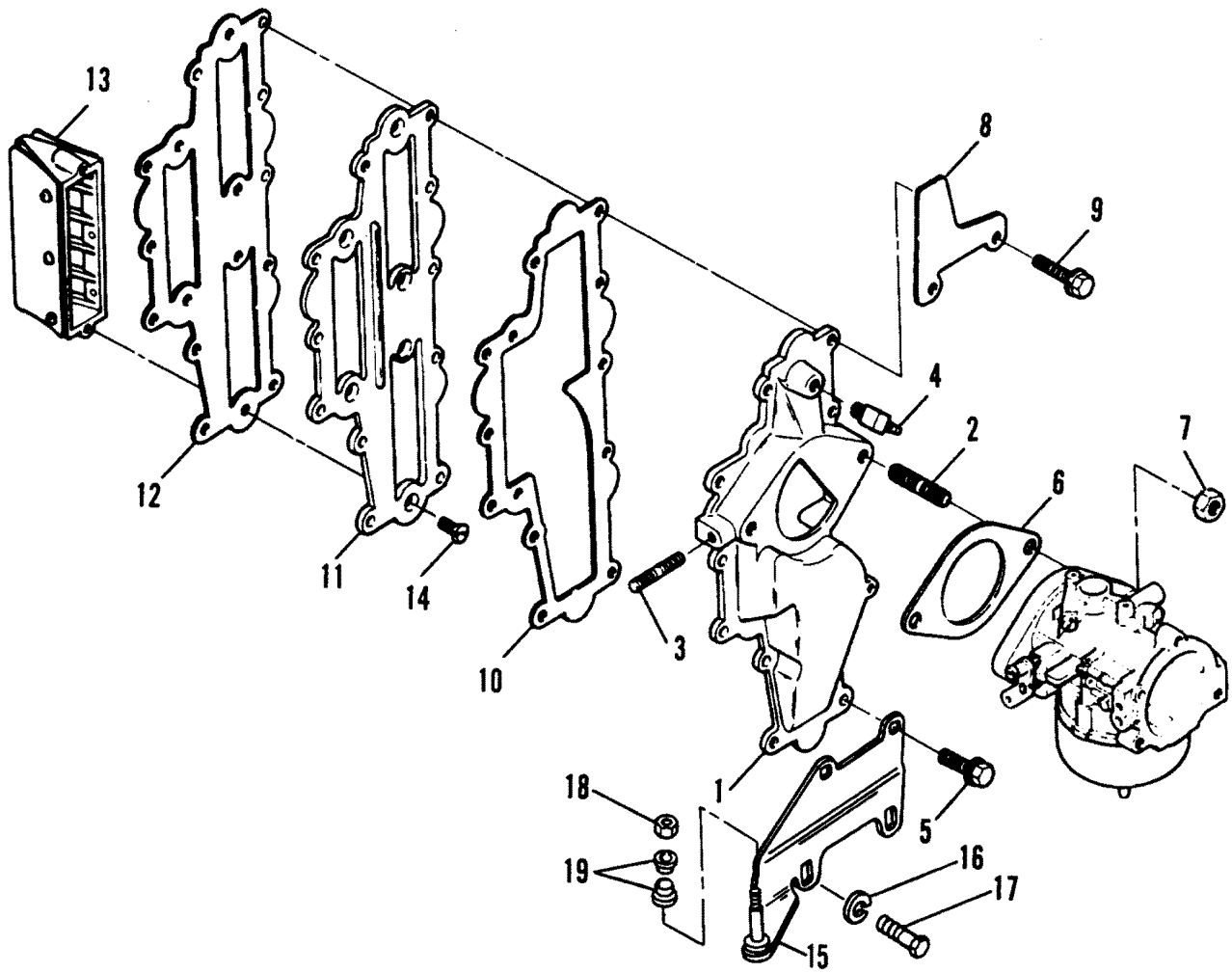


RECIRCULATION SYSTEM

REF. NO.	PART NO.	SYM.	QTY.	DESCRIPTION
1	21-42864	●	1	FITTING (90 DEG.)
2	32-99130122	●	1	TUBING (3-3/4") (4-1/4") (11-3/4") (19") CUT AS REQ'D
3	21-820706	●	2	FITTING (T)
4	22-99664	●	2	ELBOW
5	21-42658	●	1	VALVE, CHECK
6	22-F743314	●	1	ELBOW, RECIRCULATING
7	32-99127109	●	1	HOSE (4-1/2") (21") CUT AS REQ'D
8	22-88780	●	1	ELBOW, MANIFOLD
9	817790A1	●	2	COVER KIT, TRANSFER PORT
10	817870--2		1	COVER, FUEL PUMP
11	10-98254	●	10	SCREW (1/4-20 X 5/8")
12	10-28636	●	1	SCREW (1/4-20 X 3/4"), GROUND
13	13-78968	●	2	LOCKWASHER (1/4" INTERNAL), GROUND
14	54-55098	●	1	J CLIP, HOSE SUPPORT
-	54-816311		1	CABLE TIE (8")
-	800-818153A10		0	POWERHEAD ASSEMBLY
-	800-818153A21		0	POWERHEAD ASSEMBLY

● = COMPONENT OF POWERHEAD ASSY [800-818153A6], [800-818153A10], [800-818153A21]

FUEL INTAKE SYSTEM



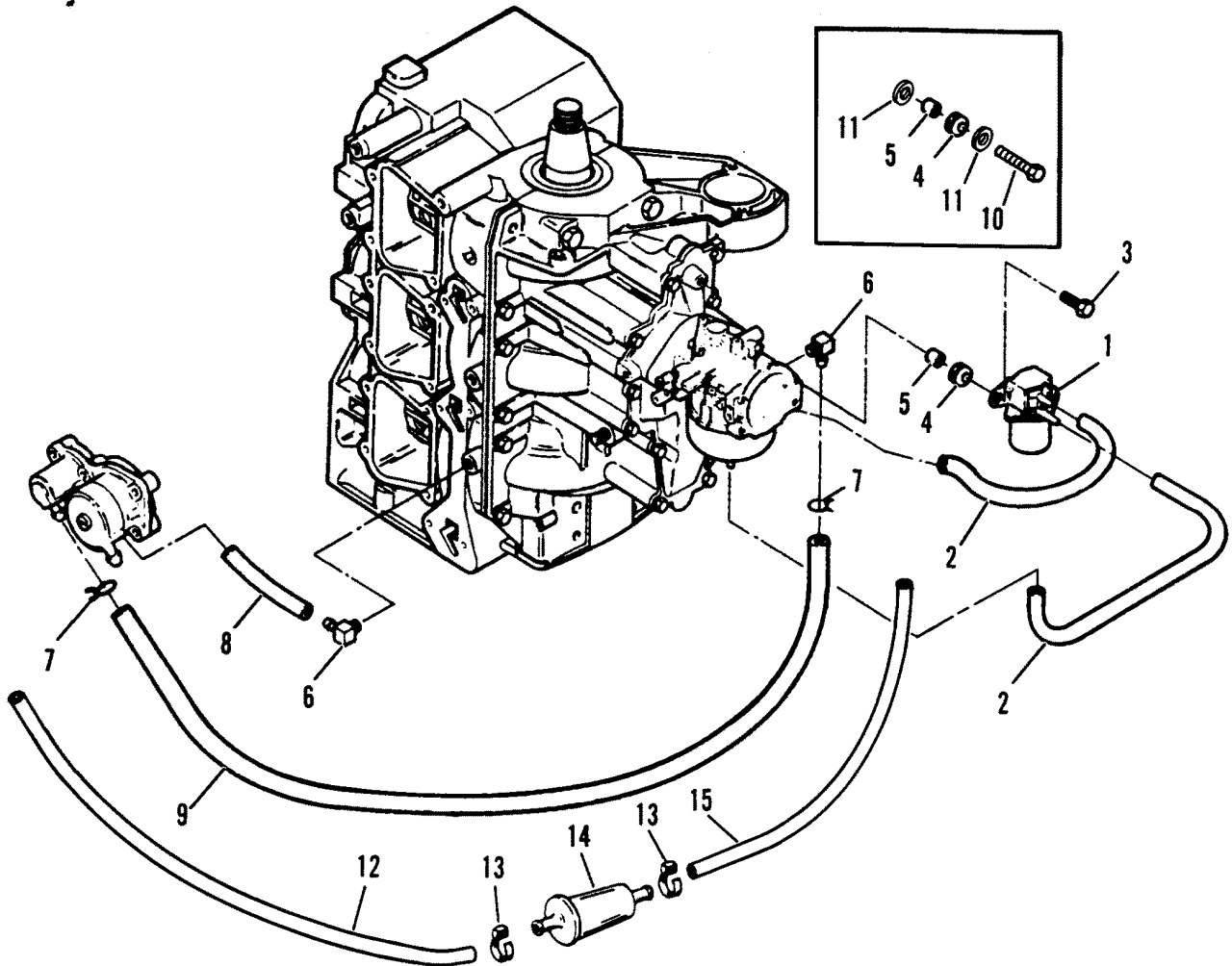
FUEL INTAKE SYSTEM

REF. NO.	PART NO.	SYM.	QTY.	DESCRIPTION
1	FA749167	●	1	MANIFOLD KIT, INTAKE
2	16-826387		2	STUD (3/8-16 X 1-5/8") WITH DRY LOC, CARBURETOR
3	16-826389		1	STUD (1/4-20 X 1-1/4") WITH DRY LOC, THROTTLE CAM
4	22-818103--1		1	ELBOW (91B THRU 92C) SERIAL 0E000001-0E009499
	22-88780	●	1	ELBOW SERIAL 0E009500-0Z999999
5	10-F1532	●	9	SCREW (1/4-20 X 1")
6	27-F440906	●■	1	GASKET, CARBURETOR
7	11-86226		2	NUT (3/8-16)
8	F749894	●	1	POINTER, TIMING
9	10-76213	●	2	SCREW (1/4-20 X 1-1/8")
10	27-819114	●■	1	GASKET, INTAKE MANIFOLD
11	820502	●	1	ADAPTER, REED PLATE
12	27-819113	●■	1	GASKET, REED PLATE ADAPTER
13	11645	●	3	REED BLOCK ASSEMBLY
14	10-826380	●	6	SCREW (1/4-20 X 5/8") WITH DRY LOC
15	819459A1		1	BRACKET ASSY., REMOTE CABLE SERIAL 0E009500-0Z999999
16	13-F8124		2	LOCKWASHER (5/16" EXTERNAL) SERIAL 0E009500-0Z999999
17	10-19921075		2	SCREW (5/16-18 X 3/4")WITH DRY LOC SERIAL 0E009500-0Z999999
18	11-34059		1	NUT (10-32)
19	23-819452		2	BUSHING
-	800-818153A6		0	POWERHEAD ASSEMBLY
-	800-818153A10		0	POWERHEAD ASSEMBLY
-	800-818153A21		0	POWERHEAD ASSEMBLY
-	27-FG1037-1		0	GASKET SET
-	27-820724A1		0	GASKET SET

● = COMPONENT OF POWERHEAD ASSY [800-818153A6], [800-818153A10], [800-818153A21]

■ = CONTENTS OF POWERHEAD GASKET SET [27-FG1037-1], [27-820724A1]

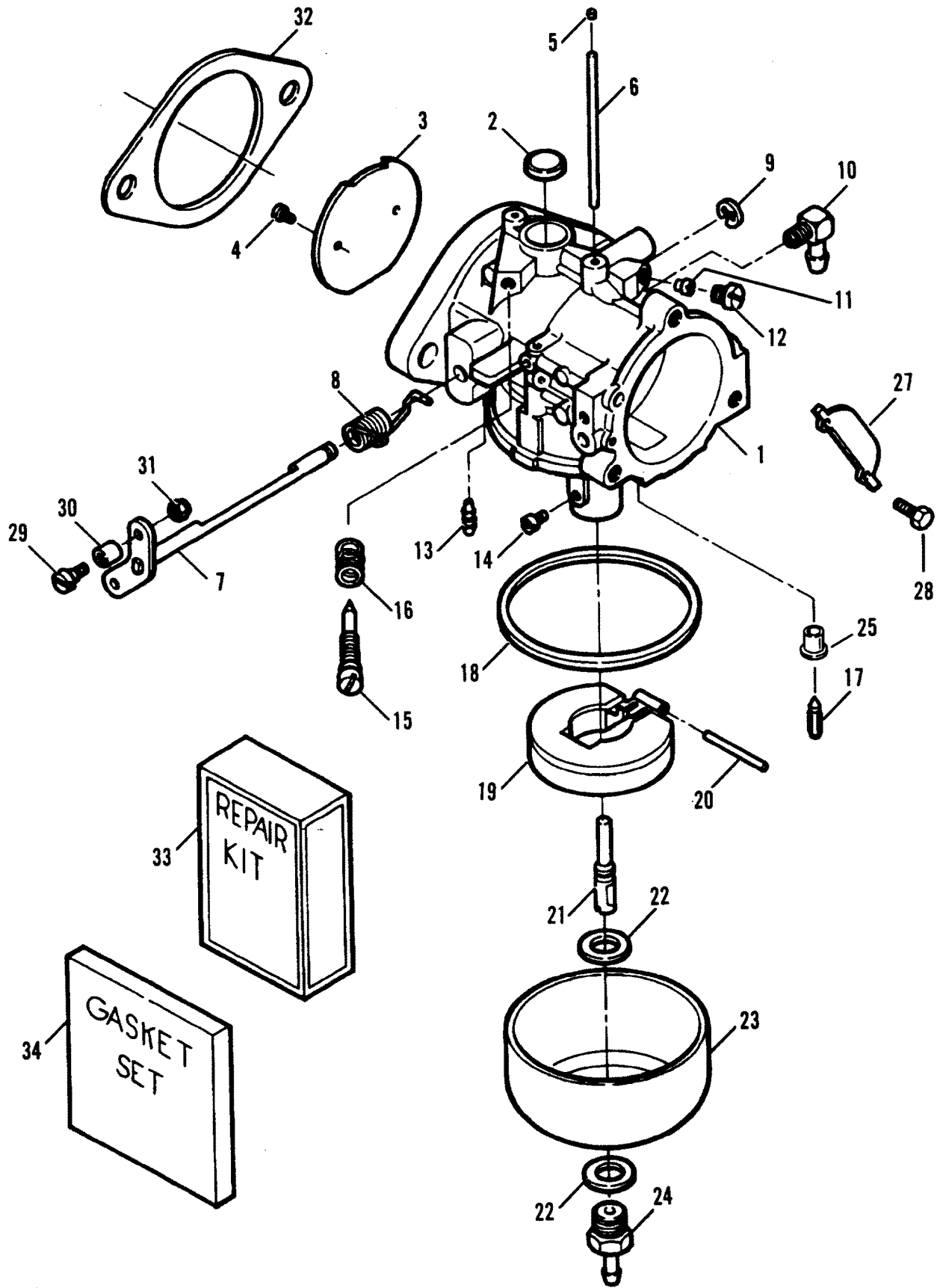
FUEL INTAKE AND PRIME SYSTEM



FUEL INTAKE AND PRIME SYSTEM

REF. NO.	PART NO.	SYM.	QTY.	DESCRIPTION
1	89-F694924		1	SOLENOID, PRIMER (91B THRU 92C) SERIAL 0E000001-0E009499
	89-819503		1	SOLENOID, PRIMER SERIAL 0E009500-0Z999999
2	32-99126-88		1	HOSE (2-3/4") (4-1/2") CUT AS REQ'D
3	10-98254		1	SCREW (1/4-20 X 5/8") (91B/92C) SERIAL 0E000001-0E009499
4	25-F694504		1	GROMMET
5	23-F694359		1	SPACER
6	22-F84314-2		2	ELBOW
7	54-816311		2	CABLE TIE (8")
8	32-99127109		1	HOSE (4-1/2") CUT AS REQ'D SERIAL 0E009500-0Z999999
	32-19409-64		1	HOSE (4-1/2") CUT AS REQ'D (91B THRU 92C) SERIAL 0E000001-0E009499
9	32-99127109		1	HOSE (21") CUT AS REQ'D (91B THRU 92C) SERIAL 0E000001-0E009499
10	10-28636		1	SCREW (1/4-20 X 3/4") SERIAL 0E009500-0Z999999
11	12-35044		2	WASHER SERIAL 0E009500-0Z999999
12	32-99127109		1	HOSE (21") CUT AS REQ'D SERIAL 0E009500-0Z999999
13	54-816311		2	CABLE TIE (8") SERIAL 0E009500-0Z999999
14	35-816296		1	FILTER, FUEL SERIAL 0E009500-0Z999999
15	32-99127109		1	HOSE (5-3/4") CUT AS REQ'D SERIAL 0E009500-0Z999999

CARBURETOR (91B THRU 92C)



CARBURETOR (91B THRU 92C)

REF. NO.	PART NO.	SYM.	QTY.	DESCRIPTION
1	1300-F749061		1	CARBURETOR (TC-111A)
2	19-FO16128	◇	1	PLUG, WELCH
3	F10361		1	SHUTTER, THROTTLE
4	10-F10328		2	SCREW, SHUTTER
5	19-FO10588	◇	5	PLUG, CUP
6	FO16993		1	TUBE, BY-PASS
7	FO17884		1	SHAFT, THROTTLE
8	FO16143	◇	1	SPRING, THROTTLE SHAFT
9	FO16620		1	E-RING, THROTTLE SHAFT
10	22-F84314-2		1	ELBOW, FUEL
11	F10286		1	JET (.052), THROTTLE
12	F10275		1	SCREW, SEALING
13	F10274		1	NOZZLE, PRIMING
14	1399-6249		1	JET, MAIN FUEL (.096) (0 - 1500') CARB TC-111A
	FO14191		OPT.	JET, MAIN FUEL (.094) (1500-3000') CARB TC-111A
	1395-5733		OPT.	JET, MAIN FUEL (.092) (3000-4500') CARB TC-111A
	1395-6247		OPT.	JET, MAIN FUEL (.090) (4500-6000') CARB TC-111A
	FO13193		OPT.	JET, MAIN FUEL (.088) (6000-10000') CARB TC-111A
	1395-6247		1	JET, MAIN FUEL (.090) (0 - 1500') CARB TC-125A
	FO13193		OPT.	JET, MAIN FUEL (.088) (1500-3000') CARB TC-125A
	FO13949		OPT.	JET, MAIN FUEL (.086) (3000-4500') CARB TC-125A
	1399-3517		OPT.	JET, MAIN FUEL (.084) (4500-6000') CARB TC-125A
	1399-3518		OPT.	JET, MAIN FUEL (.082) (6000-10000') CARB TC-125A
15	F10268		1	SCREW, IDLE MIXTURE
16	24-27160	◇	1	SPRING, IDLE MIXTURE SCREW
17	F10265	◇	1	NEEDLE, INLET
18	27-FO15623	❖	1	GASKET, FUEL BOWL
19	F10346		1	FLOAT, FUEL BOWL
20	17-FO13944	◇	1	PIN, FLOAT
21	F10360		1	NOZZLE, MAIN
22	27-FO5323	❖	2	GASKET, FUEL BOWL
23	FO16130		1	BOWL, FUEL
24	F10267		1	SCREW ASSEMBLY, FUEL BOWL
25	F10367		1	SEAT, INLET
27	819209		1	DEFLECTOR, CARBURETOR (TC-111A)
	820590		1	DEFLECTOR, CARBURETOR (TC-125A)
28	10-73286		2	SCREW (1/4-20 X 1/2")
29	F333316		1	SHAFT, THROTTLE ROLLER

● = COMPONENT OF POWERHEAD ASSY [800-818153A6], [800-818153A10], [800-818153A21]

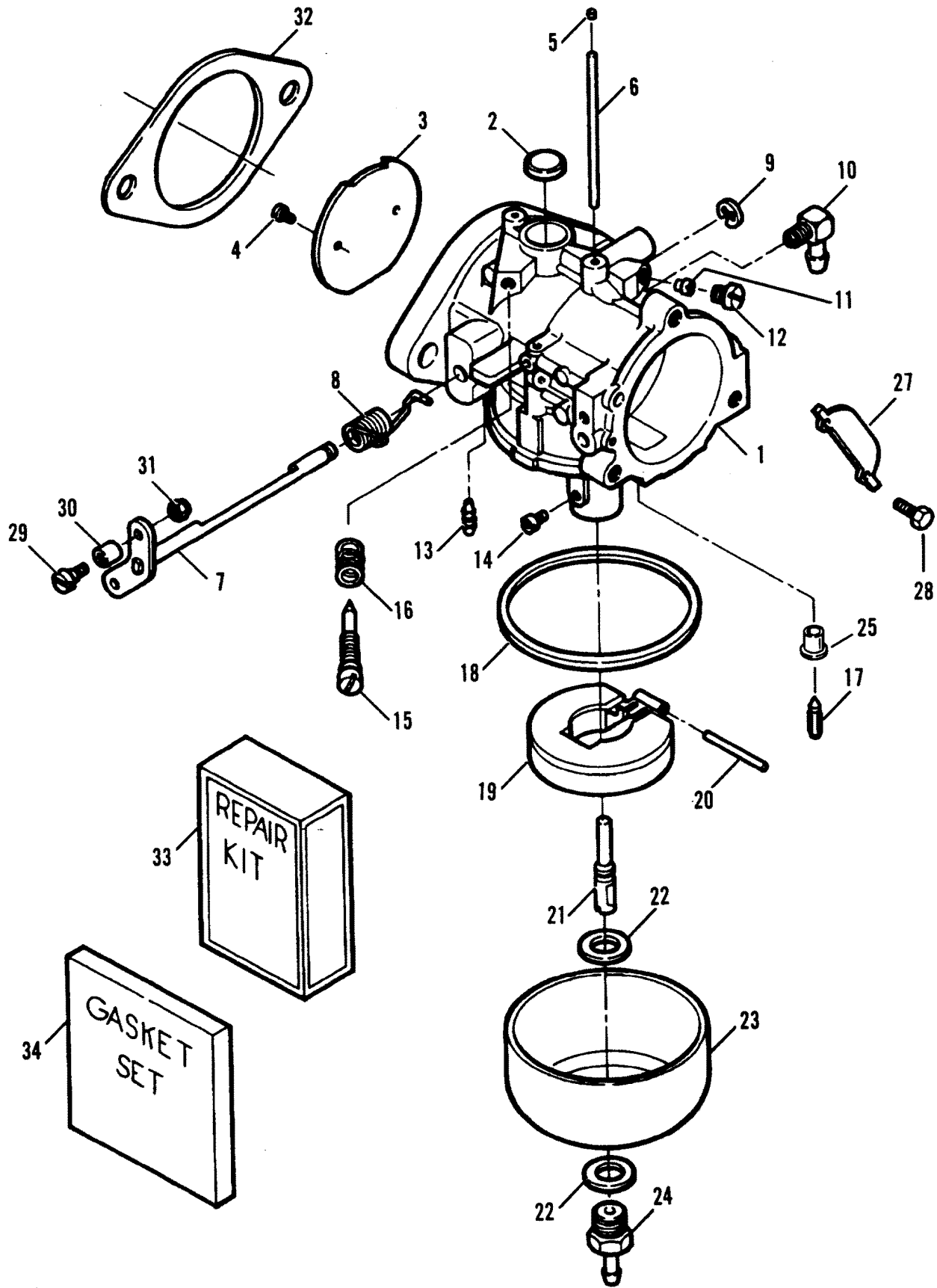
■ = CONTENTS OF POWERHEAD GASKET SET [27-FG1037-1], [27-820724A1]

◇ = CONTENTS OF REPAIR KIT

❖ = CONTENTS OF GASKET SET

CONTINUED ON NEXT PAGE ➡

CARBURETOR (91B THRU 92C)

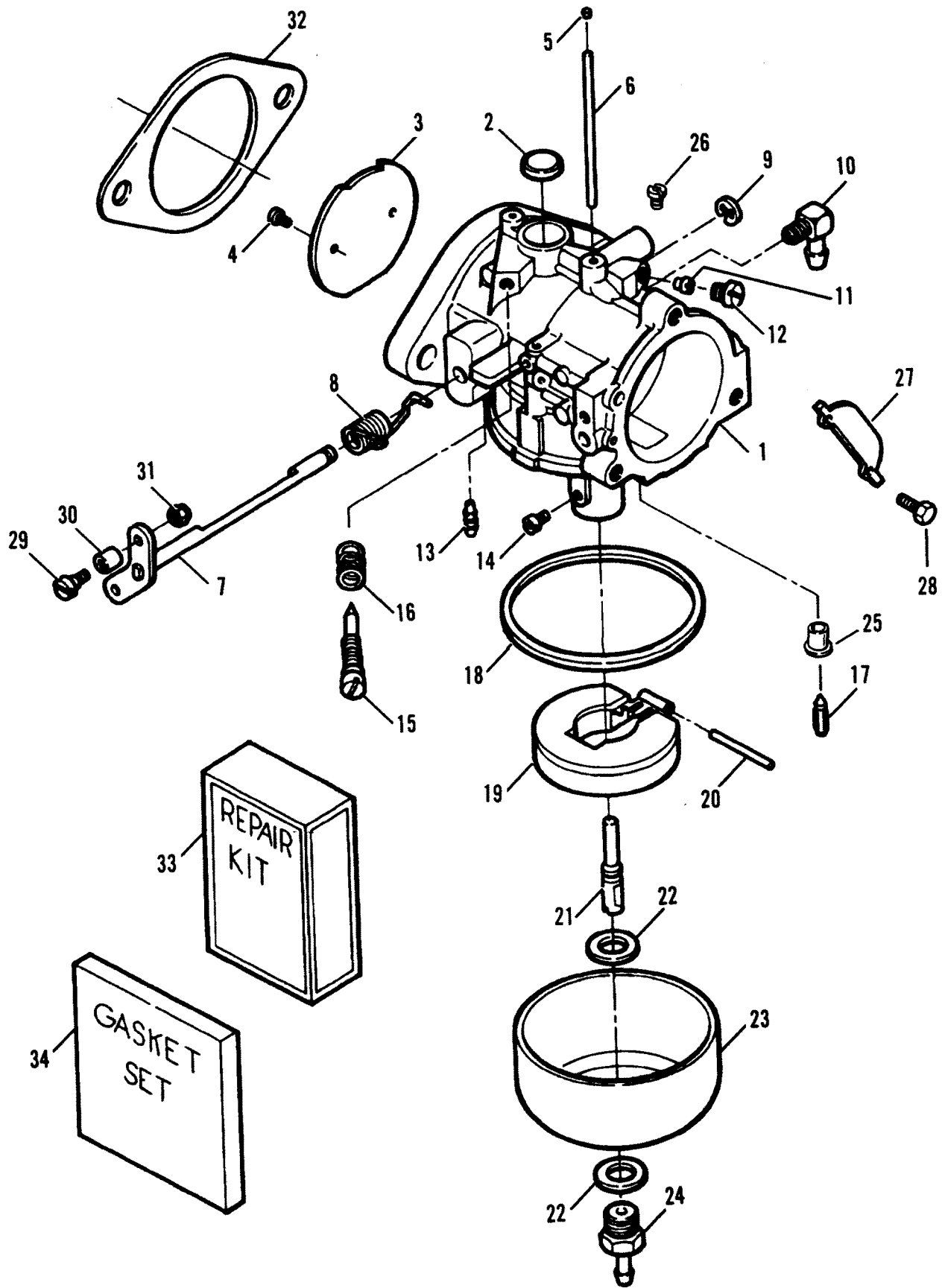


CARBURETOR (91B THRU 92C)

REF. NO.	PART NO.	SYM.	QTY.	DESCRIPTION
30	819225		1	ROLLER, THROTTLE CAM
31	11-F1997		1	NUT (8-32)
32	27-F440906	● ■ ❖	1	GASKET, CARBURETOR
33	820576A1		1	REPAIR KIT, CARBURETOR
34	FK10023	◇	1	GASKET SET, CARBURETOR

- = COMPONENT OF POWERHEAD ASSY [800-818153A6], [800-818153A10], [800-818153A21]
- = CONTENTS OF POWERHEAD GASKET SET [27-FG1037-1], [27-820724A1]
- ◇ = CONTENTS OF REPAIR KIT
- ❖ = CONTENTS OF GASKET SET

CARBURETOR



CARBURETOR

REF. NO.	PART NO.	SYM.	QTY.	DESCRIPTION
1	1300-826369		1	CARBURETOR (TC-111B)
2	19-FO16128	◇	1	PLUG, WELCH
3	F10361		1	SHUTTER, THROTTLE
4	10-F10328		2	SCREW, SHUTTER
5	19-FO10588	◇	5	PLUG, CUP
6	FO16993		1	TUBE, BY-PASS
7	FO17884		1	SHAFT, THROTTLE
8	FO16143	◇	1	SPRING, THROTTLE SHAFT
9	FO16620		1	E-RING, THROTTLE SHAFT
10	22-F84314-2		1	ELBOW, FUEL
11	820709		1	JET (.044), THROTTLE
12	F10275		1	SCREW, SEALING
13	F10274		1	NOZZLE, PRIMING
14	FO14191		1	JET, MAIN FUEL (.094) (0 - 1500')
	1395-5733		OPT.	JET, MAIN FUEL (.092) (1500-3000')
	1395-6247		OPT.	JET, MAIN FUEL (.090) (3000-4500')
	FO13193		OPT.	JET, MAIN FUEL (.088) (4500-6000')
	FO13949		OPT.	JET, MAIN FUEL (.086) (6000-10000')
15	F10268		1	SCREW, IDLE MIXTURE
16	24-27160	◇	1	SPRING, IDLE MIXTURE SCREW
17	F10265	◇	1	NEEDLE, INLET
18	27-FO15623	❖	1	GASKET, FUEL BOWL
19	F10346		1	FLOAT, FUEL BOWL
20	17-FO13944	◇	1	PIN, FLOAT
21	F10360		1	NOZZLE, MAIN
22	27-FO5323	❖	2	GASKET, FUEL BOWL
23	FO16130		1	BOWL, FUEL
24	F10267		1	SCREW ASSEMBLY, FUEL BOWL
25	F10367		1	SEAT, INLET
26	820710		1	JET (.032), NOZZLE WELL AIR BLEED
27	819209		1	DEFLECTOR, CARBURETOR
28	10-73286		2	SCREW (1/4-20 X 1/2")
29	F333316		1	SHAFT, THROTTLE ROLLER
30	819225		1	ROLLER, THROTTLE CAM
31	11-F1997		1	NUT (8-32)
32	27-F440906	■●❖	1	GASKET, CARBURETOR
33	820576A1		1	REPAIR KIT, CARBURETOR
34	FK10023	◇	1	GASKET SET, CARBURETOR

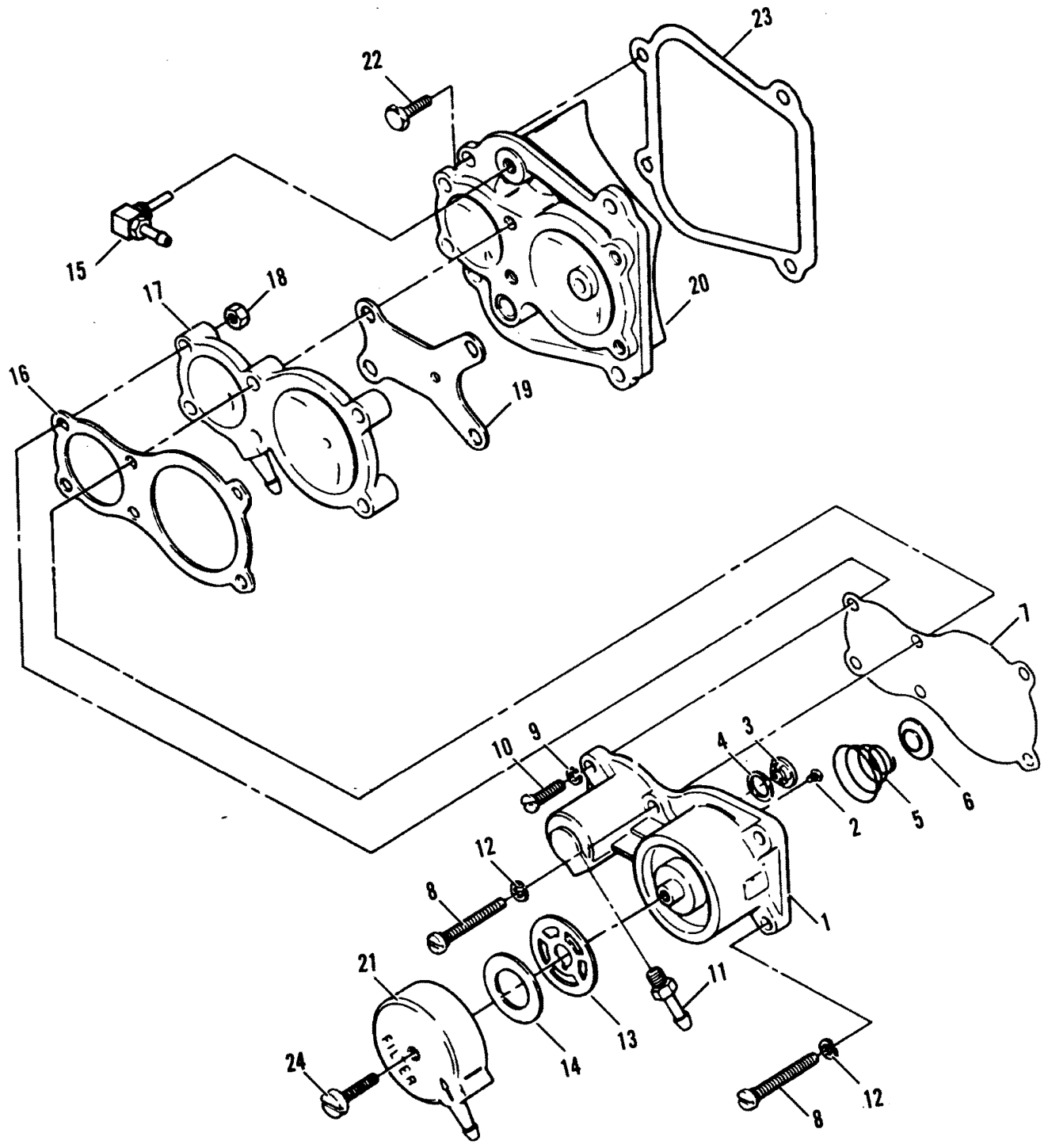
● = COMPONENT OF POWERHEAD ASSY [800-818153A6], [800-818153A10], [800-818153A21]

■ = CONTENTS OF POWERHEAD GASKET SET [27-FG1037-1], [27-820724A1]

◇ = CONTENTS OF REPAIR KIT

❖ = CONTENTS OF GASKET SET

FUEL PUMP ASSEMBLY (91B THRU 92C)



FUEL PUMP ASSEMBLY (91B THRU 92C)

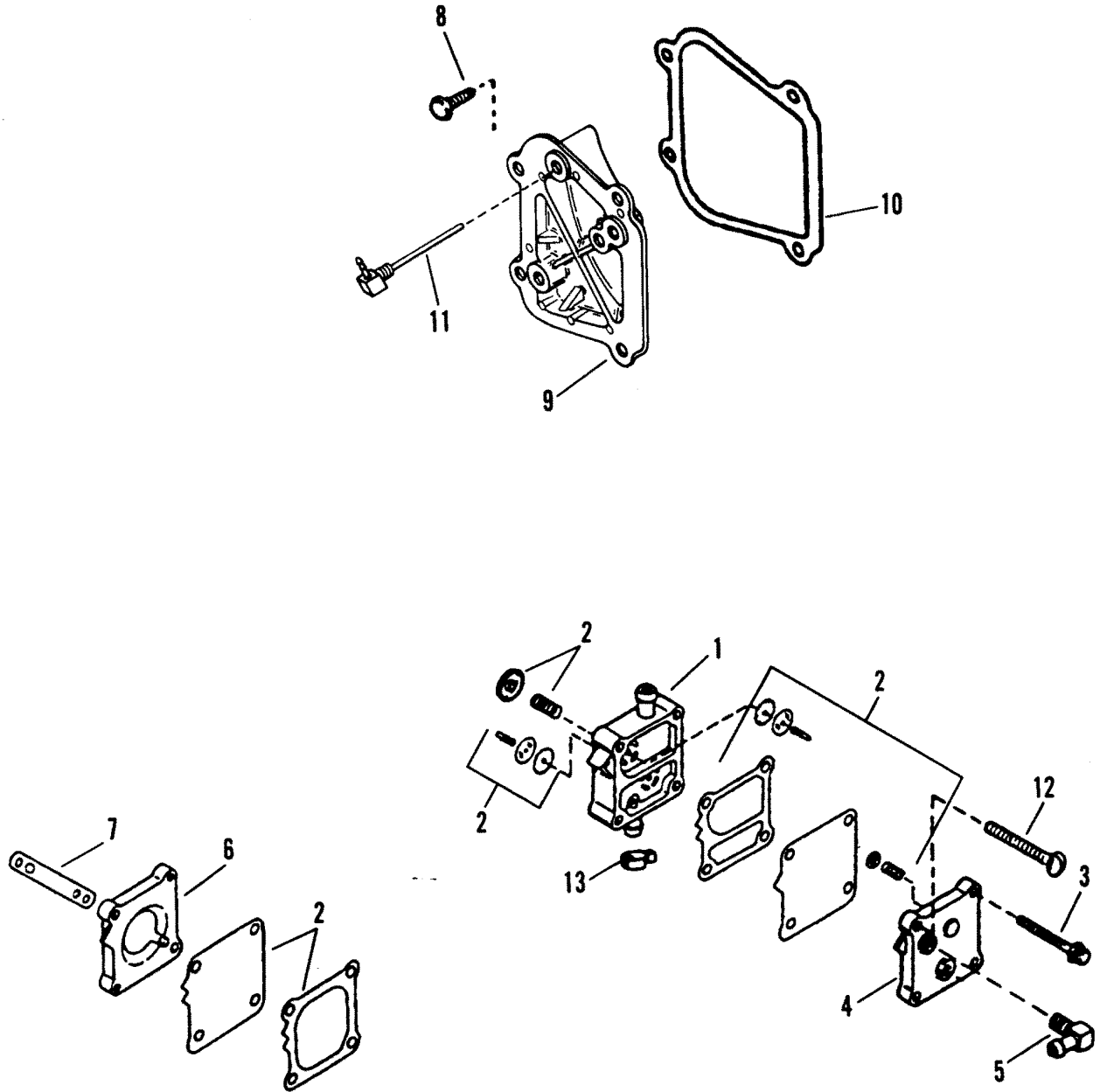
REF. NO.	PART NO.	SYM.	QTY.	DESCRIPTION
-	817919A1		1	PUMP KIT, FUEL (91B THRU 92C) SERIAL 0E000001-0E009499
-	820581A1	●	1	PUMP KIT, FUEL SERIAL 0E009500-0E065371
1	819843A1		1	BODY ASSEMBLY, FUEL PUMP
2	10-28430		2	SCREW (6-32 X 1/4")
3	21-F177330		3	VALVE, FUEL PUMP
4	27-F84792		1	GASKET, CENTER VALVE
5	24-F686300		1	SPRING, FUEL PUMP BOOST
6	F686096		1	RETAINER, BOOSTER SPRING
7	F438747		1	DIAPHRAGM, FUEL PUMP
8	10-F1504		4	SCREW (1/4-20 X 1-1/4")
9	13-26996		2	LOCKWASHER (#10)
10	10-41069		2	SCREW (10-24 X 3/4") (DESIGN I)
	10-55515		2	SCREW (10-32 X 3/4") (DESIGN II)
11	22-64705		1	FITTING
12	13-26992		4	LOCKWASHER (1/4")
13	27-823606		1	GASKET, FUEL PUMP BOWL
14	35-F438653		1	SCREEN, FUEL PUMP
15	22-F404314		1	ELBOW (91B THRU 92C) SERIAL 0E000001-0E009499
	22-F743314		1	ELBOW SERIAL 0E009500-0E065371
16	27-820490		1	GASKET, FUEL PUMP
17	F658836		1	SPACER, FUEL PUMP
18	11-79989		2	NUT (10-24) (DESIGN I)
	11-68219		2	NUT (10-32) (DESIGN II)
19	27-F658803		1	GASKET, FUEL PUMP SPACER
20	817870A1		1	COVER KIT, FUEL PUMP
21	817066		1	BOWL, FUEL PUMP (91B/92C) SERIAL 0E000001-0E009499
	F695500	■	1	BOWL, FUEL PUMP SERIAL 0E009500-0E065371
22	10-98254	●	4	SCREW (1/4-20 X 5/8")
23	27-820500	●■	1	GASKET, FUEL PUMP
24	10-56682	●	1	SCREW (10-24 X 3/4")
-	800-818153A6		0	POWERHEAD ASSEMBLY
-	27-FG1037-1		0	GASKET SET
-	800-818153A21		0	POWERHEAD ASSEMBLY

● = COMPONENT OF POWERHEAD ASSY [800-818153A6], [800-818153A10], [800-818153A21]

■ = CONTENTS OF GEAR HOUSING COMPLETE [1600-819123A3]

■ = CONTENTS OF POWERHEAD GASKET SET [27-FG1037-1], [27-820724A1]

FUEL PUMP ASSEMBLY



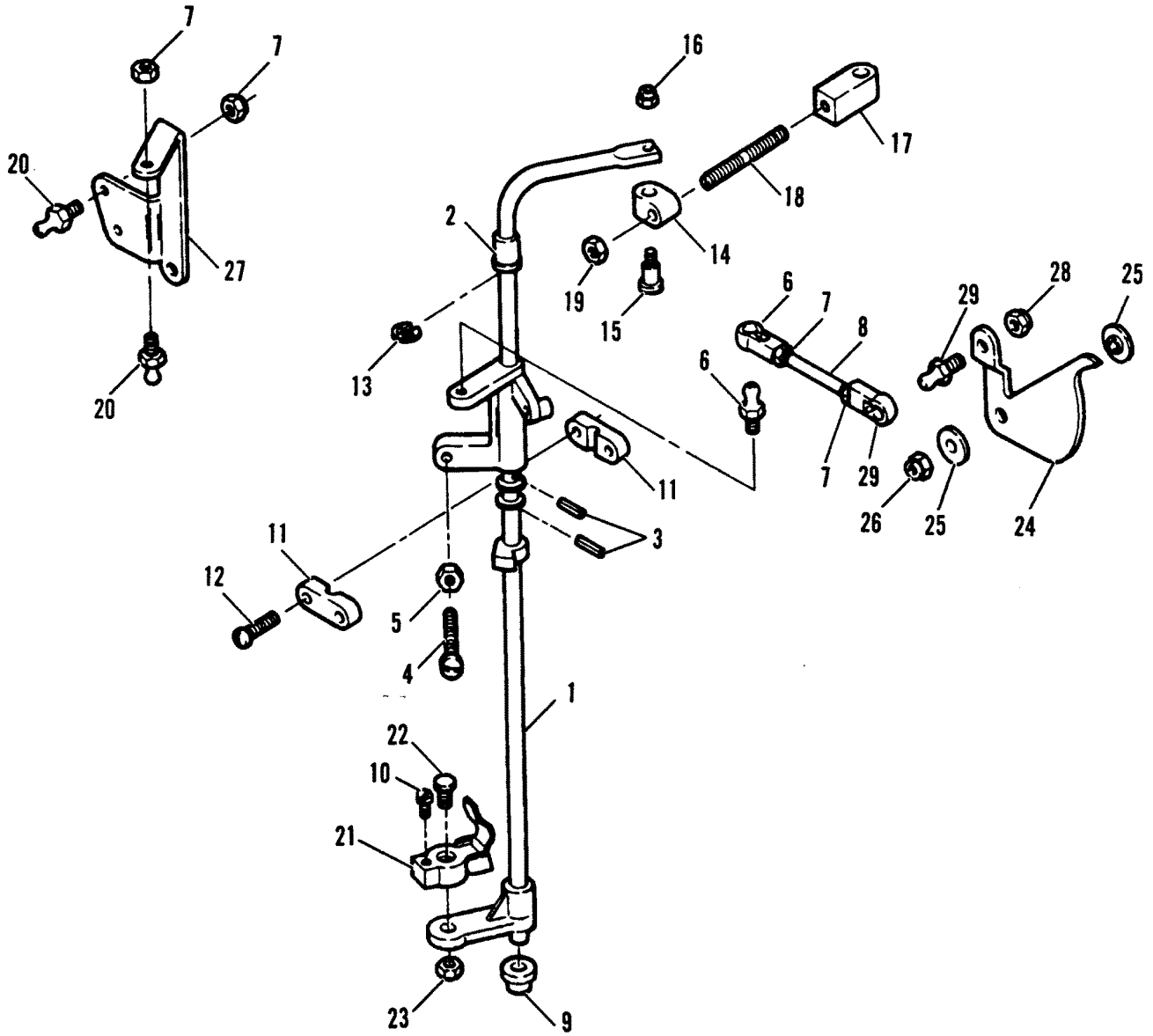
FUEL PUMP ASSEMBLY

REF. NO.	PART NO.	SYM.	QTY.	DESCRIPTION
1	14360A50		1	PUMP KIT, FUEL
2	21-42990A10		1	DIAPHRAGM KIT
3	10-821045-40		2	SCREW (M5 X .8 X 40), FUEL PUMP
4	98775--2		1	PLATE, FUEL PUMP
5	22-99664		1	ELBOW
6	14430--3		1	BASE, FUEL PUMP
7	27-98769--1	†	1	GASKET, FUEL PUMP BASE
8	10-98254	■	4	SCREW (1/4-20 X 5/8")
9	817870--2		1	COVER, FUEL PUMP
10	27-820500	†■	3	GASKET, TRANSFER PORT & FUEL PUMP COVERS
11	22-F743314	■	1	ELBOW, RECIRCULATING
12	10-16452		2	SCREW (#12-24 X 2")
13	54-816311		1	CABLE TIE (8")

■ = CONTENTS OF GEAR HOUSING COMPLETE [1600-819123A3]

† = CONTENTS OF GEAR HOUSING BASIC [1600-819123A4]

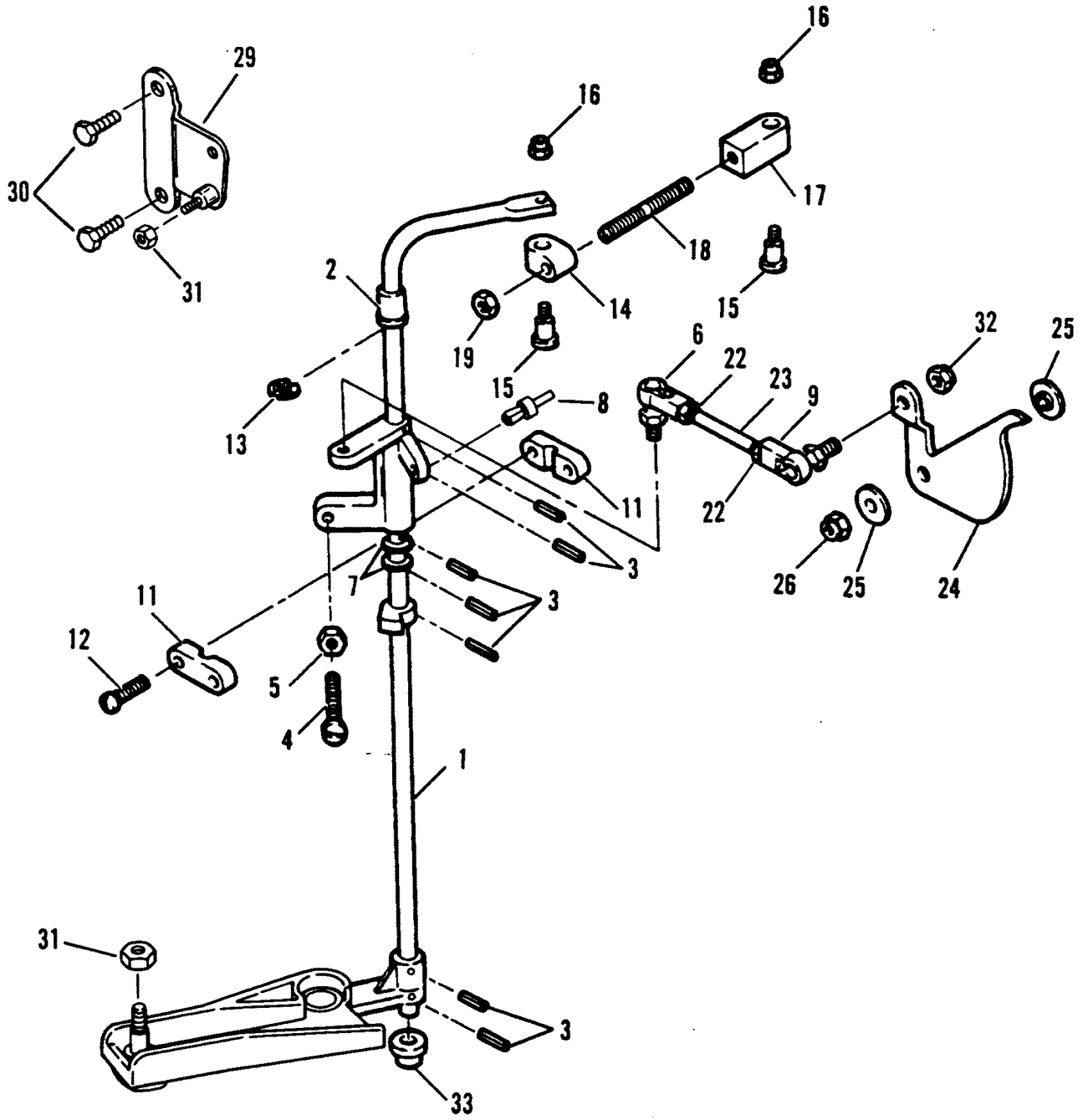
TOWERSHAFT ASSEMBLY (91B THRU 92C)



TOWERSHAFT ASSEMBLY (91B THRU 92C)

REF. NO.	PART NO.	SYM.	QTY.	DESCRIPTION
1	FA749838		1	TOWERSHAFT ASSEMBLY
2	23-819513		1	BUSHING, TOWERSHAFT UPPER
3	17-38489		7	PIN, ROLL
4	10-F1504		1	SCREW (1/4-20 X 1-1/4")
5	11-64015		1	NUT (1/4-20)
6	817747--1		1	BALL JOINT ASSEMBLY
7	11-68219		2	NUT (10-32)
8	819002		1	LINK, THROTTLE
9	23-F40689-1		1	BEARING, TOWERSHAFT LOWER
10	10-F2217		1	SCREW (10-24 X 3/8")
11	F607689		2	BEARING, TOWERSHAFT CENTER
12	10-F1829		2	SCREW (10-24 X 7/8")
13	53-13194		1	E RING, BEARING RETAINER
14	F499035		1	END, CONTROL ROD
15	F499026		2	SWIVEL, TOWERSHAFT
16	11-F7009		2	NUT (10-24)
17	F499036-1		1	END, CONTROL ROD (1/4-28 LH)
18	F85445-1		1	ROD, SPARK CONTROL
19	11-F2015		1	NUT (1/4-28)
20	16-F98273		2	STUD, END CONNECTOR
21	FK405020		1	SWIVEL KIT, CABLE CLAMP
22	10-F405457		1	SCREW, PIVOT
23	11-72008		1	NUT (1/4-20)
24	F749192		1	CAM, THROTTLE
25	23-F269319		2	BUSHING, THROTTLE CAM
26	11-72008		1	NUT (1/4-20)
27	F85872-2		1	BRACKET, REMOTE CABLE
28	11-20110		1	NUT (10-32)
29	817747--1		1	BALL JOINT ASSEMBLY

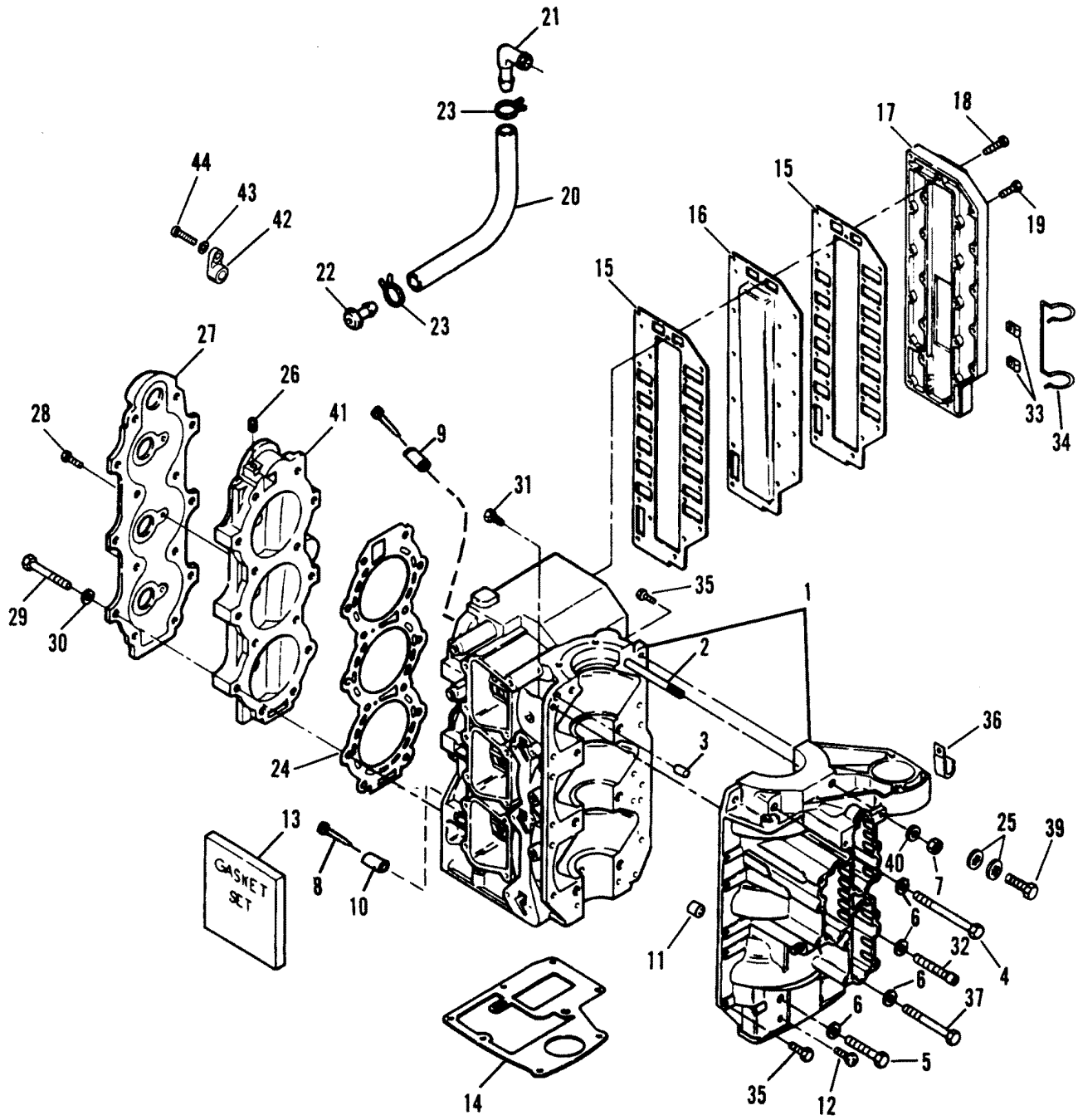
TOWERSHAFT ASSEMBLY



TOWERSHAFT ASSEMBLY

REF. NO.	PART NO.	SYM.	QTY.	DESCRIPTION
1	819473A1		1	TOWERSHAFT ASSEMBLY
2	23-819513		1	BUSHING, TOWERSHAFT UPPER
3	17-38489		7	PIN, ROLL
4	10-F1504		1	SCREW (1/4-20 X 1-1/4")
5	11-64015		1	NUT (1/4-20)
6	817747--1		1	BALL JOINT ASSEMBLY
7	12-F1856		2	WASHER
8	17-F1727		1	RIVET
9	817747--1		1	BALL JOINT ASSEMBLY
11	F607689		2	BEARING, TOWERSHAFT CENTER
12	10-19931088		2	SCREW (10-24 X 7/8") WITH DRY LOC
13	53-13194		1	E RING, BEARING RETAINER
14	F499035		1	END, CONTROL ROD
15	F499026		2	SWIVEL, TOWERSHAFT
16	11-F7009		2	NUT (10-24)
17	F499036-1		1	END, CONTROL ROD (1/4-28 LH)
18	F85445-1		1	ROD, SPARK CONTROL
19	11-F2015		1	NUT (1/4-28)
22	11-68219		2	NUT (10-32)
23	819002		1	LINK, THROTTLE
24	F749192		1	CAM, THROTTLE
25	23-F269319		2	BUSHING, THROTTLE CAM
26	11-72008		1	NUT (1/4-20)
29	819458A2		1	BRACKET ASSEMBLY, REMOTE CABLE
30	10-49668		2	SCREW (1/4-20 X 3/4")
31	11-34059		2	NUT (10-32)
32	11-20110		1	NUT (10-32)
33	23-F40689-1		1	BEARING, TOWERSHAFT LOWER

CYLINDER BLOCK



CYLINDER BLOCK

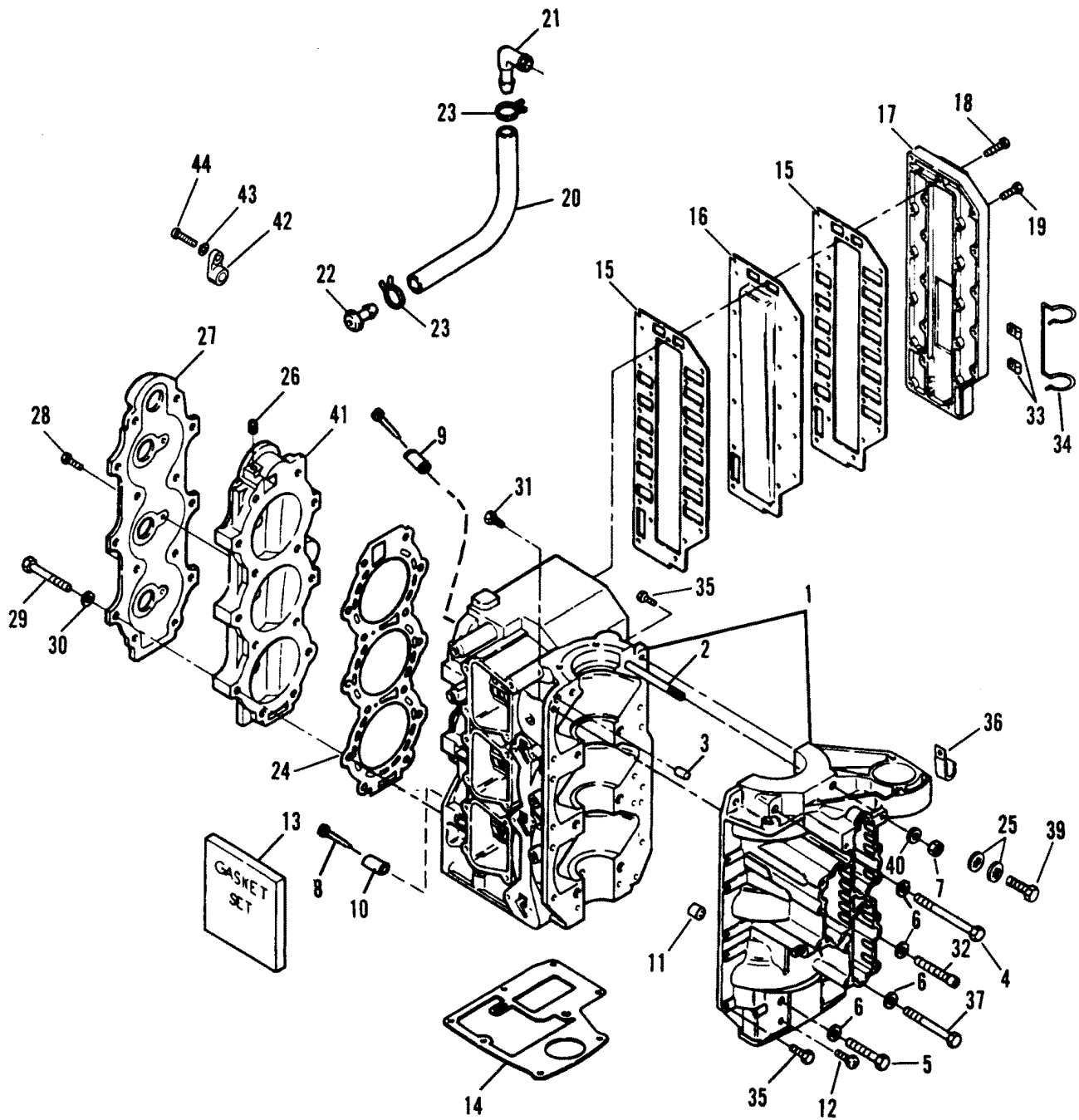
REF. NO.	PART NO.	SYM.	QTY.	DESCRIPTION
-	800-818153A6		1	POWERHEAD (PAINTED)(91B/92C) SERIAL 0E000001-0E065371
-	800-818153A10		1	POWERHEAD ASSY (PAINTED) SERIAL 0E065372-0E093699
-	800-818153A21		1	POWERHEAD ASSY (PAINTED) SERIAL 0E093700-0Z999999
1	800-819431A2	●	1	CYLINDER KIT(91B THRU 92C) SERIAL 0E000001-0E065371
	800-818153A17	●	1	CYLINDER KIT SERIAL 0E065372-0Z999999
2	16-826394		1	STUD (3/8-16 X 3-27/32") WITH DRY LOC
3	17-20433		2	PIN, DOWEL (3/8" X 1") (STYLE I)
	17-43044		2	PIN, DOWEL (3/8" X 5/8") (STYLE II)
4	10-47688		1	SCREW (3/8-16 X 2-3/4")
5	10-32132		2	SCREW (3/8-16 X 1-3/4")
6	12-37828		7	WASHER
7	11-86226		1	NUT (3/8-16)
8	17-F719372		2	PIN, WATER JACKET TUBE (NATURAL)
	17-F691372		1	PIN, WATER JACKET TUBE BLACK
9	32-F719943		1	TUBE, WATER JACKET (UPPER)
10	32-F719418		2	TUBE, WATER JACKET (LOWER)
11	21-42657A1		1	VALVE, CHECK
12	10-820589		2	SCREW (1/4-20 X 1-1/4")
13	27-FG1037-1		1	GASKET SET(91B/92C) SERIAL 0E000001-0E065371
	27-820724A1		1	GASKET SET SERIAL 0E065372-0Z999999
14	27-819381--3	●■	1	GASKET, SPACER PLATE
15	27-819023	●■	2	GASKET, EXHAUST PORT PLATE
16	1000-819283--1	●	1	PLATE, EXHAUST PORT
17	F692152	●	1	COVER, EXHAUST
18	10-F901938-1	●	2	SCREW, CYLINDER HEAD
19	10-76213	●	21	SCREW (1/4-20 X 1-1/8")
20	32-99127109		1	HOSE, TELLTALE (21") (CUT AS REQ'D 1991C THRU 1992C) SERIAL 0E000001-0Z999999
21	22-99664		1	ELBOW (CUT AS REQ'D 1991C THRU 1992C) SERIAL 0E000001-0Z999999
22	22-813613		1	FITTING, TELLTALE (CUT AS REQ'D 1991C THRU 1992C) SERIAL 0E000001-0Z999999
23	54-63933		2	CLAMP (CUT AS REQ'D 1991C THRU 1992C) SERIAL 0E000001-0Z999999
24	27-820438	●■	1	GASKET, CYLINDER HEAD
25	13-78968		2	WASHER (1/4" INTERNAL), GROUND WIRE
26	22-F722109-1	●	1	PLUG, CYLINDER HEAD
27	1000-F692995	●	1	COVER, CYLINDER HEAD
28	10-98254	●	3	SCREW (1/4-20 X 5/8")
29	10-F1883	●	14	SCREW (5/16-18 X 2-3/8")
30	12-34437	●	14	WASHER
31	10-28636	●	2	SCREW (1/4-20 X 3/4")

● = COMPONENT OF POWERHEAD ASSY [800-818153A6], [800-818153A10], [800-818153A21]

■ = CONTENTS OF POWERHEAD GASKET SET [27-FG1037-1], [27-820724A1]

CONTINUED ON NEXT PAGE ➡

CYLINDER BLOCK

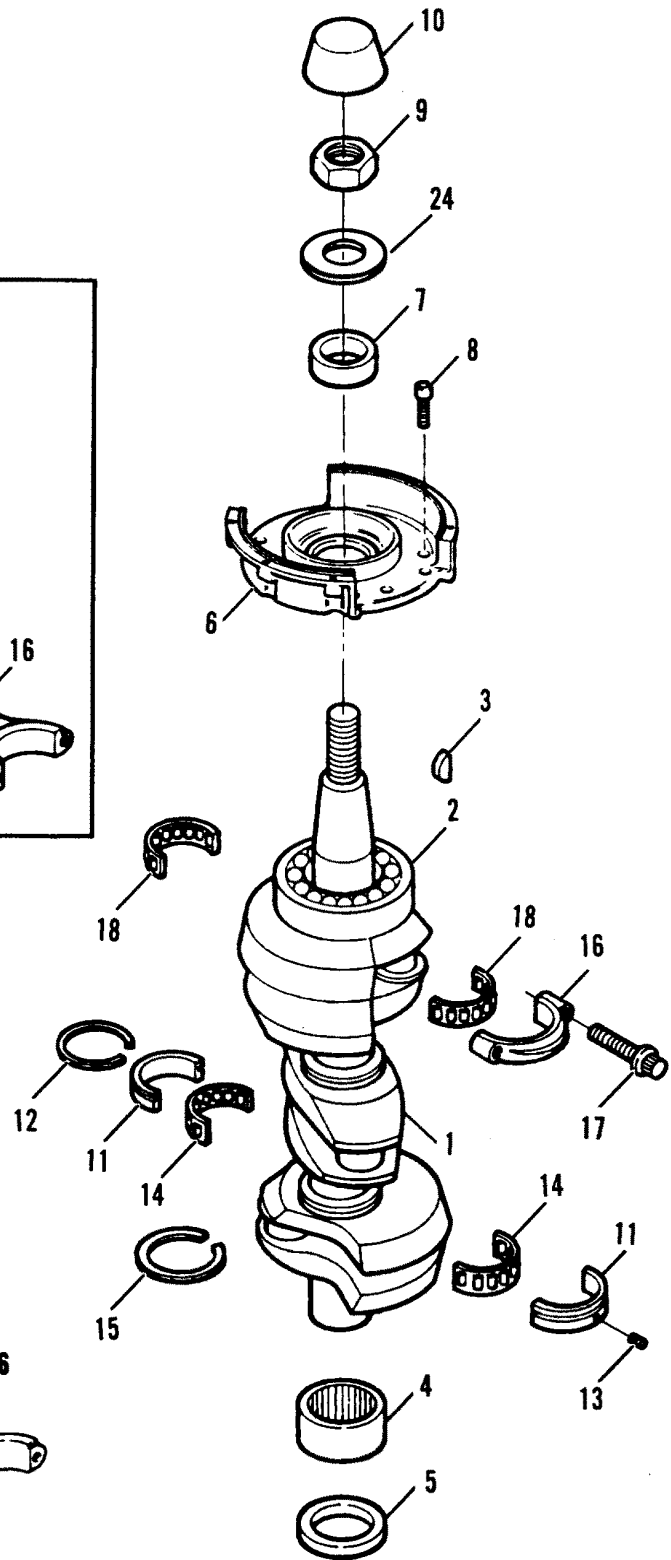
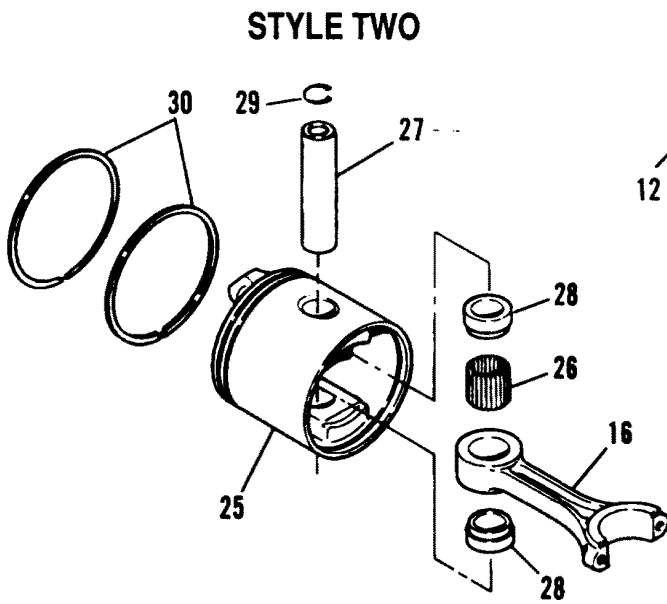
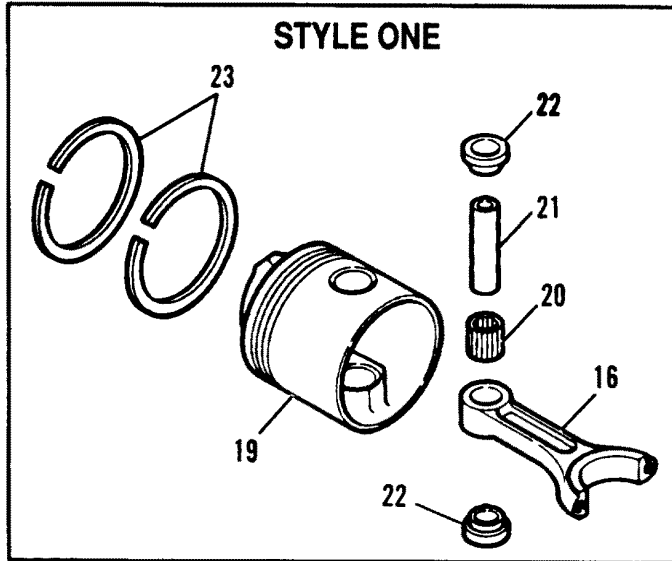


CYLINDER BLOCK

REF. NO.	PART NO.	SYM.	QTY.	DESCRIPTION
32	10-94207	●	3	SCREW (3/8-16 X 2")
33	54-820437		2	CLIP, WIRING HARNESS RETAINER
34	92753		1	RETAINER, WIRING HARNESS
35	10-28636	●	10	SCREW (1/4-20 X 3/4")
36	54-55098	●	1	CLIP, WIRING HARNESS
37	10-53734	●	1	SCREW (3/8-16 X 3")
39	10-F1999	●	1	SCREW (1/4-20 X 7/8"), GROUND WIRE
40	13-35048		1	LOCKWASHER (3/8")
41	900-819857A2	●	1	HEAD KIT, CYLINDER
42	44552		1	RETAINER, TEMP SENDER SERIAL 0E093700-0Z999999
43	12-56681		1	WASHER SERIAL 0E093700-0Z999999
44	10-812832--1		1	SCREW (#10-16 X .60") SERIAL 0E093700-0Z999999
-	800-818153A6		0	POWERHEAD ASSEMBLY
-	800-818153A10		0	POWERHEAD ASSEMBLY
-	800-818153A21		0	POWERHEAD ASSEMBLY
-	27-FG1037-1		0	GASKET SET
-	27-82072A1		0	GASKET SET

● = COMPONENT OF POWERHEAD ASSY [800-818153A6], [800-818153A10], [800-818153A21]

CRANKSHAFT AND PISTON



CRANKSHAFT AND PISTON

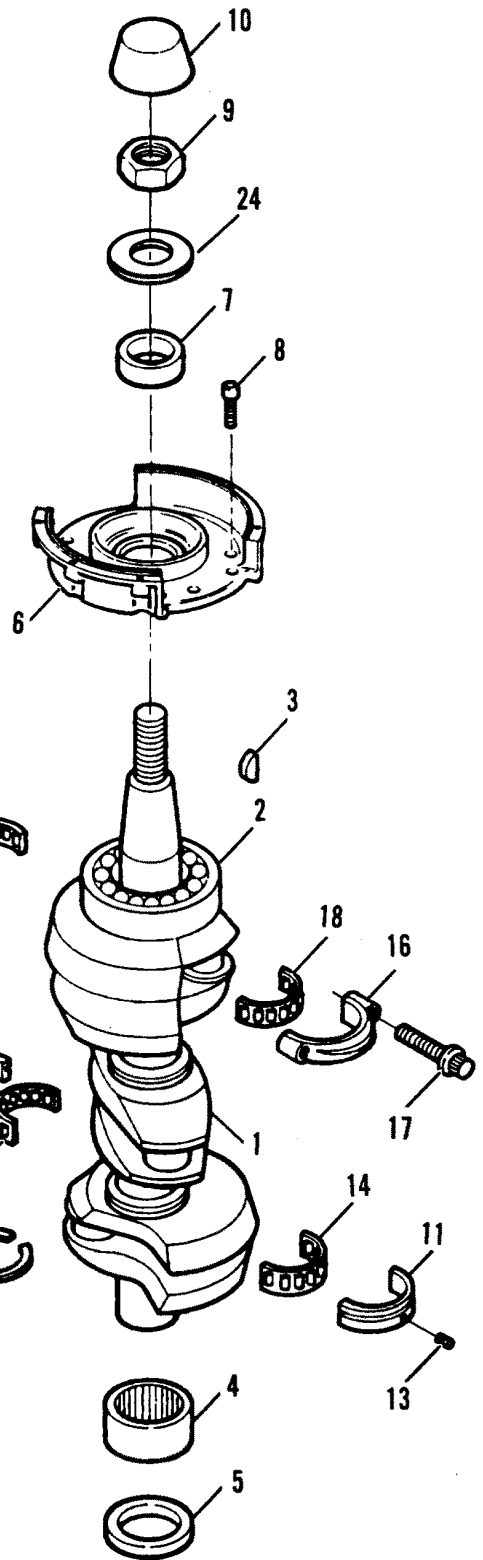
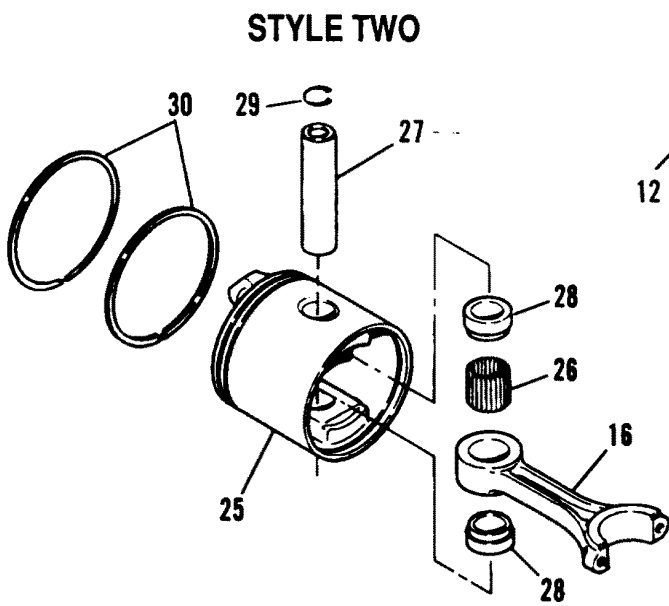
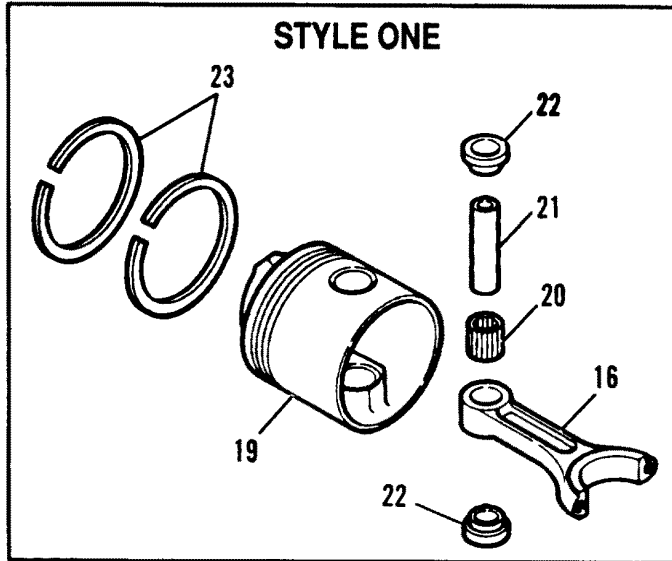
REF. NO.	PART NO.	SYM.	QTY.	DESCRIPTION
1	400-817527A3	●	1	CRANKSHAFT ASSEMBLY
2	30-F284659-2		1	BEARING, UPPER
3	28-F85498-1		1	KEY, CRANKSHAFT
4	31-FA523014	●	1	BEARING ASSEMBLY, LOWER
5	26-F523146-1	■	1	SEAL
6	1100-819312A1	●	1	CAGE ASSEMBLY, CRANKSHAFT UPPER
7	26-F523146-1	■	1	SEAL
8	10-92160	●	5	SCREW (1/4-20 X 3/4")
9	11-F1968		1	NUT (3/4-16)
10	19-F2067		1	CAP, CRANKSHAFT END
11	31-FA85655-1	●	2	BEARING ASSY, CENTER MAIN
12	53-F85410		2	RING, SNAP
13	17-823605	●	3	PIN, LOCATING (PRESSED INTO BLOCK)
14	31-819193	●	2	CAGE/ROLLER SET
15	F316579	●	2	SEAL, CRANKCASE
16	600-818052A6	●	3	CONNECTING ROD ASSEMBLY
17	10-91012		6	SCREW, CONNECTING ROD
18	31-62596A2	●	3	CAGE/ROLLER SET
19	700-819690A1	●	3	PISTON KIT (STANDARD) STYLE I 91B THRU 92C & POWERHEAD ASSY 800-818153A10 SERIAL 0E000001-6990POWE
	700-819690A2		OPT.	PISTON KIT (.010 O.S.)STYLE I 91B THRU 92C & POWERHEAD ASSY 800-818153A10 SERIAL 0E000001-6990POWE
	700-819690A3		OPT.	PISTON KIT (.030 O.S.) STYLE I 91B THRU 92C & POWERHEAD ASSY 800-818153A10 SERIAL 0E000001-6990POWE
20	31-F335217-1		3	BEARING SET (26) STYLE I 91B THRU 92C & POWERHEAD ASSY 800-818153A10 SERIAL 0E000001-6990POWE
21	41-F85017-3		3	PIN, PISTON STYLE I 91B THRU 92C & POWERHEAD ASSY 800-818153A10 SERIAL 0E000001-6990POWE
22	23-826806		6	SPACER, PISTON PIN STYLE I 91B THRU 92C & POWERHEAD ASSY 800-818153A10 SERIAL 0E000001-6990POWE
23	39-820457A2		3	RING SET, (2 RINGS) (STANDARD) STYLE I 91B THRU 92C & POWERHEAD ASSY 800-818153 SERIAL 0E000001-6990POWE
	39-820641A1		OPT.	RING SET, (2 RINGS) (.010 O.S.) STYLE I 91B THRU 92C & POWERHEAD ASSY 800-81815 SERIAL 0E000001-6990POWE
	39-818129A2		OPT.	RING SET, (2 RINGS) (.030 O.S.) STYLE I 91B THRU 92C & POWERHEAD ASSY 800-81815 SERIAL 0E000001-6990POWE
24	12-31247		1	WASHER
25	700-819690A4	●	3	PISTON KIT (STANDARD) STYLE II POWERHEAD ASSY 800-818153A21 SERIAL 0E093700-0Z999999

● = COMPONENT OF POWERHEAD ASSY [800-818153A6], [800-818153A10], [800-818153A21]

■ = CONTENTS OF POWERHEAD GASKET SET [27-FG1037-1], [27-820724A1]

CONTINUED ON NEXT PAGE ➡

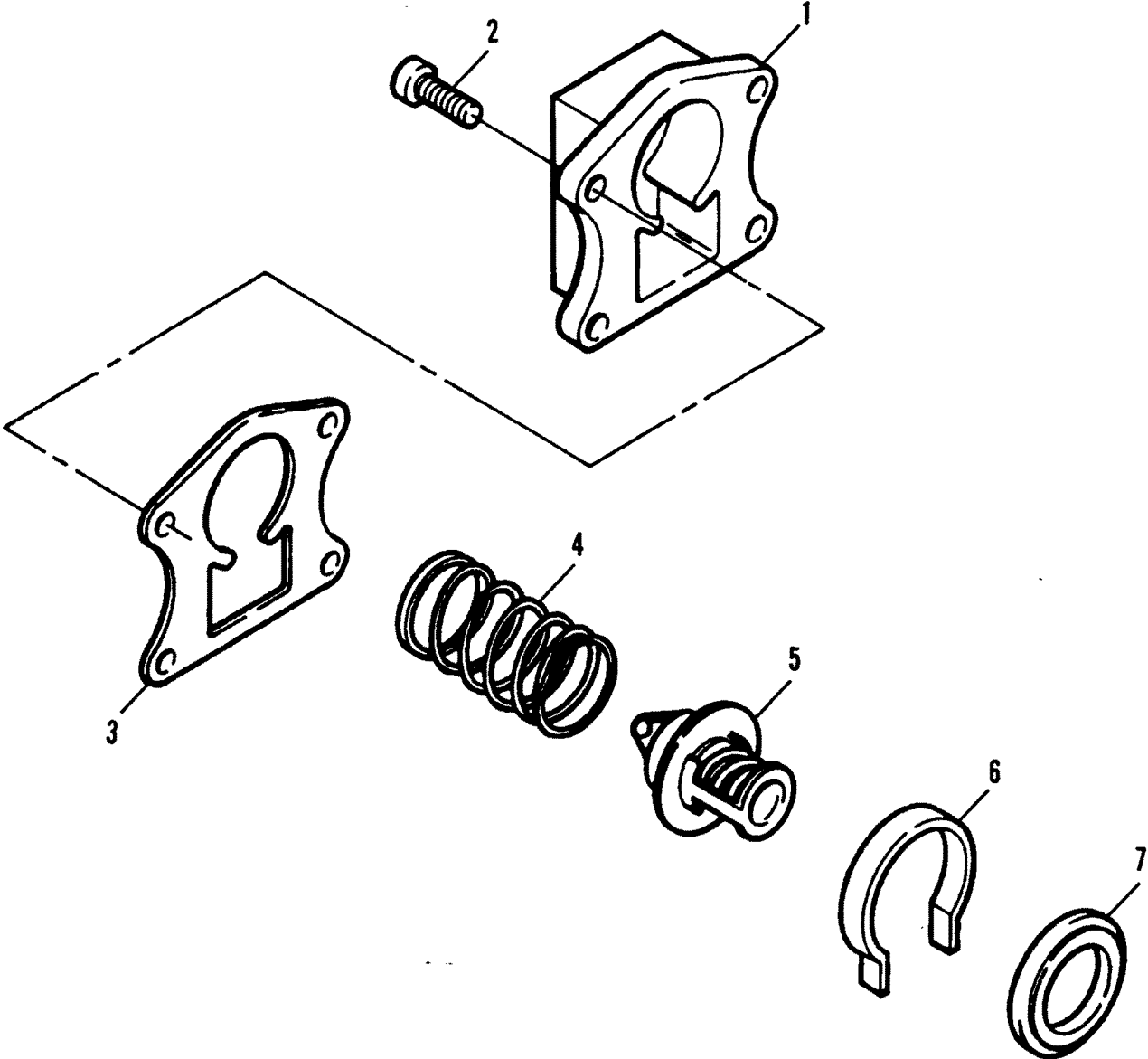
CRANKSHAFT AND PISTON



CRANKSHAFT AND PISTON

REF. NO.	PART NO.	SYM.	QTY.	DESCRIPTION
25	700-819690A5		OPT.	PISTON KIT (.010 O.S.) STYLE II POWERHEAD ASSY 800-8181 SERIAL 0E093700-0Z999999
	700-819690A6		OPT.	PISTON KIT (.030 O.S.) STYLE II POWERHEAD ASSY 800- 818153A21 SERIAL 0E093700-0Z999999
26	31-F335217-1		3	BEARING SET (26) STYLE II POWERHEAD ASSY 800- 818153A21 SERIAL 0E093700-0Z999999
27	41-F694017-1		3	PIN, PISTON STYLE II POWERHEAD ASSY 800-818153A21 SERIAL 0E093700-0Z999999
28	23-F366215		6	SPACER, PISTON PIN STYLE II POWERHEAD ASSY 800- 818153A21 SERIAL 0E093700-0Z999999
29	40-F694096		6	RETAINER, PISTON PIN STYLE II POWERHEAD ASSY 800- 818153A21 SERIAL 0E093700-0Z999999
30	39-820457A2		3	RING SET, (2 RINGS) (STANDARD) STYLE II POWERHEAD ASSY 800-818153A21 SERIAL 0E093700-0Z999999
	39-820641A1		OPT.	RING SET, (2 RINGS) (.010 O.S.) STYLE II POWERHEAD ASSY 800-818153A21 SERIAL 0E093700-0Z999999
	39-818129A2		OPT.	RING SET, (2 RINGS) (.030 O.S.) STYLE II POWERHEAD ASSY 800-818153A21 SERIAL 0E093700-0Z999999
-	800-818153A6		0	POWERHEAD ASSEMBLY
-	800-81853A10		0	POWERHEAD ASSEMBLY
-	800-818153A21		0	POWERHEAD ASSEMBLY
-	27-FG1037-1		0	GASKET SET
-	27-820724A1		0	GASKET SET

THERMOSTAT



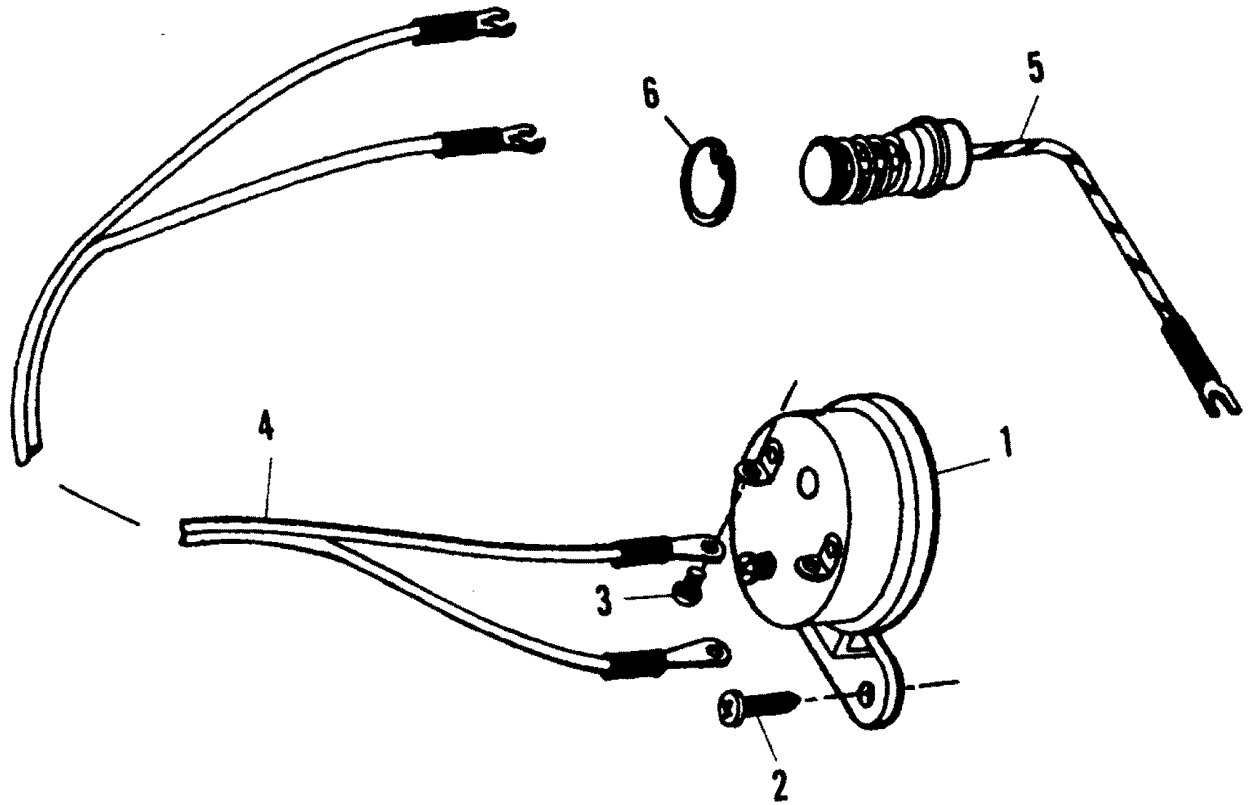
THERMOSTAT

REF. NO.	PART NO.	SYM.	QTY.	DESCRIPTION
1	F476066-1	●	1	COVER, THERMOSTAT
2	10-19927075	●	4	SCREW (1/4-20 X 3/4")W/DL
3	27-F476067	●■	1	GASKET, THERMOSTAT
4	24-F664268	●	1	SPRING , THERMOSTAT
5	F664068	●	1	THERMOSTAT (130D)
6	F719902	●	1	SPACER, THERMOSTAT
7	26-F664914	●	1	SEAL , THERMOSTAT
-	800-818153A6		0	POWERHEAD ASSEMBLY
-	800-818153A10		0	POWERHEAD ASSEMBLY
-	800-818153A21		0	POWERHEAD ASSEMBLY
-	27-FG1037-1		0	GASKET SET
-	27-820724A1		0	GASKET SET

● = COMPONENT OF POWERHEAD ASSY [800-818153A6], [800-818153A10], [800-818153A21]

■ = CONTENTS OF POWERHEAD GASKET SET [27-FG1037-1], [27-820724A1]

OVERHEAT BUZZER

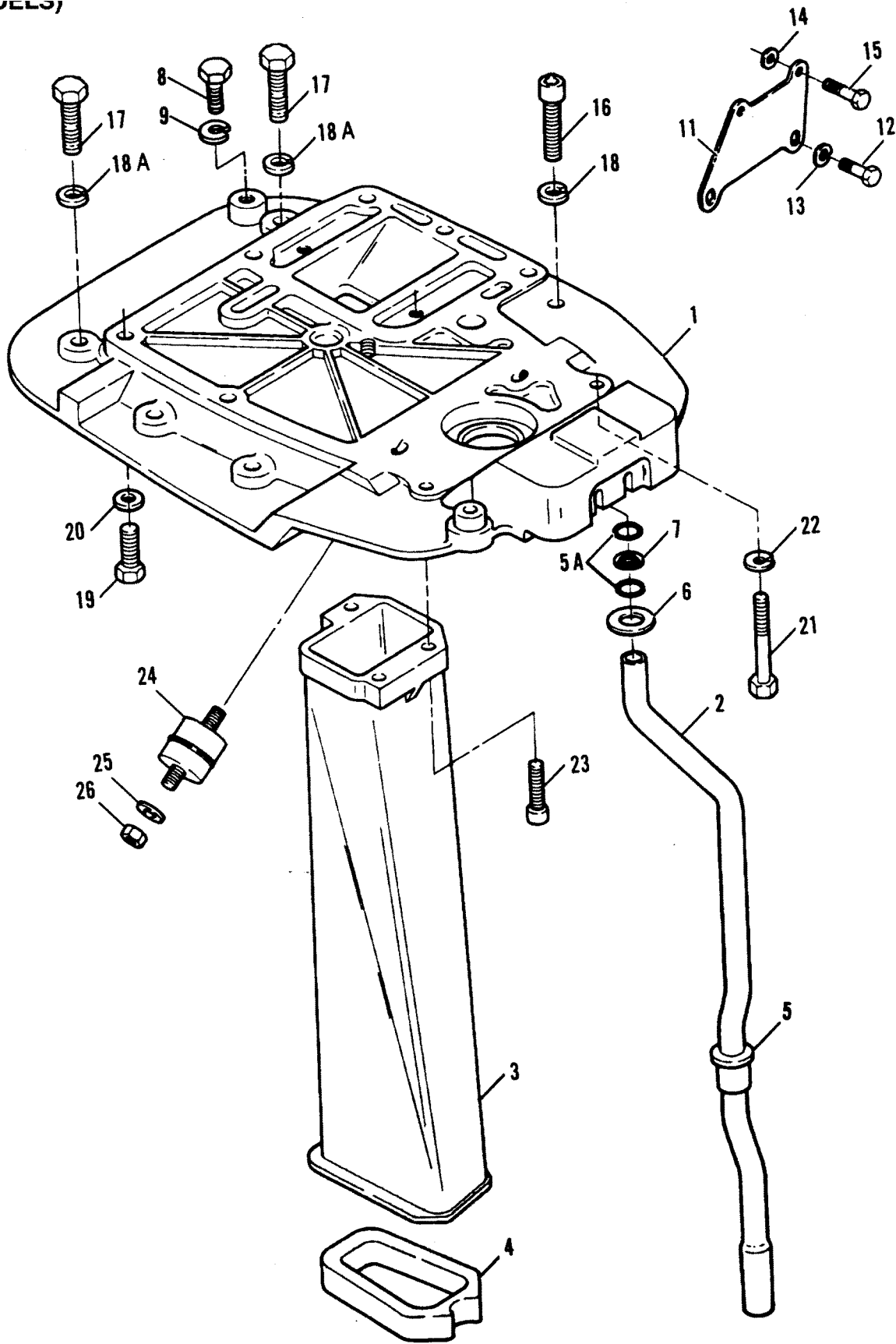


OVERHEAT BUZZER

REF. NO.	PART NO.	SYM.	QTY.	DESCRIPTION
1	F5H043		1	BUZZER KIT, HEAT INDICATOR 91B THRU 92C SERIAL 0E000001-0E009499
2	10-F1741		2	SCREW (#8 X 3/4") 91B THRU 92C SERIAL 0E000001-0E009499
3	10-69080		2	SCREW (6-32 X 1/4")91B THRU 92C SERIAL 0E000001-0E009499
4	84-65017A24		1	HARNESS ASSEMBLY 91B THRU 92C SERIAL 0E000001-0E009499
5	F629449-2		1	THERMOSWITCH 91B THRU 92C SERIAL 0E000001-0E009499
	87-819022--1		1	THERMOSWITCH SERIAL 0E009500-0Z999999
6	53-F717096		1	RING, RETAINING (91/92C & SER.#E000001 THRU E093699)

SPACER PLATE (91B MODELS)

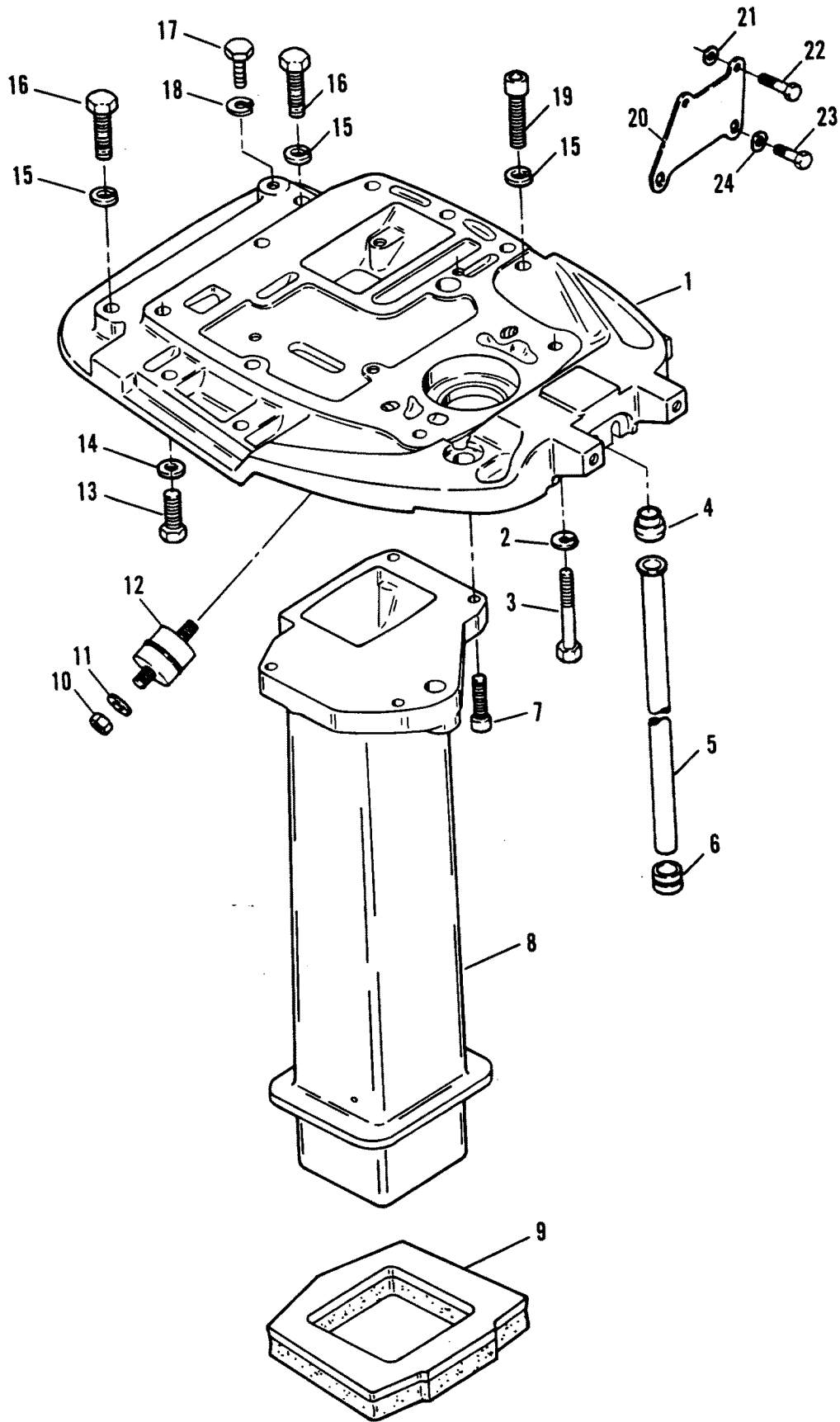
JEL3J



SPACER PLATE (91B MODELS)

REF. NO.	PART NO.	SYM.	QTY.	DESCRIPTION
1	819054		1	PLATE, SPACER
2	32-F749244		1	LINE, WATER
3	F749660-1		1	TUBE, EXHAUST
4	F749736		1	SEAL, EXHAUST TUBE
5	25-F84342		1	SEAL, WATER LINE
5A	25-20195		2	O RING, WATER LINE
6	12-F8042		1	WASHER
7	53-F658208		1	RING, RETAINING
8	10-F2000		1	SCREW (5/16-18 X 3/4"), GROUND
9	13-53166		1	LOCKWASHER (5/16"), GROUND
11	819206--1		1	BRACKET, SPACER PLATE
12	10-824941		2	SCREW (5/16-18 X 3/4")
13	13-F8124		2	LOCKWASHER (5/16")
14	12-18678		1	WASHER
15	10-29541		2	SCREW (1/4-20 X 1-1/8")
16	10-F1883		1	SCREW (5/16-18 X 2-3/8")
17	10-34354		4	SCREW (3/8-16 X 1-1/2")
18	13-53166		1	LOCKWASHER (5/16")
18A	13-58643		4	LOCKWASHER (3/8")
19	10-19925125		6	SCREW (3/8-16 X 1-1/4") WITH DRY LOC
20	12-34931		6	WASHER
21	10-19921238		2	SCREW (5/16-18 X 2-3/8") WITH DRY LOC
22	13-53166		2	LOCKWASHER
23	10-826371		4	SCREW (5/16-18 X 1-1/4") WITH DRY LOC
24	F307962		2	MOUNT, SHOCK, SIDE UPPER
25	12-37828		2	WASHER
26	11-86226		2	NUT (3/8-16)

SPACER PLATE (91C THRU 92C)

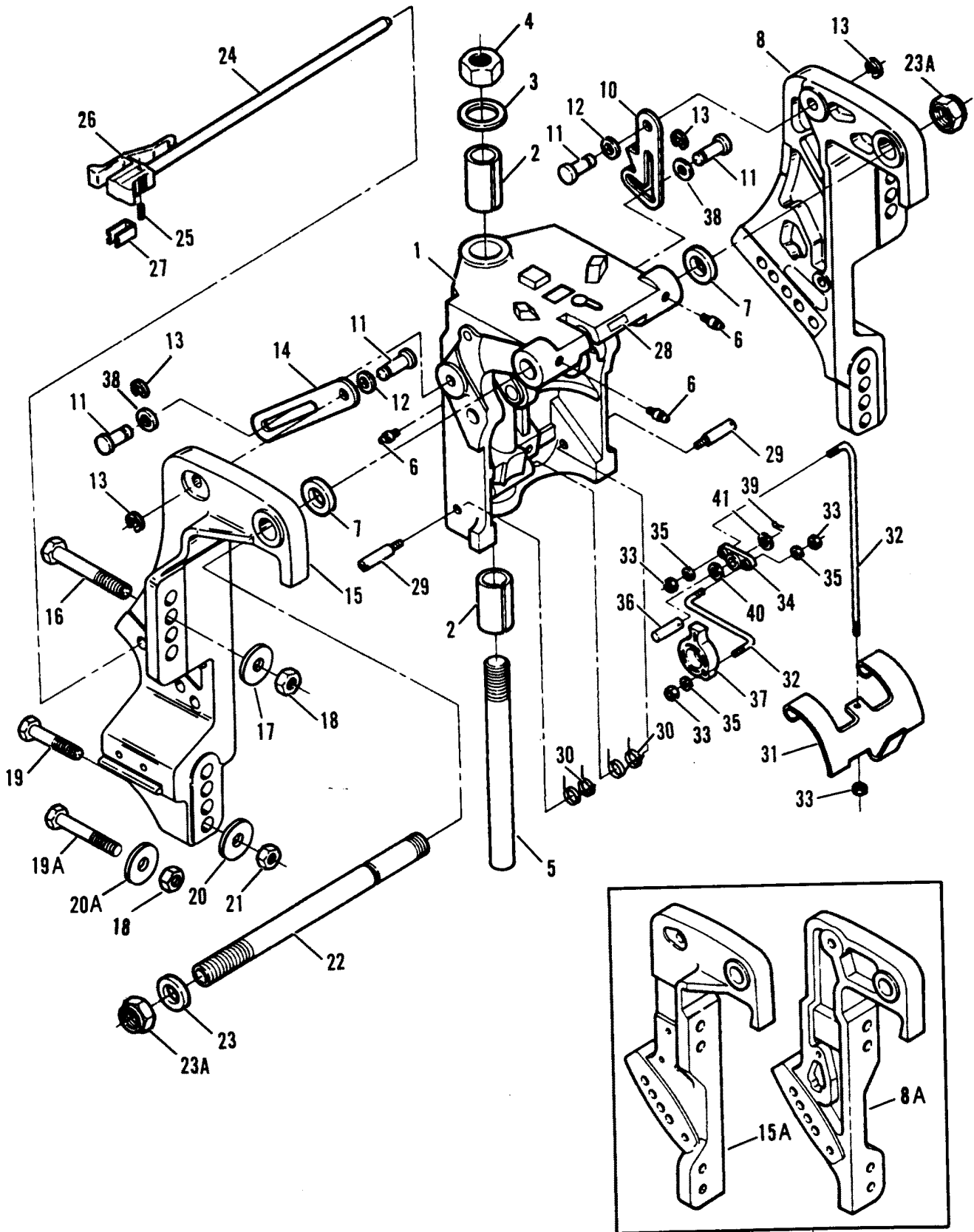


SPACER PLATE (91C THRU 92C)

REF. NO.	PART NO.	SYM.	QTY.	DESCRIPTION
1	819079	●	1	PLATE, SPACER
2	13-53166		2	LOCKWASHER (5/16")
3	10-19921238		2	SCREW (5/16-18 X 2-3/8") WITH DRY LOC
4	42941		1	SEAL, WATER TUBE
5	32-43014--5		1	TUBE, WATER
6	25-F84342		1	SEAL, WATER TUBE
7	10-826371		4	SCREW (5/16-18 X 1-1/4") WITH DRY LOC
8	819047		1	TUBE, EXHAUST
9	819066--1		1	SEAL, EXHAUST TUBE
10	11-86226		2	NUT (3/8-16)
11	12-37828		2	WASHER
12	F307962		2	MOUNT, SHOCK, SIDE UPPER
13	10-19925125	●	6	SCREW (3/8-16 X 1-1/4") WITH DRY LOC
14	12-34931	●	6	WASHER
15	13-58643		5	LOCKWASHER (3/8")
16	10-19922150		5	SCREW (3/8-16 X 1-3/8") WITH DRY LOC
17	10-F2000		1	SCREW (5/16-18 X 3/4"), GROUND
18	13-53166		1	LOCKWASHER (5/16"), GROUND
19	10-19929162		1	SCREW (3/8-16 X 1-5/8") WITH DRY LOC
20	819206--1		1	BRACKET, SPACER PLATE
21	12-18678		1	WASHER
22	10-29541		2	SCREW (1/4-20 X 1-1/8")
23	10-824941		2	SCREW (5/16-18 X 3/4")
24	13-F8124		2	LOCKWASHER (5/16 EXTERNAL)
-	800-818153A6		0	POWERHEAD ASSEMBLY
-	800-818153A10		0	POWERHEAD ASSEMBLY
-	800-818153A21		0	POWERHEAD ASSEMBLY

● = COMPONENT OF POWERHEAD ASSY [800-818153A6], [800-818153A10], [800-818153A21]

SWIVEL BRACKET/STERN BRACKETS (MANUAL TILT)

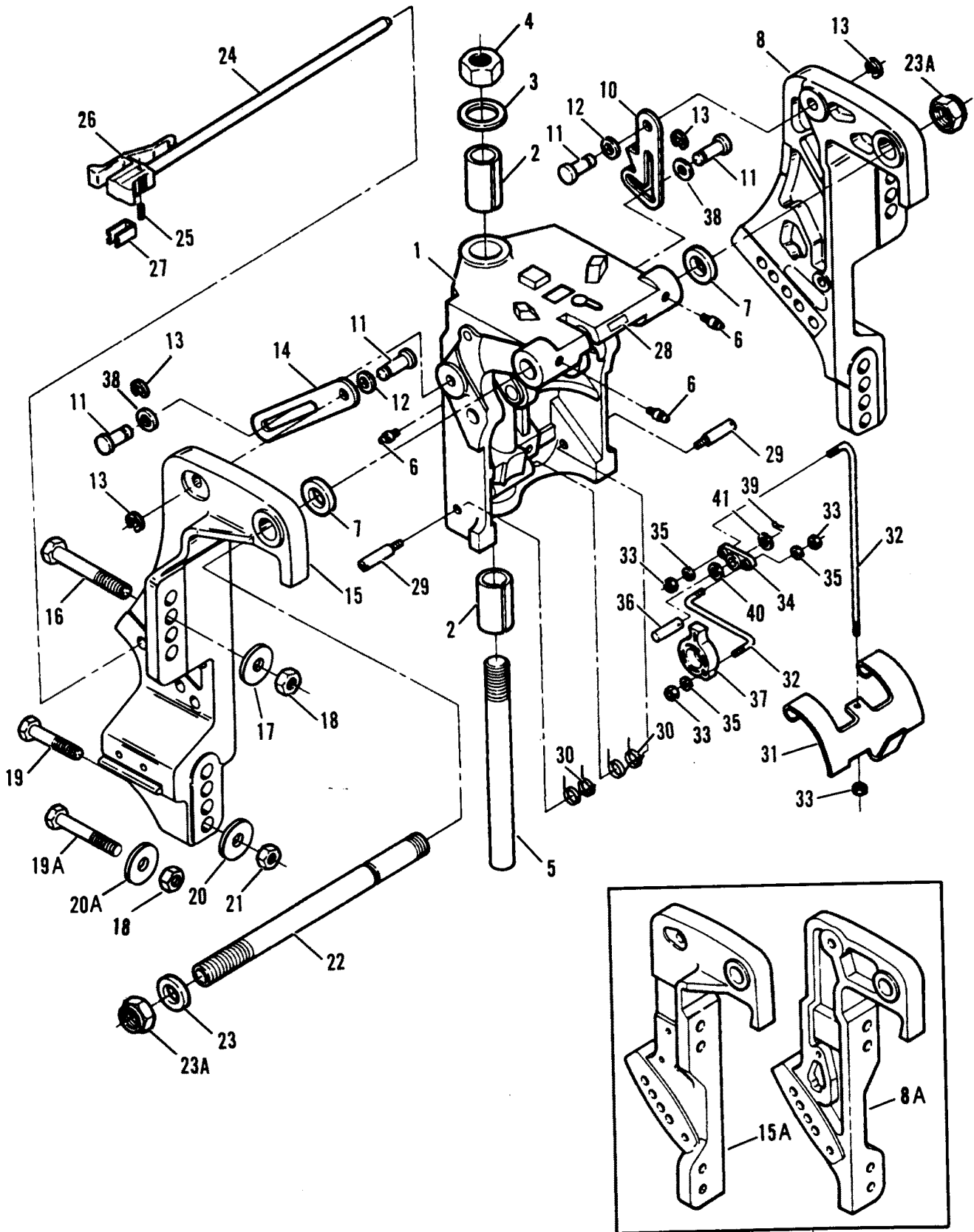


SWIVEL BRACKET/STERN BRACKETS (MANUAL TILT)

REF. NO.	PART NO.	SYM.	QTY.	DESCRIPTION
1	1400-819128F1		1	BRACKET, SWIVEL (PAINTED)
2	23-F191169-1		2	BEARING, KINGPIN
3	12-F89011		1	WASHER
4	11-F84280		1	NUT, KINGPIN
5	819331A1		1	KINGPIN ASSEMBLY
6	22-F213274		3	FITTING, GREASE
7	12-F522286		2	WASHER
8A	1400-819374F		1	BRACKET, PORT (PAINTED)(91B/92C) SERIAL 0E000001-0E009499
8	1400-819325F1		1	BRACKET, STERN, PORT (PAINTED) SERIAL 0E009500-0Z999999
10	820527		1	STOP, TILT, PORT
11	17-F749458		4	PIN, TILT LOCK
12	13-69708		2	WASHER, WAVE
13	53-F749208		4	RING, RETAINING
14	F366433-1		1	STOP, TILT, STARBOARD
15A	1400-819373F		1	BRACKET,STBD (PAINTED) (91B/92C & SER#E000001 THRU E009499)
15	1400-819324F		1	BRACKET, STERN, STBD (PAINTED) SERIAL 0E009500-0Z999999
16	10-92710		OPT.	SCREW (1/2-20 X 5")
17	12-28421		OPT.	WASHER
18	11-91962		2	NUT (1/2-20)
19A	10-67755--1		2	SCREW (1/2-20 X 4-1/2") SERIAL 0E009500-0Z999999
20A	12-28421		2	WASHER SERIAL 0E009500-0Z999999
19	10-F2185		2	SCREW (3/8-16 X 3-1/2") (1991B THRU 1992C SERIAL 0E000001-0E009499
20	FK684201		2	WASHER KIT (1991B THRU 1992C SERIAL 0E000001-0E009499
21	11-86226		2	NUT (3/8-16) (1991B THRU 1992C SERIAL 0E000001-0E009499
22	819545A1		1	TUBE KIT, STEERING
23	25-F316599		1	O RING, STEERING TUBE
23A	11-30499		2	NUT (7/8-14)
24	FA658113		1	BAR KIT, LOCK, STERN BRACKET
25	17-25870		1	PIN, ROLL
26	816517		1	HANDLE, LOCK BAR
27	24-F286461		1	SPRING, LOCK BAR HANDLE
28	37-814743--3		1	DECAL, TILT RELEASE
29	826578		2	PIN, REVERSE LOCK, WITH DRY LOC
30	24-F366300		2	SPRING, REVERSE LOCK
31	F366349-1		1	LOCK, REVERSE
32	819702A1		1	LINK KIT, REVERSE LOCK (LONG & SHORT LINKS)
33	11-F1669		4	NUT (6-32)
34	F749364		1	ARM, REVERSE LOCK
35	12-27882		3	WASHER

CONTINUED ON NEXT PAGE ➡

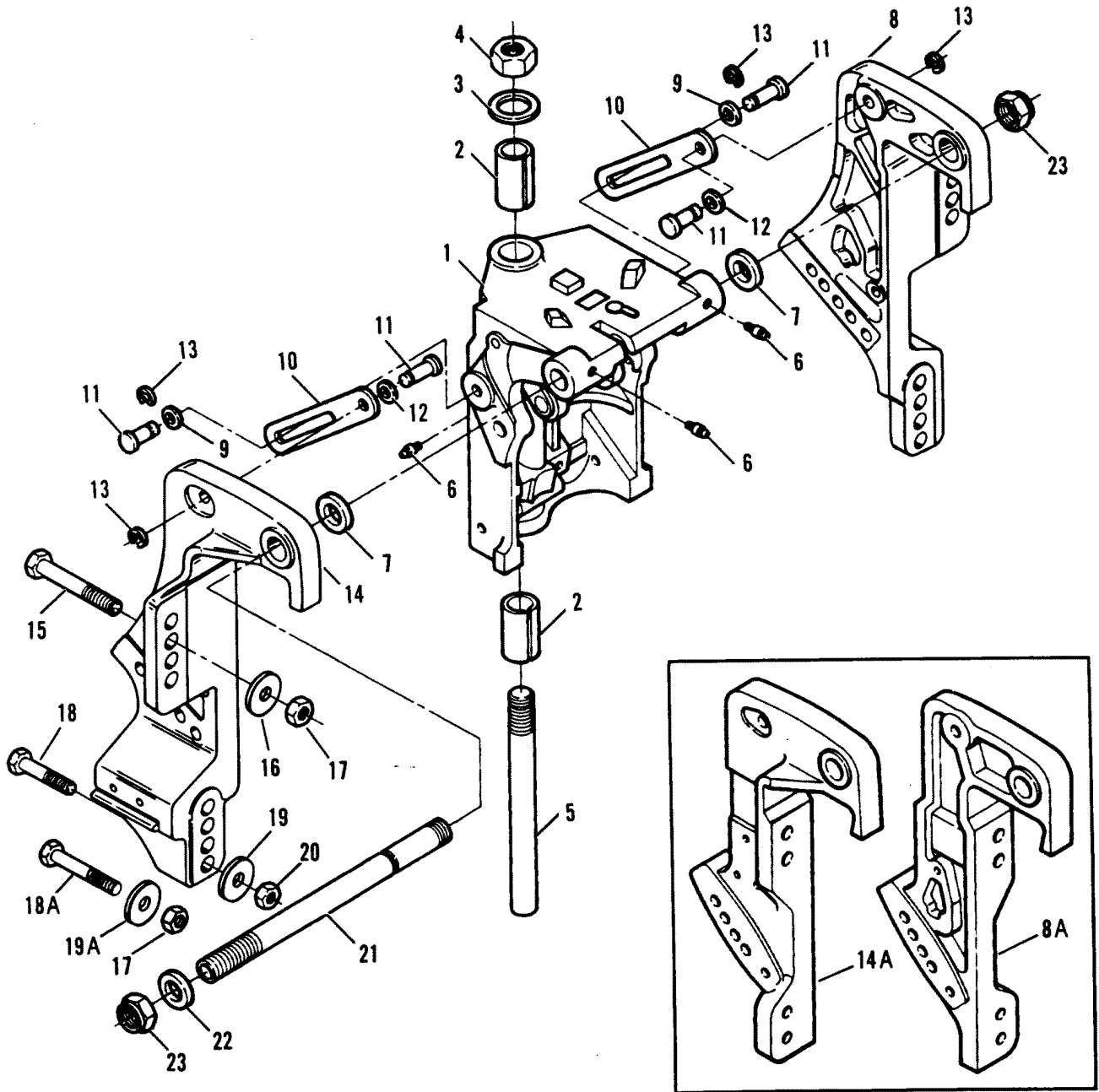
SWIVEL BRACKET/STERN BRACKETS (MANUAL TILT)



SWIVEL BRACKET/STERN BRACKETS (MANUAL TILT)

REF. NO.	PART NO.	SYM.	QTY.	DESCRIPTION
36	F749586-1		1	SHAFT, REVERSE LOCK
37	F749827		1	LEVER, REVERSE LOCK
38	12-74758		2	WASHER
39	18-26953		1	PIN, COTTER
40	12-40023-16		1	WASHER
41	12-71055		1	WASHER

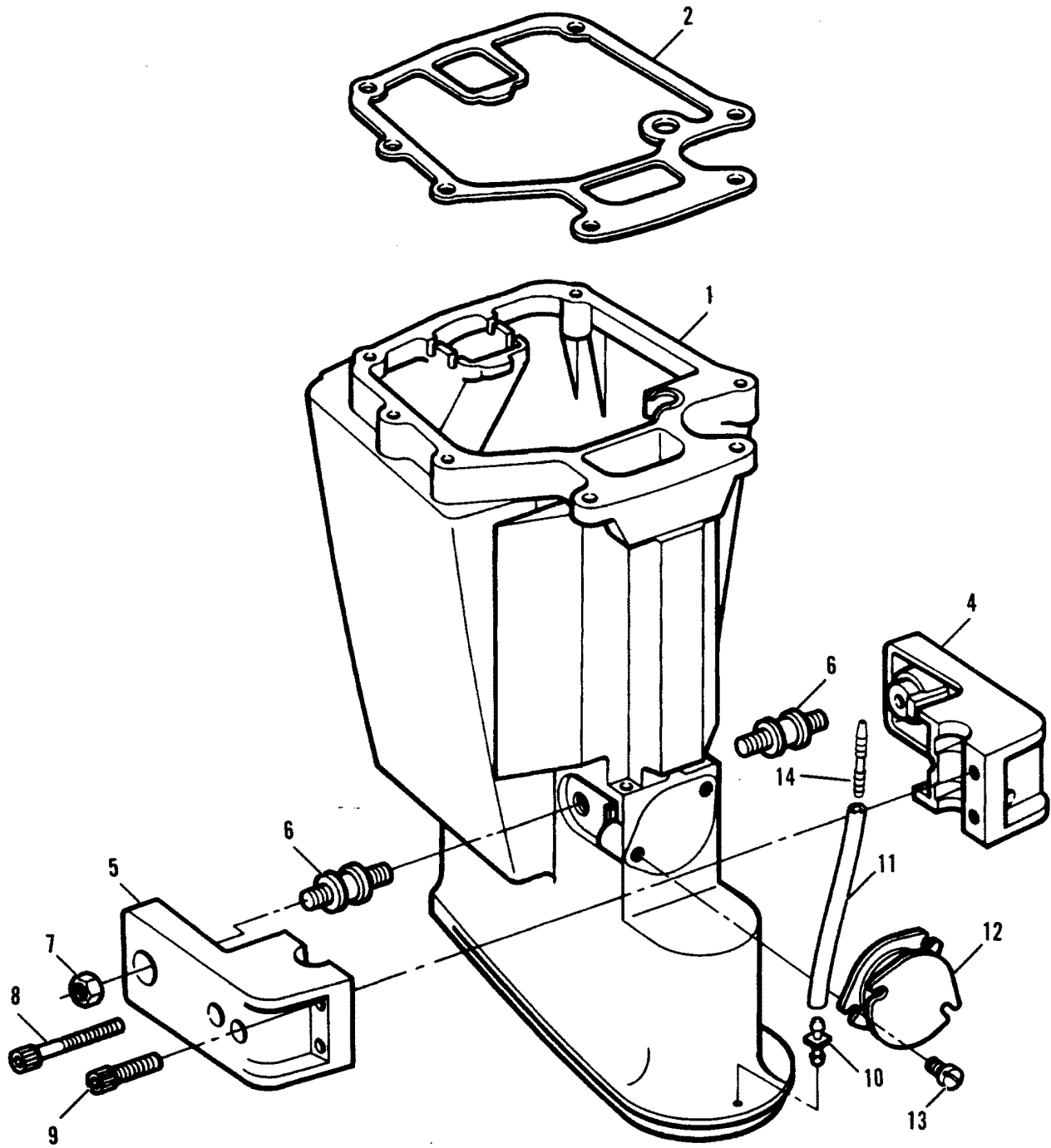
SWIVEL BRACKET/STERN BRACKETS (POWER TRIM)



SWIVEL BRACKET/STERN BRACKETS (POWER TRIM)

REF. NO.	PART NO.	SYM.	QTY.	DESCRIPTION
1	1400-819128F1		1	BRACKET, SWIVEL (PAINTED)
2	23-F191169-1		2	BEARING, KINGPIN
3	12-F89011		1	WASHER
4	11-F84280		1	NUT, KINGPIN
5	819331A1		1	KINGPIN ASSEMBLY
6	22-F213274		3	FITTING, GREASE
7	12-F522286		2	WASHER
8A	1400-819374F		1	BRACKET, PORT (PAINTED)(91B/92C) SERIAL 0E000001-0E009499
8	1400-819325F1		1	BRACKET, STERN, PORT (PAINTED) SERIAL 0E009500-0Z999999
9	12-74758		2	WASHER
10	F366433-1		2	STOP, TILT
11	17-F749458		4	PIN, TILT LOCK
12	13-69708		2	WASHER
13	53-F749208		4	RING, RETAINING
14A	1400-819373F		1	BRACKET,STBD (PAINTED)(91B/92C) SERIAL 0E000001-0E009499
14	1400-819324F		1	BRACKET, STERN, STBD (PAINTED) SERIAL 0E009500-0Z999999
15	10-92710		2	SCREW (1/2-20 X 5")
16	12-28421		2	WASHER
17	11-91962		2	NUT (1/2-20)
18A	10-67755--1		2	SCREW (1/2-20 X 4-1/2") SERIAL 0E009500-0Z999999
19A	12-28421		2	WASHER SERIAL 0E009500-0Z999999
18	10-F2185		2	SCREW (3/8-16 X 3-1/2") 1991B THRU 1992C SERIAL 0E000001-0E009499
19	FK684201		2	WASHER 1991B THRU 1992C SERIAL 0E000001-0E009499
20	11-86226		2	NUT (3/8-16) 1991B THRU 1992C SERIAL 0E000001-0E009499
21	819545A1		1	TUBE KIT, STEERING
22	25-F316599		1	O RING, STEERING TUBE
23	11-30499		2	NUT (7/8-14)

DRIVESHAFT HOUSING

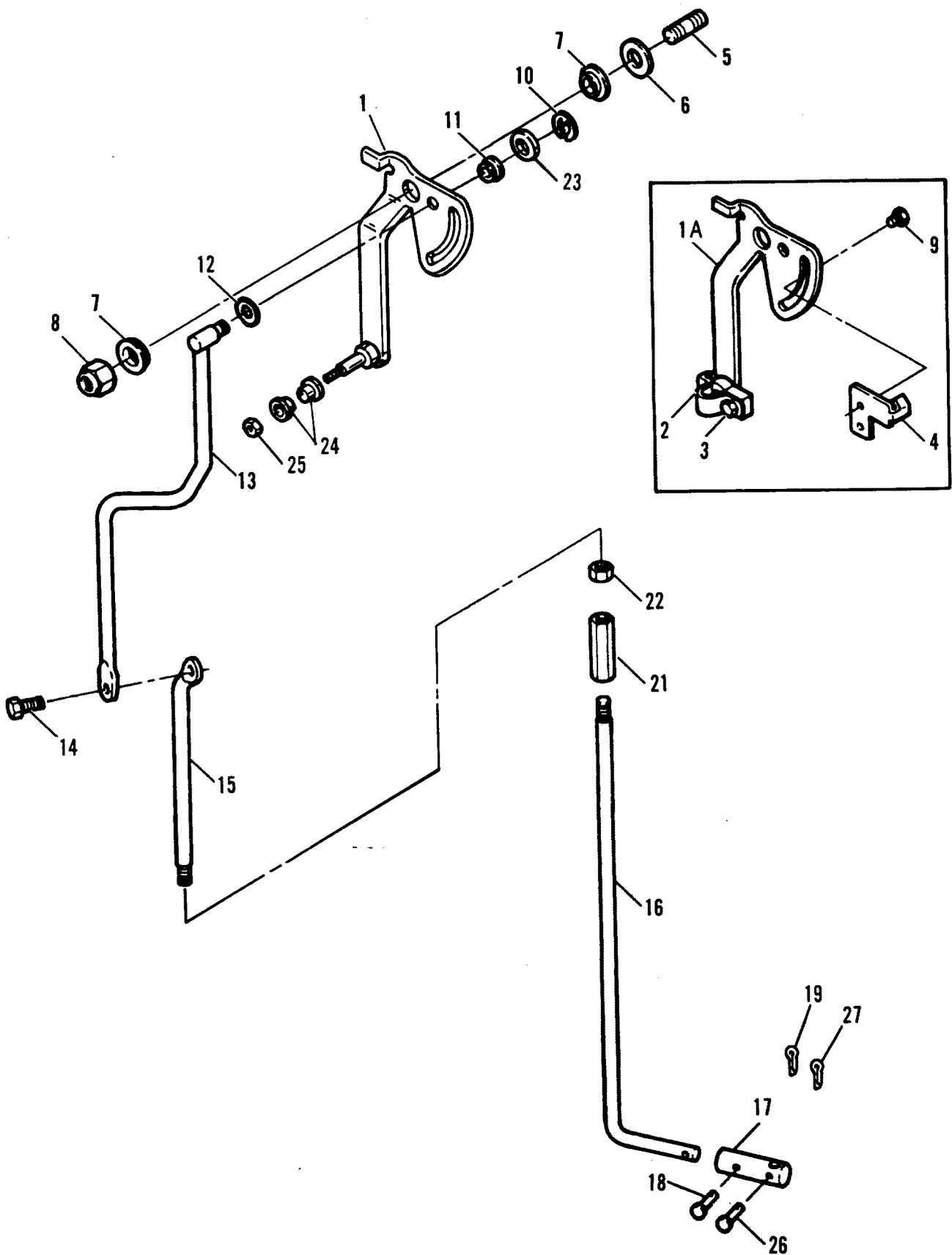


DRIVESHAFT HOUSING

REF. NO.	PART NO.	SYM.	QTY.	DESCRIPTION
1	1500-820468A1		1	HOUSING KIT, DRIVESHAFT 1991B MODELS
2	27-820475A1	■	1	GASKET KIT, EXHAUST 1991B MODELS
1	1500-F755133F		1	HOUSING, DRIVESHAFT (PAINTED) 91C THRU 92C SERIAL 0E000001-0Z999999
2	27-819049--2	●■	1	GASKET, EXHAUST 91C THRU 92C SERIAL 0E000001-0Z999999
4	820442F		1	COVER, SHOCK MOUNT, PORT (PAINTED)
5	820441F		1	COVER, SHOCK MOUNT, STARBOARD (PAINTED)
6	819869		2	MOUNT, SHOCK (SIDE)
7	11-826378		2	NUT (5/16-18) WITH DRY LOC
8	10-F1635		2	SCREW (3/8-16 X 3-1/2")
9	10-815687		2	SCREW (3/8-16 X 1-1/4")
10	22-13035		1	FITTING
11	32-86862		1	TUBE, SPEEDOMETER
12	819708		1	MOUNT, SHOCK (FRONT)
13	10-F1129		4	SCREW (5/16-18 X 1/2")
14	22-85822		1	CONNECTOR, SPEEDOMETER TUBE
-	800-818153A6		0	POWERHEAD ASSEMBLY
-	800-818153A10		0	POWERHEAD ASSEMBLY
-	800-818153A21		0	POWERHEAD ASSEMBLY .
-	27-FG1037-1		0	GASKET SET
-	27-820724A1		0	GASKET SET

- = COMPONENT OF POWERHEAD ASSY [800-818153A6], [800-818153A10], [800-818153A21]
 ■ = CONTENTS OF POWERHEAD GASKET SET [27-FG1037-1], [27-820724A1]

GEAR SHIFT LINKAGE

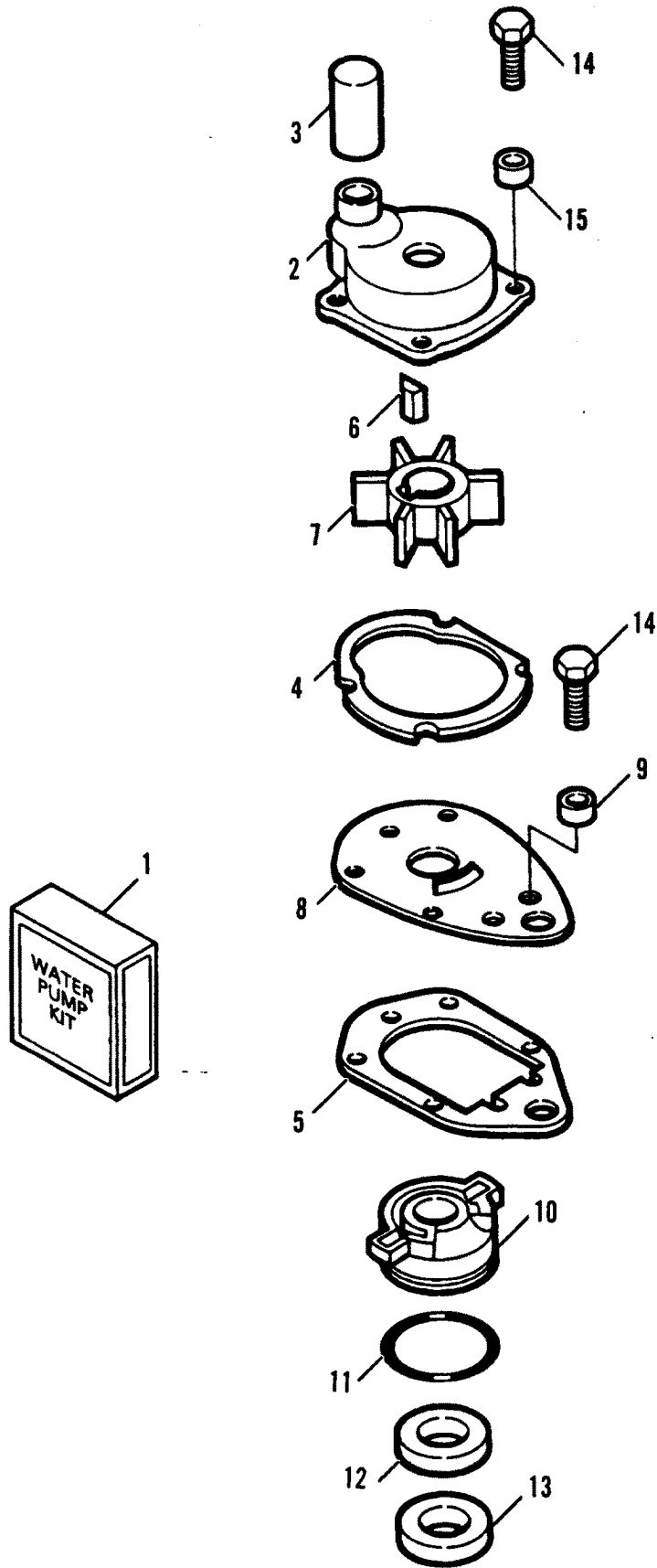


GEAR SHIFT LINKAGE

REF. NO.	PART NO.	SYM.	QTY.	DESCRIPTION
1	819468A1		1	ARM ASSEMBLY, GEAR SHIFT SERIAL 0E009500-0Z999999
1A	819464A1		1	ARM ASSEMBLY, GEAR SHIFT 1991B THRU 1992C SERIAL 0E000001-0E009499
2	FK405020		1	SWIVEL KIT, CABLE CLAMP 1991B THRU 1992C SERIAL 0E000001-0E009499
-	10-F405457		1	SCREW, PIVOT 1991B THRU 1992C SERIAL 0E000001-0E009499
-	11-72008		1	NUT (1/4-20) 1991B THRU 1992C SERIAL 0E000001-0E009499
3	10-F2217		1	SCREW (10-24 X 3/8") 1991B THRU 1992C SERIAL 0E000001-0E009499
4	F480107-2		1	CAM, STARTER INTERLOCK 1991B THRU 1992C SERIAL 0E000001-0E009499
5	16-826387		1	STUD (3/8-16 X 1-5/8") WITH DRY LOC
6	12-34931		1	WASHER
7	23-F269052		2	BEARING, SHIFT ARM
8	11-68411		1	NUT (3/8-16)
9	10-F2217		1	SCREW (10-24 X 3/8")(91B/92C) SERIAL 0E000001-0E009499
10	53-13194		1	RING, RETAINING
11	23-97896		1	BUSHING
12	13-F8049		1	WASHER, WAVE
13	F749615-1		1	ROD, UPPER GEAR SHIFT(91B/92C) SERIAL 0E000001-0E009499
	819511		1	ROD, UPPER GEAR SHIFT SERIAL 0E009500-0Z999999
14	10-F2214		1	SCREW (1/4-28 X 1/2")
15	F684611		1	ROD, GEAR SHIFT EXTENSION
16	819318A1		1	ROD ASSEMBLY, GEAR SHIFT INTERMEDIATE
17	F749704		1	COUPLING, GEAR SHIFT ROD
18	17-F85372		1	PIN, GEAR SHIFT ROD LOWER
19	18-F1015		1	PIN, COTTER
21	F141704		1	COUPLING, GEAR SHIFT ROD
22	11-68292		1	NUT (5/16-18)
23	12-20546		1	WASHER
24	23-819452		2	BUSHING
25	11-34059		1	NUT (10-32)
26	17-F85372		1	PIN, GEAR SHIFT ROD LOWER
27	18-F1015		1	PIN, COTTER
-	37-819526	●	1	DECAL, THROTTLE CABLE ADJUSTMENT SERIAL 0E009500-0Z999999
-	800-818153A6		0	POWERHEAD ASSEMBLY
-	800-818153A10		0	POWERHEAD ASSEMBLY
-	800-818153A21		0	POWERHEAD ASSEMBLY

● = COMPONENT OF POWERHEAD ASSY [800-818153A6], [800-818153A10], [800-818153A21]

WATER PUMP



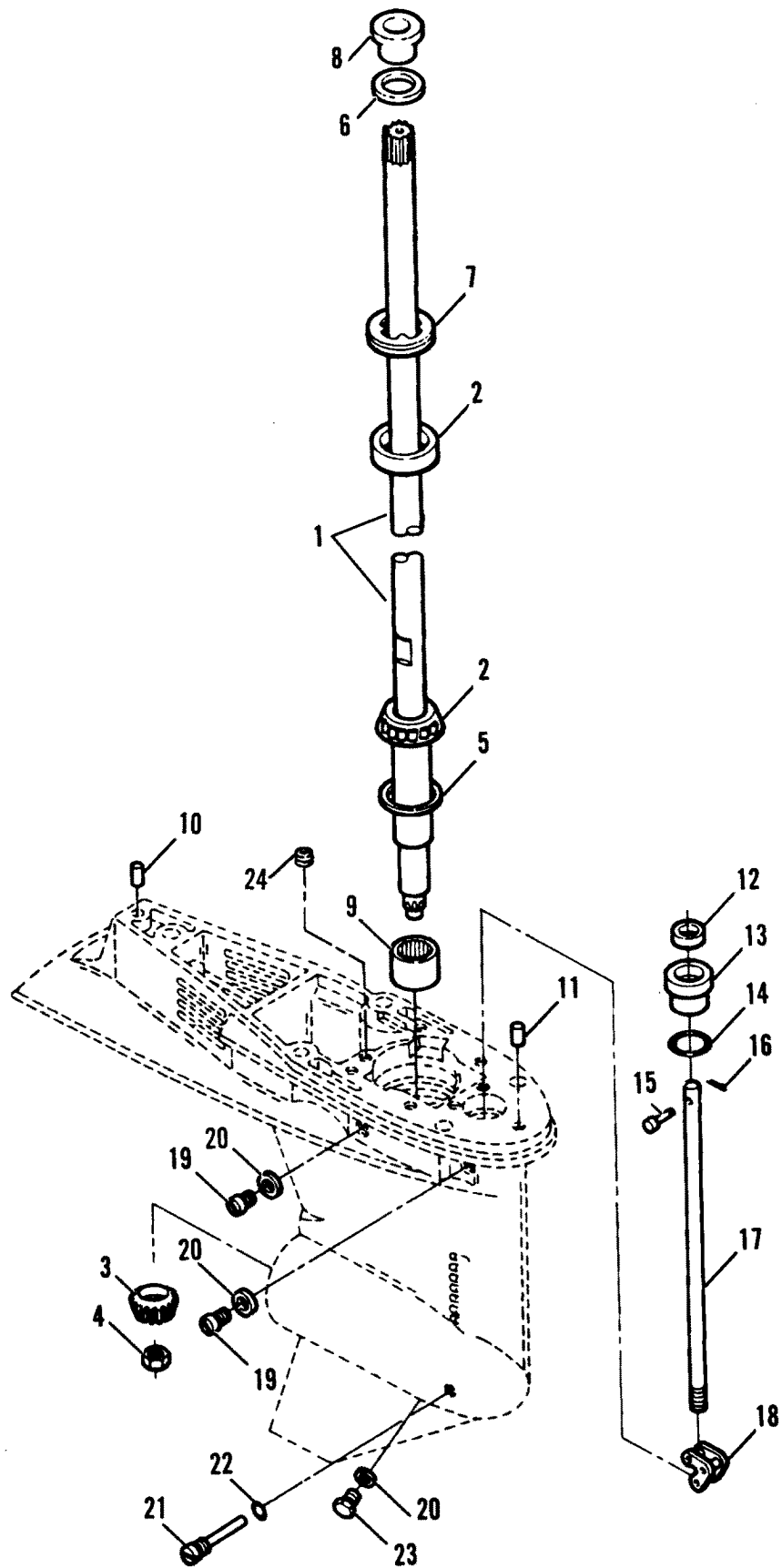
WATER PUMP

REF. NO.	PART NO.	SYM.	QTY.	DESCRIPTION
1	46-812966A5	■	1	PUMP KIT, WATER
2	14334A1		1	BODY KIT, WATER PUMP
3	43023	▲	1	SEAL, WATER TUBE
4	27-19454--1	▲	1	GASKET (UPPER)
5	27-19701	▲	1	GASKET (LOWER)
6	28-19699		1	KEY, IMPELLER
7	47-19453		1	IMPELLER, WATER PUMP
8	19700--1		1	FACEPLATE, WATER PUMP
9	19452		2	INSULATOR, WATER PUMP
10	46-812966A3		1	BASE ASSEMBLY, WATER PUMP
11	25-30224	▲	1	O RING
12	26-814670	▲	1	SEAL, OIL
13	26-814669	▲	1	SEAL, OIL
14	10-824832--4	■	6	SCREW (M6 X 1 X 16MM)
15	23-43045	■	4	INSULATOR, WATER PUMP
-	26-814669A1		0	GEAR HOUSING SEAL KIT
-	1600-819123A3		0	GEAR HOUSING ASSEMBLY

■ = CONTENTS OF GEAR HOUSING COMPLETE [1600-819123A3]

▲ = CONTENTS OF GEAR HOUSING SEAL KIT [26-814669A1]

DRIVESHAFT



DRIVESHAFT

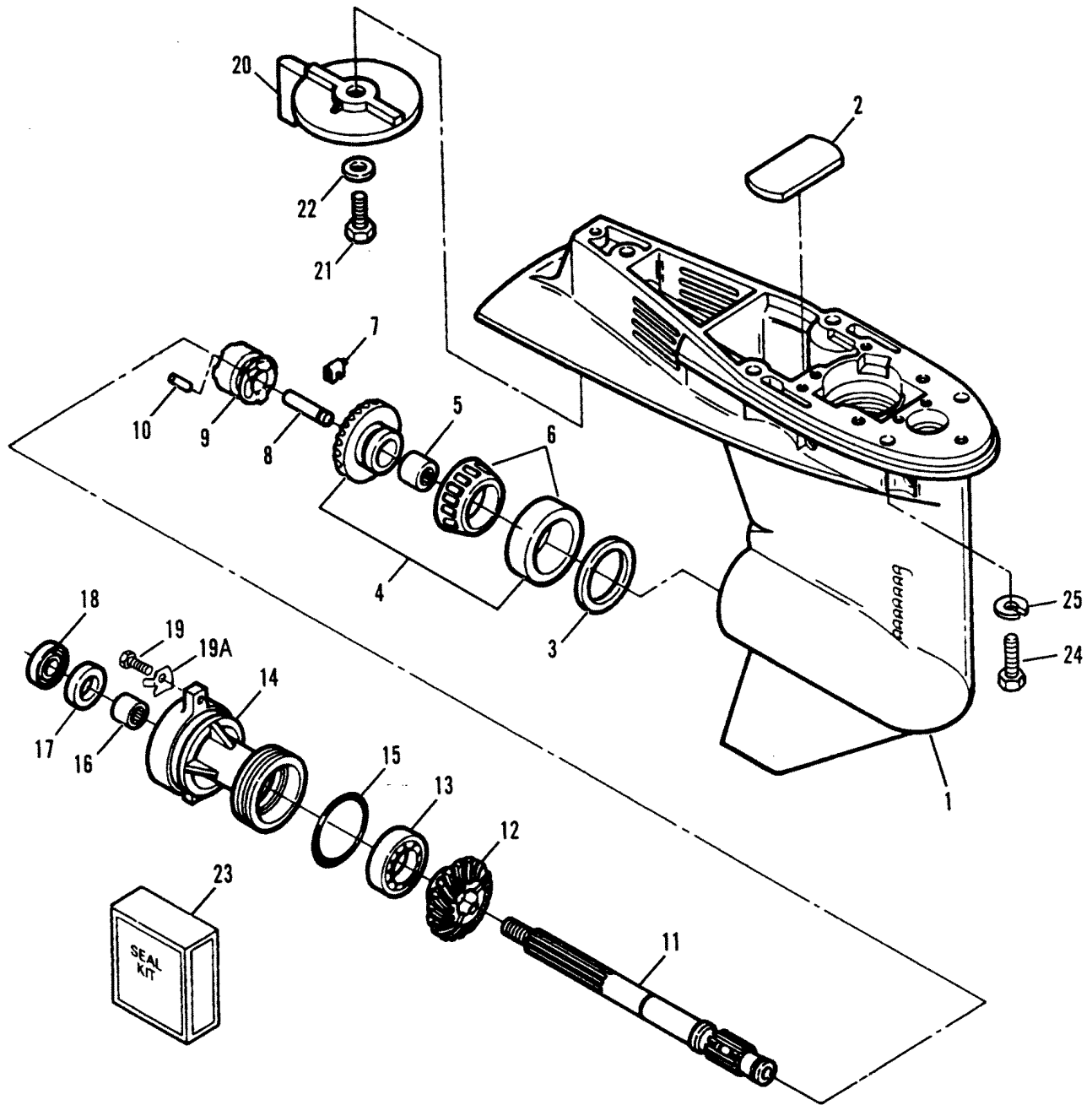
REF. NO.	PART NO.	SYM.	QTY.	DESCRIPTION
1	45-819051A1	■	1	DRIVESHAFT ASSEMBLY
2	31-77420A1		1	BEARING SET, ROLLER
3	43-813694		1	GEAR, PINION
4	11-55910		1	NUT, SPECIAL (7/16-20)
5	15-812770A1		AR	SHIM SET, DRIVESHAFT
6	F749271		1	RETAINER, DRIVESHAFT SPLINE SEAL
7	11-812820	■	1	NUT, DRIVESHAFT
8	25-819427		1	SEAL, DRIVESHAFT SPLINE
9	31-812768	†	1	BEARING, NEEDLE ROLLER
10	17-43044	†	1	PIN, DOWEL
11	17-43043	†	1	PIN, DOWEL
12	26-817472	▲■	1	SEAL, GEAR SHIFT ROD LOWER
13	23-817473--1	■	1	BUSHING, SHIFT ROD SEAL
14	25-45258	▲■	1	O RING, SHIFT ROD
15	17-F85372		1	PIN, GEAR SHIFT ROD LOWER
16	18-F1015		1	PIN, COTTER
17	817471	■	1	ROD, GEAR SHIFT
18	817475	■	1	ARM ASSEMBLY, LOWER SHIFT ROD
19	10-79953	†	2	SCREW, SPECIAL (3/8-16 X 1/4")
20	12-19183	▲†	3	SEAL
21	817468	■	1	PIN, GEAR SHIFT ARM
22	25-25007	▲■	1	O RING
23	22-67892	†	1	PLUG, OIL DRAIN (MAGNETIC)
24	22-56800	■	1	PLUG, PIPE
-	26-814669A1		0	GEAR HOUSING SEAL KIT
-	1600-819123A3		0	GEAR HOUSING ASSEMBLY
-	1600-819123A4		0	BASIC GEAR HOUSING

■ = CONTENTS OF GEAR HOUSING COMPLETE [1600-819123A3]

▲ = CONTENTS OF GEAR HOUSING SEAL KIT [26-814669A1]

† = CONTENTS OF GEAR HOUSING BASIC [1600-819123A4]

GEAR HOUSING



GEAR HOUSING

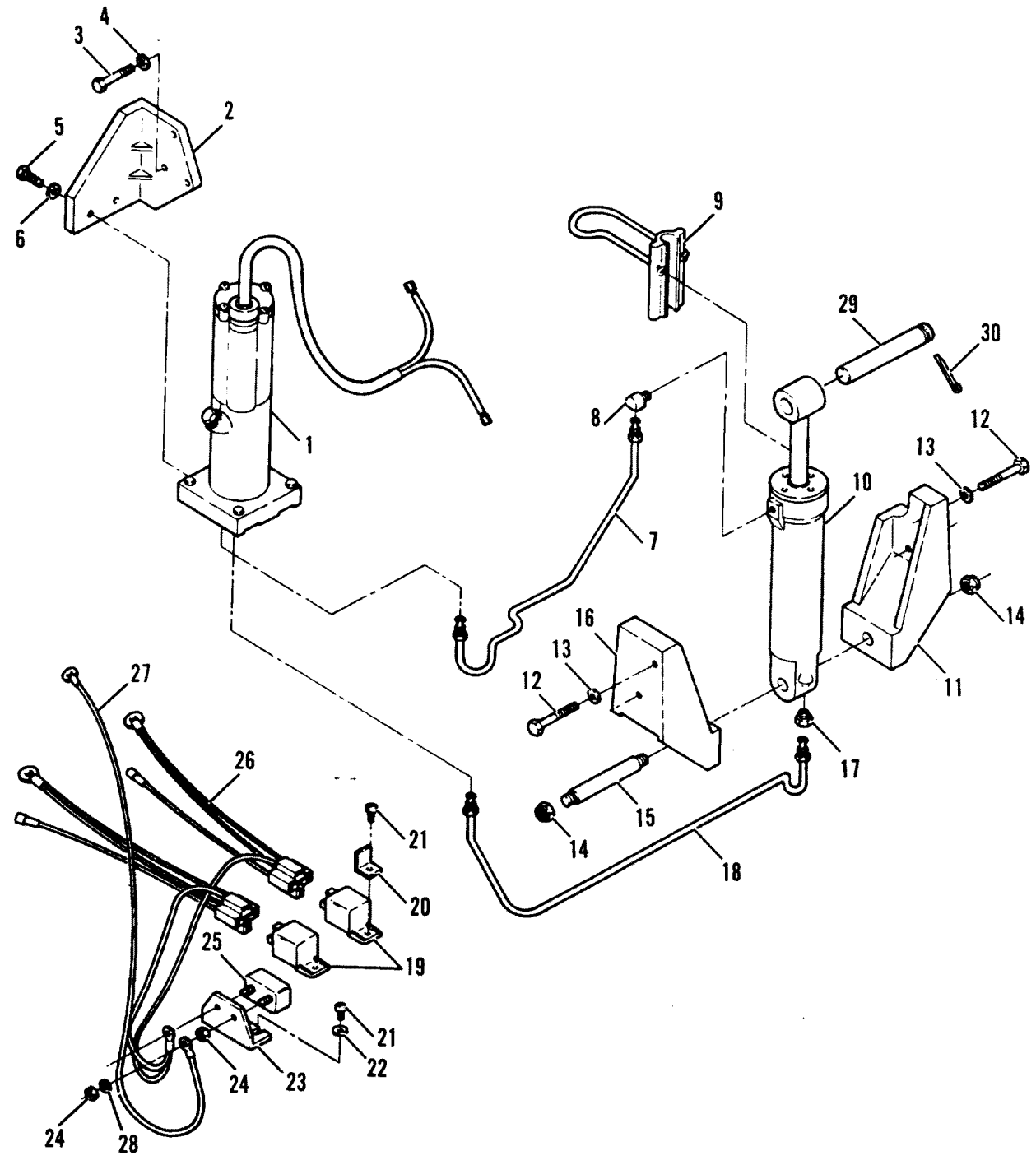
REF. NO.	PART NO.	SYM.	QTY.	DESCRIPTION
-	1600-819123A3		1	GEAR HOUSING ASSEMBLY (COMPLETE) (PAINTED)
1	1600-819123A4	■	1	GEAR HOUSING (BASIC) (PAINTED)
2	818226A1		1	PLATE KIT, FILLER
3	15-812769A1	■	1	SHIM SET, FRONT GEAR
4	43-819050A1	■	1	GEAR ASSEMBLY, FORWARD
5	31-21739		1	BEARING, NEEDLE
6	31-812767A1		1	BEARING ASSEMBLY
7	F717619	■	1	YOKE, GEAR SHIFT
8	817470	■	1	PIN, SHIFT
9	52-817463	■	1	CLUTCH
10	17-817467	■	1	PIN, SPRING
11	44-817461	■	1	PROPSHAFT
12	43-817684	■	1	GEAR, REVERSE
13	30-20839	■	1	BEARING, BALL
14	19291A3	■	1	CARRIER ASSEMBLY, BEARING
15	25-815460	▲	1	O RING
16	31-21700		1	BEARING, NEEDLE
17	26-69188	▲	1	SEAL
18	26-69189	▲	1	SEAL (LINE CUTTING)
19	10-40003-53	■	2	SCREW (M8 X 1.25 X 25)
19A	14-826613	■	2	TAB WASHER
20	17264T2	†	1	TRIM TAB
21	10-19933-30	†	1	SCREW (M10 X 1.5 X 30)
22	12-45175	†	1	WASHER
23	26-814669A1		1	SEAL KIT, GEAR HOUSING
24	10-19925150		5	SCREW (3/8-16 X 1-1/2")WITH DRY LOC
25	12-45175		5	WASHER
-	26-814669A1		0	GEAR HOUSING SEAL KIT
-	1600-819123A3		0	GEAR HOUSING ASSEMBLY
-	1600-819123A4		0	BASIC GEAR HOUSING

■ = CONTENTS OF GEAR HOUSING COMPLETE [1600-819123A3]

▲ = CONTENTS OF GEAR HOUSING SEAL KIT [26-814669A1]

† = CONTENTS OF GEAR HOUSING BASIC [1600-819123A4]

DESIGN 1 - POWER TRIM UNIT WITH BAYONET CONN. (91B THRU 92A)

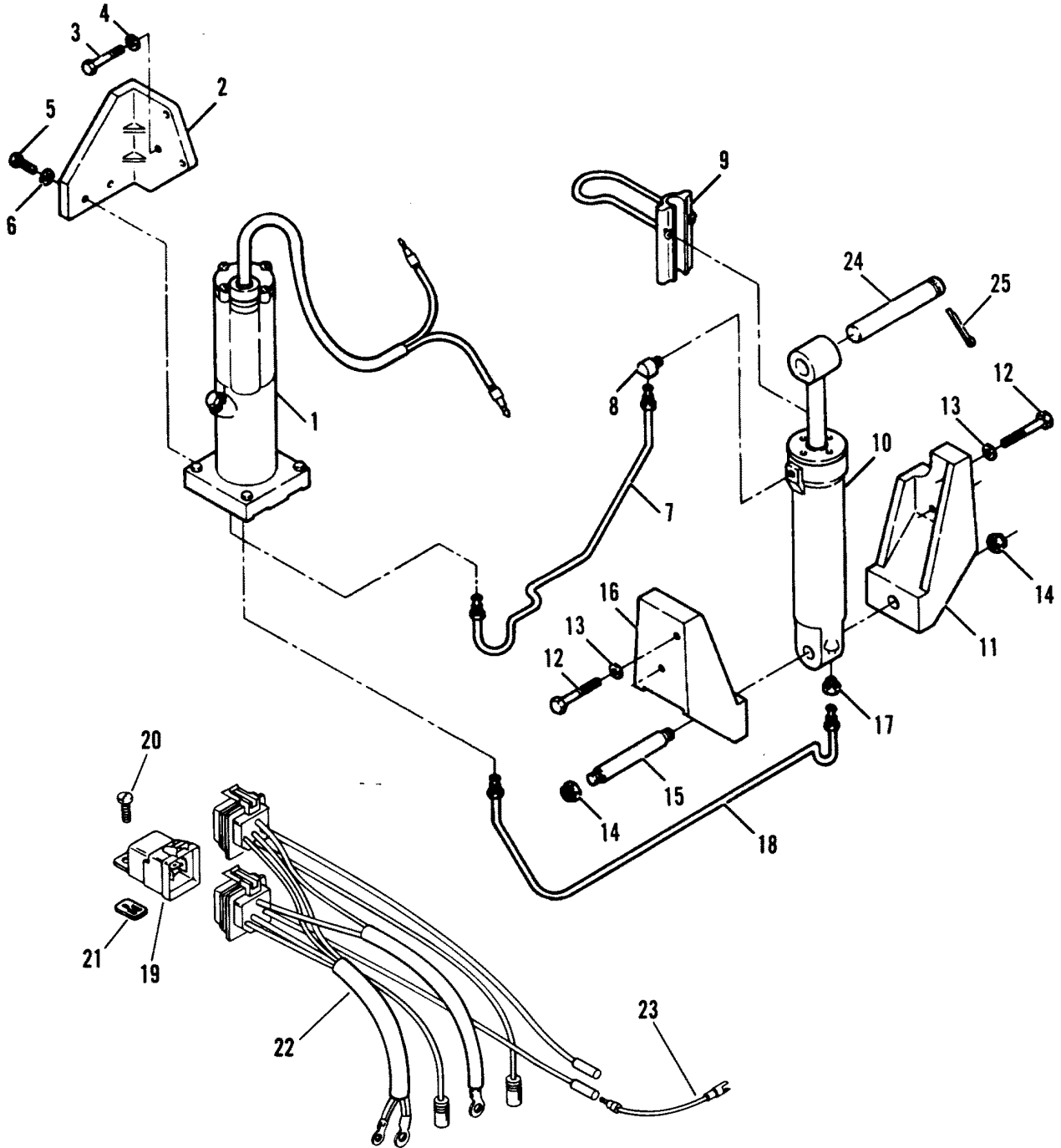


DESIGN 1 - POWER TRIM UNIT WITH BAYONET CONN. (91B THRU 92A)

REF. NO.	PART NO.	SYM.	QTY.	DESCRIPTION
-	819177A3		1	POWER TRIMASSEMBLY (SERVICES F5H264)
1	819479A3		1	PUMP/MOTOR KIT (SEE NOTE BELOW)
2	F743454F		1	BRACKET, PUMP/MOTOR MOUNT (PAINTED)
3	10-90086		3	SCREW (5/16-18 X 1-1/2")
4	13-53166		3	LOCKWASHER (5/16")
5	10-19923088		2	SCREW (1/4-20 X 7/8")W/DL
6	13-26992		2	LOCKWASHER (1/4")
7	32-819112--1		1	LINE, HYDRAULIC (DOWN)
8	22-45794		1	ELBOW
9	F5H272		1	SPACER KIT, TRAILERING
10	F749381F		1	TILT/TRIM CYLINDER ASSEMBLY (PAINTED)
11	819171F		1	BRACKET, PORT (PAINTED)
12	10-19925175		4	SCREW (3/8-16 X 1-3/4") WITH DRY LOC
13	12-F8015		4	WASHER
14	11-35778		2	NUT (1/2-20)
15	17-820618		1	PIN, CYLINDER CLEVIS (LOWER)
16	819172F		1	BRACKET, STARBOARD (PAINTED)
17	22-48166		1	CONNECTOR
18	32-F740754-1		1	LINE, HYDRAULIC (UP)
19	87-F660917		2	RELAY
20	F660978		2	BRACKET, RELAY
21	10-F1760		4	SCREW (10-24 X 3/8")
22	12-89302		4	WASHER
23	F91446-2		1	BRACKET, CIRCUIT BREAKER
24	11-68219		4	NUT (10-32)
25	88-F510460		1	BREAKER, CIRCUIT
26	FA663744		1	WIRE KIT
27	84-F691908		1	WIRE (RED)
28	13-26996		2	LOCKWASHER (#10)
29	17-F749440		1	PIN, CYLINDER CLEVIS (UPPER)
30	18-89961		1	PIN, COTTER
-	37-43530--1		1	DECAL, CAUTION, TRIM PRESSURE
-	54-816311		AR	CABLE TIE (8")

USE THIS PAGE TO SERVICE YOUR DESIGN 1 POWER TRIM SYSTEM IF YOUR REFERENCE #1 PUMP/MOTOR KIT HAS BAYONET CONNECTORS. REFERENCE #1 - [819479A3] IS A CONVERSION KIT TO THE NEW DESIGN BULLET CONNECTORS AND RELAY SYSTEM. [819479A3] INCLUDES NECESSARY INSTRUCTIONS AND CABLES, RELAYS, AND ADAPTER PLATE. IF YOU HAVE THE OLD DESIGN PUMP/MOTOR KIT WITH BAYONET CONNECTORS YOU CAN USE BREAKDOWN OF PUMP/MOTOR KIT ON PAGE 63 EXCEPT FOR REF. #9.

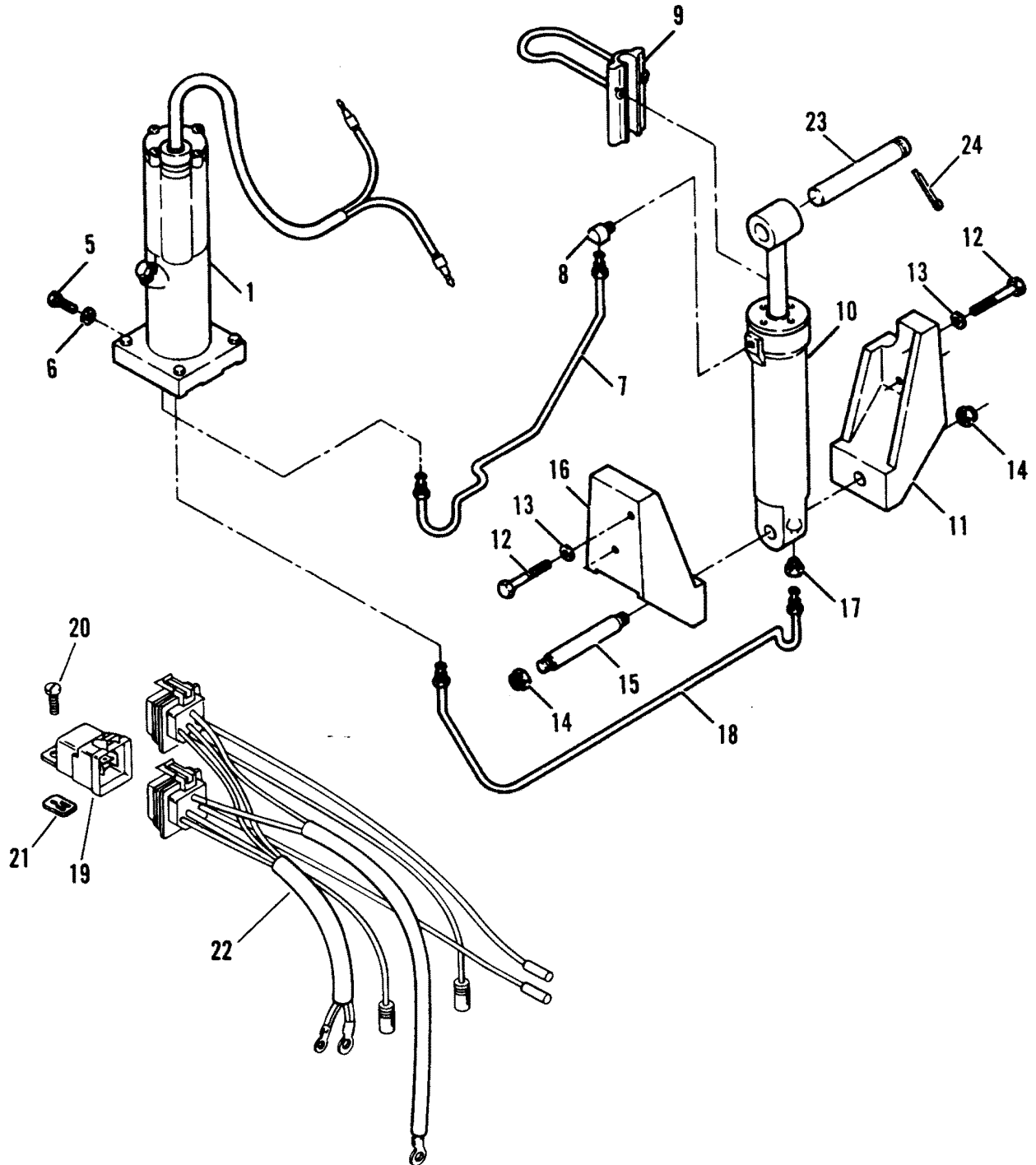
DESIGN 11-POWER TRIM UNIT WITH BULLET CONN. (91B THRU 92C)



DESIGN 11-POWER TRIM UNIT WITH BULLET CONN. (91B THRU 92C)

REF. NO.	PART NO.	SYM.	QTY.	DESCRIPTION
-	819177A3		1	POWER TRIMASSEMBLY (PAINTED)
1	819479A1		1	PUMP/MOTOR KIT (FOR BREAKDOWN SEE "PUMP/MOTOR KIT)
2	F743454F		1	BRACKET, PUMP/MOTOR MOUNT (PAINTED)
3	10-90086		3	SCREW (5/16-18 X 1-1/2")
4	13-53166		3	LOCKWASHER (5/16")
5	10-19923088		2	SCREW (1/4-20 X 7/8")WITH DRY LOC
6	13-26992		2	LOCKWASHER (1/4")
7	32-819112--1		1	LINE, HYDRAULIC (DOWN)
8	22-45794		1	ELBOW
9	F5H272		1	SPACER KIT, TRAILERING
10	F749381F		1	TILT/TRIM CYLINDER ASSEMBLY (PAINTED)
11	819171F		1	BRACKET, PORT (PAINTED)
12	10-19925175		4	SCREW (3/8-16 X 1-3/4") WITH DRY LOC
13	12-F8015		4	WASHER
14	11-35778		2	NUT (1/2-20)
15	17-820618		1	PIN, CYLINDER CLEVIS (LOWER)
16	819172F		1	BRACKET, STARBOARD (PAINTED)
17	22-48166		1	CONNECTOR
18	32-F740754-1		1	LINE, HYDRAULIC (UP)
19	87-819509		2	RELAY
20	10-F1733		2	SCREW (10-24 X 9/16")
21	819485		2	PLATE, ADAPTER
22	84-819514A2		1	HARNESS ASSEMBLY, WIRING
23	84-88819A2		1	WIRE ASSEMBLY (GREEN/WHITE)
	84-88212A4		1	WIRE ASSEMBLY (BLUE/WHITE)
24	17-F749440		1	PIN, CYLINDER CLEVIS (UPPER)
25	18-89961		1	PIN, COTTER
-	37-43530--1		1	DECAL, CAUTION, TRIM PRESSURE
-	54-816311		AR	CABLE TIE (8")

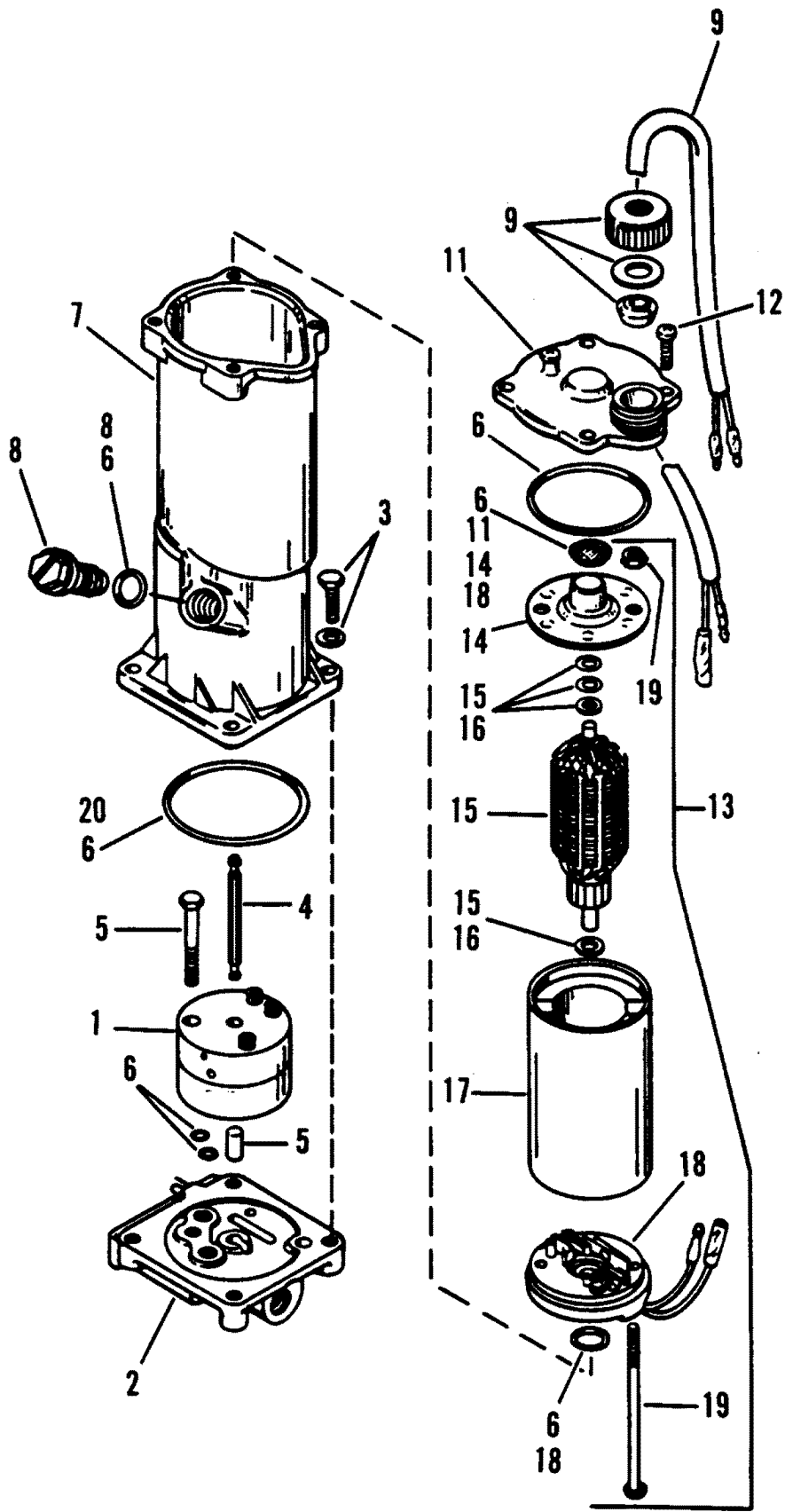
DESIGN III - POWER TRIM UNIT WITH BULLET CONNECTORS



DESIGN III - POWER TRIM UNIT WITH BULLET CONNECTORS

REF. NO.	PART NO.	SYM.	QTY.	DESCRIPTION
-	819177A8		1	POWER TRIMASSEMBLY (PAINTED)
1	819479A1		1	PUMP/MOTOR KIT SEE "PUMP/MOTOR KIT" FOR BREAKDOWN
5	10-19923088		2	SCREW (1/4-20 X 7/8") WITH DRY LOC
6	13-26992		2	LOCKWASHER (1/4")
7	32-819327		1	LINE, HYDRAULIC (DOWN)
8	22-45794		1	ELBOW
9	F5H272		1	SPACER KIT, TRAILERING
10	F749381F		1	TILT/TRIM CYLINDER ASSEMBLY (PAINTED)
11	819171F		1	BRACKET, PORT (PAINTED)
12	10-19925175		4	SCREW (3/8-16 X 1-3/4") WITH DRY LOC
13	12-F8015		4	WASHER
14	11-35778		2	NUT (1/2-20)
15	17-820618		1	PIN, CYLINDER CLEVIS (LOWER)
16	819172F		1	BRACKET, STARBOARD (PAINTED)
17	22-48166		1	CONNECTOR
18	32-819328		1	LINE, HYDRAULIC (UP)
19	87-819509		2	RELAY
20	10-F1733		2	SCREW (10-24 X 9/16")
21	819485		2	PLATE, ADAPTER
22	84-819514A7		1	HARNESS ASSEMBLY, WIRING
23	17-F749440		1	PIN, CYLINDER CLEVIS (UPPER)
24	18-89961		1	PIN, COTTER
-	37-43530--1		1	DECAL, CAUTION, TRIM PRESSURE
-	54-816311		AR	CABLE TIE (8")

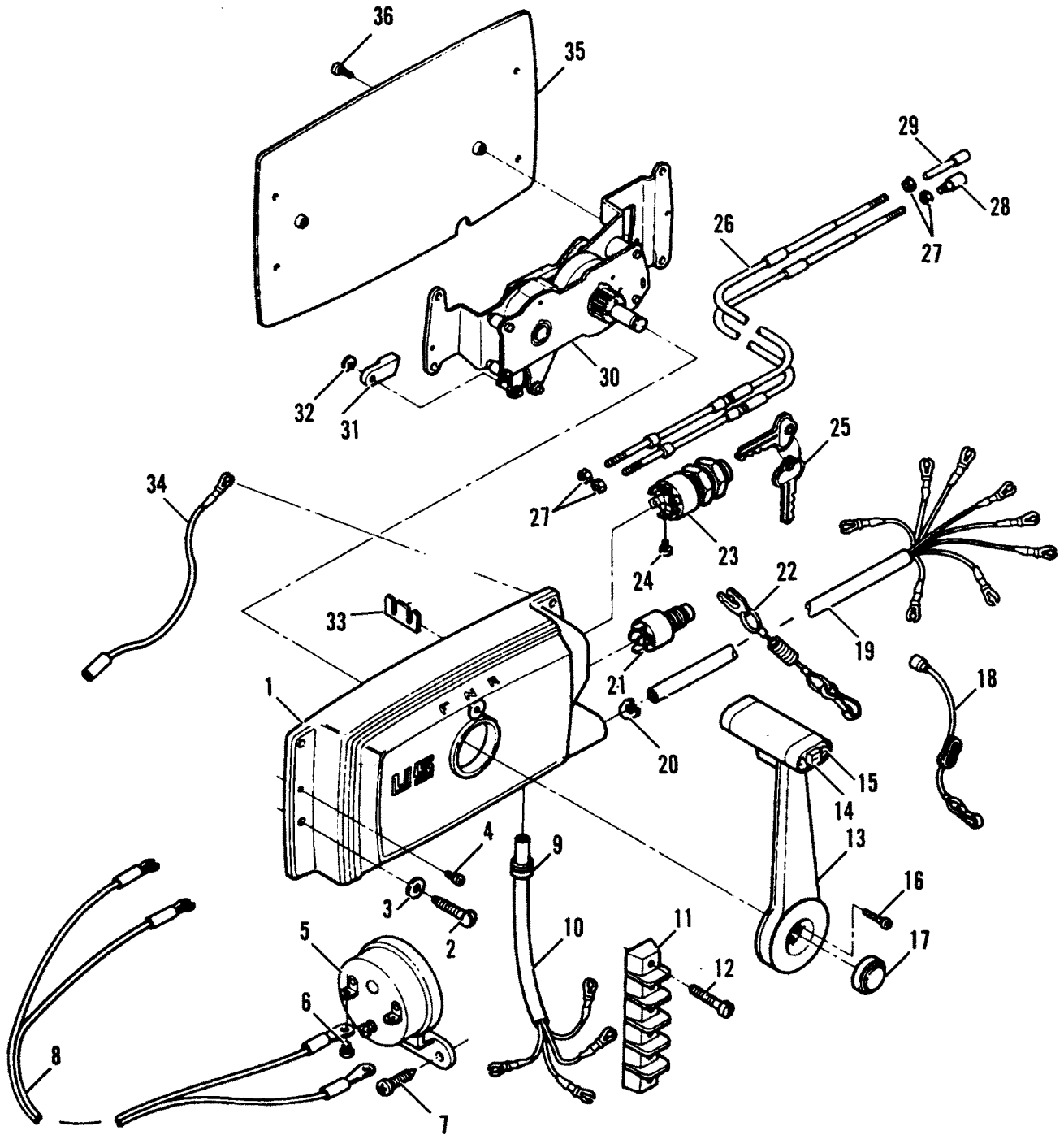
PUMP/MOTOR KIT



PUMP/MOTOR KIT

REF. NO.	PART NO.	SYM.	QTY.	DESCRIPTION
-	819479A1		1	PUMP/MOTOR KIT
1	823084		1	PUMP KIT
2	823083		1	MANIFOLD KIT
3	10-813436		1	SCREW AND WASHER KIT (4 PCS EACH)
4	813437		1	DRIVE SHAFT
5	811697		1	SCREW/DOWEL PIN KIT
6	25-813439A2		1	SEAL KIT
7	813434A1		1	RESERVOIR
8	22-813435		1	PLUG KIT
9	84-811698		1	WIRING HARNESS
11	813445		1	RESERVOIR CAP KIT
12	10-813446		1	SCREW KIT (4 PCS)
13	811699		1	MOTOR KIT
14	813448		1	END CAP
15	811700		1	ARMATURE
16	12-813450		1	THRUST WASHER KIT
17	813451		1	SHELL AND MAGNET KIT
18	813452		1	END FRAME KIT
19	10-813453		1	BOLT AND NUT KIT
20	25-819638		1	O RING

REMOTE CONTROL

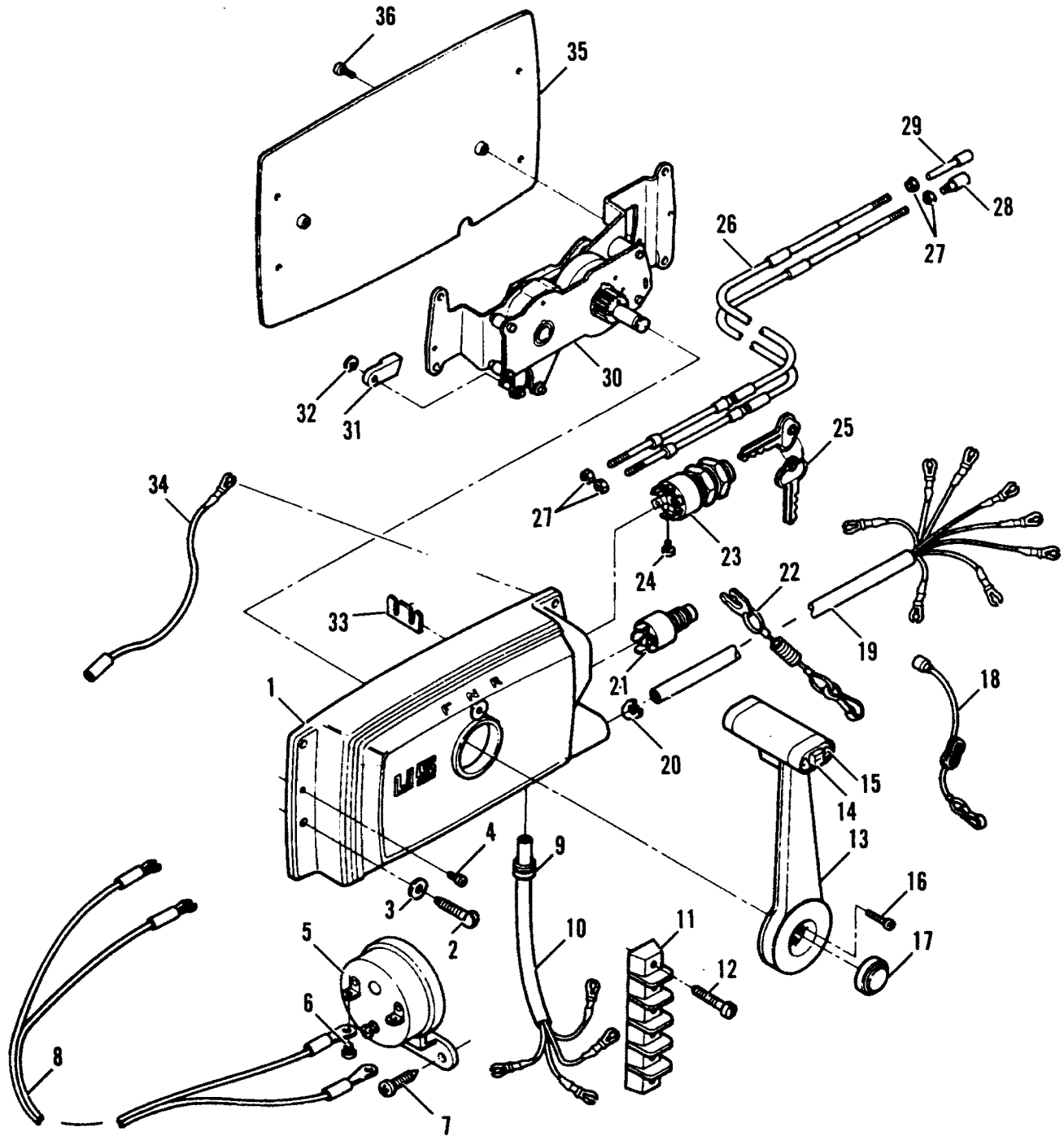


REMOTE CONTROL

REF. NO.	PART NO.	SYM.	QTY.	DESCRIPTION
-	F5H267		1	REMOTE CONTROL ASSEMBLY
1	F660995		1	COVER
2	10-F660732		4	SCREW
3	12-F660595		4	WASHER
4	10-F660480		2	SCREW
5	F5H043		1	BUZZER KIT, HEAT INDICATOR
6	10-69080		2	SCREW (6-32 X 1/4")
7	10-F1741		2	SCREW (#8 X 3/4")
8	84-65017A24		1	HARNES
9	25-F660504		1	GROMMET
10	84-F660353		1	CABLE (5')
11	817492		1	BLOCK, TERMINAL
12	10-F1741		2	SCREW (#8 X 3/4")
13	F660611		1	LEVER ASSEMBLY
14	F17864		1	SWITCH
15	F17863		1	PLATE KIT, BUTTON
16	10-F660165		4	SCREW
17	F660332		1	PLUG
18	FK681602		1	LANYARD KIT (TO REPLACE CUP STYLE)
19	84-819200A1		1	CABLE (15-1/2' - STANDARD)
	84-819203A1		OPT.	CABLE (19')
	84-819204A1		OPT.	CABLE (22')
	84-819205A1		OPT.	CABLE (25')
	F5H193		OPT.	CABLE (7' EXTENSION)
20	54-F660446		1	CLAMP
21	FK681602		1	SWITCH KIT, EMERGENCY STOP
22	819399A1		1	LANYARD (FORK TYPE)
23	F5H268		1	SWITCH KIT, IGNITION (SHORT BARREL)
24	10-F1280		6	SCREW (8-32 X 1/4")
25	819012		1	KEY SET (STAMPED 51)
	819013		1	KEY SET (STAMPED 55)
	819014		1	KEY SET (STAMPED 65)
	819015		1	KEY SET (STAMPED 66)
	819016		1	KEY SET (STAMPED 67)
26	F195/___		1	CABLE (SPECIFY LENGTH 6' THRU 26')
27	11-68219		4	NUT (10-32)
28	F58685-2		1	CONNECTOR, SHIFT
29	FA58976-1		1	CONNECTOR, THROTTLE
30	F660327		1	ACTUATOR
31	F660141-1		2	CONNECTOR

CONTINUED ON NEXT PAGE ➡

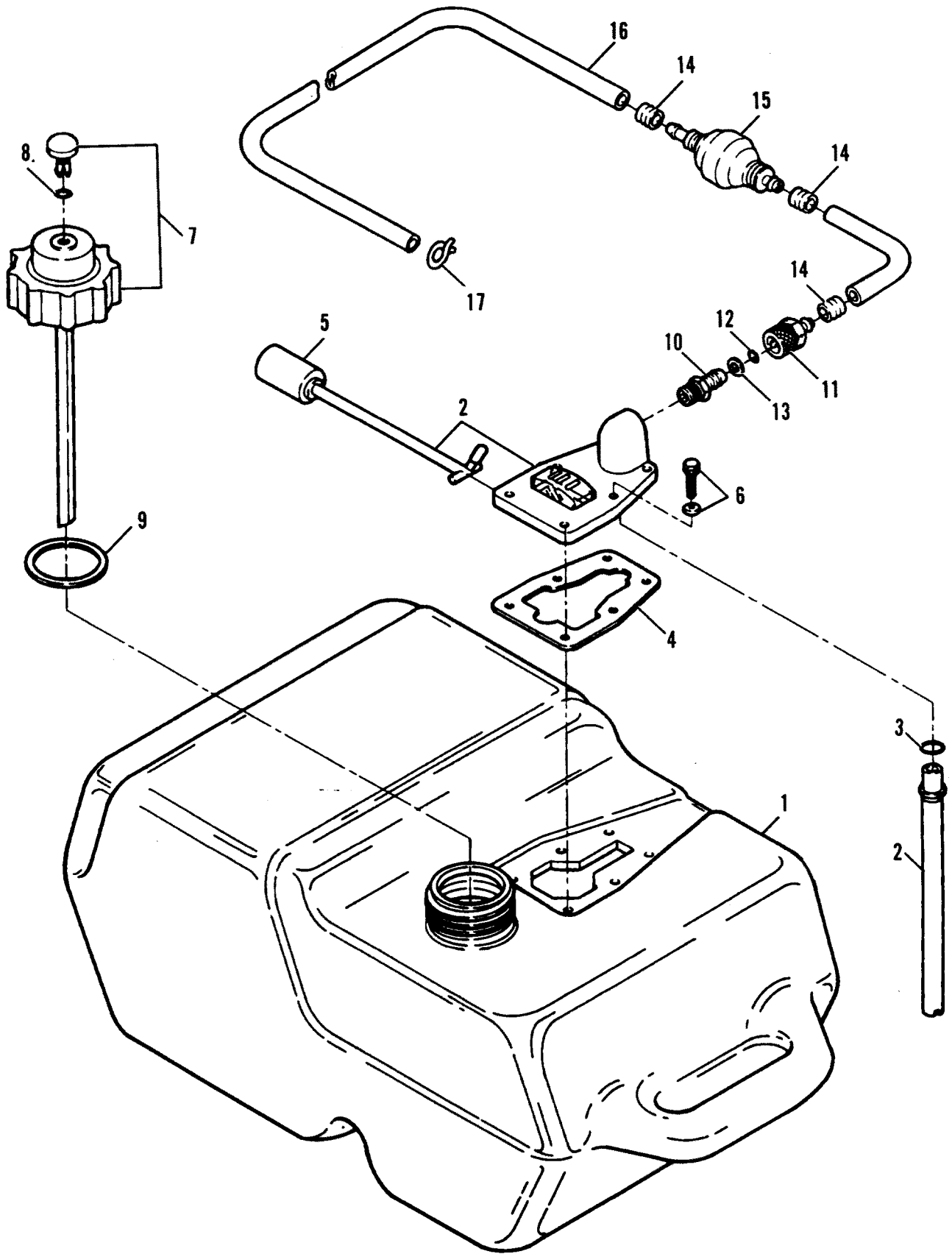
REMOTE CONTROL



REMOTE CONTROL

REF. NO.	PART NO.	SYM.	QTY.	DESCRIPTION
32	F660411		2	RING, RETAINING
33	F660642		1	RETAINER
34	84-F660664		1	WIRE
35	F660911		1	PLATE
36	10-F660751		2	SCREW

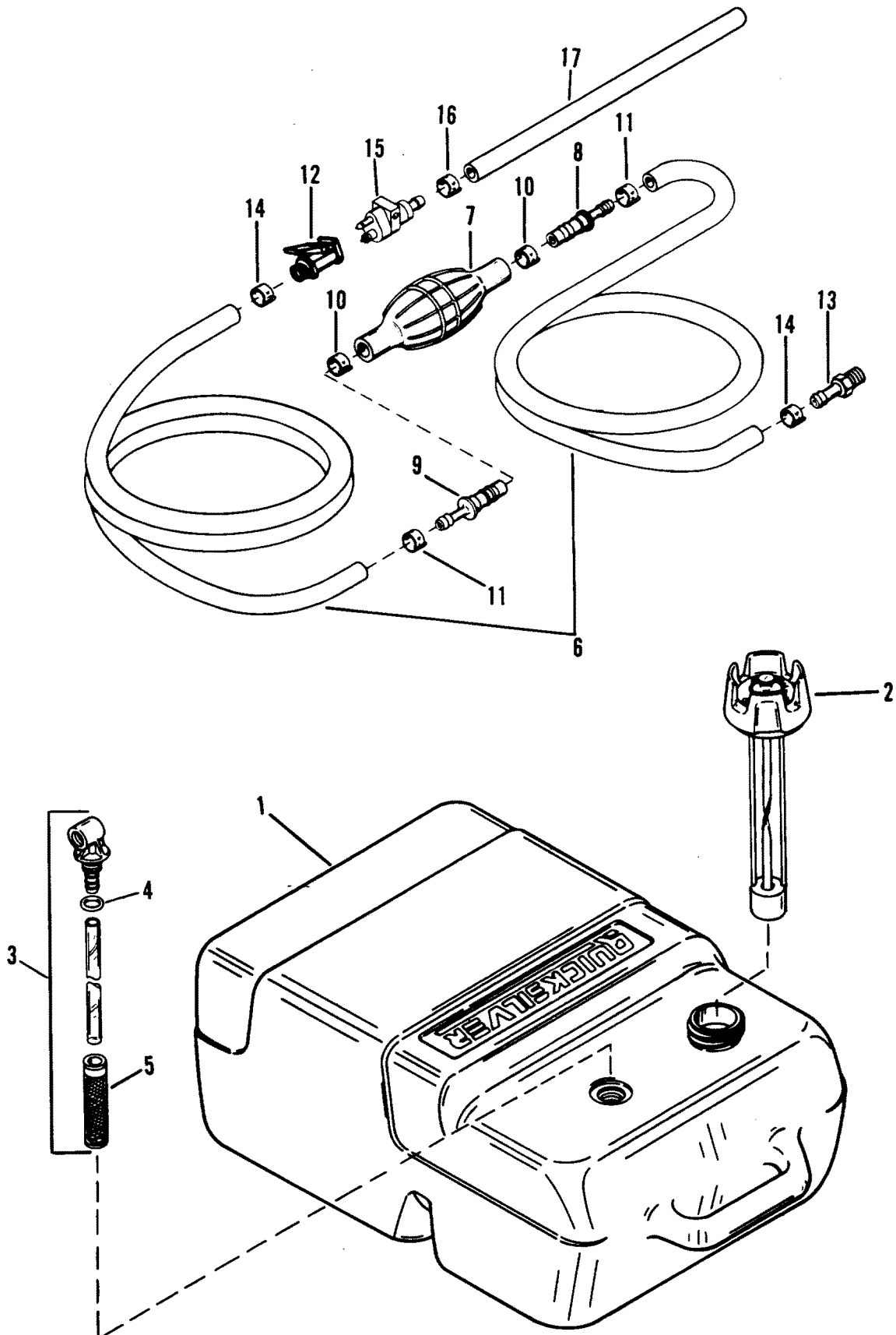
FUEL TANK AND LINE - (PLASTIC - 6.0 GALLON)(91B THRU 92C)



FUEL TANK AND LINE - (PLASTIC - 6.0 GALLON)(91B THRU 92C)

REF. NO.	PART NO.	SYM.	QTY.	DESCRIPTION
-	FS409752		1	LINE ASSEMBLY, FUEL (COMPLETE) FORCE
1	1200-819039A1		1	FUEL TANK (COMPLETE)
2	F17828		1	GAUGE ASSEMBLY
3	F17827		1	SEAL
4	F17823-1		1	GASKET
5	F17826		1	FLOAT
6	F17824		6	SCREW
7	F17821		1	CAP ASSEMBLY
8	F17825		1	SEAL
9	F17822-1		1	GASKET
10	23-F213238-2		1	BUSHING, FUEL
11	F197787-3		1	COUPLER, FUEL
12	F17815		1	SEAL (SMALL)
13	F17816		1	SEAL (LARGE)
14	54-41582--7		3	CLAMP
15	89396A38		1	BULB KIT, PRIMER
16	32-817738A1		1	LINE KIT, FUEL
17	54-63933		1	CLAMP

FUEL TANK AND LINE - (PLASTIC - 6.6 GALLON)



FUEL TANK AND LINE - (PLASTIC - 6.6 GALLON)

REF. NO.	PART NO.	SYM.	QTY.	DESCRIPTION
-	1259-823504A2		1	TANK ASSEMBLY, FUEL (COMPLETE)
1	1259-823504A1		1	TANK ASSEMBLY, FUEL (PLASTIC - 6.6 GAL.)
2	823536		1	GAUGE & CAP ASSEMBLY
3	22-823532		1	CONNECTOR ASSEMBLY, FUEL
4	25-823533		1	O RING
5	35-823534		1	SCREEN, FILTER
6	32-16789A26		1	LINE ASSY, FUEL (5/16" I.D.) (8 FT) (18" X 72")
7	13330A3		1	BULB ASSEMBLY, PRIMER
8	21-13331A1		1	VALVE, CHECK (INLET)
9	21-13331A2		1	VALVE, CHECK (OUTLET)
10	54-41582-10		2	CLAMP (LARGE)
11	54-41582--7		2	CLAMP (SMALL)
12	22-13563A3		1	CONNECTOR, ENGINE
13	22-89771--1		1	CONNECTOR, FUEL TANK
14	54-41582--7		2	CLAMP
15	22-816856A3		1	CONNECTOR, FUEL
16	54-41582--7		1	CLAMP
17	32-16789-78		AR	FUEL LINE (9') CUT AS REQ'D
-	32-16789100		AR	FUEL LINE (100') CUT AS REQ'D

TOOLS - SPECIAL

REF. NO.	PART NO.	SYM.	QTY.	DESCRIPTION
-	FT8948-1		1	PULLER KIT, FLYWHEEL
-	10-F1800		2	SCREW (1/4-20 X 7")
-	10-F1972		3	SCREW (1/4-20 X 2-1/2")
-	10-40003-58		3	SCREW (M8 X 50)
-	12-35044		3	WASHER (.281 X .625 X .065)
-	12-F8012		2	WASHER (.203 X .469 X .049)
-	12-25909		3	WASHER (.406 X .812 X .065)
-	FT2989		1	WEDGE, FLYWHEEL
-	FT2991		1	BRUSH, WIRE, CARBON REMOVER
-	FT8914		1	REMOVER, SEAL, CRANKSHAFT CAGE
-	FT8903		1	INSTALLER, SEAL, CRANKSHAFT CAGE
-	FT8907		1	HANDLE, DRIVER, USE WITH FT8903
-	FT8925		1	INSTALLER, SEAL, LOWER CRANKSHAFT
-	FT2953		1	SOCKET, CONNECTING ROD SCREWS
-	FT2990-1		1	PISTON PIN TOOLS, PISTON PINS
-	FT2996		1	COMPRESSER, PISTON RINGS
-	FT8926		1	EXPANDER, PISTON RINGS
-	FT8933		1	HOOK, LIFTING, CRANKSHAFT END
-	FT8900		1	PLIERS, HOSE CLAMPS, FUEL LINE
-	FT8919		1	PUNCH, CLUTCH SPRING PIN
-	FT11293		1	WRENCH, SPANNER, UPPER DRIVESHAFT RETAINER
-	FT11240		1	WRENCH, SPANNER, TRIM/TILT CYLINDER
-	FT11209		1	GUIDE SET, INSTALLER/REMOVER, GEAR BEARING RACE
-	FT8901		1	HOLDER, DIAL INDICATOR
-	FT8902		1	DIAL INDICATOR, PROPSHAFT
-	FT11207		1	PULLER, FORWARD GEAR BEARING RACE
-	FT11296		1	INSTALLER, FORWARD GEAR BEARING RACE
-	FT11297		1	ADAPTER, TORQUING
-	91-817005		1	INSTALLER, PROPSHAFT BEARING
-	91-37323		1	DRIVER ROD, PROPSHAFT BEARING
-	91-817006		1	INSTALLER, SEAL, WATER PUMP BASE
-	91-46086A1		1	PULLER JAWS ASSY., PROPSHAFT BEARING CARRIER
-	91-85716		1	PULLER SCREW, PROPSHAFT BEARING CARRIER
-	91-24273		1	MANDRELL, DRIVESHAFT UPPER BEARING
-	91-37241		1	PULLER PLATE, DRIVESHAFT UPPER BEARING
-	FT8978-1		1	TIMING LIGHT, IGNITION
-	FT2951		1	CIRCUIT TRACER, ELECTRICAL SYSTEM
-	FT8950		1	LEAKAGE TESTER, LOWER UNIT
-	FT11295		1	SPARK TESTER, IGNITION SYSTEM
-	FT2938-1		1	CONTINUITY TESTER, ELECTRICAL CIRCUITS
-	91-99750A1		1	MULTIMETER TESTER, ELECTRICAL COMPONENTS
-	FT2969		1	HELI-COIL KIT (10-24)
-	FT2970		1	HELI-COIL KIT (1/4-20)

CONTINUED ON NEXT PAGE ➡

TOOLS - SPECIAL

REF. NO.	PART NO.	SYM.	QTY.	DESCRIPTION
-	FT2971		1	HELI-COIL KIT (5/16-18)
-	FT2948		1	HELI-COIL KIT (3/8-16)
-	92-825265A1		1	COMPOUND (8OZ), NEEDLE BEARINGS
-	92-FT2987-1		1	LUBICANT, ANTI-SEEZ
-	FT8969		1	LUBICANT, LPS #1
-	92-90113--2		1	SEALANT, RTV #1473
-	FT8936-1		1	SEALANT, LOCTITE RC-609
-	FT2962-2		1	SEALANT, LOCTITE H
-	92-823089--1		1	SEALANT, LOCTITE 8831
-	92-59327--1		1	SEALANT, LOCQUIC PRIMER

*** MODEL INDEX ***

THIS PAGE INTENTIONALLY LEFT BLANK

PARTS INDEX

Part Number	Description	Pg.	Ref. No.	Part Number	Description	Pg.	Ref. No.
11645	REED BLOCK ASSEMBLY ..	27	13	817790A1	COVER KIT, TRANSFER PORT	25	9
13330A3	BULB ASSEMBLY, PRIMER .	91	7	817870--2	COVER, FUEL PUMP	25	10
14334A1	BODY KIT, WATER PUMP ..	71	2	817870--2	COVER, FUEL PUMP	39	9
14360A50	PUMP KIT, FUEL	39	1	817870A1	COVER KIT, FUEL PUMP ..	37	20
14430--3	BASE, FUEL PUMP	39	6	817919A1	PUMP KIT, FUEL (91B THRU 92C)	37	--
17264T2	TRIM TAB	75	20	818226A1	PLATE KIT, FILLER	75	2
18173	BRACKET ASSEMBLY, LATCH ROLLER	7	2	819002	LINK, THROTTLE	41	8
18495A12	SWITCHBOX ASSEMBLY ..	15	13	819002	LINK, THROTTLE	43	23
19291A3	CARRIER ASSEMBLY, BEARING	75	14	819012	KEY SET (STAMPED 51) ...	85	25
19452	INSULATOR, WATER PUMP	71	9	819013	KEY SET (STAMPED 55) ...	85	25
19700--1	FACEPLATE, WATER PUMP	71	8	819014	KEY SET (STAMPED 65) ...	85	25
42941	SEAL, WATER TUBE	59	4	819015	KEY SET (STAMPED 66) ...	85	25
43023	SEAL, WATER TUBE	71	3	819016	KEY SET (STAMPED 67) ...	85	25
43542	COVER, COIL	11	25	819047	TUBE, EXHAUST	59	8
43542	COVER, COIL	15	20	819054	PLATE, SPACER	57	1
44552	RETAINER, TEMP SENDER .	47	42	819066--1	SEAL, EXHAUST TUBE	59	9
47341A1	ROPE & HANDLE, EMERGENCY START	21	--	819079	PLATE, SPACER	59	1
56762	CABLE TIE (4")	13	--	819111	GUARD, IGNITION HARNESS	11	6
56762	CABLE TIE (4")	15	--	819111	GUARD, IGNITION HARNESS	15	6
73345A1	HUB-THRUST	3	004	819169	MEDALLION	7	10
811697	SCREW/DOWEL PIN KIT ...	83	5	819171F	BRACKET, PORT (PAINTED)	77	11
811699	MOTOR KIT	83	13	819171F	BRACKET, PORT (PAINTED)	79	11
811700	ARMATURE	83	15	819171F	BRACKET, PORT (PAINTED)	81	11
813434A1	RESERVOIR	83	7	819172F	BRACKET, STARBOARD (PAINTED)	77	16
813437	DRIVE SHAFT	83	4	819172F	BRACKET, STARBOARD (PAINTED)	79	16
813445	RESERVOIR CAP KIT	83	11	819172F	BRACKET, STARBOARD (PAINTED)	81	16
813448	END CAP	83	14	819177A3	POWER TRIMASSEMBLY (PAINTED)	79	--
813451	SHELL AND MAGNET KIT ..	83	17	819177A3	POWER TRIMASSEMBLY (SERVICES F5H264)	77	--
813452	END FRAME KIT	83	18	819177A8	POWER TRIMASSEMBLY (PAINTED)	81	--
815279T4	VOLTAGE REGULATOR ...	15	28	819206--1	BRACKET, SPACER PLATE .	57	11
816517	HANDLE, LOCK BAR	61	26	819206--1	BRACKET, SPACER PLATE .	59	20
817029A3	TRIGGER ASSEMBLY	11	4	819209	DEFLECTOR, CARBURETOR	35	27
817029A9	TRIGGERASSEMBLY	15	4	819209	DEFLECTOR, CARBURETOR (TC-111A)	31	27
817066	BOWL, FUEL PUMP (91B/92C)	37	21	819222	PINION	21	14
817268--5	PLATE, IGNITION MOUNTING	11	12	819225	ROLLER, THROTTLE CAM .	33	30
817268--5	PLATE, IGNITION MOUNTING	15	12	819225	ROLLER, THROTTLE CAM .	35	30
817411	RECTIFIER (91B THRU 92C)	11	34	819318A1	ROD ASSEMBLY, GEAR SHIFT INTERMEDIATE ..	69	16
817411--1	RECTIFIER	11	34	819331A1	KINGPIN ASSEMBLY	61	5
817411--1	RECTIFIER/REGULATOR ..	15	28	819331A1	KINGPIN ASSEMBLY	65	5
817468	PIN, GEAR SHIFT ARM	73	21	819399A1	LANYARD (FORK TYPE) ...	85	22
817470	PIN, SHIFT	75	8	819458A2	BRACKET ASSEMBLY, REMOTE CABLE	43	29
817471	ROD, GEAR SHIFT	73	17	819459A1	BRACKET ASSY., REMOTE CABLE	27	15
817475	ARM ASSEMBLY, LOWER SHIFT ROD	73	18	819464A1	ARM ASSEMBLY, GEAR SHIFT 1991B THRU 1992C	69	1A
817492	BLOCK, TERMINAL	85	11	819468A1	ARM ASSEMBLY, GEAR SHIFT	69	1
817492	BLOCK, TERMINAL (91B THRU 92C)	11	19	819473A1	TOWERSHAFT ASSEMBLY .	43	1
817747--1	BALL JOINT ASSEMBLY ...	41	29	819479A1	PUMP/MOTOR KIT	79	1
817747--1	BALL JOINT ASSEMBLY ...	41	6				
817747--1	BALL JOINT ASSEMBLY ...	43	6				
817747--1	BALL JOINT ASSEMBLY ...	43	9				
817787A1	COVER KIT, CYLINDER DRAIN	23	9				

PARTS INDEX

Part Number	Description	Pg.	Ref. No.	Part Number	Description	Pg.	Ref. No.
819479A1	PUMP/MOTOR KIT	81	1	F10361	SHUTTER, THROTTLE	35	3
819479A1	PUMP/MOTOR KIT	83	--	F10367	SEAT, INLET	31	25
819479A3	PUMP/MOTOR KIT (SEE NOTE BELOW)	77	1	F10367	SEAT, INLET	35	25
819485	PLATE, ADAPTER	79	21	F141704	COUPLING, GEAR SHIFT ROD	69	21
819485	PLATE, ADAPTER	81	21	F15158	SCREW	21	3
819495--1	BRACKET, BATTERY CABLE	9	26	F15159	INSULATOR	21	4
819511	ROD, UPPER GEAR SHIFT	69	13	F15160	WASHER	21	7
819545A1	TUBE KIT, STEERING	61	22	F15162	NUT	21	10
819545A1	TUBE KIT, STEERING	65	21	F15176	END CAP, DRIVE	21	12
819702A1	LINK KIT, REVERSE LOCK (LONG & SHORT LINKS)	61	32	F15177	ARMATURE	21	11
819708	MOUNT, SHOCK (FRONT)	67	12	F15178	THRU BOLT	21	6
819843A1	BODY ASSEMBLY, FUEL PUMP	37	1	F15189	END CAP, COMMUTATOR	21	5
819869	MOUNT, SHOCK (SIDE)	67	6	F15190	BRUSH KIT	21	2
820000A4	HANDLE ASSEMBLY, COWL LATCH (PAINTED)	9	21	F17815	SEAL (SMALL)	89	12
820441F	COVER, SHOCK MOUNT, STARBOARD (PAINTED)	67	5	F17816	SEAL (LARGE)	89	13
820442F	COVER, SHOCK MOUNT, PORT (PAINTED)	67	4	F17821	CAP ASSEMBLY	89	7
820502	ADAPTER, REED PLATE	27	11	F17822-1	GASKET	89	9
820527	STOP, TILT, PORT	61	10	F17823-1	GASKET	89	4
820576A1	REPAIR KIT, CARBURETOR	33	33	F17824	SCREW	89	6
820576A1	REPAIR KIT, CARBURETOR	35	33	F17825	SEAL	89	8
820581A1	PUMP KIT, FUEL	37	--	F17826	FLOAT	89	5
820590	DEFLECTOR, CARBURETOR (TC-125A)	31	27	F17827	SEAL	89	3
820709	JET (.044), THROTTLE	35	11	F17828	GAUGE ASSEMBLY	89	2
820710	JET (.032), NOZZLE WELL AIR BLEED	35	26	F17863	PLATE KIT, BUTTON	85	15
823083	MANIFOLD KIT	83	2	F17864	SWITCH	85	14
823084	PUMP KIT	83	1	F195/_	CABLE (SPECIFY LENGTH 6' THRU 26')	85	26
823536	GAUGE & CAP ASSEMBLY	91	2	F197787-3	COUPLER, FUEL	89	11
826578	PIN, REVERSE LOCK, WITH DRY LOC	61	29	F203965-1	MOUNT, SHOCK UPPER	9	13
89396A38	BULB KIT, PRIMER	89	15	F2A404757	REED PLATE ASSEMBLY, CYLINDER DRAIN	23	1
90644	DRIVE KIT	21	13	F307962	MOUNT, SHOCK, SIDE UPPER	57	24
92753	RETAINER, WIRING HARNESS	47	34	F307962	MOUNT, SHOCK, SIDE UPPER	59	12
98775--2	PLATE, FUEL PUMP	39	4	F316579	SEAL, CRANKCASE	49	15
F10265	NEEDLE, INLET	31	17	F333316	SHAFT, THROTTLE ROLLER	31	29
F10265	NEEDLE, INLET	35	17	F333316	SHAFT, THROTTLE ROLLER	35	29
F10267	SCREW ASSEMBLY, FUEL BOWL	31	24	F366349-1	LOCK, REVERSE	61	31
F10267	SCREW ASSEMBLY, FUEL BOWL	35	24	F366433-1	STOP, TILT	65	10
F10268	SCREW, IDLE MIXTURE	31	15	F366433-1	STOP, TILT, STARBOARD	61	14
F10268	SCREW, IDLE MIXTURE	35	15	F433473	CUP, METERING	23	3
F10274	NOZZLE, PRIMING	31	13	F438493	BRACKET, TERMINAL BLOCK	17	10
F10274	NOZZLE, PRIMING	35	13	F438747	DIAPHRAGM, FUEL PUMP	37	7
F10275	SCREW, SEALING	31	12	F476066-1	COVER, THERMOSTAT	53	1
F10275	SCREW, SEALING	35	12	F480107-2	CAM, STARTER INTERLOCK 1991B THRU 1992C	69	4
F10286	JET (.052), THROTTLE	31	11	F481777	CAM, LATCH SHAFT	9	18
F10346	FLOAT, FUEL BOWL	31	19	F499026	SWIVEL, TOWERSHAFT	41	15
F10346	FLOAT, FUEL BOWL	35	19	F499026	SWIVEL, TOWERSHAFT	43	15
F10360	NOZZLE, MAIN	31	21	F499035	END, CONTROL ROD	41	14
F10360	NOZZLE, MAIN	35	21	F499035	END, CONTROL ROD	43	14
F10361	SHUTTER, THROTTLE	31	3	F499036-1	END, CONTROL ROD (1/4-28 LH)	41	17
				F499036-1	END, CONTROL ROD (1/4-28 LH)	43	17
				F58685-2	CONNECTOR, SHIFT	85	28

PARTS INDEX

Part Number	Description	Pg.	Ref. No.	Part Number	Description	Pg.	Ref. No.
F5H043	BUZZER KIT, HEAT INDICATOR 91B THRU 92C	55	1	F749381F	TILT/TRIM CYLINDER ASSEMBLY (PAINTED)	79	10
F5H141	LINK KIT, STEERING	9	2	F749381F	TILT/TRIM CYLINDER ASSEMBLY (PAINTED)	81	10
F5H193	CABLE (7' EXTENSION)	85	19	F749551-1	BRACKET, INTERLOCK SWITCH	17	15
F5H216	BRACKET KIT, TILT LOCK	9	8	F749586-1	SHAFT, REVERSE LOCK	63	36
F5H267	REMOTE CONTROL ASSEMBLY	85	--	F749615-1	ROD, UPPER GEAR SHIFT(91B/92C)	69	13
F5H268	SWITCH KIT, IGNITION (SHORT BARREL)	85	23	F749660-1	TUBE, EXHAUST	57	3
F5H272	SPACER KIT, TRAILERING	77	9	F749704	COUPLING, GEAR SHIFT ROD	69	17
F5H272	SPACER KIT, TRAILERING	79	9	F749736	SEAL, EXHAUST TUBE	57	4
F5H272	SPACER KIT, TRAILERING	81	9	F749827	LEVER, REVERSE LOCK	63	37
F607689	BEARING, TOWERSHAFT CENTER	41	11	F749894	POINTER, TIMING	27	8
F607689	BEARING, TOWERSHAFT CENTER	43	11	F749984	BLANKET, SOUND, TOP	7	--
F616675	BRACKET, STARTER MOUNT	21	17	F749985	BLANKET, SOUND, SIDE	7	--
F629449-2	THERMOSWITCH 91B THRU 92C	55	5	F85445-1	ROD, SPARK CONTROL	41	18
F658836	SPACER, FUEL PUMP	37	17	F85445-1	ROD, SPARK CONTROL	43	18
F660141-1	CONNECTOR	85	31	F85872-2	BRACKET, REMOTE CABLE	41	27
F660327	ACTUATOR	85	30	F91446-2	BRACKET, CIRCUIT BREAKER	77	23
F660332	PLUG	85	17	F93920	STOP, REED	23	5
F660411	RING, RETAINING	87	32	FA58976-1	CONNECTOR, THROTTLE	85	29
F660611	LEVER ASSEMBLY	85	13	FA609853	DECAL KIT, SHIFT TO NEUTRAL	11	3
F660642	RETAINER	87	33	FA609853	DECAL KIT, SHIFT TO NEUTRAL	15	3
F660911	PLATE	87	35	FA616497	BLOCK KIT, TERMINAL	17	1
F660978	BRACKET, RELAY	77	20	FA658113	BAR KIT, LOCK, STERN BRACKET	61	24
F660995	COVER	85	1	FA663744	WIRE KIT	77	26
F663480-1	RETAINER, COWL FRONT	9	11	FA749167	MANIFOLD KIT, INTAKE	27	1
F663756-1	PACKING (70") CUT AS REQ'D	9	23	FA749838	TOWERSHAFT ASSEMBLY	41	1
F664068	THERMOSTAT (130D)	53	5	FK10023	GASKET SET, CARBURETOR	33	34
F684354	BRACKET, UPPER SHOCK MOUNT	9	14	FK10023	GASKET SET, CARBURETOR	35	34
F684408	COVER, STARTER RELAY	9	27	FK405020	SWIVEL KIT, CABLE CLAMP	41	21
F684611	ROD, GEAR SHIFT EXTENSION	69	15	FK405020	SWIVEL KIT, CABLE CLAMP 1991B THRU 1992C	69	2
F684774	BRACKET, COWL LATCH REAR	7	5	FK681602	LANYARD KIT (TO REPLACE CUP STYLE)	85	18
F684989	SEAL, BOTTOM COWL PLATE	9	22	FK681602	SWITCH KIT, EMERGENCY STOP	85	21
F686096	RETAINER, BOOSTER SPRING	37	6	FK684201	WASHER 1991B THRU 1992C	65	19
F692152	COVER, EXHAUST	45	17	FK684201	WASHER KIT (1991B THRU 1992C)	61	20
F695500	BOWL, FUEL PUMP	37	21	FO13193	JET, MAIN FUEL (.088) (1500-3000') CARB TC-125A	31	14
F717619	YOKE, GEAR SHIFT	75	7	FO13193	JET, MAIN FUEL (.088) (4500-6000')	35	14
F719902	SPACER, THERMOSTAT	53	6	FO13193	JET, MAIN FUEL (.088) (6000-10000') CARB TC-111A	31	14
F743454F	BRACKET, PUMP/MOTOR MOUNT (PAINTED)	77	2	FO13949	JET, MAIN FUEL (.086) (3000-4500') CARB TC-125A	31	14
F743454F	BRACKET, PUMP/MOTOR MOUNT (PAINTED)	79	2				
F749192	CAM, THROTTLE	41	24				
F749192	CAM, THROTTLE	43	24				
F749271	RETAINER, DRIVESHAFT SPLINE SEAL	73	6				
F749364	ARM, REVERSE LOCK	61	34				

PARTS INDEX

Part Number	Description	Pg.	Ref. No.	Part Number	Description	Pg.	Ref. No.
FO13949	JET, MAIN FUEL (.086) (6000-10000')	35	14	FT8914	REMOVER, SEAL, CRANKSHAFT CAGE	92	-
FO14191	JET, MAIN FUEL (.094) (0 - 1500')	35	14	FT8919	PUNCH, CLUTCH SPRING PIN	92	-
FO14191	JET, MAIN FUEL (.094) (1500-3000') CARB TC- 111A	31	14	FT8925	INSTALLER, SEAL, LOWER CRANKSHAFT	92	-
FO16130	BOWL, FUEL	31	23	FT8926	EXPANDER, PISTON RINGS	92	-
FO16130	BOWL, FUEL	35	23	FT8933	HOOK, LIFTING, CRANKSHAFT END	92	-
FO16143	SPRING, THROTTLE SHAFT	31	8	FT8936-1	SEALANT, LOCTITE RC-609	93	-
FO16143	SPRING, THROTTLE SHAFT	35	8	FT8948-1	PULLER KIT, FLYWHEEL . . .	92	-
FO16620	E-RING, THROTTLE SHAFT	31	9	FT8950	LEAKAGE TESTER, LOWER UNIT	92	-
FO16620	E-RING, THROTTLE SHAFT	35	9	FT8969	LUBICANT, LPS #1	93	-
FO16993	TUBE, BY-PASS	31	6	FT8978-1	TIMING LIGHT, IGNITION . .	92	-
FO16993	TUBE, BY-PASS	35	6	FZ718366	MEDALLION, US MARINE . .	7	11
FO17884	SHAFT, THROTTLE	31	7	10-16452	SCREW (#12-24 X 2")	39	12
FO17884	SHAFT, THROTTLE	35	7	10-19921075	SCREW (5/16-18 X 3/4")WITH DRY LOC	27	17
FS409752	LINE ASSEMBLY, FUEL (COMPLETE) FORCE	89	--	10-19921238	SCREW (5/16-18 X 2-3/8") WITH DRY LOC	57	21
FT11207	PULLER, FORWARD GEAR BEARING RACE	92	-	10-19921238	SCREW (5/16-18 X 2-3/8") WITH DRY LOC	59	3
FT11209	GUIDE SET, INSTALLER/REMOVER, GEAR BEARING RACE . .	92	-	10-19922150	SCREW (3/8-16 X 1-3/8") WITH DRY LOC	59	16
FT11240	WRENCH, SPANNER, TRIM/TILT CYLINDER . . .	92	-	10-19923062	SCREW (1/4-20 X 5/8") WITH DRY LOC	9	12
FT11293	WRENCH, SPANNER, UPPER DRIVESHAFT RETAINER	92	-	10-19923062	SCREW (1/4-20 X 5/8") WITH DRY LOC	21	18
FT11295	SPARK TESTER, IGNITION SYSTEM	92	-	10-19923062	SCREW (1/4-20 X 5/8") WITH DRY LOC	21	19
FT11296	INSTALLER, FORWARD GEAR BEARING RACE . .	92	-	10-19923088	SCREW (1/4-20 X 7/8") WITH DRY LOC	81	5
FT11297	ADAPTER, TORQUING	92	-	10-19923088	SCREW (1/4-20 X 7/8")W/DL	77	5
FT2938-1	CONTINUITY TESTER, ELECTRICAL CIRCUITS . .	92	-	10-19923088	SCREW (1/4-20 X 7/8")WITH DRY LOC	79	5
FT2948	HELI-COIL KIT (3/8-16)	93	-	10-19925125	SCREW (3/8-16 X 1-1/4") WITH DRY LOC	57	19
FT2951	CIRCUIT TRACER, ELECTRICAL SYSTEM . . .	92	-	10-19925125	SCREW (3/8-16 X 1-1/4") WITH DRY LOC	59	13
FT2953	SOCKET, CONNECTING ROD SCREWS	92	-	10-19925150	SCREW (3/8-16 X 1- 1/2")WITH DRY LOC	75	24
FT2962-2	SEALANT, LOCTITE H	93	-	10-19925175	SCREW (3/8-16 X 1-3/4") WITH DRY LOC	77	12
FT2969	HELI-COIL KIT (10-24)	92	-	10-19925175	SCREW (3/8-16 X 1-3/4") WITH DRY LOC	79	12
FT2970	HELI-COIL KIT (1/4-20)	92	-	10-19925175	SCREW (3/8-16 X 1-3/4") WITH DRY LOC	81	12
FT2971	HELI-COIL KIT (5/16-18)	93	-	10-19925175	SCREW (3/8-16 X 1-3/4") WITH DRY LOC	81	12
FT2989	WEDGE, FLYWHEEL	92	-	10-19926100	SCREW (10-24 X 1") WITH DRY LOC	15	17
FT2990-1	PISTON PIN TOOLS, PISTON PINS	92	-	10-19927075	SCREW (1/4-20 X 3/4")W/DL	53	2
FT2991	BRUSH, WIRE, CARBON REMOVER	92	-	10-19929162	SCREW (3/8-16 X 1-5/8") WITH DRY LOC	59	19
FT2996	COMPRESSER, PISTON RINGS	92	-	10-19931088	SCREW (10-24 X 7/8") WITH DRY LOC	43	12
FT8900	PLIERS, HOSE CLAMPS, FUEL LINE	92	-	10-19933-30	SCREW (M10 X 1.5 X 30) . .	75	21
FT8901	HOLDER, DIAL INDICATOR .	92	-	10-28430	SCREW (6-32 X 1/4")	37	2
FT8902	DIAL INDICATOR, PROPSHAFT	92	-	10-28635	SCREW (1/4-20 X 5/8")	9	28
FT8903	INSTALLER, SEAL, CRANKSHAFT CAGE	92	-	10-28636	SCREW (1/4-20 X 3/4")	29	10
				10-28636	SCREW (1/4-20 X 3/4")	45	31

PARTS INDEX

Part Number	Description	Pg.	Ref. No.	Part Number	Description	Pg.	Ref. No.
10-28636	SCREW (1/4-20 X 3/4")	47	35	10-826371	SCREW (5/16-18 X 1-1/4")		
10-28636	SCREW (1/4-20 X 3/4"), GROUND	25	12	10-826376	WITH DRY LOC	59	7
10-28639	SCREW (1/4-20 X 5/8")	7	6	10-826380	SCREW (1/4-28 X 5/8") WITH DRY LOC	9	29
10-29541	SCREW (1/4-20 X 1-1/8")	57	15	10-826381	SCREW (1/4-20 X 5/8") WITH DRY LOC	27	14
10-29541	SCREW (1/4-20 X 1-1/8")	59	22				
10-32132	SCREW (3/8-16 X 1-3/4")	45	5	10-90072	SCREW (1/4-28 X 5/8") WITH DRY LOC	9	16
10-34354	SCREW (3/8-16 X 1-1/2")	57	17	10-90086	SCREW (3/8-24 X 1-3/4")	9	5
10-34939	SCREW (1/4-20 X 1/2")	17	9	10-90086	SCREW (5/16-18 X 1-1/2")	77	3
10-40003-53	SCREW (M8 X 1.25 X 25)	75	19	10-90086	SCREW (5/16-18 X 1-1/2")	79	3
10-40003-58	SCREW (M8 X 50)	92	-	10-90285	SCREW (5/16-18 X 5/8")	7	3
10-41069	SCREW (10-24 X 3/4")	17	2	10-91012	SCREW, CONNECTING ROD	49	17
10-41069	SCREW (10-24 X 3/4")	17	5	10-92160	SCREW (1/4-20 X 3/4")	49	8
10-41069	SCREW (10-24 X 3/4") (DESIGN I)	37	10	10-92710	SCREW (1/2-20 X 5")	61	16
10-41772	SCREW (10-24 X 1/2")	9	25	10-92710	SCREW (1/2-20 X 5")	65	15
10-41805	SCREW (10-24 X 5/8")	11	20	10-94207	SCREW (3/8-16 X 2")	45	32
10-41805	SCREW (10-24 X 5/8")	15	15	10-98254	SCREW (1/4-20 X 5/8")	23	20
10-47688	SCREW (3/8-16 X 2-3/4")	45	4	10-98254	SCREW (1/4-20 X 5/8")	25	11
10-49668	SCREW (1/4-20 X 3/4")	43	30	10-98254	SCREW (1/4-20 X 5/8")	37	22
10-53734	SCREW (3/8-16 X 3")	47	37	10-98254	SCREW (1/4-20 X 5/8")	39	8
10-55515	SCREW (10-32 X 3/4") (DESIGN II)	37	10	10-98254	SCREW (1/4-20 X 5/8") (91B/92C)	29	3
10-56682	SCREW (10-24 X 3/4")	37	24	10-F10328	SCREW, SHUTTER	31	4
10-67755--1	SCREW (1/2-20 X 4-1/2")	61	19A	10-F10328	SCREW, SHUTTER	35	4
10-67755--1	SCREW (1/2-20 X 4-1/2")	65	18A	10-F1129	SCREW (5/16-18 X 1/2")	67	13
10-69080	SCREW (6-32 X 1/4")	17	19	10-F1280	SCREW (8-32 X 1/4")	85	24
10-69080	SCREW (6-32 X 1/4")	85	6	10-F1286	SCREW (4-40 X 3/16")	23	7
10-69080	SCREW (6-32 X 1/4")91B THRU 92C	55	3	10-F1504	SCREW (1/4-20 X 1-1/4")	37	8
10-73286	SCREW (1/4-20 X 1/2")	31	28	10-F1504	SCREW (1/4-20 X 1-1/4")	41	4
10-73286	SCREW (1/4-20 X 1/2")	35	28	10-F1504	SCREW (1/4-20 X 1-1/4")	43	4
10-76213	SCREW (1/4-20 X 1-1/8")	27	9	10-F1532	SCREW (1/4-20 X 1")	9	15
10-76213	SCREW (1/4-20 X 1-1/8")	45	19	10-F1532	SCREW (1/4-20 X 1")	17	13
10-76566	SCREW (10-24 X 1")	11	37	10-F1532	SCREW (1/4-20 X 1")	27	5
10-76566	SCREW (10-24 X 1")	15	17	10-F1635	SCREW (3/8-16 X 3-1/2")	67	8
10-76630	SCREW (1/4-20 X 1")	23	10	10-F1733	SCREW (10-24 X 9/16")	9	10
10-79953	SCREW, SPECIAL (3/8-16 X 1/4")	73	19	10-F1733	SCREW (10-24 X 9/16")	81	20
10-812832--1	SCREW (#10-16 X .60")	47	44	10-F1741	SCREW (10-24 X 9/16")	85	20
10-812987	SCREW (10-24 X 1-1/4")	11	15	10-F1741	SCREW (#8 X 3/4")	85	12
10-812987	SCREW (10-24 X 1-1/4")	15	14	10-F1741	SCREW (#8 X 3/4")	85	7
10-813436	SCREW AND WASHER KIT (4 PCS EACH)	83	3	10-F1741	SCREW (#8 X 3/4") 91B THRU 92C	55	2
10-813446	SCREW KIT (4 PCS)	83	12	10-F1760	SCREW (10-24 X 3/8")	77	21
10-813453	BOLT AND NUT KIT	83	19	10-F1800	SCREW (1/4-20 X 7")	92	-
10-815687	SCREW (3/8-16 X 1-1/4")	67	9	10-F1829	SCREW (10-24 X 7/8")	41	12
10-817458	SCREW (10-24 X 2-1/4")	11	26	10-F1883	SCREW (5/16-18 X 2-3/8")	45	29
10-817458	SCREW (10-24 X 2-1/4")	15	21	10-F1883	SCREW (5/16-18 X 2-3/8")	57	16
10-817504	SCREW (1/4-20 X 1-1/2")	15	30	10-F1972	SCREW (1/4-20 X 2-1/2")	92	-
10-817505	SCREW (1/4-20 X 5/8")	11	36	10-F1999	SCREW (1/4-20 X 7/8"), GROUND WIRE	47	39
10-817505	SCREW (1/4-20 X 5/8")	15	30	10-F2000	SCREW (5/16-18 X 3/4"), GROUND	57	8
10-820589	SCREW (1/4-20 X 1-1/4")	45	12	10-F2000	SCREW (5/16-18 X 3/4"), GROUND	59	17
10-820628	SCREW (1/4-20 X 5/8")	17	22	10-F2185	SCREW (3/8-16 X 3-1/2") 1991B THRU 1992C	65	18
10-821045-40	SCREW (M5 X .8 X 40), FUEL PUMP	39	3	10-F2185	SCREW (3/8-16 X 3-1/2") (1991B THRU 1992C)	61	19
10-824832--4	SCREW (M6 X 1 X 16MM)	71	14				
10-824941	SCREW (5/16-18 X 3/4")	57	12				
10-824941	SCREW (5/16-18 X 3/4")	59	23				

PARTS INDEX

Part Number	Description	Pg.	Ref. No.	Part Number	Description	Pg.	Ref. No.
10-F2193	SCREW (6-32 X 7/8")	17	17	11-91962	NUT (1/2-20)	61	18
10-F2214	SCREW (1/4-28 X 1/2")	69	14	11-91962	NUT (1/2-20)	65	17
10-F2217	SCREW (10-24 X 3/8")	41	10	11-F1669	NUT (6-32)	61	33
10-F2217	SCREW (10-24 X 3/8") 1991B THRU 1992C	69	3	11-F1968	NUT (3/4-16)	11	1
10-F2217	SCREW (10-24 X 3/8")(91B/92C)	69	9	11-F1968	NUT (3/4-16)	15	1
10-F405457	SCREW, PIVOT	41	22	11-F1968	NUT (3/4-16)	49	9
10-F405457	SCREW, PIVOT 1991B THRU 1992C	69	--	11-F1997	NUT (8-32)	33	31
10-F660165	SCREW	85	16	11-F1997	NUT (8-32)	35	31
10-F660480	SCREW	85	4	11-F2015	NUT (1/4-28)	41	19
10-F660732	SCREW	85	2	11-F2015	NUT (1/4-28)	43	19
10-F660751	SCREW	87	36	11-F7006	NUT (5/16-18)	11	29
10-F901938-1	SCREW, CYLINDER HEAD	45	18	11-F7006	NUT (5/16-18)	15	24
11-20110	NUT (10-32)	41	28	11-F7009	NUT (10-24)	41	16
11-20110	NUT (10-32)	43	32	11-F7009	NUT (10-24)	43	16
11-20361	NUT (1/4-28)	21	15	11-F84280	NUT, KINGPIN	61	4
11-30499	NUT (7/8-14)	61	23A	11-F84280	NUT, KINGPIN	65	4
11-30499	NUT (7/8-14)	65	23	12-18552	WASHER	23	6
11-34059	NUT (10-32)	27	18	12-18678	WASHER	57	14
11-34059	NUT (10-32)	43	31	12-18678	WASHER	59	21
11-34059	NUT (10-32)	69	25	12-19183	SEAL	73	20
11-34863	NUT (3/8-24)	9	4	12-20546	WASHER	69	23
11-35778	NUT (1/2-20)	77	14	12-25909	WASHER (.406 X .812 X .065)	92	-
11-35778	NUT (1/2-20)	79	14	12-27882	WASHER	61	35
11-35778	NUT (1/2-20)	81	14	12-27882	WASHER (1991B THRU 1992C)	17	18
11-45076	NUT (10-24)	11	28	12-28421	WASHER	61	17
11-45076	NUT (10-24)	15	23	12-28421	WASHER	61	20A
11-45076	NUT (10-32)	11	18	12-28421	WASHER	65	16
11-55910	NUT, SPECIAL (7/16-20)	73	4	12-28421	WASHER	65	19A
11-64015	NUT (1/4-20)	41	5	12-31247	WASHER	15	19
11-64015	NUT (1/4-20)	43	5	12-31247	WASHER	49	24
11-68219	NUT (10-32)	19	26	12-34437	WASHER	45	30
11-68219	NUT (10-32)	41	7	12-34931	WASHER	57	20
11-68219	NUT (10-32)	43	22	12-34931	WASHER	59	14
11-68219	NUT (10-32)	77	24	12-34931	WASHER	69	6
11-68219	NUT (10-32)	85	27	12-35044	WASHER	29	11
11-68219	NUT (10-32) (DESIGN II)	37	18	12-35044	WASHER (.281 X .625 X .065)	92	-
11-68292	NUT (5/16-18)	19	24	12-37828	WASHER	9	3
11-68292	NUT (5/16-18)	69	22	12-37828	WASHER	45	6
11-68411	NUT (3/8-16)	69	8	12-37828	WASHER	57	25
11-69578A1	NUT KIT-PROPSHAFT	3	002	12-37828	WASHER	59	11
11-72008	NUT (1/4-20)	41	23	12-40023-16	WASHER	9	17
11-72008	NUT (1/4-20)	41	26	12-40023-16	WASHER	63	40
11-72008	NUT (1/4-20)	43	26	12-45175	WASHER	75	22
11-72008	NUT (1/4-20) 1991B THRU 1992C	69	--	12-45175	WASHER	75	25
11-79989	NUT (10-24) (DESIGN I)	37	18	12-56681	WASHER	47	43
11-812820	NUT, DRIVESHAFT	73	7	12-71055	WASHER	63	41
11-826378	NUT (5/16-18) WITH DRY LOC	67	7	12-71055	WASHER 1991B THRU 1992C	11	23
11-86226	NUT (3/8-16)	27	7	12-74758	WASHER	63	38
11-86226	NUT (3/8-16)	45	7	12-74758	WASHER	65	9
11-86226	NUT (3/8-16)	57	26	12-813450	THRUST WASHER KIT	83	16
11-86226	NUT (3/8-16)	59	10	12-89302	WASHER	77	22
11-86226	NUT (3/8-16) (1991B THRU 1992C)	61	21	12-F1856	WASHER	43	7
11-86226	NUT (3/8-16) 1991B THRU 1992C	65	20	12-F522286	WASHER	61	7
				12-F522286	WASHER	65	7
				12-F660595	WASHER	85	3
				12-F8012	WASHER (.203 X .469 X .049)	92	-
				12-F8015	WASHER	77	13
				12-F8015	WASHER	79	13

PARTS INDEX

Part Number	Description	Pg.	Ref. No.	Part Number	Description	Pg.	Ref. No.
12-F8015	WASHER	81	13	16-826394	STUD (3/8-16 X 3-27/32")		
12-F8042	WASHER	57	6		WITH DRY LOC	45	2
12-F89011	WASHER	61	3	16-F746210	STUD (5/16-18 X 2-1/4")	11	10
12-F89011	WASHER	65	3	16-F98273	STUD, END CONNECTOR	41	20
13-26992	LOCKWASHER (1/4")	9	24	17-20433	PIN, DOWEL (3/8" X 1")		
13-26992	LOCKWASHER (1/4")	21	20		(STYLE I)	45	3
13-26992	LOCKWASHER (1/4")	37	12	17-25870	PIN, ROLL	61	25
13-26992	LOCKWASHER (1/4")	77	6	17-38489	PIN, ROLL	41	3
13-26992	LOCKWASHER (1/4")	79	6	17-38489	PIN, ROLL	43	3
13-26992	LOCKWASHER (1/4")	81	6	17-43043	PIN, DOWEL	73	11
13-26996	LOCKWASHER (#10)	13	38	17-43044	PIN, DOWEL	73	10
13-26996	LOCKWASHER (#10)	15	18	17-43044	PIN, DOWEL (3/8" X 5/8")		
13-26996	LOCKWASHER (#10)	17	14		(STYLE II)	45	3
13-26996	LOCKWASHER (#10)	17	3	17-817467	PIN, SPRING	75	10
13-26996	LOCKWASHER (#10)	19	25	17-820618	PIN, CYLINDER CLEVIS		
13-26996	LOCKWASHER (#10)	37	9		(LOWER)	77	15
13-26996	LOCKWASHER (#10)	77	28	17-820618	PIN, CYLINDER CLEVIS		
13-35048	LOCKWASHER (3/8")	47	40		(LOWER)	79	15
13-53166	LOCKWASHER	57	22	17-820618	PIN, CYLINDER CLEVIS		
13-53166	LOCKWASHER (5/16")	7	4		(LOWER)	81	15
13-53166	LOCKWASHER (5/16")	17	23	17-823605	PIN, LOCATING (PRESSED		
13-53166	LOCKWASHER (5/16")	57	18		INTO BLOCK)	49	13
13-53166	LOCKWASHER (5/16")	59	2	17-F1727	RIVET	43	8
13-53166	LOCKWASHER (5/16")	77	4	17-F691372	PIN, WATER JACKET TUBE		
13-53166	LOCKWASHER (5/16")	79	4		BLACK	45	8
13-53166	LOCKWASHER (5/16"),			17-F719372	PIN, WATER JACKET TUBE		
	GROUND	57	9		(NATURAL)	45	8
13-53166	LOCKWASHER (5/16"),			17-F749440	PIN, CYLINDER CLEVIS		
	GROUND	59	18		(UPPER)	77	29
13-58643	LOCKWASHER (3/8")	57	18A	17-F749440	PIN, CYLINDER CLEVIS		
13-58643	LOCKWASHER (3/8")	59	15		(UPPER)	79	24
13-69708	WASHER	65	12	17-F749440	PIN, CYLINDER CLEVIS		
13-69708	WASHER, WAVE	61	12		(UPPER)	81	23
13-78968	LOCKWASHER (1/4"			17-F749458	PIN, TILT LOCK	61	11
	INTERNAL), GROUND	25	13	17-F749458	PIN, TILT LOCK	65	11
13-78968	WASHER (1/4" INTERNAL),			17-F85372	PIN, GEAR SHIFT ROD		
	GROUND WIRE	45	25		LOWER	69	18
13-F1704	LOCKWASHER (#6)	17	20	17-F85372	PIN, GEAR SHIFT ROD		
13-F2047	WASHER, WAVE	9	19		LOWER	69	26
13-F2442	WASHER, WAVE	11	5	17-F85372	PIN, GEAR SHIFT ROD		
13-F2442	WASHER, WAVE	15	5		LOWER	73	15
13-F8049	WASHER, WAVE	69	12	17-FO13944	PIN, FLOAT	31	20
13-F8124	LOCKWASHER (5/16			17-FO13944	PIN, FLOAT	35	20
	EXTERNAL)	59	24	18-26953	PIN, COTTER	63	39
13-F8124	LOCKWASHER (5/16"			18-89961	PIN, COTTER	77	30
	EXTERNAL)	27	16	18-89961	PIN, COTTER	79	25
13-F8124	LOCKWASHER (5/16")	57	13	18-89961	PIN, COTTER	81	24
14-76281	WASHER-TAB	3	003	18-F1015	PIN, COTTER	69	19
14-826613	TAB WASHER	75	19A	18-F1015	PIN, COTTER	69	27
15-812769A1	SHIM SET, FRONT GEAR	75	3	18-F1015	PIN, COTTER	73	16
15-812770A1	SHIM SET, DRIVESHAFT	73	5	18-F525629	PIN, COTTER	9	8A
16-826387	STUD (3/8-16 X 1-5/8") WITH			19-F2067	CAP, CRANKSHAFT END	49	10
	DRY LOC	69	5	19-FO10588	PLUG, CUP	31	5
16-826387	STUD (3/8-16 X 1-5/8") WITH			19-FO10588	PLUG, CUP	35	5
	DRY LOC, CARBURETOR	27	2	19-FO16128	PLUG, WELCH	31	2
16-826389	STUD (1/4-20 X 1-1/4") WITH			19-FO16128	PLUG, WELCH	35	2
	DRY LOC, THROTTLE			21-13331A1	VALVE, CHECK (INLET)	91	8
	CAM	27	3	21-13331A2	VALVE, CHECK (OUTLET)	91	9
16-826393	STUD (5/16-18 X 2-1/4")W/DL	15	10	21-42657A1	VALVE, CHECK	45	11
16-826393	STUD (5/16-18 X 2-1/4")W/DL	15	10	21-42658	FITTING	23	15

PARTS INDEX

Part Number	Description	Pg.	Ref. No.	Part Number	Description	Pg.	Ref. No.
21-42658	VALVE, CHECK	25	5	23-826806	SPACER, PISTON PIN		
21-42864	FITTING (90 DEG.)	25	1		STYLE I 91B THRU 92C &		
21-42990A10	DIAPHRAGM KIT	39	2		POWERHEAD ASSY 800-		
21-820706	FITTING (T)	25	3		818153A10	49	22
21-F177330	VALVE, FUEL PUMP	37	3	23-828763	BUSHING, CABLE ENTRY	9	9
22-13035	FITTING	67	10	23-91912	BUSHING	11	17
22-13563A3	CONNECTOR, ENGINE	91	12	23-94304	SPACER	11	16
22-45794	ELBOW	77	8	23-97896	BUSHING	69	11
22-45794	ELBOW	79	8	23-F191169-1	BEARING, KINGPIN	61	2
22-45794	ELBOW	81	8	23-F191169-1	BEARING, KINGPIN	65	2
22-48166	CONNECTOR	77	17	23-F213238-2	BUSHING, FUEL	89	10
22-48166	CONNECTOR	79	17	23-F269052	BEARING, SHIFT ARM	69	7
22-48166	CONNECTOR	81	17	23-F269319	BUSHING, THROTTLE CAM	41	25
22-56800	PLUG, PIPE	73	24	23-F269319	BUSHING, THROTTLE CAM	43	25
22-64705	FITTING	37	11	23-F366215	SPACER, PISTON PIN		
22-67892	PLUG, OIL DRAIN				STYLE II POWERHEAD		
	(MAGNETIC)	73	23		ASSY 800-818153A21	51	28
22-813435	PLUG KIT	83	8	23-F40689-1	BEARING, TOWERSHAFT		
22-813613	FITTING, TELLTALE (CUT AS				LOWER	41	9
	REQ'D 1991C THRU			23-F40689-1	BEARING, TOWERSHAFT		
	1992C)	45	22		LOWER	43	33
22-816856A3	CONNECTOR, FUEL	91	15	23-F522359	SPACER, STEERING LINK	9	6
22-818103--1	ELBOW (91B THRU 92C)	27	4	23-F694359	SPACER	29	5
22-818103--1	FITTING CUT AS REQ'D			23-F722452	SPACER 1991B THRU 1992C	11	24
	(1991B THRU 1992C)	23	14	23-F722932	SPACER, ELECTRICAL		
22-823532	CONNECTOR ASSEMBLY,				BRACKET	15	11
	FUEL	91	3	23-F722932	SPACER, ELECTRICAL		
22-85822	CONNECTOR,				BRACKET	15	11
	SPEEDOMETER TUBE	67	14	23-F722932	SPACER, IGNITION PLATE	11	11
22-88780	ELBOW	27	4	24-27160	SPRING, IDLE MIXTURE		
22-88780	ELBOW CUT AS REQ'D	23	14		SCREW	31	16
22-88780	ELBOW, MANIFOLD	25	8	24-27160	SPRING, IDLE MIXTURE		
22-88780	FITTING CUT AS REQ'D	23	12		SCREW	35	16
22-89771--1	CONNECTOR, FUEL TANK	91	13	24-F286461	SPRING, LOCK BAR		
22-99664	ELBOW	25	4		HANDLE	61	27
22-99664	ELBOW	39	5	24-F366300	SPRING, REVERSE LOCK	61	30
22-99664	ELBOW (CUT AS REQ'D			24-F664268	SPRING, THERMOSTAT	53	4
	1991C THRU 1992C)	45	21	24-F686300	SPRING, FUEL PUMP		
22-F213274	FITTING, GREASE	61	6		BOOST	37	5
22-F213274	FITTING, GREASE	65	6	25-20195	O RING, WATER LINE	57	5A
22-F404314	ELBOW (91B THRU 92C)	37	15	25-25007	O RING	73	22
22-F404801	FITTING CUT AS REQ'D			25-30224	O RING	71	11
	(1991B THRU 1992C)	23	12	25-45258	O RING, SHIFT ROD	73	14
22-F722109-1	PLUG, CYLINDER HEAD	45	26	25-64872	GROMMET	15	25
22-F743314	ELBOW	23	17	25-813439A2	SEAL KIT	83	6
22-F743314	ELBOW	37	15	25-815460	O RING	75	15
22-F743314	ELBOW, RECIRCULATING	25	6	25-817491	GROMMET	11	31
22-F743314	ELBOW, RECIRCULATING	39	11	25-819427	SEAL, DRIVESHAFT SPLINE	73	8
22-F84314-2	ELBOW	29	6	25-819638	O RING	83	20
22-F84314-2	ELBOW, FUEL	31	10	25-823533	O RING	91	4
22-F84314-2	ELBOW, FUEL	35	10	25-F316599	O RING, STEERING TUBE	61	23
23-43045	INSULATOR, WATER PUMP	71	15	25-F316599	O RING, STEERING TUBE	65	22
23-812707	BUSHING	9	20	25-F660504	GROMMET	85	9
23-817473--1	BUSHING, SHIFT ROD SEAL	73	13	25-F694504	GROMMET	29	4
23-819006--2	BUSHING, CABLE ENTRY	9	7	25-F84342	SEAL, WATER LINE	57	5
23-819452	BUSHING	27	19	25-F84342	SEAL, WATER TUBE	59	6
23-819452	BUSHING	69	24	26-69188	SEAL	75	17
23-819513	BUSHING, TOWERSHAFT			26-69189	SEAL (LINE CUTTING)	75	18
	UPPER	41	2	26-814669	SEAL, OIL	71	13
				26-814669A1	GEAR HOUSING SEAL KIT	71	-

PARTS INDEX

Part Number	Description	Pg.	Ref. No.	Part Number	Description	Pg.	Ref. No.
26-814669A1	GEAR HOUSING SEAL KIT .	73	-	30-20839	BEARING, BALL	75	13
26-814669A1	GEAR HOUSING SEAL KIT .	75	-	30-F284659-2	BEARING, UPPER	49	2
26-814669A1	SEAL KIT, GEAR HOUSING .	75	23	31-21700	BEARING, NEEDLE	75	16
26-814670	SEAL, OIL	71	12	31-21739	BEARING, NEEDLE	75	5
26-817472	SEAL, GEAR SHIFT ROD LOWER	73	12	31-62596A2	CAGE/ROLLER SET	49	18
26-F523146-1	SEAL	49	5	31-77420A1	BEARING SET, ROLLER . . .	73	2
26-F523146-1	SEAL	49	7	31-812767A1	BEARING ASSEMBLY	75	6
26-F664914	SEAL , THERMOSTAT	53	7	31-812768	BEARING, NEEDLE ROLLER	73	9
27-19454--1	GASKET (UPPER)	71	4	31-819193	CAGE/ROLLER SET	49	14
27-19701	GASKET (LOWER)	71	5	31-F335217-1	BEARING SET (26) STYLE I 91B THRU 92C & POWERHEAD ASSY 800- 818153A10	49	20
27-819023	GASKET, EXHAUST PORT PLATE	45	15	31-F335217-1	BEARING SET (26) STYLE II POWERHEAD ASSY 800- 818153A21	51	26
27-819049--2	GASKET, EXHAUST 91C THRU 92C	67	2	31-FA523014	BEARING ASSEMBLY, LOWER	49	4
27-819113	GASKET, REED PLATE ADAPTER	27	12	31-FA85655-1	BEARING ASSY, CENTER MAIN	49	11
27-819114	GASKET, INTAKE MANIFOLD	27	10	32-16789-78	FUEL LINE (9') CUT AS REQ'D	91	17
27-819381--3	GASKET, SPACER PLATE . .	45	14	32-16789100	FUEL LINE (100') CUT AS REQ'D	91	--
27-820438	GASKET, CYLINDER HEAD .	45	24	32-16789A26	LINE ASSY, FUEL (5/16" I.D.) (8 FT) (18" X 72")	91	6
27-820475A1	GASKET KIT, EXHAUST 1991B MODELS	67	2	32-19409-64	HOSE (4-1/2") CUT AS REQ'D (91B THRU 92C) . .	29	8
27-820490	GASKET, FUEL PUMP	37	16	32-43014--5	TUBE, WATER	59	5
27-820500	GASKET, FUEL PUMP	37	23	32-817738A1	LINE KIT, FUEL	89	16
27-820500	GASKET, TRANSFER PORT	23	19	32-819112--1	LINE, HYDRAULIC (DOWN) .	77	7
27-820500	GASKET, TRANSFER PORT & FUEL PUMP COVERS .	39	10	32-819112--1	LINE, HYDRAULIC (DOWN) .	79	7
27-820724A1	GASKET SET	27	-	32-819327	LINE, HYDRAULIC (DOWN) .	81	7
27-820724A1	GASKET SET	45	13	32-819328	LINE, HYDRAULIC (UP) . . .	81	18
27-820724A1	GASKET SET	51	-	32-86862	TUBE, SPEEDOMETER	67	11
27-820724A1	GASKET SET	53	-	32-99126-88	HOSE (2-3/4") (4-1/2") CUT AS REQ'D	29	2
27-820724A1	GASKET SET	67	-	32-99127109	HOSE (21") CUT AS REQ'D .	29	12
27-82072A1	GASKET SET	47	-	32-99127109	HOSE (21") CUT AS REQ'D (91B THRU 92C)	29	9
27-823606	GASKET, FUEL PUMP BOWL	37	13	32-99127109	HOSE (4-1/2") (21") CUT AS REQ'D	25	7
27-98769--1	GASKET, FUEL PUMP BASE	39	7	32-99127109	HOSE (4-1/2") CUT AS REQ'D	29	8
27-F440906	GASKET, CARBURETOR . . .	27	6	32-99127109	HOSE (5-3/4") CUT AS REQ'D	29	15
27-F440906	GASKET, CARBURETOR . . .	33	32	32-99127109	HOSE (21-1/2") CUT AS REQ'D (1991B THRU 1992C)	45	20
27-F440906	GASKET, CARBURETOR . . .	35	32	32-99128-78	HOSE (21-1/2") CUT AS REQ'D (1991B THRU 1992C)	23	13
27-F476067	GASKET, THERMOSTAT . . .	53	3	32-99130122	HOSE (10-1/2")	23	16
27-F658803	GASKET, FUEL PUMP SPACER	37	19	32-99130122	HOSE (21-1/2") CUT AS REQ'D	23	13
27-F84792	GASKET, CENTER VALVE . .	37	4	32-99130122	TUBING (3-3/4") (4-1/4") (11- 3/4") (19") CUT AS REQ'D	25	2
27-F85472-2	GASKET, CYLINDER DRAIN COVER	23	8	32-F719418	TUBE, WATER JACKET (LOWER)	45	10
27-F85748-2	GASKET, CYLINDER DRAIN REED PLATE	23	11				
27-FG1037-1	GASKET SET	23	-				
27-FG1037-1	GASKET SET	27	-				
27-FG1037-1	GASKET SET	37	-				
27-FG1037-1	GASKET SET	47	-				
27-FG1037-1	GASKET SET	51	-				
27-FG1037-1	GASKET SET	53	-				
27-FG1037-1	GASKET SET	67	-				
27-FG1037-1	GASKET SET(91B/92C)	45	13				
27-FO15623	GASKET, FUEL BOWL	31	18				
27-FO15623	GASKET, FUEL BOWL	35	18				
27-FO5323	GASKET, FUEL BOWL	31	22				
27-FO5323	GASKET, FUEL BOWL	35	22				
28-19699	KEY, IMPELLER	71	6				
28-F85498-1	KEY, CRANKSHAFT	49	3				

PARTS INDEX

Part Number	Description	Pg.	Ref. No.	Part Number	Description	Pg.	Ref. No.
32-F740754-1	LINE, HYDRAULIC (UP)	77	18	37-F749892	DECAL, FRONT 1991 FORCE MODELS	7	9
32-F740754-1	LINE, HYDRAULIC (UP)	79	18	37-FP749396	DECAL, STARBOARD 1992 FORCE MODELS	7	7
32-F749244	LINE, WATER	57	2	37-FP749397	DECAL, PORT 1992 FORCE MODELS	7	7
33-14103550	SPARK PLUG (RFI) (NGK # BUZHW)	11	33	37-FP749528	DECAL, REAR 1992 FORCE MODELS	7	8
33-14103550	SPARK PLUG (RFI) (NGK # BUZHW)	15	27	37-FP749892	DECAL, FRONT 1992 FORCE MODELS	7	9
33-97180	SPARK PLUG (NGK # BUHW)	11	33	37-FX749396	DECAL, STARBOARD 1991 BAYLINER MODELS	7	7
33-97180	SPARK PLUG (NGK # BUHW)	15	27	37-FX749397	DECAL, PORT 1991 BAYLINER MODELS	7	7
34-F18160-3	REED	23	4	37-FX749892	DECAL, FRONT 1991 BAYLINER MODELS	7	9
35-816296	FILTER, FUEL	29	14	37-FZ749396	DECAL, STARBOARD 1991 MAXUM MODELS	7	7
35-823534	SCREEN, FILTER	91	5	37-FZ749397	DECAL, PORT 1991 MAXUM MODELS	7	7
35-F438653	SCREEN, FUEL PUMP	37	14	37-FZ749892	DECAL, FRONT 1991 MAXUM MODELS	7	9
35-F93811	SCREEN	23	2	39-818129A2	RING SET, (2 RINGS) (.030 O.S.) STYLE I 91B THRU 92C & POWERHEAD ASSY 800-81815	49	23
37-43530--1	DECAL, CAUTION, TRIM PRESSURE	77	--	39-818129A2	RING SET, (2 RINGS) (.030 O.S.) STYLE II POWERHEAD ASSY 800-818153A21	51	30
37-43530--1	DECAL, CAUTION, TRIM PRESSURE	79	--	39-820457A2	RING SET, (2 RINGS) (STANDARD) STYLE I 91B THRU 92C & POWERHEAD ASSY 800-818153	49	23
37-43530--1	DECAL, CAUTION, TRIM PRESSURE	81	--	39-820457A2	RING SET, (2 RINGS) (STANDARD) STYLE II POWERHEAD ASSY 800-818153A21	51	30
37-814743--3	DECAL, TILT RELEASE	61	28	39-820641A1	RING SET, (2 RINGS) (.010 O.S.) STYLE I 91B THRU 92C & POWERHEAD ASSY 800-81815	49	23
37-818029	DECAL, FUEL MIX	9	--	40-F694096	RETAINER, PISTON PIN STYLE II POWERHEAD ASSY 800-818153A21	51	29
37-819055--1	DECAL, REAR 1991 BAYLINER MODELS	7	8	41-F694017-1	PIN, PISTON STYLE II POWERHEAD ASSY 800-818153A21	51	27
37-819056--1	DECAL, REAR 1991 MAXUM MODELS	7	8	41-F85017-3	PIN, PISTON STYLE I 91B THRU 92C & POWERHEAD ASSY 800-818153A10	49	21
37-819526	DECAL, THROTTLE CABLE ADJUSTMENT	69	--	43-813694	GEAR, PINION	73	3
37-819564	DECAL, STARBOARD 1992 BAYLINER MODELS	7	7	43-817684	GEAR, REVERSE	75	12
37-819565	DECAL, PORT 1992 BAYLINER MODELS	7	7				
37-819566	DECAL, REAR 1992 BAYLINER MODELS	7	8				
37-819567	DECAL, FRONT 1992 BAYLINER MODELS	7	9				
37-819585	DECAL, STARBOARD 1992 MAXUM MODELS	7	7				
37-819586	DECAL, PORT 1992 MAXUM MODELS	7	7				
37-819587	DECAL, REAR 1992 MAXUM MODELS	7	8				
37-819588	DECAL, FRONT 1992 MAXUM MODELS	7	9				
37-820522A93	DECAL SET FORCE	7	--				
37-820523A94	DECAL SET BAYLINER	7	--				
37-820736A95	DECAL SET FORCE	7	--				
37-820741A95	DECAL SET BAYLINER	7	--				
37-825064	DECAL, CAUTION, START IN GEAR	21	--				
37-825066	DECAL, WARNING, HI-VOLTAGE	21	--				
37-F529398-1	DECAL, WIRING	17	6				
37-F694366-1	MEDALLION, US MARINE	7	11				
37-F749396	DECAL, STARBOARD 1991 FORCE MODELS	7	7				
37-F749397	DECAL, PORT 1991 FORCE MODELS	7	7				
37-F749528-1	DECAL, REAR 1991 FORCE MODELS	7	8				

PARTS INDEX

Part Number	Description	Pg.	Ref. No.	Part Number	Description	Pg.	Ref. No.
44-817461	PROPSHAFT	75	11	84-819514A7	HARNESS ASSEMBLY, WIRING	81	22
45-819051A1	DRIVESHAFT ASSEMBLY ..	73	1	84-820574	WIRE, STARTER	21	16
46-812966A3	BASE ASSEMBLY, WATER PUMP	71	10	84-821945A28	CABLE ASSEMBLY, HIGH TENSION	11	32
46-812966A5	PUMP KIT, WATER	71	1	84-821945A28	CABLE ASSEMBLY, HIGH TENSION	15	26
47-19453	IMPELLER, WATER PUMP ..	71	7	84-823392A1	HARNESS ASSEMBLY, WIRING	17	11A
50-819085	STARTER ASSEMBLY	21	1	84-825275A1	CABLE ASSEMBLY (BLACK/YELLOW)	19	27
52-817463	CLUTCH	75	9	84-827244A1	HARNESS ASSEMBLY, WIRING	17	11A
53-13194	E RING, BEARING RETAINER	41	13	84-88212A4	WIRE ASSEMBLY (BLUE/WHITE)	79	23
53-13194	E RING, BEARING RETAINER	43	13	84-88807A29	CABLE ASSEMBLY (BLACK)	11	21
53-13194	RING, RETAINING	69	10	84-88807A29	CABLE ASSEMBLY (BLACK)	15	16
53-F658208	RING, RETAINING	57	7	84-88807A34	CABLE ASSEMBLY	11	14
53-F717096	RING, RETAINING	55	6	84-88819A2	WIRE ASSEMBLY (GREEN/WHITE)	79	23
53-F749208	RING, RETAINING	61	13	84-F381896-4	CABLE, BATTERY	17	12
53-F749208	RING, RETAINING	65	13	84-F660353	CABLE (5')	85	10
53-F85410	RING, SNAP	49	12	84-F660664	WIRE	87	34
54-41582--7	CLAMP	89	14	84-F691908	WIRE (RED)	77	27
54-41582--7	CLAMP	91	14	87-819022--1	THERMOSWITCH	55	5
54-41582--7	CLAMP	91	16	87-819509	RELAY	79	19
54-41582--7	CLAMP (SMALL)	91	11	87-819509	RELAY	81	19
54-41582-10	CLAMP (LARGE)	91	10	87-F660917	RELAY	77	19
54-55098	CLIP, WIRING HARNESS ...	47	36	87-F84449	SWITCH, STARTER INTERLOCK	17	16
54-55098	J CLIP, HOSE SUPPORT ...	25	14	88-19637	SOCKET ASSEMBLY, FUSE	15	9
54-63153	CLIP (91B THRU 92C & ...	11	30	88-19637	SOCKET, FUSE	11	9
54-63933	CLAMP	89	17	88-812619	FUSE (20 AMP)	11	35
54-63933	CLAMP (CUT AS REQ'D 1991C THRU 1992C)	45	23	88-812619	FUSE (20 AMP)	15	29
54-816311	CABLE TIE (8")	11	8	88-F510460	BREAKER, CIRCUIT	77	25
54-816311	CABLE TIE (8")	15	8	89-819503	SOLENOID, PRIMER	29	1
54-816311	CABLE TIE (8")	25	--	89-F460917-1	RELAY, STARTER	17	21
54-816311	CABLE TIE (8")	29	13	89-F694924	SOLENOID, PRIMER (91B THRU 92C)	29	1
54-816311	CABLE TIE (8")	29	7	90-819681930	OPERATORS MANUAL	4	-
54-816311	CABLE TIE (8")	29	13	90-819681941	OPERATORS MANUAL	4	-
54-816311	CABLE TIE (8")	39	13	90-819682	OPERATORS MANUAL	4	-
54-816311	CABLE TIE (8")	77	--	90-826878950	OPERATORS MANUAL	4	-
54-816311	CABLE TIE (8")	79	--	91-24273	MANDRELL, DRIVESHAFT UPPER BEARING	92	-
54-816311	CABLE TIE (8")	81	--	91-37241	PULLER PLATE, DRIVESHAFT UPPER BEARING	92	-
54-820437	CLIP, WIRING HARNESS RETAINER	47	33	91-37323	DRIVER ROD, PROPSHAFT BEARING	92	-
54-823461	CABLE TIE (8-1/2")	19	--	91-46086A1	PULLER JAWS ASSY., PROPSHAFT BEARING CARRIER	92	-
54-F289446-1	CLAMP	17	7	91-817005	INSTALLER, PROPSHAFT BEARING	92	-
54-F307317	CLIP, GROUND	17	4	91-817006	INSTALLER, SEAL, WATER PUMP BASE	92	-
54-F438668	RETAINER, CABLE CLAMP ..	17	8	91-85716	PULLER SCREW, PROPSHAFT BEARING CARRIER	92	-
54-F660446	CLAMP	85	20				
84-65017A24	HARNESS	85	8				
84-65017A24	HARNESS ASSEMBLY 91B THRU 92C	55	4				
84-811698	WIRING HARNESS	83	9				
84-817441A1	HARNESS ASSEMBLY, COIL TO SWITCHBOX	11	7				
84-817441A3	HARNESS ASSEMBLY, GROUND	15	7				
84-817459A1	HARNESS ASSEMBLY, WIRING	17	11				
84-819200A1	CABLE (15-1/2' - STANDARD)	85	19				
84-819203A1	CABLE (19')	85	19				
84-819204A1	CABLE (22')	85	19				
84-819205A1	CABLE (25')	85	19				

PARTS INDEX

Part Number	Description	Pg.	Ref. No.	Part Number	Description	Pg.	Ref. No.
91-99750A1	MULTIMETER TESTER, ELECTRICAL COMPONENTS	92	-	800-818153A17	CYLINDER KIT	45	1
92-59327--1	SEALANT, LOCQUIC PRIMER	93	-	800-818153A21	POWERHEAD ASSEMBLY . .	15	--
92-819104-12	LACQUER	4	-	800-818153A21	POWERHEAD ASSEMBLY . .	25	--
92-819107-12	LACQUER	4	-	800-818153A21	POWERHEAD ASSEMBLY . .	27	-
92-823089--1	SEALANT, LOCTITE 8831 . .	93	-	800-818153A21	POWERHEAD ASSEMBLY . .	37	-
92-825265A1	COMPOUND (8OZ), NEEDLE BEARINGS	93	-	800-818153A21	POWERHEAD ASSEMBLY . .	47	-
92-825321-12	LACQUER	4	-	800-818153A21	POWERHEAD ASSEMBLY . .	51	-
92-90113--2	SEALANT, RTV #1473	93	-	800-818153A21	POWERHEAD ASSEMBLY . .	53	-
92-FT2987-1	LUBICANT, ANTI-SEEZ	93	-	800-818153A21	POWERHEAD ASSEMBLY . .	59	-
100-819046A5	COWL ASSEMBLY, TOP (WITHOUT DECALS) (PAINTED)	7	1	800-818153A21	POWERHEAD ASSEMBLY . .	67	-
100-819372A2	PLATE KIT, BOTTOM COWL SUPPORT (PAINTED)	9	1	800-818153A6	POWERHEAD (PAINTED)(91B/92C)	45	--
200-817494A2	FLYWHEEL ASSEMBLY	11	2	800-818153A6	POWERHEAD ASSEMBLY . .	13	--
200-817494A2	FLYWHEEL ASSEMBLY	15	2	800-818153A6	POWERHEAD ASSEMBLY . .	15	--
332-7778A12	SWITCHBOX ASSEMBLY	11	13	800-818153A6	POWERHEAD ASSEMBLY . .	27	-
339-7370A23	COIL ASSEMBLY, IGNITION . .	11	27	800-818153A6	POWERHEAD ASSEMBLY . .	37	-
339-7370A23	COIL ASSEMBLY, IGNITION . .	15	22	800-818153A6	POWERHEAD ASSEMBLY . .	47	-
398-8778A10	STATOR ASSY. (91B THRU 92C)	13	39	800-818153A6	POWERHEAD ASSEMBLY . .	51	-
398-8778A26	STATOR ASSEMBLY	13	39	800-818153A6	POWERHEAD ASSEMBLY . .	53	-
398-8778A29	STATOR ASSEMBLY	15	31	800-818153A6	POWERHEAD ASSEMBLY . .	59	-
400-817527A3	CRANKSHAFT ASSEMBLY	49	1	800-818153A6	POWERHEAD ASSEMBLY . .	67	-
600-818052A6	CONNECTING ROD ASSEMBLY	49	16	800-818153A6	POWERHEAD ASSEMBLY . .	69	--
700-819690A1	PISTON KIT (STANDARD) STYLE I 91B THRU 92C & POWERHEAD ASSY 800- 818153A10	49	19	800-818153A6	POWERHEAD ASSEMBLY . .	23	-
700-819690A2	PISTON KIT (.010 O.S.)STYLE I 91B THRU 92C & POWERHEAD ASSY 800-818153A10	49	19	800-81853A10	POWERHEAD ASSEMBLY . .	51	-
700-819690A3	PISTON KIT (.030 O.S.) STYLE I 91B THRU 92C & POWERHEAD ASSY 800- 818153A10	49	19	800-819431A2	CYLINDER KIT(91B THRU 92C)	45	1
700-819690A4	PISTON KIT (STANDARD) STYLE II POWERHEAD ASSY 800-818153A21	49	25	900-819857A2	HEAD KIT, CYLINDER	47	41
700-819690A5	PISTON KIT (.010 O.S.) STYLE II POWERHEAD ASSY 800-8181	51	25	1000-819283--1	PLATE, EXHAUST PORT . . .	45	16
700-819690A6	PISTON KIT (.030 O.S.) STYLE II POWERHEAD ASSY 800-818153A21	51	25	1000-F692995	COVER, CYLINDER HEAD . .	45	27
800-818153A10	POWERHEAD ASSEMBLY	15	--	1100-819312A1	CAGE ASSEMBLY, CRANKSHAFT UPPER	49	6
800-818153A10	POWERHEAD ASSEMBLY	25	--	1200-819039A1	FUEL TANK (COMPLETE) . .	89	1
800-818153A10	POWERHEAD ASSEMBLY	27	-	1259-823504A1	TANK ASSEMBLY, FUEL (PLASTIC - 6.6 GAL.)	91	1
800-818153A10	POWERHEAD ASSEMBLY	47	-	1259-823504A2	TANK ASSEMBLY, FUEL (COMPLETE)	91	--
800-818153A10	POWERHEAD ASSEMBLY	53	-	1300-826369	CARBURETOR (TC-111B) . .	35	1
800-818153A10	POWERHEAD ASSEMBLY	59	-	1300-F749061	CARBURETOR (TC-111A) . .	31	1
800-818153A10	POWERHEAD ASSEMBLY	67	-	1395-5733	JET, MAIN FUEL (.092) (1500-3000')	35	14
800-818153A10	POWERHEAD ASSEMBLY	69	--	1395-5733	JET, MAIN FUEL (.092) (3000-4500') CARB TC- 111A	31	14
				1395-6247	JET, MAIN FUEL (.090) (0 - 1500') CARB TC-125A	31	14
				1395-6247	JET, MAIN FUEL (.090) (3000-4500')	35	14
				1395-6247	JET, MAIN FUEL (.090) (4500-6000') CARB TC- 111A	31	14
				1399-3517	JET, MAIN FUEL (.084) (4500-6000') CARB TC- 125A	31	14
				1399-3518	JET, MAIN FUEL (.082) (6000-10000') CARB TC- 125A	31	14

PARTS INDEX

Part Number	Description	Pg.	Ref. No.	Part Number	Description	Pg.	Ref. No.
1400-819128F1	BRACKET, SWIVEL (PAINTED)	61	1				
1400-819128F1	BRACKET, SWIVEL (PAINTED)	65	1				
1400-819324F	BRACKET, STERN, STBD (PAINTED)	61	15				
1400-819324F	BRACKET, STERN, STBD (PAINTED)	65	14				
1400-819325F1	BRACKET, STERN, PORT (PAINTED)	61	8				
1400-819325F1	BRACKET, STERN, PORT (PAINTED)	65	8				
1400-819373F	BRACKET,STBD (PAINTED)	61	15A				
1400-819373F	BRACKET,STBD (PAINTED)(91B/92C)	65	14A				
1400-819374F	BRACKET, PORT (PAINTED)(91B/92C)	61	8A				
1400-819374F	BRACKET, PORT (PAINTED)(91B/92C)	65	8A				
1500-820468A1	HOUSING KIT, DRIVESHAFT 1991B MODELS	67	1				
1500-F755133F	HOUSING, DRIVESHAFT (PAINTED) 91C THRU 92C	67	1				
1600-819123A3	GEAR HOUSING ASSEMBLY	71	-				
1600-819123A3	GEAR HOUSING ASSEMBLY	73	-				
1600-819123A3	GEAR HOUSING ASSEMBLY	75	-				
1600-819123A3	GEAR HOUSING ASSEMBLY (COMPLETE) (PAINTED) .	75	--				
1600-819123A4	BASIC GEAR HOUSING	73	-				
1600-819123A4	BASIC GEAR HOUSING	75	-				
1600-819123A4	GEAR HOUSING (BASIC) (PAINTED)	75	1				