



# PARTS CATALOG

## 15 H.P. OUTBOARD MOTOR

### SERIAL NUMBER

15 H.P. (1993 1/2-1994) .....	225.581496
15 H.P. (1993 1/2-1994) .....	225.581506

# TABLE OF CONTENTS:

CARBURETOR .....	10
CLAMP BRACKETS .....	26
CRANKSHAFT AND PISTON .....	14
CYLINDER BLOCK .....	16
FUEL AND RECIRCULATION SYSTEM .....	8
FUEL TANK AND LINE .....	34
GEAR HOUSING .....	30
IGNITION SYSTEM .....	4
PARTS INDEX .....	36
SHIFT LINKAGE .....	6
STARTER .....	12
SWIVEL BRACKET AND DRIVESHAFT HOUSING .....	22
THERMOSTAT .....	28
TILLER HANDLE AND THROTTLE LINKAGE .....	18
TOP AND BOTTOM COWL .....	2

**NOTE:** Indented description indicate that these parts are included in preceding assembly.

**AR** = As Required

**NSS** = Not Sold Separate

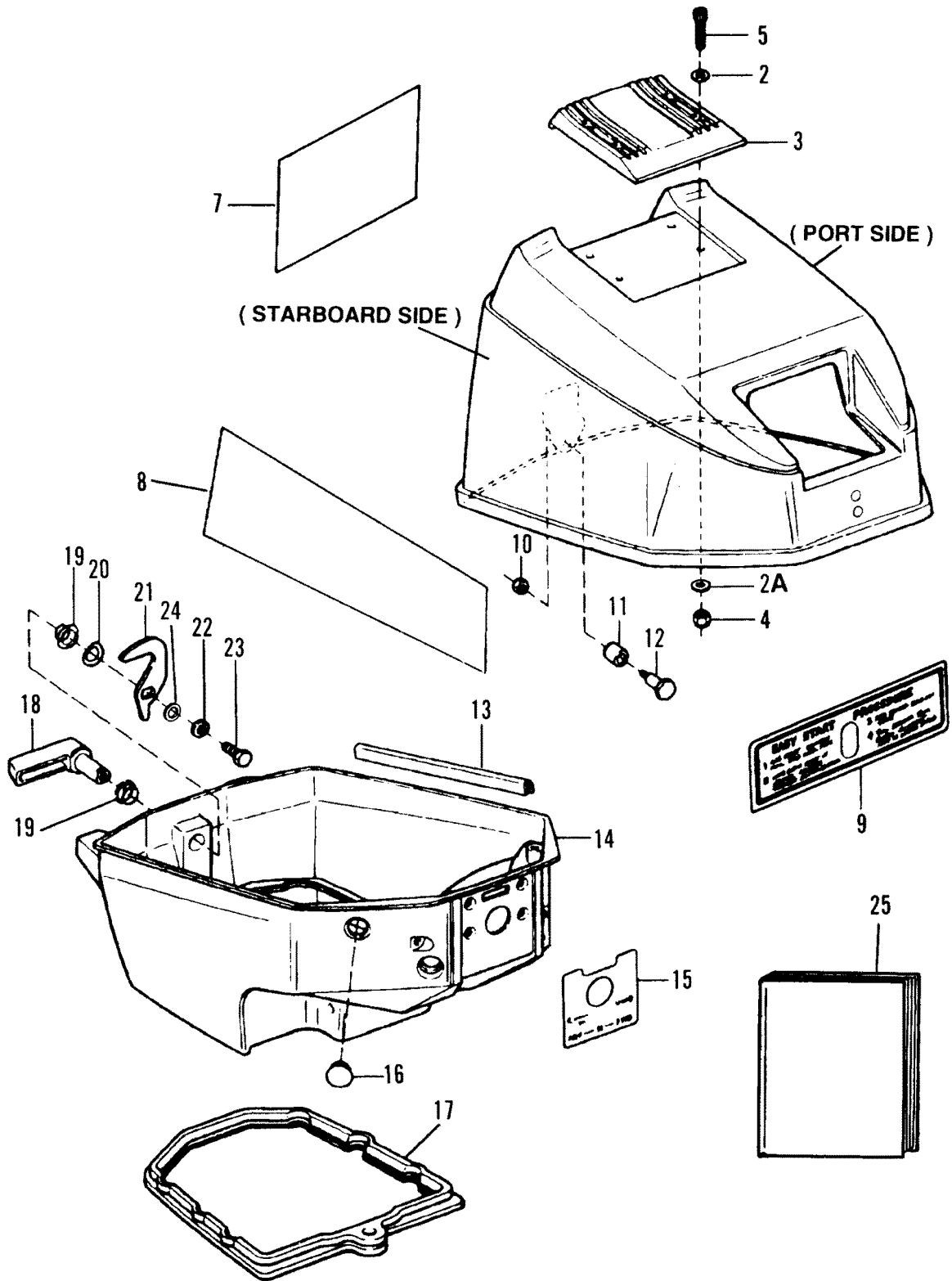
**OPT** = Optional

**NS** = Not Shown

**THESE PARTS BOOKS/FICHE CARD ARE COPYRIGHTED AND MAY NOT BE DISTRIBUTED OR REPRODUCED IN ANY OTHER FORMAT BY ANYONE OTHER THAN MERCURY MARINE WITHOUT THE PRIOR WRITTEN CONSENT OF MERCURY MARINE.**

THIS PAGE INTENTIONALLY LEFT BLANK

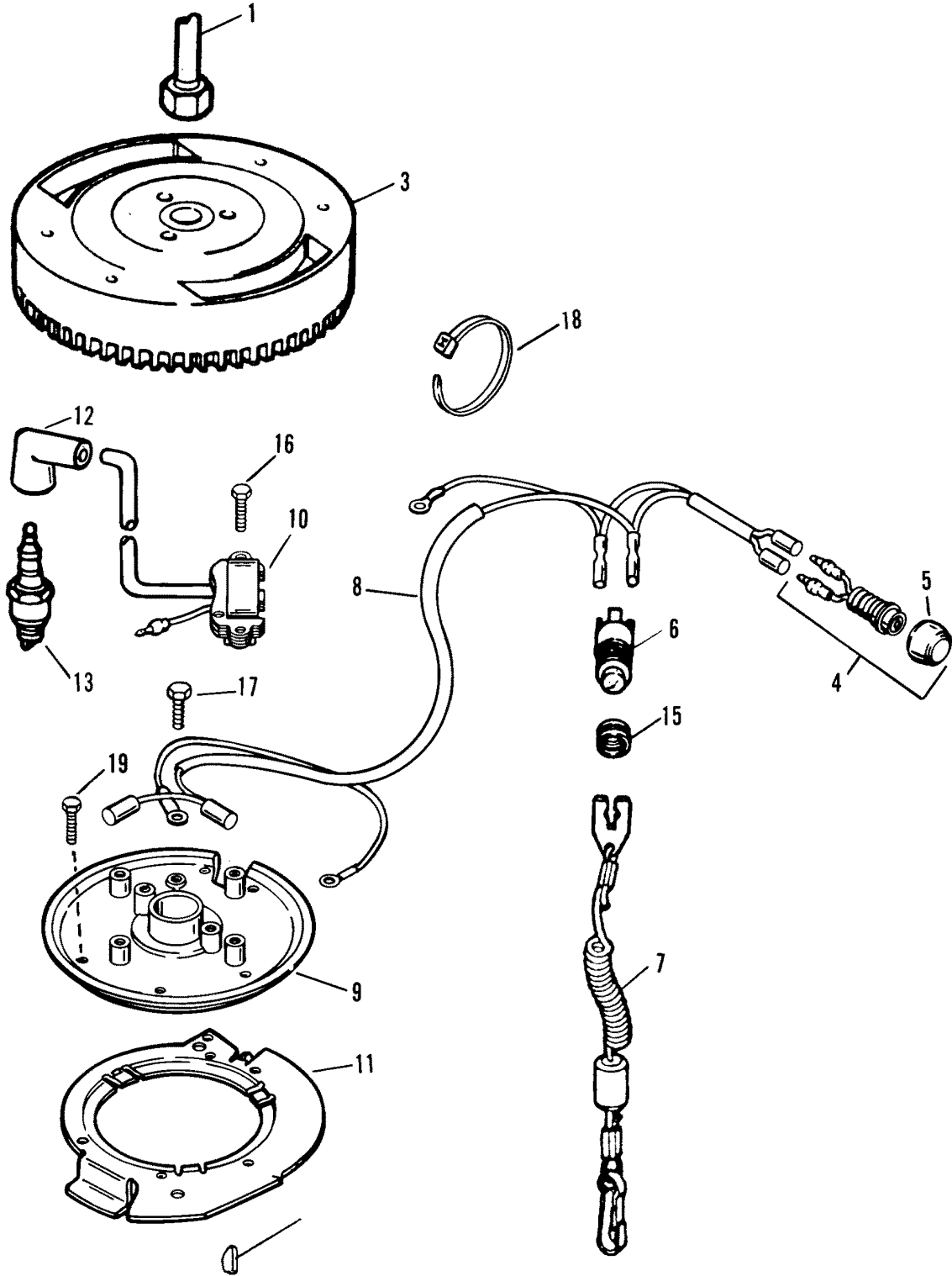
# TOP AND BOTTOM COWL



## TOP AND BOTTOM COWL

REF. NO.	PART NO.	SYM.	QTY.	DESCRIPTION
—	F2C710712		1	TOP COWL (WITH DECALS - PAINTED)
1	FS681712T		1	TOP COWL ( WITHOUT DECALS - PAINTED)
2	F2042		4	WASHER
2A	12-F8143		4	WASHER
3	F681269		1	HANDLE, TILT
4	11-F7009		4	NUT (10-24)
5	10-F2211		4	SCREW (10-24 X 5/8")
7	37-F710528		1	DECAL, REAR
8	37-F710396		1	DECAL, STARBOARD
	37-F710397		1	DECAL, PORT
9	37-F681390		1	DECAL, STARTING INSTRUCTIONS
10	11-F1832		1	NUT (1 /4-20)
11	23-F681759		1	ROLLER, LATCH
12	10-F681026		1	SCREW, LATCH ROLLER
13	F392756		1	PACKING, SUPPORT PLATE
14	100-819280A2		1	BOTTOM COWL KIT (PAINTED)
15	38-819281		1	PLATE, SUPPORT
16	19-73336		2	PLUG
17	819486		1	SEAL, SUPPORT PLATE
18	FA681469T		1	HANDLE ASSEMBLY, COWL LATCH (PAINTED)
19	23-F286818		2	NYLINER
20	13-F2047		1	WAVE WASHE R
21	F481777		1	CAM
22	13-26992		1	LOCKWASHE R
23	F1854		1	SCREW (1/4-20 X 5/8")
24	12-71055		1	WASHER
25	90-82321893		1	OWNERS MANUAUPARTS BOOK

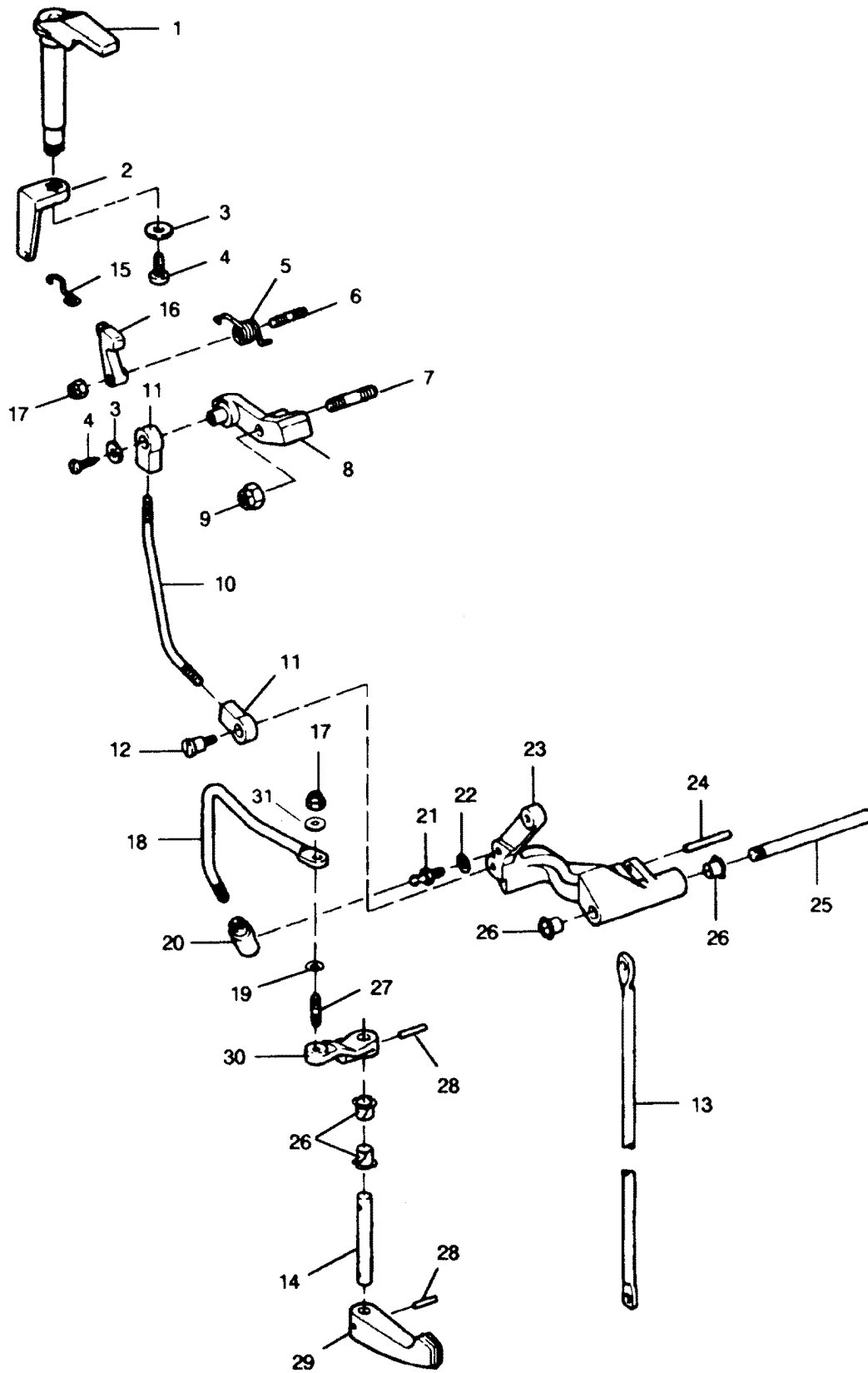
# IGNITION SYSTEM



# IGNITION SYSTEM

REF. NO.	PART NO.	SYM.	QTY.	DESCRIPTION
1	F681091		1	NUT, FLYWHEEL
2	200-824380T		1	FLYWHEEL (PAINTED)
4	87-824440A6		1	STOP SWITCH ASSEMBLY
5	824466A2		1	COVER ASSEMBLY, STOP SWITCH
6	87-F687287		1	SWITCH, EMERGENCY STOP
7	819399A1		1	LANYARD
8	84-819379A5		1	HARNESS ASSEMBLY, ENGINE STOP
9	300-819305T		1	PLATE, STATOR
10	819156T		2	IGNITION MODULE (CUT WIRE AS REQ D)
11	819758T		1	CAM, THROTTLE
12	85-818751		OPT.	BOOT (RFI)
	FK1123		2	BOOT KIT
13	33-19796		OPT.	SPARK PLUG (RFI)
	33-813414		2	SPARK PLUG
14	28-F458498		1	KEY
15	22-F681188		1	NUT, STOP SWITCH SLEEVE
16	10-824353		6	SCREW (8-32 X 3/4")
17	10-824352		1	SCREW (10-24 X 3/8")
18	69355		AR	STA-STRAP
19	10-824358		5	SCREW (10-24 X 1 /2")

# SHIFT LINKAGE

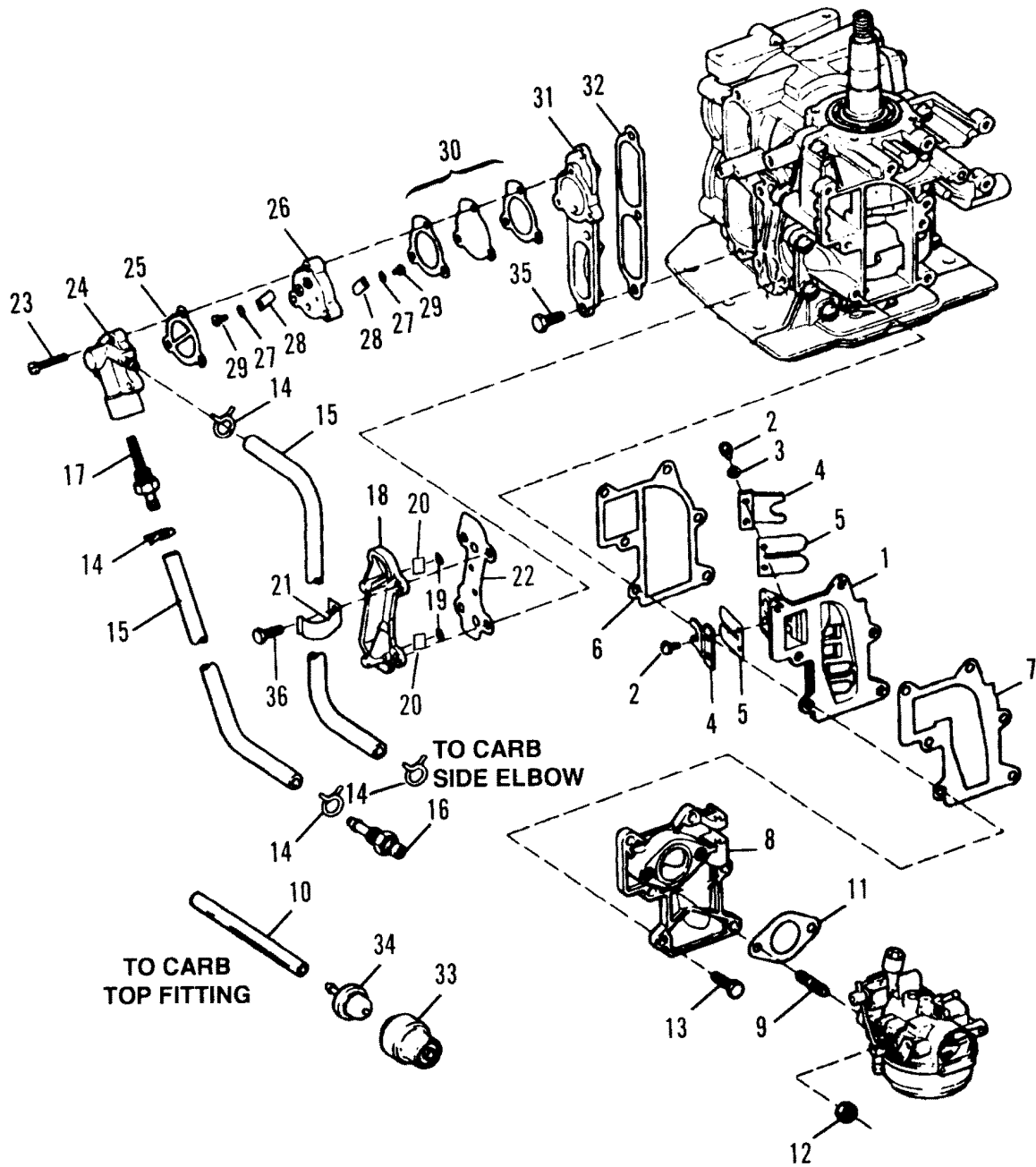




# SHIFT LINKAGE

REF. NO.	PART NO.	SYM.	QTY.	DESCRIPTION
1	F681490		1	STOP, STARTER PULIEY INTERLOCK
2	F681003-1		1	ARM, STARTER INTERLOCK
3	12-F8143		1	WASHER
4	10-F2209		1	SCREW (10-16 X 1 /2")
5	24-F681424		1	SPRING, INTERLOCK LEVER
6	16-F681134		1	STUD, INTERLOCK LEVER
7	16-F681008		1	STUD, NEUTRAL INTERLOCK PIVOT
8	F681997-1		1	LEVER, NEUTRAL INTERLOCK ASSEMBLY
9	11-F1832		1	NUT (1/4-20)
10	F681531		1	ROD, INTERLOCK
11	816514		2	BEARING
12	10-819625		1	SCREW, SHOULDER
13	F286615		1	ROD, GEAR SHIFT, UPPER
14	F715417		1	SHAFT, GEAR SHIFT HANDLE
15	F681263-1		1	LINK, STARTER INTERLOCK
16	F681742		1	LEVER, INTERMEDIATE INTERLOCK
17	11-20110		2	NUT (10-32)
18	F286611		1	ROD, GEAR SHIFT
19	13-26996		1	LOCKWASHER
20	F286685		1	CONNECTOR, GEAR SHIFT ROD
21	16-F98273		1	STUD
22	13-F8058		1	LOCKWASHER
23	F286876		1	LEVER, GEAR SHIFT
24	17-31656		1	PIN
25	F286871		1	PIN, GEAR SHIFT LEVER
26	23-F307818		4	BUSHING
27	16-F286134		1	STUD, GEAR SHIFT LEVER
28	17-25905		2	PIN
29	819626T		1	HANDLE, GEAR SHIFT (PAINTED)
30	F715619		1	LEVER, SHIFT HANDLE SHAFT
31	13-F8048		1	WAVE WASHER

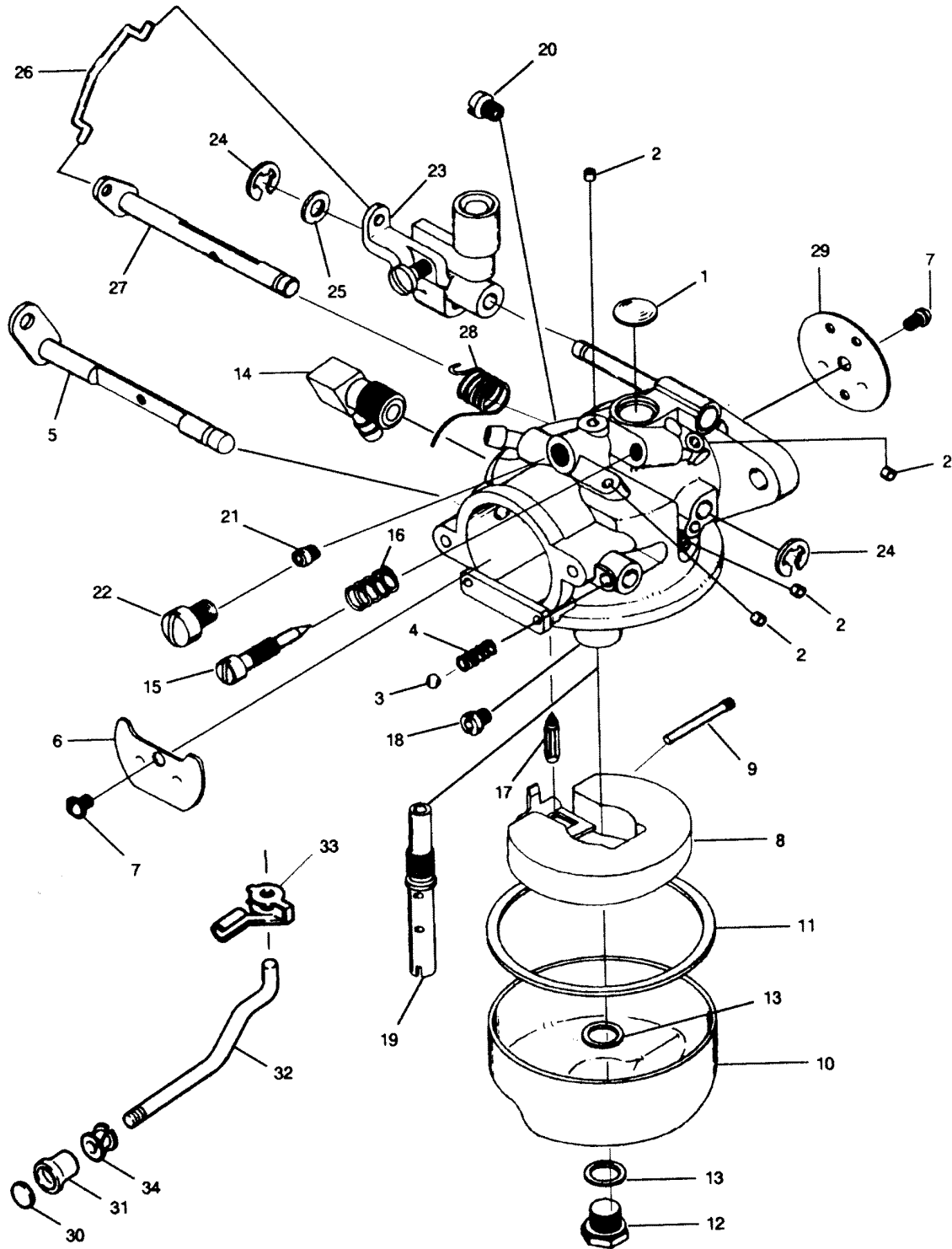
# FUEL AND RECIRCULATION SYSTEM



# FUEL AND RECIRCULATION SYSTEM

REF. NO.	PART NO.	SYM.	QTY.	DESCRIPTION
1	34-FA715158		1	PLATE ASSEMBLY, REED
2	10-28430		8	SCREW (6-32 X 1/4")
3	13-F1704		8	LOCKWASHER
4	34-F715161		4	STOP, REED
5	34-F31160-2		4	REED
6	27-F286159		1	GASKET, REED PLATE
7	27-F715168		1	GASKET, MANIFOLD
8	FA715167		1	MANIFOLD KIT
9	16-F2788004		2	STUD
10	32-F40253-1		1	HOSE, PRIMER BULB TO CARB (4.12" - CUT AS REQ D)
11	27-F715906		1	GASKET, CARBURETOR
12	11-F1490		2	NUT (1 /4-20)
13	10-28668		6	SCREW (1 /4-20 X 7/8")
14	54-F2706772		4	CLAMP
15	32-F40253-1		2	HOSE, FUEL (9.18" & 13.38" - CUT AS REQ D)
16	22-F197767		1	BUSHING, FUEL
17	22-F901811		1	FILTER, FUEL PUMP
18	FA429471		1	COVER ASSEMBLY, CYLINDER DRAIN
19	F429811		2	SCREEN
20	21-817741-A		2	VALVE KIT
21	54-F286772		1	CLAMP
22	27-F429472		1	GASKET, CYLINDER DRAIN COVER
23	10-F1069		3	SCREW (10-24 X 1-1/16")
24	F901746-2		1	COVER, FUEL PUMP
25	27-F24748-2		1	GASKET, FUEL PUMP
26	F2A24757		1	PLATE ASSEMBLY, FUEL PUMP
27	F8003		2	WASHER
28	34-F18160-3		2	REED
29	10-F1286		2	SCREW (4-40 X 3/16")
30	27-818043A1		1	DIAPHRAGM KIT
31	F286222		1	COVER, TRANSFER PORT
32	27-F286223		1	GASKET, TRANSFER PORT COVER
33	F681954-1		1	COVER
34	F681046		1	BULB, PRIMER
35	F1502		3	SCREW (1/4-20 X 5/8")
36	10-F1922		4	SCREW (1/4-20 X 5/8")

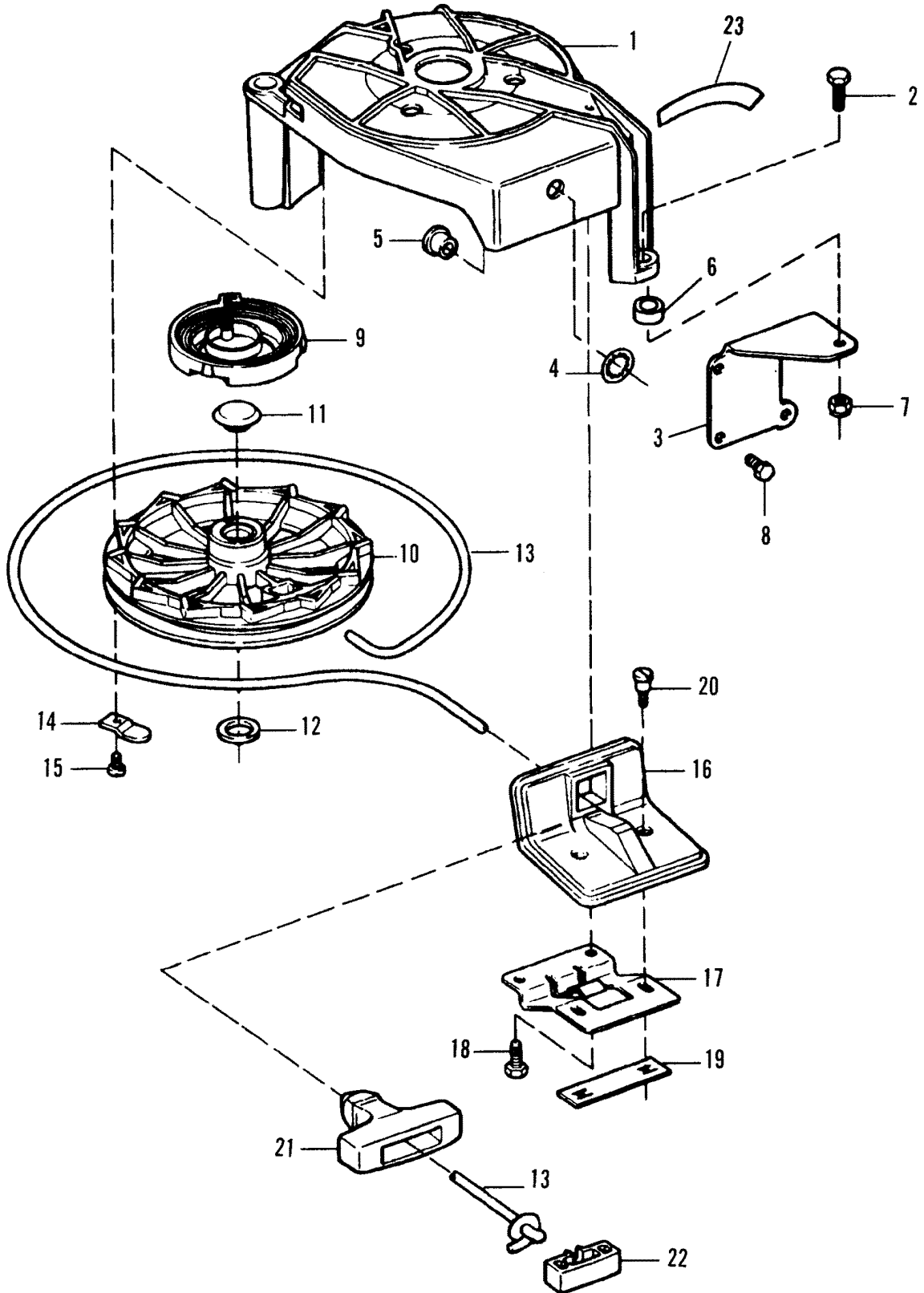
# CARBURETOR



# CARBURETOR

REF. NO.	PART NO.	SYM.	QTY.	DESCRIPTION
-	1300-F715061		1	CARBU RETOR (FO- 1 A)
1	19-FO16128		1	PLUG
2	19-FO10588		4	PLUG
3	FO4784		1	BALL
4	FO8805		1	SPRING
5	F10343		1	SHAFT, CHOKE
6	F10344		1	SHUTTER. CHOKE
7	10-F10345		2	SCREW
8	F10346		1	FLOAT, FUEL BOWL
9	FO13944		1	PIN, FLOAT
10	FO15366		1	BOWL, FUEL
11	27-FO15623		1	GASKET, FUEL BOWL
12	1399-5128		1	SCREW
13	27-FO2510		2	GASKET
14	F10347		1	ELBOW
15	F10268		1	SCREW, IDLE MIXTURE
16	24-27160		1	SPRING
17	F10265		1	NEEDLE, INLET
18	1395-6030		1	MAIN JET (.070)
	1395-6029		OPT.	MAIN JET (.068)
	1399-4215		OPT.	MAIN JET (.066)
	1399-4216		OPT.	MAIN JET (.064)
19	FO15722		1	NOZZLE, MAIN
20	F10348		1	JET, IDLE (.050)
21	F10273		1	JET, THROTTLE (.047
22	F10275		1	SCREW
23	F10290		1	LINKAGE, THROTTLE
24	F10241		2	CLIP
25	F10242		1	WASHER
26	F10338		1	LINK, THROTTLE
27	F10349		1	SHAFT, THROTTLE
28	24-F10350		1	SPRING
29	F10351		1	SHUTTER, THROTTLE
-	FK10352		1	GASKET SET, CARBURETOR
	FK10353		1	REPAIR KIT, CARBURETOR
30	F681677		1	INSERT, CHOKE KNOB
31	F286547		1	KNOB, CHOKE
32	819348		1	ROD, CHOKE
33	F341384		1	RETAINER, CHOKE ROD
34	23-F197319		1	BUSHING

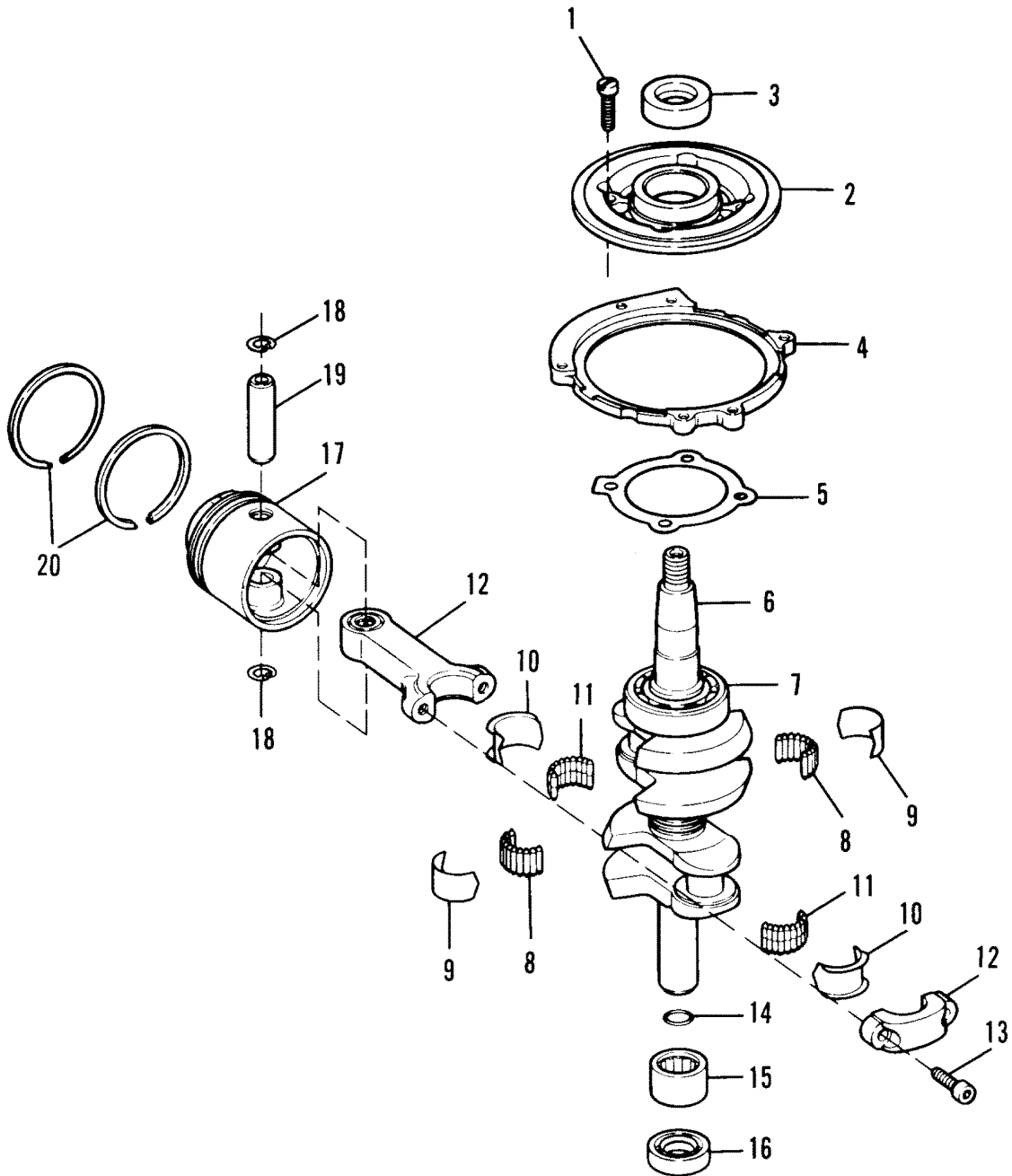
# STARTER



# STARTER

REF. NO.	PART NO.	SYM.	QTY.	DESCRIPTION
1	F681408-1		1	HOUSING, STARTER
2	10-90192		3	SCREW (1/4-20 X 3/4")
3	F681427-2		1	BRACKET, STARTER HOUSING FRONT
4	53-42689		1	RING, RETAINING
5	F681428		1	INSERT, STARTING HOUSING ROPE
6	23-F681405		3	INSERT, STARTER HOUSING
7	11-F1832		1	NUT (1 /4-20)
8	10-F1922		4	SCREW (1/4-20 X 5/8")
9	24-F681970		1	SPRING, STARTER REWIND
10	FA681239		1	PULLEY ASSEMBLY, STARTER REWIND
11	19-817362		1	PLUG
12	26-F681579		1	SEAL, PULLEY BEARING
13	F681232		1	ROPE (65")
14	F681592		3	RETAINER, STARTER PULLEY
15	10-F2209		3	SCREW (10-16 X 1 /2")
16	FA681630		1	SUPPORT ASSEMBLY, HANDLE
17	F681090		1	PLATE, HANDLE SUPPORT
18	10-F2210		2	SCREW (1/4-14 X 1/2")
19	F681874-1		1	FASTENER, HANDLE SUPPORT PLATE
20	10-F84026		2	SCREW, SHOULDER
21	F681132		1	HANDLE, STARTER ROPE
22	F681817		1	RETAINER, STARTER ROPE
23	FA609853		1	DECAL

# CRANKSHAFT AND PISTON

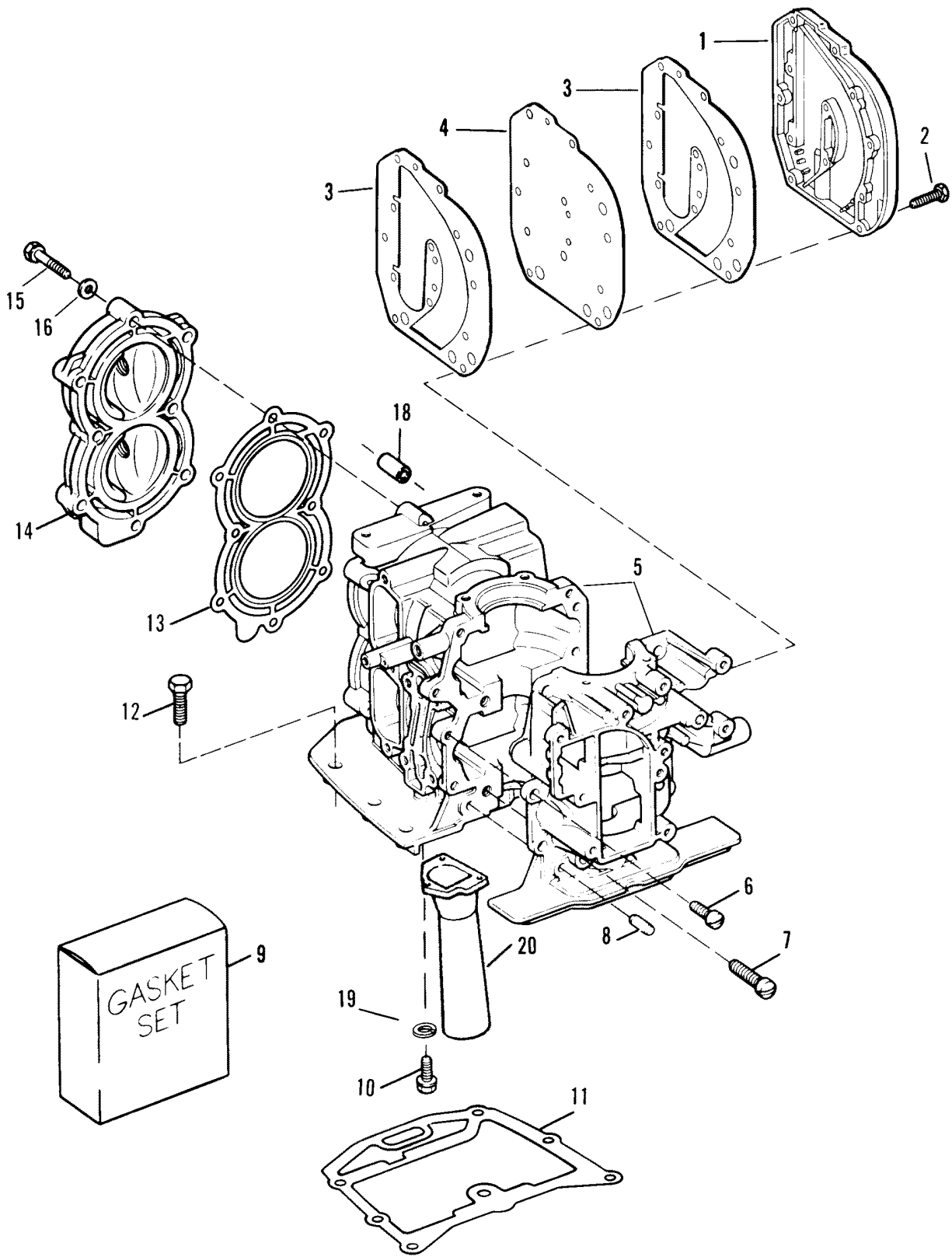




# CRANKSHAFT AND PISTON

REF. NO.	PART NO.	SYM.	QTY.	DESCRIPTION
1	10-F1864		4	SCREW (1/4-20 X 3/4")
2	31-817753A1		1	CAGE ASSEMBLY, CRANKSHAFT BEARING
3	F346146		1	SEAL, CRANKSHAFT, UPPER
4	300-F73082		1	RING, STATOR
5	27-F286277		1	GASKET, CRANKSHAFT BEARING CAGE
6	400-819803A2		1	CRANKSHAFT ASSEMBLY
7	30-F286028		1	BEARING
8	29-F286571		1	ROLLER SET (26 PER SET)
9	FA286155		1	LINER SET, CENTERMAIN BEARING
11	FA712228		2	ROLLER SET (2 STRIPS-28 PER)
12	600-FS715016		2	CONNECTING ROD ASSEMBLY
13	10-F175634		4	SCREW
14	25-32509		1	O-RING
15	31-F343014		1	BEARING, CRANKSHAFT LOWER MAIN
16	26-819396		1	SEAL, CRANKSHAFT LOWER
17	700-819946A3		2	PISTON KIT
18	53-F31410		4	RING, RETAINING
19	41-F712017		2	PIN, PISTON
20	39-820484A1		2	RING SET, PISTON (2 RINGS)

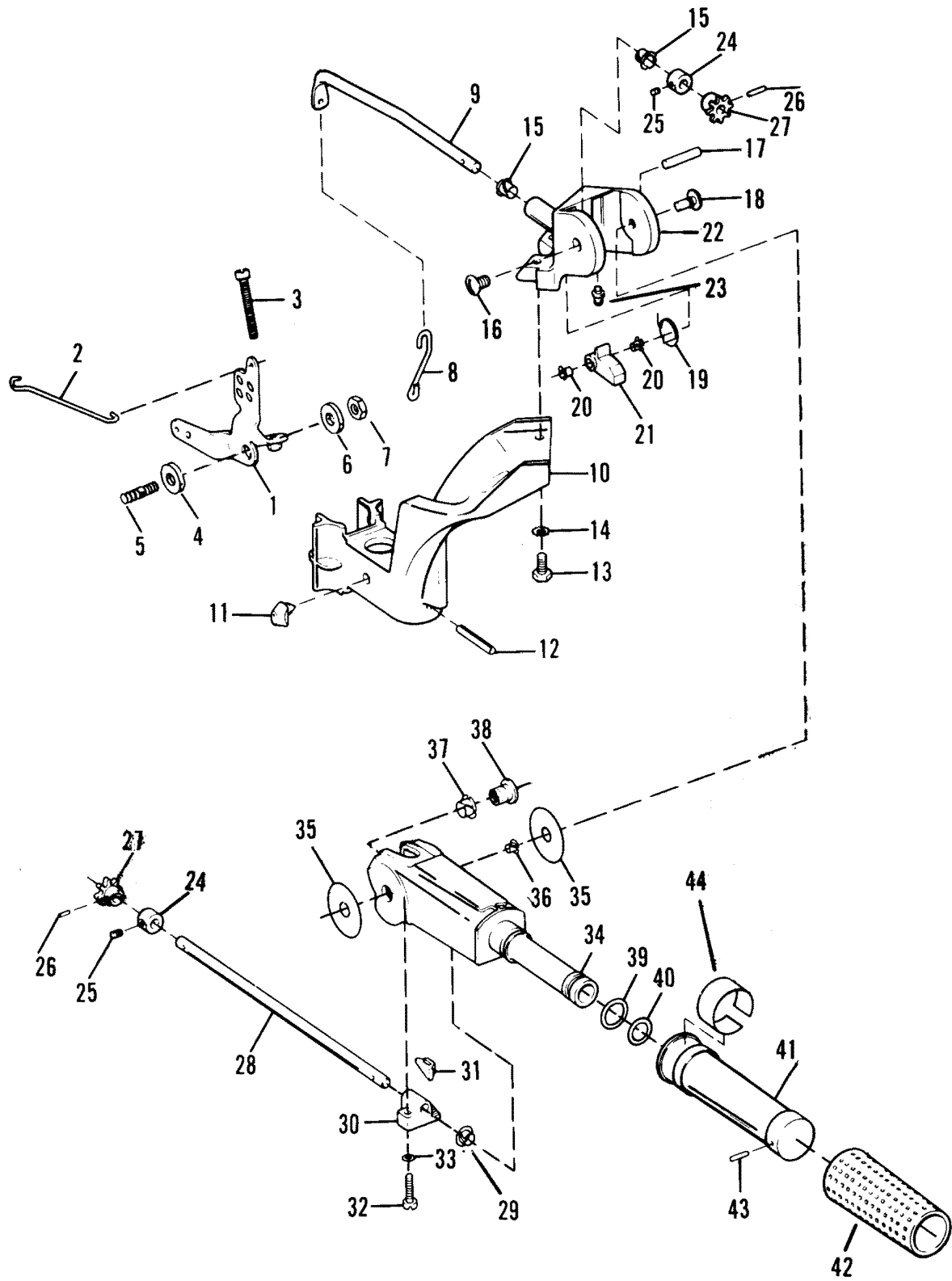
# CYLINDER BLOCK



# CYLINDER BLOCK

REF. NO.	PART NO.	SYM.	QTY.	DESCRIPTION
—	FC71001-O		1	SHORT BLOCK ASSEMBLY (PAINTED)
1	824141T		1	COVER, EXHAUST
2	10-28668		12	SCREW (1/4-20 X 7/8")
3	27-F715154		2	GASKET, EXHAUST PORT COVER
4	F715151		1	PLATE, EXHAUST
5	800-819553A5		1	CYLINDER BLOCK ASSEMBLY
6	10-F1107		10	SCREW (1/4-20 X 3/4")
7	10-F1335		4	SCREW (5/16-18 X 1-1/4")
8	17-F8559		2	PIN, DOWEL
9	FG1035		1	GASKET SET
10	10-28636		3	SCREW (1/4-20 X 3/4")
11	27-F715279		1	GASKET, CYLINDER MOUNTING
12	10-F1823		6	SCREW (5/16-18 X 1 ")
13	27-F286529		1	GASKET, CYLINDER HEAD
14	900-F286518		1	HEAD, CYLINDER
15	10-F901938		8	SCREW
16	12-F8025		8	WASHER
18	32-F715943		1	TUBE, CYLINDER WATER JACKET
19	13-26992		3	LOCKWASHER
20	F715660		1	TUBE, EXHAUST

# TILLER HANDLE AND THROTTLE LINKAGE

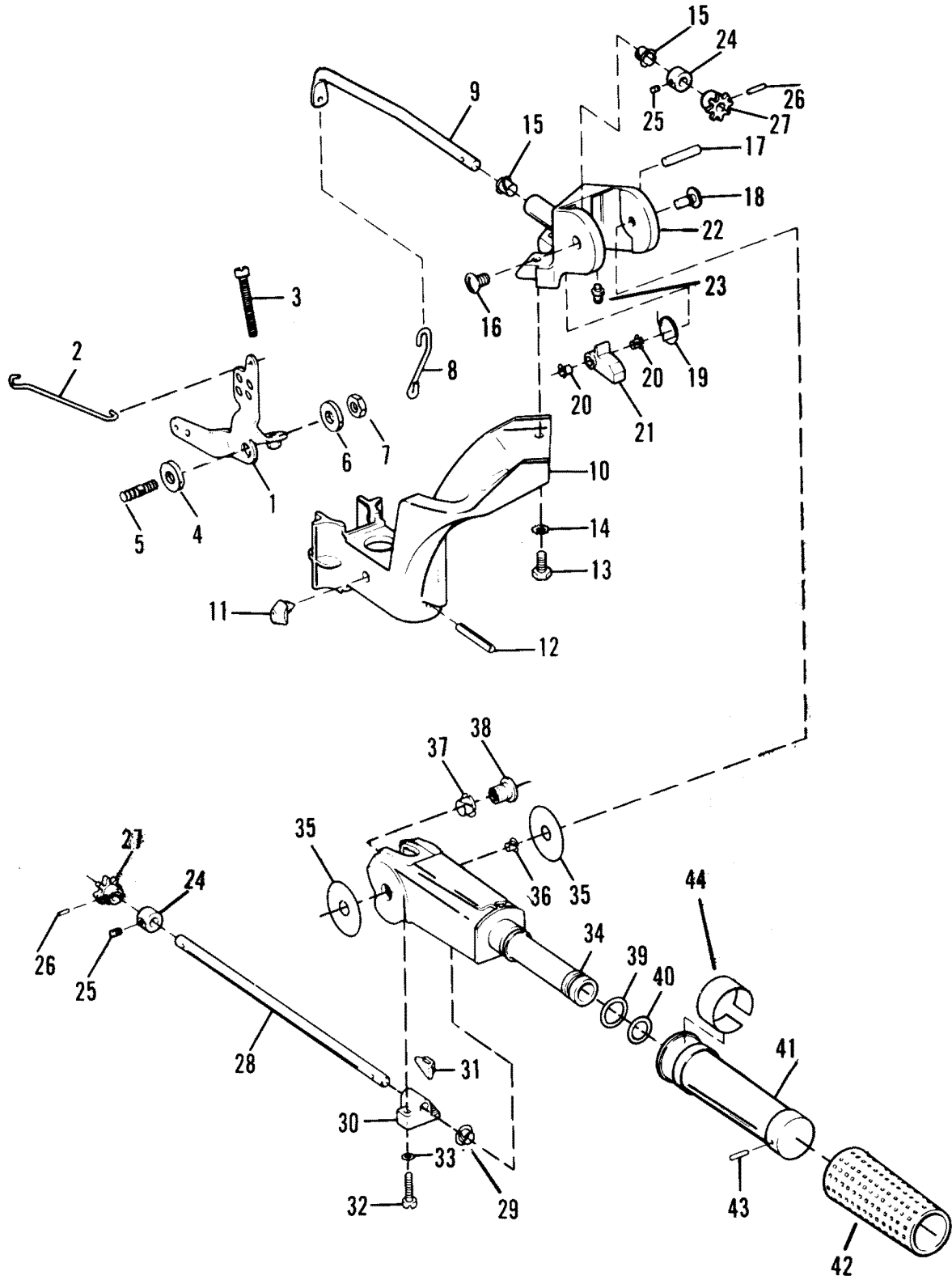


# TILLER HANDLE AND THROTTLE LINKAGE

REF. NO.	PART NO.	SYM.	QTY.	DESCRIPTION
1	819408A1		1	LEVER ASSEMBLY, STATOR CONTROL
2	824142T		1	LINK, THROTTLE CAM
3	10-F2126		1	SCREW (1/4-28 X 2")
4	23-F183813		1	BUSHING
5	16-F660273		1	STUD
6	12-819704		1	WASHER
7	11-F7006		1	NUT (5/16-18)
8	F618445		1	LINK, MAGNETO CONTROL ROD
9	F431838		1	SHAFT, MAGNETO CONTROL
10	FA286582T		1	ARM KIT, STEERING (PAINTED)
11	19-F286539		1	BUMPER
12	17-F1805		1	PIN, SPRING
13	10-28635		2	SCREW (1/4-20 X 5/8")
14	13-78968		2	LOCKWASHER
15	23-F307818		2	BUSHING
16	10-F1799		1	SCREW (5/16-18 X 5/8")
17	17-F1807		1	PIN, GROOVE
18	10-F286080		1	SCREW, STEERING HANDLE PIVOT
19	24-F286868		1	SPRING, STEERING HANDLE STOP
20	23-F197813		2	BUSHING
21	F286490		1	STOP, STEERING HANDLE
22	817751A3		1	BRACKET KIT, STEERING(PAINTED)
23	22-F523274		1	FITTING, GREASE
24	FA343178		2	RETAIN R KIT
25	10-F1859		2	SCREW (1/4-28 X 3/16")
26	17-29908		2	PIN
27	43-818009		2	GEAR
28	819160		1	SHAFT, STEERING HANDLE
29	23-F85610		1	BUSHING
30	F487816-1		1	BEARING
31	819227		1	WEDGE
32	10-F1829		2	SCREW (10-24 X 7/8")
33	13-F8058		2	LOCKWASHER
34	819279T		1	HANDLE, STEERING (PAINTED)
35	12-F286220		2	WASHER
36	23-F197813		1	BUSHING
37	23-F286818		1	BUSHING
38	F286224-1		1	INSERT, STEERING HANDLE PIVOT
39	25-F53795-1		1	O-RING (LARGE)

CONTINUED ON NEXT PAGE ➡

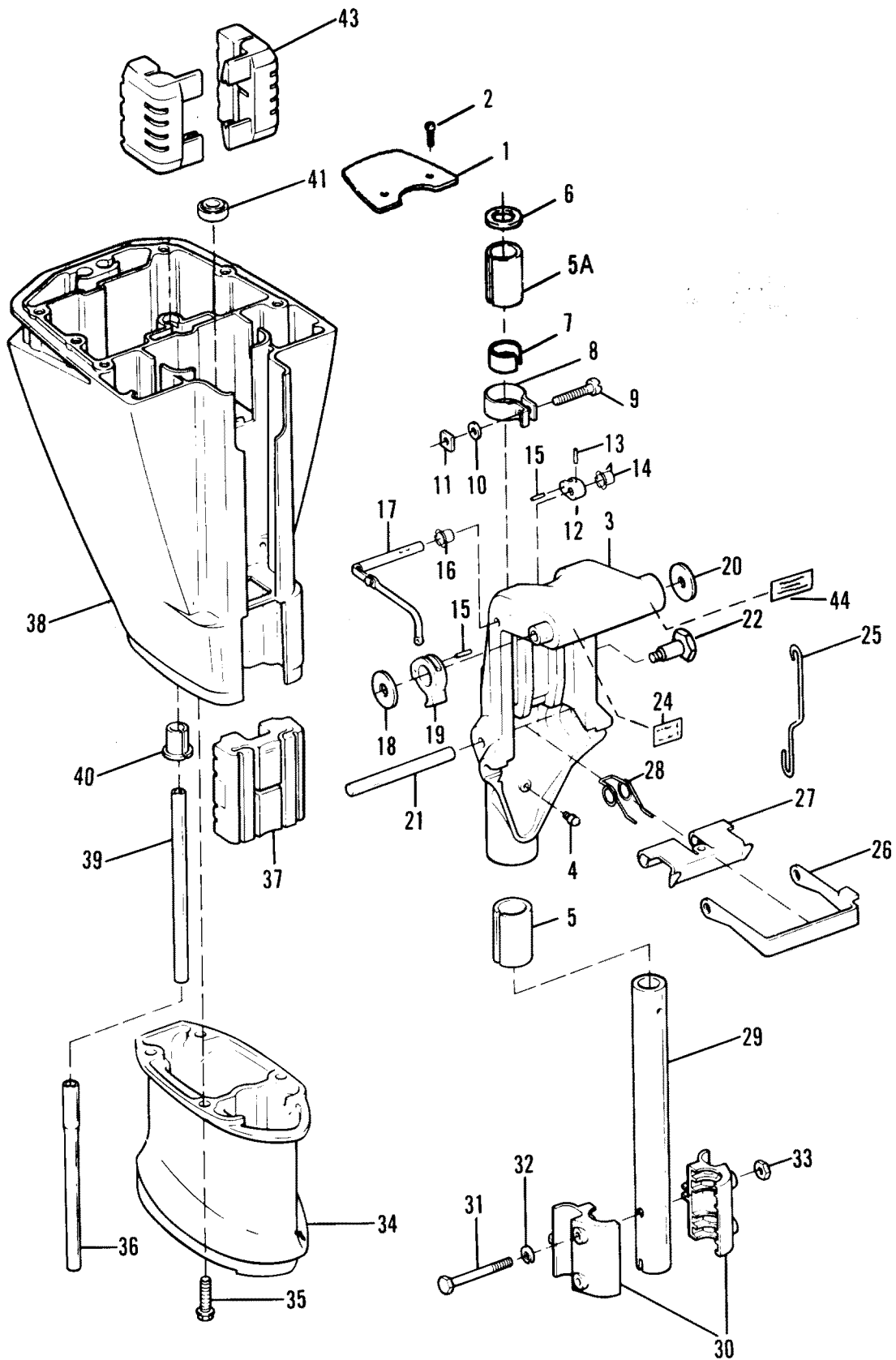
# TILLER HANDLE AND THROTTLE LINKAGE



## TILLER HANDLE AND THROTTLE LINKAGE

REF. NO.	PART NO.	SYM.	QTY.	DESCRIPTION
40	25-F215795		1	O-RING (SMALL)
41	FA456137		1	HANDLE ASSEMBLY, STEERING
42	F458695		1	SLEEVE
43	F8548		1	PIN
44	37-F712894		1	DECAL, SPEED INDICATOR (RED)

# SWIVEL BRACKET AND DRIVESHAFT HOUSING



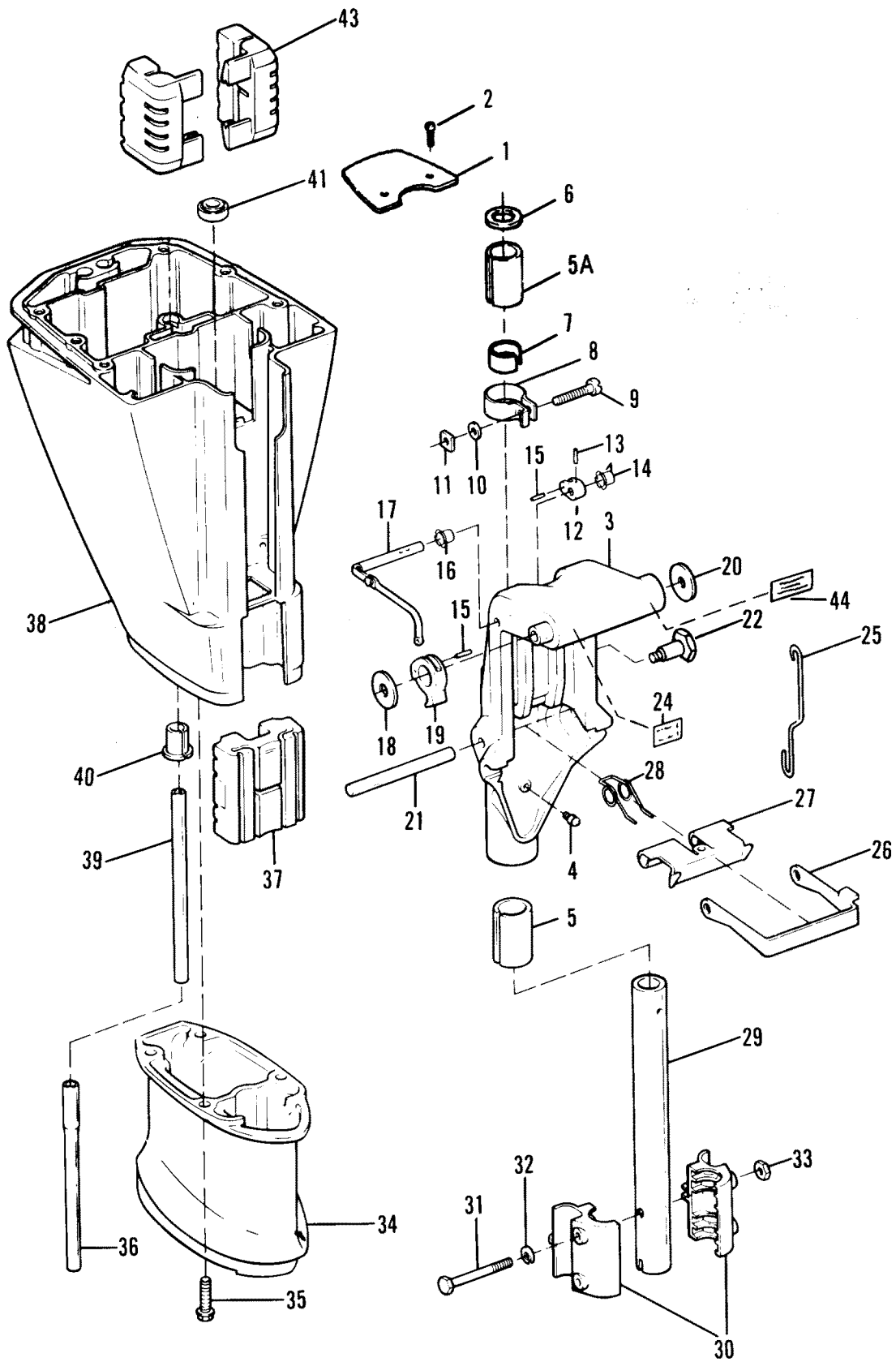


# SWIVEL BRACKET AND DRIVESHAFT HOUSING

REF. NO.	PART NO.	SYM.	QTY.	DESCRIPTION
1	F715404		1	PLATE, LEG TUNER
2	10-F2417		2	SCREW (1/4-20 X 3/8")
3	1400-817750A4		1	BRACKET KIT, SWIVEL (PAINTED)
4	22-F213274		2	FITTING, GREASE
5	23-F286169		1	BUSHING, BOTTOM (1 -3/4")
5A	23-F681169		1	BUSHING, TOP (1-1/8")
6	12-F286011		1	WASHER, SWIVEL BRACKET
7	F681631		1	SHOE, FRICTION, SWIVEL BRACKET
8	54-F286573		1	CLAMP, STEERING FRICTION
9	10-F1820		1	SCREW (1/4-20 X 1-3/8")
10	12-12038		1	WASHER
11	11-F1608		1	NUT (1/4-20)
12	F286364		1	LEVER, REVERSE LOCK
13	17-F8538		1	PIN
14	23-F197813		1	BUSHING
15	17-F1794		2	PIN
16	23-F536813		1	BUSHING
17	FA387742		1	LEVER ASSEMBLY, INTERMEDIATE
18	12-F2037		1	WASHER
19	F286827		1	LEVER, REVERSE LOCK
20	12-F286286		1	WASHER
21	17-F1806		1	PIN, GROOVE
22	17-819707		1	PIN, TILT LOCK
24	37-F688585		1	DECAL, TILT LOCK
25	FA341510		1	LINK, REVERSE LOCK
26	F286433		1	BRACKET, SHALLOW WATER DRIVE
27	F286349		1	LOCK, REVERSE
28	24-F286300		1	SPRING, REVERSE LOCK
29	F286019		1	KINGPIN
30	819320T		2	BRACKET, SHOCK MOUNT LOWER (PAINTED)
31	FA1844		2	BOLT KIT (1/4-20 X 2-3/8")
32	13-26992		2	LOCKWASHER
33	11-64015		2	NUT (1 /4-20)
34	FA492845T		1	HOUSING KIT (PAINTED) 20" - FOR MODEL 225.581496
35	10-F430732		4	SCREW 20" - FOR MODEL 225.581496
36	32-FS901244		1	WATERLINE, EXTENSION 20" - FOR MODEL 225.581496
37	F286346		1	MOUNT, SHOCK, LOWER
38	1500-819344T		1	HOUSING, DRIVESHAFT (PAINTED)

CONTINUED ON NEXT PAGE ➡

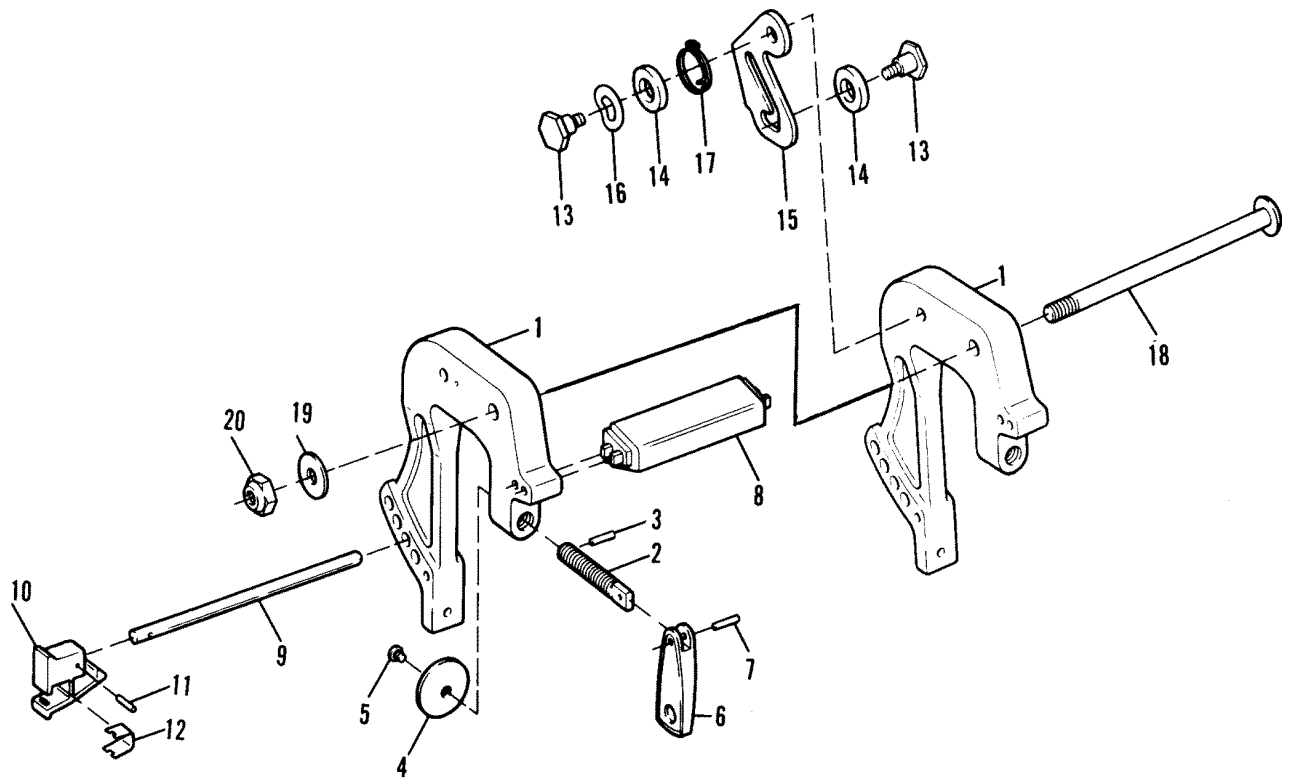
# SWIVEL BRACKET AND DRIVESHAFT HOUSING



## SWIVEL BRACKET AND DRIVESHAFT HOUSING

REF. NO.	PART NO.	SYM.	QTY.	DESCRIPTION
39	32-F286244		1	TUBE, WATER
40	F286914-1		1	SLEEVE
41	26-F901307		1	SEAL
43	F286347		2	MOUNT, SHOCK, LOWER
44	37-818029		1	DECAL, FUEL MIX

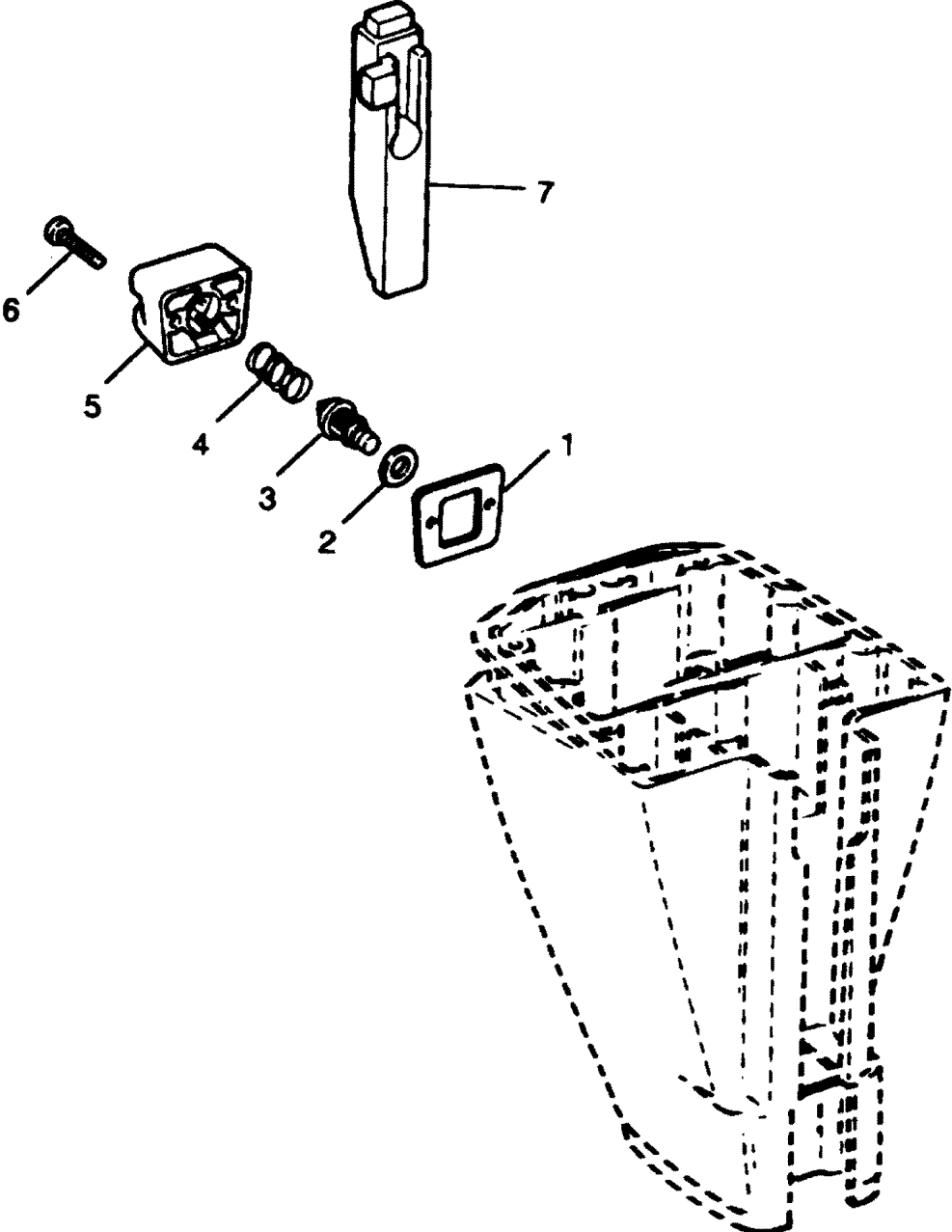
# CLAMP BRACKETS



# CLAMP BRACKETS

REF. NO.	PART NO.	SYM.	QTY.	DESCRIPTION
1	FS617532T		2	BRACKET ASSEMBLY, STERN (PAINTED)
2	817761A2		2	SCREW KIT
3	17-F8537		2	PIN
4	F24074		2	FOOT
5	17-F66480		2	STUD
6	F424075T		2	HANDLE (PAINTED)
7	17-24198		2	PIN
8	F286647		1	HANDLE, CARRYING
9	FA617113		1	LOCK BAR KIT
10	F286114		1	HANDLE
11	17-38489		1	PIN
12	24-F286461		1	SPRING
13	10-F286422		2	PIVOT, TILT LOCK
14	23-819226		2	SPACER
15	F429541		1	LOCK, TILT
16	13-69150		1	WAVE WASHER
17	24-F286544		1	SPRING, TILT LOCK
18	10-F617037		1	BOLT, PIVOT
19	12-20553		1	WASHER
20	11-F7026		1	NUT (3/8- 16)

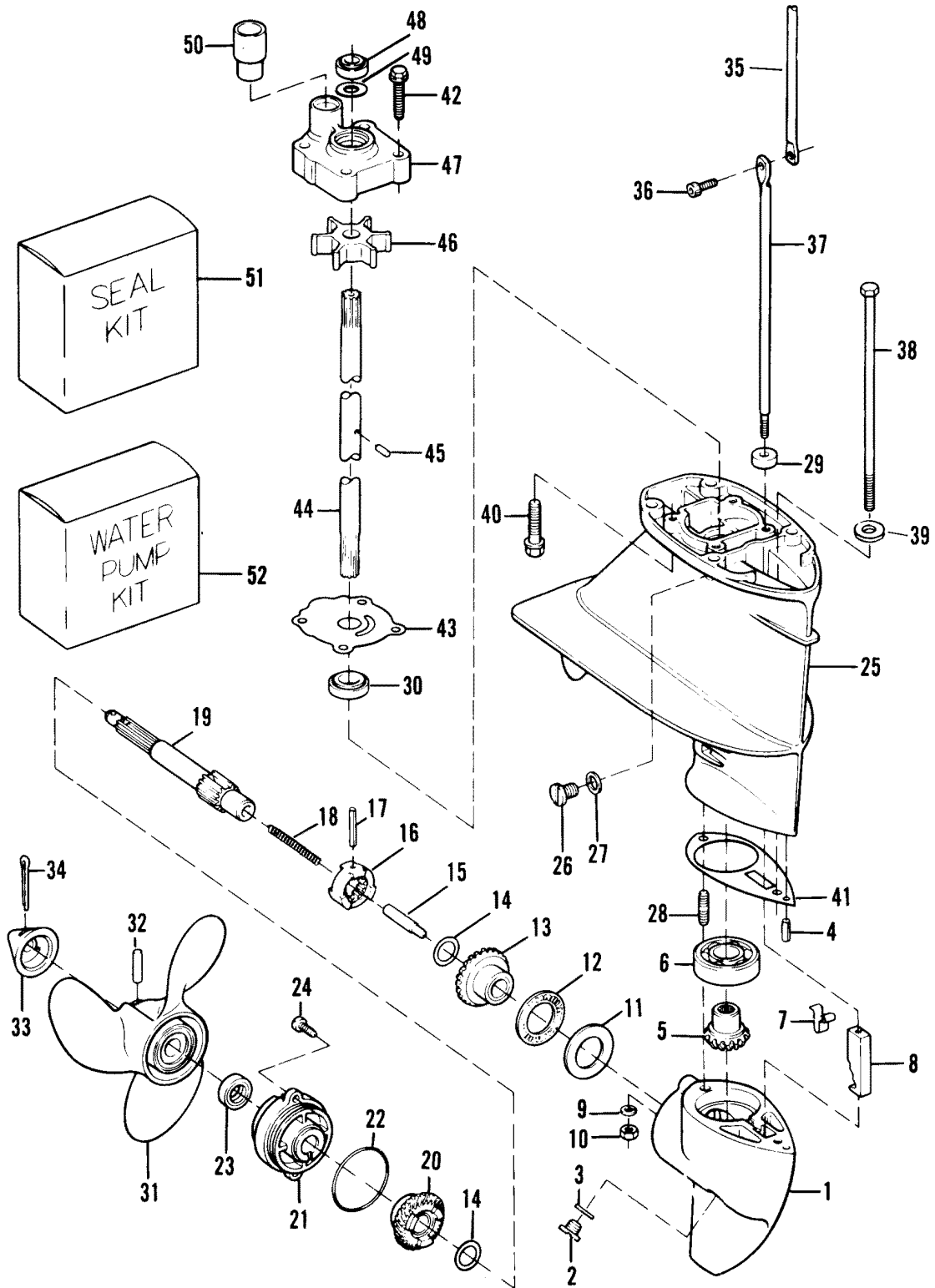
# THERMOSTAT



# THERMOSTAT

REF. NO.	PART NO.	SYM.	QTY.	DESCRIPTION
1	27-819669		1	GASKET, THERMOSTAT COVER
2	12-F658504		1	WASHER, THERMOSTAT
3	819550		1	THERMOSTAT (105 DEGREES)
4	24-819329		1	SPRING, THERMOSTAT
5	819321		1	COVER, THERMOSTAT
6	10-819382		2	SCREW (1/4-20 X 1 ")
7	823694		1	INSERT, THERMOSTAT

# GEAR HOUSING



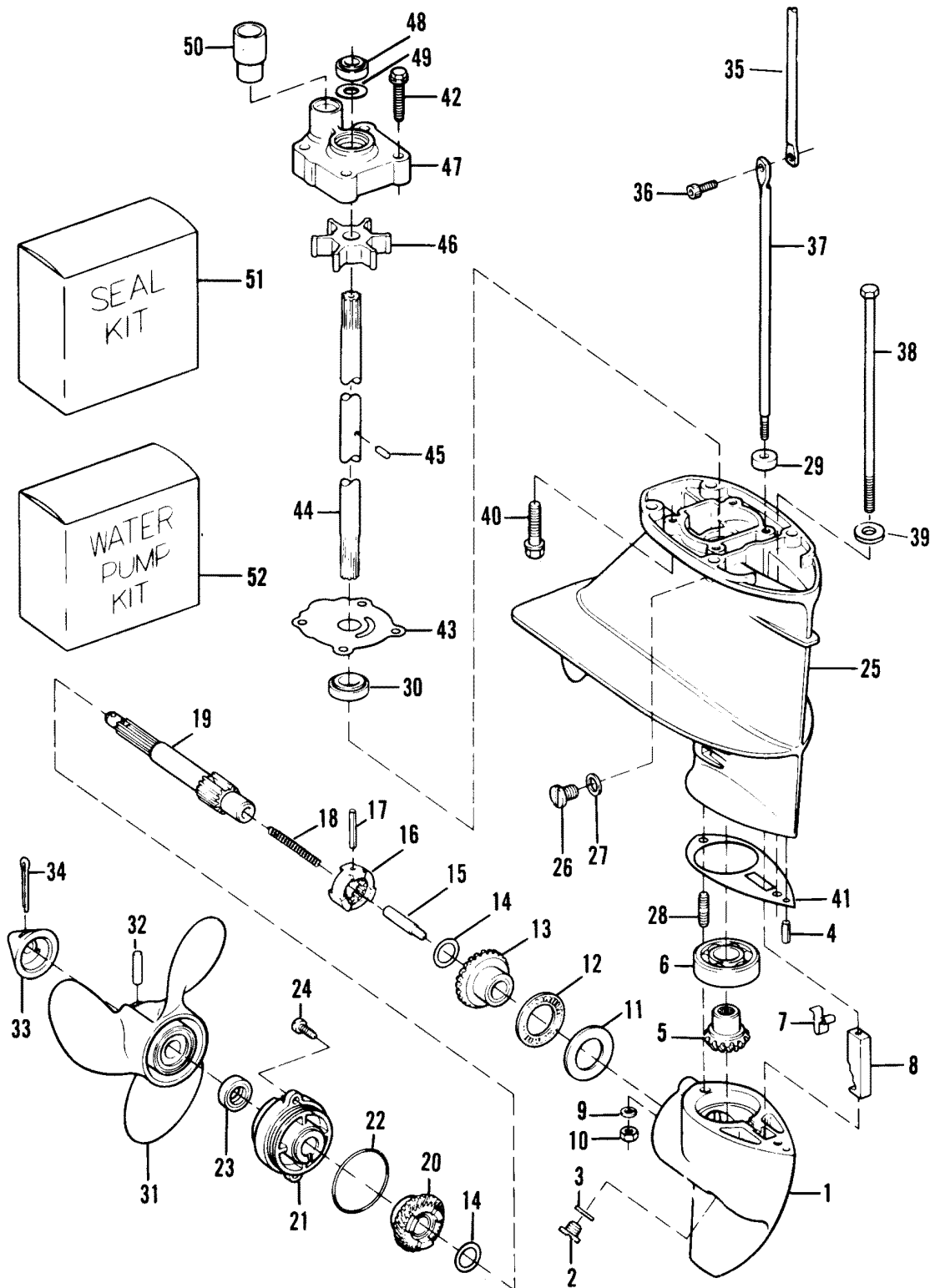


# GEAR HOUSING

REF. NO.	PART NO.	SYM.	QTY.	DESCRIPTION
-	<b>1600-819483A2</b>		1	<b>HOUSING KIT, GEAR (COMPLETE - PAINTED)</b>
1	1600-817749A2		1	HOUSING KIT, GEAR (BASIC - PAINTED)
2	10-F50109		1	PLUG
3	12-19183		1	WASHER
4	17-F8553		1	PIN
5	43-819251-A		1	GEAR ASSEMBLY, PINION
6	30-F127910		1	BEARING, BALL
7	24-F286895		1	SPRING, SHIFT CAM
8	F286721		1	CAM, SHIFT
9	13-26992		1	LOCKWASHER
10	11-F1490		1	NUT (1 /4-20)
11	12-F286903		1	WASHER
12	31-F286901		1	BEARING, PROPSHA T
13	43-819252A1		1	GEAR ASSEMBLY, FORWARD
14	12-F456717		2	WASHER, THRUST
15	17-F286728		1	PIN, SHIFT
16	52-819253		1	CLUTCH
17	17-F8564		1	PIN
18	24-F409719		1	SPRING
19	44-F456098		1	PROPSHAFT
20	43-819254A1		1	GEAR ASSEMBLY, REVERSE
21	31-817756A2		1	CAGE ASSEMBLY, PROPSHAFT(PAINTED)
22	25-F455305		1	O-RING
23	26-F346118		1	SEAL
24	F1493		2	SCREW (1/4-20 X 5/8")
25	1600-FA715554		1	HOUSING KIT, DRIVESHAFT, UPPER (PAINTED)
26	10-F50109		1	PLUG
27	12-19183		1	WASHER
28	16-F286008		1	STUD
29	26-817472		1	SEAL, OIL
30	26-F901307		1	SEAL
31	FP715		1	PROPELLER (8-3/8 X6 X3)
32	FA324101		1	PIN KIT, PROPELLER (3 PINS WITH COTTER PIN)
33	11-817752A1		1	NUT KIT, PROPELLER
34	18-F1846		1	PIN, COTTER
35	F286615		1	ROD, GEAR SHIFT, UPPER
36	10-F1976		1	SCREW (10-24 X 1 /2") 1
37	F286705-1		1	ROD, GEAR SHIFT, LOWER-15"- FOR MODEL 225.581506
	F330705		1	ROD, GEAR SHIFT, LOWER-20"- FOR MODEL 225.581496
38	10-F1800		1	BOLT 1/4-20 X 7")
39	12-F8025		1	WASH -R
40	10-F430732		4	SCREW (1/4-20 X 1")
41	27-F286555		1	GASKET, GEAR HOUSINA

CONTINUED ON NEXT PAGE ➡

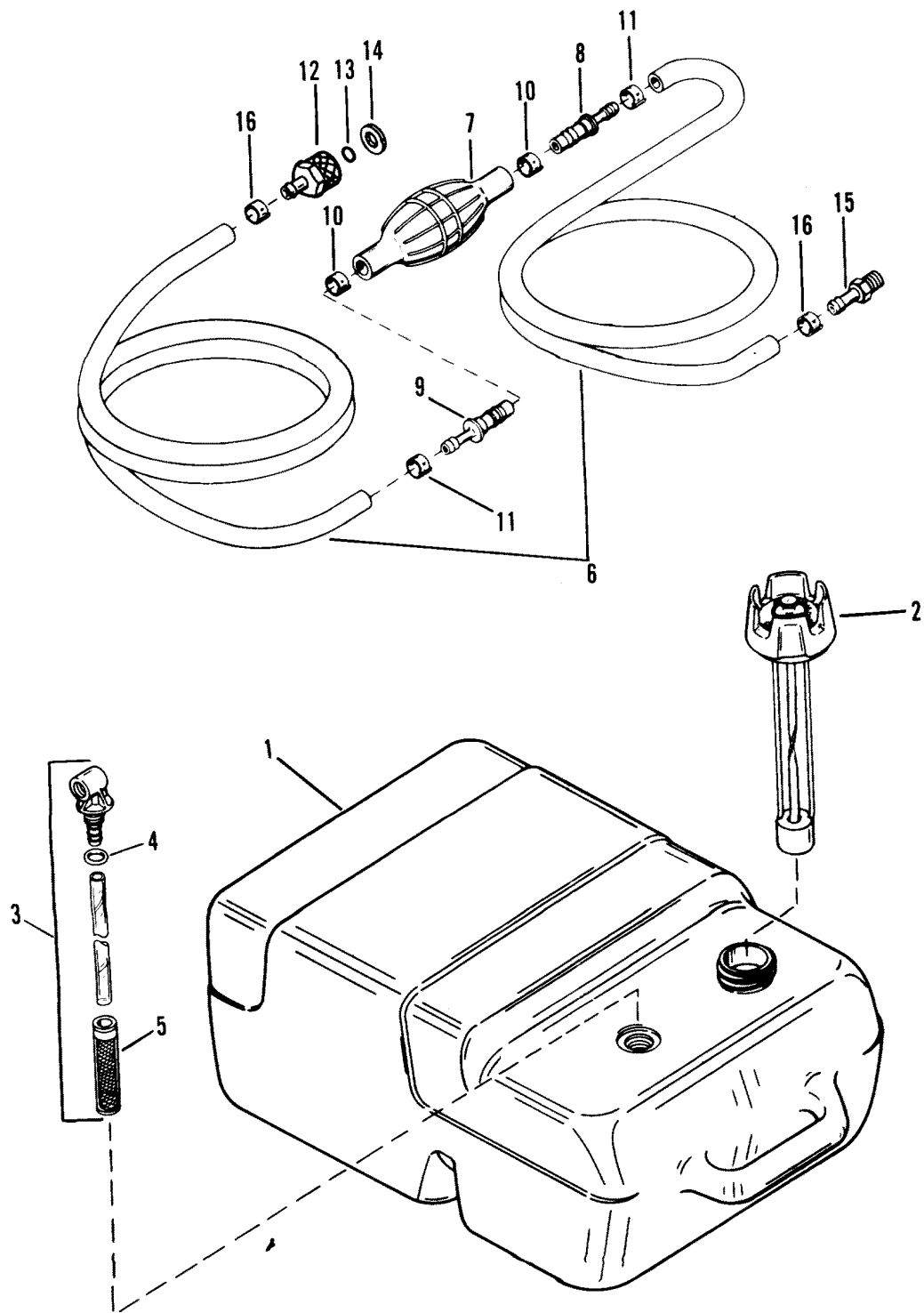
# GEAR HOUSING



# GEAR HOUSING

REF. NO.	PART NO.	SYM.	QTY.	DESCRIPTION
42	10-F2030		4	SCREW (1/4-20 X 1-1/4N )
43	F341562		1	BACKPLATE, WATER PUMP
44	45-F343128		1	DRIVESHAFT, -15"-FOR MODEL 225.581506
	45-F344128		1	DRIVESHAFT, -20"-FOR MODEL 225.581496
45	17-F901563		1	PIN
46	47-F436065		1	IMPELLER
47	46-FA715060		1	BODY ASSEMBLY, WATER PUMP
48	26-F901307		1	SEAL
50	FA510914		1	SEAL
49	F715388		1	DISC
51	FK1065		1	SEAL KIT, GEAR HOUSING
52	FK1031--1		1	REPAIR KIT, WATER PUMP

# FUEL TANK AND LINE



## FUEL TANK AND LINE

REF. NO.	PART NO.	SYM.	QTY.	DESCRIPTION
1	1259-823556A2		1	FUEL TANK ASSY. (PLASTIC - 6.6 GAL.)
2	823536		1	GAUGE AND CAP
3	22-823532		1	CONNECTOR ASSY., FUEL
4	25-823533		1	O-RING
5	35-823534		1	SCREEN, FILTER
6	32-820572A8		1	LINE, FUEL (5/16" I.D. )
7	13330A3		1	BULB ASSY., PRIMER
8	21-13331A1		1	CHECK VALVE (INLET)
9	21-13331A2		1	CHECK VALVE (OUTLET)
10	54-41582-10		2	CLAMP (LARGE)
11	54-41582--7		2	CLAMP (SMALL)
12	F197787-3		1	CONNECTOR, ENGINE
13	F17815		1	SEAL
14	F17816		1	SEAL
15	22-89771		1	CONNECTOR, FUEL TANK
16	54-41582--7		2	CLAMP

# PARTS INDEX

Part Number	Description	Pg.	Ref. No.	Part Number	Description	Pg.	Ref. No.
13330A3	BULB ASSY., PRIMER	35	7	F286347	MOUNT, SHOCK, LOWER	25	43
69355	STA-STRAP	5	18	F286349	LOCK, REVERSE	23	27
816514	BEARING	7	11	F286364	LEVER, REVERSE LOCK	23	12
817751A3	BRACKET KIT, STEERING( PAINTED)	19	22	F286433	BRACKET, SHALLOW WATER DRIVE	23	26
817761A2	SCREW KIT	27	2	F286490	STOP, STEERING HANDLE	19	21
819156T	IGNITION MODULE (CUT WIRE AS REQ D)	5	10	F286547	KNOB, CHOKE	11	31
819160	SHAFT, STEERING HANDLE	19	28	F286611	ROD, GEAR SHIFT	7	18
819227	WEDGE	19	31	F286615	ROD, GEAR SHIFT, UPPER	7	13
819279T	HANDLE, STEERING (PAINTED)	19	34	F286615	ROD, GEAR SHIFT, UPPER	31	35
819320T	BRACKET, SHOCK MOUNT LOWER (PAINTED)	23	30	F286647	HANDLE, CARRYING	27	8
819321	COVER, THERMOSTAT	29	5	F286685	CONNECTOR, GEAR SHIFT ROD	7	20
819348	ROD, CHOKE	11	32	F286705-1	ROD, GEAR SHIFT, LOWER-15"- FOR MODEL 225.581506	31	37
819399A1	LANYARD	5	7	F286721	CAM, SHIFT	31	8
819408A1	LEVER ASSEMBLY, STATOR CONTROL	19	1	F286827	LEVER, REVERSE LOCK	23	19
819486	SEAL, SUPPORT PLATE	3	17	F286871	PIN, GEAR SHIFT LEVER	7	25
819550	THERMOSTAT (105 DEGREES)	29	3	F286876	LEVER, GEAR SHIFT	7	23
819626T	HANDLE, GEAR SHIFT (PAINTED)	7	29	F286914-1	SLEEVE	25	40
819758T	CAM, THROTTLE	5	11	F2A24757	PLATE ASSEMBLY, FUEL PUMP	9	26
823536	GAUGE AND CAP	35	2	F2C710712	TOP COWL (WITH DECALS - PAINTED)	3	-
823694	INSERT, THERMOSTAT	29	7	F330705	ROD, GEAR SHIFT, LOWER-20"- FOR MODEL 225.581496	31	37
824141T	COVER, EXHAUST	17	1	F341384	RETAINER, CHOKE ROD	11	33
824142T	LINK, THROTTLE CAM	19	2	F341562	BACKPLATE, WATER PUMP	33	43
824466A2	COVER ASSEMBLY, STOP SWITCH	5	5	F346146	SEAL, CRANKSHAFT, UPPER	15	3
F10241	CLIP	11	24	F392756	PACKING, SUPPORT PLATE	3	13
F10242	WASHER	11	25	F424075T	HANDLE (PAINTED)	27	6
F10265	NEEDLE, INLET	11	17	F429541	LOCK, TILT	27	15
F10268	SCREW, IDLE MIXTURE	11	15	F429811	SCREEN	9	19
F10273	JET, THROTTLE (.047)	11	21	F431838	SHAFT, MAGNETO CONTROL	19	9
F10275	SCREW	11	22	F458695	SLEEVE	21	42
F10290	LINKAGE, THROTTLE	11	23	F481777	CAM	3	21
F10338	LINK, THROTTLE	11	26	F487816-1	BEARING	19	30
F10343	SHAFT, CHOKE	11	5	F618445	LINK, MAGNETO CONTROL ROD	19	8
F10344	SHUTTER, CHOKE	11	6	F681003-1	ARM, STARTER INTERLOCK	7	2
F10346	FLOAT, FUEL BOWL	11	8	F681046	BULB, PRIMER	9	34
F10347	ELBOW	11	14	F681090	PLATE, HANDLE SUPPORT	13	17
F10348	JET, IDLE (.050)	11	20	F681091	NUT, FLYWHEEL	5	1
F10349	SHAFT, THROTTLE	11	27	F681132	HANDLE, STARTER ROPE	13	21
F10351	SHUTTER, THROTTLE	11	29	F681232	ROPE (65")	13	13
F1493	SCREW (1/4-20 X 5/8")	31	24	F681263-1	LINK, STARTER INTERLOCK	7	15
F1502	SCREW (1/4-20 X 5/8")	9	35	F681269	HANDLE, TILT	3	3
F17815	SEAL	35	13	F681408-1	HOUSING, STARTER	13	1
F17816	SEAL	35	14	F681427-2	BRACKET, STARTER HOUSING FRONT	13	3
F1854	SCREW (1/4-20 X 5/8")	3	23	F681428	INSERT, STARTING HOUSING ROPE	13	5
F197787-3	CONNECTOR, ENGINE	35	12	F681490	STOP, STARTER PULLEY INTERLOCK	7	1
F2042	WASHER	3	2	F681531	ROD, INTERLOCK	7	10
F24074	FOOT	27	4				
F286019	KINGPIN	23	29				
F286114	HANDLE	27	10				
F286222	COVER, TRANSFER PORT	9	31				
F286224-1	INSERT, STEERING HANDLE PIVOT	19	38				
F286346	MOUNT, SHOCK, LOWER	23	37				

# PARTS INDEX

Part Number	Description	Pg.	Ref. No.	Part Number	Description	Pg.	Ref. No.
F681631	SHOE, FRICTION, SWIVEL			FO15366	BOWL, FUEL	11	10
	BRACKET	23	7	FO15722	NOZZLE, MAIN	11	19
F681677	INSERT, CHOKE KNOB	11	30	FO4784	BALL	11	3
F681742	LEVER, INTERMEDIATE			FO8805	SPRING	11	4
	INTERLOCK	7	16	FP715	PROPELLER (8-3/8 X6 X3)	31	31
F681817	RETAINER, STARTER ROPE	13	22	FS617532T	BRACKET ASSEMBLY,		
F681874-1	FASTENER, HANDLE				STERN (PAINTED)	27	1
	SUPPORT PLATE	13	19	FS681712T	TOP COWL ( WITHOUT		
F681954-1	COVER	9	33		DECALS - PAINTED)	3	1
F681997-1	LEVER, NEUTRAL			10-28430	SCREW (6-32 X 1/4")	9	2
	INTERLOCK ASSEMBLY	7	8	10-28635	SCREW (1/4-20 X 5/8")	19	13
F715151	PLATE, EXHAUST	17	4	10-28636	SCREW (1/4-20 X 3/4")	17	10
F715388	DISC	33	49	10-28668	SCREW (1 /4-20 X 7/8")	9	13
F715404	PLATE, LEG TUNER	23	1	10-28668	SCREW (1/4-20 X 7/8")	17	2
F715417	SHAFT, GEAR SHIFT			10-819382	SCREW (1/4-20 X 1 ")	29	6
	HANDLE	7	14	10-819625	SCREW, SHOULDER	7	12
F715619	LEVER, SHIFT HANDLE			10-824352	SCREW (10-24 X 3/8")	5	17
	SHAFT	7	30	10-824353	SCREW (8-32 X 3/4")	5	16
F715660	TUBE, EXHAUST	17	20	10-824358	SCREW (10-24 X 1 /2")	5	19
F8003	WASHER	9	27	10-90192	SCREW (1/4-20 X 3T4")	13	2
F8548	PIN	21	43	10-F10345	SCREW	11	7
F901746-2	COVER, FUEL PUMP	9	24	10-F1069	SCREW (10-24 X 1-1/16")	9	23
FA1844	BOLT KIT (1/4-20 X 2-3/8")	23	31	10-F1107	SCREW (1/4-20 X 3/4")	17	6
FA286155	LINER SET, CENTERMAIN			10-F1286	SCREW (4-40 X 3/16")	9	29
	BEARING	15	9	10-F1335	SCREW (5/16-18 X 1-1/4")	17	7
FA286582T	ARM KIT, STEERING			10-F175634	SCREW	15	13
	(PAINTED)	19	10	10-F1799	SCREW (5/16-18 X 5/8")	19	16
FA324101	PIN KIT, PROPELLER (3			10-F1800	BOLT 1/4-20 X 7")	31	38
	PINS WITH COTTER PIN)	31	32	10-F1820	SCREW (1/4-20 X 1-3/8")	23	9
FA341510	LINK, REVERSE LOCK	23	25	10-F1823	SCREW (5/16-18 X 1 ")	17	12
FA343178	RETAIN R KIT	19	24	10-F1829	SCREW (10-24 X 7/8")	19	32
FA387742	LEVE R ASSEMBLY,			10-F1859	SCREW (1/4-28 X 3/16")	19	25
	INTERMEDIATE	23	17	10-F1864	SCREW (1/4-20 X 3/4")	15	1
FA429471	COVER ASSEMBLY,			10-F1922	SCREW (1/4-20 X 5/8")	9	36
	CYLINDER DRAIN	9	18	10-F1922	SCREW (1/4-20 X 5/8")	13	8
FA456137	HANDLE ASSEMBLY,			10-F1976	SCREW (10-24 X 1 /2") 1	31	36
	STEERING	21	41	10-F2030	SCREW (1/4-20 X 1-1/4N )	33	42
FA492845T	HOUSING KIT (PAINTED)	23	34	10-F2126	SCREW (1/4-28 X 2")	19	3
FA510914	SEAL	33	50	10-F2209	SCREW (10-16 X 1 /2")	7	4
FA609853	DECAL	13	23	10-F2209	SCREW (10-16 X 1 /2")	13	15
FA617113	LOCK BAR KIT	27	9	10-F2210	SCREW (1/4-14 X 1/2")	13	18
FA681239	PULLEY ASSEMBLY,			10-F2211	SCREW (10-24 X 5/8")	3	5
	STARTER REWIND	13	10	10-F2417	SCREW (1/4-20 X 3/8")	23	2
FA681469T	HANDLE ASSEMBLY, COWL			10-F286080	SCREW, STEERING HANDLE		
	LATCH (PAINTED)	3	18		PIVOT	19	18
FA681630	SUPPORT ASSEMBLY,			10-F286422	PIVOT, TILT LOCK	27	13
	HANDLE	13	16	10-F430732	SCREW	23	35
FA712228	ROLLER SET (2 STRIPS-28			10-F430732	SCREW (1/4-20 X 1")	31	40
	PER)	15	11	10-F50109	PLUG	31	2
FA715167	MANIFOLD KIT	9	8	10-F50109	PLUG	31	26
FC71001-O	SHORT BLOCK ASSEMBLY			10-F617037	BOLT, PIVOT	27	18
	(PAINTED)	17	-	10-F681026	SCREW, LATCH ROLLER	3	12
FG1035	GASKET SET	17	9	10-F84026	SCREW, SHOULDER	13	20
FK1031--1	REPAIR KIT, WATER PUMP	33	52	10-F901938	SCREW	17	15
FK10352	GASKET SET,			11-20110	NUT (10-32)	7	17
	CARBURETOR	11	-	11-64015	NUT (1 /4-20)	23	33
FK10353	REPAIR KIT, CARBURETOR	11	-	11-817752A1	NUT KIT, PROPELLER	31	33
FK1065	SEAL KIT, GEAR HOUSING	33	51	11-F1490	NUT (1 /4-20)	9	12
FK1123	BOOT KIT	5	12	11-F1490	NUT (1 /4-20)	31	10
FO13944	PIN, FLOAT	11	9	11-F1608	NUT (1/4-20)	23	11

# PARTS INDEX

Part Number	Description	Pg.	Ref. No.	Part Number	Description	Pg.	Ref. No.
11-F1832	NUT (1/4-20)	3	10	17-F901563	PIN	33	45
11-F1832	NUT (1/4-20)	13	7	18-F1846	PIN, COTTER	31	34
11-F1832	NUT (1/4-20)	7	9	19-73336	PLUG	3	16
11-F7006	NUT (5/16-18)	19	7	19-817362	PLUG	13	11
11-F7009	NUT (10-24)	3	4	19-F286539	BUMPER	19	11
11-F7026	NUT (3/8-16)	27	20	19-FO10588	PLUG	11	2
12-12038	WASHER	23	10	19-FO16128	PLUG	11	1
12-19183	WASHER	31	27	21-13331A1	CHECK VALVE (INLET)	35	8
12-19183	WASHER	31	3	21-13331A2	CHECK VALVE (OUTLET)	35	9
12-20553	WASHER	27	19	21-817741-A	VALVE KIT	9	20
12-71055	WASHER	3	24	22-823532	CONNECTOR ASSY., FUEL	35	3
12-819704	WASHER	19	6	22-89771	CONNECTOR, FUEL TANK	35	15
12-F2037	WASHER	23	18	22-F197767	BUSHING, FUEL	9	16
12-F286011	WASHER, SWIVEL BRACKET	23	6	22-F213274	FITTING, GREASE	23	4
12-F286220	WASHER	19	35	22-F523274	FITTING, GREASE	19	23
12-F286286	WASHER	23	20	22-F681188	NUT, STOP SWITCH SLEEVE	5	15
12-F286903	WASHER	31	11	22-F901811	FILTER, FUEL PUMP	9	17
12-F456717	WASHER, THRUST	31	14	23-819226	SPACER	27	14
12-F658504	WASHER, THERMOSTAT	29	2	23-F183813	BUSHING	19	4
12-F8025	WASH-R	31	39	23-F197319	BUSHING	11	34
12-F8025	WASHER	17	16	23-F197813	BUSHING	19	20
12-F8143	WASHER	3	2A	23-F197813	BUSHING	19	36
12-F8143	WASHER	7	3	23-F197813	BUSHING	23	14
13-26992	LOCKWASHER	3	22	23-F286169	BUSHING, BOTTOM (1-3/4")	23	5
13-26992	LOCKWASHER	17	19	23-F286818	BUSHING	19	37
13-26992	LOCKWASHER	23	32	23-F286818	NYLINER	3	19
13-26992	LOCKWASHER	31	9	23-F307818	BUSHING	7	26
13-26996	LOCKWASHER	7	19	23-F307818	BUSHING	19	15
13-69150	WAVE WASHER	27	16	23-F536813	BUSHING	23	16
13-78968	LOCKWASHER	19	14	23-F681169	BUSHING, TOP (1-1/8")	23	5A
13-F1704	LOCKWASHER	9	3	23-F681405	INSERT, STARTER HOUSING	13	6
13-F2047	WAVE WASHER	3	20	23-F681759	ROLLER, LATCH	3	11
13-F8048	WAVE WASHER	7	31	23-F85610	BUSHING	19	29
13-F8058	LOCKWASHER	7	22	24-27160	SPRING	11	16
13-F8058	LOCKWASHER	19	33	24-819329	SPRING, THERMOSTAT	29	4
16-F2788004	STUD	9	9	24-F10350	SPRING	11	28
16-F286008	STUD	31	28	24-F286300	SPRING, REVERSE LOCK	23	28
16-F286134	STUD, GEAR SHIFT LEVER	7	27	24-F286461	SPRING	27	12
16-F660273	STUD	19	5	24-F286544	SPRING, TILT LOCK	27	17
16-F681008	STUD, NEUTRAL INTERLOCK PIVOT	7	7	24-F286868	SPRING, STEERING HANDLE STOP	19	19
16-F681134	STUD, INTERLOCK LEVER	7	6	24-F286895	SPRING, SHIFT CAM	31	7
16-F98273	STUD	7	21	24-F409719	SPRING	31	18
17-24198	PIN	27	7	24-F681424	SPRING, INTERLOCK LEVER	7	5
17-25905	PIN	7	28	24-F681970	SPRING, STARTER REWIND	13	9
17-29908	PIN	19	26	25-32509	O-RING	15	14
17-31656	PIN	7	24	25-823533	O-RING	35	4
17-38489	PIN	27	11	25-F215795	O-RING (SMALL)	21	40
17-819707	PIN, TILT LOCK	23	22	25-F455305	O-RING	31	22
17-F1794	PIN	23	15	25-F53795-1	O-RING (LARGE)	19	39
17-F1805	PIN, SPRING	19	12	26-817472	SEAL, OIL	31	29
17-F1806	PIN, GROOVE	23	21	26-819396	SEAL, CRANKSHAFT LOWER	15	16
17-F1807	PIN, GROOVE	19	17	26-F346118	SEAL	31	23
17-F286728	PIN, SHIFT	31	15	26-F681579	SEAL, PULLEY BEARING	13	12
17-F66480	STUD	27	5	26-F901307	SEAL	25	41
17-F8537	PIN	27	3	26-F901307	SEAL	31	30
17-F8538	PIN	23	13	26-F901307	SEAL	33	48
17-F8553	PIN	31	4	27-818043A1	DIAPHRAGM KIT	9	30
17-F8559	PIN, DOWEL	17	8				
17-F8564	PIN	31	17				



# PARTS INDEX

Part Number	Description	Pg.	Ref. No.	Part Number	Description	Pg.	Ref. No.
27-819669	GASKET, THERMOSTAT COVER	29	1	41-F712017	PIN, PISTON	15	19
27-F24748-2	GASKET, FUEL PUMP	9	25	43-818009	GEAR	19	27
27-F286159	GASKET, REED PLATE	9	6	43-819251-A	GEAR ASSEMBLY, PINION	31	5
27-F286223	GASKET, TRANSFER PORT COVER	9	32	43-819252A1	GEAR ASSEMBLY, FORWARD	31	13
27-F286277	GASKET, CRANKSHAFT BEARING CAGE	15	5	43-819254A1	GEAR ASSEMBLY, REVERSE	31	20
27-F286529	GASKET, CYLINDER HEAD	17	13	44-F456098	PROPSHAFT	31	19
27-F286555	GASKET, GEAR HOUSING	31	41	45-F343128	DRIVESHAFT, -15"-FOR MODEL 225.581506	33	44
27-F429472	GASKET, CYLINDER DRAIN COVER	9	22	45-F344128	DRIVESHAFT, -20"-FOR MODEL 225.581496	33	44
27-F715154	GASKET, EXHAUST PORT COVER	17	3	46-FA715060	BODY ASSEMBLY, WATER PUMP	33	47
27-F715168	GASKET, MANIFOLD	9	7	47-F436065	IMPELLER	33	46
27-F715279	GASKET, CYLINDER MOUNTING	17	11	52-819253	CLUTCH	31	16
27-F715906	GASKET, CARBURETOR	9	11	53-42689	RING, RETAINING	13	4
27-FO15623	GASKET, FUEL BOWL	11	11	53-F31410	RING, RETAINING	15	18
27-FO2510	GASKET	11	13	54-41582--7	CLAMP	35	16
28-F458498	KEY	5	14	54-41582--7	CLAMP (SMALL)	35	11
29-F286571	ROLLER SET (26 PER SET)	15	8	54-41582-10	CLAMP (LARGE)	35	10
30-F127910	BEARING, BALL	31	6	54-F2706772	CLAMP	9	14
30-F286028	BEARING	15	7	54-F286573	CLAMP, STEERING FRICTION	23	8
31-817753A1	CAGE ASSEMBLY, CRANKSHAFT BEARING	15	2	54-F286772	CLAMP	9	21
31-817756A2	CAGE ASSEMBLY, PROPSHAFT(PAINTED)	31	21	84-819379A5	HARNES ASSEMBLY, ENGINE STOP	5	8
31-F286901	BEARING, PROPSHAFT	31	12	85-818751	BOOT (RFI)	5	12
31-F343014	BEARING, CRANKSHAFT LOWER MAIN	15	15	87-824440A6	STOP SWITCH ASSEMBLY	5	4
32-820572A8	LINE, FUEL (5/16" I.D.)	35	6	87-F687287	SWITCH, EMERGENCY STOP	5	6
32-F286244	TUBE, WATER	25	39	90-82321893	OWNERS MANUAUPARTS BOOK	3	25
32-F40253-1	HOSE, FUEL (9.18" & 13.38" - CUT AS REQ D)	9	15	100-819280A2	BOTTOM COWL KIT (PAINTED)	3	14
32-F40253-1	HOSE, PRIMER BULB TO CARB (4.12" - CUT AS REQ D)	9	10	200-824380T	FLYWHEEL (PAINTED)	5	2
32-F715943	TUBE, CYLINDER WATER JACKET	17	18	300-819305T	PLATE, STATOR	5	9
32-FS901244	WATERLINE, EXTENSION	23	36	300-F73082	RING, STATOR	15	4
33-19796	SPARK PLUG (RFI)	5	13	400-819803A2	CRANKSHAFT ASSEMBLY	15	6
33-813414	SPARK PLUG	5	13	600-FS715016	CONNECTING ROD ASSEMBLY	15	12
34-F18160-3	REED	9	28	700-819946A3	PISTON KIT	15	17
34-F31160-2	REED	9	5	800-819553A5	CYLINDER BLOCK ASSEMBLY	17	5
34-F715161	STOP, REED	9	4	900-F286518	HEAD, CYLINDER	17	14
34-FA715158	PLATE ASSEMBLY, REED	9	1	1259-823556A2	FUEL TANK ASSY. (PLASTIC - 6.6 GAL.)	35	1
35-823534	SCREEN, FILTER	35	5	1300-F715061	CARBU RETOR (FO- 1 A)	11	-
37-818029	DECAL, FUEL MIX	25	44	1395-6029	MAIN JET (.068)	11	18
37-F681390	DECAL, STARTING INSTRUCTIONS	3	9	1395-6030	MAIN JET (.070)	11	18
37-F688585	DECAL, TILT LOCK	23	24	1399-4215	MAIN JET (.066)	11	18
37-F710396	DECAL, STARBOARD	3	8	1399-4216	MAIN JET (.064)	11	18
37-F710397	DECAL, PORT	3	8	1399-5128	SCREW	11	12
37-F710528	DECAL, REAR	3	7	1400-817750A4	BRACKET KIT, SWIVEL (PAINTED)	23	3
37-F712894	DECAL, SPEED INDICATOR (RED)	21	44	1500-819344T	HOUSING, DRIVESHAFT (PAINTED)	23	38
38-819281	PLATE, SUPPORT	3	15	1600-817749A2	HOUSING KIT, GEAR (BASIC - PAINTED)	31	1
39-820484A1	RING SET, PISTON (2 RINGS)	15	20				

# PARTS INDEX

Part Number	Description	Pg.	Ref. No.	Part Number	Description	Pg.	Ref. No.
1600-FA715554	HOUSING KIT, DRIVESHAFT, UPPER (PAINTED) . . . . .	31	25				