



PARTS CATALOG

40/50 H.P.

SERIAL NUMBER

40 H.P. (1992-1994)	0E000001 THRU 0E093699
40 H.P. (1992-1994)	1992-C
50 H.P. (1992-1994)	0E000001 THRU 0E093699

TABLE OF CONTENTS:

BOTTOM COWL	4
CARBURETOR - 40 H.P. (92C) E000001,E065371	18
CARBURETOR - 40 H.P. E065372,E093699	22
CARBURETOR - 50 H.P. E065372,E093699	28
CARBURETOR - 50 H.P.(92C) E000001, E065371	24
CRANKSHAFT AND PISTON	42
CYLINDER BLOCK	38
DESIGN 11 POWER TRIM UNIT WITH BULLET CONNECTORS	64
DESIGN 111 POWER TRIM UNIT WITH BULLET CONNCTORS	66
DESIGN I POWER TRIM UNIT WITH BAYONET CONNECTORS	62
DRIVESHAFT HOUSING	56
ELECTRICAL COMPONENTS	10
FUEL PUMP ASSEMBLY (92C) E000001, E065371	30
FUEL PUMP ASSEMBLY E065372,E093699	32
FUEL TANK AND LINE (92C)	74
FUEL TANK AND LINE (PLASTIC 6.6 GALLON) E006500,E093699	76
GEAR HOUSING	58
HEAT INDICATOR BUZZER	46
IGNITION COMPONENTS	6
MISCELLANEOUS ENGINE PARTS	1
PARTS INDEX	80
PUMP/MOTOR KIT	68
RECIRCULATION AND PRIME SYSTEM (92C) E000001,E065371	14
RECIRCULATION AND PRIME SYSTEM (92C) E065372,E093699	16
REED PLATE AND ADAPTER FLANGE	48
REMOTE CONTROL (92C)	70
SHIFT AND THROTTLE LINKAGE	34
SPACER PLATE	44
STARTER	12
SWIVEL BRACKET/STERN BRACKETS MANUAL TILT MODELS	50
SWIVEL BRACKET/STERN BRACKETS POWER TRIM MODELS	54
TOOLS - SPECIAL	78
TOP COWL	2

NOTE: Indented description indicate that these parts are included in preceeding assembly.

AR = As Required

NSS = Not Sold Separate

OPT = Optional

NS = Not Shown

NOTE: Following symbols are located in **SYM** column.

- = COMPONENT OF POWERHEAD ASSY
[800-819445A7] [800-818152A7] [800-819445A14]
- = CONTENTS OF POWERHEAD GASKET SET [27-820467A1] [27-820722A1]
- ▣ = COMPONENT OF POWERHEAD ASSY [800-819445A14]
- ◇ = CONTENTS OF CARB REPAIR KIT [820721A1]
- ▲ = CONTENTS OF CARB REPAIR KIT [FK10325]
- ⊕ = CONTENTS OF CARB REPAIR KIT [820576A1]

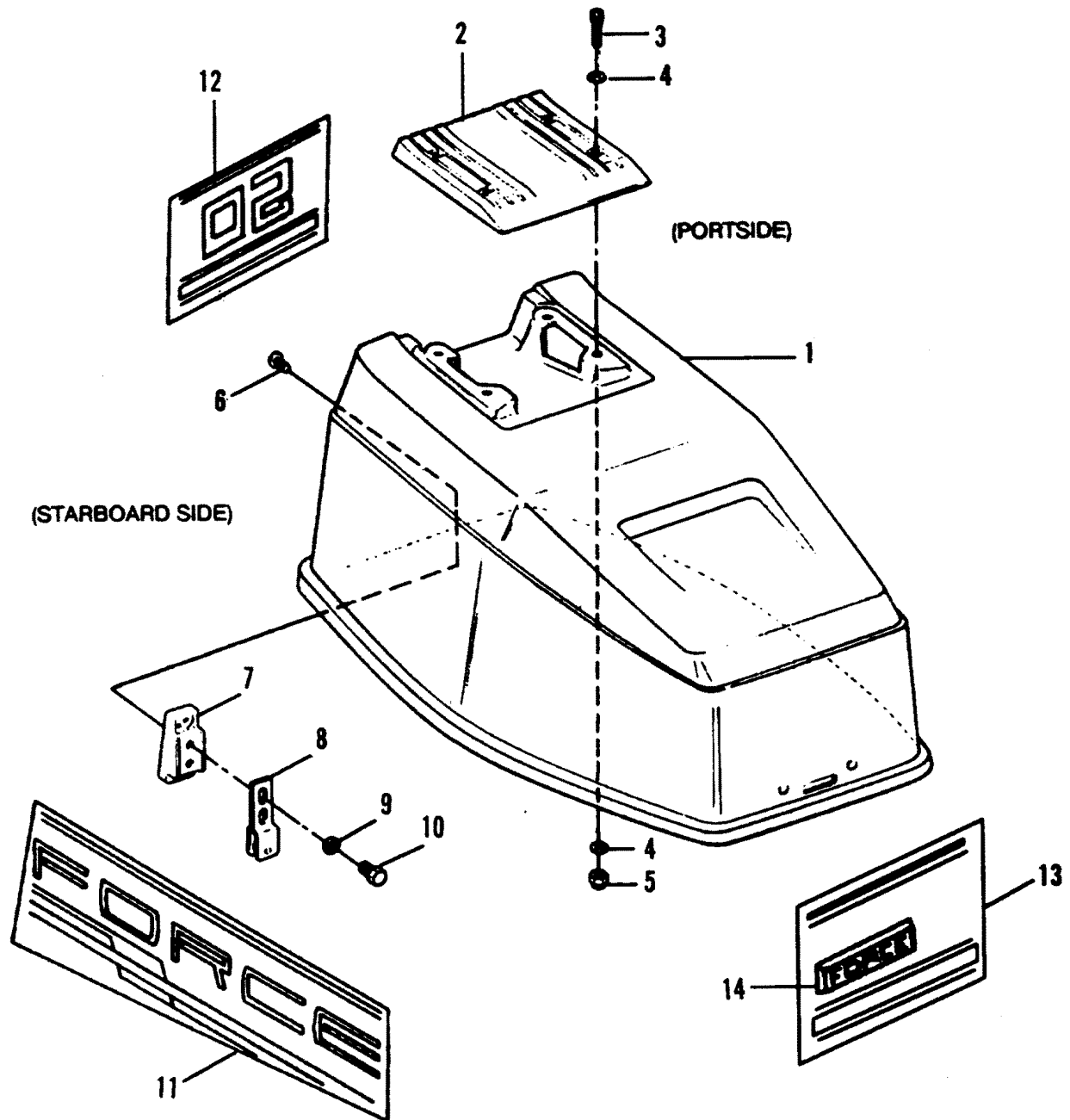
- = CONTENTS OF GEAR HOUSING SEAL KIT [26-820645A1]
- ♣ = CONTENTS OF POWERHEAD GASKET SET [27-820467A1]
- ❖ = COMPONENT OF GASKET SET [27-820722A1]
- ♥ = CONTENTS OF CARB GASKET SET [FK10323]
- = CONTENTS OF SWITCHBOX KIT [18495A13]
- ♠ = CONTENTS OF WATER PUMP KIT [FK1073]

THESE PARTS BOOKS/FICHE CARD ARE COPYRIGHTED AND MAY NOT BE DISTRIBUTED OR REPRODUCED IN ANY OTHER FORMAT BY ANYONE OTHER THAN MERCURY MARINE WITHOUT THE PRIOR WRITTEN CONSENT OF MERCURY MARINE.

MISCELLANEOUS ENGINE PARTS

REF. NO.	PART NO.	SYM.	QTY.	DESCRIPTION
-	90-819681-1		1	OPERATORS MANUAL (92C MODELS)
-	90-819681930		1	OPERATORS MANUAL (SER. #E000001 THRU E031999)
-	90-819681941		1	OPERATORS MANUAL (SER. #E032000 THRU E093699)
-	92-78373-12		AR	LAQUER, BLACK, SPRAY CAN (12 PER CASE)
-	92-822886-12		AR	LAQUER, BLACK, BRUSH BOTTLE (12 PER BOX)
-	92-819104-12		AR	LAQUER, GRAY, ACRYLIC, SPRAY CAN (12 PER CASE)
-	92-825321-12		AR	LAQUER, GRAY, ACRYLIC, BRUSH BOTTLE (12 PER BOX)
-	92-819107-12		AR	LAQUER, CLEAR ACRYLIC, SPRAY CAN (12 PER CASE)

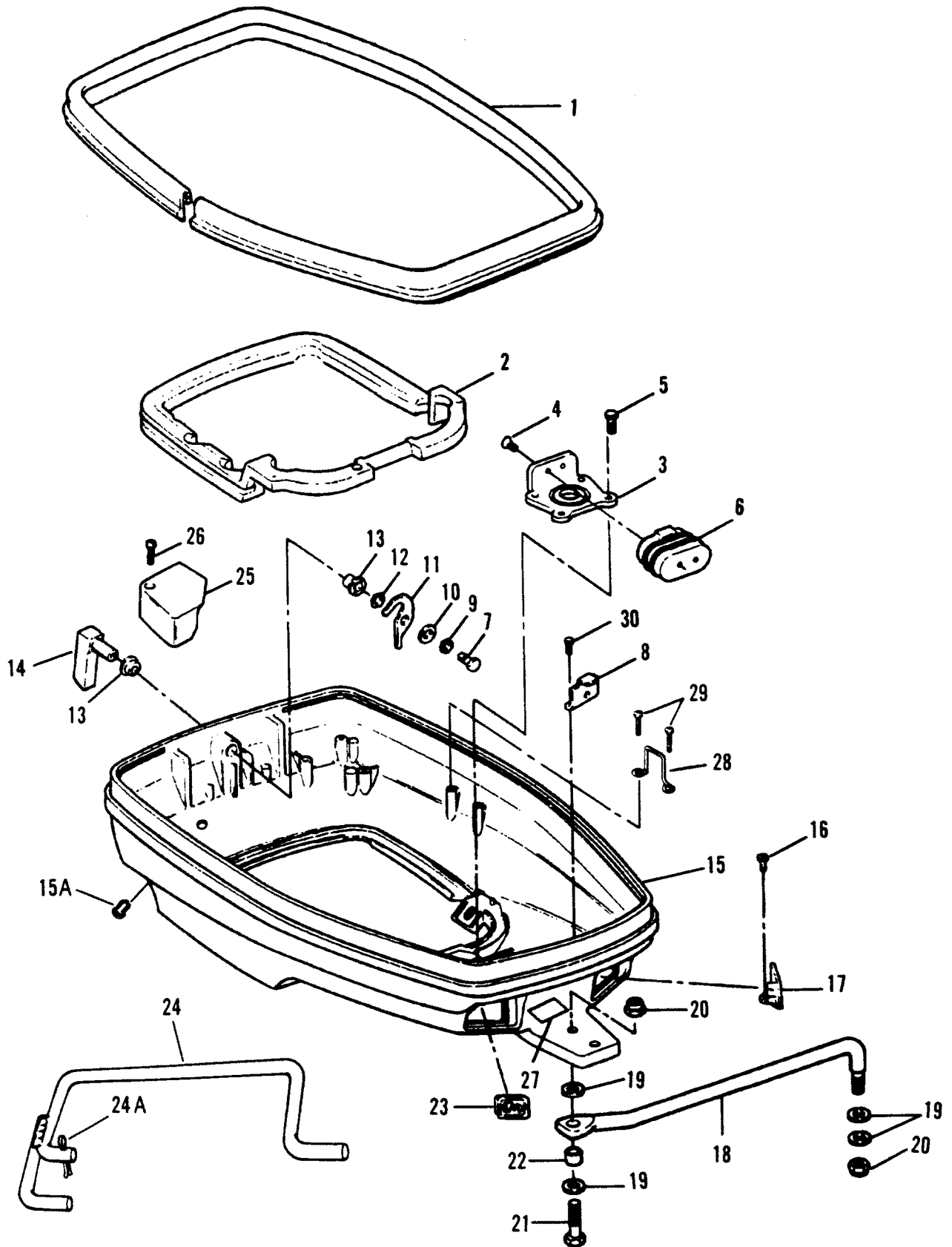
TOP COWL



TOP COWL

REF. NO.	PART NO.	SYM.	QTY.	DESCRIPTION
1	100-819748A3		1	TOP COWL (PAINTED) (WITHOUT DECALS) (ALL MODELS)
-	F684984		1	BLANKET, SOUND, TOP
-	F684985-1		2	BLANKET, SOUND, SIDE
2	816518		1	HANDLE, TILT
3	10-F2143		4	SCREW (1/4-20 X 1")
4	12-29245		8	WASHER
5	11-13855		4	NUT (1/4-20)
6	10-28639		2	SCREW (1/4-20 X 5/8")
7	F684774		1	BRACKET, COWL, LATCH REAR
8	18173		1	BRACKET ASSEMBLY, ROLLER LATCH
9	13-53166		2	LOCKWASHER (5/16")
10	10-90285		2	SCREW (5/16-18 X 5/8")
11	37-FP742396		1	DECAL, STARBOARD
	37-FP742397		1	DECAL, PORT (1992C) FORCE SERIAL 0E000001-0E009499
12	37-819541		1	DECAL, REAR (40 H.P.) (1992C) FORCE SERIAL 0E000001-0E009499
	37-FP742528		1	DECAL, REAR (50 H.P.) (1992C) FORCE SERIAL 0E000001-0E009499
13	37-FP742892		1	DECAL, FRONT(1992C) FORCE SERIAL 0E000001-0E009499
11	37-819560		1	DECAL, STARBOARD (50 H.P)(1992C) BAYLINER SERIAL 0E000001-0E009499
	37-819561		1	DECAL, PORT (50 H.P1992C) BAYLINER SERIAL 0E000001-0E009499
12	37-819562		1	DECAL, REAR (50 H.P1992C) BAYLINER SERIAL 0E000001-0E009499
13	37-819563		1	DECAL, FRONT (50 H.P1992C) BAYLINER SERIAL 0E000001-0E009499
11	37-819581		1	DECAL, STARBOARD (50 H.P1992C) BAYLINER SERIAL 0E000001-0E009499
	37-819582		1	DECAL, PORT. (50 H.P1992C) BAYLINER SERIAL 0E000001-0E009499
12	37-819583		1	DECAL, REAR (50 H.P1992C) BAYLINER SERIAL 0E000001-0E009499
13	37-819584		1	DECAL, FRONT (50 H.P1992C) BAYLINER SERIAL 0E000001-0E009499
14	819169		1OR2	MEDALLION (FORCE/) FORCE
	FZ721366		2	MEDALLION () (92C) MAXUM SERIAL 0E000001-0E009499
-	37-F694366-1		1	MEDALLION (US MARINE) (92C) BAYLINER SERIAL 0E000001-0E009499
-	FZ718366		1	MEDALLION (US MARINE) (92C) MAXUM SERIAL 0E000001-0E009499
-	37-820519A93		1	DECAL SET (-40 HP) FORCE SERIAL 0E009500-0E093699
-	37-820520A93		1	DECAL SET (-50 HP) FORCE SERIAL 0E009500-0E093699
-	37-820521A93		1	DECAL SET (-50 HP) BAYLINER SERIAL 0E009500-0E031999
-	37-820521A94		1	DECAL SET (-50 HP) BAYLINER SERIAL 0E032000-0E093699

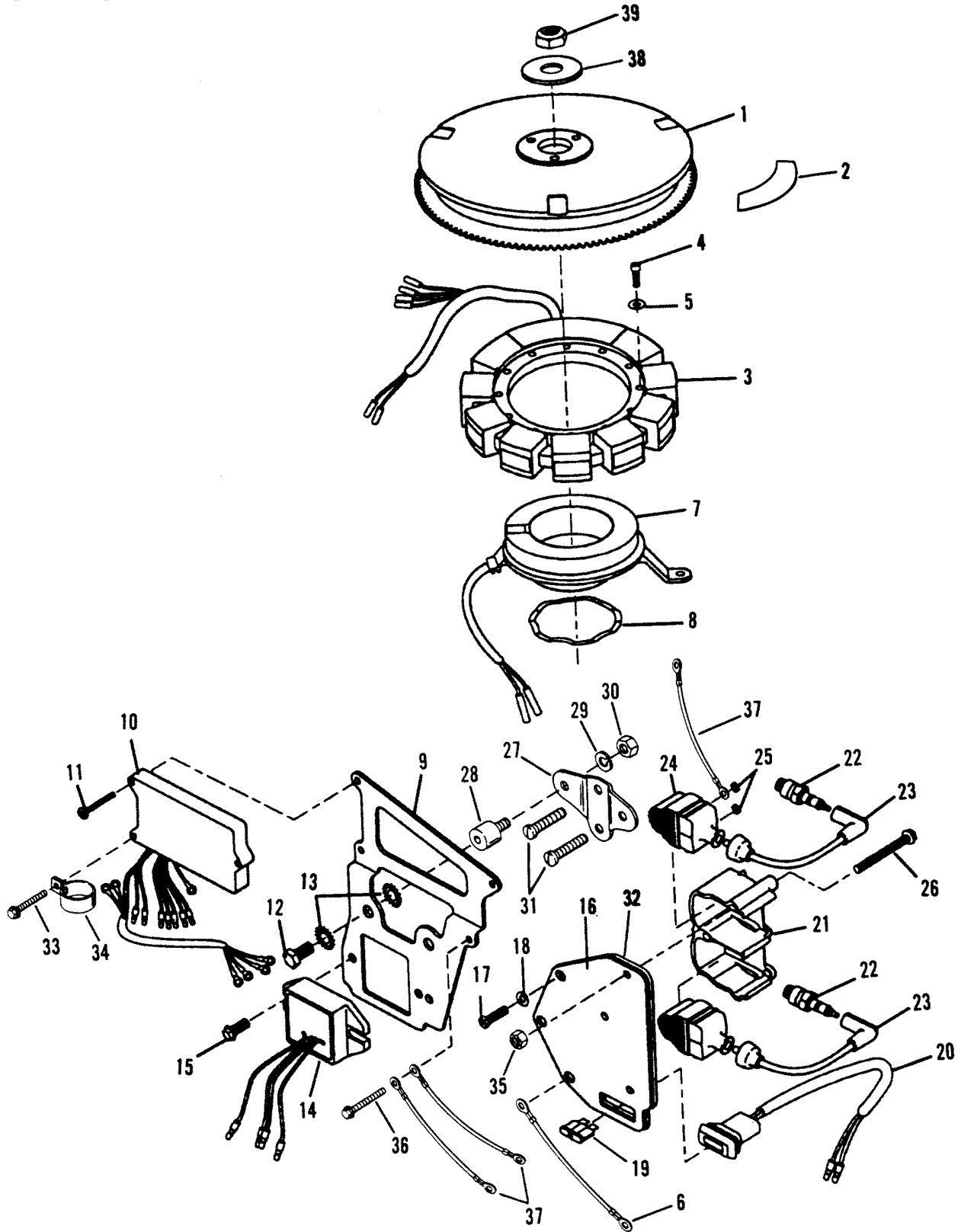
BOTTOM COWL



BOTTOM COWL

REF. NO.	PART NO.	SYM.	QTY.	DESCRIPTION
1	F663756-1		1	PACKING (70") CUT AS REQ'D
2	F684989		1	SEAL, SUPPORT PLATE
3	F684354		1	BRACKET, UPPER SHOCK MOUNT
4	10-826381		2	SCREW (1/4-28 X 5/8") WITH DRI LOC
5	10-F1532		4	SCREW (1/4-20 X 1")
6	F203965-1		1	MOUNT, SHOCK UPPER
7	10-19923062		1	SCREW (1/4-20 X 5/8") WITH DRI LOC
8	F663480-1		1	RETAINER, COWL, FRONT
9	13-26992		1	LOCKWASHER (1/4")
10	12-40023-16		1	WASHER
11	F481777		1	CAM, LATCH SHAFT
12	13-F2047		1	WASHER, WAVE
13	23-812707		2	BUSHING
14	820000A4		1	HANDLE ASSEMBLY, COWL LATCH (PAINTED)
15	100-819372A2		1	PLATE KIT, COWL SUPPORT (PAINTED)
15A	19-48323		1	PLUG
16	10-F1733		2	SCREW (10-24 X 9/16")
17	23-828763		1	BUSHING, CABLE ENTRY
18	F5H141		1	LINK KIT, STEERING
19	12-37828		4	WASHER
20	11-34863		2	NUT (3/8-24)
21	10-90072		1	SCREW (3/8-24 X 1-3/4")
22	23-F522359		1	SPACER, STEERING LINK
23	23-819006--2		1	BUSHING, CABLE ENTRY
24	F5H216		1	BRACKET KIT, TRAILERING
24A	18-F525629		1	PIN, COTTER
25	F684408		1	COVER, STARTER RELAY
26	10-41772		1	SCREW (10-24 X 1/2")
27	37-818029		1	DECAL, FUEL MIX
28	819495--1		1	BRACKET, BATTERY CABLE
29	10-41772		2	SCREW (10-24 X 1/2")
30	10-28635		2	SCREW (1/4-20 X 5/8")

IGNITION COMPONENTS



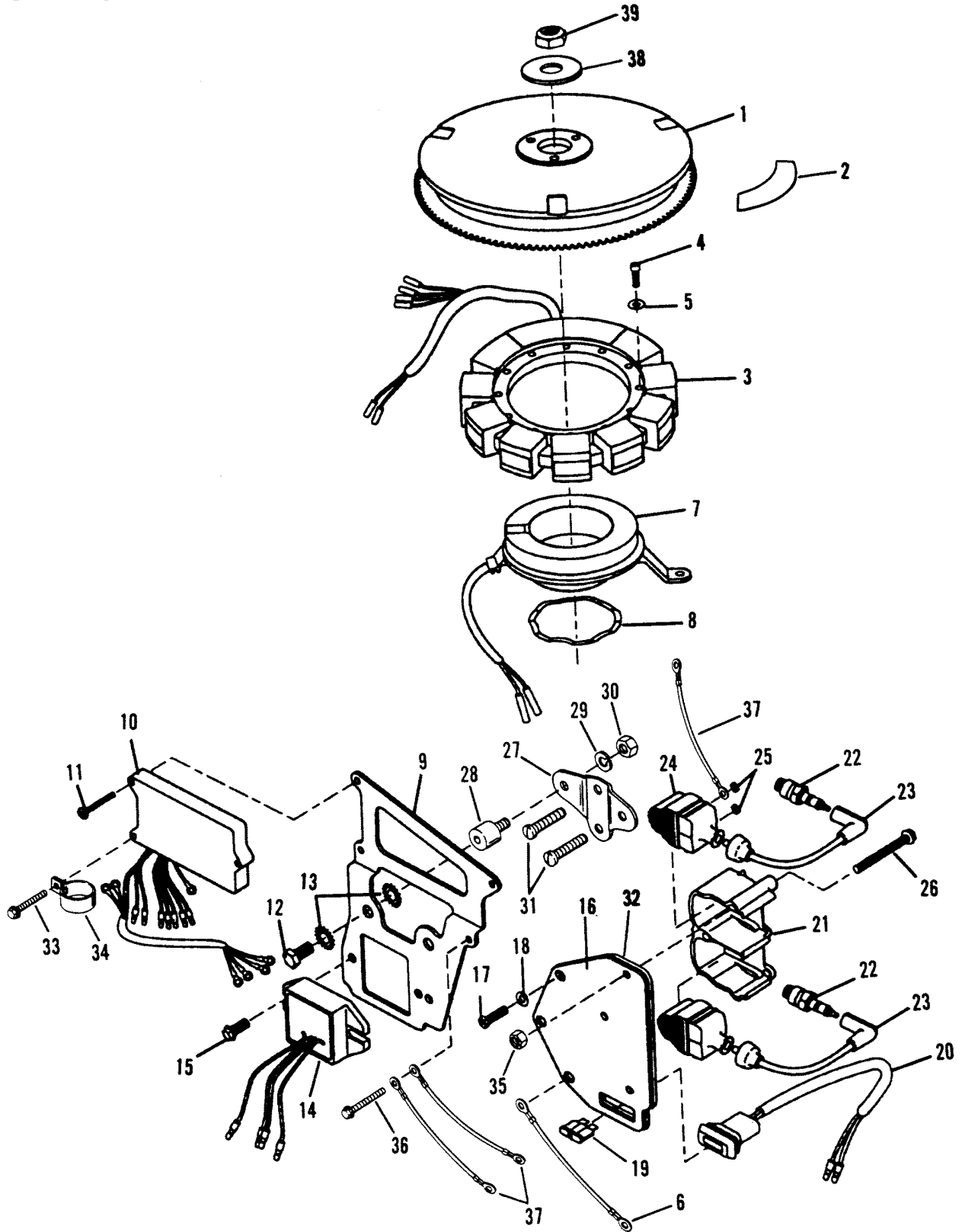
IGNITION COMPONENTS

REF. NO.	PART NO.	SYM.	QTY.	DESCRIPTION
1	200-817494A10		1	FLYWHEEL ASSEMBLY
2	FA609853		1	DECAL KIT, SHIFT TO NEUTRAL
3	398-818535A14		1	STATOR ASSEMBLY
4	10-76566		6	SCREW (10-24 X 1") (92C) SERIAL 0E000001-0E065371
	10-19926100		6	SCREW (10-24 X 1") W/DL SERIAL 0E065372-0E093699
5	13-26996		6	LOCKWASHER (#10) (92C) SERIAL 0E000001-0E065371
6	84-88807A36	□	1	CABLE ASSEMBLY
7	819527A1		1	TRIGGER ASSEMBLY
8	13-F2442		1	WASHER, WAVE
9	819268		1	BRACKET, ELECTRICAL MOUNT
10	18495A13		1	SWITCHBOX KIT
11	10-812987		2OR3	SCREW (10-24 X 1-1/4")
12	10-88743		2	SCREW (5/16-18 X 1/2")
13	13-F8124		4	LOCKWASHER (5/16" EXTERNAL)
14	817411--1		1	RECTIFIER/REGULATOR (92C) SERIAL 0E000001-0E065371
	815279T4		1	VOLTAGE REGULATOR SERIAL 0E065372-0E093699
15	10-817505		2	SCREW (1/4-20 X 5/8") (92C) SERIAL 0E000001-0E065371
	10-817504		2	SCREW (1/4-20 X 1-1/2") SERIAL 0E065372-0E093699
16	819267		1	BRACKET (OUTSIDE)
17	10-19932062		3	SCREW (1/4-20 X 5/8") WITH DRI LOC
18	13-93702		3	LOCKWASHER (1/4" EXTERNAL)
19	88-812619		1	FUSE (20 AMP)
20	88-19637		1	SOCKET, FUSE
21	99762		1	COVER, COIL
22	33-827C		2	SPARK PLUG (CHAMPION # L-76V)
	33-898		2	SPARK PLUG (RFI) (CHAMPION # QL-76V)
23	84-821945A28		2	CABLE ASSEMBLY, HIGH TENSION
24	339-7370A23		2	COIL ASSEMBLY, IGNITION
25	11-45076		4	NUT (10-32)
26	10-817458		3	SCREW (10-24 X 2-1/4")
27	F684358		1	BRACKET, ELECTRICAL COMPONENTS
28	F684962		2	MOUNT, SHOCK
29	13-53166		2	LOCKWASHER (5/16")
30	11-68292		2	NUT (5/16-18)
31	10-19921075		2	SCREW (5/16-18 X 3/4") WITH DRI LOC
32	819760		1	BRACKET (INSIDE)
33	10-822970		1	SCREW (10-24 X 1-3/8" SERIAL 0E009500-0E093699
34	54-820370		1	CLIP, WIRE HARNESS SERIAL 0E009500-0E093699
35	11-F7009		3	NUT (10-24)
36	10-41805		1	SCREW (10-24 X 5/8")

□ = CONTENTS OF SWITCHBOX KIT [18495A13]

CONTINUED ON NEXT PAGE ➡

IGNITION COMPONENTS

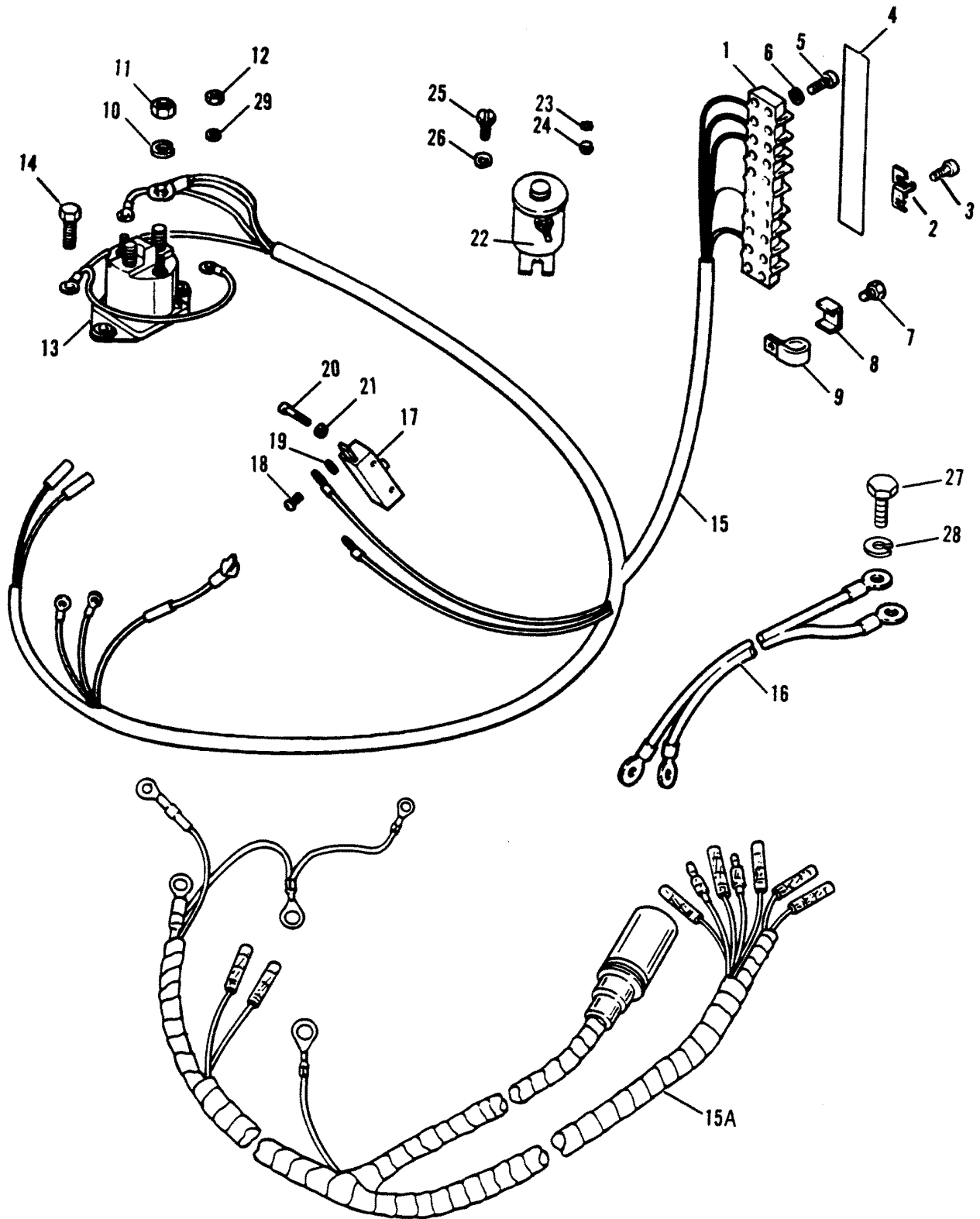


IGNITION COMPONENTS

REF. NO.	PART NO.	SYM.	QTY.	DESCRIPTION
37	84-88807A29	□	4	CABLE ASSEMBLY
38	12-31247		1	WASHER SERIAL 0E009500-0E093699
39	11-F1968		1	NUT (3/4-16)
-	54-816311		AR	CABLE TIE (8")
-	18495A13		0	SWITCHBOX KIT

□ = CONTENTS OF SWITCHBOX KIT [18495A13]

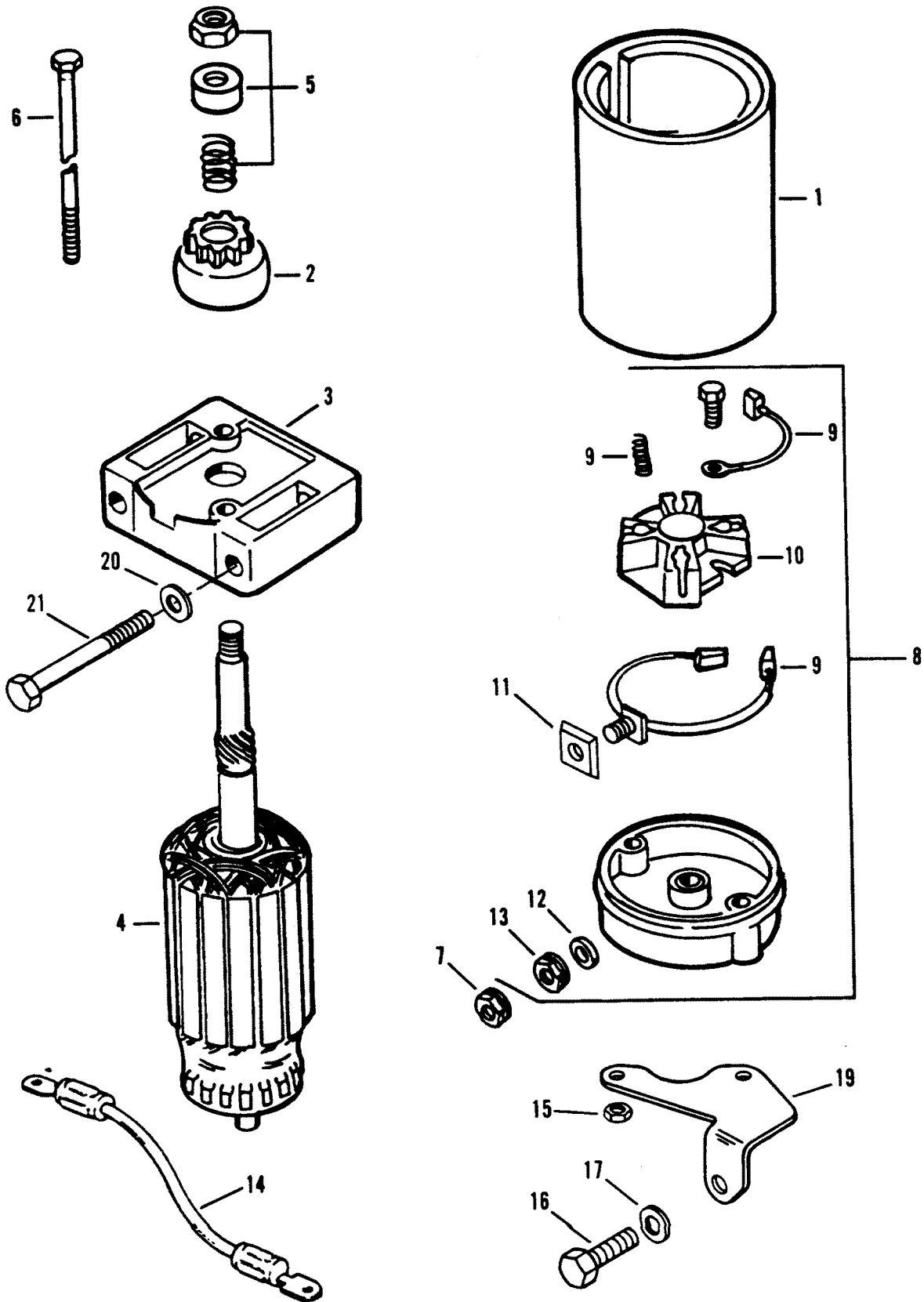
ELECTRICAL COMPONENTS



ELECTRICAL COMPONENTS

REF. NO.	PART NO.	SYM.	QTY.	DESCRIPTION
1	FA616497		1	BLOCK KIT, TERMINAL (2 ROW-8 POSITION) (92C) SERIAL 0E000001-0E009499
2	54-F307317		2	CLIP, GROUND (92C) SERIAL 0E000001-0E009499
3	10-41069		2	SCREW (10-24 X 3/4") (92C) SERIAL 0E000001-0E009499
4	37-F529398-1		1	DECAL, WIRING (92C) SERIAL 0E000001-0E009499
5	10-41069		2	SCREW (10-24 X 3/4") (92C) SERIAL 0E000001-0E009499
6	13-26996		2	LOCKWASHER (#10) (92C) SERIAL 0E000001-0E009499
7	10-34939		1	SCREW (1/4-20 X 1/2") (92C) SERIAL 0E000001-0E009499
8	54-F438668		1	RETAINER, CLAMP (92C) SERIAL 0E000001-0E009499
9	54-F289446-1		1	CLAMP (92C) SERIAL 0E000001-0E009499
10	13-53166		2	LOCKWASHER (5/16")
11	11-68292		2	NUT (5/16-18)
12	11-68219		2	NUT (10-32)
13	89-F460917-1		1	RELAY, STARTER
14	10-820628		2	SCREW (1/4-20 X 5/8")
15	84-821620A1		1	HARNESS ASSY (92C) SERIAL 0E000001-0E009499
15A	84-818952A1		1	HARNESS ASSY, WIRING SERIAL 0E009500-0E093699
16	84-F381896-4		1	CABLE, BATTERY
17	87-F84449		1	SWITCH, STARTER INTERLOCK (92C) SERIAL 0E000001-0E009499
18	10-69080		2	SCREW (6-32 X 1/4") (92C) SERIAL 0E000001-0E009499
19	13-F1704		2	LOCKWASHER (#6 INTERNAL) (92C) SERIAL 0E000001-0E009499
20	10-F2193		2	SCREW (6-32 X 7/8") (92C) SERIAL 0E000001-0E009499
21	12-27882		2	WASHER (92C) SERIAL 0E000001-0E009499
22	89-817760A2		1	SOLENOID KIT, CHOKE (92C) SERIAL 0E000001-0E009499
23	11-F1647		1	NUT (8-32) (92C) SERIAL 0E000001-0E009499
24	13-F8056		1	LOCKWASHER (#8) (92C) SERIAL 0E000001-0E009499
25	10-28635		2	SCREW (1/4-20 X 5/8")
26	13-26992		2	LOCKWASHER (1/4")
27	10-F2000		1	SCREW (5/16-18 X 3/4")
28	13-53166		1	LOCKWASHER (5/16")
29	13-26996		2	LOCKWASHER (#10)

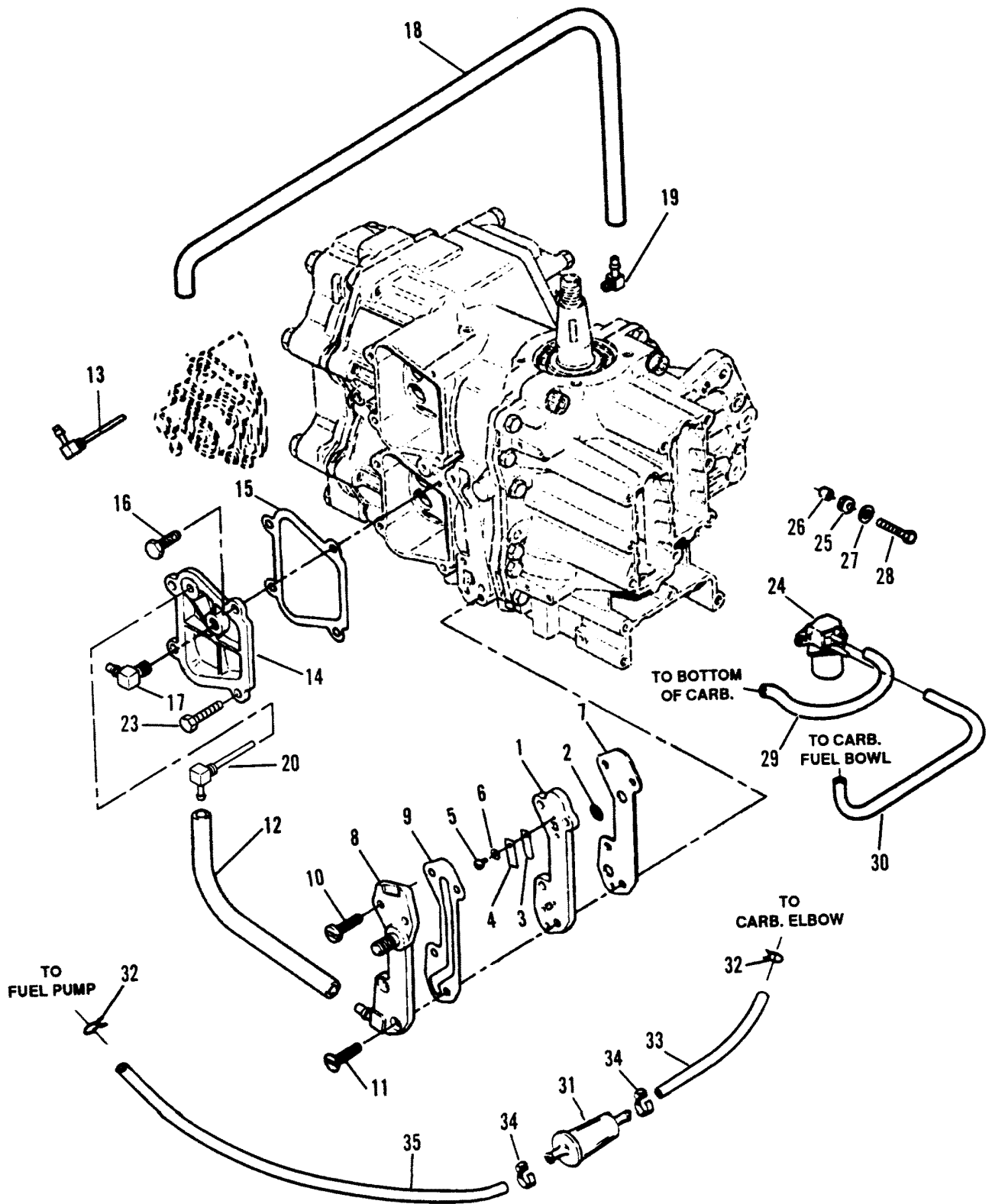
STARTER



STARTER

REF. NO.	PART NO.	SYM.	QTY.	DESCRIPTION
1	50-820193A1		1	STARTER KIT (92C) SERIAL 0E000001-0E009499
	50-820193		1	STARTER ASSEMBLY SERIAL 0E009500-0E093699
2	811902		1	PINION, DRIVE
3	811900		1	CAP, DRIVE (STARTER 50-819271)
	820594		1	CAP, DRIVE (STARTER 50-820193)
4	F15183		1	ARMATURE
5	90643		1	DRIVE KIT
6	811903		2	THRU BOLT
7	F15162		1	NUT (1/4-20)
8	811901		1	CAP ASSY., COMM END (STARTER 50-819271)
	820595		1	CAP ASSY., COMM END (STARTER 50-820193)
9	75384		1	BRUSH & SPRING KIT (STARTER 50-819271)
	F15190		1	BRUSH & SPRING KIT (STARTER 50-820193)
10	61787		1	HOLDER, BRUSH
11	F15159		1	INSULATOR
12	F15160		1	WASHER, INSULATOR
13	F15162		1	NUT (1/4-20)
14	84-820574		1	WIRE, STARTER LEAD
15	11-20361		2	NUT (1/4-28), THRU BOLT
16	10-F1822		1	SCREW (5/16-18 X 7/8")
17	13-53166		1	LOCKWASHER (5/16")
19	819272--2		1	BRACKET, STARTER SUPPORT
20	12-45175		2	WASHER
21	10-F2185		2	SCREW (3/8-16 X 3-1/2")
-	37-825066		1	DECAL, WARNING, HI-VOLTAGE
-	37-825064		1	DECAL, CAUTION, START IN GEAR
-	47341A1		1	ROPE AND HANDLE, EMERGENCY START

RECIRCULATION AND PRIME SYSTEM (92C) E000001,E065371



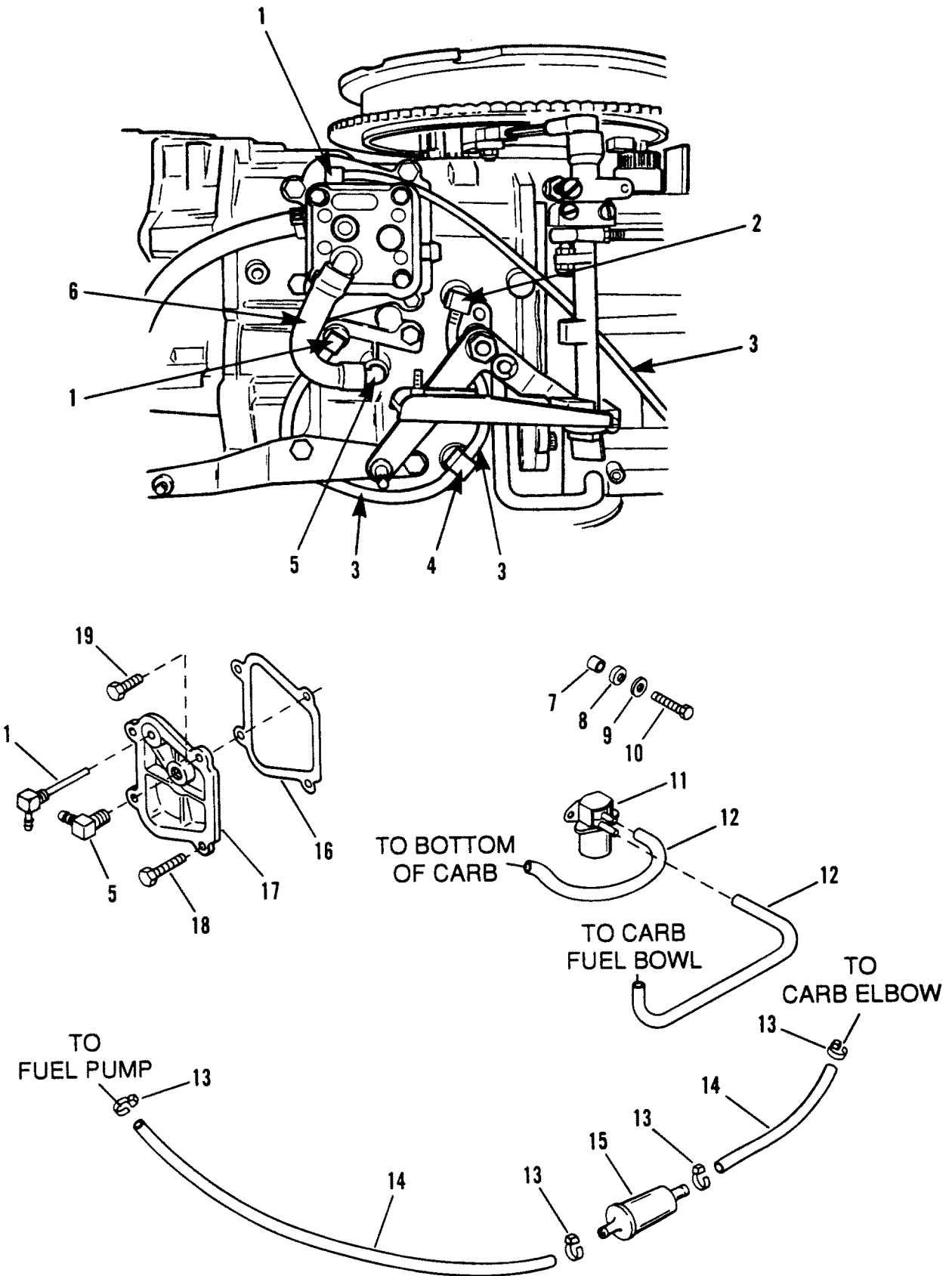
RECIRCULATION AND PRIME SYSTEM (92C) E000001,E065371

REF. NO.	PART NO.	SYM.	QTY.	DESCRIPTION
1	F3A433757	●	1	REED PLATE ASSEMBLY, CYLINDER DRAIN
2	35-F93811		2	SCREEN
3	34-F18160-3		2	REED
4	F93920		2	STOP, REED
5	10-F1286		2	SCREW (4-40 X 3/16")
6	12-18552		2	WASHER
7	27-F93748-1	●♣	1	GASKET, CYLINDER DRAIN REED PLATE
8	FA433471	●	1	COVER ASSEMBLY, CYLINDER DRAIN
9	27-F93472-1	●♣	1	GASKET, CYLINDER DRAIN COVER
10	10-F1446	●	2	SCREW (1/4-20 X 1")
11	10-F1136	●	2	SCREW (1/4-20 X 1")
12	32-819029-62		1	HOSE (5") CUT AS REQ'D
13	22-F404314	●	1	ELBOW
14	817790A1	●	1	COVER KIT, TRANSFER PORT
15	27-820500	●♣	1	GASKET, TRANSFER PORT
16	10-98254	●	2	SCREW (1/4-20 X 5/8")
17	22-F84314-2	●	1	ELBOW
18	32-819029-62		1	HOSE (21") CUT AS REQ'D
19	21-F463314		1	ELBOW (W/CHECK VALVE)
20	22-F404314	●	1	ELBOW
23	10-49668	●	2	SCREW (1/4-20 X 3/4")
24	89-819503		1	SOLENOID, PRIMER SERIAL 0E009500-0E065371
25	25-F694504		1	GROMMET
26	23-F694359		1	SPACER
27	12-35044		1	WASHER
28	10-86885		1	SCREW (1/4-20 X 1-1/2")
29	32-99126-88		1	HOSE (4") CUT AS REQ'D
30	32-99126-88		1	HOSE (5-1/4") CUT AS REQ'D
31	35-816296		1	FILTER, FUEL
32	54-816311		2	CABLE TIE (8")
33	32-99127109		1	HOSE (4-1/4") CUT AS REQ'D
34	54-816311		2	CABLE TIE (8")
35	32-99127109		1	HOSE (16-1/2") CUT AS REQ'D
-	56762		AR	CABLE TIE (4")
-	800-819445A7		0	POWERHEAD ASSEMBLY
-	800-818152A7		0	POWERHEAD ASSEMBLY
-	27-820467A1		0	POWERHEAD GASKET SET

● = COMPONENT OF POWERHEAD ASSY [800-819445A7] [800-818152A7] [800-819445A14]

♣ = CONTENTS OF POWERHEAD GASKET SET [27-820467A1]

RECIRCULATION AND PRIME SYSTEM (92C) E065372,E093699



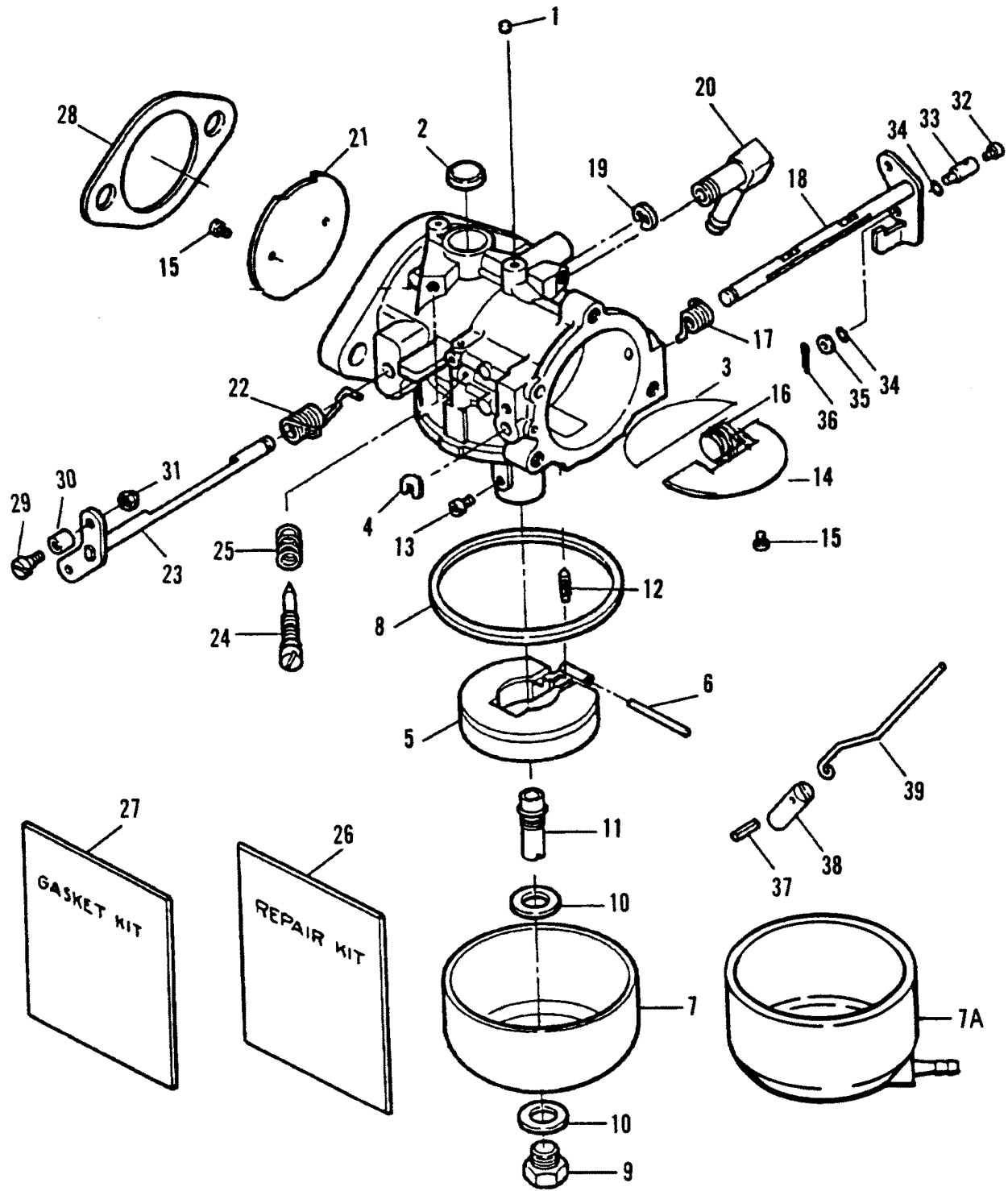
RECIRCULATION AND PRIME SYSTEM (92C) E065372,E093699

REF. NO.	PART NO.	SYM.	QTY.	DESCRIPTION
1	22-F743314	■	1	ELBOW
2	21-42864	■	1	FITTING (90 DEG.)
3	32-99130122	■	1	HOSE (18-1/2") (7-1/2") (3-3/4") CUT AS REQ'D
4	21-820706	■	1	FITTING (T)
5	22-99664	■	1	ELBOW
6	32-99127109		1	HOSE (6") CUT AS REQ'D
7	23-F694359		1	SPACER
8	25-F694504		1	GROMMET
9	12-35044		1	WASHER
10	10-86885		1	SCREW (1/4-20 X 1-1/2")
11	89-819503		1	SOLENOID, PRIMER
12	32-99126-88		1	HOSE (4") (5-1/4") CUT AS REQ'D
13	54-816311		4	CABLE TIE (8")
14	32-99127109		1	HOSE (4-1/4") (23-1/2") CUT AS REQ'D
15	35-816296		1	FILTER, FUEL
16	27-820500	■❖	1	GASKET, TRANSFER PORT
17	817790A1	■	1	COVER KIT, TRANSFER PORT
18	10-49668	■	2	SCREW (1/4-20 X 3/4")
19	10-98254	■	2	SCREW (1/4-20 X 5/8")
-	800-819445A14		0	POWERHEAD ASSEMBLY
-	27-820722A1		0	POWERHEAD GASKET SET

■ = COMPONENT OF POWERHEAD ASSY [800-819445A14]

❖ = COMPONENT OF GASKET SET [27- 820722A1]

CARBURETOR - 40 H.P. (92C) E000001,E065371



CARBURETOR - 40 H.P. (92C) E000001,E065371

REF. NO.	PART NO.	SYM.	QTY.	DESCRIPTION
-	1300-819387		1	CARBURETOR (WB-107A)(92C) SERIAL 0E000001-0E009499
-	1300-820198		1	CARBURETOR (WB-110A) SERIAL 0E009500-0E065371
1	19-FO10588	▲	3OR4	PLUG, CUP
2	19-FO16128	▲	1	PLUG, WELCH
3	FO15725		1	VALVE, CHOKE RELIEF (92C) SERIAL 0E000001-0E009499
4	F10241		1	E-RING, CHOKE SHAFT (92C) SERIAL 0E000001-0E009499
5	F10346		1	FLOAT, FUEL BOWL
6	17-FO13944	▲	1	PIN, FLOAT
7	F10333		1	BOWL, FUEL (92C) SERIAL 0E000001-0E009499
7A	820491		1	BOWL, FUEL SERIAL 0E009500-0E065371
8	27-FO15623	♥	1	GASKET, FUEL BOWL
9	1399-5128		1	SCREW, FUEL BOWL
10	27-FO2510	♥	2	GASKET, FUEL BOWL
11	F10302		1	NOZZLE, MAIN
12	FK10309	▲	1	NEEDLE KIT, INLET
13	1399-3796		1	JET, MAIN FUEL (.076)(0-2500')
	1399-3794		OPT.	JET, MAIN FUEL (.074)(2500-5000')
	1395-6207		OPT.	JET, MAIN FUEL (.072)(5000-7500')
	1395-6030		OPT.	JET, MAIN FUEL (.070)(7500-10000')
14	FO15724		1	SHUTTER, CHOKE (92C & SERIAL 0E000001-0E009499
15	10-F10328	▲	24O	SCREW, SHUTTER
16	24-F10296	▲	1	SPRING, SHUTTER (92C & SERIAL 0E000001-0E009499
17	24-F10300	▲	1	SPRING, SHUTTER (92C & SERIAL 0E000001-0E009499
18	F10297		1	SHAFT, CHOKE
19	FO16620		1	E-RING, THROTTLE SHAFT
20	22-F84314-2		1	ELBOW, FUEL
21	F10313		1	SHUTTER, THROTTLE
22	24-F10311	▲	1	SPRING, THROTTLE SHAFT
23	F10304		1	SHAFT, THROTTLE
24	F10268		1	SCREW, IDLE MIXTURE
25	24-27160	▲	1	SPRING, IDLE MIXTURE SCREW
26	FK10325		1	REPAIR KIT, CARBURETOR
27	FK10323	▲	1	GASKET SET, CARBURETOR
28	27-F85906	●♥	1	GASKET, CARBURETOR FLANGE
29	F333316		1	SHAFT, ROLLER
30	819225		1	ROLLER, THROTTLE CAM
31	11-F1997		1	NUT (8-32)
32	10-F1059		1	SCREW (6-32 X 1/4") (92C) SERIAL 0E000001-0E009499
33	F184033-1		1	SWIVEL, CHOKE ROD(92C) SERIAL 0E000001-0E009499
34	25-F184579		2	O-RING(92C) SERIAL 0E000001-0E009499
35	12-27882		1	WASHER(92C) SERIAL 0E000001-0E009499

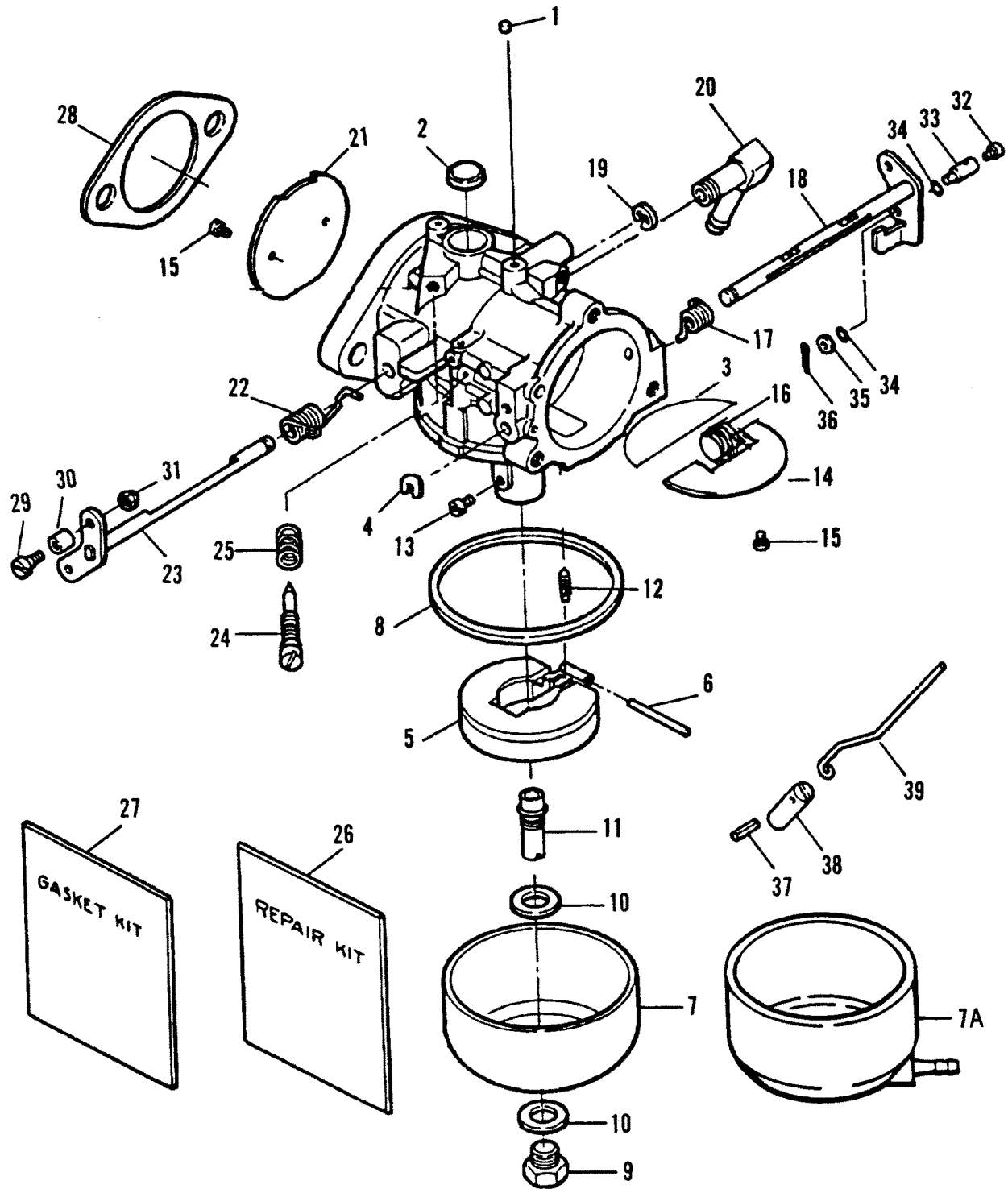
● = COMPONENT OF POWERHEAD ASSY [800-819445A7] [800-818152A7] [800-819445A14]

▲ = CONTENTS OF CARB REPAIR KIT [FK10325]

♥ = CONTENTS OF CARB GASKET SET [FK10323]

CONTINUED ON NEXT PAGE ➡

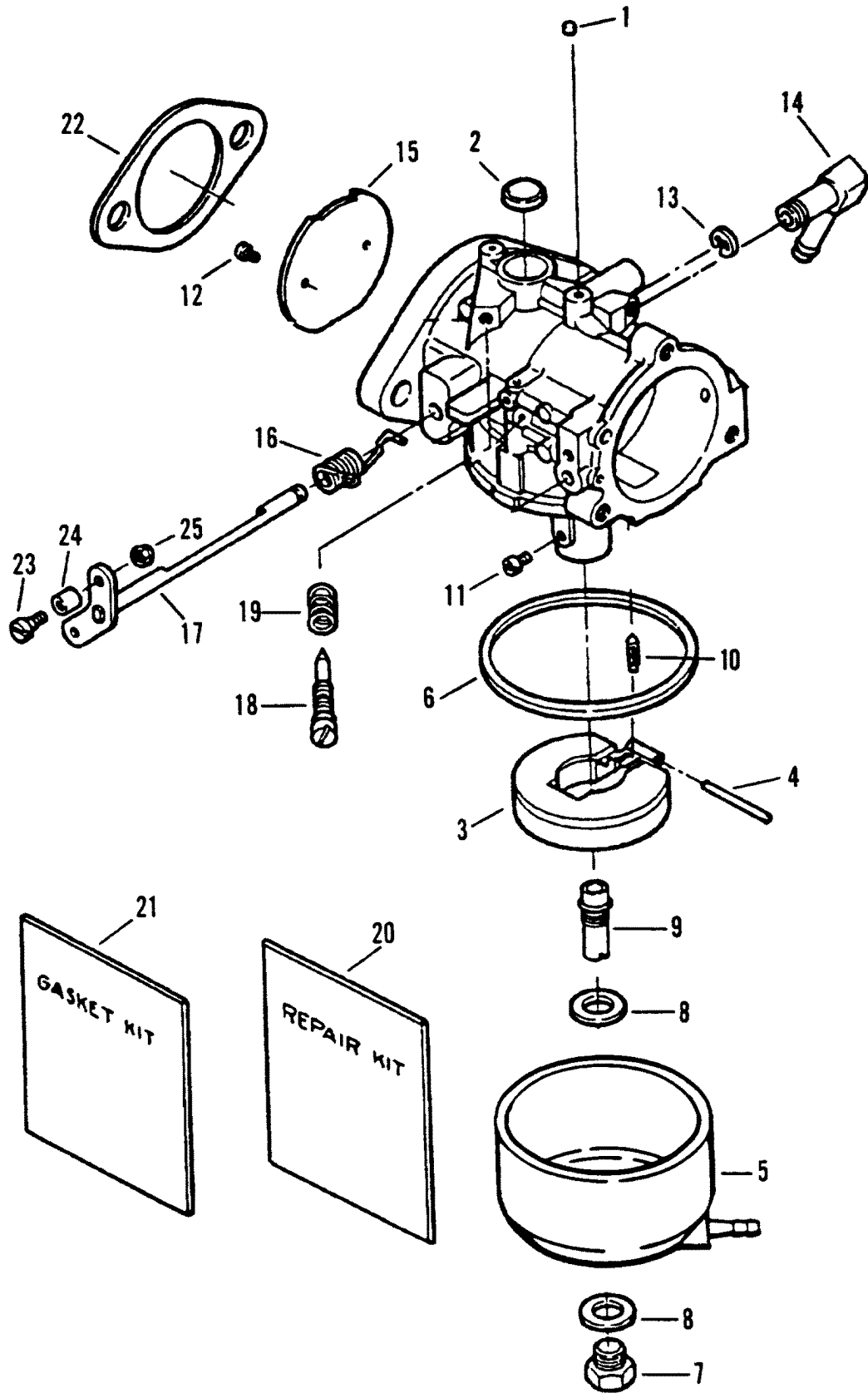
CARBURETOR - 40 H.P. (92C) E000001,E065371



CARBURETOR - 40 H.P. (92C) E000001,E065371

REF. NO.	PART NO.	SYM.	QTY.	DESCRIPTION
36	18-26953		1	PIN, COTTER(92C) SERIAL 0E000001-0E009499
37	17-F2033		1	PIN, GROOVE(92C) SERIAL 0E000001-0E009499
38	F391926-1		1	PLUNGER, CHOKE(92C) SERIAL 0E000001-0E009499
39	F452925		1	ROD, CHOKE(92C) SERIAL 0E000001-0E009499
-	FK10325		0	CARB REPAIR KIT
-	FK10323		0	CARB GASKET SET
-	27-820467A1		0	POWERHEAD GASKET SET
-	800-819445A7		0	POWERHEAD ASSEMBLY

CARBURETOR - 40 H.P. E065372,E093699



CARBURETOR - 40 H.P. E065372,E093699

REF. NO.	PART NO.	SYM.	QTY.	DESCRIPTION
-	1300-826043		1	CARBURETOR (WB-117A)
1	19-FO10588	◇	4	PLUG, CUP
2	19-FO16128	◇	1	PLUG, WELCH
3	F10346		1	FLOAT, FUEL BOWL
4	17-FO13944	◇	1	PIN, FLOAT
5	820491		1	BOWL, FUEL
6	27-FO15623	♥	1	GASKET, FUEL BOWL
7	1399-5128		1	SCREW, FUEL BOWL
8	27-FO2510	♥	2	GASKET, FUEL BOWL
9	820720		1	NOZZLE, MAIN
10	FK10309	◇	1	NEEDLE KIT, INLET
11	1395-6487		1	JET, MAIN FUEL (.060) (0-2500')
	1395-7831		OPT.	JET, MAIN FUEL (.058) (2500-5000')
	1399-5213		OPT.	JET, MAIN FUEL (.056) (5000-7500')
	1399-5225		OPT.	JET, MAIN FUEL (.054) (7500-10000')
12	10-F10328	◇	2	SCREW, SHUTTER
13	FO16620		1	E-RING, THROTTLE SHAFT
14	22-F84314-2		1	ELBOW, FUEL
15	F10313		1	SHUTTER, THROTTLE
16	24-F10311	◇	1	SPRING, THROTTLE SHAFT
17	F10304		1	SHAFT, THROTTLE
18	F10268		1	SCREW, IDLE MIXTURE
19	24-27160	◇	1	SPRING, IDLE MIXTURE SCREW
20	820721A1		1	REPAIR KIT, CARBURETOR
21	FK10323	◇	1	GASKET SET, CARBURETOR
22	27-F85906	❖♥■	1	GASKET, CARBURETOR FLANGE
23	F333316		1	SHAFT, ROLLER
24	819225		1	ROLLER, THROTTLE CAM
25	11-F1997		1	NUT (8-32)
-	800-819445A14		0	POWERHEAD ASSEMBLY
-	820721A1		0	CARB REPAIR KIT
-	FK10323		0	CARB GASKET SET
-	27-820722A1		0	POWERHEAD GASKET SET

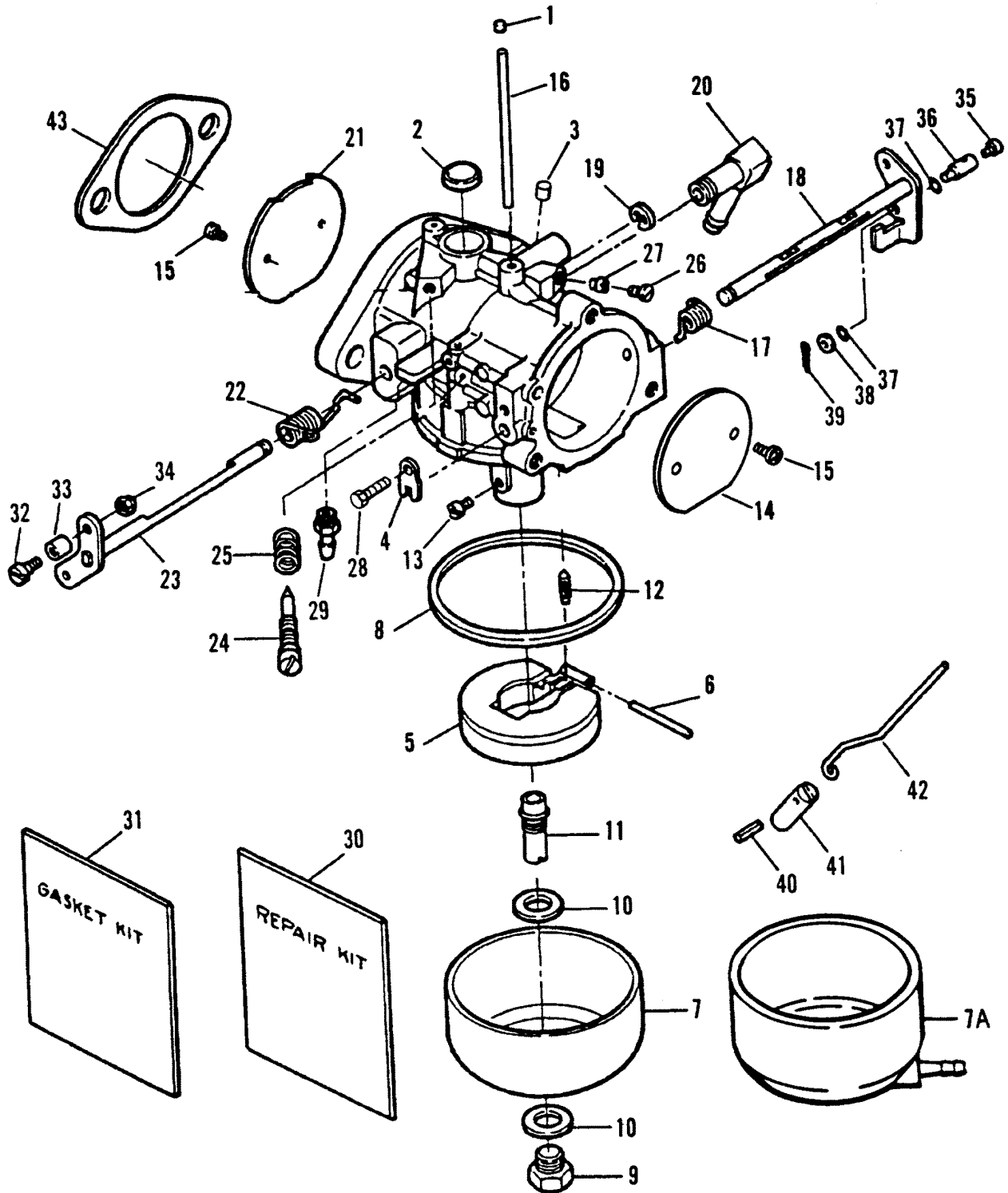
■ = COMPONENT OF POWERHEAD ASSY [800-819445A14]

◇ = CONTENTS OF CARB REPAIR KIT [820721A1]

❖ = COMPONENT OF GASKET SET [27- 820722A1]

♥ = CONTENTS OF CARB GASKET SET [FK10323]

CARBURETOR - 50 H.P.(92C) E000001, E065371



CARBURETOR - 50 H.P.(92C) E000001, E065371

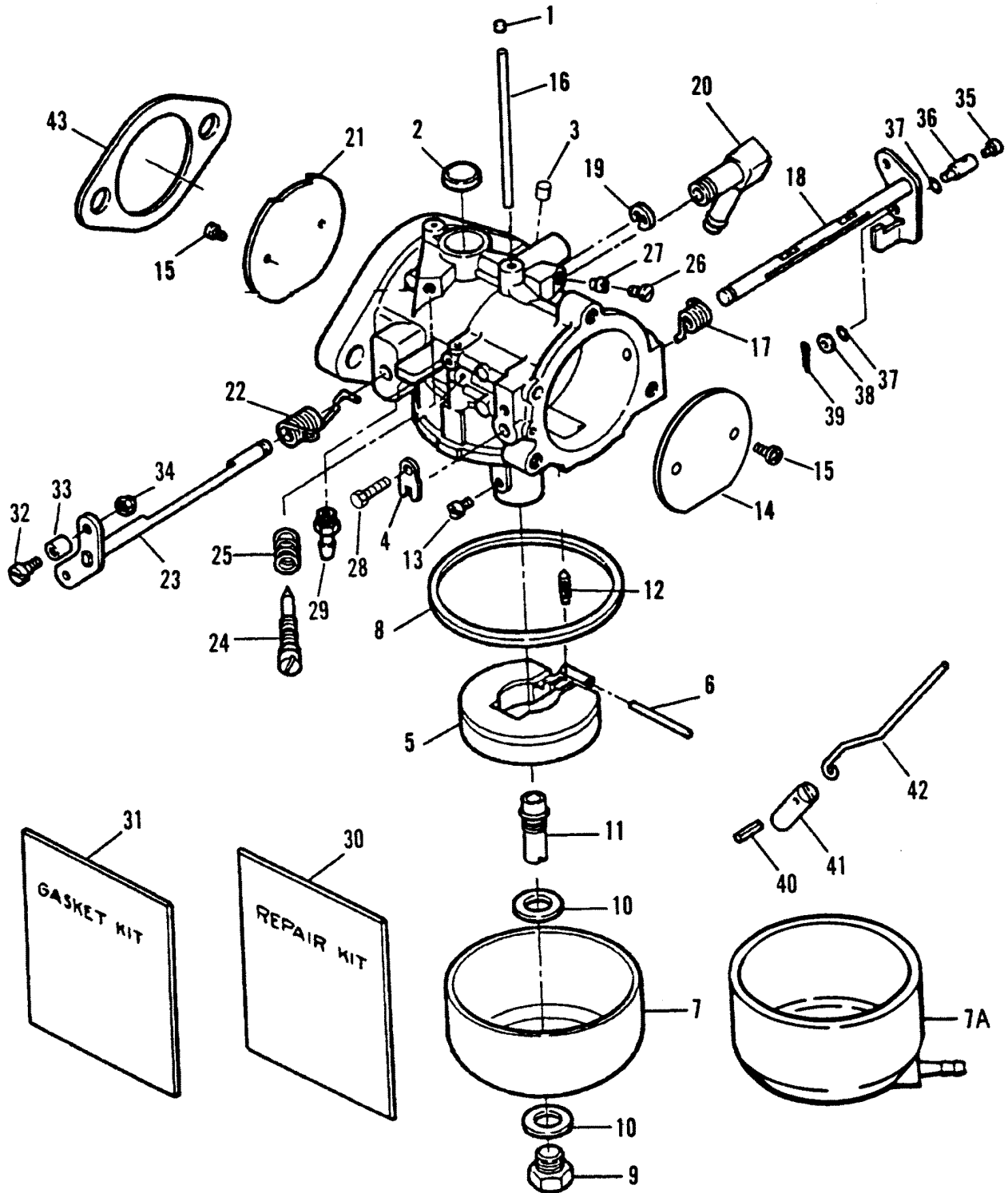
REF. NO.	PART NO.	SYM.	QTY.	DESCRIPTION
-	1300-819671		1	CARBURETOR (TC-102B) (92C) SERIAL 0E000001-0E009499
-	1300-820197		1	CARBURETOR (TC-121A) SERIAL 0E009500-0E065371
1	19-FO10588	+	5	PLUG, CUP
2	19-FO16128	+	1	PLUG, WELCH
3	F10263		1	PLUG, METERING
4	FO9678		1	CLIP (92C) SERIAL 0E000001-0E009499
5	F10346		1	FLOAT, FUEL BOWL
6	17-FO13944	+	1	PIN, FLOAT
7	FO16130		1	BOWL, FUEL (92C) SERIAL 0E000001-0E009499
7A	820492		1	BOWL, FUEL SERIAL 0E009500-0E065371
8	27-FO15623	♥	1	GASKET, FUEL BOWL
9	FO16132		1	SCREW, FUEL BOWL
10	27-FO5323	♥	2	GASKET, FUEL BOWL
11	FO16133		1	NOZZLE, MAIN
12	851903A1	+	1	NEEDLE KIT, INLET
13	1395-7335		1	JET, MAIN FUEL (.098) (0-1500')
	1399-6249		OPT.	JET, MAIN FUEL (.096) (1500-3000')
	FO14191		OPT.	JET, MAIN FUEL (.094) (3000-4500')
	1395-5733		OPT.	JET, MAIN FUEL (.092) (4500-6000')
	1395-6247		OPT.	JET, MAIN FUEL (.090) (6000-10000')
14	FO17719		1	SHUTTER, CHOKE (92C) SERIAL 0E000001-0E009499
15	10-F10328		2OR40	SCREW, SHUTTER
16	FO16993		1	TUBE, BY-PASS (92C) SERIAL 0E000001-0E009499
17	F10285	+	1	SPRING, CHOKE SHAFT (92C) SERIAL 0E000001-0E009499
18	F10336		1	SHAFT, CHOKE (92C) SERIAL 0E000001-0E009499
19	FO16620		1	E-RING, THROTTLE SHAFT
20	22-F84314-2		1	ELBOW, FUEL
21	F10335		1	SHUTTER, THROTTLE
22	FO16143	+	1	SPRING, THROTTLE SHAFT
23	FO17884		1	SHAFT, THROTTLE
24	F10268		1	SCREW, IDLE MIXTURE
25	24-27160	+	1	SPRING, IDLE MIXTURE SCREW
26	F10275		1	SCREW, SEALING
27	F10273		1	JET (.047) SERIAL 0E009500-0E065371
	F10286		1	JET (.052) 92C & SERIAL 0E000001-0E009499
28	F10284		1	SCREW
29	F10274		1	NOZZLE, PRIMER SERIAL 0E009500-0E065371
30	820576A1		1	REPAIR KIT, CARBURETOR
31	FK10023	+	1	GASKET SET, CARBURETOR
32	F333316		1	SHAFT, ROLLER
33	819225		1	ROLLER, THROTTLE CAM
34	11-F1997		1	NUT (8-32)

⊕ = CONTENTS OF CARB REPAIR KIT [820576A1]

♥ = CONTENTS OF CARB GASKET SET [FK10323]

CONTINUED ON NEXT PAGE ➡

CARBURETOR - 50 H.P.(92C) E000001, E065371



CARBURETOR - 50 H.P.(92C) E000001, E065371

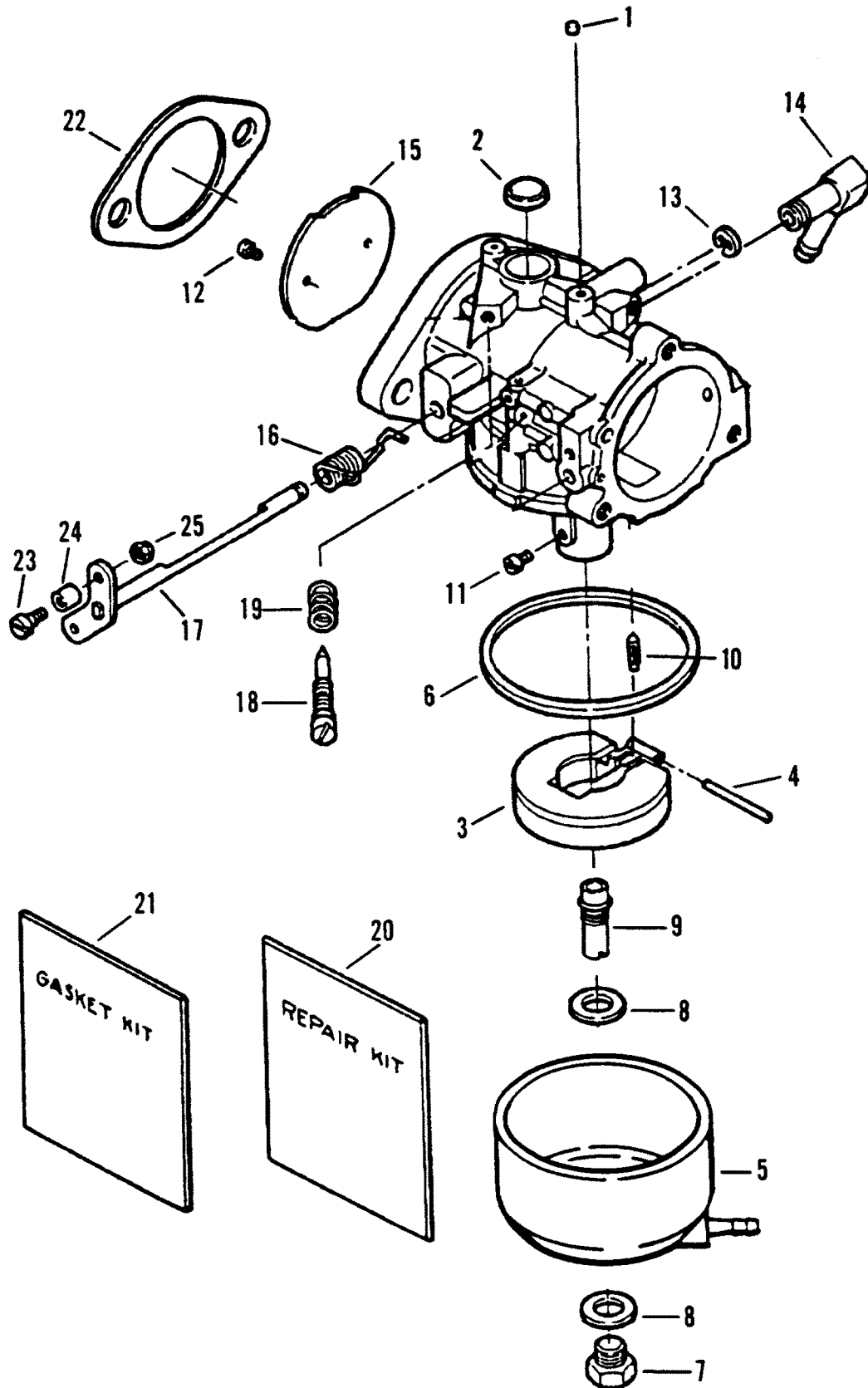
REF. NO.	PART NO.	SYM.	QTY.	DESCRIPTION
35	10-F1059		1	SCREW (6-32 X 1/4") 92C) SERIAL 0E000001-0E009499
36	F184033-1		1	SWIVEL, CHOKE ROD 92C) SERIAL 0E000001-0E009499
37	25-F184579		2	O-RING (92C) SERIAL 0E000001-0E009499
38	12-27882		1	WASHER (92C) SERIAL 0E000001-0E009499
39	18-26953		1	PIN, COTTER (92C) SERIAL 0E000001-0E009499
40	17-F2033		1	PIN, GROOVE (92C) SERIAL 0E000001-0E009499
41	F391926-1		1	PLUNGER, CHOKE (92C) SERIAL 0E000001-0E009499
42	F718925		1	ROD, CHOKE (92C) SERIAL 0E000001-0E009499
43	27-F440906	♣ ♥ ●	1	GASKET, CARBURETOR FLANGE
-	820576A1		0	CARB REPAIR KIT
-	FK10023		0	CARB GASKET SET
-	27-820467A1		0	POWERHEAD GASKET SET
-	800-818152A7		0	POWERHEAD ASSEMBLY

● = COMPONENT OF POWERHEAD ASSY [800-819445A7] [800-818152A7] [800-819445A14]

♣ = CONTENTS OF POWERHEAD GASKET SET [27-820467A1]

♥ = CONTENTS OF CARB GASKET SET [FK10323]

CARBURETOR - 50 H.P. E065372,E093699



CARBURETOR - 50 H.P. E065372,E093699

REF. NO.	PART NO.	SYM.	QTY.	DESCRIPTION
-	1300-825266		1	CARBURETOR (WB-118A)
1	19-FO10588	◇	4	PLUG, CUP
2	19-FO16128	◇	1	PLUG, WELCH
3	F10346		1	FLOAT, FUEL BOWL
4	17-FO13944	◇	1	PIN, FLOAT
5	820491		1	BOWL, FUEL
6	27-FO15623	♥	1	GASKET, FUEL BOWL
7	1399-5128		1	SCREW, FUEL BOWL
8	27-FO2510	♥	2	GASKET, FUEL BOWL
9	F10302		1	NOZZLE, MAIN
10	FK10309	◇	1	NEEDLE KIT, INLET
11	1399-3518		1	JET, MAIN FUEL (.082) (0-2500')
	1395-6201		OPT.	JET, MAIN FUEL (.080) (2500-5000')
	F10210		OPT.	JET, MAIN FUEL (.078) (5000-7500')
	1399-3796		OPT.	JET, MAIN FUEL (.076) (7500-10000')
12	10-F10328	◇	2	SCREW, SHUTTER
13	FO16620		1	E-RING, THROTTLE SHAFT
14	22-F84314-2		1	ELBOW, FUEL
15	F10313		1	SHUTTER, THROTTLE
16	24-F10311	◇	1	SPRING, THROTTLE SHAFT
17	F10304		1	SHAFT, THROTTLE
18	F10268		1	SCREW, IDLE MIXTURE
19	24-27160	◇	1	SPRING, IDLE MIXTURE SCREW
20	820721A1		1	REPAIR KIT, CARBURETOR
21	FK10323	◇	1	GASKET SET, CARBURETOR
22	27-F85906	❖♥■	1	GASKET, CARBURETOR FLANGE
23	F333316		1	SHAFT, ROLLER
24	819225		1	ROLLER, THROTTLE CAM
25	11-F1997		1	NUT (8-32)
-	800-819445A14		0	POWERHEAD ASSEMBLY
-	820721A1		0	CARB REPAIR KIT
-	FK10323		0	CARB GASKET SET
-	27-820722A1		0	POWERHEAD GASKET SET

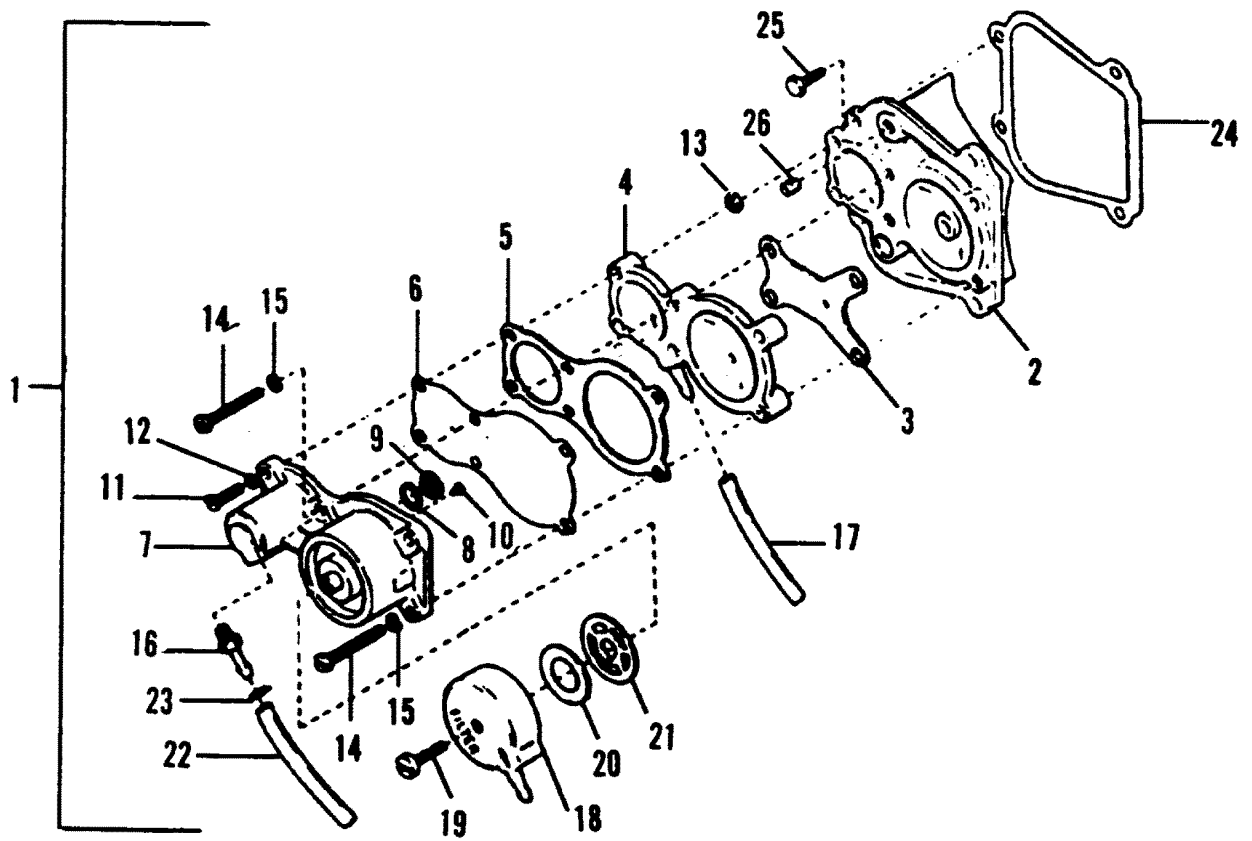
■ = COMPONENT OF POWERHEAD ASSY [800-819445A14]

◇ = CONTENTS OF CARB REPAIR KIT [820721A1]

❖ = COMPONENT OF GASKET SET [27- 820722A1]

♥ = CONTENTS OF CARB GASKET SET [FK10323]

FUEL PUMP ASSEMBLY (92C) E000001, E065371



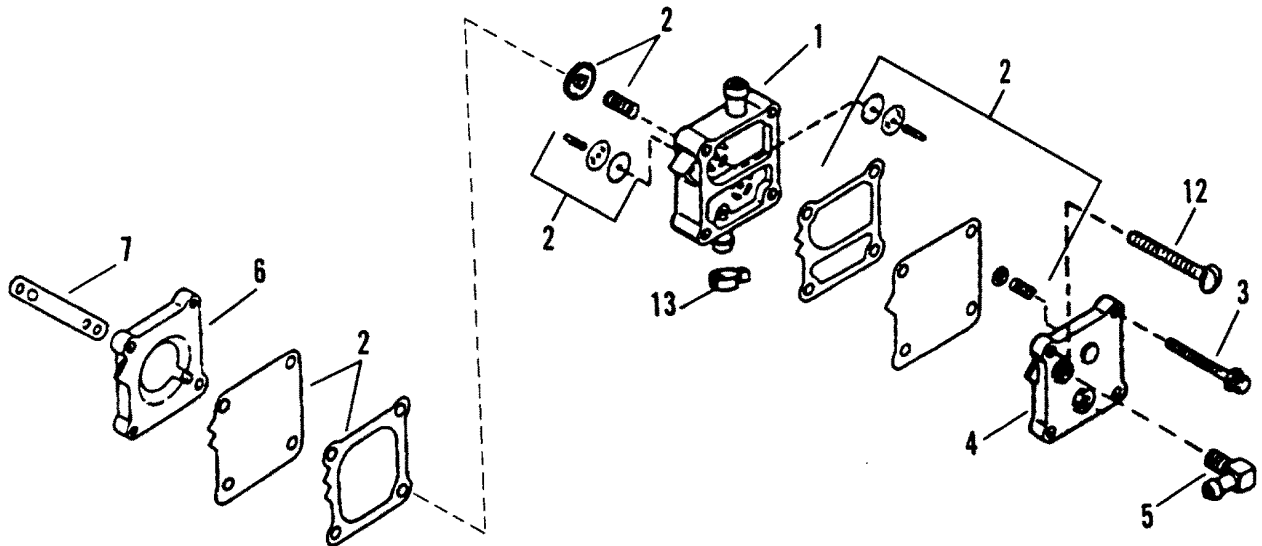
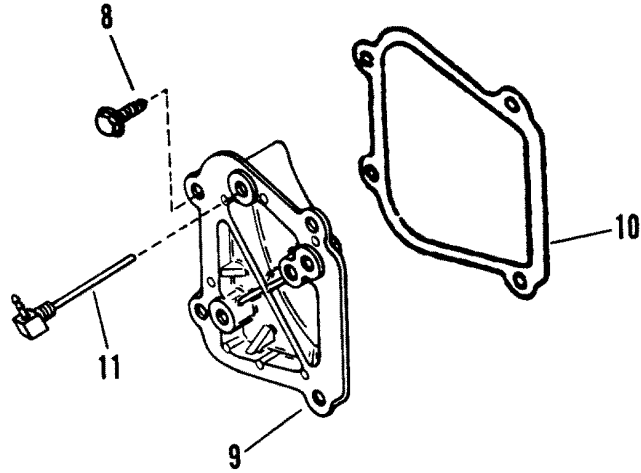
FUEL PUMP ASSEMBLY (92C) E000001, E065371

REF. NO.	PART NO.	SYM.	QTY.	DESCRIPTION
1	817918A2	●	1	PUMP ASSEMBLY, FUEL
2	817870A1		1	COVER KIT, FUEL PUMP
3	27-F658803		1	GASKET, FUEL PUMP SPACER
4	F658836		1	SPACER, FUEL PUMP
5	27-820490		1	GASKET, FUEL PUMP
6	F438747		1	DIAPHRAGM, FUEL PUMP
7	819843A1		1	BODY ASSEMBLY, FUEL PUMP
8	27-F84792		1	GASKET, VALVE, CENTER
9	21-F177330		3	VALVE, FUEL
10	10-28430		2	SCREW (6-32 X 1/4")
11	10-41069		2	SCREW (10-24 X 3/4") (DESIGN I)
	10-55515		2	SCREW (10-32 X 3/4") (DESIGN II)
12	13-26996		2	LOCKWASHER (#10)
13	11-79989		2	NUT (10-24) (DESIGN I)
	11-68219		2	NUT (10-32) (DESIGN II)
14	10-F1504		4	SCREW (1/4-20 X 1-1/4")
15	13-26992		4	LOCKWASHER (1/4")
16	22-64705		1	ELBOW
17	32-99127109		1	HOSE (2-1/4") CUT AS REQ'D
18	817066		1	BOWL, FUEL (92C) SERIAL 0E000001-0E009499
	F695500	●	1	BOWL, FUEL SERIAL 0E009500-0E065371
19	10-56682	●	1	SCREW (10-24 X 3/4")
20	35-F438653	●	1	SCREEN, FUEL BOWL
21	27-823606	●	1	GASKET, FUEL BOWL
22	32-99127109		1	HOSE (16-1/2") CUT AS REQ'D
23	54-63933		2	CLAMP
24	27-820500	■●	1	GASKET, FUEL PUMP
25	10-98254	●	4	SCREW (1/4-20 X 5/8")
26	22-F1789		1	PLUG, PIPE
-	27-820467A1		0	POWERHEAD GASKET SET
-	800-819445A7		0	POWERHEAD ASSEMBLY
-	800-818152A7		0	POWERHEAD ASSEMBLY

● = COMPONENT OF POWERHEAD ASSY [800-819445A7] [800-818152A7] [800-819445A14]

■ = CONTENTS OF POWERHEAD GASKET SET [27-820467A1] [27-820722A1]

FUEL PUMP ASSEMBLY E065372,E093699



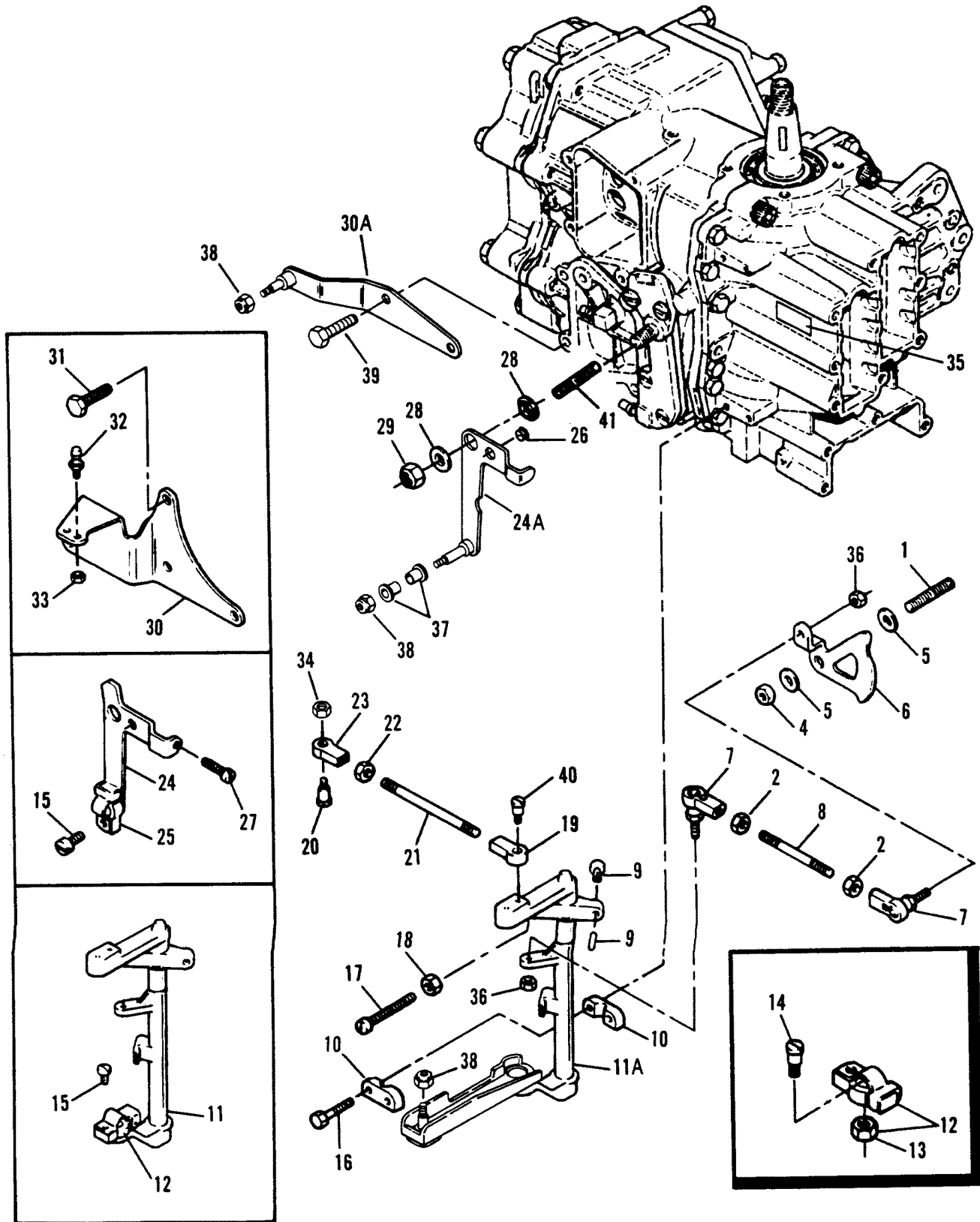
FUEL PUMP ASSEMBLY E065372,E093699

REF. NO.	PART NO.	SYM.	QTY.	DESCRIPTION
1	14360A49	■	1	PUMP KIT, FUEL
2	21-42990A10		1	DIAPHRAGM KIT
3	10-821045-40		2	SCREW (M5 X .8 X 40), FUEL PUMP
4	98775--2		1	PLATE, FUEL PUMP
5	22-99664		1	ELBOW
6	14430--3		1	BASE, FUEL PUMP
7	27-98769--1	❖	1	GASKET, FUEL PUMP BASE
8	10-98254	■	4	SCREW (1/4-20 X 5/8")
9	817870--2	■	1	COVER, FUEL PUMP
10	27-820500	■❖	1	GASKET, FUEL PUMP COVER
11	22-F743314	■	1	ELBOW, RECIRCULATING
12	10-16452	■	2	SCREW (#12-24 X 2")
-	27-820722A1		0	GASKET SET
-	800-819445A14		0	POWERHEAD ASSEMBLY

■ = COMPONENT OF POWERHEAD ASSY [800-819445A14]

❖ = COMPONENT OF GASKET SET [27- 820722A1]

SHIFT AND THROTTLE LINKAGE



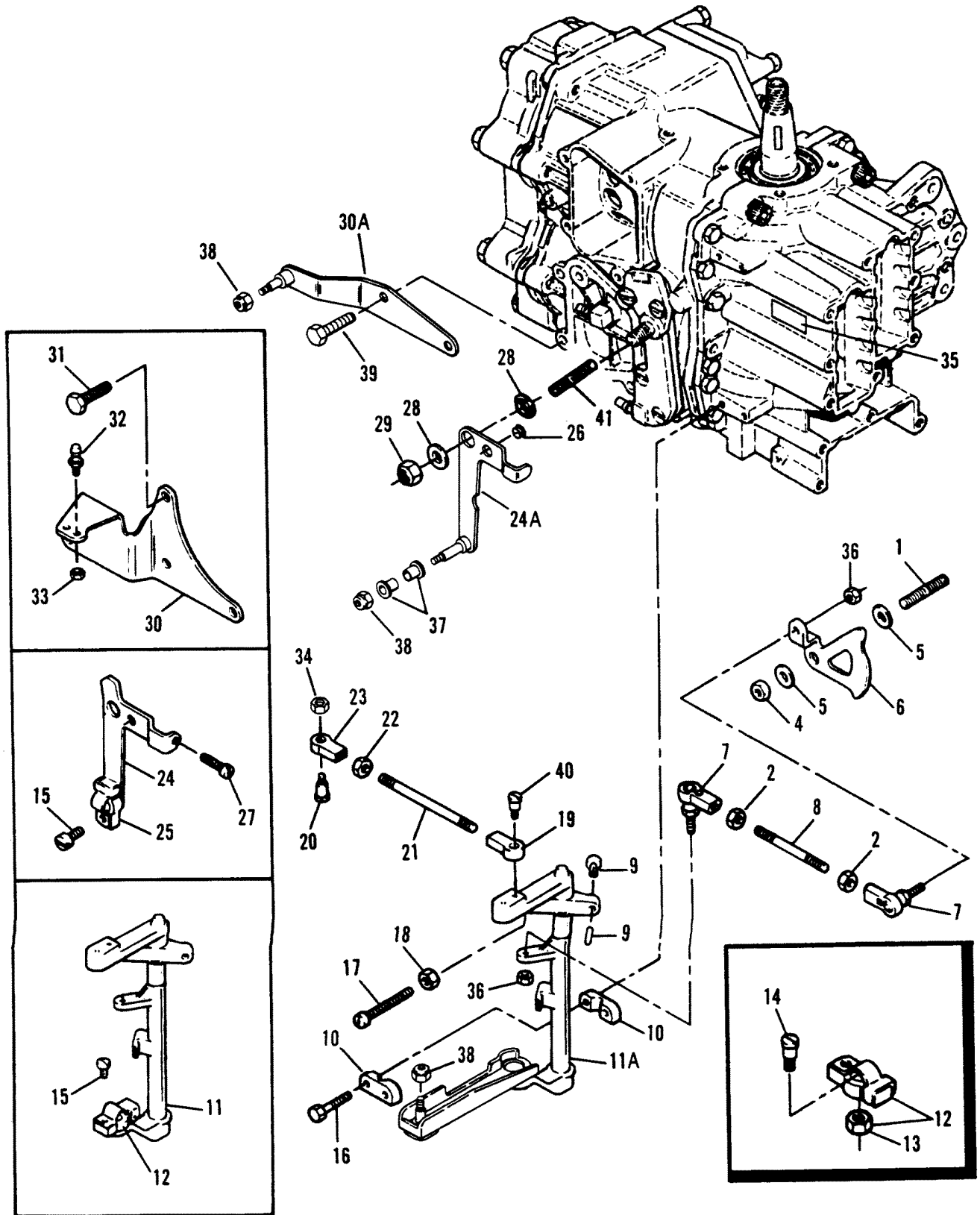
SHIFT AND THROTTLE LINKAGE

REF. NO.	PART NO.	SYM.	QTY.	DESCRIPTION
1	16-826389	●	1	STUD (1/4-20 X 1-1/4") WITH DRI LOC, THROTTLE CAM
2	11-68219		2	NUT (10-32)
4	11-72008		1	NUT (1/4-20)
5	23-F269319		2	BEARING, THROTTLE CAM
6	819552		1	CAM, THROTTLE (40HP) & (50HP) SERIAL 0E065372-0E093699
	819549		1	CAM, THROTTLE (50HP-92C) SERIAL 0E000001-0E065371
7	817747--1		2	BALL JOINT ASSEMBLY
8	819002		1	LINK, THROTTLE (40HP) & (50HP) SERIAL 0E065372-0E093699
	16-F718502		1	LINK, THROTTLE (50HP-92C) SERIAL 0E000001-0E065371
9	17-F1727		1	RIVET
10	816957		4	BEARING, TOWERSHAFT
11A	819522A2		1	TOWERSHAFT ASSY SERIAL 0E009500-0E093699
11	819522A3		1	TOWERSHAFT ASSEMBLY (92C) SERIAL 0E000001-0E009499
12	FK405020		1	SWIVEL KIT, CABLE CLAMP (92C) SERIAL 0E000001-0E009499
13	11-72008		1	NUT (1/4-20) (92C) SERIAL 0E000001-0E009499
14	10-F405457		1	SCREW, PIVOT (92C) SERIAL 0E000001-0E009499
15	10-F2217		2	SCREW (10-24 X 3/8") (92C) SERIAL 0E000001-0E009499
16	10-19926100		4	SCREW (10-24 X 1") WITH DRI LOC
17	10-F1504		1	SCREW (1/4-20 X 1")
18	11-64015		1	NUT (1/4-20)
19	819208		1	BEARING, SPARK CONTROL (LH) (BLACK)
20	10-819625		2	SCREW, SHOULDER
21	819521		1	LINK, SPARK CONTROL
22	11-79989		1	NUT (10-24)
23	816514		1	BEARING, SPARK CONTROL (RH) (RED)
24A	819467A1		1	BRACKET ASSEMBLY SERIAL 0E009500-0E093699
24	817793A1		1	ARM ASSEMBLY, SHIFT (92C) SERIAL 0E000001-0E009499
25	FK405020		1	SWIVEL KIT (92C) SERIAL 0E000001-0E009499
26	23-97896		1	BUSHING
27	10-F2207		1	SCREW (1/4-20 X 1/2") (92C) SERIAL 0E000001-0E009499
28	23-F269052		2	BUSHING, SHIFT ARM
29	11-68411		1	NUT (3/8-16)
30A	819461A1		1	BRACKET ASSEMBLY SERIAL 0E009500-0E093699
30	817746A1		1	BRACKET KIT (92C & SERIAL 0E000001-0E009499
31	10-28636		3	SCREW (1/4-20 X 3/4") (92C) SERIAL 0E000001-0E009499
32	16-F98273		2	STUD, CONNECTOR(92C) SERIAL 0E000001-0E009499
33	11-20110		2	NUT (10-32)(92C) SERIAL 0E000001-0E009499
34	11-F7009		1	NUT (10-24)
35	37-819526	●	1	DECAL, CABLE ADJUST SERIAL 0E009500-0E093699
36	11-20110		2	NUT (10-32)
37	23-819452		2	BUSHING
38	11-34059		3	NUT (10-32)

● = COMPONENT OF POWERHEAD ASSY [800-819445A7] [800-818152A7] [800-819445A14]

CONTINUED ON NEXT PAGE ➡

SHIFT AND THROTTLE LINKAGE



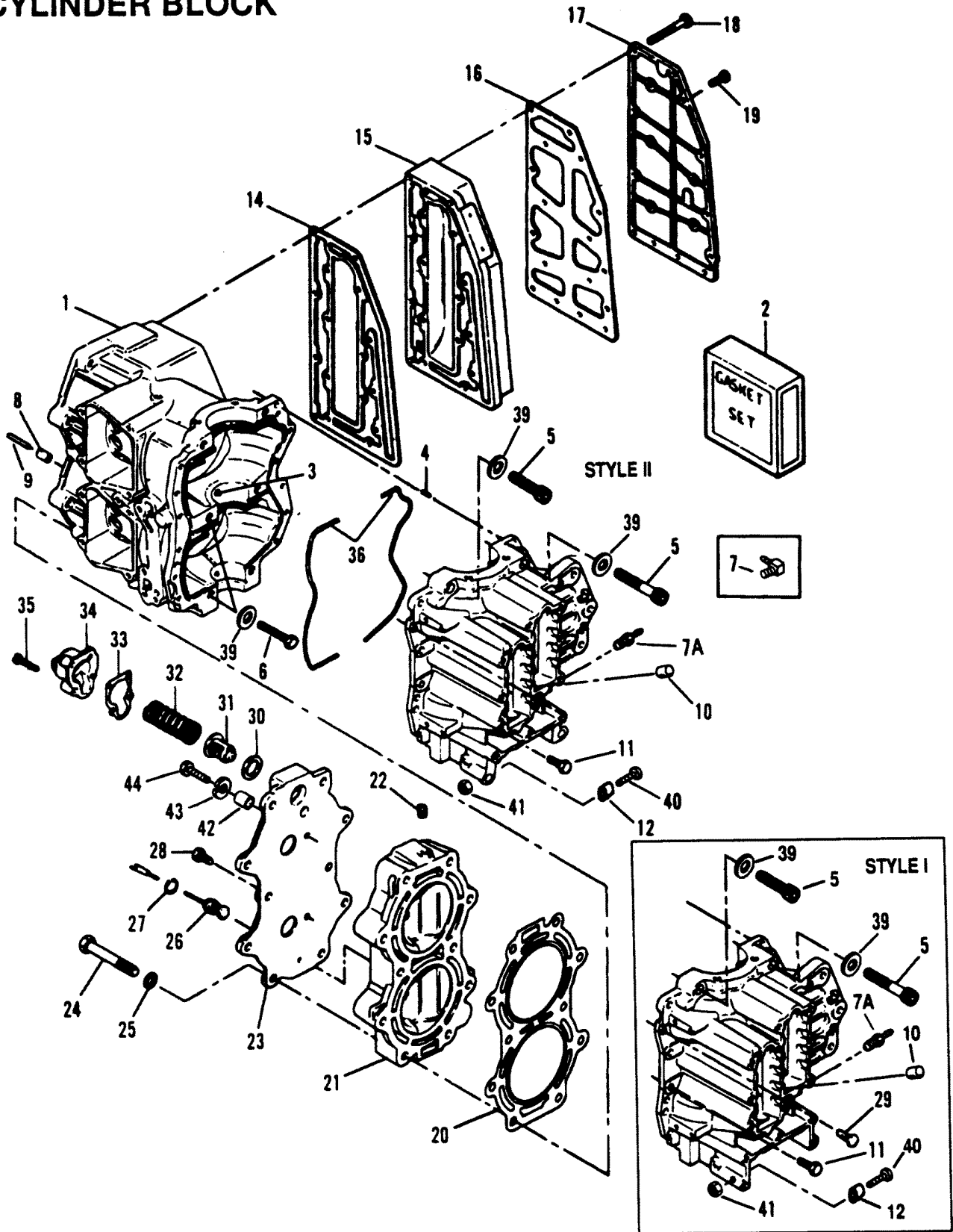
SHIFT AND THROTTLE LINKAGE

REF. NO.	PART NO.	SYM.	QTY.	DESCRIPTION
39	10-49668	●	2	SCREW (1/4-20 X 3/4") SERIAL 0E009500-0E093699
40	10-819625		1	SCREW, SHOULDER
41	16-826387	●	1	STUD (3/8-16 X 1-5/8") W/DL SERIAL 0E065372-0E093699
-	800-819445A7		0	POWERHEAD ASSEMBLY
-	800-818152A7		0	POWERHEAD ASSEMBLY
-	800-819445A14		0	POWERHEAD ASSEMBLY

● = COMPONENT OF POWERHEAD ASSY [800-819445A7] [800-818152A7] [800-819445A14]

CYLINDER BLOCK

CYLINDER BLOCK



CYLINDER BLOCK

REF. NO.	PART NO.	SYM.	QTY.	DESCRIPTION
-	800-819445A7		1	POWERHEAD ASSEMBLY (40HP) (PAINTED) (92C & 065371) SERIAL 0E000001-0E065371
1	800-819445A6	●	1	CYLINDER BLOCK KIT (40HP) (92C & 065371) SERIAL 0E000001-0E065371
-	800-818152A7		1	POWERHEAD ASSEMBLY (50HP) (PAINTED) (92C & 065371) SERIAL 0E000001-0E065371
	800-818152A6	●	1	CYLINDER BLOCK KIT (50HP) (92C & 065371) SERIAL 0E000001-0E065371
-	800-819445A14		1	POWERHEAD ASSY(40&50HP) (PAINTED) SERIAL 0E065372-0E093699
	800-819445A16	●	1	CYLINDER ASSEMBLY(40&50HP) SERIAL 0E065372-0E093699
2	27-820467A1		1	GASKET SET(92C) SERIAL 0E000001-0E065371
	27-820722A1		1	GASKET SET SERIAL 0E065372-0E093699
3	17-F40909		1	PIN, LOCATING
4	17-F8559		2	PIN, DOWEL
5	10-F2228		2	SCREW (3/8-16 X 3")
6	10-812567		4	SCREW (3/8-16 X 1-5/8")
7	21-F463314		1	ELBOW (92C) SERIAL 0E000001-0E065371
7A	21-42658		1	VALVE, CHECK SERIAL 0E065372-0E093699
8	32-F691943		1	TUBE, WATER JACKET
9	17-F691372		1	PIN, WATER JACKET TUBE
10	F433473		1	CUP, METERING
11	10-28636	●	9	SCREW (1/4-20 X 3/4") (STYLE I)
	10-28636	●	12	SCREW (1/4-20 X 3/4") (STYLE II)
12	F307942-2		2	BUMPER
14	27-F691154	■●	1	GASKET, EXHAUST PORT PLATE
15	F691151-1	●	1	PLATE, EXHAUST PORT
16	27-F691153	■●	1	GASKET, EXHAUST PORT COVER
17	1000-819269	●	1	COVER, EXHAUST PORT
18	10-F1972	●	15	SCREW (1/4-20 X 2-1/2")
19	10-49668	●	2	SCREW (1/4-20 X 3/4")
20	27-F691529-1	■●	1	GASKET, CYLINDER HEAD
21	900-819850--1	●	1	HEAD, CYLINDER
22	22-F722109-1		1	PLUG, CYLINDER HEAD
23	1000-819376	●	1	COVER, CYLINDER HEAD
24	10-F2254	●	10	SCREW (5/16-18 X 2-1/2")
25	12-34437	●	10	WASHER
26	87-F658449-2		1	THERMOSWITCH (92C) SERIAL 0E000001-0E009499
	87-819502		1	THERMOSWITCH SERIAL 0E009500-0E093699
27	53-F717096		1	RING, RETAINING
28	10-98254	●	1	SCREW (1/4-20 X 5/8")
29	10-F1922	●	3	SCREW (1/4-20 X 5/8") (STYLE I)
30	12-F658504	●	1	WASHER, THERMOSTAT

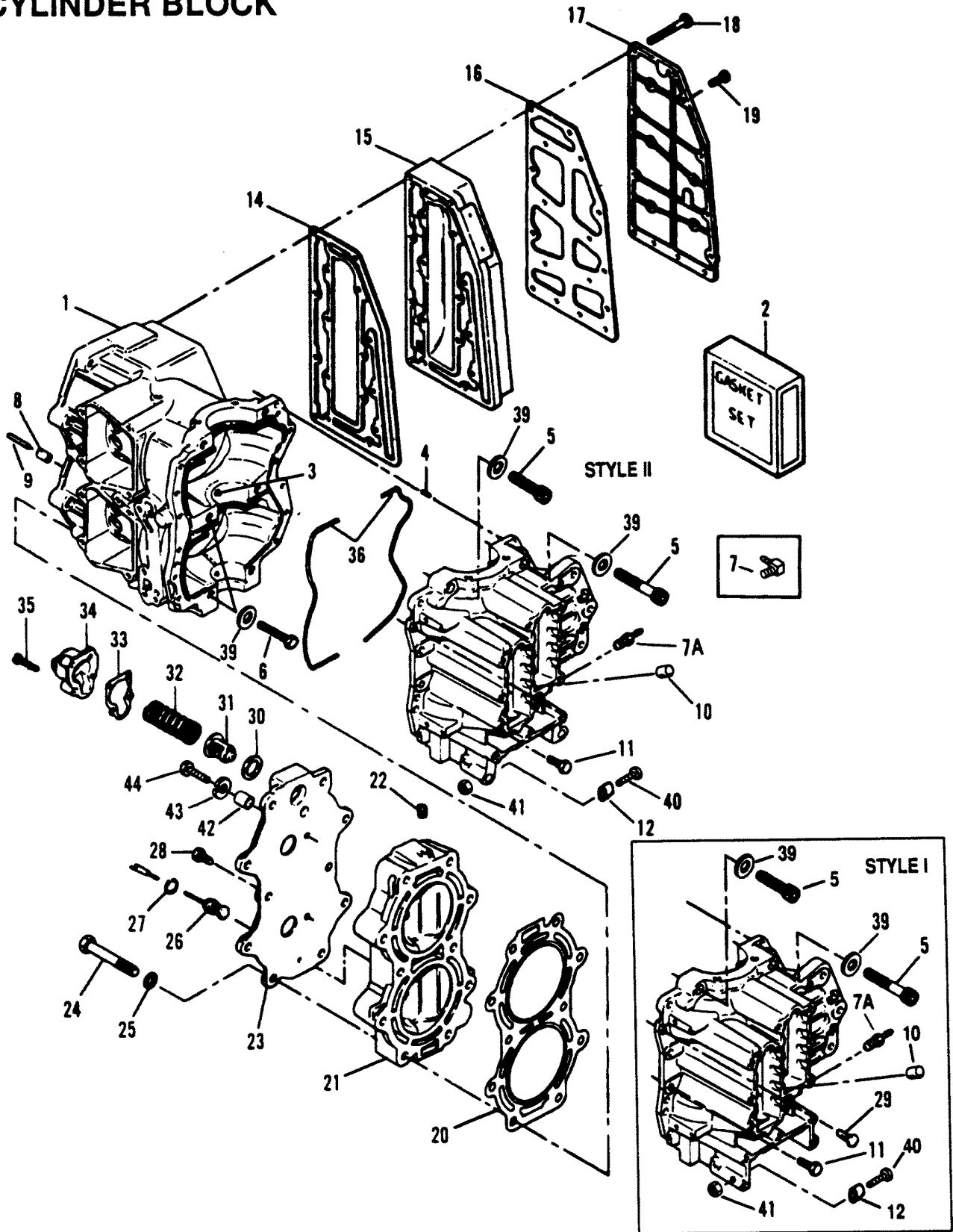
● = COMPONENT OF POWERHEAD ASSY [800-819445A7] [800-818152A7] [800-819445A14]

■ = CONTENTS OF POWERHEAD GASKET SET [27-820467A1] [27-820722A1]

CONTINUED ON NEXT PAGE ➡

CYLINDER BLOCK

CYLINDER BLOCK



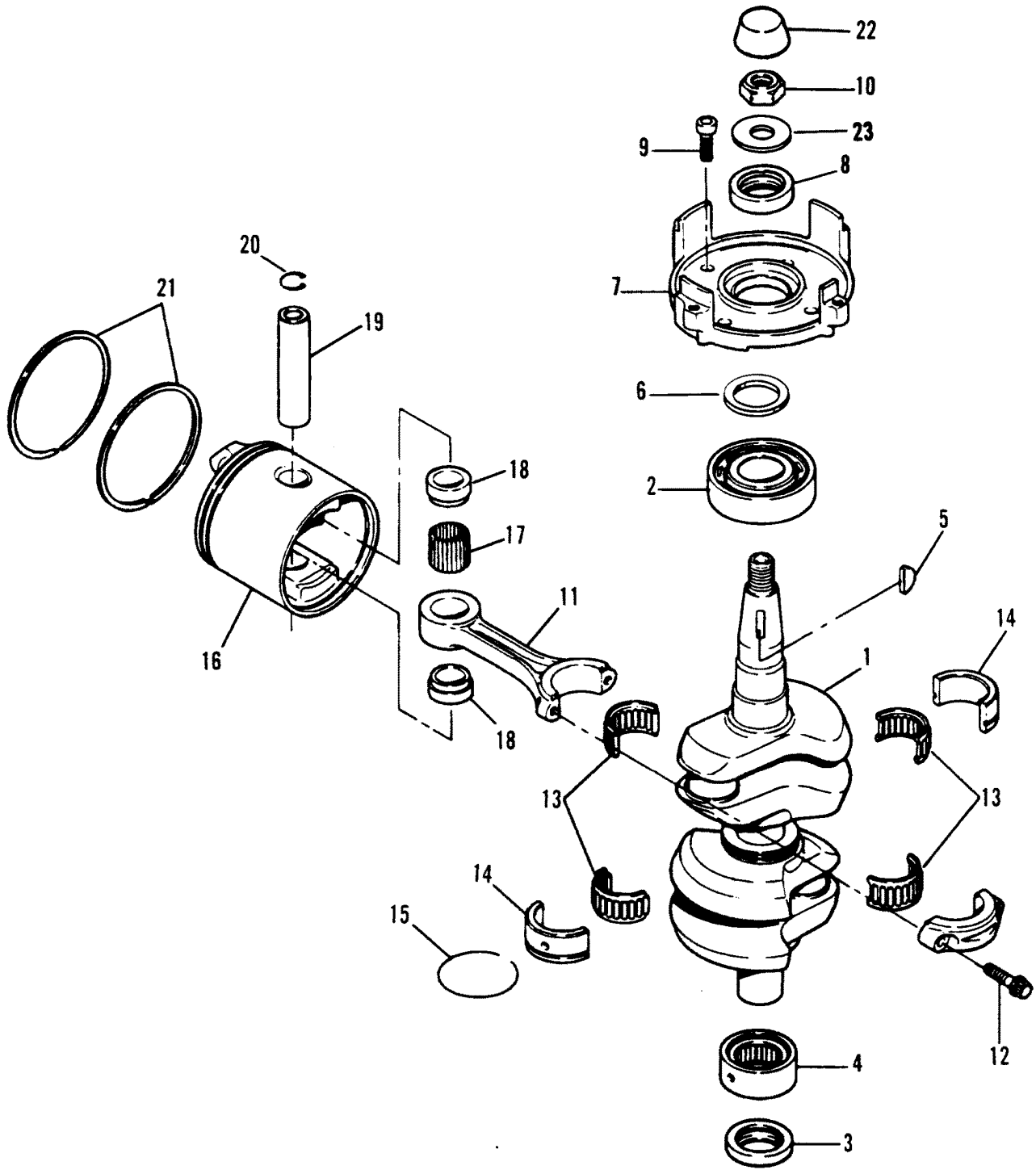
CYLINDER BLOCK

REF. NO.	PART NO.	SYM.	QTY.	DESCRIPTION
31	F97068-2	●	1	THERMOSTAT (130 DEGREES)
32	24-F658268	●	1	SPRING, THERMOSTAT
33	27-819377	■●	1	GASKET, THERMOSTAT COVER
34	819375	●	1	COVER, THERMOSTAT
35	10-19926100	●	4	SCREW (10-24 X 1") WITH DRI LOC
36	F184122-1	■●	1	SEAL, CRANKCASE (92C & SERIAL 0E000001-0E031999)
39	12-37828	●	6	WASHER
40	10-F1134		2	SCREW (8-32 X 1-1/8")
41	11-26768		2	NUT (8-32)
42	23-42182--1		1	BUSHING
43	13-78968		1	LOCKWASHER (1/4" INTERNAL) PART OF SWITCHBOX KIT 18495A13
44	10-45561		1	SCREW (1/4-20 X 1-1/8") PART OF SWITCHBOX KIT 18495A13
-	27-820467A1		0	POWERHEAD GASKET SET
-	27-820722A1		0	POWERHEAD GASKET SET
-	800-819445A7		0	POWERHEAD ASSEMBLY
-	800-818152A7		0	POWERHEAD ASSEMBLY
-	800-819445A14		0	POWERHEAD ASSEMBLY

● = COMPONENT OF POWERHEAD ASSY [800-819445A7] [800-818152A7] [800-819445A14]

■ = CONTENTS OF POWERHEAD GASKET SET [27-820467A1] [27-820722A1]

CRANKSHAFT AND PISTON



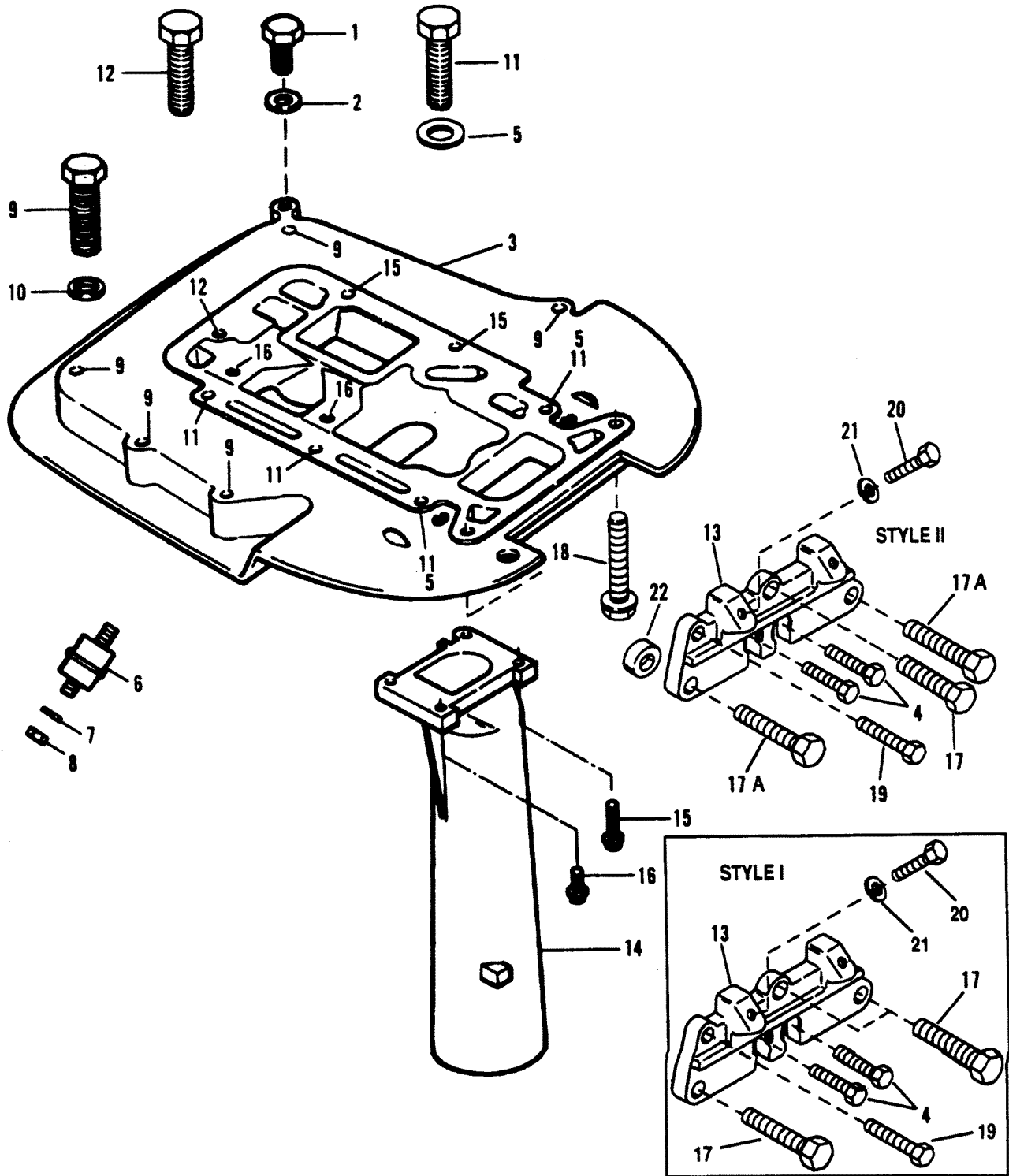
CRANKSHAFT AND PISTON

REF. NO.	PART NO.	SYM.	QTY.	DESCRIPTION
1	400-817398A3	●	1	CRANKSHAFT ASSEMBLY
2	30-F284659-2		1	BEARING, UPPER
3	26-819394	●■	1	SEAL, CRANKSHAFT LOWER
4	31-F90014	●	1	BEARING, CRANKSHAFT LOWER MAIN
5	28-F85498-1		1	KEY, CRANKSHAFT
6	12-819246	●	1	WASHER
7	1100-819312A2	●	1	CAGE ASSEMBLY, BEARING
8	26-F474146	■	1	SEAL, CRANKSHAFT UPPER
9	10-92160	●	4	SCREW (1/4-20 X 3/4")
10	11-F1968		1	NUT (3/4-16)
11	600-818052A6	●	2	CONNECTING ROD ASSEMBLY
12	10-91012		4	SCREW, CONNECTING ROD
13	31-62596A2	●	3	CAGE/ROLLER SET
14	31-FA40655	●	1	RACE ASSEMBLY
15	53-F40410		1	RING, SNAP
16	700-819005A8	●	2	PISTON KIT (STANDARD)
	700-819005A9		OPT.	PISTON KIT (.010 O.S.)
	700-819005A10		OPT.	PISTON KIT (.030 O.S.)
17	31-F335217-1		2	BEARING SET (26)
18	23-F366215		4	SPACER, PISTON PIN
19	41-F694017-1		2	PIN, PISTON
20	40-F694096		4	RETAINER, PISTON PIN
21	39-820457A2		2	RING SET (2 RINGS) (STANDARD)
	39-820641A1		OPT.	RING SET (2 RINGS) (.010 O.S.)
	39-818129A2		OPT.	RING SET (2 RINGS) (.030 O.S.)
22	19-F2067		1	CAP, CRANKSHAFT END
23	12-31247		1	WASHER SERIAL 0E009500-0E093699
-	27-820467A1		0	POWERHEAD GASKET SET
-	27-820722A1		0	POWERHEAD GASKET SET
-	800-819445A7		0	POWERHEAD ASSEMBLY
-	800-818152A7		0	POWERHEAD ASSEMBLY
-	800-818445A14		0	POWERHEAD ASSEMBLY

● = COMPONENT OF POWERHEAD ASSY [800-819445A7] [800-818152A7] [800-819445A14]

■ = CONTENTS OF POWERHEAD GASKET SET [27-820467A1] [27-820722A1]

SPACER PLATE

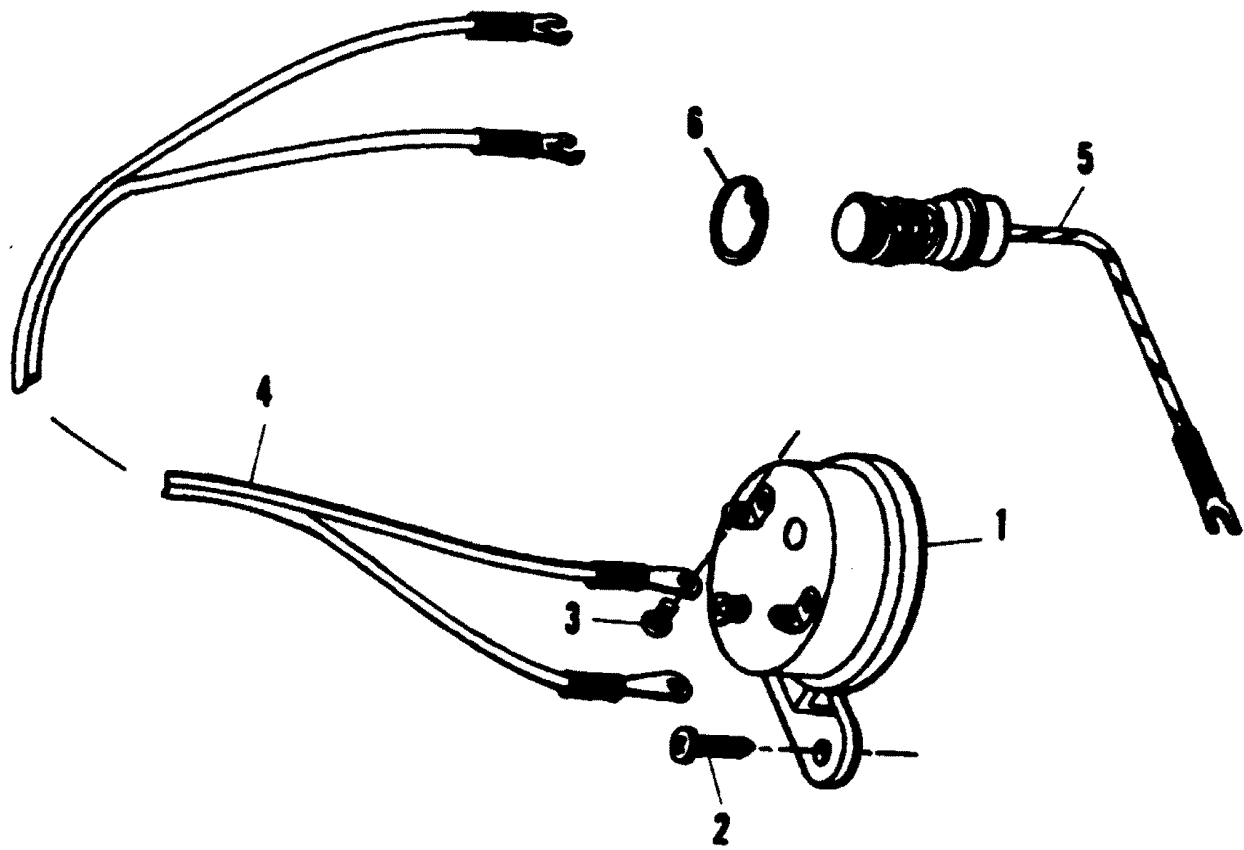


SPACER PLATE

REF. NO.	PART NO.	SYM.	QTY.	DESCRIPTION
1	10-F2000		1	SCREW (5/16-18 X 3/4")
2	13-53166		1	LOCKWASHER (5/16")
3	F684680-2	●	1	PLATE, SPACER
4	10-826376		2	SCREW (1/4-28 X 5/8") W/DL
5	12-34437	●	2	WASHER
6	F307962		2	MOUNT, SHOCK (SIDE UPPER)
7	12-37828		2	WASHER
8	11-86226		2	NUT (3/8-16)
9	10-19922150		5	SCREW (3/8-16 X 1-1/2") WITH DRI LOC
10	13-58643		5	LOCKWASHER (3/8")
11	10-19921125	●	4	SCREW (5/16-18 X 1-1/4") WITH DRI LOC
12	10-19932100	●	1	SCREW (1/4-20 X 1") WITH DRI LOC
13	819270	●	1	COVER, SHOCK MOUNT UPPER
14	F684660-2		1	TUBE, EXHAUST
15	10-826370		2	SCREW (5/16-18 X 2") WITH DRI LOC
16	10-826371		2	SCREW (5/16-18 X 1-1/4") WITH DRI LOC
17	10-F2000	●	3	SCREW (5/16-18 X 3/4") (STYLE I)
	10-F2000	●	1	SCREW (5/16-18 X 3/4") (STYLE II)
17A	10-F430732	●	2	SCREW (5/16-18 X 1-1/4") (STYLE II)
18	10-826370		2	SCREW (5/16-18 X 2") WITH DRI LOC
19	10-49668	●	1	SCREW (1/4-20 X 3/4")
20	10-28635		1	SCREW (1/4-20 X 5/8"), GROUND
21	13-26992		1	LOCKWASHER (1/4"), GROUND
22	23-F522359	●	2	SPACER (STYLE II)
-	800-819445A7		0	POWERHEAD ASSEMBLY
-	800-818152A7		0	POWERHEAD ASSEMBLY
-	800-819445A14		0	POWERHEAD ASSEMBLY

● = COMPONENT OF POWERHEAD ASSY [800-819445A7] [800-818152A7] [800-819445A14]

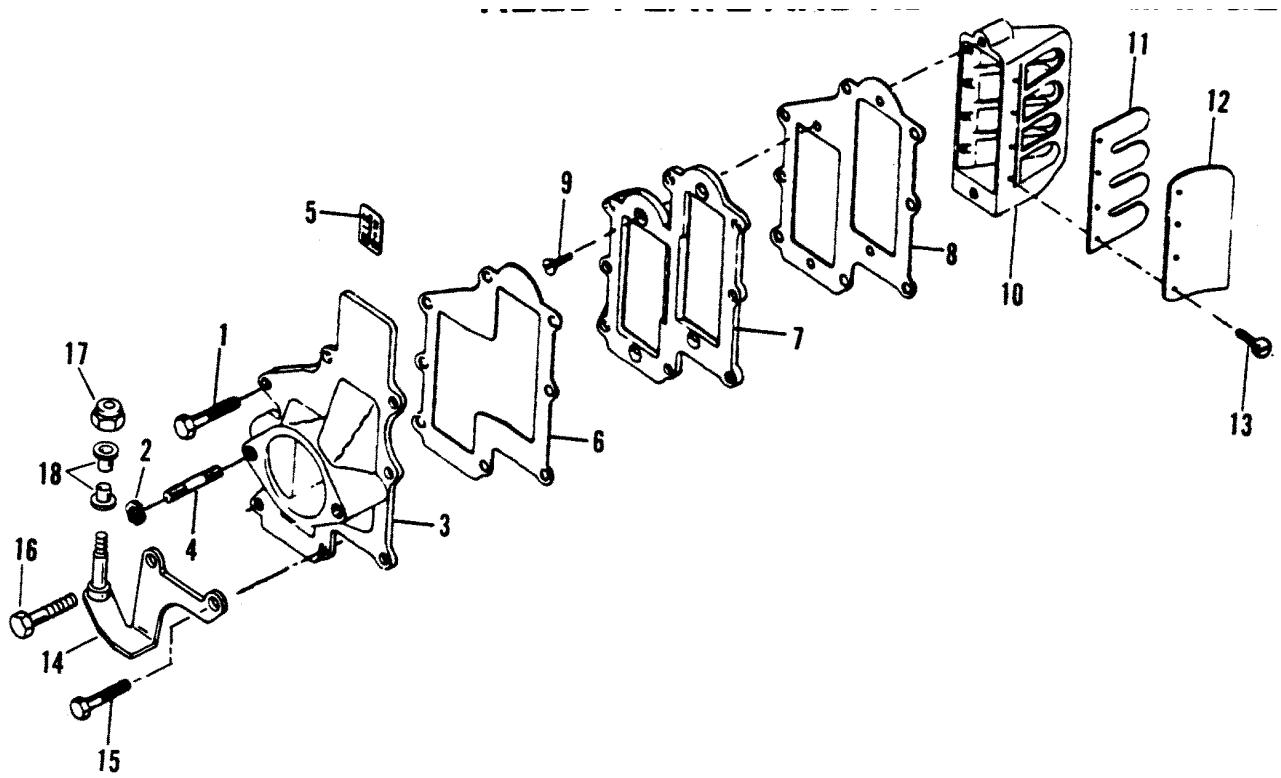
HEAT INDICATOR BUZZER



HEAT INDICATOR BUZZER

REF. NO.	PART NO.	SYM.	QTY.	DESCRIPTION
1	F5H043		1	BUZZER KIT, HEAT INDICATOR (92C) SERIAL 0E000001-0E009499
2	10-F1741		2	SCREW (#8 X 3/4") (92C) SERIAL 0E000001-0E009499
3	10-69080		2	SCREW (6-32 X 1/4") (92C) SERIAL 0E000001-0E009499
4	84-65017A24		1	HARNESS (92C) SERIAL 0E000001-0E009499
5	87-F658449-2		1	THERMOSWITCH (92C) SERIAL 0E000001-0E009499
	87-819502		1	THERMOSWITCH SERIAL 0E009500-0E093699
6	53-F717096		1	RING, RETAINING

REED PLATE AND ADAPTER FLANGE

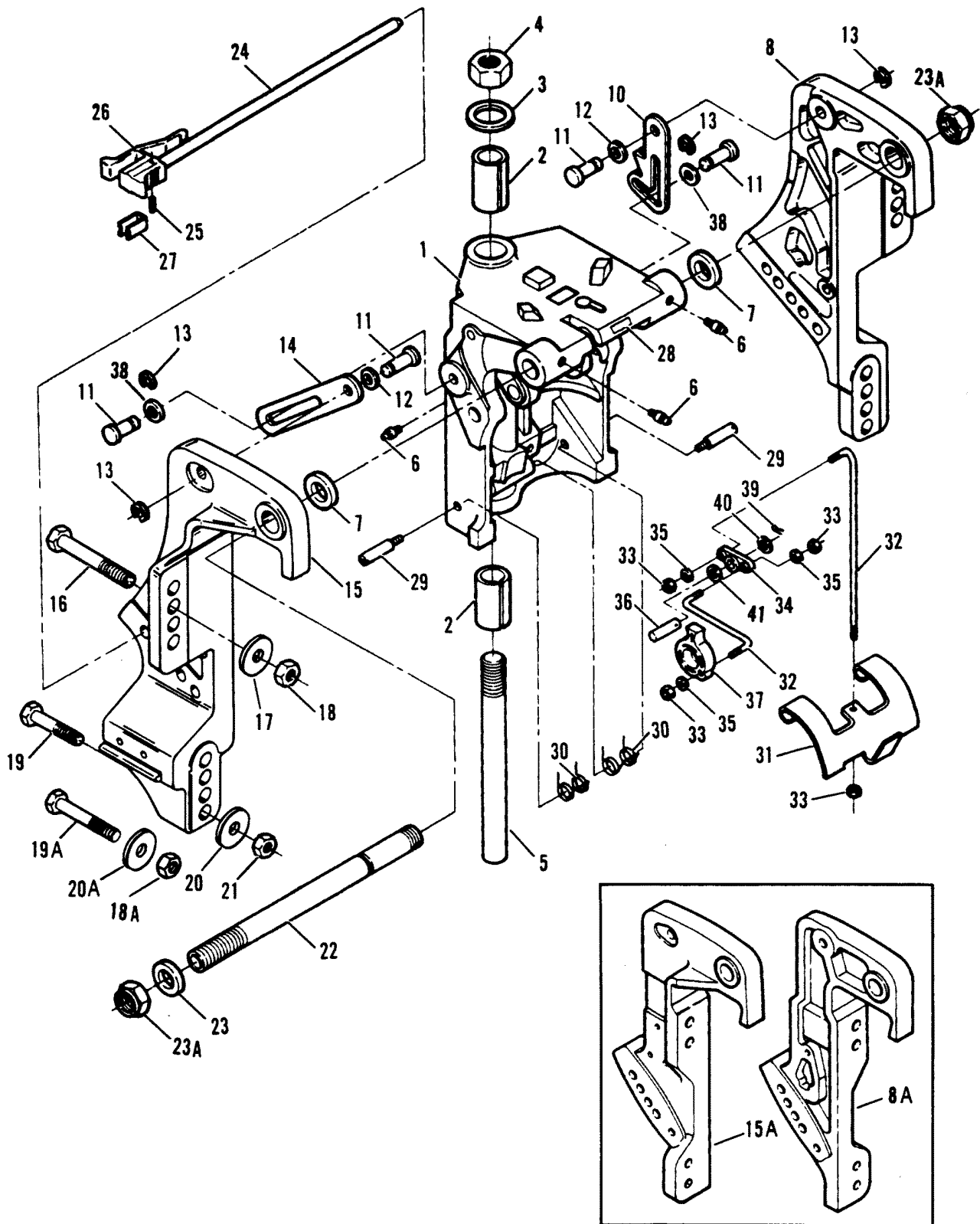


REED PLATE AND ADAPTER FLANGE

REF. NO.	PART NO.	SYM.	QTY.	DESCRIPTION
1	10-28668	●	6OR8	SCREW (1/4-20 X 7/8")
2	11-68292		2	NUT (5/16-18) (ALL 40 HP &50 HP) SERIAL 0E065372-0E093699
3	FA433167	●	1	ADAPTER KIT, CARBURETOR FLANGE (ALL 40 HP &50 HP) SERIAL 0E065372-0E093699
4	16-826388		2	STUD (5/16-18 X 1-1/4") W/DL (ALL 40 HP &50 HP) SERIAL 0E065372-0E093699
5	37-817792A1		1	DECAL, TIMING (ALL 40 HP &50 HP) SERIAL 0E065372-0E093699
-	16-826389		1	STUD (1/4-20 X 1-1/4") WITH DRI LOC, THROTTLE CAM (ALL 40 HP &50 HP) SERIAL 0E065372-0E093699
2	11-86226		2	NUT (3/6-16) (50 HP-92C) SERIAL 0E000001-0E065371
3	FA691167	●	1	ADAPTER KIT, CARBURETOR FLANGE (50 HP-92C) SERIAL 0E000001-0E065371
4	16-826387		2	STUD (3/8-16 X 1-5/8") W/DL (50 HP-92C) SERIAL 0E000001-0E065371
5	37-817792A1		1	DECAL, TIMING (50 HP-92C) SERIAL 0E000001-0E065371
-	16-826389		1	STUD (1/4-20 X 1-1/4") WITH DRI LOC, THROTTLE CAM (50 HP-92C) SERIAL 0E000001-0E065371
6	27-F433168	●■	1	GASKET, CARBURETOR ADAPTER
7	819807--1	●	1	PLATE, DEFLECTOR
8	27-F433406	●■	1	GASKET, DEFLECTOR PLATE
9	10-826379	●	4	SCREW (10-24 X 1/2") W/DL
10	FA658158	●	2	PLATE ASSEMBLY, REED
11	34-F316160		4	REED (4 PETAL)
12	34-F88161-4		4	STOP, REED
13	10-819074		16	SCREW (6-32 X 5/16")
14	819460A1		1	BRACKET ASSY, REMOTE CABLE SERIAL 0E009500-0E093699
15	10-86885		1	SCREW (1/4-20 X 1-1/2") SERIAL 0E009500-0E093699
16	10-76630	●	1	SCREW (1/4-20 X 1") SERIAL 0E009500-0E093699
17	11-34059		1	NUT (10-32)
18	23-819452		2	BUSHING
-	27-820467A1		0	POWERHEAD GASKET SET
-	27-820722A1		0	POWERHEAD GASKET SET
-	800-819445A7		0	POWERHEAD ASSEMBLY
-	800-818152A7		0	POWERHEAD ASSEMBLY
-	800-819445A14		0	POWERHEAD ASSEMBLY

● = COMPONENT OF POWERHEAD ASSY [800-819445A7] [800-818152A7] [800-819445A14]
 ■ = CONTENTS OF POWERHEAD GASKET SET [27-820467A1] [27-820722A1]

SWIVEL BRACKET/STERN BRACKETS MANUAL TILT MODELS

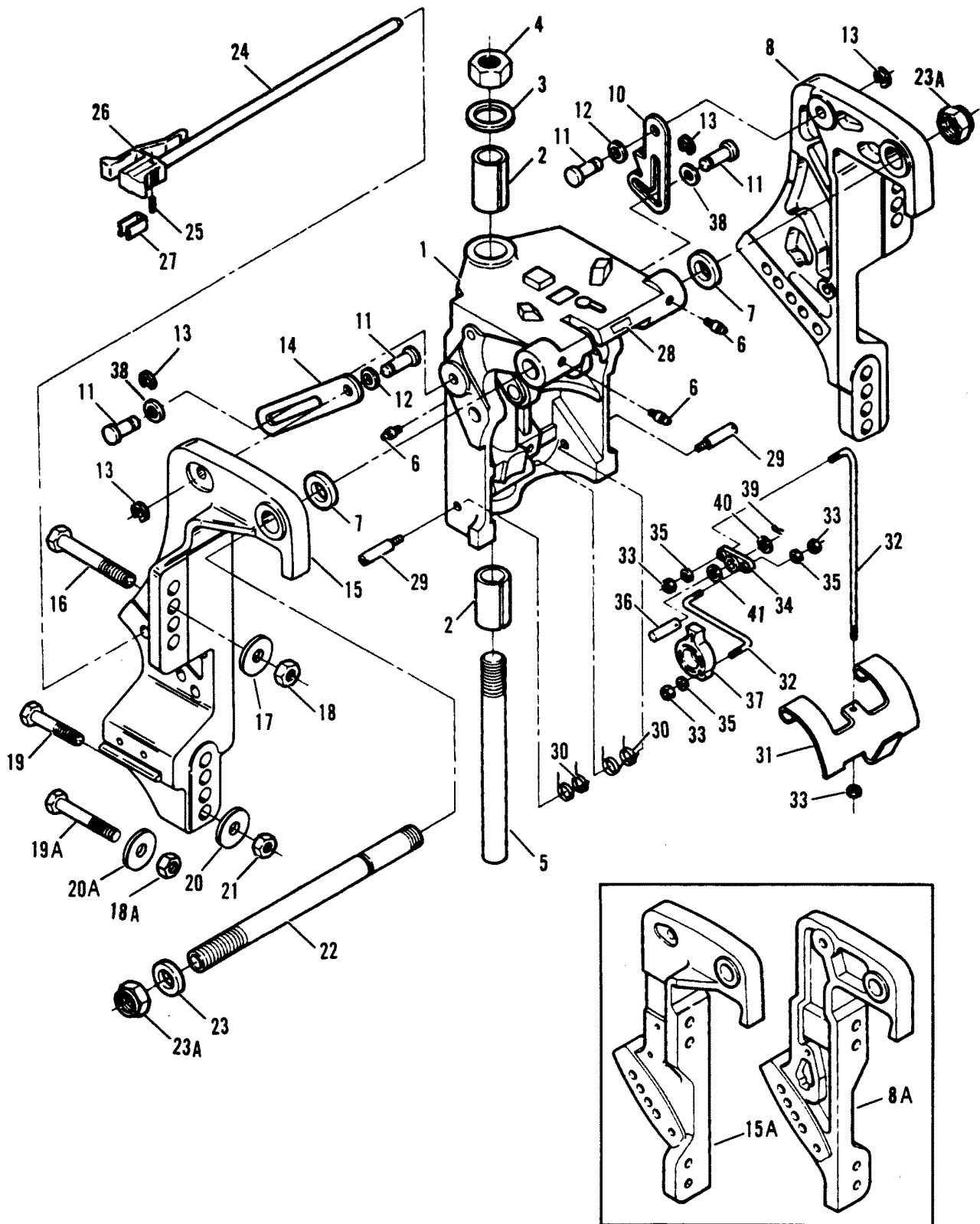


SWIVEL BRACKET/STERN BRACKETS MANUAL TILT MODELS

REF. NO.	PART NO.	SYM.	QTY.	DESCRIPTION
1	1400-819120F1		1	BRACKET, SWIVEL (PAINTED)
2	23-F191169-1		2	BEARING, SWIVEL BRACKET
3	12-F89011		1	WASHER
4	11-F84280		1	NUT, KINGPIN
5	819331A2		1	KINGPIN ASSEMBLY
6	22-F213274		3	FITTING, GREASE
7	12-F522286		2	WASHER
8A	1400-819374F		1	BRACKET, PORT (PAINTED)(92C) SERIAL 0E000001-0E009499
8	1400-819325F1		1	BRACKET, STERN, PORT (PAINTED) SERIAL 00000000-500E0936
10	820527		1	STOP, TILT, PORT
11	17-F749458		4	PIN, TILT LOCK
12	13-69708		2	WASHER, WAVE
13	53-F749208		4	RING, RETAINING
14	F366433-1		1	STOP, TILT, STARBOARD
15A	1400-819373F		1	BRACKET,STBD (PAINTED)(92C) SERIAL 0E000001-0E009499
15	1400-819324F		1	BRACKET, STERN, STBD (PAINTED) SERIAL 0E009500-0E093699
16	10-92710		OPT.	SCREW (1/2-20 X 5")
17	12-28421		OPT.	WASHER
18	11-91962		OPT.	NUT (1/2-20)
18A	11-91962		2	NUT (1/2-20) SERIAL 0E009500-0E093699
19A	10-67755--1		2	SCREW (1/2-20 X 4-1/2") SERIAL 0E009500-0E093699
20A	12-28421		2	WASHER SERIAL 0E009500-0E093699
19	10-F2185		2	SCREW (3/8-16 X 3-1/2") (92C) SERIAL 0E000001-0E009499
20	FK684201		2	WASHER KIT (92C) SERIAL 0E000001-0E009499
21	11-86226		2	NUT (3/8-16) (92C) SERIAL 0E000001-0E009499
22	819545A1		1	TUBE KIT, STEERING
23	25-F316599		1	O-RING, STEERING TUBE
23A	11-30499		2	NUT (7/8-14)
24	FA658113		1	LOCK BAR KIT
25	17-25870		1	PIN, ROLL
26	816517		1	HANDLE, LOCK BAR
27	24-F286461		1	SPRING, LOCK BAR HANDLE
28	37-814743--3		1	DECAL, TILT RELEASE
29	826578		2	PIN, RETAINING, WITH DRI LOC
30	24-F366300		2	SPRING, REVERSE LOCK
31	F366349-1		1	LOCK, REVERSE
32	819702A1		1	LINK KIT, REVERSE LOCK (LONG AND SHORT)
33	11-F1669		4	NUT (6-32)
34	F749364		1	ARM, REVERSE LOCK
35	12-27882		3	WASHER
36	F749586-1		1	SHAFT, REVERSE LOCK

CONTINUED ON NEXT PAGE ➡

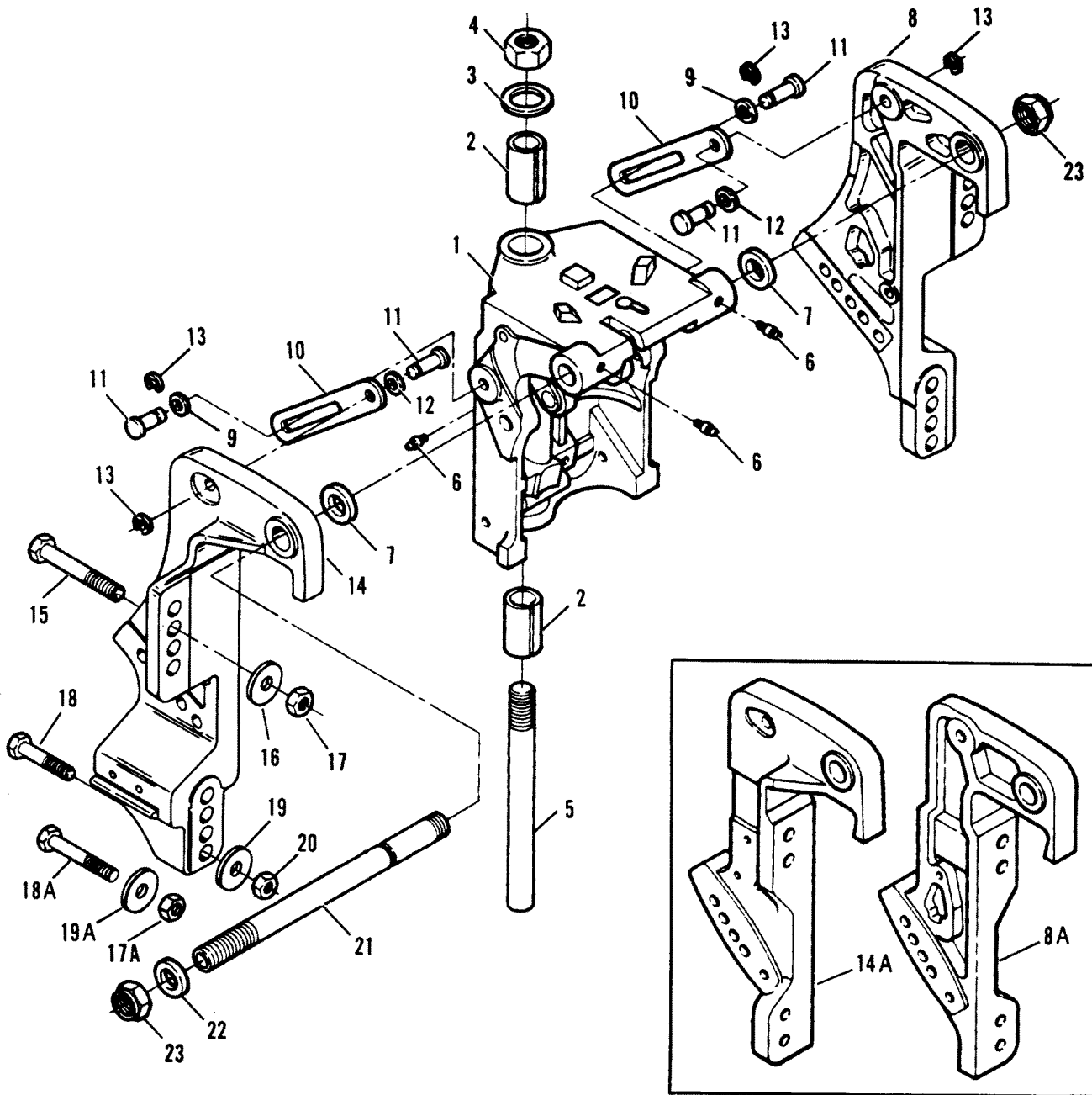
SWIVEL BRACKET/STERN BRACKETS MANUAL TILT MODELS



SWIVEL BRACKET/STERN BRACKETS MANUAL TILT MODELS

REF. NO.	PART NO.	SYM.	QTY.	DESCRIPTION
37	F749827		1	LEVER, RELEASE
38	12-74758		2	WASHER
39	18-26953		1	PIN, COTTER
40	12-71055		1	WASHER
41	12-40023-16		1	WASHER

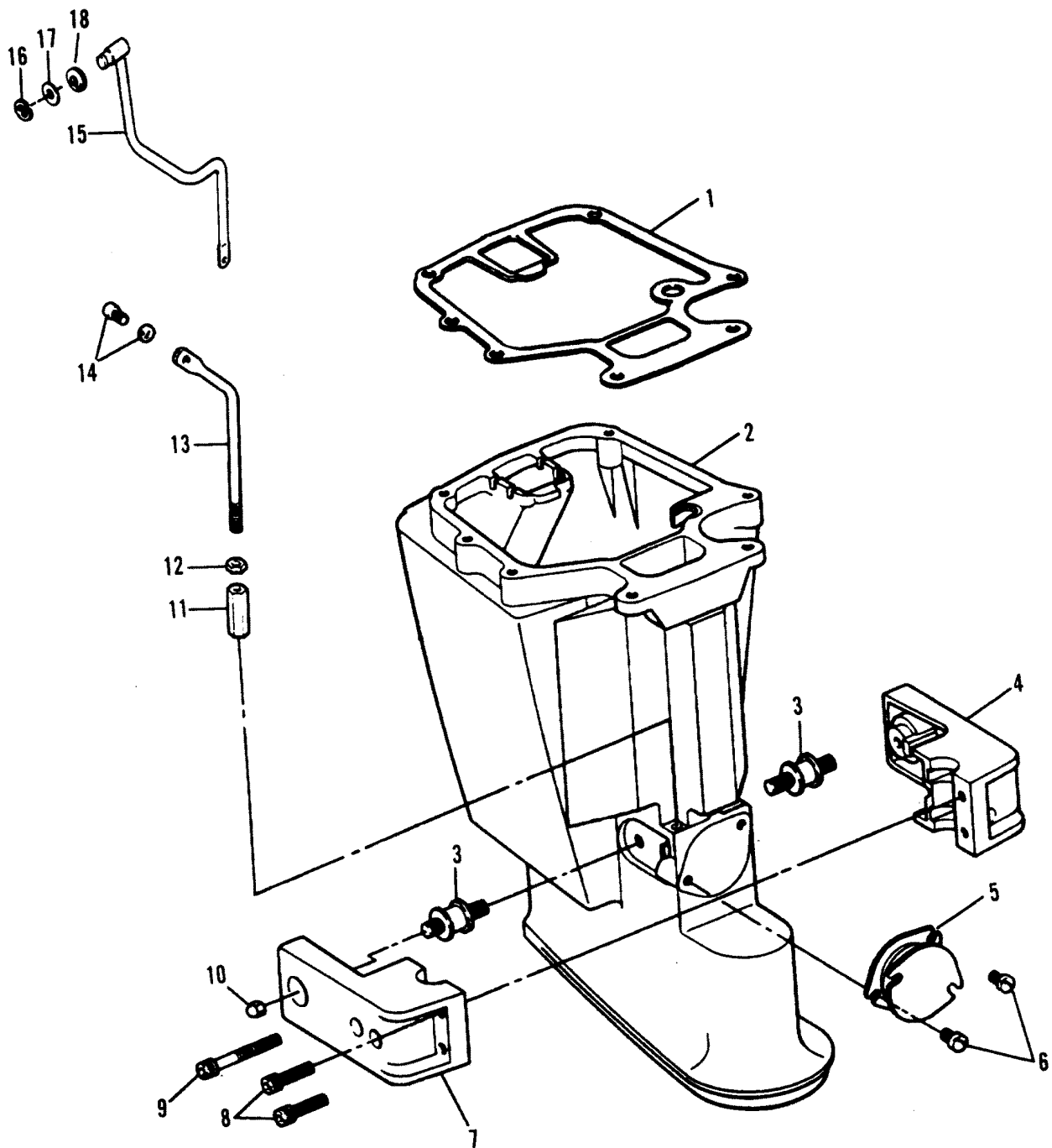
SWIVEL BRACKET/STERN BRACKETS POWER TRIM MODELS



SWIVEL BRACKET/STERN BRACKETS POWER TRIM MODELS

REF. NO.	PART NO.	SYM.	QTY.	DESCRIPTION
1	1400-819120F1		1	BRACKET, SWIVEL (PAINTED)
2	23-F191169-1		2	BEARING, SWIVEL BRACKET
3	12-F89011		1	WASHER
4	11-F84280		1	NUT, KINGPIN
5	819331A2		1	KINGPINASSEMBLY
6	22-F213274		3	FITTING, GREASE
7	12-F522286		2	WASHER
8A	1400-819374F		1	BRACKET,PORT (PAINTED) (92C) SERIAL 0E000001-0E009499
8	1400-819325F1		1	BRACKET, STERN, PORT (PAINTED) SERIAL 0E009500-0E093699
9	12-74758		2	WASHER
10	F366433-1		2	STOP, TILT
11	17-F749458		4	PIN, TILT LOCK
12	13-69708		2	WASHER
13	53-F749208		4	RING, RETAINING
14A	1400-819373F		1	BRACKET,STBD (PAINTED)(92C) SERIAL 0E000001-0E009499
14	1400-819324F		1	BRACKET, STERN, STBD (PAINTED) SERIAL 0E009500-0E093699
15	10-92710		OPT.	SCREW (1/2-20 X 5")
16	12-28421		OPT.	WASHER
17	11-91962		OPT.	NUT (1/2-20)
17A	11-91962		2	NUT (1/2-20) SERIAL 0E009500-0E093699
18A	10-67755--1		2	SCREW (1/2-20 X 4-1/2") SERIAL 0E009500-0E093699
19A	12-28421		2	WASHER SERIAL 0E009500-0E093699
18	10-F2185		2	SCREW (3/8-16 X 3-1/2")(92C) SERIAL 0E000001-0E009499
19	FK684201		2	WASHER(92C) SERIAL 0E000001-0E009499
20	11-86226		2	NUT (3/8-16) (92C) SERIAL 0E000001-0E009499
21	819545A1		1	TUBE KIT, STEERING
22	25-F316599		1	O-RING, STEERING TUBE
23	11-30499		2	NUT (7/8-14)

DRIVESHAFT HOUSING

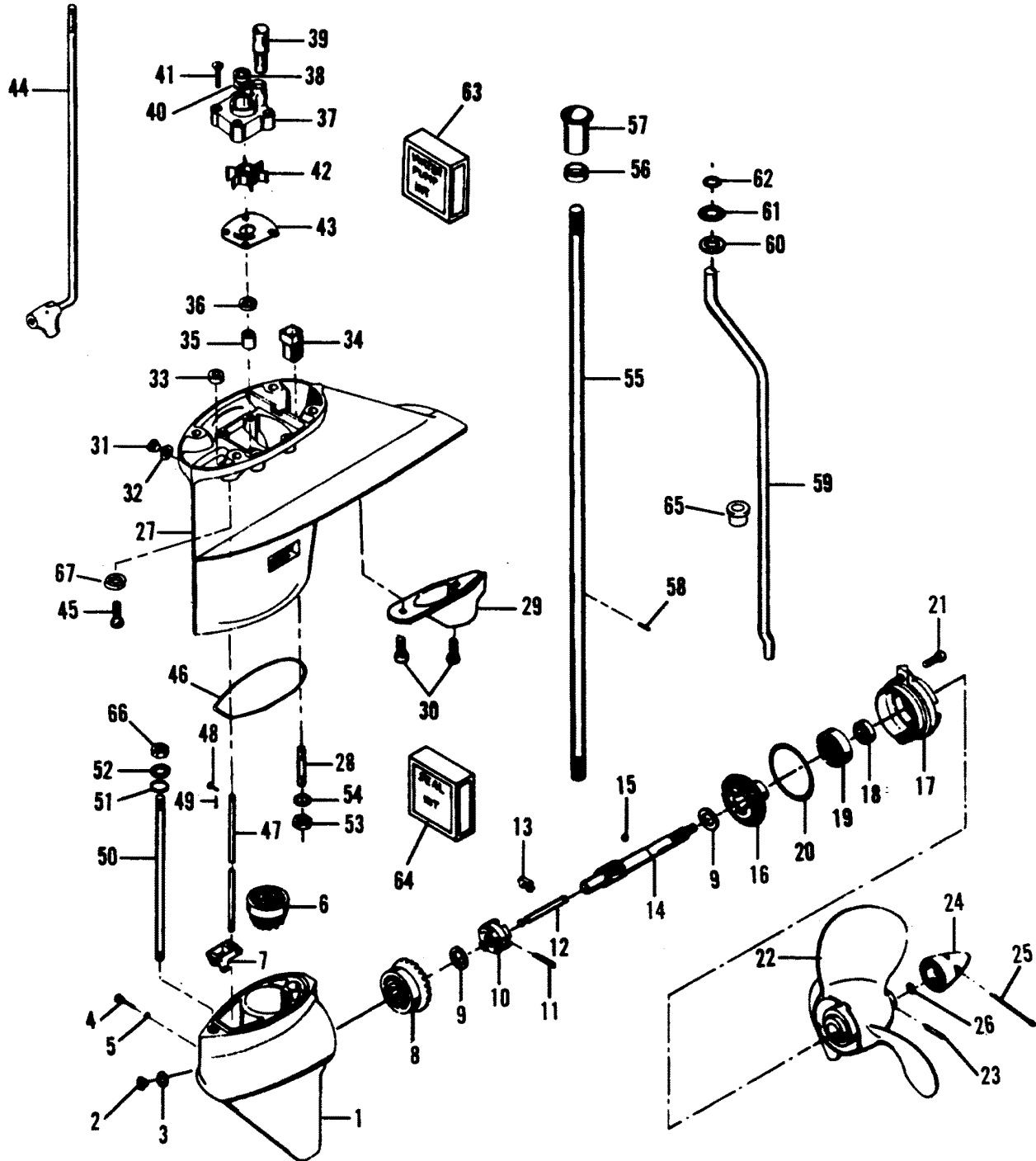


DRIVESHAFT HOUSING

REF. NO.	PART NO.	SYM.	QTY.	DESCRIPTION
1	27-F684453-1	●■	1	GASKET, CYLINDER EXHAUST (LOWER)
	27-F691279	●■	1	GASKET, CYLINDER EXHAUST (UPPER)
2	1500-819173F		1	HOUSING, DRIVESHAFT (PAINTED)
3	819869		2	MOUNT, SHOCK, (SIDE-LOWER)
4	820442F		1	COVER, SHOCK (PORT) (PAINTED)
5	F183346-1		1	MOUNT, SHOCK (LOWER)
6	10-F1129		4	SCREW (5/16-18 X 1/2")
7	820441F		1	COVER, SHOCK (STARBOARD) (PAINTED)
8	10-815687		2	SCREW (3/8-16 X 1-1/4")
9	10-F1635		2	SCREW (3/8-16 X 3-1/2")
10	11-826378		2	NUT (5/16-18) WITH DRI LOC
11	F141704		1	COUPLER
12	11-68292		1	NUT (5/16-18)
13	F684611		1	ROD, GEAR SHIFT EXTENSION
14	10-F2214		1	SCREW (1/4-28 X 1/2")
15	F684615		1	ROD, GEAR SHIFT
16	53-13194		1	RING, RETAINING
17	12-34437		1	WASHER
18	13-F8049		1	WASHER, BOW
-	27-820467A1		0	POWERHEAD GASKET SET
-	27-820722A1		0	POWERHEAD GASKET SET
-	800-819445A7		0	POWERHEAD ASSEMBLY
-	800-818152A7		0	POWERHEAD ASSEMBLY

- = COMPONENT OF POWERHEAD ASSY [800-819445A7] [800-818152A7] [800-819445A14]
 ■ = CONTENTS OF POWERHEAD GASKET SET [27-820467A1] [27-820722A1]

GEAR HOUSING



GEAR HOUSING

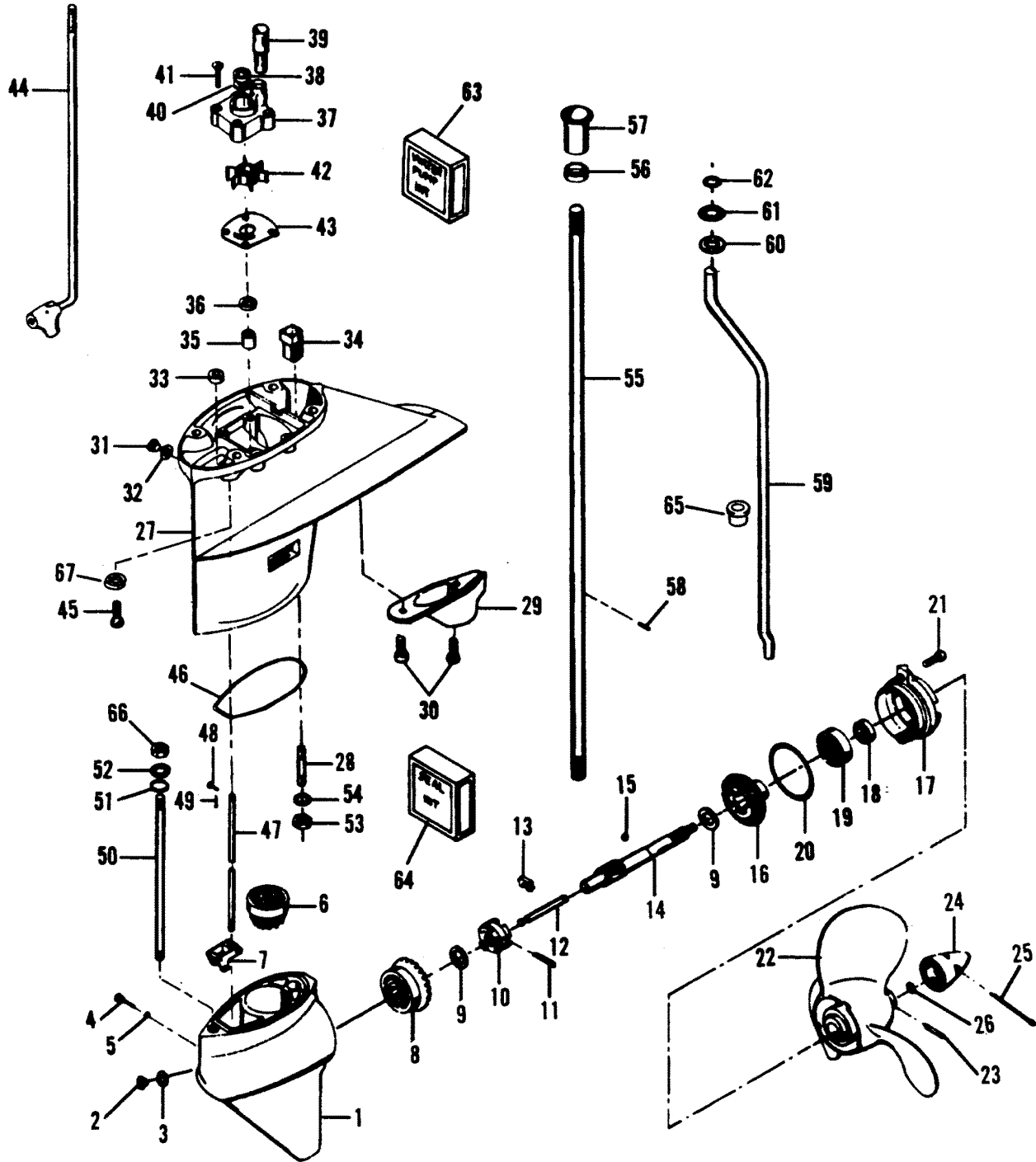
REF. NO.	PART NO.	SYM.	QTY.	DESCRIPTION
-	1600-819516A2		1	GEAR HOUSING KIT (COMPLETE) (PAINTED)
1	1600-817826A7		1	GEAR HOUSING KIT (BASIC) (PAINTED)
2	10-F50109		1	PLUG
3	12-19183	○	1	WASHER
4	826374		1	PIN, GEAR SHIFT ARM, WITH DRI LOC
5	25-25007	○	1	O-RING, GEAR SHIFT ARM PIN
6	43-819261A1		1	GEAR ASSEMBLY, PINION
7	817796A2		1	ARM ASSEMBLY, GEAR SHIFT
8	43-817824A2		1	GEAR ASSEMBLY, FORWARD
9	12-F40717-1		2	WASHER, THRUST
10	52-819259		1	CLUTCH
11	17-F2097		1	PIN, SPRING
12	F90871-3		1	PIN, GEAR SHIFT
13	F90619-2		1	YOKE, GEAR SHIFT
14	44-819500A3		1	PROP SHAFT
15	30-F366727		1	BALL (1992C MODELS)
16	43-819262A1		1	GEAR ASSEMBLY, REVERSE
17	31-817731A5		1	CAGE ASSEMBLY, PROPSHAFT (PAINTED)
18	26-819396	○	1	SEAL, PROPSHAFT CAGE
19	30-F366058		1	BEARING, BALL (WITH BALL SLOT)
	30-F127910-2		1	BEARING, BALL (WITHOUT BALL SLOT)
20	25-88657	○	1	O-RING, PROPSHAFT CAGE
21	10-F1263		2	SCREW (5/16-18 X 9/16")
22			1	PROPELLER (SEE ACCESSORIES GUIDE)
23	FK247		1	PIN KIT, (6 PCS AND COTTER PIN)
24	FA94094-2		1	NUT KIT, PROP
25	18-89961		1	PIN, COTTER
26	25-20195	○	1	O-RING
27	1500-817871A3		1	HOUSING KIT, DRIVESHAFT (PAINTED)
28	16-826392		1	STUD (3/8-16 X 2-9/32") WITH DRI LOC
29	817795A1		1	ANODE/SNOUT KIT, EXHAUST
30	10-19932100		2	SCREW (1/4-20 X 1 ") WITH DRI LOC
31	10-F50109		1	PLUG
32	12-19183	○	1	WASHER
33	26-817472	○	1	SEAL
34	35-819228		1	SCREEN, WATER INLET
35	23-F435057		1	BEARING, DRIVESHAFT UPPER
36	26-F40307-2	○	1	SEAL, DRIVESHAFT
37	46-FA463060	♣	1	BODY ASSEMBLY, WATER PUMP
38	26-F349307	♣	1	SEAL, WATER PUMP
39	FA485914	♣	1	SEAL, WATER LINE
40	12-F485388	♣	1	DISC, WATER PUMP

○ = CONTENTS OF GEAR HOUSING SEAL KIT [26-820645A1]

♣ = CONTENTS OF WATER PUMP KIT [FK1073]

CONTINUED ON NEXT PAGE ➡

GEAR HOUSING



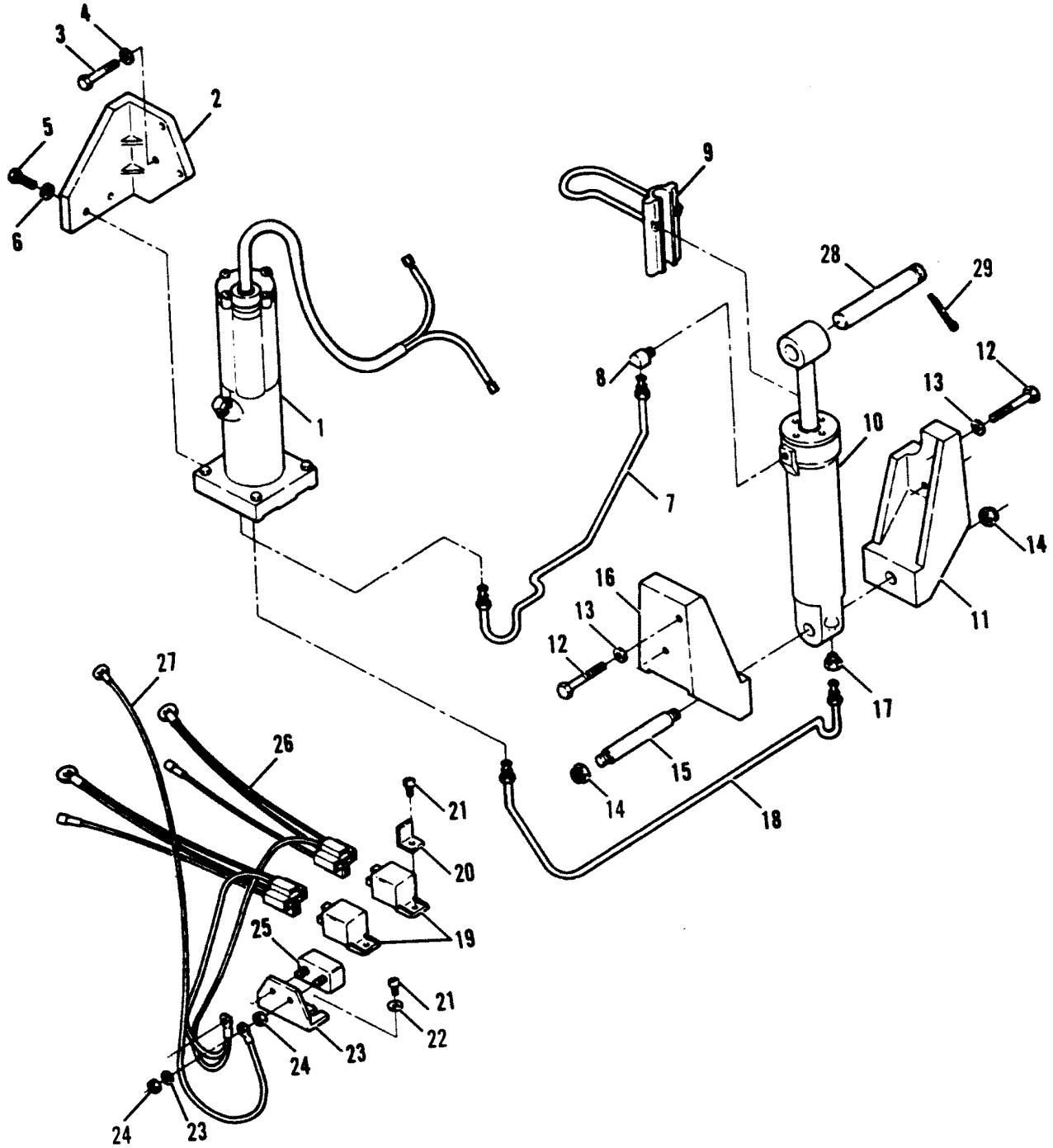
GEAR HOUSING

REF. NO.	PART NO.	SYM.	QTY.	DESCRIPTION
41	10-F2030	♣	4	SCREW (1/4-20 X 1-1/4")
42	47-F433065-2	♣	1	IMPELLER, WATER PUMP
43	F435562-1	♣	1	PLATE, WATER PUMP BACK
44	FA435616		1	ROD ASSEMBLY, GEAR SHIFT
45	10-19925125		4	SCREW (3/8-16 X 1-1/8") WITH DRI LOC
46	25-F435555	○	1	SEAL, GEAR HOUSING
47	819295		1	ROD, GEAR SHIFT (LOWER)
48	17-F85372		1	PIN, GEAR SHIFT ROD LOWER
49	18-F1015		1	PIN, COTTER
50	16-F97008-1		1	STUD (LONG)
51	25-62704	○	1	O-RING
52	12-45175		1	WASHER
53	11-68411		1	NUT (3/8-16)
54	12-91963		1	WASHER
55	45-819826A1		1	DRIVESHAFT ASSEMBLY
56	F338271		1	RETAINER, DRIVESHAFT SPLINE SEAL
57	26-819293		1	SEAL, DRIVESHAFT SPLINE
58	17-F901563	♣	1	PIN, WATER PUMP DRIVE
59	817976A4		1	LINE KIT, WATER LINE INLET
60	12-F8042		1	WASHER
61	53-F658208		1	RING, RETAINING
62	25-20195		2	O-RING
63	FK1073		1	WATER PUMP KIT
64	26-820645A1		1	SEAL KIT, GEAR HOUSING
65	25-F84342		1	SEAL, INLET WATER LINE, UPPER
66	11-86226		1	NUT (3/8-16)
67	13-58643		4	LOCKWASHER (3/8")

○ = CONTENTS OF GEAR HOUSING SEAL KIT [26-820645A1]

♣ = CONTENTS OF WATER PUMP KIT [FK1073]

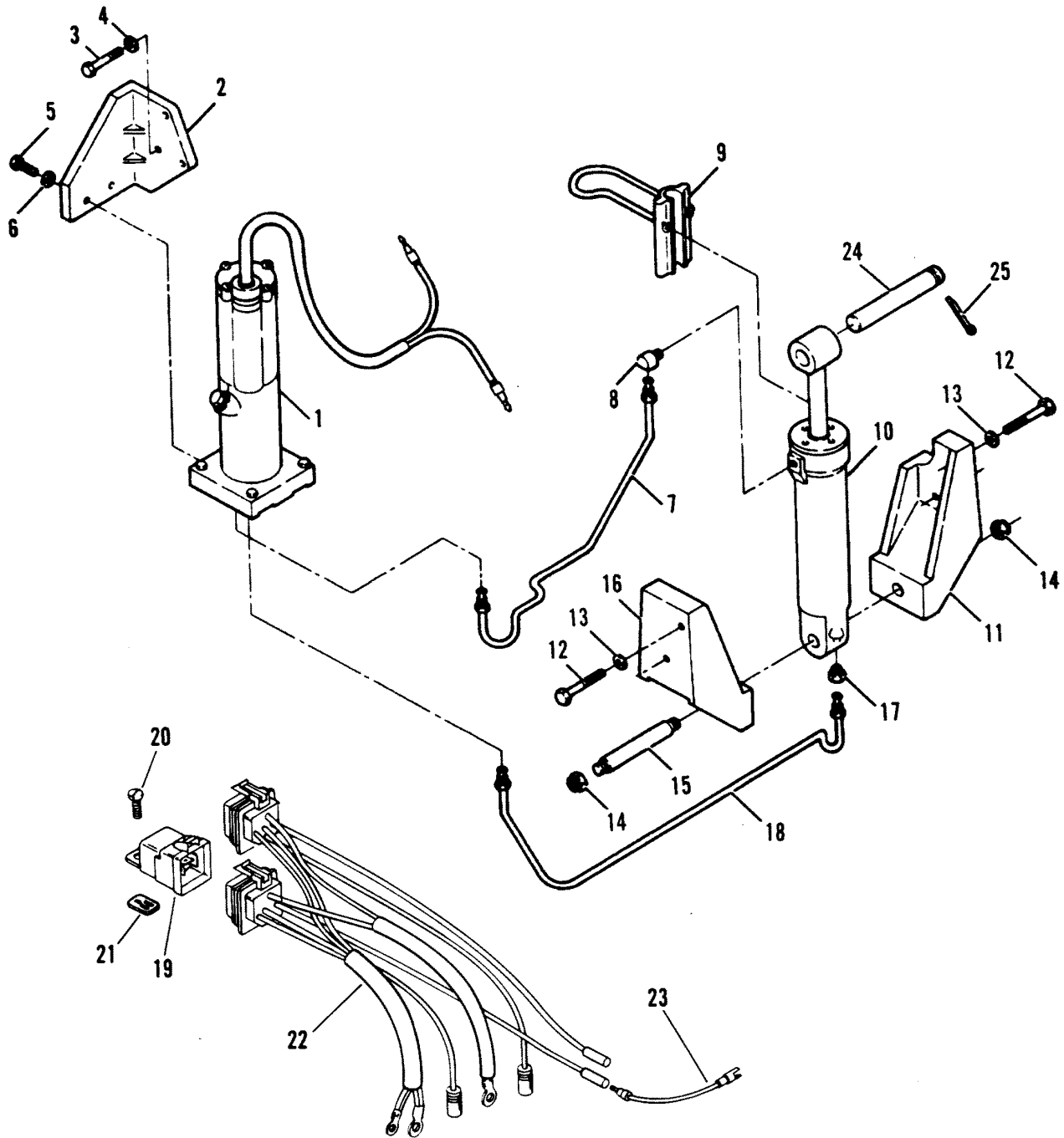
DESIGN I POWER TRIM UNIT WITH BAYONET CONNECTORS



DESIGN I POWER TRIM UNIT WITH BAYONET CONNECTORS

REF. NO.	PART NO.	SYM.	QTY.	DESCRIPTION
-	819177A3		1	POWER TRIMASSEMBLY
1	819479A3		1	PUMP/MOTOR KIT (SEE BLOCK NOTE)
2	F743454F		1	BRACKET, PUMP/MOTOR MOUNT (PAINTED)
3	10-90086		3	SCREW (5/16-18 X 1-1/2")
4	13-53166		3	LOCKWASHER (5/16")
5	10-19923088		2	SCREW (1/4-20 X 7/8") WITH DRI LOC
6	13-26992		2	LOCKWASHER (1/4")
7	32-819112--1		1	LINE, HYDRAULIC (DOWN)
8	22-45794		1	ELBOW
9	F5H272		1	SPACER KIT, TRAILERING
10	F749381F		1	CYLINDER ASSEMBLY, TRIM/TILT (PAINTED)
11	819171F		1	BRACKET, PORT, TRIM/TILT CYLINDER (PAINTED)
12	10-19925175		4	SCREW (3/8-16 X 1-3/4") WITH DRI LOC
13	12-F8015		4	WASHER
14	11-35778		2	NUT (1/2-20)
15	17-820618		1	PIN, CYLINDER CLEVIS LOWER
16	819172F		1	BRACKET, STARBOARD, TRIM/TILT CYLINDER (PAINTED)
17	22-48166		1	CONNECTOR
18	32-F740754-1		1	LINE, HYDRAULIC (UP)
19	87-F660917		2	RELAY
20	F660978		2	BRACKET, RELAY
21	10-F1760		4	SCREW (10-24 X 3/8")
22	12-89302		4	WASHER
23	F91446-2		1	BRACKET, CIRCUIT BREAKER
24	11-68219		4	NUT (10-32)
25	88-F510460		1	BREAKER, CIRCUIT
26	FA663744		1	WIRE KIT
27	84-F691908		1	WIRE (RED)
28	17-F749440		1	PIN, CYLINDER UPPER
29	18-89961		1	PIN, COTTER

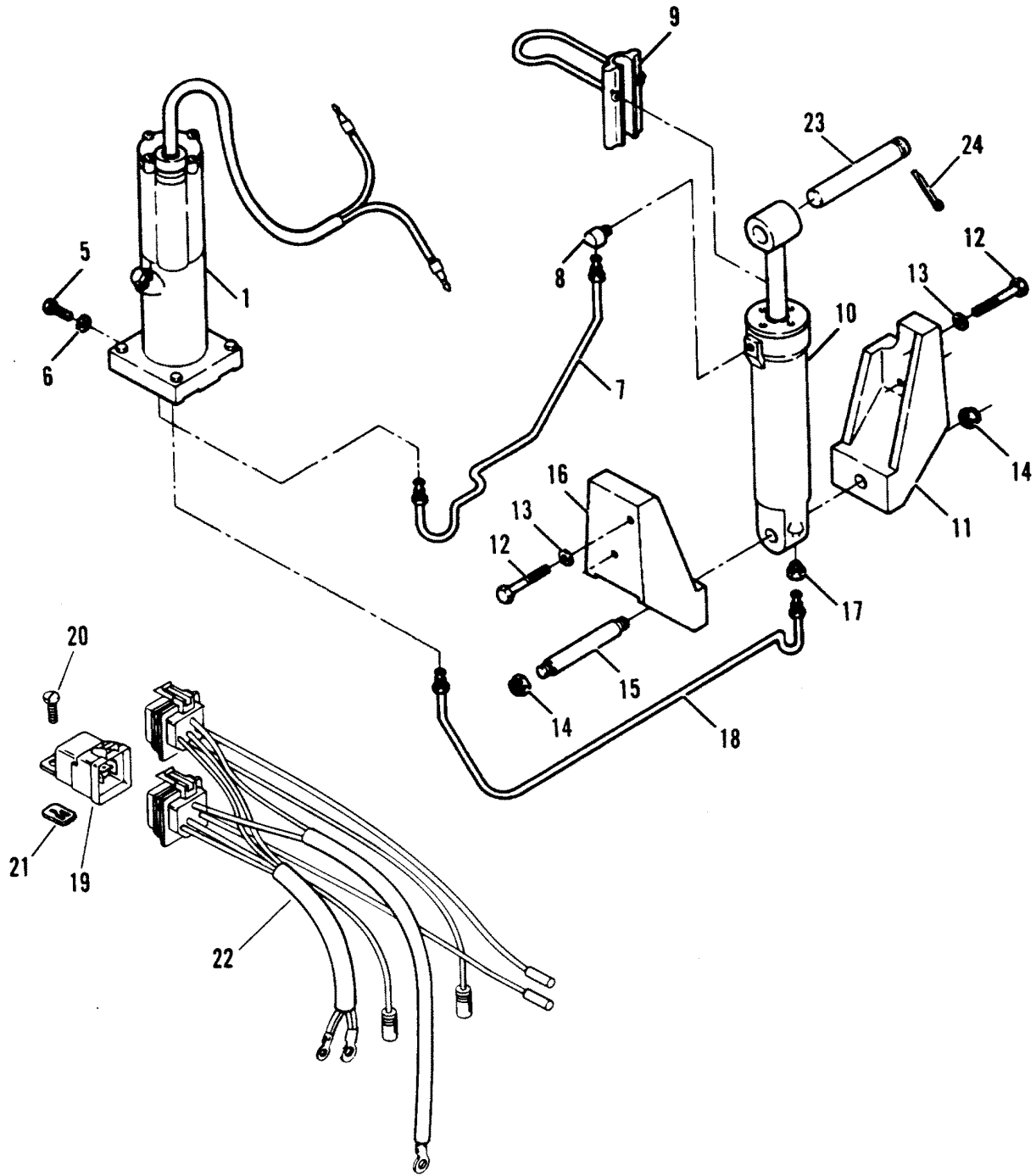
DESIGN 11 POWER TRIM UNIT WITH BULLET CONNECTORS



DESIGN 11 POWER TRIM UNIT WITH BULLET CONNECTORS

REF. NO.	PART NO.	SYM.	QTY.	DESCRIPTION
-	819177A3		1	POWER TRIMASSEMBLY (PAINTED)
1	819479A1		1	PUMP/MOTOR KIT SEE "PUMP/MOTOR KIT" FOR BREAKDOWN
2	F743454F		1	BRACKET, PUMP/MOTOR MOUNT (PAINTED)
3	10-90086		3	SCREW (5/16-18 X 1-1/2")
4	13-53166		3	LOCKWASHER (5/16")
5	10-19923088		2	SCREW (1/4-20 X 7/8") W/DRI LOC
6	13-26992		2	LOCKWASHER (1/4")
7	32-819112--1		1	LINE, HYDRAULIC (DOWN)
8	22-45794		1	ELBOW
9	F5H272		1	SPACER KIT, TRAILERING
10	F749381F		1	CYLINDER ASSEMBLY, TRIM/TILT (PAINTED)
11	819171F		1	BRACKET, PORT, TRIM/TILT CYLINDER (PAINTED)
12	10-19925175		4	SCREW (3/8-16 X 1-3/4") WITH DRI LOC
13	12-F8015		4	WASHER
14	11-35778		2	NUT (1/2-20)
15	17-820618		1	PIN, CYLINDER CLEVIS LOWER
16	819172F		1	BRACKET, STARBOARD, TRIM/TILT CYLINDER (PAINTED)
17	22-48166		1	CONNECTOR
18	32-F740754-1		1	LINE, HYDRAULIC (UP)
19	87-819509		2	RELAY
20	10-F1733		2	SCREW (10-24 X 9/16")
21	819485		2	PLATE, ADAPTER
22	84-819514A2		1	HARNESS ASSEMBLY, WIRE
23	84-88819A2		1	WIRE ASSEMBLY (GREEN/WHITE)
	84-88212A4		1	WIRE ASSEMBLY (BLUE/WHITE)
24	17-F749440		1	PIN, CYLINDER UPPER
25	18-89961		1	PIN, COTTER
-	37-43530--1		1	DECAL, CAUTION, TRIM PRESSURE
-	54-816311		AR	CABLE TIE (8")

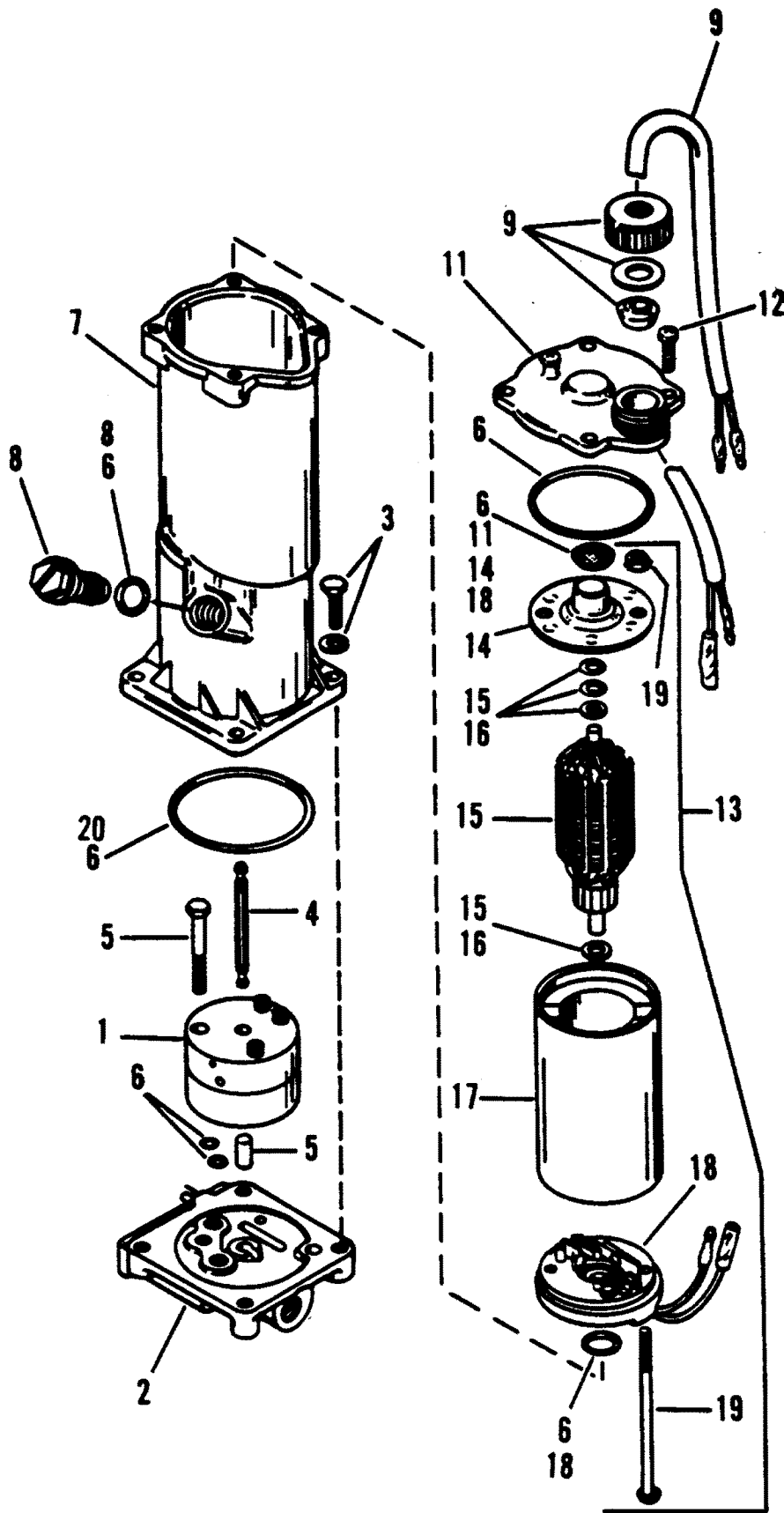
DESIGN 111 POWER TRIM UNIT WITH BULLET CONNECTORS



DESIGN 111 POWER TRIM UNIT WITH BULLET CONNECTORS

REF. NO.	PART NO.	SYM.	QTY.	DESCRIPTION
-	819177A8		1	POWER TRIM ASSEMBLY (PAINTED)
1	819479A1		1	PUMP/MOTOR KIT SEE "PUMP/MOTOR KIT" FOR BREAKDOWN
5	10-19923088		2	SCREW (1/4-20 X 7/8") WITH DRI LOC
6	13-26992		2	LOCKWASHER (1/4")
7	32-819327		1	LINE, HYDRAULIC (DOWN)
8	22-45794		1	ELBOW
9	F5H272		1	SPACER KIT, TRAILERING
10	F749381F		1	CYLINDER ASSEMBLY, TRIM/TILT (PAINTED)
11	819171F		1	BRACKET, PORT, TRIM/TILT CYLINDER (PAINTED)
12	10-19925175		4	SCREW (3/8-16 X 1-3/4") WITH DRI LOC
13	12-F8015		4	WASHER
14	11-35778		2	NUT (1/2-20)
15	17-820618		1	PIN, CYLINDER CLEVIS LOWER
16	819172F		1	BRACKET, STARBOARD, TRIM/TILT CYLINDER (PAINTED)
17	22-48166		1	CONNECTOR
18	32-819328		1	LINE, HYDRAULIC (UP)
19	87-819509		2	RELAY
20	10-F1733		2	SCREW (10-24 X 9/16")
21	819485		2	PLATE, ADAPTER
22	84-819514A7		1	HARNESS ASSEMBLY, WIRING
23	17-F749440		1	PIN, CYLINDER UPPER
24	18-89961		1	PIN, COTTER
-	37-43530--1		1	DECAL, CAUTION, TRIM PRESSURE
-	54-816311		AR	CABLE TIE (8")

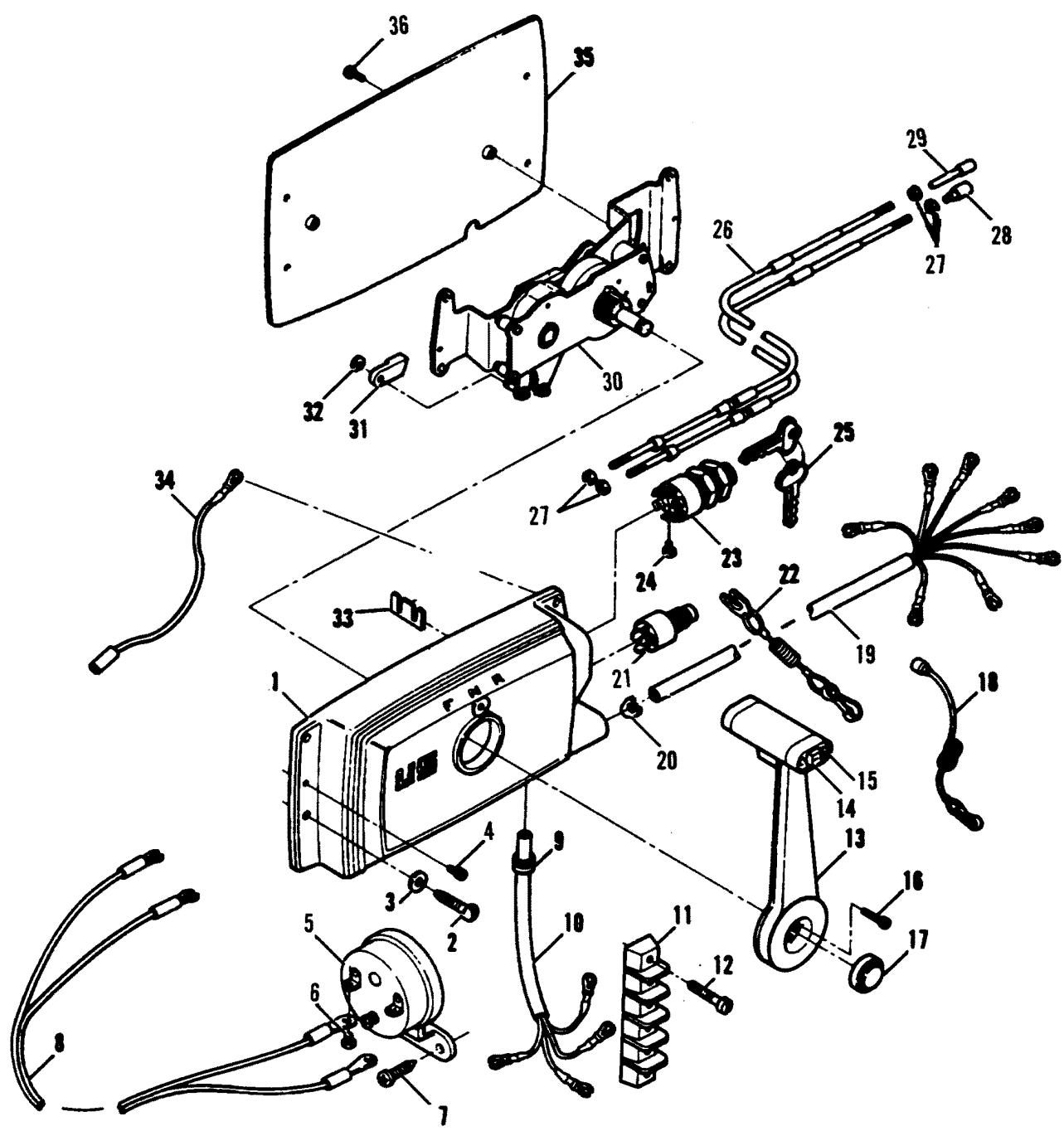
PUMP/MOTOR KIT



PUMP/MOTOR KIT

REF. NO.	PART NO.	SYM.	QTY.	DESCRIPTION
-	819479A1		1	PUMP/MOTOR KIT
1	823084		1	PUMP KIT
2	823083		1	MANIFOLD KIT
3	10-813436		1	SCREW AND WASHER KIT (4 PCS)
4	813437		1	DRIVE SHAFT
5	811697		1	SCREW/DOWEL PIN KIT
6	25-813439A2		1	SEAL KIT
7	813434A1		1	RESERVOIR
8	22-813435		1	PLUG KIT
9	84-811698		1	WIRING HARNESS
11	813445		1	RESERVOIR CAP KIT
12	10-813446		1	SCREW KIT (4 PCS)
13	811699		1	MOTOR KIT
14	813448		1	END CAP
15	811700		1	ARMATURE
16	12-813450		1	THRUST WASHER KIT
17	813451		1	SHELL AND MAGNET KIT
18	813452		1	END FRAME KIT
19	10-813453		1	BOLT AND NUT KIT
20	25-819638		1	O-RING

REMOTE CONTROL (92C)

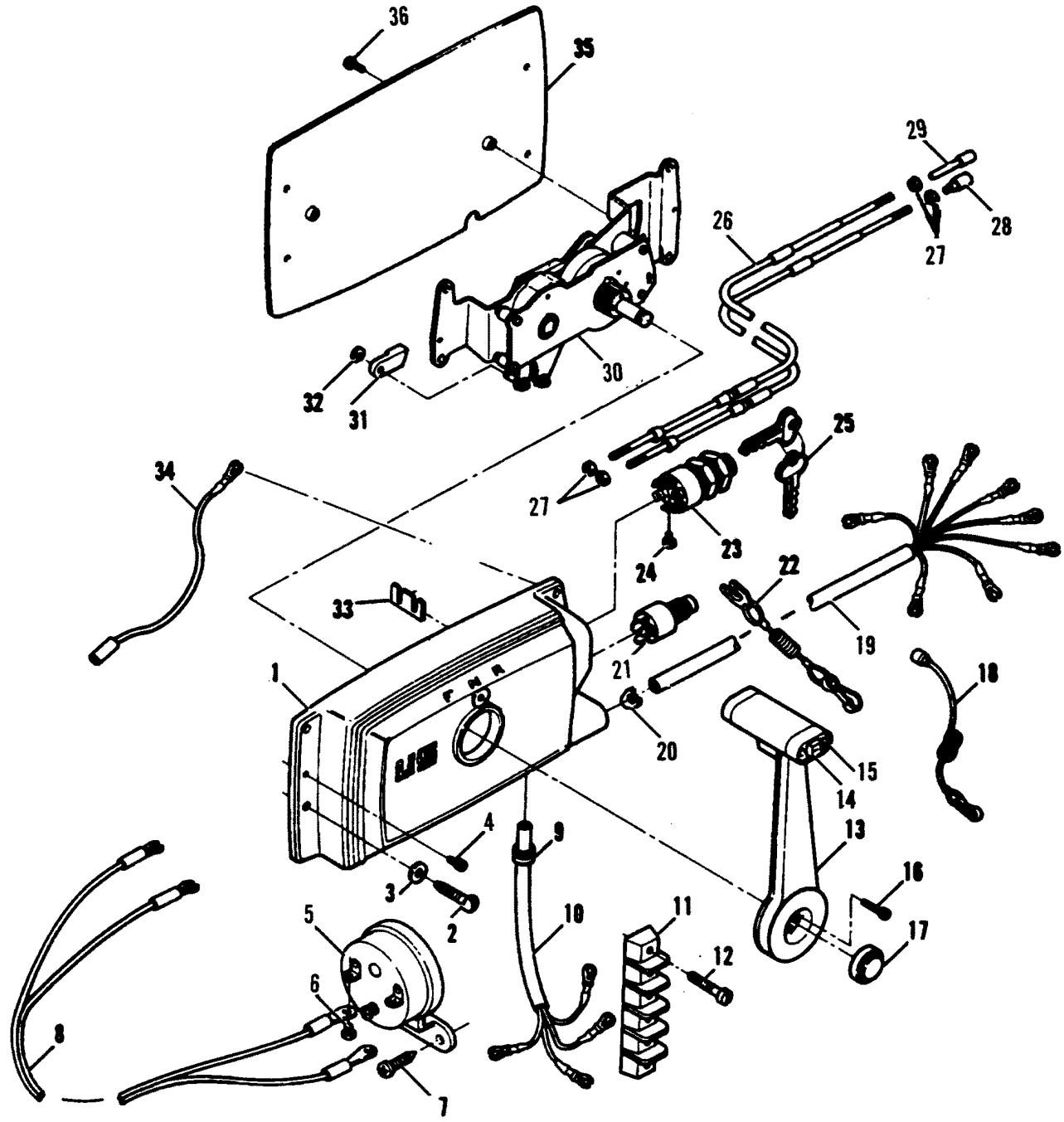


REMOTE CONTROL (92C)

REF. NO.	PART NO.	SYM.	QTY.	DESCRIPTION
-	F5H267		1	REMOTE CONTROL ASSEMBLY
1	F660995		1	COVER
2	10-F660732		4	SCREW
3	12-F660595		4	WASHER
4	10-F660480		2	SCREW
5	F5H043		1	BUZZER KIT, HEAT INDICATOR
6	10-69080		2	SCREW (6-32 X 1/4")
7	10-F1741		2	SCREW(#8 X 3/4")
8	84-65017A24		1	HARNES
9	25-F660504		1	GROMMET
10	84-F660353		1	CABLE (5')
11	817492		1	BLOCK, TERMINAL
12	10-F1741		2	SCREW (#8 X 3/4")
13	F660611		1	LEVER ASSEMBLY
14	F17864		1	SWITCH
15	F17863		1	PLATE KIT, BUTTON
16	10-F660165		4	SCREW
17	F660332		1	PLUG
18	FK681602		1	LANYARD KIT (TO REPLACE CUP STYLE)
19	84-819200A1		1	CABLE (15-1/2' - STANDARD)
	84-819203A1		OPT.	CABLE (19')
	84-819204A1		OPT.	CABLE (22')
	84-819205A1		OPT.	CABLE (25')
	F5H193		OPT.	CABLE (7' EXTENSION)
20	54-F660446		1	CLAMP
21	FK681602		1	SWITCH KIT, EMERGENCY STOP
22	819399A1		1	LANYARD (FORK TYPE)
23	F5H268		1	SWITCH KIT, IGNITION (SHORT BARREL)
24	10-F1280		6	SCREW (#8-32 X 1/4")
25	819012		1	KEY SET (STAMPED 51)
	819013		1	KEY SET (STAMPED 55)
	819014		1	KEY SET (STAMPED 65)
	819015		1	KEY SET (STAMPED 66)
	819016		1	KEY SET (STAMPED 67)
	817782--1		1	KEY SET (STAMPED A)
	817883--1		1	KEY SET (STAMPED B)
	817891--1		1	KEY SET (STAMPED C)
	817928--1		1	KEY SET (STAMPED D)
	817929--1		1	KEY SET (STAMPED E)
26	F195/_		1	CABLE (SPECIFY LENGTH _)
27	11-68219		4	NUT (10-32)
28	F58685-2		1	CONNECTOR, SHIFT
29	FA58976-1		1	CONNECTOR, THROTTLE

CONTINUED ON NEXT PAGE ➡

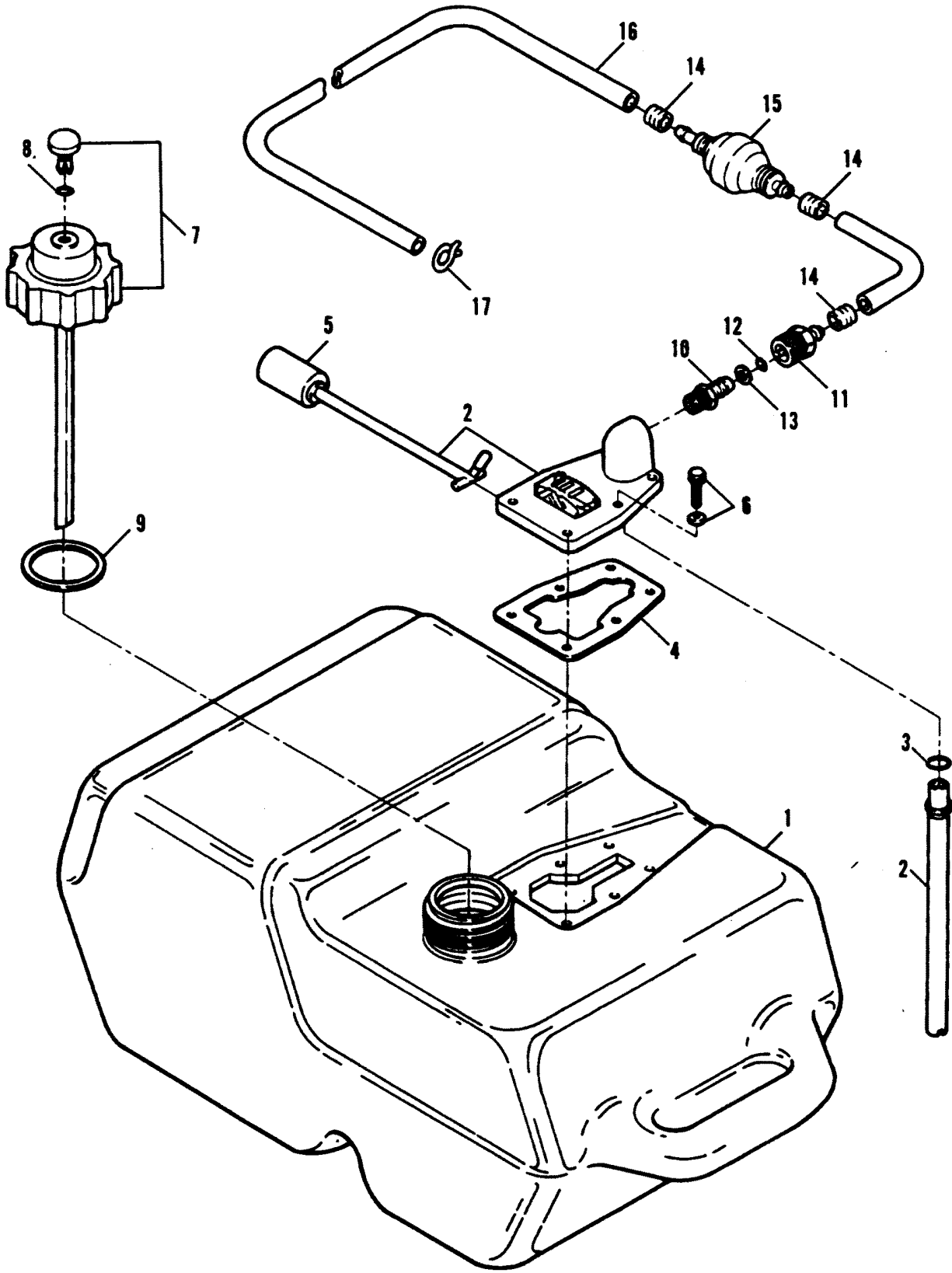
REMOTE CONTROL (92C)



REMOTE CONTROL (92C)

REF. NO.	PART NO.	SYM.	QTY.	DESCRIPTION
30	F660327		1	ACTUATOR
31	F660141-1		2	CONNECTOR
32	F660411		2	RING, RETAINING
33	F660642		1	RETAINER
34	84-F660664		1	WIRE
35	F660911		1	PLATE
36	10-F660751		2	SCREW

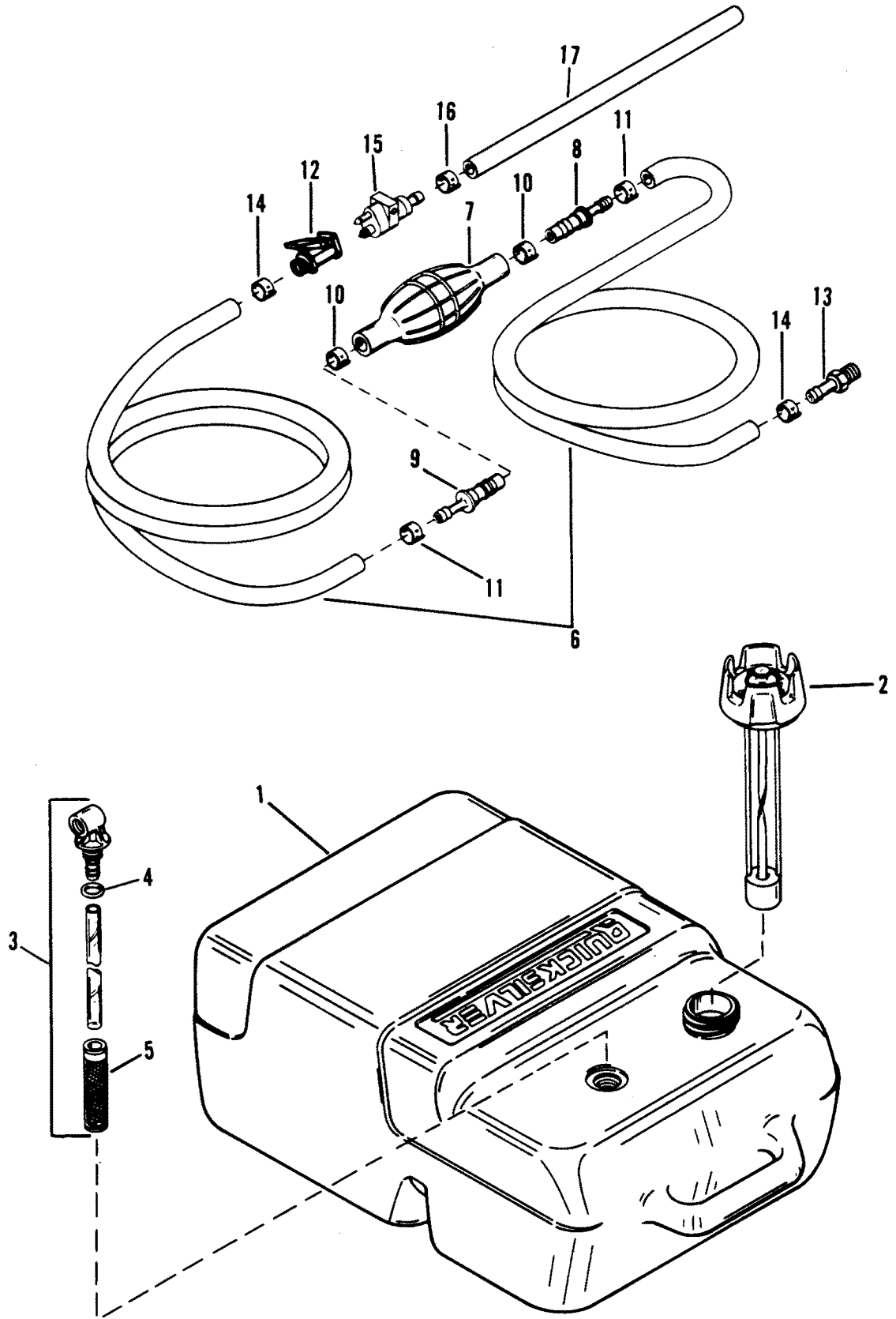
FUEL TANK AND LINE (92C)



FUEL TANK AND LINE (92C)

REF. NO.	PART NO.	SYM.	QTY.	DESCRIPTION
-	FS409752		1	FUEL LINE ASSEMBLY (COMPLETE) FORCE
1	1200-819039A1		1	FUEL TANK ASSEMBLY (COMPLETE)
2	F17828		1	GAUGE ASSEMBLY
3	F17827		1	O-RING
4	F17823-1		1	GASKET
5	F17826		1	FLOAT
6	F17824		6	SCREW
7	F17821		1	CAP ASSEMBLY
8	F17825		1	O-RING
9	F17822-1		1	GASKET
10	23-F213238-2		1	BUSHING, FUEL
11	F197787-3		1	COUPLER, FUEL
12	F17815		1	SEAL (SMALL)
13	F17816		1	SEAL (LARGE)
14	54-41582--7		3	CLAMP
15	89396A38		1	BULB KIT, PRIMER
16	32-817738A1		1	FUEL LINE KIT
17	54-63933		1	CLAMP

FUEL TANK AND LINE (PLASTIC 6.6 GALLON) E006500,E093699



FUEL TANK AND LINE (PLASTIC 6.6 GALLON) E006500,E093699

REF. NO.	PART NO.	SYM.	QTY.	DESCRIPTION
-	1259-823504A2		1	FUEL TANK ASSEMBLY (COMPLETE)
1	1259-823504A1		1	FUEL TANK ASSEMBLY (PLASTIC - 6.6 GAL.)
2	823536		1	GAUGE & CAP ASSEMBLY
3	22-823532		1	CONNECTOR ASSEMBLY, FUEL
4	25-823533		1	O-RING
5	35-823534		1	SCREEN, FILTER
6	32-17146A8		1	FUEL LINE ASSEMBLY (5/16" I.D.) (8') 30" & 60"
7	13330A3		1	BULB ASSEMBLY, PRIMER 30" & 60"
8	21-13331A1		1	VALVE, CHECK (INLET) 30" & 60"
9	21-13331A2		1	VALVE, CHECK (OUTLET) 30" & 60"
10	54-41582-10		2	CLAMP (LARGE) 30" & 60"
11	54-41582--7		2	CLAMP (SMALL) 30" & 60"
12	22-13563A3		1	CONNECTOR, ENGINE 30" & 60"
13	22-89771--1		1	CONNECTOR, FUEL TANK 30" & 60"
14	54-41582--7		2	CLAMP 30" & 60"
6	32-16789A26		1	FUEL LINE ASSEMBLY (5/16" I.D.) (8') 18" & 72"
7	13330A3		1	BULB ASSEMBLY, PRIMER 18" & 72"
8	21-13331A1		1	VALVE, CHECK (INLET) 18" & 72"
9	21-13331A2		1	VALVE, CHECK (OUTLET) 18" & 72"
10	54-41582-10		2	CLAMP (LARGE) 18" & 72"
11	54-41582--7		2	CLAMP (SMALL) 18" & 72"
12	22-13563A3		1	CONNECTOR, ENGINE 18" & 72"
13	22-89771--1		1	CONNECTOR, FUEL TANK 18" & 72"
14	54-F698772		1	CLAMP 18" & 72"
15	22-816856A3		1	CONNECTOR ASSEMBLY, FUEL
16	54-41582--7		1	CLAMP
17	32-16789-78		AR	FUEL LINE (9') CUT AS REQ'D
-	32-16789100		AR	FUEL LINE (100') CUT AS REQ'D

TOOLS - SPECIAL

REF. NO.	PART NO.	SYM.	QTY.	DESCRIPTION
-	FT8948-1		1	PULLER KIT, FLYWHEEL & GEAR HOUSING BEARING CAGE
-	10-F1800		2	SCREW (1/4-20 X 7")
-	10-F1972		3	SCREW (1/4-20 X 2-1/2")
-	10-40003-58		3	SCREW (M8 X 1.25 X 50)
-	12-35044		3	WASHER (.281 X .625 X .065)
-	12-F8012		2	WASHER (.203 X .469 X .049)
-	12-25909		3	WASHER (.406 X .812 X .065)
-	FT2991		1	BRUSH, WIRE, CARBON REMOVER
-	FT8907		1	HANDLE, DRIVER
-	FT2953		1	SOCKET, CONNECTING ROD SCREWS
-	FT2990-1		1	PISTON PIN TOOLS, PISTON PINS
-	FT2996		1	COMPRESSER, PISTON RINGS
-	FT8926		1	EXPANDER, PISTON RINGS
-	FT8933		1	HOOK, LIFTING, CRANKSHAFT END
-	FT8900		1	PLIERS, HOSE CLAMPS, FUEL LINE
-	FT8957		1	INSTALLER, SEAL, SHIFT ROD
-	FT8919		1	PUNCH, CLUTCH SPRING PIN
-	FT8921		1	REMOVER, BEARING CUP, FORWARD GEAR
-	FT8904		1	INSTALLER, BEARING CUP, FORWARD GEAR
-	FT11240		1	WRENCH, SPANNER, TRIM/TILT CYLINDER
-	FT8918		1	GUIDE SET, INSTALLER/REMOVER, GEAR BEARING RACE
-	FT3510		1	INSTALLER, BEARING CAGE SEAL
-	FT11291		1	INSTALLER, PISTON PIN LOCKRING
-	FT8972		1	INSTALLER, WATER PUMP SEAL
-	FT8964		1	REMOVER, DRIVESHAFT SEAL & BEARING
-	FT3431		1	INSTALLER, PROPSHAFT SEAL
-	FT8963		1	INSTALLER, BEARING, DRIVESHAFT HOUSING
-	FT8945		1	INSTALLER, DRIVESHAFT RETAINER
-	FT2955A		1	TEST WHEEL
-	FT8978-1		1	TIMING LIGHT, IGNITION
-	FT2951		1	CIRCUIT TRACER, ELECTRICAL SYSTEM
-	FT8950		1	LEAKAGE TESTER, LOWER UNIT
-	FT11295		1	SPARK TESTER, IGNITION SYSTEM
-	FT2938-1		1	CONTINUITY TESTER, ELECTRICAL CIRCUITS
-	91-99750A1		1	MULTIMETER TESTER, ELECTRICAL COMPONENTS
-	91-58222A1		1	DIAL INDICATOR, TIMING
-	FT2969		1	HELI-COIL KIT (10-24)
-	FT2970		1	HELI-COIL KIT (1/4-20)
-	FT2971		1	HELI-COIL KIT (5/16-18)
-	FT2948		1	HELI-COIL KIT (3/8-16)
-	92-825265A1		1	COMPOUND, NEEDLE BEARINGS
-	92-FT2987-1		1	LUBICANT, ANTI-SEEZ
-	FT8969		1	LUBICANT, LPS #1

CONTINUED ON NEXT PAGE ➡

TOOLS - SPECIAL

REF. NO.	PART NO.	SYM.	QTY.	DESCRIPTION
-	92-90113--2		1	SEALANT, RTV #1473
-	FT8936-1		1	SEALANT, LOCTITE RC-609
-	FT2962-2		1	SEALANT, LOCTITE H
-	92-823089--1		1	SEALANT, LOCTITE 8831
-	92-59327--1		1	SEALANT, LOCQUIC PRIMER

PARTS INDEX

Part Number	Description	Pg.	Ref. No.	Part Number	Description	Pg.	Ref. No.
13330A3	BULB ASSEMBLY, PRIMER .	77	7	819002	LINK, THROTTLE (40HP) & (50HP)	35	8
13330A3	BULB ASSEMBLY, PRIMER .	77	7	819012	KEY SET (STAMPED 51) . . .	71	25
14360A49	PUMP KIT, FUEL	33	1	819013	KEY SET (STAMPED 55) . . .	71	25
14430--3	BASE, FUEL PUMP	33	6	819014	KEY SET (STAMPED 65) . . .	71	25
18173	BRACKET ASSEMBLY, ROLLER LATCH	3	8	819015	KEY SET (STAMPED 66) . . .	71	25
18495A13	SWITCHBOX KIT	7	10	819016	KEY SET (STAMPED 67) . . .	71	25
18495A13	SWITCHBOX KIT	9	--	819169	MEDALLION (FORCE/) FORCE	3	14
47341A1	ROPE AND HANDLE, EMERGENCY START	13	--	819171F	BRACKET, PORT, TRIM/TILT CYLINDER (PAINTED) . . .	63	11
56762	CABLE TIE (4")	15	--	819171F	BRACKET, PORT, TRIM/TILT CYLINDER (PAINTED) . . .	65	11
61787	HOLDER, BRUSH	13	10	819171F	BRACKET, PORT, TRIM/TILT CYLINDER (PAINTED) . . .	67	11
75384	BRUSH & SPRING KIT (STARTER 50-819271) . . .	13	9	819172F	BRACKET, STARBOARD, TRIM/TILT CYLINDER (PAINTED)	63	16
811697	SCREW/DOWEL PIN KIT . . .	69	5	819172F	BRACKET, STARBOARD, TRIM/TILT CYLINDER (PAINTED)	65	16
811699	MOTOR KIT	69	13	819172F	BRACKET, STARBOARD, TRIM/TILT CYLINDER (PAINTED)	67	16
811700	ARMATURE	69	15	819177A3	POWER TRIMASSEMBLY . .	63	--
811900	CAP, DRIVE (STARTER 50-819271)	13	3	819177A3	POWER TRIMASSEMBLY (PAINTED)	65	--
811901	CAP ASSY., COMM END (STARTER 50-819271) . . .	13	8	819177A8	POWER TRIM ASSEMBLY (PAINTED)	67	--
811902	PINION, DRIVE	13	2	819208	BEARING, SPARK CONTROL (LH) (BLACK)	35	19
811903	THRU BOLT	13	6	819225	ROLLER, THROTTLE CAM .	19	30
813434A1	RESERVOIR	69	7	819225	ROLLER, THROTTLE CAM .	23	24
813437	DRIVE SHAFT	69	4	819225	ROLLER, THROTTLE CAM .	25	33
813445	RESERVOIR CAP KIT	69	11	819225	ROLLER, THROTTLE CAM .	29	24
813448	END CAP	69	14	819267	BRACKET (OUTSIDE)	7	16
813451	SHELL AND MAGNET KIT . .	69	17	819268	BRACKET, ELECTRICAL MOUNT	7	9
813452	END FRAME KIT	69	18	819270	COVER, SHOCK MOUNT UPPER	45	13
815279T4	VOLTAGE REGULATOR . . .	7	14	819272--2	BRACKET, STARTER SUPPORT	13	19
816514	BEARING, SPARK CONTROL (RH) (RED)	35	23	819295	ROD, GEAR SHIFT (LOWER)	61	47
816517	HANDLE, LOCK BAR	51	26	819331A2	KINGPIN ASSEMBLY	51	5
816518	HANDLE, TILT	3	2	819331A2	KINGPINASSEMBLY	55	5
816957	BEARING, TOWERSHAFT . .	35	10	819375	COVER, THERMOSTAT	41	34
817066	BOWL, FUEL (92C)	31	18	819399A1	LANYARD (FORK TYPE) . . .	71	22
817411--1	RECTIFIER/REGULATOR (92C)	7	14	819460A1	BRACKET ASSY, REMOTE CABLE	49	14
817492	BLOCK, TERMINAL	71	11	819461A1	BRACKET ASSEMBLY	35	30A
817746A1	BRACKET KIT (92C &	35	30	819467A1	BRACKET ASSEMBLY	35	24A
817747--1	BALL JOINT ASSEMBLY . . .	35	7	819479A1	PUMP/MOTOR KIT	65	1
817782--1	KEY SET (STAMPED A)	71	25	819479A1	PUMP/MOTOR KIT	67	1
817790A1	COVER KIT, TRANSFER PORT	15	14	819479A1	PUMP/MOTOR KIT	69	--
817790A1	COVER KIT, TRANSFER PORT	17	17	819479A3	PUMP/MOTOR KIT (SEE BLOCK NOTE)	63	1
817793A1	ARM ASSEMBLY, SHIFT (92C)	35	24	819485	PLATE, ADAPTER	65	21
817795A1	ANODE/SNOUT KIT, EXHAUST	59	29	819485	PLATE, ADAPTER	67	21
817796A2	ARM ASSEMBLY, GEAR SHIFT	59	7	819495--1	BRACKET, BATTERY CABLE	5	28
817870--2	COVER, FUEL PUMP	33	9	819521	LINK, SPARK CONTROL . . .	35	21
817870A1	COVER KIT, FUEL PUMP . .	31	2				
817883--1	KEY SET (STAMPED B)	71	25				
817891--1	KEY SET (STAMPED C)	71	25				
817918A2	PUMP ASSEMBLY, FUEL . . .	31	1				
817928--1	KEY SET (STAMPED D)	71	25				
817929--1	KEY SET (STAMPED E)	71	25				

PARTS INDEX

Part Number	Description	Pg.	Ref. No.	Part Number	Description	Pg.	Ref. No.
819522A2	TOWERSHAFT ASSY	35	11A	F10273	JET (.047)	25	27
819522A3	TOWERSHAFT ASSEMBLY (92C)	35	11	F10274	NOZZLE, PRIMER	25	29
819527A1	TRIGGER ASSEMBLY	7	7	F10275	SCREW, SEALING	25	26
819545A1	TUBE KIT, STEERING	51	22	F10284	SCREW	25	28
819545A1	TUBE KIT, STEERING	55	21	F10285	SPRING, CHOKE SHAFT (92C)	25	17
819549	CAM, THROTTLE (50HP-92C)	35	6	F10286	JET (.052) 92C &	25	27
819552	CAM, THROTTLE (40HP) & (50HP)	35	6	F10297	SHAFT, CHOKE	19	18
819702A1	LINK KIT, REVERSE LOCK (LONG AND SHORT)	51	32	F10302	NOZZLE, MAIN	19	11
819760	BRACKET (INSIDE)	7	32	F10302	NOZZLE, MAIN	29	9
819807--1	PLATE, DEFLECTOR	49	7	F10304	SHAFT, THROTTLE	19	23
819843A1	BODY ASSEMBLY, FUEL PUMP	31	7	F10304	SHAFT, THROTTLE	23	17
819869	MOUNT, SHOCK, (SIDE- LOWER)	57	3	F10304	SHAFT, THROTTLE	29	17
820000A4	HANDLE ASSEMBLY, COWL LATCH (PAINTED)	5	14	F10313	SHUTTER, THROTTLE	19	21
820441F	COVER, SHOCK (STARBOARD) (PAINTED)	57	7	F10313	SHUTTER, THROTTLE	23	15
820442F	COVER, SHOCK (PORT) (PAINTED)	57	4	F10313	SHUTTER, THROTTLE	29	15
820491	BOWL, FUEL	19	7A	F10313	SHUTTER, THROTTLE	29	15
820491	BOWL, FUEL	23	5	F10333	BOWL, FUEL (92C)	19	7
820491	BOWL, FUEL	29	5	F10335	SHUTTER, THROTTLE	25	21
820492	BOWL, FUEL	25	7A	F10336	SHAFT, CHOKE (92C)	25	18
820527	STOP, TILT, PORT	51	10	F10346	FLOAT, FUEL BOWL	19	5
820576A1	CARB REPAIR KIT	27	--	F10346	FLOAT, FUEL BOWL	23	3
820576A1	REPAIR KIT, CARBURETOR	25	30	F10346	FLOAT, FUEL BOWL	25	5
820594	CAP, DRIVE (STARTER 50- 820193)	13	3	F10346	FLOAT, FUEL BOWL	29	3
820595	CAP ASSY., COMM END (STARTER 50-820193)	13	8	F141704	COUPLER	57	11
820720	NOZZLE, MAIN	23	9	F15159	INSULATOR	13	11
820721A1	CARB REPAIR KIT	23	--	F15160	WASHER, INSULATOR	13	12
820721A1	CARB REPAIR KIT	29	--	F15162	NUT (1/4-20)	13	13
820721A1	REPAIR KIT, CARBURETOR	23	20	F15162	NUT (1/4-20)	13	7
820721A1	REPAIR KIT, CARBURETOR	29	20	F15183	ARMATURE	13	4
823083	MANIFOLD KIT	69	2	F15190	BRUSH & SPRING KIT (STARTER 50-820193)	13	9
823084	PUMP KIT	69	1	F17815	SEAL (SMALL)	75	12
823536	GAUGE & CAP ASSEMBLY	77	2	F17816	SEAL (LARGE)	75	13
826374	PIN, GEAR SHIFT ARM, WITH DRI LOC	59	4	F17821	CAP ASSEMBLY	75	7
826578	PIN, RETAINING, WITH DRI LOC	51	29	F17822-1	GASKET	75	9
851903A1	NEEDLE KIT, INLET	25	12	F17823-1	GASKET	75	4
89396A38	BULB KIT, PRIMER	75	15	F17824	SCREW	75	6
90643	DRIVE KIT	13	5	F17825	O-RING	75	8
98775--2	PLATE, FUEL PUMP	33	4	F17826	FLOAT	75	5
99762	COVER, COIL	7	21	F17827	O-RING	75	3
F10210	JET, MAIN FUEL (.078) (5000-7500')	29	11	F17828	GAUGE ASSEMBLY	75	2
F10241	E-RING, CHOKE SHAFT (92C)	19	4	F17863	PLATE KIT, BUTTON	71	15
F10263	PLUG, METERING	25	3	F17864	SWITCH	71	14
F10268	SCREW, IDLE MIXTURE	19	24	F183346-1	MOUNT, SHOCK (LOWER)	57	5
F10268	SCREW, IDLE MIXTURE	23	18	F184033-1	SWIVEL, CHOKE ROD 92C)	27	36
F10268	SCREW, IDLE MIXTURE	25	24	F184033-1	SWIVEL, CHOKE ROD(92C)	19	33
F10268	SCREW, IDLE MIXTURE	29	18	F184122-1	SEAL, CRANKCASE (92C &	41	36
F10268	SCREW, IDLE MIXTURE	25	24	F195/___	CABLE (SPECIFY LENGTH)	71	26
F10268	SCREW, IDLE MIXTURE	29	18	F197787-3	COUPLER, FUEL	75	11
				F203965-1	MOUNT, SHOCK UPPER	5	6
				F307942-2	BUMPER	39	12
				F307962	MOUNT, SHOCK (SIDE UPPER)	45	6
				F333316	SHAFT, ROLLER	19	29
				F333316	SHAFT, ROLLER	23	23
				F333316	SHAFT, ROLLER	25	32
				F333316	SHAFT, ROLLER	29	23
				F338271	RETAINER, DRIVESHAFT SPLINE SEAL	61	56
				F366349-1	LOCK, REVERSE	51	31

PARTS INDEX

Part Number	Description	Pg.	Ref. No.	Part Number	Description	Pg.	Ref. No.
F366433-1	STOP, TILT	55	10	F743454F	BRACKET, PUMP/MOTOR MOUNT (PAINTED)	65	2
F366433-1	STOP, TILT, STARBOARD	51	14	F749364	ARM, REVERSE LOCK	51	34
F391926-1	PLUNGER, CHOKE (92C)	27	41	F749381F	CYLINDER ASSEMBLY, TRIM/TILT (PAINTED)	63	10
F391926-1	PLUNGER, CHOKE(92C)	21	38	F749381F	CYLINDER ASSEMBLY, TRIM/TILT (PAINTED)	65	10
F3A433757	REED PLATE ASSEMBLY, CYLINDER DRAIN	15	1	F749381F	CYLINDER ASSEMBLY, TRIM/TILT (PAINTED)	67	10
F433473	CUP, METERING	39	10	F749586-1	SHAFT, REVERSE LOCK	51	36
F435562-1	PLATE, WATER PUMP BACK	61	43	F749827	LEVER, RELEASE	59	13
F438747	DIAPHRAGM, FUEL PUMP	31	6	F90619-2	PIN, GEAR SHIFT	59	12
F452925	ROD, CHOKE(92C)	21	39	F90871-3	BRACKET, CIRCUIT BREAKER	63	23
F481777	CAM, LATCH SHAFT	5	11	F91446-2	STOP, REED	15	4
F58685-2	CONNECTOR, SHIFT	71	28	F93920	THERMOSTAT (130 DEGREES)	41	31
F5H043	BUZZER KIT, HEAT INDICATOR	71	5	FA433167	ADAPTER KIT, CARBURETOR FLANGE (ALL 40 HP & 50 HP)	49	3
F5H043	BUZZER KIT, HEAT INDICATOR (92C)	47	1	FA433471	COVER ASSEMBLY, CYLINDER DRAIN	15	8
F5H141	LINK KIT, STEERING	5	18	FA435616	ROD ASSEMBLY, GEAR SHIFT	61	44
F5H193	CABLE (7' EXTENSION)	71	19	FA485914	SEAL, WATER LINE	59	39
F5H216	BRACKET KIT, TRAILERING	5	24	FA58976-1	CONNECTOR, THROTTLE	71	29
F5H267	REMOTE CONTROL ASSEMBLY	71	--	FA609853	DECAL KIT, SHIFT TO NEUTRAL	7	2
F5H268	SWITCH KIT, IGNITION (SHORT BARREL)	71	23	FA616497	BLOCK KIT, TERMINAL (2 ROW-8 POSITION) (92C)	11	1
F5H272	SPACER KIT, TRAILERING	63	9	FA658113	LOCK BAR KIT	51	24
F5H272	SPACER KIT, TRAILERING	65	9	FA658158	PLATE ASSEMBLY, REED	49	10
F5H272	SPACER KIT, TRAILERING	67	9	FA663744	WIRE KIT	63	26
F658836	SPACER, FUEL PUMP	31	4	FA691167	ADAPTER KIT, CARBURETOR FLANGE (50 HP-92C)	49	3
F660141-1	CONNECTOR	73	31	FA94094-2	NUT KIT, PROP	59	24
F660327	ACTUATOR	73	30	FK10023	CARB GASKET SET	27	--
F660332	PLUG	71	17	FK10023	GASKET SET, CARBURETOR	25	31
F660411	RING, RETAINING	73	32	FK10309	NEEDLE KIT, INLET	19	12
F660611	LEVER ASSEMBLY	71	13	FK10309	NEEDLE KIT, INLET	23	10
F660642	RETAINER	73	33	FK10309	NEEDLE KIT, INLET	29	10
F660911	PLATE	73	35	FK10323	CARB GASKET SET	21	--
F660978	BRACKET, RELAY	63	20	FK10323	CARB GASKET SET	23	--
F660995	COVER	71	1	FK10323	CARB GASKET SET	29	--
F663480-1	RETAINER, COWL, FRONT	5	8	FK10323	GASKET SET, CARBURETOR	19	27
F663756-1	PACKING (70") CUT AS REQ'D	5	1	FK10323	GASKET SET, CARBURETOR	23	21
F684354	BRACKET, UPPER SHOCK MOUNT	5	3	FK10323	GASKET SET, CARBURETOR	29	21
F684358	BRACKET, ELECTRICAL COMPONENTS	7	27	FK10325	CARB REPAIR KIT	21	--
F684408	COVER, STARTER RELAY	5	25	FK10325	REPAIR KIT, CARBURETOR	19	26
F684611	ROD, GEAR SHIFT EXTENSION	57	13	FK1073	WATER PUMP KIT	61	63
F684615	ROD, GEAR SHIFT	57	15	FK247	PIN KIT, (6 PCS AND COTTER PIN)	59	23
F684660-2	TUBE, EXHAUST	45	14	FK405020	SWIVEL KIT (92C)	35	25
F684680-2	PLATE, SPACER	45	3				
F684774	BRACKET, COWL, LATCH REAR	3	7				
F684962	MOUNT, SHOCK	7	28				
F684984	BLANKET, SOUND, TOP	3	--				
F684985-1	BLANKET, SOUND, SIDE	3	--				
F684989	SEAL, SUPPORT PLATE	5	2				
F691151-1	PLATE, EXHAUST PORT	39	15				
F695500	BOWL, FUEL	31	18				
F718925	ROD, CHOKE (92C)	27	42				
F743454F	BRACKET, PUMP/MOTOR MOUNT (PAINTED)	63	2				

PARTS INDEX

Part Number	Description	Pg.	Ref. No.	Part Number	Description	Pg.	Ref. No.
FK681602	LANYARD KIT (TO REPLACE CUP STYLE)	71	18	FT8919	PUNCH, CLUTCH SPRING PIN	78	-
FK681602	SWITCH KIT, EMERGENCY STOP	71	21	FT8921	REMOVER, BEARING CUP, FORWARD GEAR	78	-
FK684201	WASHER KIT (92C)	51	20	FT8926	EXPANDER, PISTON RINGS	78	-
FK684201	WASHER(92C)	55	19	FT8933	HOOK, LIFTING, CRANKSHAFT END	78	-
FO14191	JET, MAIN FUEL (.094) (3000-4500')	25	13	FT8936-1	SEALANT, LOCTITE RC-609	79	-
FO15724	SHUTTER, CHOKE (92C &	19	14	FT8945	INSTALLER, DRIVESHAFT RETAINER	78	-
FO15725	VALVE, CHOKE RELIEF (92C)	19	3	FT8948-1	PULLER KIT, FLYWHEEL & GEAR HOUSING BEARING CAGE	78	-
FO16130	BOWL, FUEL (92C)	25	7	FT8950	LEAKAGE TESTER, LOWER UNIT	78	-
FO16132	SCREW, FUEL BOWL	25	9	FT8957	INSTALLER, SEAL, SHIFT ROD	78	-
FO16133	NOZZLE, MAIN	25	11	FT8963	INSTALLER, BEARING, DRIVESHAFT HOUSING	78	-
FO16143	SPRING, THROTTLE SHAFT	25	22	FT8964	REMOVER, DRIVESHAFT SEAL & BEARING	78	-
FO16620	E-RING, THROTTLE SHAFT	19	19	FT8969	LUBICANT, LPS #1	78	-
FO16620	E-RING, THROTTLE SHAFT	23	13	FT8972	INSTALLER, WATER PUMP SEAL	78	-
FO16620	E-RING, THROTTLE SHAFT	25	19	FT8978-1	TIMING LIGHT, IGNITION	78	-
FO16620	E-RING, THROTTLE SHAFT	29	13	FZ718366	MEDALLION (US MARINE) (92C) MAXUM	3	--
FO16993	TUBE, BY-PASS (92C)	25	16	FZ721366	MEDALLION () (92C) MAXUM	3	14
FO17719	SHUTTER, CHOKE (92C)	25	14	10-16452	SCREW (#12-24 X 2")	33	12
FO17884	SHAFT, THROTTLE	25	23	10-19921075	SCREW (5/16-18 X 3/4") WITH DRI LOC	7	31
FO9678	CLIP (92C)	25	4	10-19921125	SCREW (5/16-18 X 1-1/4") WITH DRI LOC	45	11
FS409752	FUEL LINE ASSEMBLY (COMPLETE) FORCE	75	--	10-19922150	SCREW (3/8-16 X 1-1/2") WITH DRI LOC	45	9
FT11240	WRENCH, SPANNER, TRIM/TILT CYLINDER	78	-	10-19923062	SCREW (1/4-20 X 5/8") WITH DRI LOC	5	7
FT11291	INSTALLER, PISTON PIN LOCKRING	78	-	10-19923088	SCREW (1/4-20 X 7/8") W/DRI LOC	65	5
FT11295	SPARK TESTER, IGNITION SYSTEM	78	-	10-19923088	SCREW (1/4-20 X 7/8") WITH DRI LOC	67	5
FT2938-1	CONTINUITY TESTER, ELECTRICAL CIRCUITS	78	-	10-19925125	SCREW (3/8-16 X 1-1/8") WITH DRI LOC	61	45
FT2948	HELI-COIL KIT (3/8-16)	78	-	10-19925175	SCREW (3/8-16 X 1-3/4") WITH DRI LOC	63	12
FT2951	CIRCUIT TRACER, ELECTRICAL SYSTEM	78	-	10-19925175	SCREW (3/8-16 X 1-3/4") WITH DRI LOC	65	12
FT2953	SOCKET, CONNECTING ROD SCREWS	78	-	10-19926100	SCREW (10-24 X 1") W/DL	7	4
FT2955A	TEST WHEEL	78	-	10-19926100	SCREW (10-24 X 1") WITH DRI LOC	35	16
FT2962-2	SEALANT, LOCTITE H	79	-	10-19926100	SCREW (10-24 X 1") WITH DRI LOC	41	35
FT2969	HELI-COIL KIT (10-24)	78	-	10-19932062	SCREW (1/4-20 X 5/8") WITH DRI LOC	7	17
FT2970	HELI-COIL KIT (1/4-20)	78	-	10-19932100	SCREW (1/4-20 X 1 ") WITH DRI LOC	59	30
FT2971	HELI-COIL KIT (5/16-18)	78	-				
FT2990-1	PISTON PIN TOOLS, PISTON PINS	78	-				
FT2991	BRUSH, WIRE, CARBON REMOVER	78	-				
FT2996	COMPRESSER, PISTON RINGS	78	-				
FT3431	INSTALLER, PROPSHAFT SEAL	78	-				
FT3510	INSTALLER, BEARING CAGE SEAL	78	-				
FT8900	PLIERS, HOSE CLAMPS, FUEL LINE	78	-				
FT8904	INSTALLER, BEARING CUP, FORWARD GEAR	78	-				
FT8907	HANDLE, DRIVER	78	-				

PARTS INDEX

Part Number	Description	Pg.	Ref. No.	Part Number	Description	Pg.	Ref. No.
10-19932100	SCREW (1/4-20 X 1") WITH DRI LOC	45	12	10-826371	SCREW (5/16-18 X 1-1/4") WITH DRI LOC	45	16
10-28430	SCREW (6-32 X 1/4")	31	10	10-826376	SCREW (1/4-28 X 5/8") W/DL	45	4
10-28635	SCREW (1/4-20 X 5/8")	5	30	10-826379	SCREW (10-24 X 1/2") W/DL	49	9
10-28635	SCREW (1/4-20 X 5/8")	11	25	10-826381	SCREW (1/4-28 X 5/8") WITH DRI LOC	5	4
10-28635	SCREW (1/4-20 X 5/8"), GROUND	45	20	10-86885	SCREW (1/4-20 X 1-1/2")	15	28
10-28636	SCREW (1/4-20 X 3/4") (92C)	35	31	10-86885	SCREW (1/4-20 X 1-1/2")	17	10
10-28636	SCREW (1/4-20 X 3/4") (STYLE I)	39	11	10-86885	SCREW (1/4-20 X 1-1/2")	49	15
10-28636	SCREW (1/4-20 X 3/4") (STYLE II)	39	11	10-88743	SCREW (5/16-18 X 1/2")	7	12
10-28639	SCREW (1/4-20 X 5/8")	3	6	10-90072	SCREW (3/8-24 X 1-3/4")	5	21
10-28668	SCREW (1/4-20 X 7/8")	49	1	10-90086	SCREW (5/16-18 X 1-1/2")	63	3
10-34939	SCREW (1/4-20 X 1/2") (92C)	11	7	10-90086	SCREW (5/16-18 X 1-1/2")	65	3
10-40003-58	SCREW (M8 X 1.25 X 50)	78	-	10-90285	SCREW (5/16-18 X 5/8")	3	10
10-41069	SCREW (10-24 X 3/4") (92C)	11	3	10-91012	SCREW, CONNECTING ROD	43	12
10-41069	SCREW (10-24 X 3/4") (92C)	11	5	10-92160	SCREW (1/4-20 X 3/4")	43	9
10-41069	SCREW (10-24 X 3/4") (DESIGN I)	31	11	10-92710	SCREW (1/2-20 X 5")	51	16
10-41772	SCREW (10-24 X 1/2")	5	26	10-92710	SCREW (1/2-20 X 5")	55	15
10-41772	SCREW (10-24 X 1/2")	5	29	10-98254	SCREW (1/4-20 X 5/8")	15	16
10-41805	SCREW (10-24 X 5/8")	7	36	10-98254	SCREW (1/4-20 X 5/8")	17	19
10-45561	SCREW (1/4-20 X 1-1/8")	41	44	10-98254	SCREW (1/4-20 X 5/8")	31	25
10-49668	SCREW (1/4-20 X 3/4")	15	23	10-98254	SCREW (1/4-20 X 5/8")	33	8
10-49668	SCREW (1/4-20 X 3/4")	17	18	10-98254	SCREW (1/4-20 X 5/8")	39	28
10-49668	SCREW (1/4-20 X 3/4")	17	18	10-F10328	SCREW, SHUTTER	19	15
10-49668	SCREW (1/4-20 X 3/4")	37	39	10-F10328	SCREW, SHUTTER	23	12
10-49668	SCREW (1/4-20 X 3/4")	37	39	10-F10328	SCREW, SHUTTER	25	15
10-49668	SCREW (1/4-20 X 3/4")	39	19	10-F10328	SCREW, SHUTTER	29	12
10-49668	SCREW (1/4-20 X 3/4")	39	19	10-F1059	SCREW (6-32 X 1/4") (92C)	19	32
10-49668	SCREW (1/4-20 X 3/4")	45	19	10-F1059	SCREW (6-32 X 1/4") (92C)	27	35
10-55515	SCREW (10-32 X 3/4") (DESIGN II)	31	11	10-F1129	SCREW (5/16-18 X 1/2")	57	6
10-56682	SCREW (10-24 X 3/4")	31	19	10-F1134	SCREW (8-32 X 1-1/8")	41	40
10-67755--1	SCREW (1/2-20 X 4-1/2")	51	19A	10-F1136	SCREW (1/4-20 X 1")	15	11
10-67755--1	SCREW (1/2-20 X 4-1/2")	55	18A	10-F1263	SCREW (5/16-18 X 9/16")	59	21
10-69080	SCREW (6-32 X 1/4")	71	6	10-F1280	SCREW (#8-32 X 1/4")	71	24
10-69080	SCREW (6-32 X 1/4") (92C)	11	18	10-F1286	SCREW (4-40 X 3/16")	15	5
10-69080	SCREW (6-32 X 1/4") (92C)	47	3	10-F1446	SCREW (1/4-20 X 1")	15	10
10-76566	SCREW (10-24 X 1") (92C)	7	4	10-F1504	SCREW (1/4-20 X 1")	35	17
10-76630	SCREW (1/4-20 X 1")	49	16	10-F1504	SCREW (1/4-20 X 1-1/4")	31	14
10-812567	SCREW (3/8-16 X 1-5/8")	39	6	10-F1532	SCREW (1/4-20 X 1")	5	5
10-812987	SCREW (10-24 X 1-1/4")	7	11	10-F1635	SCREW (3/8-16 X 3-1/2")	57	9
10-813436	SCREW AND WASHER KIT (4 PCS)	69	3	10-F1733	SCREW (10-24 X 9/16")	5	16
10-813446	SCREW KIT (4 PCS)	69	12	10-F1733	SCREW (10-24 X 9/16")	65	20
10-813453	BOLT AND NUT KIT	69	19	10-F1733	SCREW (10-24 X 9/16")	67	20
10-815687	SCREW (3/8-16 X 1-1/4")	57	8	10-F1741	SCREW (#8 X 3/4")	71	12
10-817458	SCREW (10-24 X 2-1/4")	7	26	10-F1741	SCREW (#8 X 3/4") (92C)	47	2
10-817504	SCREW (1/4-20 X 1-1/2")	7	15	10-F1741	SCREW (#8 X 3/4")	71	7
10-817505	SCREW (1/4-20 X 5/8") (92C)	7	15	10-F1760	SCREW (10-24 X 3/8")	63	21
10-819074	SCREW (6-32 X 5/16")	49	13	10-F1800	SCREW (1/4-20 X 7")	78	-
10-819625	SCREW, SHOULDER	35	20	10-F1822	SCREW (5/16-18 X 7/8")	13	16
10-819625	SCREW, SHOULDER	37	40	10-F1922	SCREW (1/4-20 X 5/8") (STYLE I)	39	29
10-820628	SCREW (1/4-20 X 5/8")	11	14	10-F1972	SCREW (1/4-20 X 2-1/2")	39	18
10-821045-40	SCREW (M5 X .8 X 40), FUEL PUMP	33	3	10-F1972	SCREW (1/4-20 X 2-1/2")	78	-
10-822970	SCREW (10-24 X 1-3/8")	7	33	10-F2000	SCREW (5/16-18 X 3/4")	11	27
10-826370	SCREW (5/16-18 X 2") WITH DRI LOC	45	15	10-F2000	SCREW (5/16-18 X 3/4")	45	1
10-826370	SCREW (5/16-18 X 2") WITH DRI LOC	45	18	10-F2000	SCREW (5/16-18 X 3/4") (STYLE I)	45	17
				10-F2000	SCREW (5/16-18 X 3/4") (STYLE II)	45	17
				10-F2030	SCREW (1/4-20 X 1-1/4")	61	41

PARTS INDEX

Part Number	Description	Pg.	Ref. No.	Part Number	Description	Pg.	Ref. No.
10-F2143	SCREW (1/4-20 X 1")	3	3	11-91962	NUT (1/2-20)	55	17
10-F2185	SCREW (3/8-16 X 3-1/2")	13	21	11-91962	NUT (1/2-20)	55	17A
10-F2185	SCREW (3/8-16 X 3-1/2")			11-F1647	NUT (8-32) (92C)	11	23
	(92C)	51	19	11-F1669	NUT (6-32)	51	33
10-F2185	SCREW (3/8-16 X 3-1/2")			11-F1968	NUT (3/4-16)	9	39
	(92C)	55	18	11-F1968	NUT (3/4-16)	43	10
10-F2193	SCREW (6-32 X 7/8") (92C)	11	20	11-F1997	NUT (8-32)	19	31
10-F2207	SCREW (1/4-20 X 1/2") (92C)	35	27	11-F1997	NUT (8-32)	23	25
10-F2214	SCREW (1/4-28 X 1/2")	57	14	11-F1997	NUT (8-32)	25	34
10-F2217	SCREW (10-24 X 3/8") (92C)	35	15	11-F1997	NUT (8-32)	29	25
10-F2228	SCREW (3/8-16 X 3")	39	5	11-F7009	NUT (10-24)	7	35
10-F2254	SCREW (5/16-18 X 2-1/2")	39	24	11-F7009	NUT (10-24)	35	34
10-F405457	SCREW, PIVOT (92C)	35	14	11-F84280	NUT, KINGPIN	51	4
10-F430732	SCREW (5/16-18 X 1-1/4")			11-F84280	NUT, KINGPIN	55	4
	(STYLE II)	45	17A	12-18552	WASHER	15	6
10-F50109	PLUG	59	2	12-19183	WASHER	59	3
10-F50109	PLUG	59	31	12-19183	WASHER	59	32
10-F660165	SCREW	71	16	12-25909	WASHER (.406 X .812 X .065)	78	-
10-F660480	SCREW	71	4	12-27882	WASHER	51	35
10-F660732	SCREW	71	2	12-27882	WASHER (92C)	11	21
10-F660751	SCREW	73	36	12-27882	WASHER (92C)	27	38
11-13855	NUT (1/4-20)	3	5	12-27882	WASHER(92C)	19	35
11-20110	NUT (10-32)	35	36	12-28421	WASHER	51	17
11-20110	NUT (10-32)(92C)	35	33	12-28421	WASHER	51	20A
11-20361	NUT (1/4-28), THRU BOLT	13	15	12-28421	WASHER	55	16
11-26768	NUT (8-32)	41	41	12-28421	WASHER	55	19A
11-30499	NUT (7/8-14)	51	23A	12-29245	WASHER	3	4
11-30499	NUT (7/8-14)	55	23	12-31247	WASHER	9	38
11-34059	NUT (10-32)	35	38	12-31247	WASHER	43	23
11-34059	NUT (10-32)	49	17	12-34437	WASHER	39	25
11-34863	NUT (3/8-24)	5	20	12-34437	WASHER	45	5
11-35778	NUT (1/2-20)	63	14	12-34437	WASHER	57	17
11-35778	NUT (1/2-20)	65	14	12-35044	WASHER	15	27
11-35778	NUT (1/2-20)	67	14	12-35044	WASHER	17	9
11-45076	NUT (10-32)	7	25	12-35044	WASHER (.281 X .625 X .065)	78	-
11-64015	NUT (1/4-20)	35	18	12-37828	WASHER	5	19
11-68219	NUT (10-32)	11	12	12-37828	WASHER	41	39
11-68219	NUT (10-32)	35	2	12-37828	WASHER	45	7
11-68219	NUT (10-32)	63	24	12-40023-16	WASHER	5	10
11-68219	NUT (10-32)	71	27	12-40023-16	WASHER	53	41
11-68219	NUT (10-32) (DESIGN II)	31	13	12-45175	WASHER	13	20
11-68292	NUT (5/16-18)	7	30	12-45175	WASHER	61	52
11-68292	NUT (5/16-18)	11	11	12-71055	WASHER	53	40
11-68292	NUT (5/16-18)	57	12	12-74758	WASHER	53	38
11-68292	NUT (5/16-18) (ALL 40 HP			12-74758	WASHER	55	9
	&50 HP)	49	2	12-813450	THRUST WASHER KIT	69	16
11-68411	NUT (3/8-16)	35	29	12-819246	WASHER	43	6
11-68411	NUT (3/8-16)	61	53	12-89302	WASHER	63	22
11-72008	NUT (1/4-20)	35	4	12-91963	WASHER	61	54
11-72008	NUT (1/4-20) (92C)	35	13	12-F40717-1	WASHER, THRUST	59	9
11-79989	NUT (10-24)	35	22	12-F485388	DISC, WATER PUMP	59	40
11-79989	NUT (10-24) (DESIGN I)	31	13	12-F522286	WASHER	51	7
11-826378	NUT (5/16-18) WITH DRI LOC	57	10	12-F522286	WASHER	55	7
11-86226	NUT (3/6-16) (50 HP-92C)	49	2	12-F658504	WASHER, THERMOSTAT	39	30
11-86226	NUT (3/8-16)	45	8	12-F660595	WASHER	71	3
11-86226	NUT (3/8-16)	61	66	12-F8012	WASHER (.203 X .469 X .049)	78	-
11-86226	NUT (3/8-16) (92C)	51	21	12-F8015	WASHER	63	13
11-86226	NUT (3/8-16) (92C)	55	20	12-F8015	WASHER	65	13
11-91962	NUT (1/2-20)	51	18	12-F8015	WASHER	67	13
11-91962	NUT (1/2-20)	51	18A	12-F8042	WASHER	61	60

PARTS INDEX

Part Number	Description	Pg.	Ref. No.	Part Number	Description	Pg.	Ref. No.
12-F89011	WASHER	51	3	17-F2033	PIN, GROOVE (92C)	27	40
12-F89011	WASHER	55	3	17-F2033	PIN, GROOVE(92C)	21	37
13-26992	LOCKWASHER (1/4")	5	9	17-F2097	PIN, SPRING	59	11
13-26992	LOCKWASHER (1/4")	11	26	17-F40909	PIN, LOCATING	39	3
13-26992	LOCKWASHER (1/4")	31	15	17-F691372	PIN, WATER JACKET TUBE	39	9
13-26992	LOCKWASHER (1/4")	63	6	17-F749440	PIN, CYLINDER UPPER	63	28
13-26992	LOCKWASHER (1/4")	65	6	17-F749440	PIN, CYLINDER UPPER	65	24
13-26992	LOCKWASHER (1/4")	67	6	17-F749440	PIN, CYLINDER UPPER	67	23
13-26992	LOCKWASHER (1/4"), GROUND	45	21	17-F749458	PIN, TILT LOCK	51	11
13-26996	LOCKWASHER (#10)	11	29	17-F749458	PIN, TILT LOCK	55	11
13-26996	LOCKWASHER (#10)	31	12	17-F85372	PIN, GEAR SHIFT ROD LOWER	61	48
13-26996	LOCKWASHER (#10) (92C)	7	5	17-F8559	PIN, DOWEL	39	4
13-26996	LOCKWASHER (#10) (92C)	11	6	17-F901563	PIN, WATER PUMP DRIVE	61	58
13-53166	LOCKWASHER (5/16")	3	9	17-FO13944	PIN, FLOAT	19	6
13-53166	LOCKWASHER (5/16")	7	29	17-FO13944	PIN, FLOAT	23	4
13-53166	LOCKWASHER (5/16")	11	10	17-FO13944	PIN, FLOAT	25	6
13-53166	LOCKWASHER (5/16")	11	28	17-FO13944	PIN, FLOAT	29	4
13-53166	LOCKWASHER (5/16")	13	17	18-26953	PIN, COTTER	53	39
13-53166	LOCKWASHER (5/16")	45	2	18-26953	PIN, COTTER (92C)	27	39
13-53166	LOCKWASHER (5/16")	63	4	18-26953	PIN, COTTER(92C)	21	36
13-53166	LOCKWASHER (5/16")	65	4	18-89961	PIN, COTTER	59	25
13-58643	LOCKWASHER (3/8")	45	10	18-89961	PIN, COTTER	63	29
13-58643	LOCKWASHER (3/8")	61	67	18-89961	PIN, COTTER	65	25
13-69708	WASHER	55	12	18-89961	PIN, COTTER	67	24
13-69708	WASHER, WAVE	51	12	18-F1015	PIN, COTTER	61	49
13-78968	LOCKWASHER (1/4" INTERNAL)	41	43	18-F525629	PIN, COTTER	5	24A
13-93702	LOCKWASHER (1/4" EXTERNAL)	7	18	19-48323	PLUG	5	15A
13-F1704	LOCKWASHER (#6 INTERNAL) (92C)	11	19	19-F2067	CAP, CRANKSHAFT END	43	22
13-F2047	WASHER, WAVE	5	12	19-FO10588	PLUG, CUP	19	1
13-F2442	WASHER, WAVE	7	8	19-FO10588	PLUG, CUP	23	1
13-F8049	WASHER, BOW	57	18	19-FO10588	PLUG, CUP	25	1
13-F8056	LOCKWASHER (#8) (92C)	11	24	19-FO10588	PLUG, CUP	29	1
13-F8124	LOCKWASHER (5/16" EXTERNAL)	7	13	19-FO16128	PLUG, WELCH	19	2
16-826387	STUD (3/8-16 X 1-5/8") W/DL (50 HP-92C)	49	4	19-FO16128	PLUG, WELCH	23	2
16-826387	STUD (3/8-16 X 1-5/8") W/DL	37	41	19-FO16128	PLUG, WELCH	25	2
16-826388	STUD (5/16-18 X 1-1/4") W/DL (ALL 40 HP & 50 HP)	49	4	19-FO16128	PLUG, WELCH	29	2
16-826389	STUD	49	--	21-13331A1	VALVE, CHECK (INLET)	77	8
16-826389	STUD	49	--	21-13331A1	VALVE, CHECK (INLET)	77	8
16-826389	STUD (1/4-20 X 1-1/4") WITH DRI LOC, THROTTLE CAM	35	1	21-13331A2	VALVE, CHECK (OUTLET)	77	9
16-826392	STUD (3/8-16 X 2-9/32") WITH DRI LOC	59	28	21-13331A2	VALVE, CHECK (OUTLET)	77	9
16-F718502	LINK, THROTTLE (50HP-92C)	35	8	21-42658	VALVE, CHECK	39	7A
16-F97008-1	STUD (LONG)	61	50	21-42864	FITTING (90 DEG.)	17	2
16-F98273	STUD, CONNECTOR(92C)	35	32	21-42990A10	DIAPHRAGM KIT	33	2
17-25870	PIN, ROLL	51	25	21-820706	FITTING (T)	17	4
17-820618	PIN, CYLINDER CLEVIS LOWER	63	15	21-F177330	VALVE, FUEL	31	9
17-820618	PIN, CYLINDER CLEVIS LOWER	65	15	21-F463314	ELBOW (92C)	39	7
17-820618	PIN, CYLINDER CLEVIS LOWER	67	15	21-F463314	ELBOW (W/CHECK VALVE)	15	19
17-F1727	RIVET	35	9	22-13563A3	CONNECTOR, ENGINE	77	12
				22-13563A3	CONNECTOR, ENGINE	77	12
				22-45794	ELBOW	63	8
				22-45794	ELBOW	65	8
				22-45794	ELBOW	67	8
				22-48166	CONNECTOR	63	17
				22-48166	CONNECTOR	65	17
				22-48166	CONNECTOR	67	17
				22-64705	ELBOW	31	16
				22-813435	PLUG KIT	69	8
				22-816856A3	CONNECTOR ASSEMBLY, FUEL	77	15

PARTS INDEX

Part Number	Description	Pg.	Ref. No.	Part Number	Description	Pg.	Ref. No.
22-823532	CONNECTOR ASSEMBLY, FUEL	77	3	25-62704	O-RING	61	51
22-89771--1	CONNECTOR, FUEL TANK	77	13	25-813439A2	SEAL KIT	69	6
22-89771--1	CONNECTOR, FUEL TANK	77	13	25-819638	O-RING	69	20
22-99664	ELBOW	17	5	25-823533	O-RING	77	4
22-99664	ELBOW	33	5	25-88657	O-RING, PROPSHAFT CAGE	59	20
22-F1789	PLUG, PIPE	31	26	25-F184579	O-RING (92C)	27	37
22-F213274	FITTING, GREASE	51	6	25-F184579	O-RING(92C)	19	34
22-F213274	FITTING, GREASE	55	6	25-F316599	O-RING, STEERING TUBE	51	23
22-F404314	ELBOW	15	13	25-F316599	O-RING, STEERING TUBE	55	22
22-F404314	ELBOW	15	20	25-F435555	SEAL, GEAR HOUSING	61	46
22-F722109-1	PLUG, CYLINDER HEAD	39	22	25-F660504	GROMMET	71	9
22-F743314	ELBOW	17	1	25-F694504	GROMMET	15	25
22-F743314	ELBOW, RECIRCULATING	33	11	25-F694504	GROMMET	17	8
22-F84314-2	ELBOW	15	17	25-F84342	SEAL, INLET WATER LINE, UPPER	61	65
22-F84314-2	ELBOW, FUEL	19	20	26-817472	SEAL	59	33
22-F84314-2	ELBOW, FUEL	23	14	26-819293	SEAL, DRIVESHAFT SPLINE	61	57
22-F84314-2	ELBOW, FUEL	25	20	26-819394	SEAL, CRANKSHAFT LOWER	43	3
22-F84314-2	ELBOW, FUEL	29	14	26-819396	SEAL, PROPSHAFT CAGE	59	18
23-42182--1	BUSHING	41	42	26-820645A1	SEAL KIT, GEAR HOUSING	61	64
23-812707	BUSHING	5	13	26-F349307	SEAL, WATER PUMP	59	38
23-819006--2	BUSHING, CABLE ENTRY	5	23	26-F40307-2	SEAL, DRIVESHAFT	59	36
23-819452	BUSHING	35	37	26-F474146	SEAL, CRANKSHAFT UPPER	43	8
23-819452	BUSHING	49	18	27-819377	GASKET, THERMOSTAT COVER	41	33
23-828763	BUSHING, CABLE ENTRY	5	17	27-820467A1	GASKET SET(92C)	39	2
23-97896	BUSHING	35	26	27-820467A1	POWERHEAD GASKET SET	15	--
23-F191169-1	BEARING, SWIVEL BRACKET	51	2	27-820467A1	POWERHEAD GASKET SET	21	--
23-F191169-1	BEARING, SWIVEL BRACKET	55	2	27-820467A1	POWERHEAD GASKET SET	27	--
23-F213238-2	BUSHING, FUEL	75	10	27-820467A1	POWERHEAD GASKET SET	31	--
23-F269052	BUSHING, SHIFT ARM	35	28	27-820467A1	POWERHEAD GASKET SET	41	--
23-F269319	BEARING, THROTTLE CAM	35	5	27-820467A1	POWERHEAD GASKET SET	43	-
23-F366215	SPACER, PISTON PIN	43	18	27-820467A1	POWERHEAD GASKET SET	49	-
23-F435057	BEARING, DRIVESHAFT UPPER	59	35	27-820467A1	POWERHEAD GASKET SET	57	-
23-F522359	SPACER (STYLE II)	45	22	27-820490	GASKET, FUEL PUMP	31	5
23-F522359	SPACER, STEERING LINK	5	22	27-820500	GASKET, FUEL PUMP	31	24
23-F694359	SPACER	15	26	27-820500	GASKET, FUEL PUMP COVER	33	10
23-F694359	SPACER	17	7	27-820500	GASKET, TRANSFER PORT	15	15
24-27160	SPRING, IDLE MIXTURE SCREW	19	25	27-820500	GASKET, TRANSFER PORT	17	16
24-27160	SPRING, IDLE MIXTURE SCREW	23	19	27-820722A1	GASKET SET	33	--
24-27160	SPRING, IDLE MIXTURE SCREW	25	25	27-820722A1	GASKET SET	39	2
24-27160	SPRING, IDLE MIXTURE SCREW	29	19	27-820722A1	POWERHEAD GASKET SET	17	-
24-F10296	SPRING, SHUTTER (92C &)	19	16	27-820722A1	POWERHEAD GASKET SET	23	--
24-F10300	SPRING, SHUTTER (92C &)	19	17	27-820722A1	POWERHEAD GASKET SET	29	--
24-F10311	SPRING, THROTTLE SHAFT	19	22	27-820722A1	POWERHEAD GASKET SET	41	--
24-F10311	SPRING, THROTTLE SHAFT	23	16	27-820722A1	POWERHEAD GASKET SET	43	-
24-F10311	SPRING, THROTTLE SHAFT	29	16	27-820722A1	POWERHEAD GASKET SET	49	-
24-F286461	SPRING, LOCK BAR HANDLE	51	27	27-820722A1	POWERHEAD GASKET SET	57	-
24-F366300	SPRING, REVERSE LOCK	51	30	27-823606	GASKET, FUEL BOWL	31	21
24-F658268	SPRING, THERMOSTAT	41	32	27-98769--1	GASKET, FUEL PUMP BASE	33	7
25-20195	O-RING	59	26	27-F433168	GASKET, CARBURETOR ADAPTER	49	6
25-20195	O-RING	61	62	27-F433406	GASKET, DEFLECTOR PLATE	49	8
				27-F440906	GASKET, CARBURETOR FLANGE	27	43
				27-F658803	GASKET, FUEL PUMP SPACER	31	3

PARTS INDEX

Part Number	Description	Pg.	Ref. No.	Part Number	Description	Pg.	Ref. No.
27-F684453-1	GASKET, CYLINDER EXHAUST (LOWER)	57	1	32-99126-88	HOSE (5-1/4") CUT AS REQ'D	15	30
27-F691153	GASKET, EXHAUST PORT COVER	39	16	32-99127109	HOSE (16-1/2") CUT AS REQ'D	15	35
27-F691154	GASKET, EXHAUST PORT PLATE	39	14	32-99127109	HOSE (16-1/2") CUT AS REQ'D	31	22
27-F691279	GASKET, CYLINDER EXHAUST (UPPER)	57	1	32-99127109	HOSE (2-1/4") CUT AS REQ'D	31	17
27-F691529-1	GASKET, CYLINDER HEAD	39	20	32-99127109	HOSE (4-1/4") (23-1/2") CUT AS REQ'D	17	14
27-F84792	GASKET, VALVE, CENTER	31	8	32-99127109	HOSE (4-1/4") CUT AS REQ'D	15	33
27-F85906	GASKET, CARBURETOR FLANGE	19	28	32-99127109	HOSE (6") CUT AS REQ'D	17	6
27-F85906	GASKET, CARBURETOR FLANGE	23	22	32-99130122	HOSE (18-1/2") (7-1/2") (3-3/4") CUT AS REQ'D	17	3
27-F85906	GASKET, CARBURETOR FLANGE	29	22	32-F691943	TUBE, WATER JACKET	39	8
27-F93472-1	GASKET, CYLINDER DRAIN COVER	15	9	32-F740754-1	LINE, HYDRAULIC (UP)	63	18
27-F93748-1	GASKET, CYLINDER DRAIN REED PLATE	15	7	32-F740754-1	LINE, HYDRAULIC (UP)	65	18
27-FO15623	GASKET, FUEL BOWL	19	8	33-827C	SPARK PLUG (CHAMPION # L-76V)	7	22
27-FO15623	GASKET, FUEL BOWL	23	6	33-898	SPARK PLUG (RFI) (CHAMPION # QL-76V)	7	22
27-FO15623	GASKET, FUEL BOWL	25	8	34-F18160-3	REED	15	3
27-FO15623	GASKET, FUEL BOWL	29	6	34-F316160	REED (4 PETAL)	49	11
27-FO2510	GASKET, FUEL BOWL	19	10	34-F88161-4	STOP, REED	49	12
27-FO2510	GASKET, FUEL BOWL	23	8	35-816296	FILTER, FUEL	15	31
27-FO2510	GASKET, FUEL BOWL	29	8	35-816296	FILTER, FUEL	17	15
27-FO5323	GASKET, FUEL BOWL	25	10	35-819228	SCREEN, WATER INLET	59	34
28-F85498-1	KEY, CRANKSHAFT	43	5	35-823534	SCREEN, FILTER	77	5
30-F127910-2	BEARING, BALL (WITHOUT BALL SLOT)	59	19	35-F438653	SCREEN, FUEL BOWL	31	20
30-F284659-2	BEARING, UPPER	43	2	35-F93811	SCREEN	15	2
30-F366058	BEARING, BALL (WITH BALL SLOT)	59	19	37-43530--1	DECAL, CAUTION, TRIM PRESSURE	65	--
30-F366727	BALL (1992C MODELS)	59	15	37-43530--1	DECAL, CAUTION, TRIM PRESSURE	67	--
31-62596A2	CAGE/ROLLER SET	43	13	37-814743--3	DECAL, TILT RELEASE	51	28
31-817731A5	CAGE ASSEMBLY, PROPSHAFT (PAINTED)	59	17	37-817792A1	DECAL, TIMING (50 HP-92C)	49	5
31-F335217-1	BEARING SET (26)	43	17	37-817792A1	DECAL, TIMING (ALL 40 HP & 50 HP)	49	5
31-F90014	BEARING, CRANKSHAFT LOWER MAIN	43	4	37-818029	DECAL, FUEL MIX	5	27
31-FA40655	RACE ASSEMBLY	43	14	37-819526	DECAL, CABLE ADJUST	35	35
32-16789-78	FUEL LINE (9') CUT AS REQ'D	77	17	37-819541	DECAL, REAR (40 H.P.) (1992C) FORCE	3	12
32-16789100	FUEL LINE (100') CUT AS REQ'D	77	--	37-819560	DECAL, STARBOARD (50 H.P)(1992C) BAYLINER	3	11
32-16789A26	FUEL LINE ASSEMBLY (5/16" I.D.) (8')	77	6	37-819561	DECAL, PORT (50 H.P1992C) BAYLINER	3	11
32-17146A8	FUEL LINE ASSEMBLY (5/16" I.D.) (8')	77	6	37-819562	DECAL, REAR (50 H.P1992C) BAYLINER	3	12
32-817738A1	FUEL LINE KIT	75	16	37-819563	DECAL, FRONT (50 H.P1992C) BAYLINER	3	13
32-819029-62	HOSE (21") CUT AS REQ'D	15	18	37-819581	DECAL, STARBOARD (50 H.P1992C) BAYLINER	3	11
32-819029-62	HOSE (5") CUT AS REQ'D	15	12	37-819582	DECAL, PORT. (50 H.P1992C) BAYLINER	3	11
32-819112--1	LINE, HYDRAULIC (DOWN)	63	7	37-819583	DECAL, REAR (50 H.P1992C) BAYLINER	3	12
32-819112--1	LINE, HYDRAULIC (DOWN)	65	7	37-819584	DECAL, FRONT (50 H.P1992C) BAYLINER	3	13
32-819327	LINE, HYDRAULIC (DOWN)	67	7	37-820519A93	DECAL SET (-40 HP) FORCE	3	--
32-819328	LINE, HYDRAULIC (UP)	67	18				
32-99126-88	HOSE (4") (5-1/4") CUT AS REQ'D	17	12				
32-99126-88	HOSE (4") CUT AS REQ'D	15	29				

PARTS INDEX

Part Number	Description	Pg.	Ref. No.	Part Number	Description	Pg.	Ref. No.
37-820520A93	DECAL SET (-50 HP) FORCE	3	--	54-816311	CABLE TIE (8")	65	--
37-820521A93	DECAL SET (-50 HP)			54-816311	CABLE TIE (8")	67	--
	BAYLINER	3	--	54-820370	CLIP, WIRE HARNESS	7	34
37-820521A94	DECAL SET (-50 HP)			54-F289446-1	CLAMP (92C)	11	9
	BAYLINER	3	--	54-F307317	CLIP, GROUND (92C)	11	2
37-825064	DECAL, CAUTION, START IN			54-F438668	RETAINER, CLAMP (92C)	11	8
	GEAR	13	--	54-F660446	CLAMP	71	20
37-825066	DECAL, WARNING, HI-			54-F698772	CLAMP	77	14
	VOLTAGE	13	--	84-65017A24	HARNESS	71	8
37-F529398-1	DECAL, WIRING (92C)	11	4	84-65017A24	HARNESS (92C)	47	4
37-F694366-1	MEDALLION (US MARINE)			84-811698	WIRING HARNESS	69	9
	(92C) BAYLINER	3	--	84-818952A1	HARNESS ASSY, WIRING	11	15A
37-FP742396	DECAL, STARBOARD	3	11	84-819200A1	CABLE (15-1/2' - STANDARD)	71	19
37-FP742397	DECAL, PORT (1992C)			84-819203A1	CABLE (19')	71	19
	FORCE	3	11	84-819204A1	CABLE (22')	71	19
37-FP742528	DECAL, REAR (50 H.P.) (84-819205A1	CABLE (25')	71	19
	1992C) FORCE	3	12	84-819514A2	HARNESS ASSEMBLY, WIRE	65	22
37-FP742892	DECAL, FRONT(1992C)			84-819514A7	HARNESS ASSEMBLY,		
	FORCE	3	13		WIRING	67	22
39-818129A2	RING SET (2 RINGS) (.030			84-820574	WIRE, STARTER LEAD	13	14
	O.S.)	43	21	84-821620A1	HARNESS ASSY (92C)	11	15
39-820457A2	RING SET (2 RINGS)			84-821945A28	CABLE ASSEMBLY, HIGH		
	(STANDARD)	43	21		TENSION	7	23
39-820641A1	RING SET (2 RINGS) (.010			84-88212A4	WIRE ASSEMBLY		
	O.S.)	43	21		(BLUE/WHITE)	65	23
40-F694096	RETAINER, PISTON PIN	43	20	84-88807A29	CABLE ASSEMBLY	9	37
41-F694017-1	PIN, PISTON	43	19	84-88807A36	CABLE ASSEMBLY	7	6
43-817824A2	GEAR ASSEMBLY,			84-88819A2	WIRE ASSEMBLY		
	FORWARD	59	8		(GREEN/WHITE)	65	23
43-819261A1	GEAR ASSEMBLY, PINION	59	6	84-F381896-4	CABLE, BATTERY	11	16
43-819262A1	GEAR ASSEMBLY,			84-F660353	CABLE (5')	71	10
	REVERSE	59	16	84-F660664	WIRE	73	34
44-819500A3	PROP SHAFT	59	14	84-F691908	WIRE (RED)	63	27
45-819826A1	DRIVESHAFT ASSEMBLY	61	55	87-819502	THERMOSWITCH	39	26
46-FA463060	BODY ASSEMBLY, WATER			87-819502	THERMOSWITCH	47	5
	PUMP	59	37	87-819509	RELAY	65	19
47-F433065-2	IMPELLER, WATER PUMP	61	42	87-819509	RELAY	67	19
50-820193	STARTER ASSEMBLY	13	1	87-F658449-2	THERMOSWITCH (92C)	39	26
50-820193A1	STARTER KIT (92C)	13	1	87-F658449-2	THERMOSWITCH (92C)	47	5
52-819259	CLUTCH	59	10	87-F660917	RELAY	63	19
53-13194	RING, RETAINING	57	16	87-F84449	SWITCH, STARTER		
53-F40410	RING, SNAP	43	15		INTERLOCK (92C)	11	17
53-F658208	RING, RETAINING	61	61	88-19637	SOCKET, FUSE	7	20
53-F717096	RING, RETAINING	39	27	88-812619	FUSE (20 AMP)	7	19
53-F717096	RING, RETAINING	47	6	88-F510460	BREAKER, CIRCUIT	63	25
53-F749208	RING, RETAINING	51	13	89-817760A2	SOLENOID KIT, CHOKE		
53-F749208	RING, RETAINING	55	13		(92C)	11	22
54-41582--7	CLAMP	75	14	89-819503	SOLENOID, PRIMER	15	24
54-41582--7	CLAMP	77	14	89-819503	SOLENOID, PRIMER	17	11
54-41582--7	CLAMP	77	16	89-F460917-1	RELAY, STARTER	11	13
54-41582--7	CLAMP (SMALL)	77	11	90-819681-1	OPERATORS MANUAL (92C		
54-41582--7	CLAMP (SMALL)	77	11		MODELS)	1	-
54-41582-10	CLAMP (LARGE)	77	10	90-819681930	OPERATORS MANUAL	1	-
54-41582-10	CLAMP (LARGE)	77	10	90-819681941	OPERATORS MANUAL	1	-
54-63933	CLAMP	31	23	91-58222A1	DIAL INDICATOR, TIMING	78	-
54-63933	CLAMP	75	17	91-99750A1	MULTIMETER TESTER,		
54-816311	CABLE TIE (8")	9	--		ELECTRICAL		
54-816311	CABLE TIE (8")	15	32		COMPONENTS	78	-
54-816311	CABLE TIE (8")	15	34	92-59327--1	SEALANT, LOCQUIC		
54-816311	CABLE TIE (8")	17	13		PRIMER	79	-

PARTS INDEX

Part Number	Description	Pg.	Ref. No.	Part Number	Description	Pg.	Ref. No.
92-78373-12	LAQUER, BLACK, SPRAY CAN	1	-	800-819445A7	POWERHEAD ASSEMBLY	31	--
92-819104-12	LAQUER, GRAY, ACRYLIC, SPRAY CAN	1	-	800-819445A7	POWERHEAD ASSEMBLY	37	--
92-819107-12	LAQUER, CLEAR ACRYLIC, SPRAY CAN	1	-	800-819445A7	POWERHEAD ASSEMBLY	41	--
92-822886-12	LAQUER, BLACK, BRUSH BOTTLE	1	-	800-819445A7	POWERHEAD ASSEMBLY	43	-
92-823089--1	SEALANT, LOCTITE 8831	79	-	800-819445A7	POWERHEAD ASSEMBLY	45	-
92-825265A1	COMPOUND, NEEDLE BEARINGS	78	-	800-819445A7	POWERHEAD ASSEMBLY	49	-
92-825321-12	LAQUER, GRAY, ACRYLIC, BRUSH BOTTLE	1	-	800-819445A7	POWERHEAD ASSEMBLY	57	-
92-90113--2	SEALANT, RTV #1473	79	-	800-819445A7	POWERHEAD ASSEMBLY (40HP) (PAINTED) (92C & 065371)	39	--
92-FT2987-1	LUBICANT, ANTI-SEEZ	78	-	900-819850--1	HEAD, CYLINDER	39	21
100-819372A2	PLATE KIT, COWL SUPPORT (PAINTED)	5	15	1000-819269	COVER, EXHAUST PORT	39	17
100-819748A3	TOP COWL (PAINTED) (WITHOUT DECALS) (ALL MODELS)	3	1	1000-819376	COVER, CYLINDER HEAD	39	23
200-817494A10	FLYWHEEL ASSEMBLY	7	1	1100-819312A2	CAGE ASSEMBLY, BEARING	43	7
339-7370A23	COIL ASSEMBLY, IGNITION	7	24	1200-819039A1	FUEL TANK ASSEMBLY (COMPLETE)	75	1
398-818535A14	STATOR ASSEMBLY	7	3	1259-823504A1	FUEL TANK ASSEMBLY (PLASTIC - 6.6 GAL.)	77	1
400-817398A3	CRANKSHAFT ASSEMBLY	43	1	1259-823504A2	FUEL TANK ASSEMBLY (COMPLETE)	77	--
600-818052A6	CONNECTING ROD ASSEMBLY	43	11	1300-819387	CARBURETOR (WB-107A)(92C)	19	--
700-819005A10	PISTON KIT (.030 O.S.)	43	16	1300-819671	CARBURETOR (TC-102B) (92C)	25	--
700-819005A8	PISTON KIT (STANDARD)	43	16	1300-820197	CARBURETOR (TC-121A)	25	--
700-819005A9	PISTON KIT (.010 O.S.)	43	16	1300-820198	CARBURETOR (WB-110A)	19	--
800-818152A6	CYLINDER BLOCK KIT (50HP) (92C & 065371)	39	1	1300-825266	CARBURETOR (WB-118A)	29	--
800-818152A7	POWERHEAD ASSEMBLY	15	--	1300-826043	CARBURETOR (WB-117A)	23	--
800-818152A7	POWERHEAD ASSEMBLY	27	--	1395-5733	JET, MAIN FUEL (.092) (4500-6000')	25	13
800-818152A7	POWERHEAD ASSEMBLY	31	--	1395-6030	JET, MAIN FUEL (.070)(7500-10000')	19	13
800-818152A7	POWERHEAD ASSEMBLY	37	--	1395-6201	JET, MAIN FUEL (.080) (2500-5000')	29	11
800-818152A7	POWERHEAD ASSEMBLY	41	--	1395-6207	JET, MAIN FUEL (.072)(5000-7500')	19	13
800-818152A7	POWERHEAD ASSEMBLY	43	-	1395-6247	JET, MAIN FUEL (.090) (6000-10000')	25	13
800-818152A7	POWERHEAD ASSEMBLY	45	-	1395-6487	JET, MAIN FUEL (.060) (0-2500')	23	11
800-818152A7	POWERHEAD ASSEMBLY	49	-	1395-7335	JET, MAIN FUEL (.098) (0-1500')	25	13
800-818152A7	POWERHEAD ASSEMBLY	57	-	1395-7831	JET, MAIN FUEL (.058) (2500-5000')	23	11
800-818152A7	POWERHEAD ASSEMBLY (50HP) (PAINTED) (92C & 065371)	39	--	1399-3518	JET, MAIN FUEL (.082) (0-2500')	29	11
800-818445A14	POWERHEAD ASSEMBLY	43	-	1399-3794	JET, MAIN FUEL (.074)(2500-5000')	19	13
800-819445A14	POWERHEAD ASSEMBLY	17	-	1399-3796	JET, MAIN FUEL (.076) (7500-10000')	29	11
800-819445A14	POWERHEAD ASSEMBLY	23	--	1399-3796	JET, MAIN FUEL (.076)(0-2500')	19	13
800-819445A14	POWERHEAD ASSEMBLY	29	--	1399-5128	SCREW, FUEL BOWL	19	9
800-819445A14	POWERHEAD ASSEMBLY	33	--	1399-5128	SCREW, FUEL BOWL	23	7
800-819445A14	POWERHEAD ASSEMBLY	37	--	1399-5128	SCREW, FUEL BOWL	29	7
800-819445A14	POWERHEAD ASSEMBLY	41	--	1399-5213	JET, MAIN FUEL (.056) (5000-7500')	23	11
800-819445A14	POWERHEAD ASSEMBLY	45	-	1399-5225	JET, MAIN FUEL (.054) (7500-10000')	23	11
800-819445A14	POWERHEAD ASSEMBLY	49	-				
800-819445A14	POWERHEAD ASSY(40&50HP) (PAINTED)	39	--				
800-819445A16	CYLINDER ASSEMBLY(40&50HP)	39	1				
800-819445A6	CYLINDER BLOCK KIT (40HP) (92C & 065371)	39	1				
800-819445A7	POWERHEAD ASSEMBLY	15	--				
800-819445A7	POWERHEAD ASSEMBLY	21	--				

PARTS INDEX

Part Number	Description	Pg.	Ref. No.	Part Number	Description	Pg.	Ref. No.
1400-819120F1	BRACKET, SWIVEL (PAINTED)	51	1				
1400-819120F1	BRACKET, SWIVEL (PAINTED)	55	1				
1400-819324F	BRACKET, STERN, STBD (PAINTED)	51	15				
1400-819324F	BRACKET, STERN, STBD (PAINTED)	55	14				
1400-819325F1	BRACKET, STERN, PORT (PAINTED)	51	8				
1400-819325F1	BRACKET, STERN, PORT (PAINTED)	55	8				
1400-819373F	BRACKET,STBD (PAINTED)(92C)	51	15A				
1400-819373F	BRACKET,STBD (PAINTED)(92C)	55	14A				
1400-819374F	BRACKET, PORT (PAINTED)(92C))	51	8A				
1400-819374F	BRACKET,PORT (PAINTED) (92C)	55	8A				
1500-817871A3	HOUSING KIT, DRIVESHAFT (PAINTED)	59	27				
1500-819173F	HOUSING, DRIVESHAFT (PAINTED)	57	2				
1600-817826A7	GEAR HOUSING KIT (BASIC) (PAINTED)	59	1				
1600-819516A2	GEAR HOUSING KIT (COMPLETE) (PAINTED) .	59	--				