



PARTS CATALOG

15A HORSEPOWER

SERIAL NUMBER

15A	651-000285 AND BELOW
15A	651-300100 AND BELOW

TABLE OF CONTENTS:

CARBURETOR AND THROTTLE LINKAGE	10
CLAMP AND SWIVEL BRACKET	24
COWLING	42
CRANKCASE AND CYLINDER HEAD	2
CRANKSHAFT AND PISTON	6
DRIVESHAFT HOUSING	14
FLYWHEEL MAGNETO	38
FUEL LINES AND FILTER	52
FUEL PUMP	46
FUEL TANK (INTERNATIONAL)	48
FUEL TANK (U.S.A.)	50
GEAR SHIFT LINKAGE	28
GEARHOUSING ASS'Y	18
INTAKE MANIFOLD AND CHOKE	8
MOUNTING SYSTEM	26
PARTS INDEX	54
RECOIL STARTER	40
REVERSE LOCK	16
STEERING HANDLE	30
STEERING HANDLE	34
THROTTLE CONTROL LINKAGE	36

NOTE: Indented description indicate that these parts are included in preceding assembly.

AR = As Required

NSS = Not Sold Separate

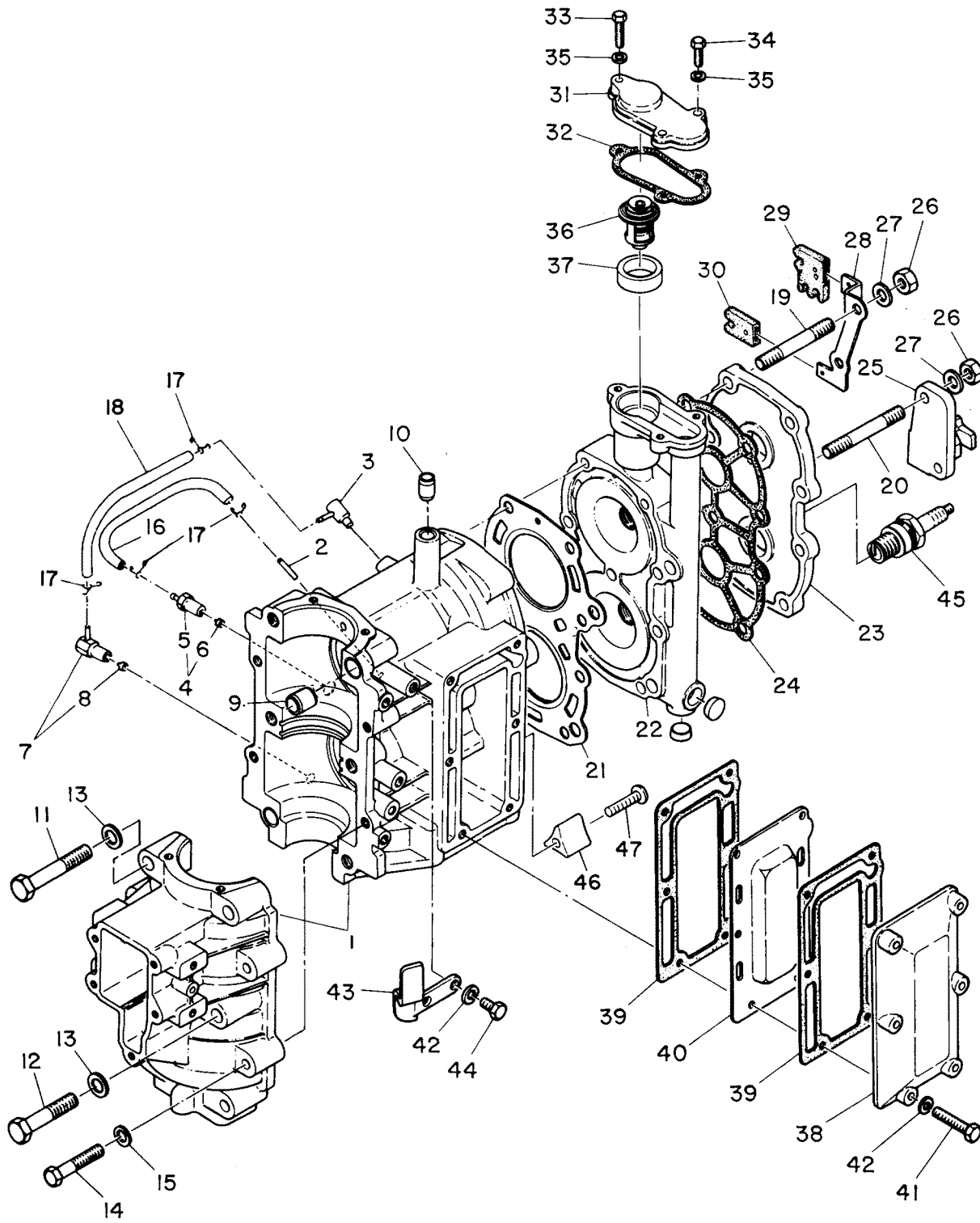
OPT = Optional

NS = Not Shown

THESE PARTS BOOKS/FICHE CARD ARE COPYRIGHTED AND MAY NOT BE DISTRIBUTED OR REPRODUCED IN ANY OTHER FORMAT BY ANYONE OTHER THAN MERCURY MARINE WITHOUT THE PRIOR WRITTEN CONSENT OF MERCURY MARINE.

THIS PAGE INTENTIONALLY LEFT BLANK

CRANKCASE AND CYLINDER HEAD

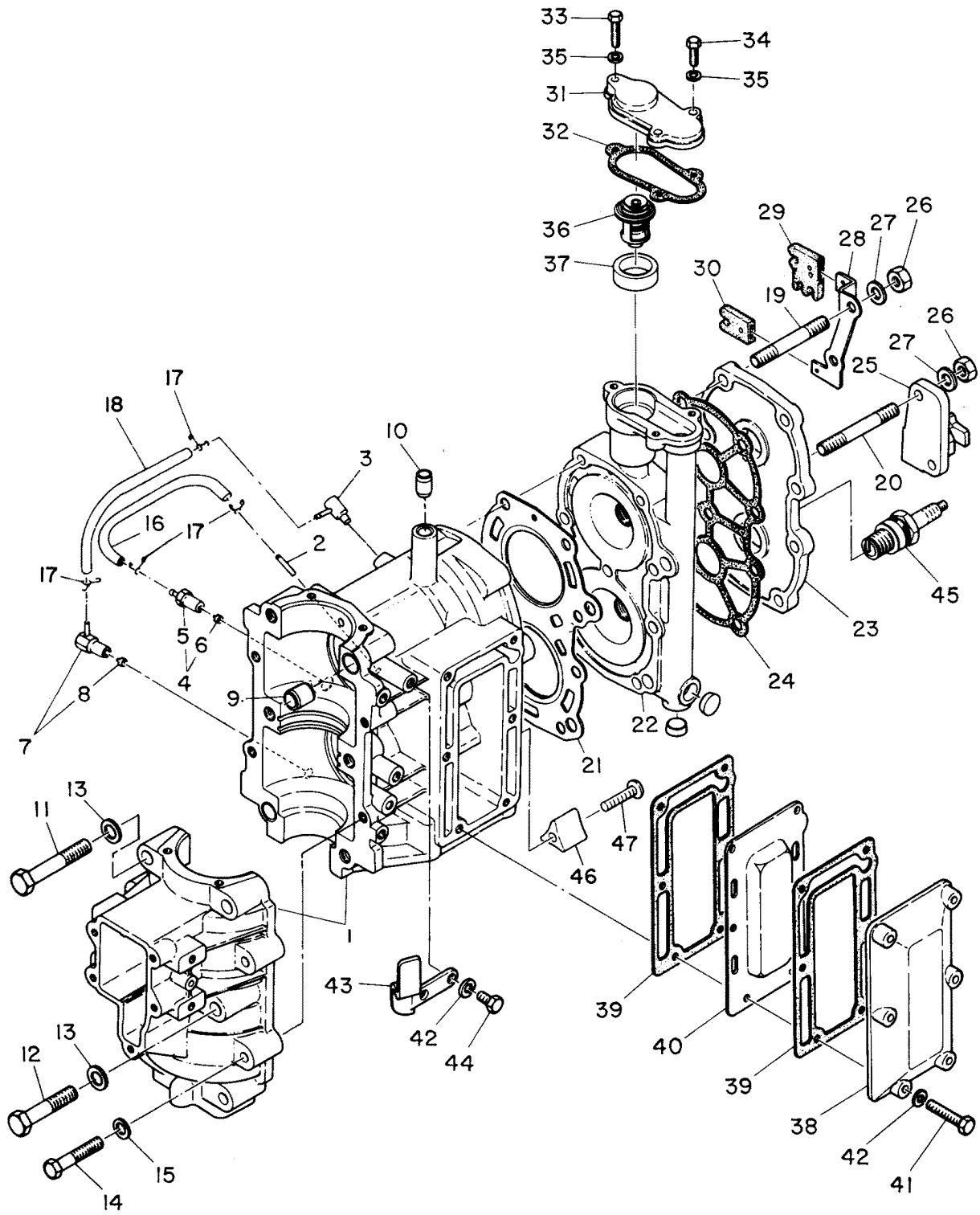


CRANKCASE AND CYLINDER HEAD

REF. NO.	PART NO.	SYM.	QTY.	DESCRIPTION
1	870-6765M		1	CRANKCASE AND CYLINDER ASS'Y SERIAL 00000000-00012755
	870-6912M		1	CRANKCASE AND CYLINDER ASS'Y SERIAL 00012756-09999999
2	22-80122M		1	FITTING, CRANKCASE DRAIN SERIAL 00000000-00012755
3	22-80743M		1	ELBOW, CRANKCASE DRAIN
4	21-80105M		1	CHECK VALVE ASS'Y
5	22-8016M		1	FITTING
6	21-80107M		1	VALVE, CHECK
7	21-80727M		1	CHECK VALVE ASS'Y SERIAL 00000000-00012755
8	21-80107M		1	VALVE, CHECK SERIAL 00000000-00012755
9	17-82162M		2	PIN, DOWEL-CRANKCASE
10	17-82161M		1	PIN, DOWEL-CYLINDER
11	10-82415M		4	BOLT, CRANKCASE ATTACHING
12	10-82413M		2	BOLT, CRANKCASE ATTACHING
13	12-81798M		6	WASHER, CRANKCASE BOLT
14	10-82412M		4	BOLT, CRANKCASE ATTACHING
15	12-81792M		4	WASHER, CRANKCASE BOLT
16	32-81998M		1	HOSE SERIAL 00000000-00012755
17	54-82046M		4	CLAMP, DRAIN HOSE SERIAL 00000000-00012755
	54-82046M		2	CLAMP, DRAIN HOSE SERIAL 00012755-09999999
18	32-81999M		1	HOSE
19	16-81736M		7	STUD, CYLINDER HEAD ATTACHING SERIAL 00000000-00012755
	10-82923M		7	BOLT, CYLINDER HEAD ATTACHING SERIAL 00012756-09999999
20	16-81737M		2	STUD, CYLINDER HEAD ATTACHING SERIAL 00000000-00012755
	10-82922M		2	BOLT, CYLINDER HEAD ATTACHING SERIAL 00012756-09999999
21	27-80936M		1	GASKET, CYLINDER HEAD
22	968-6759M		1	HEAD, CYLINDER SERIAL 00000000-00012755
	968-6939M		1	HEAD, CYLINDER SERIAL 00012756-09999999
23	80188M		1	COVER, CYLINDER HEAD SERIAL 00000000-00012755
24	27-80189M		1	GASKET, CYLINDER HEAD COVER SERIAL 00000000-00012755
25	80888M		1	STAY, CLAMP
26	11-81766M		9	NUT, CYLINDER HEAD BOLT SERIAL 00000000-00012755
27	12-81797M		9	WASHER, CYLINDER HEAD BOLT
28	80934M		1	BRACKET, IGNITION WIRE SERIAL 00000000-00012755
	82883M		1	BRACKET, IGNITION WIRE SERIAL 00012756-09999999
29	80932M		1	HOLDER, IGNITION WIRE
30	80933M		1	HOLDER, LEAD WIRE
31	82639M		1	COVER, THERMOSTAT .-(S-10070 L-42986)
	80732M		1	COVER, THERMOSTAT ..(S-10071-12755 L-42987-44360)

CONTINUED ON NEXT PAGE ➡

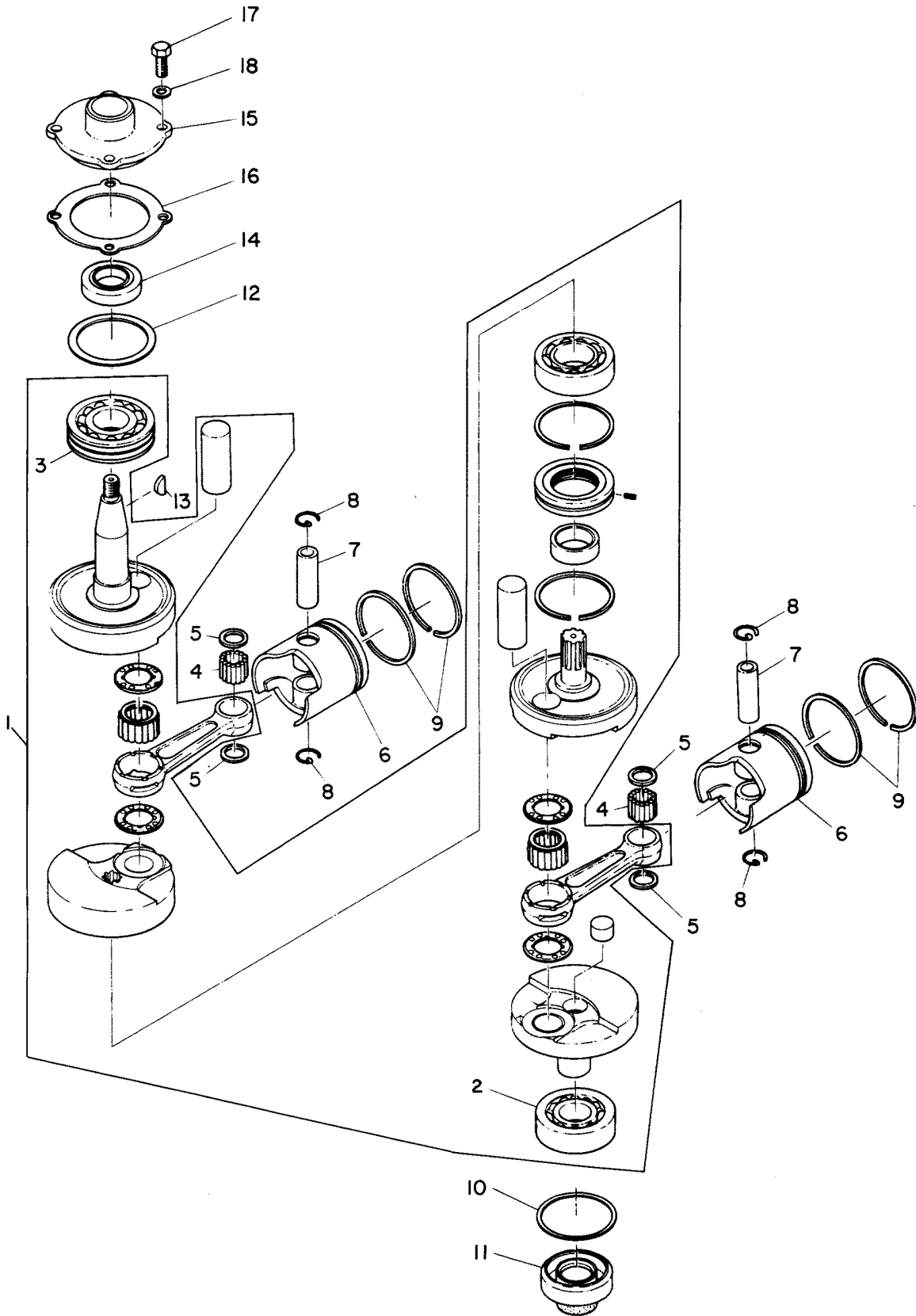
CRANKCASE AND CYLINDER HEAD



CRANKCASE AND CYLINDER HEAD

REF. NO.	PART NO.	SYM.	QTY.	DESCRIPTION
31	81207M		1	COVER, THERMOSTAT ..(S-12756 L-44361)
32	27-80190M		1	GASKET, THERMOSTAT COVER .-(S-12755 L-44360)
	27-81208M		1	GASKET, THERMOSTAT COVER ..(S-12756 L-44361)
33	10-82419M		1	BOLT, THERMOSTAT COVER ATTACHING 9-(S-12755 L-44360)
34	10-82418M		2	BOLT, THERMOSTAT COVER ATTACHING .-(S-12755 L-44360)
	10-82425M		4	BOLT, THERMOSTAT COVER ATTACHING ..(S-12756 L-44361)-
35	13-82193M		3	LOCK WASHER, THERMOSTAT COVER BOLT .-(S-12755 L-44360)
	13-82197M		4	LOCK WASHER, THERMOSTAT COVER BOLT ..(S-12756 L-44361)
36	81098M		1	THERMOSTAT
37	82640M		1	COLLAR THERMOSTAT .-(S-10070 L-42986)
	12-81835M		1	COLLAR, THERMOSTAT ..(S-10071 L-42987)-
38	80761M		1	COVER, EXHAUST-OUTER
39	27-80219M		2	GASKET, EXHAUST COVER
40	80760M		1	COVER, EXHAUST-INNER
41	10-82426M		6	BOLT, EXHAUST COVER
42	13-82197M		8	LOCK WASHER
43	80768M		1	STOP, MAGENTO BASE
44	10-82422M		2	BOLT, STOP
45	33-82371M		2	SPARK PLUG, B-7HS (NGK)
46	83107M		1	ANODE .. (S-12756 L-44361)-
47	10-83108M		1	SCREW ..(S-12756 L-44361)-

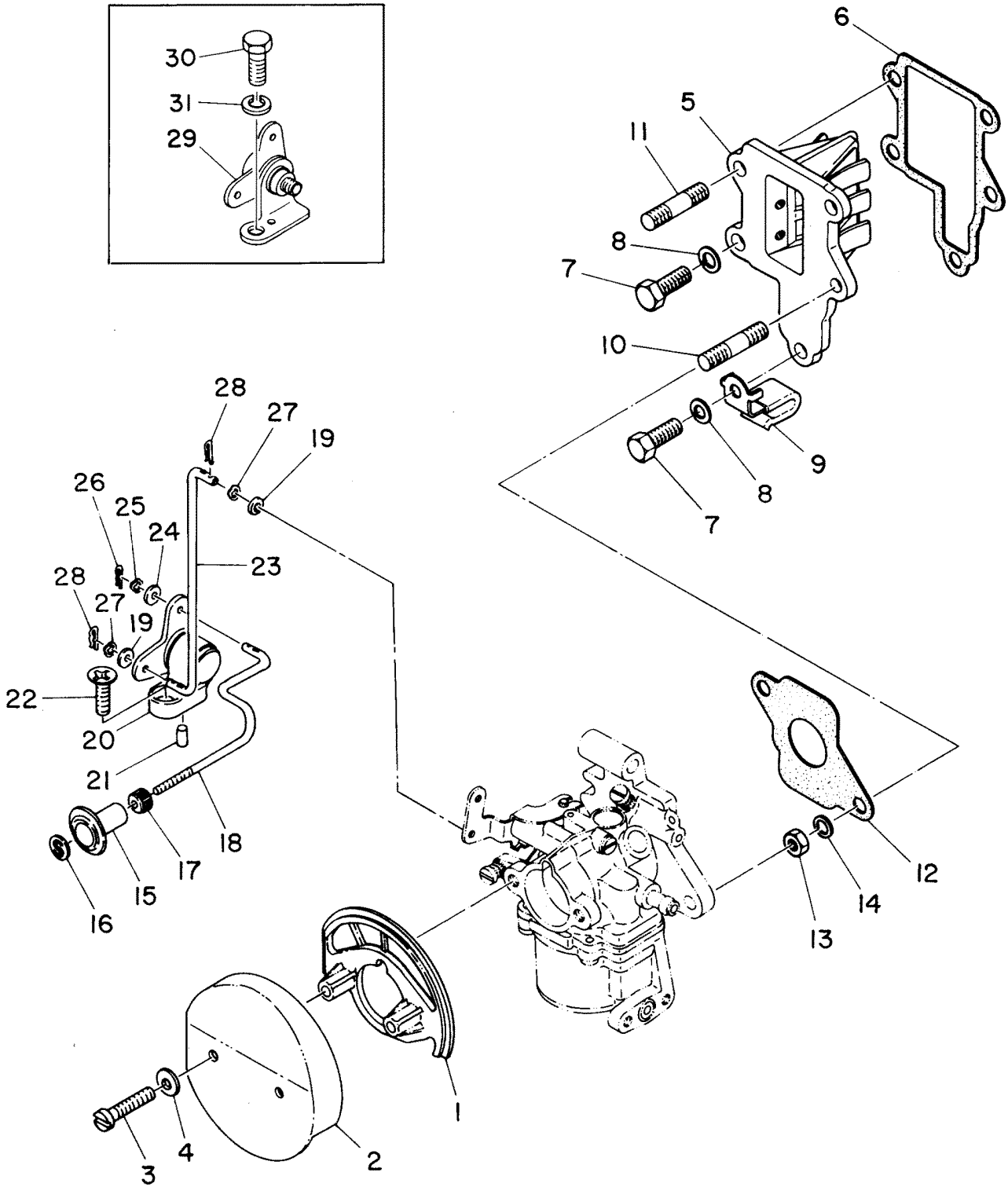
CRANKSHAFT AND PISTON



CRANKSHAFT AND PISTON

REF. NO.	PART NO.	SYM.	QTY.	DESCRIPTION
1	463-6861M		1	CRANKSHAFT ASS'Y
2	30-82306M		1	BEARING, LOWER
3	30-82303M		1	BEARING, UPPER
4	29-82349M		50	BEARINGS, PISTON PIN
5	12-81823M		4	WASHER, PISTON PIN
6	761-6760M		2,AR	PISTON (56.96 MM STD)
	761-6947M		2,AR	PISTON (56.97 MM STD)
	761-6761M		2,AR	PISTON (56.98 MM STD)
	761-6762M		2,AR	PISTON (57.25 MM 1ST O.S.)
	761-6763M		2,AR	PISTON (57.50 MM 2ND O.S.)
7	41-80272M		2	PIN, PISTON
8	53-82343M		4	CLIP, PISTON PIN
9	39-80937M		2	PISTON RING SET (STD)
	39-80938M		2	PISTON RING SET (57.25 MM 1ST O.S.)
	39-80939M		2	PISTON RING SET (57.50 MM 2ND O.S.)
10	15-80731M		AR	SHIM, LOWER BEARING (0.2 MM)
11	26-82244M		1	OIL SEAL, CRANKSHAFT LOWER
12	15-80728M		AR	SHIM, UPPER BEARING (0.3 MM)
	15-80729M		AR	SHIM, UPPER BEARING (0.4 MM)
	15-80730M		AR	SHIM, UPPER BEARING (0.5 MM)
13	28-81913M		1	KEY, CRANKSHAFT TO FLYWHEEL
14	26-82245M		1	OIL SEAL, CRANKSHAFT-UPPER
15	80745M		1	HOUSING, OIL SEAL
	80746M		1	HOUSING, OIL SEAL CHROME (OPTIONAL)
16	27-80206M		1	GASKET, OIL SEAL HOUSING
17	10-82423M		4	BOLT, OIL SEAL HOUSING ATTACHING
18	13-82199M		4	WASHER, HOUSING BOLT

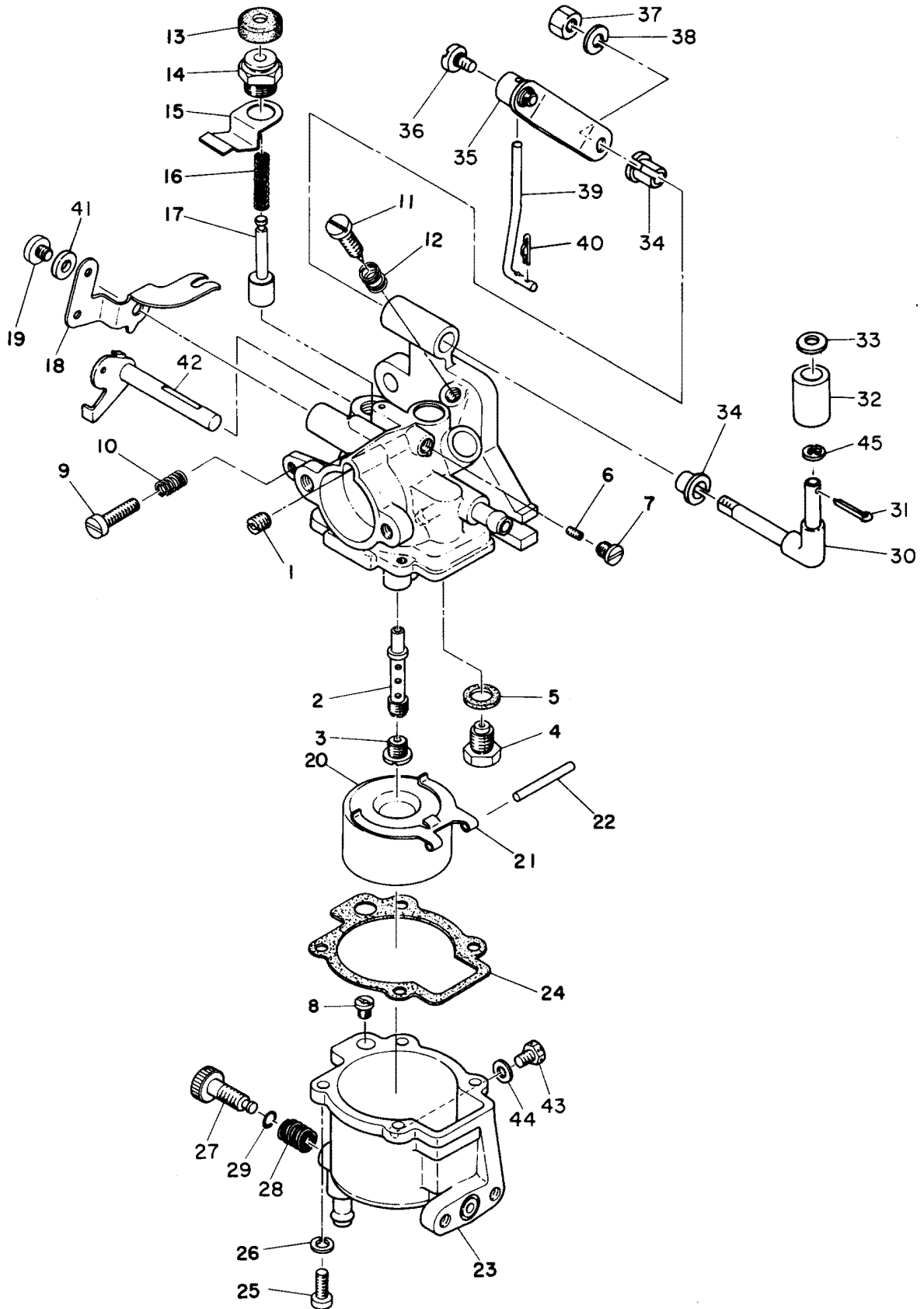
INTAKE MANIFOLD AND CHOKE



INTAKE MANIFOLD AND CHOKE

REF. NO.	PART NO.	SYM.	QTY.	DESCRIPTION
1	80741M		1	BASE, AIR INTAKE COVER
2	80742M		1	COVER, AIR INTAKE
3	10-82492M		2	SCREW, COVER ATTACHING
5	80940M		1	REED VALVE
6	27-80733M		1	GASKET, REED VALVE
7	10-82423M		3	BOLT, REED VALVE ATTACHING
8	13-82197M		3	LOCK WASHER, REED VALVE BOLT
9	56-82043M		1	CLAMP WIRE
10	16-81729M		1	STUD, REED VALVE ATTACHING
11	16-81727M		1	STUD, REED VALVE ATTACHING
12	27-80734M		1	GASKET, CARBURETOR TO REED VALVE
13	11-82381M		2	NUT, REED VALVE STUD
14	13-82199M		2	WASHER, REED VALVE STUD
15	80149M		1	KNOB, CHOKE
16	80128M		1	INDICATOR, CHOKE
17	23-80053M		1	BUSHING, CHOKE KNOB
18	80766M		1	LINK ROD, CHOKE
19	12-82192M		2	WASHER
20	80762M		1	CHOKE LINKAGE SERIAL 00000000-00012755
21	17-82363M		1	PIN, ROLL-CHOKE LINKAGE
22	10-82166M		1	SCREW, CHOKE LINKAGE ATTACHING SERIAL 00000000-00012755
23	80765M		1	LINK ROD, CHOKE LEVER
24	12-82799M		1	WASHER, CHOKE ROD
25	13-81864M		1	LOCK WASHER, CHOKE ROD
26	18-82051M		1	PIN, CHOKE ROD
27	13-81863M		2	LOCK WASHER, CHOKE LEVER
28	18-82050M		2	PIN, CHOKE LEVER
29	83110M		1	CHOKE LINKAGE SERIAL 00012756-09999999
30	10-83111M		1	BOLT SERIAL 00012756-09999999
31	13-82197M		1	WASHER SERIAL 00012756-09999999

CARBURETOR AND THROTTLE LINKAGE

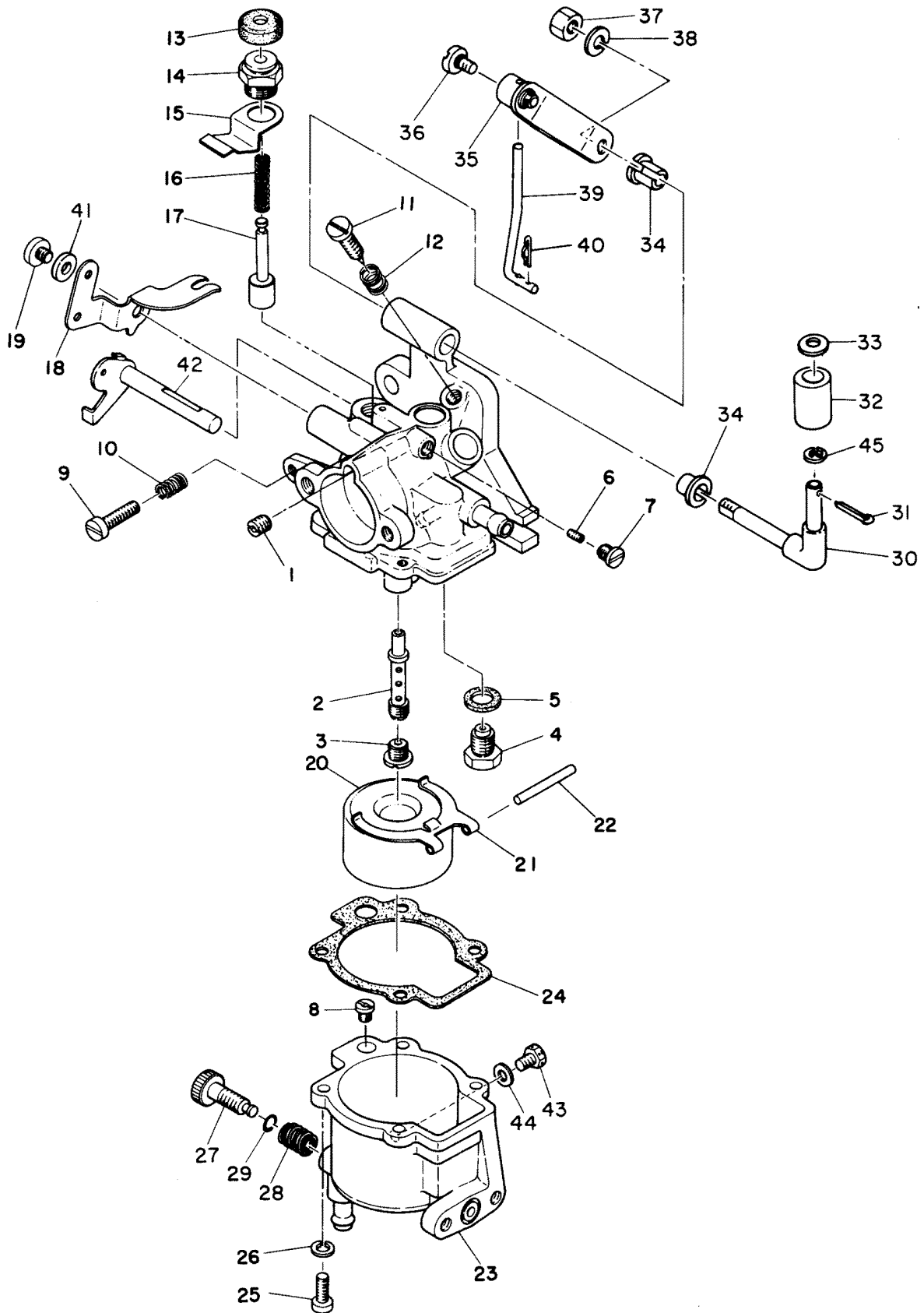


CARBURETOR AND THROTTLE LINKAGE

REF. NO.	PART NO.	SYM.	QTY.	DESCRIPTION
0-1	1383-6764M		1	CARBURETOR ASS'Y SERIAL 00000000-00013755
	1383-6948M		1	CARBURETOR ASS'Y SERIAL 00013756-09999999
1	80585M		1	AIR JET, LOW SPEED
2	80941M		1	NOZZLE, MAIN
3	80580M		1	JET, MAIN (#125)
4	80204M		1	VALVE SEAT
5	27-80205M		1	GASKET, VALVE SEAT
6	80577M		1	JET, LOW SPEED (#54)
7	10-80191M		1	SCREW, GUIDE
8	80583M		1	JET STARTER
9	10-80738M		1	SCREW, THROTTLE STOP
10	24-80193M		1	SPRING, THROTTLE STOP SCREW
11	10-80573M		1	SCREW, IDLE MIXTURE
12	24-80575M		1	SPRING, IDLE MIXTURE SCREW
13	80196M		1	COVER, CHOKE PLUNGER CAP
14	80197M		1	CAP, CHOKE PLUNGER
15	80199M		1	PLATE, CHOKE LEVER
16	24-80194M		1	SPRING, CHOKE PLUNGER
17	80195M		1	PLUNGER, CHOKE
18	80198M		1	LEVER, CHOKE
19	10-80192M		1	SET SCREW
20	80450M		1	FLOAT
21	80202M		1	ARM FLOAT
22	17-80201M		1	PIN, FLOAT
23	82642M		1	BOWL, FLOAT SERIAL 00000000-00009770
	80739M		1	BOWL, FLOAT SERIAL 00009771-00013755
	83114M		1	BOWL, FLOAT SERIAL 00013756-09999999
24	27-80740M		1	GASKET, FLOAT BOWL
25	10-82514M		4	SCREW, BOWL ATTACHING
26	13-82206M		4	LOCK WASHER, BOWL SCREW
27	22-82643M		1	VALVE, DRAIN SERIAL 00000000-00009770
	10-80349M		1	VALVE, DRAIN SERIAL 00009771-00013755
28	24-82641M		1	SPRING, DRAIN VALVE SERIAL 00000000-00009770
	24-80736M		1	SPRING, DRAIN VALVE SERIAL 00009771-00013755
29	25-80350M		1	O-RING SERIAL 00009771-00013755
30	80623M		1	SHAFT, SHEAVE SERIAL 00000000-00012755
31	18-82123M		1	PIN, THROTTLE SHAFT SERIAL 00000000-00012755
32	23-81965M		1	COLLAR, THROTTLE SHAFT
33	12-82209M		1	WASHER, TROTTLE SHAFT
34	23-81941M		2	BUSHING, THROTTLE SHAFT
35	80622M		1	LEVER, THROTTLE
36	10-82490M		1	SCREW
37	11-82379M		1	NUT

CONTINUED ON NEXT PAGE ➡

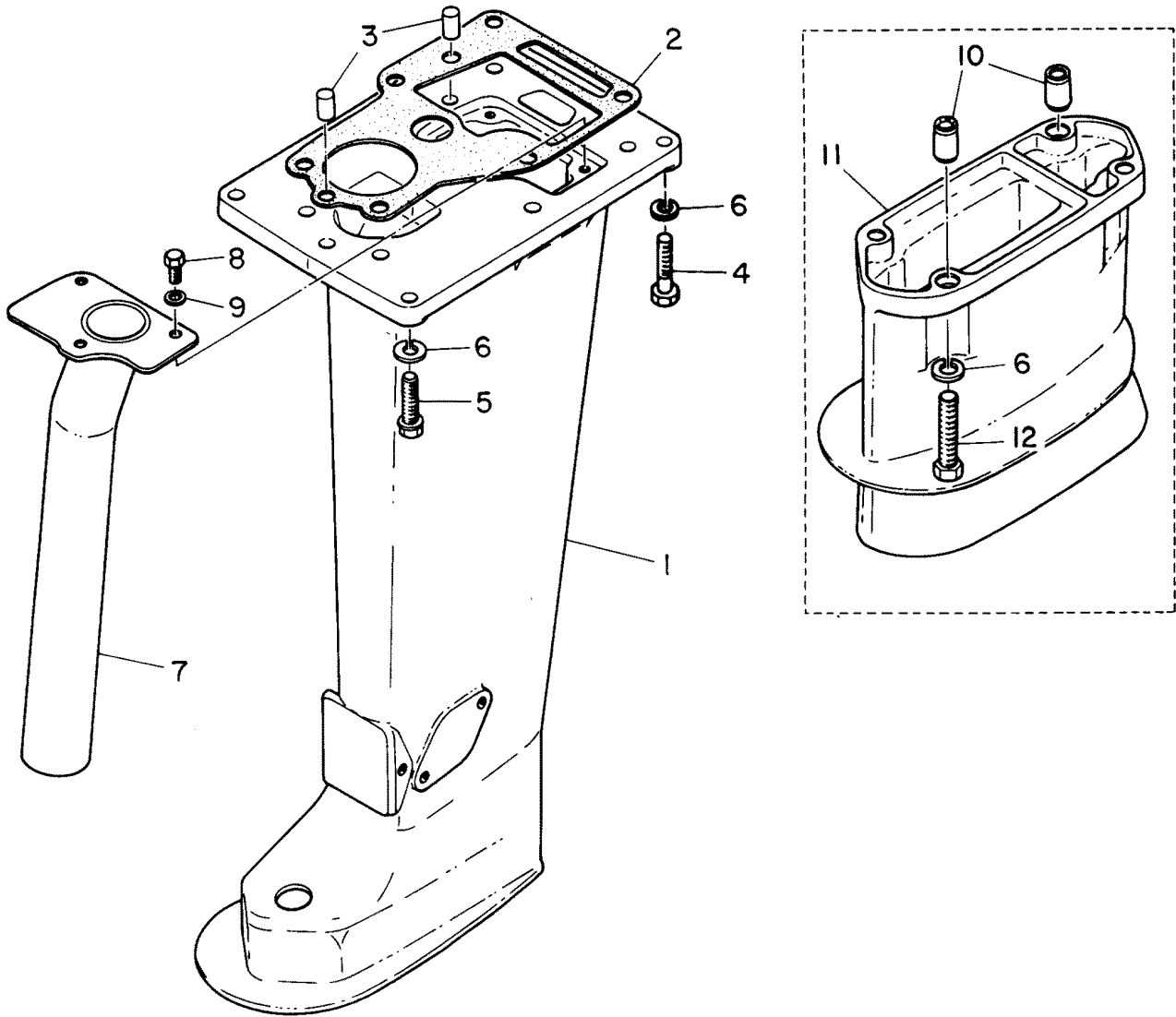
CARBURETOR AND THROTTLE LINKAGE



CARBURETOR AND THROTTLE LINKAGE

REF. NO.	PART NO.	SYM.	QTY.	DESCRIPTION
38	13-82208M		1	LOCK WASHER, THROTTLE LEVER NUT
39	80625M		1	ROD
40	18-80764M		1	PIN
41	83115M		1	COLLAR SERIAL 00012756-09999999
42	83116M		1	SHAFT, THROTTLE
43	22-80735M		1	VALVE, DRAIN SERIAL 00000000-00013755
44	27-80737M		1	GASKET, DRAIN VALVE SERIAL 00000000-00013755
45	53-82328M		1	CLIP SERIAL 00012756-09999999

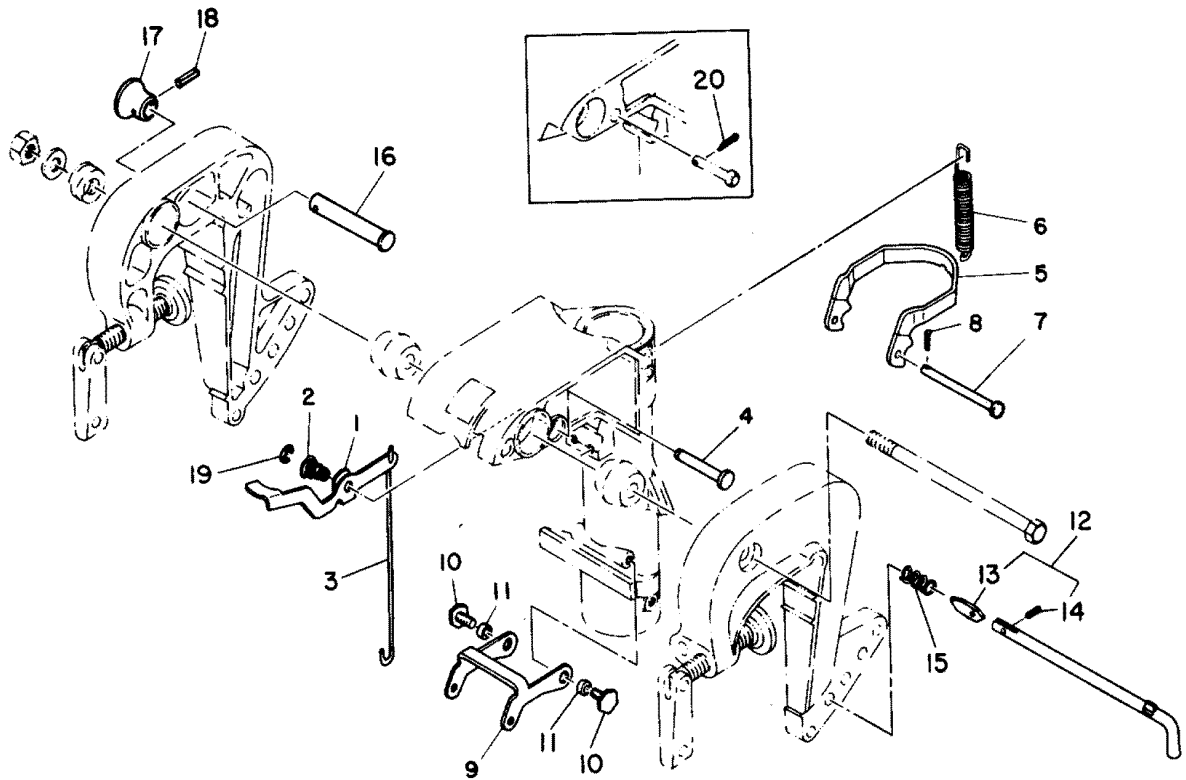
DRIVESHAFT HOUSING



DRIVESHAFT HOUSING

REF. NO.	PART NO.	SYM.	QTY.	DESCRIPTION
1	1587-6757M		1	DRIVESHAFT HOUSING
2	27-80244M		1	GASKET, DRIVESHAFT HOUSING-UPPER
3	17-82368M		2	PIN, DOWEL-DRIVESHAFT HOUSING
4	10-82465M		10	BOLT, DRIVESHAFT HOUSING ATTACHING SERIAL 00000000-00007241
	10-82465M		6	BOLT, DRIVESHAFT HOUSING ATTACHING SERIAL 00007241-09999999
5	10-82464M		4	BOLT, DRIVESHAFT HOUSING ATTACHING SERIAL 00039556-09999999
6	13-82215M		14	LOCK WASHER
7	80943M		1	MANIFOLD, EXHAUST
8	10-82444M		3	BOLT, MANIFOLD ATTACHING
9	13-82208M		3	LOCK WASHER, MANIFOLD BOLT
10	17-82163M		2	PIN, DOWEL SERIAL 00000000-00012755
11	80910M		1	EXTENTION, LONG SHAFT (141.7 MM)
12	10-82466M		4	BOLT, EXTENTION ATTACHING

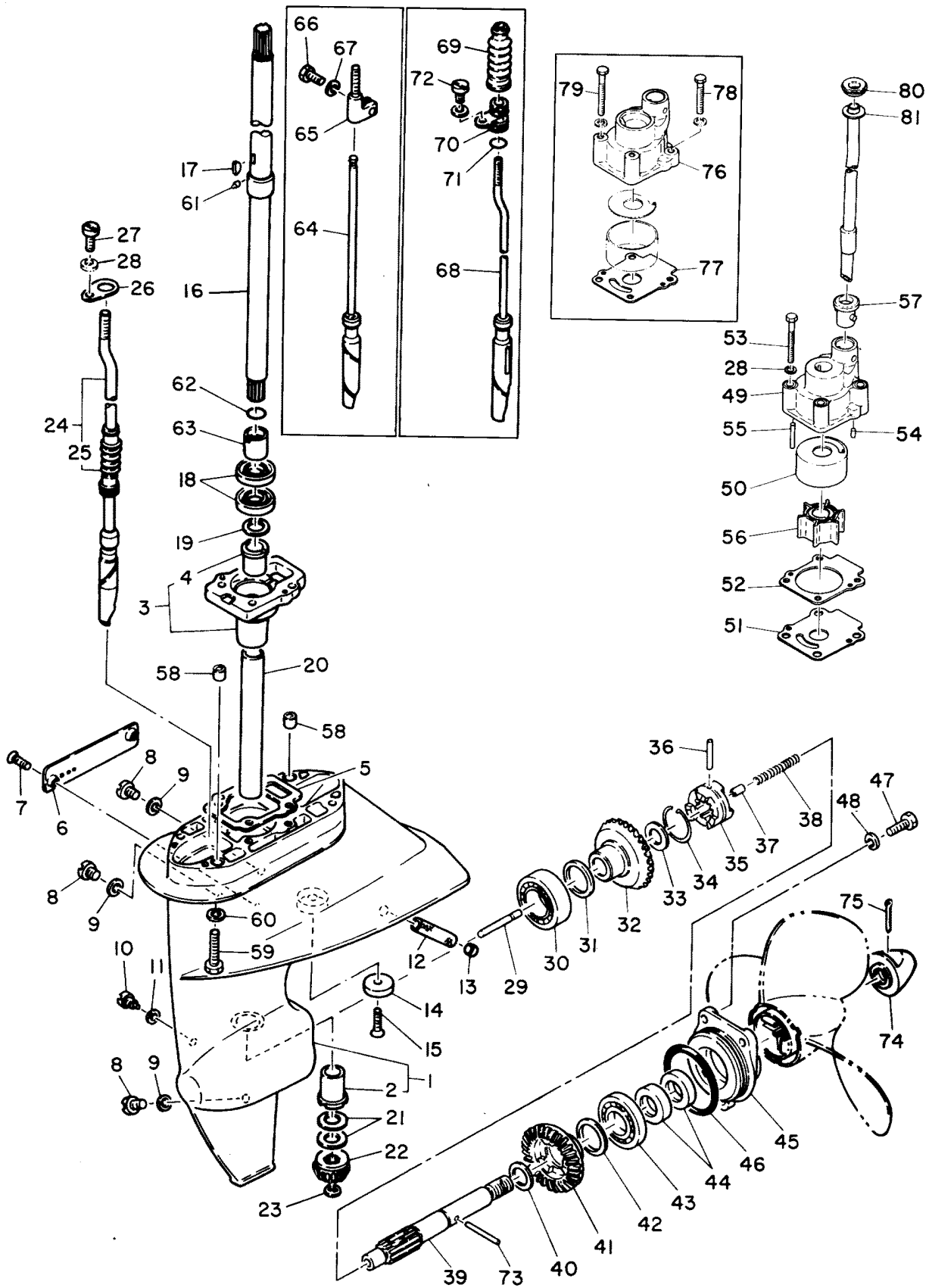
REVERSE LOCK



REVERSE LOCK

REF. NO.	PART NO.	SYM.	QTY.	DESCRIPTION
1	80236M		1	LEVER, LOCK/RELEASE SERIAL 00000000-00012755
	82880M		1	LEVER, LOCK/RELEASE SERIAL 00012756-09999999
2	24-82098M		1	SPRING, LEVER RETURN
3	80235M		1	ROD, REVERSE LOCK LEVER
4	17-81894M		1	PIN SERIAL 00006921-09999999
5	80233M		1	HOOK, REVERSE LOCK-REAR
6	24-82104M		1	SPRING, REVERSE LOCK
7	17-81881M		1	SHAFT, REVERSE LOCK
8	18-82125M		2	PIN, REVERSE LOCK SHAFT SERIAL 00000000-00009770
	18-82125M		1	PIN, REVERSE LOCK SHAFT SERIAL 00009771-09999999
9	80234M		1	HOOK, REVERSE LOCK-FRONT
10	10-81702M		2	SCREW, REVERSE LOCK
11	23-81966M		2	COLLAR, REVERSE LOCK SCREW
12	17-82785M		1	TILT LOCK PIN ASS'Y (SHORT)
	17-80266M		1	TILT LOCK PIN ASS'Y (LONG)
13	80640M		1	STOPPER PLATE SERIAL 00000000-00012755
	82857M		1	STOPPER PLATE SERIAL 00012756-09999999
14	17-82141M		1	PIN SERIAL 00000000-00012755
	17-82144M		1	PIN SERIAL 00012756-09999999
15	24-82099M		1	SPRING, TILT LOCK PIN
16	17-81150M		1	SHAFT, TILT STOP
17	80641M		1	KNOB, TILT STOP
18	17-82148M		1	PIN, TILT STOP KNOB
19	53-82330M		1	CIRCLIP SERIAL 00006921-09999999
20	18-82736M		1	PIN, COTTER SERIAL 00000000-00006920

GEARHOUSING ASS'Y

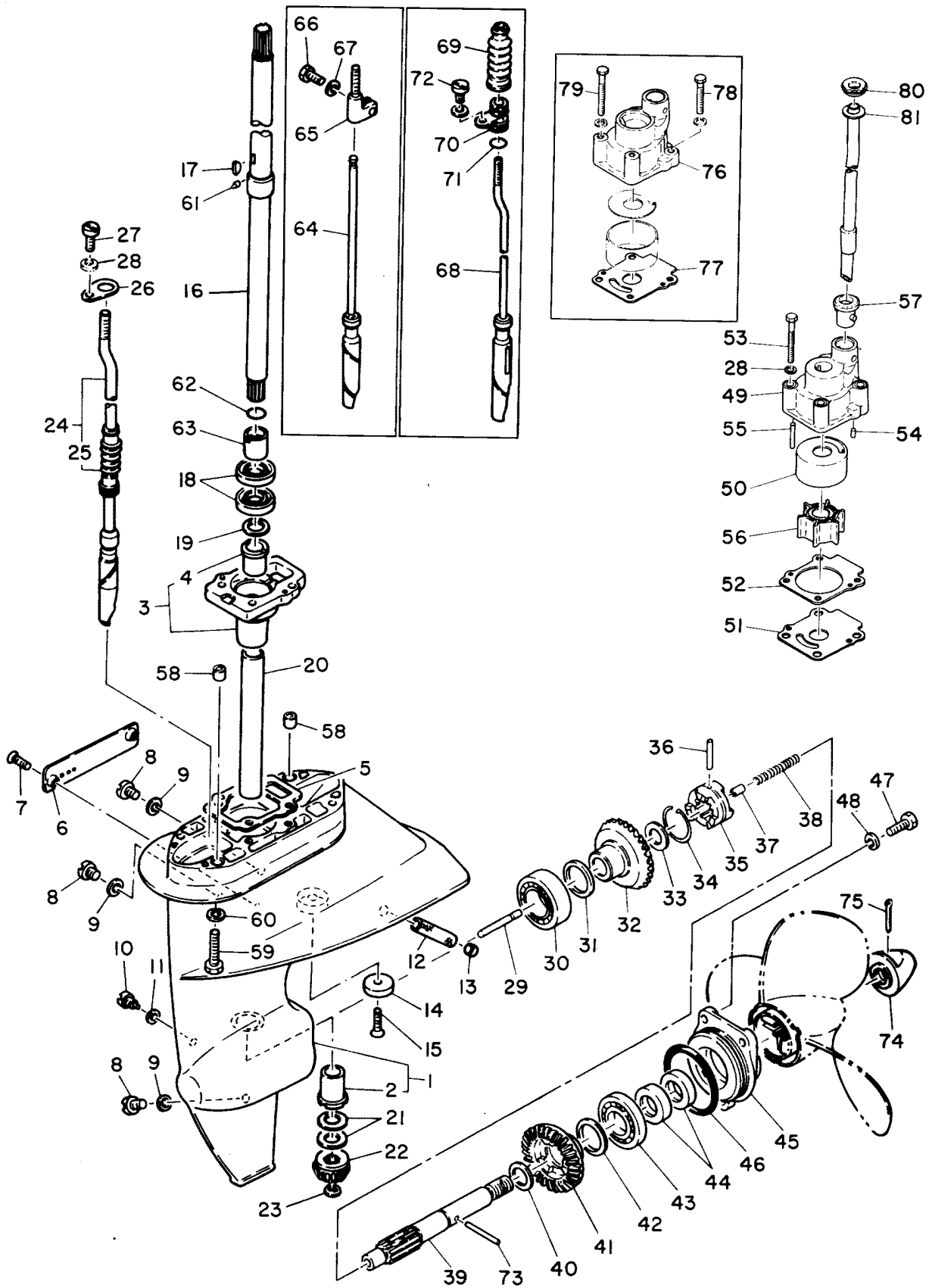


GEARHOUSING ASS'Y

REF. NO.	PART NO.	SYM.	QTY.	DESCRIPTION
0-1	1651-6890M		1	GEAR HOUSING ASS'Y (SHORT SHAFT)
	1651-6891M		1	GEAR HOUSING ASS'Y (LONG SHAFT)
1	1651-6758M		1	GEAR HOUSING
2	23-82591M		1	BUSHING, DRIVESHAFT-LOWER
3	80913M		1	HOUSING, DRIVESHAFT BEARING
4	23-82590M		1	BUSHING, DRIVESHAFT-UPPER
5	27-80912M		1	GASKET, GEAR HOUSING
6	80911M		1	COVER, WATER INLET
7	10-82482M		2	SCREW, COVER ATTACHING
8	22-81924M		3	PLUG, OIL DRAIN
9	27-81987M		3	GASKET, DRAIN PLUG
10	10-81752M		1	,SCREW, DETENT
11	81986M		1	GASKET, DETENT SCREW
12	35-80246M		1	COVER, WATER INLET
13	22-81920M		1	PLUG, WATER INLET
14	80051M		1	ANODE
15	10-82791M		1	SCREW ANODE ATTACHING
16	45-80915M		1	DRIVE SHAFT COMP (SHORT SHAFT)
	45-80916M		1	DRIVE SHAFT COMP (LONG SHAFT)
17	28-81912M		1	KEY, DRIVESHAFT TO IMPELLER
18	26-82229M		2	OIL SEAL
19	12-80255M		AR	SHIM, DRIVESHAFT BEARING
20	23-81984M		1	COLLAR, DRIVESHAFT
21	12-80251M		2,AR	THRUST WASHER, DRIVESHAFT (1.1 MM)
	12-80252M		2,AR	THRUST WASHER, DRIVESHAFT (1.2 MM)
	12-80253M		2,AR	THRUST WASHER, DRIVESHAFT (1.3 MM)
	12-80254M		2,AR	THRUST WASHER, DRIVESHAFT (1.4 MM)
22	43-80256M		1	GEAR, PINION
23	53-82332M		1	SNAP RING, PINION RETAINING
24	83066M		1	SHIFT CAM ASS'Y (SHORT SHAFT) SERIAL 00012756-09999999
	83068M		1	SHIFT CAM ASS'Y (LONG SHAFT) SERIAL 00012756-09999999
25	82881M		1	BOOT, SHIFT ROD SERIAL 00012756-09999999
26	82882M		1	PLATE SERIAL 00012756-09999999
27	10-83117M		1	SCREW, CYLINDERHEAD SERIAL 00012756-09999999
28	12-82214M		5	WASHER PLATE
29	80923M		1	PLUNGER SHIFT
30	30-82301M		1	BALL BEARING, FORWARD GEAR
31	15-80258M		AR	SHIM, FORWARD GEAR ADJUST (0.1 MM)
	15-80259M		AR	SHIM, FORWARD GEAR ADJUST (0.3 MM)
	15-80260M		AR	SHIM, FORWARD GEAR ADJUST (0.55 MM)
32	43-80257M		1	GEAR FORWARD
33	12-81821M		1	WASHER, THRUST-FORWARD GEAR

CONTINUED ON NEXT PAGE ➡

GEARHOUSING ASS'Y

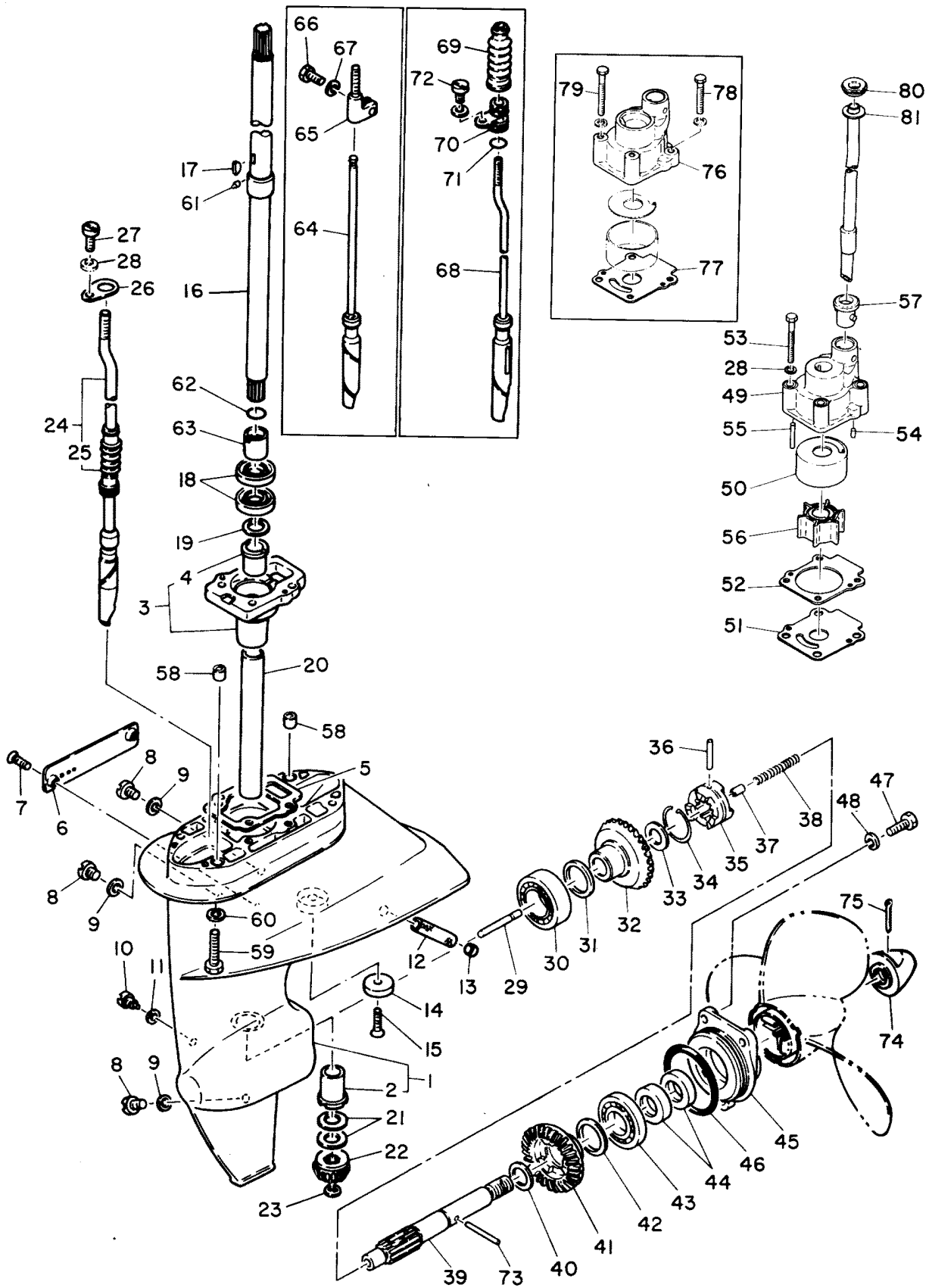


GEARHOUSING ASS'Y

REF. NO.	PART NO.	SYM.	QTY.	DESCRIPTION
34	53-80034M		1	RING, CROSS PIN
35	52-80922M		1	CLUTCH
36	17-81899M		1	CROSS PIN, CLUTCH
37	80679M		1	SLIDE, SHIFT
38	24-82077M		1	SPRING, SHIFT
39	44-80921M		1	SHAFT, PROPELLER
40	12-81827M		1	WASHER, THRUST-REVERSE GEAR
41	43-80920M		1	GEAR, REVERSE
42	15-80917M		AR	SHIM, REVERSE GEAR ADJUST (1.0 MM)
	15-80918M		1	SHIM, REVERSE GEAR ADJUST (1.2 MM)
	15-80919M		0	SHIM, REVERSE GEAR ADJUST (1.4 MM)
43	30-82298M		1	BALL BEARING, REVERSE GEAR
44	26-82227M		2	OIL SEAL
45	80914M		1	CAP, GEAR HOUSING
46	25-82283M		1	O-RING, GEAR HOUSING CAP
47	10-82452M		3	BOLT, CAP ATTACHING
48	13-82212M		3	LOCK WASHER, CAP BOLT
49	46-80900M		1	WATER PUMP HOUSING SERIAL 00009771-09999999
50	80902M		1	INSERT, CARTRIDGE SERIAL 00009771-09999999
51	80903M		1	BASE, WATER PUMP SERIAL 00009771-09999999
52	80901M		1	GASKET SERIAL 00009771-09999999
53	10-82458M		4	BOLT, PUMP ATTACHING SERIAL 00009771-09999999
54	17-82354M		1	PIN, DOWEL-PUMP HOUSING (SHORT)
55	17-82358M		1	PIN, DOWEL-PUMP HOUSING (LONG)
56	47-81242M		1	IMPELLER
57	26-80239M		1	SEAL, WATER TUBE
58	17-82163M		2	PIN, DOWEL
59	10-82467M		4	BOLT, GEAR HOUSING ATTACHING
60	13-82215M		18	LOCK WASHER
61	17-81891M		1	PIN, DRIVESHIFT SERIAL 00012756-09999999
62	25-82266M		1	O-RING, DRIVESHIFT SERIAL 00000000-00012755
63	23-80247M		1	COLLAR, DRIVESHIFT SERIAL 00012756-09999999
64	82651M		1	SHIFT SHAFT, LOWER (SHORT SHAFT) SERIAL 00000000-00009440
	82651M		1	SHIFT SHAFT LOWER (LONG SHAFT) SERIAL 00000000-00006440
65	82649M		1	CONNECTOR, SHIFT SHAFT SERIAL 00000000-00009440
66	10-82449M		1	BOLT, CONNECTOR SERIAL 00000000-00009440
67	13-82212M		1	LOCK WASHER, CONNECTOR BOLT SERIAL 00000000-00009440
68	80897M		1	SHIFT SHAFT, LOWER (SHORT SHAFT) SERIAL 00009441-00012755
	80898M		1	SHIFT SHAFT, LOWER (LONG SHAFT) SERIAL 00009441-00012755

CONTINUED ON NEXT PAGE ➡

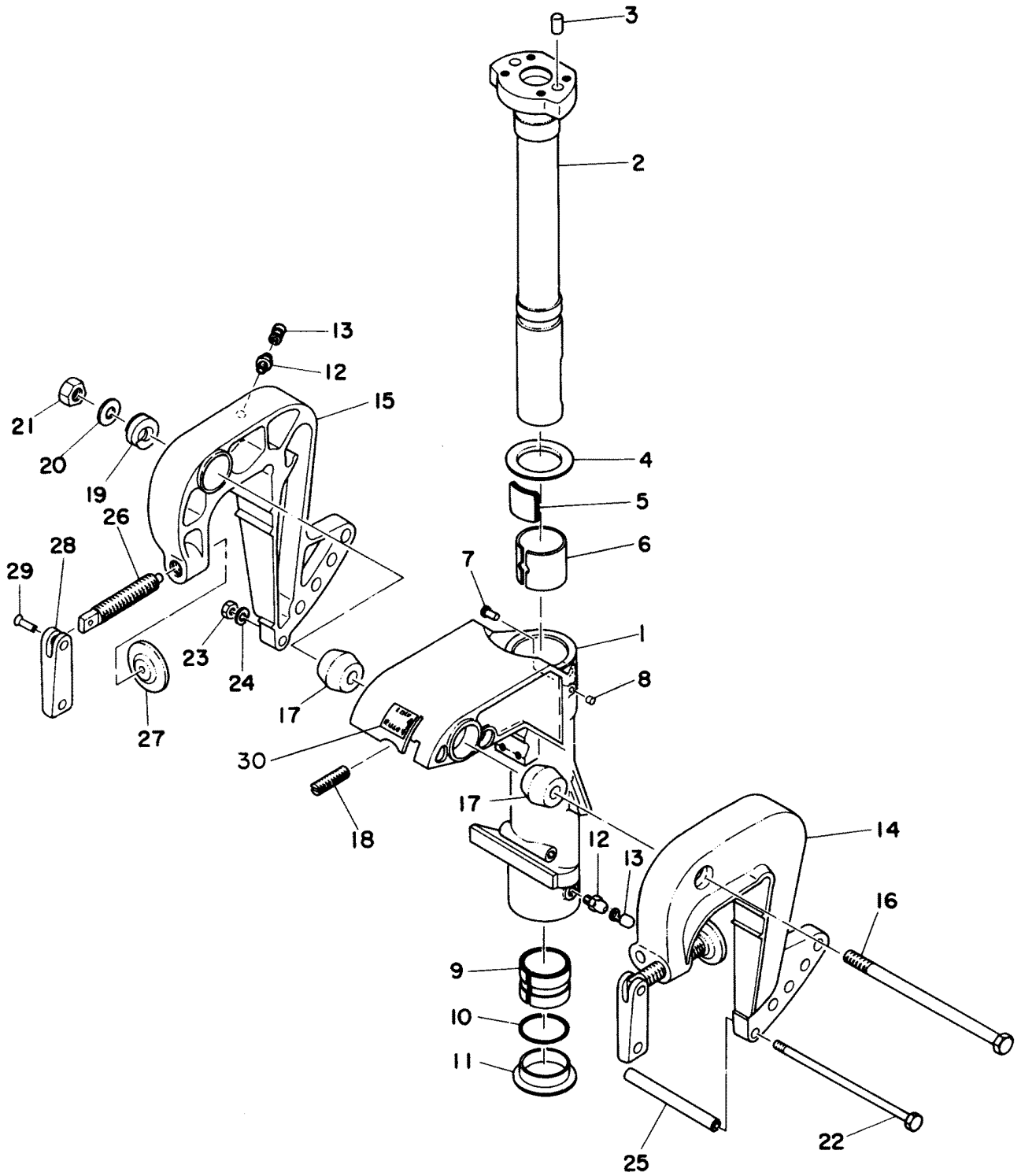
GEARHOUSING ASS'Y



GEARHOUSING ASS'Y

REF. NO.	PART NO.	SYM.	QTY.	DESCRIPTION
69	80529M		1	BOOT, SHIFT SHAFR SERIAL 00009441-00012755
70	23-80899M		1	CAM, SHIFT SHAFT SERIAL 00009441-00012755
72	10-82171M		1	SCREW, CAM SERIAL 00009441-00012755
73	17-81900M		1	PIN, SHEAR
74	11-82787M		1	NUT, PROPELLER
75	18-82132M		1	PIN, PROPELLER NUT
76	46-82652M		1	WATER PUMP HOUSING SERIAL 00000000-00009440
	46-80237M		1	WATER PUMP HOUSING, CHROME (OPTIONAL) SERIAL 00000000-00009770
77	82653M		1	BASE, WATER PUMP SERIAL 00000000-00009770
	80238M		1	BASE, WATER PUMP, CHROME (OPTIONAL) SERIAL 00000000-00009770
78	10-82456M		2	BOLT, PUMP ATTACHING SERIAL 00000000-00009770
79	10-82458M		2	BOLT, PUMP ATTACHING SERIAL 00000000-00009770
80	26-80653M		1	SEAL, WATER PUMP BODY
81	32-80904M		1	TUBE, WATER (SHORT SHAFT)
	32-80905M		1	TUBE, WATER (LONG SHAFT)

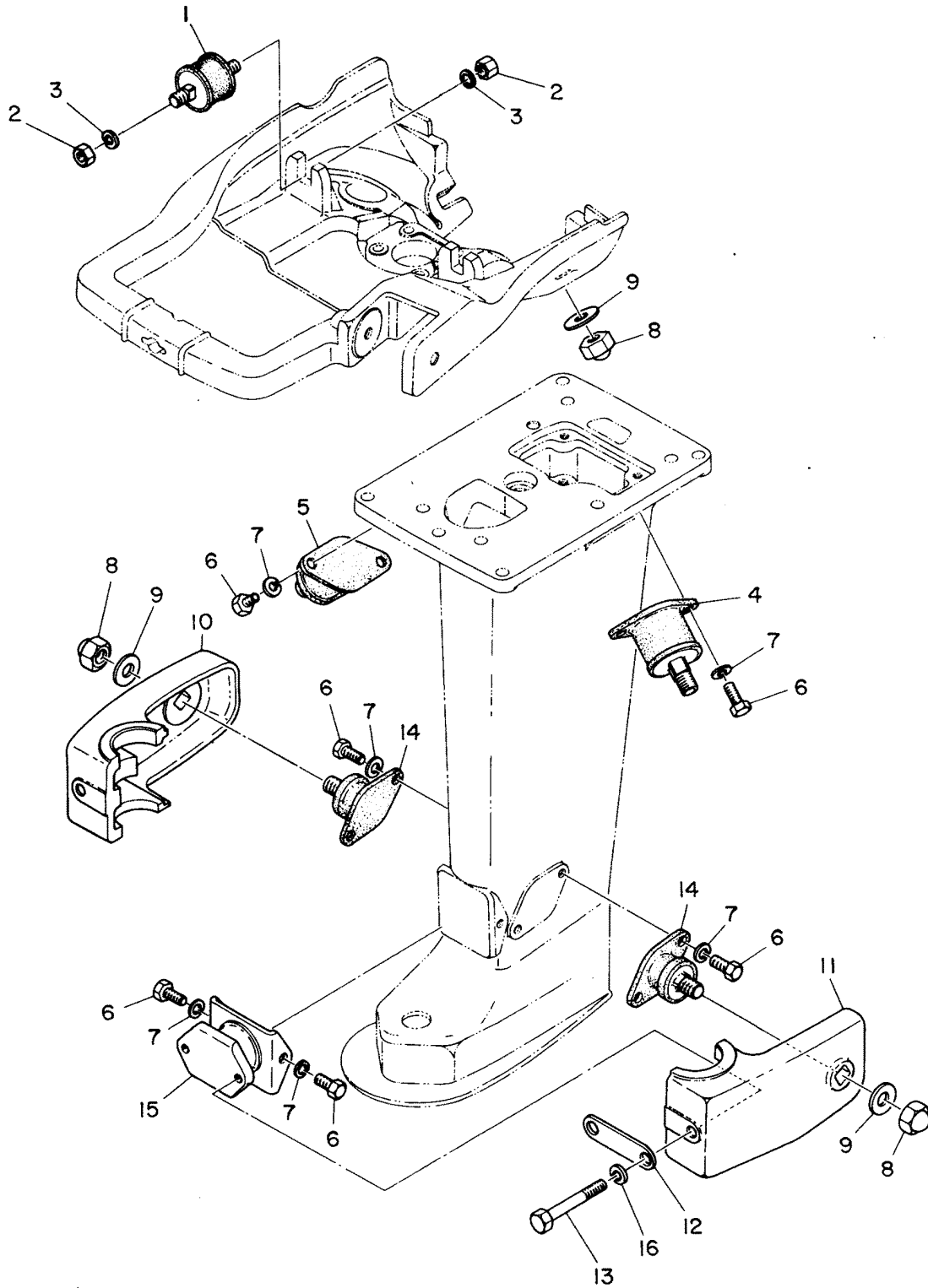
CLAMP AND SWIVEL BRACKET



CLAMP AND SWIVEL BRACKET

REF. NO.	PART NO.	SYM.	QTY.	DESCRIPTION
1	1485-6756M		1	SWIVEL BRACKET
2	80880M		1	SHAFT, STEERING PIVOT
3	17-82368M		2	PIN, DOWEL-PIVOT SHAFT
4	12-81872M		1	COLLAR, THRUST-PIVOT SHAFT
5	80225M		1	PLATE, FRICTION
6	23-81960M		1	BUSHING, PIVOT SHAFT-UPPER
7	17-81887M		1	PIN, PIVOT SHAFT
8	22-81917M		1	PLUG, PIVOT SHAFT
9	23-81956M		1	BUSHING, PIVOT SHAFT-LOWER
10	25-82273M		1	O-RING, PIVOT SHAFT BUSHING
11	23-81958M		1	COLLAR, THRUST-PIVOT SHAFT
12	22-82369M		2	FITTING, GREASE
13	81439M		2	CAP, GREASE FITTING
14	1484-6754M		1	CLAMP BRACKET, PORT
15	1484-6755M		1	CLAMP BRACKET, STARBOARD
16	10-81708M		1	BOLT, CLAMP BRACKET
17	80230M		2	MOUNT, RUBBER CLAMP BRACKET
18	10-81721M		1	SCREW, FRICTION PLATE ADJUSTING
19	24-82101M		1	SPRING, CLAMP BRACKET BOLT
20	12-81806M		1	WASHER, CLAMP BRACKET BOLT
21	11-82394M		1	NUT, CLAMP BRACKET BOLT
22	10-81724M		1	BOLT, CLAMP BRACKET SERIAL 00000000-00012755
	10-82921M		1	BOLT, CLAMP BRACKET SERIAL 00012756-09999999
23	11-82389M		1	NUT, CLAMP BRACKET BOLT
24	13-82212M		1	LOCK WASHER, CLAMP BRACKET BOLT
25	23-82116M		1	SPACER, CLAMP BRACKET BOLT
26	10-81756M		2	SCREW, TRANSOM CLAMP
27	12-80638M		2	PAD, TRANSOM CLAMP SCREW
28	80048M		2	HANDLE, TRANSOM CLAMP SCREW
29	17-81888M		2	PIN, TRANSOM CLAMP SCREW
30	80891M		1	INDCATOR

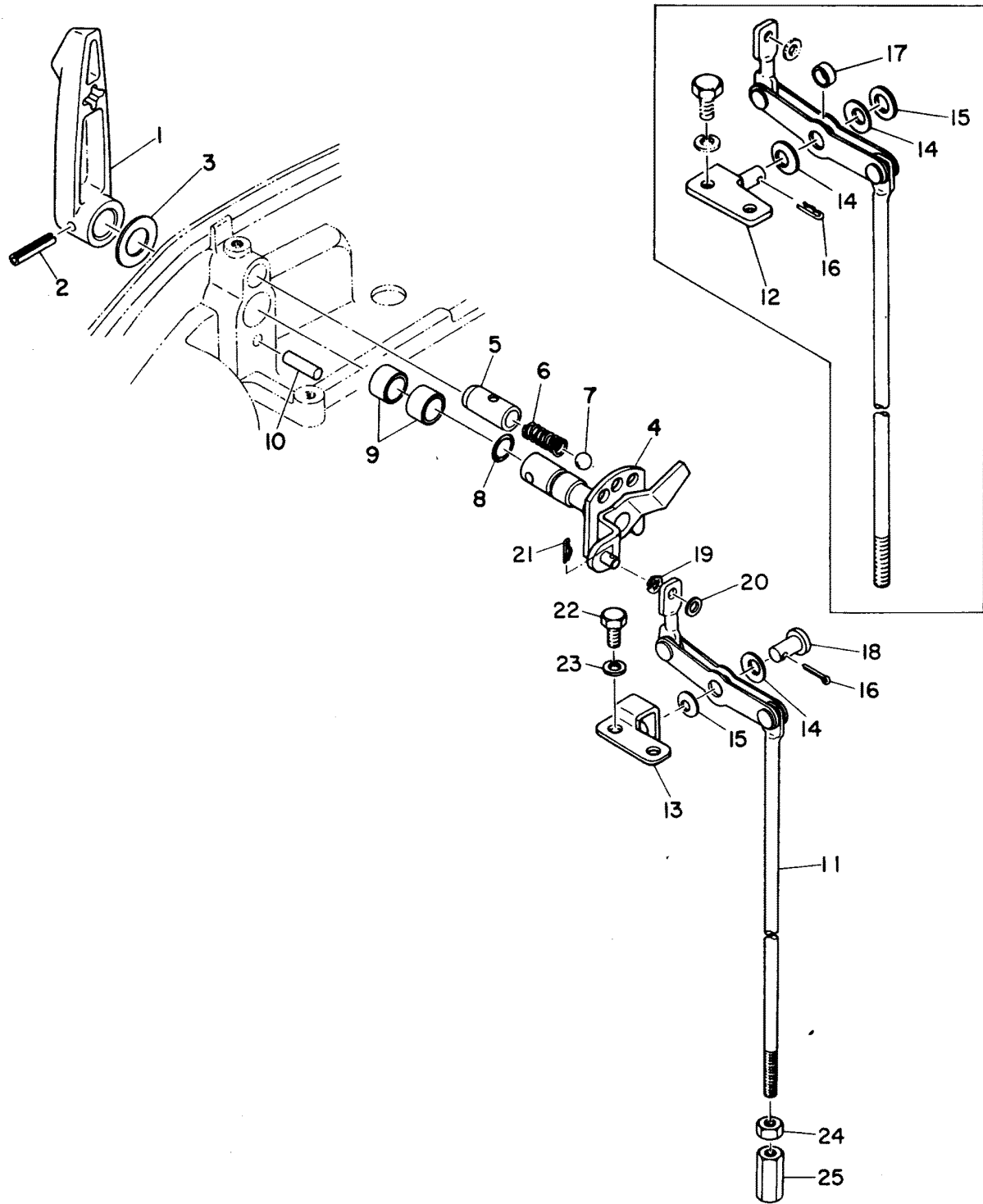
MOUNTING SYSTEM



MOUNTING SYSTEM

REF. NO.	PART NO.	SYM.	QTY.	DESCRIPTION
1	80242M		2	MOUNT, RUBBER-UPPER FRONT
2	11-82391M		4	NUT, MOUNT
3	13-81799M		4	LOCK WASHER
4	80240M		1	MOUNT, RUBBER-UPPER SIDE (PORT)
5	80241M		1	MOUNT, RUBBER-UPPER SIDE (STARBOARD)
6	10-82449M		10	BOLT
7	13-82212M		10	LOCK WASHER, MOUNT BOLT
8	11-82396M		4	NUT, MOUNT ATTACHING
9	12-81806M		4	WASHER
10	80906M		1	HOUSING, LOWER MOUNT (STARBOARD)
11	80907M		1	HOUSING, LOWER MOUNT (PORT)
12	80908M		1	BRACKET, MOUNT HOUSING
13	10-82470M		2	BOLT, MOUNT HOUSING
14	80243M		2	MOUNT, RUBBER-LOWER SIDE
15	80909M		1	MOUNT, RUBBER-LOWER FRONT
16	13-82215M		2	LOCK WASHER

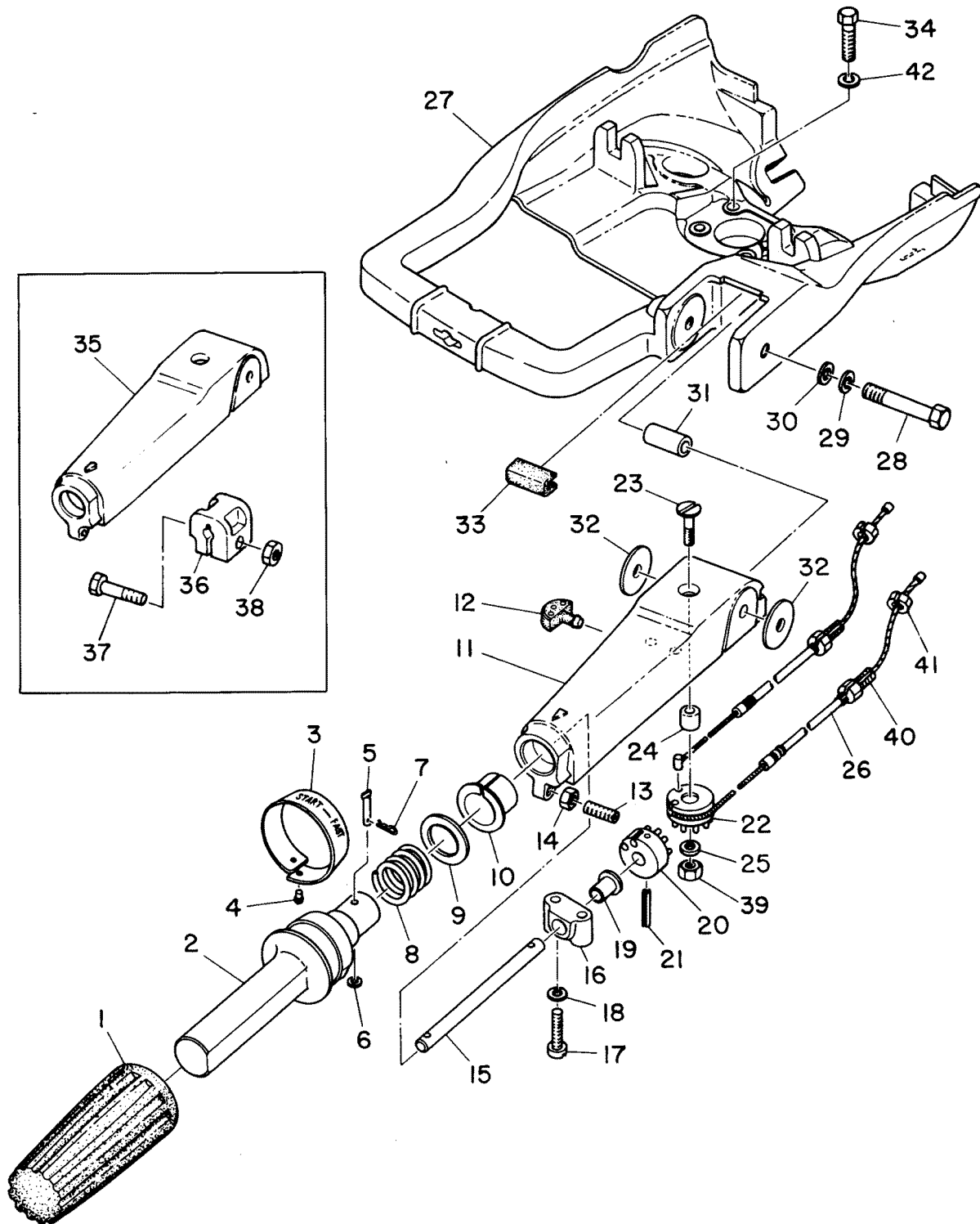
GEAR SHIFT LINKAGE



GEAR SHIFT LINKAGE

REF. NO.	PART NO.	SYM.	QTY.	DESCRIPTION
1	80893M		1	HANDLE, GEAR SHIFT
2	17-82158M		1	PIN, SHIFT HANDLE
3	12-81856M		1	WASHER, SHIFT HANDLE
4	80894M		1	CAM, SHIFT
5	23-80228M		1	RETAINER, SHIFT DETENT
6	24-82082M		1	SPRING, SHIFT DETENT
7	82347M		1	BALL, SHIFT DETENT
8	25-82264M		1	O-RING, SHIFT CAM
9	23-81934M		2	BUSHING, SHIFT CAM
10	17-82366M		1	PIN, DOWEL-SHIFT CAM STOP
11	80892M		1	SHIFT ROD ASS'Y
12	82589M		1	BRACKET, SHIFT SHAFT SERIAL 00000000-00009770
13	80896M		1	BRACKET, SHIFT SHAFT SERIAL 00009771-09999999
14	13-81867M		2	WASHER, BRACKET SERIAL 00000000-00009770
	13-81867M		1	WASHER, BRACKET SERIAL 00009771-09999999
15	12-82217M		1	WASHER
16	18-82736M		1	PIN, SHIFT CAM SERIAL 00000000-00009770
	18-82129M		1	PIN, SHIFT CAM SERIAL 00009771-00012755
	18-82752M		1	PIN, SHIFT CAM SERIAL 00012756-09999999
17	23-82720M		1	COLLAR SERIAL 00000000-00009770
18	17-81886M		1	PIN, W/HOLE SERIAL 00009771-09999999
19	13-81865M		1	WASHER, WAVE-SHIFT CAM
20	12-82194M		1	WASHER, SHIFT CAM
21	18-82752M		1	PIN, BRACKET
22	10-82422M		2	BOLT, BRACKET ATTACHING
23	13-82197M		2	LOCK WASHER, BRACKET BOLT
24	11-82390M		1	NUT, JAM
25	11-81763M		1	CONNECTOR

STEERING HANDLE

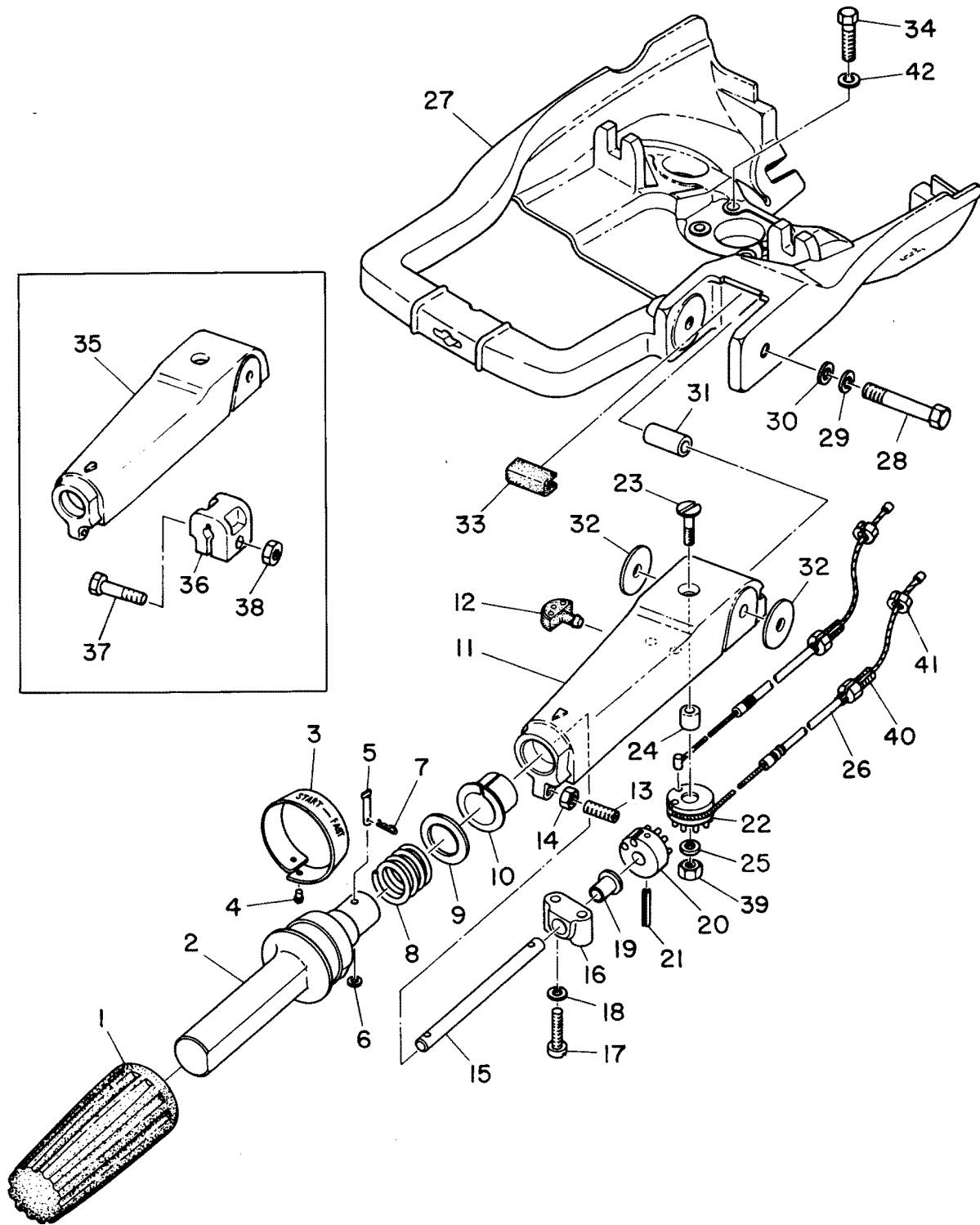


STEERING HANDLE

REF. NO.	PART NO.	SYM.	QTY.	DESCRIPTION
1	80775M		1	GRIP, STEERING HANDLE
2	80773M		1	HANDLE, THROTTLE
3	80776M		1	INDICATOR, THROTTLE
4	17-81907M		1	RIVET, INDICATOR
5	17-81890M		1	PIN, THROTTLE HANDLE
6	12-82933M		1	WASHER, THROTTLE HANDLE PIN
7	18-82050M		1	PIN, THROTTLE HANDLE PIN
8	24-82094M		1	SPRING, THROTTLE SHAFT
9	12-81833M		1	WASHER, THROTTLE SHAFT
10	23-81954M		1	BUSHING, THROTTLE SHAFT
11	80772M		1	ARM, STEERING (S-11005 L-43620)
12	80033M		1	HOLDER, SHEAR PIN
13	10-81719M		1	SCREW, THROTTLE STOP
14	11-82390M		1	NUT
15	80774M		1	SHAFT, THROTTLE
16	80224M		1	GUIDE, THROTTLE SHAFT
17	10-82498M		2	SCREW, SHAFT GUIDE ATTACHING
18	13-82208M		2	LOCK WASHER, GUIDE SCREW
19	23-81945M		1	BUSHING, STEERING ARM
20	43-82587M		1	CAM, THROTTLE SHAFT SERIAL 00000000-00009770
	43-80778M		1	GEAR SERIAL 00009771-09999999
21	17-82151M		1	PIN, THROTTLE SHAFT CAM
22	43-82586M		1	CAM, THROTTLE SERIAL 00000000-00009770
	43-80777M		1	PINION SERIAL 00000000-00009771
23	10-82167M		1	SCREW, THROTTLE CAM ATTACHING
	10-82168M		1	SCREW SERIAL 00000000-00009771
24	23-82717M		1	SPACER, CAM SCREW () SERIAL 00000000-00009770
	23-81974M		4	SPACERS () SERIAL 00009771-09999999
25	13-82212M		1	LOCK WASHER
26	80758M		2	CABLE, THROTTLE
27	80779M		1	BRACKET, STEERING
28	10-82471M		1	BOLT, STEERING ARM ATTACHING
29	13-82215M		1	LOCK WASHER, STEERING ARM BOLT
30	13-81799M		1	WASHER, STEERING ARM BOLT
31	23-81977M		1	COLLAR, STEERING ARM BOLT
32	12-80223M		2	SPACER, STEERING ARM
33	80226M		1	STOP, STEERING ARM
34	10-82453M		4	BOLT, BRACKET ATTACHING
35	83118M		1	ARM, STEERING SERIAL 00011006-00012755
36	82895M		1	PIECE, FRICTION SERIAL 00011006-00012755
37	10-82452M		1	BOLT SERIAL 00011006-00012755

CONTINUED ON NEXT PAGE ➡

STEERING HANDLE



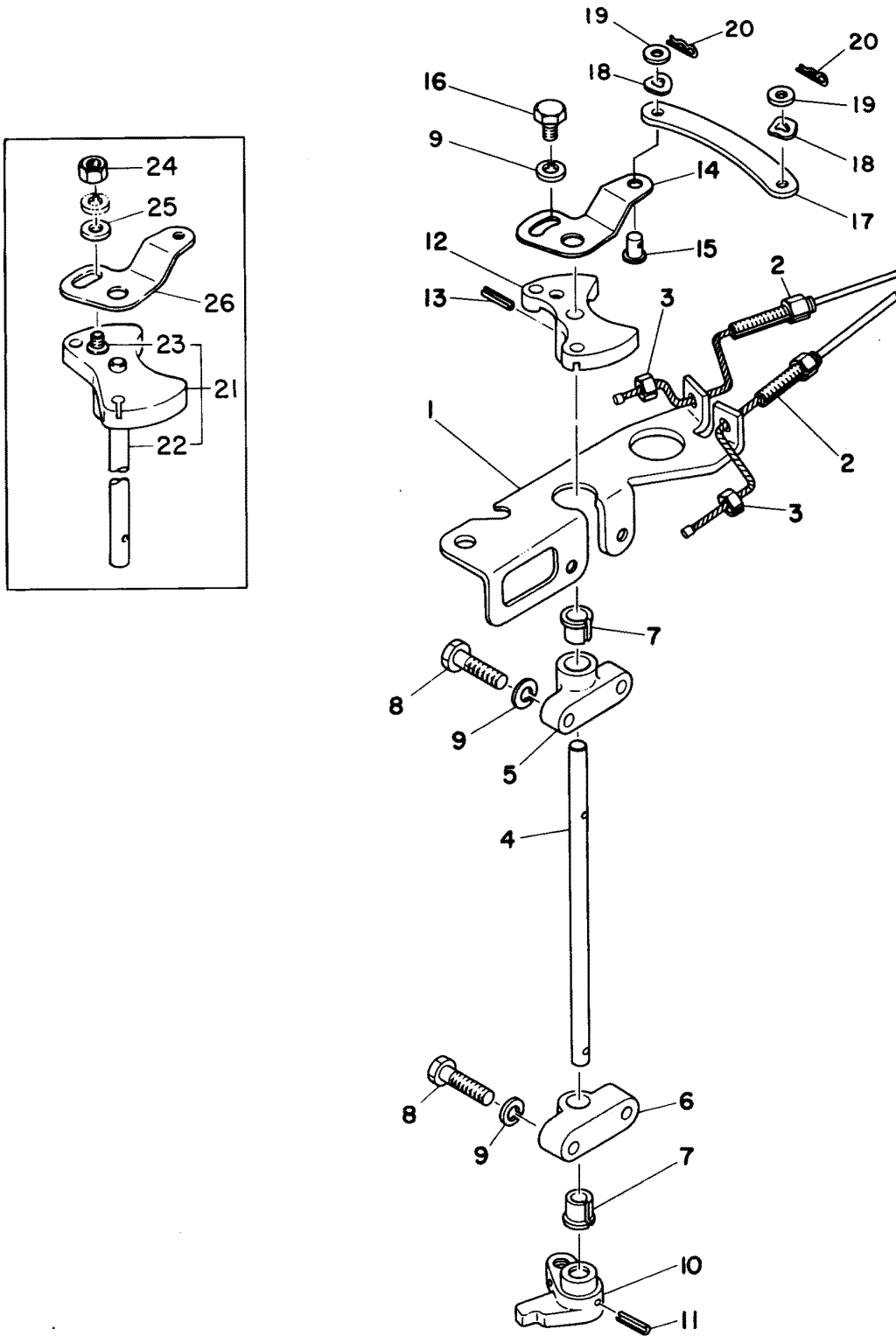
STEERING HANDLE

REF. NO.	PART NO.	SYM.	QTY.	DESCRIPTION
38	11-83056M		1	NUT SERIAL 00011006-00012755
39	11-82399M		1	NUT
40	80759M		2	ADJUSTER, CABLE
41	11-81777M		2	NUT, CABLE GUIDE
42	13-82212M		4	LOCK WASHER

STEERING HANDLE

REF. NO.	PART NO.	SYM.	QTY.	DESCRIPTION
1	82874M		1	BRACKET,STEERING
2	81583M		1	HANDLE,STEERING
3	23-82119M		1	SPACER
4	23-81861M		1	WASHER,PLATE
5	23-81136M		1	SPACER,HANDLE
6	24-82093M		1	SPRING,COMPRESSION
7	81129M		1	HANDLE,STEERING
8	10-82424M		1	BOLT
9	10-82427M		1	BOLT
10	13-82212M		2	WASHER
11	81585M		1	GRIP, STERRIN GHANDLE
12	80509M		1	RUBBER,HANDLE
13	82873M		1	INDICATOR,THRUTTLE
14	10-82483M		1	SCREW
15	81584M		1	SHAFT,STERRING HANDLE
16	12-82204M		1	WASHER,PLATE
17	24-82095M		1	SPRING,COMPRESSION
18	23-81945M		2	BUSHING
19	80631M		1	LEVER,THROTTLE
20	82868M		2	THROTTLE WIRE COMP
21	82793M		2	ADJUSSTER,CABLE
22	11-81777M		2	NUT
23	82895M		1	PIECE,FRICTION
24	10-82452M		1	BOLT
25	11-83056M		1	NUT

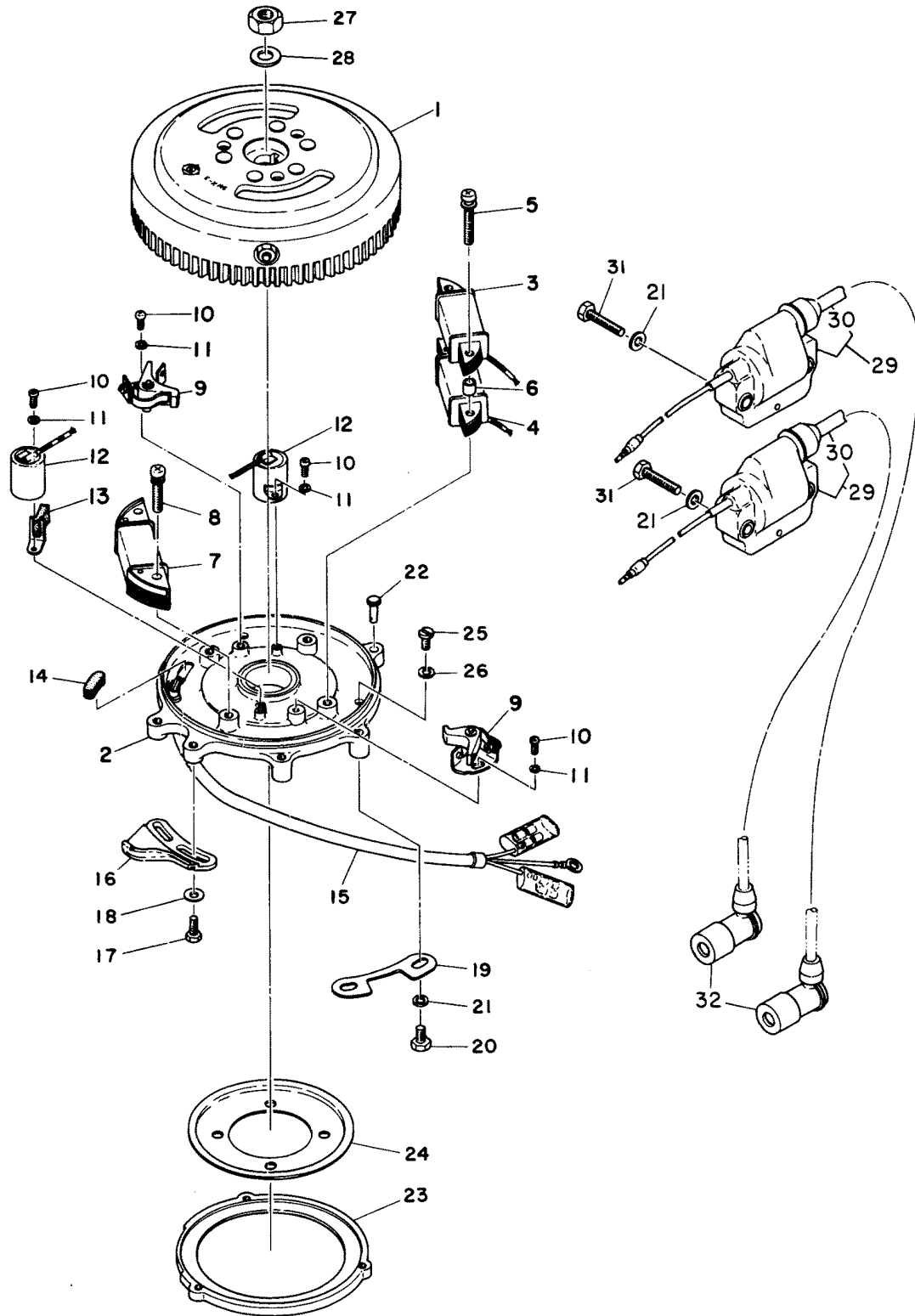
THROTTLE CONTROL LINKAGE



THROTTLE CONTROL LINKAGE

REF. NO.	PART NO.	SYM.	QTY.	DESCRIPTION
1	80744M		1	BRACKET,THROTTLE CABLE
2	80759M		2	ADJUSTER,CABLE
3	11-81777M		2	NUT,CABLE ADJUSTMENT
4	80221M		1	SHAFT,THROTTLE SERIAL 00000000-00012755
5	80222M		1	BRACKET,THROTTLE SHAFT-UPPER
6	80771M		1	BRACKET,THROTTLE SHAFT-LOWER
7	23-81945M		2	BUSHING,THROTTLE SHAFT
8	10-82425M		4	BOLT,SHAFT BRACKET ATTASHING
9	12-82197M		5	LOCK WASHER
10	80895M		1	LEVER,THROTTLE SHAFT
11	17-82149M		1	PIN,ROLL-SHAFT LEVER
12	80770M		1	PULLEY,THROTTLE CABLE SERIAL 00000000-00012755
13	17-82147M		1	PIN,ROLLHROTTLE CABLE SERIAL 00000000-00012755
14	80769M		1	LEVER,MAGNETO CONTROL SERIAL 00000000-00012755
15	17-80501M		1	PIN,MANGNETO CONTROL
16	10-82421M		1	BOLT,CONTROL LEVER ATTACHING SERIAL 00000000-00012755
17	80273M		1	LINK,MAGNETO CONTROL
18	13-81865M		2	WASHER,WAVE CONTROL PIN
19	12-82209M		2	WASHER,CONTROL PIN
20	18-82051M		2	PIN
21	82871M		1	PULLEY,THROTTLE CABLE SERIAL 00012756-09999999
22	82870M		1	SHAFT,LINK CONNECTING SERIAL 00012756-09999999
23	10-82872M		1	BOSS,LEVER SERIAL 00012756-09999999
24	11-82380M		1	NUT SERIAL 00012756-09999999
25	13-82199M		1	WASHER SERIAL 00012756-09999999
26	82869M		1	LEVER,MAGNETO CONTROL SERIAL 00012756-09999999

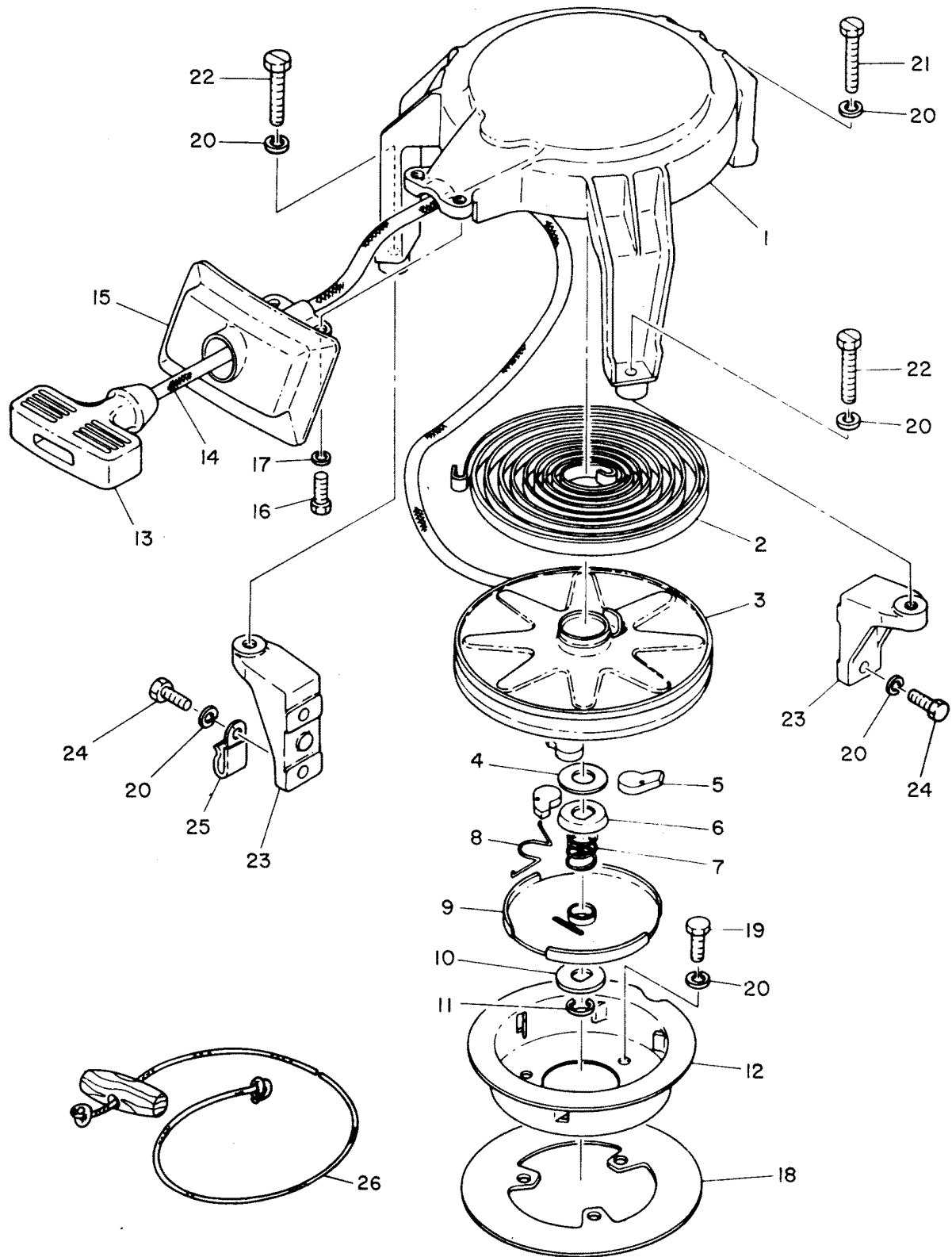
FLYWHEEL MAGNETO



FLYWHEEL MAGNETO

REF. NO.	PART NO.	SYM.	QTY.	DESCRIPTION
0-1	80927M		1	FLYWHEEL MAGNETO ASSY
1	80560M		1	FLYWHEEL
2	80928M		1	BASE, MAGNETO
3	80551M		1	IGNITION COIL,#1 CYL.(TOP)
4	80552M		1	IGNITION COIL,#2CYL.(BOTTOM)
5	10-80556M		2	SCREW,COIL ATTACHING
6	23-80555M		2	SPACER,COIL
7	80553M		1	LIGHTING,COIL
8	10-80557M		2	SCREW,COIL ATTACHING
9	80930M		2	BREAKER ASSY
10	10-80023M		4	SCREW
11	13-82184M		4	LOCK WASHER
12	80558M		2	CONDENSER
13	80025M		2	LUBRICATOR
14	25-80559M		1	GROMMET, MAGNETO BASE
15	84-80929M		1	LEAD WIRE
16	80763M		1	CAM, THROTTLE ADVANCE
17	10-82417M		2	BOLT, CAM ATTACHING
18	12-82196M		2	WASHER, CAM BOLT
19	80767M		1	STOP, MAGNETO BASE
20	10-82422M		2	BOLT, STOP ATTACHING
21	13-82199M		6	WASHER
22	17-81878M		1	PIN, MAGNETO CONTROL LEVER
23	82647M		1	RETAINER, MAGNETO BASE-OUTER SERIAL 00000000-00009920
	81047M		1	RETAINER, MAGNETO BASE-OUTER SERIAL 00009921-09999999
24	82648M		1	RETAINER, MAGNETO BASE-INNER SERIAL 00000000-00009920
	81048M		1	RETAINER, MAGNETO BASE-INNER SERIAL 00009921-09999999
25	10-82490M		3	SCREW, RETAINER ATTACHING
26	13-82193M		3	LOCK WASHER, RETAINER SCREW
27	11-81769M		1	NUT, FLYWHEEL ATTACHING
28	12-81805M		1	WASHER, FLYWHEEL NUT
29	80931M		2	SECONDARY IGNITION COIL ASS'Y
30	84-82831M		2	LEAD, HIGH TENSION
31	10-82426M		4	BOLT, COIL ATTACHING
32	80183M		2	PLUG CAP SERIAL 00000000-00012755
	82788M		2	PLUG CAP SERIAL 00012756-09999999
	80935M		2	PLUG CAP, NOISE SUPPRESSOR (OPTIONAL)
	80274M		2	PLUG CAP (OPTIONAL)

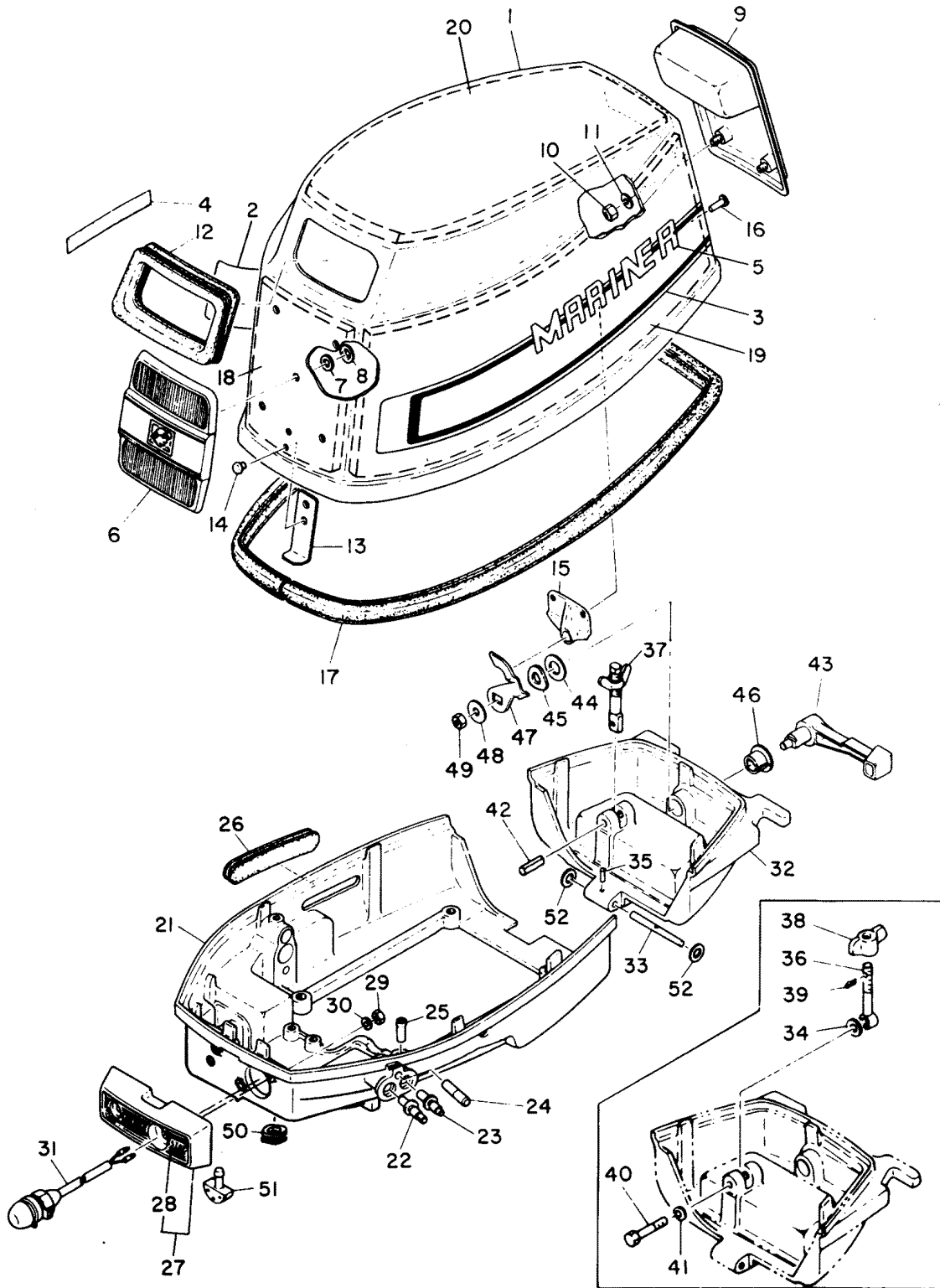
RECOIL STARTER



RECOIL STARTER

REF. NO.	PART NO.	SYM.	QTY.	DESCRIPTION
0-1	2169-6750M		1	STARTER ASS'Y
1	2169-6751M		1	HOUSING, STARTER
2	24-80207M		1	SPRING, STARTER
3	50-80208M		1	STARTER, SHEAVE
4	12-80213M		1	WASHER, THRUST-SHEAVE STARTER
5	80214M		3	PAWL, STARTER
6	12-80211M		1	WASHER, THRUST-PLATE SPRING
7	24-80209M		1	SPRING, DRIVE PLATE
8	24-81696M		3	SPRING, STARTER PAWL
9	80210M		1	DRIVE, PLATE
10	12-80212M		1	WASHER, STARTER HOUSING STUD
11	53-81693M		1	SNAP RING, STARTER HOUSING STUD
12	80747M		1	PULLEY, STARTER
13	80063M		1	HANDLE, STARTER
14	79629A1		1	STARTER ROPE
15	80748M		1	GUIDE, ROPE
16	10-82422M		2	BOLT
17	13-82197M		2	LOCK WASHER
18	81247M		1	BASE, STARTER PULLEY
19	10-82422M		3	BOLT
20	13-82197M		10	WASHER
21	10-81750M		1	SCREW, HOUSING ATTACHING-REAR
22	10-81749M		2	SCREW, HOUSING ATTACHING-FRONT
23	80750M		2	BRACKET, STARTER HOUSING SERIAL 00000000-00012755
	82867M		2	BRACKET, STARTER HOUSING SERIAL 00012756-09999999
24	10-82423M		4	BOLT, STARTER BRACKET ATTACHING SERIAL 00000000-00012755
	10-82422M		4	BOLT, STARTER BRACKET ATTACHING SERIAL 00012756-09999999
25	54-82041M		1	CLAMP
26	47341A1		1	EMERGENCY STARTER ROPE

COWLING

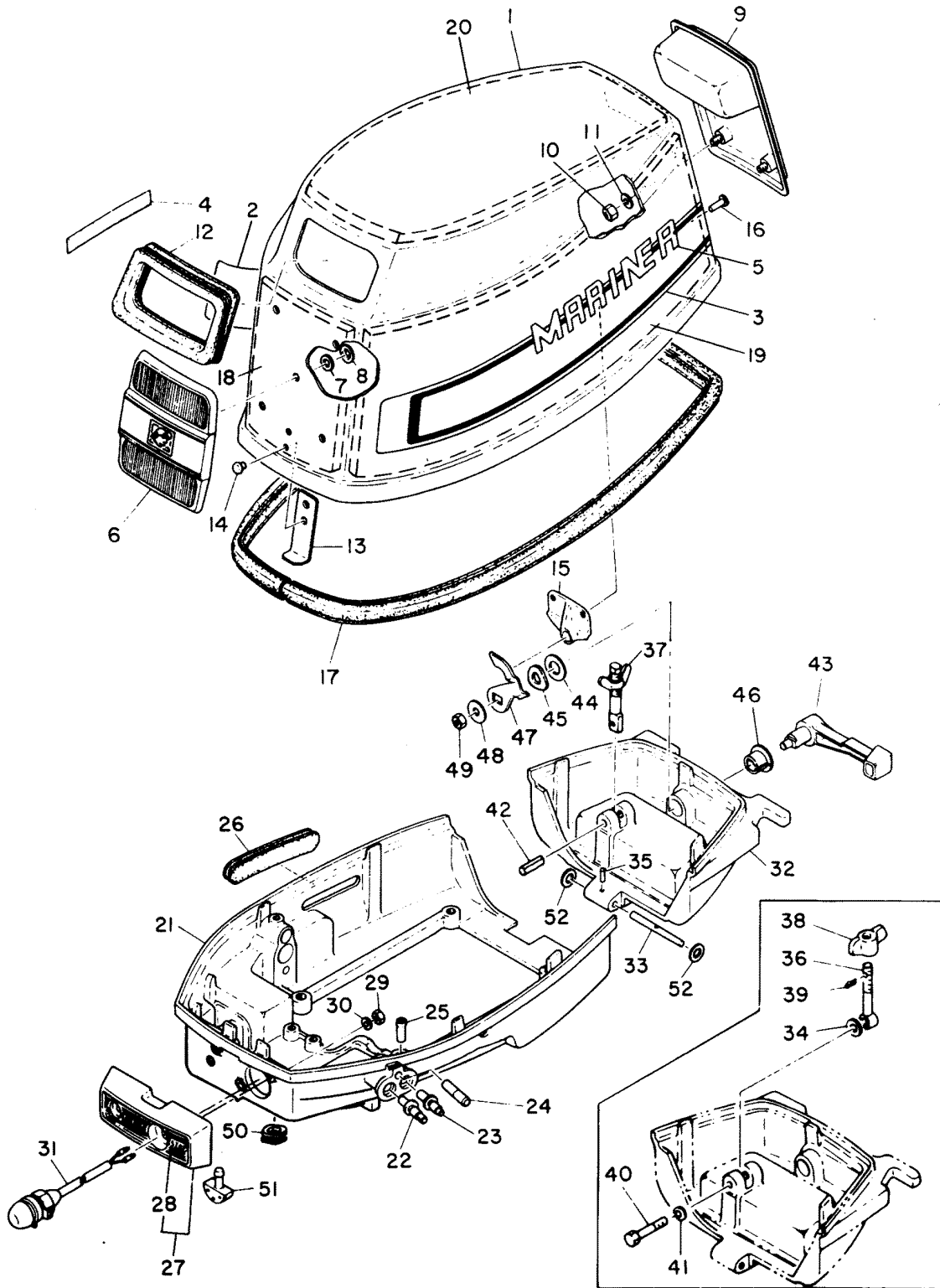


COWLING

REF. NO.	PART NO.	SYM.	QTY.	DESCRIPTION
1	2168-6766M		1	TOP COWLING ASS'Y
2	37-83119M		1	DECAL, TRIM-STARBOARD SERIAL 00000000-00012755
	37-82875M		1	DECAL, TRIM-STARBOARD SERIAL 00012756-09999999
3	37-83120M		1	DECAL, TRIM-PORT SERIAL 00000000-00012755
	37-82876M		1	DECAL, TRIMPORT SERIAL 00012756-09999999
4	37-81202M		1	DECAL, F-N-R
5	37-81141M		2	DECAL, "MARINER"-COWL SERIAL 00000000-00012755
6	83122M		1	EMBLEM, FRONT SERIAL 00000000-00012755
	82884M		1	EMBLEM, FRONT SERIAL 00012756-09999999
7	11-82927M		5	NUT, FRONT APPLIQUE ATTACHING SERIAL 00000000-00012755
	11-82927M		4	NUT, FRONT APPLIQUE ATTACHING SERIAL 00012756-09999999
8	12-80884M		5	WASHER, APPLIQUE NUT SERIAL 00000000-00012755
	12-80884M		4	WASHER, APPLIQUE NUT SERIAL 00012756-09999999
9	80946M		1	APPLIQUE, REAR SERIAL 00000000-00012755
	82885M		1	EMBLEM, REAR SERIAL 00012756-09999999
10	11-82378M		4	NUT, REAR APPLIQUE ATTACHING
11	13-82193M		4	LOCKWASHER, APPLIQUE NUT
12	80749M		1	SEAL, RUBBER-STARTER
13	80883M		2	LATCH, COWL
14	17-81905M		2	RIVET, LATCH ATTACHING
15	80882M		1	HOLDER, CLAMP
16	17-81904M		2	RIVET, HOLDER ATTACHING
17	80881M		1	SEAL, TOP COWL
18	83123M		1	DAMPER1
19	83124M		1	DAMPER2
20	83125M		1	DAMPER3
21	2168-6752M		1	BOTTOM COWL, FRONT SERIAL 00000000-00012755
	2168-6949M		1	BOTTOM COWL, FRONT SERIAL 00012756-09999999
22	22-80754M		1	CONNECTOR, FUEL LINE
23	22-80755M		1	CONNECTOR, FUEL LINE
24	17-81044M		1	GUIDE, FUEL LINE CONNECTOR
25	22-80756M		1	CONNECTOR, FUEL LINE
26	82055M		1	GROMMET, BOTTOM COWL-STARBOARD
27	80885M		1	PANEL, CONTROL
28	37-83121M		1	DECAL, CONTROL PANEL
29	11-82379M		2	NUT, PANEL BOLT
30	13-82193M		2	LOCK WASHER, PANEL BOLT
31	87-80718M		1	STOP SWITCH
32	2168-6867M		1	BOTTOM COWL, REAR SERIAL 00000000-00009770
	2168-6753M		1	BOTTOM COWL, REAR SERIAL 00009771-09999999
33	80229M		1	SHAFT, COWL ATTACHING
34	12-81844M		1	WASHER SERIAL 00000000-00009770

CONTINUED ON NEXT PAGE ➡

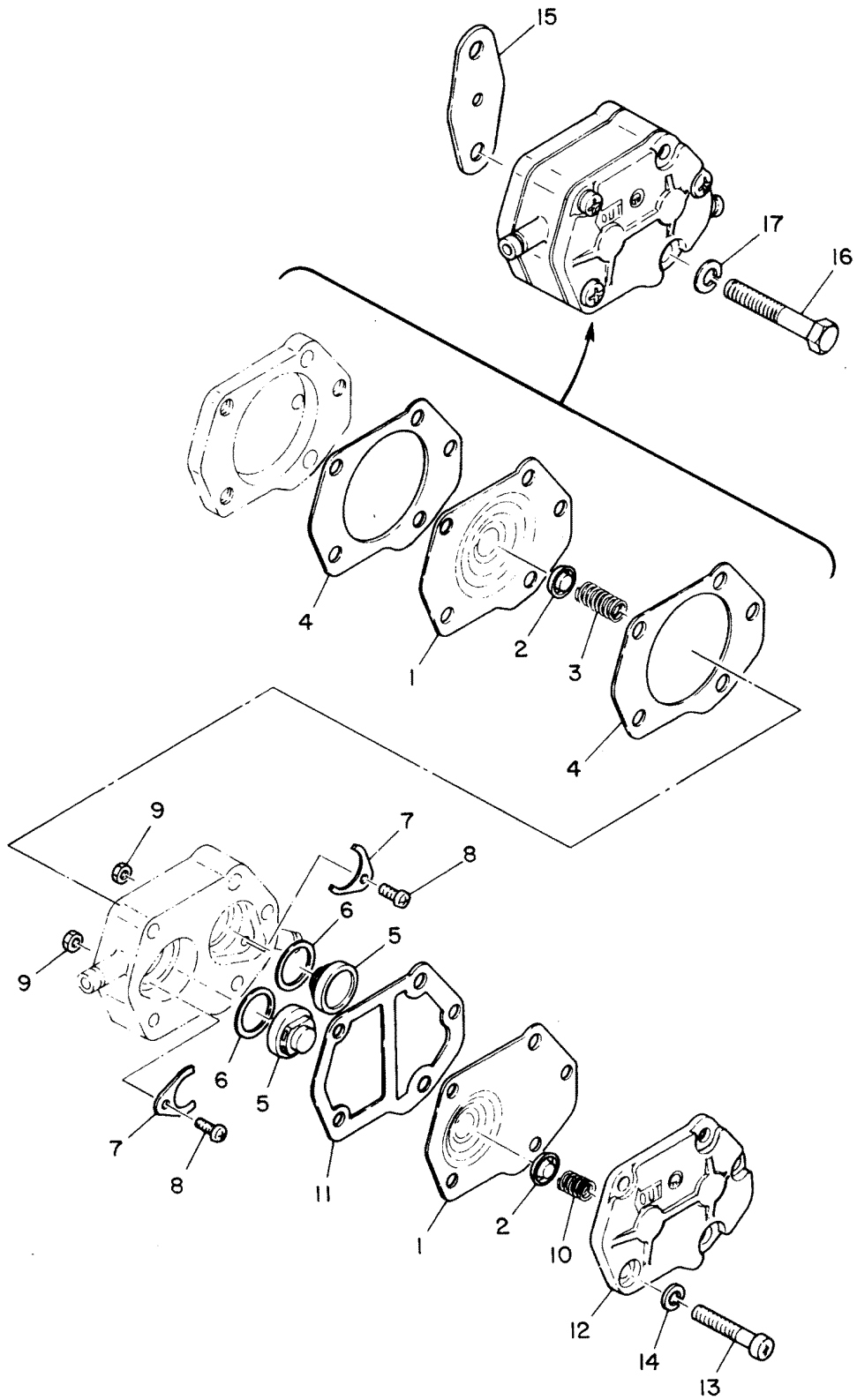
COWLING



COWLING

REF. NO.	PART NO.	SYM.	QTY.	DESCRIPTION
35	17-83126M		1	PIN, ROLL-COWL SHAFT
36	10-82698M		1	SCREW, COWL ATTACHING SERIAL 00000000-00009770
37	10-80887M		1	BOLT SERIAL 00009771-09999999
38	11-82704M		1	NUT, WING-COWL SCREW SERIAL 00000000-00009770
39	18-82752M		1	PIN, COWL SCREW SERIAL 00000000-00009770
40	10-82427M		1	BOLT, COWL SCREW ATTACHING SERIAL 00000000-00009770
41	13-82197M		1	LOCK WASHER, COWL BOLT SERIAL 00000000-00009770
42	17-82563M		1	PIN, SPRING SERIAL 00009771-09999999
43	80889M		1	LEVER, COWL CLAMP
44	12-81817M		1	WASHER, COWL CLAMP LEVER
45	13-81871M		1	WASHER, WEAVE-COWL CLAMP LEVER
46	23-81951M		1	BUSHING, COWL CLAMP LEVER
47	80890M		1	CLAMP, COWL
48	12-81794M		1	WASHER, COWL CLAMP
49	11-82381M		1	NUT, COWL CLAMP
50	83062M		1	GROMMET SERIAL 00012756-09999999
51	80033M		1	HOLDER, SHEAR PIN SERIAL 00012756-09999999
52	12-81844M		2	WASHER
53	37-83055M		2	DECAL, SIDE

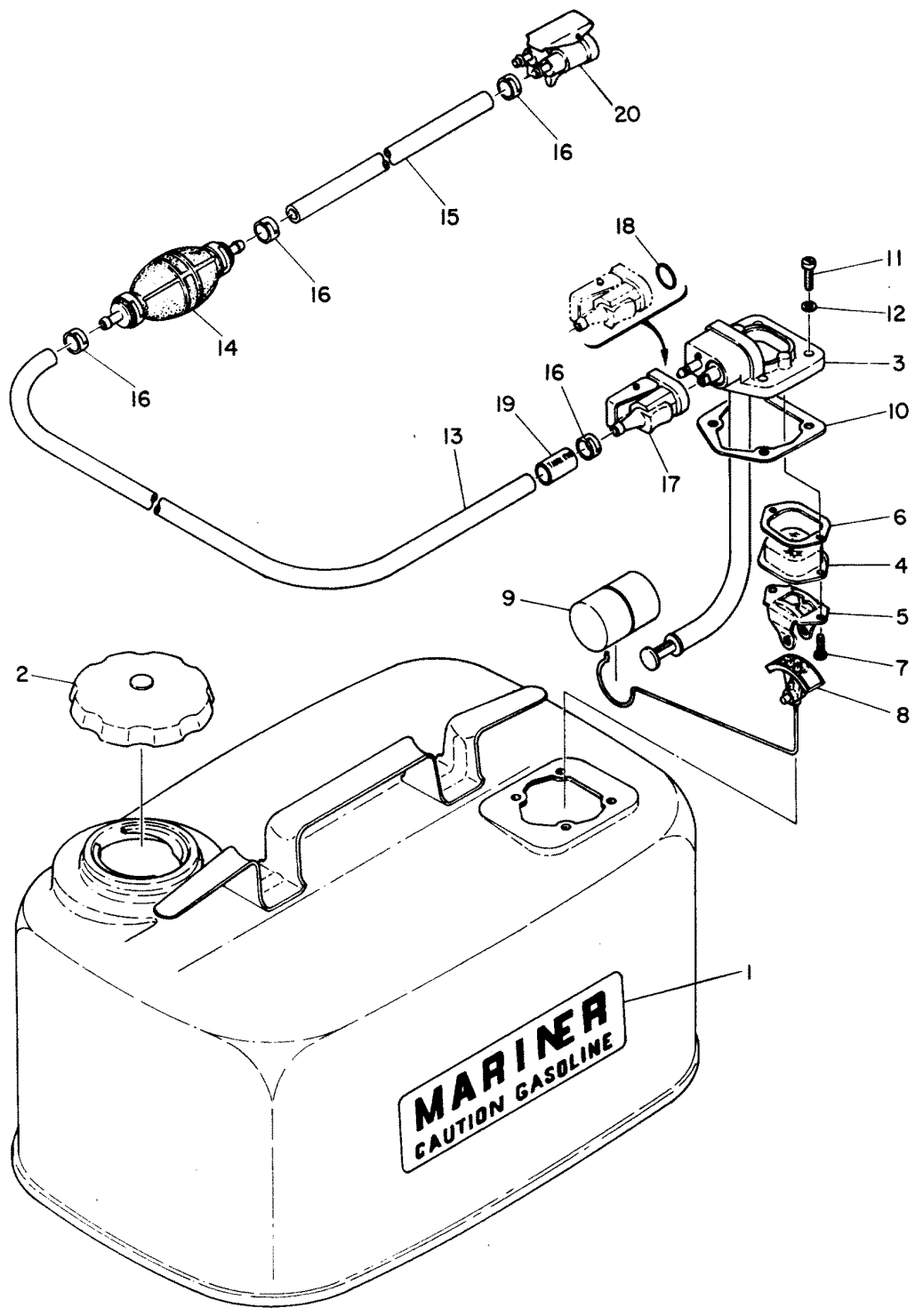
FUEL PUMP



FUEL PUMP

REF. NO.	PART NO.	SYM.	QTY.	DESCRIPTION
0-1	81328M		1	FUEL PUMP ASS'Y
1	80606M		2	DIAPHRAGM, FUEL PUMP
2	80611M		2	PLATE, SPRING GUIDE
3	24-80610M		1	SPRING, FUEL PUMP DIAPHRAGM
4	27-80613M		2	GASKET, BODY TO BASE
5	21-80608M		2	CHECK VALVE, FUEL PUMP
6	27-80612M		2	GASKET, CHECK VALVE
7	80609M		2	RETAINER, CHECK VALVE
8	10-82511M		2	SCREW, RETAINER ATTACHING
9	11-82373M		2	NUT, RETAINER SCREW
10	24-80615M		1	SPRING, FUEL PUMP DIAPHRAGM
11	27-80614M		1	GASKET, BODY TO COVER
12	80607M		1	COVER, FUEL PUMP
13	10-82523M		3	SCREW, COVER ATTACHING
14	13-82208M		3	LOCK WASHER, COVER SCREW
15	27-80757M		1	GASKET, FUEL PUMP TO CRANKCASE
16	10-82428M		2	BOLT, FUEL PUMP ATTACHING
17	13-82197M		2	LOCK WASHER, PUMP BOLT

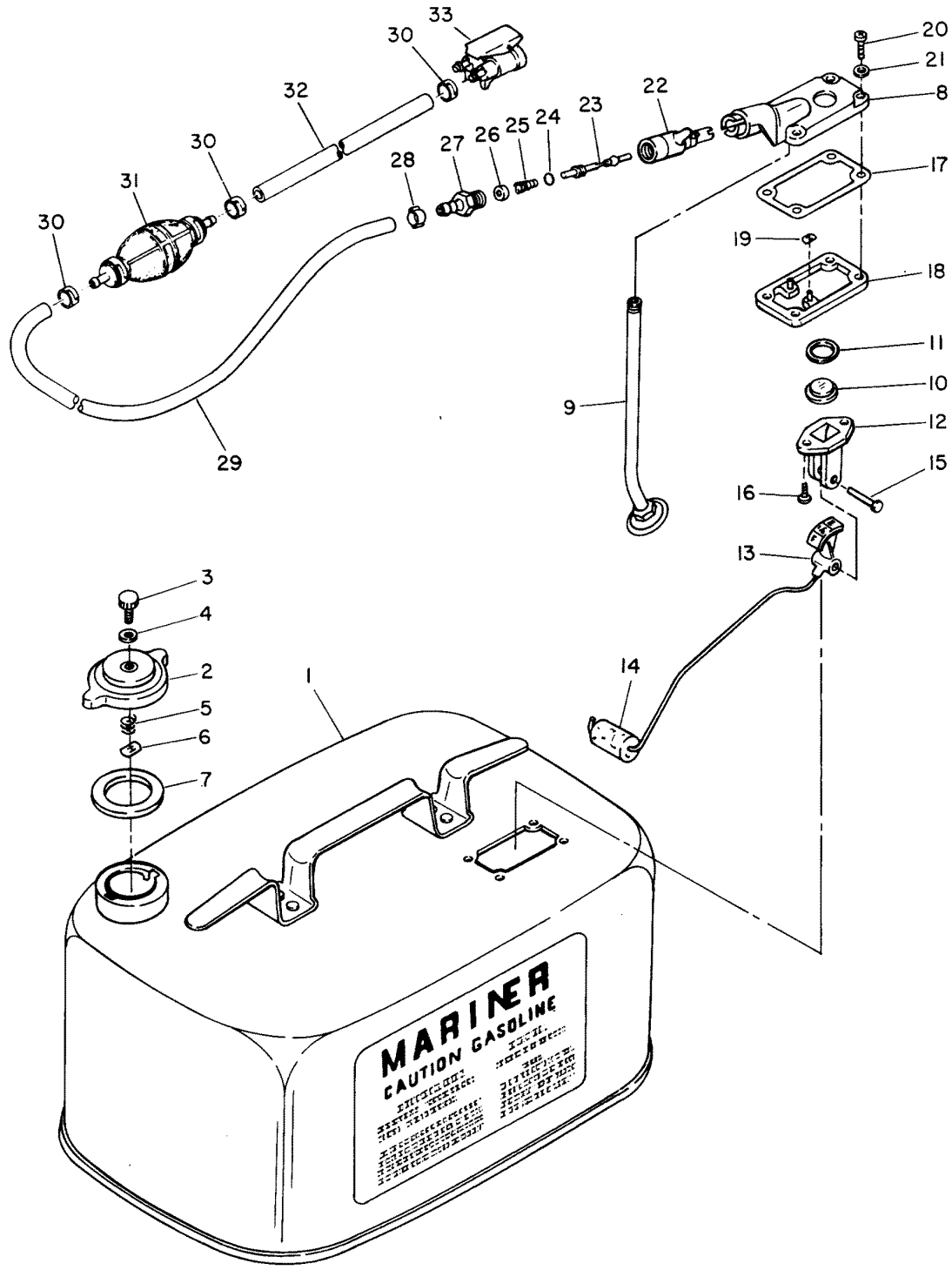
FUEL TANK (INTERNATIONAL)



FUEL TANK (INTERNATIONAL)

REF. NO.	PART NO.	SYM.	QTY.	DESCRIPTION
0-1	1252-6836M		1	FUEL TANK ASS'Y
1	37-82984M		2	GRAPHIC, SIDE
2	81694M		1	FUEL TANK CAP
3	81321M		1	HOUSING, FUEL CONNECTOR
4	80269M		1	LENS, INDICATOR
5	80268M		1	SUPPORT, INDICATOR
6	27-80270M		1	GASKET, HOUSING TO LENS INDICATOR
7	10-82518M		2	SCREW, SUPPORT ATTACHING
8	81318M		1	INDICATOR
9	81319M		1	FLOAT, INDICATOR
10	27-81320M		1	GASKET, HOUSING TO TANK
11	10-82526M		4	SCREW, HOUSING ATTACHING
12	12-80271M		4	WASHER, HOUSING SCREW
13	32-82025M		1	HOSE (CONNECTOR HOUSING TO BULB)
14	81325M		1	BULB, PRIMER
15	32-82023M		1	HOSE, BULB TO CONNECTOR
16	54-80752M		4	CLAMP, HOSE
17	22-81042M		1	CONNECTOR HOUSING
18	25-82789M		1	O-RING SERIAL 00009771-09999999
19	23-81327M		1	SLEEVE, HOSE
20	82645M		1	CONNECTOR HOUSING SERIAL 00000000-00009770
	80751M		1	CONNECTOR HOUSING SERIAL 00000000-00009771

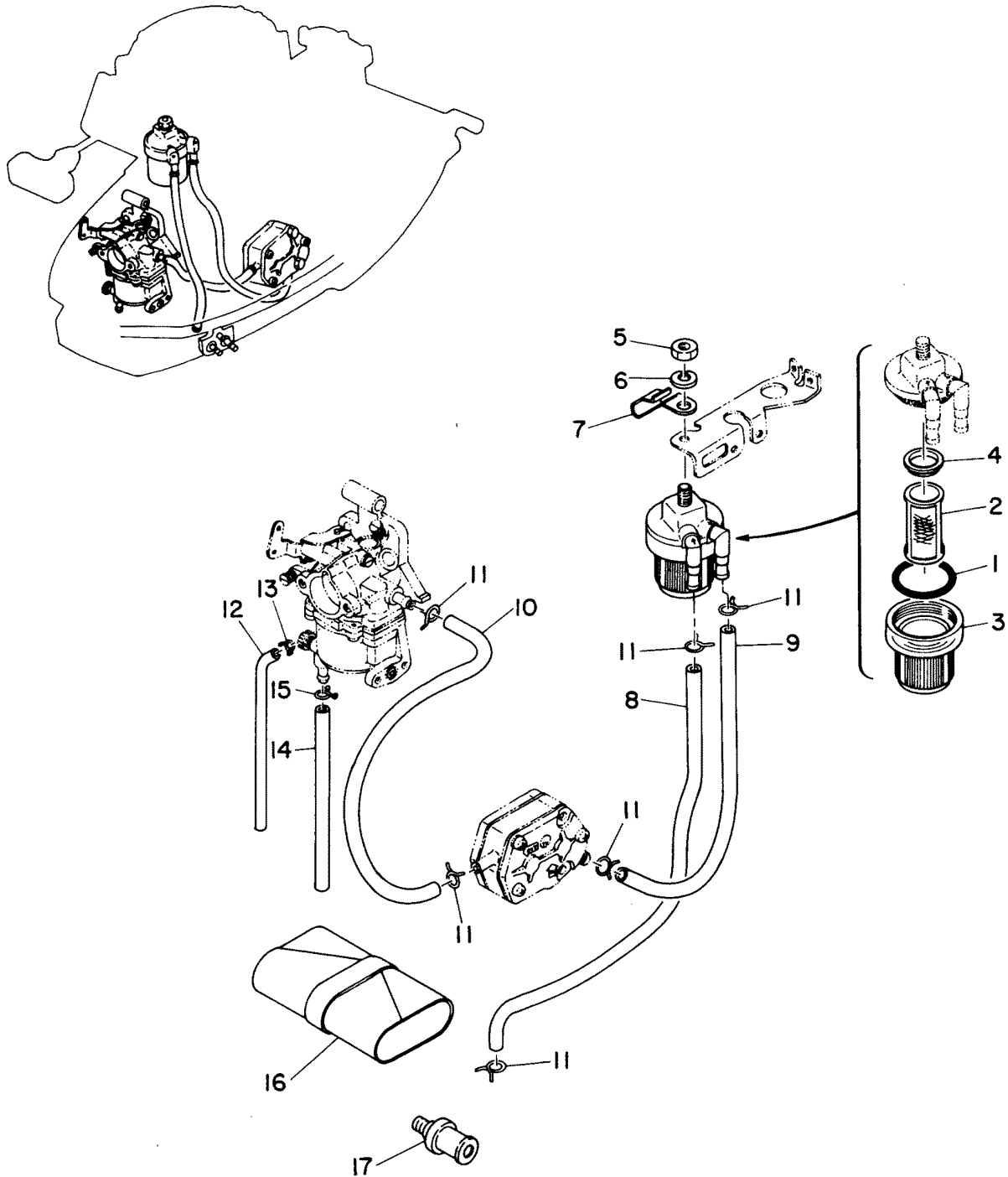
FUEL TANK (U.S.A.)



FUEL TANK (U.S.A.)

REF. NO.	PART NO.	SYM.	QTY.	DESCRIPTION
0-1	1225-1529A16		1	FUEL TANK COMPLETE
1	1225-1529		1	FUEL TANK, (6 GALLON)
2	36-25392A2		1	FILLER CAP ASSEMBLY
3	10-25575		1	SCREW, VENT-FILLER CAP
4	12-49221		1	WASHER, VENT SCREW
5	24-22227		1	SPRING, TENSION-VENT SCREW
6	11-28587		1	NUT, SPEED-SPRING RETAINER
7	27-25568		1	GASKET, FILLER CAP TO FUEL TANK
8	64841A3		1	COVER ASS'Y, FUEL TANK (1/4-18 TAPPED HOLE)
9	32-33909A3		1	TUBE ASS'Y, (1/4-18 CONNECTOR-1/2" TUBE)
10	54920A1		1	LENS ASSEMBLY, FUEL GAUGE
11	27-54921		1	GASKET, FUEL GAUGE LENS
12	20430		1	RETAINER, FUEL GAUGE
13	28897A1		1	INDICATOR AND FLOAT ASSEMBLY
14	20427		1	FLOAT, FUEL GAUGE
15	17-20426		1	RIVET, INDICATOR TO RETAINER
16	10-62568		2	SCREW, RETAINER TO FUEL TANK COVER (5/16")
17	27-28862		1	GASKET, COVER ASSEMBLY TO FRAME
18	28860		1	FRAME, RETAINING-FUEL TANK COVER
19	53-28903		2	FASTENER, RETAINING FRAME TO FUEL TANK
20	10-20411		4	SCREW, FUEL TANK COVER TO FUEL TANK
21	12-74711		4	WASHER, FUEL TANK COVER FASTENING SCREW
22	30185A1		1	BODY, BAYONET ASS'Y
23	30187		1	STEM, BAYONET BODY
24	25-20415		1	O-RING, BAYONET BODY STEM
25	24-30189		1	SPRING, BAYONET BODY STEM
26	30188		1	WASHER, CAP BAYONET BODY SPRING
27	22-63187		1	FITTING, FUEL LINE (TANK END)
28	54-55206		1	CLAMP, HOSE TO BAYONET BODY ASS'Y
29	32-82025M		1	HOSE, FUEL TANK TO PRIMER BULB
30	54-80752M		3	CLAMP, HOSE
31	81325M		1	PRIMER BULB, FUEL LINE
32	32-82023M		1	HOSE, PRIMER BULB TO FUEL LINE CONNECTOR
33	82645M		1	HOUSING ASS'Y, FUEL CONNECTOR SERIAL 00000000-00009770
	80751M		1	HOUSING ASS'Y, FUEL CONNECTOR SERIAL 00009771-09999999

FUEL LINES AND FILTER



FUEL LINES AND FILTER

REF. NO.	PART NO.	SYM.	QTY.	DESCRIPTION
0-1	35-80617M		1	FILTER ASS'Y
1	25-80619M		1	GASKET, FUEL BOWL SERIAL 00000000-00012755
	27-82790M		1	PACKING, FILTER SERIAL 00012756-09999999
2	35-80618M		1	ELEMENT, FUEL FILTER SERIAL 00000000-00012755
	35-82783M		1	ELEMENT, FILTER SERIAL 00012756-09999999
3	35-80616M		1	FUEL BOWL SERIAL 00000000-00012755
	82784M		1	CUP, FILTER SERIAL 00012756-09999999
4	25-82792M		1	O-RING SERIAL 00012756-09999999
5	11-82382M		1	NUT, FUEL FILTER ATTACHING
6	13-82200M		1	WASHER, WAVE-FUEL FILTER NUT
7	54-82042M		1	CLAMP
8	32-82001M		1	FUEL LINE, CONNECTOR TO FILTER
9	32-82014M		1	HOSE
10	32-82006M		1	FUEL LINE, PUMP TO CABURETOR
11	54-82047M		6	CLAMP, FUEL LINE
12	32-82026M		1	HOSE SERIAL 00000000-00012755
13	54-82045M		1	CLIP SERIAL 00000000-00012755
14	32-82001M		1	HOSE SERIAL 00000000-00012755
15	54-82047M		1	CLIP SERIAL 00000000-00012755
16	91-80942M		1	TOOL KIT
17	22-80218M		1	PLUG, FLUSH (OPTIONAL)

PARTS INDEX

Part Number	Description	Pg.	Ref. No.	Part Number	Description	Pg.	Ref. No.
20427	FLOAT, FUEL GAUGE	51	14	80242M	MOUNT, RUBBER-UPPER FRONT	27	1
20430	RETAINER, FUEL GAUGE . .	51	12	80243M	MOUNT, RUBBER-LOWER SIDE	27	14
28860	FRAME, RETAINING-FUEL TANK COVER	51	18	80268M	SUPPORT, INDICATOR	49	5
28897A1	INDICATOR AND FLOAT ASSEMBLY	51	13	80269M	LENS, INDICATOR	49	4
30185A1	BODY, BAYONET ASS'Y . . .	51	22	80273M	LINK,MAGNETO CONTROL . .	37	17
30187	STEM, BAYONET BODY . . .	51	23	80274M	PLUG CAP (OPTIONAL)	39	32
30188	WASHER, CAP BAYONET BODY SPRING	51	26	80450M	FLOAT	11	20
47341A1	EMERGENCY STARTER ROPE	41	26	80509M	RUBBER,HANDLE	35	12
54920A1	LENS ASSEMBLY, FUEL GAUGE	51	10	80529M	BOOT, SHIFT SHAFR	23	69
64841A3	COVER ASS'Y, FUEL TANK (1/4-18 TAPPED HOLE) . .	51	8	80551M	IGNITION COIL,#1 CYL.(TOP)	39	3
79629A1	STARTER ROPE	41	14	80552M	IGNITON COIL,#2CYL.(BOTTOM)	39	4
80025M	LUBRICATOR	39	13	80553M	LIGHTING,COIL	39	7
80033M	HOLDER, SHEAR PIN	31	12	80558M	CONDENSER	39	12
80033M	HOLDER, SHEAR PIN	45	51	80560M	FLYWHEEL	39	1
80048M	HANDLE, TRANSOM CLAMP SCREW	25	28	80577M	JET, LOW SPEED (#54)	11	6
80051M	ANODE	19	14	80580M	JET, MAIN (#125)	11	3
80063M	HANDLE, STARTER	41	13	80583M	JET STARTER	11	8
80128M	INDICATOR, CHOKE	9	16	80585M	AIR JET, LOW SPEED	11	1
80149M	KNOB, CHOKE	9	15	80606M	DIAPHRAGM, FUEL PUMP . .	47	1
80183M	PLUG CAP	39	32	80607M	COVER, FUEL PUMP	47	12
80188M	COVER, CYLINDER HEAD . .	3	23	80609M	RETAINER, CHECK VALVE . .	47	7
80195M	PLUNGER, CHOKE	11	17	80611M	PLATE, SPRING GUIDE	47	2
80196M	COVER, CHOKE PLUNGER CAP	11	13	80622M	LEVER, THROTTLE	11	35
80197M	CAP, CHOKE PLUNGER . . .	11	14	80623M	SHAFT, SHEAVE	11	30
80198M	LEVER, CHOKE	11	18	80625M	ROD	13	39
80199M	PLATE, CHOKE LEVER	11	15	80631M	LEVER,THROTTLE	35	19
80202M	ARM FLOAT	11	21	80640M	STOPPER PLATE	17	13
80204M	VALVE SEAT	11	4	80641M	KNOB, TILT STOP	17	17
80210M	DRIVE, PLATE	41	9	80679M	SLIDE, SHIFT	21	37
80214M	PAWL, STARTER	41	5	80732M	COVER, THERMOSTAT ..(S-10071-12755 L-42987-44360)	3	31
80221M	SHAFT,THROTTLE	37	4	80739M	BOWL, FLOAT	11	23
80222M	BRACKET,THROTTLE SHAFT-UPPER	37	5	80741M	BASE, AIR INTAKE COVER . .	9	1
80224M	GUIDE, THROTTLE SHAFT . .	31	16	80742M	COVER, AIR INTAKE	9	2
80225M	PLATE, FRICTION	25	5	80744M	BRACKET,THROTTLE CABLE	37	1
80226M	STOP, STEERING ARM	31	33	80745M	HOUSING, OIL SEAL	7	15
80229M	SHAFT, COWL ATTACHING	43	33	80746M	HOUSING, OIL SEAL CHROME (OPTIONAL) . . .	7	15
80230M	MOUNT, RUBBER CLAMP BRACKET	25	17	80747M	PULLEY, STARTER	41	12
80233M	HOOK, REVERSE LOCK-REAR	17	5	80748M	GUIDE, ROPE	41	15
80234M	HOOK, REVERSE LOCK-FRONT	17	9	80749M	SEAL, RUBBER-STARTER . .	43	12
80235M	ROD, REVERSE LOCK LEVER	17	3	80750M	BRACKET, STARTER HOUSING	41	23
80236M	LEVER, LOCK/RELEASE . . .	17	1	80751M	CONNECTOR HOUSING	49	20
80238M	BASE, WATER PUMP, CHROME (OPTIONAL) . . .	23	77	80751M	HOUSING ASS'Y, FUEL CONNECTOR	51	33
80240M	MOUNT, RUBBER-UPPER SIDE (PORT)	27	4	80758M	CABLE, THROTTLE	31	26
80241M	MOUNT, RUBBER-UPPER SIDE (STARBOARD)	27	5	80759M	ADJUSTER, CABLE	33	40
				80759M	ADJUSTER,CABLE	37	2
				80760M	COVER, EXHAUST-INNER . .	5	40
				80761M	COVER, EXHAUST-OUTER . .	5	38
				80762M	CHOKE LINKAGE	9	20
				80763M	CAM, THROTTLE ADVANCE	39	16
				80765M	LINK ROD, CHOKE LEVER . .	9	23
				80766M	LINK ROD, CHOKE	9	18

PARTS INDEX

Part Number	Description	Pg.	Ref. No.	Part Number	Description	Pg.	Ref. No.
80767M	STOP, MAGNETO BASE . . .	39	19	80940M	REED VALVE	9	5
80768M	STOP, MAGNETO BASE . . .	5	43	80941M	NOZZLE, MAIN	11	2
80769M	LEVER, MAGNETO CONTROL	37	14	80943M	MANIFOLD, EXHAUST	15	7
80770M	PULLEY, THROTTLE CABLE	37	12	80946M	APPLIQUE, REAR	43	9
80771M	BRACKET, THROTTLE SHAFT-LOWER	37	6	81047M	RETAINER, MAGNETO BASE-OUTER	39	23
80772M	ARM, STEERING (S-11005 L- 43620)	31	11	81048M	RETAINER, MAGNETO BASE-INNER	39	24
80773M	HANDLE, THROTTLE	31	2	81098M	THERMOSTAT	5	36
80774M	SHAFT, THROTTLE	31	15	81129M	HANDLE, STEERING	35	7
80775M	GRIP, STEERING HANDLE .	31	1	81207M	COVER, THERMOSTAT .-(S- 12756 L-44361)	5	31
80776M	INDICATOR, THROTTLE . . .	31	3	81247M	BASE, STARTER PULLEY . .	41	18
80779M	BRACKET, STEERING	31	27	81318M	INDICATOR	49	8
80880M	SHAFT, STEERING PIVOT . .	25	2	81319M	FLOAT, INDICATOR	49	9
80881M	SEAL, TOP COWL	43	17	81321M	HOUSING, FUEL CONNECTOR	49	3
80882M	HOLDER, CLAMP	43	15	81325M	BULB, PRIMER	49	14
80883M	LATCH, COWL	43	13	81325M	PRIMER BULB, FUEL LINE .	51	31
80885M	PANEL, CONTROL	43	27	81328M	FUEL PUMP ASS'Y	47	0-1
80888M	STAY, CLAMP	3	25	81439M	CAP, GREASE FITTING	25	13
80889M	LEVER, COWL CLAMP	45	43	81583M	HANDLE, STEERING	35	2
80890M	CLAMP, COWL	45	47	81584M	SHAFT, STERRING HANDLE	35	15
80891M	INDCATOR	25	30	81585M	GRIP, STERRIN GHANDLE .	35	11
80892M	SHIFT ROD ASS'Y	29	11	81694M	FUEL TANK CAP	49	2
80893M	HANDLE, GEAR SHIFT	29	1	81986M	GASKET, DETENT SCREW .	19	11
80894M	CAM, SHIFT	29	4	82055M	GROMMET, BOTTOM COWL- STARBOARD	43	26
80895M	LEVER, THROTTLE SHAFT .	37	10	82347M	BALL, SHIFT DETENT	29	7
80896M	BRACKET, SHIFT SHAFT . .	29	13	82589M	BRACKET, SHIFT SHAFT . .	29	12
80897M	SHIFT SHAFT, LOWER (SHORT SHAFT)	21	68	82639M	COVER, THERMOSTAT .-(S- 10070 L-42986)	3	31
80898M	SHIFT SHAFT, LOWER (LONG SHAFT)	21	68	82640M	COLLAR THERMOSTAT .-(S- 10070 L-42986)	5	37
80901M	GASKET	21	52	82642M	BOWL, FLOAT	11	23
80902M	INSERT, CARTRIDGE	21	50	82645M	CONNECTOR HOUSING	49	20
80903M	BASE, WATER PUMP	21	51	82645M	HOUSING ASS'Y, FUEL CONNECTOR	51	33
80906M	HOUSING, LOWER MOUNT (STARBOARD)	27	10	82647M	RETAINER, MAGNETO BASE-OUTER	39	23
80907M	HOUSING, LOWER MOUNT (PORT)	27	11	82648M	RETAINER, MAGNETO BASE-INNER	39	24
80908M	BRACKET, MOUNT HOUSING	27	12	82649M	CONNECTOR, SHIFT SHAFT	21	65
80909M	MOUNT, RUBBER-LOWER FRONT	27	15	82651M	SHIFT SHAFT LOWER (LONG SHAFT)	21	64
80910M	EXTENTION, LONG SHAFT (141.7 MM)	15	11	82651M	SHIFT SHAFT, LOWER (SHORT SHAFT)	21	64
80911M	COVER, WATER INLET	19	6	82653M	BASE, WATER PUMP	23	77
80913M	HOUSING, DRIVESHAFT BEARING	19	3	82784M	CUP, FILTER	53	3
80914M	CAP, GEAR HOUSING	21	45	82788M	PLUG CAP	39	32
80923M	PLUNGER SHIFT	19	29	82793M	ADJUSSTER, CABLE	35	21
80927M	FLYWHEEL MAGNETO ASSY	39	0-1	82857M	STOPPER PLATE	17	13
80928M	BASE, MAGNETO	39	2	82867M	BRACKET, STARTER HOUSING	41	23
80930M	BREAKER ASSY	39	9	82868M	THROTTLE WIRE COMP . . .	35	20
80931M	SECONDARY IGNITION COIL ASS'Y	39	29	82869M	LEVER, MAGNETO CONTROL	37	26
80932M	HOLDER, IGNITION WIRE . .	3	29	82870M	SHAFT, LINK CONNECTING .	37	22
80933M	HOLDER, LEAD WIRE	3	30	82871M	PULLEY, THROTTLE CABLE	37	21
80934M	BRACKET, IGNITION WIRE .	3	28	82873M	INDICATOR, THRUTTLE . . .	35	13
80935M	PLUG CAP, NOISE SUPPRESSOR (OPTIONAL)	39	32	82874M	BRACKET, STEERING	35	1

PARTS INDEX

Part Number	Description	Pg.	Ref. No.	Part Number	Description	Pg.	Ref. No.
82880M	LEVER, LOCK/RELEASE . . .	17	1	10-82417M	BOLT, CAM ATTACHING . . .	39	17
82881M	BOOT, SHIFT ROD	19	25	10-82418M	BOLT, THERMOSTAT COVER ATTACHING .-(S-		
82882M	PLATE	19	26		12755 L-44360)	5	34
82883M	BRACKET, IGNITION WIRE .	3	28	10-82419M	BOLT, THERMOSTAT COVER ATTACHING 9-(S-		
82884M	EMBLEM, FRONT	43	6		12755 L-44360)	5	33
82885M	EMBLEM, REAR	43	9	10-82421M	BOLT,CONTROL LEVER ATTACHING	37	16
82895M	PIECE, FRICTION	31	36		BOLT	41	16
82895M	PIECE,FRICTION	35	23	10-82422M	BOLT	41	19
83062M	GROMMET	45	50	10-82422M	BOLT, BRACKET ATTACHING	29	22
83066M	SHIFT CAM ASS'Y (SHORT SHAFT)	19	24	10-82422M	BOLT, STARTER BRACKET ATTACHING	41	24
83068M	SHIFT CAM ASS'Y (LONG SHAFT)	19	24	10-82422M	BOLT, STOP	5	44
83107M	ANODE .. (S-12756 L-44361)-	5	46	10-82422M	BOLT, STOP ATTACHING . .	39	20
83110M	CHOKE LINKAGE	9	29	10-82423M	BOLT, OIL SEAL HOUSING ATTACHING	7	17
83114M	BOWL, FLOAT	11	23	10-82423M	BOLT, REED VALVE ATTACHING	9	7
83115M	COLLAR	13	41	10-82423M	BOLT, STARTER BRACKET ATTACHING	41	24
83116M	SHAFT, THROTTLE	13	42	10-82424M	BOLT	35	8
83118M	ARM, STEERING	31	35	10-82425M	BOLT, THERMOSTAT COVER ATTACHING ..(S-		
83122M	EMBLEM, FRONT	43	6		12756 L-44361)-	5	34
83123M	DAMPER1	43	18	10-82425M	BOLT,SHAFT BRACKET ATTASHING	37	8
83124M	DAMPER2	43	19	10-82426M	BOLT, COIL ATTACHING . . .	39	31
83125M	DAMPER3	43	20	10-82426M	BOLT, EXHAUST COVER . .	5	41
10-20411	SCREW, FUEL TANK COVER TO FUEL TANK	51	20	10-82427M	BOLT	35	9
10-25575	SCREW, VENT-FILLER CAP	51	3	10-82427M	BOLT, COWL SCREW ATTACHING	45	40
10-62568	SCREW, RETAINER TO FUEL TANK COVER (5/16")	51	16	10-82428M	BOLT, FUEL PUMP ATTACHING	47	16
10-80023M	SCREW	39	10	10-82444M	BOLT, MANIFOLD ATTACHING	15	8
10-80191M	SCREW, GUIDE	11	7	10-82449M	BOLT	27	6
10-80192M	SET SCREW	11	19	10-82449M	BOLT, CONNECTOR	21	66
10-80349M	VALVE, DRAIN	11	27	10-82452M	BOLT	31	37
10-80556M	SCREW,COIL ATTACHING .	39	5	10-82452M	BOLT	35	24
10-80557M	SCREW,COIL ATTACHING .	39	8	10-82452M	BOLT, CAP ATTACHING . . .	21	47
10-80573M	SCREW, IDLE MIXTURE . . .	11	11	10-82453M	BOLT, BRACKET ATTACHING	31	34
10-80738M	SCREW, THROTTLE STOP .	11	9	10-82456M	BOLT, PUMP ATTACHING . .	23	78
10-80887M	BOLT	45	37	10-82458M	BOLT, PUMP ATTACHING . .	21	53
10-81702M	SCREW, REVERSE LOCK . .	17	10	10-82458M	BOLT, PUMP ATTACHING . .	23	79
10-81708M	BOLT, CLAMP BRACKET . . .	25	16	10-82464M	BOLT, DRIVESHAFT HOUSING ATTACHING . .	15	5
10-81719M	SCREW, THROTTLE STOP .	31	13	10-82465M	BOLT, DRIVESHAFT HOUSING ATTACHING . .	15	4
10-81721M	SCREW, FRICTION PLATE ADJUSTING	25	18	10-82465M	BOLT,DRIVESHAFT HOUSING ATTACHING . .	15	4
10-81724M	BOLT, CLAMP BRACKET . . .	25	22	10-82466M	BOLT, EXTENTION ATTACHING	15	12
10-81749M	SCREW, HOUSING ATTACHING-FRONT	41	22	10-82467M	BOLT, GEAR HOUSING ATTACHING	21	59
10-81750M	SCREW, HOUSING ATTACHING-REAR	41	21	10-82470M	BOLT, MOUNT HOUSING . .	27	13
10-81752M	,SCREW, DETENT	19	10				
10-81756M	SCREW, TRANSOM CLAMP	25	26				
10-82166M	SCREW, CHOKE LINKAGE ATTACHING	9	22				
10-82167M	SCREW, THROTTLE CAM ATTACHING	31	23				
10-82168M	SCREW	31	23				
10-82171M	SCREW, CAM	23	72				
10-82412M	BOLT, CRANKCASE ATTACHING	3	14				
10-82413M	BOLT, CRANKCASE ATTACHING	3	12				

PARTS INDEX

Part Number	Description	Pg.	Ref. No.	Part Number	Description	Pg.	Ref. No.
10-82482M	SCREW, COVER ATTACHING	19	7	11-82927M	NUT, FRONT APPLIQUE ATTACHING	43	7
10-82483M	SCREW	35	14	11-82927M	NUT, FRONT APPLIQUE ATTACHING	43	7
10-82490M	SCREW	11	36	11-83056M	NUT	33	38
10-82490M	SCREW, RETAINER ATTACHING	39	25	11-83056M	NUT	35	25
10-82492M	SCREW, COVER ATTACHING	9	3	12-49221	WASHER, VENT SCREW ...	51	4
10-82498M	SCREW, SHAFT GUIDE ATTACHING	31	17	12-74711	WASHER, FUEL TANK COVER FASTENING SCREW	51	21
10-82511M	SCREW, RETAINER ATTACHING	47	8	12-80211M	WASHER, THRUST-PLATE SPRING	41	6
10-82514M	SCREW, BOWL ATTACHING	11	25	12-80212M	WASHER, STARTER HOUSING STUD	41	10
10-82518M	SCREW, SUPPORT ATTACHING	49	7	12-80213M	WASHER, THRUST-SHEAVE STARTER	41	4
10-82523M	SCREW, COVER ATTACHING	47	13	12-80223M	SPACER, STEERING ARM .	31	32
10-82526M	SCREW, HOUSING ATTACHING	49	11	12-80251M	THRUST WASHER, DRIVESHAFT (1.1 MM) ..	19	21
10-82698M	SCREW, COWL ATTACHING	45	36	12-80252M	THRUST WASHER, DRIVESHAFT (1.2 MM) ..	19	21
10-82791M	SCREW ANODE ATTACHING	19	15	12-80253M	THRUST WASHER, DRIVESHAFT (1.3 MM) ..	19	21
10-82872M	BOSS, LEVER	37	23	12-80254M	THRUST WASHER, DRIVESHAFT (1.4 MM) ..	19	21
10-82921M	BOLT, CLAMP BRACKET ...	25	22	12-80255M	SHIM, DRIVESHAFT BEARING	19	19
10-82922M	BOLT, CYLINDER HEAD ATTACHING	3	20	12-80271M	WASHER, HOUSING SCREW	49	12
10-82923M	BOLT, CYLINDER HEAD ATTACHING	3	19	12-80638M	PAD, TRANSOM CLAMP SCREW	25	27
10-83108M	SCREW ..(S-12756 L-44361)-	5	47	12-80884M	WASHER, APPLIQUE NUT .	43	8
10-83111M	BOLT	9	30	12-80884M	WASHER, APPLIQUE NUT .	43	8
10-83117M	SCREW, CYLINDERHEAD ..	19	27	12-81792M	WASHER, CRANKCASE BOLT	3	15
11-28587	NUT, SPEED-SPRING RETAINER	51	6	12-81794M	WASHER, COWL CLAMP ...	45	48
11-81763M	CONNECTOR	29	25	12-81797M	WASHER, CYLINDER HEAD BOLT	3	27
11-81766M	NUT, CYLINDER HEAD BOLT	3	26	12-81798M	WASHER, CRANKCASE BOLT	3	13
11-81769M	NUT, FLYWHEEL ATTACHING	39	27	12-81805M	WASHER, FLYWHEEL NUT .	39	28
11-81777M	NUT	35	22	12-81806M	WASHER	27	9
11-81777M	NUT, CABLE GUIDE	33	41	12-81806M	WASHER, CLAMP BRACKET BOLT	25	20
11-81777M	NUT, CABLE ADJUSTMENT .	37	3	12-81817M	WASHER, COWL CLAMP LEVER	45	44
11-82373M	NUT, RETAINER SCREW ...	47	9	12-81821M	WASHER, THRUST- FORWARD GEAR	19	33
11-82378M	NUT, REAR APPLIQUE ATTACHING	43	10	12-81823M	WASHER, PISTON PIN	7	5
11-82379M	NUT	11	37	12-81827M	WASHER, THRUST- REVERSE GEAR	21	40
11-82379M	NUT, PANEL BOLT	43	29	12-81833M	WASHER, THROTTLE SHAFT	31	9
11-82380M	NUT	37	24	12-81835M	COLLAR, THERMOSTAT ..(S- 10071 L-42987)-	5	37
11-82381M	NUT, COWL CLAMP	45	49	12-81844M	WASHER	43	34
11-82381M	NUT, REED VALVE STUD ..	9	13	12-81844M	WASHER	45	52
11-82382M	NUT, FUEL FILTER ATTACHING	53	5	12-81856M	WASHER, SHIFT HANDLE ..	29	3
11-82389M	NUT, CLAMP BRACKET BOLT	25	23	12-81872M	COLLAR, THRUST-PIVOT SHAFT	25	4
11-82390M	NUT	31	14	12-82192M	WASHER	9	19
11-82390M	NUT, JAM	29	24	12-82194M	WASHER, SHIFT CAM	29	20
11-82391M	NUT, MOUNT	27	2				
11-82394M	NUT, CLAMP BRACKET BOLT	25	21				
11-82396M	NUT, MOUNT ATTACHING .	27	8				
11-82399M	NUT	33	39				
11-82704M	NUT, WING-COWL SCREW .	45	38				
11-82787M	NUT, PROPELLER	23	74				

PARTS INDEX

Part Number	Description	Pg.	Ref. No.	Part Number	Description	Pg.	Ref. No.
12-82196M	WASHER, CAM BOLT	39	18	13-82208M	LOCK WASHER, MANIFOLD BOLT	15	9
12-82197M	LOCK WASHER	37	9	13-82208M	LOCK WASHER, THROTTLE LEVER NUT	13	38
12-82204M	WASHER, PLATE	35	16	13-82212M	LOCK WASHER	31	25
12-82209M	WASHER, TROTTLE SHAFT	11	33	13-82212M	LOCK WASHER	33	42
12-82209M	WASHER, CONTROL PIN	37	19	13-82212M	LOCK WASHER, CAP BOLT	21	48
12-82214M	WASHER PLATE	19	28	13-82212M	LOCK WASHER, CLAMP BRACKET BOLT	25	24
12-82217M	WASHER	29	15	13-82212M	LOCK WASHER, CONNECTOR BOLT	21	67
12-82799M	WASHER, CHOKE ROD	9	24	13-82212M	LOCK WASHER, MOUNT BOLT	27	7
12-82933M	WASHER, THROTTLE HANDLE PIN	31	6	13-82212M	WASHER	35	10
13-81799M	LOCK WASHER	27	3	13-82215M	LOCK WASHER	15	6
13-81799M	WASHER, STEERING ARM BOLT	31	30	13-82215M	LOCK WASHER	21	60
13-81863M	LOCK WASHER, CHOKE LEVER	9	27	13-82215M	LOCK WASHER	27	16
13-81864M	LOCK WASHER, CHOKE ROD	9	25	13-82215M	LOCK WASHER, STEERING ARM BOLT	31	29
13-81865M	WASHER, WAVE-SHIFT CAM	29	19	15-80258M	SHIM, FORWARD GEAR ADJUST (0.1 MM)	19	31
13-81865M	WASHER, WAVE CONTROL PIN	37	18	15-80259M	SHIM, FORWARD GEAR ADJUST (0.3 MM)	19	31
13-81867M	WASHER, BRACKET	29	14	15-80260M	SHIM, FORWARD GEAR ADJUST (0.55 MM)	19	31
13-81867M	WASHER, BRACKET	29	14	15-80728M	SHIM, UPPER BEARING (0.3 MM)	7	12
13-81871M	WASHER, WEAVE-COWL CLAMP LEVER	45	45	15-80729M	SHIM, UPPER BEARING (0.4 MM)	7	12
13-82184M	LOCK WASHER	39	11	15-80730M	SHIM, UPPER BEARING (0.5 MM)	7	12
13-82193M	LOCK WASHER, PANEL BOLT	43	30	15-80731M	SHIM, LOWER BEARING (0.2 MM)	7	10
13-82193M	LOCK WASHER, RETAINER SCREW	39	26	15-80917M	SHIM, REVERSE GEAR ADJUST (1.0 MM)	21	42
13-82193M	LOCK WASHER, THERMOSTAT COVER BOLT .-(S-12755 L-44360)	5	35	15-80918M	SHIM, REVERSE GEAR ADJUST (1.2 MM)	21	42
13-82193M	LOCKWASHER, APPLIQUE NUT	43	11	15-80919M	SHIM, REVERSE GEAR ADJUST (1.4 MM)	21	42
13-82197M	LOCK WASHER	5	42	16-81727M	STUD, REED VALVE ATTACHING	9	11
13-82197M	LOCK WASHER	41	17	16-81729M	STUD, REED VALVE ATTACHING	9	10
13-82197M	LOCK WASHER, BRACKET BOLT	29	23	16-81736M	STUD, CYLINDER HEAD ATTACHING	3	19
13-82197M	LOCK WASHER, COWL BOLT	45	41	16-81737M	STUD, CYLINDER HEAD ATTACHING	3	20
13-82197M	LOCK WASHER, PUMP BOLT	47	17	17-20426	RIVET, INDICATOR TO RETAINER	51	15
13-82197M	LOCK WASHER, REED VALVE BOLT	9	8	17-80201M	PIN, FLOAT	11	22
13-82197M	LOCK WASHER, THERMOSTAT COVER BOLT ..(S-12756 L-44361)	5	35	17-80266M	TILT LOCK PIN ASS'Y (LONG)	17	12
13-82197M	WASHER	9	31	17-80501M	PIN, MANGNETO CONTROL	37	15
13-82197M	WASHER	41	20	17-81044M	GUIDE, FUEL LINE CONNECTOR	43	24
13-82199M	WASHER	37	25	17-81150M	SHAFT, TILT STOP	17	16
13-82199M	WASHER	39	21	17-81878M	PIN, MAGNETO CONTROL LEVER	39	22
13-82199M	WASHER, HOUSING BOLT	7	18	17-81881M	SHAFT, REVERSE LOCK	17	7
13-82199M	WASHER, REED VALVE STUD	9	14	17-81886M	PIN, W/HOLE	29	18
13-82200M	WASHER, WAVE-FUEL FILTER NUT	53	6				
13-82206M	LOCK WASHER, BOWL SCREW	11	26				
13-82208M	LOCK WASHER, COVER SCREW	47	14				

PARTS INDEX

Part Number	Description	Pg.	Ref. No.	Part Number	Description	Pg.	Ref. No.
17-81887M	PIN, PIVOT SHAFT	25	7	22-8016M	FITTING	3	5
17-81888M	PIN, TRANSOM CLAMP SCREW	25	29	22-80218M	PLUG, FLUSH (OPTIONAL)	53	17
17-81890M	PIN, THROTTLE HANDLE	31	5	22-80735M	VALVE, DRAIN	13	43
17-81891M	PIN, DRIVESHAFT	21	61	22-80743M	ELBOW, CRANKCASE DRAIN	3	3
17-81894M	PIN	17	4	22-80754M	CONNECTOR, FUEL LINE	43	22
17-81899M	CROSS PIN, CLUTCH	21	36	22-80755M	CONNECTOR, FUEL LINE	43	23
17-81900M	PIN, SHEAR	23	73	22-80756M	CONNECTOR, FUEL LINE	43	25
17-81904M	RIVET, HOLDER ATTACHING	43	16	22-81042M	CONNECTOR HOUSING	49	17
17-81905M	RIVET, LATCH ATTACHING	43	14	22-81917M	PLUG, PIVOT SHAFT	25	8
17-81907M	RIVET, INDICATOR	31	4	22-81920M	PLUG, WATER INLET	19	13
17-82141M	PIN	17	14	22-81924M	PLUG, OIL DRAIN	19	8
17-82144M	PIN	17	14	22-82369M	FITTING, GREASE	25	12
17-82147M	PIN,ROLLHROTTLE CABLE	37	13	22-82643M	VALVE, DRAIN	11	27
17-82148M	PIN, TILT STOP KNOB	17	18	23-80053M	BUSHING, CHOKE KNOB	9	17
17-82149M	PIN,ROLL-SHAFT LEVER	37	11	23-80228M	RETAINER, SHIFT DETENT	29	5
17-82151M	PIN, THROTTLE SHAFT CAM	31	21	23-80247M	COLLAR, DRIVESHAFT	21	63
17-82158M	PIN, SHIFT HANDLE	29	2	23-80555M	SPACER,COIL	39	6
17-82161M	PIN, DOWEL-CYLINDER	3	10	23-80899M	CAM, SHIFT SHAFT	23	70
17-82162M	PIN, DOWEL-CRANKCASE	3	9	23-81136M	SPACER,HANDLE	35	5
17-82163M	PIN, DOWEL	15	10	23-81327M	SLEEVE, HOSE	49	19
17-82163M	PIN, DOWEL	21	58	23-81861M	WASHER,PLATE	35	4
17-82354M	PIN, DOWEL-PUMP HOUSING (SHORT)	21	54	23-81934M	BUSHING, SHIFT CAM	29	9
17-82358M	PIN, DOWEL-PUMP HOUSING (LONG)	21	55	23-81941M	BUSHING, THROTTLE SHAFT	11	34
17-82363M	PIN, ROLL-CHOKE LINKAGE	9	21	23-81945M	BUSHING	35	18
17-82366M	PIN, DOWEL-SHIFT CAM STOP	29	10	23-81945M	BUSHING, STEERING ARM	31	19
17-82368M	PIN, DOWEL-DRIVESHAFT HOUSING	15	3	23-81945M	BUSHING,THROTTLE SHAFT	37	7
17-82368M	PIN, DOWEL-PIVOT SHAFT	25	3	23-81951M	BUSHING, COWL CLAMP LEVER	45	46
17-82563M	PIN, SPRING	45	42	23-81954M	BUSHING, THROTTLE SHAFT	31	10
17-82785M	TILT LOCK PIN ASS'Y (SHORT)	17	12	23-81956M	BUSHING, PIVOT SHAFT- LOWER	25	9
17-83126M	PIN, ROLL-COWL SHAFT	45	35	23-81958M	COLLAR, THRUST-PIVOT SHAFT	25	11
18-80764M	PIN	13	40	23-81960M	BUSHING, PIVOT SHAFT- UPPER	25	6
18-82050M	PIN, CHOKE LEVER	9	28	23-81965M	COLLAR, THROTTLE SHAFT	11	32
18-82050M	PIN, THROTTLE HANDLE PIN	31	7	23-81966M	COLLAR, REVERSE LOCK SCREW	17	11
18-82051M	PIN	37	20	23-81974M	SPACERS ()	31	24
18-82051M	PIN, CHOKE ROD	9	26	23-81977M	COLLAR, STEERING ARM BOLT	31	31
18-82123M	PIN, THROTTLE SHAFT	11	31	23-81984M	COLLAR, DRIVESHAFT	19	20
18-82125M	PIN, REVERSE LOCK SHAFT	17	8	23-82116M	SPACER, CLAMP BRACKET BOLT	25	25
18-82125M	PIN, REVERSE LOCK SHAFT	17	8	23-82119M	SPACER	35	3
18-82129M	PIN, SHIFT CAM	29	16	23-82590M	BUSHING, DRIVESHAFT- UPPER	19	4
18-82132M	PIN, PROPELLER NUT	23	75	23-82591M	BUSHING, DRIVESHAFT- LOWER	19	2
18-82736M	PIN, COTTER	17	20	23-82717M	SPACER, CAM SCREW ()	31	24
18-82736M	PIN, SHIFT CAM	29	16	23-82720M	COLLAR	29	17
18-82752M	PIN, BRACKET	29	21	24-22227	SPRING, TENSION-VENT SCREW	51	5
18-82752M	PIN, COWL SCREW	45	39	24-30189	SPRING, BAYONET BODY STEM	51	25
18-82752M	PIN, SHIFT CAM	29	16	24-80193M	SPRING, THROTTLE STOP SCREW	11	10
21-80105M	CHECK VALVE ASS'Y	3	4	24-80194M	SPRING, CHOKE PLUNGER	11	16
21-80107M	VALVE, CHECK	3	6				
21-80107M	VALVE, CHECK	3	8				
21-80608M	CHECK VALVE, FUEL PUMP	47	5				
21-80727M	CHECK VALVE ASS'Y	3	7				
22-63187	FITTING, FUEL LINE (TANK END)	51	27				

PARTS INDEX

Part Number	Description	Pg.	Ref. No.	Part Number	Description	Pg.	Ref. No.
24-80207M	SPRING, STARTER	41	2	27-80612M	GASKET, CHECK VALVE	47	6
24-80209M	SPRING, DRIVE PLATE	41	7	27-80613M	GASKET, BODY TO BASE	47	4
24-80575M	SPRING, IDLE MIXTURE SCREW	11	12	27-80614M	GASKET, BODY TO COVER	47	11
24-80610M	SPRING, FUEL PUMP DIAPHRAGM	47	3	27-80733M	GASKET, REED VALVE	9	6
24-80615M	SPRING, FUEL PUMP DIAPHRAGM	47	10	27-80734M	GASKET, CARBURETOR TO REED VALVE	9	12
24-80736M	SPRING, DRAIN VALVE	11	28	27-80737M	GASKET, DRAIN VALVE	13	44
24-81696M	SPRING, STARTER PAWL	41	8	27-80740M	GASKET, FLOAT BOWL	11	24
24-82077M	SPRING, SHIFT	21	38	27-80757M	GASKET, FUEL PUMP TO CRANKCASE	47	15
24-82082M	SPRING, SHIFT DETENT	29	6	27-80912M	GASKET, GEAR HOUSING	19	5
24-82093M	SPRING, COMPRESSION	35	6	27-80936M	GASKET, CYLINDER HEAD	3	21
24-82094M	SPRING, THROTTLE SHAFT	31	8	27-81208M	GASKET, THERMOSTAT COVER ..(S-12756 L- 44361)	5	32
24-82095M	SPRING, COMPRESSION	35	17	27-81320M	GASKET, HOUSING TO TANK	49	10
24-82098M	SPRING, LEVER RETURN	17	2	27-81987M	GASKET, DRAIN PLUG	19	9
24-82099M	SPRING, TILT LOCK PIN	17	15	27-82790M	PACKING, FILTER	53	1
24-82101M	SPRING, CLAMP BRACKET BOLT	25	19	28-81912M	KEY, DRIVESHAFT TO IMPELLER	19	17
24-82104M	SPRING, REVERSE LOCK	17	6	28-81913M	KEY, CRANKSHAFT TO FLYWHEEL	7	13
24-82641M	SPRING, DRAIN VALVE	11	28	29-82349M	BEARINGS, PISTON PIN	7	4
25-20415	O-RING, BAYONET BODY STEM	51	24	30-82298M	BALL BEARING, REVERSE GEAR	21	43
25-80350M	O-RING	11	29	30-82301M	BALL BEARING, FORWARD GEAR	19	30
25-80559M	GROMMET, MAGNETO BASE	39	14	30-82303M	BEARING, UPPER	7	3
25-80619M	GASKET, FUEL BOWL	53	1	30-82306M	BEARING, LOWER	7	2
25-82264M	O-RING, SHIFT CAM	29	8	32-33909A3	TUBE ASS'Y, (1/4-18 CONNECTOR-1/2" TUBE)	51	9
25-82266M	O-RING, DRIVESHAFT	21	62	32-80904M	TUBE, WATER (SHORT SHAFT)	23	81
25-82273M	O-RING, PIVOT SHAFT BUSHING	25	10	32-80905M	TUBE, WATER (LONG SHAFT)	23	81
25-82283M	O-RING, GEAR HOUSING CAP	21	46	32-81998M	HOSE	3	16
25-82789M	O-RING	49	18	32-81999M	HOSE	3	18
25-82792M	O-RING	53	4	32-82001M	FUEL LINE, CONNECTOR TO FILTER	53	8
26-80239M	SEAL, WATER TUBE	21	57	32-82001M	HOSE	53	14
26-80653M	SEAL, WATER PUMP BODY	23	80	32-82006M	FUEL LINE, PUMP TO CABURETOR	53	10
26-82227M	OIL SEAL	21	44	32-82014M	HOSE	53	9
26-82229M	OIL SEAL	19	18	32-82023M	HOSE, BULB TO CONNECTOR	49	15
26-82244M	OIL SEAL, CRANKSHAFT LOWER	7	11	32-82023M	HOSE, PRIMER BULB TO FUEL LINE CONNECTOR	51	32
26-82245M	OIL SEAL, CRANKSHAFT- UPPER	7	14	32-82025M	HOSE (CONNECTOR HOUSING TO BULB)	49	13
27-25568	GASKET, FILLER CAP TO FUEL TANK	51	7	32-82025M	HOSE, FUEL TANK TO PRIMER BULB	51	29
27-28862	GASKET, COVER ASSEMBLY TO FRAME	51	17	32-82026M	HOSE	53	12
27-54921	GASKET, FUEL GAUGE LENS	51	11	33-82371M	SPARK PLUG, B-7HS (NGK)	5	45
27-80189M	GASKET, CYLINDER HEAD COVER	3	24	35-80246M	COVER, WATER INLET	19	12
27-80190M	GASKET, THERMOSTAT COVER ..(S-12755 L- 44360)	5	32	35-80616M	FUEL BOWL	53	3
27-80205M	GASKET, VALVE SEAT	11	5	35-80617M	FILTER ASS'Y	53	0-1
27-80206M	GASKET, OIL SEAL HOUSING	7	16	35-80618M	ELEMENT, FUEL FILTER	53	2
27-80219M	GASKET, EXHAUST COVER	5	39	35-82783M	ELEMENT, FILTER	53	2
27-80244M	GASKET, DRIVESHAFT HOUSING-UPPER	15	2	36-25392A2	FILLER CAP ASSEMBLY	51	2

PARTS INDEX

Part Number	Description	Pg.	Ref. No.	Part Number	Description	Pg.	Ref. No.
37-81141M	DECAL, "MARINER"-COWL	43	5	463-6861M	CRANKSHAFT ASS'Y	7	1
37-81202M	DECAL, F-N-R	43	4	761-6760M	PISTON (56.96 MM STD) . . .	7	6
37-82875M	DECAL, TRIM-STARBOARD	43	2	761-6761M	PISTON (56.98 MM STD) . . .	7	6
37-82876M	DECAL, TRIMPORT	43	3	761-6762M	PISTON (57.25 MM 1ST O.S.)	7	6
37-82984M	GRAPHIC, SIDE	49	1	761-6763M	PISTON (57.50 MM 2ND O.S.)	7	6
37-83055M	DECAL, SIDE	45	53	761-6947M	PISTON (56.97 MM STD) . . .	7	6
37-83119M	DECAL, TRIM-STARBOARD	43	2	870-6765M	CRANKCASE AND CYLINDER ASS'Y	3	1
37-83120M	DECAL, TRIM-PORT	43	3	870-6912M	CRANKCASE AND CYLINDER ASS'Y	3	1
37-83121M	DECAL, CONTROL PANEL	43	28	968-6759M	HEAD, CYLINDER	3	22
39-80937M	PISTON RING SET (STD)	7	9	968-6939M	HEAD, CYLINDER	3	22
39-80938M	PISTON RING SET (57.25 MM 1ST O.S.)	7	9	1225-1529	FUEL TANK, (6 GALLON) . . .	51	1
39-80939M	PISTON RING SET (57.50 MM 2ND O.S.)	7	9	1225-1529A16	FUEL TANK COMPLETE	51	0-1
41-80272M	PIN, PISTON	7	7	1252-6836M	FUEL TANK ASS'Y	49	0-1
43-80256M	GEAR, PINION	19	22	1383-6764M	CARBURETOR ASS'Y	11	0-1
43-80257M	GEAR FORWARD	19	32	1383-6948M	CARBURETOR ASS'Y	11	0-1
43-80777M	PINION	31	22	1484-6754M	CLAMP BRACKET, PORT . . .	25	14
43-80778M	GEAR	31	20	1484-6755M	CLAMP BRACKET, STARBOARD	25	15
43-80920M	GEAR, REVERSE	21	41	1485-6756M	SWIVEL BRACKET	25	1
43-82586M	CAM, THROTTLE	31	22	1587-6757M	DRIVESHAFT HOUSING	15	1
43-82587M	CAM, THROTTLE SHAFT	31	20	1651-6758M	GEAR HOUSING	19	1
44-80921M	SHAFT, PROPELLER	21	39	1651-6890M	GEAR HOUSING ASS'Y (SHORT SHAFT)	19	0-1
45-80915M	DRIVE SHAFT COMP (SHORT SHAFT)	19	16	1651-6891M	GEAR HOUSING ASS'Y (LONG SHAFT)	19	0-1
45-80916M	DRIVE SHAFT COMP (LONG SHAFT)	19	16	2168-6752M	BOTTOM COWL, FRONT	43	21
46-80237M	WATER PUMP HOUSING, CHROME (OPTIONAL)	23	76	2168-6753M	BOTTOM COWL, REAR	43	32
46-80900M	WATER PUMP HOUSING	21	49	2168-6766M	TOP COWLING ASS'Y	43	1
46-82652M	WATER PUMP HOUSING	23	76	2168-6867M	BOTTOM COWL, REAR	43	32
47-81242M	IMPELLER	21	56	2168-6949M	BOTTOM COWL, FRONT	43	21
50-80208M	STARTER, SHEAVE	41	3	2169-6750M	STARTER ASS'Y	41	0-1
52-80922M	CLUTCH	21	35	2169-6751M	HOUSING, STARTER	41	1
53-28903	FASTENER, RETAINING FRAME TO FUEL TANK	51	19				
53-80034M	RING, CROSS PIN	21	34				
53-81693M	SNAP RING, STARTER HOUSING STUD	41	11				
53-82328M	CLIP	13	45				
53-82330M	CIRCLIP	17	19				
53-82332M	SNAP RING, PINION RETAINING	19	23				
53-82343M	CLIP, PISTON PIN	7	8				
54-55206	CLAMP, HOSE TO BAYONET BODY ASS'Y	51	28				
54-80752M	CLAMP, HOSE	49	16				
54-80752M	CLAMP, HOSE	51	30				
54-82041M	CLAMP	41	25				
54-82042M	CLAMP	53	7				
54-82045M	CLIP	53	13				
54-82046M	CLAMP, DRAIN HOSE	3	17				
54-82046M	CLAMP, DRAIN HOSE	3	17				
54-82047M	CLAMP, FUEL LINE	53	11				
54-82047M	CLIP	53	15				
56-82043M	CLAMP WIRE	9	9				
84-80929M	LEAD WIRE	39	15				
84-82831M	LEAD, HIGH TENSION	39	30				
87-80718M	STOP SWITCH	43	31				
91-80942M	TOOL KIT	53	16				