



# PARTS CATALOG

## 25 H.P (OB MOTOR) W/6 GAL. REMOTE TANK

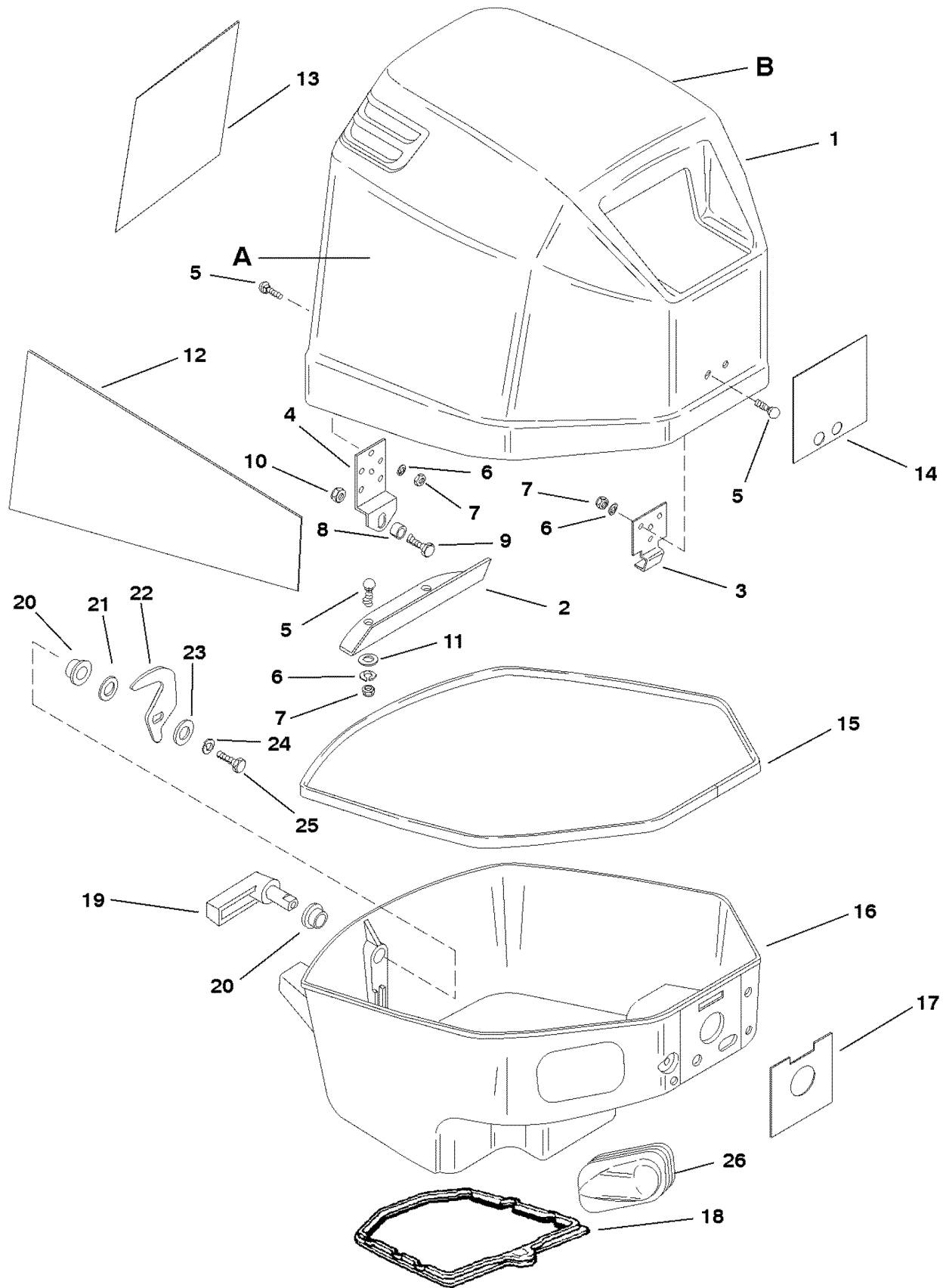
### SERIAL NUMBER

25 H.P. (1997) ..... 225.582500



THIS PAGE INTENTIONALLY LEFT BLANK

# COWL ASSEMBLY - TOP AND BOTTOM

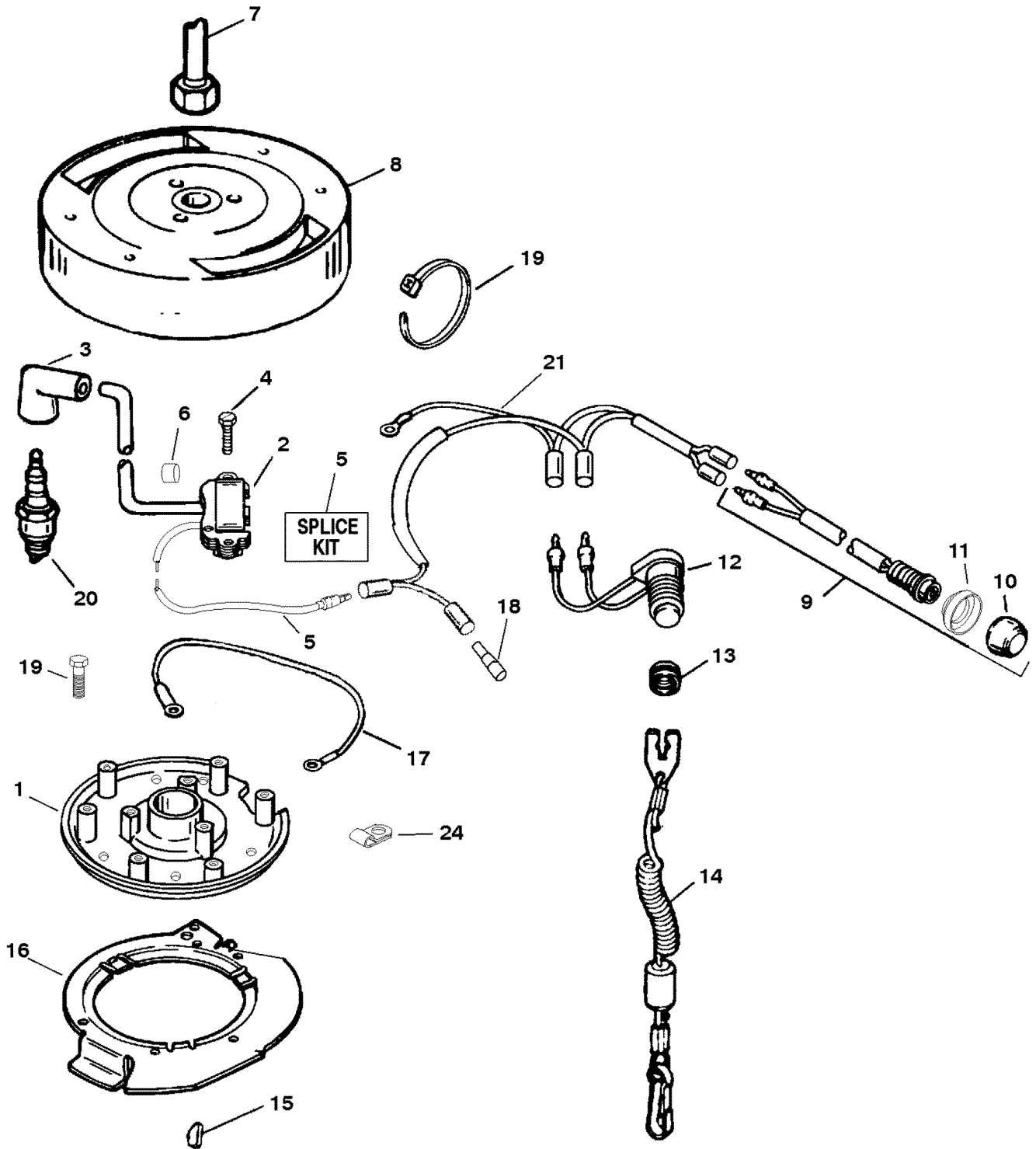


## COWL ASSEMBLY - TOP AND BOTTOM

REF. NO.	PART NO.	SYM.	QTY.	DESCRIPTION
1	100-819135A3		1	COWL ASSEMBLY-TOP (PAINTED) (WITH DECALS)
	100-819135A2		1	COWL ASSEMBLY-TOP (PAINTED) (WITHOUT DECALS)
2	819447		1	BAFFLE
3	819130		1	BRACKET-FRONT
4	819371		1	RETAINER-REAR COWL
5	10-835499		7	SCREW (#8-32 X .440)
6	13-26995		7	LOCKWASHER (#8)
7	11-850042		7	NUT (#8-32)
8	23-F681759		1	ROLLER-LATCH
9	10-F681026		1	SCREW-LATCH ROLLER
10	11-814101		1	NUT (.250-20)
11	12-F8155		2	WASHER
12	37-826343--9		1	DECAL (STARBOARD)
	37-826343-10		1	DECAL (PORT)
13	37-826343-11		1	DECAL (REAR)
14	37-826343-12		1	DECAL (FRONT)-STARTING INSTRUCTIONS
15	F392756		1	PACKING-BOTTOM COWL (4.075 FT. BULK) (CUT 3.783 FT.)
16	100-819280A10		1	COWL KIT-BOTTOM (PAINTED)
17	38-819281		1	PLATE-FRONT
18	827895		1	SEAL-BOTTOM COWL
19	FA681469T		1	HANDLE ASSEMBLY-COWL LATCH (PAINTED)
20	23-812707		2	BUSHING
21	13-F2047		1	WASHER-WAVE
22	F481777		1	CAM-LATCH SHAFT
23	12-71055		1	WASHER
24	13-26992		1	LOCKWASHER (.250)
25	10-28635		1	SCREW (.250-20 X .625)
26	25-93527--1		1	GROMMET-REMOTE CONTROL LINKAGE
NS	90-830212--4		1	OWNERS MANUAL/PARTS MANUAL

A = STARBOARD SIDE, B = PORT SIDE

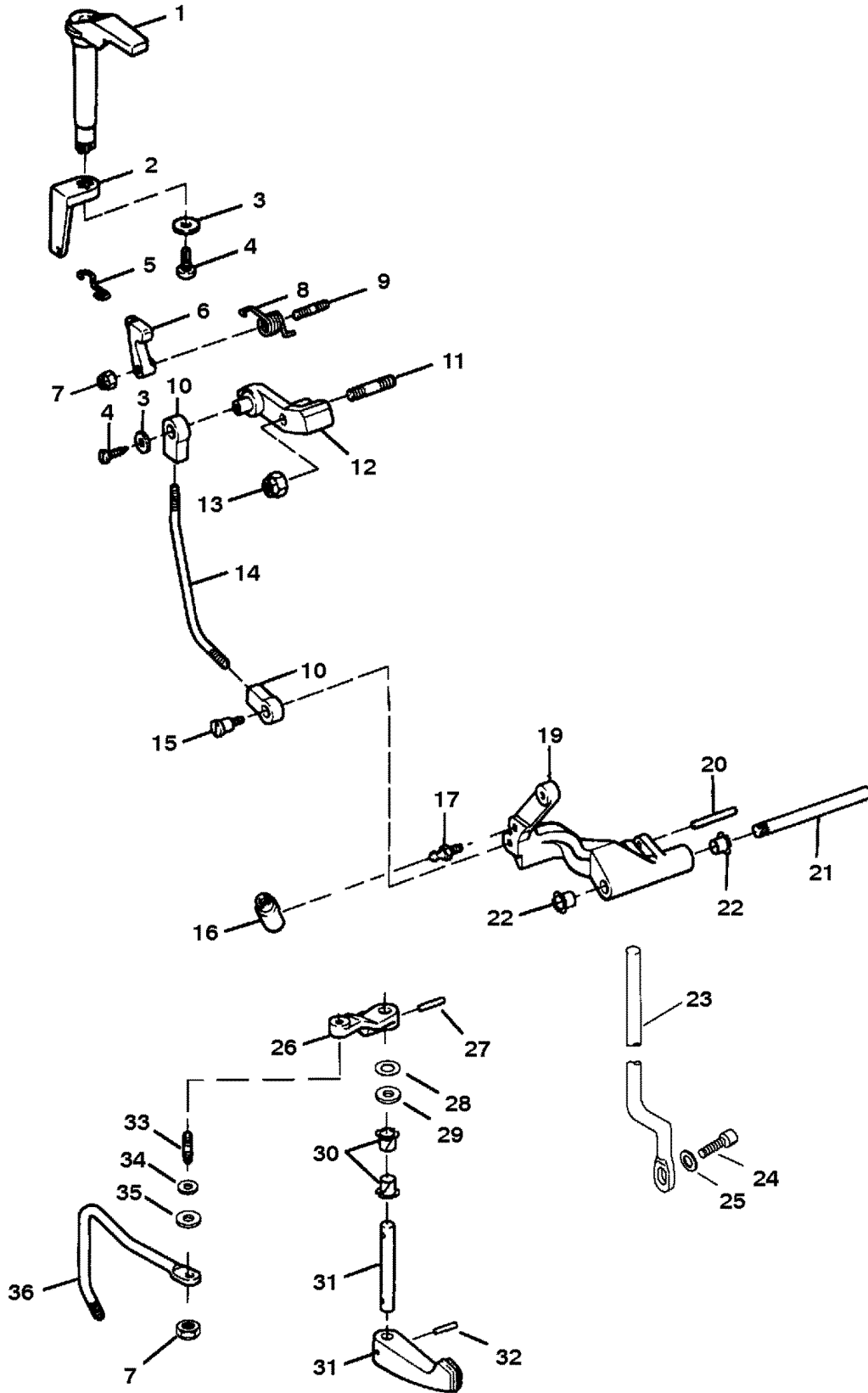
# IGNITION SYSTEM



# IGNITION SYSTEM

REF. NO.	PART NO.	SYM.	QTY.	DESCRIPTION
-	<b>819155A2</b>		<b>1</b>	<b>STATOR ASSEMBLY (COMPLETE)</b>
1	300-819155T		1	PLATE-STATOR
2	819156T2		3	MODULE KIT-IGNITION (WITH SPLICE KIT)
3	85-63709A1		3	BOOT KIT-SPARK PLUG
4	10-824353		9	SCREW (#8-32 X .750)-IGNITION MODULE MOUNT
5	84-12479A60		1	CABLE ASSEMBLY-MODULES TO HARNESS
6	86-828571		AR	SPLICE KIT-IGNITION MODULE WIRE
7	20117A1		1	MARKER SET-IGNITION CABLES (#1) (#2) (#3)
8	F681091		1	NUT-FLYWHEEL
9	200-824380T3		1	FLYWHEEL (PAINTED)
10	87-824440A6		1	SWITCH ASSEMBLY-STOP
11	824466A3		1	COVER ASSEMBLY-STOP SWITCH
12	824915		1	BEZEL-STOP SWITCH COVER
13	87-826214A1		1	SWITCH ASSEMBLY-EMERGENCY STOP
14	22-F681188		1	NUT-STOP SWITCH SLEEVE
15	819399A1		1	LANYARD ASSEMBLY
16	28-F458498-1		1	KEY-CRANKSHAFT/FLYWHEEL
17	827896--1		1	CAM-THROTTLE
18	84-821375A44		1	CABLE ASSEMBLY-GROUND
19	56762		AR	CABLE TIE (4.00 IN.)
	54-816311		AR	CABLE TIE (8.00 IN.)
20	10-824358		5	SCREW (#10-24 X .500)-STATOR PLATE
21	33-811		3	SPARK PLUG (CHAMPION # L82C)
	33-874		OPT	SPARK PLUG (RFI) (CHAMPION # RL82C)
22	84-79138A93		1	HARNESS ASSEMBLY-ENGINE STOP
23	13541		1	PLUG
24	54-831275		1	CLAMP-IGNITION MODULE WIRES
NS	91-830230T		1	AIR GAP TOOL-AIR GAP SETTING-COIL TO FLYWHEEL

# SHIFT LINKAGE



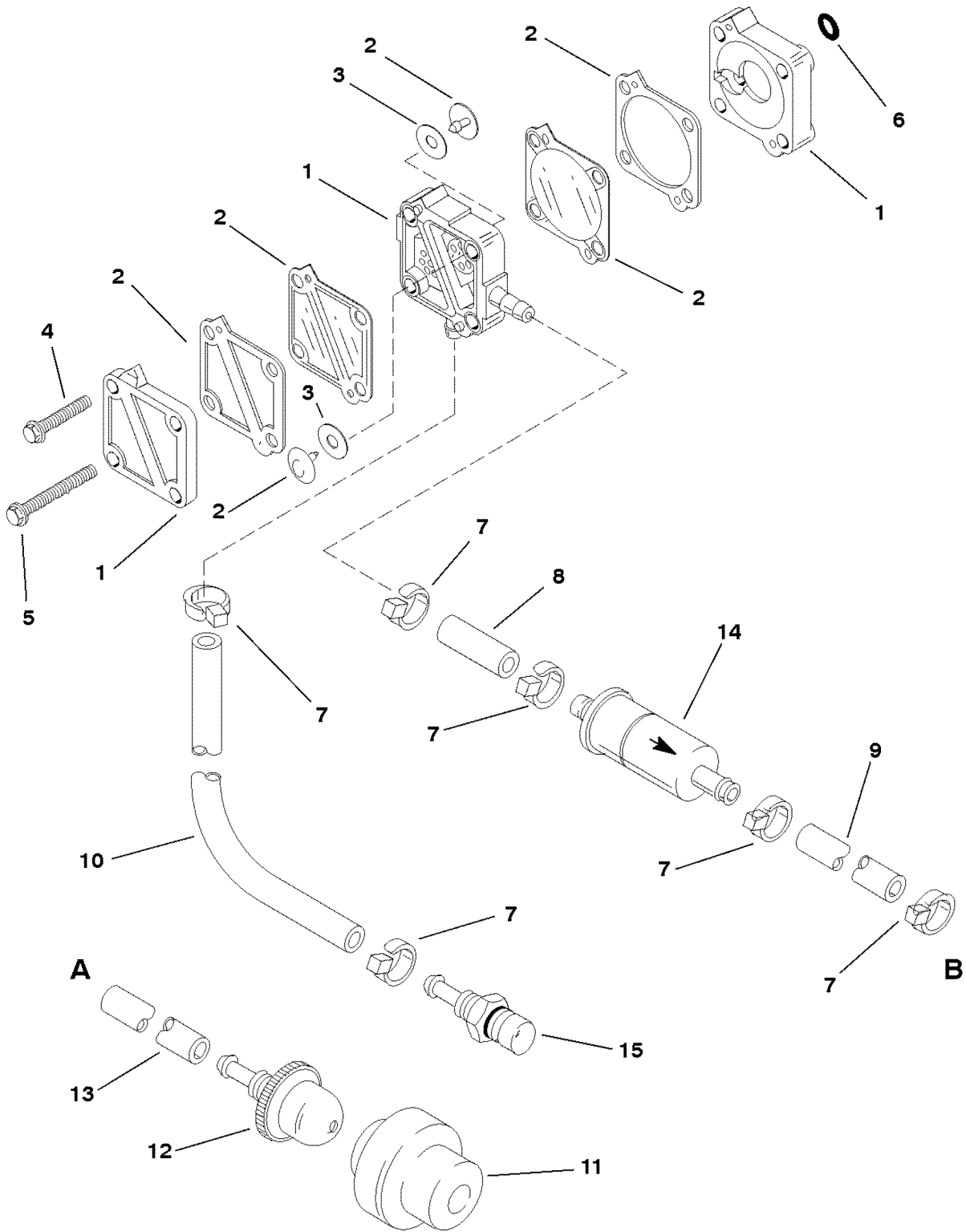


# SHIFT LINKAGE

REF. NO.	PART NO.	SYM.	QTY.	DESCRIPTION
1	F681490		1	STOP-STARTER PULLEY INTERLOCK
2	F681003-1		1	ARM-STARTER INTERLOCK
3	12-F8143		2	WASHER
4	10-48408		2	SCREW (#10-16 X .500)
5	F681263-1		1	LINK-INTERLOCK
6	F681742		1	LEVER-INTERMEDIATE INTERLOCK
7	11-20110		2	NUT (#10-32)
8	24-F681424		1	SPRING-INTERLOCK LEVER
9	16-F681134	■	1	STUD-INTERLOCK LEVER
10	816514		2	BEARING-SPARK CONTROL
11	16-826590	■	1	STUD (.250-20 X 1.690)
12	824357		1	LEVER-NEUTRAL SPEED INTERLOCK
13	11-814101		1	NUT (.250-20)
14	819159		1	ROD-INTERLOCK
15	10-819625		1	SCREW-SHOULDER
16	F286685		1	CONNECTOR-GEAR SHIFT ROD
17	16-F98273		1	STUD-END CONNECTOR
18	819508T		1	LEVER-GEAR SHIFT (PAINTED)
19	17-25319		1	PIN-ROLL
20	F286871T		1	PIN-GEAR SHIFT LEVER
21	23-26841		2	BUSHING
22	819378--1		1	ROD-UPPER GEAR SHIFT
23	10-F1976		1	SCREW (#10-24 X .500)
24	12-89302		1	WASHER
25	820367--1		1	LEVER-SHIFT HANDLE SHAFT
26	17-25905		1	PIN-ROLL
27	13-34632		1	WASHER-WAVE
28	12-36001		1	WASHER-PLAIN
29	23-830054		2	BUSHING-FLANGED
30	819626A2		1	HANDLE ASSEMBLY-GEAR SHIFT (PAINTED)
31	828931		1	SHAFT-SHIFT HANDLE
32	17-25905		1	PIN-ROLL
33	16-F286134		1	STUD-GEAR SHIFT LEVER
34	13-34632		1	WASHER-WAVE (#10)
35	23-830097		1	BUSHING-SHIFT LEVER LINK
36	830096		1	LINK-SHIFT LEVER
-	<b>800-819240A3</b>		-	<b>POWERHEAD ASSY</b>

■ = COMPONENT OF POWERHEAD ASSY

# FUEL SYSTEM



# FUEL SYSTEM

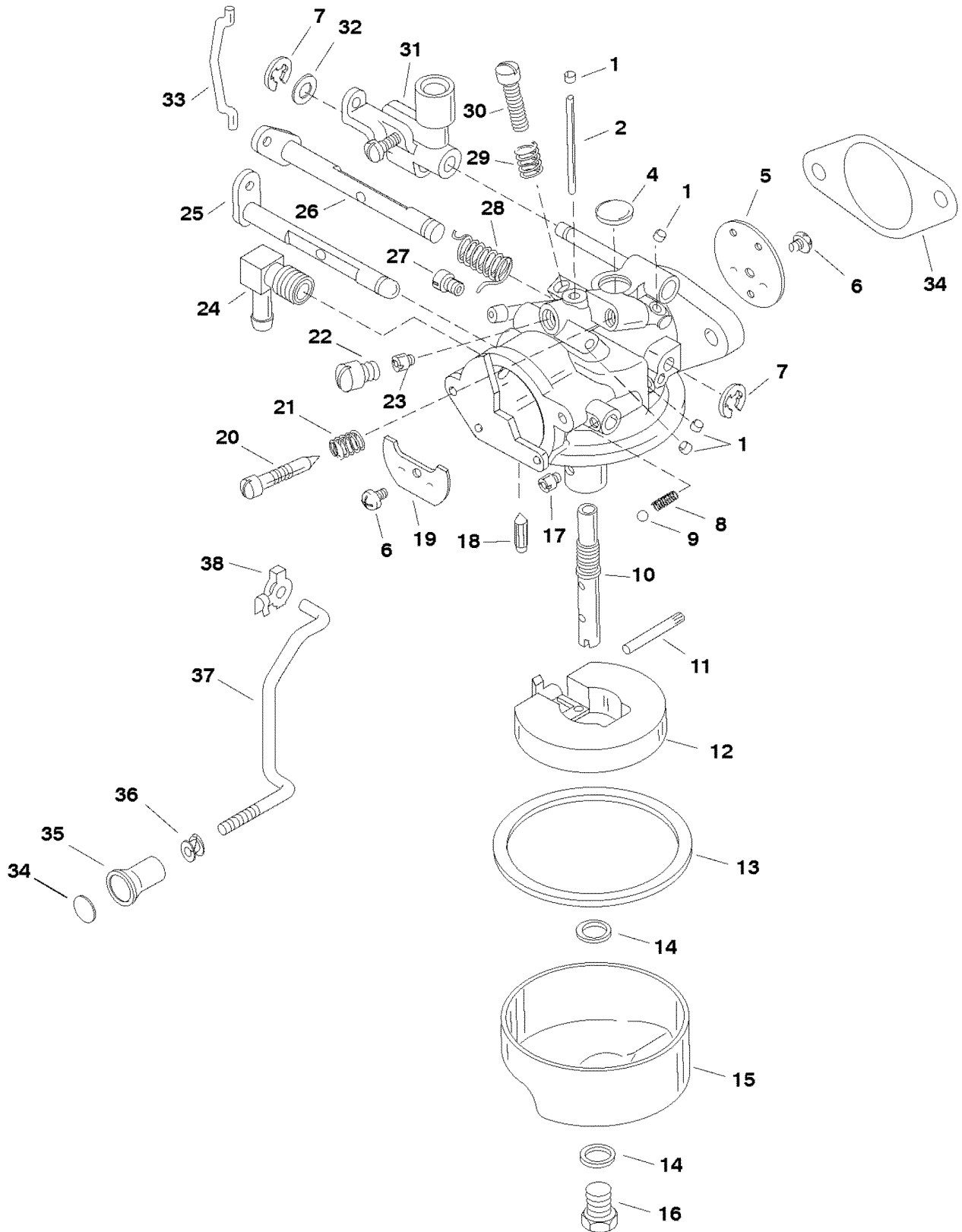
REF. NO.	PART NO.	SYM.	QTY.	DESCRIPTION
1	819213--1		1	PUMP ASSEMBLY-FUEL
2	27-820748A1		1	GASKET/DIAPHRAGM KIT
3	NSS		2	WASHER (NOT SOLD SEPARATE)
4	10-820749		2	SCREW (#10-24 X 1.250)
5	10-819499		2	SCREW (#10-24 X 1.625)
6	25-38933	◇ ■	1	O RING
7	56762		AR	CABLE TIE (4.00 IN.)
8	32-819398T		1	HOSE (18.00 IN. BULK) (CUT 1.625 IN.)
9	32-819398T		1	HOSE (18.00 IN. BULK) (CUT 3.125 IN.)
10	32-819398T		1	HOSE (18.00 IN. BULK) (CUT 15.500 IN.)
11	F681954-1		1	COVER-PRIMER BULB
12	F681046		1	BULB-PRIMER
13	32-819398T		1	HOSE (18.00 IN. BULK) (CUT 11.500 IN.)
14	35-816296		1	FILTER-FUEL
15	22-F197767-2		1	CONNECTOR-FUEL
-	<b>27-809516A1</b>		-	<b>POWERHEAD GASKET SET</b>
-	<b>800-819240A3</b>		-	<b>POWERHEAD ASSY</b>

A = TO CARB, B = TO CARB ELBOW

■ = COMPONENT OF POWERHEAD ASSY

◇ = COMPONENT OF POWERHEAD GASKET SET

# CARBURETOR



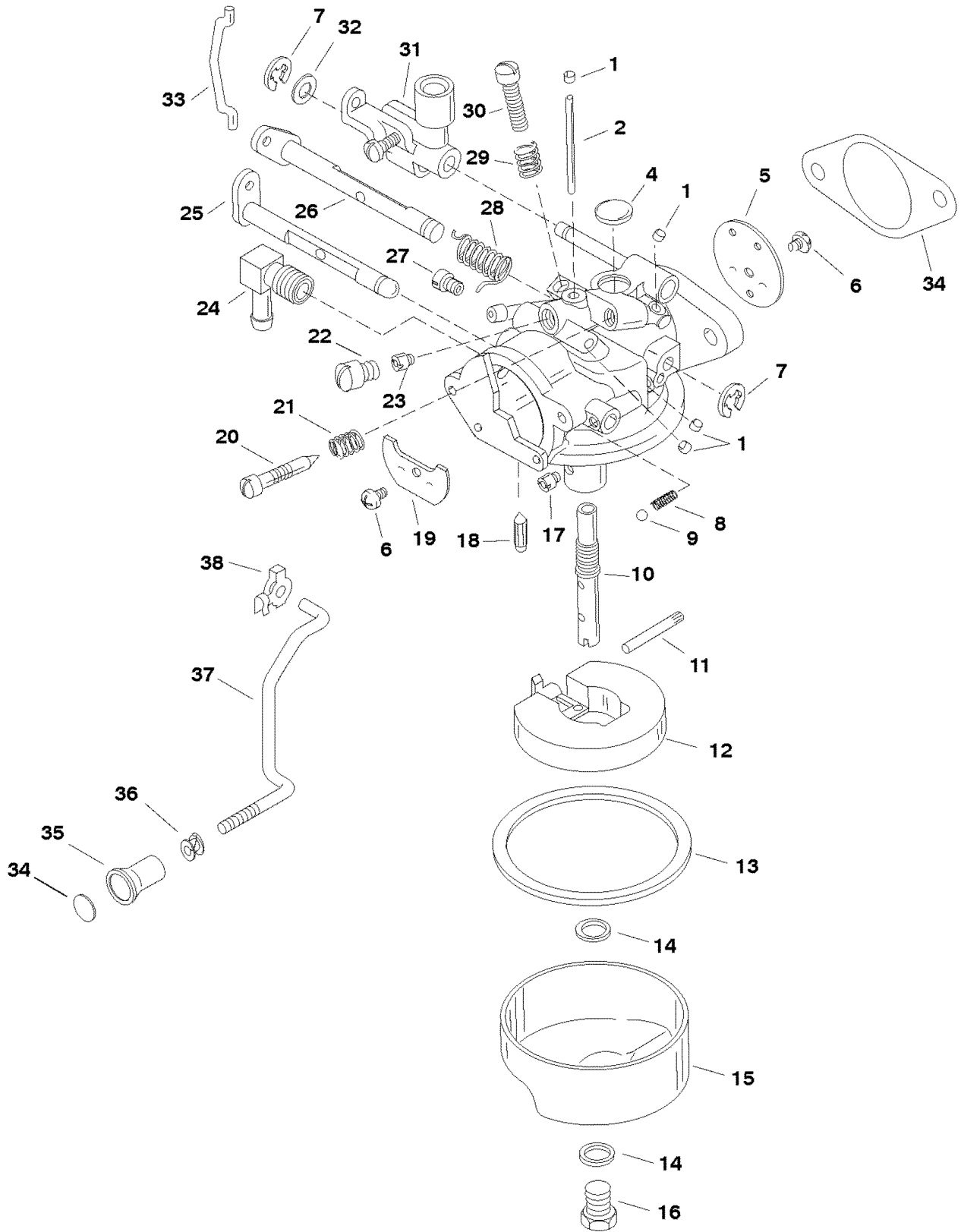
# CARBURETOR

REF. NO.	PART NO.	SYM.	QTY.	DESCRIPTION
-	1300-828531T1		1	<b>CARBURETOR (FO-3B)</b>
1	19-FO10588	■	4	PLUG-CUP
2	809447		1	TUBE-BY PASS
3	19-FO16128	■	1	PLUG-WELCH
4	809442		1	SHUTTER-THROTTLE
5	809441	■	2	SCREW-SHUTTERS
6	809446		2	E RING-THROTTLE LINKAGE
7	FO8805		1	SPRING-CHOKE FRICTION
8	FO4784		1	BALL
9	809624		1	NOZZLE-MAIN
10	17-FO13944	■	1	PIN-FLOAT
11	F10346		1	FLOAT-FUEL BOWL
12	27-FO15623	■+	1	GASKET-FUEL BOWL
13	27-FO2510	■+	2	GASKET-FUEL BOWL
14	FO15366		1	BOWL-FUEL
15	1399-5128		1	SCREW-FUEL BOWL
16	809448		1	JET-MAIN (.058) (0 - 2500 FT.)
	1399-5213		OPT	JET-MAIN (.056) (2500 - 5000 FT.)
	1399-5225		OPT	JET-MAIN (.054) (5000 - 7500 FT.)
	1395-6359		OPT	JET-MAIN (.052) (7500 - 10000 FT.)
17	F10265	■	1	NEEDLE-INLET ( <b>NOTE: DO NOT REMOVE INLET SEAT</b> )
18	F10344		1	SHUTTER-CHOKE
19	F10268		1	SCREW-IDLE MIXTURE
20	24-27160	■	1	SPRING-IDLE MIXTURE SCREW
21	F10275		1	SCREW-SEALING
22	809625		1	JET (.046)-THROTTLE
23	F10347		1	ELBOW-FUEL
24	809440		1	SHAFT AND LEVER-CHOKE
25	809439		1	SHAFT AND LEVER-THROTTLE
26	1399-5225		1	JET (.054)-IDLE AIR BLEED
27	24-F10350	■	1	SPRING-THROTTLE SHAFT
28	809445		1	SPRING-IDLE SPEED
29	809444		1	SCREW-IDLE SPEED
30	F10290		1	LINKAGE-THROTTLE
31	F10242		1	WASHER
32	809443		1	WIRE-THROTTLE SHAFT
33	27-F715906	◇■+	1	GASKET-CARBURETOR MOUNT
34	F681677		1	INSERT-CHOKE ROD
35	F286547		1	KNOB-CHOKE
36	23-F197319		1	BUSHING

■ = COMPONENT OF CARB REPAIR KIT  
 ◇ = COMPONENT OF POWERHEAD GASKET SET  
 † = COMPONENT OF CARB GASKET SET

CONTINUED ON NEXT PAGE ➡

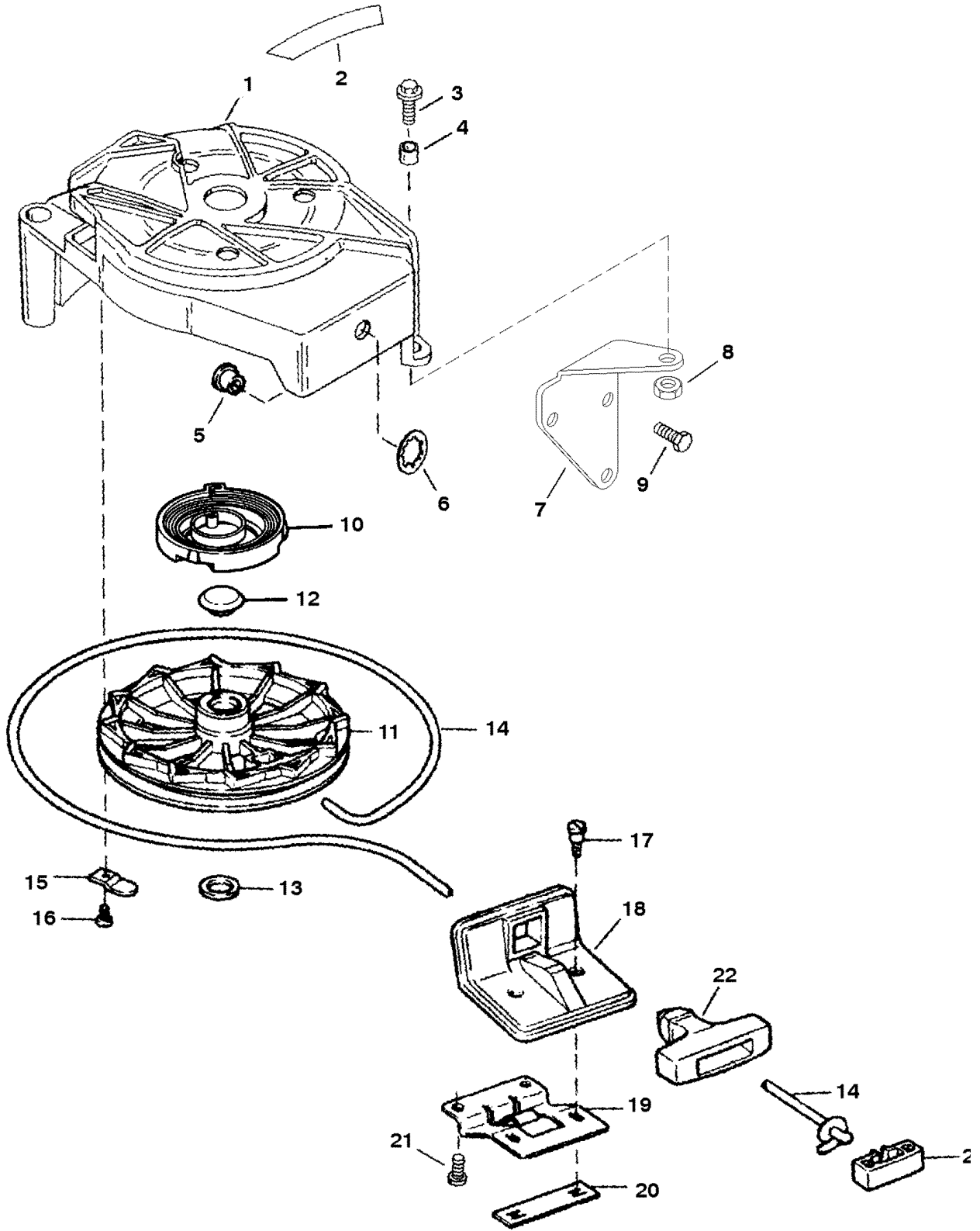
# CARBURETOR



# CARBURETOR

REF. NO.	PART NO.	SYM.	QTY.	DESCRIPTION
37	819154		1	ROD-CHOKE
38	830569		1	RETAINER-CHOKE ROD
NS	FK10352		1	GASKET SET-CARBURETOR
	809449A1		1	REPAIR KIT-CARBURETOR
-	<b>27-809516A1</b>		-	<b>POWERHEAD GASKET SET</b>

# STARTER REWIND COMPONENTS



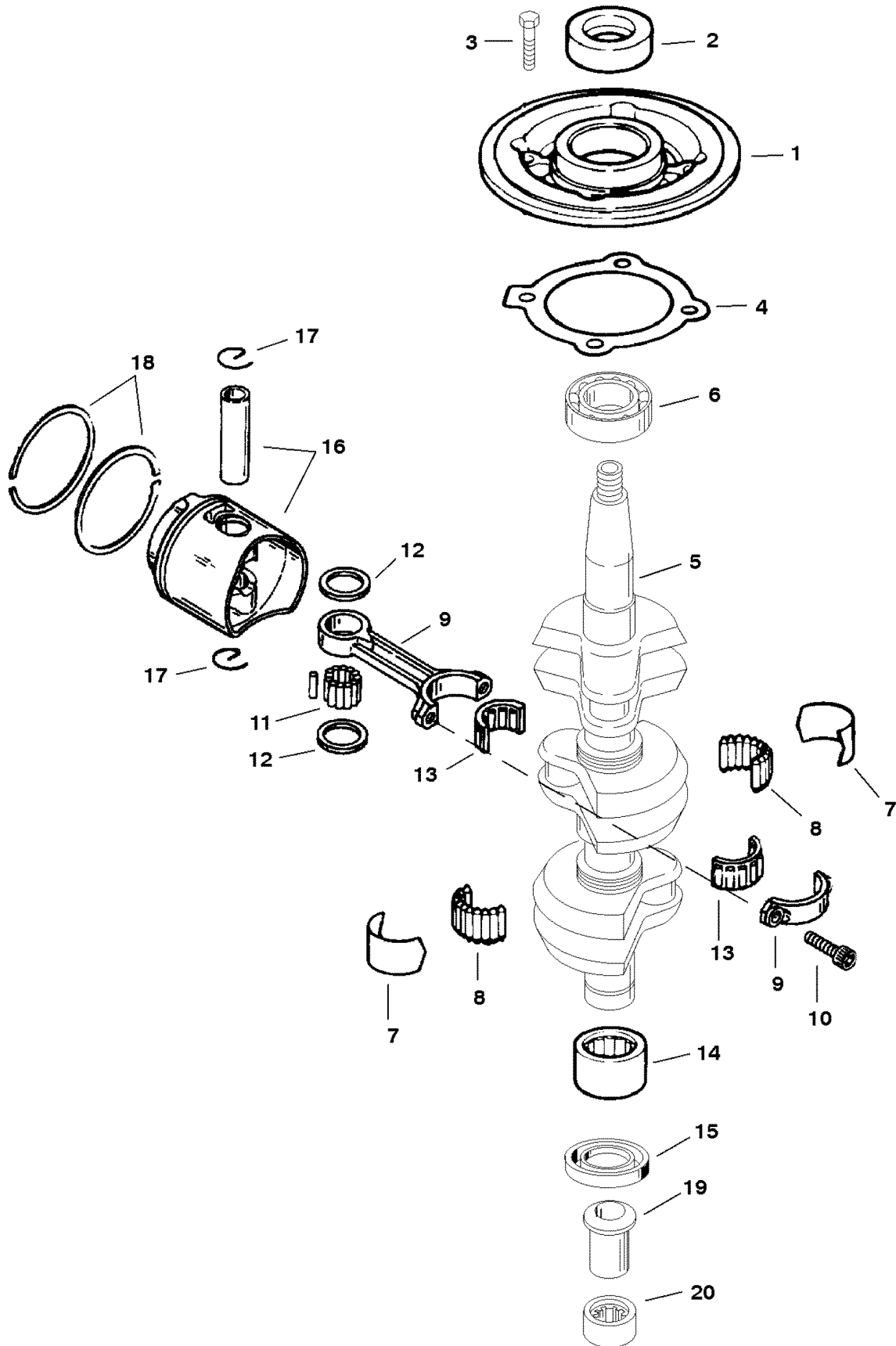


# STARTER REWIND COMPONENTS

REF. NO.	PART NO.	SYM.	QTY.	DESCRIPTION
1	F681408-1		1	HOUSING-STARTER
2	37-825149A1		1	DECAL KIT-SHIFT TO NEUTRAL
3	10-90192		3	SCREW (.250-20 X .750)
4	23-F681405		3	INSERT-STARTER HOUSING
5	F681428		1	INSERT-ROPE-STARTER HOUSING
6	53-818853		1	RING-RETAINING
7	819245T	■	1	BRACKET-STARTER HOUSING-FRONT (PAINTED)
8	11-814101		1	NUT (.250-20)
9	10-98254	■	3	SCREW (.250-20 X .625)
10	24-F681970		1	SPRING-STARTER REWIND
11	42034A2		1	PULLEY ASSEMBLY-STARTER REWIND
12	19-817362		1	PLUG-PULLEY
13	26-12494--1		1	SEAL-PULLEY BEARING
14	F681232		1	ROPE (64/67 IN.)
15	F681592		3	RETAINER-STARTER PULLEY
16	10-48408		3	SCREW (#10-16 X .500)
17	10-819625		2	SCREW-SHOULDER
18	FA681630T		1	SUPPORT ASSEMBLY-HANDLE
19	830282--1		1	PLATE-HANDLE SUPPORT
20	F681874-1		1	FASTENER-HANDLE SUPPORT PLATE
21	10-F2210		2	SCREW (.250-14 X .500)
22	F681132		1	HANDLE-ROPE
23	F681817		1	RETAINER-ROPE HANDLE
-	<b>800-819240A3</b>		-	<b>POWERHEAD ASSY</b>

■ = COMPONENT OF POWERHEAD ASSY

# CRANKSHAFT AND PISTON



# CRANKSHAFT AND PISTON

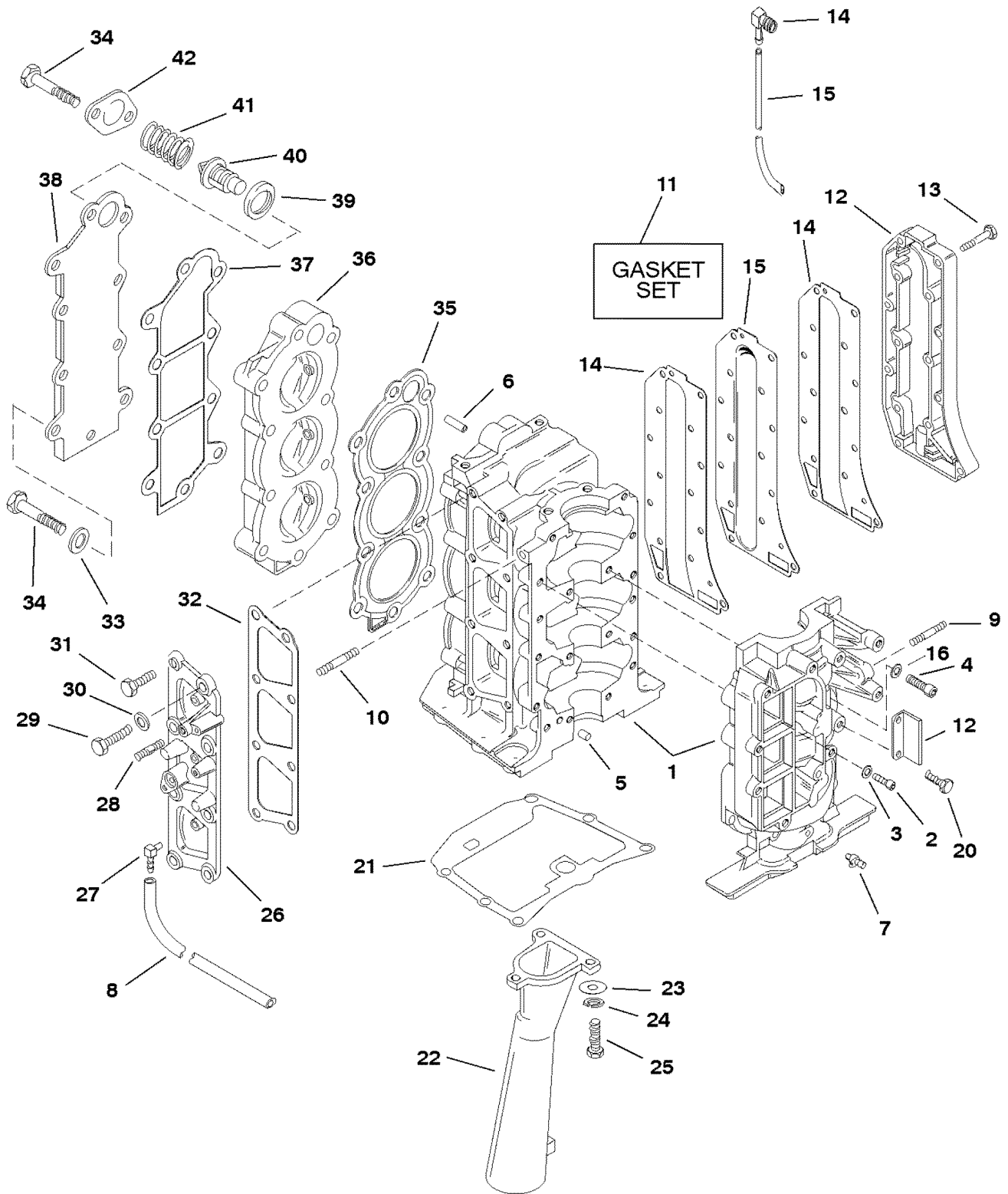
REF. NO.	PART NO.	SYM.	QTY.	DESCRIPTION
1	1100-817753A4		1	CAGE ASSEMBLY-CRANKSHAFT
2	26-66302	◇	1	SEAL-OIL
3	10-F1914		4	SCREW (.250-20 X .750)
4	27-F286277	■	1	GASKET-CRANKSHAFT BEARING CAGE
5	400-819044A3	■	1	CRANKSHAFT ASSEMBLY
6	30-F286028		1	BEARING-BALL
7	31-819239	■	4	LINER-CENTER MAIN ROLLERS
8	29-819238	■	4	ROLLERS (16 PER STRIP)
9	637-8477A2	■	3	CONNECTING ROD ASSEMBLY
10	10-823460		6	SCREW-CONN ROD
11	29-42186		72	BEARING-NEEDLE
12	43348		6	BEARING-THRUST
13	31-42076A1		3	BEARING KIT
14	31-819129--1	■	1	BEARING-CRANKSHAFT LOWER MAIN
15	26-819214	◇■	1	SEAL-CRANKSHAFT LOWER
16	784-9747A8	■	3	PISTON KIT (STANDARD)
17	40-42202--1		6	RING-LOCK
18	39-18213A1		3	RING SET (2 RINGS) (STANDARD)
19	26-819293		1	SEAL-DRIVESHAFT SPLINE
20	819310--1		1	RETAINER-DRIVESHAFT SPLINE SEAL
-	<b>27-809516A1</b>		-	<b>POWERHEAD GASKET SET</b>
-	<b>800-819240A3</b>		-	<b>POWERHEAD ASSY</b>

NOTE: ONLY STANDARD PISTONS AND PISTON RINGS ARE AVAILABLE.

■ = COMPONENT OF POWERHEAD ASSY

◇ = COMPONENT OF POWERHEAD GASKET SET

# CYLINDER BLOCK ASSEMBLY



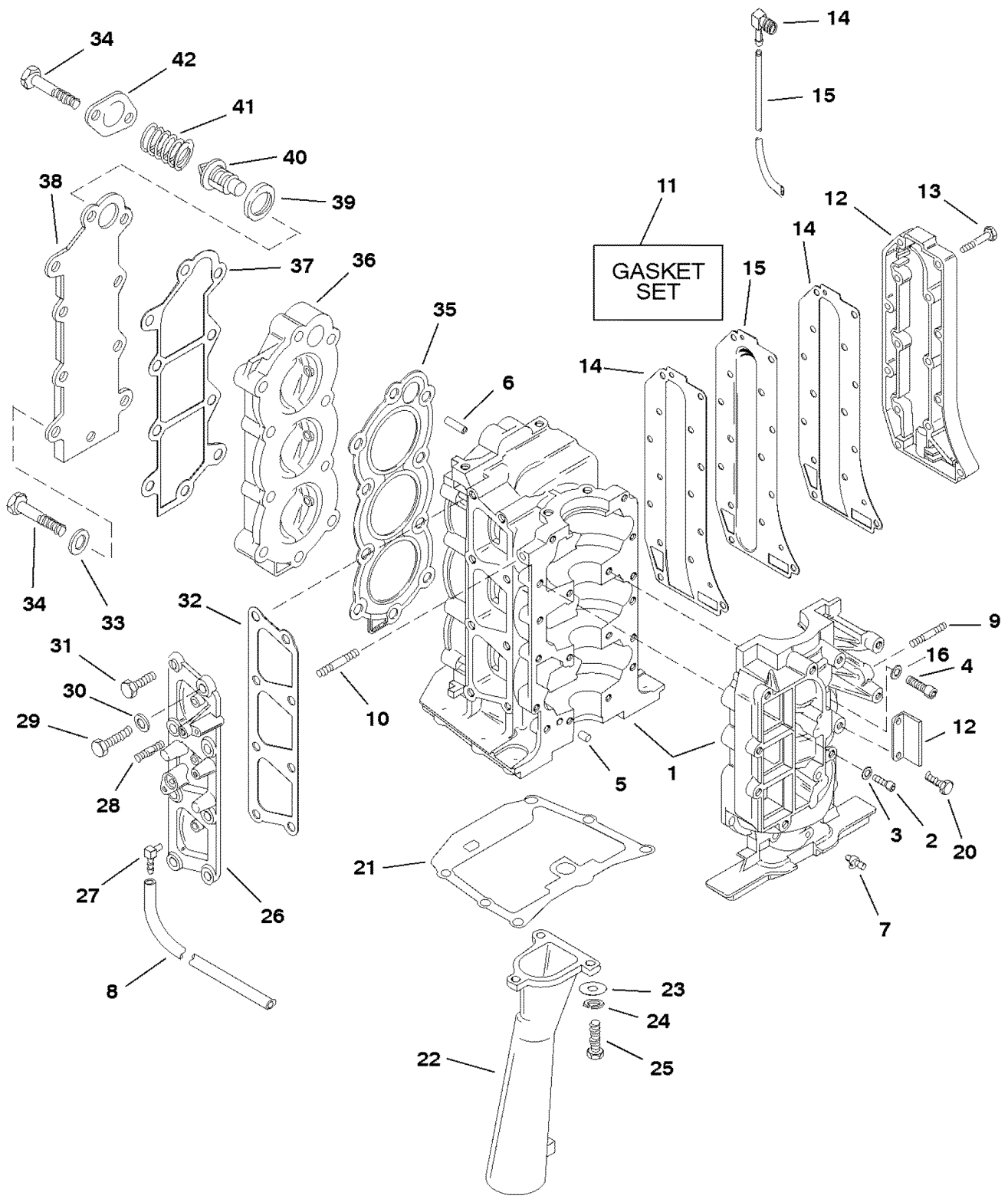
# CYLINDER BLOCK ASSEMBLY

REF. NO.	PART NO.	SYM.	QTY.	DESCRIPTION
-	800-819240A3		1	POWERHEAD ASSEMBLY (PAINTED)
1	800-819240A2	■	1	CYLINDER ASSEMBLY (PAINTED)
2	10-92160		11	SCREW (.250-20 X .750)
3	12-29245		11	WASHER
4	10-54523		6	SCREW (.312-18 X 1.00)
5	12-20084		6	WASHER
6	17-F8559		2	PIN-DOWEL
7	32-819243		1	TUBE-WATER JACKET
8	21-42658		1	CHECK VALVE
9	32-99130122		1	TUBING (20.0 FT. BULK) (CUT 2 PCS-15.00 IN.) (CUT 1 PC-12.058 IN.)
10	16-F286440		1	STUD (.312-24 X 1.250)
11	16-826590		1	STUD (.250-20 X 1.690) WITH DRI LOC
12	834753		1	BRACKET-THROTTLE STOP
13	27-809516A1		1	GASKET SET
14	22-88780	■	1	ELBOW-TELL TALE TUBING
15	32-54950--7		1	TUBING (7.00 IN.)-TELL TALE
16	27-819140	◇■	2	GASKET-EXHAUST COVER
17	819152	■	1	PLATE-EXHAUST
18	1000-819136T	■	1	COVER-EXHAUST (PAINTED)
19	10-F1581	■	14	SCREW (.250-20 X 1.250)
20	10-F2040		1	SCREW (.250-20 X .625)-GROUND WIRE
21	27-819498	◇■	1	GASKET-CYLINDER MOUNT
22	819157T1		1	TUBE-EXHAUST
23	12-29245		3	WASHER
24	13-26992		3	LOCKWASHER (.250)
25	10-90192		3	SCREW (.250-20 X .750)
26	1000-819137T	■	1	COVER ASSEMBLY-TRANSFER PORT (PAINTED)
27	22-15133		3	ELBOW
28	16-F681134		1	STUD-INTERLOCK LEVER
29	10-90192	■	1	SCREW (.250-20 X .750)-WASHER HEAD
30	12-28927	■	1	WASHER
31	10-F1535	■	7	SCREW (.250-20 X .750)-HEX HEAD
32	27-819143	◇■	1	GASKET-TRANSFER PORT COVER
33	12-814806	■	8	WASHER
34	10-F1882	■	10	SCREW (.312-18 X 2.125)
35	27-819138--2	◇■	1	GASKET-CYLINDER HEAD
36	900-819145T1	■	1	HEAD-CYLINDER (PAINTED)
37	27-819139--1	◇■	1	GASKET-CYLINDER HEAD COVER
38	819134T	■	1	COVER-CYLINDER HEAD (PAINTED)

■ = COMPONENT OF POWERHEAD ASSY  
◇ = COMPONENT OF POWERHEAD GASKET SET

CONTINUED ON NEXT PAGE ➡

# CYLINDER BLOCK ASSEMBLY

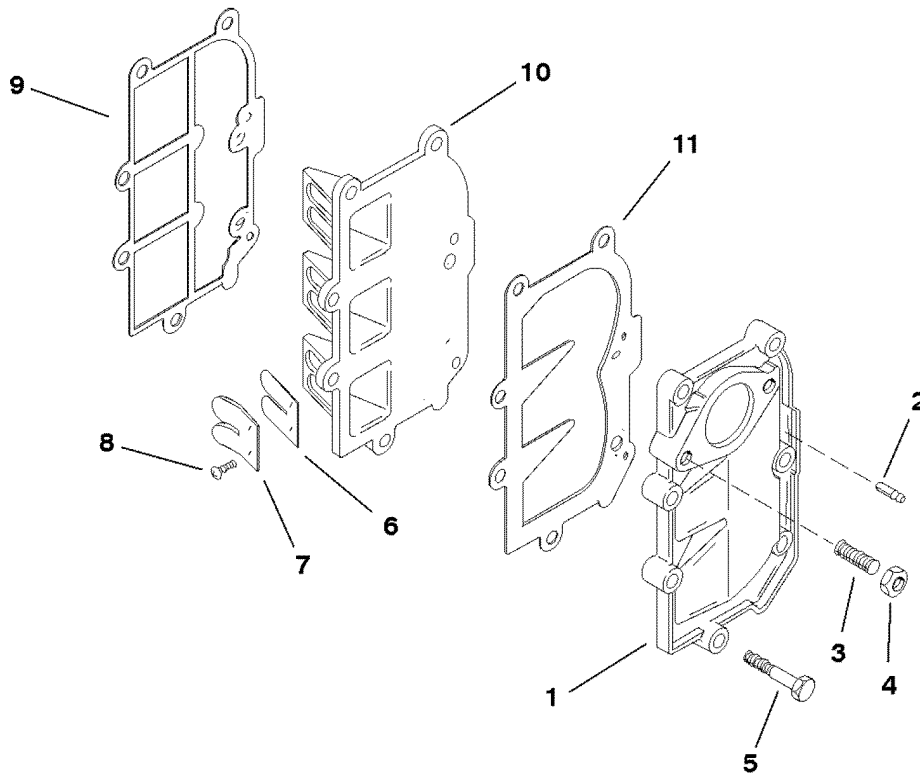


## CYLINDER BLOCK ASSEMBLY

REF. NO.	PART NO.	SYM.	QTY.	DESCRIPTION
39	12-F658504	■	1	WASHER-THERMOSTAT
40	F97068-2	■	1	THERMOSTAT (130 DEG)
41	24-819161	■	1	SPRING-THERMOSTAT
42	819439T	■	1	COVER-THERMOSTAT
-	<b>800-819240A3</b>		-	<b>POWERHEAD ASSY</b>

■ = COMPONENT OF POWERHEAD ASSY

# REED PLATE/MANIFOLD ASSEMBLY





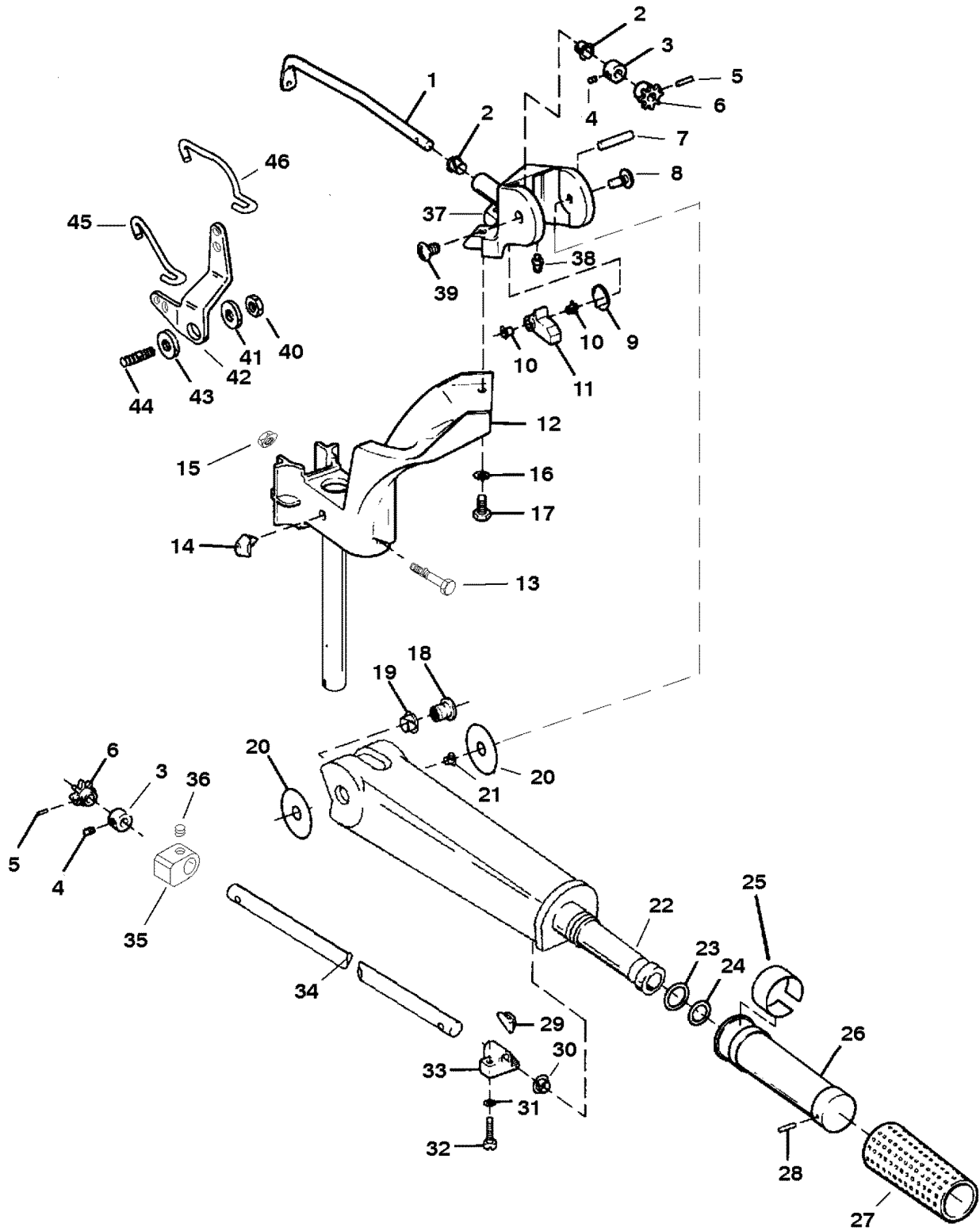
## REED PLATE/MANIFOLD ASSEMBLY

REF. NO.	PART NO.	SYM.	QTY.	DESCRIPTION
1	819150A1	■	1	MANIFOLD ASSEMBLY-INTAKE
2	21-42698		2	CHECK VALVE
3	16-826622		2	STUD (.250-20 X .910) WITH DRI LOC
4	11-20890		2	NUT (.250-20)-CARBURETOR MOUNT
5	10-F1581	■	7	SCREW (.250-20 X 1.250)
6	34-827308	■	6	REED
7	34-827307	■	6	STOP-REED
8	10-819074	■	12	SCREW WITH LOCKWASHER (#6-32 X .312)
9	27-819142	◇■	1	GASKET-REED PLATE
10	819153T	■	1	PLATE-REED
11	27-819141	◇■	1	GASKET-INTAKE MANIFOLD
-	<b>27-809516A1</b>		-	<b>POWERHEAD GASKET SET</b>
-	<b>800-819240A3</b>		-	<b>POWERHEAD ASSY</b>

■ = COMPONENT OF POWERHEAD ASSY

◇ = COMPONENT OF POWERHEAD GASKET SET

# TILLER HANDLE AND THROTTLE LINKAGE

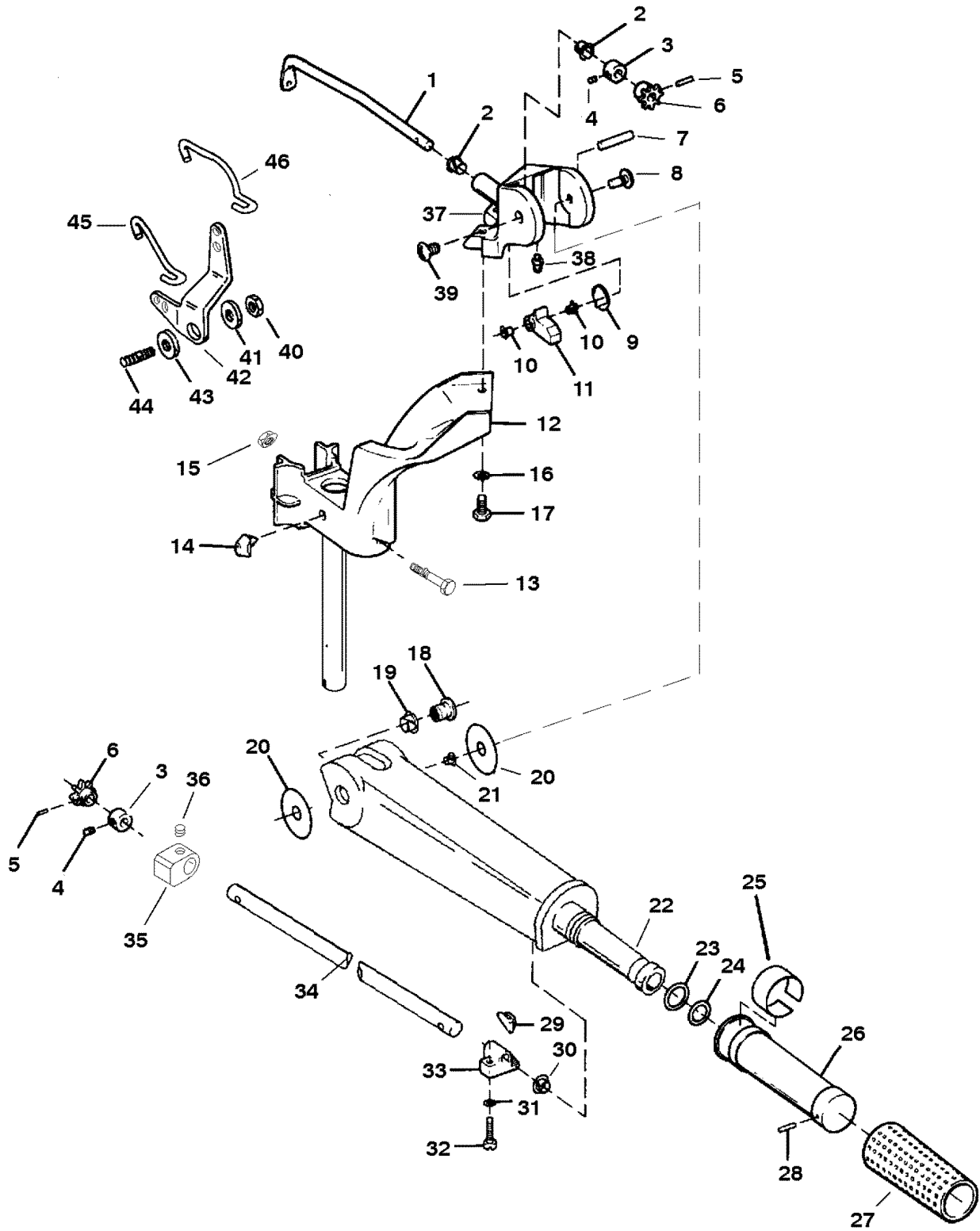


# TILLER HANDLE AND THROTTLE LINKAGE

REF. NO.	PART NO.	SYM.	QTY.	DESCRIPTION
1	851928		1	SHAFT-THROTTLE CONTROL
2	23-26841		2	BUSHING
3	FA343178		2	RETAINER KIT-STEERING SHAFT
4	10-832794		2	SCREW-SET (.250-28 X .250)
5	17-29908		2	PIN-ROLL
6	43-818009--1		2	GEAR-STEERING SHAFT
7	17-F1807		1	PIN-GROOVE
8	10-823595		1	SCREW-PIVOT
9	24-F286868		1	SPRING-STEERING HANDLE STOP
10	23-26856		2	BUSHING
11	F286490T		1	STOP-STEERING HANDLE
12	835373A2		1	BRACKET ASSEMBLY-STEERING ARM (PAINTED)
13	10-828815		1	SCREW (.250-20 X 1.750)
14	19-F286539		1	BUMPER
15	11-814101		1	NUT (.250-20)
16	13-72521		2	LOCKWASHER (.312 INTERNAL)
17	10-38837		2	SCREW (.312-18 X 1.125)
18	F286224-1		1	INSERT-STEERING HANDLE PIVOT
19	23-812707		1	BUSHING
20	12-F286220		2	WASHER-STEERING HANDLE
21	23-26856		1	BUSHING
22	819279T		1	HANDLE-STEERING (PAINTED)
23	25-21836		1	O RING (LARGE)
24	25-38101		1	O RING (SMALL)
25	37-F712894		1	DECAL-SPEED/SHIFT INDICATOR
26	828406A1		1	HANDLE/GRIP ASSEMBLY-THROTTLE
27	828406		1	GRIP-THROTTLE/STEERING HANDLE
28	17-72255		1	PIN-ROLL
29	819227		1	WEDGE-STEERING HANDLE
30	23-97896		1	BUSHING
31	13-F8058		2	LOCKWASHER (#10 INTERNAL)
32	10-F1829		2	SCREW (#10-24 X .875)
33	F487816-1		1	BEARING-STEERING HANDLE
34	819160		1	SHAFT-STEERING HANDLE
35	832759		1	STOP-THROTTLE
36	10-832794		1	SCREW-SET (.250-28 X .250)
37	817751A6		1	BRACKET ASSEMBLY-STEERING (PAINTED)
38	22-F523274		1	FITTING-GREASE
39	10-823594		1	SCREW-PIVOT
40	11-35814		1	NUT (.312-24)
41	12-F286282		1	WASHER (SPECIAL)
42	819148		1	LEVER-MAGNETO CONTROL

CONTINUED ON NEXT PAGE ➡

# TILLER HANDLE AND THROTTLE LINKAGE

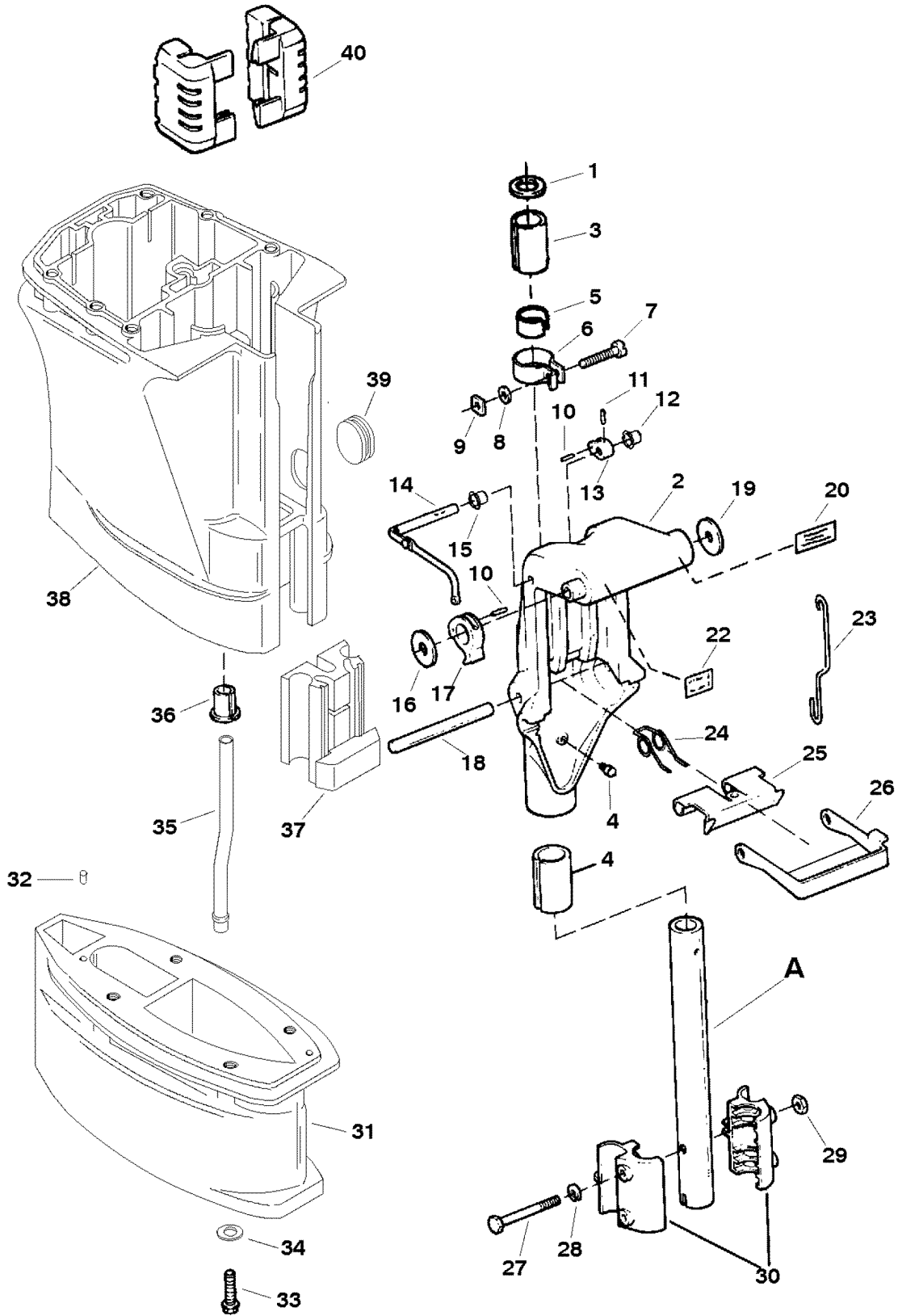


## TILLER HANDLE AND THROTTLE LINKAGE

REF. NO.	PART NO.	SYM.	QTY.	DESCRIPTION
43	23-F183813		1	BEARING-CONTROL LEVER
44	16-F286440	■	1	STUD (.312-24 X 1.250)
45	826846		1	LINK-THROTTLE SHAFT
46	824142T		1	LINK-THROTTLE CAM
-	<b>800-819240A3</b>		-	<b>POWERHEAD ASSY</b>

■ = COMPONENT OF POWERHEAD ASSY

# SWIVEL BRACKET AND DRIVESHAFT HOUSING



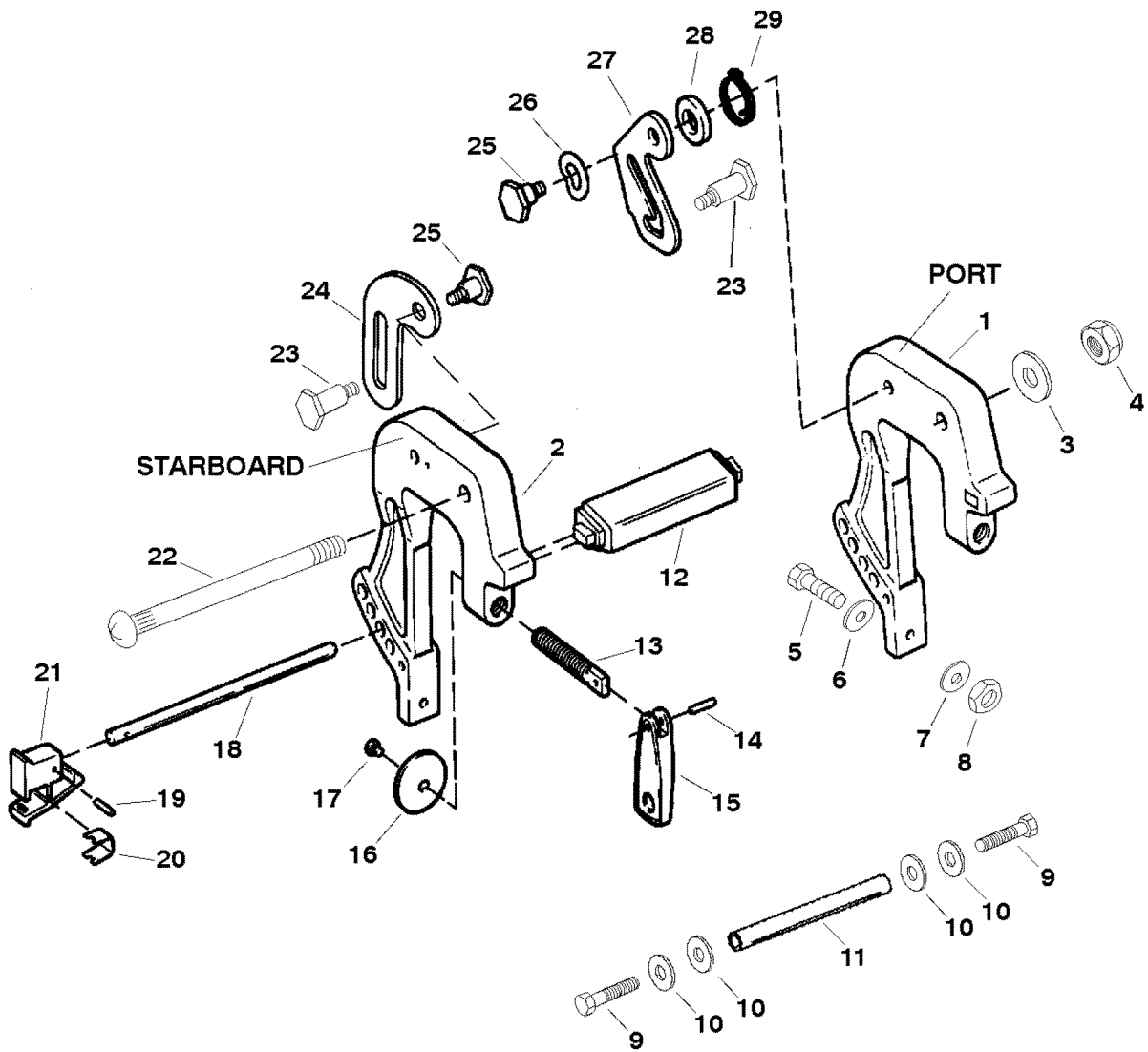
# SWIVEL BRACKET AND DRIVESHAFT HOUSING

REF. NO.	PART NO.	SYM.	QTY.	DESCRIPTION
1	12-F286011		1	WASHER-SWIVEL BRACKET
2	1400-850049A1		1	BRACKET KIT-SWIVEL (PAINTED)
3	23-F681169		1	BEARING (1.125 IN.) (TOP)
4	23-F286169		1	BEARING (1.750 IN.) (BOTTOM)
5	22-F213274		2	FITTING-GREASE
6	F681631		1	SHOE-FRICTION
7	54-F286573-1		1	CLAMP-STEERING FRICTION
8	10-F1820		1	SCREW (.250-20 X 1.375)
9	12-12038		1	WASHER
10	11-F1608		1	NUT (.250-20)
11	17-F1794		2	PIN-SPRING
12	17-F8538		1	PIN-SPRING
13	23-26856		1	BUSHING
14	F286364T		1	LEVER-REVERSE LOCK
15	820095A1		1	LEVER ASSEMBLY-REVERSE LOCK INTERMEDIATE
16	23-F536813		1	BUSHING
17	12-F2037		1	WASHER
18	F286827		1	LEVER-REVERSE LOCK RELEASE
19	17-F1806		1	PIN-GROOVE
20	12-F2037		1	WASHER
21	37-818029--1		1	DECAL-FUEL MIX
22	37-830253--1		1	DECAL-TILT RELEASE
23	852528	❖	1	LINK-REVERSE LOCK LEVER
24	24-F286300		1	SPRING-REVERSE LOCK
25	850259		1	LOCK-REVERSE
26	830111--1		1	BRACKET-SHALLOW WATER DRIVE
27	FA1844		2	SCREW KIT (.250-20 X 2.375)
28	13-26992		2	LOCKWASHER (.250)
29	11-64015		2	NUT (.250-20)
30	819320T		2	BRACKET-SHOCK MOUNT LOWER (PAINTED)
31	826361T1		1	SPACER ASSEMBLY <b>FOR 20" MODEL 225.582591</b>
32	17-85500		1	PIN-DOWEL <b>FOR 20" MODEL 225.582591</b>
33	10-65210		4	SCREW (.375-16 X 1.00) <b>FOR 20" MODEL 225.582591</b>
34	12-45175		4	WASHER <b>FOR 20" MODEL 225.582591</b>
35	32-819149		1	LINE-WATER INLET <b>FOR 15" MODEL 225.582501</b>
	32-819149--1		1	LINE-WATER INLET <b>FOR 20" MODEL 225.582591</b>
36	F286914-1		1	SLEEVE-WATER INLET LINE
37	819319--2		1	MOUNT-SHOCK LOWER
38	1500-819215T2		1	HOUSING-DRIVESHAFT (PAINTED)
39	25-F46899-1		1	GROMMET-SHIFT SHAFT COUPLING
40	F517347		2	MOUNT-SHOCK UPPER

A = SEE PAGE 46/47 REF. #12

❖ = PART IS NEW AND LISTED FOR THE FIRST TIME

# CLAMP BRACKETS

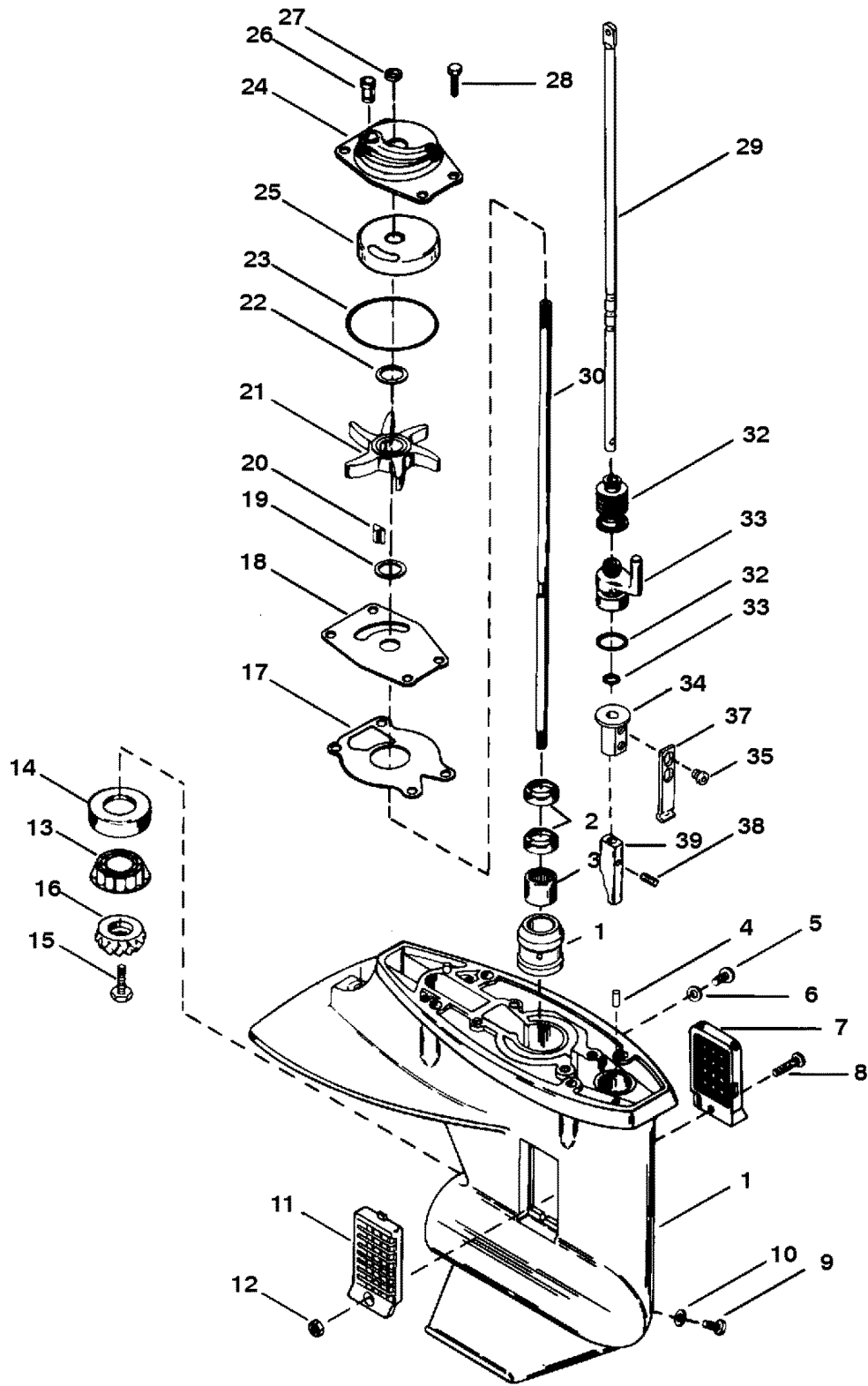




# CLAMP BRACKETS

REF. NO.	PART NO.	SYM.	QTY.	DESCRIPTION
1	1400-850073T		1	BRACKET-STERN (PAINTED) (PORT)
2	1400-850073T1		1	BRACKET-STERN (PAINTED) (STARBOARD)
3	12-20553		1	WASHER
4	11-F7026		1	NUT (.375-16)
5	10-832820		2	SCREW (.250-20 X 3.00)-MOUNTING
6	12-29245		2	WASHER (THIN)-MOUNTING
7	12-67983		2	WASHER-MOUNTING
8	11-13855		2	NUT (.250-20)-MOUNTING
9	10-40003-32		2	SCREW (M6 X 35)
10	12-29245		4	WASHER
11	23-852963		1	SPACER
12	830564		1	HANDLE-CARRYING
13	10-826248		2	SCREW-STERN BRACKET
14	17-24198		2	PIN-ROLL
15	F424075T		2	HANDLE-CLAMP SCREW (PAINTED)
16	F24074		2	FOOT-STERN BRACKET SCREW
17	10-69022		2	SCREW (#10-32 X .500)
18	851924A2		1	TILT PIN ASSEMBLY-STERN BRACKET
19	17-38489		1	PIN-ROLL
20	24-F286461		1	SPRING-TILT PIN HANDLE
21	851929		1	HANDLE-TILT PIN (SILVER)
22	10-827894		1	BOLT-PIVOT-STERN BRACKET (.375-16 X 7.380)
23	17-819707		2	PIN-TILT LOCK (.250-20)
24	826251		1	LEVER-TILT LOCK
25	10-F286422-1		2	PIVOT-TILT LOCK (.312-18)
26	13-69150		1	WASHER-WAVE
27	F429541		1	LOCK-TILT
28	23-819226		1	SPACER-TILT LOCK
29	24-F286544-1		1	SPRING-TILT LOCK

# GEAR HOUSING (DRIVESHAFT)



## GEAR HOUSING (DRIVESHAFT)

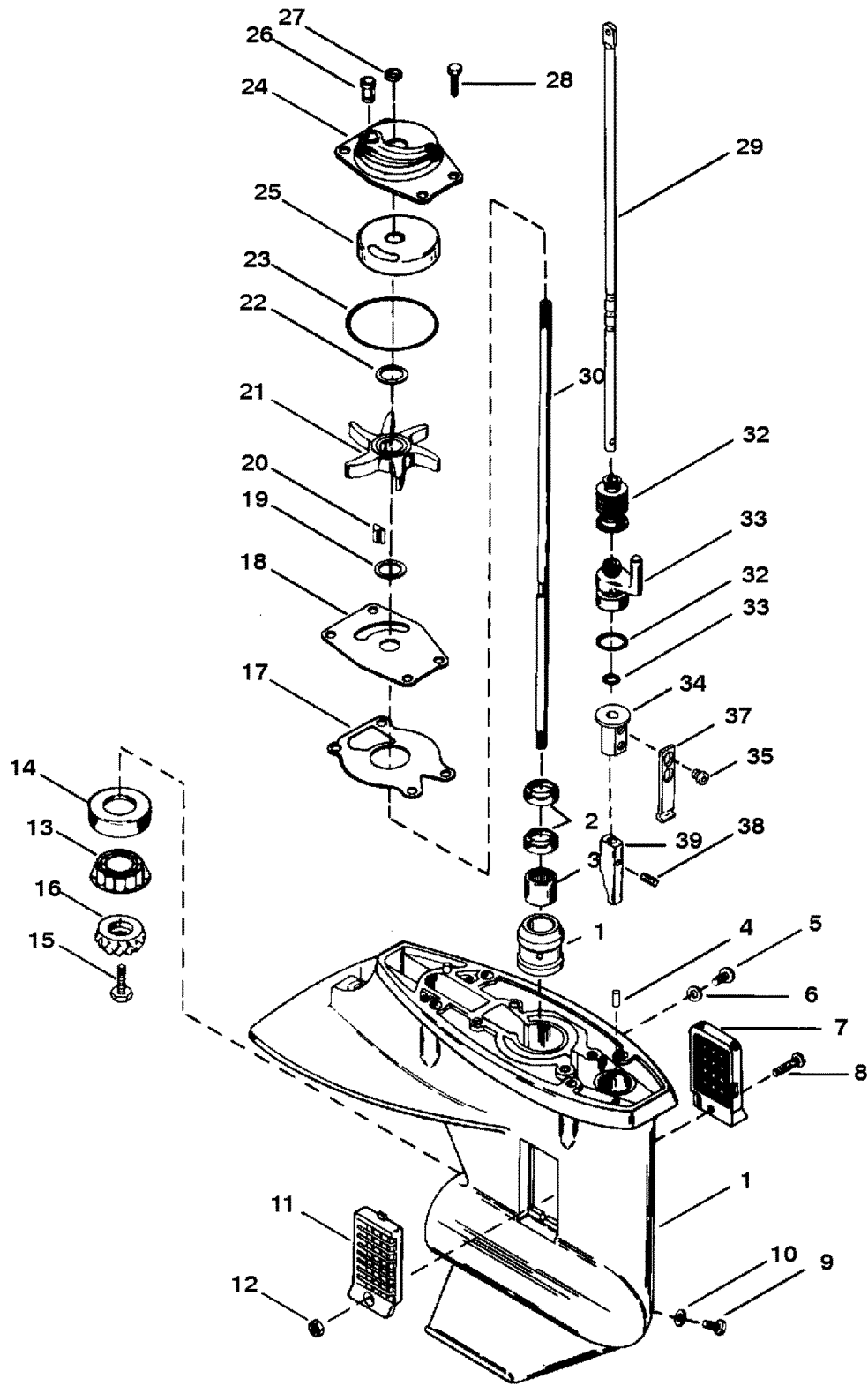
REF. NO.	PART NO.	SYM.	QTY.	DESCRIPTION
-	1665-8669A31		1	GEAR HOUSING ASSY (COMPLETE) (PAINTED) FOR 15" 225.582501
-	1665-8669A32		1	GEAR HOUSING ASSY (COMPLETE) (PAINTED) FOR 20" 225.582591
1	1665-8669A25		1	GEAR HOUSING ASSEMBLY (BASIC) (PAINTED)
2	NSS		1	SLEEVE (INCLUDED WITH REF. #1)
3	26-99325	+	2	SEAL-DRIVESHAFT
4	31-41326		1	BEARING-ROLLER-UPPER
5	17-85500		2	PIN-DOWEL (.187 X .53)
6	10-79953A2		1	SCREW KIT (.375-16 X .250)-SPECIAL
7	12-19183	+	1	WASHER-SEALING
8	35-41133		1	SCREEN-WATER INLET (PORT)
9	10-40031112		1	SCREW (M5 X 40)
10	22-67892A1		1	PLUG KIT-DRAIN-MAGNETIC
11	12-19183	+	1	WASHER-SEALING
12	35-41134		1	SCREEN-WATER INLET (STARBOARD)
13	11-40026--3		1	NUT (M5)-SCREEN SCREW
14	31-98294A1		1	BEARING ASSEMBLY-ROLLER
15	NSS		1	CUP-ROLLER BEARING (INCLUDED WITH REF. #14)
16	10-49908		1	SCREW (.250-28 X .750)
17	43-98302		1	GEAR-PINION
18	27-99326--1	+ ♣	1	GASKET-PUMP BASE
19	85083		1	FACE PLATE
20	12-86645--1	+ ♣	1	WASHER-IMPELLER
21	28-85119	♣	1	KEY-IMPELLER DRIVE
22	47-85089--3	♣	1	IMPELLER
23	12-86645--1	+ ♣	1	WASHER-IMPELLER
24	25-69202	+ ♣	1	O RING-WATER PUMP
25	46-99157A1	♣	1	HOUSING ASSEMBLY-WATER PUMP
26	NSS		1	INSERT (INCLUDED WITH REF. #25)
27	26-85090	+ ♣	1	SEAL-WATER TUBE
28	25-86203	+ ♣	1	O RING-DRIVESHAFT
29	10-824832--4		4	SCREW (M6 X 16)
30	819168--3		1	ROD-GEAR SHIFT FOR 15" MODEL 225.582501
	819168--4		1	ROD-GEAR SHIFT FOR 20" MODEL 225.582591
31	45-827024T		1	DRIVESHAFT FOR 15" MODEL 225.582501
	45-827025T		1	DRIVESHAFT FOR 20" MODEL 225.582591
32	85552	+	1	BOOT-GEAR SHIFT ROD
33	93878		1	RETAINER-GEAR SHIFT ROD
34	25-35276	+	1	O RING
35	25-85594	+	1	O RING
36	23-826250		1	SLEEVE-SPRING MOUNT

+ = COMPONENT OF GEAR HOUSING SEAL KIT

♣ = COMPONENT OF WATER PUMP KIT

CONTINUED ON NEXT PAGE ➡

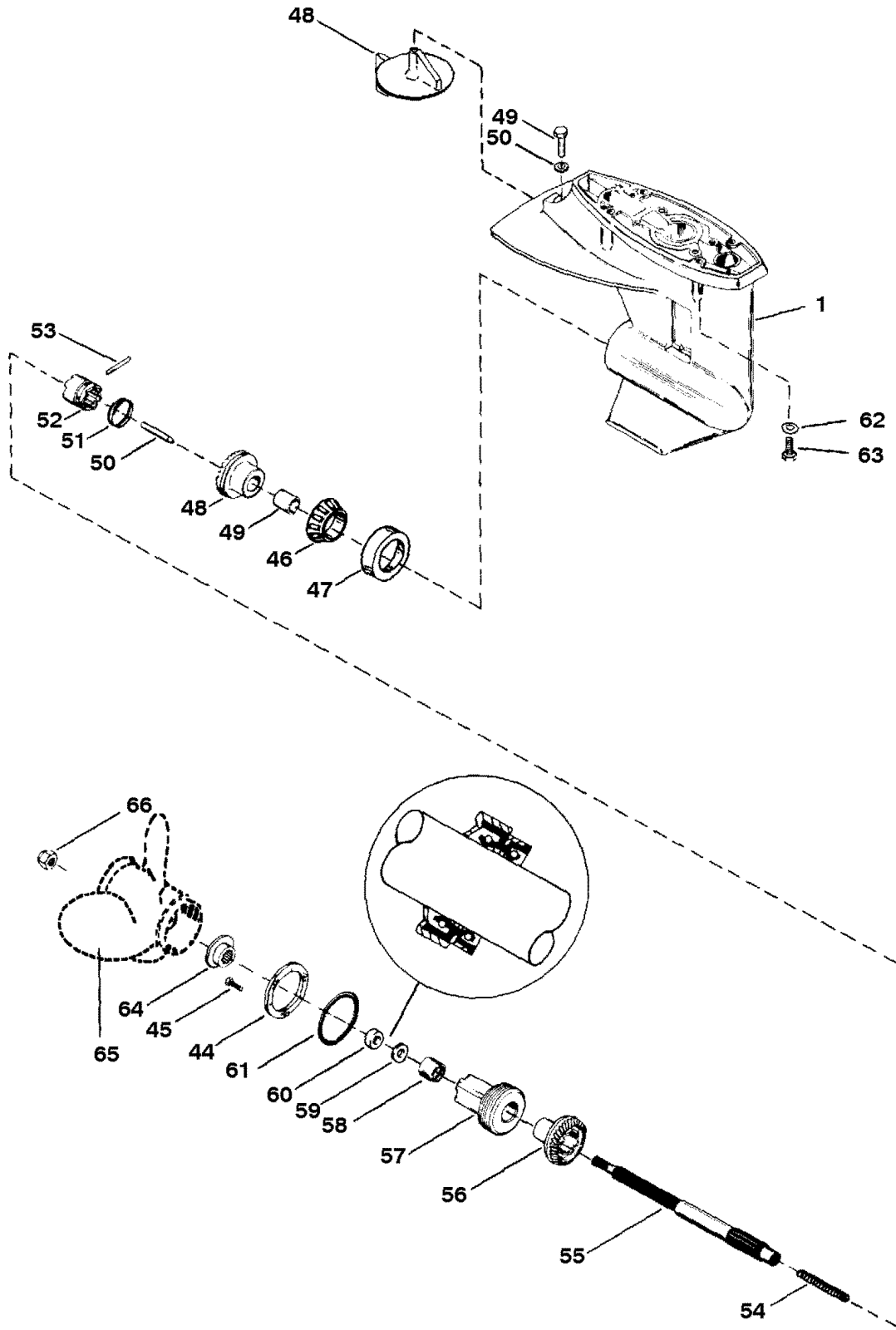
# GEAR HOUSING (DRIVESHAFT)



## GEAR HOUSING (DRIVESHAFT)

REF. NO.	PART NO.	SYM.	QTY.	DESCRIPTION
37	10-826386		4	SCREW (#10-32 X .190)
38	24-39627		2	SPRING-DETENT
39	85562A2		1	SHIFT CAM KIT
40	17-85096		1	PIN-DRIVE
NS	26-85090A2		1	SEAL KIT-GEAR HOUSING (CONTENTS INDICATED BY )
	46-99157A2		1	PUMP KIT-WATER (CONTENTS INDICATED BY )

# GEAR HOUSING (PROPELLER SHAFT)

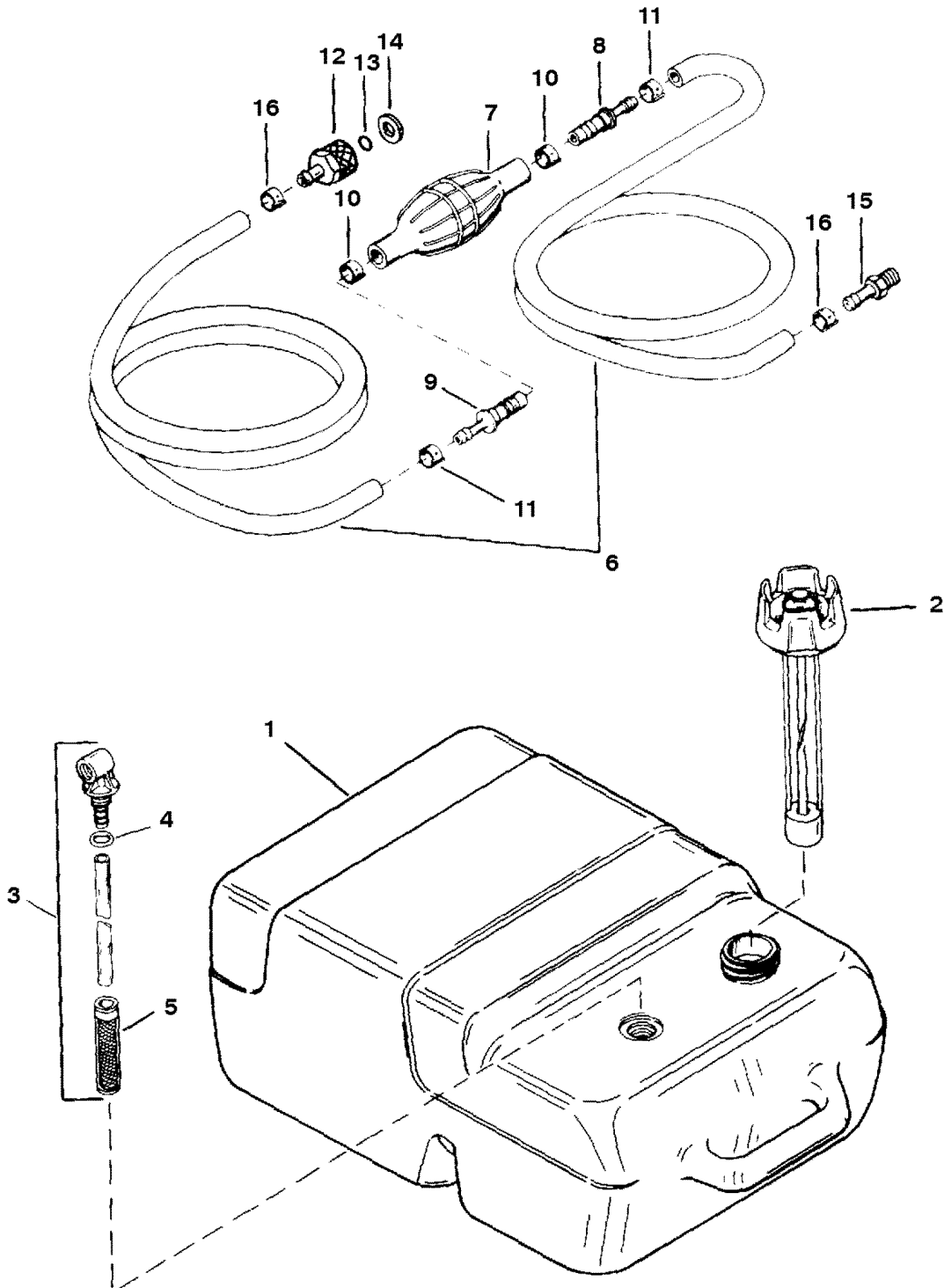


## GEAR HOUSING (PROPELLER SHAFT)

REF. NO.	PART NO.	SYM.	QTY.	DESCRIPTION
-	1665-8669A31		1	GEAR HOUSING ASSY (COMPLETE) (PAINTED) FOR 15" 225.582501
-	1665-8669A32		1	GEAR HOUSING ASSY (COMPLETE) (PAINTED) FOR 20" 225.582591
1	1665-8669A25		1	GEAR HOUSING ASSEMBLY (BASIC) (PAINTED)
41	98432--5		1	TRIM TAB
42	10-40003-54		1	SCREW (M8 X 30)
43	12-70132		1	WASHER
44	87293		1	WASHER
45	10-90883		3	SCREW (M5 X 16)-SPECIAL
46	31-99328A1		1	BEARING ASSEMBLY-ROLLER
47	NSS		1	CUP-ROLLER BEARING
48	43-44213A1		1	GEAR ASSEMBLY-FORWARD
49	23-85557		1	BUSHING
50	85094		1	FOLLOWER-CAM
51	24-38114		1	SPRING
52	52-41040--1		1	CLUTCH
53	17-85093		1	PIN-CROSS
54	24-88680		1	SPRING
55	44-816623--1		1	PROPSHAFT
56	43-99542		1	GEAR-REVERSE
57	99906A1		1	CARRIER ASSEMBLY-BEARING
58	31-21739		1	BEARING-ROLLER
59	26-41132	+	1	SEAL-OIL (INNER)
60	26-41131	+	1	SEAL-OIL (OUTER)
61	25-85549	+	1	O RING
62	12-45175		4	WASHER
63	10-65210		4	SCREW (.375-16 X 1.00)
64	85128--1		1	HUB-THRUST
65	48-19642A40		OPT	PROPELLER (ALUM) (10.250 X 14.50 X 3)
	48-19640A40		1	PROPELLER (ALUM) (10.375 X 13.00 X 3) (STANDARD)
	48-19638A40		OPT	PROPELLER (ALUM) (10.375 X 11.00 X 3)
	48-19636A10		OPT	PROPELLER (ALUM) (10.375 X 9.50 X 3)
	48-19644A5		OPT	PROPELLER (SS) (10.375 X 13.00 X 3)
66	11-40119-12		1	NUT-BRASS (M12)-FOR SS PROPELLERS
	11-88228		1	NUT-NYLON (M12)-FOR ALUM PROPELLERS
NS	26-85090A2		1	SEAL KIT-GEAR HOUSING

⊕ = COMPONENT OF GEAR HOUSING SEAL KIT

# FUEL TANK AND LINE ASSEMBLY (6.6 GALLON)





## FUEL TANK AND LINE ASSEMBLY (6.6 GALLON)

REF. NO.	PART NO.	SYM.	QTY.	DESCRIPTION
-	1259-823504A3		1	TANK ASSEMBLY-FUEL (COMPLETE)
1	1259-823504A1		1	TANK ASSEMBLY-FUEL
2	823536		1	GAUGE & CAP ASSEMBLY
3	22-823532		1	CONNECTOR ASSEMBLY-FUEL
4	25-823533		1	O RING
5	35-823534		1	SCREEN-FILTER
6	32-820572A8		1	LINE ASSEMBLY-FUEL (.312 I.D.) (30.00 IN. & 60.00 IN.)
7	13330A3		1	BULB ASSEMBLY-PRIMER
8	21-13331A1		1	VALVE-CHECK (INLET)
9	21-13331A2		1	VALVE-CHECK (OUTLET)
10	54-41582-10		2	CLAMP (LARGE)
11	54-41582--7		2	CLAMP (SMALL)
12	F197787-3		1	CONNECTOR-FUEL-ENGINE END
13	F17815		1	SEAL (SMALL)
14	F17816		1	SEAL (LARGE)
15	22-89771--1		1	CONNECTOR-FUEL TANK END
16	54-41582--7		2	CLAMP (SMALL)
NS	32-16789-78		AR	LINE-FUEL-BULK (9.00 FT.) CUT AS REQ'D
	32-16789100		AR	LINE-FUEL-BULK (100.00 FT.) CUT AS REQ'D

# MISCELLANEOUS PARTS

REF. NO.	PART NO.	SYM.	QTY.	DESCRIPTION
-	92-818252-12		AR	LACQUER-GRAPHITE GRAY ACRYLIC-SPRAY CAN (CASE OF 12)
-	92-825321-12		AR	LACQUER-GRAPHITE GRAY ACRYLIC-BRUSH BOTTLE (BOX OF 12)
-	92-819107-12		AR	LACQUER-CLEAR ACRYLIC (FOR COWL ONLY)-SPRAY CAN (CASE OF 12)
-	827889A2		1	STEERING KIT-REMOTE CONTROL
-	830771A1		1	CONVERSION KIT-REMOTE CONTROL
-	16903G20		1	REMOTE CONTROL ASSEMBLY (MANUAL START)

# PARTS INDEX

Part Number	Description	Pg.	Ref. No.	Part Number	Description	Pg.	Ref. No.
13330A3	BULB ASSEMBLY-PRIMER	39	7	819371	RETAINER-REAR COWL	3	4
13541	PLUG	5	23	819378--1	ROD-UPPER GEAR SHIFT	7	22
16903G20	REMOTE CONTROL ASSEMBLY (MANUAL START)	40	-	819399A1	LANYARD ASSEMBLY	5	15
20117A1	MARKER SET-IGNITION CABLES (#1) (#2) (#3)	5	7	819439T	COVER-THERMOSTAT	21	42
42034A2	PULLEY ASSEMBLY-STARTER REWIND	15	11	819447	BAFFLE	3	2
43348	BEARING-THRUST	17	12	819508T	LEVER-GEAR SHIFT (PAINTED)	7	18
56762	CABLE TIE (4.00 IN.)	5	19	819626A2	HANDLE ASSEMBLY-GEAR SHIFT (PAINTED)	7	30
56762	CABLE TIE (4.00 IN.)	9	7	820095A1	LEVER ASSEMBLY-REVERSE LOCK INTERMEDIATE	29	15
809439	SHAFT AND LEVER-THROTTLE	11	25	820367--1	LEVER-SHIFT HANDLE SHAFT	7	25
809440	SHAFT AND LEVER-CHOKE	11	24	823536	GAUGE & CAP ASSEMBLY	39	2
809441	SCREW-SHUTTERS	11	5	824142T	LINK-THROTTLE CAM	27	46
809442	SHUTTER-THROTTLE	11	4	824357	LEVER-NEUTRAL SPEED INTERLOCK	7	12
809443	WIRE-THROTTLE SHAFT	11	32	824466A3	COVER ASSEMBLY-STOP SWITCH	5	11
809444	SCREW-IDLE SPEED	11	29	824915	BEZEL-STOP SWITCH COVER	5	12
809445	SPRING-IDLE SPEED	11	28	826251	LEVER-TILT LOCK	31	24
809446	E RING-THROTTLE LINKAGE	11	6	826361T1	SPACER ASSEMBLY	29	31
809447	TUBE-BY PASS	11	2	826846	LINK-THROTTLE SHAFT	27	45
809448	JET-MAIN (.058) (0 - 2500 FT.)	11	16	827889A2	STEERING KIT-REMOTE CONTROL	40	-
809449A1	REPAIR KIT-CARBURETOR	13	NS	827895	SEAL-BOTTOM COWL	3	18
809624	NOZZLE-MAIN	11	9	827896--1	CAM-THROTTLE	5	17
809625	JET (.046)-THROTTLE	11	22	828406	GRIP-THROTTLE/STEERING HANDLE	25	27
816514	BEARING-SPARK CONTROL	7	10	828406A1	HANDLE/GRIP ASSEMBLY-THROTTLE	25	26
817751A6	BRACKET ASSEMBLY-STEERING (PAINTED)	25	37	828931	SHAFT-SHIFT HANDLE	7	31
819130	BRACKET-FRONT	3	3	830096	LINK-SHIFT LEVER	7	36
819134T	COVER-CYLINDER HEAD (PAINTED)	19	38	830111--1	BRACKET-SHALLOW WATER DRIVE	29	26
819148	LEVER-MAGNETO CONTROL	25	42	830282--1	PLATE-HANDLE SUPPORT	15	19
819150A1	MANIFOLD ASSEMBLY-INTAKE	23	1	830564	HANDLE-CARRYING	31	12
819152	PLATE-EXHAUST	19	17	830569	RETAINER-CHOKE ROD	13	38
819153T	PLATE-REED	23	10	830771A1	CONVERSION KIT-REMOTE CONTROL	40	-
819154	ROD-CHOKE	11	37	832759	STOP-THROTTLE	25	35
819155A2	STATOR ASSEMBLY (COMPLETE)	5	-	834753	BRACKET-THROTTLE STOP	19	12
819156T2	MODULE KIT-IGNITION (WITH SPLICE KIT)	5	2	835373A2	BRACKET ASSEMBLY-STEERING ARM (PAINTED)	25	12
819157T1	TUBE-EXHAUST	19	22	850259	LOCK-REVERSE	29	25
819159	ROD-INTERLOCK	7	14	85083	FACE PLATE	33	19
819160	SHAFT-STEERING HANDLE	25	34	85094	FOLLOWER-CAM	37	50
819168--3	ROD-GEAR SHIFT	33	30	85128--1	HUB-THRUST	37	64
819168--4	ROD-GEAR SHIFT	33	30	851924A2	TILT PIN ASSEMBLY-STERN BRACKET	31	18
819213--1	PUMP ASSEMBLY-FUEL	9	1	851928	SHAFT-THROTTLE CONTROL	25	1
819227	WEDGE-STEERING HANDLE	25	29	851929	HANDLE-TILT PIN (SILVER)	31	21
819245T	BRACKET-STARTER HOUSING-FRONT (PAINTED)	15	7	852528	LINK-REVERSE LOCK LEVER	29	23
819279T	HANDLE-STEERING (PAINTED)	25	22	85552	BOOT-GEAR SHIFT ROD	33	32
819310--1	RETAINER-DRIVESHAFT SPLINE SEAL	17	20	85562A2	SHIFT CAM KIT	35	39
819319--2	MOUNT-SHOCK LOWER	29	37				
819320T	BRACKET-SHOCK MOUNT LOWER (PAINTED)	29	30				

# PARTS INDEX

Part Number	Description	Pg.	Ref. No.	Part Number	Description	Pg.	Ref. No.
87293	WASHER	37	44	F681954-1	COVER-PRIMER BULB	9	11
93878	RETAINER-GEAR SHIFT ROD	33	33	F97068-2	THERMOSTAT (130 DEG)	21	40
98432--5	TRIM TAB	37	41	FA1844	SCREW KIT (.250-20 X 2.375)	29	27
99906A1	CARRIER ASSEMBLY- BEARING	37	57	FA343178	RETAINER KIT-STEERING SHAFT	25	3
F10242	WASHER	11	31	FA681469T	HANDLE ASSEMBLY-COWL LATCH (PAINTED)	3	19
F10265	NEEDLE-INLET	11	17	FA681630T	SUPPORT ASSEMBLY- HANDLE	15	18
F10268	SCREW-IDLE MIXTURE	11	19	FK10352	GASKET SET-CARBURETOR	13	NS
F10275	SCREW-SEALING	11	21	FO15366	BOWL-FUEL	11	14
F10290	LINKAGE-THROTTLE	11	30	FO4784	BALL	11	8
F10344	SHUTTER-CHOKE	11	18	FO8805	SPRING-CHOKE FRICTION	11	7
F10346	FLOAT-FUEL BOWL	11	11	10-28635	SCREW (.250-20 X .625)	3	25
F10347	ELBOW-FUEL	11	23	10-38837	SCREW (.312-18 X 1.125)	25	17
F17815	SEAL (SMALL)	39	13	10-40003-32	SCREW (M6 X 35)	31	9
F17816	SEAL (LARGE)	39	14	10-40003-54	SCREW (M8 X 30)	37	42
F197787-3	CONNECTOR-FUEL-ENGINE END	39	12	10-40031112	SCREW (M5 X 40)	33	9
F24074	FOOT-STERN BRACKET SCREW	31	16	10-48408	SCREW (#10-16 X .500)	7	4
F286224-1	INSERT-STEERING HANDLE PIVOT	25	18	10-48408	SCREW (#10-16 X .500)	15	16
F286364T	LEVER-REVERSE LOCK	29	14	10-49908	SCREW (.250-28 X .750)	33	16
F286490T	STOP-STEERING HANDLE	25	11	10-54523	SCREW (.312-18 X 1.00)	19	4
F286547	KNOB-CHOKE	11	35	10-65210	SCREW (.375-16 X 1.00)	29	33
F286685	CONNECTOR-GEAR SHIFT ROD	7	16	10-65210	SCREW (.375-16 X 1.00)	37	63
F286827	LEVER-REVERSE LOCK RELEASE	29	18	10-69022	SCREW (#10-32 X .500)	31	17
F286871T	PIN-GEAR SHIFT LEVER	7	20	10-79953A2	SCREW KIT (.375-16 X .250)- SPECIAL	33	6
F286914-1	SLEEVE-WATER INLET LINE	29	36	10-819074	SCREW WITH LOCKWASHER (#6-32 X .312)	23	8
F392756	PACKING-BOTTOM COWL (4.075 FT. BULK) (CUT 3.783 FT.)	3	15	10-819499	SCREW (#10-24 X 1.625)	9	5
F424075T	HANDLE-CLAMP SCREW (PAINTED)	31	15	10-819625	SCREW-SHOULDER	7	15
F429541	LOCK-TILT	31	27	10-819625	SCREW-SHOULDER	15	17
F481777	CAM-LATCH SHAFT	3	22	10-820749	SCREW (#10-24 X 1.250)	9	4
F487816-1	BEARING-STEERING HANDLE	25	33	10-823460	SCREW-CONN ROD	17	10
F517347	MOUNT-SHOCK UPPER	29	40	10-823594	SCREW-PIVOT	25	39
F681003-1	ARM-STARTER INTERLOCK	7	2	10-823595	SCREW-PIVOT	25	8
F681046	BULB-PRIMER	9	12	10-824353	SCREW (#8-32 X .750)- IGNITION MODULE MOUNT	5	4
F681091	NUT-FLYWHEEL	5	8	10-824358	SCREW (#10-24 X .500)- STATOR PLATE	5	20
F681132	HANDLE-ROPE	15	22	10-824832--4	SCREW (M6 X 16)	33	29
F681232	ROPE (64/67 IN.)	15	14	10-826248	SCREW-STERN BRACKET	31	13
F681263-1	LINK-INTERLOCK	7	5	10-826386	SCREW (#10-32 X .190)	35	37
F681408-1	HOUSING-STARTER	15	1	10-827894	BOLT-PIVOT-STERN BRACKET (.375-16 X 7.380)	31	22
F681428	INSERT-ROPE-STARTER HOUSING	15	5	10-828815	SCREW (.250-20 X 1.750)	25	13
F681490	STOP-STARTER PULLEY INTERLOCK	7	1	10-832794	SCREW-SET (.250-28 X .250)	25	36
F681592	RETAINER-STARTER PULLEY	15	15	10-832794	SCREW-SET (.250-28 X .250)	25	4
F681631	SHOE-FRICTION	29	6	10-832820	SCREW (.250-20 X 3.00)- MOUNTING	31	5
F681677	INSERT-CHOKE ROD	11	34	10-835499	SCREW (#8-32 X .440)	3	5
F681742	LEVER-INTERMEDIATE INTERLOCK	7	6	10-90192	SCREW (.250-20 X .750)	15	3
F681817	RETAINER-ROPE HANDLE	15	23	10-90192	SCREW (.250-20 X .750)	19	25
				10-90192	SCREW (.250-20 X .750)- WASHER HEAD	19	29
				10-90883	SCREW (M5 X 16)-SPECIAL	37	45
				10-92160	SCREW (.250-20 X .750)	19	2

# PARTS INDEX

Part Number	Description	Pg.	Ref. No.	Part Number	Description	Pg.	Ref. No.
10-98254	SCREW (.250-20 X .625) . . .	15	9	12-F8143	WASHER . . . . .	7	3
10-F1535	SCREW (.250-20 X .750)-HEX HEAD . . . . .	19	31	12-F8155	WASHER . . . . .	3	11
10-F1581	SCREW (.250-20 X 1.250) . .	19	19	13-26992	LOCKWASHER (.250) . . . . .	3	24
10-F1581	SCREW (.250-20 X 1.250) . .	23	5	13-26992	LOCKWASHER (.250) . . . . .	19	24
10-F1820	SCREW (.250-20 X 1.375) . .	29	8	13-26992	LOCKWASHER (.250) . . . . .	29	28
10-F1829	SCREW (#10-24 X .875) . . . .	25	32	13-26995	LOCKWASHER (#8) . . . . .	3	6
10-F1882	SCREW (.312-18 X 2.125) . .	19	34	13-34632	WASHER-WAVE . . . . .	7	27
10-F1914	SCREW (.250-20 X .750) . . .	17	3	13-34632	WASHER-WAVE (#10) . . . . .	7	34
10-F1976	SCREW (#10-24 X .500) . . . .	7	23	13-69150	WASHER-WAVE . . . . .	31	26
10-F2040	SCREW (.250-20 X .625)- GROUND WIRE . . . . .	19	20	13-72521	LOCKWASHER (.312 INTERNAL) . . . . .	25	16
10-F2210	SCREW (.250-14 X .500) . . .	15	21	13-F2047	WASHER-WAVE . . . . .	3	21
10-F286422-1	PIVOT-TILT LOCK (.312-18) .	31	25	13-F8058	LOCKWASHER (#10 INTERNAL) . . . . .	25	31
10-F681026	SCREW-LATCH ROLLER . . .	3	9	16-826590	STUD (.250-20 X 1.690) . . . .	7	11
11-13855	NUT (.250-20)-MOUNTING . .	31	8	16-826590	STUD (.250-20 X 1.690) WITH DRI LOC . . . . .	19	11
11-20110	NUT (#10-32) . . . . .	7	7	16-826622	STUD (.250-20 X .910) WITH DRI LOC . . . . .	23	3
11-20890	NUT (.250-20)-CARBURETOR MOUNT . . . . .	23	4	16-F286134	STUD-GEAR SHIFT LEVER .	7	33
11-35814	NUT (.312-24) . . . . .	25	40	16-F286440	STUD (.312-24 X 1.250) . . . .	19	10
11-40026--3	NUT (M5)-SCREEN SCREW	33	13	16-F286440	STUD (.312-24 X 1.250) . . . .	27	44
11-40119-12	NUT-BRASS (M12)-FOR SS PROPELLERS . . . . .	37	66	16-F681134	STUD-INTERLOCK LEVER .	7	9
11-64015	NUT (.250-20) . . . . .	29	29	16-F681134	STUD-INTERLOCK LEVER .	19	28
11-814101	NUT (.250-20) . . . . .	3	10	16-F98273	STUD-END CONNECTOR . .	7	17
11-814101	NUT (.250-20) . . . . .	7	13	17-24198	PIN-ROLL . . . . .	31	14
11-814101	NUT (.250-20) . . . . .	15	8	17-25319	PIN-ROLL . . . . .	7	19
11-814101	NUT (.250-20) . . . . .	25	15	17-25905	PIN-ROLL . . . . .	7	26
11-850042	NUT (#8-32) . . . . .	3	7	17-25905	PIN-ROLL . . . . .	7	32
11-88228	NUT-NYLON (M12)-FOR ALUM PROPELLERS . . . .	37	66	17-29908	PIN-ROLL . . . . .	25	5
11-F1608	NUT (.250-20) . . . . .	29	10	17-38489	PIN-ROLL . . . . .	31	19
11-F7026	NUT (.375-16) . . . . .	31	4	17-72255	PIN-ROLL . . . . .	25	28
12-12038	WASHER . . . . .	29	9	17-819707	PIN-ROLL . . . . .	31	23
12-19183	WASHER-SEALING . . . . .	33	11	17-85093	PIN-TILT LOCK (.250-20) . .	37	53
12-19183	WASHER-SEALING . . . . .	33	7	17-85096	PIN-CROSS . . . . .	35	40
12-20084	WASHER . . . . .	19	5	17-85500	PIN-DRIVE . . . . .	29	32
12-20553	WASHER . . . . .	31	3	17-85500	PIN-DOWEL . . . . .	33	5
12-28927	WASHER . . . . .	19	30	17-F1794	PIN-DOWEL (.187 X .53) . . .	29	11
12-29245	WASHER . . . . .	19	23	17-F1806	PIN-SPRING . . . . .	29	19
12-29245	WASHER . . . . .	19	3	17-F1807	PIN-GROOVE . . . . .	25	7
12-29245	WASHER . . . . .	31	10	17-F8538	PIN-GROOVE . . . . .	29	12
12-29245	WASHER (THIN)-MOUNTING	31	6	17-F8559	PIN-SPRING . . . . .	19	6
12-36001	WASHER-PLAIN . . . . .	7	28	17-FO13944	PIN-DOWEL . . . . .	11	10
12-45175	WASHER . . . . .	29	34	19-817362	PIN-FLOAT . . . . .	15	12
12-45175	WASHER . . . . .	37	62	19-F286539	PLUG-PULLEY . . . . .	25	14
12-67983	WASHER-MOUNTING . . . . .	31	7	19-FO10588	BUMPER . . . . .	11	1
12-70132	WASHER . . . . .	37	43	19-FO16128	PLUG-CUP . . . . .	11	3
12-71055	WASHER . . . . .	3	23	21-13331A1	PLUG-WELCH . . . . .	39	8
12-814806	WASHER . . . . .	19	33	21-13331A2	VALVE-CHECK (INLET) . . . .	39	9
12-86645--1	WASHER-IMPELLER . . . . .	33	20	21-42658	VALVE-CHECK (OUTLET) . .	19	8
12-86645--1	WASHER-IMPELLER . . . . .	33	23	21-42698	CHECK VALVE . . . . .	23	2
12-89302	WASHER . . . . .	7	24	22-15133	CHECK VALVE . . . . .	19	27
12-F2037	WASHER . . . . .	29	17	22-67892A1	ELBOW . . . . .	33	10
12-F2037	WASHER . . . . .	29	20	22-823532	PLUG KIT-DRAIN-MAGNETIC CONNECTOR ASSEMBLY- FUEL . . . . .	39	3
12-F286011	WASHER-SWIVEL BRACKET	29	1	22-88780	ELBOW-TELL TALE TUBING	19	14
12-F286220	WASHER-STEERING HANDLE . . . . .	25	20	22-89771--1	CONNECTOR-FUEL TANK END . . . . .	39	15
12-F286282	WASHER (SPECIAL) . . . . .	25	41	22-F197767-2	CONNECTOR-FUEL . . . . .	9	15
12-F658504	WASHER-THERMOSTAT . . .	21	39	22-F213274	FITTING-GREASE . . . . .	29	5

# PARTS INDEX

Part Number	Description	Pg.	Ref. No.	Part Number	Description	Pg.	Ref. No.
22-F523274	FITTING-GREASE	25	38	26-85090A2	SEAL KIT-GEAR HOUSING (CONTENTS INDICATED BY )	35	NS
22-F681188	NUT-STOP SWITCH SLEEVE	5	14	26-99325	SEAL-DRIVESHAFT	33	3
23-26841	BUSHING	7	21	27-809516A1	GASKET SET	19	13
23-26841	BUSHING	25	2	27-809516A1	POWERHEAD GASKET SET	9	-
23-26856	BUSHING	25	10	27-809516A1	POWERHEAD GASKET SET	13	-
23-26856	BUSHING	25	21	27-809516A1	POWERHEAD GASKET SET	17	-
23-26856	BUSHING	29	13	27-809516A1	POWERHEAD GASKET SET	23	-
23-812707	BUSHING	3	20	27-819138--2	GASKET-CYLINDER HEAD	19	35
23-812707	BUSHING	25	19	27-819139--1	GASKET-CYLINDER HEAD COVER	19	37
23-819226	SPACER-TILT LOCK	31	28	27-819140	GASKET-EXHAUST COVER	19	16
23-826250	SLEEVE-SPRING MOUNT	33	36	27-819141	GASKET-INTAKE MANIFOLD	23	11
23-830054	BUSHING-FLANGED	7	29	27-819142	GASKET-REED PLATE	23	9
23-830097	BUSHING-SHIFT LEVER LINK	7	35	27-819143	GASKET-TRANSFER PORT COVER	19	32
23-852963	SPACER	31	11	27-819498	GASKET-CYLINDER MOUNT	19	21
23-85557	BUSHING	37	49	27-820748A1	GASKET/DIAPHRAGM KIT	9	2
23-97896	BUSHING	25	30	27-99326--1	GASKET-PUMP BASE	33	18
23-F183813	BEARING-CONTROL LEVER	25	43	27-F286277	GASKET-CRANKSHAFT BEARING CAGE	17	4
23-F197319	BUSHING	11	36	27-F715906	GASKET-CARBURETOR MOUNT	11	33
23-F286169	BEARING (1.750 IN.) (BOTTOM)	29	4	27-FO15623	GASKET-FUEL BOWL	11	12
23-F536813	BUSHING	29	16	27-FO2510	GASKET-FUEL BOWL	11	13
23-F681169	BEARING (1.125 IN.) (TOP)	29	3	28-85119	KEY-IMPELLER DRIVE	33	21
23-F681405	INSERT-STARTER HOUSING	15	4	28-F458498-1	KEY-CRANKSHAFT/FLYWHEEL	5	16
23-F681759	ROLLER-LATCH	3	8	29-42186	BEARING-NEEDLE	17	11
24-27160	SPRING-IDLE MIXTURE SCREW	11	20	29-819238	ROLLERS (16 PER STRIP)	17	8
24-38114	SPRING	37	51	30-F286028	BEARING-BALL	17	6
24-39627	SPRING-DETENT	35	38	31-21739	BEARING-ROLLER	37	58
24-819161	SPRING-THERMOSTAT	21	41	31-41326	BEARING-ROLLER-UPPER	33	4
24-88680	SPRING	37	54	31-42076A1	BEARING KIT	17	13
24-F10350	SPRING-THROTTLE SHAFT	11	27	31-819129--1	BEARING-CRANKSHAFT LOWER MAIN	17	14
24-F286300	SPRING-REVERSE LOCK	29	24	31-819239	LINER-CENTER MAIN ROLLERS	17	7
24-F286461	SPRING-TILT PIN HANDLE	31	20	31-98294A1	BEARING ASSEMBLY-ROLLER	33	14
24-F286544-1	SPRING-TILT LOCK	31	29	31-99328A1	BEARING ASSEMBLY-ROLLER	37	46
24-F286868	SPRING-STEERING HANDLE STOP	25	9	32-16789-78	LINE-FUEL-BULK (9.00 FT.) CUT AS REQ'D	39	NS
24-F681424	SPRING-INTERLOCK LEVER	7	8	32-16789100	LINE-FUEL-BULK (100.00 FT.) CUT AS REQ'D	39	NS
24-F681970	SPRING-STARTER REWIND	15	10	32-54950--7	TUBING (7.00 IN.)-TELL TALE	19	15
25-21836	O RING (LARGE)	25	23	32-819149	LINE-WATER INLET	29	35
25-35276	O RING	33	34	32-819149--1	LINE-WATER INLET	29	35
25-38101	O RING (SMALL)	25	24	32-819243	TUBE-WATER JACKET	19	7
25-38933	O RING	9	6	32-819398T	HOSE (18.00 IN. BULK) (CUT 1.625 IN.)	9	8
25-69202	O RING-WATER PUMP	33	24	32-819398T	HOSE (18.00 IN. BULK) (CUT 11.500 IN.)	9	13
25-823533	O RING	39	4	32-819398T	HOSE (18.00 IN. BULK) (CUT 15.500 IN.)	9	10
25-85549	O RING	37	61	32-819398T	HOSE (18.00 IN. BULK) (CUT 3.125 IN.)	9	9
25-85594	O RING	33	35				
25-86203	O RING-DRIVESHAFT	33	28				
25-93527--1	GROMMET-REMOTE CONTROL LINKAGE	3	26				
25-F46899-1	GROMMET-SHIFT SHAFT COUPLING	29	39				
26-12494--1	SEAL-PULLEY BEARING	15	13				
26-41131	SEAL-OIL (OUTER)	37	60				
26-41132	SEAL-OIL (INNER)	37	59				
26-66302	SEAL-OIL	17	2				
26-819214	SEAL-CRANKSHAFT LOWER	17	15				
26-819293	SEAL-DRIVESHAFT SPLINE	17	19				
26-85090	SEAL-WATER TUBE	33	27				
26-85090A2	SEAL KIT-GEAR HOUSING	37	NS				

# PARTS INDEX

Part Number	Description	Pg.	Ref. No.	Part Number	Description	Pg.	Ref. No.
32-99130122	TUBING (20.0 FT. BULK) (CUT 2 PCS-15.00 IN.) (CUT 1 PC-12.058 IN.) . . .	19	9	54-831275	CLAMP-IGNITION MODULE WIRES . . . . .	5	24
33-811	SPARK PLUG (CHAMPION # L82C) . . . . .	5	21	54-F286573-1	CLAMP-STEERING FRICTION . . . . .	29	7
33-874	SPARK PLUG (RFI) (CHAMPION # RL82C) . . . . .	5	21	84-12479A60	CABLE ASSEMBLY- MODULES TO HARNESS . . . . .	5	5
34-827307	STOP-REED . . . . .	23	7	84-79138A93	HARNESS ASSEMBLY- ENGINE STOP . . . . .	5	22
34-827308	REED . . . . .	23	6	84-821375A44	CABLE ASSEMBLY-GROUND	5	18
35-41133	SCREEN-WATER INLET (PORT) . . . . .	33	8	85-63709A1	BOOT KIT-SPARK PLUG . . .	5	3
35-41134	SCREEN-WATER INLET (STARBOARD) . . . . .	33	12	86-828571	SPLICE KIT-IGNITION MODULE WIRE . . . . .	5	6
35-816296	FILTER-FUEL . . . . .	9	14	87-824440A6	SWITCH ASSEMBLY-STOP . .	5	10
35-823534	SCREEN-FILTER . . . . .	39	5	87-826214A1	SWITCH ASSEMBLY- EMERGENCY STOP . . . . .	5	13
37-818029--1	DECAL-FUEL MIX . . . . .	29	21	90-830212--4	OWNERS MANUAL/PARTS MANUAL . . . . .	3	NS
37-825149A1	DECAL KIT-SHIFT TO NEUTRAL . . . . .	15	2	91-830230T	AIR GAP TOOL-AIR GAP SETTING-COIL TO		
37-826343--9	DECAL (STARBOARD) . . . . .	3	12		FLYWHEEL . . . . .	5	NS
37-826343-10	DECAL (PORT) . . . . .	3	12		LACQUER-GRAPHITE GRAY ACRYLIC-SPRAY CAN		
37-826343-11	DECAL (REAR) . . . . .	3	13	92-818252-12	(CASE OF 12) . . . . .	40	-
37-826343-12	DECAL (FRONT)-STARTING INSTRUCTIONS . . . . .	3	14		LACQUER-CLEAR ACRYLIC (FOR COWL ONLY)- SPRAY CAN (CASE OF 12)	40	-
37-830253--1	DECAL-TILT RELEASE . . . . .	29	22	92-819107-12	LACQUER-GRAPHITE GRAY ACRYLIC-BRUSH BOTTLE		
37-F712894	DECAL-SPEED/SHIFT INDICATOR . . . . .	25	25	92-825321-12	(BOX OF 12) . . . . .	40	-
38-819281	PLATE-FRONT . . . . .	3	17		COWL ASSEMBLY-TOP (PAINTED) . . . . .	3	1
39-18213A1	RING SET (2 RINGS) (STANDARD) . . . . .	17	18	100-819135A2	COWL ASSEMBLY-TOP (PAINTED) . . . . .	3	1
40-42202--1	RING-LOCK . . . . .	17	17	100-819135A3	COWL ASSEMBLY-TOP (PAINTED) . . . . .	3	1
43-44213A1	GEAR ASSEMBLY- FORWARD . . . . .	37	48	100-819280A10	COWL KIT-BOTTOM (PAINTED) . . . . .	3	16
43-818009--1	GEAR-STEERING SHAFT . . .	25	6	200-824380T3	FLYWHEEL (PAINTED) . . . .	5	9
43-98302	GEAR-PINION . . . . .	33	17	300-819155T	PLATE-STATOR . . . . .	5	1
43-99542	GEAR-REVERSE . . . . .	37	56	400-819044A3	CRANKSHAFT ASSEMBLY . .	17	5
44-816623--1	PROPSHAFT . . . . .	37	55	637-8477A2	CONNECTING ROD ASSEMBLY . . . . .	17	9
45-827024T	DRIVESHAFT . . . . .	33	31	784-9747A8	PISTON KIT (STANDARD) . .	17	16
45-827025T	DRIVESHAFT . . . . .	33	31	800-819240A2	CYLINDER ASSEMBLY (PAINTED) . . . . .	19	1
46-99157A1	HOUSING ASSEMBLY- WATER PUMP . . . . .	33	25	800-819240A3	POWERHEAD ASSEMBLY (PAINTED) . . . . .	19	-
46-99157A2	PUMP KIT-WATER (CONTENTS INDICATED BY ) . . . . .	35	NS	800-819240A3	POWERHEAD ASSY . . . . .	7	-
47-85089--3	IMPELLER . . . . .	33	22	800-819240A3	POWERHEAD ASSY . . . . .	9	-
48-19636A10	PROPELLER (ALUM) (10.375 X 9.50 X 3) . . . . .	37	65	800-819240A3	POWERHEAD ASSY . . . . .	15	-
48-19638A40	PROPELLER (ALUM) (10.375 X 11.00 X 3) . . . . .	37	65	800-819240A3	POWERHEAD ASSY . . . . .	17	-
48-19640A40	PROPELLER (ALUM) (10.375 X 13.00 X 3) (STANDARD)	37	65	800-819240A3	POWERHEAD ASSY . . . . .	21	-
48-19642A40	PROPELLER (ALUM) (10.250 X 14.50 X 3) . . . . .	37	65	800-819240A3	POWERHEAD ASSY . . . . .	23	-
48-19644A5	PROPELLER (SS) (10.375 X 13.00 X 3) . . . . .	37	65	800-819240A3	POWERHEAD ASSY . . . . .	27	-
52-41040--1	CLUTCH . . . . .	37	52	900-819145T1	HEAD-CYLINDER (PAINTED)	19	36
53-818853	RING-RETAINING . . . . .	15	6	1000-819136T	COVER-EXHAUST (PAINTED) . . . . .	19	18
54-41582--7	CLAMP (SMALL) . . . . .	39	11	1000-819137T	COVER ASSEMBLY- TRANSFER PORT (PAINTED) . . . . .	19	26
54-41582--7	CLAMP (SMALL) . . . . .	39	16		CAGE ASSEMBLY- CRANKSHAFT . . . . .	17	1
54-41582-10	CLAMP (LARGE) . . . . .	39	10	1100-817753A4			
54-816311	CABLE TIE (8.00 IN.) . . . .	5	19				

# PARTS INDEX

Part Number	Description	Pg.	Ref. No.	Part Number	Description	Pg.	Ref. No.
1259-823504A1	TANK ASSEMBLY-FUEL . . . .	39	1				
1259-823504A3	TANK ASSEMBLY-FUEL (COMPLETE) . . . . .	39	-				
1300-828531T1	CARBURETOR (FO-3B) . . . .	11	-				
1395-6359	JET-MAIN (.052) (7500 - 10000 FT.) . . . . .	11	16				
1399-5128	SCREW-FUEL BOWL . . . . .	11	15				
1399-5213	JET-MAIN (.056) (2500 - 5000 FT.) . . . . .	11	16				
1399-5225	JET (.054)-IDLE AIR BLEED .	11	26				
1399-5225	JET-MAIN (.054) (5000 - 7500 FT.) . . . . .	11	16				
1400-850049A1	BRACKET KIT-SWIVEL (PAINTED) . . . . .	29	2				
1400-850073T	BRACKET-STERN (PAINTED) (PORT) . . . . .	31	1				
1400-850073T1	BRACKET-STERN (PAINTED) (STARBOARD) . . . . .	31	2				
1500-819215T2	HOUSING-DRIVESHAFT (PAINTED) . . . . .	29	38				
1665-8669A25	GEAR HOUSING ASSEMBLY (BASIC) (PAINTED) . . . . .	33	1				
1665-8669A25	GEAR HOUSING ASSEMBLY (BASIC) (PAINTED) . . . . .	37	1				
1665-8669A31	GEAR HOUSING ASSY (COMPLETE) (PAINTED) .	33	-				
1665-8669A31	GEAR HOUSING ASSY (COMPLETE) (PAINTED) .	37	-				
1665-8669A32	GEAR HOUSING ASSY (COMPLETE) (PAINTED) .	33	-				
1665-8669A32	GEAR HOUSING ASSY (COMPLETE) (PAINTED) .	37	-				