



# PARTS CATALOG

## MARINER 85

SERIAL NUMBER

85 ..... USA 4731898 THRU 4842728

# TABLE OF CONTENTS:

BOTTOM COWL AND SHIFT LINKAGE .....	26
CARBURETOR ASSEMBLY .....	16
CARBURETOR LINKAGE .....	14
CLAMP BRACKET AND REVERSE LOCK .....	32
COWLING AND FRONT COVER .....	4
CRANKSHAFT, PISTON AND CONNECTING ROD .....	24
CYLINDER BLOCK AND CRANKCASE ASSEMBLY .....	20
DRIVE SHAFT HOUSING ASSEMBLY .....	36
END CAPS, MANIFOLD AND EXHAUST COVER .....	22
EXHAUST EXTENSION PLATE .....	28
FLYWHEEL, STATOR AND IGNITION COIL .....	6
FUEL PUMP AND FUEL LINES .....	18
GEAR HOUSING ASSEMBLY, COMPLETE (PAGE 1) .....	40
GEAR HOUSING ASSEMBLY, COMPLETE (PAGE 2) .....	44
MISCELLANEOUS PARTS/ACCESSORIES .....	1
PARTS INDEX .....	46
STARTER MOTOR AND WIRING HARNESS .....	12
SWIVEL BRACKET ASSEMBLY .....	30
THROTTLE LEVER AND SPARK ADVANCE LEVER .....	10
TOP COWL AND SUPPORT BRACKETS .....	2

**NOTE:** Indented description indicate that these parts are included in preceeding assembly.

**AR** = As Required

**NSS** = Not Sold Separate

**OPT** = Optional

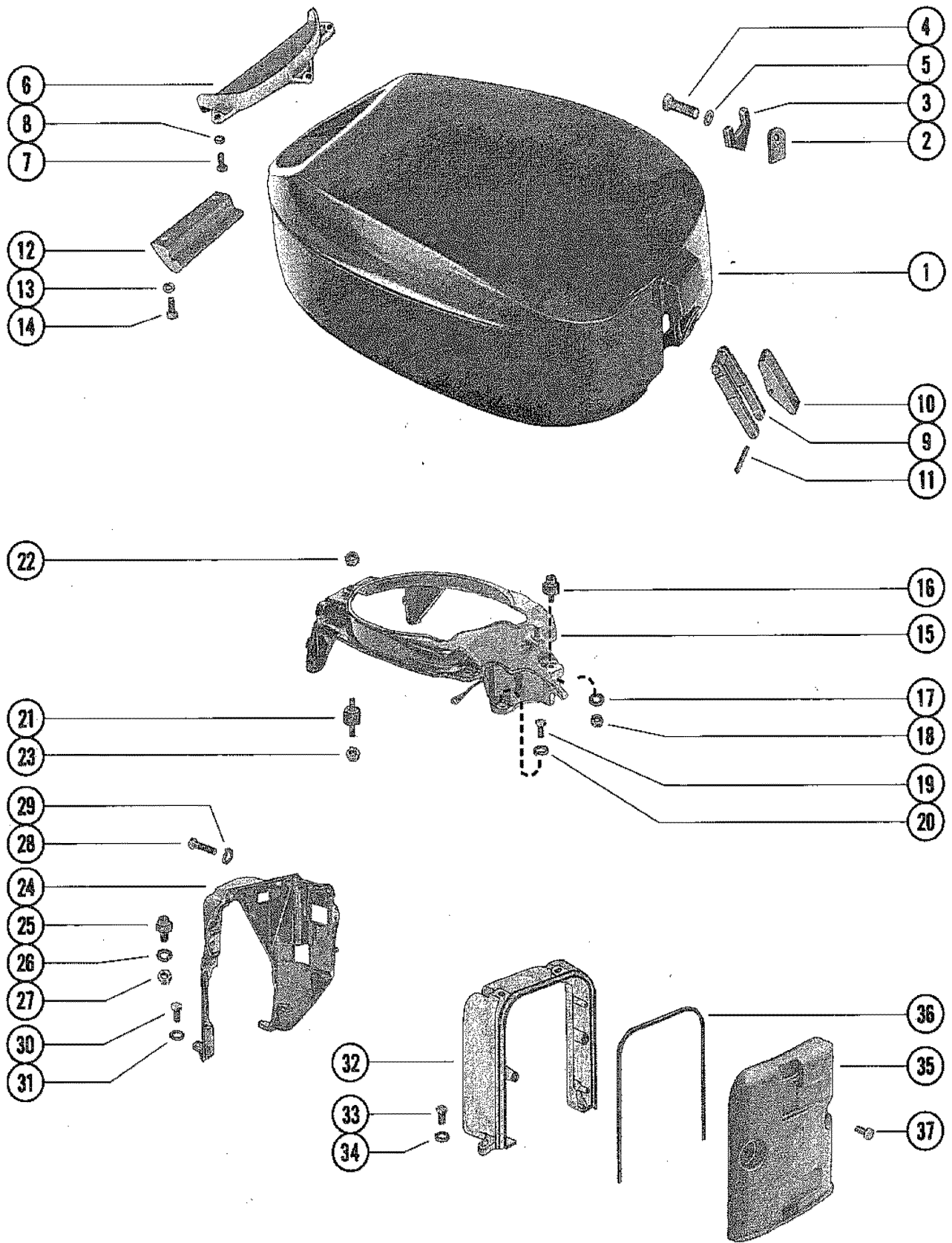
**NS** = Not Shown

**THESE PARTS BOOKS/FICHE CARD ARE COPYRIGHTED AND MAY NOT BE DISTRIBUTED OR REPRODUCED IN ANY OTHER FORMAT BY ANYONE OTHER THAN MERCURY MARINE WITHOUT THE PRIOR WRITTEN CONSENT OF MERCURY MARINE.**

## MISCELLANEOUS PARTS/ACCESSORIES

REF. NO.	PART NO.	SYM.	QTY.	DESCRIPTION
-	90-83085		0	MARINER 85 PARTS MANUEL
-	27-73645A76		0	GASKET SET
-	27-76432A77		0	DECAL SET

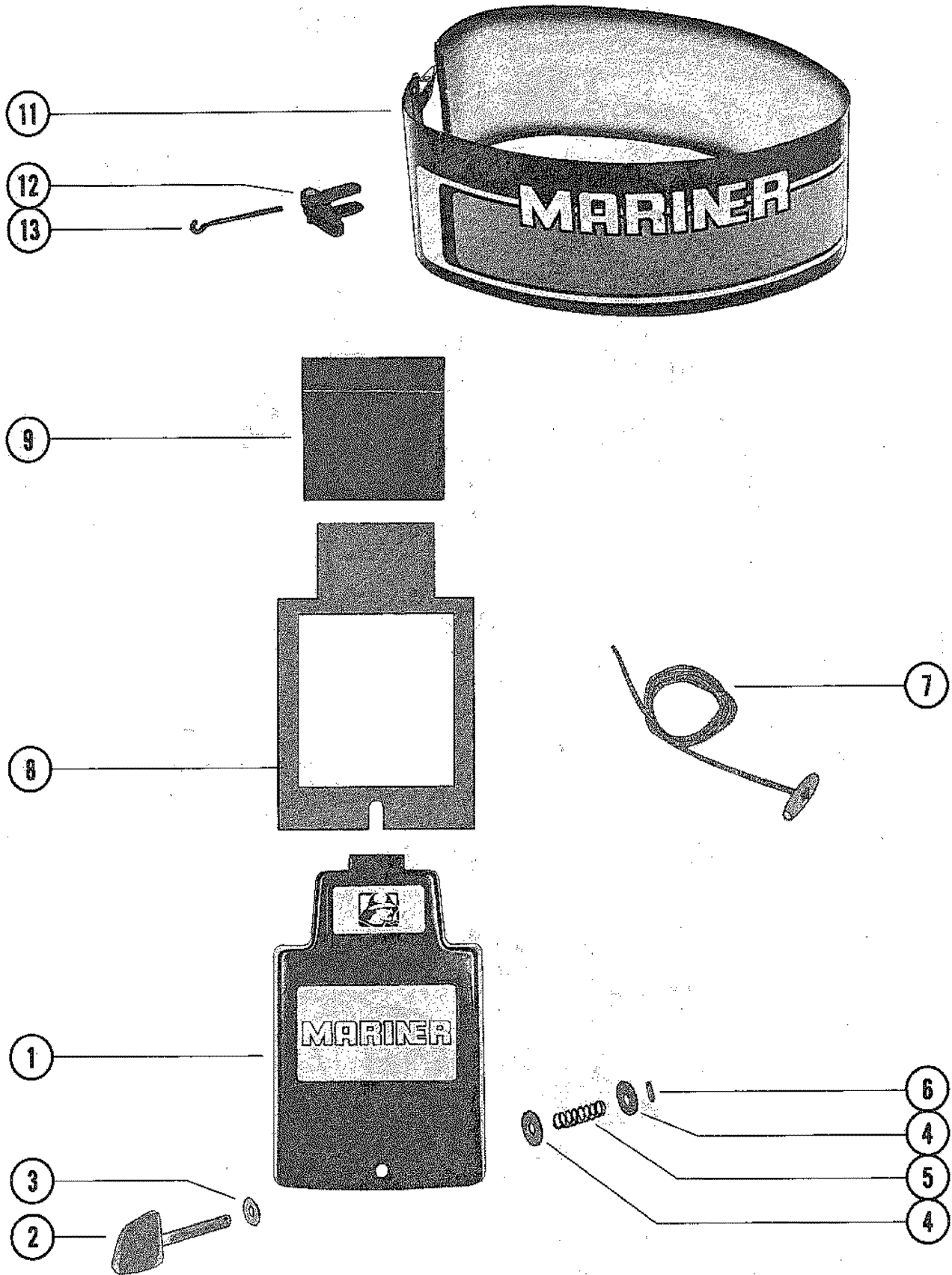
# TOP COWL AND SUPPORT BRACKETS



# TOP COWL AND SUPPORT BRACKETS

REF. NO.	PART NO.	SYM.	QTY.	DESCRIPTION
1	2162-6392		1	COWL, TOP
2	76440		1	RETAINER ASSEMBLY, TOP COWL
3	76505		1	PAD, BUMPER - TOP COWL RETAINER
4	10-25299		1	SCREW, RETAINER TO TOP COWL (3/4")
5	13-39107		1	LOCKWASHER, RETAINER FASTENING SCREW
6	76433		1	SHIELD, TOP COWL - REAR
7	10-37370		3	SCREW, SHIELD TO TOP COWL (5/8")
8	13-37371		3	LOCKWASHER, SHIELD SCREW
9	52739		1	HINGE, COWL LATCH - TOP COWL
10	76581		1	LEVER, COWL LATCH HINGE
11	17-58998		1	PIN, COWL LATCH LEVER TO HINGE
12	55455		1	HOOK, TOP COWL LATCH - REAR
13	13-26992		2	LOCKWASHER, REAR HOOK MOUNTING SCREW
14	10-22956		2	SCREW, REAR HOOK TO TOP COWL (7/8")
15	73401		1	FRAME, SUPPORT - TOP COWL
16	37640		1	MOUNT, RUBBER - SUPPORT FRAM
17	13-26993		1	LOCKWASHER, RUBBER MOUNT
18	11-28770		1	NUT, RUBBER MOUNT
19	10-37562		2	SCREW, SUPPORT FRAME TO FRONT FRAME (1")
20	13-26993		2	LOCKWASHER, SUPPORT FRAME SCREW
21	37639		3	MOUNT, RUBBER - TOP COWL FRAME
22	11-35888		3	NUT, RUBBER MOUNT (UPPER)
23	11-46887		3	NUT, RUBBER MOUNT (LOWER)
24	52468		1	BRACKET, TOP COWL SUPPORT - REAR
25	31014		2	MOUNT, RUBBER - REAR SUPPORT BRACKET
26	13-26992		2	LOCKWASHER, RUBBER MOUNT TO REAR SUPPORT BRACKET
27	11-29598		2	NUT, RUBBER MOUNT TO REAR SUPPORT BRACKET
28	10-37562		4	SCREW, REAR BRACKET TO FRAME (1")
29	13-26993		4	LOCKWASHER, REAR BRACKET SCREW
30	10-37562		4	SCREW, REAR SUPPORT BRACKET TO BOTTOEM COWL (1")
31	13-26993		4	LOCKWASHER, REAR SUPPORT BRACKET SCREW
32	73396		1	FRAME, FRONT SUPPORT
33	10-37562		2	SCREW, SILENCER COVER
34	13-26993		2	LOCKWASHER, FRAME SCREW
35	76226A1		1	COVER ASSEMBLY, SILENCER
36	27-76168A1		1	GASKET, SILENCER COVER
37	10-28638		2	SCREW, COVER TO FRONT SUPPORT FRAME (3/4")

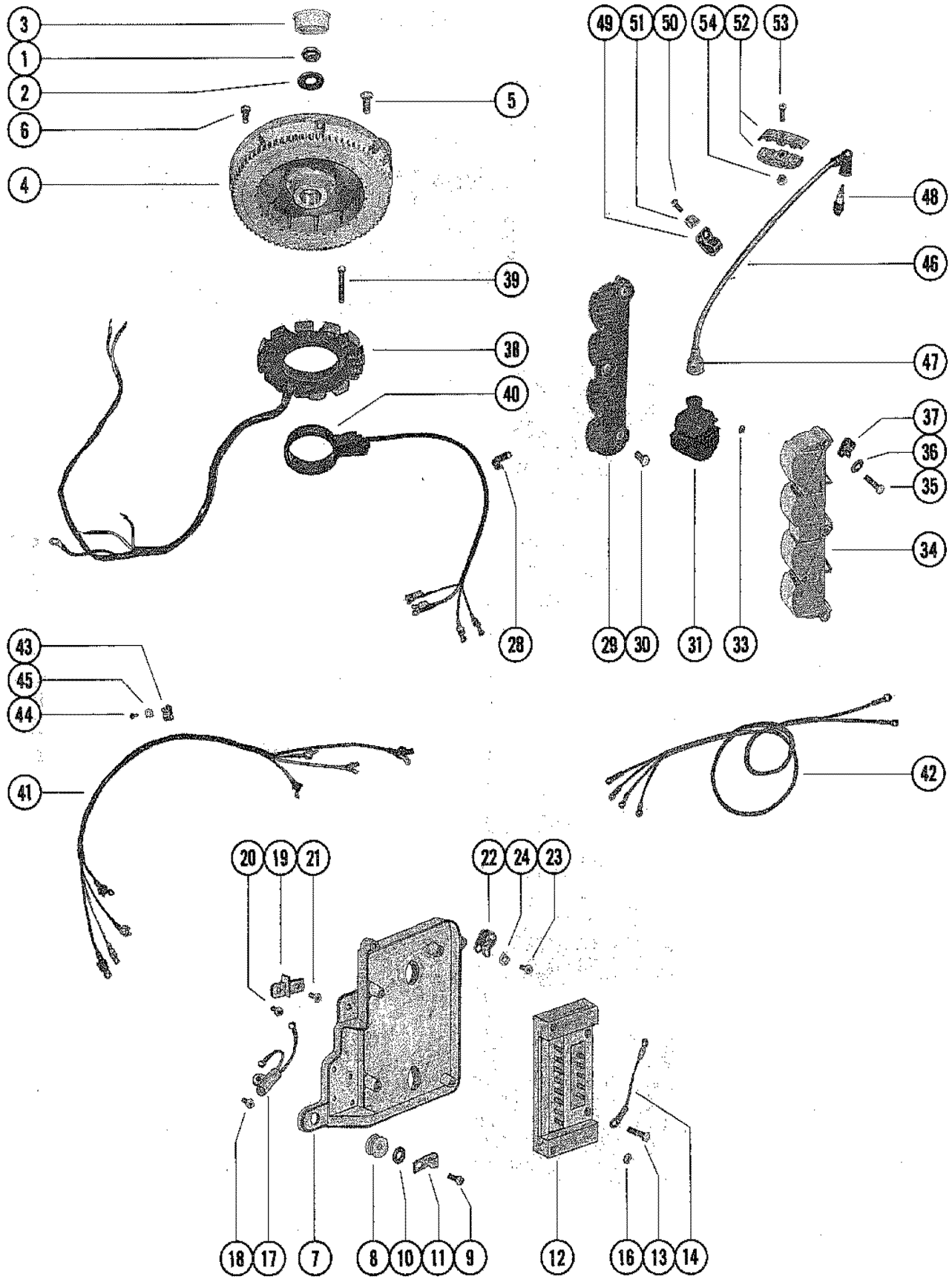
# COWLING AND FRONT COVER



## COWLING AND FRONT COVER

REF. NO.	PART NO.	SYM.	QTY.	DESCRIPTION
1	2163-6393A2		1	COWL FRONT COVER ASSEMBLY
2	73786		1	KNOB, COWL FRON COVER FASTENING
3	12-30771		1	WASHER, COVER FASTENING KNOB (RUBBER)
4	12-75246		2	WASHER, COVER FASTENING KNOB (STEEL)
5	24-32271		1	SPRING, TENSION - COVER FASTENING KNOB
6	17-29077		1	ROLL PIN, TENSION SPRING TO KNOB
7	47341A1		1	ROPE, STARTER (FOR MANUAL STARTING ONLY)
8	76434		1	SEAL, SOUND ABSORBING
9	38674		1	BLANKET, SOUND ABSORBING
11	2164-6394A2		1	WRAP AROUND COWL ASSEMBLY
12	46785A1		2	COWL LATCH ASSEMBLY
13	30413		2	HOOK, COWL LATCH FASTENING
	92-25234--1		1	GLUE, ADHESIVE - SOUND BLANKET FASTENING

# FLYWHEEL, STATOR AND IGNITION COIL



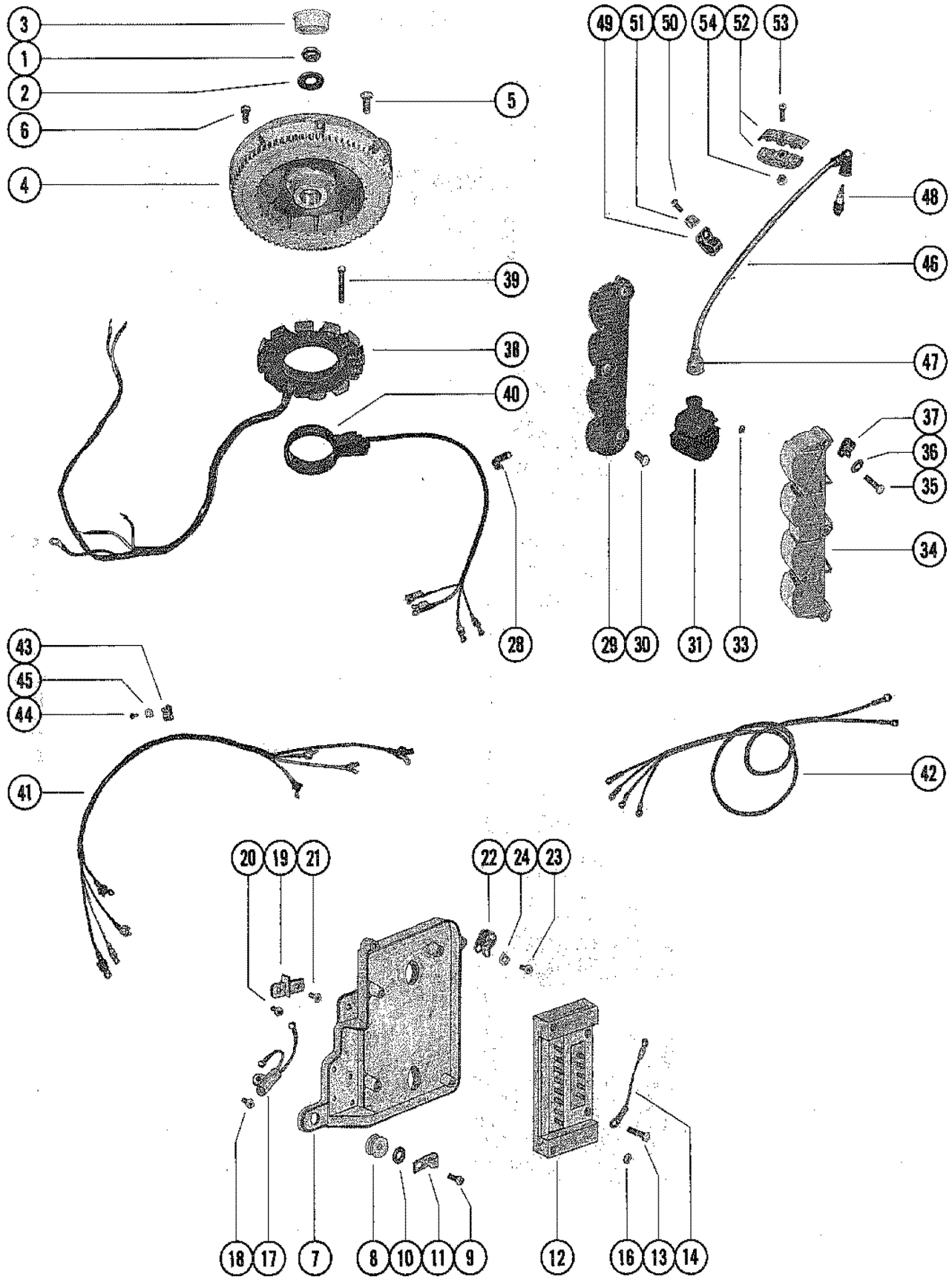


# FLYWHEEL, STATOR AND IGNITION COIL

REF. NO.	PART NO.	SYM.	QTY.	DESCRIPTION
1	11-52901		1	NUT, FLYWHEEL
2	12-68229		1	WASHER, FLYWHEEL NUT
3	19-45907		1	PLUG, FLYWHEEL PULLER THREADS
4	248-5977A9		1	FLYWHEEL ASSEMBLY
5	10-68897		8	SCREW, PLATE/HUB TO FLEXIBLE PLATE (3/4")
6	10-32417		8	SCREW, FLEXIBLE PLATE TO FLYWHEEL (5/8")
7	73189		1	PLATE, SWITCH BOX
8	25-57009		3	GROMMET, SWITCH BOX PLATE
9	10-59645		3	SCREW, SWITCH BOX PLATE TO CYLINDER BLOCK (3/4")
10	12-56720		3	WASHER, SWITCH BOX PLATE SCREW
11	54-47483		1	"J" CLIP, SWITCH BOX WIRES AND FUEL LINE
12	332-5772A1		1	SWITCH BOX ASSEMBLY
13	10-20619		4	SCREW, SWITCH BOX TO PLATE (1 3/8")
14	84-65999A5		2	WIRE ASSEMBLY
16	11-45076		13	NUT, SWITCH BOX TERMINAL
17	58124A19		1	MERCURY SWITCH ASSEMBLY
18	10-37571		1	SCREW, MERCURY SWITCH TO PLATE (1/2")
19	86-66986		1	TERMINAL BLOCK
20	10-20646		1	SCREW, TERMINAL BLOCK TO PLATE (5/8")
21	10-37655		1	SCREW, WIRE TERMINAL BLOCK (1/2")
22	54-23567		2	CLIP, WIRE AND HARNESS
23	10-62568		2	SCREW, CLIP TO PLATE (3/8")
24	69205		2	"D" WASHER, CLIP SCREW
28	54-47483		1	"J" CLAMP, TRIGGER PLATE HARNESS
29	73395		1	PLATE, MOUNTING - IGNITION COIL
30	10-28668		3	SCREW, MOUNTING PLATE TO CRANKCASE (7/8")
31	339-5748A2		4	IGNITION COIL ASSEMBLY
33	11-45076		8	NUT, IGNITION COIL TERMINAL
34	73192		1	COVER, IGNITION COIL
35	10-69046		5	SCREW, COVER TO MOUNTING PLATE (2")
36	12-30164		5	WASHER, COVER SCREW
37	54-22740		1	CLIP, NYLON - IGNITION COIL COVER SCREW
38	398-5919A3		1	STATOR ASSEMBLY
39	10-63136		4	SCREW, STATOR TO UPPER END CAP (7/8")
40	77000A2		1	TRIGGER PLATE ASSEMBLY
41	84-77617		1	HARNESS, PRIMARY (CYLINDERS 1 AND 2)
42	84-77618		1	HARNESS, PRIMARY (CYLINDERS 3 AND 4)
43	54-39844		2	CLAMP, HARNESS ATTACHING
44	10-4808		2	SCREW, CLAMP TO CRANKCASE (1/2")
45	69205		2	"D" WASHER, HARNESS CLAMP SCREW
46	84-73451A8		4	WIRE ASSEMBLY, SPARK PLUG
47	332-2854		4	BOOT, IGNITION COIL END
48	33-97182		4	SPARK PLUG (NGK #BUHW-2)

CONTINUED ON NEXT PAGE ➡

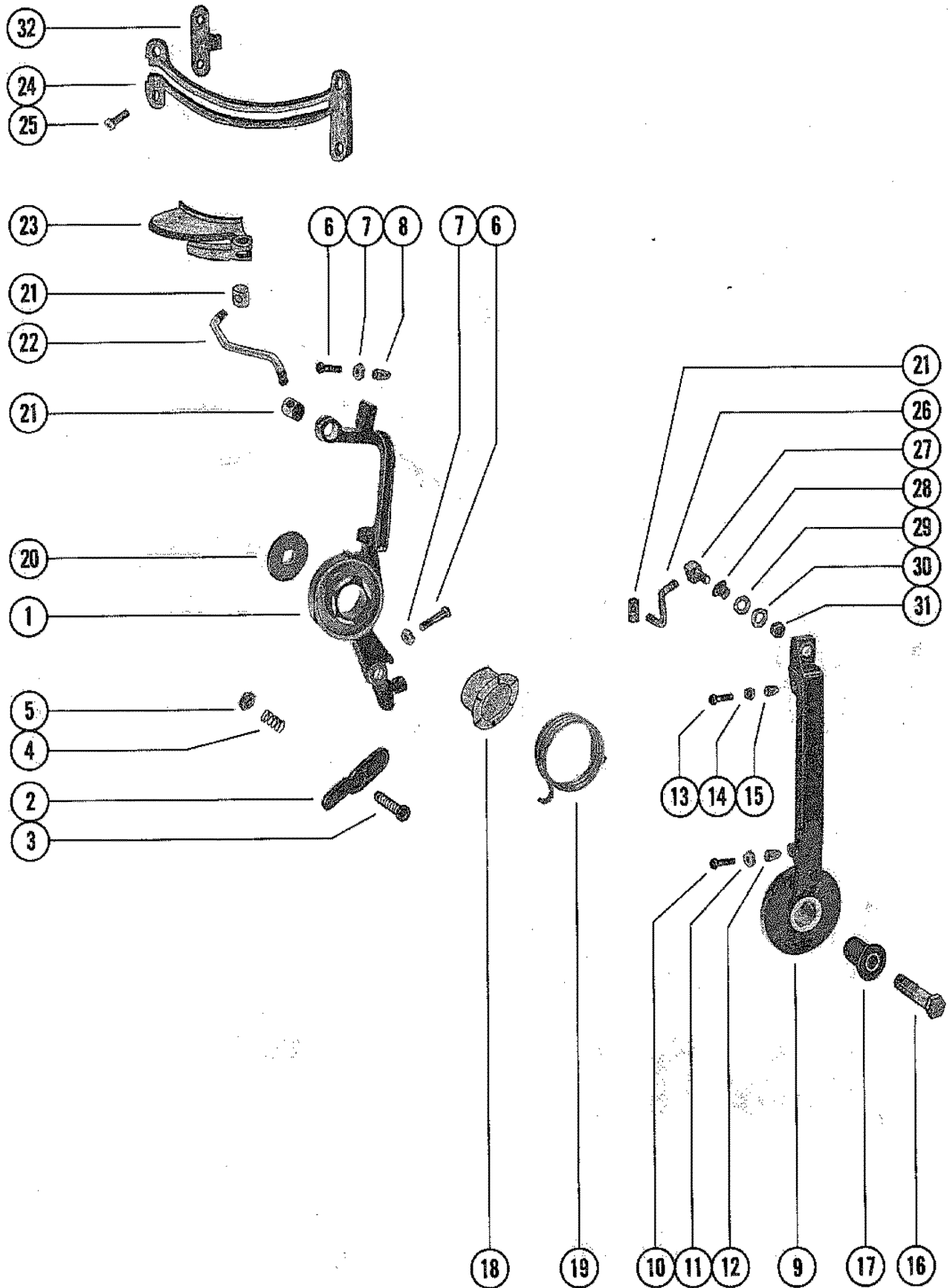
# FLYWHEEL, STATOR AND IGNITION COIL



## FLYWHEEL, STATOR AND IGNITION COIL

REF. NO.	PART NO.	SYM.	QTY.	DESCRIPTION
49	54-39844		2	CLAMP, SPARK PLUG WIRE
50	10-48408		1	SCREW, CLAMP TO EXHAUST MANIFOLD COVER (1/2")
51	69205		1	"D" WASHER, CLAMP SCREW
52	63319		2	RETAINER, SPARK PLUG WIRE
53	10-46378		1	SCREW, RETAINER TO CYLINDER BLOCK COVER (1")
54	11-20013		1	NUT, RETAINER SCREW

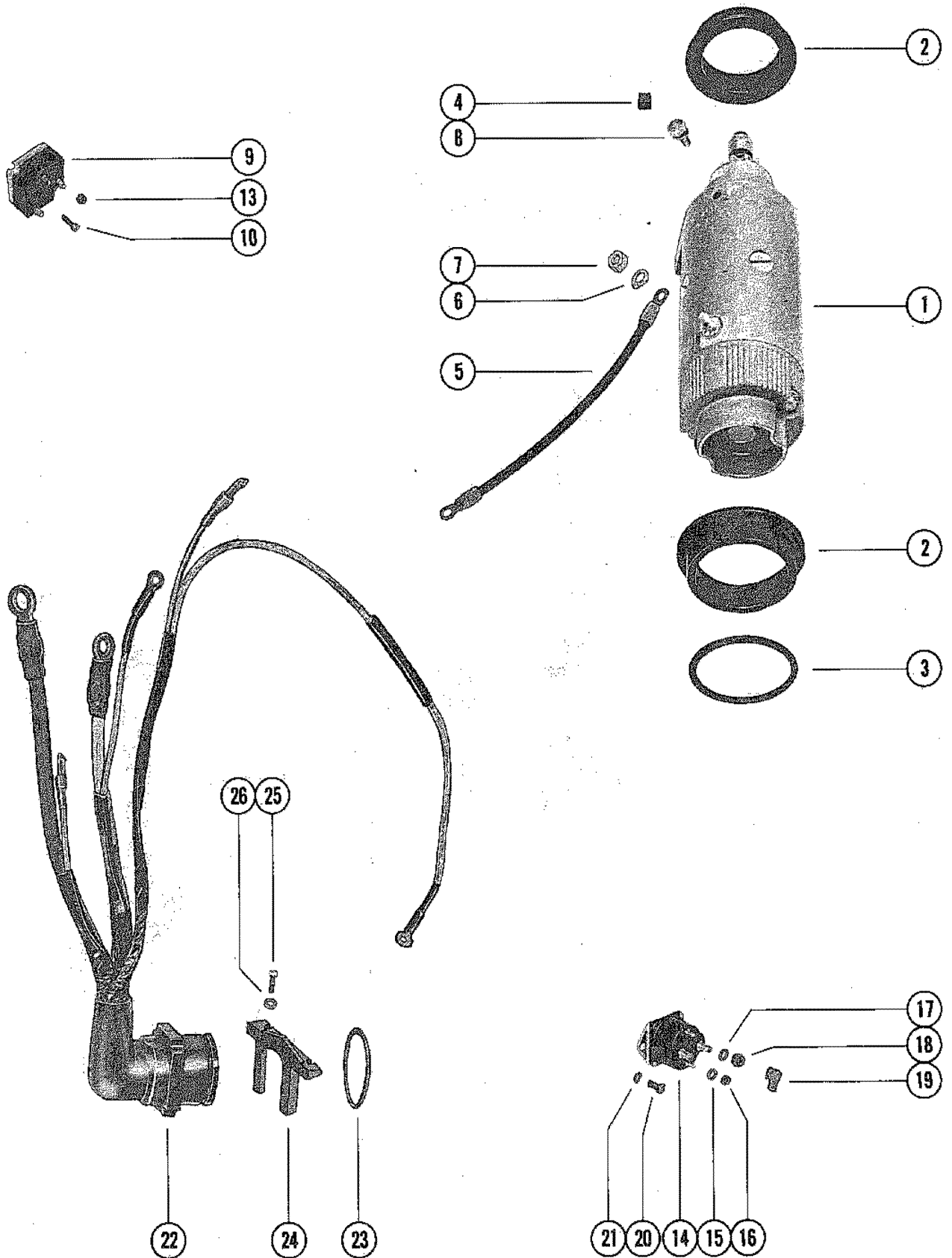
# THROTTLE LEVER AND SPARK ADVANCE LEVER



## THROTTLE LEVER AND SPARK ADVANCE LEVER

REF. NO.	PART NO.	SYM.	QTY.	DESCRIPTION
1	73416		1	LEVER, THROTTLE
2	73404		1	LATCH, THROTTLE LEVER (THROTTLE CABLE)
3	10-59702		1	SCREW, LATCH TO THROTTLE LEVER (7/8")
4	24-20099		1	SPRING, LATCH SCREW
5	11-36069		1	NUT, LATCH SCREW
6	10-73654		2	SCREW, ADJUSTING - THROTTLE LEVER (1 3/4")
7	11-64484		2	NUT, JAM - ADJUSTING SCREW
8	52023		1	CAP, NYLON - ADJUSTING SCREW
9	73414		1	ARM, SPARK ADVANCE
10	10-73656		1	SCREW, ADJUSTING - SPARK ADVANCE ARM (1 3/8")
11	11-68219		1	NUT, JAM - ADJUSTING SCREW
12	48039		1	CAP, NYLON - ADJUSTING SCREW
13	10-73655		1	SCREW, ADJUSTING - SPARK ADVANCE ARM (2")
14	11-64484		1	NUT, JAM ADJUSTING SCREW
15	52023		1	CAP, NYLON - ADJUSTING SCREW
16	10-55337		1	SCREW, LEVER AND ARM TO CYLINDER BLOCK (1 3/4")
17	23-55164		1	BUSHING, LEVER AND ARM SCREW
18	23-55171		1	BUSHING, FLANGE - LEVER AND ARM SCREW
19	24-73375		1	SPRING, RETURN - LEVER AND ARM SCREW
20	12-46765		1	WASHER, LEVER AND ARM SCREW
21	60572		3	BARREL, NYLON - LEVER AND ARM
22	73374		1	LINK ROD, THROTTLE
23	73432		1	CAM, THROTTLE
24	77001		1	HOUSING, THROTTLE CAM
25	10-60605		4	SCREW, HOUSING TO CRANKCASE (3/4")
26	77010		1	LINK ROD, SPARK ADVANCE
27	76158A1		1	SWIVEL ASSEMBLY, LINK ROD TO ARM
28	23-26856		1	BUSHING, NYLON - LINK ROD SWIVEL
29	13-29402		1	WAVE WASHER, LINK ROD SWIVEL
30	12-33786		1	WASHER, LINK ROD SWIVEL
31	11-20110		1	NUT, LINK ROD SWIVEL
32	77158		1	SPACER, THROTTLE CAM HOUSING

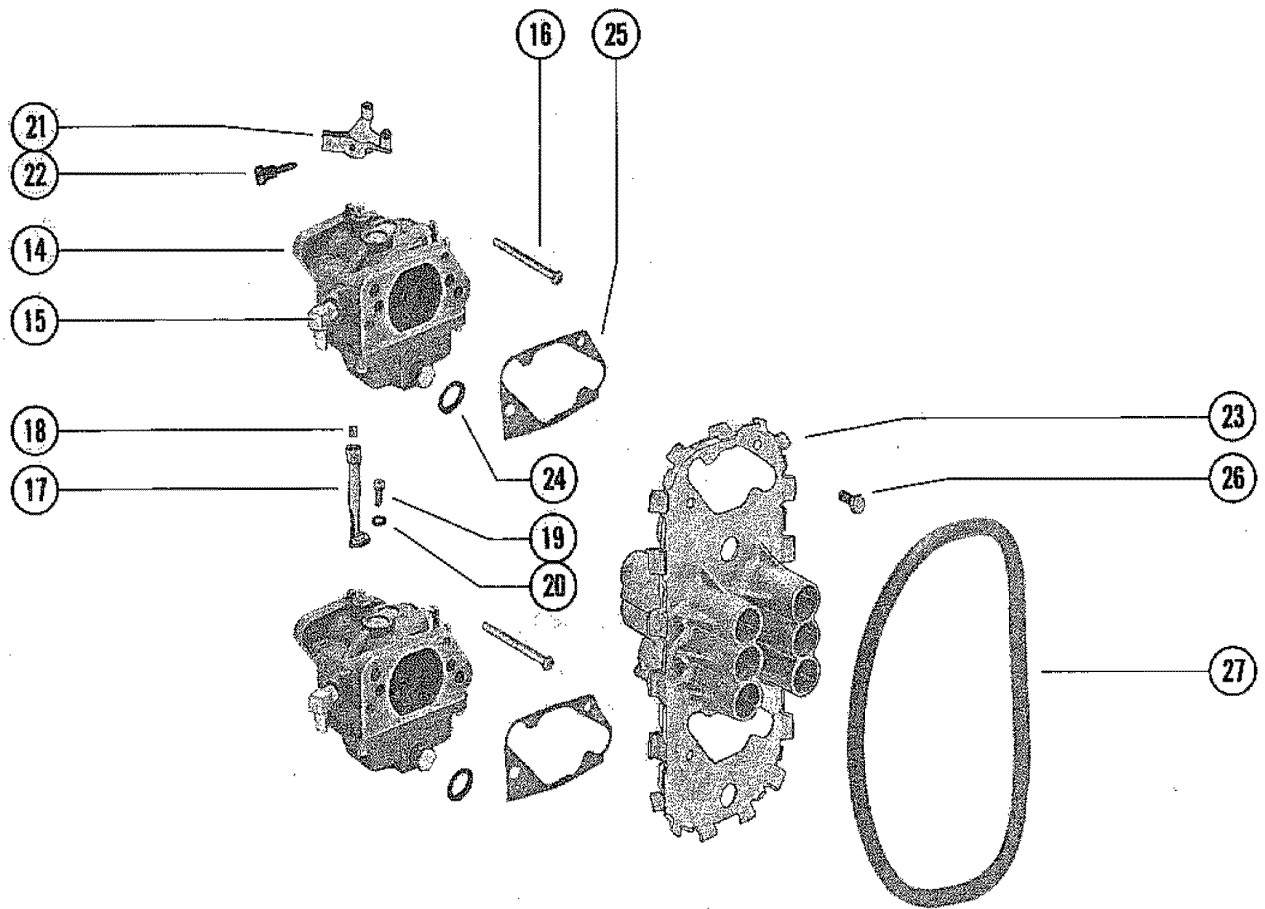
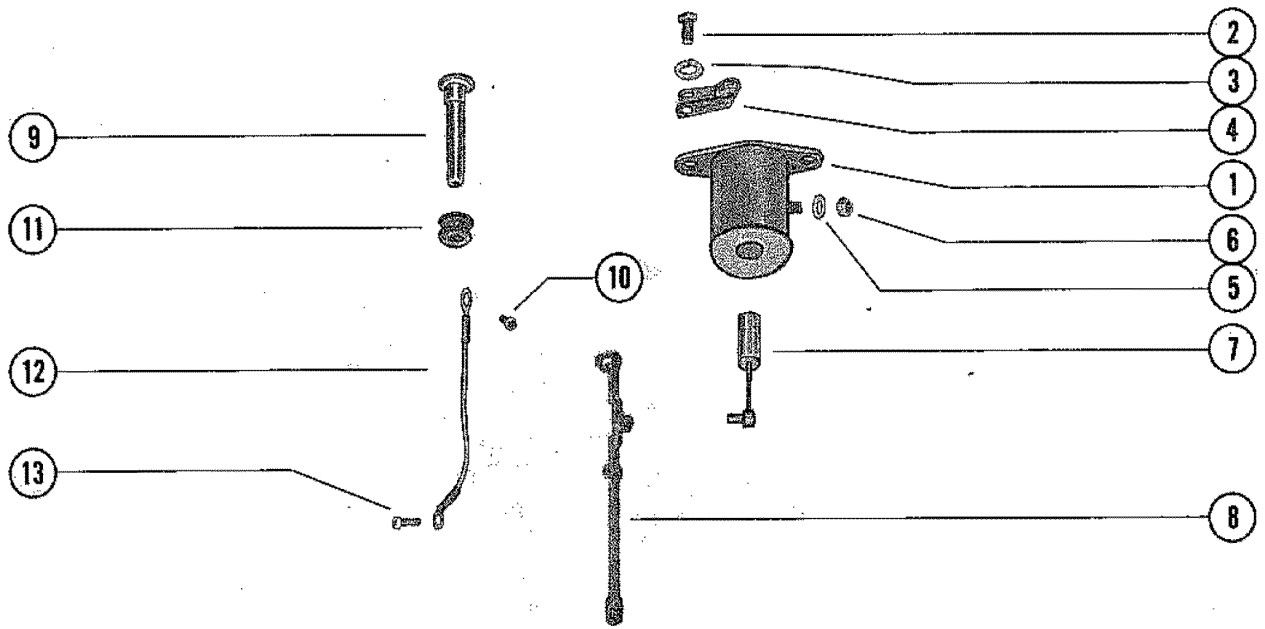
# STARTER MOTOR AND WIRING HARNESS



# STARTER MOTOR AND WIRING HARNESS

REF. NO.	PART NO.	SYM.	QTY.	DESCRIPTION
1	50-66015		1	STARTER MOTOR
2	56703		2	COLLAR, RUBBER - STARTER MOTOR
3	23-56774		1	SPACER, COLLAR TO BRACKET
4	57247		2	STOP, RUBBER - STARTER MOTOR
5	84-66053A1		1	WIRE ASS'Y, STARTER MOTOR/STARTER SOLENOID (YELLOW)
6	13-26992		1	LOCKWASHER, STARTER MOTOR TERMINAL
7	11-64015		1	NUT, STARTER MOTOR TERMINAL
8	10-69035		1	SCREW, WIRING HARNESS TO STARTER MOTOR (5/8")
9	62351A1		1	RECTIFIER ASSEMBLY
10	10-37656		2	SCREW, RECTIFIER TO PLATE (5/8")
13	10-45076		3	NUT, RECTIFIER TERMINAL
14	89-68258		1	STARTER SOLENOID
15	13-26996		2	LOCKWASHER, SOLENOID TERMINAL (#10)
16	11-68219		2	NUT, SOLENOID TERMINAL (#10)
17	13-26993		2	LOCKWASHER, SOLENOID TERMINAL (5/16")
18	11-68292		2	NUT, SOLENOID TERMINAL (5/16")
19	46265		1	BOOT, TERMINAL - STARTER SOLENOID
20	10-38601		2	SCRWE, SOLENOID TO BOTTOM COWL (5/8")
21	13-26992		2	WASHER, SOLENOID SCREW
22	84-73369		1	WIRING HARNESS (INTERNAL)
23	24-28975		1	SPRING, GARTER - INTERNAL WIRING HARNESS
24	54-76368		1	CLAMP, WIRING HARNESS
25	10-69020		2	SCREW, WIRING HARNESS CLAMP TO BOTTOM COWL (7/8")
26	12-30164		2	WASHER, WIRING HARNESS CLAMP SCREW

# CARBURETOR LINKAGE

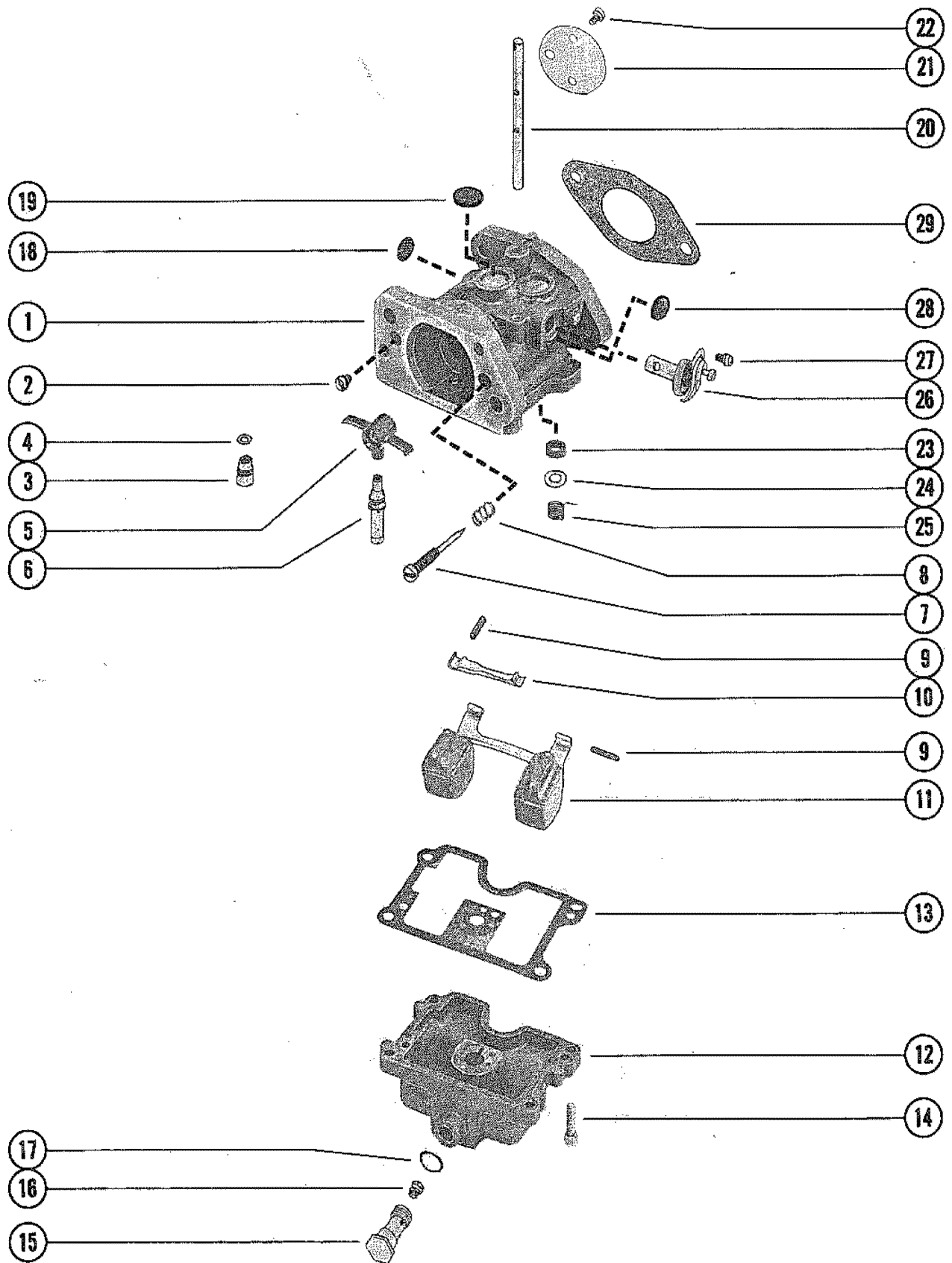




# CARBURETOR LINKAGE

REF. NO.	PART NO.	SYM.	QTY.	DESCRIPTION
1	54293A4		1	CHOKE SOLENOID ASSEMBLY
2	10-59645		2	SCREW, CHOKE SOLENOID TO FRONT BRACKET (3/4")
3	13-26993		2	LOCKWASHER, CHOKE SOLENOID SCREW
4	54-52905		1	CLAMP, HARNESS - CHOKE SOLENOID TERMINAL
5	13-26996		1	LOCKWASHER, CHOKE SOLENOID TERMINAL
6	11-68219		1	NUT, CHOKE SOLENOID TERMINAL
7	56074A2		1	PLUNGER AND LINK ASSEMBLY
8	73400		1	CHOKE ROD
9	73755A1		1	CHOKE KNOB ASSEMBLY
10	10-76196		1	SCREW, WIRE TO CHOKE KNOB
11	25-20116		1	GROMMET, CHOKE KNOB
12	84-74263		1	WIRE, CHOKE KNOB TO CHOKE ROD (BLACK)
13	10-62568		1	SCREW, WIRE TO CHOKE ROD
14	1379-6071A10		1	CARBURETOR ASSEMBLY (UPPER)
	1379-6071A11		1	CARBURETOR ASSEMBLY (LOWER)
15	22-64704		2	ELBOW, CARBURETOR
16	10-52743		4	SCREW, CARBURETOR TO CRANKCASE (3 3/4")
17	53720A2		1	COUPLING ASSEMBLY (LOWER CARBURETOR)
18	53665		1	INSERT, COUPLING
19	10-66104		1	SCREW, COUPLING TO CARBURETOR (3/4")
20	12-74726		1	WASHER, COUPLING SCREW
21	73847		1	ACTUATOR, THROTTLE (UPPER CARBURETOR)
22	10-60293		1	SCREW, ACTUATOR TO UPPER CARBURETOR (1/2" _
23	73408		1	PLATE, CARBURETOR
24	27-73398		2	GASKET, CARBURETOR PLATE
25	27-76952		2	GASKET, CARBURETOR PLATE TO CARBURETOR
26	10-28635		4	SCREW, PLATE TO CARBURETOR (5/8")
27	73647		1	SEAL, CARBURETOR PLATE

# CARBURETOR ASSEMBLY



# CARBURETOR ASSEMBLY

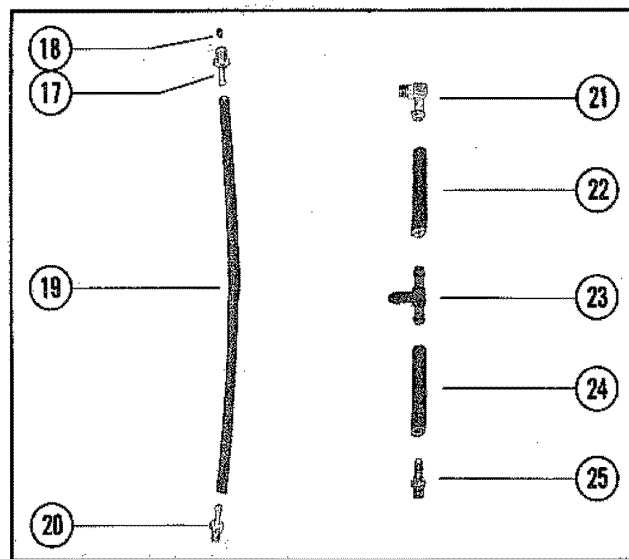
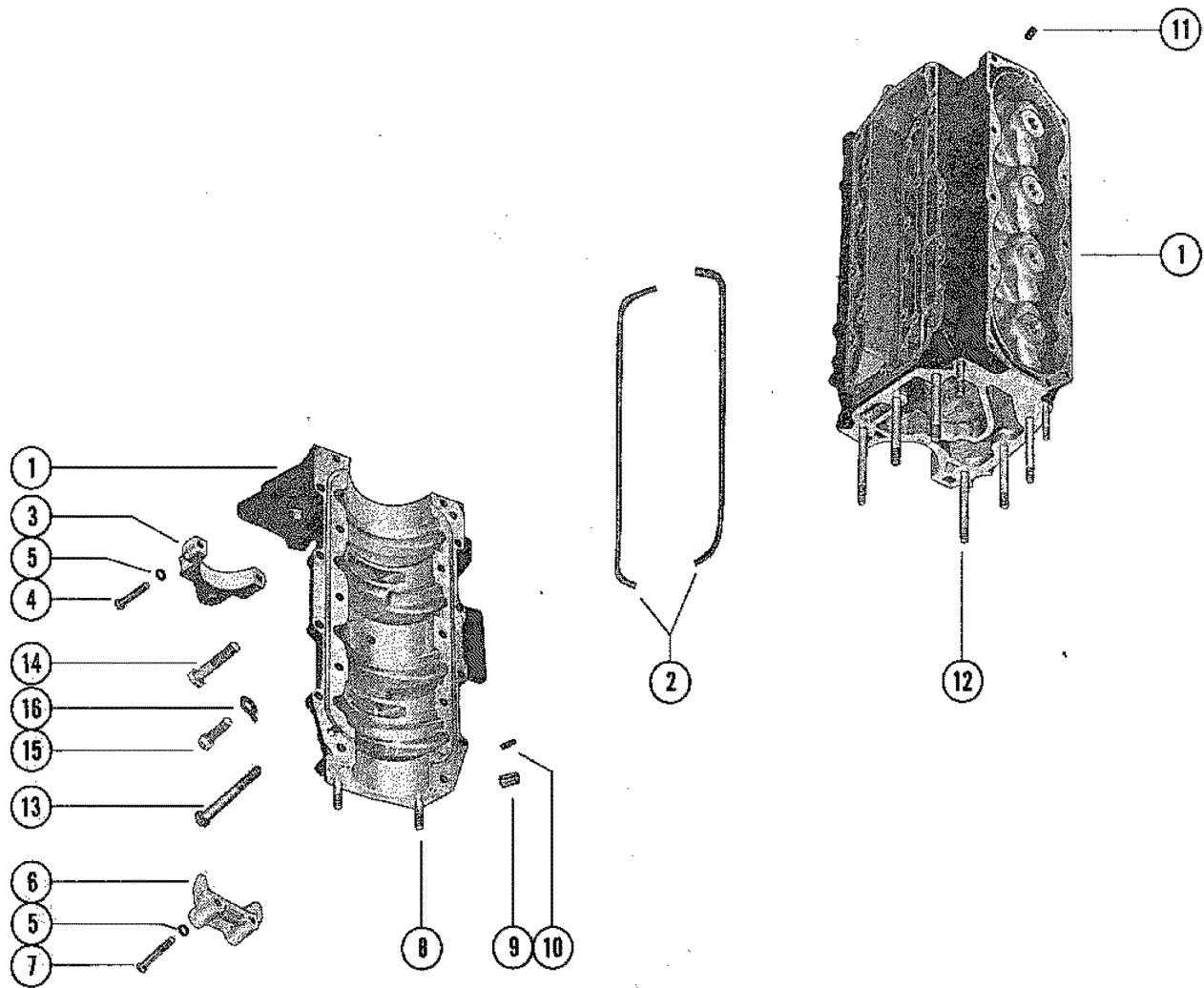
REF. NO.	PART NO.	SYM.	QTY.	DESCRIPTION
1	1379-6071A10		1	CARBURETOR ASSEMBLY (UPPER)
	1379-6071A11		1	CARBURETOR ASSEMBLY (LOWER)
2	1399-3795		2	JET, VENT BOWL (.072)
3	1395-4555		2	INLET NEEDLE AND SEAT
4			2	GASKET, INLET NEEDLE AND SEAT
5	52106A1		2	VENTURI ASSEMBLY
6			2	NOZZLE
7			2	IDLE NEEDLE
8			2	SPRING, IDLE MIXTURE
9			6	PIN, FLOAT
10			2	LEVER, FLOAT
11	1395-6197		2	FLOAT
12	1395-6488		2	FUEL BOWL
13			2	GASKET, FUEL BOWL
14			8	SCREW, FUEL BOWL
15	1395-6199		2	PLUG, MAIN JET
16	1395-6247		2	JET, MAIN (.090)
17			2	GASKET, MAIN JET PLUG
18			2	SCREEN, FUEL INLET
19			4	WELCH PLUG (9/16")
20	1395-4807		2	SHAFT, THROTTLE
21	1395-6196		2	VALVE, THROTTLE
22			4	SCREW, VALVE TO THROTTLE SHAFT
23	1395-6204		2	SEAL, THROTTLE SHAFT
24	1395-6203		2	WASHER, THROTTLE SHAFT
25			2	SPRING, THROTTLE RETURN
26	1395-6198		2	VALVE ASSEMBLY, ENRICHMENT
27			2	SCREW, ENRICHMENT BRACKET
28			2	WELCH PLUG (7/16")
29	27-73377		2	GASKET, CARBURETORO
	1395-6200		2	GASKET KIT
	1395-6360		2	REPAIR PARTS KIT



# FUEL PUMP AND FUEL LINES

REF. NO.	PART NO.	SYM.	QTY.	DESCRIPTION
1	73434A1		1	FUEL PUMP ASSEMBLY
2	21-30430A5		1	CHECK VALVE ASSEMBLY
3	55278A2		1	DIAPHRAGM ASSEMBLY
4			2	GASKET, CHECK VALVE
5			2	GASKET, FUEL PUMP
6	23004		1	RETAINER, CHECK VALVE
7	10-20037		2	SCREW, CHECK VALVE TO FUEL PUMP (1/4")
8	35-73532		1	FUEL FILTER
9	25-47386		1	"O"RING, COVER TO FUEL PUMP
10	77885		1	COVER, FUEL PUMP
11	10-37370		1	SCREW, COVER TO FUEL PUMP (5/8")
12	27-25848		1	GASKET, COVER SCREW
13	10-70939		1	SCREW, FUEL PUMP TO UPPER TRANSFER COVER (1 7/8")
	10-27281		2	SCREW, FUEL PUMP TO UPPER TRANSFER COVER (1 3/8")
14	22-64705		1	FITTING, FUEL PUMP (OUTLET)
15	32-70432		1	FUEL LINE, TEE TO FUEL PUMP (11")
16	22-73318		1	TEE, FUEL LINE
17	32-70432		2	FUEL LINE, CARBURETEOR TO TEE TO CARBURETOR (3")
18	54-68424		8	CLAMP, FUEL LINE ATTACHING
19	332-70432		1	FUEL LINE, ADAPTOR TO FUEL PUMP (15")
20	22-63187		1	FITTING, FUEL LINE TO ADAPTOR
21	22833		1	ADAPTOR, CHECK UNIT (FUEL LINE)
22	23069		1	STEM, CHECK UNIT ADAPTOR
23	25-20415		1	"O"RING, ADAPTOR STEM
24	24-23067		1	SPRING, ADAPTOR STEM
25	30188		1	CUP WASHER, ADAPTOR
26	10-69029		2	SCRWE, ADAPTOR TO BOTTOM COWL (1 3/4")
27	11-36069		2	NUT, ADAPTOR SCREW

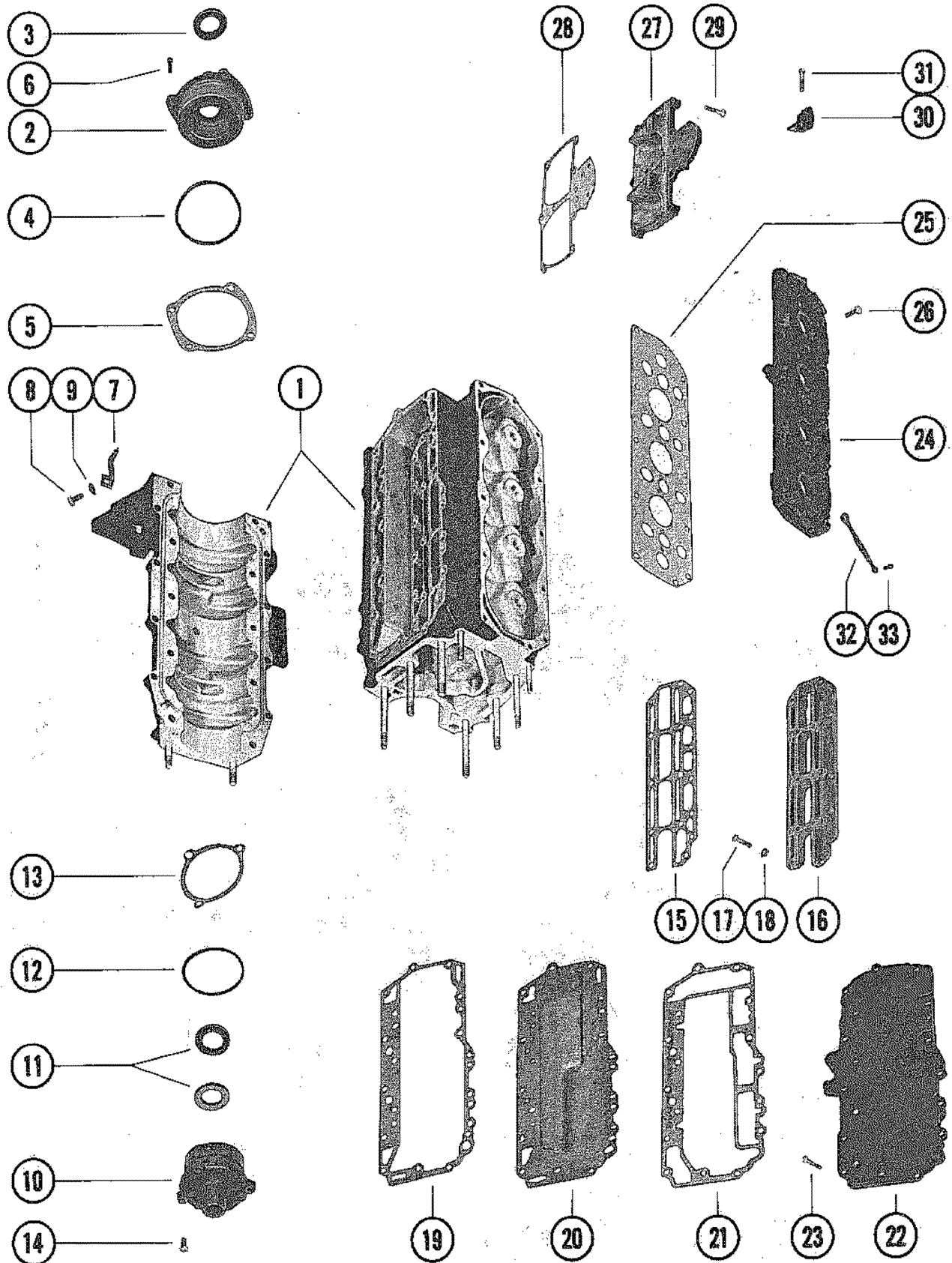
# CYLINDER BLOCK AND CRANKCASE ASSEMBLY



# CYLINDER BLOCK AND CRANKCASE ASSEMBLY

REF. NO.	PART NO.	SYM.	QTY.	DESCRIPTION
1	867-5997A3		1	CYLINDER BLOCK AND CRANKCASE ASSEMBLY
2	27-53650		2	GASKET, CRANKCASE TO CYLINDER BLOCK
3	56029		1	COVER, STARTER MOTOR (UPPER)
4	10-31984		1	SCREW, COVER TO CRANKCASE (1 3/8")
	10-35385		1	SCREW, COVER TO CRANKCASE (1 3/4")
5	13-26993		4	LOCKWASHER, COVER SCREW
6	76867		1	COVER, STARTER MOTOR (LOWER)
7	10-39767		1	SCRWE, COVER TO CRANKCASE (1 7/8")
	10-73658		1	SCREW, COVER TO CRANKCASE (5 1/2")
8	16-64281		2	STUD, CRANKCASE TO DRIVE SHAFT HOUSING (1 7/8")
9	17-20033		2	PIN, DOWEL - CRANKCASE TO CYLINDER BLOCK
10	17-63779		2	PIN, DOWEL - CYLINDER BLOCK TO MAIN BEARING
11	66517		3	RESTRICTOR, CRANKCASE BLEED
12	16-64282		6	STUD, CYLINDER BLOCK TO EXHAUST EXTENSION PLATE (4")
13	10-57841		2	SCREW, CRANKCASE TO CYLINDER BLOCK (2 3/4")
	10-53016		2	SCREW, CRANKCASE TO CYLINDER BLOCK (1 1/4")
14	10-73657		15	SCREW. CRANKCASE TO CYLINDER BLOCK (1 1/2")
15	10-20359		1	SCREW. CENTER MAIN BEARING LOCKING (1")
16	14-20091		1	TAB WASHER, BEARING LOCKING SCREW
17	22-65350A2		1	CHECK VALVE ASSEMBLY, BLEED HOSE - TOP
18	21-56011A2		1	CHECK VALVE ASSEMBLY
19	32-54936		1	HOSE, CYLINDER BLEED (15 1/2")
20	22-65670A1		1	CHECK VALVE ASSEMBLY, BLEED HOSE - BOTTOM
21	22-20781		1	ELBOW, BALANCE HOSE TO CYLINDER BLOCK - UPPER
22	32-34395A1		1	HOSE ASSEMBLY, BALANCE (6 1/4")
23	22-65348		1	TEE, BALANCE HOSE TO CYLINDER BLOCK - LOWER
24	32-54936		1	HOSE, BALANCE (5")
25	22-65857		1	FITTING, AIR INLET COVER

# END CAPS, MANIFOLD AND EXHAUST COVER

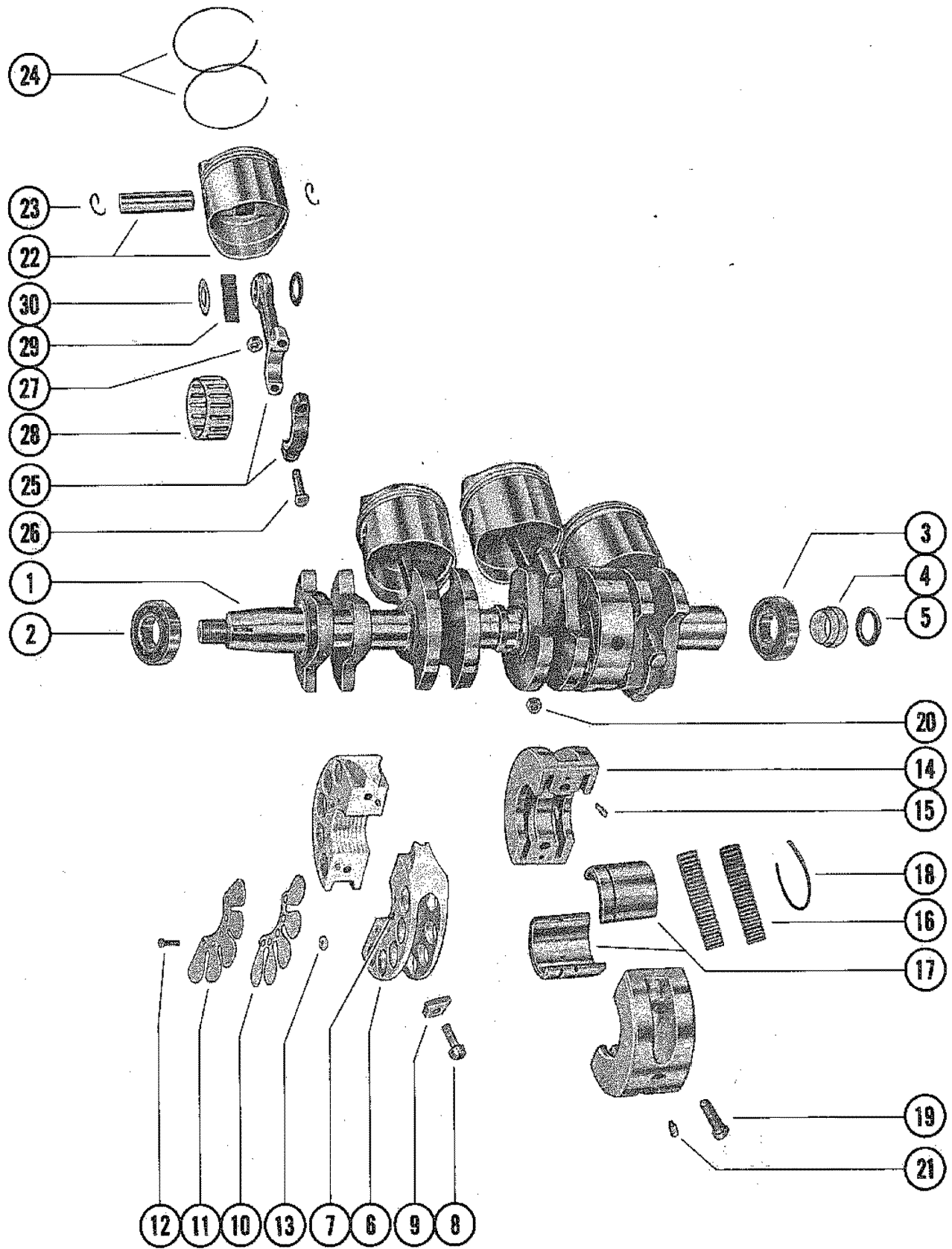




## END CAPS, MANIFOLD AND EXHAUST COVER

REF. NO.	PART NO.	SYM.	QTY.	DESCRIPTION
1	867-5997A3		1	CYLINDER BLOCK AND CRANKCASE ASSEMBLY
2	1161-5940A2		1	END CAP ASSEMBLY, UPPER
3	26-29476		1	OIL SEAL
4	25-47254		1	"O"RING
5	15-73644A1		AR	SHIM ASSEMBLY, END CAP TO CRANKCASE (.006-8-10)
6	10-73169		4	SCREW, END CAP MOUNTING (1")
7	76367		1	POINTER, TIMING
8	10-35585		1	SCREW, TIMING POINTER ATTACHING (3/4")
9	12-20533		1	WASHER, TIMING POINTER SCREW
10	1148-5410A1		1	END CAP ASSEMBLY, LOWER
11	26-29476		2	OIL SEAL
12	25-32546		1	"O"RING
13	15-20085A1		AR	SHIM, END CAP TO CRANKCASE (.002-3-5-10)
14	10-30225		3	SCRW, END CAP MOUNTING (1")
15	27-73665		1	GASEKT, WATER JACKET COVER
16	76198		1	COVER, WATER JACKET - CYLINDER BLOCK
17	10-53167		16	SCREW, WATER JACKET COVER TO CYLINDER BLOCK (7/8")
18	12-70132		16	WASHER, WATER JACKET COVER FASTENING SCREW
19	27-72510		1	GASKET, CYLINDER BLOCK TO BAFFLE PLATE
20	73436		1	PLATE, BAFFLE - EXHAUST MANIFOLD
21	27-72508		1	GASKET, BAFFLE PLATE TO EXHAUST MANIFOLD COVER
22	73412		1	CREW, MANIFOLD COVER MOUNTING (1 1/8")
23	10-53576		17	SCREW, MANIFOLD COVER MOUNTING (1 1/8")
	10-53016		1	SCREW, MANIFOLD COVER MOUNTING (1 1/4")
24	1021-3514		1	COVER, CYLINDER BLOCK
25	27-72505		1	GASKET, CYLINDER BLOCK COVER
26	10-69100		12	SCREW, CYLINDER BLOCK COVER MOUNTING (1")
27	73320		1	COVER, TRANSFER PORT - TOP
	73321		1	COVER, TRANSFER PORT - BOTTOM
28	27-73645		1	GASKET, TRANSFER PORT COVER
29	10-49668		14	SCREW, TRANSFER PORT COVER MOUNTING (3/4")
30	37440		1	BRACKET, MOUNT SUPPORT - CYLINDER BLOCK
31	10-24234		1	SCRWE, BRACKET TO CYLINDER BLOCK (1")
32	46933A3		2	GROUND STRAP ASSEMBLY, EXHAUST COVER SCREW
33	10-62568		2	SCREW, GROUND STRAP ATTACHING (3/8")

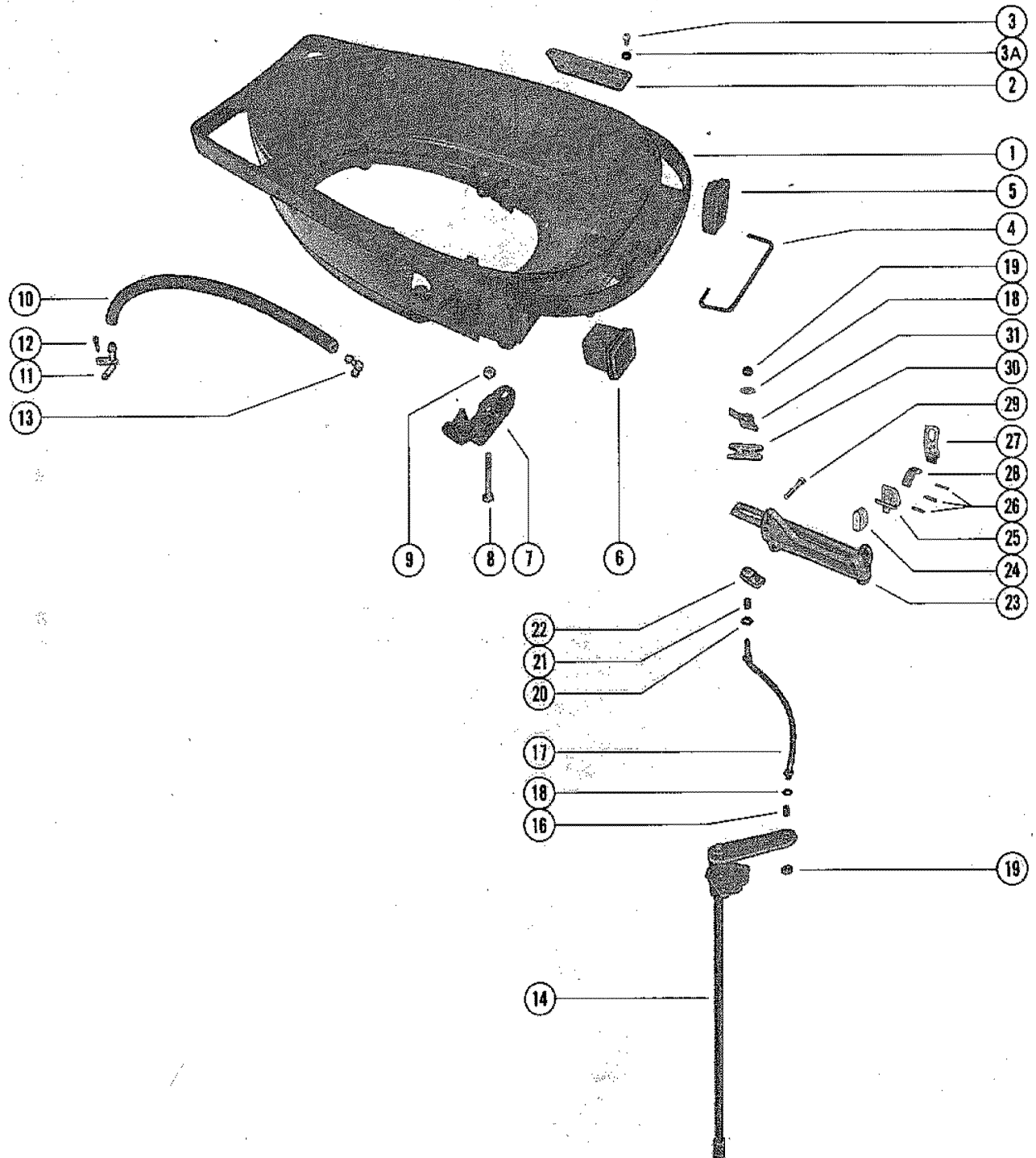
# CRANKSHAFT, PISTON AND CONNECTING ROD



# CRANKSHAFT, PISTON AND CONNECTING ROD

REF. NO.	PART NO.	SYM.	QTY.	DESCRIPTION
1	440-4979A2		1	CRANKSHAFT ASSEMBLY
2	30-32117		1	BEARING, BALL - UPPER
3	30-63742		1	BEARING, BALL - LOWER
4	54196A6		1	CARRIER, ASSEMBLY
5	65800		1	PACKING, CARRIER
6	540-5266A5		2	MAIN BEARING ASSEMBLY (VALVE TYPE)
7	17-20032		4	DOWEL PIN, MAIN BEARING
8	10-45775		4	SCREW, MAIN BEARING CLAMPING
9	11-45774		4	NUT, MAIN BEARING CLAMPING SCREW
10	34-56007A1		2	REED SET, MATCHED - MAIN BEARING
11	34-56008		8	REED STOP, MAIN BEARING REED VALVES
12	10-62204		20	SCREW, REED STOP MOUNTING
13	11-53153		20	NUT, REED STOP MOUNTING SCREW
14	535-5397A4		1	CENTER MAIN BEARING ASSEMBLY
15	17-20032		2	DOWEL PIN, CENTER MAIN BEARING
16	29-52168		56	BEARING, NEEDLE
17	26113		1	RACE, OUTER (PAIR)
18	53-26933		1	RING, SNAP - OUTER RACE CLAMPING
19	10-22968		2	SCREW, CENTER MAIN BEARING CLAMPING SCREW
20	11-46887		2	NUT, MAIN BEARING CLAMPING SCREW
21	17-47246		1	DOWEL PIN,(STEPPED)
22	745-5219A2		4	PISTON AND PISTON PIN ASSEMBLY
23	40-52035		8	LOCK RING, PISTON PIN
24	39-45155A12		1	RING, PISTON
25	622-4850A3		4	CONNECTING ROD AND COP ASSEMBLY
26	10-54803		8	SCREW, CAP TO CONNECTING ROD
27	11-49091		8	NUT, CONNECTING ROD SCREW
28	31-62596A1		4	BEARING ASSEMBLY, CRANKPIN
29	29-47270		116	BEARING, NEEDLE - PISTON PIN
30	12-47247		8	WASHER, NEEDLE LOCATING
	745-5304A2		4	PISTON AND PISTON PIN ASSEMBLY (.105) <b>OVERSIZE PISTON AND RING</b>
	39-45204A12		1	RING, PISTON (.015) <b>OVERSIZE PISTON AND RING</b>

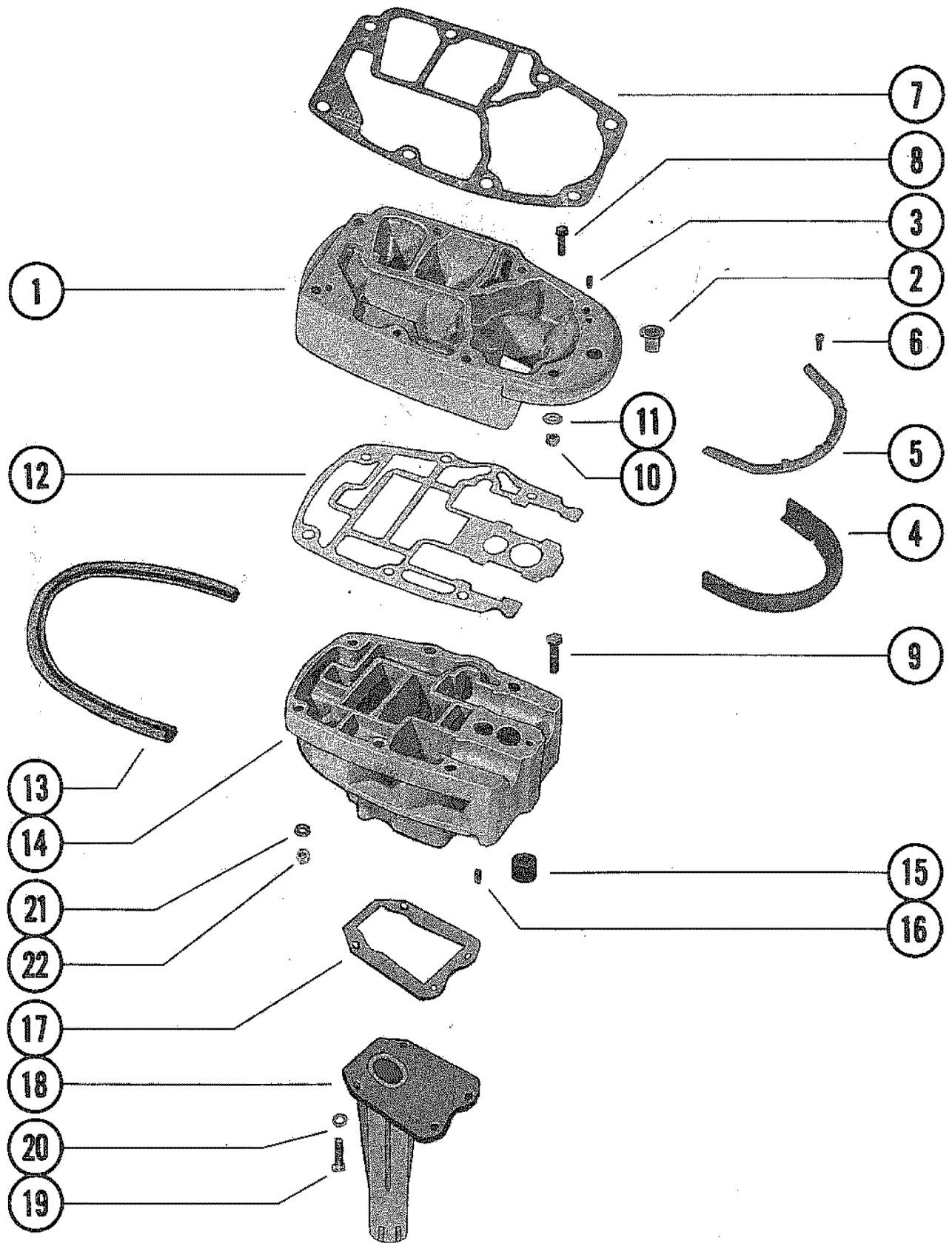
# BOTTOM COWL AND SHIFT LINKAGE



## BOTTOM COWL AND SHIFT LINKAGE

REF. NO.	PART NO.	SYM.	QTY.	DESCRIPTION
1	2158-5938M		1	COWL, BOTTOM
2	74303		1	COVER, AIR INLET
3	10-62568		4	SCREW, COVER TO BOTTOM COWL (3/8")
3A	12-30164		4	WASHER, COVER SCREW
4	27-73646		1	GASKET, BOTTOM COWL
5	39616		1	BOOT, CONTROL CABLES - BOTTOM COWL
6	37637		1	BOOT, FUEL CONNECTOR - BOTTOM COWL
7	37445M		1	SUPPORT, WIRING HARNESS - BOTTOM COWL
8	10-69029		2	SCRWE, SUPPORT TO COWL (1 3/4")
9	11-36069		2	NUT, WIRING HARNESS SUPPORT SCREW
10	32-34395A1		1	HOSE, TELL TALE - EXH. COVER TO BOTTOM COWL (9")
11	52889		1	NOZZLE, TELL TALE HOSE TO BOTTOM COWL
12	10-48408		1	SCREW, TELL TALE NOZZLE TO BOTTOM COWL (1/2")
13	22-25885		1	ELBOW, TELL TALE HOSE TO EXHAUST COVER
14	60304A45		1	SHIFT SHAFT ASSEMBLY, UPPER (SHORT SHAFT)
	60304A44		1	SHIFT SHAFT ASSEMBLY, UPPER (LONG SHAFT)
16	23-26856		1	BUSHING, SHIFT SHAFT
17	73402		1	SHIFT LINK
18	12-35462		2	WASHER, LINK ROD (SHIFT LEVER END)
19	11-36069		2	NUT, LINK ROD
20	13-29720		1	WASHER, WAVE - LINK ROD
21	24-20099		1	SPRING, LINK ROD TO GUIDE BLOCK
22	37896		1	GUIDE BLOCK, LINK ROD
23	52732		1	BRACKET, ANCHOR - CONTROL CABLES
24	39519		1	CAP, BARREL RETAINER - ANCHOR
25	39618		1	LEVER, NYLON - SHIFT CABEL LOCKING
26	17-47175		3	PIN, LOCKING LEVER AND COVER FASTENING
27	39667		1	COVER, NYLON - SHIFT CABLE
28	65799		1	LINK, LOCKING LEVER TO COVER
29	10-24234		3	SCREW, ANCHOR BRACKET TO CYLINDER BLOCK (1")
30	52100		1	WEAR PLATE, LINK ROD
31	38279		1	LATCH, CONTROL CABLE FASTENING - ANCHOR BRACKET

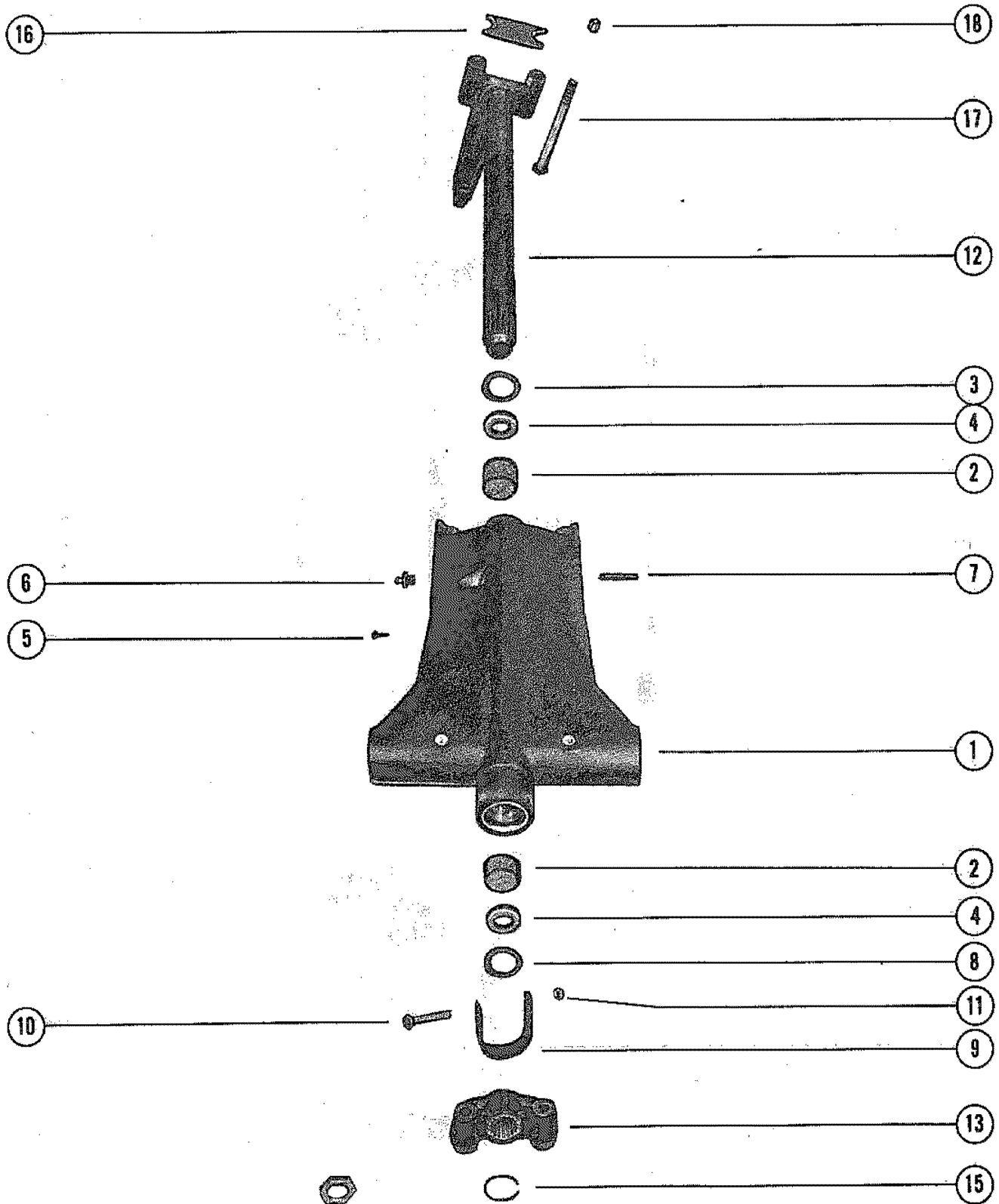
# EXHAUST EXTENSION PLATE



## EXHAUST EXTENSION PLATE

REF. NO.	PART NO.	SYM.	QTY.	DESCRIPTION
1	66096A1		1	PLATE ASSEMBLY, EXHAUST EXTENSION
2	23-27132		1	BUSHING, NYLON - EXHAUST EXTENSION PLATE
3	17-23784		2	DOWEL PIN, EXHAUST EXTENSION PLATE
4	37918		1	SEAL, EXHAUST EXTENSION PLATE
5	38032		1	STRIP, RETAINING - EXHAUST EXTENSION PLATE
6	10-37571		5	SCREW, SEAL AND RETAINING STRIP TO EXH. PLATE (1/2")
7	27-69238		1	GASKET, POWERHEAD TO EXHAUST EXTENSION PLATE
8	10-66023		2	SCREW, ADAPTOR PLATE TO HOUSING PLATE (2")
9	10-66023		7	SCRWE, HOUSING PLATE TO DRIVE SHAFT HOUSING (2")
10	11-69254		2	NUT, CRANKCASE STUDS TO EXHAUST EXTENSION PLATE
11	12-25970		2	WASHER, CRANKCASE STUDS TO EXHAUST EXTENSION PLATE
12	27-66102		1	GASKET, PLATE TO DRIVE SHAFT HSG PLATE
13	26-60898		1	SEAL, DRIVE SHAFT HOUSING PLATE
14	74257A3		1	PLATE ASSEMBLY, DRIVE SHAFT HOUSING
15	26-38970		1	SEAL, RUBBER - WATER INLET TUBE (DRIVE SHAFT HSG PLATE)
16	17-23784		2	DOWEL PIN, DRIVE SHAFT HOUSING PLATE
17	27-69860		1	GASKET, DRIVE SHAFT HOUSING PLATE TO EXHAUST TUBE
18	74199		1	EXHAUST TUBE
19	10-61010		4	SCREW, EXHAUST TUBE TO DRIVE SHAFT HOUSING PLATE (3/4")
20	13-26992		4	LOCKWASHER, EXHAUST TUBE SCREW
21	12-25970		6	WASHER, POWERHEAD STUDS
22	11-34932		6	NUTE, POWERHEAD STUDS

# SWIVEL BRACKET ASSEMBLY

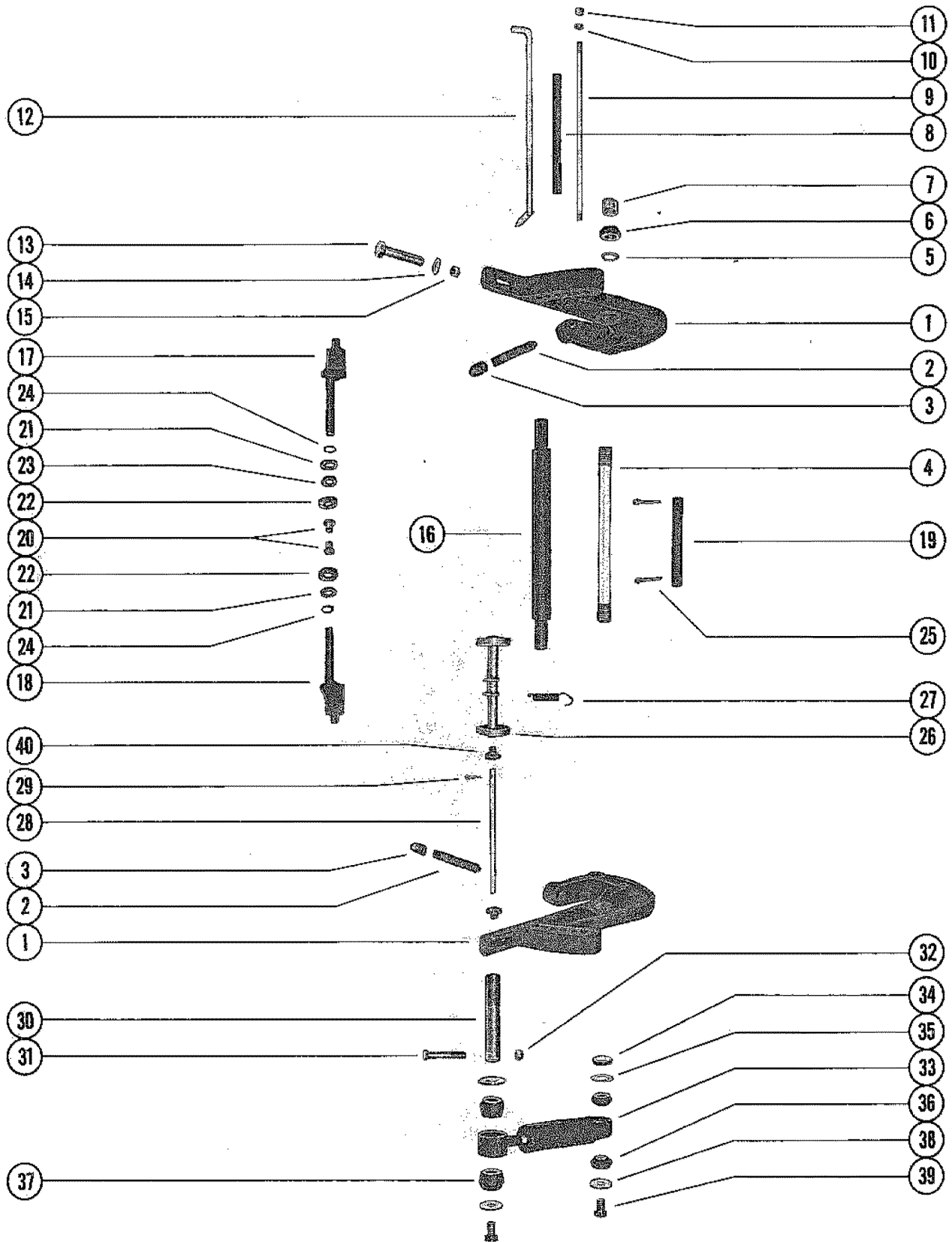




# SWIVEL BRACKET ASSEMBLY

REF. NO.	PART NO.	SYM.	QTY.	DESCRIPTION
1	1453-6019M2		1	SWIVEL BRACKET ASSEMBLY (SHORT SHAFT)
	1482-6386M4		1	SWIVEL BRACKET ASSEMBLY (LONG SHAFT)
2	23-69341		2	BUSHING, SWIVEL BRACKET
3	12-69342		1	WASHER, SWIVEL PIN - UPPER
4	26-37448		2	OIL SEAL, SWIVEL BRACKET
5	10-47828		1	SCREW, DRIVE - SWIVEL BRACKET
6	22-74036		3	FITTING, GREASE
7	17-25598		1	PIN, REVERSE LOCK SPRING ATTACHING
8	12-69380		1	WASHER, SWIVEL PIN - LOWER
9	28205		1	STRAP STOP, DRIVE SHAFT HOUSING TO SWIVEL BRACKET
10	10-56743		1	SCREW, STRAP STOP TO HOUSING ( 3 1/8" ) - SHORT SHAFT
	10-28200		1	SCREW, STRAP STOP TO HOUSING ( 3 7/8" ) - LONG SHAFT
11	11-25269		1	NUT, STRAP STOP FASTENING SCREW
12	17-73594M1		1	SWIVEL PIN ASSEMBLY (SHORT SHAFT)
	17-73593M1		1	SWIVEL PIN ASSEMBLY (LONG SHAFT)
13	73984M		1	YOKE, BOTTOM
15	53-73591		1	SNAP RING, YOKE ATTACHING
16	28203		1	BUMPER, STEERING ARM
17	10-49554		2	BOLT, STEERING ARM TO UPPER MOUNT ( 5 7/8" )
18	11-34933		2	NUT, STEERING ARM BOLT FASTENING

# CLAMP BRACKET AND REVERSE LOCK

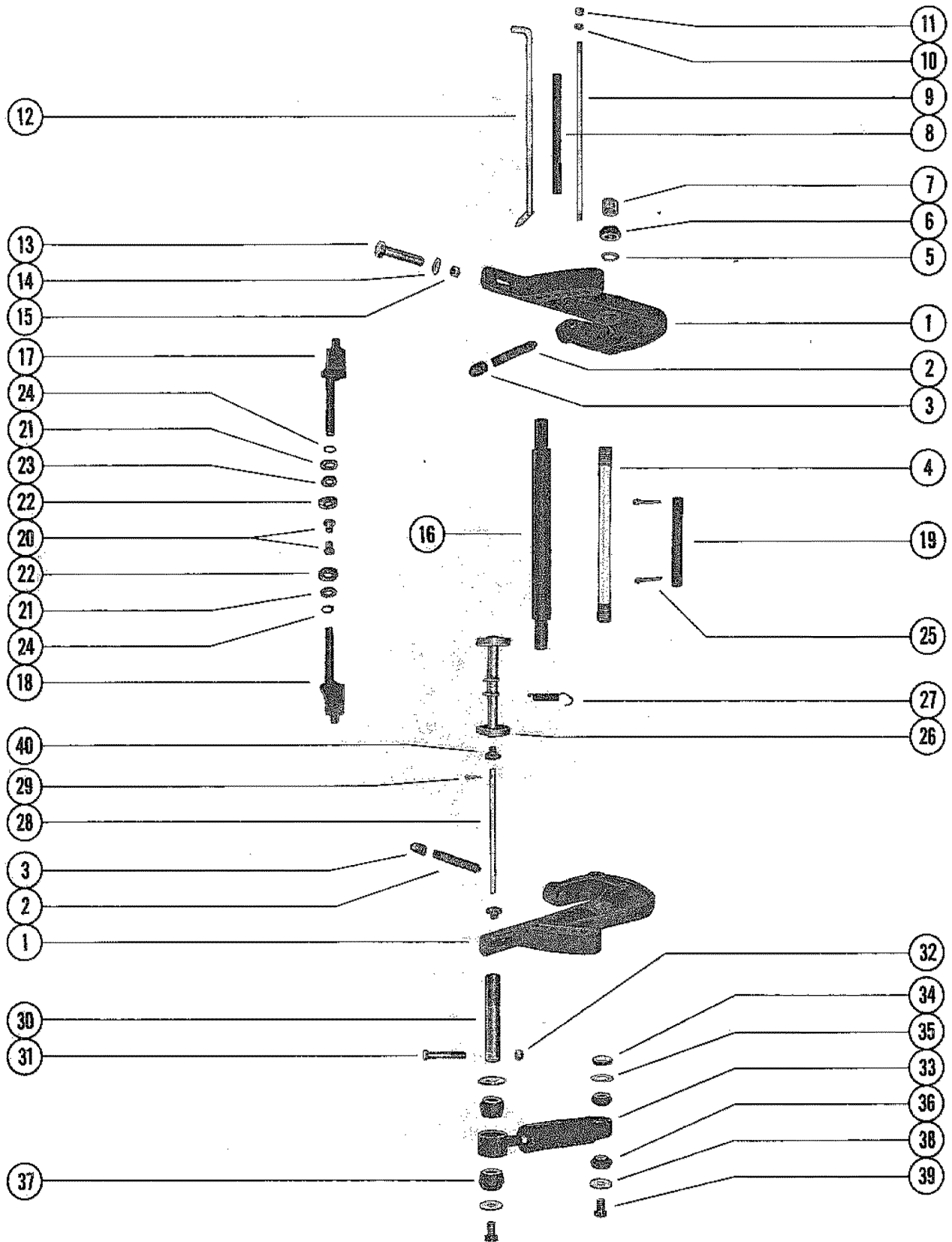


# CLAMP BRACKET AND REVERSE LOCK

REF. NO.	PART NO.	SYM.	QTY.	DESCRIPTION
1	1440-6044M2		2	CLAMP BRACKET ASSEMBLY
2	10-73649A1		2	THUMB SCREW ASSEMBLY
3	75043		2	COVER, THUMB SCREW
4	30664		1	TUBE, TILT - CLAMP BRACKET TO SWIVEL BRACKET
5	12-52864		2	WASHER, CLAMP BRACKET TILT TUBE
6	11-56041		2	NUT, TILT TUBE FASTENING
7	53078		2	CAP, PLASTIC - TILT TUBE
8	23-59624		1	SPACER, CLAMP BRACKET STUD
9	16-59625		1	STUD, CLAMP BRACKET
10	13-26993		2	LOCKWASHER, CLAMP BRACKET STUD
11	11-28770		2	NUT, CLAMP BRACKET STUD
12	17-49930A1		1	TILT LOCK PIN ASSEMBLY
13	10-68298		2	BOLT, CLAMP BRACKET TO BOAT TRANSOM (3 1/4")
14	12-68410		2	WASHER, CLAMP BRACKET BOLT
13	10-68299		2	BOLT, CLAMP BRACKET TO TRANSOM (3")
14	12-68300		2	WASHER, CLAMP BRACKET BOLT
15	11-68411		4	NUT, CLAMP BRACKET BOLT
16	55-28416		1	PIN, UPPER SHOCK MOUNTING
19	47802		1	TUBE, TILT LOCK - SHORT SHAFT
20	23-47803		2	BUSHING, TILT LOCK TUBE - SHORT SHAFT
21	13-69150		2	WASHER, WAVE - TILT LOCK TUBE - SHORT SHAFT
17	76386		1	TILT LOCK ASSEMBLY, STARBOARD
18	76385		1	TILT LOCK ASSEMBLY, PORT
19	76387		1	TUBE, TILT LOCK - LONG SHAFT
21	13-69150		1	WASHER, WAVE - TILT LOCK (STARBOARD SIDE ONLY) - LONG SHAFT
22	26-22734		2	OIL SEAL, SWIVEL BRACKET (TILT LOCK) - LONG SHAFT
23	12-76388		3	WASHER, TILT LOCK (STARBOARD SIDE ONLY) - LONG SHAFT
24	25-62702		2	"O" RING, TILT LOCK - LONG SHAFT
25	18-47959		2	COTTER PIN, TILT LOCK
26	70692		2	REVERSE LOCK ASSEMBLY
27	24-29821		1	SPRING, REVERSE LOCK TENSION
28	56349		1	SHAFT, REVERSE LOCK PIVOT
29	18-45882		1	COTTER PIN, REVERSE LOCK TO SHAFT
30	55-65447		2	PIN, LOWER SHOCK MOUNTING (SHORT SHAFT)
	55-28414		2	PIN, LOWER SHOCK MOUNTING - LONG SHAFT
31	10-21837		2	SCREW, LOWER SHOCK PIN (2") - LONG SHAFT
32	11-46887		2	NUT, LOWER SHOCK PIN SCREW - LONG SHAFT
33	55-58780M2		2	SHOCK ABSORBER
34	23-73203		2	SPACER, UPPER SHOCK BUSHING TO CLAMP BRACKET
35	12-28196		2	WASHER, UPPER BUSHING RETAINER (INNER)

CONTINUED ON NEXT PAGE ➡

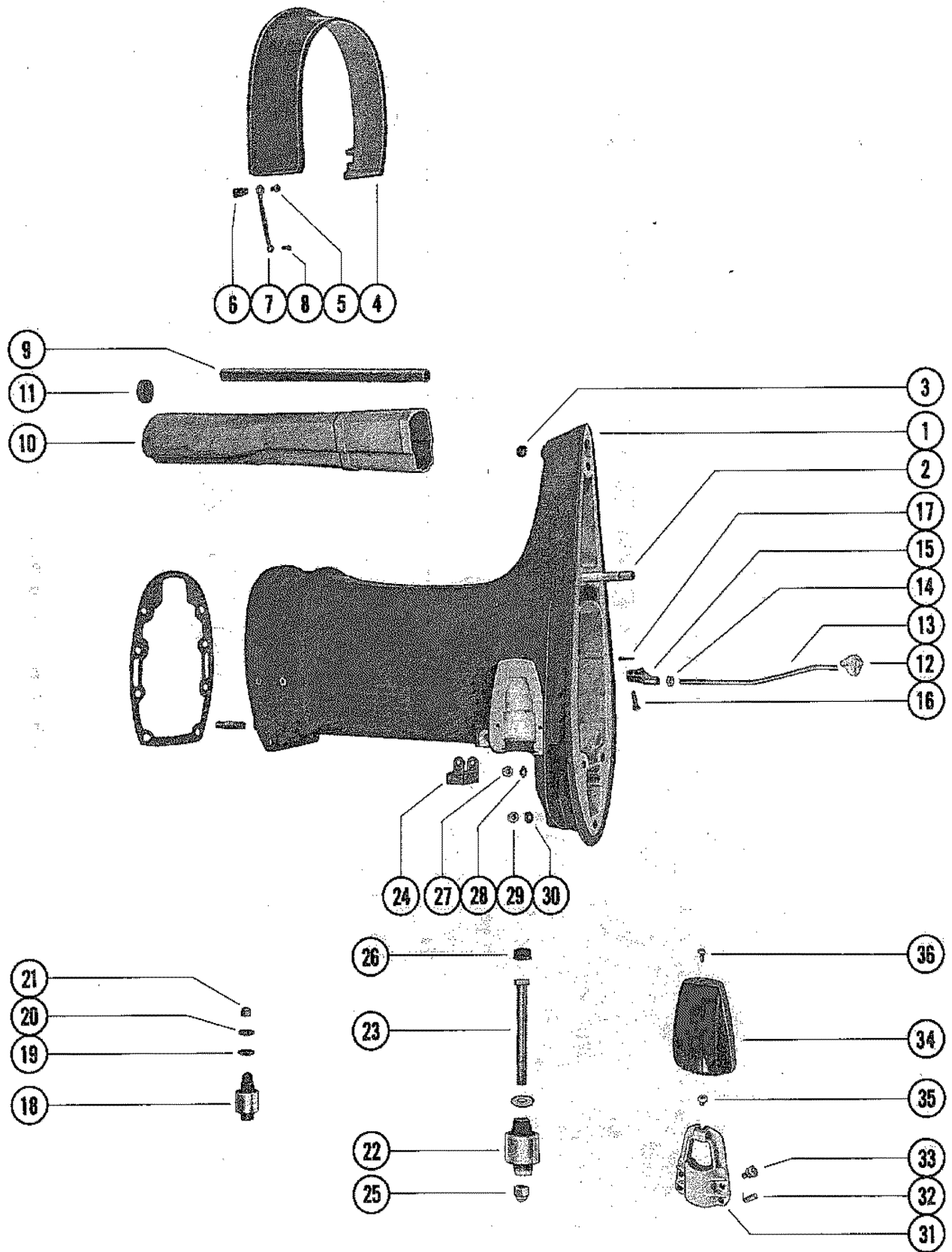
# CLAMP BRACKET AND REVERSE LOCK



## CLAMP BRACKET AND REVERSE LOCK

REF. NO.	PART NO.	SYM.	QTY.	DESCRIPTION
36	23-32171		4	BUSHING, RUBBER - SHOCK ABSORBER (UPPER)
37	23-28198		4	BUSHING, RUBBER - SHOCK ABSORBER (LOWER)
38	12-69374		4	WASHER, UPPER/LOWER SHOCK MOUNTING PIN (LOWER)
39	10-69375		4	SCREW, UPPER AND LOWER SHOCK MOUNTING PIN
40	23-69132		2	BUSHING, PIVOT SHAFT

# DRIVE SHAFT HOUSING ASSEMBLY

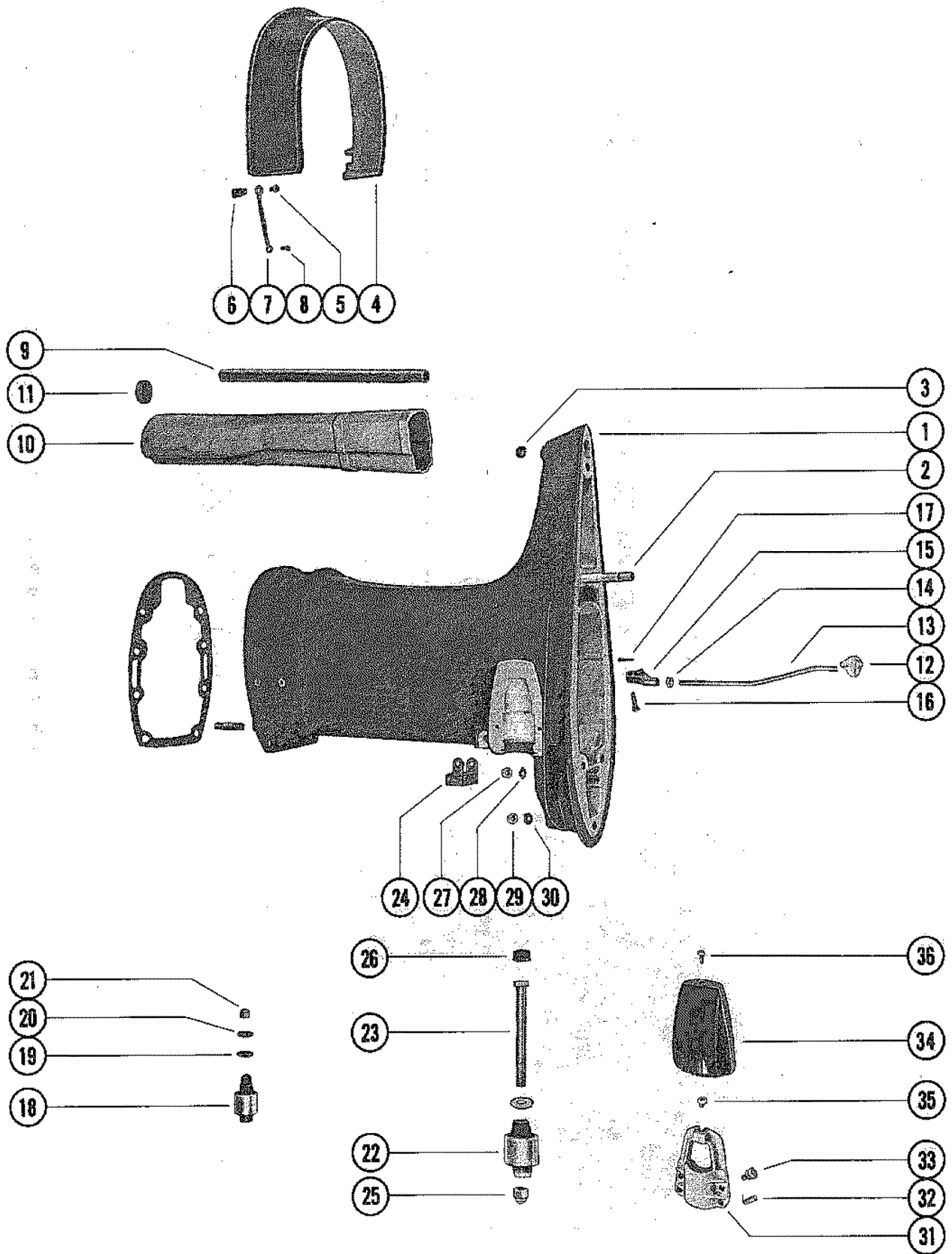


# DRIVE SHAFT HOUSING ASSEMBLY

REF. NO.	PART NO.	SYM.	QTY.	DESCRIPTION
1	1575-5240M4		1	DRIVE SHAFT HOUSING ASSEMBLY (SHORT SHAFT)
	1573-5239M4		1	DRIVE SHAFT HOUSING ASSEMBLY (LONG SHAFT)
2	16-56295		2	STUD, DRIVE SHAFT HOUSING TO GEAR HOUSING (2 11/16")
3	19-64649		1	PLUG, PLASTIC - TRIM TAB SCREW HOLE
4	37417M		1	COVER, TRIM - DRIVE SHAFT HOUSING
5	10-57807		4	SCREW, TRIM COVER TO BOTTOM COWL (3/4")
6	25-57806		4	GROMMET, TRIM COVER SCREW
7	46933A2		2	GROUND STRAP ASSEMBLY, TRIM COVER CREW
8	10-62568		2	SCREW, GROUND STRAP ATTACHING
9	32-62864		1	TUBE, WATER INLET (SHORT SHAFT)
	32-60897		1	TUBE, WATER INLET (LONG SHAFT)
10	65370		1	TUBE, EXHAUST (SHORT SHAFT)
	65369		1	TUBE, EXHAUST (LONG SHAFT)
11	65638		2	BOOT, EXHAUST TUBE
12	52887		1	GUIDE, PUSH ROD - REVERSE LOCK (SHORT SHAFT)
13	47591		1	ROD, PUSH - REVERSE LOCK (SHORT SHAFT)
	47558		1	ROD, PUSH - REVERSE LOCK (LONG SHAFT)
14	11-47661		1	NUT, JAM - PUSH ROD
15	47559		1	YOKE, PUSH ROD
16	17-39023		1	PIN, PUSH ROD TO REVERSE LOCK
17	18-25191		1	COTTER PIN, PUSH ROD PIN
18	75297		2	MOUNT, RUBBER - UPPER (SHORT SHAFT)
	75296		1	MOUNT, RUBBER - UPPER (LONG SHAFT)
19	12-47840		2	WASHER, RUBBER - UPPER MOUNT BOLT
20	12-31263		2	WASHER, UPPER MOUNT BOLT
21	11-34933		2	NUT, UPPER MOUNT BOLT
22	75300		2	MOUNT, RUBBER - LOWER (SHORT SHAFT)
	75298		2	MOUNT, RUBBER - LOWER (LONG SHAFT)
23	10-49318		2	SCREW, UPPER MOUNT (5 1/2")
24	66336		1	MOUNT, RUBBER - LOWER (SHORT SHAFT)
25	11-25096		2	NUT, MOUNT SCREW
26	25067		2	BUMPER, RUBBER - MOUNTING SCREW
27	11-34933		2	NUT, GEAR HOUSING AND DRIVE SHAFT HOUSING STUDS
28	12-45176		2	WASHER, GEAR HOUSING TO DRIVE SHAFT HOUSING STUDS
29	11-29489		1	NUT, GEAR HOUSING AND DRIVE SHAFT HOUSING STUDS
30	12-45176		1	WASHER, GEAR HOUSING TO DRIVE SHAFT HOUSING STUDS
31	35608		2	CLAMP, LOWER MOUNT TO DRIVE SHAFT HOUSING

CONTINUED ON NEXT PAGE ➡

# DRIVE SHAFT HOUSING ASSEMBLY

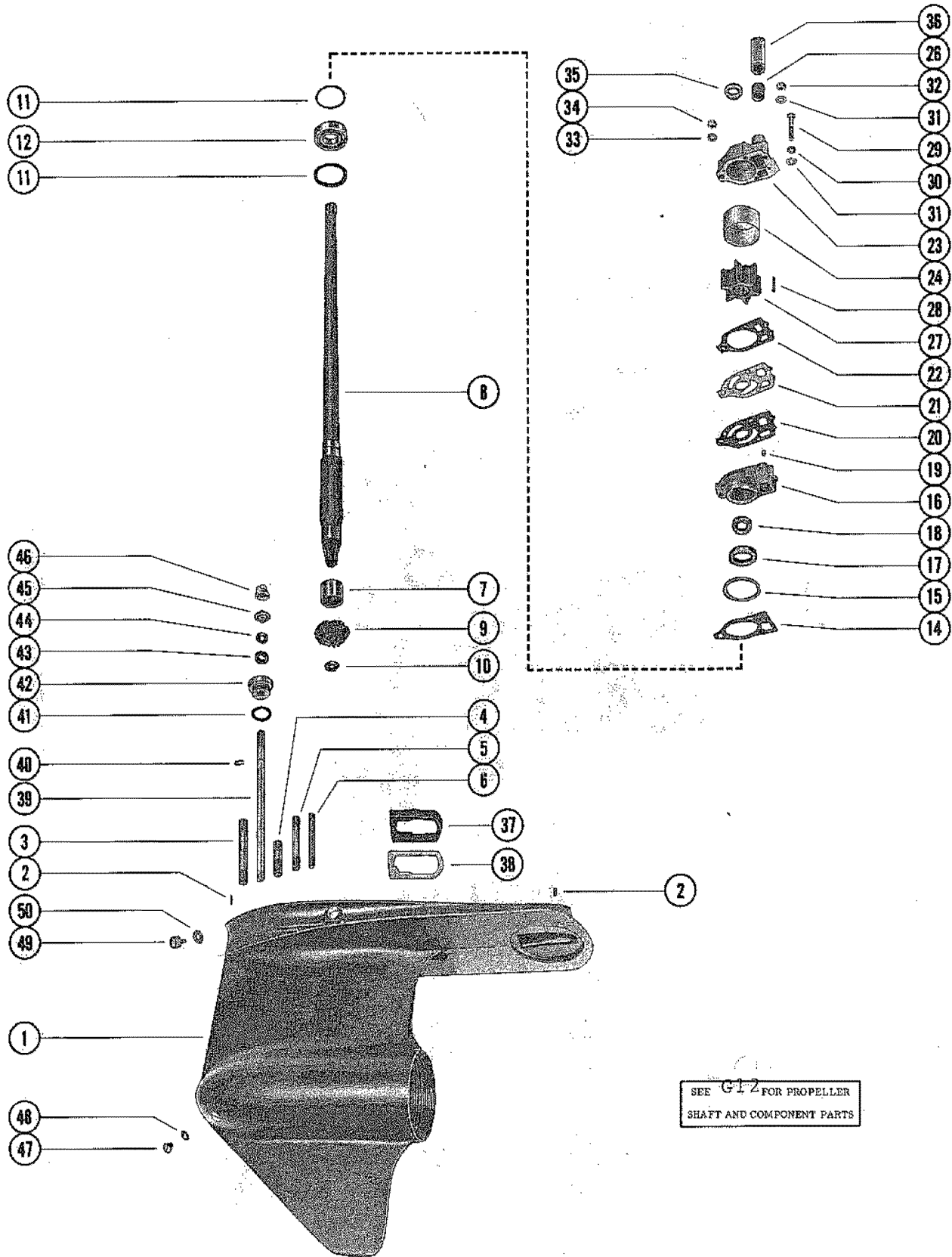




## DRIVE SHAFT HOUSING ASSEMBLY

REF. NO.	PART NO.	SYM.	QTY.	DESCRIPTION
32	24-35522		4	SPRING TENSION - LOWER MOUNT CLAMP
33	10-29256		4	SCREW, LOWER MOUNT CLAMP TO DRIVE SHAFT HOUSING (7/8")
34	35474M		2	COVER, LOWER MOUNT CLAMP
35	11-35521		2	NUT, LOWER MOUNT CLAMP COVER
36	10-29722		2	SCREW, COVER TO LOWER CLAMP MOUNT (5/8")

# GEAR HOUSING ASSEMBLY, COMPLETE (PAGE 1)

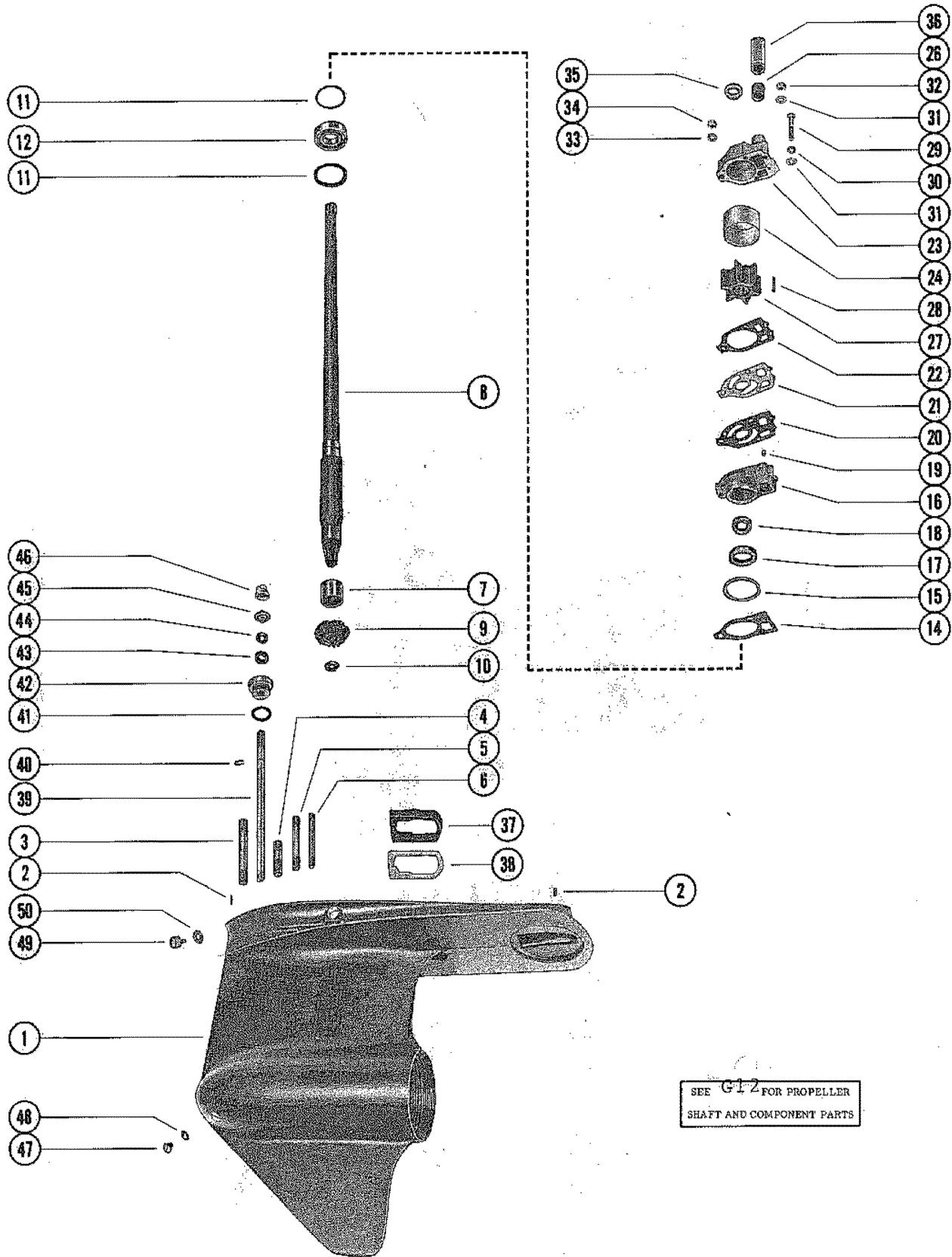


# GEAR HOUSING ASSEMBLY, COMPLETE (PAGE 1)

REF. NO.	PART NO.	SYM.	QTY.	DESCRIPTION
-	1623-6048M7		1	GEAR HOUSING ASSEMBLY, COMPLETE (SHORT SHAFT) - SEE NOTE BEL THE ENCLOSED GEAR HOUSINGS INCLUDE ALL PARTS FROM REFERENCE #1 THRU #75 AS LISTED ON PAGES G10 & G11
-	1623-6053M13		1	GEAR HOUSING ASSEMBLY, COMPLETE (LONG SHAFT) THE ENCLOSED GEAR HOUSINGS INCLUDE ALL PARTS FROM REFERENCE #1 THRU #75 AS LISTED ON PAGES G10 & G11
1	1623-6048M3		1	GEAR HOUSING ASSEMBLY (SHORT SHAFT)
	1623-6053M5		1	GEAR HOUSING ASSEMBLY (LONG SHAFT)
2	17-46912		2	DOWEL PIN, GEAR HOUSING LOCATING
3	16-57921		1	STUD, GEAR HOUSING TO DRIVE SHAFT HOUSING (4")
4	16-57920		2	STUD, GEAR HOUSING TO DRIVE SHAFT HOUSING (2 1/16")
5	16-56297		1	STUD, WATER PUMP BASE AND BODY TO GEAR HOUSING (3 3/8")
6	16-30667		2	STUD, WATER PUMP BASE AND BODY TO GEAR HOUSING (3 1/8")
7	31-32898		1	BEARING, ROLLER - DRIVE SHAFT
8	45-69250		1	DRIVE SHAFT (SHORT SHAFT)
	45-69251		1	DRIVE SHAFT (LONG SHAFT)
9	43-75316		1	GEAR, PINION - DRIVE SHAFT
10	11-35921		1	NUT, PINION GEAR TO DRIVE SHAFT
11	23-70412		1	SPACER, ROLLER BEARING TO WATER PUMP BASE
	15-57007A1		AR	SHIM, ROLLER BEARING TO WATER PUMP BASE
12	31-69220		1	ROLLER BEARING, DRIVE SHAFT
14	27-33146		1	GASKET, WATER PUMP BAST TO GEAR HOUSING
15	25-33145		1	"O"RING, WATER PUMP BASE
16	46-69222A1		1	WATER PUMP BASE ASSEMBLY (SHORT SHAFT)
	46-73804A1		1	WATER PUMP BASE ASSEMBLY (LONG SHAFT)
17	26-31489		1	OIL SEAL, WATER PUMP BASE
18	26-31507		1	OIL SEAL, WATER PUMP BASE
19	17-35973		2	DOWEL PIN, WATER PUMP BASE TO WATER PUMP BODY
20	27-32433		1	GASKET, LOWER - WATER PUMP BASE TO FACE PLATE
21	32435		1	PLATE, FACE - WATER PUMP BASE TO WATER PUMP BODY
22	27-32434		1	GASKET, UPPER - FACE PLATE TO WATER PUMP BODY
23	46-64141A1		1	WATER PUMP BODY ASSEMBLY
24	48752		1	INSERT, WATER PUMP BODY
26	26-38970		1	SEAL, RUBBER - WATER INLET TUBE
27	47-65960		1	IMPELLER, WATER PUMP
28	28-56654		1	KEY, IMPELLER DRIVE
29	10-30720		1	SCREW, WATER PUMP BODY TO GEAR HOUSING (2 1/4")
30	13-26992		1	LOCKWASHER, WATER PUMP BODY SCREW
31	12-29245		3	WASHER, WATER PUMP FASTENING SCREW AND STUD
32	11-36069		2	NUT, WATER PUMP FASTENING SCREW

CONTINUED ON NEXT PAGE ➡

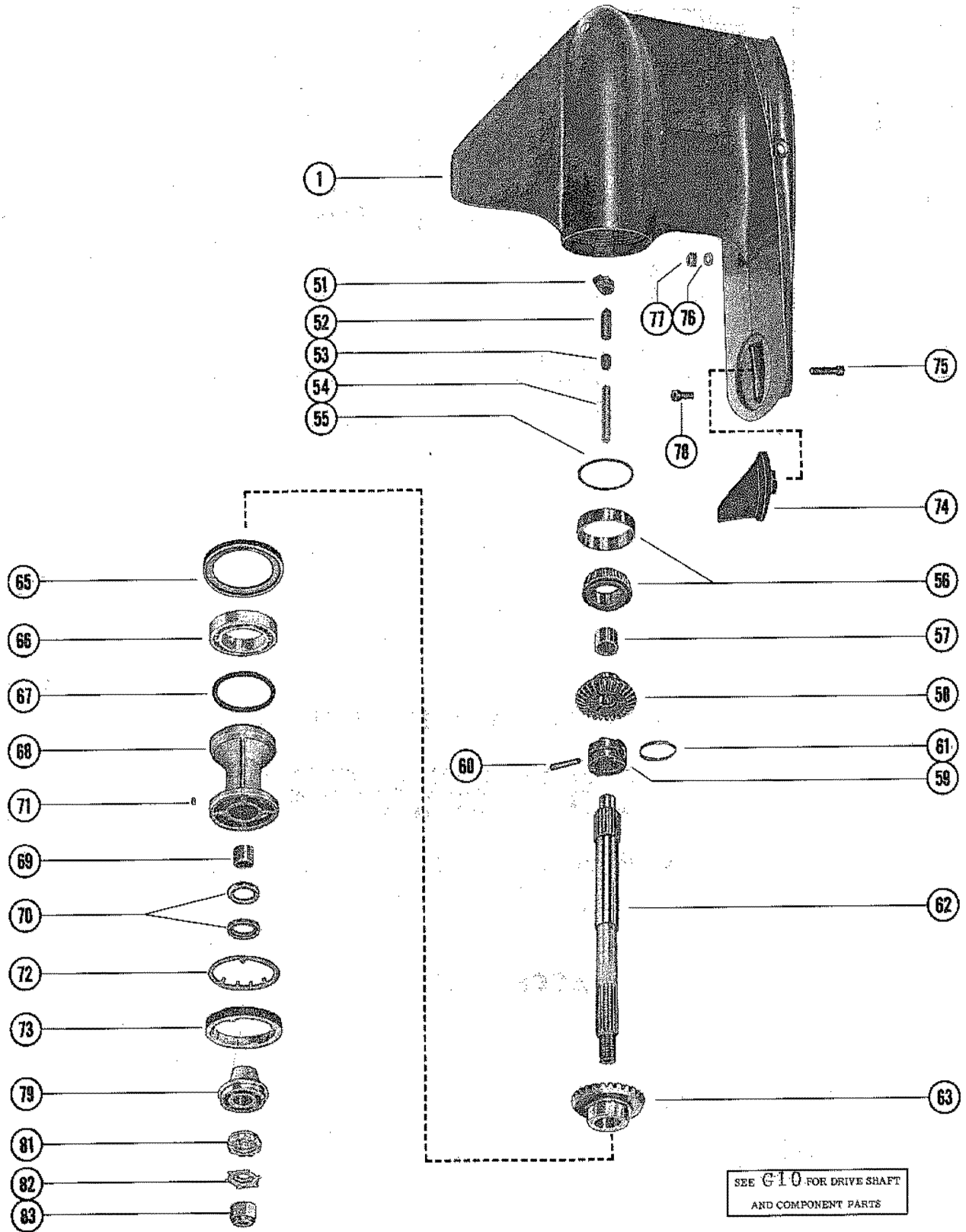
# GEAR HOUSING ASSEMBLY, COMPLETE (PAGE 1)



## GEAR HOUSING ASSEMBLY, COMPLETE (PAGE 1)

REF. NO.	PART NO.	SYM.	QTY.	DESCRIPTION
33	12-36001		1	WASHER, WATER PUMP BODY FASTENING STUD
34	11-45592		1	NUT, WATER PUMP BODY FASTENING STUD
35	25-30271		1	RING, RUBBER - CENTRIFUGAL SLINGER (DRIVE SHAFT)
36	23-29804		1	SLEEVE, GUIDE - WATER INLET TUBE
37	37641		1	SEAL, EXHAUST TUBE
38	38051		1	PLATE, SUPPORT - EXHAUST TUBE SEAL
39	76062A1		1	SHAFT ASSEMBLY, SHIFT - LOWER
40	53-29641		1	"E"RING, RETAINING - SHIFT SHAFT
41	25-25439		1	"O"RING, SHIFT SHAFT BUSHING
42	23-55419A1		1	BUSHING ASSEMBLY, SHIFT SHAFT
43	26-24590		1	OIL SEAL, SHIFT SHAFT HOUSING (LOWER)
	26-31249		1	OIL SEAL, SHIFT SHAFT HOUSING (UPPER)
44	12-31266		1	WASHER, RUBBER - SHIFT SHAFT BUSHING
45	39019		1	SPACER, LOWER - REVERSE LOCKING
46	39021		1	CAM, REVERSE LOCKING
47	10-28634		2	SCREW, GREASE FILLER AND VENT HOLE
	22-67892		1	SCREW, DRAIN (MAGNETIC)
48	12-20260		2	WASHER, GREASE FILLER AND VENT HOLE SCREW
49	19-48750		1	PLUG, GEAR HOUSING FLUSHING HOLE - SHORT SHAFT
50	12-49221		1	WASHER, GEAR HOUSING FLUSHING HOLE PLUG - SHORT SHAFT

# GEAR HOUSING ASSEMBLY, COMPLETE (PAGE 2)



## GEAR HOUSING ASSEMBLY, COMPLETE (PAGE 2)

REF. NO.	PART NO.	SYM.	QTY.	DESCRIPTION
-	1623-6048M7		1	GEAR HOUSING ASSEMBLY, COMPLETE (SHORT SHAFT) THE ENCLOSED GEAR HOUSINGS INCLUDE ALL PARTS FROM REFERENCE #1 THRU #75 AS LISTED ON PAGES 34 AND 35
-	1623-6053M13		1	GEAR HOUSING ASSEMBLY, COMPLETE (LONG SHAFT) THE ENCLOSED GEAR HOUSINGS INCLUDE ALL PARTS FROM REFERENCE #1 THRU #75 AS LISTED ON PAGES 34 AND 35
1	1623-6048M3		1	GEAR HOUSING ASSEMBLY (SHORT SHAFT)
	1623-6053M5		1	GEAR HOUSING ASSEMBLY (LONG SHAFT)
51	54346		1	CAM, SHAFT
52	30625		1	FOLLOWER, CAM
53	30624		1	SLIDE, CROSS PIN
54	24-30622		1	SPRING, COMPRESSION - CAM FOLLOWER
55	15-30923A1		AR	SHIM, BEARING OUTER RACE TO GEAR HSG. (.002-3-5-10)
56	31-30894A1		1	TAPERED ROLLER BEARING ASSEMBLY
57	31-30895		1	BEARING, ROLLER - FORWARD GEAR
58	43-75314		1	FORWARD GEAR ASSEMBLY
59	52-34239		1	RATCHET, SLIDING CLUTCH
60	17-30632		1	PIN, CROSS - RATCHET TO PROPELLER SHAFT
61	24-30893		1	SPRING, RETAINING - CROSS PIN
62	44-52542		1	SHAFT, PROPELLER
63	43-75315		1	REVERSE GEAR ASSEMBLY
65	12-71143A1		1	WASHER, THRUST - BEARING CARRIER TO GEAR HOUSING
66	30-31265		1	BEARING, BALL - REVERSE GEAR
67	25-29976		1	"O" RING, BEARING CARRIER
68	73800A1		1	BEARING CARRIER ASSEMBLY (SHORT SHAFT)
	52132A1		1	BEARING CARRIER ASSEMBLY (LONG SHAFT)
69	31-30956		1	BEARING, ROLLER - BEARING CARRIER
70	26-76868		2	OIL SEAL, BEARING CARRIER
-	25-32546		1	"O" RING, BEARING CARRIER (SHORT SHAFT)
71	28-30281		1	KEY, LOCATING - BEARING CARRIER
72	14-52700		1	TAB WASHER, GEAR HOUSING COVER
73	52699		1	COVER, GEAR HOUSING
74	31640A1		1	TRIM TAB, GEAR HOUSING
75	10-66024		1	SCREW, TRIM TAB TO GEAR HOUSING (1 3/4")
76	12-45176		2	WASHER, GEAR HOUSING TO DRIVE SHAFT HOUSING STUDS
77	11-34933		2	NUT, GEAR HOUSING TO DRIVE SHAFT HOUSING STUDS
78	10-65210		1	SCREW, GEAR HOUSING TO DRIVE SHAFT HOUSING (1")
79	65091		1	THRUST HUB
81	12-31211		1	WASHER, SPLINED - PROPELLER NUT
82	14-31210		1	TAB WASHER, PROPELLER NUT
83	11-52707		1	NUT, PROPELLER

# PARTS INDEX

Part Number	Description	Pg.	Ref. No.	Part Number	Description	Pg.	Ref. No.
22833	ADAPTOR, CHECK UNIT (FUEL LINE) . . . . .	19	21	39021	CAM, REVERSE LOCKING . . . . .	43	46
23004	RETAINER, CHECK VALVE . . . . .	19	6	39519	CAP, BARREL RETAINER - ANCHOR . . . . .	27	24
23069	STEM, CHECK UNIT ADAPTOR . . . . .	19	22	39616	BOOT, CONTROL CABLES - BOTTOM COWL . . . . .	27	5
25067	BUMPER, RUBBER - MOUNTING SCREW . . . . .	37	26	39618	LEVER, NYLON - SHIFT CABEL LOCKING . . . . .	27	25
26113	RACE, OUTER (PAIR) . . . . .	25	17	39667	COVER, NYLON - SHIFT CABLE . . . . .	27	27
28203	BUMPER, STEERING ARM . . . . .	31	16	46265	BOOT, TERMINAL - STARTER SOLENOID . . . . .	13	19
28205	STRAP STOP, DRIVE SHAFT HOUSING TO SWIVEL BRACKET . . . . .	31	9	46785A1	COWL LATCH ASSEMBLY . . . . .	5	12
30188	CUP WASHER, ADAPTOR . . . . .	19	25	46933A2	GROUND STRAP ASSEMBLY, TRIM COVER CREW . . . . .	37	7
30413	HOOK, COWL LATCH FASTENING . . . . .	5	13	46933A3	GROUND STRAP ASSEMBLY, EXHAUST COVER SCREW . . . . .	23	32
30624	SLIDE, CROSS PIN . . . . .	45	53	47341A1	ROPE, STARTER (FOR MANUAL STARTING ONLY) . . . . .	5	7
30625	FOLLOWER, CAM . . . . .	45	52	47558	ROD, PUSH - REVERSE LOCK (LONG SHAFT) . . . . .	37	13
30664	TUBE, TILT - CLAMP BRACKET TO SWIVEL BRACKET . . . . .	33	4	47559	YOKE, PUSH ROD . . . . .	37	15
31014	MOUNT, RUBBER - REAR SUPPORT BRACKET . . . . .	3	25	47591	ROD, PUSH - REVERSE LOCK (SHORT SHAFT) . . . . .	37	13
31640A1	TRIM TAB, GEAR HOUSING . . . . .	45	74	47802	TUBE, TILT LOCK - SHORT SHAFT . . . . .	33	19
32435	PLATE, FACE - WATER PUMP BASE TO WATER PUMP BODY . . . . .	41	21	48039	CAP, NYLON - ADJUSTING SCREW . . . . .	11	12
35474M	COVER, LOWER MOUNT CLAMP . . . . .	39	34	48752	INSERT, WATER PUMP BODY . . . . .	41	24
35608	CLAMP, LOWER MOUNT TO DRIVE SHAFT HOUSING . . . . .	37	31	52023	CAP, NYLON - ADJUSTING SCREW . . . . .	11	15
37417M	COVER, TRIM - DRIVE SHAFT HOUSING . . . . .	37	4	52023	CAP, NYLON - ADJUSTING SCREW . . . . .	11	8
37440	BRACKET, MOUNT SUPPORT - CYLINDER BLOCK . . . . .	23	30	52100	WEAR PLATE, LINK ROD . . . . .	27	30
37445M	SUPPORT, WIRING HARNESS - BOTTOM COWL . . . . .	27	7	52106A1	VENTURI ASSEMBLY . . . . .	17	5
37637	BOOT, FUEL CONNECTOR - BOTTOM COWL . . . . .	27	6	52132A1	BEARING CARRIER ASSEMBLY (LONG SHAFT) . . . . .	45	68
37639	MOUNT, RUBBER - TOP COWL FRAME . . . . .	3	21	52468	BRACKET, TOP COWL SUPPORT - REAR . . . . .	3	24
37640	MOUNT, RUBBER - SUPPORT FRAM . . . . .	3	16	52699	COVER, GEAR HOUSING . . . . .	45	73
37641	SEAL, EXHAUST TUBE . . . . .	43	37	52732	BRACKET, ANCHOR - CONTROL CABLES . . . . .	27	23
37896	GUIDE BLOCK, LINK ROD . . . . .	27	22	52739	HINGE, COWL LATCH - TOP COWL . . . . .	3	9
37918	SEAL, EXHAUST EXTENSION PLATE . . . . .	29	4	52887	GUIDE, PUSH ROD - REVERSE LOCK (SHORT SHAFT) . . . . .	37	12
38032	STRIP, RETAINING - EXHAUST EXTENSION PLATE . . . . .	29	5	52889	NOZZLE, TELL TALE HOSE TO BOTTOM COWL . . . . .	27	11
38051	PLATE, SUPPORT - EXHAUST TUBE SEAL . . . . .	43	38	53078	CAP, PLASTIC - TILT TUBE . . . . .	33	7
38279	LATCH, CONTROL CABLE FASTENING - ANCHOR BRACKET . . . . .	27	31	53665	INSERT, COUPLING . . . . .	15	18
38674	BLANKET, SOUND ABSORBING . . . . .	5	9	53720A2	COUPLING ASSEMBLY (LOWER CARBURETOR) . . . . .	15	17
39019	SPACER, LOWER - REVERSE LOCKING . . . . .	43	45	54196A6	CARRIER, ASSEMBLY . . . . .	25	4
				54293A4	CHOKE SOLENOID ASSEMBLY . . . . .	15	1



# PARTS INDEX

Part Number	Description	Pg.	Ref. No.	Part Number	Description	Pg.	Ref. No.
54346	CAM, SHAFT	45	51	73404	LATCH, THROTTLE LEVER (THROTTLE CABLE)	11	2
55278A2	DIAPHRAGM ASSEMBLY	19	3	73408	PLATE, CARBURETOR	15	23
55455	HOOK, TOP COWL LATCH - REAR	3	12	73412	CREW, MANIFOLD COVER MOUNTING (1 1/8")	23	22
56029	COVER, STARTER MOTOR (UPPER)	21	3	73414	ARM, SPARK ADVANCE	11	9
56074A2	PLUNGER AND LINK ASSEMBLY	15	7	73416	LEVER, THROTTLE	11	1
56349	SHAFT, REVERSE LOCK PIVOT	33	28	73432	CAM, THROTTLE	11	23
56703	COLLAR, RUBBER - STARTER MOTOR	13	2	73434A1	FUEL PUMP ASSEMBLY	19	1
57247	STOP, RUBBER - STARTER MOTOR	13	4	73436	PLATE, BAFFLE - EXHAUST MANIFOLD	23	20
58124A19	MERCURY SWITCH ASSEMBLY	7	17	73647	SEAL, CARBURETOR PLATE	15	27
60304A44	SHIFT SHAFT ASSEMBLY, UPPER (LONG SHAFT)	27	14	73755A1	CHOKE KNOB ASSEMBLY	15	9
60304A45	SHIFT SHAFT ASSEMBLY, UPPER (SHORT SHAFT)	27	14	73786	KNOB, COWL FRON COVER FASTENING	5	2
60572	BARREL, NYLON - LEVER AND ARM	11	21	73800A1	BEARING CARRIER ASSEMBLY (SHORT SHAFT)	45	68
62351A1	RECTIFIER ASSEMBLY	13	9	73847	ACTUATOR, THROTTLE (UPPER CARBURETOR)	15	21
63319	RETAINER, SPARK PLUG WIRE	9	52	73984M	YOKE, BOTTOM	31	13
65091	THRUST HUB	45	79	74199	EXHAUST TUBE	29	18
65369	TUBE, EXHAUST (LONG SHAFT)	37	10	74257A3	PLATE ASSEMBLY, DRIVE SHAFT HOUSING	29	14
65370	TUBE, EXHAUST (SHORT SHAFT)	37	10	74303	COVER, AIR INLET	27	2
65638	BOOT, EXHAUST TUBE	37	11	75043	COVER, THUMB SCREW	33	3
65799	LINK, LOCKING LEVER TO COVER	27	28	75296	MOUNT, RUBBER - UPPER (LONG SHAFT)	37	18
65800	PACKING, CARRIER	25	5	75297	MOUNT, RUBBER - UPPER (SHORT SHAFT)	37	18
66096A1	PLATE ASSEMBLY, EXHAUST EXTENSION	29	1	75298	MOUNT, RUBBER - LOWER (LONG SHAFT)	37	22
66336	MOUNT, RUBBER - LOWER (SHORT SHAFT)	37	24	75300	MOUNT, RUBBER - LOWER (SHORT SHAFT)	37	22
66517	RESTRICTOR, CRANKCASE BLEED	21	11	76062A1	SHAFT ASSEMBLY, SHIFT - LOWER	43	39
69205	"D" WASHER, CLAMP SCREW	9	51	76158A1	SWIVEL ASSEMBLY, LINK ROD TO ARM	11	27
69205	"D" WASHER, CLIP SCREW	7	24	76198	COVER, WATER JACKET - CYLINDER BLOCK	23	16
69205	"D" WASHER, HARNESS CLAMP SCREW	7	45	76226A1	COVER ASSEMBLY, SILENCER	3	35
70692	REVERSE LOCK ASSEMBLY	33	26	76367	POINTER, TIMING	23	7
73189	PLATE, SWITCH BOX	7	7	76385	TILT LOCK ASSEMBLY, PORT	33	18
73192	COVER, IGNITION COIL	7	34	76386	TILT LOCK ASSEMBLY, STARBOARD	33	17
73320	COVER, TRANSFER PORT - TOP	23	27	76387	TUBE, TILT LOCK - LONG SHAFT	33	19
73321	COVER, TRANSFER PORT - BOTTOM	23	27	76433	SHIELD, TOP COWL - REAR	3	6
73374	LINK ROD, THROTTLE	11	22	76434	SEAL, SOUND ABSORBING	5	8
73395	PLATE, MOUNTING - IGNITION COIL	7	29	76440	RETAINER ASSEMBLY, TOP COWL	3	2
73396	FRAME, FRONT SUPPORT	3	32	76505	PAD, BUMPER - TOP COWL RETAINER	3	3
73400	CHOKE ROD	15	8	76581	LEVER, COWL LATCH HINGE	3	10
73401	FRAME, SUPPORT - TOP COWL	3	15	76867	COVER, STARTER MOTOR (LOWER)	21	6
73402	SHIFT LINK	27	17	77000A2	TRIGGER PLATE ASSEMBLY	7	40

# PARTS INDEX

Part Number	Description	Pg.	Ref. No.	Part Number	Description	Pg.	Ref. No.
77001	HOUSING, THROTTLE CAM	11	24	10-37370	SCREW, SHIELD TO TOP COWL (5/8")	3	7
77010	LINK ROD, SPARK ADVANCE	11	26	10-37562	SCREW, REAR BRACKET TO FRAME (1")	3	28
77158	SPACER, THROTTLE CAM HOUSING	11	32	10-37562	SCREW, REAR SUPPORT BRACKET TO BOTTOEM COWL (1")	3	30
77885	COVER, FUEL PUMP	19	10	10-37562	SCREW, SILENCER COVER	3	33
10-20037	SCREW, CHECK VALVE TO FUEL PUMP (1/4")	19	7	10-37562	SCREW, SUPPORT FRAME TO FRONT FRAME (1")	3	19
10-20359	SCREW, CENTER MAIN BEARING LOCKING (1")	21	15	10-37571	SCREW, MERCURY SWITCH TO PLATE (1/2")	7	18
10-20619	SCREW, SWITCH BOX TO PLATE (1 3/8")	7	13	10-37571	SCREW, SEAL AND RETAINING STRIP TO EXH. PLATE (1/2")	29	6
10-20646	SCREW, TERMINAL BLOCK TO PLATE (5/8")	7	20	10-37655	SCREW, WIRE TERMINAL BLOCK (1/2")	7	21
10-21837	SCREW, LOWER SHOCK PIN (2") - LONG SHAFT	33	31	10-37656	SCREW, RECTIFIER TO PLATE (5/8")	13	10
10-22956	SCREW, REAR HOOK TO TOP COWL (7/8")	3	14	10-38601	SCRWE, SOLENOID TO BOTTOM COWL (5/8")	13	20
10-22968	SCREW, CENTER MAIN BEARING CLAMPING SCREW	25	19	10-39767	SCRWE, COVER TO CRANKCASE (1 7/8")	21	7
10-24234	SCREW, ANCHOR BRACKET TO CYLINDER BLOCK (1")	27	29	10-45076	NUT, RECTIFIER TERMINAL	13	13
10-24234	SCRWE, BRACKET TO CYLINDER BLOCK (1")	23	31	10-45775	SCREW, MAIN BEARING CLAMPING	25	8
10-25299	SCREW, RETAINER TO TOP COWL (3/4")	3	4	10-46378	SCREW, RETAINER TO CYLINDER BLOCK COVER (1")	9	53
10-27281	SCREW, FUEL PUMP TO UPPER TRANSFER COVER (1 3/8")	19	13	10-47828	SCREW, DRIVE - SWIVEL BRACKET	31	5
10-28200	SCREW, STRAP STOP TO HOUSING (3 7/8") - LONG SHAFT	31	10	10-4808	SCREW, CLAMP TO CRANKCASE (1/2")	7	44
10-28634	SCREW, GREASE FILLER AND VENT HOLE	43	47	10-48408	SCREW, CLAMP TO EXHAUST MANIFOLD COVER (1/2")	9	50
10-28635	SCREW, PLATE TO CARBURETOR (5/8")	15	26	10-48408	SCREW, TELL TALE NOZZLE TO BOTTOM COWL (1/2")	27	12
10-28638	SCREW, COVER TO FRONT SUPPORT FRAME (3/4")	3	37	10-49318	SCREW, UPPER MOUNT (5 1/2")	37	23
10-28668	SCREW, MOUNTING PLATE TO CRANKCASE (7/8")	7	30	10-49554	BOLT, STEERING ARM TO UPPER MOUNT ( 5 7/8")	31	17
10-29256	SCREW, LOWER MOUNT CLAMP TO DRIVE SHAFT HOUSING (7/8")	39	33	10-49668	SCREW, TRANSFER PORT COVER MOUNTING (3/4")	23	29
10-29722	SCREW, COVER TO LOWER CLAMP MOUNT (5/8")	39	36	10-52743	SCREW, CARBURETOR TO CRANKCASE (3 3/4")	15	16
10-30225	SCRW, END CAP MOUNTING (1")	23	14	10-53016	SCREW, CRANKCASE TO CYLINDER BLOCK (1 1/4")	21	13
10-30720	SCREW, WATER PUMP BODY TO GEAR HOUSING (2 1/4")	41	29	10-53016	SCREW, MANIFOLD COVER MOUNTING (1 1/4")	23	23
10-31984	SCREW, COVER TO CRANKCASE (1 3/8")	21	4	10-53167	SCREW, WATER JACKET COVER TO CYLINDER BLOCK (7/8")	23	17
10-32417	SCREW, FLEXIBLE PLATE TO FLYWHEEL (5/8")	7	6	10-53576	SCREW, MANIFOLD COVER MOUNTING (1 1/8")	23	23
10-35385	SCREW, COVER TO CRANKCASE (1 3/4")	21	4	10-54803	SCREW, CAP TO CONNECTING ROD	25	26
10-35585	SCREW, TIMING POINTER ATTACHING (3/4")	23	8	10-55337	SCREW, LEVER AND ARM TO CYLINDER BLOCK (1 3/4")	11	16

# PARTS INDEX

Part Number	Description	Pg.	Ref. No.	Part Number	Description	Pg.	Ref. No.
10-56743	SCREW, STRAP STOP TO HOUSING ( 3 1/8" ) - SHORT SHAFT . . . . .	31	10	10-69029	SCRWE, SUPPORT TO COWL (1 3/4") . . . . .	27	8
10-57807	SCREW, TRIM COVER TO BOTTOM COWL (3/4") . . . . .	37	5	10-69035	SCREW, WIRING HARNESS TO STARTER MOTOR (5/8") . . . . .	13	8
10-57841	SCREW, CRANKCASE TO CYLINDER BLOCK (2 3/4") . . . . .	21	13	10-69046	SCREW, COVER TO MOUNTING PLATE (2") . . . . .	7	35
10-59645	SCREW, CHOKE SOLENOID TO FRONT BRACKET (3/4") . . . . .	15	2	10-69100	SCREW, CYLINDER BLOCK COVER MOUNTING (1") . . . . .	23	26
10-59645	SCREW, SWITCH BOX PLATE TO CYLINDER BLOCK (3/4") . . . . .	7	9	10-69375	SCREW, UPPER AND LOWER SHOCK MOUNTING PIN . . . . .	35	39
10-59702	SCREW, LATCH TO THROTTLE LEVER (7/8") . . . . .	11	3	10-70939	SCREW, FUEL PUMP TO UPPER TRANSFER COVER (1 7/8") . . . . .	19	13
10-60293	SCREW, ACTUATOR TO UPPER CARBURETOR (1/2" . . . . .	15	22	10-73169	SCREW, END CAP MOUNTING (1") . . . . .	23	6
10-60605	SCREW, HOUSING TO CRANKCASE (3/4") . . . . .	11	25	10-73649A1	THUMB SCREW ASSEMBLY . . . . .	33	2
10-61010	SCREW, EXHAUST TUBE TO DRIVE SHAFT HOUSING PLATE (3/4") . . . . .	29	19	10-73654	SCREW, ADJUSTING - THROTTLE LEVER (1 3/4") . . . . .	11	6
10-62204	SCREW, REED STOP MOUNTING . . . . .	25	12	10-73655	SCREW, ADJUSTING - SPARK ADVANCE ARM (2") . . . . .	11	13
10-62568	SCREW, CLIP TO PLATE (3/8") . . . . .	7	23	10-73656	SCREW, ADJUSTING - SPARK ADVANCE ARM (1 3/8") . . . . .	11	10
10-62568	SCREW, COVER TO BOTTOM COWL (3/8") . . . . .	27	3	10-73657	SCREW, CRANKCASE TO CYLINDER BLOCK (1 1/2") . . . . .	21	14
10-62568	SCREW, GROUND STRAP ATTACHING . . . . .	37	8	10-73658	SCREW, COVER TO CRANKCASE ( 5 1/2" ) . . . . .	21	7
10-62568	SCREW, GROUND STRAP ATTACHING (3/8") . . . . .	23	33	10-76196	SCREW, WIRE TO CHOKE KNOB . . . . .	15	10
10-62568	SCREW, WIRE TO CHOKE ROD . . . . .	15	13	11-20013	NUT, RETAINER SCREW . . . . .	9	54
10-63136	SCREW, STATOR TO UPPER END CAP (7/8") . . . . .	7	39	11-20110	NUT, LINK ROD SWIVEL . . . . .	11	31
10-65210	SCREW, GEAR HOUSING TO DRIVE SHAFT HOUSING (1") . . . . .	45	78	11-25096	NUT, MOUNT SCREW . . . . .	37	25
10-66023	SCREW, ADAPTOR PLATE TO HOUSING PLATE (2") . . . . .	29	8	11-25269	NUT, STRAP STOP FASTENING SCREW . . . . .	31	11
10-66023	SCRWE, HOUSING PLATE TO DRIVE SHAFT HOUSING (2") . . . . .	29	9	11-28770	NUT, CLAMP BRACKET STUD . . . . .	33	11
10-66024	SCREW, TRIM TAB TO GEAR HOUSING (1 3/4") . . . . .	45	75	11-28770	NUT, RUBBER MOUNT . . . . .	3	18
10-66104	SCREW, COUPLING TO CARBURETOR (3/4") . . . . .	15	19	11-29489	NUT, GEAR HOUSING AND DRIVE SHAFT HOUSING STUDS . . . . .	37	29
10-68298	BOLT, CLAMP BRACKET TO BOAT TRANSOM (3 1/4") . . . . .	33	13	11-29598	NUT, RUBBER MOUNT TO REAR SUPPORT BRACKET . . . . .	3	27
10-68299	BOLT, CLAMP BRACKET TO TRANSOM (3") . . . . .	33	13	11-34932	NUTE, POWERHEAD STUDS . . . . .	29	22
10-68897	SCREW, PLATE/HUB TO FLEXIBLE PLATE (3/4") . . . . .	7	5	11-34933	NUT, GEAR HOUSING AND DRIVE SHAFT HOUSING STUDS . . . . .	37	27
10-69020	SCREW, WIRING HARNESS CLAMP TO BOTTOM COWL (7/8") . . . . .	13	25	11-34933	NUT, GEAR HOUSING TO DRIVE SHAFT HOUSING STUDS . . . . .	45	77
10-69029	SCRWE, ADAPTOR TO BOTTOM COWL (1 3/4") . . . . .	19	26	11-34933	NUT, STEERING ARM BOLT FASTENING . . . . .	31	18
				11-34933	NUT, UPPER MOUNT BOLT . . . . .	37	21
				11-35521	NUT, LOWER MOUNT CLAMP COVER . . . . .	39	35
				11-35888	NUT, RUBBER MOUNT (UPPER) . . . . .	3	22

# PARTS INDEX

Part Number	Description	Pg.	Ref. No.	Part Number	Description	Pg.	Ref. No.
11-35921	NUT, PINION GEAR TO DRIVE SHAFT	41	10	12-29245	WASHER, WATER PUMP FASTENING SCREW AND STUD	41	31
11-36069	NUT, ADAPTOR SCREW	19	27	12-30164	WASHER, COVER SCREW	7	36
11-36069	NUT, LATCH SCREW	11	5	12-30164	WASHER, COVER SCREW	27	3A
11-36069	NUT, LINK ROD	27	19	12-30164	WASHER, WIRING HARNESS CLAMP SCREW	13	26
11-36069	NUT, WATER PUMP FASTENING SCREW	41	32	12-30771	WASHER, COVER FASTENING KNOB (RUBBER)	5	3
11-36069	NUT, WIRING HARNESS SUPPORT SCREW	27	9	12-31211	WASHER, SPLINED - PROPELLER NUT	45	81
11-45076	NUT, IGNITION COIL TERMINAL	7	33	12-31263	WASHER, UPPER MOUNT BOLT	37	20
11-45076	NUT, SWITCH BOX TERMINAL	7	16	12-31266	WASHER, RUBBER - SHIFT SHAFT BUSHING	43	44
11-45592	NUT, WATER PUMP BODY FASTENING STUD	43	34	12-33786	WASHER, LINK ROD SWIVEL	11	30
11-45774	NUT, MAIN BEARING CLAMPING SCREW	25	9	12-35462	WASHER, LINK ROD (SHIFT LEVER END)	27	18
11-46887	NUT, LOWER SHOCK PIN SCREW - LONG SHAFT	33	32	12-36001	WASHER, WATER PUMP BODY FASTENING STUD	43	33
11-46887	NUT, MAIN BEARING CLAMPING SCREW	25	20	12-45176	WASHER, GEAR HOUSING TO DRIVE SHAFT HOUSING STUDS	37	28
11-46887	NUT, RUBBER MOUNT (LOWER)	3	23	12-45176	WASHER, GEAR HOUSING TO DRIVE SHAFT HOUSING STUDS	37	30
11-47661	NUT, JAM - PUSH ROD	37	14	12-45176	WASHER, GEAR HOUSING TO DRIVE SHAFT HOUSING STUDS	45	76
11-49091	NUT, CONNECTING ROD SCREW	25	27	12-46765	WASHER, LEVER AND ARM SCREW	11	20
11-52707	NUT, PROPELLER	45	83	12-47247	WASHER, NEEDLE LOCATING	25	30
11-52901	NUT, FLYWHEEL	7	1	12-47840	WASHER, RUBBER - UPPER MOUNT BOLT	37	19
11-53153	NUT, REED STOP MOUNTING SCREW	25	13	12-49221	WASHER, GEAR HOUSING FLUSHING HOLE PLUG - SHORT SHAFT	43	50
11-56041	NUT, TILT TUBE FASTENING	33	6	12-52864	WASHER, CLAMP BRACKET TILT TUBE	33	5
11-64015	NUT, STARTER MOTOR TERMINAL	13	7	12-56720	WASHER, SWITCH BOX PLATE SCREW	7	10
11-64484	NUT, JAM - ADJUSTING SCREW	11	7	12-68229	WASHER, FLYWHEEL NUT	7	2
11-64484	NUT, JAM ADJUSTING SCREW	11	14	12-68300	WASHER, CLAMP BRACKET BOLT	33	14
11-68219	NUT, CHOKE SOLENOID TERMINAL	15	6	12-68410	WASHER, CLAMP BRACKET BOLT	33	14
11-68219	NUT, JAM - ADJUSTING SCREW	11	11	12-69342	WASHER, SWIVEL PIN - UPPER	31	3
11-68219	NUT, SOLENOID TERMINAL (#10)	13	16	12-69374	WASHER, UPPER/LOWER SHOCK MOUNTING PIN (LOWER)	35	38
11-68292	NUT, SOLENOID TERMINAL (5/16")	13	18	12-69380	WASHER, SWIVEL PIN - LOWER	31	8
11-68411	NUT, CLAMP BRACKET BOLT	33	15	12-70132	WASHER, WATER JACKET COVER FASTENING SCREW	23	18
11-69254	NUT, CRANKCASE STUDS TO EXHAUST EXTENSION PLATE	29	10				
12-20260	WASHER, GREASE FILLER AND VENT HOLE SCREW	43	48				
12-20533	WASHER, TIMING POINTER SCREW	23	9				
12-25970	WASHER, CRANKCASE STUDS TO EXHAUST EXTENSION PLATE	29	11				
12-25970	WASHER, POWERHEAD STUDS	29	21				

# PARTS INDEX

Part Number	Description	Pg.	Ref. No.	Part Number	Description	Pg.	Ref. No.
12-74726	WASHER, COUPLING SCREW	15	20	14-52700	TAB WASHER, GEAR HOUSING COVER	45	72
12-75246	WASHER, COVER FASTENING KNOB (STEEL)	5	4	15-20085A1	SHIM, END CAP TO CRANKCASE (.002-3-5-10)	23	13
12-76388	WASHER, TILT LOCK (STARBOARD SIDE ONLY) - LONG SHAFT	33	23	15-30923A1	SHIM, BEARING OUTER RACE TO GEAR HSG. (.002-3-5-10)	45	55
13-26992	LOCKWASHER, EXHAUST TUBE SCREW	29	20	15-57007A1	SHIM, ROLLER BEARING TO WATER PUMP BASE	41	11
13-26992	LOCKWASHER, REAR HOOK MOUNTING SCREW	3	13	15-73644A1	SHIM ASSEMBLY, END CAP TO CRANKCASE (.006-8-10)	23	5
13-26992	LOCKWASHER, RUBBER MOUNT TO REAR SUPPORT BRACKET	3	26	16-30667	STUD, WATER PUMP BASE AND BODY TO GEAR HOUSING (3 1/8")	41	6
13-26992	LOCKWASHER, STARTER MOTOR TERMINAL	13	6	16-56295	STUD, DRIVE SHAFT HOUSING TO GEAR HOUSING (2 11/16")	37	2
13-26992	LOCKWASHER, WATER PUMP BODY SCREW	41	30	16-56297	STUD, WATER PUMP BASE AND BODY TO GEAR HOUSING (3 3/8")	41	5
13-26992	WASHER, SOLENOID SCREW	13	21	16-57920	STUD, GEAR HOUSING TO DRIVE SHAFT HOUSING (2 1/16")	41	4
13-26993	LOCKWASHER, CHOKE SOLENOID SCREW	15	3	16-57921	STUD, GEAR HOUSING TO DRIVE SHAFT HOUSING (4")	41	3
13-26993	LOCKWASHER, CLAMP BRACKET STUD	33	10	16-59625	STUD, CLAMP BRACKET	33	9
13-26993	LOCKWASHER, COVER SCREW	21	5	16-64281	STUD, CRANKCASE TO DRIVE SHAFT HOUSING (1 7/8")	21	8
13-26993	LOCKWASHER, FRAME SCREW	3	34	16-64282	STUD, CYLINDER BLOCK TO EXHAUST EXTENSION PLATE (4")	21	12
13-26993	LOCKWASHER, REAR BRACKET SCREW	3	29	17-20032	DOWEL PIN, CENTER MAIN BEARING	25	15
13-26993	LOCKWASHER, REAR SUPPORT BRACKET SCREW	3	31	17-20032	DOWEL PIN, MAIN BEARING	25	7
13-26993	LOCKWASHER, RUBBER MOUNT	3	17	17-20033	PIN, DOWEL - CRANKCASE TO CYLINDER BLOCK	21	9
13-26993	LOCKWASHER, SOLENOID TERMINAL (5/16")	13	17	17-23784	DOWEL PIN, DRIVE SHAFT HOUSING PLATE	29	16
13-26993	LOCKWASHER, SUPPORT FRAME SCREW	3	20	17-23784	DOWEL PIN, EXHAUST EXTENSION PLATE	29	3
13-26996	LOCKWASHER, CHOKE SOLENOID TERMINAL	15	5	17-25598	PIN, REVERSE LOCK SPRING ATTACHING	31	7
13-26996	LOCKWASHER, SOLENOID TERMINAL (#10)	13	15	17-29077	ROLL PIN, TENSION SPRING TO KNOB	5	6
13-29402	WAVE WASHER, LINK ROD SWIVEL	11	29	17-30632	PIN, CROSS - RATCHET TO PROPELLER SHAFT	45	60
13-29720	WASHER, WAVE - LINK ROD	27	20	17-35973	DOWEL PIN, WATER PUMP BASE TO WATER PUMP BODY	41	19
13-37371	LOCKWASHER, SHIELD SCREW	3	8	17-39023	PIN, PUSH ROD TO REVERSE LOCK	37	16
13-39107	LOCKWASHER, RETAINER FASTENING SCREW	3	5	17-46912	DOWEL PIN, GEAR HOUSING LOCATING	41	2
13-69150	WASHER, WAVE - TILT LOCK (STARBOARD SIDE ONLY) - LONG SHAFT	33	21	17-47175	PIN, LOCKING LEVER AND COVER FASTENING	27	26
13-69150	WASHER, WAVE - TILT LOCK TUBE - SHORT SHAFT	33	21	17-47246	DOWEL PIN, (STEPPED)	25	21
14-20091	TAB WASHER, BEARING LOCKING SCREW	21	16	17-49930A1	TILT LOCK PIN ASSEMBLY	33	12

# PARTS INDEX

Part Number	Description	Pg.	Ref. No.	Part Number	Description	Pg.	Ref. No.
17-58998	PIN, COWL LATCH LEVER TO HINGE	3	11	23-55419A1	BUSHING ASSEMBLY, SHIFT SHAFT	43	42
17-63779	PIN, DOWEL - CYLINDER BLOCK TO MAIN BEARING	21	10	23-56774	SPACER, COLLAR TO BRACKET	13	3
17-73593M1	SWIVEL PIN ASSEMBLY (LONG SHAFT)	31	12	23-59624	SPACER, CLAMP BRACKET STUD	33	8
17-73594M1	SWIVEL PIN ASSEMBLY (SHORT SHAFT)	31	12	23-69132	BUSHING, PIVOT SHAFT	35	40
18-25191	COTTER PIN, PUSH ROD PIN	37	17	23-69341	BUSHING, SWIVEL BRACKET	31	2
18-45882	COTTER PIN, REVERSE LOCK TO SHAFT	33	29	23-70412	SPACER, ROLLER BEARING TO WATER PUMP BASE	41	11
18-47959	COTTER PIN, TILT LOCK	33	25	23-73203	SPACER, UPPER SHOCK BUSHING TO CLAMP BRACKET	33	34
19-45907	PLUG, FLYWHEEL PULLER THREADS	7	3	24-20099	SPRING, LATCH SCREW	11	4
19-48750	PLUG, GEAR HOUSING FLUSHING HOLE - SHORT SHAFT	43	49	24-20099	SPRING, LINK ROD TO GUIDE BLOCK	27	21
19-64649	PLUG, PLASTIC - TRIM TAB SCREW HOLE	37	3	24-23067	SPRING, ADAPTOR STEM	19	24
21-30430A5	CHECK VALVE ASSEMBLY	19	2	24-28975	SPRING, GARTER - INTERNAL WIRING HARNESS	13	23
21-56011A2	CHECK VALVE ASSEMBLY	21	18	24-29821	SPRING, REVERSE LOCK TENSION	33	27
22-20781	ELBOW, BALANCE HOSE TO CYLINDER BLOCK - UPPER	21	21	24-30622	SPRING, COMPRESSION - CAM FOLLOWER	45	54
22-25885	ELBOW, TELL TALE HOSE TO EXHAUST COVER	27	13	24-30893	SPRING, RETAINING - CROSS PIN	45	61
22-63187	FITTING, FUEL LINE TO ADAPTOR	19	20	24-32271	SPRING, TENSION - COVER FASTENING KNOB	5	5
22-64704	ELBOW, CARBURETOR	15	15	24-35522	SPRING TENSION - LOWER MOUNT CLAMP	39	32
22-64705	FITTING, FUEL PUMP (OUTLET)	19	14	24-73375	SPRING, RETURN - LEVER AND ARM SCREW	11	19
22-65348	TEE, BALANCE HOSE TO CYLINDER BLOCK - LOWER	21	23	25-20116	GROMMET, CHOKE KNOB	15	11
22-65350A2	CHECK VALVE ASSEMBLY, BLEED HOSE - TOP	21	17	25-20415	"O"RING, ADAPTOR STEM	19	23
22-65670A1	CHECK VALVE ASSEMBLY, BLEED HOSE - BOTTOM	21	20	25-25439	"O"RING, SHIFT SHAFT BUSHING	43	41
22-65857	FITTING, AIR INLET COVER	21	25	25-29976	"O" RING, BEARING CARRIER	45	67
22-67892	SCREW, DRAIN (MAGNETIC)	43	47	25-30271	RING, RUBBER - CENTRIFUGAL SLINGER (DRIVE SHAFT)	43	35
22-73318	TEE, FUEL LINE	19	16	25-32546	"O" RING, BEARING CARRIER (SHORT SHAFT)	45	-
22-74036	FITTING, GREASE	31	6	25-32546	"O"RING	23	12
23-26856	BUSHING, NYLON - LINK ROD SWIVEL	11	28	25-33145	"O"RING, WATER PUMP BASE	41	15
23-26856	BUSHING, SHIFT SHAFT	27	16	25-47254	"O"RING	23	4
23-27132	BUSHING, NYLON - EXHAUST EXTENSION PLATE	29	2	25-47386	"O"RING, COVER TO FUEL PUMP	19	9
23-28198	BUSHING, RUBBER - SHOCK ABSORBER (LOWER)	35	37	25-57009	GROMMET, SWITCH BOX PLATE	7	8
23-29804	SLEEVE, GUIDE - WATER INLET TUBE	43	36	25-57806	GROMMET, TRIM COVER SCREW	37	6
23-32171	BUSHING, RUBBER - SHOCK ABSORBER (UPPER)	35	36	25-62702	"O" RING, TILT LOCK - LONG SHAFT	33	24
23-47803	BUSHING, TILT LOCK TUBE - SHORT SHAFT	33	20	26-22734	OIL SEAL, SWIVEL BRACKET (TILT LOCK) - LONG SHAFT	33	22
23-55164	BUSHING, LEVER AND AREM SCREW	11	17				

# PARTS INDEX

Part Number	Description	Pg.	Ref. No.	Part Number	Description	Pg.	Ref. No.
26-29476	OIL SEAL	23	11	28-56654	KEY, IMPELLER DRIVE	41	28
26-29476	OIL SEAL	23	3	29-47270	BEARING, NEEDLE - PISTON PIN	25	29
26-31249	OIL SEAL, SHIFT SHAFT HOUSING (UPPER)	43	43	29-52168	BEARING, NEEDLE	25	16
26-31489	OIL SEAL, WATER PUMP BASE	41	17	30-31265	BEARING, BALL - REVERSE GEAR	45	66
26-31507	OIL SEAL, WATER PUMP BASE	41	18	30-32117	BEARING, BALL - UPPER	25	2
26-37448	OIL SEAL, SWIVEL BRACKET	31	4	30-63742	BEARING, BALL - LOWER	25	3
26-38970	SEAL, RUBBER - WATER INLET TUBE	41	26	31-30894A1	TAPERED ROLLER BEARING ASSEMBLY	45	56
26-38970	SEAL, RUBBER - WATER INLET TUBE (DRIVE SHAFT HSG PLATE)	29	15	31-30895	BEARING, ROLLER - FORWARD GEAR	45	57
26-60898	SEAL, DRIVE SHAFT HOUSING PLATE	29	13	31-30956	BEARING, ROLLER - BEARING CARRIER	45	69
26-76868	OIL SEAL, BEARING CARRIER	45	70	31-32898	BEARING, ROLLER - DRIVE SHAFT	41	7
27-25848	GASKET, COVER SCREW	19	12	31-62596A1	BEARING ASSEMBLY, CRANKPIN	25	28
27-32433	GASKET, LOWER - WATER PUMP BASE TO FACE PLATE	41	20	31-69220	ROLLER BEARING, DRIVE SHAFT	41	12
27-32434	GASKET, UPPER - FACE PLATE TO WATER PUMP BODY	41	22	32-34395A1	HOSE ASSEMBLY, BALANCE (6 1/4")	21	22
27-33146	GASKET, WATER PUMP BAST TO GEAR HOUSING	41	14	32-34395A1	HOSE, TELL TALE - EXH. COVER TO BOTTOM COWL (9")	27	10
27-53650	GASKET, CRANKCASE TO CYLINDER BLOCK	21	2	32-54936	HOSE, BALANCE (5")	21	24
27-66102	GASKET, PLATE TO DRIVE SHAFT HSG PLATE	29	12	32-54936	HOSE, CYLINDER BLEED (15 1/2")	21	19
27-69238	GASKET, POWERHEAD TO EXHAUST EXTENSION PLATE	29	7	32-60897	TUBE, WATER INLET (LONG SHAFT)	37	9
27-69860	GASKET, DRIVE SHAFT HOUSING PLATE TO EXHAUST TUBE	29	17	32-62864	TUBE, WATER INLET (SHORT SHAFT)	37	9
27-72505	GASKET, CYLINDER BLOCK COVER	23	25	32-70432	FUEL LINE, CARBURETEOR TO TEE TO CARBURETOR (3")	19	17
27-72508	GASKET, BAFFLE PLATE TO EXHAUST MANIFOLD COVER	23	21	32-70432	FUEL LINE, TEE TO FUEL PUMP (11")	19	15
27-72510	GASKET, CYLINDER BLOCK TO BAFFLE PLATE	23	19	33-97182	SPARK PLUG (NGK #BUHW-2)	7	48
27-73377	GASKET, CARBURETORO	17	29	34-56007A1	REED SET, MATCHED - MAIN BEARING	25	10
27-73398	GASKET, CARBURETOR PLATE	15	24	34-56008	REED STOP, MAIN BEARING REED VALVES	25	11
27-73645	GASKET, TRANSFER PORT COVER	23	28	35-73532	FUEL FILTER	19	8
27-73645A76	GASKET SET	1	-	39-45155A12	RING, PISTON	25	24
27-73646	GASKET, BOTTOM COWL	27	4	39-45204A12	RING, PISTON (.015)	25	30
27-73665	GASEKT, WATER JACKET COVER	23	15	40-52035	LOCK RING, PISTON PIN	25	23
27-76168A1	GASKET, SILENCER COVER	3	36	43-75314	FORWARD GEAR ASSEMBLY	45	58
27-76432A77	DECAL SET	1	-	43-75315	REVERSE GEAR ASSEMBLY	45	63
27-76952	GASKET, CARBURETOR PLATE TO CARBURETOR	15	25	43-75316	GEAR, PINION - DRIVE SHAFT	41	9
28-30281	KEY, LOCATING - BEARING CARRIER	45	71	44-52542	SHAFT, PROPELLER	45	62
				45-69250	DRIVE SHAFT (SHORT SHAFT)	41	8
				45-69251	DRIVE SHAFT (LONG SHAFT)	41	8
				46-64141A1	WATER PUMP BODY ASSEMBLY	41	23

# PARTS INDEX

Part Number	Description	Pg.	Ref. No.	Part Number	Description	Pg.	Ref. No.
46-73804A1	WATER PUMP BASE ASSEMBLY (LONG SHAFT) . . . . .	41	16	339-5748A2	IGNITION COIL ASSEMBLY . . . . .	7	31
47-65960	IMPELLER, WATER PUMP . . . . .	41	27	398-5919A3	STATOR ASSEMBLY . . . . .	7	38
50-66015	STARTER MOTOR . . . . .	13	1	440-4979A2	CRANKSHAFT ASSEMBLY . . . . .	25	1
52-34239	RATCHET, SLIDING CLUTCH . . . . .	45	59	535-5397A4	CENTER MAIN BEARING ASSEMBLY . . . . .	25	14
53-26933	RING, SNAP - OUTER RACE CLAMPING . . . . .	25	18	540-5266A5	MAIN BEARING ASSEMBLY (VALVE TYPE) . . . . .	25	6
53-29641	"E"RING, RETAINING - SHIFT SHAFT . . . . .	43	40	622-4850A3	CONNECTING ROD AND COP ASSEMBLY . . . . .	25	25
53-73591	SNAP RING, YOKE ATTACHING . . . . .	31	15	745-5219A2	PISTON AND PISTON PIN ASSEMBLY . . . . .	25	22
54-22740	CLIP, NYLON - IGNITION COIL COVER SCREW . . . . .	7	37	745-5304A2	PISTON AND PISTON PIN ASSEMBLY (.105) . . . . .	25	30
54-23567	CLIP, WIRE AND HARNESS . . . . .	7	22	867-5997A3	CYLINDER BLOCK AND CRANKCASE ASSEMBLY . . . . .	21	1
54-39844	CLAMP, HARNESS ATTACHING . . . . .	7	43	867-5997A3	CYLINDER BLOCK AND CRANKCASE ASSEMBLY . . . . .	23	1
54-39844	CLAMP, SPARK PLUG WIRE . . . . .	9	49	1021-3514	COVER, CYLINDER BLOCK . . . . .	23	24
54-47483	"J" CLAMP, TRIGGER PLATE HARNESS . . . . .	7	28	1148-5410A1	END CAP ASSEMBLY, LOWER . . . . .	23	10
54-47483	"J" CLIP, SWITCH BOX WIRES AND FUEL LINE . . . . .	7	11	1161-5940A2	END CAP ASSEMBLY, UPPER . . . . .	23	2
54-52905	CLAMP, HARNESS - CHOKE SOLENOID TERMINAL . . . . .	15	4	1379-6071A10	CARBURETOR ASSEMBLY (UPPER) . . . . .	15	14
54-68424	CLAMP, FUEL LINE ATTACHING . . . . .	19	18	1379-6071A10	CARBURETOR ASSEMBLY (UPPER) . . . . .	17	1
54-76368	CLAMP, WIRING HARNESS . . . . .	13	24	1379-6071A11	CARBURETOR ASSEMBLY (LOWER) . . . . .	15	14
55-28414	PIN, LOWER SHOCK MOUNTING - LONG SHAFT . . . . .	33	30	1379-6071A11	CARBURETOR ASSEMBLY (LOWER) . . . . .	17	1
55-28416	PIN, UPPER SHOCK MOUNTING . . . . .	33	16	1395-4555	INLET NEEDLE AND SEAT . . . . .	17	3
55-58780M2	SHOCK ABSORBER . . . . .	33	33	1395-4807	SHAFT, THROTTLE . . . . .	17	20
55-65447	PIN, LOWER SHOCK MOUNTING (SHORT SHAFT) . . . . .	33	30	1395-6196	VALVE, THROTTLE . . . . .	17	21
84-65999A5	WIRE ASSEMBLY . . . . .	7	14	1395-6197	FLOAT . . . . .	17	11
84-66053A1	WIRE ASS'Y, STARTER MOTOR/STARTER SOLENOID (YELLOW) . . . . .	13	5	1395-6198	VALVE ASSEMBLY, ENRICHMENT . . . . .	17	26
84-73369	WIRING HARNESS (INTERNAL) . . . . .	13	22	1395-6199	PLUG, MAIN JET . . . . .	17	15
84-73451A8	WIRE ASSEMBLY, SPARK PLUG . . . . .	7	46	1395-6200	GASKET KIT . . . . .	17	29
84-74263	WIRE, CHOKE KNOB TO CHOKE ROD (BLACK) . . . . .	15	12	1395-6203	WASHER, THROTTLE SHAFT . . . . .	17	24
84-77617	HARNESS, PRIMARY (CYLINDERS 1 AND 2) . . . . .	7	41	1395-6204	SEAL, THROTTLE SHAFT . . . . .	17	23
84-77618	HARNESS, PRIMARY (CYLINDERS 3 AND 4) . . . . .	7	42	1395-6247	JET, MAIN (.090) . . . . .	17	16
86-66986	TERMINAL BLOCK . . . . .	7	19	1395-6360	REPAIR PARTS KIT . . . . .	17	29
89-68258	STARTER SOLENOID . . . . .	13	14	1395-6488	FUEL BOWL . . . . .	17	12
90-83085	MARINER 85 PARTS MANUEL . . . . .	1	-	1399-3795	JET, VENT BOWL (.072) . . . . .	17	2
92-25234--1	GLUE, ADHESIVE - SOUNG BLANKET FASTENING . . . . .	5	13	1440-6044M2	CLAMP BRACKET ASSEMBLY . . . . .	33	1
248-5977A9	FLYWHEEL ASSEMBLY . . . . .	7	4	1453-6019M2	SWIVEL BRACKET ASSEMBLY (SHORT SHAFT) . . . . .	31	1
332-2854	BOOT, IGNITION COIL END . . . . .	7	47	1482-6386M4	SWIVEL BRACKET ASSEMBLY (LONG SHAFT) . . . . .	31	1
332-5772A1	SWITCH BOX ASSEMBLY . . . . .	7	12	1573-5239M4	DRIVE SHAFT HOUSING ASSEMBLY (LONG SHAFT) . . . . .	37	1
				1575-5240M4	DRIVE SHAFT HOUSING ASSEMBLY (SHORT SHAFT) . . . . .	37	1
				1623-6048M3	GEAR HOUSING ASSEMBLY (SHORT SHAFT) . . . . .	41	1



# PARTS INDEX

Part Number	Description	Pg.	Ref. No.	Part Number	Description	Pg.	Ref. No.
1623-6048M3	GEAR HOUSING ASSEMBLY (SHORT SHAFT) . . . . .	45	1				
1623-6048M7	GEAR HOUSING ASSEMBLY, COMPLETE (SHORT SHAFT) . . . . .	45	-				
1623-6048M7	GEAR HOUSING ASSEMBLY, COMPLETE (SHORT SHAFT) - SEE NOTE BEL	41	-				
1623-6053M13	GEAR HOUSING ASSEMBLY, COMPLETE (LONG SHAFT) . . . . .	41	-				
1623-6053M13	GEAR HOUSING ASSEMBLY, COMPLETE (LONG SHAFT) . . . . .	45	-				
1623-6053M5	GEAR HOUSING ASSEMBLY (LONG SHAFT) . . . . .	41	1				
1623-6053M5	GEAR HOUSING ASSEMBLY (LONG SHAFT) . . . . .	45	1				
2158-5938M	COWL, BOTTOM . . . . .	27	1				
2162-6392	COWL, TOP . . . . .	3	1				
2163-6393A2	COWL FRONT COVER ASSEMBLY . . . . .	5	1				
2164-6394A2	WRAP AROUND COWL ASSEMBLY . . . . .	5	11				