



PARTS CATALOG

40A HORSEPOWER

SERIAL NUMBER

40A (ABOVE PROP. EXHAUST)	676-A00346 THRU 007735 (M)
40A (ABOVE PROP. EXHAUST)676-A10121 THRU 100415 (E)
40A (ABOVE PROP. EXHAUST)	676-A41356 THRU 311370 (ML)
40A (ABOVE PROP. EXHAUST)676-A50631 THRU 403470 (EL)

TABLE OF CONTENTS:

CARBURETOR	12
CLAMP AND SWIVEL BRACKET/REVERSE LOCK	22
COWLING	42
CRANKCASE AND CYLINDER HEAD	2
CRANKSHAFT AND PISTON	6
DRIVESHAFT HOUSING	14
ELECTRIC START	52
ELECTRIC START MOTOR	56
FLYWHEEL MAGNETO	36
FUEL LINES AND FILTER	32
FUEL PUMP	50
FUEL TANK (ORIGINAL EQUIPMENT) 24 LITRE (6.3 GALLONS)	46
FUEL TANK (REPLACEMENT ADDITIONAL) 22.7 LITRE (6.0 GALLONS)	48
GEAR SHIFT LINKAGE	30
GEARHOUSING ASS'Y	16
INTAKE MANIFOLD	10
MOUNTING SYSTEM	26
OPTIONAL PARTS	60
PARTS INDEX	62
RECOIL STARTER	40
REMOTE CONTROL ATTACHMENT KIT	58
STEERING HANDLE (MANUAL MODEL)	28
THROTTLE CONTROL	34

NOTE: *Indented description indicate that these parts are included in preceeding assembly.*

AR = As Required

NSS = Not Sold Separate

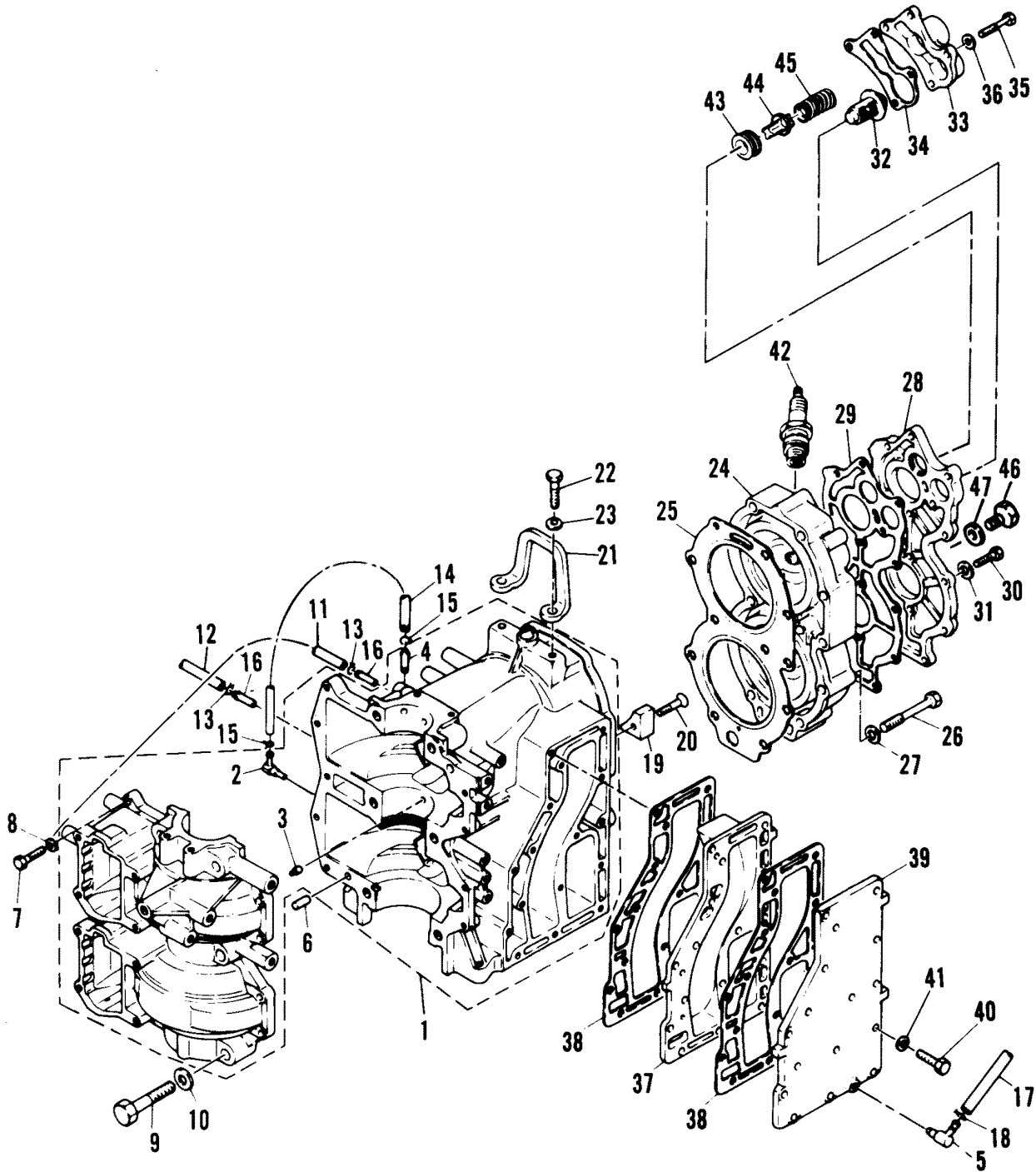
OPT = Optional

NS = Not Shown

THESE PARTS BOOKS/FICHE CARD ARE COPYRIGHTED AND MAY NOT BE DISTRIBUTED OR REPRODUCED IN ANY OTHER FORMAT BY ANYONE OTHER THAN MERCURY MARINE WITHOUT THE PRIOR WRITTEN CONSENT OF MERCURY MARINE.

THIS PAGE INTENTIONALLY LEFT BLANK

CRANKCASE AND CYLINDER HEAD

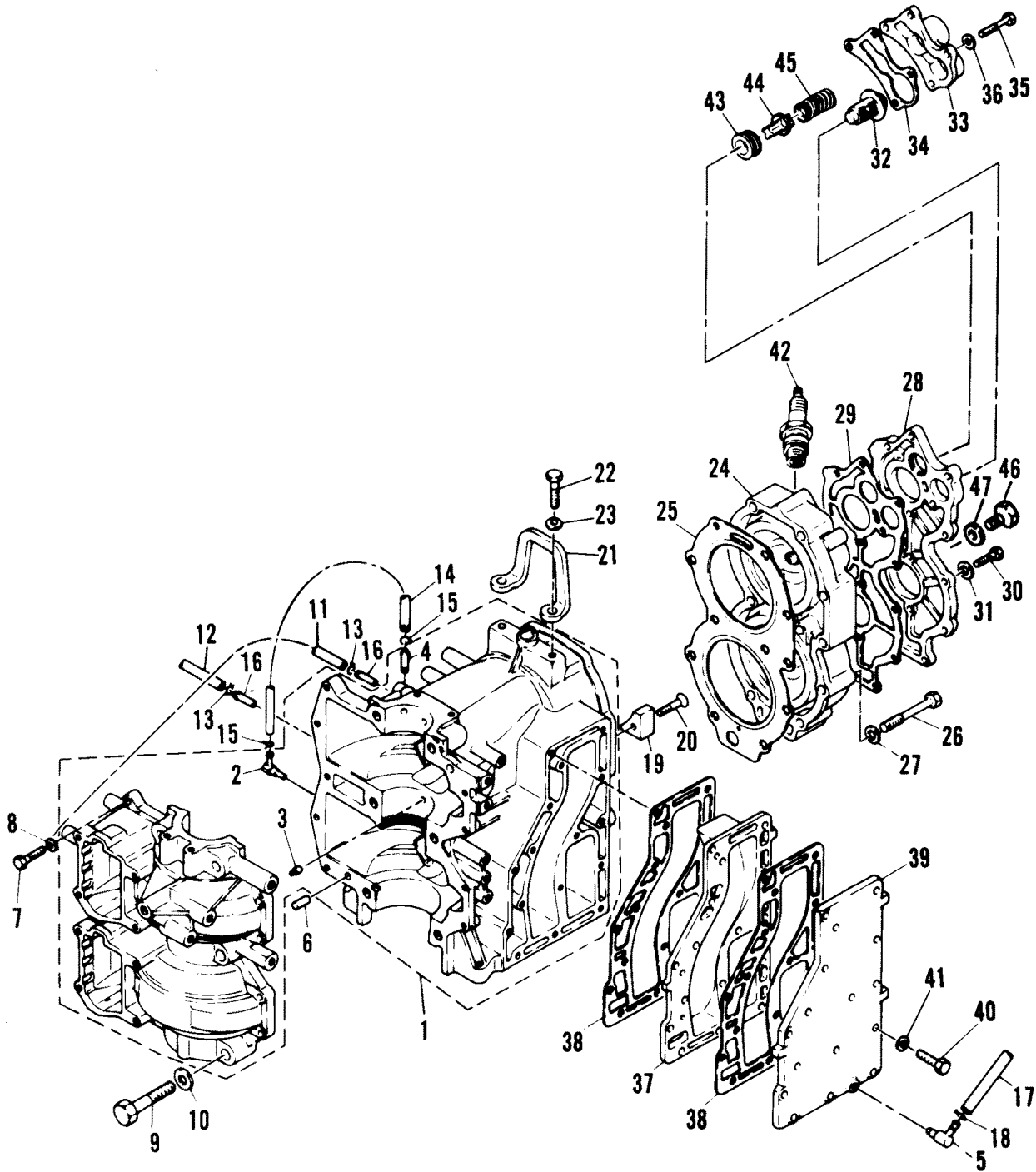


CRANKCASE AND CYLINDER HEAD

REF. NO.	PART NO.	SYM.	QTY.	DESCRIPTION
1	870-6982M		1	CRANKCASE ASS'Y
2	21-80727M		1	CHECK VALVE ASS'Y
3	17-81258M		2	PIN, DOWEL
4	22-80122M		1	FITTING, WATER
5	22-83326M		1	FITTING, WATER
6	17-82368M		2	PIN, DOWEL
7	10-82405M		9	BOLT
8	12-81792M		9	WASHER
9	10-83327M		6	BOLT
10	12-81807M		6	WASHER
11	32-82000M		1	HOSE
12	32-81999M		1	HOSE
13	54-82046M		4	CLAMP
14	32-83328M		1	HOSE
15	54-82046M		2	CLAMP
16	21-83329M		2	FITTING, DRAIN
17	32-81323M		1	HOSE
18	54-82047M		2	CLAMP
19	83330M		1	ANODE
20	10-82168M		1	SCREW
21	83331M		1	BRACKET, ENGINE
22	10-82439M		2	BOLT
23	13-82200M		2	WASHER, LOCK
24	968-6983M		1	HEAD, CYLINDER
25	27-83332M		1	GASKET, CYLINDER HEAD
26	10-82408M		11	BOLT
27	12-80564M		11	WASHER
28	83333M		1	COVER, CYLINDER HEAD SERIAL 00000000-00004320
	84953M		1	COVER, CYLINDER HEAD SERIAL 00004321-09999999
29	27-83334M		1	GASKET, HEAD VOER
30	10-83539M		11	BOLT
31	13-82199M		11	WSHER
32	81098M		1	THERMOSTAT
33	83335M		1	COVE,R THERMOSTAT
34	27-83336M		1	GASKET, THEROSTAT
35	10-84237M		4	BOLT
36	13-82199M		4	WASHER
37	83337M		1	INNER COVER, EXHAUST
38	27-83338M		2	GASKET, EXHAUST COVER
39	83339M		1	OUTER COVER, EXHAUST
40	10-82405M		16	BOLT
41	13-82199M		16	WASHER
42	33-82372M		2	SPARK PLUG (B-8HS) NGK

CONTINUED ON NEXT PAGE ➡

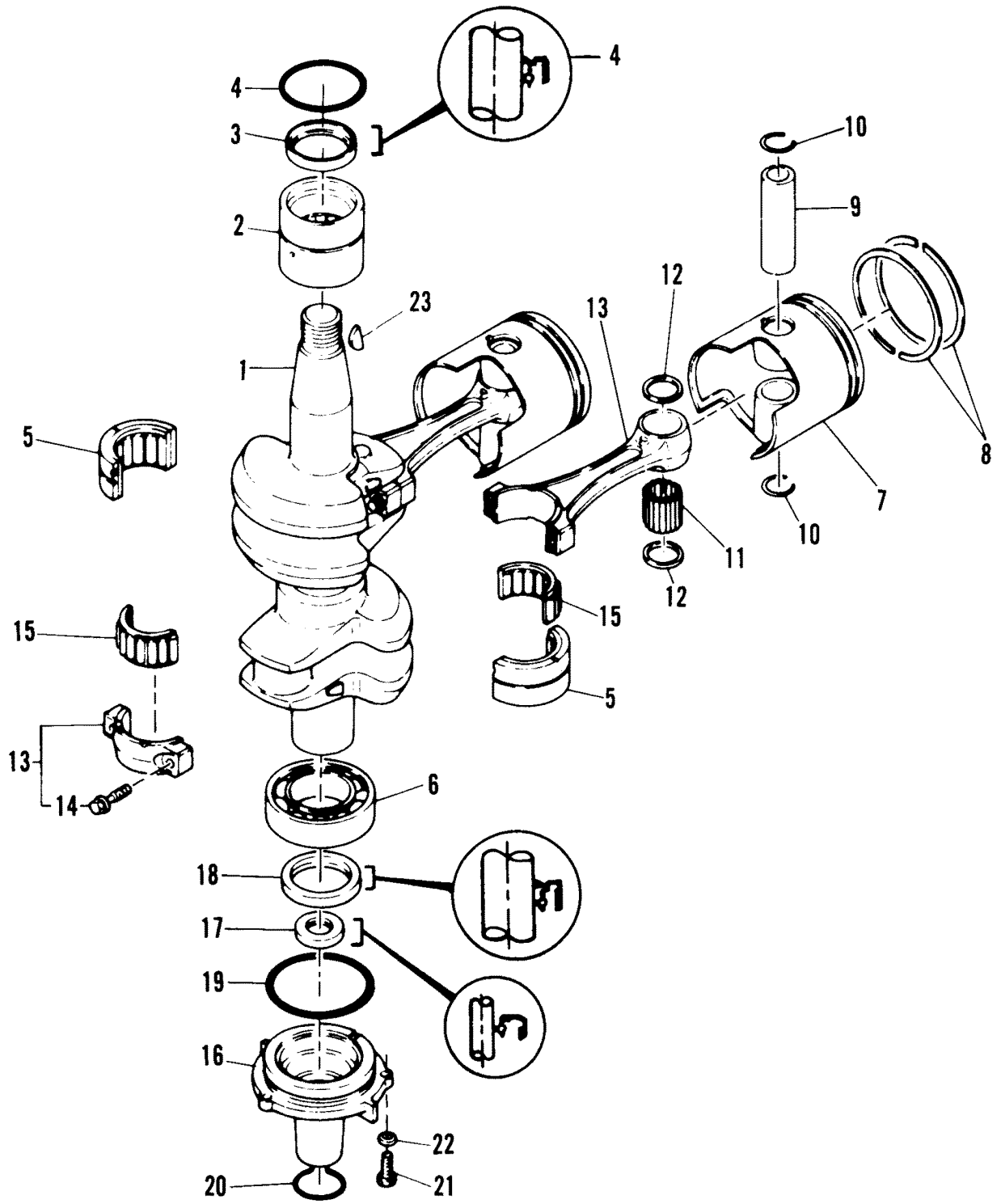
CRANKCASE AND CYLINDER HEAD



CRANKCASE AND CYLINDER HEAD

REF. NO.	PART NO.	SYM.	QTY.	DESCRIPTION
43	25-82067M		1	GROMMET
44	81267M		1	VALVE, PRESSURE CONTROL
45	24-83340M		1	SPRING
46	22-81926M		1	PLUG SERIAL 00000432-09999999
47	27-81990M		1	GASKET SERIAL 00000000-00004321
	84133M		1	POWERHEAD ASSY'S, COMPLETE (SEE NOTE)
	27-84167M		1	GASKET SET, POWERHEAD

CRANKSHAFT AND PISTON

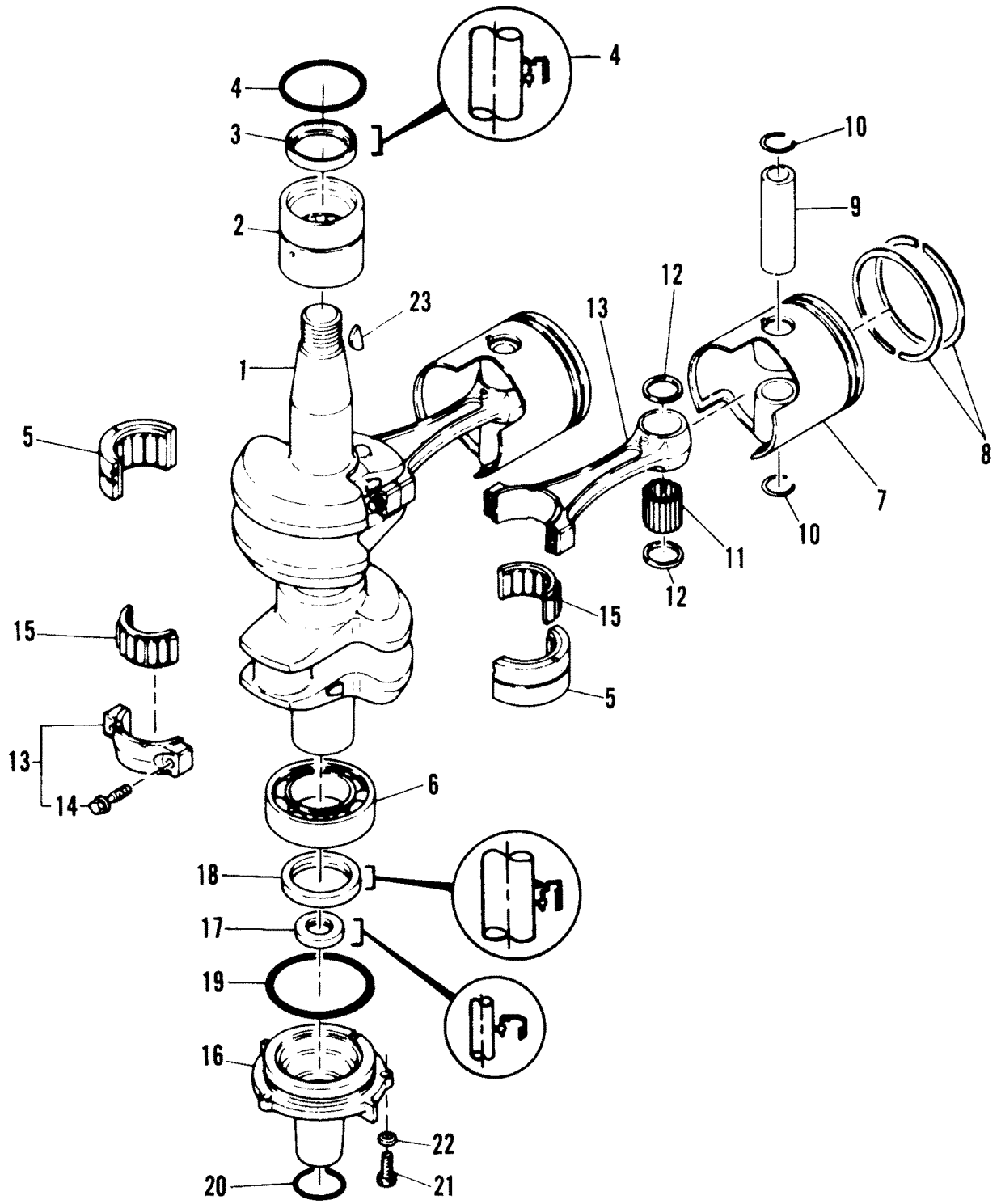


CRANKSHAFT AND PISTON

REF. NO.	PART NO.	SYM.	QTY.	DESCRIPTION
1	463-6984M		1	SHAFT, CRANK
2	31-83341M		1	BEARING, NEEDLE
3	26-82249M		1	OIL SEAL
4	25-82276M		1	O-RING
5	31-82313M		1	BEARING, NEEDLE
6	30-82304M		1	BEARING
7	761-7124M		2	PISTON (STANDARD 74.96 MM) SERIAL 00001991-09999999
	761-7125M		2	PISTON (STANDARD 74.97 MM) SERIAL 00001991-09999999
	761-7126M		2	PISTON (STANDARD 74.98 MM) SERIAL 00001991-09999999
	761-7127M		2	PISTON (1ST OVERSIZE 75.25 MM) SERIAL 00001991-09999999
	761-7128M		2	PISTON (2ND OVER SIZE 75.50 MM) SERIAL 00001991-09999999
	761-6985M		2	PISTON (STANDARD 74.96 MM) SERIAL 0A000000-0S001990
	761-6986M		2	PISTON (STANDARD 74.97 MM) SERIAL 0A000000-0S001990
	761-6987M		2	PISTON (STANDARD 74.98 MM) SERIAL 0A000000-0S001990
	761-6988M		2	PISTON (1ST OVER SIZE 75.25 MM) SERIAL 0A000000-0S001990
	761-6989M		2	PISTON (2ND OVER SIZE 75.50 MM) SERIAL 0A000000-0S001990
8	39-83896M		2	PISTON RING SET (STANDARD) SERIAL 00001991-09999999
	39-83897M		2	PISTON RING SET (1ST OVER SIZE) SERIAL 00001991-09999999
	39-83898M		2	PISTON RING SET (2ND OVER SIZE) SERIAL 00001991-09999999
	39-83342M		2	PISTON RING SET (STANDARD) SERIAL 0A000000-0S001990
	39-83343M		2	PISTON RING SET (1ST OVER SIZE) SERIAL 0A000000-0S001990
	39-83344M		2	PISTON RING SET (2ND OVER SIZE) SERIAL 0A000000-0S001990
9	41-83345M		2	PIN, PISTON
10	53-81264M		4	CLIP, PISTON PIN
11	29-82353M		56	BEARING, NEEDLE
12	12-81831M		4	WASHER
13	629-6860M		2	CONNECTING ROD ASS'Y
14	10-81715M		4	BOLT
15	31-82311M		2	BEARING, NEEDLE
16	83346M		1	HOUSING, OIL SEAL
17	26-83347M		1	OIL SEAL
18	26-82248M		1	OIL SEAL

CONTINUED ON NEXT PAGE ➡

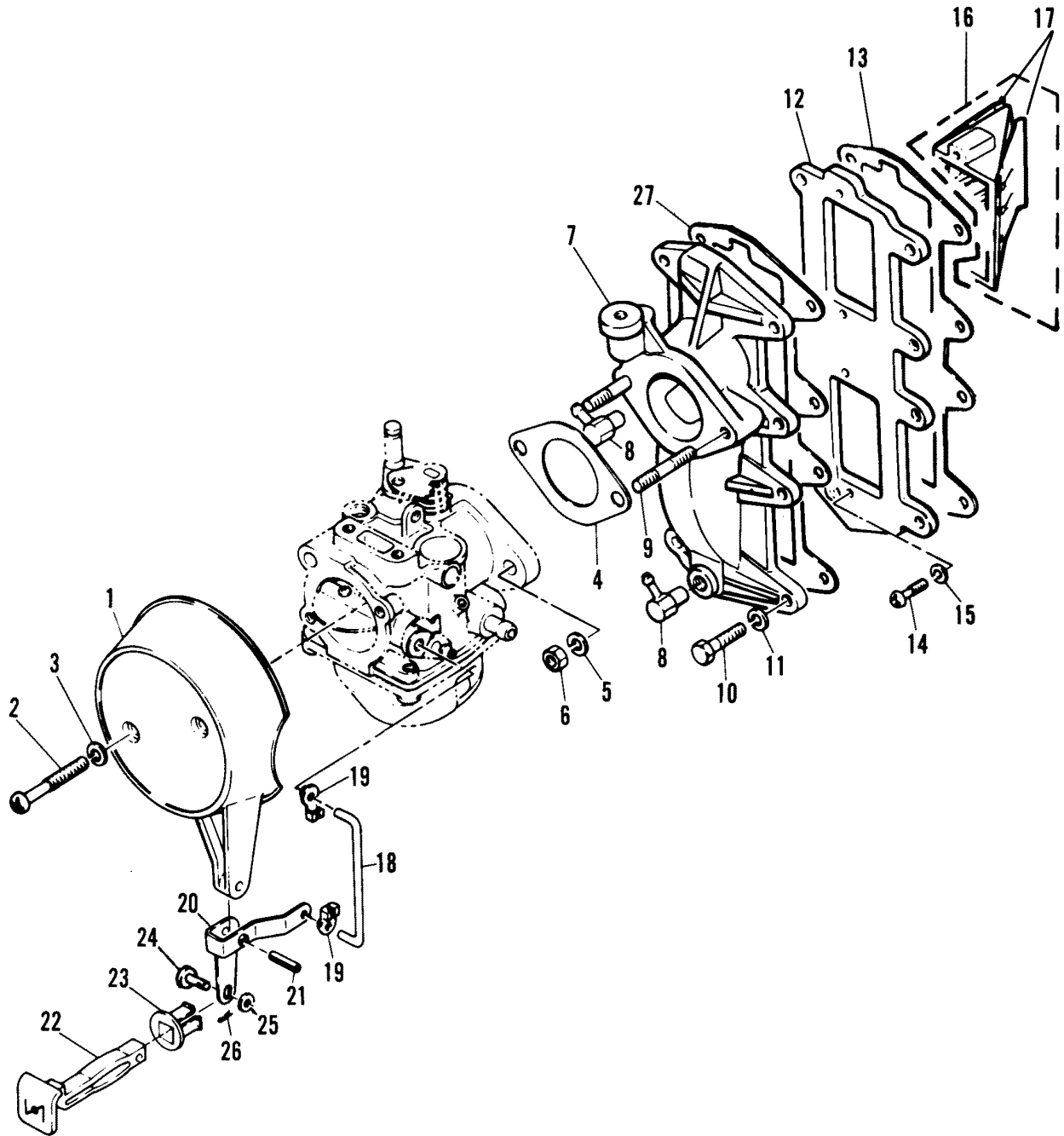
CRANKSHAFT AND PISTON



CRANKSHAFT AND PISTON

REF. NO.	PART NO.	SYM.	QTY.	DESCRIPTION
19	25-82286M		1	O-RING
20	25-83348M		1	O-RING
21	10-84247M		3	BOLT
22	12-82214M		3	WASHER
23	28-81915M		1	KEY, FLYWHEEL

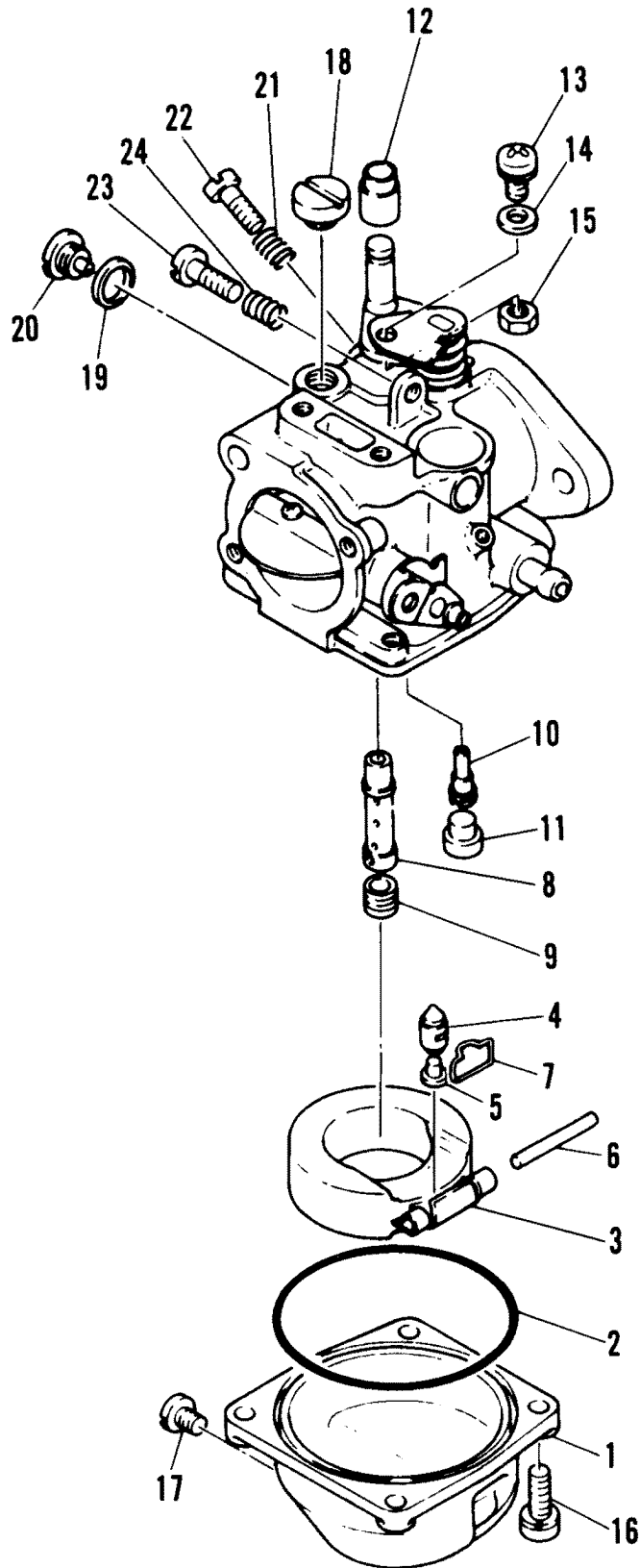
INTAKE MANIFOLD



INTAKE MANIFOLD

REF. NO.	PART NO.	SYM.	QTY.	DESCRIPTION
1	83350M		1	COVER
2	10-83351M		2	SCREW
3	12-82195M		2	WASHER, LOCK
4	27-83352M		1	GASKET, CARBURETOR
5	13-82197M		2	WASHER, LOCK
6	11-82380M		2	NUT
7	83353M		1	MANIFOLD, INTAKE
8	21-80727M		2	CHECK VALVE
9	16-81728M		2	STUD
10	10-82450M		8	BOLT
11	13-82197M		8	WASHER
12	83354M		1	MANIFOLD, INTAKE
13	27-83355M		1	GASKET, INTAKE MANIFOLD
14	10-83356M		4	SCREW
15	13-82193M		4	WASHER, LOCK
16	34-83357M		2	REED VALVE ASS'Y
17	34-84954M		1	REED SET (REED STOPS NOT INCLUDED)
18	83358M		1	ROD, CHOKE LINK
19	81191M		2	RETAINER, CHOKE LEVER
20	83359M		1	LEVER, HOKE
21	17-82155M		1	PIN, ROLL
22	81578M		1	KNOB, CHOKE
23	82063M		1	GROMMET
24	17-81880M		1	PIN
25	13-81865M		1	WASHER, WAVE
26	18-82051M		1	CLIP
27	27-83360M		1	GASKET, INTAKE MANIFOLD

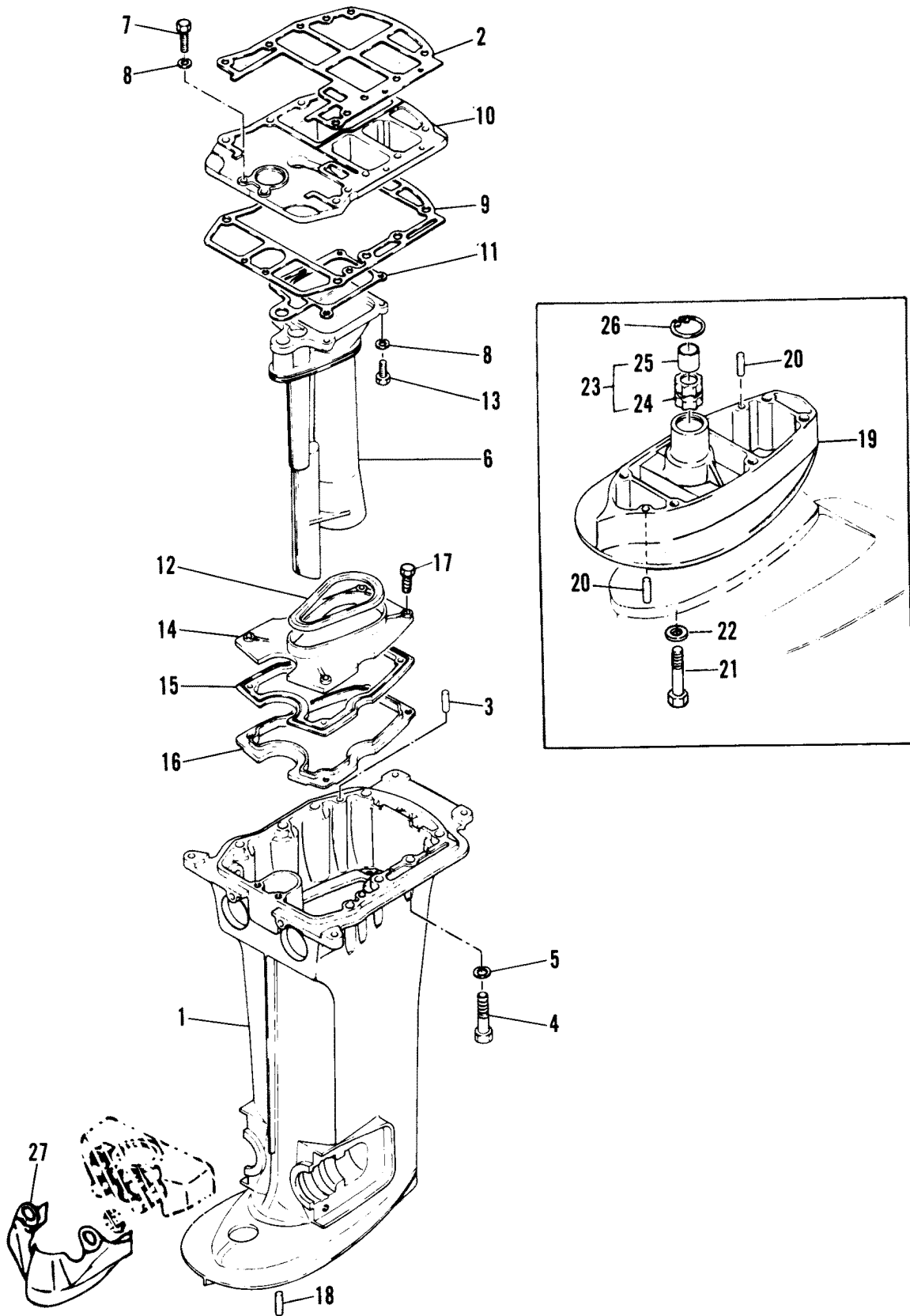
CARBURETOR



CARBURETOR

REF. NO.	PART NO.	SYM.	QTY.	DESCRIPTION
0-1	1383-7132M		1	CARBURETOR ASSY'Y SERIAL 00001991-09999999
	1383-6990M		1	CARBURETOR ASSY'Y SERIAL 00000000-00001990
1	83361M		1	FLOAT BOWL
2	25-83362M		1	O-RING
3	83363M		1	FLOAT
4	83364M		1	INLET NEEDLE & SEAT
5	17-81698M		1	PIN, INLET NEEDLE
6	17-83365M		1	PIN
7	54-82781M		1	CLIP
8	83887M		1	NOZZLE, MAIN SERIAL 00001991-09999999
	83366M		1	NOZZLE, MAIN SERIAL 0A000000-0S001990
9	83367M		1	JET, MAIN (# 155)
10	83888M		1	JET, SLOW (#55) SERIAL 00001991-09999999
	83368M		1	JET, SLOW (#75) SERIAL 0A000000-0S001990
11	22-83369M		1	PLUG
12	83370M		1	COLLAR
13	10-83371M		1	SCREW WITH WASHER
14	12-83372M		1	WASHER
15	11-82378M		1	NUT
16	10-83373M		4	SCREW WITH WASHER
17	10-83374M		1	SCREW
18	10-83375M		1	SCREW, PLUG
19	12-83376M		1	WASHER
20	10-81292M		1	SCREW, PLUG
21	24-82073M		1	SPRING
22	10-83377M		1	SCREW, IDLE MIXTURE SERIAL 0A000000-0S001990
	10-83889M		1	SCREW, IDLE MIXTURE SERIAL 00001991-09999999
23	10-81277M		1	SCREW, IDLE SPEED
24	24-82080M		1	SPRING
	84475M		1	REPAIR KIT, CARBURETOR (REPLACEMENT PART)

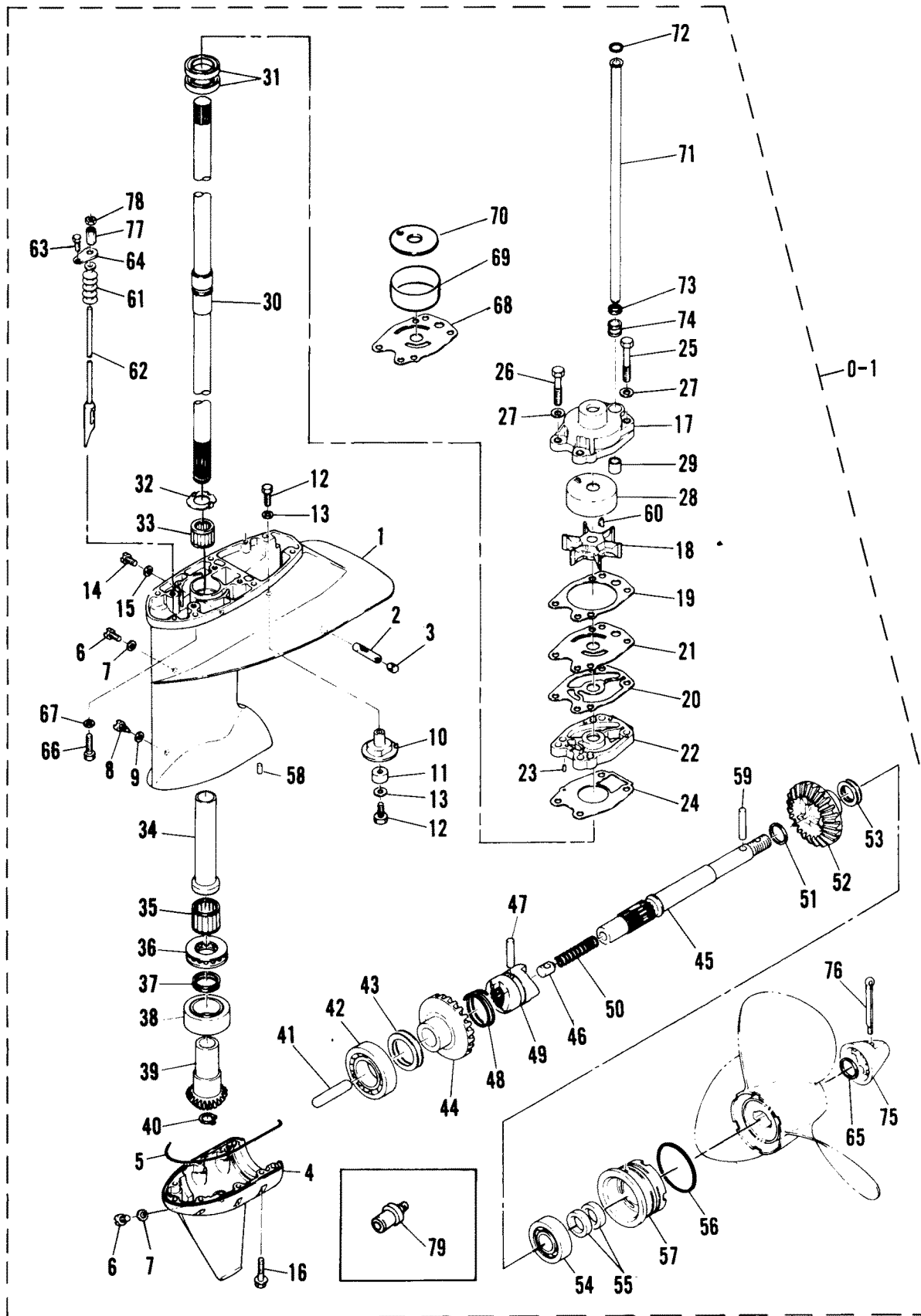
DRIVESHAFT HOUSING



DRIVESHAFT HOUSING

REF. NO.	PART NO.	SYM.	QTY.	DESCRIPTION
1	1587-6991M		1	DRIVESHAFT HOUSING (SHORT SHAFT)
	1587-6992M		1	DRIVESHAFT HOUSING (LONG SHAFT)
2	27-83378M		1	GASKET, DRIVESHAFT HOUSING
3	17-83379M		2	PIN, DOWEL
4	10-84056M		8	BOLT
5	13-82215M		8	WASHER
6	83380M		1	EXHAUST TUBE
7	10-82453M		2	BOLT
8	13-82212M		6	WASHER, LOCK
9	27-83381M		1	GASKET, PPER HOUSING
10	83382M		1	PLATE
11	27-83383M		1	GASKET, EXHAUST MANIFOLD
12	83384M		1	SEAL
13	10-82452M		4	BOLT
14	83890M		1	SEAL SUPPORT BRACKET
15	83386M		1	SEAL
16	83387M		1	PLATE
17	10-82476M		4	BOLT
18	17-82364M		2	PIN, DOWEL
19	83891M		1	EXTENSION (SUPER ULTRA LONG SHAFT) OPTIONAL
20	17-82364M		4	PIN, DOWEL (SUL) OPTIONAL
21	10-84427M		6	BOLT (SUL) OPTIONAL
22	13-82215M		6	WASHER (SUL) OPTIONAL
23	23-83892M		1	BUSHING (SUL) OPTIONAL
24	83893M		1	DAMPER OPTIONAL
25	23-83894M		1	BUSHING OPTIONAL
26	53-83758M		1	SNAP RING OPTIONAL
27	92617M		1	COVER (SHORT SHAFT) OPTIONAL SERIAL 00004716-09999999
	92618M		1	COVER (LONG AND SUPER ULTRA LONG SHAFTS) OPTIONAL SERIAL 00040161-09999999

GEARHOUSING ASS'Y

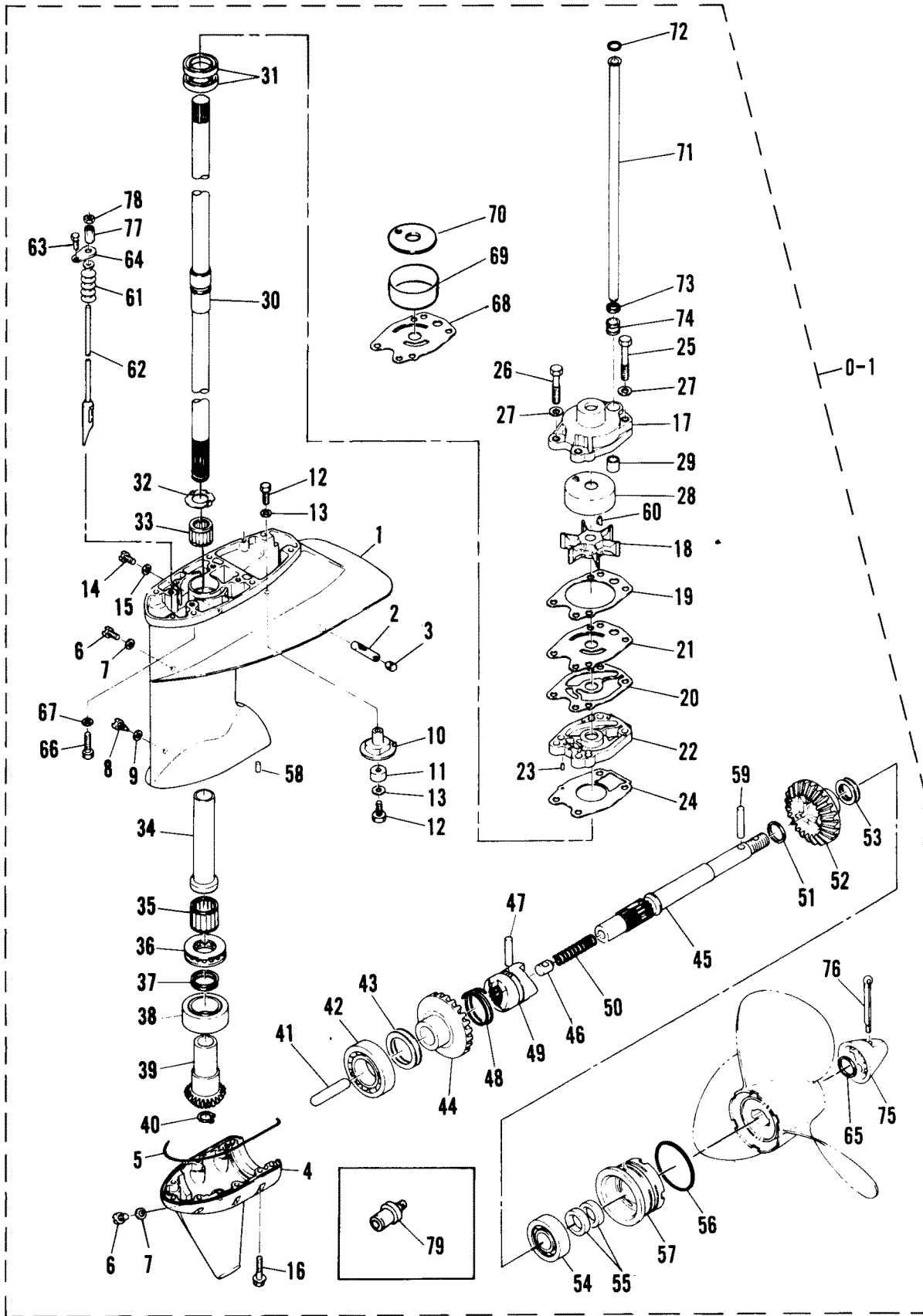


GEARHOUSING ASS'Y

REF. NO.	PART NO.	SYM.	QTY.	DESCRIPTION
0-1	1651-6993M		1	GEARHOUSING ASS'Y (SHORT SHAFT)
	1651-6994M		1	GEARHOUSING ASS'Y (LONG SHAFT)
1	1651-6995M		1	GEARHOUSING, UPPER
2	35-83388M		1	SCREWN
3	22-83389M		1	PLUG
4	83390M		1	GEARHOUSING, LOWER
5	83391M		1	SEAL, LOWER HOUSING
6	22-81924M		2	SCREW, DRAIN
7	27-81987M		2	GAKSET
8	10-83392M		1	SCREW
9	27-81986M		1	GASKET
10	83393M		1	COVER, WATER INLET
11	83394M		1	ANODE
12	10-83395M		2	BOLT
13	12-82214M		2	WASHER
14	22-81924M		1	PLUG
15	27-81987M		1	GASKET
16	10-82476M		9	BOLT
17	46-83396M		1	COVER, WATER PUMP
18	47-83397M		1	IMPELLER
19	27-83398M		1	GASKET, WATER PUMP
20	27-83399M		1	GASKET
21	83400M		1	FACE PLATE
22	46-83401M		1	BASE, WATER PUMP
23	17-82354M		3	PIN, DOWEL
24	27-83402M		1	GASKET, WATE RPUMP
25	10-82469M		2	BOLT
26	10-82468M		2	BOLT
27	12-82217M		4	WASHER
28	83403M		1	INSERT
29	26-81426M		1	RUBBER, WATER SEAL
30	45-83404M		1	DRIVE SHAFT, (SHORT SHAFT)
	45-83405M		1	DRIVE SHAFT, (LONG SHAFT)
	45-92610M		1	DRIVE SHAFT, (SUPER ULTRA LONG SHAFT - OPTIONAL)
31	26-83406M		2	OIL SEAL
32	12-83407M		1	TRHUST WASHER, DRIVE SHAFT
33	31-83408M		1	BEARING, NEEDLE
34	83409M		1	SLEEVE, DRIVE SHAFT
35	31-83410M		1	BEARING, NEEDLE
36	31-83411M		1	BEARING, THRUST
37	15-83412M		AR	SHIM, PINION GEAR ADJUST (0.70 MM)
	15-83413M		AR	SHIM, PINION GEAR ADJUST (0.75 MM)
	15-83414M		AR	SHIM, PINION GEAR ADJUST (0.80 MM)

CONTINUED ON NEXT PAGE ➡

GEARHOUSING ASS'Y

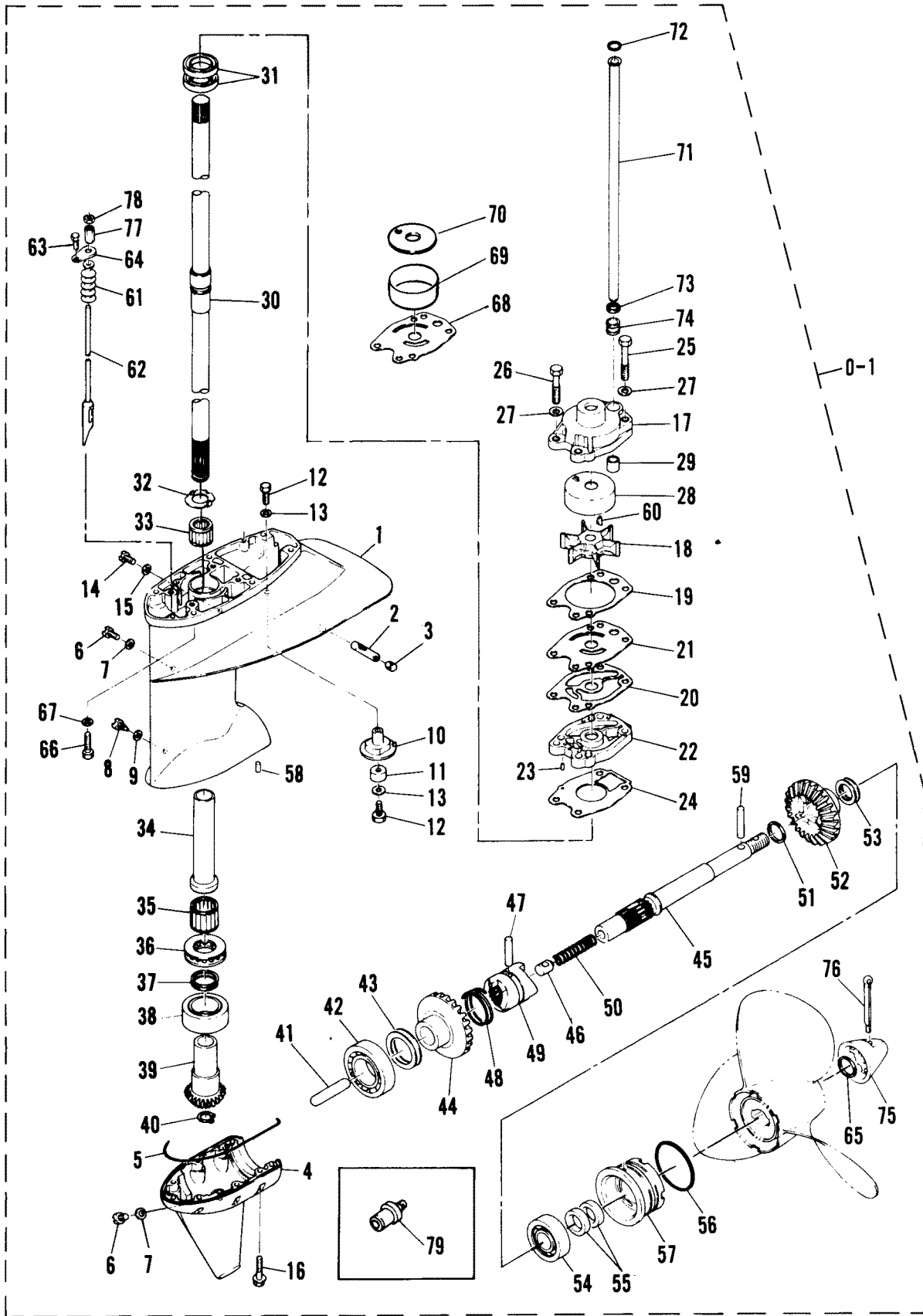


GEARHOUSING ASS'Y

REF. NO.	PART NO.	SYM.	QTY.	DESCRIPTION
37	15-83415M		AR	SHIM, PINION GEAR ADJUST (0.85 MM)
38	31-83416M		1	PINION, GEAR
39	43-83417M		1	PINION, GEAR
40	53-82324M		1	SNAP RING
41	83419M		1	CAM FOLLOWER
42	30-83420M		1	BEARING, TAPERED ROLLER
43	15-83421M		AR	SHIM, FORWARD GEAR ADJUST (0.7 MM)
	15-83422M		AR	SHIM, FORWARD GEAR ADJUST (0.8 MM)
	15-83423M		AR	SHIM, FORWARD GEAR ADJUST (0.9 MM)
	15-83424M		AR	SHIM, FORWARD GEAR ADJUST (1.0 MM)
	15-83425M		AR	SHIM, FORWARD GEAR ADJUST (1.1 MM)
	15-83426M		AR	SHIM, FORWARD GEAR ADJUST (1.2 MM)
44	43-83427M		1	JGEAR FORWARD
45	44-83428M		1	SHAFT, PROPELLER
46	81475M		1	SLIDE, SHIFT
47	17-81903M		1	PIN, CROSS
48	81474M		1	RING, CROSS PIN
49	52-81473M		1	CLUTCH, SLIDING
50	24-83429M		1	SPRING, COMPRESSION
51	12-83430M		1	WASHER
52	43-83431M		1	GEAR, REVERSE
53	15-83432M		AR	SHIM, REVERSE GEAR ADJUST (1.8 MM)
	15-83433M		AR	SHIM, REVERSE GEAR ADJUST (1.9 MM)
	15-83434M		AR	SHIM, REVERSE GEAR ADJUST (2.0 MM)
	15-83435M		AR	SHIM, REVERSE GEAR ADJUST (2.1 MM)
	15-83436M		AR	SHIM, REVERSE GEAR ADJUST (2.2 MM)
	15-83437M		AR	SHIM, REVERSE GEAR ADJUST (2.3 MM)
	15-83438M		AR	SHIM, REVERSE GEAR ADJUST (2.4 MM)
	15-83439M		AR	SHIM, REVERSE GEAR ADJUST (2.5 MM)
54	30-83440M		1	BEARING, BALL
55	26-82229M		2	OIL SEAL
56	25-83441M		1	O-RING
57	83442M		1	CAP, LOWER CASING
58	17-82356M		1	PIN, DOWEL
59	17-83443M		1	PIN, DRIVE
60	28-83444M		1	KEY, WOODRUFF
61	82881M		1	BOOT, SHIFT ROD
62	83445M		1	SHIFT CAM, SHORT SHAFT
	83446M		1	SHIFT CAM, LONG SHAFT
	92615M		1	SHIFT CAM, (SUPER ULTRA LONG SHAFT - OPTIONAL)
63	10-82938M		1	BOLT
64	82882M		1	RETAINER
65	12-83447M		1	WASHER, WAVE

CONTINUED ON NEXT PAGE ➡

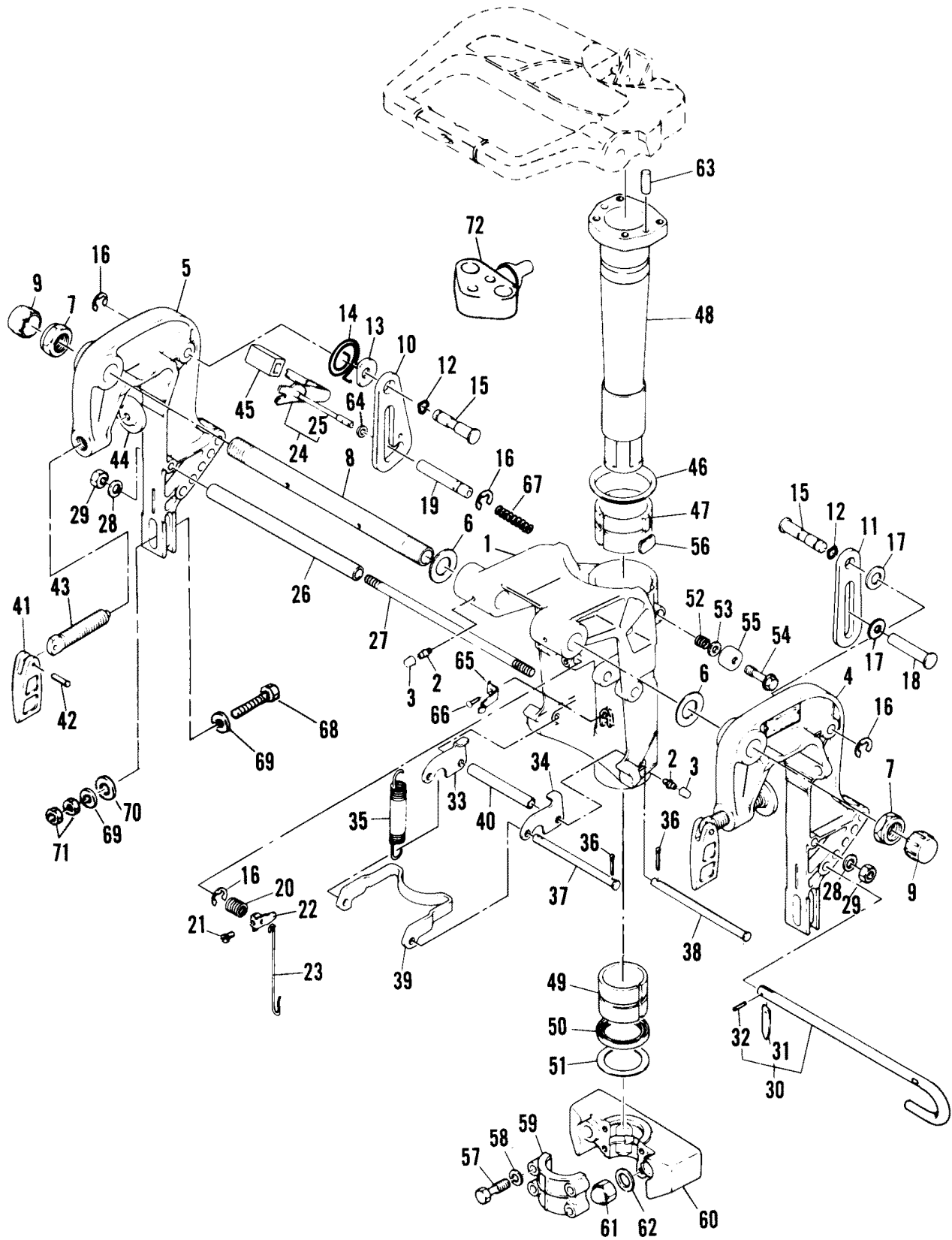
GEARHOUSING ASS'Y



GEARHOUSING ASS'Y

REF. NO.	PART NO.	SYM.	QTY.	DESCRIPTION
66	10-82465M		6	BOLT
67	13-82215M		6	WASHER
68	83448M		1	FACE PLATE, (CHROME OPTIONAL)
69	83450M		1	INSERT, CARTRIDGE (CHROME OPTIONAL)
70	83449M		1	INNER PLATE, (CHROME OPTIONAL)
71	32-83451M		1	TUBE, WATER (SHORT)
	32-83452M		1	TUBE, WATER (LONG)
	32-83903M		1	TUBE, WATER (SUPER ULTRA LONG SHAFT - OPTIONAL)
72	12-81852M		1	WASHER
73	25-81989M		1	GASKET
74	26-81427M		1	RUBBER, WATER SEAL
75	11-83453M		1	NUT, PROPELLER
76	18-83454M		1	PIN, COTTER
77	80652M		1	CONNECTOR, SHIFT ROD
78	11-81767M		1	NUT
79	22-80218M		1	PLUG, FLUSH (OPTIONAL)
	84186M		1	REPAIR KIT, WATER PUMP
	27-84178M		1	GASKET SET, LOWER UNIT

CLAMP AND SWIVEL BRACKET/REVERSE LOCK

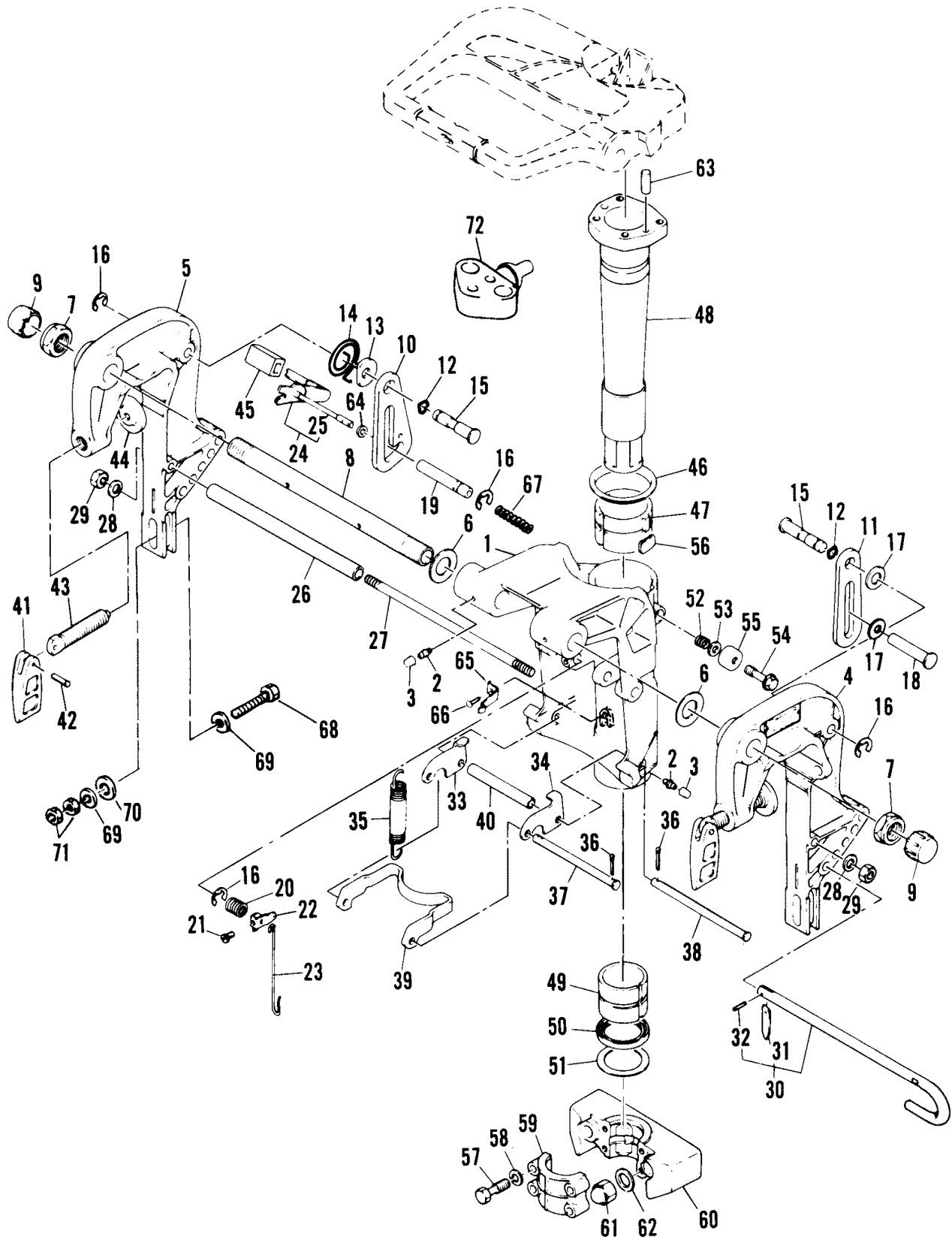


CLAMP AND SWIVEL BRACKET/REVERSE LOCK

REF. NO.	PART NO.	SYM.	QTY.	DESCRIPTION
1	1485-6996M		1	BRACKET, SWIVEL
2	22-82369M		4	NIPPLE, GREASE
3	81439M		4	CAP, CREASE NIPPLE
4	1484-8439M		1	BRACKET, CLAMP (PORT) SERIAL 00004931-09999999
	1484-6997M		1	BRACKET, CLAMP (PORT) (SERIAL 00000000-00004930
5	1484-8440M		1	BRACKET, CLAMP (STARBOARD) SERIAL 00004931-09999999
	1484-6998M		1	BRACKET, CLAMP (STARBOARD) SERIAL 00000000-00004930
6	12-81836M		2	WASHER
7	11-81787M		2	NUT, NYLON
8	81387M		1	STUD, CLAMP BRACKET
9	81388M		2	CAP
10	84968M		1	STOP, TILT SERIAL 00004931-09999999
	83455M		1	STOP, TILT SERIAL 00000000-00004930
11	84969M		1	STOP, TILT SERIAL 00004931-09999999
	83456M		1	STOP, TILT SERIAL 00000000-00004930
12	13-83457M		2	WASHER, WAVE
13	12-83458M		1	WASHER
14	24-92616M		1	SPRING, LEVER RETURN SERIAL 00001991-09999999
	24-83459M		1	SPRING, LEVER RETURN SERIAL 00000000-00001990
15	17-83460M		2	PIN
16	53-83461M		5	SNAP RING SERIAL 00001991-09999999
	53-83461M		4	SNAP RING SERIAL 0A000000-0S001990
17	12-83462M		2	WASHER
18	17-83463M		1	PIN
19	M-83464M		1	SHAFT
20	24-83465M		1	SPRING
21	10-83466M		1	SCREW
22	83467M		1	LEVER, TILT
23	83468M		1	ROD, LOCK
24	83469M		1	TILT LEVER ASS'Y
25	17-83470M		1	PIN
26	83471M		1	SPACER
27	16-83472M		1	STUD
28	13-82215M		2	WASHER, LOCK
29	11-82392M		2	NUT
30	17-83904M		1	TILT PIN ASS'Y
31	84044M		1	STOPPER, TILT LOCK
32	17-82145M		1	PIN, ROLL
33	83905M		1	BRACKET, TILT LOCK
34	83906M		1	BRACKET, TILT LOCK
35	24-83476M		2	SPRING
36	18-82752M		4	PIN, COTTER
37	17-83477M		1	PIN

CONTINUED ON NEXT PAGE ➡

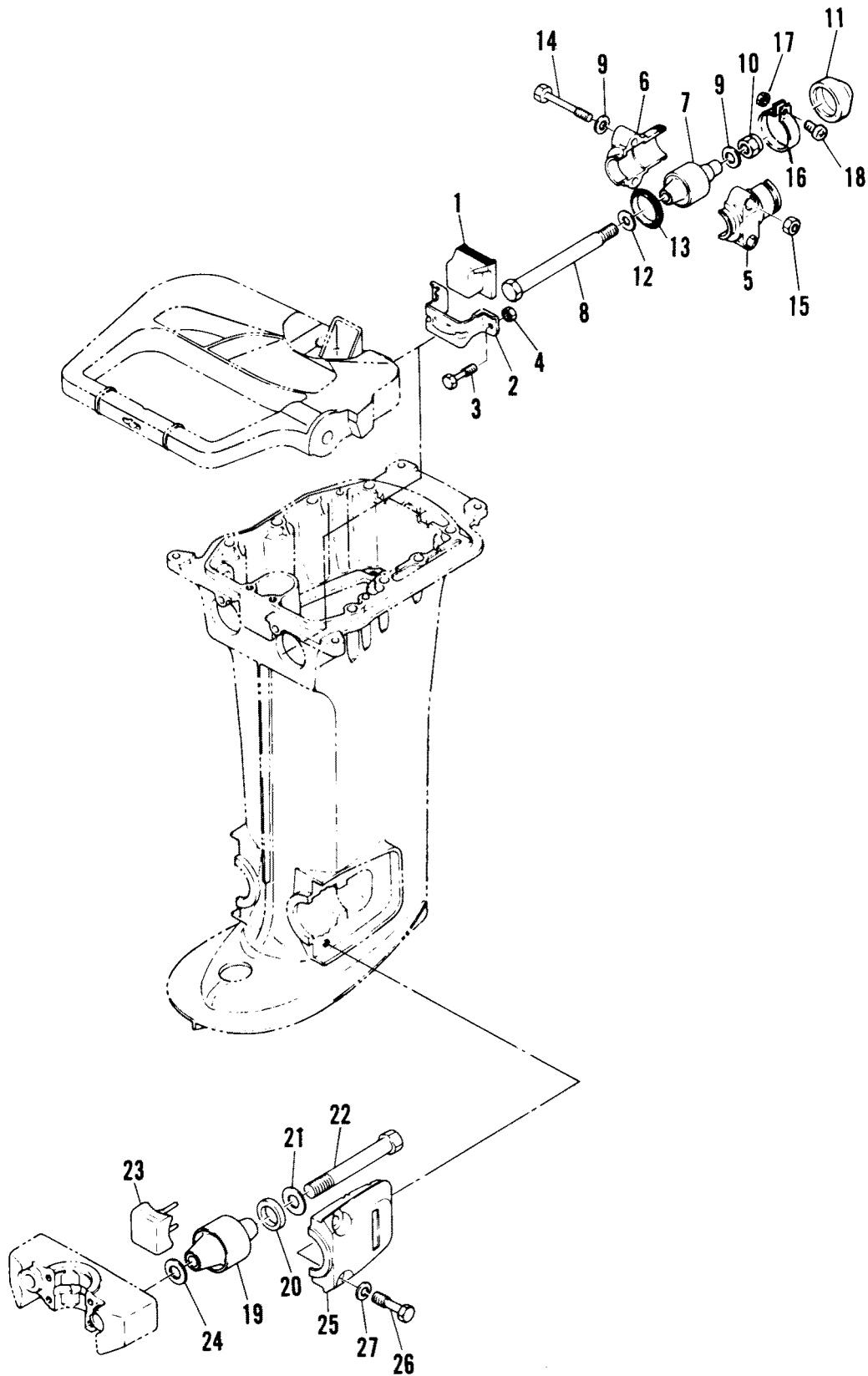
CLAMP AND SWIVEL BRACKET/REVERSE LOCK



CLAMP AND SWIVEL BRACKET/REVERSE LOCK

REF. NO.	PART NO.	SYM.	QTY.	DESCRIPTION
38	17-83478M		1	PIN
39	83479M		1	TILT LOCK
40	23-83480M		1	SPACER
41	81382M		2	HANDLE, TRANSOM CLAMP
42	17-81889M		2	PIN
43	10-83481M		2	SCREW, TRANSOM CLAMP
44	12-80638M		2	WASHER, TRANSOM SCREW
45	81395M		1	COVER
46	12-83482M		1	WASHER
47	23-83483M		1	BUSHING
48	83484M		1	SHAFT
49	23-83485M		1	BUSHING
50	26-83486M		1	OIL SEAL
51	12-83487M		1	WASHER
52	24-83488M		1	SPRING
53	12-82217M		1	WASHER
54	10-82464M		1	BOLT
55	26-83490M		1	RUBBER, SEAL
56	80633M		1	PIECE, FRICTION
57	10-82468M		4	BOLT
58	13-82215M		4	WASHER
59	83491M		1	HOUSING, LOWER MOUNT RUBBER
60	83492M		1	HOUSING, LOWER MOUNT RUBBER
61	11-82397M		2	NUT, CROWN
62	12-81811M		2	WASHER
63	17-82368M		2	PIN, DOWEL
64	12-83493M		1	WASHER
65	24-83494M		1	SPRING
66	17-83495M		1	RIVET
67	24-83909M		1	SPRING
68	10-84970M		4	BOLT
69	12-82220M		8	WASHER
70	12-81812M		4	WASHER
71	11-82394M		8	NUT
72	92619M		1	HOLDER, PIN

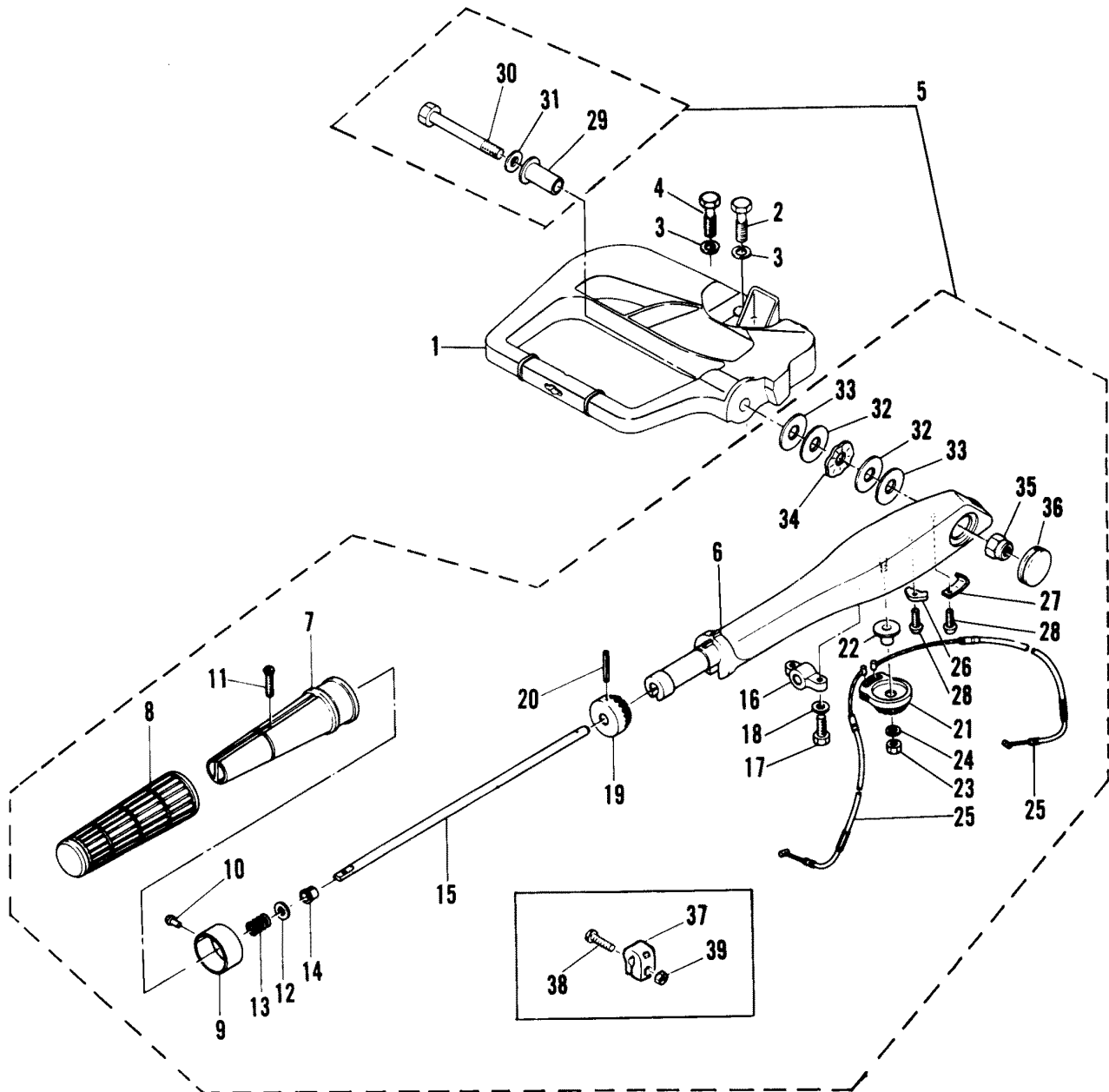
MOUNTING SYSTEM



MOUNTING SYSTEM

REF. NO.	PART NO.	SYM.	QTY.	DESCRIPTION
1	83496M		1	DAMPER, UPPER MOUNT RUBBER
2	83497M		1	BRACKET
3	10-82453M		2	BOLT
4	11-82389M		2	NUT
5	83498M		2	COVER, UPPER MOUNT RUBBER
6	83499M		2	COVER, UPPER MOUNT RUBBER
7	83910M		2	MOUNT RUBBER, UPPER SIDE SERIAL 00002586-09999999
	83500M		2	MOUNT RUBBER, UPPER SIDE SERIAL 00000000-00002585
8	10-83501M		2	BOLT
9	12-83911M		2	WASHER
10	11-84295M		2	NUT, NYLON
11	83912M		2	CAP
12	12-83504M		2	WASHER
13	25-83505M		2	SEAL, RUBBER
14	10-83506M		4	BOLT
15	11-82400M		4	NUT
16	54-83507M		2	HOSE CLAMP ASS'Y
17	11-83508M		2	NUT
18	10-83509M		2	SCREW
19	83914M		2	MOUNT RUBBER, LOWER SIDE SERIAL 00002586-09999999
	81435M		2	MOUNT RUBBER, LOWER SIDE SERIAL 00000000-00002585
20	12-81860M		2	WASHER
21	12-83915M		2	WASHER
22	10-83510M		2	BOLT
23	83511M		1	DAMPER, LOWER MOUNT RUBBER
24	12-84429M		2	WASHER
25	83512M		2	COVER, LOWER MOUNT
26	10-82465M		4	BOLT
27	13-82215M		4	WASHER

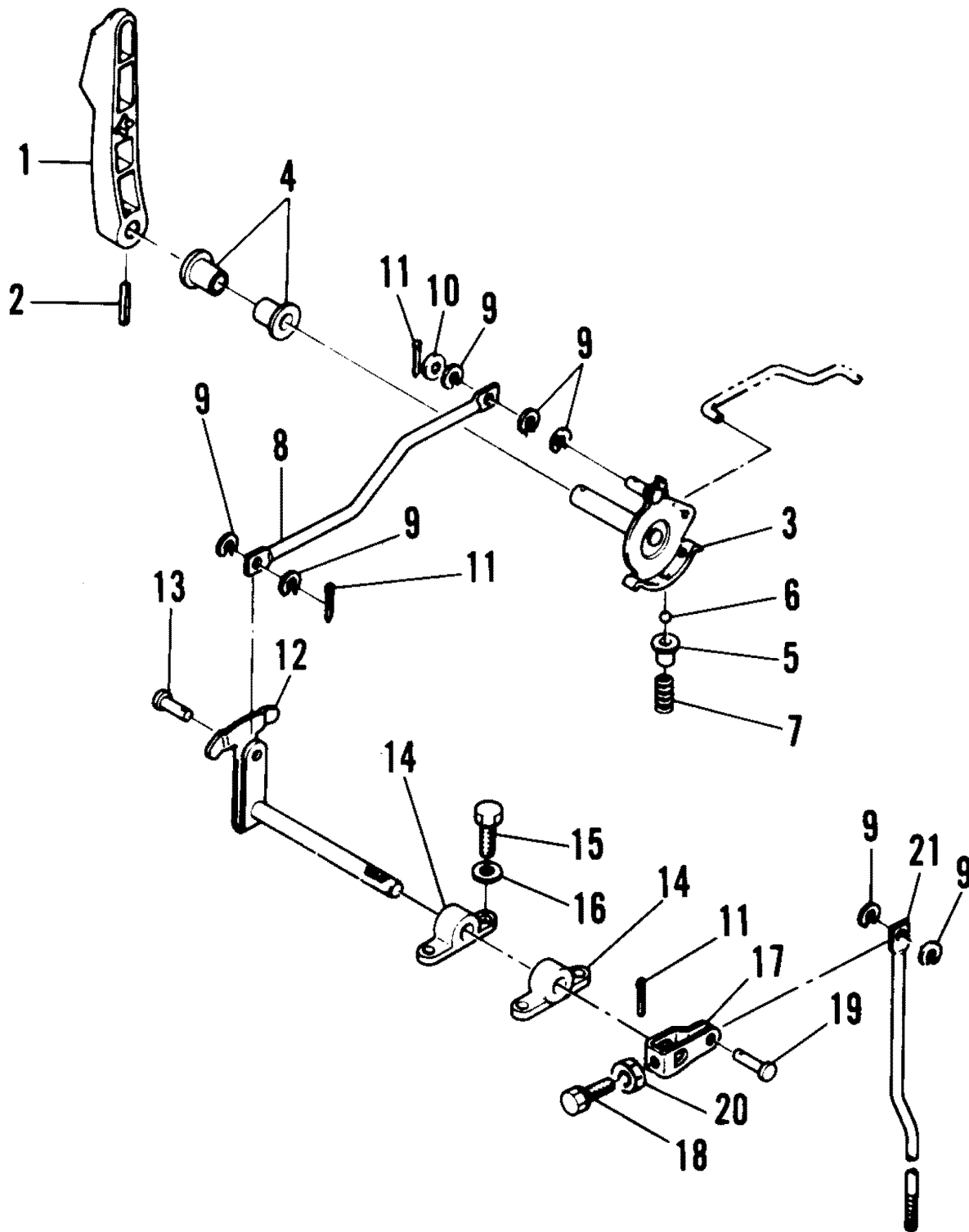
STEERING HANDLE (MANUAL MODEL)



STEERING HANDLE (MANUAL MODEL)

REF. NO.	PART NO.	SYM.	QTY.	DESCRIPTION
1	83513M		1	BRACKET, STEERING
2	10-82465M		2	BOLT
3	13-82215M		4	WASHER, LOCK
4	10-82466M		2	BOLT
5	83871M		1	STEERING HANDLE ASS'Y
6	83514M		1	HANDLE, STEERING
7	81585M		1	GRIP, STEERING HANDLE
8	80509M		1	RUBBER, HANDLE
9	83515M		1	INDICATOR, THROTTLE
10	17-81907M		1	RIVET
11	10-82483M		1	SCREW
12	12-82204M		1	WASHER
13	24-82095M		1	SPRING
14	23-81945M		1	BUSHING
15	83516M		1	SHAFT, STEERING HANDLE
16	83517M		1	BRACKET
17	10-82452M		2	BOLT
18	12-82214M		2	WASHER
19	43-80778M		1	GEAR
20	17-82151M		1	PIN, ROLL
21	43-83518M		1	PINION
22	83519M		1	BUSHING
23	11-82389M		1	NUT
24	13-82212M		1	WASHER, LOCK
25	83520M		2	THROTTLE WIRE COMPLETE
26	83521M		1	HOLDER WIRE
27	83522M		1	HOLDER, WIRE
28	10-83523M		2	SCREW
29	23-81950M		1	BUSHING
30	10-81710M		1	BOLT
31	12-83524M		1	WASHER
32	12-81853M		2	WASHER
33	12-81815M		2	WASHER
34	13-81870M		1	WASHER, WAVE
35	11-81786M		1	NUT, NYLON
36	83525M		1	CAP
37	82895M		1	PIECE, FRICTION
38	10-82452M		1	BOLT
39	11-83056M		1	NUT

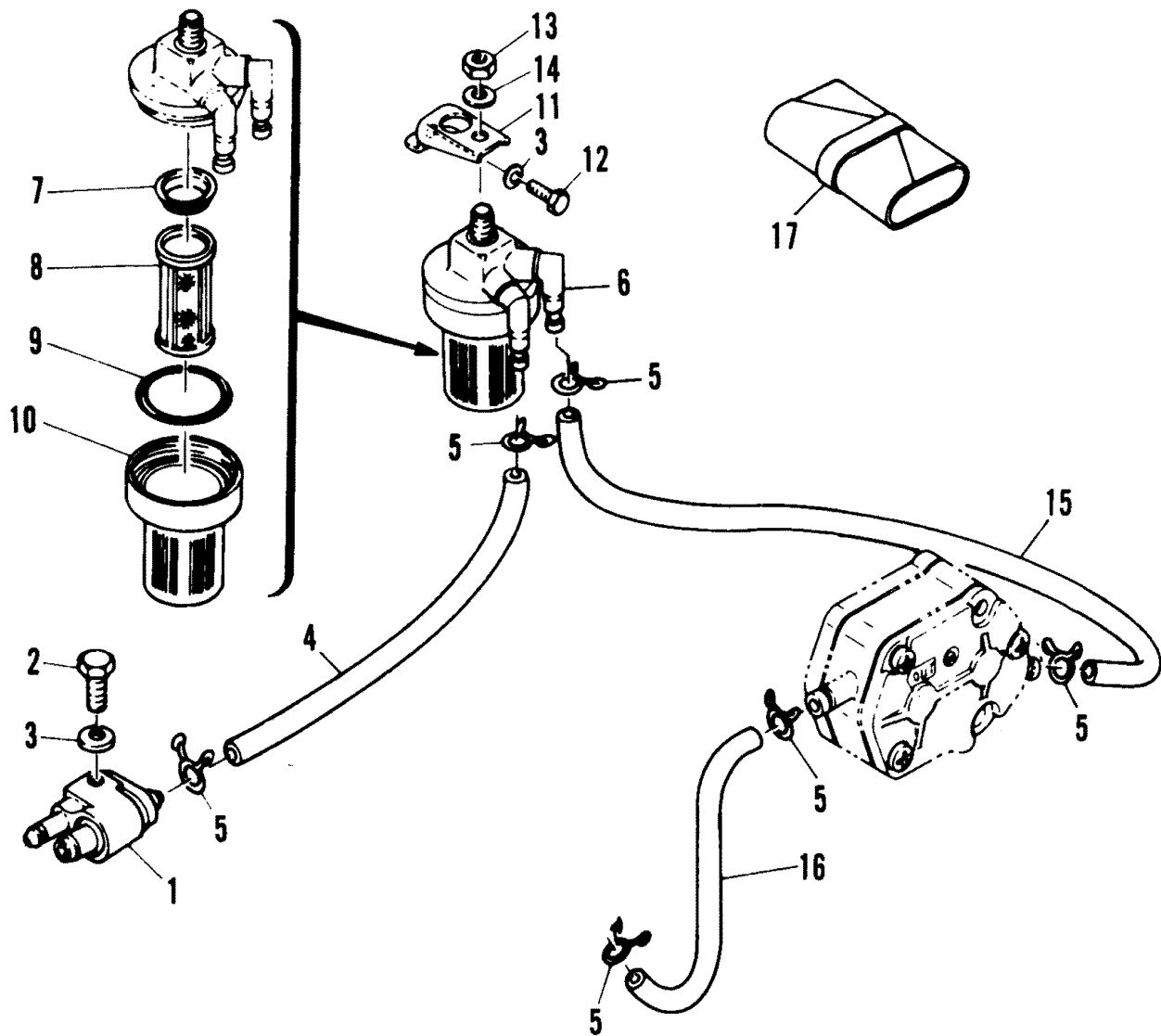
GEAR SHIFT LINKAGE



GEAR SHIFT LINKAGE

REF. NO.	PART NO.	SYM.	QTY.	DESCRIPTION
1	83528M		1	HANDLE, GEAR SHIFT
2	17-83529M		1	PIN, ROLL
3	92620M		1	CAM, PLATE HANDLE SERIAL 00001991-09999999
	83530M		1	CAM, PLATE HANDLE SERIAL 0A000000-0S001990
4	23-81946M		2	BUSHING
5	23-83531M		1	BUSHING
6	82348M		1	BALL, STEEL
7	24-82084M		1	SPRING, COMPRESSION
8	83532M		1	ROD
9	12-83533M		7	WASHER
10	12-82196M		1	WASHER
11	18-82125M		3	PIN, COTTER
12	83534M		1	SHAFT
13	17-83536M		1	PIN, CLEVIS
14	83537M		2	BRACKET
15	10-83539M		4	BOLT
16	13-82199M		4	WASHER
17	83538M		1	LEVER, SHIFT ROD
18	10-83539M		1	BOLT
19	17-83540M		1	PIN, CLEVIS
20	11-82380M		1	NUT
21	83542M		1	ROD, SHIFT

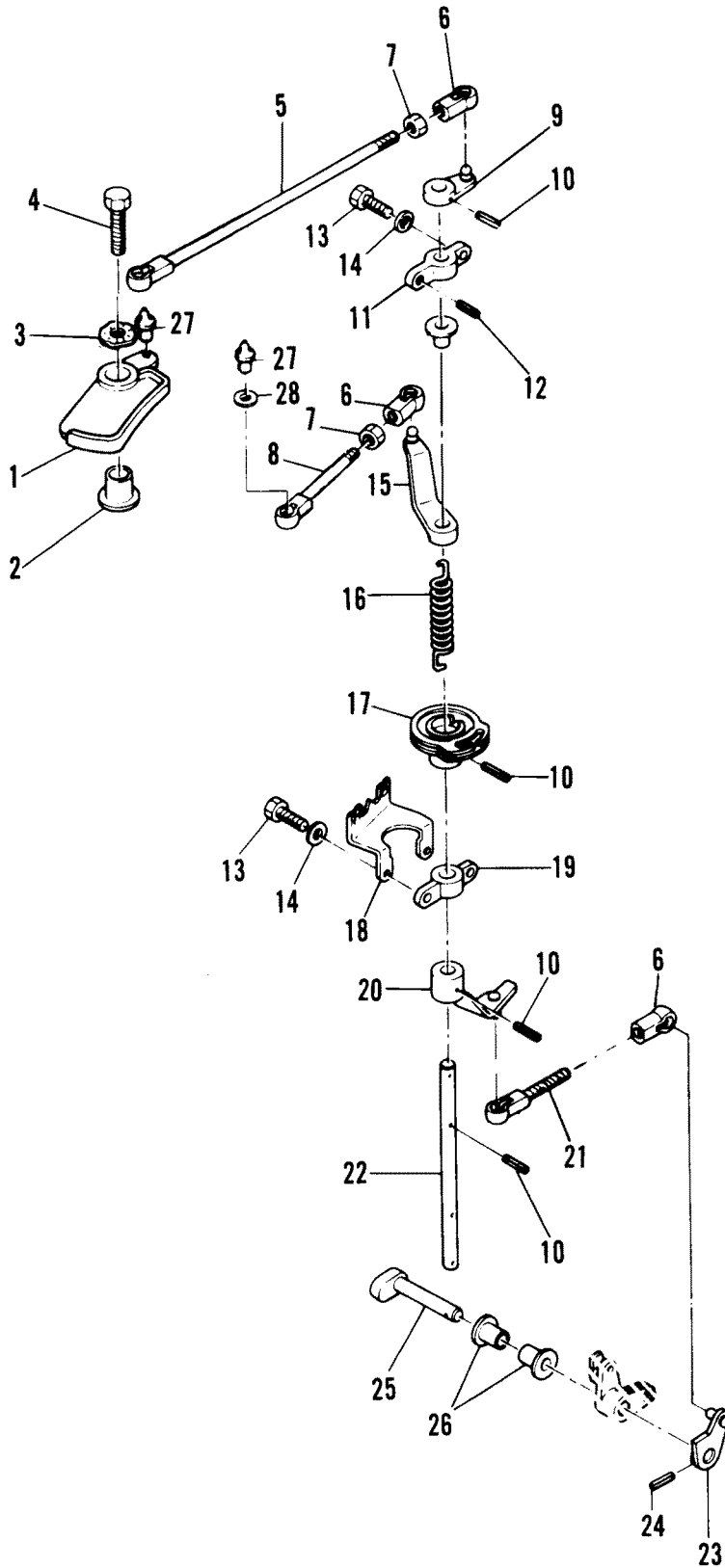
FUEL LINES AND FILTER



FUEL LINES AND FILTER

REF. NO.	PART NO.	SYM.	QTY.	DESCRIPTION
1	81041M		1	FUEL CONNECTOR
2	10-82423M		1	BOLT
3	13-82197M		2	WASHER, LOCK
4	32-84972M		1	HOSE SERIAL 00003831-09999999
	32-83619M		1	HOSE SERIAL 00000000-00003830
5	54-82047M		6	CLAMP
6	35-80617M		1	FILTER ASS'Y
7	27-82790M		1	GASKET
8	35-82783M		1	ELEMENT, FILTER
9	25-82792M		1	O-RING
10	82784M		1	CUP, FILTER
11	80620M		1	BRACKET, FILTER
12	10-84247M		1	BOLT
13	11-82382M		1	NUT
14	13-82200M		1	WASHER, LOCK
15	32-84973M		1	HOSE SERIAL 00003831-09999999
	32-83621M		1	HOSE SERIAL 00000000-00003830
16	32-83622M		1	HOSE
17	91-80277M		1	TOOL KIT ASS'Y

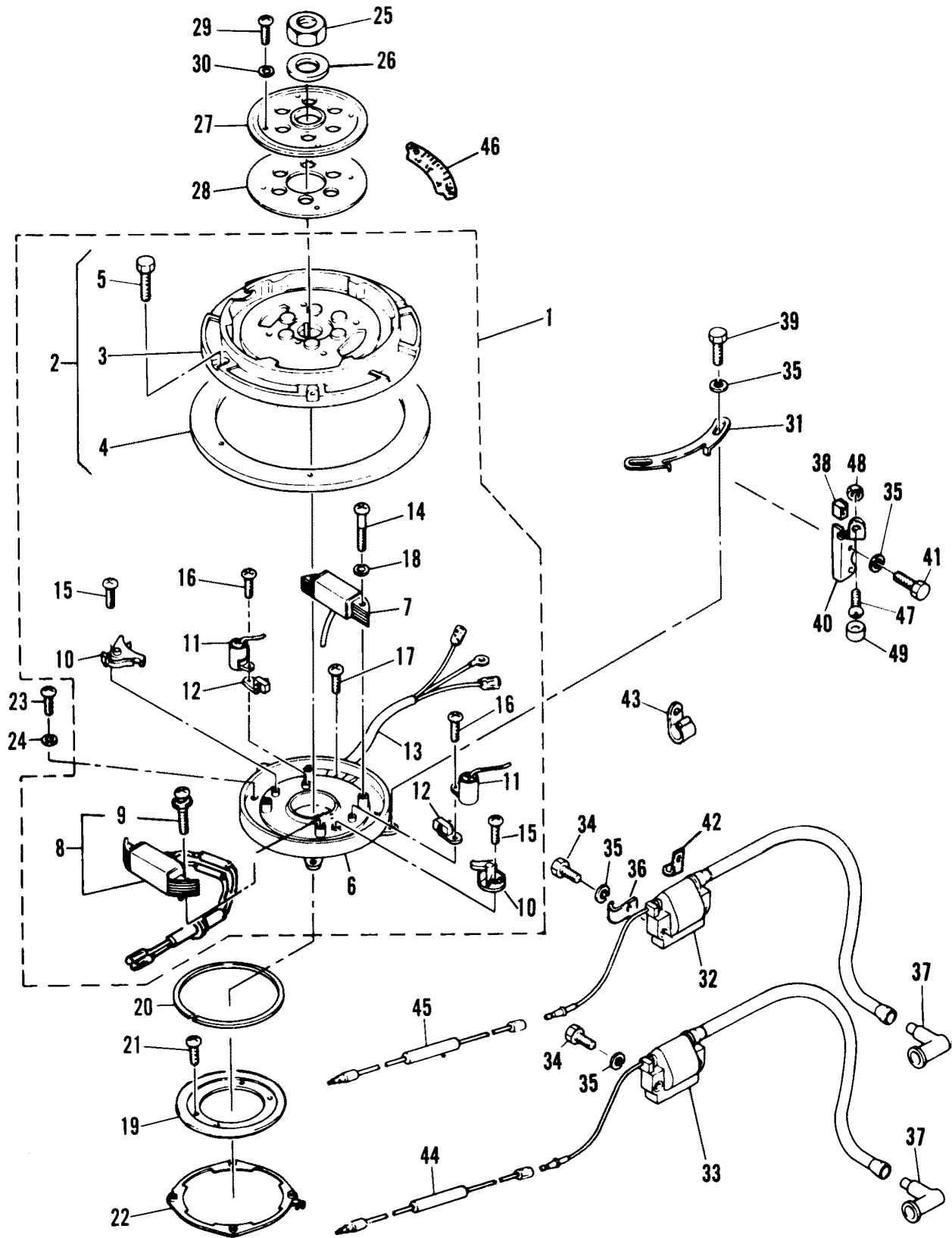
THROTTLE CONTROL



THROTTLE CONTROL

REF. NO.	PART NO.	SYM.	QTY.	DESCRIPTION
1	83917M		1	CAM SERIAL 00001991-09999999
	83543M		1	CAM SERIAL 00000000-00001999
2	12-84974M		1	WASHER SERIAL 00001991-09999999
	23-81946M		1	BUSHING SERIAL 00000000-00302259
3	13-81868M		1	WASHER
4	10-81713M		1	BOLT
5	M-92621M		1	LINK, ROD SERIAL 00001991-09999999
	83544M		1	LINK, ROD SERIAL 0A000000-0S001990
6	81225M		3	RETAINER, LINK ROD
7	11-82378M		2	NUT
8	83918M		1	LEVER, MAGNETO CONTROL SERIAL 00001991-09999999
	83545M		1	ROD, MAGNETO CONTROL SERIAL 0A000000-0S001999
9	83546M		1	LEVER, MAGNETO CONTROL
10	17-82149M		4	PIN, ROLL
11	83547M		1	BRACKET
12	17-82154M		1	PIN, ROLL
13	10-83539M		3	BOLT
14	13-82199M		3	WASHER
15	83548M		1	LEVER, MAGNETO CONTROL
16	24-83549M		1	SPRING
17	83919M		1	PULLEY SERIAL 00001991-09999999
	83550M		1	PULLEY SERIAL 0A000000-0S001990
18	83551M		1	BRACKET
19	83537M		1	BRACKET
20	83920M		1	LEVER, MAGNETO CONTROL SERIAL 00001991-09999999
	83553M		1	LEVER, MAGNETO CONTROL SERIAL 0A000000-0S001990
21	83921M		1	ROD SERIAL 00001991-09999999
	83554M		1	ROD SERIAL 0A000000-0S001999
22	83555M		1	SHAFT, LINK CONNECTING
23	83526M		1	LEVER, THROTTLE CONTROL
24	17-82158M		1	PIN, ROLL
25	83527M		1	SHAFT, THROTTLE CONTROL
26	23-81946M		2	BUSHING
27	84305M		2	LINK JOINT
28	12-82209M		1	WASHER

FLYWHEEL MAGNETO

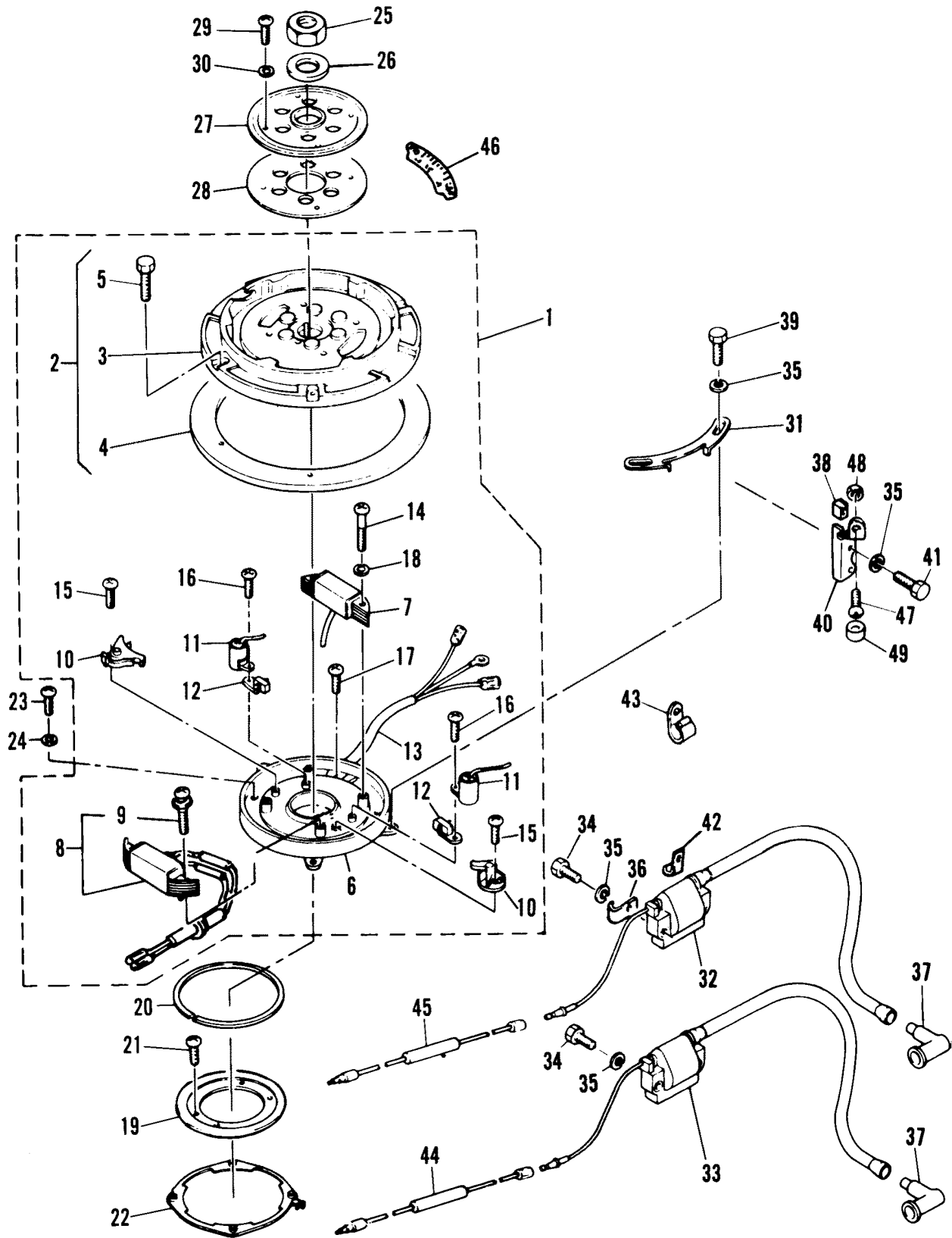


FLYWHEEL MAGNETO

REF. NO.	PART NO.	SYM.	QTY.	DESCRIPTION
1	253-6999M		1	FLYWHEEL MAGNETO ASS'Y (MANUAL START)
2	253-7100M		1	FLYWHEEL (W/O RING GEAR)
3	43-83556M		1	DRIVE, RING
4	83557M		1	WEIGHT RING
5	10-83558M		4	BOLT
6	83559M		1	BASE, MAGNETO
7	83560M		1	COIL, IGNITION
8	83561M		1	COIL, LIGHTING (OPTIONAL-80 WATT)
9	10-80557M		2	SCREW WITH WASHER
10	81021M		2	BREAKER ASS'Y
11	83562M		2	CONDENSER
12	80003M		2	LUBRICATOR
13	84-83563M		1	LEAD WIRE
14	10-83564M		2	SCREW
15	10-80001M		2	SCREW
16	10-80002M		2	SCREW
17	10-83565M		1	SCREW
18	13-82186M		2	WASHER, LOCK
19	83566M		1	RETAINER, MAGNETO BASE
20	83567M		1	RETAINER, MAGNETO BASE
21	10-83568M		4	SCREW
22	83569M		1	PLATE, BASE FRICTION
23	10-83570M		4	SCREW
24	13-82193M		4	WASHER, LOCK
25	11-81773M		1	NUT
26	12-81834M		1	WASHER
27	83571M		1	COVER
28	27-83572M		1	GASKET
29	10-83570M		4	SCREW
30	12-82196M		4	WASHER, LOCK
31	83922M		2	STOP, MAGNETO BASE SERIAL 00001991-09999999
	83574M		1	STOP, MAGNETO BASE SERIAL 0A000000-0S001990
32	83575M		1	IGNITION COIL (TOP CYLINDER)
33	83576M		1	IGNITION COIL (BOTTOM CYLINDER)
34	10-84237M		4	BOLT
35	13-82197M		8	WASHER
36	54-83577M		1	CLAMP
37	82788M		2	PLUG CAP
	80935M		2	PLUG CAP, NOISE SUPPRESSOR (OPT)
38	83578M		1	CAP
39	10-84315M		2	BOLT
40	83579M		1	STOP, MAGNETO BASE
41	10-84247M		2	BOLT

CONTINUED ON NEXT PAGE ➡

FLYWHEEL MAGNETO

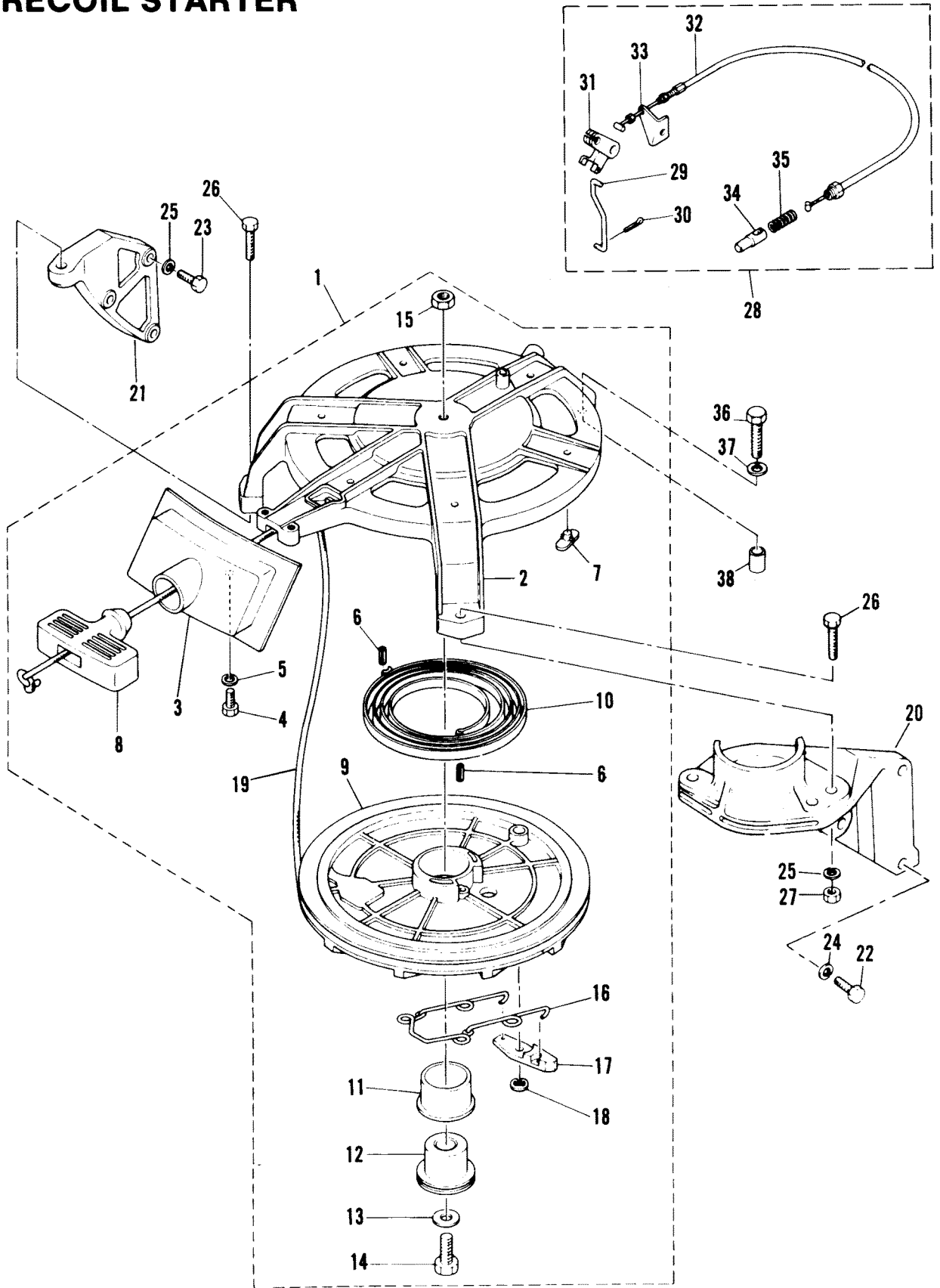


FLYWHEEL MAGNETO

REF. NO.	PART NO.	SYM.	QTY.	DESCRIPTION
42	54-83580M		2	CLAMP
43	54-82042M		2	CLAMP
44	83581M		1	DIODE (BOTTOM IGNITION COIL)
45	83582M		1	DIODE (TOP IGNITION COIL)
46	37-83925M		2	DECAL, TIMING SERIAL 00001991-09999999
47	10-83924M		1	SCREW SERIAL 00001991-09999999
48	11-82381M		1	NUT SERIAL 00001991-09999999
49	81415M		1	CAP SERIAL 00001991-09999999

RECOIL STARTER

RECOIL STARTER



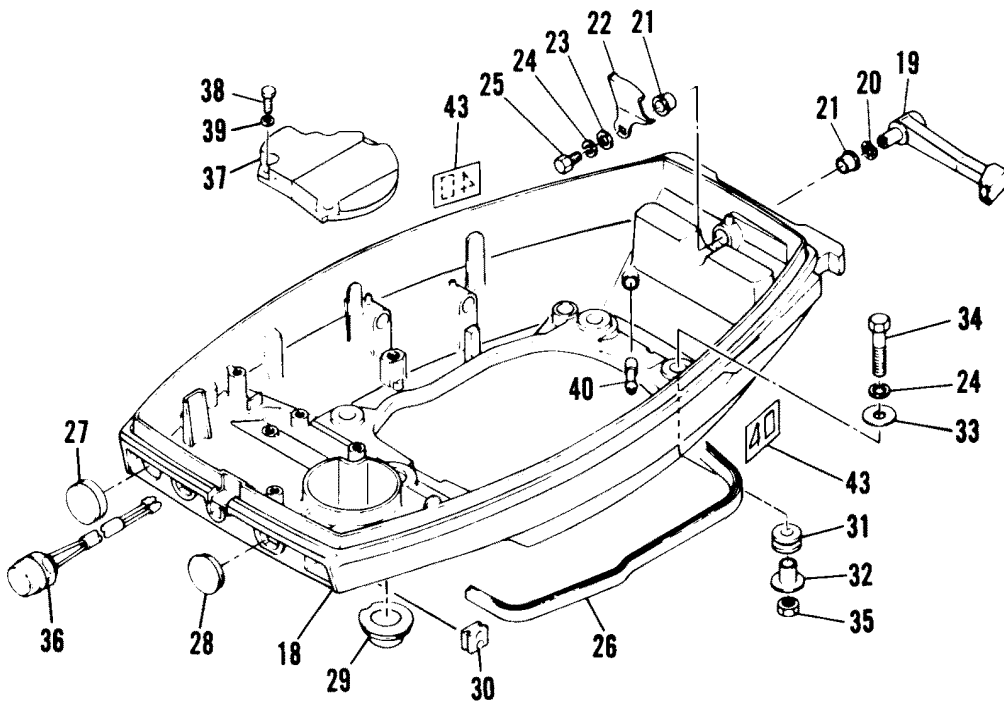
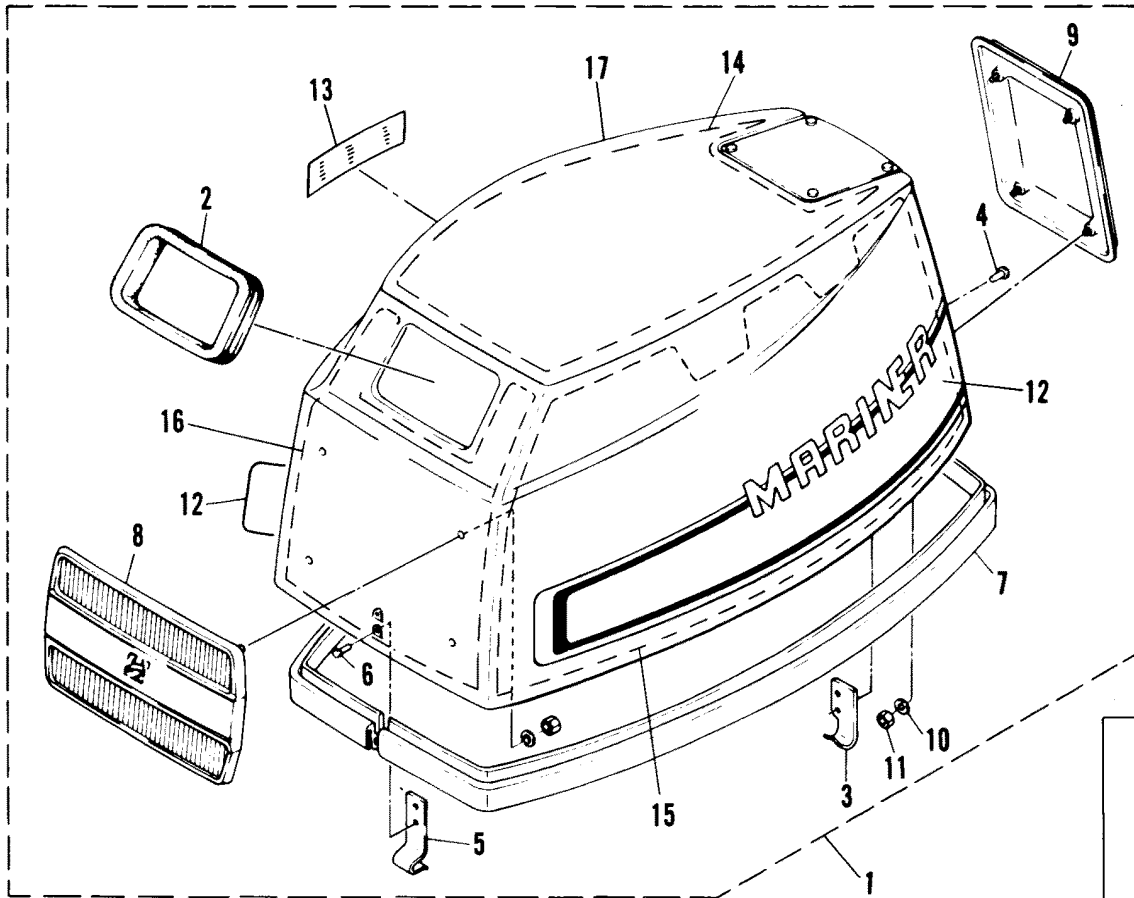
30

40A HP

RECOIL STARTER

REF. NO.	PART NO.	SYM.	QTY.	DESCRIPTION
1	2169-7101M		1	STARTER ASS'Y
2	2169-7102M		1	HOUSING STARTER
3	83583M		1	GUIDE, STARTER ROPE
4	10-84247M		2	BOLT
5	13-82197M		2	WASHER, LOCK
6	17-82157M		2	PIN, ROLL
7	23-83585M		6	BUSHING
8	80063M		1	HANDLE, STARTER
9	50-83587M		1	STARTER, SHEAVE
10	24-83588M		1	SPRING, STARTER
11	23-83589M		1	BUSHING
12	23-83590M		1	SPACER
13	12-81801M		1	WASHER
14	10-84342M		1	BOLT
15	11-82382M		1	NUT
16	24-83591M		1	SPRING DRIVE PAWL
17	84894M		1	PAWL, DRIVE
18	53-82331M		1	SNAP RING
19	79629A1		1	STARTER ROPE
20	83629M		1	BRACKET
21	83593M		1	BRACKET
22	10-82441M		4	BOLT
23	10-82405M		3	BOLT
24	13-82200M		4	WASHER, LOCK
25	13-82197M		5	WASHER, LOCK
26	10-84237M		2	BOLT
27	11-82380M		2	NUT
28	83594M		1	STARTER LOCKOUT ASS'Y
29	83595M		1	ROD
30	18-82125M		1	PIN, COTTER
31	83596M		1	LEVER
32	83597M		1	CABLE, STARTER STOP
33	83598M		1	BRACKET
34	81106M		1	PLUNGER, STARTER STOP
35	24-82079M		1	SPRING
36	10-84236M		1	BOLT
37	13-82200M		1	WASHER, LOCK
38	17-82162M		1	SPACER

COWLING

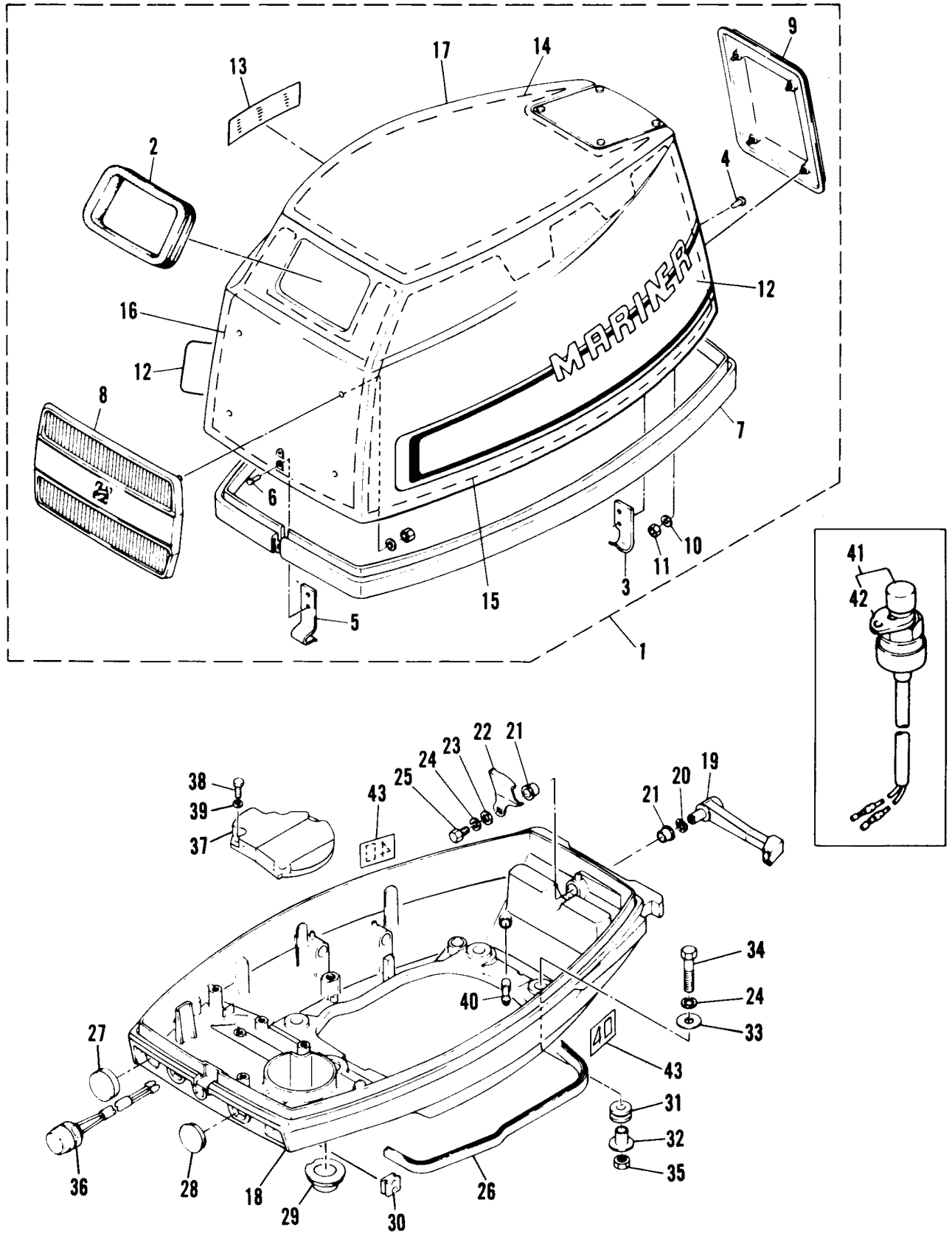


COWLING

REF. NO.	PART NO.	SYM.	QTY.	DESCRIPTION
1	2168-7103M		1	TOP COWLING ASS'Y
2	80601M		1	SEAL, RUBBER
3	83212M		1	BRACKET
4	17-83599M		2	RIVET
5	83137M		1	HOOK
6	17-83143M		2	RIVET
7	83600M		1	SEAL
8	83601M		1	EMBLEM, FRONT
9	83602M		1	EMBLEM, REAR
10	12-82196M		8	WASHER
11	11-82388M		8	NUT
12	37-82866M		1	DECAL, SIDE SET
13	37-81202M		1	DECAL, SHIFT
14	83926M		1	SOUND BLANKET
15	83927M		1	SOUND BLANKET, SIDE
16	83928M		1	SOUND BLANKET
17	83929M		1	SOUND BLANKET
18	2168-7104M		1	COWLING, BOTTOM
19	83605M		1	LEVER, CLAMP
20	13-81869M		1	WASHER, WAVE
21	23-81949M		2	BUSHING
22	81145M		1	LEVER, CLAMP
23	12-81794M		1	WASHER
24	13-82197M		1	WASHER, LOCK
25	10-84315M		1	BOLT
26	83606M		1	SEAL
27	25-81589M		1	GROMMET (MANUAL START)
28	25-83607M		1	GROMMET
29	25-83608M		1	GROMMET
30	25-83609M		1	GROMMET
31	25-82065M		4	GROMMET
32	23-83610M		4	BUSHING
33	12-81796M		4	WASHER
34	10-84237M		0	BOLT
35	11-83611M		4	NUT
36	87-83612M		1	STOP SWITCH (MANUAL START)
37	83613M		1	COVER
38	10-84247M		0	BOLT

CONTINUED ON NEXT PAGE ➡

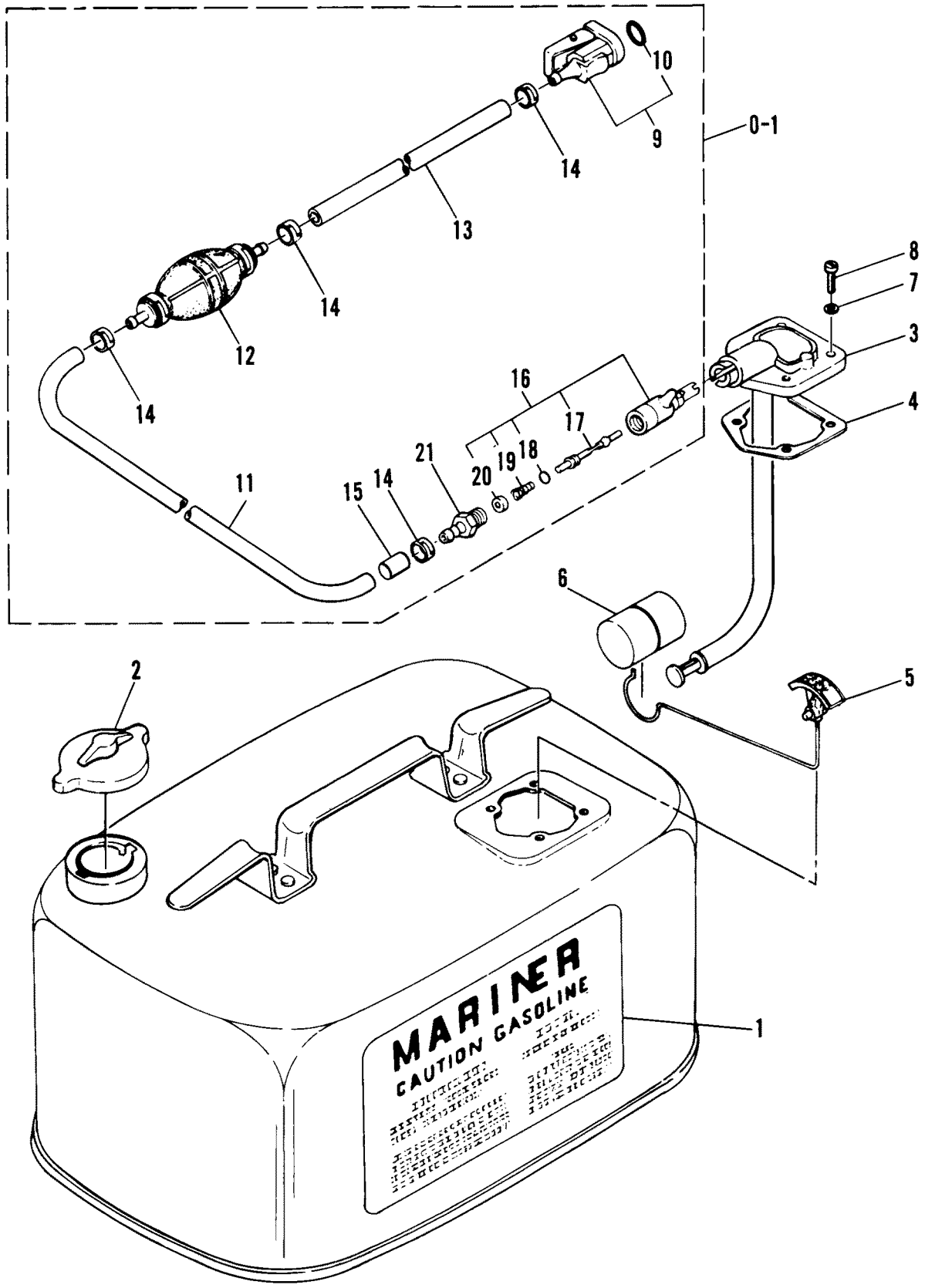
COWLING



COWLING

REF. NO.	PART NO.	SYM.	QTY.	DESCRIPTION
39	13-82199M		3	WASHER
40	22-83616M		1	FITTING
41	87-83615M		1	KILL SWITCH ASS'Y (OPTIONAL)
42	81531M		1	STOPPER (OPTIONAL)
43	37-83761M		2	DECLA, HP

FUEL TANK (ORIGINAL EQUIPMENT) 24 LITRE (6.3 GALLONS)



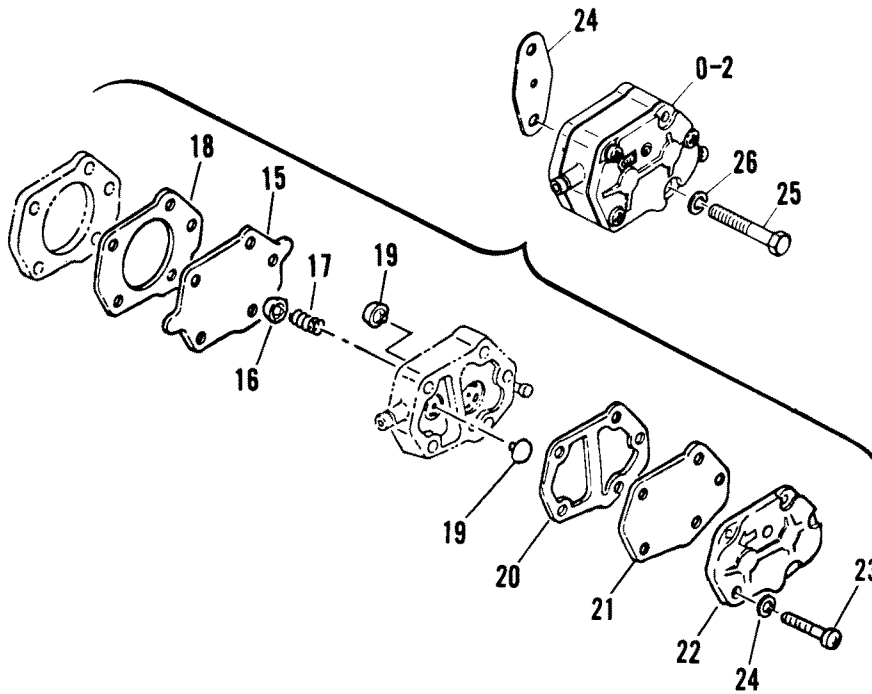
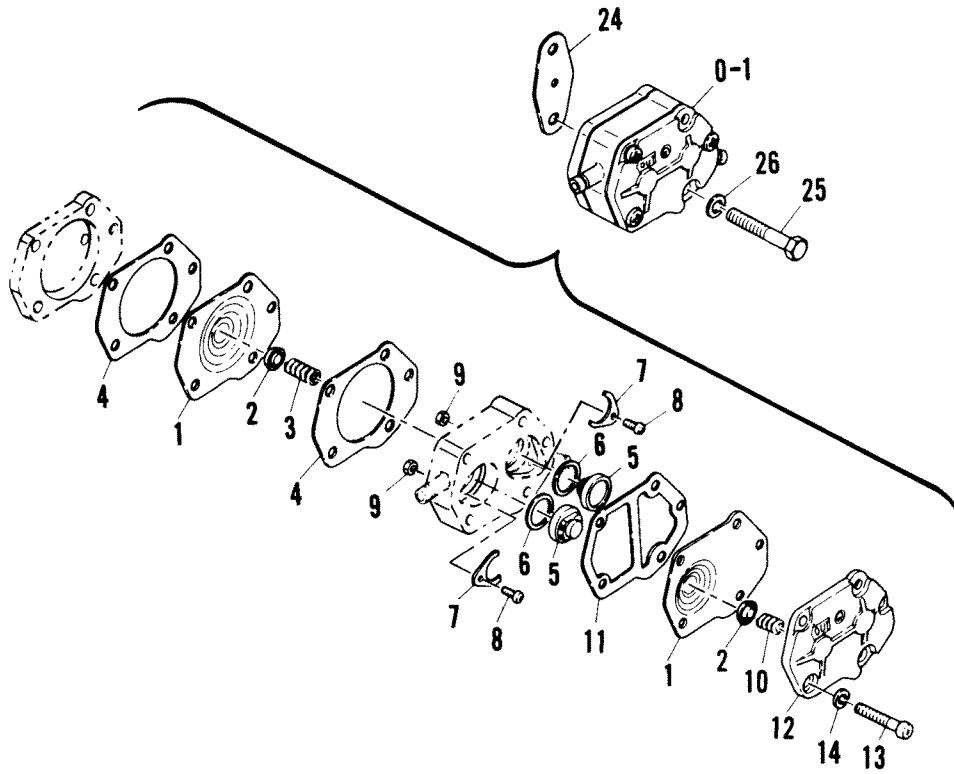
FUEL TANK (ORIGINAL EQUIPMENT) 24 LITRE (6.3 GALLONS)

REF. NO.	PART NO.	SYM.	QTY.	DESCRIPTION
1	37-82984M		2	DECAL, SIDE
2	36-83617M		1	FUEL TANK CAP
3	83618M		1	FUEL METER COMPLETE
4	27-81320M		1	GASKET, HOUSING TO TANK
5	81318M		1	INDICATOR, FUEL LEVEL
6	81319M		1	FLOAT, INDICATOR
7	12-80271M		4	WASHER, HOUSING SCREW
8	10-82496M		4	SCREW, HOUSING ATTACHING
0-1	32-83628M		1	FUEL LINE ASS'Y
9	22-81042M		1	FUEL CONNECTOR, ENGINE END
10	25-82789M		1	O-RING
11	32-84955M		1	HOSE, CONNECTOR HOUSING TO BULB
12	81325M		1	BULB, PRIMER
13	32-82023M		1	HOSE, BULB TO CONNECTOR
14	54-80752M		4	CLAMP, HOSE
15	23-81327M		1	COLLAR
16	30185A1		1	BAYONET BODY ASS'Y
17	30187		1	STEM, BAYONET BODY
18	25-20415		1	O-RING, BAYONET BODY STEM
19	24-30189		1	SPRING, BAYONET BODY STEM
20	30188		1	WASHER, CAP
21	22-63187		1	FITTING, FUEL LINE

FUEL TANK (REPLACEMENT ADDITIONAL) 22.7 LITRE (6.0 GALLONS)

REF. NO.	PART NO.	SYM.	QTY.	DESCRIPTION
0-1	1225-1529A21		1	FUEL TANK, COMPLETE (SEE NOTE)
1	1225-1529		1	FUEL TANK
2	37-75881		1	DECAL, FUEL TANK
3	36-25392A2		1	FILLER CAP ASSEMBLY
4	10-25575		1	SCREW, VENT-FILLER CAP
5	12-49221		1	WASHER, VENT SCREW
6	24-22227		1	SPRING, TENSION-VENT SCREW
7	11-28587		1	NUT, SPEED-SPRING RETAINER
8	27-25568		1	GASKET, FILLER CAP TO FUEL TANK
0-2	64841A1		1	CONNECTOR/GAUGE ASS'Y, COMPLETE
9	64841A3		1	COVER, FUEL TANK
10	32-33909A3		1	TUBE
11	54920A1		1	LENS ASSEMBLY, FUEL GAUGE
12	27-54921		1	GASKET, FUEL GAUGE LENS
13	28897A2		1	FUEL GAUGE ASSEMBLY, COMPLETE
14	20430		1	RETAINER, FUEL GAUGE
15	28897A1		1	INDICATOR AND FLOAT ASSEMBLY
16	20427		1	FLOAT, FUEL GAUGE
17	17-20426		1	RIVET, INDICATOR TO RETAINER
18	10-62568		2	SCREW, RETAINER TO FUEL TANK COVER
19	27-28862		1	GASKET, COVER ASSEMBLY TO FRAME
20	28860		1	FRAME, RETAINING-FUEL TANK COVER
21	53-28903		2	FASTENER, RETAINING FRAME TO FUEL TANK
22	10-20411		4	SCREW, FUEL TANK COVER TO FUEL TANK
23	12-74711		4	WASHER, FUEL TANK COVER FASTENING SCREW

FUEL PUMP



FUEL PUMP

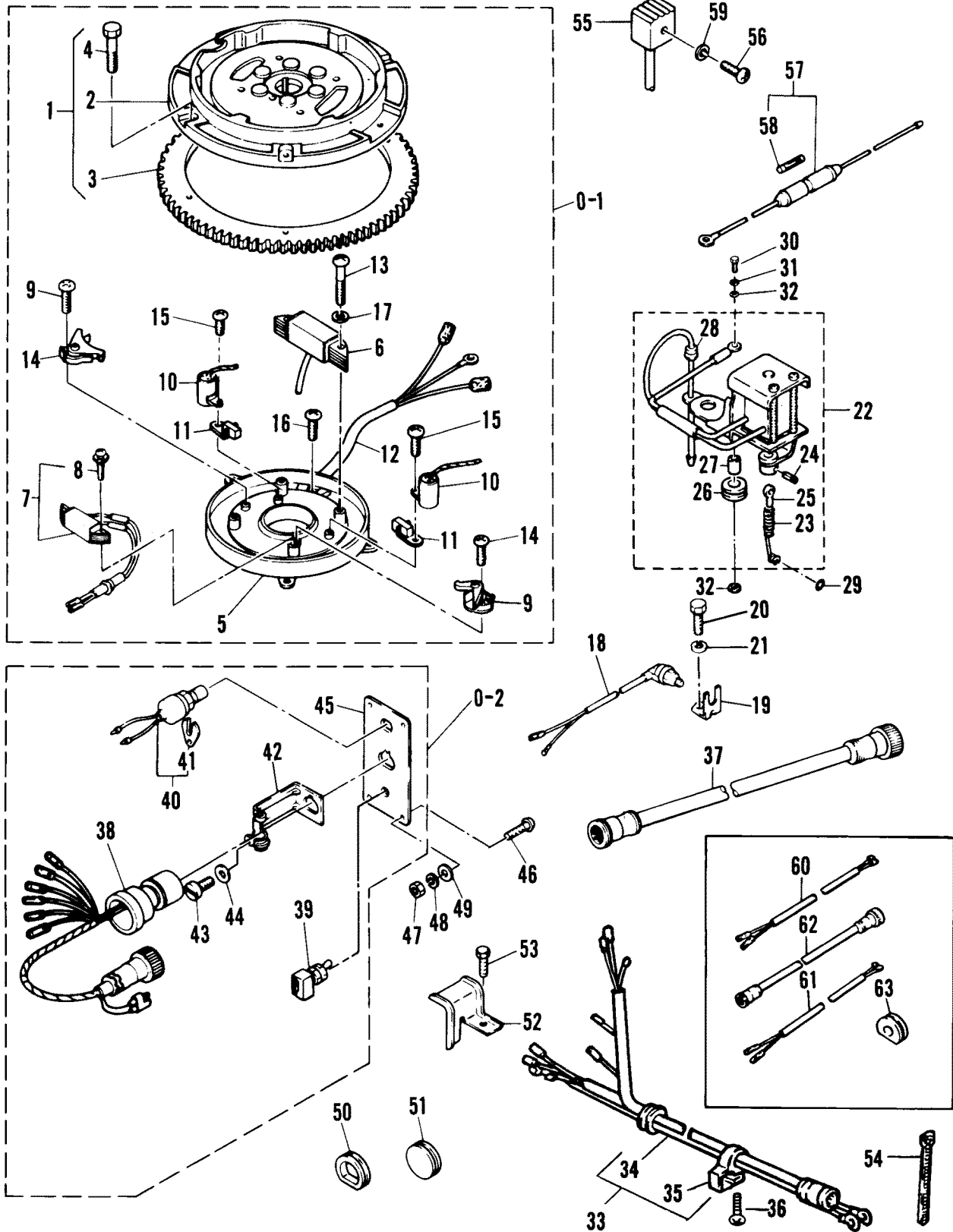
REF. NO.	PART NO.	SYM.	QTY.	DESCRIPTION
0-1	84139M		1	FUEL PUMP ASS'Y (S001990, L-302250, E-100355, EL-400940) AND
1	80606M		2	DIAPHRAGM, PUMP
2	80611M		2	PLATE, SPRING GUIDE
3	24-80610M		1	SPRING, PUMP DIAPHRAGM
4	27-80613M		2	GASKET
5	21-80608M		2	CHECK VALVE
6	27-80612M		2	GASKET
7	80609M		2	PLATE
8	10-82511M		2	SCREW
9	11-82537M		2	NUT
10	24-80615M		1	SPRING
11	27-80614M		1	GASKET
12	80607M		1	COVER, PUMP
13	10-82522M		3	SCREW
14	13-82208M		3	WASHER, LOCK
0-2	84651M		1	FUEL PUMP ASS'Y (S-001991, L-302251, E-100356, EL-400941) AN
15	80606M		1	DIAPHRAGM
16	80611M		1	PLATE, SPRING GUIDE
17	24-80610M		1	SPRING
18	27-80613M		1	GASKET
19	21-84650M		2	CHECK VALVE
20	27-80614M		1	GASKET
21	84141M		1	DIAPHRAGM
22	80607M		1	COVER
23	10-82522M		3	SCREW
	13-82208M		3	WASHER, LOCK
24	27-80757M		1	GASKET
25	10-82428M		2	BOLT
26	13-82199M		2	WASHER, LOCK
-	48-73138A4		1	PROP. ASSY (10-1/4" DIA.) (ALUMINUM) (14" PITCH) (3 BLADES)
-	48-73140A4		1	PROP. ASSY (10-1/8" DIA.) (ALUMINUM) (15" PITCH) (3 BLADES)
-	48-73144A4		1	PROP. ASSY (10" DIA.) (ALUMINUM) (17" PITCH) (3 BLADES)

ELECTRIC START

REF. NO.	PART NO.	SYM.	QTY.	DESCRIPTION
0-1	253-7106M		1	FLYWHEEL MAGNETO ASS'Y (ELECTRIC START)
1	253-7107M		1	FLYWHEEL ASS'Y
2	43-83556M		1	DRIVE, RING
3	43-80711M		1	GEAR, RING
4	10-83558M		4	BOLT
5	83559M		1	BASE, MAGNETO
6	83560M		1	COIL, IGNITION
7	83561M		1	COIL, BATTERY CHARGING
8	10-80557M		2	SCREW WITH WASHER
9	81021M		2	CONTRACT BREAKER
10	83562M		2	CONDENSER
11	80003M		2	LUBRICATOR
12	84-83563M		1	LEAD WIRE
13	10-83564M		2	SCREW
14	10-80001M		2	SCREW
15	10-80002M		2	SCREW
16	10-83565M		1	SCREW
17	13-82186M		4	WASHER, LOCK
18	87-83633M		1	NEUTRAL START SWITCH
19	83634M		1	BRACKET
20	10-84247M		1	BOLT
21	13-82197M		1	WASHER, LOCK
22	83636M		1	SOLENOID COIL
23	84-83637M		1	WIRE, SPOOL
24	17-82145M		1	PIN, ROLL
25	81553M		1	HOOK, WIRE PULL
26	25-83638M		2	GROMMET
27	23-83639M		2	COLLAR
28	25-80726M		1	GROMMET
29	25-82258M		1	O-RING
30	10-82419M		2	BOLT
31	13-82193M		2	WASHER, LOCK
32	12-83640M		4	WASHER
33	84-83641M		1	WIRE HARNESS ASS'Y
34	84-83644M		1	WIRE ASS'Y
35	82039M		1	CLAMP
36	10-81759M		1	SCREW
37	84-83643M		1	WIRE HARNESS-SWITCH PANEL TO ENGINE (5M)
0-2	82993M		1	SWITCH PANEL ASS'Y
38	87-82994M		1	MAIN SWITCH
39	87-81534M		1	SWITCH, CHOKE
40	87-82689M		1	KILL SWITCH ASS'Y
41	81531M		1	STOPPER

CONTINUED ON NEXT PAGE ➡

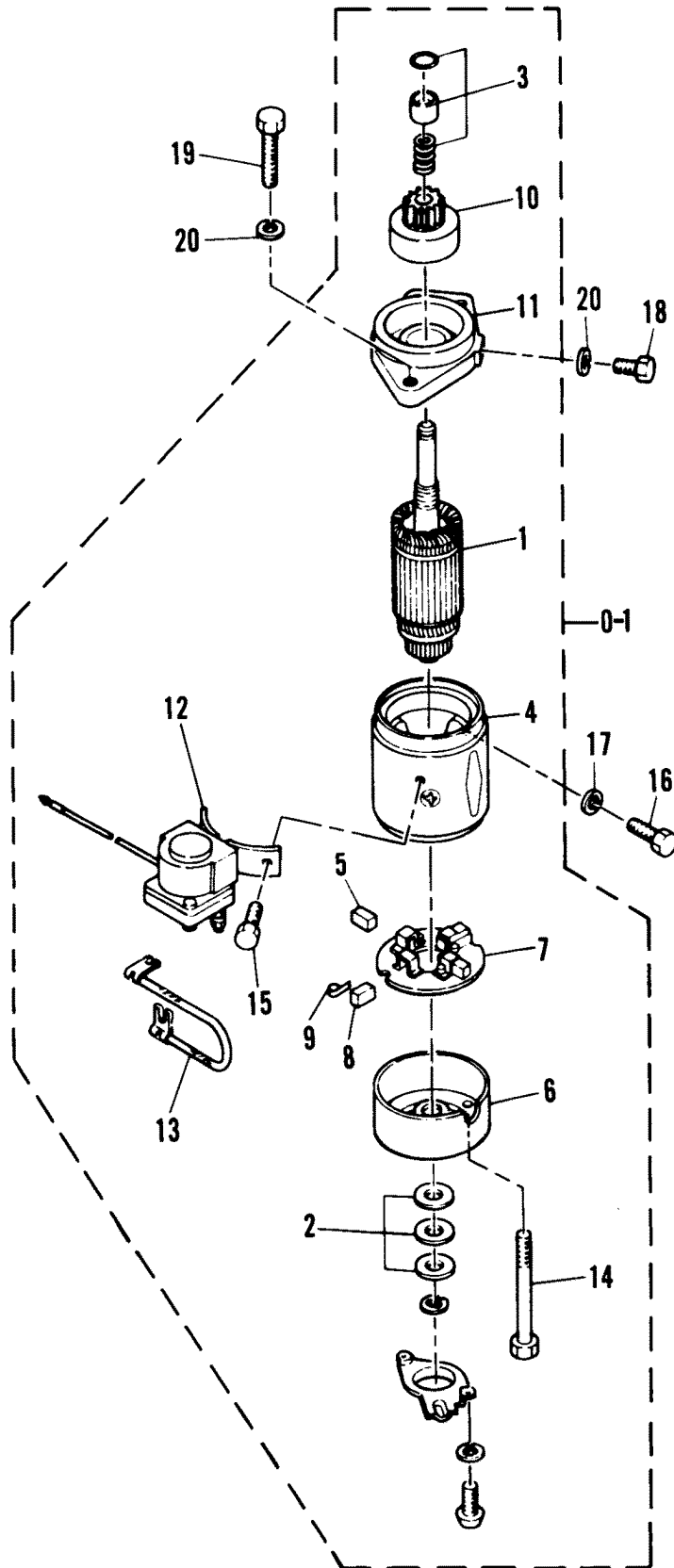
ELECTRIC START



ELECTRIC START

REF. NO.	PART NO.	SYM.	QTY.	DESCRIPTION
42	81537M		1	STAY, CORD CALMP
43	10-82487M		1	SCREW
44	13-82184M		1	WASHER, LOCK
45	81533M		1	SWITCH PANEL
46	10-80164M		4	SCREW
47	11-82377M		4	NUT
48	13-82184M		4	WASHER, LOCK
49	12-82799M		4	WASHER
50	25-81590M		1	GROMMET
51	82066M		1	GROMMET
52	83649M		1	CLAMP, HARNESS
53	10-82420M		1	BOLT
54	81541M		1	STA-STRAP
55	81652M		1	RECTIFIER
56	10-83108M		1	SCREW
57	88-81655M		1	FUSE HOLDER ASS'Y
58	88-81522M		1	FUSE
59	13-82193M		1	WASHER, LOCK
60	84-83642M		1	LEAD EXTENSION, BATTERY (5M)
61	84-83645M		1	LEAD EXTENSION, BATTERY (2M)
62	84-81538M		1	WIRE HARNESS EXTENSION (2M)
63	25-84975M		1	GROMMET

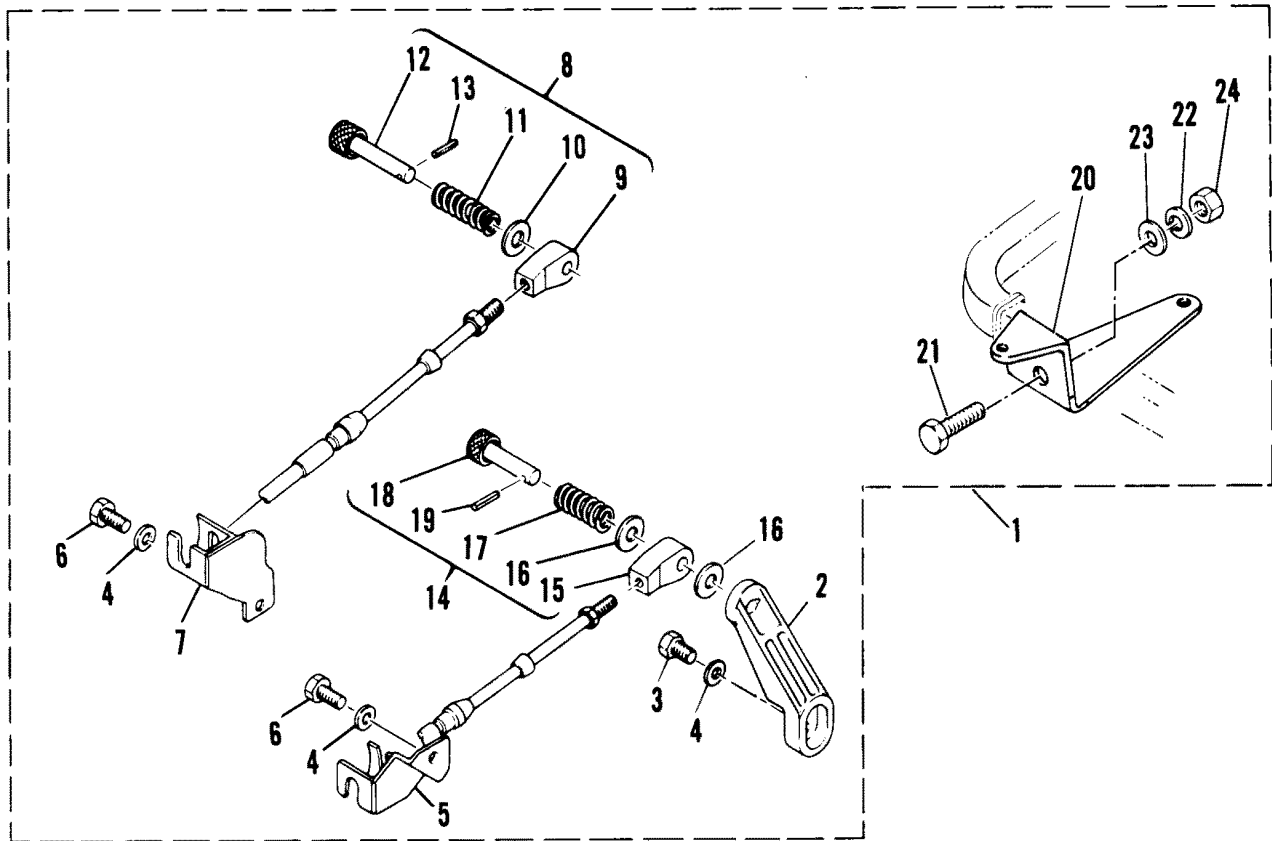
ELECTRIC START MOTOR



ELECTRIC START MOTOR

REF. NO.	PART NO.	SYM.	QTY.	DESCRIPTION
0-1	50-81490M		1	ELECTRIC MOTOR ASS'Y
1	83651M		1	ARMATURE
2	12-83652M		1	WASHER KIT
3	81505M		1	STOP RING KIT
4	81493M		1	STATOR
5	81494M		2	BRUSH
6	81499M		1	REAR COVER
7	81507M		1	BRUSH HOLDER
8	81495M		2	BRUSH
9	24-81496M		4	SPRING, BRUSH
10	81504M		1	GEAR
11	83654M		1	FRONT BRACKET
12	89-81513M		1	SOLENOID
13	81497M		1	WIRE, LEAD
14	10-81500M		1	BOLT
15	10-82420M		2	BOLT
16	10-82436M		1	BOLT
17	13-82215M		1	WASHER, LOCK
18	10-84342M		1	BOLT
19	10-82441M		2	BOLT
20	13-82200M		3	WASHER, LOCK

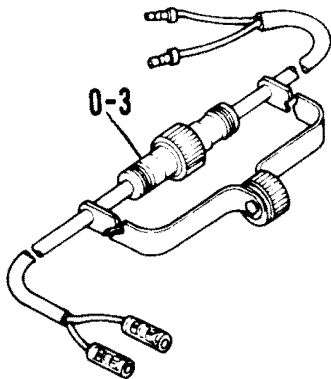
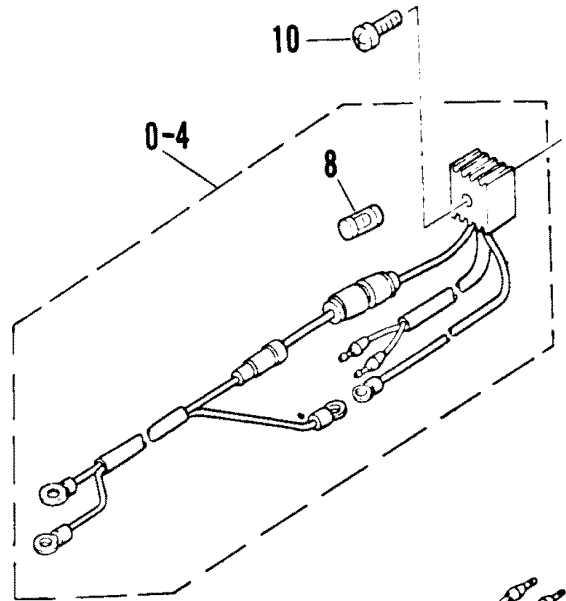
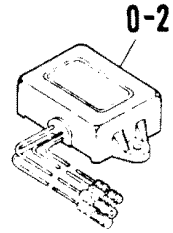
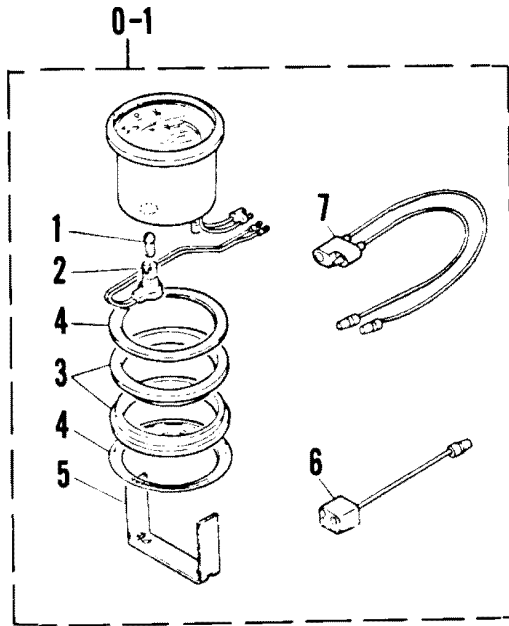
REMOTE CONTROL ATTACHMENT KIT



REMOTE CONTROL ATTACHMENT KIT

REF. NO.	PART NO.	SYM.	QTY.	DESCRIPTION
1	83635M		1	REMOTE CONTROL ATTACHMENT KIT
2	83716M		1	THROTTLE LEVER
3	10-82448M		1	BOLT
4	13-82212M		3	WASHER, LOCK
5	83717M		1	BRACKET, THROTTLE CABLE
6	10-83395M		2	BOLT
7	83718M		1	BRACKET, SHIFT CABLE
8	83719M		1	SHIFT CABLE END ASS'Y
9	83720M		1	CABLE END
10	12-82216M		1	WASHER
11	24-83721M		1	SPRING
12	17-83722M		1	HOOK, CABLE
13	17-82146M		1	PIN, ROLL
14	83723M		1	THROTTLE CABLE END ASS'Y
15	83724M		1	CABLE END
16	12-82216M		1	WASHER
17	24-83725M		1	SPRING
18	17-83726M		1	HOOK, CABLE
19	17-82146M		1	PIN, ROLL
20	83698M		1	BRACKET, MECHANICAL STEERING
21	10-82474M		1	BOLT
22	13-82218M		1	WASHER, LOCK
23	12-82220M		1	WASHER
24	11-82395M		1	NUT

OPTIONAL PARTS



OPTIONAL PARTS

REF. NO.	PART NO.	SYM.	QTY.	DESCRIPTION
0-1	79-84311M		1	TACHOMETER KIT
1	88-80007M		1	BULB
2	84348M		1	SOCKET, METER
3	84349M		2	DAMPER
4	12-84350M		2	WASHER
5	84351M		1	PLATE
6	84-84353M		2	CONNECTOR
7	84-84352M		1	WIRE LEAD
0-2	84125M		1	VOLTAGE REGULTOR
0-3	84-80052M		1	CONNECTOR ASS'Y
0-4	84329M		1	RECTIFIER ASS'Y
8	88-81522M		1	FUSE
9	84-84470M		1	WIRE LEAD EXTENSION
10	10-82492M		1	SCREW

PARTS INDEX

Part Number	Description	Pg.	Ref. No.	Part Number	Description	Pg.	Ref. No.
20427	FLOAT, FUEL GAUGE	49	16	81497M	WIRE, LEAD	57	13
20430	RETAINER, FUEL GAUGE	49	14	81499M	REAR COVER	57	6
28860	FRAME, RETAINING-FUEL TANK COVER	49	20	81504M	GEAR	57	10
28897A1	INDICATOR AND FLOAT ASSEMBLY	49	15	81505M	STOP RING KIT	57	3
28897A2	FUEL GAUGE ASSEMBLY, COMPLETE	49	13	81507M	BRUSH HOLDER	57	7
30185A1	BAYONET BODY ASS'Y	47	16	81531M	STOPPER	53	41
30187	STEM, BAYONET BODY	47	17	81531M	STOPPER (OPTIONAL)	45	42
30188	WASHER, CAP	47	20	81533M	SWITCH PANEL	55	45
54920A1	LENS ASSEMBLY, FUEL GAUGE	49	11	81537M	STAY, CORD CALMP	55	42
64841A1	CONNECTOR/GAUGE ASS'Y, COMPLETE	49	0-2	81541M	STA-STRAP	55	54
64841A3	COVER, FUEL TANK	49	9	81553M	HOOK, WIRE PULL	53	25
79629A1	STARTER ROPE	41	19	81578M	KNOB, CHOKE	11	22
80003M	LUBRICATOR	37	12	81585M	GRIP, STEERING HANDLE	29	7
80033M	LUBRICATOR	53	11	81652M	RECTIFIER	55	55
80063M	HANDLE, STARTER	41	8	82039M	CLAMP	53	35
80509M	RUBBER, HANDLE	29	8	82063M	GROMMET	11	23
80601M	SEAL, RUBBER	43	2	82066M	GROMMET	55	51
80606M	DIAPHRAGM	51	15	82348M	BALL, STEEL	31	6
80606M	DIAPHRAGM, PUMP	51	1	82784M	CUP, FILTER	33	10
80607M	COVER	51	22	82788M	PLUG CAP	37	37
80607M	COVER, PUMP	51	12	82881M	BOOT, SHIFT ROD	19	61
80609M	PLATE	51	7	82882M	RETAINER	19	64
80611M	PLATE, SPRING GUIDE	51	16	82895M	PIECE, FRICTION	29	37
80611M	PLATE, SPRING GUIDE	51	2	82993M	SWITCH PANEL ASS'Y	53	0-2
80620M	BRACKET, FILTER	33	11	83137M	HOOK	43	5
80633M	PIECE, FRICTION	25	56	83212M	BRACKET	43	3
80652M	CONNECTOR, SHIFT ROD	21	77	83330M	ANODE	3	19
80935M	PLUG CAP, NOISE SUPPRESSOR (OPT)	37	37	83331M	BRACKET, ENGINE	3	21
81021M	BREAKER ASS'Y	37	10	83333M	COVER, CYLINDER HEAD	3	28
81021M	CONTRACT BREAKER	53	9	83335M	COVER THERMOSTAT	3	33
81041M	FUEL CONNECTOR	33	1	83337M	INNER COVER, EXHAUST	3	37
81098M	THERMOSTAT	3	32	83339M	OUTER COVER, EXHAUST	3	39
81106M	PLUNGER, STARTER STOP	41	34	83346M	HOUSING, OIL SEAL	7	16
81145M	LEVER, CLAMP	43	22	83350M	COVER	11	1
81191M	RETAINER, CHOKE LEVER	11	19	83353M	MANIFOLD, INTAKE	11	7
81225M	RETAINER, LINK ROD	35	6	83354M	MANIFOLD, INTAKE	11	12
81267M	VALVE, PRESSURE CONTROL	5	44	83358M	ROD, CHOKE LINK	11	18
81318M	INDICATOR, FUEL LEVEL	47	5	83359M	LEVER, HOKE	11	20
81319M	FLOAT, INDICATOR	47	6	83361M	FLOAT BOWL	13	1
81325M	BULB, PRIMER	47	12	83363M	FLOAT	13	3
81382M	HANDLE, TRANSOM CLAMP	25	41	83364M	INLET NEEDLE & SEAT	13	4
81387M	STUD, CLAMP BRACKET	23	8	83366M	NOZZLE, MAIN	13	8
81388M	CAP	23	9	83367M	JET, MAIN (# 155)	13	9
81395M	COVER	25	45	83368M	JET, SLOW (#75)	13	10
81415M	CAP	39	49	83370M	COLLAR	13	12
81435M	MOUNT RUBBER, LOWER SIDE	27	19	83380M	EXHAUST TUBE	15	6
81439M	CAP, CREASE NIPPLE	23	3	83382M	PLATE	15	10
81474M	RING, CROSS PIN	19	48	83384M	SEAL	15	12
81475M	SLIDE, SHIFT	19	46	83386M	SEAL	15	15
81493M	STATOR	57	4	83387M	PLATE	15	16
81494M	BRUSH	57	5	83390M	GEARHOUSING, LOWER	17	4
81495M	BRUSH	57	8	83391M	SEAL, LOWER HOUSING	17	5
				83393M	COVER, WATER INLET	17	10
				83394M	ANODE	17	11
				83400M	FACE PLATE	17	21
				83403M	INSERT	17	28
				83409M	SLEEVE, DRIVE SHAFT	17	34
				83419M	CAM FOLLOWER	19	41
				83442M	CAP, LOWER CASING	19	57
				83445M	SHIFT CAM, SHORT SHAFT	19	62

PARTS INDEX

Part Number	Description	Pg.	Ref. No.	Part Number	Description	Pg.	Ref. No.
83446M	SHIFT CAM, LONG SHAFT	19	62	83548M	LEVER, MAGNETO CONTROL	35	15
83448M	FACE PLATE, (CHROME OPTIONAL)	21	68	83550M	PULLEY	35	17
83449M	INNER PLATE, (CHROME OPTIONAL)	21	70	83551M	BRACKET	35	18
83450M	INSERT, CARTRIDGE (CHROME OPTIONAL)	21	69	83553M	LEVER, MAGNETO CONTROL	35	20
83455M	STOP, TILT	23	10	83554M	ROD	35	21
83456M	STOP, TILT	23	11	83555M	SHAFT, LINK CONNECTING	35	22
83467M	LEVER, TILT	23	22	83557M	WEIGHT RING	37	4
83468M	ROD, LOCK	23	23	83559M	BASE, MAGNETO	37	6
83469M	TILT LEVER ASS'Y	23	24	83559M	BASE, MAGNETO	53	5
83471M	SPACER	23	26	83560M	COIL, IGNITION	37	7
83479M	TILT LOCK	25	39	83560M	COIL, IGNITION	53	6
83484M	SHAFT	25	48	83561M	COIL, BATTERY CHARGING	53	7
83491M	HOUSING, LOWER MOUNT RUBBER	25	59	83561M	COIL, LIGHTING (OPTIONAL-80 WATT)	37	8
83492M	HOUSING, LOWER MOUNT RUBBER	25	60	83562M	CONDENSER	37	11
83496M	DAMPER, UPPER MOUNT RUBBER	27	1	83562M	CONDENSER	53	10
83497M	BRACKET	27	2	83566M	RETAINER, MAGNETO BASE	37	19
83498M	COVER, UPPER MOUNT RUBBER	27	5	83567M	RETAINER, MAGNETO BASE	37	20
83499M	COVER, UPPER MOUNT RUBBER	27	6	83569M	PLATE, BASE FRICTION	37	22
83500M	MOUNT RUBBER, UPPER SIDE	27	7	83571M	COVER	37	27
83511M	DAMPER, LOWER MOUNT RUBBER	27	23	83574M	STOP, MAGNETO BASE	37	31
83512M	COVER, LOWER MOUNT	27	25	83575M	IGNITION COIL (TOP CYLINDER)	37	32
83513M	BRACKET, STEERING	29	1	83576M	IGNITION COIL (BOTTOM CYLINDER)	37	33
83514M	HANDLE, STEERING	29	6	83578M	CAP	37	38
83515M	INDICATOR, THROTTLE	29	9	83579M	STOP, MAGNETO BASE	37	40
83516M	SHAFT, STEERING HANDLE	29	15	83581M	DIODE (BOTTOM IGNITION COIL)	39	44
83517M	BRACKET	29	16	83582M	DIODE (TOP IGNITION COIL)	39	45
83519M	BUSHING	29	22	83583M	GUIDE, STARTER ROPE	41	3
83520M	THROTTLE WIRE COMPLETE	29	25	83593M	BRACKET	41	21
83521M	HOLDER WIRE	29	26	83594M	STARTER LOCKOUT ASS'Y	41	28
83522M	HOLDER, WIRE	29	27	83595M	ROD	41	29
83525M	CAP	29	36	83596M	LEVER	41	31
83526M	LEVER, THROTTLE CONTROL	35	23	83597M	CABLE, STARTER STOP	41	32
83527M	SHAFT, THROTTLE CONTROL	35	25	83598M	BRACKET	41	33
83528M	HANDLE, GEAR SHIFT	31	1	83600M	SEAL	43	7
83530M	CAM, PLATE HANDLE	31	3	83601M	EMBLEM, FRONT	43	8
83532M	ROD	31	8	83602M	EMBLEM, REAR	43	9
83534M	SHAFT	31	12	83605M	LEVER, CLAMP	43	19
83537M	BRACKET	31	14	83606M	SEAL	43	26
83537M	BRACKET	35	19	83613M	COVER	43	37
83538M	LEVER, SHIFT ROD	31	17	83618M	FUEL METER COMPLETE	47	3
83542M	ROD, SHIFT	31	21	83629M	BRACKET	41	20
83543M	CAM	35	1	83634M	BRACKET	53	19
83544M	LINK, ROD	35	5	83635M	REMOTE CONTROL ATTACHMENT KIT	59	1
83545M	ROD, MAGNETO CONTROL	35	8	83636M	SOLENOID COIL	53	22
83546M	LEVER, MAGNETO CONTROL	35	9	83649M	CLAMP, HARNESS	55	52
83547M	BRACKET	35	11	83651M	ARMATURE	57	1
				83654M	FRONT BRACKET	57	11
				83698M	BRACKET, MECHANICAL STEERING	59	20
				83716M	THROTTLE LEVER	59	2
				83717M	BRACKET, THROTTLE CABLE	59	5
				83718M	BRACKET, SHIFT CABLE	59	7

PARTS INDEX

Part Number	Description	Pg.	Ref. No.	Part Number	Description	Pg.	Ref. No.
83719M	SHIFT CABLE END ASS'Y ..	59	8	92619M	HOLDER, PIN	25	72
83720M	CABLE END	59	9	92620M	CAM, PLATE HANDLE	31	3
83723M	THROTTLE CABLE END ASS'Y	59	14	M-83464M	SHAFT	23	19
83724M	CABLE END	59	15	M-92621M	LINK, ROD	35	5
83871M	STEERING HANDLE ASS'Y ..	29	5	10-20411	SCREW, FUEL TANK COVER TO FUEL TANK	49	22
83887M	NOZZLE, MAIN	13	8	10-25575	SCREW, VENT-FILLER CAP	49	4
83888M	JET, SLOW (#55)	13	10	10-62568	SCREW, RETAINER TO FUEL TANK COVER	49	18
83890M	SEAL SUPPORT BRACKET ..	15	14	10-80001M	SCREW	37	15
83891M	EXTENSION (SUPER ULTRA LONG SHAFT) OPTIONAL	15	19	10-80001M	SCREW	53	14
83893M	DAMPER OPTIONAL	15	24	10-80002M	SCREW	37	16
83905M	BRACKET, TILT LOCK	23	33	10-80002M	SCREW	53	15
83906M	BRACKET, TILT LOCK	23	34	10-80164M	SCREW	55	46
83910M	MOUNT RUBBER, UPPER SIDE	27	7	10-80557M	SCREW WITH WASHER ...	37	9
83912M	CAP	27	11	10-80557M	SCREW WITH WASHER ...	53	8
83914M	MOUNT RUBBER, LOWER SIDE	27	19	10-81277M	SCREW, IDLE SPEED	13	23
83917M	CAM	35	1	10-81292M	SCREW, PLUG	13	20
83918M	LEVER, MAGNETO CONTROL	35	8	10-81500M	BOLT	57	14
83919M	PULLEY	35	17	10-81710M	BOLT	29	30
83920M	LEVER, MAGNETO CONTROL	35	20	10-81713M	BOLT	35	4
83921M	ROD	35	21	10-81715M	BOLT	7	14
83922M	STOP, MAGNETO BASE ...	37	31	10-81759M	SCREW	53	36
83926M	SOUND BLANKET	43	14	10-82168M	SCREW	3	20
83927M	SOUND BLANKET, SIDE ..	43	15	10-82405M	BOLT	3	40
83928M	SOUND BLANKET	43	16	10-82405M	BOLT	3	7
83929M	SOUND BLANKET	43	17	10-82405M	BOLT	41	23
84044M	STOPPER, TILT LOCK	23	31	10-82408M	BOLT	3	26
84125M	VOLTAGE REGULATOR	61	0-2	10-82419M	BOLT	53	30
84133M	POWERHEAD ASSY'S, COMPLETE (SEE NOTE) ..	5	47	10-82420M	BOLT	55	53
84139M	FUEL PUMP ASS'Y (S001990, L-302250, E-100355, EL-400940) AND ..	51	0-1	10-82420M	BOLT	57	15
84141M	DIAPHRAGM	51	21	10-82423M	BOLT	33	2
84186M	REPAIR KIT, WATER PUMP	21	79	10-82428M	BOLT	51	25
84305M	LINK JOINT	35	27	10-82436M	BOLT	57	16
84329M	RECTIFIER ASS'Y	61	0-4	10-82439M	BOLT	3	22
84348M	SOCKET, METER	61	2	10-82441M	BOLT	41	22
84349M	DAMPER	61	3	10-82441M	BOLT	57	19
84351M	PLATE	61	5	10-82448M	BOLT	59	3
84475M	REPAIR KIT, CARBURETOR (REPLACEMENT PART) ..	13	24	10-82450M	BOLT	11	10
84651M	FUEL PUMP ASS'Y (S-001991, L-302251, E-100356, EL-400941) AN ..	51	0-2	10-82452M	BOLT	15	13
84894M	PAWL, DRIVE	41	17	10-82452M	BOLT	29	17
84953M	COVER, CYLINDER HEAD ..	3	28	10-82452M	BOLT	29	38
84968M	STOP, TILT	23	10	10-82453M	BOLT	15	7
84969M	STOP, TILT	23	11	10-82453M	BOLT	27	3
92615M	SHIFT CAM, (SUPER ULTRA LONG SHAFT - OPTIONAL)	19	62	10-82464M	BOLT	25	54
92617M	COVER (SHORT SHAFT) OPTIONAL	15	27	10-82465M	BOLT	21	66
				10-82465M	BOLT	27	26
				10-82465M	BOLT	29	2
				10-82466M	BOLT	29	4
				10-82468M	BOLT	17	26
				10-82468M	BOLT	25	57
				10-82469M	BOLT	17	25
				10-82474M	BOLT	59	21
				10-82476M	BOLT	15	17
				10-82476M	BOLT	17	16
				10-82483M	SCREW	29	11
				10-82487M	SCREW	55	43
				10-82492M	SCREW	61	10
				10-82496M	SCREW, HOUSING ATTACHING	47	8

PARTS INDEX

Part Number	Description	Pg.	Ref. No.	Part Number	Description	Pg.	Ref. No.
10-82511M	SCREW	51	8	11-81786M	NUT, NYLON	29	35
10-82522M	SCREW	51	13	11-81787M	NUT, NYLON	23	7
10-82522M	SCREW	51	23	11-82377M	NUT	55	47
10-82938M	BOLT	19	63	11-82378M	NUT	13	15
10-83108M	SCREW	55	56	11-82378M	NUT	35	7
10-83327M	BOLT	3	9	11-82380M	NUT	11	6
10-83351M	SCREW	11	2	11-82380M	NUT	31	20
10-83356M	SCREW	11	14	11-82380M	NUT	41	27
10-83371M	SCREW WITH WASHER	13	13	11-82381M	NUT	39	48
10-83373M	SCREW WITH WASHER	13	16	11-82382M	NUT	33	13
10-83374M	SCREW	13	17	11-82382M	NUT	41	15
10-83375M	SCREW, PLUG	13	18	11-82388M	NUT	43	11
10-83377M	SCREW, IDLE MIXTURE	13	22	11-82389M	NUT	27	4
10-83392M	SCREW	17	8	11-82389M	NUT	29	23
10-83395M	BOLT	17	12	11-82392M	NUT	23	29
10-83395M	BOLT	59	6	11-82394M	NUT	25	71
10-83466M	SCREW	23	21	11-82395M	NUT	59	24
10-83481M	SCREW, TRANSOM CLAMP	25	43	11-82397M	NUT, CROWN	25	61
10-83501M	BOLT	27	8	11-82400M	NUT	27	15
10-83506M	BOLT	27	14	11-82537M	NUT	51	9
10-83509M	SCREW	27	18	11-83056M	NUT	29	39
10-83510M	BOLT	27	22	11-83453M	NUT, PROPELLER	21	75
10-83523M	SCREW	29	28	11-83508M	NUT	27	17
10-83539M	BOLT	3	30	11-83611M	NUT	43	35
10-83539M	BOLT	31	15	11-84295M	NUT, NYLON	27	10
10-83539M	BOLT	31	18	12-49221	WASHER, VENT SCREW	49	5
10-83539M	BOLT	35	13	12-74711	WASHER, FUEL TANK COVER FASTENING		
10-83558M	BOLT	37	5		SCREW	49	23
10-83558M	BOLT	53	4	12-80271M	WASHER, HOUSING SCREW	47	7
10-83564M	SCREW	37	14	12-80564M	WASHER	3	27
10-83564M	SCREW	53	13	12-80638M	WASHER, TRANSOM SCREW	25	44
10-83565M	SCREW	37	17	12-81792M	WASHER	3	8
10-83565M	SCREW	53	16	12-81794M	WASHER	43	23
10-83568M	SCREW	37	21	12-81796M	WASHER	43	33
10-83570M	SCREW	37	23	12-81801M	WASHER	41	13
10-83570M	SCREW	37	29	12-81807M	WASHER	3	10
10-83889M	SCREW, IDLE MIXTURE	13	22	12-81811M	WASHER	25	62
10-83924M	SCREW	39	47	12-81812M	WASHER	25	70
10-84056M	BOLT	15	4	12-81815M	WASHER	29	33
10-84236M	BOLT	41	36	12-81831M	WASHER	7	12
10-84237M	BOLT	3	35	12-81834M	WASHER	37	26
10-84237M	BOLT	37	34	12-81836M	WASHER	23	6
10-84237M	BOLT	41	26	12-81852M	WASHER	21	72
10-84237M	BOLT	43	34	12-81853M	WASHER	29	32
10-84247M	BOLT	9	21	12-81860M	WASHER	27	20
10-84247M	BOLT	33	12	12-82195M	WASHER, LOCK	11	3
10-84247M	BOLT	37	41	12-82196M	WASHER	31	10
10-84247M	BOLT	41	4	12-82196M	WASHER	43	10
10-84247M	BOLT	43	38	12-82196M	WASHER, LOCK	37	30
10-84247M	BOLT	53	20	12-82204M	WASHER	29	12
10-84315M	BOLT	37	39	12-82209M	WASHER	35	28
10-84315M	BOLT	43	25	12-82214M	WASHER	9	22
10-84342M	BOLT	41	14	12-82214M	WASHER	17	13
10-84342M	BOLT	57	18	12-82214M	WASHER	29	18
10-84427M	BOLT (SUL) OPTIONAL	15	21	12-82216M	WASHER	59	10
10-84970M	BOLT	25	68	12-82216M	WASHER	59	16
11-28587	NUT, SPEED-SPRING RETAINER	49	7	12-82217M	WASHER	17	27
11-81767M	NUT	21	78	12-82217M	WASHER	25	53
11-81773M	NUT	37	25				

PARTS INDEX

Part Number	Description	Pg.	Ref. No.	Part Number	Description	Pg.	Ref. No.
12-82220M	WASHER	25	69	13-82212M	WASHER, LOCK	59	4
12-82220M	WASHER	59	23	13-82215M	WASHER	15	5
12-82799M	WASHER	55	49	13-82215M	WASHER	21	67
12-83372M	WASHER	13	14	13-82215M	WASHER	25	58
12-83376M	WASHER	13	19	13-82215M	WASHER	27	27
12-83407M	TRHUST WASHER, DRIVE SHAFT	17	32	13-82215M	WASHER (SUL) OPTIONAL	15	22
12-83430M	WASHER	19	51	13-82215M	WASHER, LOCK	23	28
12-83447M	WASHER, WAVE	19	65	13-82215M	WASHER, LOCK	29	3
12-83458M	WASHER	23	13	13-82215M	WASHER, LOCK	57	17
12-83462M	WASHER	23	17	13-82218M	WASHER, LOCK	59	22
12-83482M	WASHER	25	46	13-83457M	WASHER, WAVE	23	12
12-83487M	WASHER	25	51	15-83412M	SHIM, PINION GEAR ADJUST (0.70 MM)	17	37
12-83493M	WASHER	25	64	15-83413M	SHIM, PINION GEAR ADJUST (0.75 MM)	17	37
12-83504M	WASHER	27	12	15-83414M	SHIM, PINION GEAR ADJUST (0.80 MM)	17	37
12-83524M	WASHER	29	31	15-83415M	SHIM, PINION GEAR ADJUST (0.85 MM)	19	37
12-83533M	WASHER	31	9	15-83421M	SHIM, FORWARD GEAR ADJUST (0.7 MM)	19	43
12-83640M	WASHER	53	32	15-83422M	SHIM, FORWARD GEAR ADJUST (0.8 MM)	19	43
12-83652M	WASHER KIT	57	2	15-83423M	SHIM, FORWARD GEAR ADJUST (0.9 MM)	19	43
12-83911M	WASHER	27	9	15-83424M	SHIM, FORWARD GEAR ADJUST (1.0 MM)	19	43
12-83915M	WASHER	27	21	15-83425M	SHIM, FORWARD GEAR ADJUST (1.1 MM)	19	43
12-84350M	WASHER	61	4	15-83426M	SHIM, FORWARD GEAR ADJUST (1.2 MM)	19	43
12-84429M	WASHER	27	24	15-83432M	SHIM, REVERSE GEAR ADJUST (1.8 MM)	19	53
12-84974M	WASHER	35	2	15-83433M	SHIM, REVERSE GEAR ADJUST (1.9 MM)	19	53
13-81865M	WASHER, WAVE	11	25	15-83434M	SHIM, REVERSE GEAR ADJUST (2.0 MM)	19	53
13-81868M	WASHER	35	3	15-83435M	SHIM, REVERSE GEAR ADJUST (2.1 MM)	19	53
13-81869M	WASHER, WAVE	43	20	15-83436M	SHIM, REVERSE GEAR ADJUST (2.2 MM)	19	53
13-81870M	WASHER, WAVE	29	34	15-83437M	SHIM, REVERSE GEAR ADJUST (2.3 MM)	19	53
13-82184M	WASHER, LOCK	55	44	15-83438M	SHIM, REVERSE GEAR ADJUST (2.4 MM)	19	53
13-82184M	WASHER, LOCK	55	48	15-83439M	SHIM, REVERSE GEAR ADJUST (2.5 MM)	19	53
13-82186M	WASHER, LOCK	37	18	16-81728M	STUD	11	9
13-82186M	WASHER, LOCK	53	17	16-83472M	STUD	23	27
13-82193M	WASHER, LOCK	11	15	17-20426	RIVET, INDICATOR TO RETAINER	49	17
13-82193M	WASHER, LOCK	37	24	17-81258M	PIN, DOWEL	3	3
13-82193M	WASHER, LOCK	53	31	17-81698M	PIN, INLET NEEDLE	13	5
13-82193M	WASHER, LOCK	55	59	17-81880M	PIN	11	24
13-82197M	WASHER	11	11	17-81889M	PIN	25	42
13-82197M	WASHER	37	35	17-81903M	PIN, CROSS	19	47
13-82197M	WASHER, LOCK	11	5	17-81907M	RIVET	29	10
13-82197M	WASHER, LOCK	33	3	17-82145M	PIN, ROLL	23	32
13-82197M	WASHER, LOCK	41	25	17-82145M	PIN, ROLL	53	24
13-82197M	WASHER, LOCK	41	5	17-82146M	PIN, ROLL	59	13
13-82197M	WASHER, LOCK	43	24				
13-82197M	WASHER, LOCK	53	21				
13-82199M	WASHER	3	36				
13-82199M	WASHER	3	41				
13-82199M	WASHER	31	16				
13-82199M	WASHER	35	14				
13-82199M	WASHER	45	39				
13-82199M	WASHER, LOCK	51	26				
13-82199M	WSHER	3	31				
13-82200M	WASHER, LOCK	3	23				
13-82200M	WASHER, LOCK	33	14				
13-82200M	WASHER, LOCK	41	24				
13-82200M	WASHER, LOCK	41	37				
13-82200M	WASHER, LOCK	57	20				
13-82208M	WASHER, LOCK	51	14				
13-82208M	WASHER, LOCK	51	23				
13-82212M	WASHER, LOCK	15	8				
13-82212M	WASHER, LOCK	29	24				

PARTS INDEX

Part Number	Description	Pg.	Ref. No.	Part Number	Description	Pg.	Ref. No.
17-82146M	PIN, ROLL	59	19	23-81949M	BUSHING	43	21
17-82149M	PIN, ROLL	35	10	23-81950M	BUSHING	29	29
17-82151M	PIN, ROLL	29	20	23-83480M	SPACER	25	40
17-82154M	PIN, ROLL	35	12	23-83483M	BUSHING	25	47
17-82155M	PIN, ROLL	11	21	23-83485M	BUSHING	25	49
17-82157M	PIN, ROLL	41	6	23-83531M	BUSHING	31	5
17-82158M	PIN, ROLL	35	24	23-83585M	BUSHING	41	7
17-82162M	SPACER	41	38	23-83589M	BUSHING	41	11
17-82354M	PIN, DOWEL	17	23	23-83590M	SPACER	41	12
17-82356M	PIN, DOWEL	19	58	23-83610M	BUSHING	43	32
17-82364M	PIN, DOWEL	15	18	23-83639M	COLLAR	53	27
17-82364M	PIN, DOWEL (SUL)			23-83892M	BUSHING (SUL) OPTIONAL	15	23
	OPTIONAL	15	20	23-83894M	BUSHING OPTIONAL	15	25
17-82368M	PIN, DOWEL	3	6	24-22227	SPRING, TENSION-VENT		
17-82368M	PIN, DOWEL	25	63		SCREW	49	6
17-83143M	RIVET	43	6	24-30189	SPRING, BAYONET BODY		
17-83365M	PIN	13	6		STEM	47	19
17-83379M	PIN, DOWEL	15	3	24-80610M	SPRING	51	17
17-83443M	PIN, DRIVE	19	59	24-80610M	SPRING, PUMP DIAPHRAGM	51	3
17-83460M	PIN	23	15	24-80615M	SPRING	51	10
17-83463M	PIN	23	18	24-81496M	SPRING, BRUSH	57	9
17-83470M	PIN	23	25	24-82073M	SPRING	13	21
17-83477M	PIN	23	37	24-82079M	SPRING	41	35
17-83478M	PIN	25	38	24-82080M	SPRING	13	24
17-83495M	RIVET	25	66	24-82084M	SPRING, COMPRESSION	31	7
17-83529M	PIN, ROLL	31	2	24-82095M	SPRING	29	13
17-83536M	PIN, CLEVIS	31	13	24-83340M	SPRING	5	45
17-83540M	PIN, CLEVIS	31	19	24-83429M	SPRING, COMPRESSION	19	50
17-83599M	RIVET	43	4	24-83459M	SPRING, LEVER RETURN	23	14
17-83722M	HOOK, CABLE	59	12	24-83465M	SPRING	23	20
17-83726M	HOOK, CABLE	59	18	24-83476M	SPRING	23	35
17-83904M	TILT PIN ASS'Y	23	30	24-83488M	SPRING	25	52
18-82051M	CLIP	11	26	24-83494M	SPRING	25	65
18-82125M	PIN, COTTER	31	11	24-83549M	SPRING	35	16
18-82125M	PIN, COTTER	41	30	24-83588M	SPRING, STARTER	41	10
18-82752M	PIN, COTTER	23	36	24-83591M	SPRING DRIVE PAWL	41	16
18-83454M	PIN, COTTER	21	76	24-83721M	SPRING	59	11
21-80608M	CHECK VALVE	51	5	24-83725M	SPRING	59	17
21-80727M	CHECK VALVE	11	8	24-83909M	SPRING	25	67
21-80727M	CHECK VALVE ASS'Y	3	2	24-92616M	SPRING, LEVER RETURN	23	14
21-83329M	FITTING, DRAIN	3	16	25-20415	O-RING, BAYONET BODY		
21-84650M	CHECK VALVE	51	19		STEM	47	18
22-63187	FITTING, FUEL LINE	47	21	25-80726M	GROMMET	53	28
22-80122M	FITTING, WATER	3	4	25-81589M	GROMMET (MANUAL		
22-80218M	PLUG, FLUSH (OPTIONAL)	21	79		START)	43	27
22-81042M	FUEL CONNECTOR, ENGINE			25-81590M	GROMMET	55	50
	END	47	9	25-81989M	GASKET	21	73
22-81924M	PLUG	17	14	25-82065M	GROMMET	43	31
22-81924M	SCREW, DRAIN	17	6	25-82067M	GROMMET	5	43
22-81926M	PLUG	5	46	25-82258M	O-RING	53	29
22-82369M	NIPPLE, GREASE	23	2	25-82276M	O-RING	7	4
22-83326M	FITTING, WATER	3	5	25-82286M	O-RING	9	19
22-83369M	PLUG	13	11	25-82789M	O-RING	47	10
22-83389M	PLUG	17	3	25-82792M	O-RING	33	9
22-83616M	FITTING	45	40	25-83348M	O-RING	9	20
23-81327M	COLLAR	47	15	25-83362M	O-RING	13	2
23-81945M	BUSHING	29	14	25-83441M	O-RING	19	56
23-81946M	BUSHING	31	4	25-83505M	SEAL, RUBBER	27	13
23-81946M	BUSHING	35	2	25-83607M	GROMMET	43	28
23-81946M	BUSHING	35	26	25-83608M	GROMMET	43	29

PARTS INDEX

Part Number	Description	Pg.	Ref. No.	Part Number	Description	Pg.	Ref. No.
25-83609M	GROMMET	43	30	31-83410M	BEARING, NEEDLE	17	35
25-83638M	GROMMET	53	26	31-83411M	BEARING, THRUST	17	36
25-84975M	GROMMET	55	63	31-83416M	PINION, GEAR	19	38
26-81426M	RUBBER, WATER SEAL	17	29	32-33909A3	TUBE	49	10
26-81427M	RUBBER, WATER SEAL	21	74	32-81323M	HOSE	3	17
26-82229M	OIL SEAL	19	55	32-81999M	HOSE	3	12
26-82248M	OIL SEAL	7	18	32-82000M	HOSE	3	11
26-82249M	OIL SEAL	7	3	32-82023M	HOSE, BULB TO CONNECTOR	47	13
26-83347M	OIL SEAL	7	17	32-83328M	HOSE	3	14
26-83406M	OIL SEAL	17	31	32-83451M	TUBE, WATER (SHORT)	21	71
26-83486M	OIL SEAL	25	50	32-83452M	TUBE, WATER (LONG)	21	71
26-83490M	RUBBER, SEAL	25	55	32-83619M	HOSE	33	4
27-25568	GASKET, FILLER CAP TO FUEL TANK	49	8	32-83621M	HOSE	33	15
27-28862	GASKET, COVER ASSEMBLY TO FRAME	49	19	32-83622M	HOSE	33	16
27-54921	GASKET, FUEL GAUGE LENS	49	12	32-83628M	FUEL LINE ASS'Y	47	0-1
27-80612M	GASKET	51	6	32-83903M	TUBE, WATER (SUPER ULTRA LONG SHAFT - OPTIONAL)	21	71
27-80613M	GASKET	51	18	32-84955M	HOSE, CONNECTOR HOUSING TO BULB	47	11
27-80613M	GASKET	51	4	32-84972M	HOSE	33	4
27-80614M	GASKET	51	11	32-84973M	HOSE	33	15
27-80614M	GASKET	51	20	33-82372M	SPARK PLUG (B-8HS) NGK	3	42
27-80757M	GASKET	51	24	34-83357M	REED VALVE ASS'Y	11	16
27-81320M	GASKET, HOUSING TO TANK	47	4	34-84954M	REED SET (REED STOPS NOT INCLUDED)	11	17
27-81986M	GASKET	17	9	35-80617M	FILTER ASS'Y	33	6
27-81987M	GASKET	17	7	35-82783M	ELEMENT, FILTER	33	8
27-81987M	GASKET	17	15	35-83388M	SCREWN	17	2
27-81990M	GASKET	5	47	36-25392A2	FILLER CAP ASSEMBLY	49	3
27-82790M	GASKET	33	7	36-83617M	FUEL TANK CAP	47	2
27-83332M	GASKET, CYLINDER HEAD	3	25	37-75881	DECAL, FUEL TANK	49	2
27-83334M	GASKET, HEAD VOER	3	29	37-81202M	DECAL, SHIFT	43	13
27-83336M	GASKET, THEROSTAT	3	34	37-82866M	DECAL, SIDE SET	43	12
27-83338M	GASKET, EXHAUST COVER	3	38	37-82984M	DECAL, SIDE	47	1
27-83352M	GASKET, CARBURETOR	11	4	37-83761M	DECLA, HP	45	43
27-83355M	GASKET, INTAKE MANIFOLD	11	13	37-83925M	DECAL, TIMING	39	46
27-83360M	GASKET, INTAKE MANIFOLD	11	27	39-83342M	PISTON RING SET (STANDARD)	7	8
27-83378M	GASKET, DRIVESHAFT HOUSING	15	2	39-83343M	PISTON RING SET (1ST OVER SIZE)	7	8
27-83381M	GASKET, PPER HOUSING	15	9	39-83344M	PISTON RING SET (2ND OVER SIZE)	7	8
27-83383M	GASKET, EXHAUST MANIFOLD	15	11	39-83896M	PISTON RING SET (STANDARD)	7	8
27-83398M	GASKET, WATER PUMP	17	19	39-83897M	PISTON RING SET (1ST OVER SIZE)	7	8
27-83399M	GASKET	17	20	39-83898M	PISTON RING SET (2ND OVER SIZE)	7	8
27-83402M	GASKET, WATE RPUMP	17	24	41-83345M	PIN, PISTON	7	9
27-83572M	GASKET	37	28	43-80711M	GEAR, RING	53	3
27-84167M	GASKET SET, POWERHEAD	5	47	43-80778M	GEAR	29	19
27-84178M	GASKET SET, LOWER UNIT	21	79	43-83417M	PINION, GEAR	19	39
28-81915M	KEY, FLYWHEEL	9	23	43-83427M	JGEAR FORWARD	19	44
28-83444M	KEY, WOODRUFF	19	60	43-83431M	GEAR, REVERSE	19	52
29-82353M	BEARING, NEEDLE	7	11	43-83518M	PINION	29	21
30-82304M	BEARING	7	6	43-83556M	DRIVE, RING	37	3
30-83420M	BEARING, TAPERED ROLLER	19	42	43-83556M	DRIVE, RING	53	2
30-83440M	BEARING, BALL	19	54	44-83428M	SHAFT, PROPELLER	19	45
31-82311M	BEARING, NEEDLE	7	15				
31-82313M	BEARING, NEEDLE	7	5				
31-83341M	BEARING, NEEDLE	7	2				
31-83408M	BEARING, NEEDLE	17	33				

PARTS INDEX

Part Number	Description	Pg.	Ref. No.	Part Number	Description	Pg.	Ref. No.
45-83404M	DRIVE SHAFT, (SHORT SHAFT)	17	30	87-82994M	MAIN SWITCH	53	38
45-83405M	DRIVE SHAFT, (LONG SHAFT)	17	30	87-83612M	STOP SWITCH (MANUAL START)	43	36
45-92610M	DRIVE SHAFT, (SUPER ULTRA LONG SHAFT - OPTIONAL)	17	30	87-83615M	KILL SWITCH ASS'Y (OPTIONAL)	45	41
46-83396M	COVER, WATER PUMP	17	17	87-83633M	NEUTRAL START SWITCH	53	18
46-83401M	BASE, WATER PUMP	17	22	88-80007M	BULB	61	1
47-83397M	IMPELLER	17	18	88-81522M	FUSE	55	58
48-73138A4	PROP. ASSY (10-1/4" DIA.) (ALUMINUM) (14" PITCH) (3 BLADES)	51	-	88-81522M	FUSE	61	8
48-73140A4	PROP. ASSY (10-1/8" DIA.) (ALUMINUM) (15" PITCH) (3 BLADES)	51	-	88-81655M	FUSE HOLDER ASS'Y	55	57
48-73144A4	PROP. ASSY (10" DIA.) (ALUMINUM) (17" PITCH) (3 BLADES)	51	-	89-81513M	SOLENOID	57	12
50-81490M	ELECTRIC MOTOR ASS'Y	57	0-1	91-80277M	TOOL KIT ASS'Y	33	17
50-83587M	STARTER, SHEAVE	41	9	253-6999M	FLYWHEEL MAGNETO ASS'Y (MANUAL START)	37	1
52-81473M	CLUTCH, SLIDING	19	49	253-7100M	FLYWHEEL (W/O RING GEAR)	37	2
53-28903	FASTENER, RETAINING FRAME TO FUEL TANK	49	21	253-7106M	FLYWHEEL MAGNETO ASS'Y (ELECTRIC START)	53	0-1
53-81264M	CLIP, PISTON PIN	7	10	253-7107M	FLYWHEEL ASS'Y	53	1
53-82324M	SNAP RING	19	40	463-6984M	SHAFT, CRANK	7	1
53-82331M	SNAP RING	41	18	629-6860M	CONNECTING ROD ASS'Y	7	13
53-83461M	SNAP RING	23	16	761-6985M	PISTON (STANDARD 74.96 MM)	7	7
53-83461M	SNAP RING	23	16	761-6986M	PISTON (STANDARD 74.97 MM)	7	7
53-83758M	SNAP RING OPTIONAL	15	26	761-6987M	PISTON (STANDARD 74.98 MM)	7	7
54-80752M	CLAMP, HOSE	47	14	761-6988M	PISTON (1ST OVER SIZE 75.25 MM)	7	7
54-82042M	CLAMP	39	43	761-6989M	PISTON (2ND OVER SIZE 75.50 MM)	7	7
54-82046M	CLAMP	3	13	761-7124M	PISTON (STANDARD 74.96 MM)	7	7
54-82046M	CLAMP	3	15	761-7125M	PISTON (STANDARD 74.97 MM)	7	7
54-82047M	CLAMP	3	18	761-7126M	PISTON (STANDARD 74.97 MM)	7	7
54-82047M	CLAMP	33	5	761-7126M	PISTON (STANDARD 74.98 MM)	7	7
54-82781M	CLIP	13	7	761-7127M	PISTON (1ST OVERSIZE 75.25 MM)	7	7
54-83507M	HOSE CLAMP ASS'Y	27	16	761-7128M	PISTON (2ND OVER SIZE 75.50 MM)	7	7
54-83577M	CLAMP	37	36	870-6982M	CRANKCASE ASS'Y	3	1
54-83580M	CLAMP	39	42	968-6983M	HEAD, CYLINDER	3	24
79-84311M	TACHOMETER KIT	61	0-1	1225-1529	FUEL TANK	49	1
84-80052M	CONNECTOR ASS'Y	61	0-3	1225-1529A21	FUEL TANK, COMPLETE (SEE NOTE)	49	0-1
84-81538M	WIRE HARNESS EXTENSION (2M)	55	62	1383-6990M	CARBURETOR ASS'Y	13	0-1
84-83563M	LEAD WIRE	37	13	1383-7132M	CARBURETOR ASS'Y	13	0-1
84-83563M	LEAD WIRE	53	12	1484-6997M	BRACKET, CLAMP (PORT) (STARBOARD)	23	4
84-83637M	WIRE, SPOOL	53	23	1484-6998M	BRACKET, CLAMP (STARBOARD)	23	5
84-83641M	WIRE HARNESS ASS'Y	53	33	1484-8439M	BRACKET, CLAMP (PORT)	23	4
84-83642M	LEAD EXTENSION, BATTERY (5M)	55	60	1484-8440M	BRACKET, CLAMP (STARBOARD)	23	5
84-83643M	WIRE HARNESS-SWITCH PANEL TO ENGINE (5M)	53	37	1485-6996M	BRACKET, SWIVEL	23	1
84-83644M	WIRE ASS'Y	53	34	1587-6991M	DRIVESHAFT HOUSING (SHORT SHAFT)	15	1
84-83645M	LEAD EXTENSION, BATTERY (2M)	55	61	1587-6992M	DRIVESHAFT HOUSING (LONG SHAFT)	15	1
84-84352M	WIRE LEAD	61	7				
84-84353M	CONNECTOR	61	6				
84-84470M	WIRE LEAD EXTENSION	61	9				
87-81534M	SWITCH, CHOKE	53	39				
87-82689M	KILL SWITCH ASS'Y	53	40				

PARTS INDEX

Part Number	Description	Pg.	Ref. No.	Part Number	Description	Pg.	Ref. No.
1651-6994M	GEARHOUSING ASS'Y (LONG SHAFT)	17	0-1				
1651-6995M	GEARHOUSING, UPPER . . .	17	1				
2168-7103M	TOP COWLING ASS'Y	43	1				
2168-7104M	COWLING, BOTTOM	43	18				
2169-7101M	STARTER ASS'Y	41	1				
2169-7102M	HOUSING STARTER	41	2				