



PARTS CATALOG

115 HORSEPOWER

SERIAL NUMBER

115 (6 CYL.) USA 4865178 THRU 5430526
115 (6 CYL.) 8057045 THRU 8062459

TABLE OF CONTENTS:

BOTTOM COWL AND SHIFT LINKAGE	32
CARBURETOR ASSEMBLY	20
CARBURETOR LINKAGE AND CHOKE SOLENOID	18
CLAMP BRACKET AND REVERSE LOCK	38
COWLING AND FRONT COVER	4
CRANKSHAFT, PISTONS AND CONNECTING RODS	30
CYLINDER BLOCK AND CRANKCASE ASSEMBLY	26
DISTRIBUTOR ADAPTOR AND VERTICAL LINKAGE	12
DISTRIBUTOR HOUSING AND ROTOR	8
DRIVE SHAFT HOUSING ASSEMBLY	42
END CAP, MANIFOLD AND EXHAUST COVERS	28
EXHAUST EXTENSION PLATE	34
FLYWHEEL ASSEMBLY AND STATOR	6
FUEL LINE ASSEMBLY (8' AND 12')	62
FUEL PUMP AND FUEL LINE ASSEMBLY	24
FUEL TANK ASSEMBLY (6 GALLON)	64
GEAR HOUSING ASSEMBLY, COMPLETE (PAGE 1)	44
GEAR HOUSING ASSEMBLY, COMPLETE (PAGE 2)	48
HYDRAULIC PUMP AND CONTROL VALVE	52
HYDRAULIC PUMP ASSEMBLY	50
IGNITION COIL	10
MISCELLANEOUS PARTS/ACCESSORIES	1
PARTS INDEX	76
POWER TRIM CYLINDER REPAIR KITS	60
REMOTE CONTROL ASSEMBLY (ELECTRIC)	66
REMOTE CONTROL ASSEMBLY (ELECTRIC) (BOSCH)	70
STARTER MOTOR ASSEMBLY, COMPLETE	74
STARTER MOTOR, STARTER SOLENOID, RECTIFIER AND WIRING HARNES	16
SWIVEL BRACKET ASSEMBLY	36
TOP COWL AND SUPPORT BRACKETS	2
TRIM CYLINDERS AND HYDRAULIC HOSES	56

NOTE: Indented description indicate that these parts are included in preceeding assembly.

AR = As Required

NSS = Not Sold Separate

OPT = Optional

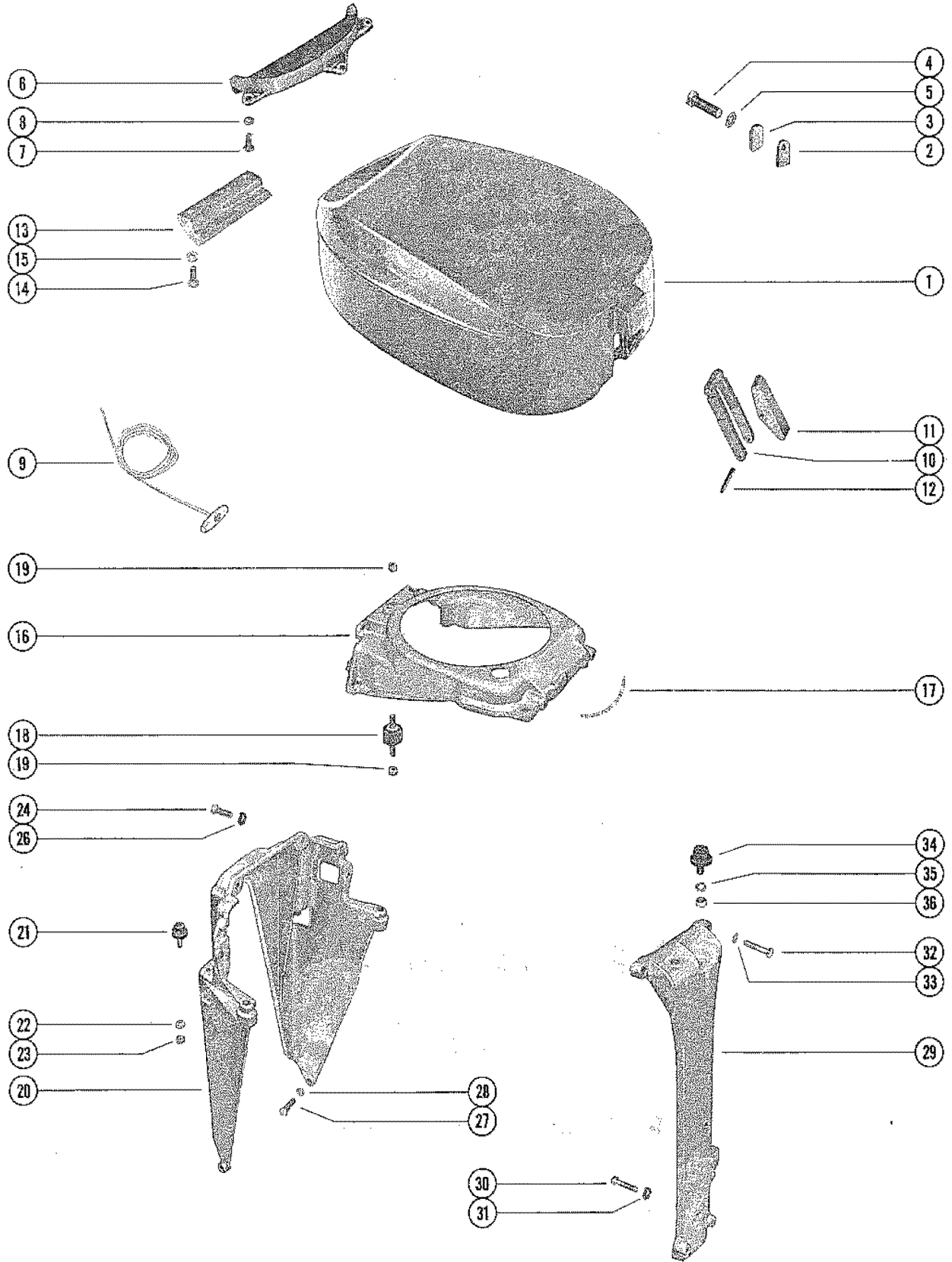
NS = Not Shown

THESE PARTS BOOKS/FICHE CARD ARE COPYRIGHTED AND MAY NOT BE DISTRIBUTED OR REPRODUCED IN ANY OTHER FORMAT BY ANYONE OTHER THAN MERCURY MARINE WITHOUT THE PRIOR WRITTEN CONSENT OF MERCURY MARINE.

MISCELLANEOUS PARTS/ACCESSORIES

REF. NO.	PART NO.	SYM.	QTY.	DESCRIPTION
-	90-83778		0	MARINER 115 PARTS MANUEL
-	27-60476A75		0	GASKET SET
-	37-77550A78		0	DECAL SET UNITED STATES 5180698 AND BELOW
-	37-87133A79		0	DECAL SET UNITED STATES 5180699 AND UP AUSTRALIA 8057045 AND UP
-	45194A27		0	POWER TRIM KIT(OPT. -EL)(STD. -ELPT)

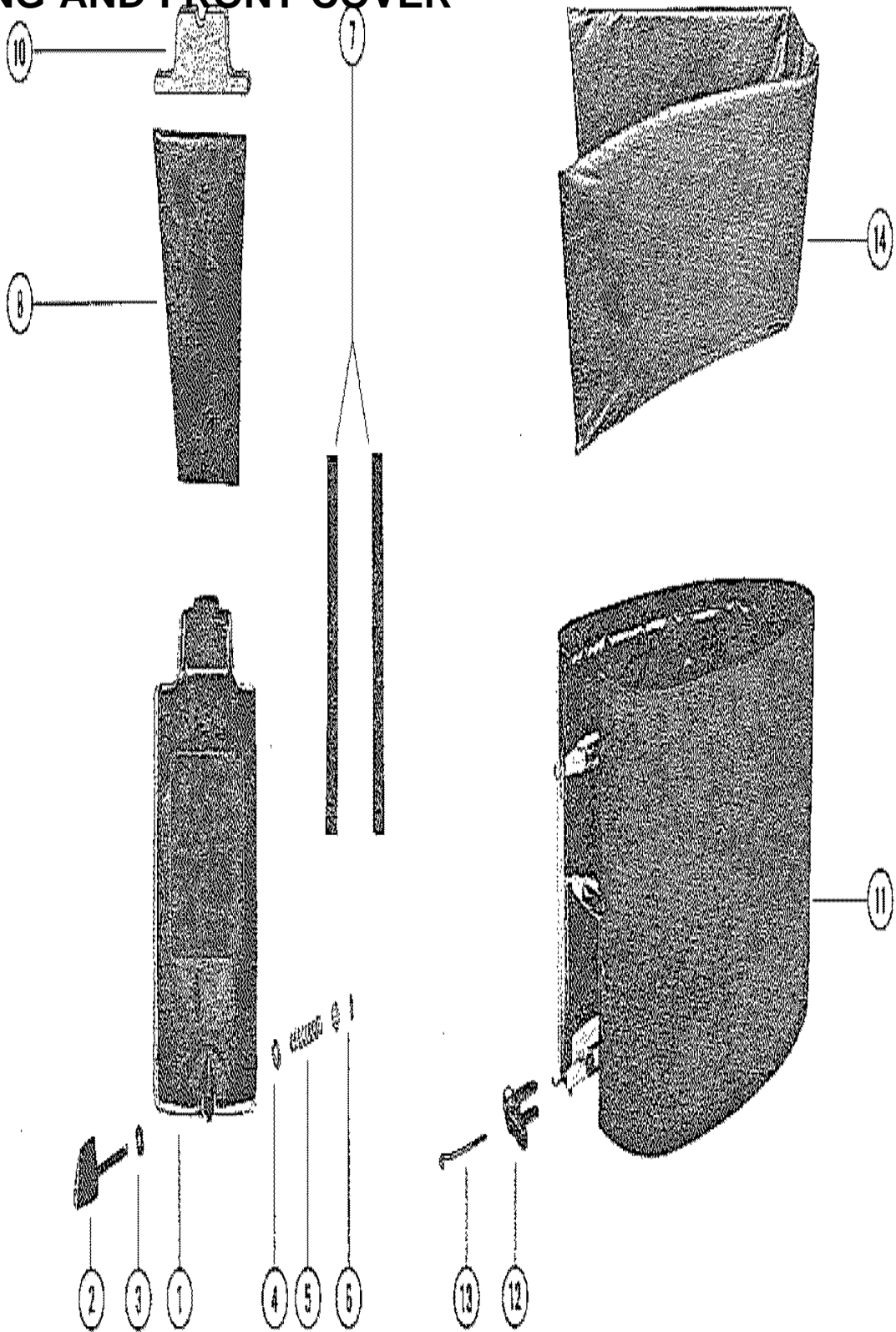
TOP COWL AND SUPPORT BRACKETS



TOP COWL AND SUPPORT BRACKETS

REF. NO.	PART NO.	SYM.	QTY.	DESCRIPTION
1	2162-6392		1	COWL, TOP (WITHOUT DECALS)
2	76440		1	RETAINER, TOP COWL
3	76505		1	PAD, BUMPER - TOP COWL RETAINER
4	10-25299		1	SCREW, RETAINER TO TOP COWL (3/4")
5	13-39107		1	LOCKWASHER, RETAINER TO TOP COWL SCREW
6	76433		1	SHIELD, TOP COWL - REAR
7	10-37370		3	SCREW, SHIELD TO TOP COWL (5/8")
8	13-37371		3	LOCKWASHER, SHIELD SCREW
9	47341A1		1	ROPE, STARTER (FOR MANUAL STARTING ONLY)
10	52739		1	HINGE, COWL LATCH - TOP COWL
11	76581		1	LEVER, COWL LATCH HINGE
12	17-58998		1	PIN, ROLL - COWL LATCH LEVER TO HINGE
13	55455		1	HOOK, TOP COWL LATCH - REAR
14	10-22956		2	SCREW, REAR HOOK TO TOP COWL (7/8")
15	13-26992		2	LOCKWASHER, REAR HOOK MOUNTING SCREW
16	75971A1		1	FRAME ASSEMBLY, TOP COWL SUPPORT UNITED STATES 5180698 AND BELOW
	86922A1		1	FRAME ASSEMBLY, TOP COWL SUPPORT UNITED STATES 5180699 AND UP AUSTRALIA 8057045 AND UP
17	37-73291		1	DECAL, TIMING (FLYWHEEL)
18	37639		3	MOUNT, RUBBER - TOP COWL FRAME
	46096		OPT	MOUNT, RUBBER - TOP COWL FRAME (HEAVY DUTY)
19	11-35888		6	NUT, RUBBER MOUNT TO TOP COWL FRAME
20	64954		1	BRACKET, TOP COWL SUPPORT - REAR
21	31014		2	MOUNT, RUBBER - REAR SUPPORT BRACKET
22	13-26992		2	LOCKWASHER, RUBBER MOUNT TO REAR SUPPORT BRACKET
23	11-29598		2	NUT, RUBBER MOUNT TO REAR SUPPORT BRACKET
24	10-37562		4	SCREW, REAR BRACKET TO FRAME (1")
26	13-26993		4	LOCKWASHER, REAR BRACKET SCREW
27	10-37562		4	SCREW, REAR BRACKET TO BOTTOM COWL (1")
28	13-26993		4	LOCKWASHER, REAR SUPPORT BRACKET SCREW
29	79718A2		1	BRACKET ASSEMBLY, TOP COWL - FRONT
30	10-69092		2	SCREW, FRONT BRACKET TO BOTTOM COWL (1 1/4")
31	13-26992		2	LOCKWASHER, FRONT SUPPORT BRACKET SCREW
32	10-55511		2	SCREW, FRONT BRACKET TO TOP COWL FRAME (1 1/2")
33	13-26993		2	LOCKWASHER, FRONT SUPPORT BRACKET SCREW
34	37640		1	MOUNT, RUBBER FRONT SUPPORT BRACKET
35	13-26993		1	LOCKWASHER, RUBBER MOUNT TO FRONT SUPPORT BRACKET
36	11-28770		1	NUT, RUBBER MOUNT TO FRONT SUPPORT BRACKET

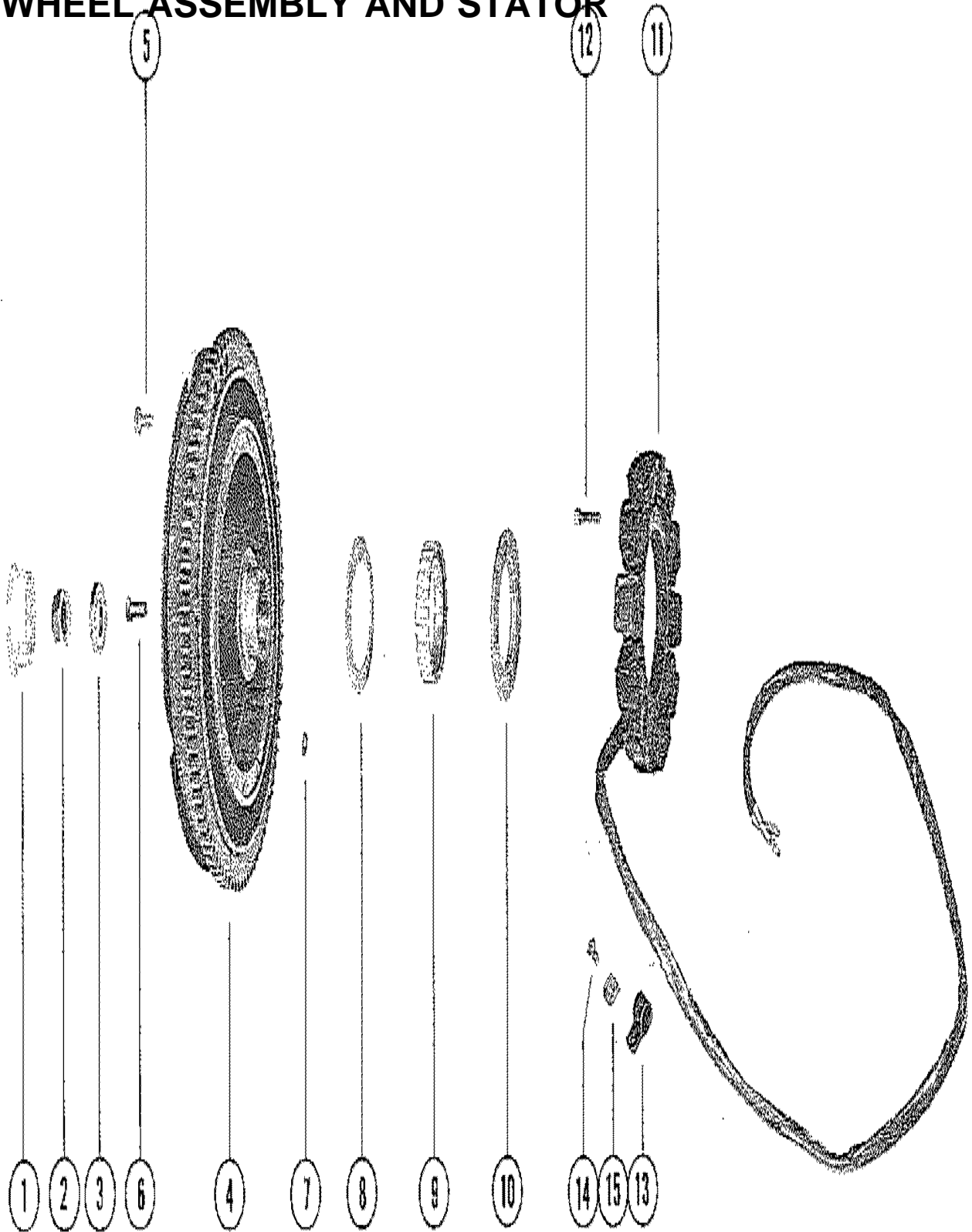
COWLING AND FRONT COVER



COWLING AND FRONT COVER

REF. NO.	PART NO.	SYM.	QTY.	DESCRIPTION
1	2171-6497A2		1	COWL FRONT COVER ASSEMBLY (WITHOUT DECALS)
2	56849		1	KNOW COWL FRONT COVER FASTENING
3	12-30771		2	WASHER, COVER FASTENING KNOB (RUBBER)
4	12-59572		2	WASHER, COVER FASTENING KNOB (PLASTIC)
5	24-30772		1	SPRING, TENSION - FASTENING KNOB
6	17-29077		1	ROLL PIN, TENSION SPRING TO KNOB
7	77790		2	STRIP, SOUND ABSORBING - SIDE
8	38674		1	BLANKET, SOUND ABSORBING
10	77544		1	SEAL, SOUND ABSORBING - TOP
11	2172-6498A3		1	WRAP AROUND COWL ASSEMBLY (WITHOUT DECALS)
12	46785A1		3	COWL LATCH ASSEMBLY
13	30413		3	HOOK, COWL LATCH FASTENING
14	30021		1	BLANKET, SOUND ABSORBING
-	92-25234--1		1	GLUE, ADHESIVE - BLANKET FASTENING
-	92-27109--1		1	ADHESIVE COMPOUND, EMBLEM FASTENING

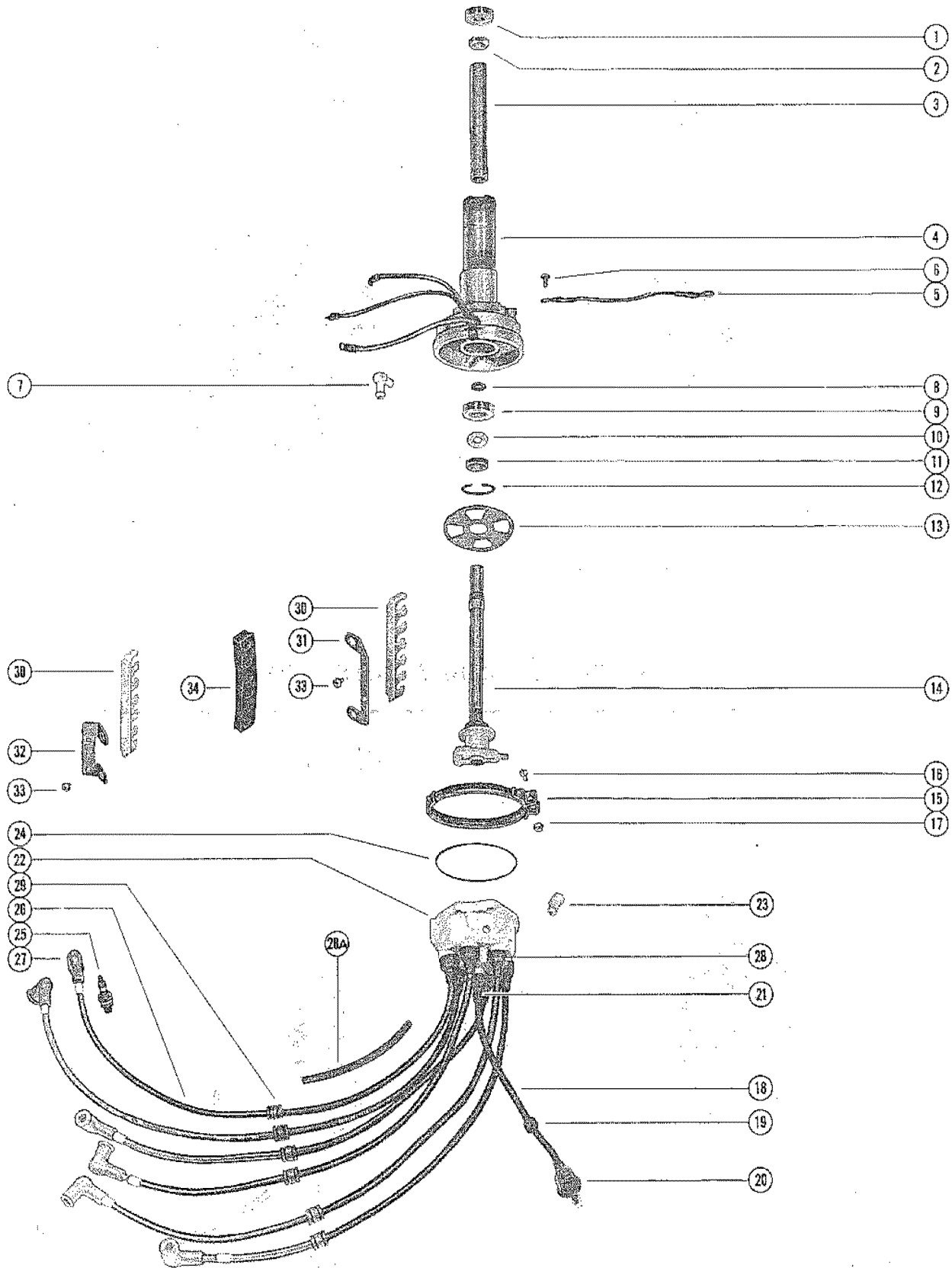
FLYWHEEL ASSEMBLY AND STATOR



FLYWHEEL ASSEMBLY AND STATOR

REF. NO.	PART NO.	SYM.	QTY.	DESCRIPTION
1	19-45907		1	PLUG, FLYWHEEL PULLER THREADS
2	11-52901		1	NUT, FLYWHEEL (PART OF A-436-6646A2 CRANKSHAFT ASSEMBLY)
3	12-68229		1	WASHER, FLYWHEEL NUT
4	225-2494A30		1	FLYWHEEL ASSEMBLY, COMPLETE UNITED STATES 5180698 AND BELOW
	225-2494A37		1	FLYWHEEL ASSEMBLY, COMPLETE UNITED STATES 5180699 AND UP AUSTRALIA 8057045 AND UP
5	10-32417		8	SCREW, FLEXIBLE PLATE TO FLYWHEEL (5/8")
6	10-68997		8	SCREW, PLATE/HUB TO FLEX. PLATE
7	17-26618		1	PIN, DOWEL - PULLEY TO FLYWHEEL
8	29788		1	FLANGE, FLYWHEEL PULLEY
9	30306		1	PULLEY, FLYWHEEL
10	29787		1	HUB, FLYWHEEL PULLEY
11	398-4793		1	STATOR, ALTERNATOR (NOT AS SHOWN)
12	10-75840		4	SCREW, STATOR TO UPPER END CAP (7/8")
13	54-24871		1	CLIP, STATOR LEAD FASTENING (5/8")
	54-22627		1	CLIP, STATOR/WIRING HARNESS LEADS FASTENING (1/2")
14	10-62568		3	SCREW, STATOR LEAD CLIP FASTENING (3/8")
15	69205		3	"D" WASHER, CLIP FASTENING SCREW

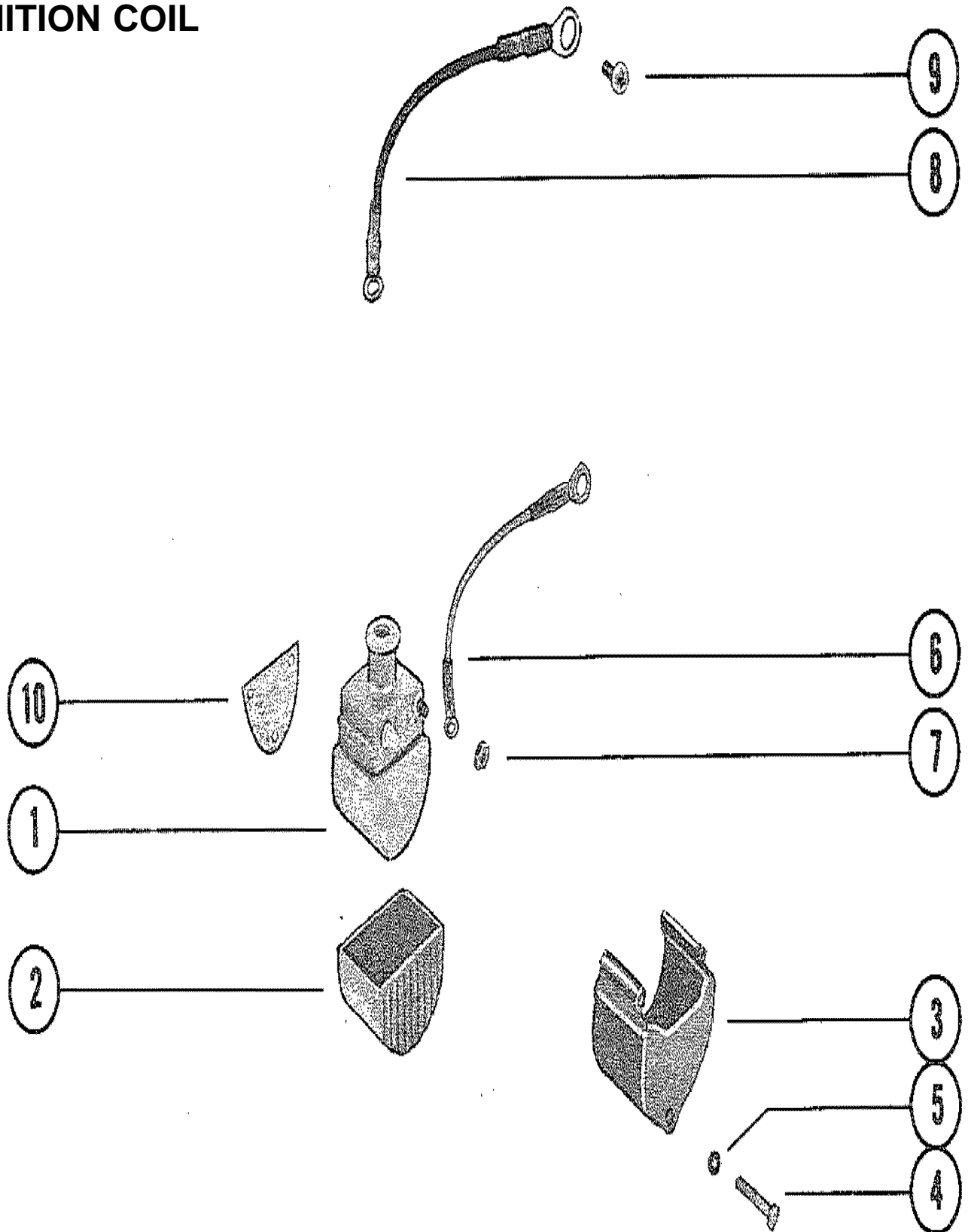
DISTRIBUTOR HOUSING AND ROTOR



DISTRIBUTOR HOUSING AND ROTOR

REF. NO.	PART NO.	SYM.	QTY.	DESCRIPTION
1	30-20066		1	BALL BEARING, DISTRIBUTOR HOUSING (UPPER)
2	11-54209		1	NUT, ROTOR SHAFT TO DISTRIBUTOR HOUSING
3	23-53539		1	SLEEVE, ROTOR SHAFT
4	393-3736A77		1	HOUSING ASSEMBLY, DISTRIBUTOR
5	53417		1	GROUND STRAP ASSEMBLY, DISTRIBUTOR TO CRANKCASE
6	10-62568		1	SCREW, GROUND STRAP ATTACHING (3/8")
7	58807A1		1	FLAME ARRESTOR, VENT - DISTRIBUTOR HOUSING
8	15-55853		1	SHIM, BALL BEARING TO DISTRIBUTOR HOUSING
9	30-26379		1	BALL BEARING, DISTRIBUTOR HOUSING (LOWER)
10	15-21148A1		AR	SHIM, BALL BEARING TO SPACER
11	23-53538		1	SPACER, ROTOR SHAFT
12	53-26406		1	RING, RETAINER - BALL BEARING TO DISTRIBUTOR HOUSING
13	393-4313		1	DISC, ROTOR
14	393-4312		1	ROTOR, DISTRIBUTOR
15	54-60768		1	CLAMP, DISTRIBUTOR CAP TO DISTRIBUTOR HSG. PART OF DISTRIBUTOR CAP ASSEMBLY
16	10-65774		1	SCREW, DISTRIBUTOR CAP CLAMP (1 1/8")
17	11-26768		1	NUT, DISTRIBUTOR CAP CLAMP SCREW
18	84-69207A1		1	CABLE ASSEMBLY, CAP TO COIL
19	25-26547		1	GROMMET, HIGH TENSION CABLE
20	332-2854		1	BOOT, HIGH TENSION CABLE TO COIL
21	60096		1	BOOT HIGH TENSION CABLE
22	393-4841A2		1	DISTRIBUTOR CAP ASSEMBLY
	393-1293A1		1	BRUSH AND SPRING ASSEMBLY
23	58807A1		1	FLAME ARRESTOR, VENT - DISTRIBUTOR CAP
24	27-55896		1	GASKET, DISTRIBUTOR CAP
25	33-68057		6	SPARK PLUG (CHAMPION L-76V)
26	N.S.S.		6	SPARK PLUG LEAD ASSEMBLY #1, #2, #3, #4, #5, AND #6 ORDER A-36549A1 KIT FOR REPLACEMENT OF LEAD WIRE MARKERS
	20121		6	CONNECTOR, SPARK PLUG LEAD
27	85-71006A1		6	PROTECTOR, SPARK PLUG LEAD
28	60096		6	BOOT, SPARK PLUG LEAD TO DISTRIBUTOR
28A	23-62238--1		6	SLEEVE, SPARK PLUG LEAD (7")
29	25-26547		12	GROMMET, SPARK PLUG LEADS
30	45409		2	WIRE RETAINER, HIGH TENSION LEADS
31	45392		1	BRACKET, FRONT - WIRE RETAINER
32	47398		1	BRACKET, REAR - WIRE RETAINER
33	10-62568		4	SCREW, FRONT AND REAR BRACKET ATTACHING
34	45391		2	SPACER, RUBBER - HIGH TENSION LEADS

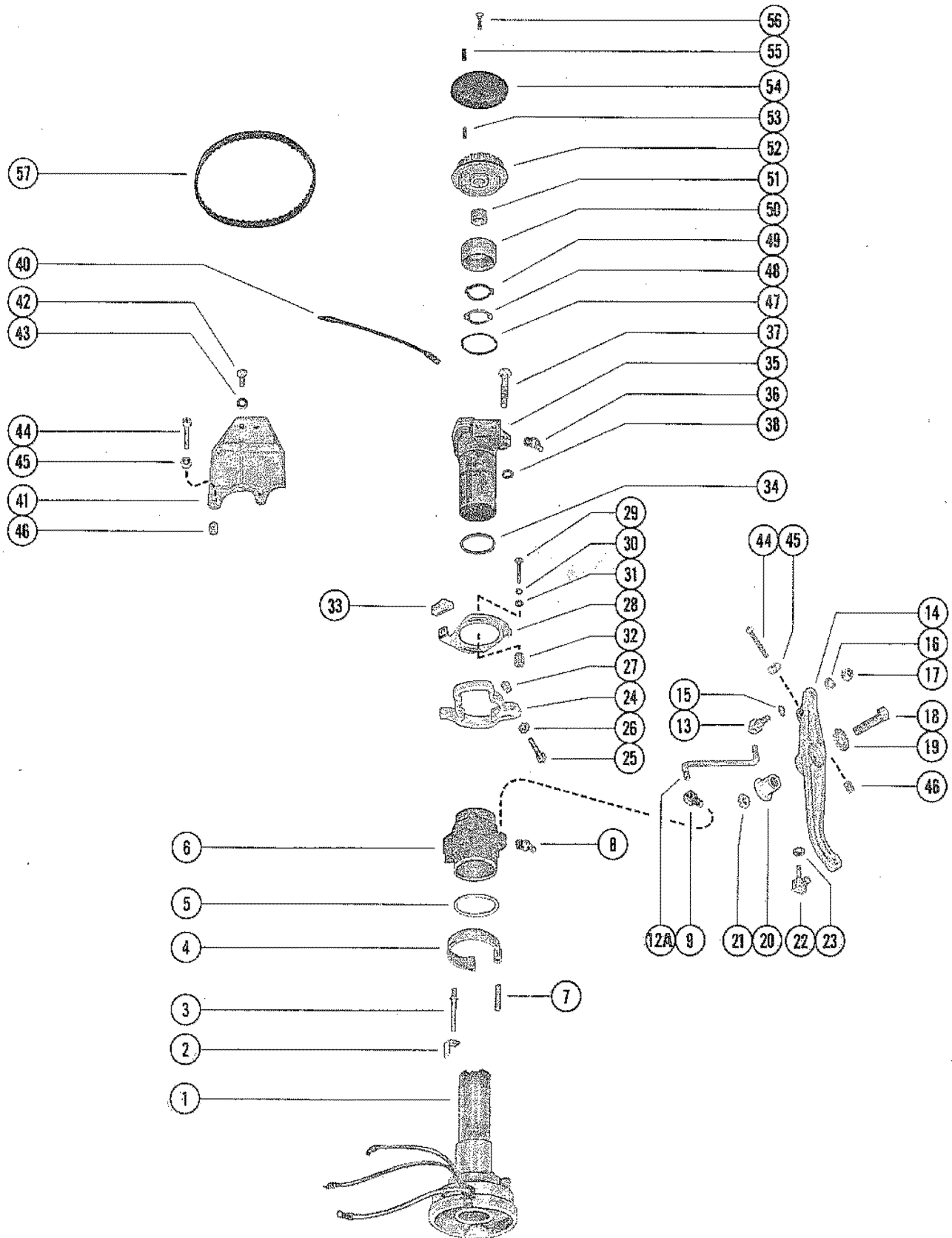
IGNITION COIL



IGNITION COIL

REF. NO.	PART NO.	SYM.	QTY.	DESCRIPTION
1	332-4895A2		1	IGNITION COIL ASSEMBLY
2	63194		1	PAD, RUBBER - IGNITION COIL
3	63195		1	COVER, IGNITION COIL
4	10-69046		3	SCREW, COIL TO CYLINDER BLOCK (2")
5	12-30164		3	WASHER, COIL SCREW
6	84-60466A1		1	CABLE ASSEMBLY
7	11-45076		2	NUT, IGNITION COIL TERMINAL (#10)
8	84-66054A2		1	CABLE ASSEMBLY, COIL TO SWITCH BOX
9	10-62568		1	SCREW, IGNITION COIL WIRE TO SWITCH BOX (3/8")
10	69190		1	PLATE, COIL MOUNTING

DISTRIBUTOR ADAPTOR AND VERTICAL LINKAGE

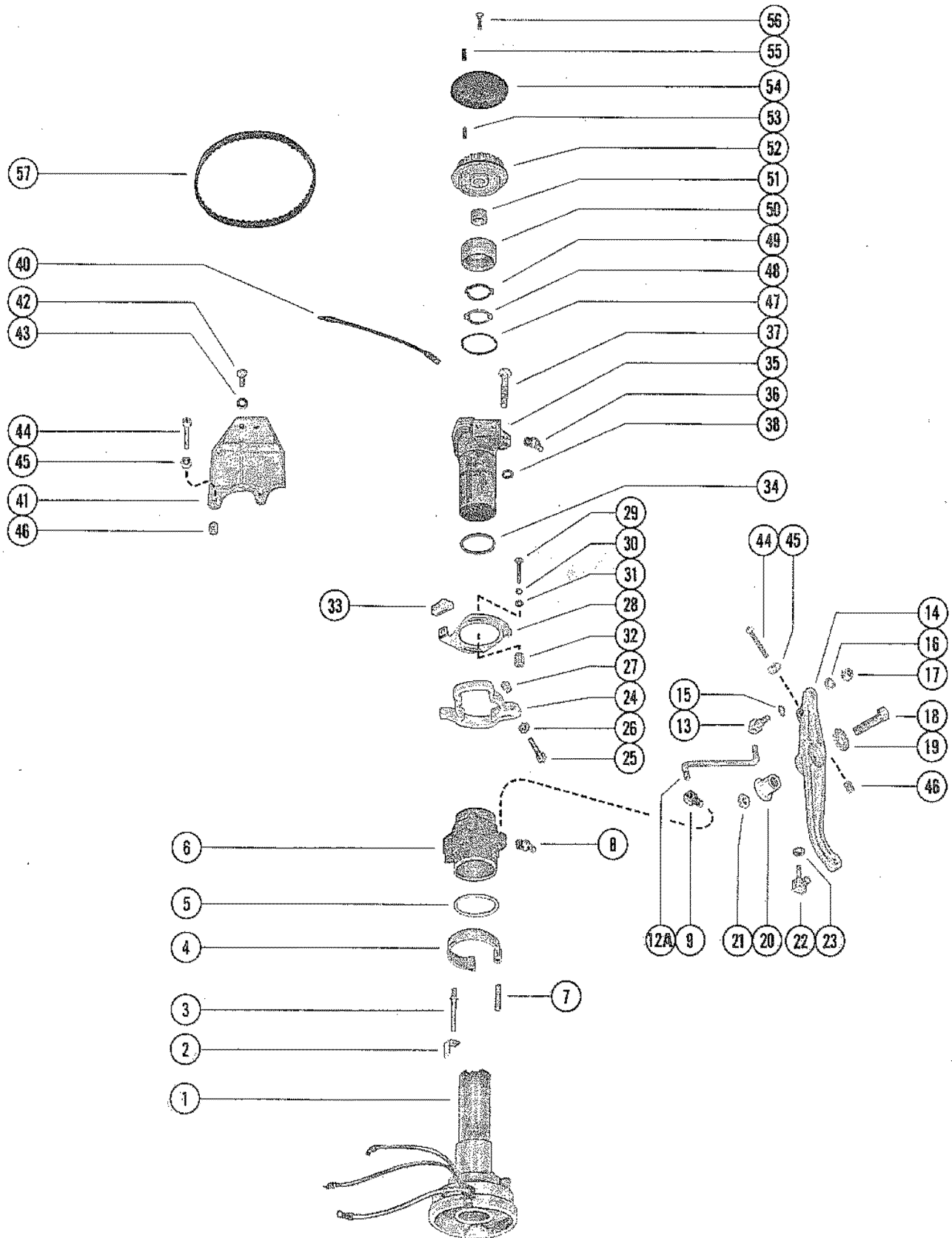


DISTRIBUTOR ADAPTOR AND VERTICAL LINKAGE

REF. NO.	PART NO.	SYM.	QTY.	DESCRIPTION
1	393-3736A77		1	HOUSING ASSEMBLY, DISTRIBUTOR
2	32197		1	STOP, SPARK ADVANCE - DISTRIBUTOR HOUSING
3	17-27962		1	PIN, ANCHOR SPRING - DISTRIBUTOR HOUSING
4	24-27944		1	SPRING, HORSESHOE - DISTRIBUTOR HOUSING
5	12-53540		1	WASHER, ECONOMIZER COLLAR - DISTRIBUTOR HOUSING
6	55804A1		1	ECONOMIZER COLLAR ASSEMBLY
7	17-27961		1	PIN, ECONOMIZER COLLAR - SPRING RETAINER
8	22-25094		1	FITTING, GREASE - ECONOMIZER COLLAR
9	27947		1	SWIVEL, LINKAGE - ECONOMIZER COLLAR
12A	67469		1	ROD, LINK - UPPER
13	27948		1	SWIVEL, UPPER LINK ROD TO THROTTLE CONTROL LEVER
14	78992		1	LEVER, THROTTLE CONTROL
15	13-39954		1	WASHER, WAVE - THROTTLE CONTROL LEVER SWIVEL
16	12-29245		1	WASHER, THROTTLE CONTROL LEVER SWIVEL
17	11-35888		1	NUT, UPPER LINK ROD THROTTLE CONTROL LEVER
18	10-37559		1	SCREW, THROTTLE LEVER TO EXHAUST COVER (1 3/4")
19	12-29395		1	WASHER, THROTTLE CONTROL LEVER SCREW
20	23-45818		1	BUSHING, THROTTLE CONTROL LEVER SCREW
21	11-20509		1	NUT, THROTTLE CONTROL LEVER SCREW
22	37587		1	SWIVEL, LOWER - THROTTLE CONTROL LEVER TO THROTTLE CABLE
23	11-35888		1	NUT, THROTTLE CABLE TO LOWER SWIVEL
24	48692		1	COLLAR, THROTTLE ACTUATOR
25	10-48675		1	SCREW, ADJUSTING - THROTTLE ACTUATOR COLLAR (1 1/2")
26	11-64015		1	NUT, THROTTLE ACTUATOR COLLAR ADJUSTING SCREW
27	52023		1	CAP, NYLON - THROTTLE ACTUATOR COLLAR ADJUSTING SCREW
28	48671		1	PLATE, THROTTLE ACTUATOR
29	10-37892		2	SCREW, THROTTLE ACTUATOR PLATE TO ECONOMIZER COLLAR (1")
30	12-30164		2	WASHER, THROTTLE ACTUATOR PLATE FASTENING SCREW
31	13-26996		2	LOCKWASHER, THROTTLE ACTUATOR PLATE FASTENING SCREW
32	23-48674		2	SPACER, THROTTLE ACTUATOR PLATE SCREW
33	58454		1	CAM, THROTTLE ACTUATOR PLATE
34	12-46246		1	WASHER, ADAPTOR - DISTRIBUTOR HOUSING
35	66165A2		1	ADAPTOR ASSEMBLY, DISTRIBUTOR
36	22-25094		1	FITTING, GREASE - DISTRIBUTOR ADAPTOR
37	10-2362		3	SCREW, DISTRIBUTOR HOUSING TO CRANKCASE (1 1/2")
38	12-20084		3	WASHER, DISTRIBUTOR HOUSING SCREW
40	84-66008A1		1	WIRE, GROUND - DISTRIBUTOR ADAPTOR TO FRONT SUPPORT BRACKET
41	55805		1	BRACKET, STOP
42	10-28636		2	SCREW, DISTRIBUTOR ADAPTOR TO STOP BRACKET (3/4")

CONTINUED ON NEXT PAGE ➡

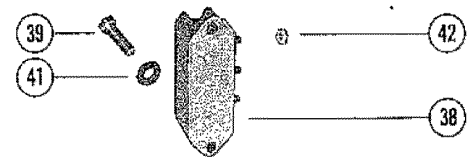
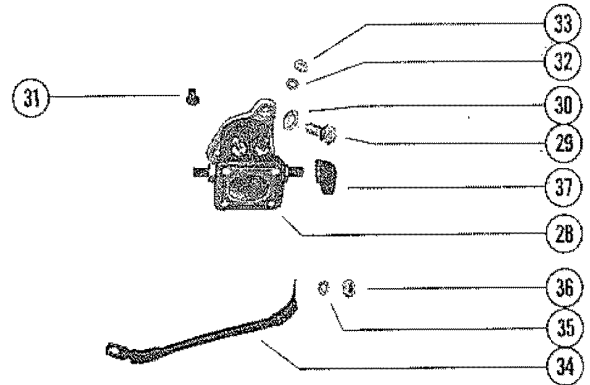
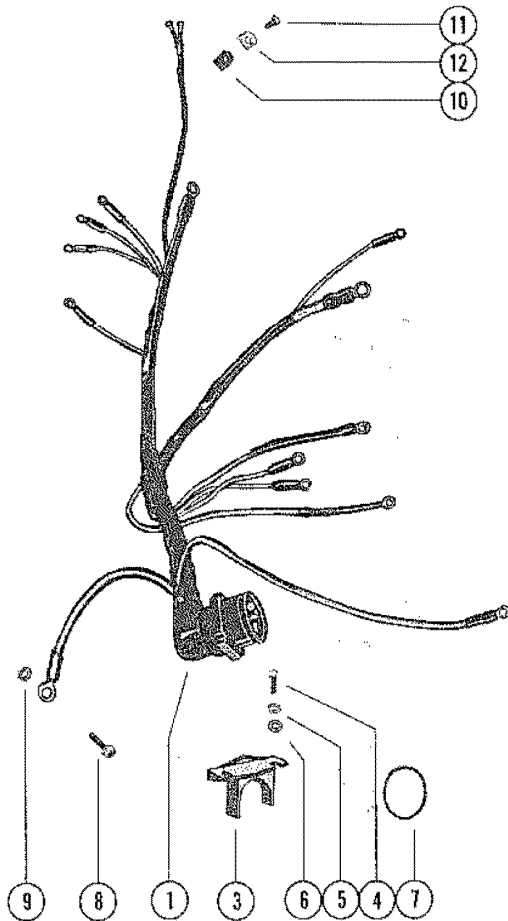
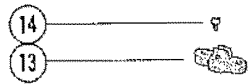
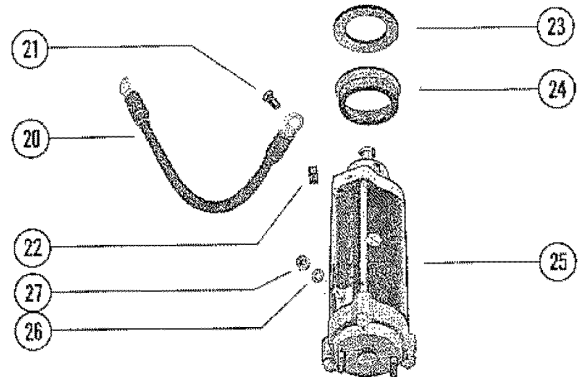
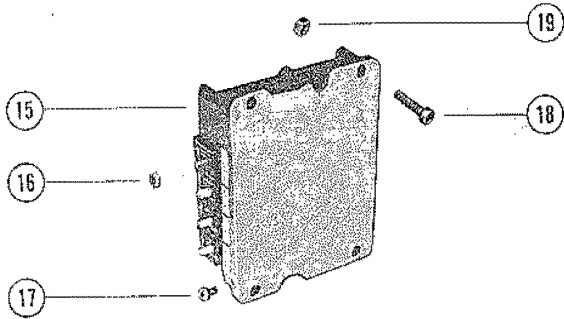
DISTRIBUTOR ADAPTOR AND VERTICAL LINKAGE



DISTRIBUTOR ADAPTOR AND VERTICAL LINKAGE

REF. NO.	PART NO.	SYM.	QTY.	DESCRIPTION
43	12-35462		2	WASHER, STOP BRACKET FASTENING SCREW
44	10-64022		3	SCREW, STOP - FULL THROTTLE (2 1/8")
45	11-64015		3	NUT, FULL THROTTLE STOP SCREW
46	52023		3	CAP, NYLON - FULL THROTTLE STOP SCREW
47	12-27939		1	WASHER, DISTRIBUTOR HOUSING
48	14-27960		1	TAB WASHER, ADAPTOR CAP FASTENING
49	13-27959		1	WASHER, WAVE - DISTRIBUTOR BALL BEARING TENSION
50	54567		1	CAP, DISTRIBUTOR HOUSING
51	23-47250		1	SPACER, DRIVE PULLEY
52	29906A1		1	DRIVEN PULLEY ASSEMBLY
53	17-29908		1	PIN, ROLL - FLANGE LOCATING
54	29907		1	FLANGE, DRIVEN PULLEY
55	28-29910		1	KEY, DISTRIBUTOR DRIVER
56	10-68554		1	SCREW, PULLEY CLAMPING
57	20140		1	BELT, TIMING

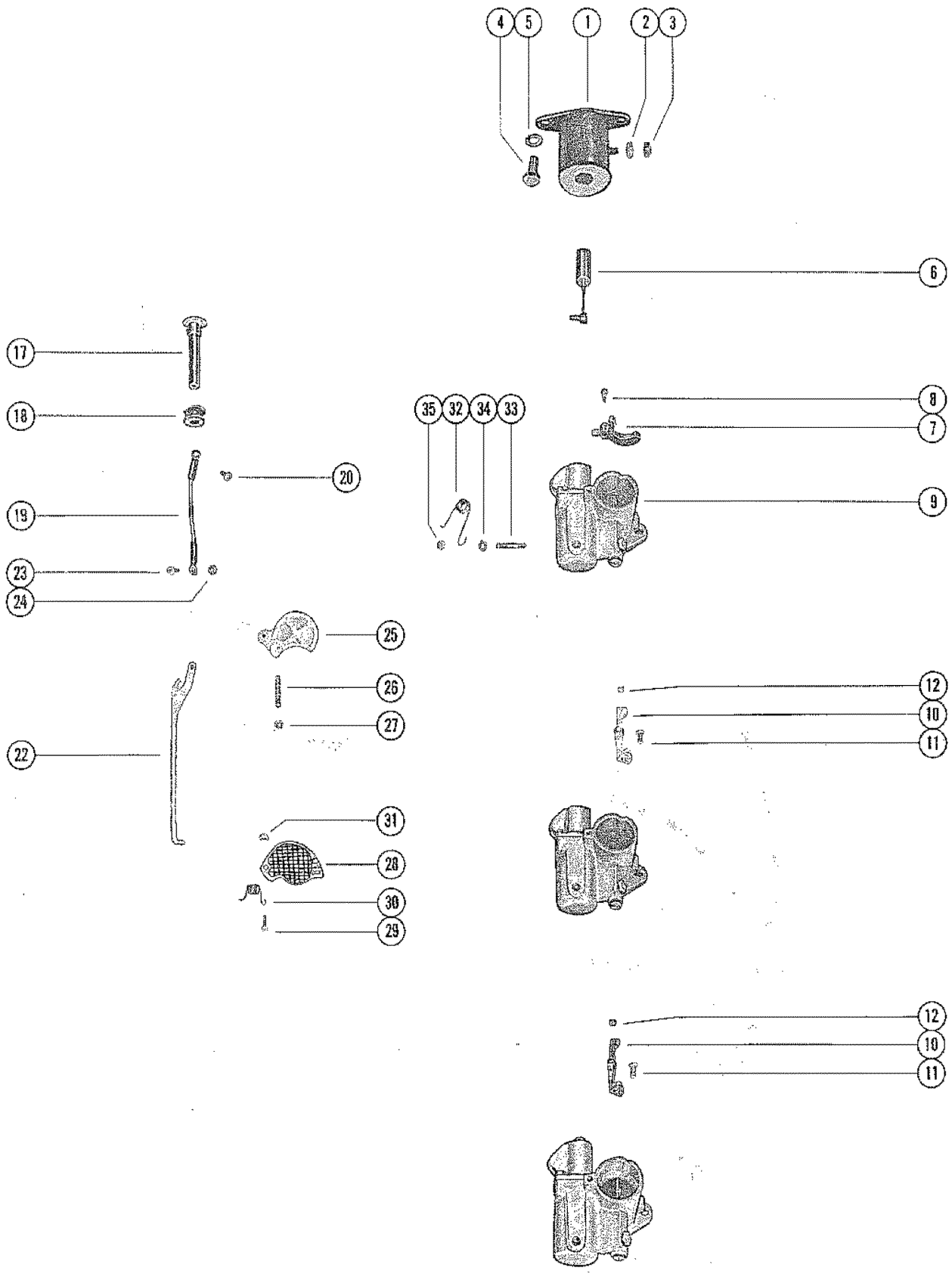
STARTER MOTOR, STARTER SOLENOID, RECTIFIER AND WIRING HARNESS



STARTER MOTOR, STARTER SOLENOID, RECTIFIER AND WIRING HARNES

REF. NO.	PART NO.	SYM.	QTY.	DESCRIPTION
1	84-69236		1	WIRING HARNESS, INTERNAL
3	54-76368		1	CLAMP, WIRING HARNESS TO BOTTOM COWL
4	10-69020		2	SCREW, WIRING HARNESS CLAMP TO BOTTOM COWL (7/8")
5	13-26996		2	LOCKWASHER, WIRING HARNESS CLAMP SCREW
6	12-30164		2	WASHER, WIRING HARNESS CLAMP SCREW
7	24-28975		1	SPRING, GARTER - INTERNAL WIRING HARNESS
8	10-69052		1	SCREW, GROUND WIRE TO BOTTOM COWL
9	13-26992		1	LOCKWASHER, GROUND WIRE SCREW
10	54-26538		1	CLIP, STATOR LEADS TO BLOCK (1/8")
11	10-62568		1	SCREW, WIRING HARNESS TO FRONT BRACKET (3/8")
12	69205		1	"D" WASHER, WIRING HARNESS CLIP SCREW
13	45559		1	TERMINAL BLOCK, STATOR LEADS
14	10-62568		4	SCREW, STATOR LEADS TO TERMINAL BLOCK (3/8")
15	332-2986A21		1	SWITCH BOX ASSEMBLY
16	11-45076		7	NUT, SWITCH BOX TERMINAL
17	10-29794		1	SCREW, SWITCH BOX (3/8")
18	10-64279		4	SCREW, SWITCH BOX TO FRONT MOUNTING BRACKET (3/4")
19	11-46887		4	NUT, SWITCH BOX SCREW
20	54651		1	CABLE, WIRE - STARTER MOTOR TO FRONT SUPPORT BRACKET
21	10-69035		1	SCREW, WIRE CABLE TO STARTER MOTOR
22	57247		2	STOP, RUBBER - STARTER MOTOR
23	23-56774		AR	SPACER, COLLAR TO TOP MOUNTING CAP
24	56703		2	COLLAR, RUBBER - STARTER MOTOR MOUNT
25	50-72467		1	STARTER MOTOR ASSEMBLY
26	13-26992		1	LOCKWASHER, STARTER MOTOR TERMINAL
27	11-64015		1	NUT, STARTER MOTOR TERMINAL
28	89-68258		1	SOLENOID, STARTER
29	10-38601		2	SCREW, SOLENOID TO BOTTOM COWL (5/8")
30	13-26992		2	LOCKWASHER, STARTER SOLENOID FASTENING SCREW
31	26901		1	BUMPER, RUBBER - STARTER SOLENOID
32	13-26996		2	LOCKWASHER, SOLENOID TERMINAL (#10)
33	11-68219		2	NUT, SOLENOID TERMINAL (#10)
34	84-69237		1	CABLE, WIRE - STARTER MOTOR TO SOLENOID
35	13-26993		2	LOCKWASHER, SOLENOID TERMINAL (5/16")
36	11-68292		2	NUT, SOLENOID TERMINAL (5/16")
37	46265		1	BOOT, SOLENOID TERMINAL
38	62351A1		1	RECTIFIER ASSEMBLY
39	10-37656		2	SCREW, RECTIFIER TO FRONT BRACKET (5/8")
42	11-45076		3	NUT, STATOR LEADS TO RECTIFIER

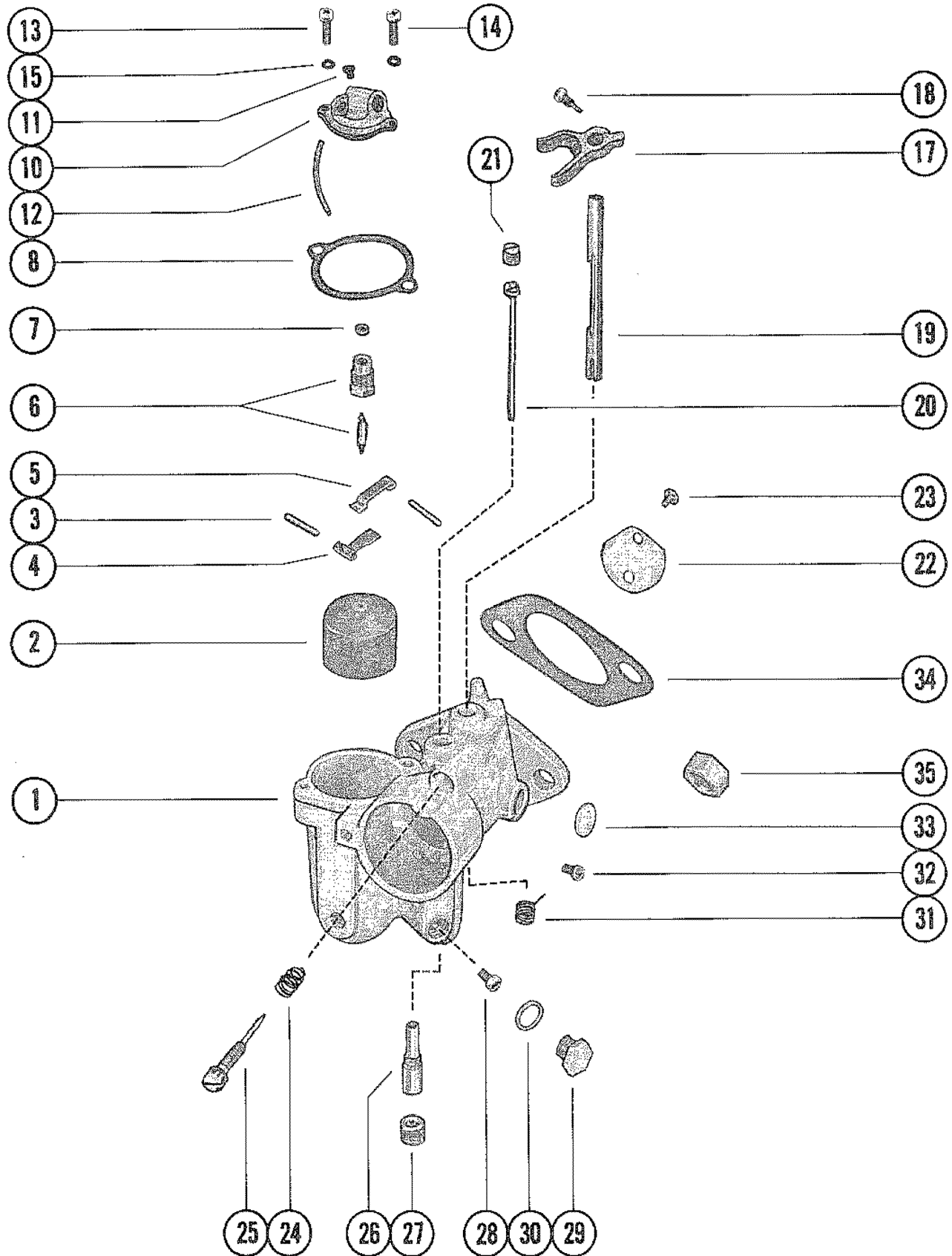
CARBURETOR LINKAGE AND CHOKE SOLENOID



CARBURETOR LINKAGE AND CHOKE SOLENOID

REF. NO.	PART NO.	SYM.	QTY.	DESCRIPTION
1	54293A4		1	CHOKE SOLENOID
2	13-26996		1	LOCKWASHER, SOLENOID TERMINAL
3	11-68219		1	NUT, SOLENOID TERMINAL
4	10-25299		2	SCREW, CHOKE SOLENOID (3/4")
5	13-26993		2	LOCKWASHER, CHOKE SOLENOID SCREW
6	54283A1		1	PLUNGER AND LINK ASSEMBLY, CHOKE SOLENOID
7	52518		1	CLUSTER, THROTTLE LEVER (UPPER CARBURETOR)
8	10-20847		1	SCREW, CLUSTER TO THROTTLE LEVER
9	1368-5702A5		3	CARBURETOR ASSEMBLY, COMPLETE UNITED STATES 5076583 AND BELOW
	1368-5702A19		3	CARBURETOR ASSEMBLY, COMPLETE UNITED STATES 5076584 AND UP
10	53720A2		2	THROTTLE PICK-UP BRACKET ASSEMBLY
11	10-66104		2	SCREW, THROTTLE BRACKET MOUNTING
12	53665		2	INSERT, THROTTLE COUPLING
17	73755A1		1	KNOB, CHOKE ROD
18	25-20116		1	GROMMET, CHOKE ROD
19	49589		1	STRAP, CHOKE KNOB TO CHOKE ROD
20	10-76196		1	SCREW, STRAP TO CHOKE KNOB (5/8")
22	48203		1	ROD, CHOKE
23	10-48591		1	SCREW, STRAP TO CHOKE ROD (1/2")
24	11-46438		1	NUT, STRAP TO CHOKE ROD SCREW
25	48152		2	SHUTTER, CHOKE - CARBURETOR
26	16-69037		2	STUD, CARBURETOR - CHOKE SHUTTER PIVOT
27	11-20110		2	NUT, CHOKE SHUTTER TO CARBURETOR STUD
28	35-57819		3	SCREEN ASSEMBLY, FILTER - CARBURETOR
29	10-22523		1	SCREW, LOWER CARBURETOR FILTER SCREEN TO CARB. (5/8")
	10-23015		2	SCREW, UPPER CARBURETOR FILTER SCREEN TO CARB. (1")
30	24-57818		2	SPRING, UPPER FILTER SCREEN SCREW
31	11-20110		3	NUT, CARBURETOR FILTER SCREEN FASTENING SCREW
32	24-48230		1	SPRING, CHOKE ROD TENSION
33	16-39937		1	STUD, CHOKE ROD SPRING TO CARBURETOR
34	23-32427		1	SPACER, CHOKE ROD SPRING STUD
35	11-46887		1	NUT, CHOKE ROD SPRING TO CARBURETOR STUD

CARBURETOR ASSEMBLY

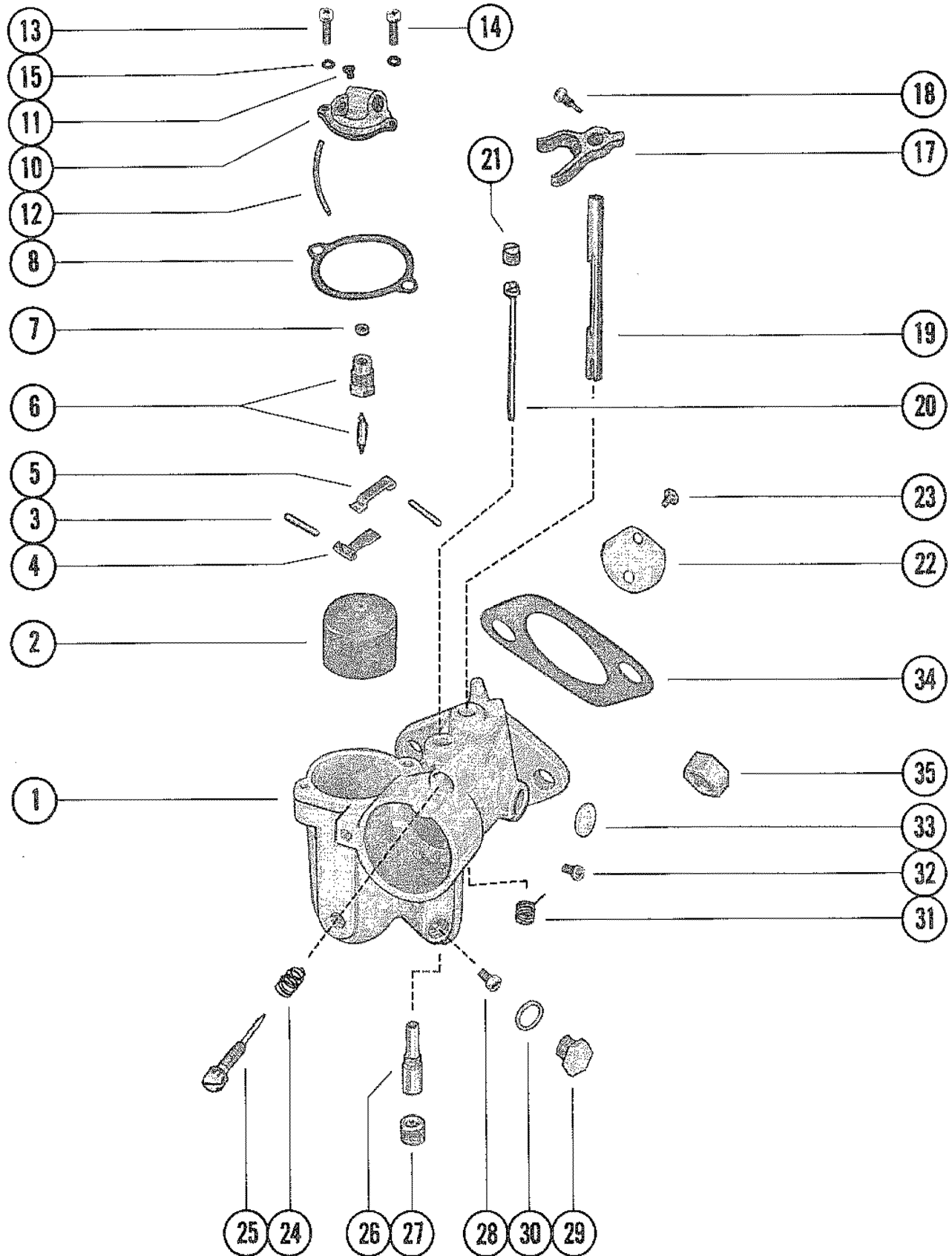


CARBURETOR ASSEMBLY

REF. NO.	PART NO.	SYM.	QTY.	DESCRIPTION
1	1368-5702A5		3	CARBURETOR ASSEMBLY UNITED STATES 5076583 AND BELOW
	1368-5702A19		3	CARBURETOR ASSEMBLY UNITED STATES 5076584 AND UP
2	1395-5353		3	FLOAT ASSEMBLY
3			6	PIN, FLOAT LEVER PINION
4			3	LEVER, FLOAT (LOWER)
5			3	LEVER, FLOAT (UPPER)
6	1395-4868		3	INLET NEEDLE, SEAT AND GASKET UNITED STATES 5076583 AND BELOW
	1395-4555		3	INLET NEEDLE, SEAT AND GASKET UNITED STATES 5076584 AND UP
7			3	GASKET, INLET SEAT
8			3	GASKET, FLOAT BOWL COVER
10	1395-5680		3	COVER, FLOAT BOWL
11	1395-5733		3	JET, BOWL VENT (.088) UNITED STATES 5076583 AND BELOW
	1399-6249		3	JET, BOWL VENT (.096) UNITED STATES 5076584 AND UP
12	1395-5734		3	HOSE, ECONOMIZER
13	10-52195		3	SCREW, FLOAT BOWL COVER
14	1395-4804		3	SCREW, FLOAT BOWL COVER
15	13-26995		6	LOCKWASHER, FLOAT BOWL COVER SCREW
17	1399-97		3	LEVER, THROTTLE USED ON CENTER AND LOWER CARBURETOR ONLY--REPLACED WITH A-52518 CLUSTER ON UPPER CARBERATOR.
18	10-20847		3	SCREW, THROTTLE STOP LEVER
19	1399-3527		3	SHAFT, THROTTLE
20			3	TUBE, IDLE
21	1395-4540		3	SCREW, BODY (IDLE TUBE)
22	1395-5108		3	SHUTTER, THROTTLE
23			6	SCREW AND LOCKWASHER, THROTTLE SHUTTER
24			3	SPRING, IDLE ADJUSTMENT SCREW
25	1399-3515		3	SCREW, IDLE ADJUSTMENT
26			3	NOZZLE, MAIN
27	1395-4542		3	SCREW, PLUG - MAIN NOZZLE
28	1399-3794		3	JET, MAIN FUEL (.074) - STANDARD UNITED STATES 5076584 AND UP
	1395-6207		3	JET, MAIN FUEL (.072) - STANDARD UNITED STATES 5076583 AND BELOW
	1395-6030		OPT	JET, MAIN FUEL (.070)
	1395-6029		OPT	JET, MAIN FUEL (.068)
29	1395-4541		3	SCREW, PLUG - MAIN FUEL JET CHANNEL
30			3	GASKET, JET CHANNEL PLUG SCREW
31			3	SPRING, THROTTLE SHAFT RETURN
32	1395-4543		3	SCREW, BODY CHANNEL
33			3	WELCH PLUG, BODY CHANNEL

CONTINUED ON NEXT PAGE ➡

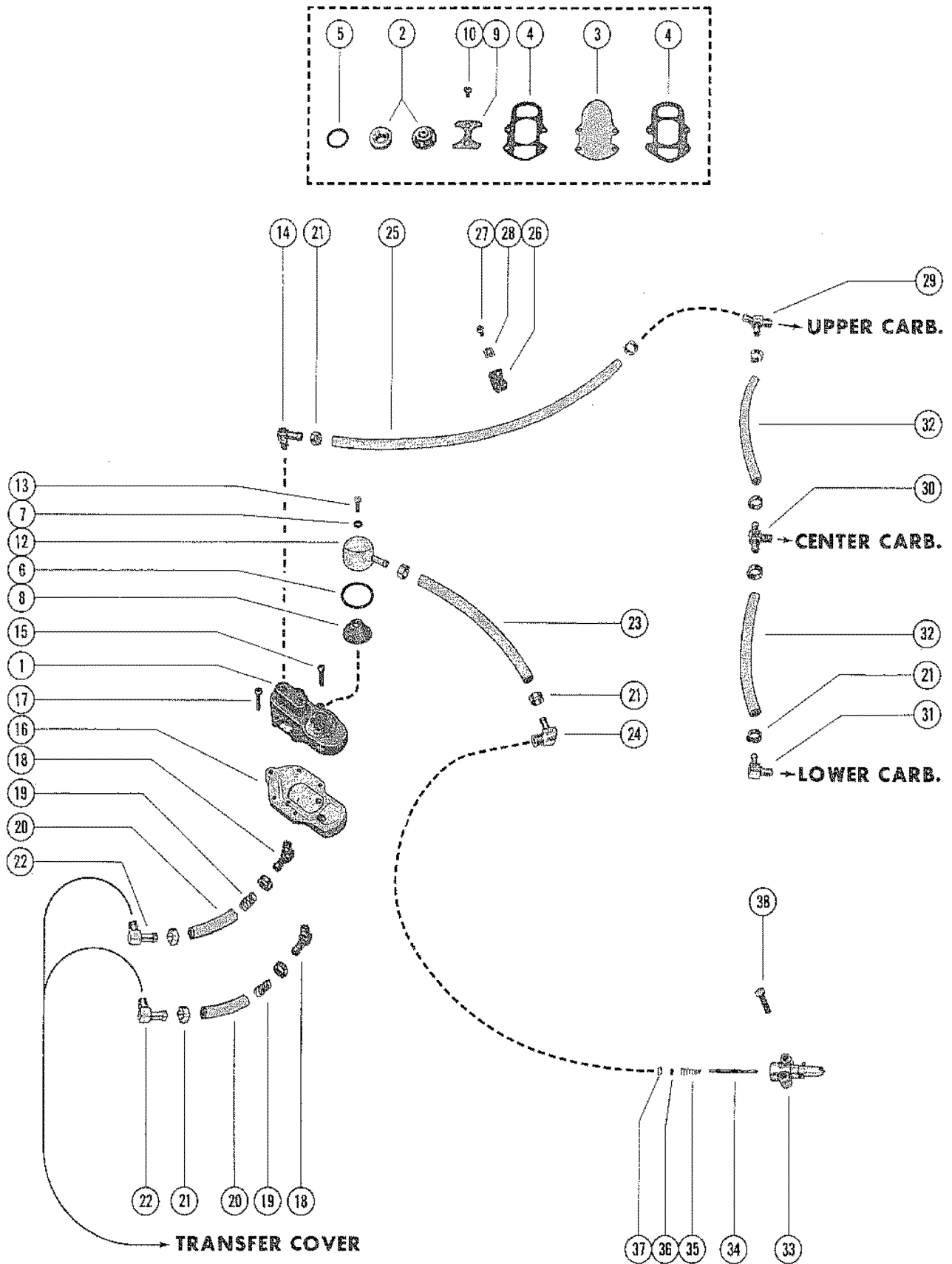
CARBURETOR ASSEMBLY



CARBURETOR ASSEMBLY

REF. NO.	PART NO.	SYM.	QTY.	DESCRIPTION
33	1395-4808		3	GASKET AND PACKING SET (1 PER CARBURETOR)
	1395-5405		3	REPAIR PARTS KIT (1 PER CARBURETOR) UNITED STATES 5076583 AND BELOW
	1395-7479		3	REPAIR PARTS KIT (1 PER CARBURETOR) UNITED STATES 5076584 AND UP
34	27-48164		3	GASKET, CARBURETOR FLANGE
35	11-64809		6	NUT, CARBURETOR MOUNTING STUD

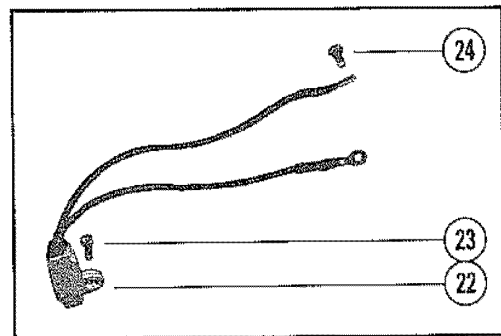
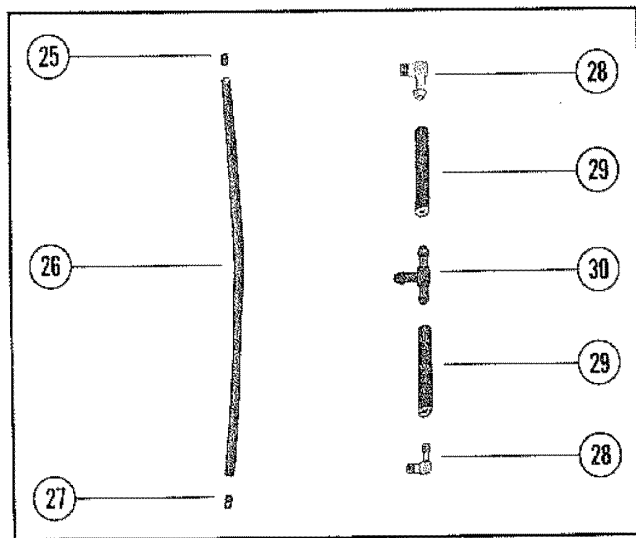
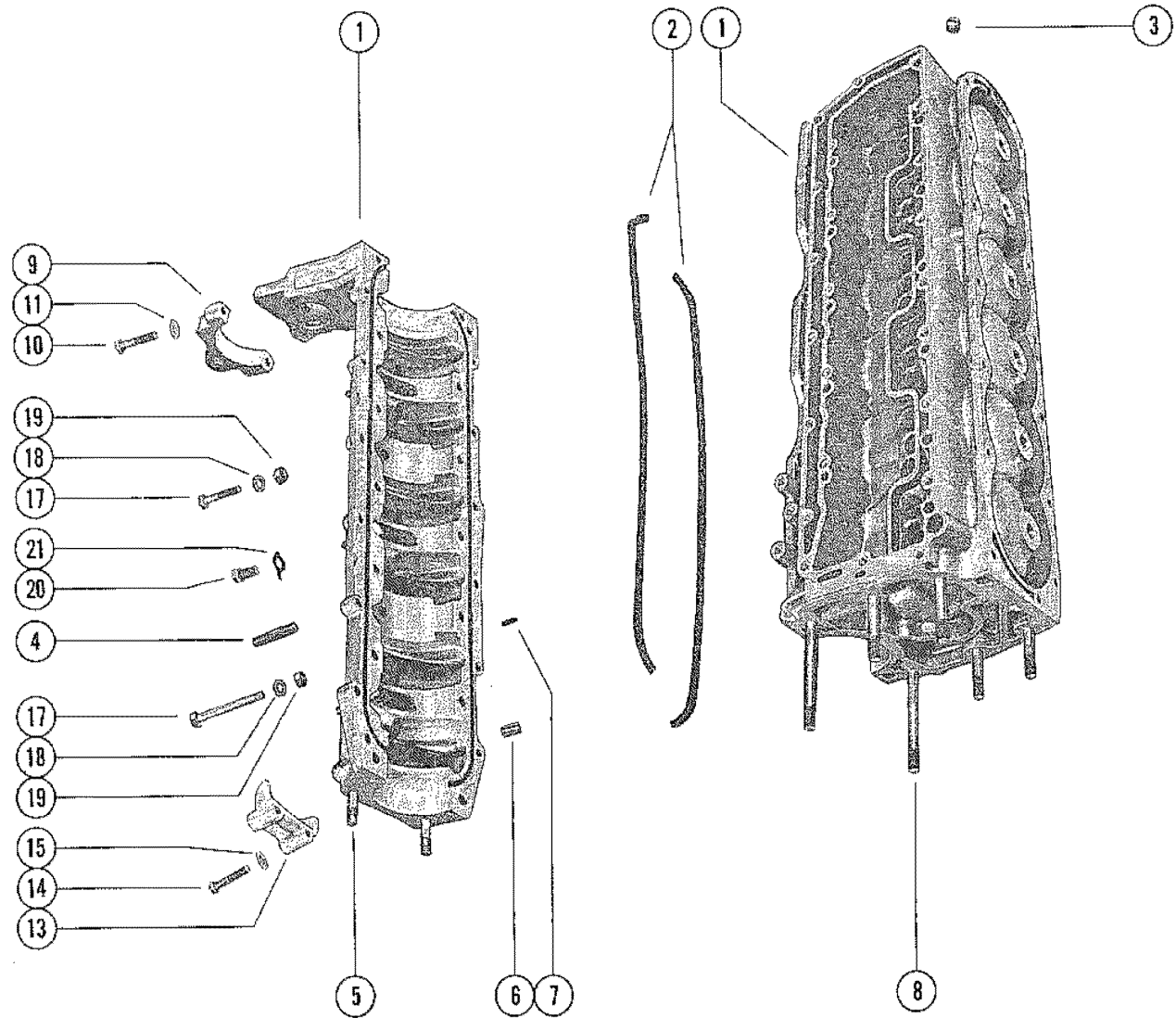
FUEL PUMP AND FUEL LINE ASSEMBLY



FUEL PUMP AND FUEL LINE ASSEMBLY

REF. NO.	PART NO.	SYM.	QTY.	DESCRIPTION
1	66530A2		1	FUEL PUMP ASSEMBLY
2	21-30430A7		1	CHECK VALVE ASSEMBLY
3	66599A1		1	DIAPHRAGM ASSEMBLY
4			2	GASKET, DIAPHRAGM
5			2	GASKET, CHECK VALVE
6			1	"O" RING, COVER TO HOUSING
7			1	GASKET, NYLON - FILTER COVER SCREW
8	35-59072		1	SCREEN, FILTER - INLET
9	23004		1	RETAINER, CHECK VALVE
10	10-20037		2	SCREW, RETAINER TO FUEL PUMP (1/4")
12	59071		1	COVER, FUEL INLET
13	10-37370		1	SCREW, COVER TO FUEL PUMP (5/8")
14	22-64704		1	FITTING, FUEL OUTLET
15	10-66686		2	SCREW, FUEL PUMP TO BASE (1")
16	66575		1	BASE, FUEL PUMP
17	10-66687		3	SCREW, FUEL PUMP TO BOTTOM COWL (1 1/2")
18	22-64704		2	FITTING, PULSE LINE (90)
19	24-68434		2	SPRING, PULSE LINE
20	32-70432		2	PULSE LINE (3 1/4")
21	54-68424		12	CLAMP, FUEL LINE ATTACHING
22	22-64704		2	FITTING, PULSE LINE TO TRANSFER COVER (90)
23	32-70432		1	FUEL LINE, ADAPTOR TO FUEL PUMP (6 3/4")
24	22-63981		1	ELBOW, FUEL LINE TO ADAPTOR
25	32-70432		1	FUEL LINE, FUEL PUMP TO UPPER CARBURETOR (15 3/4")
26	54-22627		1	CLIP, FUEL LINE ATTACHING
27	10-62568		1	SCREW, FUEL LINE CLIP (3/8")
28	69205		1	"D" WASHER, FUEL LINE CLIP SCREW
29	22-66328		1	FITTING, TEE - UPPER CARBURETOR
30	22-64706		1	FITTING, TEE - CENTER CARBURETOR
31	22-64704		1	FITTING, ELBOW - LOWER CARBURETOR
32	32-70432		2	FUEL LINE, CARBURETOR TO CARBURETOR (6 1/4")
33	22833		1	ADAPTOR, CHECK UNIT (FUEL LINE)
34	23069		1	STEM, CHECK UNIT ADAPTOR
35	24-23067		1	SPRING, ADAPTOR STEM
36	25-20415		1	"O" RING, ADAPTOR STEM
37	30188		1	CUP WASHER, ADAPTOR
38	10-69029		2	SCREW, ADAPTOR TO BOTTOM COWL (1 3/4")

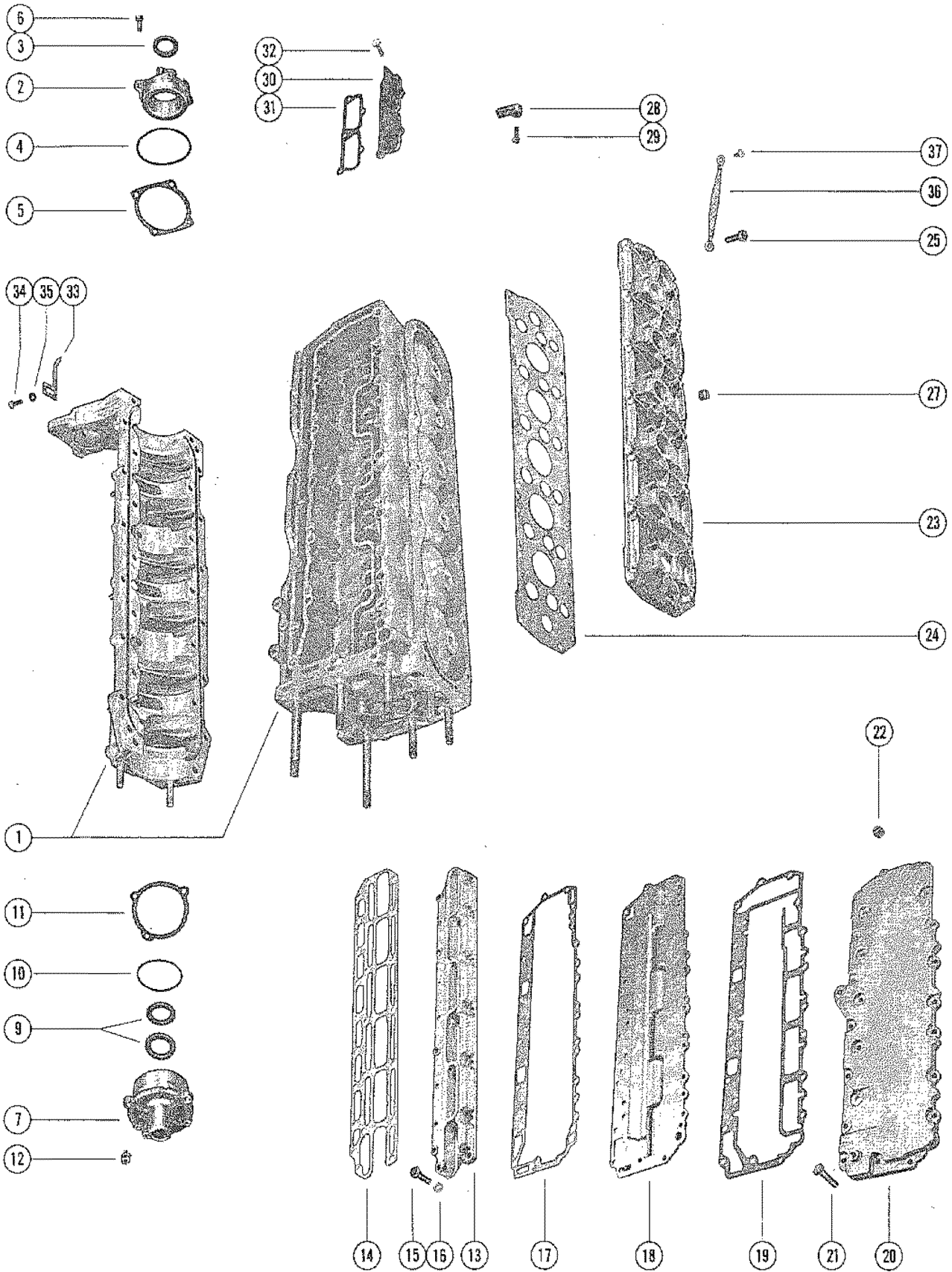
CYLINDER BLOCK AND CRANKCASE ASSEMBLY



CYLINDER BLOCK AND CRANKCASE ASSEMBLY

REF. NO.	PART NO.	SYM.	QTY.	DESCRIPTION
1	852-6686A1		1	CYLINDER BLOCK AND CRANKCASE ASS'Y UNITED STATES 5076583 AND BELOW
	852-7405A3		1	CYLINDER BLOCK AND CRANKCASE ASS'Y UNITED STATES 5076584 AND UP
2	27-53862		2	GASKET, CRANKCASE TO CYLINDER BLOCK
3	66517		5	RESTRICTION, CRANKCASE BLEED
4	16-64280		6	STUD, CARBURETOR MOUNTING (1 3/16")
5	16-64281		2	STUD, CRANKCASE TO EXHAUST EXTENSION PLATE (1 7/8")
6	17-20033		2	PIN, DOWEL - CRANKCASE TO CYLINDER BLOCK
7	17-63779		3	PIN, DOWEL - CYLINDER BLOCK TO MAIN BEARING
8	16-64282		6	STUD, CYLINDER BLOCK TO DRIVE SHAFT HOUSING PLATE (4")
9	56029		1	COVER, STARTER MOTOR BRACKET - TOP
10	10-69762		1	SCREW, TOP COVER ATTACHING (1 3/8")
	10-69267		1	SCREW, TOP COVER ATTACHING (1 3/4")
11	13-26993		2	LOCKWASHER, TOP COVER SCREWS
13	76867		1	COVER, STARTER MOTOR BRACKET - BOTTOM
14	10-69268		2	SCREW, BOTTOM COVER ATTACHING (1 7/8")
15	13-26993		2	LOCKWASHER, BOTTOM COVER SCREW
17	10-57841		3	SCREW, CRANKCASE TO CYLINDER BLOCK (2 3/4")
	10-32293		4	SCREW, CRANKCASE TO CYLINDER BLOCK (1 3/4")
	10-73657		20	SCREW, CRANKCASE TO CYLINDER BLOCK (1 1/2")
18	12-22753		25	WASHER, CRANKCASE TO CYLINDER BLOCK SCREWS
19	11-29250		4	NUT, CRANKCASE TO CYLINDER BLOCK SCREWS (LOWER)
20	10-20359		2	SCREW, CENTER MAIN BEARING LOCKING
21	14-20091		2	TAB WASHER, BEARING LOCKING SCREW
22	58124A4		1	SWITCH, MERCURY
23	10-69235		1	SCREW, SWITCH TO FRONT MOUNTING BRACKET (1/2")
24	10-62568		1	SCREW, MERCURY SWITCH LEAD
25	21-77560		1	CHECK VALVE, BLEED HOSE - UPPER
26	32-54936		1	HOSE, BLEED (22")
27	21-77561		1	CHECK VALVE, BLEED HOSE - LOWER
28	22-20781		2	ELBOW, BALANCE HOSE
29	32-34395A1		2	HOSE, BALANCE - MAIN BEARING (6 1/4")
30	22-78742		1	TEE, BALANCE HOSE

END CAP, MANIFOLD AND EXHAUST COVERS



END CAP, MANIFOLD AND EXHAUST COVERS

REF. NO.	PART NO.	SYM.	QTY.	DESCRIPTION
1	852-6686A1		1	CYLINDER BLOCK AND CRANKCASE ASS'Y UNITED STATES 5076583 AND BELOW
	852-7405A3		1	CYLINDER BLOCK AND CRANKCASE ASS'Y UNITED STATES 5076584 AND UP
2	1134-3197A1		1	END CAP ASSEMBLY
3	26-29476		1	OIL SEAL, END CAP
4	25-47254		1	"O" RING
5	15-47248A1		AR	SHIM, END CAP TO CRANKCASE (.006-8-10)
6	10-69034		4	SCREW, END CAP MOUNTING
7	1148-5410A1		1	END CAP ASSEMBLY, LOWER
9	26-29476		2	OIL SEAL, END CAP
10	25-32546		1	"O" RING, END CAP
11	15-20085A1		AR	SHIM, END CAP TO CRANKCASE (.002-3-5-10)
12	10-69034		3	SCREW, END CAP MOUNTING (1")
13	71808		1	COVER, WATER JACKET - CYLINDER BLOCK
14	27-72142		1	GASKET, WATER JACKET COVER
15	10-53167		23	SCREW, WATER JACKET COVER TO CYLINDER BLOCK (7/8")
16	12-70132		23	WASHER, WATER JACKET COVER FASTENING SCREW
17	27-72507		1	GASKET, CYLINDER BLOCK TO BAFFLE PLATE
18	75778		1	PLATE, BAFFLE - EXHAUST MANIFOLD
19	27-72509		1	GASKET, BAFFLE PLATE TO EXHAUST MANIFOLD COVER
20	79019		1	COVER, EXHAUST MANIFOLD
21	10-53576		24	SCREW, MANIFOLD COVER MOUNTING
22	22-32802		1	PLUG, PIPE - EXHAUST MANIFOLD COVER
23	1023-5070		1	COVER, CYLINDER BLOCK
24	27-72506		1	GASKET, CYLINDER BLOCK COVER
25	10-69100		16	SCREW, COVER MOUNTING (1")
27	22-68307		1	PLUG, PIPE - CYLINDER BLOCK COVER
28	37440		1	BRACKET, MOUNT SUPPORT - CYLINDER BLOCK
29	10-24234		1	SCREW, BRACKET TO CYLINDER BLOCK (1")
30	62301		2	COVER, TRANSFER PORT (TOP/MIDDLE)
	66094		1	COVER, TRANSFER PORT (BOTTOM)
31	27-64941		1	GASKET, TRANSFER PORT COVER
32	10-69100		16	SCREW, TRANSFER PORT COVER MOUNTING (1")
	10-28636		11	SCREW, TRANSFER PORT COVER MOUNTING (3/4")
33	76367		1	POINTER, TIMING
34	10-28636		1	SCREW, TIMING POINTER ATTACHING (3/4")
35	12-35462		1	WASHER, TIMING POINTER SCREW
36	46933A3		2	GROUND STRAP ASSEMBLY, EXHAUST COVER
37	10-62568		2	SCREW, GROUND STRAP ATTACHING (3/8")

CRANKSHAFT, PISTONS AND CONNECTING RODS

* * * * MISSING ILLUSTRATION * * * *

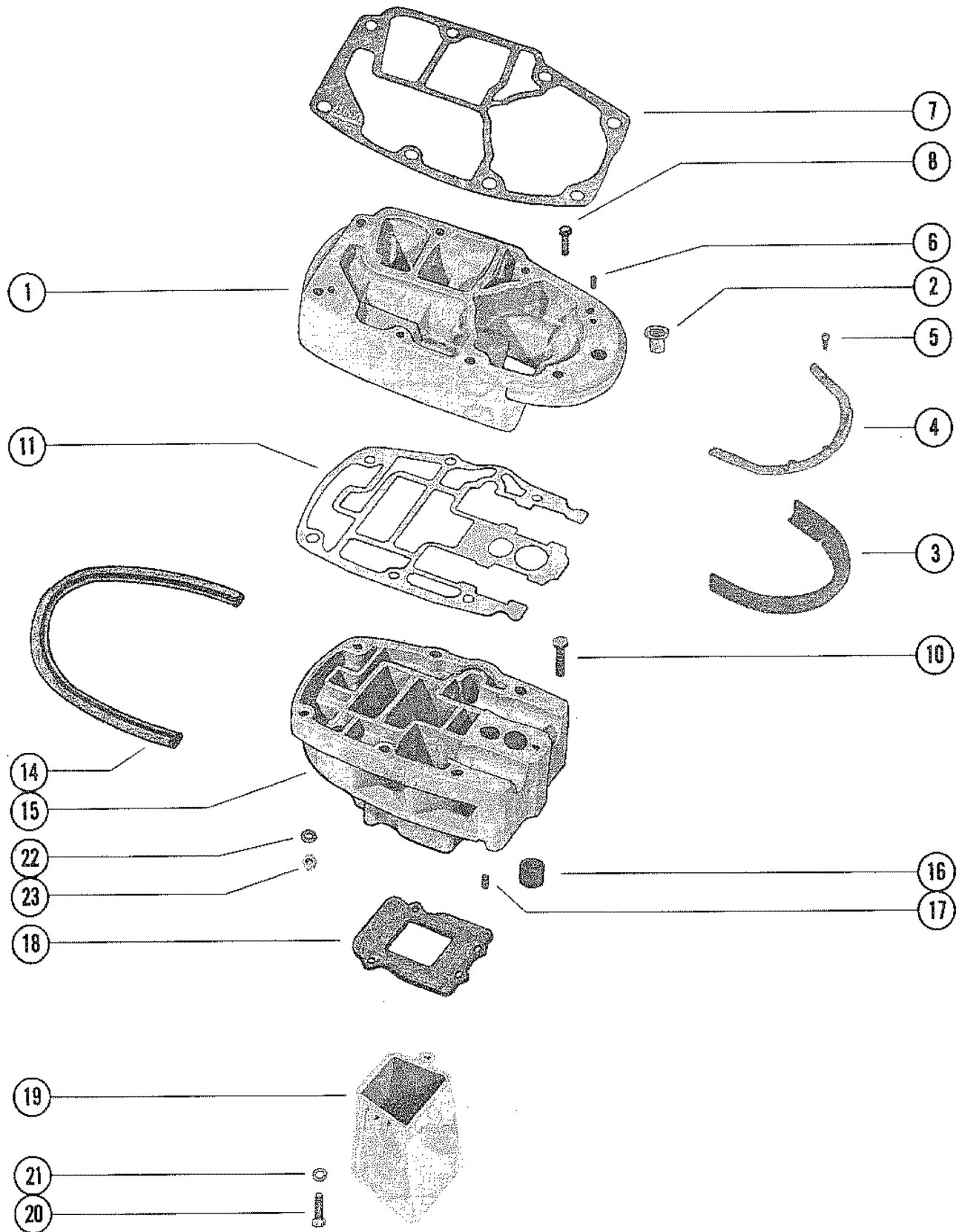
CRANKSHAFT, PISTONS AND CONNECTING RODS

REF. NO.	PART NO.	SYM.	QTY.	DESCRIPTION
1	436-4842A3		1	CRANKSHAFT ASSEMBLY UNITED STATES 5076583 AND BELOW
	436-6646A2		1	CRANKSHAFT ASSEMBLY UNITED STATES 5076584 AND UP
3	30-62567		1	BEARING, BALL - UPPER
4	30-63742		1	BEARING, BALL - LOWER
5	54196A6		1	CARRIER ASSEMBLY, "O" RING
6	65800		1	"O" RING, CARRIER
7	535-5397A4		2	CENTER MAIN BEARING ASSEMBLY
8	17-20032		4	DOWEL PIN, CENTER MAIN BEARING
9	29-52168		112	BEARING, NEEDLE - OUTER RACE
10	26113		2	RACE, OUTER (PAIR)
11	53-26933		2	RING, SNAP - OUTER RACE
12	17-47246		2	DOWEL PIN, STEPPED
13	10-22968		4	SCREW, CENTER MAIN BEARING CLAMPING
14	11-46887		4	NUT, BEARING CLAMPING SCREW
15	540-5266A5		3	MAIN BEARING ASSEMBLY, VALVE TYPE
16	17-20032		6	DOWEL PIN, MAIN BEARING
17	10-45775		6	SCREW, MAIN BEARING CLAMPING
18	11-45774		6	NUT, MAIN BEARING CLAMPING SCREW
19	34-56007A1		3	REED SET, MATCHED - MAIN BEARING
20	34-56008		12	REED STOP, MAIN BEARING REED VALVES
21	10-62204		30	SCREW, REED STOP MOUNTING
22	11-53153		30	NUT, REED STOP SCREW
23	745-6661A4		6	PISTON AND PISTON PIN ASSEMBLY
24	40-52035		12	LOCK RING, PISTON PIN
25	39-78816A12		2	RING, PISTON
26	622-4850A3		6	CONNECTING ROD AND CAP ASSEMBLY
27	31-62596A1		6	BEARING ASSEMBLY, CRANKPIN
28	10-54803		12	SCREW, CONNECTING ROD
29	11-49091		12	NUT, CONNECTING ROD SCREW
30	29-47270		174	BEARING, NEEDLE - PISTON PIN
31	12-47247		12	WASHER, NEEDLE LOCATING
	745-6696A2		6	PISTON AND PISTON PIN ASSEMBLY .015 OVERSIZE PISTONS AND RINGS
	39-78811A12		2	RING, PISTON .015 OVERSIZE PISTONS AND RINGS

BOTTOM COWL AND SHIFT LINKAGE

REF. NO.	PART NO.	SYM.	QTY.	DESCRIPTION
1	2115-6462		1	COWL, BOTTOM
2	52862A2		1	DRIP TRAY ASSEMBLY, BOTTOM COWL
3	37940		1	PAD, SOUND - DRIP TRAY
4	10-48408		4	SCREW, DRIP TRAY TO BOTTOM COWL (1/2")
5	32-34395A1		1	HOSE, DRIP TRAY TO BOTTOM COWL (8")
6	39616		1	BOOT, CONTROL CABLES - BOTTOM COWL
7	76369		1	SPACER, BOTTOM COWL (COWL FRONT COVER)
8	10-48591		2	SCREW, SPACER TO BOTTOM COWL (1/2")
9	37637		1	BOOT, FUEL CONNECTOR - BOTTOM COWL
10	37445		1	SUPPORT, WIRING HARNESS - BOTTOM COWL
11	10-69029		2	SCREW, SUPPORT TO BOTTOM COWL (1 3/4")
13	32-34395A1		1	HOSE, TELL TALE - EXHAUST COVER TO BOTTOM COWL (21 1/2")
14	52889		1	NOZZLE, TELL TALE HOSE TO BOTTOM COWL
15	10-48408		1	SCREW, TELL TALE NOZZLE TO BOTTOM COWL (1/2")
16	22-78279		1	ELBOW, TELL TALE HOSE TO CYLINDER BLOCK
17	60304A54		1	SHIFT SHAFT ASSEMBLY, UPPER
18	23-26600		1	BUSHING, SHIFT SHAFT
20	48047A1		1	LINK ROD ASSEMBLY
21	12-35462		2	WASHER, LINK ROD
22	11-36069		2	NUT, LINK ROD
23	13-29720		1	WASHER, WAVE - LINK ROD
24	52732		1	BRACKET, ANCHOR - CONTROL CABLES
25	39519		1	CAP, BARREL RETAINER - ANCHOR BRACKET
26	39618		1	LEVER, NYLON - SHIFT CABLE LOCKING
27	17-47175		3	PIN, LOCKING LEVER AND COVER FASTENING
28	39667		1	COVER, NYLON - SHIFT CABLE
29	65799		1	LINK, LOCKING LEVER TO COVER
30	10-24234		3	SCREW, ANCHOR BRACKET TO CYLINDER BLOCK (1")
31	24-20099		1	SPRING, LINK ROD TO GUIDE BLOCK
32	37896		1	GUIDE BLOCK, LINK ROD
33	52100		1	WEAR PLATE, LINK ROD
34	38279		1	LATCH, CONTROL CABLE FASTENING - ANCHOR BRACKET

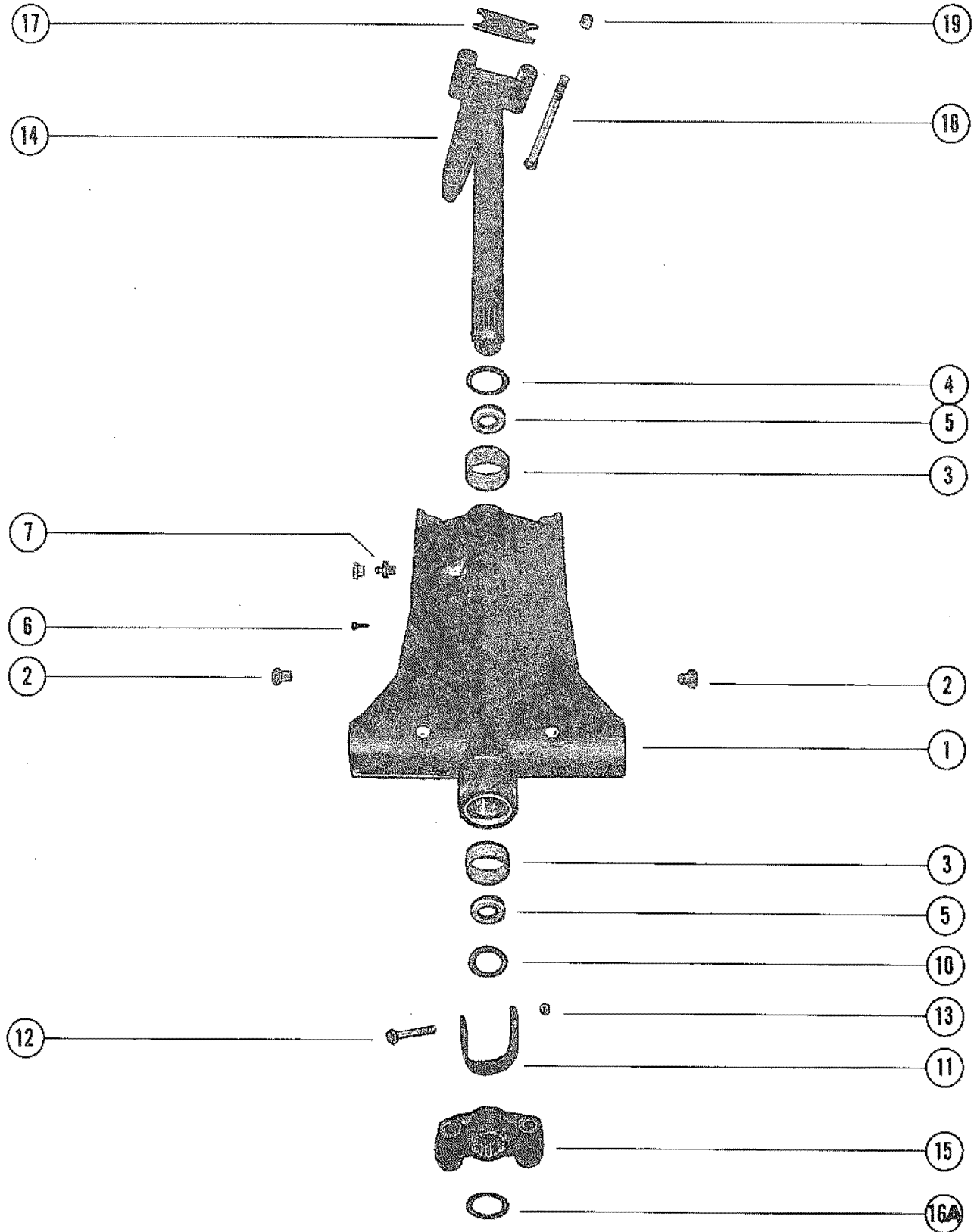
EXHAUST EXTENSION PLATE



EXHAUST EXTENSION PLATE

REF. NO.	PART NO.	SYM.	QTY.	DESCRIPTION
1	66096A1		1	PLATE ASSEMBLY, EXHAUST EXTENSION
2	23-27132		1	BUSHING, NYLON - EXHAUST EXTENSION PLATE
3	37918		1	SEAL, EXHAUST EXTENSION PLATE
4	38032		1	STRIP, RETAINING - EXHAUST EXTENSION PLATE SEAL
5	10-37571		5	SCREW, SEAL AND RETAINING STRIP TO EXT. PLATE (1/2")
6	17-23784		2	DOWEL PIN, EXHAUST EXTENSION PLATE
7	27-69238		1	GASKET, POWERHEAD TO EXTENSION PLATE
8	10-66023		2	SCREW, ADAPTOR PLATE TO HOUSING PLATE (2")
10	10-66023		7	SCREW, HOUSING PLATE TO DRIVE SHAFT HSG. (2")
11	27-66102		1	GASKET, PLATE TO DRIVE SHAFT HSG. PLATE
14	26-60898		1	SEAL, DRIVE SHAFT HOUSING PLATE
15	74257A3		1	PLATE ASSEMBLY, DRIVE SHAFT HOUSING
16	26-38970		1	SEAL, RUBBER - WATER INLET TUBE
17	17-23784		2	DOWEL PIN, DRIVE SHAFT HOUSING PLATE
18	27-62362		1	GASKET, MEGAPHONE TO DRIVE SHAFT HOUSING PLATE
19	60437		1	MEGAPHONE, EXHAUST
20	10-60480		3	SCREW, MEGAPHONE TO DRIVE SHAFT HOUSING PLATE (1 1/8")
21	12-29245		3	WASHER, MEGAPHONE SCREW
22	12-25970		6	WASHER, POWERHEAD STUD
23	11-34932		6	NUT, POWERHEAD STUD

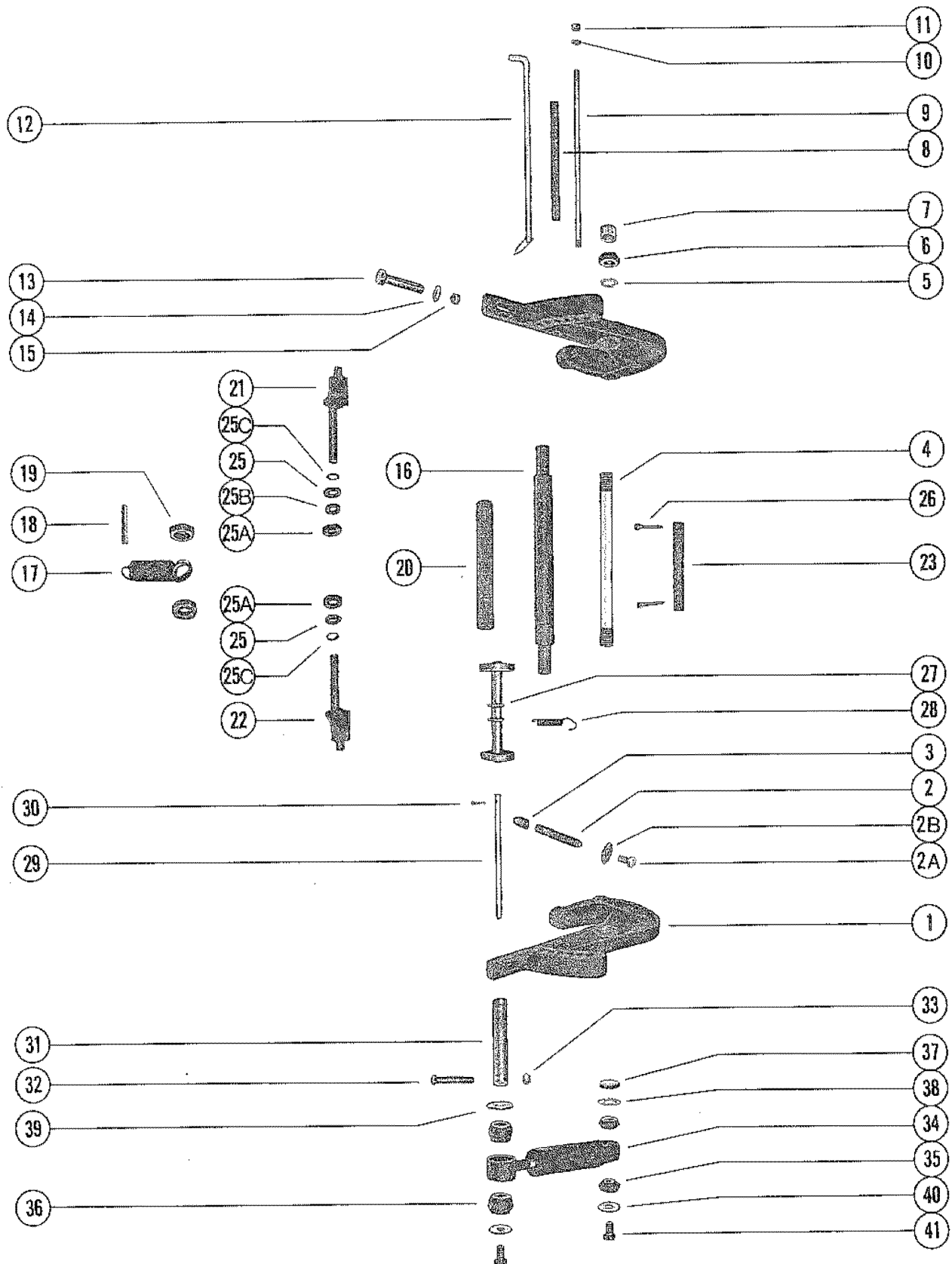
SWIVEL BRACKET ASSEMBLY



SWIVEL BRACKET ASSEMBLY

REF. NO.	PART NO.	SYM.	QTY.	DESCRIPTION
1	1482-6386A4		1	SWIVEL BRACKET ASSEMBLY
2	23-69132		2	BUSHING, REVERSE LOCK PIVOT SHAFT
3	23-69341		2	BUSHING, SWIVEL BRACKET
4	12-69342		1	WASHER, SWIVEL PIN - UPPER
5	26-37448		2	OIL SEAL, SWIVEL BRACKET
6	10-47828		1	SCREW, DRIVE - SWIVEL BRACKET
7	22-74036		4	FITTING, GREASE - SWIVEL BRACKET
10	12-69380		1	WASHER, SWIVEL PIN - LOWER
11	28205		1	STRAP STOP, DRIVE SHAFT HOUSING TO SWIVEL BRACKET
12	10-28200		1	SCREW, STRAP STOP TO DRIVE SHAFT HOUSING (2 7/8")
13	11-25269		1	NUT, STRAP STOP FASTENING SCREW
14	17-73593A1		1	SWIVEL PIN AND ARM ASSEMBLY
15	73984		1	YOKE, BOTTOM
16A	53-73591		1	RETAINING RING, BOTTOM YOKE ATTACHING
17	28203		1	BUMPER, STEERING ARM
18	10-49554		2	BOLT, STEERING ARM TO UPPER MOUNT (5 7/8")
19	11-34933		2	NUT, STEERING ARM BOLT FASTENING

CLAMP BRACKET AND REVERSE LOCK

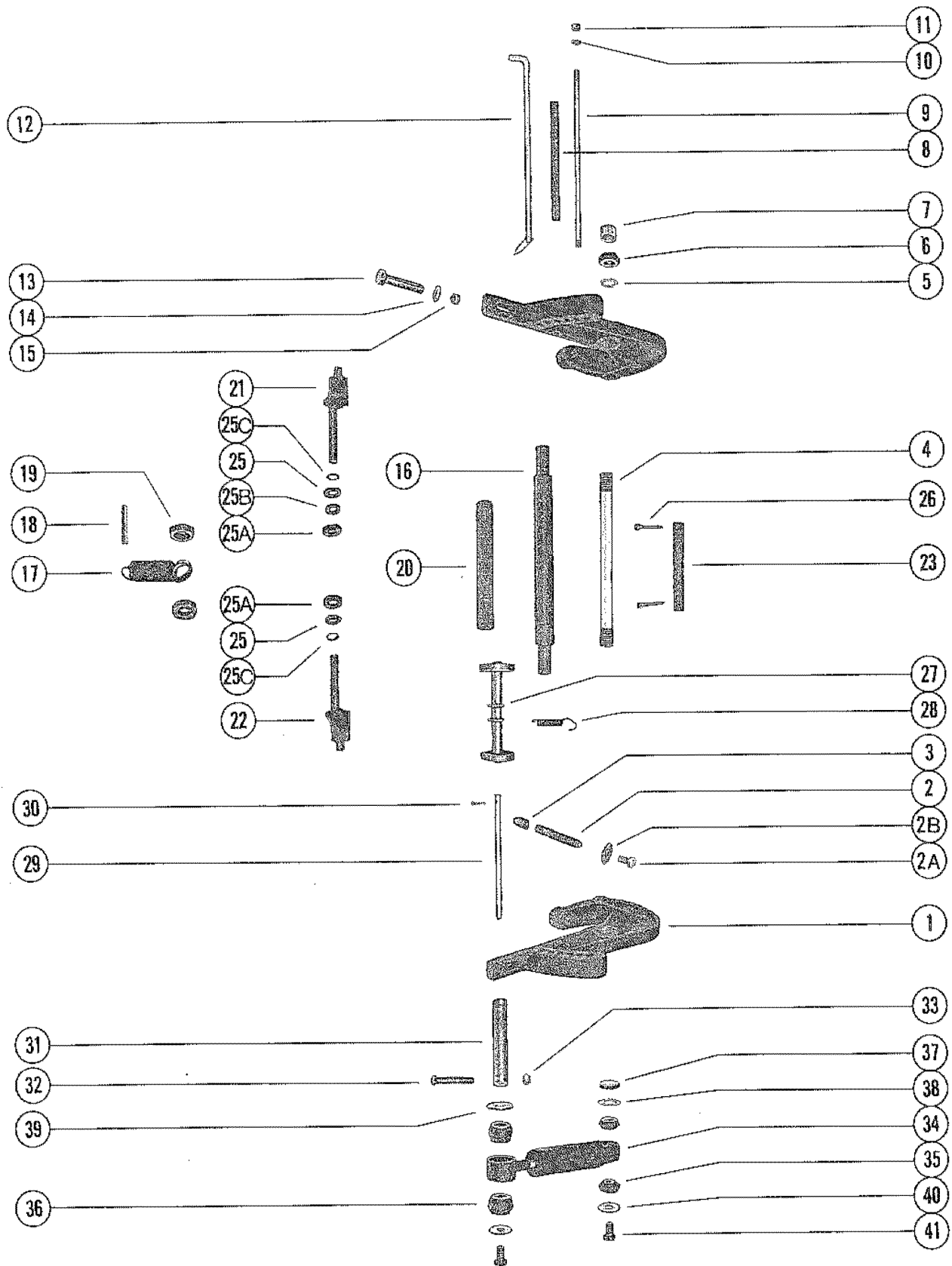


CLAMP BRACKET AND REVERSE LOCK

REF. NO.	PART NO.	SYM.	QTY.	DESCRIPTION
1	1440-6625A3		2	CLAMP BRACKET ASSEMBLY
2	10-78492A1		2	THUMB SCREW ASSEMBLY
2A	10-78495		2	SCREW, WASHER ATTACHING
2B	12-78493		2	WASHER, THUMB SCREW
3	75043		2	CAP, THUMB SCREW
4	74528		1	TUBE, TILT - CLAMP BRACKET TO SWIVEL BRACKET
5	12-52864		2	WASHER, CLAMP BRACKET TILT TUBE
6	11-56041		2	NUT, TILT TUBE FASTENING
7	53078		2	CAP, PLASTIC - TILT TUBE
8	23-59624		1	SPACER, CLAMP BRACKET STUD
9	16-59625		1	STUD, CLAMP BRACKET (NOT USED WITH FULL POWER TRIM)
10	13-26993		2	LOCKWASHER, CLAMP BRACKET STUD
11	11-28770		2	NUT, CLAMP BRACKET STUD
12	17-49930A1		1	TILT LOCK PIN ASSEMBLY (NOT USED WITH FULL POWER TRIM)
13	10-68298		2	BOLT, CLAMP BRACKET TO BOAT TRANSOM (LOWER)
	10-68299		2	BOLT, CLAMP BRACKET TO BOAT TRANSOM (UPPER)
14	12-68410		2	WASHER, CLAMP BRACKET BOLT (LOWER)
	12-68300		2	WASHER, CLAMP BRACKET BOLT (UPPER)
15	11-68411		4	NUT, CLAMP BRACKET BOLT
16	55-28416		1	PIN, UPPER SHOCK MOUNTING
17	24-28659		1	SPRING, COIL - SWIVEL BRACKET NOT USED WITH FULL POWER TRIM
18	17-38311		1	PIN, COIL SPRING MOUNTING NOT USED WITH FULL POWER TRIM
19	23-28688		2	SPACER, RUBBER - COIL SPRING POSITIONING NOT USED WITH FULL POWER TRIM
20	63473		1	TUBE, CUSHION - SHOCK PIN (USED WITH FULL POWER TRIM)
21	76386		1	TILT LOCK ASSEMBLY (STARBOARD)
22	76385		1	TILT LOCK ASSEMBLY (PORT)
23	76387		1	TUBE, TILT LOCK
25	13-69150		1	WASHER, WAVE - TILT LOCK (STARBOARD SIDE ONLY)
25A	26-22734		2	OIL SEAL, SWIVEL BRACKET (TILT LOCK)
25B	12-76388		1	WASHER, TILT LOCK (STARBOARD SIDE ONLY)
25C	25-62702		2	"O" RING, TILT LOCK
26	18-47959		2	COTTER PIN, TILT LOCK
27	70692		1	REVERSE LOCK ASSEMBLY NOT USED WITH FULL POWER TRIM
28	24-78203A1		1	SPRING, REVERSE LOCK TENSION NOT USED WITH FULL POWER TRIM
29	56349		1	SHAFT, REVERSE LOCK PIVOT NOT USED WITH FULL POWER TRIM
30	18-45882		1	COTTER PIN, REVERSE LOCK TO SHAFT NOT USED WITH FULL POWER TRIM

CONTINUED ON NEXT PAGE ➡

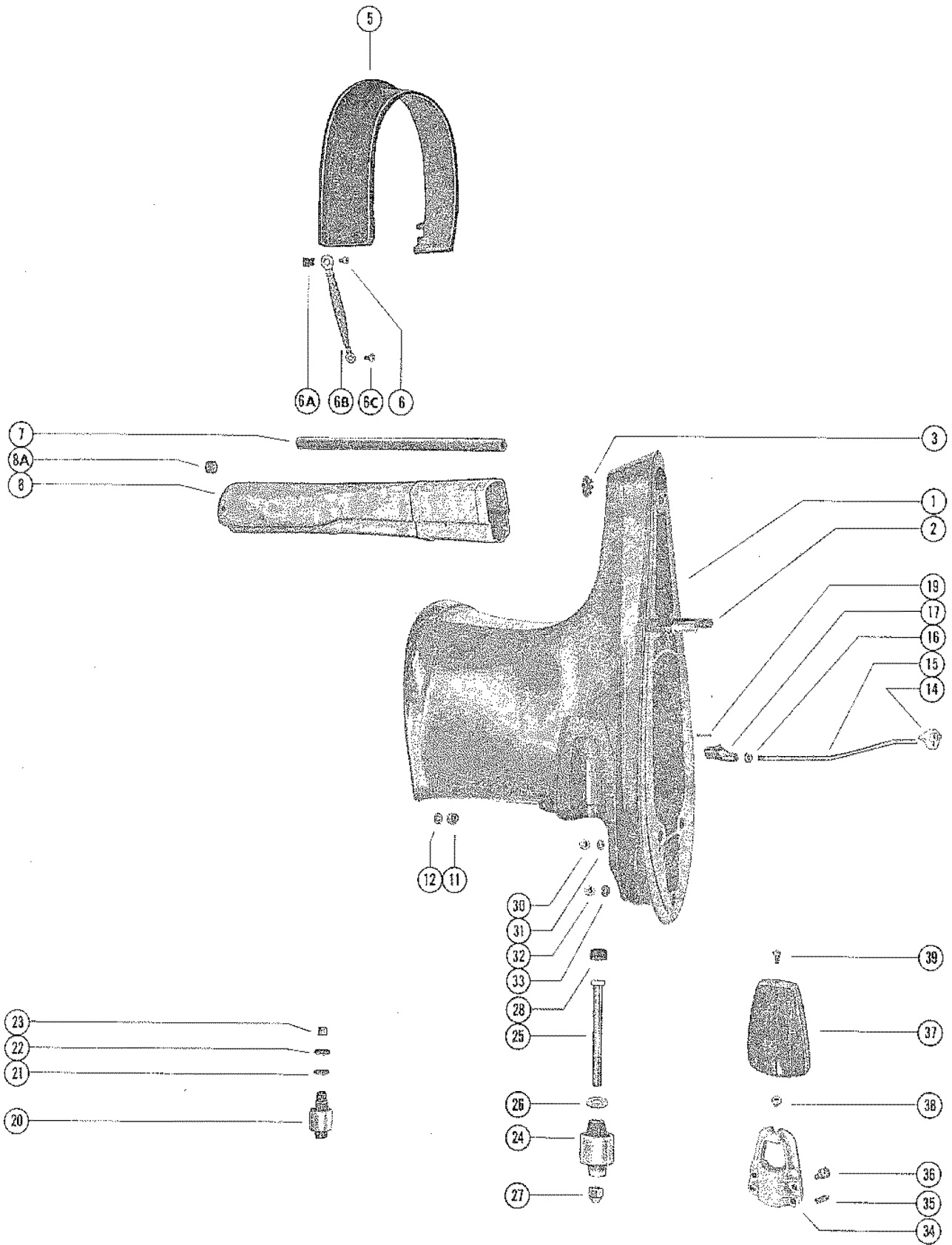
CLAMP BRACKET AND REVERSE LOCK



CLAMP BRACKET AND REVERSE LOCK

REF. NO.	PART NO.	SYM.	QTY.	DESCRIPTION
31	55-28414		2	PIN, LOWER SHOCK MOUNTING
32	10-21937		2	SCREW, LOWER SHOCK PIN
33	11-46887		2	NUT, LOWER SHOCK PIN SCREW
34	55-58780A2		2	SHOCK ABSORBER NOT USED WITH FULL POWER TRIM
35	23-32171		4	BUSHING, RUBBER - SHOCK ABSORBER (UPPER) NOT USED WITH FULL POWER TRIM
36	23-28198		4	BUSHING, RUBBER - SHOCK ABSORBER (LOWER) NOT USED WITH FULL POWER TRIM
37	23-73203		2	SPACER, UPPER SHOCK BUSHING TO CLAMP BRACKET
38	12-28196		2	WASHER, UPPER BUSHING RETAINER (INNER)
39	12-59378		2	WASHER, LOWER BUSHING RETAINER (INNER)
40	12-69374		4	WASHER, UPPER AND LOWER BUSHING RETAINER (OUTER)
41	10-69375		4	SCREW, UPPER AND LOWER SHOCK MOUNTING PIN

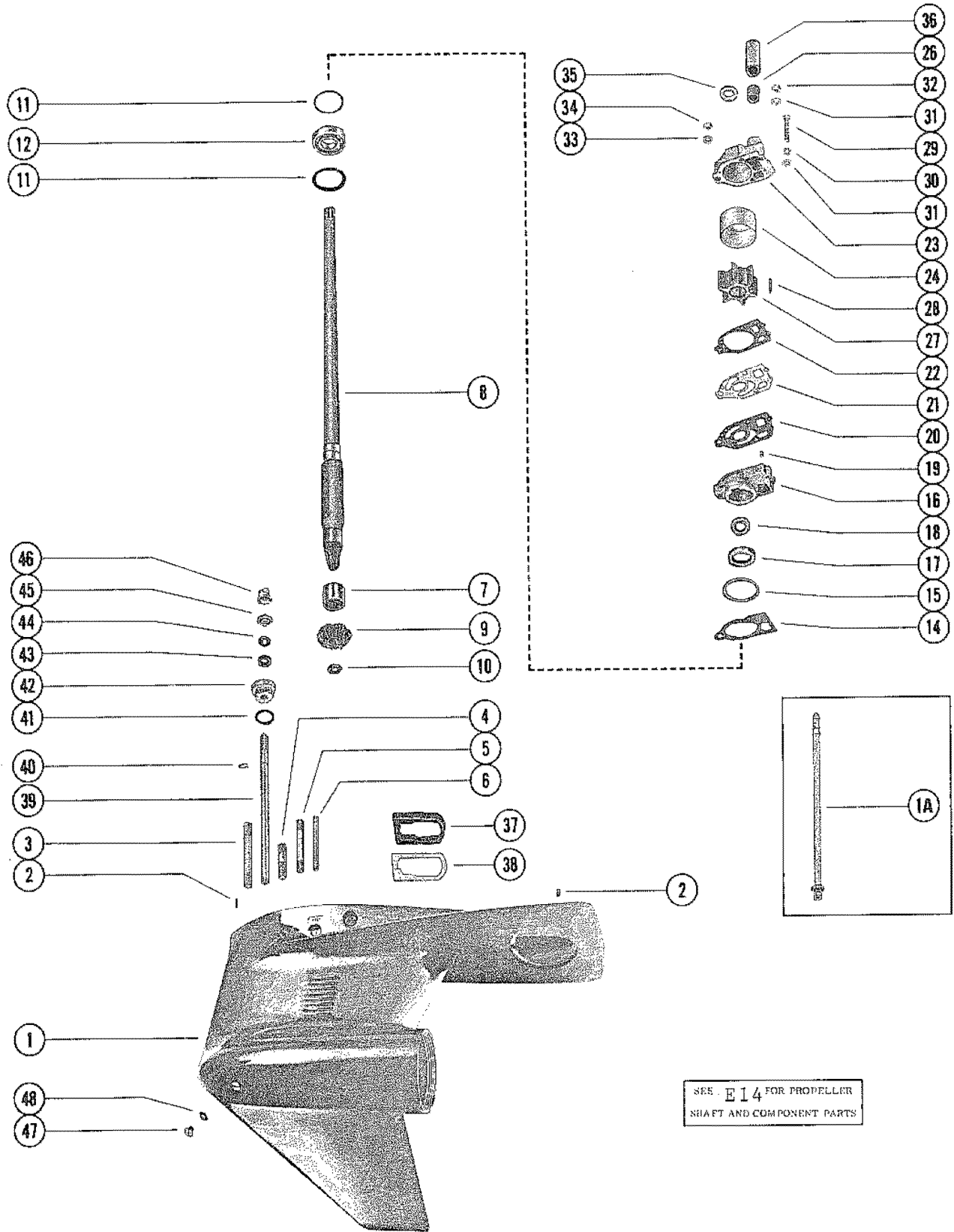
DRIVE SHAFT HOUSING ASSEMBLY



DRIVE SHAFT HOUSING ASSEMBLY

REF. NO.	PART NO.	SYM.	QTY.	DESCRIPTION
1	1573-5239A4		1	DRIVE SHAFT HOUSING ASSEMBLY
2	16-56295		2	STUD, DRIVE SHAFT HOUSING TO GEAR HOUSING (2 11/16")
3	19-64649		1	PLUG, PLASTIC - TRIM TAB SCREW HOLE
5	37417		1	COVER, TRIM - DRIVE SHAFT HOUSING
6	10-57807		4	SCREW, TRIM COVER TO BOTTOM COWL
6A	25-57806		4	GROMMET, PLASTIC - TRIM COVER SCREW
6B	46933A2		2	GROUND STRAP ASSEMBLY, TRIM COVER SCREW
6C	10-62568		2	SCREW, GROUND STRAP ATTACHING
7	32-60897		1	TUBE, WATER INLET
8	78184		1	TUBE, EXHAUST
8A	65638		2	BOOT, TUBE MOUNT
11	11-69254		2	NUT, POWERHEAD STUDS (3/8-24)
12	12-25970		2	WASHER, POWERHEAD STUDS
14	52887		1	GUIDE, PUSH ROD - REVERSE LOCKING NOT USED WITH FULL POWER TRIM
15	47558		1	ROD, PUSH - REVERSE LOCK NOT USED WITH FULL POWER TRIM
16	11-47661		1	NUT, JAM - PUSH ROD NOT USED WITH FULL POWER TRIM
17	47559		1	YOKE, PUSH ROD NOT USED WITH FULL POWER TRIM
19	18-25191		1	COTTER PIN, PUSH ROD PIN NOT USED WITH FULL POWER TRIM
20	75296		2	MOUNT, RUBBER - UPPER
21	12-47840		2	WASHER, RUBBER - UPPER MOUNT BOLT
22	12-31263		2	WSHER, UPPER MOUNT BOLT
23	11-34933		2	NUT, UPPER MOUNT BOLT
24	75299		2	MOUNT, RUBBER - LOWER
25	10-49318		2	SCREW, LOWER MOUNT (5 1/2")
26	12-49339		2	WASHER, LOWER MOUNT SCREW
27	11-25096		2	NUT, LOWER MOUNT SCREW
28	25067		2	BUMPER, RUBBER - LOWER MOUNTING SCREW
30	11-34933		2	NUT, GEAR HOUSING AND DRIVE SHAFT HOUSING STUDS
31	12-45176		2	WASHER, GEAR HOUSING TO DRIVE SHAFT HOUSING STUDS
32	11-29489		1	NUT, GEAR HOUSING AND DRIVE SHAFT HOUSING STUDS
33	12-45176		1	WASHER, GEAR HOUSING TO DRIVE SHAFT HOUSING STUDS
34	35608		2	CLAMP, LOWER MOUNT TO DRIVE SHAFT HOUSING
35	24-35522		4	SPRING, TENSION - LOWER MOUNT CLAMP
36	10-29256		4	SCREW, LOWER MOUNT CLAMP TO DRIVE SHAFT HOUSING
37	35474		2	COVER, LOWER MOUNT CLAMP
38	11-35521		2	NUT, LOWER MOUNT CLAMP COVER
39	10-29722		2	SCREW, COVER TO LOWER CLAMP MOUNT

GEAR HOUSING ASSEMBLY, COMPLETE (PAGE 1)

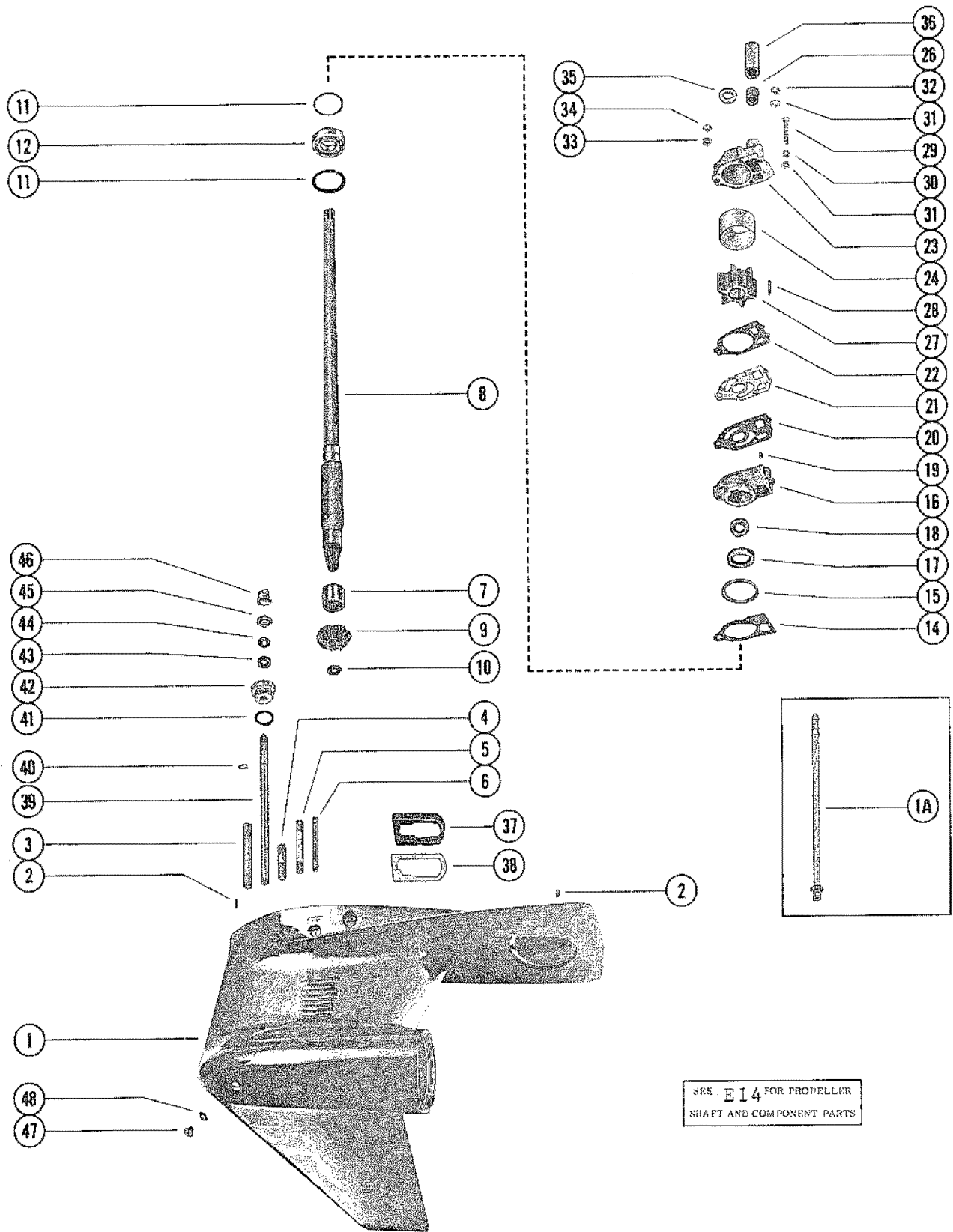


GEAR HOUSING ASSEMBLY, COMPLETE (PAGE 1)

REF. NO.	PART NO.	SYM.	QTY.	DESCRIPTION
-	1623-6053A15		1	GEAR HOUSING ASS'Y, COMP. THE ENCLOSED GEAR HOUSINGS INCLUDE ALL PARTS FROM REFERENCE #1 THRU #71 AS LISTED ON E12 AND E14 UNITED STATES 5180698 AND BELOW
-	1655-7333A24		1	GEAR HOUSING ASS'Y, COMP. THE ENCLOSED GEAR HOUSINGS INCLUDE ALL PARTS FROM REFERENCE #1 THRU #71 AS LISTED ON E12 AND E14 UNITED STATES 5180699 AND UP AUSTRALIA 8057045 AND UP
1	1623-6053A5		1	GEAR HOUSING ASS'Y UNITED STATES 5180698 AND BELOW
	1655-7333A23		1	GEAR HOUSING ASS'Y UNITED STATES 5180699 AND UP AUSTRALIA 8057045 AND UP
1A	22-85822A1		1	CONNECTOR ASSEMBLY, SPEEDOMETER UNITED STATES 5180699 AND UP AUSTRALIA 8057045 AND UP
2	17-46912		2	DOWEL PIN, GEAR HOUSING LOCATING
3	16-57921		1	STUD, GEAR HOUSING TO DRIVE SHAFT HOUSING (4")
4	16-57920		2	STUD, GEAR HOUSING TO DRIVE SHAFT HOUSING (2 1/16")
5	16-56297		1	STUD, WATER PUMP BASE AND BODY TO GEAR HOUSING (3 3/8")
6	16-30667		2	STUD, WATER PUMP BASE AND BODY TO GEAR HOUSING (3 1/8")
7	31-32898		1	BEARING, ROLLER - DRIVE SHAFT
8	45-69251		1	DRIVE SHAFT
9	43-68548		1	GEAR, PINION - DRIVE SHAFT
10	11-35921		1	NUT, PINION GEAR TO DRIVE SHAFT
11	23-70412		1	SPACER, BALL BEARING TO BASE
	15-57007A1		AR	SHIM, BALL BEARING TO BASE
12	31-69220		1	ROLLER BEARING, DRIVE SHAFT
14	27-33146		1	GASKET, WATER PUMP BASE
15	25-33145		1	"O" RING, WATER PUMP BASE
16	46-73804A1		1	WATER PUMP BASE ASSEMBLY
17	26-31489		1	OIL SEAL, WATER PUMP BASE
18	26-31507		1	OIL SEAL, WATER PUMP BASE
19	17-35973		2	DOWEL PIN, WATER PUMP BASE TO WATER PUMP BODY
20	27-32433		1	GASKET, LOWER - WATER PUMP BASE TO FACE PLATE
21	32435		1	PLATE, FACE - WATER PUMP BASE TO WATER PUMP BODY
22	27-32434		1	GASKET, UPPER - FACE PLATE TO WATER PUMP BODY
23	46-64141A1		1	WATER PUMP BODY ASSEMBLY
24	48752		1	INSERT, WATER PUMP BODY
26	26-38970		1	SEAL, RUBBER - WATER INLET TUBE
27	47-65960		1	IMPELLER, WATER PUMP
28	28-56654		1	KEY, IMPELLER DRIVE
29	10-30720		1	SCREW, WATER PUMP BODY TO GEAR HOUSING (2 1/4")
30	13-26992		1	LOCKWASHER, WATER PUMP BODY SCREW

CONTINUED ON NEXT PAGE ➡

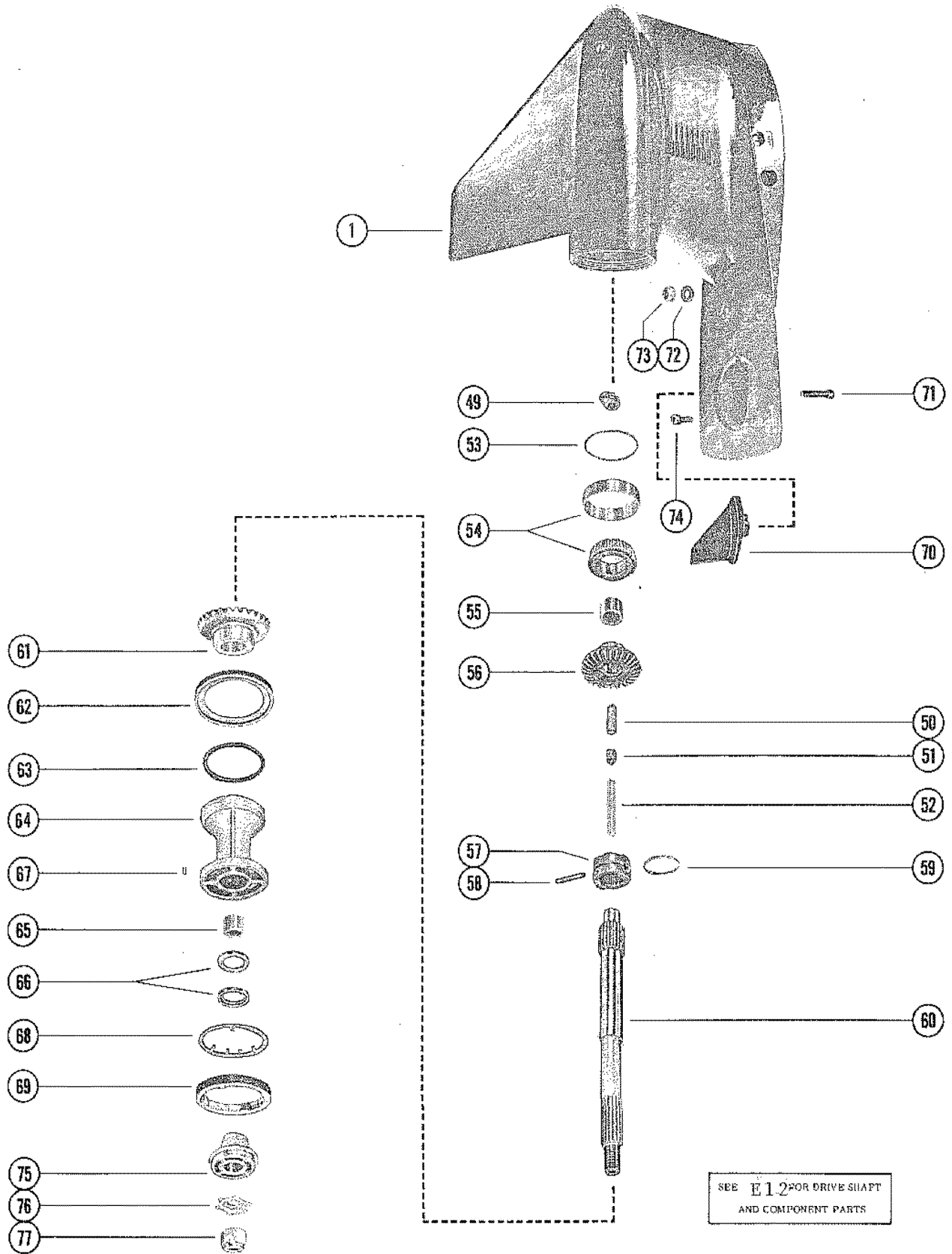
GEAR HOUSING ASSEMBLY, COMPLETE (PAGE 1)



GEAR HOUSING ASSEMBLY, COMPLETE (PAGE 1)

REF. NO.	PART NO.	SYM.	QTY.	DESCRIPTION
31	12-29245		3	WASHER, WATER PUMP BODY FASTENING SCREW AND STUD
32	11-35888		2	NUT, WATER PUMP FASTENING SCREW
33	12-36001		1	WASHER, WATER PUMP BODY FASTENING STUD
34	11-35814		1	NUT, WATER PUMP BODY FASTENING STUD
35	25-30271		1	RING, RUBBER - CENTRIFUGAL SLINGER (DRIVE SHAFT)
36	23-29804		1	SLEEVE, GUIDE - WATER INLET TUBE
37	37641		1	SEAL, EXHAUST ELBOW
38	38051		1	PLATE, SUPPORT - EXHAUST TUBE SEAL
39	76062A1		1	SHAFT ASSEMBLY, SHIFT - LOWER
40	53-29641		1	"E" RING, RETAINING - SHIFT SHAFT
41	25-25439		1	"O" RING, SHIFT SHAFT BUSHING
42	23-77631A2		1	BUSHING ASSEMBLY, SHIFT SHAFT
43	26-76384		1	OIL SEAL, SHIFT SHAFT BUSHING
44	12-77674		1	WASHER, RUBBER - SHIFT SHAFT BUSHING
45	39019		1	SPACER, LOWER - REVERSE LOCKING NOT USED WITH FULL POWER TRIM
46	39021		1	CAM, REVERSE LOCKING NOT USED WITH FULL POWER TRIM
47	10-79953		1	SCREW, GREASE FILLER AND VENT HOLE
	22-67892		1	PLUG, DRAIN (MAGNETIC)
48	12-20260		2	WASHER, GREASE FILLER AND VENT HOLE SCREW

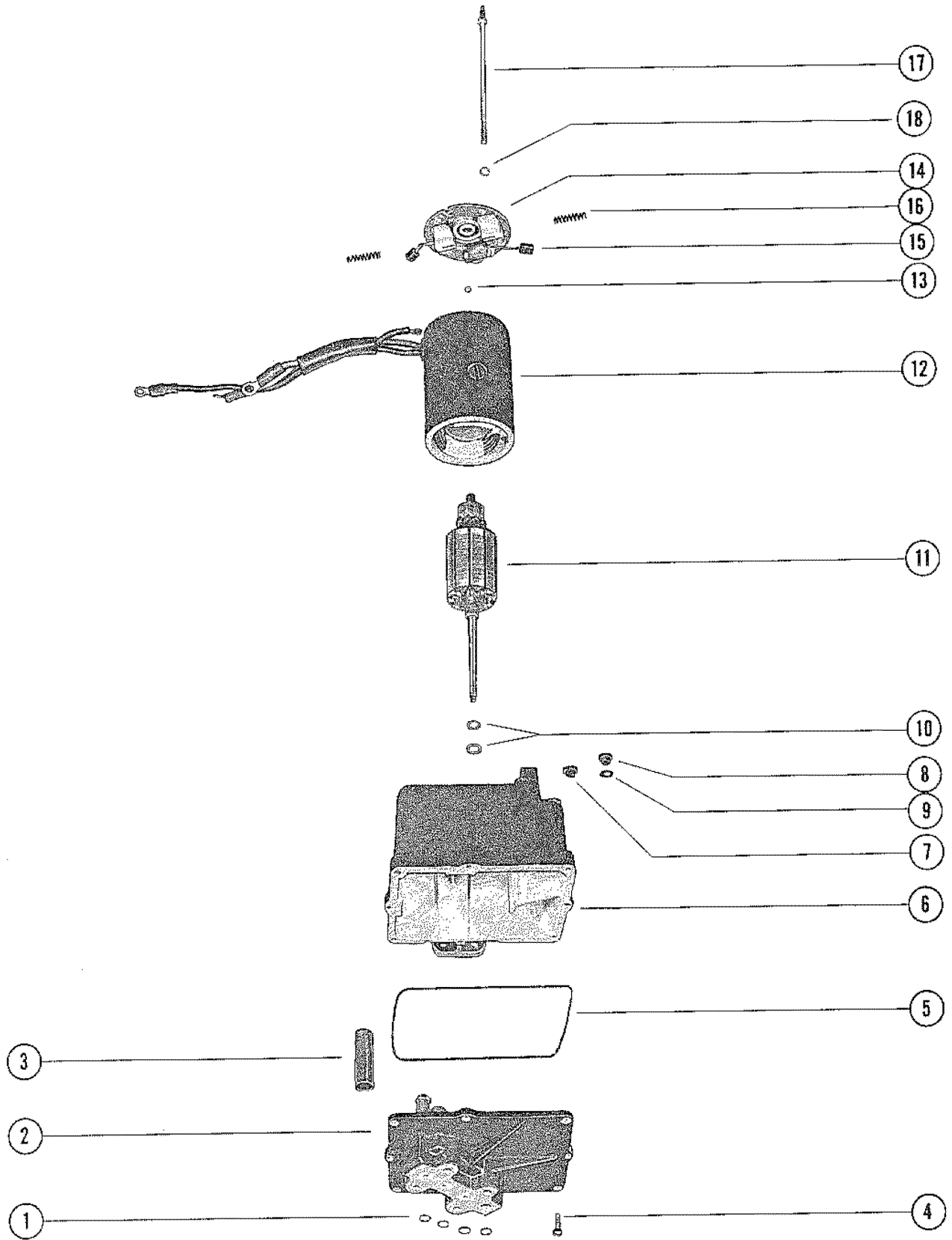
GEAR HOUSING ASSEMBLY, COMPLETE (PAGE 2)



GEAR HOUSING ASSEMBLY, COMPLETE (PAGE 2)

REF. NO.	PART NO.	SYM.	QTY.	DESCRIPTION
-	1623-6053A15		1	GEAR HOUSING ASS'Y COMP. THE ENCLOSED GEAR HOUSING INCLUDE ALL PARTS FROM REFERENCE #1 THRU #71 AS LISTED ON E12 AND E14 UNITED STATES 5180698 AND BELOW
-	1655-7333A24		1	GEAR HOUSING ASS'Y, COMP. THE ENCLOSED GEAR HOUSING INCLUDE ALL PARTS FROM REFERENCE #1 THRU #71 AS LISTED ON E12 AND E14 UNITED STATES 5180699 AND UP AUSTRALIA 8057045 AND UP
1	1623-6053A5		1	GEAR HOUSING ASS'Y, COMP. UNITED STATES 5180699 AND UP AUSTRALIA 8057045 AND UP
	1655-7333A23		1	GEAR HOUSING ASS'Y UNITED STATES 5180699 AND UP AUSTRALIA 8057045 AND UP
49	54346		1	CAM, SHIFT UNITED STATES 5180698 AND BELOW
	76039		1	CAM, SHIFT UNITED STATES 5180699 AND UP AUSTRALIA 8057045 AND UP
50	30625		1	FOLLOWER, CAM
51	30624		1	SLIDE, CROSS PIN
52	24-30622		1	SPRING, COMPRESSION - CAM FOLLOWER
53	15-30923A1		AR	SHIM, BEARING OUTER RACE TO HOUSING (.002-3-5-10)
54	31-30894A1		1	TAPERED ROLLER BEARING ASSEMBLY
55	31-30895		1	BEARING, ROLLER - FORWARD GEAR
56	43-68447		1	FORWARD GEAR
57	52-34239		1	RATCHET, SLIDING GEAR
58	17-30632		1	PIN, CROSS - RATCHET TO PROPELLER SHAFT
59	24-30893		1	SPRING, RETAINING - CROSS PIN
60	44-52542		1	SHAFT, PROPELLER
61	43-46250		1	REVERSE GEAR
62	12-76805		1	WASHER, THRUST - BEARING CARRIER TO GEAR HOUSING
63	25-29976		1	"O" RING, BEARING CARRIER
64	77520A1		1	BEARING CARRIER ASSEMBLY
65	31-30956		1	BEARING, ROLLER - BEARING CARRIER
66	26-76868		2	OIL SEAL, BEARING CARRIER
67	28-30281		1	KEY, LOCATING - BEARING CARRIER
68	14-52700		1	TAB WASHER, GEAR HOUSING COVER
69	52699		1	COVER, GEAR HOUSING
70	31640A1		1	TRIM TAB, GEAR HOUSING
71	10-66024		1	SCREW, TRIM TAB TO GEAR HOUSING (1 3/4")
72	12-45176		2	WASHER, GEAR HOUSING TO DRIVE SHAFT HOUSING STUDS
73	11-34933		2	NUT, GEAR HOUSING TO DRIVE SHAFT HOUSING STUDS
74	10-65210		1	SCREW, GEAR HOUSING TO DRIVE SHAFT HOUSING (1")
75	75282		1	THRUST HUB AND WASHER ASSEMBLY
76	14-31210		1	TAB WASHER, PROPELLER NUT
77	11-52707		1	NUT, PROPELLER

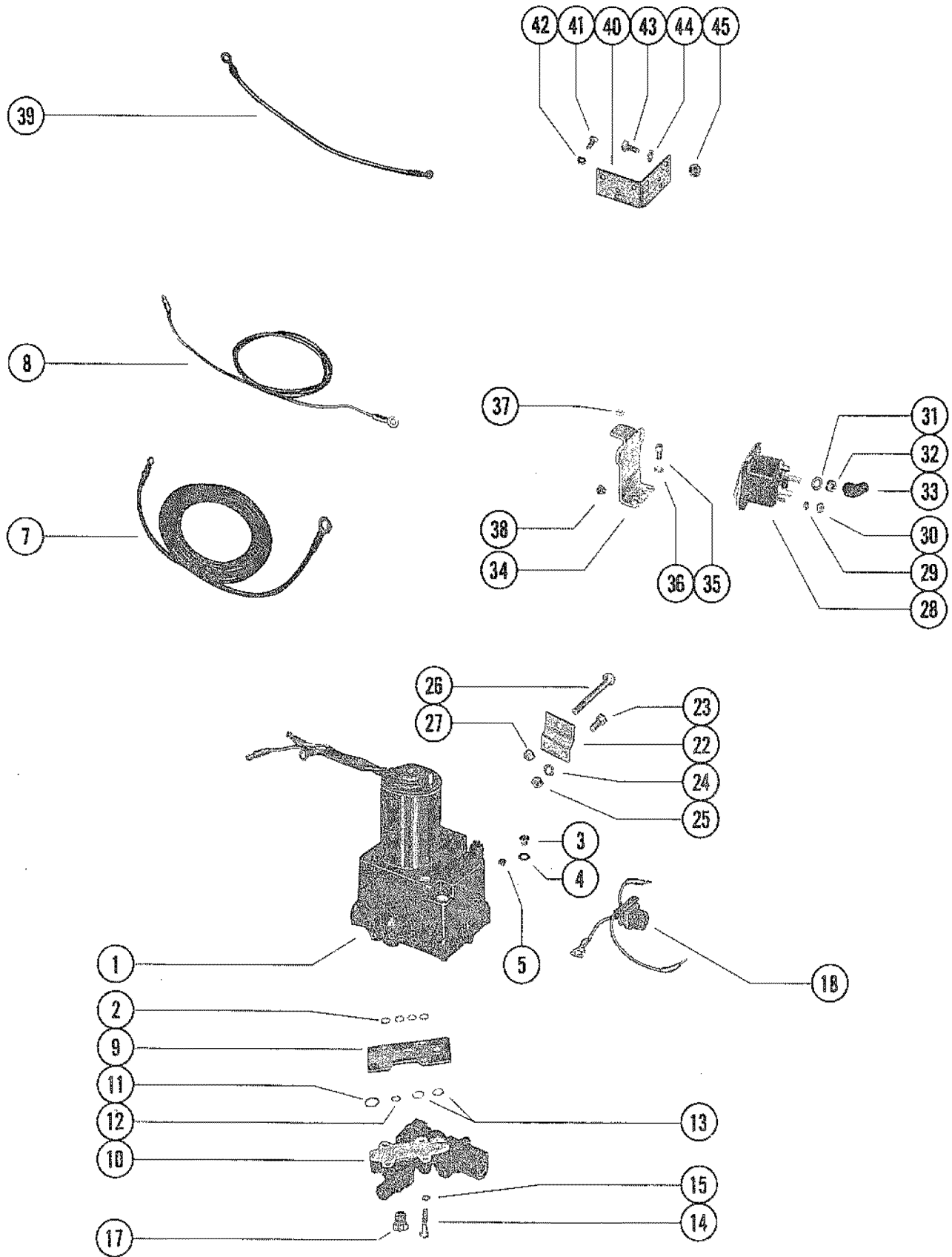
HYDRAULIC PUMP ASSEMBLY



HYDRAULIC PUMP ASSEMBLY

REF. NO.	PART NO.	SYM.	QTY.	DESCRIPTION
-	76395A5		1	HYDRAULIC PUMP ASSEMBLY, COMPLETE
1	25-21720		4	"O" RING, HYDRAULIC PUMP
2	392-2936		1	VALVE BODY AND GEAR ASSEMBLY
3	392-2618		2	CAN, VALVE BODY
4	10-20411		8	SCREW, VALVE BODY TO RESERVOIR
5	392-2937		1	SEAL, RESERVOIR TO VALVE BODY AND GEAR
6	392-2939		1	RESERVOIR ASSEMBLY
7	10-38257		1	SCREW, VENT - HYDRAULIC PUMP
8	10-28634		1	SCREW, FILLER - HYDRAULIC PUMP
9	12-20260		1	WASHER, SEALING - FILLER SCREW
10	392-2623		AR	WASHER, THRUST - ARMATURE
11	392-2943		1	ARMATURE, FIELD AND FRAME
12	392-2942		1	FIELD AND FRAME ASSEMBLY
13	392-2944		1	BALL, COMMUTATOR END PLATE
14	392-2940		1	PLATE ASSEMBLY, COMMUTATOR END
15	392-2941		1	BRUSH SET, COMMUTATOR END PLATE
16	392-2529		1	SPRING SET, BRUSH TENSION
17	392-2938		1	BOLT SET, THRU - PLATE AND FRAME TO RESERVOIR
18	13-26996		2	LOCKWASHER, THRU BOLT

HYDRAULIC PUMP AND CONTROL VALVE

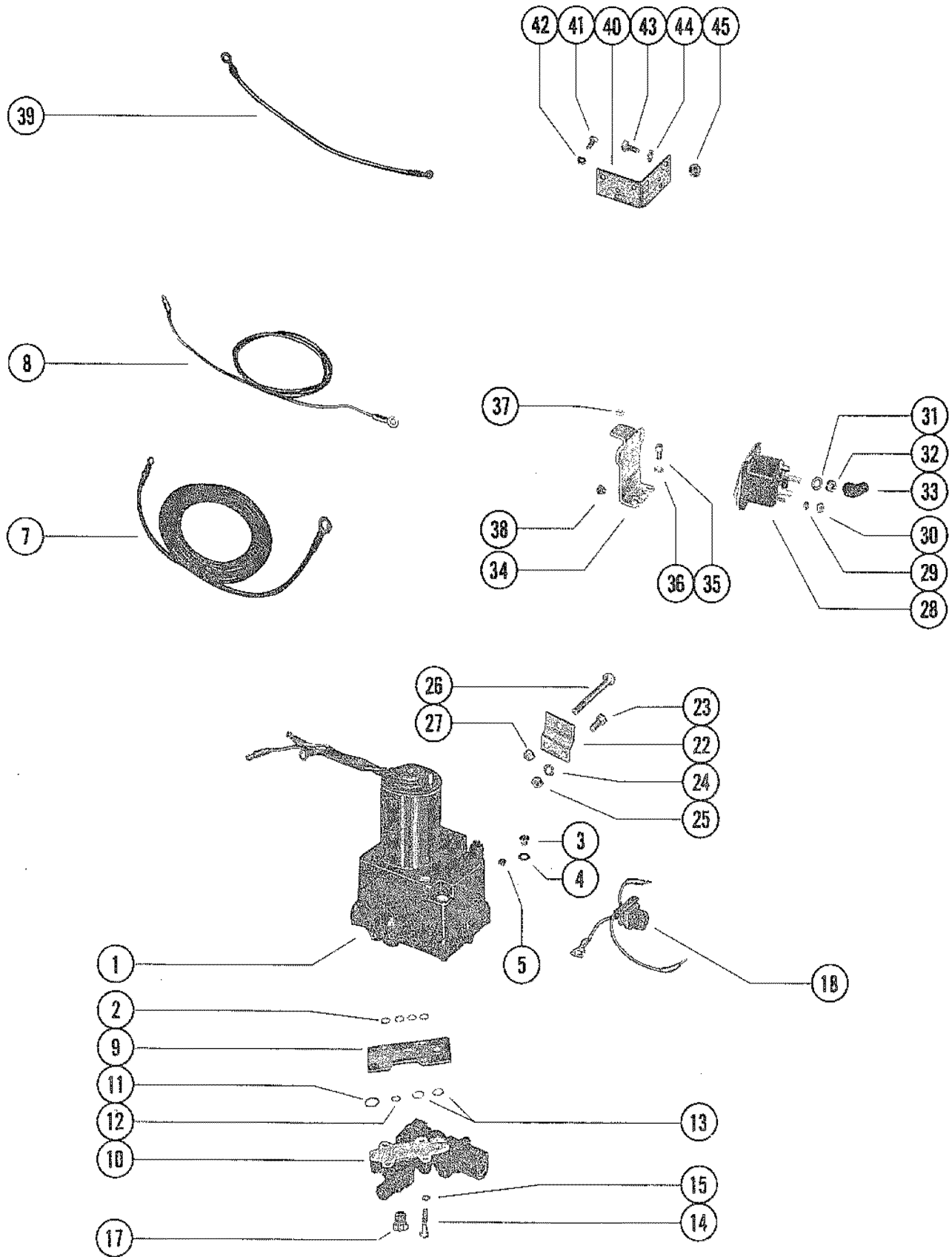


HYDRAULIC PUMP AND CONTROL VALVE

REF. NO.	PART NO.	SYM.	QTY.	DESCRIPTION
1	76395A5		1	HYDRAULIC PUMP ASSEMBLY SEE PAGE 39 FOR BREAKDOWN
2	25-21720		4	"O" RING, HYDRAULIC PUMP TO MANIFOLD PLATE
3	10-28634		1	SCREW, FILLER - HYDRAULIC PUMP
4	12-20260		1	WASHER, SEALING - CHYDRAULIC PUMP FILLER SCREW
5	10-38257		1	SCREW, VENT - HYDRAULIC PUMP
7	32979		1	BATTERY LEAD (POSITIVE)
8	32988		1	BATTERY LEAD (NEGATIVE)
9	45336		1	PLATE, MANIFOLD
10	45197A2		1	CONTROL VALVE ASSEMBLY
	25-21720		4	"O" RING, PUMP TO MANIFOLD PLATE (SEE REFERENCE #2)
11	25-45254		1	"O" RING, CONTROL VALVE TO MANIFOLD PLATE (3/4" O.D.)
12	25-21720		1	"O" RING, CONTROL VALVE TO MANIFOLD PLATE (1/2" O.D.)
13	25-45253		2	"O" RING, CONTROL VALVE TO MANIFOLD PLATE (5/8" O.D.)
14	10-56500		4	SCREW, VALVE AND MANIFOLD PLATE TO PUMP (1 1/4")
15	13-26992		4	LOCKWASHER, CONTROL VALVE AND MANIFOLD PLATE SCREW
17	22-46008		2	PLUG, CONTROL VALVE (1/2-20")
18	84-74023		1	CONNECTOR AND HARNESS
22	45377		2	BRACKET, MOUNTING - HYDRAULIC PUMP TO BOAT
23	10-24234		4	SCREW, MOUNTING BRACKET TO HYDRAULIC PUMP (1")
24	13-39107		4	LOCKWASHER, MOUNTING BRACKET SCREW
25	11-21908		4	NUT, MOUNTING BRACKET SCREW
26	10-68298		2	BOLT, HYDRAULIC PUMP TO BOAT (3 1/4")
27	11-68411		2	NUT, HYDRAULIC PUMP BOLT
28	89-68258		2	STARTER SOLENOID
29	13-26996		4	LOCKWASHER, STARTER SOLENOID TERMINAL (#10)
30	11-68219		4	NUT, STARTER SOLENOID TERMINAL (#10)
31	13-26993		4	LOCKWASHER, STARTER SOLENOID TERMINAL (5/16")
32	11-68292		4	NUT, STARTER SOLENOID TERMINAL (5/16")
33	46265		4	BOOT, RUBBER - STARTER SOLENOID TERMINAL
34	74407		1	BRACKET, MOUNTING - STARTER SOLENOID
35	10-21140		2	SCREW, MOUNTING BRACKET TO HYDRAULIC PUMP (1/2")
36	13-26992		2	LOCKWASHER, MOUNTING BRACKET SCREW
37	11-24656		1	NUT, MOUNTING BRACKET TO HYDRAULIC PUMP THRU BOLT
38	26901		1	BUMPER, RUBBER - SOLENOID BRACKET
39	55991		1	BATTERY LEAD (POSITIVE)
	55992		1	BATTERY LEAD (NEGATIVE)
40	74406		1	BRACKET, MOUNTING - STARTER SOLENOID

CONTINUED ON NEXT PAGE ➡

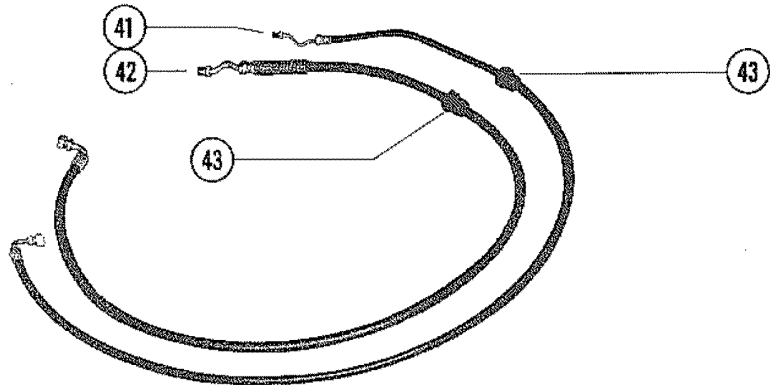
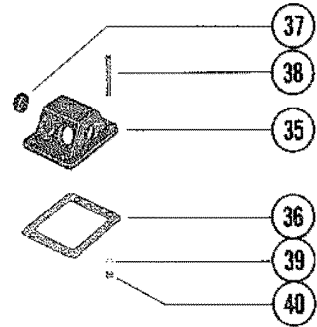
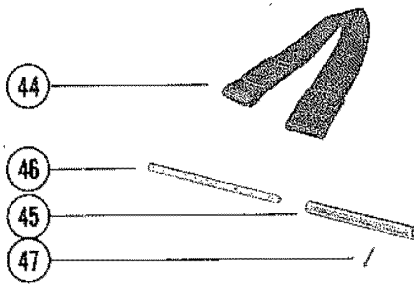
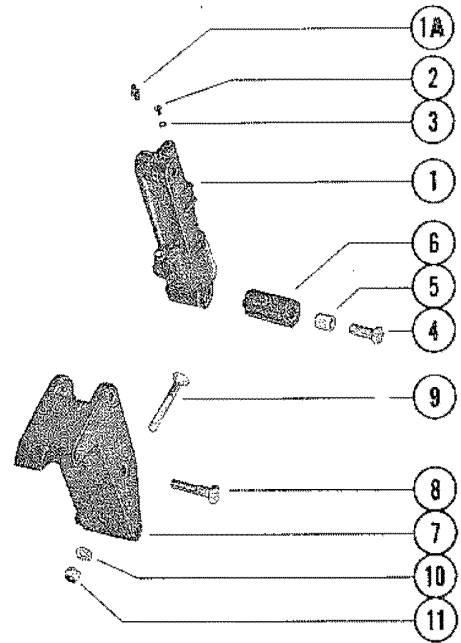
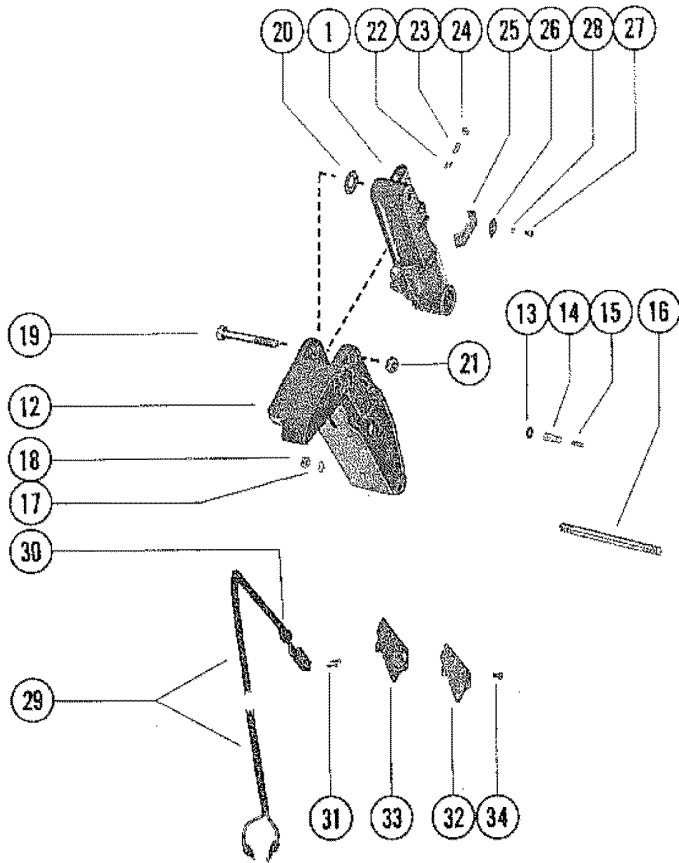
HYDRAULIC PUMP AND CONTROL VALVE



HYDRAULIC PUMP AND CONTROL VALVE

REF. NO.	PART NO.	SYM.	QTY.	DESCRIPTION
41	10-69028		2	SCREW, MOUNTING BRACKET TO HYDRAULIC PUMP (3/4")
42	13-26992		2	LOCKWASHER, MOUNTING BRACKET SCREW
43	10-34290		2	SCREW, STARTER SOLENOID TO MOUNTING BRACKET (5/8")
44	13-26992		2	LOCKWASHER, STARTER SOLENOID SCREW
45	11-21825		4	NUT, STARTER SOLENOID SCREW

TRIM CYLINDERS AND HYDRAULIC HOSES

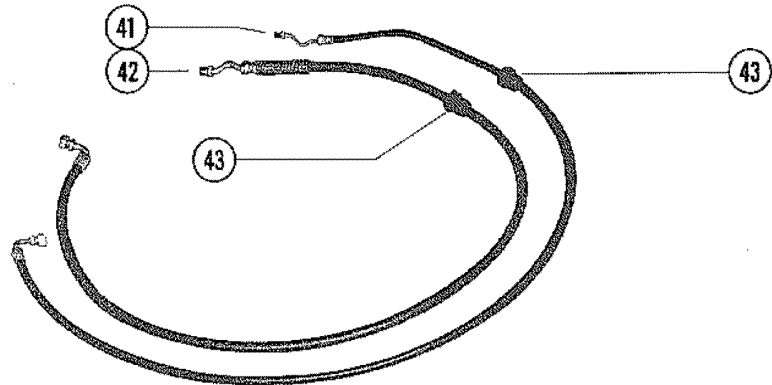
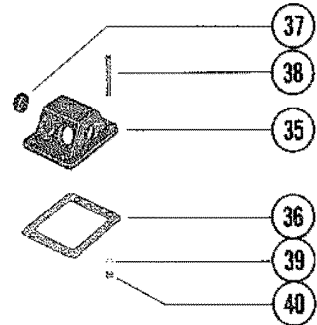
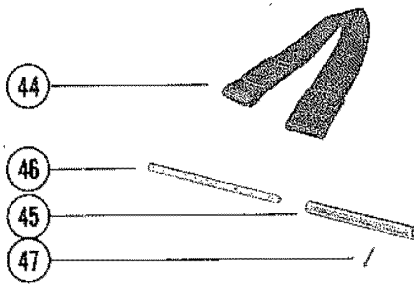
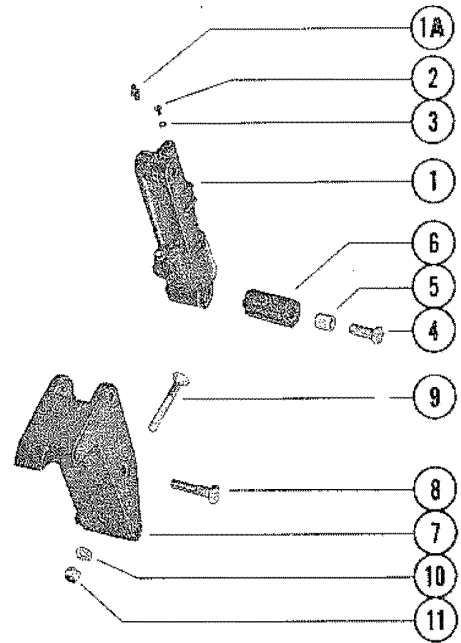
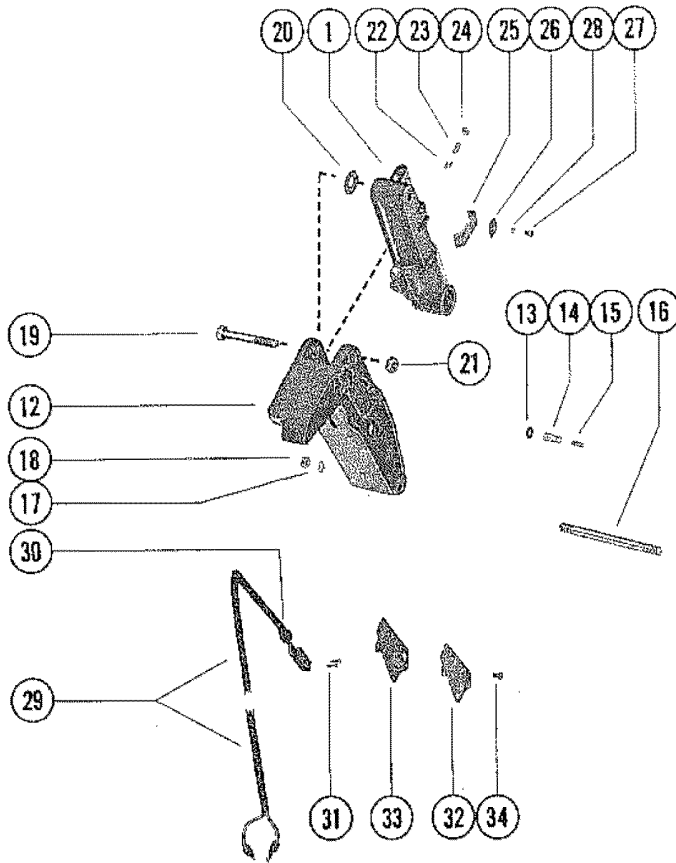


TRIM CYLINDERS AND HYDRAULIC HOSES

REF. NO.	PART NO.	SYM.	QTY.	DESCRIPTION
1	76509A3		2	TRIM CYLINDER ASSEMBLY (SEE PAGE 45 FOR REPAIR KIT)
1A	22-74036		2	GREASE FITTING
2	10-45265		4	SCREW, BLEED - SHOCK CYLINDER
3	25-45016		4	"O" RING, SHOCK CYLINDER BLEED SCREW
4	10-45264		2	SCREW, SHOCK CYLINDER TO LOWER SHOCK PIN (1 9/16")
5	23-45280		2	SPACER, SHOCK CYLINDER - LOWER
6	23-45281		2	BUSHING, RUBBER - SHOCK CYLINDER
7	66084		1	BRACKET, MOUNTING - SHOCK CYLINDER (PORT)
8	10-45263		2	SCREW, MOUNTING BRACKET TO UPPER SHOCK PIN (2 1/4")
9	10-68298		4	BOLT, MOUNTING BRACKET TO BOAT TRANSOM (3 1/4")
10	12-68410		4	WASHER, MOUNTING BRACKET BOLT
11	11-68411		4	NUT, MOUNTING BRACKET BOLT
12	45196A2		1	BRACKET ASSEMBLY, MOUNTING - SHOCK CYLINDER (STARBOARD)
13	26-70608		1	OIL SEAL, STARBOARD MOUNTING BRACKET
14	45286		1	PLUNGER, LIMIT SWITCH ACTUATING
15	24-45272		1	SPRING, TENSION - LIMIT SWITCH PLUNGER
16	16-45282		1	STUD, MOUNTING BRACKET AND CLAMP BRACKET
17	13-26993		2	LOCKWASHER, MOUNTING BRACKET CO CLAMP BRACKET STUD
18	11-28770		2	NUT, MOUNTING BRACKET TO CLAMP BRACKET STUD
19	10-45328		2	SCREW, SHOCK CYLINDER TO MOUNTING BRACKET (3 9/16")
20	12-37807		1	WASHER, SHOCK CYLINDER SCREW (STARBOARD ONLY)
21	11-20696		2	NUT, SHOCK CYLINDER SCREW
22	24-24390		1	SPRING, TENSION - ADJUSTING STUD
23	16-21085		1	STUD, ADJUSTING - CUT-OUT LIMIT SWITCH (15/16")
24	11-45812		1	NUT, JAM - LIMIT SWITCH ADJUSTING STUD
25	45508		1	CAM, LIMIT SWITCH ADJUSTING STUD
26	45509		1	PLATE, RETAINING - LIMIT SWITCH CAM
27	10-68513		1	SCREW, RETAINING PLATE AND CAM TO SHOCK CYLINDER (3/8")
28	13-26996		1	LOCKWASHER, RETAINING PLATE AND CAM SCREW
29	45326A2		1	SWITCH ASSEMBLY, CUT-OUT LIMIT
30	23-45354		1	BUSHING, RUBBER - CUT-OUT LIMIT SWITCH
31	10-47255		2	SCREW, CUT-OUT LIMIT SWITCH TO MOUNTING BRACKET (9/16")
32	45287		1	COVER, LIMIT SWITCH
33	27-45275		1	GASKET, LIMIT SWITCH COVER
34	10-24942		5	SCREW, LIMIT SWITCH COVER TO MOUNTING BRACKET (7/16")
35	45289		1	COVER, INLET - TRANSOM
36	27-45274		1	GASKET, INLET COVER
37	25-45507		1	GROMMET, RUBBER - INLET COVER
38	10-32866		4	SCREW, INLET COVER TO BOAT (2")

CONTINUED ON NEXT PAGE ➡

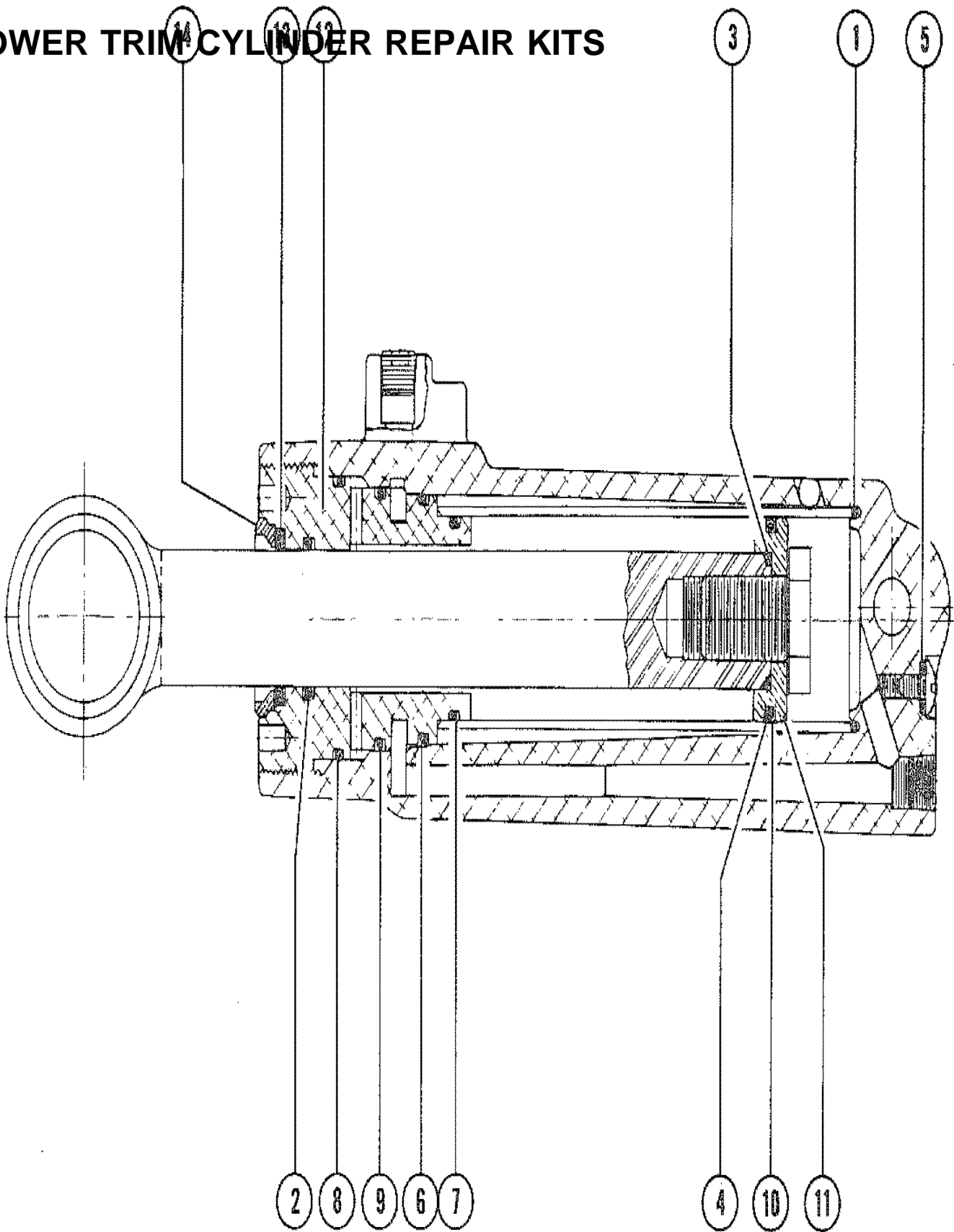
TRIM CYLINDERS AND HYDRAULIC HOSES



TRIM CYLINDERS AND HYDRAULIC HOSES

REF. NO.	PART NO.	SYM.	QTY.	DESCRIPTION
39	12-20878		4	WASHER, INLET COVER SCREW
40	11-29488		4	NUT, INLET COVER SCREW
41	32-45327		2	HOSE, TRIM - CYLINDER TO CONTROL VALVE (5') - 13/32" O.D.
42	32-45959		2	HOSE, LIFT - CYLINDER TO CONTROL VALVE (5') - 17/32" O.D.
43	23-35977		4	GROMMET, RUBBER - LIFT HOSE AND TRIM HOSE
44	73519A1		1	TILT STOP
45	69259		1	TUBE, MOUNTING - TILT STOP
46	77669		1	PIN, MOUNTING TUBE
47	18-36391		1	COTTER PIN, MOUNTING TUBE PIN

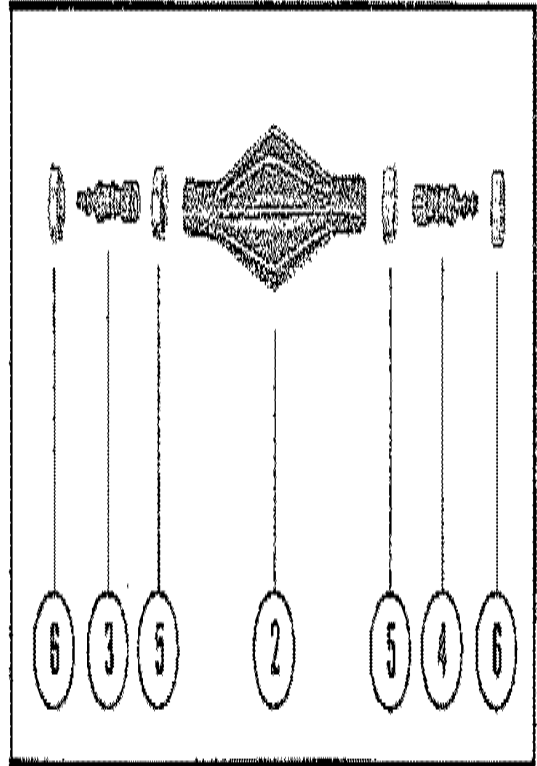
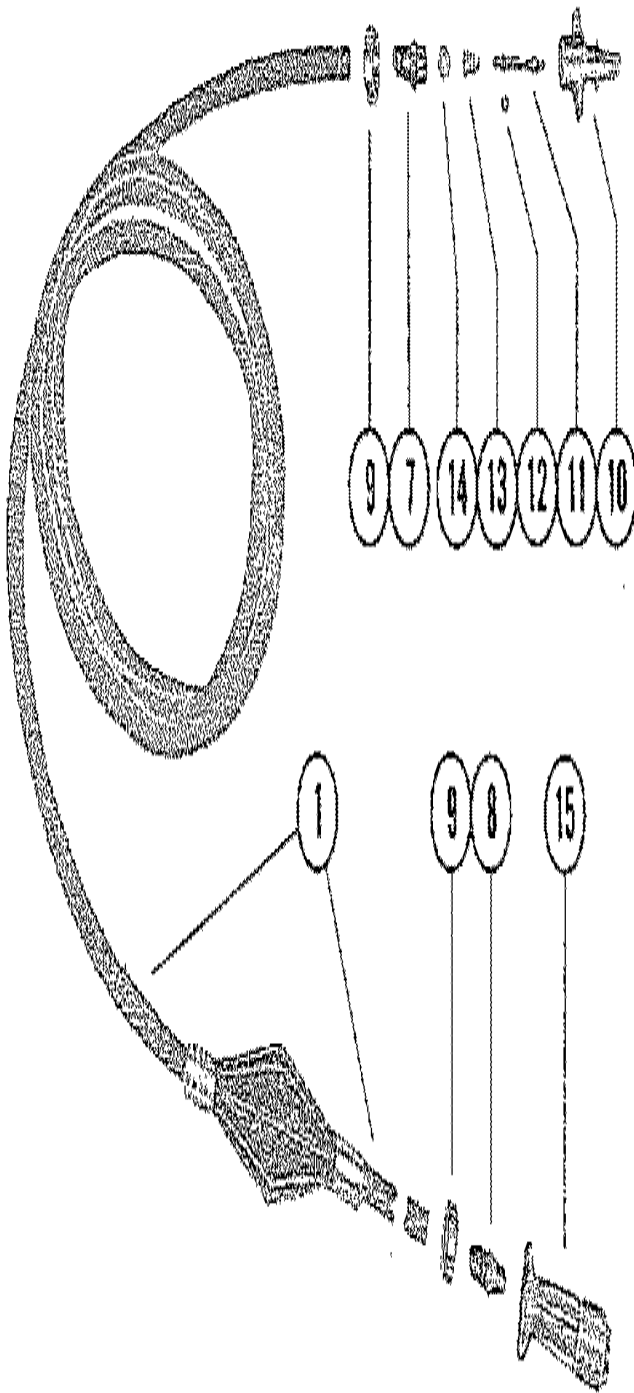
POWER TRIM CYLINDER REPAIR KITS



POWER TRIM CYLINDER REPAIR KITS

REF. NO.	PART NO.	SYM.	QTY.	DESCRIPTION
-	64507A1		1	REPAIR KIT
1	N.S.S.		1	"O" RING, (1 1/2" X 1 5/8" X 1/16")
2	N.S.S.		1	"O" RING, (3/4" X 15/16" X 1/8")
3	N.S.S.		1	"O" RING (5/8" X 3/4" X 1/16")
4	N.S.S.		1	"O" RING (1 1/4" X 1 7/16" X 1/16")
5	N.S.S.		2	"O" RING (7/32 X 11/32" X 1/16")
6	N.S.S.		1	"O" RING (1 5/8" X 1 13/16" X 1/8")
7	N.S.S.		1	"O" RING (1 5/16" X 1 1/2" X 1/8")
8	N.S.S.		1	"O" RING (1 7/8" X 2" X 1/8")
9	N.S.S.		1	"O" RING (1 3/4" X 1 15/16" X 1/8")
10	N.S.S.		1	SEAL, SLIPPER - PISTON
11	N.S.S.		1	PISTON, ROD - HEAVY DUTY
12	64505A1		1	RETAINER ASSEMBLY, PISTON
13	N.S.S.		1	ROD, SCRAPER
14	N.S.S.		1	RETAINER, SCRAPER

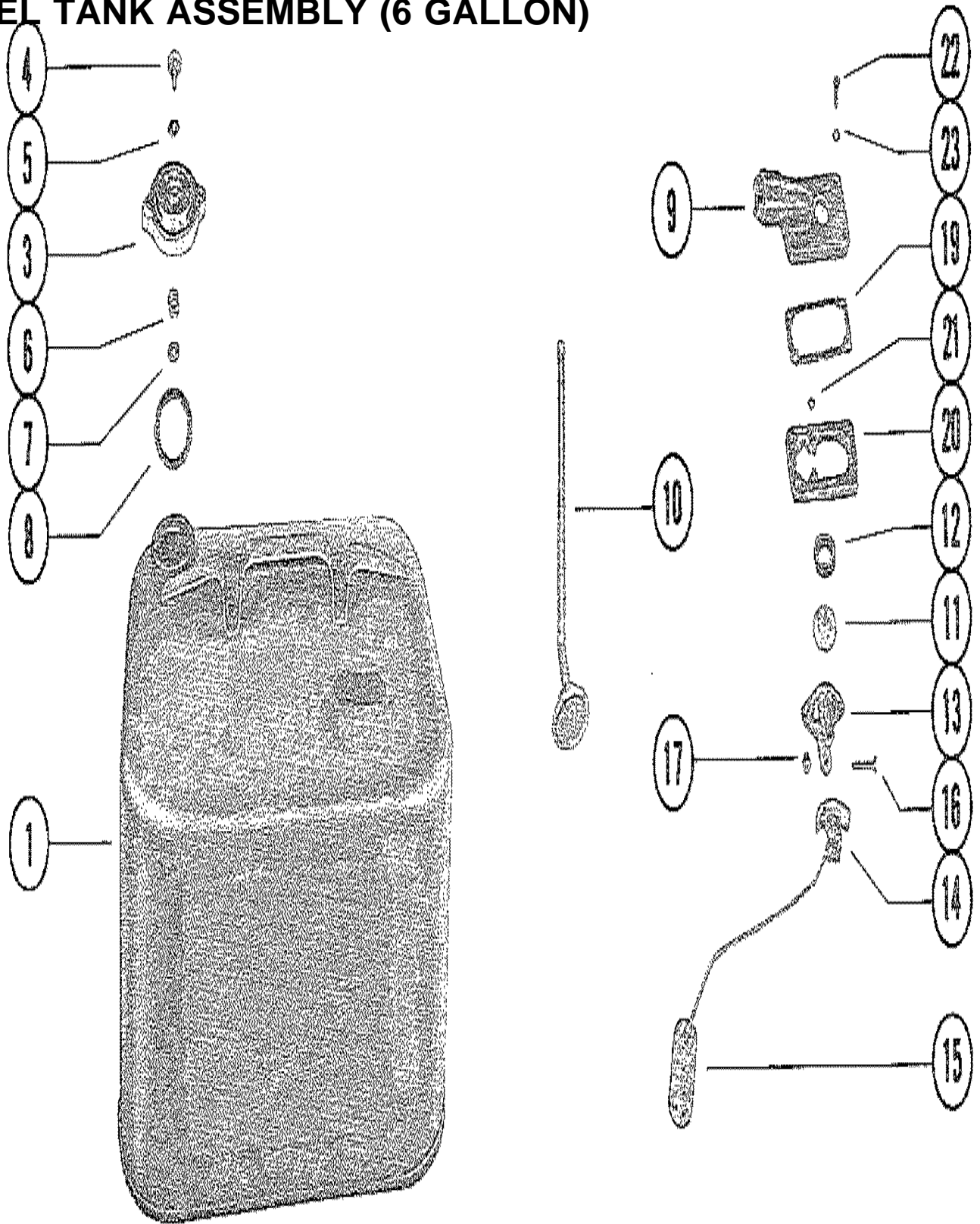
FUEL LINE ASSEMBLY (8' AND 12')



FUEL LINE ASSEMBLY (8' AND 12')

REF. NO.	PART NO.	SYM.	QTY.	DESCRIPTION
1	29479A33		1	FUEL LINE ASSEMBLY (8')
	29479A32		1	FUEL LINE ASSEMBLY (12')
2	58805A1		1	PRIMER BULB ASSEMBLY
3	21-57306A1		1	CHECK VALVE ASSEMBLY
4	21-57306		1	FITTING, FUEL LINE TO PRIMER BULB
5	54-27764		2	CLAMP, PRIMER BULB TO CHECK VALVE (LARGE)
6	54-55206		2	CLAMP, FUEL LINE TO CHECK VALVE (SMALL)
7	22-63187		1	CONNECTOR, FUEL LINE (FUEL TANK END)
8	22-63186		1	CONNECTOR, FUEL LINE (ENGINE END)
9	54-55206		2	CLAMP, FUEL LINE TO CONNECTOR
10	30185A1		1	BAYONET BODY ASSEMBLY (FUEL TANK END) THE ENCLOSED PARTS ARE INCLUDED WITH ENGINE
11	30187		1	STEM, BAYONET BODY THE ENCLOSED PARTS ARE INCLUDED WITH ENGINE
12	25-20415		1	"O" RING, BAYONET BODY STEM THE ENCLOSED PARTS ARE INCLUDED WITH ENGINE
13	24-30189		1	SPRING, BAYONET BODY STEM THE ENCLOSED PARTS ARE INCLUDED WITH ENGINE
14	30188		1	WASHER, CUPPED - BAYONET BODY SPRING THE ENCLOSED PARTS ARE INCLUDED WITH ENGINE
15	22831A1		1	CHECK UNIT ASSEMBLY (ENGINE END) THE ENCLOSED PARTS ARE INCLUDED WITH ENGINE

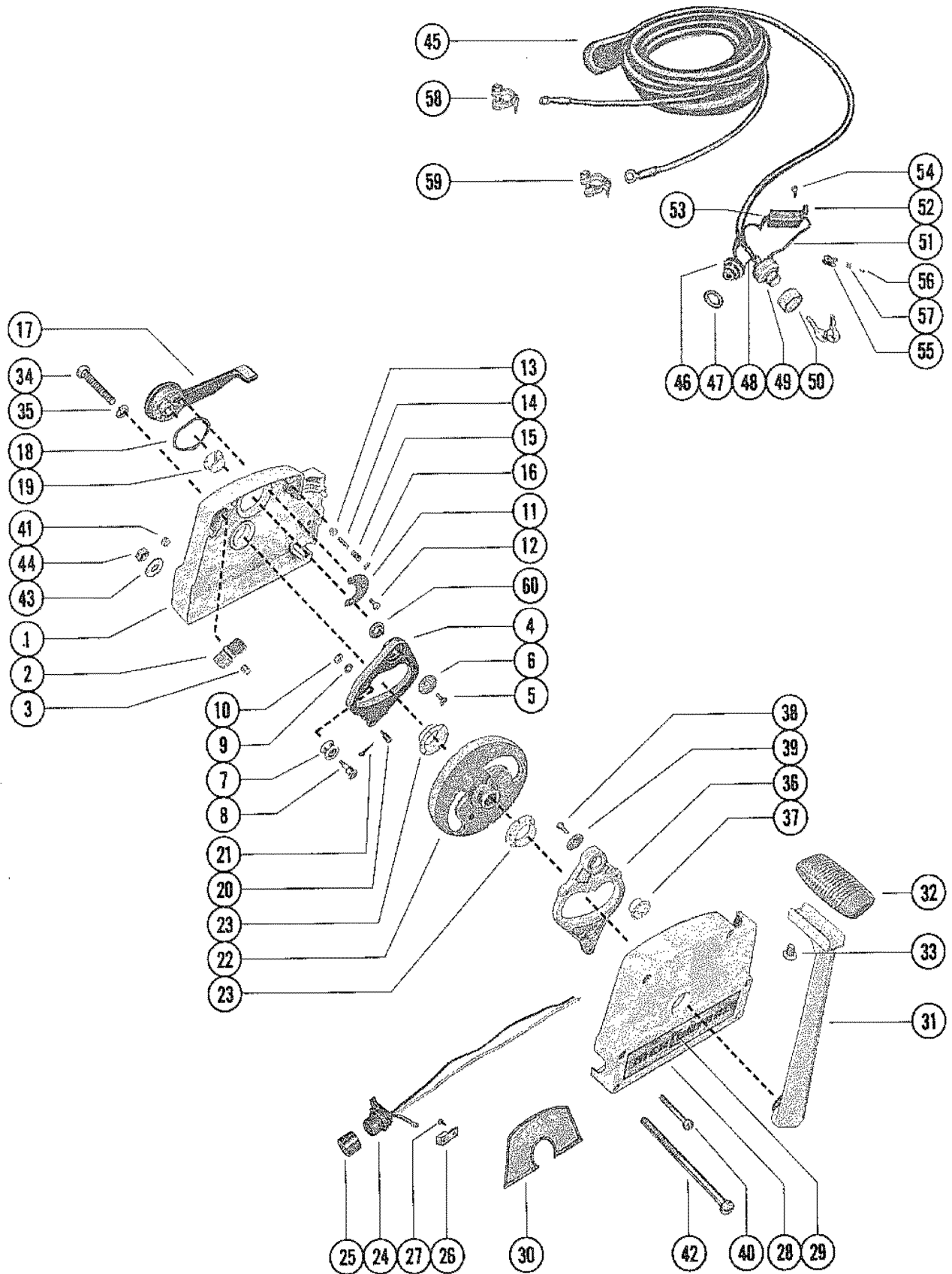
FUEL TANK ASSEMBLY (6 GALLON)



FUEL TANK ASSEMBLY (6 GALLON)

REF. NO.	PART NO.	SYM.	QTY.	DESCRIPTION
-	1225-1529A16		1	FUEL TANK ASSEMBLY, COMPLETE (6 GALLON)
1	1225-1529		1	FUEL TANK (6 GALLON)
	37-75881		1	DECAL, FUEL TANK
3	36-25392A2		1	FILLER CAP ASSEMBLY
4	10-25575		1	SCREW, VENT - FILLER CAP
5	12-49221		1	WASHER, VENT SCREW
6	24-22227		1	SPRING, TENSION - VENT SCREW
7	11-28587		1	NUT, SPEED - SPRING RETAINER
8	27-25568		1	GASKET, FILLER CAP TO FUEL TANK
	64841A1		1	COVER ASSEMBLY, COMPLETE - FUEL TANK
9	64841A3		1	COVER ASS'Y, FUEL TANK (1/4-18 TAPPED HOLE)
10	32-33909A3		1	TUBE ASS'Y (1/4-18 CONNECTOR & 1/2" TUBE)
11	54920A1		1	LENS ASSEMBLY, FUEL GAUGE
12	27-54921		1	GASKET, FUEL GAUGE LENS
	28897A2		1	FUEL GAUGE ASSEMBLY, COMPLETE
13	20430		1	RETAINER, FUEL GAUGE
14	28897A1		1	INDICATOR AND FLOAT ASSEMBLY
15	20427		1	FLOAT, FUEL GAUGE
16	17-20426		1	RIVET, INDICATOR TO RETAINER
17	10-62568		2	SCREW, RETAINER TO FUEL TANK COVER (5/16")
19	27-28862		1	GASKET, COVER ASSEMBLY TO FRAME
20	28860		1	FRAME, RETAINING - FUEL TANK COVER
21	53-28903		2	FASTENER, RETAINING FRAME TO FUEL TANK
22	10-20411		4	SCREW, FUEL TANK COVER TO FUEL TANK
23	12-74711		4	WASHER, FUEL TANK COVER FASTENING SCREW

REMOTE CONTROL ASSEMBLY (ELECTRIC)

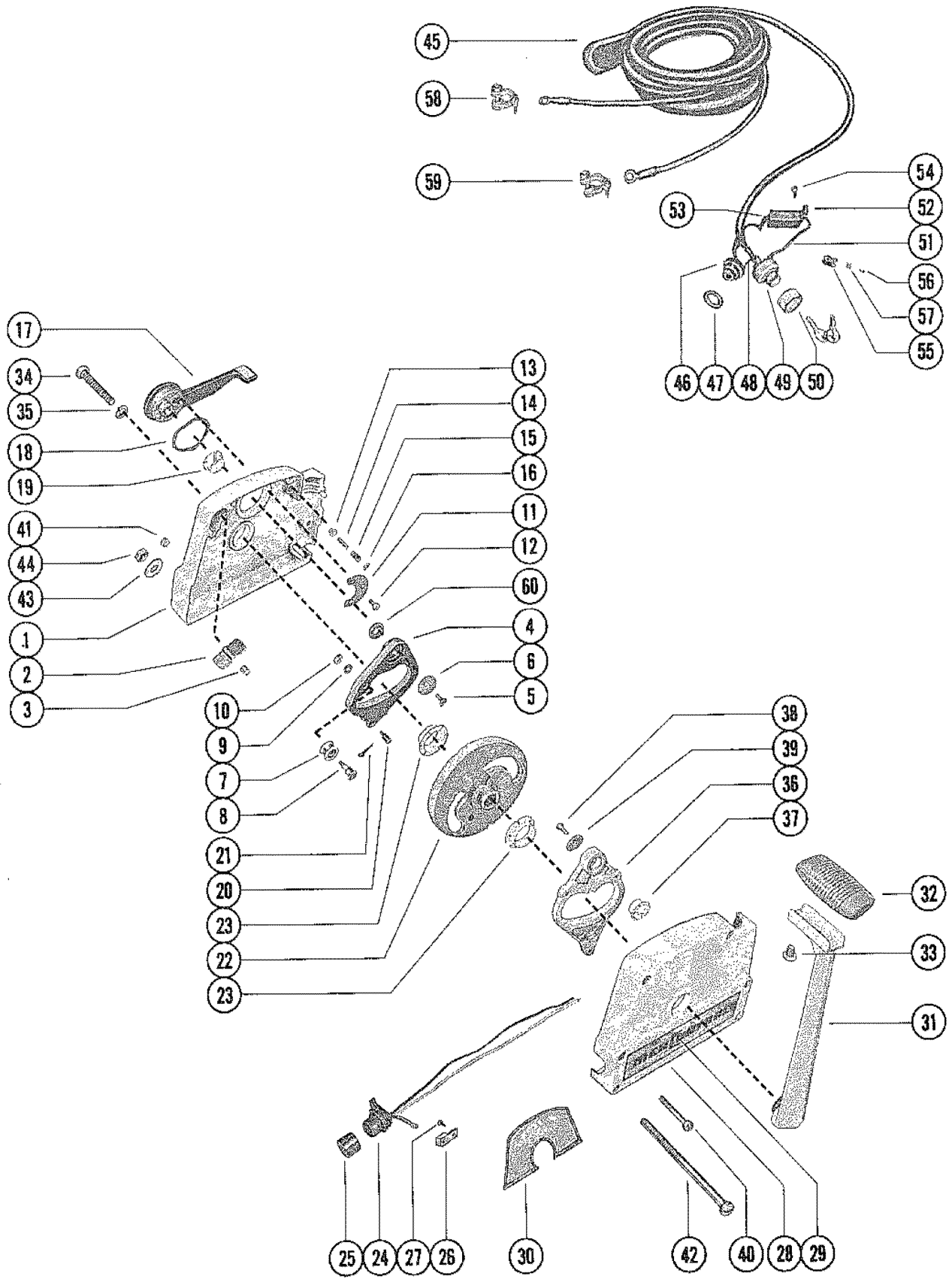


REMOTE CONTROL ASSEMBLY (ELECTRIC)

REF. NO.	PART NO.	SYM.	QTY.	DESCRIPTION
-	B-76714A		1	ELECTRIC REMOTE CONTROL ASSEMBLY, COMPLETE
1	45880--2		1	HOUSING, REMOTE CONTROL (STARBOARD)
2	24-34683		2	SPRING, DETENT - CONTROL HOUSING
3	34992		1	ROLLER, DETENT SPRING
4	34671		1	LEVER, THROTTLE _ CONTROL HOUSING
5	10-34676		1	SCREW, THROTTLE LEVER TO NEUTRAL WARM-UP LEVER
6	12-34675		1	WASHER, THROTTLE LEVER SCREW
7	34672		1	CAM ROLELR, THROTTLE LEVER
8	17-34673		1	PIN, CAM ROLLER TO THROTTLE LEVER
9	12-34680		1	WASHER, CAM ROLLER PIN
10	11-24656		1	NUT, CAM ROLLER TO THROTTLE LEVER PIN
11	34679		1	PLATE, THRUST - CONTROL HOUSING
12	10-47220		3	SCREW, THRUST PLATE TO NEUTRAL WARM-UP LEVER
13	17-20009		1	PIN, DETENT - CONTROL HOUSING NEUTRAL WARM-UP LEVER
14	24-35210		1	SPRING, DETENT PIN
15	24-35227		1	SPRING, DETENT PIN TENSION
16	19-20011		1	WELCH PLUG, DETENT PIN AND SPRING RETAINING
17	34670--2		1	LEVER, NEUTRAL WARM-UP
18	13-34678		1	WASHER, WAVE - NEUTRAL WARM-UP LEVER
19	23-33589		1	BUSHING, NYLON - NEUTRAL WARM-UP LEVER (5/8" I.D.)
20	17-34692		2	PIN, SHIFT AND THROTTLE LEVERS
21	18-29623		2	COTTER PIN, SHIFT AND THROTTLE LEVER PINS
22	59369		1	FACE CAM
23	23-34677		2	BUSHING, NYLON - FACE CAM (1" I.D.)
24	45887		1	CONNECTOR, TACHOMETER LEAD TO REMOTE CONTROL
25	45940		1	CAP, TACHOMETER LEAD CONNECTOR
26	86-63577		1	TERMINAL BLOCK, CONNECTOR LEADS
27	10-37260		2	SCREW, THERMINAL BLOCK TO CONTROL HOUSING (7/16")
28	45939--2		1	HOUSING, REMOTE CONTROL (PORT)
29	37-76703		1	DECAL, CONTROL HOUSING (MARINER) - NOT AS SHOWN
30	37-64043		1	DECAL, CONTROL HOUSING (MERCCONTROL)
31	34689--2		1	LEVER, CONTROL
32	36005		1	GRIP, CONTROL LEVER
33	10-37342		2	SCREW, GRIP TO CONTROL LEVER (7/16")
34	10-68909		1	SCREW, CONTROL LEVER TO FACE CAM (1 1/2")
35	13-26992		1	LOCKWASHER, CONTROL LEVER SCREW
36	34682		1	LEVER, SHIFT - CONTROL HOUSING
37	23-33589		1	BUSHING, NYLO - SHIFT LEVER (5/8" I.D.)
38	10-34676		1	SCREW, SHIFT LEVER TO CONTROL HOUSING
39	12-34675		1	WASHER, SHIFT LEVER SCREW
40	10-37941		4	SCREW, REMOTE CONTROL HOUSING CLAMPING
41	11-34688		4	NUT, REMOTE CONTROL HOUSING CLAMPING SCREW

CONTINUED ON NEXT PAGE ➡

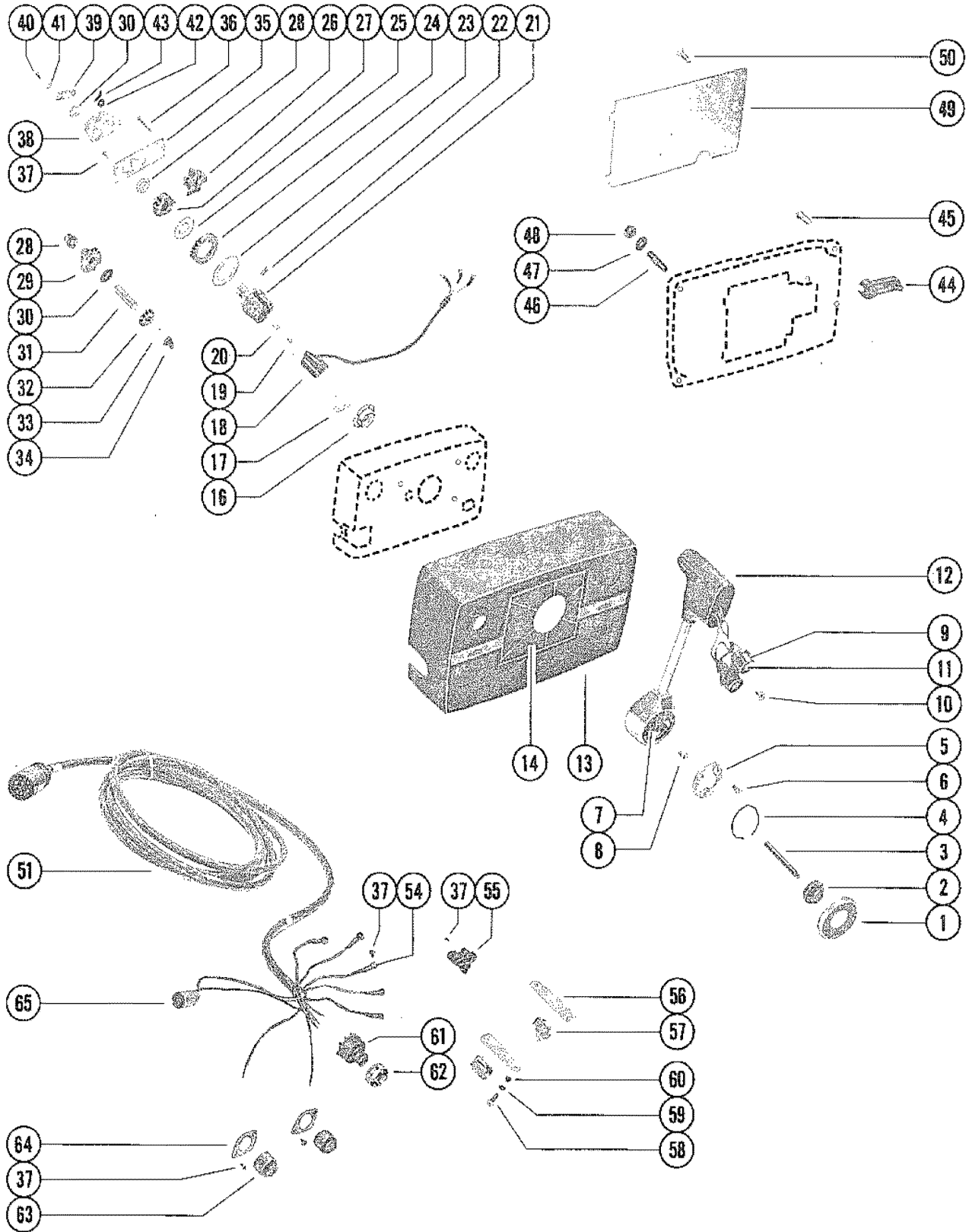
REMOTE CONTROL ASSEMBLY (ELECTRIC)



REMOTE CONTROL ASSEMBLY (ELECTRIC)

REF. NO.	PART NO.	SYM.	QTY.	DESCRIPTION
42	10-34900		2	SCREW, REMOTE CONTROL TO BOAT (4 1/4")
43	12-20346		2	WASHER, REMOTE CONTROL SCREW
44	11-24652		2	NUT, REMOTE CONTROL TO BOAT TRANSOM
45	45876		1	WIRING HARNESS, EXTERNAL (AVAILABLE IN LENGHTS OF 10;, 15',
46	29759		1	SWITCH, CHOKE
47	30053		1	COLLAR, CHOKE SWITCH TO CONTROL HOUSING
48	39180		1	JUMPER WIRE, CHOKE SWITCH TO IGNITION SWITCH WHEN ORDERING REPLACEMENT KEYS ALSO LIST NUMBER STAMPED ON KEY
49	54211		1	SWITCH, IGNITION (WITH KEYS) KEY PART #C-30431
50	22628		1	BEZEL, IGNITION SWITCH TO CONTROL HOUSING
51	30795		1	JUMPER WIRE, SAFETY SWITCH TO IGNITION SWITCH
52	34621		1	SWITCH, SAFETY
53	23-37961--2		2	SLEEVE, SAFETY SWITCH LEADS
54	10-30902		2	SCREW, SAFETY SWITCH TO CONTROL HOUSING
55	54-22627		1	CLIP, INNER - WIRING HARNESS TO CONTROL HOUSING
56	10-37260		1	SCREW, WIRING HARNESS CLIP TO CONTROL HOUSING (7/16")
57	22789		1	"D" WASHER, WIRING HARNESS CLIP SCREW
58	27913		1	BATTERY TERMINAL, NEGATIVE (WITH BOLT AND NUT)
59	27912		1	BATTERY TERMINAL, POSITIVE (WITH BOLT AND NUT)
60	13-60861		1	WASHER, WAVE - THROTTLE LEVER

REMOTE CONTROL ASSEMBLY (ELECTRIC) (BOSCH)

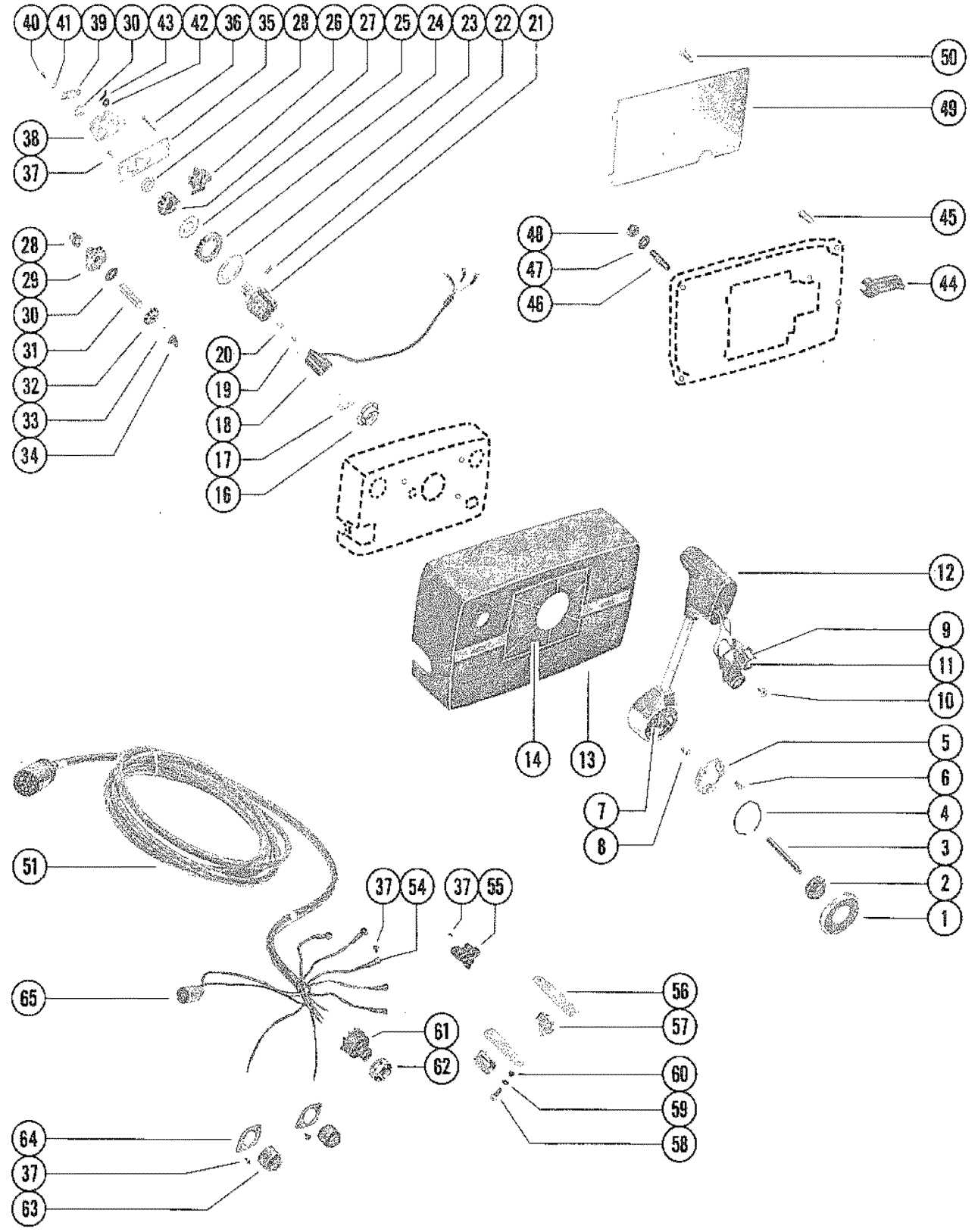


REMOTE CONTROL ASSEMBLY (ELECTRIC) (BOSCH)

REF. NO.	PART NO.	SYM.	QTY.	DESCRIPTION
-	78025A		1	REMOTE CONTROL ASSEMBLY, COMPLETE (ELECTRIC) - SEE NOTE A-78025A REMOTE CONTROL IS AVAILABLE IN LENGTHS OF 10', 15', 20' AND 40' FOR US ON MARINER 115 WITH POWER TRIM
1	65953A1		1	COVER ASSEMBLY, HUB
2	65676		1	BOOT, RUBBER - SHAFT
3	65673		1	SHAFT
4	56773		1	RETAINER, HUB COVER
5	65954		1	PLATE, CONTROL HANDLE
6	10-70903		3	SCREW, PALTE TO CONTROL HANDLE (1/2")
7	65955		1	CONNECTOR
8	10-20650		3	SCREW, CONNECTOR TO DISCONNECT (3/8")
9	74646		1	RETAINER, PUSH BUTTON SWITCHES
10	10-77444		2	SCREW, RETAINER TO CONTROL HANDLE (5/16")
11	87-68691		1	SWITCH, PUSH BUTTON (BLACK)
	87-68033		1	SWITCH, PUSH BUTTON (RED)
12	55719		1	HANDLE, CONTROL
13	68034		1	COVER, REMOTE CONTROL
14	37-77992		1	DECAL, REMOTE CONTROL COVER (NOT AS SHOWN)
16	23-55399		1	BUSHING, NYLON - PORT CONTROL HOUSING
17	68026		1	PLATE, RETAINING - DISCONNECT PLUG
18	65672		1	PLUG, DISCONNECT
19	17-68672		1	PIN, CONTROL HUB
20	24-73190		1	SPRING, CONTROL HUB
21	65665		1	HUB, CONTROL
22	28-68024		1	KEY, CONTROL HUB
23	12-68025		1	WASHER, CONTROL HUB
24	43-65731		1	GEAR, THROTTLE
25	12-65986		1	WASHER, NYLON - CONTROL HUB
26	68876A1		1	DETENT ASSEMBLY
27	43-65733		1	GEAR, SHIFT
28	23-74647		2	BUSHING, NYLON - SUPPORT PLATE
29	43-65734		1	PINION GEAR, SHIFT
30	12-68032		1	WASHER, THROTTLE SHAFT
31	65730		1	SHAFT, THROTTLE
32	43-65732		1	PINION GEAR, THROTTLE
33	53-68030		1	RING, RETAINING - THROTTLE PINION
34	23-65830		1	BUSHING, NYLON - THROTTLE SHAFT
35	65832		1	PLATE, SUPPORT SHAFT AND DETENT
36	10-47184		2	SCREW, PLATE TO CONTROL HOUSING (1 1/2")
37	10-69079		13	SCREW (7/16")
38	65655A1		1	LEVER ASSEMBLY, SHIFT
39	65657A1		1	LEVER ASSEMBLY, THROTTLE
40	10-37571		1	SCREW, THROTTLE LEVER TO THROTTLE SCREW (1/2")

CONTINUED ON NEXT PAGE ➡

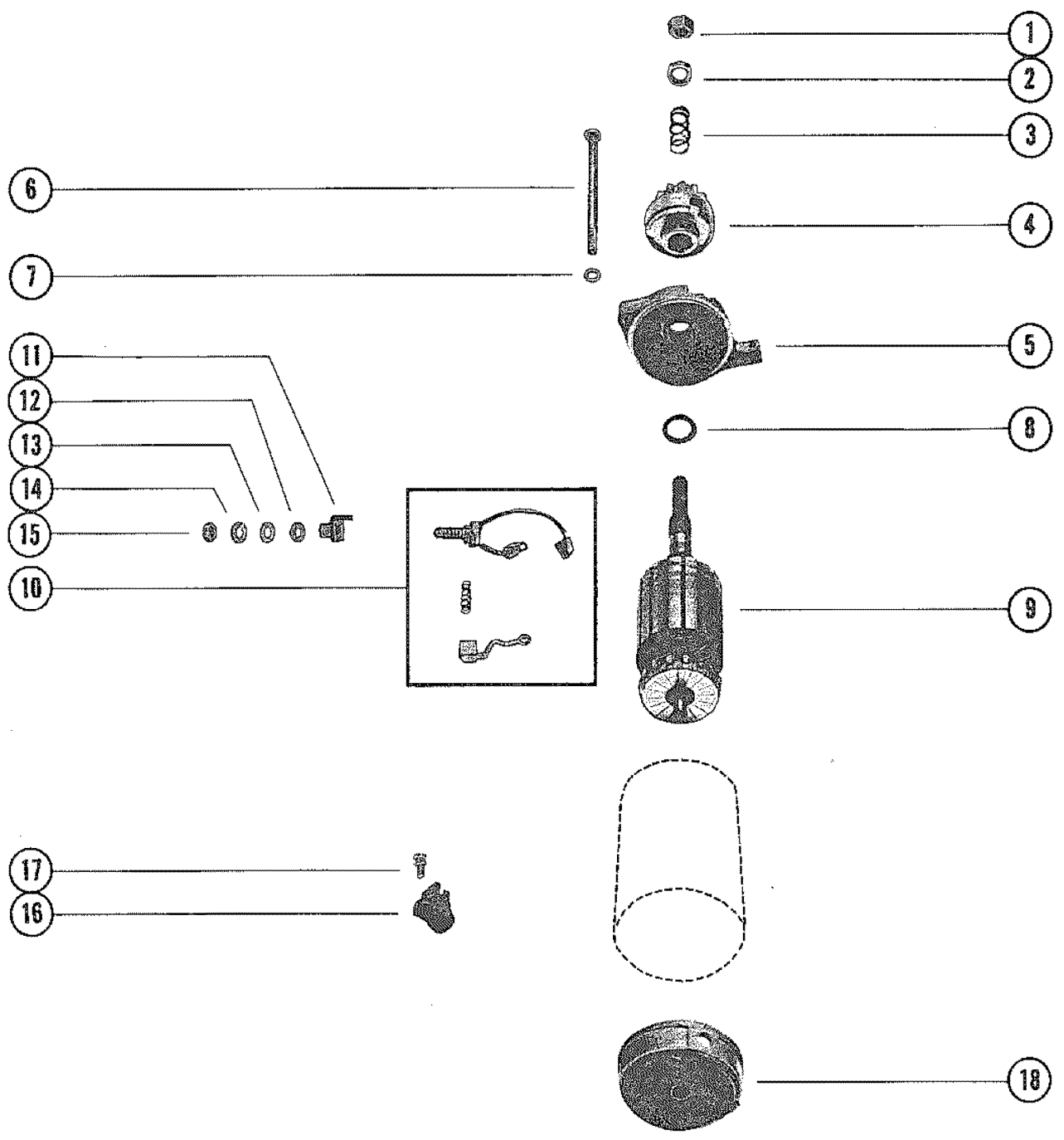
REMOTE CONTROL ASSEMBLY (ELECTRIC) (BOSCH)



REMOTE CONTROL ASSEMBLY (ELECTRIC) (BOSCH)

REF. NO.	PART NO.	SYM.	QTY.	DESCRIPTION
41	12-72761		1	WASHER, THROTTLE LEVER SCREW
42	12-35950		2	WASHER, CABLE ATTACHING
43	18-21071		2	COTTER PIN, CABLE ATTACHING
44	68023		1	HOUSING, CABLE
45	10-24234		2	SCREW, CONTROL HOUSING ATTACHING (1")
46	16-29208		2	STUD, PORT CONTROL HOUSING (2 1/2")
47	12-26168		2	WASHER, PORT CONTROL HOUSING STUD
48	11-46793		2	NUT, PORT CONTROL HOUSING STUD
49	65956		1	COVER, STARBOARD CONTROL HOUSING
50	10-25504		2	SCREW, COVER ATTACHING (3/4")
51	84-76407		1	WIRING HARNESS (AVAILABLE IN LENGTHS OF 10', 15', 20' & 40')
54	86-60878		4	TERMINAL, WIRING HARNESS
55	86-65738		1	TERMINAL BLOCK
56	74596		1	PLATE, MICRO SWITCH MOUNTING
57	87-74605		1	SWITCH, MICRO
58	10-63680		2	SCREW, MICRO SWITCH TO PLATE (5/8")
59	13-24658		2	LOCKWASHER, MICRO SWITCH SCREW
60	11-63683		2	NUT, MICRO SWITCH SCREW
61	54211		1	IGNITION SWITCH (WITH KEYS) KEY PART #C-30431 WHEN ORDERING REPLACEMENT KEYS ALSO LIST NUMBER STAMPED ON KEY
62	68863		1	BEZEL, IGNITION SWITCH
63	55738A1		2	SWITCH ASSEMBLY, PUSH BUTTON
64	55691		2	COVER, PUSH BUTTON SWITCH
65	84-76353		1	HARNESS, TRIM (AVAILABLE IN LENGTHS OF 10', 15', 25' & 45')

STARTER MOTOR ASSEMBLY, COMPLETE



STARTER MOTOR ASSEMBLY, COMPLETE

REF. NO.	PART NO.	SYM.	QTY.	DESCRIPTION
-	50-72467		1	STARTER MOTOR ASSEMBLY, COMPLETE
1	11-68580		1	NUT, RETAINING - DRIVE ASSEMBLY
2	23-61788		1	SPACER, DRIVE ASSEMBLY
3	24-61790		1	SPRING, ANTI DRIFT
4	68575		1	DRIVE ASSEMBLY
5	74966		1	PLATE ASSEMBLY, DRIVE END
6	10-74968		2	BOLT, THRU - PLATE TO END CAP
7	13-61789		2	LOCKWASHER, THRU BOLT
8	12-57383		1	WASHER, THRUST - ARMATURE
9	74964		1	ARMATURE
10	63292		1	BRUSH SET
11	23-57387		1	BUSHING, ISULATING - INPUT STUD
12	12-57388		1	WASHER, INSULATING - INPUT STUD
13	12-38013		1	WASHER, INPUT STUD
14	13-38019		1	LOCKWASHER, INPUT STUD
15	11-20890		1	NUT, INPUT STUD
16	61787		2	HOLDER, BRUSH
17	10-68586		2	SCREW, BRUSH AND HOLDER TO CAP
18	68579		1	END CAP ASSEMBLY, COMMUTATOR

PARTS INDEX

Part Number	Description	Pg.	Ref. No.	Part Number	Description	Pg.	Ref. No.
20121	CONNECTOR, SPARK PLUG LEAD	9	26	30188	WASHER, CUPPED - BAYONET BODY SPRING	63	14
20140	BELT, TIMING	15	57	30306	PULLEY, FLYWHEEL	7	9
20427	FLOAT, FUEL GAUGE	65	15	30413	HOOK, COWL LATCH FASTENING	5	13
20430	RETAINER, FUEL GAUGE	65	13	30624	SLIDE, CROSS PIN	49	51
22628	BEZEL, IGNITION SWITCH TO CONTROL HOUSING	69	50	30625	FOLLOWER, CAM	49	50
22789	"D" WASHER, WIRING HARNESS CLIP SCREW	69	57	30795	JUMPER WIRE, SAFETY SWITCH TO IGNITION SWITCH	69	51
22831A1	CHECK UNIT ASSEMBLY (ENGINE END)	63	15	31014	MOUNT, RUBBER - REAR SUPPORT BRACKET	3	21
22833	ADAPTOR, CHECK UNIT (FUEL LINE)	25	33	31640A1	TRIM TAB, GEAR HOUSING	49	70
23004	RETAINER, CHECK VALVE	25	9	32197	STOP, SPARK ADVANCE - DISTRIBUTOR HOUSING	13	2
23069	STEM, CHECK UNIT ADAPTOR	25	34	32435	PLATE, FACE - WATER PUMP BASE TO WATER PUMP BODY	45	21
25067	BUMPER, RUBBER - LOWER MOUNTING SCREW	43	28	32979	BATTERY LEAD (POSITIVE)	53	7
26113	RACE, OUTER (PAIR)	31	10	32988	BATTERY LEAD (NEGATIVE)	53	8
26901	BUMPER, RUBBER - SOLENOID BRACKET	53	38	34621	SWITCH, SAFETY	69	52
26901	BUMPER, RUBBER - STARTER SOLENOID	17	31	34670--2	LEVER, NEUTRAL WARM-UP	67	17
27912	BATTERY TERMINAL, POSITIVE (WITH BOLT AND NUT)	69	59	34671	LEVER, THROTTLE CONTROL HOUSING	67	4
27913	BATTERY TERMINAL, NEGATIVE (WITH BOLT AND NUT)	69	58	34672	CAM ROLELR, THROTTLE LEVER	67	7
27947	SWIVEL, LINKAGE - ECONOMIZER COLLAR	13	9	34679	PLATE, THRUST - CONTROL HOUSING	67	11
27948	SWIVEL, UPPER LINK ROD TO THROTTLE CONTROL LEVER	13	13	34682	LEVER, SHIFT - CONTROL HOUSING	67	36
28203	BUMPER, STEERING ARM	37	17	34689--2	LEVER, CONTROL	67	31
28205	STRAP STOP, DRIVE SHAFT HOUSING TO SWIVEL BRACKET	37	11	34992	ROLLER, DETENT SPRING	67	3
28860	FRAME, RETAINING - FUEL TANK COVER	65	20	35474	COVER, LOWER MOUNT CLAMP	43	37
28897A1	INDICATOR AND FLOAT ASSEMBLY	65	14	35608	CLAMP, LOWER MOUNT TO DRIVE SHAFT HOUSING	43	34
28897A2	FUEL GAUGE ASSEMBLY, COMPLETE	65	12	36005	GRIP, CONTROL LEVER	67	32
29479A32	FUEL LINE ASSEMBLY (12')	63	1	37417	COVER, TRIM - DRIVE SHAFT HOUSING	43	5
29479A33	FUEL LINE ASSEMBLY (8')	63	1	37440	BRACKET, MOUNT SUPPORT - CYLINDER BLOCK	29	28
29759	SWITCH, CHOKE	69	46	37445	SUPPORT, WIRING HARNESS - BOTTOM COWL	33	10
29787	HUB, FLYWHEEL PULLEY	7	10	37587	SWIVEL, LOWER - THROTTLE CONTROL LEVER TO THROTTLE CABLE	13	22
29788	FLANGE, FLYWHEEL PULLEY	7	8	37637	BOOT, FUEL CONNECTOR - BOTTOM COWL	33	9
29906A1	DRIVEN PULLEY ASSEMBLY	15	52	37639	MOUNT, RUBBER - TOP COWL FRAME	3	18
29907	FLANGE, DRIVEN PULLEY	15	54	37640	MOUNT, RUBBER FRONT SUPPORT BRACKET	3	34
30021	BLANKET, SOUND ABSORBING	5	14	37641	SEAL, EXHAUST ELBOW	47	37
30053	COLLAR, CHOKE SWITCH TO CONTROL HOUSING	69	47	37896	GUIDE BLOCK, LINK ROD	33	32
30185A1	BAYONET BODY ASSEMBLY (FUEL TANK END)	63	10	37918	SEAL, EXHAUST EXTENSION PLATE	35	3
30187	STEM, BAYONET BODY	63	11	37940	PAD, SOUND - DRIP TRAY	33	3
30188	CUP WASHER, ADAPTOR	25	37				

PARTS INDEX

Part Number	Description	Pg.	Ref. No.	Part Number	Description	Pg.	Ref. No.
38032	STRIP, RETAINING - EXHAUST EXTENSION PLATE SEAL	35	4	45939--2	HOUSING, REMOTE CONTROL (PORT)	67	28
38051	PLATE, SUPPORT - EXHAUST TUBE SEAL . . .	47	38	45940	CAP, TACHOMETER LEAD CONNECTOR	67	25
38279	LATCH, CONTROL CABLE FASTENING - ANCHOR BRACKET	33	34	46096	MOUNT, RUBBER - TOP COWL FRAME (HEAVY DUTY)	3	18
38674	BLANKET, SOUND ABSORBING	5	8	46265	BOOT, RUBBER - STARTER SOLENOID TERMINAL . . .	53	33
39019	SPACER, LOWER - REVERSE LOCKING	47	45	46265	BOOT, SOLENOID TERMINAL	17	37
39021	CAM, REVERSE LOCKING . .	47	46	46785A1	COWL LATCH ASSEMBLY . .	5	12
39180	JUMPER WIRE, CHOKE SWITCH TO IGNITION SWITCH	69	48	46933A2	GROUND STRAP ASSEMBLY, TRIM COVER SCREW	43	6B
39519	CAP, BARREL RETAINER - ANCHOR BRACKET	33	25	46933A3	GROUND STRAP ASSEMBLY, EXHAUST COVER	29	36
39616	BOOT, CONTROL CABLES - BOTTOM COWL	33	6	47341A1	ROPE, STARTER (FOR MANUAL STARTING ONLY)	3	9
39618	LEVER, NYLON - SHIFT CABLE LOCKING	33	26	47398	BRACKET, REAR - WIRE RETAINER	9	32
39667	COVER, NYLON - SHIFT CABLE	33	28	47558	ROD, PUSH - REVERSE LOCK	43	15
45194A27	POWER TRIM KIT(OPT. -EL)(STD. -ELPT)	1	-	47559	YOKE, PUSH ROD	43	17
45196A2	BRACKET ASSEMBLY, MOUNTING - SHOCK CYLINDER (STARBOARD)	57	12	48047A1	LINK ROD ASSEMBLY	33	20
45197A2	CONTROL VALVE ASSEMBLY	53	10	48152	SHUTTER, CHOKE - CARBURETOR	19	25
45286	PLUNGER, LIMIT SWITCH ACTUATING	57	14	48203	ROD, CHOKE	19	22
45287	COVER, LIMIT SWITCH	57	32	48671	PLATE, THROTTLE ACTUATOR	13	28
45289	COVER, INLET - TRANSOM	57	35	48692	COLLAR, THROTTLE ACTUATOR	13	24
45326A2	SWITCH ASSEMBLY, CUT-OUT LIMIT	57	29	48752	INSERT, WATER PUMP BODY	45	24
45336	PLATE, MANIFOLD	53	9	49589	STRAP, CHOKE KNOB TO CHOKE ROD	19	19
45377	BRACKET, MOUNTING - HYDRAULIC PUMP TO BOAT	53	22	52023	CAP, NYLON - FULL THROTTLE STOP SCREW	15	46
45391	SPACER, RUBBER - HIGH TENSION LEADS	9	34	52023	CAP, NYLON - THROTTLE ACTUATOR COLLAR ADJUSTING SCREW	13	27
45392	BRACKET, FRONT - WIRE RETAINER	9	31	52100	WEAR PLATE, LINK ROD . .	33	33
45409	WIRE RETAINER, HIGH TENSION LEADS	9	30	52518	CLUSTER, THROTTLE LEVER (UPPER CARBURETOR)	19	7
45508	CAM, LIMIT SWITCH ADJUSTING STUD	57	25	52699	COVER, GEAR HOUSING . .	49	69
45509	PLATE, RETAINING - LIMIT SWITCH CAM	57	26	52732	BRACKET, ANCHOR - CONTROL CABLES	33	24
45559	TERMINAL BLOCK, STATOR LEADS	17	13	52739	HINGE, COWL LATCH - TOP COWL	3	10
45876	WIRING HARNESS, EXTERNAL (AVAILABLE IN LENGTHS OF 10', 15', . . .	69	45	52862A2	DRIP TRAY ASSEMBLY, BOTTOM COWL	33	2
45880--2	HOUSING, REMOTE CONTROL (STARBOARD)	67	1	52887	GUIDE, PUSH ROD - REVERSE LOCKING	43	14
				52889	NOZZLE, TELL TALE HOSE TO BOTTOM COWL	33	14
				53078	CAP, PLASTIC - TILT TUBE .	39	7

PARTS INDEX

Part Number	Description	Pg.	Ref. No.	Part Number	Description	Pg.	Ref. No.
53665	INSERT, THROTTLE COUPLING	19	12	60304A54	SHIFT SHAFT ASSEMBLY, UPPER	33	17
53720A2	THROTTLE PICK-UP BRACKET ASSEMBLY	19	10	60437	MEGAPHONE, EXHAUST	35	19
54196A6	CARRIER ASSEMBLY, "O" RING	31	5	61787	HOLDER, BRUSH	75	16
54211	IGNITION SWITCH (WITH KEYS) KEY PART #C-30431	73	61	62301	COVER, TRANSFER PORT (TOP/MIDDLE)	29	30
54211	SWITCH, IGNITION (WITH KEYS) KEY PART #C-30431	69	49	62351A1	RECTIFIER ASSEMBLY	17	38
54283A1	PLUNGER AND LINK ASSEMBLY, CHOKE SOLENOID	19	6	63194	PAD, RUBBER - IGNITION COIL	11	2
54293A4	CHOKE SOLENOID	19	1	63195	COVER, IGNITION COIL	11	3
54346	CAM, SHIFT	49	49	63292	BRUSH SET	75	10
54567	CAP, DISTRIBUTOR HOUSING	15	50	63473	TUBE, CUSHION - SHOCK PIN (USED WITH FULL POWER TRIM)	39	20
54651	CABLE, WIRE - STARTER MOTOR TO FRONT SUPPORT BRACKET	17	20	64505A1	RETAINER ASSEMBLY, PISTON	61	12
54920A1	LENS ASSEMBLY, FUEL GAUGE	65	11	64507A1	REPAIR KIT	61	-
55455	HOOK, TOP COWL LATCH - REAR	3	13	64841A1	COVER ASSEMBLY, COMPLETE - FUEL TANK	65	8
55691	COVER, PUSH BUTTON SWITCH	73	64	64841A3	COVER ASS'Y, FUEL TANK (1/4-18 TAPPED HOLE)	65	9
55719	HANDLE, CONTROL	71	12	64954	BRACKET, TOP COWL SUPPORT - REAR	3	20
55738A1	SWITCH ASSEMBLY, PUSH BUTTON	73	63	65638	BOOT, TUBE MOUNT	43	8A
55804A1	ECONOMIZER COLLAR ASSEMBLY	13	6	65655A1	LEVER ASSEMBLY, SHIFT	71	38
55805	BRACKET, STOP	13	41	65657A1	LEVER ASSEMBLY, THROTTLE	71	39
55991	BATTERY LEAD (POSITIVE)	53	39	65665	HUB, CONTROL	71	21
55992	BATTERY LEAD (NEGATIVE)	53	39	65672	PLUG, DISCONNECT	71	18
56029	COVER, STARTER MOTOR BRACKET - TOP	27	9	65673	SHAFT	71	3
56349	SHAFT, REVERSE LOCK PIVOT	39	29	65676	BOOT, RUBBER - SHAFT	71	2
56703	COLLAR, RUBBER - STARTER MOTOR MOUNT	17	24	65730	SHAFT, THROTTLE	71	31
56773	RETAINER, HUB COVER	71	4	65799	LINK, LOCKING LEVER TO COVER	33	29
56849	KNOW COWL FRONT COVER FASTENING	5	2	65800	"O" RING, CARRIER	31	6
57247	STOP, RUBBER - STARTER MOTOR	17	22	65832	PLATE, SUPPORT SHAFT AND DETENT	71	35
58124A4	SWITCH, MERCURY	27	22	65953A1	COVER ASSEMBLY, HUB	71	1
58454	CAM, THROTTLE ACTUATOR PLATE	13	33	65954	PLATE, CONTROL HANDLE	71	5
58805A1	PRIMER BULB ASSEMBLY	63	2	65955	CONNECTOR	71	7
58807A1	FLAME ARRESTOR, VENT - DISTRIBUTOR CAP	9	23	65956	COVER, STARBOARD CONTROL HOUSING	73	49
58807A1	FLAME ARRESTOR, VENT - DISTRIBUTOR HOUSING	9	7	66084	BRACKET, MOUNTING - SHOCK CYLINDER (PORT)	57	7
59071	COVER, FUEL INLET	25	12	66094	COVER, TRANSFER PORT (BOTTOM)	29	30
59369	FACE CAM	67	22	66096A1	PLATE ASSEMBLY, EXHAUST EXTENSION	35	1
60096	BOOT HIGH TENSION CABLE	9	21	66165A2	ADAPTOR ASSEMBLY, DISTRIBUTOR	13	35
				66517	RESTRICTION, CRANKCASE BLEED	27	3
				66530A2	FUEL PUMP ASSEMBLY	25	1
				66575	BASE, FUEL PUMP	25	16
				66599A1	DIAPHRAGM ASSEMBLY	25	3
				67469	ROD, LINK - UPPER	13	12A
				68023	HOUSING, CABLE	73	44
				68026	PLATE, RETAINING - DISCONNECT PLUG	71	17
				68034	COVER, REMOTE CONTROL	71	13

PARTS INDEX

Part Number	Description	Pg.	Ref. No.	Part Number	Description	Pg.	Ref. No.
68575	DRIVE ASSEMBLY	75	4	76433	SHIELD, TOP COWL - REAR	3	6
68579	END CAP ASSEMBLY, COMMUTATOR	75	18	76440	RETAINER, TOP COWL	3	2
68863	BEZEL, IGNITION SWITCH .	73	62	76505	PAD, BUMPER - TOP COWL RETAINER	3	3
68876A1	DETENT ASSEMBLY	71	26	76509A3	TRIM CYLINDER ASSEMBLY (SEE PAGE 45 FOR REPAIR KIT)	57	1
69190	PLATE, COIL MOUNTING . .	11	10	76581	LEVER, COWL LATCH HINGE	3	11
69205	"D" WASHER, CLIP FASTENING SCREW	7	15	76867	COVER, STARTER MOTOR BRACKET - BOTTOM	27	13
69205	"D" WASHER, FUEL LINE CLIP SCREW	25	28	77520A1	BEARING CARRIER ASSEMBLY	49	64
69205	"D" WASHER, WIRING HARNES CLIP SCREW .	17	12	77544	SEAL, SOUND ABSORBING - TOP	5	10
69259	TUBE, MOUNTING - TILT STOP	59	45	77669	PIN, MOUNTING TUBE	59	46
70692	REVERSE LOCK ASSEMBLY	39	27	77790	STRIP, SOUND ABSORBING - SIDE	5	7
71808	COVER, WATER JACKET - CYLINDER BLOCK	29	13	78025A	REMOTE CONTROL ASSEMBLY, COMPLETE (ELECTRIC) - SEE NOTE .	71	-
73519A1	TILT STOP	59	44	78184	TUBE, EXHAUST	43	8
73755A1	KNOB, CHOKE ROD	19	17	78992	LEVER, THROTTLE CONTROL	13	14
73984	YOKE, BOTTOM	37	15	79019	COVER, EXHAUST MANIFOLD	29	20
74257A3	PLATE ASSEMBLY, DRIVE SHAFT HOUSING	35	15	79718A2	BRACKET ASSEMBLY, TOP COWL - FRONT	3	29
74406	BRACKET, MOUNTING - STARTER SOLENOID . . .	53	40	86922A1	FRAME ASSEMBLY, TOP COWL SUPPORT	3	16
74407	BRACKET, MOUNTING - STARTER SOLENOID . . .	53	34	N.S.S.	"O" RING (1 1/4" X 1 7/16" X 1/16")	61	4
74528	TUBE, TILT - CLAMP BRACKET TO SWIVEL BRACKET	39	4	N.S.S.	"O" RING (1 3/4" X 1 15/16" X 1/8")	61	9
74596	PLATE, MICRO SWITCH MOUNTING	73	56	N.S.S.	"O" RING (1 5/16" X 1 1/2" X 1/8")	61	7
74646	RETAINER, PUSH BUTTON SWITCHES	71	9	N.S.S.	"O" RING (1 5/8" X 1 13/16" X 1/8")	61	6
74964	ARMATURE	75	9	N.S.S.	"O" RING (1 7/8" X 2" X 1/8")	61	8
74966	PLATE ASSEMBLY, DRIVE END	75	5	N.S.S.	"O" RING (5/8" X 3/4" X 1/16")	61	3
75043	CAP, THUMB SCREW	39	3	N.S.S.	"O" RING (7/32 X 11/32" X 1/16")	61	5
75282	THRUST HUB AND WASHER ASSEMBLY	49	75	N.S.S.	"O" RING, (1 1/2" X 1 5/8" X 1/16")	61	1
75296	MOUNT, RUBBER - UPPER .	43	20	N.S.S.	"O" RING, (3/4" X 15/16" X 1/8")	61	2
75299	MOUNT, RUBBER - LOWER	43	24	N.S.S.	PISTON, ROD - HEAVY DUTY	61	11
75778	PLATE, BAFFLE - EXHAUST MANIFOLD	29	18	N.S.S.	RETAINER, SCRAPER	61	14
75971A1	FRAME ASSEMBLY, TOP COWL SUPPORT	3	16	N.S.S.	ROD, SCRAPER	61	13
76039	CAM, SHIFT	49	49	N.S.S.	SEAL, SLIPPER - PISTON . .	61	10
76062A1	SHAFT ASSEMBLY, SHIFT - LOWER	47	39	N.S.S.	SPARK PLUG LEAD ASSEMBLY #1, #2, #3, #4, #5, AND #6	9	26
76367	POINTER, TIMING	29	33	N.S.S.	ELECTRIC REMOTE CONTROL ASSEMBLY, COMPLETE	67	-
76369	SPACER, BOTTOM COWL (COWL FRONT COVER) .	33	7	N.S.S.	SCREW, RETAINER TO FUEL PUMP (1/4")	25	10
76385	TILT LOCK ASSEMBLY (PORT)	39	22	N.S.S.			
76386	TILT LOCK ASSEMBLY (STARBOARD)	39	21	B-76714A			
76387	TUBE, TILT LOCK	39	23	10-20037			
76395A5	HYDRAULIC PUMP ASSEMBLY	53	1				
76395A5	HYDRAULIC PUMP ASSEMBLY, COMPLETE .	51	-				

PARTS INDEX

Part Number	Description	Pg.	Ref. No.	Part Number	Description	Pg.	Ref. No.
10-20411	SCREW, FUEL TANK COVER TO FUEL TANK	65	22	10-29256	SCREW, LOWER MOUNT CLAMP TO DRIVE SHAFT HOUSING	43	36
10-20411	SCREW, VALVE BODY TO RESERVOIR	51	4	10-29722	SCREW, COVER TO LOWER CLAMP MOUNT	43	39
10-20650	SCREW, CONNECTOR TO DISCONNECT (3/8")	71	8	10-29794	SCREW, SWITCH BOX (3/8")	17	17
10-20847	SCREW, CLUSTER TO THROTTLE LEVER	19	8	10-30720	SCREW, WATER PUMP BODY TO GEAR HOUSING (2 1/4")	45	29
10-20847	SCREW, THROTTLE STOP LEVER	21	18	10-30902	SCREW, SAFETY SWITCH TO CONTROL HOUSING	69	54
10-21140	SCREW, MOUNTING BRACKET TO HYDRAULIC PUMP (1/2")	53	35	10-32293	SCREW, CRANKCASE TO CYLINDER BLOCK (1 3/4")	27	17
10-21937	SCREW, LOWER SHOCK PIN	41	32	10-32417	SCREW, FLEXIBLE PLATE TO FLYWHEEL (5/8")	7	5
10-22523	SCREW, LOWER CARBURETOR FILTER SCREEN TO CARB. (5/8")	19	29	10-32866	SCREW, INLET COVER TO BOAT (2")	57	38
10-22956	SCREW, REAR HOOK TO TOP COWL (7/8")	3	14	10-34290	SCREW, STARTER SOLENOID TO MOUNTING BRACKET (5/8")	55	43
10-22968	SCREW, CENTER MAIN BEARING CLAMPING	31	13	10-34676	SCREW, SHIFT LEVER TO CONTROL HOUSING	67	38
10-23015	SCREW, UPPER CARBURETOR FILTER SCREEN TO CARB. (1")	19	29	10-34676	SCREW, THROTTLE LEVER TO NEUTRAL WARM-UP LEVER	67	5
10-2362	SCREW, DISTRIBUTOR HOUSING TO CRANKCASE (1 1/2")	13	37	10-34900	SCREW, REMOTE CONTROL TO BOAT (4 1/4")	69	42
10-24234	SCREW, ANCHOR BRACKET TO CYLINDER BLOCK (1")	33	30	10-37260	SCREW, THERMINAL BLOCK TO CONTROL HOUSING (7/16")	67	27
10-24234	SCREW, BRACKET TO CYLINDER BLOCK (1")	29	29	10-37260	SCREW, WIRING HARNESS CLIP TO CONTROL HOUSING (7/16")	69	56
10-24234	SCREW, CONTROL HOUSING ATTACHING (1")	73	45	10-37342	SCREW, GRIP TO CONTROL LEVER (7/16")	67	33
10-24234	SCREW, MOUNTING BRACKET TO HYDRAULIC PUMP (1")	53	23	10-37370	SCREW, COVER TO FUEL PUMP (5/8")	25	13
10-24942	SCREW, LIMIT SWITCH COVER TO MOUNTING BRACKET (7/16")	57	34	10-37370	SCREW, SHIELD TO TOP COWL (5/8")	3	7
10-25299	SCREW, CHOKE SOLENOID (3/4")	19	4	10-37559	SCREW, THROTTLE LEVER TO EXHAUST COVER (1 3/4")	13	18
10-25299	SCREW, RETAINER TO TOP COWL (3/4")	3	4	10-37562	SCREW, REAR BRACKET TO BOTTOM COWL (1")	3	27
10-25504	SCREW, COVER ATTACHING (3/4")	73	50	10-37562	SCREW, REAR BRACKET TO FRAME (1")	3	24
10-25575	SCREW, VENT - FILLER CAP	65	4	10-37571	SCREW, SEAL AND RETAINING STRIP TO EXT. PLATE (1/2")	35	5
10-28200	SCREW, STRAP STOP TO DRIVE SHAFT HOUSING (2 7/8")	37	12	10-37571	SCREW, THROTTLE LEVER TO THROTTLE SCREW (1/2")	71	40
10-28634	SCREW, FILLER - HYDRAULIC PUMP	51	8	10-37656	SCREW, RECTIFIER TO FRONT BRACKET (5/8")	17	39
10-28634	SCREW, FILLER - HYDRAULIC PUMP	53	3	10-37892	SCREW, THROTTLE ACTUATOR PLATE TO ECONOMIZER COLLAR (1")	13	29
10-28636	SCREW, DISTRIBUTOR ADAPTOR TO STOP BRACKET (3/4")	13	42	10-37941	SCREW, REMOTE CONTROL HOUSING CLAMPING	67	40
10-28636	SCREW, TIMING POINTER ATTACHING (3/4")	29	34				
10-28636	SCREW, TRANSFER PORT COVER MOUNTING (3/4")	29	32				

PARTS INDEX

Part Number	Description	Pg.	Ref. No.	Part Number	Description	Pg.	Ref. No.
10-38257	SCREW, VENT - HYDRAULIC PUMP	51	7	10-57841	SCREW, CRANKCASE TO CYLINDER BLOCK (2 3/4")	27	17
10-38257	SCREW, VENT - HYDRAULIC PUMP	53	5	10-60480	SCREW, MEGAPHONE TO DRIVE SHAFT HOUSING PLATE (1 1/8")	35	20
10-38601	SCREW, SOLENOID TO BOTTOM COWL (5/8")	17	29	10-62204	SCREW, REED STOP MOUNTING	31	21
10-45263	SCREW, MOUNTING BRACKET TO UPPER SHOCK PIN (2 1/4")	57	8	10-62568	SCREW, FRONT AND REAR BRACKET ATTACHING	9	33
10-45264	SCREW, SHOCK CYLINDER TO LOWER SHOCK PIN (1 9/16")	57	4	10-62568	SCREW, FUEL LINE CLIP (3/8")	25	27
10-45265	SCREW, BLEED - SHOCK CYLINDER	57	2	10-62568	SCREW, GROUND STRAP ATTACHING	43	6C
10-45328	SCREW, SHOCK CYLINDER TO MOUNTING BRACKET (3 9/16")	57	19	10-62568	SCREW, GROUND STRAP ATTACHING (3/8")	9	6
10-45775	SCREW, MAIN BEARING CLAMPING	31	17	10-62568	SCREW, GROUND STRAP ATTACHING (3/8")	29	37
10-47184	SCREW, PLATE TO CONTROL HOUSING (1 1/2")	71	36	10-62568	SCREW, IGNITION COIL WIRE TO SWITCH BOX (3/8")	11	9
10-47220	SCREW, THRUST PLATE TO NEUTRAL WARM-UP LEVER	67	12	10-62568	SCREW, MERCURY SWITCH LEAD	27	24
10-47255	SCREW, CUT-OUT LIMIT SWITCH TO MOUNTING BRACKET (9/16")	57	31	10-62568	SCREW, RETAINER TO FUEL TANK COVER (5/16")	65	17
10-47828	SCREW, DRIVE - SWIVEL BRACKET	37	6	10-62568	SCREW, STATOR LEAD CLIP FASTENING (3/8")	7	14
10-48408	SCREW, DRIP TRAY TO BOTTOM COWL (1/2")	33	4	10-62568	SCREW, STATOR LEADS TO TERMINAL BLOCK (3/8")	17	14
10-48408	SCREW, TELL TALE NOZZLE TO BOTTOM COWL (1/2")	33	15	10-62568	SCREW, WIRING HARNESS TO FRONT BRACKET (3/8")	17	11
10-48591	SCREW, SPACER TO BOTTOM COWL (1/2")	33	8	10-63680	SCREW, MICRO SWITCH TO PLATE (5/8")	73	58
10-48591	SCREW, STRAP TO CHOKE ROD (1/2")	19	23	10-64022	SCREW, STOP - FULL THROTTLE (2 1/8")	15	44
10-48675	SCREW, ADJUSTING - THROTTLE ACTUATOR COLLAR (1 1/2")	13	25	10-64279	SCREW, SWITCH BOX TO FRONT MOUNTING BRACKET (3/4")	17	18
10-49318	SCREW, LOWER MOUNT (5 1/2")	43	25	10-65210	SCREW, GEAR HOUSING TO DRIVE SHAFT HOUSING (1")	49	74
10-49554	BOLT, STEERING ARM TO UPPER MOUNT (5 7/8")	37	18	10-65774	SCREW, DISTRIBUTOR CAP CLAMP (1 1/8")	9	16
10-52195	SCREW, FLOAT BOWL COVER	21	13	10-66023	SCREW, ADAPTOR PLATE TO HOUSING PLATE (2")	35	8
10-53167	SCREW, WATER JACKET COVER TO CYLINDER BLOCK (7/8")	29	15	10-66023	SCREW, HOUSING PLATE TO DRIVE SHAFT HSG. (2")	35	10
10-53576	SCREW, MANIFOLD COVER MOUNTING	29	21	10-66024	SCREW, TRIM TAB TO GEAR HOUSING (1 3/4")	49	71
10-54803	SCREW, CONNECTING ROD	31	28	10-66104	SCREW, THROTTLE BRACKET MOUNTING	19	11
10-55511	SCREW, FRONT BRACKET TO TOP COWL FRAME (1 1/2")	3	32	10-66686	SCREW, FUEL PUMP TO BASE (1")	25	15
10-56500	SCREW, VALVE AND MANIFOLD PLATE TO PUMP (1 1/4")	53	14	10-66687	SCREW, FUEL PUMP TO BOTTOM COWL (1 1/2")	25	17
				10-68298	BOLT, CLAMP BRACKET TO BOAT TRANSOM (LOWER)	39	13
				10-68298	BOLT, HYDRAULIC PUMP TO BOAT (3 1/4")	53	26

PARTS INDEX

Part Number	Description	Pg.	Ref. No.	Part Number	Description	Pg.	Ref. No.
10-68298	BOLT, MOUNTING BRACKET TO BOAT TRANSOM (3 1/4")	57	9	10-75840	SCREW, STATOR TO UPPER END CAP (7/8")	7	12
10-68299	BOLT, CLAMP BRACKET TO BOAT TRANSOM (UPPER)	39	13	10-76196	SCREW, STRAP TO CHOKE KNOB (5/8")	19	20
10-68513	SCREW, RETAINING PLATE AND CAM TO SHOCK CYLINDER (3/8")	57	27	10-77444	SCREW, RETAINER TO CONTROL HANDLE (5/16")	71	10
10-68554	SCREW, PULLEY CLAMPING	15	56	10-78492A1	THUMB SCREW ASSEMBLY	39	2
10-68586	SCREW, BRUSH AND HOLDER TO CAP	75	17	10-78495	SCREW, WASHER ATTACHING	39	2A
10-68909	SCREW, CONTROL LEVER TO FACE CAM (1 1/2")	67	34	10-79953	SCREW, GREASE FILLER AND VENT HOLE	47	47
10-68997	SCREW, PLATE/HUB TO FLEX. PLATE	7	6	11-20110	NUT, CARBURETOR FILTER SCREEN FASTENING SCREW	19	31
10-69020	SCREW, WIRING HARNESS CLAMP TO BOTTOM COWL (7/8")	17	4	11-20110	NUT, CHOKE SHUTTER TO CARBURETOR STUD	19	27
10-69028	SCREW, MOUNTING BRACKET TO HYDRAULIC PUMP (3/4")	53	41	11-20509	NUT, THROTTLE CONTROL LEVER SCREW	13	21
10-69029	SCREW, ADAPTOR TO BOTTOM COWL (1 3/4")	25	38	11-20696	NUT, SHOCK CYLINDER SCREW	57	21
10-69029	SCREW, SUPPORT TO BOTTOM COWL (1 3/4")	33	11	11-20890	NUT, INPUT STUD	75	15
10-69034	SCREW, END CAP MOUNTING	29	6	11-21825	NUT, STARTER SOLENOID SCREW	55	45
10-69034	SCREW, END CAP MOUNTING (1")	29	12	11-21908	NUT, MOUNTING BRACKET SCREW	53	25
10-69035	SCREW, WIRE CABLE TO STARTER MOTOR	17	21	11-24652	NUT, REMOTE CONTROL TO BOAT TRANSOM	69	44
10-69046	SCREW, COIL TO CYLINDER BLOCK (2")	11	4	11-24656	NUT, CAM ROLLER TO THROTTLE LEVER PIN	67	10
10-69052	SCREW, GROUND WIRE TO BOTTOM COWL	17	8	11-24656	NUT, MOUNTING BRACKET TO HYDRAULIC PUMP THRU BOLT	53	37
10-69079	SCREW (7/16")	71	37	11-25096	NUT, LOWER MOUNT SCREW	43	27
10-69092	SCREW, FRONT BRACKET TO BOTTOM COWL (1 1/4")	3	30	11-25269	NUT, STRAP STOP FASTENING SCREW	37	13
10-69100	SCREW, COVER MOUNTING (1")	29	25	11-26768	NUT, DISTRIBUTOR CAP CLAMP SCREW	9	17
10-69100	SCREW, TRANSFER PORT COVER MOUNTING (1")	29	32	11-28587	NUT, SPEED - SPRING RETAINER	65	7
10-69235	SCREW, SWITCH TO FRONT MOUNTING BRACKET (1/2")	27	23	11-28770	NUT, CLAMP BRACKET STUD	39	11
10-69267	SCREW, TOP COVER ATTACHING (1 3/4")	27	10	11-28770	NUT, MOUNTING BRACKET TO CLAMP BRACKET STUD	57	18
10-69268	SCREW, BOTTOM COVER ATTACHING (1 7/8")	27	14	11-28770	NUT, RUBBER MOUNT TO FRONT SUPPORT BRACKET	3	36
10-69375	SCREW, UPPER AND LOWER SHOCK MOUNTING PIN	41	41	11-29250	NUT, CRANKCASE TO CYLINDER BLOCK SCREWS (LOWER)	27	19
10-69762	SCREW, TOP COVER ATTACHING (1 3/8")	27	10	11-29488	NUT, INLET COVER SCREW	59	40
10-70903	SCREW, PALTE TO CONTROL HANDLE (1/2")	71	6	11-29489	NUT, GEAR HOUSING AND DRIVE SHAFT HOUSING STUDS	43	32
10-73657	SCREW, CRANKCASE TO CYLINDER BLOCK (1 1/2")	27	17	11-29598	NUT, RUBBER MOUNT TO REAR SUPPORT BRACKET	3	23

PARTS INDEX

Part Number	Description	Pg.	Ref. No.	Part Number	Description	Pg.	Ref. No.
11-34932	NUT, POWERHEAD STUD	35	23	11-64015	NUT, FULL THROTTLE STOP SCREW	15	45
11-34933	NUT, GEAR HOUSING AND DRIVE SHAFT HOUSING STUDS	43	30	11-64015	NUT, STARTER MOTOR TERMINAL	17	27
11-34933	NUT, GEAR HOUSING TO DRIVE SHAFT HOUSING STUDS	49	73	11-64015	NUT, THROTTLE ACTUATOR COLLAR ADJUSTING SCREW	13	26
11-34933	NUT, STEERING ARM BOLT FASTENING	37	19	11-64809	NUT, CARBURETOR MOUNTING STUD	23	35
11-34933	NUT, UPPER MOUNT BOLT	43	23	11-68219	NUT, SOLENOID TERMINAL	19	3
11-35521	NUT, LOWER MOUNT CLAMP COVER	43	38	11-68219	NUT, SOLENOID TERMINAL (#10)	17	33
11-35814	NUT, WATER PUMP BODY FASTENING STUD	47	34	11-68219	NUT, STARTER SOLENOID TERMINAL (#10)	53	30
11-35888	NUT, RUBBER MOUNT TO TOP COWL FRAME	3	19	11-68292	NUT, SOLENOID TERMINAL (5/16")	17	36
11-35888	NUT, THROTTLE CABLE TO LOWER SWIVEL	13	23	11-68292	NUT, STARTER SOLENOID TERMINAL (5/16")	53	32
11-35888	NUT, UPPER LINK ROD THROTTLE CONTROL LEVER	13	17	11-68411	NUT, CLAMP BRACKET BOLT	39	15
11-35888	NUT, WATER PUMP FASTENING SCREW	47	32	11-68411	NUT, HYDRAULIC PUMP BOLT	53	27
11-35921	NUT, PINION GEAR TO DRIVE SHAFT	45	10	11-68411	NUT, MOUNTING BRACKET BOLT	57	11
11-36069	NUT, LINK ROD	33	22	11-68580	NUT, RETAINING - DRIVE ASSEMBLY	75	1
11-45076	NUT, IGNITION COIL TERMINAL (#10)	11	7	11-69254	NUT, POWERHEAD STUDS (3/8-24)	43	11
11-45076	NUT, STATOR LEADS TO RECTIFIER	17	42	12-20084	WASHER, DISTRIBUTOR HOUSING SCREW	13	38
11-45076	NUT, SWITCH BOX TERMINAL	17	16	12-20260	WASHER, GREASE FILLER AND VENT HOLE SCREW	47	48
11-45774	NUT, MAIN BEARING CLAMPING SCREW	31	18	12-20260	WASHER, SEALING - CHYDRAULIC PUMP FILLER SCREW	53	4
11-45812	NUT, JAM - LIMIT SWITCH ADJUSTING STUD	57	24	12-20260	WASHER, SEALING - FILLER SCREW	51	9
11-46438	NUT, STRAP TO CHOKE ROD SCREW	19	24	12-20346	WASHER, REMOTE CONTROL SCREW	69	43
11-46793	NUT, PORT CONTROL HOUSING STUD	73	48	12-20878	WASHER, INLET COVER SCREW	59	39
11-46887	NUT, BEARING CLAMPING SCREW	31	14	12-22753	WASHER, CRANKCASE TO CYLINDER BLOCK SCREWS	27	18
11-46887	NUT, CHOKE ROD SPRING TO CARBURETOR STUD	19	35	12-25970	WASHER, POWERHEAD STUD	35	22
11-46887	NUT, LOWER SHOCK PIN SCREW	41	33	12-25970	WASHER, POWERHEAD STUDS	43	12
11-46887	NUT, SWITCH BOX SCREW	17	19	12-26168	WASHER, PORT CONTROL HOUSING STUD	73	47
11-47661	NUT, JAM - PUSH ROD	43	16	12-27939	WASHER, DISTRIBUTOR HOUSING	15	47
11-49091	NUT, CONNECTING ROD SCREW	31	29	12-28196	WASHER, UPPER BUSHING RETAINER (INNER)	41	38
11-52707	NUT, PROPELLER	49	77	12-29245	WASHER, MEGAPHONE SCREW	35	21
11-52901	NUT, FLYWHEEL (PART OF A-436-6646A2 CRANKSHAFT ASSEMBLY)	7	2	12-29245	WASHER, THROTTLE CONTROL LEVER SWIVEL	13	16
11-53153	NUT, REED STOP SCREW	31	22				
11-54209	NUT, ROTOR SHAFT TO DISTRIBUTOR HOUSING	9	2				
11-56041	NUT, TILT TUBE FASTENING	39	6				

PARTS INDEX

Part Number	Description	Pg.	Ref. No.	Part Number	Description	Pg.	Ref. No.
12-29395	WASHER, THROTTLE CONTROL LEVER SCREW	13	19	12-59572	WASHER, COVER FASTENING KNOB (PLASTIC)	5	4
12-30164	WASHER, COIL SCREW	11	5	12-65986	WASHER, NYLON - CONTROL HUB	71	25
12-30164	WASHER, THROTTLE ACTUATOR PLATE FASTENING SCREW	13	30	12-68025	WASHER, CONTROL HUB	71	23
12-30164	WASHER, WIRING HARNESS CLAMP SCREW	17	6	12-68032	WASHER, THROTTLE SHAFT	71	30
12-30771	WASHER, COVER FASTENING KNOB (RUBBER)	5	3	12-68229	WASHER, FLYWHEEL NUT	7	3
12-31263	WASHER, UPPER MOUNT BOLT	43	22	12-68300	WASHER, CLAMP BRACKET BOLT (UPPER)	39	14
12-34675	WASHER, SHIFT LEVER SCREW	67	39	12-68410	WASHER, CLAMP BRACKET BOLT (LOWER)	39	14
12-34675	WASHER, THROTTLE LEVER SCREW	67	6	12-68410	WASHER, MOUNTING BRACKET BOLT	57	10
12-34680	WASHER, CAM ROLLER PIN	67	9	12-69342	WASHER, SWIVEL PIN - UPPER	37	4
12-35462	WASHER, LINK ROD	33	21	12-69374	WASHER, UPPER AND LOWER BUSHING	41	40
12-35462	WASHER, STOP BRACKET FASTENING SCREW	15	43	12-69380	WASHER, SWIVEL PIN - LOWER	37	10
12-35462	WASHER, TIMING POINTER SCREW	29	35	12-70132	WASHER, WATER JACKET COVER FASTENING SCREW	29	16
12-35950	WASHER, CABLE ATTACHING	73	42	12-72761	WASHER, THROTTLE LEVER SCREW	73	41
12-36001	WASHER, WATER PUMP BODY FASTENING STUD	47	33	12-74711	WASHER, FUEL TANK COVER FASTENING SCREW	65	23
12-37807	WASHER, SHOCK CYLINDER SCREW (STARBOARD ONLY)	57	20	12-76388	WASHER, TILT LOCK (STARBOARD SIDE ONLY)	39	25B
12-38013	WASHER, INPUT STUD	75	13	12-76805	WASHER, THRUST - BEARING CARRIER TO GEAR HOUSING	49	62
12-45176	WASHER, GEAR HOUSING TO DRIVE SHAFT HOUSING STUDS	43	31	12-77674	WASHER, RUBBER - SHIFT SHAFT BUSHING	47	44
12-45176	WASHER, GEAR HOUSING TO DRIVE SHAFT HOUSING STUDS	43	33	12-78493	WASHER, THUMB SCREW	39	2B
12-45176	WASHER, GEAR HOUSING TO DRIVE SHAFT HOUSING STUDS	49	72	13-24658	LOCKWASHER, MICRO SWITCH SCREW	73	59
12-46246	WASHER, ADAPTOR - DISTRIBUTOR HOUSING	13	34	13-26992	LOCKWASHER, CONTROL LEVER SCREW	67	35
12-47247	WASHER, NEEDLE LOCATING	31	31	13-26992	LOCKWASHER, CONTROL VALVE AND MANIFOLD PLATE SCREW	53	15
12-47840	WASHER, RUBBER - UPPER MOUNT BOLT	43	21	13-26992	LOCKWASHER, FRONT SUPPORT BRACKET SCREW	3	31
12-49221	WASHER, VENT SCREW	65	5	13-26992	LOCKWASHER, GROUND WIRE SCREW	17	9
12-49339	WASHER, LOWER MOUNT SCREW	43	26	13-26992	LOCKWASHER, MOUNTING BRACKET SCREW	53	36
12-52864	WASHER, CLAMP BRACKET TILT TUBE	39	5	13-26992	LOCKWASHER, MOUNTING BRACKET SCREW	55	42
12-53540	WASHER, ECONOMIZER COLLAR - DISTRIBUTOR HOUSING	13	5	13-26992	LOCKWASHER, REAR HOOK MOUNTING SCREW	3	15
12-57383	WASHER, THRUST - ARMATURE	75	8	13-26992	LOCKWASHER, RUBBER MOUNT TO REAR SUPPORT BRACKET	3	22
12-57388	WASHER, INSULATING - INPUT STUD	75	12	13-26992	LOCKWASHER, STARTER MOTOR TERMINAL	17	26
12-59378	WASHER, LOWER BUSHING RETAINER (INNER)	41	39				

PARTS INDEX

Part Number	Description	Pg.	Ref. No.	Part Number	Description	Pg.	Ref. No.
13-26992	LOCKWASHER, STARTER SOLENOID FASTENING SCREW	17	30	13-39107	LOCKWASHER, MOUNTING BRACKET SCREW	53	24
13-26992	LOCKWASHER, STARTER SOLENOID SCREW	55	44	13-39107	LOCKWASHER, RETAINER TO TOP COWL SCREW . .	3	5
13-26992	LOCKWASHER, WATER PUMP BODY SCREW . . .	45	30	13-39954	WASHER, WAVE - THROTTLE CONTROL LEVER SWIVEL	13	15
13-26993	LOCKWASHER, BOTTOM COVER SCREW	27	15	13-60861	WASHER, WAVE - THROTTLE LEVER	69	60
13-26993	LOCKWASHER, CHOKE SOLENOID SCREW	19	5	13-61789	LOCKWASHER, THRU BOLT	75	7
13-26993	LOCKWASHER, CLAMP BRACKET STUD	39	10	13-69150	WASHER, WAVE - TILT LOCK (STARBOARD SIDE ONLY)	39	25
13-26993	LOCKWASHER, FRONT SUPPORT BRACKET SCREW	3	33	14-20091	TAB WASHER, BEARING LOCKING SCREW	27	21
13-26993	LOCKWASHER, MOUNTING BRACKET CO CLAMP BRACKET STUD	57	17	14-27960	TAB WASHER, ADAPTOR CAP FASTENING	15	48
13-26993	LOCKWASHER, REAR BRACKET SCREW	3	26	14-31210	TAB WASHER, PROPELLER NUT	49	76
13-26993	LOCKWASHER, REAR SUPPORT BRACKET SCREW	3	28	14-52700	TAB WASHER, GEAR HOUSING COVER	49	68
13-26993	LOCKWASHER, RUBBER MOUNT TO FRONT SUPPORT BRACKET	3	35	15-20085A1	SHIM, END CAP TO CRANKCASE (.002-3-5-10)	29	11
13-26993	LOCKWASHER, SOLENOID TERMINAL (5/16")	17	35	15-21148A1	SHIM, BALL BEARING TO SPACER	9	10
13-26993	LOCKWASHER, STARTER SOLENOID TERMINAL (5/16")	53	31	15-30923A1	SHIM, BEARING OUTER RACE TO HOUSING (.002-3-5-10)	49	53
13-26993	LOCKWASHER, TOP COVER SCREWS	27	11	15-47248A1	SHIM, END CAP TO CRANKCASE (.006-8-10) . .	29	5
13-26995	LOCKWASHER, FLOAT BOWL COVER SCREW . .	21	15	15-55853	SHIM, BALL BEARING TO DISTRIBUTOR HOUSING . .	9	8
13-26996	LOCKWASHER, RETAINING PLATE AND CAM SCREW	57	28	15-57007A1	SHIM, BALL BEARING TO BASE	45	11
13-26996	LOCKWASHER, SOLENOID TERMINAL	19	2	16-21085	STUD, ADJUSTING - CUT-OUT LIMIT SWITCH (15/16")	57	23
13-26996	LOCKWASHER, SOLENOID TERMINAL (#10)	17	32	16-29208	STUD, PORT CONTROL HOUSING (2 1/2")	73	46
13-26996	LOCKWASHER, STARTER SOLENOID TERMINAL (#10)	53	29	16-30667	STUD, WATER PUMP BASE AND BODY TO GEAR HOUSING (3 1/8")	45	6
13-26996	LOCKWASHER, THROTTLE ACTUATOR PLATE FASTENING SCREW	13	31	16-39937	STUD, CHOKE ROD SPRING TO CARBURETOR	19	33
13-26996	LOCKWASHER, THRU BOLT	51	18	16-45282	STUD, MOUNTING BRACKET AND CLAMP BRACKET . .	57	16
13-26996	LOCKWASHER, WIRING HARNESS CLAMP SCREW	17	5	16-56295	STUD, DRIVE SHAFT HOUSING TO GEAR HOUSING (2 11/16")	43	2
13-27959	WASHER, WAVE - DISTRIBUTOR BALL BEARING TENSION	15	49	16-56297	STUD, WATER PUMP BASE AND BODY TO GEAR HOUSING (3 3/8")	45	5
13-29720	WASHER, WAVE - LINK ROD	33	23	16-57920	STUD, GEAR HOUSING TO DRIVE SHAFT HOUSING (2 1/16")	45	4
13-34678	WASHER, WAVE - NEUTRAL WARM-UP LEVER	67	18	16-57921	STUD, GEAR HOUSING TO DRIVE SHAFT HOUSING (4")	45	3
13-37371	LOCKWASHER, SHIELD SCREW	3	8				
13-38019	LOCKWASHER, INPUT STUD	75	14				

PARTS INDEX

Part Number	Description	Pg.	Ref. No.	Part Number	Description	Pg.	Ref. No.
16-64280	STUD, CARBURETOR MOUNTING (1 3/16")	27	4	18-21071	COTTER PIN, CABLE ATTACHING	73	43
16-64281	STUD, CRANKCASE TO EXHAUST EXTENSION PLATE (1 7/8")	27	5	18-25191	COTTER PIN, PUSH ROD PIN	43	19
16-64282	STUD, CYLINDER BLOCK TO DRIVE SHAFT HOUSING PLATE (4")	27	8	18-29623	COTTER PIN, SHIFT AND THROTTLE LEVER PINS	67	21
16-69037	STUD, CARBURETOR - CHOKE SHUTTER PIVOT	19	26	18-36391	COTTER PIN, MOUNTING TUBE PIN	59	47
17-20009	PIN, DETENT - CONTROL HOUSING NEUTRAL WARM-UP LEVER	67	13	18-45882	COTTER PIN, REVERSE LOCK TO SHAFT	39	30
17-20032	DOWEL PIN, CENTER MAIN BEARING	31	8	18-47959	COTTER PIN, TILT LOCK	39	26
17-20032	DOWEL PIN, MAIN BEARING	31	16	19-20011	WELCH PLUG, DETENT PIN AND SPRING RETAINING	67	16
17-20033	PIN, DOWEL - CRANKCASE TO CYLINDER BLOCK	27	6	19-45907	PLUG, FLYWHEEL PULLER THREADS	7	1
17-20426	RIVET, INDICATOR TO RETAINER	65	16	19-64649	PLUG, PLASTIC - TRIM TAB SCREW HOLE	43	3
17-23784	DOWEL PIN, DRIVE SHAFT HOUSING PLATE	35	17	21-30430A7	CHECK VALVE ASSEMBLY	25	2
17-23784	DOWEL PIN, EXHAUST EXTENSION PLATE	35	6	21-57306	FITTING, FUEL LINE TO PRIMER BULB	63	4
17-26618	PIN, DOWEL - PULLEY TO FLYWHEEL	7	7	21-57306A1	CHECK VALVE ASSEMBLY	63	3
17-27961	PIN, ECONOMIZER COLLAR - SPRING RETAINER	13	7	21-77560	CHECK VALVE, BLEED HOSE - UPPER	27	25
17-27962	PIN, ANCHOR SPRING - DISTRIBUTOR HOUSING	13	3	21-77561	CHECK VALVE, BLEED HOSE - LOWER	27	27
17-29077	ROLL PIN, TENSION SPRING TO KNOB	5	6	22-20781	ELBOW, BALANCE HOSE	27	28
17-29908	PIN, ROLL - FLANGE LOCATING	15	53	22-25094	FITTING, GREASE - DISTRIBUTOR ADAPTOR	13	36
17-30632	PIN, CROSS - RATCHET TO PROPELLER SHAFT	49	58	22-25094	FITTING, GREASE - ECONOMIZER COLLAR	13	8
17-34673	PIN, CAM ROLLER TO THROTTLE LEVER	67	8	22-32802	PLUG, PIPE - EXHAUST MANIFOLD COVER	29	22
17-34692	PIN, SHIFT AND THROTTLE LEVERS	67	20	22-46008	PLUG, CONTROL VALVE (1/2-20")	53	17
17-35973	DOWEL PIN, WATER PUMP BASE TO WATER PUMP BODY	45	19	22-63186	CONNECTOR, FUEL LINE (ENGINE END)	63	8
17-38311	PIN, COIL SPRING MOUNTING	39	18	22-63187	CONNECTOR, FUEL LINE (FUEL TANK END)	63	7
17-46912	DOWEL PIN, GEAR HOUSING LOCATING	45	2	22-63981	ELBOW, FUEL LINE TO ADAPTOR	25	24
17-47175	PIN, LOCKING LEVER AND COVER FASTENING	33	27	22-64704	FITTING, ELBOW - LOWER CARBURETOR	25	31
17-47246	DOWEL PIN, STEPPED	31	12	22-64704	FITTING, FUEL OUTLET	25	14
17-49930A1	TILT LOCK PIN ASSEMBLY (NOT USED WITH FULL POWER TRIM)	39	12	22-64704	FITTING, PULSE LINE (90)	25	18
17-58998	PIN, ROLL - COWL LATCH LEVER TO HINGE	3	12	22-64704	FITTING, PULSE LINE TO TRANSFER COVER (90)	25	22
17-63779	PIN, DOWEL - CYLINDER BLOCK TO MAIN BEARING	27	7	22-64706	FITTING, TEE - CENTER CARBURETOR	25	30
17-68672	PIN, CONTROL HUB	71	19	22-66328	FITTING, TEE - UPPER CARBURETOR	25	29
17-73593A1	SWIVEL PIN AND ARM ASSEMBLY	37	14	22-67892	PLUG, DRAIN (MAGNETIC)	47	47
				22-68307	PLUG, PIPE - CYLINDER BLOCK COVER	29	27
				22-74036	FITTING, GREASE - SWIVEL BRACKET	37	7
				22-74036	GREASE FITTING	57	1A
				22-78279	ELBOW, TELL TALE HOSE TO CYLINDER BLOCK	33	16
				22-78742	TEE, BALANCE HOSE	27	30

PARTS INDEX

Part Number	Description	Pg.	Ref. No.	Part Number	Description	Pg.	Ref. No.
23-26600	BUSHING, SHIFT SHAFT . . .	33	18	23-74647	BUSHING, NYLON -		
23-27132	BUSHING, NYLON -				SUPPORT PLATE	71	28
	EXHAUST EXTENSION			23-77631A2	BUSHING ASSEMBLY, SHIFT		
	PLATE	35	2		SHAFT	47	42
23-28198	BUSHING, RUBBER - SHOCK			24-20099	SPRING, LINK ROD TO		
	ABSORBER (LOWER) . . .	41	36		GUIDE BLOCK	33	31
23-28688	SPACER, RUBBER - COIL			24-22227	SPRING, TENSION - VENT		
	SPRING POSITIONING . .	39	19		SCREW	65	6
23-29804	SLEEVE, GUIDE - WATER			24-23067	SPRING, ADAPTOR STEM .	25	35
	INLET TUBE	47	36	24-24390	SPRING, TENSION -		
23-32171	BUSHING, RUBBER - SHOCK				ADJUSTING STUD	57	22
	ABSORBER (UPPER)	41	35	24-27944	SPRING, HORSESHOE -		
23-32427	SPACER, CHOKE ROD				DISTRIBUTOR HOUSING .	13	4
	SPRING STUD	19	34	24-28659	SPRING, COIL - SWIVEL		
23-33589	BUSHING, NYLO - SHIFT				BRACKET	39	17
	LEVER (5/8" I.D.)	67	37	24-28975	SPRING, GARTER -		
23-33589	BUSHING, NYLON -				INTERNAL WIRING		
	NEUTRAL WARM-UP			24-30189	HARNESS	17	7
	LEVER (5/8" I.D.)	67	19		SPRING, BAYONET BODY		
23-34677	BUSHING, NYLON - FACE				STEM	63	13
	CAM (1" I.D.)	67	23	24-30622	SPRING, COMPRESSION -		
23-35977	GROMMET, RUBBER - LIFT				CAM FOLLOWER	49	52
	HOSE AND TRIM HOSE . .	59	43	24-30772	SPRING, TENSION -		
23-37961--2	SLEEVE, SAFETY SWITCH				FASTENING KNOB	5	5
	LEADS	69	53	24-30893	SPRING, RETAINING -		
23-45280	SPACER, SHOCK CYLINDER				CROSS PIN	49	59
	- LOWER	57	5	24-34683	SPRING, DETENT -		
23-45281	BUSHING, RUBBER - SHOCK				CONTROL HOUSING	67	2
	CYLINDER	57	6	24-35210	SPRING, DETENT PIN	67	14
23-45354	BUSHING, RUBBER - CUT-			24-35227	SPRING, DETENT PIN		
	OUT LIMIT SWITCH	57	30		TENSION	67	15
23-45818	BUSHING, THROTTLE			24-35522	SPRING, TENSION - LOWER		
	CONTROL LEVER SCREW	13	20		MOUNT CLAMP	43	35
23-47250	SPACER, DRIVE PULLEY . .	15	51	24-45272	SPRING, TENSION - LIMIT		
23-48674	SPACER, THROTTLE				SWITCH PLUNGER	57	15
	ACTUATOR PLATE			24-48230	SPRING, CHOKE ROD		
	SCREW	13	32		TENSION	19	32
23-53538	SPACER, ROTOR SHAFT . .	9	11	24-57818	SPRING, UPPER FILTER		
23-53539	SLEEVE, ROTOR SHAFT . . .	9	3		SCREEN SCREW	19	30
23-55399	BUSHING, NYLON - PORT			24-61790	SPRING, ANTI DRIFT	75	3
	CONTROL HOUSING	71	16	24-68434	SPRING, PULSE LINE	25	19
23-56774	SPACER, COLLAR TO TOP			24-73190	SPRING, CONTROL HUB . . .	71	20
	MOUNTING CAP	17	23	24-78203A1	SPRING, REVERSE LOCK		
23-57387	BUSHING, ISULATING -				TENSION	39	28
	INPUT STUD	75	11	25-20116	GROMMET, CHOKE ROD . .	19	18
23-59624	SPACER, CLAMP BRACKET			25-20415	"O" RING, ADAPTOR STEM .	25	36
	STUD	39	8	25-20415	"O" RING, BAYONET BODY		
23-61788	SPACER, DRIVE ASSEMBLY				STEM	63	12
23-62238--1	SLEEVE, SPARK PLUG LEAD			25-21720	"O" RING, CONTROL VALVE		
	(7")	9	28A		TO MANIFOLD PLATE (1/2"		
23-65830	BUSHING, NYLON -				O.D.)	53	12
	THROTTLE SHAFT	71	34	25-21720	"O" RING, HYDRAULIC		
23-69132	BUSHING, REVERSE LOCK				PUMP	51	1
	PIVOT SHAFT	37	2	25-21720	"O" RING, HYDRAULIC		
23-69341	BUSHING, SWIVEL				PUMP TO MANIFOLD		
	BRACKET	37	3	25-21720	PLATE	53	2
23-70412	SPACER, BALL BEARING TO				"O" RING, PUMP TO		
	BASE	45	11		MANIFOLD PLATE (SEE		
					REFERENCE #2)	53	10

PARTS INDEX

Part Number	Description	Pg.	Ref. No.	Part Number	Description	Pg.	Ref. No.
25-26547	GROMMET, HIGH TENSION CABLE	9	19	27-45274	GASKET, INLET COVER	57	36
25-26547	GROMMET, SPARK PLUG LEADS	9	29	27-45275	GASKET, LIMIT SWITCH COVER	57	33
25-29976	"O" RING, BEARING CARRIER	49	63	27-48164	GASKET, CARBURETOR FLANGE	23	34
25-30271	RING, RUBBER - CENTRIFUGAL SLINGER (DRIVE SHAFT)	47	35	27-53862	GASKET, CRANKCASE TO CYLINDER BLOCK	27	2
25-32546	"O" RING, END CAP	29	10	27-54921	GASKET, FUEL GAUGE LENS	65	12
25-33145	"O" RING, WATER PUMP BASE	45	15	27-55896	GASKET, DISTRIBUTOR CAP	9	24
25-45016	"O" RING, SHOCK CYLINDER BLEED SCREW	57	3	27-60476A75	GASKET SET	1	-
25-45253	"O" RING, CONTROL VALVE TO MANIFOLD PLATE (5/8" O.D.)	53	13	27-62362	GASKET, MEGAPHONE TO DRIVE SHAFT HOUSING PLATE	35	18
25-45254	"O" RING, CONTROL VALVE TO MANIFOLD PLATE (3/4" O.D.)	53	11	27-64941	GASKET, TRANSFER PORT COVER	29	31
25-45507	GROMMET, RUBBER - INLET COVER	57	37	27-66102	GASKET, PLATE TO DRIVE SHAFT HSG. PLATE	35	11
25-47254	"O" RING	29	4	27-69238	GASKET, POWERHEAD TO EXTENSION PLATE	35	7
25-57806	GROMMET, PLASTIC - TRIM COVER SCREW	43	6A	27-72142	GASKET, WATER JACKET COVER	29	14
25-62702	"O" RING, TILT LOCK	39	25C	27-72506	GASKET, CYLINDER BLOCK COVER	29	24
26-22734	OIL SEAL, SWIVEL BRACKET (TILT LOCK)	39	25A	27-72507	GASKET, CYLINDER BLOCK TO BAFFLE PLATE	29	17
26-29476	OIL SEAL, END CAP	29	3	27-72509	GASKET, BAFFLE PLATE TO EXHAUST MANIFOLD COVER	29	19
26-29476	OIL SEAL, END CAP	29	9	28-29910	KEY, DISTRIBUTOR DRIVER	15	55
26-31489	OIL SEAL, WATER PUMP BASE	45	17	28-30281	KEY, LOCATING - BEARING CARRIER	49	67
26-31507	OIL SEAL, WATER PUMP BASE	45	18	28-56654	KEY, IMPELLER DRIVE	45	28
26-37448	OIL SEAL, SWIVEL BRACKET	37	5	28-68024	KEY, CONTROL HUB	71	22
26-38970	SEAL, RUBBER - WATER INLET TUBE	35	16	29-47270	BEARING, NEEDLE - PISTON PIN	31	30
26-38970	SEAL, RUBBER - WATER INLET TUBE	45	26	29-52168	BEARING, NEEDLE - OUTER RACE	31	9
26-60898	SEAL, DRIVE SHAFT HOUSING PLATE	35	14	30-20066	BALL BEARING, DISTRIBUTOR HOUSING (UPPER)	9	1
26-70608	OIL SEAL, STARBOARD MOUNTING BRACKET	57	13	30-26379	BALL BEARING, DISTRIBUTOR HOUSING (LOWER)	9	9
26-76384	OIL SEAL, SHIFT SHAFT BUSHING	47	43	30-62567	BEARING, BALL - UPPER	31	3
26-76868	OIL SEAL, BEARING CARRIER	49	66	30-63742	BEARING, BALL - LOWER	31	4
27-25568	GASKET, FILLER CAP TO FUEL TANK	65	8	31-30894A1	TAPERED ROLLER BEARING ASSEMBLY	49	54
27-28862	GASKET, COVER ASSEMBLY TO FRAME	65	19	31-30895	BEARING, ROLLER - FORWARD GEAR	49	55
27-32433	GASKET, LOWER - WATER PUMP BASE TO FACE PLATE	45	20	31-30956	BEARING, ROLLER - BEARING CARRIER	49	65
27-32434	GASKET, UPPER - FACE PLATE TO WATER PUMP BODY	45	22	31-32898	BEARING, ROLLER - DRIVE SHAFT	45	7
27-33146	GASKET, WATER PUMP BASE	45	14	31-62596A1	BEARING ASSEMBLY, CRANKPIN	31	27
				31-69220	ROLLER BEARING, DRIVE SHAFT	45	12

PARTS INDEX

Part Number	Description	Pg.	Ref. No.	Part Number	Description	Pg.	Ref. No.
32-34395A1	HOSE, BALANCE - MAIN BEARING (6 1/4")	27	29	47-65960	IMPELLER, WATER PUMP	45	27
32-34395A1	HOSE, DRIP TRAY TO BOTTOM COWL (8")	33	5	50-72467	STARTER MOTOR ASSEMBLY	17	25
32-34395A1	HOSE, TELL TALE - EXHAUST COVER TO BOTTOM COWL (21 1/2")	33	13	50-72467	STARTER MOTOR ASSEMBLY, COMPLETE	75	-
32-45327	HOSE, TRIM - CYLINDER TO CONTROL VALVE (5') - 13/32" O.D.	59	41	52-34239	RATCHET, SLIDING GEAR	49	57
32-45959	HOSE, LIFT - CYLINDER TO CONTROL VALVE (5') - 17/32" O.D.	59	42	53-26406	RING, RETAINER - BALL BEARING TO DISTRIBUTOR HOUSING	9	12
32-54936	HOSE, BLEED (22")	27	26	53-26933	RING, SNAP - OUTER RACE	31	11
32-60897	TUBE, WATER INLET	43	7	53-28903	FASTENER, RETAINING FRAME TO FUEL TANK	65	21
32-70432	FUEL LINE, ADAPTOR TO FUEL PUMP (6 3/4")	25	23	53-29641	"E" RING, RETAINING - SHIFT SHAFT	47	40
32-70432	FUEL LINE, CARBURETOR TO CARBURETOR (6 1/4")	25	32	53-68030	RING, RETAINING - THROTTLE PINION	71	33
32-70432	FUEL LINE, FUEL PUMP TO UPPER CARBURETOR (15 3/4")	25	25	53-73591	RETAINING RING, BOTTOM YOKE ATTACHING	37	16A
32-70432	PULSE LINE (3 1/4")	25	20	54-22627	CLIP, FUEL LINE ATTACHING	25	26
33-68057	SPARK PLUG (CHAMPION L-76V)	9	25	54-22627	CLIP, INNER - WIRING HARNESS TO CONTROL HOUSING	69	55
34-56007A1	REED SET, MATCHED - MAIN BEARING	31	19	54-24871	CLIP, STATOR/WIRING HARNESS LEADS FASTENING (1/2")	7	13
34-56008	REED STOP, MAIN BEARING REED VALVES	31	20	54-26538	CLIP, STATOR LEAD FASTENING (5/8")	7	13
35-57819	SCREEN ASSEMBLY, FILTER - CARBURETOR	19	28	54-27764	CLIP, STATOR LEADS TO BLOCK (1/8")	17	10
35-59072	SCREEN, FILTER - INLET	25	8	54-55206	CLAMP, PRIMER BULB TO CHECK VALVE (LARGE)	63	5
36-25392A2	FILLER CAP ASSEMBLY	65	3	54-55206	CLAMP, FUEL LINE TO CHECK VALVE (SMALL)	63	6
37-64043	DECAL, CONTROL HOUSING (MERCENTROL)	67	30	54-60768	CLAMP, FUEL LINE TO CONNECTOR	63	9
37-73291	DECAL, TIMING (FLYWHEEL)	3	17	54-68424	CLAMP, DISTRIBUTOR CAP TO DISTRIBUTOR HSG.	9	15
37-75881	DECAL, FUEL TANK	65	1	54-76368	CLAMP, FUEL LINE ATTACHING	25	21
37-76703	DECAL, CONTROL HOUSING (MARINER) - NOT AS SHOWN	67	29	55-28414	CLAMP, WIRING HARNESS TO BOTTOM COWL	17	3
37-77550A78	DECAL SET	1	-	55-28416	PIN, LOWER SHOCK MOUNTING	41	31
37-77992	DECAL, REMOTE CONTROL COVER (NOT AS SHOWN)	71	14	55-58780A2	PIN, UPPER SHOCK MOUNTING	39	16
37-87133A79	DECAL SET	1	-	84-60466A1	SHOCK ABSORBER	41	34
39-78811A12	RING, PISTON	31	31	84-66008A1	CABLE ASSEMBLY	11	6
39-78816A12	RING, PISTON	31	25		WIRE, GROUND - DISTRIBUTOR ADAPTOR TO FRONT SUPPORT BRACKET	13	40
40-52035	LOCK RING, PISTON PIN	31	24	84-66054A2	CABLE ASSEMBLY, COIL TO SWITCH BOX	11	8
43-46250	REVERSE GEAR	49	61	84-69207A1	CABLE ASSEMBLY, CAP TO COIL	9	18
43-65731	GEAR, THROTTLE	71	24	84-69236	WIRING HARNESS, INTERNAL	17	1
43-65732	PINION GEAR, THROTTLE	71	32	84-69237	CABLE, WIRE - STARTER MOTOR TO SOLENOID	17	34
43-65733	GEAR, SHIFT	71	27				
43-65734	PINION GEAR, SHIFT	71	29				
43-68447	FORWARD GEAR	49	56				
43-68548	GEAR, PINION - DRIVE SHAFT	45	9				
44-52542	SHAFT, PROPELLER	49	60				
45-69251	DRIVE SHAFT	45	8				
46-64141A1	WATER PUMP BODY ASSEMBLY	45	23				

PARTS INDEX

Part Number	Description	Pg.	Ref. No.	Part Number	Description	Pg.	Ref. No.
84-74023	CONNECTOR AND HARNESS	53	18	393-3736A77	HOUSING ASSEMBLY, DISTRIBUTOR	9	4
84-76353	HARNESS, TRIM (AVAILABLE IN LENGTHS OF 10', 15', 25' & 45')	73	65	393-3736A77	HOUSING ASSEMBLY, DISTRIBUTOR	13	1
84-76407	WIRING HARNESS (AVAILABLE IN LENGTHS OF 10', 15', 20' & 40')	73	51	393-4312	ROTOR, DISTRIBUTOR	9	14
85-71006A1	PROTECTOR, SPARK PLUG LEAD	9	27	393-4313	DISC, ROTOR	9	13
86-60878	TERMINAL, WIRING HARNESS	73	54	393-4841A2	DISTRIBUTOR CAP ASSEMBLY	9	22
86-63577	TERMINAL BLOCK, CONNECTOR LEADS	67	26	398-4793	STATOR, ALTERNATOR (NOT AS SHOWN)	7	11
86-65738	TERMINAL BLOCK	73	55	436-4842A3	CRANKSHAFT ASSEMBLY	31	1
87-68033	SWITCH, PUSH BUTTON (RED)	71	11	436-6646A2	CRANKSHAFT ASSEMBLY	31	1
87-68691	SWITCH, PUSH BUTTON (BLACK)	71	11	535-5397A4	CENTER MAIN BEARING ASSEMBLY	31	7
87-74605	SWITCH, MICRO	73	57	540-5266A5	MAIN BEARING ASSEMBLY, VALVE TYPE	31	15
89-68258	SOLENOID, STARTER	17	28	622-4850A3	CONNECTING ROD AND CAP ASSEMBLY	31	26
89-68258	STARTER SOLENOID	53	28	745-6661A4	PISTON AND PISTON PIN ASSEMBLY	31	23
90-83778	MARINER 115 PARTS MANUEL	1	-	745-6696A2	PISTON AND PISTON PIN ASSEMBLY	31	31
92-25234--1	GLUE, ADHESIVE - BLANKET FASTENING	5	--	852-6686A1	CYLINDER BLOCK AND CRANKCASE ASS'Y	27	1
92-27109--1	ADHESIVE COMPOUND, EMBLEM FASTENING	5	--	852-6686A1	CYLINDER BLOCK AND CRANKCASE ASS'Y	29	1
225-2494A30	FLYWHEEL ASSEMBLY, COMPLETE	7	4	852-7405A3	CYLINDER BLOCK AND CRANKCASE ASS'Y	27	1
225-2494A37	FLYWHEEL ASSEMBLY, COMPLETE	7	4	852-7405A3	CYLINDER BLOCK AND CRANKCASE ASS'Y	29	1
332-2854	BOOT, HIGH TENSION CABLE TO COIL	9	20	1023-5070	COVER, CYLINDER BLOCK	29	23
332-2986A21	SWITCH BOX ASSEMBLY	17	15	1134-3197A1	END CAP ASSEMBLY	29	2
332-4895A2	IGNITION COIL ASSEMBLY	11	1	1148-5410A1	END CAP ASSEMBLY, LOWER	29	7
392-2529	SPRING SET, BRUSH TENSION	51	16	1225-1529	FUEL TANK (6 GALLON)	65	1
392-2618	CAN, VALVE BODY	51	3	1225-1529A16	FUEL TANK ASSEMBLY, COMPLETE (6 GALLON)	65	-
392-2623	WASHER, THRUST - ARMATURE	51	10	1368-5702A19	CARBURETOR ASSEMBLY	21	1
392-2936	VALVE BODY AND GEAR ASSEMBLY	51	2	1368-5702A19	CARBURETOR ASSEMBLY, COMPLETE	19	9
392-2937	SEAL, RESERVOIR TO VALVE BODY AND GEAR	51	5	1368-5702A5	CARBURETOR ASSEMBLY, COMPLETE	19	9
392-2938	BOLT SET, THRU - PLATE AND FRAME TO RESERVOIR	51	17	1368-5702A5	CARBURETOR ASSEMBLY, COMPLETE	19	9
392-2939	RESERVOIR ASSEMBLY	51	6	1395-4540	SCREW, BODY (IDLE TUBE)	21	21
392-2940	PLATE ASSEMBLY, COMMUTATOR END	51	14	1395-4541	SCREW, PLUG - MAIN FUEL JET CHANNEL	21	29
392-2941	BRUSH SET, COMMUTATOR END PLATE	51	15	1395-4542	SCREW, PLUG - MAIN NOZZLE	21	27
392-2942	FIELD AND FRAME ASSEMBLY	51	12	1395-4543	SCREW, BODY CHANNEL	21	32
392-2943	ARMATURE, FIELD AND FRAME	51	11	1395-4555	INLET NEEDLE, SEAT AND GASKET	21	6
392-2944	BALL, COMMUTATOR END PLATE	51	13	1395-4804	SCREW, FLOAT BOWL COVER	21	14
				1395-4808	GASKET AND PACKING SET (1 PER CARBURETOR)	23	33
				1395-4868	INLET NEEDLE, SEAT AND GASKET	21	6
				1395-5108	SHUTTER, THROTTLE	21	22
				1395-5353	FLOAT ASSEMBLY	21	2

PARTS INDEX

Part Number	Description	Pg.	Ref. No.	Part Number	Description	Pg.	Ref. No.
1395-5680	COVER, FLOAT BOWL	21	10				
1395-5733	JET, BOWL VENT (.088) . . .	21	11				
1395-5734	HOSE, ECONOMIZER	21	12				
1395-6029	JET, MAIN FUEL (.068)	21	28				
1395-6030	JET, MAIN FUEL (.070)	21	28				
1395-6207	JET, MAIN FUEL (.072) - STANDARD	21	28				
1395-7479	REPAIR PARTS KIT (1 PER CARBURETOR)	23	33				
1399-3515	SCREW, IDLE ADJUSTMENT	21	25				
1399-3527	SHAFT, THROTTLE	21	19				
1399-3794	JET, MAIN FUEL (.074) - STANDARD	21	28				
1399-6249	JET, BOWL VENT (.096) . . .	21	11				
1399-97	LEVER, THROTTLE	21	17				
1440-6625A3	CLAMP BRACKET ASSEMBLY	39	1				
1482-6386A4	SWIVEL BRACKET ASSEMBLY	37	1				
1573-5239A4	DRIVE SHAFT HOUSING ASSEMBLY	43	1				
1623-6053A15	GEAR HOUSING ASS'Y COMP.	49	-				
1623-6053A15	GEAR HOUSING ASS'Y, COMP.	45	-				
1623-6053A5	GEAR HOUSING ASS'Y	45	1				
1623-6053A5	GEAR HOUSING ASS'Y, COMP.	49	1				
1655-7333A23	GEAR HOUSING ASS'Y	45	1				
1655-7333A23	GEAR HOUSING ASS'Y	49	1				
1655-7333A24	GEAR HOUSING ASS'Y, COMP.	45	-				
1655-7333A24	GEAR HOUSING ASS'Y, COMP.	49	-				
2115-6462	COWL, BOTTOM	33	1				
2162-6392	COWL, TOP (WITHOUT DECALS)	3	1				
2171-6497A2	COWL FRONT COVER ASSEMBLY (WITHOUT DECALS)	5	1				
2172-6498A3	WRAP AROUND COWL ASSEMBLY (WITHOUT DECALS)	5	11				