



# PARTS CATALOG

## WATER MOUSE BOAT

### SERIAL NUMBER

WATER MOUSE BOAT .....	AA303ME0N (2000)
WATER MOUSE BOAT .....	AA303ME1N (2001)
WATER MOUSE BOAT .....	AA303MD8N (1998 thru 1999)

# TABLE OF CONTENTS:

ACCESSORIES .....	32
DECK COMPONENTS (USA00342H899 THRU USA00928A000) .....	4
DECK COMPONENTS (USA00929A000 AND UP) .....	8
ELECTRICAL COMPONENTS (AA303ME0N - AA303ME1N) .....	2
HELM ASSEMBLY .....	18
HULL COMPONENTS (USA00342H899 THRU USA00928A000) .....	14
HULL COMPONENTS (USA00929A000 AND UP) .....	16
LINER COMPONENTS .....	12
LITERATURE .....	33
MODULAR COMPONENTS-REMOTE CONTROL (4000 MODELS) .....	30
MODULAR COMPONENTS-REMOTE CONTROL (DESIGN II) .....	24
MODULAR COMPONENTS-REMOTE CONTROL (DESIGN III) .....	26
MODULAR COMPONENTS-REMOTE CONTROL (DESIGN IV) .....	28
PARTS INDEX .....	34
REMOTE CONTROL ASSEMBLY (3000 CLASSIC) .....	20
REMOTE CONTROL ASSEMBLY (4000) .....	22

**NOTE:** Indented description indicate that these parts are included in preceeding assembly.

**AR** = As Required

**NSS** = Not Sold Separate

**OPT** = Optional

**NS** = Not Shown

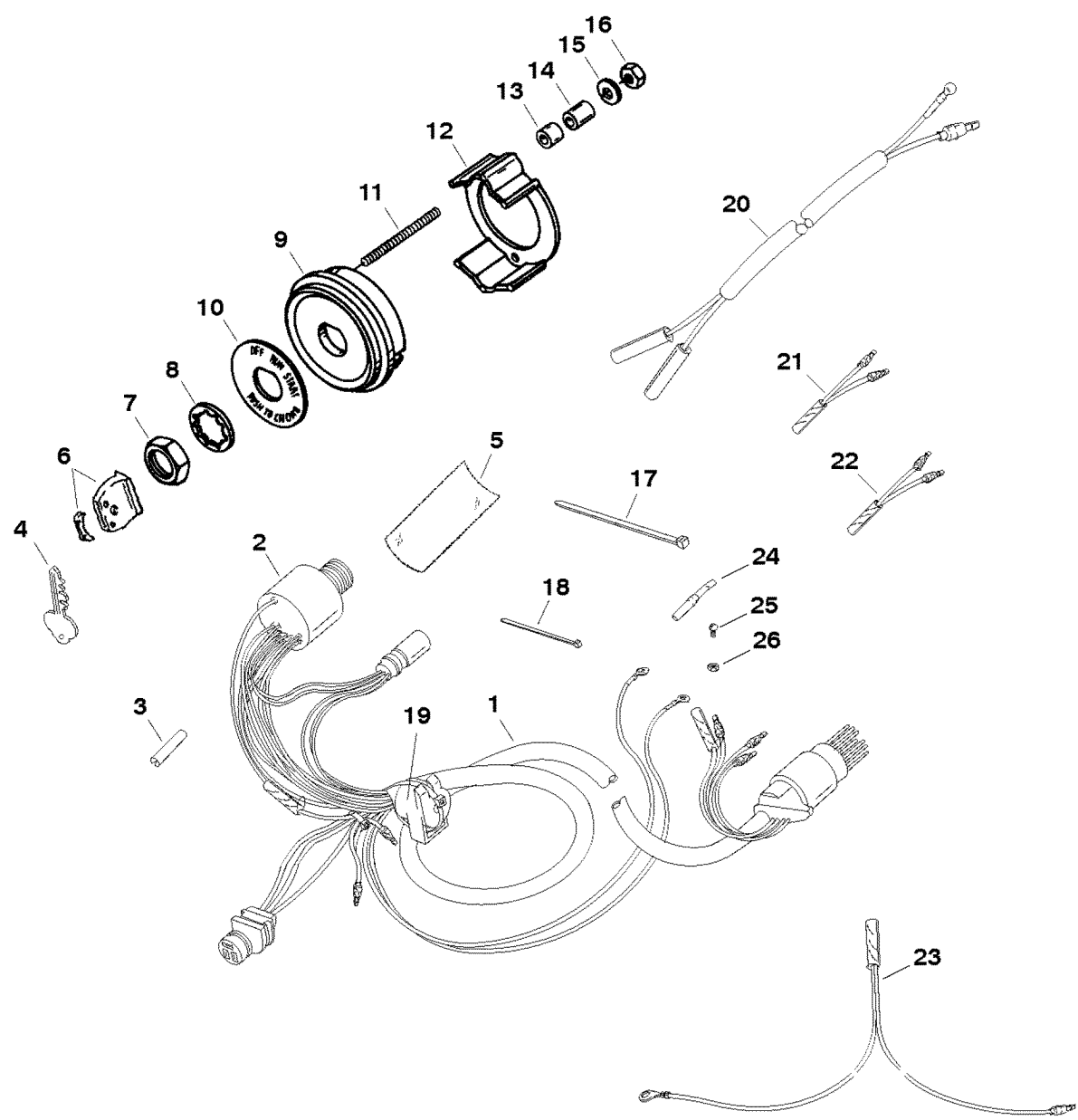
**NOTE:** Following symbols are located in **SYM** column.

● = PART IS NEW AND LISTED FOR THE  
FIRST TIME

**THESE PARTS BOOKS/FICHE CARD ARE COPYRIGHTED AND MAY NOT BE DISTRIBUTED OR REPRODUCED IN ANY OTHER FORMAT BY ANYONE OTHER THAN MERCURY MARINE WITHOUT THE PRIOR WRITTEN CONSENT OF MERCURY MARINE.**

THIS PAGE INTENTIONALLY LEFT BLANK

# ELECTRICAL COMPONENTS (AA303ME0N - AA303ME1N)



# ELECTRICAL COMPONENTS (AA303ME0N - AA303ME1N)

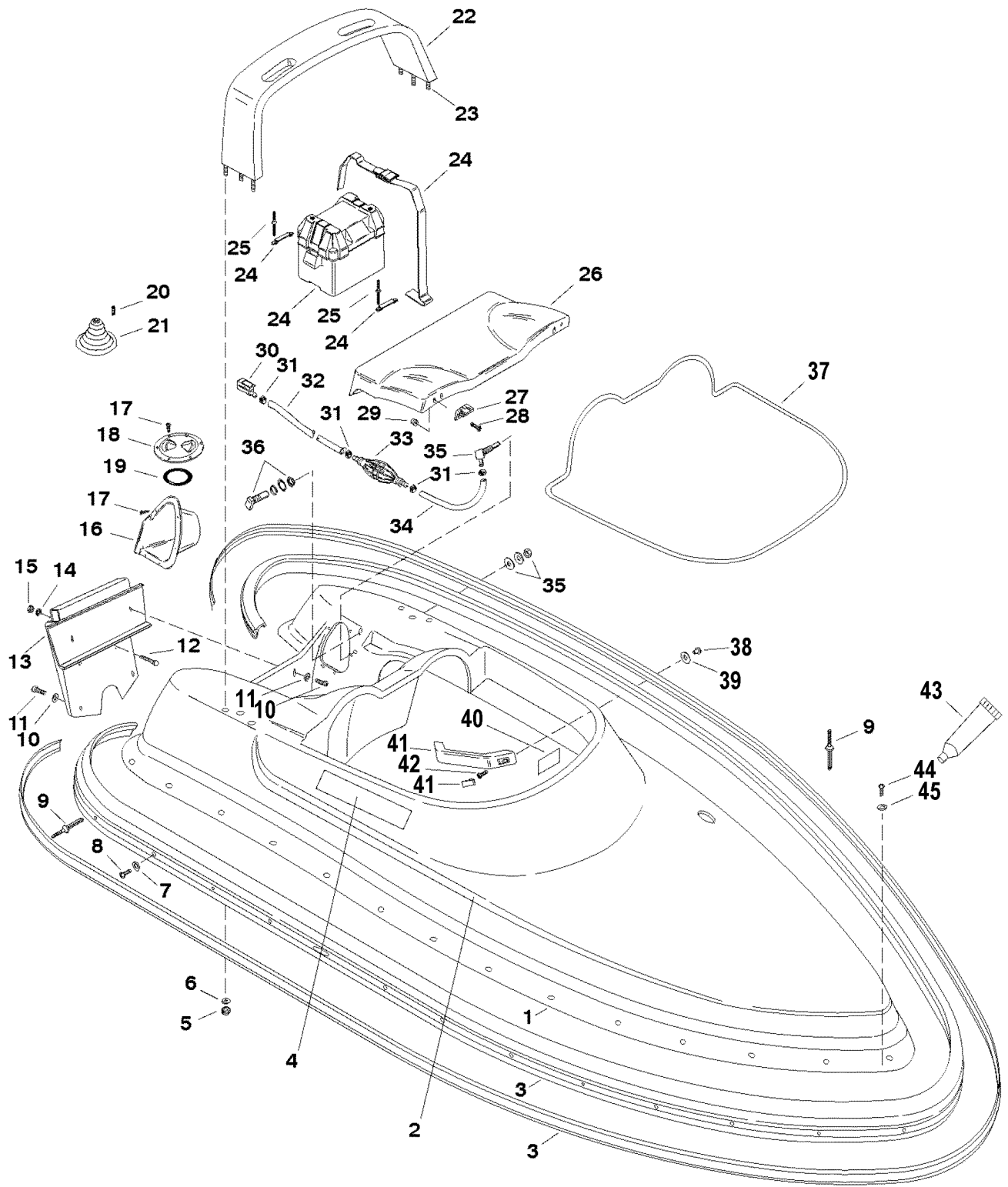
REF. NO.	PART NO.	SYM.	QTY.	DESCRIPTION
1	84-816626A8		1	HARNESS ASSEMBLY-Ignition
2	87-88107A5		1	SWITCH KIT-Ignition <b>(With Pre Soldered Wires)</b>
3	86-830865		10	CONNECTOR <b>(For Service Only)</b>
4	89491--1		AR	KEY-Ignition <b>(1A)</b>
	89491--2		AR	KEY-Ignition <b>(1B)</b>
	89491--3		AR	KEY-Ignition <b>(1C)</b>
	89491--4		AR	KEY-Ignition <b>(1D)</b>
	89491--5		AR	KEY-Ignition <b>(1E)</b>
	89491--6		AR	KEY-Ignition <b>(1F)</b>
	89491--7		AR	KEY-Ignition <b>(2A)</b>
	89491--8		AR	KEY-Ignition <b>(2B)</b>
	89491--9		AR	KEY-Ignition <b>(2C)</b>
	89491-10		AR	KEY-Ignition <b>(2D)</b>
	89491-11		AR	KEY-Ignition <b>(2E)</b>
	89491-12		AR	KEY-Ignition <b>(2F)</b>
5	15097		1	SHEET (Neoprene)
6	90468A1		2	COVER ASSEMBLY-Ignition Key
7	11-879755	●	1	NUT (Special) <b>(Nylon - Black)</b>
	11-93543		OPT	NUT (Special) <b>(Chrome Plated Brass)</b>
8	13-89989		1	LOCKWASHER (Internal)
9	816479A3		1	PLATE KIT-Switch Mount
10	38-90311		1	INSERT-Plate Switch
11	16-55422		2	STUD (#10-32 x 2.00)
12	76424		1	BRACKET-Switch Mount
13	23-812711		2	SPACER (.250)
14	23-812711--1		2	SPACER (.375)
15	12-24676		2	WASHER
16	11-68219		2	NUT (#10-32)
17	54-816311T		12	CABLE TIE (8.00 Inch)
18	56762		3	CABLE TIE (4.00 Inch)
19	816492A1		1	ALARM ASSEMBLY
20	84-858883A1		1	HARNESS ASSEMBLY
21	62-856648		1	HARNESS ASSEMBLY <b>(Black With Yellow Stripe)</b>
22	84-856648A2		1	HARNESS ASSEMBLY <b>(Black)</b>
23	84-854940A1		1	WIRE ASSEMBLY-Ground
24	85-823116--2		2	TUBING-Heat Shrink (1.50 Inches)
25	10-45742		2	SCREW (.190-32 x .312)
26	11-68219		2	NUT (#10-32)

AR = As Required

OPT = Optional

● = PART IS NEW AND LISTED FOR THE FIRST TIME

# DECK COMPONENTS (USA00342H899 THRU USA00928A000)

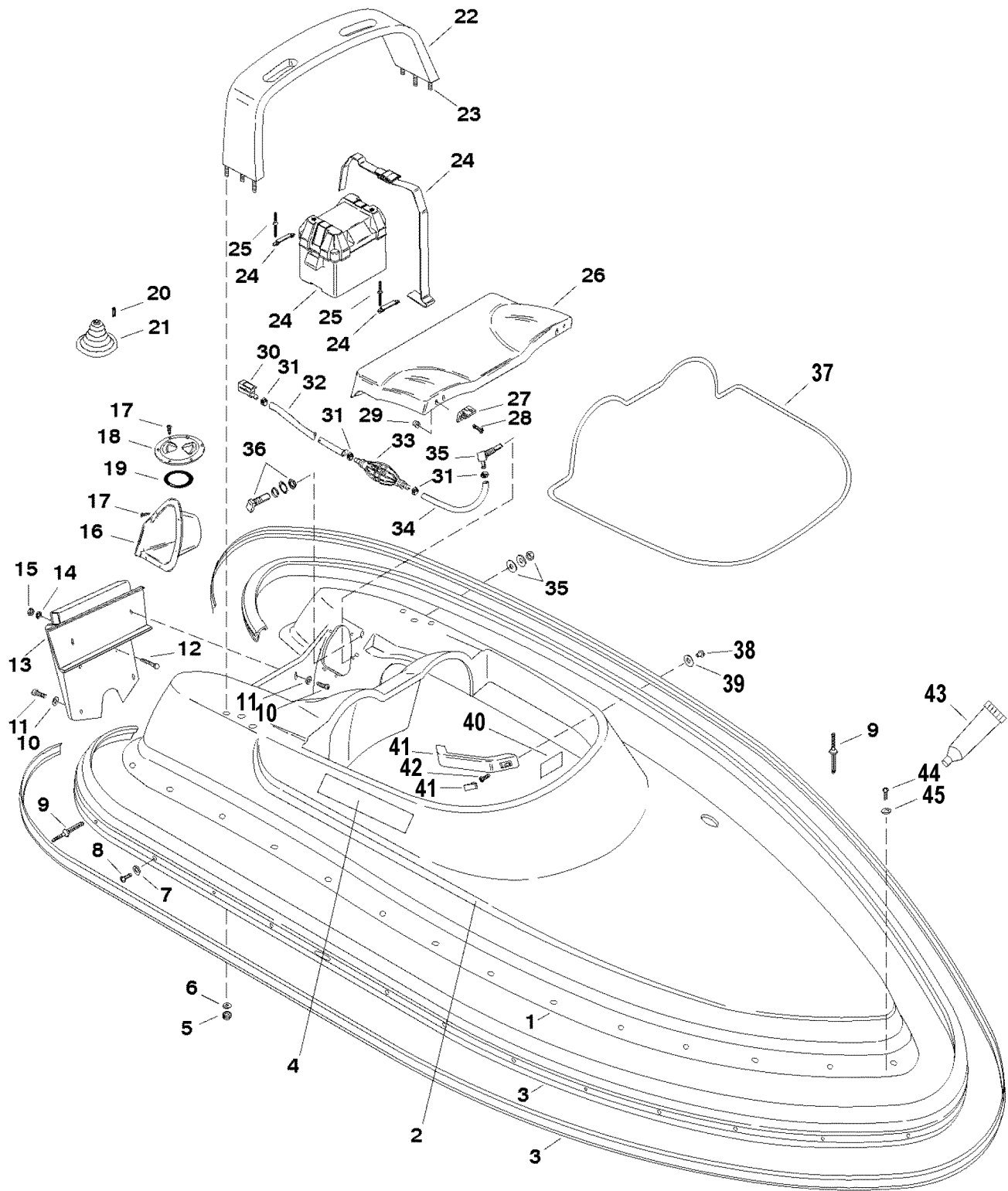


# DECK COMPONENTS (USA00342H899 THRU USA00928A000)

REF. NO.	PART NO.	SYM.	QTY.	DESCRIPTION
1	854236T		1	DECK (Model AA303MD8N)
	854236T1		1	DECK (Model AA303ME0N)
2	37-858866--6		1	PINSTRIPES (Deep Plum) (50 Feet Bulk) (Cut 17.00 Feet)
3	854898A1		1	BUMPER/INSERT KIT (White Bumper/Purple Insert) (26.00 Feet)
4	37-875301		2	DECAL-Mercury (Purple)
5	11-23161		6	NUT (.375-24)
6	12-37828		6	WASHER
7	12-69057		28	WASHER (Serial # USA00342H899 Thru USA00860F900)
8	10-822156		28	SCREW (.250-20 x .500) (Serial # USA00342H899 Thru USA00860F900)
9	17-878091		50	RIVET (Serial # USA00861H900 Thru USA00928A000)
10	12-67983		4	WASHER
11	10-28636		4	SCREW (.250-20 x .750)
12	10-859036		2	BOLT-Carriage (.312-18 x 1.750)
13	854227T1		1	SADDLE ASSEMBLY-Transom
14	12-56720		2	WASHER
15	11-67980		2	NUT (.312-18)
16	854899T		1	CUP-Motor Control Arm (Model AA303MD8N)
	854899T1		1	CUP-Motor Control Arm (Model AA303ME0N)
17	10-877558		24	SCREW (#8-18)
18	67-851666		3	PLATE ASSEMBLY-Deck
19	25-877871		3	O RING
20	10-48409		6	SCREW (#10-16 x .620)
21	67-831375		1	BOOT-Motorwell
22	854897T		1	ARCH
23	16-818138--3		6	STUD-Double Ended (.375 x 1.750)
24	62-858648		1	BOX ASSEMBLY-Battery (Model AA303ME0N)
25	17-878090		4	RIVET
26	854896T		1	COVER-Fuel Well (Model AA303MD8N)
	854896T1		1	COVER-Fuel Well (Model AA303ME0N)
27	67-830684		2	BUTT HINGE
28	10-12111		8	SCREW (.190-32 x .880)
29	11-49326		8	WELLNUT (#10-32)
30	22-13563A3		1	FITTING ASSEMBLY-Fuel Line
31	54-41582--7		4	CLAMP
32	32-858610-79		1	LINE-Fuel (9.00 Feet Bulk) (Cut 30.00 Inches)
33	13330A3		1	BULB ASSEMBLY-Fuel Primer
34	32-858610-79		1	LINE-Fuel (9.00 Feet Bulk) (Cut 30.00 Inches)
35	22-854941		1	FITTING-Fuel (90 Degree)
36	67-830647		1	VENT-Gas Tank
37	877559T1		1	TRIM-Liner/Deck (11.00 Feet)
38	11-13855		2	NUT (.250-20)
39	12-67983		2	WASHER

CONTINUED ON NEXT PAGE ➡

# DECK COMPONENTS (USA00342H899 THRU USA00928A000)



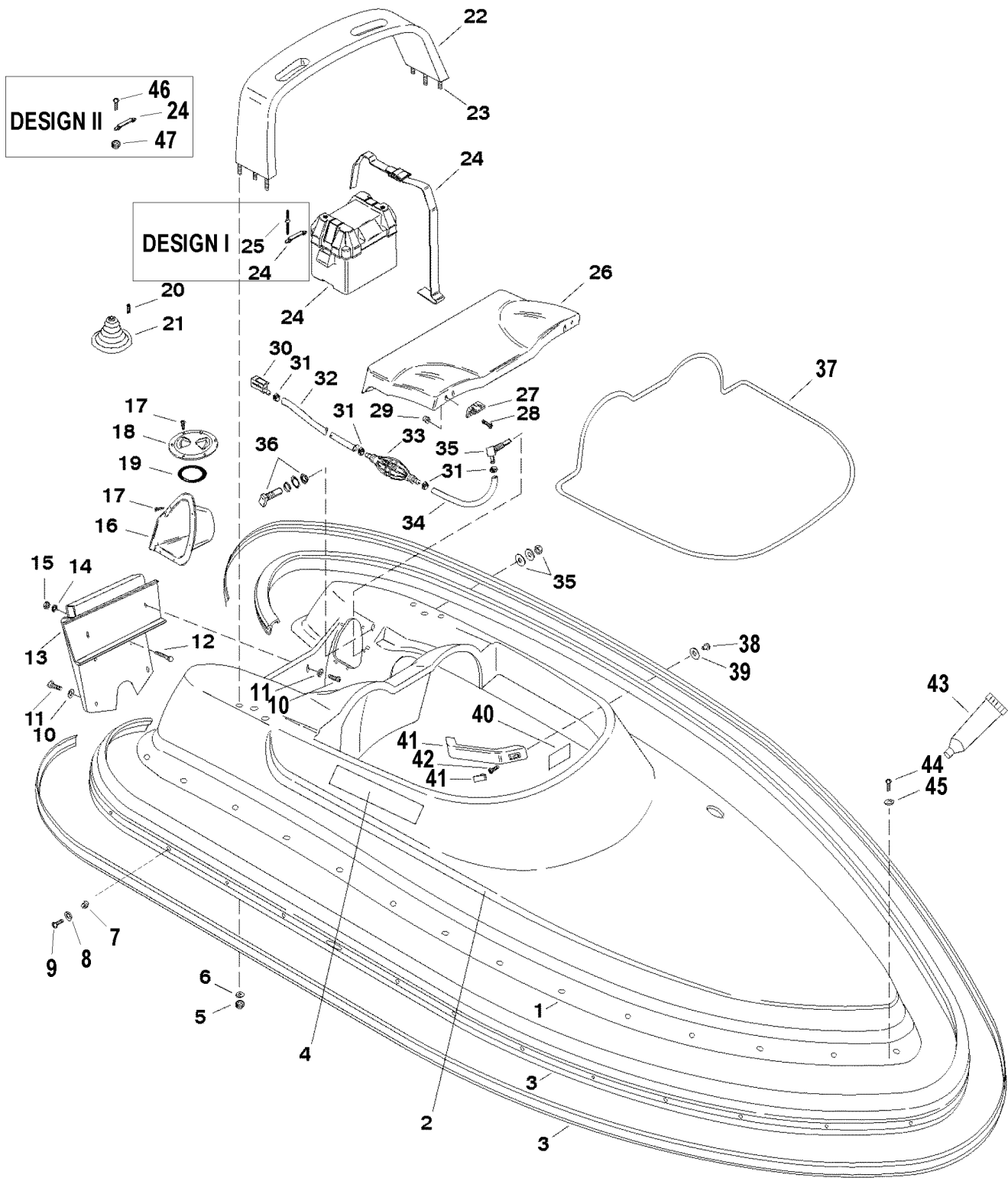


## DECK COMPONENTS (USA00342H899 THRU USA00928A000)

REF. NO.	PART NO.	SYM.	QTY.	DESCRIPTION
40	37-858867		1	DECAL-Water Mouse
41	67-829139		1	HANDLE-Grab
42	10-28638		2	SCREW (.250-20 x .750)
43	92-809626		AR	AQUA SEAL (One Ounce Tube)
44	10-28638		50	SCREW (.250-20 x .750) (Serial # USA00342H899 Thru USA00860F900)
45	12-69057		50	WASHER (Serial # USA00342H899 Thru USA00860F900)

AR = As Required

# DECK COMPONENTS (USA00929A000 AND UP)



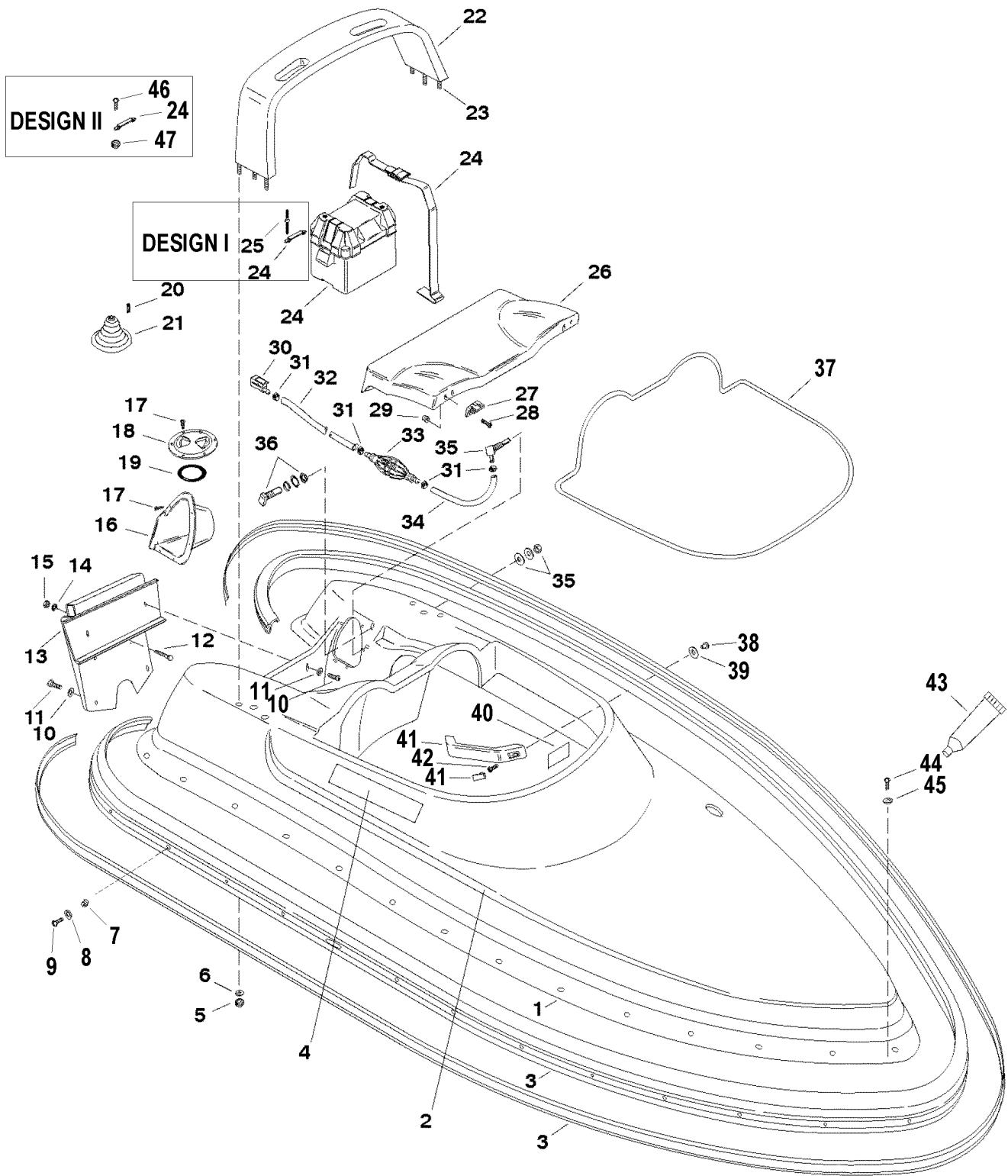
## DECK COMPONENTS (USA00929A000 AND UP)

REF. NO.	PART NO.	SYM.	QTY.	DESCRIPTION
1	854236T1		1	DECK (Models AA303ME0N And AA303ME1N)
2	37-858866--6		1	PINSTRIPES (Deep Plum) (50.00 Feet Bulk) (Cut 17.00 Feet)
3	854898A1		1	BUMPER/INSERT KIT (White Bumper/Purple Insert) (26.00 Feet)
4	37-875301		2	DECAL-Mercury (Purple) (Serial # USA00929A000 Thru USA01277G000)
	37-875301--1	●	2	DECAL-Mercury (Red) (Serial # USA01278H001 And Up)
5	11-23161		6	NUT (.375-24)
6	12-37828		6	WASHER
7	11-42290		26	WELLNUT (#10-32) (With Hull Kit 854224T)
8	12-38255--1		26	RIVET (With Hull Kit 854224T)
9	10-66687		26	SCREW (#10-32 x 1.50) (With Hull Kit 854224T)
10	12-67983		4	WASHER
11	10-28636		4	SCREW (.250-20 x .750)
12	10-859036		2	BOLT-Carraige (.312-18 x 1.750)
13	854227T1		1	SADDLE ASSEMBLY-Transom
14	12-56720		2	WASHER
15	11-67980		2	NUT (.312-18)
16	854899T1		1	CUP-Motor Control Arm (Serial # USA00929A000 Thru USA01277G000)
	854899T2	●	1	CUP-Motor Control Arm (Serial # USA01278H001 And Up)
17	10-877558		24	SCREW (#8-18)
18	67-851666		3	PLATE ASSEMBLY-Deck
19	25-877871		3	O RING
20	10-48409		6	SCREW (#10-16 x .620)
21	67-831375		1	BOOT-Motorwell
22	854897T		1	ARCH (Serial # USA00929A000 Thru USA01277G000)
	854897T1	●	1	ARCH (Serial # USA01278H001 And Up)
23	16-818138--3		6	STUD-Double Ended (.375-24 x 1.750)
24	62-858648		1	BOX ASSEMBLY-Battery
25	17-878090		4	RIVET (Design I)
26	854896T1		1	COVER-Fuel Well
27	67-830684		2	BUTT HINGE
28	10-12111		8	SCREW (.190-32 x .880)
29	11-49326		8	WELLNUT (#10-32)
30	22-13563A3		1	FITTING ASSEMBLY-Fuel Line
31	54-41582--7		4	CLAMP
32	32-858610-79		1	LINE-Fuel (9.00 Feet Bulk) (Cut 30.00 Inches)
33	13330A3		1	BULB ASSEMBLY-Fuel Primer
34	32-858610-79		1	LINE-Fuel (9.00 Feet Bulk) (Cut 30.00 Inches)
35	22-854941		1	FITTING-Fuel (90 Degree)
36	67-830647		1	VENT-Gas Tank
37	877559T1		1	TRIM-Liner/Deck (11.00 Feet)

● = PART IS NEW AND LISTED FOR THE FIRST TIME

CONTINUED ON NEXT PAGE ➡

# DECK COMPONENTS (USA00929A000 AND UP)



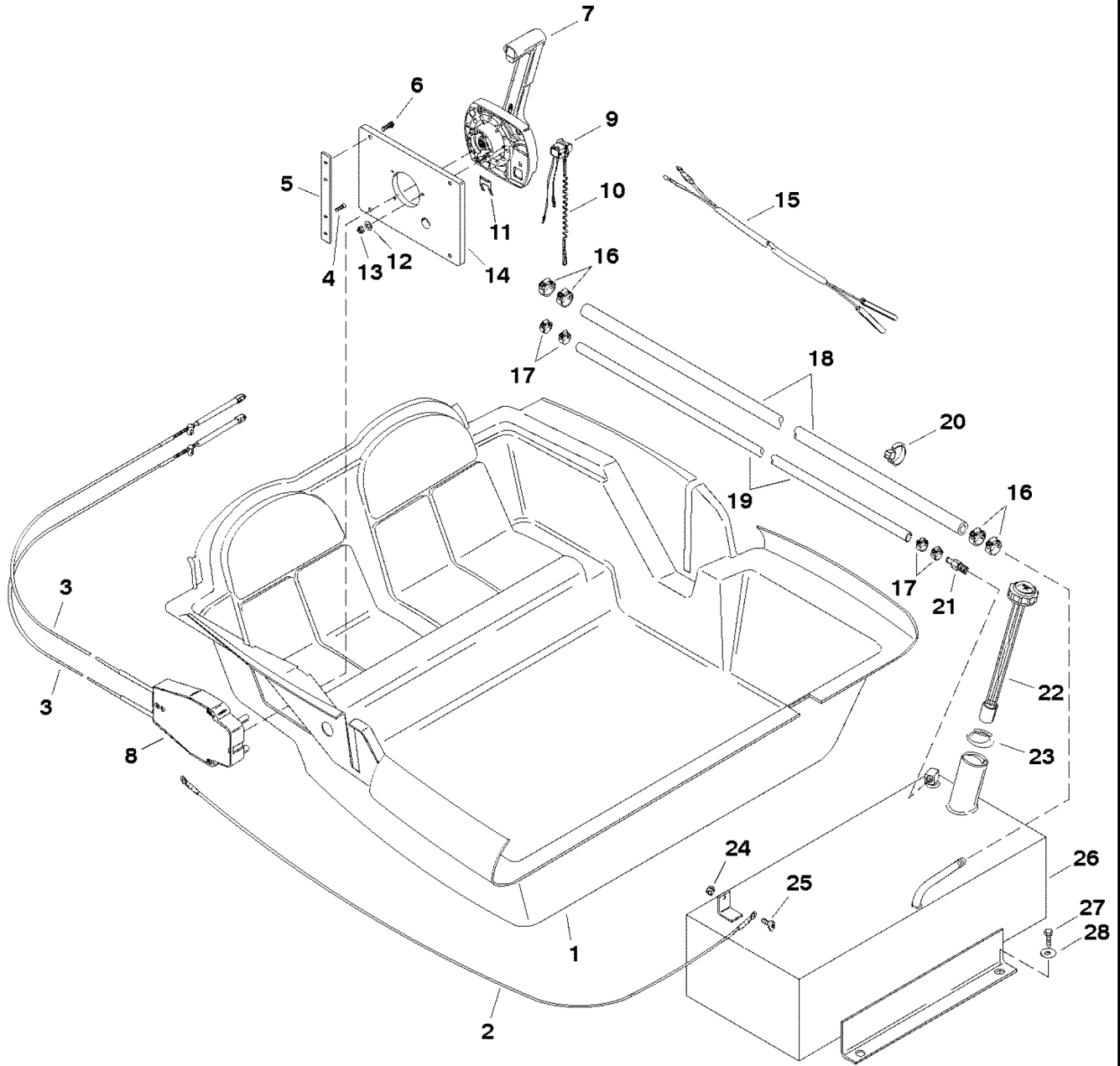
## DECK COMPONENTS (USA00929A000 AND UP)

REF. NO.	PART NO.	SYM.	QTY.	DESCRIPTION
38	11-13855		2	NUT (.250-20)
39	12-67983		2	WASHER
40	37-858867		1	DECAL-Water Mouse (Serial # USA00929A000 Thru USA01277G000)
	37-858867--1	●	1	DECAL-Water Mouse (Serial # USA01278H001 And Up)
41	67-829139		1	HANDLE/INSERT-Grab
42	10-28638		2	SCREW (.250-20 x .750)
43	92-809626		AR	AQUA SEAL (One Ounce Tube)
44	10-66687	●	50	SCREW (.250-20 x .750)
45	12-89302--1	●	50	WASHER
46	10-15124	●	4	SCREW (#10-32 x .750) (Design II)
47	11-826709--6	●	4	NUT (#10-32) (Design II)

AR = As Required

● = PART IS NEW AND LISTED FOR THE FIRST TIME

# LINER COMPONENTS

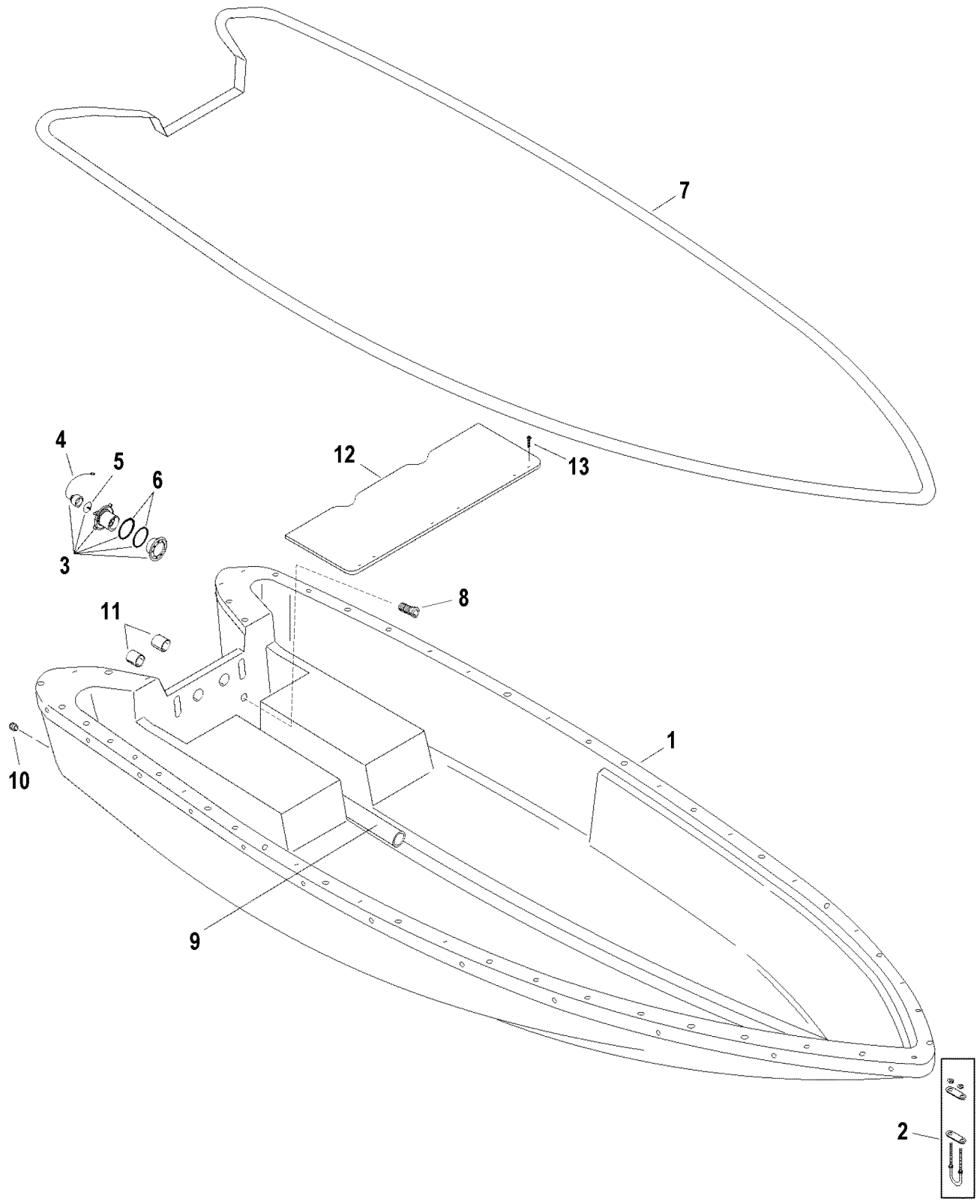


# LINER COMPONENTS

REF. NO.	PART NO.	SYM.	QTY.	DESCRIPTION
1	854900T3		1	LINER (Purple)
2	84-854940		1	CABLE ASSEMBLY-Ground ( <b>Model AA303MD8N</b> )
3	850716A7		2	CABLE ASSEMBLY-Throttle/Shift (7.00 Feet)
4	10-12111		4	SCREW (.190-32 x .880)
5	877560T		2	PLATE-Remote Control Backer
6	10-859286		4	SCREW (.250-20 x 1.00)
7	827270A1		1	REMOTE CONTROL ASSEMBLY ( <b>Quicksilver 3000 Classic - Panel Mount - Non Trim</b> ) ( <b>See Remote Control Section For Parts Breakdown</b> )
	827270A21		1	REMOTE CONTROL ASSEMBLY ( <b>Mercury 3000 Classic - Panel Mount - Non Trim</b> ) ( <b>See Remote Control Section For Parts Breakdown</b> )
	827270A41	●	1	REMOTE CONTROL ASSEMBLY ( <b>Mercury Classic</b> ) ( <b>Panel Mount</b> ) ( <b>Non Trim</b> ) ( <b>See Remote Control Section For Parts Breakdown</b> )
	858690A1	●	1	REMOTE CONTROL ASSEMBLY ( <b>Mercury 4000</b> ) ( <b>Panel Mount</b> ) ( <b>Non Trim</b> ) ( <b>See Remote Section For Parts Breakdown</b> )
8	822195A1		1	HOUSING ASSEMBLY ( <b>See Modular Components (Design II) Section For Parts Breakdown</b> )
	856630A4		1	HOUSING ASSEMBLY ( <b>See Modular Components (Design III) Section For Parts Breakdown</b> )
	856630A14	●	1	HOUSING ASSEMBLY ( <b>See Modular Components (Design IV) Section For Parts Breakdown</b> )
	858637T1	●	1	HOUSING ASSEMBLY ( <b>See Modular Components (4000 Models) Section For Parts Breakdown</b> )
9	87-13398--2		1	SWITCH ASSEMBLY-Stop
10	15920A54		1	LANYARD ASSEMBLY-Stop Switch
11	12044--1		1	RETAINER-Switch
12	12-69057		3	WASHER
13	11-814101		3	NUT (.250-20)
14	854886T		1	PLATE-Remote Control Mounting
15	84-858883		1	HARNESS ASSEMBLY-Stop Switch ( <b>Model AA303MD8N</b> )
16	54-815504412		4	CLAMP
17	54-815504406		4	CLAMP
18	67-803813		1	HOSE-Vent (.375 x 50.00 Feet Bulk) (Cut 8.00 Feet)
19	67-803814		1	HOSE-Vent (.625 x 50.00 Feet Bulk) (Cut 8.00 Feet)
20	54-816311T		8	CABLE TIE (8.00 Inch)
21	21-859634		1	VALVE-Anti Siphon
22	859643		1	GAUGE-Fuel Tank
23	27-858844		1	GASKET-Fuel Fill Neck
24	11-68219		1	NUT (#10-32)
25	10-846500-50	●	1	SCREW (#10-32 x .500)
26	1260-854936T		1	TANK ASSEMBLY-Fuel (8 Gallon)
27	10-28667		4	SCREW (.250-20 x 1.00)
28	12-69057		4	WASHER

● = PART IS NEW AND LISTED FOR THE FIRST TIME

# HULL COMPONENTS (USA00342H899 THRU USA00928A000)



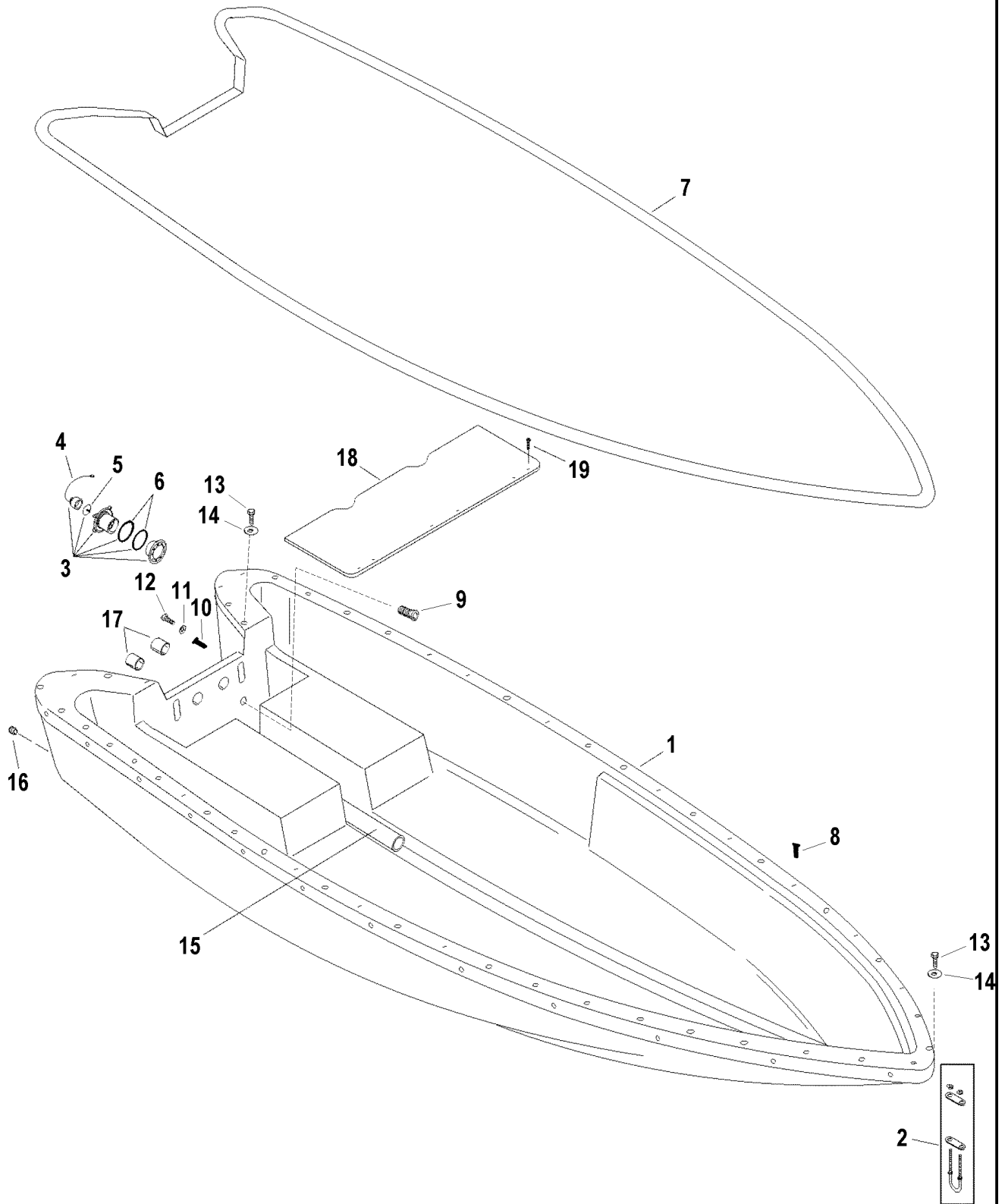


# HULL COMPONENTS (USA00342H899 THRU USA00928A000)

REF. NO.	PART NO.	SYM.	QTY.	DESCRIPTION
1	854224T		1	HULL KIT (See NOTE # 1)
2	67-830662		1	BOW EYE
3	62-830222A1		1	PLUG ASSEMBLY-Drain
4	62-809780--1		1	CAP/STRING AND CLIP
5	62-824409		1	VALVE-Drain Plug
6	27-830221		2	GASKET
7	27-854895T1		1	GASKET (Hull To Deck) (100 Feet Bulk - .125 Thick) (Use 27.00 Feet)
8	67-831471		1	TUBE-Drain
9	854942--1		1	TUBE-Drain (PVC - 1.500 Diamemter x 40.00 Inches)
10	22-F722109-1		3	PLUG (.125-27 Nylon)
11	62-850094		2	SLEEVE-Transom
12	854229T		1	SOLE PLATE (3.00 Feet x 13.00 Inches x .500 Inch Thick)
13	10-859433		6	SCREW (.250-20 x 1.00)

NOTE # 1: Serial Number Required When Placing Order.

# HULL COMPONENTS (USA00929A000 AND UP)



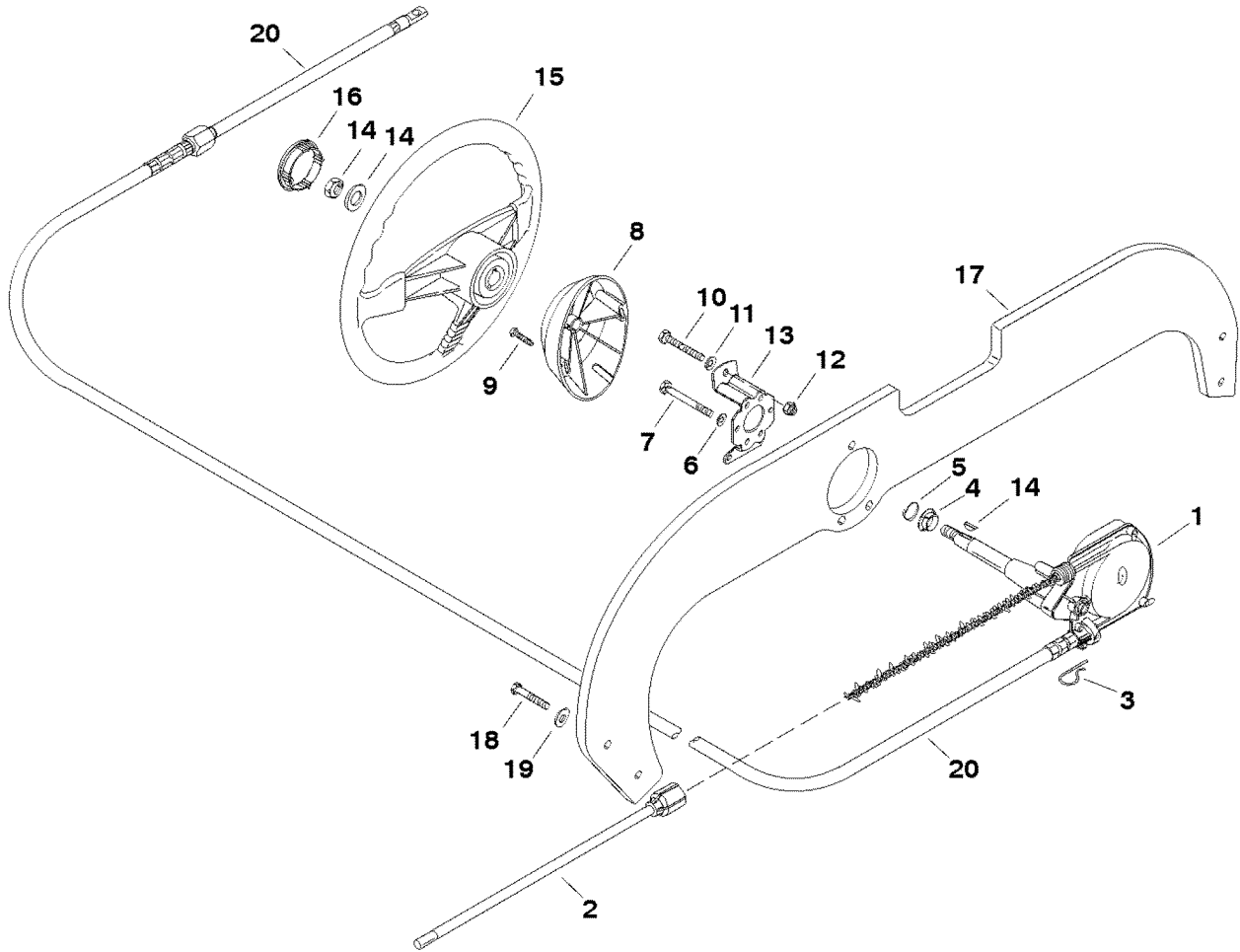
## HULL COMPONENTS (USA00929A000 AND UP)

REF. NO.	PART NO.	SYM.	QTY.	DESCRIPTION
1	854224T	●	1	HULL KIT (See NOTE # 1)
2	67-830662		1	BOW EYE
3	62-830222A1		1	PLUG ASSEMBLY-Drain
4	62-809780--1		1	CAP/STRING AND CLIP
5	62-824409		1	VALVE-Drain Plug
6	27-830221		2	GASKET
7	27-854895T2	●	1	GASKET (Hull To Deck) (25 Feet - .375 Thick)
8	11-42290	●	50	WELLNUT (#10-32) (77 Pcs Included With Hull Kit)
9	67-831471		1	TUBE-Drain
10	11-42290	●	1	WELLNUT (#10-32)
11	12-89302--1	●	1	WASHER (50 Pcs Included With Hull Kit)
12	10-66687	●	1	SCREW (#10-32 x 1.50) (76 Pcs Included With Hull Kit)
13	10-28638		4	SCREW (.250-20 x .750)
14	12-69057		4	WASHER
15	854942--1		1	TUBE-Drain (PVC - 1.500 Diameter x 40.00 Inches)
16	22-F722109-1		3	PLUG (.125-27 Nylon)
17	62-850094		2	SLEEVE-Transom
18	854229T		1	SOLE PLATE (3.00 Feet x 13 Inches x .500 Inch Thick)
19	10-859433		6	SCREW (.250-20 x 1.00)

NOTE # 1:Serial Number Required When Placing Order.

● = PART IS NEW AND LISTED FOR THE FIRST TIME

# HELM ASSEMBLY

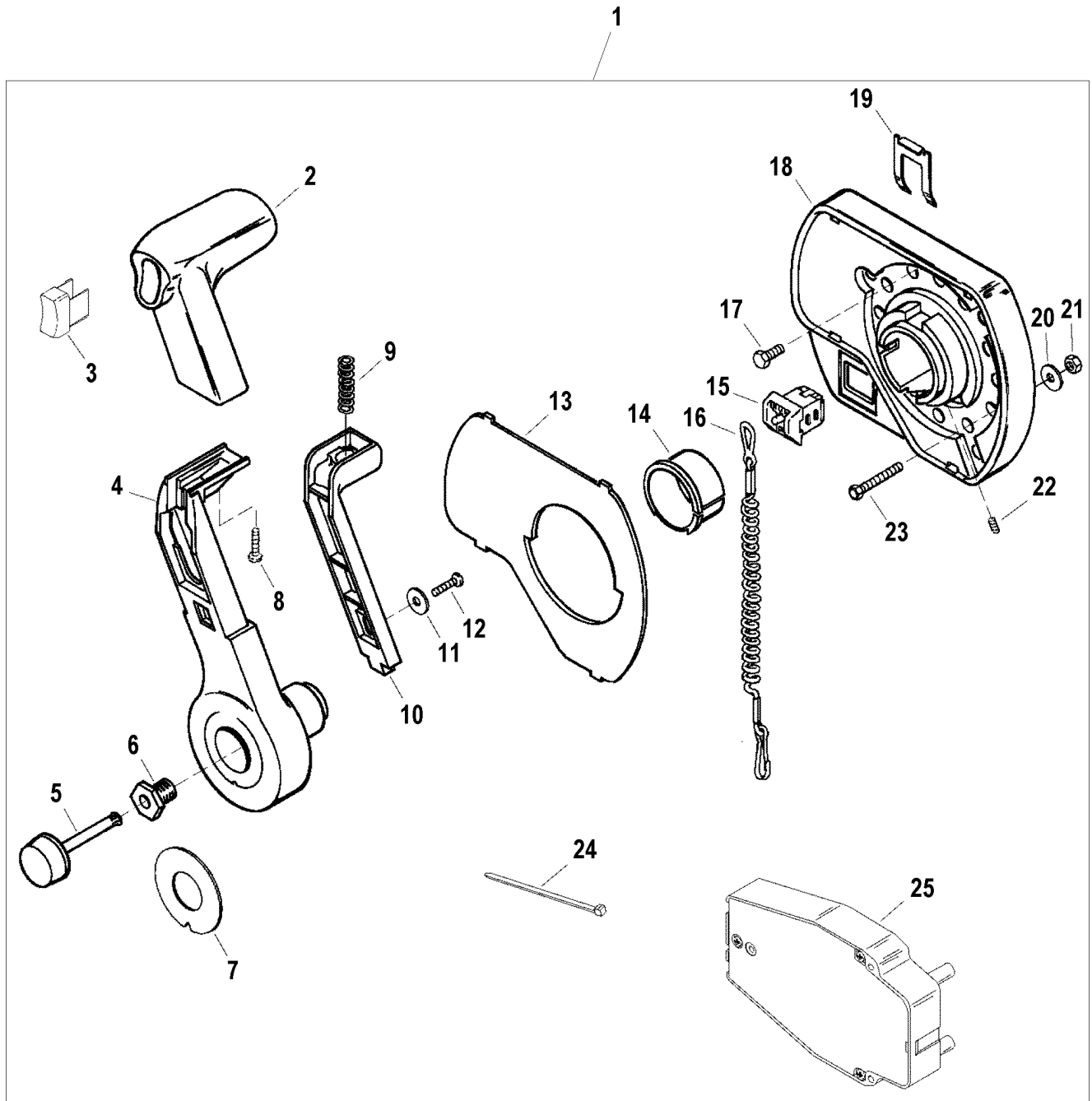


# HELM ASSEMBLY

REF. NO.	PART NO.	SYM.	QTY.	DESCRIPTION
1	64-826472A1		1	HELM ASSEMBLY
2	64-826459		1	SPENT TRAVEL TUBE
3	NSS		1	PIN
4	NSS		1	BUSHING
5	NSS		1	O RING
6	NSS		3	WASHER
7	NSS		3	SCREW
8	64-826464		1	BEZEL KIT-Steering (20 Degree)
9	NSS		2	SCREW
10	NSS		3	SCREW
11	NSS		3	WASHER
12	NSS		3	NUT
13	NSS		1	BRACKET-Bezel Mount
14	64-826458A1		1	HAREWARE KIT (Nut-Washer-Key)
15	62-858632--1		1	WHEEL ASSEMBLY-Steering
16	NSS		1	COVER-Steering Wheel
17	854883T		1	BULKHEAD-Helm Support/Backer
18	10-28636		4	SCREW (.250-20 x .750)
19	12-69057		4	WASHER
20	64-851621A9		1	CABLE ASSEMBLY-Steering (9.00 Feet)

NSS = Not Sold Seperate

# REMOTE CONTROL ASSEMBLY (3000 CLASSIC)

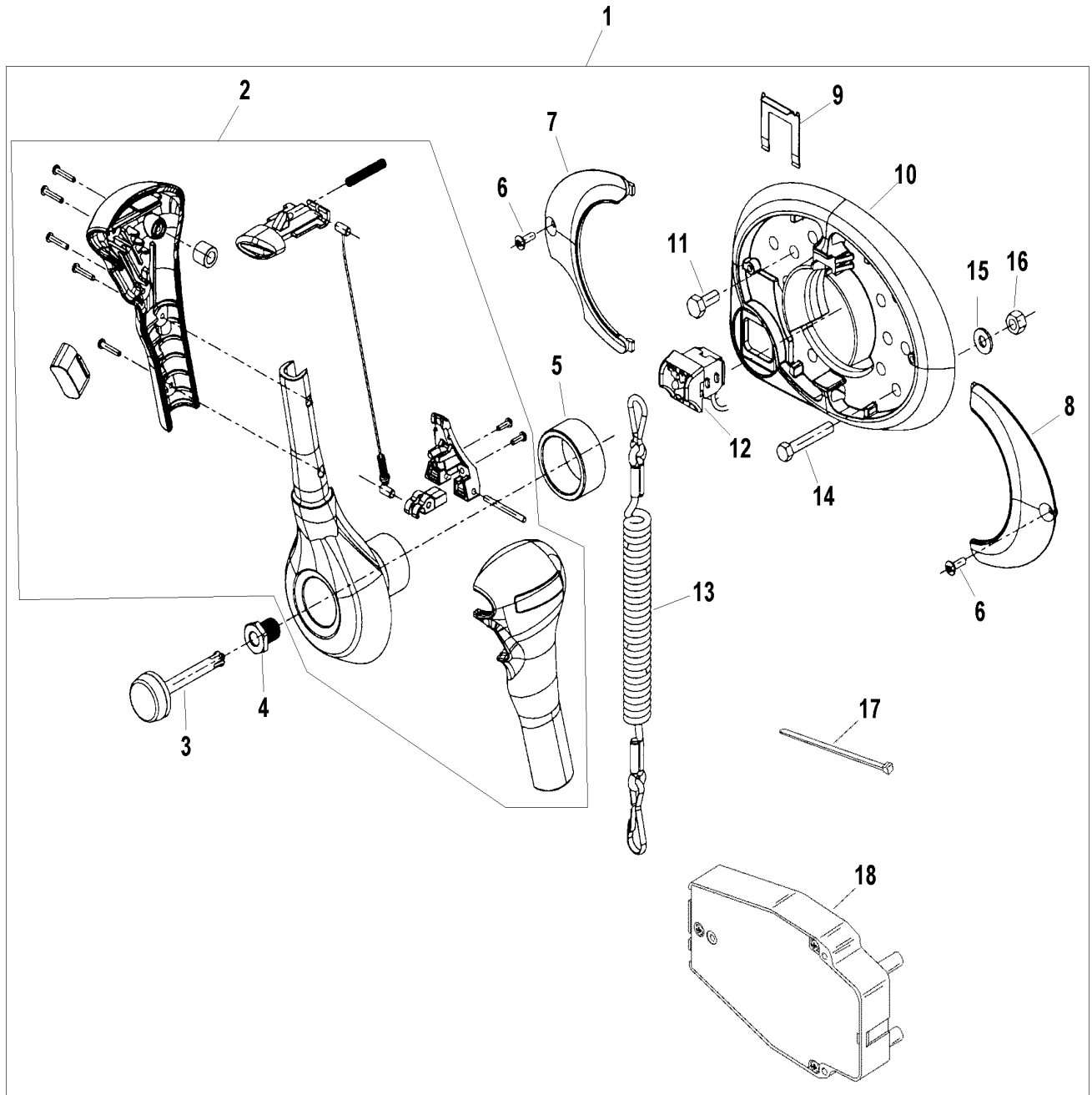


## REMOTE CONTROL ASSEMBLY (3000 CLASSIC)

REF. NO.	PART NO.	SYM.	QTY.	DESCRIPTION
1	827270A1		1	REMOTE CONTROL ASSEMBLY ( <b>Quicksilver 3000 Classic</b> )
	827270A21		1	REMOTE CONTROL ASSEMBLY ( <b>Mercury 3000 Classic</b> )
	827270A41	●	1	REMOTE CONTROL ASSEMBLY ( <b>Mercury Classic</b> )
2	817257		1	GRIP
3	817697		1	PLUG-Grip-Stop Switch Hole
4	822211T1		1	HANDLE-Control (Black)
5	822212		1	BUTTON-Throttle Only
6	10-822213--1		1	BOLT-Locking (Special)
7	37-827288		1	DECAL-Hub ( <b>Throttle Only</b> ) ( <b>827270A1</b> )
	37-827288--1		1	DECAL-Hub ( <b>Advanced Throttle Only</b> ) ( <b>827270A21 And A41</b> )
8	10-58376		1	SCREW (.164-18 x .375)
9	24-16924		1	SPRING
10	817259		1	RELEASE-Shift
11	12-28001		1	WASHER
12	10-40056-85		1	SCREW (M4 x 10)
13	37-827289--2		1	DECAL-Bezel ( <b>Quicksilver 3000 Classic</b> ) ( <b>827270A1</b> )
	37-827289--4		1	DECAL-Bezel ( <b>Mercury 3000 Classic</b> ) ( <b>827270A21</b> )
	37-827289-14	●	1	DECAL-Bezel ( <b>Mercury Classic</b> ) ( <b>827270A41</b> )
14	23-822980		1	BUSHING-Firm
15	87-13398--2		1	SWITCH-Stop
16	15920A54		1	LANYARD ASSEMBLY-Stop Switch
17	10-19923088		3	SCREW (.250-20 x .875)
18	822216T1		1	BEZEL (Black)
19	12044--1		1	RETAINER-Switch
20	12-69057		3	WASHER
21	11-814101		3	NUT (.250-20)
22	10-822981--1		1	SCREW-Friction
23	10-822214		3	SCREW (.250-20 x 1.750)
24	54-816311T		1	CABLE TIE (8.00 Inch)
25	822195A1		1	HOUSING ASSEMBLY ( <b>See Modular Components (Design II) Section For Parts Breakdown</b> ) ( <b>827270A1</b> )
	856630A4		1	HOUSING ASSEMBLY ( <b>See Modular Components (Design III) Section For Parts Breakdown</b> ) ( <b>827270A21</b> )
	856630A14	●	1	HOUSING ASSEMBLY ( <b>See Modular Components (Design IV) Section For Parts Breakdown</b> ) ( <b>827270A41</b> )

● = PART IS NEW AND LISTED FOR THE FIRST TIME

# REMOTE CONTROL ASSEMBLY (4000)



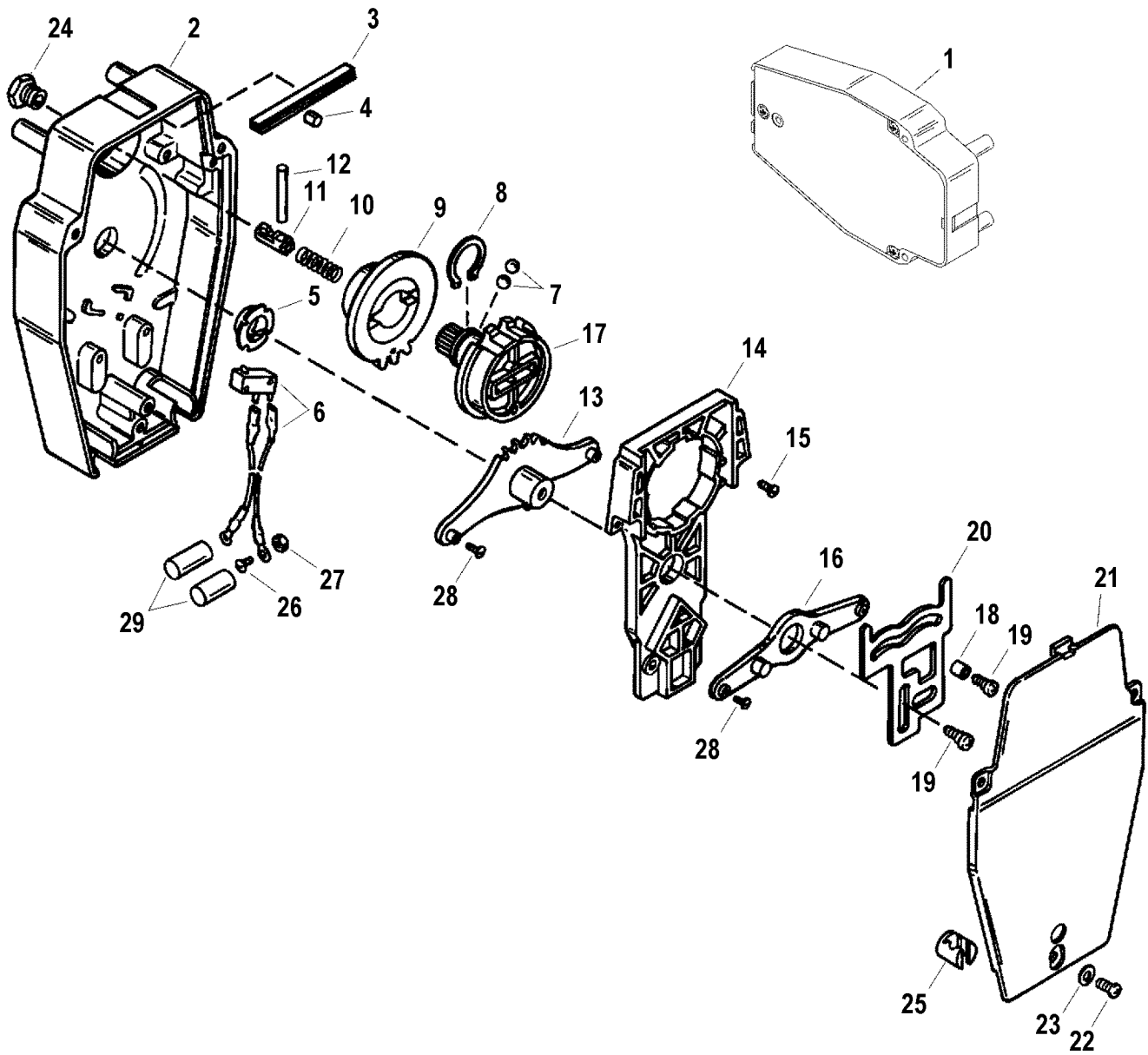


## REMOTE CONTROL ASSEMBLY (4000)

REF. NO.	PART NO.	SYM.	QTY.	DESCRIPTION
1	858690A1	●	1	REMOTE CONTROL ASSEMBLY
2	858666T4	●	1	HANDLE ASSEMBLY
3	822212		1	BUTTON-Throttle Only
4	10-822213--1		1	BOLT-Locking (Special)
5	23-859016	●	1	BUSHING-Handle
6	10-858660	●	2	SCREW-Bezel
7	858681	●	1	COVER-Front (Black)
8	858682	●	1	COVER-Front (Black)
9	12044--1		1	RETAINER-Switch
10	858680T	●	1	BEZEL
11	10-19923062		3	SCREW (.250-20 x .625)
12	87-13398--2		1	SWITCH-Stop
13	15920Q54	●	1	LANYARD ASSEMBLY-Stop Switch
14	10-859031	●	3	SCREW (.250-20 x 1.50)
15	12-69057		3	WASHER
16	11-814101		3	NUT (.250-20)
17	54-816311T		1	CABLE TIE (8.00 Inch)
18	858637T1	●	1	HOUSING ASSEMBLY (See Modular Components (4000 Models) Section For Parts Breakdown)

● = PART IS NEW AND LISTED FOR THE FIRST TIME

# MODULAR COMPONENTS-REMOTE CONTROL (DESIGN II)

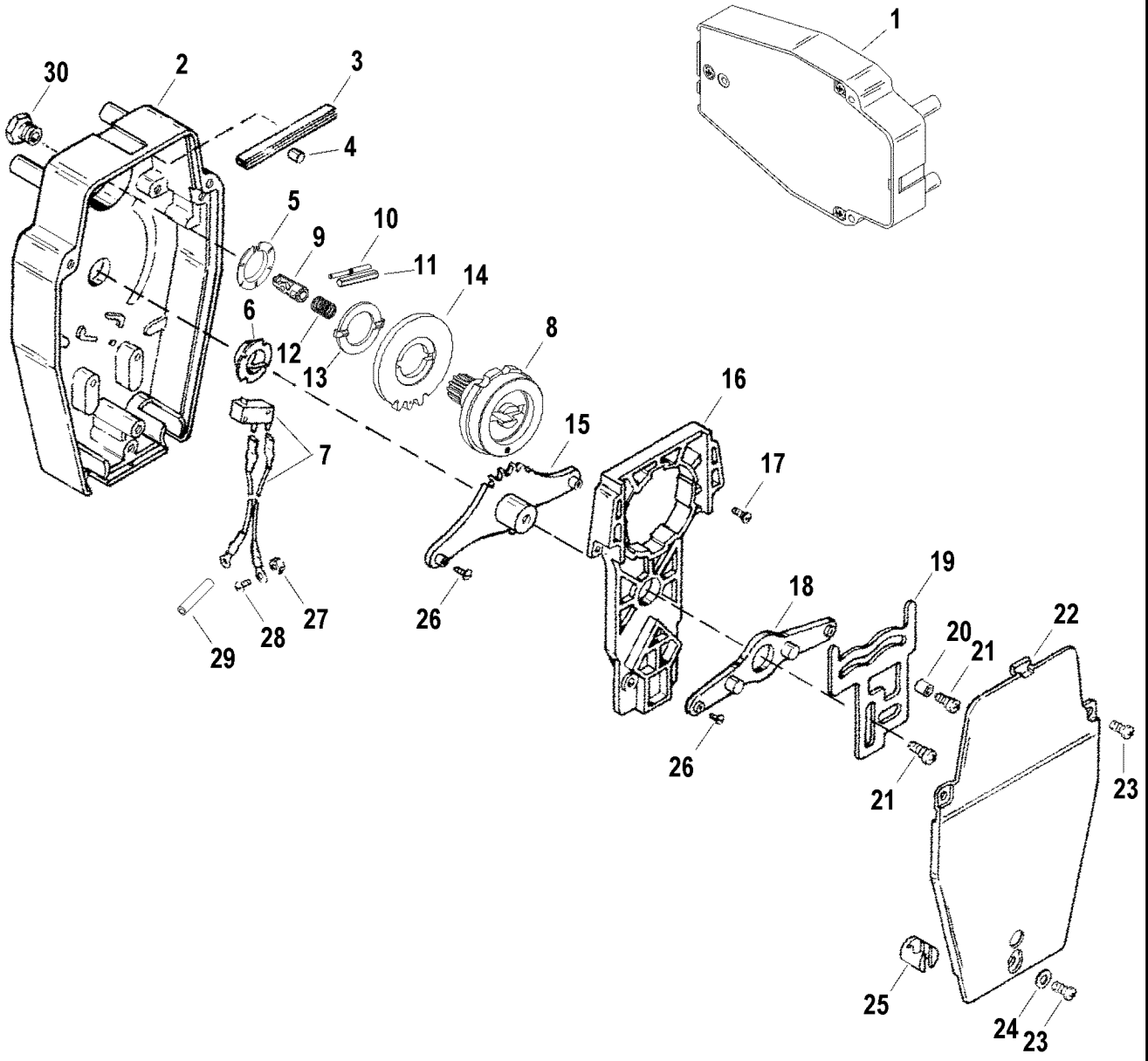


## MODULAR COMPONENTS-REMOTE CONTROL (DESIGN II)

REF. NO.	PART NO.	SYM.	QTY.	DESCRIPTION
1	822195A1		1	HOUSING ASSEMBLY
2	822195T		1	HOUSING-Control
3	24-16882		6	SPRING
4	822977		1	ROLLER
5	23-74647		1	BUSHING
6	87-822198A1		1	SWITCH ASSEMBLY-Neutral Start
7	30-38785		2	BALL-Steel
8	53-822976		1	RING-Retaining
9	43-822200--1		1	GEAR-Shift
10	24-822203		1	SPRING
11	822204		1	SHAFT-Throttle Only
12	17-822205		1	PIN-Shift Gear
13	822196A1		1	ARM ASSEMBLY-Shift
14	822978A1		1	SUPPORT ASSEMBLY-Shaft
15	10-824831		4	SCREW (#10-32 x .625)
16	822206A2		1	ARM ASSEMBLY-Throttle
17	822202A2		1	SHAFT KIT-Handle
18	NSS		1	ROLLER-Throttle Plate
19	NSS		2	BOLT-Shoulder (Special)
20	NSS		1	PLATE
21	NSS		1	BACK PLATE
22	10-824831		3	SCREW (#10-32 x .625)
23	12-24676		1	WASHER
24	10-822213--1		1	BOLT-Locking (Special)
25	25-85879		2	GROMMET
26	10-24231		2	SCREW (#10-32 x .250)
27	11-27164		2	NUT (#10-32)
28	10-822215		2	SCREW (#8-32 x .375)
29	85-62359--4		2	INSULATOR (2.00 Inches)

NSS = Not Sold Separate

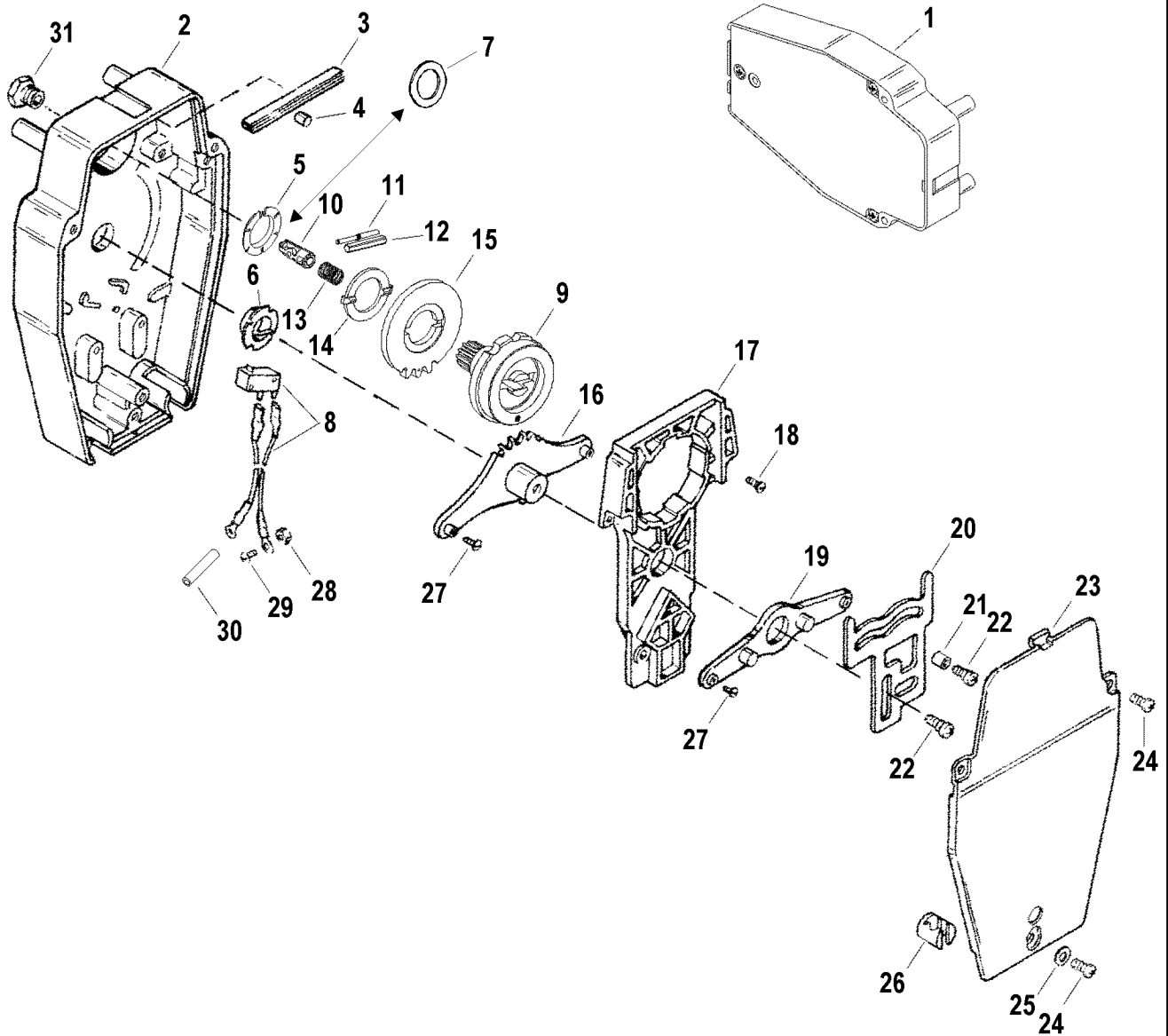
# MODULAR COMPONENTS-REMOTE CONTROL (DESIGN III)



# MODULAR COMPONENTS-REMOTE CONTROL (DESIGN III)

REF. NO.	PART NO.	SYM.	QTY.	DESCRIPTION
1	856630A4		1	HOUSING ASSEMBLY
2	856630T1		1	HOUSING-Control
3	24-16882		6	SPRING
4	822977--1		1	ROLLER
5	23-856638		1	BUSHING
6	23-74647		1	BUSHING
7	87-822198A1		1	SWITCH ASSEMBLY-Neutral Start
8	856632A2		1	SHAFT ASSEMBLY-Handle
9	856636		1	SHAFT-Throttle Only
10	17-856634		1	PIN-Lock (Round)
11	17-856635		1	PIN-Drive (Square)
12	24-822203		1	SPRING
13	856637		1	LOCK-Throttle Only
14	43-856633		1	GEAR-Shift
15	822196T1		1	ARM ASSEMBLY-Shift
16	822978A2		1	SUPPORT ASSEMBLY-Shaft
17	10-824831		4	SCREW (#10-32 x .625)
18	822206A3		1	ARM ASSEMBLY-Throttle
19	822207--3		1	PLATE-Throttle
20	822979--3		1	ROLLER-Throttle Plate
21	10-822209--2		2	BOLT-Shoulder (Special)
22	822210--1		1	BACK PLATE
23	10-824831		3	SCREW (#10-32 x .625)
24	12-24676		1	WASHER
25	25-85879		2	GROMMET
26	10-822215--1		2	SCREW (#8-32 x .375)
27	11-27164		2	NUT (#10-32)
28	10-24231		2	SCREW (#10-32 x .250)
29	85-62359--4		2	INSULATOR (2.00 Inches)
30	10-822213--1		1	BOLT-Locking (Special)

# MODULAR COMPONENTS-REMOTE CONTROL (DESIGN IV)

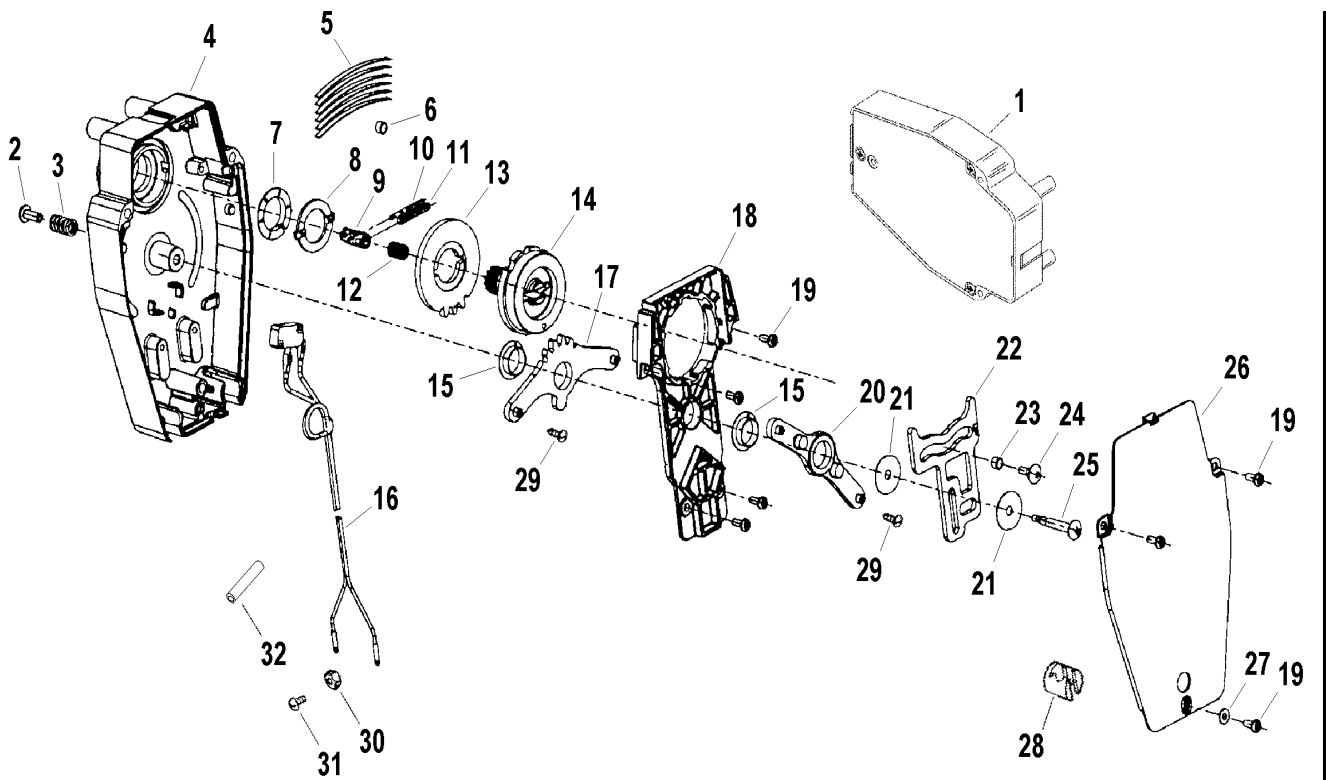


# MODULAR COMPONENTS-REMOTE CONTROL (DESIGN IV)

REF. NO.	PART NO.	SYM.	QTY.	DESCRIPTION
1	856630A14	●	1	HOUSING ASSEMBLY
2	856630T1		1	HOUSING-Control
3	24-16882		6	SPRING
4	822977--1		1	ROLLER
5	23-856638		1	BUSHING
6	23-74647		1	BUSHING
7	12-859724	●	1	WASHER
8	87-822198A1		1	SWITCH ASSEMBLY-Neutral Start
9	856632A12	●	1	SHAFT ASSEMBLY-Handle
10	856636--1	●	1	SHAFT-Throttle Only
11	17-856634--1	●	1	PIN-Lock (Round)
12	17-856635--1	●	1	PIN-Drive (Square)
13	24-822203		1	SPRING
14	856637--1	●	1	LOCK-Throttle Only
15	43-856633--1	●	1	GEAR-Shift
16	822196T1		1	ARM ASSEMBLY-Shift
17	822978A2		1	SUPPORT ASSEMBLY-Shaft
18	10-824831		4	SCREW (#10-32 x .625)
19	822206A3		1	ARM ASSEMBLY-Throttle
20	822207--3		1	PLATE-Throttle
21	822979--3		1	ROLLER-Throttle Plate
22	10-822209--2		2	BOLT-Shoulder (Special)
23	822210--1		1	BACK PLATE
24	10-824831		3	SCREW (#10-32 x .625)
25	12-24676		1	WASHER
26	25-85879		2	GROMMET
27	10-822215--1		2	SCREW (#8-32 x .375)
28	11-27164		2	NUT (#10-32)
29	10-24231		2	SCREW (#10-32 x .250)
30	85-62359--4		2	INSULATOR (2.00 Inches)
31	10-822213--1		1	BOLT-Locking (Special)

● = PART IS NEW AND LISTED FOR THE FIRST TIME

# MODULAR COMPONENTS-REMOTE CONTROL (4000 MODELS)





# MODULAR COMPONENTS-REMOTE CONTROL (4000 MODELS)

REF. NO.	PART NO.	SYM.	QTY.	DESCRIPTION
1	858637T1	●	1	HOUSING ASSEMBLY
2	NSS		1	NUT (Special)
3	NSS		1	SPRING-Throttle Friction
4	NSS		1	HOUSING-Control
5	NSS		6	SPRING-Detent
6	NSS		1	ROLLER-Detent
7	NSS		1	BUSHING
8	NSS		1	LOCK-Throttle Only
9	NSS		1	SHAFT-Throttle Only
10	NSS		1	PIN-Lock (Round)
11	NSS		1	PIN-Drive (Square)
12	NSS		1	SPRING
13	NSS		1	GEAR-Shift
14	NSS		1	SHAFT-Handle
15	NSS		2	BUSHING
16	87-822198A1		1	SWITCH ASSEMBLY-Neutral Start
17	NSS		1	ARM ASSEMBLY-Shift
18	NSS		1	SUPPORT ASSEMBLY-Shaft
19	NSS		7	SCREW
20	NSS		1	ARM ASSEMBLY-Throttle
21	NSS		2	WASHER (Plastic)
22	NSS		1	PLATE-Throttle
23	NSS		1	ROLLER-Throttle Plate
24	NSS		1	BOLT-Shoulder (Special)
25	NSS		1	BOLT-Shoulder (Special)
26	NSS		1	BACK PLATE
27	NSS		1	WASHER
28	25-85879		2	GROMMET
29	10-822215--1		2	SCREW (#8-32 x .375)
30	11-27164		2	NUT (#10-32)
31	10-24231		2	SCREW (#10-32 x .250)
32	85-62359--4		2	INSULATOR (2.00 Inches)

NSS = Not Sold Separate

● = PART IS NEW AND LISTED FOR THE FIRST TIME

# ACCESSORIES

REF. NO.	PART NO.	SYM.	QTY.	DESCRIPTION
NS	62-881767	●	1	COVER-Boat (Gray)

NS = Not Shown

● = PART IS NEW AND LISTED FOR THE FIRST TIME

# LITERATURE

REF. NO.	PART NO.	SYM.	QTY.	DESCRIPTION
NS	90-804995--1	●	1	CATALOG-Parts (Printed Paper) (Also See Micro Fiche Card A11 Quicksilver Accessories)
	90-854890		1	MANUAL-Owners (Printed Paper)

NS = Not Shown

# PARTS INDEX

Part Number	Description	Pg.	Ref. No.	Part Number	Description	Pg.	Ref. No.
12044--1	RETAINER-Switch	13	11	854224T	HULL KIT	15	1
12044--1	RETAINER-Switch	21	19	854224T	HULL KIT	17	1
12044--1	RETAINER-Switch	23	9	854227T1	SADDLE ASSEMBLY- Transom	5	13
13330A3	BULB ASSEMBLY-Fuel Primer	5	33	854227T1	SADDLE ASSEMBLY- Transom	9	13
13330A3	BULB ASSEMBLY-Fuel Primer	9	33	854229T	SOLE PLATE	15	12
15097	SHEET (Neoprene)	3	5	854229T	SOLE PLATE	17	18
15920A54	LANYARD ASSEMBLY-Stop Switch	13	10	854236T	DECK	5	1
15920A54	LANYARD ASSEMBLY-Stop Switch	21	16	854236T1	DECK	5	1
15920Q54	LANYARD ASSEMBLY-Stop Switch	23	13	854236T1	DECK	9	1
56762	CABLE TIE (4.00 Inch)	3	18	854883T	BULKHEAD-Helm Support/Backer	19	17
76424	BRACKET-Switch Mount	3	12	854886T	PLATE-Remote Control Mounting	13	14
816479A3	PLATE KIT-Switch Mount	3	9	854896T	COVER-Fuel Well	5	26
816492A1	ALARM ASSEMBLY	3	19	854896T1	COVER-Fuel Well	5	26
817257	GRIP	21	2	854896T1	COVER-Fuel Well	9	26
817259	RELEASE-Shift	21	10	854897T	ARCH	5	22
817697	PLUG-Grip-Stop Switch Hole	21	3	854897T	ARCH	9	22
822195A1	HOUSING ASSEMBLY	13	8	854897T1	ARCH	9	22
822195A1	HOUSING ASSEMBLY	21	25	854898A1	BUMPER/INSERT KIT	5	3
822195A1	HOUSING ASSEMBLY	25	1	854898A1	BUMPER/INSERT KIT	9	3
822195T	HOUSING-Control	25	2	854899T	CUP-Motor Control Arm	5	16
822196A1	ARM ASSEMBLY-Shift	25	13	854899T1	CUP-Motor Control Arm	5	16
822196T1	ARM ASSEMBLY-Shift	27	15	854899T1	CUP-Motor Control Arm	9	16
822196T1	ARM ASSEMBLY-Shift	29	16	854899T2	CUP-Motor Control Arm	9	16
822202A2	SHAFT KIT-Handle	25	17	854900T3	LINER (Purple)	13	1
822204	SHAFT-Throttle Only	25	11	854942--1	TUBE-Drain	15	9
822206A2	ARM ASSEMBLY-Throttle	25	16	854942--1	TUBE-Drain	17	15
822206A3	ARM ASSEMBLY-Throttle	27	18	856630A14	HOUSING ASSEMBLY	13	8
822206A3	ARM ASSEMBLY-Throttle	29	19	856630A14	HOUSING ASSEMBLY	21	25
822207--3	PLATE-Throttle	27	19	856630A14	HOUSING ASSEMBLY	29	1
822207--3	PLATE-Throttle	29	20	856630A4	HOUSING ASSEMBLY	13	8
822210--1	BACK PLATE	27	22	856630A4	HOUSING ASSEMBLY	21	25
822210--1	BACK PLATE	29	23	856630A4	HOUSING ASSEMBLY	27	1
822211T1	HANDLE-Control (Black)	21	4	856630T1	HOUSING-Control	27	2
822212	BUTTON-Throttle Only	21	5	856630T1	HOUSING-Control	29	2
822212	BUTTON-Throttle Only	23	3	856632A12	SHAFT ASSEMBLY-Handle	29	9
822216T1	BEZEL (Black)	21	18	856632A2	SHAFT ASSEMBLY-Handle	27	8
822977	ROLLER	25	4	856636	SHAFT-Throttle Only	27	9
822977--1	ROLLER	27	4	856636--1	SHAFT-Throttle Only	29	10
822977--1	ROLLER	29	4	856637	LOCK-Throttle Only	27	13
822978A1	SUPPORT ASSEMBLY-Shaft	25	14	856637--1	LOCK-Throttle Only	29	14
822978A2	SUPPORT ASSEMBLY-Shaft	27	16	858637T1	HOUSING ASSEMBLY	13	8
822978A2	SUPPORT ASSEMBLY-Shaft	29	17	858637T1	HOUSING ASSEMBLY	23	18
822979--3	ROLLER-Throttle Plate	27	20	858637T1	HOUSING ASSEMBLY	31	1
822979--3	ROLLER-Throttle Plate	29	21	858666T4	HANDLE ASSEMBLY	23	2
827270A1	REMOTE CONTROL ASSEMBLY	13	7	858680T	BEZEL	23	10
827270A1	REMOTE CONTROL ASSEMBLY	21	1	858681	COVER-Front (Black)	23	7
827270A21	REMOTE CONTROL ASSEMBLY	13	7	858682	COVER-Front (Black)	23	8
827270A21	REMOTE CONTROL ASSEMBLY	21	1	858690A1	REMOTE CONTROL ASSEMBLY	13	7
827270A41	REMOTE CONTROL ASSEMBLY	13	7	858690A1	REMOTE CONTROL ASSEMBLY	23	1
827270A41	REMOTE CONTROL ASSEMBLY	21	1	859643	GAUGE-Fuel Tank	13	22
827270A41	REMOTE CONTROL ASSEMBLY	13	7	877559T1	TRIM-Liner/Deck (11.00 Feet)	5	37
827270A41	REMOTE CONTROL ASSEMBLY	21	1	877559T1	TRIM-Liner/Deck (11.00 Feet)	9	37
				877560T	PLATE-Remote Control Backer	13	5

# PARTS INDEX

Part Number	Description	Pg.	Ref. No.	Part Number	Description	Pg.	Ref. No.
89491--1	KEY-Ignition	3	4	10-846500-50	SCREW (#10-32 x .500)	13	25
89491--2	KEY-Ignition	3	4	10-858660	SCREW-Bezel	23	6
89491--3	KEY-Ignition	3	4	10-859031	SCREW (.250-20 x 1.50)	23	14
89491--4	KEY-Ignition	3	4	10-859036	BOLT-Carraige (.312-18 x 1.750)	9	12
89491--5	KEY-Ignition	3	4	10-859036	BOLT-Carriage (.312-18 x 1.750)	5	12
89491--6	KEY-Ignition	3	4	10-859286	SCREW (.250-20 x 1.00)	13	6
89491--7	KEY-Ignition	3	4	10-859433	SCREW (.250-20 x 1.00)	15	13
89491--8	KEY-Ignition	3	4	10-859433	SCREW (.250-20 x 1.00)	17	19
89491--9	KEY-Ignition	3	4	10-877558	SCREW (#8-18)	5	17
89491-10	KEY-Ignition	3	4	10-877558	SCREW (#8-18)	9	17
89491-11	KEY-Ignition	3	4	11-13855	NUT (.250-20)	5	38
89491-12	KEY-Ignition	3	4	11-13855	NUT (.250-20)	11	38
90468A1	COVER ASSEMBLY-Ignition Key	3	6	11-23161	NUT (.375-24)	5	5
10-12111	SCREW (.190-32 x .880)	5	28	11-23161	NUT (.375-24)	9	5
10-12111	SCREW (.190-32 x .880)	9	28	11-27164	NUT (#10-32)	25	27
10-12111	SCREW (.190-32 x .880)	13	4	11-27164	NUT (#10-32)	27	27
10-15124	SCREW (#10-32 x .750)	11	46	11-27164	NUT (#10-32)	29	28
10-19923062	SCREW (.250-20 x .625)	23	11	11-27164	NUT (#10-32)	31	30
10-19923088	SCREW (.250-20 x .875)	21	17	11-42290	WELLNUT (#10-32)	9	7
10-24231	SCREW (#10-32 x .250)	25	26	11-42290	WELLNUT (#10-32)	17	10
10-24231	SCREW (#10-32 x .250)	27	28	11-42290	WELLNUT (#10-32)	17	8
10-24231	SCREW (#10-32 x .250)	29	29	11-49326	WELLNUT (#10-32)	5	29
10-24231	SCREW (#10-32 x .250)	31	31	11-49326	WELLNUT (#10-32)	9	29
10-28636	SCREW (.250-20 x .750)	5	11	11-67980	NUT (.312-18)	5	15
10-28636	SCREW (.250-20 x .750)	9	11	11-67980	NUT (.312-18)	9	15
10-28636	SCREW (.250-20 x .750)	19	18	11-68219	NUT (#10-32)	3	16
10-28638	SCREW (.250-20 x .750)	7	42	11-68219	NUT (#10-32)	3	26
10-28638	SCREW (.250-20 x .750)	7	44	11-68219	NUT (#10-32)	13	24
10-28638	SCREW (.250-20 x .750)	11	42	11-814101	NUT (.250-20)	13	13
10-28638	SCREW (.250-20 x .750)	17	13	11-814101	NUT (.250-20)	21	21
10-28667	SCREW (.250-20 x 1.00)	13	27	11-814101	NUT (.250-20)	23	16
10-40056-85	SCREW (M4 x 10)	21	12	11-814101	NUT (#10-32)	11	47
10-45742	SCREW (.190-32 x .312)	3	25	11-879755	NUT (Special)	3	7
10-48409	SCREW (#10-16 x .620)	5	20	11-93543	NUT (Special)	3	7
10-48409	SCREW (#10-16 x .620)	9	20	12-24676	WASHER	3	15
10-58376	SCREW (.164-18 x .375)	21	8	12-24676	WASHER	25	23
10-66687	SCREW (#10-32 x 1.50)	9	9	12-24676	WASHER	27	24
10-66687	SCREW (#10-32 x 1.50)	17	12	12-24676	WASHER	29	25
10-66687	SCREW (.250-20 x .750)	11	44	12-28001	WASHER	21	11
10-822156	SCREW (.250-20 x .500)	5	8	12-37828	WASHER	5	6
10-822209--2	BOLT-Shoulder (Special)	27	21	12-37828	WASHER	9	6
10-822209--2	BOLT-Shoulder (Special)	29	22	12-38255--1	RIVET	9	8
10-822213--1	BOLT-Locking (Special)	21	6	12-56720	WASHER	5	14
10-822213--1	BOLT-Locking (Special)	23	4	12-56720	WASHER	9	14
10-822213--1	BOLT-Locking (Special)	25	24	12-67983	WASHER	5	10
10-822213--1	BOLT-Locking (Special)	27	30	12-67983	WASHER	5	39
10-822213--1	BOLT-Locking (Special)	29	31	12-67983	WASHER	9	10
10-822214	SCREW (.250-20 x 1.750)	21	23	12-67983	WASHER	11	39
10-822215	SCREW (#8-32 x .375)	25	28	12-69057	WASHER	5	7
10-822215--1	SCREW (#8-32 x .375)	27	26	12-69057	WASHER	7	45
10-822215--1	SCREW (#8-32 x .375)	29	27	12-69057	WASHER	13	12
10-822215--1	SCREW (#8-32 x .375)	31	29	12-69057	WASHER	13	28
10-822981--1	SCREW-Friction	21	22	12-69057	WASHER	17	14
10-824831	SCREW (#10-32 x .625)	25	15	12-69057	WASHER	19	19
10-824831	SCREW (#10-32 x .625)	25	22	12-69057	WASHER	21	20
10-824831	SCREW (#10-32 x .625)	27	17	12-69057	WASHER	23	15
10-824831	SCREW (#10-32 x .625)	27	23	12-69057	WASHER	29	7
10-824831	SCREW (#10-32 x .625)	29	18	12-859724	WASHER	11	45
10-824831	SCREW (#10-32 x .625)	29	24	12-89302--1	WASHER		

# PARTS INDEX

Part Number	Description	Pg.	Ref. No.	Part Number	Description	Pg.	Ref. No.
12-89302--1	WASHER	17	11	37-827289-14	DECAL-Bezel	21	13
13-89989	LOCKWASHER (Internal)	3	8	37-858866--6	PINSTRIPES (Deep Plum)	5	2
16-55422	STUD (#10-32 x 2.00)	3	11	37-858866--6	PINSTRIPES (Deep Plum)	9	2
16-818138--3	STUD-Double Ended (.375 x 1.750)	5	23	37-858867	DECAL-Water Mouse	7	40
16-818138--3	STUD-Double Ended (.375-24 x 1.750)	9	23	37-858867	DECAL-Water Mouse	11	40
17-822205	PIN-Shift Gear	25	12	37-858867--1	DECAL-Water Mouse	11	40
17-856634	PIN-Lock (Round)	27	10	37-875301	DECAL-Mercury (Purple)	5	4
17-856634--1	PIN-Lock (Round)	29	11	37-875301	DECAL-Mercury (Purple)	9	4
17-856635	PIN-Drive (Square)	27	11	37-875301--1	DECAL-Mercury (Red)	9	4
17-856635--1	PIN-Drive (Square)	29	12	38-90311	INSERT-Plate Switch	3	10
17-878090	RIVET	5	25	43-822200--1	GEAR-Shift	25	9
17-878090	RIVET	9	25	43-856633	GEAR-Shift	27	14
17-878091	RIVET	5	9	43-856633--1	GEAR-Shift	29	15
21-859634	VALVE-Anti Siphon	13	21	53-822976	RING-Retaining	25	8
22-13563A3	FITTING ASSEMBLY-Fuel Line	5	30	54-41582--7	CLAMP	5	31
22-13563A3	FITTING ASSEMBLY-Fuel Line	9	30	54-41582--7	CLAMP	9	31
22-854941	FITTING-Fuel (90 Degree)	5	35	54-815504406	CLAMP	13	17
22-854941	FITTING-Fuel (90 Degree)	9	35	54-815504412	CLAMP	13	16
22-F722109-1	PLUG (.125-27 Nylon)	15	10	54-816311T	CABLE TIE (8.00 Inch)	3	17
22-F722109-1	PLUG (.125-27 Nylon)	17	16	54-816311T	CABLE TIE (8.00 Inch)	13	20
23-74647	BUSHING	25	5	54-816311T	CABLE TIE (8.00 Inch)	21	24
23-74647	BUSHING	27	6	54-816311T	CABLE TIE (8.00 Inch)	23	17
23-74647	BUSHING	29	6	62-809780--1	CAP/STRING AND CLIP	15	4
23-812711	SPACER (.250)	3	13	62-809780--1	CAP/STRING AND CLIP	17	4
23-812711--1	SPACER (.375)	3	14	62-824409	VALVE-Drain Plug	15	5
23-822980	BUSHING-Firm	21	14	62-824409	VALVE-Drain Plug	17	5
23-856638	BUSHING	27	5	62-830222A1	PLUG ASSEMBLY-Drain	15	3
23-856638	BUSHING	29	5	62-830222A1	PLUG ASSEMBLY-Drain	17	3
23-859016	BUSHING-Handle	23	5	62-850094	SLEEVE-Transom	15	11
24-16882	SPRING	25	3	62-850094	SLEEVE-Transom	17	17
24-16882	SPRING	27	3	62-856648	HARNESS ASSEMBLY	3	21
24-16882	SPRING	29	3	62-858632--1	WHEEL ASSEMBLY-Steering	19	15
24-16924	SPRING	21	9	62-858648	BOX ASSEMBLY-Battery	5	24
24-822203	SPRING	25	10	62-858648	BOX ASSEMBLY-Battery	9	24
24-822203	SPRING	27	12	62-881767	COVER-Boat (Gray)	32	NS
24-822203	SPRING	29	13	64-826458A1	HAREWARE KIT (Nut-Washer-Key)	19	14
25-85879	GROMMET	25	25	64-826459	SPENT TRAVEL TUBE	19	2
25-85879	GROMMET	27	25	64-826464	BEZEL KIT-Steering (20 Degree)	19	8
25-85879	GROMMET	29	26	64-826472A1	HELM ASSEMBLY	19	1
25-85879	GROMMET	31	28	64-851621A9	CABLE ASSEMBLY-Steering (9.00 Feet)	19	20
25-877871	O RING	5	19	67-803813	HOSE-Vent	13	18
25-877871	O RING	9	19	67-803814	HOSE-Vent	13	19
27-830221	GASKET	15	6	67-829139	HANDLE-Grab	7	41
27-830221	GASKET	17	6	67-829139	HANDLE/INSERT-Grab	11	41
27-854895T1	GASKET (Hull To Deck)	15	7	67-830647	VENT-Gas Tank	5	36
27-854895T2	GASKET (Hull To Deck)	17	7	67-830647	VENT-Gas Tank	9	36
27-858844	GASKET-Fuel Fill Neck	13	23	67-830662	BOW EYE	15	2
30-38785	BALL-Steel	25	7	67-830662	BOW EYE	17	2
32-858610-79	LINE-Fuel	5	32	67-830684	BUTT HINGE	5	27
32-858610-79	LINE-Fuel	5	34	67-830684	BUTT HINGE	9	27
32-858610-79	LINE-Fuel	9	32	67-831375	BOOT-Motorwell	5	21
32-858610-79	LINE-Fuel	9	34	67-831375	BOOT-Motorwell	9	21
37-827288	DECAL-Hub	21	7	67-831471	TUBE-Drain	15	8
37-827288--1	DECAL-Hub	21	7	67-831471	TUBE-Drain	17	9
37-827289--2	DECAL-Bezel	21	13	67-851666	PLATE ASSEMBLY-Deck	5	18
37-827289--4	DECAL-Bezel	21	13	67-851666	PLATE ASSEMBLY-Deck	9	18

# PARTS INDEX

Part Number	Description	Pg.	Ref. No.	Part Number	Description	Pg.	Ref. No.
84-854940	CABLE ASSEMBLY-Ground	13	2				
84-854940A1	WIRE ASSEMBLY-Ground	3	23				
84-856648A2	HARNESS ASSEMBLY	3	22				
84-858883	HARNESS ASSEMBLY-Stop						
	Switch	13	15				
84-858883A1	HARNESS ASSEMBLY	3	20				
85-62359--4	INSULATOR (2.00 Inches)	25	29				
85-62359--4	INSULATOR (2.00 Inches)	27	29				
85-62359--4	INSULATOR (2.00 Inches)	29	30				
85-62359--4	INSULATOR (2.00 Inches)	31	32				
85-823116--2	TUBING-Heat Shrink (1.50						
	Inches)	3	24				
86-830865	CONNECTOR	3	3				
87-13398--2	SWITCH ASSEMBLY-Stop	13	9				
87-13398--2	SWITCH-Stop	21	15				
87-13398--2	SWITCH-Stop	23	12				
87-822198A1	SWITCH ASSEMBLY-Neutral						
	Start	25	6				
87-822198A1	SWITCH ASSEMBLY-Neutral						
	Start	27	7				
87-822198A1	SWITCH ASSEMBLY-Neutral						
	Start	29	8				
87-822198A1	SWITCH ASSEMBLY-Neutral						
	Start	31	16				
87-88107A5	SWITCH KIT-Ignition	3	2				
90-804995--1	CATALOG-Parts	33	NS				
90-854890	MANUAL-Owners	33	NS				
92-809626	AQUA SEAL (One Ounce						
	Tube)	7	43				
92-809626	AQUA SEAL (One Ounce						
	Tube)	11	43				
1260-854936T	TANK ASSEMBLY-Fuel (8						
	Gallon)	13	26				