



PARTS CATALOG

2.4L EFI / 2.4L EFI OFF SHORE

SERIAL NUMBER

MERC/MAR 2.4L (EFI)0B290010 THRU 0C276917

TABLE OF CONTENTS:

AIR INLET/THROTTLE LINKAGE	30
COWLS	2
CRANKSHAFT, PISTONS AND CONNECTING RODS	26
CRANKSHAFT, PISTONS AND CONNECTING RODS	28
CYLINDER BLOCK AND END CAPS	16
CYLINDER BLOCK AND END CAPS	20
DRIVE SHAFT HOUSING OFFSHORE	42
DRIVE SHAFT HOUSING STANDARD	38
E.F.I. CONTROL BOX WITH MOUNTING PLATE	36
E.F.I. CONTROL BOX WITHOUT MOUNTING PLATE	34
EXHAUST MANIFOLD	14
FLYWHEEL, STARTER MOTOR AND IGNITION COILS	4
FUEL INJECTORS	78
FUEL PUMP OFFSHORE	82
FUEL PUMP STANDARD	80
GEAR HOUSING (DRIVE SHAFT) LHR	60
GEAR HOUSING (DRIVE SHAFT) RHR	54
GEAR HOUSING (PROPELLER SHAFT) LHR	64
GEAR HOUSING (PROPELLER SHAFT) RHR	58
GEAR HOUSING CHART	52
HYDRAULIC PUMP AND BRACKET (M0045-E746)	68
HYDRAULIC PUMP AND BRACKET(M0049-E750)	72
HYDRAULIC PUMP ASSEMBLY	70
HYDRAULIC PUMP ASSEMBLY (PLASTIC RESERVOIR) OFFSHORE	76
INSTRUMENTATION	88
KEY SWITCH ASSEMBLY NEW DESIGN	86
MISCELLANEOUS PARTS/ACCESSORIES	1
PARTS INDEX	90
REED BLOCK AND CYLINDER HEAD	24
REV LIMITER	50
STARTER MOTOR ASSEMBLY	12
SWIVEL BRACKET AND STEERING ARM	44
THROTTLE LEVEL AND SHIFT SHAFT	8
TRANSOM BRACKETS AND TRIM CYLINDER	46
TRIM HARNESS ASSEMBLY OLD DESIGN	84
WIRING HARNESS, STARTER SOLENOID AND RECTIFIER	6

NOTE: Indented description indicate that these parts are included in preceeding assembly.

AR = As Required
OPT = Optional

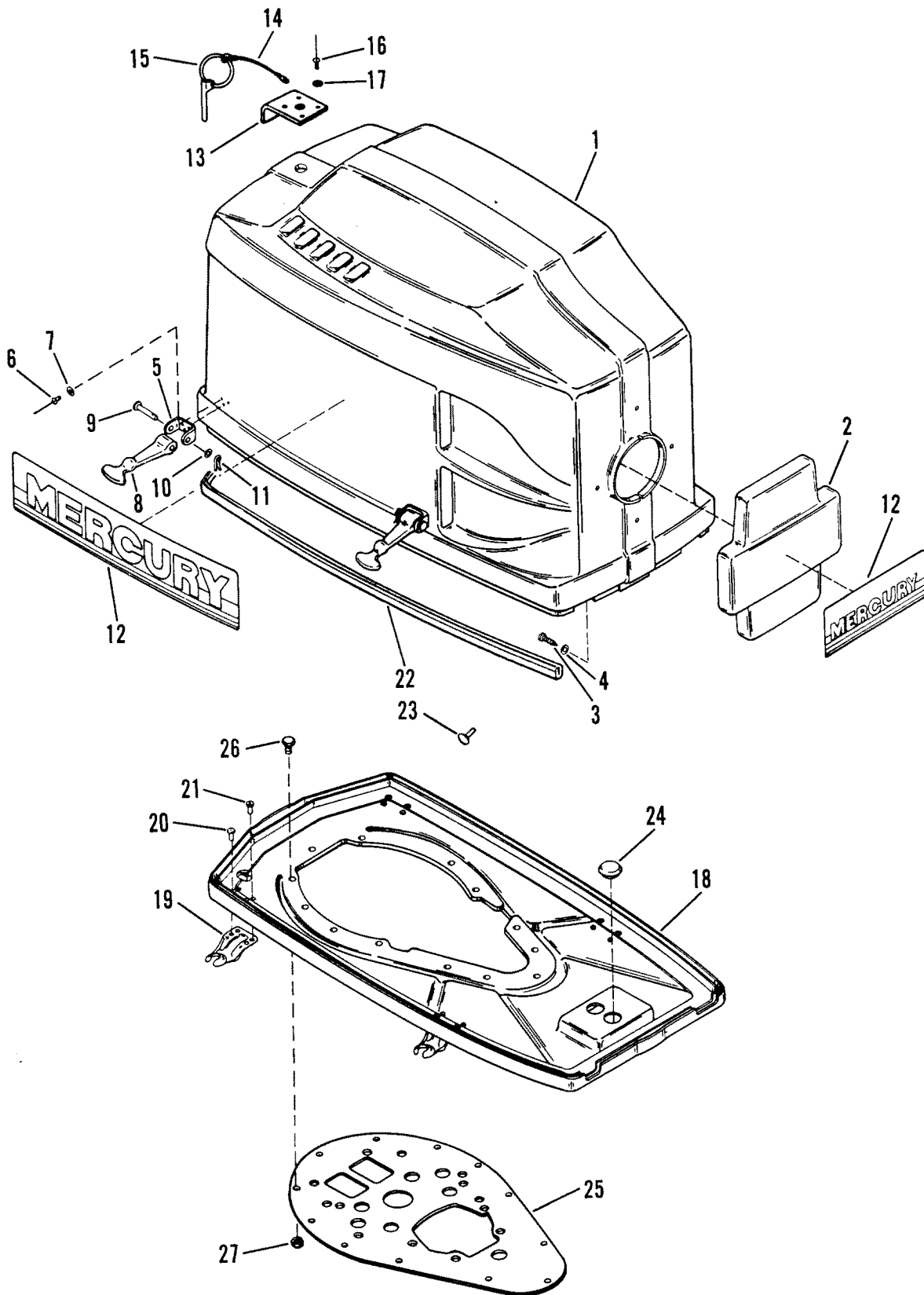
NSS = Not Sold Seperate
NS = Not Shown

THESE PARTS BOOKS/FICHE CARD ARE COPYRIGHTED AND MAY NOT BE DISTRIBUTED OR REPRODUCED IN ANY OTHER FORMAT BY ANYONE OTHER THAN MERCURY MARINE WITHOUT THE PRIOR WRITTEN CONSENT OF MERCURY MARINE.

MISCELLANEOUS PARTS/ACCESSORIES

REF. NO.	PART NO.	SYM.	QTY.	DESCRIPTION
-	90-812786			PARTS MANUEL
-	27-41247A1			GASKET SET
-	90-11115900			OWNER'S GUIDE

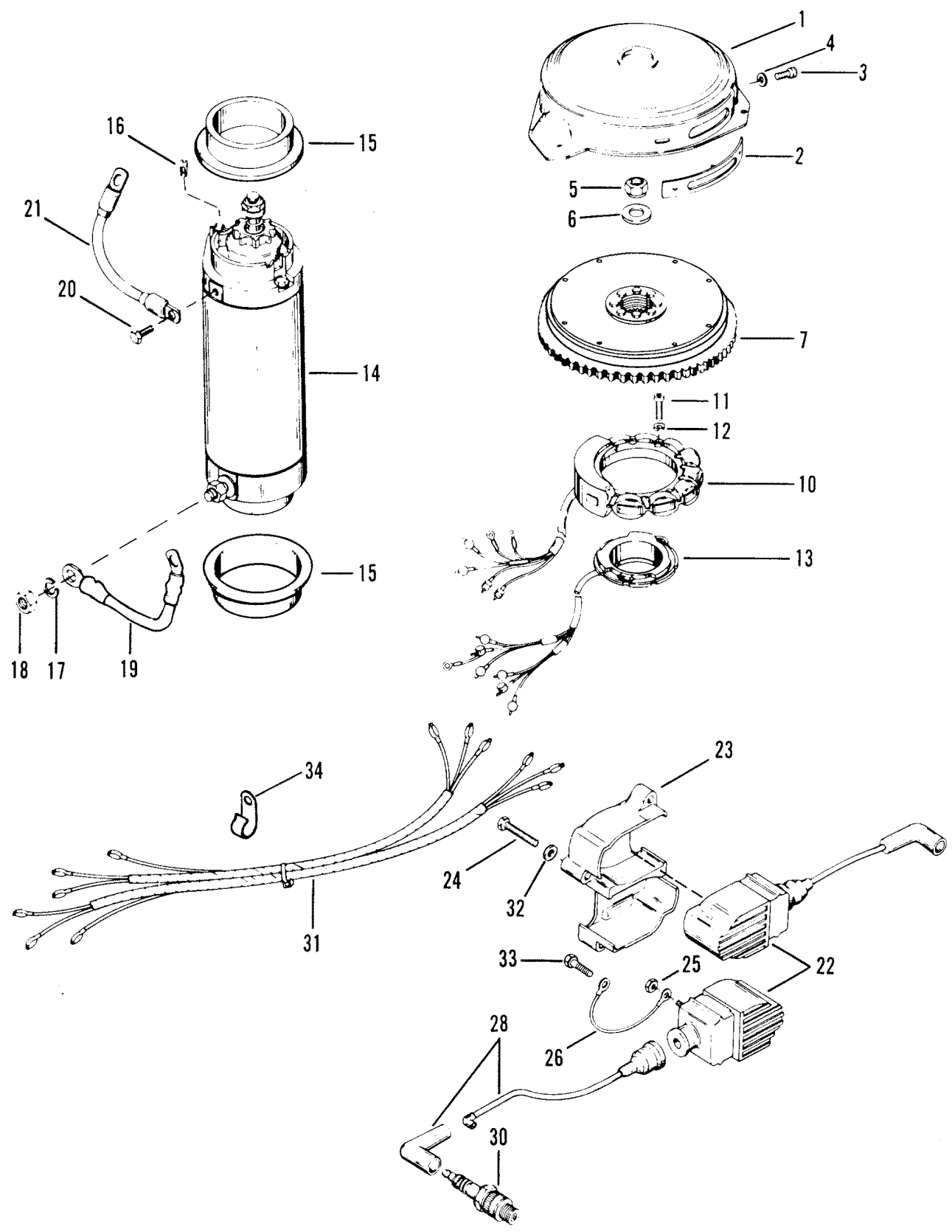
COWLS



COWLS

REF. NO.	PART NO.	SYM.	QTY.	DESCRIPTION
1	2167-9442A8		1	TOP COWL ASSEMBLY (STANDARD)
	2167-9442A4		1	TOP COWL ASSEMBLY (OFFSHORE W/HOLD DOWN)
2	14410A1		1	FRONT COVER
3	10-69570		4	SCREW, FRONT COVER
4	12-22887		4	WASHER, FRONT COVER SCREW
5	71602		4	YOKE, HOLD DOWN
6	17-12146		12	RIVET, YOKE TO COWL
7	12-20128		12	WASHER, YOKE RIVET
8	58707		4	HOLD DOWN (BUNGY CORD)
9	17-58712		4	CLEVIS PIN
10	12-20128		4	WASHER
11	18-21071		4	COTTER PIN
12	37-13813A5		1	DECAL SET
13	99690		1	PLATE, COWL HOLD DOWN OFF SHORE
14	88238A4		1	CABLE ASSEMBLY (BLACK) OFF SHORE
15	99779		1	CLIP OFF SHORE
16	17-12148		4	POP RIVET OFF SHORE
17	12-20128		4	WASHER OFF SHORE
18	12955A3		1	BOTTOM COWL ASSEMBLY
19	13734		4	RETAINER, HOLD DOWN
20	17-12148		8	POP RIVET, RETAINER
21	17-14908		8	RIVET
22	19368--2		1	TRIM MOLDING
23	17-12147		13	POP RIVET, TRIM MOLDING
24	22-14685		2	PLUG, BOTTOM COWL
25	99264--1		1	PLATE, COWL BASE
26	38601		13	SCREW, PLATE TO BOTTOM COWL
27	11-35045		13	NUT, PLATE SCREW

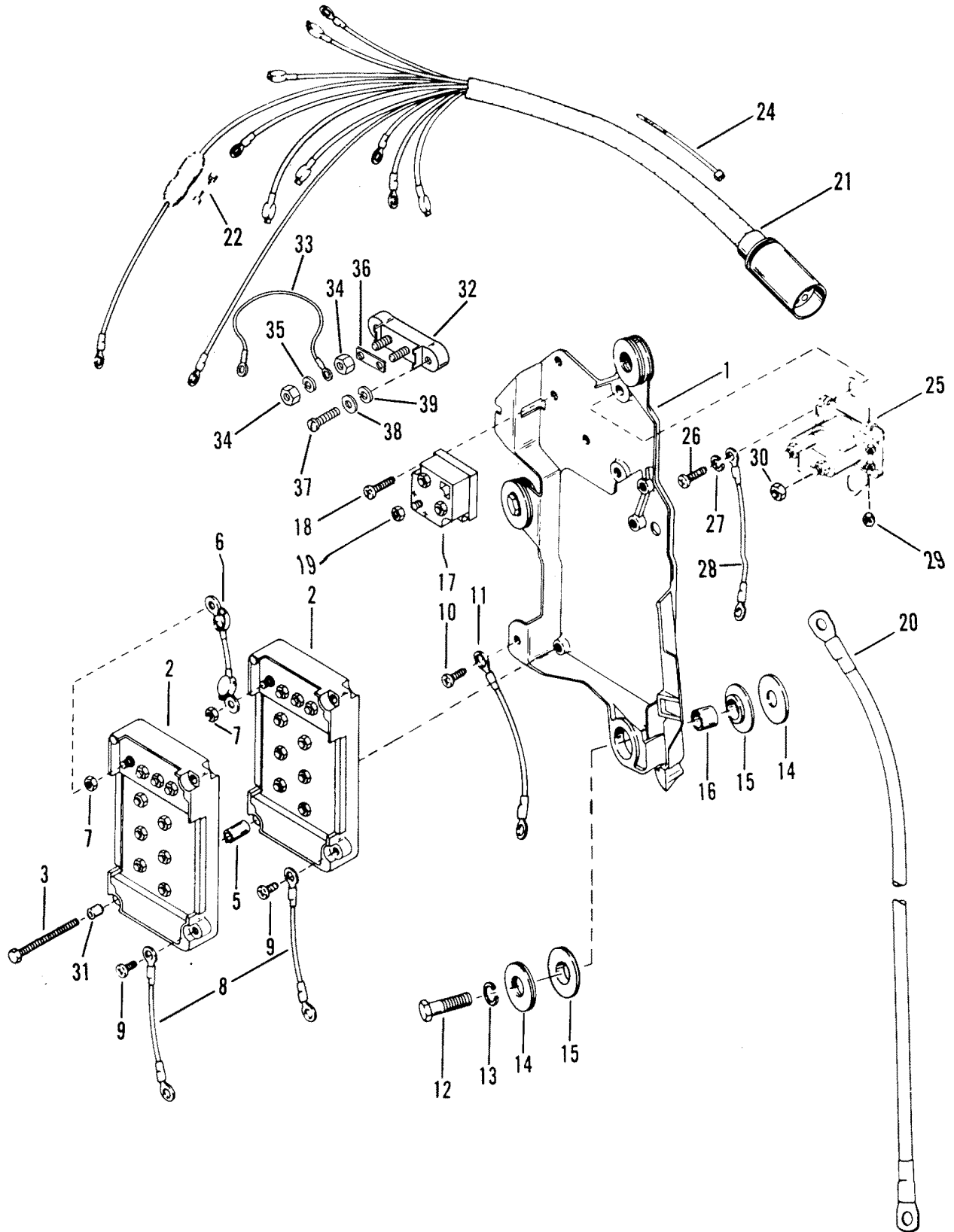
FLYWHEEL, STARTER MOTOR AND IGNITION COILS



FLYWHEEL, STARTER MOTOR AND IGNITION COILS

REF. NO.	PART NO.	SYM.	QTY.	DESCRIPTION
1	79918A1		1	COVER ASSEMBLY, FLYWHEEL
2	79022		1	MARKER, TIMING
3	10-37572		2	SCREW, TIMING MARKER
4	12-72761		2	WASHER, TIMING MARKER SCREW
5	11-52901		1	NUT, FLYWHEEL
6	12-68229		1	WASHER, FLYWHEEL
7	257-7555A17		1	FLYWHEEL ASSEMBLY (STANDARE)
	249-6080A5		1	FLYWHEEL ASSEMBLY (OFFSHORE)
10	398-5454A35		1	STATOR ASSEMBLY
11	10-99452		4	SCREW, STATOR
12	13-26996		4	LOCKWASHER, STATOR SCREW
13	96455A11		1	TRIGGER PLATE ASSEMBLE
14	50-79472		1	STARTER MOTOR
15	56703		2	COLLAR, STARTER MOTOR
16	68042		2	STOP, RUBBER - STARTER MOTOR
17	13-26992		1	LOCKWASHER, STARTER MOTOR TERMINAL
18	11-20890		1	NUT, STARTER MOTOR TERMINAL
19	84-93389A5		1	WIRE, SOLENOID TO STARTER MOTOR (YELLOW)
20	10-69035		1	SCREW, CABLE TO STARTER MOTOR
21	84-93388A1		1	WIRE, PLATE TO STARTER MOTOR (BLACK)
22	339-7370A13		6	COIL ASSEMBLY, IGNITION
23	67614		3	COVER, IGNITION COIL
24	10-88447		12	SCREW, IGNITION COIL COVER (1-5/8")
25	11-45076		12	NUT, IGNITION COIL TERMINAL
26	84-88807A6		6	GROUND STRAP, IGNITION COIL (BLACK)
28	84-815358A1		1	CABLE, HIGH TENSION
30	33-97180		6	SPARK PLUG
31	84-69738A7		1	HARNESS ASSEMBLY, COIL TO SWITCH BOX (#2,4 AND 6)
	84-69739A2		1	HARNESS ASSEMBLY, COIL TO SWITCH BOX (#1,3 AND 5)
32	12-30164		12	WASHER, COVER SCREW
33	10-68513		6	SCREW, GROUND STRAP
34	54-814634		2	'J' CLAMP

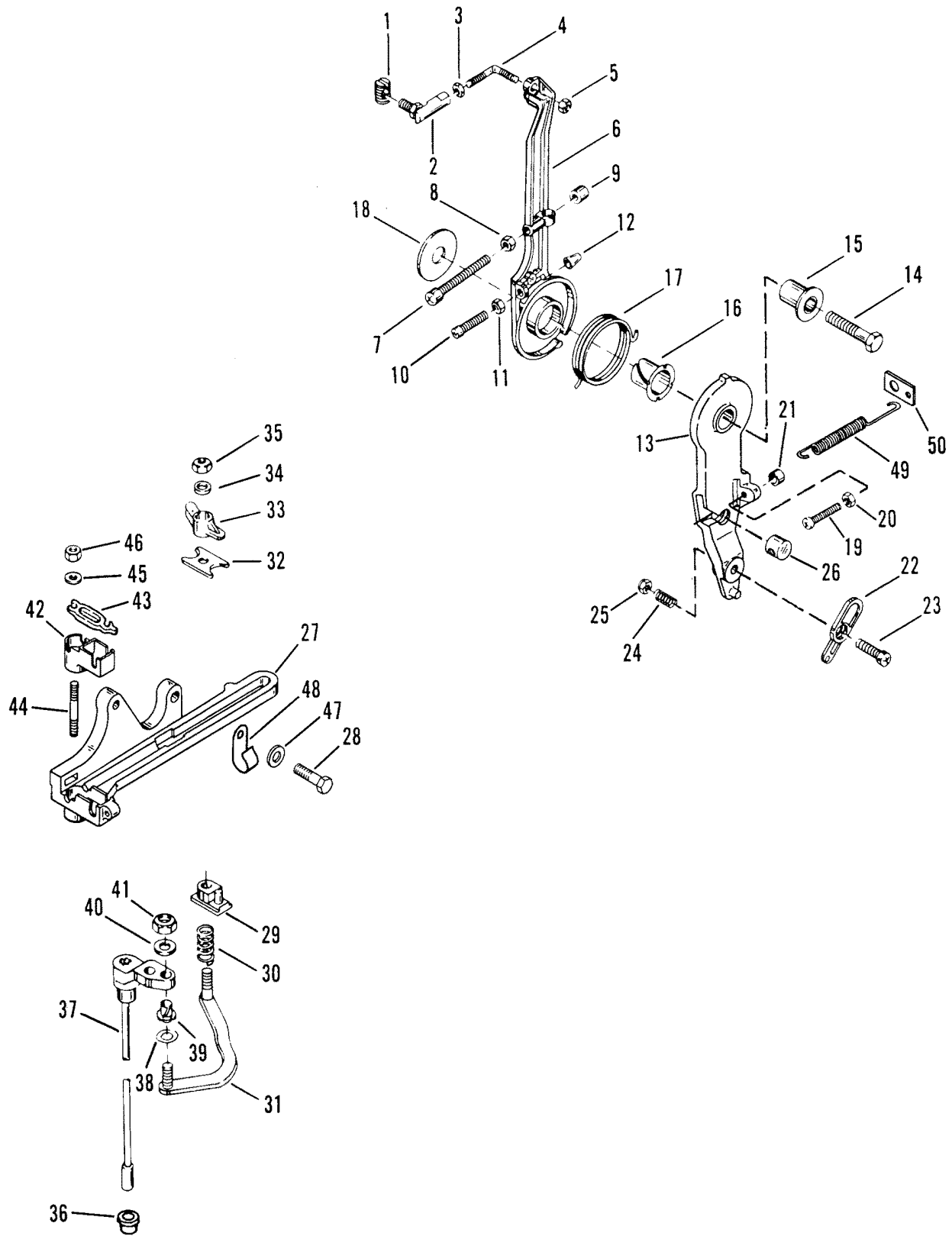
WIRING HARNESS, STARTER SOLENOID AND RECTIFIER



WIRING HARNESS, STARTER SOLENOID AND RECTIFIER

REF. NO.	PART NO.	SYM.	QTY.	DESCRIPTION
1	43429		1	PLATE, IGNITION
2	332-7778A4		2	SWITCH BOX
3	10-90815		2	SCREW, SWITCH BOX TO IGNITION PLATE
5	23-94453		2	BUSHING, SWITCH BOX SCREW
6	84-62310A2		1	CABLE ASSEMBLY, SWITCH BOX TO SWITCH BOX
7	11-45076		20	NUT, SWITCH BOX TERMINAL
8	84-60871A10		2	WIRE, SWITCH BOX
9	10-62568		2	SCREW, WIRE ATTACHING
10	10-38055		1	SCREW, CABLE TO IGNITION PLATE (5/8")
11	84-65999A3		1	CABLE ASSEMBLY, BLACK
12	10-69092		3	SCREW, IGNITION PLATE (1-1/4")
13	13-26993		3	LOCKWASHER, IGNITION PLATE SCREW
14	12-36042		6	WASHER, IGNITION PLATE SCREW
15	12-67264		6	WASHER, IGNITION PLATE SCREW (RUBBER)
16	23-67268		3	BUSHING, IGNITION PLATE SCREW
17	62351A1		1	RECTIFIER
18	10-38055		2	SCREW, RECTIFIER TO IGNITION PLATE (5/8")
19	11-45076		3	NUT, RECTIFIER TERMINALS
20	84-88439A14		1	BATTERY CABLE, POSITIVE
	84-88439A2		1	BATTERY CABLE, NEGATIVE
21	84-96220A4		1	HARNESS, ENGINE
22	88-79091		1	FUSE
24	54-816311		AR	STA-STRAP, HARNESS AND CABLES
25	89-68258A4		1	STARTER SOLENOID
26	10-31716		2	SCREW, SOLENOID TO IGNITION PLATE (5/8")
27	13-26992		2	LOCKWASHER, SOLENOID TO IGNITION PALTE SCREW
28	84-65999A2		1	CABLE ASSEMBLY, UPPER MOUNT (BLACK)
29	11-45076		2	NUT, SOLENOID TERMINALS
30	11-67980		2	NUT, SOLENOID TERMINALS
31	23-94304		2	GUSHING, SWITCH BOX SCREW
32	86-19437--2		1	TERMINAL BLOCK
33	84-88672A3		1	CABLE
34	11-45076		4	NUT
35	13-26996		2	LOCKWASHER
36	815571		1	JUMPER
37	10-12463		2	SCREW
38	13-69432		2	LOCKWASHER
39	12-35462		2	WASHER

THROTTLE LEVEL AND SHIFT SHAFT

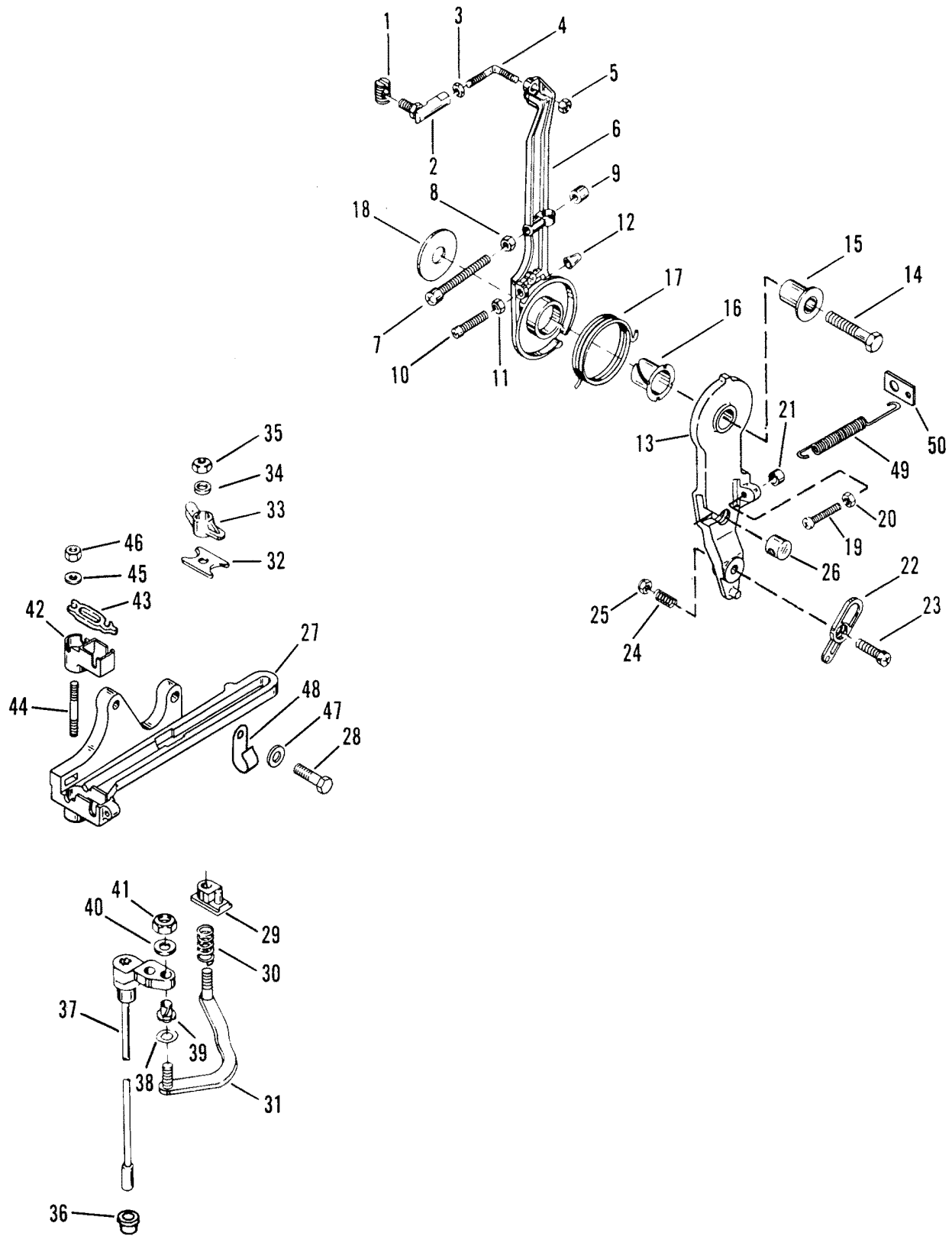


THROTTLE LEVEL AND SHIFT SHAFT

REF. NO.	PART NO.	SYM.	QTY.	DESCRIPTION
1	74897		1	PIVOT, TRIGGER PLATE
2	62459		1	BALL JOINT, TRIGGER PLATE
3	11-68219		1	NUT, LINK ROD
4	76035		1	LINK ROD, TRIGGER PLATE
5	11-45812		1	NUT, BALL JOINT
6	41094A3		1	LEVER, SPARK ADVANCE
7	10-64022		1	SCREW, SPARK ADVANCE LEVER-STOP
8	11-64015		1	NUT, SPARK ADVANCE STOP SCREW
9	26852		1	CAP, SPARK ADVANCE LEVER STOP SCREW
10	10-69560		1	SCREW, SPARK ADVANCE LEVER - STOP (1/14")
11	11-68219		1	NUT, SPARK ADVANCE LEVER STOP SCREW
12	48039		1	CAP, SPARK ADVANCE LEVER STOP SCREW
13	77837		1	LEVER, THROTTLE CONTROL
14	10-55337		1	SCREW. THROTTLE LEVER/ADVANCE LEVER (1/34")
15	23-55164		1	BUSHING, THORTTLE LEVER
16	23-55171		1	BUSHING, SPARK ADVANCE LEVER
17	24-68784		1	SPRING, THROTTLE AND SPARK ADVANCE LEVER
18	12-68410		1	WASHER, SPARK ADVANCE LEVER
19	10-64022		1	SCREW, THORTTLE LEVER - STOP (2-18")
20	11-64015		1	NUT, THROTTLE LEVER STOP SCREW
21	26852		1	CAP, THROTTLE LEVER STOP SCREW
22	39483		1	LATCH, CABLE
23	10-22486		1	SCREW, CABLE LATCH TO THROTTLE LEVER
24	24-20099		1	SPRING, CABLE LATCH TO THROTTLE LEVER
25	11-35045		1	NUT, CABLE LATCH SCREW
26	60572		1	BARREL, THROTTLE CONTROL ROD
27	14669--1		1	BRACKET, ANCHOR - CONTROL CABLES
28	10-62958		2	SCREW, ANCHOR BRACKET (1-1/8")
	10-28667		1	SCREW, ANCHOR BRACKET (1")
29	37896		1	GUIDE BLOCK, LINK ROD
30	24-20099		1	SPRING, LINK ROD TO GUIDE BLOCK
31	67073A1		1	LIND ROD ASSEMBLY
32	52100		1	WEAR PLATE, LINK ROD
33	38279		1	LATCH
34	12-69056		1	WASHER, LATCH
35	11-35045		1	NUT, LINK ROD
36	23-27132		1	BUSHING, SHIFT SHAFT
37	79932A11		1	SHIFT SHAFT ASSEMBLY (LONG)
	79932A12		1	SHIFT SHAFT ASSEMBLY (EXTRA LONG)
38	13-29720		1	WAVE WASHER, LINK ROD
39	23-26600		1	BUSHING, NYLON - LINK ROD
40	12-35462		1	WASHER, LINK ROD
41	11-35045		1	NUT, LINK ROD TO SHIFT SHAFT

CONTINUED ON NEXT PAGE ➡

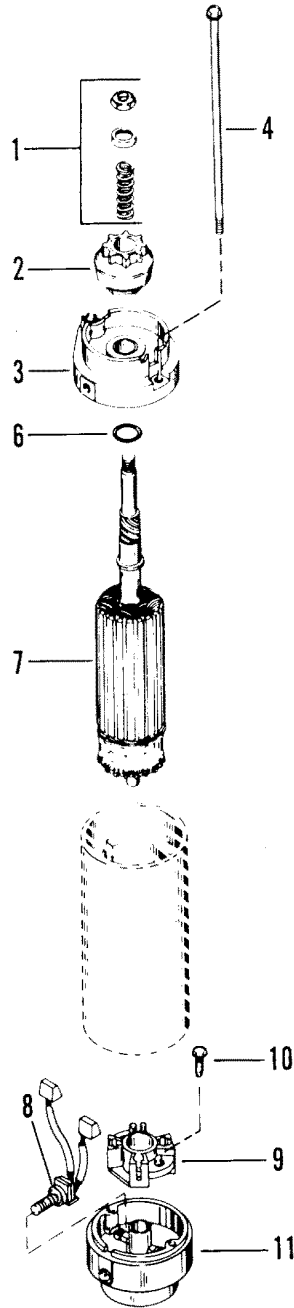
THROTTLE LEVEL AND SHIFT SHAFT



THROTTLE LEVEL AND SHIFT SHAFT

REF. NO.	PART NO.	SYM.	QTY.	DESCRIPTION
42	16813		1	CUP, BARREL RETAINER - ANCHOR BAR
43	16814		1	LATCH
44	16-18101		2	STUD, LATCH TO BRACKET
45	12-33786		2	WASHER, LATCH STUD
46	11-18102		2	NUT, LATCH STUD
47	12-29245		1	WASHER, ANCHOR BRACKET SCREW
48	54-814634		1	"J" CLIP, ANCHOR BRACKET SCREW
49	24-91821		1	SPRING, THROTTLE RETURN
50	54-75275		1	CLAMP, THROTTLE RETURN SPRING

STARTER MOTOR ASSEMBLY

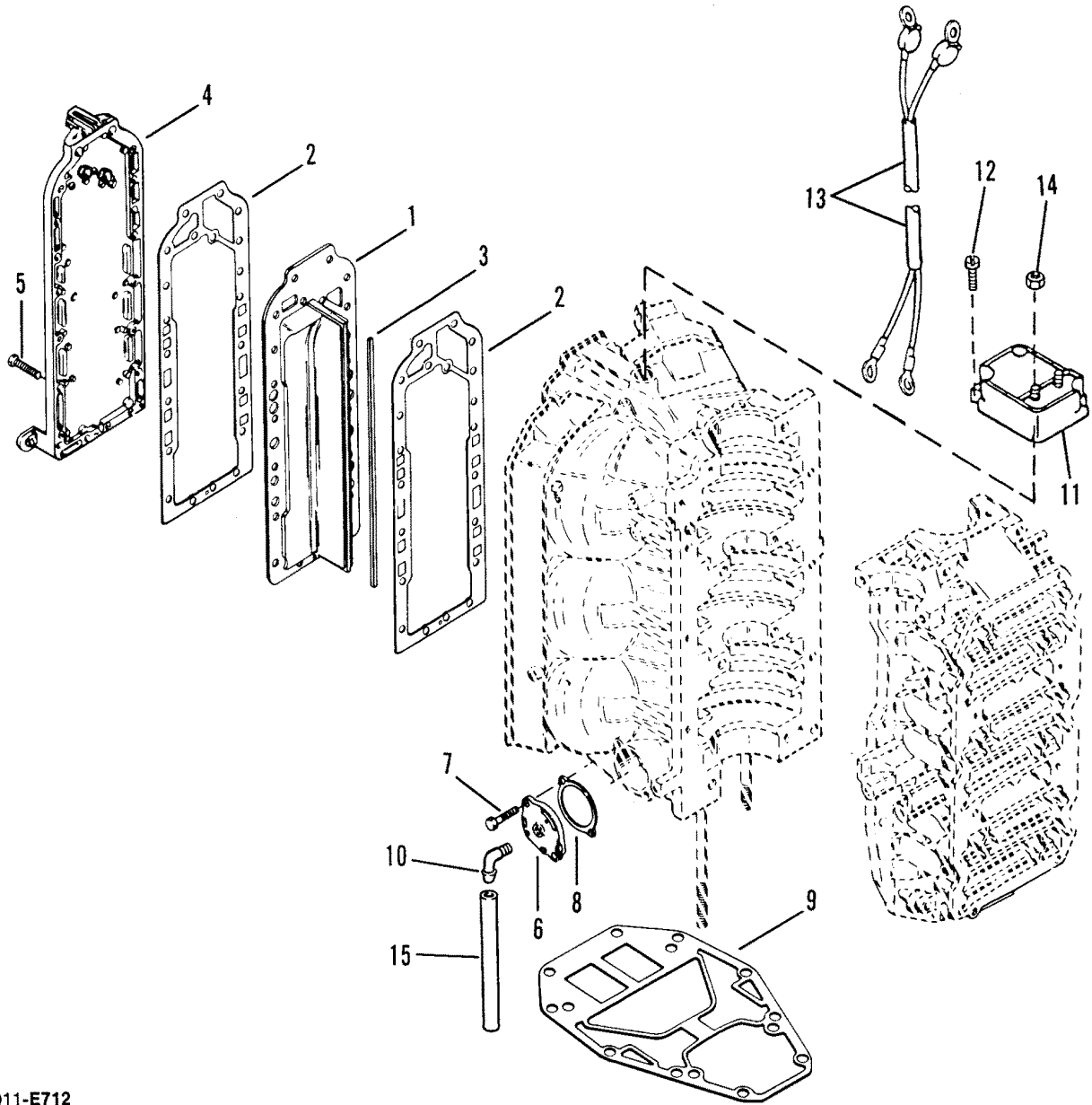


M0010-E711

STARTER MOTOR ASSEMBLY

REF. NO.	PART NO.	SYM.	QTY.	DESCRIPTION
-	50-79472		1	STARTER MOTOR ASSEMBLY
1	90645		1	DRIVE KIT
2	75661		1	DRIVE
3	75660		1	PLATE, DRIVE END
4	10-74968		2	BOLT, THRU
6	N.S.S.		1	WASHER, THRU BOLT (AMERICAN BOSCH #WA3122)
7	79216		1	ARMATURE
8	75384		1	BRUSH SET
9	61787		2	HOLDER, BRUSH
10	10-68586		2	SCREW, BRUSH AND HOLDER
11	15386		1	END CAP, COMMUTATOR

EXHAUST MANIFOLD

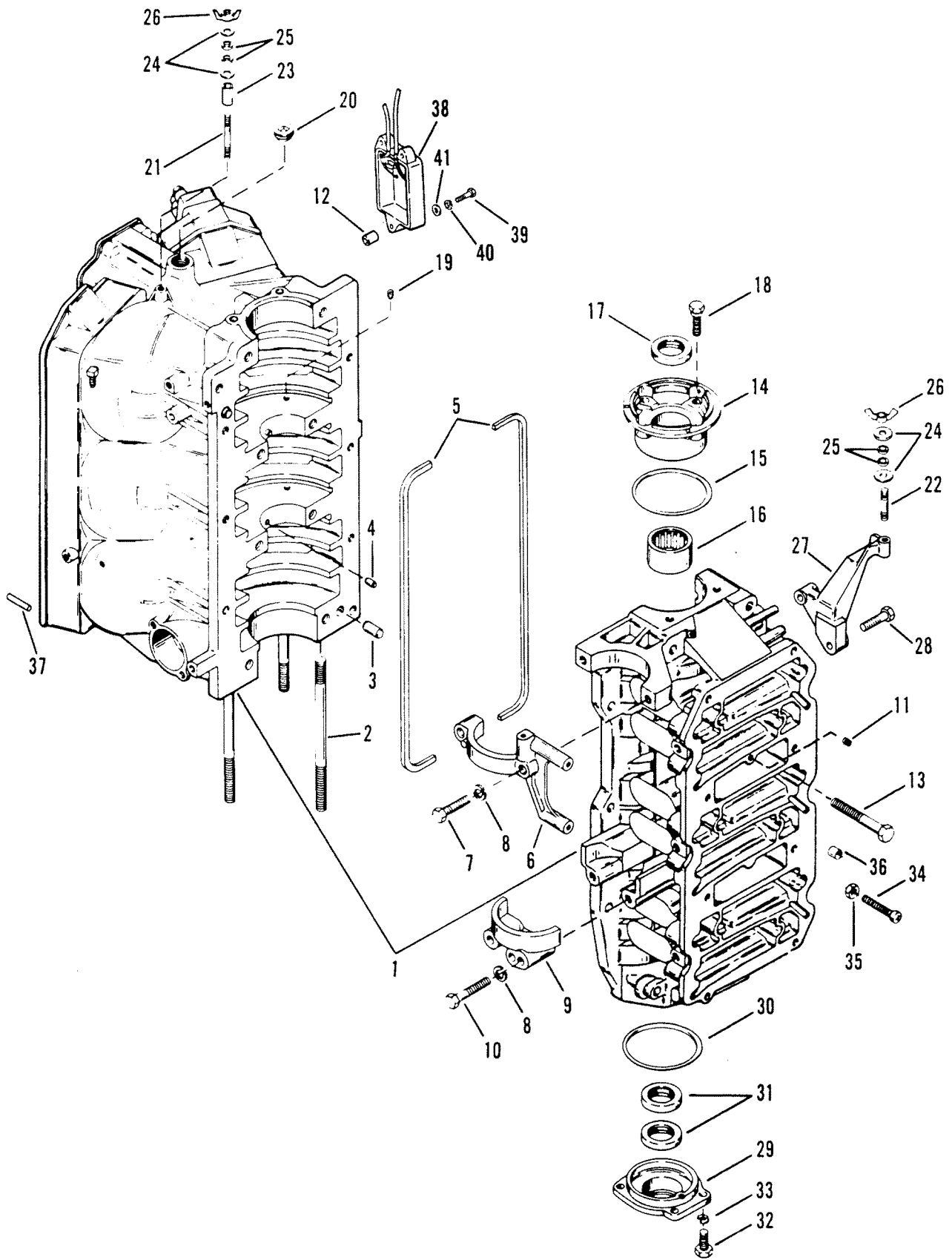


M0011-E712

EXHAUST MANIFOLD

REF. NO.	PART NO.	SYM.	QTY.	DESCRIPTION
1	99169A2		1	PLATE, DIVIDER
2	27-90484--1		2	GASKET, DIVIDER PLATE
3	26-814754		1	SEAL, DIVIDER PLATE
4	14913A1		1	COVER, EXHAUST MANIFOLD
5	10-74824		21	SCREW, COVER AND PLATE TO CYLINDER BLOCK (1-1/4")
6	99193		1	COVER, RELIEF VALVE
7	10-53167		2	SCREW, COVER TO CYLINDER BLOCK
8	27-88907		1	GASKET, RELIEF VALVE PLATE
9	27-78069		2	GASKET, EXHAUST PLATE
10	22-68727		1	FITTING
11	88825A7		1	VOLTAGE REGULATOR
12	10-48409		2	SCREW, VOLTAGE REGULATOR
13	84-13397A1		1	HARNES ASSEMBLY
14	11-45076		2	NUT, VOLTAGE REGULATOR
15	32-77457--2		1	HOSE

CYLINDER BLOCK AND END CAPS

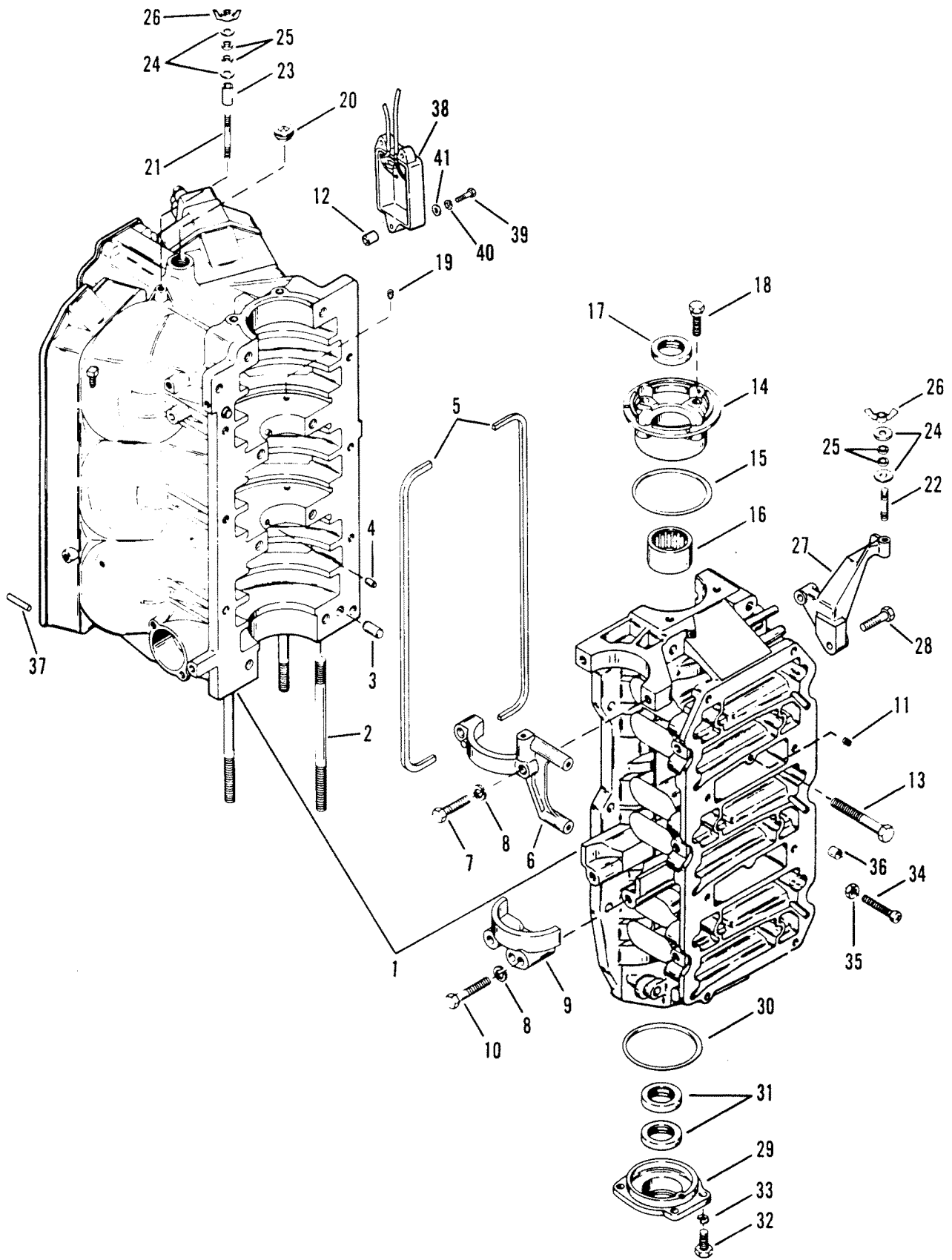


CYLINDER BLOCK AND END CAPS

REF. NO.	PART NO.	SYM.	QTY.	DESCRIPTION
1	858-9424A57		1	CYLINDER BLOCK SERIAL 0B290010-0C174999
	858-812357A3		1	CYLINDER BLOCK SERIAL 0C175000-0Z999999
2	16-96908		4	STUD, POWERHEAD (2-1/8")
	16-96909		2	STUD, POWERHEAD (7")
	16-96910		2	STUD, POWERHEAD (5-3/4")
	16-97008		2	STUD, POWERHEAD (2")
3	17-20033		2	DOWEL PIN, LOCATING
4	17-67296		2	DOWEL PIN, CYLINDER BLOCK (BEARING RACE)
5	27-11338		2	GASKET, SEALING
6	42249		1	COVER, STARTER MOTOR (UPPER)
7	10-73657		2	SCREW, COVER TO CRANKCASE (1-1/2")
8	13-26993		4	LOCKWASHER, STARTER MOTOR COVER SCREW
9	76867		1	COVER, STARTER MOTOR (LOWER)
10	10-77065		2	SCREW, COVER TO CRANKCASE (2")
11	21-42657A1		3	CHECK VALVE ASSEMBLY
12	23-94304		3	BUSHING
13	10-66717		8	SCREW, CRANKCASE TO CYLINDER BLOCK (3-1/4")
	10-74824		3	SCREW, CRANKCASE TO CYLINDER BLOCK (1-1/4")
	10-53576		3	SCREW, CRANKCASE TO CYLINDER BLOCK (1-1/8")
14	1159-8454A2		1	END CAP ASSEMBLY, UPPER
15	25-54029		1	"O" RING, END CAP
16	31-93496		1	ROLLER BEARING, END CAP
17	26-41953		1	OIL SEAL, END CAP
18	10-69034		4	SCREW, UPPER END CAP (1")
19	10-24220		2	SETSCREW, (3/16")
20	22-38407		1	PLUG,CYLINDER BLOCK (WATER
21	16-15094		1	STUD, FLYWHEEL COVER (1-7/8")
22	16-15093		2	STUD, FLYWHEEL COVER (1")
23	23-67269		1	SPACER, FLYWHEEL COVER STUD
24	12-49221--1		6	WASHER, FLYWHEEL COVER STUD
25	12-72761		3	WASHER, FLYWHEEL COVER STUD
26	11-73651		3	NUT, FLYWHEEL COVER STUD
27	99294		1	BRACKET, FLYWHEEL COVER
28	10-76630		2	SCREW, BRACKET TO CRANKCASE
29	1156-7809A1		1	END CAP ASSEMBLY, LOWER
30	25-62700		1	"O" RING, END CAP (3-1/4" I.I
31	26-41953		2	OIL SEAL, END CAP
32	10-28636		4	SCREW, LOWER END CAP TO CYLINDER BLOCK (3/4")
33	13-26992		4	LOCKWASHER, LOWER END CAP SCREW
34	10-64022		1	SCREW, ADJUSTING-CYLINDER BLOCK
35	11-64015		1	NUT, JAM-ADJUSTING SCREW
36	26852		1	CAP, NYLON-ADJUSTING SCREW

CONTINUED ON NEXT PAGE ➡

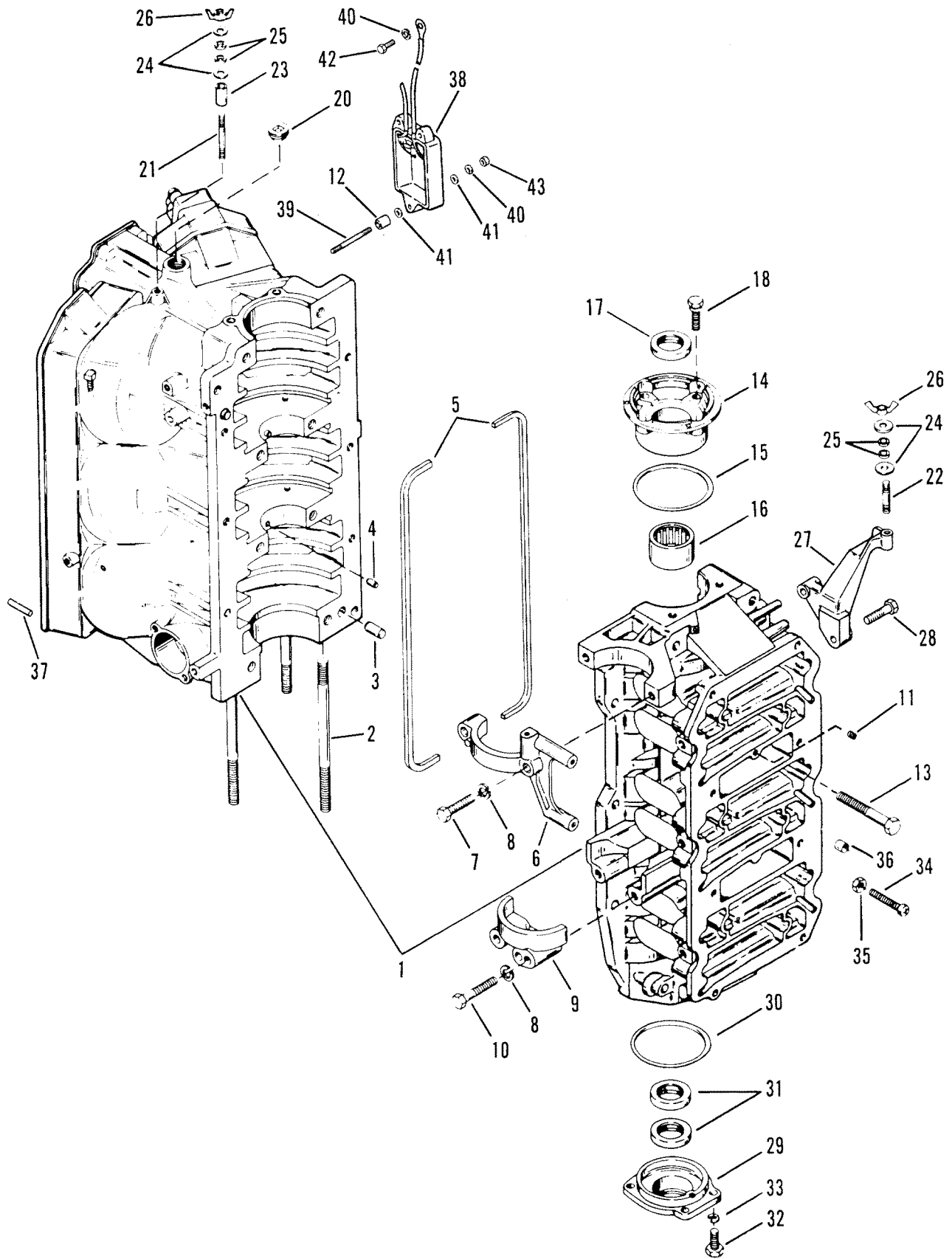
CYLINDER BLOCK AND END CAPS



CYLINDER BLOCK AND END CAPS

REF. NO.	PART NO.	SYM.	QTY.	DESCRIPTION
37	32-11635		2	TUBE, WATER BLOCKOFF
38	17814A7		1	THROTTLE POSITION INDICATOR
39	10-13627		3	SCREW
40	13-26996		3	LOCKWASHER
41	12-38833		3	WASHER

CYLINDER BLOCK AND END CAPS

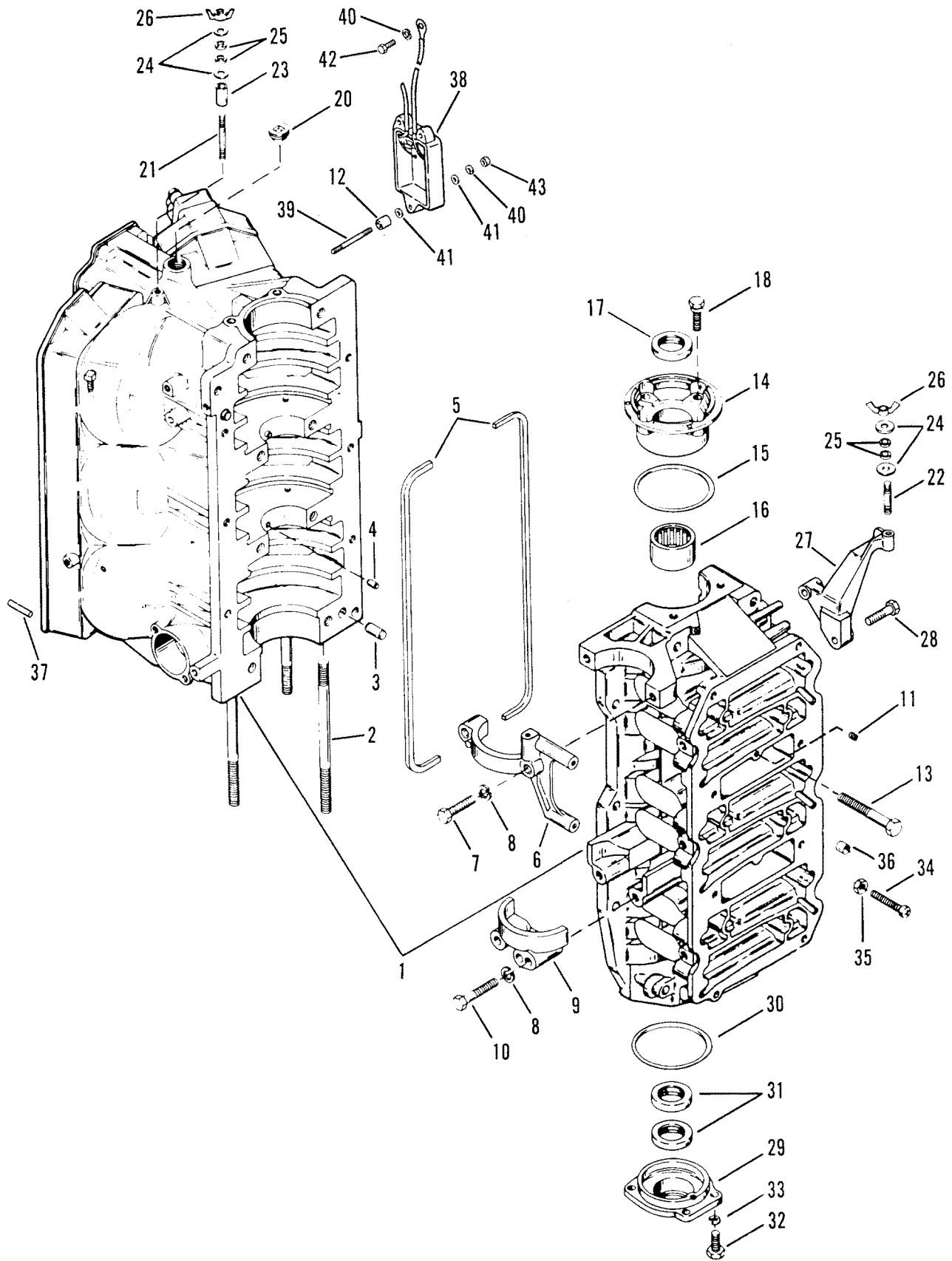


CYLINDER BLOCK AND END CAPS

REF. NO.	PART NO.	SYM.	QTY.	DESCRIPTION
1	858-812357A3		1	CYLINDER BLOCK
2	16-96908		4	STUD, POWERHEAD (2-1/8")
	16-96909		2	STUD, POWERHEAD (7")
	16-96910		2	STUD, POWERHEAD (5-3/4")
	16-97008		2	STUD, POWERHEAD (2")
3	17-20033		2	DOWEL PIN, LOCATING
4	17-67296		2	DOWEL PIN, CYLINDER BLOCK (BEARING RACE)
5	27-11338		2	GASKET, SEALING
6	42249		1	COVER, STARTER MOTOR (UPPER)
7	10-73657		2	SCREW, COVER TO CRANKCASE (1-1/2")
8	13-26993		4	LOCKWASHER, WTARTER MOTOR COVER SCREW
9	76867		1	COVER, STARTER MOTOR (LOWER)
10	10-77065		2	SCREW, COVER TO CRANKCASE (2")
11	21-42657A1		3	CHECK VALVE ASSEMBLY
12	23-94304		3	BUSHING
13	10-66717		8	SCREW, CRANKCASE TO CYLINDER BLOCK (3-1/4")
	10-74824		3	SCREW, CRANKCASE TO CYLINDER BLOCK (1-1/4")
	10-53576		3	SCREW, CRANKCASE TO CYLINDER BLOCK (1-1/8")
14	1159-816777A1		1	END CAP ASSEMBLY, UPPER
15	25-54029		1	"O" RING, END CAP
16	31-74248		1	ROLLER BEARING, END CAP
17	26-41953		1	OIL SEAL, END CAP
18	10-69034		4	SCREW, UPPER END CAP TO CYLINDER BLOCK (1")
20	22-38407		1	PLUG, CYLINDER BLOCK (WATER JACKET)
21	16-15094		1	STUD, FLYWHEEL COVER TO CYLINDER BLOCK (1-7/8")
22	16-15093		2	STUD, FLYWHEEL COVER TO BRACKET (1")
23	23-67269		1	SPACER, FLYWHEEL COVER STUD
24	12-49221--1		6	WASHER, FLYWHEEL COVER STUD
25	12-72761		3	WASHER, FLYWHEEL COVER STUD
26	11-816874		3	NUT, FLYWHEEL COVER STUD
27	99294		1	BRACKET, FLYWHEEL COVER
28	10-76630		2	SCREW, BRACKET TO CRANKCASE
29	1156-7809A1		1	END CAP ASSEMBLY, LOWER
30	25-62700		1	"O" RING, END CAP (3-1/4" I.D)
31	26-41953		2	OIL SEAL, END CAP
32	10-28636		4	SCREW, LOWER END CAP TO CYLINDER
33	13-26992		4	LOCKWASEHR, LOWER END CAP
34	10-64022		1	SCREW, ADJUSTING-CYLINDER BLOCK
35	11-64015		1	NUT, JAM-ADJUSTING SCREW
36	26852		1	CAP, NYLON-ADJUSTING SCREW
37	32-11635		2	TUBE, WATER BLOCKOFF
38	17814A7		1	THROTTLE POSITION INDICAT

CONTINUED ON NEXT PAGE ➡

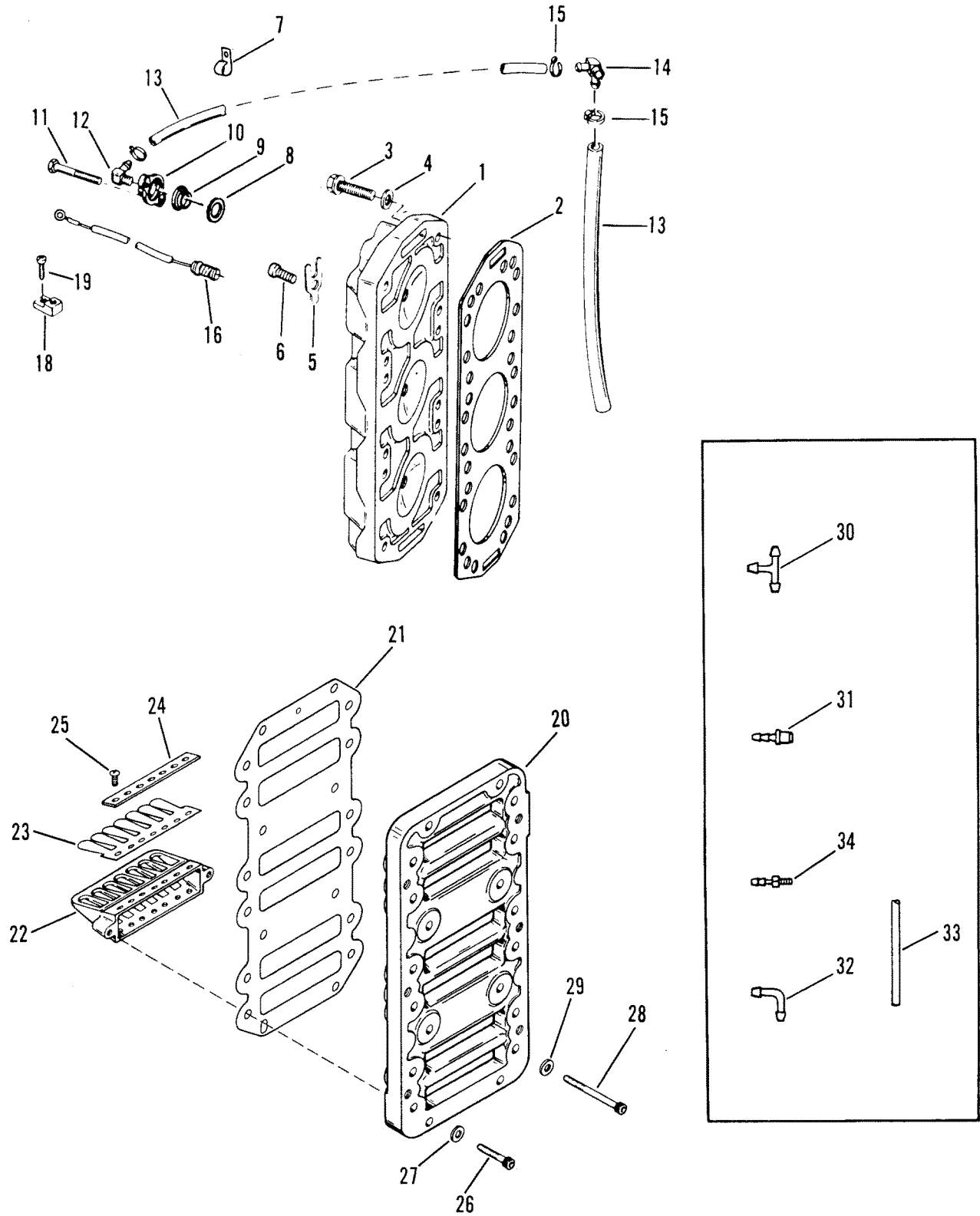
CYLINDER BLOCK AND END CAPS



CYLINDER BLOCK AND END CAPS

REF. NO.	PART NO.	SYM.	QTY.	DESCRIPTION
39	16-69016		3	STUD
40	13-26996		6	LOCKWASHER
41	12-30164		6	WASHER
42	10-42813		1	SCREW
43	11-45812		3	NUT

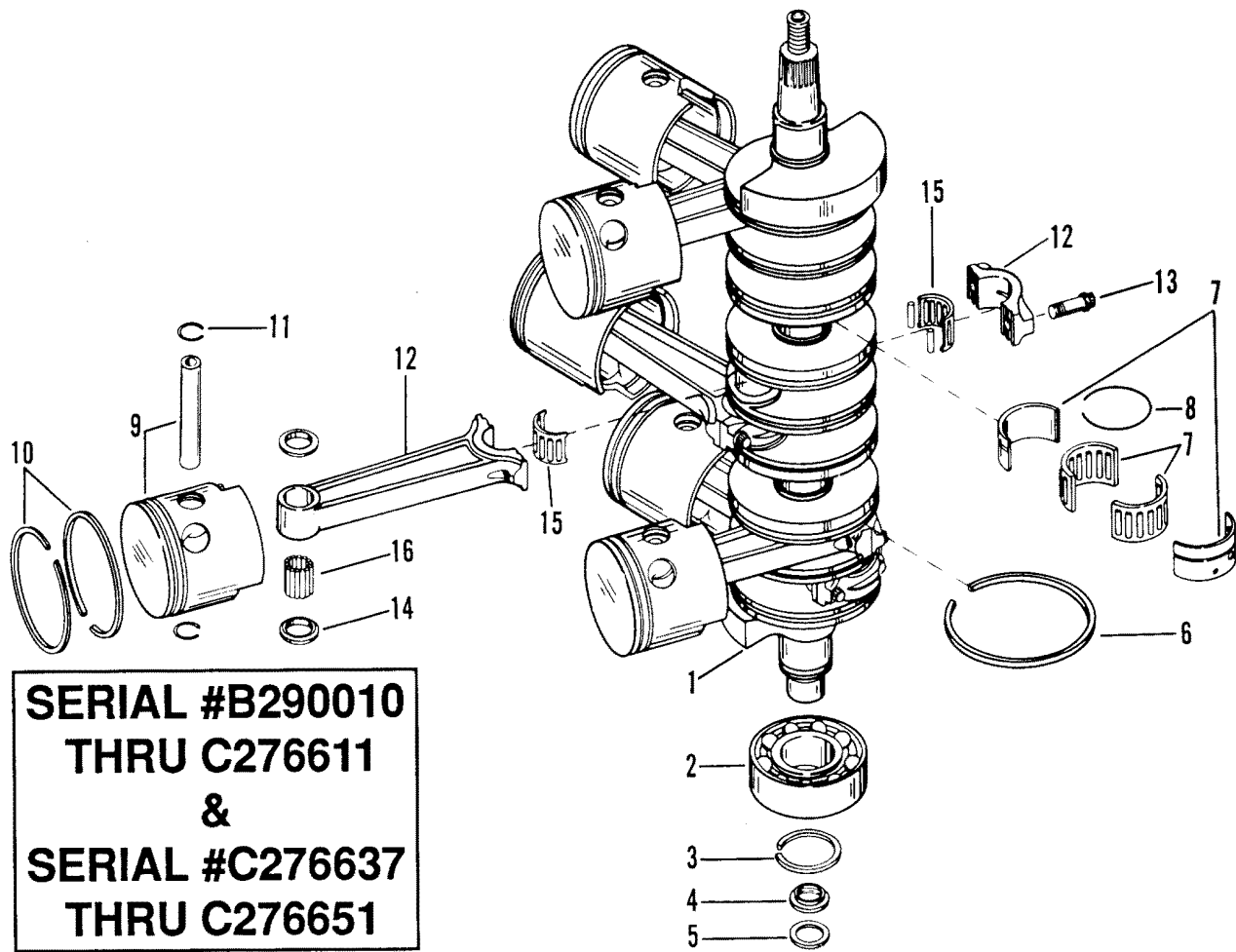
REED BLOCK AND CYLINDER HEAD



REED BLOCK AND CYLINDER HEAD

REF. NO.	PART NO.	SYM.	QTY.	DESCRIPTION
1	15221A2		2	CYLINDER HEAD
2	27-18350		2	GASKET, CYLINDER HEAD
3	10-94929		24	SCREW, CYLINDER HEAD (2")
	10-98534		24	SCREW, CYLINDER HEAD (2-1/3")
4	12-25909		24	WASHER, CYLINDER HEAD SCREW
5	13715		1	RETAINER
6	10-98257		1	SCREW
7	54-814634		1	'J' CLAMP
8	12-47533		2	WASHER, SUBSTITUTE FOR THERMOSTAT
9	27-62386		2	GASKET, THERMOSTAT
10	90390A1		2	COVER, THERMOSTAT
11	10-35386		2	SCREW, THERMOSTAT COVER (1")
	10-38837		2	SCREW, THERMOSTAT COVER (1-1/8")
12	22-68727		1	FITTING, ELBOW-WATER HOSES
13	32-77457--2		1	HOSE, WATER DISTRIBUTION
14	22-68728		1	FITTING, THERMOSTAT COVER TO WATER HOSES
15	54-816311		AR	STA-STRAP, WATER HOSES
16	97465		1	TEMPERATURE SENDER
18	45915		1	TERMINAL BLOCK
19	10-69079		1	SCREW, TERMINAL BLOCK TO CYLINDER BLOCK
20	98709--3		1	PLATE, REED BLOCK MOUNTING
21	27-12775--2		1	GASKET, REED BLOCK HOUSING
22	98711--1		6	REED BLOCK
23	34-14622A1		6	REED ASSEMBLY
24	90391		12	REED CLAMP
25	10-18308		84	SCREW, REEDS TO REED BLOCK
26	10-60147		12	SCREW, REED BLOCK ATTACHING
27	12-20028		12	WASHER, REED BLOCK SCREW
28	10-60147		4	SCREW, PLATE TO CRANKCASE
29	12-35462		4	WASHER, PLATE SCREW
30	22-59169		2	TEE FITTING, BLEED HOUSE
31	22-56759		2	FITTING, BLEED HOSE (PRESS IN-CRANKCASE SIDE)
32	22-94090		1	ELBOW, CRANKCASE TOP
33	32-66285--4		AR	HOSE, PULSE
34	21-42623		1	CHECK VALVE, TOP (PRESS-IN)
	21-42658		1	CHECK VALVE, BOTTOM
	21-817031		1	CHECK VALVE, BOTTOM (40 DEGREES)

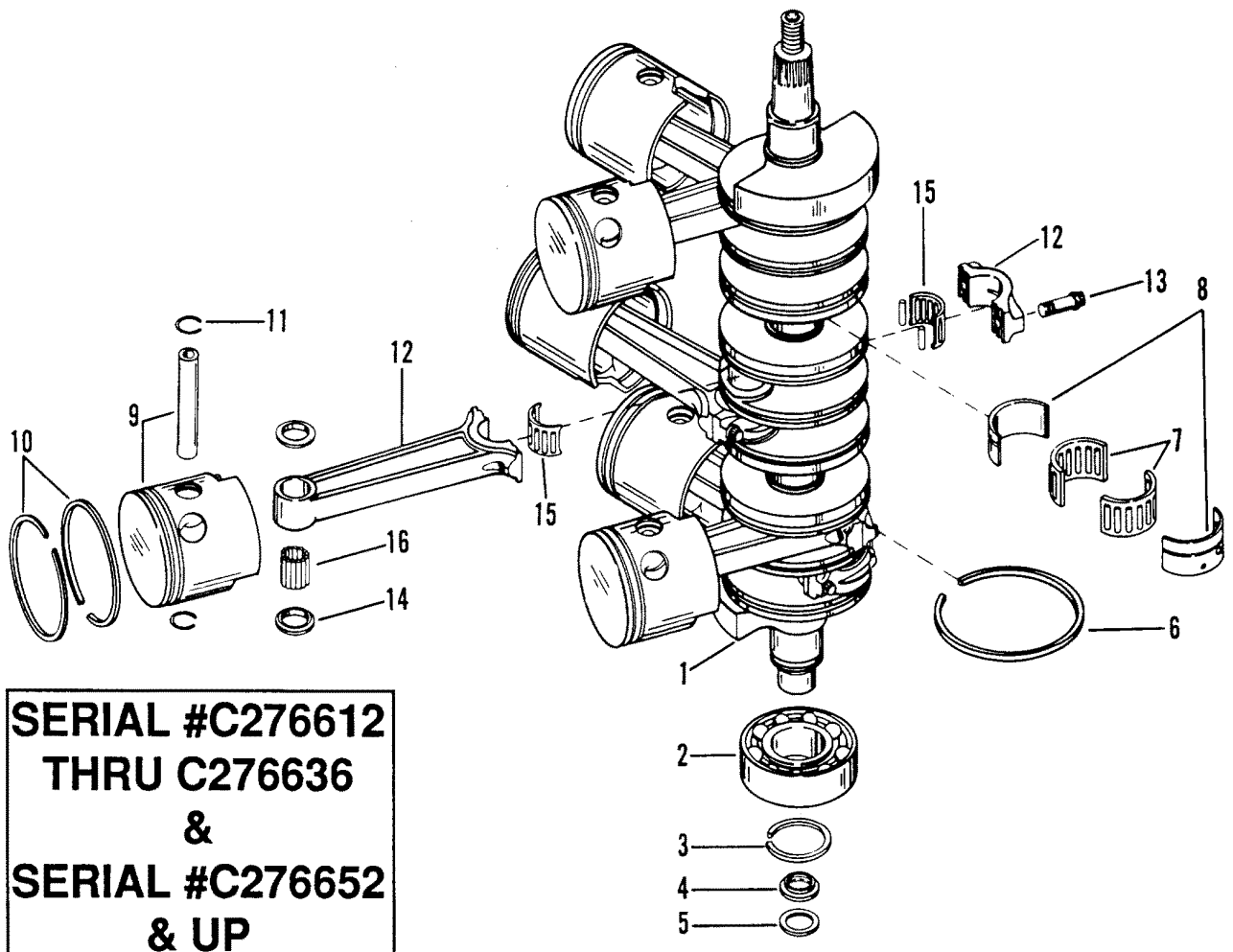
CRANKSHAFT, PISTONS AND CONNECTING RODS



CRANKSHAFT, PISTONS AND CONNECTING RODS

REF. NO.	PART NO.	SYM.	QTY.	DESCRIPTION
1	455-7666A4		1	CRANKSHAFT ASSEMBLY
2	30-41421		1	BALL BEARING, CRANKSHAFT (LOWER)
3	53-67446		1	RETAINING RING, BALL BEARING
4	54196A6		1	CARRIER ASSEMBLY, SEAL
5	65800		1	SEAL, CARRIER
6	39-67377		8	RING, SEALING-CRANKSHAFT (.124 THICK)
7	31-93495		2	ROLLER BEARING, CRANKSHAFT
8	53-67444		2	RETAINING RING, ROLLER BEARING
9	766-812534A2		3	PISTON ASSEMBLY (STARBOARD) SERIAL 0B290010-0C174999
	766-812535A2		3	PISTON ASSEMBLY (PORT) SERIAL 0B290010-0C174999
10	39-44395A12		1	PISTON RING ASSEMBLY SERIAL 0B290010-0C174999
11	40-52035		12	LOCK RING, PISTON SERIAL 0B290010-0C174999
9	766-813066A6		3	PISTON ASSEMBLY (STARBOARD) SERIAL 0C175000-00276651
	766-813065A6		3	PISTON ASSEMBLY (PORT) SERIAL 0C175000-00276651
10	39-816802A12		1	PISTON RING ASSEMBLY SERIAL 0C175000-00276651
11	40-17977		12	LOCK RING, PISTON SERIAL 0C175000-00276651
12	636-8119A5		6	CONNECTING ROD ASSEMBLY
13	10-93886		12	SCREW, CONNECTING ROD
14	12-47247		12	WASHER, NEEDLE LOCATING
15	31-17514A1		6	ROLLER BEARING ASSEMBLY, CRANKSHAFT END
16	29-67483		174	NEEDLE BEARING, PISTON END

CRANKSHAFT, PISTONS AND CONNECTING RODS

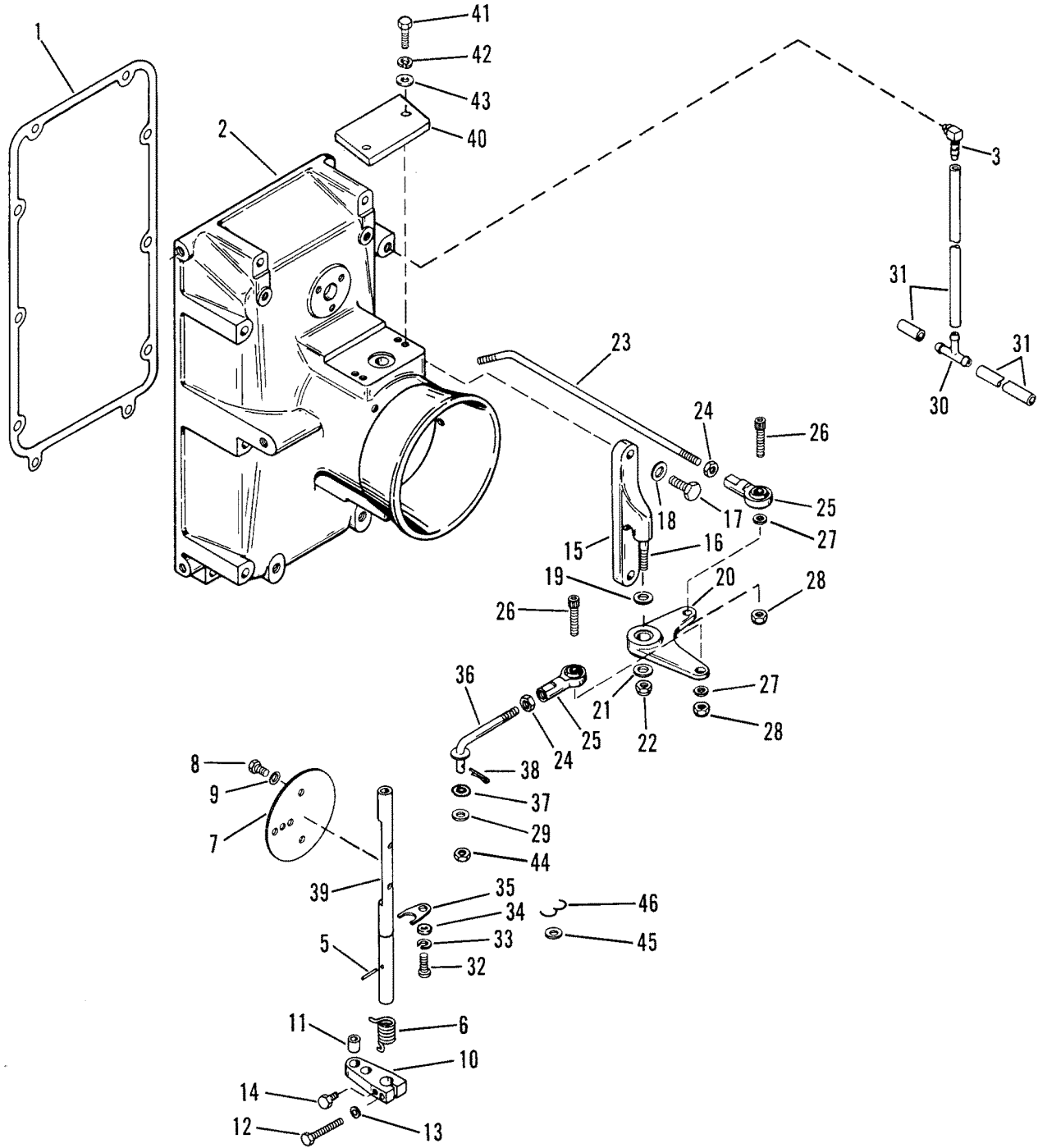


**SERIAL #C276612
THRU C276636
&
SERIAL #C276652
& UP**

CRANKSHAFT, PISTONS AND CONNECTING RODS

REF. NO.	PART NO.	SYM.	QTY.	DESCRIPTION
1	455-7251A7		1	CRANKSHAFT ASSEMBLY
2	30-41421		1	BALL BEARING, CRANKSHAFT (LOWER)
3	53-67446		1	RETAINING RING, BALL BEARING
4	54196A6		1	CARRIER ASSEMBLY, SEAL
5	65800		1	SEAL, CARRIER
6	39-67377		9	RING, SEALING - CRANKSHAFT (.124 THICK)
7	31-67445		2	ROLLER BEARING, CRANKSHAFT
8	31-88903		2	ROLLER BEARING
9	766-815404A3		3	PISTON ASSEMBLY (STARBOARD)
	766-815403A3		3	PISTON ASSEMBLY (PORT)
10	39-816802A12		1	PISTON RING ASSEMBLY
11	40-17977		12	LOCK RING, PISTON
12	625-813865A2		6	CONNECTING ROD ASSEMBLY
13	10-91995		12	SCREW, CONNECTING ROD
14	12-47247		12	WASHER, NEEDLE LOCATING
15	31-17514A1		6	ROLLER BEARING ASSEMBLY, CRANKSHAFT END
16	29-67483		174	NEEDLE BEARING, PISTON END

AIR INLET/THROTTLE LINKAGE

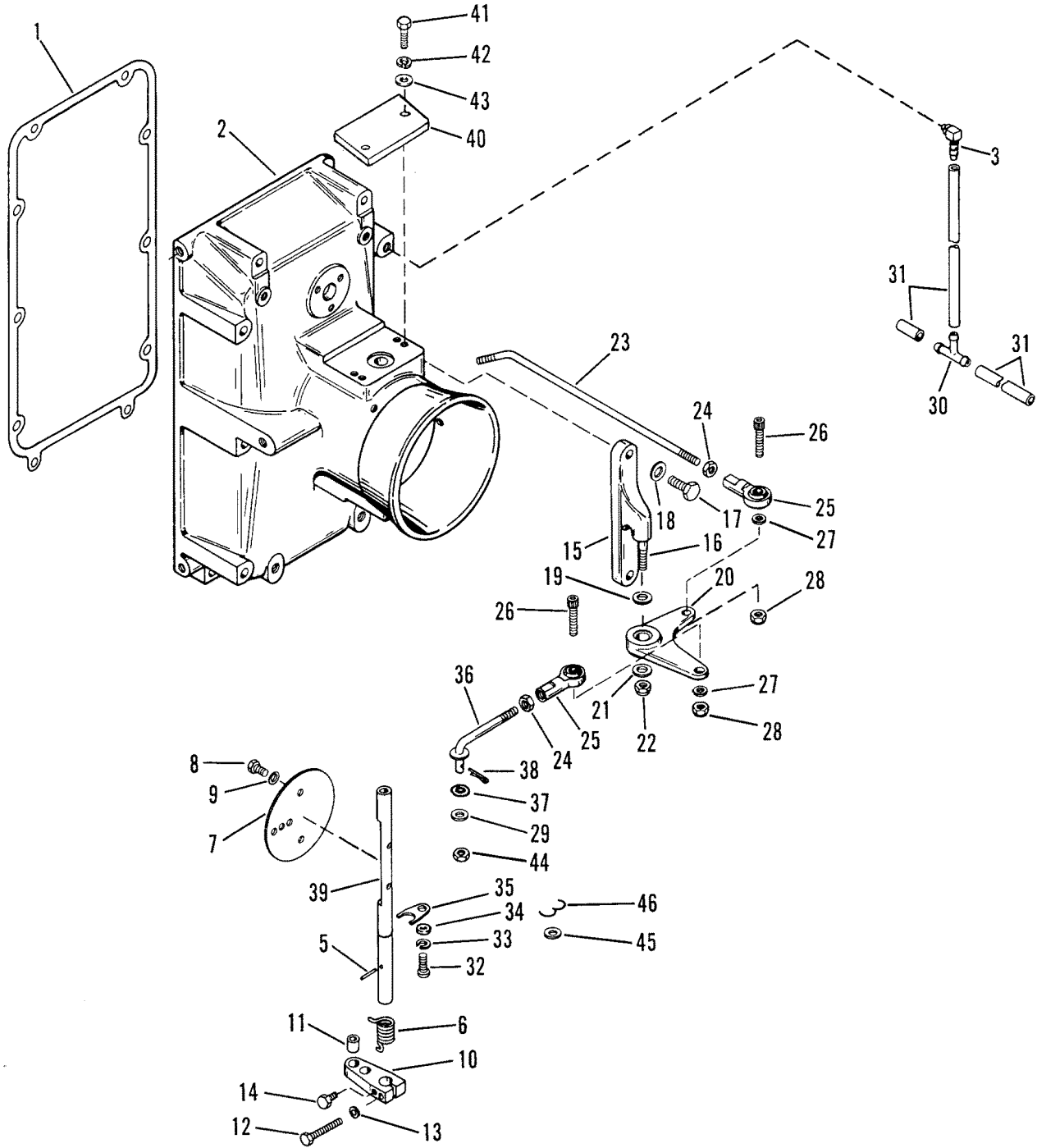


AIR INLET/THROTTLE LINKAGE

REF. NO.	PART NO.	SYM.	QTY.	DESCRIPTION
1	27-99316--1		1	GASKET, AIR INLET
2	13256A2		1	AIR INLET ASSEMBLY
3	22-15133		3	ELBOW
	17-99317		1	RIVET
5	17-24800		2	ROLL PIN, THROTTLE SHAFT
6	24-13554		1	SPRING, THROTTLE
7	98715--4		1	THROTTLE SHUTTER
8	10-68513		2	SCREW, THROTTLE SHUTTER AND CLAMP
9	13-26996		2	LOCKWASHER, THROTTLE SHUTTER SCREW
10	13726		1	THROTTLE LEVER
11	23-12245		1	BUSHING, THROTTLE LEVER
12	10-41089		1	SCREW, THROTTLE LEVER TO SHAFT
13	13-26995		1	LOCKWASHER, THROTTLE LEVER SCREW
14	10-41355		1	SCREW, SET - THROTTLE LEVER
15	13874--1		1	MOUNT, BELLCRANK
16	16-14689		1	STUD, BELLCRANK
17	10-74822		2	SCREW, BELLCRANK MOUNT
18	12-22753		2	WASHER, MOUNT SCREW
19	12-25970		1	WASHER
20	13873--1		1	BELLCRANK
21	12-35462		1	WASHER, BELLCRANK STUD
22	11-35045		1	NUT, BELLCRANK STUD
23	13925		1	LINK, THROTTLE (LONG)
24	11-20013		2	NUT, JAM
25	13923		2	ROD END
26	10-92702		2	SCREW, THROTTLE LINK TO BELLCRANK
27	12-29245		2	WASHER, THROTTLE LINK SCREW
28	11-35045		2	NUT, THROTTLE LINK SCREW
29	12-29245		1	WASHER, THROTTLE LINK
30	22-59169		1	TEE FITTING
31	32-66285--4		1	HOSE, FUEL
32	10-68513		1	SCREW OLD DESIGN
33	13-26996		1	LOCKWASHER OLD DESIGN
34	12-56681		1	WSHER, THROTTLE CLAMP SCREW OLD DESIGN
35	54-12240		1	CLAMP, SHUTTER SHAFT RETAINING OLD DESIGN
36	13926		1	LINK, THROTTLE (SHORT) OLD DESIGN
37	13-29720		1	WAVE WASHER, THROTTLE LINK OLD DESIGN
38	18-21071		1	COTTER PIN, THROTTLE LINK OLD DESIGN
39	13638--1		1	THROTTLE SHAFT OLD DESIGN
40	17872		1	COVER, AIR INLET OLD DESIGN
41	10-76290		2	SCREW, COVER OLD DESIGN
42	13-26996		2	LOCKWASHER, COVER SCREW OLD DESIGN
43	12-38833		2	WASHER, COVER SCREW OLD DESIGN

CONTINUED ON NEXT PAGE ➡

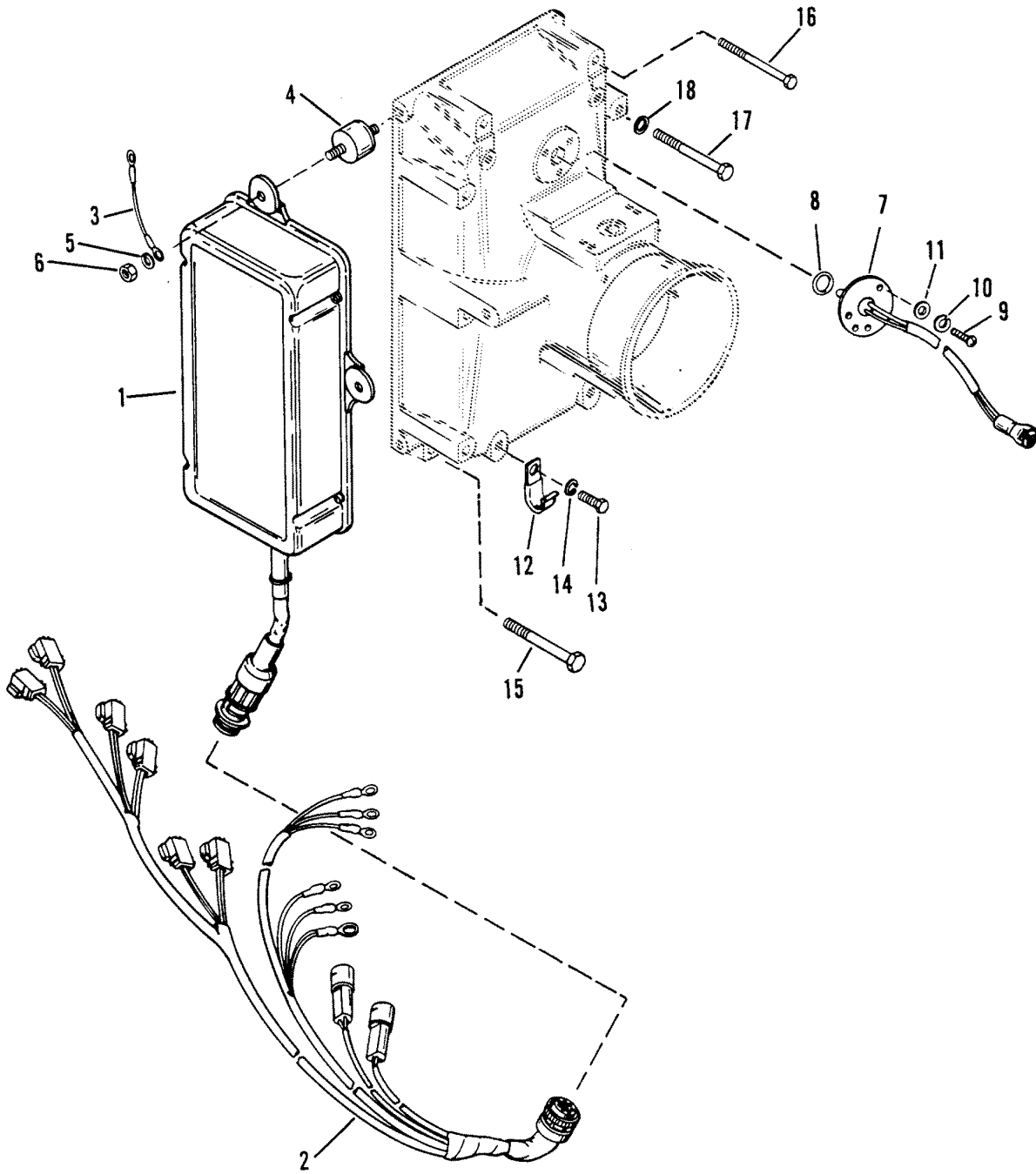
AIR INLET/THROTTLE LINKAGE



AIR INLET/THROTTLE LINKAGE

REF. NO.	PART NO.	SYM.	QTY.	DESCRIPTION
36	13926--1		1	LINK, THROTTLE (SHORT) NEW DESIGN
39	815490--1		1	THORTTLE SHAFT NEW DESIGN
44	11-35045		1	NUT NEW DESIGN
45	12-49339		2	WASHER NEW DESIGN
46	53-87843		2	E RING NEW DESIGN

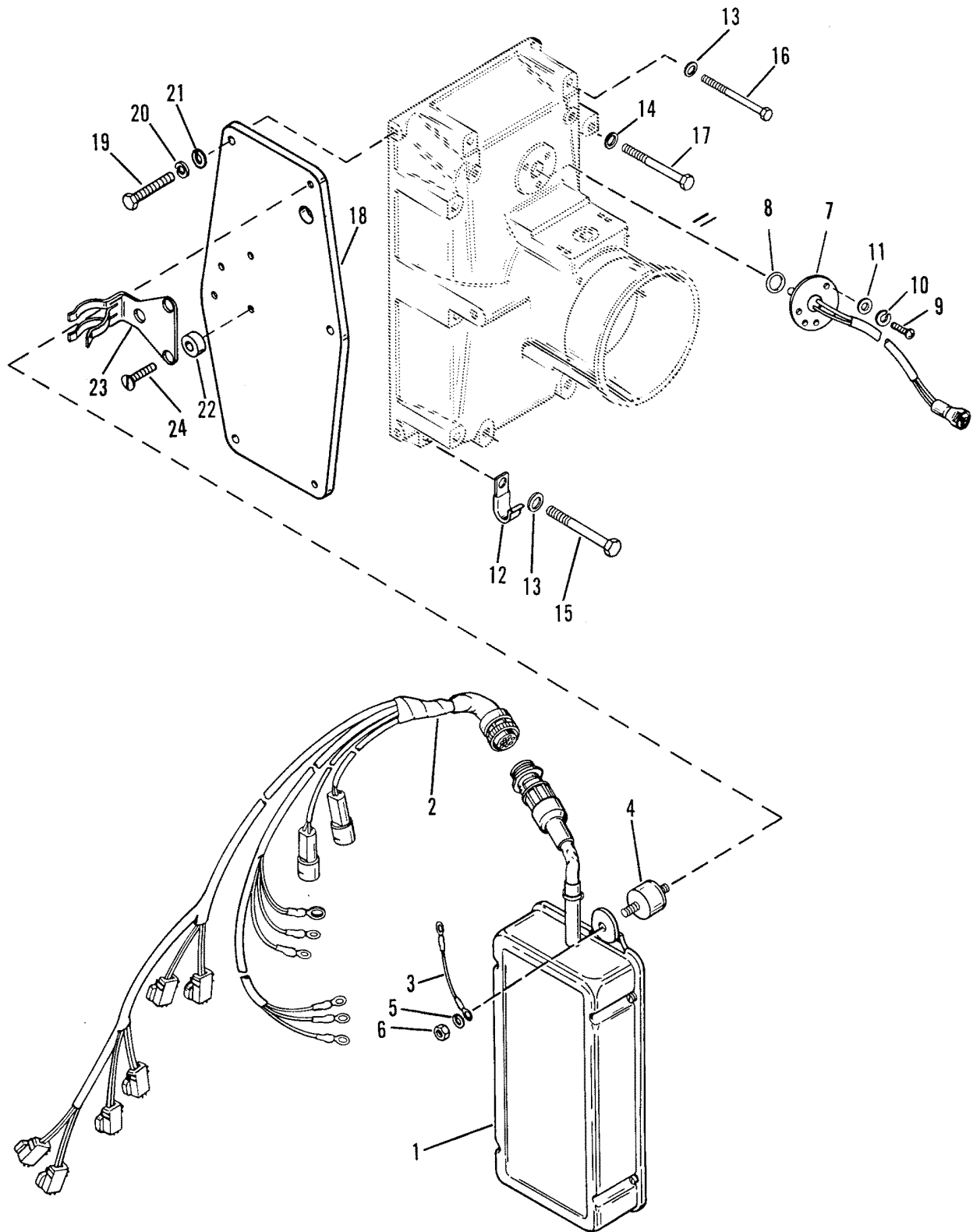
E.F.I. CONTROL BOX WITHOUT MOUNTING PLATE



E.F.I. CONTROL BOX WITHOUT MOUNTING PLATE

REF. NO.	PART NO.	SYM.	QTY.	DESCRIPTION
1	11350A7		1	I. CONTROL BOX
2	84-98866A4		1	HARNESS ASSEMBLY, E.F.I.
3	84-65999A10		1	CABLE ASSEMBLY (BLACK)
4	12234		3	MOUNT, E.F.I. CONTROL BOX
5	12-69056		2	WASHER, MOUNT
6	11-72008		3	NUT, MOUNT
7	96718A1		1	TEMPERATURE SENSOR ASSEMBLY
8	25-45711		1	O RING, TEMPERATURE SENSOR
9	10-57583		3	SCREW, TEMPERATURE SENSOR
10	13-26995		3	LOCKWASHER, TEMPERATURE SENSOR SCREW
11	12-20670		3	WASHER, TEMPERATURE SENSOR SCREW
12	54-92850		2	"J" CLIP, INJECTOR HARNESS SUPPORT
13	10-28635		2	SCREW, "J" CLIP
14	13-26992		2	LOCKWASHER, "J" CLIP SCREW
15	10-70732		2	SCREW, INLET TO ADAPTOR (2") - BOTTOM
16	10-99305		2	SCREW, INLET TO ADAPTOR (3-1/2") - TOP
17	10-74191		4	SCREW, INLET TO ADAPTOR (5/16" X 3-1/4")
18	12-22753		4	WASHER, INLET SCREW

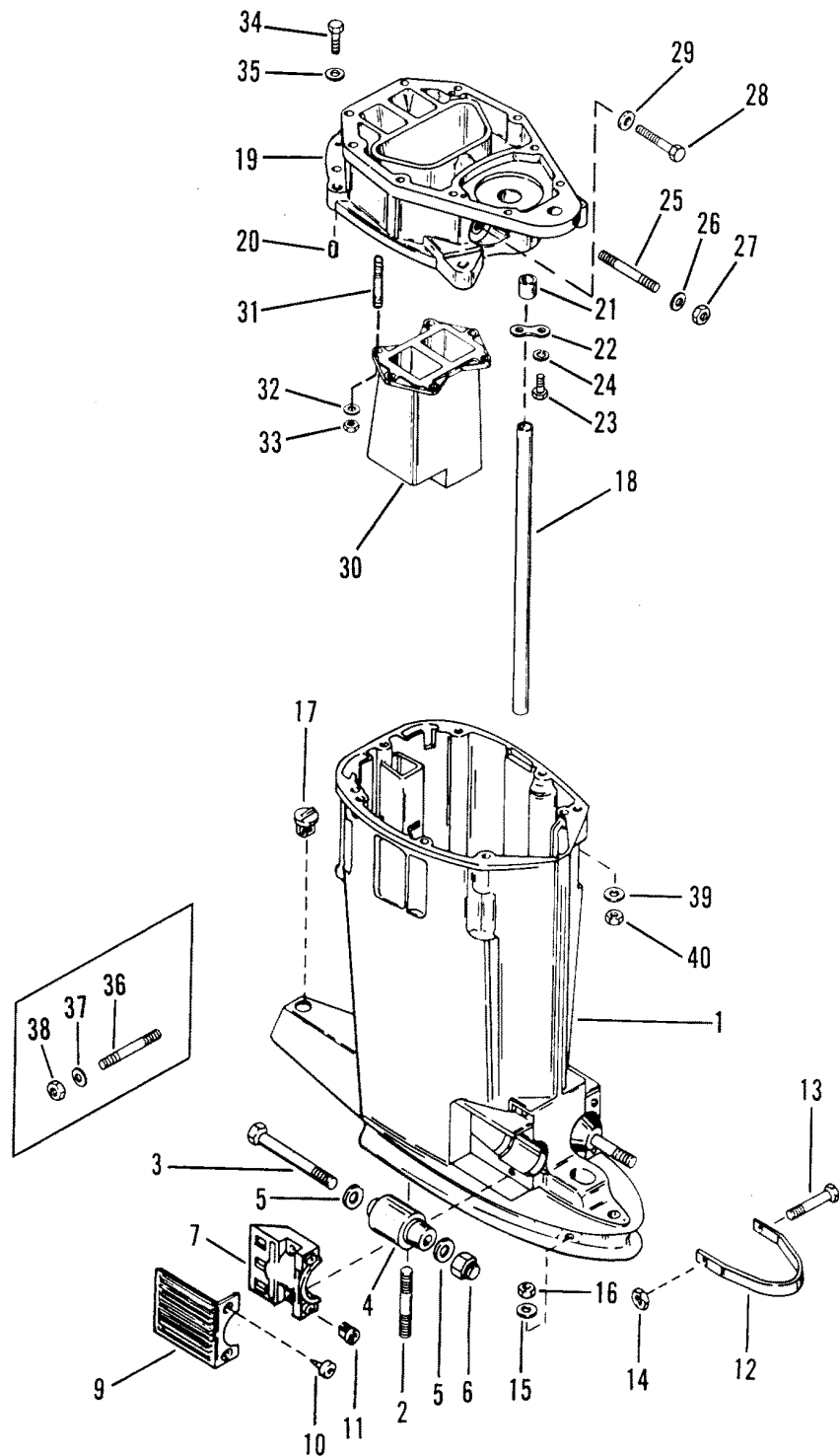
E.F.I. CONTROL BOX WITH MOUNTING PLATE



E.F.I. CONTROL BOX WITH MOUNTING PLATE

REF. NO.	PART NO.	SYM.	QTY.	DESCRIPTION
1	11350A13		1	I. CONTROL BOX
2	84-98866A4		1	HARNESS ASSEMBLY, E.F.I.
3	84-65999A10		1	CABLE ASSEMBLY (BLACK)
4	12234--2		3	MOUNT, E.F.I. CONTROL BOX
5	12-69056		2	WASHER, MOUNT
6	11-56374		3	NUT, MOUNT
7	96718A1		1	TEMPERATURE SENSOR ASSEMBLY
8	25-45711		1	O RING, TEMPERATURE SENSOR
9	10-57583		3	SCREW, TEMPERATURE SENSOR
10	13-26995		3	LOCKWASHER, TEMPERATURE SENSOR SCREW
11	12-20670		3	WASHER, TEMPERATURE SENSOR SCREW
12	54-54457		2	"J" CLIP, INJECTOR HARNESS SUPPORT
13	12-29245		4	WASHER
14	12-22753		4	WASHER, INLET SCREW
15	10-70732		2	SCREW, INLET TO ADAPTOR (2") - BOTTOM
16	10-99305		2	SCREW, INLET TO ADAPTOR (3-1/2") - TOP
17	10-74191		4	SCREW, INLET TO ADAPTOR (5/16" X 3-1/4")
18	815278		1	PLATE
19	10-76630		3	SCREW
20	13-26992		3	LOCKWASHER
21	12-35462		3	WASHER
22	23-53811--1		3	SPACER
23	54-815342		1	CLIP
24	10-14862		3	SCREW

DRIVE SHAFT HOUSING STANDARD

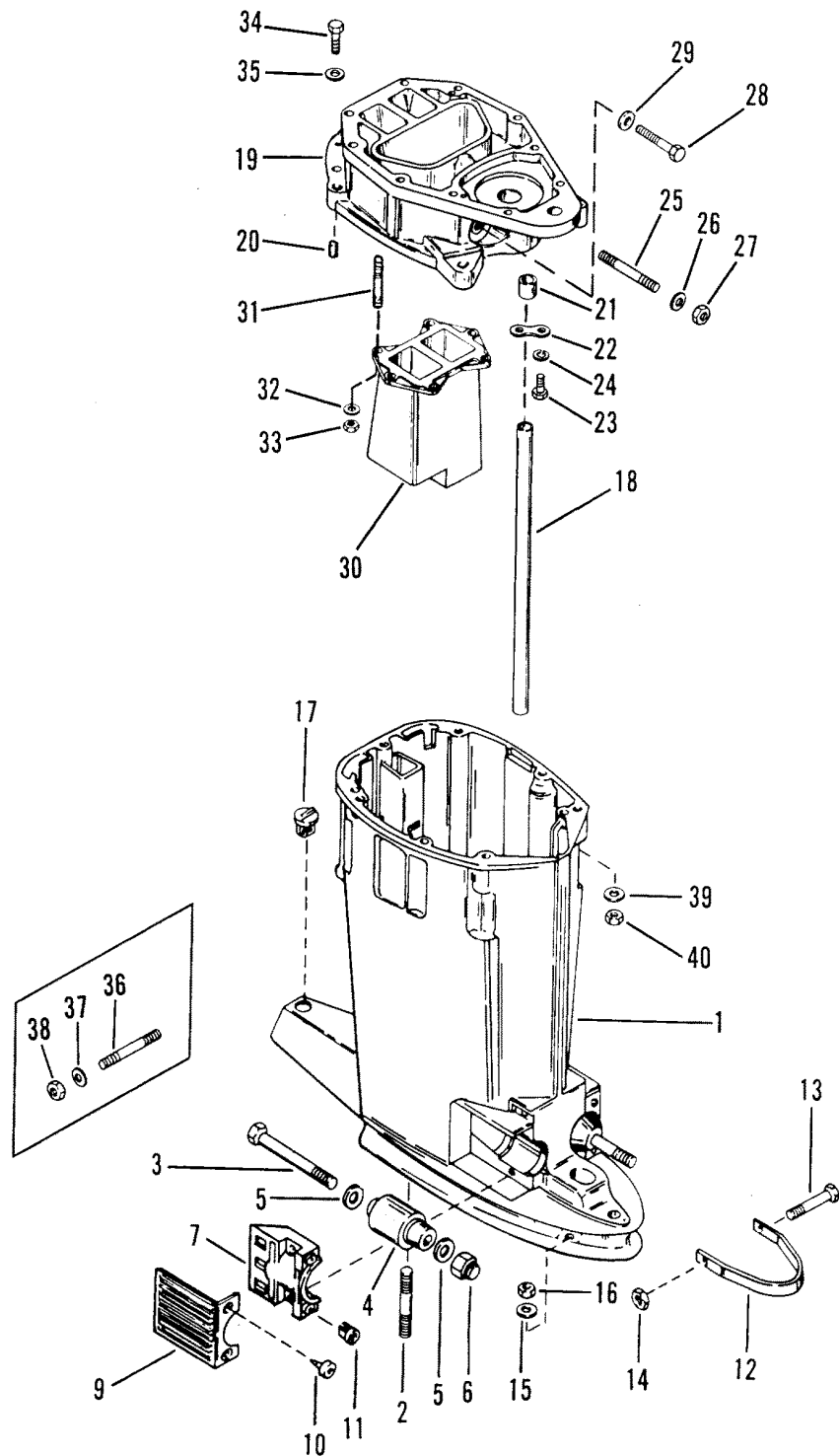


DRIVE SHAFT HOUSING STANDARD

REF. NO.	PART NO.	SYM.	QTY.	DESCRIPTION
1	1590-8837A5		1	DRIVE SHAFT HOUSING ASSEMBLY
2	16-56295		2	STUD, DRIVE SHAFT HSG./GEAR HSG. (LONG)
	16-74732		2	STUD, DRIVE SHAFT HSG./GEAR HSG. (EXTRA LONG)
3	10-63474		2	SCREW, LOWER MOUNT
4	77697		2	MOUNT, LOWER 3.36" MOUNT LENGTH
5	12-49339		2	WASHER, LOWER MOUNT SCREW 3.36" MOUNT LENGTH
4	816054		2	MOUNT, LOWER 3.16" MOUNT LENGTH
5	12-816056		4	WASHER 3.16" MOUNT LENGTH
6	11-25096		2	NUT, LOWER MOUNT SCREW
7	54-67076		2	CLAMP, LOWER MOUNT
9	67077T		2	COVER, LOWER MOUNT CLAMP
10	10-88417		4	SCREW, COVER ATTACHING (5/8")
11	11-35521		4	NUT, NYLON - COVER TO CLAMP SCREW
12	67703		1	STRAP, SWIVEL BRACKET RETAINING
13	10-67769		1	SCREW, STRAP TO DRIVE SHAFT HOUSING
14	11-25269		1	NUT, STRAP TO DRIVE SHAFT HOUSING SCREW
15	12-45176		3	WASHER, GEAR HOUSING STUD
16	11-34933		3	NUT, GEAR HOUSING STUD
17	19-64649		1	PLUG, DRIVE SHAFT HOUSING
18	32-67295		1	TUBE, WATER (LONG)
	32-74729		1	TUBE, WATER (EXTRA LONG)
19	42732A2		1	PLATE ASSEMBLY, DRIVE SHAFT HOUSING
20	17-20033		4	DOWEL PIN, LOCATING
21	26-38970		1	SEAL, WATER TUBE
22	44260		1	RETAINER, WATER TUBE SEAL
23	10-28636		1	SCREW, RETAINER
24	13-26992		1	LOCKWASHER, RETAINER SCREW
25	16-17805		2	STUD, TOP MOUNT STUD ATTACHING
26	12-45176		4	WASHER, TOP MOUNT STUD STUD ATTACHING
27	11-34933		2	NUT, TOP MOUNT STUD STUD ATTACHING
28	10-13212--1		2	SCREW SCREW ATTACHING
29	12-816056		2	WASHER SCREW ATTACHING
30	41941		1	DIFFUSER, EXHAUST
31	16-66021		6	STUD, EXTENSION TO PLATE
32	12-20533		6	WASHER, EXTENSION STUD
33	11-30506		6	NUT, EXTENSION STUD
34	10-91903		3	SCREW, PLATE (1-3/4")
	10-92913		2	SCREW, PLATE (3/4")
35	12-45176		5	WASHER, PLATE SCREW
36	16-69058		4	STUD, LOWER MOUNT CLAMP
37	12-22753		4	WASHER, CLAMP STUD
38	11-35814		4	NUT, CLAMP STUD
39	12-45175		10	WASHER, POWERHEAD STUD

CONTINUED ON NEXT PAGE ➡

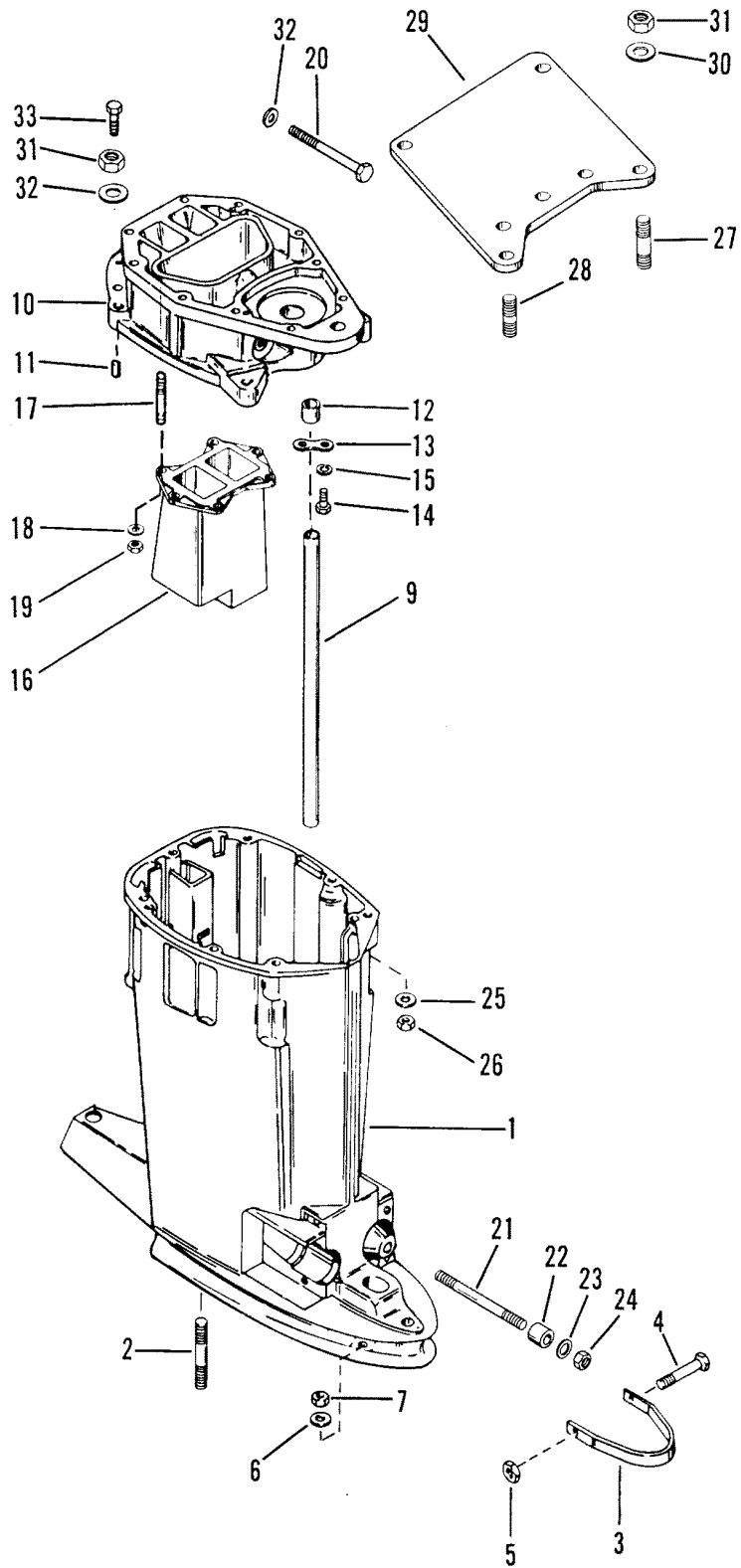
DRIVE SHAFT HOUSING STANDARD



DRIVE SHAFT HOUSING STANDARD

REF. NO.	PART NO.	SYM.	QTY.	DESCRIPTION
40	11-34932		8	NUT, POWERHEAD STUD (FULL)
	11-34863		2	NUT, POWERHEAD STUD (THIN)
-	78148A1		2	SPACER ASSEMBLY EXTRA LONG
-	17-20033		2	PIN, LOCATING - SPACER EXTRA LONG
-	10-66024		1	SCREW EXTRA LONG

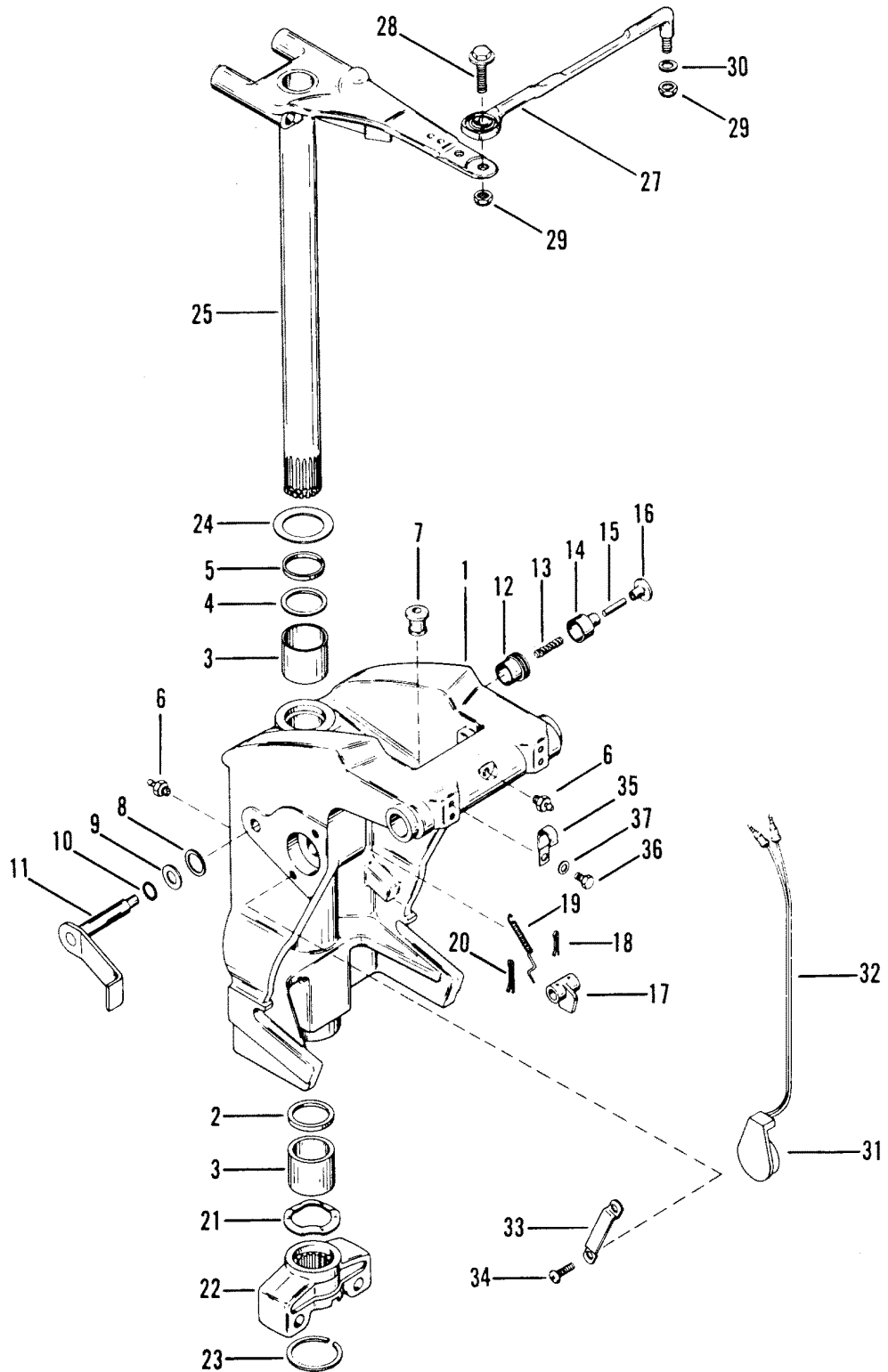
DRIVE SHAFT HOUSING OFFSHORE



DRIVE SHAFT HOUSING OFFSHORE

REF. NO.	PART NO.	SYM.	QTY.	DESCRIPTION
1	1581-8683A15		1	DRIVE SHAFT HOUSING ASSEMBLY
2	16-56295		2	STUD, DRIVE SHAFT HSG./GEAR HSG. (LONG)
	16-74732		2	STUD, DRIVE SHAFT HGS./GEAR HSG. (EXTRA LONG)
3	67703		1	STRAP, SWIVEL BRACKET RETAINING
4	10-67769		1	SCREW, STRAP TO DRIVE SHAFT HOUSING
5	11-25269		1	NUT, STRAP TO DRIVE SHAFT HOUSING SCREW
6	12-45176		3	WASHER, GEAR HOUSING STUD
7	11-34933		3	NUT, GEAR HOUSING STUD
9	32-67295		1	TUBE, WATER (LONG)
	32-74729		1	TUBE, WATER (EXTRA LONG)
10	42732A3		1	PLATE ASSEMBLY, DRIVE SHAFT HOUSING
11	17-20033		4	DOWEL PIN, LOCATING
12	26-38970		1	SEAL, WATER TUBE
13	44260		1	RETAINER, WATER TUBE SEAL
14	10-28636		1	SCREW, RETAINER
15	13-26992		1	LOCKWASHER, RETAINER SCREW
16	41941		1	DIFFUSER, EXHAUST
17	16-66021		6	STUD, EXTENSION TO PLATE
18	12-20533		6	WASHER, EXTENSION STUD
19	11-30506		6	NUT, EXTENSION STUD
20	10-13212--1		2	SCREW, UPPER MOUNT
21	16-42355		2	STUD, MOUNTING - LOWER STUD LENGTH IS 4-7/10"
22	23-42356		2	SPACKER, MOUNTING STUD STUD LENGTH IS 4-7/10"
23	12-54012		AR	WASHER, MOUNTING STUD STUD LENGTH IS 4-7/10"
24	11-35000		2	NUT, MOUNTING STUD STUD LENGTH IS 4-7/10"
21	16-816055		2	STUD STUD LENGTH IS 4-1/2"
22	23-816057		2	SPACER STUD LENGTH IS 4-1/2"
23	12-816056		4	WASHER STUD LENGTH IS 4-1/2"
24	11-28040		2	NUT STUD LENGTH IS 4-1/2"
25	12-45175		10	WASHER, POWERHEAD STUD
26	11-34932		8	NUT, POWERHEAD STUD (FULL)
	11-34863		2	NUT, POWERHEAD STUD (THIN)
27	16-56298		2	STUD, TIE ROD, DRIVE SHAFT HOUSING (LONG) OLD DESIGN
28	16-99449		3	STUD, TIE ROD, EXHAUST PLATE (SHORT) OLD DESIGN
29	41106		1	PALTE, TIE ROD (RIGHT OR LEFT) OLD DESIGN
30	12-45176		5	WASHER, PLATE MOUNTING STUD
31	11-34933		5	NUT, PLATE MOUNTING STUD
32	12-45176		4	WASHER, UPPER MOUNT SCREW
33	10-91903		3	SCREW (1-3/4")
	10-92913		2	SCREW (3/4")
-	78148A1		1	SPACER ASSEMBLY EXTRA LONG
-	17-20033		2	PIN, LOCATING - SPACER EXTRA LONG

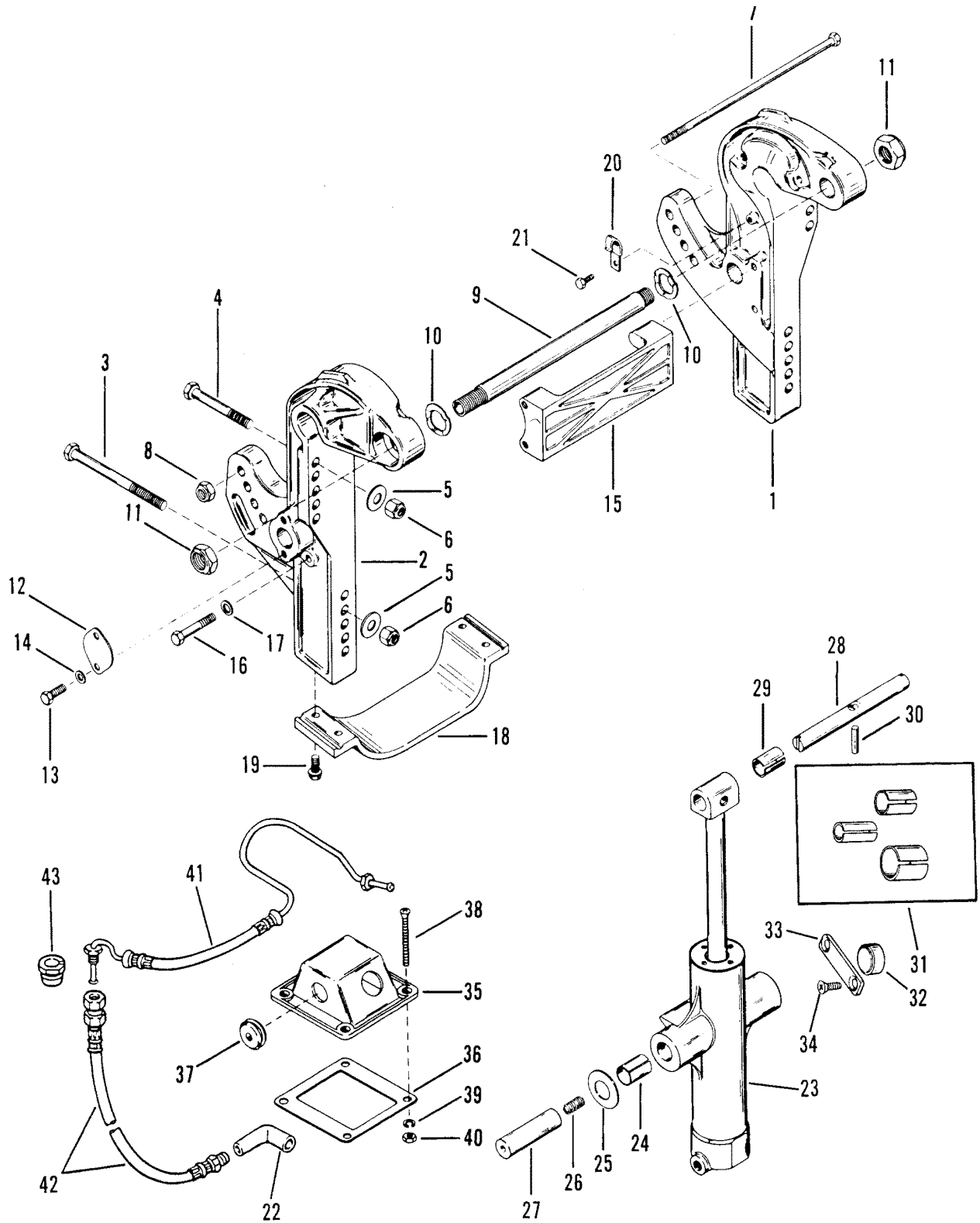
SWIVEL BRACKET AND STEERING ARM



SWIVEL BRACKET AND STEERING ARM

REF. NO.	PART NO.	SYM.	QTY.	DESCRIPTION
1	1491-9225A2		1	SWIVEL BRACKET ASSEMBLY
2	26-87735		1	OIL SEAL, SWIVEL BRACKET (LOWER)
3	23-67669		2	BUSHING, SWIVEL BRACKET-LOWER AND UPPER
4	25-33466		1	"O" RING, SWIVEL BRACKET-UPPER
5	23-67668		1	SPACER, SWIVEL BRACKET-UPPER
6	22-74036		4	FITTING, GREASE
7	25-88341		2	GROMMET, SWIVEL BRACKET (STANDARD)
8	26-85023		2	OIL SEAL, SWIVEL BRACKET
9	12-87161		2	WASHER, TILT LOCK LEVER
10	25-48171		2	"O" RING, TILT LOCK LEVER
11	85030A2		1	LEVER ASSEMBLY, TILT LOCK (PORT)
	85028A2		1	LEVER ASSEMBLY, TILT LOCK (STARBOARD)
12	23-86600		1	BUSHING, TILT LEVER RELEASE
13	24-85367		1	SPRING, TILT LEVER RELEASE
14	41052		1	PLUNGER, TILT LEVER RELEASE
15	16-88876		1	SUTD, PLUNGER
16	86603		1	KNOB, PLUNGER
17	86475--1		1	COUPLING, TILT LOCK LEVER
18	17-69745		2	PIN, LEVER TO COUPLING
19	24-88049		1	SPRING, TENSION-COUPLING
20	18-93861		1	COTTER PIN, COUPLING SPRING
21	13-78854		1	WAVE WASHER, BOTTOM YOKE
22	86580A1		1	BOTTOM YOKE
23	53-67684		1	RETAINING RING, BOTTOM YOKE
24	12-67670		1	WASHER, THRUST-SWIVEL BRACKET
25	17-67706A46		1	SWIVEL PIN AND STEERING ARM ASSEMBLY
27	92876A1		1	STEERING LINK ASSEMBLY
28	10-14000		1	SCREW, STEERING LINK TO STEERING ARM (1-1/4")
29	11-34863		2	NUT, STEERING LINK SCREW
30	12-34931		2	WASHER, STEERING LINK TO STEERING ARM
31	86485A5		1	TRIM SENDER ASSEMBLY-STANDARD
32	84-65017A15		1	HARNESS, TRIM SENDER -STANDARD
31	86485A6		1	TILT SWITCH ASSEMBLY -STANDARD
32	84-65017A14		1	HARNESS, TILT SWITCH -STANDARD
33	88342		2	STRAP, SWITCH AND SENDER -STANDARD
34	10-87926		4	SCREW, STRAP TO SWIVEL BRACKET -STANDARD
35	54-54457		1	CLAMP, SWITCH AND SENDER LEADS -STANDARD
36	10-98256		1	SCREW,, CLAMP TO SWIVEL BRACKET -STANDARD
37	12-29245		1	WASHER, CLAMP SCREW -STANDARD

TRANSOM BRACKETS AND TRIM CYLINDER

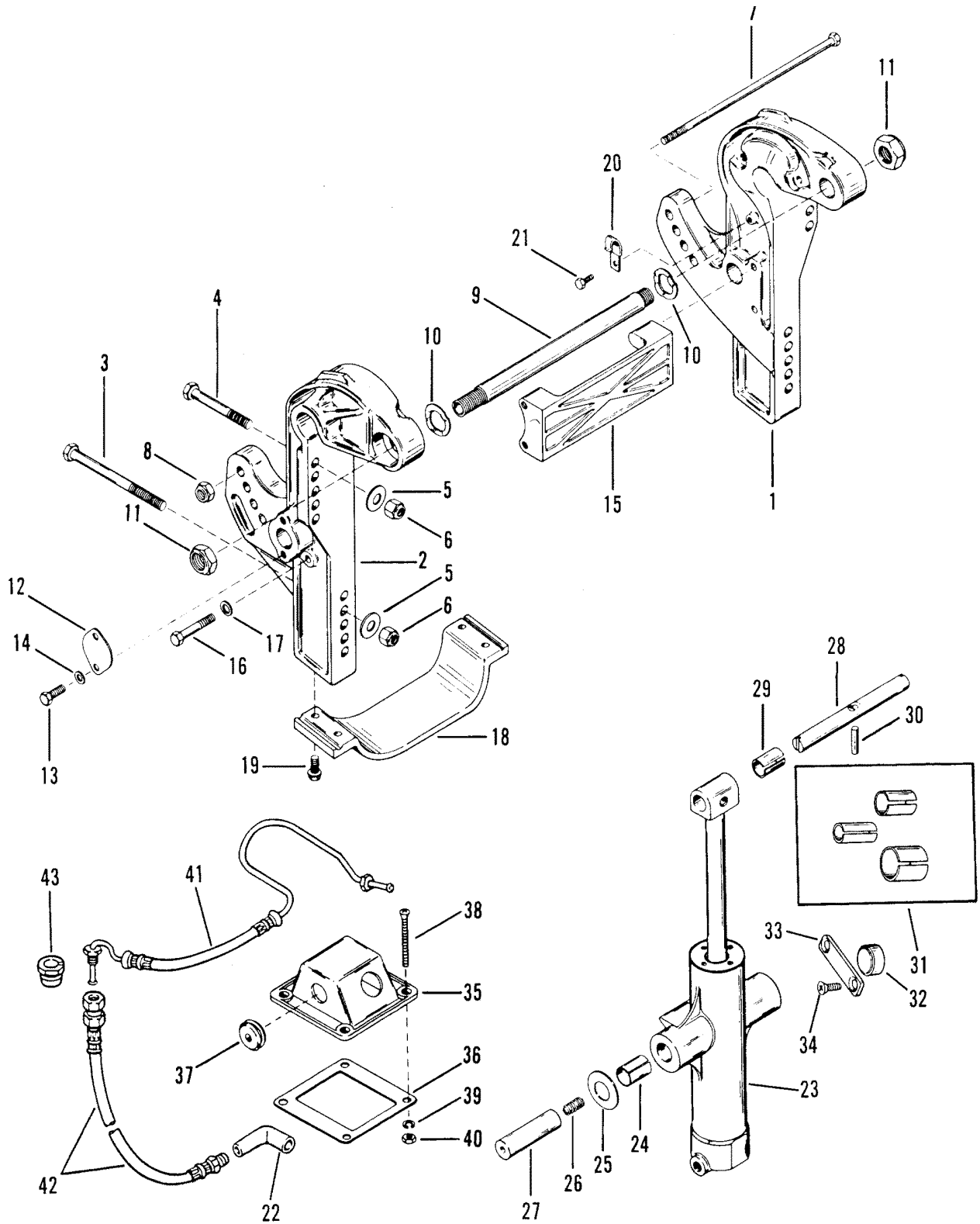


TRANSOM BRACKETS AND TRIM CYLINDER

REF. NO.	PART NO.	SYM.	QTY.	DESCRIPTION
1	1494-7476T1		1	BRACKET, TRANSOM (PORT)
2	1495-7478T1		1	BRACKET, TRANSOM (STARBOARD)
3	10-67755--2		2	SCREW, BRACKET TO TRANSOM (6-1/2")
4	10-67755--1		2	SCREW, BRACKET TO TRANSOM (4-1/2")
5	12-28421		4	WASHER, BRACKET SCREW
6	11-816670		4	NUT, BRACKET SCREW
7	10-87180		1	BOLT, TILT
8	11-20220		1	NUT, TILT BOLT
9	99170A1		1	TILT TUBE
10	13-88750		2	WAVE WASHER, TILT TUBE
11	11-56041		1	NUT, TILT TUBE (7/8-14)
	11-90068T		1	NUT, TILT TUBE (1"-14)
12	85026		2	PLATE, PIVOT PIN
13	10-28636		4	SCREW, PLATE TO TRANSOM BRACKET
14	12-29245		4	WASHER, PLATE SCREW
15	85035T		1	SPACER, TRANSOM BRACKET
16	10-70732		4	SCREW, SPACER TO TRANSOM BRACKET
17	12-29245		4	WASHER, SPACER SCREW
18	89949A1		1	PLATE ASSEMBLY, TRANSOM BRACKET
19	10-89996		4	SCREW, PLATE TO TRANSOM BRACKET
20	54-88512		4	CLAMP, HYDRAULIC HOSE
	54-75275		2	CLAMP, HYDRAULIC HOSE
21	10-88829		6	SCREW, CLAMP TO TRANSOM BRACKET
22	22-87207		1	CONNECTOR, HYDRAULIC HOSE-STANDARD
23	79610A6		1	TRIM CYLINDER (79879A1 REPAIR KIT) -STANDARD
24	23-86489		2	BUSHING, TRIM CYLINDER -STANDARD
25	12-85022		2	WASHER, TRANSOM BRACKET -STANDARD
26	24-30316		2	SPRING, TRIM CYLINDER -STANDARD
27	17-85020		2	PIVOT PIN, TRIM CYLINDER -STANDARD
28	85024		1	SHAFT, TRIM CYLINDER -STANDARD
29	23-86637		2	BEARING, TRIM SHAFT -STANDARD
30	17-91862		1	PIN, TRIM CYLINDER -STANDARD
23	79610A6		1	TRIM CYLINDER -79879A1 REPAIR KIT-OFFSHORE
28	17-98683		1	PIN, TRIM CYLINDER -OFFSHORE
31	23-99813A2		1	BUSHING KIT, TRIM CYLINDER -OFFSHORE
32	98684		2	SPACER -OFFSHORE
33	15933		2	STRAP -OFFSHORE
34	10-15934		4	SCREW -OFFSHORE
35	87871		2	COVER, INLET-HYDRAULIC HOSES
36	27-87775		1	GASKET, INLET COVER
37	25-45507		1	GROMMET, INLET COVER
38	10-36070		4	SCREW, INLET COVER
39	12-20878		4	WASHER, INLET COVER SCREW

CONTINUED ON NEXT PAGE ➡

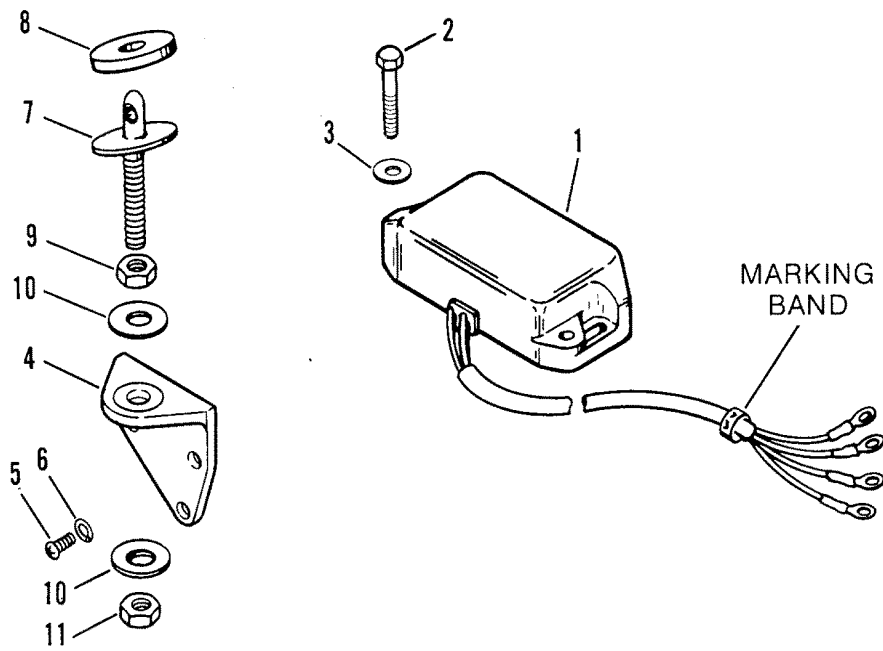
TRANSOM BRACKETS AND TRIM CYLINDER



TRANSOM BRACKETS AND TRIM CYLINDER

REF. NO.	PART NO.	SYM.	QTY.	DESCRIPTION
40	11-68219		4	NUT, INLET COVER SCREW
41	32-96993		1	HOSE, HYDRAULIC-PORT
	32-96994		1	HOSE, HYDRAULIC-STARBOARD
42	32-89024		1	HOSE, HYDRAULIC (PORT)
	32-89023		1	HOSE, HYDRAULIC (STARBOARD)
43	25-12602		2	GROMMET, HYDRAULIC HOSES

REV LIMITER



REV LIMITER

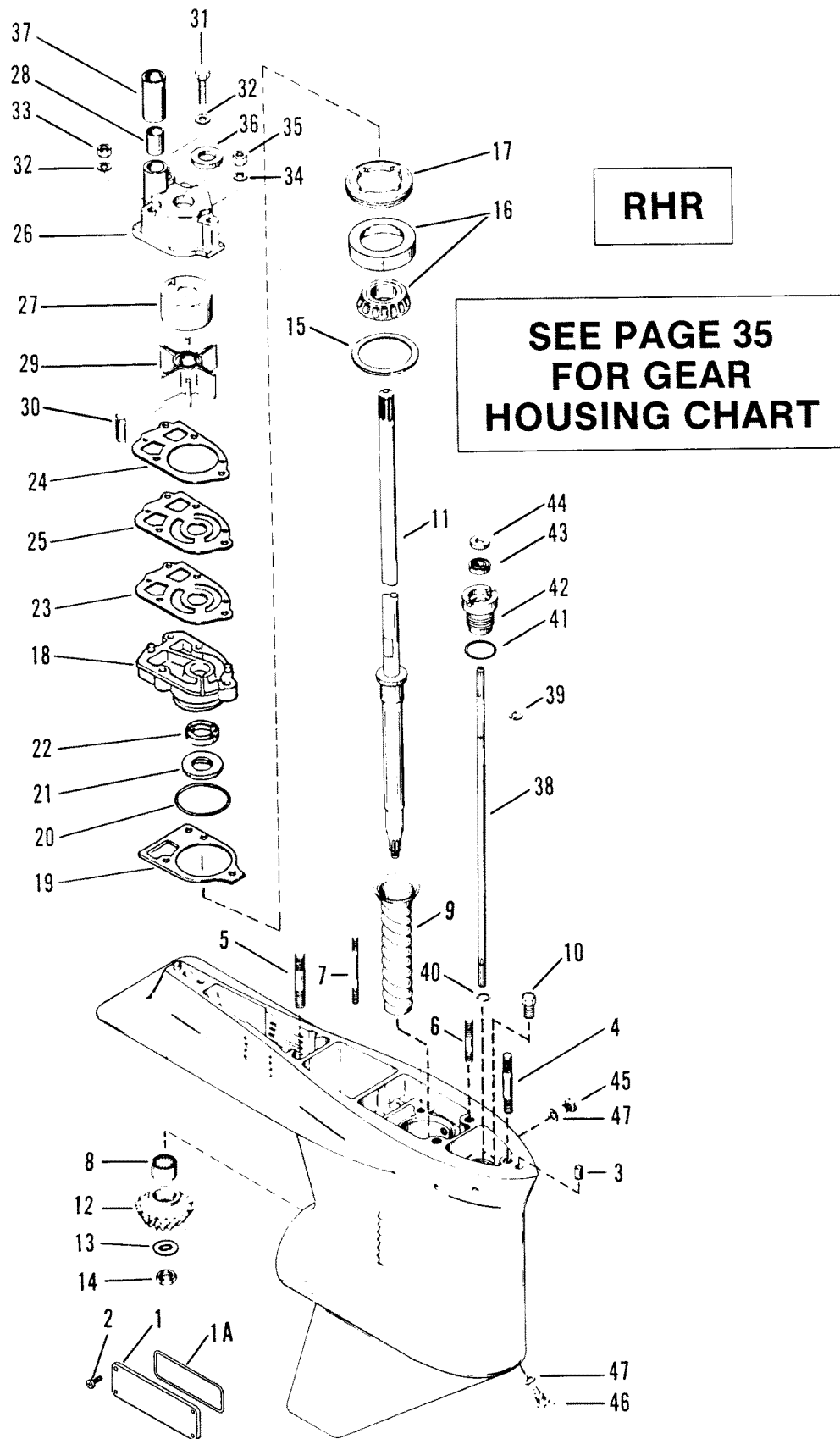
REF. NO.	PART NO.	SYM.	QTY.	DESCRIPTION
1	86926A2		1	REV LIMITER ASSEMBLY MARK #73597-2
2	10-45862		2	SCREW, REV LIMITER MARK #73597-2
3	12-21273		2	WASHER METAL MARK #73597-2
1	86926A4		1	REV LIMITER ASSEMBLY MARK #73597-4
2	10-69020		2	SCREW REV LIMITER MARK #73597-4
3	12-72761		2	WASHER MARK #73597-4
4	14871		1	BRACKET COWL OFFSHORE
5	10-73657		3	SCREW COWL BRACKET OFFSHORE
6	13-26993		3	LOCKWASHER BRACKET SCREW OFFSHORE
7	14984		1	HOLD DOWN COWL OFFSHORE
8	23-99509		1	PAD RUBBER OFFSHORE
9	11-22496		1	NUT JAM OFFSHORE
10	12-22248		2	WASHER OFFSHORE
11	11-34933		1	NUT OFFSHORE

GEAR HOUSING CHART

REF. NO.	PART NO.	SYM.	QTY.	DESCRIPTION
-	1647-9560A3		1	GEAR HOUSING ASSEMBLY (LONG) RHR STANDARD
-	1647-9560A5		1	GEAR HOUSING ASSEMBLY (X-LONG) RHR STANDARD
-	1647-9560A11		1	GEAR HOUSING ASSEMBLY (LONG) LHR STANDARD
-	1647-9560A12		1	GEAR HOUSING ASSEMBLY (X-LONG) LHR STANDARD
-	1647-9560A8		1	GEAR HOUSING ASSEMBLY (BASIC)-RHR STANDARD
-	1647-9560A69		1	GEAR HOUSING ASSEMBLY (BASIC)-LHR STANDARD
-	1647-9561A12		1	GEAR HOUSING ASSEMBLY (LONG) RHR OFFSHORE
-	1647-9561A13		1	GEAR HOPUSING ASSEMBLY (X-LONG) RHR OFFSHORE
-	1647-9561A10		1	GEAR HOUSING ASSEMBLY (LONG) LHR OFFSHORE
-	1647-9561A11		1	GEAR HOUSING ASSEMBLY (X-LONG) LHR OFFSHORE
-	1647-9561A9		1	GEAR HOUSING ASSEMBLY (BASIC)-RHR OFFSHORE
-	1647-9561A69		1	GEAR HOUSING ASSEMBLY (BASIC)-LHR OFFSHORE

THIS PAGE INTENTIONALLY LEFT BLANK

GEAR HOUSING (DRIVE SHAFT) RHR

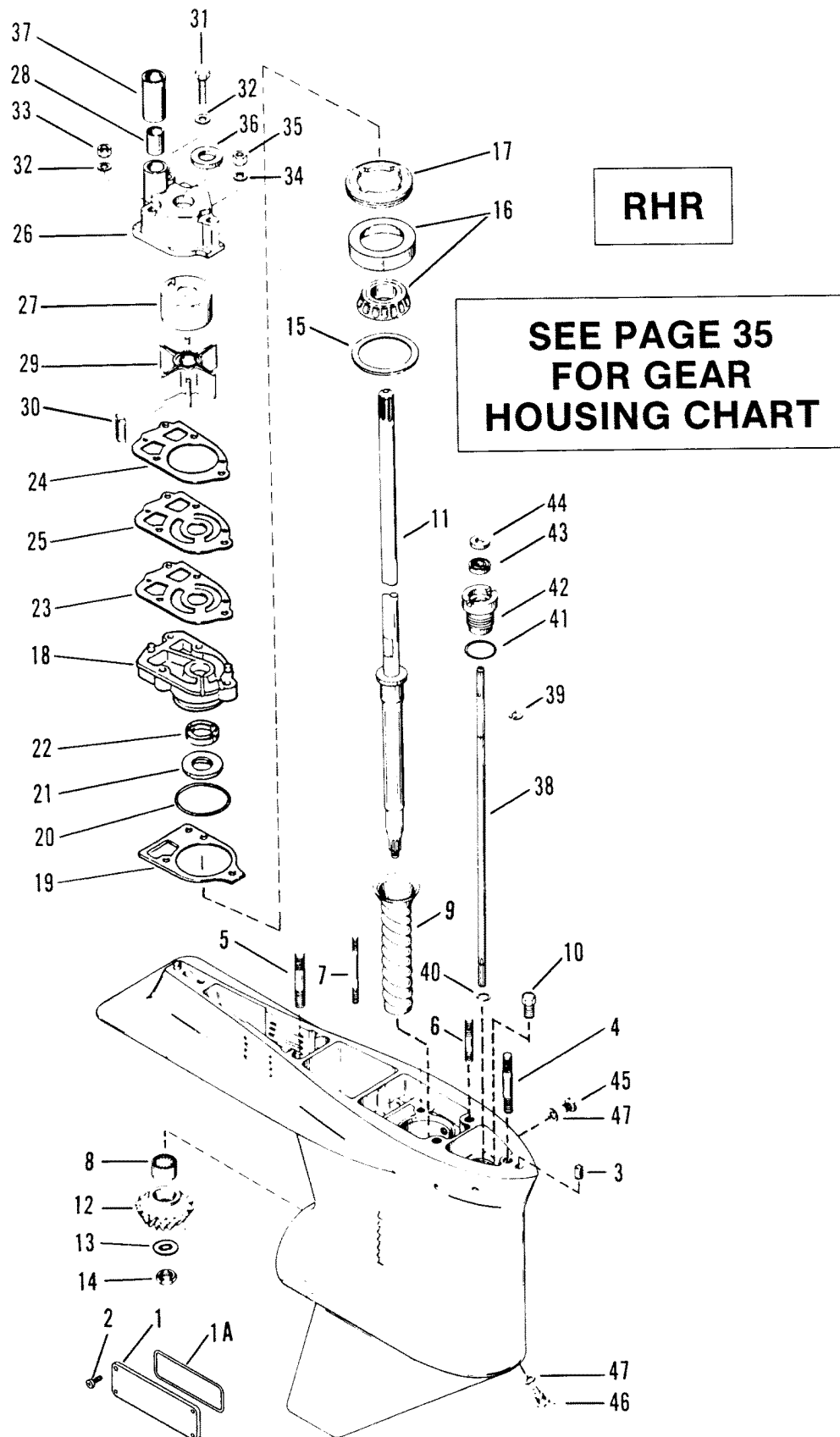


GEAR HOUSING (DRIVE SHAFT) RHR

REF. NO.	PART NO.	SYM.	QTY.	DESCRIPTION
1	12144		2	COVER, WATER PASSAGE
1A	25-39695		2	"O" RING, COVER
2	10-87926		8	SCREW, COVER
3	17-20033		2	DOWEL PIN, GEAR HOUSING LOCATING
4	16-78638		1	STUD, GEAR HOUSING (3-1/8")-LONG
	16-78639		1	STUD, GEAR HOUSING (9")-EXTRA LONG
5	16-57920		2	STUD,GEAR HOUSING (2-1/16")-LONG
	16-74730		2	STUD, GEAR HOUSING (7-1/16")-EXTRA LONG
6	16-56297		1	STUD, WATER PUMP(3-3/8")
7	16-30667		2	STUD, WATER PUMP (3-1/4")
8	31-42647A1		1	ROLLER BEARING, DRIVE SHAFT
9	23-43998		1	SLEEVE, LUBRICATION
10	22-13820		1	PIPE PLUG
11	45-44000		1	DRIVE SHAFT (LONG)
	45-44209		1	DRIVE SHAFT (EXTRA LONG)
12	N.S.S.		1	PINION GEAR (PART OF 43-44104A2)
13	12-92721		1	WASHER, PINION GEAR
14	11-35921		1	NUT, PINION GEAR TO DRIVE SHAFT
15	15-42637A1		AR	SHIM ASSEMBLY, ROLLER BEARING TO GEAR HOUSING
16	34-36387A1		1	ROLLER BEARING, DRIVE SHAFT
17	11-42633		1	NUT, DRIVE SHAFT BEARING
18	46-44292A3		1	WATER PUMP BASE ASSEMBLY
19	27-42631		1	GASKET, WATER PUMP TO GEAR HOUSING
20	25-90011		1	"O" RING, WATER PUMP
21	26-89238		1	OIL SEAL, WATER PUMP
22	26-16977		1	OIL SEAL, WATER PUMP
23	27-18051		1	GASKET, LOWER-WATER PUMP
24	27-85609--1		1	GASKET, UPPER-WATER PUMP
25	32435		1	PLATE, FACE-WATERP PUMP
26	46-96148A1		1	WATER PUMP BODY ASSEMBLY
27	48752		1	INSERT, WATER PUMP BODY
28	26-38970		1	SEAL, RUBBER - WATER INLET TUBE
29	47-89984		1	IMPELLER, WATER PUMP
30	28-56654		1	KEY, IMPELLER DRIVE
31	10-96411		1	SCREW, WATER PUMP (2-1/4")
32	12-29245		2	WASHER, WATER PUMP SCREW AND STUD
33	11-13438		2	NUT, WATER PUMP STUD
34	12-36001		1	WASHER, WATER PUMP STUD
35	11-13436		1	NUT, WATER PUMP STUD
36	25-30271		1	RING, RUBBER (DRIVE SHAFT)
37	23-29804		1	SLEEVE, GUIDE - WATER INLET TUBE
38	78902		1	SHAFT, SHIFT - LOWER
39	53-29641		1	"E" RING, RETAINING - SHIFT SHAFT

CONTINUED ON NEXT PAGE ➡

GEAR HOUSING (DRIVE SHAFT) RHR

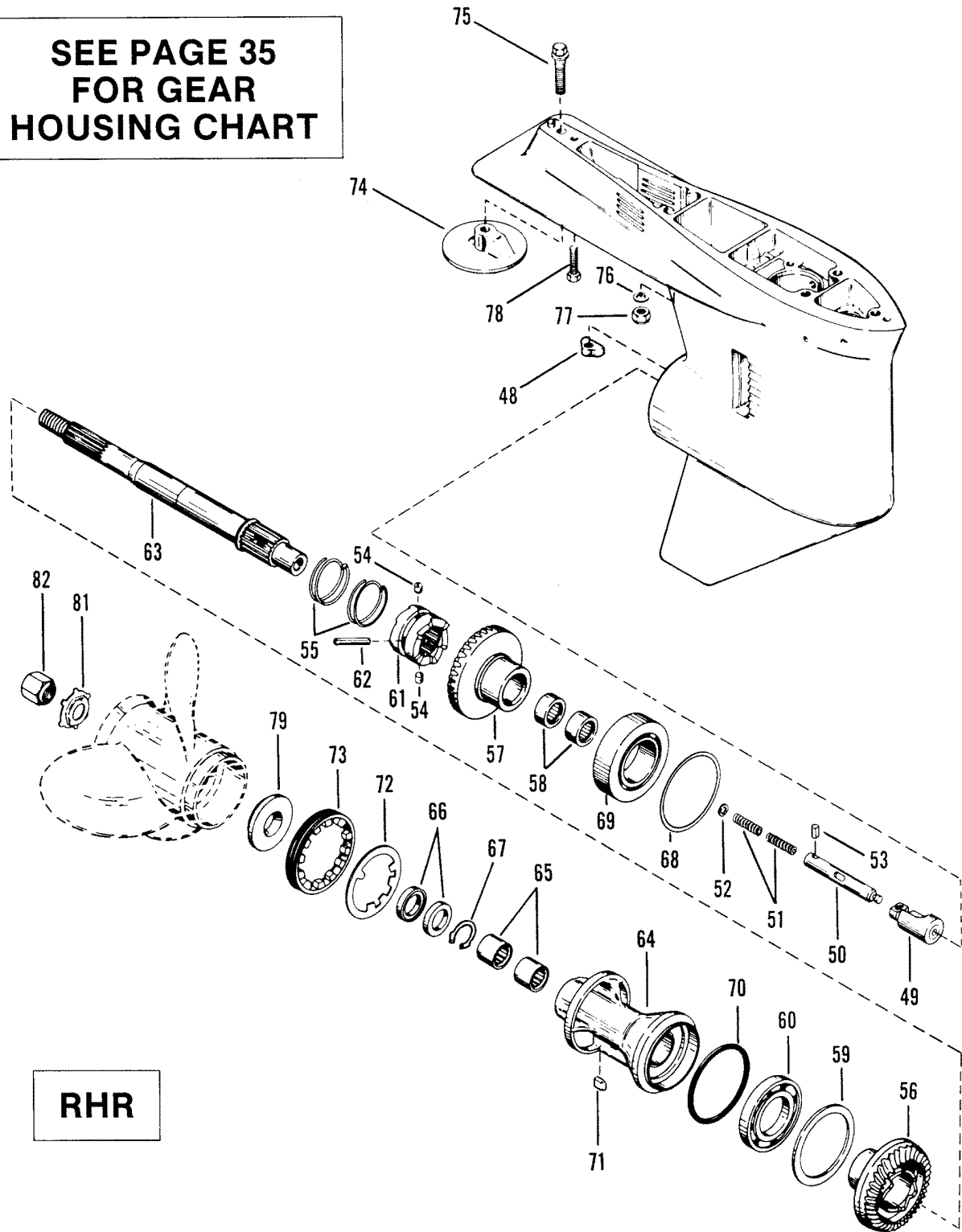


GEAR HOUSING (DRIVE SHAFT) RHR

REF. NO.	PART NO.	SYM.	QTY.	DESCRIPTION
40	53-78907		1	RETAINING RING
41	25-25439		1	"O" RING, SHIFT SHAFT BUSHING
42	23-77631A2		1	BUSHING ASSEMBLY, SHIFT SHAFT
43	26-76384		1	OIL SEAL, SHIFT SHAFT BUSHING
44	12-77674		1	WASHER, RUBBER - SHIFT SHAFT BUSHING
45	10-79953		1	SCREW, GREASE FILLER
46	10-14834		1	SCREW, DRAIN (MAGNETIC)
47	12-19183		2	WASHER, GREASE FILLER AND DRAIN SCREW

GEAR HOUSING (PROPELLER SHAFT) RHR

SEE PAGE 35
FOR GEAR
HOUSING CHART

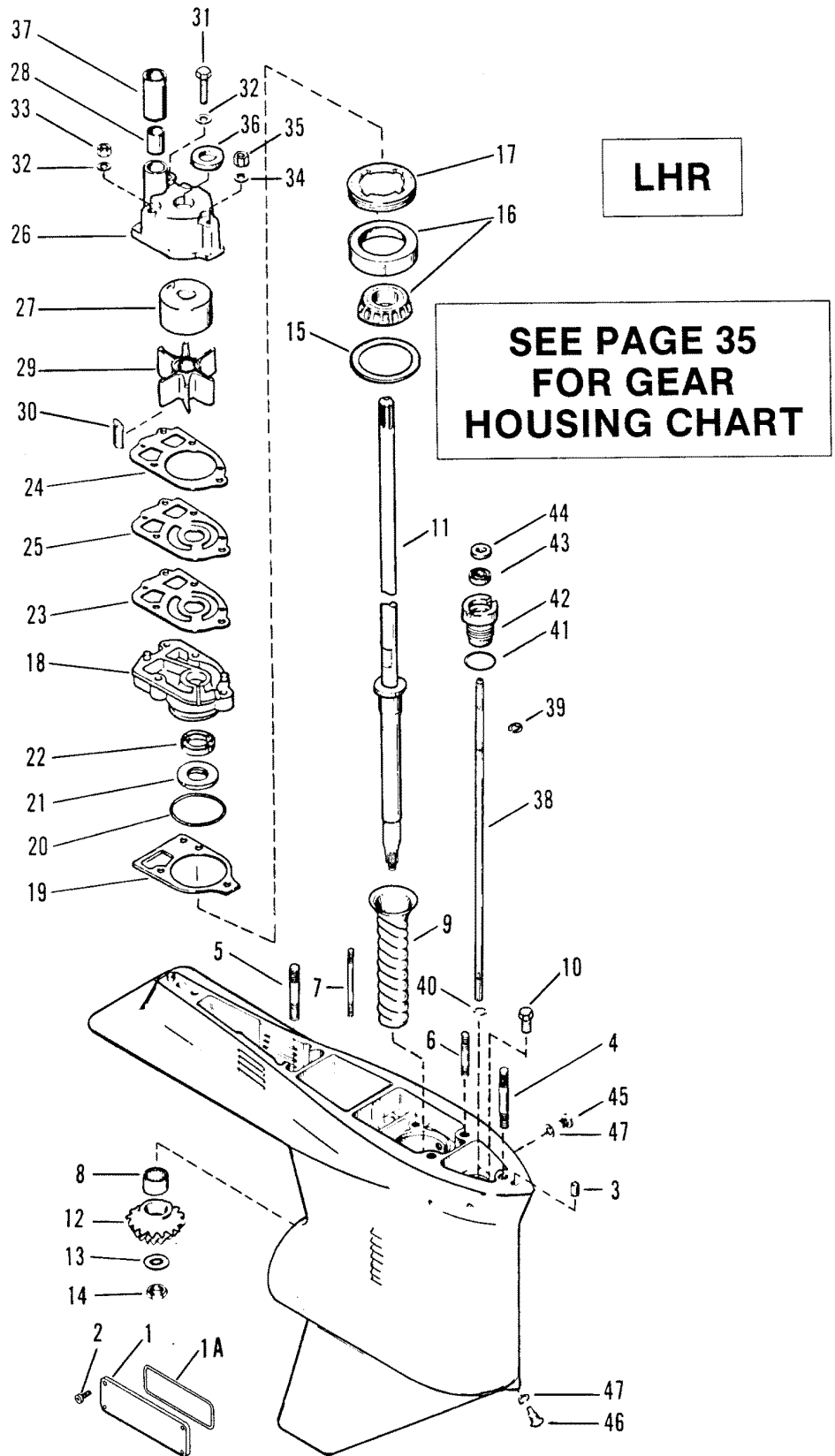


RHR

GEAR HOUSING (PROPELLER SHAFT) RHR

REF. NO.	PART NO.	SYM.	QTY.	DESCRIPTION
48	78956		1	SHIFT CAM
49	89594A1		1	FOLLOWER, CAM
50	79911		1	ROD, CLUTCH ACUATOR
51	24-79910		2	SPRING, COMPRESSION
52	12-78910		AR	WASHER, SPRING
53	17-78906		1	PIN, SPRING LOCATOR
54	17-78909		2	DETENT PIN, RATCHET
55	24-78962		2	SPRING, RETAINING - CROSS PIN
56	N.S.S.		1	REVERSE GEAR (PART OF 43-44104A2)
57	43-44104A2		1	FORWARD GEAR ASSEMBLY
58	31-43999		2	ROLLER BEARING (TORRINGTON #GBH-1610)2
	31-73363		2	ROLLER BEARING (TORRINGTON #BH-1610)
59	68100--1		1	THRUST RING
60	30-88957A1		1	BALL BEARING, - REVERSE GEAR
61	52-78959		1	RATCHET, SLIDING CLUTCH STANDARD
62	17-78905		1	CROSS PIN, RATCHET STANDARD
61	52-42672		1	RATCHET, SLIDING CLUTCH-OFFSHORE
62	17-42671		1	CROSS PIN, RATCHET -OFFSHORE
63	44-94148		1	PROPELLER SHAFT (STANDARD)
	44-17915		1	PROPELLER SHAFT (OFFSHORE)
64	43567A1		1	BEARING CARRIER (STANDARD)
	17916A1		1	BEARING CARIER (OFFSHORE)
65	31-30956		1	ROLLER BEARING, BEARING CARRIER
66	26-76868		2	OIL SEAL, BEARING CARRIER
67	53-18917		1	SNAP RING (OFFSHORE)
68	15-47397A1		AR	SHIM, OUTER RACE (.002-3-5-10)
69	31-78172A1		1	TAPERED ROLLER BEARING
70	25-31534		1	"O" RING, BEARING CARRIER
71	28-30281		1	KEY, LOCATING - BEARING CARRIER
72	14-79447		1	TAB WASHER, GEAR HOUSING COVER
73	79448		1	COVER, GEAR HOUSING (STANDARD)
	15840--1		1	COVER, GEAR HOUSING (OFFSHORE)
74	76214		1	ANODIC PLATE (LONG)
	76214--1		1	ANODIC PLATE (EXTRA LONG)
75	10-66024		1	SCREW, TRIM TAB TO GEAR HOUSING (1-3/4")
76	12-45176		2	WASHER, DRIVE SHAFT HOUSING STUDS
77	11-34933		2	NUT, DRIVE SHAFT HOUSING STUDS
78	10-30206		1	SCREW, GEAR HOUSING (LONG)
	10-15929		1	SCREW, GEAR HOUSING (X-LONG)
79	13171		1	THURST HUB
81	14-31210		1	TAB WASHER, PROPELLER NUT
82	11-52707A1		1	PROPELLER NUT

GEAR HOUSING (DRIVE SHAFT) LHR

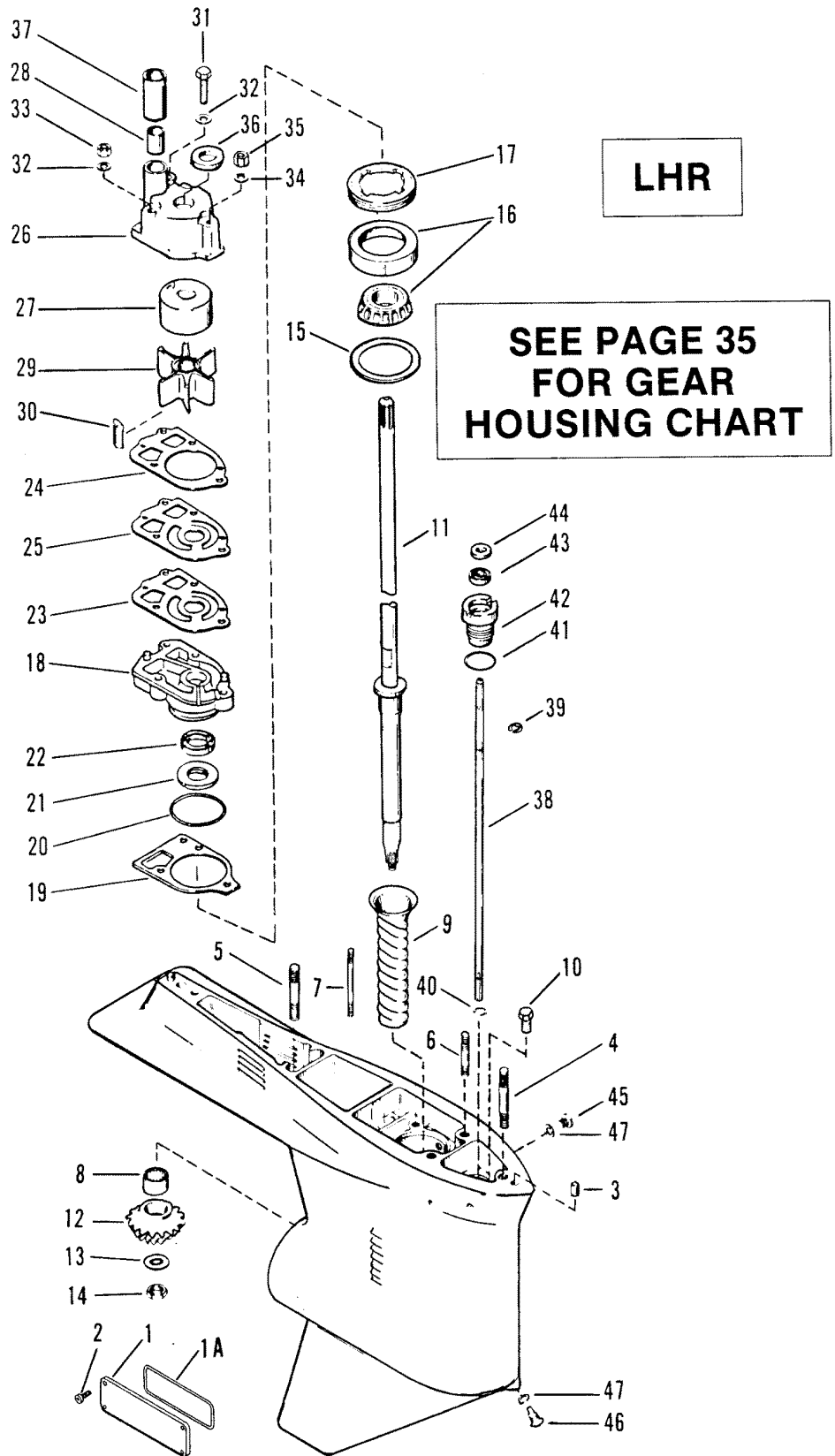


GEAR HOUSING (DRIVE SHAFT) LHR

REF. NO.	PART NO.	SYM.	QTY.	DESCRIPTION
1	12144		2	COVER, WATER PASSAGE
1A	25-39695		2	"O" RING, COVER
2	10-87926		8	SCREW, COVER
3	17-20033		2	DOWEL PIN, GEAR HOUSING LOCATING
4	16-78638		1	STUD, GEAR HOUSING (3-1/8") - LONG
	16-78639		1	STUD, GEAR HOUSING (9") - EXTRA LONG
5	16-57920		2	STUD, GEAR HOUSING (2-1/16") - LONG
	16-74730		2	STUD, GEAR HOUSING (7-1/16") - EXTRA LONG
6	16-56297		1	STUD, WATER PUMP (3-3/8")
7	16-30667		2	STUD, WATER PUMP (3-1/4")
8	31-42647A1		1	ROLLER BEARING, DRIVE SHAFT
9	23-43998		1	SLEEVE, LUBRICATION
10	22-13820		1	PIPE PLUG
11	45-44000		1	DRIVE SHAFT (LONG)
	45-44209		1	DRIVE SHAFT (EXTRA LONG)
12	N.S.S.		1	PINION GEAR (PART OF 43-15845A2)
13	12-92721		1	WASHER, PINION GEAR
14	11-35921		1	NUT, PINION GEAR TO DRIVE SHAFT
15	15-42637A1		AR	SHIM ASSEMBLY, ROLLER BEARING TO GEAR HOUSING
16	31-36387A1		1	ROLLER BEARING, DRIVE SHAFT
17	11-42633		1	NUT, DRIVE SHAFT BEARING
18	46-44292A3		1	WATER PUMP BASE ASSEMBLY
19	27-42631--1		1	GASKET, WATER PUMP TO GEAR HSG
20	25-90011		1	"O" RING, WATER PUMP
21	26-89238		1	OIL SEAL, WATER PUMP
22	26-16977		1	OIL SEAL, WATER PUMP
23	27-18051		1	GASKET, LOWER - WATER PUMP
24	27-85609--1		1	GASKET, UPPER - WATER PUMP
25	32435		1	PLATE, FACE - WATER PUMP
26	46-96148A1		1	WATER PUMP BODY ASSEMBLY
27	48752		1	INSERT, WATER PUMP BODY
28	26-38970		1	SEAL, RUBBER - WATER INLET TUBE
29	47-89984		1	IMPELLER, WATER PUMP
30	28-56654		1	KEY, IMPELLER DRIVE
31	10-96411		1	SCREW, WATER PUMP (2-14")
32	12-29245		2	WASHER, WATER PUMP SCREW AND STUD
33	11-13438		2	NUT, WATER PUMP STUD
34	12-36001		1	WASHER, WATER PUMP STUD
35	11-13436		1	NUT, WATER PUMP STUD
36	25-30271		1	RING, RUBBER (DRIVE SHAFT)
37	23-29804		1	SLEEVE, GUIDE - WATER INLET TUBE
38	78902		1	SHAFT, SHIFT - LOWER
39	53-29641		1	"E" RING, RETAINING - SHIFT SHAFT

CONTINUED ON NEXT PAGE ➡

GEAR HOUSING (DRIVE SHAFT) LHR



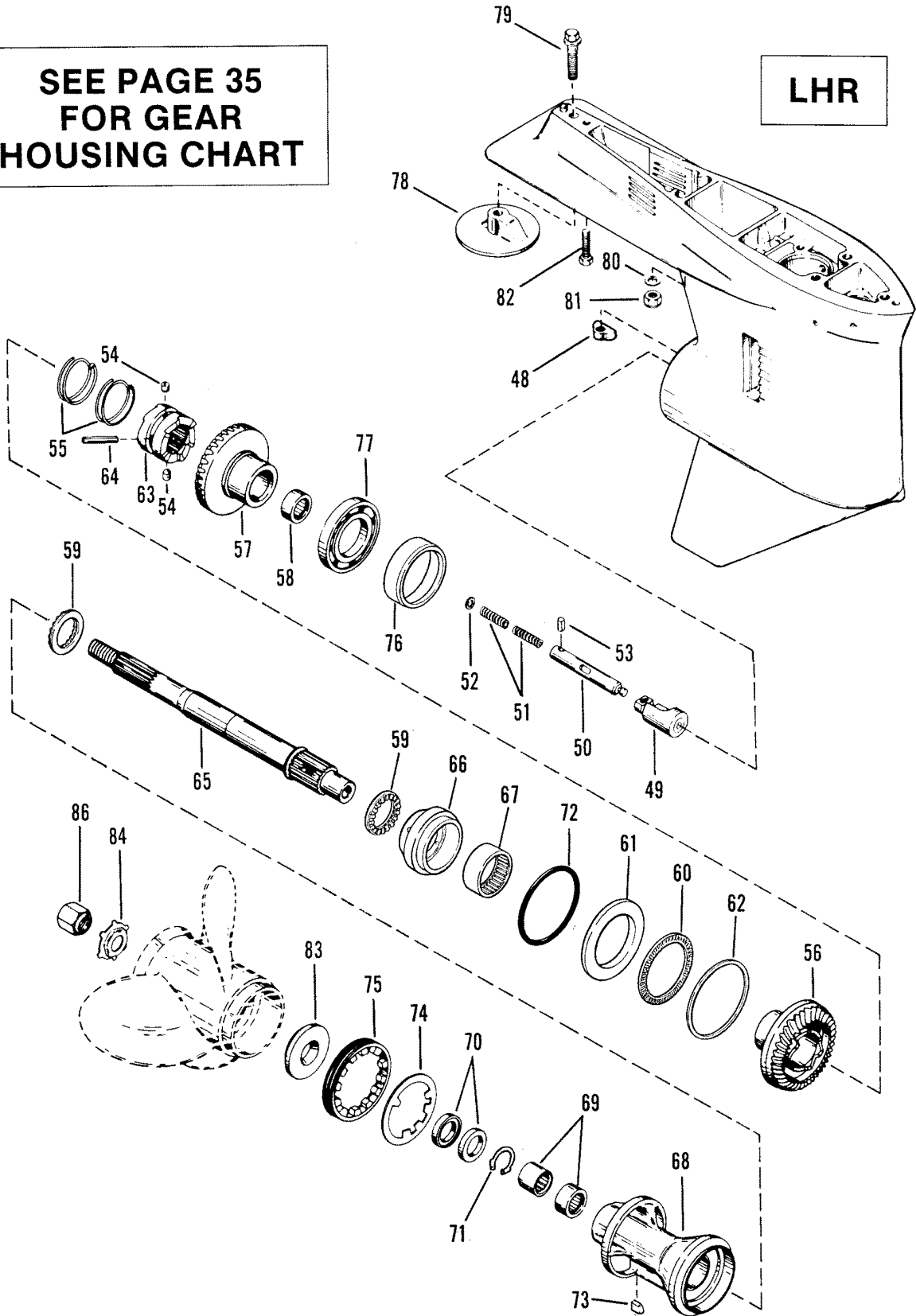
GEAR HOUSING (DRIVE SHAFT) LHR

REF. NO.	PART NO.	SYM.	QTY.	DESCRIPTION
40	53-78907		1	RETAINING RING
41	25-25439		1	"O" RING, SHIFT SHAFT BUSHING
42	23-77631A2		1	BUSHING ASSEMBLY, SHIFT SHAFT
43	26-76384		1	OIL SEAL, SHIFT SHAFT BUSHING
44	12-77674		1	WASHER, RUBBER - SHIFT SHAFT BUSHING
45	10-79953		1	SCREW, GREASE FILLER
46	10-14834		1	SCREW, DRAIN (MAGNETIC)
47	12-19183		2	WASHER, GREASE FILLER AND DRAIN SCREW

GEAR HOUSING (PROPELLER SHAFT) LHR

SEE PAGE 35
FOR GEAR
HOUSING CHART

LHR



GEAR HOUSING (PROPELLER SHAFT) LHR

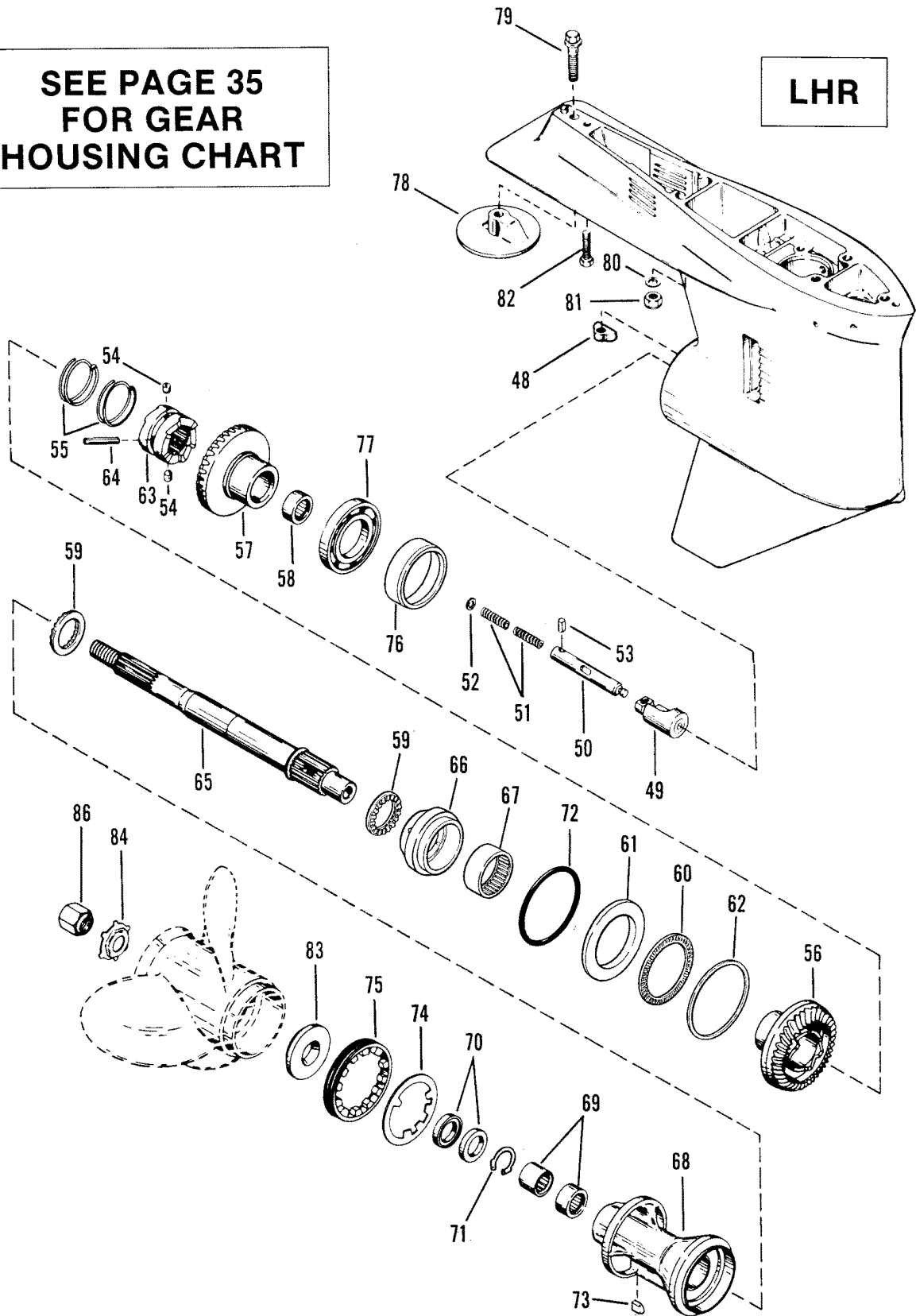
REF. NO.	PART NO.	SYM.	QTY.	DESCRIPTION
48	78956		1	SHIFT CAM
49	89594A1		1	FOLLOWER, CAM
50	79911		1	ROD, CLUTCH ACTUATOR
51	24-79910		2	SPRING, COMPRESSION
52	12-78910		AR	WASHER, SPRING
53	17-78906		1	PIN, SPRING LOCATOR
54	17-78909		2	DETENT PIN, RATCHET
55	24-78962		2	SPRING, RETAINING - CROSS PIN
56	N.S.S.		1	FORWARD GEAR (PART OF 43-15845A2)
57	43-15845A2		1	REVERSE GEAR ASSEMBLY
58	31-15844		1	ROLLER BEARING
59	31-15834		2	THRUST BEARING
60	31-15841		1	ROLLER BEARING
61	12-17616		1	THRUST RING
62	23-17615--1		AR	SPACER SHIM .125"
	23-17615--2		AR	SPACER SHIM .127"
	23-17615--3		AR	SPACER SHIM .129"
	23-17615--4		AR	SPACER SHIM .131"
	23-17615--5		AR	SPACER SHIM .133"
	23-17615--6		AR	SPACER SHIM .135"
	23-17615--7		AR	SPACER SHIM .137"
	23-17615--8		AR	SPACER SHIM .139"
	23-17615--9		AR	SPACER SHIM .141"
	23-17615-10		AR	SPACER SHIM .143"
	23-17615-11		AR	SPACER SHIM .145"
	23-17615-12		AR	SPACER SHIM .147"
	23-17615-13		AR	SPACER SHIM .149"
63	52-78959		1	RATCHET, SLIDING CLUTCH STANDARD
64	17-78905		1	CROSS PIN, RATCHET STANDARD
63	52-42672		1	RATCHET, SLIDING CLUTCH OFFSHORE
64	17-42671		1	CROSS PIN, RATCHET OFFSHORE
65	44-17629		1	PROPELLER SHAFT
66	15838A2		1	BEARING ADAPTOR
67	31-15843		1	ROLLER BEARING
68	14587A4		1	BEARING CARRIER
69	31-30956		2	ROLLER BEARING, BEARING CARRIER
70	26-76868		2	OIL SEAL, BEARING CARRIER
71	53-18917		1	SNAP RING
72	25-31534		1	"O" RING, BEARING CARRIER
73	28-30281		1	KEY, LOCATING - BEARING CARRIER
74	14-18323--1		1	TAB WASHER, GEAR HOUSING COVER
75	15840--1		1	COVER, GEAR HOUSING
76	14469		1	BEARING CUP

CONTINUED ON NEXT PAGE ➡

GEAR HOUSING (PROPELLER SHAFT) LHR

SEE PAGE 35
FOR GEAR
HOUSING CHART

LHR

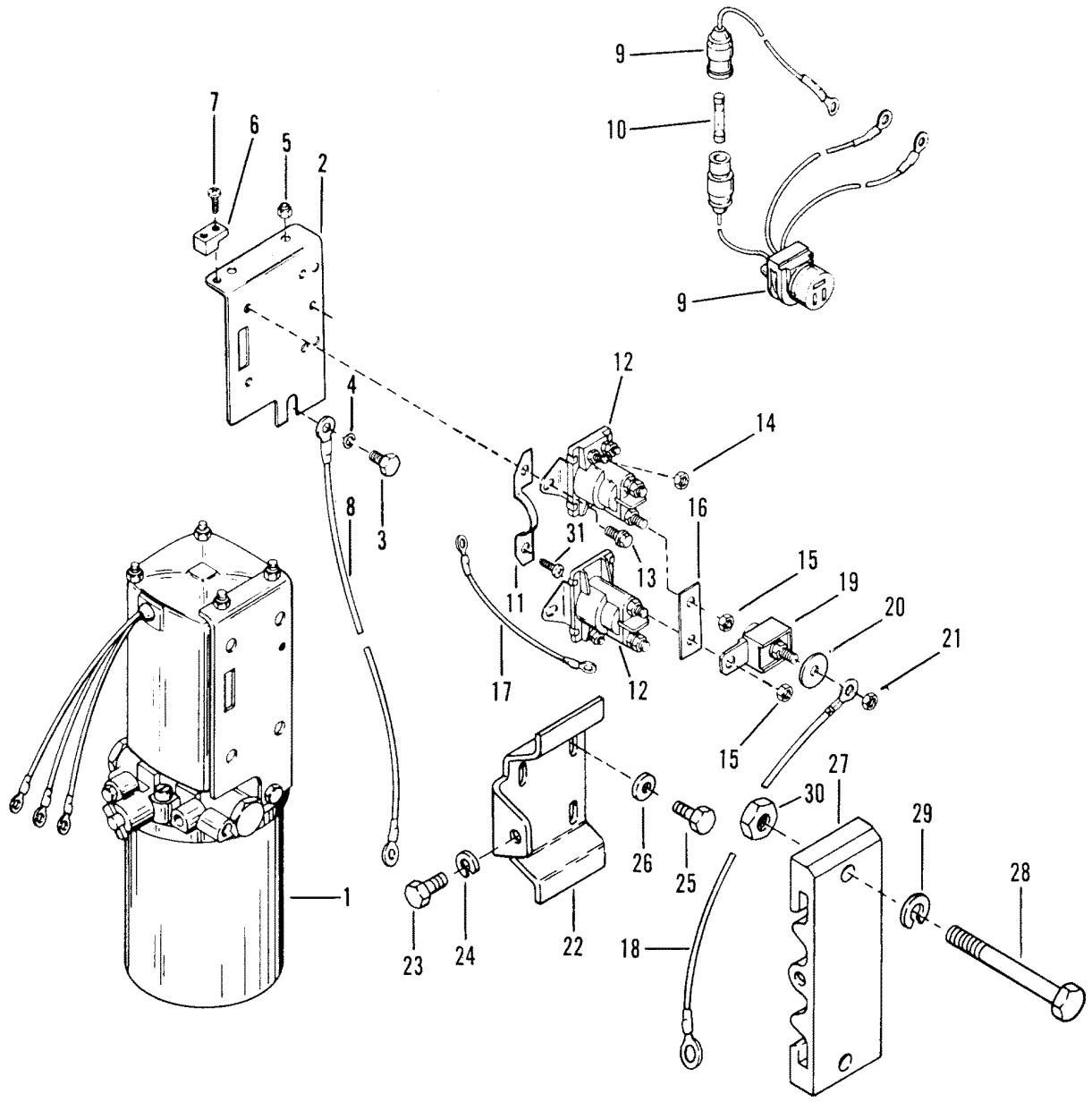


GEAR HOUSING (PROPELLER SHAFT) LHR

REF. NO.	PART NO.	SYM.	QTY.	DESCRIPTION
77	30-88957A1		1	BALL BEARING
78	76214		1	ANODIC PLATE (LONG)
	76214--1		1	ANODIC PLATE (EXTRA LONG)
79	10-66024		1	SCREW, TRIM TAB TO GEAR HOUSING (1-3/4")
80	12-45176		2	WASHER, DRIVE SHAFT HOUSING STUDS
81	11-34933		2	NUT, DRIVE SHAFT HOUSING STUDS
82	10-30206		1	SCREW, GEAR HOUSING (LONG)
	10-15929		1	SCREW, GEAR HOUSING (EXTRA LONG)
83	13171		1	THRUST HUB
84	14-31210		1	TAB WASHER, PROPELLER NUT
86	11-52707A1		1	PROPELLER NUT

HYDRAULIC PUMP AND BRACKET (M0045-E746)

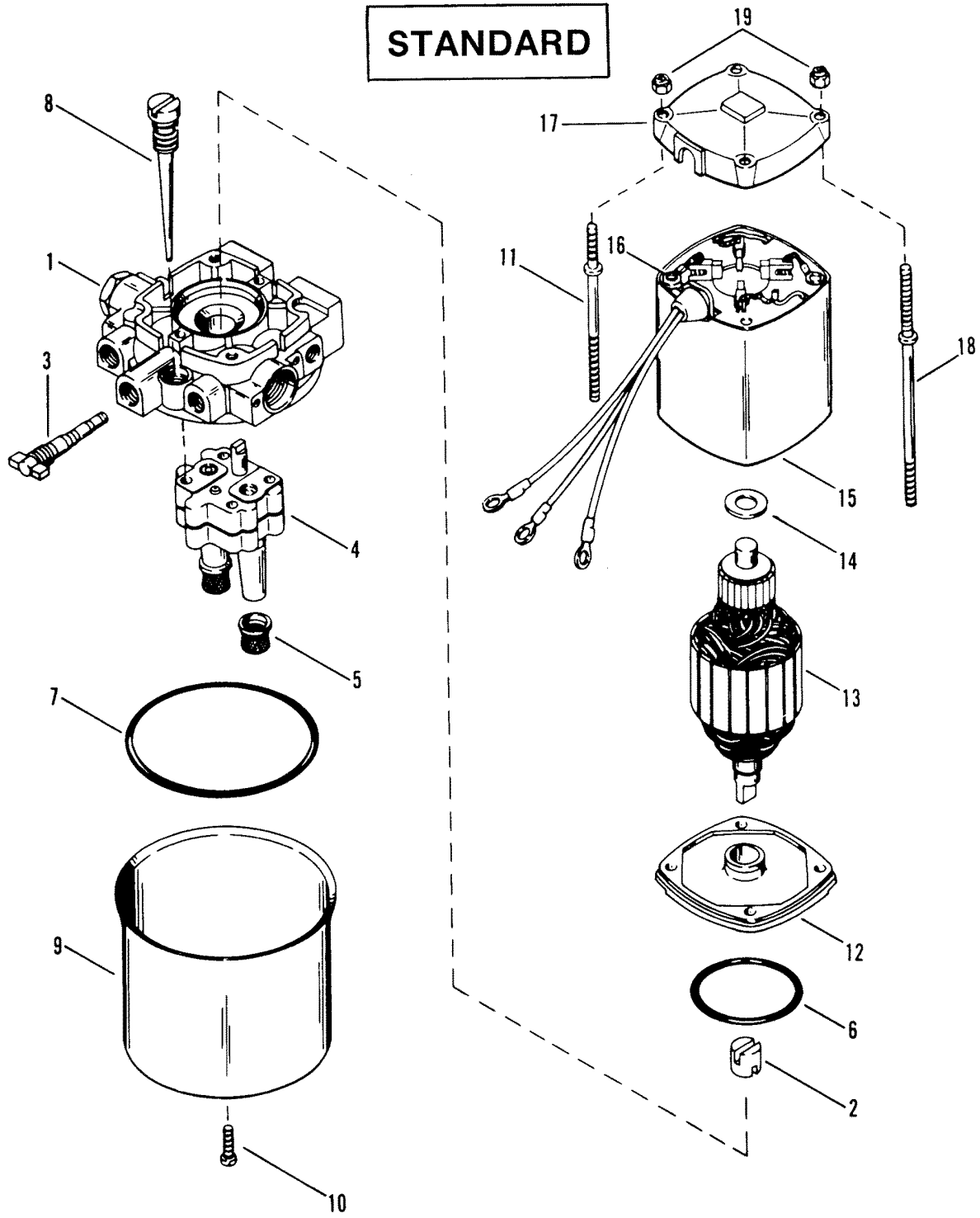
STANDARD



HYDRAULIC PUMP AND BRACKET (M0045-E746)

REF. NO.	PART NO.	SYM.	QTY.	DESCRIPTION
1	92459A4		1	HYDRAULIC PUMP ASSEMBLY
2	90318		1	BRACKET, MOUNTING-STARTER SOLENOID
3	10-90285		1	SCREW, MOUNTING BRACKET (5/8")
4	12-56720		1	WASHER, MOUNTING BRACKET SCREW
5	11-34059		2	NUT, MOUNTING BRACKET TO HYDRAULIC PUMP
6	45915		1	TERMINAL BLOCK
7	10-69079		2	SCREW, WIRE TO TERMINAL BLOCK
8	84-79138A9		1	BATTERY CABLE, BLACK (NEGATIVE)
9	84-79147A3		1	HARNESS ASEMBLY, HYDRAULIC PUMP
10	88-79091		1	FUSE (20 AMP)
11	88075		1	RETAINER, HARNESS TO MOUNTING BRACKET
12	89-96158		2	STARTER SOLENIID
13	10-41508		4	SCREW, STARTER SOLENOID TO BRACKET (3/8")
14	11-26419		4	NUT, STARTER SOLENOID TERMINAL (#8-32)
15	11-94330		4	NUT, STARTER SOLENOID TERMINAL (1/4-20)
16	94275		1	CONNECTOR, SOLENOID TO SOLENOID
17	84-86322A15		1	WIRE, SOLENOID TO SOLENOID (BLACK)
18	84-79139A12		1	BATTERY CABLE, RED (POSITIVE)
19	88-79023A10		1	FUSE (110 AMP)
20	12-96457		1	WASHER, FUSE TERMINAL
21	11-21825		1	NUT, FUSE TERMINAL
22	87760		1	PLATE, MOUNTING
23	10-39349		1	SCREW, MOUNTING PLATE TO BRACKET (3/4")
24	13-26993		1	LOCKWASHER, MOUNTING PLATE SCREW
25	10-90271		2	SCREW, HYDRAULIC PUMP (5/8")
26	13-58643		2	LOCKWASHER, HYDRAULIC PUMP SCREW
27	87762		1	BRACKET, HYDRAULIC PUMP
28	10-31830		2	BOLT, BRACKET TO TRANSOM (3-1/2")
29	13-58643		2	LOCKWASHER, BRADCKET SCREW
30	11-46335		2	NUT, BRACKET SCREW
31	10-48409		1	SCREW, RETAINER

HYDRAULIC PUMP ASSEMBLY

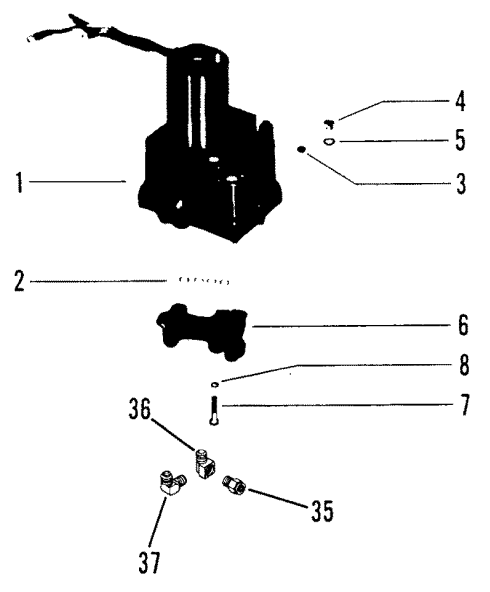
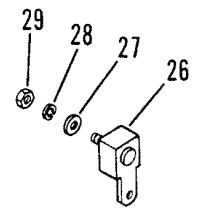
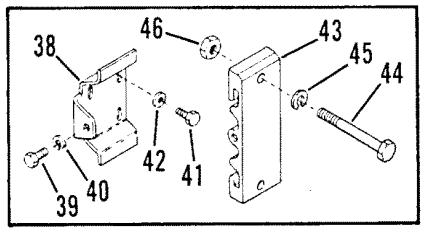
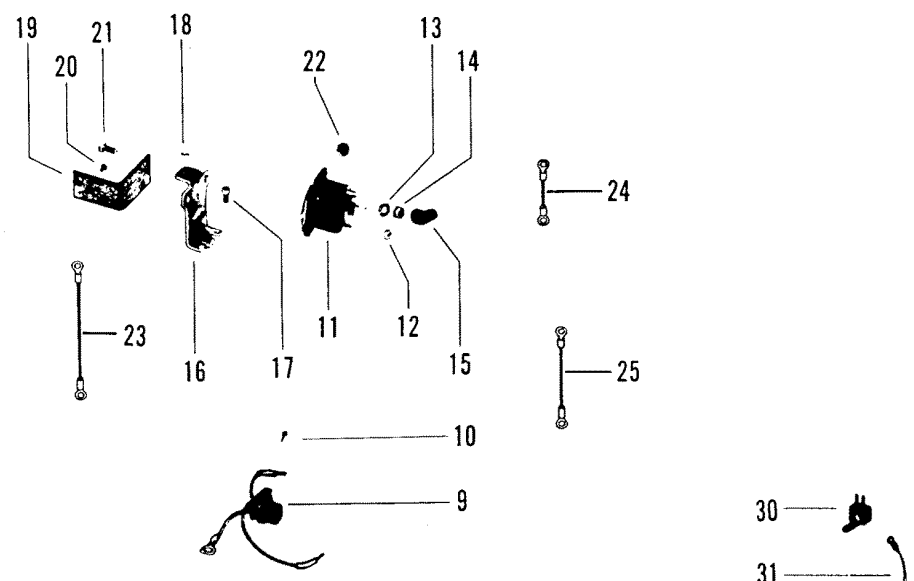


HYDRAULIC PUMP ASSEMBLY

REF. NO.	PART NO.	SYM.	QTY.	DESCRIPTION
-	92459A4		1	HYDRAULIC PUMP ASSEMBLY
1	89492		1	ADAPTOR
2	89493		1	COULPING
3	89494		AR	MONUAL RELEASE (INCLUDES 2 "O" RINGS)
	96598		AR	MANUAL RELEASE (INCLUDES 3 "O" RINGS)
4	89495		1	PUMP (INCLUDES ACREW)
5	35-89496		2	FILTER
6	25-89498		1	"O" RING, MOTOR END
7	25-89497		1	"O" RING, RESERVOIR END
8	89499		1	DIPSTICK
9	90587		1	RESERVOIR
10	10-90588		1	SCREW, RESERVOIR (INCLUDES "O' RING)
11	16-90589		1	THRU STUD (SHORT)
	16-90590		1	THRU STUD (LONG)
-	87828		1	MOTOR, POWER TRIM
12	89484		1	END FRAME. DRIVER END
13	89485		1	ARMATURE
14	12-89482		1	WASHER, TRUST-ARMATURE
15	89486		1	FIELD AND FRAME
16	89487		1	BRUSH CARD
17	89488		1	END FRAME, COMMUTATOR END
18	10-89483		1	THRU BOLT, MOTOR (4-1/4")
	10-89489		1	THRU BOLT, MOTOR (4-9/16")
19	11-89481		6	NUT, THRU BOLT AND STUD

HYDRAULIC PUMP AND BRACKET(M0049-E750)

OFFSHORE



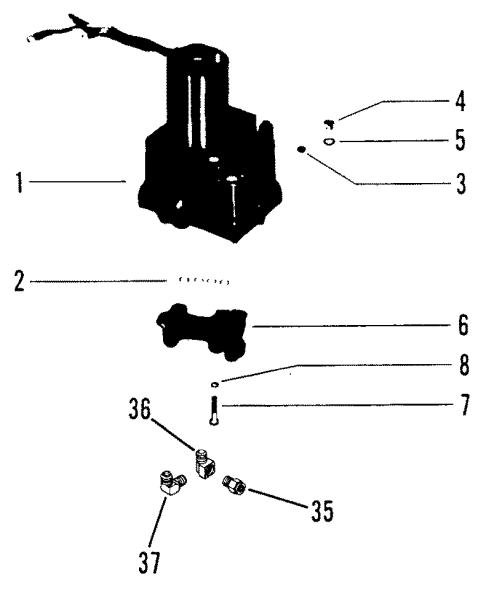
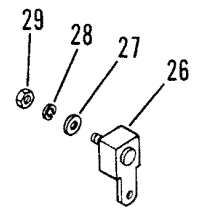
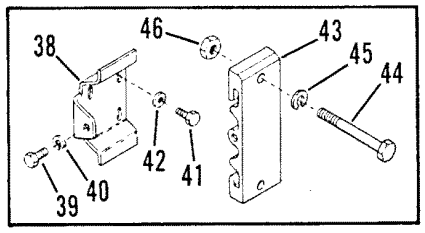
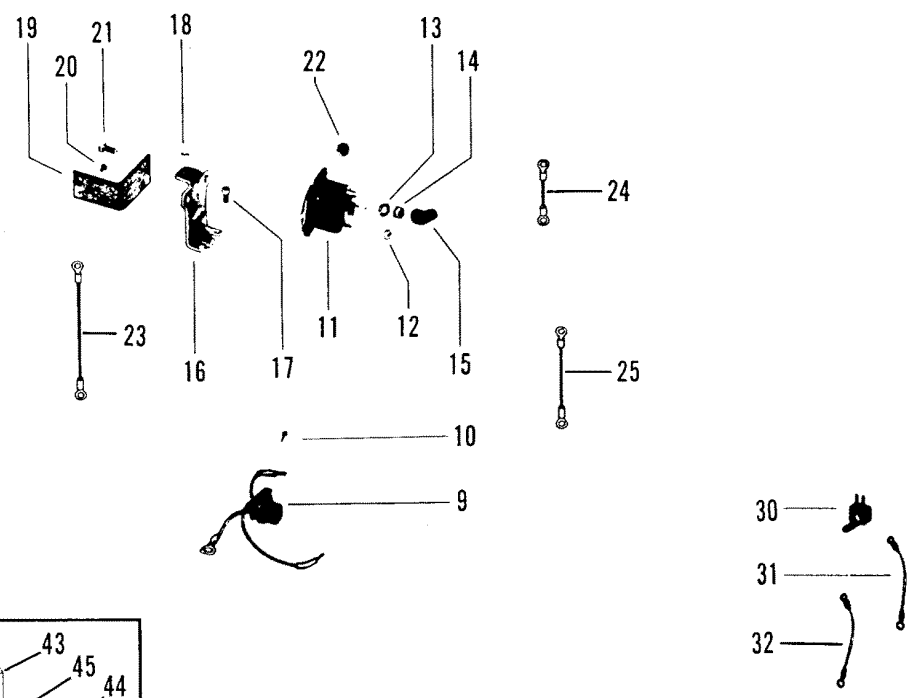
HYDRAULIC PUMP AND BRACKET(M0049-E750)

REF. NO.	PART NO.	SYM.	QTY.	DESCRIPTION
1	92975A6		1	HYDRAULIC PUMP AND BRACKET
2	25-48171		4	"O" RING, HYDRAULIC PUMP
3	10-62269		1	VENT SCREW
4	10-79953		1	SCREW, FILLER
5	12-19183		1	SEALING WASHER
6	90762A2		1	CONTROL VALVE ASSEMBLY
-	25-48171		4	"O" RING (SAME AS REF. NO.2)
7	10-21091		4	SCREW, CONTROL VALVE TO PUMP
8	13-26992		4	LOCKWASHER, CONTROL VALVE SCREW
9	84-79147A3		1	CONNECTOR AND HARNESS (WITH FUSE)
10	10-62568		1	SCREW, HARNESS ATTACHING
11	86-68258A4		2	STARTER SOLENOID
12	11-20110		4	NUT (#10)
13	12-22753		4	WASHER (5/16")
14	11-26484		4	NUT (5/16")
15	46265		6	BOOT, RUBBER
16	74407T		1	BRACKET, MOUNTING-SOLENOID
17	10-48060		2	SCREW, BRACKET TO PUMP
18	11-20110		1	NUT, PUMP BOLT
19	74406		1	BRACKET, SOLENOID MOUNTING
20	26901		1	BUMPER, PUMP TO BRACKET
21	10-32417		2	SCREW, SOLENOID TO BRACKET (5/8")
	10-60300		2	SCREW, SOLENOID TO BRACKET (3/4")
22	11-20361		5	NUT, SOLENOID SCREW
23	84-79139A9		1	BATTERY WIRE (RED)
	84-79138A1		1	BATTERY WIRE (BLACK)
24	84-79139A2		1	WIRE, SOLENOID TO SOLENOID (RED)
	84-65999A10		1	WIRE, SOLENOID TO SOLENOID (BLACK)
25	84-65999A4		1	WIRE, SOLENOID TO GROUND (BLACK)
26	88-79023A90		1	FUSE (90 AMP)
27	12-96457		1	WASHER, FUSE TERMINAL
28	13-26992		1	LOCKWASHER, FUSE TERMINAL
29	11-21825		1	NUT, FUSE TERMINAL
30	88-79137--1		1	CIRCUIT BREAKER (40 AMP)
31	84-79148A1		1	WIRE, CIRCUIT BREAKER (RED)
32	84-65999A6		1	WIRE, CIRCUIT BREAKER (BLACK)
33	10-37562		4	SCREW, PUMP TO BRACKET
34	11-26484		4	NUT, PUMP SCREW
35	22-70847		2	ADAPTOR
36	22-69424		1	FITTING (90)
37	22-38214		1	ELBOW
38	87760		1	PLATE, MOUNTING
39	10-39349		1	SCREW, MOUNTING PLATE TO BRACKET (3/4")

CONTINUED ON NEXT PAGE ➡

HYDRAULIC PUMP AND BRACKET(M0049-E750)

OFFSHORE

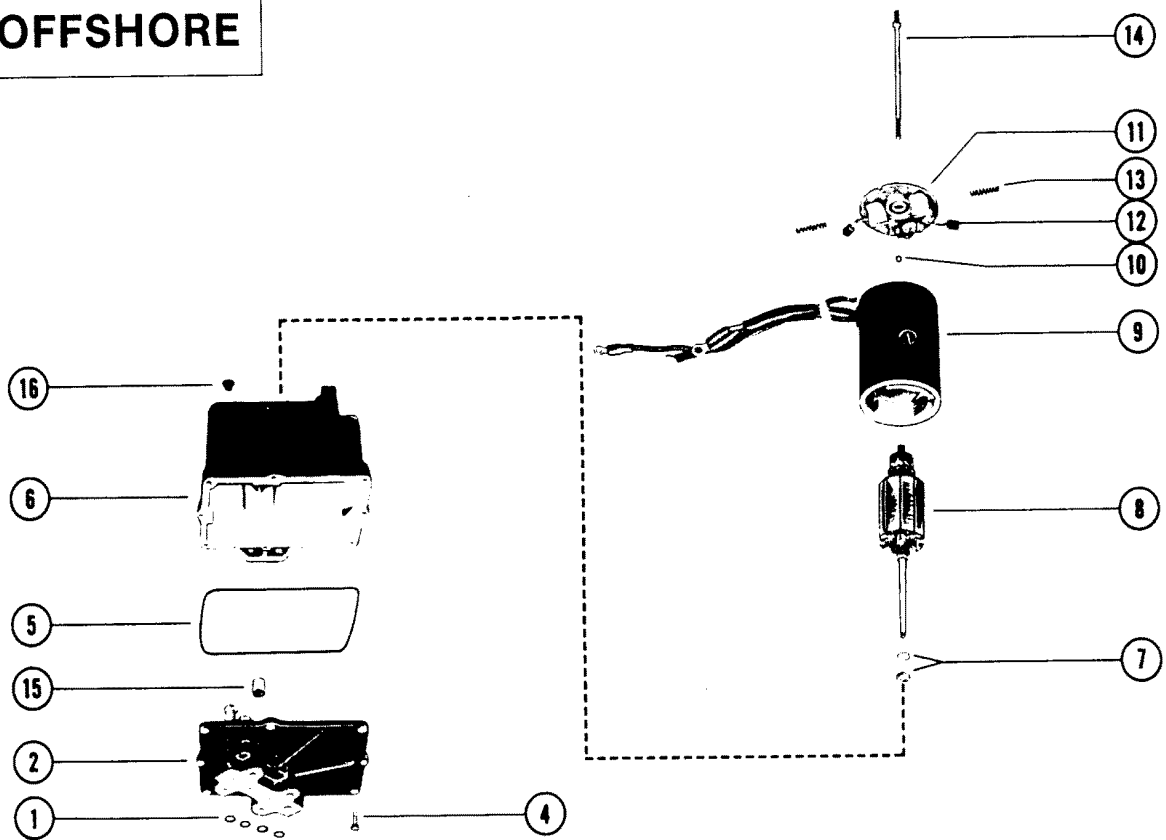


HYDRAULIC PUMP AND BRACKET(M0049-E750)

REF. NO.	PART NO.	SYM.	QTY.	DESCRIPTION
40	13-26993		1	LOCKWASHER, MOUNTING PLATE SCREW
41	10-90271		2	SCREW, HYDRAULIC PUMP
42	13-58643		2	LOCKWASHER, HYDRAULIC PUMP SCREW
43	87762		1	BRACKET, HYDRAULIC PUMP
44	10-68298		2	BOLT, BRACKET TO TRANSOM
45	13-58643		2	LOSCKWASHER, BRACKET SCREW
46	11-99405		2	NUT, BRACKET SCREW

HYDRAULIC PUMP ASSEMBLY (PLASTIC RESERVOIR) OFFSHORE

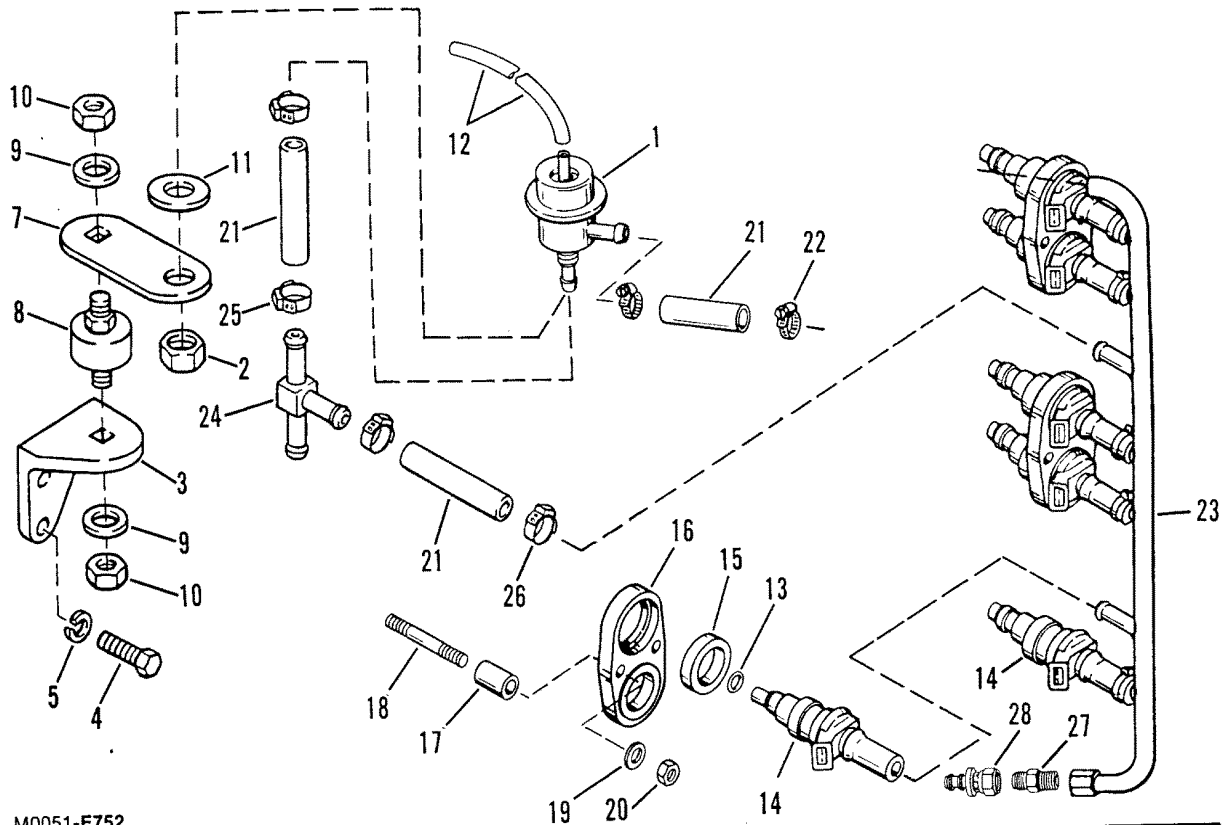
OFFSHORE



HYDRAULIC PUMP ASSEMBLY (PLASTIC RESERVOIR) OFFSHORE

REF. NO.	PART NO.	SYM.	QTY.	DESCRIPTION
-	92975A6		1	HYDRAULIC PUMP ASSEMBLY
1	25-48171		4	"O" RING, HYDRAULIC PUMP
2	392-8317		1	VALVE BODY AND GEAR ASSEMBLY
4	10-69570		8	SCREW, VALVE BODY TO RESERVOIR
5	392-7735		1	SEAL, RESERVOIR TO VALVE BODY AND GEAR
6	392-7731		1	RESERVOIR ASSEMBLY (PLASTIC)
7	392-7732		AR	WASHER, THRUST - ARMATURE
8	392-7729		1	ARMATURE, FIELD AND FRAME
9	392-8261		1	FIELD AND FRAME ASSEMBLY
10	392-7730		1	BALL, COMMUTATOR END PLATE
11	392-8262		1	PLATE ASSEMBLY, COMMUTATOR END
12	392-8989		1	BRUSH SET, COMMUTATOR END PLATE
13	392-2529		1	SPRING SET, BRUSH TENSION
14	392-7733		1	BOLT SET, THRU - PLATE AND FRAME TO RESERVOIR
15	392-7727		1	COUPLER AND SHAFT
16	392-7728		1	FILL PLUG, RESERVOIR

FUEL INJECTORS

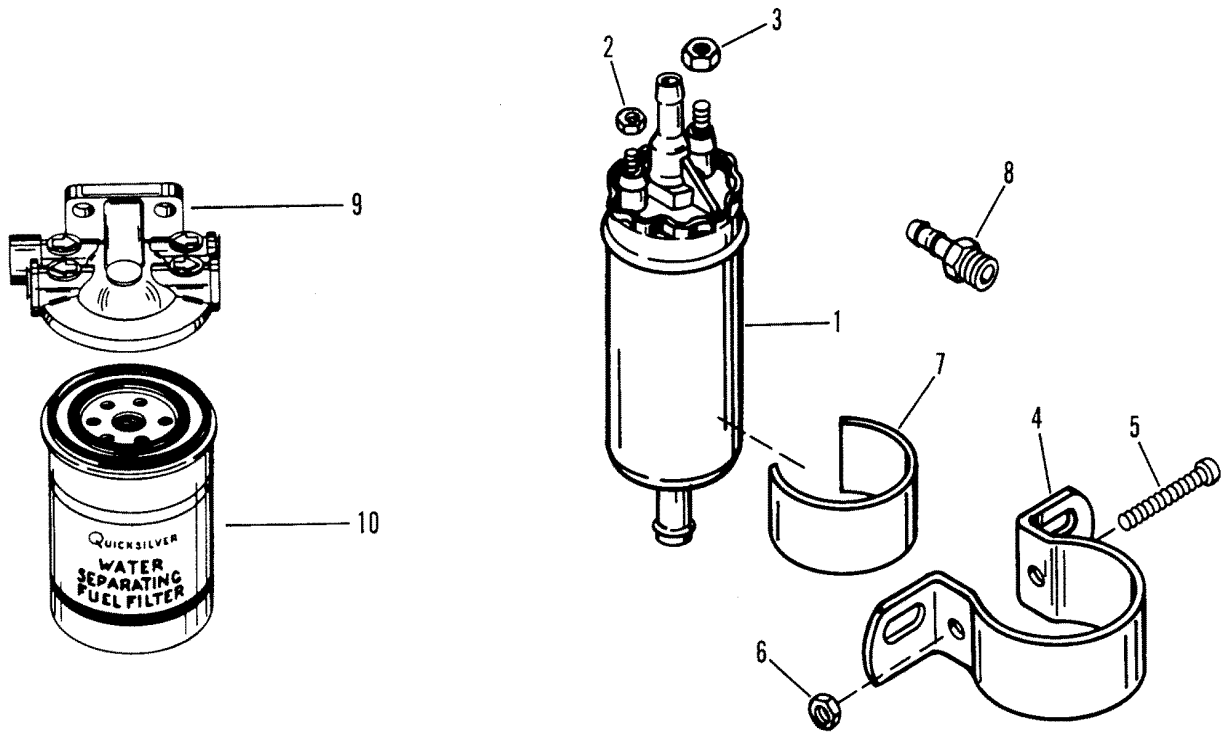


MO061.E752

FUEL INJECTORS

REF. NO.	PART NO.	SYM.	QTY.	DESCRIPTION
1	94820		1	FUEL REGULATOR
2	11-15018		1	NUT, FUEL REGULATOR
3	99945		1	BRACKET, MOUNTING
4	10-28636		2	SCREW, BRACKET
5	13-26992		2	LOCKWASHER, BRACKET SCREW
7	99944		1	SUPPORT, MOUNTING BRACKET
8	90435		1	RUBBER MOUNT
9	12-35462		2	WASHER
10	11-35888		2	NUT
11	12-26168		1	WASHER, FUEL REGULATOR
12	32-66285--4		1	HOSE, FUEL
13	26-94219		6	SEAL, FUEL INJECTOR
14	98818		6	INJECTOR, FUEL
15	25-99123		6	GROMMET, HOLD DOWN
16	98716		3	HOLD DOWN, INJECTOR
17	98717		6	SPACER, HOLD DOWN
18	16-21184		6	STUD, HOLD DOWN
19	12-29245		6	WASHER, HOLD DOWN STUD
20	11-35045		6	NUT, HOLD DOWN STUD
21	32-77457--2		1	HOSE, FUEL
22	54-815504104		2	CLAMP, FUEL HOSE
23	17206		1	FUEL RAIL
24	22-17207		1	FITTING
25	54-13791		2	CLAMP
26	54-12999		2	CLAMP
27	22-49393		1	FITTING
28	22-69406		1	FITTING

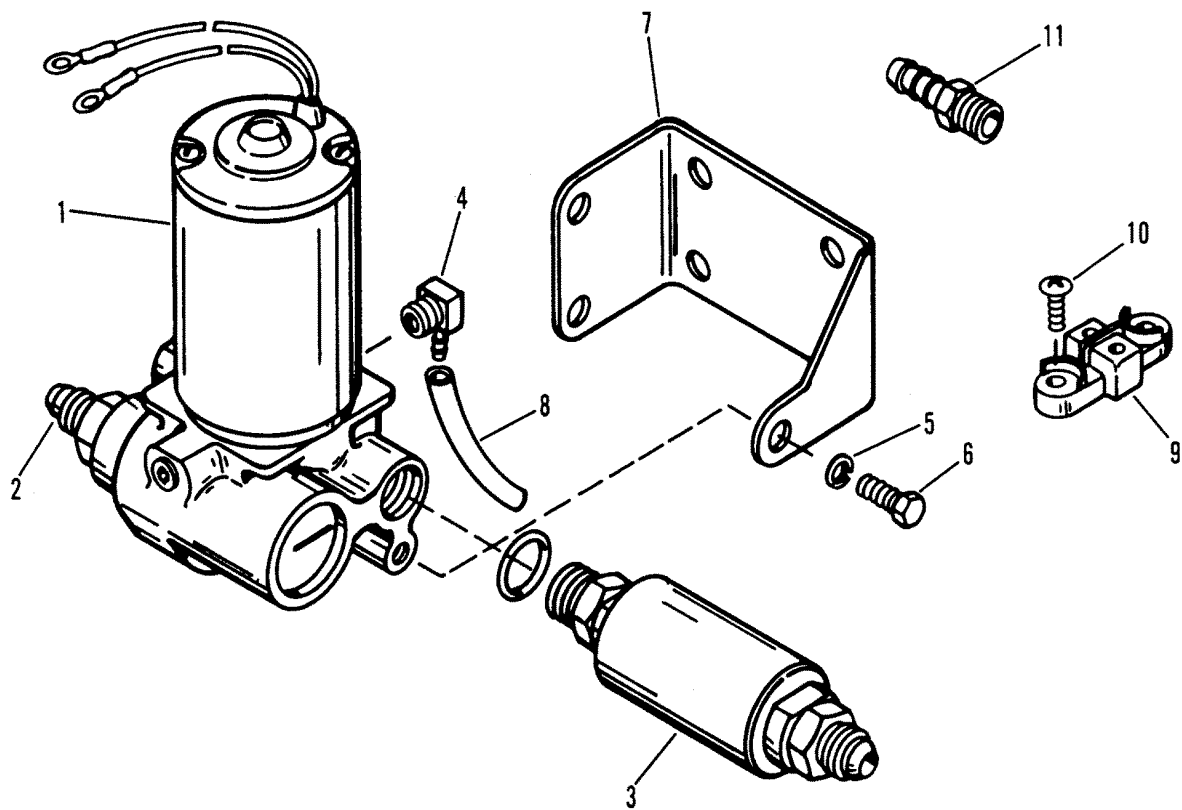
FUEL PUMP STANDARD



FUEL PUMP STANDARD

REF. NO.	PART NO.	SYM.	QTY.	DESCRIPTION
1	99528A1		1	FUEL PUMP ASSEMBLY, E.F.I.
2	11-40063--2		1	NUT
3	11-40063--3		1	NUT
4	94451		1	BRACKET, FUEL PUMP
5	10-32627		1	SCREW
6	11-20110		1	NUT
7	41038		1	SLEEVE
8	22-63187		1	CONNECTOR
9	35-60494A4		1	FUEL FILTER KIT
10	35-60494--1		1	FUEL FILTER

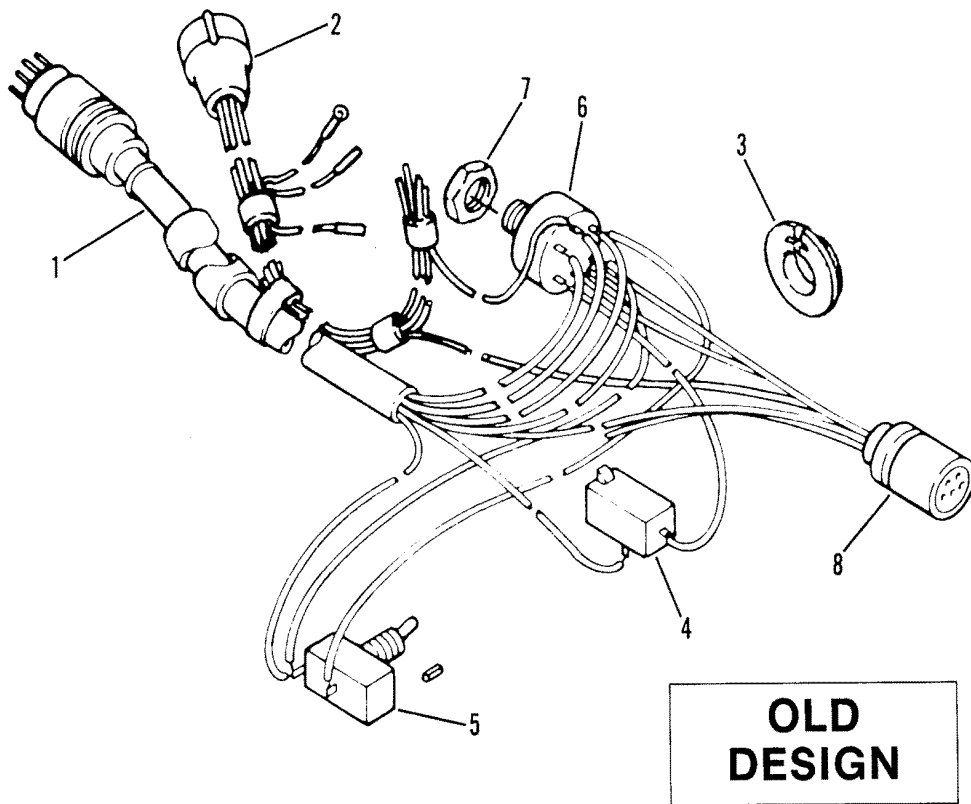
FUEL PUMP OFFSHORE



FUEL PUMP OFFSHORE

REF. NO.	PART NO.	SYM.	QTY.	DESCRIPTION
1	93860A1		1	FUEL PUMP ASSEMBLY, E.F.I.
2	22-94273		1	FITTING
3	35-94865		1	FUEL FILTER
4	22-62006		1	ELBOW
5	13-26992		3	LOCKWASHER
6	10-28635		3	SCREW
7	96030		1	BRACKET, FUEL PUMP
8	32-99387-79		1	HOSE
9	45559		1	TERMINAL BLOCK
10	10-62568		2	SCREW
11	22-32820		1	CONNECTOR, HOSE

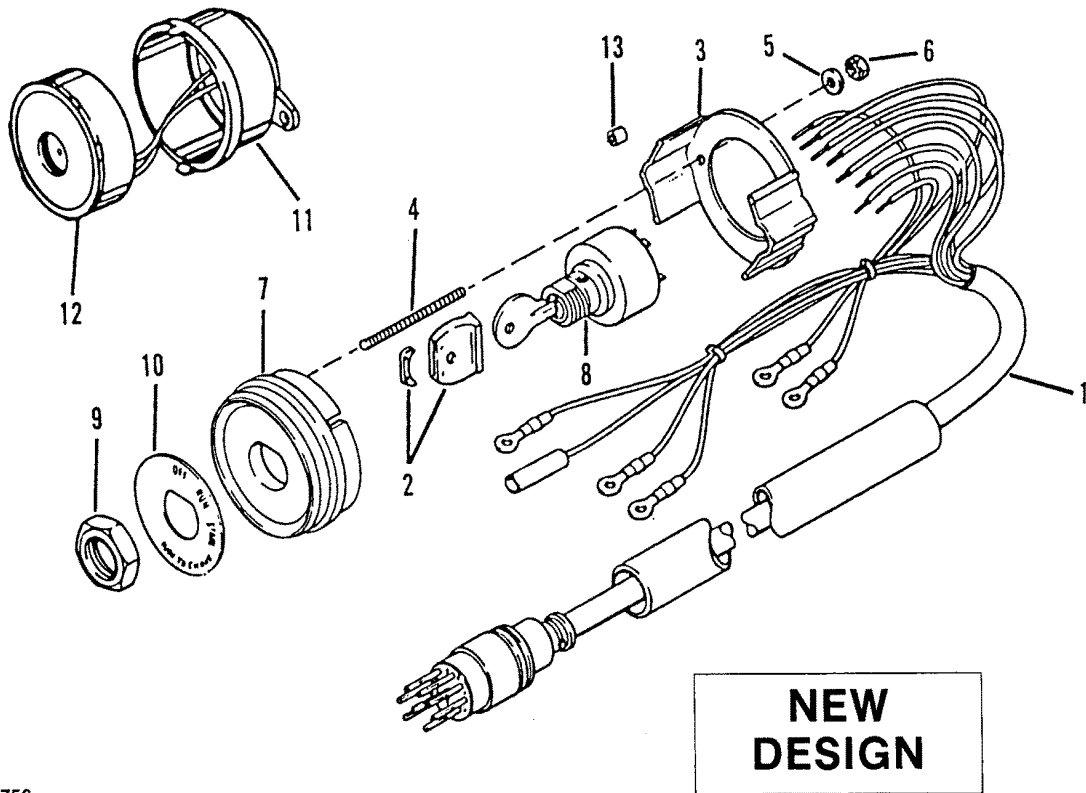
TRIM HARNESS ASSEMBLY OLD DESIGN



TRIM HARNESS ASSEMBLY OLD DESIGN

REF. NO.	PART NO.	SYM.	QTY.	DESCRIPTION
1	84-86353A1		1	WIRING HARNESS ASSEMBLY STANDARD
2	84-86228A15		1	HARNESS ASSEMBLY, TRIM STANDARD
1	84-86353A20		1	WIRING HARNESS ASSEMBLY OFFSHORE
2	84-86228A20		1	HARNESS ASSEMBLY, TRIM OFFSHORE
3	23-85872		1	BUSHING, TRIM HARNESS
4	87-86320		1	MICRO SWITCH
5	87-91941		1	TOGGLE SWITCH
6	87-88107		1	IGNITION SWITCH
7	11-93543		1	NUT, IGNITION SWITCH
8	85-86319		1	INSULATOR, WIRING HARNESS
-	89491--1		AR	KEY 1A
-	89491--2		AR	KEY 1B
-	89491--3		AR	KEY 1C
-	89491--4		AR	KEY 1D
-	89491--5		AR	KEY 1E
-	89491--6		AR	KEY 1F
-	89491--7		AR	KEY 2A
-	89491--8		AR	KEY 2B
-	89491--9		AR	KEY 2C
-	89491-10		AR	KEY 2D
-	89491-11		AR	KEY 2E
-	89491-12		AR	KEY 2F

KEY SWITCH ASSEMBLY NEW DESIGN

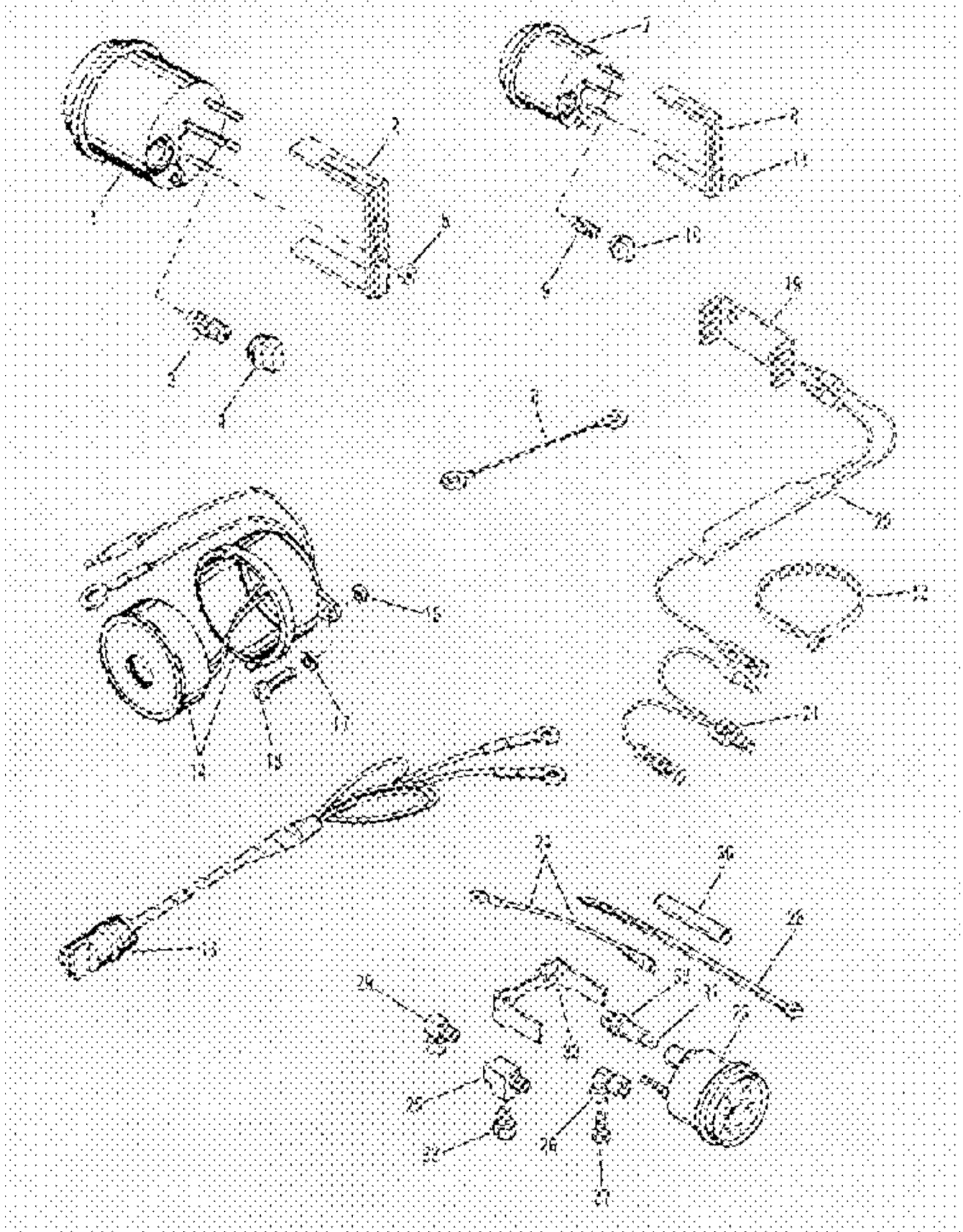


M0055-E756

KEY SWITCH ASSEMBLY NEW DESIGN

REF. NO.	PART NO.	SYM.	QTY.	DESCRIPTION
1	84-17925A15		1	KEY SWITCH ASSEMBLY (15')
	84-17925A20		1	KEY SWITCH ASSEMBLY (20')
2	90468A1		2	COVER, IGNITION SWITCH KEYS
3	76424		1	BRACKET, IGNITION SWITCH
4	16-55422		2	STUD, SWITCH ATTACHING
5	12-24676		2	WASHER, SWITCH ATTACHING STUD
6	11-68219		2	NUT, SWITCH ATTACHING STUD
7	89976		1	PLATE, SWITCH MOUNT
8	87-88107		1	SWITCH, IGNITION
9	11-93543		1	NUT, IGNITION SWITCH
10	38-90311		1	INSERT, SWITCH PLATE
11	68878A6		1	ALARM HORN ASSEMBLY
12	68879		1	COVER, ALARM HORN
13	23-812711--1		2	SPACER (3/8")
	23-812711		2	SPACER (1/4")
-	89491--1		AR	KEY 1A
-	89491--2		AR	KEY 1B
-	89491--3		AR	KEY 1C
-	89491--4		AR	KEY 1D
-	89491--5		AR	KEY 1E
-	89491--6		AR	KEY 1F
-	89491--7		AR	KEY 2A
-	89491--8		AR	KEY 2B
-	89491--9		AR	KEY 2C
-	89491-10		AR	KEY 2D
-	89491-11		AR	KEY 2E
-	89491-12		AR	KEY 2F

INSTRUMENTATION



INSTRUMENTATION

REF. NO.	PART NO.	SYM.	QTY.	DESCRIPTION
1	79-93953A1		1	TACHOMETER
2	79101T		1	BRACKET, MOUNTING
3	88-72729		1	LIGHT BULB
4	88-79888		1	SOCKET
5	11-26419		5	NUT (#8-32)
6	84-86322A7		1	WIRE, TRIM GAUGE (BLACK-1-1/2")
	84-86323A5		1	WIRE, TRIM GAUGE (PURPLE-1-1/2")
7	79-15113A4		1	TRIM GAUGE
8	79480		1	BRACKET, MOUNTING-TRIM GAUGE
9	88-72729		1	LIGHT BULB, TRIM GAUGE
10	88-79888		1	SOCKET, TRIM GAUGE
11	11-26419		5	NUT, TRIM GAUGE TERMINAL (8-32)
12	54-816311		AR	STA-STRAP
13	84-86396A8		1	HARNESS
14	68878A6		1	ALARM HORN AND WIRE ASSEMBLY
15	68879		1	COVER, ALARM HORN
16	23-79697		2	SPACER, ALARM HORN
17	12-26427		2	WASHER, ALARM HORN
18	10-35401		2	SCREW, ALARM HORN
19	79146		1	RETAINER
20	812497A2		1	DIODE KIT
21	84-11149A2		1	CABLE ASSEMBLY
22	22-36492		1	BUSHING
23	79-15128A3		1	30 PSI GAUGE KIT
24	84-88532A1		1	CABLE ASSEMBLY (DARK BLUE)
	84-86322A16		1	CABLE AASEMBLY (BLACK)
25	22-64706		1	TEE FITTING
26	22-63651		2	ELBOW (90)
27	22-63670		2	FITTING
28	54-816311		5	CABLE TEE
29	22-77863		1	FITTING
30	32-64088--6		1	TUBING
31	88-95691		1	BULB
32	13631		1	SOCKET
33	17654		1	BRACKET

PARTS INDEX

Part Number	Description	Pg.	Ref. No.	Part Number	Description	Pg.	Ref. No.
11350A13	I. CONTROL BOX	37	1	26852	CAP, NYLON-ADJUSTING SCREW	21	36
11350A7	I. CONTROL BOX	35	1	26852	CAP, SPARK ADVANCE LEVER STOP SCREW	9	9
12144	COVER, WATER PASSAGE	55	1	26852	CAP, THROTTLE LEVER STOP SCREW	9	21
12144	COVER, WATER PASSAGE	61	1	26901	BUMPER, PUMP TO BRACKET	73	20
12234	MOUNT, E.F.I. CONTROL BOX	35	4	32435	PLATE, FACE - WATER PUMP	61	25
12234--2	MOUNT, E.F.I. CONTROL BOX	37	4	32435	PLATE, FACE-WATERP PUMP	55	25
12955A3	BOTTOM COWL ASSEMBLY	3	18	37896	GUIDE BLOCK, LINK ROD	9	29
13171	THRUST HUB	67	83	38279	LATCH	9	33
13171	THURST HUB	59	79	38601	SCREW, PLATE TO BOTTOM COWL	3	26
13256A2	AIR INLET ASSEMBLY	31	2	39483	LATCH, CABLE	9	22
13631	SOCKET	89	32	41038	SLEEVE	81	7
13638--1	THROTTLE SHAFT OLD DESIGN	31	39	41052	PLUNGER, TILT LEVER RELEASE	45	14
13715	RETAINER	25	5	41094A3	LEVER, SPARK ADVANCE	9	6
13726	THROTTLE LEVER	31	10	41106	PALTE, TIE ROD (RIGHT OR LEFT) OLD DESIGN	43	29
13734	RETAINER, HOLD DOWN	3	19	41941	DIFFUSER, EXHAUST	39	30
13873--1	BELLCRANK	31	20	41941	DIFFUSER, EXHAUST	43	16
13874--1	MOUNT, BELLCRANK	31	15	42249	COVER, STARTER MOTOR (UPPER)	17	6
13923	ROD END	31	25	42249	COVER, STARTER MOTOR (UPPER)	21	6
13925	LINK, THROTTLE (LONG)	31	23	42732A2	PLATE ASSEMBLY, DRIVE SHAFT HOUSING	39	19
13926	LINK, THROTTLE (SHORT) OLD DESIGN	31	36	42732A3	PLATE ASSEMBLY, DRIVE SHAFT HOUSING	43	10
13926--1	LINK, THROTTLE (SHORT) NEW DESIGN	33	36	43429	PLATE, IGNITION	7	1
14410A1	FRONT COVER	3	2	43567A1	BEARING CARRIER (STANDARD)	59	64
14469	BEARING CUP	65	76	44260	RETAINER, WATER TUBE SEAL	39	22
14587A4	BEARING CARRIER	65	68	44260	RETAINER, WATER TUBE SEAL	43	13
14669--1	BRACKET, ANCHOR - CONTROL CABLES	9	27	45559	TERMINAL BLOCK	83	9
14871	BRACKET COWL OFFSHORE	51	4	45915	TERMINAL BLOCK	25	18
14913A1	COVER, EXHAUST MANIFOLD	15	4	45915	TERMINAL BLOCK	69	6
14984	HOLD DOWN COWL OFFSHORE	51	7	46265	BOOT, RUBBER	73	15
15221A2	CYLINDER HEAD	25	1	48039	CAP, SPARK ADVANCE LEVER STOP SCREW	9	12
15386	END CAP, COMMUTATOR	13	11	48752	INSERT, WATER PUMP BODY	55	27
15838A2	BEARING ADAPTOR	65	66	48752	INSERT, WATER PUMP BODY	61	27
15840--1	COVER, GEAR HOUSING	65	75	52100	WEAR PLATE, LINK ROD	9	32
15840--1	COVER, GEAR HOUSING (OFFSHORE)	59	73	54196A6	CARRIER ASSEMBLY, SEAL	27	4
15933	STRAP -OFFSHORE	47	33	54196A6	CARRIER ASSEMBLY, SEAL	29	4
16813	CUP, BARREL RETAINER - ANCHOR BAR	11	42	56703	COLLAR, STARTER MOTOR	5	15
16814	LATCH	11	43	58707	HOLD DOWN (BUNGY CORD)	3	8
17206	FUEL RAIL	79	23	60572	BARREL, THROTTLE CONTROL ROD	9	26
17654	BRACKET	89	33	61787	HOLDER, BRUSH	13	9
17814A7	THROTTLE POSITION INDICAT	21	38	62351A1	RECTIFIER	7	17
17814A7	THROTTLE POSITION INDICATOR	19	38				
17872	COVER, AIR INLET OLD DESIGN	31	40				
17916A1	BEARING CARIER (OFFSHORE)	59	64				
19368--2	TRIM MOLDING	3	22				
26852	CAP, NYLON-ADJUSTING SCREW	17	36				

PARTS INDEX

Part Number	Description	Pg.	Ref. No.	Part Number	Description	Pg.	Ref. No.
62459	BALL JOINT, TRIGGER PLATE	9	2	79480	BRACKET, MOUNTING-TRIM GAUGE	89	8
65800	SEAL, CARRIER	27	5	79610A6	TRIM CYLINDER (79879A1 REPAIR KIT) -STANDARD	47	23
65800	SEAL, CARRIER	29	5	79610A6	TRIM CYLINDER -79879A1 REPAIR KIT-OFFSHORE	47	23
67073A1	LIND ROD ASSEMBLY	9	31	79911	ROD, CLUTCH ACTUATOR	65	50
67077T	COVER, LOWER MOUNT CLAMP	39	9	79911	ROD, CLUTCH ACUATOR	59	50
67614	COVER, IGNITION COIL	5	23	79918A1	COVER ASSEMBLY, FLYWHEEL	5	1
67703	STRAP, SWIVEL BRACKET RETAINING	39	12	79932A11	SHIFT SHAFT ASSEMBLY (LONG)	9	37
67703	STRAP, SWIVEL BRACKET RETAINING	43	3	79932A12	SHIFT SHAFT ASSEMBLY (EXTRA LONG)	9	37
68042	STOP, RUBBER - STARTER MOTOR	5	16	812497A2	DIODE KIT	89	20
68100--1	THRUST RING	59	59	815278	PLATE	37	18
68878A6	ALARM HORN AND WIRE ASSEMBLY	89	14	815490--1	THORTTLE SHAFT NEW DESIGN	33	39
68878A6	ALARM HORN ASSEMBLY	87	11	815571	JUMPER	7	36
68879	COVER, ALARM HORN	87	12	816054	MOUNT, LOWER 3.16" MOUNT LENGTH	39	4
68879	COVER, ALARM HORN	89	15	85024	SHAFT, TRIM CYLINDER -STANDARD	47	28
71602	YOKE, HOLD DOWN	3	5	85026	PLATE, PIVOT PIN	47	12
74406	BRACKET, SOLENOID MOUNTING	73	19	85028A2	LEVER ASSEMBLY, TILT LOCK (STARBOARD)	45	11
74407T	BRACKET, MOUNTING-SOLENOID	73	16	85030A2	LEVER ASSEMBLY, TILT LOCK (PORT)	45	11
74897	PIVOT, TRIGGER PLATE	9	1	85035T	SPACER, TRANSOM BRACKET	47	15
75384	BRUSH SET	13	8	86475--1	COUPLING, TILT LOCK LEVER	45	17
75660	PLATE, DRIVE END	13	3	86485A5	TRIM SENDER ASSEMBLY-STANDARD	45	31
75661	DRIVE	13	2	86485A6	TILT SWITCH ASSEMBLY -STANDARD	45	31
76035	LINK ROD, TRIGGER PLATE	9	4	86580A1	BOTTOM YOKE	45	22
76214	ANODIC PLATE (LONG)	59	74	86603	KNOB, PLUNGER	45	16
76214	ANODIC PLATE (LONG)	67	78	86926A2	REV LIMITER ASSEMBLY MARK #73597-2	51	1
76214--1	ANODIC PLATE (EXTRA LONG)	59	74	86926A4	REV LIMITER ASSEMBLY MARK #73597-4	51	1
76214--1	ANODIC PLATE (EXTRA LONG)	67	78	87760	PLATE, MOUNTING	73	38
76424	BRACKET, IGNITION SWITCH	87	3	87760	PLATE, MOUNTING	69	22
76867	COVER, STARTER MOTOR (LOWER)	17	9	87762	BRACKET, HYDRAULIC PUMP	69	27
76867	COVER, STARTER MOTOR (LOWER)	21	9	87762	BRACKET, HYDRAULIC PUMP	75	43
77697	MOUNT, LOWER 3.36" MOUNT LENGTH	39	4	87828	MOTOR, POWER TRIM	71	--
77837	LEVER, THROTTLE CONTROL	9	13	87871	COVER, INLET-HYDRAULIC HOSES	47	35
78148A1	SPACER ASSEMBLY EXTRA LONG	41	--	88075	RETAINER, HARNESS TO MOUNTING BRACKET	69	11
78148A1	SPACER ASSEMBLY EXTRA LONG	43	--	88238A4	CABLE ASSEMBLY (BLACK) OFF SHORE	3	14
78902	SHAFT, SHIFT - LOWER	55	38	88342	STRAP, SWITCH AND SENDER -STANDARD	45	33
78902	SHAFT, SHIFT - LOWER	61	38	88825A7	VOLTAGE REGULATOR	15	11
78956	SHIFT CAM	59	48	89484	END FRAME. DRIVER END	71	12
78956	SHIFT CAM	65	48	89485	ARMATURE	71	13
79022	MARKER, TIMING	5	2				
79101T	BRACKET, MOUNTING	89	2				
79146	RETAINER	89	19				
79216	ARMATURE	13	7				
79448	COVER, GEAR HOUSING (STANDARD)	59	73				

PARTS INDEX

Part Number	Description	Pg.	Ref. No.	Part Number	Description	Pg.	Ref. No.
89486	FIELD AND FRAME	71	15	94275	CONNECTOR, SOLENOID TO SOLENOID	69	16
89487	BRUSH CARD	71	16	94451	BRACKET, FUEL PUMP	81	4
89488	END FRAME, COMMUTATOR END	71	17	94820	FUEL REGULATOR	79	1
89491--1	KEY 1A	85	-	96030	BRACKET, FUEL PUMP	83	7
89491--1	KEY 1A	87	-	96455A11	TRIGGER PLATE ASSEMBLY	5	13
89491--2	KEY 1B	85	-	96598	MANUAL RELEASE (INCLUDES 3 "O" RINGS)	71	3
89491--2	KEY 1B	87	-	96718A1	TEMPERATURE SENSOR ASSEMBLY	35	7
89491--3	KEY 1C	85	-	96718A1	TEMPERATURE SENSOR ASSEMBLY	37	7
89491--3	KEY 1C	87	-	97465	TEMPERATURE SENDER	25	16
89491--4	KEY 1D	85	-	98684	SPACER -OFFSHORE	47	32
89491--4	KEY 1D	87	-	98709--3	PLATE, REED BLOCK MOUNTING	25	20
89491--5	KEY 1E	85	-	98711--1	REED BLOCK	25	22
89491--5	KEY 1E	87	-	98715--4	THROTTLE SHUTTER	31	7
89491--6	KEY 1F	85	-	98716	HOLD DOWN, INJECTOR	79	16
89491--6	KEY 1F	87	-	98717	SPACER, HOLD DOWN	79	17
89491--7	KEY 2A	85	-	98818	INJECTOR, FUEL	79	14
89491--7	KEY 2A	87	-	99169A2	PLATE, DIVIDER	15	1
89491--8	KEY 2B	85	-	99170A1	TILT TUBE	47	9
89491--8	KEY 2B	87	-	99193	COVER, RELIEF VALVE	15	6
89491--9	KEY 2C	85	-	99264--1	PLATE, COWL BASE	3	25
89491--9	KEY 2C	87	-	99294	BRACKET, FLYWHEEL COVER	17	27
89491--10	KEY 2D	85	-	99294	BRACKET, FLYWHEEL COVER	21	27
89491--10	KEY 2D	87	-	99528A1	FUEL PUMP ASSEMBLY, E.F.I.	81	1
89491--11	KEY 2E	85	-	99690	PLATE, COWL HOLD DOWN OFF SHORE	3	13
89491--11	KEY 2E	87	-	99779	CLIP OFF SHORE	3	15
89491--12	KEY 2F	85	-	99944	SUPPORT, MOUNTING BRACKET	79	7
89491--12	KEY 2F	87	-	99945	BRACKET, MOUNTING	79	3
89492	ADAPTOR	71	1	N.S.S.	FORWARD GEAR (PART OF 43-15845A2)	65	56
89493	COULPING	71	2	N.S.S.	PINION GEAR (PART OF 43-15845A2)	61	12
89494	MONUAL RELEASE (INCLUDES 2 "O" RINGS)	71	3	N.S.S.	PINION GEAR (PART OF 43-44104A2)	55	12
89495	PUMP (INCLUDES ACREW)	71	4	N.S.S.	REVERSE GEAR (PART OF 43-44104A2)	59	56
89499	DIPSTICK	71	8	N.S.S.	WASHER, THRU BOLT (AMERICAN BOSCH #WA3122)	13	6
89594A1	FOLLOWER, CAM	59	49	10-12463	SCREW	7	37
89594A1	FOLLOWER, CAM	65	49	10-13212--1	SCREW SCREW ATTACHING	39	28
89949A1	PLATE ASSEMBLY, TRANSOM BRACKET	47	18	10-13212--1	SCREW, UPPER MOUNT	43	20
89976	PLATE, SWITCH MOUNT	87	7	10-13627	SCREW	19	39
90318	BRACKET, MOUNTING-STARTER SOLENOID	69	2	10-14000	SCREW, STEERING LINK TO STEERING ARM (1-1/4")	45	28
90390A1	COVER, THERMOSTAT	25	10	10-14834	SCREW, DRAIN (MAGNETIC)	57	46
90391	REED CLAMP	25	24	10-14834	SCREW, DRAIN (MAGNETIC)	63	46
90435	RUBBER MOUNT	79	8	10-14862	SCREW	37	24
90468A1	COVER, IGNITION SWITCH KEYS	87	2	10-15929	SCREW, GEAR HOUSING (EXTRA LONG)	67	82
90587	RESERVOIR	71	9				
90645	DRIVE KIT	13	1				
90762A2	CONTROL VALVE ASSEMBLY	73	6				
92459A4	HYDRAULIC PUMP ASSEMBLY	69	1				
92459A4	HYDRAULIC PUMP ASSEMBLY	71	-				
92876A1	STEERING LINK ASSEMBLY	45	27				
92975A6	HYDRAULIC PUMP AND BRACKET	73	1				
92975A6	HYDRAULIC PUMP ASSEMBLY	77	-				

PARTS INDEX

Part Number	Description	Pg.	Ref. No.	Part Number	Description	Pg.	Ref. No.
10-15934	SCREW -OFFSHORE	47	34	10-48060	SCREW, BRACKET TO PUMP	73	17
10-18308	SCREW, REEDS TO REED BLOCK	25	25	10-48409	SCREW, RETAINER	69	31
10-21091	SCREW, CONTROL VALVE TO PUMP	73	7	10-48409	SCREW, VOLTAGE REGULATOR	15	12
10-22486	SCREW, CABLE LATCH TO THROTTLE LEVER	9	23	10-53167	SCREW, COVER TO CYLINDER BLOCK	15	7
10-24220	SETSCREW, (3/16")	17	19	10-53576	SCREW, CRANKCASE TO CYLINDER BLOCK (1-1/8")	17	13
10-28635	SCREW	83	6	10-53576	SCREW, CRANKCASE TO CYLINDER BLOCK (1-1/8")	21	13
10-28635	SCREW, "J" CLIP	35	13	10-55337	SCREW, THROTTLE LEVER/ADVANCE LEVER (1/34")	9	14
10-28636	SCREW, BRACKET	79	4	10-57583	SCREW, TEMPERATURE SENSOR	35	9
10-28636	SCREW, LOWER END CAP TO CYLINDER	21	32	10-57583	SCREW, TEMPERATURE SENSOR	37	9
10-28636	SCREW, LOWER END CAP TO CYLINDER BLOCK (3/4")	17	32	10-60147	SCREW, PLATE TO CRANKCASE	25	28
10-28636	SCREW, PLATE TO TRANSOM BRACKET	47	13	10-60147	SCREW, REED BLOCK ATTACHING	25	26
10-28636	SCREW, RETAINER	39	23	10-60300	SCREW, SOLENOID TO BRACKET (3/4")	73	21
10-28636	SCREW, RETAINER	43	14	10-62269	VENT SCREW	73	3
10-28667	SCREW, ANCHOR BRACKET (1")	9	28	10-62568	SCREW	83	10
10-30206	SCREW, GEAR HOUSING (LONG)	59	78	10-62568	SCREW, HARNESS ATTACHING	73	10
10-30206	SCREW, GEAR HOUSING (LONG)	67	82	10-62568	SCREW, WIRE ATTACHING	7	9
10-31716	SCREW, SOLENOID TO IGNITION PLATE (5/8")	7	26	10-62958	SCREW, ANCHOR BRACKET (1-1/8")	9	28
10-31830	BOLT, BRACKET TO TRANSOM (3-1/2")	69	28	10-63474	SCREW, LOWER MOUNT	39	3
10-32417	SCREW, SOLENOID TO BRACKET (5/8")	73	21	10-64022	SCREW, ADJUSTING-CYLINDER BLOCK	17	34
10-32627	SCREW	81	5	10-64022	SCREW, ADJUSTING-CYLINDER BLOCK	21	34
10-35386	SCREW, THERMOSTAT COVER (1")	25	11	10-64022	SCREW, SPARK ADVANCE LEVER-STOP	9	7
10-35401	SCREW, ALARM HORN	89	18	10-64022	SCREW, THORTTLE LEVER - STOP (2-18")	9	19
10-36070	SCREW, INLET COVER	47	38	10-66024	SCREW EXTRA LONG	41	--
10-37562	SCREW, PUMP TO BRACKET	73	33	10-66024	SCREW, TRIM TAB TO GEAR HOUSING (1-3/4")	59	75
10-37572	SCREW, TIMING MARKER	5	3	10-66024	SCREW, TRIM TAB TO GEAR HOUSING (1-3/4")	67	79
10-38055	SCREW, CABLE TO IGNITION PLATE (5/8")	7	10	10-66717	SCREW, CRANKCASE TO CYLINDER BLOCK (3-1/4")	17	13
10-38055	SCREW, RECTIFIER TO IGNITION PLATE (5/8")	7	18	10-66717	SCREW, CRANKCASE TO CYLINDER BLOCK (3-1/4")	21	13
10-38837	SCREW, THERMOSTAT COVER (1-1/8")	25	11	10-67755--1	SCREW, BRACKET TO TRANSOM (4-1/2")	47	4
10-39349	SCREW, MOUNTING PLATE TO BRACKET (3/4")	69	23	10-67755--2	SCREW, BRACKET TO TRANSOM (6-1/2")	47	3
10-39349	SCREW, MOUNTING PLATE TO BRACKET (3/4")	73	39	10-67769	SCREW, STRAP TO DRIVE SHAFT HOUSING	39	13
10-41089	SCREW, THROTTLE LEVER TO SHAFT	31	12	10-67769	SCREW, STRAP TO DRIVE SHAFT HOUSING	43	4
10-41355	SCREW, SET - THROTTLE LEVER	31	14	10-68298	BOLT, BRACKET TO TRANSOM	75	44
10-41508	SCREW, STARTER SOLENOID TO BRACKET (3/8")	69	13	10-68513	SCREW OLD DESIGN	31	32
10-42813	SCREW	23	42				
10-45862	SCREW, REV LIMITER MARK #73597-2	51	2				

PARTS INDEX

Part Number	Description	Pg.	Ref. No.	Part Number	Description	Pg.	Ref. No.
10-68513	SCREW, GROUND STRAP	5	33	10-79953	SCREW, FILLER	73	4
10-68513	SCREW, THROTTLE SHUTTER AND CLAMP	31	8	10-79953	SCREW, GREASE FILLER	57	45
10-68586	SCREW, BRUSH AND HOLDER	13	10	10-79953	SCREW, GREASE FILLER	63	45
10-69020	SCREW REV LIMITER MARK #73597-4	51	2	10-87180	BOLT, TILT	47	7
10-69034	SCREW, UPPER END CAP (1")	17	18	10-87926	SCREW, COVER	55	2
10-69034	SCREW, UPPER END CAP TO CYLINDER BLOCK (1")	21	18	10-87926	SCREW, COVER	61	2
10-69035	SCREW, CABLE TO STARTER MOTOR	5	20	10-87926	SCREW, STRAP TO SWIVEL BRACKET -STANDARD	45	34
10-69079	SCREW, TERMINAL BLOCK TO CYLINDER BLOCK	25	19	10-88417	SCREW, COVER ATTACHING (5/8")	39	10
10-69079	SCREW, WIRE TO TERMINAL BLOCK	69	7	10-88447	SCREW, IGNITION COIL COVER (1-5/8")	5	24
10-69092	SCREW, IGNITION PLATE (1-1/4")	7	12	10-88829	SCREW, CLAMP TO TRANSOM BRACKET	47	21
10-69560	SCREW, SPARK ADVANCE LEVER - STOP (1/14")	9	10	10-89483	THRU BOLT, MOTOR (4-1/4")	71	18
10-69570	SCREW, FRONT COVER	3	3	10-89489	THRU BOLT, MOTOR (4-9/16")	71	18
10-69570	SCREW, VALVE BODY TO RESERVOIR	77	4	10-89996	SCREW, PLATE TO TRANSOM BRACKET	47	19
10-70732	SCREW, INLET TO ADAPTOR (2") - BOTTOM	35	15	10-90271	SCREW, HYDRAULIC PUMP	75	41
10-70732	SCREW, INLET TO ADAPTOR (2") - BOTTOM	37	15	10-90271	SCREW, HYDRAULIC PUMP (5/8")	69	25
10-70732	SCREW, SPACER TO TRANSOM BRACKET	47	16	10-90285	SCREW, MOUNTING BRACKET (5/8")	69	3
10-73657	SCREW COWL BRACKET OFFSHORE	51	5	10-90588	SCREW, RESERVOIR (INCLUDES "O" RING)	71	10
10-73657	SCREW, COVER TO CRANKCASE (1-1/2")	17	7	10-90815	SCREW, SWITCH BOX TO IGNITION PLATE	7	3
10-73657	SCREW, COVER TO CRANKCASE (1-1/2")	21	7	10-91903	SCREW (1-3/4")	43	33
10-74191	SCREW, INLET TO ADAPTOR (5/16" X 3-1/4")	35	17	10-91903	SCREW, PLATE (1-3/4")	39	34
10-74191	SCREW, INLET TO ADAPTOR (5/16" X 3-1/4")	37	17	10-91995	SCREW, CONNECTING ROD	29	13
10-74822	SCREW, BELLCRANK MOUNT	31	17	10-92702	SCREW, THROTTLE LINK TO BELLCRANK	31	26
10-74824	SCREW, COVER AND PLATE TO CYLINDER BLOCK (1-1/4")	15	5	10-92913	SCREW (3/4")	43	33
10-74824	SCREW, CRANKCASE TO CYLINDER BLOCK (1-1/4")	17	13	10-92913	SCREW, PLATE (3/4")	39	34
10-74824	SCREW, CRANKCASE TO CYLINDER BLOCK (1-1/4")	21	13	10-93886	SCREW, CONNECTING ROD	27	13
10-74968	BOLT, THRU	13	4	10-94929	SCREW, CYLINDER HEAD (2")	25	3
10-76290	SCREW, COVER OLD DESIGN	31	41	10-96411	SCREW, WATER PUMP (2-1/4")	55	31
10-76630	SCREW	37	19	10-96411	SCREW, WATER PUMP (2-1/4")	61	31
10-76630	SCREW, BRACKET TO CRANKCASE	17	28	10-98256	SCREW, CLAMP TO SWIVEL BRACKET -STANDARD	45	36
10-76630	SCREW, BRACKET TO CRANKCASE	21	28	10-98257	SCREW	25	6
10-77065	SCREW, COVER TO CRANKCASE (2")	17	10	10-98534	SCREW, CYLINDER HEAD (2-1/3")	25	3
				10-99305	SCREW, INLET TO ADAPTOR (3-1/2") - TOP	35	16
				10-99305	SCREW, INLET TO ADAPTOR (3-1/2") - TOP	37	16
				10-99452	SCREW, STATOR	5	11
				11-13436	NUT, WATER PUMP STUD	55	35
				11-13436	NUT, WATER PUMP STUD	61	35
				11-13438	NUT, WATER PUMP STUD	55	33
				11-13438	NUT, WATER PUMP STUD	61	33
				11-15018	NUT, FUEL REGULATOR	79	2
				11-18102	NUT, LATCH STUD	11	46
				11-20013	NUT, JAM	31	24
				11-20110	NUT	81	6

PARTS INDEX

Part Number	Description	Pg.	Ref. No.	Part Number	Description	Pg.	Ref. No.
11-20110	NUT (#10)	73	12	11-35521	NUT, NYLON - COVER TO CLAMP SCREW	39	11
11-20110	NUT, PUMP BOLT	73	18	11-35814	NUT, CLAMP STUD	39	38
11-20220	NUT, TILT BOLT	47	8	11-35888	NUT	79	10
11-20361	NUT, SOLENOID SCREW	73	22	11-35921	NUT, PINION GEAR TO DRIVE SHAFT	55	14
11-20890	NUT, STARTER MOTOR TERMINAL	5	18	11-35921	NUT, PINION GEAR TO DRIVE SHAFT	61	14
11-21825	NUT, FUSE TERMINAL	69	21	11-40063--2	NUT	81	2
11-21825	NUT, FUSE TERMINAL	73	29	11-40063--3	NUT	81	3
11-22496	NUT JAM OFFSHORE	51	9	11-42633	NUT, DRIVE SHAFT BEARING	55	17
11-25096	NUT, LOWER MOUNT SCREW	39	6	11-42633	NUT, DRIVE SHAFT BEARING	61	17
11-25269	NUT, STRAP TO DRIVE SHAFT HOUSING SCREW	39	14	11-45076	NUT	7	34
11-25269	NUT, STRAP TO DRIVE SHAFT HOUSING SCREW	43	5	11-45076	NUT, IGNITION COIL TERMINAL	5	25
11-26419	NUT (#8-32)	89	5	11-45076	NUT, RECTIFIER TERMINALS	7	19
11-26419	NUT, STARTER SOLENOID TERMINAL (#8-32)	69	14	11-45076	NUT, SOLENOID TERMINALS	7	29
11-26419	NUT, TRIM GAUGE TERMINAL (8-32)	89	11	11-45076	NUT, SWITCH BOX TERMINAL	7	7
11-26484	NUT (5/16")	73	14	11-45076	NUT, VOLTAGE REGULATOR	15	14
11-26484	NUT, PUMP SCREW	73	34	11-45812	NUT	23	43
11-28040	NUT STUD LENGTH IS 4-1/2"	43	24	11-45812	NUT, BALL JOINT	9	5
11-30506	NUT, EXTENSION STUD	39	33	11-46335	NUT, BRACKET SCREW	69	30
11-30506	NUT, EXTENSION STUD	43	19	11-52707A1	PROPELLER NUT	59	82
11-34059	NUT, MOUNTING BRACKET TO HYDRAULIC PUMP	69	5	11-52707A1	PROPELLER NUT	67	86
11-34863	NUT, POWERHEAD STUD (THIN)	41	40	11-52901	NUT, FLYWHEEL	5	5
11-34863	NUT, POWERHEAD STUD (THIN)	43	26	11-56041	NUT, TILT TUBE (7/8-14)	47	11
11-34863	NUT, STEERING LINK SCREW	45	29	11-56374	NUT, MOUNT	37	6
11-34932	NUT, POWERHEAD STUD (FULL)	41	40	11-64015	NUT, JAM-ADJUSTING SCREW	17	35
11-34932	NUT, POWERHEAD STUD (FULL)	43	26	11-64015	NUT, JAM-ADJUSTING SCREW	21	35
11-34933	NUT OFFSHORE	51	11	11-64015	NUT, SPARK ADVANCE STOP SCREW	9	8
11-34933	NUT, DRIVE SHAFT HOUSING STUDS	59	77	11-64015	NUT, THROTTLE LEVER STOP SCREW	9	20
11-34933	NUT, DRIVE SHAFT HOUSING STUDS	67	81	11-67980	NUT, SOLENOID TERMINALS	7	30
11-34933	NUT, GEAR HOUSING STUD	39	16	11-68219	NUT, INLET COVER SCREW	49	40
11-34933	NUT, GEAR HOUSING STUD	43	7	11-68219	NUT, LINK ROD	9	3
11-34933	NUT, PLATE MOUNTING STUD	43	31	11-68219	NUT, SPARK ADVANCE LEVER STOP SCREW	9	11
11-34933	NUT, TOP MOUNT STUD STUD ATTACHING	39	27	11-72008	NUT, SWITCH ATTACHING STUD	87	6
11-35000	NUT, MOUNTING STUD STUD LENGTH IS 4-7/10"	43	24	11-73651	NUT, MOUNT	35	6
11-35045	NUT NEW DESIGN	33	44	11-816670	NUT, FLYWHEEL COVER STUD	17	26
11-35045	NUT, BELLCRANK STUD	31	22	11-816874	NUT, BRACKET SCREW	47	6
11-35045	NUT, CABLE LATCH SCREW	9	25	11-89481	NUT, FLYWHEEL COVER STUD	21	26
11-35045	NUT, HOLD DOWN STUD	79	20	11-90068T	NUT, THRU BOLT AND STUD	71	19
11-35045	NUT, LINK ROD	9	35	11-93543	NUT, TILT TUBE (1"-14)	47	11
11-35045	NUT, LINK ROD TO SHIFT SHAFT	9	41	11-93543	NUT, IGNITION SWITCH	85	7
11-35045	NUT, PLATE SCREW	3	27	11-93543	NUT, IGNITION SWITCH	87	9
11-35045	NUT, THROTTLE LINK SCREW	31	28	11-94330	NUT, STARTER SOLENOID TERMINAL (1/4-20)	69	15
				11-99405	NUT, BRACKET SCREW	75	46

PARTS INDEX

Part Number	Description	Pg.	Ref. No.	Part Number	Description	Pg.	Ref. No.
12-17616	THRUST RING	65	61	12-35462	WASHER	37	21
12-19183	SEALING WASHER	73	5	12-35462	WASHER	79	9
12-19183	WASHER, GREASE FILLER AND DRAIN SCREW	57	47	12-35462	WASHER, BELLCRANK STUD	31	21
12-19183	WASHER, GREASE FILLER AND DRAIN SCREW	63	47	12-35462	WASHER, LINK ROD	9	40
12-20028	WASHER, REED BLOCK SCREW	25	27	12-35462	WASHER, PLATE SCREW	25	29
12-20128	WASHER	3	10	12-36001	WASHER, WATER PUMP STUD	55	34
12-20128	WASHER OFF SHORE	3	17	12-36001	WASHER, WATER PUMP STUD	61	34
12-20128	WASHER, YOKE RIVET	3	7	12-36042	WASHER, IGNITION PLATE SCREW	7	14
12-20533	WASHER, EXTENSION STUD	39	32	12-38833	WASHER	19	41
12-20533	WASHER, EXTENSION STUD	43	18	12-38833	WASHER, COVER SCREW OLD DESIGN	31	43
12-20670	WASHER, TEMPERATURE SENSOR SCREW	35	11	12-45175	WASHER, POWERHEAD STUD	39	39
12-20670	WASHER, TEMPERATURE SENSOR SCREW	37	11	12-45175	WASHER, POWERHEAD STUD	43	25
12-20878	WASHER, INLET COVER SCREW	47	39	12-45176	WASHER, DRIVE SHAFT HOUSING STUDS	59	76
12-21273	WASHER METAL MARK #73597-2	51	3	12-45176	WASHER, DRIVE SHAFT HOUSING STUDS	67	80
12-22248	WASHER OFFSHORE	51	10	12-45176	WASHER, GEAR HOUSING STUD	39	15
12-22753	WASHER (5/16")	73	13	12-45176	WASHER, GEAR HOUSING STUD	43	6
12-22753	WASHER, CLAMP STUD	39	37	12-45176	WASHER, PLATE MOUNTING STUD	43	30
12-22753	WASHER, INLET SCREW	35	18	12-45176	WASHER, PLATE SCREW	39	35
12-22753	WASHER, INLET SCREW	37	14	12-45176	WASHER, TOP MOUNT STUD STUD ATTACHING	39	26
12-22753	WASHER, MOUNT SCREW	31	18	12-45176	WASHER, UPPER MOUNT SCREW	43	32
12-22887	WASHER, FRONT COVER SCREW	3	4	12-47247	WASHER, NEEDLE LOCATING	27	14
12-24676	WASHER, SWITCH ATTACHING STUD	87	5	12-47247	WASHER, NEEDLE LOCATING	29	14
12-25909	WASHER, CYLINDER HEAD SCREW	25	4	12-47533	WASHER, SUBSTITUTE FOR THERMOSTAT	25	8
12-25970	WASHER	31	19	12-49221--1	WASHER, FLYWHEEL COVER STUD	17	24
12-26168	WASHER, FUEL REGULATOR	79	11	12-49221--1	WASHER, FLYWHEEL COVER STUD	21	24
12-26427	WASHER, ALARM HORN	89	17	12-49339	WASHER NEW DESIGN	33	45
12-28421	WASHER, BRACKET SCREW	47	5	12-49339	WASHER, LOWER MOUNT SCREW 3.36" MOUNT LENGTH	39	5
12-29245	WASHER	37	13	12-54012	WASHER, MOUNTING STUD STUD LENGTH IS 4-7/10"	43	23
12-29245	WASHER, ANCHOR BRACKET SCREW	11	47	12-56681	WASHER, THROTTLE CLAMP SCREW OLD DESIGN	31	34
12-29245	WASHER, CLAMP SCREW -STANDARD	45	37	12-56720	WASHER, MOUNTING BRACKET SCREW	69	4
12-29245	WASHER, HOLD DOWN STUD	79	19	12-67264	WASHER, IGNITION PLATE SCREW (RUBBER)	7	15
12-29245	WASHER, PLATE SCREW	47	14	12-67670	WASHER, THRUST-SWIVEL BRACKET	45	24
12-29245	WASHER, SPACER SCREW	47	17	12-68229	WASHER, FLYWHEEL	5	6
12-29245	WASHER, THROTTLE LINK SCREW	31	29				
12-29245	WASHER, THROTTLE LINK SCREW	31	27				
12-29245	WASHER, WATER PUMP SCREW AND STUD	55	32				
12-29245	WASHER, WATER PUMP SCREW AND STUD	61	32				
12-30164	WASHER	23	41				
12-30164	WASHER, COVER SCREW	5	32				
12-33786	WASHER, LATCH STUD	11	45				
12-34931	WASHER, STEERING LINK TO STEERING ARM	45	30				
12-35462	WASHER	7	39				

PARTS INDEX

Part Number	Description	Pg.	Ref. No.	Part Number	Description	Pg.	Ref. No.
12-69056	WASHER, LATCH	9	34	13-26993	LOCKWASHER, MOUNTING PLATE SCREW	75	40
12-69056	WASHER, MOUNT	35	5	13-26993	LOCKWASHER, STARTER MOTOR COVER SCREW	17	8
12-69056	WASHER, MOUNT	37	5	13-26993	LOCKWASHER, WTARTER MOTOR COVER SCREW	21	8
12-72761	WASHER MARK #73597-4	51	3	13-26995	LOCKWASHER, TEMPERATURE SENSOR SCREW	35	10
12-72761	WASHER, FLYWHEEL COVER STUD	17	25	13-26995	LOCKWASHER, TEMPERATURE SENSOR SCREW	37	10
12-72761	WASHER, FLYWHEEL COVER STUD	21	25	13-26995	LOCKWASHER, THROTTLE LEVER SCREW	31	13
12-72761	WASHER, TIMING MARKER SCREW	5	4	13-26996	LOCKWASHER	7	35
12-77674	WASHER, RUBBER - SHIFT SHAFT BUSHING	57	44	13-26996	LOCKWASHER	19	40
12-77674	WASHER, RUBBER - SHIFT SHAFT BUSHING	63	44	13-26996	LOCKWASHER	23	40
12-78910	WASHER, SPRING	59	52	13-26996	LOCKWASHER OLD DESIGN	31	33
12-78910	WASHER, SPRING	65	52	13-26996	LOCKWASHER, COVER SCREW OLD DESIGN	31	42
12-816056	WASHER 3.16" MOUNT LENGTH	39	5	13-26996	LOCKWASHER, STATOR SCREW	5	12
12-816056	WASHER SCREW ATTACHING	39	29	13-26996	LOCKWASHER, THROTTLE SHUTTER SCREW	31	9
12-816056	WASHER STUD LENGTH IS 4-1/2"	43	23	13-26996	LOCKWASHER, THROTTLE SHUTTER SCREW	31	9
12-85022	WASHER, TRANSOM BRACKET -STANDARD	47	25	13-29720	WAVE WASHER, LINK ROD	9	38
12-87161	WASHER, TILT LOCK LEVER	45	9	13-29720	WAVE WASHER, THROTTLE LINK OLD DESIGN	31	37
12-89482	WASHER, TRUST-ARMATURE	71	14	13-58643	LOCKWASHER, BRADCKET SCREW	69	29
12-92721	WASHER, PINION GEAR	55	13	13-58643	LOCKWASHER, HYDRAULIC PUMP SCREW	69	26
12-92721	WASHER, PINION GEAR	61	13	13-58643	LOCKWASHER, HYDRAULIC PUMP SCREW	75	42
12-96457	WASHER, FUSE TERMINAL	69	20	13-58643	LOCKWASHER, BRACKET SCREW	75	45
12-96457	WASHER, FUSE TERMINAL	73	27	13-69432	LOCKWASHER	7	38
13-26992	LOCKWASEHR, LOWER END CAP	21	33	13-78854	WAVE WASHER, BOTTOM YOKE	45	21
13-26992	LOCKWASHER	37	20	13-88750	WAVE WASHER, TILT TUBE	47	10
13-26992	LOCKWASHER	83	5	14-18323--1	TAB WASHER, GEAR HOUSING COVER	65	74
13-26992	LOCKWASHER, "J" CLIP SCREW	35	14	14-31210	TAB WASHER, PROPELLER NUT	59	81
13-26992	LOCKWASHER, BRACKET SCREW	79	5	14-31210	TAB WASHER, PROPELLER NUT	67	84
13-26992	LOCKWASHER, CONTROL VALVE SCREW	73	8	14-79447	TAB WASHER, GEAR HOUSING COVER	59	72
13-26992	LOCKWASHER, FUSE TERMINAL	73	28	15-42637A1	SHIM ASSEMBLY, ROLLER BEARING TO GEAR HOUSING	55	15
13-26992	LOCKWASHER, LOWER END CAP SCREW	17	33	15-42637A1	SHIM ASSEMBLY, ROLLER BEARING TO GEAR HOUSING	61	15
13-26992	LOCKWASHER, RETAINER SCREW	39	24	15-47397A1	SHIM, OUTER RACE (.002-3-5-10)	59	68
13-26992	LOCKWASHER, RETAINER SCREW	43	15	16-14689	STUD, BELLCRANK	31	16
13-26992	LOCKWASHER, SOLENOID TO IGNITION PALTE SCREW	7	27	16-15093	STUD, FLYWHEEL COVER (1")	17	22
13-26992	LOCKWASHER, STARTER MOTOR TERMINAL	5	17	16-15093	STUD, FLYWHEEL COVER TO BRACKET (1")	21	22
13-26993	LOCKWASHER BRACKET SCREW OFFSHORE	51	6				
13-26993	LOCKWASHER, IGNITION PLATE SCREW	7	13				
13-26993	LOCKWASHER, MOUNTING PLATE SCREW	69	24				

PARTS INDEX

Part Number	Description	Pg.	Ref. No.	Part Number	Description	Pg.	Ref. No.
16-15094	STUD, FLYWHEEL COVER (1-7/8")	17	21	16-96909	STUD, POWERHEAD (7")	21	2
16-15094	STUD, FLYWHEEL COVER TO CYLINDER BLOCK (1-7/8")	21	21	16-96910	STUD, POWERHEAD (5-3/4")	17	2
16-17805	STUD, TOP MOUNT STUD ATTACHING	39	25	16-96910	STUD, POWERHEAD (5-3/4")	21	2
16-18101	STUD, LATCH TO BRACKET	11	44	16-97008	STUD, POWERHEAD (2")	17	2
16-21184	STUD, HOLD DOWN	79	18	16-97008	STUD, POWERHEAD (2")	21	2
16-30667	STUD, WATER PUMP (3-1/4")	55	7	16-99449	STUD, TIE ROD, EXHAUST PLATE (SHORT) OLD DESIGN	43	28
16-30667	STUD, WATER PUMP (3-1/4")	61	7	17-12146	RIVET, YOKE TO COWL	3	6
16-42355	STUD, MOUNTING - LOWER STUD LENGTH IS 4-7/10"	43	21	17-12147	POP RIVET, TRIM MOLDING	3	23
16-55422	STUD, SWITCH ATTACHING	87	4	17-12148	POP RIVET OFF SHORE	3	16
16-56295	STUD, DRIVE SHAFT HSG./GEAR HSG. (LONG)	39	2	17-12148	POP RIVET, RETAINER	3	20
16-56295	STUD, DRIVE SHAFT HSG./GEAR HSG. (LONG)	43	2	17-14908	RIVET	3	21
16-56297	STUD, WATER PUMP (3-3/8")	61	6	17-20033	DOWEL PIN, GEAR HOUSING LOCATING	55	3
16-56297	STUD, WATER PUMP(3-3/8")	55	6	17-20033	DOWEL PIN, GEAR HOUSING LOCATING	61	3
16-56298	STUD, TIE ROD, DRIVE SHAFT HOUSING (LONG) OLD DESIGN	43	27	17-20033	DOWEL PIN, LOCATING	17	3
16-57920	STUD, GEAR HOUSING (2-1/16") - LONG	61	5	17-20033	DOWEL PIN, LOCATING	21	3
16-57920	STUD,GEAR HOUSING (2-1/16")-LONG	55	5	17-20033	DOWEL PIN, LOCATING	39	20
16-66021	STUD, EXTENSION TO PLATE	39	31	17-20033	DOWEL PIN, LOCATING	43	11
16-66021	STUD, EXTENSION TO PLATE	43	17	17-20033	PIN, LOCATING - SPACER EXTRA LONG	41	--
16-69016	STUD	21	39	17-20033	PIN, LOCATING - SPACER EXTRA LONG	43	--
16-69058	STUD, LOWER MOUNT CLAMP	39	36	17-24800	ROLL PIN, THROTTLE SHAFT	31	5
16-74730	STUD, GEAR HOUSING (7-1/16") - EXTRA LONG	61	5	17-42671	CROSS PIN, RATCHET OFFSHORE	65	64
16-74730	STUD, GEAR HOUSING (7-1/16")-EXTRA LONG	55	5	17-42671	CROSS PIN, RATCHET -OFFSHORE	59	62
16-74732	STUD, DRIVE SHAFT HGS./GEAR HSG. (EXTRA LONG)	43	2	17-58712	CLEVIS PIN	3	9
16-74732	STUD, DRIVE SHAFT HSG./GEAR HSG. (EXTRA LONG)	39	2	17-67296	DOWEL PIN, CYLINDER BLOCK (BEARING RACE)	17	4
16-78638	STUD, GEAR HOUSING (3-1/8") - LONG	61	4	17-67296	DOWEL PIN, CYLINDER BLOCK (BEARING RACE)	21	4
16-78638	STUD, GEAR HOUSING (3-1/8")-LONG	55	4	17-67706A46	SWIVEL PIN AND STEERING ARM ASSEMBLY	45	25
16-78639	STUD, GEAR HOUSING (9") - EXTRA LONG	61	4	17-69745	PIN, LEVER TO COUPLING	45	18
16-78639	STUD, GEAR HOUSING (9")-EXTRA LONG	55	4	17-78905	CROSS PIN, RATCHET STANDARD	59	62
16-816055	STUD STUD LENGTH IS 4-1/2"	43	21	17-78905	CROSS PIN, RATCHET STANDARD	65	64
16-88876	SUTD, PLUNGER	45	15	17-78906	PIN, SPRING LOCATOR	59	53
16-90589	THRU STUD (SHORT)	71	11	17-78906	PIN, SPRING LOCATOR	65	53
16-90590	THRU STUD (LONG)	71	11	17-78909	DETENT PIN, RATCHET	59	54
16-96908	STUD, POWERHEAD (2-1/8")	17	2	17-78909	DETENT PIN, RATCHET	65	54
16-96908	STUD, POWERHEAD (2-1/8")	21	2	17-85020	PIVOT PIN, TRIM CYLINDER -STANDARD	47	27
16-96909	STUD, POWERHEAD (7")	17	2	17-91862	PIN, TRIM CYLINDER -STANDARD	47	30
				17-98683	PIN, TRIM CYLINDER -OFFSHORE	47	28
				17-99317	RIVET	31	3
				18-21071	COTTER PIN	3	11
				18-21071	COTTER PIN, THROTTLE LINK OLD DESIGN	31	38
				18-93861	COTTER PIN, COUPLING SPRING	45	20

PARTS INDEX

Part Number	Description	Pg.	Ref. No.	Part Number	Description	Pg.	Ref. No.
21-42623	CHECK VALVE, TOP (PRESS-IN)	25	34	23-17615-13	SPACER SHIM .149"	65	62
21-42657A1	CHECK VALVE ASSEMBLY	17	11	23-26600	BUSHING, NYLON - LINK ROD	9	39
21-42657A1	CHECK VALVE ASSEMBLY	21	11	23-27132	BUSHING, SHIFT SHAFT	9	36
21-42658	CHECK VALVE, BOTTOM	25	34	23-29804	SLEEVE, GUIDE - WATER INLET TUBE	55	37
21-817031	CHECK VALVE, BOTTOM (40 DEGREES)	25	34	23-29804	SLEEVE, GUIDE - WATER INLET TUBE	61	37
22-13820	PIPE PLUG	55	10	23-42356	SPACKER, MOUNTING STUD STUD LENGTH IS 4-7/10"	43	22
22-13820	PIPE PLUG	61	10	23-43998	SLEEVE, LUBRICATION	55	9
22-14685	PLUG, BOTTOM COWL	3	24	23-43998	SLEEVE, LUBRICATION	61	9
22-15133	ELBOW	31	3	23-53811--1	SPACER	37	22
22-17207	FITTING	79	24	23-55164	BUSHING, THORTTLE LEVER	9	15
22-32820	CONNECTOR, HOSE	83	11	23-55171	BUSHING, SPARK ADVANCE LEVER	9	16
22-36492	BUSHING	89	22	23-67268	BUSHING, IGNITION PLATE SCREW	7	16
22-38214	ELBOW	73	37	23-67269	SPACER, FLYWHEEL COVER STUD	17	23
22-38407	PLUG, CYLINDER BLOCK (WATER JACKET)	21	20	23-67269	SPACER, FLYWHEEL COVER STUD	21	23
22-38407	PLUG, CYLINDER BLOCK (WATER)	17	20	23-67668	SPACER, SWIVEL BRACKET- UPPER	45	5
22-49393	FITTING	79	27	23-67669	BUSHING, SWIVEL BRACKET-LOWER AND UPPER	45	3
22-56759	FITTING, BLEED HOSE (PRESS IN-CRANKCASE SIDE)	25	31	23-77631A2	BUSHING ASSEMBLY, SHIFT SHAFT	57	42
22-59169	TEE FITTING	31	30	23-77631A2	BUSHING ASSEMBLY, SHIFT SHAFT	63	42
22-59169	TEE FITTING, BLEED HOUSE	25	30	23-79697	SPACER, ALARM HORN	89	16
22-62006	ELBOW	83	4	23-812711	SPACER (1/4")	87	13
22-63187	CONNECTOR	81	8	23-812711--1	SPACER (3/8")	87	13
22-63651	ELBOW (90)	89	26	23-816057	SPACER STUD LENGTH IS 4-1/2"	43	22
22-63670	FITTING	89	27	23-85872	BUSHING, TRIM HARNESS	85	3
22-64706	TEE FITTING	89	25	23-86489	BUSHING, TRIM CYLINDER -STANDARD	47	24
22-68727	FITTING	15	10	23-86600	BUSHING, TILT LEVER RELEASE	45	12
22-68727	FITTING, ELBOW-WATER HOSES	25	12	23-86637	BEARING, TRIM SHAFT -STANDARD	47	29
22-68728	FITTING, THERMOSTAT COVER TO WATER HOSES	25	14	23-94304	BUSHING	17	12
22-69406	FITTING	79	28	23-94304	BUSHING	21	12
22-69424	FITTING (90)	73	36	23-94304	GUSHING, SWITCH BOX SCREW	7	31
22-70847	ADAPTOR	73	35	23-94453	BUSHING, SWITCH BOX SCREW	7	5
22-74036	FITTING, GREASE	45	6	23-99509	PAD RUBBER OFFSHORE	51	8
22-77863	FITTING	89	29	23-99813A2	BUSHING KIT, TRIM CYLINDER -OFFSHORE	47	31
22-87207	CONNECTOR, HYDRAULIC HOSE-STANDARD	47	22	24-13554	SPRING, THROTTLE	31	6
22-94090	ELBOW, CRANKCASE TOP	25	32	24-20099	SPRING, CABLE LATCH TO THROTTLE LEVER	9	24
22-94273	FITTING	83	2	24-20099	SPRING, LINK ROD TO GUIDE BLOCK	9	30
23-12245	BUSHING, THROTTLE LEVER	31	11	24-30316	SPRING, TRIM CYLINDER -STANDARD	47	26
23-17615--1	SPACER SHIM .125"	65	62				
23-17615--2	SPACER SHIM .127"	65	62				
23-17615--3	SPACER SHIM .129"	65	62				
23-17615--4	SPACER SHIM .131"	65	62				
23-17615--5	SPACER SHIM .133"	65	62				
23-17615--6	SPACER SHIM .135"	65	62				
23-17615--7	SPACER SHIM .137"	65	62				
23-17615--8	SPACER SHIM .139"	65	62				
23-17615--9	SPACER SHIM .141"	65	62				
23-17615-10	SPACER SHIM .143"	65	62				
23-17615-11	SPACER SHIM .145"	65	62				
23-17615-12	SPACER SHIM .147"	65	62				

PARTS INDEX

Part Number	Description	Pg.	Ref. No.	Part Number	Description	Pg.	Ref. No.
24-68784	SPRING, THROTTLE AND SPARK ADVANCE LEVER	9	17	26-38970	SEAL, RUBBER - WATER INLET TUBE	61	28
24-78962	SPRING, RETAINING - CROSS PIN	59	55	26-38970	SEAL, WATER TUBE	39	21
24-78962	SPRING, RETAINING - CROSS PIN	65	55	26-38970	SEAL, WATER TUBE	43	12
24-79910	SPRING, COMPRESSION	59	51	26-41953	OIL SEAL, END CAP	17	17
24-79910	SPRING, COMPRESSION	65	51	26-41953	OIL SEAL, END CAP	17	31
24-85367	SPRING, TILT LEVER RELEASE	45	13	26-41953	OIL SEAL, END CAP	21	17
24-88049	SPRING, TENSION-COUPLING	45	19	26-41953	OIL SEAL, END CAP	21	31
24-91821	SPRING, THROTTLE RETURN	11	49	26-76384	OIL SEAL, SHIFT SHAFT BUSHING	57	43
25-12602	GROMMET, HYDRAULIC HOSES	49	43	26-76384	OIL SEAL, SHIFT SHAFT BUSHING	63	43
25-25439	"O" RING, SHIFT SHAFT BUSHING	57	41	26-76868	OIL SEAL, BEARING CARRIER	59	66
25-25439	"O" RING, SHIFT SHAFT BUSHING	63	41	26-76868	OIL SEAL, BEARING CARRIER	65	70
25-30271	RING, RUBBER (DRIVE SHAFT)	55	36	26-814754	SEAL, DIVIDER PLATE	15	3
25-30271	RING, RUBBER (DRIVE SHAFT)	61	36	26-85023	OIL SEAL, SWIVEL BRACKET	45	8
25-31534	"O" RING, BEARING CARRIER	59	70	26-87735	OIL SEAL, SWIVEL BRACKET (LOWER)	45	2
25-31534	"O" RING, BEARING CARRIER	65	72	26-89238	OIL SEAL, WATER PUMP	55	21
25-33466	"O" RING, SWIVEL BRACKET-UPPER	45	4	26-89238	OIL SEAL, WATER PUMP	61	21
25-39695	"O" RING, COVER	55	1A	26-94219	SEAL, FUEL INJECTOR	79	13
25-39695	"O" RING, COVER	61	1A	27-11338	GASKET, SEALING	17	5
25-45507	GROMMET, INLET COVER	47	37	27-11338	GASKET, SEALING	21	5
25-45711	O RING, TEMPERATURE SENSOR	35	8	27-12775--2	GASKET, REED BLOCK HOUSING	25	21
25-45711	O RING, TEMPERATURE SENSOR	37	8	27-18051	GASKET, LOWER - WATER PUMP	61	23
25-48171	"O" RING (SAME AS REF. NO.2)	73	-	27-18051	GASKET, LOWER-WATER PUMP	55	23
25-48171	"O" RING, HYDRAULIC PUMP	73	2	27-18350	GASKET, CYLINDER HEAD	25	2
25-48171	"O" RING, HYDRAULIC PUMP	77	1	27-41247A1	GASKET SET	1	-
25-48171	"O" RING, TILT LOCK LEVER	45	10	27-42631	GASKET, WATER PUMP TO GEAR HOUSING	55	19
25-54029	"O" RING, END CAP	17	15	27-42631--1	GASKET, WATER PUMP TO GEAR HSG	61	19
25-54029	"O" RING, END CAP	21	15	27-62386	GASKET, THERMOSTAT	25	9
25-62700	"O" RING, END CAP (3-1/4" I.D.)	21	30	27-78069	GASKET, EXHAUST PLATE	15	9
25-62700	"O" RING, END CAP (3-1/4" I.I)	17	30	27-85609--1	GASKET, UPPER - WATER PUMP	61	24
25-88341	GROMMET, SWIVEL BRACKET (STANDARD)	45	7	27-85609--1	GASKET, UPPER-WATER PUMP	55	24
25-89497	"O" RING, RESERVOIR END	71	7	27-87775	GASKET, INLET COVER	47	36
25-89498	"O" RING, MOTOR END	71	6	27-88907	GASKET, RELIEF VALVE PLATE	15	8
25-90011	"O" RING, WATER PUMP	55	20	27-90484--1	GASKET, DIVIDER PLATE	15	2
25-90011	"O" RING, WATER PUMP	61	20	27-99316--1	GASKET, AIR INLET	31	1
25-99123	GROMMET, HOLD DOWN	79	15	28-30281	KEY, LOCATING - BEARING CARRIER	59	71
26-16977	OIL SEAL, WATER PUMP	55	22	28-30281	KEY, LOCATING - BEARING CARRIER	65	73
26-16977	OIL SEAL, WATER PUMP	61	22	28-56654	KEY, IMPELLER DRIVE	55	30
26-38970	SEAL, RUBBER - WATER INLET TUBE	55	28	28-56654	KEY, IMPELLER DRIVE	61	30
				29-67483	NEEDLE BEARING, PISTON END	29	16
				29-67483	NEEDLE BEARING, PISTON END	27	16

PARTS INDEX

Part Number	Description	Pg.	Ref. No.	Part Number	Description	Pg.	Ref. No.
30-41421	BALL BEARING, CRANKSHAFT (LOWER)	29	2	32-96994	HOSE, HYDRAULIC-STARBOARD	49	41
30-88957A1	BALL BEARING	67	77	32-99387-79	HOSE	83	8
30-88957A1	BALL BEARING, - REVERSE GEAR	59	60	33-97180	SPARK PLUG	5	30
31-15834	THRUST BEARING	65	59	34-14622A1	REED ASSEMBLY	25	23
31-15841	ROLLER BEARING	65	60	34-36387A1	ROLLER BEARING, DRIVE SHAFT	55	16
31-15843	ROLLER BEARING	65	67	35-60494--1	FUEL FILTER	81	10
31-15844	ROLLER BEARING	65	58	35-60494A4	FUEL FILTER KIT	81	9
31-17514A1	ROLLER BEARING ASSEMBLY, CRANKSHAFT END	27	15	35-89496	FILTER	71	5
31-17514A1	ROLLER BEARING ASSEMBLY, CRANKSHAFT END	29	15	35-94865	FUEL FILTER	83	3
31-30956	ROLLER BEARING, BEARING CARRIER	59	65	37-13813A5	DECAL SET	3	12
31-30956	ROLLER BEARING, BEARING CARRIER	65	69	38-90311	INSERT, SWITCH PLATE	87	10
31-36387A1	ROLLER BEARING, DRIVE SHAFT	61	16	39-44395A12	PISTON RING ASSEMBLY	27	10
31-42647A1	ROLLER BEARING, DRIVE SHAFT	55	8	39-67377	RING, SEALING - CRANKSHAFT (.124 THICK)	29	6
31-42647A1	ROLLER BEARING, DRIVE SHAFT	61	8	39-67377	RING, SEALING- CRANKSHAFT (.124 THICK)	27	6
31-43999	ROLLER BEARING (TORRINGTON #GBH-1610)2	59	58	39-816802A12	PISTON RING ASSEMBLY	27	10
31-67445	ROLLER BEARING, CRANKSHAFT	29	7	39-816802A12	PISTON RING ASSEMBLY	29	10
31-73363	ROLLER BEARING (TORRINGTON #BH-1610)	59	58	40-17977	LOCK RING, PISTON	27	11
31-74248	ROLLER BEARING, END CAP	21	16	40-17977	LOCK RING, PISTON	29	11
31-78172A1	TAPERED ROLLER BEARING	59	69	40-52035	LOCK RING, PISTON	27	11
31-88903	ROLLER BEARING	29	8	43-15845A2	REVERSE GEAR ASSEMBLY	65	57
31-93495	ROLLER BEARING, CRANKSHAFT	27	7	43-44104A2	FORWARD GEAR ASSEMBLY	59	57
31-93496	ROLLER BEARING, END CAP	17	16	44-17629	PROPELLER SHAFT	65	65
32-11635	TUBE, WATER BLOCKOFF	17	37	44-17915	PROPELLER SHAFT (OFFSHORE)	59	63
32-11635	TUBE, WATER BLOCKOFF	21	37	44-94148	PROPELLER SHAFT (STANDARD)	59	63
32-64088--6	TUBING	89	30	45-44000	DRIVE SHAFT (LONG)	55	11
32-66285--4	HOSE, FUEL	31	31	45-44000	DRIVE SHAFT (LONG)	61	11
32-66285--4	HOSE, FUEL	79	12	45-44209	DRIVE SHAFT (EXTRA LONG)	55	11
32-66285--4	HOSE, PULSE	25	33	45-44209	DRIVE SHAFT (EXTRA LONG)	61	11
32-67295	TUBE, WATER (LONG)	39	18	46-44292A3	WATER PUMP BASE ASSEMBLY	55	18
32-67295	TUBE, WATER (LONG)	43	9	46-44292A3	WATER PUMP BASE ASSEMBLY	61	18
32-74729	TUBE, WATER (EXTRA LONG)	39	18	46-96148A1	WATER PUMP BODY ASSEMBLY	55	26
32-74729	TUBE, WATER (EXTRA LONG)	43	9	46-96148A1	WATER PUMP BODY ASSEMBLY	61	26
32-77457--2	HOSE	15	15	47-89984	IMPELLER, WATER PUMP	55	29
32-77457--2	HOSE, FUEL	79	21	47-89984	IMPELLER, WATER PUMP	61	29
32-77457--2	HOSE, WATER DISTRIBUTION	25	13	50-79472	STARTER MOTOR	5	14
32-89023	HOSE, HYDRAULIC (STARBOARD)	49	42	50-79472	STARTER MOTOR ASSEMBLY	13	-
32-89024	HOSE, HYDRAULIC (PORT)	49	42	52-42672	RATCHET, SLIDING CLUTCH OFFSHORE	65	63
32-96993	HOSE, HYDRAULIC-PORT	49	41	52-42672	RATCHET, SLIDING CLUTCH OFFSHORE	59	61
				52-78959	RATCHET, SLIDING CLUTCH STANDARD	59	61
				52-78959	RATCHET, SLIDING CLUTCH STANDARD	65	63

PARTS INDEX

Part Number	Description	Pg.	Ref. No.	Part Number	Description	Pg.	Ref. No.
53-18917	SNAP RING	65	71	84-65999A10	CABLE ASSEMBLY (BLACK)	35	3
53-18917	SNAP RING (OFFSHORE	59	67	84-65999A10	CABLE ASSEMBLY (BLACK)	37	3
53-29641	"E" RING, RETAINING - SHIFT SHAFT	55	39	84-65999A10	WIRE, SOLENOID TO SOLENOID (BLACK)	73	24
53-29641	"E" RING, RETAINING - SHIFT SHAFT	61	39	84-65999A2	CABLE ASSEMBLY, UPPER MOUNT (BLACK)	7	28
53-67444	RETAINING RING, ROLLER BEARING	27	8	84-65999A3	CABLE ASSEMBLY, BLACK	7	11
53-67446	RETAINING RING, BALL BEARING	27	3	84-65999A4	WIRE, SOLENOID TO GROUND (BLACK)	73	25
53-67446	RETAINING RING, BALL BEARING	29	3	84-65999A6	WIRE, CIRCUIT BREAKER (BLACK)	73	32
53-67684	RETAINING RING, BOTTOM YOKE	45	23	84-69738A7	HARNESS ASSEMBLY, COIL TO SWITCH BOX (#2,4 AND 6)	5	31
53-78907	RETAINING RING	57	40	84-69739A2	HARNESS ASSEMBLY, COIL TO SWITCH BOX (#1,3 AND 5)	5	31
53-78907	RETAINING RING	63	40	84-79138A1	BATTERY WIRE (BLACK)	73	23
53-87843	E RING NEW DESIGN	33	46	84-79138A9	BATTERY CABLE, BLACK (NEGATIVE)	69	8
54-12240	CLAMP, SHUTTER SHAFT RETAINING OLD DESIGN	31	35	84-79139A12	BATTERY CABLE, RED (POSITIVE)	69	18
54-12999	CLAMP	79	26	84-79139A2	WIRE, SOLENOID TO SOLENOID (RED)	73	24
54-13791	CLAMP	79	25	84-79139A9	BATTERY WIRE (RED)	73	23
54-54457	"J" CLIP, INJECTOR HARNESS SUPPORT	37	12	84-79147A3	CONNECTOR AND HARNESS (WITH FUSE)	73	9
54-54457	CLAMP, SWITCH AND SENDER LEADS -STANDARD	45	35	84-79147A3	HARNESS ASSEMBLY, HYDRAULIC PUMP	69	9
54-67076	CLAMP, LOWER MOUNT	39	7	84-79148A1	WIRE, CIRCUIT BREAKER (RED)	73	31
54-75275	CLAMP, HYDRAULIC HOSE	47	20	84-815358A1	CABLE, HIGH TENSION	5	28
54-75275	CLAMP, THROTTLE RETURN SPRING	11	50	84-86228A15	HARNESS ASSEMBLY, TRIM STANDARD	85	2
54-814634	"J" CLIP, ANCHOR BRACKET SCREW	11	48	84-86228A20	HARNESS ASSEMBLY, TRIM OFFSHORE	85	2
54-814634	'J' CLAMP	5	34	84-86322A15	WIRE, SOLENOID TO SOLENOID (BLACK)	69	17
54-814634	'J' CLAMP	25	7	84-86322A16	CABLE ASSEMBLY (BLACK)	89	24
54-815342	CLIP	37	23	84-86322A7	WIRE, TRIM GAUGE (BLACK- 1-1/2")	89	6
54-815504104	CLAMP, FUEL HOSE	79	22	84-86323A5	WIRE, TRIM GAUGE (PURPLE-1-1/2")	89	6
54-816311	CABLE TEE	89	28	84-86353A1	WIRING HARNESS ASSEMBLY STANDARD	85	1
54-816311	STA-STRAP	89	12	84-86353A20	WIRING HARNESS ASSEMBLY OFFSHORE	85	1
54-816311	STA-STRAP, HARNESS AND CABLES	7	24	84-86396A8	HARNESS	89	13
54-816311	STA-STRAP, WATER HOSES	25	15	84-88439A14	BATTERY CABLE, POSITIVE	7	20
54-88512	CLAMP, HYDRAULIC HOSE	47	20	84-88439A2	BATTERY CABLE, NEGATIVE	7	20
54-92850	"J" CLIP, INJECTOR HARNESS SUPPORT	35	12	84-88532A1	CABLE ASSEMBLY (DARK BLUE)	89	24
79-15113A4	TRIM GAUGE	89	7	84-88672A3	CABLE	7	33
79-15128A3	30 PSI GAUGE KIT	89	23	84-88807A6	GROUND STRAP, IGNITION COIL (BLACK)	5	26
79-93953A1	TACHOMETER	89	1	84-93388A1	WIRE, PLATE TO STARTER MOTOR (BLACK)	5	21
84-11149A2	CABLE ASSEMBLY	89	21	84-93389A5	WIRE, SOLENOID TO STARTER MOTOR (YELLOW)	5	19
84-13397A1	HARNESS ASSEMBLY	15	13				
84-17925A15	KEY SWITCH ASSEMBLY (15')	87	1				
84-17925A20	KEY SWITCH ASSEMBLY (20')	87	1				
84-60871A10	WIRE, SWITCH BOX	7	8				
84-62310A2	CABLE ASSEMBLY, SWITCH BOX TO SWITCH BOX	7	6				
84-65017A14	HARNESS, TILT SWITCH -STANDARD	45	32				
84-65017A15	HARNESS, TRIM SENDER -STANDARD	45	32				

PARTS INDEX

Part Number	Description	Pg.	Ref. No.	Part Number	Description	Pg.	Ref. No.
84-96220A4	HARNESS, ENGINE	7	21	636-8119A5	CONNECTING ROD ASSEMBLY	27	12
84-98866A4	HARNESS ASSEMBLY, E.F.I.	35	2	766-812534A2	PISTON ASSEMBLY (STARBOARD)	27	9
84-98866A4	HARNESS ASSEMBLY, E.F.I.	37	2	766-812535A2	PISTON ASSEMBLY (PORT)	27	9
85-86319	INSULATOR, WIRING HARNESS	85	8	766-813065A6	PISTON ASSEMBLY (PORT)	27	9
86-19437--2	TERMINAL BLOCK	7	32	766-813066A6	PISTON ASSEMBLY (STARBOARD)	27	9
86-68258A4	STARTER SOLENOID	73	11	766-815403A3	PISTON ASSEMBLY (PORT)	29	9
87-86320	MICRO SWITCH	85	4	766-815404A3	PISTON ASSEMBLY (STARBOARD)	29	9
87-88107	IGNITION SWITCH	85	6	858-812357A3	CYLINDER BLOCK	17	1
87-88107	SWITCH, IGNITION	87	8	858-812357A3	CYLINDER BLOCK	21	1
87-91941	TOGGLE SWITCH	85	5	858-9424A57	CYLINDER BLOCK	17	1
88-72729	LIGHT BULB	89	3	1156-7809A1	END CAP ASSEMBLY, LOWER	17	29
88-72729	LIGHT BULB, TRIM GAUGE	89	9	1156-7809A1	END CAP ASSEMBLY, LOWER	21	29
88-79023A10	FUSE (110 AMP)	69	19	1159-816777A1	END CAP ASSEMBLY, UPPER	21	14
88-79023A90	FUSE (90 AMP)	73	26	1159-8454A2	END CAP ASSEMBLY, UPPER	17	14
88-79091	FUSE	7	22	1491-9225A2	SWIVEL BRACKET ASSEMBLY	45	1
88-79091	FUSE (20 AMP)	69	10	1494-7476T1	BRACKET, TRANSOM (PORT)	47	1
88-79137--1	CIRCUIT BREAKER (40 AMP)	73	30	1495-7478T1	BRACKET, TRANSOM (STARBOARD)	47	2
88-79888	SOCKET	89	4	1581-8683A15	DRIVE SHAFT HOUSING ASSEMBLY	43	1
88-79888	SOCKET, TRIM GAUGE	89	10	1590-8837A5	DRIVE SHAFT HOUSING ASSEMBLY	39	1
88-95691	BULB	89	31	1647-9560A11	GEAR HOUSING ASSEMBLY (LONG) LHR	52	-
89-68258A4	STARTER SOLENOID	7	25	1647-9560A12	GEAR HOUSING ASSEMBLY (X-LONG) LHR	52	-
89-96158	STARTER SOLENOID	69	12	1647-9560A3	GEAR HOUSING ASSEMBLY (LONG) RHR	52	-
90-11115900	OWNER'S GUIDE	1	-	1647-9560A5	GEAR HOUSING ASSEMBLY (X-LONG) RHR	52	-
90-812786	PARTS MANUEL	1	-	1647-9560A69	GEAR HOUSING ASSEMBLY (BASIC)-LHR	52	-
249-6080A5	FLYWHEEL ASSEMBLY (OFFSHORE)	5	7	1647-9560A8	GEAR HOUSING ASSEMBLY (BASIC)-RHR	52	-
257-7555A17	FLYWHEEL ASSEMBLY (STANDARE)	5	7	1647-9561A10	GEAR HOUSING ASSEMBLY (LONG) LHR	52	-
332-7778A4	SWITCH BOX	7	2	1647-9561A11	GEAR HOUSING ASSEMBLY (X-LONG) LHR	52	-
339-7370A13	COIL ASSEMBLY, IGNITION	5	22	1647-9561A12	GEAR HOUSING ASSEMBLY (LONG) RHR	52	-
392-2529	SPRING SET, BRUSH TENSION	77	13	1647-9561A13	GEAR HOPUSING ASSEMBLY (X-LONG) RHR	52	-
392-7727	COUPLER AND SHAFT	77	15	1647-9561A69	GEAR HOUSING ASSEMBLY (BASIC)-LHR	52	-
392-7728	FILL PLUG, RESERVOIR	77	16	1647-9561A9	GEAR HOUSING ASSEMBLY (BASIC)-RHR	52	-
392-7729	ARMATURE, FIELD AND FRAME	77	8	2167-9442A4	TOP COWL ASSEMBLY (OFFSHORE W/HOLD DOWN)	3	1
392-7730	BALL, COMMUTATOR END PLATE	77	10				
392-7731	RESERVOIR ASSEMBLY (PLASTIC)	77	6				
392-7732	WASHER, THRUST - ARMATURE	77	7				
392-7733	BOLT SET, THRU - PLATE AND FRAME TO RESERVOIR	77	14				
392-7735	SEAL, RESERVOIR TO VALVE BODY AND GEAR	77	5				
392-8261	FIELD AND FRAME ASSEMBLY	77	9				
392-8262	PLATE ASSEMBLY, COMMUTATOR END	77	11				
392-8317	VALVE BODY AND GEAR ASSEMBLY	77	2				
392-8989	BRUSH SET, COMMUTATOR END PLATE	77	12				
398-5454A35	STATOR ASSEMBLY	5	10				
455-7251A7	CRANKSHAFT ASSEMBLY	29	1				
455-7666A4	CRANKSHAFT ASSEMBLY	27	1				

PARTS INDEX

Part Number	Description	Pg.	Ref. No.	Part Number	Description	Pg.	Ref. No.
-------------	-------------	-----	----------	-------------	-------------	-----	----------