



PARTS CATALOG

15 H.P. W/MARATHON

SERIAL NUMBER

W15	M 684-083442 AND UP
W15	ML 684-346712 AND UP
W15	MUL 684-801496 AND UP

TABLE OF CONTENTS:

C.D.I. MAGNETO	6
CARBURETOR/FUEL PUMP	16
CLAMP AND SWIVEL BRACKET	24
COWLING	2
CRANKCASE AND CYLINDER HEAD	10
CRANKSHAFT AND PISTON	12
DRIVESHAFT HOUSING	30
FUEL LINES AND FILTER	18
FUEL TANK AND FUEL LINE ASSEMBLY (NOT ORIGINAL EQUIPMENT)	42
FUEL TANK AND FUEL LINE ASSEMBLY (ORIGINAL EQUIPMENT)	40
GEAR SHIFT LINKAGE	22
GEARHOUSING ASSEMBLY	32
INTAKE MANIFOLD	14
OPTIONAL PARTS	38
PARTS INDEX	44
RECOIL STARTER	4
STEERING HANDLE	28
THROTTLE CONTROL	20

NOTE: Indented description indicate that these parts are included in preceeding assembly.

AR = As Required

NSS = Not Sold Separate

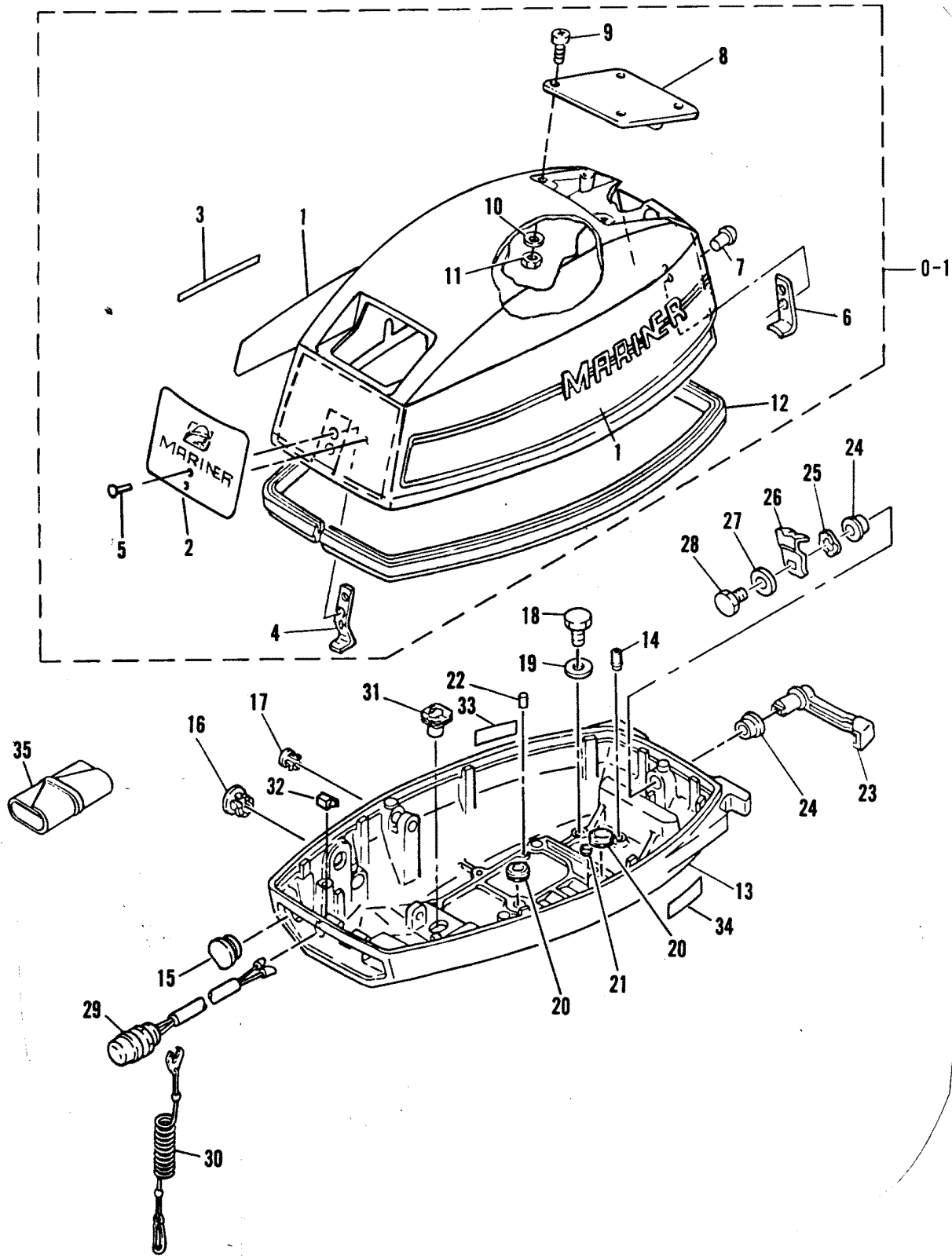
OPT = Optional

NS = Not Shown

THESE PARTS BOOKS/FICHE CARD ARE COPYRIGHTED AND MAY NOT BE DISTRIBUTED OR REPRODUCED IN ANY OTHER FORMAT BY ANYONE OTHER THAN MERCURY MARINE WITHOUT THE PRIOR WRITTEN CONSENT OF MERCURY MARINE.

THIS PAGE INTENTIONALLY LEFT BLANK

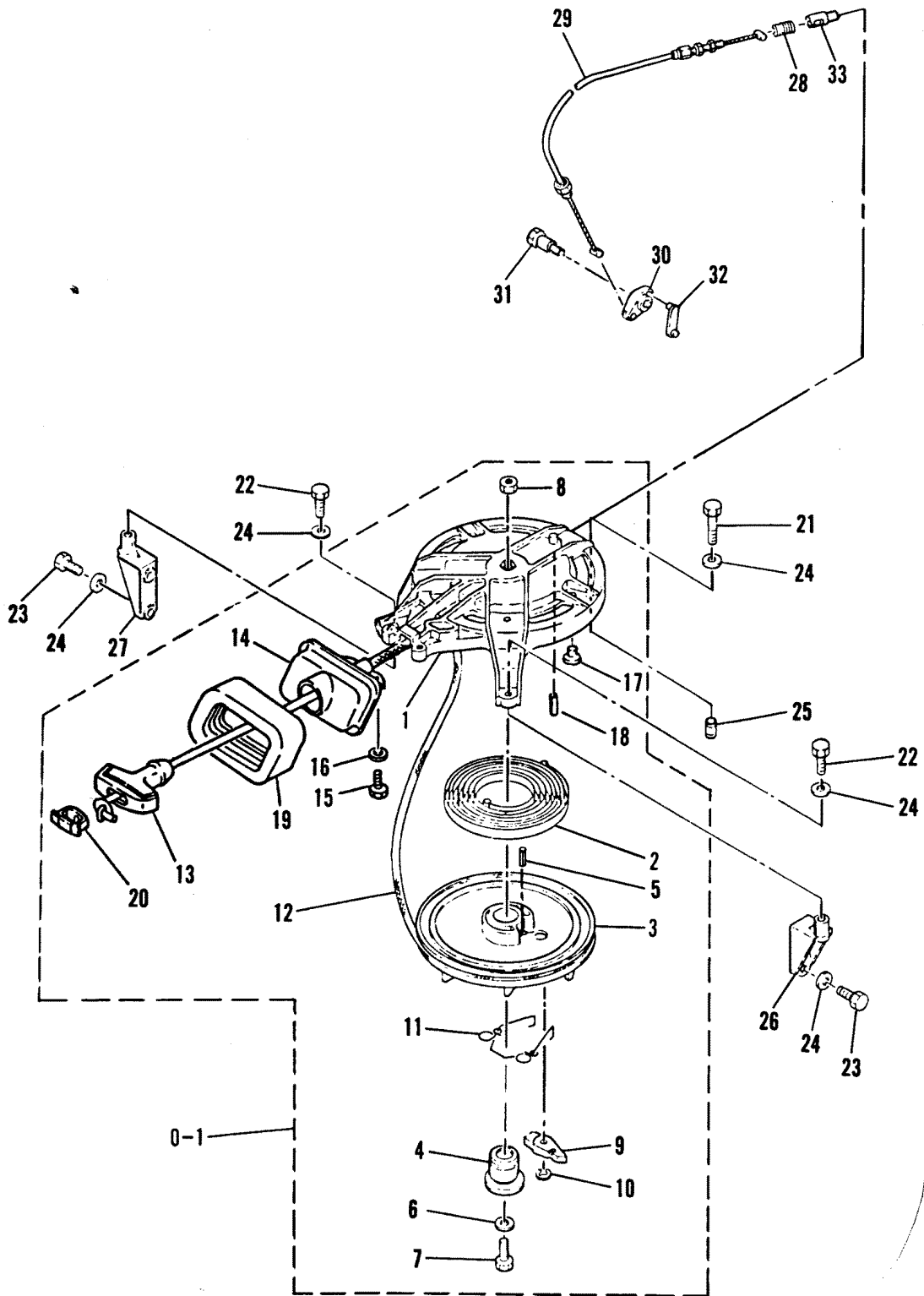
COWLING



COWLING

REF. NO.	PART NO.	SYM.	QTY.	DESCRIPTION
0-1	2168-9345M		1	TOP COWLING ASSEMBLY
1	37-11927M		1	DECAL SET (SIDE)
2	37-11928M		1	DECAL, FRONT
3	37-81202M		1	DECAL, SHIFT
4	94538M		1	HOOK
5	17-83140M		2	RIVET
6	83985M		1	HOOK
7	17-814489M		2	RIVET
8	94539M		1	MOLDING
9	10-94540M		4	SCREW
10	12-17658M		4	WASHER
11	11-94541M		4	NUT
12	83983M		1	SEAL
13	2168-9791M		1	BOTTOM COWLING
14	22-80756M		1	FITTINH
15	25-83988M		1	GROMMET
16	25-18927M		1	GROMMET
17	25-83990M		1	GROMMET
18	10-83539M		2	BOLT
19	12-82214M		2	WASHER
20	25-96595M		2	SEAL
21	25-94542M		1	SEAL
22	17-82364M		2	DOWEL PIN
23	83991M		1	LEVER
24	23-81949M		2	BUSHING
25	13-81869M		1	WAVE WASHER
26	95463M		1	CLAMP
27	12-81794M		1	WASHER
28	10-84315M		1	BOLT
29	87-14222M		1	LANYARD IGNITION SWITCH
30	97756M		1	STOPPER
31	25-96596M		1	GROMMET
32	26-17659M		1	SEAL
33	37-14280M		1	DECAL, SIDE
34	37-14619M		1	DECAL, SIDE
35	91-81669M		1	TOOL KIT

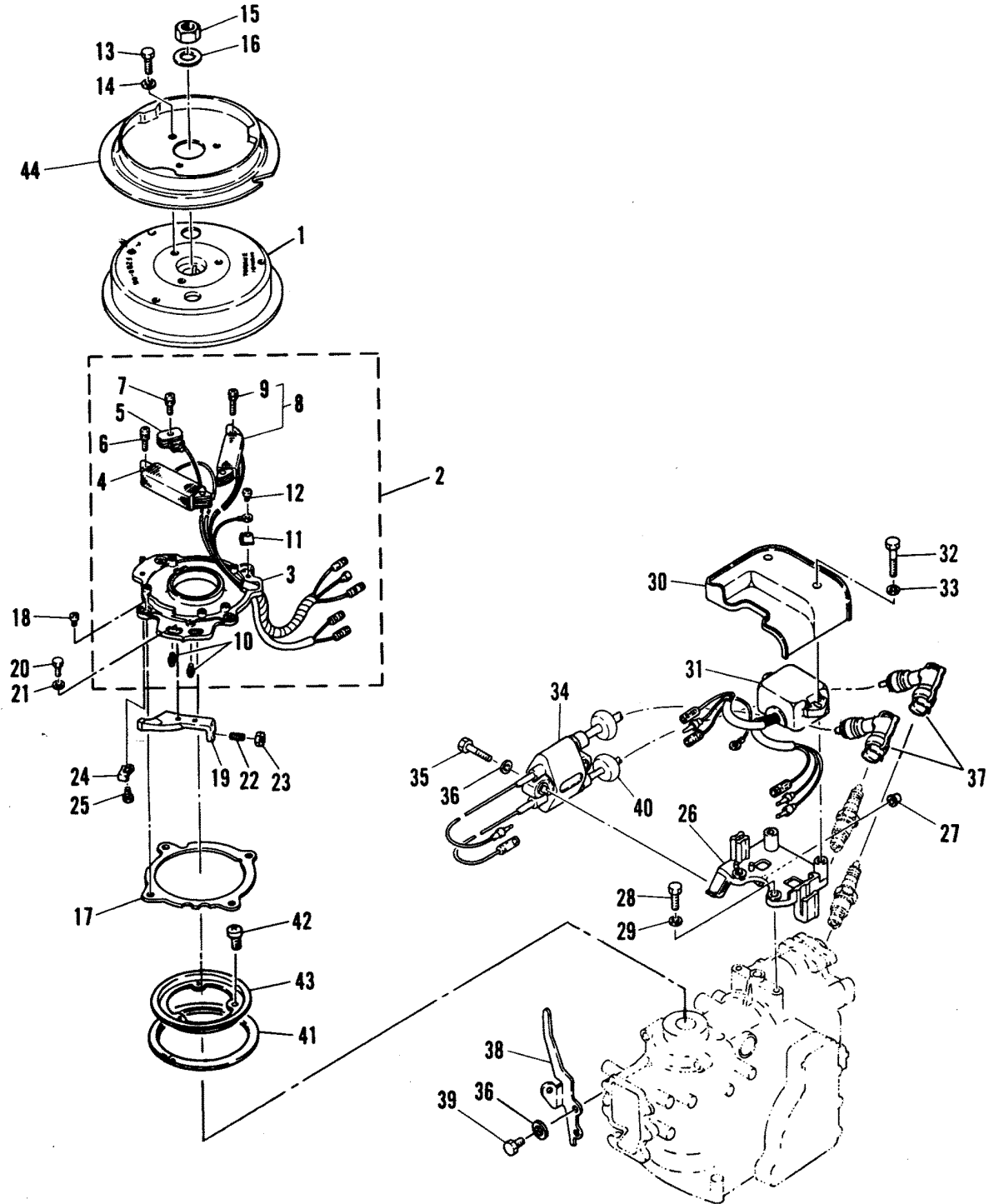
RECOIL STARTER



RECOIL STARTER

REF. NO.	PART NO.	SYM.	QTY.	DESCRIPTION
0-1	2169-9348M		1	STARTER ASSEMBLY
1	2169-8398M		1	STARTER HOUSING
2	24-95588M		1	SPRING
3	50-83250M		1	STARTER SHEAVE
4	95590M		1	SHAFT
5	17-82157M		1	ROLL PIN
6	12-81557M		1	WASHER
7	10-83285M		1	BOLT
8	11-82380M		1	NUT
9	83252M		1	DRIVE PAWL
10	53-84895M		1	SNAP RING
11	24-95589M		1	SPRING
12	50-12066A9		1	STARTER ROPE
13	814491M		1	HANDLE
14	41265M		1	GUIDE
15	10-84247M		2	BOLT
16	12-82214M		2	WASHER
17	19-80604M		1	PLUG
18	17-82155M		1	PIN
19	83982M		1	SEAL
20	814492M		1	COVER
21	10-83285M		1	BOLT
22	10-83539M		2	BOLT
23	10-82423M		4	BOLT
24	12-82214M		7	WASHER
25	17-14214M		1	DOWEL PIN
26	41266M		1	BRACKET
27	811998M		1	BRACKET
28	24-82079M		1	SPRING
29	84117M		1	LOCKOUT WIRE ASSEMBLY
30	84115M		1	ARM
31	10-94544M		1	BOLT
32	84116M		1	LINK
33	81106M		1	PLUNGER

C.D.I. MAGNETO

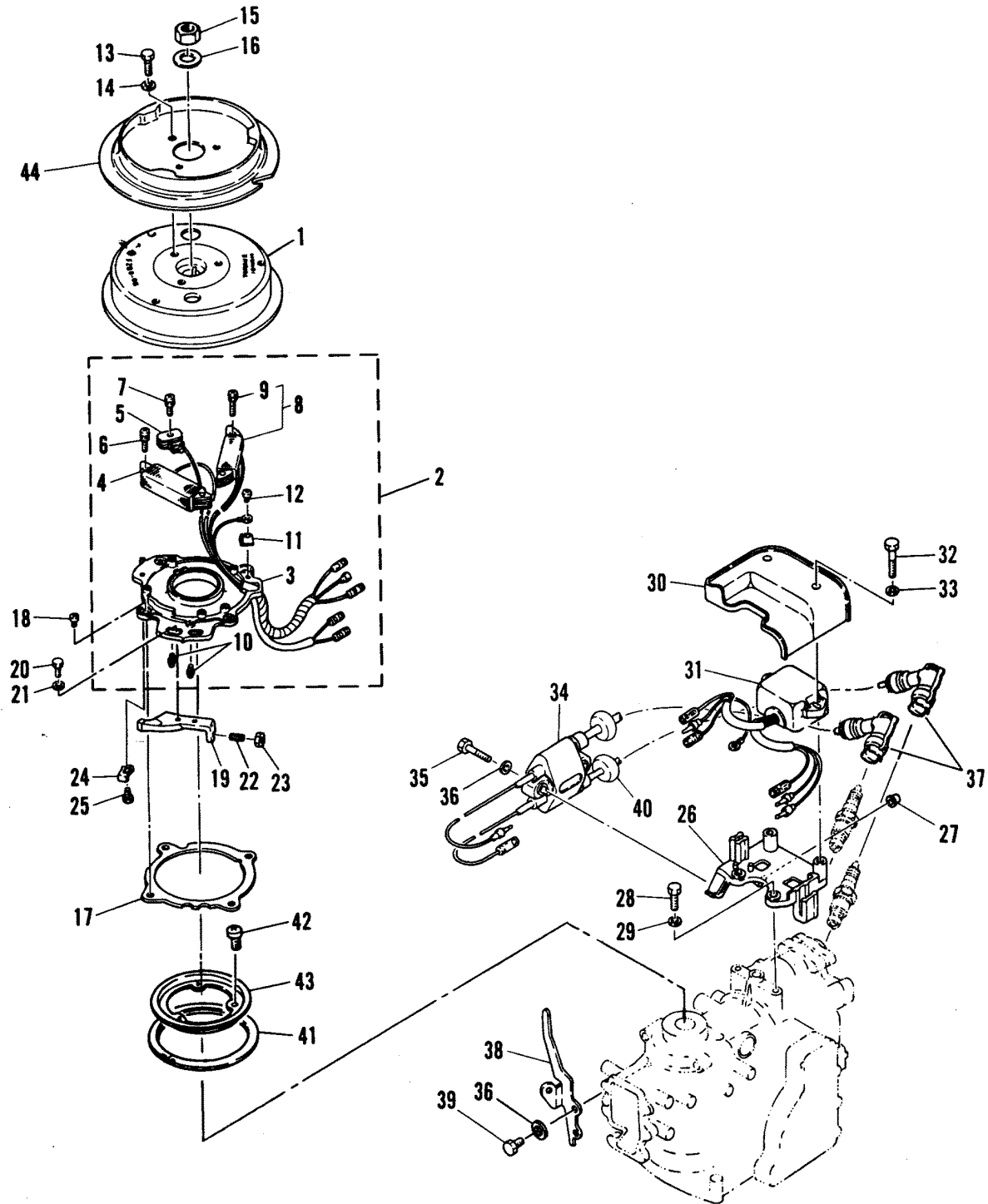


C.D.I. MAGNETO

REF. NO.	PART NO.	SYM.	QTY.	DESCRIPTION
1	253-8921M		1	FLYWHEEL ASSEMBLY
2	16708M		1	BASE ASSEMBLY
3	41863M		1	MAGNETO BASE
4	41829M		1	CHARGE COIL
5	41830M		1	PULSER COIL
6	10-96346M		2	SCREW
7	10-91691M		1	SCREW
8	41866M		1	LIGHTING COIL ASSEMBLY
9	10-96346M		2	SCREW
10	84305M		2	RETAINER
11	54-41867M		1	CLAMP
12	10-82499M		1	SCREW
13	10-84303M		3	BOLT
14	12-82214M		3	WASHER
15	11-81770M		1	NUT
16	12-81814M		1	WASHER
17	41869M		1	PLATE
18	10-17661M		5	SCREW
19	41268M		1	THROTTLE CAM
20	10-84313M		2	BOLT
21	12-82211M		2	WASHER
22	16-41883M		1	STUD
23	11-83763M		1	NUT
24	84316M		1	STOP
25	10-82444M		1	BOLT
26	41259M		1	BRACKET
27	41260M		2	DAMPER
28	10-83539M		2	BOLT
29	12-82214M		2	WASHER
30	41262M		1	COVER
31	43077M		1	I. UNIT ASSEMBLY
32	10-83285M		2	BOLT
33	12-82213M		2	WASHER
34	95188M		1	IGNITION COIL ASSEMBLY
35	10-83285M		2	BOLT
36	12-82214M		4	WASHER
37	82788M		2	PLUG CAP
38	94547M		1	TIMING PLATE
39	10-84247M		2	BOLT

CONTINUED ON NEXT PAGE ➡

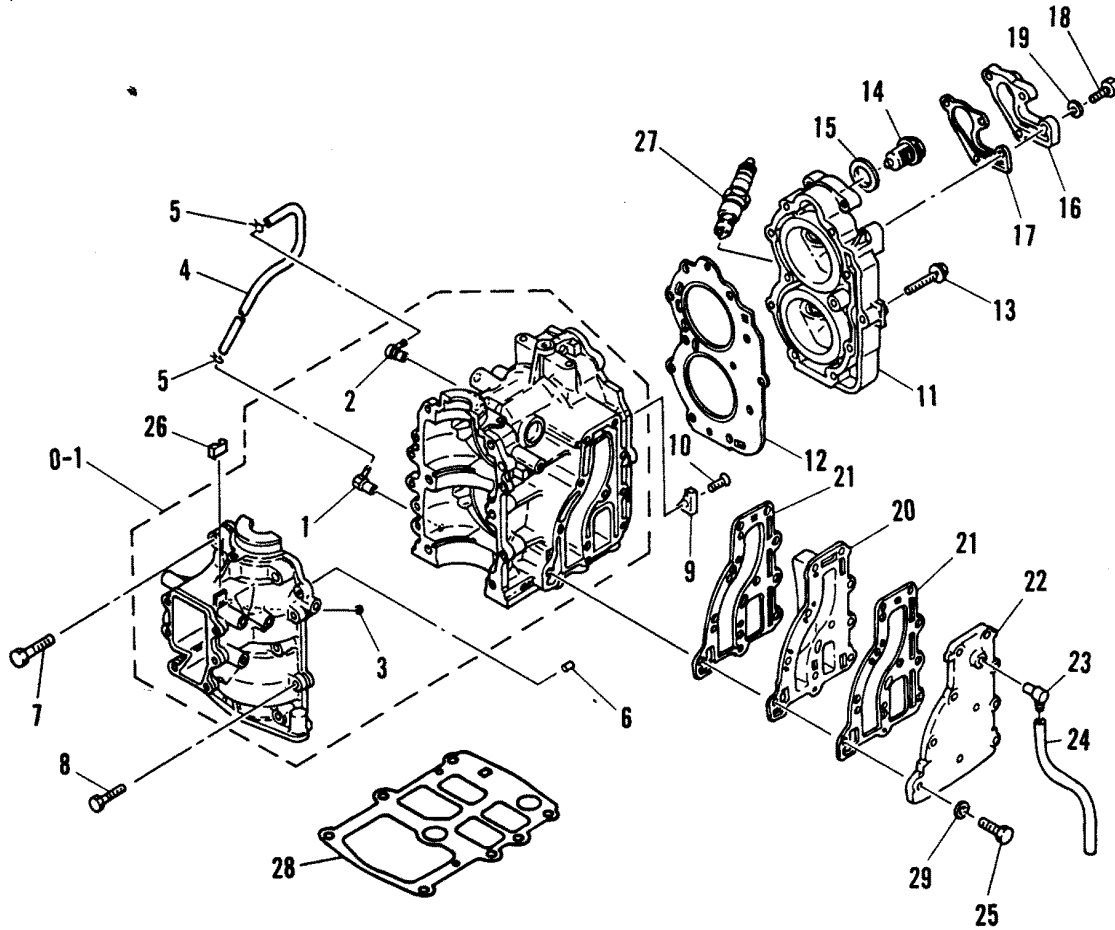
C.D.I. MAGNETO



C.D.I. MAGNETO

REF. NO.	PART NO.	SYM.	QTY.	DESCRIPTION
40	25-82069M		2	GROMMET
41	98981M		1	RETAINER
42	10-96671M		3	SCREW
43	83962M		1	RETAINER
44	41316M		1	PULLEY

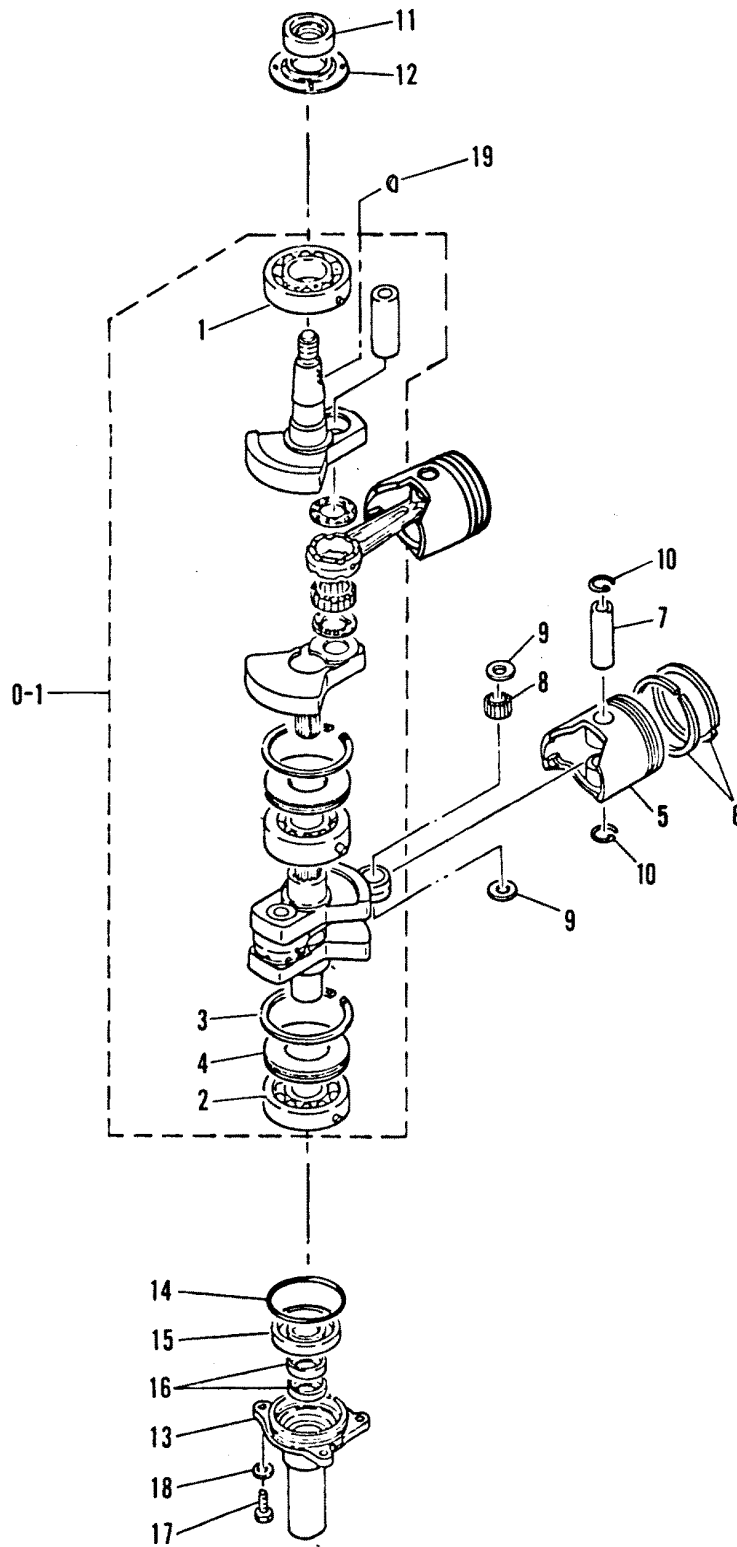
CRANKCASE AND CYLINDER HEAD



CRANKCASE AND CYLINDER HEAD

REF. NO.	PART NO.	SYM.	QTY.	DESCRIPTION
0-1	870-8799M		1	CRANKCASE ASSEMBLY
1	21-80727M		1	CHECK VALVE ASSEMBLY
2	22-80743M		1	DRAIN FITTING
3	21-80107M		1	CHECK VALVE
4	32-84235M		1	HOSE
5	54-82046M		2	CLAMP
6	17-82364M		2	DOWEL PIN
7	10-95487M		6	BOLT (W/WASHER)
8	10-95453M		4	BOLT (W/WASHER)
9	83900M		1	ANODE
10	10-95467M		1	SCREW
11	968-8800M		1	CYLINDER HEAD
12	27-18937M		1	GASKET
13	10-84065M		11	BOLT
14	814554M		1	THERMOSTAT
15	12-81835M		1	WASHER
16	17662M		1	COVER
17	27-83940M		1	GASKET
18	10-83539M		4	BOLT
19	12-82214M		4	WASHER
20	83950M		1	EXHAUST COVER (INNER)
21	27-83951M		2	GASKET
22	83952M		1	EXHAUST COVER (OUTER)
23	22-83326M		1	FITTING
24	32-82010M		1	HOSE
25	10-82405M		10	BOLT
26	83965M		1	STOPPER
27	33-41263M		2	SPARK PLUG
28	27-96602M		1	GASKET
29	12-82214M		10	WASHER

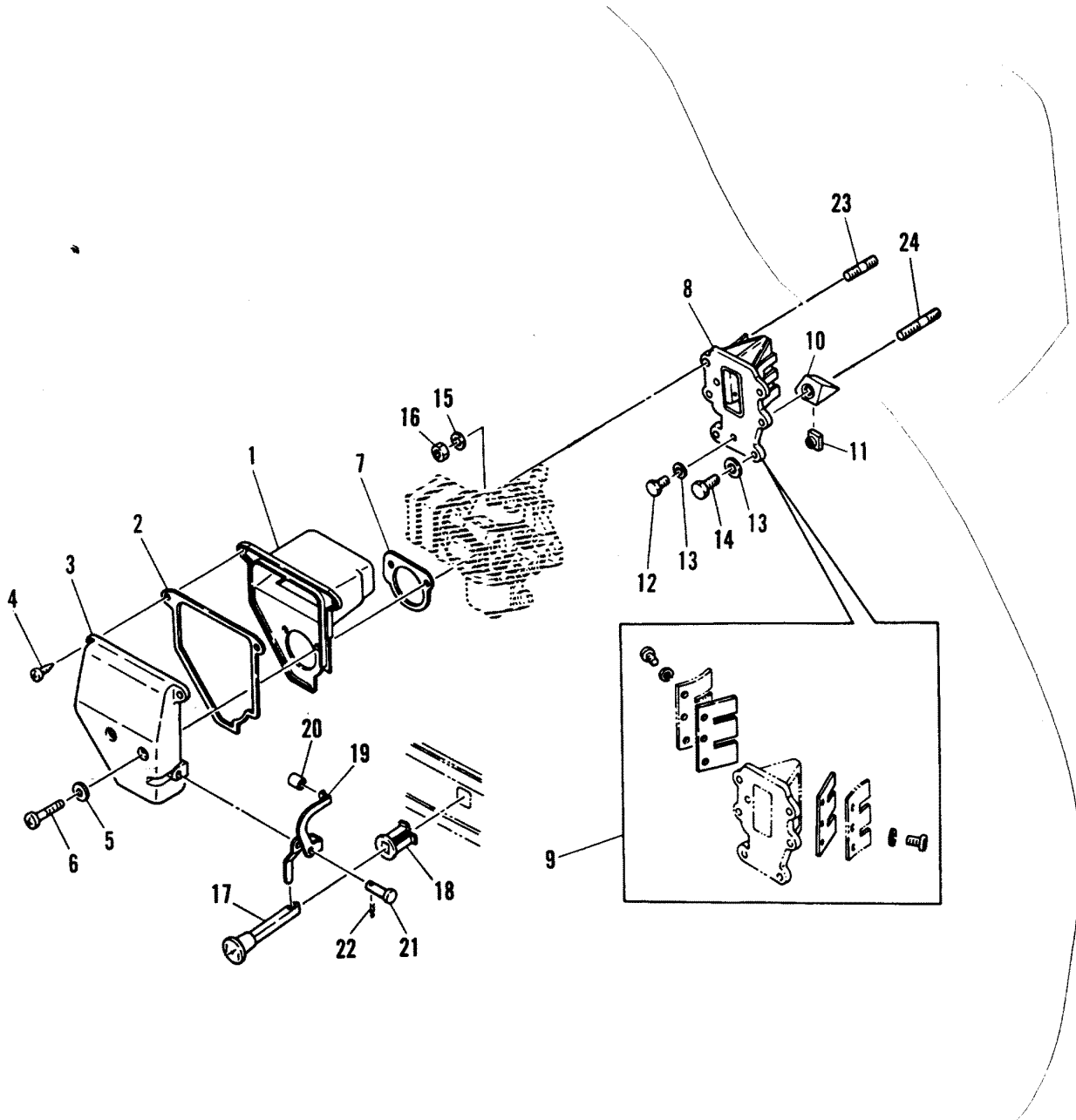
CRANKSHAFT AND PISTON



CRANKSHAFT AND PISTON

REF. NO.	PART NO.	SYM.	QTY.	DESCRIPTION
0-1	463-9854M		1	CRANKSHAFT ASSEMBLY
1	30-82303M		1	BEARING (UPPER)
2	30-83938M		1	BEARING (LOWER)
3	53-94555M		2	SNAP RING
4	26-84244M		1	SEAL
5	761-9580M		2	PISTON (STANDARD)
	761-9581M		AR	PISTON (1ST O.S. 56.25MM)
	761-9582M		AR	PISTON (2ND. O.S. 56.50MM)
6	39-15320M		2	PISTON RING SET (STANDARD)
	39-18939M		AR	PISTON RING SET (1ST. O.S. 56.25MM)
	39-15322M		AR	PISTON RING SET (2ND. O.S. 56.50MM)
7	41-80272M		2	PISTON PIN
8	29-82349M		50	NEEDLE BEARING
9	12-81823M		4	WASHER
10	53-82343M		4	CLIP
11	26-83936M		1	OIL SEAL (UPPER)
12	23-84243M		1	SPACER
13	18940M		1	HOUSING
14	25-83930M		1	O-RING
15	26-18941M		1	OIL SEAL (LOWER)
16	26-96606M		2	OIL SEAL (LOWER)
17	10-84247M		3	BOLT
18	12-82214M		3	WASHER
19	28-81914M		1	KEY

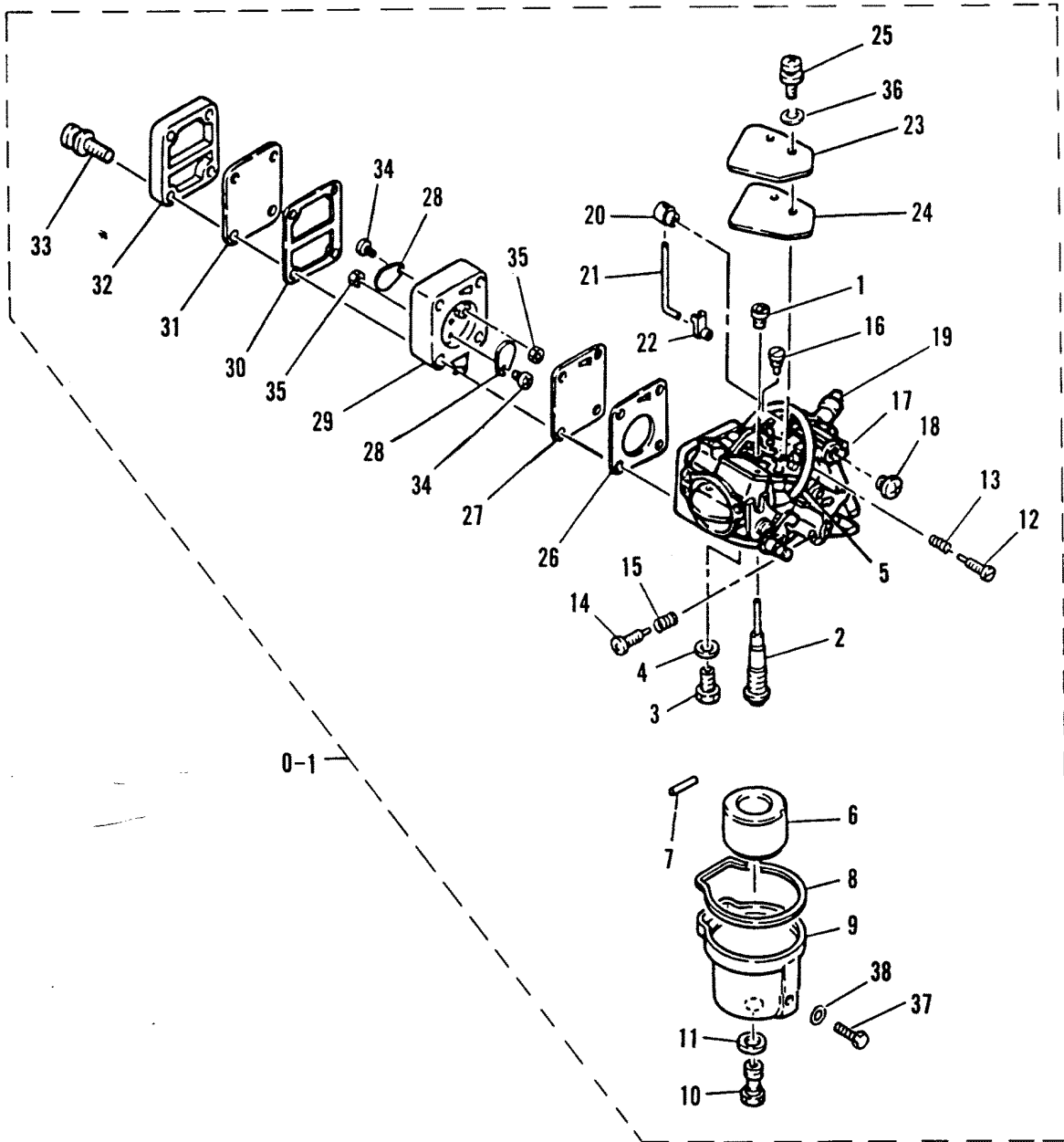
INTAKE MANIFOLD



INTAKE MANIFOLD

REF. NO.	PART NO.	SYM.	QTY.	DESCRIPTION
1	96607M		1	COVER
2	27-96608M		1	GASKET
3	96609M		1	COVER (OUTER)
4	10-96610M		2	SCREW
5	12-82211M		2	WASHER
6	10-82522M		2	SCREW
7	27-96611M		1	GASKET
8	18942M		1	REED VALVE ASSEMBLY
9	34-84246M		1	REED SET (REED STOPS NOT INCLUDED)
10	41256M		1	SPACER
11	11-15327M		1	NUT
12	10-813477M		1	BOLT
13	12-82214M		5	WASHER
14	10-84247M		4	BOLT
15	12-82214M		2	WASHER
16	11-82381M		2	NUT
17	83960M		1	CHOKE KNOB
18	25-83961M		1	GROMMET
19	94559M		1	CHOKE LEVER
20	23-83959M		1	BUSHING
21	17-94560M		1	CLEVIS PIN
22	18-82051M		1	COTTER PIN
23	16-81731M		1	STUD
24	16-84249M		1	STUD

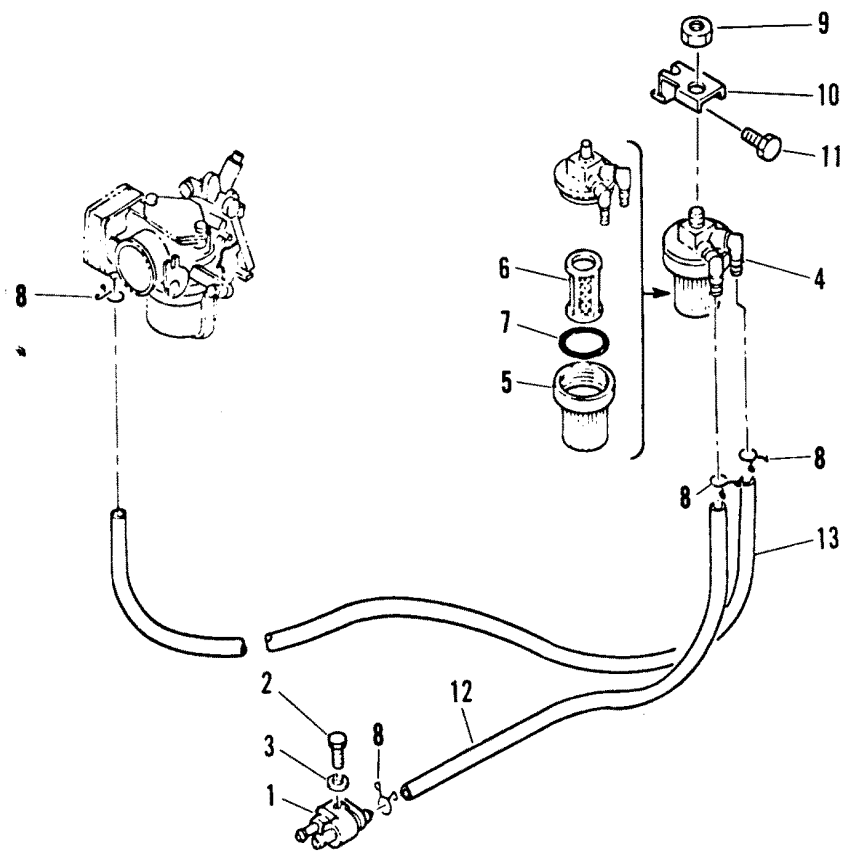
CARBURETOR/FUEL PUMP



CARBURETOR/FUEL PUMP

REF. NO.	PART NO.	SYM.	QTY.	DESCRIPTION
0-1	1383-9513M		1	CARBURETOR ASSEMBLY
1	95494M		1	PILOT JET (#56)
2	41861M		1	MAIN NOZZLE
3	14216M		1	VALVE SEAT ASSEMBLY
4	12-80261M		1	WASHER
5	14281M		1	TUBE
6	14180M		1	FLOAT
7	17-80451M		1	PIN
8	27-43115M		1	GASKET
9	14217M		1	FLOAT BOWL
10	95495M		1	MAIN JET (#136)
11	27-80267M		1	GASKET
12	10-80573M		1	IDLE MIXTURE SCREW
13	24-814460M		1	SPRING
14	10-814463M		1	IDLE SPEED SCREW
15	24-814460M		1	SPRING
16	10-80434M		1	SCREW
17	84254M		1	THROTTLE ARM ASSEMBLY
18	10-80091M		1	SCREW
19	84255M		1	COLLAR
20	83300M		1	RETAINER
21	84256M		1	THROTTLE ROD
22	81191M		1	RETAINER
23	98992M		1	PLATE
24	27-98993M		1	GASKET
25	10-82513M		2	SCREW
26	27-815009M		1	GASKET
27	84262M		1	DIAPHRAGM
28	21-41888M		2	CHECK VALVE
29	97657M		1	BODY
30	27-815010M		1	GASKET
31	84265M		1	DIAPHRAGM
32	84266M		1	COVER
33	10-80954M		4	SCREW
34	10-11873M		2	SCREW
35	11-82537M		2	NUT
36	13-82184M		2	WASHER
37	10-82512M		1	SCREW
38	27-14218M		1	GASKET
-	814481M		1	REPAIR KIT

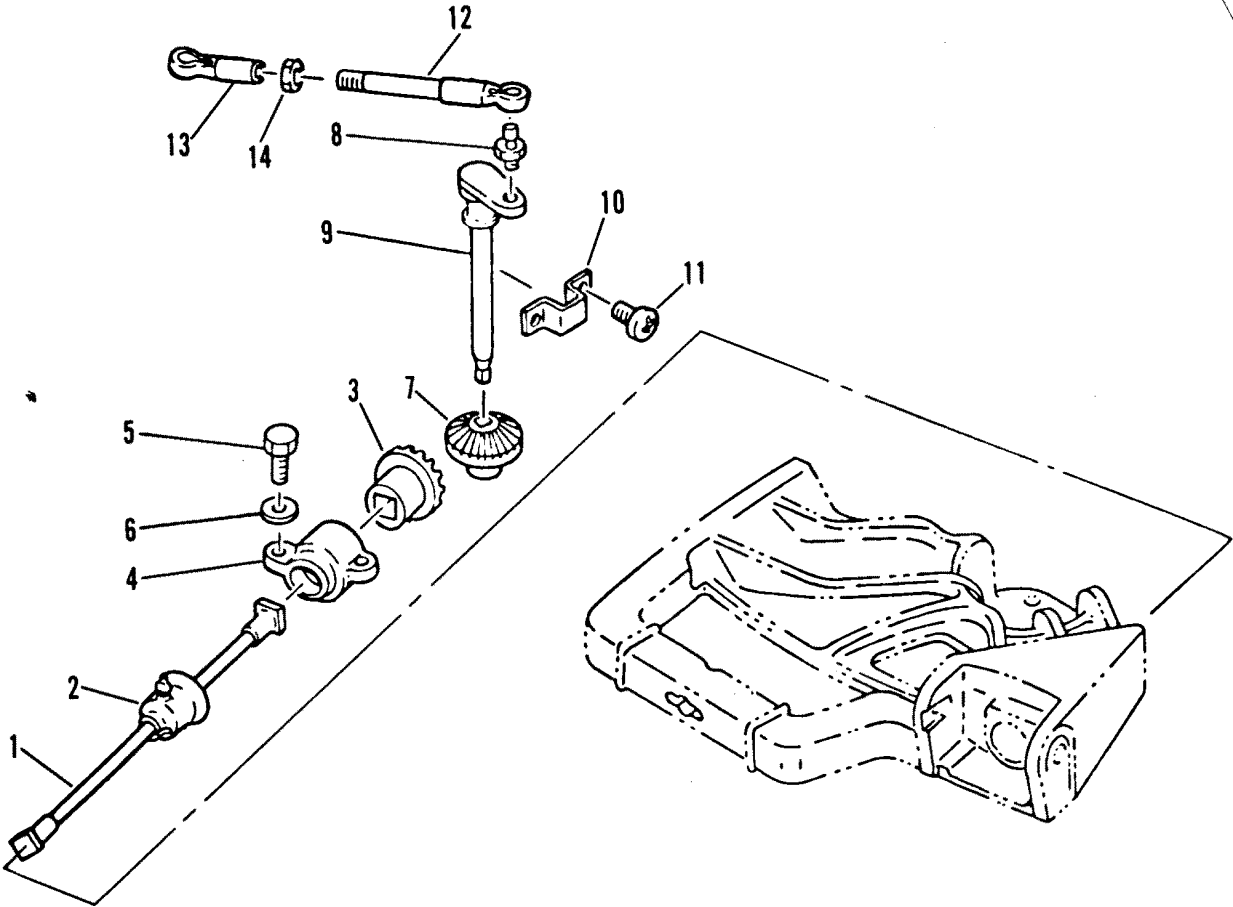
FUEL LINES AND FILTER



FUEL LINES AND FILTER

REF. NO.	PART NO.	SYM.	QTY.	DESCRIPTION
1	14187M		1	FUEL CONNECTOR
2	10-83539M		1	BOLT
3	12-82214M		1	WASHER
4	35-11931M		1	FUEL FILTER ASSEMBLY
5	11935M		1	FILTER CUP
6	35-11934M		1	FILTER
7	25-84957M		1	O-RING
8	54-82047M		4	CLIP
9	11-82382M		1	NUT
10	83949M		1	BRACKET
11	10-84315M		1	BOLT
12	32-11842M		1	HOSE
13	32-84345M		1	HOSE

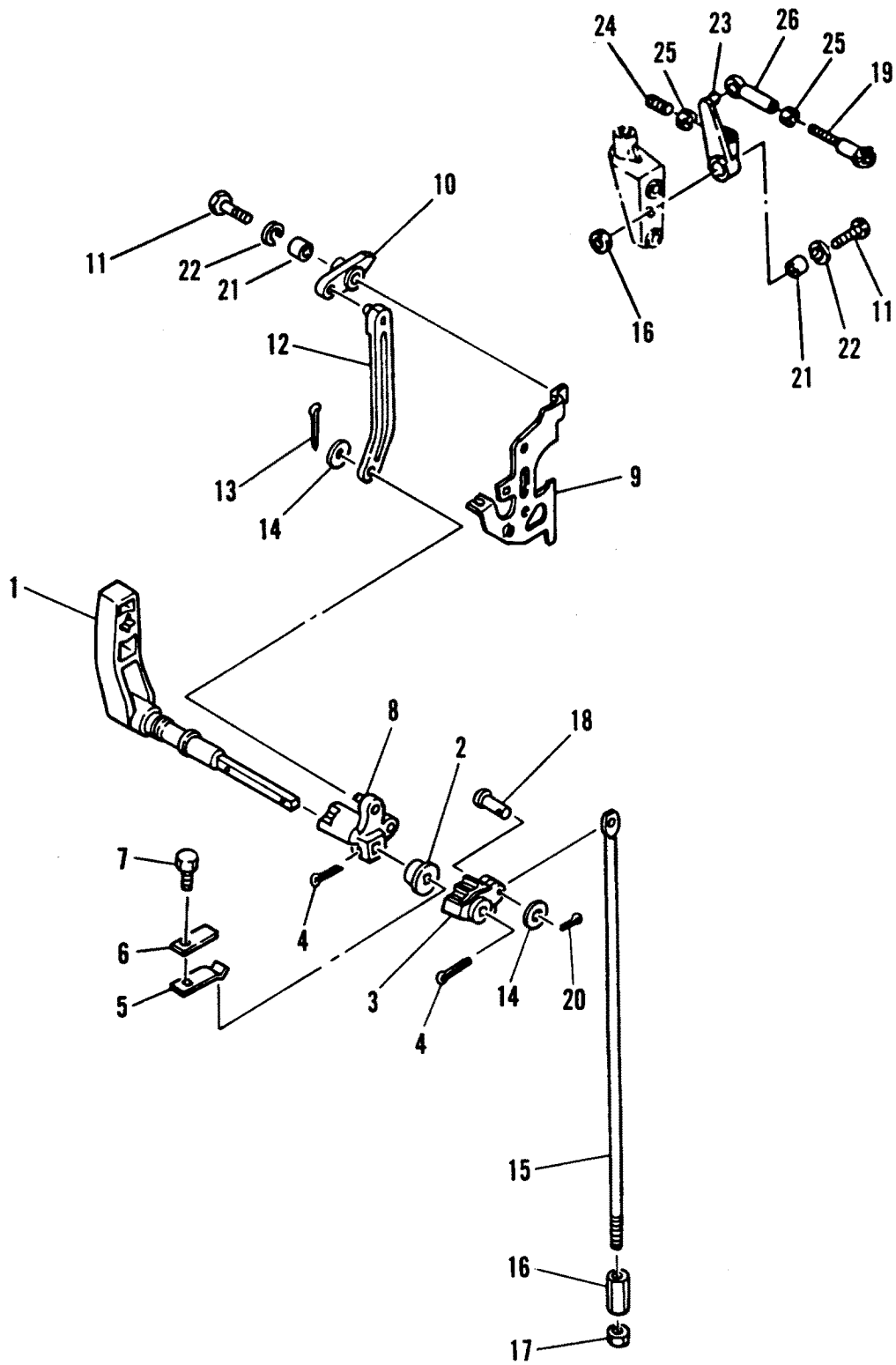
THROTTLE CONTROL



THROTTLE CONTROL

REF. NO.	PART NO.	SYM.	QTY.	DESCRIPTION
1	83970M		1	THROTTLE CONTROL SHAFT
2	83987M		1	SEAL
3	43-94562M		1	GEAR
4	23-94563M		1	COLLAR
5	10-84247M		2	BOLT
6	12-82213M		2	WASHER
7	43-94564M		1	GEAR
8	84305M		1	BALL JOINT
9	83966M		1	MAGNETO CONTROL LEVER
10	83967M		1	BRACKET
11	10-96671M		2	SCREW
12	83957M		1	LINK
13	84100M		1	JOINT
14	11-82379M		1	NUT

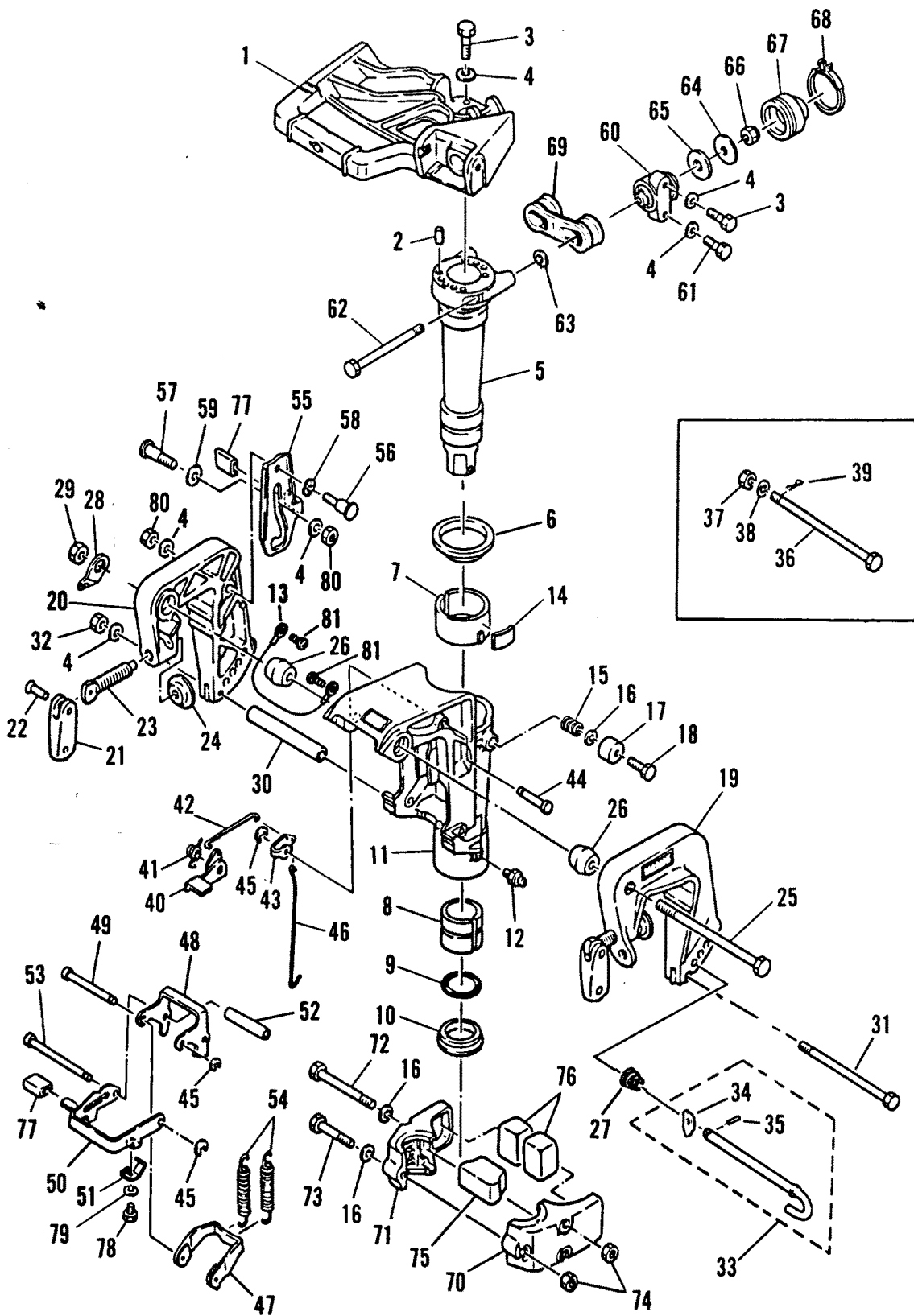
GEAR SHIFT LINKAGE



GEAR SHIFT LINKAGE

REF. NO.	PART NO.	SYM.	QTY.	DESCRIPTION
1	84005M		1	GEAR SHIFT HANDLE
2	23-84013M		1	BUSHING
3	84009M		1	SHIFT ROD LEVER
4	18-84301M		2	COTTER PIN
5	84302M		1	SPRING PLATE
6	84007M		1	BRACKET
7	10-813477M		1	BOLT
8	94565M		1	SHIFT ROD LEVER
9	96612M		1	BRACKET
10	96613M		1	STOPPER
11	10-83539M		2	BOLT
12	96614M		1	LINK
13	18-82127M		1	COTTER PIN
14	12-82211M		2	WASHER
15	84015M		1	SHIFT ROD
16	11-82390M		2	NUT
17	11-81763M		1	NUT
18	17-84304M		1	CLEVIS PIN
19	84101M		1	LINK
20	18-82125M		1	COTTER PIN
21	23-83310M		2	COLLAR
22	12-94524M		2	WASHER
23	96615M		1	MAGNETO CONTROL LEVER
24	16-91649M		1	STUD
25	11-82379M		2	NUT
26	84100M		1	LINK

CLAMP AND SWIVEL BRACKET

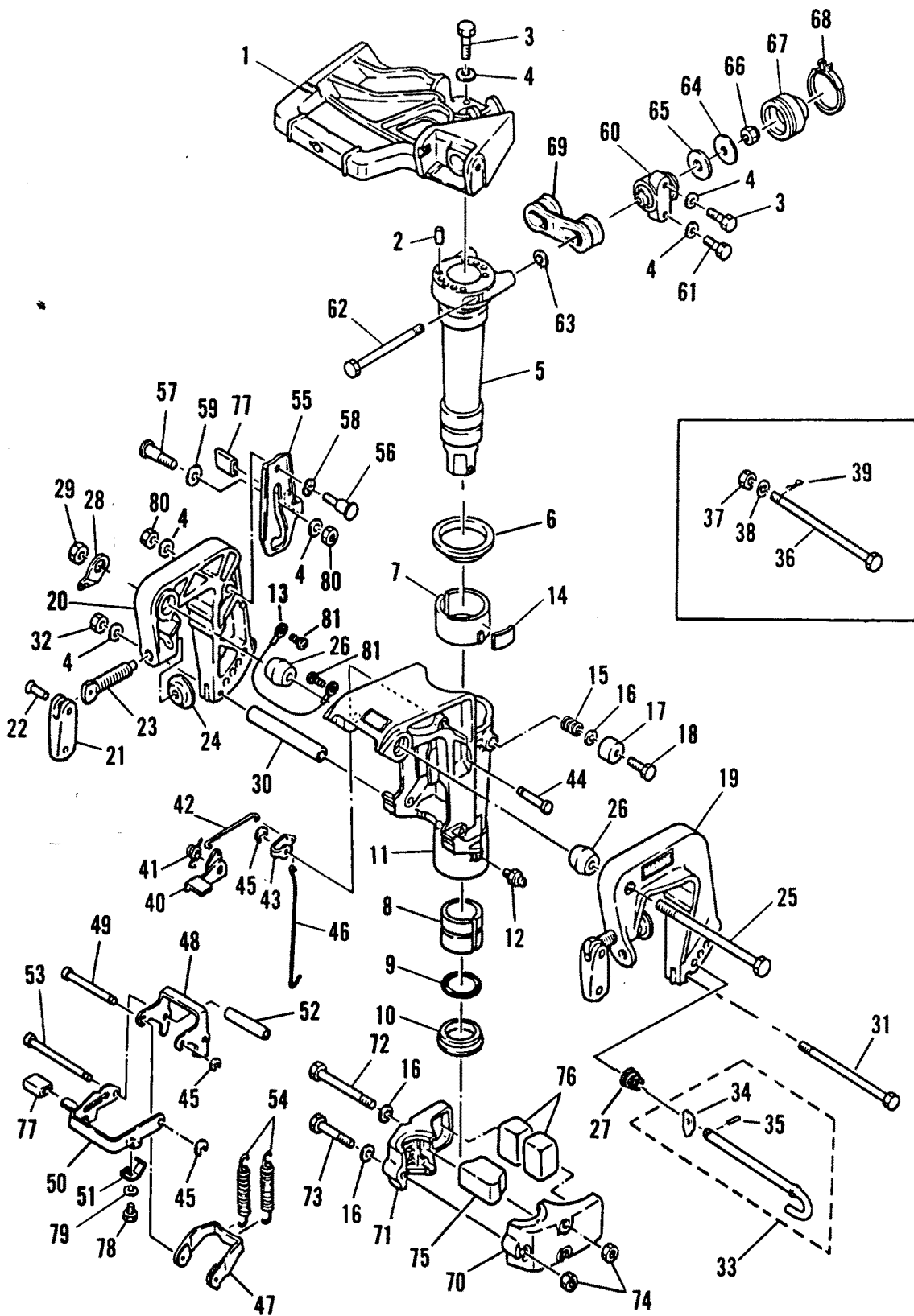


CLAMP AND SWIVEL BRACKET

REF. NO.	PART NO.	SYM.	QTY.	DESCRIPTION
1	810452M		1	STEERING BRACKET
2	17-82364M		2	DOWEL PIN
3	10-82405M		3	BOLT
4	12-82214M		6	WASHER
5	83980M		1	SHAFT
6	12-84278M		1	WASHER
7	23-83981M		1	BUSHING
8	23-84279M		1	BUSHING
9	25-84054M		1	O-RING
10	23-84280M		1	BUSHING
11	1485-811019M		1	SWIVEL BRACKET
12	22-82369M		1	GREASE FITTING
13	84-16716M		1	GROUND WIRE
14	80633M		1	FRICTION PIECE
15	24-83488M		1	SPRING
16	12-82217M		4	WASHER
17	26-83490M		1	SEAL
18	10-43106M		1	BOLT
19	1484-9793M		1	CLAMP BRACKET (PORT)
20	1484-811020M		1	CLAMP BRACKET (STARBOARD)
21	80048M		2	HANDLE
22	17-81888M		2	PIN
23	10-81756M		2	SCREW
24	12-80638M		2	PAD
25	10-18943M		1	BOLT
26	80230M		2	MOUNT
27	24-815007M		1	SPRING
28	18944M		1	PLATE
29	11-81785M		1	NUT
30	23-94568M		1	COLLAR
31	10-84062M		1	BOLT
32	11-82390M		1	NUT
33	17-94569M		1	TILT ROD ASSEMBLY
34	82857M		1	STOPPER
35	17-82144M		1	ROLL PIN
36	10-94570M		1	BOLT - SUPER ULTRA LONG
37	11-84284M		1	NUT - SUPER ULTRA LONG
38	12-82217M		1	WASHER - SUPER ULTRA LONG
39	18-82128M		1	COTTER PIN - SUPER ULTRA LONG
40	84001M		1	TILT HANDLE
41	24-84285M		1	SPRING
42	83999M		1	TILT LOCK ROD
43	84002M		1	TILT LEVER

CONTINUED ON NEXT PAGE ➡

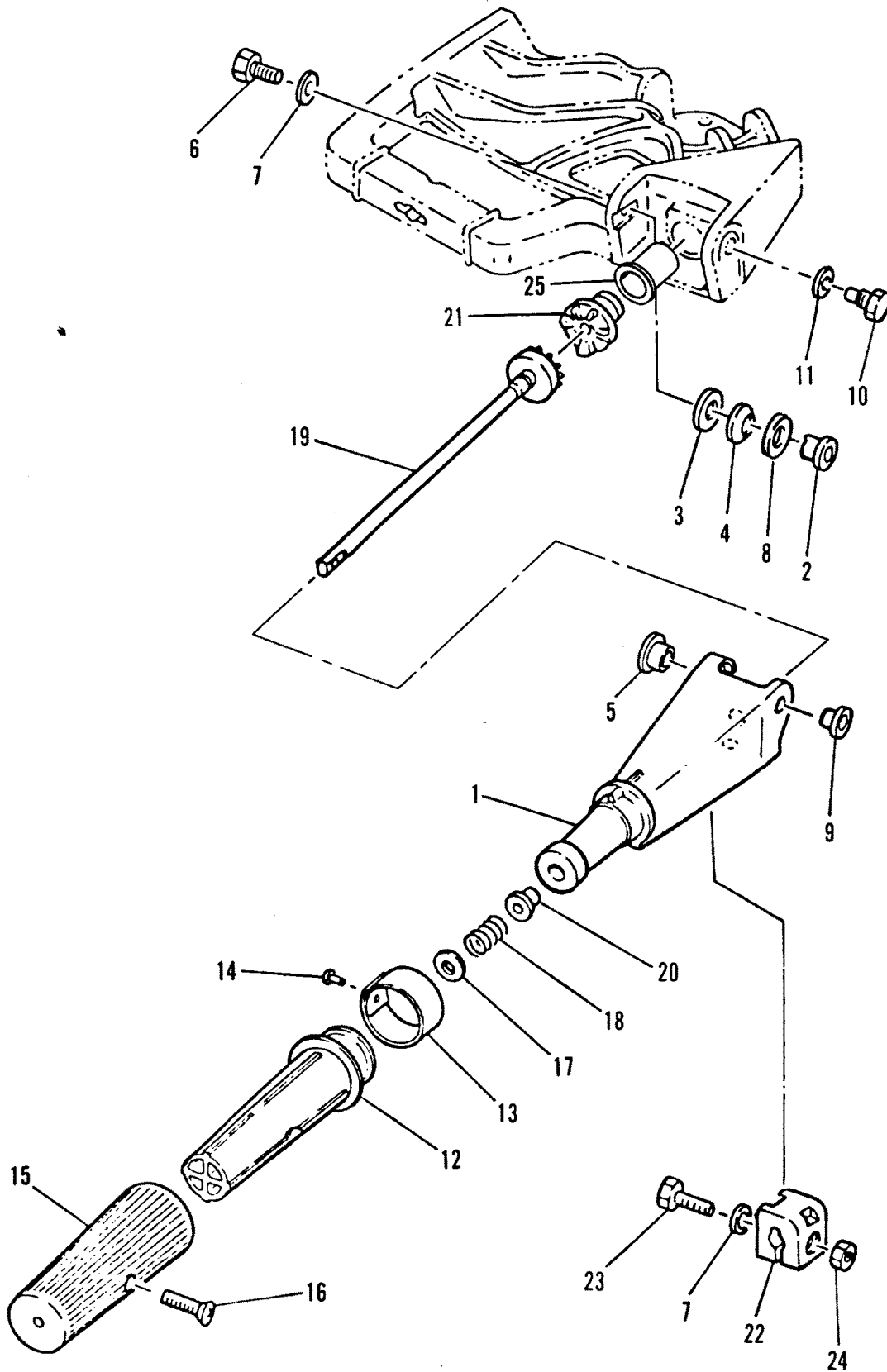
CLAMP AND SWIVEL BRACKET



CLAMP AND SWIVEL BRACKET

REF. NO.	PART NO.	SYM.	QTY.	DESCRIPTION
44	17-18945M		1	PIN
45	53-82330M		3	SNAP RING
46	84000M		1	TILT LOCK ROD
47	83997M		1	TILT LOCK
48	98994M		1	BRACKET
49	17-83996M		1	SHAFT
50	98995M		1	LEVER
51	24-98996M		1	SPRING
52	84287M		1	COLLAR
53	17-84003M		1	REVERSE LOCK SHAFT
54	24-84288M		2	SPRING
	24-11936M		2	SPRING (FOR DUAL THRUST PROP)
55	14219M		1	TILT STOP LEVER
56	10-94572M		1	BOLT
57	10-94573M		1	BOLT
58	13-14220M		1	WAVE WASHER
59	12-98997M		1	WASHER
60	84032M		2	MOUNT
	84291M		2	MOUNT (SUL)
61	10-82405M		4	BOLT
62	10-84061M		2	BOLT
63	12-84292M		2	WASHER
64	12-84293M		2	WASHER
65	12-84294M		2	WASHER
66	11-84295M		2	NUT
67	36-84034M		2	CAP
68	54-84296M		2	CLAMP
69	26-94574M		1	SEAL
70	94575M		1	HOUSING (PORT)
71	94614M		1	HOUSING (STARBOARD)
72	10-94615M		2	BOLT
73	10-84057M		1	BOLT
74	11-82393M		3	NUT
75	84038M		1	RUBBER MOUNT (LOWER FRONT)
76	84037M		2	RUBBER MOUNT (LOWER SIDE)
	84297M		2	RUBBER MOUNT (LOWER SIDE-SUL)
77	11932M		2	COVER
78	10-98998M		1	BOLT
79	12-82214M		1	WASHER
80	11-15373M		2	NUT
81	10-19172M		2	SCREW

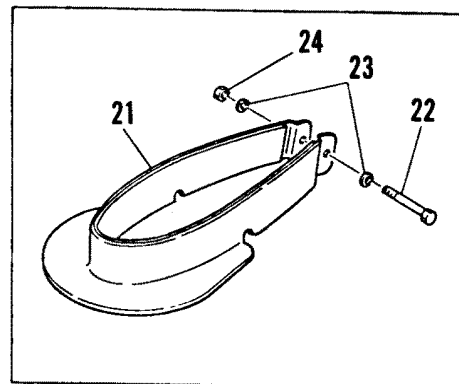
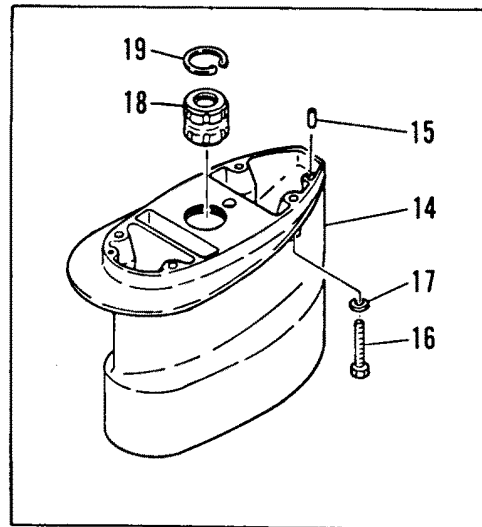
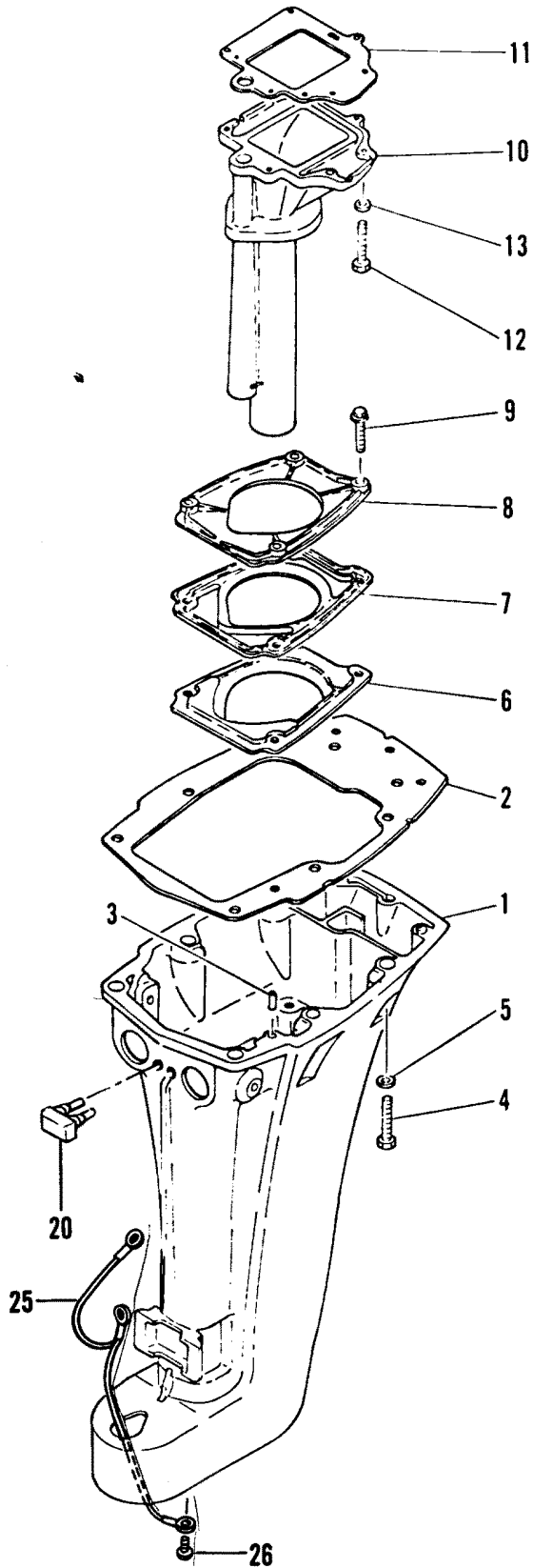
STEERING HANDLE



STEERING HANDLE

REF. NO.	PART NO.	SYM.	QTY.	DESCRIPTION
1	815120M		1	STEERING HANDLE
2	10-94616M		1	BOLT
3	12-81851M		1	WASHER
4	13-84299M		1	WAVE WASHER
5	23-84059M		1	BUSHING
6	10-82405M		1	BOLT
7	12-82214M		2	WASHER
8	12-81810M		1	WASHER
9	23-84060M		1	BUSHING
10	10-84067M		1	BOLT
11	12-82217M		1	WASHER
12	81585M		1	GRIP
13	815121M		1	THROTTLE INDICATOR
14	17-81907M		1	RIVET
15	95497M		1	RUBBER HANDLE
16	10-84300M		1	SCREW
17	12-82220M		1	WASHER
18	24-82095M		1	SPRING
19	43-815122M		1	GEAR
20	23-81945M		1	BUSHING
21	43-94619M		1	GEAR
22	82895M		1	FRICTION PIECE
23	10-83539M		1	BOLT
24	11-83056M		1	NUT
25	23-811012M		1	BUSHING

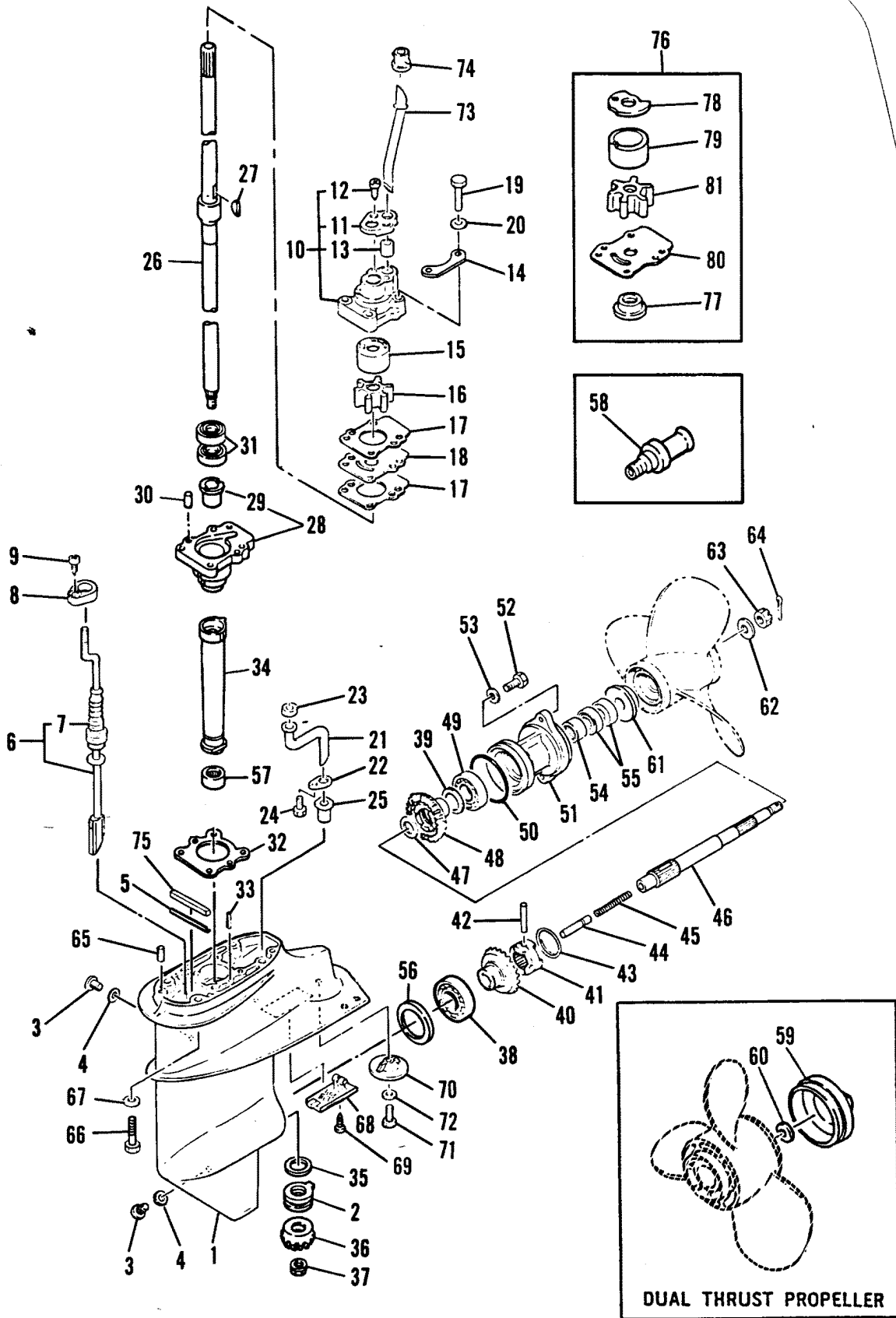
DRIVESHAFT HOUSING



DRIVESHAFT HOUSING

REF. NO.	PART NO.	SYM.	QTY.	DESCRIPTION
1	1587-9512M		1	DRIVESHAFT HOUSING (SHORT SHAFT)
	1587-8622M		1	DRIVESHAFT HOUSING (LONG/SUPER LONG SHAFT)
2	27-96618M		1	GASKET
3	17-82364M		2	DOWEL PIN
4	10-97749M		6	BOLT
5	12-82217M		6	WASHER
6	810453M		1	PLATE
7	84041M		1	SEAL
8	83953M		1	SEAL PROTECTOR
9	10-82476M		4	BOLT
10	810454M		1	EXHAUST MANIFOLD
11	27-83955M		1	GASKET
12	10-83539M		6	BOLT
13	12-82214M		6	WASHER
14	84042M		1	EXTENSION - SUPER LONG SHAFT
15	17-82364M		2	DOWEL PIN - SUPER LONG SHAFT
16	10-814575M		4	BOLT - SUPER LONG SHAFT
17	12-82217M		4	WASHER - SUPER LONG SHAFT
18	23-815011M		1	BUSHING - SUPER LONG SHAFT
19	53-83758M		1	SNAP RING - SUPER LONG SHAFT
20	94621M		1	STOPPER
21	84269M		1	SPLASH PLATE - LONG SHAFT
22	10-82457M		1	BOLT - LONG SHAFT
23	12-82214M		2	WASHER - LONG SHAFT
24	11-82390M		1	NUT - LONG SHAFT
25	84-811994M		1	LEAD WIRE
26	10-811995M		1	SCREW

GEARHOUSING ASSEMBLY

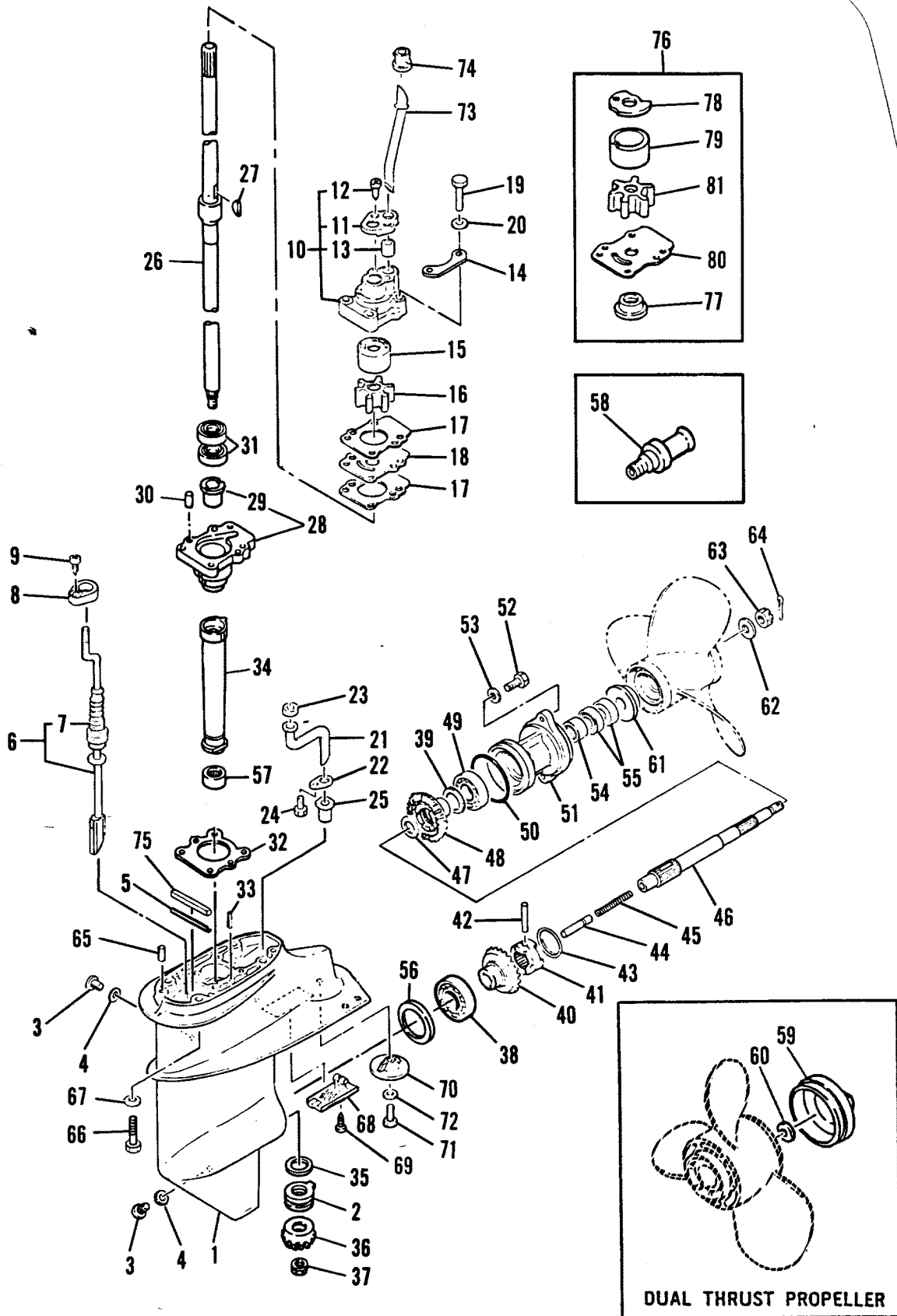


GEARHOUSING ASSEMBLY

REF. NO.	PART NO.	SYM.	QTY.	DESCRIPTION
0-1	1651-811993M		1	GEARHOUSING ASSEMBLY (SHORT SHAFT)
	1651-811992M		1	GEARHOUSING ASSEMBLY (LONG SHAFT)
1	1651-811991M		1	GEARHOUSING
2	31-99030M		1	BEARING
3	22-81924M		3	SCREW
4	27-81987M		3	GASKET
5	94622M		1	GUIDE
6	84016M		1	SHIFT CAM (SHORT)
	84017M		1	SHIFT CAM (LONG)
	84018M		1	SHIFT CAM (SUPER LONG)
7	84019M		1	BOOT
8	84020M		1	BRACKET
9	10-84271M		1	SCREW
10	46-94623M		1	WATER PUMP HOUSING
11	84023M		1	COVER
12	10-84272M		2	SCREW
13	26-84022M		1	SEAL
14	94624M		2	PLATE
15	84025M		1	INSERT
16	47-84027M		1	IMPELLER
17	27-84024M		2	GASKET
18	84026M		1	OUTER PLATE
19	10-82457M		4	BOLT
20	12-82214M		4	WASHER
21	32-94625M		1	WATER PICK-UP TUBE
22	84072M		1	PLATE
23	26-94626M		1	SEAL
24	10-84088M		1	BOLT
25	26-99031M		1	SEAL
26	45-99032M		1	DRIVESHAFT (SHORT)
	45-99033M		1	DRIVESHAFT (LONG)
	45-99034M		1	DRIVESHAFT (SUPER LONG)
27	28-81912M		1	KEY
28	99054M		1	BEARING HOUSING
29	23-82590M		1	BUSHING
30	17-82364M		2	DOWEL PIN
31	26-82229M		2	OIL SEAL
32	27-84075M		1	GASKET
33	17-82354M		1	DOWEL PIN
34	23-99035M		1	SLEEVE
0-1	1651-811993M		1	GEARHOUSING ASSEMBLY (SHORT SHAFT)
	1651-811992M		1	GEARHOUSING ASSEMBLY (LONG SHAFT)
35	12-18947M		AR	THRUST WASHER (0.10MM)

CONTINUED ON NEXT PAGE ➡

GEARHOUSING ASSEMBLY

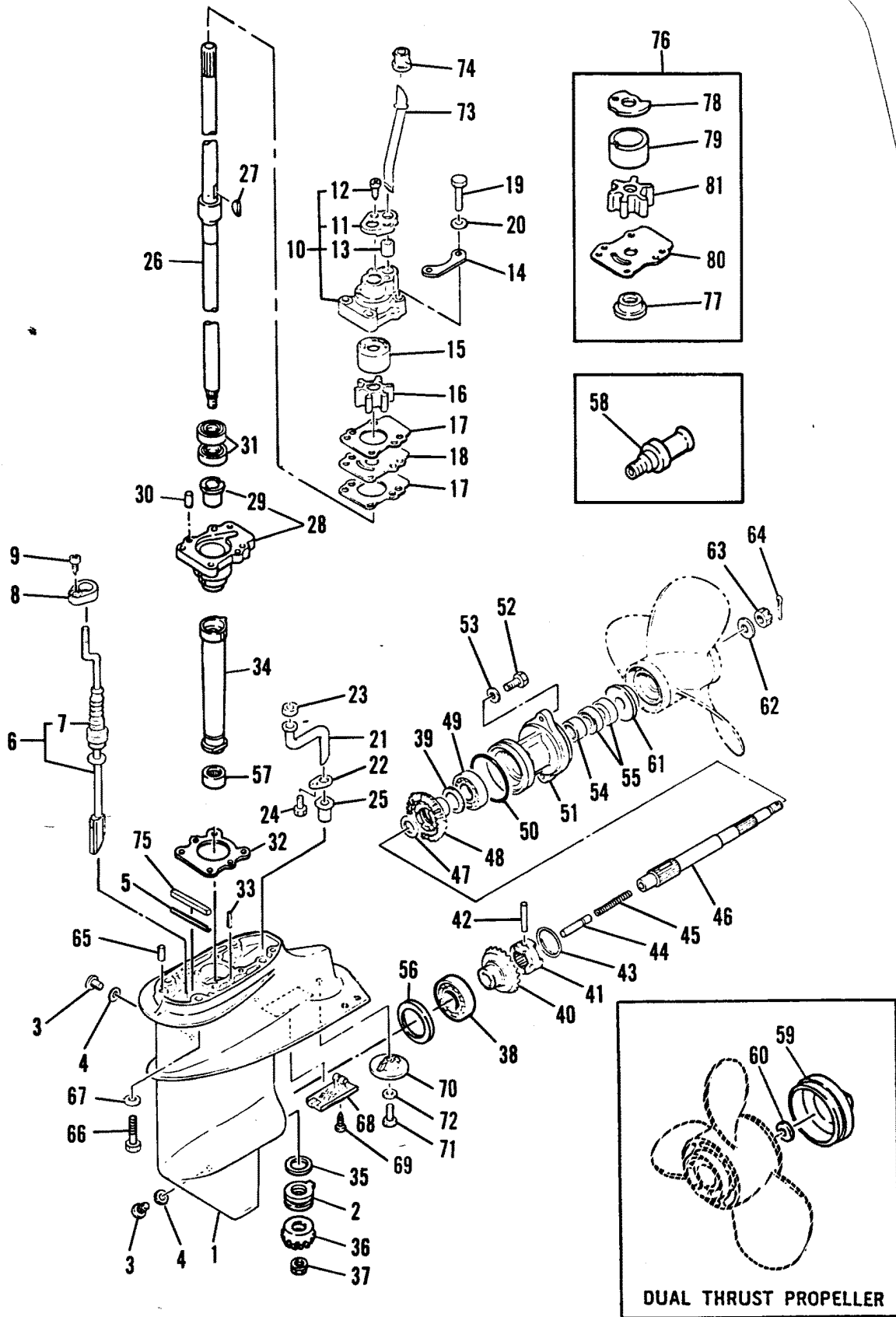


GEARHOUSING ASSEMBLY

REF. NO.	PART NO.	SYM.	QTY.	DESCRIPTION
35	12-18948M		AR	THRUST WASHER (0.12MM)
	12-18949M		AR	THRUST WASHER (0.15MM)
	12-18950M		AR	THRUST WASHER (0.18MM)
	12-18951M		AR	THRUST WASHER (0.30MM)
	12-18952M		AR	THRUST WASHER (0.40MM)
	12-18953M		AR	THRUST WASHER(0.50MM)
36	43-99041M		1	PINION GEAR
37	11-99042M		1	NUT
38	31-82321M		1	ROLLER BEARING
39	15-80258M		AR	SHIM (0.1MM)
	15-80259M		AR	SHIM (0.3MM)
	15-80260M		AR	SHIM (0.5MM)
40	43-99043M		1	FORWARD GEAR
41	52-84274M		1	CLUTCH
42	17-81899M		1	PIN
43	53-80678M		1	RING
44	80923M		1	PLUNGER
45	24-84064M		1	SPRING
46	44-84078M		1	PROPELLER SHAFT
47	12-94627M		1	WASHER
48	43-99044M		1	REVERSE GEAR
49	30-82294M		1	ROLLER BEARING
50	25-84089M		1	O-RING
51	84076M		1	CAP
52	10-84058M		2	BOLT
53	12-82214M		2	WASHER
54	30-84086M		1	NEEDLE BEARING
55	26-82227M		2	OIL SEAL
56	15-18954M		AR	SHIM (0.10MM)
	15-18955M		AR	SHIM (0.12MM)
	15-18956M		AR	SHIM (0.15MM)
	15-18957M		AR	SHIM (0.18MM)
	15-18958M		AR	SHIM (0.30MM)
	15-18959M		AR	SHIM (0.40MM)
	15-18960M		AR	SHIM (0.50MM)
57	31-17673M		1	NEEDLE BEARING
58	22-95633M		1	FLUSH PLUG
59	11933M		1	PROPELLER RING - DUAL THRUST PROP
60	12-84974M		1	WASHER - DUAL THRUST PROP
61	12-815025M		1	THRUST HUB
62	12-84275M		1	WASHER
63	11-84087M		1	PROPELLER NUT
64	18-99046M		1	COTTER PIN

CONTINUED ON NEXT PAGE ➡

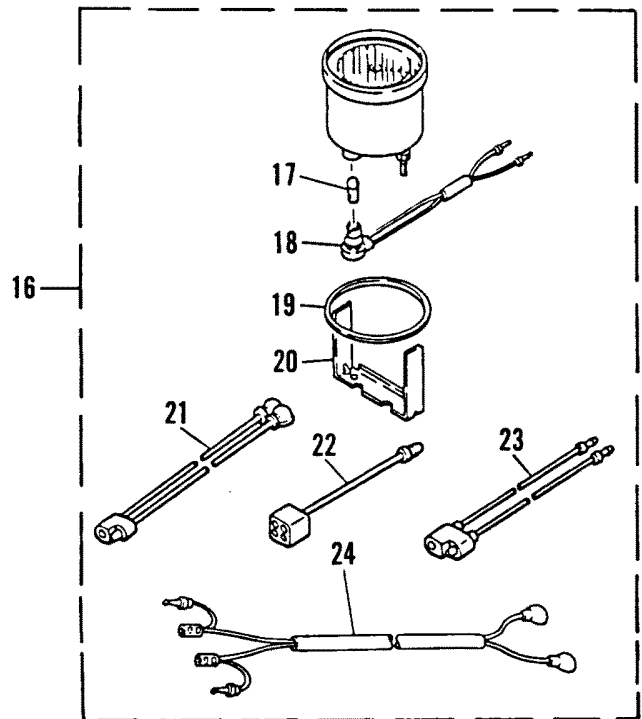
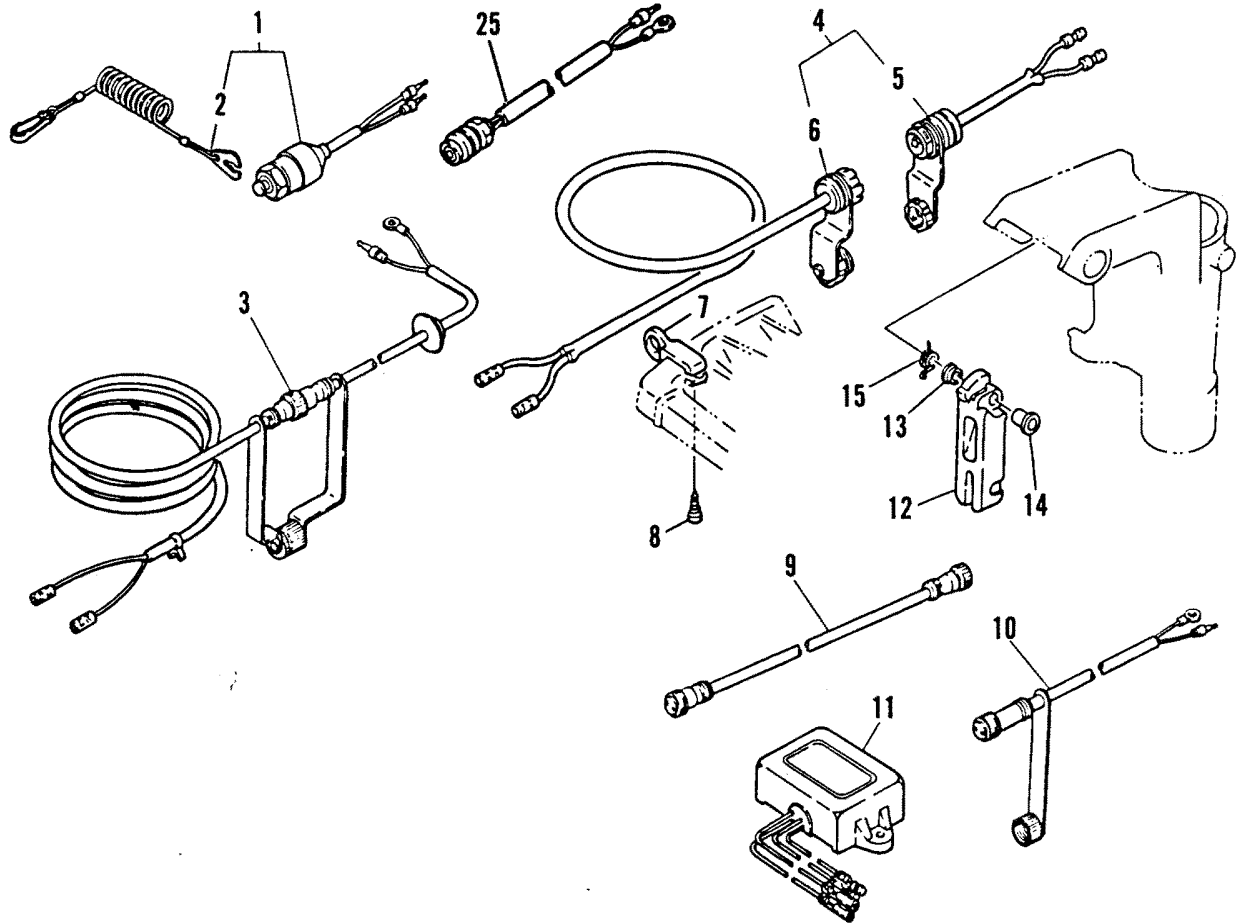
GEARHOUSING ASSEMBLY



GEARHOUSING ASSEMBLY

REF. NO.	PART NO.	SYM.	QTY.	DESCRIPTION
65	17-82364M		2	DOWEL PIN
66	10-82466M		4	BOLT
67	12-82217M		4	WASHER
68	18961M		1	COVER
69	10-14232M		1	SCREW
70	811990M		1	ANODE
71	10-91725M		1	BOLT
72	12-82214M		1	WASHER
73	32-84028M		1	WATER TUBE (SHORT)
	32-84029M		1	WATER TUBE (LONG)
	32-84030M		1	WATER TUBE (SUPER LONG)
74	26-80239M		1	SEAL
75	26-94628M		1	RUBBER SEAL
76	46-84118M		1	CHROME WATER PUMP KIT
77	96620M		1	COVER
78	84119M		1	INNER PLATE
79	84120M		1	INSERT
80	84121M		1	OUTER PLATE
81	47-84027M		1	IMPELLER

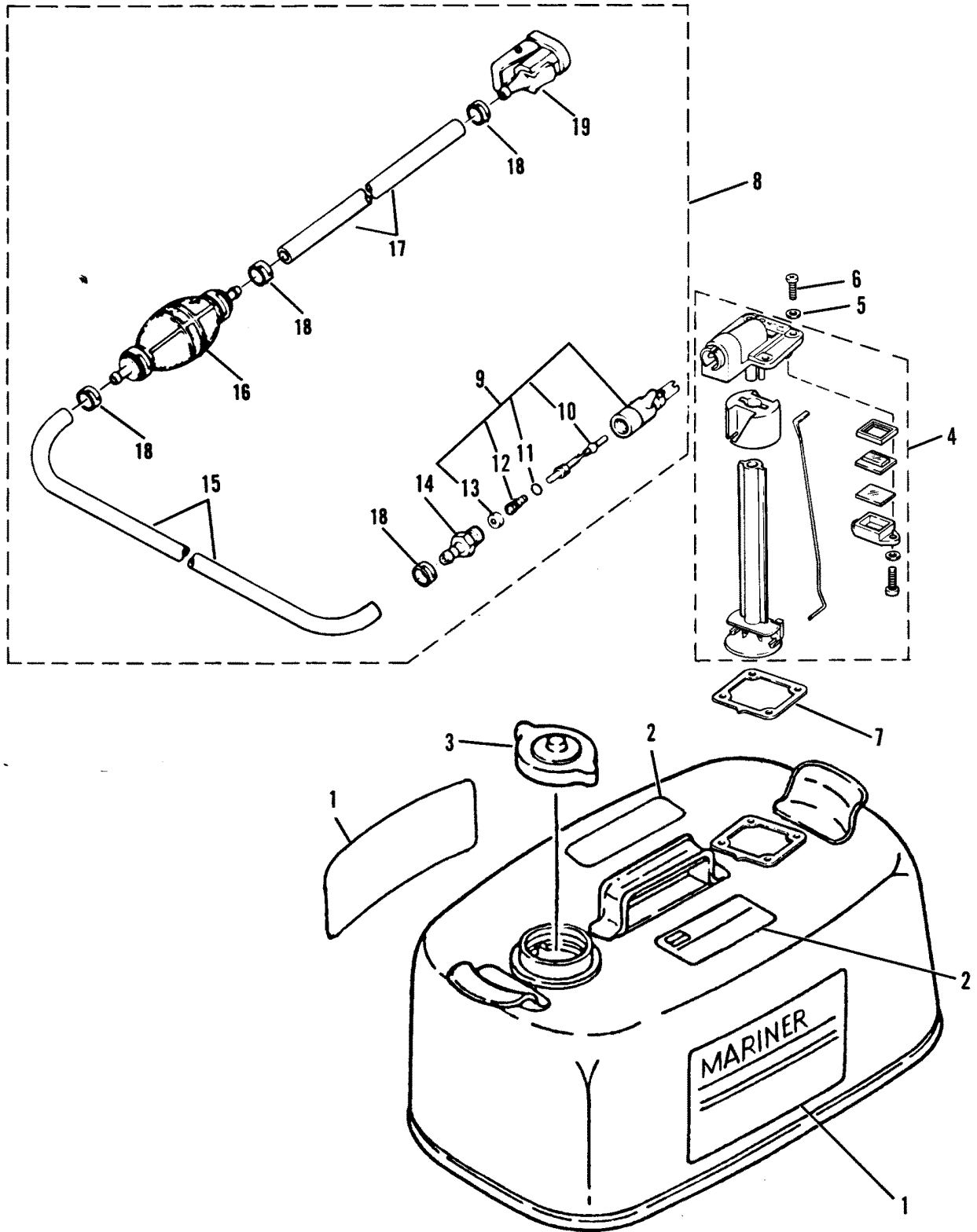
OPTIONAL PARTS



OPTIONAL PARTS

REF. NO.	PART NO.	SYM.	QTY.	DESCRIPTION
1	87-97755M		1	KILL SWITCH ASSEMBLY (5M)
2	97756M		1	STOPPER
3	84964M		1	EXTENSION
4	84-84124M		1	CONNECTOR ASSEMBLY
5	84-99051M		1	CONNECTOR
6	84-99052M		1	CONNECTOR
7	84327M		1	HOLDER
8	10-84328M		1	SCREW
9	84959M		1	EXTENSION
10	99053M		1	EXTENSION
11	84125M		1	VOLTAGE REGULATOR
12	94632M		1	CARRYING HANDLE
13	23-84355M		1	BUSHING
14	23-81947M		1	BUSHING
15	24-84356M		1	SPRING
16	79-43984A1		1	TACHOMETER KIT
17	88-99055M		1	BULB
18	99056M		1	SOCKET
19	99057M		1	DAMPER
20	99058M		1	PLATE
21	84-99059M		1	WIRE
22	84-84353M		2	CONNECTOR
23	84-84352M		1	EXTENSION
24	84-99060M		1	EXTENSION
25	87-93102M		1	STOP SWITCH ASSEMBLY

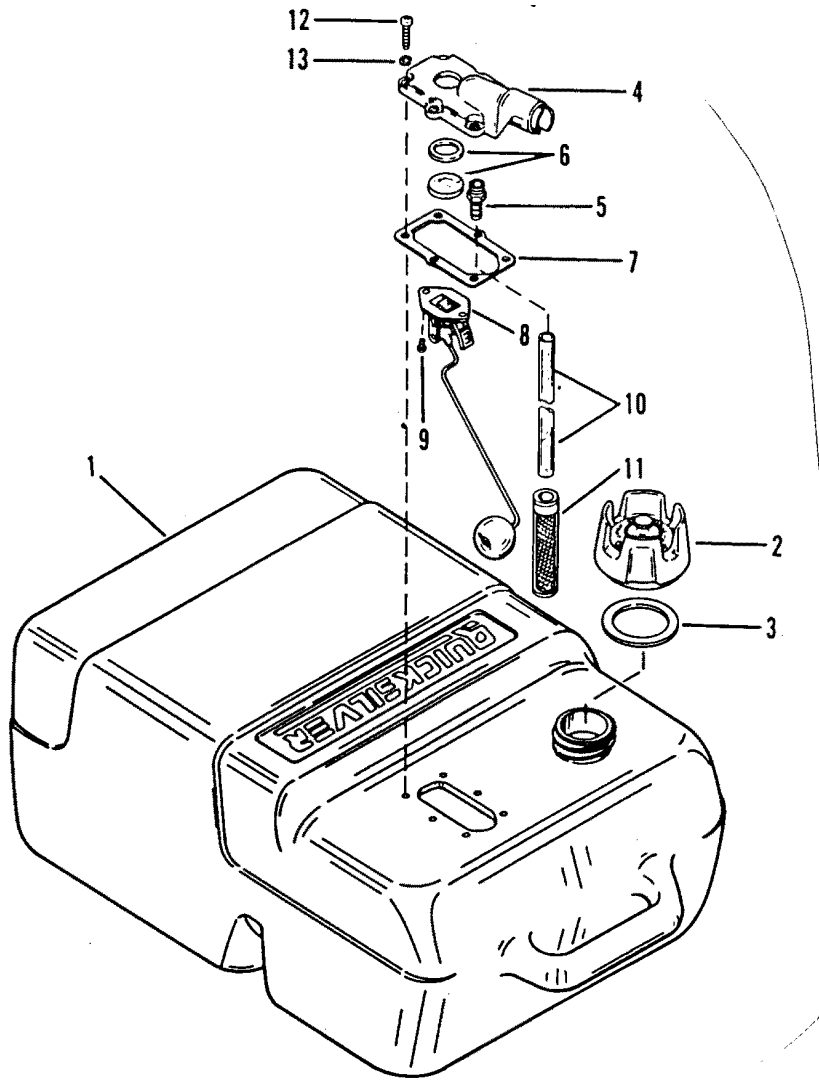
FUEL TANK AND FUEL LINE ASSEMBLY (ORIGINAL EQUIPMENT)



FUEL TANK AND FUEL LINE ASSEMBLY (ORIGINAL EQUIPMENT)

REF. NO.	PART NO.	SYM.	QTY.	DESCRIPTION
1	37-14617M		1	DECAL, SIDE (ENGLISH)
	37-95504M		1	DECAL, SIDE (FRENCH)
2	37-95489M		1	DECAL, TOP (ENGLISH)
	37-95503M		1	DECAL, TOP (FRENCH)
3	36-18962M		1	FUEL TANK CAP
4	95499M		1	FUEL METER ASSEMBLY
5	12-95501M		4	SEAL
6	10-95502M		4	SCREW
7	27-95500M		1	GASKET
8	32-18925M		1	FUEL LINE ASSEMBLY
9	30185A3		1	BAYONET BODY ASSEMBLY
10	30187		1	STEM
11	25-20415		1	"O"-RING
12	24-30189		1	SPRING
13	30188		1	CAP WASHER
14	22-89771--1		1	FITTING
15	32-16571M		1	HOSE
16	17149M		1	PRIMER BULB
17	32-16573M		1	HOSE
18	54-16574M		4	CLAMP
19	22-13563A3		1	FUEL CONNECTOR

FUEL TANK AND FUEL LINE ASSEMBLY (NOT ORIGINAL EQUIPMENT)



FUEL TANK AND FUEL LINE ASSEMBLY (NOT ORIGINAL EQUIPMENT)

REF. NO.	PART NO.	SYM.	QTY.	DESCRIPTION
1	1259-812410A1		1	FUEL TANK ASSEMBLY (PLASTIC-6.6 GALLONS)
2	36-18031A1		1	FILLER CAP
3	27-18032		1	GASKET
4	17792A1		1	PICK-UP BODY ASSEMBLY
5	18030		1	ADAPTOR
6	98542A1		1	WINDOW ASSEMBLY
7	27-18026		1	GASKET
8	17971A2		1	FUEL GAUGE ASSEMBLY
9	10-62568		2	SCREW
10	32-18028		1	HOSE
11	35-18029		1	FILTER
12	10-18027		6	SCREW
13	12-29070		6	WASHER

PARTS INDEX

Part Number	Description	Pg.	Ref. No.	Part Number	Description	Pg.	Ref. No.
11932M	COVER	27	77	83300M	RETAINER	17	20
11933M	PROPELLER RING - DUAL THRUST PROP	35	59	83900M	ANODE	11	9
11935M	FILTER CUP	19	5	83949M	BRACKET	19	10
14180M	FLOAT	17	6	83950M	EXHAUST COVER (INNER)	11	20
14187M	FUEL CONNECTOR	19	1	83952M	EXHAUST COVER (OUTER)	11	22
14216M	VALVE SEAT ASSEMBLY	17	3	83953M	SEAL PROTECTOR	31	8
14217M	FLOAT BOWL	17	9	83957M	LINK	21	12
14219M	TILT STOP LEVER	27	55	83960M	CHOKE KNOB	15	17
14281M	TUBE	17	5	83962M	RETAINER	9	43
16708M	BASE ASSEMBLY	7	2	83965M	STOPPER	11	26
17149M	PRIMER BULB	41	16	83966M	MAGNETO CONTROL LEVER	21	9
17662M	COVER	11	16	83967M	BRACKET	21	10
17792A1	PICK-UP BODY ASSEMBLY	43	4	83970M	THROTTLE CONTROL SHAFT	21	1
17971A2	FUEL GAUGE ASSEMBLY	43	8	83980M	SHAFT	25	5
18030	ADAPTOR	43	5	83982M	SEAL	5	19
18940M	HOUSING	13	13	83983M	SEAL	3	12
18942M	REED VALVE ASSEMBLY	15	8	83985M	HOOK	3	6
18944M	PLATE	25	28	83987M	SEAL	21	2
18961M	COVER	37	68	83991M	LEVER	3	23
30185A3	BAYONET BODY ASSEMBLY	41	9	83997M	TILT LOCK	27	47
30187	STEM	41	10	83999M	TILT LOCK ROD	25	42
30188	CAP WASHER	41	13	84000M	TILT LOCK ROD	27	46
41256M	SPACER	15	10	84001M	TILT HANDLE	25	40
41259M	BRACKET	7	26	84002M	TILT LEVER	25	43
41260M	DAMPER	7	27	84005M	GEAR SHIFT HANDLE	23	1
41262M	COVER	7	30	84007M	BRACKET	23	6
41265M	GUIDE	5	14	84009M	SHIFT ROD LEVER	23	3
41266M	BRACKET	5	26	84015M	SHIFT ROD	23	15
41268M	THROTTLE CAM	7	19	84016M	SHIFT CAM (SHORT)	33	6
41316M	PULLEY	9	44	84017M	SHIFT CAM (LONG)	33	6
41829M	CHARGE COIL	7	4	84018M	SHIFT CAM (SUPER LONG)	33	6
41830M	PULSER COIL	7	5	84019M	BOOT	33	7
41861M	MAIN NOZZLE	17	2	84020M	BRACKET	33	8
41863M	MAGNETO BASE	7	3	84023M	COVER	33	11
41866M	LIGHTING COIL ASSEMBLY	7	8	84025M	INSERT	33	15
41869M	PLATE	7	17	84026M	OUTER PLATE	33	18
43077M	I. UNIT ASSEMBLY	7	31	84032M	MOUNT	27	60
80048M	HANDLE	25	21	84037M	RUBBER MOUNT (LOWER SIDE)	27	76
80230M	MOUNT	25	26	84038M	RUBBER MOUNT (LOWER FRONT)	27	75
80633M	FRICTION PIECE	25	14	84041M	SEAL	31	7
80923M	PLUNGER	35	44	84042M	EXTENSION - SUPER LONG SHAFT	31	14
810452M	STEERING BRACKET	25	1	84072M	PLATE	33	22
810453M	PLATE	31	6	84076M	CAP	35	51
810454M	EXHAUST MANIFOLD	31	10	84100M	JOINT	21	13
81106M	PLUNGER	5	33	84100M	LINK	23	26
81191M	RETAINER	17	22	84101M	LINK	23	19
811990M	ANODE	37	70	84115M	ARM	5	30
811998M	BRACKET	5	27	84116M	LINK	5	32
814481M	REPAIR KIT	17	-	84117M	LOCKOUT WIRE ASSEMBLY	5	29
814491M	HANDLE	5	13	84119M	INNER PLATE	37	78
814492M	COVER	5	20	84120M	INSERT	37	79
814554M	THERMOSTAT	11	14	84121M	OUTER PLATE	37	80
815120M	STEERING HANDLE	29	1	84125M	VOLTAGE REGULATOR	39	11
815121M	THROTTLE INDICATOR	29	13	84254M	THROTTLE ARM ASSEMBLY	17	17
81585M	GRIP	29	12	84255M	COLLAR	17	19
82788M	PLUG CAP	7	37	84256M	THROTTLE ROD	17	21
82857M	STOPPER	25	34				
82895M	FRICTION PIECE	29	22				
83252M	DRIVE PAWL	5	9				

PARTS INDEX

Part Number	Description	Pg.	Ref. No.	Part Number	Description	Pg.	Ref. No.
84262M	DIAPHRAGM	17	27	10-43106M	BOLT	25	18
84265M	DIAPHRAGM	17	31	10-62568	SCREW	43	9
84266M	COVER	17	32	10-80091M	SCREW	17	18
84269M	SPLASH PLATE - LONG SHAFT	31	21	10-80434M	SCREW	17	16
84287M	COLLAR	27	52	10-80573M	IDLE MIXTURE SCREW	17	12
84291M	MOUNT (SUL)	27	60	10-80954M	SCREW	17	33
84297M	RUBBER MOUNT (LOWER SIDE-SUL)	27	76	10-811995M	SCREW	31	26
84302M	SPRING PLATE	23	5	10-813477M	BOLT	15	12
84305M	BALL JOINT	21	8	10-813477M	BOLT	23	7
84305M	RETAINER	7	10	10-814463M	IDLE SPEED SCREW	17	14
84316M	STOP	7	24	10-814575M	BOLT - SUPER LONG SHAFT	31	16
84327M	HOLDER	39	7	10-81756M	SCREW	25	23
84959M	EXTENSION	39	9	10-82405M	BOLT	11	25
84964M	EXTENSION	39	3	10-82405M	BOLT	25	3
94538M	HOOK	3	4	10-82405M	BOLT	27	61
94539M	MOLDING	3	8	10-82405M	BOLT	29	6
94547M	TIMING PLATE	7	38	10-82423M	BOLT	5	23
94559M	CHOKE LEVER	15	19	10-82444M	BOLT	7	25
94565M	SHIFT ROD LEVER	23	8	10-82457M	BOLT	33	19
94575M	HOUSING (PORT)	27	70	10-82457M	BOLT - LONG SHAFT	31	22
94614M	HOUSING (STARBOARD)	27	71	10-82466M	BOLT	37	66
94621M	STOPPER	31	20	10-82476M	BOLT	31	9
94622M	GUIDE	33	5	10-82499M	SCREW	7	12
94624M	PLATE	33	14	10-82512M	SCREW	17	37
94632M	CARRYING HANDLE	39	12	10-82513M	SCREW	17	25
95188M	IGNITION COIL ASSEMBLY	7	34	10-82522M	SCREW	15	6
95463M	CLAMP	3	26	10-83285M	BOLT	5	21
95494M	PILOT JET (#56)	17	1	10-83285M	BOLT	5	7
95495M	MAIN JET (#136)	17	10	10-83285M	BOLT	7	32
95497M	RUBBER HANDLE	29	15	10-83285M	BOLT	7	35
95499M	FUEL METER ASSEMBLY	41	4	10-83539M	BOLT	3	18
95590M	SHAFT	5	4	10-83539M	BOLT	5	22
96607M	COVER	15	1	10-83539M	BOLT	7	28
96609M	COVER (OUTER)	15	3	10-83539M	BOLT	11	18
96612M	BRACKET	23	9	10-83539M	BOLT	19	2
96613M	STOPPER	23	10	10-83539M	BOLT	23	11
96614M	LINK	23	12	10-83539M	BOLT	29	23
96615M	MAGNETO CONTROL LEVER	23	23	10-83539M	BOLT	31	12
96620M	COVER	37	77	10-84057M	BOLT	27	73
97657M	BODY	17	29	10-84058M	BOLT	27	52
97756M	STOPPER	3	30	10-84061M	BOLT	27	62
97756M	STOPPER	39	2	10-84062M	BOLT	25	31
98542A1	WINDOW ASSEMBLY	43	6	10-84065M	BOLT	11	13
98981M	RETAINER	9	41	10-84067M	BOLT	29	10
98992M	PLATE	17	23	10-84088M	BOLT	33	24
98994M	BRACKET	27	48	10-84247M	BOLT	5	15
98995M	LEVER	27	50	10-84247M	BOLT	7	39
99053M	EXTENSION	39	10	10-84247M	BOLT	13	17
99054M	BEARING HOUSING	33	28	10-84247M	BOLT	15	14
99056M	SOCKET	39	18	10-84247M	BOLT	21	5
99057M	DAMPER	39	19	10-84271M	SCREW	33	9
99058M	PLATE	39	20	10-84272M	SCREW	33	12
10-11873M	SCREW	17	34	10-84300M	SCREW	29	16
10-14232M	SCREW	37	69	10-84303M	BOLT	7	13
10-17661M	SCREW	7	18	10-84313M	BOLT	7	20
10-18027	SCREW	43	12	10-84315M	BOLT	3	28
10-18943M	BOLT	25	25	10-84315M	BOLT	19	11
10-19172M	SCREW	27	81	10-84328M	SCREW	39	8
				10-91691M	SCREW	7	7
				10-91725M	BOLT	37	71

PARTS INDEX

Part Number	Description	Pg.	Ref. No.	Part Number	Description	Pg.	Ref. No.
10-94540M	SCREW	3	9	12-82211M	WASHER	15	5
10-94544M	BOLT	5	31	12-82211M	WASHER	23	14
10-94570M	BOLT - SUPER ULTRA LONG	25	36	12-82213M	WASHER	7	33
10-94572M	BOLT	27	56	12-82213M	WASHER	21	6
10-94573M	BOLT	27	57	12-82214M	WASHER	3	19
10-94615M	BOLT	27	72	12-82214M	WASHER	5	16
10-94616M	BOLT	29	2	12-82214M	WASHER	5	24
10-95453M	BOLT (W/WASHER)	11	8	12-82214M	WASHER	7	14
10-95467M	SCREW	11	10	12-82214M	WASHER	7	29
10-95487M	BOLT (W/WASHER)	11	7	12-82214M	WASHER	7	36
10-95502M	SCREW	41	6	12-82214M	WASHER	11	19
10-96346M	SCREW	7	6	12-82214M	WASHER	11	29
10-96346M	SCREW	7	9	12-82214M	WASHER	13	18
10-96610M	SCREW	15	4	12-82214M	WASHER	15	13
10-96671M	SCREW	9	42	12-82214M	WASHER	15	15
10-96671M	SCREW	21	11	12-82214M	WASHER	19	3
10-97749M	BOLT	31	4	12-82214M	WASHER	25	4
10-98998M	BOLT	27	78	12-82214M	WASHER	27	79
11-15327M	NUT	15	11	12-82214M	WASHER	29	7
11-15373M	NUT	27	80	12-82214M	WASHER	31	13
11-81763M	NUT	23	17	12-82214M	WASHER	33	20
11-81770M	NUT	7	15	12-82214M	WASHER	35	53
11-81785M	NUT	25	29	12-82214M	WASHER	37	72
11-82379M	NUT	21	14	12-82214M	WASHER - LONG SHAFT	31	23
11-82379M	NUT	23	25	12-82217M	WASHER	25	16
11-82380M	NUT	5	8	12-82217M	WASHER	29	11
11-82381M	NUT	15	16	12-82217M	WASHER	31	5
11-82382M	NUT	19	9	12-82217M	WASHER	37	67
11-82390M	NUT	23	16	12-82217M	WASHER - SUPER ULTRA LONG	25	38
11-82390M	NUT - LONG SHAFT	31	24	12-82217M	WASHER - SUPER LONG SHAFT	31	17
11-82393M	NUT	27	74	12-82220M	WASHER	29	17
11-82537M	NUT	17	35	12-84275M	WASHER	35	62
11-83056M	NUT	29	24	12-84278M	WASHER	25	6
11-83763M	NUT	7	23	12-84292M	WASHER	27	63
11-84087M	PROPELLER NUT	35	63	12-84293M	WASHER	27	64
11-84284M	NUT - SUPER ULTRA LONG	25	37	12-84294M	WASHER	27	65
11-84295M	NUT	27	66	12-84974M	WASHER - DUAL THRUST PROP	35	60
11-94541M	NUT	3	11	12-94524M	WASHER	23	22
11-99042M	NUT	35	37	12-94627M	WASHER	35	47
12-17658M	WASHER	3	10	12-95501M	SEAL	41	5
12-18947M	THRUST WASHER (0.10MM)	33	35	12-98997M	WASHER	27	59
12-18948M	THRUST WASHER (0.12MM)	35	35	13-14220M	WAVE WASHER	27	58
12-18949M	THRUST WASHER (0.15MM)	35	35	13-81869M	WAVE WASHER	3	25
12-18950M	THRUST WASHER (0.18MM)	35	35	13-82184M	WASHER	17	36
12-18951M	THRUST WASHER (0.30MM)	35	35	13-84299M	WAVE WASHER	29	4
12-18952M	THRUST WASHER (0.40MM)	35	35	15-18954M	SHIM (0.10MM)	35	56
12-18953M	THRUST WASHER(0.50MM)	35	35	15-18955M	SHIM (0.12MM)	35	56
12-29070	WASHER	43	13	15-18956M	SHIM (0.15MM)	35	56
12-80261M	WASHER	17	4	15-18957M	SHIM (0.18MM)	35	56
12-80638M	PAD	25	24	15-18958M	SHIM (0.30MM)	35	56
12-815025M	THRUST HUB	35	61	15-18959M	SHIM (0.40MM)	35	56
12-81557M	WASHER	5	6	15-18960M	SHIM (0.50MM)	35	56
12-81794M	WASHER	3	27	15-80258M	SHIM (0.1MM)	35	39
12-81810M	WASHER	29	8	15-80259M	SHIM (0.3MM)	35	39
12-81814M	WASHER	7	16	15-80260M	SHIM (0.5MM)	35	39
12-81823M	WASHER	13	9	16-41883M	STUD	7	22
12-81835M	WASHER	11	15	16-81731M	STUD	15	23
12-81851M	WASHER	29	3				
12-82211M	WASHER	7	21				

PARTS INDEX

Part Number	Description	Pg.	Ref. No.	Part Number	Description	Pg.	Ref. No.
16-84249M	STUD	15	24	23-84279M	BUSHING	25	8
16-91649M	STUD	23	24	23-84280M	BUSHING	25	10
17-14214M	DOWEL PIN	5	25	23-84355M	BUSHING	39	13
17-18945M	PIN	27	44	23-94563M	COLLAR	21	4
17-80451M	PIN	17	7	23-94568M	COLLAR	25	30
17-814489M	RIVET	3	7	23-99035M	SLEEVE	33	34
17-81888M	PIN	25	22	24-11936M	SPRING (FOR DUAL THRUST PROP)	27	54
17-81899M	PIN	35	42	24-30189	SPRING	41	12
17-81907M	RIVET	29	14	24-814460M	SPRING	17	13
17-82144M	ROLL PIN	25	35	24-814460M	SPRING	17	15
17-82155M	PIN	5	18	24-815007M	SPRING	25	27
17-82157M	ROLL PIN	5	5	24-82079M	SPRING	5	28
17-82354M	DOWEL PIN	33	33	24-82095M	SPRING	29	18
17-82364M	DOWEL PIN	3	22	24-83488M	SPRING	25	15
17-82364M	DOWEL PIN	11	6	24-84064M	SPRING	35	45
17-82364M	DOWEL PIN	25	2	24-84285M	SPRING	25	41
17-82364M	DOWEL PIN	31	3	24-84288M	SPRING	27	54
17-82364M	DOWEL PIN	33	30	24-84356M	SPRING	39	15
17-82364M	DOWEL PIN	37	65	24-95588M	SPRING	5	2
17-82364M	DOWEL PIN - SUPER LONG SHAFT	31	15	24-95589M	SPRING	5	11
17-83140M	RIVET	3	5	24-98996M	SPRING	27	51
17-83996M	SHAFT	27	49	25-18927M	GROMMET	3	16
17-84003M	REVERSE LOCK SHAFT	27	53	25-20415	"O"-RING	41	11
17-84304M	CLEVIS PIN	23	18	25-82069M	GROMMET	9	40
17-94560M	CLEVIS PIN	15	21	25-83930M	O-RING	13	14
17-94569M	TILT ROD ASSEMBLY	25	33	25-83961M	GROMMET	15	18
18-82051M	COTTER PIN	15	22	25-83988M	GROMMET	3	15
18-82125M	COTTER PIN	23	20	25-83990M	GROMMET	3	17
18-82127M	COTTER PIN	23	13	25-84054M	O-RING	25	9
18-82128M	COTTER PIN - SUPER ULTRA LONG	25	39	25-84089M	O-RING	35	50
18-84301M	COTTER PIN	23	4	25-84957M	O-RING	19	7
18-99046M	COTTER PIN	35	64	25-94542M	SEAL	3	21
19-80604M	PLUG	5	17	25-96595M	SEAL	3	20
21-41888M	CHECK VALVE	17	28	25-96596M	GROMMET	3	31
21-80107M	CHECK VALVE	11	3	26-17659M	SEAL	3	32
21-80727M	CHECK VALVE ASSEMBLY	11	1	26-18941M	OIL SEAL (LOWER)	13	15
22-13563A3	FUEL CONNECTOR	41	19	26-80239M	SEAL	37	74
22-80743M	DRAIN FITTING	11	2	26-82227M	OIL SEAL	35	55
22-80756M	FITTING	3	14	26-82229M	OIL SEAL	33	31
22-81924M	SCREW	33	3	26-83490M	SEAL	25	17
22-82369M	GREASE FITTING	25	12	26-83936M	OIL SEAL (UPPER)	13	11
22-83326M	FITTING	11	23	26-84022M	SEAL	33	13
22-89771--1	FITTING	41	14	26-84244M	SEAL	13	4
22-95633M	FLUSH PLUG	35	58	26-94574M	SEAL	27	69
23-811012M	BUSHING	29	25	26-94626M	SEAL	33	23
23-815011M	BUSHING - SUPER LONG SHAFT	31	18	26-94628M	RUBBER SEAL	37	75
23-81945M	BUSHING	29	20	26-96606M	OIL SEAL (LOWER)	13	16
23-81947M	BUSHING	39	14	26-99031M	SEAL	33	25
23-81949M	BUSHING	3	24	27-14218M	GASKET	17	38
23-82590M	BUSHING	33	29	27-18026	GASKET	43	7
23-83310M	COLLAR	23	21	27-18032	GASKET	43	3
23-83959M	BUSHING	15	20	27-18937M	GASKET	11	12
23-83981M	BUSHING	25	7	27-43115M	GASKET	17	8
23-84013M	BUSHING	23	2	27-80267M	GASKET	17	11
23-84059M	BUSHING	29	5	27-815009M	GASKET	17	26
23-84060M	BUSHING	29	9	27-815010M	GASKET	17	30
23-84243M	SPACER	13	12	27-81987M	GASKET	33	4
				27-83940M	GASKET	11	17
				27-83951M	GASKET	11	21

PARTS INDEX

Part Number	Description	Pg.	Ref. No.	Part Number	Description	Pg.	Ref. No.
27-83955M	GASKET	31	11	43-94619M	GEAR	29	21
27-84024M	GASKET	33	17	43-99041M	PINION GEAR	35	36
27-84075M	GASKET	33	32	43-99043M	FORWARD GEAR	35	40
27-95500M	GASKET	41	7	43-99044M	REVERSE GEAR	35	48
27-96602M	GASKET	11	28	44-84078M	PROPELLER SHAFT	35	46
27-96608M	GASKET	15	2	45-99032M	DRIVESHAFT (SHORT)	33	26
27-96611M	GASKET	15	7	45-99033M	DRIVESHAFT (LONG)	33	26
27-96618M	GASKET	31	2	45-99034M	DRIVESHAFT (SUPER LONG)	33	26
27-98993M	GASKET	17	24	46-84118M	CHROME WATER PUMP KIT	37	76
28-81912M	KEY	33	27	46-94623M	WATER PUMP HOUSING	33	10
28-81914M	KEY	13	19	47-84027M	IMPELLER	33	16
29-82349M	NEEDLE BEARING	13	8	47-84027M	IMPELLER	37	81
30-82294M	ROLLER BEARING	35	49	50-12066A9	STARTER ROPE	5	12
30-82303M	BEARING (UPPER)	13	1	50-83250M	STARTER SHEAVE	5	3
30-83938M	BEARING (LOWER)	13	2	52-84274M	CLUTCH	35	41
30-84086M	NEEDLE BEARING	35	54	53-80678M	RING	35	43
31-17673M	NEEDLE BEARING	35	57	53-82330M	SNAP RING	27	45
31-82321M	ROLLER BEARING	35	38	53-82343M	CLIP	13	10
31-99030M	BEARING	33	2	53-83758M	SNAP RING - SUPER LONG SHAFT	31	19
32-11842M	HOSE	19	12	53-84895M	SNAP RING	5	10
32-16571M	HOSE	41	15	53-94555M	SNAP RING	13	3
32-16573M	HOSE	41	17	54-16574M	CLAMP	41	18
32-18028	HOSE	43	10	54-41867M	CLAMP	7	11
32-18925M	FUEL LINE ASSEMBLY	41	8	54-82046M	CLAMP	11	5
32-82010M	HOSE	11	24	54-82047M	CLIP	19	8
32-84028M	WATER TUBE (SHORT)	37	73	54-84296M	CLAMP	27	68
32-84029M	WATER TUBE (LONG)	37	73	54-84296M	TACHOMETER KIT	39	16
32-84030M	WATER TUBE (SUPER LONG)	37	73	79-43984A1	GROUND WIRE	25	13
32-84235M	HOSE	11	4	84-16716M	LEAD WIRE	31	25
32-84345M	HOSE	19	13	84-811994M	CONNECTOR ASSEMBLY	39	4
32-94625M	WATER PICK-UP TUBE	33	21	84-84124M	EXTENSION	39	23
33-41263M	SPARK PLUG	11	27	84-84352M	CONNECTOR	39	22
34-84246M	REED SET (REED STOPS NOT INCLUDED)	15	9	84-84353M	CONNECTOR	39	5
35-11931M	FUEL FILTER ASSEMBLY	19	4	84-99051M	CONNECTOR	39	6
35-11934M	FILTER	19	6	84-99052M	WIRE	39	21
35-18029	FILTER	43	11	84-99059M	EXTENSION	39	24
36-18031A1	FILLER CAP	43	2	84-99060M	LANYARD IGNITION SWITCH	3	29
36-18962M	FUEL TANK CAP	41	3	87-14222M	STOP SWITCH ASSEMBLY	39	25
36-84034M	CAP	27	67	87-93102M	KILL SWITCH ASSEMBLY (5M)	39	1
37-11927M	DECAL SET (SIDE)	3	1	87-97755M	BULB	39	17
37-11928M	DECAL, FRONT	3	2	88-99055M	TOOL KIT	3	35
37-14280M	DECAL, SIDE	3	33	91-81669M	FLYWHEEL ASSEMBLY	7	1
37-14617M	DECAL, SIDE (ENGLISH)	41	1	253-8921M	CRANKSHAFT ASSEMBLY	13	0-1
37-14619M	DECAL, SIDE	3	34	463-9854M	PISTON (STANDARD)	13	5
37-81202M	DECAL, SHIFT	3	3	761-9580M	PISTON (1ST O.S. 56.25MM)	13	5
37-95489M	DECAL, TOP (ENGLISH)	41	2	761-9581M	PISTON (2ND. O.S. 56.50MM)	13	5
37-95503M	DECAL, TOP (FRENCH)	41	2	761-9582M	CRANKCASE ASSEMBLY	11	0-1
37-95504M	DECAL, SIDE (FRENCH)	41	1	870-8799M	CYLINDER HEAD	11	11
39-15320M	PISTON RING SET (STANDARD)	13	6	968-8800M	FUEL TANK ASSEMBLY (PLASTIC-6.6 GALLONS)	43	1
39-15322M	PISTON RING SET (2ND. O.S. 56.50MM)	13	6	1259-812410A1	CARBURETOR ASSEMBLY	17	0-1
39-18939M	PISTON RING SET (1ST. O.S. 56.25MM)	13	6	1383-9513M	CLAMP BRACKET (STARBOARD)	25	20
41-80272M	PISTON PIN	13	7	1484-811020M	CLAMP BRACKET (PORT)	25	19
43-815122M	GEAR	29	19	1484-9793M	SWIVEL BRACKET	25	11
43-94562M	GEAR	21	3	1485-811019M			
43-94564M	GEAR	21	7				

PARTS INDEX

Part Number	Description	Pg.	Ref. No.	Part Number	Description	Pg.	Ref. No.
1587-9512M	DRIVESHAFT HOUSING						
	(SHORT SHAFT)	31	1				
1651-811991M	GEARHOUSING	33	1				
1651-811992M	GEARHOUSING ASSEMBLY						
	(LONG SHAFT)	33	0-1				
1651-811992M	GEARHOUSING ASSEMBLY						
	(LONG SHAFT)	33	0-1				
1651-811993M	GEARHOUSING ASSEMBLY						
	(SHORT SHAFT)	33	0-1				
1651-811993M	GEARHOUSING ASSEMBLY						
	(SHORT SHAFT)	33	0-1				
2168-9345M	TOP COWLING ASSEMBLY .	3	0-1				
2168-9791M	BOTTOM COWLING	3	13				
2169-8398M	STARTER HOUSING	5	1				
2169-9348M	STARTER ASSEMBLY	5	0-1				