



PARTS CATALOG

465 H.P. ENGINE

SERIAL NUMBER

465 GM 502 V-8 1990-1992	0C849992 THRU 0F213244
465 (GEN. V) GM 502 V-8 1992-1994	0C849992 THRU 0F213244

TABLE OF CONTENTS:

ALTERNATOR (MANDO # AC - 155603) (D763732,F213244)	8
ALTERNATOR (MANDO #AR-150) (SER.#C849992 - D763731)	2
AUDIO WARNING SYSTEM	60
CARBURETOR AND LINKAGE	26
CRANKSHAFT, PISTONS AND CONN. RODS	40
CYLINDER BLOCK AND CAMSHAFT	38
CYLINDER HEAD AND ROCKER COVER	36
DISTRIBUTOR AND IGNITION COMPONENTS	20
DRIVESHAFT AND TAILSTOCK	76
DRIVESHAFT EXTENSION COMPONENTS (BRAVO)	78
ELECTRICAL COMPONENTS (C849992-D763731)	14
ELECTRICAL COMPONENTS (D763732-F213244)	16
EXHAUST MANIFOLD/ELBOW	30
EXHAUST PLATE	32
FLYWHEEL HOUSING (BRAVO DRIVESHAFT MODELS)	80
FLYWHEEL HOUSING (BRAVO PLUG - IN MODELS)	66
FLYWHEEL HOUSING (TRANSMISSION MODELS)	68
FUEL PUMP AND FUEL FILTER (C849992-D456154)	22
FUEL PUMP AND FUEL FILTER (D456155-F213244)	24
INTAKE MANIFOLD AND FRONT COVER	42
MISCELLANEOUS PARTS/ACCESSORIES	4
MOUNT PLATES (SINGLE)	62
MOUNT PLATES (STAGGERED)	64
OIL COOLER, OIL FILTER AND ADAPTOR	54
OIL PAN AND OIL PUMP (C849992-D725646)	44
OIL PAN AND OIL PUMP (D725647-F213244)	46
PARTS INDEX	82
POWER STEERING COMPONENTS	58
SEA WATER PUMP (C849992-D725646)	48
SEA WATER PUMP (D725647-F213244)	50
SHIFT BRACKET	52
SHIFT LINKAGE	70
STARTER AND ALTERNATOR	6
STARTER ASSEMBLY	10
STARTER ASSEMBLY (TRANSMISSION AND DRIVELINE MODELS)	12
THERMOSTAT HOUSING	34
TRANSMISSION (DRIVELINE)	74
TRANSMISSION AND TAILSTOCK	72

NOTE: Indented description indicate that these parts are included in preceding assembly.

AR = As Required **NSS** = Not Sold Separate
OPT = Optional **NS** = Not Shown

NOTE: Following symbols are located in **SYM** column.

- = IF CHANGING FROM MARK IV STYLE ENGINE TO GENERATION V STYLE,
- = AN UPDATE KIT PART NUMBER [847818A3] WILL BE REQUIRED.
- ▣ = BRAVO MODELS WITH DRIVELINE OR TRANSMISSION MODELS ALSO REQUIRE
- ◇ = FLYWHEEL PART NUMBER [230-811563] AND PILOT BUSHING PART NUMBER [23-49126].
- ▲ = COMPONENT OF GASKET SET [27-811546A93]
- ⊕ = COMPONENT OF GASKET SET [27-815669A90]
- ⊕ = CONTENTS OF GASKET SETS [27-815669A90] / [27-811546A93]
- ♣ = NOT SOLD SEPARATE, PARTS SHOULD BE ORDERED FROM A LOCAL SUPPLIER USING MANUFACT. PART NUMBER

THESE PARTS BOOKS/FICHE CARD ARE COPYRIGHTED AND MAY NOT BE DISTRIBUTED OR REPRODUCED IN ANY OTHER FORMAT BY ANYONE OTHER THAN MERCURY MARINE WITHOUT THE PRIOR WRITTEN CONSENT OF MERCURY MARINE.

REPLACEMENT PARTS ! WARNING !

Electrical, ignition and fuel system components on MerCruiser Engines and Stern Drives are designed and manufactured to comply with U.S. Coast Guard Rules and Regulations to minimize risks of fire or explosion. Use of replacement electrical, ignition or fuel system components, which do not comply to these rules and regulations, could result in a fire or explosion hazard and should be voided.

When servicing the electrical, ignition and fuel systems, it is extremely important that all components are properly installed and tightened. If not, any electrical or ignition component opening would permit sparks to ignite fuel vapors from fuel system leaks, if they existed.

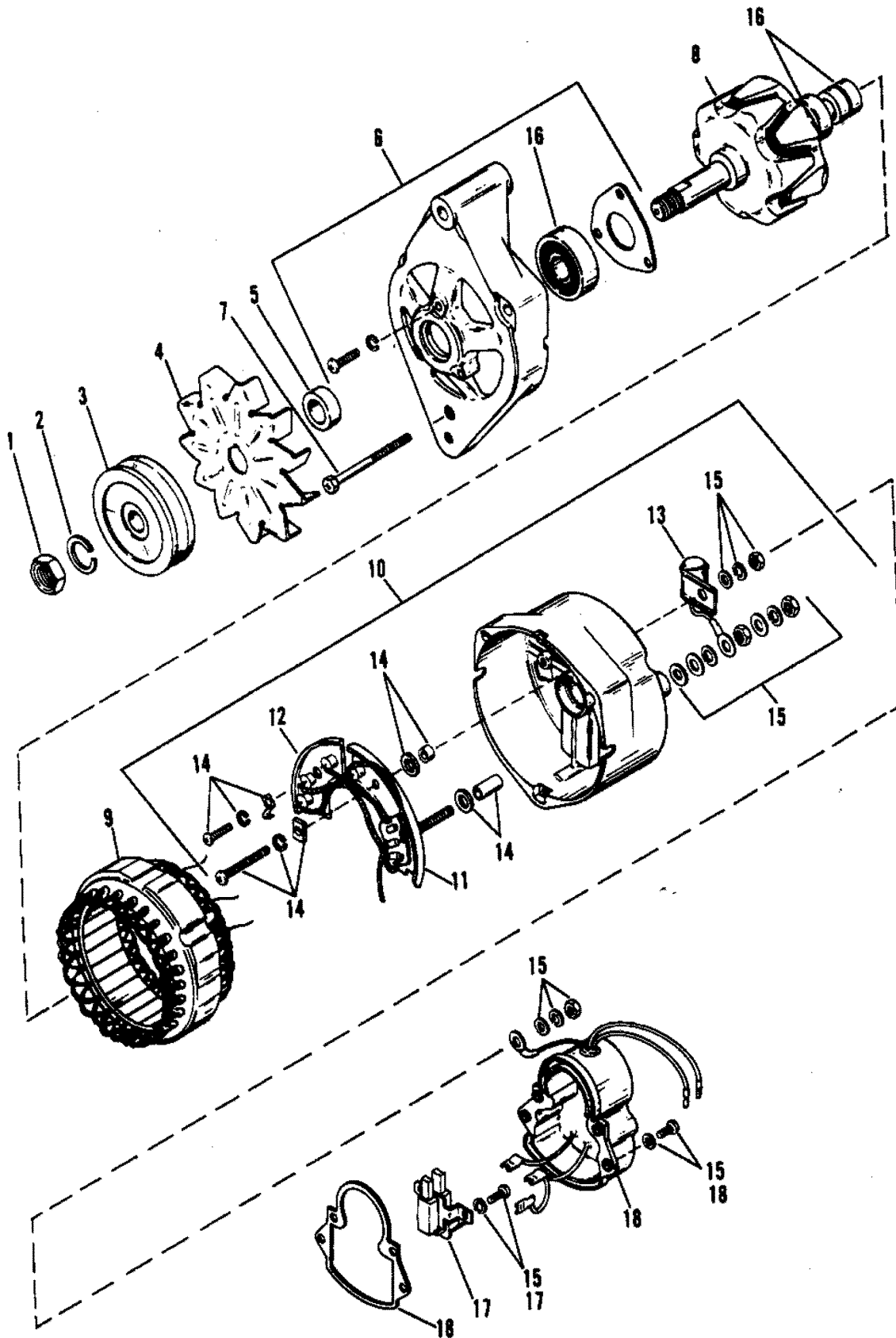
ENGINE MECHANICAL COMPONENTS

Many of the engine mechanical components are designed for marine applications. Unlike automotive engines, marine engines are subjected to extended periods of heavy load and wide- open-throttle operation, therefore, require heavy-duty components. Special marine engine parts have design and manufacturing specifications, which are required to provide long life and dependable performance. Marine engine parts also must be able to resist the corrosive action of salt or brackish water that will rust or corrode standard automotive parts within a short period of time.

Failure to use recommended Mercury Precision Parts OR Quicksilver service replacement parts can result in poor engine performance and/or durability, rapid corrosion of parts subjected to salt water and possibly complete failure of the engine.

Use of parts other than recommended service replacement parts will void the warranty on those parts which are damaged as a result of the use of other than recommended parts.

ALTERNATOR (MANDO #AR-150) (SER.#C849992 - D763731)



ALTERNATOR (MANDO #AR-150) (SER.#C849992 - D763731)

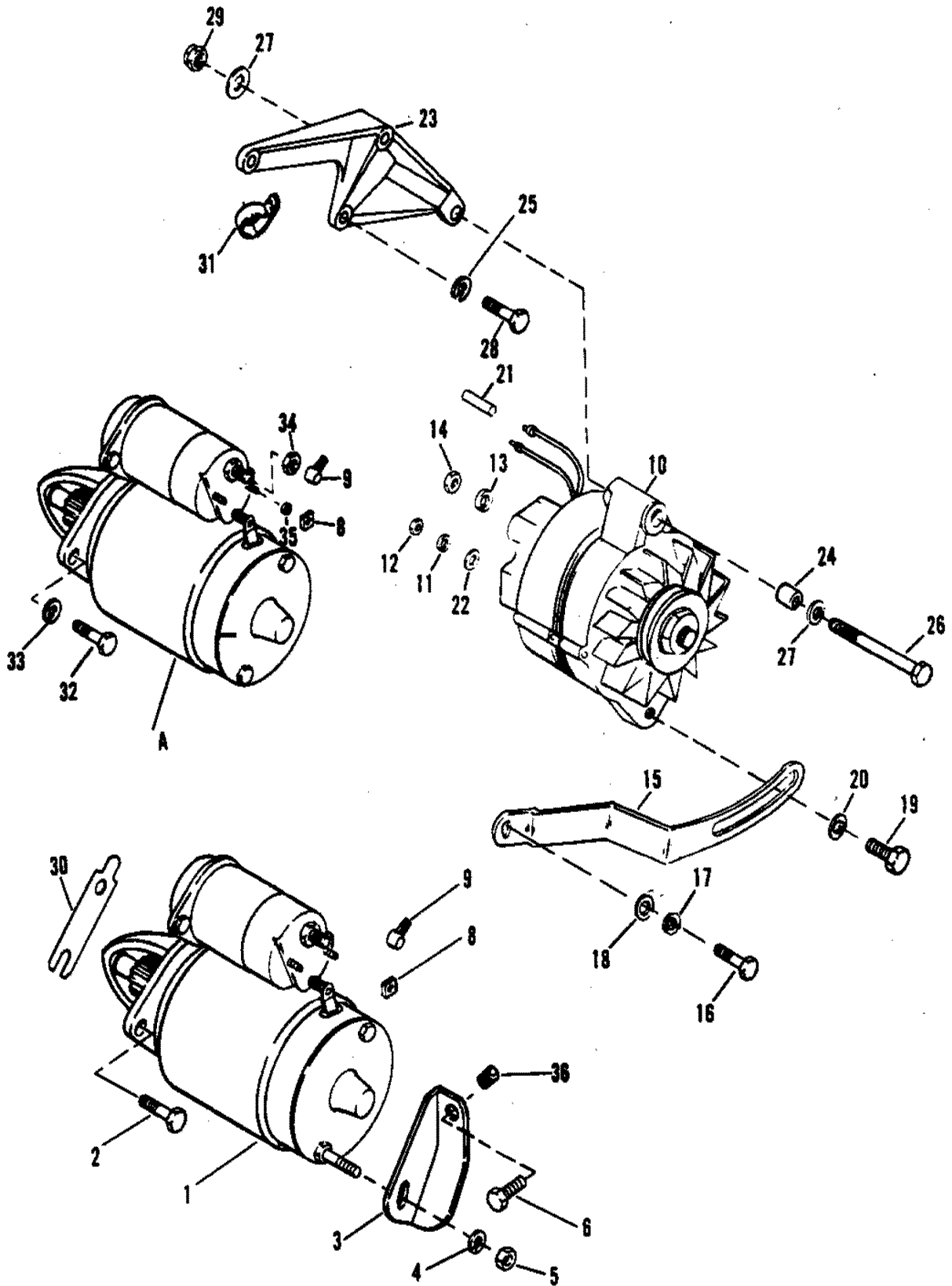
REF. NO.	PART NO.	SYM.	QTY.	DESCRIPTION
.	--92497A3		1	ALTERNATOR ASSEMBLY
1	11-42768		1	NUT
2	13-42769		1	LOCKWASHER
3	42770		1	PULLEY
4	42771		1	FAN
5	23-42772		1	SPACER
6	42774		1	BRACKET - FRONT
7	10-42773		3	BOLT
8	72775		1	ROTOR (INCLUDES BEARINGS)
9	42776		1	STATOR
10	42777		1	BRACKET - REAR
11	42778		1	HEAT SINK
12	42779		1	HEAT SINK
13	42780		1	CONDENSER ASSEMBLY
14	42783		1	HARDWARE KIT - INTERNAL
15	42782		1	HARDWARE KIT - EXTERNAL
16	42781		1	BEARING KIT
17	42784		1	BRUSH KIT (INCLUDES SPRINGS AND BRUSHES)
18	42785		1	REGULATOR KIT

MISCELLANEOUS PARTS/ACCESSORIES

THIS PAGE INTENTIONALLY LEFT BLANK

THIS PAGE INTENTIONALLY LEFT BLANK

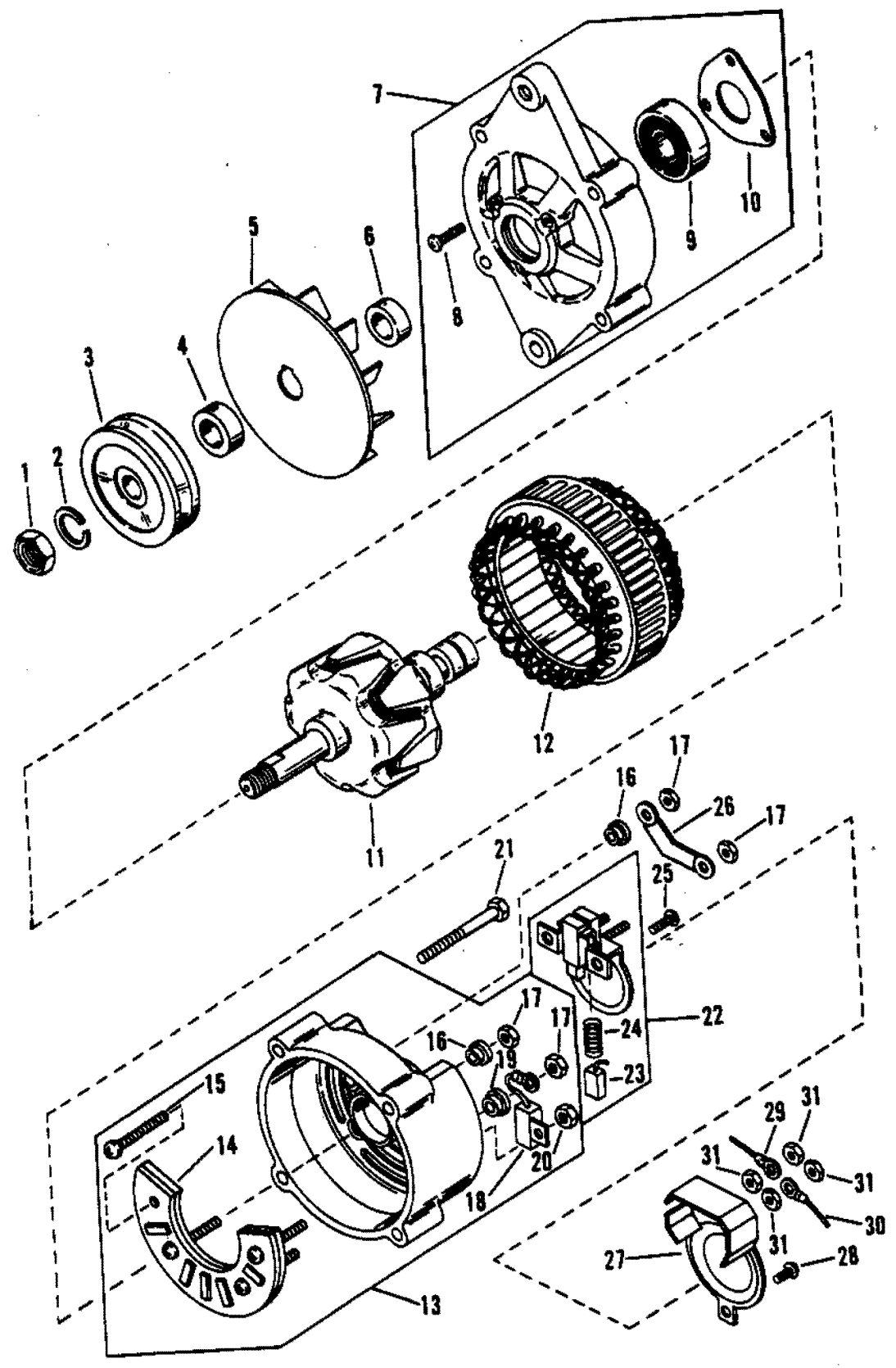
STARTER AND ALTERNATOR



STARTER AND ALTERNATOR

REF. NO.	PART NO.	SYM.	QTY.	DESCRIPTION
1	50-99418A2		1	STARTER ASSEMBLY
1A	50-17251A3		1	STARTER ASSEMBLY (TRANSMISSION & DRIVELINE MODELS)
2	10-94435		2	SCREW (3/8-16 X 4-21/32")-STARTER MOTOR
3	89057		1	BRACE-STARTER MOTOR
4	13-26996		1	LOCKWASHER (#10)-STARTER MOTOR STUD
5	11-15874		1	NUT (10MM)-BATTERY TERMINAL
6	10-35765A1		1	SCREW & WASHER (5/16-18 X 5/8")-BRACE TO ENGINE
8	11-40021--1		1	NUT (5MM)-STARTER SWITCH TERMINAL
9	85-79695		1	BOOT-INSULATOR-STARTER TERMINAL
10	817119A4		1	ALTERNATOR ASSEMBLY (BLACK)
	817119--1		1	ALTERNATOR ASSEMBLY (BLUE)
11	13-26996		1	LOCKWASHER (#10)-ALTERNATOR TERMINAL
12	11-79989		1	NUT (10-24)-ALTERNATOR TERMINAL
13	13-26992		1	LOCKWASHER (1/4")-ALTERNATOR TERMINAL
14	11-56374		1	NUT (1/4-20)-ALTERNATOR TERMINAL
15	85013T		1	BRACE-ALTERNATOR ADJUSTING
16	10-47462		1	SCREW (7/16-14 X 1-1/4")-ALTERNATOR BRACE
17	13-32993		1	LOCKWASHER (7/16")-ALTERNATOR BRACE SCREW
18	12-31263		1	WASHER-ALTERNATOR BRACE SCREW
19	10-29198		1	SCREW & LOCKWASHER (5/16-18 X 7/8")-ALT BRACE
20	12-26168		1	WASHER-ALTERNATOR BRACE SCREW
21	57908-11		1	SLEEVE-ALTERNATOR LEAD
22	12-96457		1	WASHER-ALTERNATOR TERMINAL
23	815251A1		1	BRACKET KIT-ALTERNATOR MOUNT (3/8" HOLES)
	848146		1	BRACKET-ALTERNATOR MOUNT (7/16" HOLES)
24	23-33186		1	BUSHING-ALTERNATOR BRACKET SCREW
25	13-35048		3	LOCKWASHER (3/8")-ALTERNATOR BRACKET SCREW
	13-32993		3	LOCKWASHER (7/16")-ALTERNATOR BRACKET SCREW
26	10-48308		1	SCREW (3/8-24 X 3-3/4")-ALTERNATOR
27	12-20553		3	WASHER-ALTERNATOR BRACKET SCREW
28	10-37612		1	SCREW (3/8-16 X 1-1/4")-ALTERNATOR BRACKET
	10-34353		2	SCREW (3/8-16 X 1")-ALTERNATOR BRACKET
	10-47462		1	SCREW (7/16-14 X 1-1/4")-ALTERNATOR BRACKET
	10-47461		2	SCREW (7/16-14 X 1")-ALTERNATOR BRACKET
29	11-23161		1	NUT (3/8-24)-ALTERNATOR BRACKET SCREW
30	15-817272		AR	SHIM
31	54-848130		1	CLIP-HOSE-CIRCULATING PUMP
32	10-47461		2	SCREW (7/16-14 X 1")
33	13-32993		2	LOCKWASHER (7/16")
34	11-40026--6		1	NUT (M10 X 1.5)
35	13-26996		1	LOCKWASHER (#10)
36	22-32561--1		1	PLUG (SPECIAL)-MOUNTING BOLT TO BLOCK

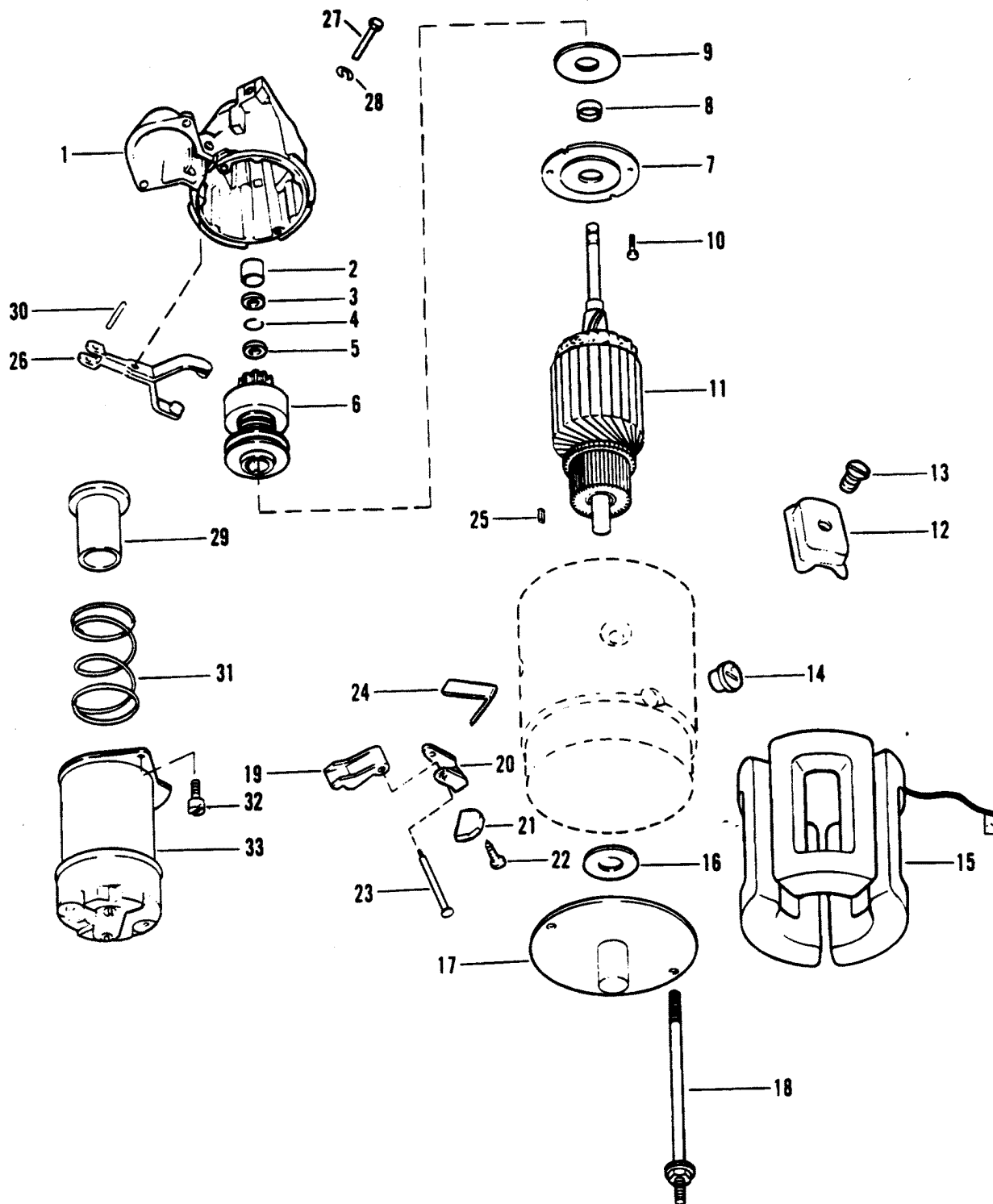
ALTERNATOR (MANDO # AC - 155603) (D763732,F213244)



ALTERNATOR (MANDO # AC - 155603) (D763732,F213244)

REF. NO.	PART NO.	SYM.	QTY.	DESCRIPTION
-	817119--1		1	ALTERNATOR ASSEMBLY (BLUE)
-	817119A4		1	ALTERNATOR ASSEMBLY (BLACK)
1	11-42768		1	NUT
2	13-42769		1	LOCKWASHER
3	42770		1	PULLEY
4	23-811865		1	SPACER
5	811866		1	FAN
6	23-811867		1	SPACER
7	811868		1	BRACKET ASSEMBLY-FRONT
8	10-811869		3	SCREW
9	30-811870		1	BEARING-BALL
10	811871		1	RETAINER
11	811872		1	ROTOR ASSEMBLY
12	811873		1	STATOR ASSEMBLY
13	811874		1	BRACKET ASSEMBLY-REAR
14	811875		1	RECTIFIER ASSEMBLY
15	10-811876		1	SCREW
16	811877		2	HOLD
17	11-811878		4	NUT
18	811879		1	CONDENSER ASSEMBLY
19	811880		1	HOLD
20	11-811881		1	NUT
21	10-42773		4	THRU BOLT
22	811883		1	REGULATOR ASSEMBLY
23	811884		2	BRUSH
24	24-811885		2	SPRING-BRUSH
25	10-811886		2	SCREW-SET
26	811887		1	TERMINAL
27	811888		1	COVER
28	10-811889		1	SCREW-SET
29	84-811890		1	WIRE-LEAD
30	84-811891		1	WIRE-LEAD
31	11-811878		4	NUT

STARTER ASSEMBLY

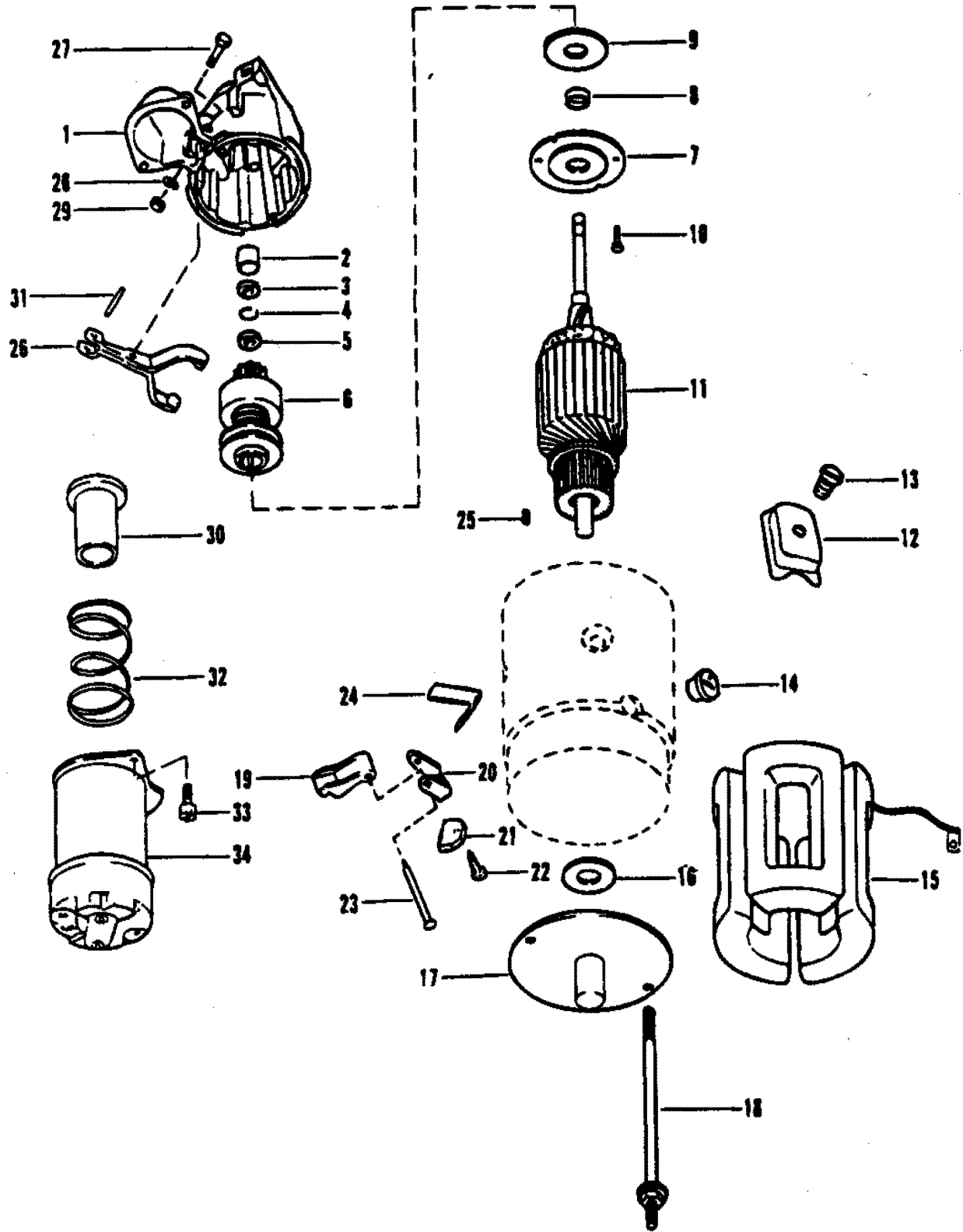


STARTER ASSEMBLY

REF. NO.	PART NO.	SYM.	QTY.	DESCRIPTION
-	50-99418A2		1	STARTER ASSEMBLY
1	75666		1	HOUSING ASSEMBLY
2	23-33369		1	BUSHING-DRIVE END HOUSING
3	814474		1	COLLAR-THRUST
4	53-33290		1	RING-RETAINING-PINION STOP COLLAR
5	33291		1	COLLAR-PINION STOP
6	79205		1	DRIVE ASSEMBLY-CLUTCH
7	79396		1	PLATE-BEARING
8	23-71694		1	BUSHING-BEARING PLATE
9	12-68614		1	WASHER-BEARING PLATE
10	10-79209		2	SCREW-BEARING PLATE
11	75665		1	ARMATURE
12	N.S.S.	♣	4	SHOE-POLE FIELD COIL (DELCO REMY #810601)
13	N.S.S.	♣	4	SCREW (DELCO REMY #1968396)
14	N.S.S.	♣	1	GROMMET-FIELD COIL (DELCO REMY #1846097)
15	75664		1	FIELD COIL ASSEMBLY
16	12-33258		1	WASHER-LEATHER-COMMUTATOR END FRAME
17	79211		1	FRAME-COMMUTATOR END
18	N.S.S.	♣	1	BOLT-THRU (DELCO REMY #1941111)
	N.S.S.	♣	1	BOLT-THRU (DELCO REMY #1939970)
19	33284		2	HOLDER-INSULATED-FIELD FRAME BRUSH
20	33283		2	HOLDER-FIELD FRAME BRUSH GROUND
21	33270		4	BRUSH-FIELD FRAME
22	N.S.S.	♣	2	SCREW-BRUSH LEAD (DELCO REMY #1967747)
	N.S.S.	♣	2	SCREW-BRUSH LEAD (DELCO REMY #443527)
23	33294		2	SUPPORT
24	24-33285		4	SPRING-FIELD FRAME BRUSH
25	N.S.S.	♣	1	PIN-DOWEL (DELCO REMY #1985696)
26	71698		1	LEVER-SHIFT
27	N.S.S.	♣	1	STUD-SHIFT LEVER (DELCO REMY #1945804)
28	53-33354		1	RING-RETAINING-STUD
29	33317		1	PLUNGER-SHIFT LEVER
30	17-79207		1	PIN-PLUNGER TO SHIFT LEVER
31	24-46889		1	SPRING-PLUNGER RETURN
32	N.S.S.	♣	2	SCREW (DELCO REMY #9413260)
33	89-18080		1	SOLENOID

♣ = NOT SOLD SEPARATE, PARTS SHOULD BE ORDERED FROM A LOCAL SUPPLIER USING MANUFACT. PART N

STARTER ASSEMBLY (TRANSMISSION AND DRIVELINE MODELS)

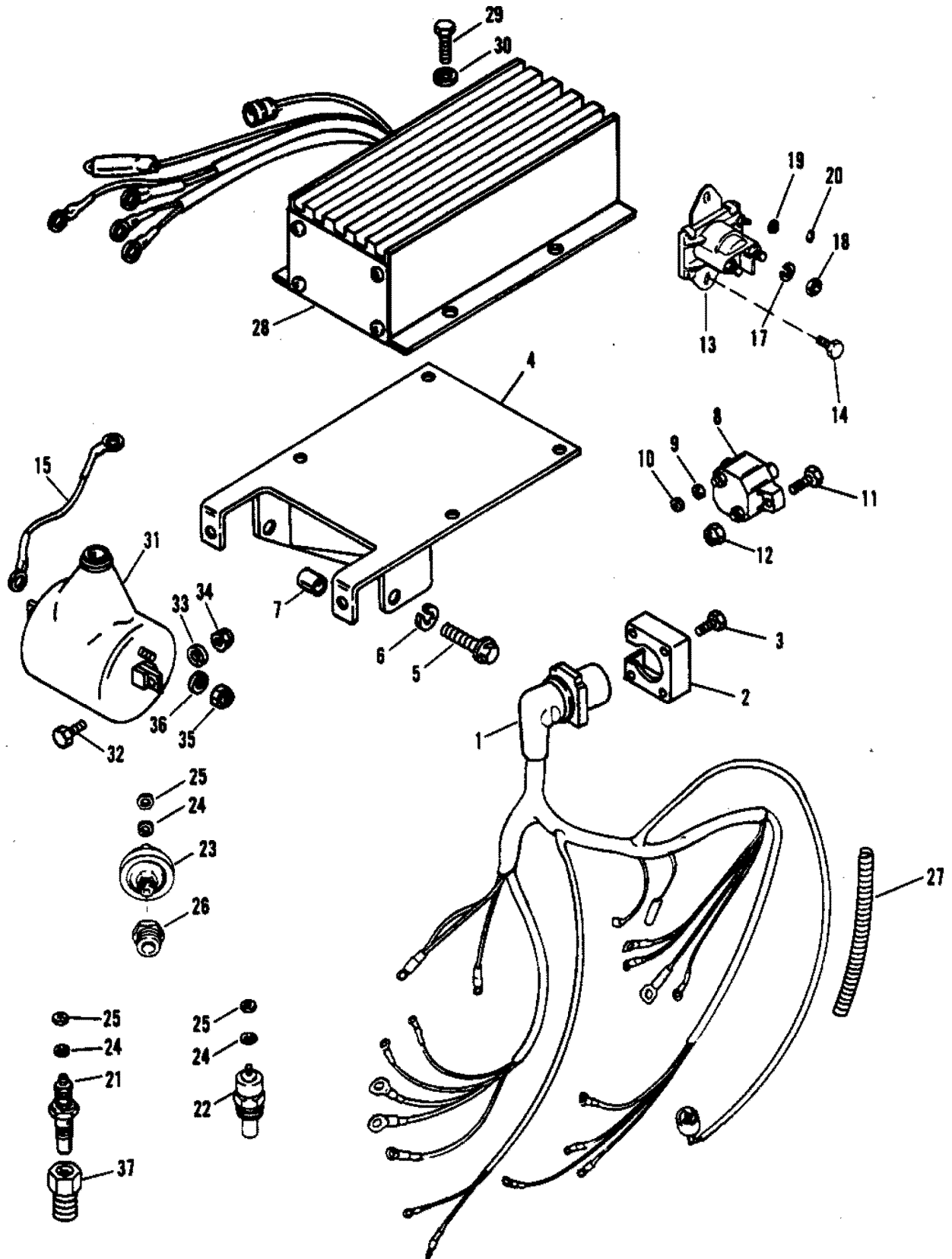


STARTER ASSEMBLY (TRANSMISSION AND DRIVELINE MODELS)

REF. NO.	PART NO.	SYM.	QTY.	DESCRIPTION
-	50-17251A3		1	STARTER ASSEMBLY
1	79206		1	HOUSING ASSEMBLY
2	23-33369		1	BUSHING-DRIVE END HOUSING
3	814474		1	COLLAR-THRUST
4	53-33290		1	RING-RETAINING-PINION STOP COLLAR
5	33291		1	COLLAR-PINION STOP
6	68608		1	DRIVE ASSEMBLY-CLUTCH
7	79396		1	PLATE-BEARING
8	23-71694		1	BUSHING-BEARING PLATE
9	12-68614		1	WASHER-BEARING PLATE
10	10-79209		2	SCREW-BEARING
11	68606		1	ARMATURE
12	N.S.S.	♣	4	SHOE-POLE FIELD COIL (DELCO REMY #810601)
13	N.S.S.	♣	4	SCREW (DELCO REMY #1968396)
14	N.S.S.	♣	1	GROMMET-FIELD COIL (DELCO REMY #1846097)
15	N.S.S.	♣	1	FIELD COIL ASSY (DELCO REMY #1970467)
16	N.S.S.	♣	1	WASHER-LEATHER (DELCO REMY #1985617)
17	79211		1	FRAME-COMMUTATOR END
18	N.S.S.	♣	1	BOLT-THRU (DELCO REMY #1939970)
19	33284		2	HOLDER-INSULATED-FIELD FRAME BRUSH
20	33283		2	HOLDER-FIELD FRAME BRUSH GROUND
21	33270		4	BRUSH-FIELD FRAME
22	N.S.S.	♣	2	SCREW-BRUSH LEAD (DELCO REMY #1967747)
	N.S.S.	♣	2	SCREW-BRUSH LEAD (DELCO REMY #443527)
23	33294		2	SUPPORT
24	24-33285		4	SPRING-FIELD FRAME BRUSH
25	N.S.S.	♣	1	PIN-DOWEL (DELCO REMY #1985696)
26	33297		1	LEVER-SHIFT
27	N.S.S.	♣	1	STUD-SHIFT LEVER (DELCO REMY #1814529)
28	12-68615		1	WASHER-SHIFT LEVER STUD
29	11-26484		1	NUT (5/16-18)-SHIFT LEVER STUD
30	33317		1	PLUNGER
31	17-79207		1	PIN-PLUNGER TO SHIFT LEVER
32	24-46889		1	SPRING-PLUNGER RETURN
33	N.S.S.	♣	2	SCREW-SOLENOID (DELCO REMY #132255)
34	89-18080		1	SOLENOID

♣ = NOT SOLD SEPARATE, PARTS SHOULD BE ORDERED FROM A LOCAL SUPPLIER USING MANUFACT. PART N

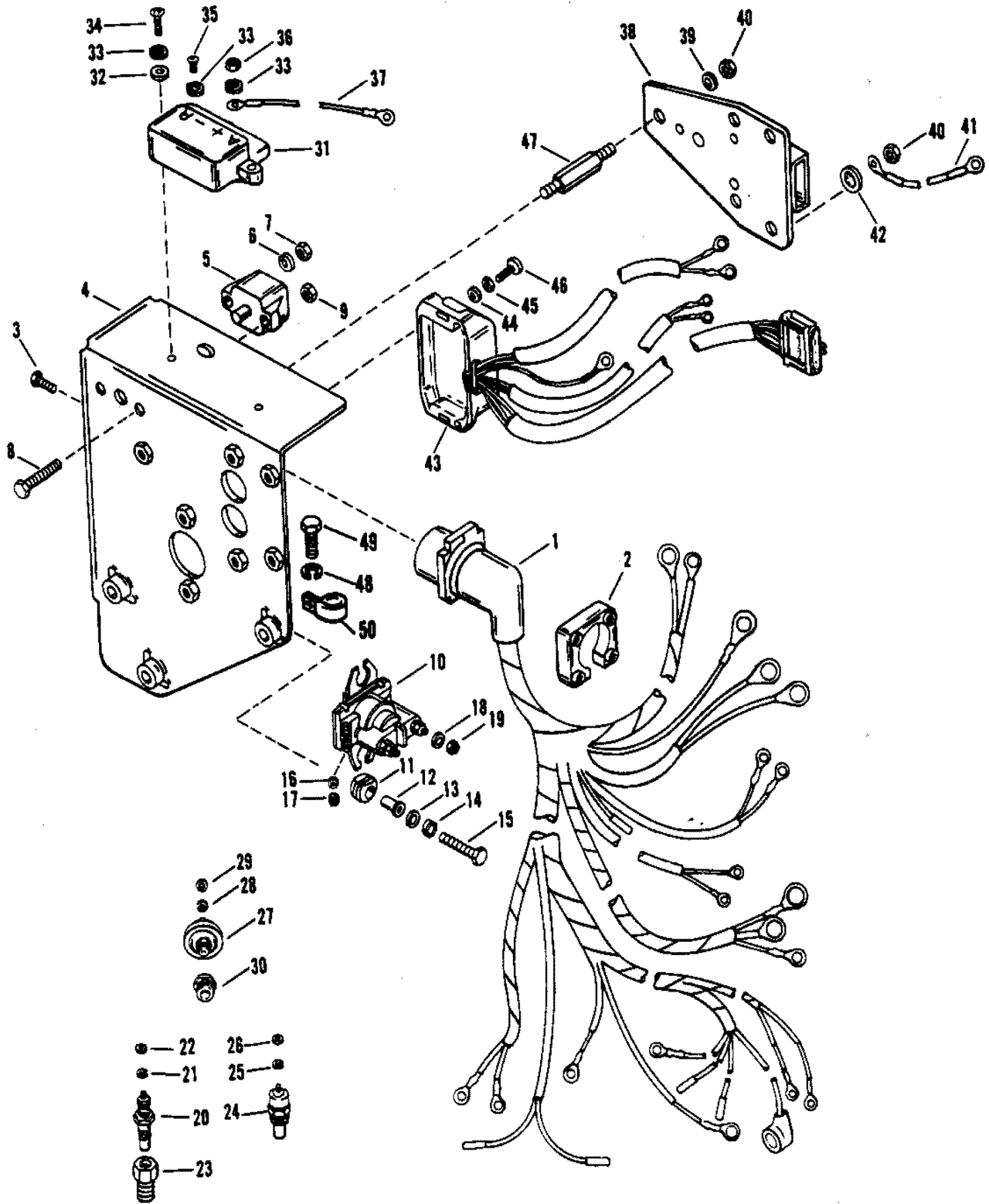
ELECTRICAL COMPONENTS (C849992-D763731)



ELECTRICAL COMPONENTS (C849992-D763731)

REF. NO.	PART NO.	SYM.	QTY.	DESCRIPTION
1	84-14338A5		1	HARNESS ASSEMBLY-WIRING
2	26079A2		1	PLATE KIT
3	10-15001		4	SCREW (#8-16 X 7/8")
4	816470--3		1	BRACKET-ELECTRIAL MOUNT
5	10-37612		2	SCREW (3/8-16 X 1-1/4")
6	13-35048		3	LOCKWASHER (3/8")
7	23-90523		3	SPACER
8	88-11178		1	BREAKER-CIRCUIT (50 AMP)
9	13-26996		2	LOCKWASHER (#10)
10	11-68219		2	NUT (10-32)
11	10-45862		2	SCREW (10-32 X 7/8")
12	11-61356		2	NUT (10-32)
13	89-96054		1	SOLENOID-STARTER
14	10-98253		2	SCREW (1/4-20 X 1/2")
15	84-79139A16		1	WIRE ASSEMBLY (6") (RED)
17	13-26992		2	LOCKWASHER (1/4")
18	11-94330		2	NUT (1/4-20)
19	13-26995		2	LOCKWASHER (#8)
20	11-26419		2	NUT (8-32)
21	13611		1	SENDER-OIL TEMPERATURE
22	97257A1		1	SENDER-WATER TEMPERATURE
	49734A1		OPT.	SENDER-WATER TEMPERATURE (DUAL)
23	815425		1	SENDER-OIL PRESSURE
	37293		OPT.	SENDER-OIL PRESSURE (DUAL)
24	13-26996		3	LOCKWASHER (#10)
25	11-45076		3	NUT (10-32)
26	22-64013		1	REDUCER
27	32-77690		1	WRAPPING
28	17316A2		1	IGNITION CONVERSION KIT
29	10-49668		4	SCREW (1/4-20 X 3/4")
30	13-21272		4	LOCKWASHER (1/4" INTERNAL)
31	816469		1	COIL
32	10-49668		2	SCREW (1/4-20 X 3/4")
33	12-29245		2	WASHER
34	11-56374		2	NUT(1/4-20)
35	11-68219		2	NUT(10-32)
36	13-26996		2	LOCKWASHER (#10)
37	22-36492		1	BUSHING-REDUCER

ELECTRICAL COMPONENTS (D763732-F213244)

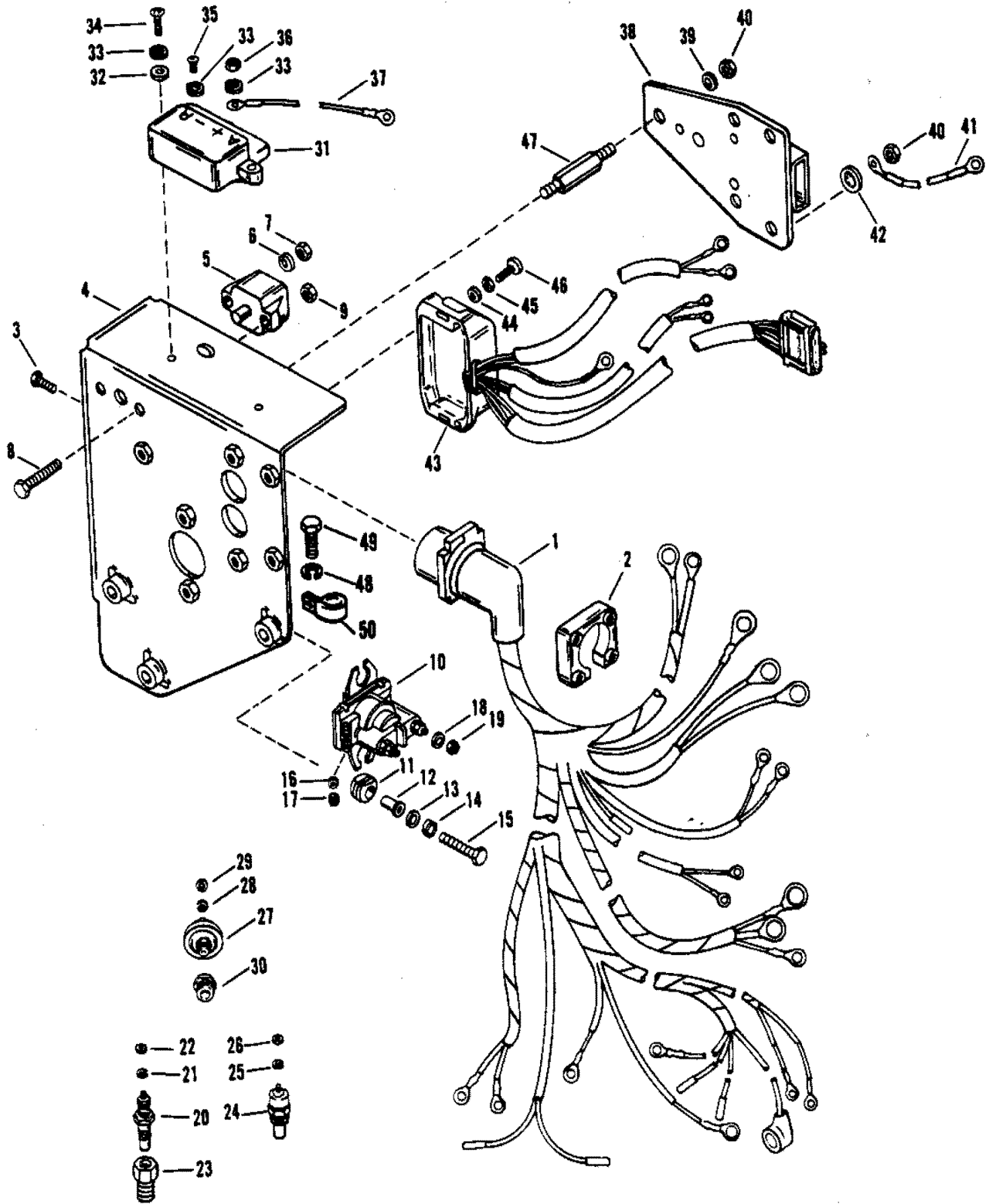


ELECTRICAL COMPONENTS (D763732-F213244)

REF. NO.	PART NO.	SYM.	QTY.	DESCRIPTION
1	84-847722A1		1	HARNESS ASSEMBLY-WIRING
2	26079A2		1	PLATE KIT
3	10-15001		4	SCREW (#8-16 X 7/8")
4	847676--1		1	BRACKET-MOUNT (3/8") SERIAL 0D763732-0F213123
	848131--1		1	BRACKET-MOUNT (7/16") SERIAL 0F213124-0F213244
5	88-11178		1	BREAKER-CIRCUIT (50 AMP)
6	13-26996		2	LOCKWASHER (#10)
7	11-68219		2	NUT (10-32)
8	10-45862		2	SCREW (10-32 X 7/8")
9	11-61356		2	NUT (10-32)
10	89-825842A1		1	SOLENOID ASSEMBLY-STARTER
11	25-818967		2	GROMMET
12	23-818968		2	BUSHING
13	12-29245		2	WASHER
14	13-26992		2	LOCKWASHER (1/4")
15	10-76630		2	SCREW (1/4-20 X 1")
16	13-26995		2	LOCKWASHER (#8)
17	11-26419		2	NUT (8-32)
18	13-26992		2	LOCKWASHER (1/4")
19	11-94330		2	NUT (1/4-20)
20	13611		1	SENDER UNIT-OIL TEMPERATURE
21	13-26996		1	LOCKWASHER (#10)
22	11-45076		1	NUT (10-32)
23	22-36492		1	REDUCER
24	97257A1		1	SENDER ASSEMBLY-WATER TEMPERATURE
	49734A1		OPT.	SENDER ASSEMBLY-WATER TEMPERATURE (DUAL)
25	13-26996		1	LOCKWASHER (#10)
26	11-45076		1	NUT (10-32)
27	815425		1	SENDER ASSEMBLY-OIL PRESSURE
	37293		OPT.	SENDER ASSEMBLY-OIL PRESSURE (DUAL)
28	13-26996		1	LOCKWASHER (#10)
29	11-45076		1	NUT (10-32)
30	22-64013		1	REDUCER
31	42600A3		1	CONTROLLER ASSEMBLY
32	12-30164		2	WASHER
33	13-26996		7	LOCKWASHER (#10)
34	10-41771		2	SCREW (10-24 X 7/8")
35	10-62568		1	SCREW (10-16 X 3/8")
36	11-68219		4	NUT (10-32)
37	84-86322A17		1	CABLE ASSEMBLY (BLACK)
38	17316A1		1	IGNITION MODULE ASSEMBLY
39	12-29245		2	WASHER
40	11-56374		3	NUT (1/4-20)

CONTINUED ON NEXT PAGE ➡

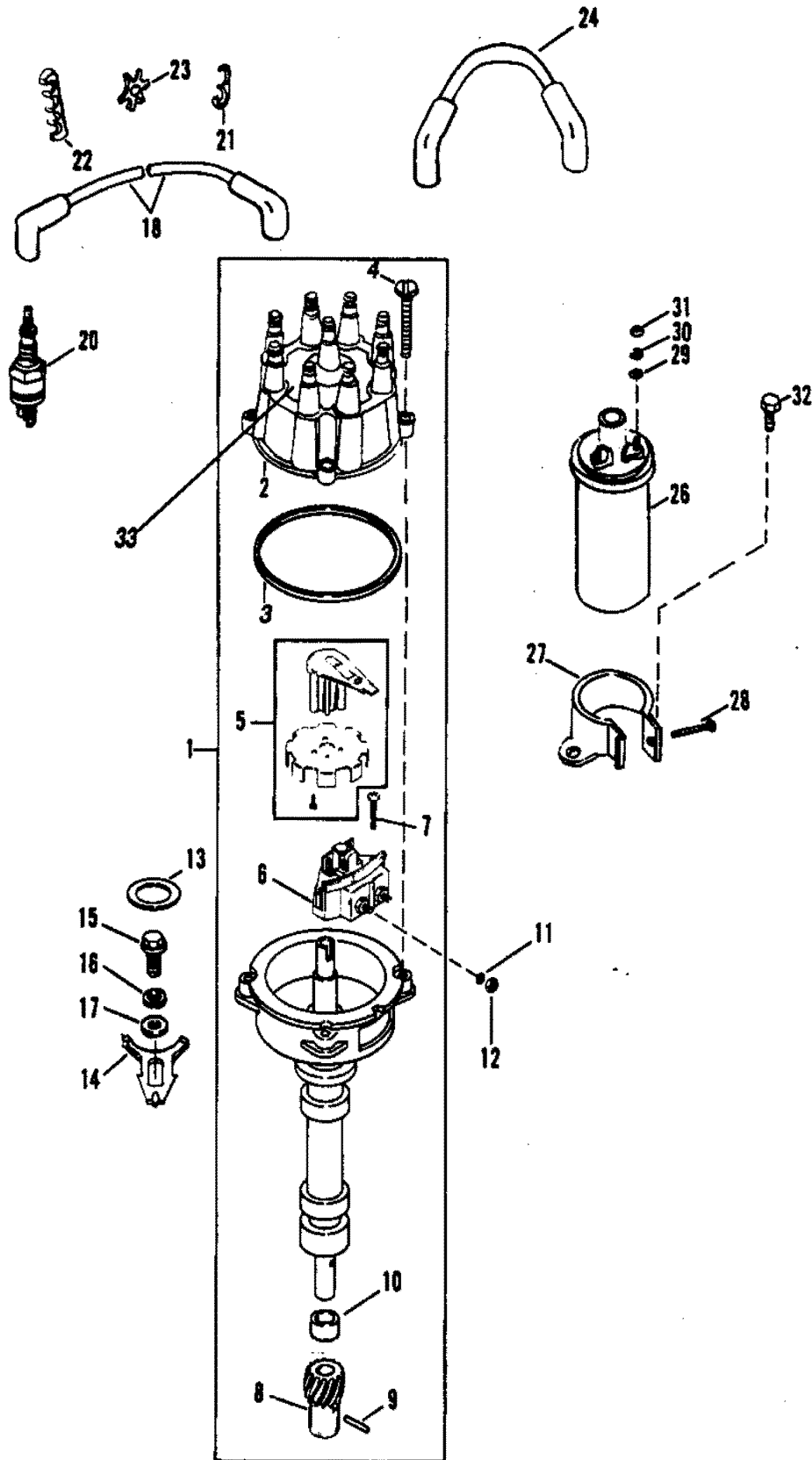
ELECTRICAL COMPONENTS (D763732-F213244)



ELECTRICAL COMPONENTS (D763732-F213244)

REF. NO.	PART NO.	SYM.	QTY.	DESCRIPTION
41	84-62826A6		1	CABLE ASSEMBLY (BLACK)
42	13-21272		1	LOCKWASHER (1/4" INTERNAL)
43	823755A1		1	OVERSPEED ASSEMBLY
44	12-30164		2	WASHER
45	13-26996		2	LOCKWASHER (#10)
46	10-41069		2	SCREW (10-24 X 3/4")
47	16-847738		3	STUD-ELECTRICAL BRACKET MOUNT
48	13-35048		3	LOCKWASHER (3/8")
	13-32993		3	LOCKWASHER (7/16")
49	10-37612		3	SCREW (3/8-16 X 1-1/4")-BRACKET MOUNT
	10-47462		3	SCREW (7/16-14 X 1-1/4")-BRACKET MOUNT
50	54-848183		1	J CLIP-ELECTRICAL HARNESS

DISTRIBUTOR AND IGNITION COMPONENTS



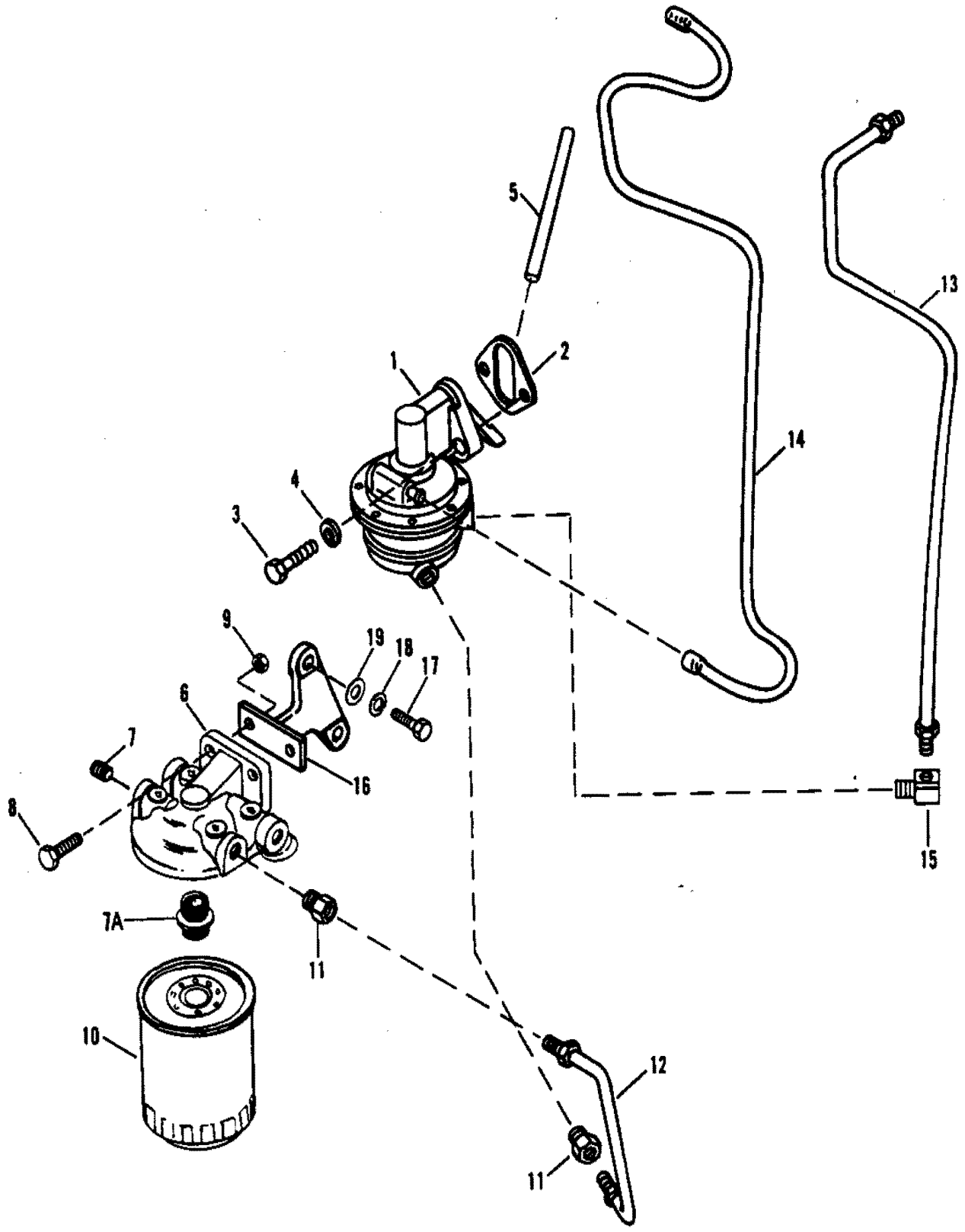
DISTRIBUTOR AND IGNITION COMPONENTS

REF. NO.	PART NO.	SYM.	QTY.	DESCRIPTION
1	90747A27		1	DISTRIBUTOR ASSEMBLY
2	805759A2		1	CAP ASSEMBLY
3	27-805760	+▲	1	GASKET-DISTRIBUTOR CAP
4	10-90926		4	SCREW (10-32 X 13/16")
5	13524A5		1	WHEEL ASSEMBLY-ROTOR SENSOR
6	87-91019A3		1	SENSOR ASSEMBLY
7	10-66686		1	SCREW (10-32 X 1")
	10-72202		1	SCREW (10-32 X 1-1/4")
8	43-818807		1	GEAR-DRIVE
9	17-47617		1	PIN
10	23-90915		2	BUSHING
11	13-26996		2	LOCKWASHER (#10)
12	11-68219		2	NUT (10-32)
13	27-34486--3	+▲	1	GASKET
14	52185		1	CLAMP
15	10-34353		1	SCREW (3/8-16 X 1")
16	13-35048		1	LOCKWASHER (3/8")
17	12-20553		1	WASHER
18	84-816608A61		1	CABLE KIT-IGNITION-SPARK PLUGS (RED)
	84-847701A7		1	CABLE KIT-IGNITION-SPARK PLUGS & COIL (BLUE)
20	33-59571		8	SPARK PLUG
21	54676		2	RETAINER (2 WIRE)
22	32783		2	RETAINER (3 WIRE)
23	32784		4	RETAINER (4 WIRE)
24	816674		1	WIRE ASSEMBLY-COIL (BLACK)
26	392-805570A2		1	COIL KIT-IGNITION SERIAL 0D763732-0F213244
27	65970T		1	BRACKET-COIL MOUNT (ON ELECTRICAL BRACKET)
	77294T		1	BRACKET-COIL MOUNT (ON INTAKE MANIFOLD)
28	10-41408		1	SCREW (10-32 X 1-1/2")
29	12-30164		2	WASHER
30	13-26996		2	LOCKWASHER (#10)
31	11-68219		2	NUT (10-32)
32	10-98261		2	SCREW (3/8-16 X 3/4")
33	37-92155		1	DECAL-DISTRIBUTOR CAP-FIRING ORDER

▲ = COMPONENT OF GASKET SET [27-811546A93]

+ = COMPONENT OF GASKET SET [27-815669A90]

FUEL PUMP AND FUEL FILTER (C849992-D456154)

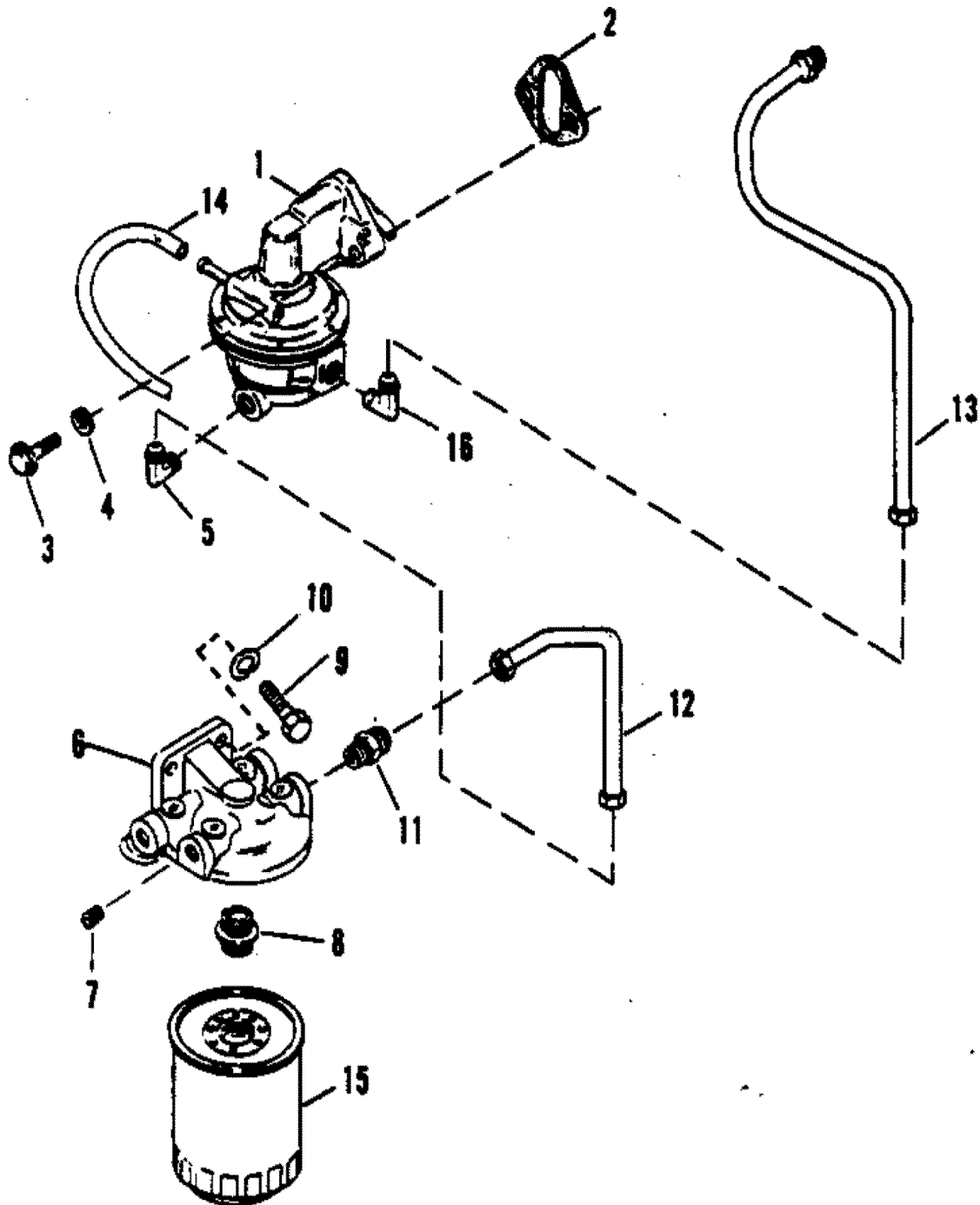


FUEL PUMP AND FUEL FILTER (C849992-D456154)

REF. NO.	PART NO.	SYM.	QTY.	DESCRIPTION
1	814624A2		1	PUMP ASSEMBLY-FUEL
2	27-34213	+	1	GASKET-FUEL PUMP
3	10-37612		2	SCREW (3/8-16 X 1-1/4")
4	13-35048		2	LOCKWASHER (3/8")
5	35377		1	ROD-FUEL PUMP
6	89876A3		1	BASE ASSEMBLY-FUEL FILTER
7	22-32561		3	PLUG-PIPE
7A	22-816133--1		1	FITTING
8	10-26066		2	SCREW (5/16-24 X 1-3/4")
9	11-35814		2	NUT (5/16-24)
10	35-807172		1	FILTER-FUEL
11	22-33821		2	CONNECTOR
12	32-814884T		1	LINE-FUEL-FILTER TO PUMP
13	32-816029		1	LINE-FUEL-FUEL PUMP TO CARBURETOR
14	32-93370-70		1	TUBING-FUEL PUMP TO CARBURETOR (CUT AS REQ'D)
15	22-93385		1	FITTING
16	96940T		1	BRACKET-FILTER ASSEMBLY MOUNT
17	10-37612		1	SCREW (3/8-16 X 1-1/4") 3/8-16 THREAD
18	13-35048		1	LOCKWASHER (3/8") 3/8-16 THREAD
19	12-20553		1	WASHER 3/8-16 THREAD
17	10-47462		1	SCREW (7/16-14 X 1-1/4") 7/16-14 THREAD
18	13-32993		1	LOCKWASHER (7/16") 7/16-14 THREAD
19	12-22248		1	WASHER 7/16-14 THREAD
20	27-815669A90		0	COMPONETS OF GASKET SET

+ = COMPONENT OF GASKET SET [27-815669A90]

FUEL PUMP AND FUEL FILTER (D456155-F213244)

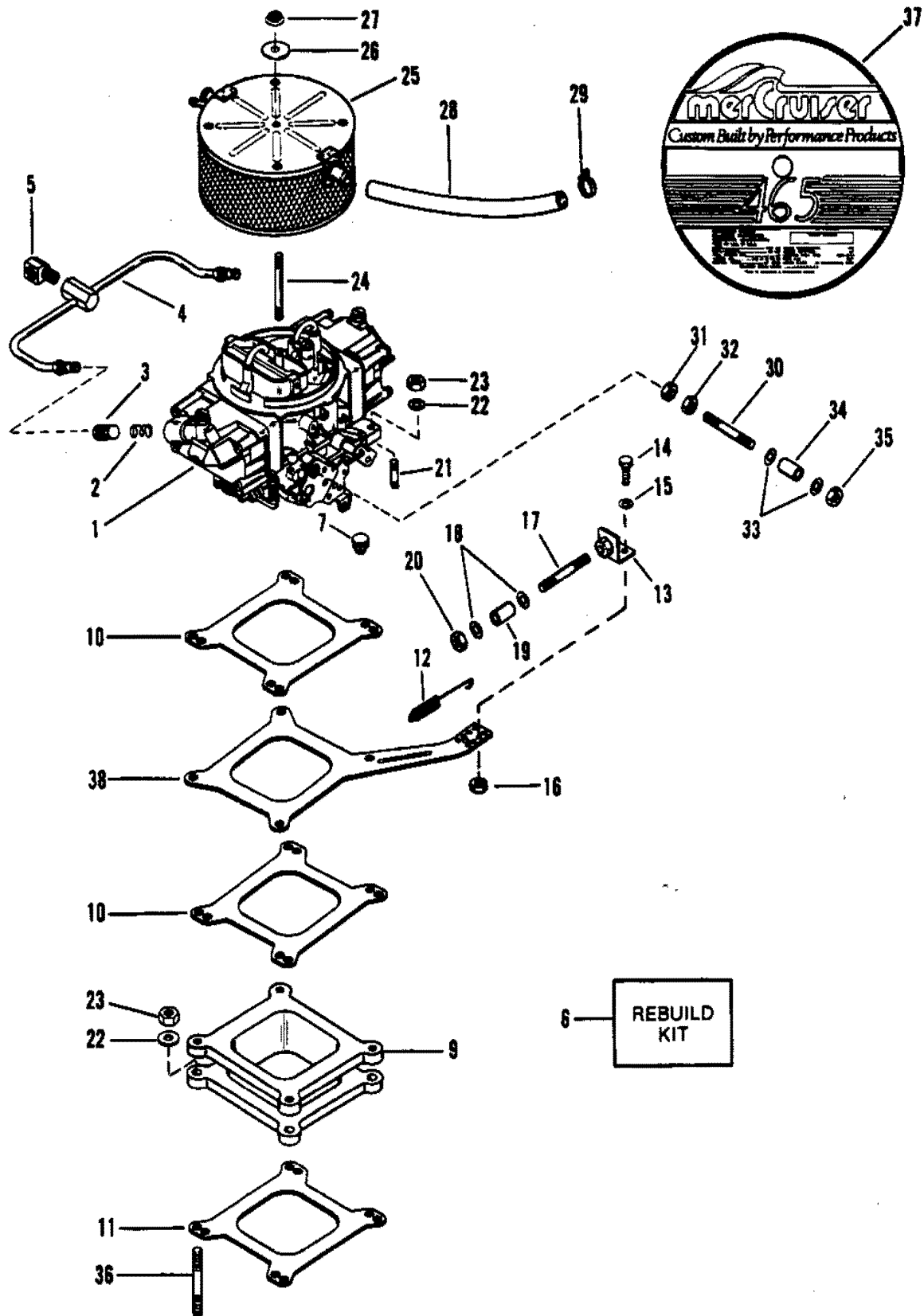


FUEL PUMP AND FUEL FILTER (D456155-F213244)

REF. NO.	PART NO.	SYM.	QTY.	DESCRIPTION
1	818383T		1	PUMP ASSEMBLY-FUEL
2	27-34213	▲	1	GASKET-FUEL PUMP
3	10-34354		2	SCREW (3/8-16 X 1-1/2")
4	13-35048		2	LOCKWASHER (3/8")
5	22-93385		2	FITTING (90 DEGREES)
6	89876A3		1	BASE ASSEMBLY-FUEL FILTER
7	22-32561		3	PLUG-PIPE
8	22-816133--1		1	FITTING
9	10-28782		2	SCREW (5/16-18 X 7/8")
10	13-26993		1	LOCKWASHER (5/16")
11	22-33821		2	CONNECTOR
12	32-847598		1	LINE-FUEL-FILTER TO PUMP
13	32-822105		1	LINE-FUEL-FUEL PUMP TO CARBURETOR
14	32-93370-70		1	TUBING-FUEL PUMP TO CARBURETOR (CUT AS REQ'D)
15	35-807172		1	FILTER-FUEL
16	22-817395		1	FITTING (45 DEGREES)
17	27-811546A93		-	COMPONENT OF GASKET SET

▲ = COMPONENT OF GASKET SET [27-811546A93]

CARBURETOR AND LINKAGE



CARBURETOR AND LINKAGE

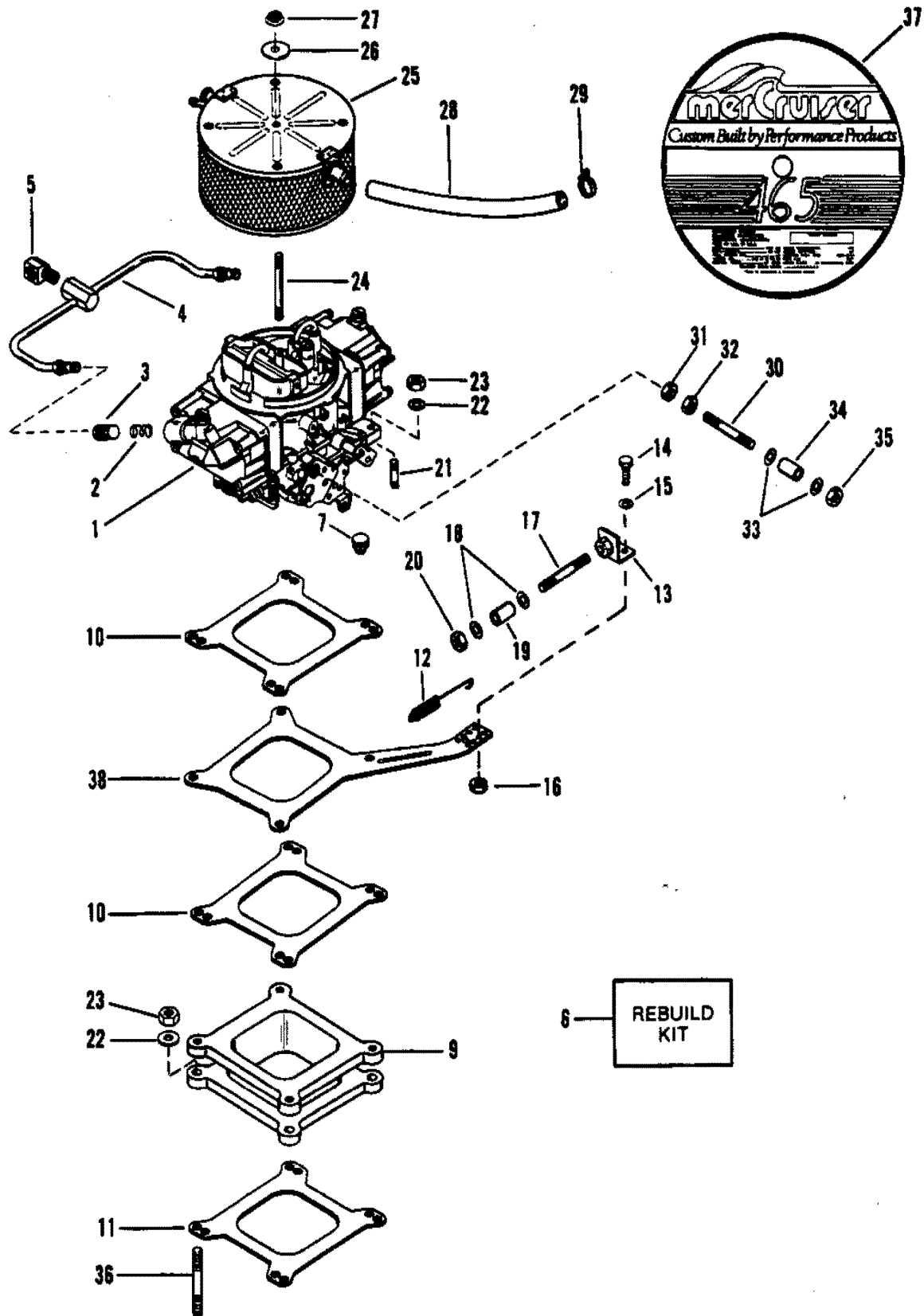
REF. NO.	PART NO.	SYM.	QTY.	DESCRIPTION
1	13549A6		1	CARBURETOR (BLACK)
	13549A9		1	CARBURETOR (BLUE)
2	24-48143		2	SPRING-FILTER
3	35-93568		2	FILTER
4	32-94068		1	TUBE-FUEL INLET
5	22-93385		1	ELBOW-FUEL INLET TUBE
6	13220		1	REBUILD KIT-CARBURETOR OVERHAUL
-	816827		1	PUMP KIT-ACCELERATOR
-	1399-6508-96		1	JET-MAIN (.118)
-	1399-6508-74		2	JET-MAIN (.081)
-	822519		1	POWER VALVE
7	22-36373		1	PLUG (3/8-16)-INTAKE MANIFOLD VACUUM HOLE
9	815916		1	SPACER-CARBURETOR
10	27-41610	+ ▲	2	GASKET-SPACER
11	27-814210	+ ▲	1	GASKET-SPACER
12	24-32817		1	SPRING-THROTTLE RETURN
13	15017		1	BRACKET-THROTTLE
14	10-78291		2	SCREW (3/16-24 X 1/2")-THROTTLE BRACKET
15	13-26996		2	LOCKWASHER (#10)-THROTTLE BRACKET SCREW
16	11-79989		2	NUT (10-24)-THROTTLE BRACKET SCREW
17	16-98851		1	STUD-CABLE
18	12-21631		2	WASHER-CABLE STUD
19	23-31866		1	SPACER-CABLE STUD
20	11-35045		1	NUT (1/4-28)-CABLE STUD
21	16-46857		4	STUD
22	12-39167		8	WASHER-CARBURETOR STUD
23	11-35814		8	NUT (5/16-24)-CARBURETOR STUD
24	16-69501		1	STUD-FLAME ARRESTOR
25	816070		1	ARRESTOR-FLAME
26	12-86400		1	WASHER-FLAME ARRESTOR STUD
27	11-35888		1	NUT (1/4-28)-FLAME ARRESTOR STUD
28	32-93315-12		2	HOSE-VENT (CUT AS REQ'D)
29	69355		4	STA STRAP-VENT HOSE
30	16-63335		1	STUD-THROTTLE CABLE TO CARBURETOR
31	11-35045		1	NUT (1/4-28)-THROTTLE CABLE STUD
32	11-21825		1	NUT (1/4-28)-THROTTLE CABLE STUD
33	12-29245		3	WASHER-THROTTLE CABLE STUD
34	23-818894		1	BUSHING-THROTTLE CABLE STUD
35	11-20361		1	NUT (1/4-28)-THROTTLE CABLE STUD

▲ = COMPONENT OF GASKET SET [27-811546A93]

+ = COMPONENT OF GASKET SET [27-815669A90]

CONTINUED ON NEXT PAGE ➡

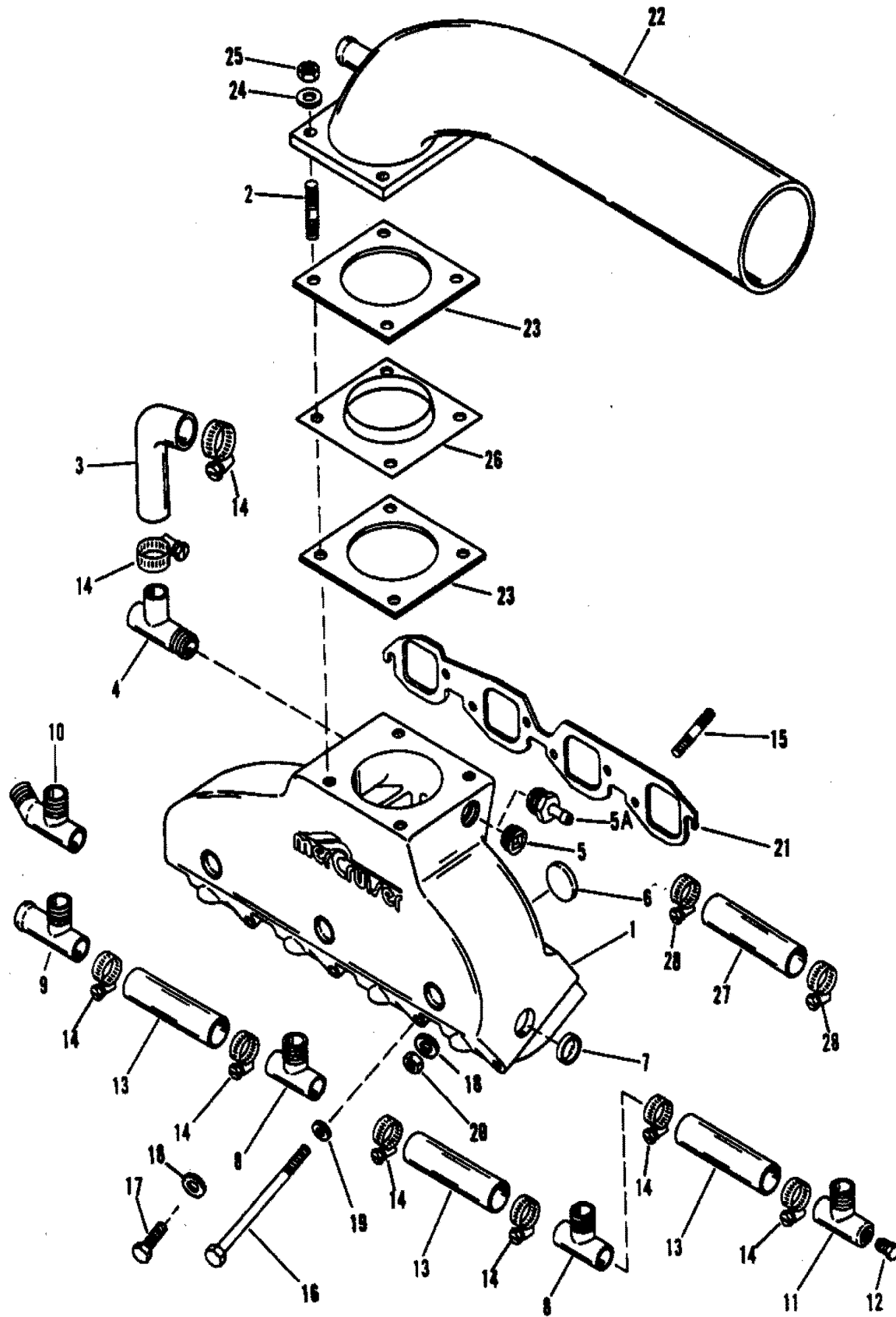
CARBURETOR AND LINKAGE



CARBURETOR AND LINKAGE

REF. NO.	PART NO.	SYM.	QTY.	DESCRIPTION
36	16-33111		4	STUD
37	37-13723-61		1	DECAL
38	94070--1		1	BRACKET-THROTTLE
39	27-815669A90		-	COMPONENTS OF GASKET SET
40	27-811546A93		-	COMPONENTS OF GASKET SET

EXHAUST MANIFOLD/ELBOW

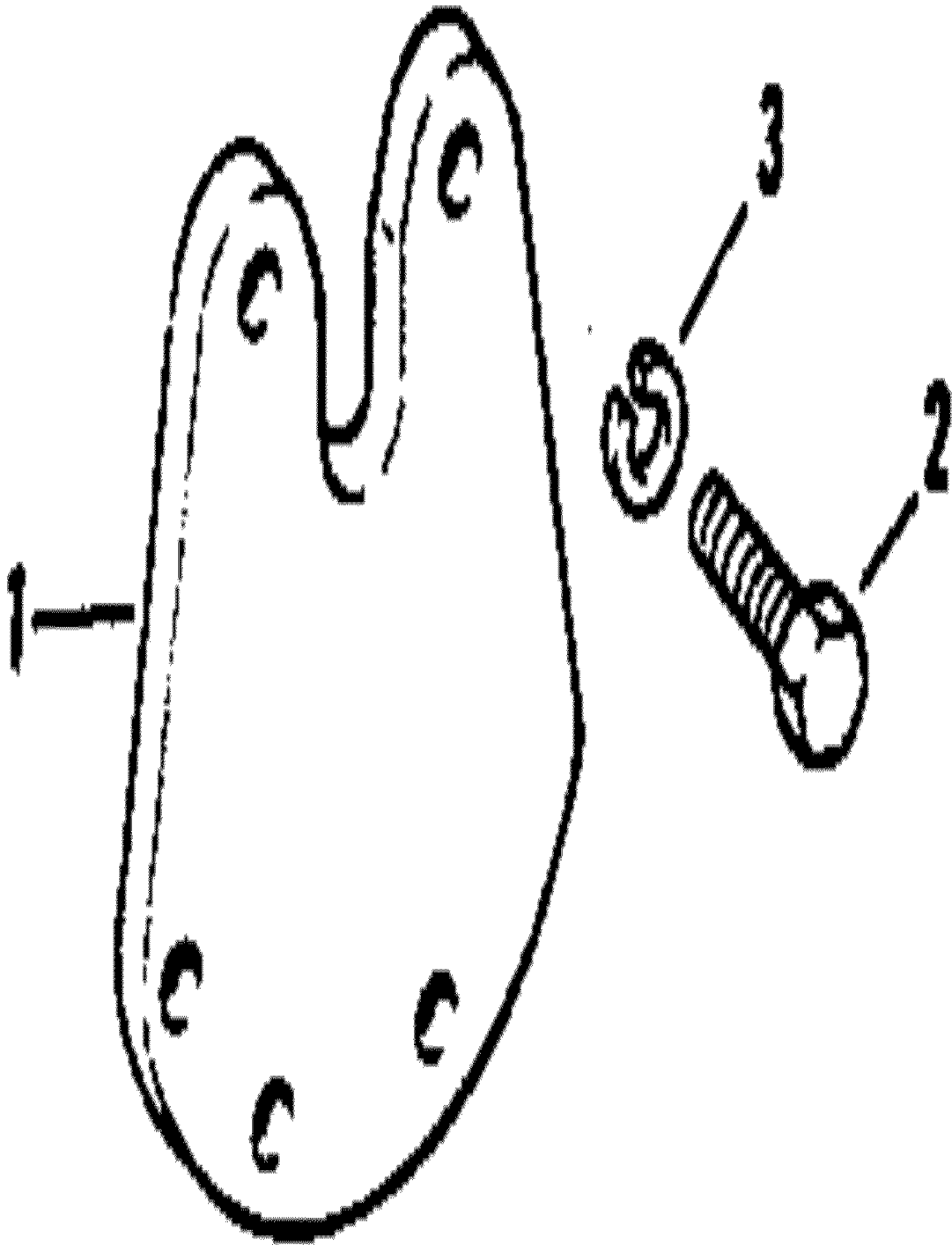


EXHAUST MANIFOLD/ELBOW

REF. NO.	PART NO.	SYM.	QTY.	DESCRIPTION
1	814901A5		1	MANIFOLD ASSEMBLY-EXHAUST (PORT)
	814901A6		1	MANIFOLD ASSEMBLY-EXHAUST (STARBOARD)
2	16-815214		8	STUD
3	32-815212--1		2	HOSE-MANIFOLD TO EXHAUST PIPE
4	22-816035		2	FITTING
5	19-815203		2	PLUG-PIPE
5A	22-818768		2	FITTING (STRAIGHT)
6	19-815205		10	FREEZE PLUG (LARGE) (1")
7	19-815204		4	FREEZE PLUG (SMALL) (3/4")
8	22-815208		4	FITTING-TEE
9/10	22-815210		2	FITTING-TEE
11	22-815209		2	FITTING-TEE
12	19-815211		2	PLUG-PIPE-DRAIN
13	32-815215		6	HOSE (3-1/2")
14	54-815207		16	CLAMP
15	16-821279		4	STUD (2-3/16")
16	10-821107		8	SCREW (3/8-16 X 3")
17	10-812567		4	SCREW (3/8-16 X 1-5/8")
18	12-20572		8	WASHER
19	12-37828		8	WASHER
20	11-25269		4	NUT (3/8-24)
21	27-46820	†	2	GASKET-EXHAUST MANIFOLD TO HEAD
22	818498A1		2	ELBOW KIT-EXHAUST (STANDARD)
	818499A1		OPT.	ELBOW KIT-EXHAUST (3")
	818497A1		OPT.	ELBOW KIT-EXHAUST (6")
23	27-848147		2	GASKET-EXHAUST ELBOW
24	12-49112		8	WASHER
25	11-68411		8	NUT (3/8-16)
26	816037		2	PLATE-DIFFUSER
27	32-68894--1		1	HOSE (6") CUT AS REQ'D
28	54-815504105		2	CLAMP

† = CONTENTS OF GASKET SETS [27-815669A90] / [27-811546A93]

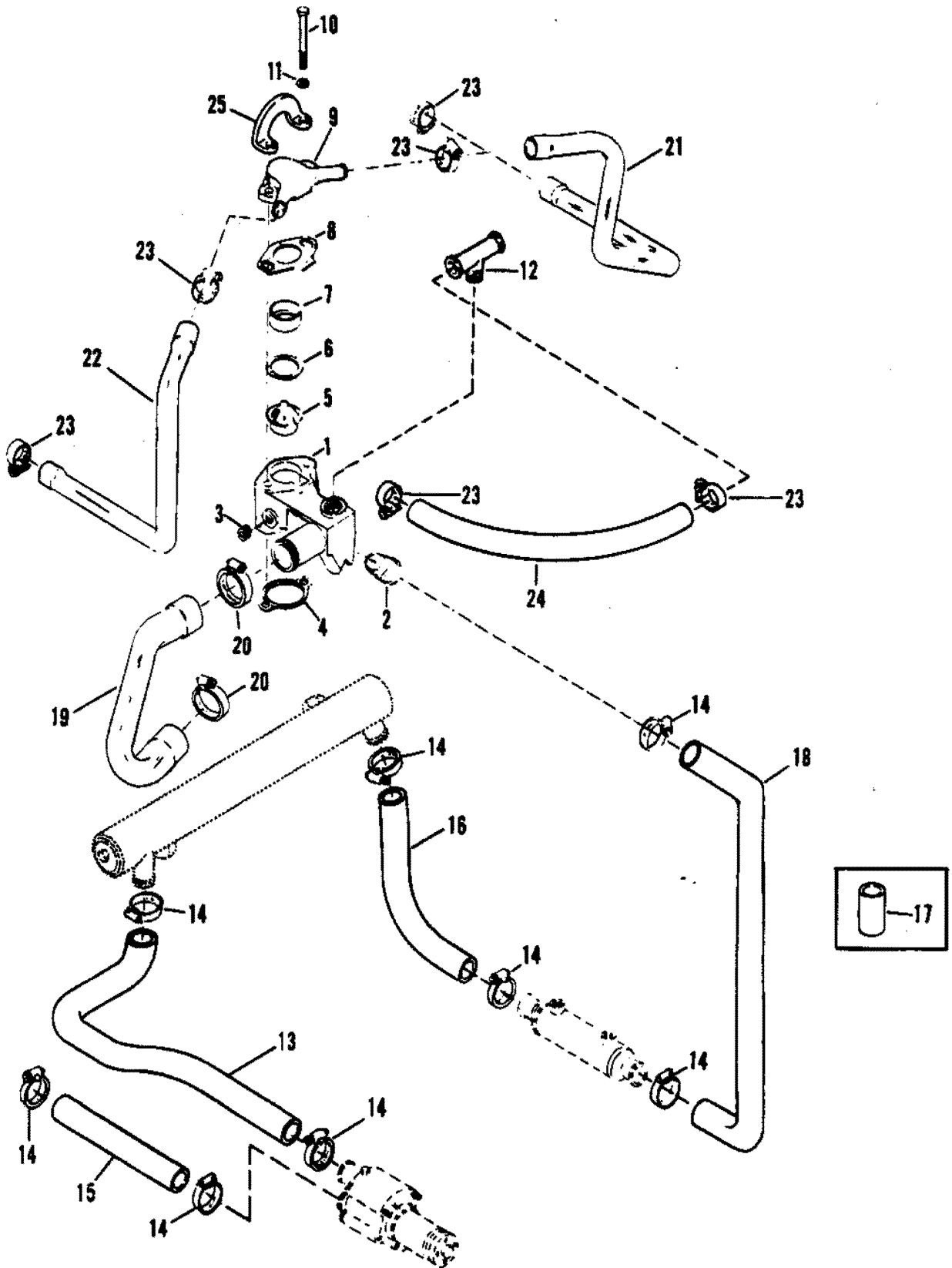
EXHAUST PLATE



EXHAUST PLATE

REF. NO.	PART NO.	SYM.	QTY.	DESCRIPTION
1	97350T1		1	PLATE-EXHAUST
2	10-98794		4	SCREW (3/8-16 X 1")
3	13-41471		4	LOCKWASHER (3/8")

THERMOSTAT HOUSING

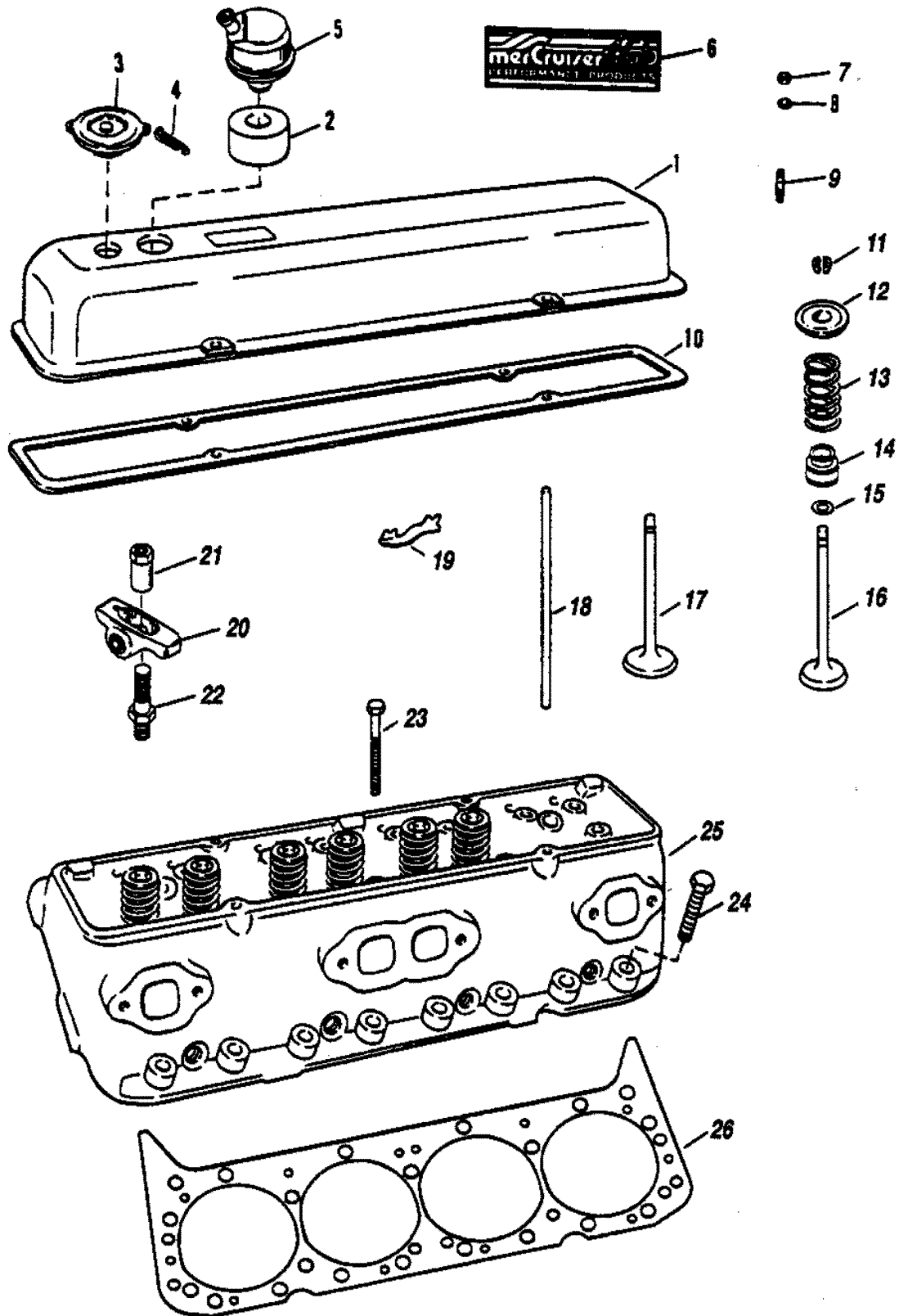


THERMOSTAT HOUSING

REF. NO.	PART NO.	SYM.	QTY.	DESCRIPTION
1	90736A18		1	HOUSING ASSEMBLY-THERMOSTAT
2	23-47511		1	SLEEVE
3	22-32803		2	PLUG-PIPE (3/8")
4	27-53045--1	†	1	GASKET-THERMOSTAT HOUSING
5	805273--1		1	THERMOSTAT (140 DEG.)
6	27-47510	†	1	GASKET-THERMOSTAT
7	23-47508		1	SLEEVE-THERMOSTAT
8	27-41812--2	†	1	GASKET-THERMOSTAT COVER
9	47442A1		1	COVER-THERMOSTAT
10	10-14164		2	SCREW (3/8-16 X 4-3/8")
11	12-20553		2	WASHER
12	22-98477A2		1	VALVE ASSEMBLY
13	32-816197		1	HOSE-PUMP TO COOLER SERIAL 0C849992-0D725646
	32-821736		1	HOSE-PUMP TO COOLER SERIAL 0D725647-0F213244
14	54-18076--6		8	CLAMP
15	32-17435-65		1	HOSE-SEA PUMP TO DRIVE UNIT
16	32-12818		1	HOSE-OIL COOLER TO OIL COOLER
17	22-13177		1	TUBE-WATER HOSE (NON POWER STEERING)
18	32-64346		1	HOSE-OIL COOLER TO THERMOSTAT HOUSING
19	32-89718--1		1	HOSE-THERMOSTAT HOUSING TO WATER PUMP
20	54-18076--8		2	CLAMP
21	32-89749--1		1	HOSE-THERMOSTAT COVER (PORT)
22	32-89730--1		1	HOSE-THERMOSTAT COVER (STBD)
23	54-18076--4		8	CLAMP
24	32-33220-70		2	HOSE (17") CUT AS REQ'D
25	12552		1	LIFTING EYE

† = CONTENTS OF GASKET SETS [27-815669A90] / [27-811546A93]

CYLINDER HEAD AND ROCKER COVER

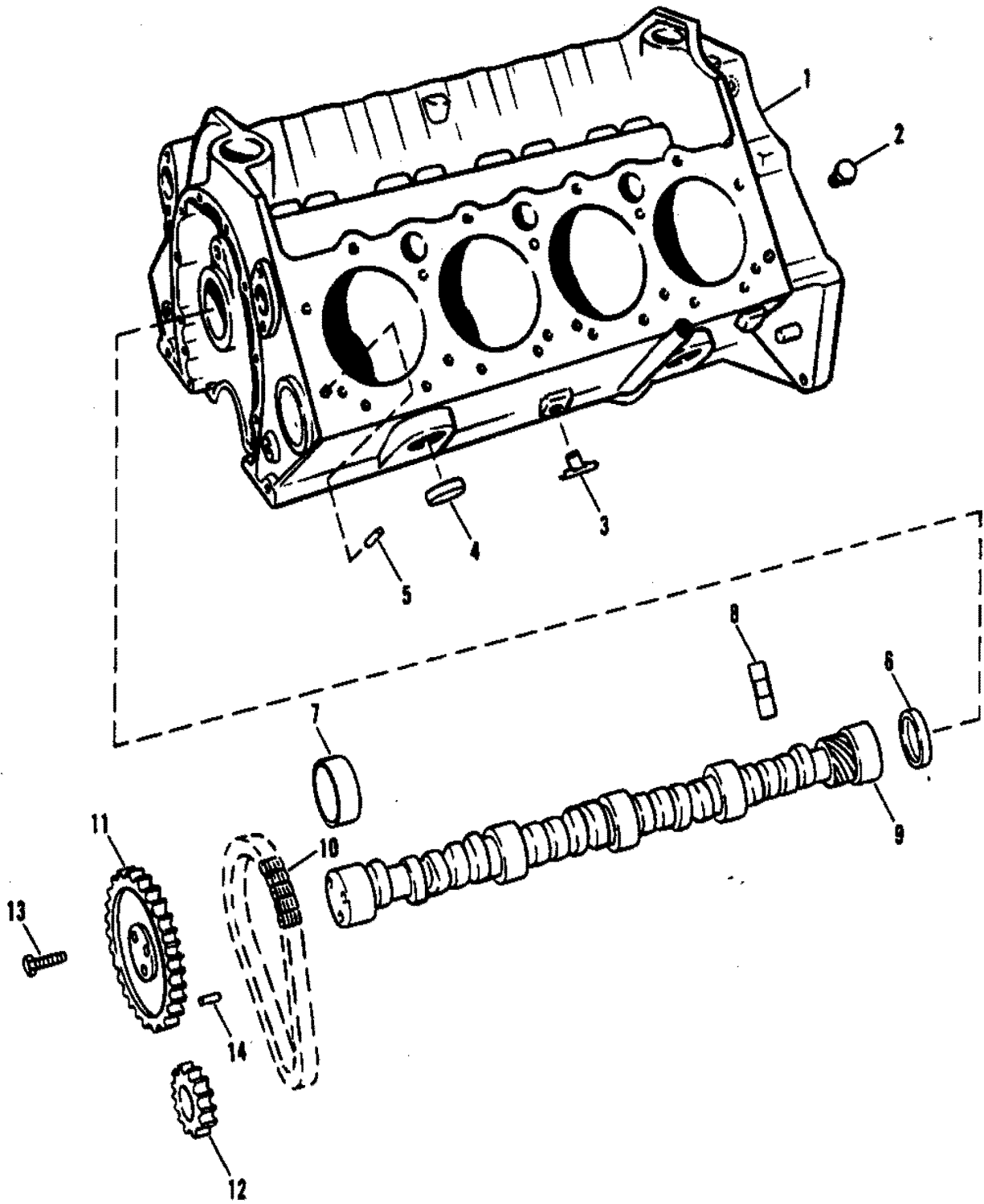


CYLINDER HEAD AND ROCKER COVER

REF. NO.	PART NO.	SYM.	QTY.	DESCRIPTION
1	821948A1		2	COVER ASSY-ROCKER SERIAL 0C849992-0D725646
	821948A4		2	COVER ASSY-ROCKER SERIAL 0D725647-0F213244
2	25-49767		2	GROMMET-ROCKER COVER
3	42336		2	CAP-OIL FILLER SERIAL 00000000-99200D72
	36-811569		2	CAP-OIL FILLER SERIAL 0D725647-0F213244
4	24-70086		2	SPRING-FILLER CAP SERIAL 0C849992-0D725646
5	14902		2	BREATHER-ROCKER COVER
6	37-818991		2	DECAL
7	11-20361		14	NUT-ROCKER COVER STUD (1/4-28)
8	12-39143		14	WASHER-ROCKER COVER STUD
9	16-56766		14	STUD-ROCKER COVER
10	27-14765	†	2	GASKET-ROCKER COVER
11	96028--1		32	KEY-VALVE STEM
12	816899		16	RETAINER
13	24-816898		16	SPRING-VALVE
14	26-69285	†	16	SEAL-VALVE .
15	15-54531		AR	SHIM-VALVE SPRING
	15-77624		AR	SHIM-VALVE SPRING
16	13024		8	VALVE-EXHAUST (STANDARD)
17	821024		8	VALVE-INLET (2.250 DIA.) (STANDARD)
18	848263		8	PUSH ROD-VALVE (INTAKE)
	848266		8	PUSH ROD-VALVE (EXHAUST)
19	49132		8	GUIDE-PUSH ROD SERIAL 0C849992-0D725646
	811586		8	GUIDE-PUSH ROD SERIAL 0D725647-0F213244
20	69304		16	ARM-VALVE ROCKER
21	11-44481		16	NUT-VALVE ROCKER ARM
22	95820		16	STUD-VALVE ROCKER ARM SERIAL 0C849992-0D725646
	16-821836		16	STUD-VALVE ROCKER ARM SERIAL 0D725647-0F213244
23	10-49105		24	BOLT (4-1/8")-CYLINDER HEAD
24	10-49106--1		8	BOLT (2")-CYLINDER HEAD
25	938-816778A3		2	HEAD ASSY-CYLINDER SERIAL 0C849992-0D725646
	938-811529--1		2	HEAD (3/8")-CYLINDER SERIAL 0D725647-0F213123
	938-826363--1		2	HEAD ASSY (7/16")-CYLINDER SERIAL 0F213124-0F213244
26	27-811207	†	2	GASKET-CYLINDER HEAD SERIAL 0C849992-0D725646
	27-811546	†	2	GASKET-CYLINDER HEAD SERIAL 0D725647-0F213244

WHEN INSTALLING SEAL ON VALVE, REMOVE SPRING CLIP FROM TOPO OF SEAL AND DISCARD
 † = CONTENTS OF GASKET SETS [27-815669A90] / [27-811546A93]

CYLINDER BLOCK AND CAMSHAFT

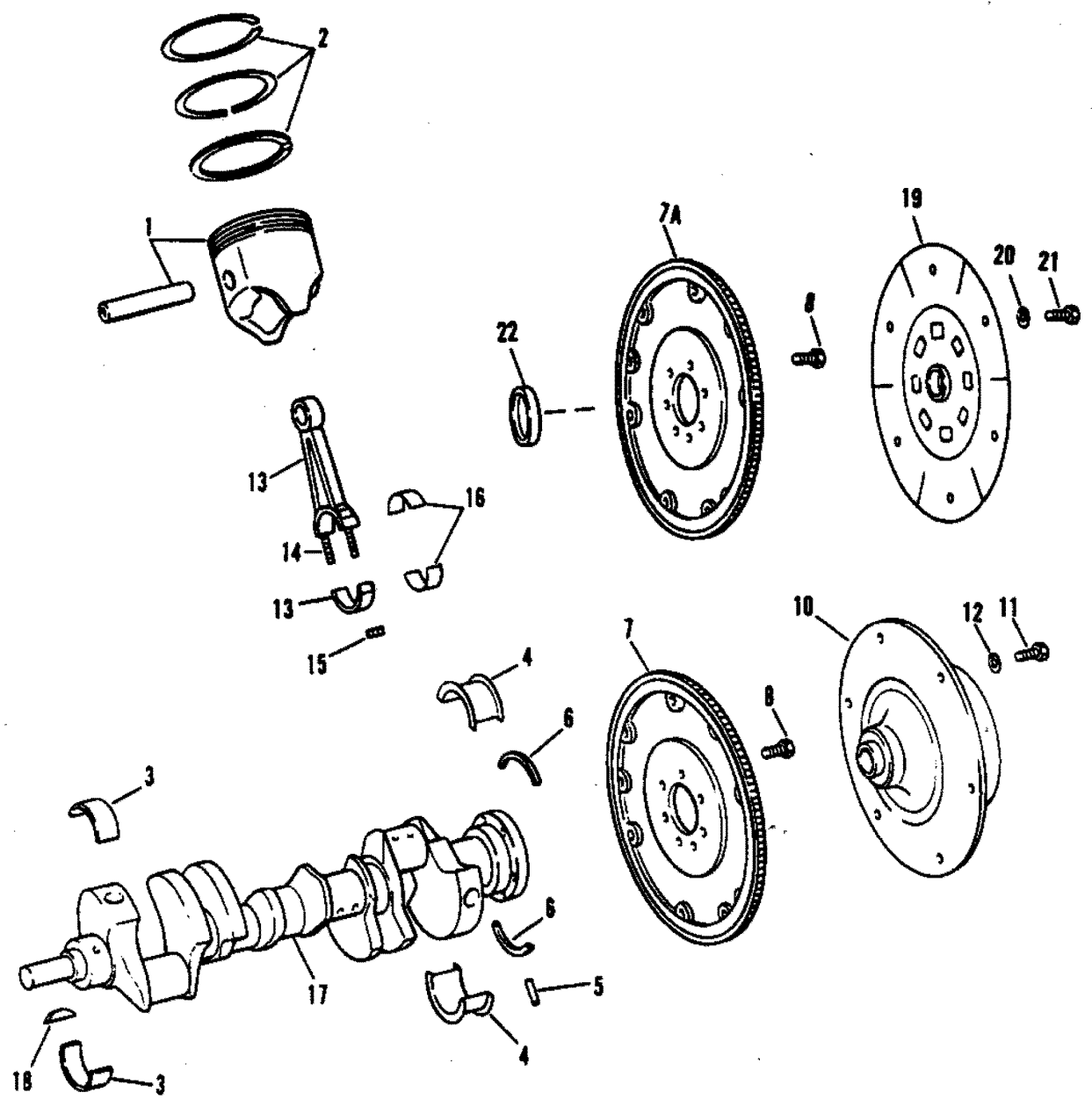


CYLINDER BLOCK AND CAMSHAFT

REF. NO.	PART NO.	SYM.	QTY.	DESCRIPTION
-	805659A1	●■ ◇	1	LONG BLOCK MARINE ENGINE .
1	842-808638		1	BLOCK ASSEMBLY-CYLINDER
2	22-48340		4	PLUG-PIPE (1/4")
	22-48358		2	PLUG-PIPE (3/8")
3	22-16951A1		4	COCK ASSEMBLY-DRAIN
4	22-69300		8	PLUG-EXPANSION (1-3/4" DIA.)
5	17-52190		4	PIN-DOWEL
6	19-94140		1	PLUG-EXPANSION
7	23-85684		1	BEARING UNIT (SET)
8	815675		16	LIFTER
9	485-816709		1	CAMSHAFT
10	61728		1	CHAIN-TIMING SERIAL 0C849992-0D725646
11	43-61726		1	SPROCKET-CAMSHAFT SERIAL 0C849992-0D725646
12	43-61727		1	SPROCKET-CRANKSHAFT SERIAL 0C849992-0D725646
10	811580		1	CHAIN-TIMING SERIAL 0D725647-0F213244
11	43-811578		1	SPROCKET-CAMSHAFT SERIAL 0D725647-0F213244
12	43-811579		1	SPROCKET-CRANKSHAFT SERIAL 0D725647-0F213244
13	10-35339		3	SCREW (5/16-18 X 3/4")
14	17-35312		1	PIN-DOWEL (1/4" DIA.)
-	27-815669A90		1	GASKET SET C849992 ,D725646
-	27-811546A93		1	GASKET SET D725647 , F213244
-	92-91601--1		AR	SEALER-RED-RTV (WHERE APPLICABLE)
-	92-34227--1		AR	PERFECT SEAL (WHERE APPLICABLE)

- = IF CHANGING FROM MARK IV STYLE ENGINE TO GENERATION V STYLE,
- = AN UPDATE KIT PART NUMBER [847818A3] WILL BE REQUIRED.
- | = BRAVO MODELS WITH DRIVELINE OR TRANSMISSION MODELS ALSO REQUIRE
- ◇ = FLYWHEEL PART NUMBER [230-811563] AND PILOT BUSHING PART NUMBER [23-49126].

CRANKSHAFT, PISTONS AND CONN. RODS

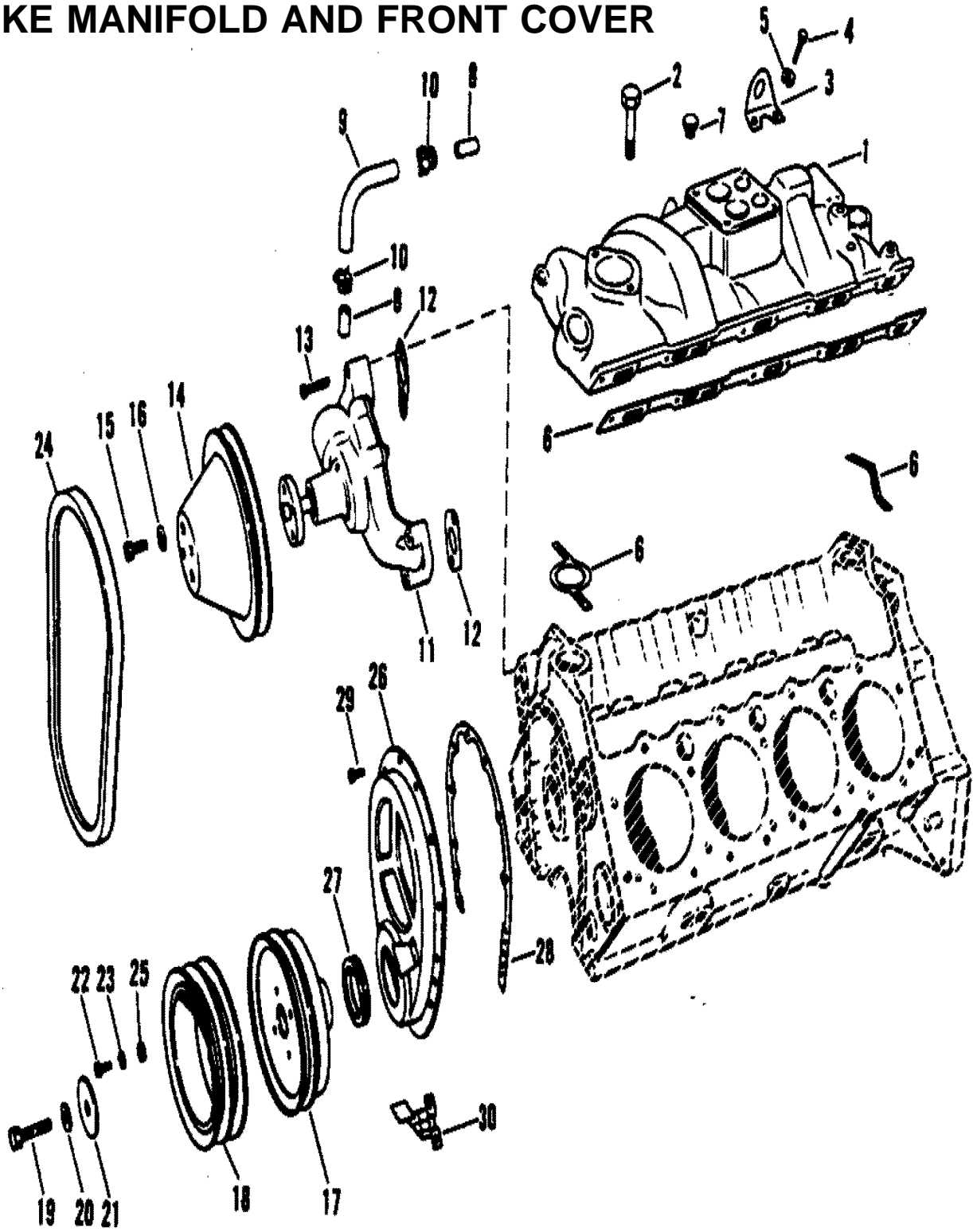


CRANKSHAFT, PISTONS AND CONN. RODS

REF. NO.	PART NO.	SYM.	QTY.	DESCRIPTION
1	794-816710		8	PISTON ASSEMBLY (STD) SERIAL 0A000000-0C849992
2	39-42733-35		1	RING SET-PISTON (STD) SERIAL 0A000000-0C850209
1	737-827664		8	PISTON ASSEMBLY (STD.)
2	39-821091		8	RING SET-PISTON (STD) SERIAL 0C850210-0F213244
1	737-817412		8	PISTON ASSEMBLY (.030 O.S.) SERIAL 0C850210-0F213244
2	39-817413		8	RING SET-PISTON (.030 O.S.) SERIAL 0C850210-0F213244
3/4	23-818473		1	BEARING SET (STANDARD) SERIAL 0C850210-0F213244
	23-818474		AR	BEARING SET (.001 U.S.)
	23-818475		AR	BEARING SET (.002 U.S.)
	23-818476		AR	BEARING SET (.010 U.S.)
	23-818477		AR	BEARING SET (.020 U.S.)
5	17-35312		1	PIN-DOWEL (1/4" DIA.)
6	26-14756	†	1	SEAL-OIL SERIAL 0C849992-0D725646
	26-811554	†	1	SEAL-OIL SERIAL 0D725647-0F213244
7	230-6540		1	FLYWHEEL SERIAL 0C849992-0D725646
	230-811561		1	FLYWHEEL SERIAL 0D725647-0F213244
7A	230-811563		1	FLYWHEEL (GEN V DRIVELINE OR TRANSMISSION MODELS)
	230-5534		1	FLYWHEEL (MARK IV DRIVELINE OR TRANSMISSION MODELS)
8	10-49845		6	SCREW (7/16-20 X 1")
10	18311A17		1	COUPLING ASSEMBLY-ENGINE (BRAVO MODELS ONLY)
11	10-14883		6	SCREW (3/8-16 X 1-1/8")
12	12-20572		6	WASHER
-	22-49099		2	FITTING-GREASE
13	614-9641		8	CONNECTING ROD ASSEMBLY
14	10-19234		16	SCREW-CONN ROD CAP
15	11-37493		16	NUT-CONN ROD CAP SCREW
16	23-85726		8	BEARING SET (STANDARD)
	23-85727		AR	BEARING SET (.001 U.S.)
	23-85728		AR	BEARING SET (.002 U.S.)
	23-85691		AR	BEARING SET (.010 U.S.)
	23-85729		AR	BEARING SET (.020 U.S.)
17	429-5880		1	CRANKSHAFT SERIAL 0C849992-0D725646
	429-811550		1	CRANKSHAFT SERIAL 0D725647-0F213244
18	28-811558		2	KEY-CRANKSHAFT
19	816618		1	DRIVE PLATE (TRANSMISSION MODELS)
20	10-35091		6	SCREW (3/8-16 X 1") (TRANSMISSION MODELS)
21	13-35048		6	LOCKWASHER (3/8") (TRANSMISSION MODELS)
22	23-49126		1	BUSHING-PILOT-CRANKSHAFT (DRIVELINE MODELS ONLY)

† = CONTENTS OF GASKET SETS [27-815669A90] / [27-811546A93]

INTAKE MANIFOLD AND FRONT COVER

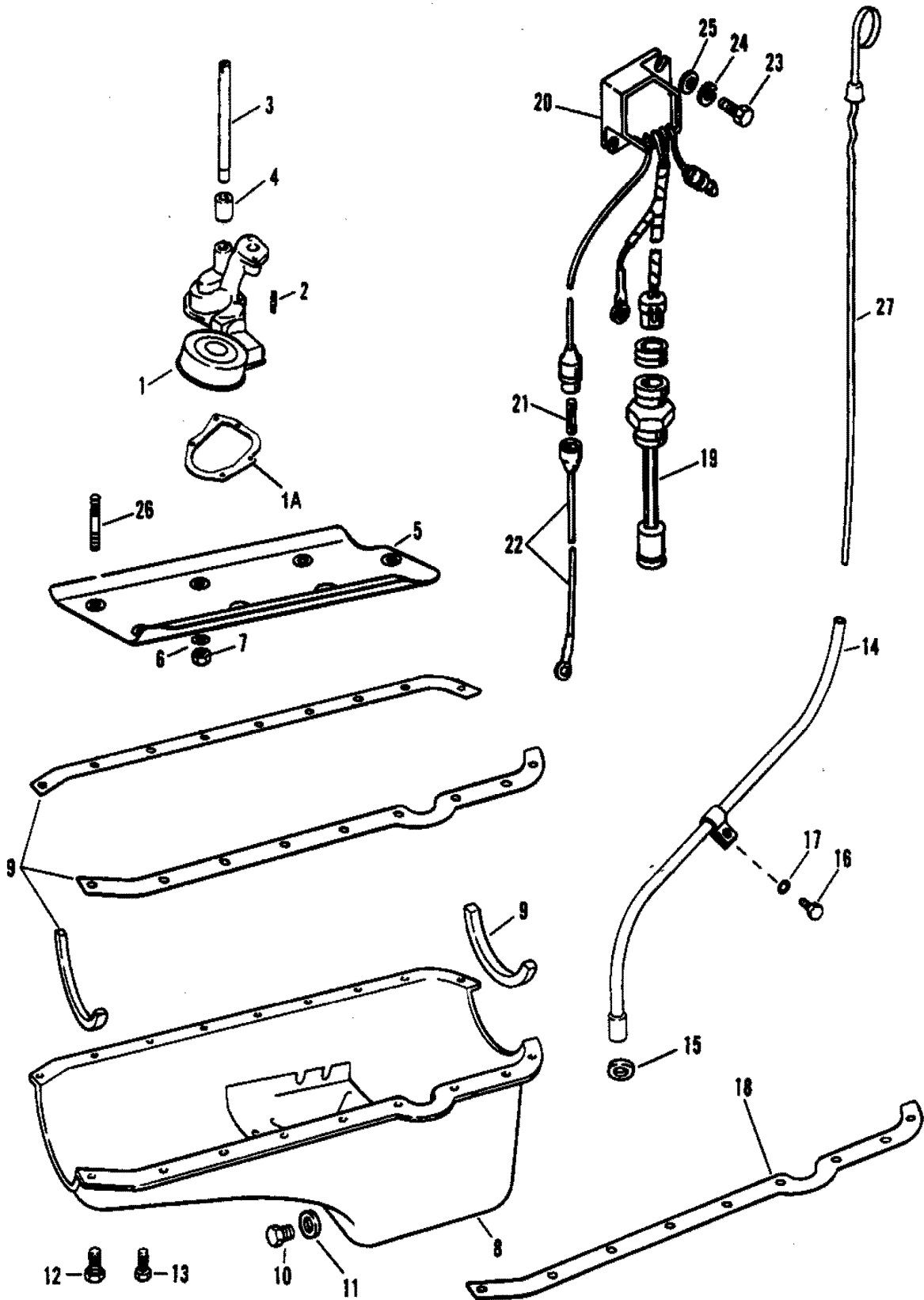


INTAKE MANIFOLD AND FRONT COVER

REF. NO.	PART NO.	SYM.	QTY.	DESCRIPTION
1	72608		1	MANIFOLD-INTAKE
2	10-811574		10	SCREW (3/8-16 X 1-3/4")
	10-32132		4	SCREW (3/8-16 X 1-3/4")
3	54-64628--1		2	LIFTING EYE
4	10-34354		2	SCREW (3/8-16 X 1-1/2")
	10-35870--1		2	SCREW (3/8-16 X 2")
5	12-45175		4	WASHER
6	27-805722A1	†	1	GASKET SET
7	22-75983		4	PLUG
8	22-806242		1	CONNECTOR
9	32-805987		1	HOSE
10	54-815504412		2	CLAMP
11	811573		1	PUMP ASSEMBLY-WATER
12	27-49110	†	2	GASKET
13	10-811574		4	SCREW (3/8-16 X 1-3/4")
14	19692T		1	PULLEY
15	10-47277		4	SCREW (5/16-24 X 3/4")
16	13-39107		4	LOCKWASHER (5/16")
17	67858		1	DAMPER-TORSIONAL SERIAL 0C849992-72564617
	811556		1	DAMPER-TORSIONAL SERIAL 0D725647-0F213244
18	90081T		1	PULLEY
19	10-14758		1	SCREW SERIAL 0C849992-0D725646
	10-811559		1	SCREW SERIAL 0D725647-0F213244
20	13-14759		1	LOCKWASHER
21	12-49103		1	WASHER
22	10-35870--1		3	SCREW (3/8-16 X 2")
23	13-35048		3	LOCKWASHER (3/8")
24	57-816034		1	V BELT
25	12-34714		3	WASHER
26	66215		1	COVER ASSEMBLY SERIAL 0C849992-0D725646
	811570		1	COVER ASSEMBLY SERIAL 0C849992-0D725646
27	26-821947--1	†	1	SEAL-OIL
28	27-54529	†	1	GASKET SERIAL 0C849992-0D725646
	27-811572	†	1	GASKET SERIAL 0D725647-0F213244
29	10-35366		10	BOLT (7/16")
30	59966		1	POINTER-TIMING

† = CONTENTS OF GASKET SETS [27-815669A90] / [27-811546A93]

OIL PAN AND OIL PUMP (C849992-D725646)



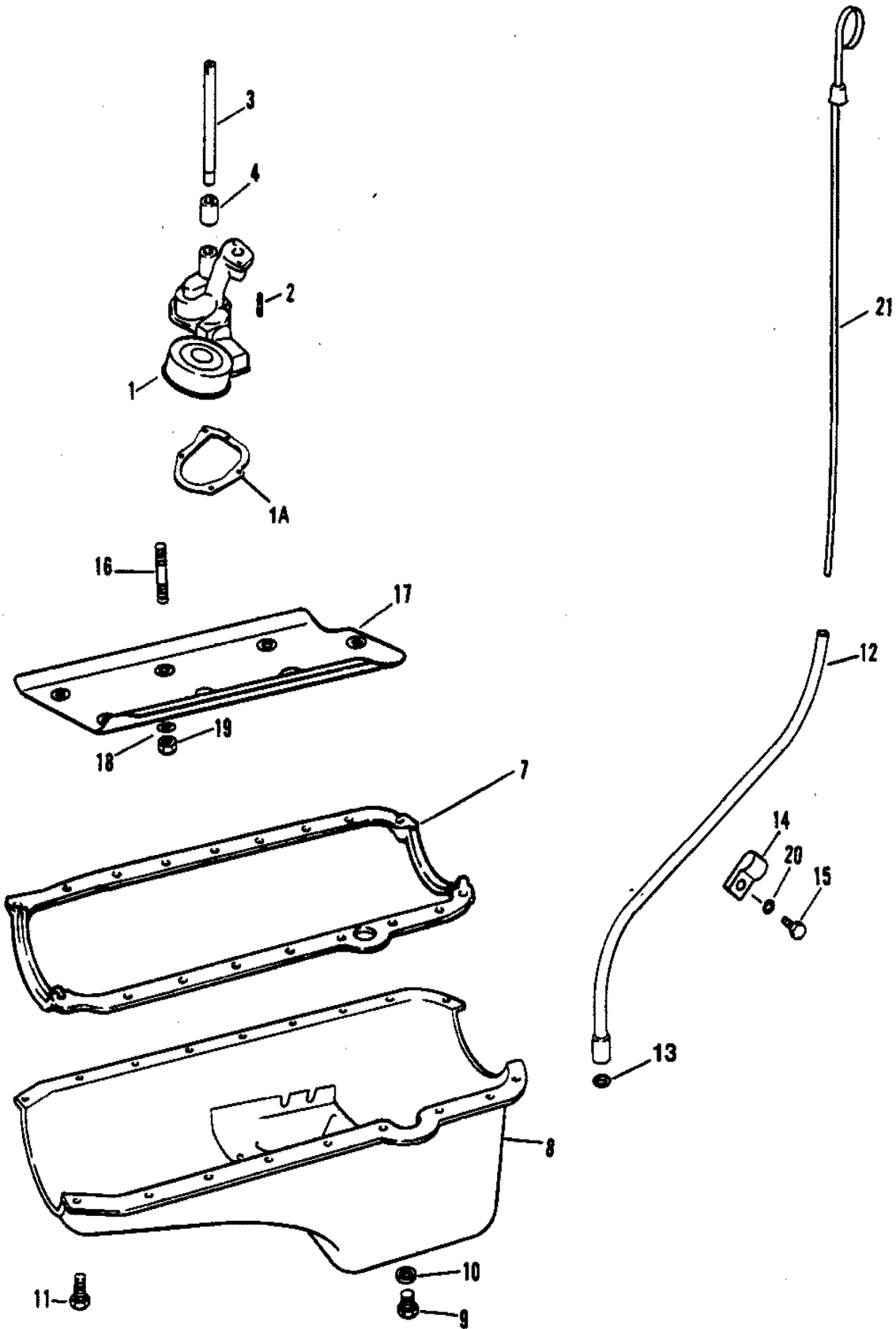
REVISED JANUARY 1995

OIL PAN AND OIL PUMP (C849992-D725646)

REF. NO.	PART NO.	SYM.	QTY.	DESCRIPTION
1	808698A1		1	PUMP ASSEMBLY, OIL
1A	FI5000254		1	GASKET-OIL PUMP COVER
2	16-49108		1	STUD
3	49149		1	SHAFT
4	23-52193		1	SLEEVE
5	49198		1	BAFFLE
6	12-20553		5	WASHER
7	11-37500		5	NUT (3/8-16)
8	19221--2		1	PAN ASSEMBLY-OIL
9	27-52550	+	1	GASKET SET
10	10-49956		1	SCREW
11	27-49955		1	GASKET
12	10-34500		20	SCREW (5/16-18)
13	10-72607		2	SCREW
14	32-816200A2		1	TUBE ASSEMBLY-DIPSTICK
15	26-45825		1	SEAL-OIL
16	10-76926		1	SCREW (3/8-16 X 7/8")
17	13-35048		1	LOCKWASHER (3/8")
18	814510		1	REINFORCEMENT (PORT)
	814511		1	REINFORCEMENT (STARBOARD)
19	816358		1	SENSOR-OIL LEVEL
20	816664A1		1	MODULE ASSEMBLY-OIL LEVEL
21	88-79091		1	FUSE (20 AMP)
22	84-95084A10		1	CABLE ASSEMBLY-FUSE
23	10-41354		2	SCREW (10-24 X 1/2")
24	13-26996		2	LOCKWASHER (#10)
25	12-30164		2	WASHER
26	16-49144		5	STUD
27	14607T		1	DIPSTICK-OIL LEVEL

⊕ = COMPONENT OF GASKET SET [27-815669A90]

OIL PAN AND OIL PUMP (D725647-F213244)

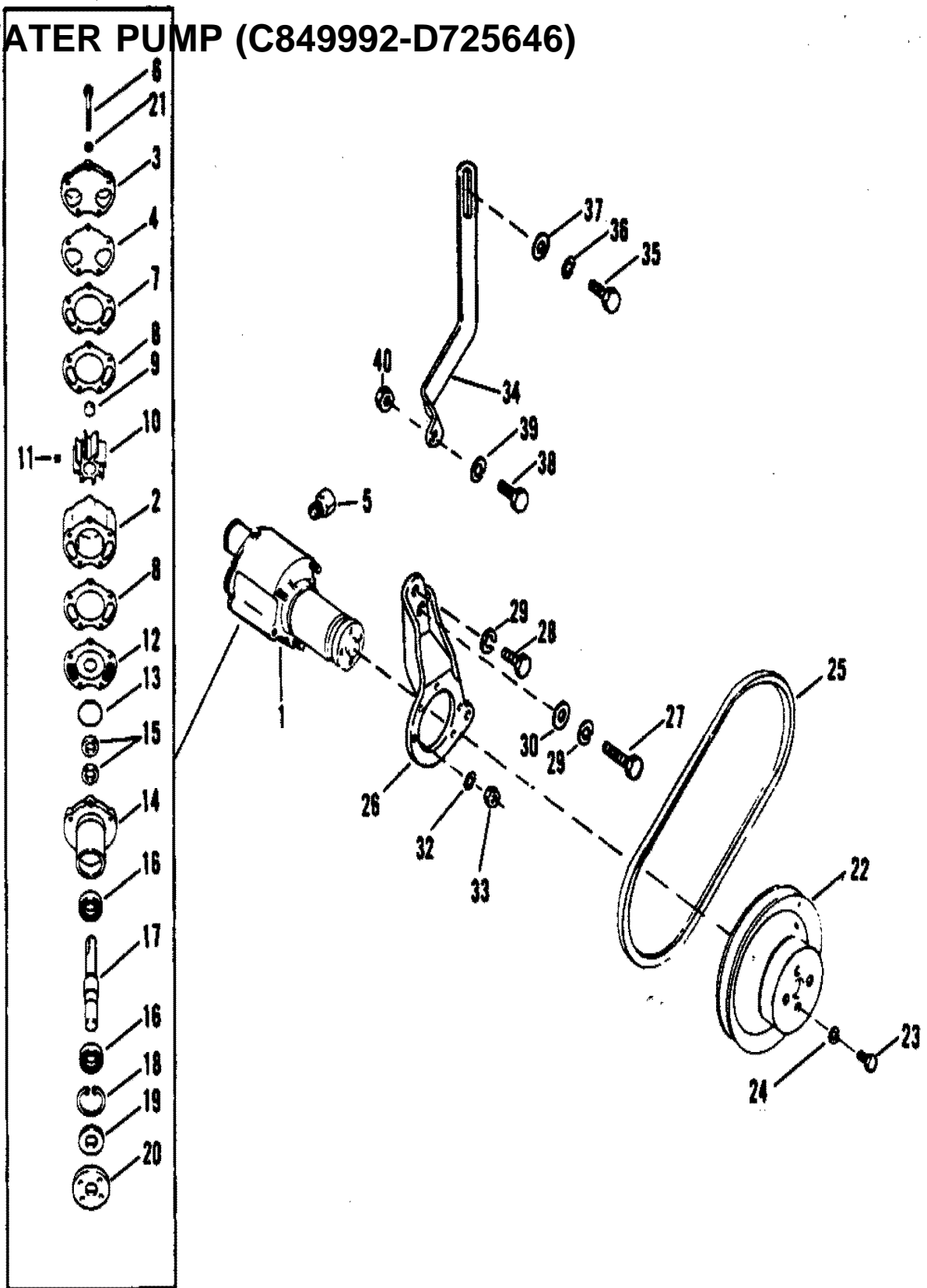


OIL PAN AND OIL PUMP (D725647-F213244)

REF. NO.	PART NO.	SYM.	QTY.	DESCRIPTION
1	827589A1		1	PUMP ASSEMBLY-OIL
1A	FI5000254		1	GASKET-OIL PUMP COVER
2	16-49108		1	STUD
3	14761		1	SHAFT
4	23-36183		1	RETAINER
7	27-811566	▲	1	GASKET
8	811549		1	PAN ASSEMBLY-OIL
9	22-808708		1	PLUG-OIL DRAIN
10	27-49955		1	GASKET-OIL DRAIN PLUG
11	10-808707		20	SCREW (5/16-18 X 5/8")
12	818631A6		1	TUBE ASSEMBLY-DIPSTICK
13	25-62704		1	O RING
14	54-822279		1	CLIP
15	10-66293		1	SCREW (1/4-20 X 1/2")
16	16-811683		5	STUD
17	811682		1	BAFFLE
18	12-20553		5	WASHER
19	11-37500		5	NUT (3/8-16)
20	13-26992		1	LOCKWASHER (1/4")
21	805567T		1	DIPSTICK-OIL LEVEL
22	27-822546A93		-	COMPONENTS OF GASKET SET

▲ = COMPONENT OF GASKET SET [27-811546A93]

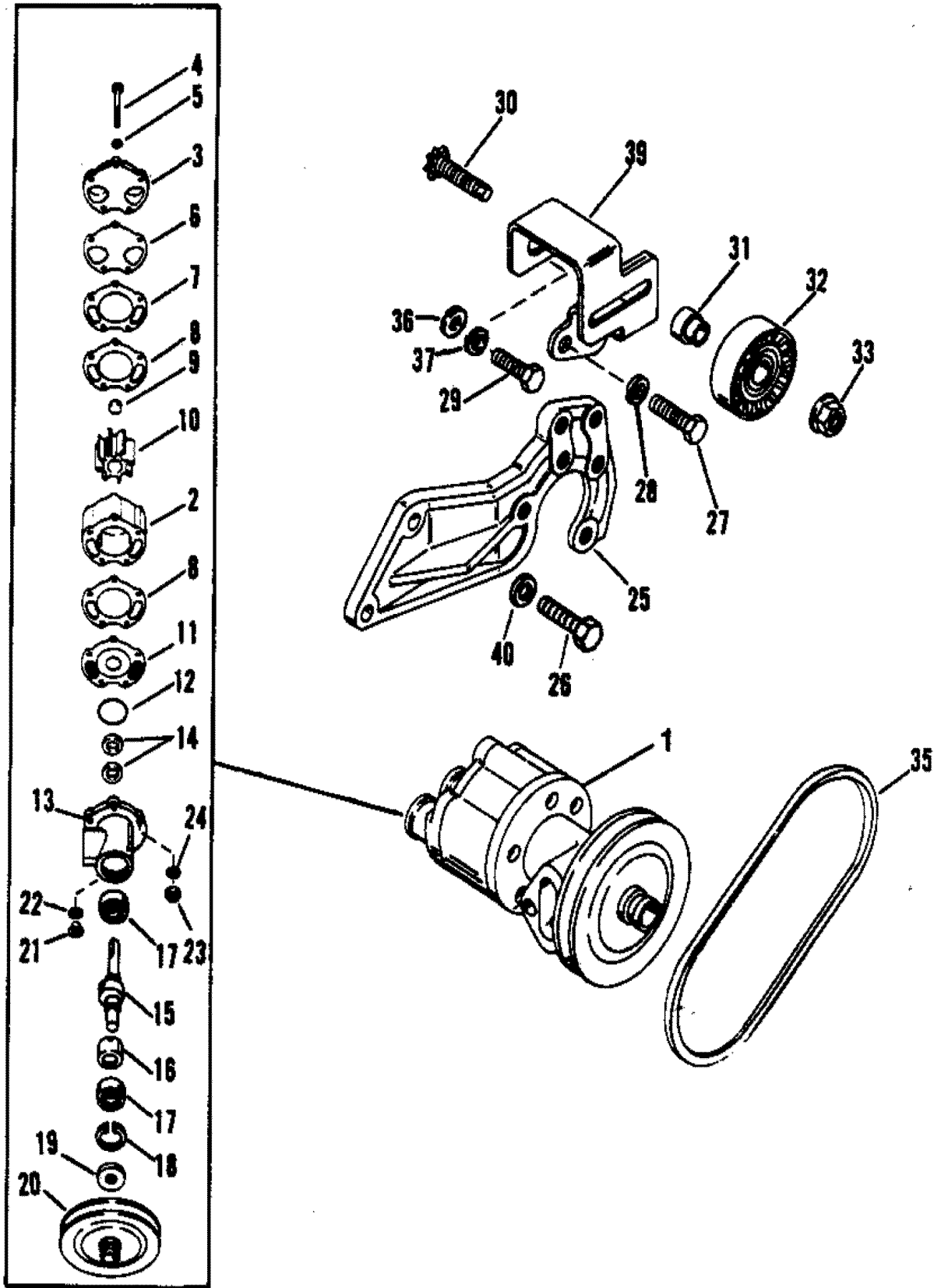
SEA WATER PUMP (C849992-D725646)



SEA WATER PUMP (C849992-D725646)

REF. NO.	PART NO.	SYM.	QTY.	DESCRIPTION
1	46-72774A50		1	PUMP ASSEMBLY-WATER
2	46-72774A40		1	BODY-WATER PUMP
3	87631A4		1	COVER ASSEMBLY-WATER PUMP
4	27-805215--1		1	GASKET-COVER TO OUTER WEAR PLATE
5	22-32802		1	PLUG-PIPE (FOR WATER PUMP BODY)
6	10-73275		2	SCREW (5/16-18 X 2-7/8")-WATER PUMP
	10-99347		3	SCREW (5/16-18 X 3-3/4")-WATER PUMP
7	94916		1	WEAR PLATE-OUTER
8	27-94914		2	GASKET-BODY TO WEAR PLATE
9	19-59504		1	PLUG-IMPELLER
10	47-59362--1		1	IMPELLER (USE WITHOUT KEY)
11	28-56662		1	KEY-IMPELLER DRIVE
12	94576		1	WEAR PLATE-INNER
13	25-94288		1	QUAD RING-PUMP HOUSING
14	46-94913A2		1	HOUSING ASSEMBLY-WATER PUMP
15	26-90562		2	SEAL,-OIL-WATER PUMP SHAFT
16	30-72961		2	BEARING-BALL-WATER PUMP SHAFT
17	59501A1		1	SHAFT-WATER PUMP
18	53-23720		1	RING-RETAINING-BALL BEARING
19	26-72785		1	SEAL-OIL-WATER PUMP SHAFT
20	47530		1	HUB-WATER PUMP PULLEY
21	12-20084		5	WASHER-COVER SCREW
22	52822T		1	PULLEY-WATER PUMP (CAST)
23	10-47277		4	SCREW (5/16-24 X 3/4")-PULLEY
24	13-39107		4	LOCKWASHER (5/16")-PULLEY SCREW
25	57-13457T		1	V BELT (30")-WATER PUMP
26	15295T		1	BRACKET-WATER PUMP (STAMPED)
27	10-47461		1	SCREW (7/16-14 X 1")-WATER PUMP BRACKET
28	10-17965		1	SCREW (7/16-14 X 45/64")-WATER PUMP BRACKET
29	13-32993		1	LOCKWASHER (7/16")-BRACKET SCREW
30	12-27025		1	WASHER-BRACKET SCREW
32	13-39107		3	LOCKWASHER (5/16")
33	11-21908		3	NUT (5/16-18)
34	15751T		1	BRACE-WATER PUMP
35	10-47461		1	SCREW (7/16-14 X 1")-BRACE TO ENGINE
36	13-32993		1	LOCKWASHER (7/16")-BRACE SCREW
37	12-27025		1	WASHER-BRACE SCREW
38	10-35786		1	SCREW (3/8-24 X 1")-WATER PUMP BRACE
39	13-35048		1	LOCKWASHER (3/8")-BRACE SCREW
40	11-46335		1	NUT (3/8-24)-BRACE SCREW

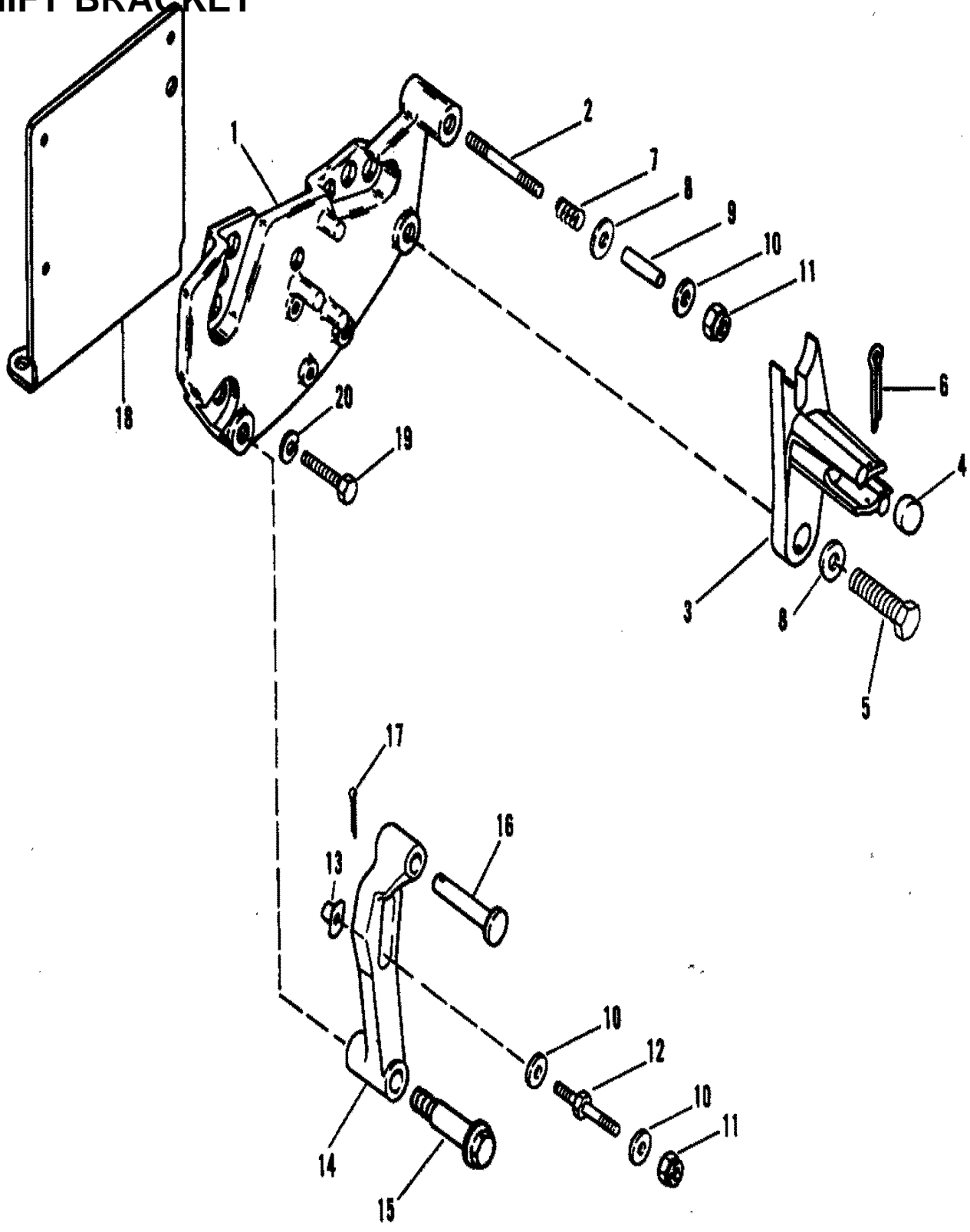
SEA WATER PUMP (D725647-F213244)



SEA WATER PUMP (D725647-F213244)

REF. NO.	PART NO.	SYM.	QTY.	DESCRIPTION
1	46-72774A82		1	PUMP ASSEMBLY-WATER (COMPLETE)
2	46-72774A40		1	BODY ASSEMBLY-WATER PUMP
3	821707--1		1	COVER-WATER PUMP
4	10-39001		5	SCREW (5/16-18 X 4-1/2")
5	12-20084		10	WASHER
6	27-805215--1		1	GASKET-COVER TO OUTER WEAR PLATE
7	94916		1	WEAR PLATE-OUTER
8	27-94914		2	GASKET-BODY TO WEAR PLATE
9	19-59504		1	PLUG-IMPELLER
10	47-59362--1		1	IMPELLER
11	94576		1	WEAR PLATE-INNER
12	25-94288		1	QUAD RING-PUMP HOUSING
13	818367A1		1	HOUSING ASSEMBLY-WATER PUMP
14	26-90562		2	SEAL-OIL-WATER PUMP SHAFT
15	818366A1		1	SHAFT ASSEMBLY
16	818745A1		1	RING KIT-SLIP
17	30-72961		2	BEARING-BALL-WATER PUMP SHAFT
18	53-23720		1	RING-RETAINING-BALL BEARING
19	26-806930		1	SEAL-OIL-WATER PUMP SHAFT
20	818365T		1	PULLEY
21	13-39107		1	LOCKWASHER (5/16")
22	11-21908		1	NUT (5/16-18)
23	10-28634A1		1	SCREW PLUG ASSEMBLY
24	25-805726		1	O RING
25	823185A2		1	BRACKET KIT-WATER PUMP MOUNT
26	10-91903		3	SCREW (7/16-14 X 1-3/4")
27	10-98261		2	SCREW (3/8-16 X 3/4")
28	13-35048		2	LOCKWASHER (3/8")
29	10-47461		1	SCREW (7/16-14 X 1")
30	43-818381--1		1	PINION STUD
31	818380		1	BUSHING
32	818382		1	PULLEY
33	11-817618		1	NUT
35	57-69143T		1	V BELT
36	12-27025		1	WASHER
37	13-32993		1	LOCKWASHER (7/16")
39	818379T		1	BRACKET-IDLER
40	13-32993		3	LOCKWASHER (7/16")

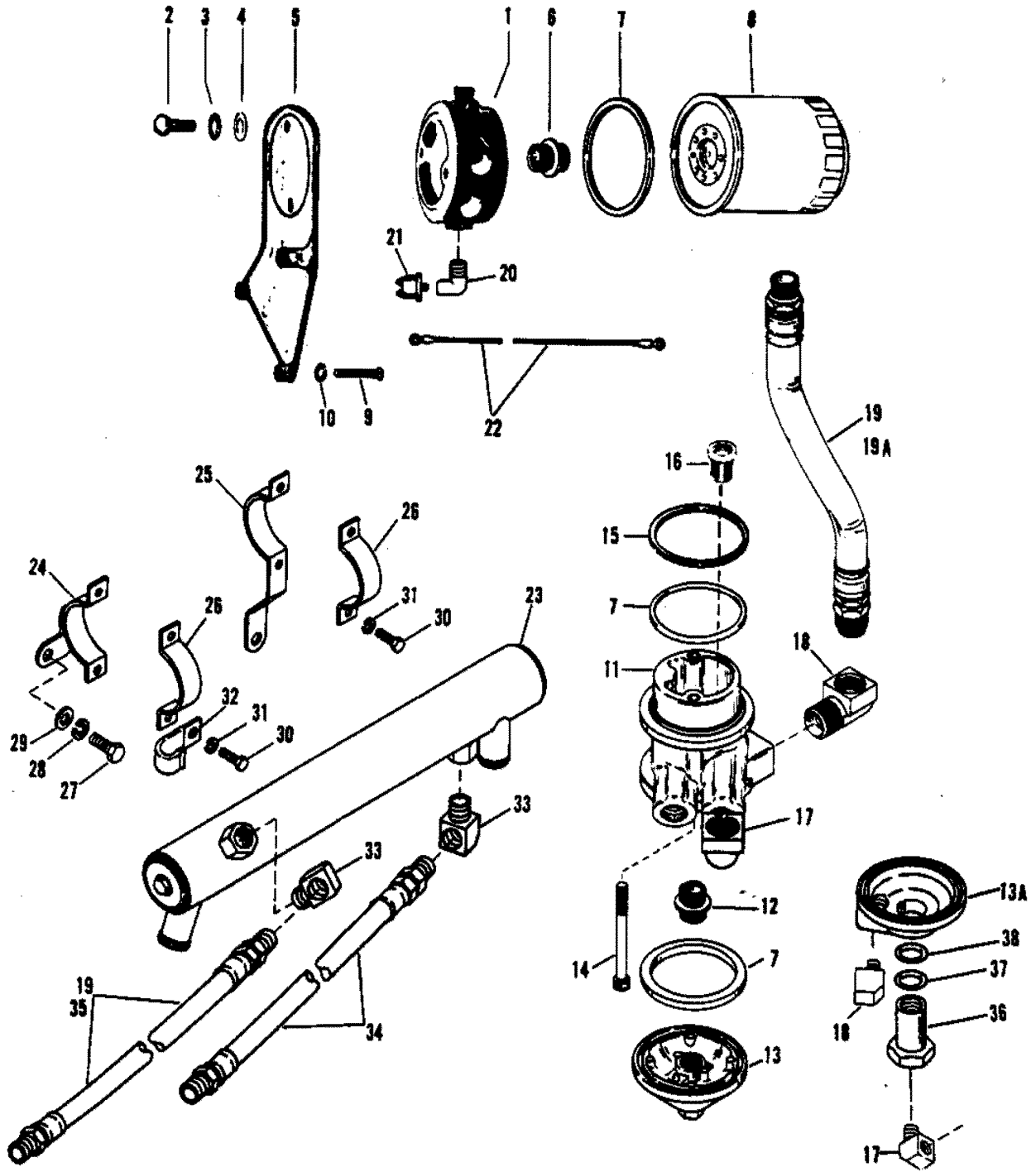
SHIFT BRACKET



SHIFT BRACKET

REF. NO.	PART NO.	SYM.	QTY.	DESCRIPTION
1	99237A10		1	BRACKET ASSEMBLY-SHIFT
2	16-98798--1		1	STUD-SHIFT CABLE
3	12381--1		1	RETAINER-SHIFT CABLE
4	23-98828		1	SPACER
5	10-53167		1	SCREW (5/16-18 X 7/8")
6	18-32857		1	PIN-COTTER-SHIFT CABLE RETAINING
7	24-98880		1	SPRING-SHIFT CABLE STUD
8	12-56720		2	WASHER-SHIFT BRACKET STUD
9	23-90523		1	SPACER-SHIFT CABLE STUD
10	12-35462		4	WASHER-SHIFT CABLE STUD
11	11-13438		2	NUT (1/4-28)-SHIFT CABLE STUD
12	16-96112		1	STUD-SHIFT CABLE
13	11-63341		1	TEE NUT-SHIFT CABLE STUD
14	13898--1		1	LEVER-SHIFT
15	10-13743		1	SCREW (5/16-18 X 1-27/32")-SHOULDER-SHIFT LEVER
16	17-68402		1	PIN-SHOULDER-SHIFT LEVER
17	18-21071		1	PIN-COTTER-SHIFT LEVER
18	816283		1	ADAPTER
19	10-98256		3	SCREW (1/4-28 X 1/2")
20	13-26992		3	LOCKWASHER (1/4")

OIL COOLER, OIL FILTER AND ADAPTOR



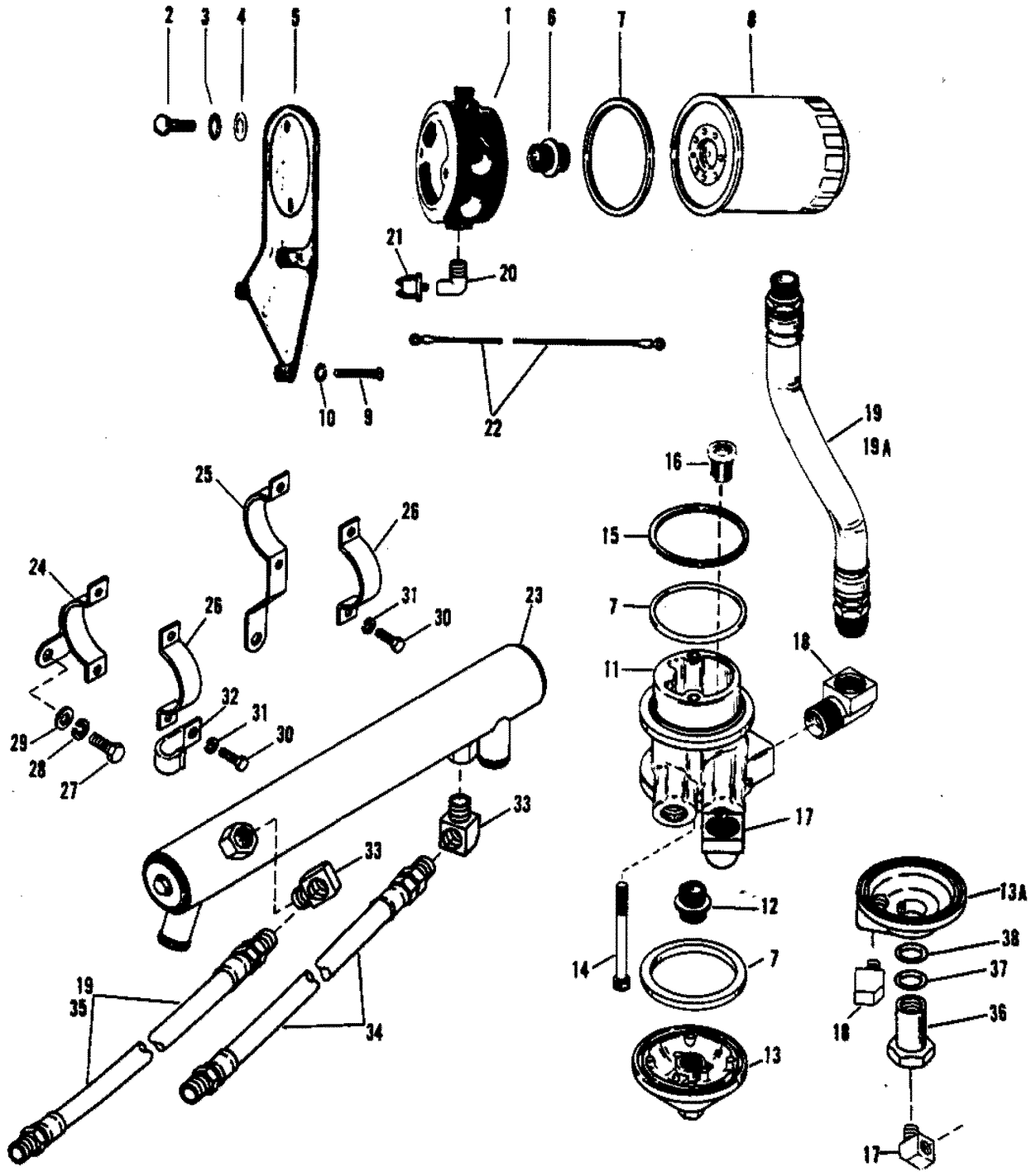
OIL COOLER, OIL FILTER AND ADAPTOR

REF. NO.	PART NO.	SYM.	QTY.	DESCRIPTION
1	48504A2		1	ADAPTOR-OIL FILTER
2	10-34353		2	SCREW (3/8-16 X 1")-ADAPTOR TO BRACKET
3	13-35048		2	LOCKWASHER (3/8")-ADAPTOR SCREW
4	12-20553		2	WASHER-OIL FILTER ADAPTOR SCREW
5	63880T		1	BRACKET-OIL FILTER
6	22-805632		1	CONNECTOR
7	27-91892	†	3	GASKET-ADAPTOR COVER AND OIL FILTER
8	35-16595		1	FILTER-OIL
9	10-47462		3	SCREW (7/16-14 X 1-1/4")-BRACKET TO ENGINE
	10-37612		1	SCREW (3/8-16 X 1-1/4")-BRACKET TO ENGINE
10	13-35048		1	LOCKWASHER (3/8")-BRACKET SCREW
	13-32993		3	LOCKWASHER (7/16")-BRACKET SCREW
11	90783A22		1	ADAPTOR ASY-OIL FILTER SERIAL 0C849992-0D725646
12	22-805632		1	CONNECTOR
13	91830		1	COVER-ADAPTOR SERIAL 0C849992-0D725646
13A	35-818400A1		1	ADAPTOR KIT SERIAL 0D725647-0F213244
14	10-91966		1	SCREW (5/16-18 X 4")-OIL FILTER ADAPTOR
	10-91967		1	SCREW (5/16-18 X 3-1/2")-OIL FILTER ADAPTOR
15	27-99893	†	1	GASKET-OIL FILTER ADAPTOR
16	99889		1	VALVE-BY PASS
17	22-63825		1	ELBOW-OIL HOSE
18	22-48246		1	ELBOW-OIL HOSE
19	32-92357-38		2	HOSE ASSY-OIL (18-1/2") SERIAL 0C849992-0D725646
19A	32-92357-51		1	HOSE ASSY-OIL (26") SERIAL 0D725647-0F213244
20	22-54035		1	ELBOW (905)
21	87-94009		1	SWITCH-CHOKE PRESSURE
22	84-79139A21		1	CABLE ASSEMBLY (RED) (15")
23	816074		1	COOLER-OIL
-	817043		2	END CAP
-	27-817042		2	GASKET
-	25-814878		2	O RING
-	10-816767		2	SCREW
24	816195--1		1	BRACKET-OIL COOLER (BRAVO MODELS)
	12820		1	BRACKET-OIL COOLER (POWER STEERING MODELS)
25	816196--1		1	BRACKET-OIL COOLER (BRAVO MODELS)
	12820		1	BRACKET-OIL COOLER (POWER STEERING MODELS)
26	56328A1		2	BRACKET-OIL COOLER
27	10-34353		1	SCREW (3/8-16 X 1")
28	13-35048		1	LOCKWASHER (3/8")
29	12-20553		1	WASHER
30	10-49668		4	SCREW (1/4-20 X 3/4") (BRAVO MODELS)
	10-60300		4	SCREW (1/4-28 X 3/4") (POWER STEERING MODELS)

† = CONTENTS OF GASKET SETS [27-815669A90] / [27-811546A93]

CONTINUED ON NEXT PAGE ➡

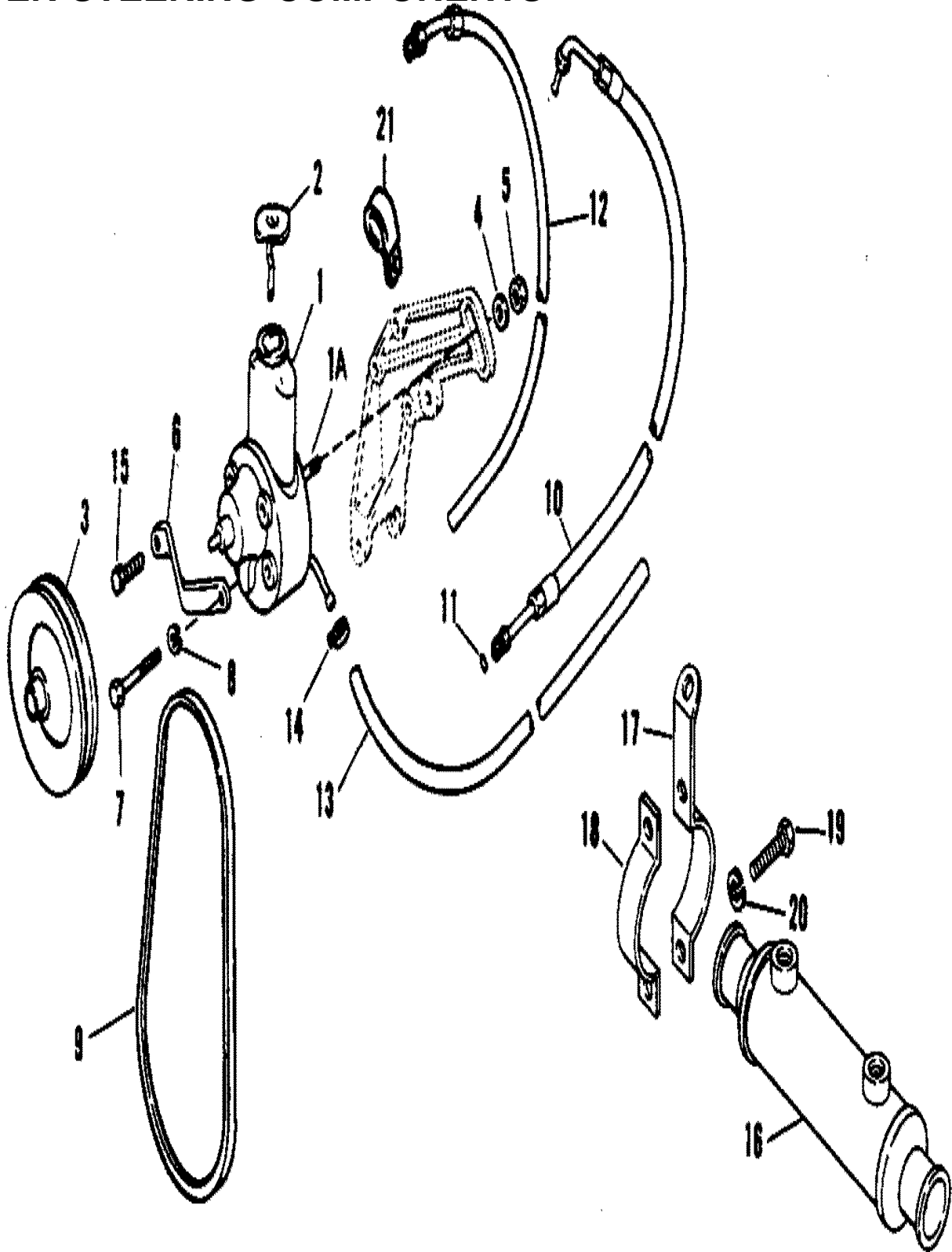
OIL COOLER, OIL FILTER AND ADAPTOR



OIL COOLER, OIL FILTER AND ADAPTOR

REF. NO.	PART NO.	SYM.	QTY.	DESCRIPTION
31	13-26992		4	LOCKWASHER (1/4") (BRAVO MODELS)
32	54-15095		1	J CLAMP
33	22-63825		2	ELBOW (905)
34	32-92357-53		1	HOSE ASSEMBLY-OIL (28")
35	32-92357-49		1	HOSE ASSEMBLY-OIL (24") SERIAL 00000000-6470F213
36	22-821914		1	FITTING-FILTER ADAPTOR SERIAL 0D725647-0F213244
37	12-55822		1	WASHER SERIAL 0D725647-0F213244
38	25-90196		1	O RING-FILTER ADAPTOR SERIAL 0D725647-0F213244
39	11-30506		4	NUT (1/4-28) (POWER STEERING MODELS)
40	27-815669A90		-	COMPONENT OF GASKET SET
41	27-811546A93		-	COMPONENT OF GASKET SET

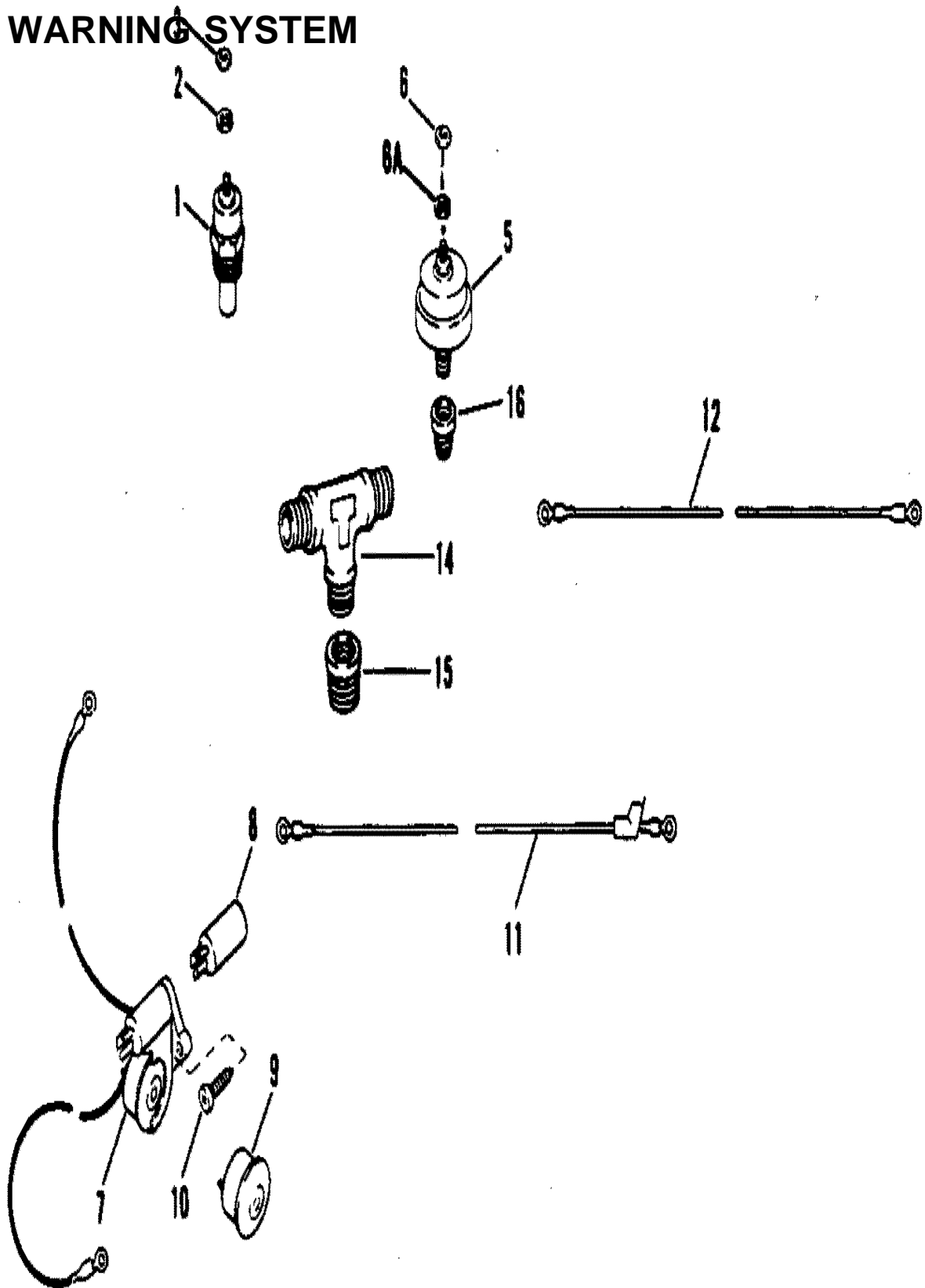
POWER STEERING COMPONENTS



POWER STEERING COMPONENTS

REF. NO.	PART NO.	SYM.	QTY.	DESCRIPTION
1	16792A25		1	PUMP ASSEMBLY-POWER STEERING (BLUE)
	16792A1		1	PUMP ASSEMBLY-POWER STEERING (BLACK)
1A	16-41877		1	STUD
2	36-95805		1	CAP
3	73873A1		1	PULLEY (BLACK)
	73873--3		1	PULLEY (BLUE)
4	12-34567		3	WASHER (BRACE SLOT)
5	11-90517		2	NUT
6	98813A1		1	BRACE
7	10-40001188		1	SCREW (M10 X 1.5 X 20)
8	13-40024--8		1	LOCKWASHER
9	57-812427T		1	V BELT (56")
10	32-98494		1	HOSE (FITTINGS ON BOTH ENDS)
11	25-89879		1	O RING
12	32-98843-39		1	HOSE (FITTINGS ON ONE END)
13	32-52519-14		1	HOSE (CUT AS REQ'D)
14	54-18076--1		3	CLAMP
15	10-37612		1	SCREW (3/8-16 X 1-1/4")
	10-47462		1	SCREW (7/16-14 X 1-1/4")
16	99356A2		1	COOLER ASSEMBLY-OIL-POWER STEERING
17	63820--3		1	BRACKET (LONG)
18	56328--1		1	BRACKET (SHORT)
19	10-49668		2	SCREW (1/4-20 X 3/4")
20	13-26992		2	LOCKWASHER (1/4")
21	54-848183		1	J CLIP-POWER STEERING HOSE

AUDIO WARNING SYSTEM



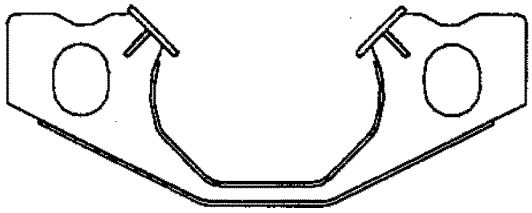
AUDIO WARNING SYSTEM

REF. NO.	PART NO.	SYM.	QTY.	DESCRIPTION
1	48952		1	SWITCH ASSEMBLY-WATER TEMPERATURE
2	13-26996		1	LOCKWASHER (#10)-TEMPERSTURE SWITCH
3	11-45076		1	NUT (10-32)-TEMPERATURE SWITCH,
5	87-805605A1		1	SWITCH ASSEMBLY-PRESSURE
6	11-45076		1	NUT (10-32)-PRESSURE SWITCH TERMINAL
6A	13-26996		1	LOCKWASHER (#10)
7	86047A11		1	HOUSING KIT-BUZZER (WITH TWO RING CONNECTORS)
8	86045		1	TIMER-TEMPERATURE BUZZER
9	68878A6		1	HORN ASSEMBLY
10	10-69013		2	SCREW (#10-16 X 7/8")
11	84-86044A6		1	CABLE ASSEMBLY (20 FT) (TAN/BLUE) (2 RINGS)
7	86047A16		1	HOUSING KIT-BUZZER (WITH 1 RING - 1 SPADE CONNECTOR)
8	86045		1	TIMER-TEMPERATURE BUZZER
9	68878A6		1	HORN ASSEMBLY
11	84-86044A11		1	CABLE ASSY (20FT) (TAN/BLUE) (1 RING - 1 SPADE)
12	84-86044A4		1	CABLE ASSEMBLY (36") (TAN/BLUE)
14	22-52930		1	TEE
15	22-38992		1	BUSHING-TEMPERATURE SWITCH
16	22-48556		1	BUSHING-REDUCER

MOUNT PLATES (SINGLE)

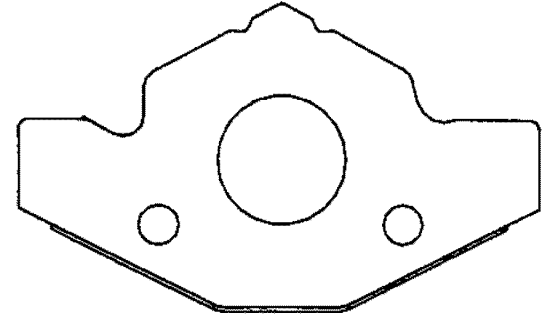
817370

ENGINE MOUNT-
FRONT SINGLE



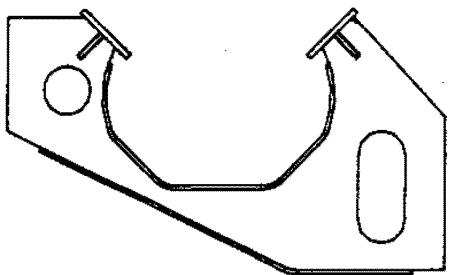
• 847806

ENGINE MOUNT-
REAR SINGLE



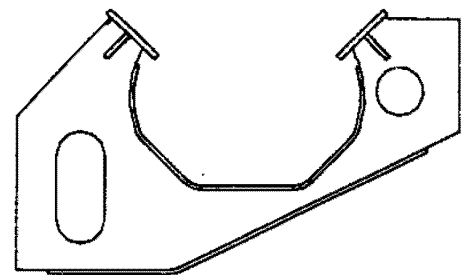
817368

ENGINE MOUNT-
FRONT STARBOARD
SIDE BY SIDE



817367

ENGINE MOUNT-
FRONT PORT
SIDE BY SIDE

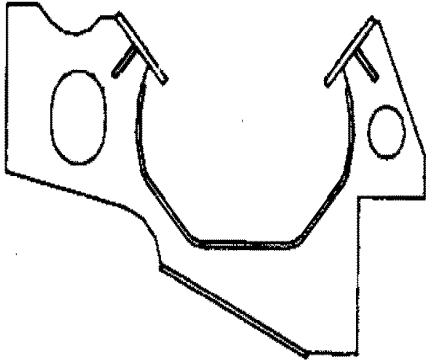


MOUNT PLATES (SINGLE)

REF. NO.	PART NO.	SYM.	QTY.	DESCRIPTION
-	10-86518		6	SCREW (3/8-16X1")
-	12-20553		6	WASHER
-	817370		0	ENGINE MOUNT (FRONT SINGLE)
-	847806		0	ENGINE MOUNT (REAR SINGLE)
-	817368		0	ENGINE MOUNT (FRONT STARBOARD SIDE BY SIDE)
-	817367		0	ENGINE MOUNT (FRONT PORT SIDE BY SIDE)

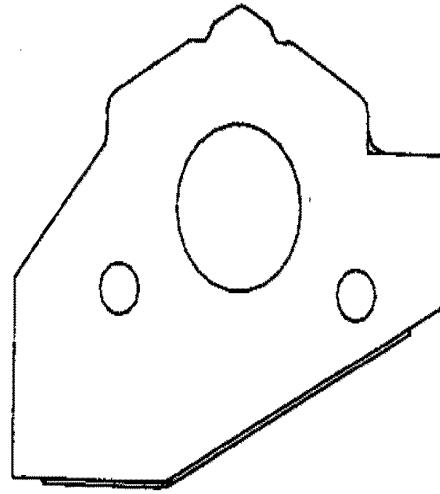
816308
MOUNT PLATES (STAGGERED)

ENGINE MOUNT -
FRONT STARBOARD
STAGGERED



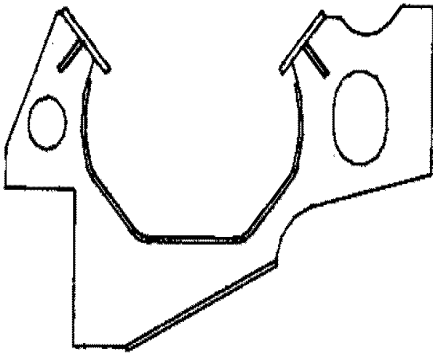
• 847807

ENGINE MOUNT -
REAR SIDE BY SIDE



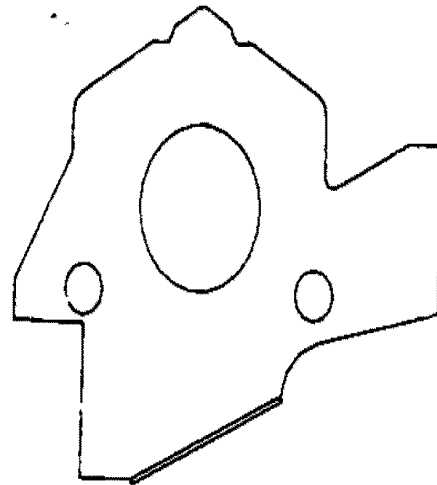
816307

ENGINE MOUNT -
FRONT PORT
STAGGERED



• 847808

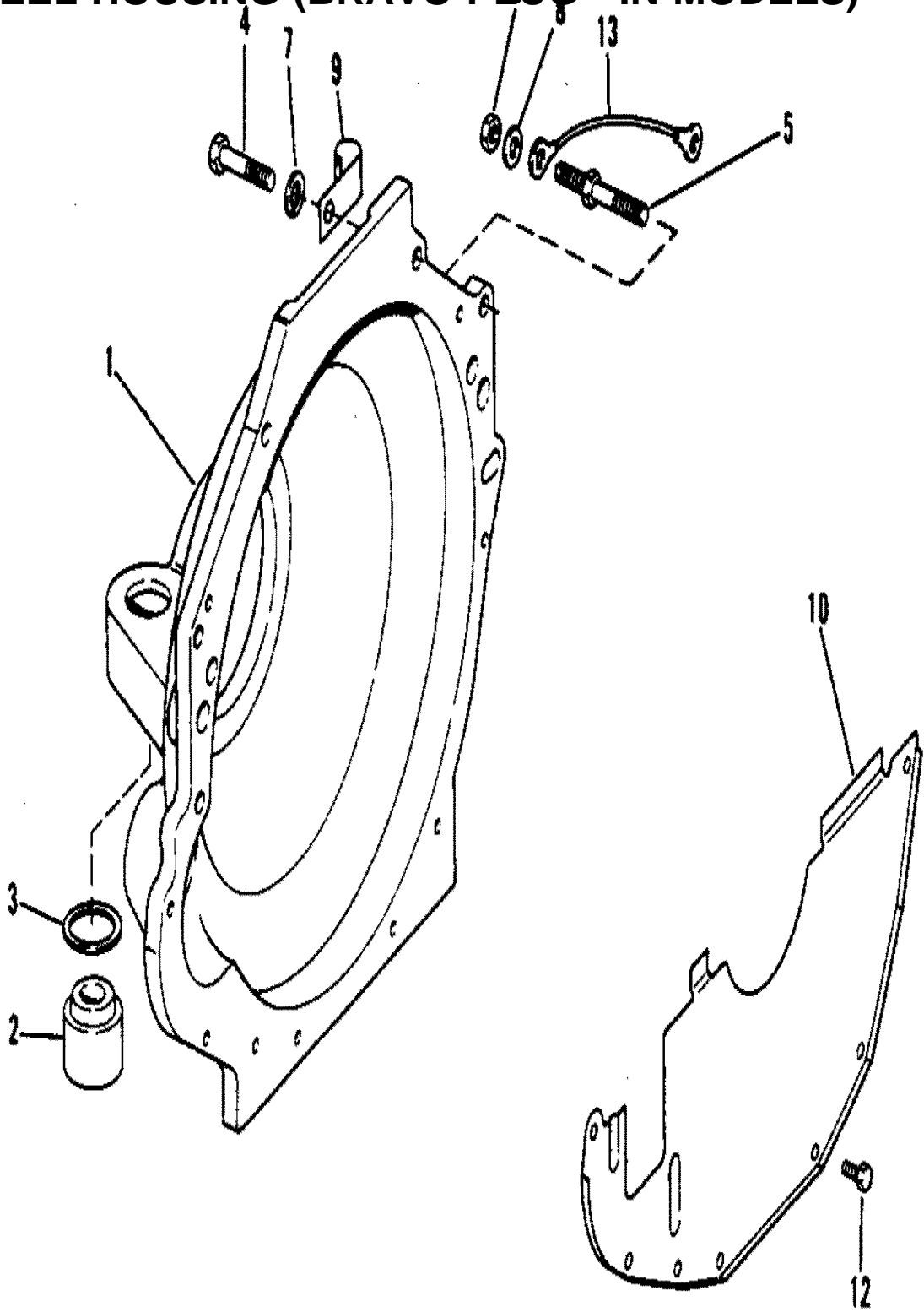
ENGINE MOUNT -
REAR
STAGGERED



MOUNT PLATES (STAGGERED)

REF. NO.	PART NO.	SYM.	QTY.	DESCRIPTION
-	10-86518		6	SCREW (3/8-16X1")
-	12-20553		6	WASHER
-	816308		0	ENGINE MOUNT (FRONT STARBOARD STAGGERED)
-	847807		0	ENGINE MOUNT (REAR SIDE BY SIDE)
-	816307		0	ENGINE MOUNT (FRONT PORT STAGGERED)
-	847808		0	ENGINE MOUNT (REAR STAGGERED)

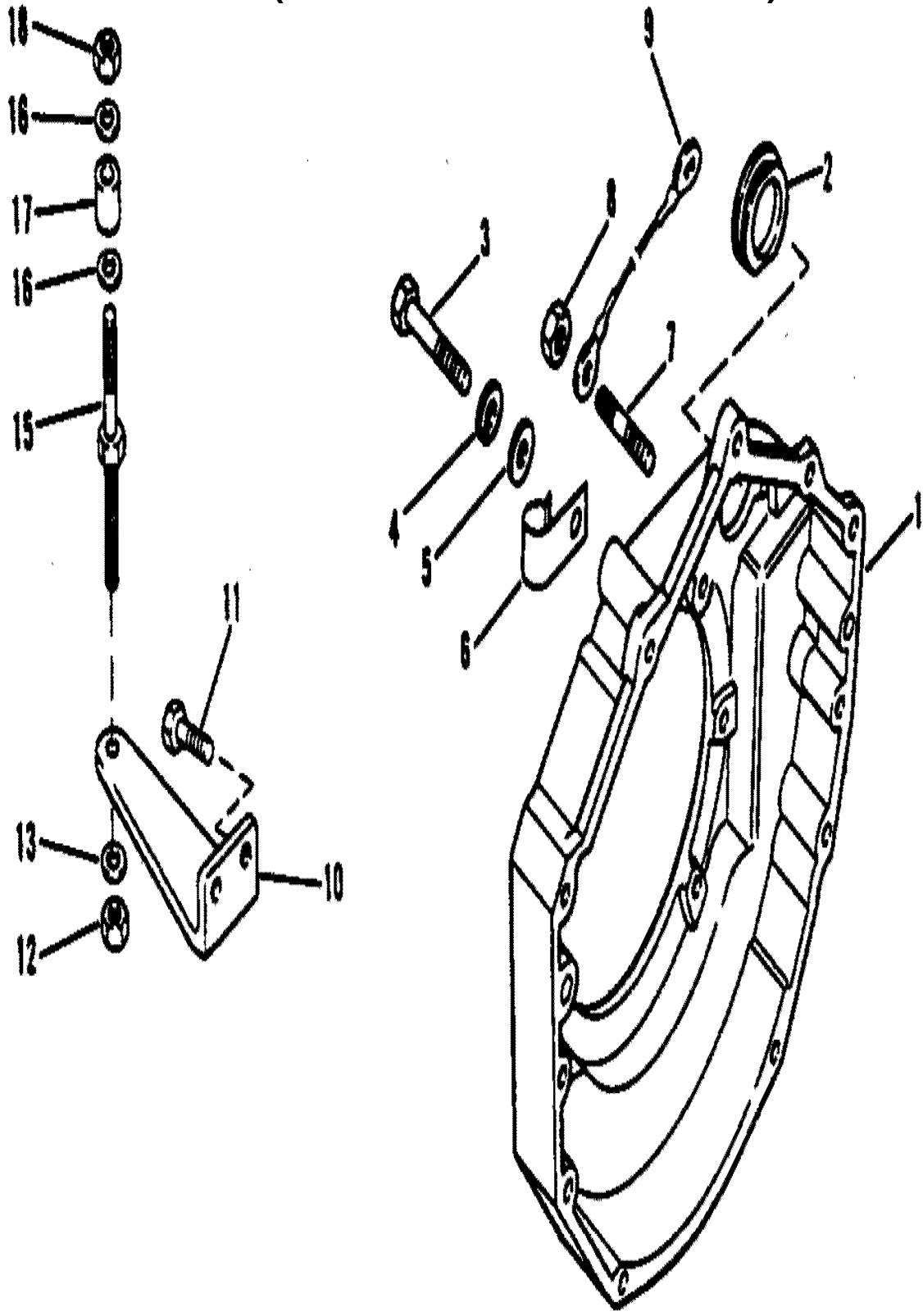
FLYWHEEL HOUSING (BRAVO PLUG - IN MODELS)



FLYWHEEL HOUSING (BRAVO PLUG - IN MODELS)

REF. NO.	PART NO.	SYM.	QTY.	DESCRIPTION
1	12675A7		1	HOUSING ASSEMBLY-FLYWHEEL
2	88791		2	MOUNT-RUBBER-FLYWHEEL HOUSING
3	23-99322		2	SPACER-RUBBER MOUNT-FLYWHEEL HOUSING
4	10-37612		4	SCREW (3/8-16 X 1-1/4")-FLYWHEEL HOUSING ATTACHING
	10-32132		1	SCREW (3/8-16 X 1-3/4")-FLYWHEEL HOUSING ATTACHING
5	16-64066		2	STUD (2-3/4")-FLYWHEEL HOUSING ATTACHING
6	11-32219		2	NUT (3/8-16)-FLYWHEEL HOUSING ATTACHING STUD
7	13-35048		8	LOCKWASHER (3/8")-FLYWHEEL HOUSING SCREW
8	12-20572		1	WASHER-SPECIAL (3/8")-HOUSING SCREW
9	54-78945		2	J CLAMP-FLYWHEEL HOUSING STUD
10	13930A3		1	COVER KIT SERIAL 0C849992-0D725646
	818719A3		1	COVER KIT (WITH GASKET) SERIAL 0D725647-0F213244
12	10-32773		7	SCREW (1/4-20 X 7/8")-COVER TO FLYWHEEL HOUSING
13	84-62826A6		2	CABLE ASSEMBLY (BLACK)

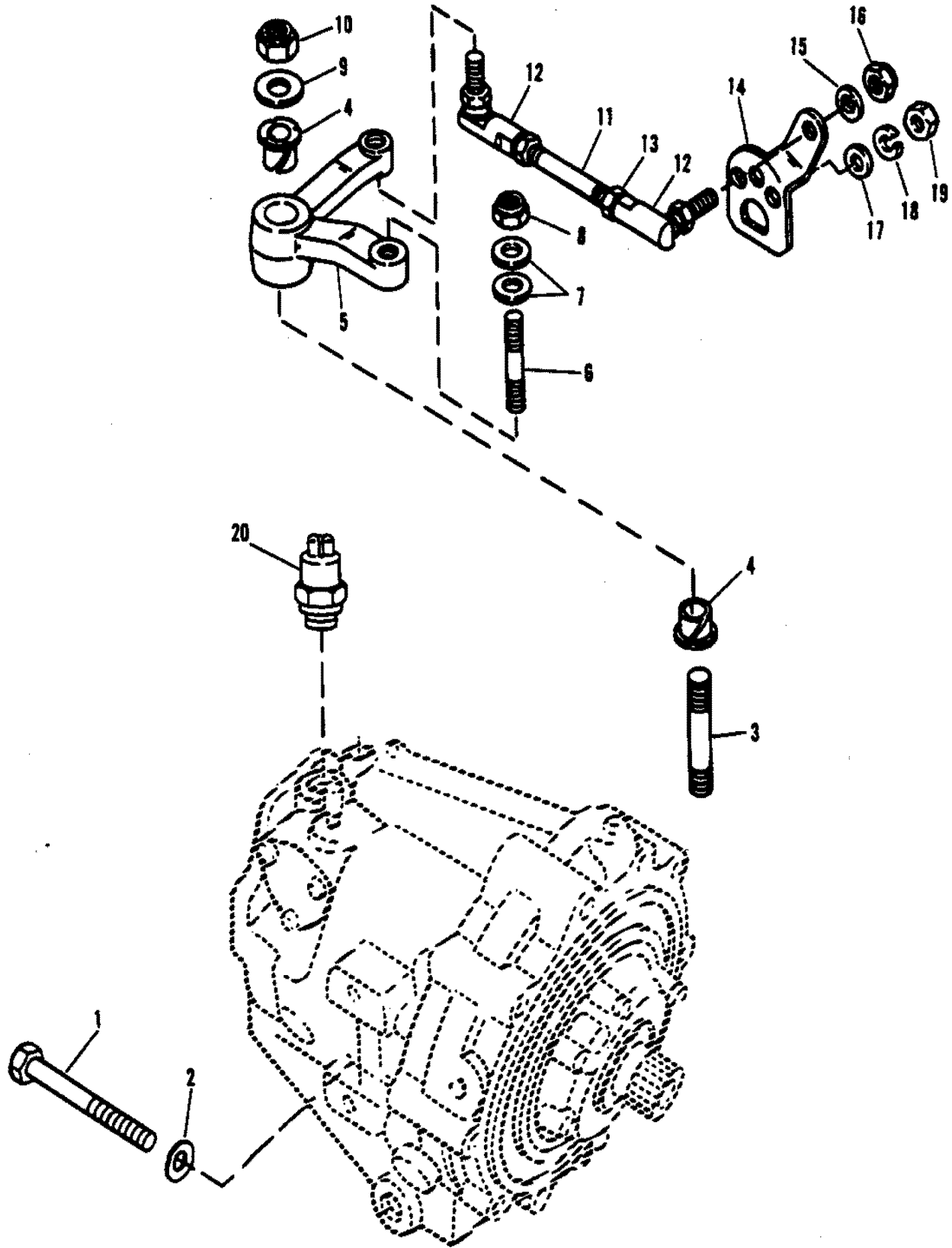
FLYWHEEL HOUSING (TRANSMISSION MODELS)



FLYWHEEL HOUSING (TRANSMISSION MODELS)

REF. NO.	PART NO.	SYM.	QTY.	DESCRIPTION
1	44187T		1	HOUSING-FLYWHEEL
2	19-12304		1	PLUG-TIMING WINDOW
3	10-34353		1	SCREW (3/8-16 X 1")
	10-37612		1	SCREW (3/8-16 X 1-1/4")
	10-47688		2	SCREW (3/8-16 X 2-3/4")
4	13-35048		7	LOCKWASHER (3/8")
5	12-20553		5	WASHER
	12-20572		1	WASHER (FOR SLOT)
6	54-47483		1	J CLIP
7	16-96112		2	STUD (2-1/4")
8	11-32219		2	NUT (3/8-16)
9	84-62826A7		1	CABLE ASSEMBLY (21")-GROUND
	84-62826A6		1	CABLE ASSEMBLY (13")-GROUND
10	17917		1	BRACKET-SHIFT
11	10-28668		2	SCREW (1/4-20 X 7/8")
12	11-35045		1	NUT (1/4-28)
13	12-39143		1	WASHER
15	16-63335		1	STUD
16	12-21631		2	WASHER
17	23-31866		1	SPACER
18	11-20361		1	NUT (1/4-28)

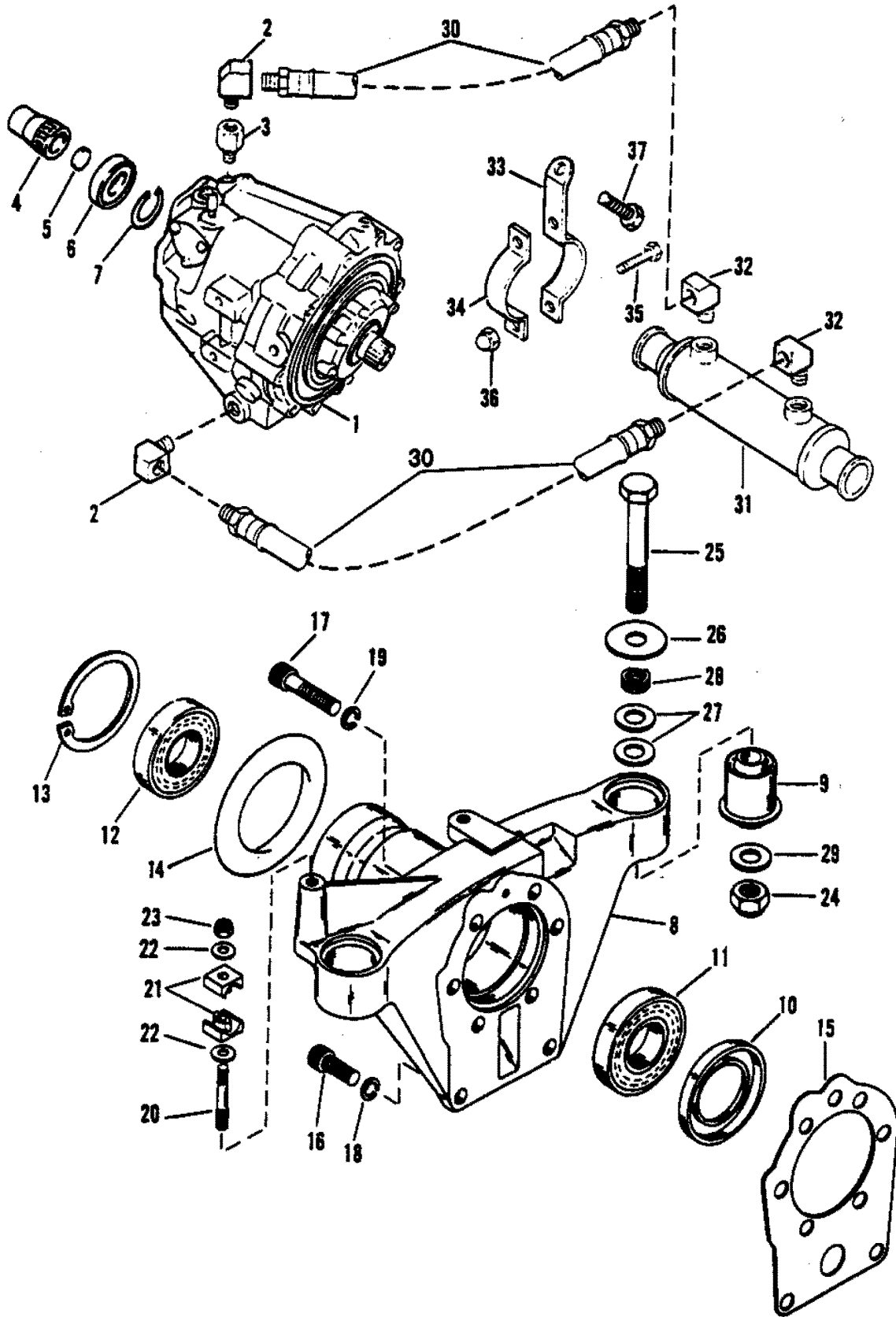
SHIFT LINKAGE



SHIFT LINKAGE

REF. NO.	PART NO.	SYM.	QTY.	DESCRIPTION
1	10-60179		6	SCREW (7/16-14 X 3-1/2")-TRANSMISSION TO ENGINE
2	13-32993		6	LOCKWASHER (7/16")-TRANSMISSION SCREW
3	16-87163		1	STUD-SHIFT CRANK TO TAILSTOCK
4	23-26954		2	BUSHING-SHIFT CRANK STUD
5	98301A3		1	SHIFT CRANK ASSEMBLY
6	16-72809		1	STUD-SHIFT CRANK
7	12-69056		2	WASHER-SHIFT CRANK STUD
8	11-35888		1	NUT (1/4-28)-SHIFT CRANK STUD
9	12-34931		1	WASHER-SHIFT CRANK STUD
10	11-34932		1	NUT (3/8-24)-SHIFT CRANK STUD
11	98299A2		1	SHIFT ROD ASSEMBLY
12	73393		2	BALL JOINT
13	11-25168		2	NUT (1/4-28)
14	12128		1	LEVER-SHIFT-TRANSMISSION
15	12-29245		1	WASHER-SHIFT ROD
16	11-35888		1	NUT (1/4-28)-SHIFT ROD
17	12-20722		1	WASHER-SHIFT LEVER TO TRANSMISSION
18	13-26993		1	LOCKWASHER (7/16")-SHIFT LEVER TO TRANSMISSION
19	11-22053		1	NUT (5/16-24)-SHIFT LEVER TO TRANSMISSION
20	87-88031		1	SWITCH-TEMPERATURE

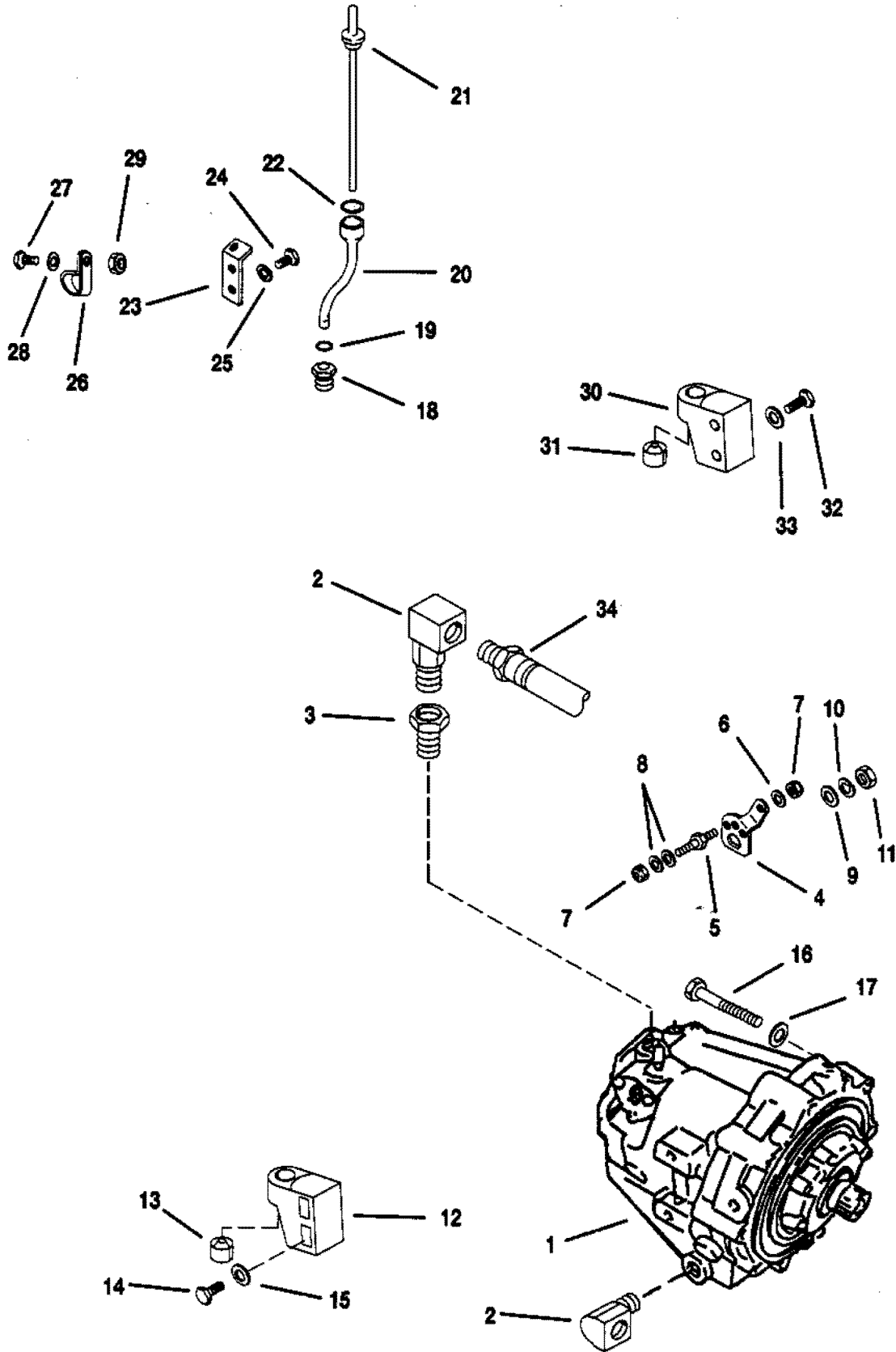
TRANSMISSION AND TAILSTOCK



TRANSMISSION AND TAILSTOCK

REF. NO.	PART NO.	SYM.	QTY.	DESCRIPTION
1	14746A3		1	TRANSMISSION ASSEMBLY
2	22-47629		2	ELBOW-TRANSMISSION TO OIL HOSE
3	22-88517		1	ADAPTOR
4	57758A2		1	COUPLING ASSEMBLY-ENGINE TO TRANSMISSION
5	19-47463		1	PLUG-EXPANSION-ENGINE COUPLING
6	30-47470		1	BEARING-BALL-ENGINE COUPLING
7	53-47469		1	RING-SNAP-BEARING TO ENGINE COUPLING
8	98322A2		1	TAILSTOCK ASSEMBLY-BEARING SUPPORT
9	35852		2	MOUNT-RUBBER-TAILSTOCK
10	26-47465		1	SEAL-OIL-TAILSTOCK
11	30-57762		1	BEARING-BALL-TAILSTOCK (3-5/32" O.D.)
12	30-32537		1	BEARING-BALL-TAILSTOCK (2-27/32" O.D.)
13	53-54481		1	RING-SNAP-BEARING TO TAILSTOCK
14	25-54067		1	SEAL-TAILSTOCK
15	27-47903		1	GASKET-TAILSTOCK
16	10-29081		6	SCREW (7/16-14 X 1-1/4")-TAILSTOCK TO TRANSMISSION
17	10-99524		2	SCREW (7/16-14 X 2")-TAILSTOCK TO TRANSMISSION
18	13-30381		6	LOCKWASHER (7/16" HI-COLLAR)-TAILSTOCK SCREW
19	13-32993		2	LOCKWASHER (7/16")-TAILSTOCK SCREW
20	16-99801		1	STUD-CLAMP BLOCK
21	41058		2	CLAMP BLOCK-SHIFT CABLE
22	12-69056		2	WASHER-CLAMP BLOCK STUD
23	11-35888		1	NUT (1/4-28)-CLAMP BLOCK STUD
24	11-22339		2	NUT (5/8-18)-TAILSTOCK TO TRANSOM PLATE SCREWS
25	10-47467		2	SCREW (5/8-18 X 5-1/2")-TAILSTOCK TO TRANSOM PLATE
26	12-47475		2	WASHER-TRANSOM PLATE SCREWS
27	12-47466		4	WASHER-TRANSOM PLATE SCREWS (NEOPRENE)
28	13-34846		2	LOCKWASHER-TRANSOM PLATE SCREWS
29	12-33171		2	WASHER-TRANSOM PLATE SCREWS
30	32-47516--6		2	HOSE ASSEMBLY-TRANSMISSION TO OIL COOLER
31	63832A1		1	COOLER ASSEMBLY-OIL-TRANSMISSION
32	22-63835		1	ELBOW-OIL COOLER (45 DEG.)
	22-47629		1	ELBOW-OIL COOLER (90 DEG.)
33	63820T1		1	BRACKET-OIL COOLER (LONG)
34	56328A1		3	BRACKET-OIL COOLER (SHORT)
35	10-60300		2	SCREW (1/4-28 X 3/4")-OIL COOLER BRACKET
36	11-30506		2	NUT (1/4-28)-OIL COOLER BRACKET SCREW
37	10-35765A1		1	SCREW (5/16-18 X 5/8")-OIL COOLER BRACKET TO ENGINE

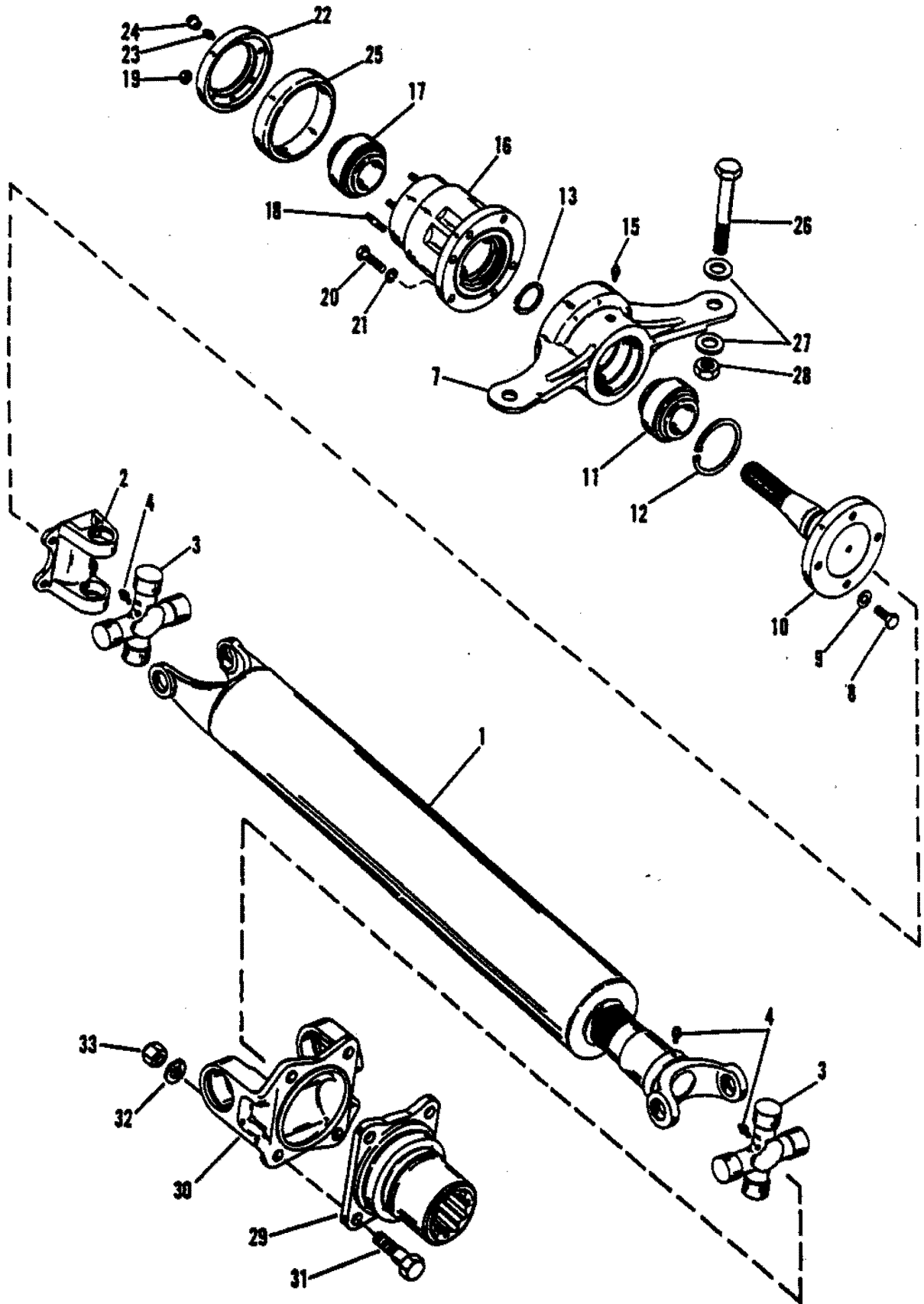
TRANSMISSION (DRIVELINE)



TRANSMISSION (DRIVELINE)

REF. NO.	PART NO.	SYM.	QTY.	DESCRIPTION
1	14750A1		1	TRANSMISSION ASSEMBLY
2	22-47629		2	ELBOW
3	22-88517		1	ADAPTOR
4	12128		1	LEVER-SHIFT
5	16-63335		1	STUD
6	12-39143		1	WASHER
7	11-20361		2	NUT (1/4-28)
8	12-29245		2	WASHER
9	12-20722		1	WASHER
10	13-39107		1	LOCKWASHER (5/16")
11	11-22053		1	NUT (5/16-24)
12	47334A2		1	BRACKET ASSEMBLY-MOUNTING (STARBOARD)
13	35852		1	MOUNT
14	10-47462		2	SCREW (7/16-14 X 1-1/4")
15	13-32993		2	LOCKWASHER (7/16")
16	10-60179		6	SCREW (7/16-14 X 3-1/2")
17	13-32993		6	LOCKWASHER (7/16")
18	48461		1	ADAPTOR-DIPSTICK TUBE TO TRANSMISSION
19	25-48462		1	O RING
20	48463		1	TUBE-DIPSTICK
21	48464		1	DIPSTICK
22	25-35276		1	O RING
23	48466		1	BRACKET-DIPSTICK TUBE
24	10-32417		2	SCREW (1/4-28 X 5/8")
25	13-26992		2	LOCKWASHER (1/4")
26	54-67015		1	CLAMP
27	10-60300		1	SCREW (1/4-28 X 3/4")
28	12-29245		2	WASHER
29	11-20361		1	NUT (1/4-28)
30	47340A1		1	BRACKET ASSEMBLY-MOUNTING (PORT)
31	35852		1	MOUNT
32	10-47462		2	SCREW (7/16-14 X 1-1/4")
33	13-32993		2	LOCKWASHER (7/16")
34	32-47516--6		2	HOSE ASSEMBLY (30")

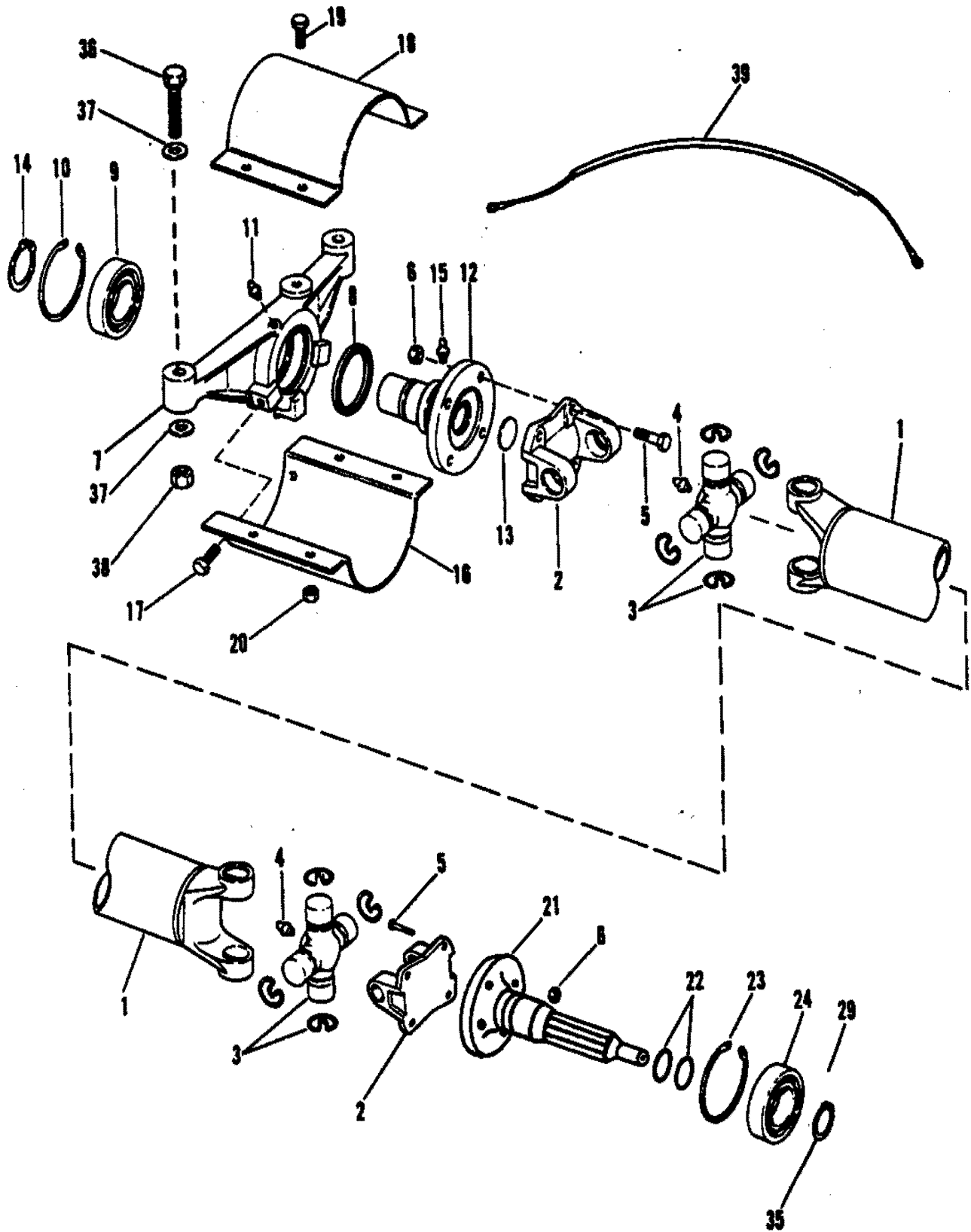
DRIVESHAFT AND TAILSTOCK



DRIVESHAFT AND TAILSTOCK

REF. NO.	PART NO.	SYM.	QTY.	DESCRIPTION
1	45-86978A1		1	DRIVESHAFT ASSEMBLY
2	61218		1	FLANGE-DRIVESHAFT
3	61221		2	UNIVERSAL JOINT
4	22-74036		2	FITTING-GREASE
7	68485A2		1	HOUSING ASSEMBLY-TAILSTOCK
8	10-92154		4	SCREW (7/16-20 X 1")-DRIVESHAFT TOTALSTOCK
9	12-45176		4	WASHER
10	68488		1	SHAFT-TAILSTOCK
11	30-62780A1		1	BEARING-BALL
12	53-68487		1	RING-SNAP
13	53-68486		1	RING-SNAP
15	22-74036		1	FITTING-GREASE
16	62739A2		1	HOUSING ASSEMBLY-OUTPUT
17	30-62780A1		1	BEARING-BALL
18	16-32027		6	STUD
19	11-24652		6	NUT (1/4-28)
20	10-74824		6	SCREW (5/16-18 X 1-1/4")
21	13-39107		6	LOCKWASHER (5/16")
22	65989		1	RETAINER-BALL BEARING
23	22-74036		1	FITTING-GREASE
24	19-77633		2	CAPLUG-GREASE FITTING
25	62734		1	MOUNT-RUBBER-OUTPUT HOUSING
26	10-67630		2	SCREW (5/8-18 X 4")-TAILSTOCK TO TRANSOM PLATE
27	12-36258		4	WASHER-TAILSTOCK SCREW
28	11-52901		2	NUT (5/8-18)-TAILSTOCK SCREW
29	96276A2		1	YOKE ASSEMBLY
30	61218		1	FLANGE-YOKE
31	10-68743		4	SCREW (7/16-20 X 1-1/4")
32	13-47659		4	LOCKWASHER (7/16")
33	11-22024		4	NUT (7/16-20)

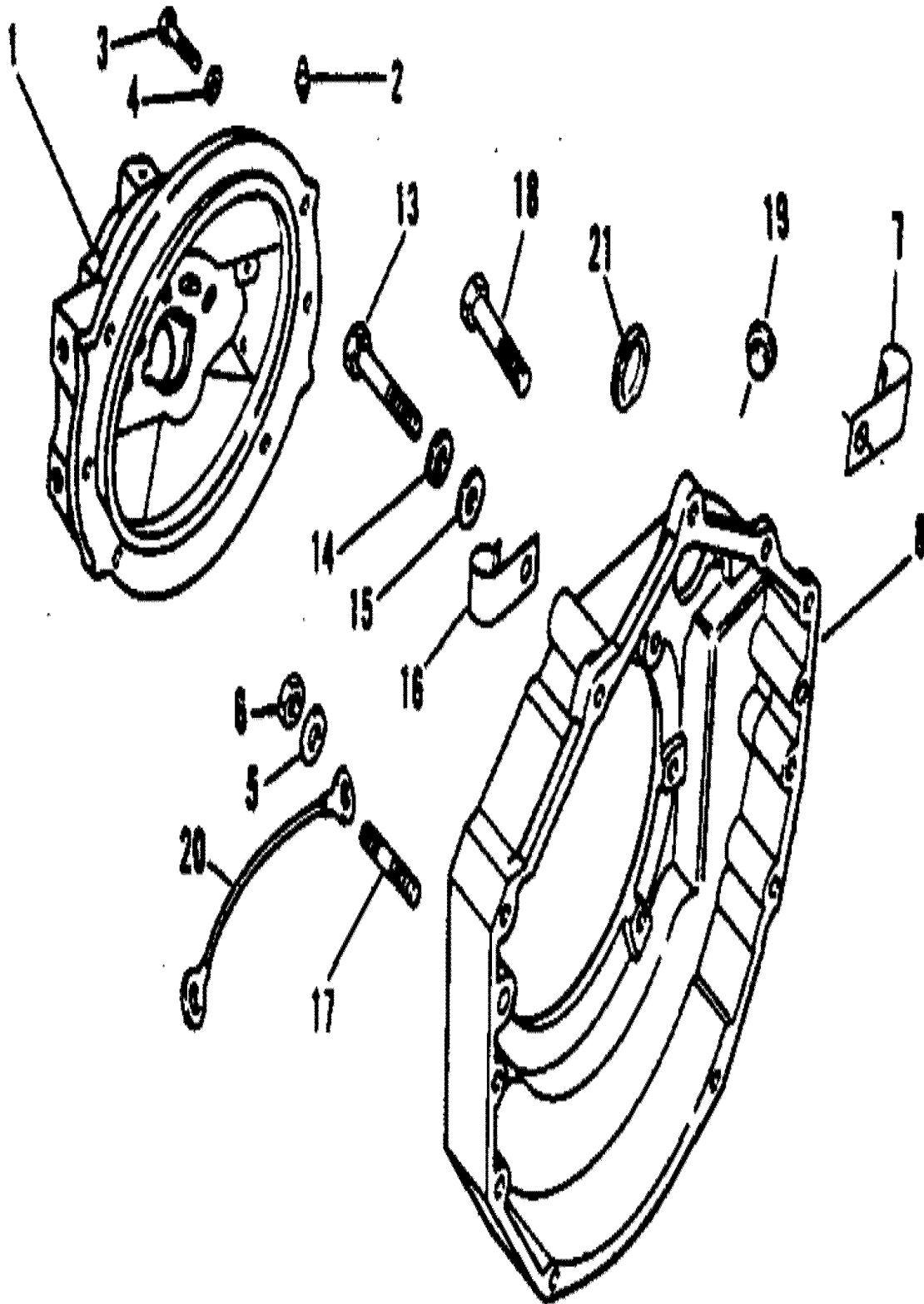
DRIVESHAFT EXTENSION COMPONENTS (BRAVO)



DRIVESHAFT EXTENSION COMPONENTS (BRAVO)

REF. NO.	PART NO.	SYM.	QTY.	DESCRIPTION
1	45-94819A3		1	DRIVESHAFT ASSEMBLY
2	52504T		2	FLANGE-YOKE
3	61221		2	UNIVERSAL JOINT
4	22-74036		2	FITTING-GREASE
5	10-52498		8	SCREW (7/16-20 X 1-1/2")
6	11-34933		8	NUT (7/16-20)
7	42304A2		1	SUPPORT ASSEMBLY-BEARING
8	26-93924		1	SEAL-OIL
9	30-93944A1		1	BEARING-BALL
10	53-93914		1	RING-RETAINING
11	22-74036		1	FITTING-GREASE
12	93908A1		1	SHAFT ASSEMBLY-INPUT
13	19-93921		1	PLUG-EXPANSION
14	53-93915		1	RING-RETAINING
15	22-74036		1	FITTING-GREASE
16	93918A1		2	SHIELD ASSEMBLY-LOWER
17	10-76926		6	SCREW (3/8-16 X 7/8")
18	93919A1		2	SHIELD ASSEMBLY-UPPER
19	10-96995		8	SCREW (3/8-16 X 7/8")
20	11-68411		8	NUT (3/8-16)
21	93906A2		1	SHAFT ASSEMBLY-OUTPUT
22	25-25439		2	O RING
23	53-94104		1	RING-RETAINING
24	30-62780A1		1	BEARING-BALL
35	53-94103		1	RING-RETAINING
36	10-57053		2	SCREW (1/2-20 X 4-1/2")
37	12-42307		4	WASHER (SPHERICAL)
38	11-28040		2	NUT (1/2-20)
39	84-816943		1	HARNESS ASSEMBLY

FLYWHEEL HOUSING (BRAVO DRIVESHAFT MODELS)



FLYWHEEL HOUSING (BRAVO DRIVESHAFT MODELS)

REF. NO.	PART NO.	SYM.	QTY.	DESCRIPTION
1	93911A4		1	HOUSING ASSEMBLY
2	22-74036		2	FITTING-GREASE
3	10-47651		6	SCREW (7/16-14 X 1-1/2")
4	13-32993		6	LOCKWASHER (7/16")
5	12-20553		5	WASHER
6	11-32219		2	NUT (3/8-16)
7	54-62494		1	CLIP
8	44187T		1	HOUSING-FLYWHEEL
13	10-37612		1	SCREW (3/8-16 X 1-1/4")
	10-47688		2	SCREW (3/8-16 X 2-3/4")
14	13-35048		7	LOCKWASHER (3/8")
15	12-20572		1	WASHER (FOR SLOT)
16	54-78945		2	J CLIP
17	16-64066		1	STUD (2-3/4")
18	10-34353		1	SCREW (3/8-16 X 1")
19	19-38606		1	PLUG
20	84-62826A6		2	CABLE ASSEMBLY (BLACK)
21	19-12304		2	PLUG-TIMING WINDOW

PARTS INDEX

Part Number	Description	Pg.	Ref. No.	Part Number	Description	Pg.	Ref. No.
12128	LEVER-SHIFT	75	4	33284	HOLDER-INSULATED-FIELD		
12128	LEVER-SHIFT- TRANSMISSION	71	14	33284	FRAME BRUSH	11	19
12381--1	RETAINER-SHIFT CABLE	53	3	33284	HOLDER-INSULATED-FIELD FRAME BRUSH	13	19
12552	LIFTING EYE	35	25	33291	COLLAR-PINION STOP	11	5
12675A7	HOUSING ASSEMBLY- FLYWHEEL	67	1	33291	COLLAR-PINION STOP	13	5
12820	BRACKET-OIL COOLER (POWER STEERING MODELS)	55	24	33294	SUPPORT	11	23
12820	BRACKET-OIL COOLER (POWER STEERING MODELS)	55	25	33294	SUPPORT	13	23
13024	VALVE-EXHAUST (STANDARD)	37	16	33297	LEVER-SHIFT	13	26
13220	REBUILD KIT-CARBURETOR OVERHAUL	27	6	33317	PLUNGER	13	30
13524A5	WHEEL ASSEMBLY-ROTOR SENSOR	21	5	33317	PLUNGER-SHIFT LEVER	11	29
13549A6	CARBURETOR (BLACK)	27	1	35377	ROD-FUEL PUMP	23	5
13549A9	CARBURETOR (BLUE)	27	1	35852	MOUNT	75	13
13611	SENDER UNIT-OIL TEMPERATURE	17	20	35852	MOUNT	75	31
13611	SENDER-OIL TEMPERATURE	15	21	35852	MOUNT-RUBBER- TAILSTOCK	73	9
13898--1	LEVER-SHIFT	53	14	37293	SENDER ASSEMBLY-OIL PRESSURE (DUAL)	17	27
13930A3	COVER KIT	67	10	37293	SENDER-OIL PRESSURE (DUAL)	15	23
14607T	DIPSTICK-OIL LEVEL	45	27	41058	CLAMP BLOCK-SHIFT CABLE	73	21
14746A3	TRANSMISSION ASSEMBLY	73	1	42304A2	SUPPORT ASSEMBLY- BEARING	79	7
14750A1	TRANSMISSION ASSEMBLY	75	1	42336	CAP-OIL FILLER	37	3
14761	SHAFT	47	3	42600A3	CONTROLLER ASSEMBLY	17	31
14902	BREATHER-ROCKER COVER	37	5	42770	PULLEY	3	3
15017	BRACKET-THROTTLE	27	13	42770	PULLEY	9	3
15295T	BRACKET-WATER PUMP (STAMPED)	49	26	42771	FAN	3	4
15751T	BRACE-WATER PUMP	49	34	42774	BRACKET - FRONT	3	6
16792A1	PUMP ASSEMBLY-POWER STEERING (BLACK)	59	1	42776	STATOR	3	9
16792A25	PUMP ASSEMBLY-POWER STEERING (BLUE)	59	1	42777	BRACKET - REAR	3	10
17316A1	IGNITION MODULE ASSEMBLY	17	38	42778	HEAT SINK	3	11
17316A2	IGNITION CONVERSION KIT	15	28	42779	HEAT SINK	3	12
17917	BRACKET-SHIFT	69	10	42780	CONDENSER ASSEMBLY	3	13
18311A17	COUPLING ASSEMBLY- ENGINE (BRAVO MODELS ONLY)	41	10	42781	BEARING KIT	3	16
19221--2	PAN ASSEMBLY-OIL	45	8	42782	HARDWARE KIT - EXTERNAL	3	15
19692T	PULLEY	43	14	42783	HARDWARE KIT - INTERNAL	3	14
26079A2	PLATE KIT	15	2	42784	BRUSH KIT (INCLUDES SPRINGS AND BRUSHES)	3	17
26079A2	PLATE KIT	17	2	42785	REGULATOR KIT	3	18
32783	RETAINER (3 WIRE)	21	22	44187T	HOUSING-FLYWHEEL	69	1
32784	RETAINER (4 WIRE)	21	23	44187T	HOUSING-FLYWHEEL	81	8
33270	BRUSH-FIELD FRAME	11	21	47334A2	BRACKET ASSEMBLY- MOUNTING (STARBOARD)	75	12
33270	BRUSH-FIELD FRAME	13	21	47340A1	BRACKET ASSEMBLY- MOUNTING (PORT)	75	30
33283	HOLDER-FIELD FRAME BRUSH GROUND	11	20	47442A1	COVER-THERMOSTAT	35	9
33283	HOLDER-FIELD FRAME BRUSH GROUND	13	20	47530	HUB-WATER PUMP PULLEY	49	20
				48461	ADAPTOR-DIPSTICK TUBE TO TRANSMISSION	75	18
				48463	TUBE-DIPSTICK	75	20
				48464	DIPSTICK	75	21
				48466	BRACKET-DIPSTICK TUBE	75	23
				48504A2	ADAPTOR-OIL FILTER	55	1
				48952	SWITCH ASSEMBLY-WATER TEMPERATURE	61	1
				49132	GUIDE-PUSH ROD	37	19
				49149	SHAFT	45	3

PARTS INDEX

Part Number	Description	Pg.	Ref. No.	Part Number	Description	Pg.	Ref. No.
49198	BAFFLE	45	5	79205	DRIVE ASSEMBLY-CLUTCH	11	6
49734A1	SENDER ASSEMBLY-WATER TEMPERATURE (DUAL) . .	17	24	79206	HOUSING ASSEMBLY	13	1
49734A1	SENDER-WATER TEMPERATURE (DUAL) . .	15	22	79211	FRAME-COMMUTATOR END	11	17
52185	CLAMP	21	14	79211	FRAME-COMMUTATOR END	13	17
52504T	FLANGE-YOKE	79	2	79396	PLATE-BEARING	11	7
52822T	PULLEY-WATER PUMP (CAST)	49	22	79396	PLATE-BEARING	13	7
54676	RETAINER (2 WIRE)	21	21	805273--1	THERMOSTAT (140 DEG.) . .	35	5
56328--1	BRACKET (SHORT)	59	18	805567T	DIPSTICK-OIL LEVEL	47	21
56328A1	BRACKET-OIL COOLER . . .	55	26	805659A1	LONG BLOCK MARINE ENGINE	39	-
56328A1	BRACKET-OIL COOLER (SHORT)	73	34	805759A2	CAP ASSEMBLY	21	2
57758A2	COUPLING ASSEMBLY- ENGINE TO TRANSMISSION	73	4	808698A1	PUMP ASSEMBLY, OIL	45	1
57908-11	SLEEVE-ALTERNATOR LEAD	7	21	811549	PAN ASSEMBLY-OIL	47	8
59501A1	SHAFT-WATER PUMP	49	17	811556	DAMPER-TORSIONAL	43	17
59966	POINTER-TIMING	43	30	811570	COVER ASSEMBLY	43	26
61218	FLANGE-DRIVESHAFT	77	2	811573	PUMP ASSEMBLY-WATER . .	43	11
61218	FLANGE-YOKE	77	30	811580	CHAIN-TIMING	39	10
61221	UNIVERSAL JOINT	77	3	811586	GUIDE-PUSH ROD	37	19
61221	UNIVERSAL JOINT	79	3	811682	BAFFLE	47	17
61728	CHAIN-TIMING	39	10	811866	FAN	9	5
62734	MOUNT-RUBBER-OUTPUT HOUSING	77	25	811868	BRACKET ASSEMBLY- FRONT	9	7
62739A2	HOUSING ASSEMBLY- OUTPUT	77	16	811871	RETAINER	9	10
63820--3	BRACKET (LONG)	59	17	811872	ROTOR ASSEMBLY	9	11
63820T1	BRACKET-OIL COOLER (LONG)	73	33	811873	STATOR ASSEMBLY	9	12
63832A1	COOLER ASSEMBLY-OIL- TRANSMISSION	73	31	811874	BRACKET ASSEMBLY-REAR	9	13
63880T	BRACKET-OIL FILTER	55	5	811875	RECTIFIER ASSEMBLY	9	14
65970T	BRACKET-COIL MOUNT (ON ELECTRICAL BRACKET) .	21	27	811877	HOLD	9	16
65989	RETAINER-BALL BEARING .	77	22	811879	CONDENSER ASSEMBLY . .	9	18
66215	COVER ASSEMBLY	43	26	811880	HOLD	9	19
67858	DAMPER-TORSIONAL	43	17	811883	REGULATOR ASSEMBLY . .	9	22
68485A2	HOUSING ASSEMBLY- TAILSTOCK	77	7	811884	BRUSH	9	23
68488	SHAFT-TAILSTOCK	77	10	811887	TERMINAL	9	26
68606	ARMATURE	13	11	811888	COVER	9	27
68608	DRIVE ASSEMBLY-CLUTCH	13	6	814474	COLLAR-THRUST	11	3
68878A6	HORN ASSEMBLY	61	9	814474	COLLAR-THRUST	13	3
68878A6	HORN ASSEMBLY	61	9	814510	REINFORCEMENT (PORT) .	45	18
69304	ARM-VALVE ROCKER	37	20	814511	REINFORCEMENT (STARBOARD)	45	18
69355	STA STRAP-VENT HOSE . . .	27	29	814624A2	PUMP ASSEMBLY-FUEL . . .	23	1
71698	LEVER-SHIFT	11	26	814901A5	MANIFOLD ASSEMBLY- EXHAUST (PORT)	31	1
72608	MANIFOLD-IN TAKE	43	1	814901A6	MANIFOLD ASSEMBLY- EXHAUST (STARBOARD)	31	1
72775	ROTOR (INCLUDES BEARINGS)	3	8	815251A1	BRACKET KIT-ALTERNATOR MOUNT (3/8" HOLES) . . .	7	23
73393	BALL JOINT	71	12	815425	SENDER ASSEMBLY-OIL PRESSURE	17	27
73873--3	PULLEY (BLUE)	59	3	815425	SENDER-OIL PRESSURE . .	15	23
73873A1	PULLEY (BLACK)	59	3	815675	LIFTER	39	8
75664	FIELD COIL ASSEMBLY . . .	11	15	815916	SPACER-CARBURETOR . . .	27	9
75665	ARMATURE	11	11	816037	PLATE-DIFFUSER	31	26
75666	HOUSING ASSEMBLY	11	1	816070	ARRESTOR-FLAME	27	25
				816074	COOLER-OIL	55	23
				816195--1	BRACKET-OIL COOLER (BRAVO MODELS)	55	24
				816196--1	BRACKET-OIL COOLER (BRAVO MODELS)	55	25
				816283	ADAPTER	53	18

PARTS INDEX

Part Number	Description	Pg.	Ref. No.	Part Number	Description	Pg.	Ref. No.
816308	ENGINE MOUNT (FRONT STARBOARD STAGGERED)	65	-	847807	ENGINE MOUNT (REAR SIDE BY SIDE)	65	-
816358	SENSOR-OIL LEVEL	45	19	847808	ENGINE MOUNT (REAR STAGGERED)	65	-
816469	COIL	15	31	848131--1	BRACKET-MOUNT (7/16")	17	4
816470--3	BRACKET-ELECTRIAL MOUNT	15	4	848146	BRACKET-ALTERNATOR MOUNT (7/16" HOLES)	7	23
816618	DRIVE PLATE (TRANSMISSION MODELS)	41	19	848263	PUSH ROD-VALVE (INTAKE)	37	18
816664A1	MODULE ASSEMBLY-OIL LEVEL	45	20	848266	PUSH ROD-VALVE (EXHAUST)	37	18
816674	WIRE ASSEMBLY-COIL (BLACK)	21	24	85013T	BRACE-ALTERNATOR ADJUSTING	7	15
816827	PUMP KIT-ACCELERATOR	27	-	86045	TIMER-TEMPERATURE BUZZER	61	8
816899	RETAINER	37	12	86045	TIMER-TEMPERATURE BUZZER	61	8
817043	END CAP	55	-	86047A11	HOUSING KIT-BUZZER (WITH TWO RING CONNECTORS)	61	7
817119--1	ALTERNATOR ASSEMBLY (BLUE)	7	10	86047A16	HOUSING KIT-BUZZER (WITH 1 RING - 1 SPADE CONNECTOR)	61	7
817119A4	ALTERNATOR ASSEMBLY (BLACK)	7	10	87631A4	COVER ASSEMBLY-WATER PUMP	49	3
817119A4	ALTERNATOR ASSEMBLY (BLACK)	9	-	88791	MOUNT-RUBBER-FLYWHEEL HOUSING	67	2
817367	ENGINE MOUNT (FRONT PORT SIDE BY SIDE)	63	-	89057	BRACE-STARTER MOTOR	7	3
817368	ENGINE MOUNT (FRONT STARBOARD SIDE BY SIDE)	63	-	89876A3	BASE ASSEMBLY-FUEL FILTER	23	6
817370	ENGINE MOUNT (FRONT SINGLE)	63	-	89876A3	BASE ASSEMBLY-FUEL FILTER	25	6
818365T	PULLEY	51	20	90081T	PULLEY	43	18
818366A1	SHAFT ASSEMBLY	51	15	90736A18	HOUSING ASSEMBLY-THERMOSTAT	35	1
818367A1	HOUSING ASSEMBLY-WATER PUMP	51	13	90747A27	DISTRIBUTOR ASSEMBLY	21	1
818379T	BRACKET-IDLER	51	39	90783A22	ADAPTOR ASY-OIL FILTER	55	11
818380	BUSHING	51	31	91830	COVER-ADAPTOR	55	13
818382	PULLEY	51	32	93906A2	SHAFT ASSEMBLY-OUTPUT	79	21
818383T	PUMP ASSEMBLY-FUEL	25	1	93908A1	SHAFT ASSEMBLY-INPUT	79	12
818497A1	ELBOW KIT-EXHAUST (6")	31	22	93911A4	HOUSING ASSEMBLY	81	1
818498A1	ELBOW KIT-EXHAUST (STANDARD)	31	22	93918A1	SHIELD ASSEMBLY-LOWER	79	16
818499A1	ELBOW KIT-EXHAUST (3")	31	22	93919A1	SHIELD ASSEMBLY-UPPER	79	18
818631A6	TUBE ASSEMBLY-DIPSTICK	47	12	94070--1	BRACKET-THROTTLE	29	38
818719A3	COVER KIT (WITH GASKET)	67	10	94576	WEAR PLATE-INNER	49	12
818745A1	RING KIT-SLIP	51	16	94576	WEAR PLATE-INNER	51	11
821024	VALVE-INLET (2.250 DIA.) (STANDARD)	37	17	94916	WEAR PLATE-OUTER	49	7
821707--1	COVER-WATER PUMP	51	3	94916	WEAR PLATE-OUTER	51	7
821948A1	COVER ASSY-ROCKER	37	1	95820	STUD-VALVE ROCKER ARM	37	22
821948A4	COVER ASSY-ROCKER	37	1	96028--1	KEY-VALVE STEM	37	11
822519	POWER VALVE	27	-	96276A2	YOKE ASSEMBLY	77	29
823185A2	BRACKET KIT-WATER PUMP MOUNT	51	25	96940T	BRACKET-FILTER ASSEMBLY MOUNT	23	16
823755A1	OVERSPEED ASSEMBLY	19	43	97257A1	SENDER ASSEMBLY-WATER TEMPERATURE	17	24
827589A1	PUMP ASSEMBLY-OIL	47	1	97257A1	SENDER-WATER TEMPERATURE	15	22
847676--1	BRACKET-MOUNT (3/8")	17	4	97350T1	PLATE-EXHAUST	33	1
847806	ENGINE MOUNT (REAR SINGLE)	63	-	98299A2	SHIFT ROD ASSEMBLY	71	11
				98301A3	SHIFT CRANK ASSEMBLY	71	5

PARTS INDEX

Part Number	Description	Pg.	Ref. No.	Part Number	Description	Pg.	Ref. No.
98813A1	BRACE	59	6	10-26066	SCREW (5/16-24 X 1-3/4")	23	8
99237A10	BRACKET ASSEMBLY-SHIFT	53	1	10-28634A1	SCREW PLUG ASSEMBLY	51	23
99356A2	COOLER ASSEMBLY-OIL- POWER STEERING	59	16	10-28668	SCREW (1/4-20 X 7/8")	69	11
99889	VALVE-BY PASS	55	16	10-28782	SCREW (5/16-18 X 7/8")	25	9
FI5000254	GASKET-OIL PUMP COVER	45	1A	10-29081	SCREW (7/16-14 X 1-1/4")- TAILSTOCK TO TRANSMISSION	73	16
FI5000254	GASKET-OIL PUMP COVER	47	1A				
N.S.S	FIELD COIL ASSY (DELCO REMY #1970467)	13	15	10-29198	SCREW & LOCKWASHER (5/16-18 X 7/8")-ALT BRACE	7	19
N.S.S	SCREW-SOLENOID (DELCO REMY #132255)	13	33	10-32132	SCREW (3/8-16 X 1-3/4")	43	2
N.S.S	WASHER-LEATHER (DELCO REMY #1985617)	13	16	10-32132	SCREW (3/8-16 X 1-3/4")- FLYWHEEL HOUSING ATTACHING	67	4
N.S.S.	BOLT-THRU (DELCO REMY #1939970)	11	18	10-32417	SCREW (1/4-28 X 5/8")	75	24
N.S.S.	BOLT-THRU (DELCO REMY #1939970)	13	18	10-32773	SCREW (1/4-20 X 7/8")- COVER TO FLYWHEEL HOUSING	67	12
N.S.S.	BOLT-THRU (DELCO REMY #1941111)	11	18	10-34353	SCREW (3/8-16 X 1")	21	15
N.S.S.	GROMMET-FIELD COIL (DELCO REMY #1846097)	11	14	10-34353	SCREW (3/8-16 X 1")	55	27
N.S.S.	GROMMET-FIELD COIL (DELCO REMY #1846097)	13	14	10-34353	SCREW (3/8-16 X 1")	69	3
N.S.S.	PIN-DOWEL (DELCO REMY #1985696)	11	25	10-34353	SCREW (3/8-16 X 1")	81	18
N.S.S.	PIN-DOWEL (DELCO REMY #1985696)	13	25	10-34353	SCREW (3/8-16 X 1")- ADAPTOR TO BRACKET	55	2
N.S.S.	SCREW (DELCO REMY #1968396)	11	13	10-34354	SCREW (3/8-16 X 1-1/2")	7	28
N.S.S.	SCREW (DELCO REMY #1968396)	13	13	10-34354	SCREW (3/8-16 X 1-1/2")	25	3
N.S.S.	SCREW (DELCO REMY #9413260)	11	32	10-34500	SCREW (3/8-16 X 1-1/2")	43	4
N.S.S.	SCREW-BRUSH LEAD (DELCO REMY #1967747)	11	22	10-35009	SCREW (5/16-18)	45	12
N.S.S.	SCREW-BRUSH LEAD (DELCO REMY #1967747)	13	22	10-35091	SCREW (3/8-16 X 1") (TRANSMISSION MODELS)	41	20
N.S.S.	SCREW-BRUSH LEAD (DELCO REMY #443527)	11	22	10-35339	SCREW (5/16-18 X 3/4")	39	13
N.S.S.	SCREW-BRUSH LEAD (DELCO REMY #443527)	13	22	10-35366	BOLT (7/16")	43	29
N.S.S.	SHOE-POLE FIELD COIL (DELCO REMY #810601)	11	12	10-35765A1	SCREW & WASHER (5/16-18 X 5/8")-BRACE TO ENGINE	7	6
N.S.S.	SHOE-POLE FIELD COIL (DELCO REMY #810601)	13	12	10-35765A1	SCREW (5/16-18 X 5/8")-OIL COOLER BRACKET TO ENGINE	73	37
N.S.S.	STUD-SHIFT LEVER (DELCO REMY #1814529)	13	27	10-35786	SCREW (3/8-24 X 1")-WATER PUMP BRACE	49	38
N.S.S.	STUD-SHIFT LEVER (DELCO REMY #1945804)	11	27	10-35870--1	SCREW (3/8-16 X 2")	43	22
--92497A3	ALTERNATOR ASSEMBLY	3	.	10-35870--1	SCREW (3/8-16 X 2")	43	4
10-13743	SCREW (5/16-18 X 1-27/32")- SHOULDER-SHIFT LEVER	53	15	10-37612	SCREW (3/8-16 X 1-1/4")	15	5
10-14164	SCREW (3/8-16 X 4-3/8")	35	10	10-37612	SCREW (3/8-16 X 1-1/4")	23	17
10-14758	SCREW	43	19	10-37612	SCREW (3/8-16 X 1-1/4")	23	3
10-14883	SCREW (3/8-16 X 1-1/8")	41	11	10-37612	SCREW (3/8-16 X 1-1/4")	59	15
10-15001	SCREW (#8-16 X 7/8")	15	3	10-37612	SCREW (3/8-16 X 1-1/4")	69	3
10-15001	SCREW (#8-16 X 7/8")	17	3	10-37612	SCREW (3/8-16 X 1-1/4")	81	13
10-17965	SCREW (7/16-14 X 45/64")- WATER PUMP BRACKET	49	28	10-37612	SCREW (3/8-16 X 1-1/4")- ALTERNATOR BRACKET	7	28
10-19234	SCREW-CONN ROD CAP	41	14	10-37612	SCREW (3/8-16 X 1-1/4")- BRACKET MOUNT	19	49
				10-37612	SCREW (3/8-16 X 1-1/4")- BRACKET TO ENGINE	55	9
				10-37612	SCREW (3/8-16 X 1-1/4")- FLYWHEEL HOUSING ATTACHING	67	4
				10-39001	SCREW (5/16-18 X 4-1/2")	51	4
				10-40001188	SCREW (M10 X 1.5 X 20)	59	7

PARTS INDEX

Part Number	Description	Pg.	Ref. No.	Part Number	Description	Pg.	Ref. No.
10-41069	SCREW (10-24 X 3/4")	19	46	10-60300	SCREW (1/4-28 X 3/4")-OIL COOLER BRACKET	73	35
10-41354	SCREW (10-24 X 1/2")	45	23	10-62568	SCREW (10-16 X 3/8")	17	35
10-41408	SCREW (10-32 X 1-1/2")	21	28	10-66293	SCREW (1/4-20 X 1/2")	47	15
10-41771	SCREW (10-24 X 7/8")	17	34	10-66686	SCREW (10-32 X 1")	21	7
10-42773	BOLT	3	7	10-67630	SCREW (5/8-18 X 4")-TAILSTOCK TO TRANSOM PLATE	77	26
10-42773	THRU BOLT	9	21	10-68743	SCREW (7/16-20 X 1-1/4")	77	31
10-45862	SCREW (10-32 X 7/8")	15	11	10-69013	SCREW (#10-16 X 7/8")	61	10
10-45862	SCREW (10-32 X 7/8")	17	8	10-72202	SCREW (10-32 X 1-1/4")	21	7
10-47277	SCREW (5/16-24 X 3/4")	43	15	10-72607	SCREW	45	13
10-47277	SCREW (5/16-24 X 3/4")-PULLEY	49	23	10-73275	SCREW (5/16-18 X 2-7/8")-WATER PUMP	49	6
10-47461	SCREW (7/16-14 X 1")	7	32	10-74824	SCREW (5/16-18 X 1-1/4")	77	20
10-47461	SCREW (7/16-14 X 1")	51	29	10-76630	SCREW (1/4-20 X 1")	17	15
10-47461	SCREW (7/16-14 X 1")-ALTERNATOR BRACKET	7	28	10-76926	SCREW (3/8-16 X 7/8")	45	16
10-47461	SCREW (7/16-14 X 1")-BRACE TO ENGINE	49	35	10-76926	SCREW (3/8-16 X 7/8")	79	17
10-47461	SCREW (7/16-14 X 1")-WATER PUMP BRACKET	49	27	10-78291	SCREW (3/16-24 X 1/2")-THROTTLE BRACKET	27	14
10-47462	SCREW (7/16-14 X 1-1/4")	23	17	10-79209	SCREW-BEARING	13	10
10-47462	SCREW (7/16-14 X 1-1/4")	59	15	10-79209	SCREW-BEARING PLATE	11	10
10-47462	SCREW (7/16-14 X 1-1/4")	75	14	10-808707	SCREW (5/16-18 X 5/8")	47	11
10-47462	SCREW (7/16-14 X 1-1/4")	75	32	10-811559	SCREW	43	19
10-47462	SCREW (7/16-14 X 1-1/4")-ALTERNATOR BRACE	7	16	10-811574	SCREW (3/8-16 X 1-3/4")	43	13
10-47462	SCREW (7/16-14 X 1-1/4")-ALTERNATOR BRACKET	7	28	10-811574	SCREW (3/8-16 X 1-3/4")	43	2
10-47462	SCREW (7/16-14 X 1-1/4")-BRACKET MOUNT	19	49	10-811869	SCREW	9	8
10-47462	SCREW (7/16-14 X 1-1/4")-BRACKET TO ENGINE	55	9	10-811876	SCREW	9	15
10-47467	SCREW (5/8-18 X 5-1/2")-TAILSTOCK TO TRANSOM PLATE	73	25	10-811886	SCREW-SET	9	25
10-47651	SCREW (7/16-14 X 1-1/2")	81	3	10-811889	SCREW-SET	9	28
10-47688	SCREW (3/8-16 X 2-3/4")	69	3	10-812567	SCREW (3/8-16 X 1-5/8")	31	17
10-47688	SCREW (3/8-16 X 2-3/4")	81	13	10-816767	SCREW	55	-
10-48308	SCREW (3/8-24 X 3-3/4")-ALTERNATOR	7	26	10-821107	SCREW (3/8-16 X 3")	31	16
10-49105	BOLT (4-1/8")-CYLINDER HEAD	37	23	10-86518	SCREW (3/8-16X1")	63	-
10-49106--1	BOLT (2")-CYLINDER HEAD	37	24	10-86518	SCREW (3/8-16X1")	65	-
10-49668	SCREW (1/4-20 X 3/4")	15	29	10-90926	SCREW (10-32 X 13/16")	21	4
10-49668	SCREW (1/4-20 X 3/4")	15	32	10-91903	SCREW (7/16-14 X 1-3/4")	51	26
10-49668	SCREW (1/4-20 X 3/4")	59	19	10-91966	SCREW (5/16-18 X 4")-OIL FILTER ADAPTOR	55	14
10-49668	SCREW (1/4-20 X 3/4") (BRAVO MODELS)	55	30	10-91967	SCREW (5/16-18 X 3-1/2")-OIL FILTER ADAPTOR	55	14
10-49845	SCREW (7/16-20 X 1")	41	8	10-92154	SCREW (7/16-20 X 1")-DRIVESHAFT	77	8
10-49956	SCREW	45	10	10-94435	SCREW (3/8-16 X 4-21/32")-STARTER MOTOR	7	2
10-52498	SCREW (7/16-20 X 1-1/2")	79	5	10-96995	SCREW (3/8-16 X 7/8")	79	19
10-53167	SCREW (5/16-18 X 7/8")	53	5	10-98253	SCREW (1/4-20 X 1/2")	15	14
10-57053	SCREW (1/2-20 X 4-1/2")	79	36	10-98256	SCREW (1/4-28 X 1/2")	53	19
10-60179	SCREW (7/16-14 X 3-1/2")	75	16	10-98261	SCREW (3/8-16 X 3/4")	21	32
10-60179	SCREW (7/16-14 X 3-1/2")-TRANSMISSION TO ENGINE	71	1	10-98261	SCREW (3/8-16 X 3/4")	51	27
10-60300	SCREW (1/4-28 X 3/4")	75	27	10-98794	SCREW (3/8-16 X 1")	33	2
10-60300	SCREW (1/4-28 X 3/4") (POWER STEERING MODELS)	55	30	10-99347	SCREW (5/16-18 X 3-3/4")-WATER PUMP	49	6
				10-99524	SCREW (7/16-14 X 2")-TAILSTOCK TO TRANSMISSION	73	17
				11-13438	NUT (1/4-28)-SHIFT CABLE STUD	53	11

PARTS INDEX

Part Number	Description	Pg.	Ref. No.	Part Number	Description	Pg.	Ref. No.
11-20361	NUT (1/4-28)	69	18	11-40026--6	NUT (M10 X 1.5)	7	34
11-20361	NUT (1/4-28)	75	29	11-42768	NUT	3	1
11-20361	NUT (1/4-28)	75	7	11-42768	NUT	9	1
11-20361	NUT (1/4-28)-THROTTLE CABLE STUD	27	35	11-44481	NUT-VALVE ROCKER ARM	37	21
11-20361	NUT-ROCKER COVER STUD (1/4-28)	37	7	11-45076	NUT (10-32)	15	25
11-21825	NUT (1/4-28)-THROTTLE CABLE STUD	27	32	11-45076	NUT (10-32)	17	22
11-21908	NUT (5/16-18)	49	33	11-45076	NUT (10-32)	17	26
11-21908	NUT (5/16-18)	51	22	11-45076	NUT (10-32)	17	29
11-22024	NUT (7/16-20)	77	33	11-45076	NUT (10-32)-PRESSURE SWITCH TERMINAL	61	6
11-22053	NUT (5/16-24)	75	11	11-46335	NUT (10-32)-TEMPERATURE SWITCH,	61	3
11-22053	NUT (5/16-24)-SHIFT LEVER TO TRANSMISSION	71	19	11-52901	NUT (3/8-24)-BRACE SCREW	49	40
11-22339	NUT (5/8-18)-TAILSTOCK TO TRANSOM PLATE SCREWS	73	24	11-56374	NUT (5/8-18)-TAILSTOCK SCREW	77	28
11-23161	NUT (3/8-24)-ALTERNATOR BRACKET SCREW	7	29	11-56374	NUT (1/4-20)	17	40
11-24652	NUT (1/4-28)	77	19	11-56374	NUT (1/4-20)-ALTERNATOR TERMINAL	7	14
11-25168	NUT (1/4-28)	71	13	11-61356	NUT (1/4-20)	15	34
11-25269	NUT (3/8-24)	31	20	11-61356	NUT (10-32)	15	12
11-26419	NUT (8-32)	15	20	11-61356	NUT (10-32)	17	9
11-26419	NUT (8-32)	17	17	11-63341	TEE NUT-SHIFT CABLE STUD	53	13
11-26484	NUT (5/16-18)-SHIFT LEVER STUD	13	29	11-68219	NUT (10-32)	15	10
11-28040	NUT (1/2-20)	79	38	11-68219	NUT (10-32)	17	36
11-30506	NUT (1/4-28) (POWER STEERING MODELS)	57	39	11-68219	NUT (10-32)	17	7
11-30506	NUT (1/4-28)-OIL COOLER BRACKET SCREW	73	36	11-68219	NUT (10-32)	21	12
11-32219	NUT (3/8-16)	69	8	11-68219	NUT (10-32)	21	31
11-32219	NUT (3/8-16)	81	6	11-68219	NUT(10-32)	15	35
11-32219	NUT (3/8-16)-FLYWHEEL HOUSING ATTACHING STUD	67	6	11-68411	NUT (3/8-16)	31	25
11-34932	NUT (3/8-24)-SHIFT CRANK STUD	71	10	11-68411	NUT (3/8-16)	79	20
11-34933	NUT (7/16-20)	79	6	11-79989	NUT (10-24)-ALTERNATOR TERMINAL	7	12
11-35045	NUT (1/4-28)	69	12	11-79989	NUT (10-24)-THROTTLE BRACKET SCREW	27	16
11-35045	NUT (1/4-28)-CABLE STUD	27	20	11-811878	NUT	9	17
11-35045	NUT (1/4-28)-THROTTLE CABLE STUD	27	31	11-811878	NUT	9	31
11-35814	NUT (5/16-24)	23	9	11-811881	NUT	9	20
11-35814	NUT (5/16-24)-CARBURETOR STUD	27	23	11-817618	NUT	51	33
11-35888	NUT (1/4-28)-CLAMP BLOCK STUD	73	23	11-90517	NUT	59	5
11-35888	NUT (1/4-28)-FLAME ARRESTOR STUD	27	27	11-94330	NUT (1/4-20)	15	18
11-35888	NUT (1/4-28)-SHIFT CRANK STUD	71	8	11-94330	NUT (1/4-20)	17	19
11-35888	NUT (1/4-28)-SHIFT ROD	71	16	12-20084	WASHER	51	5
11-37493	NUT-CONN ROD CAP SCREW	41	15	12-20084	WASHER-COVER SCREW	49	21
11-37500	NUT (3/8-16)	45	7	12-20553	WASHER	21	17
11-37500	NUT (3/8-16)	47	19	12-20553	WASHER	23	19
11-40021--1	NUT (5MM)-STARTER SWITCH TERMINAL	7	8	12-20553	WASHER	35	11
				12-20553	WASHER	45	6
				12-20553	WASHER	47	18
				12-20553	WASHER	55	29
				12-20553	WASHER	63	-
				12-20553	WASHER	65	-
				12-20553	WASHER	69	5
				12-20553	WASHER	81	5
				12-20553	WASHER-ALTERNATOR BRACKET SCREW	7	27
				12-20553	WASHER-OIL FILTER ADAPTOR SCREW	55	4
				12-20572	WASHER	31	18
				12-20572	WASHER	41	12

PARTS INDEX

Part Number	Description	Pg.	Ref. No.	Part Number	Description	Pg.	Ref. No.
12-20572	WASHER (FOR SLOT)	69	5	12-68614	WASHER-BEARING PLATE	11	9
12-20572	WASHER (FOR SLOT)	81	15	12-68614	WASHER-BEARING PLATE	13	9
12-20572	WASHER-SPECIAL (3/8")- HOUSING SCREW	67	8	12-68615	WASHER-SHIFT LEVER STUD	13	28
12-20722	WASHER	75	9	12-69056	WASHER-CLAMP BLOCK STUD	73	22
12-20722	WASHER-SHIFT LEVER TO TRANSMISSION	71	17	12-69056	WASHER-SHIFT CRANK STUD	71	7
12-21631	WASHER	69	16	12-86400	WASHER-FLAME ARRESTOR STUD	27	26
12-21631	WASHER-CABLE STUD	27	18	12-96457	WASHER-ALTERNATOR TERMINAL	7	22
12-22248	WASHER	23	19	13-14759	LOCKWASHER	43	20
12-26168	WASHER-ALTERNATOR BRACE SCREW	7	20	13-21272	LOCKWASHER (1/4" INTERNAL)	15	30
12-27025	WASHER	51	36	13-21272	LOCKWASHER (1/4" INTERNAL)	19	42
12-27025	WASHER-BRACE SCREW	49	37	13-26992	LOCKWASHER (1/4")	15	17
12-27025	WASHER-BRACKET SCREW	49	30	13-26992	LOCKWASHER (1/4")	17	14
12-29245	WASHER	15	33	13-26992	LOCKWASHER (1/4")	17	18
12-29245	WASHER	17	13	13-26992	LOCKWASHER (1/4")	47	20
12-29245	WASHER	17	39	13-26992	LOCKWASHER (1/4")	53	20
12-29245	WASHER	75	28	13-26992	LOCKWASHER (1/4")	59	20
12-29245	WASHER	75	8	13-26992	LOCKWASHER (1/4")	75	25
12-29245	WASHER-SHIFT ROD	71	15	13-26992	LOCKWASHER (1/4") (BRAVO MODELS)	57	31
12-29245	WASHER-THROTTLE CABLE STUD	27	33	13-26992	LOCKWASHER (1/4")- ALTERNATOR TERMINAL	7	13
12-30164	WASHER	17	32	13-26992	LOCKWASHER (5/16")	25	10
12-30164	WASHER	19	44	13-26992	LOCKWASHER (7/16")-SHIFT LEVER TO TRANSMISSION	71	18
12-30164	WASHER	21	29	13-26992	LOCKWASHER (#8)	15	19
12-30164	WASHER	45	25	13-26992	LOCKWASHER (#8)	17	16
12-31263	WASHER-ALTERNATOR BRACE SCREW	7	18	13-26996	LOCKWASHER (#10)	7	35
12-33171	WASHER-TRANSOM PLATE SCREWS	73	29	13-26996	LOCKWASHER (#10)	15	24
12-33258	WASHER-LEATHER- COMMUTATOR END FRAME	11	16	13-26996	LOCKWASHER (#10)	15	36
12-34567	WASHER (BRACE SLOT)	59	4	13-26996	LOCKWASHER (#10)	15	9
12-34714	WASHER	43	25	13-26996	LOCKWASHER (#10)	17	21
12-34931	WASHER-SHIFT CRANK STUD	71	9	13-26996	LOCKWASHER (#10)	17	25
12-35462	WASHER-SHIFT CABLE STUD	53	10	13-26996	LOCKWASHER (#10)	17	28
12-36258	WASHER-TAILSTOCK SCREW	77	27	13-26996	LOCKWASHER (#10)	17	33
12-37828	WASHER	31	19	13-26996	LOCKWASHER (#10)	17	6
12-39143	WASHER	69	13	13-26996	LOCKWASHER (#10)	19	45
12-39143	WASHER	75	6	13-26996	LOCKWASHER (#10)	21	11
12-39143	WASHER-ROCKER COVER STUD	37	8	13-26996	LOCKWASHER (#10)	21	30
12-39167	WASHER-CARBURETOR STUD	27	22	13-26996	LOCKWASHER (#10)	45	24
12-42307	WASHER (SPHERICAL)	79	37	13-26996	LOCKWASHER (#10)	61	6A
12-45175	WASHER	43	5	13-26996	LOCKWASHER (#10)- ALTERNATOR TERMINAL	7	11
12-45176	WASHER	77	9	13-26996	LOCKWASHER (#10)- STARTER MOTOR STUD	7	4
12-47466	WASHER-TRANSOM PLATE SCREWS (NEOPRENE)	73	27	13-26996	LOCKWASHER (#10)- TEMPERSTURE SWITCH	61	2
12-47475	WASHER-TRANSOM PLATE SCREWS	73	26	13-26996	LOCKWASHER (#10)- THROTTLE BRACKET SCREW	27	15
12-49103	WASHER	43	21	13-30381	LOCKWASHER (7/16" HI- COLLAR)-TAILSTOCK SCREW	73	18
12-49112	WASHER	31	24				
12-55822	WASHER	57	37				

PARTS INDEX

Part Number	Description	Pg.	Ref. No.	Part Number	Description	Pg.	Ref. No.
13-32993	LOCKWASHER (7/16")	7	33	13-40024--8	LOCKWASHER	59	8
13-32993	LOCKWASHER (7/16")	19	48	13-41471	LOCKWASHER (3/8")	33	3
13-32993	LOCKWASHER (7/16")	23	18	13-42769	LOCKWASHER	3	2
13-32993	LOCKWASHER (7/16")	51	37	13-42769	LOCKWASHER	9	2
13-32993	LOCKWASHER (7/16")	51	40	13-47659	LOCKWASHER (7/16")	77	32
13-32993	LOCKWASHER (7/16")	75	15	15-54531	SHIM-VALVE SPRING	37	15
13-32993	LOCKWASHER (7/16")	75	17	15-77624	SHIM-VALVE SPRING	37	15
13-32993	LOCKWASHER (7/16")	75	33	15-817272	SHIM	7	30
13-32993	LOCKWASHER (7/16")	81	4	16-32027	STUD	77	18
13-32993	LOCKWASHER (7/16")- ALTERNATOR BRACE SCREW	7	17	16-33111	STUD	29	36
13-32993	LOCKWASHER (7/16")- ALTERNATOR BRACKET SCREW	7	25	16-41877	STUD	59	1A
13-32993	LOCKWASHER (7/16")- BRACE SCREW	49	36	16-46857	STUD	27	21
13-32993	LOCKWASHER (7/16")- BRACKET SCREW	49	29	16-49108	STUD	45	2
13-32993	LOCKWASHER (7/16")- TAILSTOCK SCREW	73	19	16-49108	STUD	47	2
13-32993	LOCKWASHER (7/16")- TRANSMISSION SCREW	71	2	16-49144	STUD	45	26
13-34846	LOCKWASHER-TRANSOM PLATE SCREWS	73	28	16-56766	STUD-ROCKER COVER	37	9
13-35048	LOCKWASHER (3/8")	15	6	16-63335	STUD	69	15
13-35048	LOCKWASHER (3/8")	19	48	16-63335	STUD	75	5
13-35048	LOCKWASHER (3/8")	21	16	16-63335	STUD-THROTTLE CABLE TO CARBURETOR	27	30
13-35048	LOCKWASHER (3/8")	23	18	16-64066	STUD (2-3/4")	81	17
13-35048	LOCKWASHER (3/8")	23	4	16-64066	STUD (2-3/4")-FLYWHEEL HOUSING ATTACHING	67	5
13-35048	LOCKWASHER (3/8")	25	4	16-69501	STUD-FLAME ARRESTOR	27	24
13-35048	LOCKWASHER (3/8")	25	4	16-72809	STUD-SHIFT CRANK	71	6
13-35048	LOCKWASHER (3/8")	43	23	16-811683	STUD	47	16
13-35048	LOCKWASHER (3/8")	45	17	16-815214	STUD	31	2
13-35048	LOCKWASHER (3/8")	51	28	16-821279	STUD (2-3/16")	31	15
13-35048	LOCKWASHER (3/8")	55	28	16-821836	STUD-VALVE ROCKER ARM	37	22
13-35048	LOCKWASHER (3/8")	69	4	16-847738	STUD-ELECTRICAL BRACKET MOUNT	19	47
13-35048	LOCKWASHER (3/8")	81	14	16-87163	STUD-SHIFT CRANK TO TAILSTOCK	71	3
13-35048	LOCKWASHER (3/8") (TRANSMISSION MODELS)	41	21	16-96112	STUD (2-1/4")	69	7
13-35048	LOCKWASHER (3/8")- ADAPTOR SCREW	55	3	16-96112	STUD-SHIFT CABLE	53	12
13-35048	LOCKWASHER (3/8")- ALTERNATOR BRACKET SCREW	7	25	16-98798--1	STUD-SHIFT CABLE	53	2
13-35048	LOCKWASHER (3/8")-BRACE SCREW	49	39	16-98851	STUD-CABLE	27	17
13-35048	LOCKWASHER (3/8")- BRACKET SCREW	55	10	16-99801	STUD-CLAMP BLOCK	73	20
13-35048	LOCKWASHER (3/8")- FLYWHEEL HOUSING SCREW	67	7	17-35312	PIN-DOWEL (1/4" DIA.)	39	14
13-39107	LOCKWASHER (5/16")	43	16	17-35312	PIN-DOWEL (1/4" DIA.)	41	5
13-39107	LOCKWASHER (5/16")	49	32	17-47617	PIN	21	9
13-39107	LOCKWASHER (5/16")	51	21	17-52190	PIN-DOWEL	39	5
13-39107	LOCKWASHER (5/16")	75	10	17-68402	PIN-SHOULDER-SHIFT LEVER	53	16
13-39107	LOCKWASHER (5/16")	77	21	17-79207	PIN-PLUNGER TO SHIFT LEVER	11	30
				17-79207	PIN-PLUNGER TO SHIFT LEVER	13	31
				18-21071	PIN-COTTER-SHIFT LEVER	53	17
				18-32857	PIN-COTTER-SHIFT CABLE RETAINING	53	6
				19-12304	PLUG-TIMING WINDOW	69	2
				19-12304	PLUG-TIMING WINDOW	81	21
				19-38606	PLUG	81	19
				19-47463	PLUG-EXPANSION-ENGINE COUPLING	73	5
				19-59504	PLUG-IMPELLER	49	9
				19-59504	PLUG-IMPELLER	51	9
				19-77633	CAPLUG-GREASE FITTING	77	24
				19-815203	PLUG-PIPE	31	5

PARTS INDEX

Part Number	Description	Pg.	Ref. No.	Part Number	Description	Pg.	Ref. No.
19-815204	FREEZE PLUG (SMALL) (3/4")	31	7	22-816035	FITTING	31	4
19-815205	FREEZE PLUG (LARGE) (1")	31	6	22-816133--1	FITTING	23	7A
19-815211	PLUG-PIPE-DRAIN	31	12	22-816133--1	FITTING	25	8
19-93921	PLUG-EXPANSION	79	13	22-817395	FITTING (45 DEGREES)	25	16
19-94140	PLUG-EXPANSION	39	6	22-818768	FITTING (STRAIGHT)	31	5A
22-13177	TUBE-WATER HOSE (NON POWER STEERING)	35	17	22-821914	FITTING-FILTER ADAPTOR	57	36
22-16951A1	COCK ASSEMBLY-DRAIN	39	3	22-88517	ADAPTOR	73	3
22-32561	PLUG-PIPE	23	7	22-88517	ADAPTOR	75	3
22-32561	PLUG-PIPE	25	7	22-93385	ELBOW-FUEL INLET TUBE	27	5
22-32561--1	PLUG (SPECIAL)-MOUNTING BOLT TO BLOCK	7	36	22-93385	FITTING	23	15
22-32802	PLUG-PIPE (FOR WATER PUMP BODY)	49	5	22-93385	FITTING (90 DEGREES)	25	5
22-32803	PLUG-PIPE (3/8")	35	3	22-98477A2	VALVE ASSEMBLY	35	12
22-33821	CONNECTOR	23	11	23-26954	BUSHING-SHIFT CRANK STUD	71	4
22-33821	CONNECTOR	25	11	23-31866	SPACER	69	17
22-36373	PLUG (3/8-16)-INTAKE MANIFOLD VACUUM HOLE	27	7	23-31866	SPACER-CABLE STUD	27	19
22-36492	BUSHING-REDUCER	15	37	23-33186	BUSHING-ALTERNATOR BRACKET SCREW	7	24
22-36492	REDUCER	17	23	23-33369	BUSHING-DRIVE END HOUSING	11	2
22-38992	BUSHING-TEMPERATURE SWITCH	61	15	23-33369	BUSHING-DRIVE END HOUSING	13	2
22-47629	ELBOW	75	2	23-36183	RETAINER	47	4
22-47629	ELBOW-OIL COOLER (90 DEG.)	73	32	23-42772	SPACER	3	5
22-47629	ELBOW-TRANSMISSION TO OIL HOSE	73	2	23-47508	SLEEVE-THERMOSTAT	35	7
22-48246	ELBOW-OIL HOSE	55	18	23-47511	SLEEVE	35	2
22-48340	PLUG-PIPE (1/4")	39	2	23-49126	BUSHING-PILOT- CRANKSHAFT (DRIVELINE MODELS ONLY)	41	22
22-48358	PLUG-PIPE (3/8")	39	2	23-52193	SLEEVE	45	4
22-48556	BUSHING-REDUCER	61	16	23-71694	BUSHING-BEARING PLATE	11	8
22-49099	FITTING-GREASE	41	-	23-71694	BUSHING-BEARING PLATE	13	8
22-52930	TEE	61	14	23-811865	SPACER	9	4
22-54035	ELBOW (905)	55	20	23-811867	SPACER	9	6
22-63825	ELBOW (905)	57	33	23-818473	BEARING SET (STANDARD)	41	3/4
22-63825	ELBOW-OIL HOSE	55	17	23-818474	BEARING SET (.001 U.S.)	41	3/4
22-63835	ELBOW-OIL COOLER (45 DEG.)	73	32	23-818475	BEARING SET (.002 U.S.)	41	3/4
22-64013	REDUCER	15	26	23-818476	BEARING SET (.010 U.S.)	41	3/4
22-64013	REDUCER	17	30	23-818477	BEARING SET (.020 U.S.)	41	3/4
22-69300	PLUG-EXPANSION (1-3/4" DIA.)	39	4	23-818894	BUSHING-THROTTLE CABLE STUD	27	34
22-74036	FITTING-GREASE	77	15	23-818968	BUSHING	17	12
22-74036	FITTING-GREASE	77	23	23-85684	BEARING UNIT (SET)	39	7
22-74036	FITTING-GREASE	77	4	23-85691	BEARING SET (.010 U.S.)	41	16
22-74036	FITTING-GREASE	79	11	23-85726	BEARING SET (STANDARD)	41	16
22-74036	FITTING-GREASE	79	15	23-85727	BEARING SET (.001 U.S.)	41	16
22-74036	FITTING-GREASE	79	4	23-85728	BEARING SET (.002 U.S.)	41	16
22-74036	FITTING-GREASE	79	15	23-85729	BEARING SET (.020 U.S.)	41	16
22-74036	FITTING-GREASE	79	4	23-90523	SPACER	15	7
22-74036	FITTING-GREASE	81	2	23-90523	SPACER-SHIFT CABLE STUD	53	9
22-75983	PLUG	43	7	23-90915	BUSHING	21	10
22-805632	CONNECTOR	55	12	23-98828	SPACER	53	4
22-805632	CONNECTOR	55	6	23-99322	SPACER-RUBBER MOUNT- FLYWHEEL HOUSING	67	3
22-806242	CONNECTOR	43	8	24-32817	SPRING-THROTTLE RETURN	27	12
22-808708	PLUG-OIL DRAIN	47	9	24-33285	SPRING-FIELD FRAME BRUSH	11	24
22-815208	FITTING-TEE	31	8				
22-815209	FITTING-TEE	31	11				
22-815210	FITTING-TEE	31	9/10				

PARTS INDEX

Part Number	Description	Pg.	Ref. No.	Part Number	Description	Pg.	Ref. No.
24-46889	SPRING-PLUNGER RETURN	11	31	27-805760	GASKET-DISTRIBUTOR CAP	21	3
24-46889	SPRING-PLUNGER RETURN	13	32	27-811207	GASKET-CYLINDER HEAD	37	26
24-48143	SPRING-FILTER	27	2	27-811546	GASKET-CYLINDER HEAD	37	26
24-70086	SPRING-FILLER CAP	37	4	27-811546A93	COMPONENT OF GASKET SET	25	17
24-811885	SPRING-BRUSH	9	24	27-811546A93	COMPONENT OF GASKET SET	57	41
24-816898	SPRING-VALVE	37	13	27-811546A93	COMPONENTS OF GASKET SET	29	40
24-98880	SPRING-SHIFT CABLE STUD	53	7	27-811546A93	GASKET SET D725647 , F213244	39	-
25-25439	O RING	79	22	27-811566	GASKET	47	7
25-35276	O RING	75	22	27-811572	GASKET	43	28
25-48462	O RING	75	19	27-814210	GASKET-SPACER	27	11
25-49767	GROMMET-ROCKER COVER	37	2	27-815669A90	COMPONENT OF GASKET SET	57	40
25-54067	SEAL-TAILSTOCK	73	14	27-815669A90	COMPONENTS OF GASKET SET	29	39
25-62704	O RING	47	13	27-815669A90	COMPONENTS OF GASKET SET	23	20
25-805726	O RING	51	24	27-815669A90	GASKET SET C849992 ,D725646	39	-
25-814878	O RING	55	-	27-817042	GASKET	55	-
25-818967	GROMMET	17	11	27-822546A93	COMPONENTS OF GASKET SET	47	22
25-89879	O RING	59	11	27-848147	GASKET-EXHAUST ELBOW	31	23
25-90196	O RING-FILTER ADAPTOR	57	38	27-91892	GASKET-ADAPTOR COVER AND OIL FILTER	55	7
25-94288	QUAD RING-PUMP HOUSING	49	13	27-94914	GASKET-BODY TO WEAR PLATE	49	8
25-94288	QUAD RING-PUMP HOUSING	51	12	27-94914	GASKET-BODY TO WEAR PLATE	51	8
26-14756	SEAL-OIL	41	6	27-99893	GASKET-OIL FILTER ADAPTOR	55	15
26-45825	SEAL-OIL	45	15	28-56662	KEY-IMPELLER DRIVE	49	11
26-47465	SEAL-OIL-TAILSTOCK	73	10	28-811558	KEY-CRANKSHAFT	41	18
26-69285	SEAL-VALVE	37	14	30-32537	BEARING-BALL-TAILSTOCK (2-27/32" O.D.)	73	12
26-72785	SEAL-OIL-WATER PUMP SHAFT	49	19	30-47470	BEARING-BALL-ENGINE COUPLING	73	6
26-806930	SEAL-OIL-WATER PUMP SHAFT	51	19	30-57762	BEARING-BALL-TAILSTOCK (3-5/32" O.D.)	73	11
26-811554	SEAL-OIL	41	6	30-62780A1	BEARING-BALL	77	11
26-821947--1	SEAL-OIL	43	27	30-62780A1	BEARING-BALL	77	17
26-90562	SEAL,-OIL-WATER PUMP SHAFT	49	15	30-62780A1	BEARING-BALL	79	24
26-90562	SEAL-OIL-WATER PUMP SHAFT	51	14	30-72961	BEARING-BALL-WATER PUMP SHAFT	49	16
26-93924	SEAL-OIL	79	8	30-72961	BEARING-BALL-WATER PUMP SHAFT	51	17
27-14765	GASKET-ROCKER COVER	37	10	30-811870	BEARING-BALL	9	9
27-34213	GASKET-FUEL PUMP	23	2	30-93944A1	BEARING-BALL	79	9
27-34213	GASKET-FUEL PUMP	25	2	32-12818	HOSE-OIL COOLER TO OIL COOLER	35	16
27-34486--3	GASKET	21	13	32-17435-65	HOSE-SEA PUMP TO DRIVE UNIT	35	15
27-41610	GASKET-SPACER	27	10	32-33220-70	HOSE (17") CUT AS REQ'D	35	24
27-41812--2	GASKET-THERMOSTAT COVER	35	8	32-47516--6	HOSE ASSEMBLY (30")	75	34
27-46820	GASKET-EXHAUST MANIFOLD TO HEAD	31	21	32-47516--6	HOSE ASSEMBLY-TRANSMISSION TO OIL COOLER	73	30
27-47510	GASKET-THERMOSTAT	35	6				
27-47903	GASKET-TAILSTOCK	73	15				
27-49110	GASKET	43	12				
27-49955	GASKET	45	11				
27-49955	GASKET-OIL DRAIN PLUG	47	10				
27-52550	GASKET SET	45	9				
27-53045--1	GASKET-THERMOSTAT HOUSING	35	4				
27-54529	GASKET	43	28				
27-805215--1	GASKET-COVER TO OUTER WEAR PLATE	49	4				
27-805215--1	GASKET-COVER TO OUTER WEAR PLATE	51	6				
27-805722A1	GASKET SET	43	6				

PARTS INDEX

Part Number	Description	Pg.	Ref. No.	Part Number	Description	Pg.	Ref. No.
32-52519-14	HOSE (CUT AS REQ'D)	59	13	43-811578	SPROCKET-CAMSHAFT . . .	39	11
32-64346	HOSE-OIL COOLER TO THERMOSTAT HOUSING	35	18	43-811579	SPROCKET-CRANKSHAFT .	39	12
32-68894--1	HOSE (6") CUT AS REQ'D . .	31	27	43-818381--1	PINION STUD	51	30
32-77690	WRAPPING	15	27	43-818807	GEAR-DRIVE	21	8
32-805987	HOSE	43	9	45-86978A1	DRIVESHAFT ASSEMBLY . .	77	1
32-814884T	LINE-FUEL-FILTER TO PUMP	23	12	45-94819A3	DRIVESHAFT ASSEMBLY . .	79	1
32-815212--1	HOSE-MANIFOLD TO EXHAUST PIPE	31	3	46-72774A40	BODY ASSEMBLY-WATER PUMP	51	2
32-815215	HOSE (3-1/2")	31	13	46-72774A40	BODY-WATER PUMP	49	2
32-816029	LINE-FUEL-FUEL PUMP TO CARBURETOR	23	13	46-72774A50	PUMP ASSEMBLY-WATER .	49	1
32-816197	HOSE-PUMP TO COOLER . .	35	13	46-72774A82	PUMP ASSEMBLY-WATER (COMPLETE)	51	1
32-816200A2	TUBE ASSEMBLY-DIPSTICK	45	14	46-94913A2	HOUSING ASSEMBLY- WATER PUMP	49	14
32-821736	HOSE-PUMP TO COOLER . .	35	13	47-59362--1	IMPELLER	51	10
32-822105	LINE-FUEL-FUEL PUMP TO CARBURETOR	25	13	47-59362--1	IMPELLER (USE WITHOUT KEY)	49	10
32-847598	LINE-FUEL-FILTER TO PUMP	25	12	50-17251A3	STARTER ASSEMBLY	13	-
32-89718--1	HOSE-THERMOSTAT HOUSING TO WATER PUMP	35	19	50-17251A3	STARTER ASSEMBLY(TRANSMISSION & DRIVELINE MODELS) . . .	7	1A
32-89730--1	HOSE-THERMOSTAT COVER (STBD)	35	22	50-99418A2	STARTER ASSEMBLY	7	1
32-89749--1	HOSE-THERMOSTAT COVER (PORT)	35	21	50-99418A2	STARTER ASSEMBLY	11	-
32-92357-38	HOSE ASSY-OIL (18-1/2") . .	55	19	53-23720	RING-RETAINING-BALL BEARING	49	18
32-92357-49	HOSE ASSEMBLY-OIL (24") .	57	35	53-23720	RING-RETAINING-BALL BEARING	51	18
32-92357-51	HOSE ASSY-OIL (26")	55	19A	53-33290	RING-RETAINING-PINION STOP COLLAR	11	4
32-92357-53	HOSE ASSEMBLY-OIL (28") .	57	34	53-33290	RING-RETAINING-PINION STOP COLLAR	13	4
32-93315-12	HOSE-VENT (CUT AS REQ'D)	27	28	53-33354	RING-RETAINING-PINION STOP COLLAR	11	28
32-93370-70	TUBING-FUEL PUMP TO CARBURETOR (CUT AS REQ'D)	23	14	53-47469	RING-RETAINING-STUD . . .	73	7
32-93370-70	TUBING-FUEL PUMP TO CARBURETOR (CUT AS REQ'D)	25	14	53-54481	RING-SNAP-BEARING TO ENGINE COUPLING	73	7
32-94068	TUBE-FUEL INLET	27	4	53-68486	RING-SNAP-BEARING TO TAILSTOCK	73	13
32-98494	HOSE (FITTINGS ON BOTH ENDS)	59	10	53-68487	RING-SNAP	77	13
32-98843-39	HOSE (FITTINGS ON ONE END)	59	12	53-68487	RING-SNAP	77	12
33-59571	SPARK PLUG	21	20	53-93914	RING-RETAINING	79	10
35-16595	FILTER-OIL	55	8	53-93915	RING-RETAINING	79	14
35-807172	FILTER-FUEL	23	10	53-94103	RING-RETAINING	79	35
35-807172	FILTER-FUEL	25	15	53-94104	RING-RETAINING	79	23
35-818400A1	ADAPTOR KIT	55	13A	54-15095	J CLAMP	57	32
35-93568	FILTER	27	3	54-18076--1	CLAMP	59	14
36-811569	CAP-OIL FILLER	37	3	54-18076--4	CLAMP	35	23
36-95805	CAP	59	2	54-18076--6	CLAMP	35	14
37-13723-61	DECAL	29	37	54-18076--8	CLAMP	35	20
37-818991	DECAL	37	6	54-47483	J CLIP	69	6
37-92155	DECAL-DISTRIBUTOR CAP- FIRING ORDER	21	33	54-62494	CLIP	81	7
39-42733-35	RING SET-PISTON (STD) . .	41	2	54-64628--1	LIFTING EYE	43	3
39-817413	RING SET-PISTON (.030 O.S.)	41	2	54-67015	CLAMP	75	26
39-821091	RING SET-PISTON (STD) . .	41	2	54-78945	J CLAMP-FLYWHEEL HOUSING STUD	67	9
43-61726	SPROCKET-CAMSHAFT . . .	39	11	54-78945	J CLIP	81	16
43-61727	SPROCKET-CRANKSHAFT .	39	12	54-815207	CLAMP	31	14
				54-815504105	CLAMP	31	28
				54-815504412	CLAMP	43	10
				54-822279	CLIP	47	14
				54-848130	CLIP-HOSE-CIRCULATING PUMP	7	31

PARTS INDEX

Part Number	Description	Pg.	Ref. No.	Part Number	Description	Pg.	Ref. No.
54-848183	J CLIP-ELECTRICAL HARNESS	19	50	230-6540	FLYWHEEL	41	7
54-848183	J CLIP-POWER STEERING HOSE	59	21	230-811561	FLYWHEEL	41	7
57-13457T	V BELT (30")-WATER PUMP	49	25	230-811563	FLYWHEEL (GEN V DRIVELINE OR TRANSMISSION MODELS)	41	7A
57-69143T	V BELT	51	35	392-805570A2	COIL KIT-IGNITION	21	26
57-812427T	V BELT (56")	59	9	429-5880	CRANKSHAFT	41	17
57-816034	V BELT	43	24	429-811550	CRANKSHAFT	41	17
84-14338A5	HARNESS ASSEMBLY-WIRING	15	1	485-816709	CAMSHAFT	39	9
84-62826A6	CABLE ASSEMBLY (13")-GROUND	69	9	614-9641	CONNECTING ROD ASSEMBLY	41	13
84-62826A6	CABLE ASSEMBLY (BLACK)	19	41	737-817412	PISTON ASSEMBLY (.030 O.S.)	41	1
84-62826A6	CABLE ASSEMBLY (BLACK)	67	13	737-827664	PISTON ASSEMBLY (STD.)	41	1
84-62826A6	CABLE ASSEMBLY (BLACK)	81	20	794-816710	PISTON ASSEMBLY (STD.)	41	1
84-62826A7	CABLE ASSEMBLY (21")-GROUND	69	9	842-808638	BLOCK ASSEMBLY-CYLINDER	39	1
84-79139A16	WIRE ASSEMBLY (6") (RED)	15	15	938-811529--1	HEAD (3/8")-CYLINDER	37	25
84-79139A21	CABLE ASSEMBLY (RED) (15")	55	22	938-816778A3	HEAD ASSY-CYLINDER	37	25
84-811890	WIRE-LEAD	9	29	938-826363--1	HEAD ASSY (7/16")-CYLINDER	37	25
84-811891	WIRE-LEAD	9	30	1399-6508-74	JET-MAIN (.081)	27	-
84-816608A61	CABLE KIT-IGNITION-SPARK PLUGS (RED)	21	18	1399-6508-96	JET-MAIN (.118)	27	-
84-816943	HARNESS ASSEMBLY	79	39				
84-847701A7	CABLE KIT-IGNITION-SPARK PLUGS & COIL (BLUE)	21	18				
84-847722A1	HARNESS ASSEMBLY-WIRING	17	1				
84-86044A11	CABLE ASSY (20FT) (TAN/BBLUE) (1 RING - 1 SPADE)	61	11				
84-86044A4	CABLE ASSEMBLY (36") (TAN/BBLUE)	61	12				
84-86044A6	CABLE ASSEMBLY (20 FT) (TAN/BBLUE) (2 RINGS)	61	11				
84-86322A17	CABLE ASSEMBLY (BLACK)	17	37				
84-95084A10	CABLE ASSEMBLY-FUSE	45	22				
85-79695	BOOT-INSULATOR-STARTER TERMINAL	7	9				
87-805605A1	SWITCH ASSEMBLY-PRESSURE	61	5				
87-88031	SWITCH-TEMPERATURE	71	20				
87-91019A3	SENSOR ASSEMBLY	21	6				
87-94009	SWITCH-CHOKE PRESSURE	55	21				
88-11178	BREAKER-CIRCUIT (50 AMP)	15	8				
88-11178	BREAKER-CIRCUIT (50 AMP)	17	5				
88-79091	FUSE (20 AMP)	45	21				
89-18080	SOLENOID	11	33				
89-18080	SOLENOID	13	34				
89-825842A1	SOLENOID ASSEMBLY-STARTER	17	10				
89-96054	SOLENOID-STARTER	15	13				
92-34227--1	PERFECT SEAL (WHERE APPLICABLE)	39	-				
92-91601--1	SEALER-RED-RTV (WHERE APPLICABLE)	39	-				
230-5534	FLYWHEEL (MARK IV DRIVELINE OR TRANSMISSION MODELS)	41	7A				