



# PARTS CATALOG

## 25 H.P. K

### SERIAL NUMBER

K25 ..... 6A4-300101 AND UP (ML)  
K25 ..... 6A4-000101 AND UP (M)

# TABLE OF CONTENTS:

CARBURETOR .....	16
CLAMP AND SWIVEL BRACKET .....	32
CLAMP AND SWIVEL BRACKET/REVERSE LOCK .....	30
COWLING .....	2
CRANKCASE AND CYLINDER HEAD .....	10
CRANKSHAFT AND PISTON .....	12
DRIVESHAFT HOUSING .....	38
FLYWHEEL MAGNETO .....	8
FUEL LINES AND FILTER .....	24
FUEL PUMP .....	22
FUEL TANK AND FUEL LINE ASSEMBLY .....	50
FUEL TANK AND FUEL LINE ASSEMBLY .....	52
GEAR HOUSING ASSEMBLY .....	40
INTAKE MANIFOLD .....	14
MOUNTING SYSTEM .....	36
OPTIONAL PARTS .....	46
PARTS INDEX .....	54
RECOIL STARTER .....	6
REMOTE CONTROL ATTACHING KIT .....	48
STEERING HANDLE .....	34
THROTTLE CONTROL/GEAR SHIFT LINKAGE .....	26

**NOTE:** *Indented description indicate that these parts are included in preceeding assembly.*

**AR** = As Required

**NSS** = Not Sold Seperate

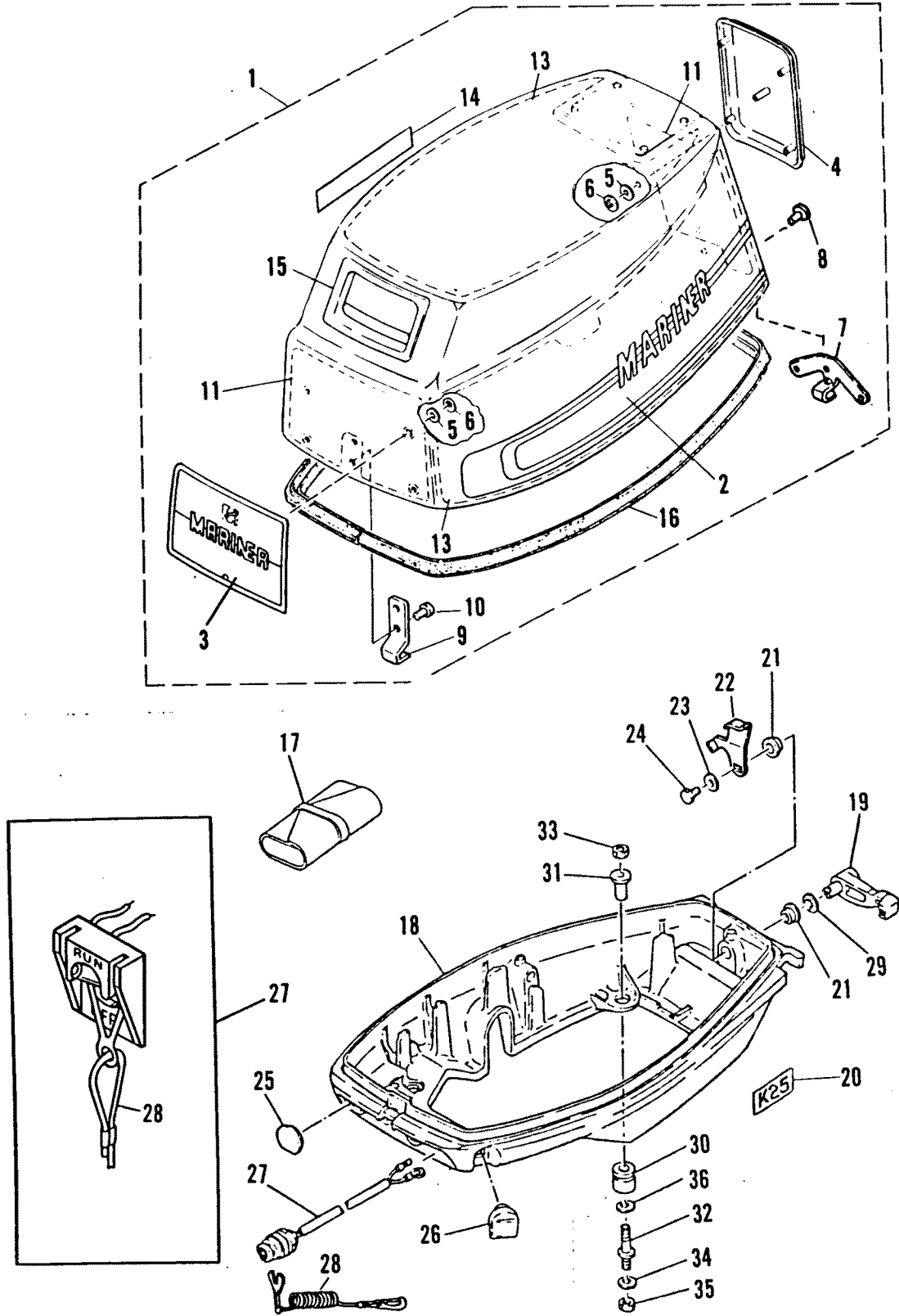
**OPT** = Optional

**NS** = Not Shown

**THESE PARTS BOOKS/FICHE CARD ARE COPYRIGHTED AND MAY NOT BE DISTRIBUTED OR REPRODUCED IN ANY OTHER FORMAT BY ANYONE OTHER THAN MERCURY MARINE WITHOUT THE PRIOR WRITTEN CONSENT OF MERCURY MARINE.**

THIS PAGE INTENTIONALLY LEFT BLANK

# COWLING

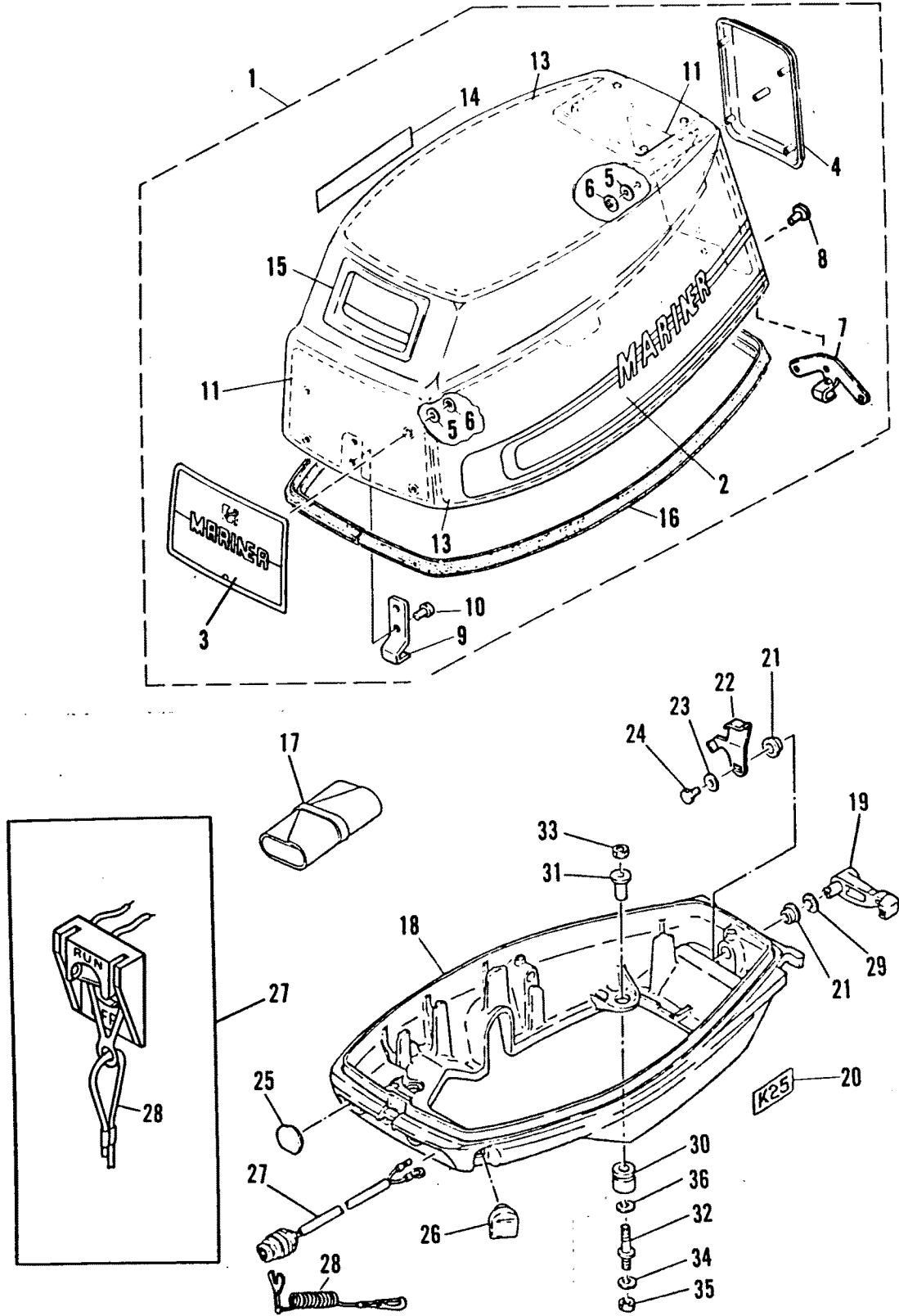


# COWLING

REF. NO.	PART NO.	SYM.	QTY.	DESCRIPTION
1	2168-9387M		1	TOP COWL (M-001374 ML-309362 AND ABOVE)
	2168-9387M		1	TOP COWL (M-001373 ML-309361 AND BELOW)
2	37-95670M		1	DECAL, SIDE SET M-000731 ML-303061 AND ABOVE
3	37-95641M		1	DECAL, FRONT
2	37-81114M		1	DECAL, SIDE SET M-000730 ML-303060 AND BELOW
3	82898M		1	DECAL, FRONT
4	82899M		1	APPLIQUE, REAR M-001244 ML-307393 AND BELOW
5	12-80884M		10	WASHER M-001244 ML-307393 AND BELOW
6	11-82927M		10	NUT
7	83212M		1	HOLDER
8	17-84903M		2	RIVET
9	83137M		1	HOOK
10	17-83140M		2	RIVET (M-001182 ML-307013 AND ABOVE)
	17-84903M		2	RIVET M-001181 ML-307012 AND BELOW
11	84323M		1	SOUND BLANKET
12	83321M		2	SOUND BLANKET
13	83322M		1	SOUND BLANKET
14	37-81202M		1	SHIFT INDICATOR
15	80601M		1	SEAL
16	84901M		1	SEAL
17	91-81669M		1	TOOL KIT
18	2168-9398M		1	BOTTOM COWL
19	84913M		1	LEVER
20	37-97559M		2	DECAL (HP)
21	23-81949M		2	BUSHING
22	54-84914M		1	CLAMP
23	12-81794M		1	WASHER
24	10-84315M		1	BOLT
25	25-83988M		1	GROMMET (M/ML)
26	25-84915M		1	GROMMET
27	87-810468M		1	LANYARD SWITCH (M-001471 ML-310224 AND ABOVE)
	87-14227M		1	SWITCH (M-001374-001470 ML-309362-3102233)
	87-91622M		1	STOP SWITCH (M-001373 ML-309361 AND BELOW)
28	97756M		1	STOPPER (M-001374 ML-309362 AND ABOVE)
29	13-81869M		1	WAVE WASHER
30	25-84910M		4	GROMMET
31	23-84911M		4	COLLAR
32	16-95505M		4	BOLT (M-001182 ML-307013 AND ABOVE)

CONTINUED ON NEXT PAGE ➡

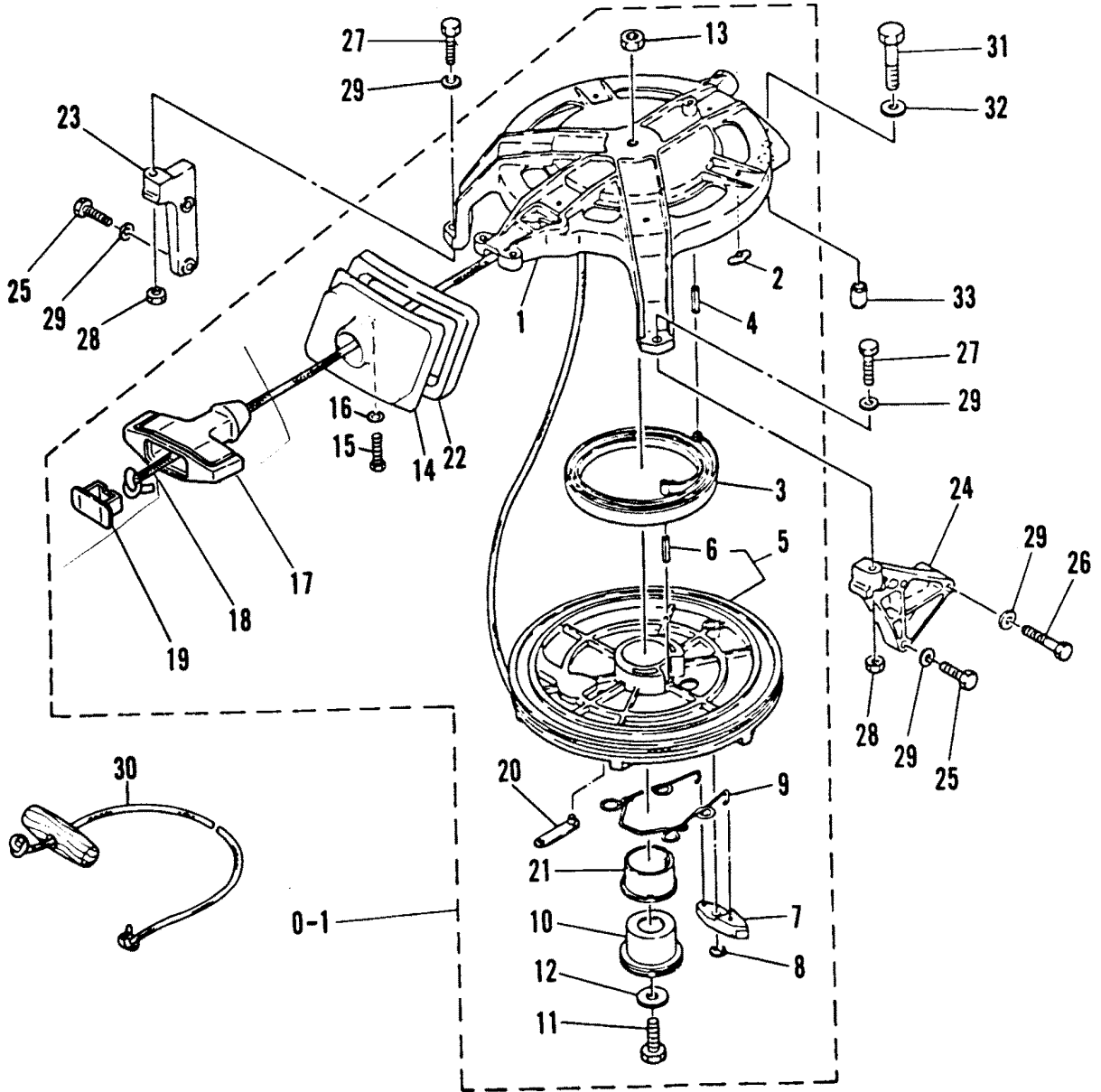
# COWLING



# COWLING

REF. NO.	PART NO.	SYM.	QTY.	DESCRIPTION
32	16-84912M		4	BOLT (M-001181 ML-307012 AND BELOW)
33	11-82383M		4	NUT
34	12-82217M		4	WASHER
35	11-82393M		4	NUT
36	12-95507M		4	WASHER

# RECOIL STARTER

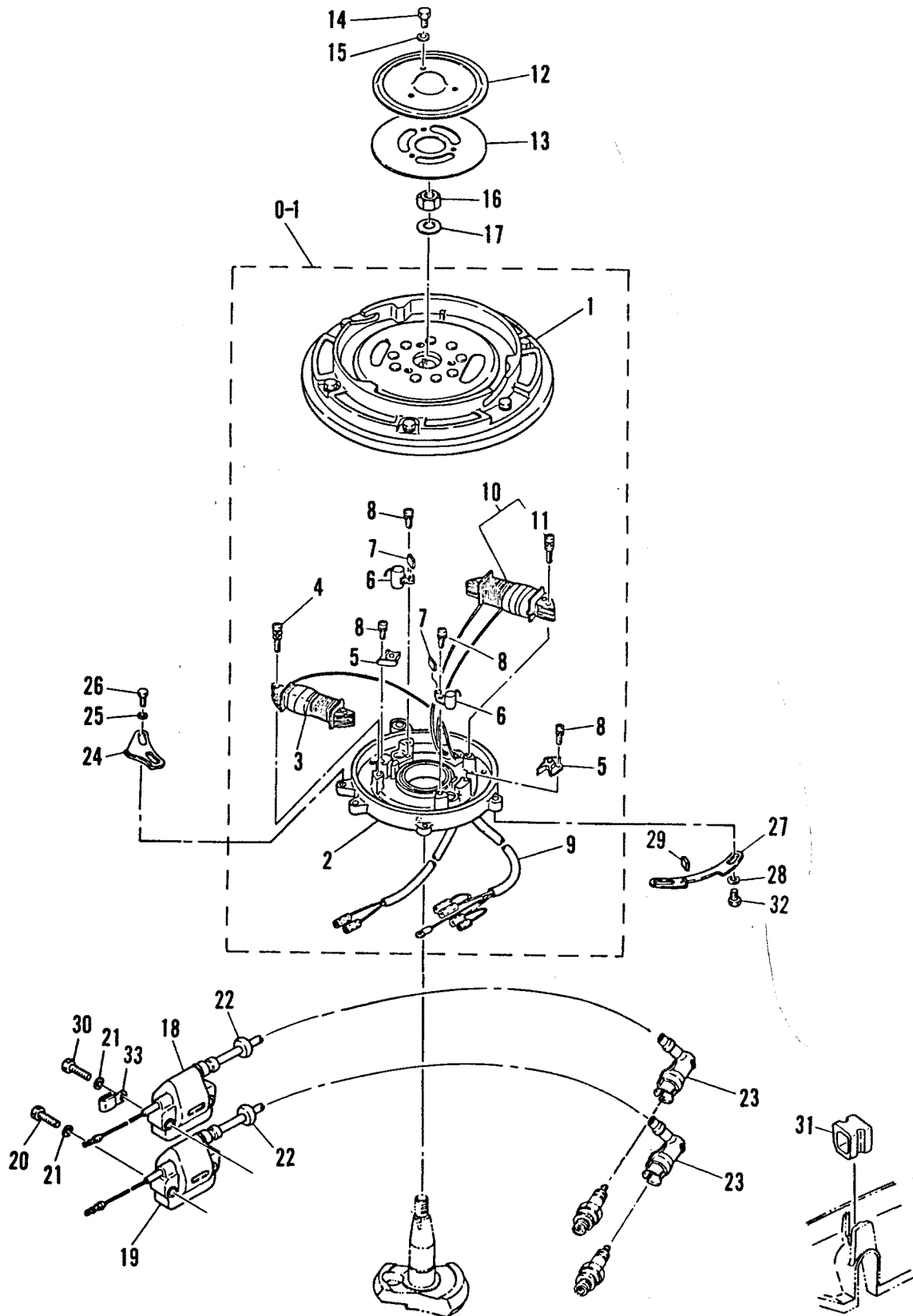




# RECOIL STARTER

REF. NO.	PART NO.	SYM.	QTY.	DESCRIPTION
0-1	50-814514M		1	STARTER ASSY.
1	2169-7102M		1	STARTER HOUSING
2	23-83585M		6	PLUG
3	24-83588M		1	SPRING
4	17-82157M		1	PIN
5	50-83587M		1	STARTER SHEAVE
6	17-82157M		1	ROLL PIN
7	84894M		1	STARTER PAWL
8	53-84895M		1	SNAP RING
9	24-83591M		1	SPRING
10	23-83590M		1	SHAFT
11	10-84342M		1	BOLT
12	12-81801M		1	WASHER
13	11-82382M		1	NUT
14	17168M		1	GUIDE (M-001374 ML-309362 AND ABOVE)
	80600M		1	GUIDE (M-001373 ML-309361 AND BELOW)
15	10-84247M		2	BOLT
16	12-82214M		2	WASHER
17	814491M		1	HANDLE (M-001471 ML-310224 AND ABOVE)
	18928M		1	HANDLE (M-001374-001470 ML-309362-310223)
	80063M		1	HANDLE (M-001373 ML-309361 AND BELOW)
18	50-12066A9		1	STARTER ROPE
19	814492M		1	COVER (M-001471 ML-310224 AND ABOVE)
	18929M		1	COVER (M-001374-001470 ML-309362-310223)
	41882M		1	COVER (M-001373 ML-309361 AND BELOW)
20	54-84893M		1	CLIP
21	23-83589M		1	BUSHING
22	95433M		1	SEAL (M-001286 ML-308339 AND ABOVE)
	93107M		1	SEAL (M-001285 ML-308338 AND BELOW)
23	14228M		1	BRACKET (STBD.) (M-001286 ML-308339 AND ABOVE)
	84465M		1	BRACKET (STBD.) (M-001285 ML-308338 AND BELOW)
24	84466M		1	BRACKET (PORT)
25	10-82405M		4	BOLT
26	10-82428M		1	BOLT
27	10-83285M		2	BOLT
28	11-82380M		2	NUT
29	12-82214M		7	WASHER
30	47341A1		1	EMERGENCY STARTER ROPE
31	10-82442M		1	BOLT
32	12-82217M		1	WASHER
33	17-14229M		1	DOWEL PIN

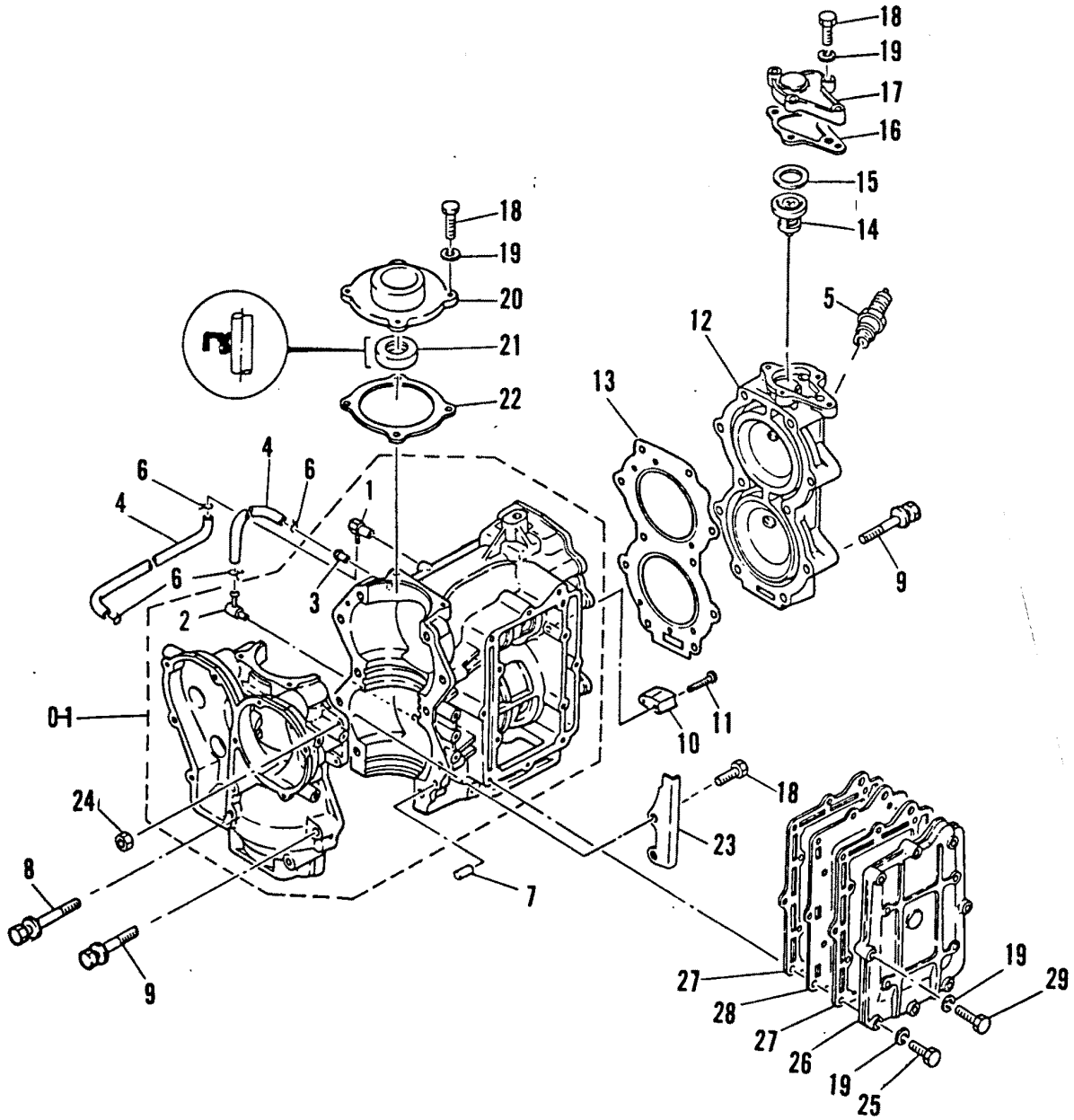
# FLYWHEEL MAGNETO



# FLYWHEEL MAGNETO

REF. NO.	PART NO.	SYM.	QTY.	DESCRIPTION
0-1	253-7953M		1	FLYWHEEL MAGNETO ASSEMBLY
1	253-7955M		1	FLYWHEEL
2	92592M		1	BASE
3	83281M		1	PRIMARY IGNITION COIL
4	10-82521M		2	SCREW
5	80930M		2	BREAKER ASSEMBLY
6	80558M		2	CONDENSER
7	80025M		2	LUBRICATOR
8	10-82500M		4	SCREW
9	84-92594M		1	LEAD WIRE
10	83315M		1	LIGHTING COIL
11	10-82521M		2	SCREW
12	80688M		1	COVER
13	27-80690M		1	GASKET
14	10-84303M		3	BOLT
15	12-82213M		3	WASHER
16	11-95508M		1	NUT
17	12-95557M		1	WASHER
18	94777M		1	SECONDARY IGNITION COIL (#1 CYL.)
19	94778M		1	SECONDARY IGNITION COIL (#2 CYL.)
20	10-83285M		3	BOLT
21	13-82212M		4	LOCKWASHER
22	25-82069M		2	GROMMET
23	84319M		2	PLUG CAP
	80935M		OPT	PLUG CAP (NOISE SUPPRESSOR)
24	97560M		1	CAM
25	12-82211M		2	WASHER
26	10-82417M		2	BOLT
27	99951M		1	STOP
28	12-82214M		2	WASHER
29	99952M		1	CAP
30	10-96293M		1	BOLT
31	25-84876M		1	GROMMET
32	10-84303M		2	BOLT
33	54-96348M		1	CLAMP

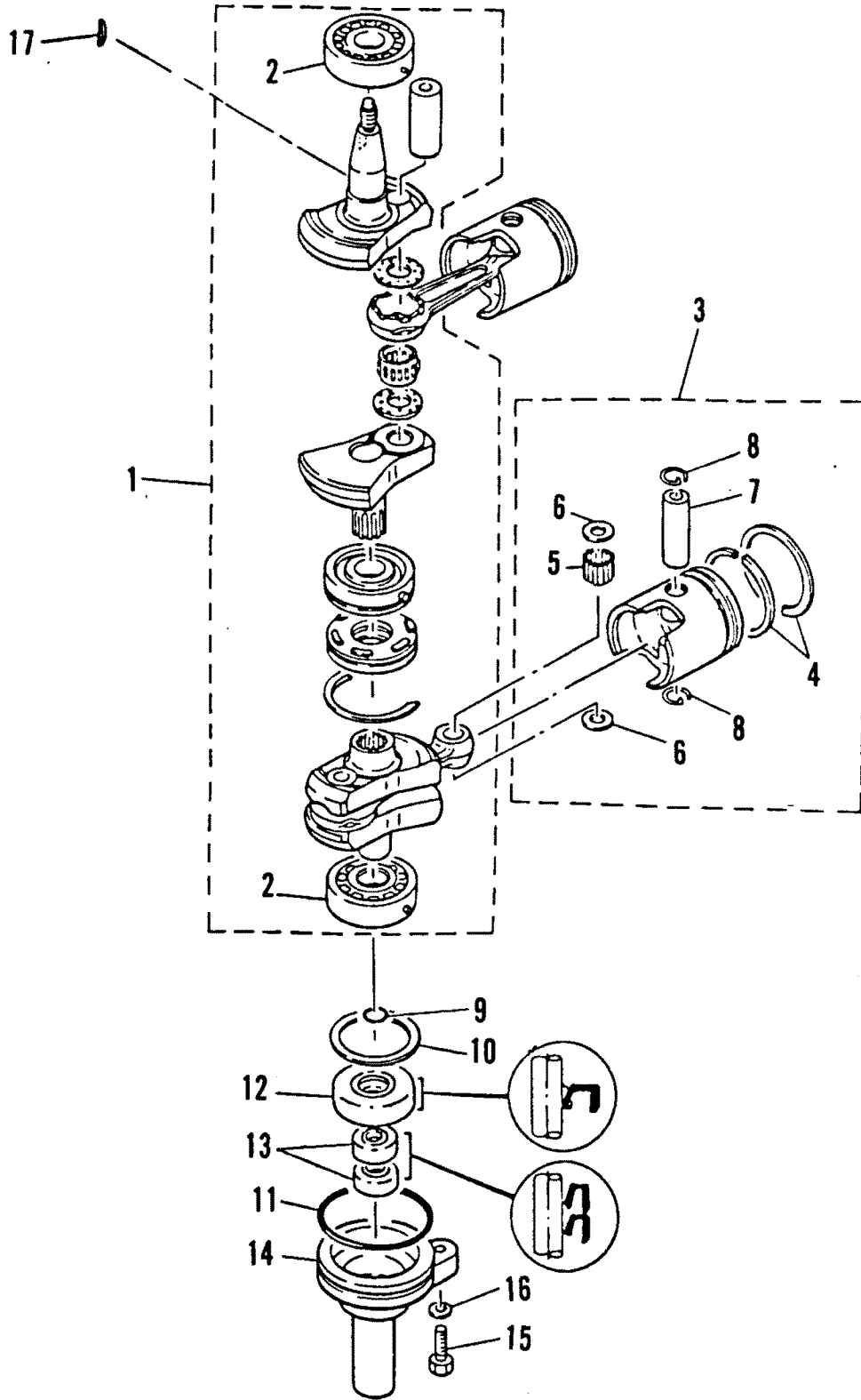
# CRANKCASE AND CYLINDER HEAD



# CRANKCASE AND CYLINDER HEAD

REF. NO.	PART NO.	SYM.	QTY.	DESCRIPTION
0-1	870-8493M		1	CRANKCASE ASSEMBLY
1	22-80743M		1	FITTING
2	21-80727M		1	CHECK VALVE ASSEMBLY
3	22-80122M		1	FITTING
4	32-84731M		2	HOSE
5	33-53098		2	SPARK PLUG
6	54-82046M		4	CLIP
7	17-82364M		2	PIN
8	10-41884M		8	BOLT
9	10-41885M		12	BOLT
10	81094M		1	ANODE
11	10-81757M		2	SCREW
12	968-8494M		1	CYLINDER HEAD
13	27-43074M		1	GASKET
14	814554M		1	THERMOSTAT (M-001245 ML-307394 AND ABOVE)
	81098M		1	THERMOSTAT (M-001244 ML-307393 AND BELOW)
15	12-81835M		1	WASHER
16	27-80566M		1	GASKET
17	815006M		1	COVER (M-001471 ML-310224 AND ABOVE)
	81099M		1	COVER (M-001470 ML-310223 AND BELOW)
18	10-83539M		10	BOLT
19	12-82214M		21	WASHER
20	80596M		1	HOUSING
21	26-82245M		1	OIL SEAL
22	27-80597M		1	GASKET
23	80628M		1	STOPPER
24	11-82380M		2	NUT
25	10-82405M		3	BOLT
26	81116M		1	EXHAUST COVER (OUTER)
27	27-81117M		2	GASKET
28	81115M		1	EXHAUST COVER (INNER)
29	10-83285M		10	BOLT

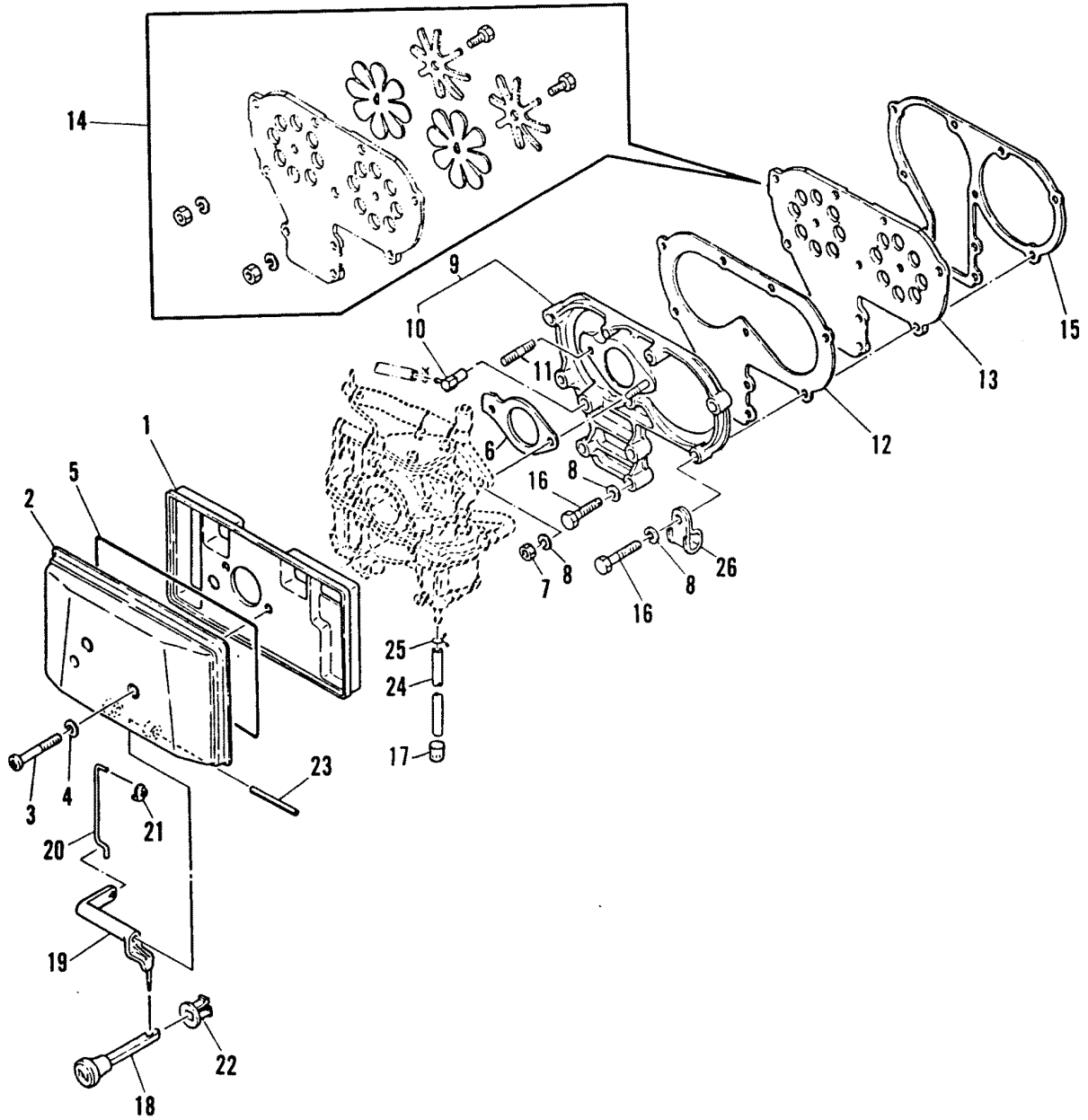
# CRANKSHAFT AND PISTON



# CRANKSHAFT AND PISTON

REF. NO.	PART NO.	SYM.	QTY.	DESCRIPTION
1	463-9440M		1	CRANKSHAFT ASSEMBLY
2	30-95518M		2	BEARING
3	761-8375M		2	PISTON STANDARD M-001471 ML-310224 AND ABOVE
4	39-95519M		2	PISTON RING
3	761-8428M		2	PISTON STANDARD M-001470 ML-310223 AND BELOW
4	39-81095M		2	PISTON RING
3	761-8376M		AR	PISTON 1ST. O.S. 67.25MM M-001471 ML-310224 AND ABOVE
4	39-95520M		AR	PISTON RING
3	761-8429M		AR	PISTON 1ST. O.S. 67.25MM M-001470 ML-310223 AND BELOW
4	39-81096M		AR	PISTON RING
3	761-8377M		AR	PISTON 2ND. O.S. 67.50MM M-001471 ML-310224 AND ABOVE
4	39-95521M		AR	PISTON RING
3	761-8430M		AR	PISTON 2ND. O.S. 67.50MM M-001470 ML-310223 AND BELOW
4	39-81097M		AR	PISTON RING
5	29-84452M		62	NEEDLE BEARING
6	12-81829M		4	WASHER
7	41-80565M		2	PISTON PIN
8	53-82345M		4	SNAP RING
9	25-82267M		1	O-RING
10	23-81842M		1	SPACER
11	25-84089M		1	O-RING
12	26-19133M		1	OIL SEAL (LARGE)
13	26-19134M		1	OIL SEAL (SMALL) M-001374 ML-309362 AND ABOVE
14	19135M		1	HOUSING
13	26-97040M		2	OIL SEAL (SMALL) M001373 ML-309361 AND BELOW
14	97041M		1	HOUSING
15	10-94526M		1	BOLT
16	12-82214M		1	WASHER
17	28-81914M		1	KEY

# INTAKE MANIFOLD

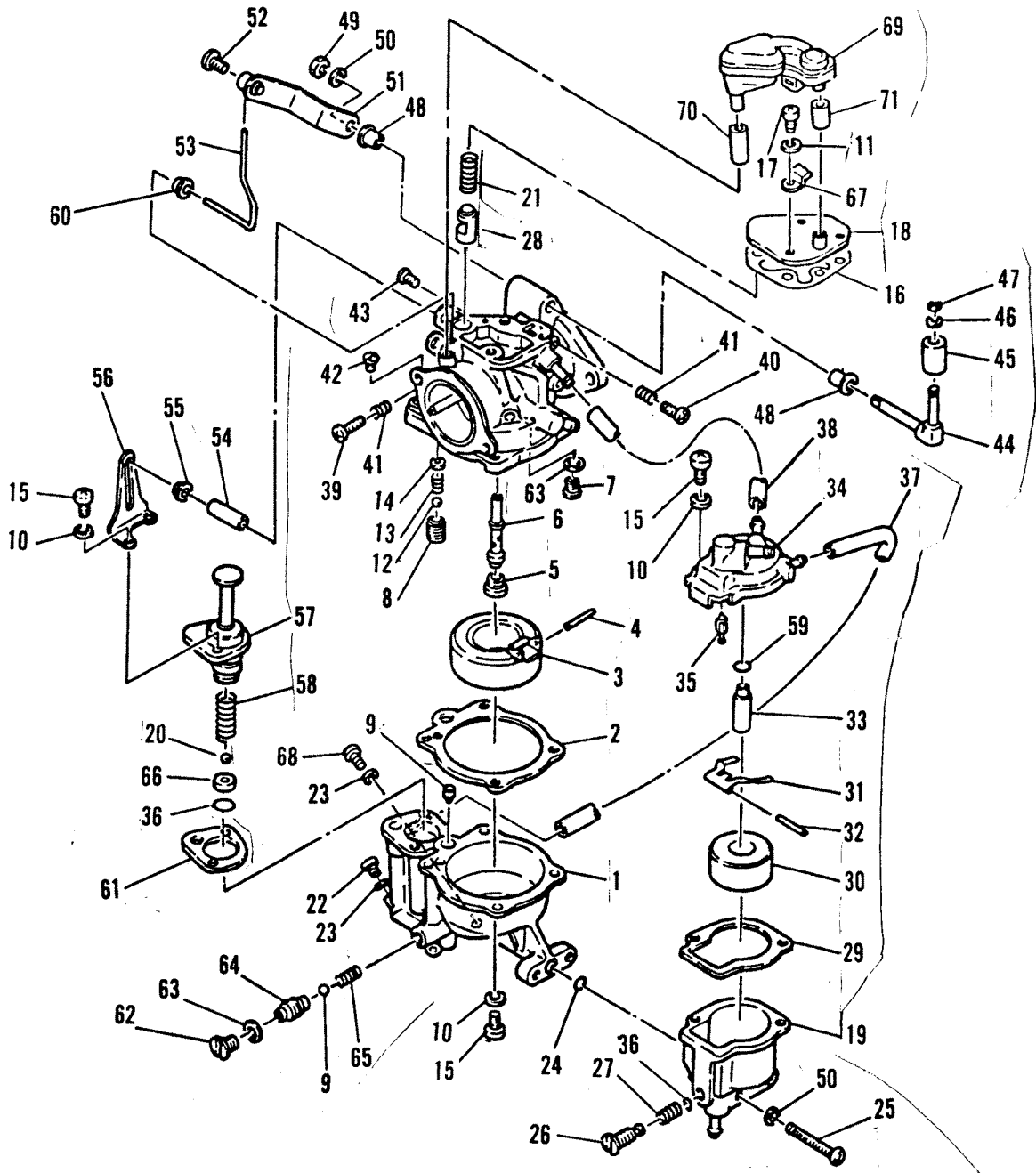




# INTAKE MANIFOLD

REF. NO.	PART NO.	SYM.	QTY.	DESCRIPTION
1	95571M		1	COVER (INNER)
2	97565M		1	COVER (OUTER)
3	10-82522M		2	SCREW
4	12-82211M		2	WASHER
5	25-95558M		1	SEAL
6	27-80572M		1	GASKET
7	11-82389M		2	NUT
8	12-82214M		12	WASHER
9	97566M		1	INTAKE MANIFOLD
10	21-80727M		1	CHECK VALVE
11	16-811028M		2	STUD (M-001613 ML-311139 AND UP0
	16-91735M		2	STUD (M-001612 ML-311138 AND BELOW)
12	27-97567M		1	GASKET
13	34-97568M		1	REED VALVE ASSEMBLY
14	34-94639M		1	REED SET
15	27-97569M		1	GASKET
16	10-83285M		10	BOLT
17	83323M		1	CAP (M-001182-001285 ML-307013-308338)
18	83960M		1	CHOKE KNOB
19	97570M		1	CHOKE LEVER
20	97571M		1	CHOKE ROD
21	81191M		1	RETAINER
22	25-84760M		1	GROMMET
23	17-82157M		2	PIN
24	32-82011M		1	HOSE M-001181 ML-307012 AND BELOW
25	54-82047M		1	CLIP
26	54-96348M		1	CLAMP

# CARBURETOR

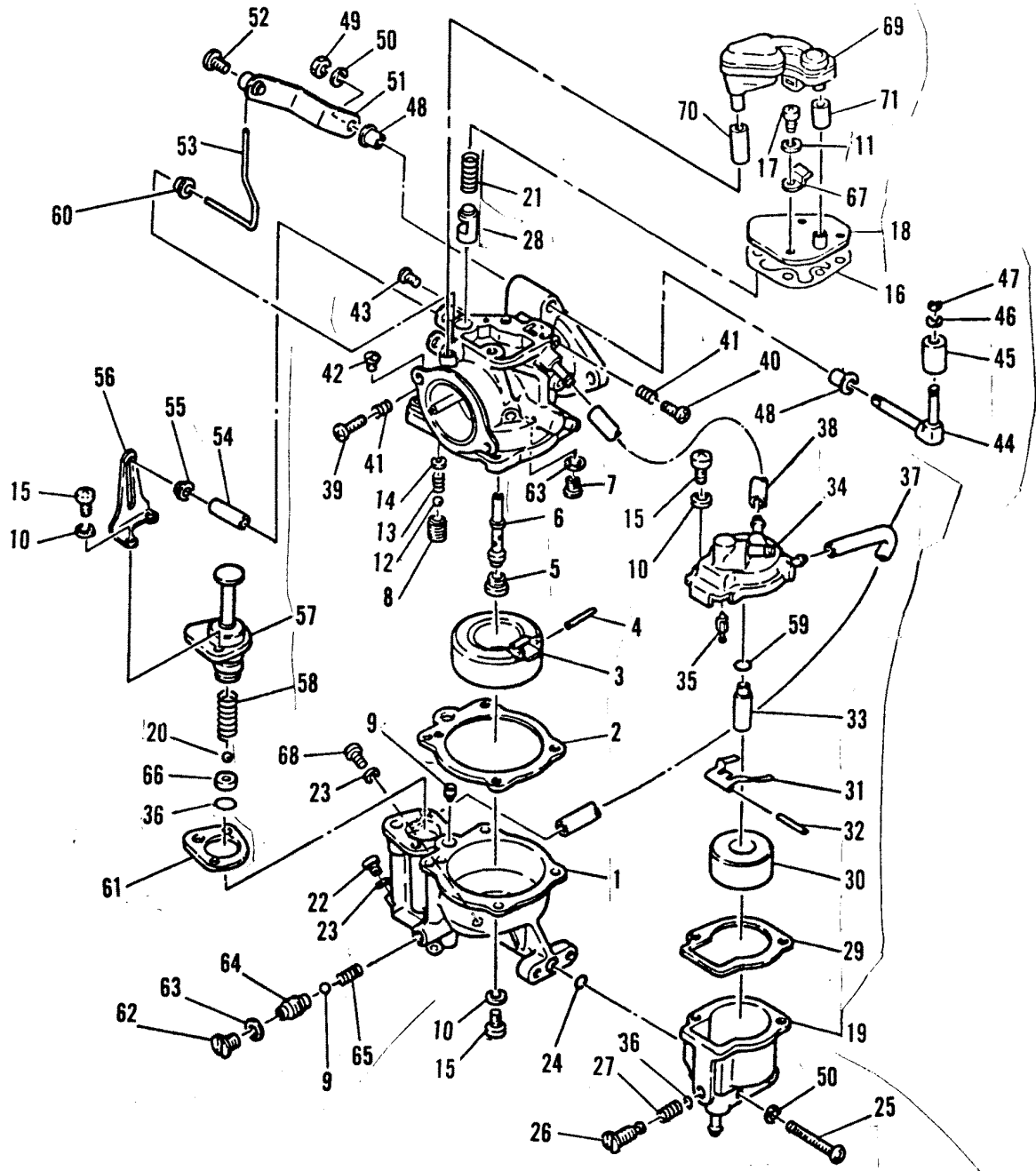


# CARBURETOR

REF. NO.	PART NO.	SYM.	QTY.	DESCRIPTION
-	1383-811017M		1	CARBURETOR (M-001613 ML-311139 AND ABOVE)
-	1383-9838M		1	CARBURETOR (M-001374-001612 ML-309362-311138)
-	1383-9247M		1	CARBURETOR (M-001373 ML-309361 AND BELOW)
1	95572M		1	BODY (M-001182 ML-307013 AND ABOVE)
	97572M		1	BODY (M-001181 ML-307012 AND BELOW)
2	27-97573M		1	GASKET
3	80591M		1	FLOAT
4	17-11794M		1	FLOAT PIN
5	92580M		1	MAIN JET (#145) (M-001613 ML-311139 & ABOVE)
	97574M		1	MAIN JET (#150) (M-001612 ML-311138 * BELOW)
6	97575M		1	MAIN NOZZLE
7	80593M		1	VALVE SEAT
8	97576M		1	SEAT
9	97580M		1	STARTER JET (#84)
10	13-82184M		8	LOCKWASHER
11	13-82184M		3	LOCKWASHER
12	30-95574M		2	BALL M-001182 ML-307013 AND ABOVE
13	24-95559M		1	SPRING
14	95560M		2	SEAT
15	10-82515M		8	SCREW
16	27-95576M		1	GASKET
17	10-82515M		3	SCREW
18	95575M		1	PLATE
19	95577M		1	BODY
12	30-97577M		1	BALL M-001181 ML-307012 AND BELOW
13	24-97578M		1	SPRING
14	97579M		1	SEAT
15	10-83509M		8	SCREW
16	27-97582M		1	GASKET
17	10-82513M		3	SCREW
18	97581M		1	PLATE
19	94689M		1	BODY
20	30-97583M		1	BALL
21	24-81100M		1	SPRING
22	22-80735M		1	DRAIN VALVE
23	27-80737M		2	PACKING
24	25-94699M		1	O-RING
25	10-82568M		2	SCREW
26	10-80349M		1	DRAIN VALVE
27	24-80331M		1	SPRING
28	97584M		1	PLUNGER
29	27-94691M		1	GASKET
30	94696M		1	FLOAT

CONTINUED ON NEXT PAGE ➡

# CARBURETOR

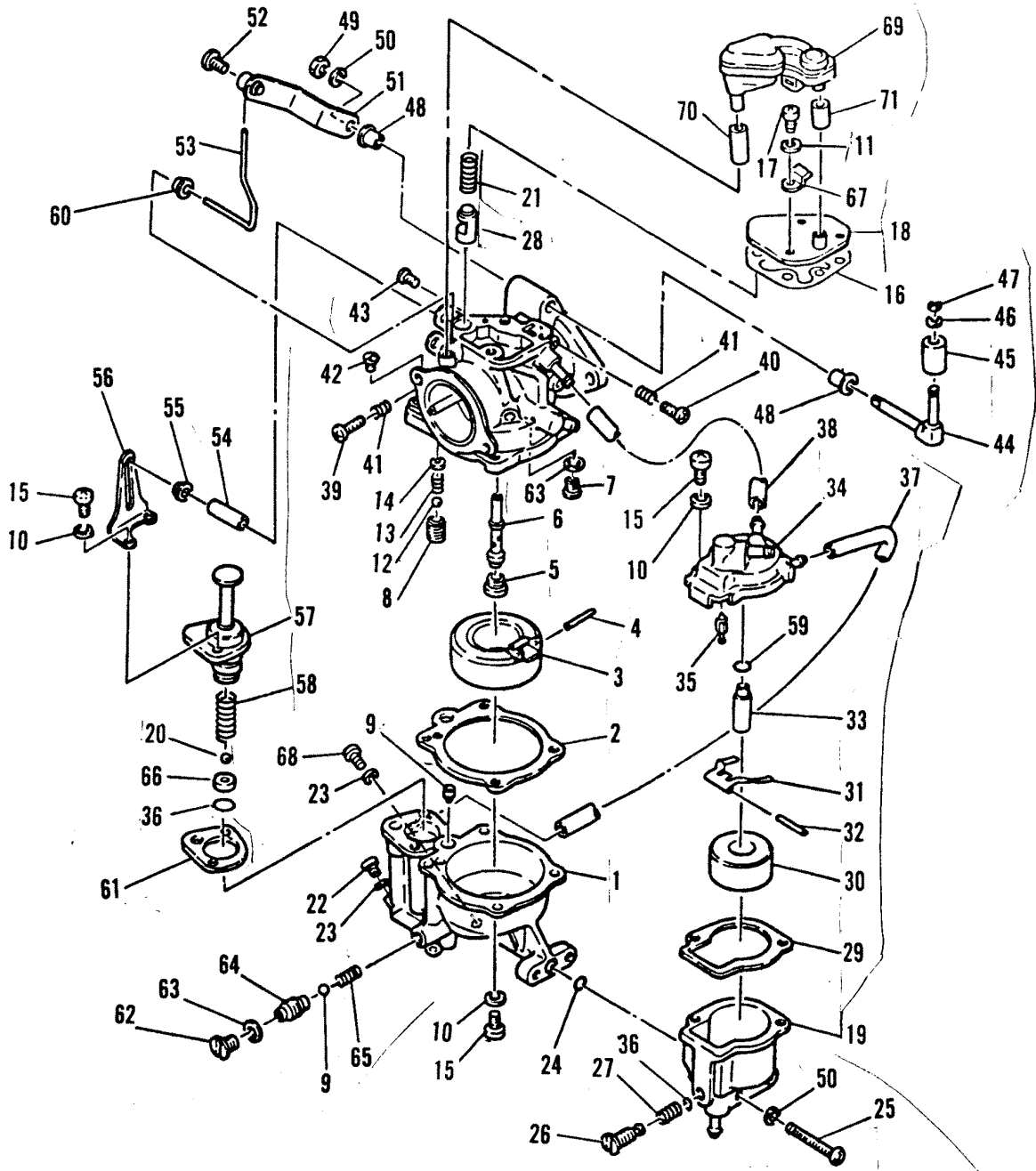


# CARBURETOR

REF. NO.	PART NO.	SYM.	QTY.	DESCRIPTION
-	1383-811017M		1	CARBURETOR (M-001613 ML-311139 AND ABOVE)
-	1383-9838M		1	CARBURETOR (M-001374-001612 ML-309362-311138)
-	1383-9247M		1	CARBURETOR (M-001373 ML-309361 AND BELOW)
31	811018M		1	FLOAT ARM (M-001613 ML-311139 AND ABOVE)
	97585M		1	FLAOT ARM (M-001612 ML-311138 AND BELOW)
32	17-97586M		1	FLOAT PIN
33	95578M		1	PILOT JET (#46) M-001182 ML-307013 AND ABOVE
34	95561M		1	COVER
33	97587M		1	PILOT JET (#56) M-001181 ML-307012 AND BELOW
34	97589M		1	COVER
35	95579M		1	NEEDLE VALVE
36	25-94695M		2	O-RING
37	32-97590M		1	HOSE
38	32-97591M		1	HOSE
39	10-814463M		1	THROTTLE SCREW
40	10-80573M		1	AIR ADJUSTING SCREW
41	24-80329M		2	SPRING
42	10-80191M		1	SCREW
43	95580M		1	PILOT JET (#50) (M-001182 ML-307013 AND ABOVE)
	97592M		1	PILOT JET (#70) (M-001181 ML-307012 AND BELOW)
44	80623M		1	SHAFT
45	23-84454M		1	COLLAR
46	12-82209M		1	WASHER
47	53-94722M		1	SNAP RING (M-001182 ML-307013 AND ABOVE)
	53-82328M		1	SNAP RING (M-001181 ML-307012 AND BELOW)
48	23-81941M		2	BUSHING
49	11-82378M		1	NUT
50	13-82208M		3	LOCKWASHER
51	97593M		1	ARM
52	10-81558M		1	SCREW
53	97594M		1	ROD
-	1383-811017M		1	CARBURETOR (M-001613 ML-311139 AND ABOVE)
-	1383-9838M		1	CARBURETOR (M-001374-001612 ML-309362-311138)
-	1383-9247M		1	CARBURETOR (M-001373 ML-309361 AND BELOW)
54	97595M		1	ROLLER
55	97596M		1	COLLAR
56	97597M		1	BRACKET
57	95581M		1	PLUNGER M-001182 ML-307013 AND ABOVE
58	24-95582M		1	SPRING
57	97598M		1	PLUNGER M-001181 ML-307012 AND BELOW
58	24-97599M		1	SPRING
59	25-80350M		2	O-RING
60	97600M		1	COLLAR

CONTINUED ON NEXT PAGE ➡

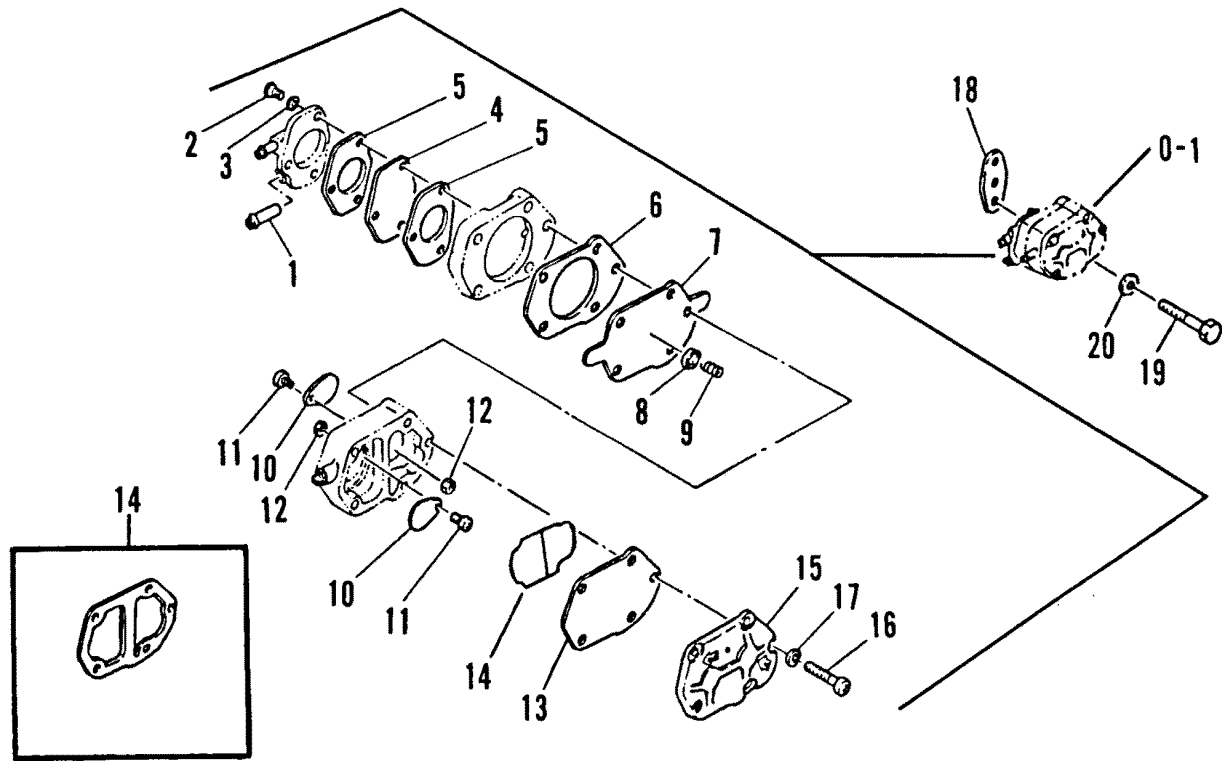
# CARBURETOR



# CARBURETOR

REF. NO.	PART NO.	SYM.	QTY.	DESCRIPTION
61	27-97601M		1	GASKET
62	97602M		2	DRAIN VALVE
63	12-80261M		2	WASHER
64	97603M		1	SEAT
65	24-97578M		1	SPRING M-001182 ML-307013 AND ABOVE
66	95584M		1	CHECK VALVE
67	95585M		1	PLATE
68	10-80738M		1	SCREW
69	95586M		1	DAMPER
70	32-95562M		1	HOSE
71	32-95567M		1	HOSE

# FUEL PUMP

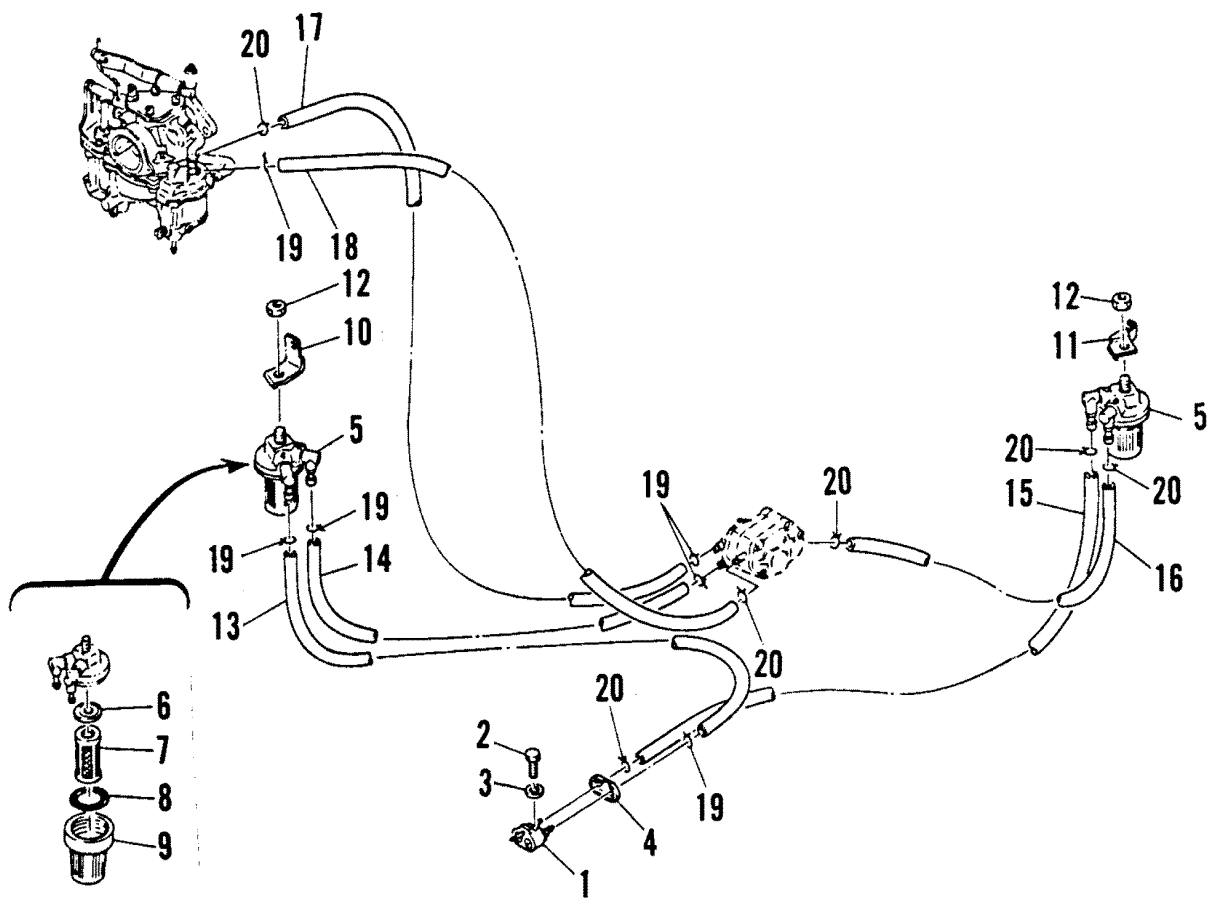




# FUEL PUMP

REF. NO.	PART NO.	SYM.	QTY.	DESCRIPTION
0-1	814494M		1	FUEL PUMP (M-001471 ML-310224 AND ABOVE)
	16719M		1	FUEL PUMP (M001470 ML-310223 AND BELOW)
1	22-94716M		2	FITTING
2	10-94724M		3	SCREW
3	13-94725M		3	LOCKWASHER
4	94717M		1	DIAPHRAGM
5	27-94718M		2	GASKET
6	27-80613M		1	GASKET
7	80606M		1	DIAPHRAGM
8	80611M		1	PLATE
9	24-80610M		1	SPRING
10	21-41888M		2	CHECK VALVE
11	10-41889M		2	SCREW (M-001182 ML-307013 AND ABOVE)
	10-94801M		2	SCREW (M-001181 ML-307012 AND BELOW)
12	11-82537M		2	NUT
13	84141M		1	DIAPHRAGM
	27-80614M		1	GASKET (M-001314 ML-308858 AND ABOVE)
	27-43095M		1	GASKET (M-001182-001313 ML-307013-308857)
14	27-80614M		1	GASKET (M-001181 ML-307012 AND BELOW)
	43096M		1	COVER (M-001182 ML-307013 AND ABOVE)
	80607M		1	COVER (M-001181 ML-307012 AND BELOW)
15	10-82522M		3	SCREW
16	13-82208M		3	LOCKWASHER
17	27-80757M		1	GASKET
18	10-84931M		2	BOLT
19	12-82214M		2	WASHER

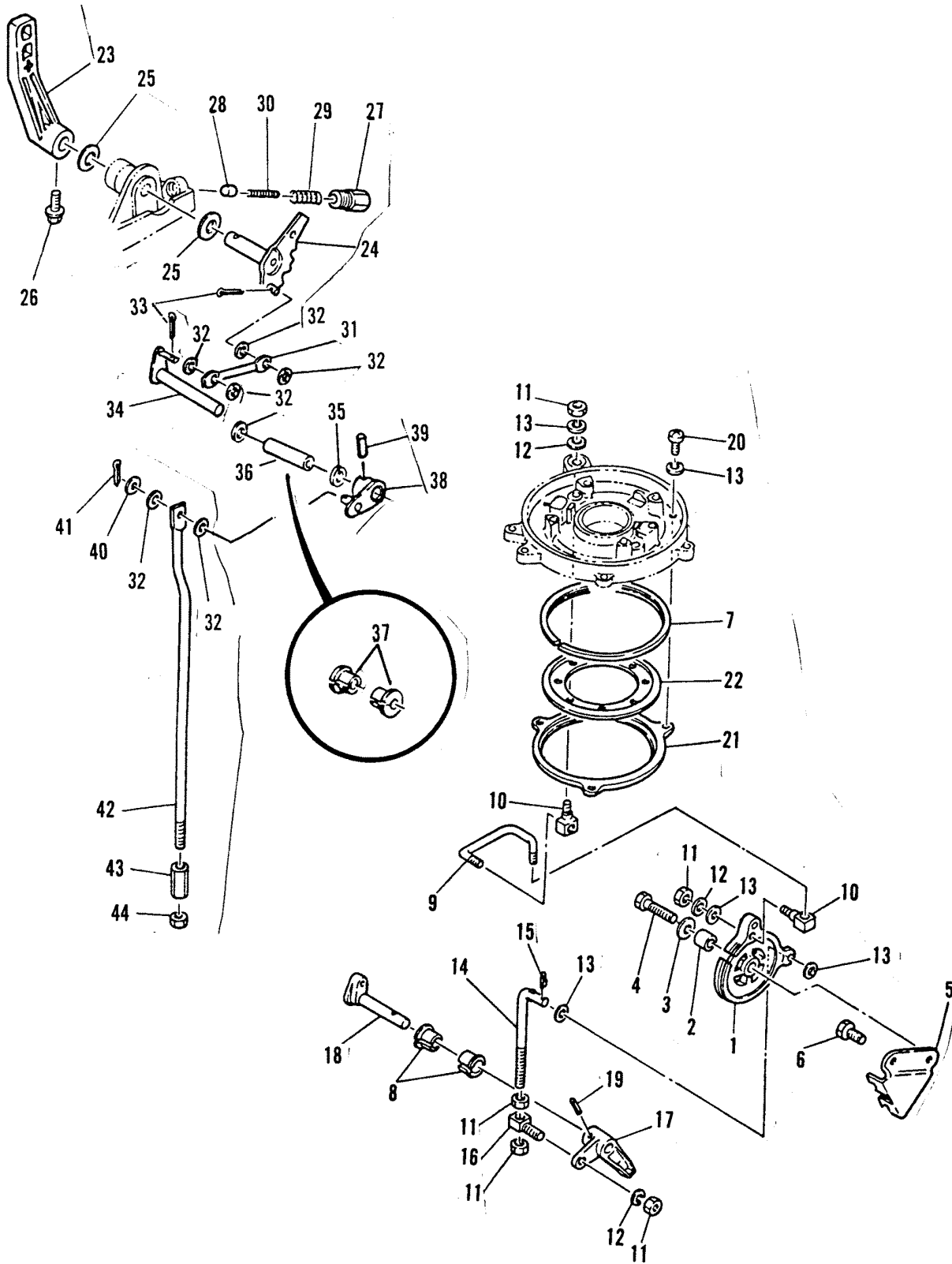
# FUEL LINES AND FILTER



## FUEL LINES AND FILTER

REF. NO.	PART NO.	SYM.	QTY.	DESCRIPTION
1	95604M		1	FUEL LINE CONNECTOR ASSEMBLY
2	10-83539M		1	BOLT
3	12-82214M		1	WASHER
4	25-97607M		1	SEAL
5	35-11931M		2	FILTER ASSEMBLY
6	27-82790M		2	GASKET (M-001244 ML-307393 AND BELOW)
7	35-11934M		2	FILTER ELEMENT
8	25-84957M		2	O-RING
9	11935M		2	CUP
10	97608M		1	BRACKET
11	97042M		1	BRACKET
12	11-82382M		2	NUT
13	32-82008M		1	HOSE
14	32-97609M		1	HOSE
15	32-95563M		1	HOSE (M-001182 ML-307013 AND ABOVE)
	32-84956M		1	HOSE (M-001181 ML-307012 AND BELOW)
16	32-95564M		1	HOSE
17	32-99067M		1	HOSE
18	32-99067M		1	HOSE (M-001182 ML-307013 AND ABOVE)
19	54-82047M		6	CLIP
20	54-98974M		6	CLIP

# THROTTLE CONTROL/GEAR SHIFT LINKAGE

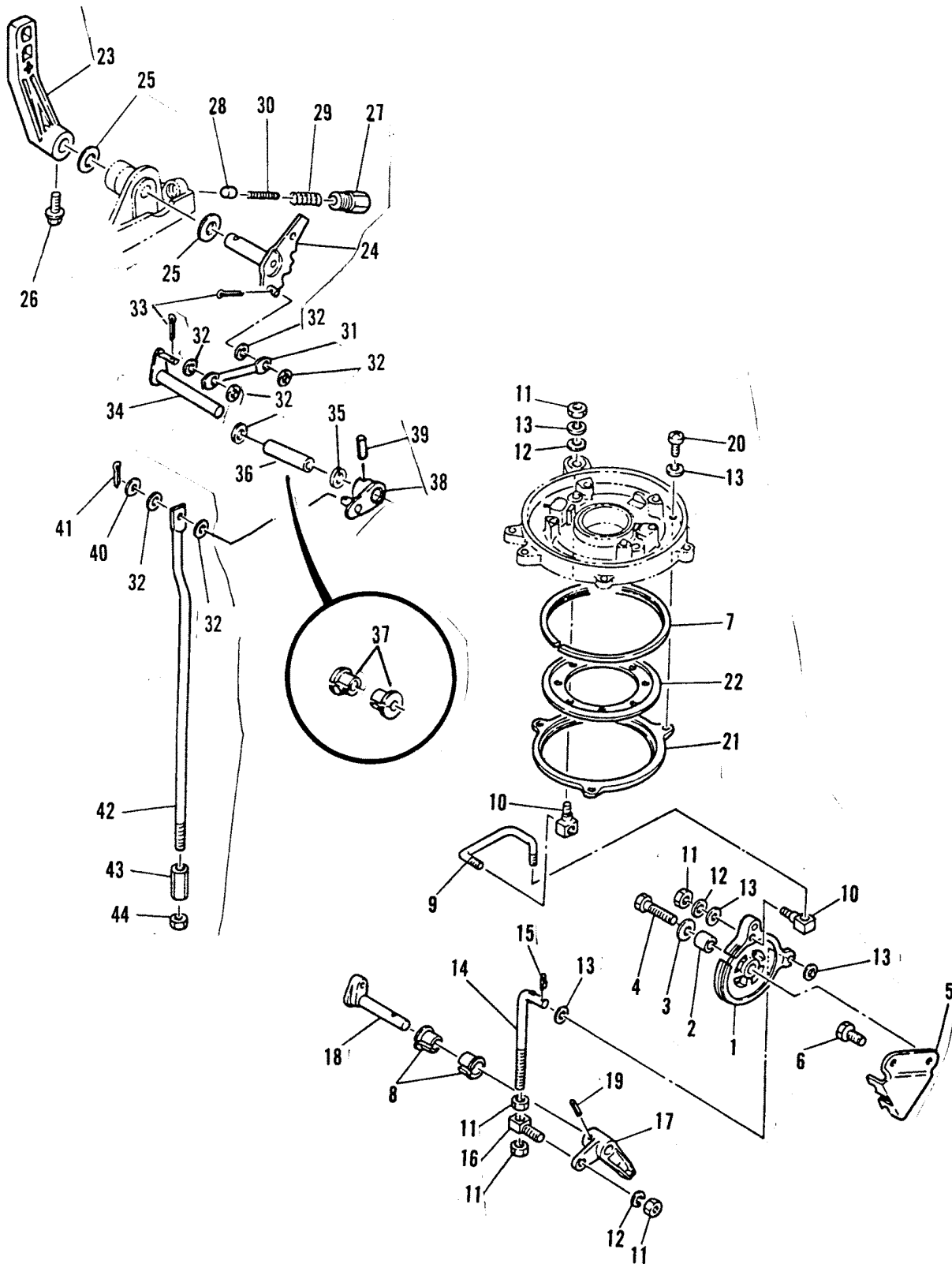


## THROTTLE CONTROL/GEAR SHIFT LINKAGE

REF. NO.	PART NO.	SYM.	QTY.	DESCRIPTION
1	97612M		1	LEVER
2	23-83310M		1	COLLAR
3	12-81969M		1	COLLAR
4	10-82405M		1	BOLT
5	81102M		1	BRACKET
6	10-84211M		1	BOLT
7	92572M		1	FRICTION PLATE
8	23-81946M		2	BUSHING
9	97613M		1	ROD
10	80629M		2	SHAFT
11	11-82378M		5	NUT
12	13-82208M		3	LOCKWASHER
13	12-82211M		7	WASHER
14	97614M		1	JOINT
15	18-82051M		1	COTTER PIN
16	81892M		1	PIN
17	97615M		1	THROTTLE CONTROL LEVER
18	81134M		1	THROTTLE CONTROL SHAFT
19	17-82156M		1	PIN
20	10-83523M		3	SCREW
21	92573M		1	RETAINER
22	96379M		1	RETAINER
23	84865M		1	GEAR SHIFT HANDLE
24	84653M		1	CAM
25	12-81851M		2	WASHER
26	84830M		1	BOLT
27	84459M		1	RETAINER
28	84460M		1	PLUNGER
29	24-84461M		1	SPRING
30	24-84462M		1	SPRING
31	83136M		1	SHIFT LINK ROD
32	12-81843M		6	WASHER
33	18-82125M		2	COTTER PIN
34	97044M		1	SHIFT ROD LEVER
35	12-81846M		2	WASHER M-000701 ML-302901 AND ABOVE
36	23-97142M		1	COLLAR
37	23-81646M		2	BUSHING (M-000700 ML-302900 AND BELOW)
38	97043M		1	SWIVEL
39	17-82155M		1	ROLL PIN

CONTINUED ON NEXT PAGE ➡

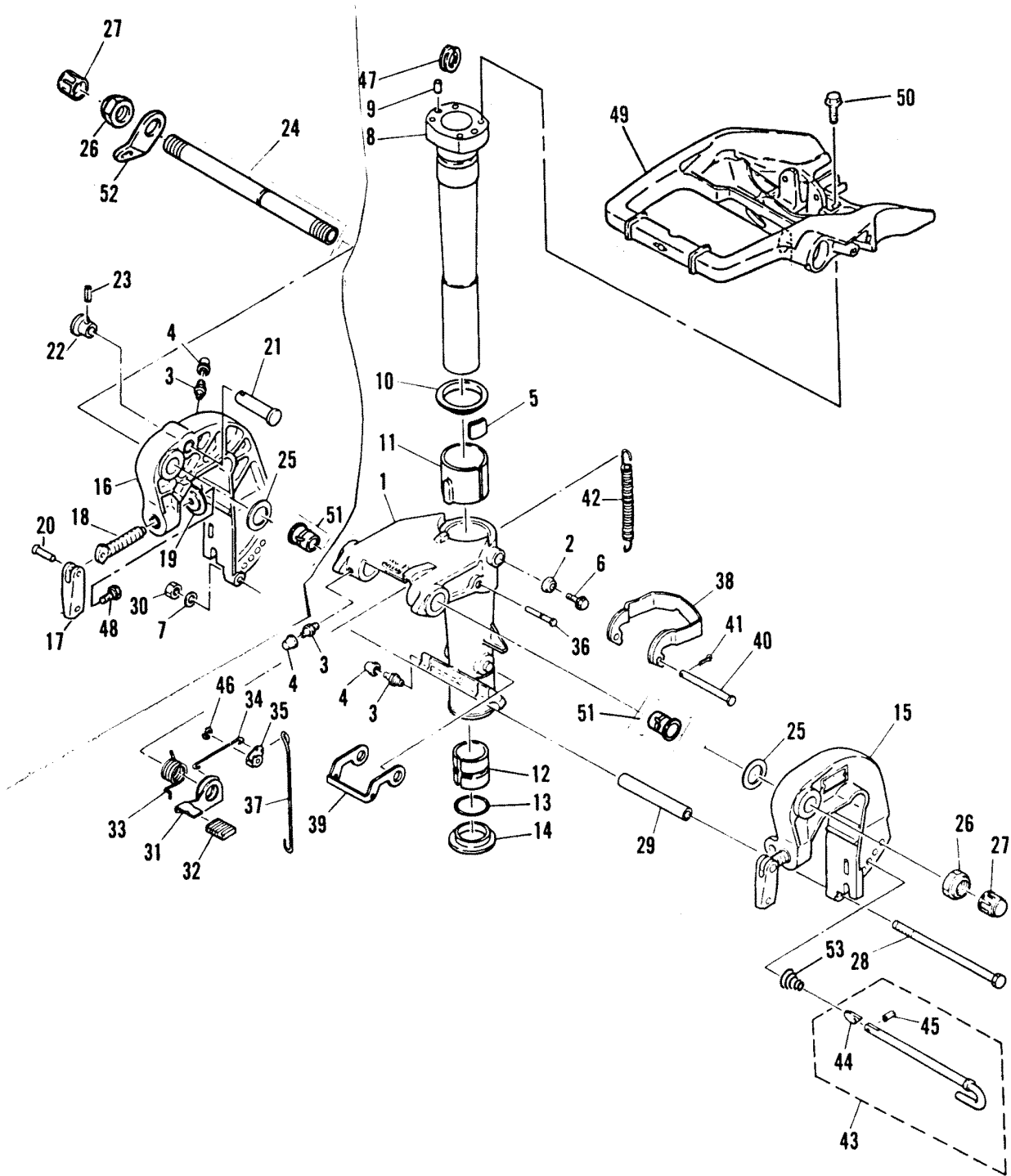
# THROTTLE CONTROL/GEAR SHIFT LINKAGE



## THROTTLE CONTROL/GEAR SHIFT LINKAGE

REF. NO.	PART NO.	SYM.	QTY.	DESCRIPTION
40	12-82211M		1	WASHER
41	18-82127M		1	COTTER PIN
42	80651M		1	SHIFT SHAFT (UPPER)
43	80652M		1	CONNECTOR
44	11-81767M		1	NUT

# CLAMP AND SWIVEL BRACKET/REVERSE LOCK

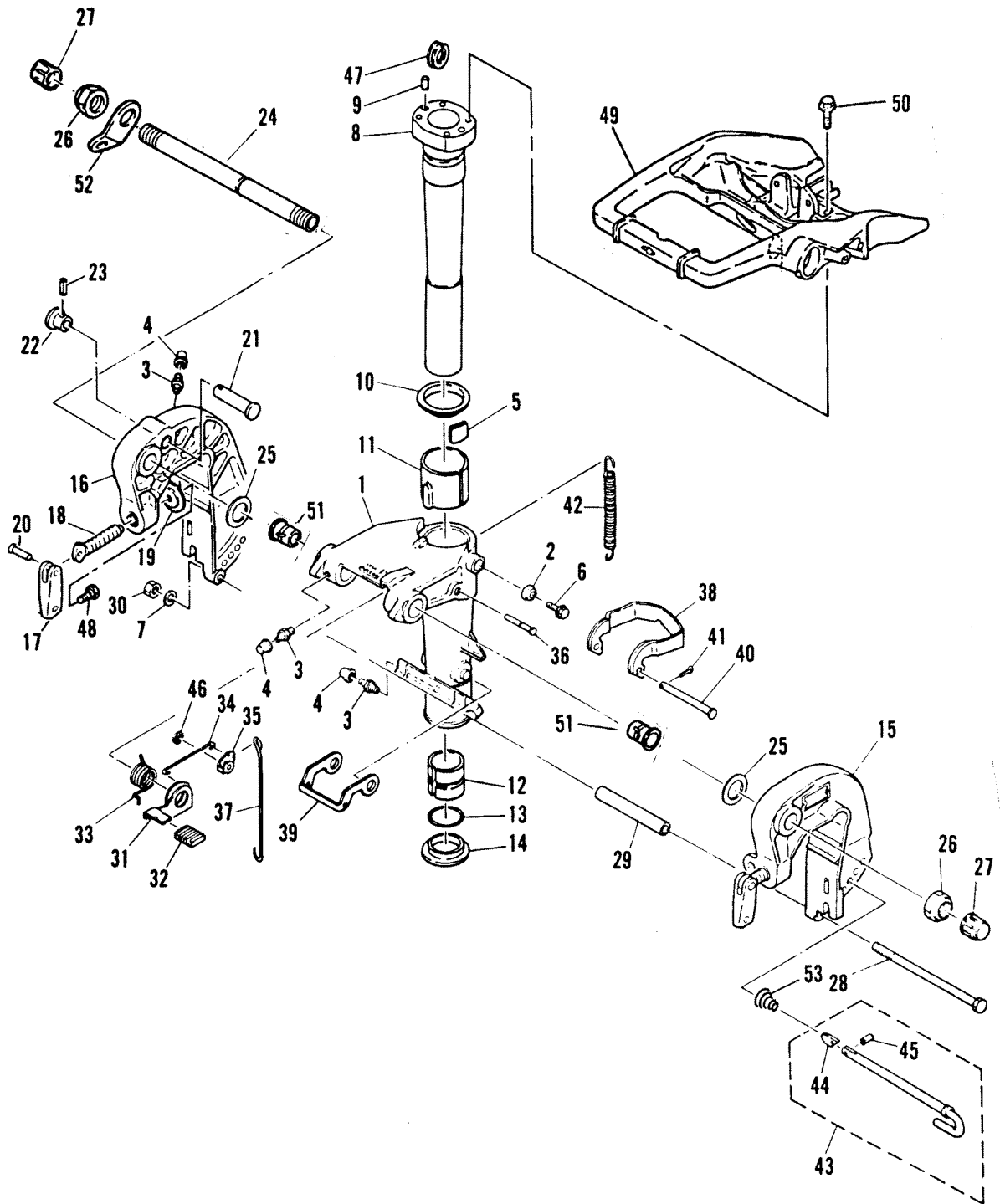




# CLAMP AND SWIVEL BRACKET/REVERSE LOCK

REF. NO.	PART NO.	SYM.	QTY.	DESCRIPTION
1	1485-9792M		1	SWIVEL BRACKET (M-001374 ML-309362 AND ABOVE)
	1485-9246M		1	SWIVEL BRACKET (M-001373 ML-309361 AND BELOW)
2	26-91637M		1	SEAL
3	22-82369M		4	GREASE FITTING
4	81439M		4	CAP
5	80633M		1	FRICTION PLATE
6	10-96382M		1	SCREW
7	12-82217M		1	WASHER
8	84833M		1	SHAFT
9	17-82368M		2	DOWEL PIN
10	12-81873M		1	WASHER
11	23-81964M		1	BUSHING (UPPER)
12	23-81961M		1	BUSHING (LOWER)
13	25-82274M		1	O-RING
14	23-81959M		1	BUSHING
15	1484-9797M		1	CLAMP BRACKET (PORT) M-001374 ML-309362 AND ABOVE
16	1484-9798M		1	CLAMP BRACKET (STBD.)
15	1484-8245M		1	CLAMP BRACKET (PORT) M-001373 ML-309361 AND BELOW
16	1484-8246M		1	CLAMP BRACKET (STBD.)
17	80048M		2	HANDLE
18	10-43098M		2	SCREW
19	12-43099M		2	PAD
20	17-81888M		2	ROLL PIN
21	84835M		1	SHAFT
22	95650M		1	KNOB
23	17-82148M		1	ROLL PIN
24	10-18974M		1	STEERING TUBE (M-001374 ML-309362 AND ABOVE)
	10-91639M		1	STEERING TUBE (M-001373 ML-309361 AND BELOW)
25	12-81836M		2	WASHER
26	11-81787M		2	NUT
27	81388M		2	CAP
28	10-82924M		1	BOLT

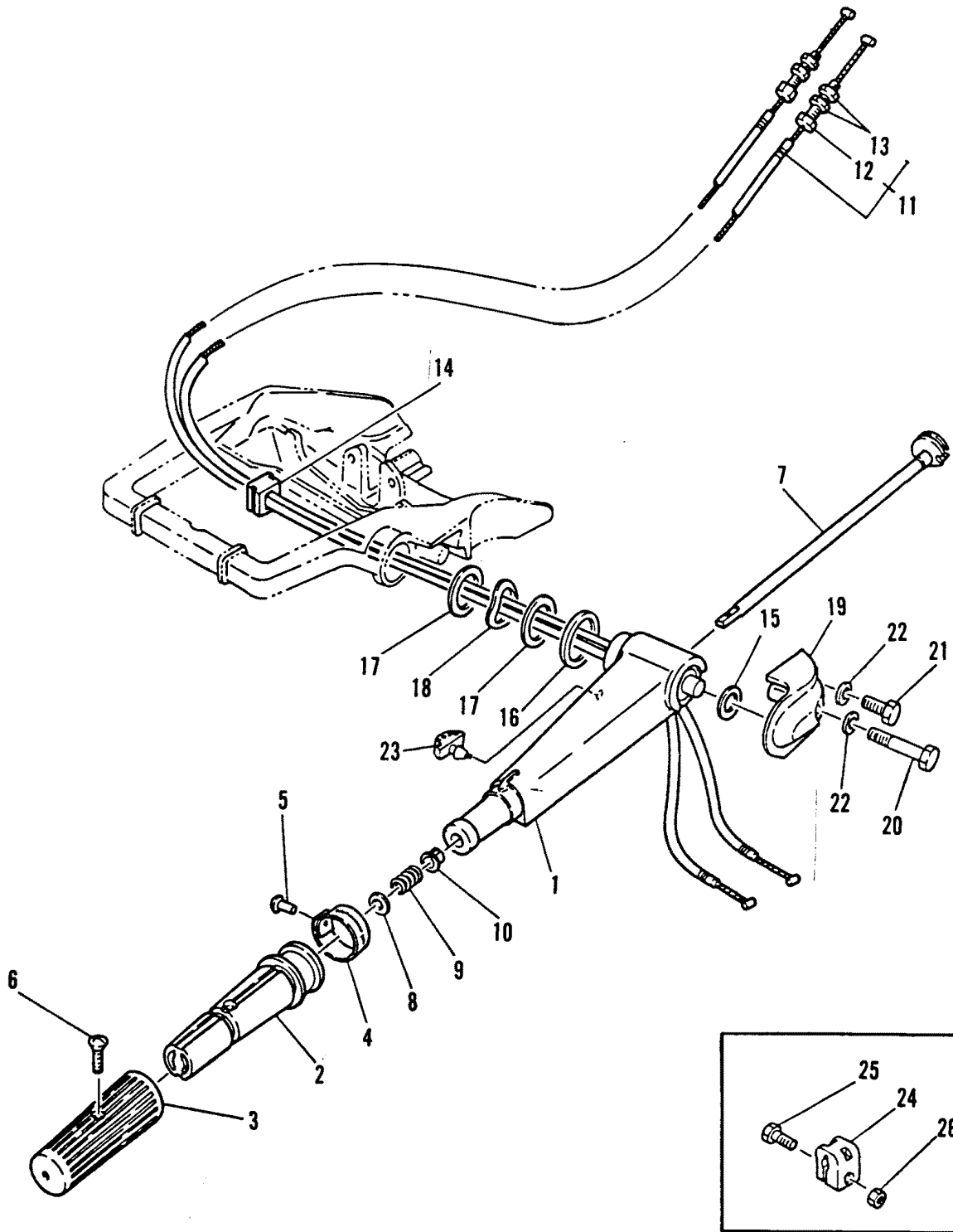
# CLAMP AND SWIVEL BRACKET



# CLAMP AND SWIVEL BRACKET

REF. NO.	PART NO.	SYM.	QTY.	DESCRIPTION
29	23-19108M		1	SPACER (M-001374 ML-309362 AND ABOVE)
	23-81979M		1	SPACER (M-001373 ML-309361 AND BELOW)
30	11-82392M		1	NUT
31	91640M		1	LOCK/RELEASE LEVER
32	91641M		1	COVER
33	24-91642M		1	SPRING
34	91643M		1	LINK
35	80648M		1	TILT CAM
36	17-19109M		1	PIN
37	80645M		1	ROD
38	84837M		1	HOOK
39	80643M		1	HOOK
40	17-81882M		1	PIN
41	18-82125M		1	COTTER PIN
42	24-19110M		1	SPRING
43	17-94569M		1	TILT LOCK PIN ASSEMBLY
44	82857M		1	STOPPER
45	17-82144M		1	ROLL PIN
46	53-82330M		1	SNAP RING
47	25-82070M		1	GROMMET
48	10-43097M		2	BOLT
49	19113M		1	BRACKET (M-001374 ML-309362 AND ABOVE)
	81138M		1	BRACKET (M-001373 ML-309361 AND BELOW)
50	10-84830M		4	BOLT
51	23-19112M		2	BUSHING M-001374 ML-309362 AND ABOVE
52	19111M		1	PLATE
53	24-815007M		1	SPRING (M-001471 ML-310224 AND ABOVE)

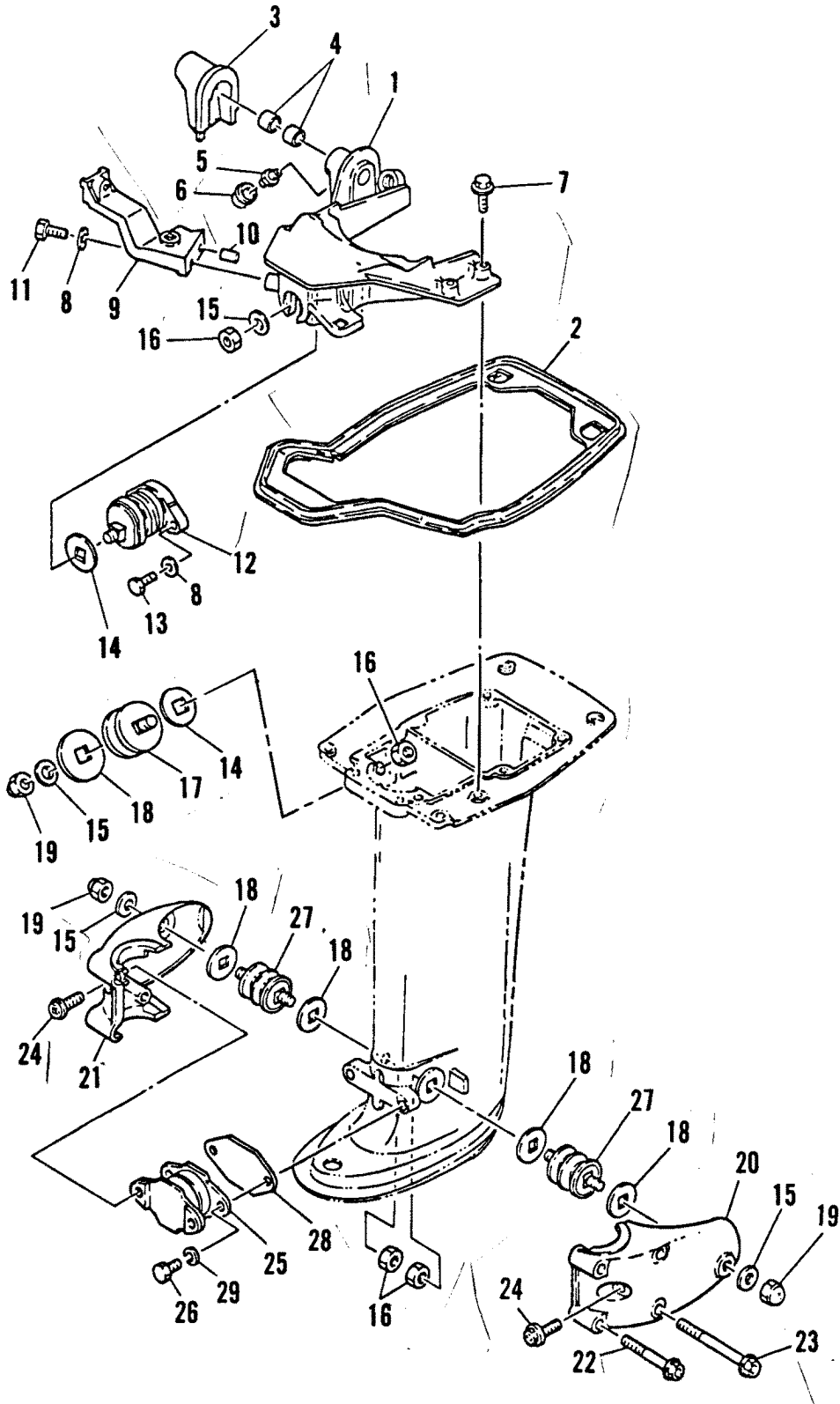
# STEERING HANDLE



# STEERING HANDLE

REF. NO.	PART NO.	SYM.	QTY.	DESCRIPTION
-	97616M		1	STEERING HANDLE ASSEMBLY
1	96664M		1	STEERING HANDLE
2	81585M		1	GRIP
3	95497M		1	HANDLE
4	97617M		1	INDICATOR
5	17-81907M		1	RIVET
6	10-84300M		1	SCREW
7	97618M		1	THROTTLE LEVER
8	12-82220M		1	WASHER
9	24-82095M		1	SPRING
10	23-81945M		1	BUSHING
11	13040M		2	THROTTLE CABLE ASSEMBLY
12	10-81747M		2	BOLT
13	11-81765M		4	NUT
14	25-82064M		1	GROMMET
15	23-82119M		1	SPACER
16	23-81861M		1	WASHER
17	12-84850M		2	WASHER
18	13-84851M		1	WAVE WASHER
19	84852M		1	STEERING HANDLE
20	10-84931M		1	BOLT
21	10-84058M		1	BOLT
22	12-82214M		2	WASHER
23	80033M		1	HOLDER
24	82895M		1	FRICTION PIECE
25	10-84058M		1	BOLT
26	11-83056M		1	NUT

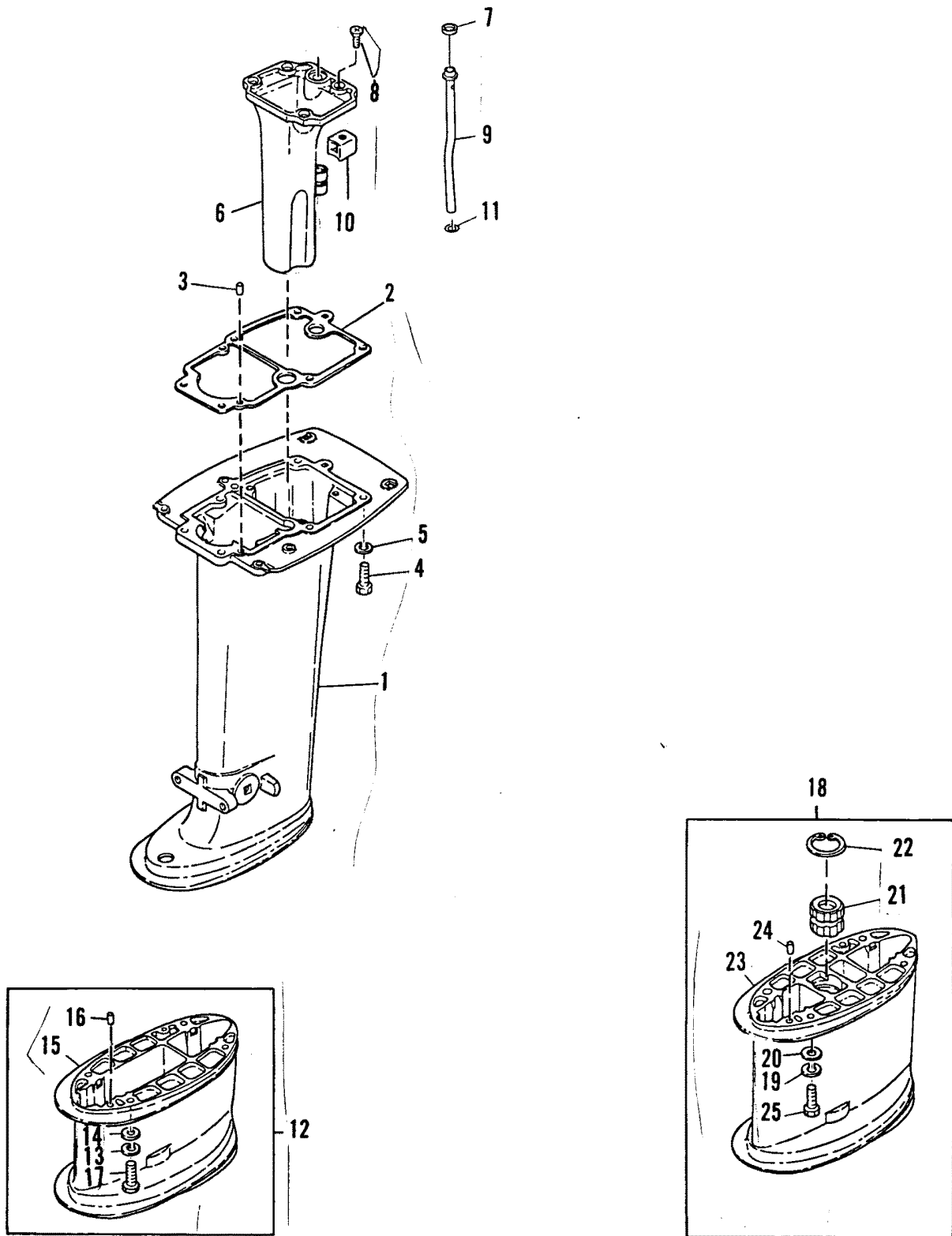
# MOUNTING SYSTEM



# MOUNTING SYSTEM

REF. NO.	PART NO.	SYM.	QTY.	DESCRIPTION
1	95548M		1	BRACKET (M-001182 ML-307013 AND ABOVE)
	80654M		1	BRACKET (M-001181 ML-307012 AND BELOW)
2	26-84838M		1	SEAL
3	26-84840M		1	SEAL
4	23-81930M		2	BUSHING
5	22-82369M		1	GREASE FITTING
6	81439M		1	CAP
7	10-84839M		4	BOLT
8	12-82214M		3	WASHER
9	80657M		1	BRACKET
10	17-82364M		1	DOWEL PIN
11	10-82451M		1	BOLT
12	84841M		1	MOUNT (UPPER FRONT)
13	10-84058M		2	BOLT
14	27-80662M		3	GASKET
15	12-82219M		5	WASHER
16	11-82395M		5	NUT
17	82557M		2	MOUNT (UPPER SIDE)
18	27-81612M		6	GASKET
19	11-82396M		4	NUT
20	80659M		1	HOUSING (PORT)
21	80658M		1	HOUSING (STARBOARD)
22	10-82478M		2	BOLT
23	10-82479M		2	BOLT
24	10-82477M		2	BOLT
25	80661M		1	MOUNT (LOWER FRONT)
26	10-95546M		2	BOLT
27	80660M		2	MOUNT (LOWER SIDE)
28	27-80664M		1	GASKET
29	12-82217M		2	WASHER

# DRIVESHAFT HOUSING

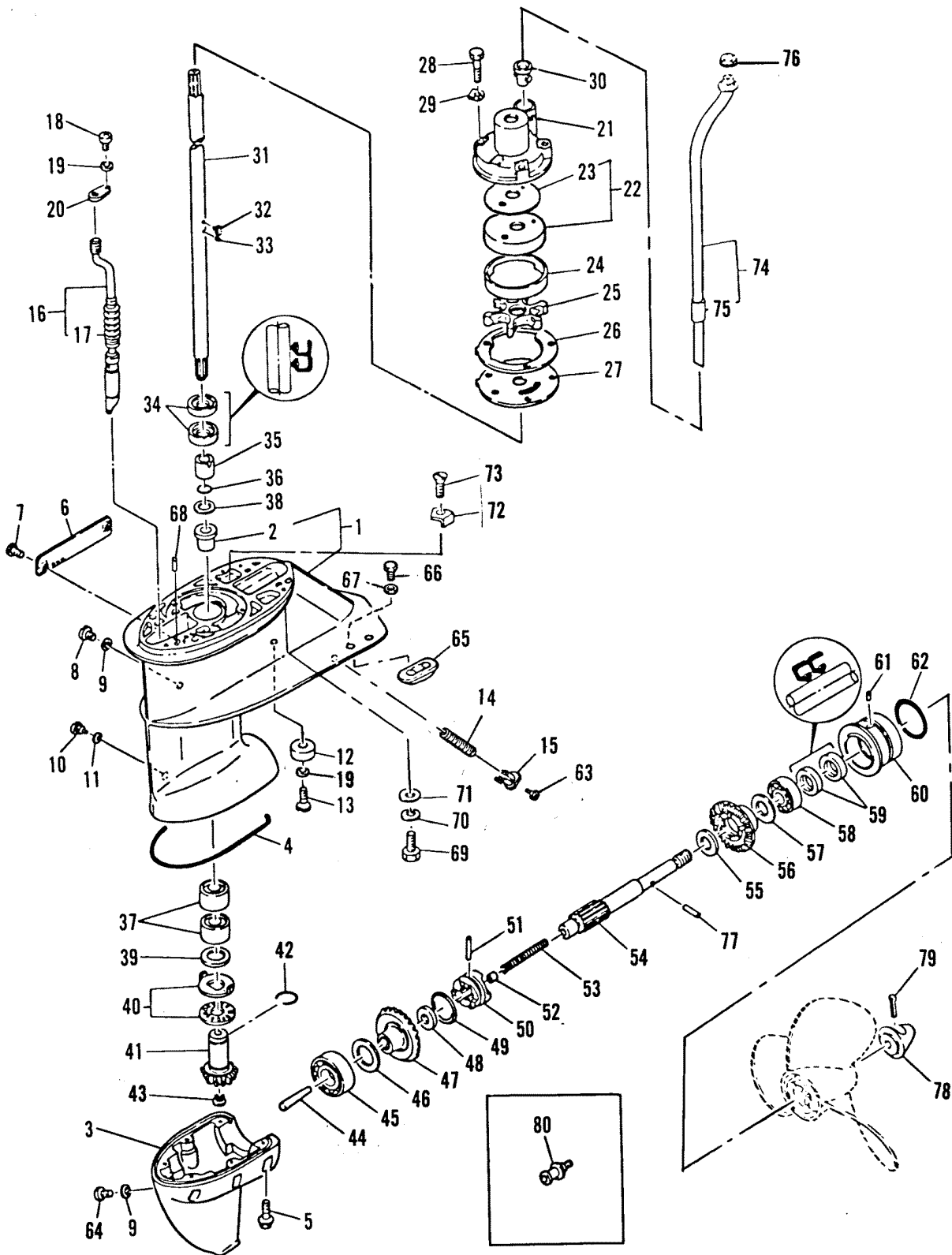




# DRIVESHAFT HOUSING

REF. NO.	PART NO.	SYM.	QTY.	DESCRIPTION
1	1587-6797M		1	DRIVESHAFT HOUSING
2	27-81162M		1	GASKET
3	17-82364M		2	DOWEL PIN
4	10-95416M		6	BOLT
5	12-82217M		6	WASHER
6	95529M		1	MANIFOLD (M-001613 ML-311139 & ABOVE)
	80621M		1	MANIFOLD (M-001182-001612 ML-307013-311138)
	95529M		1	MANIFOLD (M-001181 ML-307012 & BELOW)
7	26-14616M		1	DAMPER
8	10-92545M		4	SCREW
9	32-95527M		1	PIPE M-001613 ML-311139 AND ABOVE
10	95536M		1	DAMPER
11	27-95535M		1	GASKET
12	83812M		1	EXTENSION KIT (LONG SHAFT)
13	13-82215M		4	LOCKWASHER
14	12-82217M		4	WASHER
15	81163M		1	EXTENSION
16	17-82364M		2	PIN
17	10-95416M		4	BOLT
18	83813M		1	EXTENSION KIT (SUPER ALTRA LONG SHAFT)
19	13-82215M		4	LOCKWASHER
20	12-82217M		4	WASHER
21	23-83757M		1	BUSHING
22	53-83758M		1	SNAP RING
23	13041M		1	EXTENSION
24	17-82364M		2	PIN
25	10-95416M		4	BOLT

# GEAR HOUSING ASSEMBLY

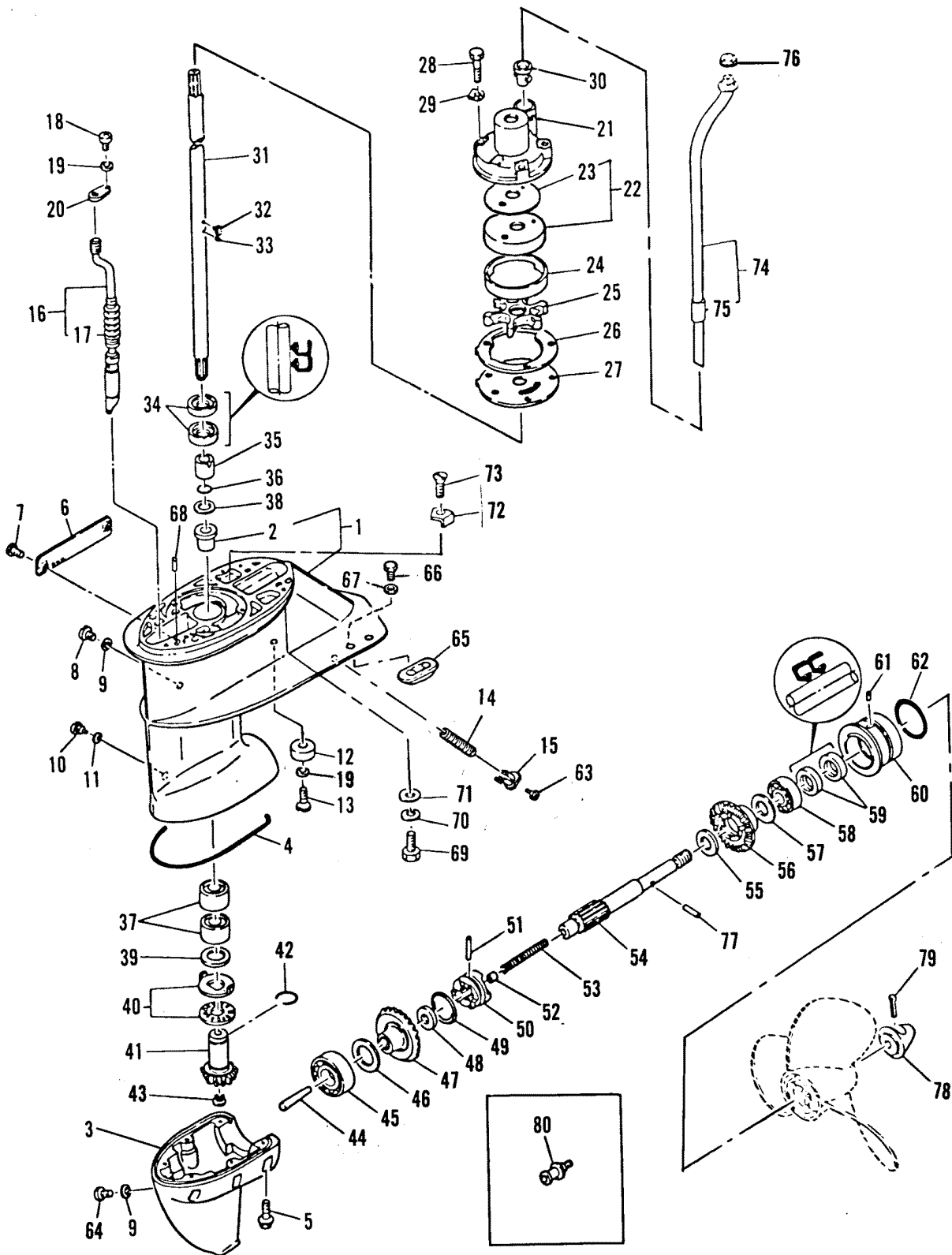


# GEAR HOUSING ASSEMBLY

REF. NO.	PART NO.	SYM.	QTY.	DESCRIPTION
-	1651-9814M		1	GEAR HOUSING (SHORT - M-001182 ML-307013 & ABOVE)
-	1651-8433M		1	GEAR HOUSING (SHORT-M-001181 ML-307012 & BELOW)
-	1651-9815M		1	GEAR HOUSING (LONG-M-001182 ML-307013 & ABOVE)
-	1651-8434M		1	GEAR HOUSING (LONG-M-001181 ML-307012 & BELOW)
1	1651-9805M		1	GEAR HOUSING (M-001374 ML-309362 AND ABOVE)
	1651-9243M		1	GEAR HOUSING (M-001245-001373 ML-307394-309361)
	1651-6798M		1	GEAR HOUSING (M-001244 ML-307393 AND BELOW)
2	23-80667M		1	BUSHING
3	1651-6884M		1	GEARHOUSING (LOWER)
4	83391M		1	SEAL
5	10-82476M		6	BOLT
6	95530M		1	COVER
7	10-95467M		2	SCREW
8	22-81924M		2	PLUG
9	27-81987M		3	GASKET
10	10-81752M		1	SCREW
11	27-95610M		1	GASKET
12	95609M		1	ANODE (M-001471 ML-310224 AND ABOVE)
	11922M		1	ANODE (M-001245-001470 ML-307394-310223)
	43107M		1	ANODE (M-001244 ML-307393 AND BELOW)
13	10-91725M		1	SCREW (M-001245 ML-307394 AND ABOVE)
	10-82791M		1	SCREW (M-001244 ML-307393 AND BELOW)
14	35-95531M		1	COVER M-001182 ML-307013 AND ABOVE
15	22-95211M		1	PLUG
14	35-80246M		1	COVER M-001181 ML-307012 AND BELOW
15	22-81920M		1	PLUG
16	83157M		1	SHIFT CAM (SHORT SHAFT)
	81154M		1	SHIFT CAM (LONG-M-001245 ML-307394 & BELOW)
	83158M		1	SHIFT CAM (LONG-M-001244 ML-307393 & BELOW)
	83798M		1	SHIFT CAM ASSEMBLY (SUPER LONG SHAFT)
17	82881M		1	BOOT
18	10-96671M		1	SCREW
19	12-82214M		2	WASHER
20	82882M		1	PLATE
21	46-95532M		1	HOUSING
22	97056M		1	INNER PLATE (CHROME)
23	27-95653M		1	SEAL
-	1651-9814M		1	GEAR HOUSING (SHORT-M-001182 ML-307013 & ABOVE)
-	1651-8433M		1	GEAR HOUSING (SHORT-M-001181 ML-307012 & BELOW)
-	1651-9815M		1	GEAR HOUSING (LONG-M-001182 ML-307013 & ABOVE)
-	1651-8434M		1	GEAR HOUSING (LONG-M-001181 ML-307012 & BELOW)
24	84825M		1	INSERT (CHROME)
25	47-95533M		1	IMPELLER

CONTINUED ON NEXT PAGE ➡

# GEAR HOUSING ASSEMBLY

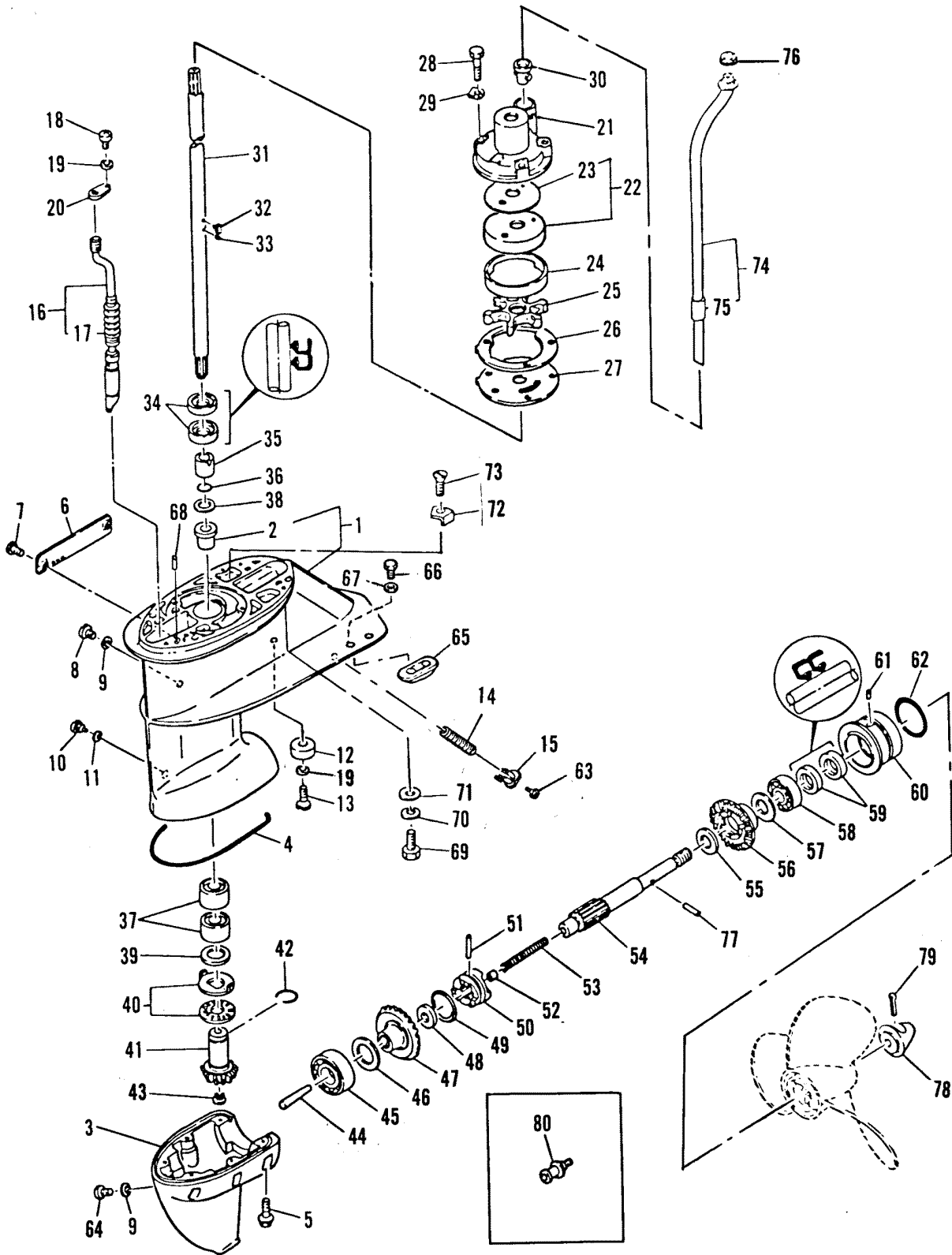


# GEAR HOUSING ASSEMBLY

REF. NO.	PART NO.	SYM.	QTY.	DESCRIPTION
26	27-97052M		1	GASKET
27	97057M		1	OUTER PLATE (CHROME)
28	10-95534M		3	BOLT (M-001182 ML-307013 AND ABOVE)
	10-82405M		3	BOLT (M-000731-001181 ML-303061-307012)
	10-84790M		3	BOLT (M-000730 ML-303060 AND BELOW)
29	12-84791M		3	WASHER
30	26-80239M		1	SEAL
31	45-81165M		1	DRIVE SHAFT (SHORT SHAFT)
	45-81166M		1	DRIVE SHAFT (LONG SHAFT)
	45-83799M		1	DRIVE SHAFT (SUPER LONG SHAFT)
32	17-81159M		1	KEY
33	17-81891M		1	KEY
34	26-82229M		2	OIL SEAL
35	23-80247M		1	BUSHING
36	25-82267M		1	O-RING
37	31-82318M		2	BEARING
38	12-80255M		1	WASHER (M-001181 ML-307012 AND BELOW)
39	12-80248M		AR	WASHER (.03MM)
	12-80249M		AR	WASHER (0.4MM)
40	31-82322M		1	BEARING
41	43-97146M		1	PINION GEAR
42	53-97147M		1	SNAP RING
43	53-82323M		1	SNAP RING
44	80680M		1	PLUNGER
45	30-97054M		1	BEARING
46	15-80671M		AR	SHIM (0.2MM)
	15-80672M		AR	SHIM (0.3MM)
47	43-80670M		1	FORWARD GEAR
48	12-81822M		1	WASHER
49	53-80678M		1	RING
50	52-81167M		1	CLUTCH
51	17-81899M		1	PIN
52	80679M		1	SHIFT SLIDE
53	24-82078M		1	SPRING
54	44-80677M		1	PROPELLER SHAFT
55	12-81828M		1	WASHER
56	43-80673M		1	REVERSE GEAR
-	<b>1651-9814M</b>		<b>1</b>	<b>GEAR HOUSING (SHORT-M-001182 ML-307013 &amp; ABOVE)</b>
-	<b>1651-8433M</b>		<b>1</b>	<b>GEAR HOUSING (SHORT-M-001181 ML-307012 &amp; BELOW)</b>
-	<b>1651-9815M</b>		<b>1</b>	<b>GEAR HOUSING (LONG-M-001182 ML-307013 &amp; ABOVE)</b>
-	<b>1651-8434M</b>		<b>1</b>	<b>GEAR HOUSING (LONG-M-001181 ML-307012 &amp; BELOW)</b>
57	15-80674M		AR	SHIM (1.3MM)
	15-80675M		AR	SHIM (1.5MM)

CONTINUED ON NEXT PAGE ➡

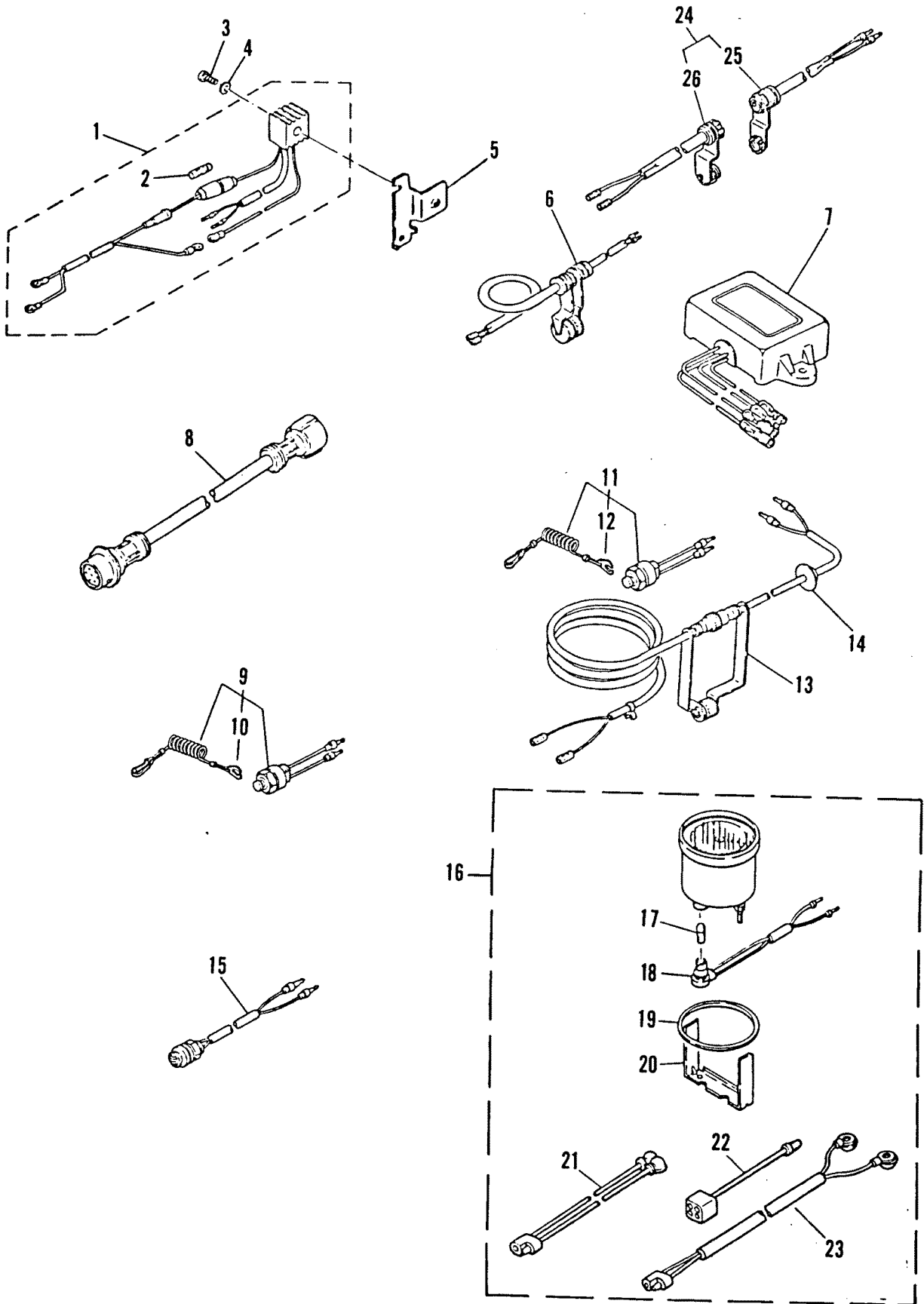
# GEAR HOUSING ASSEMBLY



# GEAR HOUSING ASSEMBLY

REF. NO.	PART NO.	SYM.	QTY.	DESCRIPTION
57	15-80676M		AR	SHIM (1.7MM)
58	30-811014M		1	BEARING (M-000147 ML-310224 AND ABOVE)
	30-82298M		1	BEARING (M-000146 ML-310223 AND BELOW)
59	26-82227M		2	OIL SEAL
60	95537M		1	CAP
61	17-82356M		1	DOWEL PIN
62	25-82278M		1	O-RING
63	10-95566M		1	SCREW M-001182 ML-307013 AND ABOVE
64	22-95632M		1	PLUG
65	18852M		1	ANODE M-001374 ML-309362 AND ABOVE
66	10-91725M		2	BOLT
67	12-82214M		2	WASHER
68	17-82364M		2	PIN
69	10-95416M		4	BOLT
70	13-82215M		4	LOCKWASHER
71	12-82217M		4	WASHER
72	84506M		1	ANODE
73	10-84507M		1	SCREW
74	32-82635M		1	WATER TUBE (SHORT SHAFT)
	32-81161M		1	WATER TUBE (LONG SHFT)
	32-83800M		1	WATER TUBE (SUPER LONG SHAFT)
75	23-82022M		1	SLEEVE
76	26-80653M		1	SEAL
77	17-81900M		1	PIN
78	11-82787M		1	PROPELLER NUT
79	18-82132M		1	COTTER PIN
80	22-95633M		1	FLUSH PLUG (M-001245 ML-307394 AND ABOVE)
	22-80218M		1	FLUSH PLUG (M-001244 ML-307393 AND BELOW)

# OPTIONAL PARTS





## OPTIONAL PARTS

REF. NO.	PART NO.	SYM.	QTY.	DESCRIPTION
1	84329M		1	REFTIFIER ASSEMBLY M-001181 ML-307012 AND BELOW
2	88-81522M		1	FUSE
3	10-82521M		1	SCREW
4	12-82211M		1	WASHER
5	92603M		1	PLATE
6	84-84124M		1	CONNECTOR
7	84125M		1	VOLTAGE REGULATOR
8	84959M		1	EXTENSION (2M)
9	87-97776M		1	KILL SWITCH
10	97756M		1	STOPPER
11	87-97777M		1	KILL SWITCH (5M)
12	97756M		1	STOPPER
13	92613M		1	EXTENSION (5M)
14	25-84967M		2	GROMMET (M-001182 ML-307013 AND ABOVE)
	25-84915M		2	GROMMET (M-001181 ML-307012 AND BELOW)
15	87-92614M		1	STOP SWITCH (5M)
16	79-43984A1		1	TACHOMETER KIT
17	88-99055M		1	BULB
18	99056M		1	SOCKET
19	99057M		1	DAMPER
20	99058M		1	PLATE
21	84-99059M		1	WIRE
22	84-84353M		2	CONNECTOR
23	84-84352M		1	LEAD WIRE
24	84-84124M		1	HARNESS ASSEMBLY
25	84-99051M		1	CONNECTOR
26	84-99052M		1	CONNECTOR

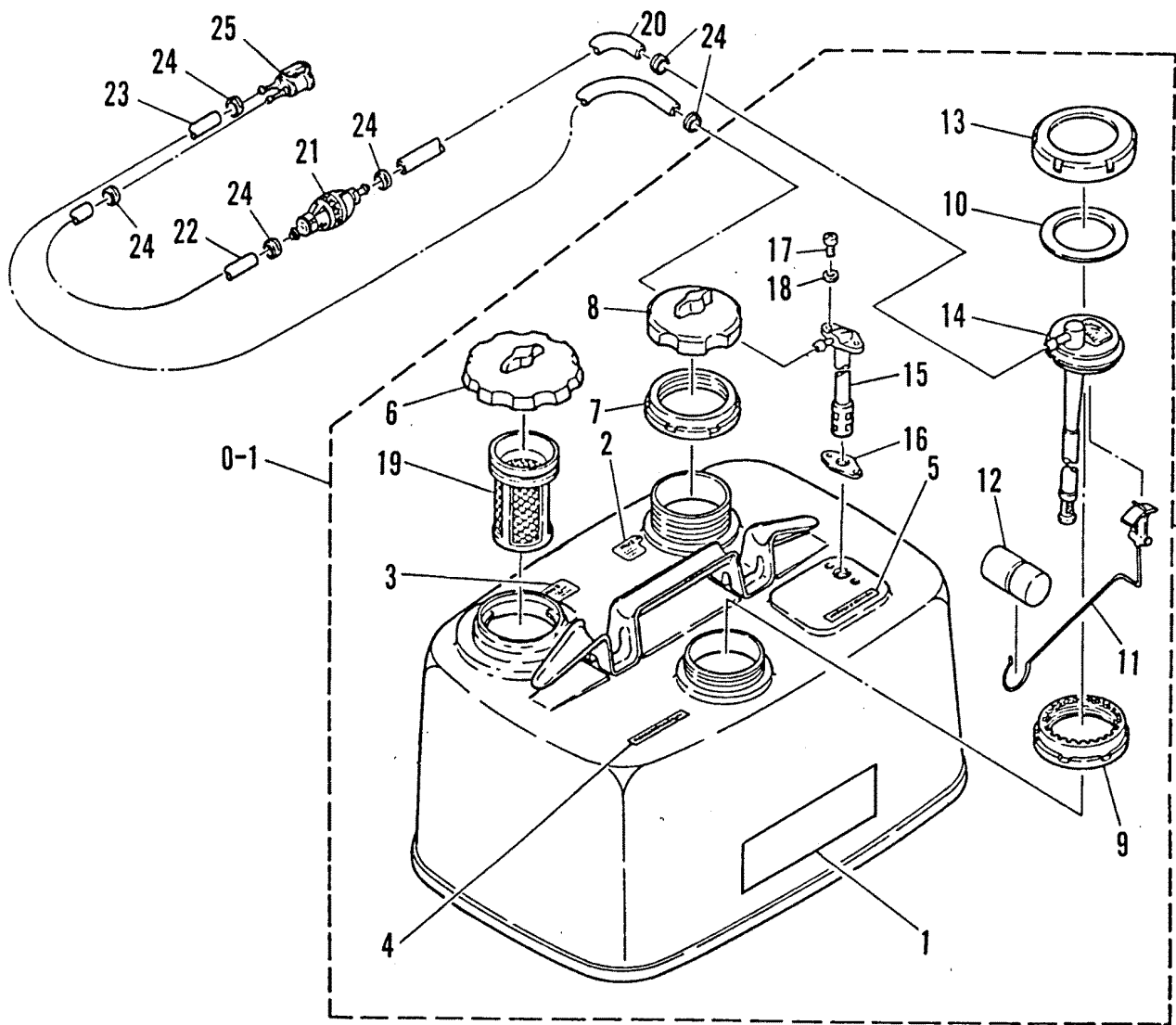
# REMOTE CONTROL ATTACHING KIT

\* \* \* \* MISSING ILLUSTRATION \* \* \* \*

# REMOTE CONTROL ATTACHING KIT

REF. NO.	PART NO.	SYM.	QTY.	DESCRIPTION
0-1	43991A1		1	ATTACHING KIT (M-001182 ML-307013 AND ABOVE)
	43990A1		1	ATTACHING KIT (M-001181 ML-307012 AND BELOW)
1	84221M		1	BRACKET
2	83717M		1	BRACKET
3	10-91725M		2	BOLT
4	12-82214M		3	WASHER
5	84222M		1	THROTTLE LEVER
6	10-91772M		1	BOLT
7	83723M		1	CABLE END (THROTTLE-M-001374 ML-309362 & ABOVE)
	83933M		1	CABLE END (THROTTLE-M-001373 ML-309361 & BELOW)
8	83724M		1	CABLE END (M-001374 ML-309362 AND ABOVE)
	83934M		1	CABLE END (M-001373 ML-309361 AND BELOW)
9	12-82216M		2	WASHER
10	24-83725M		1	SPRING
11	17-814499M		1	HOOK (M-001471 ML-310224 AND ABOVE)
	17-83726M		1	HOOK (M-001470 ML-310223 AND BELOW)
12	17-82146M		1	ROLL PIN
13	83719M		1	CABLE END ASSEMBLY (SHIFT)
14	83720M		1	CABLE END
15	12-82216M		1	WASHER
16	24-83721M		1	SPRING
17	17-814500M		1	HOOK (M-001471 ML-310224 AND ABOVE)
	17-83722M		1	HOOK (M-001470 ML-310223 AND BELOW)
18	17-82146M		1	ROLL PIN
19	91635M		1	BRACKET (M-001182 ML-307013 AND ABOVE)
	11670M		1	BRACKET (M-001181 ML-307012 AND BELOW)
20	10-91636M		1	BOLT
21	13-82218M		1	LOCKWASHER (M-001244 ML-307393 AND BELOW)
22	12-82220M		1	WASHER
23	11-81785M		1	LOCKNUT
24	25-97031M		1	GROMMET M-001182 ML-307013 AND ABOVE
25	83727M		1	BRACKET

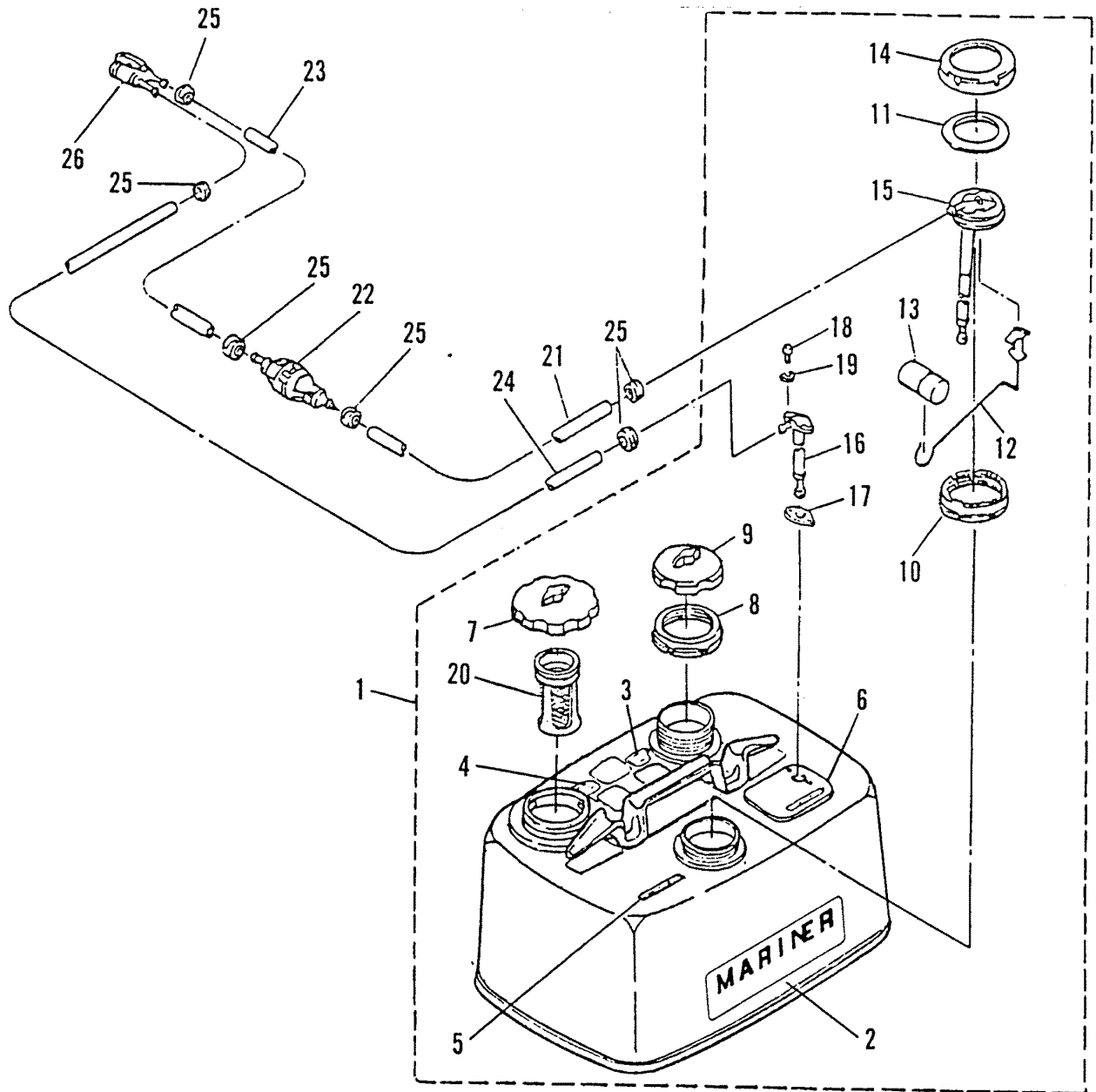
# FUEL TANK AND FUEL LINE ASSEMBLY



## FUEL TANK AND FUEL LINE ASSEMBLY

REF. NO.	PART NO.	SYM.	QTY.	DESCRIPTION
0-1	1252-9522M		1	FUEL TANK, COMPLETE
1	37-82984M		2	DECAL
2	37-15378M		1	DECAL
3	37-94702M		1	DECAL
4	37-94703M		1	DECAL
5	37-94704M		1	DECAL
6	36-14268M		1	CAP
7	97620M		1	RING
8	36-97621M		1	CAP
9	97622M		1	RING
10	27-97623M		1	GASKET
11	94709M		1	INDICATOR
12	81319M		1	FLOAT
13	97624M		1	SUPPORT
14	95616M		1	FUEL METER
15	99954M		1	HOUSING CONNECTOR
16	27-16720M		1	GASKET
17	10-83356M		2	SCREW
18	12-80271M		2	SEAL
19	35-95568M		1	STRAINER
20	32-82023M		1	HOSE
21	16723M		1	PRIMARY PUMP (M-001182 ML-307013 AND ABOVE)
	14211M		1	PRIMARY PUMP (M-001181 ML-307012 AND BELOW)
22	32-84955M		1	HOSE
23	32-94727M		1	HOSE
24	54-80752M		6	CLAMP
25	95569M		1	FUEL CONNECTOR (M-001182 ML-307013 & ABOVE)
	80751M		1	FUEL CONNECTOR (M-001181 ML-307012 & BELOW)

# FUEL TANK AND FUEL LINE ASSEMBLY



## FUEL TANK AND FUEL LINE ASSEMBLY

REF. NO.	PART NO.	SYM.	QTY.	DESCRIPTION
1	1252-9522M		1	FUEL TANK, COMPLETE
2	37-83057M		2	DECAL
3	37-14266M		1	DECAL
4	37-14267M		1	DECAL
5	37-94703M		1	DECAL
6	37-94704M		1	DECAL
7	36-814497M		1	CAP M-001471 ML-310224 AND ABOVE
8	36-814498M		1	CAP
7	36-14268M		1	CAP M-001286-001470 ML-308339-310223
8	36-97621M		1	CAP
9	97620M		1	NUT
10	97622M		1	NUT
11	27-97623M		1	GASKET
12	14274M		1	INDICATOR
13	81319M		1	FLOAT
14	97624M		1	SUPPORT
15	95616M		1	FUEL METER
16	99954M		1	HOUSING CONNECTOR
17	27-16720M		1	GASKET
18	10-95502M		2	SCREW
19	12-95501M		2	SEAL
20	35-95568M		1	STRAINER
21	32-14210M		1	HOSE
22	16723M		1	PRIMER BULB
23	32-14212M		1	HOSE
24	32-14269M		1	HOSE
25	54-16725M		6	CLAMP
26	95569M		1	FUEL CONNECTOR

# PARTS INDEX

Part Number	Description	Pg.	Ref. No.	Part Number	Description	Pg.	Ref. No.
11670M	BRACKET (M-001181 ML-307012 AND BELOW) . . . .	49	19	80623M	SHAFT . . . . .	19	44
11922M	ANODE (M-001245-001470 ML-307394-310223) . . . .	41	12	80628M	STOPPER . . . . .	11	23
11935M	CUP . . . . .	25	9	80629M	SHAFT . . . . .	27	10
13040M	THROTTLE CABLE ASSEMBLY . . . . .	35	11	80633M	FRICTION PLATE . . . . .	31	5
13041M	EXTENSION . . . . .	39	23	80643M	HOOK . . . . .	33	39
14211M	PRIMARY PUMP (M-001181 ML-307012 AND BELOW) . . . .	51	21	80645M	ROD . . . . .	33	37
14228M	BRACKET (STBD.) (M-001286 ML-308339 AND ABOVE) . . . .	7	23	80648M	TILT CAM . . . . .	33	35
14274M	INDICATOR . . . . .	53	12	80651M	SHIFT SHAFT (UPPER) . . . .	29	42
16719M	FUEL PUMP (M001470 ML-310223 AND BELOW) . . . .	23	0-1	80652M	CONNECTOR . . . . .	29	43
16723M	PRIMARY PUMP (M-001182 ML-307013 AND ABOVE) . . . .	51	21	80654M	BRACKET (M-001181 ML-307012 AND BELOW) . . . .	37	1
16723M	PRIMER BULB . . . . .	53	22	80657M	BRACKET . . . . .	37	9
17168M	GUIDE (M-001374 ML-309362 AND ABOVE) . . . . .	7	14	80658M	HOUSING (STARBOARD) . . . .	37	21
18852M	ANODE M-001374 ML-309362 AND ABOVE . . . . .	45	65	80659M	HOUSING (PORT) . . . . .	37	20
18928M	HANDLE (M-001374-001470 ML-309362-310223) . . . .	7	17	80660M	MOUNT (LOWER SIDE) . . . .	37	27
18929M	COVER (M-001374-001470 ML-309362-310223) . . . .	7	19	80661M	MOUNT (LOWER FRONT) . . . .	37	25
19111M	PLATE . . . . .	33	52	80679M	SHIFT SLIDE . . . . .	43	52
19113M	BRACKET (M-001374 ML-309362 AND ABOVE) . . . .	33	49	80680M	PLUNGER . . . . .	43	44
19135M	HOUSING . . . . .	13	14	80688M	COVER . . . . .	9	12
41882M	COVER (M-001373 ML-309361 AND BELOW) . . . .	7	19	80751M	FUEL CONNECTOR (M-001181 ML-307012 & BELOW) . . . . .	51	25
43096M	COVER (M-001182 ML-307013 AND ABOVE) . . . .	23	15	80930M	BREAKER ASSEMBLY . . . . .	9	5
43107M	ANODE (M-001244 ML-307393 AND BELOW) . . . .	41	12	80935M	PLUG CAP (NOISE SUPPRESSOR) . . . . .	9	23
43990A1	ATTACHING KIT (M-001181 ML-307012 AND BELOW) . . . .	49	0-1	81094M	ANODE . . . . .	11	10
43991A1	ATTACHING KIT (M-001182 ML-307013 AND ABOVE) . . . .	49	0-1	81098M	THERMOSTAT (M-001244 ML-307393 AND BELOW) . . . .	11	14
47341A1	EMERGENCY STARTER ROPE . . . . .	7	30	81099M	COVER (M-001470 ML-310223 AND BELOW) . . . .	11	17
80025M	LUBRICATOR . . . . .	9	7	811018M	FLOAT ARM (M-001613 ML-311139 AND ABOVE) . . . .	19	31
80033M	HOLDER . . . . .	35	23	81102M	BRACKET . . . . .	27	5
80048M	HANDLE . . . . .	31	17	81115M	EXHAUST COVER (INNER) . . . .	11	28
80063M	HANDLE (M-001373 ML-309361 AND BELOW) . . . .	7	17	81116M	EXHAUST COVER (OUTER) . . . .	11	26
80558M	CONDENSER . . . . .	9	6	81134M	THROTTLE CONTROL SHAFT . . . . .	27	18
80591M	FLOAT . . . . .	17	3	81138M	BRACKET (M-001373 ML-309361 AND BELOW) . . . .	33	49
80593M	VALVE SEAT . . . . .	17	7	81154M	SHIFT CAM (LONG-M-001245 ML-307394 & BELOW) . . . .	41	16
80596M	HOUSING . . . . .	11	20	81163M	EXTENSION . . . . .	39	15
80600M	GUIDE (M-001373 ML-309361 AND BELOW) . . . . .	7	14	81191M	RETAINER . . . . .	15	21
80601M	SEAL . . . . .	3	15	81319M	FLOAT . . . . .	51	12
80606M	DIAPHRAGM . . . . .	23	7	81319M	FLOAT . . . . .	53	13
80607M	COVER (M-001181 ML-307012 AND BELOW) . . . .	23	15	81388M	CAP . . . . .	31	27
80611M	PLATE . . . . .	23	8	81439M	CAP . . . . .	31	4
80621M	MANIFOLD (M-001182-001612 ML-307013-311138) . . . .	39	6	81439M	CAP . . . . .	37	6
				814491M	HANDLE (M-001471 ML-310224 AND ABOVE) . . . .	7	17
				814492M	COVER (M-001471 ML-310224 AND ABOVE) . . . .	7	19
				814494M	FUEL PUMP (M-001471 ML-310224 AND ABOVE) . . . .	23	0-1
				814554M	THERMOSTAT (M-001245 ML-307394 AND ABOVE) . . . .	11	14
				815006M	COVER (M-001471 ML-310224 AND ABOVE) . . . .	11	17
				81585M	GRIP . . . . .	35	2
				81892M	PIN . . . . .	27	16



# PARTS INDEX

Part Number	Description	Pg.	Ref. No.	Part Number	Description	Pg.	Ref. No.
82557M	MOUNT (UPPER SIDE) . . . . .	37	17	84830M	BOLT . . . . .	27	26
82857M	STOPPER . . . . .	33	44	84833M	SHAFT . . . . .	31	8
82881M	BOOT . . . . .	41	17	84835M	SHAFT . . . . .	31	21
82882M	PLATE . . . . .	41	20	84837M	HOOK . . . . .	33	38
82895M	FRICTION PIECE . . . . .	35	24	84841M	MOUNT (UPPER FRONT) . . . . .	37	12
82898M	DECAL, FRONT . . . . .	3	3	84852M	STEERING HANDLE . . . . .	35	19
82899M	APPLIQUE, REAR M-001244 ML-307393 AND BELOW . . . . .	3	4	84865M	GEAR SHIFT HANDLE . . . . .	27	23
83136M	SHIFT LINK ROD . . . . .	27	31	84894M	STARTER PAWL . . . . .	7	7
83137M	HOOK . . . . .	3	9	84901M	SEAL . . . . .	3	16
83157M	SHIFT CAM (SHORT SHAFT) . . . . .	41	16	84913M	LEVER . . . . .	3	19
83158M	SHIFT CAM (LONG-M-001244 ML-307393 & BELOW) . . . . .	41	16	84959M	EXTENSION (2M) . . . . .	47	8
83212M	HOLDER . . . . .	3	7	91635M	BRACKET (M-001182 ML- 307013 AND ABOVE) . . . . .	49	19
83281M	PRIMARY IGNITION COIL . . . . .	9	3	91640M	LOCK/RELEASE LEVER . . . . .	33	31
83315M	LIGHTING COIL . . . . .	9	10	91641M	COVER . . . . .	33	32
83321M	SOUND BLANKET . . . . .	3	12	91643M	LINK . . . . .	33	34
83322M	SOUND BLANKET . . . . .	3	13	92572M	FRICTION PLATE . . . . .	27	7
83323M	CAP (M-001182-001285 ML- 307013-308338) . . . . .	15	17	92573M	RETAINER . . . . .	27	21
83391M	SEAL . . . . .	41	4	92580M	MAIN JET (#145) (M-001613 ML-311139 & ABOVE) . . . . .	17	5
83717M	BRACKET . . . . .	49	2	92592M	BASE . . . . .	9	2
83719M	CABLE END ASSEMBLY (SHIFT) . . . . .	49	13	92603M	PLATE . . . . .	47	5
83720M	CABLE END . . . . .	49	14	92613M	EXTENSION (5M) . . . . .	47	13
83723M	CABLE END (THROTTLE-M- 001374 ML-309362 & ABOVE) . . . . .	49	7	93107M	SEAL (M-001285 ML-308338 AND BELOW) . . . . .	7	22
83724M	CABLE END (M-001374 ML- 309362 AND ABOVE) . . . . .	49	8	94689M	BODY . . . . .	17	19
83727M	BRACKET . . . . .	49	25	94696M	FLOAT . . . . .	17	30
83798M	SHIFT CAM ASSEMBLY (SUPER LONG SHAFT) . . . . .	41	16	94709M	INDICATOR . . . . .	51	11
83812M	EXTENSION KIT (LONG SHAFT) . . . . .	39	12	94717M	DIAPHRAGM . . . . .	23	4
83813M	EXTENSION KIT (SUPER ALTRA LONG SHAFT) . . . . .	39	18	94777M	SECONDARY IGNITION COIL (#1 CYL.) . . . . .	9	18
83933M	CABLE END (THROTTLE-M- 001373 ML-309361 & BELOW) . . . . .	49	7	94778M	SECONDARY IGNITION COIL (#2 CYL.) . . . . .	9	19
83934M	CABLE END (M-001373 ML- 309361 AND BELOW) . . . . .	49	8	95433M	SEAL (M-001286 ML-308339 AND ABOVE) . . . . .	7	22
83960M	CHOKE KNOB . . . . .	15	18	95497M	HANDLE . . . . .	35	3
84125M	VOLTAGE REGULATOR . . . . .	47	7	95529M	MANIFOLD (M-001181 ML- 307012 & BELOW) . . . . .	39	6
84141M	DIAPHRAGM . . . . .	23	13	95529M	MANIFOLD (M-001613 ML- 311139 & ABOVE) . . . . .	39	6
84221M	BRACKET . . . . .	49	1	95530M	COVER . . . . .	41	6
84222M	THROTTLE LEVER . . . . .	49	5	95536M	DAMPER . . . . .	39	10
84319M	PLUG CAP . . . . .	9	23	95537M	CAP . . . . .	45	60
84323M	SOUND BLANKET . . . . .	3	11	95548M	BRACKET (M-001182 ML- 307013 AND ABOVE) . . . . .	37	1
84329M	REFTIFIER ASSEMBLY M- 001181 ML-307012 AND BELOW . . . . .	47	1	95560M	SEAT . . . . .	17	14
84459M	RETAINER . . . . .	27	27	95561M	COVER . . . . .	19	34
84460M	PLUNGER . . . . .	27	28	95569M	FUEL CONNECTOR . . . . .	53	26
84465M	BRACKET (STBD.) (M-001285 ML-308338 AND BELOW) . . . . .	7	23	95569M	FUEL CONNECTOR (M- 001182 ML-307013 & ABOVE) . . . . .	51	25
84466M	BRACKET (PORT) . . . . .	7	24	95571M	COVER (INNER) . . . . .	15	1
84506M	ANODE . . . . .	45	72	95572M	BODY (M-001182 ML-307013 AND ABOVE) . . . . .	17	1
84653M	CAM . . . . .	27	24	95575M	PLATE . . . . .	17	18
84825M	INSERT (CHROME) . . . . .	41	24	95577M	BODY . . . . .	17	19
				95578M	PILOT JET (#46) M-001182 ML-307013 AND ABOVE . . . . .	19	33
				95579M	NEEDLE VALVE . . . . .	19	35

# PARTS INDEX

Part Number	Description	Pg.	Ref. No.	Part Number	Description	Pg.	Ref. No.
95581M	PLUNGER M-001182 ML-307013 AND ABOVE	19	57	97617M	INDICATOR	35	4
95584M	CHECK VALVE	21	66	97618M	THROTTLE LEVER	35	7
95585M	PLATE	21	67	97620M	NUT	53	9
95586M	DAMPER	21	69	97620M	RING	51	7
95604M	FUEL LINE CONNECTOR ASSEMBLY	25	1	97622M	NUT	53	10
95609M	ANODE (M-001471 ML-310224 AND ABOVE)	41	12	97622M	RING	51	9
95616M	FUEL METER	51	14	97624M	SUPPORT	51	13
95616M	FUEL METER	53	15	97624M	SUPPORT	53	14
95650M	KNOB	31	22	97756M	STOPPER	47	10
96379M	RETAINER	27	22	97756M	STOPPER	47	12
96664M	STEERING HANDLE	35	1	97756M	STOPPER (M-001374 ML-309362 AND ABOVE)	3	28
97041M	HOUSING	13	14	99056M	SOCKET	47	18
97042M	BRACKET	25	11	99057M	DAMPER	47	19
97043M	SWIVEL	27	38	99058M	PLATE	47	20
97044M	SHIFT ROD LEVER	27	34	99951M	STOP	9	27
97056M	INNER PLATE (CHROME)	41	22	99952M	CAP	9	29
97057M	OUTER PLATE (CHROME)	43	27	99954M	HOUSING CONNECTOR	51	15
97560M	CAM	9	24	99954M	HOUSING CONNECTOR	53	16
97565M	COVER (OUTER)	15	2	10-18974M	STEERING TUBE (M-001374 ML-309362 AND ABOVE)	31	24
97566M	INTAKE MANIFOLD	15	9	10-41884M	BOLT	11	8
97570M	CHOKE LEVER	15	19	10-41885M	BOLT	11	9
97571M	CHOKE ROD	15	20	10-41889M	SCREW (M-001182 ML-307013 AND ABOVE)	23	11
97572M	BODY (M-001181 ML-307012 AND BELOW)	17	1	10-43097M	BOLT	33	48
97574M	MAIN JET (#150) (M-001612 ML-311138 * BELOW)	17	5	10-43098M	SCREW	31	18
97575M	MAIN NOZZLE	17	6	10-80191M	SCREW	19	42
97576M	SEAT	17	8	10-80349M	DRAIN VALVE	17	26
97579M	SEAT	17	14	10-80573M	AIR ADJUSTING SCREW	19	40
97580M	STARTER JET (#84)	17	9	10-80738M	SCREW	21	68
97581M	PLATE	17	18	10-814463M	THROTTLE SCREW	19	39
97584M	PLUNGER	17	28	10-81558M	SCREW	19	52
97585M	FLAOT ARM (M-001612 ML-311138 AND BELOW)	19	31	10-81747M	BOLT	35	12
97587M	PILOT JET (#56) M-001181 ML-307012 AND BELOW	19	33	10-81752M	SCREW	41	10
97589M	COVER	19	34	10-81757M	SCREW	11	11
97592M	PILOT JET (#70) (M-001181 ML-307012 AND BELOW)	19	43	10-82405M	BOLT	7	25
97593M	ARM	19	51	10-82405M	BOLT	11	25
97594M	ROD	19	53	10-82405M	BOLT	27	4
97595M	ROLLER	19	54	10-82405M	BOLT (M-000731-001181 ML-303061-307012)	43	28
97596M	COLLAR	19	55	10-82417M	BOLT	9	26
97597M	BRACKET	19	56	10-82428M	BOLT	7	26
97598M	PLUNGER M-001181 ML-307012 AND BELOW	19	57	10-82442M	BOLT	7	31
97600M	COLLAR	19	60	10-82451M	BOLT	37	11
97602M	DRAIN VALVE	21	62	10-82476M	BOLT	41	5
97603M	SEAT	21	64	10-82477M	BOLT	37	24
97608M	BRACKET	25	10	10-82478M	BOLT	37	22
97612M	LEVER	27	1	10-82479M	BOLT	37	23
97613M	ROD	27	9	10-82500M	SCREW	9	8
97614M	JOINT	27	14	10-82513M	SCREW	17	17
97615M	THROTTLE CONTROL LEVER	27	17	10-82515M	SCREW	17	15
97616M	STEERING HANDLE ASSEMBLY	35	-	10-82515M	SCREW	17	17
				10-82521M	SCREW	9	11
				10-82521M	SCREW	9	4
				10-82521M	SCREW	47	3
				10-82522M	SCREW	15	3
				10-82522M	SCREW	23	16
				10-82568M	SCREW	17	25

# PARTS INDEX

Part Number	Description	Pg.	Ref. No.	Part Number	Description	Pg.	Ref. No.
10-82924M	BOLT	31	28	11-82380M	NUT	7	28
10-83285M	BOLT	7	27	11-82380M	NUT	11	24
10-83285M	BOLT	9	20	11-82382M	NUT	7	13
10-83285M	BOLT	11	29	11-82382M	NUT	25	12
10-83285M	BOLT	15	16	11-82383M	NUT	5	33
10-83356M	SCREW	51	17	11-82389M	NUT	15	7
10-83509M	SCREW	17	15	11-82392M	NUT	33	30
10-83523M	SCREW	27	20	11-82393M	NUT	5	35
10-83539M	BOLT	11	18	11-82395M	NUT	37	16
10-83539M	BOLT	25	2	11-82396M	NUT	37	19
10-84058M	BOLT	35	21	11-82537M	NUT	23	12
10-84058M	BOLT	35	25	11-82787M	PROPELLER NUT	45	78
10-84058M	BOLT	37	13	11-82927M	NUT	3	6
10-84211M	BOLT	27	6	11-83056M	NUT	35	26
10-84247M	BOLT	7	15	11-95508M	NUT	9	16
10-84300M	SCREW	35	6	12-43099M	PAD	31	19
10-84303M	BOLT	9	14	12-80248M	WASHER (.03MM)	43	39
10-84303M	BOLT	9	32	12-80249M	WASHER (0.4MM)	43	39
10-84315M	BOLT	3	24	12-80255M	WASHER (M-001181 ML- 307012 AND BELOW)	43	38
10-84342M	BOLT	7	11	12-80261M	WASHER	21	63
10-84507M	SCREW	45	73	12-80271M	SEAL	51	18
10-84790M	BOLT (M-000730 ML-303060 AND BELOW)	43	28	12-80884M	WASHER M-001244 ML- 307393 AND BELOW	3	5
10-84830M	BOLT	33	50	12-81794M	WASHER	3	23
10-84839M	BOLT	37	7	12-81801M	WASHER	7	12
10-84931M	BOLT	23	19	12-81822M	WASHER	43	48
10-84931M	BOLT	35	20	12-81828M	WASHER	43	55
10-91636M	BOLT	49	20	12-81829M	WASHER	13	6
10-91639M	STEERING TUBE (M-001373 ML-309361 AND BELOW)	31	24	12-81835M	WASHER	11	15
10-91725M	BOLT	45	66	12-81836M	WASHER	31	25
10-91725M	BOLT	49	3	12-81843M	WASHER	27	32
10-91725M	SCREW (M-001245 ML- 307394 AND ABOVE)	41	13	12-81846M	WASHER M-000701 ML- 302901 AND ABOVE	27	35
10-91772M	BOLT	49	6	12-81851M	WASHER	27	25
10-92545M	SCREW	39	8	12-81873M	WASHER	31	10
10-94526M	BOLT	13	15	12-81969M	COLLAR	27	3
10-94724M	SCREW	23	2	12-82209M	WASHER	19	46
10-94801M	SCREW (M-001181 ML- 307012 AND BELOW)	23	11	12-82211M	WASHER	9	25
10-95416M	BOLT	39	17	12-82211M	WASHER	15	4
10-95416M	BOLT	39	25	12-82211M	WASHER	27	13
10-95416M	BOLT	39	4	12-82211M	WASHER	29	40
10-95416M	BOLT	45	69	12-82211M	WASHER	47	4
10-95467M	SCREW	41	7	12-82213M	WASHER	9	15
10-95502M	SCREW	53	18	12-82214M	WASHER	7	16
10-95534M	BOLT (M-001182 ML-307013 AND ABOVE)	43	28	12-82214M	WASHER	7	29
10-95546M	BOLT	37	26	12-82214M	WASHER	9	28
10-95566M	SCREW M-001182 ML- 307013 AND ABOVE	45	63	12-82214M	WASHER	11	19
10-96293M	BOLT	9	30	12-82214M	WASHER	13	16
10-96382M	SCREW	31	6	12-82214M	WASHER	15	8
10-96671M	SCREW	41	18	12-82214M	WASHER	23	20
11-81765M	NUT	35	13	12-82214M	WASHER	25	3
11-81767M	NUT	29	44	12-82214M	WASHER	25	22
11-81785M	LOCKNUT	49	23	12-82214M	WASHER	37	8
11-81787M	NUT	31	26	12-82214M	WASHER	41	19
11-82378M	NUT	19	49	12-82214M	WASHER	45	67
11-82378M	NUT	27	11	12-82216M	WASHER	49	4
				12-82216M	WASHER	49	15
				12-82217M	WASHER	49	9
					WASHER	5	34

# PARTS INDEX

Part Number	Description	Pg.	Ref. No.	Part Number	Description	Pg.	Ref. No.
12-82217M	WASHER	7	32	17-82155M	ROLL PIN	27	39
12-82217M	WASHER	31	7	17-82156M	PIN	27	19
12-82217M	WASHER	37	29	17-82157M	PIN	7	4
12-82217M	WASHER	39	14	17-82157M	PIN	15	23
12-82217M	WASHER	39	20	17-82157M	ROLL PIN	7	6
12-82217M	WASHER	39	5	17-82356M	DOWEL PIN	45	61
12-82217M	WASHER	45	71	17-82364M	DOWEL PIN	37	10
12-82219M	WASHER	37	15	17-82364M	DOWEL PIN	39	3
12-82220M	WASHER	35	8	17-82364M	PIN	11	7
12-82220M	WASHER	49	22	17-82364M	PIN	39	16
12-84791M	WASHER	43	29	17-82364M	PIN	39	24
12-84850M	WASHER	35	17	17-82364M	PIN	45	68
12-95501M	SEAL	53	19	17-82368M	DOWEL PIN	31	9
12-95507M	WASHER	5	36	17-83140M	RIVET (M-001182 ML-307013 AND ABOVE)	3	10
12-95557M	WASHER	9	17	17-83722M	HOOK (M-001470 ML-310223 AND BELOW)	49	17
13-81869M	WAVE WASHER	3	29	17-83726M	HOOK (M-001470 ML-310223 AND BELOW)	49	11
13-82184M	LOCKWASHER	17	10	17-84903M	RIVET	3	8
13-82184M	LOCKWASHER	17	11	17-84903M	RIVET M-001181 ML-307012 AND BELOW	3	10
13-82208M	LOCKWASHER	19	50	17-94569M	TILT LOCK PIN ASSEMBLY	33	43
13-82208M	LOCKWASHER	23	17	17-97586M	FLOAT PIN	19	32
13-82208M	LOCKWASHER	27	12	18-82051M	COTTER PIN	27	15
13-82212M	LOCKWASHER	9	21	18-82125M	COTTER PIN	27	33
13-82215M	LOCKWASHER	39	13	18-82125M	COTTER PIN	33	41
13-82215M	LOCKWASHER	39	19	18-82127M	COTTER PIN	29	41
13-82215M	LOCKWASHER	45	70	18-82132M	COTTER PIN	45	79
13-82218M	LOCKWASHER (M-001244 ML-307393 AND BELOW)	49	21	21-41888M	CHECK VALVE	23	10
13-84851M	WAVE WASHER	35	18	21-80727M	CHECK VALVE	15	10
13-94725M	LOCKWASHER	23	3	21-80727M	CHECK VALVE ASSEMBLY	11	2
15-80671M	SHIM (0.2MM)	43	46	22-80122M	FITTING	11	3
15-80672M	SHIM (0.3MM)	43	46	22-80218M	FLUSH PLUG (M-001244 ML-307393 AND BELOW)	45	80
15-80674M	SHIM (1.3MM)	43	57	22-80735M	DRAIN VALVE	17	22
15-80675M	SHIM (1.5MM)	43	57	22-80743M	FITTING	11	1
15-80676M	SHIM (1.7MM)	45	57	22-81920M	PLUG	41	15
16-811028M	STUD (M-001613 ML-311139 AND UP0)	15	11	22-81924M	PLUG	41	8
16-84912M	BOLT (M-001181 ML-307012 AND BELOW)	5	32	22-82369M	GREASE FITTING	31	3
16-91735M	STUD (M-001612 ML-311138 AND BELOW)	15	11	22-82369M	GREASE FITTING	37	5
16-95505M	BOLT (M-001182 ML-307013 AND ABOVE)	3	32	22-94716M	FITTING	23	1
17-11794M	FLOAT PIN	17	4	22-95211M	PLUG	41	15
17-14229M	DOWEL PIN	7	33	22-95632M	PLUG	45	64
17-19109M	PIN	33	36	22-95633M	FLUSH PLUG (M-001245 ML-307394 AND ABOVE)	45	80
17-81159M	KEY	43	32	23-19108M	SPACER (M-001374 ML-309362 AND ABOVE)	33	29
17-814499M	HOOK (M-001471 ML-310224 AND ABOVE)	49	11	23-19112M	BUSHING M-001374 ML-309362 AND ABOVE	33	51
17-814500M	HOOK (M-001471 ML-310224 AND ABOVE)	49	17	23-80247M	BUSHING	43	35
17-81882M	PIN	33	40	23-80667M	BUSHING	41	2
17-81888M	ROLL PIN	31	20	23-81646M	BUSHING (M-000700 ML-302900 AND BELOW)	27	37
17-81891M	KEY	43	33	23-81842M	SPACER	13	10
17-81899M	PIN	43	51	23-81861M	WASHER	35	16
17-81900M	PIN	45	77	23-81930M	BUSHING	37	4
17-81907M	RIVET	35	5	23-81941M	BUSHING	19	48
17-82144M	ROLL PIN	33	45	23-81945M	BUSHING	35	10
17-82146M	ROLL PIN	49	12	23-81946M	BUSHING	27	8
17-82146M	ROLL PIN	49	18				
17-82148M	ROLL PIN	31	23				

# PARTS INDEX

Part Number	Description	Pg.	Ref. No.	Part Number	Description	Pg.	Ref. No.
23-81949M	BUSHING	3	21	25-97031M	GROMMET M-001182 ML-307013 AND ABOVE	49	24
23-81959M	BUSHING	31	14	25-97607M	SEAL	25	4
23-81961M	BUSHING (LOWER)	31	12	26-14616M	DAMPER	39	7
23-81964M	BUSHING (UPPER)	31	11	26-19133M	OIL SEAL (LARGE)	13	12
23-81979M	SPACER (M-001373 ML-309361 AND BELOW)	33	29	26-19134M	OIL SEAL (SMALL) M-001374 ML-309362 AND ABOVE	13	13
23-82022M	SLEEVE	45	75	26-80239M	SEAL	43	30
23-82119M	SPACER	35	15	26-80653M	SEAL	45	76
23-83310M	COLLAR	27	2	26-82227M	OIL SEAL	45	59
23-83585M	PLUG	7	2	26-82229M	OIL SEAL	43	34
23-83589M	BUSHING	7	21	26-82245M	OIL SEAL	11	21
23-83590M	SHAFT	7	10	26-84838M	SEAL	37	2
23-83757M	BUSHING	39	21	26-84840M	SEAL	37	3
23-84454M	COLLAR	19	45	26-91637M	SEAL	31	2
23-84911M	COLLAR	3	31	26-97040M	OIL SEAL (SMALL) M001373 ML-309361 AND BELOW	13	13
23-97142M	COLLAR	27	36	27-16720M	GASKET	51	16
24-19110M	SPRING	33	42	27-16720M	GASKET	53	17
24-80329M	SPRING	19	41	27-43074M	GASKET	11	13
24-80331M	SPRING	17	27	27-43095M	GASKET (M-001182-001313 ML-307013-308857)	23	14
24-80610M	SPRING	23	9	27-80566M	GASKET	11	16
24-81100M	SPRING	17	21	27-80572M	GASKET	15	6
24-815007M	SPRING (M-001471 ML-310224 AND ABOVE)	33	53	27-80597M	GASKET	11	22
24-82078M	SPRING	43	53	27-80613M	GASKET	23	6
24-82095M	SPRING	35	9	27-80614M	GASKET (M-001181 ML-307012 AND BELOW)	23	14
24-83588M	SPRING	7	3	27-80614M	GASKET (M-001314 ML-308858 AND ABOVE)	23	14
24-83591M	SPRING	7	9	27-80662M	GASKET	37	14
24-83721M	SPRING	49	16	27-80664M	GASKET	37	28
24-83725M	SPRING	49	10	27-80690M	GASKET	9	13
24-84461M	SPRING	27	29	27-80737M	PACKING	17	23
24-84462M	SPRING	27	30	27-80757M	GASKET	23	18
24-91642M	SPRING	33	33	27-81117M	GASKET	11	27
24-95559M	SPRING	17	13	27-81162M	GASKET	39	2
24-95582M	SPRING	19	58	27-81612M	GASKET	37	18
24-97578M	SPRING	17	13	27-81987M	GASKET	41	9
24-97578M	SPRING M-001182 ML-307013 AND ABOVE	21	65	27-82790M	GASKET (M-001244 ML-307393 AND BELOW)	25	6
24-97599M	SPRING	19	58	27-94691M	GASKET	17	29
25-80350M	O-RING	19	59	27-94718M	GASKET	23	5
25-82064M	GROMMET	35	14	27-95535M	GASKET	39	11
25-82069M	GROMMET	9	22	27-95576M	GASKET	17	16
25-82070M	GROMMET	33	47	27-95610M	GASKET	41	11
25-82267M	O-RING	13	9	27-95653M	SEAL	41	23
25-82267M	O-RING	43	36	27-97052M	GASKET	43	26
25-82274M	O-RING	31	13	27-97567M	GASKET	15	12
25-82278M	O-RING	45	62	27-97569M	GASKET	15	15
25-83988M	GROMMET (M/ML)	3	25	27-97573M	GASKET	17	2
25-84089M	O-RING	13	11	27-97582M	GASKET	17	16
25-84760M	GROMMET	15	22	27-97601M	GASKET	21	61
25-84876M	GROMMET	9	31	27-97623M	GASKET	51	10
25-84910M	GROMMET	3	30	27-97623M	GASKET	53	11
25-84915M	GROMMET	3	26	28-81914M	KEY	13	17
25-84915M	GROMMET (M-001181 ML-307012 AND BELOW)	47	14	29-84452M	NEEDLE BEARING	13	5
25-84957M	O-RING	25	8	30-811014M	BEARING (M-000147 ML-310224 AND ABOVE)	45	58
25-84967M	GROMMET (M-001182 ML-307013 AND ABOVE)	47	14				
25-94695M	O-RING	19	36				
25-94699M	O-RING	17	24				
25-95558M	SEAL	15	5				

# PARTS INDEX

Part Number	Description	Pg.	Ref. No.	Part Number	Description	Pg.	Ref. No.
30-95518M	BEARING	13	2	37-15378M	DECAL	51	2
30-95574M	BALL M-001182 ML-307013 AND ABOVE	17	12	37-81114M	DECAL, SIDE SET M-000730 ML-303060 AND BELOW	3	2
30-97054M	BEARING	43	45	37-81202M	SHIFT INDICATOR	3	14
30-97577M	BALL M-001181 ML-307012 AND BELOW	17	12	37-82984M	DECAL	51	1
30-97583M	BALL	17	20	37-83057M	DECAL	53	2
31-82318M	BEARING	43	37	37-94702M	DECAL	51	3
31-82322M	BEARING	43	40	37-94703M	DECAL	51	4
32-14210M	HOSE	53	21	37-94703M	DECAL	53	5
32-14212M	HOSE	53	23	37-94704M	DECAL	51	5
32-14269M	HOSE	53	24	37-94704M	DECAL	53	6
32-81161M	WATER TUBE (LONG SHFT)	45	74	37-95641M	DECAL, FRONT	3	3
32-82008M	HOSE	25	13	37-95670M	DECAL, SIDE SET M-000731 ML-303061 AND ABOVE	3	2
32-82011M	HOSE M-001181 ML-307012 AND BELOW	15	24	37-97559M	DECAL (HP)	3	20
32-82023M	HOSE	51	20	39-81095M	PISTON RING	13	4
32-82635M	WATER TUBE (SHORT SHAFT)	45	74	39-81096M	PISTON RING	13	4
32-83800M	WATER TUBE (SUPER LONG SHAFT)	45	74	39-81097M	PISTON RING	13	4
32-84731M	HOSE	11	4	39-95519M	PISTON RING	13	4
32-84955M	HOSE	51	22	39-95520M	PISTON RING	13	4
32-84956M	HOSE (M-001181 ML-307012 AND BELOW)	25	15	39-95521M	PISTON RING	13	4
32-94727M	HOSE	51	23	41-80565M	PISTON PIN	13	7
32-95527M	PIPE M-001613 ML-311139 AND ABOVE	39	9	43-80670M	FORWARD GEAR	43	47
32-95562M	HOSE	21	70	43-80673M	REVERSE GEAR	43	56
32-95563M	HOSE (M-001182 ML-307013 AND ABOVE)	25	15	43-97146M	PINION GEAR	43	41
32-95564M	HOSE	25	16	44-80677M	PROPELLER SHAFT	43	54
32-95567M	HOSE	21	71	45-81165M	DRIVE SHAFT (SHORT SHAFT)	43	31
32-97590M	HOSE	19	37	45-81166M	DRIVE SHAFT (LONG SHAFT)	43	31
32-97591M	HOSE	19	38	45-83799M	DRIVE SHAFT (SUPER LONG SHAFT)	43	31
32-97609M	HOSE	25	14	46-95532M	HOUSING	41	21
32-99067M	HOSE	25	17	47-95533M	IMPELLER	41	25
32-99067M	HOSE (M-001182 ML-307013 AND ABOVE)	25	18	50-12066A9	STARTER ROPE	7	18
33-53098	SPARK PLUG	11	5	50-814514M	STARTER ASSY.	7	0-1
34-94639M	REED SET	15	14	50-83587M	STARTER SHEAVE	7	5
34-97568M	REED VALVE ASSEMBLY	15	13	52-81167M	CLUTCH	43	50
35-11931M	FILTER ASSEMBLY	25	5	53-80678M	RING	43	49
35-11934M	FILTER ELEMENT	25	7	53-82323M	SNAP RING	43	43
35-80246M	COVER M-001181 ML-307012 AND BELOW	41	14	53-82328M	SNAP RING (M-001181 ML- 307012 AND BELOW)	19	47
35-95531M	COVER M-001182 ML-307013 AND ABOVE	41	14	53-82330M	SNAP RING	33	46
35-95568M	STRAINER	51	19	53-82345M	SNAP RING	13	8
35-95568M	STRAINER	53	20	53-83758M	SNAP RING	39	22
36-14268M	CAP	51	6	53-84895M	SNAP RING	7	8
36-14268M	CAP M-001286-001470 ML- 308339-310223	53	7	53-94722M	SNAP RING (M-001182 ML- 307013 AND ABOVE)	19	47
36-814497M	CAP M-001471 ML-310224 AND ABOVE	53	7	53-97147M	SNAP RING	43	42
36-814498M	CAP	53	8	54-16725M	CLAMP	53	25
36-97621M	CAP	51	8	54-80752M	CLAMP	51	24
36-97621M	CAP	53	8	54-82046M	CLIP	11	6
37-14266M	DECAL	53	3	54-82047M	CLIP	15	25
37-14267M	DECAL	53	4	54-82047M	CLIP	25	19
				54-84893M	CLIP	7	20
				54-84914M	CLAMP	3	22
				54-96348M	CLAMP	9	33
				54-96348M	CLAMP	15	26
				54-98974M	CLIP	25	20
				79-43984A1	TACHOMETER KIT	47	16

# PARTS INDEX

Part Number	Description	Pg.	Ref. No.	Part Number	Description	Pg.	Ref. No.
84-84124M	CONNECTOR	47	6	1383-9838M	CARBURETOR (M-001374-001612 ML-309362-311138)	19	-
84-84124M	HARNESS ASSEMBLY	47	24	1383-9838M	CARBURETOR (M-001374-001612 ML-309362-311138)	19	-
84-84352M	LEAD WIRE	47	23	1484-8245M	CLAMP BRACKET (PORT) M-001373 ML-309361 AND BELOW	31	15
84-84353M	CONNECTOR	47	22	1484-8246M	CLAMP BRACKET (STBD.)	31	16
84-92594M	LEAD WIRE	9	9	1484-9797M	CLAMP BRACKET (PORT) M-001374 ML-309362 AND ABOVE	31	15
84-99051M	CONNECTOR	47	25	1484-9798M	CLAMP BRACKET (STBD.)	31	16
84-99052M	CONNECTOR	47	26	1485-9246M	SWIVEL BRACKET (M-001373 ML-309361 AND BELOW)	31	1
84-99059M	WIRE	47	21	1485-9792M	SWIVEL BRACKET (M-001374 ML-309362 AND ABOVE)	31	1
87-14227M	SWITCH (M-001374-001470 ML-309362-3102233)	3	27	1587-6797M	DRIVESHAFT HOUSING	39	1
87-810468M	LANYARD SWITCH (M-001471 ML-310224 AND ABOVE)	3	27	1651-6798M	GEAR HOUSING (M-001244 ML-307393 AND BELOW)	41	1
87-91622M	STOP SWITCH (M-001373 ML-309361 AND BELOW)	3	27	1651-6884M	GEARHOUSING (LOWER)	41	3
87-92614M	STOP SWITCH (5M)	47	15	1651-8433M	GEAR HOUSING (SHORT-M-001181 ML-307012 & BELOW)	41	-
87-97776M	KILL SWITCH	47	9	1651-8433M	GEAR HOUSING (SHORT-M-001181 ML-307012 & BELOW)	41	-
87-97777M	KILL SWITCH (5M)	47	11	1651-8433M	GEAR HOUSING (SHORT-M-001181 ML-307012 & BELOW)	43	-
88-81522M	FUSE	47	2	1651-8434M	GEAR HOUSING (LONG-M-001181 ML-307012 & BELOW)	41	-
88-99055M	BULB	47	17	1651-8434M	GEAR HOUSING (LONG-M-001181 ML-307012 & BELOW)	41	-
91-81669M	TOOL KIT	3	17	1651-8434M	GEAR HOUSING (LONG-M-001181 ML-307012 & BELOW)	43	-
253-7953M	FLYWHEEL MAGNETO ASSEMBLY	9	0-1	1651-9243M	GEAR HOUSING (M-001245-001373 ML-307394-309361)	41	1
253-7955M	FLYWHEEL	9	1	1651-9805M	GEAR HOUSING (M-001374 ML-309362 AND ABOVE)	41	1
463-9440M	CRANKSHAFT ASSEMBLY	13	1	1651-9814M	GEAR HOUSING (SHORT - M-001182 ML-307013 & ABOVE)	41	-
761-8375M	PISTON STANDARD M-001471 ML-310224 AND ABOVE	13	3	1651-9814M	GEAR HOUSING (SHORT-M-001182 ML-307013 & ABOVE)	41	-
761-8376M	PISTON 1ST. O.S. 67.25MM M-001471 ML-310224 AND ABOVE	13	3	1651-9814M	GEAR HOUSING (SHORT-M-001182 ML-307013 & ABOVE)	43	-
761-8377M	PISTON 2ND. O.S. 67.50MM M-001471 ML-310224 AND ABOVE	13	3	1651-9815M	GEAR HOUSING (LONG-M-001182 ML-307013 & ABOVE)	41	-
761-8428M	PISTON STANDARD M-001470 ML-310223 AND BELOW	13	3	1651-9815M	GEAR HOUSING (LONG-M-001182 ML-307013 & ABOVE)	41	-
761-8429M	PISTON 1ST. O.S. 67.25MM M-001470 ML-310223 AND BELOW	13	3				
761-8430M	PISTON 2ND. O.S. 67.50MM M-001470 ML-310223 AND BELOW	13	3				
870-8493M	CRANKCASE ASSEMBLY	11	0-1				
968-8494M	CYLINDER HEAD	11	12				
1252-9522M	FUEL TANK, COMPLETE	51	0-1				
1252-9522M	FUEL TANK, COMPLETE	53	1				
1383-811017M	CARBURETOR (M-001613 ML-311139 AND ABOVE)	17	-				
1383-811017M	CARBURETOR (M-001613 ML-311139 AND ABOVE)	19	-				
1383-811017M	CARBURETOR (M-001613 ML-311139 AND ABOVE)	19	-				
1383-9247M	CARBURETOR (M-001373 ML-309361 AND BELOW)	17	-				
1383-9247M	CARBURETOR (M-001373 ML-309361 AND BELOW)	19	-				
1383-9247M	CARBURETOR (M-001373 ML-309361 AND BELOW)	19	-				

# PARTS INDEX

Part Number	Description	Pg.	Ref. No.	Part Number	Description	Pg.	Ref. No.
2168-9387M	TOP COWL (M-001373 ML-309361 AND BELOW) . . . .	3	1				
2168-9387M	TOP COWL (M-001374 ML-309362 AND ABOVE) . . . .	3	1				
2168-9398M	BOTTOM COWL . . . . .	3	18				
2169-7102M	STARTER HOUSING . . . . .	7	1				