



PARTS CATALOG

15 H.P. W/MARATHON

SERIAL NUMBER

W15 662-001846 AND UP
W15 662-304411 AND UP

TABLE OF CONTENTS:

CARBURETOR	18
CLAMP AND SWIVEL BRACKET	30
COWLING	2
CRANKCASE AND CYLINDER HEAD	12
CRANKSHAFT AND PISTON	14
DRIVESHAFT HOUSING	36
FLYWHEEL MAGNETO	10
FUEL LINES AND FILTER	22
FUEL PUMP	20
FUEL TANK AND FUEL LINE ASSEMBLY	42
FUEL TANK AND FUEL LINE ASSEMBLY	44
FUEL TANK ASSEMBLY	46
GEAR SHIFT LINKAGE	26
GEARHOUSING ASSEMBLY	38
INTAKE MANIFOLD AND CHOKE	16
MOUNTING SYSTEM	34
PARTS INDEX	48
RECOIL STARTER	6
REVERSE TILT LOCK	28
STEERING HANDLE	32
THROTTLE LINKAGE	24

NOTE: *Indented description indicate that these parts are included in preceeding assembly.*

AR = As Required

NSS = Not Sold Separate

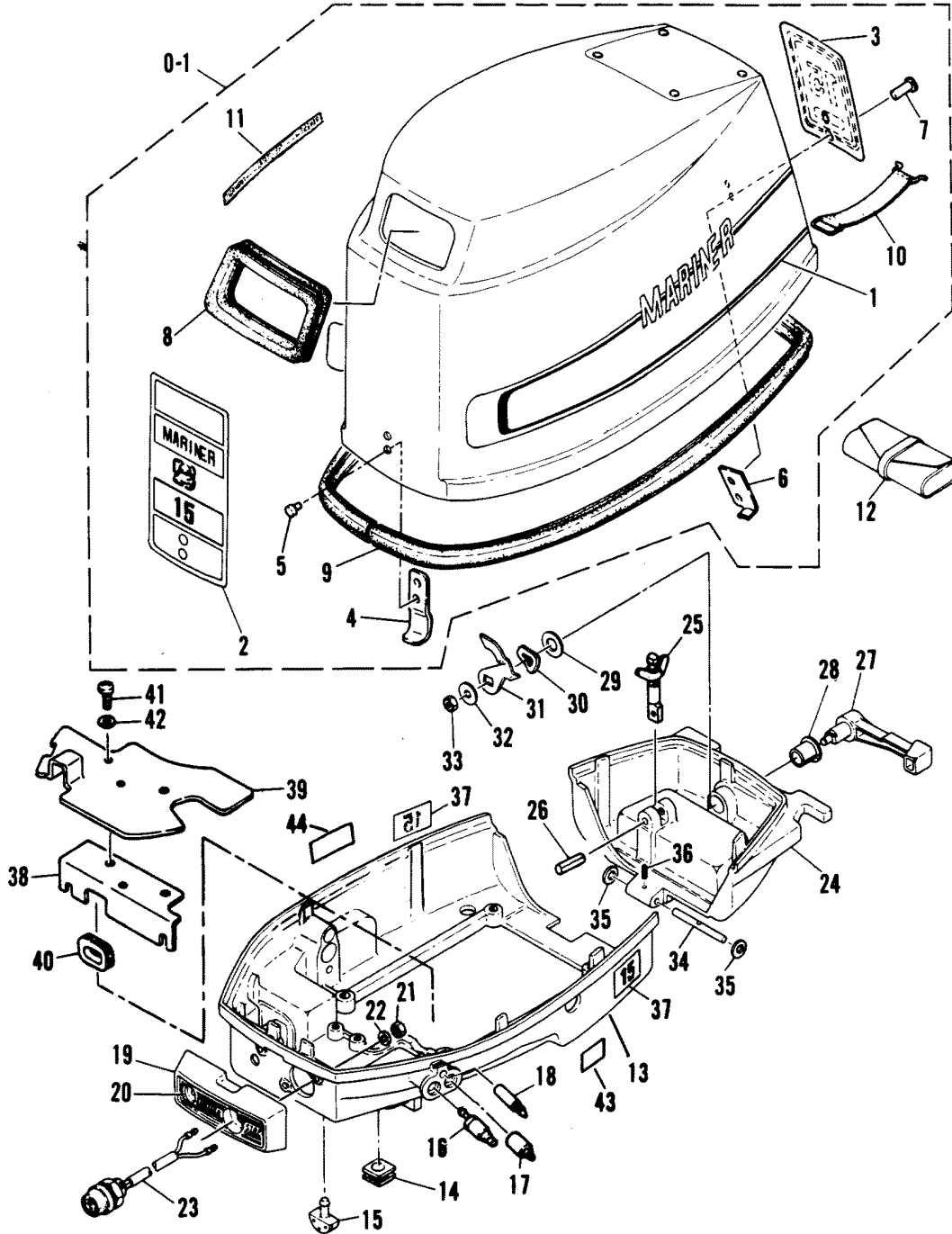
OPT = Optional

NS = Not Shown

THESE PARTS BOOKS/FICHE CARD ARE COPYRIGHTED AND MAY NOT BE DISTRIBUTED OR REPRODUCED IN ANY OTHER FORMAT BY ANYONE OTHER THAN MERCURY MARINE WITHOUT THE PRIOR WRITTEN CONSENT OF MERCURY MARINE.

THIS PAGE INTENTIONALLY LEFT BLANK

COWLING

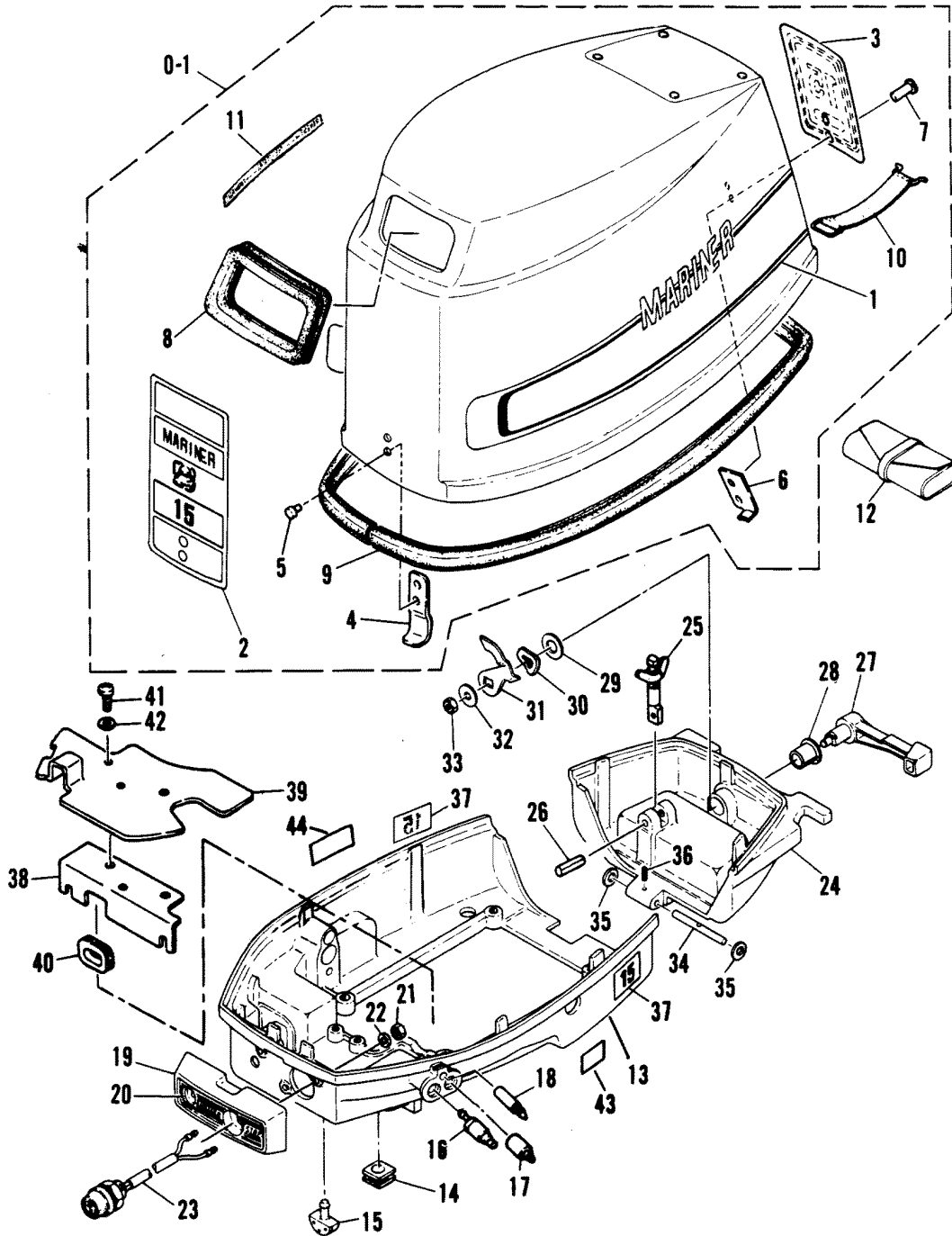


COWLING

REF. NO.	PART NO.	SYM.	QTY.	DESCRIPTION
0-1	2168-9384M		1	TOP COWLING ASS'Y SERIAL 00004784-L-312084
	2168-8481M		1	TOP COWLING ASS'Y SERIAL 00002806-00004783
	2168-6821M		1	TOP COWLING ASS'Y SERIAL 00000000-00002085
1	37-95421M		1	DECAL, SIDE SET SERIAL 00004784-09999999
	37-99065M		1	DECAL, SIDE AND REAR SET SERIAL 00003166-00004783
	37-82546M		1	DECAL, SIDE SET SERIAL 00000000-00003165
2	37-95422M		1	DECAL, FRONT APPLIQUE . SERIAL 00004784-09999999
	37-43081M		1	DECAL, FRONT APPLIQUE SERIAL 00000000-00004783
3	37-82910M		1	APPLIQUE, REAR . SERIAL 00000000-00003165
4	83714M		1	HOOK
5	17-81905M		2	RIVET
6	80882M		1	HOLDER
7	17-83140M		2	RIVET
8	26-94672M		1	SEAL, RUBBER (STARTER) . SERIAL 00002086-09999999
	80749M		1	SEAL, RUBBER (STARTER) .(SERIAL 00000000-00002085
9	95423M		1	SEAL, TOP COWL
10	81241M		2	STRAP, COWL
11	37-81202M		1	DECAL (F-N-R)
12	91-80277M		1	TOOL KIT
13	2168-9385M		1	BOTTOM COWL, FRONT SERIAL 00004784-09999999
	2168-93028M		1	BOTTOM COWL, FRONT SERIAL 00004326-00004783
	2168-8216M		1	BOTTOM COWL, FRONT SERIAL 0ML04891-00311585
	2168-6949M		1	BOTTOM COWL, FRONT SERIAL 00000000-00002085
14	83062M		1	GROMMET
15	80033M		1	HOLDER, DRIVE PIN
16	22-43082M		1	CONNECTOR, FUEL LINE SERIAL 00004326-09999999
	22-94771M		1	CONNECTOR, FUEL LINE SERIAL 00002086-00004325
	22-80754M		1	CONNECTOR, FUEL LINE SERIAL 00000000-00002085
17	22-43083M		1	CONNECTOR, FUEL LINE SERIAL 00004326-09999999
	22-80755M		1	CONNECTOR, FUEL LINE SERIAL 00000000-00004325
18	17-95424M		1	GUIDE, FUEL LINE CONNECTOR SERIAL 00004784-09999999
	17-97124M		1	GUIDE, FUEL LINE CONNECTOR SERIAL 00002086-00004783
	17-81044M		1	GUIDE, FUEL LINE CONNECTOR SERIAL 00002085-09999999
19	80885M		1	PANEL, CONTROL
20	37-83121M		1	DECAL, STOP-CHOKE
21	11-82379M		2	NUT
22	13-82208M		2	LOCKWASHER
23	87-94772M		1	STOP SWITCH ASS'Y
24	2168-6753M		1	BOTTOM COWL, REAR SERIAL 00004784-09999999
	2168-9386M		1	BOTTOM COWL, REAR SERIAL 00000000-00004783
25	10-80887M		1	BOLT
26	17-82563M		1	PIN
27	95425M		1	LEVER, COWL CLAMP

CONTINUED ON NEXT PAGE ➡

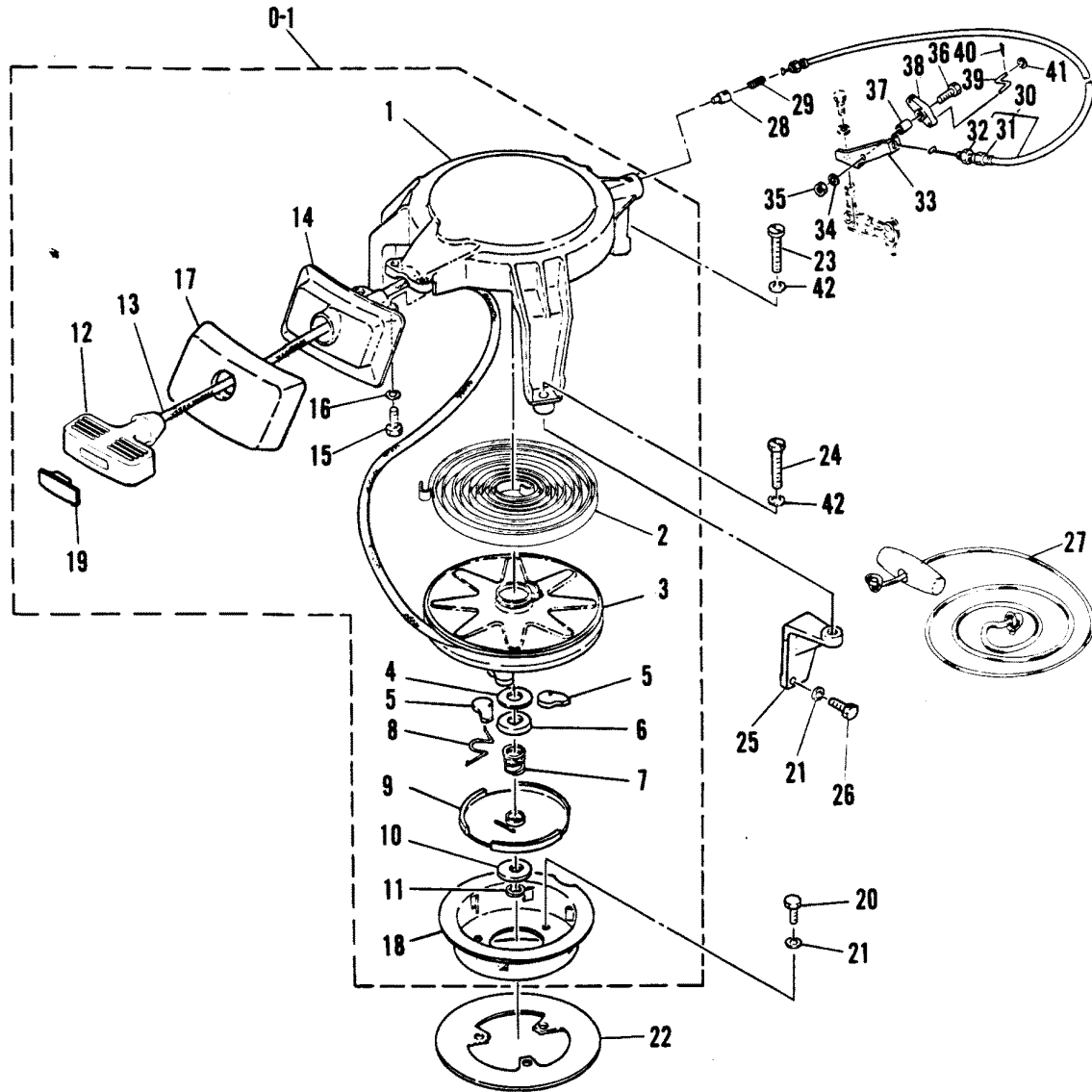
COWLING



COWLING

REF. NO.	PART NO.	SYM.	QTY.	DESCRIPTION
28	23-81951M		1	BUSHING
29	12-81817M		1	WASHER
30	13-81871M		1	WASHER, WAVE
31	80890M		1	CLAMP, COWL
32	12-81794M		1	WASHER
33	11-82381M		1	NUT
34	80229M		1	SHAFT, COWL ATTACHING
35	12-81844M		2	WASHER
36	17-83126M		1	PIN, ROLL
37	37-94773M		2	DECAL, HP SERIAL 00000000-00005134
38	43084M		1	BRACKET SERIAL 00004326-09999999
39	43085M		1	COVER, BOTTOM SERIAL 00004326-09999999
40	25-43086M		1	GROMMET SERIAL 00004326-09999999
41	10-84306M		1	SCREW SERIAL 00004326-09999999
42	12-82214M		1	WASHER
43	37-14619M		1	DECAL, SIDE
44	37-14280M		1	DECAL, SIDE SERIAL 00004957-09999999

RECOIL STARTER

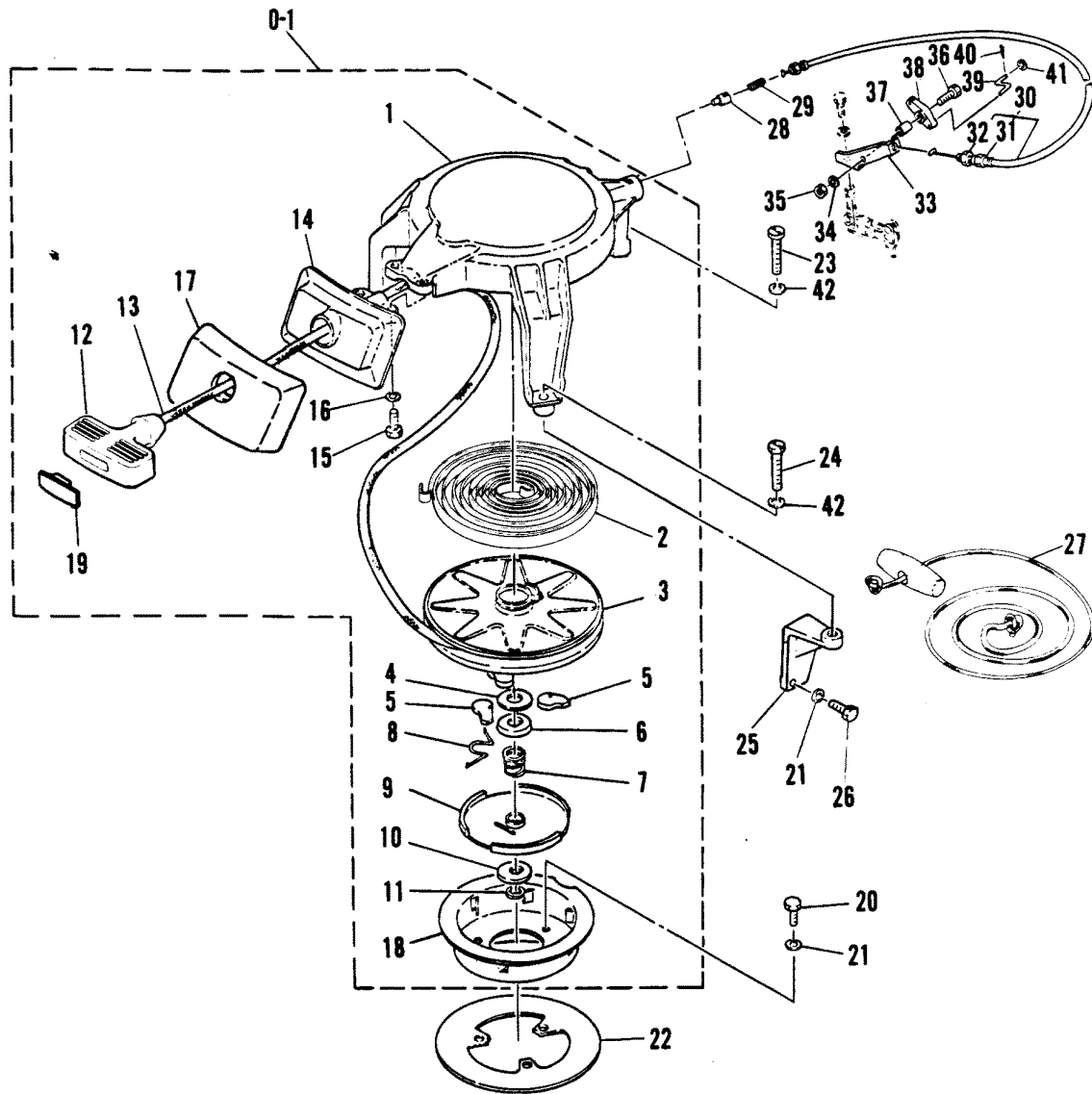


RECOIL STARTER

REF. NO.	PART NO.	SYM.	QTY.	DESCRIPTION
0-1	50-97125M		1	STARTER ASS'Y SERIAL 00002086-09999999
	50-84499M		1	STARTER ASS'Y SERIAL 00000000-00002085
1	2169-7175M		1	HOUSING, STARTER . SERIAL 00004784-09999999
	2169-7174M		1	HOUSING, STARTER . SERIAL 00000000-00004783
2	24-80207M		1	SPRING, STARTER
3	50-80208M		1	SHEAVE, STARTER SERIAL 00004326-09999999
	50-84500M		1	SHEAVE, STARTER SERIAL 00000000-00004325
4	12-80213M		1	WASHER, THRUST
5	80214M		3	PAWL, STARTER
6	12-80211M		1	WASHER, THRUST PLATE SPRING
7	24-80209M		1	SPRING, DRIVE PLATE
8	24-81696M		3	SPRING, STARTER PAWL
9	80210M		1	DRIVE, PLATE
10	12-80212M		1	WASHER
11	53-81693M		1	SNAP RING
12	80063M		1	HANDLE, STARTER
13	50-12066A9		1	STARTER ROPE
14	94669M		1	GUIDE, ROPE . SERIAL 00002086-09999999
	81218M		1	GUIDE, ROPE . SERIAL 00000000-00002085
15	10-84247M		2	BOLT
16	13-82197M		2	LOCKWASHER
17	26-43087M		1	SEAL
18	84501M		1	PULLEY, STARTER
19	41882M		1	COVER . SERIAL 00004326-09999999
20	10-84211M		3	BOLT
21	13-82212M		10	LOCKWASHER
22	81247M		1	BASE, STARTER PULLEY
23	10-83285M		1	BOLT
24	10-82405M		2	BOLT
25	81219M		2	BRACKET, STARTER HOUSING
26	10-83539M		4	BOLT
27	47341A1		1	EMERGENCY STARTER ROPE
28	81106M		1	PLUNGER
29	24-82079M		1	SPRING
30	84-43088M		1	STARTER LOCKOUT WIRE ASS'Y SERIAL 00004326-09999999
	84-84502M		1	STARTER LOCKOUT WIRE ASS'Y SERIAL 00000000-00004325
31	10-81746M		1	ADJUSTING COLLAR
32	11-82380M		1	NUT
33	84503M		1	BRACKET
34	13-82197M		1	LOCKWASHER
35	11-82380M		1	NUT
36	10-82405M		1	BOLT
37	23-84055M		1	BISJOMG

CONTINUED ON NEXT PAGE ➡

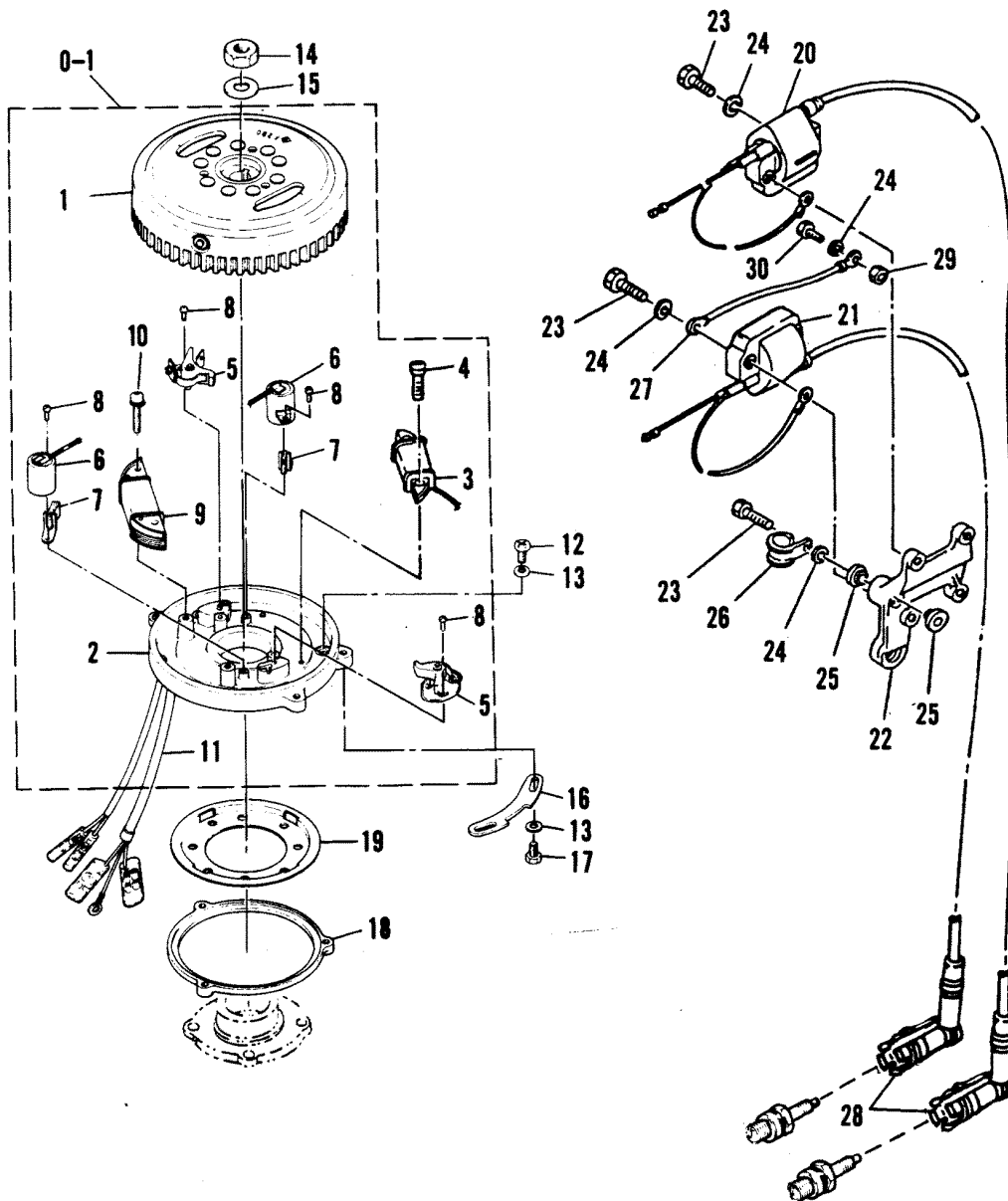
RECOIL STARTER



RECOIL STARTER

REF. NO.	PART NO.	SYM.	QTY.	DESCRIPTION
38	84504M		1	ARM, LINK
39	84505M		1	LINK
40	18-82126M		1	PIN, COTTER
41	12-82209M		1	WASHER
42	12-82214M		3	WASHER SERIAL 00005135-09999999

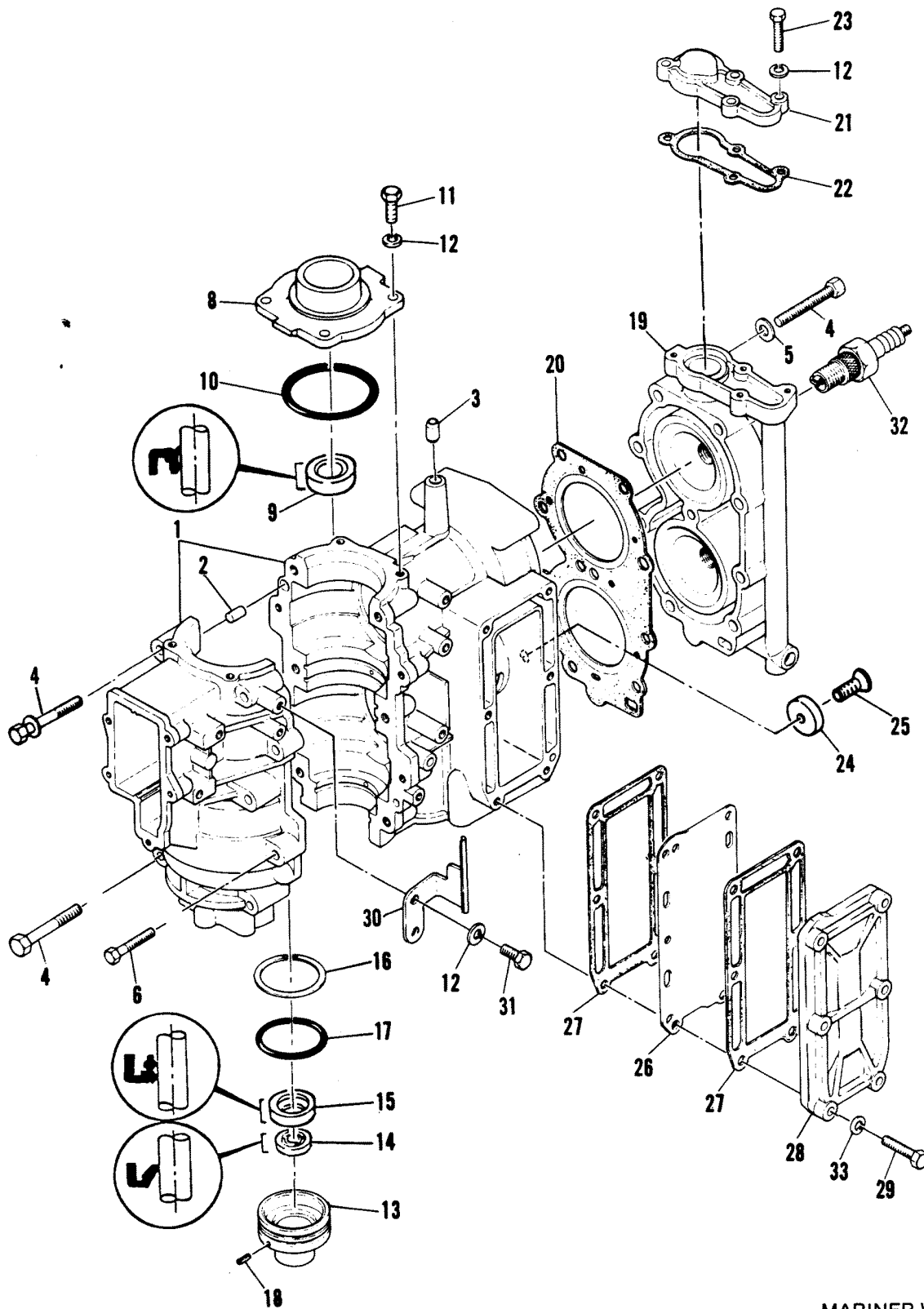
FLYWHEEL MAGNETO



FLYWHEEL MAGNETO

REF. NO.	PART NO.	SYM.	QTY.	DESCRIPTION
0-1	253-8217M		1	FLYWHEEL MAGNETO ASS'Y (WITHOUT LIGHTING COIL)
	253-8218M		1	FLYWHEEL MAGNETO ASS'Y (WITH LIGHTING COIL)
1	253-8219M		1	FLYWHEEL
2	94775M		1	BASE, MAGNETO
3	83281M		1	IGNITION COIL
4	10-82521M		2	SCREW
5	80930M		2	BREAKER POINT ASS'Y
6	80558M		2	CONDENSER
7	80025M		2	LUBRICATOR
8	10-80023M		4	SCREW W/WASHER
9	80553M		1	LIGHTING COIL ASS'Y (80W) (SEE NOTE)
10	10-82521M		2	SCREW
11	84-94776M		1	LEAD WIRE
12	10-82176M		3	SCREW
13	13-82212M		5	LOCKWASHER
14	11-81771M		1	NUT, FLYWHEEL
15	12-81814M		1	WASHER
16	81233M		1	STOP, MAGNETO BASE
17	10-84315M		2	BOLT
18	81231M		1	RETAINER, MAGNETO BASE (INNER)
19	81223M		1	RETAINER, MAGNETO BASE (OUTER)
20	94777M		1	SECONDARY IGNITION COIL ASS'Y
21	94778M		1	SECONDARY IGNITION COIL ASS'Y
22	81248M		1	BRACKET, IGNITION COIL
23	10-84237M		6	BOLT
24	12-82214M		7	WASHER
25	23-81970M		4	COLLAR, COIL BRACKET BOLT
26	54-82040M		1	CLAMP, COIL CLAMP
27	84-81250M		1	WIRE, GROUND
28	80935M		2	PLUG CAP, NOISE SUPPRESSOR (STD)
	84319M		2	PLUG CAP
29	11-82380M		1	NUT
30	10-84303M		1	BOLT

CRANKCASE AND CYLINDER HEAD

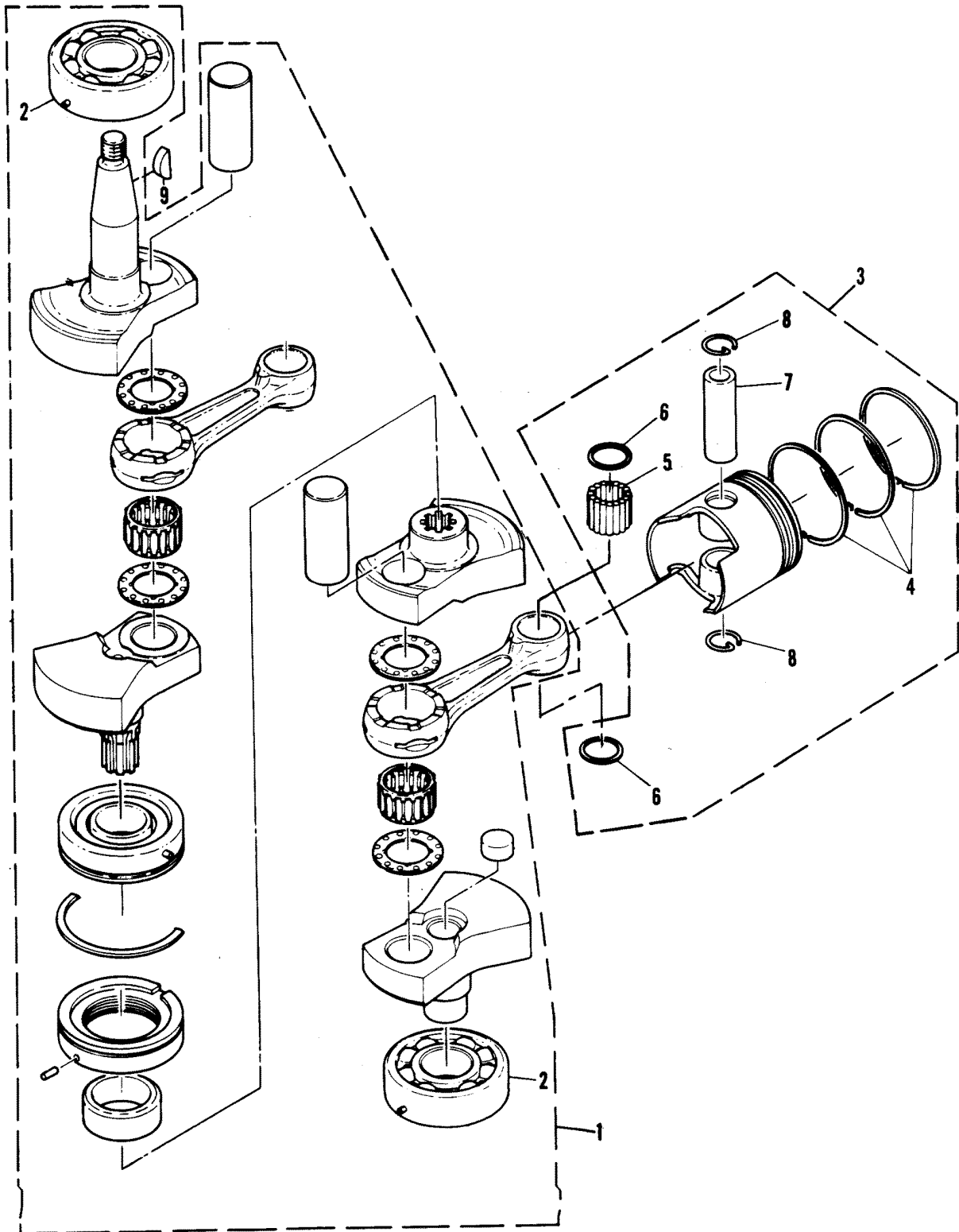


MARINER W15

CRANKCASE AND CYLINDER HEAD

REF. NO.	PART NO.	SYM.	QTY.	DESCRIPTION
1	870-6820M		1	CRANKCASE AND CYLINDER ASS'Y
2	17-82364M		2	PIN, DOWEL
3	17-14214M		1	PIN, DOWEL SERIAL 00004957-09999999
	17-82161M		1	PIN, DOWEL SERIAL 00000000-00004956
4	10-43091M		15	BOLT, W/WASHER
6	10-43092M		4	BOLT, W/WASHER
8	81215M		1	HOUSING, OIL SEAL (UPPER)
9	26-82247M		1	OIL SEAL
10	25-82285M		1	O-RING, UPPER OIL SEAL HOUSING
11	10-83539M		4	BOLT
12	13-82212M		10	LOCKWASHER
13	81216M		1	HOUSING, OIL SEAL (LOWER)
14	26-82225M		1	OIL SEAL
15	26-82232M		1	OIL SEAL
16	53-82340M		1	SNAP RING, OIL SEAL HOUSING
17	25-82276M		1	O-RING, LOWER OIL SEAL HOUSING
18	17-82139M		1	PIN, ROLL
19	968-7172M		1	HEAD, CYLINDER
20	27-43093M		1	GASKET, CYLINDER HEAD
21	81207M		1	COVER, THERMOSTAT
22	21-81208M		1	GASKET, THERMOSTAT COVER
23	10-82405M		4	BOLT
24	95609M		1	ANODE SERIAL 00004784-09999999
	43107M		1	ANODE SERIAL 00000000-00004783
25	10-91772M		1	SCREW SERIAL 00004957-09999999
	10-82791M		1	SCREW SERIAL 00000000-00004956
26	81222M		1	COVER, EXHAUST (INNER)
27	27-81223M		2	GASKET, EXHAUST COVER
28	81224M		1	COVER, EXHAUST (OUTER)
29	10-92523M		6	BOLT
30	81234M		1	STOP, MAGNETO BASE
31	10-84211M		2	BOLT
32	33-53098		2	SPARK PLUG, (AC M42FF)
33	13-82212M		6	LOCKWASHER
	83785M		1	POWERHEAD ASS'Y, COMPLETE (SEE NOTE)
	27-43094M		1	GASKET SET, POWERHEAD

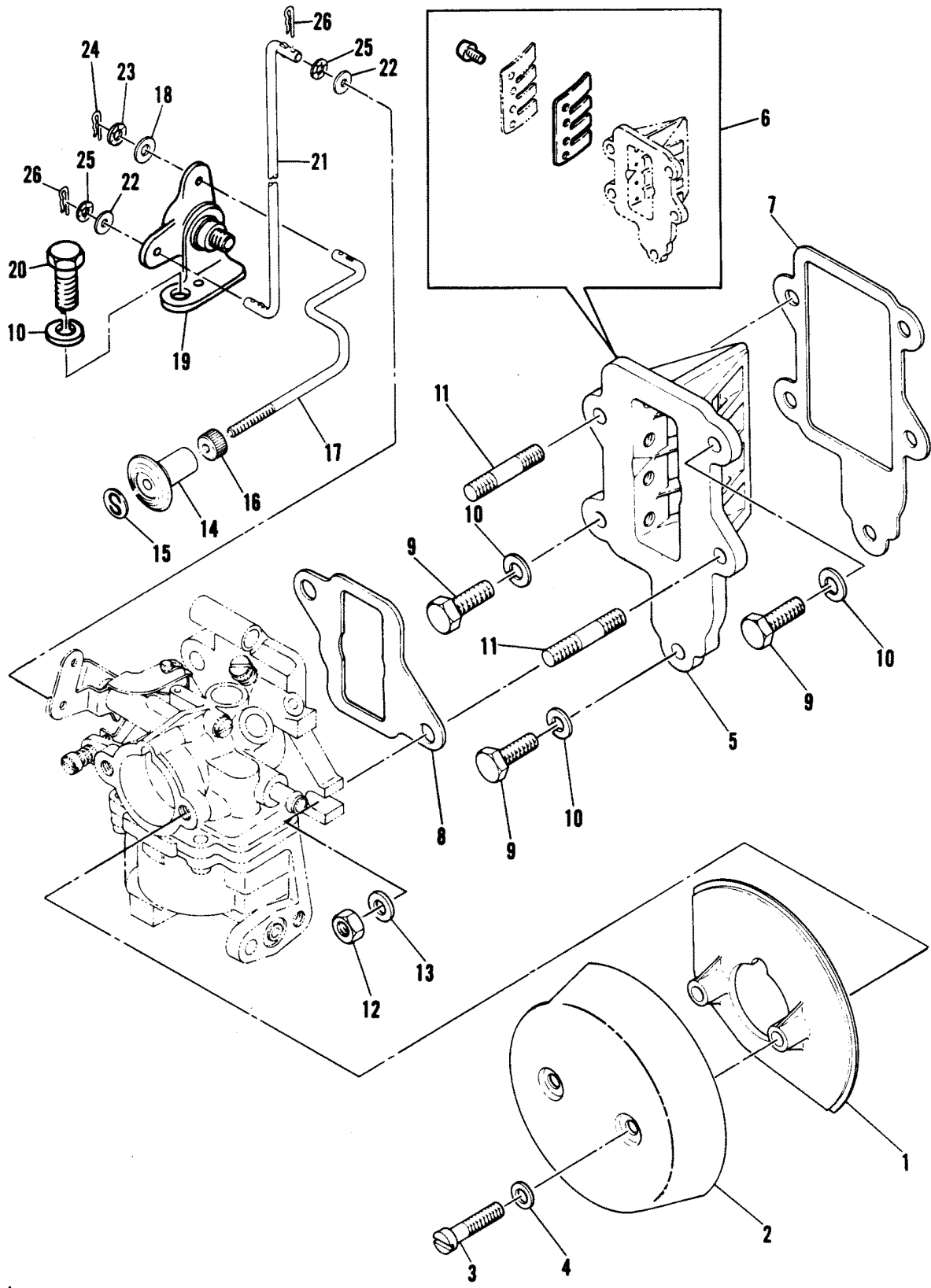
CRANKSHAFT AND PISTON



CRANKSHAFT AND PISTON

REF. NO.	PART NO.	SYM.	QTY.	DESCRIPTION
1	463-6814M		1	CRANKSHAFT ASS'Y
2	30-95518M		2	BEARING, CRANKSHAFT
3	761-8220M		2	PISTON ASS'Y (STD)
	761-8221M		AR	PISTON ASS'Y (1ST O.S. 56.25MM)
	761-8222M		AR	PISTON ASS'Y (2ND O.S. 56.50MM)
4	39-83216M		2	PISTON RING SET (STD)
	39-83711M		AR	PISTON RING SET (1ST O.S. 56.25MM)
	39-83712M		AR	PISTON RING SET (2ND O.S. 56.50MM)
5	29-82351M		56	BEARINGS, PISTON PIN
6	12-81826M		4	WASHER, PISTON PIN
7	41-80021M		2	PIN, PISTON
8	53-82344M		4	CLIP, PISTON PIN
9	28-81914M		1	KEY, CRANKSHAFT TO FLYWHEEL

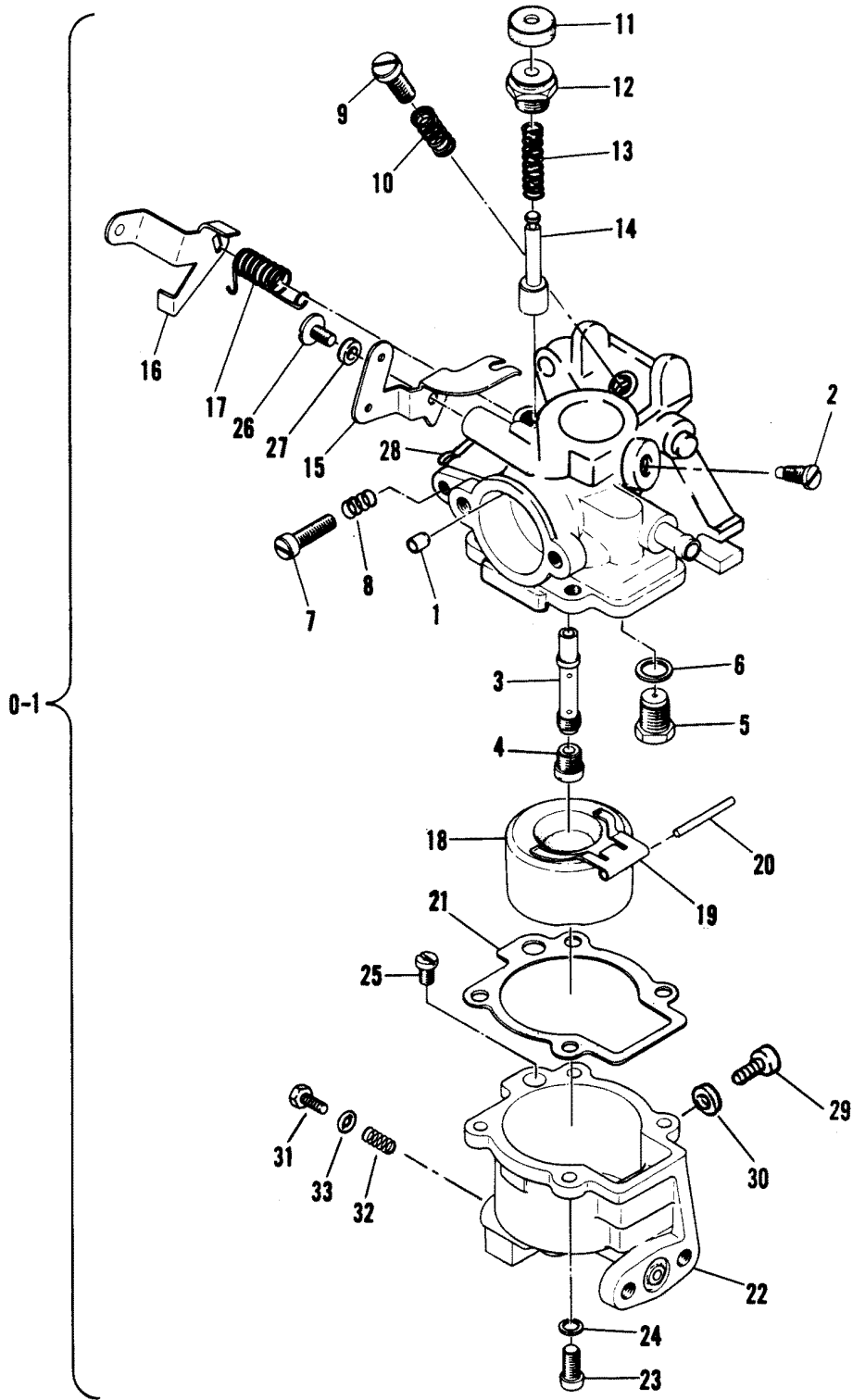
INTAKE MANIFOLD AND CHOKE



INTAKE MANIFOLD AND CHOKE

REF. NO.	PART NO.	SYM.	QTY.	DESCRIPTION
1	81212M		1	BASE, AIR INTAKE COVER
2	81213M		1	COVER, AIR INTAKE
3	10-82492M		2	SCREW
4	12-82211M		2	WASHER
5	34-81209M		1	REED VALVE ASS'Y
6	34-84491M		1	REED SET (REED STOPS NOT INCLUDED)
7	27-81210M		1	GASKET, RED VALVE
8	27-81211M		1	GASKET, CARBURETOR TO REED VALVE
9	10-82423M		3	BOLT
10	13-82212M		4	LOCKWASHER
11	13-82212M		2	STUD
12	11-82381M		2	NUT
13	12-82214M		2	WASHER
14	80149M		1	KNOB, CHOKE
15	80128M		1	INDICATOR, CHOKE
16	23-80053M		1	BUSHING, CHOKE KNOB
17	80766M		1	LINK ROD, CHOKE
18	12-82847M		1	WASHER
19	83110M		1	CHOKE LINK ASS'Y
20	10-84315M		1	BOLT
21	81228M		1	LINK ROD, CHOKE LEER
22	12-82933M		2	WASHER
23	13-81864M		1	WASHER, WAVE
24	18-82051M		1	PIN
25	13-81863M		2	WASHER, WAVE
26	18-82050M		2	PIN

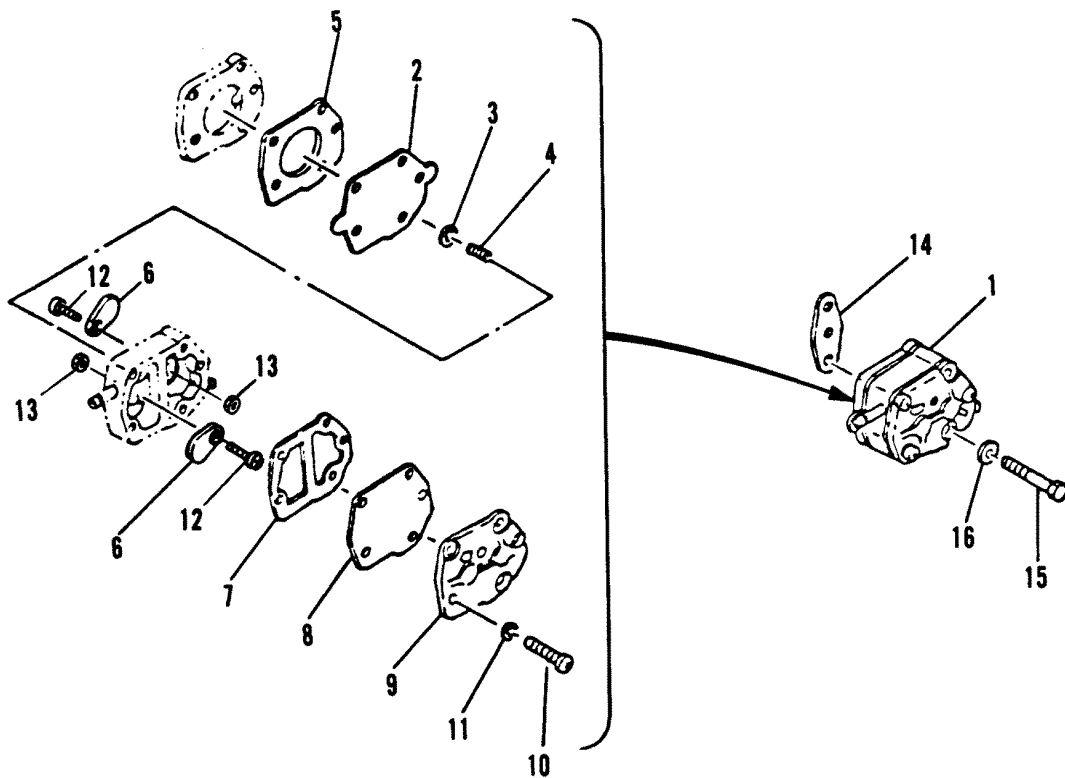
CARBURETOR



CARBURETOR

REF. NO.	PART NO.	SYM.	QTY.	DESCRIPTION
0-1	1383-6819M		1	CARBURETOR ASS'Y SERIAL 00004957-09999999
	1383-8223M		1	CARBURETOR ASS'Y SERIAL 00000000-00004956
1	80585M		1	AIR JET, LOW SPEED . SERIAL 00000000-00004783
2	80578M		1	JET, LOW SPEED (#60)
3	80941M		1	NOZZLE, MAIN
4	84691M		1	JET, MAIN (#118) SERIAL 00002111-09999999
	80581M		1	JET, MAIN (#135) . SERIAL 00000000-00002110
5	11930M		1	INLET VALVE SEAT ASS'Y SERIAL 00004784-09999999
	80447M		1	INLET VALVE SEAT ASS'Y .(SERIAL 00000000-00004783
6	27-80205M		1	GASKET, VALVE SEAT
7	10-80738M		1	SCREW, IDLE SPEED
8	24-80193M		1	SPRING, IDLE SPEED SCREW
9	10-80573M		1	SCREW, IDLE MIXTURE
10	24-80575M		1	SPRING, IDLE MIXTURE SCREW
11	80196M		1	COVER, CHOKE PLUNGER CAP
12	80197M		1	CAP, CHOKE PLUNGER
13	24-80194M		1	SPRING, CHOKE PLUNGER
14	80195M		1	PLUNGER, CHOKE
15	80198M		1	LEVER, CHOKE
16	83217M		1	LEVER, THROTTLE
17	24-80574M		1	RETURN SPRING, THROTTLE LEVER
18	80450M		1	FLOAT
19	80203M		1	ARM, FLOAT
20	17-80201M		1	PIN, FLOAT
21	27-80740M		1	GASKET, FLOAT BOWL
22	80739M		1	BOWL, FLOAT . SERIAL 00004957-09999999
	83114M		1	BOWL, FLOAT . SERIAL 00000000-00004956
23	10-83509M		4	SCREW
24	13-82184M		4	LOCKWASHER
25	80584M		1	JET, STARTER (#80)
26	10-83112M		1	SET SCREW
27	83115M		1	COLLAR
28	80199M		1	PLATE, STARTER LEVER . SERIAL 00004326-09999999
29	22-80735M		1	VALVE, DRAIN . SERIAL 00004784-09999999
30	27-80737M		1	GASKET . SERIAL 00004784-09999999
31	10-80349M		1	SCREW, DRAIN . SERIAL 00004957-09999999
32	24-80331M		1	SPRING, DRAIN SCREW . SERIAL 00004957-09999999
33	25-80350M		1	O-RING . SERIAL 00004957-09999999
	84474M		1	REPAIR KIT, CARBURETOR

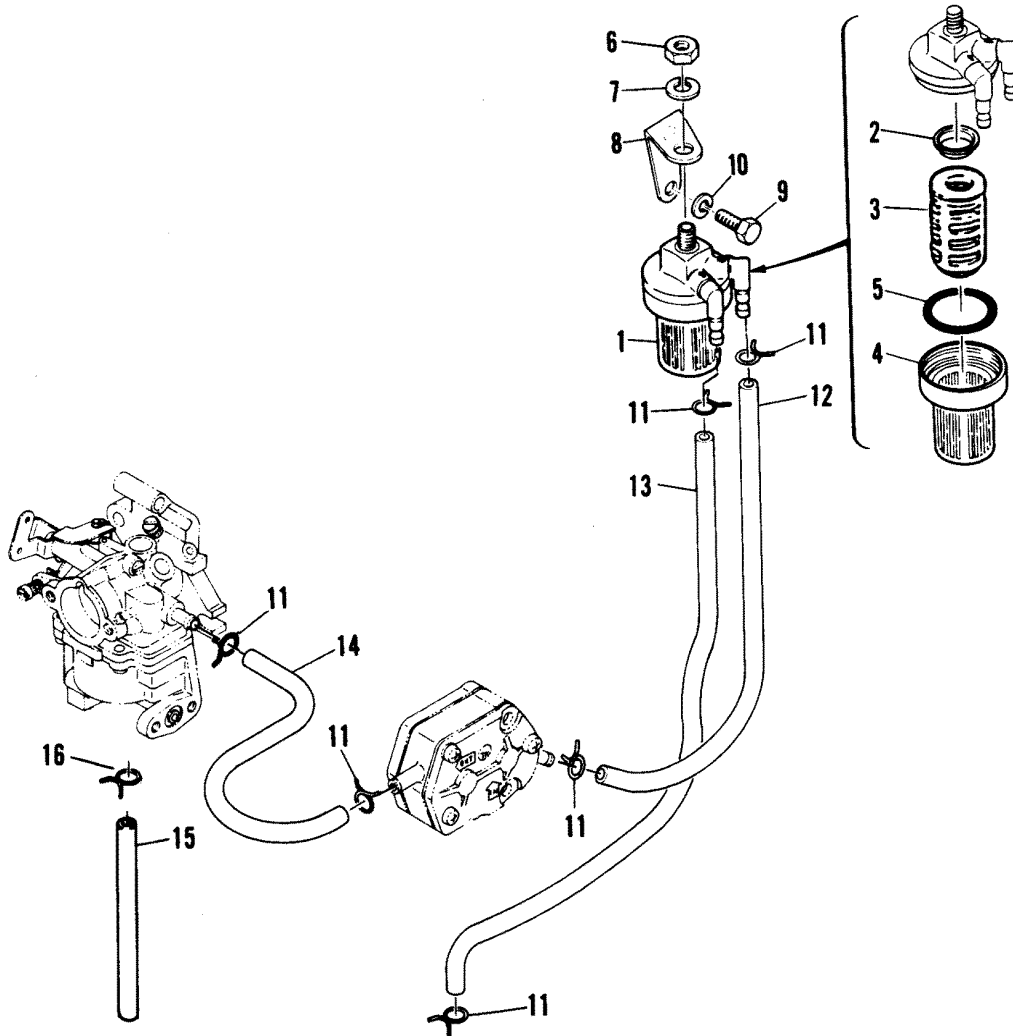
FUEL PUMP



FUEL PUMP

REF. NO.	PART NO.	SYM.	QTY.	DESCRIPTION
1	43113M		1	FUEL PUMP ASS'Y
2	80606M		1	DIAPHRAGM
3	80611M		1	PLATE, SPRING GUIDE
4	24-80610M		1	SPRING
5	27-80613M		1	GASKET, BODY TO BASE
6	21-41888M		2	CHECK VALVE . SERIAL 00002341-09999999
	21-84650M		2	CHECK VALVE . SERIAL 00000000-00002340
7	27-80614M		1	GASKET, BODY TO COVER
8	84141M		1	DIAPHRAGM
9	43096M		1	COVER . SERIAL 00004326-09999999
	80607M		1	COVER . SERIAL 00000000-00004325
10	10-82522M		3	SCREW
11	13-82208M		3	LOCKWASHER
12	10-41889M		2	SCREW SERIAL 00004326-09999999
	10-94801M		2	SCREW . SERIAL 00004325-00004325
13	11-82537M		2	NUT . SERIAL 00002341-09999999
14	27-80757M		1	GASKET, FUEL PUMP TO CRANKCASE
15	10-82428M		2	BOLT
16	13-82212M		2	LOCKWASHER

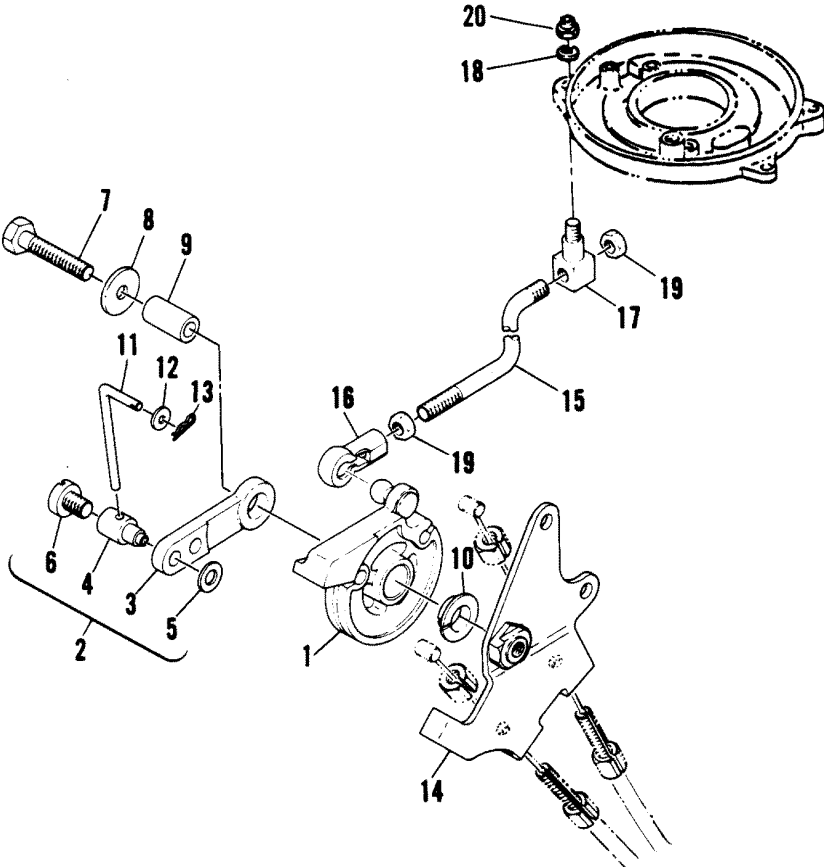
FUEL LINES AND FILTER



FUEL LINES AND FILTER

REF. NO.	PART NO.	SYM.	QTY.	DESCRIPTION
1	35-11931M		1	FILTER ASS'Y
2	27-82790M		1	GASKET, FUEL BOWL SERIAL 00000000-00004783
3	35-11934M		1	ELEMENT, FUEL FILTER
4	11935M		1	CUP, FILTER
5	25-84957M		1	O-RING
6	11-82382M		1	NUT
7	13-82215M		1	LOCKWASHER
8	81220M		1	BRACKET, FUEL FILTER
9	10-84247M		2	BOLT
10	13-82212M		2	LOCKWASHER
11	54-82047M		6	CLAMP, HOSE
12	32-94806M		1	HOSE
13	32-83219M		1	HOSE
14	32-82007M		1	HOSE
15	32-82001M		1	HOSE SERIAL 00004957-09999999
16	54-82047M		1	CLAMP, HOSE SERIAL 00004957-09999999

THROTTLE LINKAGE



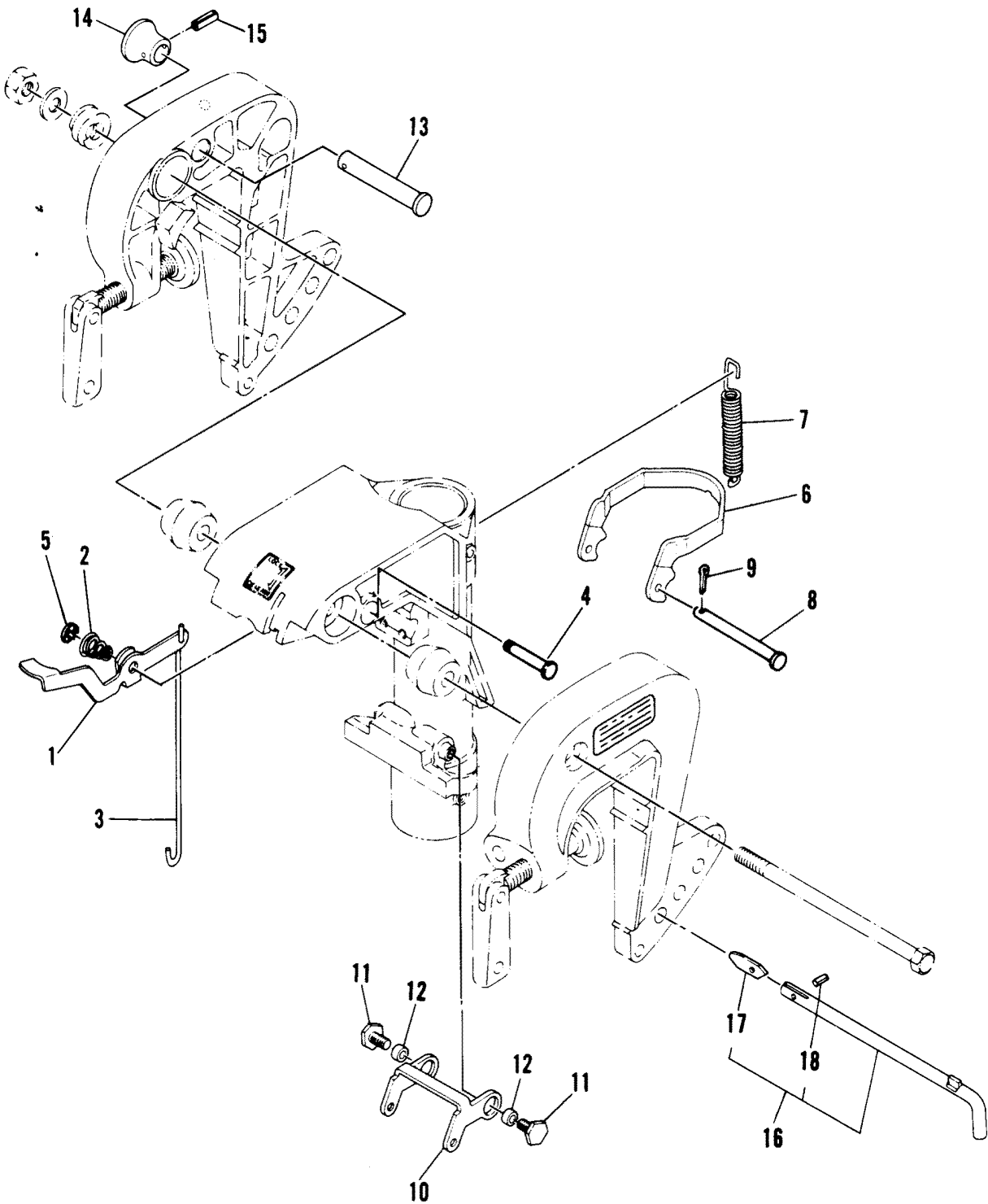
THROTTLE LINKAGE

REF. NO.	PART NO.	SYM.	QTY.	DESCRIPTION
1	81236M		1	CAM, MAGNETO CONTROL
2	81229M		1	THROTTLE LEVER ASS'Y
3	81230M		1	LEVER, THROTTLE
4	81226M		1	BUSHING, THROTTLE LINK ROD
5	12-82207M		1	WASHER
6	10-82973M		1	SCREW
7	10-84237M		1	BOLT
8	12-81969M		1	WASHER
9	23-81928M		1	COLLAR
10	23-81946M		1	BUSHING, CAM
11	81227M		1	LINK ROD, THROTTLE
12	12-82933M		1	WASHER
13	18-82050M		1	PIN
14	81214M		1	BRACKET, THROTTLE CABLE
15	81235M		1	ROD, MAGNETO CONTROL
16	16715M		1	LINK, CONTROL ROD SERIAL 00005135-09999999
	81225M		1	LINK, CONTROL ROD SERIAL 00000000-00005134
17	80629M		1	SWIVEL, MAGNETO CONTROL LEVER
18	12-82211M		1	WASHER
19	11-82378M		2	NUT
20	11-81782M		1	NUT, SELF-LOCKING

GEAR SHIFT LINKAGE

REF. NO.	PART NO.	SYM.	QTY.	DESCRIPTION
1	80893M		1	HANDLE, GEAR SHIFT
2	17-82158M		1	PIN
3	12-81856M		1	WASHER
4	23-81934M		2	BUSHING, SHIFT CAM
5	25-82264M		1	O-RING, SHIFT CAM
6	84495M		1	CAM, SHIFT
7	82347M		1	BALL, SHIFT DETENT
8	24-82082M		1	SPRING, SHIFT DETENT
9	23-80228M		1	RETAINER, SHIFT DETENT
10	18-82126M		1	PIN, COTTER
11	13-81865M		1	WASHER, WAVE
12	12-82211M		1	WASHER
13	10-84247M		2	BOLT
14	13-82212M		2	LOCKWASHER
15	11-82390M		1	NUT
16	11-81763M		1	CONNECTOR, ADJUSTING NUT
0-1	84496M		1	SHIFT ROD ASS'Y
17	80896M		1	BRACKET (SHIFT SHAFT)
18	13-81867M		1	LOCKWASHER
19	12-82217M		1	WASHER
20	18-82128M		1	PIN, COTTER
21	17-81886M		1	PIN
22	84497M		1	LINKAGE, SHIFT . SERIAL 00000000-00004783
23	10-80485M		1	SET SCREW . SERIAL 00000000-00004783

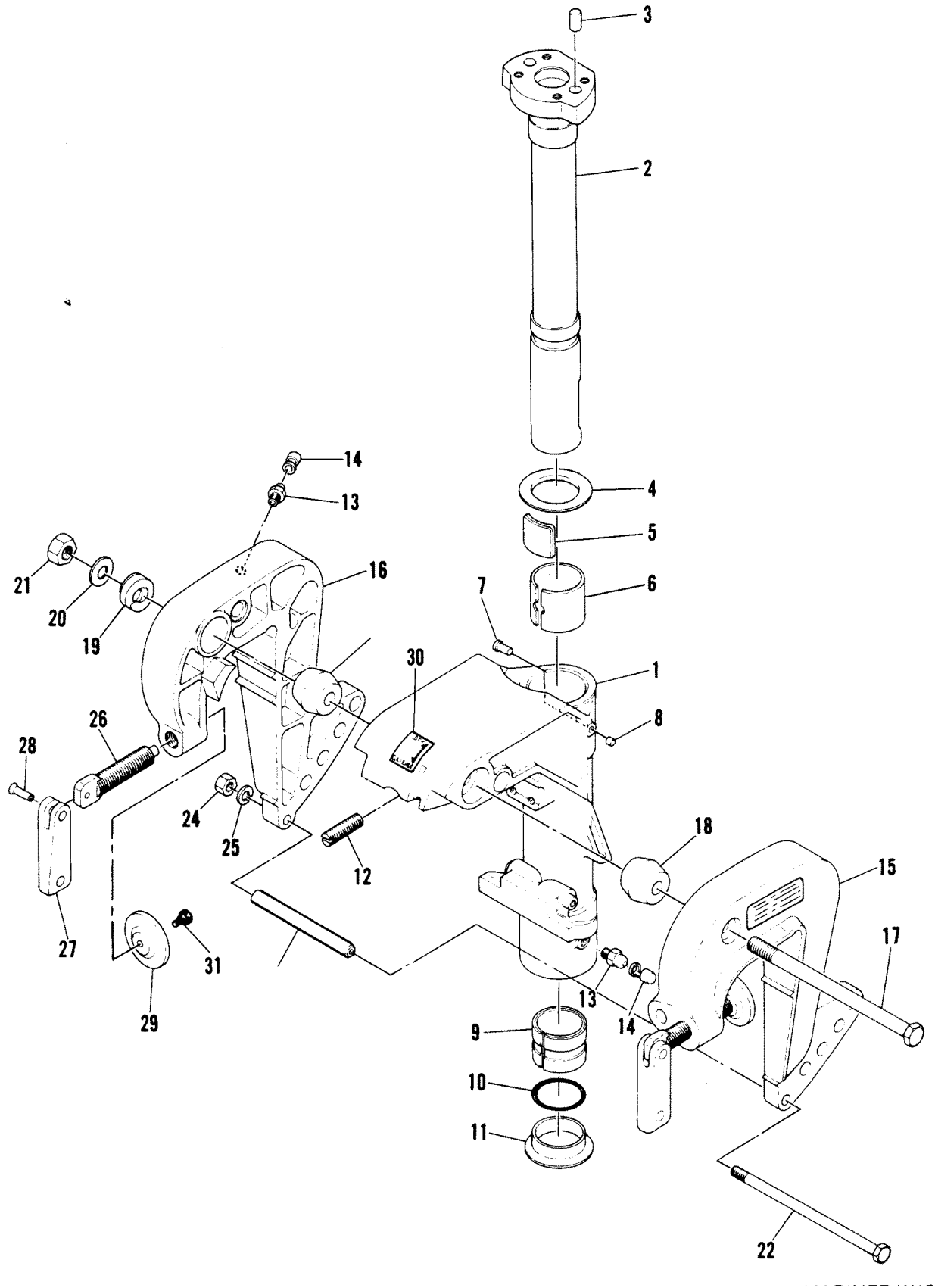
REVERSE TILT LOCK



REVERSE TILT LOCK

REF. NO.	PART NO.	SYM.	QTY.	DESCRIPTION
1	82880M		1	LEVER, LOCK/RELEASE
2	24-82098M		1	SPRING, LEVER RETURN
3	84494M		1	ROD, REVERSE LOCK LEVER
4	17-81894M		1	PIN
5	53-82330M		1	SNAP RING
6	80233M		1	HOOK, REVERSE LOCK (REAR)
7	24-82104M		1	SPRING, REVERSE LOCK
8	17-81881M		1	PIN
9	18-82125M		1	PIN, COTTER
10	80234M		1	HOOK, REVERSE LOCK (FRONT)
11	10-81702M		2	SCREW
12	23-81966M		2	COLLAR, REVERSE LOCK SCREW
13	17-81150M		1	SHAFT, TILT SHOP
14	95426M		1	KNOB, TILT STOP SERIAL 00004784-09999999
	80641M		1	KNOB, TILT STOP SERIAL 00000000-00004783
15	17-82148M		1	PIN, ROLL
16	17-80266M		1	TILT LOCK PIN ASS'Y
17	82857M		1	STOPPER PLATE
18	17-82144M		1	PIN, ROLL

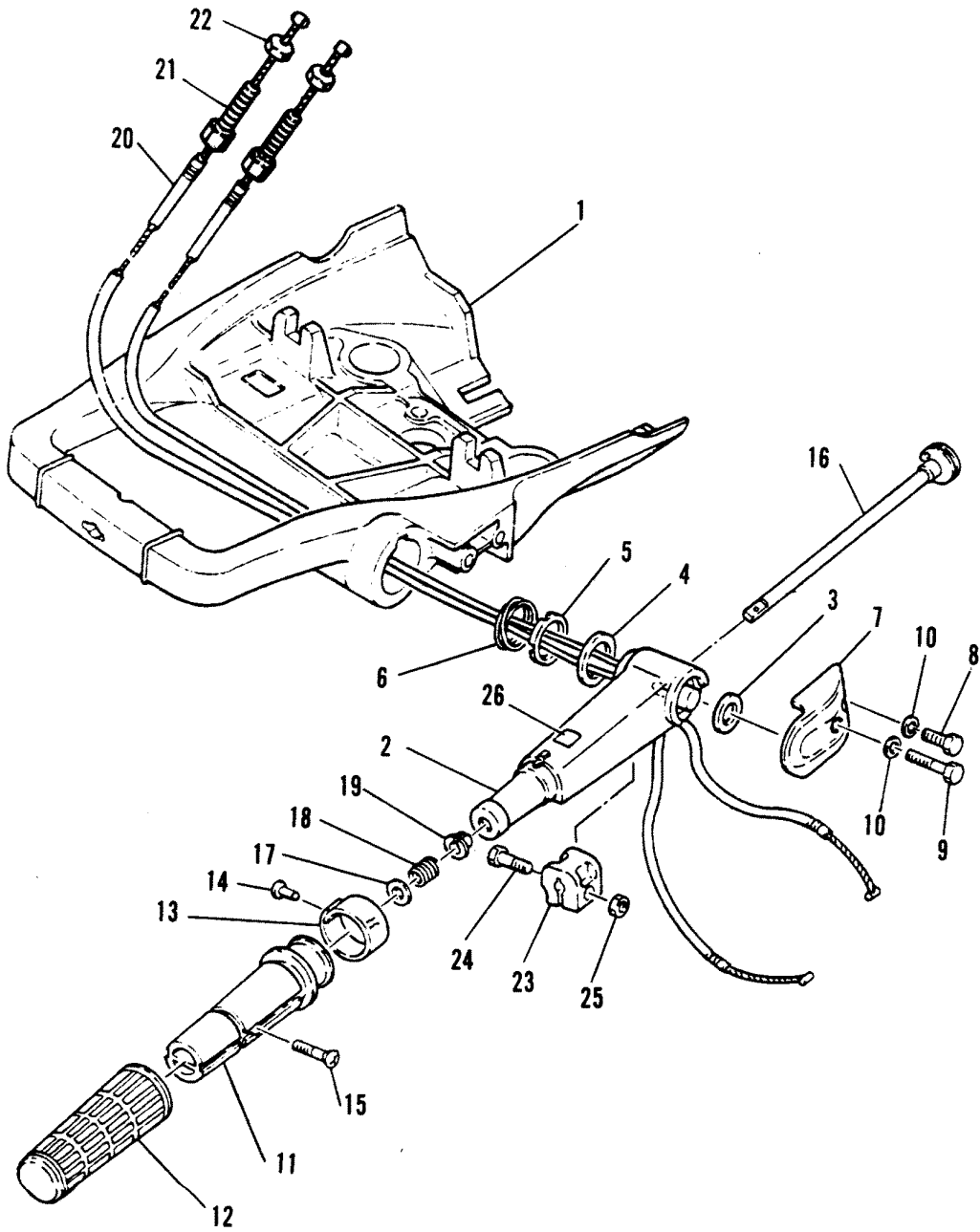
CLAMP AND SWIVEL BRACKET



CLAMP AND SWIVEL BRACKET

REF. NO.	PART NO.	SYM.	QTY.	DESCRIPTION
1	1485-6756M		1	SWIVEL BRACKET
2	80880M		1	SHAFT, STEERING PIVOT
3	17-82368M		2	PIN, DOWEL
4	12-81872M		1	COLLAR, THRUST (PIVOT SHAFT)
5	80225M		1	PLATE, FRICTION
6	23-81960M		1	BUSHING, PIVOT SHAFT (UPPER)
7	17-81887M		1	PIN
8	22-81917M		1	PLUG
9	23-81956M		1	BUSHING, PIVOT SHAFT (LOWER)
10	25-82273M		1	O-RING, PIVOT SHAFT BUSHING
11	23-81958M		1	COLLAR, THRUST (PIVOT SHAFT)
12	10-81721M		1	SCREW
13	22-82369M		2	FITTING, GREASE
14	81439M		2	CAP, GREASE FITTING
15	1484-9064M		1	CLAMP BRACKET (PORT) SERIAL 00004326-09999999
	1484-6754M		1	CLAMP BRACKET (PORT) SERIAL 00000000-00004325
16	1484-9065M		1	CLAMP BRACKET (STARBOARD) SERIAL 00004326-09999999
	1484-6755M		1	CLAMP BRACKET (STARBOARD) SERIAL 00000000-00004325
17	10-81708M		1	BOLT
18	80230M		2	MOUNT, RUBBER CLAMP BRACKET
19	24-82101M		1	SPRING
20	12-81806M		1	WASHER
21	11-82395M		1	NUT
22	10-82921M		1	BOLT, CLAMP BRACKET
23	23-82116M		1	SPACER, CLAMP BRACKET BOLT
24	11-82389M		1	NUT
25	13-82212M		1	LOCKWASHER
26	10-43098M		2	SCREW, TRANSOM CLAMP SERIAL 00004326-09999999
	10-81756M		2	SCREW, TRANSOM CLAMP SERIAL 00000000-00004325
27	80048M		2	HANDLE, TRANSOM CLAMP SCREW
28	17-81888M		2	PIN
29	12-43099M		2	PAD, TRANSOM CLAMP SCREW SERIAL 00004326-09999999
	12-80638M		2	PAD, TRANSOM CLAMP SCREW SERIAL 00000000-00004325
30	83713M		1	INDICATOR
31	10-43097M		2	BOLT SERIAL 00004326-09999999

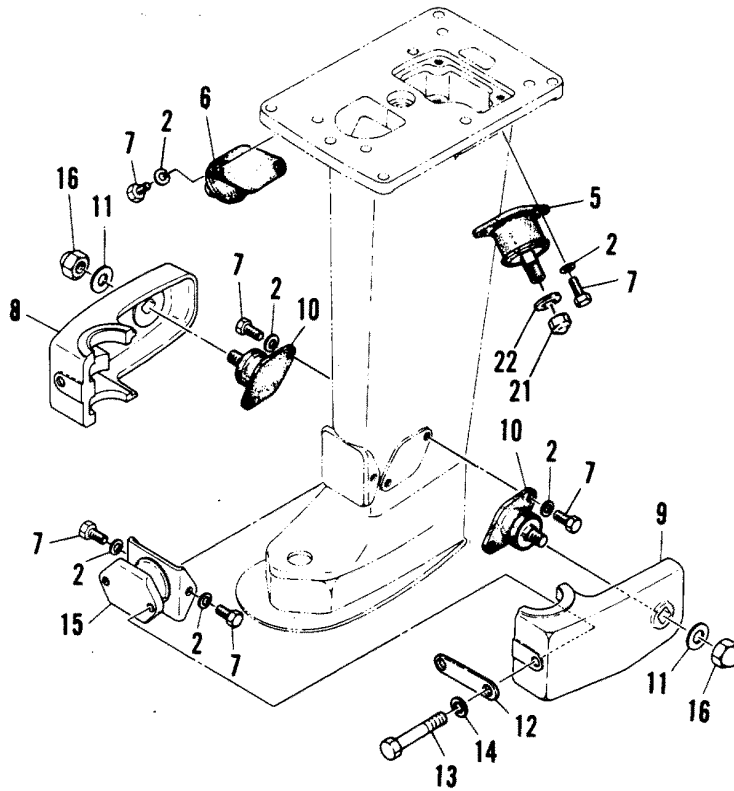
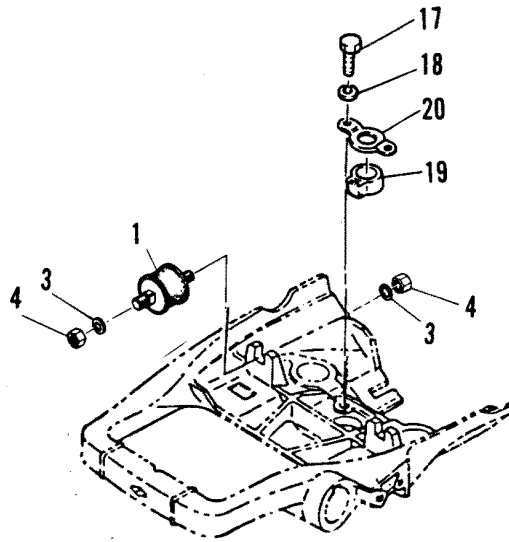
STEERING HANDLE



STEERING HANDLE

REF. NO.	PART NO.	SYM.	QTY.	DESCRIPTION
1	82874M		1	BRACKET, STEERING
2	81583M		1	HANDLE, STEERING
3	23-82119M		1	SPACER
4	23-81861M		1	WASHER
5	23-81136M		1	SPACER, HANDLE
6	24-82093M		1	SPRING, COMPRESSION
7	81129M		1	RETAINER, STEERING HANDLE
8	10-83539M		1	BOLT
9	10-83285M		1	BOLT
10	13-82212M		2	LOCKWASHER
11	81585M		1	GRIP, STEERING HANDLE
12	80509M		1	RUBBER, HANDLE
13	43100M		1	INDICATOR, THROTTLE SERIAL 00004326-09999999
	83220M		1	INDICATOR, THROTTLE SERIAL 00003166-00004325
	97126M		1	INDICATOR, THROTTLE SERIAL 00000000-00003165
14	17-81907M		1	RIVET
15	10-84300M		1	SCREW
16	84457M		1	SHAFT, STEERING HANDLE
17	12-82204M		1	WASHER, PLATE
18	24-82095M		1	SPRING, COMPRESSION
19	23-81945M		1	BUSHING
20	95427M		2	THROTTLE WIRE, COMPLETE
21	82793M		2	ADJUSTER, CABLE
22	11-81777M		2	NUT, CABLE GUIDE
23	82895M		1	PIECE, FRICTION
24	10-84058M		1	BOLT
25	11-83056M		1	NUT
26	83220M		1	DECAL, THROTTLE

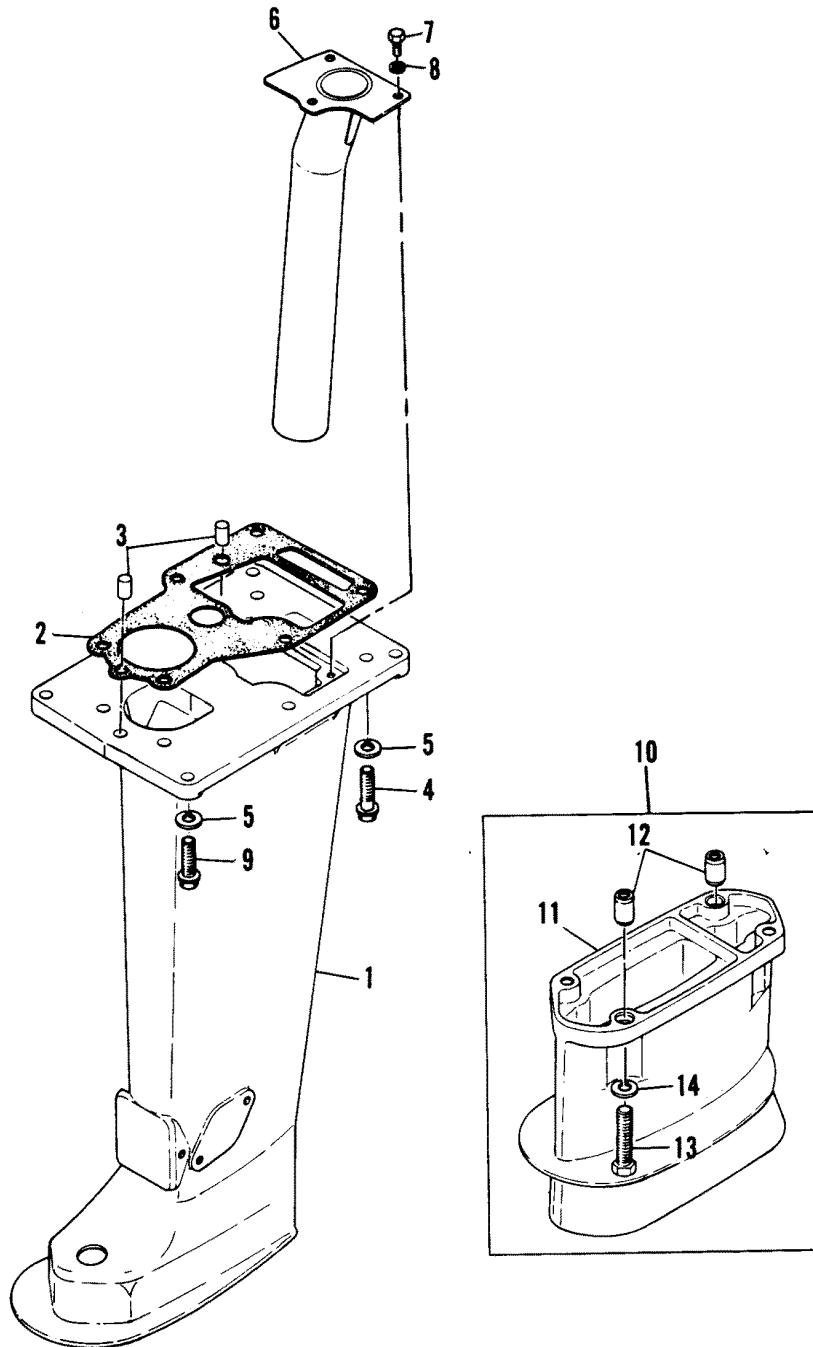
MOUNTING SYSTEM



MOUNTING SYSTEM

REF. NO.	PART NO.	SYM.	QTY.	DESCRIPTION
1	80242M		2	MOUNT, RUBBER (UPPER FRONT)
2	13-82212M		10	LOCKWASHER
3	12-82216M		4	WASHER
4	11-43102M		4	NUT SERIAL 00004326-09999999
	11-82391M		4	NUT SERIAL 00000000-00004325
5	80240M		1	MOUNT, RUBBER-UPPER SIDE (PORT)
6	80241M		1	MOUNT, RUBBER-UPPER SIDE (STARBOARD)
7	10-91725M		10	BOLT SERIAL 00004326-09999999
	10-83395M		10	BOLT SERIAL 00000000-00004325
8	80906M		1	HOUSING, LOWER MOUNT (STARBOARD)
9	80907M		1	HOUSING, LOWER MOUNT (PORT)
10	80243M		2	MOUNT, LOWER SIDE
11	12-81806M		2	WASHER
12	80908M		1	PLATE
13	10-43103M		2	BOLT
14	13-82215M		2	LOCKWASHER
15	80909M		1	MOUNT, RUBBER (LOWER FRONT)
16	11-82396M		2	NUT
17	10-82453M		4	BOLT SERIAL 00004326-09999999
18	13-82212M		4	LOCKWASHER SERIAL 00004326-09999999
19	25-43104M		1	GROMMET SERIAL 00004326-09999999
20	43105M		1	WASHER SERIAL 00004326-09999999
21	11-82396M		2	NUT SERIAL 00004326-09999999
22	12-81806M		2	WASHER SERIAL 00004326-09999999

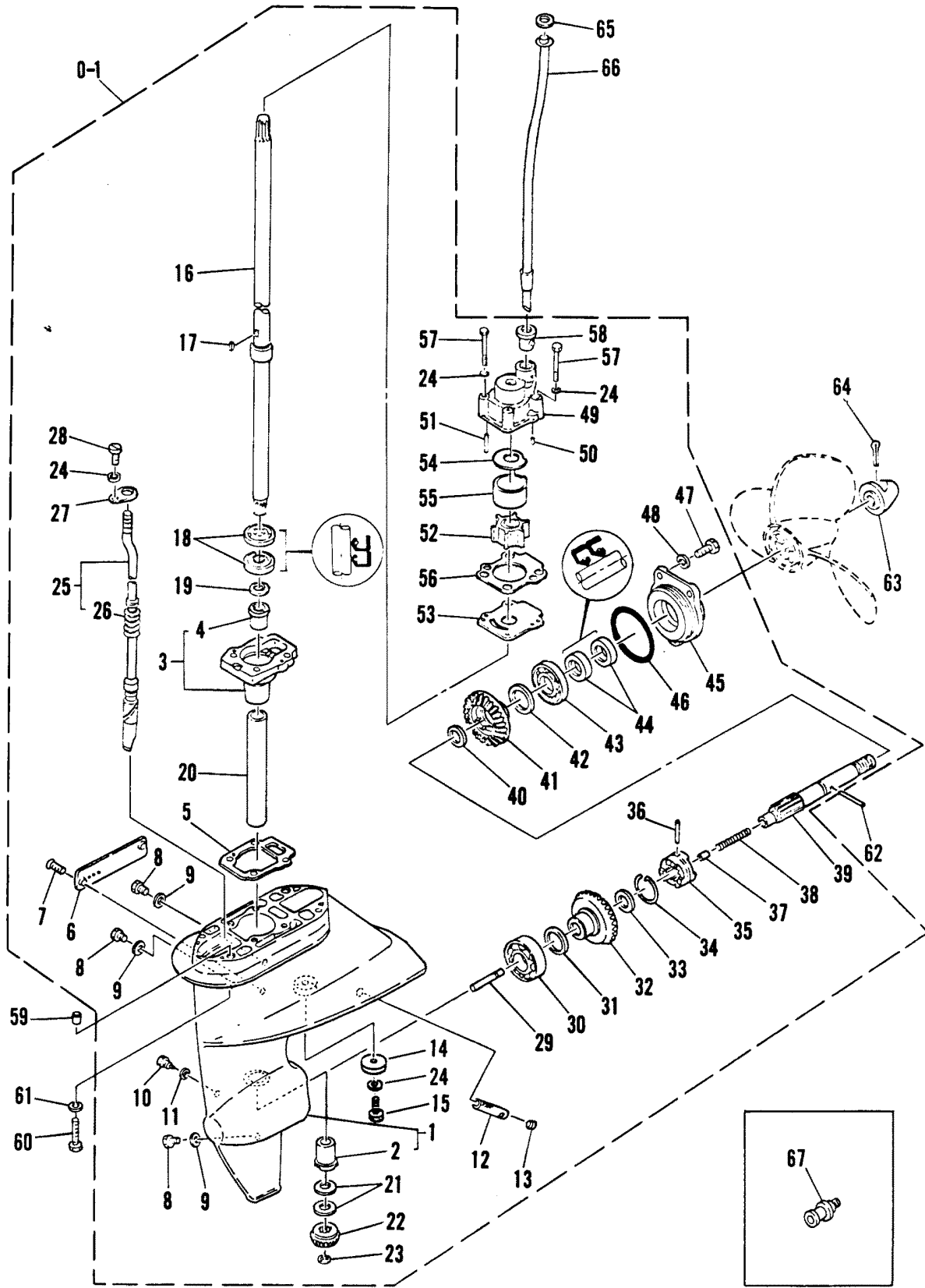
DRIVESHAFT HOUSING



DRIVESHAFT HOUSING

REF. NO.	PART NO.	SYM.	QTY.	DESCRIPTION
1	1587-6757M		1	DRIVESHAFT HOUSING
2	27-80244M		1	GASKET, DRIVESHAFT HOUSING (UPPER)
3	17-82368M		2	PIN, DOWEL
4	10-82465M		6	BOLT
5	13-82215M		10	LOCKWASHER
6	80943M		1	MANIFOLD, EXHAUST
7	10-82444M		3	BOLT
8	13-82208M		3	LOCKWASHER
9	10-43106M		4	BOLT
10	95428M		1	EXTENSION KIT, LONG SHAFT (141.7MM)
11	80910M		1	EXTENSION
12	17-82163M		2	PIN, DOWEL
13	10-82466M		4	BOLT
14	13-82215M		4	LOCKWASHER

GEARHOUSING ASSEMBLY

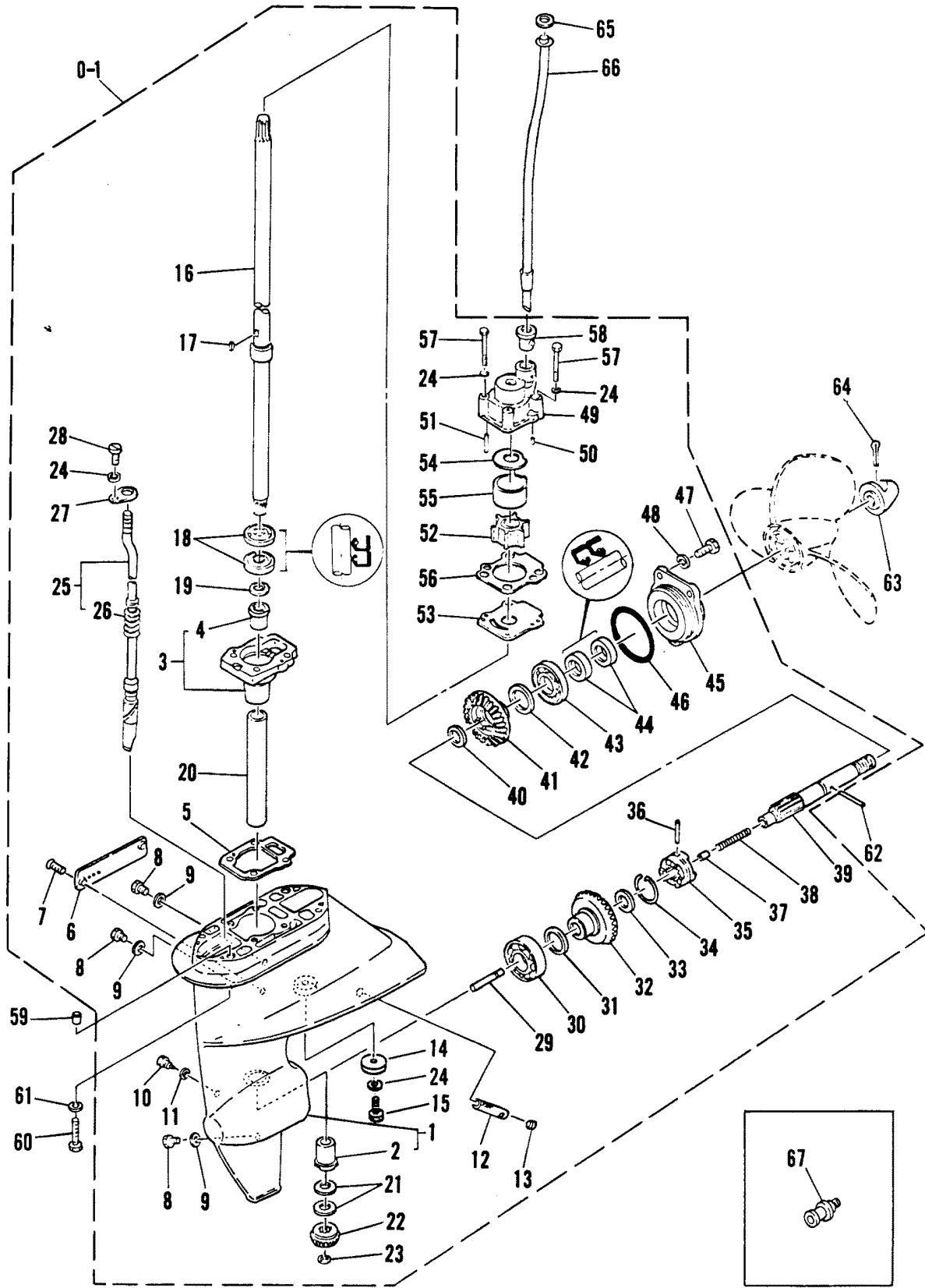


GEARHOUSING ASSEMBLY

REF. NO.	PART NO.	SYM.	QTY.	DESCRIPTION
0-1	1651-6890M		1	GEARHOUSING ASS'Y (SHORT SHAFT)
	1651-6891M		1	GEARHOUSING ASS'Y (LONG SHAFT)
1	1651-6758M		1	GEARHOUSING
2	23-82591M		1	BUSHING, DRIVESHAFT (LOWER)
3	80913M		1	HOUSING, DRIVESHAFT BEARING
4	23-82590M		1	BUSHING, DRIVE SHAFT (UPPER)
5	27-80912M		1	GASKET, GEAR HOUSING
6	80911M		1	COVER, WATER INLET
7	10-95467M		2	SCREW
8	22-81924M		3	PLUG
9	27-81987M		3	GASKET
10	10-81752M		1	SCREW, DETENT
11	27-95610M		1	GASKET
12	35-80246M		1	COVER, WATER INLET
13	22-81920M		1	PLUG
14	11922M		1	ANODE . SERIAL 00004784-09999999
	43107M		1	ANODE . SERIAL 00000000-00004783
15	10-91725M		1	SCREW . SERIAL 00004784-09999999
	10-82791M		1	SCREW . SERIAL 00000000-00004783
16	45-81243M		1	DRIVE SHAFT ASS'Y (SHORT SHAFT)
	45-81244M		1	DRIVE SHAFT ASS'Y (LONG SHAFT)
17	28-81912M		1	KEY, DRIVESHAFT
18	26-82229M		2	OIL SEAL, DRIVESHAFT
19	12-80255M		AR	THRUST WASHER
20	23-81984M		1	COLLAR, DRIVESHAFT
21	12-80251M		AR	THRUST WASHER, DRIVESHAFT (1.1MM)
	12-80252M		AR	THRUST WASHER, DRIVESHAFT (1.2MM)
	12-80253M		AR	THRUST WASHER, DRIVESHAFT (1.3MM)
	12-80254M		AR	THRUST WASHER, DRIVESHAFT (1.4MM)
22	43-80256M		1	GEAR, PINION
23	53-82332M		1	SNAP RING, PINION RETAINING
24	12-82214M		6	WASHER
25	83066M		1	SHIFT CAM ASS'Y (SHORT SHAFT)
	83068M		1	SHIFT CAM ASS'Y (LONG SHAFT)
26	82881M		1	BOOT, SHIFT ROD
27	82882M		1	PLATE
28	10-83117M		1	SCREW
29	80923M		1	PLUNGER, SHIFT
*30	30-14273M		1	BEARING, FORWARD GEAR . SERIAL 00004957-09999999
	30-82301M		1	BEARING, FORWARD GEAR . SERIAL 00000000-00004956
31	15-80258M		AR	SHIM, FORWARD GEAR ADJUST (0.1MM)
	15-80259M		AR	SHIM, FORWARD GEAR ADJUST (0.3MM)
	15-80260M		AR	SHIM, FORWARD GEAR ADJUST (0.55MM)

CONTINUED ON NEXT PAGE ➡

GEARHOUSING ASSEMBLY

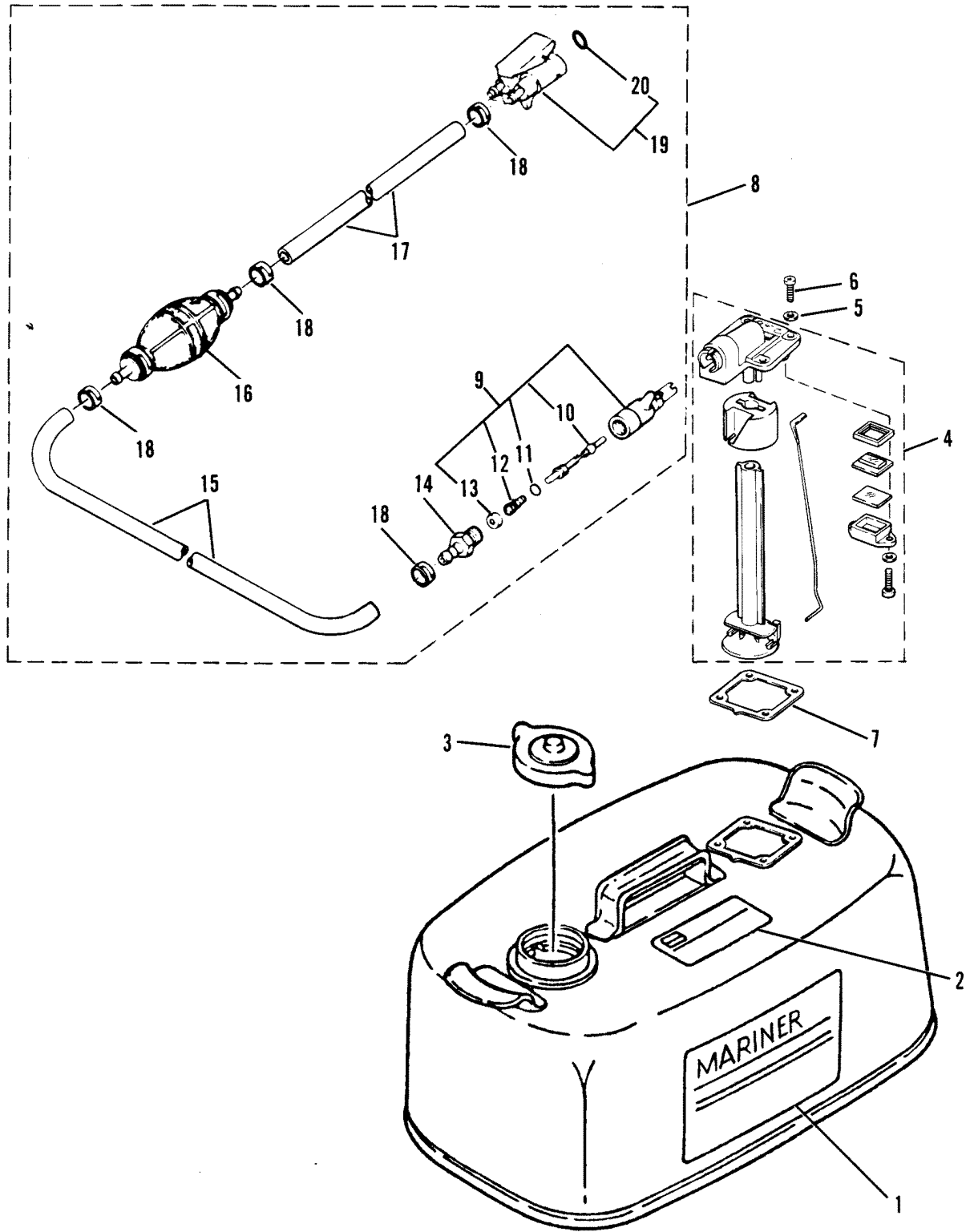


GEARHOUSING ASSEMBLY

REF. NO.	PART NO.	SYM.	QTY.	DESCRIPTION
32	43-80257M		1	GEAR, FORWARD
33	12-81821M		1	THRUST WASHER, FORWARD GEAR
34	53-80034M		1	RING, CROSS PIN
35	52-80922M		1	CLUTCH
36	17-81899M		1	CROSS PIN, CLUTCH
37	80679M		1	SLIDE, SHIFT
38	24-82077M		1	SPRING, SHIFT
39	44-80921M		1	SHAFT, PROPELLER
40	12-94627M		1	THRUST WASHER, REVERSE GEAR
41	43-80920M		1	GEAR, REVERSE
42	15-80917M		AR	SHIM, REVERSE GEAR ADJUST (1.0MM)
	15-80918M		AR	SHIM, REVERSE GEAR ADJUST (1.2MM)
	15-80919M		AR	SHIM, REVERSE GEAR ADJUST (1.4MM)
43	30-82298M		1	BEARING, REVERSE GEAR
44	26-82227M		2	OIL SEAL, PROPELLER SHAFT
45	43108M		1	CAP, GEARHOUSING
46	25-82283M		1	O-RING, GEAR HOUSING CAP
47	10-84058M		3	BOLT
48	13-82212M		3	LOCKWASHER
49	46-80900M		1	WATER PUMP HOUSING
50	17-82354M		1	PIN, DOWEL (SHORTER)
51	17-82358M		1	PIN, DOWEL (LONGER)
52	47-95611M		1	IMPELLER . SERIAL 00004784-09999999
	47-95611M		1	IMPELLER . SERIAL 00000000-00004783
53	80238M		1	BASE, WATER PUMP
54	84492M		1	INNER PLATE
55	84493M		1	INSERT
56	27-80901M		1	GASKET
57	10-84853M		4	BOLT
58	26-80239M		1	SEAL, WATER PUMP BODY
59	17-82163M		2	PIN, DOWEL
60	10-97749M		4	BOLT
61	13-82215M		4	LOCKWASHER
62	17-81900M		1	PIN, DRIVE
63	11-82787M		1	NUT, PROPELLER
64	18-82132M		1	PIN, COTTER
65	26-80653M		1	SEAL, WATER TUBE
66	32-80904M		1	TUBE, WATER (SHORT SHAFT)
	32-80905M		1	TUBE, WATER (LONG SHAFT)
67	22-95633M		1	FLUSH PLUG (OPT) SERIAL 00004957-09999999
	22-80218M		1	FLUSH PLUG (OPT) SERIAL 00000000-00004956
	27-84174M		1	GASKET SET, LOWER UNIT
	84183M		1	REPAIR KIT, WATER PUMP

CONTINUED ON NEXT PAGE ➡

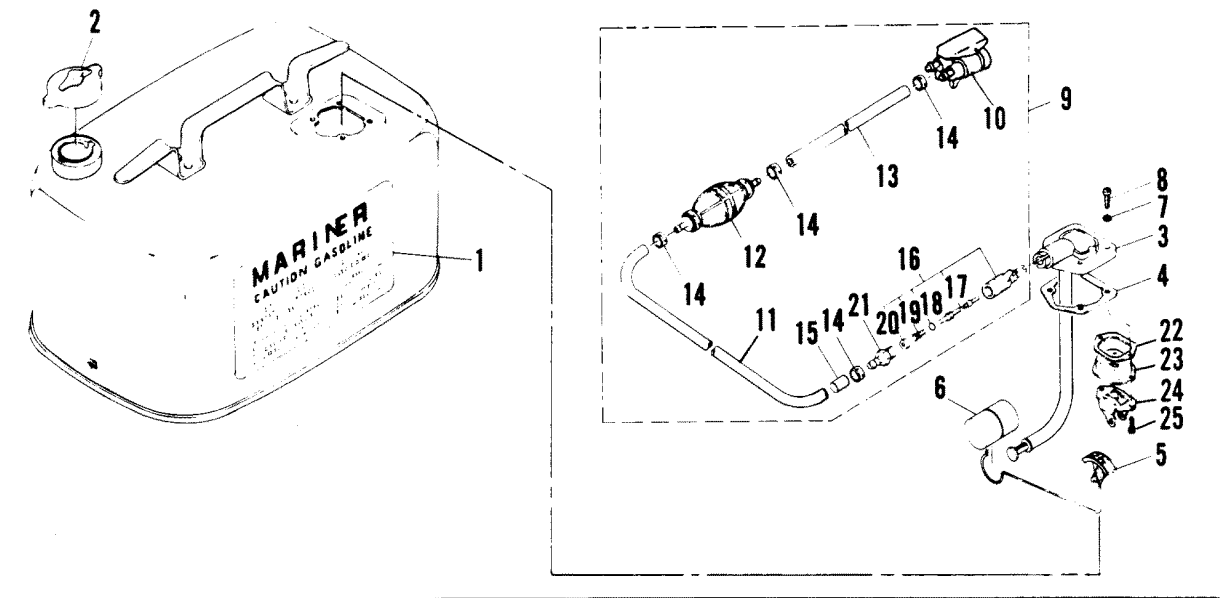
FUEL TANK AND FUEL LINE ASSEMBLY



FUEL TANK AND FUEL LINE ASSEMBLY

REF. NO.	PART NO.	SYM.	QTY.	DESCRIPTION
1	37-14617M		1	DECAL, SIDE (ENGLISH) SERIAL 00004957-09999999
	37-95498M		1	DECAL, SIDE (ENGLISH) SERIAL 00000000-00004956
	37-95504M		1	DECAL, SIDE (FRENCH)
2	37-95489M		1	DECAL, TOP (ENGLISH)
	37-95503M		1	DECAL, TOP (FRENCH)
3	36-14618M		1	FUEL TANK CAP SERIAL 00004957-09999999
	36-95490M		1	FUEL TANK CAP SERIAL 00000000-00004956
4	95499M		1	FUEL METER ASS'Y
5	12-95501M		4	SEAL
6	10-95502M		4	SCREW
7	27-95500M		1	GASKET, FUEL METER ASS'Y
8	32-17143M		1	FUEL LINE ASS'Y SERIAL 00015135-09999999
	32-43109M		1	FUEL LINE ASS'Y SERIAL 00000000-00015134
9	30185A1		1	BAYONET BODY ASS'Y
10	30187		1	STEM, BAYONET BODY
11	25-20415		1	O-RING, BAYONET BODY STEM
12	24-30189		1	SPRING, BAYONET BODY ASS'Y
13	30188		1	WASHER, CAP
14	22-63187		1	FITTING, FUEL LINE
15	32-17144M		1	HOSE, CONNECTOR HOUSING TO BULB . SERIAL 00005135-09999999
	32-14210M		1	HOSE, CONNECTOR HOUSING TO BULB . SERIAL 00004957-00005134
	32-84955M		1	HOSE, CONNECTOR HOUSING TO BULB . SERIAL 00000000-00004956
16	16572M		1	BULB, PRIMER . SERIAL 00005135-09999999
	14211M		1	BULB, PRIMER . SERIAL 00004957-00005134
17	32-16724M		1	HOSE BULB TO ENGINE CONNECTOR . SERIAL 00005135-09999999
	32-14212M		1	HOSE BULB TO ENGINE CONNECTOR . SERIAL 00004957-00005134
	32-82023M		1	HOSE BULB TO ENGINE CONNECTOR . SERIAL 00000000-00004956
18	54-80752M		4	CLAMP, HOSE
19	95569M		1	FUEL CONNECTOR . SERIAL 00005135-09999999
	80751M		1	FUEL CONNECTOR, ENGINE END SERIAL 00000000-00005134
20	25-82789M		1	O-RING SERIAL 00005135-09999999

FUEL TANK AND FUEL LINE ASSEMBLY

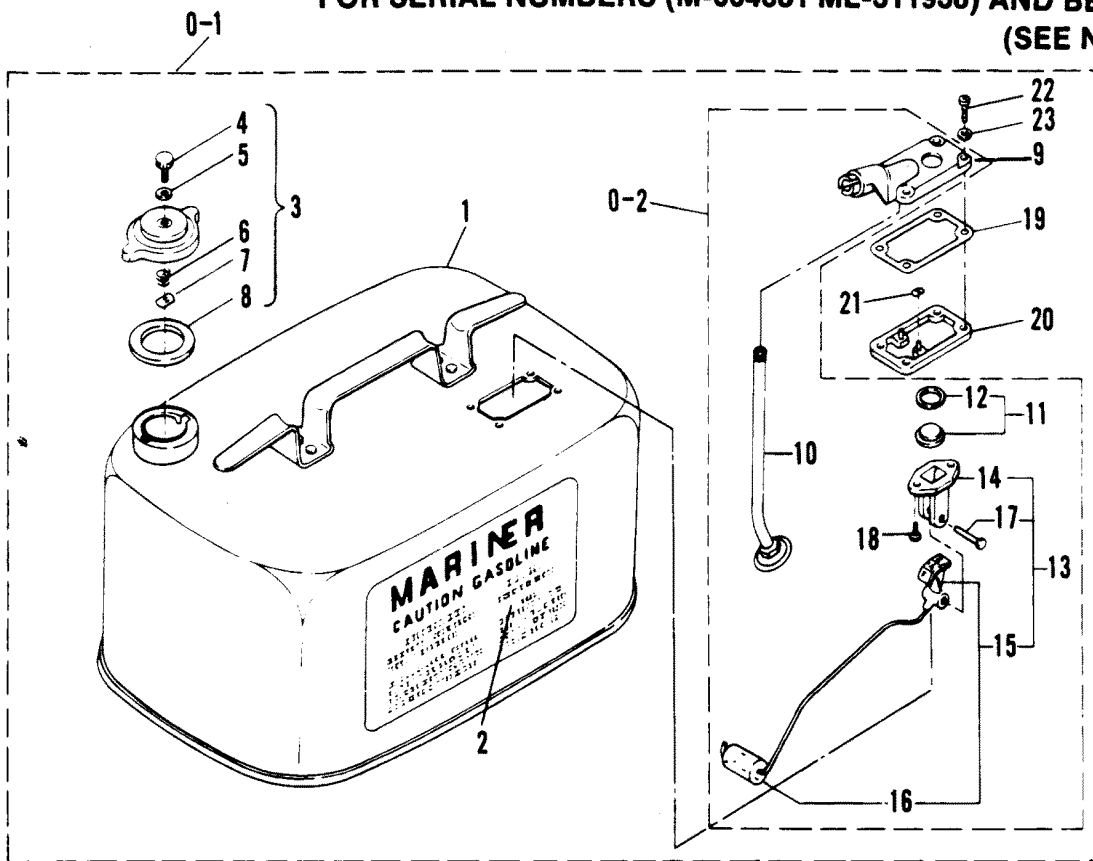


FUEL TANK AND FUEL LINE ASSEMBLY

REF. NO.	PART NO.	SYM.	QTY.	DESCRIPTION
1	37-82984M		2	DECAL, SIDE
2	36-83617M		1	FUEL TANK CAP
3	83618M		1	FUEL METER
4	27-81320M		1	GASKET, HOUSING TO TANK
5	81318M		1	INDICATOR, FUEL LEVEL
6	81319M		1	FLOAT, INDICATOR
7	12-80271M		4	WASHER, HOUSING SCREW
8	10-82496M		4	SCREW, HOUSING ATTACHING
9	32-43109M		1	FUEL LINE ASS'Y
10	80751M		1	FUEL CONNECTOR, ENGINE END
11	32-84955M		1	HOSE, CONNECTOR HOUSING TO BULB
12	81325M		1	BULB, PRIMER
13	32-82023M		1	HOSE, BULB TO CONNECTOR
14	54-80752M		4	CLAMP, HOSE
15	23-81327M		1	COLLAR
16	30185A1		1	BAYONET BODY ASS'Y
17	30187		1	STEM, BAYONET BODY
18	25-20415		1	O-RING, BAYONET BODY STEM
19	24-30189		1	SPRING, BAYONET BODY STEM
20	30188		1	WASHER, CAP
21	22-63187		1	FITTING, FUEL LINE
22	27-80270M		1	GASKET, HOUSING LENS INDICATOR . SERIAL 00002086-09999999
23	80269M		1	LENS, INDICATOR . SERIAL 00002086-09999999
24	80268M		1	BRACKET, INDICATOR SERIAL 00002086-09999999
25	10-82518M		2	SCREW . SERIAL 00002086-09999999

FUEL TANK ASSEMBLY

(NOT ORIGINAL EQUIPMENT TANK)
FOR SERIAL NUMBERS (M-004681 ML-311938) AND BELOW
(SEE NOTE)



FUEL TANK ASSEMBLY

REF. NO.	PART NO.	SYM.	QTY.	DESCRIPTION
0-1	1225-1529A21		1	FUEL TANK, COMPLETE
1	1225-1529		1	FUEL TANK
2	37-75881		1	DECAL, FUEL TANK
3	36-25392A2		1	FILLER CAP ASSEMBLY
4	10-25575		1	SCREW, VENT-FILLER CAP
5	12-49221--1		1	WASHER, VENT SCREW
6	24-22227		1	SPRING, TENSION-VENT SCREW
7	11-28587		1	NUT, SPEED-SPRING RETAINER
8	27-25568		1	GASKET, FILLER CAP TO FUEL TANK
0-2	64841A1		1	CONNECTOR/GAUGE ASS'Y, COMPLETE
9	64841A3		1	COVER, FUEL TANK
10	32-33909A3		1	TUBE
11	54920A1		1	LENS ASSEMBLY, FUEL GAUGE
12	27-54921		1	GASKET, FUEL GAUGE LENS
13	28897A2		1	FUEL GAUGE ASSEMBLY, COMPLETE
14	20430		1	RETAINER, FUEL GAUGE
15	28897A1		1	INDICATOR AND FLOAT ASSEMBLY
16	20427		1	FLOAT, FUEL GAUGE
17	17-20426		1	RIVET, INDICATOR TO RETAINER
18	10-62568		2	SCREW, RETAINER TO FUEL TANK COVER
19	27-28862		1	GASKET, COVER ASSEMBLY TO FRAME
20	28860		1	FRAME, RETAINING-FUEL TANK COVER
21	11-28903		2	FASTENER, RETAINING FRAME TO FUEL TANK
22	10-20411		4	SCREW, FUEL TANK COVER TO FUEL TANK
23	12-74711		4	WASHER, FUEL TANK COVER FASTENING SCREW

PARTS INDEX

Part Number	Description	Pg.	Ref. No.	Part Number	Description	Pg.	Ref. No.
11922M	ANODE	39	14	80238M	BASE, WATER PUMP	41	53
11930M	INLET VALVE SEAT ASS'Y	19	5	80240M	MOUNT, RUBBER-UPPER SIDE (PORT)	35	5
11935M	CUP, FILTER	23	4	80241M	MOUNT, RUBBER-UPPER SIDE (STARBOARD)	35	6
14211M	BULB, PRIMER	43	16	80242M	MOUNT, RUBBER (UPPER FRONT)	35	1
16572M	BULB, PRIMER	43	16	80243M	MOUNT, LOWER SIDE	35	10
16715M	LINK, CONTROL ROD	25	16	80268M	BRACKET, INDICATOR	45	24
20427	FLOAT, FUEL GAUGE	47	16	80269M	LENS, INDICATOR	45	23
20430	RETAINER, FUEL GAUGE	47	14	80447M	INLET VALVE SEAT ASS'Y .(.	19	5
28860	FRAME, RETAINING-FUEL TANK COVER	47	20	80450M	FLOAT	19	18
28897A1	INDICATOR AND FLOAT ASSEMBLY	47	15	80509M	RUBBER, HANDLE	33	12
28897A2	FUEL GAUGE ASSEMBLY, COMPLETE	47	13	80553M	LIGHTING COIL ASS'Y (80W) (SEE NOTE)	11	9
30185A1	BAYONET BODY ASS'Y	43	9	80558M	CONDENSER	11	6
30185A1	BAYONET BODY ASS'Y	45	16	80578M	JET, LOW SPEED (#60)	19	2
30187	STEM, BAYONET BODY	43	10	80581M	JET, MAIN (#135)	19	4
30187	STEM, BAYONET BODY	45	17	80584M	JET, STARTER (#80)	19	25
30188	WASHER, CAP	43	13	80585M	AIR JET, LOW SPEED	19	1
30188	WASHER, CAP	45	20	80606M	DIAPHRAGM	21	2
41882M	COVER	7	19	80607M	COVER	21	9
43084M	BRACKET	5	38	80611M	PLATE, SPRING GUIDE	21	3
43085M	COVER, BOTTOM	5	39	80629M	SWIVEL, MAGNETO CONTROL LEVER	25	17
43096M	COVER	21	9	80641M	KNOB, TILT STOP	29	14
43100M	INDICATOR, THROTTLE	33	13	80679M	SLIDE, SHIFT	41	37
43105M	WASHER	35	20	80739M	BOWL, FLOAT	19	22
43107M	ANODE	13	24	80749M	SEAL, RUBBER (STARTER) . (.	3	8
43107M	ANODE	39	14	80751M	FUEL CONNECTOR, ENGINE END	43	19
43108M	CAP, GEARHOUSING	41	45	80751M	FUEL CONNECTOR, ENGINE END	45	10
43113M	FUEL PUMP ASS'Y	21	1	80766M	LINK ROD, CHOKE	17	17
47341A1	EMERGENCY STARTER ROPE	7	27	80880M	SHAFT, STEERING PIVOT	31	2
54920A1	LENS ASSEMBLY, FUEL GAUGE	47	11	80882M	HOLDER	3	6
64841A1	CONNECTOR/GAUGE ASS'Y, COMPLETE	47	0-2	80885M	PANEL, CONTROL	3	19
64841A3	COVER, FUEL TANK	47	9	80890M	CLAMP, COWL	5	31
80025M	LUBRICATOR	11	7	80893M	HANDLE, GEAR SHIFT	27	1
80033M	HOLDER, DRIVE PIN	3	15	80896M	BRACKET (SHIFT SHAFT)	27	17
80048M	HANDLE, TRANSOM CLAMP SCREW	31	27	80906M	HOUSING, LOWER MOUNT (STARBOARD)	35	8
80063M	HANDLE, STARTER	7	12	80907M	HOUSING, LOWER MOUNT (PORT)	35	9
80128M	INDICATOR, CHOKE	17	15	80908M	PLATE	35	12
80149M	KNOB, CHOKE	17	14	80909M	MOUNT, RUBBER (LOWER FRONT)	35	15
80195M	PLUNGER, CHOKE	19	14	80910M	EXTENSION	37	11
80196M	COVER, CHOKE PLUNGER CAP	19	11	80911M	COVER, WATER INLET	39	6
80197M	CAP, CHOKE PLUNGER	19	12	80913M	HOUSING, DRIVESHAFT BEARING	39	3
80198M	LEVER, CHOKE	19	15	80923M	PLUNGER, SHIFT	39	29
80199M	PLATE, STARTER LEVER	19	28	80930M	BREAKER POINT ASS'Y	11	5
80203M	ARM, FLOAT	19	19	80935M	PLUG CAP, NOISE SUPPRESSOR (STD)	11	28
80210M	DRIVE, PLATE	7	9	80941M	NOZZLE, MAIN	19	3
80214M	PAWL, STARTER	7	5	80943M	MANIFOLD, EXHAUST	37	6
80225M	PLATE, FRICTION	31	5	81106M	PLUNGER	7	28
80229M	SHAFT, COWL ATTACHING	5	34				
80230M	MOUNT, RUBBER CLAMP BRACKET	31	18				
80233M	HOOK, REVERSE LOCK (REAR)	29	6				

PARTS INDEX

Part Number	Description	Pg.	Ref. No.	Part Number	Description	Pg.	Ref. No.
81207M	COVER, THERMOSTAT	13	21	83713M	INDICATOR	31	30
81212M	BASE, AIR INTAKE COVER	17	1	83714M	HOOK	3	4
81213M	COVER, AIR INTAKE	17	2	83785M	POWERHEAD ASS'Y, COMPLETE (SEE NOTE)	13	33
81214M	BRACKET, THROTTLE CABLE	25	14	84141M	DIAPHRAGM	21	8
81215M	HOUSING, OIL SEAL (UPPER)	13	8	84183M	REPAIR KIT, WATER PUMP	41	67
81216M	HOUSING, OIL SEAL (LOWER)	13	13	84319M	PLUG CAP	11	28
81218M	GUIDE, ROPE	7	14	84457M	SHAFT, STEERING HANDLE	33	16
81219M	BRACKET, STARTER HOUSING	7	25	84474M	REPAIR KIT, CARBURETOR	19	33
81220M	BRACKET, FUEL FILTER	23	8	84492M	INNER PLATE	41	54
81222M	COVER, EXHAUST (INNER)	13	26	84493M	INSERT	41	55
81223M	RETAINER, MAGNETO BASE (OUTER)	11	19	84494M	ROD, REVERSE LOCK LEVER	29	3
81224M	COVER, EXHAUST (OUTER)	13	28	84495M	CAM, SHIFT	27	6
81225M	LINK, CONTROL ROD	25	16	84496M	SHIFT ROD ASS'Y	27	0-1
81226M	BUSHING, THROTTLE LINK ROD	25	4	84497M	LINKAGE, SHIFT	27	22
81227M	LINK ROD, THROTTLE	25	11	84501M	PULLEY, STARTER	7	18
81228M	LINK ROD, CHOKE LEER	17	21	84503M	BRACKET	7	33
81229M	THROTTLE LEVER ASS'Y	25	2	84504M	ARM, LINK	9	38
81230M	LEVER, THROTTLE	25	3	84505M	LINK	9	39
81231M	RETAINER, MAGNETO BASE (INNER)	11	18	84691M	JET, MAIN (#118)	19	4
81233M	STOP, MAGNETO BASE	11	16	94669M	GUIDE, ROPE	7	14
81234M	STOP, MAGNETO BASE	13	30	94775M	BASE, MAGNETO	11	2
81235M	ROD, MAGNETO CONTROL	25	15	94777M	SECONDARY IGNITION COIL ASS'Y	11	20
81236M	CAM, MAGNETO CONTROL	25	1	94778M	SECONDARY IGNITION COIL ASS'Y	11	21
81241M	STRAP, COWL	3	10	95423M	SEAL, TOP COWL	3	9
81247M	BASE, STARTER PULLEY	7	22	95425M	LEVER, COWL CLAMP	3	27
81248M	BRACKET, IGNITION COIL	11	22	95426M	KNOB, TILT STOP	29	14
81318M	INDICATOR, FUEL LEVEL	45	5	95427M	THROTTLE WIRE, COMPLETE	33	20
81319M	FLOAT, INDICATOR	45	6	95428M	EXTENSION KIT, LONG SHAFT (141.7MM)	37	10
81325M	BULB, PRIMER	45	12	95499M	FUEL METER ASS'Y	43	4
81439M	CAP, GREASE FITTING	31	14	95569M	FUEL CONNECTOR	43	19
81583M	HANDLE, STEERING	33	2	95609M	ANODE	13	24
81585M	GRIP, STEERING HANDLE	33	11	97126M	INDICATOR, THROTTLE	33	13
82347M	BALL, SHIFT DETENT	27	7	10-20411	SCREW, FUEL TANK COVER TO FUEL TANK	47	22
82793M	ADJUSTER, CABLE	33	21	10-25575	SCREW, VENT-FILLER CAP	47	4
82857M	STOPPER PLATE	29	17	10-41889M	SCREW	21	12
82874M	BRACKET, STEERING	33	1	10-43091M	BOLT, W/WASHER	13	4
82880M	LEVER, LOCK/RELEASE	29	1	10-43092M	BOLT, W/WASHER	13	6
82881M	BOOT, SHIFT ROD	39	26	10-43097M	BOLT	31	31
82882M	PLATE	39	27	10-43098M	SCREW, TRANSOM CLAMP	31	26
82895M	PIECE, FRICTION	33	23	10-43103M	BOLT	35	13
83062M	GROMMET	3	14	10-43106M	BOLT	37	9
83066M	SHIFT CAM ASS'Y (SHORT SHAFT)	39	25	10-62568	SCREW, RETAINER TO FUEL TANK COVER	47	18
83068M	SHIFT CAM ASS'Y (LONG SHAFT)	39	25	10-80023M	SCREW W/WASHER	11	8
83110M	CHOKE LINK ASS'Y	17	19	10-80349M	SCREW, DRAIN	19	31
83114M	BOWL, FLOAT	19	22	10-80485M	SET SCREW	27	23
83115M	COLLAR	19	27	10-80573M	SCREW, IDLE MIXTURE	19	9
83217M	LEVER, THROTTLE	19	16	10-80738M	SCREW, IDLE SPEED	19	7
83220M	DECAL, THROTTLE	33	26	10-80887M	BOLT	3	25
83220M	INDICATOR, THROTTLE	33	13	10-81702M	SCREW	29	11
83281M	IGNITION COIL	11	3	10-81708M	BOLT	31	17
83618M	FUEL METER	45	3	10-81721M	SCREW	31	12
				10-81746M	ADJUSTING COLLAR	7	31

PARTS INDEX

Part Number	Description	Pg.	Ref. No.	Part Number	Description	Pg.	Ref. No.
10-81752M	SCREW, DETENT	39	10	11-81763M	CONNECTOR, ADJUSTING		
10-81756M	SCREW, TRANSOM CLAMP	31	26		NUT	27	16
10-82176M	SCREW	11	12	11-81771M	NUT, FLYWHEEL	11	14
10-82405M	BOLT	7	24	11-81777M	NUT, CABLE GUIDE	33	22
10-82405M	BOLT	7	36	11-81782M	NUT, SELF-LOCKING	25	20
10-82405M	BOLT	13	23	11-82378M	NUT	25	19
10-82423M	BOLT	17	9	11-82379M	NUT	3	21
10-82428M	BOLT	21	15	11-82380M	NUT	7	32
10-82444M	BOLT	37	7	11-82380M	NUT	7	35
10-82453M	BOLT	35	17	11-82380M	NUT	11	29
10-82465M	BOLT	37	4	11-82381M	NUT	5	33
10-82466M	BOLT	37	13	11-82381M	NUT	17	12
10-82492M	SCREW	17	3	11-82382M	NUT	23	6
10-82496M	SCREW, HOUSING			11-82389M	NUT	31	24
	ATTACHING	45	8	11-82390M	NUT	27	15
10-82518M	SCREW	45	25	11-82391M	NUT	35	4
10-82521M	SCREW	11	10	11-82395M	NUT	31	21
10-82521M	SCREW	11	4	11-82396M	NUT	35	16
10-82522M	SCREW	21	10	11-82396M	NUT	35	21
10-82791M	SCREW	13	25	11-82537M	NUT	21	13
10-82791M	SCREW	39	15	11-82787M	NUT, PROPELLER	41	63
10-82921M	BOLT, CLAMP BRACKET	31	22	11-83056M	NUT	33	25
10-82973M	SCREW	25	6	12-43099M	PAD, TRANSOM CLAMP		
10-83112M	SET SCREW	19	26		SCREW	31	29
10-83117M	SCREW	39	28	12-49221--1	WASHER, VENT SCREW	47	5
10-83285M	BOLT	7	23	12-74711	WASHER, FUEL TANK		
10-83285M	BOLT	33	9		COVER FASTENING		
10-83395M	BOLT	35	7		SCREW	47	23
10-83509M	SCREW	19	23	12-80211M	WASHER, THRUST PLATE		
10-83539M	BOLT	7	26		SPRING	7	6
10-83539M	BOLT	13	11	12-80212M	WASHER	7	10
10-83539M	BOLT	33	8	12-80213M	WASHER, THRUST	7	4
10-84058M	BOLT	33	24	12-80251M	THRUST WASHER,		
10-84058M	BOLT	41	47		DRIVESHAFT (1.1MM)	39	21
10-84211M	BOLT	7	20	12-80252M	THRUST WASHER,		
10-84211M	BOLT	13	31		DRIVESHAFT (1.2MM)	39	21
10-84237M	BOLT	11	23	12-80253M	THRUST WASHER,		
10-84237M	BOLT	25	7		DRIVESHAFT (1.3MM)	39	21
10-84247M	BOLT	7	15	12-80254M	THRUST WASHER,		
10-84247M	BOLT	23	9		DRIVESHAFT (1.4MM)	39	21
10-84247M	BOLT	27	13	12-80255M	THRUST WASHER	39	19
10-84300M	SCREW	33	15	12-80271M	WASHER, HOUSING SCREW	45	7
10-84303M	BOLT	11	30	12-80638M	PAD, TRANSOM CLAMP		
10-84306M	SCREW	5	41		SCREW	31	29
10-84315M	BOLT	11	17	12-81794M	WASHER	5	32
10-84315M	BOLT	17	20	12-81806M	WASHER	31	20
10-84853M	BOLT	41	57	12-81806M	WASHER	35	11
10-91725M	BOLT	35	7	12-81806M	WASHER	35	22
10-91725M	SCREW	39	15	12-81814M	WASHER	11	15
10-91772M	SCREW	13	25	12-81817M	WASHER	5	29
10-92523M	BOLT	13	29	12-81821M	THRUST WASHER,		
10-94801M	SCREW	21	12		FORWARD GEAR	41	33
10-95467M	SCREW	39	7	12-81826M	WASHER, PISTON PIN	15	6
10-95502M	SCREW	43	6	12-81844M	WASHER	5	35
10-97749M	BOLT	41	60	12-81856M	WASHER	27	3
11-28587	NUT, SPEED-SPRING			12-81872M	COLLAR, THRUST (PIVOT		
	RETAINER	47	7		SHAFT)	31	4
11-28903	FASTENER, RETAINING			12-81969M	WASHER	25	8
	FRAME TO FUEL TANK	47	21	12-82204M	WASHER, PLATE	33	17
11-43102M	NUT	35	4	12-82207M	WASHER	25	5

PARTS INDEX

Part Number	Description	Pg.	Ref. No.	Part Number	Description	Pg.	Ref. No.
12-82209M	WASHER	9	41	17-20426	RIVET, INDICATOR TO RETAINER	47	17
12-82211M	WASHER	17	4	17-80201M	PIN, FLOAT	19	20
12-82211M	WASHER	25	18	17-80266M	TILT LOCK PIN ASS'Y	29	16
12-82211M	WASHER	27	12	17-81044M	GUIDE, FUEL LINE CONNECTOR	3	18
12-82214M	WASHER	5	42	17-81150M	SHAFT, TILT SHOP	29	13
12-82214M	WASHER	9	42	17-81881M	PIN	29	8
12-82214M	WASHER	11	24	17-81886M	PIN	27	21
12-82214M	WASHER	17	13	17-81887M	PIN	31	7
12-82214M	WASHER	39	24	17-81888M	PIN	31	28
12-82216M	WASHER	35	3	17-81894M	PIN	29	4
12-82217M	WASHER	27	19	17-81899M	CROSS PIN, CLUTCH	41	36
12-82847M	WASHER	17	18	17-81900M	PIN, DRIVE	41	62
12-82933M	WASHER	17	22	17-81905M	RIVET	3	5
12-82933M	WASHER	25	12	17-81907M	RIVET	33	14
12-94627M	THRUST WASHER, REVERSE GEAR	41	40	17-82139M	PIN, ROLL	13	18
12-95501M	SEAL	43	5	17-82144M	PIN, ROLL	29	18
13-81863M	WASHER, WAVE	17	25	17-82148M	PIN, ROLL	29	15
13-81864M	WASHER, WAVE	17	23	17-82158M	PIN	27	2
13-81865M	WASHER, WAVE	27	11	17-82161M	PIN, DOWEL	13	3
13-81867M	LOCKWASHER	27	18	17-82163M	PIN, DOWEL	37	12
13-81871M	WASHER, WAVE	5	30	17-82163M	PIN, DOWEL	41	59
13-82184M	LOCKWASHER	19	24	17-82354M	PIN, DOWEL (SHORTER)	41	50
13-82197M	LOCKWASHER	7	16	17-82358M	PIN, DOWEL (LONGER)	41	51
13-82197M	LOCKWASHER	7	34	17-82364M	PIN, DOWEL	13	2
13-82208M	LOCKWASHER	3	22	17-82368M	PIN, DOWEL	31	3
13-82208M	LOCKWASHER	21	11	17-82368M	PIN, DOWEL	37	3
13-82208M	LOCKWASHER	37	8	17-82563M	PIN	3	26
13-82212M	LOCKWASHER	7	21	17-83126M	PIN, ROLL	5	36
13-82212M	LOCKWASHER	11	13	17-83140M	RIVET	3	7
13-82212M	LOCKWASHER	13	12	17-95424M	GUIDE, FUEL LINE CONNECTOR	3	18
13-82212M	LOCKWASHER	13	33	17-97124M	GUIDE, FUEL LINE CONNECTOR	3	18
13-82212M	LOCKWASHER	17	10	18-82050M	PIN	17	26
13-82212M	LOCKWASHER	21	16	18-82050M	PIN	25	13
13-82212M	LOCKWASHER	23	10	18-82051M	PIN	17	24
13-82212M	LOCKWASHER	27	14	18-82125M	PIN, COTTER	29	9
13-82212M	LOCKWASHER	31	25	18-82126M	PIN, COTTER	9	40
13-82212M	LOCKWASHER	33	10	18-82126M	PIN, COTTER	27	10
13-82212M	LOCKWASHER	35	18	18-82128M	PIN, COTTER	27	20
13-82212M	LOCKWASHER	35	2	18-82132M	PIN, COTTER	41	64
13-82212M	LOCKWASHER	41	48	21-41888M	CHECK VALVE	21	6
13-82212M	STUD	17	11	21-81208M	GASKET, THERMOSTAT COVER	13	22
13-82215M	LOCKWASHER	23	7	21-84650M	CHECK VALVE	21	6
13-82215M	LOCKWASHER	35	14	22-43082M	CONNECTOR, FUEL LINE	3	16
13-82215M	LOCKWASHER	37	14	22-43083M	CONNECTOR, FUEL LINE	3	17
13-82215M	LOCKWASHER	37	5	22-63187	FITTING, FUEL LINE	43	14
13-82215M	LOCKWASHER	41	61	22-63187	FITTING, FUEL LINE	45	21
15-80258M	SHIM, FORWARD GEAR ADJUST (0.1MM)	39	31	22-80218M	FLUSH PLUG (OPT)	41	67
15-80259M	SHIM, FORWARD GEAR ADJUST (0.3MM)	39	31	22-80735M	VALVE, DRAIN	19	29
15-80260M	SHIM, FORWARD GEAR ADJUST (0.55MM)	39	31	22-80754M	CONNECTOR, FUEL LINE	3	16
15-80917M	SHIM, REVERSE GEAR ADJUST (1.0MM)	41	42	22-80755M	CONNECTOR, FUEL LINE	3	17
15-80918M	SHIM, REVERSE GEAR ADJUST (1.2MM)	41	42	22-81917M	PLUG	31	8
15-80919M	SHIM, REVERSE GEAR ADJUST (1.4MM)	41	42	22-81920M	PLUG	39	13
17-14214M	PIN, DOWEL	13	3	22-81924M	PLUG	39	8
				22-82369M	FITTING, GREASE	31	13
				22-94771M	CONNECTOR, FUEL LINE	3	16

PARTS INDEX

Part Number	Description	Pg.	Ref. No.	Part Number	Description	Pg.	Ref. No.
22-95633M	FLUSH PLUG (OPT)	41	67	25-43086M	GROMMET	5	40
23-80053M	BUSHING, CHOKE KNOB	17	16	25-43104M	GROMMET	35	19
23-80228M	RETAINER, SHIFT DETENT	27	9	25-80350M	O-RING	19	33
23-81136M	SPACER, HANDLE	33	5	25-82264M	O-RING, SHIFT CAM	27	5
23-81327M	COLLAR	45	15	25-82273M	O-RING, PIVOT SHAFT BUSHING	31	10
23-81861M	WASHER	33	4	25-82276M	O-RING, LOWER OIL SEAL HOUSING	13	17
23-81928M	COLLAR	25	9	25-82283M	O-RING, GEAR HOUSING CAP	41	46
23-81934M	BUSHING, SHIFT CAM	27	4	25-82285M	O-RING, UPPER OIL SEAL HOUSING	13	10
23-81945M	BUSHING	33	19	25-82789M	O-RING	43	20
23-81946M	BUSHING, CAM	25	10	25-84957M	O-RING	23	5
23-81951M	BUSHING	5	28	26-43087M	SEAL	7	17
23-81956M	BUSHING, PIVOT SHAFT (LOWER)	31	9	26-80239M	SEAL, WATER PUMP BODY	41	58
23-81958M	COLLAR, THRUST (PIVOT SHAFT)	31	11	26-80653M	SEAL, WATER TUBE	41	65
23-81960M	BUSHING, PIVOT SHAFT (UPPER)	31	6	26-82225M	OIL SEAL	13	14
23-81966M	COLLAR, REVERSE LOCK SCREW	29	12	26-82227M	OIL SEAL, PROPELLER SHAFT	41	44
23-81970M	COLLAR, COIL BRACKET BOLT	11	25	26-82229M	OIL SEAL, DRIVESHAFT	39	18
23-81984M	COLLAR, DRIVESHAFT	39	20	26-82232M	OIL SEAL	13	15
23-82116M	SPACER, CLAMP BRACKET BOLT	31	23	26-82247M	OIL SEAL	13	9
23-82119M	SPACER	33	3	26-94672M	SEAL, RUBBER (STARTER)	3	8
23-82590M	BUSHING, DRIVE SHAFT (UPPER)	39	4	27-25568	GASKET, FILLER CAP TO FUEL TANK	47	8
23-82591M	BUSHING, DRIVESHAFT (LOWER)	39	2	27-28862	GASKET, COVER ASSEMBLY TO FRAME	47	19
23-84055M	BISJONG	7	37	27-43093M	GASKET, CYLINDER HEAD	13	20
24-22227	SPRING, TENSION-VENT SCREW	47	6	27-43094M	GASKET SET, POWERHEAD	13	33
24-30189	SPRING, BAYONET BODY ASS'Y	43	12	27-54921	GASKET, FUEL GAUGE LENS	47	12
24-30189	SPRING, BAYONET BODY STEM	45	19	27-80205M	GASKET, VALVE SEAT	19	6
24-80193M	SPRING, IDLE SPEED SCREW	19	8	27-80244M	GASKET, DRIVESHAFT HOUSING (UPPER)	37	2
24-80194M	SPRING, CHOKE PLUNGER	19	13	27-80270M	GASKET, HOUSING LENS INDICATOR	45	22
24-80207M	SPRING, STARTER	7	2	27-80613M	GASKET, BODY TO BASE	21	5
24-80209M	SPRING, DRIVE PLATE	7	7	27-80614M	GASKET, BODY TO COVER	21	7
24-80331M	SPRING, DRAIN SCREW	19	32	27-80737M	GASKET	19	30
24-80574M	RETURN SPRING, THROTTLE LEVER	19	17	27-80740M	GASKET, FLOAT BOWL	19	21
24-80575M	SPRING, IDLE MIXTURE SCREW	19	10	27-80757M	GASKET, FUEL PUMP TO CRANKCASE	21	14
24-80610M	SPRING	21	4	27-80901M	GASKET	41	56
24-81696M	SPRING, STARTER PAWL	7	8	27-80912M	GASKET, GEAR HOUSING	39	5
24-82077M	SPRING, SHIFT	41	38	27-81210M	GASKET, RED VALVE	17	7
24-82079M	SPRING	7	29	27-81211M	GASKET, CARBURETOR TO REED VALVE	17	8
24-82082M	SPRING, SHIFT DETENT	27	8	27-81223M	GASKET, EXHAUST COVER	13	27
24-82093M	SPRING, COMPRESSION	33	6	27-81320M	GASKET, HOUSING TO TANK	45	4
24-82095M	SPRING, COMPRESSION	33	18	27-81987M	GASKET	39	9
24-82098M	SPRING, LEVER RETURN	29	2	27-82790M	GASKET, FUEL BOWL	23	2
24-82101M	SPRING	31	19	27-84174M	GASKET SET, LOWER UNIT	41	67
24-82104M	SPRING, REVERSE LOCK	29	7	27-95500M	GASKET, FUEL METER ASS'Y	43	7
25-20415	O-RING, BAYONET BODY STEM	43	11	27-95610M	GASKET	39	11
25-20415	O-RING, BAYONET BODY STEM	45	18	28-81912M	KEY, DRIVESHAFT	39	17
				28-81914M	KEY, CRANKSHAFT TO FLYWHEEL	15	9

PARTS INDEX

Part Number	Description	Pg.	Ref. No.	Part Number	Description	Pg.	Ref. No.
29-82351M	BEARINGS, PISTON PIN . . .	15	5	37-95498M	DECAL, SIDE (ENGLISH) . . .	43	1
30-14273M	BEARING, FORWARD GEAR	39	*30	37-95503M	DECAL, TOP (FRENCH)	43	2
30-82298M	BEARING, REVERSE GEAR	41	43	37-95504M	DECAL, SIDE (FRENCH) . . .	43	1
30-82301M	BEARING, FORWARD GEAR	39	*30	37-99065M	DECAL, SIDE AND REAR SET	3	1
30-95518M	BEARING, CRANKSHAFT . . .	15	2	39-83216M	PISTON RING SET (STD) . . .	15	4
32-14210M	HOSE, CONNECTOR HOUSING TO BULB	43	15	39-83711M	PISTON RING SET (1ST O.S. 56.25MM)	15	4
32-14212M	HOSE BULB TO ENGINE CONNECTOR	43	17	39-83712M	PISTON RING SET (2ND O.S. 56.50MM)	15	4
32-16724M	HOSE BULB TO ENGINE CONNECTOR	43	17	41-80021M	PIN, PISTON	15	7
32-17143M	FUEL LINE ASS'Y	43	8	43-80256M	GEAR, PINION	39	22
32-17144M	HOSE, CONNECTOR HOUSING TO BULB	43	15	43-80257M	GEAR, FORWARD	41	32
32-33909A3	TUBE	47	10	43-80920M	GEAR, REVERSE	41	41
32-43109M	FUEL LINE ASS'Y	43	8	44-80921M	SHAFT, PROPELLER	41	39
32-43109M	FUEL LINE ASS'Y	45	9	45-81243M	DRIVE SHAFT ASS'Y (SHORT SHAFT)	39	16
32-80904M	TUBE, WATER (SHORT SHAFT)	41	66	45-81244M	DRIVE SHAFT ASS'Y (LONG SHAFT)	39	16
32-80905M	TUBE, WATER (LONG SHAFT)	41	66	46-80900M	WATER PUMP HOUSING . . .	41	49
32-82001M	HOSE	23	15	47-95611M	IMPELLER	41	52
32-82007M	HOSE	23	14	47-95611M	IMPELLER	41	52
32-82023M	HOSE BULB TO ENGINE CONNECTOR	43	17	50-12066A9	STARTER ROPE	7	13
32-82023M	HOSE, BULB TO CONNECTOR	45	13	50-80208M	SHEAVE, STARTER	7	3
32-83219M	HOSE	23	13	50-84499M	STARTER ASS'Y	7	0-1
32-84955M	HOSE, CONNECTOR HOUSING TO BULB	45	11	50-84500M	SHEAVE, STARTER	7	3
32-84955M	HOSE, CONNECTOR HOUSING TO BULB	43	15	50-97125M	STARTER ASS'Y	7	0-1
32-94806M	HOSE	23	12	52-80922M	CLUTCH	41	35
33-53098	SPARK PLUG, (AC M42FF) . . .	13	32	53-80034M	RING, CROSS PIN	41	34
34-81209M	REED VALVE ASS'Y	17	5	53-81693M	SNAP RING	7	11
34-84491M	REED SET (REED STOPS NOT INCLUDED)	17	6	53-82330M	SNAP RING	29	5
35-11931M	FILTER ASS'Y	23	1	53-82332M	SNAP RING, PINION RETAINING	39	23
35-11934M	ELEMENT, FUEL FILTER . . .	23	3	53-82340M	SNAP RING, OIL SEAL HOUSING	13	16
35-80246M	COVER, WATER INLET	39	12	53-82344M	CLIP, PISTON PIN	15	8
36-14618M	FUEL TANK CAP	43	3	54-80752M	CLAMP, HOSE	43	18
36-25392A2	FILLER CAP ASSEMBLY . . .	47	3	54-80752M	CLAMP, HOSE	45	14
36-83617M	FUEL TANK CAP	45	2	54-82040M	CLAMP, COIL CLAMP	11	26
36-95490M	FUEL TANK CAP	43	3	54-82047M	CLAMP, HOSE	23	11
37-14280M	DECAL, SIDE	5	44	54-82047M	CLAMP, HOSE	23	16
37-14617M	DECAL, SIDE (ENGLISH) . . .	43	1	84-43088M	STARTER LOCKOUT WIRE ASS'Y	7	30
37-14619M	DECAL, SIDE	5	43	84-81250M	WIRE, GROUND	11	27
37-43081M	DECAL, FRONT APPLIQUE . . .	3	2	84-84502M	STARTER LOCKOUT WIRE ASS'Y	7	30
37-75881	DECAL, FUEL TANK	47	2	84-94776M	LEAD WIRE	11	11
37-81202M	DECAL (F-N-R)	3	11	87-94772M	STOP SWITCH ASS'Y	3	23
37-82546M	DECAL, SIDE SET	3	1	91-80277M	TOOL KIT	3	12
37-82910M	APPLIQUE, REAR	3	3	253-8217M	FLYWHEEL MAGNETO ASS'Y (WITHOUT LIGHTING COIL)	11	0-1
37-82984M	DECAL, SIDE	45	1	253-8218M	FLYWHEEL MAGNETO ASS'Y (WITH LIGHTING COIL)	11	0-1
37-83121M	DECAL, STOP-CHOKE	3	20	253-8219M	FLYWHEEL	11	1
37-94773M	DECAL, HP	5	37	463-6814M	CRANKSHAFT ASS'Y	15	1
37-95421M	DECAL, SIDE SET	3	1	761-8220M	PISTON ASS'Y (STD)	15	3
37-95422M	DECAL, FRONT APPLIQUE . . .	3	2	761-8221M	PISTON ASS'Y (1ST O.S. 56.25MM)	15	3
37-95489M	DECAL, TOP (ENGLISH) . . .	43	2				

PARTS INDEX

Part Number	Description	Pg.	Ref. No.	Part Number	Description	Pg.	Ref. No.
761-8222M	PISTON ASS'Y (2ND O.S. 56.50MM)	15	3				
870-6820M	CRANKCASE AND CYLINDER ASS'Y	13	1				
968-7172M	HEAD, CYLINDER	13	19				
1225-1529	FUEL TANK	47	1				
1225-1529A21	FUEL TANK, COMPLETE	47	0-1				
1383-6819M	CARBURETOR ASS'Y	19	0-1				
1383-8223M	CARBURETOR ASS'Y	19	0-1				
1484-6754M	CLAMP BRACKET (PORT)	31	15				
1484-6755M	CLAMP BRACKET (STARBOARD)	31	16				
1484-9064M	CLAMP BRACKET (PORT)	31	15				
1484-9065M	CLAMP BRACKET (STARBOARD)	31	16				
1485-6756M	SWIVEL BRACKET	31	1				
1587-6757M	DRIVESHAFT HOUSING	37	1				
1651-6758M	GEARHOUSING	39	1				
1651-6890M	GEARHOUSING ASS'Y (SHORT SHAFT)	39	0-1				
1651-6891M	GEARHOUSING ASS'Y (LONG SHAFT)	39	0-1				
2168-6753M	BOTTOM COWL, REAR	3	24				
2168-6821M	TOP COWLING ASS'Y	3	0-1				
2168-6949M	BOTTOM COWL, FRONT	3	13				
2168-8216M	BOTTOM COWL, FRONT	3	13				
2168-8481M	TOP COWLING ASS'Y	3	0-1				
2168-93028M	BOTTOM COWL, FRONT	3	13				
2168-9384M	TOP COWLING ASS'Y	3	0-1				
2168-9385M	BOTTOM COWL, FRONT	3	13				
2168-9386M	BOTTOM COWL, REAR	3	24				
2169-7174M	HOUSING, STARTER	7	1				
2169-7175M	HOUSING, STARTER	7	1				