



PARTS CATALOG

MERCURY 18/25

SERIAL NUMBER

18 BEL 9332837X THRU 9390058X
25 BEL 9332837X THRU 9390058X

TABLE OF CONTENTS:

BELGIUM ENGINES	40
CARBURETOR ASSEMBLY (MERC 18)	12
CARBURETOR ASSEMBLY (MERC 25)	14
CLAMP BRACKET ASSEMBLY	26
COWLS	2
CRANKSHAFT,PISTONS AND FLYWHEEL	18
CYLINDER BLOCK AND COVERS	16
DRIVE SHAFT HOUSING ASSEMBLY	22
ELECTRIC COMPONENTS	34
FUEL FILTER ASSEMBLY	10
GEAR HOUSING (DRIVE SHAFT)	28
GEAR HOUSING (PROPELLER SHAFT)	32
IGNITION COMPONENTS	8
MISCELLANEOUS PARTS/ACCESSORIES	1
PARTS INDEX	42
STARTER ASSEMBLY,MANUAL	4
STEERING HANDLE ASSEMBLY	20
SWIVEL BRACKET ASSEMBLY	24
THROTTLE AND SHIFT LINKAGE (ELECTRIC)	36
THROTTLE AND SHIFT LINKAGE (MANUAL)	6

NOTE: Indented description indicate that these parts are included in preceeding assembly.

AR = As Required

NSS = Not Sold Separate

OPT = Optional

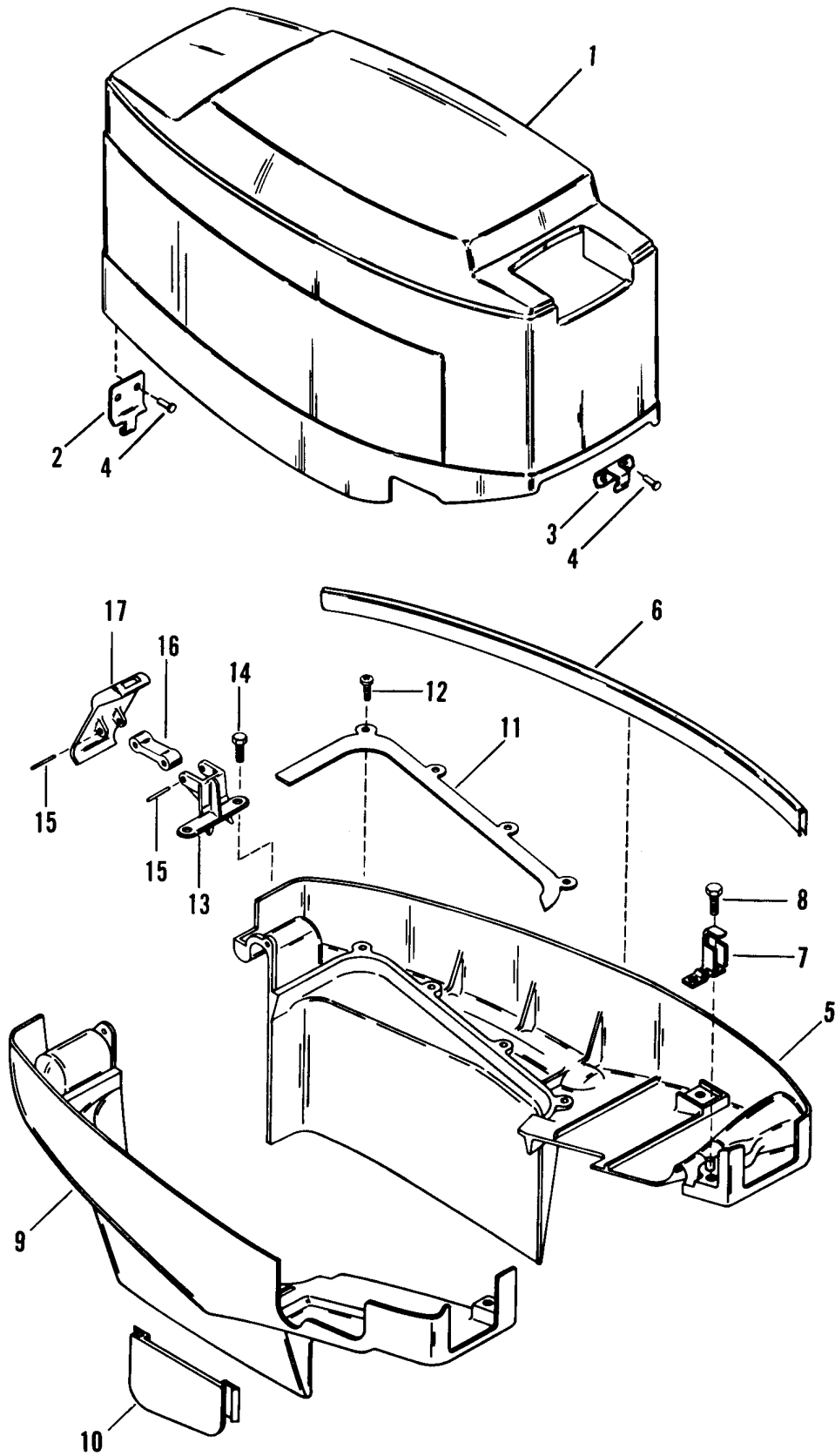
NS = Not Shown

THESE PARTS BOOKS/FICHE CARD ARE COPYRIGHTED AND MAY NOT BE DISTRIBUTED OR REPRODUCED IN ANY OTHER FORMAT BY ANYONE OTHER THAN MERCURY MARINE WITHOUT THE PRIOR WRITTEN CONSENT OF MERCURY MARINE.

MISCELLANEOUS PARTS/ACCESSORIES

REF. NO.	PART NO.	SYM.	QTY.	DESCRIPTION
-	27-41499A84		0	GASKET SET
-	37-43170A84		0	DECAL SET (MERC 18)
-	37-43173A84		0	DECAL SET (MERC25)
-	90-99917		0	OWNERS GUIDE

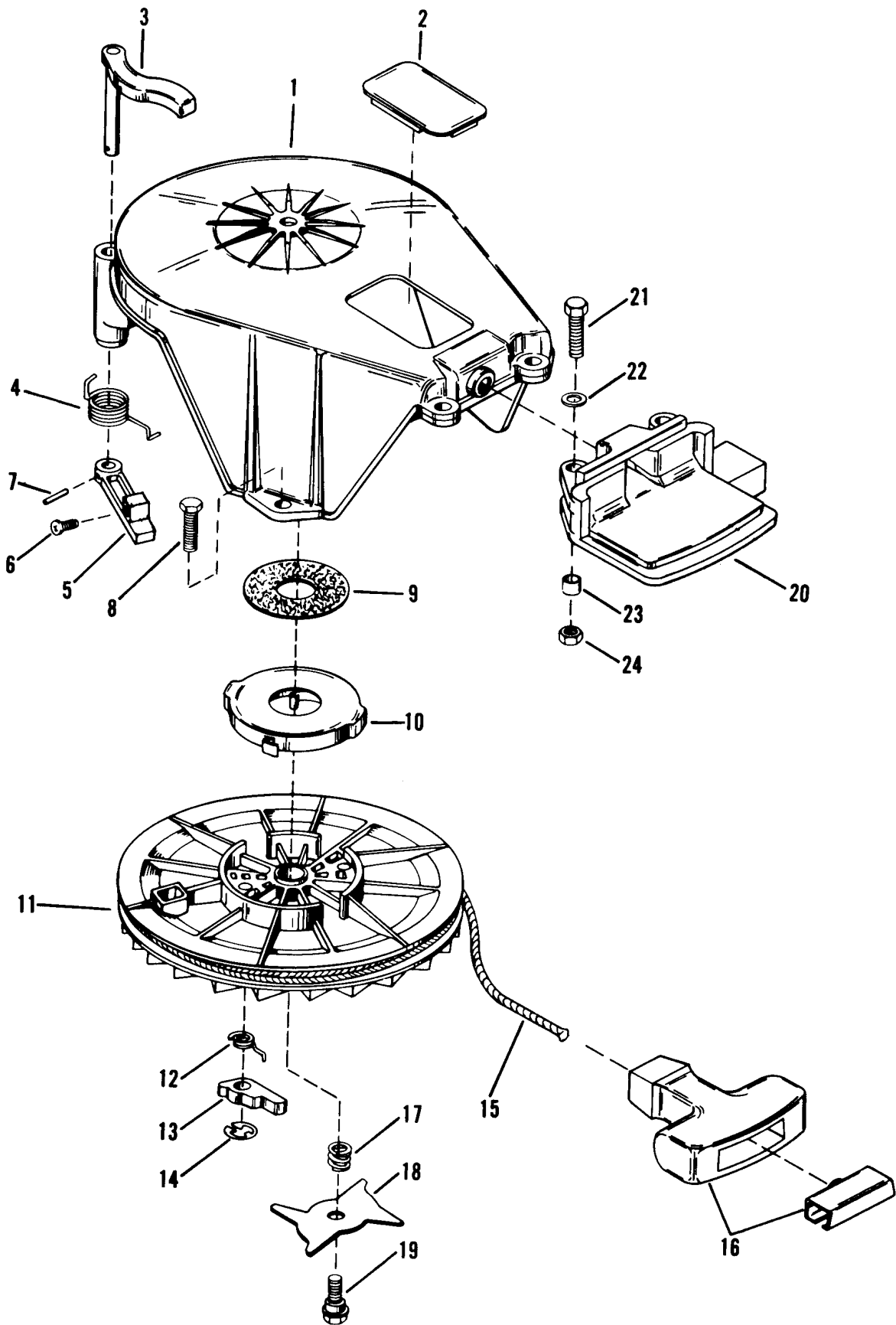
COWLS



COWLS

REF. NO.	PART NO.	SYM.	QTY.	DESCRIPTION
1	2177-8869A8		1	TOP COWL ASSEMBLY (WITHOUT DECALS)
2	43515		1	HINGE, COWL LATCH
3	43555		1	BRACKET, TOP COWL
4	10-40001--8		4	SCREW, HINGE TO TOP COWL
5	2176-9107A2		1	BOTTOM COWL ASSEMBLY, PORT (WITHOUT DECALS)
6	44149-67		2	SEAL, BOTTOM COWL
7	43514		1	LATCH, BOTTOM COWL
8	10-40001--8		2	SCREW, LATCH TO BOTTOM COWL
9	2176-9108A1		1	BOTTOM COWL ASSEMBLY, STARBOARD (WITHOUT DECALS)
10	25-41604		1	GROMMET, BOTTOM COWL
11	85982		2	PLATE, BOTTOM COWL
12	10-70332		8	SCREW, PLATE TO BOTTOM COWL (1/2")
13	87308		1	BRACKET, COWL LATCH
14	10-40001--8		2	SCREW, BRACKET TO BOTTOM COWL (12MM)
15	17-25870		2	ROLL PIN, LINK
16	89583		1	LINK, COWL LATCH
17	89582		1	LATCH, COWL-REAR

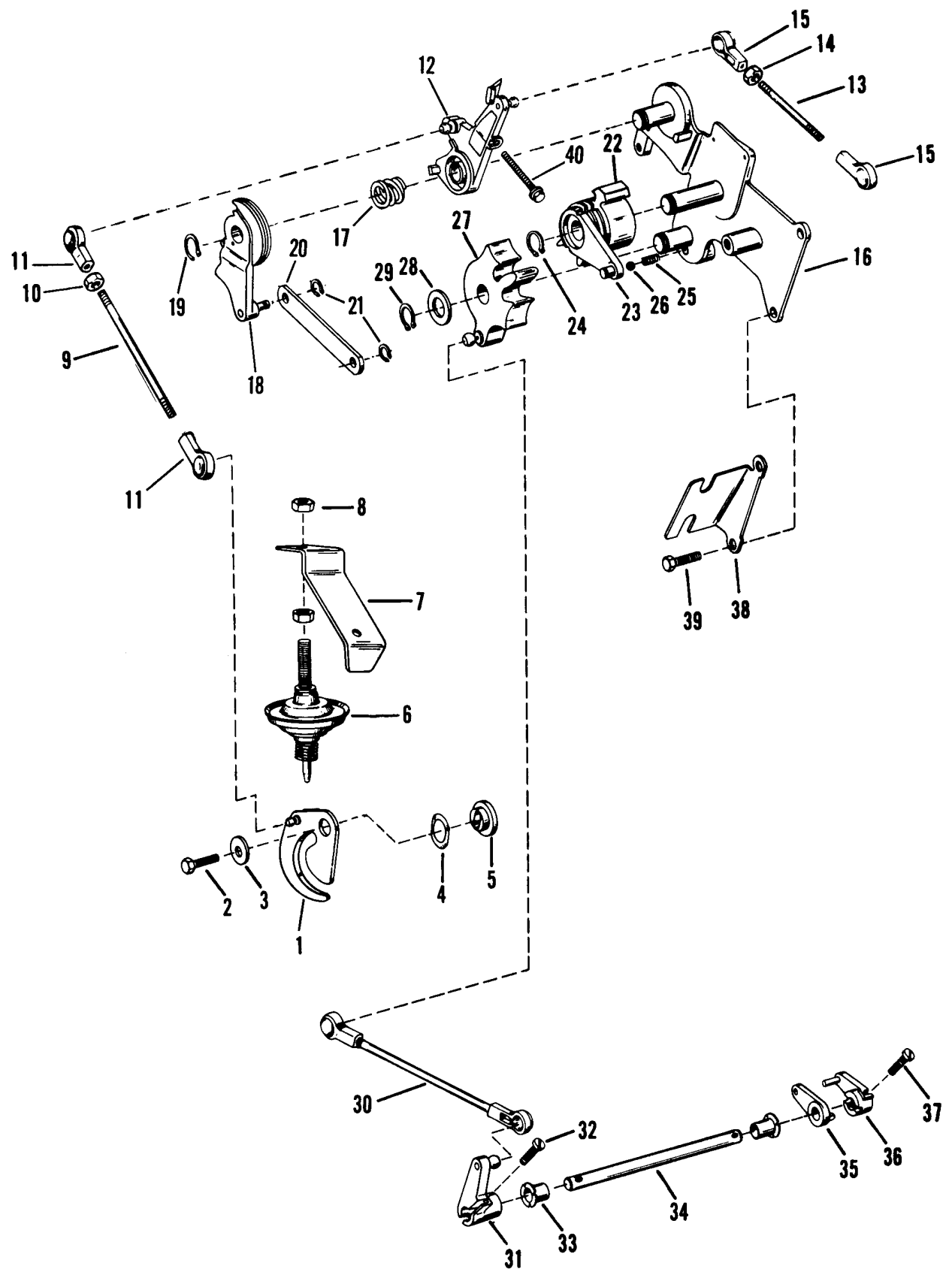
STARTER ASSEMBLY, MANUAL



STARTER ASSEMBLY,MANUAL

REF. NO.	PART NO.	SYM.	QTY.	DESCRIPTION
1	42712A1		1	HOUSING,STARTER
2	86971		1	COVER,STARTER HOUSING
3	94019		1	LEVER,LOCK (UPPER)
4	24-89542		1	SPRING,UPPER LOCK LEVER
5	93876		1	LEVER,LOCK (LOWER)
6	10-61802		1	SCREW,LOWER LOCK LEVER
7	17-38489		1	ROLL PIN, LOCK LEVER
8	10-40001-74		2	SCREW,STARTER HOUSING ATTACHING (20MM)
	10-40001-83		1	SCREW,STARTER HOUSING ATTACHING (35MM)
9	90478		1	PAD,FELT
10	24-86857		1	SPRING,STARTER
11	50-42566		1	SHEAVE.STARTER
12	24-86851		2	SPRING,CAM
13	86850		2	CAM
14	53-86849		2	RETAINING RING,CAM
15	50-86855		1	ROPE,STARTER
16	85174A1		1	HANDLE ASSEMBLY,STARTER ROPE
17	24-86852		1	SPRING,CAM
18	86853		1	CAM
19	10-97516		1	SCREW,CAM TO STARTER SHEAVE
20	42626		1	SUPPORT,STARTER HANDLE
21	10-40057111		2	SCREW,SUPPORT TO STARTER HOUSING (35MM)
22	12-40022-13		4	WASHER,SUPPORT SCREW
23	23-30977		4	SPACER,SUPPORT SCREW
24	11-40063--3		2	NUT,SUPPORT SCREW

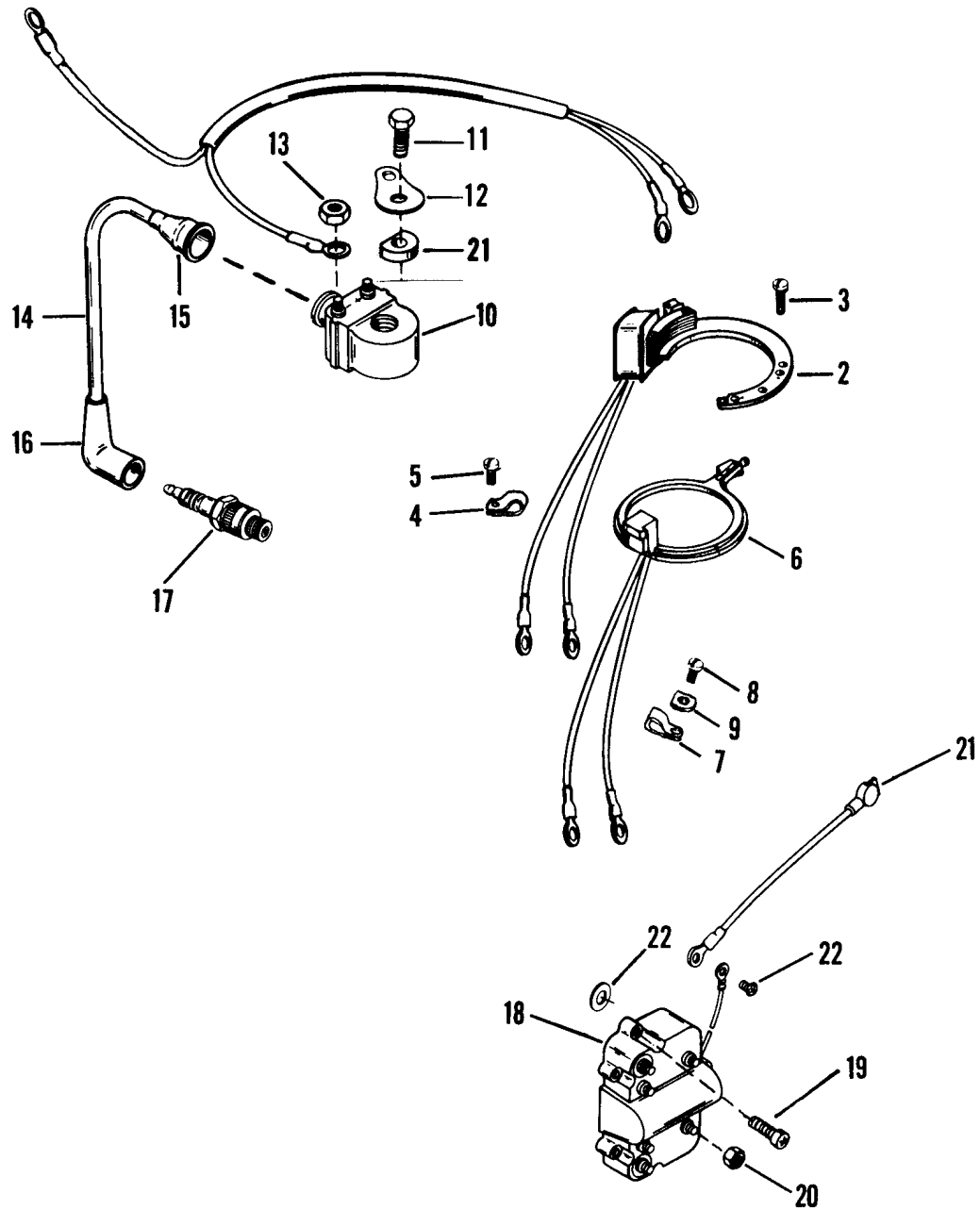
THROTTLE AND SHIFT LINKAGE (MANUAL)



THROTTLE AND SHIFT LINKAGE (MANUAL)

REF. NO.	PART NO.	SYM.	QTY.	DESCRIPTION
1	42903		1	THROTTLE CAM
2	10-40001-14		1	SCREW,THROTTLE CAM TO CRANKCASE (16MM)
3	12-87791		1	WASHER,THROTTLE CAM SCREW
4	13-69150		1	WAVE WASHER,THROTTLE CAM SCREW
5	23-86968		1	BUSHING,THROTTLE CAM SCREW
6	92425		1	DASHPOT
7	93001		1	BRACKET,DASHPOT
8	11-22053		2	NUT,DASHPOT TERMINAL
9	98463A1		1	THROTTLE ROD
10	11-68219		1	NUT,LOCK-THROTTLE ROD
11	98465		2	SOCKET,THROTTLE ROD
12	43360		1	LEVER,CONTROL
13	98464A2		1	TIMING ROD
14	11-68219		1	NUT,LOCK-TIMING ROD
15	98465		2	SOCKET,TIMING ROD
16	44299		1	PLATFORM,CONTROL
17	24-89540		1	SPRING,SPARK ADVANCE
18	93779		1	LEVER,ACTUATING
19	53-46250		1	RETAINING RING,ACTUATING AND CONTROL LEVER
20	86717		1	LINK,THROTTLE/ADVANCE
21	53-86731		2	RETAINING RING,THROTTLE/ADVANCE LINK
22	94152		1	GEAR
23	92362		1	LEVER,PRIMARY
24	53-46250		1	RETAINING RING,PRIMARY LEVER AND GEAR
25	24-93006		1	SPRING,DETENT BALL
26	30-93008		1	BALL,DETENT
27	94085		1	GEAR,SHIFT
28	12-49339		1	WASHER,SHIFT GEAR
29	53-46250		1	RETAINING RING,SHIFT GEAR
30	96255--2		1	SHIFT ROD
31	94084		1	LEVER,SHIFT ROD
32	10-40015-89		1	SCREW,SHIFT ROD LEVER
33	23-60762		2	BUSHING,SHIFT SHAFT
34	87794		1	SHIFT SHAFT,HORIZONTAL
35	93744		1	LEVER,SHIFT SHAFT
36	93928		1	LEVER,ROD END
37	10-40015-88		1	SCREW,ROD END LEVER
38	94186		1	BRACKET,THROTTLE CABLE
39	10-40001-71		3	SCREW,BRACKET TO CYLINDER BLOCK (16MM)
40	10-76502		1	SCREW,IDLE STOP-CONTROL LEVER

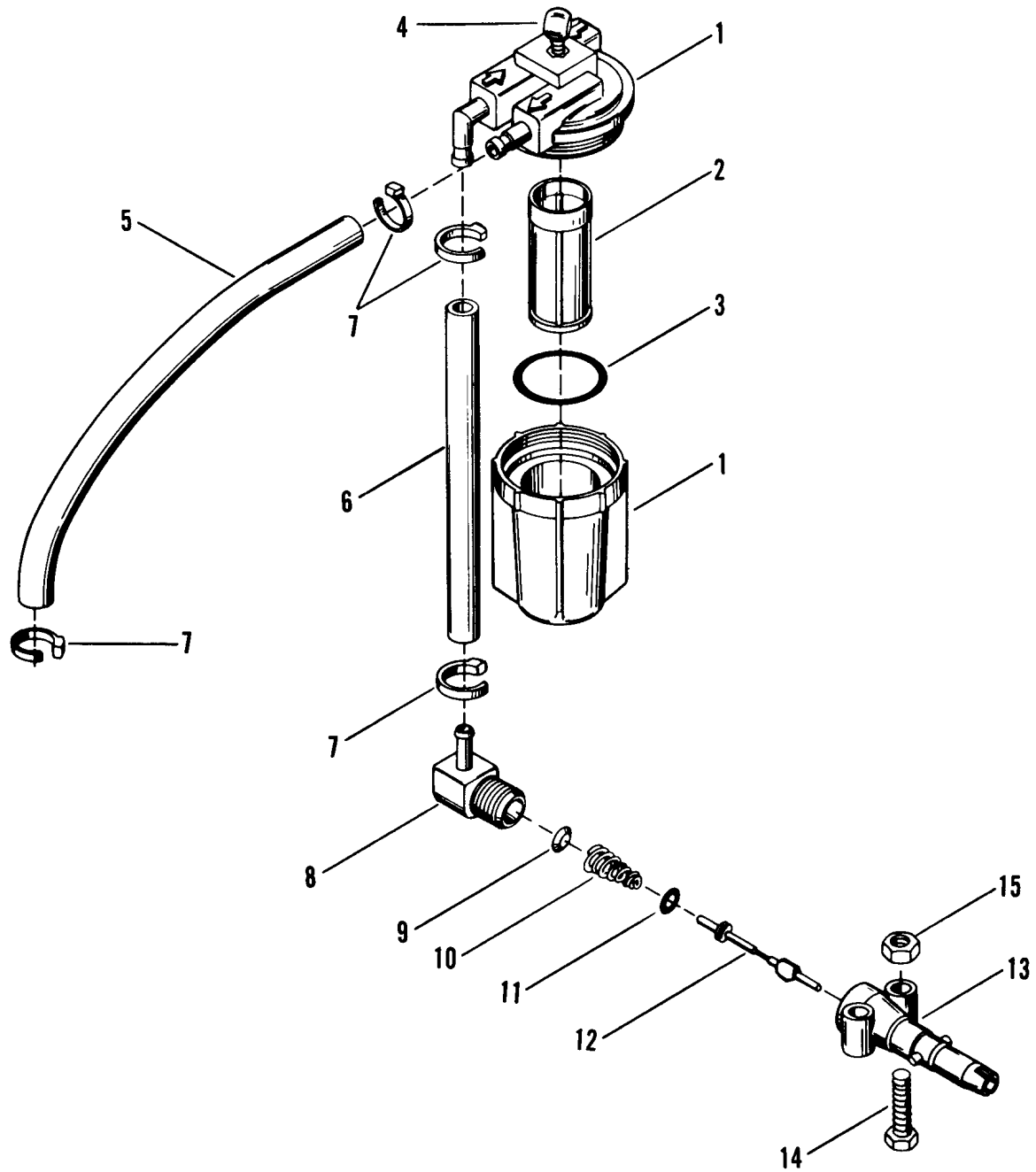
IGNITION COMPONENTS



IGNITION COMPONENTS

REF. NO.	PART NO.	SYM.	QTY.	DESCRIPTION
1	84-88891A1		1	HARNES ASSEMBLY,PRIMARY
2	86617A5		1	STATOR ASSEMBLY
3	10-40001-20		2	SCREW,STATOR ATTACHING (25MM)
	10-40001--5		2	SCREW,STATOR ATTACHING (10MM)- MANUAL
4	54-23568		1	CLIP,STATOR LEADS
5	10-40057108		1	SCREW,CLIP TO SWITCH BOX(20MM)
6	98450A1		1	TRIGGER ASSEMBLY
7	54-24836		1	CLIP,TRIGGER LEADS
8	10-77137		1	SCRWE,CLIP TO CRANKCASE
9	69205		1	"C" WASHER,CLIP SCREW
10	339-7370A8		2	IGNITION COIL ASSEMBLY
11	10-40001-89		2	SCREW, COIL TO CYLINDER BLOCK (45MM)
12	88173		2	TAB,COIL SCREW
13	11-45076		4	NUT,COIL TERMINAL
14	84-99215A25		2	LEAD ASSEMBLY, HIGH TENSION
15	85-70674		2	BOOT,COIL
16	85-63709A1		2	BOOT ASSEMBLY,SPARK PLUG
17	33-97180		2	SPARK PLUG,(NGK-BUHW)
	33-86866		2	SPARK PLUG,SHAMPION #QL-77J4-CANADA AND BELGIUM
18	339-7452A3		1	SWITCH BOX ASSEMBLY
19	10-40057108		3	SCREW,SWITCH BOX CYLINDER BLOCK(22MM)
20	11-45076		6	NUT,SWITCH BOX TERMINALS
21	23-88171		2	BUSHING,COIL SCREW
22	13-69432		1	LOCKWASHER,GROUND

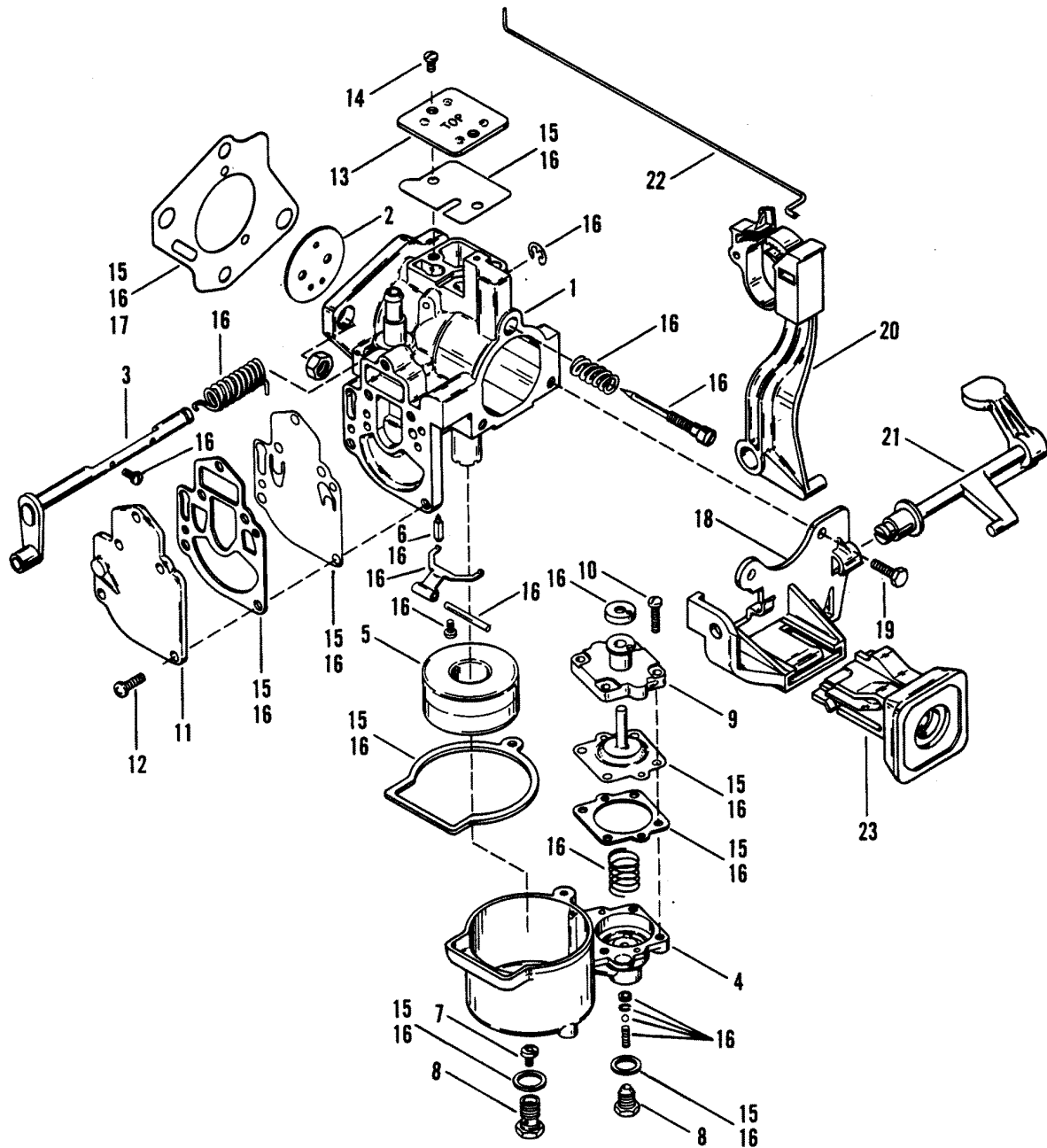
FUEL FILTER ASSEMBLY



FUEL FILTER ASSEMBLY

REF. NO.	PART NO.	SYM.	QTY.	DESCRIPTION
1	35-87946A7		1	FUEL FILTER ASSEMBLY
2	35-87946A3		1	FILTER ASSEMBLY
3	25-98277		1	SEAL,FUEL FILTER
4	91935		1	BALL,FUEL FILTER
5	32-99127109		1	FUEL LINE,FILTER TO CARBURETOR(5-1/4")
6	32-99127109		1	FUEL LINE,FILTER TO ADAPTOR (81/2")
7	54-68424		4	CLAMP,FUEL LINE
8	22-98750		1	FITTING,FUEL LINE
9	30188		1	CUP WASHER,ADAPTOR
10	24-23067		1	SPRING,ADAPTOR STEM
11	25-20415		1	"O" RING,ADAPTOR STEM
12	23069		1	STEM,ADAPTOR
13	22833		1	ADAPTOR,CHECK UNIT
14	10-40003-32		1	SCREW,ADAPTOR TO BOTTOM COWL(35MM)
15	11-40063--4		1	NUT,ADAPTOR SCREW

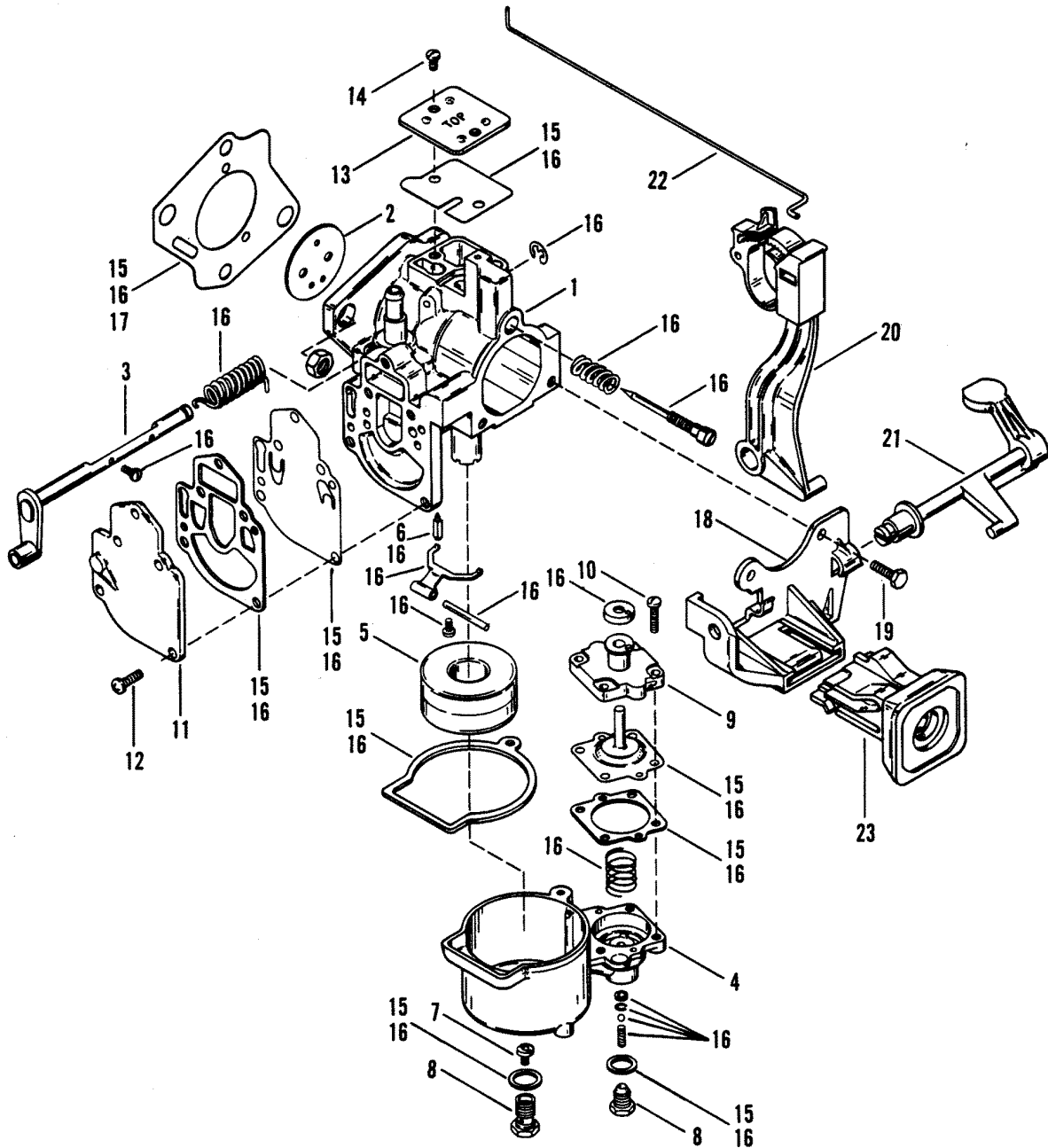
CARBURETOR ASSEMBLY (MERC 18)



CARBURETOR ASSEMBLY (MERC 18)

REF. NO.	PART NO.	SYM.	QTY.	DESCRIPTION
1	1390-8888A1		1	CARBURETOR ASSEMBLY (MANUAL)
	1390-8676A1		1	CARBURETOR ASSEMBLY (ELECTRIC)
2	1395-9168		1	THROTTLE VALVE
3	1395-9167		1	THROTTLE SHAFT
4	1395-9164		1	FUEL BOWL
5	1395-9169		1	FLOAT
6	1395-9170		1	VALVE,INLET NEEDLE
7	1399-5317		1	JET,MAIN FUEL (.046)
8	1395-9171		1	PLUG,JET RETAINER
9	1395-9165		1	COVER,DIAPHRAGM
10	1395-9174		4	SCREW,DIAPHRAGM COVER
11	1395-9166		1	COVER,FUEL PUMP
12	1395-9173		5	SCREW,FUEL PUMP COVER
13	1395-9177		1	PLATE,COVER(MANUAL)
	1395-9182		1	PLATE,COVER(ELECTRIC)
14	1395-9172		2	SCREW,COVER PLATE
15	1395-9179		1	GASKET/DIAPHRAGM KIT
16	1395-9178		1	REPAIR PARTS KIT
17	27-41449		1	GASKET,CARBURETOR
18	41717		1	BRACKET,PRIMER
19	10-40001--8		2	SCREW,BRACKET TO CARBURETOR
20	42515A1		1	LEVER ASSEMBLY,FAST IDLE
21	41703		1	LEVER,PRIMER
22	42872--1		1	IDLE WIRE
23	11024--1		1	ACTUATOR,PRIMER

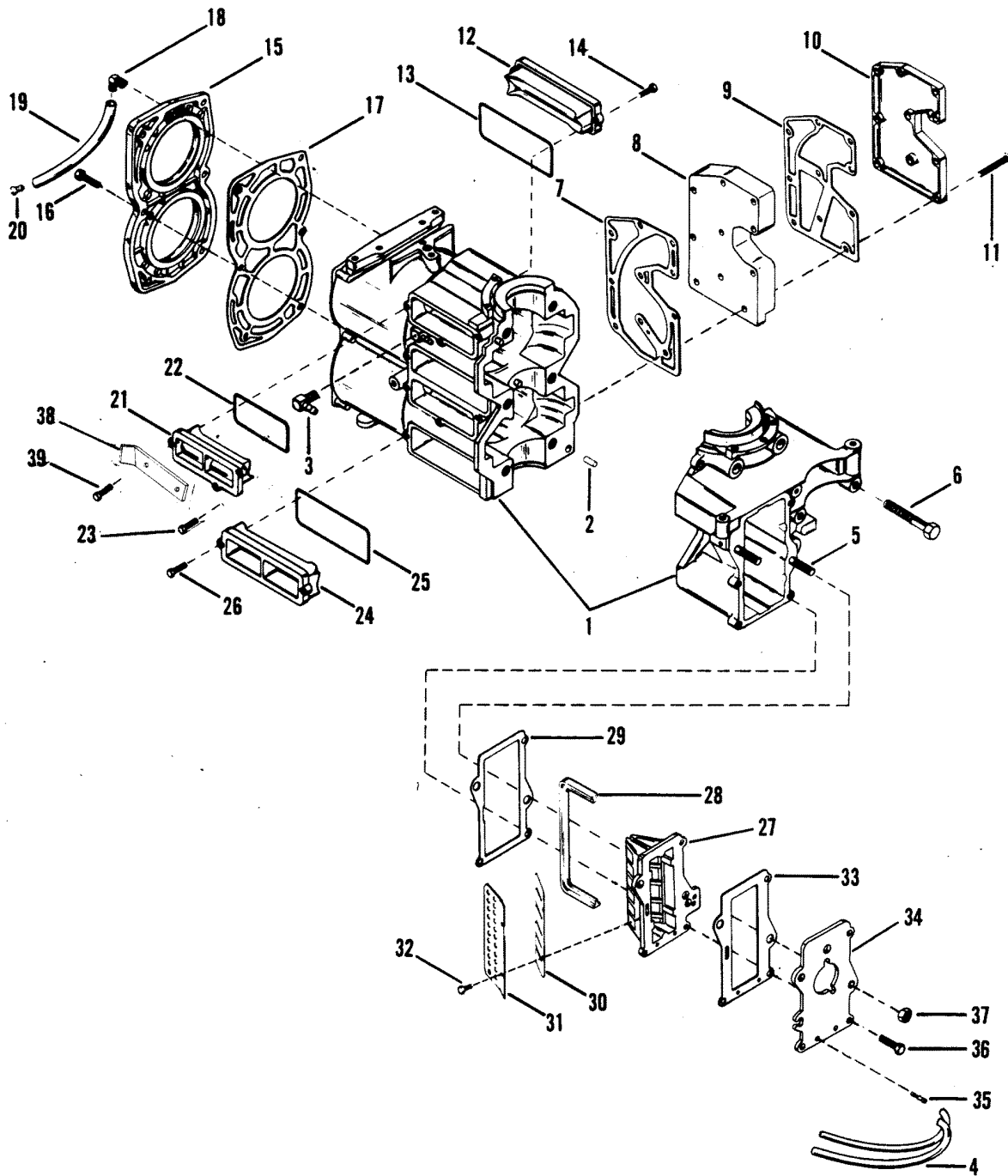
CARBURETOR ASSEMBLY (MERC 25)



CARBURETOR ASSEMBLY (MERC 25)

REF. NO.	PART NO.	SYM.	QTY.	DESCRIPTION
1	1390-8889A1		1	CARBURETOR ASSEMBLY (MANUAL)
	1390-8677A1		1	CARBURETOR ASSEMBLY (ELECTRIC)
2	1395-9180		1	THROTTLE VALVE
3	1395-9167		1	THROTTLE SHAFT
4	1395-9164		1	FUEL BOWL
5	1395-9169		1	FLOAT
6	1395-9170		1	VALVE,INLET NEEDLE
7	1395-6201		1	JET,MAIN FUEL(.080)
8	1395-9171		1	PLUG,JET RETAINER
9	1395-9165		1	COVER,DIAPHRAGM
10	1395-9174		4	SCREW,DIAPHRAGM COVER
11	1395-9166		1	COVER,FUEL PUMP
12	1395-9173		5	SCREW,FUEL PUMP COVER
13	1395-9177		1	PLATE,COVER(MANUAL)
	1395-9182		1	PLATE,COVER(ELECTRIC)
14	1395-9172		2	SCREW,COVER PLATE
15	1395-9179		1	GASKET/DIAPHRAGM KIT
16	1395-9178		1	REPAIR PARTS KIT
17	27-41449		1	GASKET,CARBURETOR
19	10-40001--8		2	SCREW,BRACKET TO CARBURETOR
20	42515A1		1	LEVER ASSEMBLY,FAST IDLE
21	41703		1	LEVER,PRIMER
22	42872--1		1	IDLE WIRE
23	11024--1		1	ACTUATOR,PRIMER

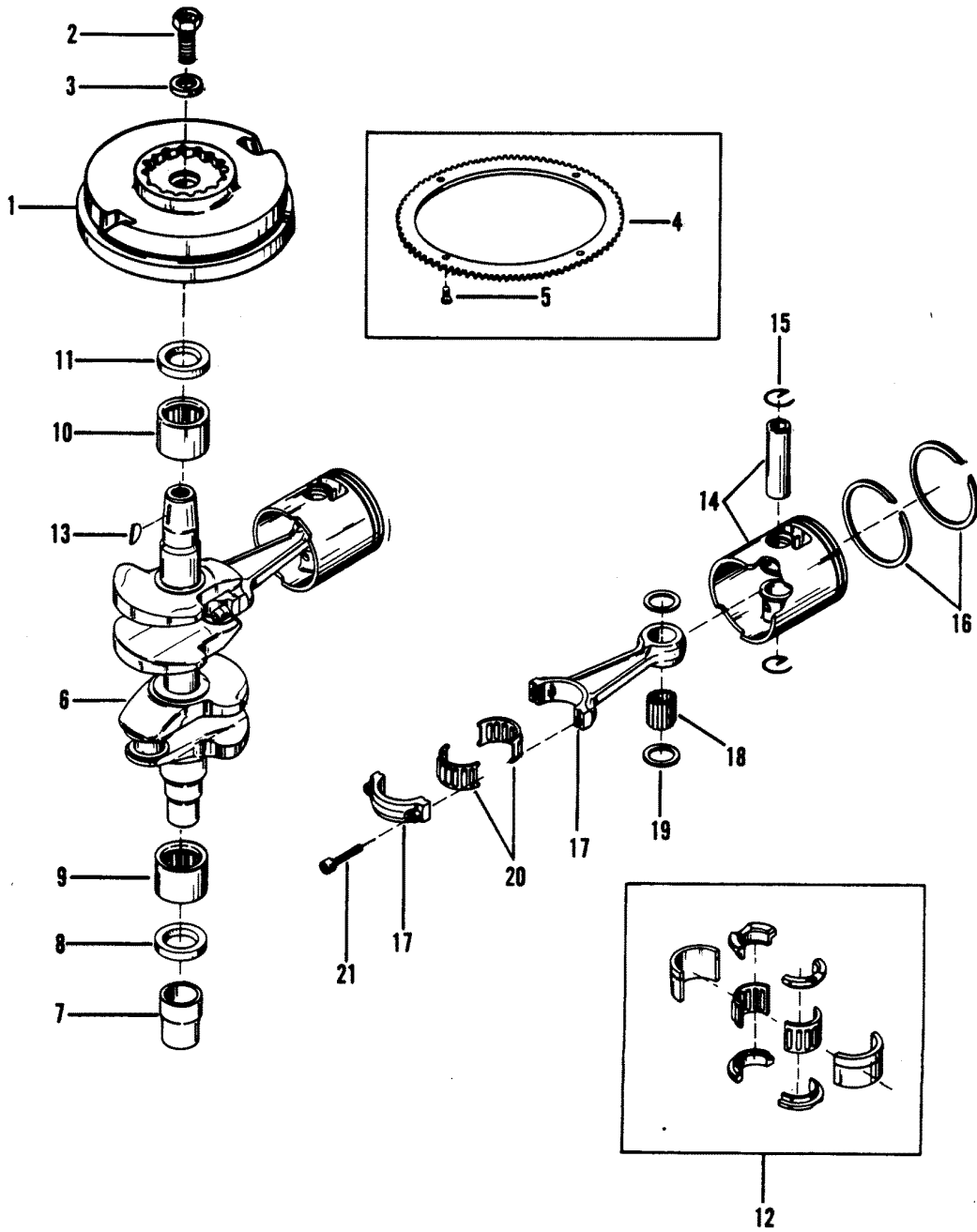
CYLINDER BLOCK AND COVERS



CYLINDER BLOCK AND COVERS

REF. NO.	PART NO.	SYM.	QTY.	DESCRIPTION
1	872-9077A4		1	BLOCK/CRANKCASE ASSYEMBLY
2	17-85171		3	DOWEL PIN,CYLINDER BLOCK
3	22-71191		2	ELBOW,BLEED HOSE(45)
4	32-99130-78		2	HOSE,BLEED(12-1/4")
5	16-42917		2	STUD,CARBURETOR
6	10-40001209		6	SCREW,CRANKCASE TO CYLINDER BLOCK (60MM)
7	27-41475		1	GASKET,EXHAUST MANIFOLD
8	92329		1	EXHAUST MANIFOLD
9	27-41499		1	GASKET,EXHAUST COVER
10	92330		1	COVER,EXHAUST
11	10-40003-33		10	SCREW,EXHAUST COVER TO CYLINDER BLOCK (40MM)
12	92349		2	COVER,TRANSFER PORT
13	25-30503		2	"O" RING,TRANSFER PORT COVER
14	10-40057107		4	SCREW,COVER TO CYLINDER BLOCK(16MM)
15	1028-8283A1		1	COVER ASSEMBLY,CYLINDER BLOCK
16	10-40003-31		6	SCREW,COVER ATTACHING (30MM)
17	27-86389		1	GASKET,CYLINDER BLOCK COVER
18	22-99664		1	ELBOW,TELL TALE HOSE
19	32-34395A1		1	HOSE,TELL TALE (8")
20	22-94848		1	FITTING,TELL TALE HOSE-BOTTOM COWL
21	92351		2	COVER,TRANSFER PORT
22	25-86391		2	"O" RING,TRANSFER PORT COVER
23	10-40057107		4	SCREW,COVER TO CYLINDER BLOCK (16MM)
24	92350		2	COVER,TRANSFER PORT
25	25-33465		2	"O" RING,TRANSFER PORT COVER
26	10-40057107		4	SCREW,COVER TO CYLINDER BLOCK(16MM)
27	42471		1	REED BLOCK
28	85977		1	SEAL,REED BLOCK-RUBBER
29	27-41417		1	GASKET,REED BLOCK
30	34-99319		2	REED
31	34-89793		2	REED STOP
32	10-40057-85		4	SCREW,REED ATTACHING (10MM)
33	27-41418		1	GASKET,ADAPTOR PLATE
34	41420A1		1	PLATE,ADAPTOR-CARBURETOR
35	22-56759		2	FITTING,ADAPTOR PLATE-BLEED HOSE
36	10-40057108		3	SCREW,PLATE TO REED BLOCK(20MM)
37	11-40021--3		2	NUT,CARBURETOR STUD
38	43717		1	IDLE STOP
39	10-40057108		2	SCREW,IDLE STOP

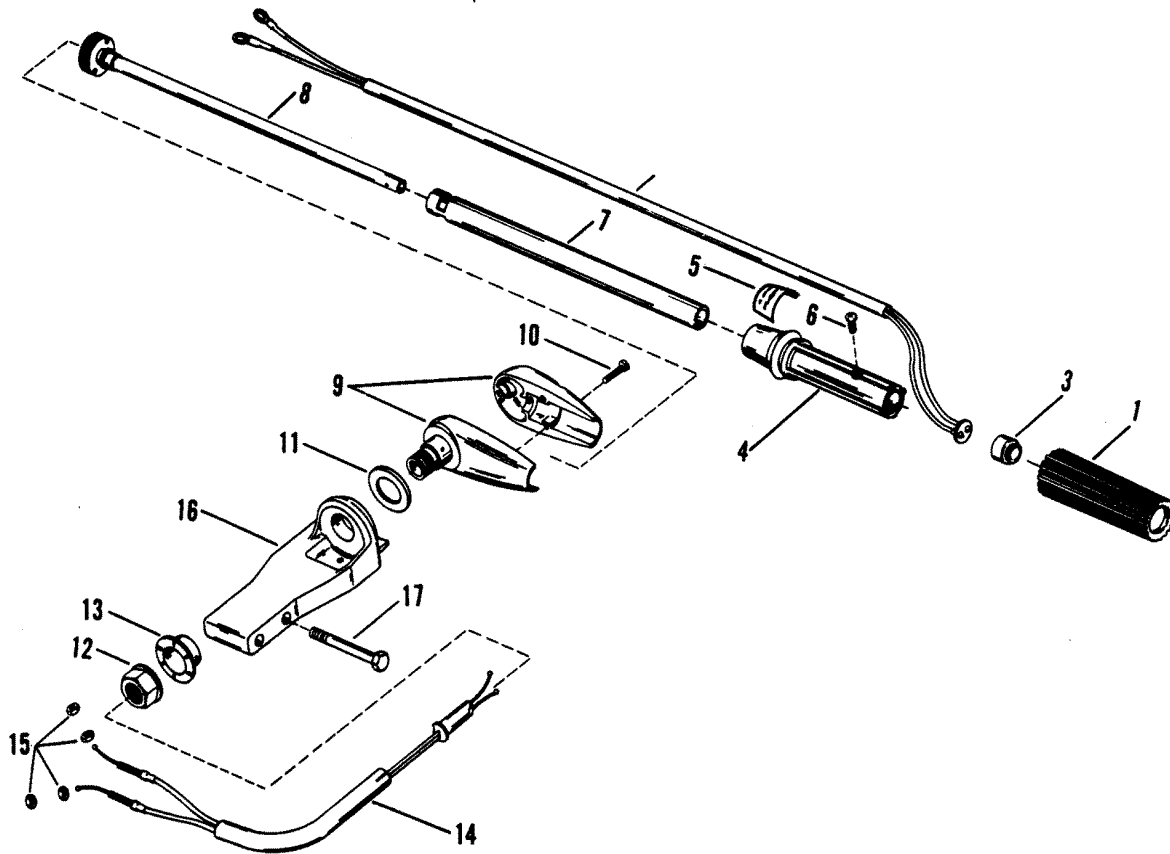
CRANKSHAFT, PISTONS AND FLYWHEEL



CRANKSHAFT,PISTONS AND FLYWHEEL

REF. NO.	PART NO.	SYM.	QTY.	DESCRIPTION
1	258-8274A6		1	FLYWHEEL ASSEMBLY
2	10-97359A1		1	SCREW,FLYWHEEL TO CRANKSHIFT
3	12-86496		1	WASHER,FLYWHEEL SCREW
4	43-99301		1	RING GEAR,FLYWHEEL-ELECTRIC
5	10-40039106		4	SCREW, RING GEAR TO FLYWHEEL -ELECTRIC
6	464-8586A2		1	CRANKSHAFT ASSEMBLY -ELECTRIC
7	85981		1	SEAL CRANKSHAFT
8	26-85107		1	OIL SEAL,CRANKSHAFT-LOWER
9	31-85113		1	ROLLER BEARING,CRANKSHAFT-LOWER
10	31-85114		1	ROLLER BEARING,CRANKSHAFT-UPPER
11	26-85974		1	OIL SEAL,CRANKSHAFT-UPPER
12	86992A2		1	BEARING ASSEMBLY,CENTER MAIN
13	28-20094		1	KEY,FLYWHEEL DRIVE
14	767-8511A3		2	PISTON AND PIN ASSEMBLY
15	40-47276		4	LOCK RING,PISTON PIN
16	39-96525A12		1	PISTON RING ASSUMBLY
17	630-8835A2		2	CONNECTING ROD ASSEMBLY
18	29-98295		54	NEEDLE BEARING,PISTON END
19	42025		4	BEARING,LOCATING-NEEDLE BEARING
20	31-41620A1		2	ROLLER BEARING ASSEMBLY
21	10-40082-25		4	SCREW,CONNECTING ROD(25MM)

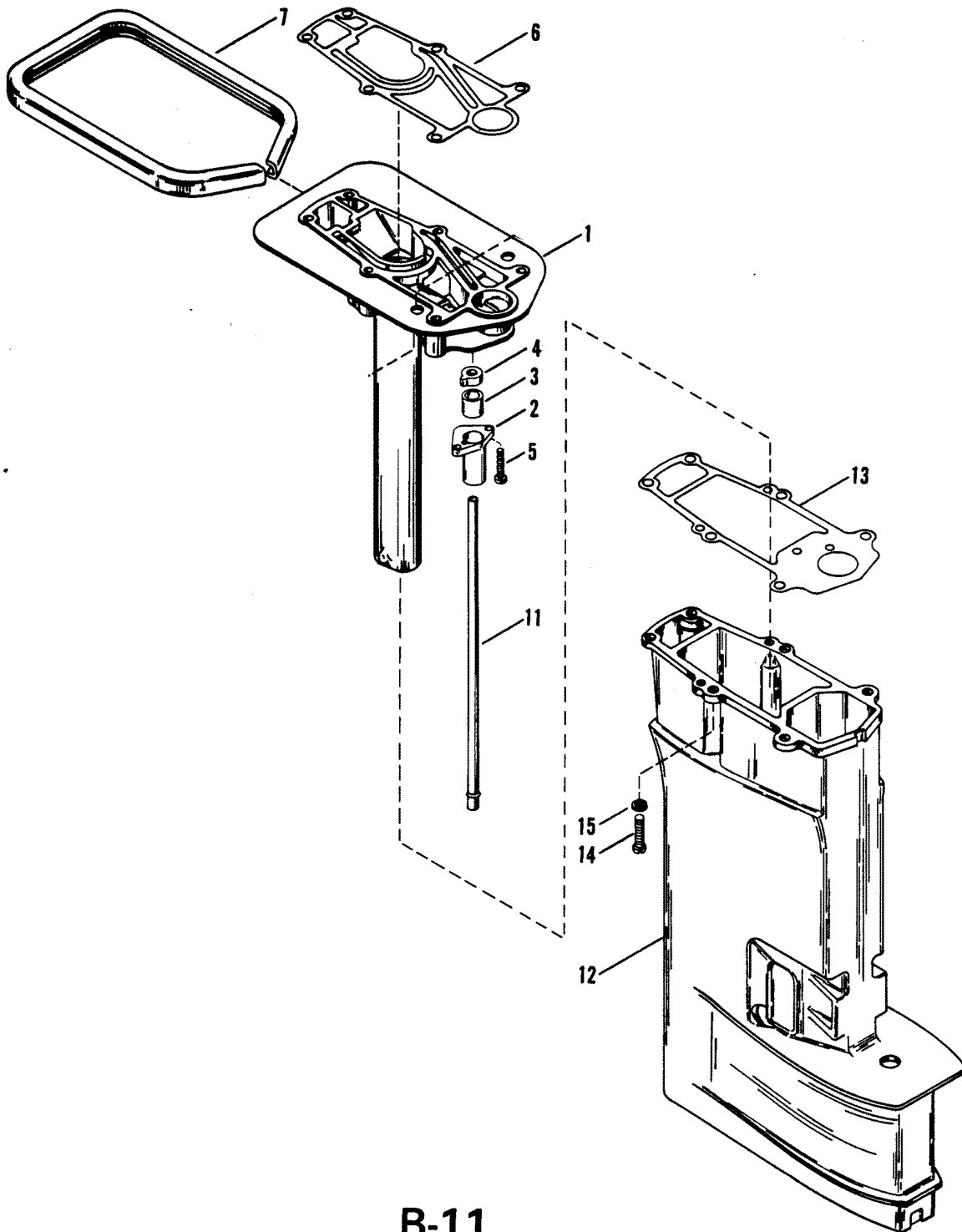
STEERING HANDLE ASSEMBLY



STEERING HANDLE ASSEMBLY

REF. NO.	PART NO.	SYM.	QTY.	DESCRIPTION
-	94185A3		1	STEERING HANDLE ASSEMBLY
1	99589		1	GRIP,RUBBER
2	84-89591A2		1	HARNESS ASSEMBLY,STOP SWITCH
3	55741A1		1	BOOT ASSEMBLY,STOP SWITCH
4	96495A1		1	HANDLE ASSEMBLY,THROTTLE
5	37-42424		1	DECAL,THROTTLE HANDLE
6	10-62568		1	SCREW,THROTTLE HANDLE
7	99333A2		1	TUBE ASSEMBLY,STEERING
8	41590A1		1	TUBE ASSEMBLY
9	94185A4		1	BRACKET ASSEMBLY
10	10-40056-88		3	SCREW,BRACKET CLAMPING(20MM)
11	12-57860		1	WASHER,NYLON-BRACKET
12	11-96787		1	NUT,BRACKET
13	23-85973		1	BUSHING,BRACKET
14	43242		1	CABLE,THROTTLE
15	11-40021--2		4	NUT,THROTTLE CABLE
16	43447A1		1	BRACKET ASSEMBLY,STEERING
17	10-40003-84		2	SCREW,BRACKET TO SWIVEL TUBE(75MM)

DRIVE SHAFT HOUSING ASSEMBLY

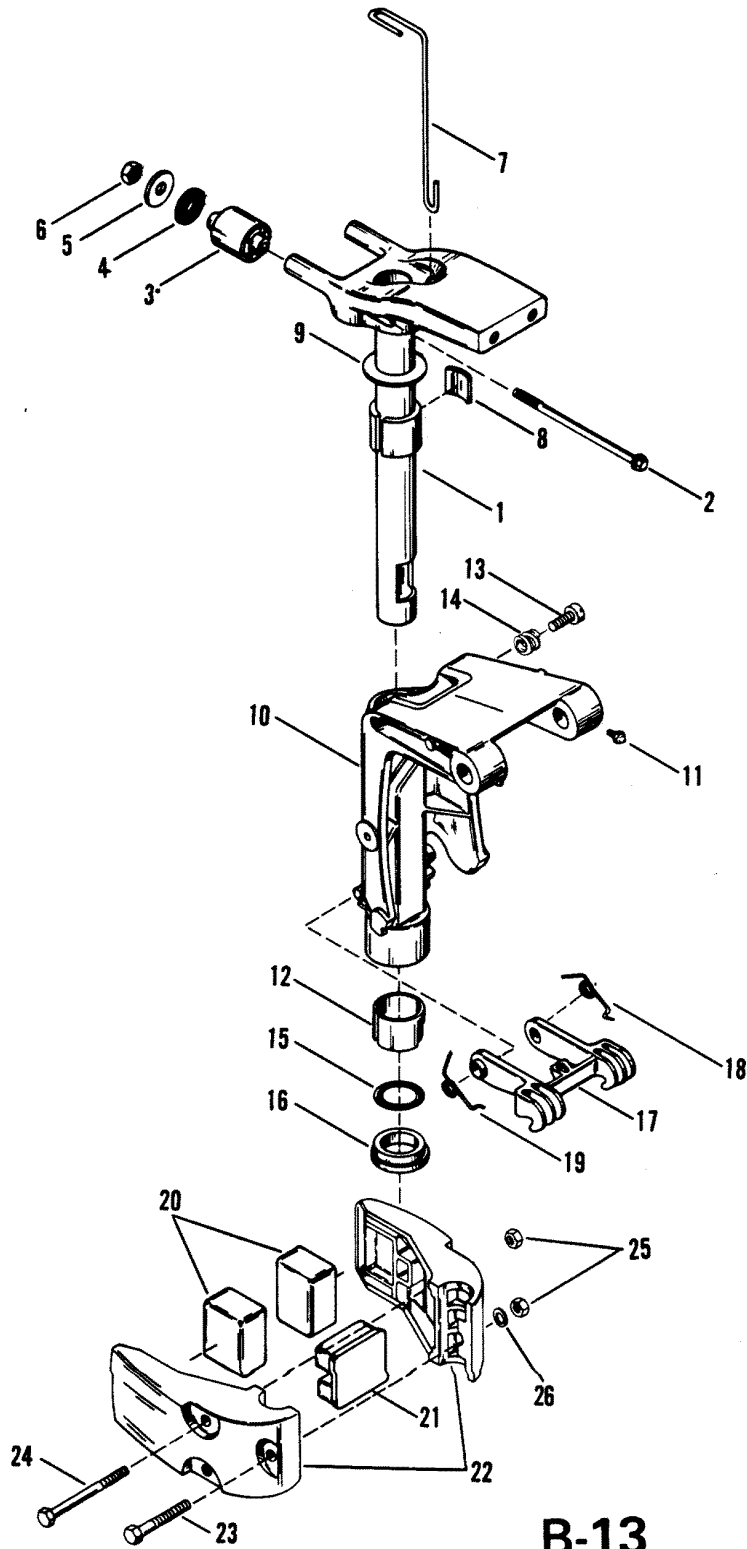


B-11

DRIVE SHAFT HOUSING ASSEMBLY

REF. NO.	PART NO.	SYM.	QTY.	DESCRIPTION
1	99702A3		1	ADAPTOR PLATE ASSEMBLY (MERC18)
	99702A4		1	ADAPTOR PLATE ASSEMBLY (MERC 25)
2	96248A1		1	HOUSING ASSEMBLY,WATER TUBE
3	26-25329		1	SEAL,WATER TUBE
4	23-96247		1	SPACER,WATER TUBE
5	10-40003--5		2	SCREW,HOUSING TO ADAPTOR PLATE(16MM)
6	27-41670		1	GASKET,ADAPTOR PLATE
7	87357		1	SEAL,ADAPTOR PLATE
11	32-85116		1	WATER TUBE,SHORT SHAFT
	32-86292		1	WATER TUBE,LONG SHAFT
12	1588-8747A1		1	HOUSING ASSEMBLY,SHORT SHAFT
	1591-8749A1		1	HOUSING ASSEMBLY,LONG SHAFT
13	27-43337		1	GASKET,DRIVE SHAFT HOUSING
14	10-40003-60		6	SCREW,DRIVE SHAFT HOUSING TO PLATE(60MM)
15	12-40023-17		6	WASHER,DRIVE SHAFT HOUSING SCREW

SWIVEL BRACKET ASSEMBLY

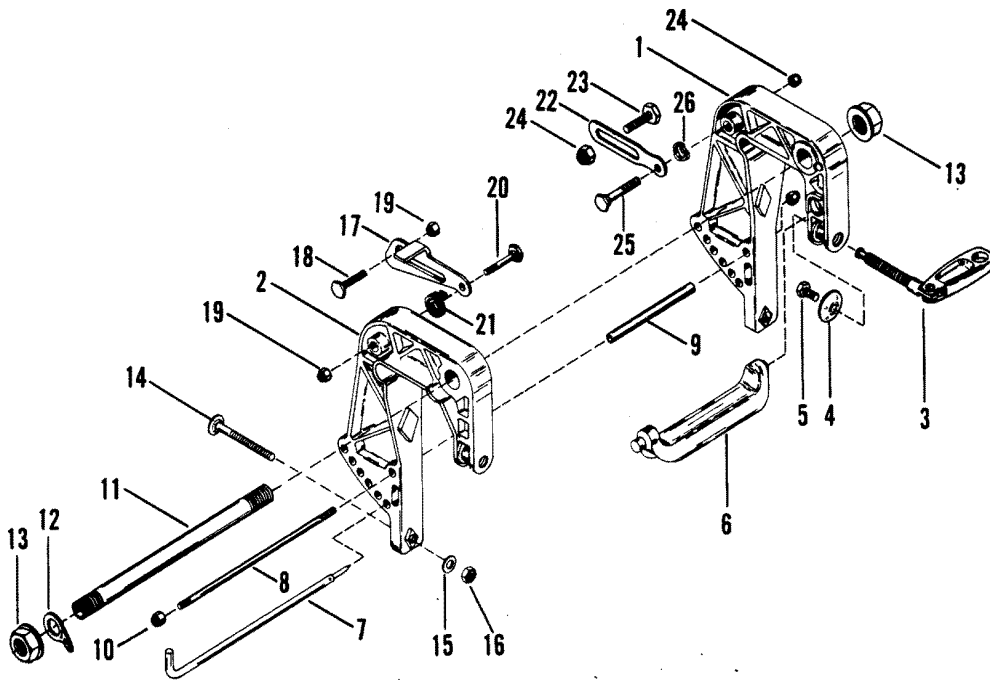


B-13

SWIVEL BRACKET ASSEMBLY

REF. NO.	PART NO.	SYM.	QTY.	DESCRIPTION
1	97544A1		1	SWIVEL TUBE ASSEMBLY
2	10-87142		2	SCREW,UPPER MOUNT(133MM)
3	85102		2	MOUNT,UPPER
4	12-85172		2	WASHER,RUBBER-UPPER MOUNT SCREW
5	12-85106		2	WASHER,UPPER MOUNT SCREW
6	11-40021--3		2	NUT,UPPER MOUNT SCREW
7	85157		1	ROD,REVERSE HOOK
8	85173		1	PLATE,PILOT CONTROL
9	12-85104		1	WASHER,SWIVEL TUBE
10	1487-8692A3		1	SWIVEL BRACKET ASSEMBLY
11	22-74036		3	GREASE FITTING
12	23-95949		2	BUSHING,SWIVEL BRACKET
13	10-91908		1	SCREW,PILOT CONTROL
14	24-96203		1	SPRING,PILOT CONTROL SCREW
15	25-86993		1	"O" RING SWIVEL TUBE
16	23-85154		1	BUSHING,SWIVEL TUBE(LOWER)
17	98830A1		1	HOOK ASSEMBLY,REVERSE LOCK
18	24-96018		1	SPRING,REVERSE HOOK-PORT
19	24-97427		1	SPRING,REVERSE HOOK-STARBOARD
20	85122		2	MOUNT,LOWER
21	85123		1	BUMPER,FRONT
22	95068A1		1	COVER,LOWER MOUNT
23	10-40092-59		1	SCREW,LOWRE MOUNT COVER(60MM)
24	10-40092-63		2	SCREW,LOWER MOUNT COVER(100MM)
25	11-40021--3		3	NUT,LOWER MOUNT COVER SCREW
26	12-36001		3	WASHER,LOWER MOUNT COVER SCREW

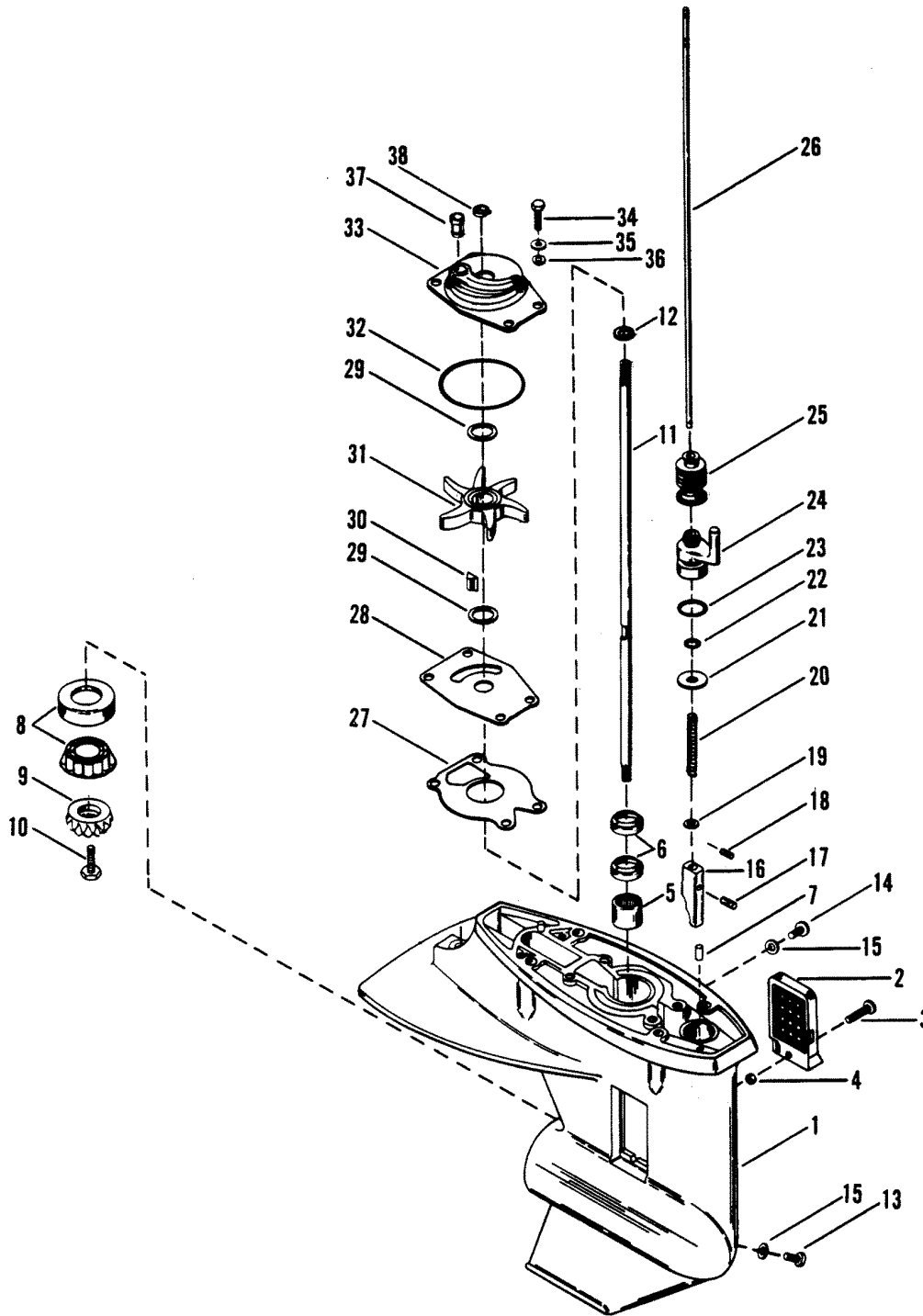
CLAMP BRACKET ASSEMBLY



CLAMP BRACKET ASSEMBLY

REF. NO.	PART NO.	SYM.	QTY.	DESCRIPTION
1	1497-8794A1		1	CLAMP BRACKET ASSEMBLY (PORT)
2	1497-8796A1		1	CLAMP BRACKET ASSEMBLY (STARBOARD)
3	10-92767A1		2	THUMB SCREW ASSEMBLY
4	12-73719		2	WASHER, THUMB SCREW
5	10-76804		2	SCREW, WASHER ATTACHING
6	41042		1	HANDLE, CARRYING
7	17-99929A1		1	TILT PIN ASSEMBLY
8	16-99928		1	STUD, CLAMP BRACKET
9	23-41041		1	SPACER, CLAMP BRACKET STUD
10	11-40021--3		2	NUT, CLAMP BRACKET STUD
11	41171		1	TILT TUBE
12	54-30954		1	CLIP, SAFETY
13	11-93164		2	NUT, TILT TUBE
14	10-69064		2	BOLT, CLAMP BRACKET TO TRANSOM
15	12-67981		2	WASHER, CLAMP BRACKET BOLT
16	11-67980		2	NUT, CLAMP BRACKET BOLT
17	96965		1	LEVER, TILT STOP-STARBOARD SIDE
18	10-41523		1	SCREW, LEVER TO SWIVEL BRACKET
19	11-36069		2	NUT, TILT STOP LEVER SCREW
20	10-41524		1	SCREW, LEVER TO CLAMP BRACKET
21	24-44581		1	SPRING, TILT STOP LEVER SCREW
22	90901		1	STRAP, TILT STOP-PORT SIDE
23	10-41523		1	SCREW, STRAP TO SWIVEL BRACKET
24	11-36069		2	NUT, TILT STOP STRAP SCREW
25	10-41524		1	SCREW, STRAP TO CLAMP BRACKET
26	13-31030		1	WAVE WASHER, TILT STOP STRAP SCREW

GEAR HOUSING (DRIVE SHAFT)

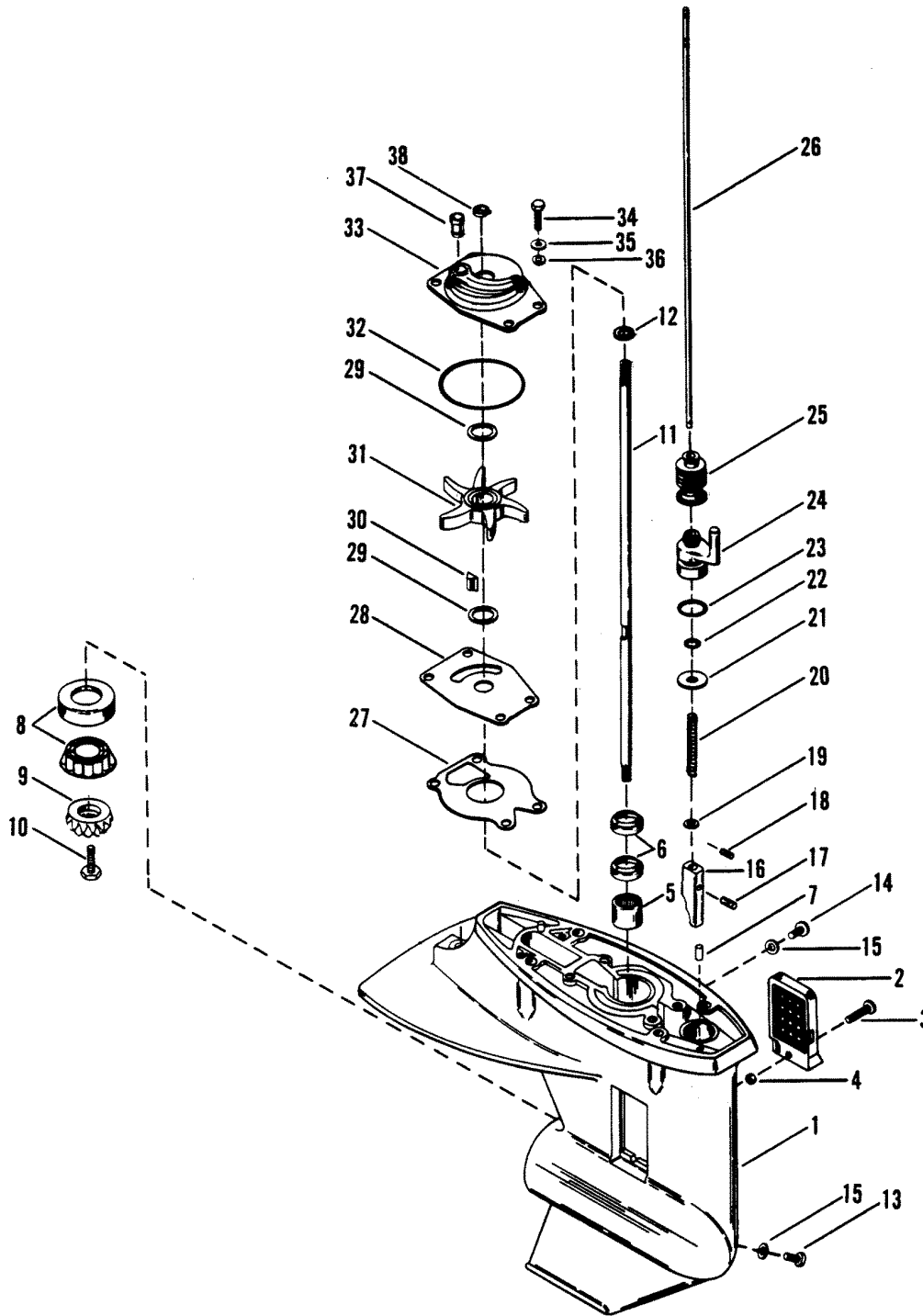


GEAR HOUSING (DRIVE SHAFT)

REF. NO.	PART NO.	SYM.	QTY.	DESCRIPTION
-	1665-8669A3		1	GEAR HOUSING ASSEMBLY,COMPLETE-SHORT SHAFT
-	1665-8669A4		1	GEAR HOUSING ASSEMBLY,COMPLETE-LONG SHAFT
1	1665-8669A2		1	GEAR HOUSING ASSEMBLY
2	35-41134		1	SCREEN,WATER INLET-STARBOARD
	35-41133		1	SCREEN,WATER INLET-PORT
3	10-40031112		1	SCREW,SCREEN TO GEAR HOUSING(40MM)
4	11-40026--3		1	NUT,SCREEN SCREW
5	31-41326		1	ROLLER BEARING,UPPER
6	26-99325		2	SEAL,GEAR HOUSING
7	17-85500		2	DOWEL PIN,GEAR HOUSING
8	31-98294A1		1	ROLLER BEARING ASSEMBLY
9	43-98302		1	PINION GEAR
10	10-49908		1	SCREW,PINION GEAR
11	45-99199		1	DRIVE SHAFT-SHORT SHAFT
	45-99198		1	DRIVE SHAFT-LONG SHAFT
12	25-99691		1	"O" RING
13	22-67892		1	SCREW,DRAIN-MAGNETIC
14	10-79953		1	SCREW,GREASE FILLER
15	12-20260		2	WASHER,DRAIN AND FILLER SCREW
16	85562A1		1	CAM ASSEMBLY,SHIFT
17	17-85096		1	DRIVE PIN,SHIFT CAM
18	17-85593		1	ROLL PIN,SHIFT SHAFT
19	12-29245		1	WASHER,SHIFT SHAFT
20	24-93007		1	SPRING,SHIFT SHAFT
21	12-85091		1	WASHER,SHIFT SHAFT
22	25-85594		1	"O" RING,SHIFT SHAFT
23	25-20365		1	"O" RING,SHIFT SHAFT RETAINER
24	93878		1	RETAINER,SHIFT SHAFT
25	85552		1	BOOT,SHIFT SHAFT
26	85126		1	SHIFT SHAFT-SHORT SHAFT
	86293		1	SHIFT SHAFT-LONG SHAFT
27	27-99326		1	GASKET,WATER PUMP
28	85083		1	FACE PLATE
29	12-86645		2	WASHER,IMPELLER
30	28-85119		1	KEY,IMPELLER DRIVE
31	47-85089		1	IMPELLER
32	25-69202		1	"O" RING,WATER PUMP
33	46-99157A1		1	WATER PUMP ASSEMBLY

CONTINUED ON NEXT PAGE ➡

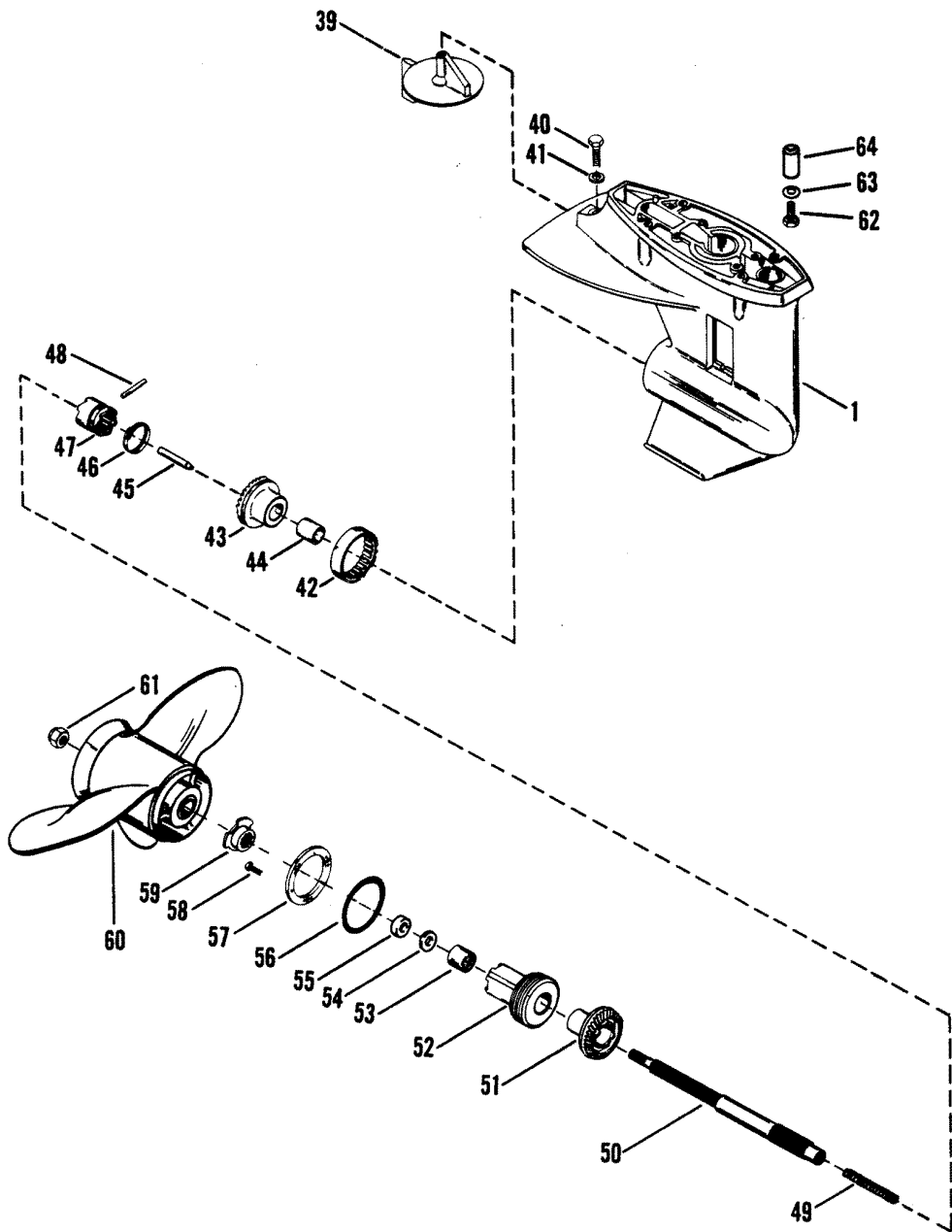
GEAR HOUSING (DRIVE SHAFT)



GEAR HOUSING (DRIVE SHAFT)

REF. NO.	PART NO.	SYM.	QTY.	DESCRIPTION
34	10-40003--5		4	SCREW,WATER PUMP TO FEAR HOUSING (16MM)
35	12-89302		4	WASHER,WATER PUMP SCREW
36	23-85095		4	BUSHING,WATER PUMP SCREW
37	26-85090		1	SEAL,WATER TUBE
38	25-86203		1	RING,DRIVE SHAFT-RUBBER

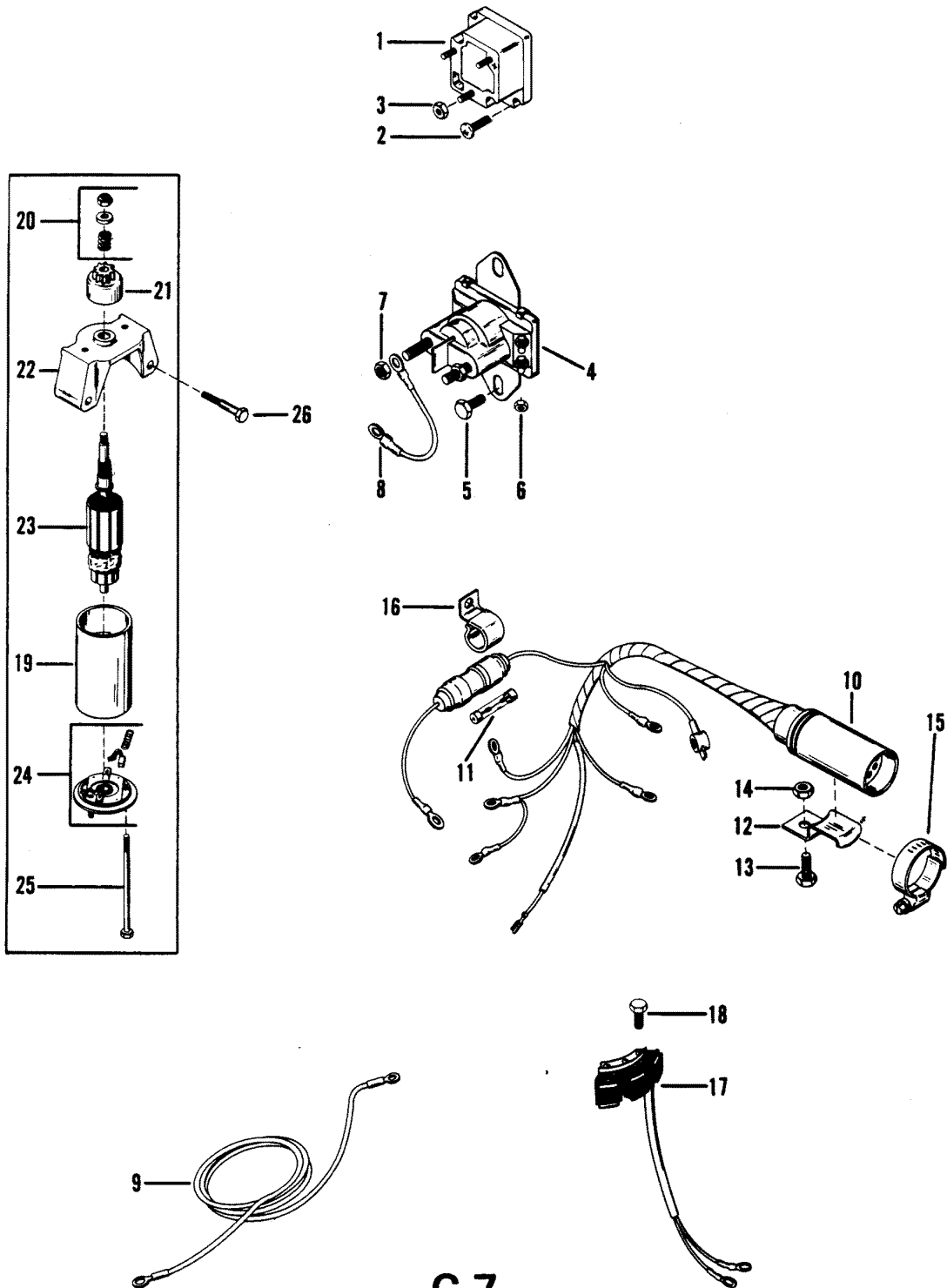
GEAR HOUSING (PROPELLER SHAFT)



GEAR HOUSING (PROPELLER SHAFT)

REF. NO.	PART NO.	SYM.	QTY.	DESCRIPTION
-	1665-8669A3		1	GEAR HOUSING ASSEMBLY,COMPLETE-SHORT SHAFT
-	1665-8669A4		1	GEAR HOUSING ASSEMBLY,COMPLETE-LONG SHAFT
1	1665-8669A2		1	GEAR HOUSING ASSEMBLY
39	44138		1	TRIM TAB
40	10-40003-55		1	SCREW,TRIM TAB(35MM)
41	12-70132		1	WASHER,TRIM TAB SCREW
42	31-99328A1		1	ROLLER BEARING ASSEMBLY,TAPERED
43	43-44213A1		1	FORWARD GEAR
44	23-85557		1	BUSHING,FORWARD GEAR
45	85094		1	CAM FOLLOWER
46	24-38114		1	SPRING,RETAINING-CROSS PIN
47	52-41040		1	CLUTCH,SLIDING
48	17-85093		1	CROSS PIN,CLUTCH TO PROPELLER SHAFT
49	24-88680		1	SPRING,COMPRESSION-PROPELLER SHAFT
50	44-99740		1	PROPELLER SHAFT
51	43-99542		1	REVERSE GEAR
52	99906A1		1	BEARING CARRIER ASSEMBLY
53	31-21739		1	ROLLER BEARING
54	26-41132		1	OIL SEAL,BEARING CARRIER(INNER)
55	26-41131		1	OIL SEAL,BEARING CARRIER(OUTER)
56	25-85549		1	"O" RING,BEARING CARRIER
57	87293		1	PLATE,GEAR HOUSING
58	10-91909		3	SCREW,COVER TO GEAR HOUSING(16MM)
59	85128A1		1	THRUST HUB ASSEMBLY,PROPELLER
60	48-86848A4		1	PROPELLER ASSEMBLY
61	11-88228		1	PROPELLER NUT
62	10-43215		4	SCREW,GEAR HOUSING(25MM)
63	12-43328		4	WASHER,GEAR HOUSING SCREW
64	23-41589		4	SPACER,GEAR HOUSING SCREW

ELECTRIC COMPONENTS

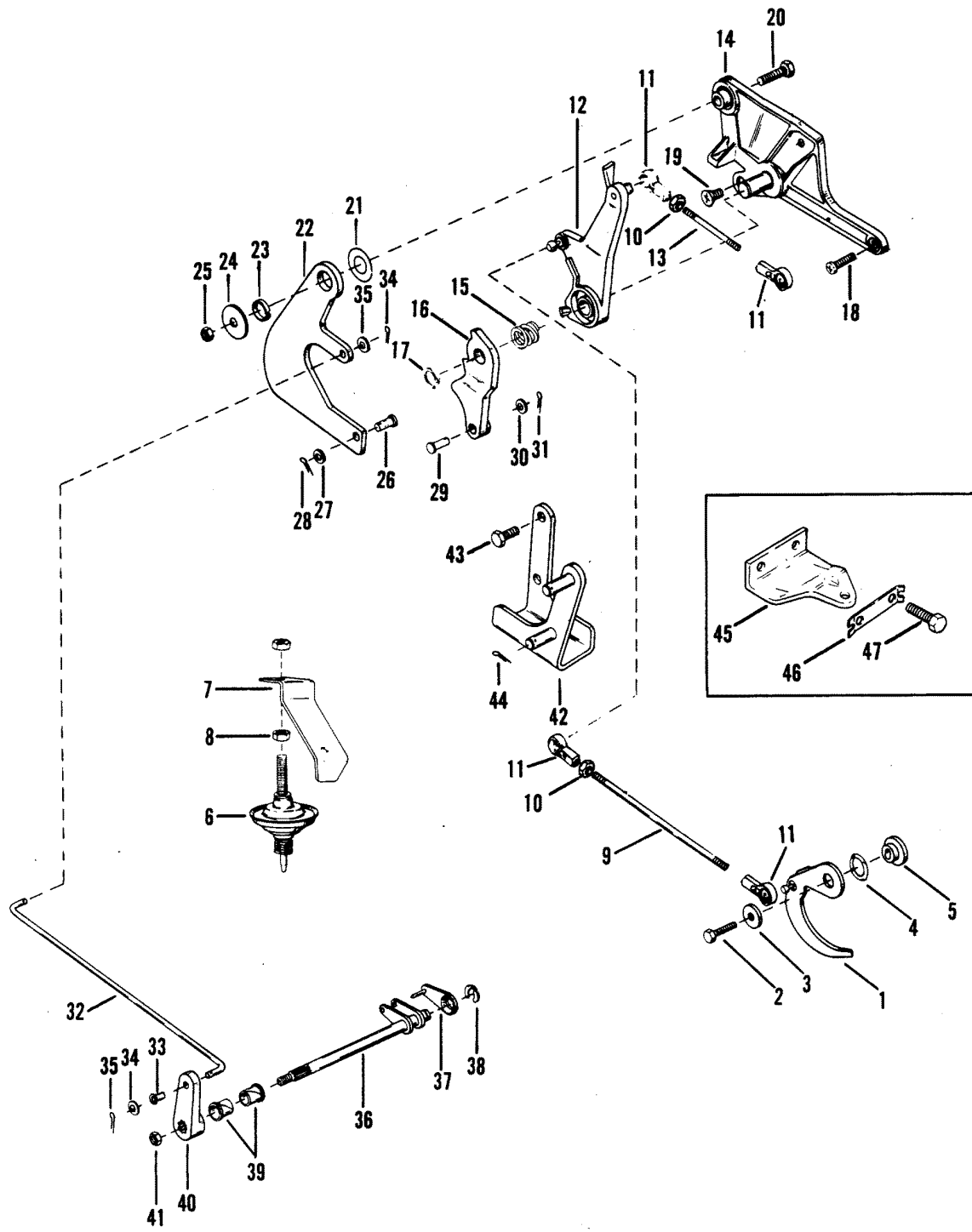


C-7

ELECTRIC COMPONENTS

REF. NO.	PART NO.	SYM.	QTY.	DESCRIPTION
1	62351A2		1	RECTIFIER ASSEMBLY
2	10-48409		2	SCREW,RECTIFIER TO CYLINDER BLOCK
3	11-45076		3	NUT,RECTIFIER TERMINALS
4	89-96054		1	STARTER SOLENOID
5	10-40001-68		2	SCREW,STARTER SOLENOID TO CRANKCASE(14MM)
6	11-26419		2	NUT,STARTER SOLENOID TERMINAL(10-32)
7	11-64015		2	NUT,STARTER SOLENOID TERMINAL(1/4-20)
8	84-88809A5		1	WIRE ASSEMBLY,YELLOW
9	84-88439A8		1	BATTERY WIRE ASSEMBLY,RED
	84-88439A6		1	BATTERY WIRE ASSEMBLY,BLACK
10	84-92436A3		1	WIRING HARNESS ASSEMBLY,ENGINE
11	88-95085		1	FUSE
12	92439		1	BRACKET,WIRING HARNESS
13	10-40003-27		1	SCREW,BRACKET
14	11-40021--2		1	NUT,BRACKET SCREW
15	54-32523		1	CLAMP,WIRING HARNESS
16	54-55098		1	CLAMP,WIRING HARNESS
17	86704A2		1	STATOR ASSEMBLY,AUXILIARY
18	10-40001-23		3	SCREW,STATOR ATTACHING(30MM)
19	50-90983A1		1	STARTER MOTOR ASSEMBLY
20	96561		1	DRIVER KIT
21	96562		1	DRIVE
22	96563		1	DRIVE
23	96563		1	ARMATURE
24	96564		1	END CAP,COMMUTATOR W/SPRINGS AND BRUSHES
25	10-96566		1	THRU BOLT
26	10-40001149		2	SCREW,STARTER MOTOR ATTACHING

THROTTLE AND SHIFT LINKAGE (ELECTRIC)



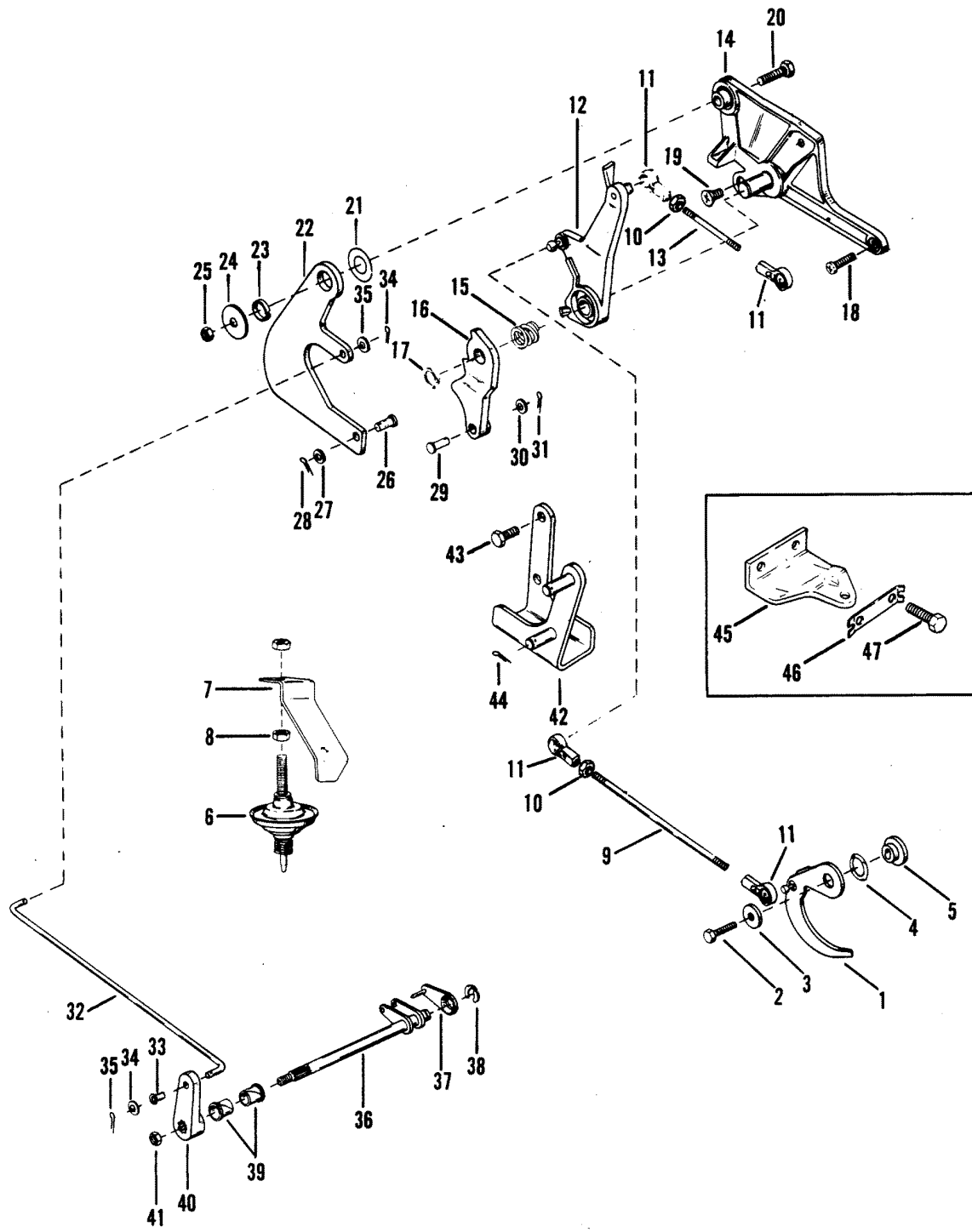
C-9

THROTTLE AND SHIFT LINKAGE (ELECTRIC)

REF. NO.	PART NO.	SYM.	QTY.	DESCRIPTION
1	42903		1	THROTTLE CAM
2	10-40001-14		1	SCREW,THROTTLE CAM TO CRANKCASE(16MM)
3	12-87791		1	WASHER,THROTTLE CAM SCREW
4	13-69150		1	WAVE WASHER,THROTTLE CAM SCREW
5	23-86968		1	BUSHING,THROTTLE CAM SCREW
6	92425		1	DASHPOT
7	93001		1	BRACKET,DASHPOT
8	11-22053		2	NUT,DASHPOT TERMINAL
9	98463A1		1	THROTTLE ROD
10	11-68219		1	NUT,LOCK-THROTTLE ROD
11	98465		2	SOCKET,THROTTLE ROD
12	92730		1	LEVER,CONTROL
13	98464A1		1	TIMING ROD
14	44299		1	PLATFORM,CONTROL
15	24-89540		1	SPRING,SPARK ADVANCE
16	95034		1	LEVER,ACTUATING
17	53-46250		1	RETAINING RING,ACTUATING AND CONTROL LEVER
18	10-40057108		2	SCREW,CONTROL PLATFORM(20MM)
19	10-40037126		1	SCREW,CONTROL PLATFORM(13MM)
20	10-40007128		1	SCREW,SHIFT LEVER TO PLATFORM(20MM)
21	12-95093		1	WASHER,SHIFT LEVER TO PLATFORM
22	95035		1	LEVER,SHIFT
23	23-95091		1	SLEEVE,SHIFT LEVER TO PLATFORM
24	12-35280		1	WASHER,SHIFT LEVER SCREW
25	11-40063--4		1	NUT,SHIFT LEVER SCREW
26	17-95029		1	PIN,SHIFT LEVER
27	12-71055		1	WASHER,SHIFT LEVER PIN
28	18-2171		1	COTTER PIN,SHIFT LEVER PIN
29	17-95784		1	PIN,ACTUATING LEVER
30	12-71055		1	WASHER,ACTUATING LEVER PIN
31	18-21071		1	COTTER PIN,ACTUATING LEVER PIN
32	95025		1	SHIFT LINK
33	23-96202		1	BUSHING,NYLON-SHIFT LINK
34	12-89302		2	WASHER,SHIFT LINK
35	18-2171		2	COTTER PIN,SHIFT LINK
36	95027A1		1	SHIFT SHAFT ASSEMBLY,HORIZONTAL
37	95023		1	LEVER,SHIFT SHAFT
38	53-95019		1	RETAINING RING,LEVER TO SHIFT SHAFT
39	23-60762		2	BUSHING,SHIFT SHAFT
40	95024		1	LEVER,SHIFT SHAFT
41	11-40063--3		1	NUT,SHIFT SHAFT
42	95033		1	BRACKET,REMOTE CONTROL

CONTINUED ON NEXT PAGE ➡

THROTTLE AND SHIFT LINKAGE (ELECTRIC)

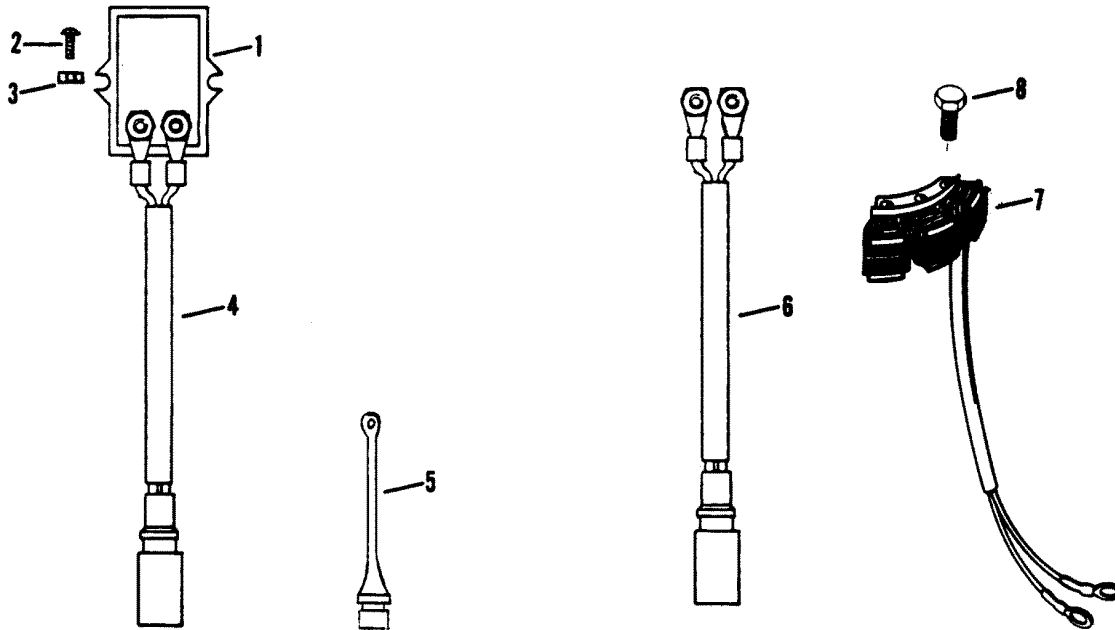


C-9

THROTTLE AND SHIFT LINKAGE (ELECTRIC)

REF. NO.	PART NO.	SYM.	QTY.	DESCRIPTION
43	10-40001-68		2	SCREW,REMOTE CONTROL BRACKET(14MM)
44	18-21071		2	COTTER PIN,REMOTE CONTROL CABLES
45	96186A1		1	BRACKET ASSEMBLY,ATTACHING
46	96201		1	STRAP
47	10-40003-76		2	SCREW,BRACKET (25MM)

BELGIUM ENGINES



BELGIUM ENGINES

REF. NO.	PART NO.	SYM.	QTY.	DESCRIPTION
1	95845		1	VOLTAGE REGULATOR
2	10-92799		2	SCREW,VOLTAGE REGULATOR TO MANIFOLD COVER(1-1/8")
3	11-45076		2	NUT,VOLTAGE REFULATOR TERMINAL
4	84-74725A2		1	HARNESS ASSEMBLY,VOLTAGE REGULATOR (BLACK/RED)
5	71663		1	PLUG,HARNESS
6	84-65017A2		1	HARNESS ASSEMBLY,LIGHTING(EXTERNAL)
7	86704A2		1	STATOR ASSEMBLY
8	10-40001-23		3	SCREW,STATOR ATTACHING (30MM)

PARTS INDEX

Part Number	Description	Pg.	Ref. No.	Part Number	Description	Pg.	Ref. No.
11024--1	ACTUATOR,PRIMER	13	23	85981	SEAL CRANKSHAFT	19	7
11024--1	ACTUATOR,PRIMER	15	23	85982	PLATE,BOTTOM COWL	3	11
22833	ADAPTOR,CHECK UNIT	11	13	86293	SHIFT SHAFT-LONG SHAFT	29	26
23069	STEM,ADAPTOR	11	12	86617A5	STATOR ASSEMBLY	9	2
30188	CUP WASHER,ADAPTOR	11	9	86704A2	STATOR ASSEMBLY	41	7
41042	HANDLE,CARRYING	27	6	86704A2	STATOR		
41171	TILT TUBE	27	11		ASSEMBLY,AUXILIARY	35	17
41420A1	PLATE,ADAPTOR-CARBURETOR	17	34	86717	LINK,THROTTLE/ADVANCE	7	20
41590A1	TUBE ASSEMBLY	21	8	86850	CAM	5	13
41703	LEVER,PRIMER	13	21	86853	CAM	5	18
41703	LEVER,PRIMER	15	21	86971	COVER,STARTER HOUSING	5	2
41717	BRACKET,PRIMER	13	18	86992A2	BEARING		
42025	BEARING,LOCATING-NEEDLE BEARING	19	19	87293	ASSEMBLY,CENTER MAIN	19	12
42471	REED BLOCK	17	27	87308	PLATE,GEAR HOUSING	33	57
42515A1	LEVER ASSEMBLY,FAST IDLE	13	20	87357	BRACKET,COWL LATCH	3	13
42515A1	LEVER ASSEMBLY,FAST IDLE	15	20	87794	SEAL,ADAPTOR PLATE	23	7
42626	SUPPORT,STARTER HANDLE	5	20	88173	SHIFT SHAFT,HORIZONTAL	7	34
42712A1	HOUSING,STARTER	5	1	89582	TAB,COIL SCREW	9	12
42872--1	IDLE WIRE	13	22	89583	LATCH,COWL-REAR	3	17
42872--1	IDLE WIRE	15	22	89583	LINK,COWL LATCH	3	16
42903	THROTTLE CAM	7	1	90478	PAD,FELT	5	9
42903	THROTTLE CAM	37	1	90901	STRAP,TILT STOP-PORT SIDE	27	22
43242	CABLE,THROTTLE	21	14	91935	BALL,FUEL FILTER	11	4
43360	LEVER,CONTROL	7	12	92329	EXHAUST MANIFOLD	17	8
43447A1	BRACKET ASSEMBLY,STEERING	21	16	92330	COVER,EXHAUST	17	10
43514	LATCH,BOTTOM COWL	3	7	92349	COVER,TRANSFER PORT	17	12
43515	HINGE, COWL LATCH	3	2	92350	COVER,TRANSFER PORT	17	24
43555	BRACKET, TOP COWL	3	3	92351	COVER,TRANSFER PORT	17	21
43717	IDLE STOP	17	38	92362	LEVER,PRIMARY	7	23
44138	TRIM TAB	33	39	92425	DASHPOT	7	6
44149-67	SEAL,BOTTOM COWL	3	6	92425	DASHPOT	37	6
44299	PLATFORM,CONTROL	7	16	92439	BRACKET,WIRING HARNESS	35	12
44299	PLATFORM,CONTROL	37	14	92730	LEVER,CONTROL	37	12
55741A1	BOOT ASSEMBLY,STOP SWITCH	21	3	93001	BRACKET,DASHPOT	7	7
62351A2	RECTIFIER ASSEMBLY	35	1	93001	BRACKET,DASHPOT	37	7
69205	"C" WASHER,CLIP SCREW	9	9	93744	LEVER,SHIFT SHAFT	7	35
71663	PLUG,HARNESS	41	5	93779	LEVER,ACTUATING	7	18
85083	FACE PLATE	29	28	93876	LEVER,LOCK (LOWER)	5	5
85094	CAM FOLLOWER	33	45	93878	LEVER,LOCK (UPPER)	5	3
85102	MOUNT,UPPER	25	3	93928	RETAINER,SHIFT SHAFT	29	24
85122	MOUNT,LOWER	25	20	94019	LEVER,ROD END	7	36
85123	BUMPER,FRONT	25	21	94084	LEVER,SHIFT ROD	7	31
85126	SHIFT SHAFT-SHORT SHAFT	29	26	94085	LEVER,SHIFT ROD	7	27
85128A1	THRUST HUB ASSEMBLY,PROPELLER	33	59	94152	GEAR,SHIFT	7	22
85157	ROD,REVERSE HOOK	25	7	94185A3	GEAR	7	22
85173	PLATE,PILOT CONTROL	25	8		STEERING HANDLE ASSEMBLY	21	-
85174A1	HANDLE ASSEMBLY,STARTER ROPE	5	16	94185A4	BRACKET ASSEMBLY	21	9
85552	BOOT,SHIFT SHAFT	29	25	94186	BRACKET,THROTTLE CABLE	7	38
85562A1	CAM ASSEMBLY,SHIFT	29	16	95023	LEVER,SHIFT SHAFT	37	37
85977	SEAL,REED BLOCK-RUBBER	17	28	95024	LEVER,SHIFT SHAFT	37	40
				95025	SHIFT LINK	37	32
				95027A1	SHIFT SHAFT ASSEMBLY,HORIZONTAL	37	36
				95033	BRACKET,REMOTE CONTROL	37	42
				95034	LEVER,ACTUATING	37	16
				95035	LEVER,SHIFT	37	22
				95068A1	COVER,LOWER MOUNT	25	22
				95845	VOLTAGE REGULATOR	41	1

PARTS INDEX

Part Number	Description	Pg.	Ref. No.	Part Number	Description	Pg.	Ref. No.
96186A1	BRACKET			10-40001-68	SCREW,STARTER SOLENOID TO		
	ASSEMBLY,ATTACHING	39	45		CRANKCASE(14MM)	35	5
96201	STRAP	39	46	10-40001-71	SCREW,BRACKET TO		
96248A1	HOUSING				CYLINDER BLOCK (16MM)	7	39
	ASSEMBLY,WATER TUBE	23	2	10-40001-74	SCREW,STARTER HOUSING		
96255--2	SHIFT ROD	7	30		ATTACHING (20MM)	5	8
96495A1	HANDLE			10-40001-83	SCREW,STARTER HOUSING		
	ASSEMBLY,THROTTLE	21	4		ATTACHING (35MM)	5	8
96561	DRIVER KIT	35	20	10-40001-89	SCREW, COIL TO CYLINDER		
96562	DRIVE	35	21		BLOCK (45MM)	9	11
96563	ARMATURE	35	23	10-40001149	SCREW,STARTER MOTOR		
96563	DRIVE	35	22		ATTACHING	35	26
96564	END CAP,COMMUTATOR			10-40001209	SCREW,CRANKCASE TO		
	W/SPRINGS AND				CYLINDER BLOCK (60MM)	17	6
	BRUSHES	35	24	10-40003--5	SCREW,HOUSING TO		
96965	LEVER,TILT STOP-				ADAPTOR PLATE(16MM)	23	5
	STARBOARD SIDE	27	17	10-40003--5	SCREW,WATER PUMP TO		
97544A1	SWIVEL TUBE ASSEMBLY	25	1		FEAR HOUSING (16MM)	31	34
98450A1	TRIGGER ASSEMBLY	9	6	10-40003-27	SCREW,BRACKET	35	13
98463A1	THROTTLE ROD	7	9	10-40003-31	SCREW,COVER ATTACHING		
98463A1	THROTTLE ROD	37	9		(30MM)	17	16
98464A1	TIMING ROD	37	13	10-40003-32	SCREW,ADAPTOR TO		
98464A2	TIMING ROD	7	13		BOTTOM COWL(35MM)	11	14
98465	SOCKET,THROTTLE ROD	7	11	10-40003-33	SCREW,EXHAUST COVER		
98465	SOCKET,THROTTLE ROD	37	11		TO CYLINDER BLOCK		
98465	SOCKET,TIMING ROD	7	15		(40MM)	17	11
98830A1	HOOK ASSEMBLY,REVERSE			10-40003-55	SCREW,TRIM TAB(35MM)	33	40
	LOCK	25	17	10-40003-60	SCREW,DRIVE SHAFT		
99333A2	TUBE ASSEMBLY,STEERING	21	7		HOUSING TO PLATE(
99589	GRIP,RUBBER	21	1		60MM)	23	14
99702A3	ADAPTOR PLATE			10-40003-76	SCREW,BRACKET (25MM)	39	47
	ASSEMBLY (MERC18)	23	1	10-40003-84	SCREW,BRACKET TO		
99702A4	ADAPTOR PLATE				SWIVEL TUBE(75MM)	21	17
	ASSEMBLY (MERC 25)	23	1	10-40007128	SCREW,SHIFT LEVER TO		
99906A1	BEARING CARRIER				PLATFORM(20MM)	37	20
	ASSEMBLY	33	52	10-40015-88	SCREW,ROD END LEVER	7	37
10-40001--5	SCREW,STATOR			10-40015-89	SCREW,SHIFT ROD LEVER	7	32
	ATTACHING (10MM)-			10-40031112	SCREW,SCREEN TO GEAR		
	MANUAL	9	3		HOUSING(40MM)	29	3
10-40001--8	SCREW, LATCH TO			10-40037126	SCREW,CONTROL		
	BOTTOM COWL	3	8		PLATFORM(13MM)	37	19
10-40001--8	SCREW,BRACKET TO			10-40039106	SCREW, RING GEAR TO		
	BOTTOM COWL (12MM)	3	14		FLYWHEEL -ELECTRIC	19	5
10-40001--8	SCREW,BRACKET TO			10-40056-88	SCREW,BRACKET		
	CARBURETOR	13	19		CLAMPING(20MM)	21	10
10-40001--8	SCREW,BRACKET TO			10-40057-85	SCREW,REED ATTACHING		
	CARBURETOR	15	19		(10MM)	17	32
10-40001--8	SCREW,HINGE TO TOP			10-40057107	SCREW,COVER TO		
	COWL	3	4		CYLINDER BLOCK (16MM)	17	23
10-40001-14	SCREW,THROTTLE CAM TO			10-40057107	SCREW,COVER TO		
	CRANKCASE (16MM)	7	2		CYLINDER BLOCK(16MM)	17	14
10-40001-14	SCREW,THROTTLE CAM TO			10-40057107	SCREW,COVER TO		
	CRANKCASE(16MM)	37	2		CYLINDER BLOCK(16MM)	17	26
10-40001-20	SCREW,STATOR			10-40057108	SCREW,CLIP TO SWITCH		
	ATTACHING (25MM)	9	3		BOX(20MM)	9	5
10-40001-23	SCREW,STATOR			10-40057108	SCREW,CONTROL		
	ATTACHING (30MM)	41	8		PLATFORM(20MM)	37	18
10-40001-23	SCREW,STATOR			10-40057108	SCREW,IDLE STOP	17	39
	ATTACHING(30MM)	35	18				

PARTS INDEX

Part Number	Description	Pg.	Ref. No.	Part Number	Description	Pg.	Ref. No.
10-40057108	SCREW, SWITCH BOX CYLINDER BLOCK(22MM)	9	19	11-40021--2	NUT, BRACKET SCREW	35	14
10-40057111	SCREW, SUPPORT TO STARTER HOUSING (35MM)	5	21	11-40021--2	NUT, THROTTLE CABLE . . .	21	15
10-40082-25	SCREW, CONNECTING ROD(25MM)	19	21	11-40021--3	NUT, CARBURETOR STUD .	17	37
10-40092-59	SCREW, LOWER MOUNT COVER(60MM)	25	23	11-40021--3	NUT, CLAMP BRACKET STUD	27	10
10-40092-63	SCREW, LOWER MOUNT COVER(100MM)	25	24	11-40021--3	NUT, LOWER MOUNT COVER SCREW	25	25
10-41523	SCREW, LEVER TO SWIVEL BRACKET	27	18	11-40021--3	NUT, UPPER MOUNT SCREW	25	6
10-41523	SCREW, STRAP TO SWIVEL BRACKET	27	23	11-40026--3	NUT, SCREEN SCREW	29	4
10-41524	SCREW, LEVER TO CLAMP BRACKET	27	20	11-40063--3	NUT, SHIFT SHAFT	37	41
10-41524	SCREW, STRAP TO CLAMP BRACKET	27	25	11-40063--3	NUT, SUPPORT SCREW . . .	5	24
10-43215	SCREW, GEAR HOUSING(25MM)	33	62	11-40063--4	NUT, ADAPTOR SCREW . . .	11	15
10-48409	SCREW, RECTIFIER TO CYLINDER BLOCK	35	2	11-40063--4	NUT, SHIFT LEVER SCREW .	37	25
10-49908	SCREW, PINION GEAR	29	10	11-45076	NUT, COIL TERMINAL	9	13
10-61802	SCREW, LOWER LOCK LEVER	5	6	11-45076	NUT, RECTIFIER TERMINALS	35	3
10-62568	SCREW, THROTTLE HANDLE	21	6	11-45076	NUT, SWITCH BOX TERMINALS	9	20
10-69064	BOLT, CLAMP BRACKET TO TRANSOM	27	14	11-45076	NUT, VOLTAGE REFULATOR TERMINAL	41	3
10-70332	SCREW, PLATE TO BOTTOM COWL (1/2")	3	12	11-64015	NUT, STARTER SOLENOID TERMINAL(1/4-20)	35	7
10-76502	SCREW, IDLE STOP- CONTROL LEVER	7	40	11-67980	NUT, CLAMP BRACKET BOLT	27	16
10-76804	SCREW, WASHER ATTACHING	27	5	11-68219	NUT, LOCK-THROTTLE ROD	7	10
10-77137	SCRWE, CLIP TO CRANKCASE	9	8	11-68219	NUT, LOCK-THROTTLE ROD	37	10
10-79953	SCREW, GREASE FILLER . .	29	14	11-68219	NUT, LOCK-TIMING ROD . . .	7	14
10-87142	SCREW, UPPER MOUNT(133MM)	25	2	11-88228	PROPELLER NUT	33	61
10-91908	SCREW, PILOT CONTROL . .	25	13	11-93164	NUT, TILT TUBE	27	13
10-91909	SCREW, COVER TO GEAR HOUSING(16MM)	33	58	11-96787	NUT, BRACKET	21	12
10-92767A1	THUMB SCREW ASSEMBLY	27	3	12-20260	WASHER, DRAIN AND FILLER SCREW	29	15
10-92799	SCREW, VOLTAGE REGULATOR TO MANIFOLD COVER(1-1/8")	41	2	12-29245	WASHER, SHIFT SHAFT	29	19
10-96566	THRU BOLT	35	25	12-35280	WASHER, SHIFT LEVER SCREW	37	24
10-97359A1	SCREW, FLYWHEEL TO CRANKSHIFT	19	2	12-36001	WASHER, LOWER MOUNT COVER SCREW	25	26
10-97516	SCREW, CAM TO STARTER SHEAVE	5	19	12-40022-13	WASHER, SUPPORT SCREW	5	22
11-22053	NUT, DASHPOT TERMINAL . .	7	8	12-40023-17	WASHER, DRIVE SHAFT HOUSING SCREW	23	15
11-22053	NUT, DASHPOT TERMINAL . .	37	8	12-43328	WASHER, GEAR HOUSING SCREW	33	63
11-26419	NUT, STARTER SOLENOID TERMINAL(10-32)	35	6	12-49339	WASHER, SHIFT GEAR	7	28
11-36069	NUT, TILT STOP LEVER SCREW	27	19	12-57860	WASHER, NYLON-BRACKET	21	11
11-36069	NUT, TILT STOP STRAP SCREW	27	24	12-67981	WASHER, CLAMP BRACKET BOLT	27	15
				12-70132	WASHER, TRIM TAB SCREW	33	41
				12-71055	WASHER, ACTUATING LEVER PIN	37	30
				12-71055	WASHER, SHIFT LEVER PIN	37	27
				12-73719	WASHER, THUMB SCREW . .	27	4
				12-85091	WASHER, SHIFT SHAFT	29	21
				12-85104	WASHER, SWIVEL TUBE . . .	25	9
				12-85106	WASHER, UPPER MOUNT SCREW	25	5
				12-85172	WASHER, RUBBER-UPPER MOUNT SCREW	25	4
				12-86496	WASHER, FLYWHEEL SCREW	19	3
				12-86645	WASHER, IMPELLER	29	29
				12-87791	WASHER, THROTTLE CAM SCREW	7	3

PARTS INDEX

Part Number	Description	Pg.	Ref. No.	Part Number	Description	Pg.	Ref. No.
12-89302	WASHER,SHIFT LINK	37	34	23-95091	SLEEVE,SHIFT LEVER TO PLATFORM	37	23
12-89302	WASHER,WATER PUMP SCREW	31	35	23-95949	BUSHING,SWIVEL BRACKET	25	12
12-95093	WASHERMSHIFT LEVER TO PLATFORM	37	21	23-96202	BUSHING,NYLON-SHIFT LINK	37	33
13-31030	WAVE WASHER,TILT STOP STRAP SCREW	27	26	23-96247	SPACER,WATER TUBE	23	4
13-69150	WAVE WASHER,THROTTLE CAM SCREW	7	4	24-23067	SPRING,ADAPTOR STEM	11	10
13-69150	WAVE WASHER,THROTTLE CAM SCREW	37	4	24-38114	SPRING,RETAINING-CROSS PIN	33	46
13-69432	LOCKWASHER,GROUND	9	22	24-44581	SPRING,TILT STOP LEVER SCREW	27	21
16-42917	STUD,CARBURETOR	17	5	24-86851	SPRING,CAM	5	12
16-99928	STUD,CLAMP BRACKET	27	8	24-86852	SPRING,CAM	5	17
17-25870	ROLL PIN,LINK	3	15	24-86857	SPRING,STARTER	5	10
17-38489	ROLL PIN, LOCK LEVER	5	7	24-88680	SPRING,COMPRESSION-PROPELLER SHAFT	33	49
17-85093	CROSS PIN,CLUTCH TO PROPELLER SHAFT	33	48	24-89540	SPRING,SPARK ADVANCE	7	17
17-85096	DRIVE PIN,SHIFT CAM	29	17	24-89540	SPRING,SPARK ADVANCE	37	15
17-85171	DOWEL PIN,CYLINDER BLOCK	17	2	24-89542	SPRING,UPPER LOCK LEVER	5	4
17-85500	DOWEL PIN,GEAR HOUSING	29	7	24-93006	SPRING,DETENT BALL	7	25
17-85593	ROLL PIN,SHIFT SHAFT	29	18	24-93007	SPRING,SHIFT SHAFT	29	20
17-95029	PIN,SHIFT LEVER	37	26	24-96018	SPRING,REVERSE HOOK-PORT	25	18
17-95784	PIN,ACTUATING LEVER	37	29	24-96203	SPRING,PILOT CONTROL SCREW	25	14
17-99929A1	TILT PIN ASSEMBLY	27	7	24-97427	SPRING,REVERSE HOOK-STARBOARD	25	19
18-21071	COTTER PIN,ACTUATING LEVER PIN	37	31	25-20365	"O" RING,SHIFT SHAFT RETAINER	29	23
18-21071	COTTER PIN,REMOTE CONTROL CABLES	39	44	25-20415	"O" RING,ADAPTOR STEM	11	11
18-2171	COTTER PIN,SHIFT LEVER PIN	37	28	25-30503	"O" RING,TRANSFER PORT COVER	17	13
18-2171	COTTER PIN,SHIFT LINK	37	35	25-33465	"O" RING,TRANSFER PORT COVER	17	25
22-56759	FITTING,ADAPTOR PLATE-BLEED HOSE	17	35	25-41604	GROMMET,BOTTOM COWL	3	10
22-67892	SCREW,DRAIN-MAGNETIC	29	13	25-69202	"O" RING,WATER PUMP	29	32
22-71191	ELBOW,BLEED HOSE(45)	17	3	25-85549	"O" RING,BEARING CARRIER	33	56
22-74036	GREASE FITTING	25	11	25-85594	"O" RING,SHIFT SHAFT	29	22
22-94848	FITTING,TELL TALE HOSE-BOTTOM COWL	17	20	25-86203	RING,DRIVE SHAFT-RUBBER	31	38
22-98750	FITTING,FUEL LINE	11	8	25-86391	"O" RING,TRANSFER PORT COVER	17	22
22-99664	ELBOW,TELL TALE HOSE	17	18	25-86993	"O" RING SWIVEL TUBE	25	15
23-30977	SPACER,SUPPORT SCREW	5	23	25-98277	SEAL,FUEL FILTER	11	3
23-41041	SPACER,CLAMP BRACKET STUD	27	9	25-99691	"O" RING	29	12
23-41589	SPACER,GEAR HOUSING SCREW	33	64	26-25329	SEAL,WATER TUBE	23	3
23-60762	BUSHING,SHIFT SHAFT	7	33	26-41131	OIL SEAL,BEARING CARRIER(OUTER)	33	55
23-60762	BUSHING,SHIFT SHAFT	37	39	26-41132	OIL SEAL,BEARING CARRIER(INNER)	33	54
23-85095	BUSHING,WATER PUMP SCREW	31	36	26-85090	SEAL,WATER TUBE	31	37
23-85154	BUSHING,SWIVEL TUBE(LOWER)	25	16	26-85107	OIL SEAL,CRANKSHAFT-LOWER	19	8
23-85557	BUSHING,FORWARD GEAR	33	44	26-85974	OIL SEAL,CRANKSHAFT-UPPER	19	11
23-85973	BUSHING,BRACKET	21	13	26-99325	SEAL,GEAR HOUSING	29	6
23-86968	BUSHING,THROTTLE CAM SCREW	7	5	27-41417	GASKET,REED BLOCK	17	29
23-86968	BUSHING,THROTTLE CAM SCREW	37	5	27-41418	GASKET,ADAPTOR PLATE	17	33
23-88171	BUSHING,COIL SCREW	9	21				

PARTS INDEX

Part Number	Description	Pg.	Ref. No.	Part Number	Description	Pg.	Ref. No.
27-41449	GASKET,CARBURETOR	13	17	43-99542	REVERSE GEAR	33	51
27-41449	GASKET,CARBURETOR	15	17	44-99740	PROPELLER SHAFT	33	50
27-41475	GASKET,EXHAUST MANIFOLD	17	7	45-99198	DRIVE SHAFT-LONG SHAFT	29	11
27-41499	GASKET,EXHAUST COVER	17	9	45-99199	DRIVE SHAFT-SHORT SHAFT	29	11
27-41499A84	GASKET SET	1	-	46-99157A1	WATER PUMP ASSEMBLY	29	33
27-41670	GASKET,ADAPTOR PLATE	23	6	47-85089	IMPELLER	29	31
27-43337	GASKET,DRIVE SHAFT HOUSING	23	13	48-86848A4	PROPELLER ASSEMBLY	33	60
27-86389	GASKET,CYLINDER BLOCK COVER	17	17	50-42566	SHEAVE,STARTER	5	11
27-99326	GASKET,WATER PUMP	29	27	50-86855	ROPE,STARTER	5	15
28-20094	KEY,FLYWHEEL DRIVE	19	13	50-90983A1	STARTER MOTOR ASSEMBLY	35	19
28-85119	KEY,IMPELLER DRIVE	29	30	52-41040	CLUTCH,SLIDING	33	47
29-98295	NEEDLE BEARING,PISTON END	19	18	53-46250	RETAINING RING,ACTUATING AND CONTROL LEVER	7	19
30-93008	BALL,DETENT	7	26	53-46250	RETAINING RING,ACTUATING AND CONTROL LEVER	37	17
31-21739	ROLLER BEARING	33	53	53-46250	RETAINING RING,PRIMARY LEVER AND GEAR	7	24
31-41326	ROLLER BEARING,UPPER	29	5	53-46250	RETAINING RING,SHIFT GEAR	7	29
31-41620A1	ROLLER BEARING ASSEMBLY	19	20	53-86731	RETAINING RING,THROTTLE/ADVANCE LINK	7	21
31-85113	ROLLER BEARING,CRANKSHAFT- LOWER	19	9	53-86849	RETAINING RING,CAM	5	14
31-85114	ROLLER BEARING,CRANKSHAFT- UPPER	19	10	53-95019	RETAINING RING,LEVER TO SHIFT SHAFT	37	38
31-98294A1	ROLLER BEARING ASSEMBLY	29	8	54-23568	CLIP,STATOR LEADS	9	4
31-99328A1	ROLLER BEARING ASSEMBLY,TAPERED	33	42	54-24836	CLIP,TRIGGER LEADS	9	7
32-34395A1	HOSE,TELL TALE (8")	17	19	54-30954	CLIP,SAFETY	27	12
32-85116	WATER TUBE,SHORT SHAFT	23	11	54-32523	CLAMP,WIRING HARNESS	35	15
32-86292	WATER TUBE,LONG SHAFT	23	11	54-55098	CLAMP,WIRING HARNESS	35	16
32-99127109	FUEL LINE,FILTER TO ADAPTOR (81/2")	11	6	54-68424	CLAMP,FUEL LINE	11	7
32-99127109	FUEL LINE,FILTER TO CARBURETOR(5-1/4")	11	5	84-65017A2	HARNESS ASSEMBLY,LIGHTING(EXTERNAL)	41	6
32-99130-78	HOSE,BLEED(12-1/4")	17	4	84-74725A2	HARNESS ASSEMBLY,VOLTAGE REGULATOR (BLACK/RED)	41	4
33-86866	SPARK PLUG,SHAMPION #QL-77J4-CANADA AND BELGIUM	9	17	84-88439A6	BATTERY WIRE ASSEMBLY,BLACK	35	9
33-97180	SPARK PLUG,(NGK-BUHW)	9	17	84-88439A8	BATTERY WIRE ASSEMBLY,RED	35	9
34-89793	REED STOP	17	31	84-88809A5	WIRE ASSEMBLY,YELLOW	35	8
34-99319	REED	17	30	84-88891A1	HARNESS ASSEMBLY,PRIMARY	9	1
35-41133	SCREEN,WATER INLET- PORT	29	2	84-89591A2	HARNESS ASSEMBLY,STOP SWITCH	21	2
35-41134	SCREEN,WATER INLET- STARBOARD	29	2	84-92436A3	WIRING HARNESS ASSEMBLY,ENGINE	35	10
35-87946A3	FILTER ASSEMBLY	11	2	84-99215A25	LEAD ASSEMBLY, HIGH TENSION	9	14
35-87946A7	FUEL FILTER ASSEMBLY	11	1	85-63709A1	BOOT ASSEMBLY,SPARK PLUG	9	16
37-42424	DECAL,THROTTLE HANDLE	21	5	85-70674	BOOT,COIL	9	15
37-43170A84	DECAL SET (MERC 18)	1	-	88-95085	FUSE	35	11
37-43173A84	DECAL SET (MERC25)	1	-	89-96054	STARTER SOLENOID	35	4
39-96525A12	PISTON RING ASSUMBLY	19	16				
40-47276	LOCK RING,PISTON PIN	19	15				
43-44213A1	FORWARD GEAR	33	43				
43-98302	PINION GEAR	29	9				

PARTS INDEX

Part Number	Description	Pg.	Ref. No.	Part Number	Description	Pg.	Ref. No.
90-99917	OWNERS GUIDE	1	-	1497-8796A1	CLAMP BRACKET		
258-8274A6	FLYWHEEL ASSEMBLY	19	1		ASSEMBLY (STARBOARD)	27	2
339-7370A8	IGNITION COIL ASSEMBLY .	9	10	1588-8747A1	HOUSING		
339-7452A3	SWITCH BOX ASSEMBLY ..	9	18		ASSEMBLY,SHORT SHAFT	23	12
464-8586A2	CRANKSHAFT ASSEMBLY			1591-8749A1	HOUSING ASSEMBLY, LONG		
	-ELECTRIC	19	6		SHAFT	23	12
630-8835A2	CONNECTING ROD			1665-8669A2	GEAR HOUSING ASSEMBLY	29	1
	ASSEMBLY	19	17	1665-8669A2	GEAR HOUSING ASSEMBLY	33	1
767-8511A3	PISTON AND PIN ASSEMBLY	19	14	1665-8669A3	GEAR HOUSING		
872-9077A4	BLOCK/CRANKCASE				ASSEMBLY,COMPLETE-		
	ASSYEMBLY	17	1		SHORT SHAFT	29	-
1028-8283A1	COVER			1665-8669A3	GEAR HOUSING		
	ASSEMBLY,CYLINDER				ASSEMBLY,COMPLETE-		
	BLOCK	17	15		SHORT SHAFT	33	-
1390-8676A1	CARBURETOR ASSEMBLY			1665-8669A4	GEAR HOUSING		
	(ELECTRIC)	13	1		ASSEMBLY,COMPLETE-		
1390-8677A1	CARBURETOR ASSEMBLY				LONG SHAFT	29	-
	(ELECTRIC)	15	1	1665-8669A4	GEAR HOUSING		
1390-8888A1	CARBURETOR ASSEMBLY				ASSEMBLY,COMPLETE-		
	(MANUAL)	13	1		LONG SHAFT	33	-
1390-8889A1	CARBURETOR ASSEMBLY			2176-9107A2	BOTTOM COWL		
	(MANUAL)	15	1		ASSEMBLY,PORT		
1395-6201	JET,MAIN FUEL(.080)	15	7		(WITHOUT DECALS)	3	5
1395-9164	FUEL BOWL	13	4	2176-9108A1	BOTTOM COWL		
1395-9164	FUEL BOWL	15	4		ASSEMBLY,STARBOARD		
1395-9165	COVER,DIAPHRAGM	13	9		(WITHOUT DECALS)	3	9
1395-9165	COVER,DIAPHRAGM	15	9	2177-8869A8	TOP COWL ASSEMBLY		
1395-9166	COVER,FUEL PUMP	13	11		(WITHOUT DECALS)	3	1
1395-9166	COVER,FUEL PUMP	15	11				
1395-9167	THROTTLE SHAFT	13	3				
1395-9167	THROTTLE SHAFT	15	3				
1395-9168	THROTTLE VALVE	13	2				
1395-9169	FLOAT	13	5				
1395-9169	FLOAT	15	5				
1395-9170	VALVE,INLET NEEDLE	13	6				
1395-9170	VALVE,INLET NEEDLE	15	6				
1395-9171	PLUG,JET RETAINER	13	8				
1395-9171	PLUG,JET RETAINER	15	8				
1395-9172	SCREW,COVER PLATE	13	14				
1395-9172	SCREW,COVER PLATE	15	14				
1395-9173	SCREW,FUEL PUMP COVER	13	12				
1395-9173	SCREW,FUEL PUMP COVER	15	12				
1395-9174	SCREW,DIAPHRAGM						
	COVER	13	10				
1395-9174	SCREW,DIAPHRAGM						
	COVER	15	10				
1395-9177	PLATE,COVER(MANUAL) ..	13	13				
1395-9177	PLATE,COVER(MANUAL) ..	15	13				
1395-9178	REPAIR PARTS KIT	13	16				
1395-9178	REPAIR PARTS KIT	15	16				
1395-9179	GASKET/DIAPHRAGM KIT ..	13	15				
1395-9179	GASKET/DIAPHRAGM KIT ..	15	15				
1395-9180	THROTTLE VALVE	15	2				
1395-9182	PLATE,COVER(ELECTRIC) .	13	13				
1395-9182	PLATE,COVER(ELECTRIC) .	15	13				
1399-5317	JET,MAIN FUEL (.046)	13	7				
1487-8692A3	SWIVEL BRACKET						
	ASSEMBLY	25	10				
1497-8794A1	CLAMP BRACKET						
	ASSEMBLY (PORT)	27	1				