



PARTS CATALOG

MARINER W48

SERIAL NUMBER

W-48670-002161 THRU 007190
W-48670-311996 THRU 334240

TABLE OF CONTENTS:

BOTTOM COWLING	4
CARBURETOR	24
CLAMP AND SWIVEL BRACKET	34
CRANKCASE AND CYLINDER HEAD	16
CRANKSHAFT AND PISTON	20
DRIVESHAFT HOUSING	42
FUEL LINE AND FILTER	28
FUEL PUMP	26
FUEL TANK	52
FUEL TANK AND FUEL LINE ASSEMBLY	50
GEAR SHIFT LINKAGE	30
GEARHOUSING ASSEMBLY(CONT)	44
IGNITION SYSTEM	12
IGNITION SYSTEM(CONT)	10
INTAKE MANIFOLD	22
MOUNTING SYSTEM	40
OPTIONAL PARTS	54
PARTS INDEX	56
RECOIL STARTER	6
REVERSE LOCK	32
STEERING HANDLE	36
THROTTLE CONTROL	14
TOP COWLING	2

NOTE: Indented description indicate that these parts are included in preceeding assembly.

AR = As Required

NSS = Not Sold Separate

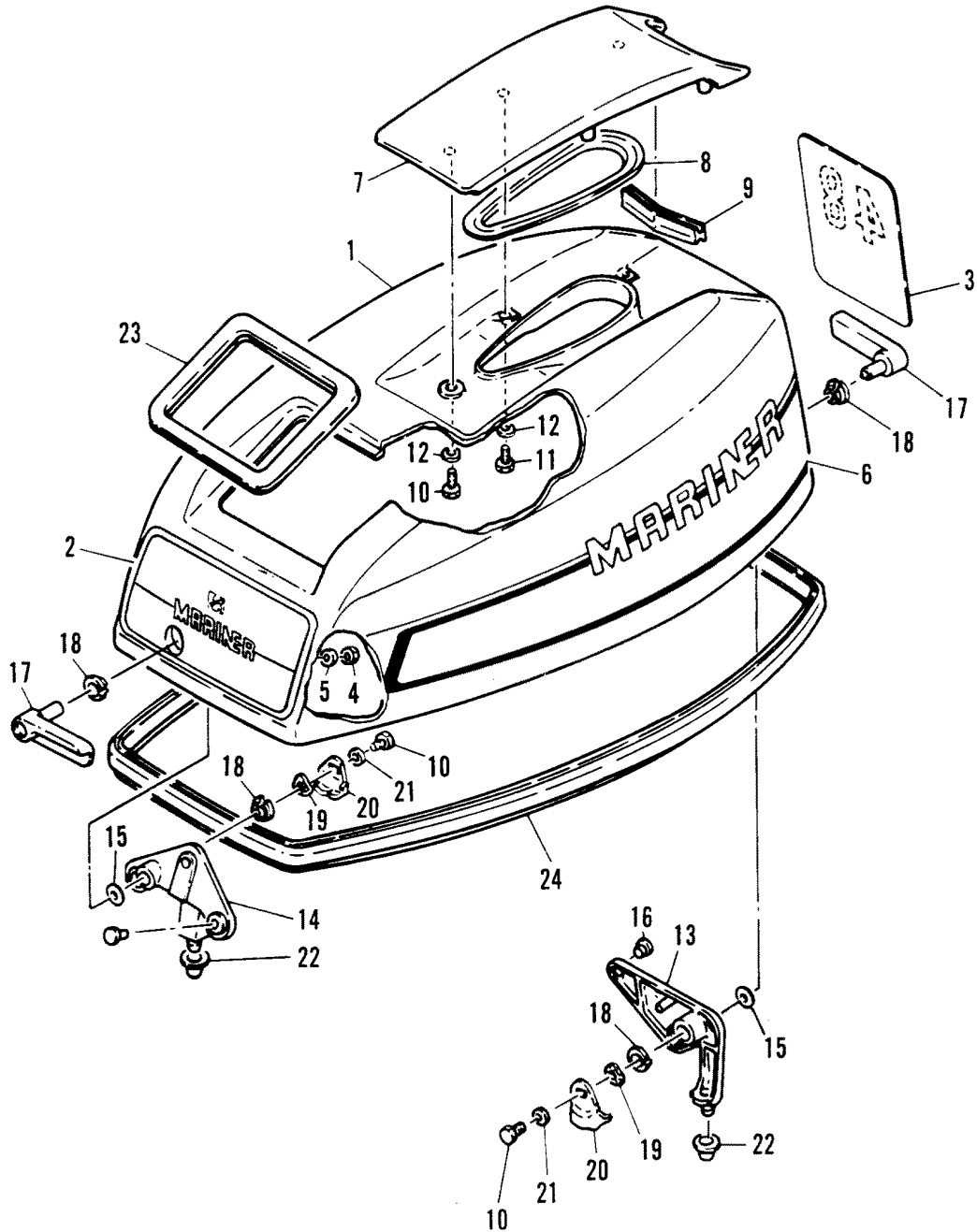
OPT = Optional

NS = Not Shown

THESE PARTS BOOKS/FICHE CARD ARE COPYRIGHTED AND MAY NOT BE DISTRIBUTED OR REPRODUCED IN ANY OTHER FORMAT BY ANYONE OTHER THAN MERCURY MARINE WITHOUT THE PRIOR WRITTEN CONSENT OF MERCURY MARINE.

THIS PAGE INTENTIONALLY LEFT BLANK

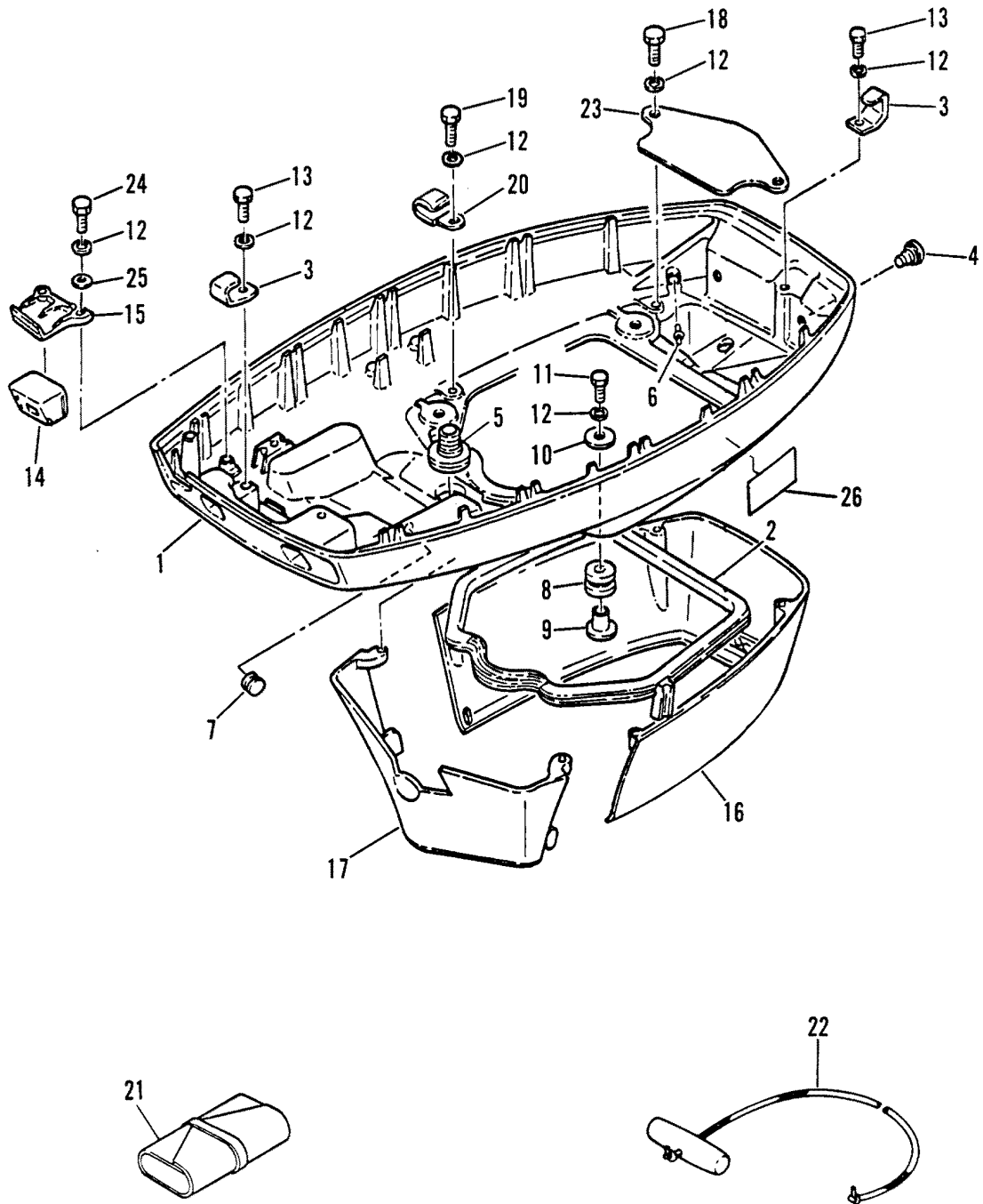
TOP COWLING



TOP COWLING

REF. NO.	PART NO.	SYM.	QTY.	DESCRIPTION
1	2168-8614M		1	TOP COWLING ASS'Y SERIAL 00006576-09999999
	2168-7111M		1	TOP COWLING ASS'Y SERIAL 00000000-00006575
2	97797M		1	DECAL, FRONT SERIAL 00006576-09999999
	82912M		1	APPLIQUE, FRONT SERIAL 00000000-00006575
3	83710M		1	DECAL, REAR SERIAL 00000000-00006575
4	11-82388M		2	NUT SERIAL 00000000-00006575
5	12-82196M		2	WASHER SERIAL 00000000-00006575
6	37-98941M		1	DECAL, SIDE AND REAR SET SERIAL 00006576-09999999
	37-82865M		1	DECAL, SIDE SET SERIAL 00000000-00006575
7	83024M		1	COVER, AIR DUCT
8	83025M		1	SEAL
9	83039M		1	SEAL, RUBBER
10	10-84303M		3	BOLT
11	10-84247M		4	BOLT
12	13-82199M		5	WASHER, LOCK
13	83040M		1	HOLDER, CLAMP BAND
14	83041M		1	HOLDER, CLAMP BAND
15	12-97098M		2	WASHER
16	17-82982M		6	RIVET
17	83026M		2	LEVER, CLAMP
18	23-81952M		4	BUSHING
19	13-81871M		2	WASHER, WAVE
20	83027M		2	LEVER
21	12-81794M		2	WASHER
22	83042M		2	DAMPER
23	81311M		1	SEAL
24	83043M		1	SEAL

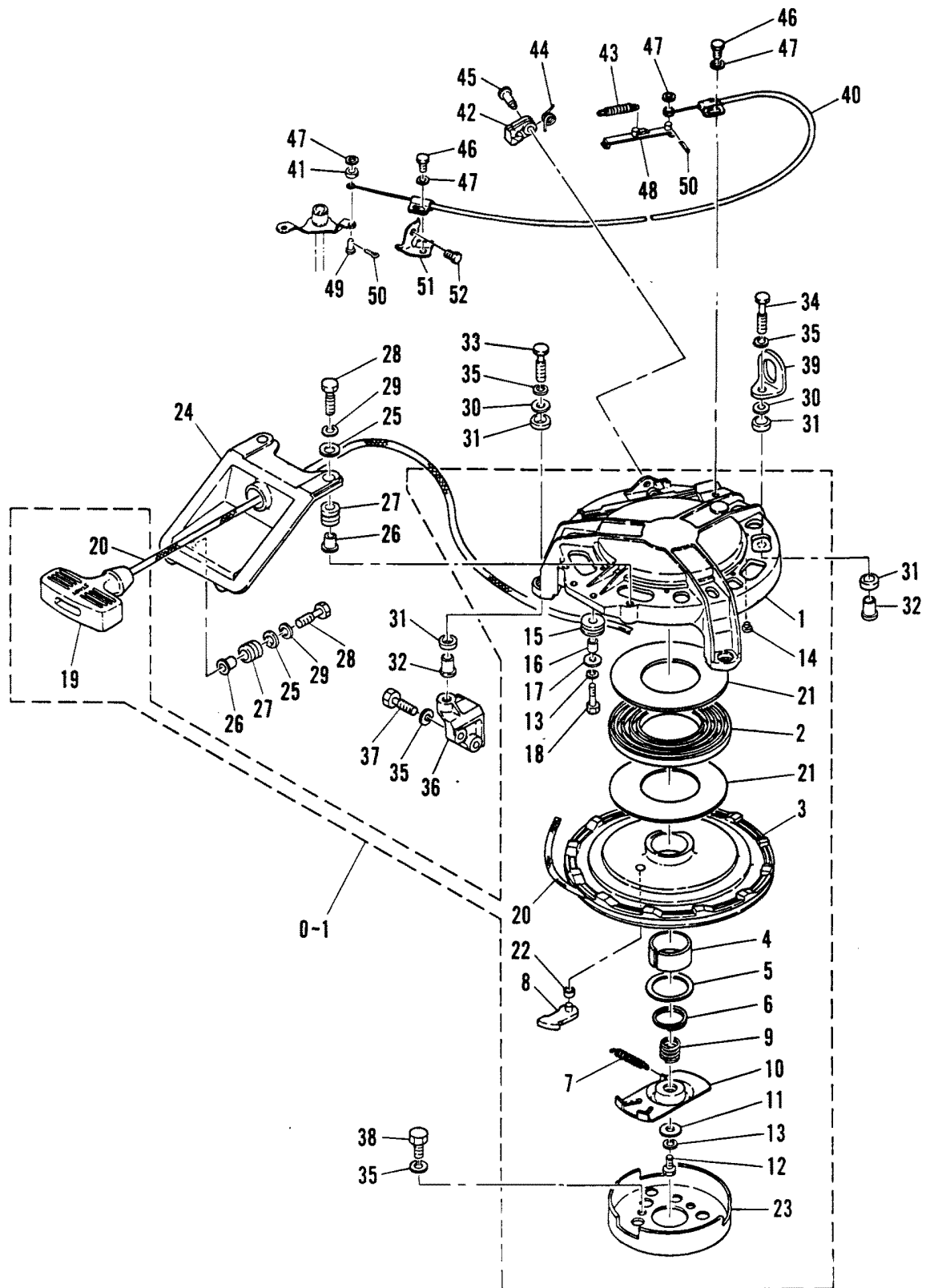
BOTTOM COWLING



BOTTOM COWLING

REF. NO.	PART NO.	SYM.	QTY.	DESCRIPTION
1	2168-7980M		1	COWLING, BOTTOM
2	27-83044M		1	SEAL, BOTTOM COWL TO APRON
3	83045M		2	STAY
4	25-83142M		2	GROMMET
5	25-81369M		1	GROMMET
6	22-81326M		1	FITTING
7	25-82061M		1	GROMMET
8	25-93101M		4	GROMMET
9	23-83610M		4	COLLAR
10	12-81796M		4	WASHER
11	10-84237M		4	BOLT
12	13-82197M		12	WASHER, LOCK
13	10-84211M		2	BOLT
14	81371M		1	BUMPER, COWL
15	83153M		1	RETAINER, COWL BUMPER
16	81374M		1	APRON, COWL-REAR
17	81378M		1	APRON, COWL-FRONT
18	10-84058M		2	BOLT
19	10-82453M		2	BOLT
20	54-82041M		1	CLAMP
21	91-81669M		1	TOOL KIT (OPTIONAL)
22	47341A1		1	STARTER ROPE, EMERGENCY
23	83047M		1	COVER, BOTTOM
24	10-84247M		2	BOLT
25	13-82199M		2	WASHER
26	37-97099M		2	DECAL

RECOIL STARTER

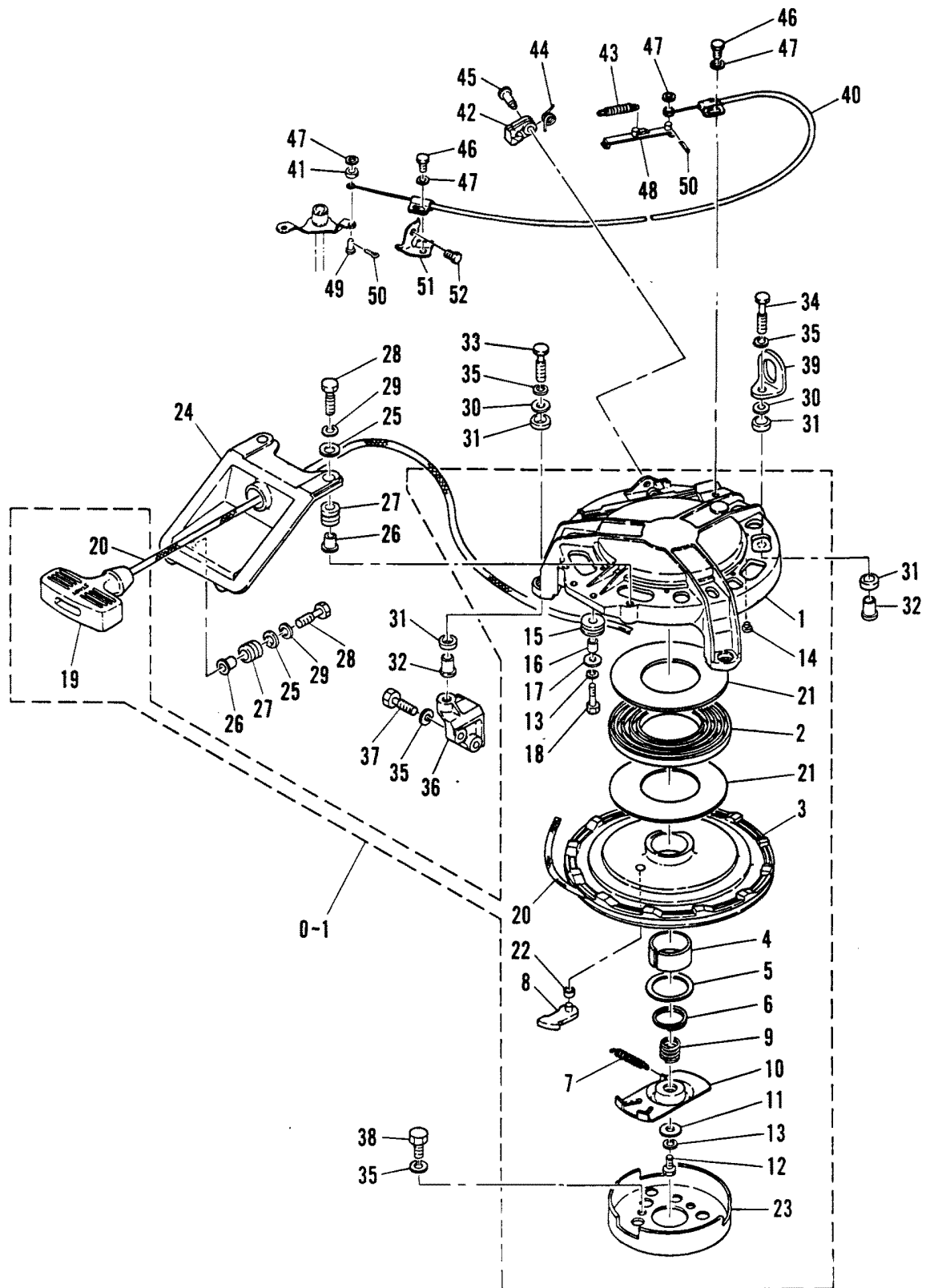


RECOIL STARTER

REF. NO.	PART NO.	SYM.	QTY.	DESCRIPTION
0-1	84448M		1	STARTER ASS'Y
1	84449M		1	HOUSING, STARTER
2	24-81295M		1	SPRING, STARTER
3	50-81296M		1	STARTER PULLEY
4	23-81309M		1	COLLAR, ENGAGEMENT CAM
5	12-81301M		1	WASHER
6	53-81305M		1	SNAP RING
7	24-81302M		1	SPRING, RETURN
8	81304M		1	PAWL, STARTER
9	24-81297M		1	SPRING, ENGAGEMENT CAM
10	81298M		1	CAM, PAWL ENGAGEMENT
11	12-81299M		1	WASHER
12	10-84446M		1	BOLT
13	13-82197M		2	WASHER, LOCK
14	19-80604M		6	PLUG, STARTER HOUSING
15	81307M		1	ROLLER, STARTER ROPE
16	23-81308M		1	BUSHING
17	12-83149M		1	WASHER
18	10-83141M		1	BOLT
19	80063M		1	HANDLE, STARTER
20	79629A1		1	STARTER ROPE
21	12-83151M		2	WASHER
22	23-83150M		1	BUSHING
23	84447M		1	DRIVE CUP, PAWL
24	98942M		1	GUIDE, STARTER ROPE
25	12-82198M		4	WASHER
26	23-82851M		4	BUSHING
27	81523M		4	MOUNT, GUIDE
28	10-84237M		4	BOLT
29	13-82197M		4	WASHER, LOCK
30	13-81799M		3	WASHER, LOCK
31	25-81937M		6	GROMMET
32	23-84489M		3	COLLAR
33	10-82442M		2	BOLT
34	10-84236M		1	BOLT
35	13-82200M		8	WASHER, LOCK
36	81313M		1	BRACKET, STARTER HOUSING
37	10-82441M		2	BOLT
38	10-82438M		3	BOLT
39	81251M		1	HANGER, ENGINE
40	92689M		1	LOCKOUT CABLE COMP
41	83152M		1	RING, RETAINING
42	81317M		1	CAM, LOCKOUT

CONTINUED ON NEXT PAGE ➡

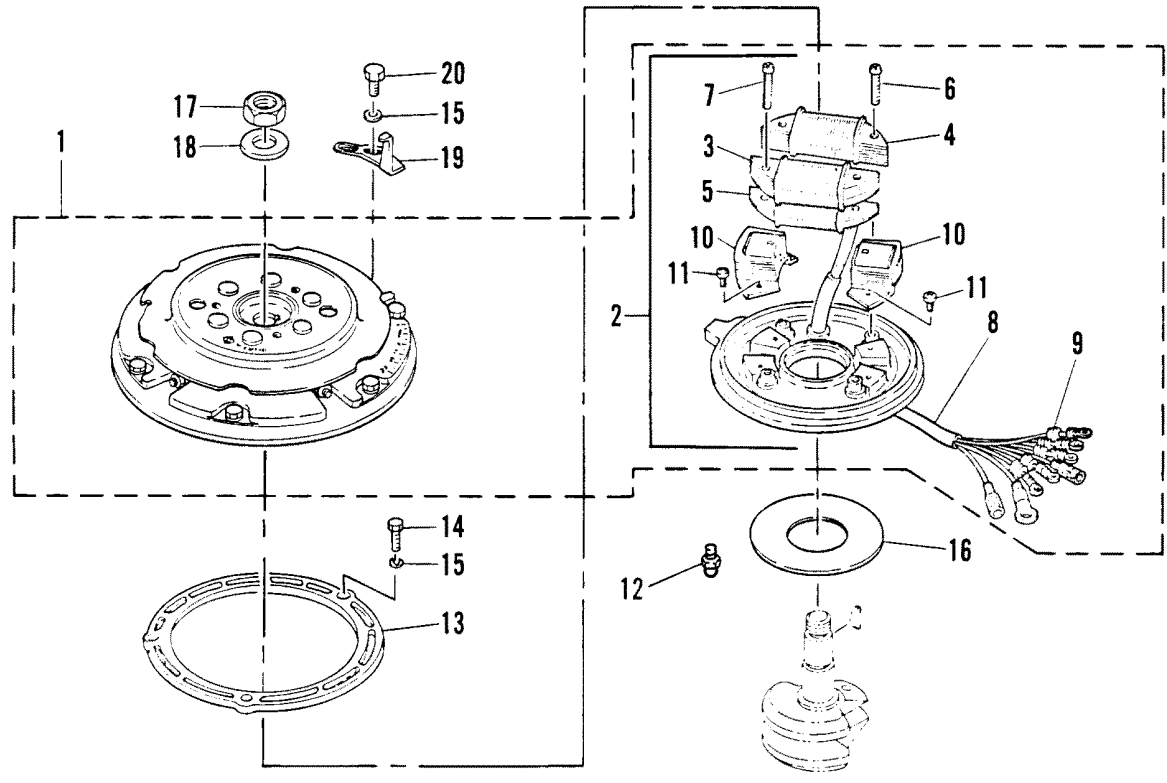
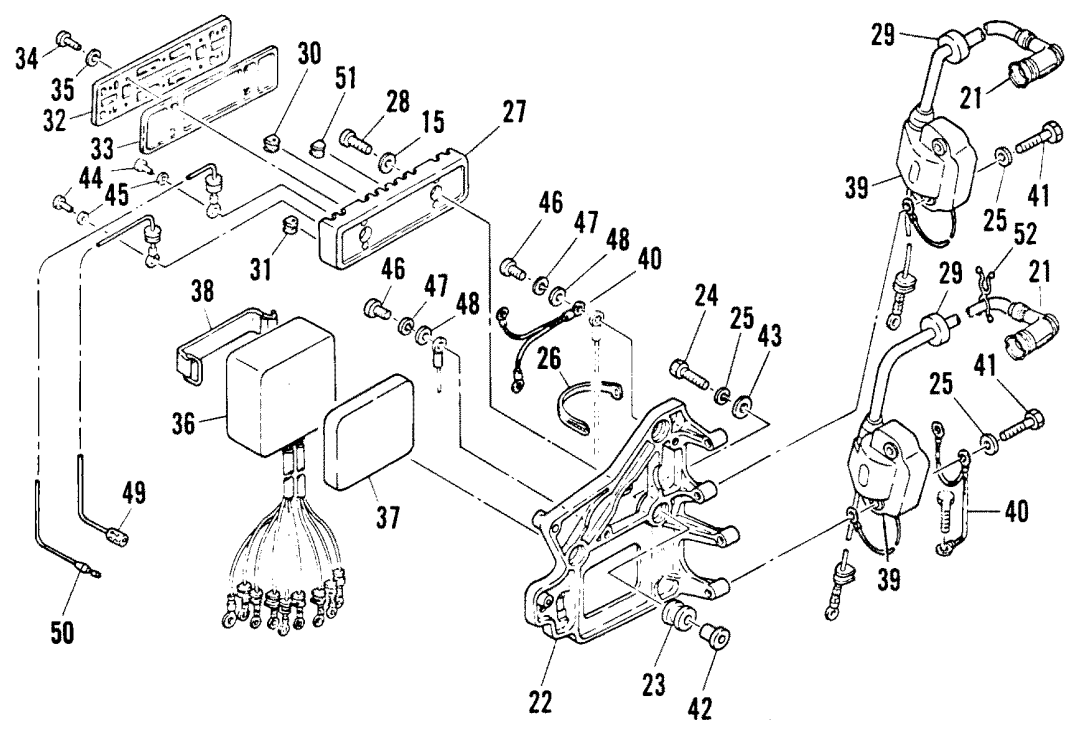
RECOIL STARTER



RECOIL STARTER

REF. NO.	PART NO.	SYM.	QTY.	DESCRIPTION
43	24-82102M		1	SPRING, LOCKOUT LEVER
44	24-82106M		1	SPRING, LOCKOUT CAM RETURN
45	10-81751M		1	PIVOT, LOCKOUT CAM
46	10-84303M		2	BOLT
47	12-82198M		4	WASHER
48	81303M		1	LEVER, LOCKOUT
49	17-82136M		1	PIN, CLEVIS
50	18-82736M		2	PIN, COTTER
51	81314M		1	BRACKET, LOCKOUT CABLE
52	10-82436M		1	BOLT

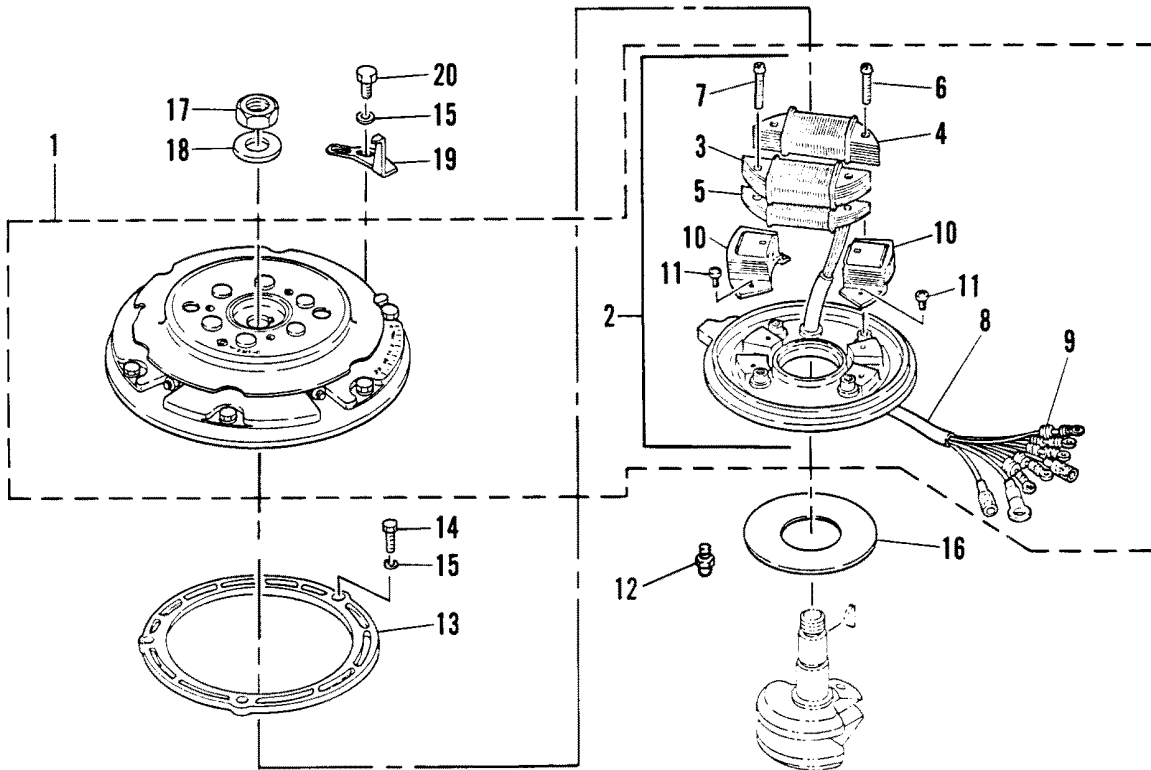
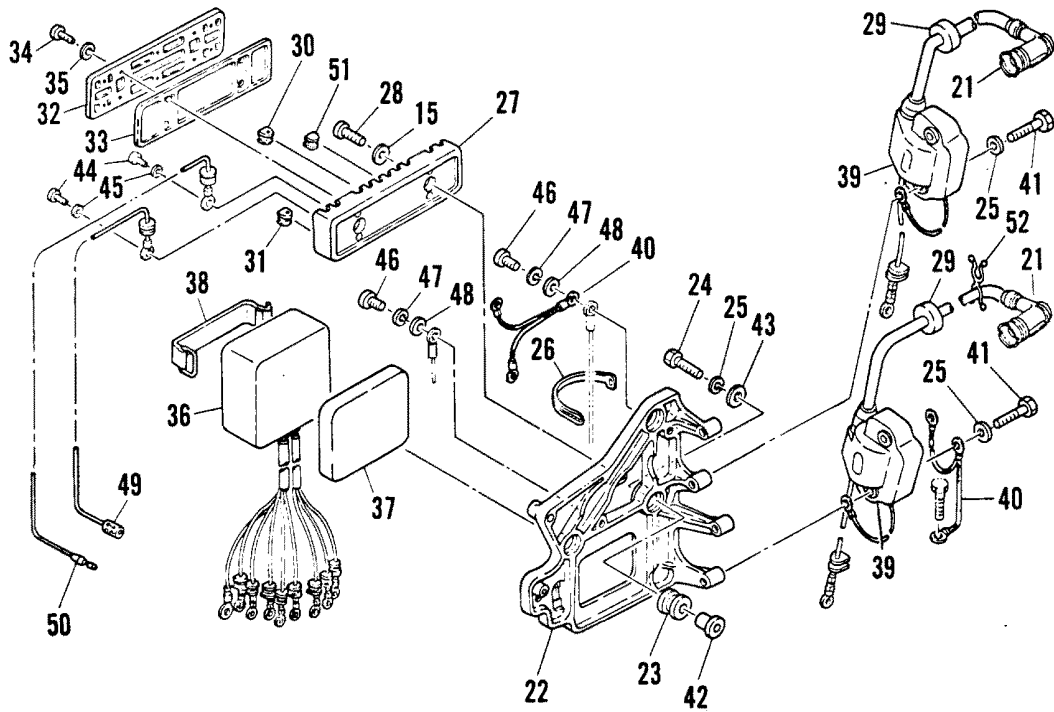
IGNITION SYSTEM(CONT)



IGNITION SYSTEM(CONT)

REF. NO.	PART NO.	SYM.	QTY.	DESCRIPTION
1	253-8461M		1	FLYWHEEL/STATOR ASS'Y SERIAL 00004321-09999999
	253-7167M		1	FLYWHEEL/STATOR ASS'Y SERIAL 00000000-00004320
2	97100M		1	BASE ASS'Y SERIAL 00004321-09999999
	83035M		1	BASE ASS'Y SERIAL 00000000-00004320
3	83036M		1	COIL, IGNITION (CHARGE)
4	83038M		1	COIL, LIGHING (BATTERY CHARGING)
5	83037M		1	COIL, BLANKING (MASKING)
6	10-82508M		2	SCREW, COIL ATTACHING
7	10-82509M		2	SCREW, COIL ATTACHING
8	84-81547M		1	WIRE, LEAD
9	25-82059M		5	GROMMET, LEAD WIRE
10	84212M		2	COIL, TRIGGER (PULSER)
11	10-82514M		4	SCREW
12	84305M		1	JOINT, MAGNETO CONTROL
13	82678M		1	RETAINER, BASE ASS'Y
14	10-83539M		3	BOLT
15	13-82199M		6	WASHER, LOCK
16	12-81343M		1	WASHER
17	11-81773M		1	NUT, FLYWHEEL
18	12-84436M		1	WASHER, FLYWHEEL
19	83031M		1	POINTER, TIMING
20	10-84247M		1	BOLT
21	80935M		2	CAP, SPARK PLUB (NOISE SUPPRESSOR)
	82788M		2	CAP, SPARK PLUG
22	81543M		1	BRACKET, ELECTRICAL COMPONENT
23	81523M		3	RUBBER MOUNT, MOUNTING BRACKET
24	10-82405M		3	BOLT

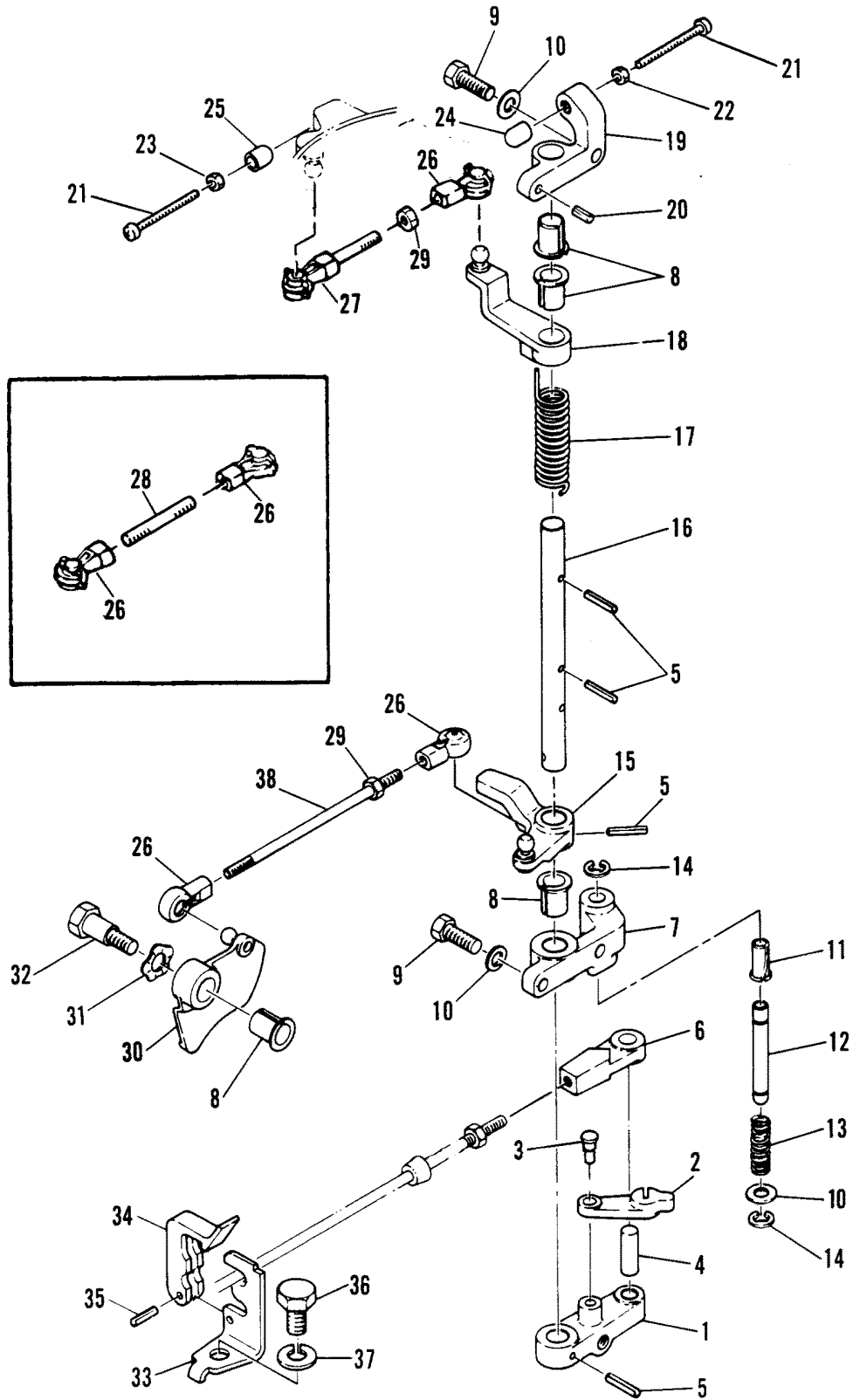
IGNITION SYSTEM



IGNITION SYSTEM

REF. NO.	PART NO.	SYM.	QTY.	DESCRIPTION
25	13-82197M		7	WASHER, LOCK
26	81541M		1	STA-STRAP
27	81518M		1	TERMINAL STRIP
28	10-82980M		2	SCREW
29	25-82069M		2	GROMMET, PLUG WIRE
30	25-82058M		4	GROMMET, TERMINAL STRIP COVER-UPPER
31	25-81517M		2	GROMMET, TERMINAL STRIP COVER-LOWER
32	97076M		1	COVER, TERMINAL STRIP SERIAL 00004321-09999999
	81515M		1	COVER, TERMINAL STRIP SERIAL 00000000-00004320
33	27-81516M		1	GASKET, TERMINAL STRIP
34	10-83048M		4	SCREW
35	13-82184M		4	WASHER, LOCK
36	83030M		1	SWITCH BOX ASS'Y
37	81544M		1	DAMPER, SWITCH BOX
38	81520M		1	RETAINER, SWITCH BOX
39	97077M		2	IGNITION COIL ASS'Y SERIAL 00004321-09999999
	81549M		2	IGNITION ASS'Y) SERIAL 00000000-00004320
40	84-97078M		2	GROUND WIRE LEAD SERIAL 00004321-09999999
	84-81250M		2	GROUND WIRE LEAD SERIAL 00000000-00004320
41	10-84237M		4	BOLT
42	23-82851M		3	BUSHING
43	12-82979M		3	WASHER
44	10-82798M		10	SCREW
43	12-82799M		10	WASHER
44	10-84435M		10	SCREW
47	13-82212M		2	WASHER, LOCK
48	12-82214M		2	WASHER
49	84-82997M		1	WIRE, LEAD 1
50	84-82998M		1	WIRE, LEAD 2
51	25-82057M		1	GROMMET
52	54-97079M		1	CLAMP

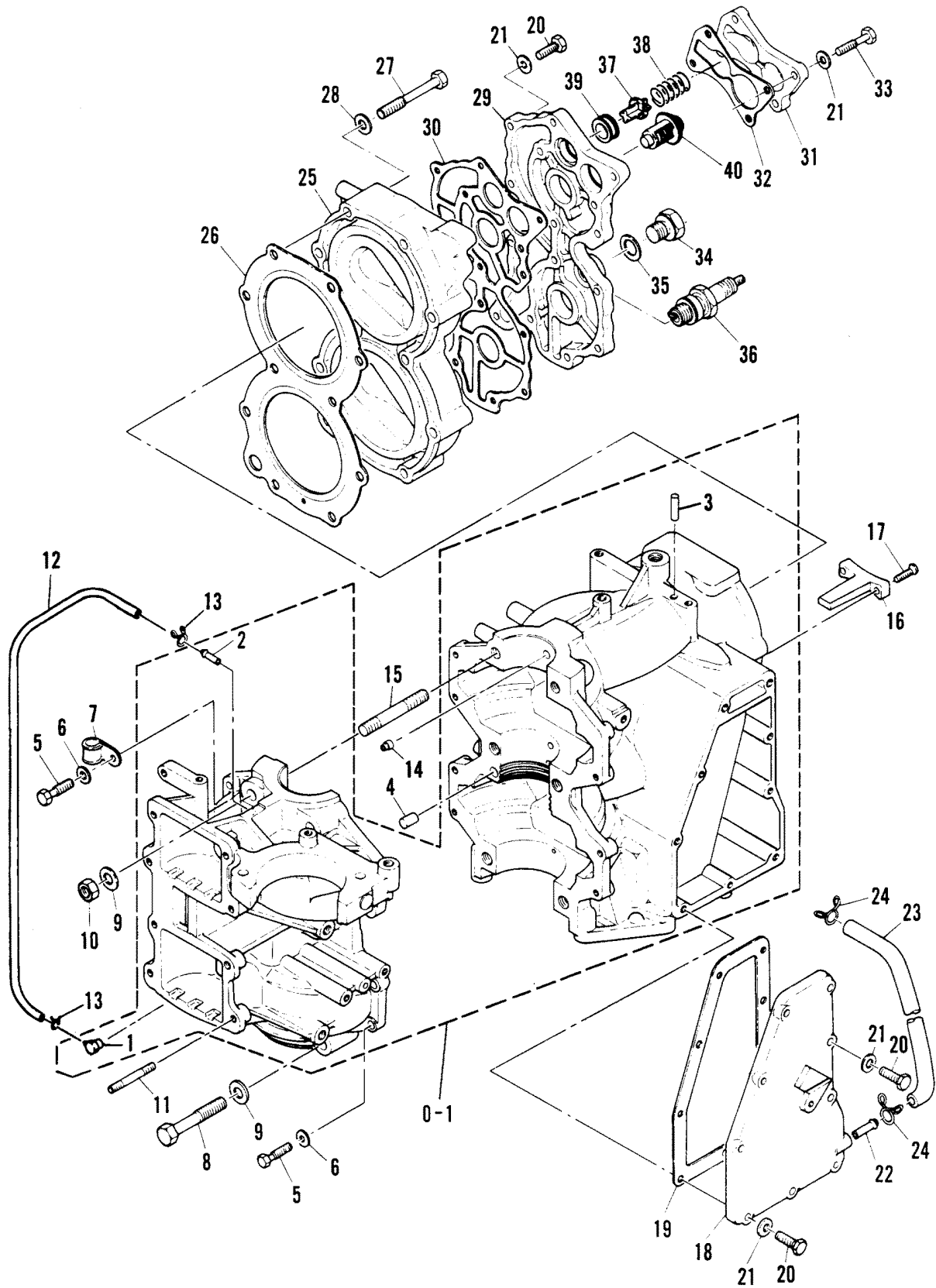
THROTTLE CONTROL



THROTTLE CONTROL

REF. NO.	PART NO.	SYM.	QTY.	DESCRIPTION
1	81345M		1	LEVER, C.D.I. CONTROL
2	81341M		1	STOPPER, FREE ACCEL-LINK
3	17-82976M		1	PIN
4	17-82367M		1	PIN,DOWEL
5	17-82149M		4	PIN, ROLL
6	81480M		1	CLEVIS, THROTTLE CABLE
7	81350M		1	BRACKET, SHAFT
8	23-81946M		4	BUSHING
9	10-82423M		3	BOLT
10	13-82199M		4	WASHER, LOCK
11	23-81942M		1	BUSHING
12	81403M		1	STOP, SHAFT BRACKET
13	24-82074M		1	SPRING, COMPRESSION
14	53-82330M		2	SNAP RING
15	81346M		1	LEVER, C.D.I. CONTROL
16	81347M		1	SHAFT, LINK CONNECTING
17	24-82113M		1	SPRING, TORSION
18	81344M		1	LEVER, C.D.I. CONTROL
19	81349M		1	BRACKET, SHAFT-UPPER
20	17-82154M		1	PIN, ROLL
21	10-83050M		2	SCREW
22	11-82381M		1	NUT
23	11-81764M		1	NUT
24	81415M		1	CAP
25	97087M		1	CAP
26	81225M		3	CLEVIS SERIAL 00006576-09999999
	81225M		4	CLEVIS SERIAL 00000000-00006575
27	98943M		1	ROD, CONTROL SERIAL 00006576-09999999
28	81348M		1	ROD, CONTROL SERIAL 00000000-00006575
29	11-82378M		2	NUT SERIAL 00006576-09999999
	11-82378M		1	NUT SERIAL 00000000-00006575
30	81334M		1	CAM
31	13-81868M		1	WASHER, WAVE
32	10-81713M		1	BOLT
33	81483M		1	BRACKET, REMOTE CONTROL
34	81484M		1	CLAMP, CABLE
35	17-82146M		1	PIN, ROLL
36	10-82437M		1	BOLT
37	13-82200M		1	WASHER, LOCK
38	81333M		1	ROD, LINK

CRANKCASE AND CYLINDER HEAD

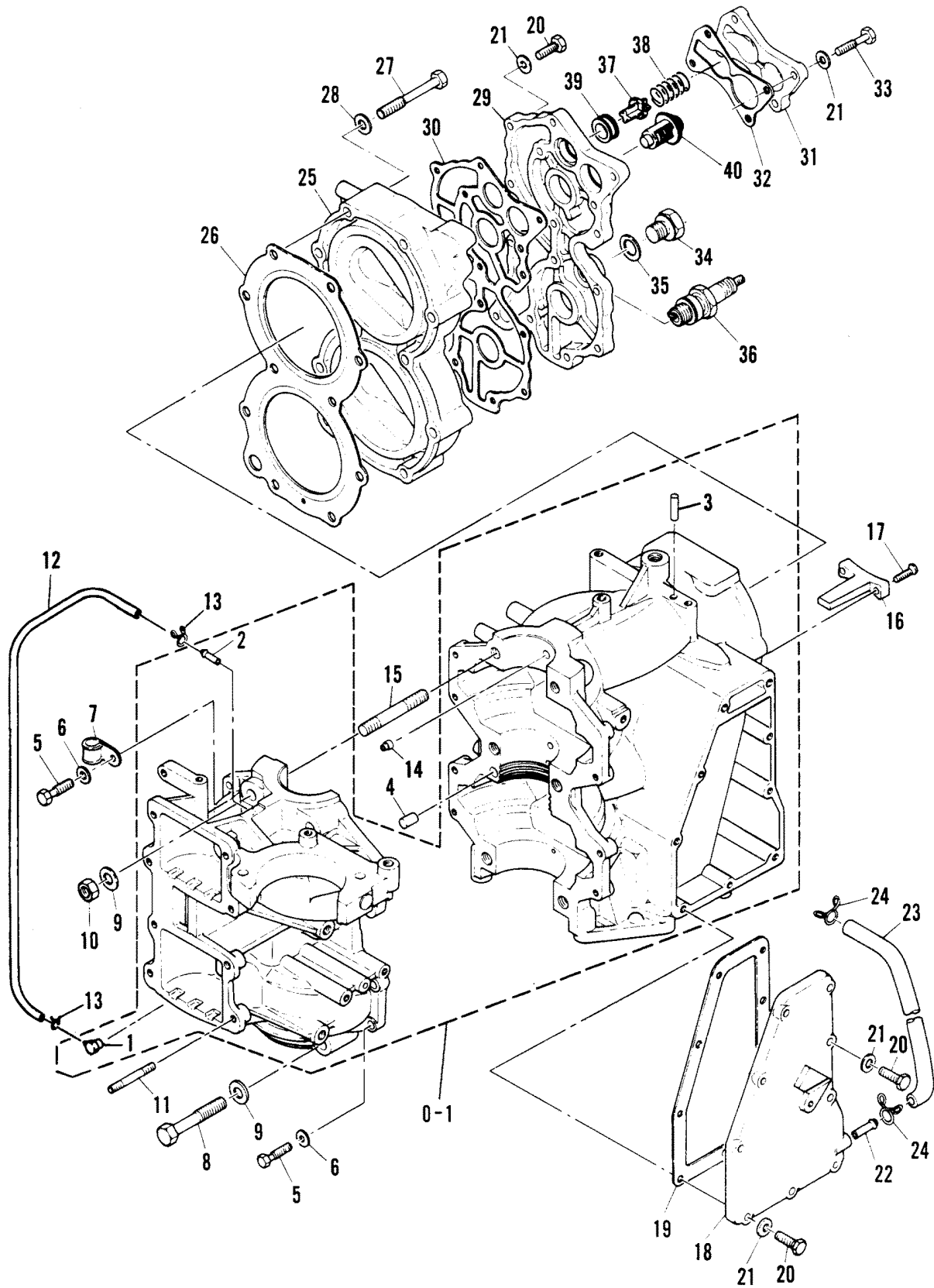


CRANKCASE AND CYLINDER HEAD

REF. NO.	PART NO.	SYM.	QTY.	DESCRIPTION
0-1	870-7973M		1	CRANKCASE AND CYLINDER ASS'Y
1	21-80727M		2	CHECK VALVE ASS'Y
2	22-80122M		1	FITTING, CRANKCASE DRAIN
3	17-82354M		1	PIN, DOWEL
4	17-82368M		1	PIN, DOWEL
5	10-82405M		8	BOLT
6	12-81792M		8	WASHER
7	54-82033M		1	CLAMP, WIRE
8	10-82410M		4	BOLT
9	12-81807M		6	WASHER
10	11-82387M		2	NUT
11	16-81735M		8	STUD
12	32-81995M		2	HOSE, DRAIN
13	54-82046M		4	CLAMP, HOSE
14	17-81258M		2	LOCK, BEARING
15	16-81743M		2	STUD
16	81255M		1	ANODE
17	10-82532M		2	SCREW
18	81330M		1	COVER, EXHAUST-OUTER
19	27-81331M		1	GASKET, EXHAUST COVER
20	10-83539M		21	BOLT
21	13-82199M		25	WASHER, LOCK
22	22-80756M		1	FITTING, EXHAUST COVER
23	32-81324M		1	HOSE, EXHAUST COVER
24	54-82047M		2	CLAMP, HOSE
25	968-7974M		1	HEAD, CYLINDER
26	27-81252M		1	GASKET, CYLINDER HEAD
27	10-82409M		10	BOLT
28	12-80564M		10	WASHER
29	81253M		1	COVER, CYLINDER HEAD
30	27-81254M		1	GASKET, CYLINDER HEAD COVER
31	81265M		1	COVER, THERMOSTAT
32	27-81266M		1	GASKET, THERMOSTAT COVER
33	10-84237M		4	BOLT
34	22-81926M		1	PLUG, COVER
35	27-81990M		1	GASKET, COVER PLUG
36	33-82371M		2	SPARK PLUG B-7HS-(NGK)
37	81267M		1	VALVE, PRESSURE CONTROL (OPT)

CONTINUED ON NEXT PAGE ➡

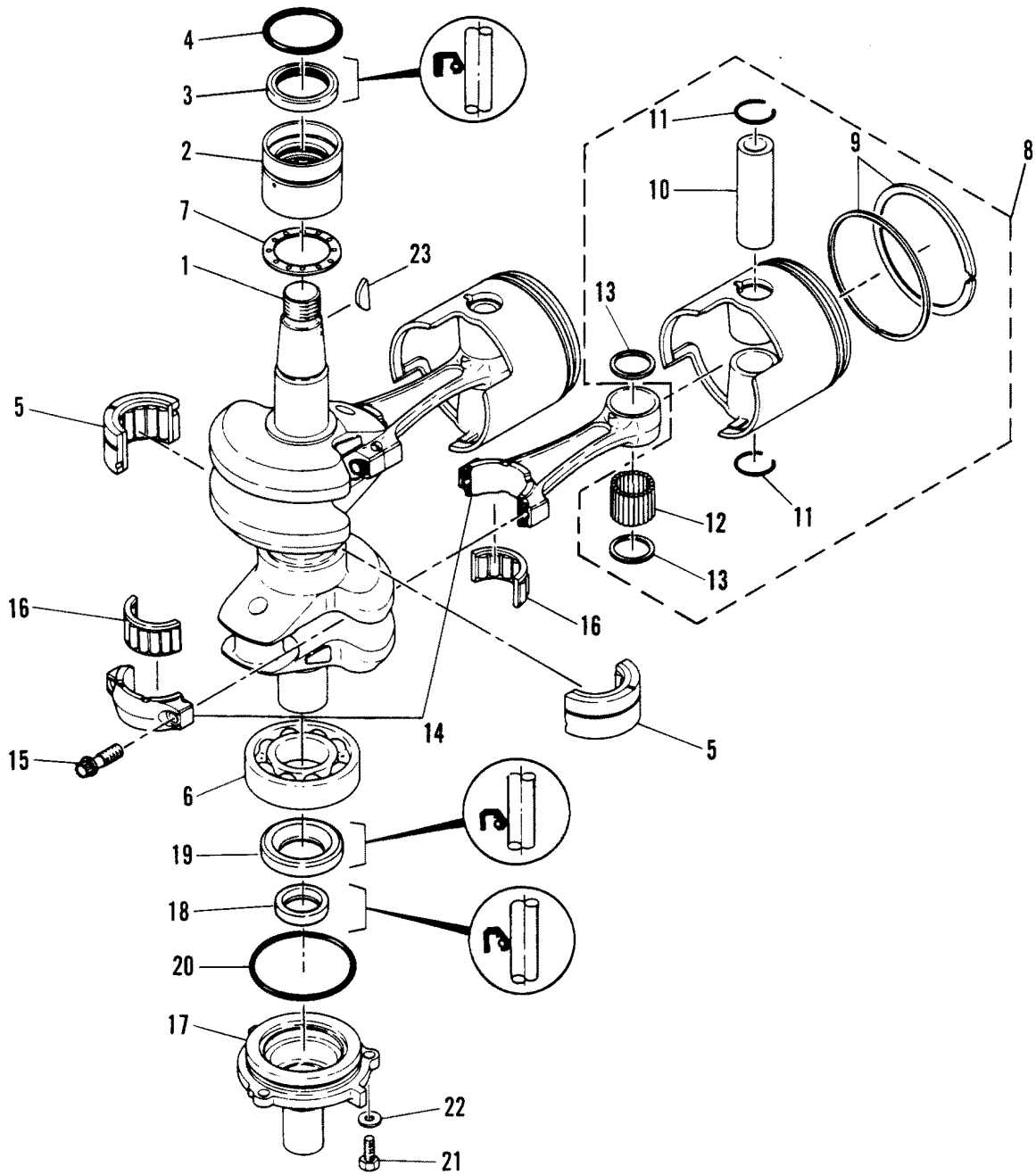
CRANKCASE AND CYLINDER HEAD



CRANKCASE AND CYLINDER HEAD

REF. NO.	PART NO.	SYM.	QTY.	DESCRIPTION
38	24-82086M		1	SPRING, COMPRESSION (OPT)
39	25-82067M		1	GROMMET (OPT)
40	81098M		1	THERMOSTAT (OPT)
	92663M		1	POWERHEAD ASS'Y, COMPLETE FOR REPLACEMENT OF POWERHEAD ASSEMBLY, COMPLETE; WHICH INCLUDES CRANKCASE ASSEMBLY, CYLINDER HEAD, PISTON, CONNECTING ROD, CRANKSHAFT, BEARINGS, ETC. - ORDER POWERHEAD ASSEMBLY (92663M). REPLACEMENT PARTS
	27-84168M		1	GASKET SET, POWERHEAD REPLACEMENT PARTS

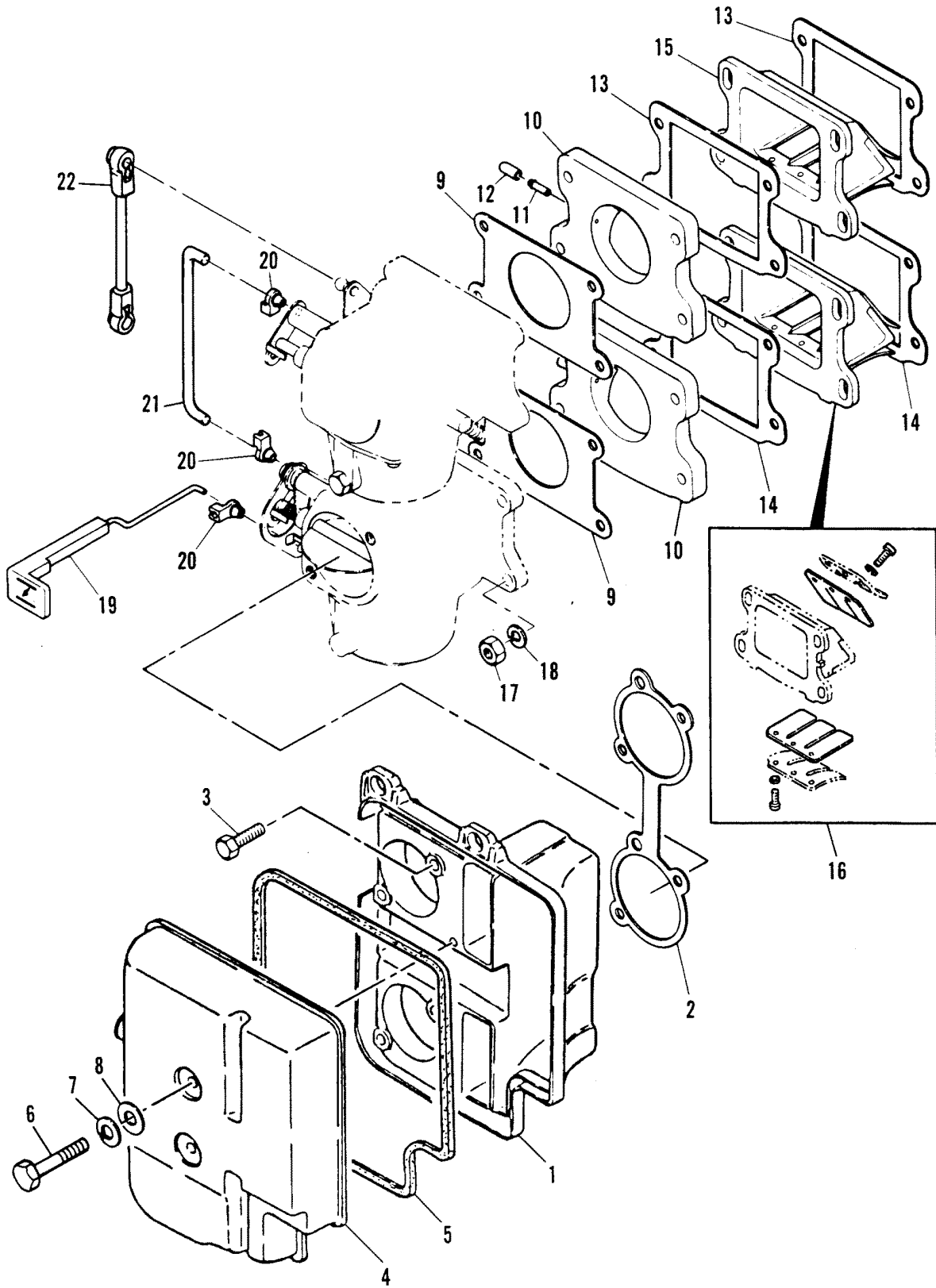
CRANKSHAFT AND PISTON



CRANKSHAFT AND PISTON

REF. NO.	PART NO.	SYM.	QTY.	DESCRIPTION
1	463-6825M		1	CRANKSHAFT ASS'Y
2	31-82312M		1	BEARING, NEEDLE
3	26-82249M		1	OIL SEAL, CRANKSHAFT-UPPER
4	25-82276M		1	O-RING, CRANKSHAFT-UPPER
5	31-82313M		1	BEARING, CENTER MAIN
6	30-82304M		1	BEARING, CRANKSHAFT-LOWER
7	15-81259M		1	SHIM, CRANKSHAFT
8	761-8462M		2	PISTON ASS'Y (STANDARD) SERIAL 00002731-09999999
	761-8457M		2	PISTON ASS'Y (STANDARD) SERIAL 00000000-00002730
	761-8463M		AR	PISTON ASS'Y (1ST O.S.-82.25 MM) SERIAL 00002731-09999999
	761-8458M		AR	PISTON ASS'Y (1ST O.S.-82.25 MM) SERIAL 00000000-00002730
	761-8464M		AR	PISTON ASS'Y (2ND O.S.-82.50 MM) SERIAL 00002731-09999999
	761-8459M		AR	PISTON ASS'Y (2ND O.S.-82.50 MM) SERIAL 00000000-00002730
9	39-83195M		2	PISTON RING STE (STD) SERIAL 00002731-09999999
	39-92625M		2	PISTON RING SET (STD) SERIAL 00000000-00002730
	39-83196M		AR	PISTON RING SET (1ST O.S. - 82.25 MM) SERIAL 00002731-09999999
	39-92626M		AR	PISTON RING SET (1ST O.S. - 82.25 MM) SERIAL 00000000-00002730
	39-83197M		AR	PISTON RING SET (2ND O.S. - 82.50 MM) SERIAL 00002731-09999999
	39-92627M		AR	PISTON RING SET (2ND O.S. - 82.50 MM) SERIAL 00000000-00002730
10	41-81263M		2	PIN, PISTON
11	53-81264M		4	CLIP, PISTON PIN
12	29-82353M		56	BEARING, NEEDLE - CONNECTING ROD
13	12-81831M		4	RETAINER
14	629-7990M		2	CONNECTING RD ASS'Y SERIAL 00006576-09999999
	629-8609M		2	CONNECTING ROD ASS'Y SERIAL 00000000-00006575
15	10-81715M		4	BOLT, ROD CAP
16	31-98944M		2	BEARING, CONNECTING RD SERIAL 00006576-09999999
	31-82311M		2	BEARING, CONNECTING ROD SERIAL 00000000-00006575
17	82986M		1	HOUSING, OIL SEAL
18	26-82255M		1	OIL SEAL, CRANKSHAFT - LOWER
19	26-82248M		1	OIL SEAL, CRANKSHAFT - LOWER
20	25-82286M		1	O-RING, OIL SEAL HOUSING
21	10-91725M		3	BOLT
22	12-82214M		3	WASHER
23	28-81915M		1	KEY, CRANKSHAFT TO FLYWHEEL

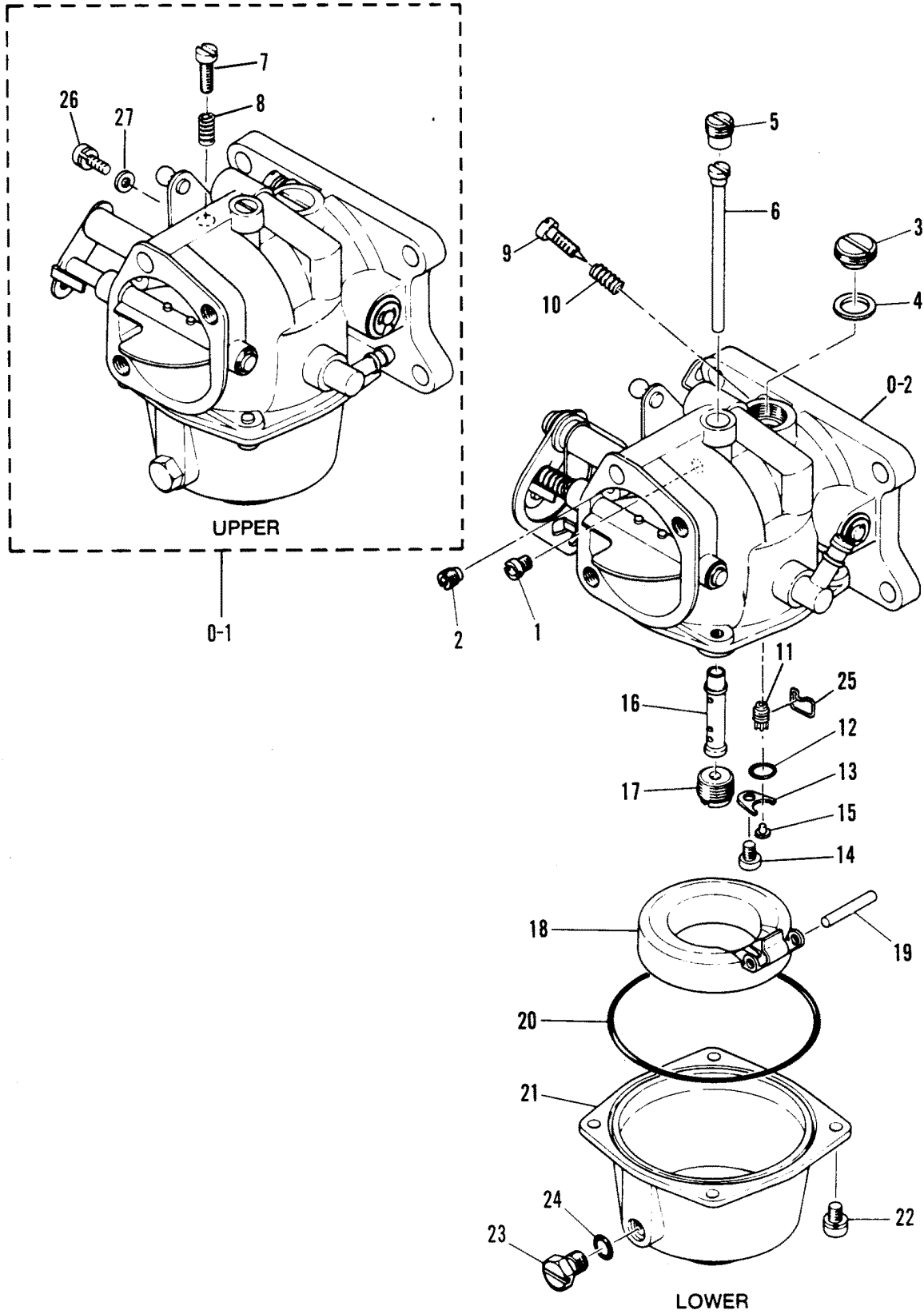
INTAKE MANIFOLD



INTAKE MANIFOLD

REF. NO.	PART NO.	SYM.	QTY.	DESCRIPTION
1	92629M		1	BASE, AIR INTAKE
2	27-81276M		1	GAKSET, AIR INTAKE TO CARBRETOR
3	10-82405M		4	BOLT
4	92630M		1	COVER, AIR INTAKE
5	27-92631M		1	GAKSET, AIR INTAKE
6	10-84657M		2	BOLT
7	13-82197M		2	WASHER
8	13-82199M		2	WASHER, LOCK
9	27-81272M		2	GASKET, CARBURETOR TO MANIFOLD
10	92677M		2	MANIFOLD, INTAKE
11	22-80122M		2	PIPE, OVERFLOW
12	80454M		1	CAP, OVERFLOW PIPE
13	27-81269M		2	GASKET, REED VALVE - UPPER
14	27-81270M		2	GASKET, REED VALVE - LOWER
15	34-92675M		2	REED VALVE ASS'Y
16	34-92676M		1	REED SET (REED STOPS NOT INCLUDED)
17	11-82380M		8	NUT
18	13-82197M		8	WASHER, LOCK
19	81338M		1	ROD, CHOKE
20	81191M		3	CONNECTOR, CHOKE LEVER
21	82988M		1	ROD, CHOKE LINK
22	97844M		1	ROD, THROTTLE LEVER SERIAL 00006576-09999999
	82911M		1	ROD, THROTTLE LEVER SERIAL 00000000-00006575

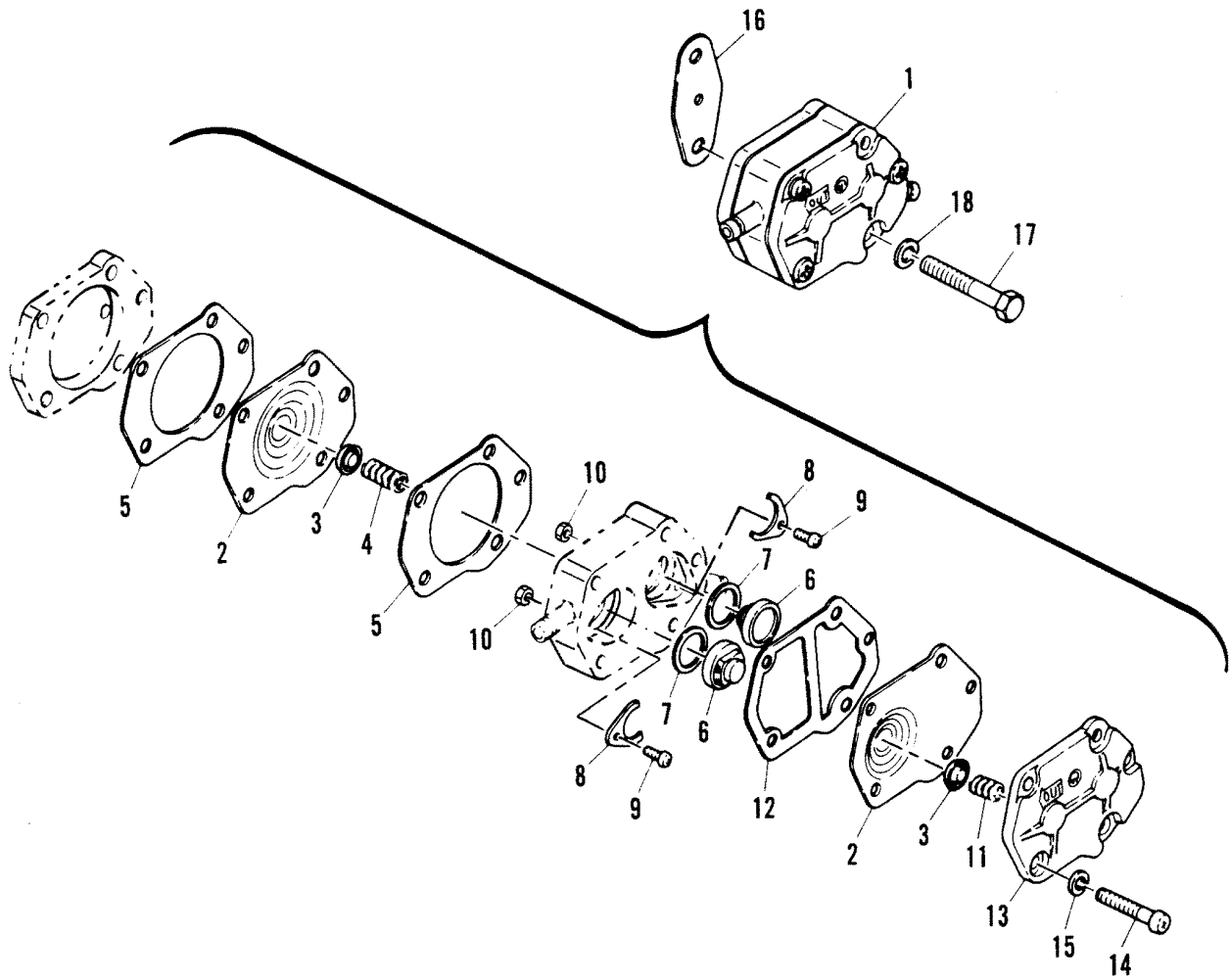
CARBURETOR



CARBURETOR

REF. NO.	PART NO.	SYM.	QTY.	DESCRIPTION
0-1	1383-7976M		1	CARBURETOR ASS'Y (UPPER)
0-2	1383-7977M		1	CARBURETOR ASS'Y (LOWER)
1	81289M		2	JET, PILOT AIR (#105)
2	92678M		2	JET, MAIN AIR (#135)
3	10-81292M		2	SCREW, PLUG
4	12-92636M		2	WASHER
5	10-97080M		2	SCREW, PLUG SERIAL 00004321-09999999
	10-81279M		2	SCREW, PLUG SERIAL 00000000-00004320
6	81282M		2	JET, PILOT (#92)
7	10-81277M		1	SCREW, THROTTLE (UPPER)
8	24-82080M		1	SPRING, COMPRESSION (UPPER)
9	10-81281M		2	SCREW, IDLE SPEED
10	24-82073M		2	SPRING, COMPRESSION
11	82780M		2	VALVE SEAT ASS'Y
12	25-82261M		2	O-RING, VALVE
13	80026M		2	RETAINER, VALVE SEAT
14	10-82499M		2	SCREW
15	17-92639M		2	PIN, VALVE
16	81287M		2	NOZZLE, MAIN
17	92637M		2	JET, MAIN (#165)
18	81291M		2	FLOAT
19	17-81278M		2	PIN, FLOAT
20	25-82288M		2	O-RING
21	81290M		2	BOWL, FLOAT
22	10-81758M		8	SCREW W/WASHER
23	10-81293M		2	SCREW, DRAIN
24	25-81695M		2	O-RING
25	54-82781M		2	CLIP
26	10-97082M		1	SCREW W/WASHER (UPPER) SERIAL 00002731-09999999
	10-83371M		1	SCREW W/WASHER (UPPER) SERIAL 00000000-00002730
27	12-83372M		1	WASHER (UPPER)
	84419M		1	REPAIR KIT, CARBURETOR REPLACEMENT PARTS

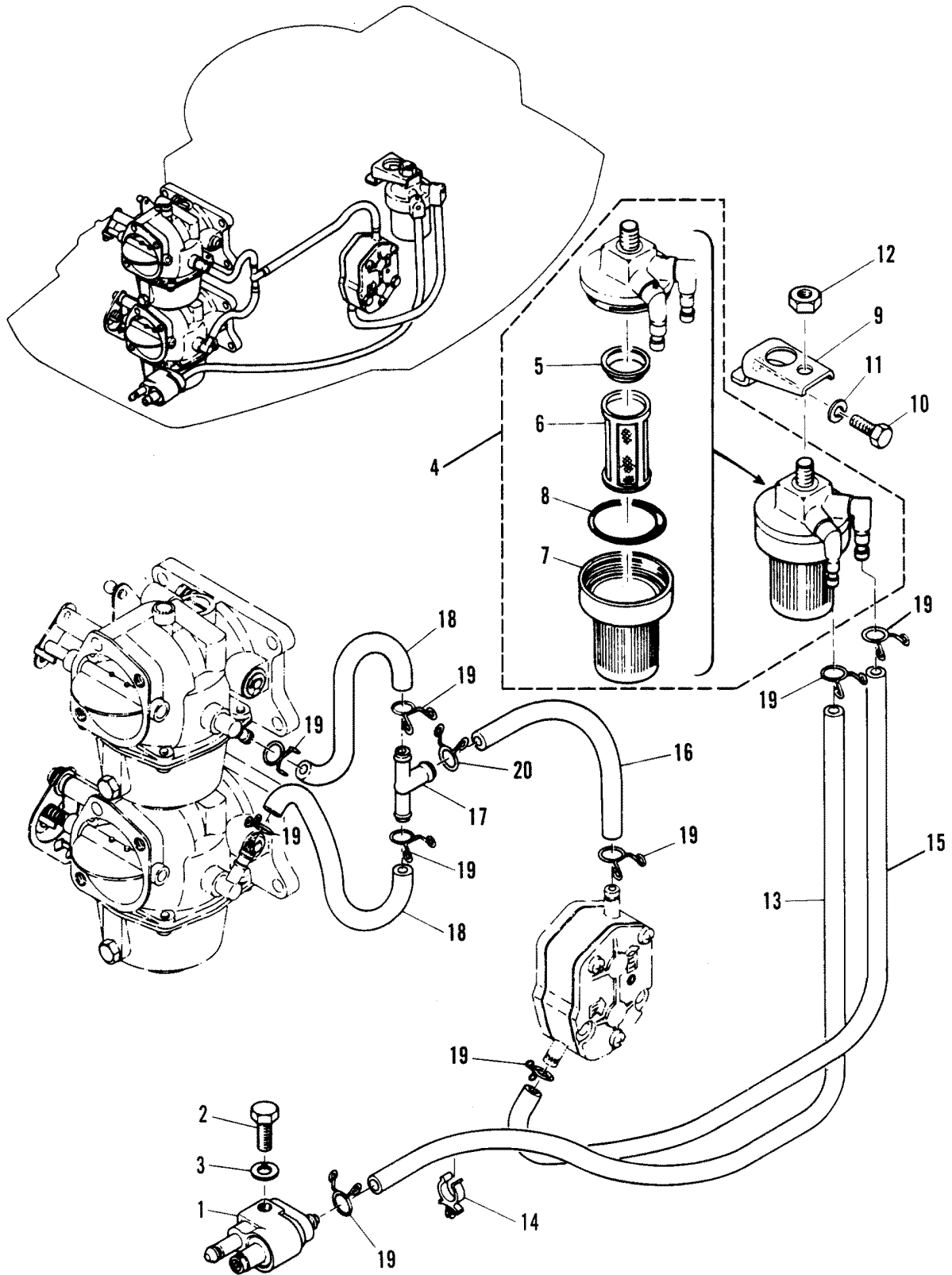
FUEL PUMP



FUEL PUMP

REF. NO.	PART NO.	SYM.	QTY.	DESCRIPTION
1	93045M		1	FUEL PUMP ASS'Y
2	80606M		2	DIAPHRAGM
3	80611M		2	PLATE, SPRING GUIDE
4	24-80610M		1	SPRING
5	27-80613M		2	GASKET, BODY TO BASE
6	21-80608M		2	CHECK VALVE
7	27-80612M		2	GASKET, CHECK VALVE
8	80609M		2	RETAINER, CHECK VALVE
9	10-82511M		2	SCREW
10	11-84515M		2	NUT
11	24-80615M		1	SPRING
12	27-80614M		1	GASKET, BODY TO COVER
13	80607M		1	COVER
14	10-82522M		3	SCREW
15	13-82208M		3	WASHER, LOCK
16	27-80757M		1	GASKET, FUEL PUMP TO CRANKCASE
17	10-82428M		2	BOLT
18	12-82198M		2	WASHER

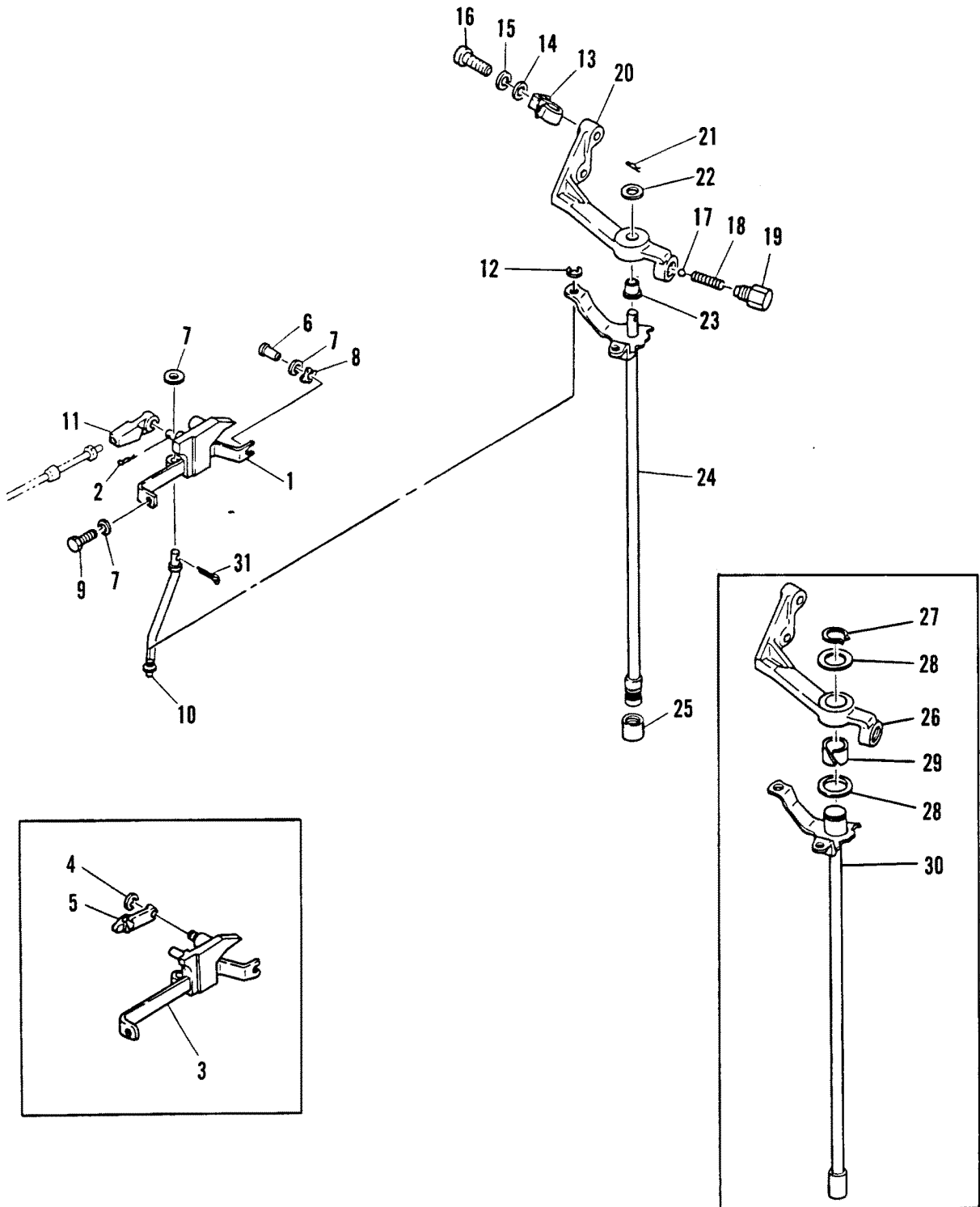
FUEL LINE AND FILTER



FUEL LINE AND FILTER

REF. NO.	PART NO.	SYM.	QTY.	DESCRIPTION
1	93099M		1	FUEL LINE CONNECTOR ASS'Y
2	10-83539M		1	BOLT
3	13-82212M		1	WASHER, LOCK
4	35-80617M		1	FUEL FILTER ASS'Y
5	27-82790M		1	GASKET, FILTER
6	35-82783M		1	ELEMENT, FILTER
7	82784M		1	FUEL BOWL
8	25-84957M		1	O-RING
9	80620M		1	BRACKET, FUEL FILTER
10	10-84211M		1	BOLT
11	13-82197M		1	WASHER, LOCK
12	11-82382M		1	NUT
13	32-84956M		1	FUEL LINE, CONNECTOR TO PUMP SERIAL 00004321-09999999
	32-82017M		1	FUEL LINE, CONNECTOR TO PUMP SERIAL 00000000-00004320
14	54-82037M		1	CLAMP
15	32-82010M		1	FUEL LINE, FILTER TO PUMP
16	32-82020M		1	FUEL LINE, PUMP TO TEE
17	22-97083M		1	TEE FITTING, FUEL LINE SERIAL 00004321-09999999
	22-81697M		1	TEE FITTING, FUEL LINE SERIAL 00000000-00004320
18	32-82004M		2	FUEL LINE, TEE TO CARBURETOR
19	54-82047M		9	CLAMP

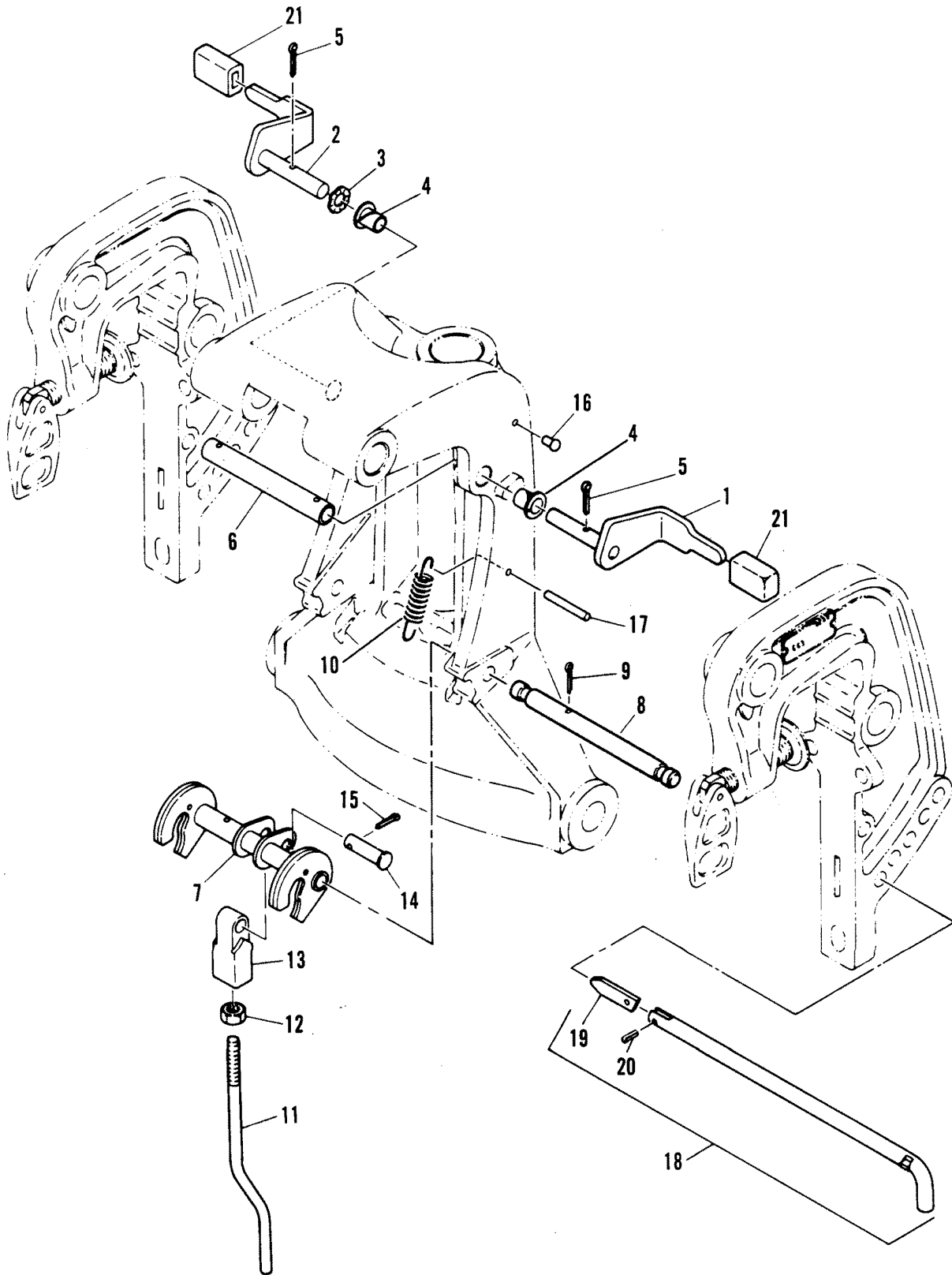
GEAR SHIFT LINKAGE



GEAR SHIFT LINKAGE

REF. NO.	PART NO.	SYM.	QTY.	DESCRIPTION
1	98919M		1	BRACKET, SHIFT SERIAL 00005796-09999999
2	18-82053M		1	PIN, COTTER SERIAL 00005796-09999999
3	81404M		1	BRACKET, SHIFT SERIAL 00000000-00005795
4	53-82330M		2	SNAP RING SERIAL 00000000-00005795
5	92657M		1	RETAINER, CLEVIS SERIAL 00000000-00005795
6	17-82137M		1	PIN, CLEVIS
7	13-82199M		3	WASHER, LOCK
8	13-81866M		1	WASHER, WAVE
9	10-82423M		1	BOLT
10	84209M		1	LEVER, SHIFT ROD
11	81480M		1	CLEVIS, SHIFT CONTROL CABLE
12	53-82330M		1	SNAP RING
13	54-92664M		1	CLAMP
14	12-82202M		2	WASHER
15	13-82200M		2	WASHER, LOCK
16	10-82441M		2	BOLT
17	92659M		1	BALL, DETENT
18	24-82081M		1	SPRING, DETENT
19	23-80635M		1	RETAINER, COMPRESSION SPRING
20	98920M		1	BRACKET, SHIFT ROD SERIAL 00005796-09999999
21	18-82053M		1	PIN, COTTER SERIAL 00005796-09999999
22	12-82216M		1	WASHER SERIAL 00005796-09999999
23	23-98923M		1	BUSHING SERIAL 00005796-09999999
24	98945M		1	SHIFT ROD ASS'Y, UPPER (M) SERIAL 00005796-09999999
	98946M		1	SHIFT ROD ASS'Y, UPPER (ML) SERIAL 00005796-09999999
25	98946M		1	BOOT, SHIFT ROD SERIAL 00005796-09999999
26	82556M		1	BRACKET, SHIFT ROD SERIAL 00000000-00005795
27	53-82324M		1	SNAP RING SERIAL 00000000-00005795
28	12-81858M		2	SPACER, SHIFT ROD SERIAL 00000000-00005795
29	23-81953M		1	BUSHING SERIAL 00000000-00005795
30	81670M		1	SHIFT ROD ASS'Y, UPPER (M) SERIAL 00000000-00005795
	81671M		1	SHIFT ROD ASS'Y, UPPER (ML) SERIAL 00000000-00005795
31	18-82126M		1	PIN, COTTER SERIAL 00000000-00000595

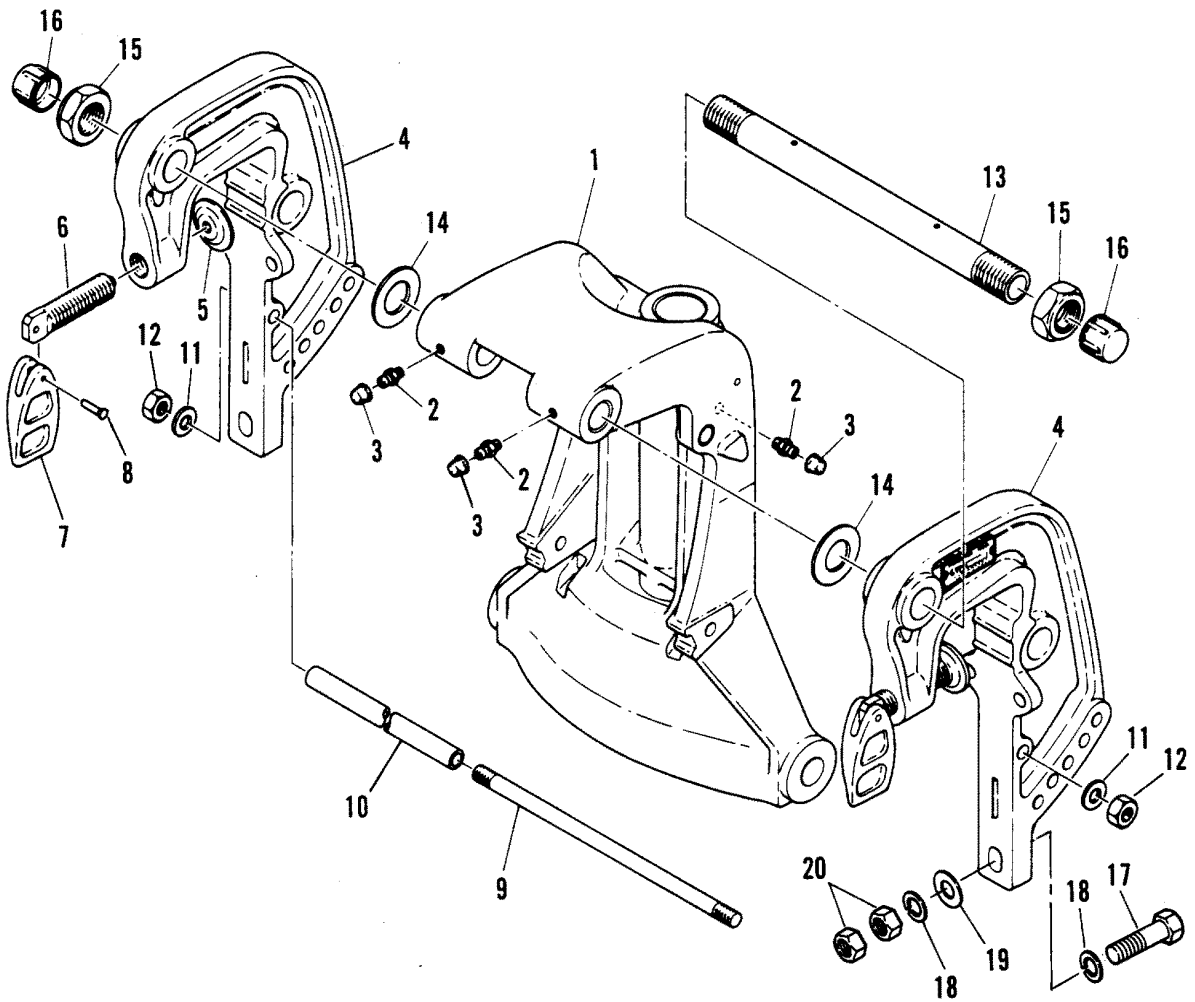
REVERSE LOCK



REVERSE LOCK

REF. NO.	PART NO.	SYM.	QTY.	DESCRIPTION
1	81393M		1	LEVER, TILT STOP SUPPORT (PORT)
2	81394M		1	LEVER, TILT STOP SUPPORT (STARBOARD)
3	13-92652M		1	WASHER, WAVE
4	23-81947M		2	BUSHING
5	18-82131M		2	PIN, COTTER
6	23-81980M		1	COLLAR, TILT STOP SUPPORT
7	97088M		1	REVERSE LOCK SERIAL 00004321-09999999
	81396M		1	REVERSE LOCK SERIAL 00000000-00004320
8	17-81397M		1	ROD, REVERSE LOCK
9	18-82130M		1	PIN, COTTER
10	24-82103M		1	SPRING, TENSION
11	83132M		1	ROD, REVERSE LOCK (M)
	83065M		1	ROD, REVERSE LOCK (ML)
12	11-82400M		1	NUT
13	81400M		1	CLEVIS, REVERSE LOCK
14	17-82138M		1	PIN, CLEVIS
15	18-82128M		1	PIN, COTTER
16	17-81909M		1	RIVET
17	17-82159M		1	PIN, ROLL
18	17-83904M		1	TILT LOCK PIN ASS'Y
19	84044M		1	STOPPER PLATE
20	17-82145M		1	PIN, ROLL
21	81395M		2	COVER

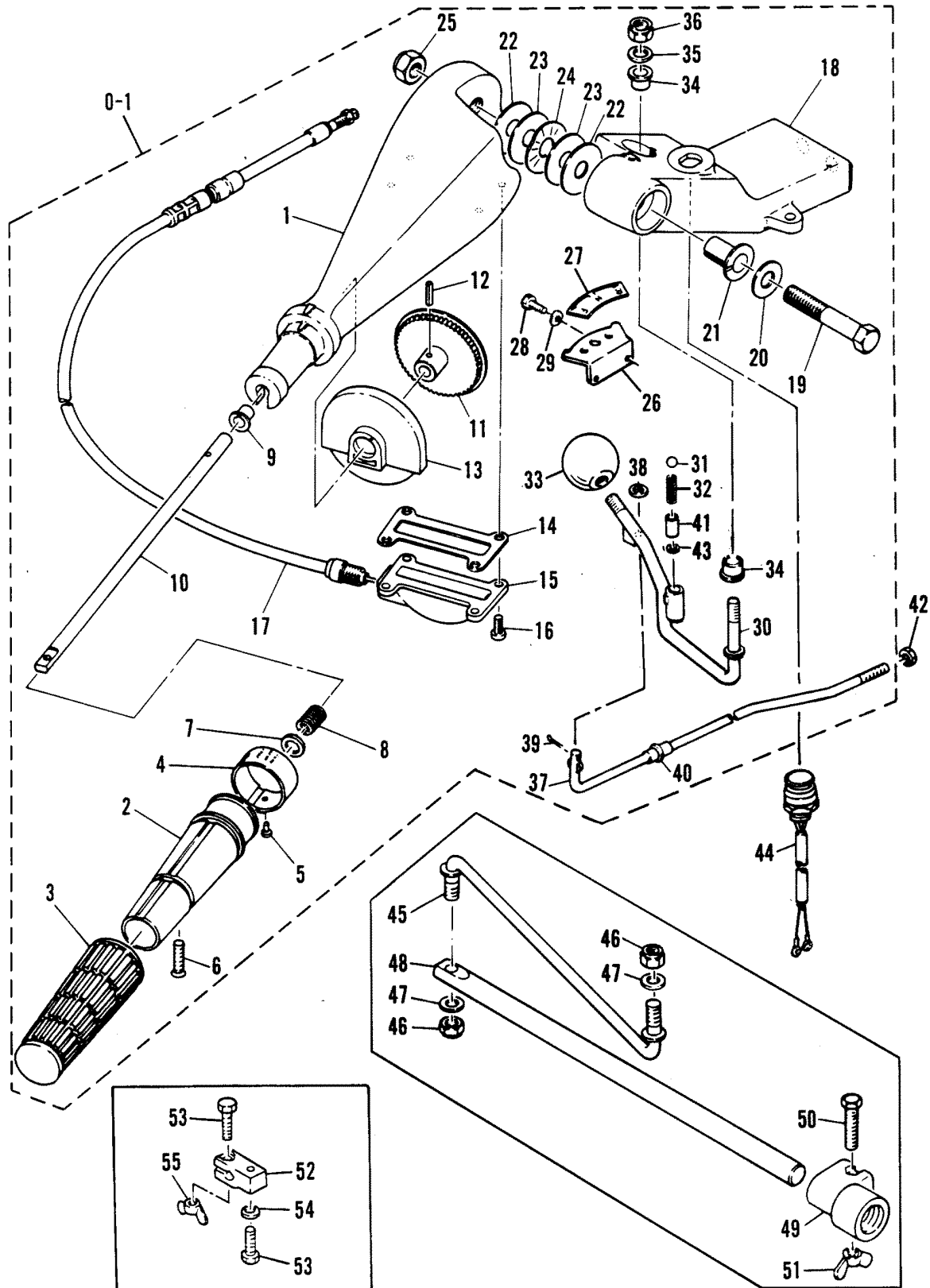
CLAMP AND SWIVEL BRACKET



CLAMP AND SWIVEL BRACKET

REF. NO.	PART NO.	SYM.	QTY.	DESCRIPTION
1	1485-6840M		1	SWIVEL BRACKET (M)
	1485-6841M		1	SWIVEL BRACKET (ML)
2	22-82369M		3	FITTING, GREASE
3	81439M		3	CAP, GREASE FITTING
4	1484-6839M		2	CLAMP BRACKET
5	12-80638M		2	PAD, TRANSOM CLAMP SCREW
6	10-81381M		2	SCREW, TRANSOM CLAMP
7	81382M		2	HANDLE, TRANSOM CLAMP SCREW
8	17-81889M		2	PIN
9	16-81383M		1	STUD, CLAMP BRACKET
10	23-81981M		1	SPACER, CLAMP BRACKET STUD
12	12-82220M		2	NUT
13	81387M		1	STUD, CLAMP BRACKET
14	12-81836M		2	WASHER
15	11-81787M		2	NUT
16	81388M		2	CAP, CLAMP BRACKET STUD
17	10-84970M		4	BOLT
18	12-82220M		8	WASHER
19	12-81812M		4	WASHER
20	11-82395M		8	NUT

STEERING HANDLE

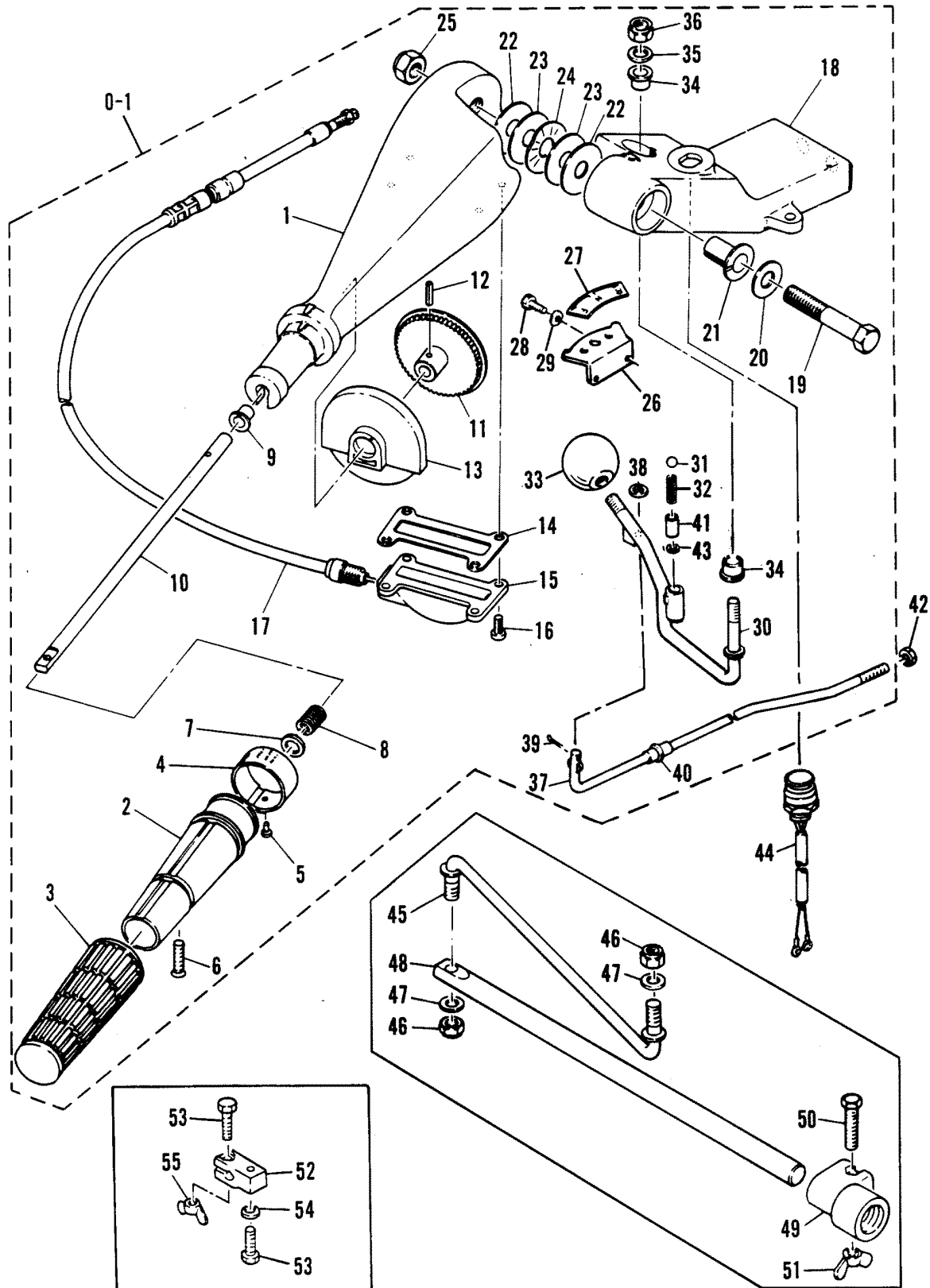


STEERING HANDLE

REF. NO.	PART NO.	SYM.	QTY.	DESCRIPTION
0-1	92680M		1	STEERING HANDLE ASS'Y
1	82553M		1	ARM, STEERING
2	81585M		1	HANDLE, THROTTLE
3	84854M		1	GRIP, THROTTLE HANDLE
4	98947M		1	INDICATOR, THROTTLE SERIAL 00006576-09999999
	97106M		1	INDICATOR, THROTTLE SERIAL 00000000-00006575
5	17-81907M		1	RIVET
6	10-82483M		1	SCREW
7	12-82204M		1	WASHER
8	24-82095M		1	SPRING, THROTTLE SHAFT
9	23-81945M		1	BUSHING
10	81351M		1	SHAFT, THROTTLE
11	81357M		1	CAM, THROTTLE
12	17-82152M		1	PIN, ROLL
13	81355M		1	HOUSING, THROTTLE CAM
14	27-81353M		1	GASKET, THROTTLE CAM COVER
15	81354M		1	COVER, THROTTLE CAM
16	10-83570M		4	SCREW
17	81329M		1	THROTTLE CABLE
18	92681M		1	BRACKET, STEERING
19	10-81710M		1	BOLT
20	12-83524M		1	WASHER
21	23-81950M		1	BUSHING
22	12-81853M		2	WASHER
23	12-81815M		2	WASHER
24	13-81870M		1	WASHER, WAVE
25	11-81786M		1	NUT, ARM BOLT
26	92682M		1	BRACKET, INDICATOR
27	81414M		1	INDICATOR, F-N-R
28	10-84247M		2	BOLT
29	13-82197M		2	WASHER, LOCK
30	92683M		1	HANDLE, GEAR SHIFT
31	92684M		1	BALL
32	24-92685M		1	SPRING
33	81413M		1	LEVER, SHIFT CONTROL
34	23-81946M		2	BUSHING
35	12-81804M		1	WASHER
36	11-81785M		1	NUT
37	81358M		1	ROD, MANUAL SHIFT
38	12-82214M		1	WASHER
39	18-82129M		1	PIN, COTTER
40	23-81943M		1	BUSHING
41	23-97107M		1	COLLAR

CONTINUED ON NEXT PAGE ➡

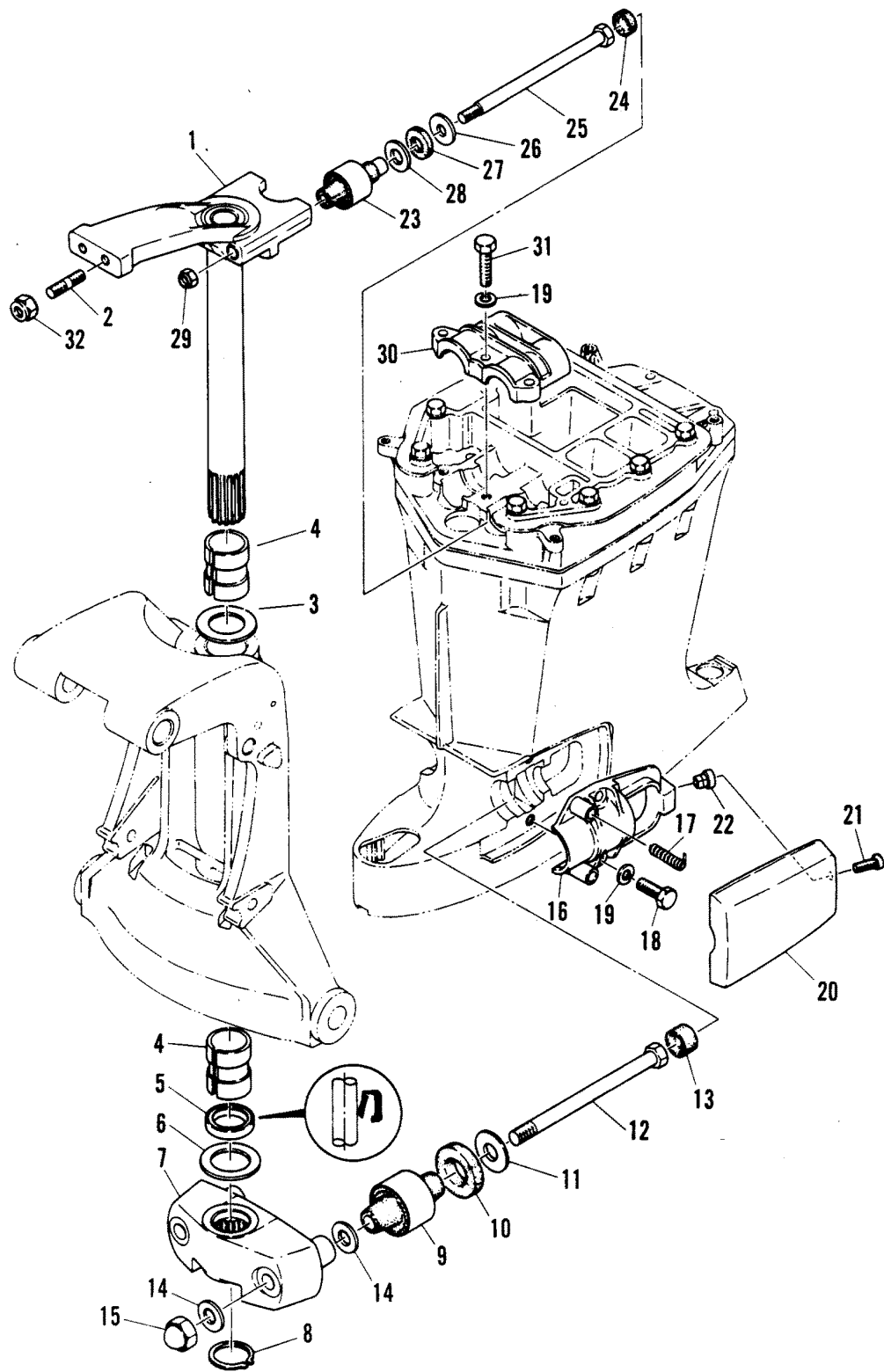
STEERING HANDLE



STEERING HANDLE

REF. NO.	PART NO.	SYM.	QTY.	DESCRIPTION
42	11-82920M		1	NUT, CABLE END
43	12-98948M		1	WASHER
44	87-98949M		1	STOP SWITCH ASS'Y OPTIONAL PARTS SERIAL 00006575-09999999
	87-92687M		1	STOP SWITCH ASS'Y OPTIONAL PARTS SERIAL 00000000-00006575
45	83704M		1	ROD, STEERING LINK OPTIONAL PARTS
46	11-83502M		2	NUT OPTIONAL PARTS
47	12-82217M		2	WASHER OPTIONAL PARTS
48	83705M		1	SHAFT, FRICTION OPTIONAL PARTS
49	83706M		1	PIECE, FRICTION OPTIONAL PARTS
50	10-96293M		1	BOLT OPTIONAL PARTS
51	11-82703M		1	NUT, WING OPTIONAL PARTS
52	84472M		1	PIECE, FRICTION (THROTTLE) OPTIONAL PARTS
53	10-82453M		2	BOLT OPTIONAL PARTS
54	12-82214M		1	WASHER OPTIONAL PARTS
55	11-82703M		1	NUT, WING OPTIONAL PARTS

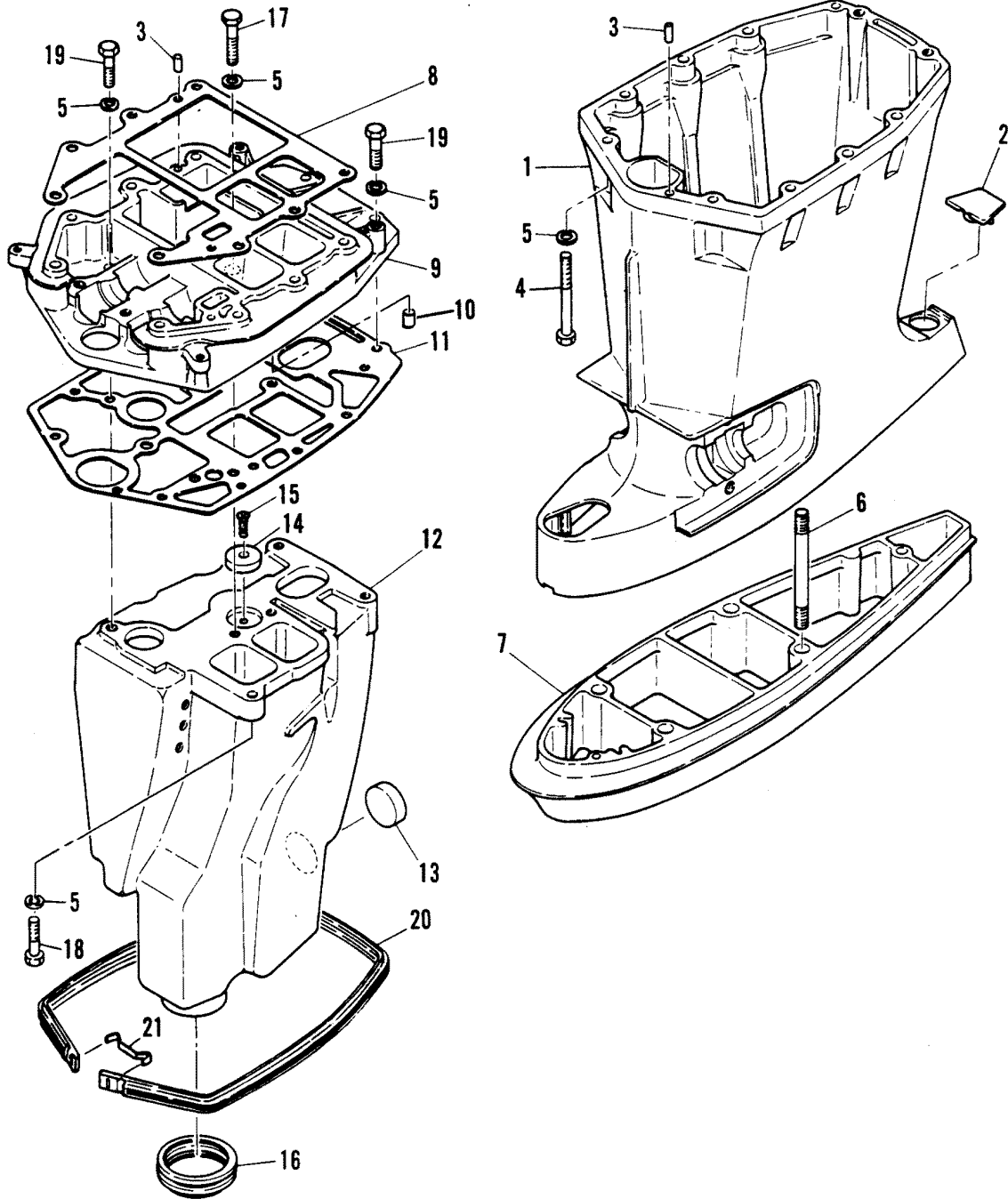
MOUNTING SYSTEM



MOUNTING SYSTEM

REF. NO.	PART NO.	SYM.	QTY.	DESCRIPTION
1	81359M		1	ARM & SHAFT ASS'Y (M)
	81360M		1	ARM & SHAFT ASS'Y (ML)
2	16-81742M		2	STUD, STEERING PLATE
3	12-81838M		1	WASHER
4	23-81955M		2	BUSHING
5	26-98950M		1	OIL SEAL, STEERING SHAFT SERIAL 00005796-09999999
	26-82256M		1	OIL SEAL, STEERING SHAFT SERIAL 00000000-00005795
6	12-81839M		1	WASHER
7	81432M		1	HOUSING, LOWER MOUNT
8	53-92654M		1	SNAP RING
9	81435M		2	HOUSING MOUNT, LOWER
10	12-81860M		2	WASHER
11	12-81819M		2	WASHER
12	10-81717M		2	BOLT
13	83130M		2	BUMPER
14	12-84429M		4	WASHER
15	11-82397M		2	NUT
16	81433M		2	RETAINER, LOWWER MOUNT
17	24-82087M		4	SPRING, COMPRESSION
18	10-82464M		4	BOLT
19	13-82215M		7	WASHER, LOCK
20	81434M		2	COVER, LOWER MOUNT
21	10-82172M		2	SCREW
22	11-81779M		2	NUT
23	81676M		2	HOUSING MOUNT, UPPER
24	81431M		2	BUMPER
25	10-81714M		2	BOLT
26	12-81825M		2	WASHER
27	12-83702M		2	WASHER
28	12-81803M		2	WASHER
29	11-81783M		2	NUT
30	81429M		1	RETAINER, UPPER MOUNT
31	10-82466M		3	BOLT
32	11-81785M		2	NUT

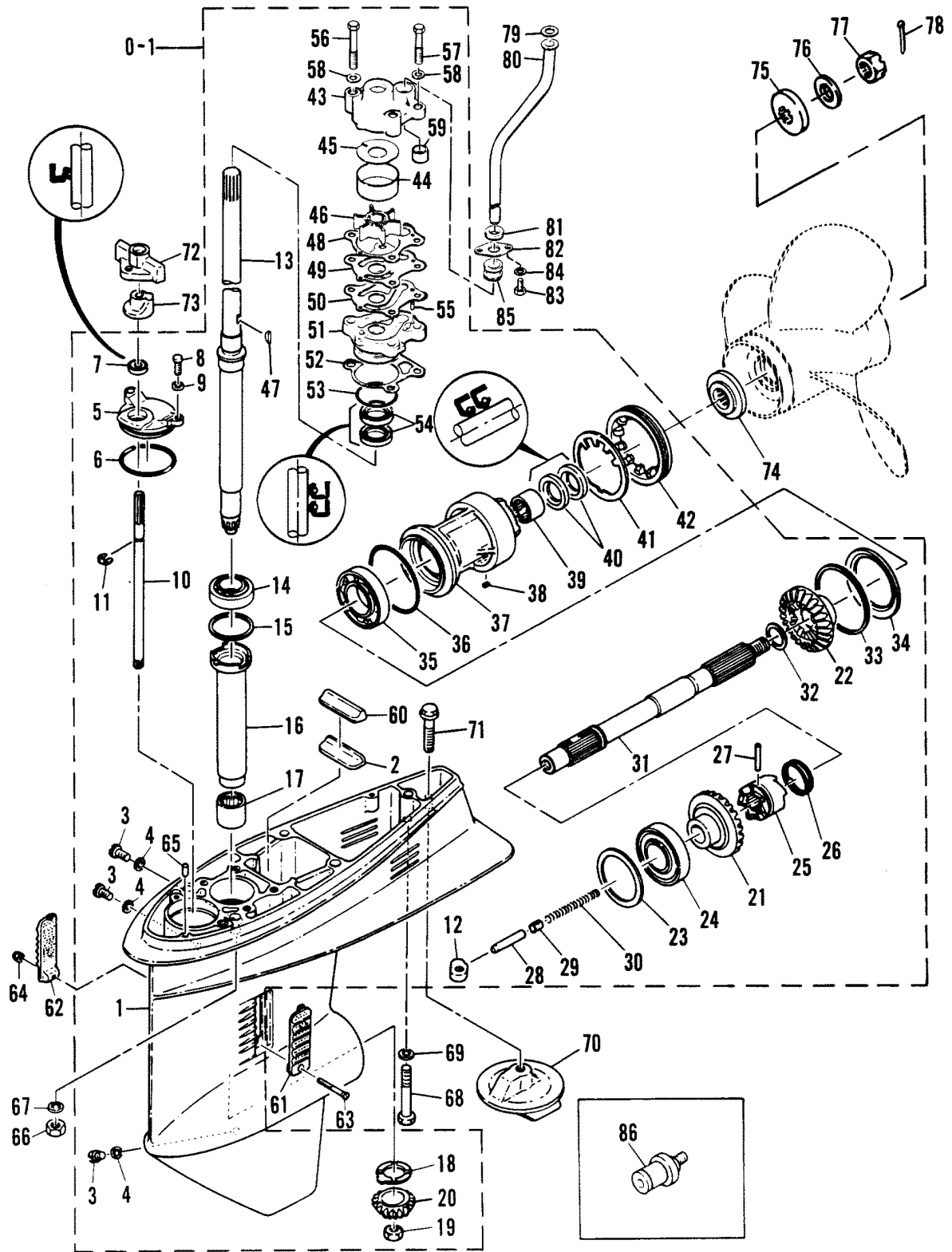
DRIVESHAFT HOUSING



DRIVESHAFT HOUSING

REF. NO.	PART NO.	SYM.	QTY.	DESCRIPTION
1	1587-8615M		1	DRIVESHAFT HOUSING (M) SERIAL 00004321-09999999
	1587-6842M		1	DRIVESHAFT HOUSING (M) SERIAL 00000000-00004320
	1587-8616M		1	DRIVESHAFT HOUSING (ML) SERIAL 00004321-09999999
	1587-6843M		1	DRIVESHAFT HOUSING (M) SERIAL 00000000-00004320
2	81441M		1	CAP, DRIVESHAFT HOUSING (M)
	81442M		1	CAP, DRIVESHAFT HOUSING (ML)
3	17-82364M		6	PIN, DOWEL
4	10-84427M		8	BOLT
5	13-82215M		16	WASHER, LOCK
6	16-81744M		4	STUD
7	98951M		1	EXTENSION SERIAL 00004321-09999999
	82559M		1	EXTENSION SERIAL 00000000-00004320
8	27-81437M		1	GASKET, EXHAUST GUIDE - UPPER
9	81332M		1	GUIDE, EXHAUST
10	23-84426M		1	BUSHING
11	27-82794M		1	GASKET, EXHAUST GUIDE SERIAL 00004321-09999999
	27-82794M		1	GASKET, EXHAUST GUIDE SERIAL 00000000-00004320
12	1587-7165M		1	DRIVESHAFT HOUSING, INNER (M)
	1587-7166M		1	DRIVESHAFT HOUSING, INNER (ML)
13	19-81922M		1	PLUG
14	84422M		1	ANODE
15	10-92679M		1	SCREW
16	27-81440M		1	SEAL, INNER TO OUTER HOUSING
17	10-84056M		1	BOLT
18	10-82466M		1	BOLT
19	10-82465M		6	BOLT
20	27-83033M		1	SEAL, RUBBER
21	83034M		1	HOOK, RUBBER SEAL

GEARHOUSING ASSEMBLY(CONT)

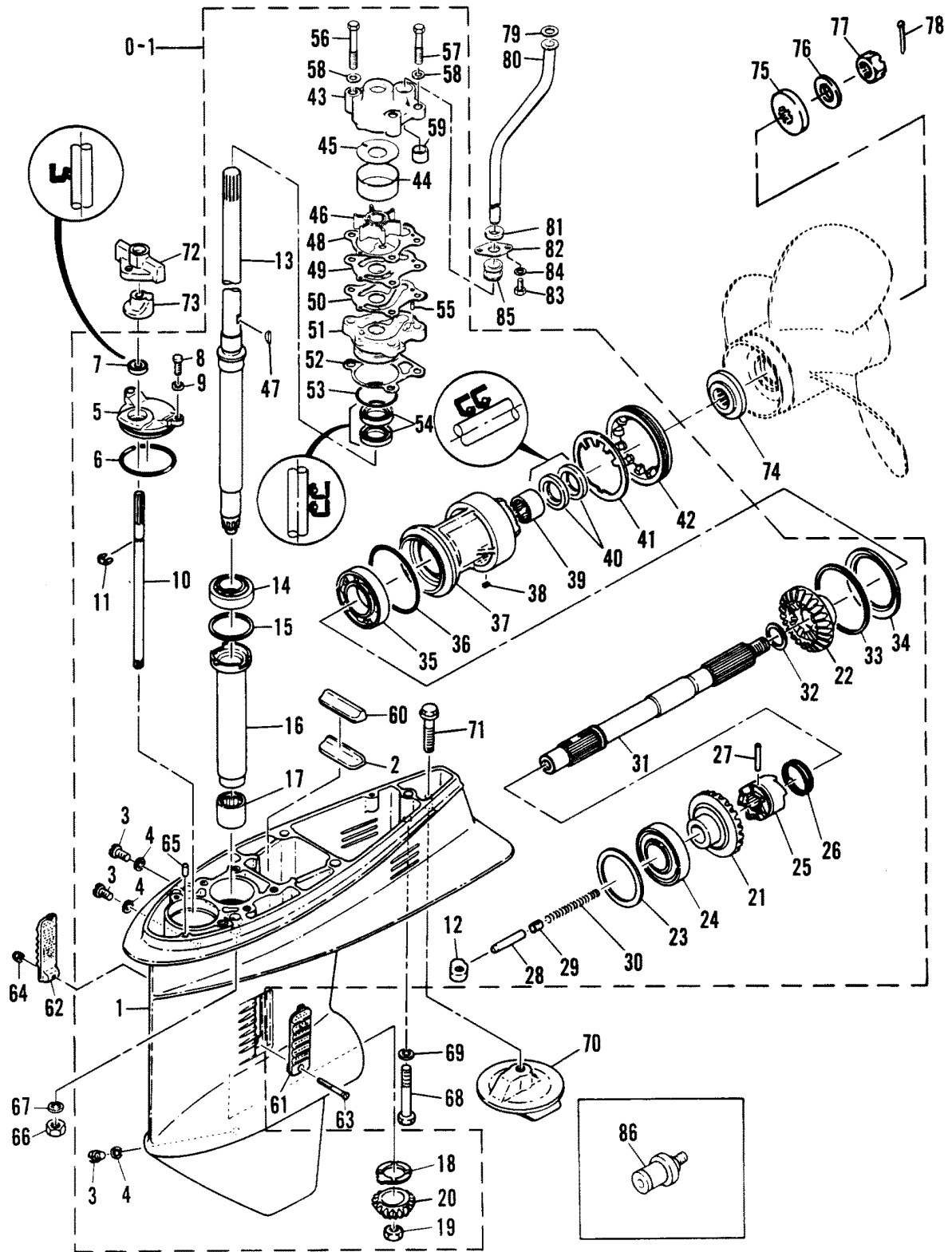


GEARHOUSING ASSEMBLY(CONT)

REF. NO.	PART NO.	SYM.	QTY.	DESCRIPTION
0-1	1651-7978M		1	GEAR HOUSING ASS'Y (M)
	1651-7979M		1	GEAR HOUSING ASS'Y (ML)
1	1651-7971M		1	GEAR HOUSING
2	81449M		1	GUIDE, SEAL
3	22-81924M		3	SCREW
4	27-81987M		3	GASKET
5	81445M		1	COVER, GEAR HOUSING
6	25-82281M		1	O-RING
7	26-82257M		1	OIL SEAL, GEAR HOUSING COVER
8	10-91725M		2	BOLT
9	12-82214M		2	WASHER
10	81408M		1	ROD, SHIFT - LOWER
11	53-82334M		1	SNAP RING
12	81409M		1	CAM, SHIFT
13	45-81678M		1	DRIVESHAFT (M)
	45-81679M		1	DRIVING (ML)
14	31-98933M		1	BEARINGK, TAPERED ROLLER
15	15-81467M		AR	SHIM, DRIVESHAFT BEARING (.05 MM)
	15-81468M		AR	SHIM, DRIVESHAFT BEARING (.08 MM)
	15-81469M		AR	SHIM, DRIVESHAFT BEARING (.12 MM)
	15-81470M		AR	SHIM, DRIVESHAFT BEARING (.30 MM)
	15-81471M		AR	SHIM, DRIVESHAFT BEARING (.50 MM)
16	23-81453M		1	SLEEVE, DRIVESHAFT
17	31-82316M		1	BEARING, NEEDLE
18	12-81455M		1	THRUST WASHER
19	11-81772M		1	NUT, DRIVESHAFT
20	43-84442M		1	GEAR, PINION
21	43-84443M		1	GEAR, FORWARD
22	43-84444M		1	GEAR, REVERSE
23	15-81456M		AR	SHIM, FORWARD GEAR ADJUST (.05 MM)
	15-81457M		AR	SHIM, FORWARD GEAR ADJUST (.08 MM)
	15-81458M		AR	SHIM, FORWARD GEAR ADJUST (.12 MM)
	15-81459M		AR	SHIM, FOWARD GEAR ADJUST (.30 MM)
	15-81460M		AR	SHIM, FORWARD GEAR ADJUST (.50 MM)
24	31-82320M		1	BEARING, TAPERED ROLLER
26	52-81473M		1	CLUTH
	81474M		1	RING, CROSS PIN
27	17-81903M		1	CROSS PIN, CLUTCH
28	92643M		1	PLUNGER, SHIFT
29	81475M		1	SLIDE, SHIFT
30	24-82091M		1	SPRING, SHIFT
31	44-92644M		1	SHAFT, PROPELLER
32	12-81837M		1	WASHER, REVERSE GEAR

CONTINUED ON NEXT PAGE ➡

GEARHOUSING ASSEMBLY(CONT)

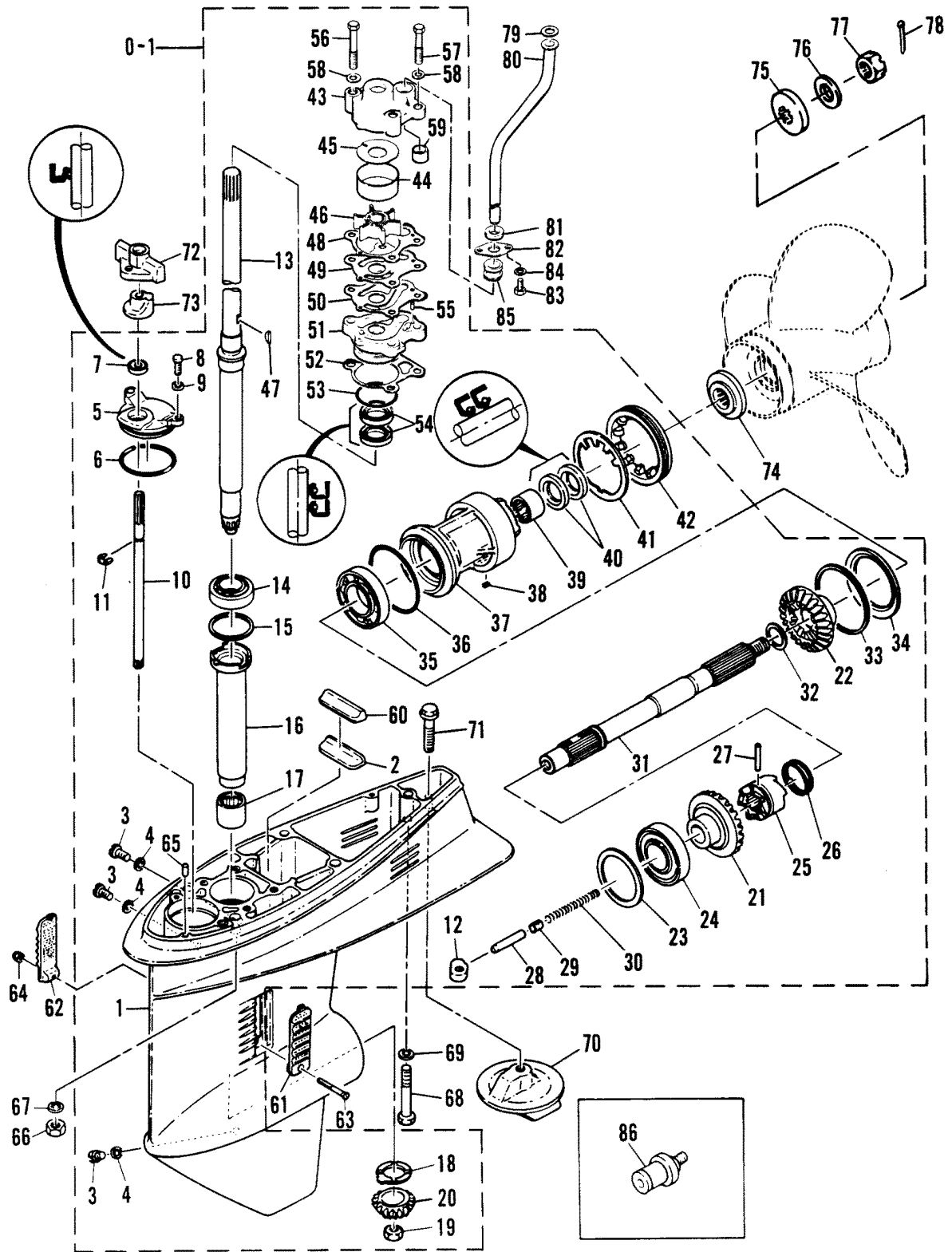


GEARHOUSING ASSEMBLY(CONT)

REF. NO.	PART NO.	SYM.	QTY.	DESCRIPTION
33	15-81462.M		AR	SHIM, REVERSE GEAR ADJUST (.05 MM)
	15-81463M		AR	SHIM, REVERSE GEAR ADJUST (.08 MM)
	15-81464M		AR	SHIM, REVERSE GEAR ADJUST (.12 MM)
	15-81465M		AR	SHIM, REVERSE GEAR ADJUST (.30 MM)
	15-81466M		AR	SHIM, REVERSE GEAR ADJUST (.50 MM)
34	12-81461M		1	THRUST WASHER, REVERSE GEAR
35	30-82296M		1	BEARING, BALL
36	25-82289M		1	O-RING
37	81446M		1	BEARING CARRIER
38	28-81916M		1	KEY
39	31-82317M		1	BEARING, NEEDLE
40	26-82233M		2	OIL SEAL, PROPELLER SHAFT
41	14-81877M		1	WASHER, TAB
42	11-81450M		1	NUT
43	46-81416M		1	BODY, WATER PUMP
44	81672M		1	INSERT, CARTRIDGE
45	83131M		1	INNER PLATE, CARTRIDGE
46	47-82824M		1	IMPELLER, WATER PUMP SERIAL 00003976-09999999
	47-97108M		1	IMPELLER, WATER PUMP SERIAL 00000000-00003975
47	28-97089M		1	KEY SERIAL 00003675-09999999
	28-81912M		1	KEY SERIAL 00000000-00003674
48	27-81417M		1	GASKET, WATER PUMP
49	81673M		1	OUTER PLATE, CARTRIDGE
50	27-81421M		1	GASKET, CARTRIDGE OUTER PLATE
51	46-81422M		1	BASE, WATER PUMP
52	27-81418M		1	GASKET, WATER PUMP BASE
53	25-82275M		1	O-RING
54	26-82234M		2	OIL SEAL, WATER PUMP
55	17-82354M		2	PIN, DOWEL
56	10-84057M		2	BOLT
57	10-82468M		2	BOLT
58	12-82217M		4	WASHER
59	26-81426M		1	SEAL
60	81448M		1	SEAL, RUBBER
61	97091M		1	COVER, WATER INLET - PORT SERIAL 00003976-09999999
	92645M		1	COVER, WATER INLET - PORT SERIAL 00000000-00003975
62	97092M		1	COVER, WATER INLET - STARBOARD SERIAL 00003976-09999999
	92646M		1	COVER, WATER INLET - STARBOARD SERIAL 00000000-00003975
63	10-82484M		1	SCREW
64	11-81781M		1	NUT
65	17-82364M		2	PIN, DOWEL
66	11-82395M		4	NUT

CONTINUED ON NEXT PAGE ➡

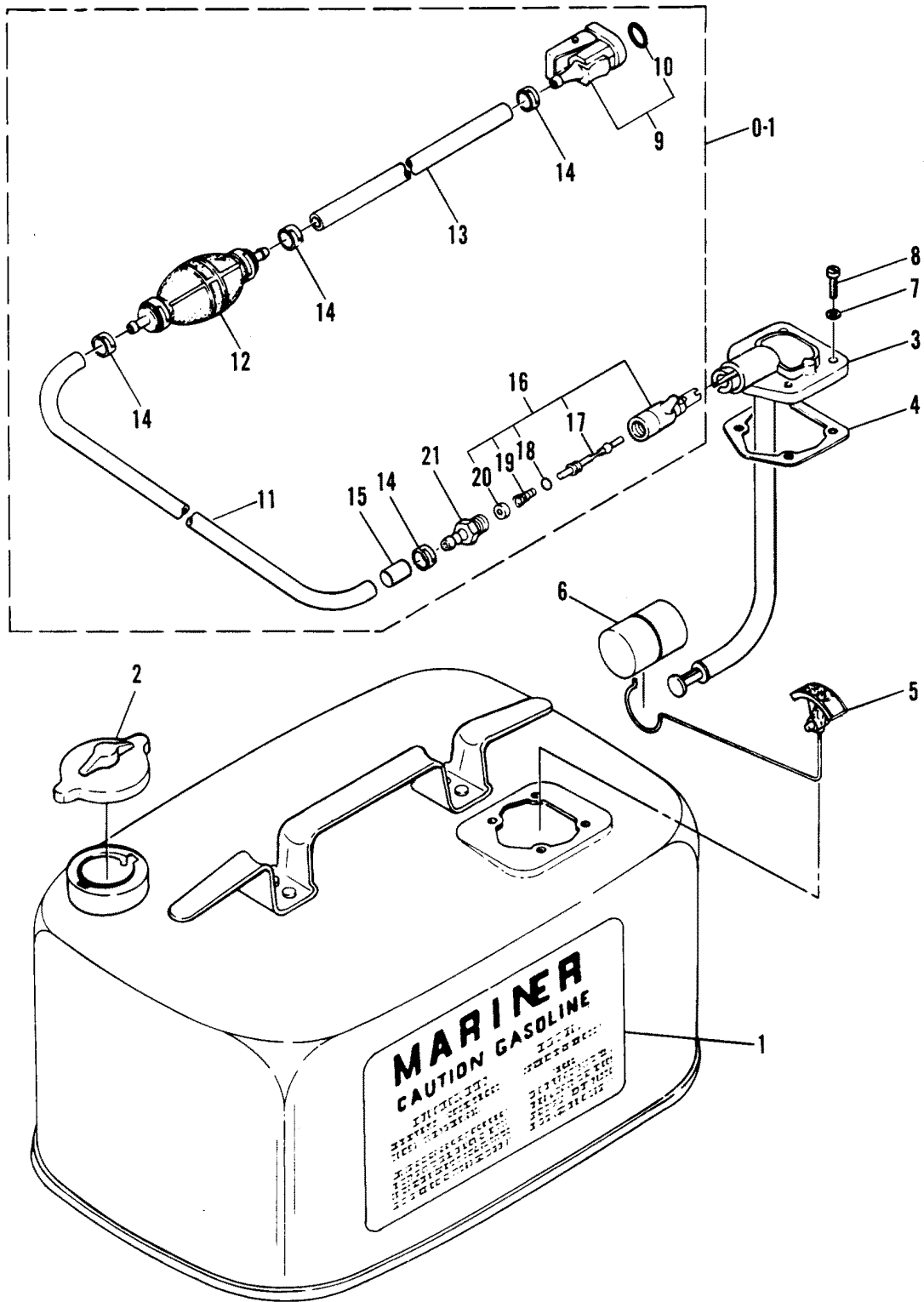
GEARHOUSING ASSEMBLY(CONT)



GEARHOUSING ASSEMBLY(CONT)

REF. NO.	PART NO.	SYM.	QTY.	DESCRIPTION
67	13-82218M		4	WASHER, LOCK
68	10-98953M		1	BOL W/WASHER SERIAL 00005796-09999999
	10-81706M		1	BOLT SERIAL 00000000-00005795
69	13-82215M		1	WASHER, LOCK SERIAL 00000000-00005795
70	83859M		1	TRIM TAB
71	10-82801M		1	BOLT, TRIM TAB ATTACHING
72	81401M		1	GUIDE, REVERSE ROD SERIAL 00000000-00006575
	81401M		1	GUIDE, REVERSE ROD SERIAL 00000000-00006575
73	81410M		1	CAM, REVERSE ROD
74	73345		1	THRUST WASHER (FOR MARINER REPLACEMENT PROPELLER)
	12-81477M		1	THRUST WASHER (FOR ORIGINAL PROPELLER)
75	23-84445M		1	THRUST WASHER, REAR (FOR ORIGINAL PROPELLER)
76	12-83700M		1	WASHER
77	11-81775M		1	NUT, PROPELLER
78	18-82131M		1	PIN, COTTER
79	12-81852M		1	WASHER, WATER TUBE
80	32-81674M		1	TUBE, WATER (M)
	32-81675M		1	TUBE, WATER (ML)
81	25-81989M		1	GASKET, WATER TUBE
82	81428M		1	SET PLATE, WATER TUBE
83	10-82448M		2	BOLT
84	13-82212M		2	WASHER, LOCK
85	26-81427M		1	SEAL, WATER TUBE - LOWER
86	22-80218M		1	PLUG, WATER FLUSH (OPT)
	27-92648M		1	GASKET SET, LOWER UNIT REPLACEMENT PARTS
	84187M		1	REPAIR KIT, WATER PUMP REPLACEMENT PARTS

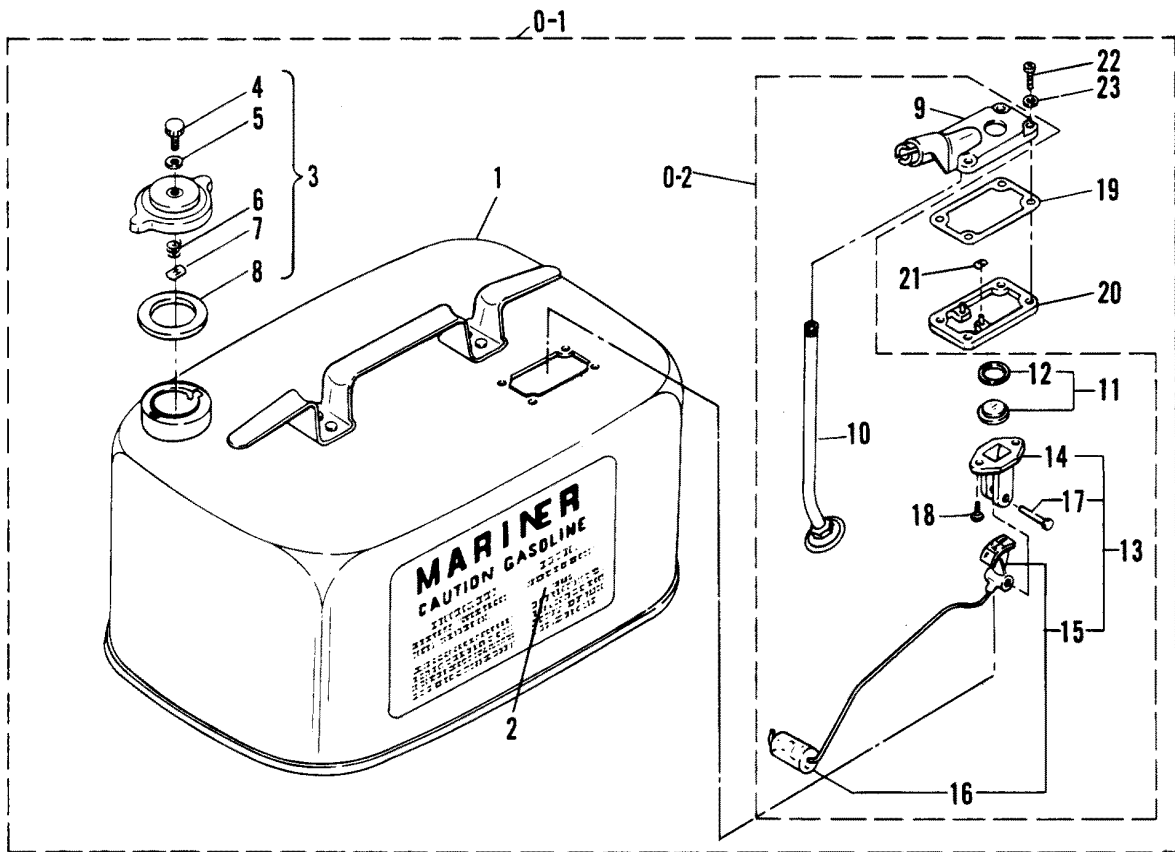
FUEL TANK AND FUEL LINE ASSEMBLY



FUEL TANK AND FUEL LINE ASSEMBLY

REF. NO.	PART NO.	SYM.	QTY.	DESCRIPTION
1	37-82984M		2	DECAL, SIDE
2	36-83617M		1	FUEL TANK CAP
3	83618M		1	FUEL METER
4	27-81320M		1	GASKET, HOUSING OF TANK
5	81318M		1	INDICATOR, FUEL LEVEL
6	81319M		1	FLOAT, INDICATOR
7	12-80271M		4	WASHER, HOUSING SCREW
8	10-82496M		4	SCREW, HOUSE ATTACHING
0-1	32-83628M		1	FUEL LINE ASS'Y
9	22-81042M		1	FUEL CONNECTOR, ENGINE END
10	25-82789M		1	O-RING
11	32-84955M		1	HOSE, CONNECTOR HOUSING TO BULB
12	81325M		1	BULB, PRIMER
13	32-82023M		1	HOSE, BULB TO CONNECTOR
14	54-80752M		4	CLAMP, HOSE
15	23-81327M		1	COLLAR
16	30185A1		1	BAYONET BODY ASS'Y
17	30187		1	STEM, BAYONET BODY STEM
18	25-20415		1	O-RING, BAYONET BODY STEM
19	24-30189		1	SPRING, BAYONET BODY STEM
20	30188		1	WASHER, CAP
21	22-63187		1	FITTING, FUEL LINE

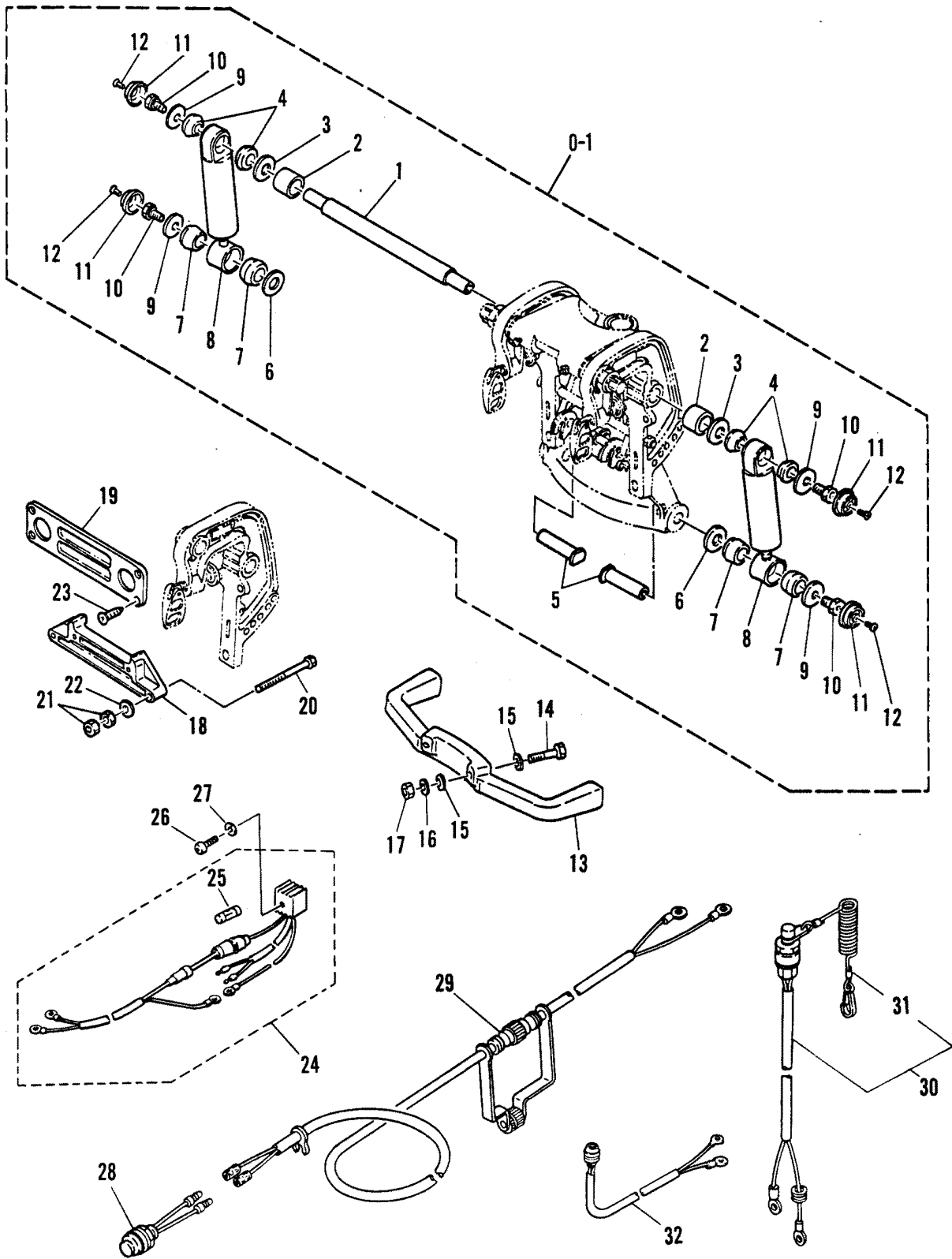
FUEL TANK



FUEL TANK

REF. NO.	PART NO.	SYM.	QTY.	DESCRIPTION
0-1	1225-1529A21		1	FUEL TANK ASSEMBLY
1	1225-1529		1	FUEL TANK
2	37-75881		1	DECAL, FUEL TANK
3	36-25392A2		1	FILLER CAP ASSEMBLY
4	10-25575		1	SCREW, VENT-FILLER CAP
5	12-49221		1	WASHER, VENT SCREW
6	24-22227		1	SPRING, TENSION-VENT SCREW
7	11-28587		1	NUT, SPEED-SPRING RETAINER
8	27-25568		1	GASKET, FILLER CAP TO FUEL TANK
0-2	64841A1		1	COVER ASSEMBLY, COMPLETE
9	64841A3		1	COVER ASSEMBLY, FUEL TANK
10	32-33909A3		1	TUBE ASSEMBLY
11	54920A1		1	LENS ASSEMBLY, FUEL GAUGE
12	27-54921		1	GASKET, FUEL GAUGE LENS
13	28897A2		1	FUEL GAUGE ASSEMBLY, COMPLETE
14	20430		1	RETAINER, FUEL GAUGE
15	28897A1		1	INDICATOR AND FLOAT ASSEMBLY
16	20427		1	FLOAT, FUEL GAUGE
17	17-20426		1	RIVET, INDICATOR TO RETAINER
18	10-62568		2	SCREW, RETAINER TO FUEL TANK COVER
19	27-28862		1	GASKET, COVER ASSEMBLY TO FRAME
20	28860		1	FRAME, RETAINING-FUEL TANK COVER
21	53-28903		2	FASTENER, RETAINING FRAME TO FUEL TANK
22	10-20411		4	SCREW, FUEL TANK COVER TO FUEL TANK
23	12-74711		4	WASHER, FUEL TANK COVER FASTENING SCREW

OPTIONAL PARTS



OPTIONAL PARTS

REF. NO.	PART NO.	SYM.	QTY.	DESCRIPTION
0-1	55-84477M		1	SHOCK ABSORBER KIT
1	17-81386M		1	PIN, UPPER SHOCK MOUNT
2	23-82120M		2	SPACER
3	12-81830M		2	WASHER
4	23-81939M		4	BUSHING
5	17-81384M		2	PIN, LOWER SHOCK MOUNT
6	12-81859M		2	WASHER
7	23-81938M		4	BUSHING
8	55-92650M		2	SHOCK ABSORBER SERIAL 00004321-09999999
	55-81392M		2	SHOCK ABSORBER SERIAL 00000000-00004320
9	12-81812M		4	WASHER
10	10-81718M		4	BOLY
11	92651M		4	COVER, SHOCK MOUNT
12	10-82533M		4	SCREW
13	84478M		1	CARRYING HANDLE
14	10-82406M		2	BOLT
15	13-81799M		4	WASHER
16	13-82200M		2	WASHER, LOCK
17	11-82382M		2	NUT
18	84479M		1	TRANSOM PLATE
19	84480M		1	PLATE, TRANSOM
20	10-84481M		4	BOLT
21	11-82392M		8	NUT
22	12-82217M		4	WASHER
23	10-84482M		4	SCREW
24	84329M		1	RECTIFIER ASS'Y, ENGINE MOUNT
25	88-81522M		1	FUSE
26	10-84245M		1	SCREW
27	13-82193M		1	WASHER, LOCK
28	87-84966M		1	STOP SWITCH SERIAL 00004321-09999999
29	84-98954M		1	EXTENSION SERIAL 00004321-09999999
30	87-98955M		1	KILL SWITCH SERIAL 00004321-09999999
31	97756M		1	STOPPER SERIAL 00004321-09999999
32	87-92693M		1	STOP SWITCH, REMOTE SERIAL 00000000-00004320

PARTS INDEX

Part Number	Description	Pg.	Ref. No.	Part Number	Description	Pg.	Ref. No.
20427	FLOAT, FUEL GAUGE	53	16	81319M	FLOAT, INDICATOR	51	6
20430	RETAINER, FUEL GAUGE	53	14	81325M	BULB, PRIMER	51	12
28860	FRAME, RETAINING-FUEL TANK COVER	53	20	81329M	THROTTLE CABLE	37	17
28897A1	INDICATOR AND FLOAT ASSEMBLY	53	15	81330M	COVER, EXHAUST-OUTER	17	18
28897A2	FUEL GAUGE ASSEMBLY, COMPLETE	53	13	81332M	GUIDE, EXHAUST	43	9
30185A1	BAYONET BODY ASS'Y	51	16	81333M	ROD, LINK	15	38
30187	STEM, BAYONET BODY STEM	51	17	81334M	CAM	15	30
30188	WASHER, CAP	51	20	81338M	ROD, CHOKE	23	19
47341A1	STARTER ROPE, EMERGENCY	5	22	81341M	STOPPER, FREE ACCEL- LINK	15	2
54920A1	LENS ASSEMBLY, FUEL GAUGE	53	11	81344M	LEVER, C.D.I. CONTROL	15	18
64841A1	COVER ASSEMBLY, COMPLETE	53	0-2	81345M	LEVER, C.D.I. CONTROL	15	1
64841A3	COVER ASSEMBLY, FUEL TANK	53	9	81346M	LEVER, C.D.I. CONTROL	15	15
73345	THRUST WASHER (FOR MARINER REPLACEMENT PROPELLER)	49	74	81347M	SHAFT, LINK CONNECTING	15	16
79629A1	STARTER ROPE	7	20	81348M	ROD, CONTROL	15	28
80026M	RETAINER, VALVE SEAT	25	13	81349M	BRACKET, SHAFT-UPPER	15	19
80063M	HANDLE, STARTER	7	19	81350M	BRACKET, SHAFT	15	7
80454M	CAP, OVERFLOW PIPE	23	12	81351M	SHAFT, THROTTLE	37	10
80606M	DIAPHRAGM	27	2	81354M	COVER, THROTTLE CAM	37	15
80607M	COVER	27	13	81355M	HOUSING, THROTTLE CAM	37	13
80609M	RETAINER, CHECK VALVE	27	8	81357M	CAM, THROTTLE	37	11
80611M	PLATE, SPRING GUIDE	27	3	81358M	ROD, MANUAL SHIFT	37	37
80620M	BRACKET, FUEL FILTER	29	9	81359M	ARM & SHAFT ASS'Y (M)	41	1
80935M	CAP, SPARK PLUB (NOISE SUPPRESSOR)	11	21	81360M	ARM & SHAFT ASS'Y (ML)	41	1
81098M	THERMOSTAT (OPT)	19	40	81371M	BUMPER, COWL	5	14
81191M	CONNECTOR, CHOKE LEVER	23	20	81374M	APRON, COWL-REAR	5	16
81225M	CLEVIS	15	26	81378M	APRON, COWL-FRONT	5	17
81225M	CLEVIS	15	26	81382M	HANDLE, TRANSOM CLAMP SCREW	35	7
81251M	HANGER, ENGINE	7	39	81387M	STUD, CLAMP BRACKET	35	13
81253M	COVER, CYLINDER HEAD	17	29	81388M	CAP, CLAMP BRACKET STUD	35	16
81255M	ANODE	17	16	81393M	LEVER, TILT STOP SUPPORT (PORT)	33	1
81265M	COVER, THERMOSTAT	17	31	81394M	LEVER, TILT STOP SUPPORT (STARBOARD)	33	2
81267M	VALVE, PRESSURE CONTROL (OPT)	17	37	81395M	COVER	33	21
81282M	JET, PILOT (#92)	25	6	81396M	REVERSE LOCK	33	7
81287M	NOZZLE, MAIN	25	16	81400M	CLEVIS, REVERSE LOCK	33	13
81289M	JET, PILOT AIR (#105)	25	1	81401M	GUIDE, REVERSE ROD	49	72
81290M	BOWL, FLOAT	25	21	81401M	GUIDE, REVERSE ROD	49	72
81291M	FLOAT	25	18	81403M	STOP, SHAFT BRACKET	15	12
81298M	CAM, PAWL ENGAGEMENT	7	10	81404M	BRACKET, SHIFT	31	3
81303M	LEVER, LOCKOUT	9	48	81408M	ROD, SHIFT - LOWER	45	10
81304M	PAWL, STARTER	7	8	81409M	CAM, SHIFT	45	12
81307M	ROLLER, STARTER ROPE	7	15	81410M	CAM, REVERSE ROD	49	73
81311M	SEAL	3	23	81413M	LEVER, SHIFT CONTROL	37	33
81313M	BRACKET, STARTER HOUSING	7	36	81414M	INDICATOR, F-N-R	37	27
81314M	BRACKET, LOCKOUT CABLE	9	51	81415M	CAP	15	24
81317M	CAM, LOCKOUT	7	42	81428M	SET PLATE, WATER TUBE	49	82
81318M	INDICATOR, FUEL LEVEL	51	5	81429M	RETAINER, UPPER MOUNT	41	30
				81431M	BUMPER	41	24
				81432M	HOUSING, LOWER MOUNT	41	7
				81433M	RETAINER, LOWWER MOUNT	41	16
				81434M	COVER, LOWER MOUNT	41	20
				81435M	HOUSING MOUNT, LOWER	41	9
				81439M	CAP, GREASE FITTING	35	3
				81441M	CAP, DRIVESHAFT HOUSING (M)	43	2

PARTS INDEX

Part Number	Description	Pg.	Ref. No.	Part Number	Description	Pg.	Ref. No.
81442M	CAP, DRIVESHAFT HOUSING (ML)	43	2	83043M	SEAL	3	24
81445M	COVER, GEAR HOUSING	45	5	83045M	STAY	5	3
81446M	BEARING CARRIER	47	37	83047M	COVER, BOTTOM	5	23
81448M	SEAL, RUBBER	47	60	83065M	ROD, REVERSE LOCK (ML)	33	11
81449M	GUIDE, SEAL	45	2	83130M	BUMPER	41	13
81474M	RING, CROSS PIN	45	26	83131M	INNER PLATE, CARTRIDGE	47	45
81475M	SLIDE, SHIFT	45	29	83132M	ROD, REVERSE LOCK (M)	33	11
81480M	CLEVIS, SHIFT CONTROL CABLE	31	11	83152M	RING, RETAINING	7	41
81480M	CLEVIS, THROTTLE CABLE	15	6	83153M	RETAINER, COWL BUMPER	5	15
81483M	BRACKET, REMOTE CONTROL	15	33	83618M	FUEL METER	51	3
81484M	CLAMP, CABLE	15	34	83704M	ROD, STEERING LINK	39	45
81515M	COVER, TERMINAL STRIP	13	32	83705M	SHAFT, FRICTION	39	48
81518M	TERMINAL STRIP	13	27	83706M	PIECE, FRICTION	39	49
81520M	RETAINER, SWITCH BOX	13	38	83710M	DECAL, REAR	3	3
81523M	MOUNT, GUIDE	7	27	83859M	TRIM TAB	49	70
81523M	RUBBER MOUNT, MOUNTING BRACKET	11	23	84044M	STOPPER PLATE	33	19
81541M	STA-STRAP	13	26	84187M	REPAIR KIT, WATER PUMP	49	86
81543M	BRACKET, ELECTRICAL COMPONENT	11	22	84209M	LEVER, SHIFT ROD	31	10
81544M	DAMPER, SWITCH BOX	13	37	84212M	COIL, TRIGGER (PULSER)	11	10
81549M	IGNITION ASS'Y)	13	39	84305M	JOINT, MAGNETO CONTROL	11	12
81585M	HANDLE, THROTTLE	37	2	84329M	RECTIFIER ASS'Y, ENGINE MOUNT	55	24
81670M	SHIFT ROD ASS'Y, UPPER (M)	31	30	84419M	REPAIR KIT, CARBURETOR	25	27
81671M	SHIFT ROD ASS'Y, UPPER (ML)	31	30	84422M	ANODE	43	14
81672M	INSERT, CARTRIDGE	47	44	84447M	DRIVE CUP, PAWL	7	23
81673M	OUTER PLATE, CARTRIDGE	47	49	84448M	STARTER ASS'Y	7	0-1
81676M	HOUSING MOUNT, UPPER	41	23	84449M	HOUSING, STARTER	7	1
82553M	ARM, STEERING	37	1	84472M	PIECE, FRICTION (THROTTLE)	39	52
82556M	BRACKET, SHIFT ROD	31	26	84478M	CARRYING HANDLE	55	13
82559M	EXTENSION	43	7	84479M	TRANSOM PLATE	55	18
82678M	RETAINER, BASE ASS'Y	11	13	84480M	PLATE, TRANSOM	55	19
82780M	VALVE SEAT ASS'Y	25	11	84854M	GRIP, THROTTLE HANDLE	37	3
82784M	FUEL BOWL	29	7	92629M	BASE, AIR INTAKE	23	1
82788M	CAP, SPARK PLUG	11	21	92630M	COVER, AIR INTAKE	23	4
82911M	ROD, THROTTLE LEVER	23	22	92637M	JET, MAIN (#165)	25	17
82912M	APPLIQUE, FRONT	3	2	92643M	PLUNGER, SHIFT	45	28
82986M	HOUSING, OIL SEAL	21	17	92645M	COVER, WATER INLET - PORT	47	61
82988M	ROD, CHOKE LINK	23	21	92646M	COVER, WATER INLET - STARBOARD	47	62
83024M	COVER, AIR DUCT	3	7	92651M	COVER, SHOCK MOUNT	55	11
83025M	SEAL	3	8	92657M	RETAINER, CLEVIS	31	5
83026M	LEVER, CLAMP	3	17	92659M	BALL, DETENT	31	17
83027M	LEVER	3	20	92663M	POWERHEAD ASS'Y, COMPLETE	19	40
83030M	SWITCH BOX ASS'Y	13	36	92677M	MANIFOLD, INTAKE	23	10
83031M	POINTER, TIMING	11	19	92678M	JET, MAIN AIR (#135)	25	2
83034M	HOOK, RUBBER SEAL	43	21	92680M	STEERING HANDLE ASS'Y	37	0-1
83035M	BASE ASS'Y	11	2	92681M	BRACKET, STEERING	37	18
83036M	COIL, IGNITION (CHARGE)	11	3	92682M	BRACKET, INDICATOR	37	26
83037M	COIL, BLANKING (MASKING)	11	5	92683M	HANDLE, GEAR SHIFT	37	30
83038M	COIL, LIGHTING (BATTERY CHARGING)	11	4	92684M	BALL	37	31
83039M	SEAL, RUBBER	3	9	92689M	LOCKOUT CABLE COMP	7	40
83040M	HOLDER, CLAMP BAND	3	13	93045M	FUEL PUMP ASS'Y	27	1
83041M	HOLDER, CLAMP BAND	3	14	93099M	FUEL LINE CONNECTOR ASS'Y	29	1
83042M	DAMPER	3	22	97076M	COVER, TERMINAL STRIP	13	32
				97077M	IGNITION COIL ASS'Y	13	39
				97087M	CAP	15	25

PARTS INDEX

Part Number	Description	Pg.	Ref. No.	Part Number	Description	Pg.	Ref. No.
97088M	REVERSE LOCK	33	7	10-82453M	BOLT	39	53
97091M	COVER, WATER INLET - PORT	47	61	10-82464M	BOLT	41	18
97092M	COVER, WATER INLET - STARBOARD	47	62	10-82465M	BOLT	43	19
97100M	BASE ASS'Y	11	2	10-82466M	BOLT	41	31
97106M	INDICATOR, THROTTLE	37	4	10-82466M	BOLT	43	18
97756M	STOPPER	55	31	10-82468M	BOLT	47	57
97797M	DECAL, FRONT	3	2	10-82483M	SCREW	37	6
97844M	ROD, THROTTLE LEVER	23	22	10-82484M	SCREW	47	63
98919M	BRACKET, SHIFT	31	1	10-82496M	SCREW, HOUSE ATTACHING	51	8
98920M	BRACKET, SHIFT ROD	31	20	10-82499M	SCREW	25	14
98942M	GUIDE, STARTER ROPE	7	24	10-82508M	SCREW, COIL ATTACHING	11	6
98943M	ROD, CONTROL	15	27	10-82509M	SCREW, COIL ATTACHING	11	7
98945M	SHIFT ROD ASS'Y, UPPER (M)	31	24	10-82511M	SCREW	27	9
98946M	BOOT, SHIFT ROD	31	25	10-82514M	SCREW	11	11
98946M	SHIFT ROD ASS'Y, UPPER (ML)	31	24	10-82522M	SCREW	27	14
98947M	INDICATOR, THROTTLE	37	4	10-82532M	SCREW	17	17
98951M	EXTENSION	43	7	10-82533M	SCREW	55	12
10-20411	SCREW, FUEL TANK COVER TO FUEL TANK	53	22	10-82798M	SCREW	13	44
10-25575	SCREW, VENT-FILLER CAP	53	4	10-82801M	BOLT, TRIM TAB ATTACHING	49	71
10-62568	SCREW, RETAINER TO FUEL TANK COVER	53	18	10-82980M	SCREW	13	28
10-81277M	SCREW, THROTTLE (UPPER)	25	7	10-83048M	SCREW	13	34
10-81279M	SCREW, PLUG	25	5	10-83050M	SCREW	15	21
10-81281M	SCREW, IDLE SPEED	25	9	10-83141M	BOLT	7	18
10-81292M	SCREW, PLUG	25	3	10-83371M	SCREW W/WASHER (UPPER)	25	26
10-81293M	SCREW, DRAIN	25	23	10-83539M	BOLT	11	14
10-81381M	SCREW, TRANSOM CLAMP	35	6	10-83539M	BOLT	17	20
10-81706M	BOLT	49	68	10-83539M	BOLT	29	2
10-81710M	BOLT	37	19	10-83570M	SCREW	37	16
10-81713M	BOLT	15	32	10-84056M	BOLT	43	17
10-81714M	BOLT	41	25	10-84057M	BOLT	47	56
10-81715M	BOLT, ROD CAP	21	15	10-84058M	BOLT	5	18
10-81717M	BOLT	41	12	10-84211M	BOLT	5	13
10-81718M	BOLY	55	10	10-84211M	BOLT	29	10
10-81751M	PIVOT, LOCKOUT CAM	9	45	10-84236M	BOLT	7	34
10-81758M	SCREW W/WASHER	25	22	10-84237M	BOLT	5	11
10-82172M	SCREW	41	21	10-84237M	BOLT	7	28
10-82405M	BOLT	11	24	10-84237M	BOLT	13	41
10-82405M	BOLT	17	5	10-84237M	BOLT	17	33
10-82405M	BOLT	23	3	10-84245M	SCREW	55	26
10-82406M	BOLT	55	14	10-84247M	BOLT	3	11
10-82409M	BOLT	17	27	10-84247M	BOLT	5	24
10-82410M	BOLT	17	8	10-84247M	BOLT	11	20
10-82423M	BOLT	15	9	10-84247M	BOLT	37	28
10-82423M	BOLT	31	9	10-84303M	BOLT	3	10
10-82428M	BOLT	27	17	10-84303M	BOLT	9	46
10-82436M	BOLT	9	52	10-84427M	BOLT	43	4
10-82437M	BOLT	15	36	10-84435M	SCREW	13	44
10-82438M	BOLT	7	38	10-84446M	BOLT	7	12
10-82441M	BOLT	7	37	10-84481M	BOLT	55	20
10-82441M	BOLT	31	16	10-84482M	SCREW	55	23
10-82442M	BOLT	7	33	10-84657M	BOLT	23	6
10-82448M	BOLT	49	83	10-84970M	BOLT	35	17
10-82453M	BOLT	5	19	10-91725M	BOLT	21	21
				10-91725M	BOLT	45	8
				10-92679M	SCREW	43	15
				10-96293M	BOLT	39	50
				10-97080M	SCREW, PLUG	25	5

PARTS INDEX

Part Number	Description	Pg.	Ref. No.	Part Number	Description	Pg.	Ref. No.
10-97082M	SCREW W/WASHER (UPPER)	25	26	12-81819M	WASHER	41	11
10-98953M	BOL W/WASHER	49	68	12-81825M	WASHER	41	26
11-28587	NUT, SPEED-SPRING RETAINER	53	7	12-81830M	WASHER	55	3
11-81450M	NUT	47	42	12-81831M	RETAINER	21	13
11-81764M	NUT	15	23	12-81836M	WASHER	35	14
11-81772M	NUT, DRIVESHAFT	45	19	12-81837M	WASHER, REVERSE GEAR	45	32
11-81773M	NUT, FLYWHEEL	11	17	12-81838M	WASHER	41	3
11-81775M	NUT, PROPELLER	49	77	12-81839M	WASHER	41	6
11-81779M	NUT	41	22	12-81852M	WASHER, WATER TUBE	49	79
11-81781M	NUT	47	64	12-81853M	WASHER	37	22
11-81783M	NUT	41	29	12-81858M	SPACER, SHIFT ROD	31	28
11-81785M	NUT	37	36	12-81859M	WASHER	55	6
11-81785M	NUT	41	32	12-81860M	WASHER	41	10
11-81786M	NUT, ARM BOLT	37	25	12-82196M	WASHER	3	5
11-81787M	NUT	35	15	12-82198M	WASHER	7	25
11-82378M	NUT	15	29	12-82198M	WASHER	9	47
11-82378M	NUT	15	29	12-82198M	WASHER	27	18
11-82380M	NUT	23	17	12-82202M	WASHER	31	14
11-82381M	NUT	15	22	12-82204M	WASHER	37	7
11-82382M	NUT	29	12	12-82214M	WASHER	13	48
11-82382M	NUT	55	17	12-82214M	WASHER	21	22
11-82387M	NUT	17	10	12-82214M	WASHER	37	38
11-82388M	NUT	3	4	12-82214M	WASHER	39	54
11-82392M	NUT	55	21	12-82214M	WASHER	45	9
11-82395M	NUT	35	20	12-82216M	WASHER	31	22
11-82395M	NUT	47	66	12-82217M	WASHER	39	47
11-82397M	NUT	41	15	12-82217M	WASHER	47	58
11-82400M	NUT	33	12	12-82217M	WASHER	55	22
11-82703M	NUT, WING	39	51	12-82220M	NUT	35	12
11-82703M	NUT, WING	39	55	12-82220M	WASHER	35	18
11-82920M	NUT, CABLE END	39	42	12-82799M	WASHER	13	43
11-83502M	NUT	39	46	12-82979M	WASHER	13	43
11-84515M	NUT	27	10	12-83149M	WASHER	7	17
12-49221	WASHER, VENT SCREW	53	5	12-83151M	WASHER	7	21
12-74711	WASHER, FUEL TANK COVER FASTENING SCREW	53	23	12-83372M	WASHER (UPPER)	25	27
12-80271M	WASHER, HOUSING SCREW	51	7	12-83524M	WASHER	37	20
12-80564M	WASHER	17	28	12-83700M	WASHER	49	76
12-80638M	PAD, TRANSOM CLAMP SCREW	35	5	12-83702M	WASHER	41	27
12-81299M	WASHER	7	11	12-84429M	WASHER	41	14
12-81301M	WASHER	7	5	12-84436M	WASHER, FLYWHEEL	11	18
12-81343M	WASHER	11	16	12-92636M	WASHER	25	4
12-81455M	THRUST WASHER	45	18	12-97098M	WASHER	3	15
12-81461M	THRUST WASHER, REVERSE GEAR	47	34	12-98948M	WASHER	39	43
12-81477M	THRUST WASHER (FOR ORIGINAL PROPELLER)	49	74	13-81799M	WASHER	55	15
12-81792M	WASHER	17	6	13-81799M	WASHER, LOCK	7	30
12-81794M	WASHER	3	21	13-81866M	WASHER, WAVE	31	8
12-81796M	WASHER	5	10	13-81868M	WASHER, WAVE	15	31
12-81803M	WASHER	41	28	13-81870M	WASHER, WAVE	37	24
12-81804M	WASHER	37	35	13-81871M	WASHER, WAVE	3	19
12-81807M	WASHER	17	9	13-82184M	WASHER, LOCK	13	35
12-81812M	WASHER	35	19	13-82193M	WASHER, LOCK	55	27
12-81812M	WASHER	55	9	13-82197M	WASHER	23	7
12-81815M	WASHER	37	23	13-82197M	WASHER, LOCK	5	12
				13-82197M	WASHER, LOCK	7	13
				13-82197M	WASHER, LOCK	7	29
				13-82197M	WASHER, LOCK	13	25
				13-82197M	WASHER, LOCK	23	18
				13-82197M	WASHER, LOCK	29	11
				13-82197M	WASHER, LOCK	37	29
				13-82199M	WASHER	5	25

PARTS INDEX

Part Number	Description	Pg.	Ref. No.	Part Number	Description	Pg.	Ref. No.
13-82199M	WASHER, LOCK	3	12	17-81384M	PIN, LOWER SHOCK MOUNT	55	5
13-82199M	WASHER, LOCK	11	15	17-81386M	PIN, UPPER SHOCK MOUNT	55	1
13-82199M	WASHER, LOCK	15	10	17-81397M	ROD, REVERSE LOCK	33	8
13-82199M	WASHER, LOCK	17	21	17-81889M	PIN	35	8
13-82199M	WASHER, LOCK	23	8	17-81903M	CROSS PIN, CLUTCH	45	27
13-82199M	WASHER, LOCK	31	7	17-81907M	RIVET	37	5
13-82200M	WASHER, LOCK	7	35	17-81909M	RIVET	33	16
13-82200M	WASHER, LOCK	15	37	17-82136M	PIN, CLEVIS	9	49
13-82200M	WASHER, LOCK	31	15	17-82137M	PIN, CLEVIS	31	6
13-82200M	WASHER, LOCK	55	16	17-82138M	PIN, CLEVIS	33	14
13-82208M	WASHER, LOCK	27	15	17-82145M	PIN, ROLL	33	20
13-82212M	WASHER, LOCK	13	47	17-82146M	PIN, ROLL	15	35
13-82212M	WASHER, LOCK	29	3	17-82149M	PIN, ROLL	15	5
13-82212M	WASHER, LOCK	49	84	17-82152M	PIN, ROLL	37	12
13-82215M	WASHER, LOCK	41	19	17-82154M	PIN, ROLL	15	20
13-82215M	WASHER, LOCK	43	5	17-82159M	PIN, ROLL	33	17
13-82215M	WASHER, LOCK	49	69	17-82354M	PIN, DOWEL	17	3
13-82218M	WASHER, LOCK	49	67	17-82354M	PIN, DOWEL	47	55
13-92652M	WASHER, WAVE	33	3	17-82364M	PIN, DOWEL	43	3
14-81877M	WASHER, TAB	47	41	17-82364M	PIN, DOWEL	47	65
15-81259M	SHIM, CRANKSHAFT	21	7	17-82367M	PIN, DOWEL	15	4
15-81456M	SHIM, FORWARD GEAR ADJUST (.05 MM)	45	23	17-82368M	PIN, DOWEL	17	4
15-81457M	SHIM, FORWARD GEAR ADJUST (.08 MM)	45	23	17-82976M	PIN	15	3
15-81458M	SHIM, FORWARD GEAR ADJUST (.12 MM)	45	23	17-82982M	RIVET	3	16
15-81459M	SHIM, FORWARD GEAR ADJUST (.30 MM)	45	23	17-83904M	TILT LOCK PIN ASS'Y	33	18
15-81460M	SHIM, FORWARD GEAR ADJUST (.50 MM)	45	23	17-92639M	PIN, VALVE	25	15
15-81462.M	SHIM, REVERSE GEAR ADJUST (.05 MM)	47	33	18-82053M	PIN, COTTER	31	2
15-81463M	SHIM, REVERSE GEAR ADJUST (.08 MM)	47	33	18-82053M	PIN, COTTER	31	21
15-81464M	SHIM, REVERSE GEAR ADJUST (.12 MM)	47	33	18-82126M	PIN, COTTER	31	31
15-81465M	SHIM, REVERSE GEAR ADJUST (.30 MM)	47	33	18-82128M	PIN, COTTER	33	15
15-81466M	SHIM, REVERSE GEAR ADJUST (.50 MM)	47	33	18-82129M	PIN, COTTER	37	39
15-81467M	SHIM, DRIVESHAFT BEARING (.05 MM)	45	15	18-82130M	PIN, COTTER	33	9
15-81468M	SHIM, DRIVESHAFT BEARING (.08 MM)	45	15	18-82131M	PIN, COTTER	33	5
15-81469M	SHIM, DRIVESHAFT BEARING (.12 MM)	45	15	18-82131M	PIN, COTTER	49	78
15-81470M	SHIM, DRIVESHAFT BEARING (.30 MM)	45	15	18-82736M	PIN, COTTER	9	50
15-81471M	SHIM, DRIVESHAFT BEARING (.50 MM)	45	15	19-80604M	PLUG, STARTER HOUSING	7	14
16-81383M	STUD, CLAMP BRACKET	35	9	19-81922M	PLUG	43	13
16-81735M	STUD	17	11	21-80608M	CHECK VALVE	27	6
16-81742M	STUD, STEERING PLATE	41	2	21-80727M	CHECK VALVE ASS'Y	17	1
16-81743M	STUD	17	15	22-63187	FITTING, FUEL LINE	51	21
16-81744M	STUD	43	6	22-80122M	FITTING, CRANKCASE DRAIN	17	2
17-20426	RIVET, INDICATOR TO RETAINER	53	17	22-80122M	PIPE, OVERFLOW	23	11
17-81258M	LOCK, BEARING	17	14	22-80218M	PLUG, WATER FLUSH (OPT)	49	86
17-81278M	PIN, FLOAT	25	19	22-80756M	FITTING, EXHAUST COVER	17	22
				22-81042M	FUEL CONNECTOR, ENGINE END	51	9
				22-81326M	FITTING	5	6
				22-81697M	TEE FITTING, FUEL LINE	29	17
				22-81924M	SCREW	45	3
				22-81926M	PLUG, COVER	17	34
				22-82369M	FITTING, GREASE	35	2
				22-97083M	TEE FITTING, FUEL LINE	29	17
				23-80635M	RETAINER, COMPRESSION SPRING	31	19
				23-81308M	BUSHING	7	16
				23-81309M	COLLAR, ENGAGEMENT CAM	7	4
				23-81327M	COLLAR	51	15
				23-81453M	SLEEVE, DRIVESHAFT	45	16

PARTS INDEX

Part Number	Description	Pg.	Ref. No.	Part Number	Description	Pg.	Ref. No.
23-81938M	BUSHING	55	7	25-81937M	GROMMET	7	31
23-81939M	BUSHING	55	4	25-81989M	GASKET, WATER TUBE	49	81
23-81942M	BUSHING	15	11	25-82057M	GROMMET	13	51
23-81943M	BUSHING	37	40	25-82058M	GROMMET, TERMINAL STRIP COVER-UPPER	13	30
23-81945M	BUSHING	37	9	25-82059M	GROMMET, LEAD WIRE	11	9
23-81946M	BUSHING	15	8	25-82061M	GROMMET	5	7
23-81946M	BUSHING	37	34	25-82067M	GROMMET (OPT)	19	39
23-81947M	BUSHING	33	4	25-82069M	GROMMET, PLUG WIRE	13	29
23-81950M	BUSHING	37	21	25-82261M	O-RING, VALVE	25	12
23-81952M	BUSHING	3	18	25-82275M	O-RING	47	53
23-81953M	BUSHING	31	29	25-82276M	O-RING, CRANKSHAFT- UPPER	21	4
23-81955M	BUSHING	41	4	25-82281M	O-RING	45	6
23-81980M	COLLAR, TILT STOP SUPPORT	33	6	25-82286M	O-RING, OIL SEAL HOUSING	21	20
23-81981M	SPACER, CLAMP BRACKET STUD	35	10	25-82288M	O-RING	25	20
23-82120M	SPACER	55	2	25-82289M	O-RING	47	36
23-82851M	BUSHING	7	26	25-82789M	O-RING	51	10
23-82851M	BUSHING	13	42	25-83142M	GROMMET	5	4
23-83150M	BUSHING	7	22	25-84957M	O-RING	29	8
23-83610M	COLLAR	5	9	25-93101M	GROMMET	5	8
23-84426M	BUSHING	43	10	26-81426M	SEAL	47	59
23-84445M	THRUST WASHER, REAR (FOR ORIGINAL PROPELLER)	49	75	26-81427M	SEAL, WATER TUBE - LOWER	49	85
23-84489M	COLLAR	7	32	26-82233M	OIL SEAL, PROPELLER SHAFT	47	40
23-97107M	COLLAR	37	41	26-82234M	OIL SEAL, WATER PUMP	47	54
23-98923M	BUSHING	31	23	26-82248M	OIL SEAL, CRANKSHAFT - LOWER	21	19
24-22227	SPRING, TENSION-VENT SCREW	53	6	26-82249M	OIL SEAL, CRANKSHAFT- UPPER	21	3
24-30189	SPRING, BAYONET BODY STEM	51	19	26-82255M	OIL SEAL, CRANKSHAFT - LOWER	21	18
24-80610M	SPRING	27	4	26-82256M	OIL SEAL, STEERING SHAFT	41	5
24-80615M	SPRING	27	11	26-82257M	OIL SEAL, GEAR HOUSING COVER	45	7
24-81295M	SPRING, STARTER	7	2	26-98950M	OIL SEAL, STEERING SHAFT	41	5
24-81297M	SPRING, ENGAGEMENT CAM	7	9	27-25568	GASKET, FILLER CAP TO FUEL TANK	53	8
24-81302M	SPRING, RETURN	7	7	27-28862	GASKET, COVER ASSEMBLY TO FRAME	53	19
24-82073M	SPRING, COMPRESSION	25	10	27-54921	GASKET, FUEL GAUGE LENS	53	12
24-82074M	SPRING, COMPRESSION	15	13	27-80612M	GASKET, CHECK VALVE	27	7
24-82080M	SPRING, COMPRESSION (UPPER)	25	8	27-80613M	GASKET, BODY TO BASE	27	5
24-82081M	SPRING, DETENT	31	18	27-80614M	GASKET, BODY TO COVER	27	12
24-82086M	SPRING, COMPRESSION (OPT)	19	38	27-80757M	GASKET, FUEL PUMP TO CRANKCASE	27	16
24-82087M	SPRING, COMPRESSION	41	17	27-81252M	GASKET, CYLINDER HEAD	17	26
24-82091M	SPRING, SHIFT	45	30	27-81254M	GASKET, CYLINDER HEAD COVER	17	30
24-82095M	SPRING, THROTTLE SHAFT	37	8	27-81266M	GASKET, THERMOSTAT COVER	17	32
24-82102M	SPRING, LOCKOUT LEVER	9	43	27-81269M	GASKET, REED VALVE - UPPER	23	13
24-82103M	SPRING, TENSION	33	10	27-81270M	GASKET, REED VALVE - LOWER	23	14
24-82106M	SPRING, LOCKOUT CAM RETURN	9	44	27-81272M	GASKET, CARBURETOR TO MANIFOLD	23	9
24-82113M	SPRING, TORSION	15	17				
24-92685M	SPRING	37	32				
25-20415	O-RING, BAYONET BODY STEM	51	18				
25-81369M	GROMMET	5	5				
25-81517M	GROMMET, TERMINAL STRIP COVER-LOWER	13	31				
25-81695M	O-RING	25	24				

PARTS INDEX

Part Number	Description	Pg.	Ref. No.	Part Number	Description	Pg.	Ref. No.
27-81320M	GASKET, HOUSING OF TANK	51	4	32-83628M	FUEL LINE ASS'Y	51	0-1
27-81331M	GASKET, EXHAUST COVER	17	19	32-84955M	HOSE, CONNECTOR HOUSING TO BULB	51	11
27-81353M	GASKET, THROTTLE CAM COVER	37	14	32-84956M	FUEL LINE, CONNECTOR TO PUMP	29	13
27-81417M	GASKET, WATER PUMP	47	48	33-82371M	SPARK PLUG B-7HS-(NGK)	17	36
27-81418M	GASKET, WATER PUMP BASE	47	52	34-92675M	REED VALVE ASS'Y	23	15
27-81421M	GASKET, CARTRIDGE OUTER PLATE	47	50	34-92676M	REED SET (REED STOPS NOT INCLUDED)	23	16
27-81437M	GASKET, EXHAUST GUIDE - UPPER	43	8	35-80617M	FUEL FILTER ASS'Y	29	4
27-81440M	SEAL, INNER TO OUTER HOUSING	43	16	35-82783M	ELEMENT, FILTER	29	6
27-81516M	GASKET, TERMINAL STRIP	13	33	36-25392A2	FILLER CAP ASSEMBLY	53	3
27-81987M	GASKET	45	4	36-83617M	FUEL TANK CAP	51	2
27-81990M	GASKET, COVER PLUG	17	35	37-75881	DECAL, FUEL TANK	53	2
27-82790M	GASKET, FILTER	29	5	37-82865M	DECAL, SIDE SET	3	6
27-82794M	GASKET, EXHAUST GUIDE	43	11	37-82984M	DECAL, SIDE	51	1
27-82794M	GASKET, EXHAUST GUIDE	43	11	37-97099M	DECAL	5	26
27-83033M	SEAL, RUBBER	43	20	37-98941M	DECAL, SIDE AND REAR SET	3	6
27-83044M	SEAL, BOTTOM COWL TO APRON	5	2	39-83195M	PISTON RING STE (STD)	21	9
27-84168M	GASKET SET, POWERHEAD	19	40	39-83196M	PISTON RING SET (1ST O.S. - 82.25 MM)	21	9
27-92631M	GASKET, AIR INTAKE	23	5	39-83197M	PISTON RING SET (2ND O.S. - 82.50 MM)	21	9
27-92648M	GASKET SET, LOWER UNIT	49	86	39-92625M	PISTON RING SET (STD)	21	9
28-81912M	KEY	47	47	39-92626M	PISTON RING SET (1ST O.S. - 82.25 MM)	21	9
28-81915M	KEY, CRANKSHAFT TO FLYWHEEL	21	23	39-92627M	PISTON RING SET (2ND O.S. - 82.50 MM)	21	9
28-81916M	KEY	47	38	41-81263M	PIN, PISTON	21	10
28-97089M	KEY	47	47	43-84442M	GEAR, PINION	45	20
29-82353M	BEARING, NEEDLE - CONNECTING ROD	21	12	43-84443M	GEAR, FORWARD	45	21
30-82296M	BEARING, BALL	47	35	43-84444M	GEAR, REVERSE	45	22
30-82304M	BEARING, CRANKSHAFT-LOWER	21	6	44-92644M	SHAFT, PROPELLER	45	31
31-82311M	BEARING, CONNECTING ROD	21	16	45-81678M	DRIVESHAFT (M)	45	13
31-82312M	BEARING, NEEDLE	21	2	45-81679M	DRIVING (ML)	45	13
31-82313M	BEARING, CENTER MAIN	21	5	46-81416M	BODY, WATER PUMP	47	43
31-82316M	BEARING, NEEDLE	45	17	46-81422M	BASE, WATER PUMP	47	51
31-82317M	BEARING, NEEDLE	47	39	47-82824M	IMPELLER, WATER PUMP	47	46
31-82320M	BEARING, TAPERED ROLLER	45	24	47-97108M	IMPELLER, WATER PUMP	47	46
31-98933M	BEARINGK, TAPERED ROLLER	45	14	50-81296M	STARTER PULLEY	7	3
31-98944M	BEARING, CONNECTING RD	21	16	52-81473M	CLUTH	45	26
32-33909A3	TUBE ASSEMBLY	53	10	53-28903	FASTENER, RETAINING FRAME TO FUEL TANK	53	21
32-81324M	HOSE, EXHAUST COVER	17	23	53-81264M	CLIP, PISTON PIN	21	11
32-81674M	TUBE, WATER (M)	49	80	53-81305M	SNAP RING	7	6
32-81675M	TUBE, WATER (ML)	49	80	53-82324M	SNAP RING	31	27
32-81995M	HOSE, DRAIN	17	12	53-82330M	SNAP RING	15	14
32-82004M	FUEL LINE, TEE TO CARBURETOR	29	18	53-82330M	SNAP RING	31	12
32-82010M	FUEL LINE, FILTER TO PUMP	29	15	53-82330M	SNAP RING	31	4
32-82017M	FUEL LINE, CONNECTOR TO PUMP	29	13	53-82334M	SNAP RING	45	11
32-82020M	FUEL LINE, PUMP TO TEE	29	16	53-92654M	SNAP RING	41	8
				54-80752M	CLAMP, HOSE	51	14
				54-82033M	CLAMP, WIRE	17	7
				54-82037M	CLAMP	29	14
				54-82041M	CLAMP	5	20
				54-82046M	CLAMP, HOSE	17	13
				54-82047M	CLAMP	29	19
				54-82047M	CLAMP, HOSE	17	24
				54-82781M	CLIP	25	25

PARTS INDEX

Part Number	Description	Pg.	Ref. No.	Part Number	Description	Pg.	Ref. No.
54-92664M	CLAMP	31	13				
54-97079M	CLAMP	13	52				
55-81392M	SHOCK ABSORBER	55	8				
55-84477M	SHOCK ABSORBER KIT	55	0-1				
55-92650M	SHOCK ABSORBER	55	8				
84-81250M	GROUND WIRE LEAD	13	40				
84-81547M	WIRE, LEAD	11	8				
84-82997M	WIRE, LEAD 1	13	49				
84-82998M	WIRE, LEAD 2	13	50				
84-97078M	GROUND WIRE LEAD	13	40				
84-98954M	EXTENSION	55	29				
87-84966M	STOP SWITCH	55	28				
87-92687M	STOP SWITCH ASS'Y	39	44				
87-92693M	STOP SWITCH, REMOTE	55	32				
87-98949M	STOP SWITCH ASS'Y	39	44				
87-98955M	KILL SWITCH	55	30				
88-81522M	FUSE	55	25				
91-81669M	TOOL KIT (OPTIONAL)	5	21				
253-7167M	FLYWHEEL/STATOR ASS'Y	11	1				
253-8461M	FLYWHEEL/STATOR ASS'Y	11	1				
463-6825M	CRANKSHAFT ASS'Y	21	1				
629-7990M	CONNECTING RD ASS'Y	21	14				
629-8609M	CONNECTING ROD ASS'Y	21	14				
761-8457M	PISTON ASS'Y (STANDARD)	21	8				
761-8458M	PISTON ASS'Y (1ST O.S.- 82.25 MM)	21	8				
761-8459M	PISTON ASS'Y (2ND O.S.- 82.50 MM)	21	8				
761-8462M	PISTON ASS'Y (STANDARD)	21	8				
761-8463M	PISTON ASS'Y (1ST O.S.- 82.25 MM)	21	8				
761-8464M	PISTON ASS'Y (2ND O.S.- 82.50 MM)	21	8				
870-7973MM	CRANKCASE AND CYLINDER ASS'Y	17	0-1				
968-7974M	HEAD, CYLINDER	17	25				
1225-1529	FUEL TANK	53	1				
1225-1529A21	FUEL TANK ASSEMBLY	53	0-1				
1383-7976M	CARBURETOR ASS'Y (UPPER)	25	0-1				
1383-7977M	CARBURETOR ASS'Y (LOWER)	25	0-2				
1484-6839M	CLAMP BRACKET	35	4				
1485-6840M	SWIVEL BRACKET (M)	35	1				
1485-6841M	SWIVEL BRACKET (ML)	35	1				
1587-6842M	DRIVESHAFT HOUSING (M)	43	1				
1587-6843M	DRIVESHAFT HOUSING (M)	43	1				
1587-7165M	DRIVESHAFT HOUSING, INNER (M)	43	12				
1587-7166M	DRIVESHAFT HOUSING, INNER (ML)	43	12				
1587-8615M	DRIVESHAFT HOUSING (M)	43	1				
1587-8616M	DRIVESHAFT HOUSING (ML)	43	1				
1651-7971M	GEAR HOUSING	45	1				
1651-7978M	GEAR HOUSING ASS'Y (M)	45	0-1				
1651-7979M	GEAR HOUSING ASS'Y (ML)	45	0-1				
2168-7111M	TOP COWLING ASS'Y	3	1				
2168-7980M	COWLING, BOTTOM	5	1				
2168-8614M	TOP COWLING ASS'Y	3	1				