



PARTS CATALOG

55 H.P.

SERIAL NUMBER

55 (1974)	554BG
55 (1974)	554HG
55 (1974)	555BG
55 (1974)	555HG
55 (1974)	556BG
55 (1974)	556HG
55 (1974)	557BG
55 (1974)	557HG
55 (1974)	558BG
55 (1974)	558HG
55 (1974)	559BG
55 (1974)	559HG
55 (1975)	554BG
55 (1975)	554HG
55 (1975)	555BG
55 (1975)	555HG
55 (1975)	556BG
55 (1975)	556HG
55 (1975)	557HG
55 (1975)	558BG
55 (1975)	558HG
55 (1975)	559BG
55 (1975)	559HG

TABLE OF CONTENTS:

ACCESSORIES	50
ALTERNATOR & ELECTRIC COMPONENTS FOR STANDARD IGNITION MDLS	6
ALTERNATOR AND ELECTRICAL COMPONENTS FOR MAGNAPOWER MODELS	12
CARBURETOR	18
CRANKSHAFT AND PISTON GROUP	28
ENGINE COVER AND SUPPORT PLATE	2
FUEL PUMP	16
FUEL TANK AND LINE	42
GEAR HOUSING	38
LUBRICATION CHART	54
MOTOR LEG	32
PARTS INDEX	56
POWER HEAD	22
REED PLATE	30
REMOTE CONTROL	44
SPECIAL ADJUSTMENTS	55
SPECIAL TOOLS - LOWER UNIT	48
SPECIAL TOOLS - POWER HEAD	47
SPECIAL TOOLS - TEST EQUIPMENT	49
SPECIAL TOOLS - TUNE-UP	46
SPECIFICATIONS	53
STARTER	10

NOTE: *Indented description indicate that these parts are included in preceeding assembly.*

AR = As Required

NSS = Not Sold Separate

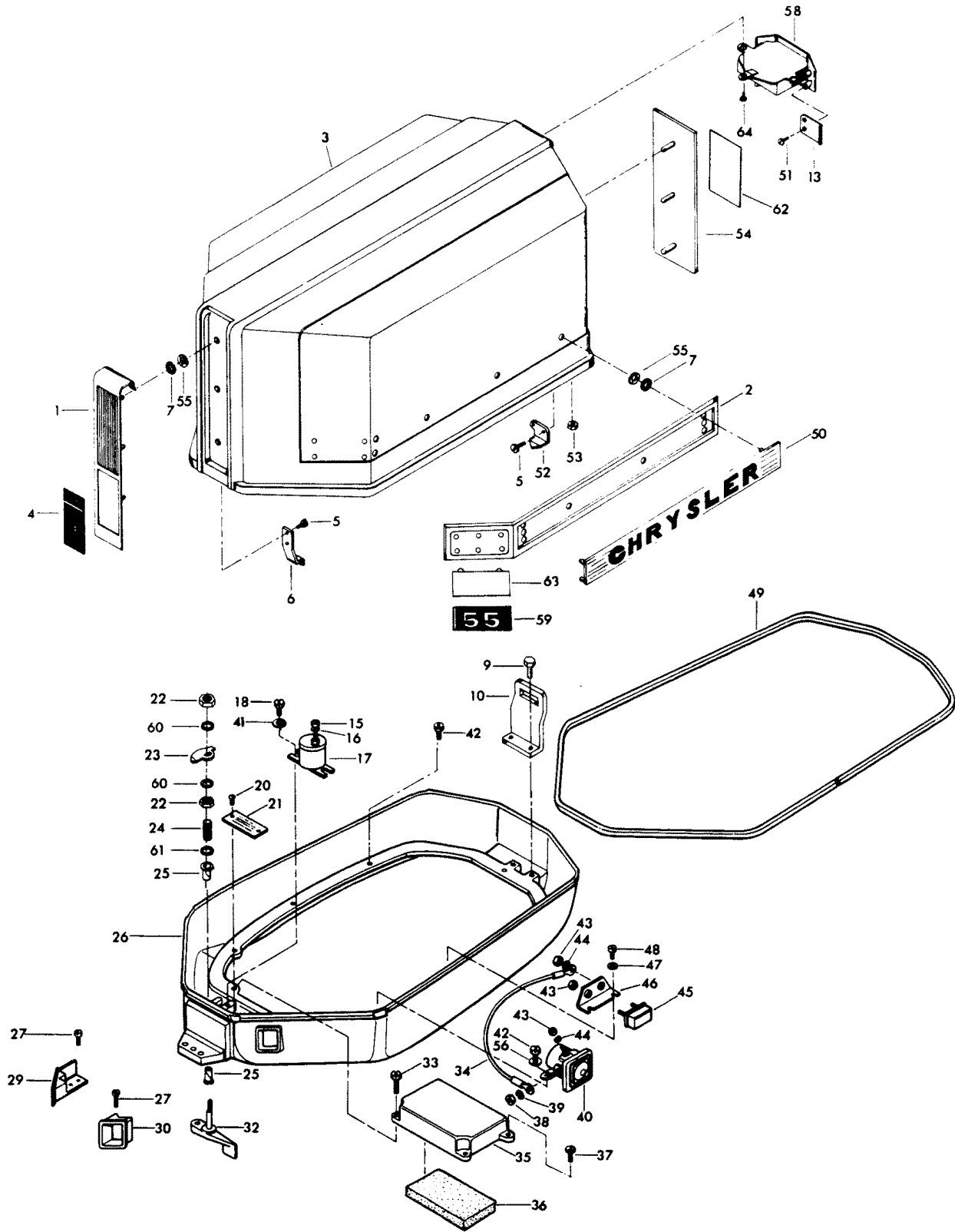
OPT = Optional

NS = Not Shown

THESE PARTS BOOKS/FICHE CARD ARE COPYRIGHTED AND MAY NOT BE DISTRIBUTED OR REPRODUCED IN ANY OTHER FORMAT BY ANYONE OTHER THAN MERCURY MARINE WITHOUT THE PRIOR WRITTEN CONSENT OF MERCURY MARINE.

THIS PAGE INTENTIONALLY LEFT BLANK

ENGINE COVER AND SUPPORT PLATE

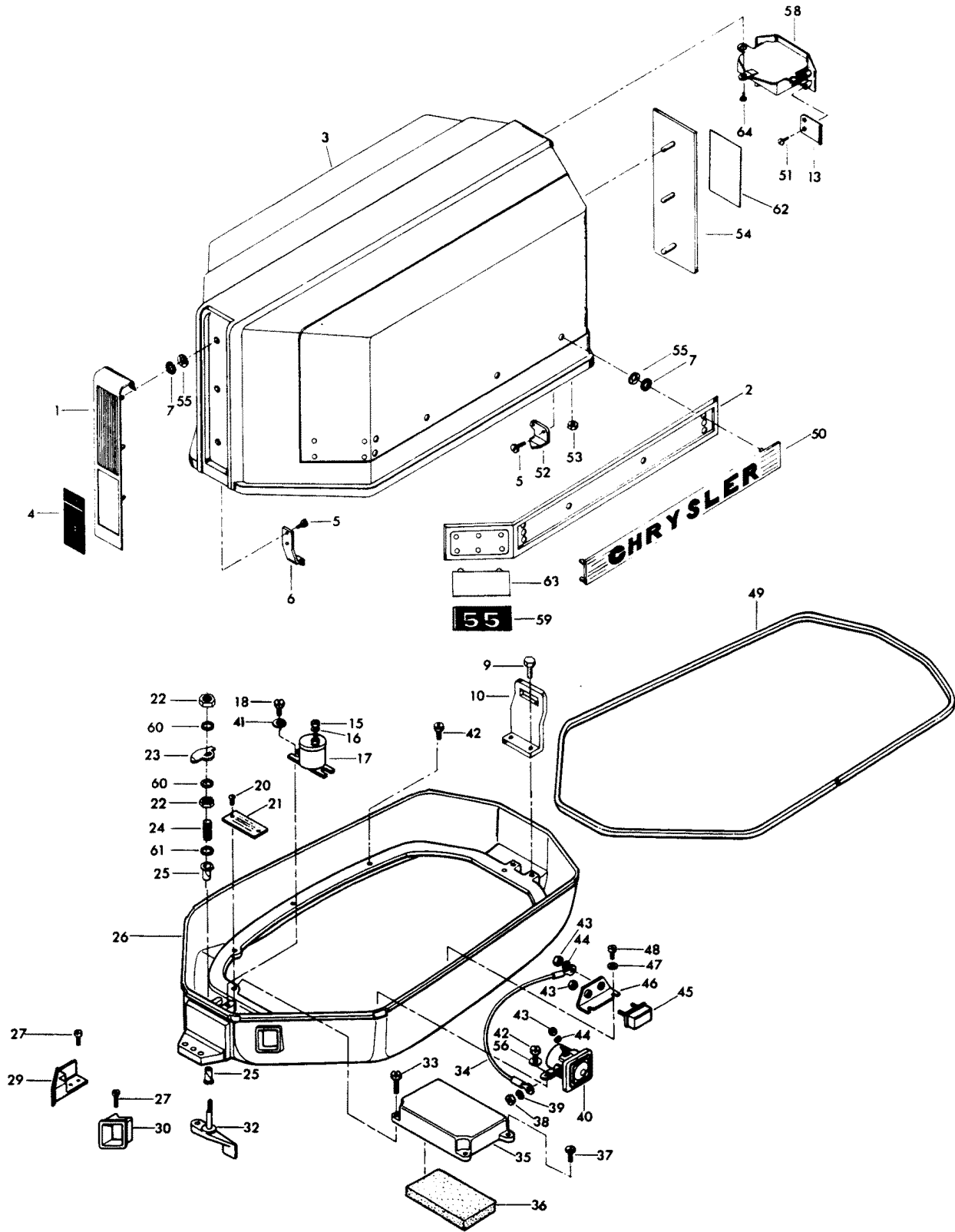


ENGINE COVER AND SUPPORT PLATE

REF. NO.	PART NO.	SYM.	QTY.	DESCRIPTION
1	F463711-1		1	PLATE, FRONT
2	F366392		2	SIDE PLATE
3	FS463712		1	ENGINE COVER W/ITEMS 6, 13, 52 & 58
4	FA466892		1	INSERT, FRONT PLATE U.S.A., FOR ALTERNATOR MODELS
-	FA466893		1	INSERT, FRONT PLATE CANADA, FOR ALTERNATOR MODELS
-	FA467892		1	INSERT, FRONT PLATE U.S.A., FOR C - D MODELS
-	FA467893		1	INSERT, FRONT PLATE CANADA, FOR C - D MODELS
5	F1475		4	FILL HD SCREW, S.S., 10 - 24 X 1/2
6	FA366778		1	ENGINE COVER RETAINER, W/SCREWS AND NUTS
7	F85735-1		24	SEAL, MEDALLION
9	F1238		2	HEX HD CAP SCREW, 14 - 20 X 3/4
10	F458774		1	BRACKET, REAR RETAINER
13	F463864		2	RETAINER, TILT HANDLE
15	F1647		1	HEX NUT, 8 - 32
16	F8056		1	SPRING LOCKWASHER
17	89-817760A2		1	CHOKE SOLENOID
18	F1993		2	HEX SLOT HD SCREW, 1/4 - 20 X 5/8
20	F1293		2	DRIVE SCREW, 2 X 3/16
21	FA77395-5		1	IDENTIFICATION PLATE W/SCREWS, U.S.A.
-	AC16395-7		1	IDENTIFICATION PLATE W/SCREWS, CANADA
22	F1515		2	HEX NUT, S.S., 5/16 - 18
23	F89777-1		1	LATCH CAM
24	F183300		1	SPRING
25	F307818		2	BEARING, LATCH SHAFT
26	F307038		1	SUPPORT PLATE
27	F1733		3	PAN HD SCREW, 10 - 24 X 9/16
29	F311189-1		1	BUSHING, CABLE ENTRY
30	F310189		1	BUSHING, ELECTRIC CABLE ENTRY
32	FA328763		1	COVER LATCH HANDLE W/SHAFT
33	F1953		2	HEX HD SCREW, 1/4 - 20 X 1
34	F307683		1	WIRE, CIRCUIT BREAKER
35	FA307779		1	BAFFLE, AIR INTAKE W/SILENCER
36	F307860		1	INTAKE SILENCER
37	F1864		2	HEX HD SCREW, 1/4 - 20 X 3/4
38	F1615		2	HEX NUT, S.S., 5/16 - 24
39	F8096		2	SPRING LOCKWASHER
40	F177917		1	STARTER RELAY
41	F8083		2	SPRING LOCKWASHER
42	F1238		8	HEX HD SCREW, 1/4 - 20 X 3/4
43	F1513		5	HEX NUT, 10 - 32
44	F1975		3	SPRING LOCKWASHER
45	F91460-2		1	CIRCUIT BREAKER

CONTINUED ON NEXT PAGE ➡

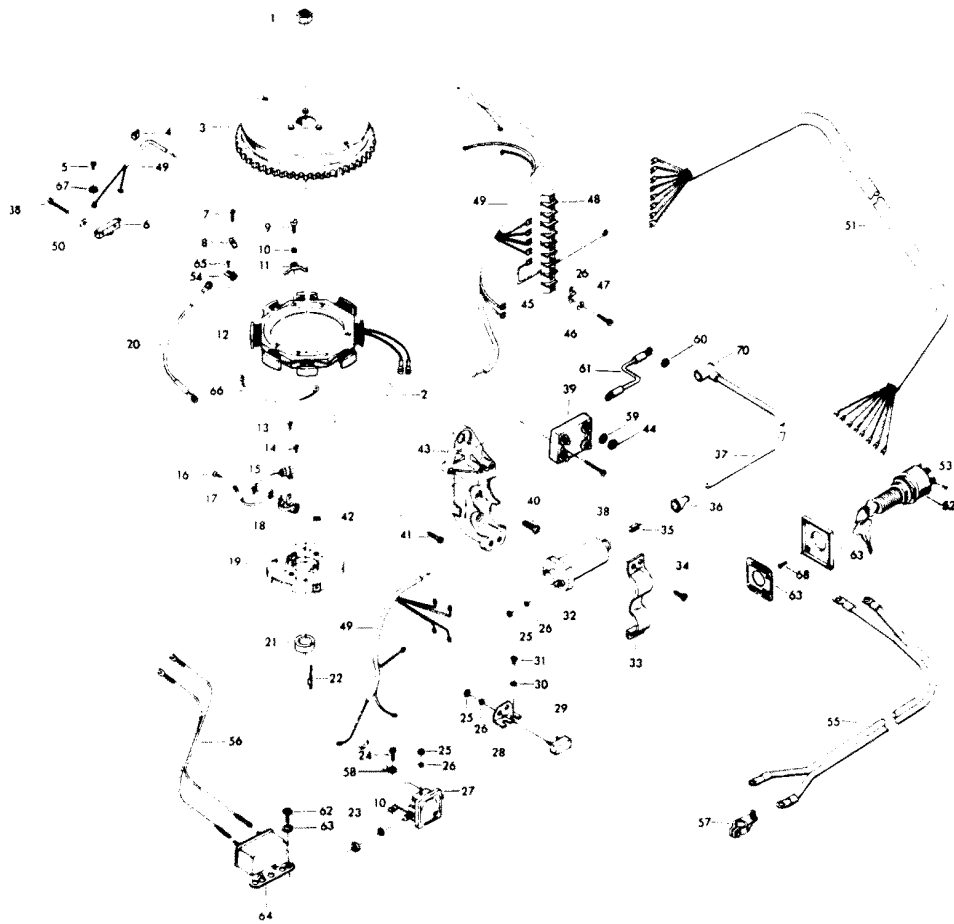
ENGINE COVER AND SUPPORT PLATE



ENGINE COVER AND SUPPORT PLATE

REF. NO.	PART NO.	SYM.	QTY.	DESCRIPTION
46	F91446-1		1	CIRCUIT BREAKER BRACKET
47	F8011		2	PLAIN WASHER
48	F1733		2	PAN HEAD SCREW, 10 - 24 X 9/16
49	F85756		1	SUPPORT PLATE PACKING
50	F463366		2	NAME PLATE, "CHRYSLER"
51	F1728		4	PAN HD SCREW, 10 X 3/8
52	FA458480		1	ENGINE COVER RETAINER W/SCREWS & NUT
53	F1473		4	HEX NUT, 10 - 24
54	F433180-1		1	TRIM, REAR
55	F1753		24	FASTENER
56	F8094		1	PLAIN WASHER
58	F463269		1	TILT HANDLE
59	FA465385		2	INSERT, PLATE SIDE
60	F8096		2	SPRING LOCKWASHER
61	F1987		1	PLAIN WASHER
62	A465528-1		1	INSERT, TRIM REAR
63	F485512		2	INSERT, PLATE
64	F2025		1	PAN HD SCREW, 10 X 5/8
-	F311984-1		1	ENGINE COVER SILENCING PAD, TOP (NOT SHOWN)
-	321373-2		1	DECAL, "MAGNAPOWER IGNITION" (NOT SHOWN)
-	F465985		1	BLANKET, SILENCER, PORT (NOT SHOWN)
-	F465992		1	BLANKET, SILENCER, FRONT (NOT SHOWN)
-	F465986		1	BLANKET, SILENCER, STARBOARD (NOT SHOWN)

ALTERNATOR & ELECTRIC COMPONENTS FOR STANDARD IGNITION MDLS

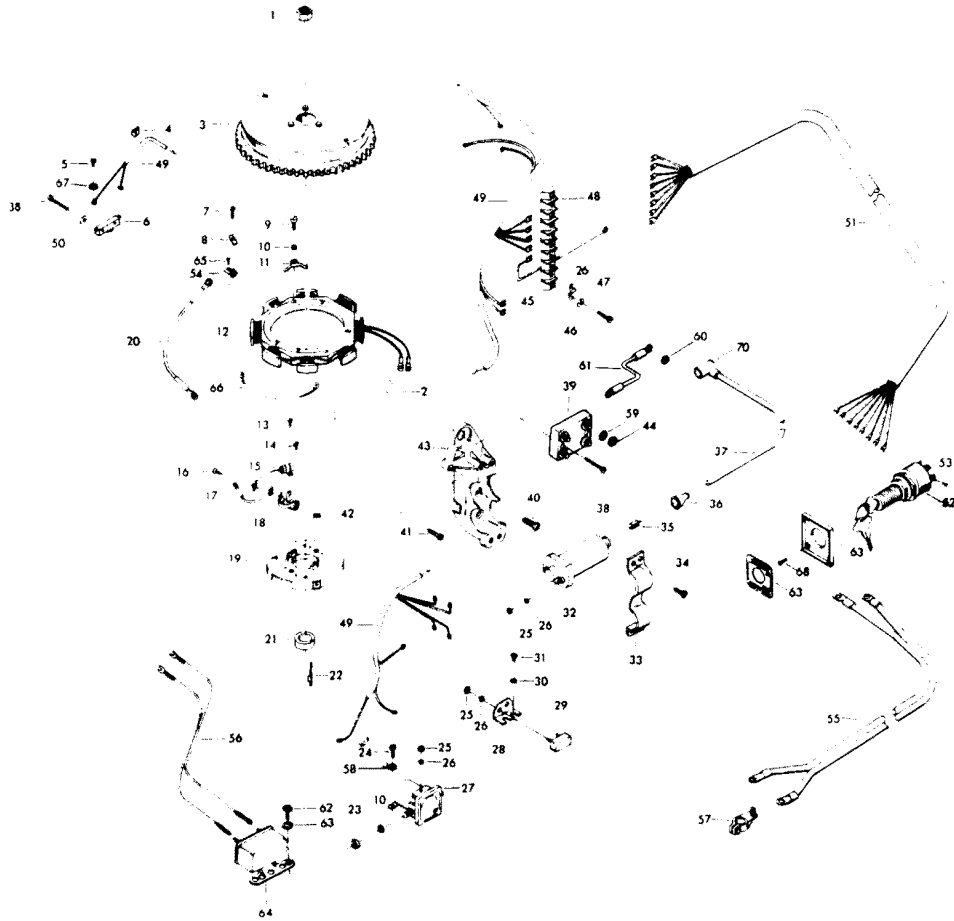


ALTERNATOR & ELECTRIC COMPONENTS FOR STANDARD IGNITION MDLS

REF. NO.	PART NO.	SYM.	QTY.	DESCRIPTION
1	F1920		1	HEX NUT, 5/8 - 18
2	F94914		1	SLEEVE
3	F203097-4		1	FLYWHEEL
4	F92446		1	CLAMP
5	F1645		2	ROUND HD SCREW, 6 - 32 X 1/4
6	F84449		1	NEUTRAL INTERLOCK SWITCH
7	F12167		2	SCREW
8	F12172		2	TERMINAL
9	F2071		3	HEX CAP SCREW, 5/16 - 18 X 1 3/8
10	F8096		5	SPRING LOCKWASHER
11	F466479		3	BREAKER PLATE SHOE
12	F466095		1	STATOR
13	F12083		2	SCREW W/LOCKWASHER
14	F12090		4	SCREW
15	F12139-1		2	CONDENSER
16	F12189		2	SCREW
17	F12174-1		2	PRIMARY INTERLEAD WIRE
18	F12329-1		2	BREAKER POINT SET
19	F12344		1	BREAKER PLATE
20	F289664		1	WIRE, STATOR GROUND
21	F268002-2		1	BREAKER CAM
22	F92498		1	KEY
23	F1615		2	HEX NUT, S.S., 5/16 - 24
24	F1238		2	FILL HD SCREW, 1/4 - 20 X 3/4
25	F1513		9	HEX NUT, 10 - 32
26	F1975		9	LOCKWASHER
27	F177917		1	STARTER RELAY
28	F91446-1		1	CIRCUIT BREAKER BRACKET
29	F91460-2		1	CIRCUIT BREAKER
30	F8011		2	PLAIN WASHER
31	F1733		2	PAN HD SCREW, 10 - 24 X 9/16
32	85-818076A2		2	COIL W/BOOT, CLIP, WASHER AND NUT
33	F311513		1	COIL CLAMP
34	F1502		4	HEX HD CAP SCREW, 1/4 - 20 X 5/8
35	F203673		2	COIL CLIP
36	F203276		2	COIL BOOT
37	84-817765A2		2	LEAD WIRE INCLUDES ITEMS 35 AND 36 ORIGINAL FORCE P/N A307664-1
38	F2016		4	FILL HD SCREW, 6 - 32 X 7/8
39	F369450		1	RECTIFIER
40	F1164		2	FLAT HD SCREW, 5/16 - 18 X 1 1/8
41	F1198		1	HEX HD SCREW, 1/4 - 20 X 1
42	F12227		2	CAM WIPER FELT

CONTINUED ON NEXT PAGE ➡

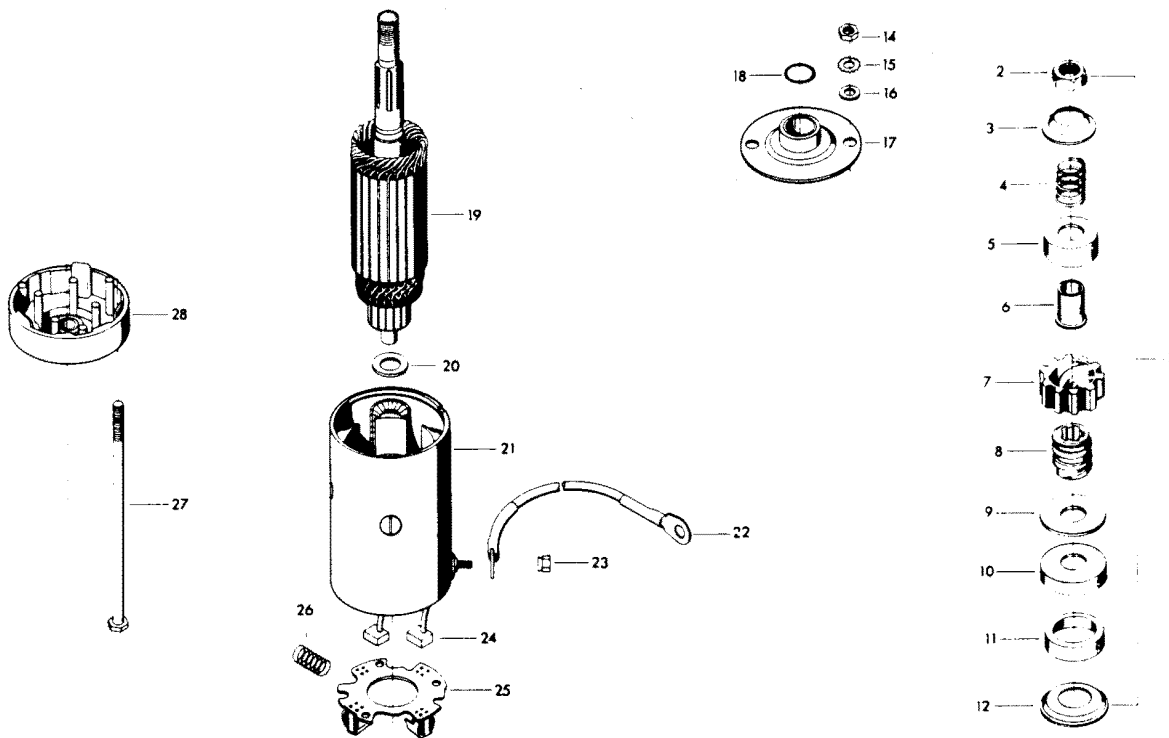
ALTERNATOR & ELECTRIC COMPONENTS FOR STANDARD IGNITION MDLS



ALTERNATOR & ELECTRIC COMPONENTS FOR STANDARD IGNITION MDLS

REF. NO.	PART NO.	SYM.	QTY.	DESCRIPTION
43	F311501		1	COIL MOUNT
44	F1647		4	HEX NUT, 8 - 32
45	F307104		1	LEAD WIRE, THERMOSWITCH
46	F307317		1	CLIP TERMINAL BLOCK GROUND
47	F1974		2	PAN HD SCREW, 10 - 24 X 5/8
48	FA510497		1	TERMINAL BLOCK
49	F311744-2		1	WIRING HARNESS
50	F8088		1	PLAIN WASHER
51	F85843-1		1	ELECTRIC CONTROL CABLE, 18 FEET
52	F74H20		1	IGNITION SWITCH W/KEY AND MOUNTING NUT (ACCESSORY ITEM)
53	F1280		6	PAN HD SCREW, 8 - 32 X 1/4
54	F12172		2	TERMINAL COMPLETE INCLUDES ITEMS 7 & 8
55	F381896-4		1	BATTERY CABLE
56	F404841		1	CABLE
57	F71H26		1	BATTERY TERMINAL KIT (ACCESSORY ITEM)
58	F8094		1	PLAIN WASHER
59	F8056		5	SPRING LOCKWASHER
60	F8083		1	SPRING LOCKWASHER
61	F345683		1	WIRE GROUND
62	F1741		2	PAN HD SCREW, 8 X 3/4
63	F71H21		1	IGNITION SWITCH MOUNTING KIT (ACCESSORY ITEM)
64	F71H30		1	BUZZER, HEAT INDICATOR (ACCESSORY ITEM)
65	F1958		1	PAN HD SCREW, 6 X 7/16
66	F12338		1	WIRE
67	F1704		2	INTERNAL TOOTH LOCKWASHER
68	F1934		4	FLAT HD SCREW, 6 X 1/2
-	F290398-1		1	DECAL, WIRING (NOT SHOWN)
-	FK750-1		2	SPARKIE KIT (NOT SHOWN)
-	FA27232		1	EMERGENCY STARTER ROPE (NOT SHOWN)

STARTER



STARTER

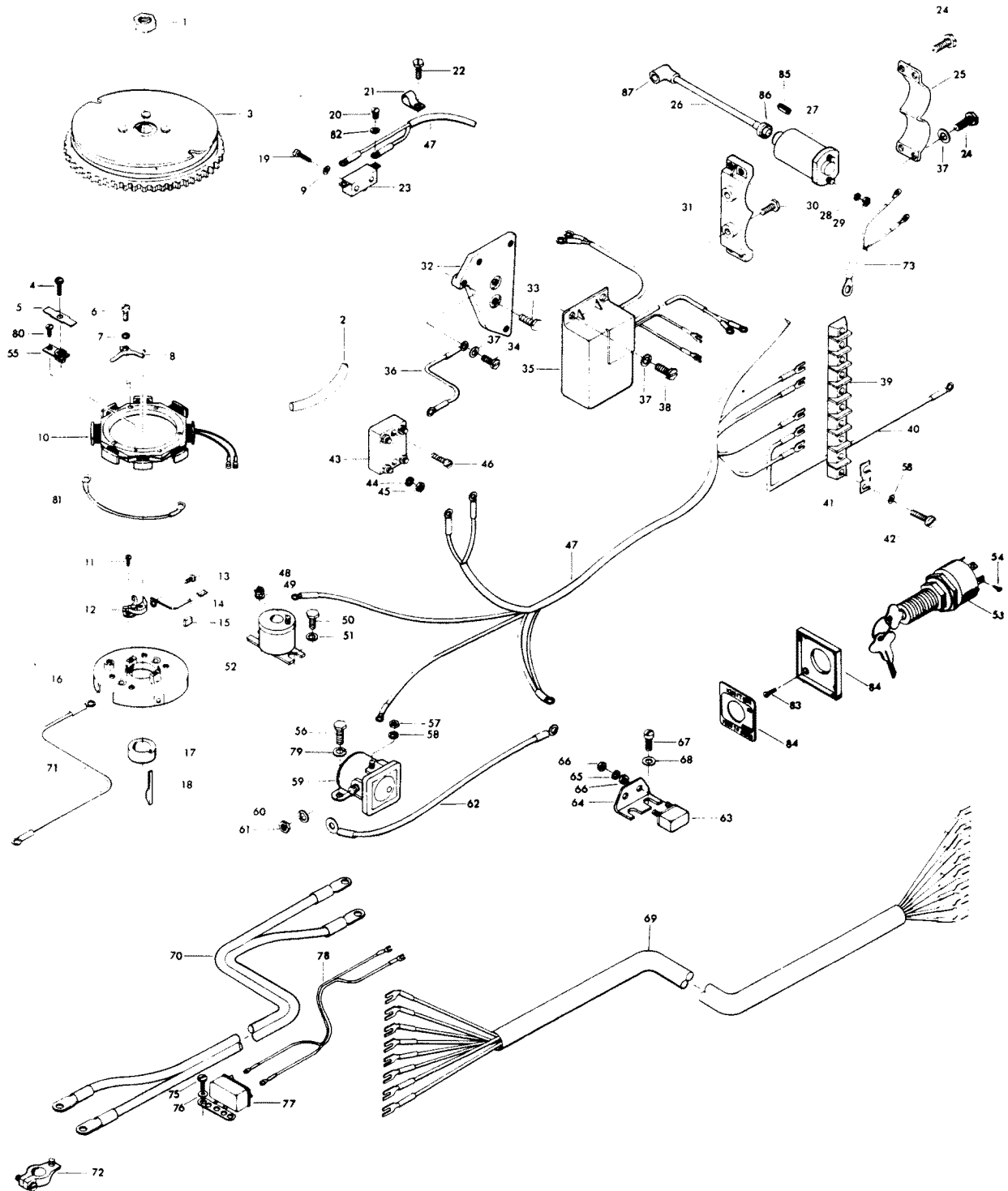
REF. NO.	PART NO.	SYM.	QTY.	DESCRIPTION
1	F15113		1	BENDIX DRIVE
2	F15087		1	NUT
3	F15109		1	STOP
4	F15088		1	SPRING
5	F15115		1	CUP, PINION
6	F15116		1	SLEEVE
7	F15114		1	PINION
8	F15084		1	SCREW
9	F15091		1	WASHER
10	F15105		1	CUP
11	F15106		1	CUSHION
12	F15104		1	CUP, CUSHION THRUST
14	F1514		2	HEX NUT, 1/4 - 20
15	F8060		2	LOCKWASHER
16	F8028		2	PLAIN WASHER
17	F15021-1		1	HEAD ASSEMBLY, DRIVE END
18	F15000		1	"O" RING SEAL
19	F15044		1	ARMATURE
20	F15073		1	THRUST WASHER PACKAGE
21	F15043		1	FRAME AND FIELD ASSEMBLY W/ITEM 24
22	F307908		1	STARTER LEAD
23	F15072		1	HEX LOCK NUT, 1/4 - 20
24	F15042		1	BRUSH SET
25	F15038-1		1	BRUSH PLATE AND HOLDER
26	F15034		1	SPRING SET
27	F15094		1	THRU BOLT PACKAGE (SET OF 2)
28	15037		1	HEAD ASSEMBLY, COMMUTATOR END
-	FA201955		1	STARTER MOTOR COMPLETE

ALTERNATOR AND ELECTRICAL COMPONENTS FOR MAGNAPOWER MODELS

REF. NO.	PART NO.	SYM.	QTY.	DESCRIPTION
1	F1920		1	HEX NUT, 5/8 - 18
2	F94914		1	SLEEVE
3	F203097-4		1	FLYWHEEL
4	F12167		2	SCREW
5	F12172		2	TERMINAL
6	F2071		3	HEX CAP SCREW, 5/16 - 18 X 1 3/8
7	F8096		3	SPRING LOCKWASHER
8	F466479		3	BREAKER PLATE SHOE
9	F8088		2	PLAIN WASHER
10	F466095		1	STATOR
11	F12090		4	SCREW
12	F12329-1		2	BREAKER POINTS
13	F12083		2	SCREW W/LOCKWASHER
14	F12174-1		2	PRIMARY INTERLEAD WIRE
15	F12227		2	CAM WIPER FELT
16	FA12175		1	PLATE, BREAKER
17	F268002-2		1	BREAKER CAM
18	F92498		1	KEY
19	F2016		2	FILL HD SCREW, 6 - 32 X 7/8
20	F1645		2	RD HD SCREW, 6 - 32 X 1/4
21	F92446		1	CLAMP
22	F1110		1	SLOTTED FILL HD MACHINE SCREW 1/4 - 20 X 5/8
23	F84449		1	NEUTRAL INTERLOCK SWITCH
24	F1502		4	HEX HD CAP SCREW, 1/4 - 20 X 5/8
25	F345513		1	CLAMP, COIL
26	A345664-1		2	WIRE, HI-TENSION W/ITEMS 85 & 86
27	F345475-1		2	COILS
28	F1975		4	LOCKWASHER
29	F1513		4	HEX NUT, 10 - 32
30	F1861		2	HEX CAP SCREW, 5/16 - 18 X 7/8
31	F345501		1	MOUNT, COIL
32	F345358		1	MOUNT, C.D. UNIT
33	F1861		2	HEX CAP SCREW, 5/16 - 18 X 7/8
34	F1953		1	HEX HD MACHINE SCREW, 1/4 - 20 X 1
35	F345301-1		1	UNIT
36	F345683		1	WIRE, GROUND
37	F8083		5	SPRING LOCKWASHER
38	F1864		3	HEX HD MACHINE SCREW, 1/4 - 20 X 3/4
39	FA510497		1	TERMINAL BLOCK
40	F307104		1	LEAD WIRE, THERMOSWITCH
41	F307317		1	CLIP TERMINAL BLOCK GROUND
42	F1974		2	PAN HD SCREW, 10 - 24 X 5/8
43	F369450		1	RECTIFIER

CONTINUED ON NEXT PAGE ➡

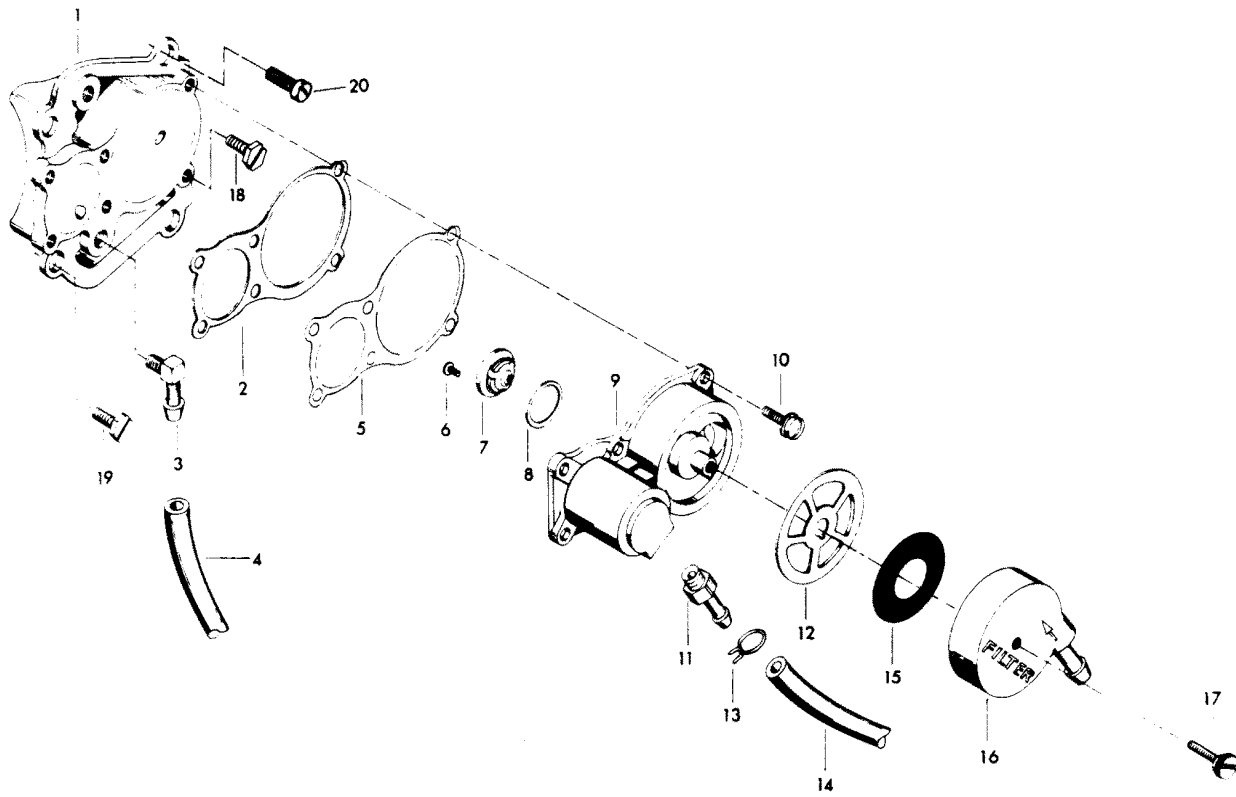
ALTERNATOR AND ELECTRICAL COMPONENTS FOR MAGNAPOWER MODELS



ALTERNATOR AND ELECTRICAL COMPONENTS FOR MAGNAPOWER MODELS

REF. NO.	PART NO.	SYM.	QTY.	DESCRIPTION
44	F8056		5	SPRING LOCKWASHER
45	F1647		4	HEX NUT, 8 - 32
46	F2016		2	FILL HD MACHINE SCREW, 6 - 32 X 7/8
47	F345744-1		1	HARNESS, WIRING
48	F1647		1	HEX NUT, 8 - 32
49	F8056		1	SPRING LOCKWASHER
50	F1993		2	HEX SLOT HD SCREW, 1/4 - 20 X 5/8
51	F8083		2	LOCKWASHER
52	89-817760A2		1	CHOKE SOLENOID
53	F74H20		1	SWITCH, IGNITION (ACCESSORY ITEM)
54	F1280		6	PAN HD MACHINE SCREW, 8 - 32 X 1/4
55	F12172		2	TERMINAL COMPLETE INCLUDES ITEMS 4 & 5
56	F1238		2	FILL HD SCREW, 1/4 - 20 X 5/16
57	F1513		1	HEX NUT, 10 - 32
58	F1975		3	LOCKWASHER
59	F177917		1	STARTER RELAY
60	F8096		2	SPRING LOCKWASHER
61	F1615		2	HEX NUT, S.S., 5/16 - 24
62	F307683		1	WIRE, CIRCUIT BREAKER
63	F91460-2		1	CIRCUIT BREAKER
64	F91446-1		1	CIRCUIT BREAKER BRACKET
65	F1975		2	LOCKWASHER
66	F1513		4	HEX NUT, 10 - 32
67	F1733		2	PAN HD SCREW, 10 - 24 X 9/16
68	F8011		2	PLAIN WASHER
69	F85843-1		1	ELECTRIC CONTROL CABLE, 18 FEET
70	F381896-4		1	BATTERY CABLE
71	F289664		1	WIRE, STATOR GROUND
72	F71H26		1	BATTERY TERMINAL KIT (ACCESSORY ITEM)
73	F345908		1	GROUND WIRE, COIL
75	F1741		2	PAN HD SCREW, 8 X 3/4
77	F71H30		1	BUZZER, HEAT INDICATOR (ACCESSORY ITEM)
78	F404841		1	CABLE
79	F8094		1	PLAIN WASHER
80	F1958		1	PAN HD SCREW, 6 - 7/16
81	F12338		1	WIRE
82	F1704		2	INTERNAL TOOTH LOCKWASHER
83	F1934		4	FLAT HD SCREW, 6 X 1/2
84	F71H20		1	IGNITION SWITCH MOUNTING KIT (ACCESSORY ITEM)
-	F321390		1	DECAL, INSTRUCTIONS (NOT SHOWN)
-	F290398-1		1	DECAL, WIRING (NOT SHOWN)
-	FA27232		1	EMERGENCY STARTER ROPE (NOT SHOWN)

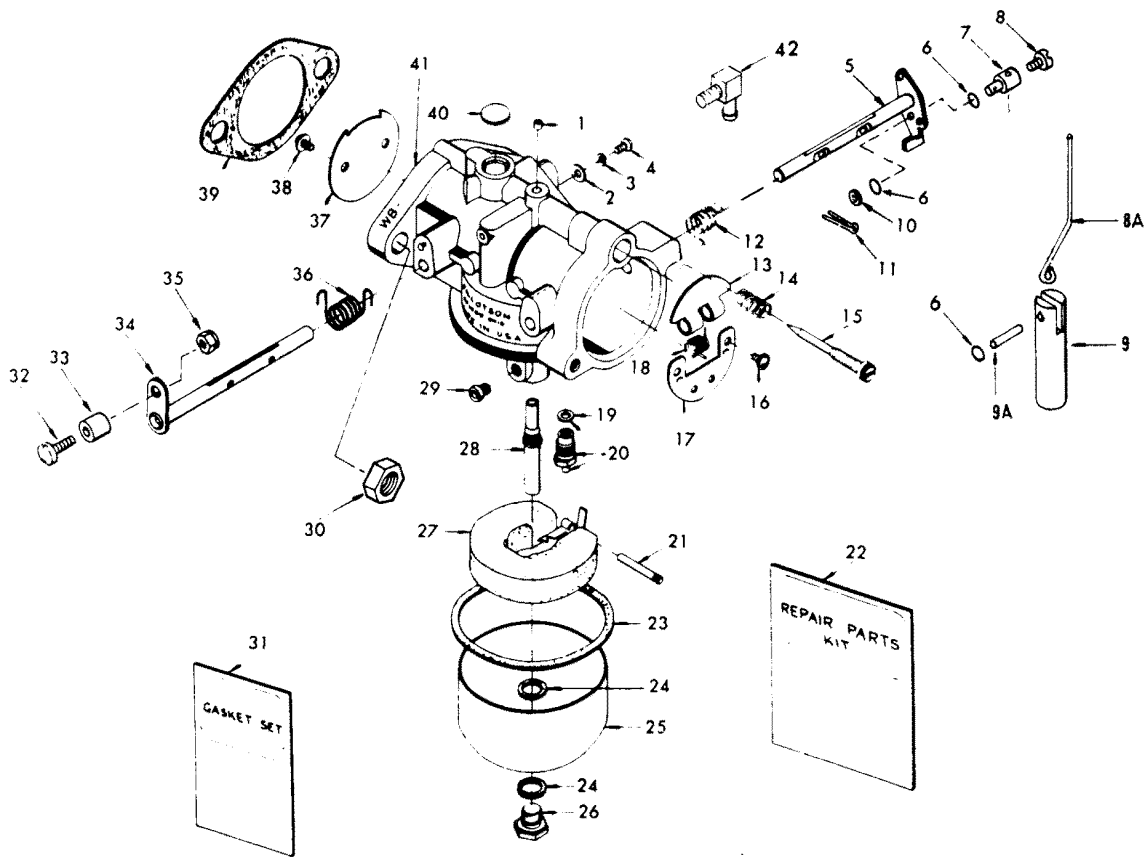
FUEL PUMP



FUEL PUMP

REF. NO.	PART NO.	SYM.	QTY.	DESCRIPTION
1	FA439746		1	FUEL PUMP COVER
2	F438760		1	FUEL PUMP GASKET
3	F84314-2		1	ELBOW
4	F434758		1	FUEL PUMP IMPULSE HOSE
5	F438747		1	FUEL PUMP DIAPHRAGM
6	F1860		2	SLOTTED BINDING HD SCREW, 6 - 32 X 1/4
7	F177330		3	FUEL PUMP VALVE
8	F84792		1	FUEL PUMP VALVE GASKET
9	FA438431		1	FUEL PUMP BODY W/VALVES
10	F1108		6	FILL HD SCREW W/SPRING LOCKWASHER, 1/4 - 20 X 3/4
11	F438801		1	ELBOW
12	F438617		1	FUEL SEDIMENT BOWL GASKET
13	F97772		4	FUEL LINE CLAMPS
14	F434754		1	FUEL LINE, PUMP TO CARBURETOR
15	F438653		1	FUEL PUMP SCREEN
16	F438500		1	FUEL SEDIMENT BOWL
17	F438165		1	SCREW, FUEL BOWL
18	F1922		1	HEX HD SCREW, 1/4 - 20 X 5/8
19	F1502		2	HEX HD SCREW, 1/4 - 20 X 5/8
20	F1110		1	SLOTTED FILL HD SCREW, 1/4 - 20 X 5/8

CARBURETOR

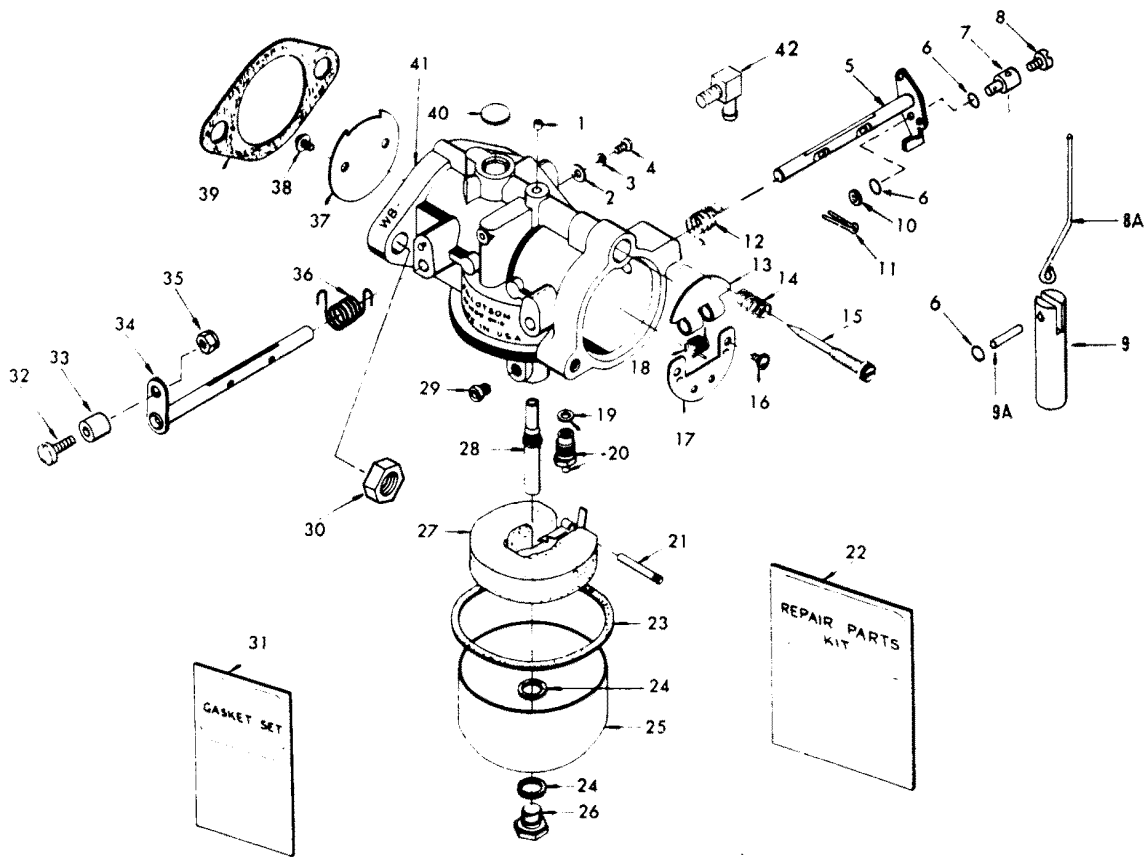


CARBURETOR

REF. NO.	PART NO.	SYM.	QTY.	DESCRIPTION
1	FO10588		1	BODY CHANNEL CUP PLUG
2	FO3804		1	THROTTLE SHAFT POSITION RETAINING SCREW WASHER
3	FO6396		1	THROTTLE SHAFT POSITION RETAINING SCREW LOCKWASHER
4	FO6393		1	THROTTLE SHAFT POSITION RETAINING SCREW
5	FO16383		1	CHOKE SHAFT AND LEVER
6	F184579		3	SEAL, CHOKE ARM SWIVEL
7	F184033-1		1	SWIVEL, CHOKE ROD
8	F1059		1	FILL HD SCREW, 6 - 32 X 1/4
8A	F452925		1	CHOKE SOLENOID ROD
9	F391926-1		1	CHOKE SOLENOID PLUNGER
9A	F2033		1	GROOVE PIN
10	F8088		1	PLAIN WASHER
11	F1014		1	COTTER PIN
12	FO16385		1	CHOKE SHAFT RETURN SPRING
13	FO15725		1	CHOKE RELIEF VALVE
14	FO11103		1	IDLE MIXTURE SCREW SPRING
15	FO13946		1	IDLE MIXTURE SCREW
16	FO10280		2	CHOKE SHUTTER RETAINING SCREW AND LOCKWASHER
17	FO15724		1	CHOKE SHUTTER
18	FO10883		1	CHOKE RELIEF VALVE SPRING
19	FO10165		1	INLET SEAT GASKET
20	FO10790		1	INLET NEEDLE, SEAT AND GASKET
21	FO13944		1	FLOAT LEVER PIN
22	F10019		1	REPAIR PARTS KIT INCLUDES ALL ITEMS MARKED WITH AN ASTERISK (*)
23	FO15623		1	FUEL BOWL GASKET
24	FO2510		2	FUEL BOWL RETAINING SCREW GASKET
25	FO13552		1	FUEL BOWL
26	FO13945		1	FUEL BOWL RETAINING SCREW
27	FO13554		1	FLOAT
28	FO16251		1	MAIN NOZZLE
29	FO14191		1	MAIN FUEL JET (.0937) (STANDARD)
30	F1515		2	HEX NUT, 5/16 - 18
31	F10000		1	GASKET SET
32	F333316		1	THROTTLE ROLLER SHAFT
33	F92759		1	ROLLER
34	FO15728		1	THROTTLE SHAFT AND LEVER
35	F1997		1	STOP NUT, 8 - 32
36	FO14292		1	THROTTLE SHAFT RETURN SPRING
37	FO16340		1	THROTTLE SHUTTER

CONTINUED ON NEXT PAGE ➡

CARBURETOR



CARBURETOR

REF. NO.	PART NO.	SYM.	QTY.	DESCRIPTION
38	FO8942		2	THROTTLE SHUTTER RETAINING SCREW AND LOCKWASHER
39	F40906-1		1	FLANGE GASKET
40	FO4326		1	BODY CHANNEL WELCH PLUG
41	435061-2		1	CARBURETOR COMPLETE (WB15C)
42	F84314-2		1	ELBOW, FUEL LINE - CARBURETOR

POWER HEAD



POWER HEAD

REF. NO.	PART NO.	SYM.	QTY.	DESCRIPTION
1	F345427-1		1	BRACKET, STARTER MOUNTING
2	F307211		3	STUD
3	F8096		4	SPRING LOCKWASHER
4	F1515		3	HEX NUT, 5/16 - 18
5	F433675		1	STARTER MOUNTING BRACKET, LOWER
6	F1993		2	HEX SLOT HD SCREW, 1/4 - 20 X 5/8
7	F1646		1	HEX SOCKET HD CAP SCREW, 3/8 - 16 X 2 1/4
8	F1879		5	HEX SOCKET HD CAP SCREW, 3/8 - 16 X 1 5/8
9	F1864		9	HEX HD SCREW, 1/4 - 20 X 3/4
10	F433209		1	STUD, THROTTLE CAM
11	F269319		2	THROTTLE CAM BEARING
12	F1513		2	HEX NUT, 10 - 32
13	F8058		4	INTERNAL TOOTH LOCKWASHER
14	F433192		1	THROTTLE CAM
15	817747--1		2	BALL JOINT W/BEARING
16	F1910		1	ELASTIC STOP NUT, 1/4 - 20
17	F1513		2	HEX NUT, 10 - 32
18	F84026		2	SPARK CONTROL SWIVEL
19	1124		2	FILL HD SCREW, 8 - 32 X 1 1/8
20	F307942-1		2	BUMPER
21	F1997		2	STOP NUT, 8 - 32
22	F84036		1	SPARK CONTROL BEARING, L.H.
23	F269445-1		1	SPARK CONTROL LINK
24	F1473		1	HEX NUT, 10 - 24
25	F84035-2		1	SPARK CONTROL BEARING, R.H.
26	F1995		7	FILL HD SCREW, 10 - 24 X 1
27	F433689		4	TOWERSHAFT BEARING
28	FK433838		1	TOWERSHAFT W/CLAMP AND SWIVEL
29	F1727		1	PLASTIC RIVET
30	F1052		1	FILL HD SCREW, 1/4 - 20 X 1
31	F1556		2	FILL HD SCREW W/LOCKWASHER, 10 - 24 X 3/8
32	F405457		2	PIVOT SCREW
33	FK405020		1	SWIVEL W/SCREW AND NUT
34	F1969		1	FILL HD SCREW, 1/4 - 20 X 3/4
35	F269052		2	SHIFT ARM BEARING
36	F7004		1	STOP NUT, 3/8 - 16
37	FA433876		1	SHIFT ARM W/CLAMP AND SWIVEL
38	F2016		2	FILL HD SCREW, 6 - 32 X 7/8
39	F84449		1	SWITCH, NEUTRAL INTERLOCK
40	F1136		2	FLAT HD SCREW, 1/4 - 20 X 1
41	F1446		2	SLOTTED PAN HD SCREW, 1/4 - 20 X 1
42	F85610		1	BEARING
43	FA433471		1	CYLINDER DRAIN COVER

CONTINUED ON NEXT PAGE ➡

POWER HEAD



POWER HEAD

REF. NO.	PART NO.	SYM.	QTY.	DESCRIPTION
44	F93472-1		1	CYLINDER DRAIN COVER GASKET
45	F1286		2	PAN HD SCREW, 4 - 40 X 3/16
46	F8003		2	PLAIN WASHER
47	F93920		2	CYLINDER DRAIN REED STOP
48	F18160-1		2	REED, CYLINDER DRAIN
49	F2A433757		1	CYLNDR DRAIN REED PLATE W/REEDS, REED STOPS, SCREWS AND SCREEN
50	F93811		2	SCREEN, CYLINDER
51	F93748-1		1	CYLINDER DRAIN REED PLATE GASKET
52	F8559		2	DOWEL PIN
53	A435010-1		1	CYLINDER W/CRANKCASE COVER, DEFLECTOR PLATE AND SCREWS
55	F40223		2	TRANSFER PORT COVER GASKET
56	FA411222		1	TRANSFER PORT COVER
57	F1481		1	HEX SLOT HD SCREW, 1/4 - 20 X 9/16
58	F84314-2		1	ELBOW, FUEL LINE
59	F98273		2	ROD END CONNECTOR STUD
60	F8058		4	INTERNAL TOOTH LOCKWASHER
61	817746A1		1	CONNECTOR STUD BRACKET
62	F1922		3	HEX HD SCREW, 1/4 - 20 X 5/8
63	F1238		3	HEX SLOT HD SCREW, 1/4 - 20 X 3/4
64	F1513		2	HEX NUT, 10 - 32
65	F404801		1	ELBOW
66	F433254		1	HOSE
67	F201529-1		1	CYLINDER HEAD GASKET
68	FA345518		1	HEAD, CYLINDER FOR C.D. MODELS
-	A311518-4		1	HEAD, CYLINDER
70	F311995-1		1	CYLINDER HEAD COVER
71	FS174227		2	SPARK PLUG (L-4-J)
-	33-818007--1		2	SPARK PLUG (UL-18V) FOR C.D. MODELS
72	87-817939A1		1	THERMOSWITCH
73	F307104		1	THERMOSWITCH WIRE
74	F1647		1	HEX NUT, 8 - 32
75	F8056		1	LOCKWASHER
76	F8083		11	SPRING LOCKWASHER
77	F1502		1	HEX CAP SCREW, 1/4 - 20 X 5/8
78	F2091		10	HEX HD CAP SCREW, 3/8 - 16 X 2 1/2
79	F2014		10	PLAIN WASHER
80	F19109		1	PLUG, CYLINDER HEAD
81	F97504		1	GROMMET, THERMOSTAT
82	F97068-1		1	THERMOSTAT
83	F97067		1	THERMOSTAT COVER GASKET
84	F97066-1		1	THERMOSTAT COVER
85	F1341		1	HEX NUT

CONTINUED ON NEXT PAGE ➡

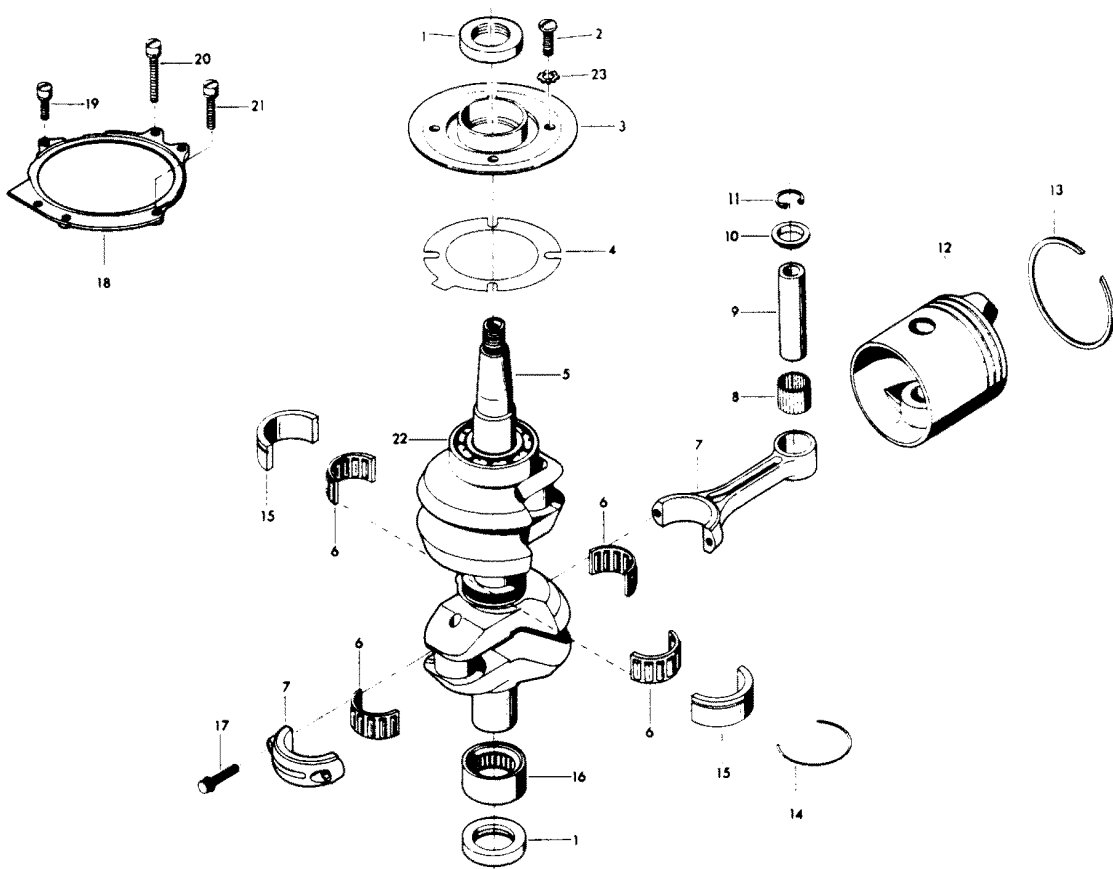
POWER HEAD



POWER HEAD

REF. NO.	PART NO.	SYM.	QTY.	DESCRIPTION
86	F97275		1	FITTING, THERMOSTAT
87	F97772		2	CLAMP
88	F311247		1	WATER TUBE, THERMOSTAT
89	F141275		1	FITTING, THERMOSTAT
90	F1972		9	HEX HD SCREW, 1/4 - 20 X 2 1/2
91	F901834		1	LEAD WIRE CLIP
92	F85502		1	THROTTLE LINK
93	FA433152		1	EXHAUST PORT COVER W/SCREWS
94	F40154-3		3	EXHAUST PORT PLATE GASKET
95	F40151-1		1	EXHAUST PORT PLATE
96	F311999-1		1	SPACER, EXHAUST COVER
97	F463314		1	FITTING
98	F433758		1	HOSE
99	22-817740A1		1	ELBOW W/METERING CUP
100	F8545		1	SPRING PIN
101	F1857		1	HEX CAP SCREW, 5/16 - 18 X 5/8
-	F269122-1		1	CRANKCASE PARTING LINE SEAL (NOT SHOWN)
-	FG1007-1		1	GASKET SET (NOT SHOWN)
-	C435010-2		0	SHORT BLOCK (NOT SHOWN) INCLUDES ALL ITEMS MARKED WITH AN ASTERISK (*). ALSO REFER TO CRANKSHAFT AND PISTON PAGE.

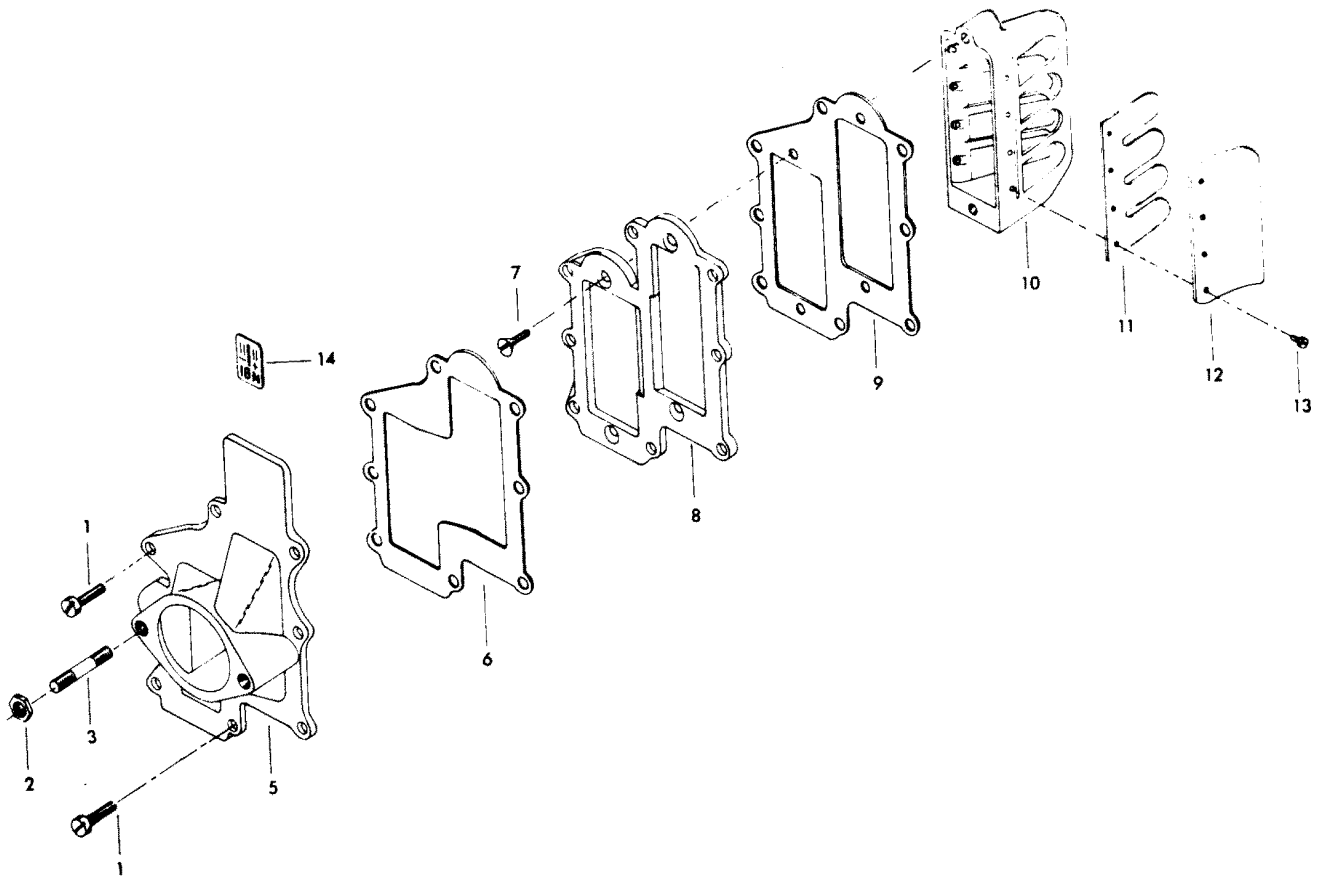
CRANKSHAFT AND PISTON GROUP



CRANKSHAFT AND PISTON GROUP

REF. NO.	PART NO.	SYM.	QTY.	DESCRIPTION
1	F40146-1		2	CRANKSHAFT SEAL
2	F1441		4	PAN HD SCREW, 1/4 - 20 X 7/8
3	FA433144		1	CRANKSHAFT BEARING CAGE W/SEAL FOR MAGNETO IGNITION MODELS
-	FA466144		1	CRANKSHAFT BEARING CAGE W/SEAL FOR ALTERNATOR MODELS
4	F366277		1	BEARING CAGE GASKET
5	FA435018		1	CRANKSHAFT W/UPPER THRUST BEARING
6	FK85228		3	BEARING CAGE W/ROLLERS (16 PER SET)
7	600-818052A4		2	CONNECTING ROD W/CAP AND SCREWS
8	F335217		2	BEARING
9	F40017-2		2	PISTON PIN
10	F366215		4	SPACER
11	F428096		4	RETAINER, PISTON PIN
12	F428015-1		2	PISTON
13	FA435260		1	PISTON RING SET (4 PER SET)
14	F40410		1	SNAP RING
15	FA40655		1	CRANKSHAFT CENTER MAIN BEARING RACE W/SNAP RING
16	F90014		1	CRANKSHAFT LOWER MAIN BEARING
17	F85634-1		4	CONNECTING ROD SCREW
18	F366082		1	MAGNETO STATOR RING
19	F1080		1	FILL HD SCREW W/LOCKWASHER, 10 - 24 X 3/4
20	F1812		2	FILL HD SCREW W/LOCKWASHER, 10 - 24 X 1 9/16
21	F1813		1	FILL HD SCREW W/LOCKWASHER, 10 - 24 X 1 1/8
22	30-F366013		1	CRANKSHAFT THRUST BEARING UPPER
23	F8060		4	EXTERNAL TOOTH LOCKWASHER (USE WITH PAN HD SCREW)
-	39-818115A1		1	PISTON RINGS (4 PER SET) .030 OVERSIZE (NOT SHOWN)
-	FS435260		1	PISTON RINGS (4 PER SET) .010 OVERSIZE (NOT SHOWN)
-	700-818114A2		2	PISTON .030 OVERSIZE (NOT SHOWN)
-	700-817990A2		2	PISTON .010 OVERSIZE (NOT SHOWN)

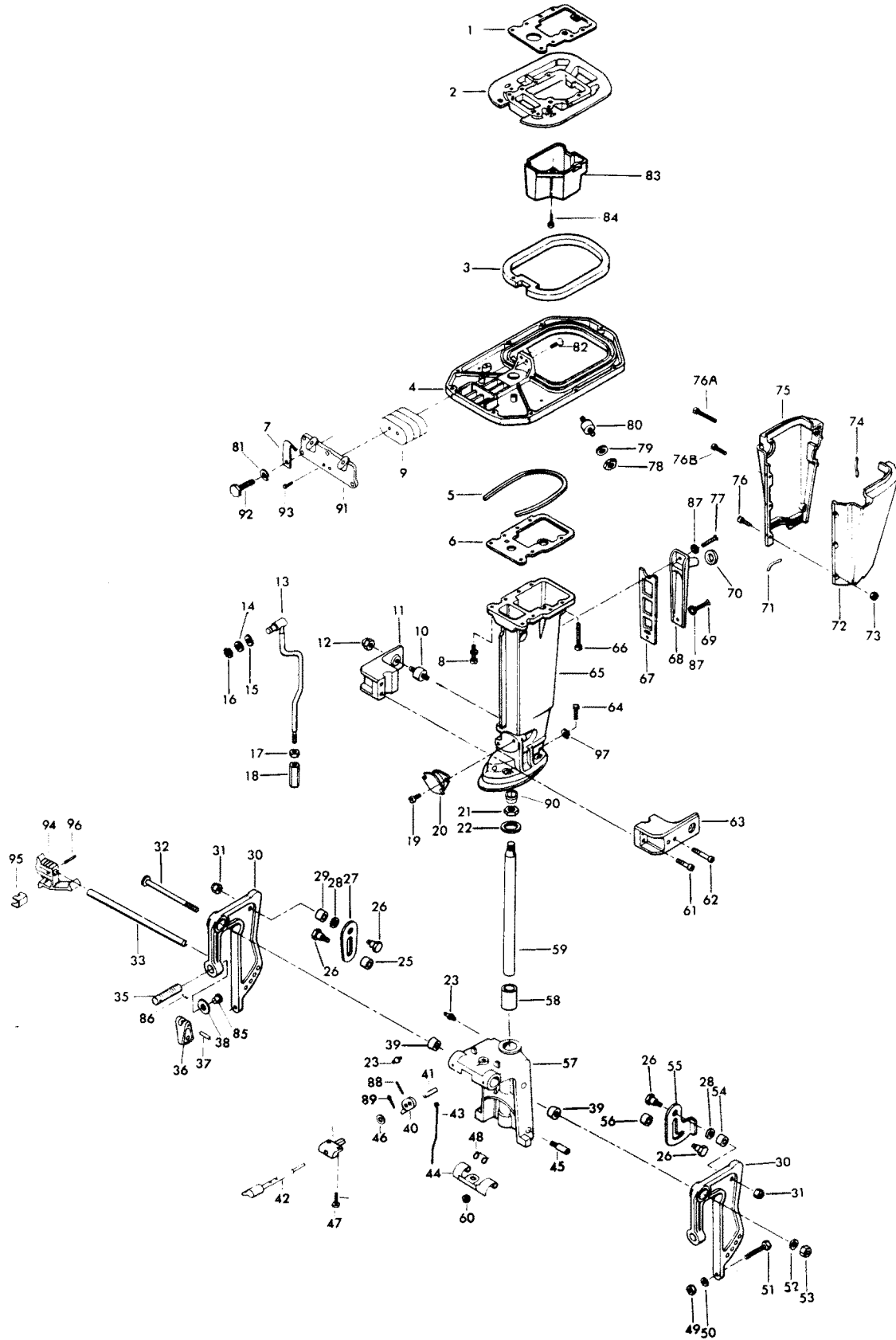
REED PLATE



REED PLATE

REF. NO.	PART NO.	SYM.	QTY.	DESCRIPTION
1	F1915		8	HEX HD SCREW, 1/4 - 20 X 7/8
2	F1515		2	HEX NUT, 5/16 - 18
3	F40209		2	CARBURETOR STUD
5	FA433167		1	CARBURETOR ADAPTER FLANGE
6	F433168		1	CARBURETOR ADAPTER GASKET
7	F1141		4	FLAT HD SCREW, 10 - 24 X 1/2
8	F433404		1	DEFLECTOR PLATE
9	F433406		1	DEFLECTOR PLATE GASKET
10	FA433158		2	REED PLATE W/REEDS, STOPS AND SCREWS
11	F335160		4	REED
12	F88161-3		4	REED STOP
13	F1298		16	ROUND HD SCREW W/LOCKWASHER, 6 - 32 X 1/4
14	FA433387		1	DECAL, TIMING

MOTOR LEG

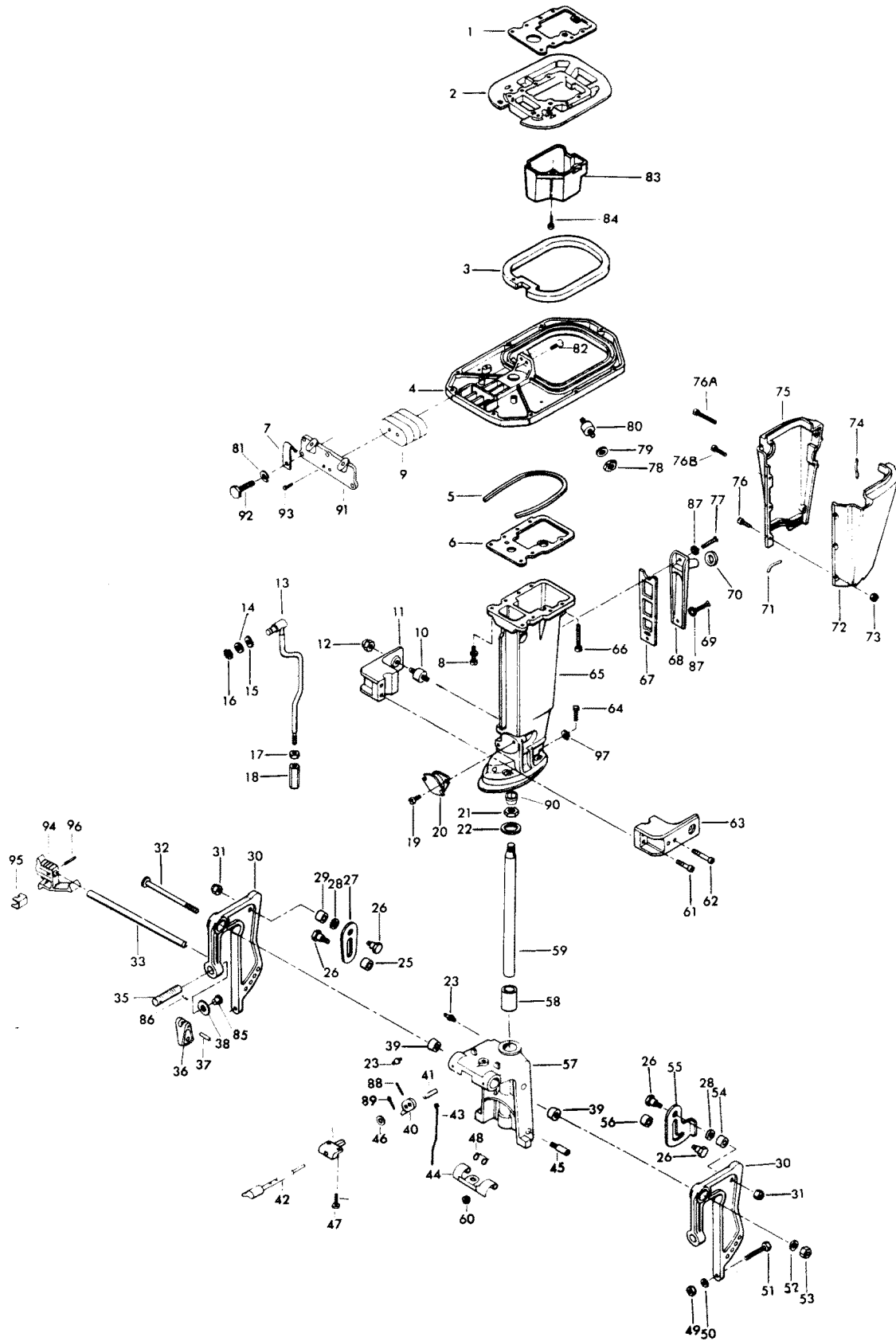


MOTOR LEG

REF. NO.	PART NO.	SYM.	QTY.	DESCRIPTION
1	F307279-2		1	CYLINDER EXHAUST GASKET UPPER
2	F433680		1	SPACER PLATE
3	F307989-1		1	SEAL, KING PIN PLATE
4	FS307940		1	KING PIN PLATE
5	F85025		1	DAMPENING PAD
6	F307453-3		1	CYLINDER EXHAUST GASKET LOWER
7	F286772-1		1	CLAMP
8	F1947		8	FLANGED 12 PT. SCREW, 5/16 - 18 X 2
9	F203965		1	SHOCK MOUNT UPPER
10	F215962		2	SHOCK MOUNT SIDE LOWER
11	F433972		1	SHOCK MOUNT LOWER COVER, STARBOARD
12	F1326		2	ACORN NUT, S.S., 5/16 - 18
13	F307615		1	GEAR SHIFT ROD UPPER
14	F1987		1	PLAIN WASHER
15	F8049		1	BOWED SPRING WASHER
16	F185764		1	RETAINING RING
17	F1349		1	HEX NUT, S.S., 5/16 - 18
18	F141704		1	GEAR SHIFT ROD COUPLING
19	F1129		4	FILL HD SCREW, S.S., 5/16 - 18 X 1/2
20	F183346-1		1	SHOCK MOUNT, LOWER
21	F84280		1	KING PIN NUT
22	F89011		1	SWIVEL BRACKET WASHER
23	F213274		3	GREASE FITTING
25	F269929		1	SPACER, TILT STOP
26	F366350		4	TILT STOP PIVOT
27	F366433		1	TILT STOP, STARBOARD
28	F1666		2	BOWED SPRING WASHER
29	F269929		1	SPACER, TILT STOP
30	FK433032		2	STERN BRACKET W/CLAMP SCREW, FOOT AND STUD
31	F7007		4	STOP NUT, 5/16 - 18
32	F366037		1	STERN BRACKET PIVOT BOLT
33	FA433113		1	STERN BRACKET LOCK BAR W/HANDLE
34	F366884		1	BEARING
35	F463073		2	CLAMP SCREW
36	F288075		2	CLAMP SCREW HANDLE
37	F1638		2	SPRING PIN
38	F24074		2	CLAMP SCREW FOOT
39	F366286		2	STERN BRACKET FRICTION WASHER
40	F366364		1	ARM, REVERSE LOCK
41	F369884		1	BEARING
42	F366827		1	HANDLE AND SHAFT
43	F366510		1	LINK
44	F366349		1	REVERSE LOCK

CONTINUED ON NEXT PAGE ➡

MOTOR LEG

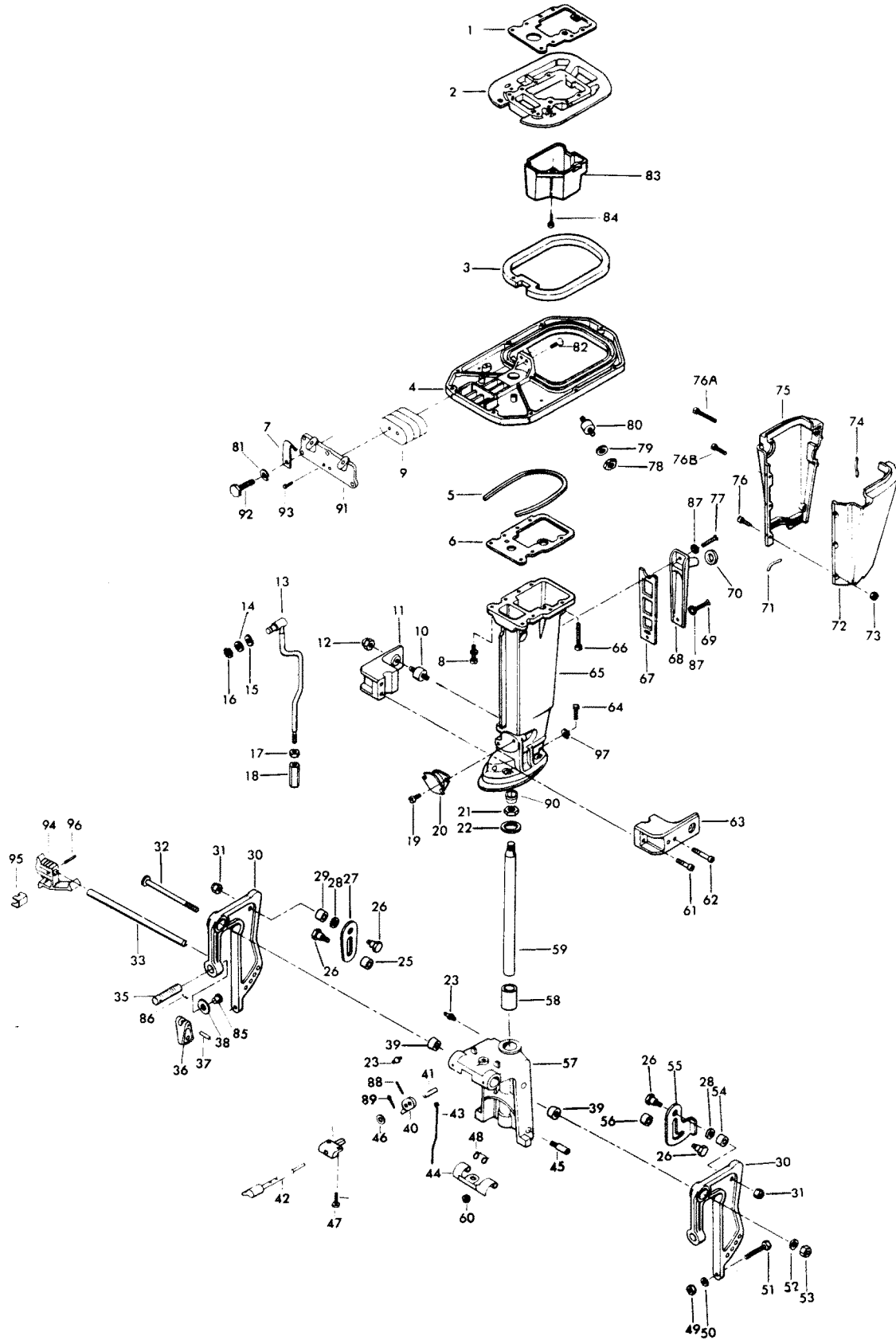


MOTOR LEG

REF. NO.	PART NO.	SYM.	QTY.	DESCRIPTION
45	F366886		2	PIN
46	F8094		1	WASHER
47	F1733		2	PAN HD SCREW, 10 - 24 X 9/16
48	F366300		2	REVERSE LOCK SPRING
49	F1346		2	HEX NUT, S.S., 3/8 - 16
50	F1904		2	PLAIN WASHER
51	F1593		2	HEX HD SCREW, S.S., 3/8 - 16 X 3
52	F1656		1	PLAIN WASHER
53	F7001		1	ELASTIC STOP NUT
54	F269929		1	SPACER, TILT STOP
55	F366426		1	TILT STOP, PORT
56	F269929		1	SPACER, TILT STOP
57	817945A1		1	SWIVEL BRACKET W/BEARINGS AND GREASE FITTING
58	F191169-1		2	SWIVEL BRACKET BEARING
59	FA433019		1	KING PIN W/PLUG
60	F1669		1	STOP NUT
61	F1636		2	HEX SOCKET HD CAP SCREW, S.S., 3/8 - 16 X 1 1/4
62	F1635		2	HEX SOCKET HD CAP SCREW, S.S., 3/8 - 16 X 3 1/2
63	F433973		1	SHOCK MOUNT LOWER COVER, PORT
64	F1929		4	HEX HD CAP SCREW, S.S., 3/8 - 16 X 1 1/8
66	F1905		1	FILL HD SCREW, 1/4 - 20 X 3 7/16
67	F40833-4		1	MOTOR LEG EXHAUST COVER GASKET
68	FA89832-2		1	MOTOR LEG EXHAUST COVER
69	F1199		1	HEX CAP SCREW, 1/4 - 20 X 1
70	F89504		1	GROMMET MOTOR LEG EXHAUST COVER
71	F435323		2	PACKING, LEG COVER LOWER
73	F1473		6	HEX NUT, 10 - 24
74	F435323		2	PACKING, LEG COVER UPPER
76	F1088		4	FILL HD SCREW, 10 - 24 X 9/16
76A	F1767		1	FILL HD SCREW, 10 - 24 X 3
76B	F1768		1	FILL HD SCREW, 10 - 24 X 1 3/8
77	F1849		1	HEX HD SCREW, 1/4 - 20 X 1 3/8
78	F1346		2	HEX NUT, 3/8 - 16
79	F8038		2	PLAIN WASHER
80	F307962		2	SHOCK MOUNT, SIDE UPPER
81	F8025		1	PLAIN WASHER
82	F1160		2	FLAT HD SCREW, 1/4 - 28 X 5/8
83	F307660-1		1	LEG EXHAUST TUBE
84	F1851		3	FILL HD MACHINE SCREW W/LOCKWASHER, 10 - 24 X 1/2
85	F353480		2	STUD
86	F8537		2	SPRING PIN
87	F8083		2	SPRING LOCKWASHER
88	F1836		1	SPRING PIN

CONTINUED ON NEXT PAGE ➡

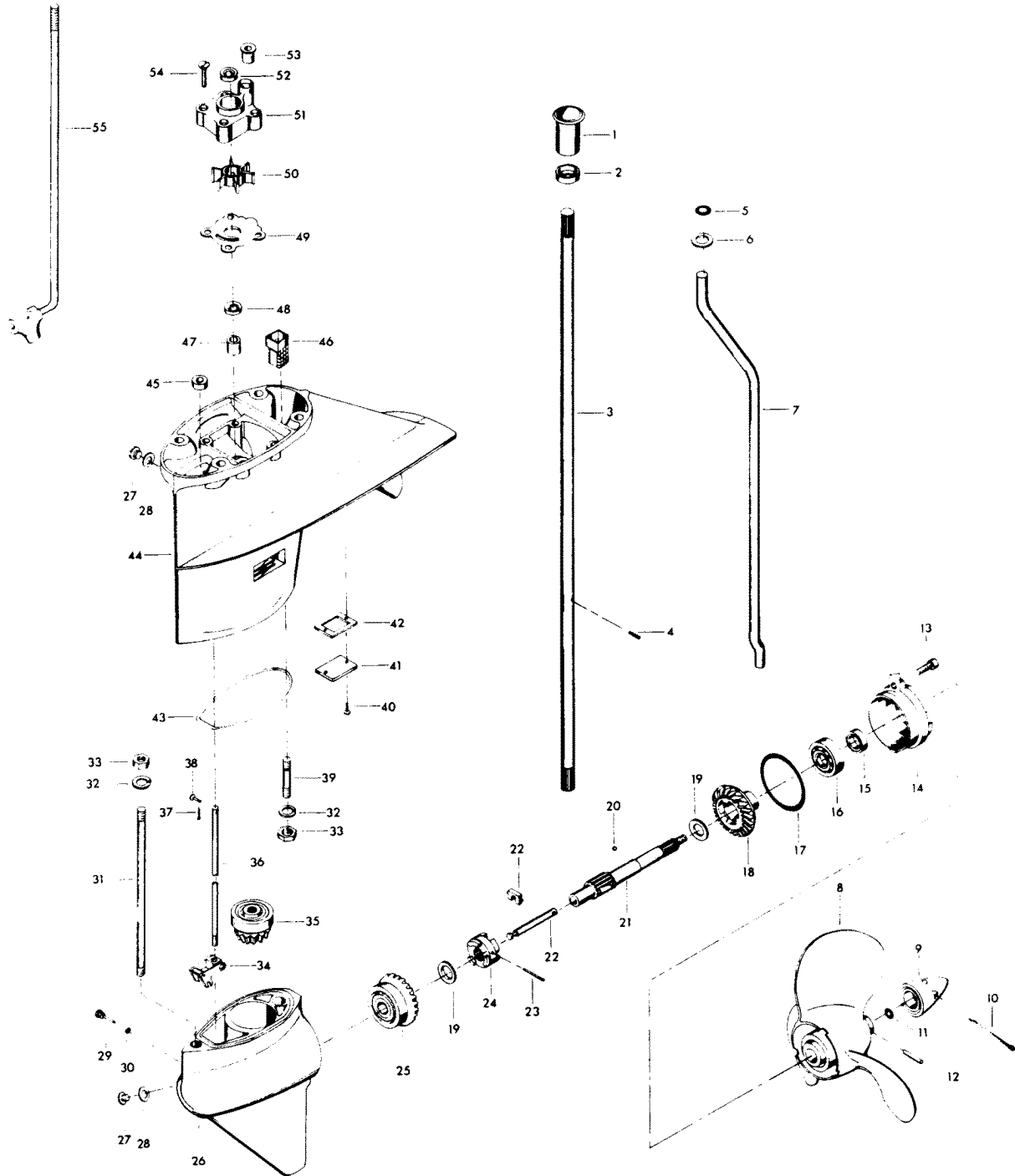
MOTOR LEG



MOTOR LEG

REF. NO.	PART NO.	SYM.	QTY.	DESCRIPTION
89	F1014		1	COTTER PIN
90	F1880		1	PLASTIC PLUG
91	F433946		1	SHOCK MOUNT UPPER COVER
92	F1502		5	HEX HD SCREW, 1/4 - 20 X 5/8
93	F1211		2	HEX HD SCREW W/LOCKWASHER, 1/4 - 28 X 5/8
94	F433114		1	HANDLE, LOCK BAR
95	F286461		1	SPRING LOCK BAR HANDLE
96	F1744		1	SPRING PIN
97	F8065		4	SPRING LOCKWASHER
-	F369390-1		1	DECAL, TILT LOCK (NOT SHOWN)
65	F435133-1		0	MOTOR LEG
72	FA435135		0	LEG COVER (PORT)
75	FA435145		0	LEG COVER (STARBOARD)
65	F366133-2		0	MOTOR LEG
72	FA366135		0	LEG COVER (PORT)
75	FA366145		0	LEG COVER (STARBOARD)
-	F434322		0	PACKING - LEG COVER LOWER REAR (NOT SHOWN)

GEAR HOUSING

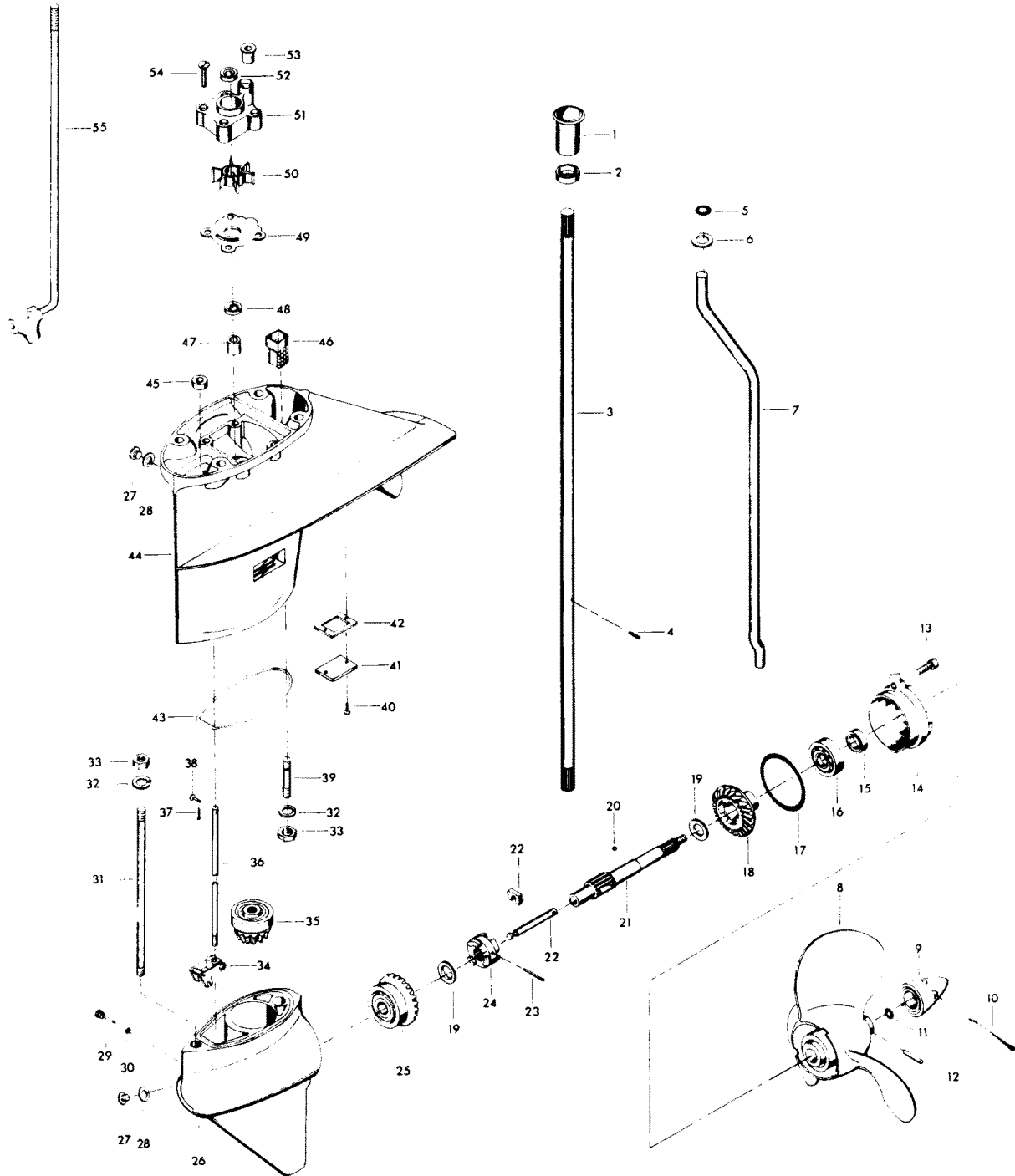


GEAR HOUSING

REF. NO.	PART NO.	SYM.	QTY.	DESCRIPTION
1	F338129-1		1	BOOT
2	F338271		1	RETAINER
3	45-817737A1		1	DRIVESHAFT W/RETAINER FOR STANDARD SHAFT MODELS
-	FA89128-1		1	DRIVESHAFT W/RETAINER FOR LONG SHAFT MODELS
4	F901563		1	DRIVE PIN, WATER PUMP IMPELLER
5	F40342		1	SEAL
6	F8042		1	PLAIN WASHER
7	F141244		1	INLET WATER LINE FOR STANDARD SHAFT MODELS
-	F435244		1	INLET WATER LINE FOR LONG SHAFT MODELS
8	FP293		1	PROPELLER (ACCESSORY ITEM)
9	FA94094-1		1	PROPELLER NUT W/SEAL AND COTTER PIN
10	F1027		1	COTTER PIN, S.S., 1/8 - 1/2
11	F40342		1	SEAL, PROPELLER NUT
12	FK247		1	PROPELLER PIN, PACK OF 6 W/COTTER PIN
13	F1263		2	HEX SOCKET HD CAP SCREW, S.S., 5/16 - 18 X 9/16
14	F2A366298		1	SHAFT BRG. CAGE W/ITEMS 15, 16, 17
15	F141118		1	SEAL, PROPELLER SHAFT
16	F366058		1	BALL BEARING, PROPELLER SHAFT
17	F141305		1	SEAL, PROPELLER SHAFT BEARING CAGE
18	FA485662		1	BEVEL GEAR REAR W/BEARING
19	F40717		2	THRUST WASHER, BEVEL GEAR
20	F366727		1	BALL, PROPELLER SHAFT
21	44-819500A3		1	PROPELLER SHAFT
22	FA98071-2		1	GEAR SHIFT ARM PIN W/YOKE
23	F2097		1	SPRING PIN
24	F99521-1		1	CLUTCH
25	FA485023		1	BEVEL GEAR FRONT W/BEARING & CUP
26	FA486054		1	GEAR HOUSING LOWER W/PLUG, WASHER AND THRUST BEARING CUP
27	F50109		2	PLUG, GEAR HOUSING
28	F8077		2	WASHER, GEAR HOUSING PLUG
29	F90891		1	GEAR SHIFT ARM PIN
30	F8001		1	NYLTITE WASHER
31	F97008-1		1	STUD, LONG
32	F8065		2	LOCKWASHER
33	F1346		2	HEX NUT, S.S., 3/8 - 16
34	817796A2		1	GEAR SHIFT ARM
35	F2A474266		1	BEVEL PINION W/BEARING
36	F435705		1	GEAR SHIFT ROD LOWER
37	F1015		1	COTTER PIN
38	F85372		1	PIN, GEAR SHIFT ROD LOWER
39	F40008		1	STUD, SHORT
40	F1733		2	PAN HD SCREW, 10 - 24 X 9/16

CONTINUED ON NEXT PAGE ➡

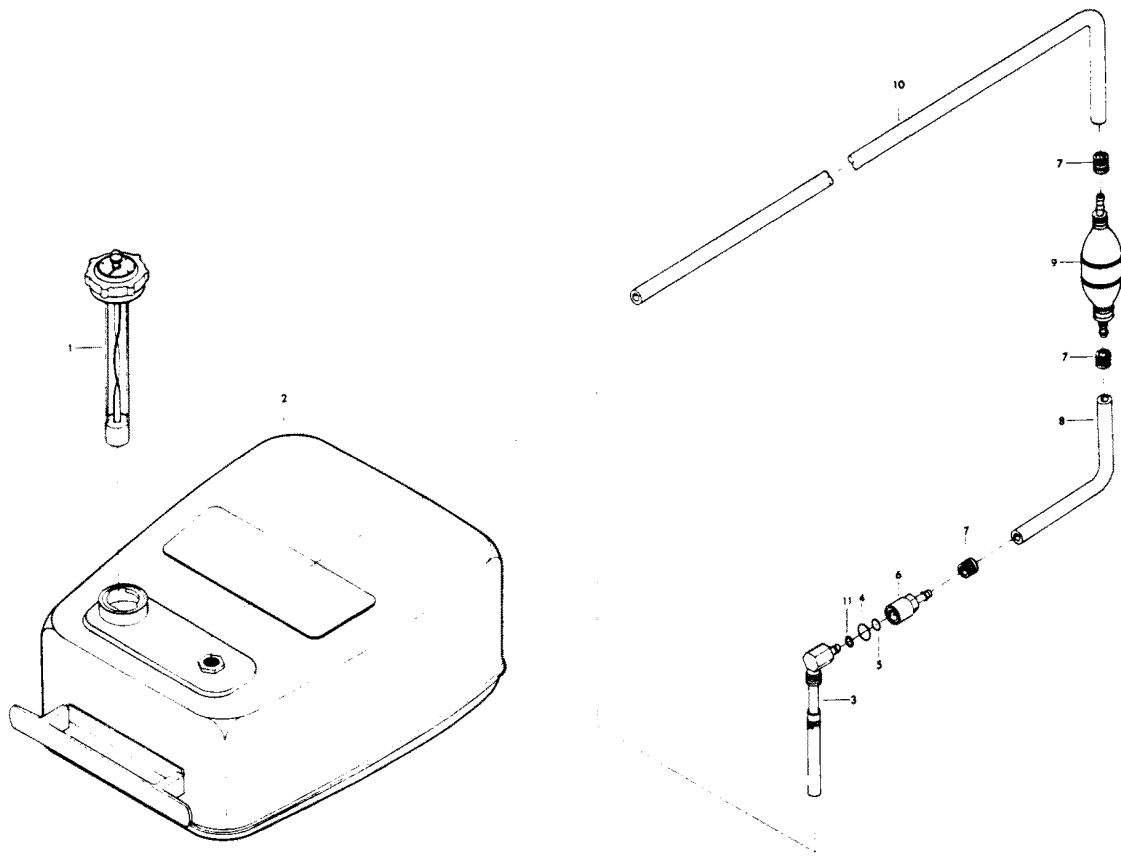
GEAR HOUSING



GEAR HOUSING

REF. NO.	PART NO.	SYM.	QTY.	DESCRIPTION
41	F435706		1	COVER, GEAR HOUSING UPPER
42	F435830		1	GASKET, GEAR HOUSING UPPER COVER
43	F435555		1	SEAL, GEAR HOUSING
44	1600-817871A3		1	GEAR HOUSING UPPER W/SEAL, WASHER, PLUG AND INLET WATER TUBE
45	F338618-1		1	SEAL, SHIFT ROD LOWER
46	F435077		1	SCREEN, WATER INLET
47	F435057		1	BEARING, DRIVESHAFT UPPER
48	F40307-2		1	SEAL, DRIVESHAFT
49	F435562		1	WATER PUMP BACK PLATE
50	F433065		1	WATER PUMP IMPELLER
51	FS504060		1	WATER PUMP BODY W/DRIVESHAFT SEAL
52	F349307		1	DRIVESHAFT SEAL
53	F93914		1	SEAL, INLET WATER LINE LOWER
54	F1149		4	FLAT HD SCREW, S.S., 1/4 - 20 X 1 1/4
55	FA434616		1	GEAR SHIFT ROD INTERMEDIATE FOR STANDARD SHAFT MODELS
-	FA435616		1	GEAR SHIFT ROD INTERMEDIATE FOR LONG SHAFT MODELS
-	FC486054		1	GEAR HOUSING COMPLETE INCLUDES ALL ITEMS MARKED WITH AN ASTERISK (*).
-	F84026		1	SHOULDER SCREW (PROPELLER CAP) (NOT SHOWN)

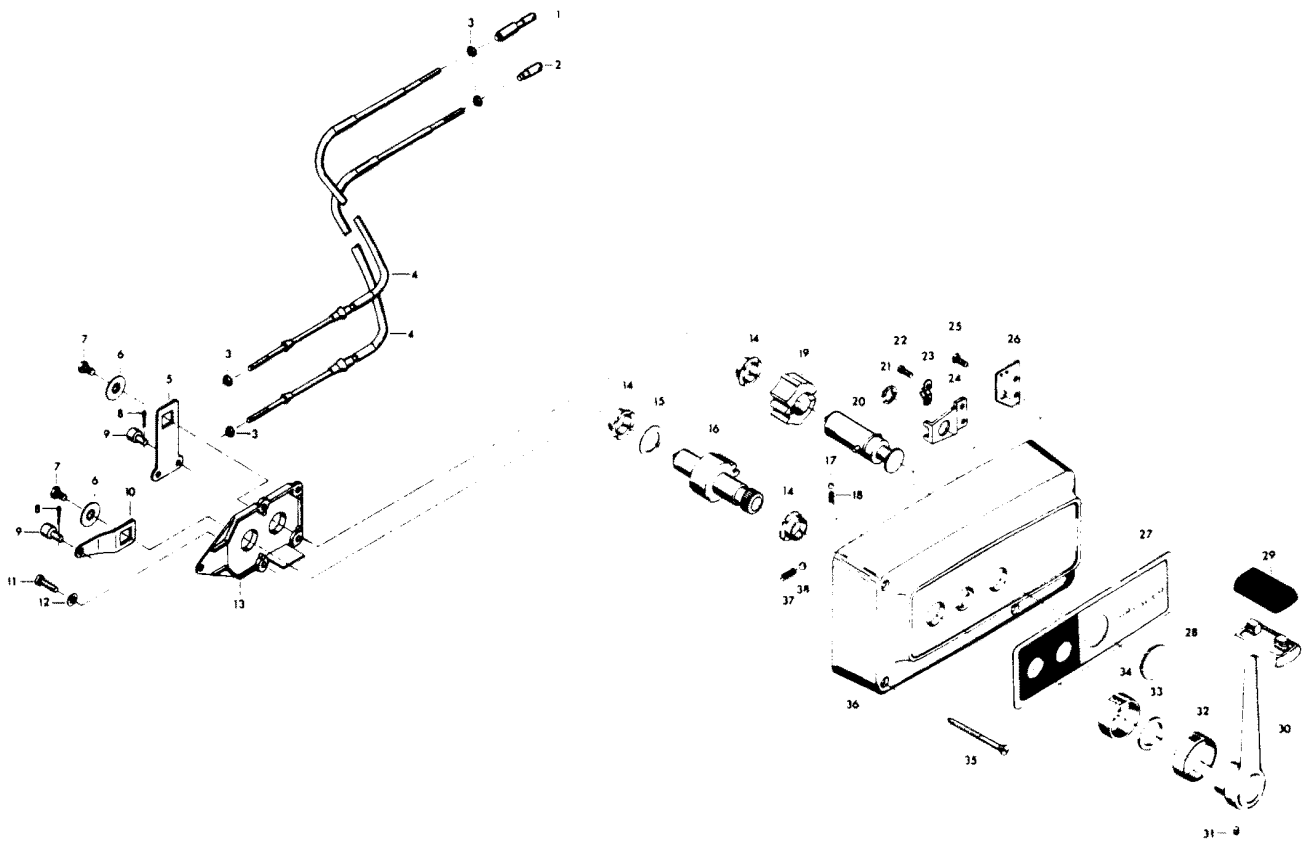
FUEL TANK AND LINE



FUEL TANK AND LINE

REF. NO.	PART NO.	SYM.	QTY.	DESCRIPTION
1	F409251-1		1	GAUGE CAP
2	F71H08		1	FUEL TANK (ACCESSORY ITEM)
3	F485755		1	FUEL TANK AND LINE
4	F213342		1	SEAL, FUEL LINE COUPLER (LARGE)
5	F213735		1	SEAL, FUEL LINE COUPLER (SMALL)
6	F197787-2		1	FUEL LINE COUPLER
7	F298788		3	FERRULE
8	FA84754-1		1	FUEL LINE SHORT W/FERRULES
9	89396A38		1	PRIME BULB
10	32-817738A1		1	FUEL LINE, LONG W/CLAMP AND FERRULE
11	F17932		1	SEAL, FUEL TANK ADAPTER
-	FS409752		1	FUEL LINE COMPLETE

REMOTE CONTROL



REMOTE CONTROL

REF. NO.	PART NO.	SYM.	QTY.	DESCRIPTION
1	FA58976-1		1	CONNECTOR, THROTTLE CABLE
2	F58685-2		1	CONNECTOR, SHIFT CABLE
3	F1513		4	HEX NUT
4	ÄF58356//		2	REMOTE CONTROL CABLE (SPECIFY LENGTH)
5	F17019		1	CLUTCH ARM
6	F17036		2	INTERNAL TOOTH LOCKWASHER
7	F1715		2	HEX BOLT, 1/4 - 28 X 9/16
8	F17015		2	COTTER PIN
9	F17016		2	CABLE TERMINAL
10	F17014		1	THROTTLE ARM
11	F17013		2	FILL HD SCREW, 1/4 - 20 X 1/2
12	F17020		2	INTERNAL TOOTH LOCKWASHER
13	F17012		1	RETAINING PLATE
14	F17009		3	BEARING
15	F17011		1	BOWED WASHER
16	F17010-1		1	THROTTLE GEAR
17	F17111		1	DETENT BALL
18	F17006		1	DETENT SPRING
19	F17021		1	CLUTCH GEAR
20	F17100		1	CLUTCH SHAFT
21	F17092		1	SNAP RING
22	F17107		2	FILL HD SCREW, 10 - 24 X 5/16
23	F154317		1	CABLE CLAMP
24	F17026		1	SWIVEL
25	F1557		2	FLAT HD SCREW, 10 - 24 X 3/8
26	F17112		1	JUNCTION BOARD, STARBOARD
-	F17113		1	JUNCTION BOARD, PORT
27	F17101		1	DECAL, STARBOARD
-	17102		1	DECAL, PORT
28	F17031		1	SNAP CAP
29	F17116		1	KNOB
30	F17115		1	HANDLE
31	F17030-1		1	SET SCREW
32	F17114		1	INDICATOR
33	F17105		1	FELT WASHER
34	F17106		1	COLLAR
35	17108		3	WOOD SCREW
36	F17099		1	HOUSING
37	F17068		1	DETENT SPRING
38	F17082-1		1	DETENT BALL
-	F1280		2	PAN HD SCREW, 8 - 32 X 1/4 (TERMINAL BOARD) (NOT SHOWN)

SPECIAL TOOLS - TUNE-UP

REF. NO.	PART NO.	SYM.	QTY.	DESCRIPTION
-	FT2910		0	KNOCK-OFF NUT TO REMOVE FLYWHEEL
-	FTA2937-1		0	TIMING TOOL TO ADJUST SPARK ADVANCE

SPECIAL TOOLS - POWER HEAD

REF. NO.	PART NO.	SYM.	QTY.	DESCRIPTION
-	FT3510		0	SEAL PUNCH TO INSTALL UPPER CRANKSHAFT BEARING CAGE SEAL
-	FT3512		0	SEAL SLEEVE TO INSTALL UPPER CRANKSHAFT BEARING CAGE SEAL
-	FT2953		0	SOCKET TO TORQUE CONNECTING ROD SCREWS
-	FT2990		0	PISTON PIN REMOVER TO REMOVE AND INSTALL PISTON PIN IN PISTON
-	FT8926		0	RING EXPANDER TO INSTALL RINGS ON PISTONS
-	FT2996		0	RING COMPRESSOR TO INSTALL PISTONS IN CYLINDERS
-	FT8932		0	LIFTING HOOK PROVIDES SAFE METHOD OF LIFTING ENGINE

SPECIAL TOOLS - LOWER UNIT

REF. NO.	PART NO.	SYM.	QTY.	DESCRIPTION
-	FT8948		0	PROPELLER SHAFT BEARING CAGE PULLER AND FLYWHEEL PULLER TO REMOVE PROPELLER SHAFT BEARING CAGE FROM LOWER GEAR HOUSING
-	FT8907		0	DRIVER HANDLE TO INSTALL BEARING CUP IN LOWER GEAR HOUSING
-	FT3431		0	SEAL INSTALLER TO INSTALL PROPELLER SHAFT SEAL AND DRIVESHAFT SEAL
-	FT8918		0	BUSHING GUIDE SET TO REMOVE AND INSTALL BEARING CUP IN LOWER GEAR HOUSING
-	FT8921		0	FORWARD BEARING CUP REMOVER TO REMOVE FORWARD BEARING CUP FROM LOWER GEAR HOUSING
-	FT8904		0	FORWARD BEARING CUP INSTALLER TO INSTALL FORWARD BEARING CUP IN LOWER GEAR HOUSING
-	FT8945		0	RETAINER PUNCH INSTALL RETAINER ON DRIVESHAFT FOR SPLINE BOOT
-	FT8957		0	SEAL INSTALLER TO INSTALL SHIFT ROD SEAL

SPECIAL TOOLS - TEST EQUIPMENT

REF. NO.	PART NO.	SYM.	QTY.	DESCRIPTION
-	FT2954A		0	TEST WHEEL TO TEST MOTOR IN TEST TANK
-	FT8950		0	LEAKAGE TESTER TO TEST GEAR HOUSING FOR LEAKS
-	T8974		0	BREAKER POINT TENSION GAUGE FOR CHECKING BREAKER POINT SPRING TENSION

ACCESSORIES

REF. NO.	PART NO.	SYM.	QTY.	DESCRIPTION
-			0	CHRYSLER OUTBOARD OIL SEE COMMENT 1 IN BLOCK COMMENTS.
-			0	CHRYSLER OUTBOARD GEAR LUBE SEE COMMENT 2 IN BLOCK COMMENTS.
-	776		0	ADJUSTABLE CARBURETOR BOWL KIT PERMITS ADJUSTING HIGH SPEED FUEL JET FOR PEAK PERFORMANCE.
-	71H25		0	CHARGE INDICATOR LAMP (ALTERNATOR MODELS) GLOWS GREEN WHEN ALTERNATOR IS CHARGING BATTERY.
-	175		0	AMMETER SURFACE MOUNT (FOR ALTERNATOR MODELS ONLY) PERMITS MONITORING OF ALTERNATOR OUTPUT. DO NOT USE AMMETER AND CHARGE LAMP IN SAME INSTALLATION.
-	71H06		0	AMMETER FLUSH MOUNT (FOR ALTERNATOR MODELS ONLY) PERMITS MONITORING OF ALTERNATOR OUTPUT. DO NOT USE AMMETER AND CHARGE LAMP IN SAME INSTALLATION.
-	F70H01		0	ANTI CORROSION KIT ELECTRICAL UNIT USED TO HELP PREVENT CORROSION.
-	F71H02		0	ANTI CORROSION SACRIFICIAL ANODE USED TO HELP PREVENT CORROSION.
-	72H13		0	BATTERY, 74 AMP TWELVE VOLT HEAVY DUTY BATTERY TO OPERATE STARTER AND ELECTRICAL ACCESSORIES.
-	172		0	BATTERY CASE HEAVY PLASTIC CASE WITH TIE DOWN STRAPS. PROTECTS BATTERY FROM DAMAGE.
-	F70H05		0	BATTERY EXTENSION CABLE USED TO EXTEND BATTERY CABLE 6 1/2 FEET.
-	F71H26		0	BATTERY TERMINAL KIT ADAPTS MODEL 170 BATTERY TERMINALS FOR CONNECTION TO BATTERY CABLES ON ENGINE.
-	494		0	HANDLE PROVIDES REAR HANDLE AND REST PADS.
-	F70H03		0	CARRYING HANDLE PERMITS EASIER TRANSPORTATION OF ENGINE TO AND FROM BOAT (2 MAN).
-	860		0	FLUSHING ADAPTER PERMITS FRESH WATER FLUSHING OF WATER PASSAGES WITH STANDARD GARDEN HOSE.
-	71H07		0	FUEL GAUGE FLUSH MOUNT MONITORS FUEL SUPPLY.
-	71H24		0	FUEL GAUGE SURFACE MOUNT MONITORS FUEL SUPPLY.
-	F71H10		0	SENDING UNIT FOR USE WITH ABOVE FUEL GAUGES.
-	177		0	TEMPERATURE GAUGE ELECTRIC MODELS (SURFACE MOUNT) MONITORS ENGINE TEMPERATURE. DO NOT USE TEMPERATURE GAUGE AND HEAT LAMP IN THE SAME INSTALLATION.
-	F71H05		0	TEMPERATURE GAUGE ELECTRIC MODELS (FLUSH MOUNT) MONITORS ENGINE TEMPERATURE. DO NOT USE TEMPERATURE GAUGE AND HEAT LAMP IN THE SAME INSTALLATION.
-	F72H20		0	WATER PUMP KIT HEAVY DUTY WATER PUMP RECOMMENDED FOR CONTINUED OPERATION IN SANDY OR SALT WATER.
-	72H31		0	FROST WHITE LACQUER ENGINE TOUCH-UP PAINT IN 16 OZ. SPRAY BOMBS (12 CANS PER CASE).

CONTINUED ON NEXT PAGE ➡

ACCESSORIES

REF. NO.	PART NO.	SYM.	QTY.	DESCRIPTION
-	72H32		0	GOLD LACQUER ENGINE TOUCH-UP PAINT IN 16 OZ. SPRAY BOMBS (12 CANS PER CASE).
-	F71H08		0	STEEL, 6 GALLON FUEL TANK AUXILIARY TANK.
-	F71H12		0	FUEL TANK ANCHOR SECURES 71H08 TO DECK.
-	F71H23		0	STEEL, 12 GALLON FUEL TANK AUXILIARY TANK.
-	F71H01		0	POWER TILT TWELVE VOLT UNIT TILTS ENGINE FOR BREACHING, ETC.
-	479		0	HEAT LAMP KIT FOR ELECTRIC START MODELS. WARNS OF ENGINE OVERHEATING.
-	F71H30		0	OVERHEAT BUZZER KIT FOR ELECTRIC START MODELS. WARNS OF ENGINE OVERHEATING.
-	167		0	IGNITION CUT-OFF KIT ALLOWS STOPPING OF ALL MAGNETO ENGINES FROM DASH.
-	478		0	IGNITION LAMP KIT FOR ALTERNATOR ENGINES. TELLS WHEN IGNITION SWITCH IS IN "ON" POSITION.
-	F70H07		0	IGNITION KEY SWITCH FOR ELECTRIC START MODELS SHORT BARREL.
-	F70H08		0	IGNITION KEY SWITCH FOR ELECTRIC START MODELS LONG BARREL.
-	F71H29		0	LONG LEG CONVERSION KIT CONVERTS 15" STANDARD SHAFT MODELS TO 20" LONG SHAFT MODELS.
-	878		0	RACING KIT FLYWHEEL GUARD, ADJUSTABLE CARBURETOR BOWL AND DEAD MAN THROTTLE BRACKETS FOR RACING APPLICATIONS.
-	70H24		0	RACING STRIPE KIT ORANGE STRIPING FOR ENGINE COVER.
-	70H25		0	RACING STRIPE KIT BLUE STRIPING FOR ENGINE COVER.
-	771		0	HARD RUBBER SHOCK MOUNT KIT LIMITED ENGINE MOVEMENT FOR MAXIMUM CONTROL UNDER RACING CONDITIONS.
-	F195/___		0	REMOTE CONTROL CABLES CONNECTS REMOTE CONTROL BOX TO THROTTLE AND GEAR SHIFT ON MOTOR. AVAILABLE IN 6 THROUGH 20 FOOT LENGTHS.
-	F72H36		0	REMOTE CONTROL SURFACE MOUNT (SINGLE LEVER) PERMITS REMOTE CONTROL OF THROTTLE AND GEAR SHIFT FROM STARBOARD SIDE OF BOAT.
-	73H08		0	PORT SIDE DECAL KIT CONVERTS 72H36 CONTROL BOX TO PORT SIDE MOUNTING.
-	F590		0	REMOTE CONTROL FLUSH MOUNT (SINGLE LEVER) PERMITS REMOTE CONTROL OF THROTTLE AND GEAR SHIFT. MAY BE MOUNTED ON PORT OR STARBOARD SIDE OF BOAT.
-	865		0	REMOTE CONTROL SURFACE MOUNT (SINGLE LEVER) PERMITS REMOTE CONTROL OF THROTTLE AND GEAR SHIFT ON TWIN ENGINE INSTALLATION. MAY BE MOUNTED ON PORT OR STARBOARD SIDE OF BOAT.
-	F137		0	REMOTE STEERING BRACKET ADAPTS MOTOR TO CABLE TYPE REMOTE STEERING.
-	F165		0	REMOTE STEERING BRACKET ADAPTS MOTOR TO CABLE TYPE REMOTE STEERING.

CONTINUED ON NEXT PAGE ➡

ACCESSORIES

REF. NO.	PART NO.	SYM.	QTY.	DESCRIPTION
-	F70H27		0	REMOTE STEERING BRACKET ADAPTS MOTOR TO MECHANICAL TYPE REMOTE STEERING.
-	F166		0	DUAL ENGINE TIE BAR PERMITS DUAL ENGINE INSTALLATION.
-	176		0	SPEEDOMETER SURFACE MOUNT 0 TO 50 M.P.H.
-	F71H04		0	SPEEDOMETER FLUSH MOUNT 0 TO 50 M.P.H.
-	498		0	TACHOMETER (SURFACE MOUNT) MONITORS ENGINE R.P.M. TO PROVIDE CHECK OF ENGINE PERFORMANCE.
-	F71H03		0	TACHOMETER (FLUSH MOUNT) MONITORS ENGINE R.P.M. TO PROVIDE CHECK OF ENGINE PERFORMANCE.
-	F72H15		0	POWER TRIM ADJUSTS ENGINE TRIM AND TILTS ENGINE.
-	F72H21		0	POWER TRIM INDICATOR INDICATES ENGINE TRIM ANGLE.

SPECIFICATIONS

REF. NO.	PART NO.	SYM.	QTY.	DESCRIPTION
-			0	HORSEPOWER 55 B.I.A. CERTIFIED BRAKE H.P. AT 5250 R.P.M.
-			0	MOTOR TWO-CYCLE TWIN CYLINDER ALTERNATE FIRING.
-			0	BORE AND STROKE 3 - 3/16" BORE X 2.800" STROKE.
-			0	DISPLACEMENT 44.7 CUBIC INCHES.
-			0	CONNECTING RODS FORGED NICKEL STEEL. CAGED NEEDLE BEARINGS AT CRANKSHAFT.
-			0	CORROSION PROTECTION LYFANITE TREATED CASTINGS STAINLESS STEEL DRIVE SHAFT, PROPELLER SHAFT, GEAR SHIFT ROD AND UNDERWATER FASTENERS.
-			0	CRANKSHAFT FORGED NICKEL STEEL.
-			0	STARTER ELECTRIC, 12 VOLT.
-			0	FUEL TANK SEPARATE TANK, 6 U.S. GALLONS (5 IMPERIAL GALLONS)
-			0	FUEL SYSTEM VACUUM TYPE FUEL PUMP, FLOAT FEED CARBURETOR WITH FIXED HIGH SPEED JET AND ADJUSTABLE LOW SPEED JET.
-			0	FUEL FILTERS FILTER SCREENS IN FUEL TANK AND FUEL PUMP.
-			0	COOLING WATER COOLED. THERMOSTATICALLY CONTROLLED, POSITIVE DISPLACEMENT TYPE WATER PUMP.
-			0	TRANSOM HEIGHT 15" OR 20" DEPENDING ON MODELS.
-			0	WEIGHT FROM 142-153 LBS. FOR STANDARD SHAFT MODELS.
-			0	TILT LOCK POSITIVE TILT LOCK PERMITS ENGINE TO REMAIN IN TILTED POSITION WHEN NOT IN USE.
-			0	RECOMMENDED OPERATING RANGE 5000-5500 R.P.M.

LUBRICATION CHART

REF. NO.	PART NO.	SYM.	QTY.	DESCRIPTION
-			0	LOWER GEAR HOUSING CHECK AFTER EVERY THIRTY HOURS OF OPERATION AND REPLACE AFTER EVERY 100 HOURS WITH A NON-CORROSIVE LEADED OUTBOARD GEAR OIL -- CHRYSLER OUTBOARD GEAR LUBE. DO NOT USE CORROSIVE HYPOID OIL UNDER ANY CIRCUMSTANCES.
-			0	CONTROL LINKAGE LUBRICATE ALL MOVING PARTS AND CONTROL LINKAGE WITH RYKON #2EP, PART NO. T-2961, TWICE EACH SEASON OR OFTENER IF REQUIRED.
-			0	STERN BRACKET LUBRICATE STERN BRACKET AND ASSOCIATED PARTS WITH RYKON #2EP, PART NO., T2961, TWICE EACH SEASON OR OFTENER IF REQUIRED.
-			0	GREASE FITTINGS GREASE FITTINGS ARE PROVIDED AT CRITICAL POINTS WHERE BEARING SURFACES ARE NOT EXPOSED EXTERNALLY. USING AN AUTOMOTIVE-TYPE GREASE GUN AND LUBRICANT, GREASE TWICE EACH SEASON OR OFTENER IF REQUIRED.
-			0	STARTER PINION GEAR LUBRICATE WITH RYKON #2EP, PART NO. T-2961, TWICE EACH SEASON OR OFTENER IF REQUIRED.

SPECIAL ADJUSTMENTS

REF. NO.	PART NO.	SYM.	QTY.	DESCRIPTION
-			0	BREAKER POINT GAP ALTERNATOR MODELS .015".
-			0	SPARK PLUG CHAMPION (L-4-J), GAP .030". MAGNAPOWER MODELS USE UL-18V.
-			0	FLYWHEEL NUT TORQUE TO 70 FOOT POUNDS.
-			0	CYLINDER HEAD BOLT TORQUE TO 270 INCH POUNDS.
-			0	POINT OF THROTTLE OPENING 1. UNSNAP BALL JOINT CONNECTOR FROM THROTTLE TOWER SHAFT.
-			0	POINT OF THROTTLE OPENING 2. WITH THROTTLE SHUTTER IN CARBURETOR CLOSED, ADJUST ECCENTRIC SCREW HOLDING THROTTLE ROLLER TO THROTTLE SHAFT SO THAT PICK-UP LINE ON LOWER END OF THROTTLE CAM IS EXACTLY CENTERED ON THROTTLE ROLLER.
-			0	POINT OF THROTTLE OPENING 3. ADVANCE THROTTLE TOWER SHAFT AND THROTTLE CAM TO FULL ADVANCE POSITION. (THROTTLE SHUTTER HORIZONTAL.)
-			0	POINT OF THROTTLE OPENING 4. ADJUST BALL JOINT CONNECTORS UNTIL SPACING IS IDENTICAL TO SPACING BETWEEN CONNECTOR STUD ON THROTTLE CAM AND THROTTLE TOWER SHAFT.
-			0	POINT OF THROTTLE OPENING

PARTS INDEX

Part Number	Description	Pg.	Ref. No.	Part Number	Description	Pg.	Ref. No.
ÄF58356//	REMOTE CONTROL CABLE (SPECIFY LENGTH)	45	4	A345664-1	WIRE, HI-TENSION	13	26
1124	FILL HD SCREW, 8 - 32 X 1 1/8	23	19	A435010-1	CYLINDER W/CRANKCASE COVER, DEFLECTOR PLATE AND SCREWS . . .	25	53
15037	HEAD ASSEMBLY, COMMUTATOR END	11	28	A465528-1	INSERT, TRIM REAR	5	62
167	IGNITION CUT-OFF KIT	51	-	AC16395-7	IDENTIFICATION PLATE W/SCREWS, CANADA . . .	3	-
17102	DECAL, PORT	45	-	C435010-2	SHORT BLOCK (NOT SHOWN)	27	-
17108	WOOD SCREW	45	35	F10000	GASKET SET	19	31
172	BATTERY CASE	50	-	F10019	REPAIR PARTS KIT	19	22
175	AMMETER SURFACE MOUNT (FOR ALTERNATOR MODELS ONLY)	50	-	F1014	COTTER PIN	19	11
176	SPEEDOMETER	52	-	F1014	COTTER PIN	37	89
177	TEMPERATURE GAUGE ELECTRIC MODELS (SURFACE MOUNT)	50	-	F1015	COTTER PIN	39	37
321373-2	DECAL, "MAGNAPOWER IGNITION" (NOT SHOWN)	5	-	F1027	COTTER PIN, S.S., 1/8 - 1/2 .	39	10
435061-2	CARBURETOR COMPLETE (WB15C)	21	41	F1052	FILL HD SCREW, 1/4 - 20 X 1	23	30
478	IGNITION LAMP KIT	51	-	F1059	FILL HD SCREW, 6 - 32 X 1/4	19	8
479	HEAT LAMP KIT	51	-	F1080	FILL HD SCREW W/LOCKWASHER, 10 - 24 X 3/4	29	19
494	HANDLE	50	-	F1088	FILL HD SCREW, 10 - 24 X 9/16	35	76
498	TACHOMETER (SURFACE MOUNT)	52	-	F1108	FILL HD SCREW W/SPRING LOCKWASHER, 1/4 - 20 X 3/4	17	10
70H24	RACING STRIPE KIT	51	-	F1110	SLOTTED FILL HD MACHINE SCREW 1/4 - 20 X 5/8 . . .	13	22
70H25	RACING STRIPE KIT	51	-	F1110	SLOTTED FILL HD SCREW, 1/4 - 20 X 5/8	17	20
71H06	AMMETER FLUSH MOUNT (FOR ALTERNATOR MODELS ONLY)	50	-	F1129	FILL HD SCREW, S.S., 5/16 - 18 X 1/2	33	19
71H07	FUEL GAUGE FLUSH MOUNT	50	-	F1136	FLAT HD SCREW, 1/4 - 20 X 1	23	40
71H24	FUEL GAUGE SURFACE MOUNT	50	-	F1141	FLAT HD SCREW, 10 - 24 X 1/2	31	7
71H25	CHARGE INDICATOR LAMP (ALTERNATOR MODELS)	50	-	F1149	FLAT HD SCREW, S.S., 1/4 - 20 X 1 1/4	41	54
72H13	BATTERY, 74 AMP	50	-	F1160	FLAT HD SCREW, 1/4 - 28 X 5/8	35	82
72H31	FROST WHITE LACQUER	50	-	F1164	FLAT HD SCREW, 5/16 - 18 X 1 1/8	7	40
72H32	GOLD LACQUER	51	-	F1198	HEX HD SCREW, 1/4 - 20 X 1	7	41
73H08	PORT SIDE DECAL KIT	51	-	F1199	HEX CAP SCREW, 1/4 - 20 X 1	35	69
771	HARD RUBBER SHOCK MOUNT KIT	51	-	F12083	SCREW W/LOCKWASHER . . .	7	13
776	ADJUSTABLE CARBURETOR BOWL KIT	50	-	F12083	SCREW W/LOCKWASHER . . .	13	13
817746A1	CONNECTOR STUD BRACKET	25	61	F12090	SCREW	7	14
817747--1	BALL JOINT W/BEARING	23	15	F12090	SCREW	13	11
817796A2	GEAR SHIFT ARM	39	34	F1211	HEX HD SCREW W/LOCKWASHER, 1/4 - 28 X 5/8	37	93
817945A1	SWIVEL BRACKET W/BEARINGS AND GREASE FITTING	35	57	F12139-1	CONDENSER	7	15
860	FLUSHING ADAPTER	50	-	F12167	SCREW	7	7
865	REMOTE CONTROL SURFACE MOUNT (SINGLE LEVER)	51	-	F12167	SCREW	13	4
878	RACING KIT	51	-	F12172	TERMINAL	7	8
89396A38	PRIME BULB	43	9	F12172	TERMINAL	13	5
A311518-4	HEAD, CYLINDER	25	-	F12172	TERMINAL COMPLETE	9	54
				F12172	TERMINAL COMPLETE	15	55
				F12174-1	PRIMARY INTERLEAD WIRE	7	17
				F12174-1	PRIMARY INTERLEAD WIRE	13	14

PARTS INDEX

Part Number	Description	Pg.	Ref. No.	Part Number	Description	Pg.	Ref. No.
F12189	SCREW	7	16	F15000	"O" RING SEAL	11	18
F12227	CAM WIPER FELT	7	42	F1502	HEX CAP SCREW, 1/4 - 20 X 5/8	25	77
F12329-1	BREAKER POINT SET	7	18	F1502	HEX HD CAP SCREW, 1/4 - 20 X 5/8	7	34
F12329-1	BREAKER POINTS	13	12	F1502	HEX HD CAP SCREW, 1/4 - 20 X 5/8	13	24
F12338	WIRE	9	66	F1502	HEX HD SCREW, 1/4 - 20 X 5/8	17	19
F12338	WIRE	15	81	F1502	HEX HD SCREW, 1/4 - 20 X 5/8	37	92
F12344	BREAKER PLATE	7	19	F15021-1	HEAD ASSEMBLY, DRIVE END	11	17
F1238	FILL HD SCREW, 1/4 - 20 X 3/4	7	24	F15034	SPRING SET	11	26
F1238	FILL HD SCREW, 1/4 - 20 X 5/16	15	56	F15038-1	BRUSH PLATE AND HOLDER	11	25
F1238	HEX HD CAP SCREW, 14 - 20 X 3/4	3	9	F15042	BRUSH SET	11	24
F1238	HEX HD SCREW, 1/4 - 20 X 3/4	3	42	F15043	FRAME AND FIELD ASSEMBLY	11	21
F1238	HEX SLOT HD SCREW, 1/4 - 20 X 3/4	25	63	F15044	ARMATURE	11	19
F1263	HEX SOCKET HD CAP SCREW, S.S., 5/16 - 18 X 9/16	39	13	F15072	HEX LOCK NUT, 1/4 - 20	11	23
F1280	PAN HD MACHINE SCREW, 8 - 32 X 1/4	15	54	F15073	THRUST WASHER PACKAGE	11	20
F1280	PAN HD SCREW, 8 - 32 X 1/4	9	53	F15084	SCREW	11	8
F1280	PAN HD SCREW, 8 - 32 X 1/4 (TERMINAL BOARD) (NOT SHOWN)	45	-	F15087	NUT	11	2
F1286	PAN HD SCREW, 4 - 40 X 3/16	25	45	F15088	SPRING	11	4
F1293	DRIVE SCREW, 2 X 3/16	3	20	F15091	WASHER	11	9
F1298	ROUND HD SCREW W/LOCKWASHER, 6 - 32 X 1/4	31	13	F15094	THRU BOLT PACKAGE (SET OF 2)	11	27
F1326	ACORN NUT, S.S., 5/16 - 18	33	12	F15104	CUP, CUSHION THRUST	11	12
F1341	HEX NUT	25	85	F15105	CUP	11	10
F1346	HEX NUT, 3/8 - 16	35	78	F15106	CUSHION	11	11
F1346	HEX NUT, S.S., 3/8 - 16	35	49	F15109	STOP	11	3
F1346	HEX NUT, S.S., 3/8 - 16	39	33	F15113	BENDIX DRIVE	11	1
F1349	HEX NUT, S.S., 5/16 - 18	33	17	F15114	PINION	11	7
F137	REMOTE STEERING BRACKET	51	-	F15115	CUP, PINION	11	5
F141118	SEAL, PROPELLER SHAFT	39	15	F15116	SLEEVE	11	6
F141244	INLET WATER LINE FOR STANDARD SHAFT MODELS	39	7	F1513	HEX NUT	45	3
F141275	FITTING, THERMOSTAT	27	89	F1513	HEX NUT, 10 - 32	3	43
F141305	SEAL, PROPELLER SHAFT BEARING CAGE	39	17	F1513	HEX NUT, 10 - 32	7	25
F141704	GEAR SHIFT ROD COUPLING	33	18	F1513	HEX NUT, 10 - 32	13	29
F1441	PAN HD SCREW, 1/4 - 20 X 7/8	29	2	F1513	HEX NUT, 10 - 32	15	57
F1446	SLOTTED PAN HD SCREW, 1/4 - 20 X 1	23	41	F1513	HEX NUT, 10 - 32	15	66
F1473	HEX NUT, 10 - 24	5	53	F1513	HEX NUT, 10 - 32	23	12
F1473	HEX NUT, 10 - 24	23	24	F1513	HEX NUT, 10 - 32	23	17
F1473	HEX NUT, 10 - 24	35	73	F1513	HEX NUT, 10 - 32	25	64
F1475	FILL HD SCREW, S.S., 10 - 24 X 1/2	3	5	F1514	HEX NUT, 1/4 - 20	11	14
				F1515	HEX NUT, 5/16 - 18	19	30
				F1515	HEX NUT, 5/16 - 18	23	4
				F1515	HEX NUT, 5/16 - 18	31	2
				F1515	HEX NUT, S.S., 5/16 - 18	3	22
				F154317	CABLE CLAMP	45	23
				F1556	FILL HD SCREW W/LOCKWASHER, 10 - 24 X 3/8	23	31
				F1557	FLAT HD SCREW, 10 - 24 X 3/8	45	25
				F1593	HEX HD SCREW, S.S., 3/8 - 16 X 3	35	51
				F1615	HEX NUT, S.S., 5/16 - 24	3	38

PARTS INDEX

Part Number	Description	Pg.	Ref. No.	Part Number	Description	Pg.	Ref. No.
F1615	HEX NUT, S.S., 5/16 - 24 ...	7	23	F17113	JUNCTION BOARD, PORT ..	45	-
F1615	HEX NUT, S.S., 5/16 - 24 ...	15	61	F17114	INDICATOR	45	32
F1635	HEX SOCKET HD CAP SCREW, S.S., 3/8 - 16 X 3 1/2	35	62	F17115	HANDLE	45	30
F1636	HEX SOCKET HD CAP SCREW, S.S., 3/8 - 16 X 1 1/4	35	61	F17116	KNOB	45	29
F1638	SPRING PIN	33	37	F1715	HEX BOLT, 1/4 - 28 X 9/16 ..	45	7
F1645	RD HD SCREW, 6 - 32 X 1/4	13	20	F1727	PLASTIC RIVET	23	29
F1645	ROUND HD SCREW, 6 - 32 X 1/4	7	5	F1728	PAN HD SCREW, 10 X 3/8 ..	5	51
F1646	HEX SOCKET HD CAP SCREW, 3/8 - 16 X 2 1/4 ..	23	7	F1733	PAN HD SCREW, 10 - 24 X 9/16	3	27
F1647	HEX NUT, 8 - 32	3	15	F1733	PAN HD SCREW, 10 - 24 X 9/16	7	31
F1647	HEX NUT, 8 - 32	9	44	F1733	PAN HD SCREW, 10 - 24 X 9/16	15	67
F1647	HEX NUT, 8 - 32	15	45	F1733	PAN HD SCREW, 10 - 24 X 9/16	35	47
F1647	HEX NUT, 8 - 32	15	48	F1733	PAN HD SCREW, 10 - 24 X 9/16	39	40
F1647	HEX NUT, 8 - 32	25	74	F1733	PAN HEAD SCREW, 10 - 24 X 9/16	5	48
F165	REMOTE STEERING BRACKET	51	-	F1741	PAN HD SCREW, 8 X 3/4 ...	9	62
F1656	PLAIN WASHER	35	52	F1741	PAN HD SCREW, 8 X 3/4 ...	15	75
F166	DUAL ENGINE TIE BAR	52	-	F1744	SPRING PIN	37	96
F1666	BOWED SPRING WASHER ..	33	28	F1753	FASTENER	5	55
F1669	STOP NUT	35	60	F1767	FILL HD SCREW, 10 - 24 X 3	35	76A
F17006	DETENT SPRING	45	18	F1768	FILL HD SCREW, 10 - 24 X 1 3/8	35	76B
F17009	BEARING	45	14	F177330	FUEL PUMP VALVE	17	7
F17010-1	THROTTLE GEAR	45	16	F177917	STARTER RELAY	3	40
F17011	BOWED WASHER	45	15	F177917	STARTER RELAY	7	27
F17012	RETAINING PLATE	45	13	F177917	STARTER RELAY	15	59
F17013	FILL HD SCREW, 1/4 - 20 X 1/2	45	11	F17932	SEAL, FUEL TANK ADAPTER	43	11
F17014	THROTTLE ARM	45	10	F1812	FILL HD SCREW W/LOCKWASHER, 10 - 24 X 1 9/16	29	20
F17015	COTTER PIN	45	8	F1813	FILL HD SCREW W/LOCKWASHER, 10 - 24 X 1 1/8	29	21
F17016	CABLE TERMINAL	45	9	F18160-1	REED, CYLINDER DRAIN ..	25	48
F17019	CLUTCH ARM	45	5	F183300	SPRING	3	24
F17020	INTERNAL TOOTH LOCKWASHER	45	12	F183346-1	SHOCK MOUNT, LOWER ..	33	20
F17021	CLUTCH GEAR	45	19	F1836	SPRING PIN	35	88
F17026	SWIVEL	45	24	F184033-1	SWIVEL, CHOKE ROD	19	7
F17030-1	SET SCREW	45	31	F184579	SEAL, CHOKE ARM SWIVEL	19	6
F17031	SNAP CAP	45	28	F1849	HEX HD SCREW, 1/4 - 20 X 1 3/8	35	77
F17036	INTERNAL TOOTH LOCKWASHER	45	6	F1851	FILL HD MACHINE SCREW W/LOCKWASHER, 10 - 24 X 1/2	35	84
F1704	INTERNAL TOOTH LOCKWASHER	9	67	F1857	HEX CAP SCREW, 5/16 - 18 X 5/8	27	101
F1704	INTERNAL TOOTH LOCKWASHER	15	82	F185764	RETAINING RING	33	16
F17068	DETENT SPRING	45	37	F1860	SLOTTED BINDING HD SCREW, 6 - 32 X 1/4	17	6
F17082-1	DETENT BALL	45	38	F1861	HEX CAP SCREW, 5/16 - 18 X 7/8	13	30
F17092	SNAP RING	45	21	F1861	HEX CAP SCREW, 5/16 - 18 X 7/8	13	33
F17099	HOUSING	45	36	F1864	HEX HD MACHINE SCREW, 1/4 - 20 X 3/4	13	38
F17100	CLUTCH SHAFT	45	20				
F17101	DECAL, STARBOARD	45	27				
F17105	FELT WASHER	45	33				
F17106	COLLAR	45	34				
F17107	FILL HD SCREW, 10 - 24 X 5/16	45	22				
F17111	DETENT BALL	45	17				

PARTS INDEX

Part Number	Description	Pg.	Ref. No.	Part Number	Description	Pg.	Ref. No.
F1864	HEX HD SCREW, 1/4 - 20 X 3/4	23	9	F2016	FILL HD SCREW, 6 - 32 X 7/8	7	38
F1879	HEX SOCKET HD CAP SCREW, 3/8 - 16 X 1 5/8	23	8	F2016	FILL HD SCREW, 6 - 32 X 7/8	13	19
F1880	PLASTIC PLUG	37	90	F2016	FILL HD SCREW, 6 - 32 X 7/8	23	38
F1904	PLAIN WASHER	35	50	F2025	PAN HD SCREW, 10 X 5/8	5	64
F1905	FILL HD SCREW, 1/4 - 20 X 3 7/16	35	66	F203097-4	FLYWHEEL	7	3
F1910	ELASTIC STOP NUT, 1/4 - 20	23	16	F203097-4	FLYWHEEL	13	3
F19109	PLUG, CYLINDER HEAD	25	80	F203276	COIL BOOT	7	36
F191169-1	SWIVEL BRACKET BEARING	35	58	F2033	GROOVE PIN	19	9A
F1915	HEX HD SCREW, 1/4 - 20 X 7/8	31	1	F203673	COIL CLIP	7	35
F1920	HEX NUT, 5/8 - 18	7	1	F203965	SHOCK MOUNT UPPER	33	9
F1920	HEX NUT, 5/8 - 18	13	1	F2071	HEX CAP SCREW, 5/16 - 18 X 1 3/8	7	9
F1922	HEX HD SCREW, 1/4 - 20 X 5/8	17	18	F2071	HEX CAP SCREW, 5/16 - 18 X 1 3/8	13	6
F1922	HEX HD SCREW, 1/4 - 20 X 5/8	25	62	F2091	HEX HD CAP SCREW, 3/8 - 16 X 2 1/2	25	78
F1929	HEX HD CAP SCREW, S.S., 3/8 - 16 X 1 1/8	35	64	F2097	SPRING PIN	39	23
F1934	FLAT HD SCREW, 6 X 1/2	9	68	F213274	GREASE FITTING	33	23
F1934	FLAT HD SCREW, 6 X 1/2	15	83	F213342	SEAL, FUEL LINE COUPLER (LARGE)	43	4
F1947	FLANGED 12 PT. SCREW, 5/16 - 18 X 2	33	8	F213735	SEAL, FUEL LINE COUPLER (SMALL)	43	5
F195/	REMOTE CONTROL CABLES	51	-	F215962	SHOCK MOUNT SIDE LOWER	33	10
F1953	HEX HD MACHINE SCREW, 1/4 - 20 X 1	13	34	F24074	CLAMP SCREW FOOT	33	38
F1953	HEX HD SCREW, 1/4 - 20 X 1	3	33	F268002-2	BREAKER CAM	7	21
F1958	PAN HD SCREW, 6 - 7/16	15	80	F268002-2	BREAKER CAM	13	17
F1958	PAN HD SCREW, 6 X 7/16	9	65	F269052	SHIFT ARM BEARING	23	35
F1969	FILL HD SCREW, 1/4 - 20 X 3/4	23	34	F269122-1	CRANKCASE PARTING LINE SEAL (NOT SHOWN)	27	-
F1972	HEX HD SCREW, 1/4 - 20 X 2 1/2	27	90	F269319	THROTTLE CAM BEARING	23	11
F1974	PAN HD SCREW, 10 - 24 X 5/8	9	47	F269445-1	SPARK CONTROL LINK	23	23
F1974	PAN HD SCREW, 10 - 24 X 5/8	13	42	F269929	SPACER, TILT STOP	33	25
F1975	LOCKWASHER	7	26	F269929	SPACER, TILT STOP	33	29
F1975	LOCKWASHER	13	28	F269929	SPACER, TILT STOP	35	54
F1975	LOCKWASHER	15	58	F269929	SPACER, TILT STOP	35	56
F1975	LOCKWASHER	15	65	F286461	SPRING LOCK BAR HANDLE	37	95
F1975	SPRING LOCKWASHER	3	44	F286772-1	CLAMP	33	7
F197787-2	FUEL LINE COUPLER	43	6	F288075	CLAMP SCREW HANDLE	33	36
F1987	PLAIN WASHER	5	61	F289664	WIRE, STATOR GROUND	7	20
F1987	PLAIN WASHER	33	14	F289664	WIRE, STATOR GROUND	15	71
F1993	HEX SLOT HD SCREW, 1/4 - 20 X 5/8	3	18	F290398-1	DECAL, WIRING (NOT SHOWN)	9	-
F1993	HEX SLOT HD SCREW, 1/4 - 20 X 5/8	15	50	F290398-1	DECAL, WIRING (NOT SHOWN)	15	-
F1993	HEX SLOT HD SCREW, 1/4 - 20 X 5/8	23	6	F298788	FERRULE	43	7
F1995	FILL HD SCREW, 10 - 24 X 1	23	26	F2A366298	SHAFT BRG. CAGE	39	14
F1997	STOP NUT, 8 - 32	19	35	F2A433757	CYLNDR DRAIN REED PLATE W/REEDS, REED STOPS, SCREWS AND SCREEN	25	49
F1997	STOP NUT, 8 - 32	23	21	F2A474266	BEVEL PINION W/BEARING	39	35
F2014	PLAIN WASHER	25	79	F307038	SUPPORT PLATE	3	26
F201529-1	CYLINDER HEAD GASKET	25	67	F307104	LEAD WIRE, THERMOSWITCH	9	45
F2016	FILL HD MACHINE SCREW, 6 - 32 X 7/8	15	46	F307104	LEAD WIRE, THERMOSWITCH	13	40
				F307104	THERMOSWITCH WIRE	25	73
				F307211	STUD	23	2

PARTS INDEX

Part Number	Description	Pg.	Ref. No.	Part Number	Description	Pg.	Ref. No.
F307317	CLIP TERMINAL BLOCK			F366300	REVERSE LOCK SPRING ..	35	48
	GROUND	9	46	F366349	REVERSE LOCK	33	44
F307317	CLIP TERMINAL BLOCK			F366350	TILT STOP PIVOT	33	26
	GROUND	13	41	F366364	ARM, REVERSE LOCK	33	40
F307453-3	CYLINDER EXHAUST			F366392	SIDE PLATE	3	2
	GASKET LOWER	33	6	F366426	TILT STOP, PORT	35	55
F307615	GEAR SHIFT ROD UPPER ..	33	13	F366433	TILT STOP, STARBOARD ..	33	27
F307660-1	LEG EXHAUST TUBE	35	83	F366510	LINK	33	43
F307683	WIRE, CIRCUIT BREAKER ..	3	34	F366727	BALL, PROPELLER SHAFT ..	39	20
F307683	WIRE, CIRCUIT BREAKER ..	15	62	F366827	HANDLE AND SHAFT	33	42
F307818	BEARING, LATCH SHAFT ..	3	25	F366884	BEARING	33	34
F307860	INTAKE SILENCER	3	36	F366886	PIN	35	45
F307908	STARTER LEAD	11	22	F369390-1	DECAL, TILT LOCK (NOT		
F307942-1	BUMPER	23	20		SHOWN)	37	-
F307962	SHOCK MOUNT, SIDE			F369450	RECTIFIER	7	39
	UPPER	35	80	F369450	RECTIFIER	13	43
F307989-1	SEAL, KING PIN PLATE	33	3	F369884	BEARING	33	41
F310189	BUSHING, ELECTRIC CABLE			F381896-4	BATTERY CABLE	9	55
	ENTRY	3	30	F381896-4	BATTERY CABLE	15	70
F311189-1	BUSHING, CABLE ENTRY ..	3	29	F391926-1	CHOKE SOLENOID		
F311247	WATER TUBE,				PLUNGER	19	9
	THERMOSTAT	27	88	F40008	STUD, SHORT	39	39
F311501	COIL MOUNT	9	43	F40017-2	PISTON PIN	29	9
F311513	COIL CLAMP	7	33	F40146-1	CRANKSHAFT SEAL	29	1
F311744-2	WIRING HARNESS	9	49	F40151-1	EXHAUST PORT PLATE ...	27	95
F311984-1	ENGINE COVER SILENCING			F40154-3	EXHAUST PORT PLATE		
	PAD, TOP (NOT SHOWN)	5	-		GASKET	27	94
F311995-1	CYLINDER HEAD COVER ..	25	70	F40209	CARBURETOR STUD	31	3
F311999-1	SPACER, EXHAUST COVER	27	96	F40223	TRANSFER PORT COVER		
F321390	DECAL, INSTRUCTIONS				GASKET	25	55
	(NOT SHOWN)	15	-	F40307-2	SEAL, DRIVESHAFT	41	48
F333316	THROTTLE ROLLER SHAFT	19	32	F40342	SEAL	39	5
F335160	REED	31	11	F40342	SEAL, PROPELLER NUT ...	39	11
F335217	BEARING	29	8	F40410	SNAP RING	29	14
F338129-1	BOOT	39	1	F404801	ELBOW	25	65
F338271	RETAINER	39	2	F404841	CABLE	9	56
F338618-1	SEAL, SHIFT ROD LOWER ..	41	45	F404841	CABLE	15	78
F345301-1	UNIT	13	35	F405457	PIVOT SCREW	23	32
F345358	MOUNT, C.D. UNIT	13	32	F40717	THRUST WASHER, BEVEL		
F345427-1	BRACKET, STARTER				GEAR	39	19
	MOUNTING	23	1	F40833-4	MOTOR LEG EXHAUST		
F345475-1	COILS	13	27		COVER GASKET	35	67
F345501	MOUNT, COIL	13	31	F40906-1	FLANGE GASKET	21	39
F345513	CLAMP, COIL	13	25	F409251-1	GAUGE CAP	43	1
F345683	WIRE GROUND	9	61	F428015-1	PISTON	29	12
F345683	WIRE, GROUND	13	36	F428096	RETAINER, PISTON PIN ...	29	11
F345744-1	HARNESS, WIRING	15	47	F433065	WATER PUMP IMPELLER ..	41	50
F345908	GROUND WIRE, COIL	15	73	F433114	HANDLE, LOCK BAR	37	94
F349307	DRIVESHAFT SEAL	41	52	F433168	CARBURETOR ADAPTER		
F353480	STUD	35	85		GASKET	31	6
F366037	STERN BRACKET PIVOT			F433180-1	TRIM, REAR	5	54
	BOLT	33	32	F433192	THROTTLE CAM	23	14
F366058	BALL BEARING, PROPELLER			F433209	STUD, THROTTLE CAM	23	10
	SHAFT	39	16	F433254	HOSE	25	66
F366082	MAGNETO STATOR RING ..	29	18	F433404	DEFLECTOR PLATE	31	8
F366133-2	MOTOR LEG	37	65	F433406	DEFLECTOR PLATE		
F366215	SPACER	29	10		GASKET	31	9
F366277	BEARING CAGE GASKET ..	29	4	F433675	STARTER MOUNTING		
F366286	STERN BRACKET FRICTION				BRACKET, LOWER	23	5
	WASHER	33	39	F433680	SPACER PLATE	33	2

PARTS INDEX

Part Number	Description	Pg.	Ref. No.	Part Number	Description	Pg.	Ref. No.
F433689	TOWERSHAFT BEARING ..	23	27	F50109	PLUG, GEAR HOUSING	39	27
F433758	HOSE	27	98	F58685-2	CONNECTOR, SHIFT CABLE	45	2
F433946	SHOCK MOUNT UPPER COVER	37	91	F590	REMOTE CONTROL FLUSH MOUNT (SINGLE LEVER)	51	-
F433972	SHOCK MOUNT LOWER COVER, STARBOARD ...	33	11	F7001	ELASTIC STOP NUT	35	53
F433973	SHOCK MOUNT LOWER COVER, PORT	35	63	F7004	STOP NUT, 3/8 - 16	23	36
F434322	PACKING - LEG COVER LOWER REAR (NOT SHOWN)	37	-	F7007	STOP NUT, 5/16 - 18	33	31
F434754	FUEL LINE, PUMP TO CARBURETOR	17	14	F70H01	ANTI CORROSION KIT	50	-
F434758	FUEL PUMP IMPULSE HOSE	17	4	F70H03	CARRYING HANDLE	50	-
F435057	BEARING, DRIVESHAFT UPPER	41	47	F70H05	BATTERY EXTENSION CABLE	50	-
F435077	SCREEN, WATER INLET ...	41	46	F70H07	IGNITION KEY SWITCH	51	-
F435133-1	MOTOR LEG	37	65	F70H08	IGNITION KEY SWITCH	51	-
F435244	INLET WATER LINE FOR LONG SHAFT MODELS ..	39	-	F70H27	REMOTE STEERING BRACKET	52	-
F435323	PACKING, LEG COVER LOWER	35	71	F71H01	POWER TILT	51	-
F435323	PACKING, LEG COVER UPPER	35	74	F71H02	ANTI CORROSION SACRIFICIAL ANODE	50	-
F435555	SEAL, GEAR HOUSING	41	43	F71H03	TACHOMETER (FLUSH MOUNT)	52	-
F435562	WATER PUMP BACK PLATE	41	49	F71H04	SPEEDOMETER	52	-
F435705	GEAR SHIFT ROD LOWER .	39	36	F71H05	TEMPERATURE GAUGE ELECTRIC MODELS (FLUSH MOUNT)	50	-
F435706	COVER, GEAR HOUSING UPPER	41	41	F71H08	FUEL TANK (ACCESSORY ITEM)	43	2
F435830	GASKET, GEAR HOUSING UPPER COVER	41	42	F71H08	STEEL, 6 GALLON FUEL TANK	51	-
F438165	SCREW, FUEL BOWL	17	17	F71H10	SENDING UNIT	50	-
F438500	FUEL SEDIMENT BOWL ...	17	16	F71H12	FUEL TANK ANCHOR	51	-
F438617	FUEL SEDIMENT BOWL GASKET	17	12	F71H20	IGNITION SWITCH MOUNTING KIT (ACCESSORY ITEM)	15	84
F438653	FUEL PUMP SCREEN	17	15	F71H21	IGNITION SWITCH MOUNTING KIT (ACCESSORY ITEM)	9	63
F438747	FUEL PUMP DIAPHRAGM ..	17	5	F71H23	STEEL, 12 GALLON FUEL TANK	51	-
F438760	FUEL PUMP GASKET	17	2	F71H26	BATTERY TERMINAL KIT ..	50	-
F438801	ELBOW	17	11	F71H26	BATTERY TERMINAL KIT (ACCESSORY ITEM)	9	57
F452925	CHOKE SOLENOID ROD ...	19	8A	F71H26	BATTERY TERMINAL KIT (ACCESSORY ITEM)	15	72
F458774	BRACKET, REAR RETAINER	3	10	F71H29	LONG LEG CONVERSION KIT	51	-
F463073	CLAMP SCREW	33	35	F71H30	BUZZER, HEAT INDICATOR (ACCESSORY ITEM)	9	64
F463269	TILT HANDLE	5	58	F71H30	BUZZER, HEAT INDICATOR (ACCESSORY ITEM)	15	77
F463314	FITTING	27	97	F71H30	OVERHEAT BUZZER KIT ...	51	-
F463366	NAME PLATE, "CHRYSLER"	5	50	F72H15	POWER TRIM	52	-
F463711-1	PLATE, FRONT	3	1	F72H20	WATER PUMP KIT	50	-
F463864	RETAINER, TILT HANDLE ..	3	13	F72H21	POWER TRIM INDICATOR .	52	-
F465985	BLANKET, SILENCER, PORT (NOT SHOWN)	5	-	F72H36	REMOTE CONTROL SURFACE MOUNT (SINGLE LEVER)	51	-
F465986	BLANKET, SILENCER, STARBOARD (NOT SHOWN)	5	-	F74H20	IGNITION SWITCH W/KEY AND MOUNTING NUT (ACCESSORY ITEM)	9	52
F465992	BLANKET, SILENCER, FRONT (NOT SHOWN) ..	5	-				
F466095	STATOR	7	12				
F466095	STATOR	13	10				
F466479	BREAKER PLATE SHOE ...	7	11				
F466479	BREAKER PLATE SHOE ...	13	8				
F485512	INSERT, PLATE	5	63				
F485755	FUEL TANK AND LINE	43	3				

PARTS INDEX

Part Number	Description	Pg.	Ref. No.	Part Number	Description	Pg.	Ref. No.
F8001	NYLTITE WASHER	39	30	F84449	NEUTRAL INTERLOCK SWITCH	13	23
F8003	PLAIN WASHER	25	46	F84449	SWITCH, NEUTRAL INTERLOCK	23	39
F8011	PLAIN WASHER	5	47	F84792	FUEL PUMP VALVE GASKET	17	8
F8011	PLAIN WASHER	7	30	F85025	DAMPENING PAD	33	5
F8011	PLAIN WASHER	15	68	F8537	SPRING PIN	35	86
F8025	PLAIN WASHER	35	81	F85372	PIN, GEAR SHIFT ROD LOWER	39	38
F8028	PLAIN WASHER	11	16	F8545	SPRING PIN	27	100
F8038	PLAIN WASHER	35	79	F85502	THROTTLE LINK	27	92
F8042	PLAIN WASHER	39	6	F8559	DOWEL PIN	25	52
F8049	BOWED SPRING WASHER	33	15	F85610	BEARING	23	42
F8056	LOCKWASHER	25	75	F85634-1	CONNECTING ROD SCREW	29	17
F8056	SPRING LOCKWASHER	3	16	F85735-1	SEAL, MEDALLION	3	7
F8056	SPRING LOCKWASHER	9	59	F85756	SUPPORT PLATE PACKING	5	49
F8056	SPRING LOCKWASHER	15	44	F85843-1	ELECTRIC CONTROL CABLE, 18 FEET	9	51
F8056	SPRING LOCKWASHER	15	49	F85843-1	ELECTRIC CONTROL CABLE, 18 FEET	15	69
F8058	INTERNAL TOOTH LOCKWASHER	23	13	F88161-3	REED STOP	31	12
F8058	INTERNAL TOOTH LOCKWASHER	25	60	F89011	SWIVEL BRACKET WASHER	33	22
F8060	EXTERNAL TOOTH LOCKWASHER (USE WITH PAN HD SCREW)	29	23	F89504	GROMMET MOTOR LEG EXHAUST COVER	35	70
F8060	LOCKWASHER	11	15	F89777-1	LATCH CAM	3	23
F8065	LOCKWASHER	39	32	F90014	CRANKSHAFT LOWER MAIN BEARING	29	16
F8065	SPRING LOCKWASHER	37	97	F901563	DRIVE PIN, WATER PUMP IMPELLER	39	4
F8077	WASHER, GEAR HOUSING PLUG	39	28	F901834	LEAD WIRE CLIP	27	91
F8083	LOCKWASHER	15	51	F90891	GEAR SHIFT ARM PIN	39	29
F8083	SPRING LOCKWASHER	3	41	F91446-1	CIRCUIT BREAKER BRACKET	5	46
F8083	SPRING LOCKWASHER	9	60	F91446-1	CIRCUIT BREAKER BRACKET	7	28
F8083	SPRING LOCKWASHER	13	37	F91446-1	CIRCUIT BREAKER BRACKET	15	64
F8083	SPRING LOCKWASHER	25	76	F91460-2	CIRCUIT BREAKER	3	45
F8083	SPRING LOCKWASHER	35	87	F91460-2	CIRCUIT BREAKER	7	29
F8088	PLAIN WASHER	9	50	F91460-2	CIRCUIT BREAKER	15	63
F8088	PLAIN WASHER	13	9	F92446	CLAMP	7	4
F8088	PLAIN WASHER	19	10	F92446	CLAMP	13	21
F8094	PLAIN WASHER	5	56	F92498	KEY	7	22
F8094	PLAIN WASHER	9	58	F92498	KEY	13	18
F8094	PLAIN WASHER	15	79	F92759	ROLLER	19	33
F8094	WASHER	35	46	F93472-1	CYLINDER DRAIN COVER GASKET	25	44
F8096	SPRING LOCKWASHER	3	39	F93748-1	CYLINDER DRAIN REED PLATE GASKET	25	51
F8096	SPRING LOCKWASHER	5	60	F93811	SCREEN, CYLINDER	25	50
F8096	SPRING LOCKWASHER	7	10	F93914	SEAL, INLET WATER LINE LOWER	41	53
F8096	SPRING LOCKWASHER	13	7	F93920	CYLINDER DRAIN REED STOP	25	47
F8096	SPRING LOCKWASHER	15	60	F94914	SLEEVE	7	2
F8096	SPRING LOCKWASHER	23	3	F94914	SLEEVE	13	2
F84026	SHOULDER SCREW (PROPELLER CAP) (NOT SHOWN)	41	-	F97008-1	STUD, LONG	39	31
F84026	SPARK CONTROL SWIVEL	23	18	F97066-1	THERMOSTAT COVER	25	84
F84035-2	SPARK CONTROL BEARING, R.H.	23	25	F97067	THERMOSTAT COVER GASKET	25	83
F84036	SPARK CONTROL BEARING, L.H.	23	22				
F84280	KING PIN NUT	33	21				
F84314-2	ELBOW	17	3				
F84314-2	ELBOW, FUEL LINE	25	58				
F84314-2	ELBOW, FUEL LINE - CARBURETOR	21	42				

PARTS INDEX

Part Number	Description	Pg.	Ref. No.	Part Number	Description	Pg.	Ref. No.
F97068-1	THERMOSTAT	25	82	FA439746	FUEL PUMP COVER	17	1
F97275	FITTING, THERMOSTAT . . .	27	86	FA458480	ENGINE COVER RETAINER W/SCREWS & NUT	5	52
F97504	GROMMET, THERMOSTAT . .	25	81	FA465385	INSERT, PLATE SIDE	5	59
F97772	CLAMP	27	87	FA466144	CRANKSHAFT BEARING CAGE W/SEAL FOR ALTERNATOR MODELS	29	-
F97772	FUEL LINE CLAMPS	17	13	FA466892	INSERT, FRONT PLATE	3	4
F98273	ROD END CONNECTOR STUD	25	59	FA466893	INSERT, FRONT PLATE	3	-
F99521-1	CLUTCH	39	24	FA467892	INSERT, FRONT PLATE	3	-
FA12175	PLATE, BREAKER	13	16	FA467893	INSERT, FRONT PLATE	3	-
FA201955	STARTER MOTOR COMPLETE	11	-	FA485023	BEVEL GEAR FRONT W/BEARING & CUP	39	25
FA27232	EMERGENCY STARTER ROPE (NOT SHOWN)	9	-	FA485662	BEVEL GEAR REAR W/BEARING	39	18
FA27232	EMERGENCY STARTER ROPE (NOT SHOWN)	15	-	FA486054	GEAR HOUSING LOWER W/PLUG, WASHER AND THRUST BEARING CUP	39	26
FA307779	BAFFLE, AIR INTAKE W/SILENCER	3	35	FA510497	TERMINAL BLOCK	9	48
FA328763	COVER LATCH HANDLE W/SHAFT	3	32	FA510497	TERMINAL BLOCK	13	39
FA345518	HEAD, CYLINDER FOR C.D. MODELS	25	68	FA58976-1	CONNECTOR, THROTTLE CABLE	45	1
FA366135	LEG COVER (PORT)	37	72	FA77395-5	IDENTIFICATION PLATE W/SCREWS, U.S.A.	3	21
FA366145	LEG COVER (STARBOARD) . .	37	75	FA84754-1	FUEL LINE SHORT W/FERRULES	43	8
FA366778	ENGINE COVER RETAINER, W/SCREWS AND NUTS	3	6	FA89128-1	DRIVESHAFT W/RETAINER FOR LONG SHAFT MODELS	39	-
FA40655	CRANKSHAFT CENTER MAIN BEARING RACE W/SNAP RING	29	15	FA89832-2	MOTOR LEG EXHAUST COVER	35	68
FA411222	TRANSFER PORT COVER	25	56	FA94094-1	PROPELLER NUT W/SEAL AND COTTER PIN	39	9
FA433019	KING PIN W/PLUG	35	59	FA98071-2	GEAR SHIFT ARM PIN W/YOKE	39	22
FA433113	STERN BRACKET LOCK BAR W/HANDLE	33	33	FC486054	GEAR HOUSING COMPLETE	41	-
FA433144	CRANKSHAFT BEARING CAGE W/SEAL FOR MAGNETO IGNITION MODELS	29	3	FG1007-1	GASKET SET (NOT SHOWN)	27	-
FA433152	EXHAUST PORT COVER W/SCREWS	27	93	FK247	PROPELLER PIN, PACK OF 6 W/COTTER PIN	39	12
FA433158	REED PLATE W/REEDS, STOPS AND SCREWS	31	10	FK405020	SWIVEL W/SCREW AND NUT	23	33
FA433167	CARBURETOR ADAPTER FLANGE	31	5	FK433032	STERN BRACKET W/CLAMP SCREW, FOOT AND STUD	33	30
FA433387	DECAL, TIMING	31	14	FK433838	TOWERSHAFT W/CLAMP AND SWIVEL	23	28
FA433471	CYLINDER DRAIN COVER . . .	23	43	FK750-1	SPARKIE KIT (NOT SHOWN)	9	-
FA433876	SHIFT ARM W/CLAMP AND SWIVEL	23	37	FK85228	BEARING CAGE W/ROLLERS (16 PER SET)	29	6
FA434616	GEAR SHIFT ROD INTERMEDIATE FOR STANDARD SHAFT MODELS	41	55	FO10165	INLET SEAT GASKET	19	19
FA435018	CRANKSHAFT W/UPPER THRUST BEARING	29	5	FO10280	CHOKE SHUTTER RETAINING SCREW AND LOCKWASHER	19	16
FA435135	LEG COVER (PORT)	37	72	FO10588	BODY CHANNEL CUP PLUG	19	1
FA435145	LEG COVER (STARBOARD) . .	37	75	FO10790	INLET NEEDLE, SEAT AND GASKET	19	20
FA435260	PISTON RING SET (4 PER SET)	29	13	FO10883	CHOKE RELIEF VALVE SPRING	19	18
FA435616	GEAR SHIFT ROD INTERMEDIATE FOR LONG SHAFT MODELS	41	-	FO11103	IDLE MIXTURE SCREW SPRING	19	14
				FO13552	FUEL BOWL	19	25
				FO13554	FLOAT	19	27

PARTS INDEX

Part Number	Description	Pg.	Ref. No.	Part Number	Description	Pg.	Ref. No.
FO13944	FLOAT LEVER PIN	19	21	FT8932	LIFTING HOOK	47	-
FO13945	FUEL BOWL RETAINING SCREW	19	26	FT8945	RETAINER PUNCH	48	-
FO13946	IDLE MIXTURE SCREW	19	15	FT8948	PROPELLER SHAFT BEARING CAGE PULLER AND FLYWHEEL PULLER	48	-
FO14191	MAIN FUEL JET (.0937) (STANDARD)	19	29	FT8950	LEAKAGE TESTER	49	-
FO14292	THROTTLE SHAFT RETURN SPRING	19	36	FT8957	SEAL INSTALLER	48	-
FO15623	FUEL BOWL GASKET	19	23	FTA2937-1	TIMING TOOL	46	-
FO15724	CHOKE SHUTTER	19	17	T8974	BREAKER POINT TENSION GAUGE	49	-
FO15725	CHOKE RELIEF VALVE	19	13	22-817740A1	ELBOW W/METERING CUP	27	99
FO15728	THROTTLE SHAFT AND LEVER	19	34	30-F366013	CRANKSHAFT THRUST BEARING UPPER	29	22
FO16251	MAIN NOZZLE	19	28	32-817738A1	FUEL LINE, LONG W/CLAMP AND FERRULE	43	10
FO16340	THROTTLE SHUTTER	19	37	33-818007--1	SPARK PLUG (UL-18V) FOR C.D. MODELS	25	-
FO16383	CHOKE SHAFT AND LEVER	19	5	39-818115A1	PISTON RINGS (4 PER SET) .030 OVERSIZE (NOT SHOWN)	29	-
FO16385	CHOKE SHAFT RETURN SPRING	19	12	44-819500A3	PROPELLER SHAFT	39	21
FO2510	FUEL BOWL RETAINING SCREW GASKET	19	24	45-817737A1	DRIVESHAFT W/RETAINER FOR STANDARD SHAFT MODELS	39	3
FO3804	THROTTLE SHAFT POSITION RETAINING SCREW WASHER	19	2	84-817765A2	LEAD WIRE	7	37
FO4326	BODY CHANNEL WELCH PLUG	21	40	85-818076A2	COIL W/BOOT, CLIP, WASHER AND NUT	7	32
FO6393	THROTTLE SHAFT POSITION RETAINING SCREW	19	4	87-817939A1	THERMOSWITCH	25	72
FO6396	THROTTLE SHAFT POSITION RETAINING SCREW LOCKWASHER	19	3	89-817760A2	CHOKE SOLENOID	3	17
FO8942	THROTTLE SHUTTER RETAINING SCREW AND LOCKWASHER	21	38	89-817760A2	CHOKE SOLENOID	15	52
FP293	PROPELLER (ACCESSORY ITEM)	39	8	600-818052A4	CONNECTING ROD W/CAP AND SCREWS	29	7
FS174227	SPARK PLUG (L-4-J)	25	71	700-817990A2	PISTON .010 OVERSIZE (NOT SHOWN)	29	-
FS307940	KING PIN PLATE	33	4	700-818114A2	PISTON .030 OVERSIZE (NOT SHOWN)	29	-
FS409752	FUEL LINE COMPLETE	43	-	1600-817871A3	GEAR HOUSING UPPER W/SEAL, WASHER, PLUG AND INLET WATER TUBE	41	44
FS435260	PISTON RINGS (4 PER SET) .010 OVERSIZE (NOT SHOWN)	29	-				
FS463712	ENGINE COVER	3	3				
FS504060	WATER PUMP BODY W/DRIVESHAFT SEAL	41	51				
FT2910	KNOCK-OFF NUT	46	-				
FT2953	SOCKET	47	-				
FT2954A	TEST WHEEL	49	-				
FT2990	PISTON PIN REMOVER	47	-				
FT2996	RING COMPRESSOR	47	-				
FT3431	SEAL INSTALLER	48	-				
FT3510	SEAL PUNCH	47	-				
FT3512	SEAL SLEEVE	47	-				
FT8904	FORWARD BEARING CUP INSTALLER	48	-				
FT8907	DRIVER HANDLE	48	-				
FT8918	BUSHING GUIDE SET	48	-				
FT8921	FORWARD BEARING CUP REMOVER	48	-				
FT8926	RING EXPANDER	47	-				