



PARTS CATALOG

5 H.P.

SERIAL NUMBER

5 (1976)	54BC
5 (1976)	54BD
5 (1976)	54HC
5 (1976)	54HD
5 (1976)	55BC
5 (1976)	55BD
5 (1976)	55HC
5 (1976)	55HD

TABLE OF CONTENTS:

ACCESSORIES	24
CARBURETOR	8
ENGINE COVER	2
GEAR HOUSING	18
LUBRICATION CHART	26
MAGNETO	6
MOTOR LEG	16
PARTS INDEX	28
POWER HEAD	12
REED PLATE	10
SPECIAL ADJUSTMENTS	27
SPECIAL TOOLS - LOWER UNIT	22
SPECIAL TOOLS - POWER HEAD	21
SPECIAL TOOLS - TEST EQUIPMENT	23
SPECIAL TOOLS - TUNE-UP	20
SPECIFICATIONS	25
STARTER	4

NOTE: Indented description indicate that these parts are included in preceeding assembly.

AR = As Required

NSS = Not Sold Separate

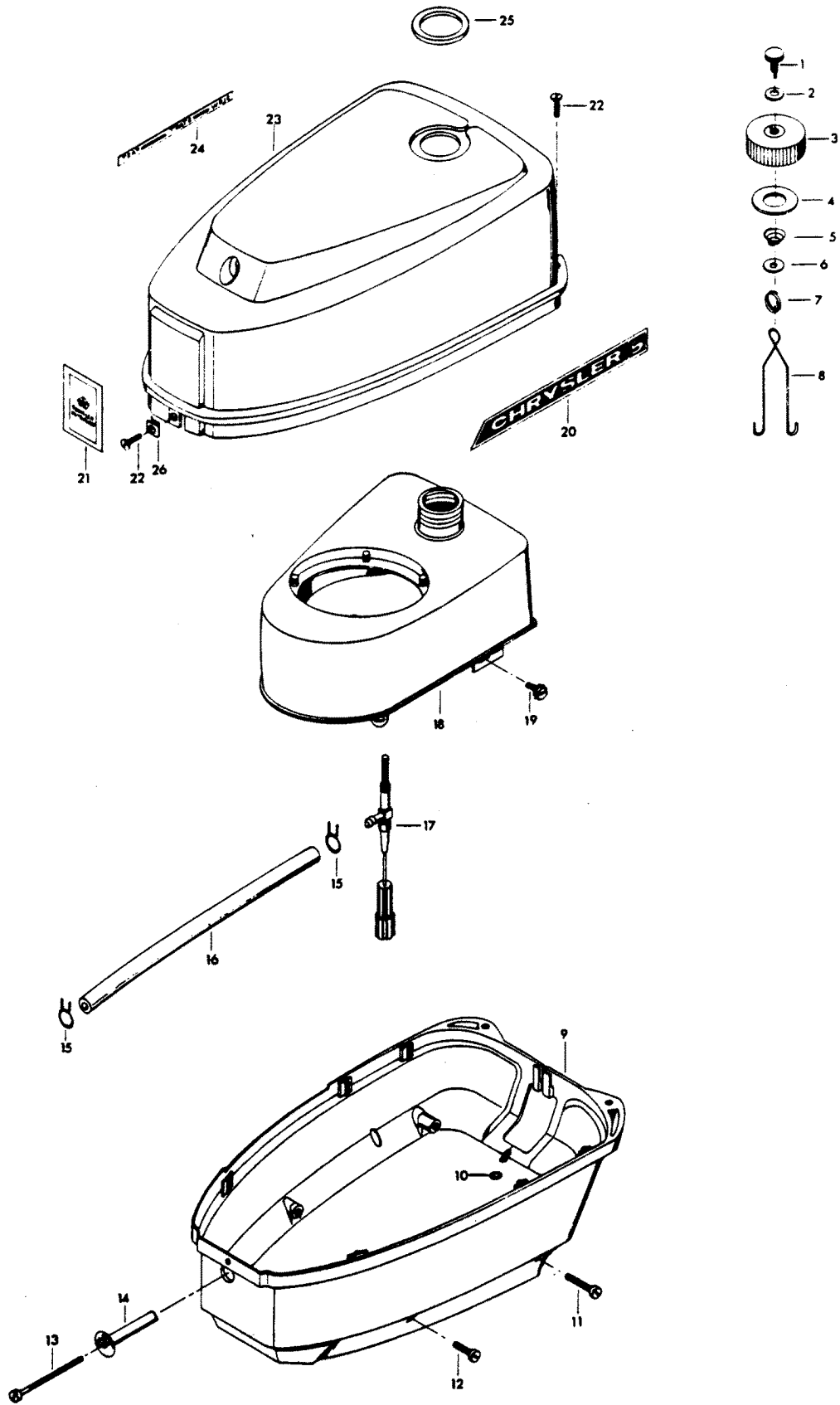
OPT = Optional

NS = Not Shown

THESE PARTS BOOKS/FICHE CARD ARE COPYRIGHTED AND MAY NOT BE DISTRIBUTED OR REPRODUCED IN ANY OTHER FORMAT BY ANYONE OTHER THAN MERCURY MARINE WITHOUT THE PRIOR WRITTEN CONSENT OF MERCURY MARINE.

THIS PAGE INTENTIONALLY LEFT BLANK

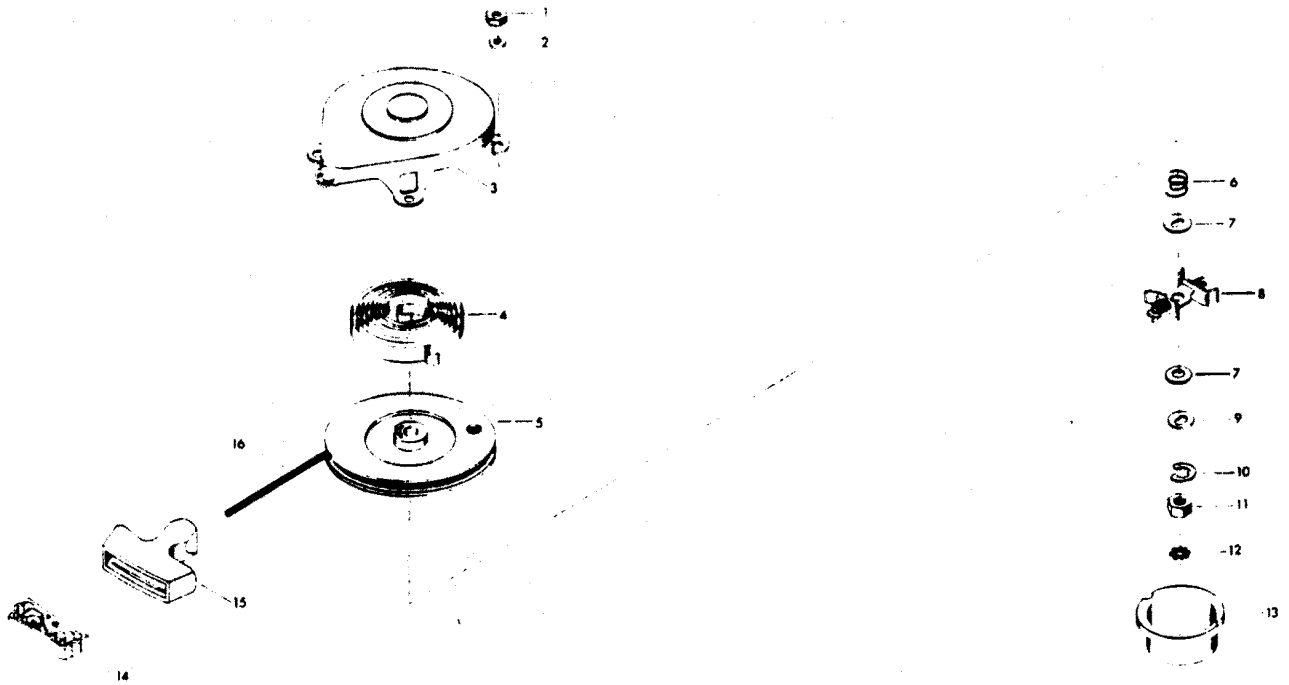
ENGINE COVER



ENGINE COVER

REF. NO.	PART NO.	SYM.	QTY.	DESCRIPTION
1	F2256		1	SCREW, FUEL TANK VENT
2	F257		1	GASKET, VENT SCREW
3	FA427251		1	CAP, FUEL TANK COMPLETE
4	F390252		1	GASKET, FUEL TANK CAP
5	F2389		1	SPRING, FUEL TANK VENT SCREW
6	F2388		1	DISC, FUEL TANK CAP
7	F427249		1	RING, FUEL TANK CAP
8	F427491		1	ANCHOR, FUEL TANK CAP
9	F468944		1	COVER, BOTTOM
10	F19342		1	SEAL
11	F1820		2	FILL HD SCREW, 1/4 - 20 X 1 3/8
12	F1577		2	FILL HD SCREW, 1/4 - 20 X 3/4
13	F2036		1	FILL HD SCREW, 8 - 32 X 2 1/4
14	F468547		1	CHOKE KNOB
15	F2706772		2	HOSE CLAMP
16	F63754		1	HOSE, FUEL VALVE TO CARBURETOR
17	F468489-1		1	FUEL SHUT OFF VALVE
18	F468034		1	FUEL TANK
19	F1426		4	HEX HD SCREW W/EXTERNAL TOOTH LOCKWASHER, 1/4 - 20 X 7/16
20	494392		1	DECAL, "5 CHRYSLER", PORT
-	494396		1	DECAL, "5 CHRYSLER", STARBOARD
21	468711		1	PLATE, ENGINE COVER - U.S.A.
-	494911		1	PLATE, ENGINE COVER - CANADA
22	F1979		3	PAN HD SCREW, 10 - 24 X 1/2
23	S468712-1		1	ENGINE COVER, TOP
24	F468894		1	INDICATOR, SPEED CONTROL
25	F390186		1	COLLAR, FUEL TANK FILLER NECK
26	F2039		1	TINNERMAN NUT

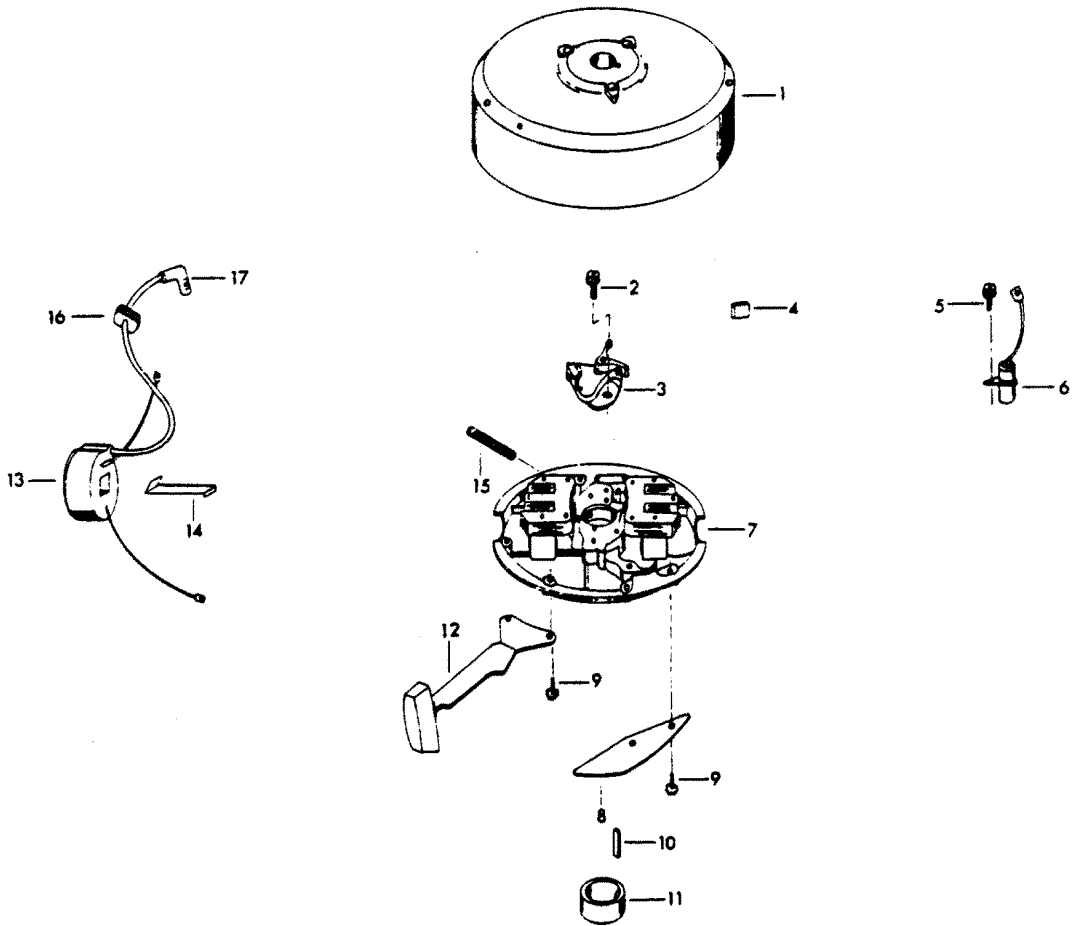
STARTER



STARTER

REF. NO.	PART NO.	SYM.	QTY.	DESCRIPTION
1	F1896		4	HEX NUT, 1/4 - 20
2	F8061		4	INTERNAL TOOTH LOCKWASHER
3	F15569		1	COVER
4	F15570		1	REWIND SPRING
5	F15571		1	ROTOR
6	F15576		1	BRAKE SPRING
7	F15573		2	FIBER WASHER
8	F15575		1	FRICITION SHOE ASSEMBLY
9	F15510		1	STEEL WASHER
10	F15577		1	SNAP RING
11	F1352		1	HEX NUT, 7/16 - 20
12	F8066		1	EXTERNAL TOOTH LOCKWASHER
13	F15524		1	CUP
14	817938A1		1	RETAINER, STARTER ROPE
15	F286132		1	HANDLE, STARTER ROPE
16	F15572		1	CORD AND CLIP
-	F390063-1		1	REWIND STARTER COMPLETE INCLUDES ALL ITEMS MARKED WITH AN ASTERISK (*)

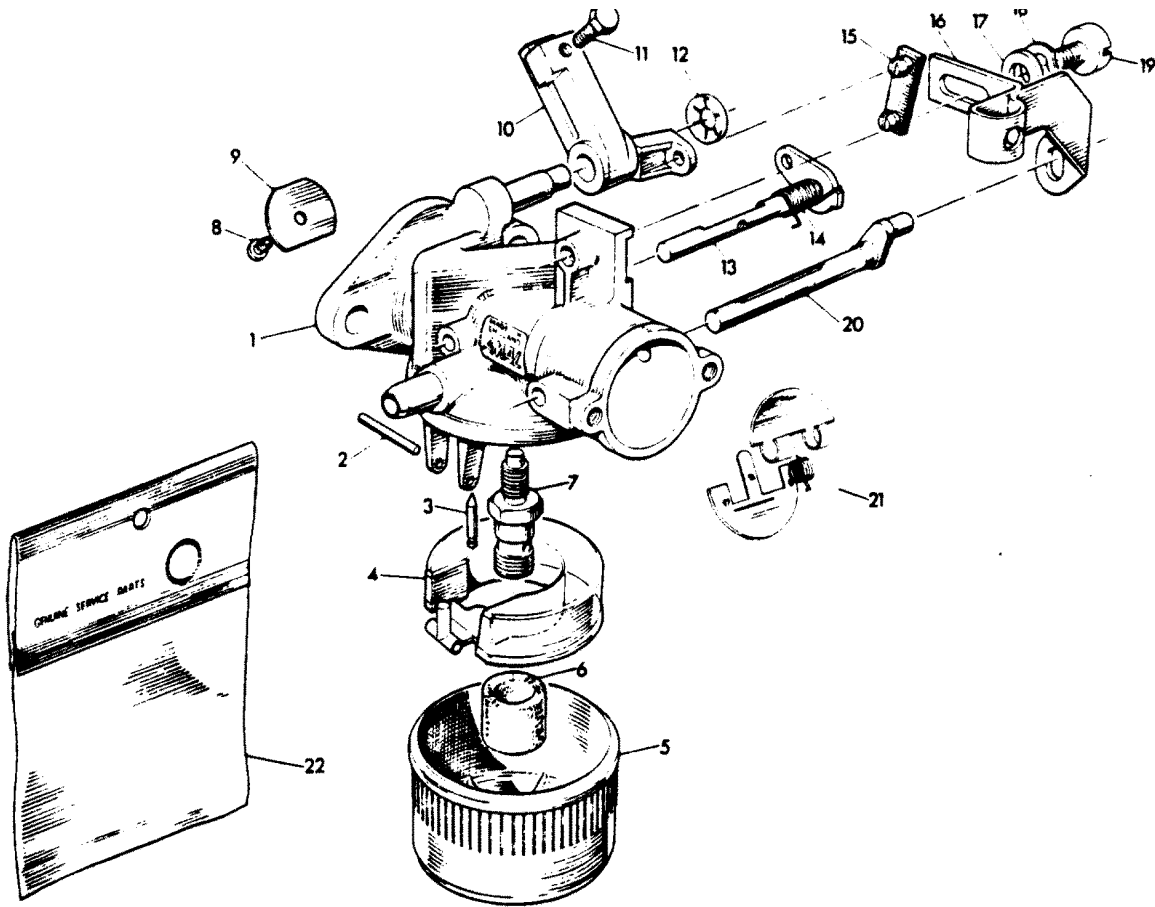
MAGNETO



MAGNETO

REF. NO.	PART NO.	SYM.	QTY.	DESCRIPTION
1	F468097		1	FLYWHEEL
2	F12090		2	CONTACT SCREW W/WASHER
3	F12349		2	CONTACT SET
4	F12228		1	CAM WIPER FELT
5	F12170		2	CONDENSER SCREW W/WASHER
6	F12181-1		2	CONDENSER
7	F12347		1	STATOR PLATE W/LAMINATIONS
8	F468192-1		1	THROTTLE CAM
9	1625		4	PAN HD SCREW W/EXTERNAL TOOTH LOCKWASHER, 1/4 - 20 X 1/2
10	F12150		1	MAGNETO KEY
11	F12149		1	CAM, MAGNETO
12	F468549		1	KNOB, THROTTLE LEVER
13	F12348		2	COIL W/LEAD WIRE
14	F12350		2	COIL WEDGE SPRING
15	F12066		1	FRICITION SCREW ASSEMBLY
16	F12088		2	GROMMET
17	FK750-1		2	SPARKIE KIT
-	F12091		1	LEAD WIRE MARKER, TOP (NOT SHOWN)

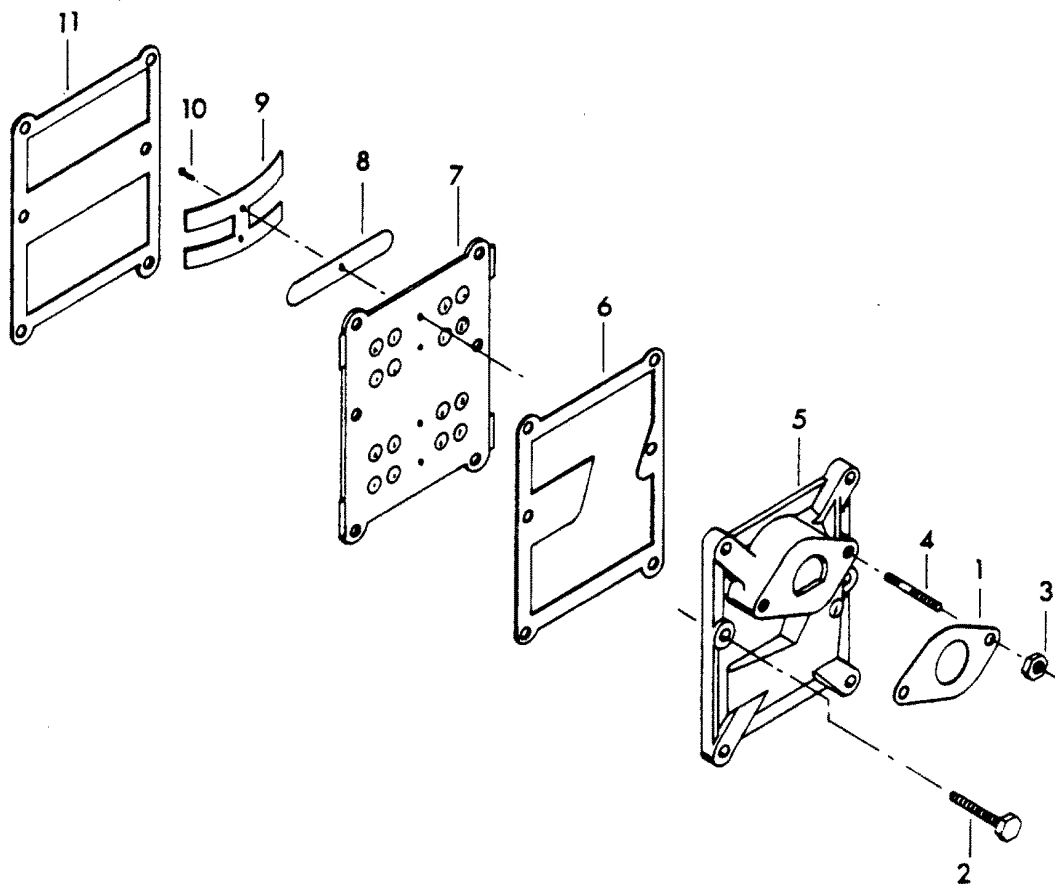
CARBURETOR



CARBURETOR

REF. NO.	PART NO.	SYM.	QTY.	DESCRIPTION
1	F10050		1	CARBURETOR BODY
2	F10044		1	FLOAT HINGE PIN
3	F10043		1	INLET NEEDLE
4	F10045		1	FLOAT
5	F10033		1	FUEL BOWL
6	F10047		1	FUEL JET FILTER
7	F10046		1	MAIN FUEL JET (52CC)
8	F10037		1	THROTTLE SHUTTER SCREW
9	F10036		1	THROTTLE SHUTTER
10	F10030		1	THROTTLE EXTENSION LEVER
11	F10048		1	SCREW, EXTENSION LEVER ADJUSTING
12	F10042		1	STARLOCK WASHER
13	F10032		1	THROTTLE SHAFT AND LEVER
14	F10041		1	THROTTLE SHAFT RETURN SPRING
15	F10031		1	THROTTLE LEVER LINK
16	F10029		1	CHOKE SHAFT BRACKET
17	10040		1	WASHER
18	F10038		1	DOMED WASHER
19	F10039		1	CHOKE LOCATING PIN
20	F10035		1	CHOKE SHAFT
21	F10054		1	CHOKE SHUTTER
22	F10049		1	REPAIR PARTS KIT INCLUDES ALL ITEMS MARKED WITH AN ASTERISK (*)
-	F468061-3		1	CARBURETOR COMPLETE (NOT SHOWN)

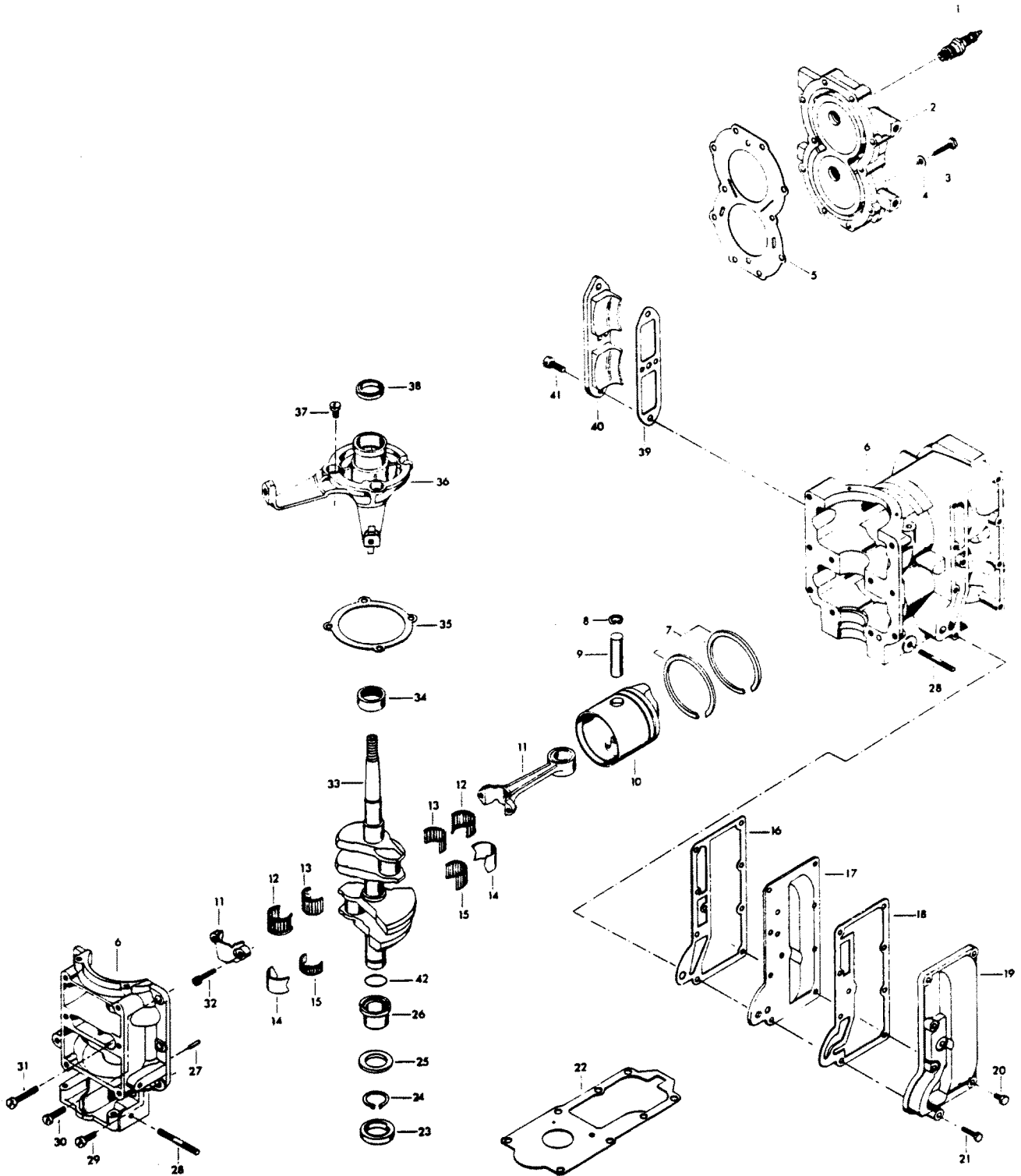
REED PLATE



REED PLATE

REF. NO.	PART NO.	SYM.	QTY.	DESCRIPTION
1	F468906		1	GASKET, CARBURETOR
2	F2022		6	HEX SLOTTED HD SCREW, 10 - 24 X 7/8
3	F1490		2	HEX NUT
4	F2788004		2	CARBURETOR STUDS
5	FA468167		1	CARBURETOR ADAPTER W/STUDS
6	F468168		1	GASKET, CARBURETOR ADAPTER
7	FA468158		1	REED PLATE W/REEDS, REED STOPS AND SCREWS
8	F26160-2		4	REED
9	F468161		2	REED STOP
10	F1286		4	PAN HD SCREW, 4 - 40 X 3/16
11	F468159		1	GASKET, REED PLATE

POWER HEAD

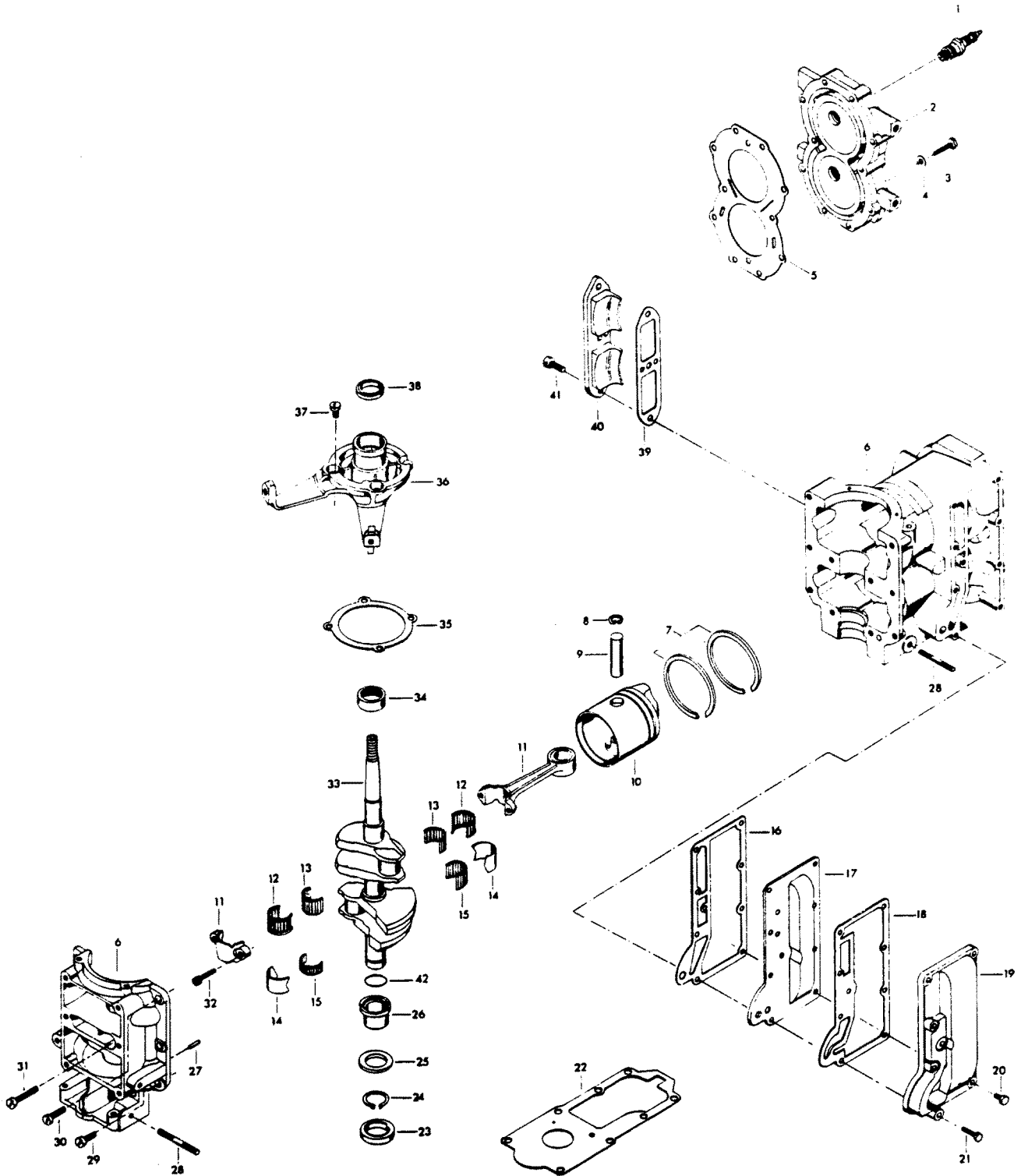


POWER HEAD

REF. NO.	PART NO.	SYM.	QTY.	DESCRIPTION
1	FS236227		2	SPARK PLUG
2	F468518-1		1	CYLINDER HEAD
3	F901938-1		10	SCREW, CYLINDER HEAD
4	F8025		10	PLAIN WASHER
5	F468529		1	GASKET, CYLINDER HEAD
6	F2A468010		1	CYLINDER W/CRANKCASE COVER & SLEEVE
7	F2A25260		2	PISTON RING SET (2 PER SET)
8	F31410		4	RETAINING RING
9	F21017		2	PISTON PIN
10	F468015-1		2	PISTON
11	600-FS715016		2	CONNECTING ROD W/CAP AND SCREWS
12	F31241		2	CAGE, CRANKPIN ROLLER
13	FA31228		2	CRANKPIN ROLLER (14 PER SET)
14	FA286655		1	LINER, CENTER MAIN BEARING (2 PER SET)
15	F286571		1	ROLLER SET, MAIN BEARING (26 PER SET)
16	F468154		1	GASKET, EXHAUST PORT PLATE
17	F468151		1	EXHAUST PORT PLATE
18	F468153		1	GASKET, EXHAUST PORT COVER
19	F468152		1	COVER, EXHAUST PORT
20	F2024		5	HEX HD MACHINE SCREW, 10 - 24 X 5/8
21	F2023		4	HEX HD MACHINE SCREW, 10 - 24 X 1
22	F468279-2		1	GASKET, CYLINDER EXHAUST
23	F141118		1	SEAL, CRANKSHAFT LOWER
24	F28410		1	RETAINING RING
25	F28402		1	CRANKSHAFT THRUST WASHER
26	F468014		1	BEARING, CRANKSHAFT LOWER
27	F8559		2	DOWEL PIN
28	F28004		2	STUD, STEERING HANDLE BRACKET
29	F1110		4	FILL HD SCREW, 1/4 - 20 X 5/8
30	F1107		2	FILL HD SCREW, 1/4 - 20 X 3/4
31	F1100		4	FILL HD SCREW, 1/4 - 20 X 1 1/8
32	F36634		4	CONNECTING ROD SCREW
33	A468018-3		1	CRANKSHAFT W/SPLINE SEAL
34	F31013		1	BEARING, CRANKSHAFT UPPER
35	F468277		1	GASKET, CRANKSHAFT BEARING CAGE
36	F2A468144		1	CRANKSHAFT BEARING CAGE W/ITEMS 34 & 38
37	F1573		4	FILL HD SCREW, 1/4 - 20 X 1/2
38	F30146		1	SEAL, CRANKSHAFT UPPER
39	F468223		1	GASKET, TRANSFER PORT COVER

CONTINUED ON NEXT PAGE ➡

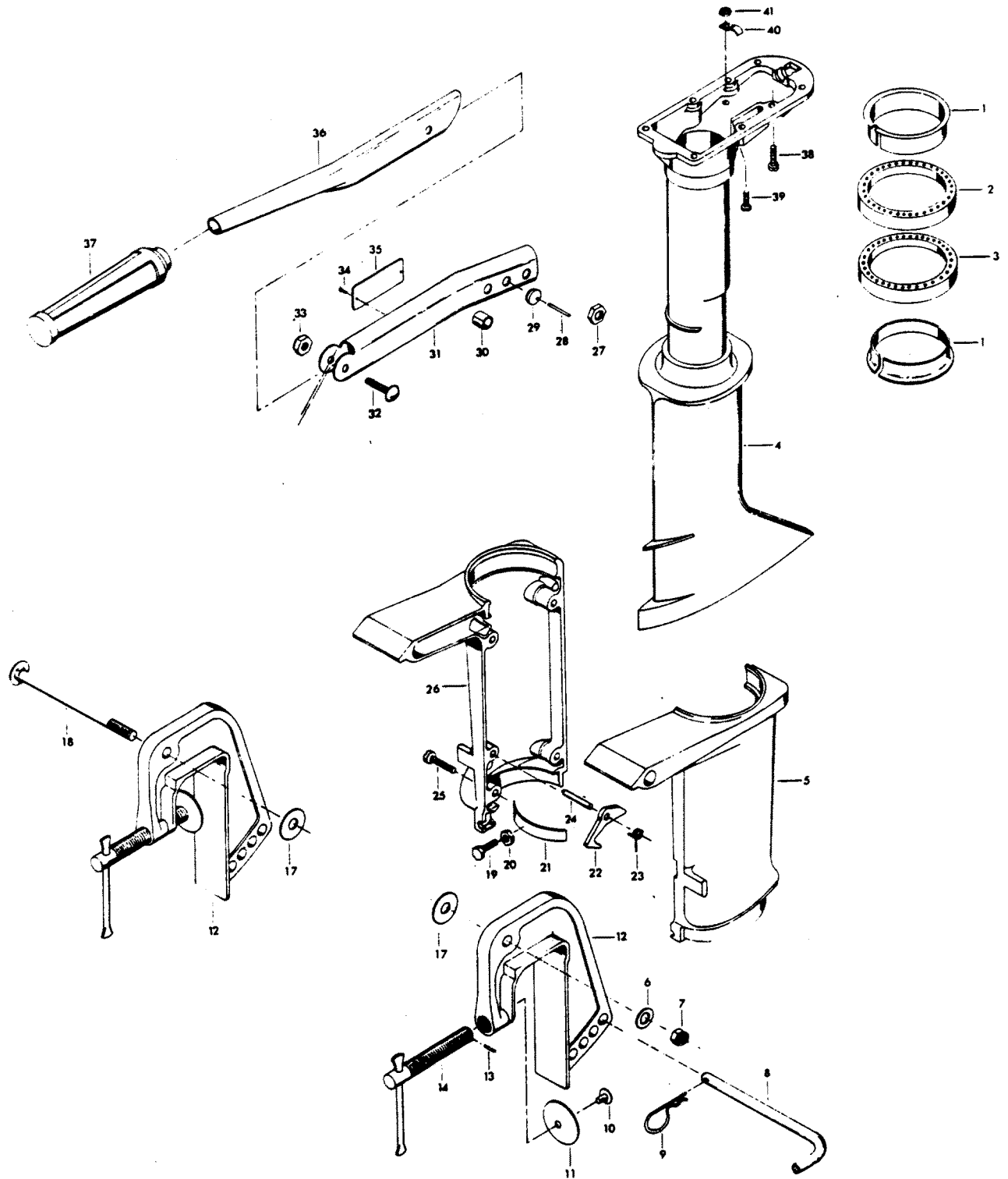
POWER HEAD



POWER HEAD

REF. NO.	PART NO.	SYM.	QTY.	DESCRIPTION
40	F468222		1	TRANSFER PORT COVER
41	F1502		3	HEX CAP SCREW, 1/4 - 20 X 5/8
42	F468342		1	SEAL, CRANKSHAFT SPLINE
-	FG1011		1	GASKET SEAL (NOT SHOWN)
-	C468010		1	SHORT BLOCK INCLUDES ALL ITEMS MARKED WITH AN ASTERISK (*)

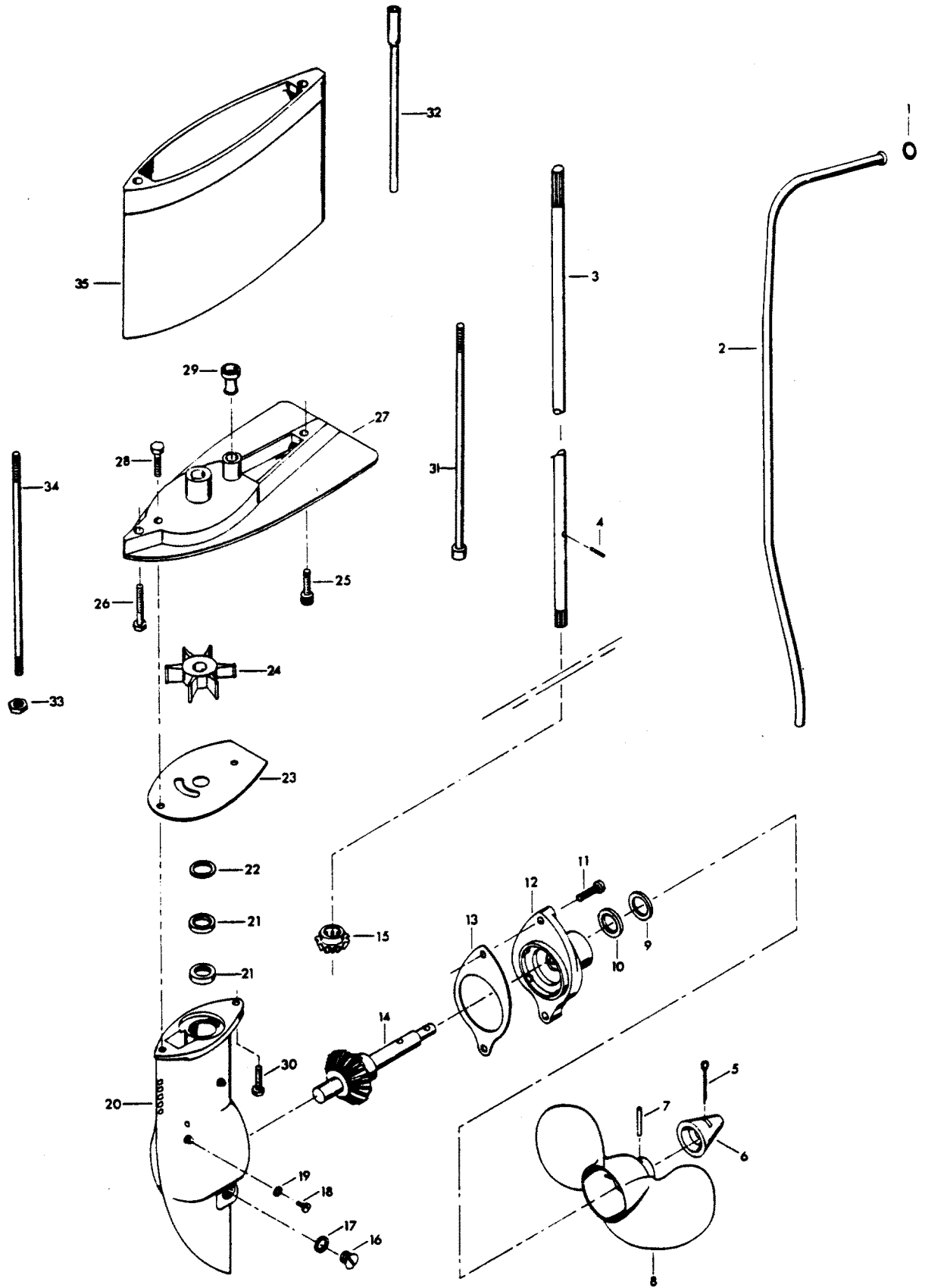
MOTOR LEG



MOTOR LEG

REF. NO.	PART NO.	SYM.	QTY.	DESCRIPTION
1	F468169		2	BEARING, SWIVEL BRACKET
2	FA468347		1	SHOCK MOUNT UPPER
3	FA468346		1	SHOCK MOUNT LOWER
4	FA494133		1	MOTOR LEG
5	F468072		1	SWIVEL BRACKET, PORT
6	F2014		1	PLAIN WASHER
7	F7005		1	STOP NUT
8	F459113		1	LOCK BAR
9	F1985		1	HAIR PIN COTTER
10	F66480		2	STUD
11	F24074		2	CLAMP SCREW FOOT
12	FA494032		2	STERN BRACKET W/CLAMP SCREW & FOOT
13	F8536		2	SPRING PIN
14	FA28073-1		2	STERN BRACKET CLAMP SCREW W/FOOT & STUD
17	F2037		2	PLAIN WASHER
18	F468037-1		1	PIVOT BOLT
19	F2038		1	HEX CAP SCREW, 1/4 - 20 X 3/4
20	F1341		1	HEX NUT, 1/4 - 20
21	F468775		1	PLATE, STEERING FRICTION
22	F468349		1	REVERSE LOCK
23	F468300		1	SPRING, REVERSE LOCK
24	F468350		1	PIN, REVERSE LOCK
25	F2035		4	PHILLIPS HD SCREW, 1/4 - 20 X 1
26	F468572		1	SWIVEL BRACKET, STARBOARD
27	F1490		2	HEX NUT
28	FK243		1	PROP PIN, PACK OF 6 W/COTTER PIN
29	F53991-2		1	GROMMET, SHEAR PIN
30	F25281		2	SPACER, STEERING HANDLE BRACKET
31	F23078-1		1	BRACKET, STEERING HANDLE
32	F1322		1	ROUND HD SCREW, 5/16 - 18 X 1
33	F7006		1	LOCK NUT
34	F1293		2	ROUND HD DRIVE SCREW, 2 X 3/16
35	FA77395-5		1	IDENTIFICATION PLATE W/SCREWS - U.S.A.
36	F211079		1	STEERING HANDLE
37	F468137		1	GRIP, STEERING HANDLE
38	F1864		8	SLOTTED HEX HD SCREW, 1/4 - 20 X 3/4
39	F1979		1	PAN HD SCREW, 10 - 24 X 1/2
40	F494920		1	CLAMP, WATER LINE
41	F7009		1	LOCK NUT
-	F482390		1	DECAL, INSTRUCTION, (NOT SHOWN)

GEAR HOUSING



GEAR HOUSING

REF. NO.	PART NO.	SYM.	QTY.	DESCRIPTION
1	F50342-1		1	SEAL, WATER LINE UPPER
2	F468244		1	WATER LINE
3	F468128		1	DRIVESHAFT
-	F469128		1	DRIVESHAFT, FOR LONG LEG MODELS
4	F50563		1	PIN, WATER PUMP IMPELLER DRIVE
5	F1022		1	COTTER PIN
6	FA286094		1	PROPELLER NUT W/COTTER PIN
7	FA459101		1	PROP PIN, PACK OF 3 W/COTTER PIN
8	P468		1	PROPELLER (ACCESSORY ITEM)
9	F28296		1	RETAINER, PROPELLER SHAFT SEAL
10	F19118-1		1	SEAL, PROPELLER SHAFT
11	F1575		2	FILL HD SCREW, 1/4 - 20 X 5/8
12	F19055-2		1	GEAR HOUSING CAP
13	F19123		1	GASKET, GEAR HOUSING CAP
14	F2A468098		1	PROPELLER SHAFT W/BEVEL GEAR AND GROOVE PIN
15	F468266		1	GEAR, BEVEL PINION
16	F50109		1	PLUG, GEAR HOUSING
17	F8077		1	NYLTITE WASHER
18	F1077		1	FILL HD SCREW, 10 - 24 X 1/4
19	F8074		1	PLAIN WASHER
20	FA468054		1	GEAR HSG W/VENT SCRW,GREASE PLUG, SEAL, SEAL RETAINER & VENT
21	F18118-2		2	SEAL, DRIVESHAFT
22	F28296		1	SEAL, RETAINER
23	F468562		1	PLATE, WATER PUMP
24	F429065		1	IMPELLER, WATER PUMP
25	F2031		1	HEX SOCKET HD CAP SCREW, 1/4 - 20 X 3/4
26	F1699		1	HEX HD SCREW, 1/4 - 20 X 1 1/8
27	A468059-2		1	PLATE, ANTI-CAVITATION W/ITEM 29
28	F2030		1	HEX CAP SCREW, 1/4 - 20 X 1 1/4
29	F390914-1		1	SEAL, WATERLINE LOWER
30	F1999		1	HEX HD SCREW, 1/4 - 20 X 7/8
31	F2034-1		1	HEX SOCKET HD CAP SCREW, 1/4 - 20 X 5 3/4 FOR LONG LEG MDLS
32	F469626		1	WATER LINE EXTENSION, FOR LONG LEG MODELS
33	F1341		1	HEX NUT, FOR LONG LEG MODELS
34	F469008		1	STUD, FOR LONG LEG MODELS
35	F469845		1	MOTOR LEG EXTENSION
-	FC468054		1	GEAR HOUSING COMPLETE INCLUDES ALL ITEMS MARKED WITH AN ASTERISK

SPECIAL TOOLS - TUNE-UP

REF. NO.	PART NO.	SYM.	QTY.	DESCRIPTION
-	FT8965		0	KNOCK-OFF NUT TO REMOVE FLYWHEEL
-	FT2993		0	SPANNER WRENCH TO HOLD FLYWHEEL DURING REMOVAL OF NUT

SPECIAL TOOLS - POWER HEAD

REF. NO.	PART NO.	SYM.	QTY.	DESCRIPTION
-	FT8900		0	HOSE CLAMP PLIERS TO REMOVE OR INSTALL HOSE CLAMPS
-	FT8949		0	SEAL INSTALLER TO INSTALL LOWER CRANKSHAFT SEAL
-	FT8937		0	BEARING INSTALLER TO INSTALL UPPER CRANKSHAFT BEARING
-	FT8929		0	ADAPTER AND HEX BIT TO TORQUE CONNECTING ROD SCREWS
-	FT2997		0	RING COMPRESSOR TO INSTALL PISTONS IN CYLINDERS
-	FT8926		0	PISTON RING EXPANDER TO INSTALL RINGS ON PISTONS
-	FT8975		0	SEAL PROTECTOR TO PROTECT CRANKSHAFT SEAL

SPECIAL TOOLS - LOWER UNIT

REF. NO.	PART NO.	SYM.	QTY.	DESCRIPTION
-	FT904		0	SEAL INSTALLER TO INSTALL PROPELLER SHAFT SEAL

SPECIAL TOOLS - TEST EQUIPMENT

REF. NO.	PART NO.	SYM.	QTY.	DESCRIPTION
-	FT8950		0	LEAKAGE TESTER TO TEST LOWER UNIT SEALS FOR LEAKS
-	T8974		0	BREAKER POINT TENSION GAUGE FOR CHECKING BREAKER POINT SPRING TENSION

ACCESSORIES

REF. NO.	PART NO.	SYM.	QTY.	DESCRIPTION
-	74H08		0	FUEL PUMP KIT ADAPTS ENGINE TO USE WITH REMOTE FUEL TANK.
-	760		0	STEEL 4 1/4 GALLON FUEL TANK USED IN CONJUNCTION WITH MODEL 74H08 FUEL PUMP KIT TO PERMIT EXTENDED CRUISING RANGE.
-	72H31		0	FROST WHITE LACQUER ENGINE TOUCH-UP PAINT IN 16 OZ. SPRAY BOMBS (12 CANS PER CASE).
-	72H32		0	GOLD LACQUER ENGINE TOUCH-UP PAINT IN 6 OZ. SPRAY BOMBS (12 CANS PER CASE).
-	73H04		0	5 INCH LONG LEG CONVERSION KIT CONVERTS 15 INCH STANDARD SHAFT MODEL TO 20 INCH LONG SHAFT MODEL.

SPECIFICATIONS

REF. NO.	PART NO.	SYM.	QTY.	DESCRIPTION
-			0	HORSEPOWER 5 B.I.A. CERTIFIED BRAKE H.P. AT 4750 R.P.M.
-			0	ENGINE TWO-CYCLE, TWIN CYLINDER, ALTERNATE FIRING.
-			0	BORE AND STROKE 1 3/4" BORE X 1 9/16" STROKE.
-			0	PISTON DISPLACEMENT 7.52 CUBIC INCHES.
-			0	FUEL SYSTEM FLOAT FEED CARBURETOR.
-			0	CONNECTING ROD ALLOY STEEL FORGING, CARBURIZED AND HARDENED.
-			0	CRANKSHAFT ALLOY STEEL FORGING, CARBURIZED AND HARDENED.
-			0	FUEL TANK PRESSED ALUMINUM TANK, CAPACITY 7 U.S. PINTS.
-			0	PROPELLER SHAFT AND DRIVESHAFT STAINLESS STEEL, HARDENED GROUND AND POLISHED.
-			0	PROPELLER ALUMINUM, 7 1/2" DIAMETER, 6" PITCH, LEFT HAND ROTATION.
-			0	COOLING SYSTEM WATER COOLED -- POSITIVE DISPLACEMENT TYPE WATER PUMP.
-			0	TRANSOM HEIGHT 15".
-			0	WEIGHT 37 POUNDS.

LUBRICATION CHART

REF. NO.	PART NO.	SYM.	QTY.	DESCRIPTION
-			0	STERN BRACKET PIVOT BOLT SAE 30 MOTOR OIL, TWICE EACH SEASON
-			0	CLAMP SCREWS SAE 30 MOTOR OIL, TWICE EACH SEASON
-			0	JOINT IN STEERING HANDLE SAE 30 MOTOR OIL, TWICE EACH SEASON
-			0	SWIVEL BRACKET BEARINGS SAE 30 MOTOR OIL, TWICE EACH SEASON
-			0	BEARING SURFACE BETWEEN MAGNETO STATOR PLATE & UPR BEARING EP - ALL PURPOSE CHASSIS LUBRICANT, WHEN MAGNETO CONTROL LEVER BECOMES HARD TO MOVE
-			0	GEAR HOUSING CHRYSLER OUTBOARD GEAR LUBE, EVERY 30 HOURS, OFTENER IF REQUIRED

SPECIAL ADJUSTMENTS

REF. NO.	PART NO.	SYM.	QTY.	DESCRIPTION
-			0	STEERING TENSION IF MOTOR STEERS TOO HARD, LOOSEN THE 1/4 - 20 SCREW ON THE STEERING FRICTION PLATE, ILLUSTRATION 19, PAGE 11. IF MOTOR TURNS TOO EASILY, TIGHTEN THE SCREW.
-			0	MAGNETO BREAKER POINT GAP .020".
-			0	SPARK PLUG REPLACE WITH CHAMPION L-10 OR EQUIVALENT. SET SPARK PLUG ELECTRODE GAP AT .030 INCHES.
-			0	FLYWHEEL NUT

PARTS INDEX

Part Number	Description	Pg.	Ref. No.	Part Number	Description	Pg.	Ref. No.
10040	WASHER	9	17	F12066	FRICITION SCREW		
1625	PAN HD SCREW				ASSEMBLY	7	15
	W/EXTERNAL TOOTH			F12088	GROMMET	7	16
	LOCKWASHER, 1/4 - 20 X			F12090	CONTACT SCREW		
	1/2	7	9		W/WASHER	7	2
468711	PLATE, ENGINE COVER -			F12091	LEAD WIRE MARKER, TOP		
	U.S.A.	3	21		(NOT SHOWN)	7	-
494392	DECAL, "5 CHRYSLER",			F12149	CAM, MAGNETO	7	11
	PORT	3	20	F12150	MAGNETO KEY	7	10
494396	DECAL, "5 CHRYSLER",			F12170	CONDENSER SCREW		
	STARBOARD	3	-		W/WASHER	7	5
494911	PLATE, ENGINE COVER -			F12181-1	CONDENSER	7	6
	CANADA	3	-	F12228	CAM WIPER FELT	7	4
72H31	FROST WHITE LACQUER	24	-	F12347	STATOR PLATE		
72H32	GOLD LACQUER	24	-		W/LAMINATIONS	7	7
73H04	5 INCH LONG LEG			F12348	COIL W/LEAD WIRE	7	13
	CONVERSION KIT	24	-	F12349	CONTACT SET	7	3
74H08	FUEL PUMP KIT	24	-	F12350	COIL WEDGE SPRING	7	14
760	STEEL 4 1/4 GALLON FUEL			F1286	PAN HD SCREW, 4 - 40 X		
	TANK	24	-		3/16	11	10
817938A1	RETAINER, STARTER ROPE	5	14	F1293	ROUND HD DRIVE SCREW,		
A468018-3	CRANKSHAFT W/SPLINE				2 X 3/16	17	34
	SEAL	13	33	F1322	ROUND HD SCREW, 5/16 -		
A468059-2	PLATE, ANTI-CAVITATION	19	27		18 X 1	17	32
C468010	SHORT BLOCK	15	-	F1341	HEX NUT, 1/4 - 20	17	20
F10029	CHOKE SHAFT BRACKET	9	16	F1341	HEX NUT, FOR LONG LEG		
F10030	THROTTLE EXTENSION				MODELS	19	33
	LEVER	9	10	F1352	HEX NUT, 7/16 - 20	5	11
F10031	THROTTLE LEVER LINK	9	15	F141118	SEAL, CRANKSHAFT		
F10032	THROTTLE SHAFT AND				LOWER	13	23
	LEVER	9	13	F1426	HEX HD SCREW		
F10033	FUEL BOWL	9	5		W/EXTERNAL TOOTH		
F10035	CHOKE SHAFT	9	20		LOCKWASHER, 1/4 - 20 X		
F10036	THROTTLE SHUTTER	9	9		7/16	3	19
F10037	THROTTLE SHUTTER			F1490	HEX NUT	11	3
	SCREW	9	8	F1490	HEX NUT	17	27
F10038	DOMED WASHER	9	18	F1502	HEX CAP SCREW, 1/4 - 20 X		
F10039	CHOKE LOCATING PIN	9	19		5/8	15	41
F10041	THROTTLE SHAFT RETURN			F15510	STEEL WASHER	5	9
	SPRING	9	14	F15524	CUP	5	13
F10042	STARLOCK WASHER	9	12	F15569	COVER	5	3
F10043	INLET NEEDLE	9	3	F15570	REWIND SPRING	5	4
F10044	FLOAT HINGE PIN	9	2	F15571	ROTOR	5	5
F10045	FLOAT	9	4	F15572	CORD AND CLIP	5	16
F10046	MAIN FUEL JET	9	7	F15573	FIBER WASHER	5	7
F10047	FUEL JET FILTER	9	6	F15575	FRICITION SHOE ASSEMBLY	5	8
F10048	SCREW, EXTENSION LEVER			F15576	BRAKE SPRING	5	6
	ADJUSTING	9	11	F15577	SNAP RING	5	10
F10049	REPAIR PARTS KIT	9	22	F1573	FILL HD SCREW, 1/4 - 20 X		
F10050	CARBURETOR BODY	9	1		1/2	13	37
F10054	CHOKE SHUTTER	9	21	F1575	FILL HD SCREW, 1/4 - 20 X		
F1022	COTTER PIN	19	5		5/8	19	11
F1077	FILL HD SCREW, 10 - 24 X			F1577	FILL HD SCREW, 1/4 - 20 X		
	1/4	19	18		3/4	3	12
F1100	FILL HD SCREW, 1/4 - 20 X 1			F1699	HEX HD SCREW, 1/4 - 20 X 1		
	1/8	13	31		1/8	19	26
F1107	FILL HD SCREW, 1/4 - 20 X			F18118-2	SEAL, DRIVESHAFT	19	21
	3/4	13	30	F1820	FILL HD SCREW, 1/4 - 20 X 1		
F1110	FILL HD SCREW, 1/4 - 20 X				3/8	3	11
	5/8	13	29				

PARTS INDEX

Part Number	Description	Pg.	Ref. No.	Part Number	Description	Pg.	Ref. No.
F1896	HEX NUT, 1/4 - 20	5	1	F2A25260	PISTON RING SET (2 PER SET)	13	7
F19055-2	GEAR HOUSING CAP	19	12	F2A468010	CYLINDER W/CRANKCASE COVER & SLEEVE	13	6
F19118-1	SEAL, PROPELLER SHAFT	19	10	F2A468098	PROPELLER SHAFT W/BEVEL GEAR AND GROOVE PIN	19	14
F19123	GASKET, GEAR HOUSING CAP	19	13	F2A468144	CRANKSHAFT BEARING CAGE	13	36
F19342	SEAL	3	10	F30146	SEAL, CRANKSHAFT UPPER	13	38
F1979	PAN HD SCREW, 10 - 24 X 1/2	3	22	F31013	BEARING, CRANKSHAFT UPPER	13	34
F1979	PAN HD SCREW, 10 - 24 X 1/2	17	39	F31241	CAGE, CRANKPIN ROLLER	13	12
F1985	HAIR PIN COTTER	17	9	F31410	RETAINING RING	13	8
F1999	HEX HD SCREW, 1/4 - 20 X 7/8	19	30	F36634	CONNECTING ROD SCREW	13	32
F2014	PLAIN WASHER	17	6	F390063-1	REWIND STARTER COMPLETE	5	-
F2022	HEX SLOTTED HD SCREW, 10 - 24 X 7/8	11	2	F390186	COLLAR, FUEL TANK FILLER NECK	3	25
F2023	HEX HD MACHINE SCREW, 10 - 24 X 1	13	21	F390252	GASKET, FUEL TANK CAP	3	4
F2024	HEX HD MACHINE SCREW, 10 - 24 X 5/8	13	20	F390914-1	SEAL, WATERLINE LOWER	19	29
F2030	HEX CAP SCREW, 1/4 - 20 X 1 1/4	19	28	F427249	RING, FUEL TANK CAP	3	7
F2031	HEX SOCKET HD CAP SCREW, 1/4 - 20 X 3/4	19	25	F427491	ANCHOR, FUEL TANK CAP	3	8
F2034-1	HEX SOCKET HD CAP SCREW, 1/4 - 20 X 5 3/4 FOR LONG LEG MDLS	19	31	F429065	IMPELLER, WATER PUMP	19	24
F2035	PHILLIPS HD SCREW, 1/4 - 20 X 1	17	25	F459113	LOCK BAR	17	8
F2036	FILL HD SCREW, 8 - 32 X 2 1/4	3	13	F468014	BEARING, CRANKSHAFT LOWER	13	26
F2037	PLAIN WASHER	17	17	F468015-1	PISTON	13	10
F2038	HEX CAP SCREW, 1/4 - 20 X 3/4	17	19	F468034	FUEL TANK	3	18
F2039	TINNERMAN NUT	3	26	F468037-1	PIVOT BOLT	17	18
F21017	PISTON PIN	13	9	F468061-3	CARBURETOR COMPLETE (NOT SHOWN)	9	-
F211079	STEERING HANDLE	17	36	F468072	SWIVEL BRACKET, PORT	17	5
F2256	SCREW, FUEL TANK VENT	3	1	F468097	FLYWHEEL	7	1
F23078-1	BRACKET, STEERING HANDLE	17	31	F468128	DRIVESHAFT	19	3
F2388	DISC, FUEL TANK CAP	3	6	F468137	GRIP, STEERING HANDLE	17	37
F2389	SPRING, FUEL TANK VENT SCREW	3	5	F468151	EXHAUST PORT PLATE	13	17
F24074	CLAMP SCREW FOOT	17	11	F468152	COVER, EXHAUST PORT	13	19
F25281	SPACER, STEERING HANDLE BRACKET	17	30	F468153	GASKET, EXHAUST PORT COVER	13	18
F257	GASKET, VENT SCREW	3	2	F468154	GASKET, EXHAUST PORT PLATE	13	16
F26160-2	REED	11	8	F468159	GASKET, REED PLATE	11	11
F2706772	HOSE CLAMP	3	15	F468161	REED STOP	11	9
F2788004	CARBURETOR STUDS	11	4	F468168	GASKET, CARBURETOR ADAPTER	11	6
F28004	STUD, STEERING HANDLE BRACKET	13	28	F468169	BEARING, SWIVEL BRACKET	17	1
F28296	RETAINER, PROPELLER SHAFT SEAL	19	9	F468192-1	THROTTLE CAM	7	8
F28296	SEAL, RETAINER	19	22	F468222	TRANSFER PORT COVER	15	40
F28402	CRANKSHAFT THRUST WASHER	13	25	F468223	GASKET, TRANSFER PORT COVER	13	39
F28410	RETAINING RING	13	24	F468244	WATER LINE	19	2
F286132	HANDLE, STARTER ROPE	5	15	F468266	GEAR, BEVEL PINION	19	15
				F468277	GASKET, CRANKSHAFT BEARING CAGE	13	35
				F468279-2	GASKET, CYLINDER EXHAUST	13	22
				F468300	SPRING, REVERSE LOCK	17	23
				F468342	SEAL, CRANKSHAFT SPLINE	15	42

PARTS INDEX

Part Number	Description	Pg.	Ref. No.	Part Number	Description	Pg.	Ref. No.
F468349	REVERSE LOCK	17	22	FA468158	REED PLATE W/REEDS, REED STOPS AND SCREWS	11	7
F468350	PIN, REVERSE LOCK	17	24	FA468167	CARBURETOR ADAPTER W/STUDS	11	5
F468489-1	FUEL SHUT OFF VALVE	3	17	FA468346	SHOCK MOUNT LOWER	17	3
F468518-1	CYLINDER HEAD	13	2	FA468347	SHOCK MOUNT UPPER	17	2
F468529	GASKET, CYLINDER HEAD	13	5	FA494032	STERN BRACKET W/CLAMP SCREW & FOOT	17	12
F468547	CHOKE KNOB	3	14	FA494133	MOTOR LEG	17	4
F468549	KNOB, THROTTLE LEVER	7	12	FA77395-5	IDENTIFICATION PLATE W/SCREWS - U.S.A.	17	35
F468562	PLATE, WATER PUMP	19	23	FC468054	GEAR HOUSING COMPLETE	19	-
F468572	SWIVEL BRACKET, STARBOARD	17	26	FG1011	GASKET SEAL (NOT SHOWN)	15	-
F468775	PLATE, STEERING FRICTION	17	21	FK243	PROP PIN, PACK OF 6 W/COTTER PIN	17	28
F468894	INDICATOR, SPEED CONTROL	3	24	FK750-1	SPARKIE KIT	7	17
F468906	GASKET, CARBURETOR	11	1	FS236227	SPARK PLUG	13	1
F468944	COVER, BOTTOM	3	9	FT2993	SPANNER WRENCH	20	-
F469008	STUD, FOR LONG LEG MODELS	19	34	FT2997	RING COMPRESSOR	21	-
F469128	DRIVESHAFT, FOR LONG LEG MODELS	19	-	FT8900	HOSE CLAMP PLIERS	21	-
F469626	WATER LINE EXTENSION, FOR LONG LEG MODELS	19	32	FT8926	PISTON RING EXPANDER	21	-
F469845	MOTOR LEG EXTENSION	19	35	FT8929	ADAPTER AND HEX BIT	21	-
F482390	DECAL, INSTRUCTION, (NOT SHOWN)	17	-	FT8937	BEARING INSTALLER	21	-
F494920	CLAMP, WATER LINE	17	40	FT8949	SEAL INSTALLER	21	-
F50109	PLUG, GEAR HOUSING	19	16	FT8950	LEAKAGE TESTER	23	-
F50342-1	SEAL, WATER LINE UPPER	19	1	FT8965	KNOCK-OFF NUT	20	-
F50563	PIN, WATER PUMP IMPELLER DRIVE	19	4	FT8975	SEAL PROTECTOR	21	-
F53991-2	GROMMET, SHEAR PIN	17	29	FT904	SEAL INSTALLER	22	-
F63754	HOSE, FUEL VALVE TO CARBURETOR	3	16	P468	PROPELLER (ACCESSORY ITEM)	19	8
F66480	STUD	17	10	S468712-1	ENGINE COVER, TOP	3	23
F7005	STOP NUT	17	7	T8974	BREAKER POINT TENSION GAUGE	23	-
F7006	LOCK NUT	17	33	600-FS715016	CONNECTING ROD W/CAP AND SCREWS	13	11
F7009	LOCK NUT	17	41				
F8025	PLAIN WASHER	13	4				
F8061	INTERNAL TOOTH LOCKWASHER	5	2				
F8066	EXTERNAL TOOTH LOCKWASHER	5	12				
F8074	PLAIN WASHER	19	19				
F8077	NYLTITE WASHER	19	17				
F8536	SPRING PIN	17	13				
F8559	DOWEL PIN	13	27				
F901938-1	SCREW, CYLINDER HEAD	13	3				
FA28073-1	STERN BRACKET CLAMP SCREW W/FOOT & STUD	17	14				
FA286094	PROPELLER NUT W/COTTER PIN	19	6				
FA286655	LINER, CENTER MAIN BEARING (2 PER SET)	13	14				
FA31228	CRANKPIN ROLLER (14 PER SET)	13	13				
FA427251	CAP, FUEL TANK COMPLETE	3	3				
FA459101	PROP PIN, PACK OF 3 W/COTTER PIN	19	7				