



PARTS CATALOG

10 H.P.

SERIAL NUMBER

10 (1978)	102B8E
10 (1978)	102H8E
10 (1978)	103B8E
10 (1978)	103H8E
10 (1978)	108B8B
10 (1978)	108H8B
10 (1978)	109B8B
10 (1978)	109H8B

TABLE OF CONTENTS:

ACCESSORIES	49
ELECTRIC STARTER	16
ELECTRICAL COMPONENTS (C-D ALTERNATOR MODELS)	18
ENGINE COVER AND SUPPORT PLATE (ALTERNATOR MODELS)	6
ENGINE COVER AND SUPPORT PLATE (MANUAL START MODELS)	2
FUEL PUMP (C-D ALTERNATOR MODELS)	14
FUEL SYSTEM	22
FUEL TANK AND LINE	42
GEAR HOUSING	38
LUBRICATION CHART	51
MAGNETO (MANUAL START MODELS)	10
MOTOR LEG	32
PARTS INDEX	53
POWER HEAD	26
SPECIAL ADJUSTMENTS	52
SPECIAL TOOLS - LOWER UNIT	47
SPECIAL TOOLS - MANUAL STARTER	45
SPECIAL TOOLS - POWER HEAD	46
SPECIAL TOOLS - TEST EQUIPMENT	48
SPECIAL TOOLS - TUNE-UP	44
SPECIFICATIONS	50
STARTER	12

NOTE: *Indented description indicate that these parts are included in preceeding assembly.*

AR = As Required

NSS = Not Sold Separate

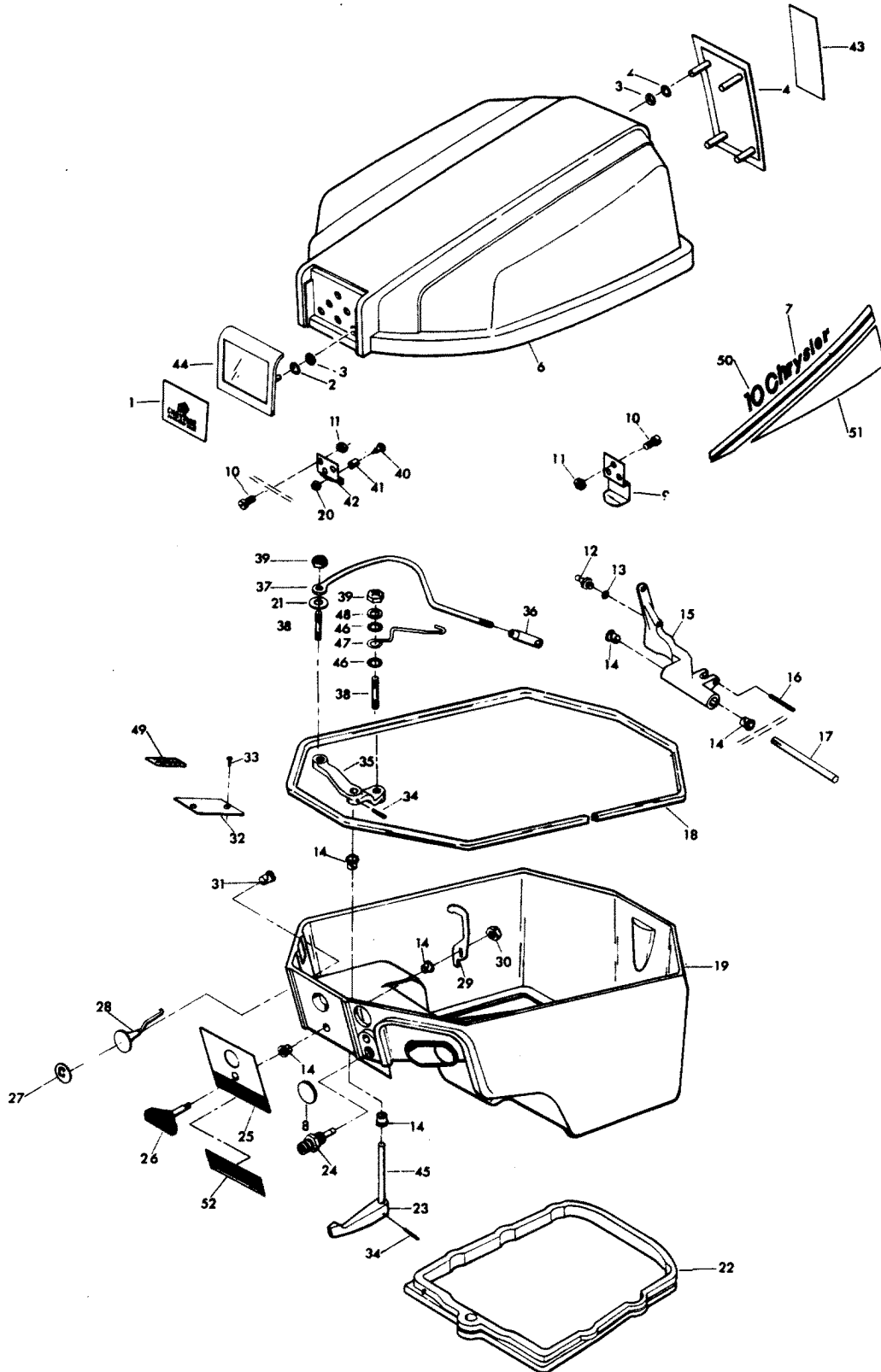
OPT = Optional

NS = Not Shown

THESE PARTS BOOKS/FICHE CARD ARE COPYRIGHTED AND MAY NOT BE DISTRIBUTED OR REPRODUCED IN ANY OTHER FORMAT BY ANYONE OTHER THAN MERCURY MARINE WITHOUT THE PRIOR WRITTEN CONSENT OF MERCURY MARINE.

THIS PAGE INTENTIONALLY LEFT BLANK

ENGINE COVER AND SUPPORT PLATE (MANUAL START MODELS)

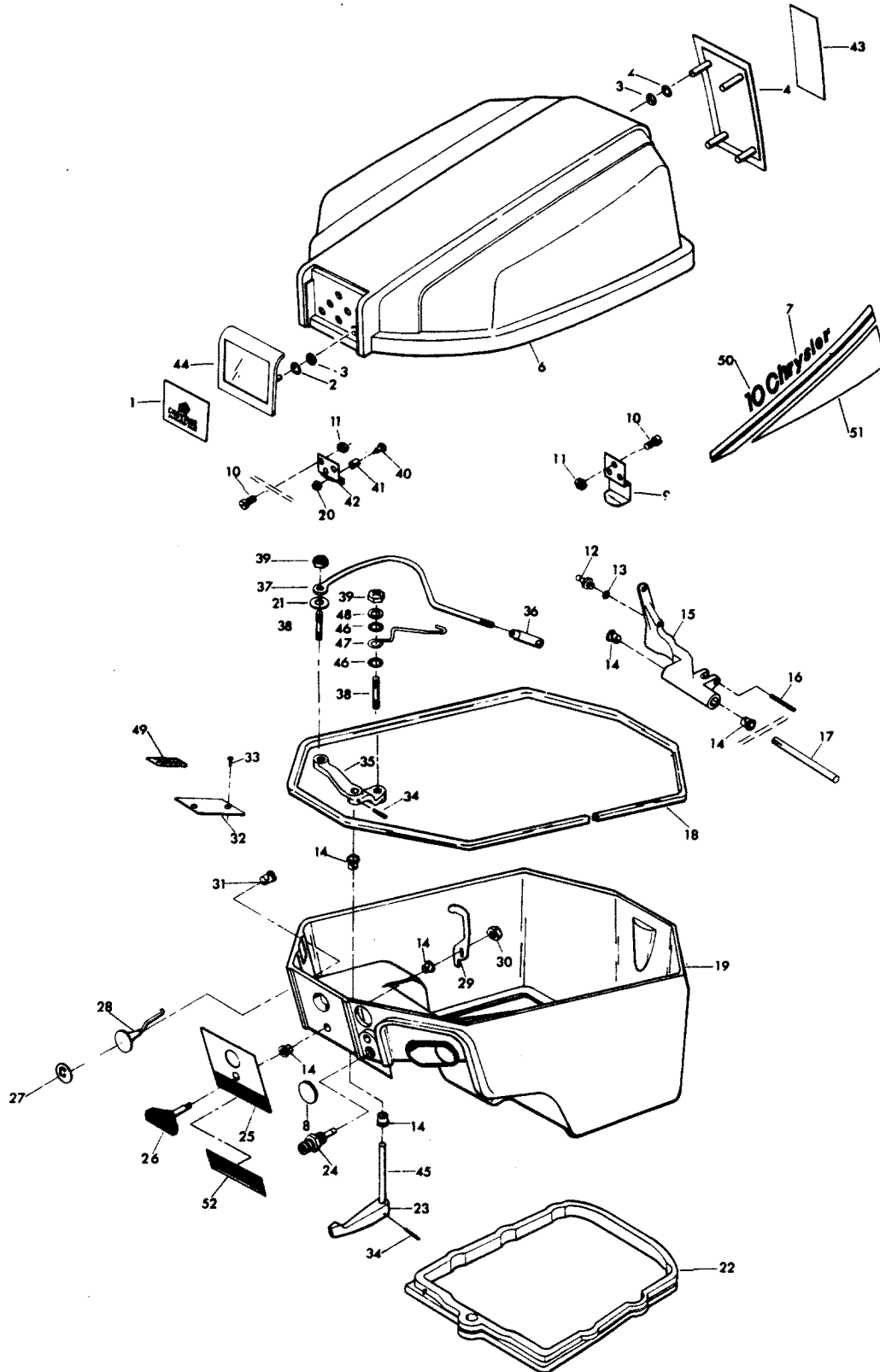


ENGINE COVER AND SUPPORT PLATE (MANUAL START MODELS)

REF. NO.	PART NO.	SYM.	QTY.	DESCRIPTION
1	FA487892		1	INSERT, PLATE FRONT - U.S.A.
-	FA487893		1	INSERT, PLATE FRONT - CANADA
2	F85735-1		7	SEAL
3	F1753		7	FASTENER
4	F510180		1	TRIM, ENGINE COVER, REAR
6	FS472712		1	COVER, ENGINE W/BACKET, RETAINER AND TILT HANDLE
7	FA510392		2	DECAL, PORT, "CHRYSLER"
8	F343226-1		2	PLUG
9	FA286480		1	RETAINER, ENGINE COVER W/SCREWS AND NUTS
10	F1475		6	FILL HD SCREW, 10 - 24 X 1/2
11	F7011		6	ELASTIC STOP NUT, 10 - 24
12	F98273		1	STUD, GEAR SHIFT ROD CONNECTOR
13	F8058		1	INTERNAL TOOTH LOCKWASHER
14	F307818		6	BEARING
15	F286876		1	LEVER, GEAR SHIFT
16	F8542		1	SPRING PIN
17	F286871		1	PIN, GEAR SHIFT LEVER
18	F392756		1	PACKING, SUPPORT PLATE
19	FA492038		1	PLATE, SUPPORT W/PLUGS
20	F7011		1	STOP NUT, 10 - 24
21	F8048		1	BOWED SPRING WASHER
22	F286989-2		1	SEAL, SUPPORT PLATE
23	F286614		1	HANDLE, GEAR SHIFT
24	F197767-1		1	BUSHING, FUEL LINE
25	817757A4		1	PLATE, FRONT
26	FA286469		1	KNOB, COVER LATCH
27	F458677		1	INSERT, CHOKE KNOB
28	FA286547		1	KNOB, CHOKE W/INSERT AND CHOKE ROD
29	F286777		1	CAM, COVER LATCH
30	F2002		1	STOP NUT, 5/16 - 18
31	F197319		1	BEARING, CHOKE ROD
32	FA77395-5		1	PLATE, IDENTIFICATION W/SCREWS, U.S.A.
-	AC16395-8		1	PLATE, IDENTIFICATION W/SCREWS, CANADA
33	F1447		2	DRIVE SCREW
34	F8540		2	SPRING PIN
35	F492619		1	LEVER, GEAR SHIFT SHAFT
36	F286685		1	CONNECTOR, GEAR SHIFT ROD
37	F286611-1		1	ROD, GEAR SHIFT
38	F286134		2	STUD, GEAR SHIFT LEVER
39	F1804		2	STOP NUT, 10 - 32
40	F269316		1	ROLLER SHAFT
41	F92759		1	ROLLER
42	817758A1		1	BRACKET, COVER LATCH W/SCREWS, NUTS AND ROLLER

CONTINUED ON NEXT PAGE ➡

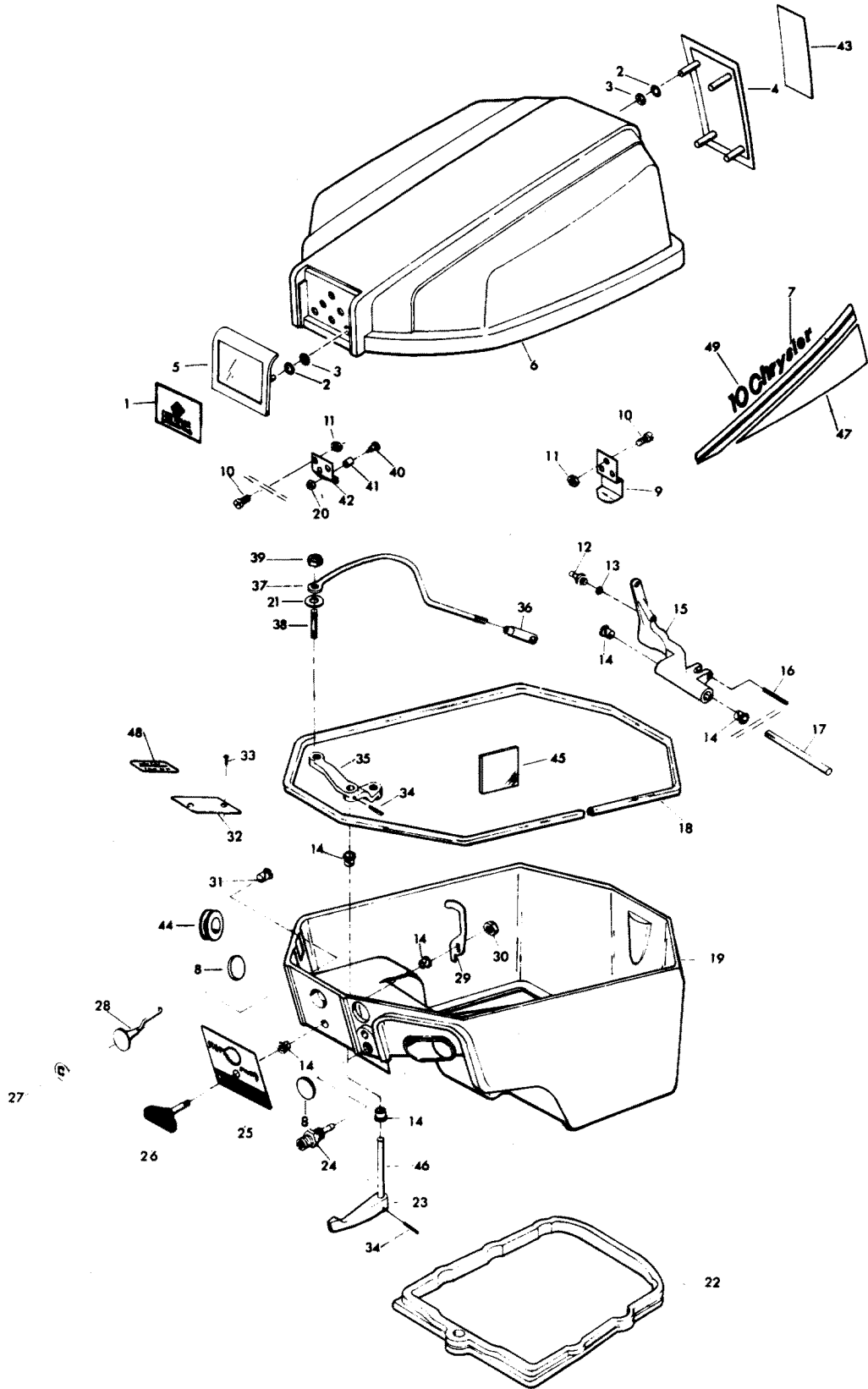
ENGINE COVER AND SUPPORT PLATE (MANUAL START MODELS)



ENGINE COVER AND SUPPORT PLATE (MANUAL START MODELS)

REF. NO.	PART NO.	SYM.	QTY.	DESCRIPTION
43	FA492528		1	INSERT, TRIM REAR
44	F487711		1	PLATE, ENGINE COVER
45	F492417		1	SHAFT, GEAR SHIFT HANDLE
46	F184579		2	SEAL
47	F492263		1	LINK, STARTER INTERLOCK
48	F8011		1	PLAIN WASHER
49	F235785		1	DECAL, COMPLIANCE (CANADA)
50	A510386-1		2	DECAL, NUMERAL "10"
51	FA510397		1	DECAL, STRIPE (PORT)
-	FA520396		1	DECAL, STRIPE (STARBOARD)
52	FC516400		1	DECAL, "SHIFT" (CANADA ONLY)

ENGINE COVER AND SUPPORT PLATE (ALTERNATOR MODELS)

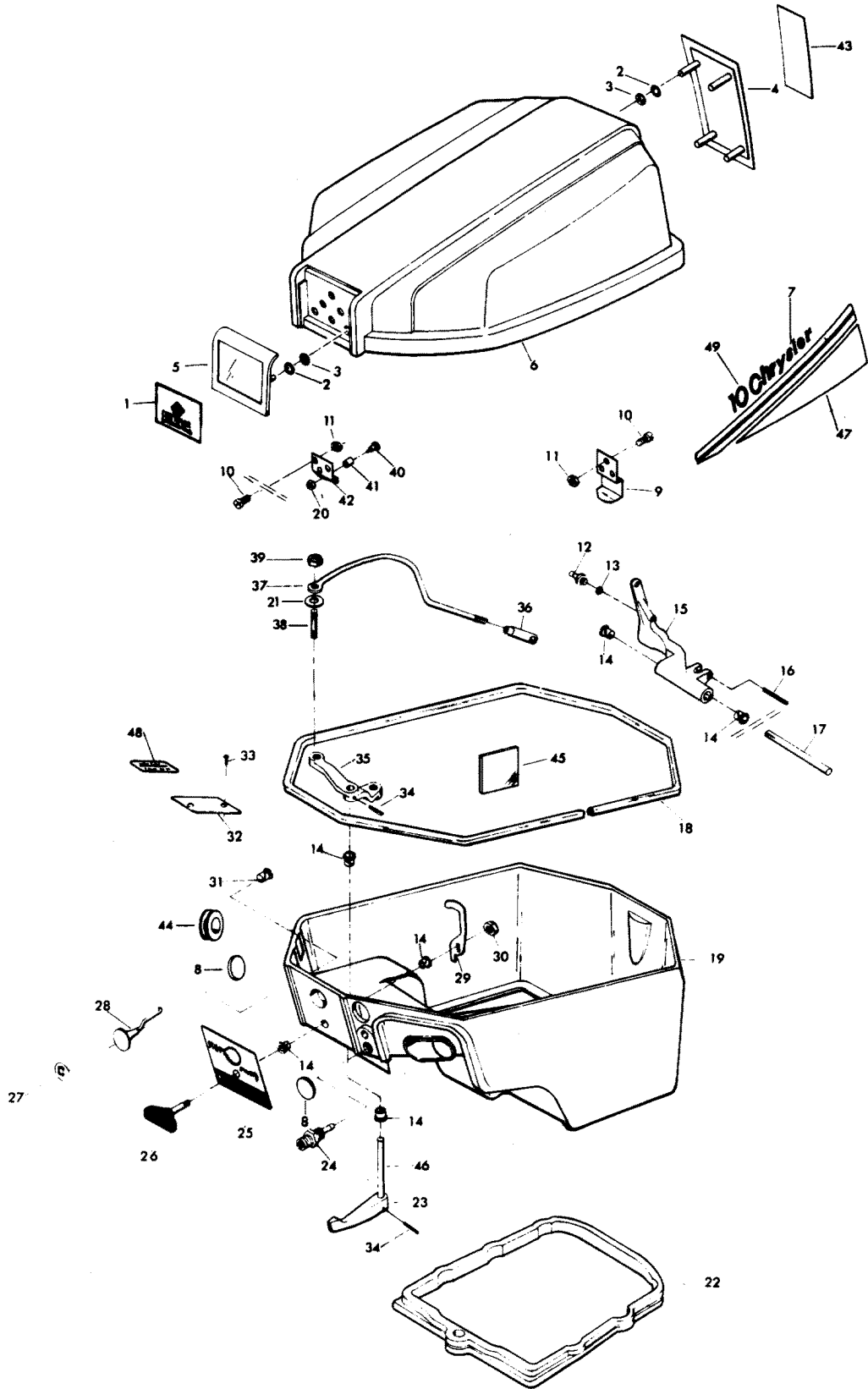


ENGINE COVER AND SUPPORT PLATE (ALTERNATOR MODELS)

REF. NO.	PART NO.	SYM.	QTY.	DESCRIPTION
1	FA487892		1	INSERT, PLATE FRONT - U.S.A.
-	FA487893		1	INSERT, PLATE FRONT - CANADA
2	F85735-1		7	SEAL
3	F1753		7	FASTENER
4	F510180		1	TRIM, ENGINE COVER REAR
5	F487711		1	PLATE, ENGINE COVER FRONT
6	FS472712		1	ENGINE COVER W/BRACKET & RETAINER
7	FA510392		2	DECAL, PORT "CHRYSLER"
8	F343226-1		2	PLUG
9	FA286480		1	RETAINER, ENGINE COVER W/SCREWS AND NUTS
10	F1475		6	FILL HD SCREW, 10 - 24 X 1/2
11	F7011		6	ELASTIC STOP NUT, 10 - 24
12	F98273		1	STUD, GEAR SHIFT ROD CONNECTOR
13	F8058		1	INTERNAL TOOTH LOCKWASHER
14	F307818		6	BEARING
15	F286876		1	LEVER, GEAR SHIFT
16	F8542		1	SPRING PIN
17	F286871		1	PIN, GEAR SHIFT LEVER
18	F392756		1	PACKING, SUPPORT PLATE
19	FA510038		1	SUPPORT PLATE W/PLUGS
20	F7011		1	STOP NUT, 10 - 24
21	F8048		1	BOWED WASHER
22	F286989-2		1	SEAL, SUPPORT PLATE
23	F286614		1	HANDLE, GEAR SHIFT
24	F197767-1		1	BUSHING, FUEL LINE
25	FA510711		1	PLATE, FRONT
-	FAC510711		1	PLATE, FRONT (CANADA)
26	FA286469		1	KNOB, COVER LATCH
27	F458677		1	INSERT, CHOKE KNOB
28	FA286547		1	KNOB, CHOKE W/INSERT AND CHOKE ROD
29	F286777		1	CAM, COVER LATCH
30	F2002		1	STOP NUT, 5/16 - 18
31	F197319		1	BEARING, CHOKE ROD
32	FA77395-5		1	IDENTIFICATION PLATE W/SCREWS FOR U.S.A. MODELS
-	AC16395-8		1	IDENTIFICATION PLATE W/SCREWS FOR CANADA MODELS
33	F1447		2	DRIVE SCREW
34	F8540		2	SPRING PIN
35	F492619		1	LEVER, GEAR SHIFT SHAFT
36	F286685		1	CONNECTOR, GEAR SHIFT ROD
37	F286611-1		1	ROD, GEAR SHIFT
38	F286134		1	STUD, GEAR SHIFT LEVER
39	F1804		1	STOP NUT, 10 - 32
40	F269319		1	ROLLER SHAFT

CONTINUED ON NEXT PAGE ➡

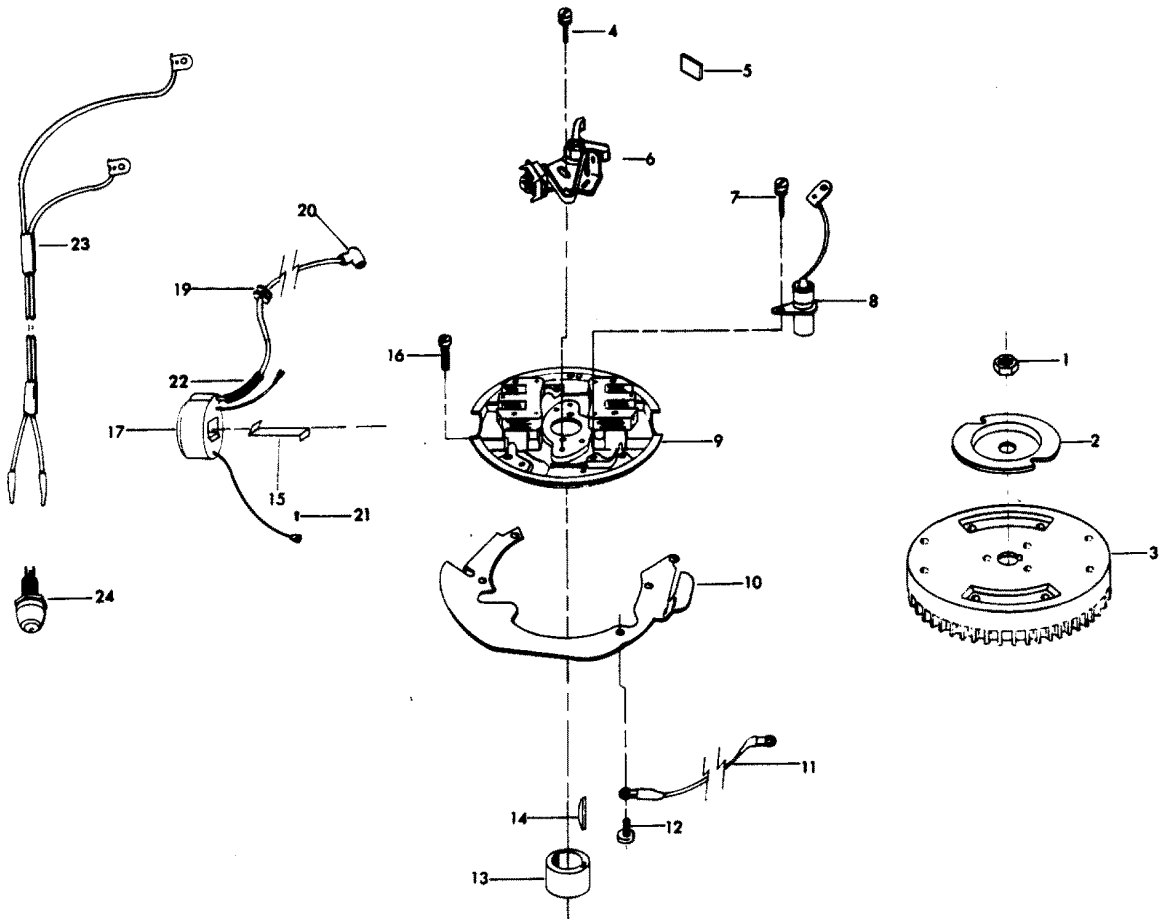
ENGINE COVER AND SUPPORT PLATE (ALTERNATOR MODELS)



ENGINE COVER AND SUPPORT PLATE (ALTERNATOR MODELS)

REF. NO.	PART NO.	SYM.	QTY.	DESCRIPTION
41	F92759		1	ROLLER
42	817758A1		1	BRACKET, ENGINE COVER LATCH W/SCREWS, NUTS AND ROLLERS
43	FA492528		1	INSERT, TRIM REAR
44	F94840		1	GROMMET, BATTERY CABLE
45	F510661		1	PAD, STARTER MOTOR
46	F492417		1	SHAFT, GEAR SHIFT HANDLE
47	FA510397		1	DECAL, STRIPE (PORT)
-	A510396		1	DECAL, STRIPE (STARBOARD)
48	F235785		1	DECAL, COMPLIANCE (CANADA)
49	A510386-1		2	DECAL, NUMERAL "10"

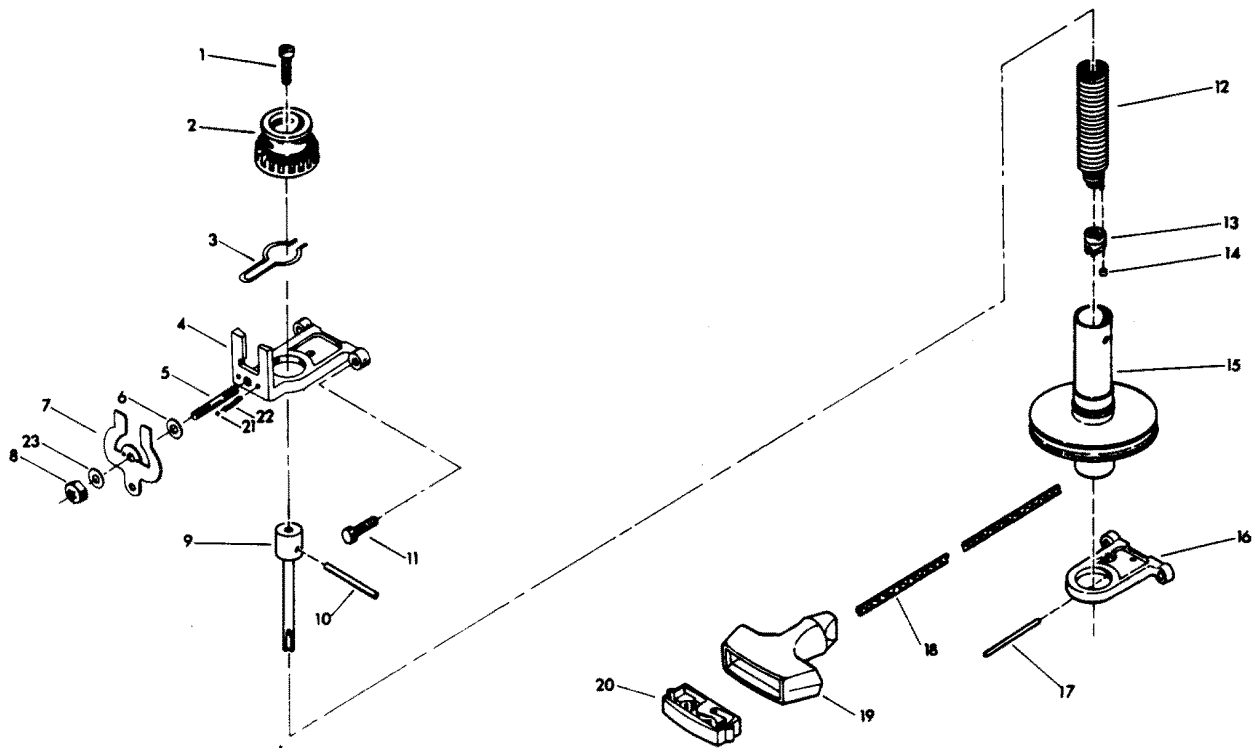
MAGNETO (MANUAL START MODELS)



MAGNETO (MANUAL START MODELS)

REF. NO.	PART NO.	SYM.	QTY.	DESCRIPTION
1	F1809		1	HEX NUT, 1/2 - 20
2	F901456-1		1	EMERGENCY STARTER COLLAR
3	F302097		1	FLYWHEEL
4	F12170		4	CONTACT SCREW W/LOCKWASHER
5	F12228		1	CAM WIPER FELT
6	F12153		2	BREAKER POINT SET
7	F12083		2	CONDENSER SCREW W/LOCKWASHER
8	F12181-1		2	CONDENSER
9	F12343		1	STATOR PLATE W/LAMINATIONS
10	F286192		1	THROTTLE CAM PLATE
11	F289664		1	WIRE, STATOR GROUND
12	F1075		4	FILL HD SCREW, 10 - 24 X 1/2
13	F217002		1	MAGNETO BREAKER CAM
14	F458498		1	MAGNETO KEY
15	F12146		2	COIL WEDGE SPRING
16	F1090		4	FILL HD SCREW W/LOCKWASHER, 10 - 24 X 9/16
17	FA12370		2	COIL W/LEAD WIRE & WEDGE SPRING
19	F12088		4	GROMMET
20	FK750-2		2	SPARKIE W/SPRING
21	F12114		2	COIL GROUND TERMINAL SCREW
22	F12141		1	HIGH TENSION LEAD SLEEVE
23	F12186		1	PRIMARY TERMINAL WIRE
24	F436449		1	SHORTING SWITCH
-	F12091		1	LEAD WIRE MARKER TOP (NOT SHOWN)

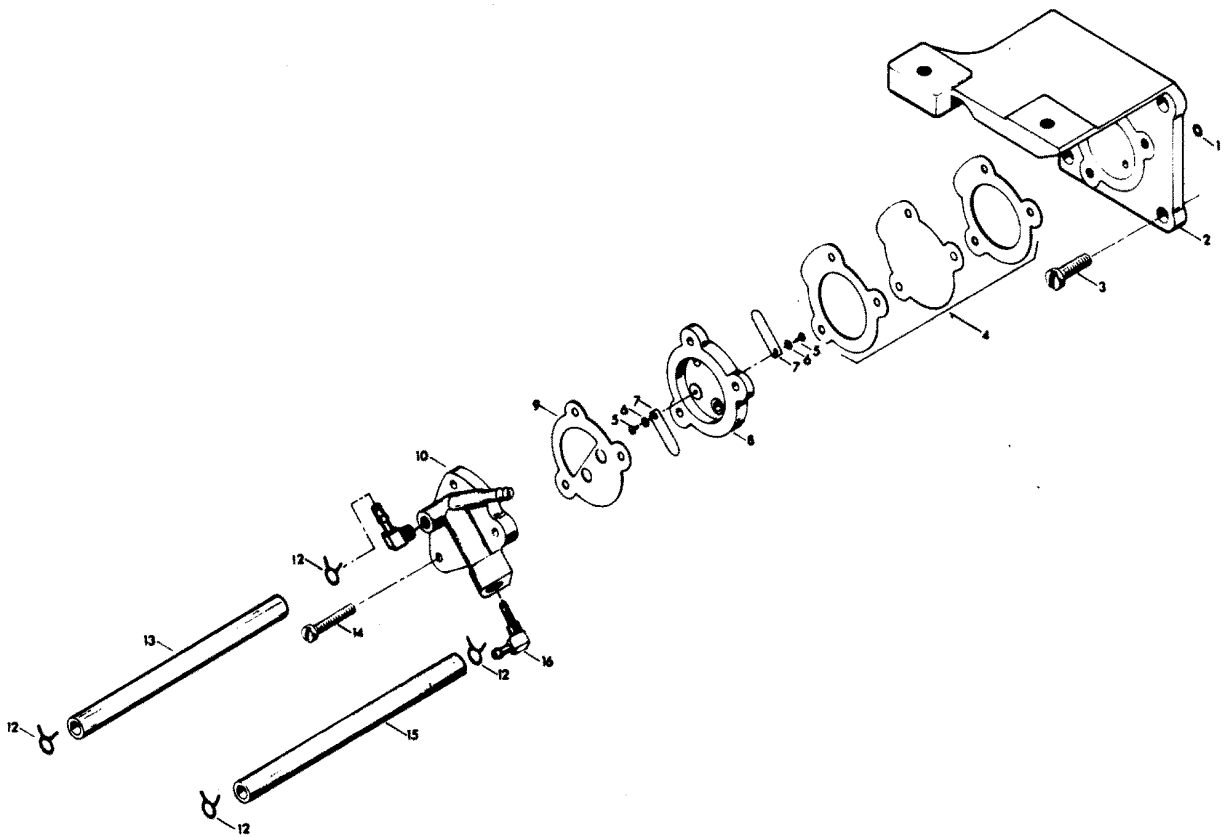
STARTER



STARTER

REF. NO.	PART NO.	SYM.	QTY.	DESCRIPTION
1	F1089		1	FILL HD SCREW, 10 - 24 X 9/16
2	F487674		1	GEAR, STARTER PINION
3	F487424-1		1	STARTER PINION SPRING
4	F487427-1		1	BRACKET, STARTER UPPER
5	F286134		1	STUD
6	F8011		1	PLAIN WASHER
7	F487781-3		1	STARTER INTERLOCK
8	F1804		1	STOP NUT
9	F286710		1	ARBOR, STARTER SPRING
10	F40425		1	STARTER PINION PIN
11	F1914		4	HEX HD SCREW, 1/4 - 20 X 3/4
12	FA286970		1	STARTER REWIND SPRING W/END AND RETAINER
13	F286737-1		1	RETAINER, STARTER REWIND SPRING
14	F286930		1	END, STARTER SPRING
15	F2A459239		1	STARTER SPOOL W/SHAFT
16	FK317427		1	BRACKET, STARTER LOWER W/SPRING PIN
17	F1875		1	SPRING PIN, STARTER BRACKET
18	F409232		1	STARTER ROPE
19	F286132		1	HANDLE, STARTER ROPE
20	817938A1		1	RETAINER, STARTER ROPE HANDLE
21	F487727		2	BALL, INTERLOCK DETENT
22	F487895		2	SPRING, INTERLOCK DETENT
23	F2042		1	PLAIN WASHER

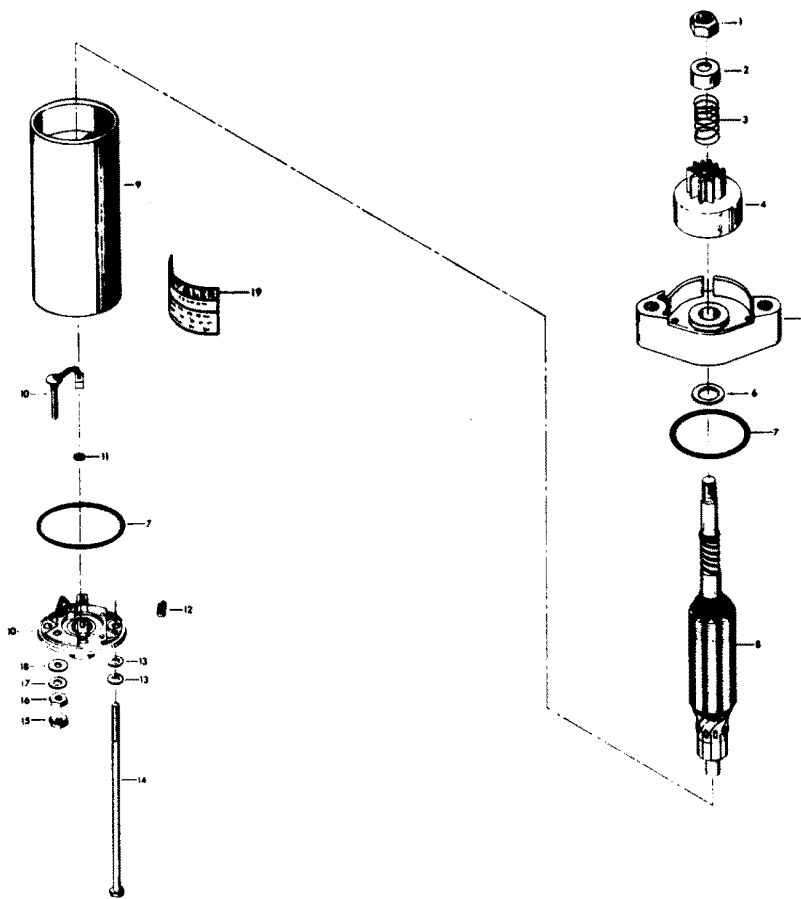
FUEL PUMP (C-D ALTERNATOR MODELS)



FUEL PUMP (C-D ALTERNATOR MODELS)

REF. NO.	PART NO.	SYM.	QTY.	DESCRIPTION
1	F455118		1	SEAL, FUEL PUMP BRACKET
2	F510427		1	BRACKET, STARTER SUPPORT
3	F1577		4	FILL HD SCREW, 1/4 - 20 X 3/4
4	27-818043A1		1	FUEL PUMP DIAPHRAGM W/GASKETS
5	F1286		2	PAN HD SCREW, 4 - 40 X 3/16
6	F8003		2	PLAIN WASHER
7	F18160-2		2	REED, FUEL PUMP
8	FA24757-3		1	FUEL PUMP REED PLATE W/REEDS AND SCREWS
9	F24748-2		1	GASKET, FUEL PUMP
10	F510746		1	FUEL PUMP COVER
11	22-818103--1		1	FITTING, FUEL PUMP
12	F2706772		4	HOSE CLAMP
13	F2771254		1	HOSE, FUEL PUMP TO CARBURETOR
14	F1069		3	FILL HD SCREW, 10 - 24 X 1 1/16
15	F2752253		1	HOSE, FUEL PUMP TO BUSHING
16	F510811		1	FILTER, FUEL PUMP

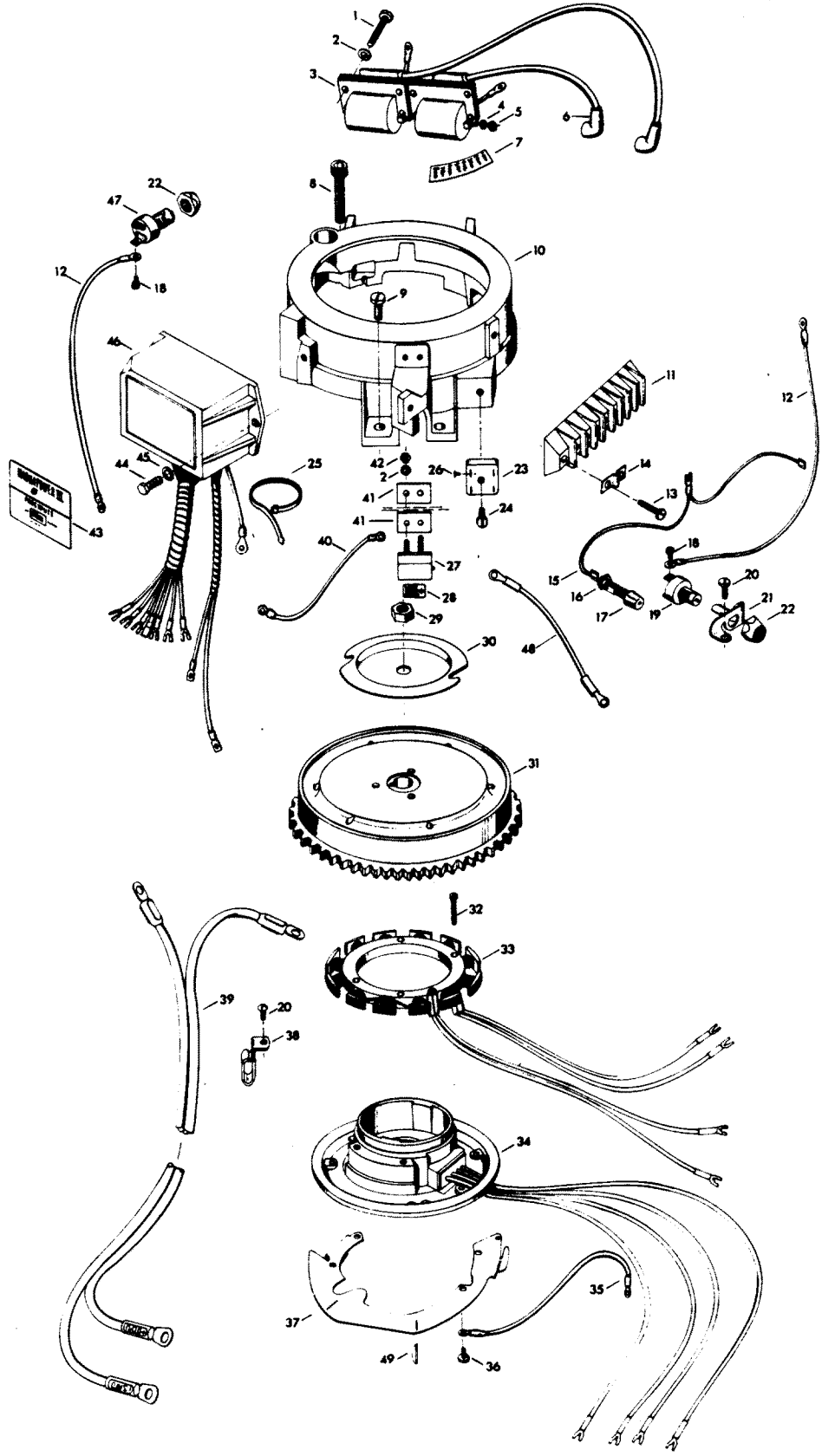
ELECTRIC STARTER



ELECTRIC STARTER

REF. NO.	PART NO.	SYM.	QTY.	DESCRIPTION
1	F15142		1	STOP NUT
2	F15141		1	PINION STOP
3	F15140		1	SPRING
4	F15139		1	PINION ASSEMBLY
5	F15135		1	CAP ASSEMBLY, DRIVE END
6	F15137		1	WASHER
7	F15145		2	GASKET
8	F15134		1	ARMATURE
9	F15136		1	HOUSING ASSEMBLY
10	F15127		1	CAP ASSEMBLY, COMMUTATOR END (INCLUDES ITEMS 15, 16, 17 AND 18)
11	F15143		1	DISC
12	F15138		2	SPRING, BRUSH
13	F15146		4	WASHER
14	F15144		2	SCREW, THRU BOLT
15	F15129		1	NUT W/LOCKWASHER
16	F15130		1	NUT
17	F15133		1	WASHER
18	F15132		1	WASHER, FIBER
-	F510955		1	STARTER MOTOR COMPLETE
19	FC520390		1	DECAL, STARTER, (CANADA)

ELECTRICAL COMPONENTS (C-D ALTERNATOR MODELS)

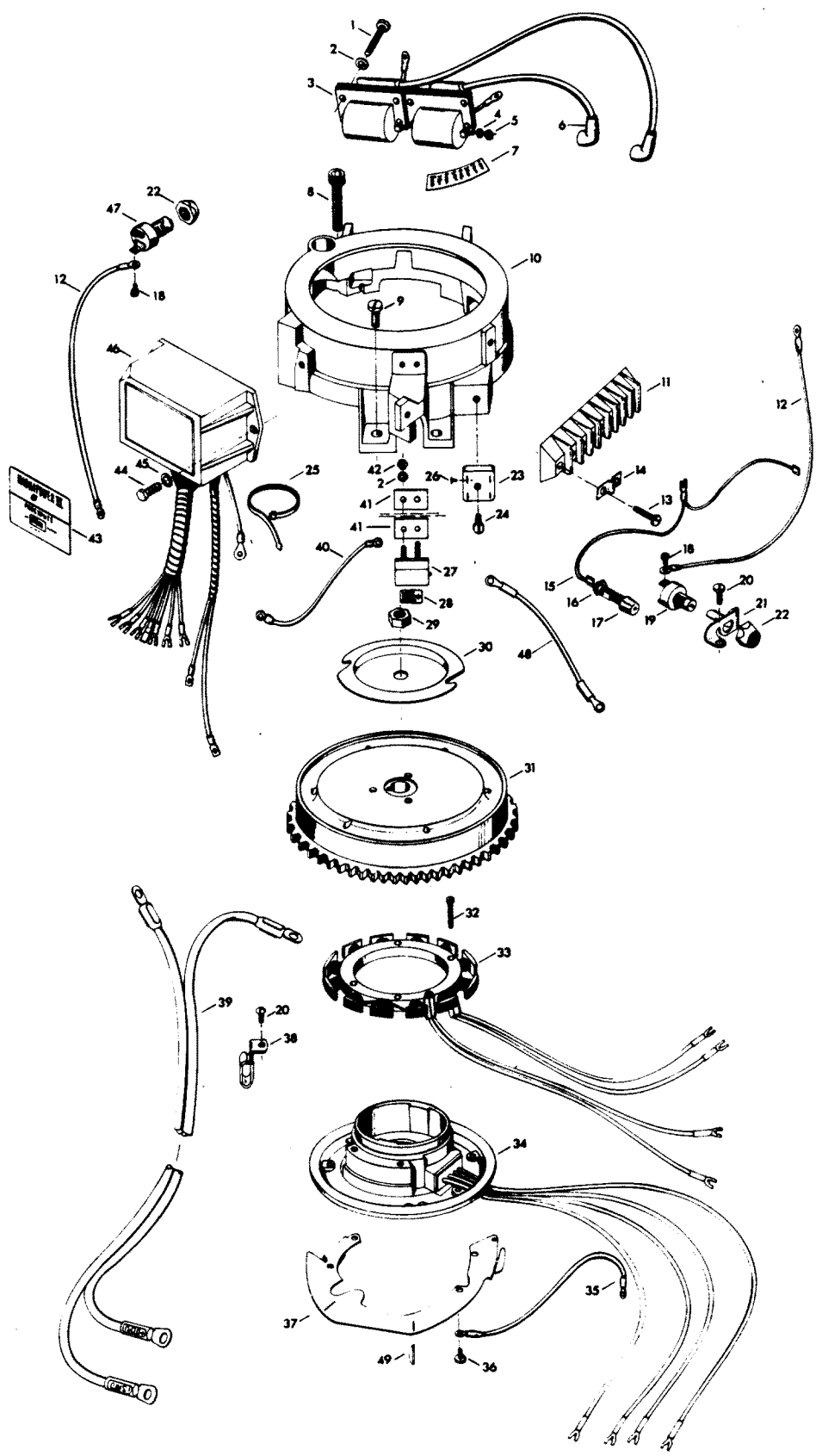


ELECTRICAL COMPONENTS (C-D ALTERNATOR MODELS)

REF. NO.	PART NO.	SYM.	QTY.	DESCRIPTION
1	F1829		8	FILL HD M. SCREW, 10 - 24 X 7/8
2	F1975		12	SPRING LOCKWASHER
3	F510475		2	IGNITION COIL
4	F1704		2	INTERNAL TOOTH LOCKWASHER
5	F1337		2	HEX NUT, 6 - 32
6	FK750-2		2	SPARKIE W/SPRING
7	F510398		1	DECAL, WIRING
-	FC510398		1	DECAL, WIRING (CANADA)
8	F1646		2	HEX SOCKET HD CAP SCREW, 3/8 - 16 X 2 1/4
9	F1577		4	FILL HD SCREW, 1/4 - 20 X 3/4
10	F510675-1		1	STARTER SUPPORT
11	FA510497		1	TERMINAL BLOCK
12	F510841		2	WIRE, STARTER INTERLOCK SWITCH
13	F1648		2	PAN HD SCREW, 10 - 24 X 3/4
14	F307317		1	CLIP, TERMINAL BLOCK GROUND
15	F510908		1	WIRE, GROUND
16	F510288		1	NUT, SHORTING SWITCH
17	F436449		1	SHORTING SWITCH
18	F1556		4	FILL HD M. SCREW W/SPRING LOCKWASHER, 10 - 24 X 3/8
19	F510918		1	STARTER SWITCH
20	F1802		3	FILL HD SCREW, 1/4 - 20 X 9/16
21	F510540		1	BRACKET, STARTER SWITCH
22	F510669		2	NUT, INTERLOCK SWITCH AND STARTER SWITCH
23	F510450-1		1	RECTIFIER
24	F1303		1	PAN HD SCREW, 8 - 32 X 3/4
25	F1845		1	TY-RAP
26	F1645		4	ROUND HD SCREW, 6 - 32 X 1/4
27	F510460		1	CIRCUIT BREAKER
28	F510374		1	DECAL, CIRCUIT BREAKER
-	FC510374		1	DECAL, CIRCUIT BREAKER (CANADA)
29	F1809		1	HEX NUT
30	F901456-1		1	EMERGENCY STARTER COLLAR
31	F510097		1	FLYWHEEL
32	F1678		4	FILL HD SCREW, 10 - 24 X 13/16
33	F510095		1	STATOR, ALTERNATOR
34	F510029		1	STATOR, TRIGGER
35	F404908		1	GROUND WIRE
36	F1075		4	FILL HD SCREW, 10 - 24 X 1/2
37	F286192		1	THROTTLE CAM
38	F510446		1	CLAMP, BATTERY CABLE
39	F510896		1	BATTERY CABLE
40	F493683		1	WIRE
41	F510595		2	INSULATOR, CIRCUIT BREAKER

CONTINUED ON NEXT PAGE ➡

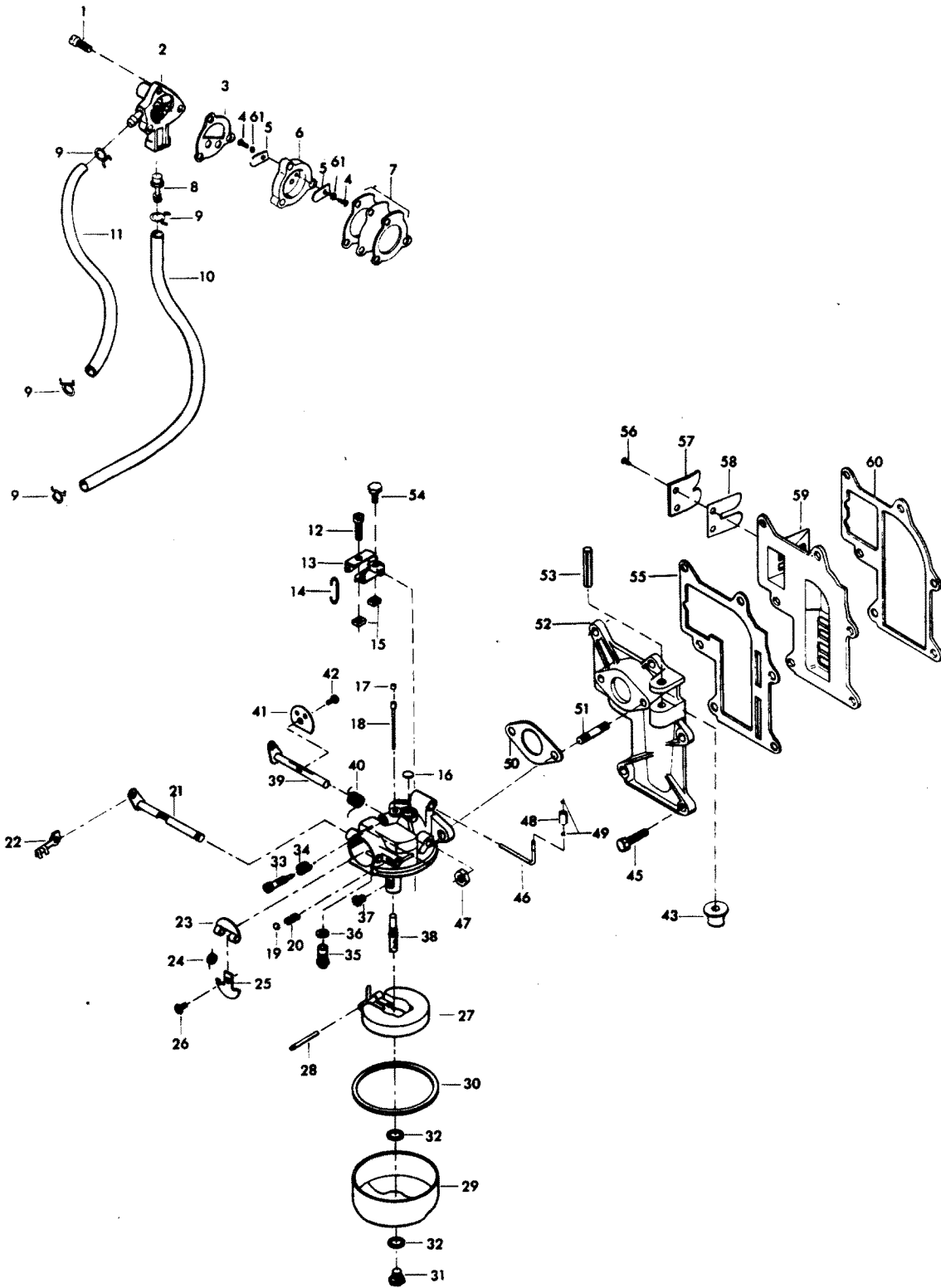
ELECTRICAL COMPONENTS (C-D ALTERNATOR MODELS)



ELECTRICAL COMPONENTS (C-D ALTERNATOR MODELS)

REF. NO.	PART NO.	SYM.	QTY.	DESCRIPTION
42	F1513		2	HEX NUT, 10 - 32
43	510373-1		1	DECAL, MAGNAPOWER III
44	F1999		2	HEX CAP SCREW, 1/4 - 20 X 7/8
45	F8083		1	SPRING LOCKWASHER
46	F510301		1	C-D MODULE
47	F510449		1	NEUTRAL INTERLOCK SWITCH
48	F510683		1	WIRE, RECTIFIER-CIRCUIT BREAKER
49	F458498		1	KEY, FLYWHEEL

FUEL SYSTEM

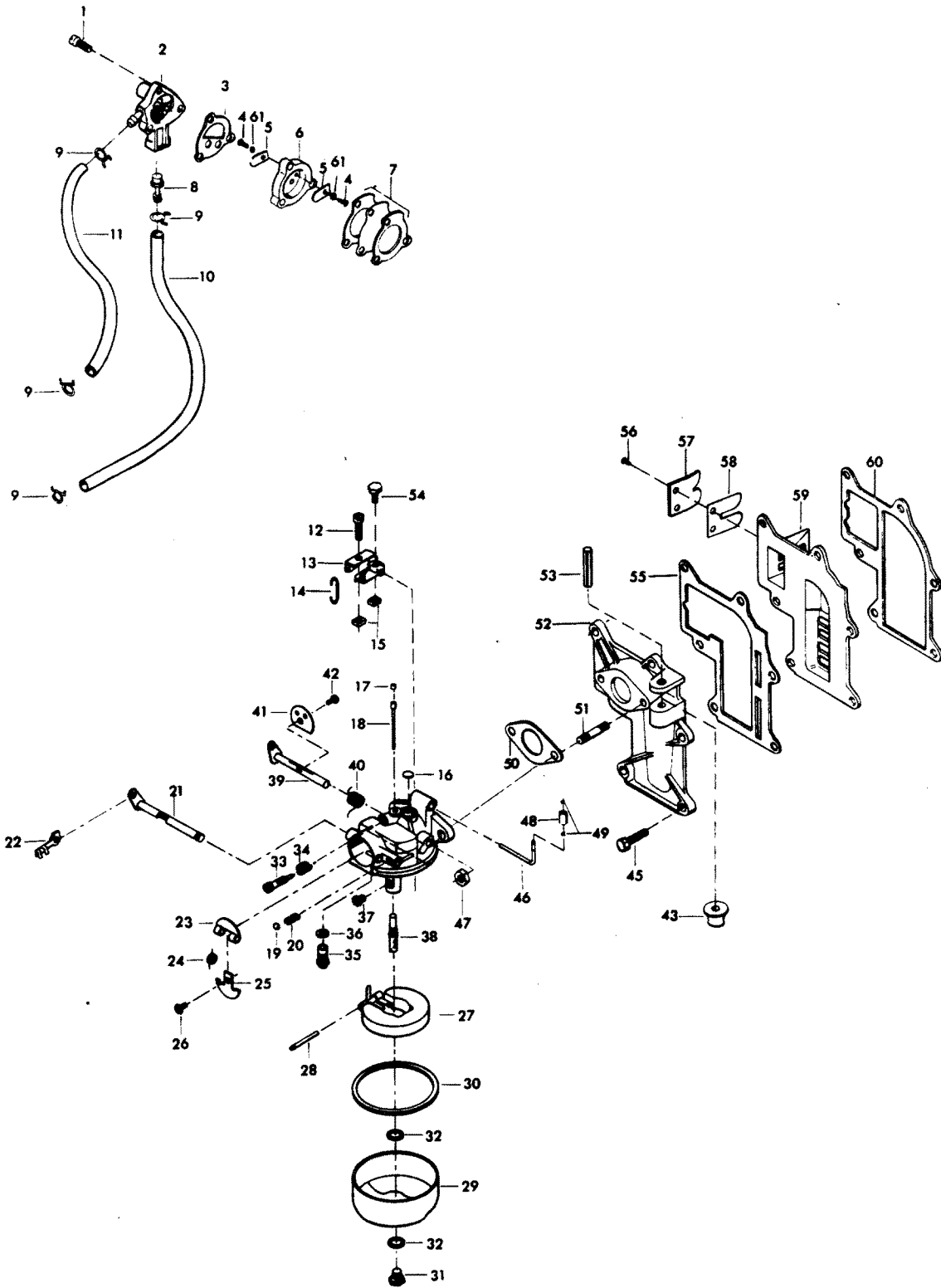


FUEL SYSTEM

REF. NO.	PART NO.	SYM.	QTY.	DESCRIPTION
1	F1069		3	FILL HD SCREW, 10 - 24 X 1 1/16
2	F901746-2		1	FUEL PUMP COVER
3	F24748-2		1	GASKET, FUEL PUMP
4	F1286		2	PAN HD SCREW, 4 - 40 X 3/16
5	F18160-2		2	REED FUEL PUMP
6	FA24757-3		1	FUEL PUMP REED PLATE W/REEDS AND SCREWS
7	27-818043A1		1	FUEL PUMP DIAPHRAGM W/GASKETS
8	F901811		1	FUEL PUMP FILTER
9	F2706772		4	HOSE CLAMP
10	F40253		1	FUEL LINE
11	FA24754-1		1	FUEL LINE W/CLAMPS
12	F1834		1	FILL HD SCREW, 10 - 24 X 7/8
13	817754A1		1	ARM, CARBURETOR FOLLOWER
14	F66193		1	THROTTLE LINK
15	F1365		2	SQUARE NUT, 10 - 24
16	FO2531		1	BODY CHANNEL WELCH PLUG
17	FO10588		1	BODY CHANNEL CUP PLUG
19	FO4784		1	CHOKE FRICTION BALL
20	FO8805		1	CHOKE FRICTION SPRING
21	FO15736		1	CHOKE SHAFT AND LEVER
22	F341384		1	RETAINER, CHOKE ROD
23	FO15368		1	CHOKE RELIEF VALVE
24	FO15783		1	CHOKE RELIEF VALVE SPRING
25	FO15367		1	CHOKE SHUTTER
26	FO10280		1	CHOKE SHUTTER RETAINER SCREW AND LOCKWASHER
27	FO13554		1	FLOAT
28	FO13944		1	FLOAT LEVER PIN
29	FO15366		1	FUEL BOWL
30	FO15623		1	FUEL BOWL GASKET
31	FO13945		1	FUEL BOWL RETAINING SCREW
32	FO2510		2	FUEL BOWL RETAINING SCREW GASKET
33	FO15520		1	IDLE MIXTURE SCREW
34	FO11103		1	IDLE MIXTURE SCREW SPRING
35	FO10790		1	INLET NEEDLE, SEAT AND GASKET
36	FO10165		1	INLET SEAT GASKET
38	FO15525		1	MAIN NOZZLE
40	FO15526		1	THROTTLE SHAFT RETURN SPRING
43	F487435		1	PULLEY, STARTER ROPE
45	F1914		6	HEX HD SCREW, 1/4 - 20 X 3/4
46	F286316		1	THROTTLE CAM FOLLOWER
47	F1490		2	HEX NUT, 1/4 - 20
48	F78318		1	ROLLER, THROTTLE CAM FOLLOWER
49	F78410		2	RETAINER

CONTINUED ON NEXT PAGE ➡

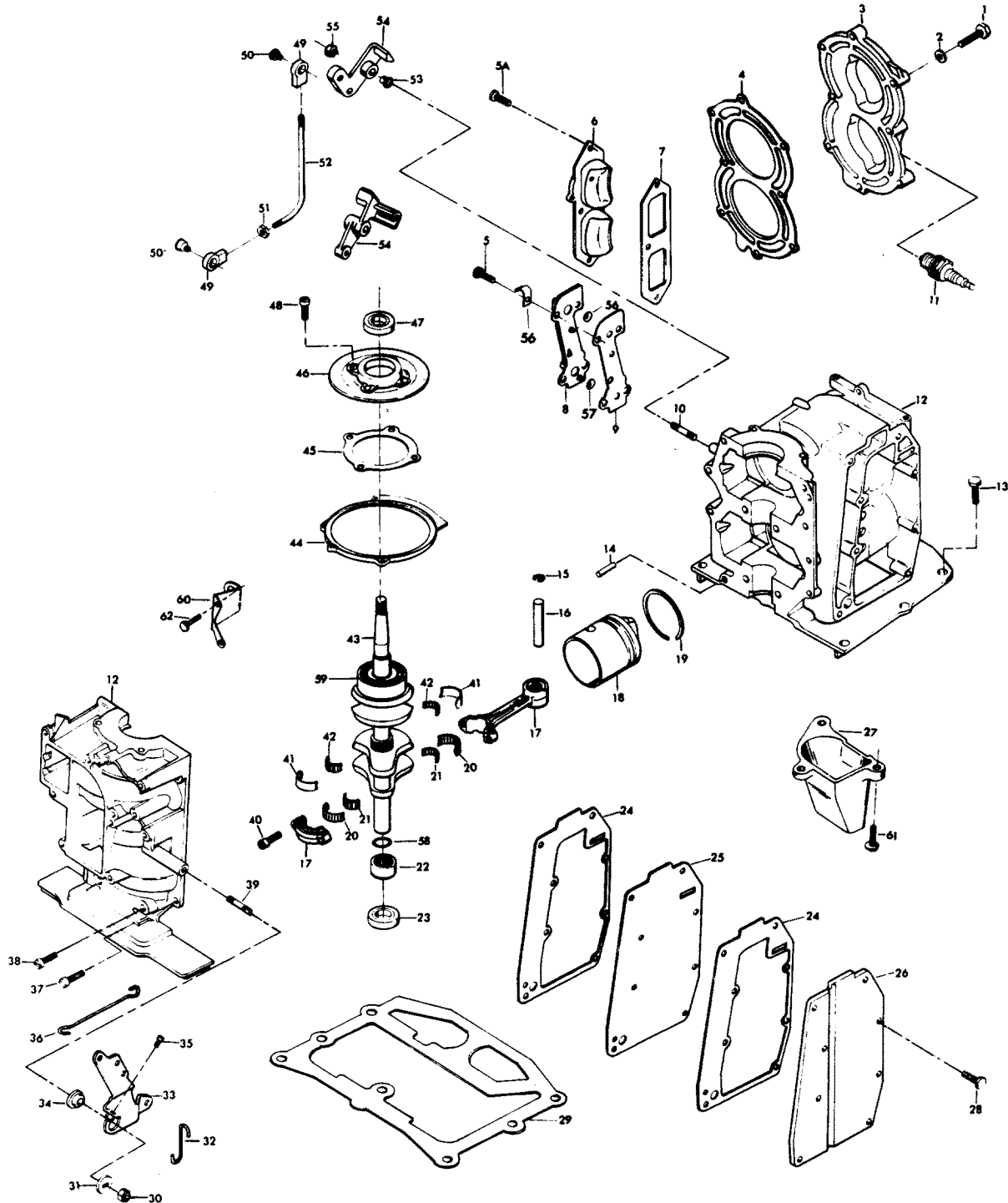
FUEL SYSTEM



FUEL SYSTEM

REF. NO.	PART NO.	SYM.	QTY.	DESCRIPTION
50	F18906		1	CARBURETOR GASKET
51	F2788004		2	STUD, CARBURETOR
52	F2A424167		1	MANIFOLD W/STUDS AND PULLEY
53	F1876		1	SPRING PIN
54	F1912		1	HEX HD SCREW, 10 - 24 X 1/2
55	F424168-1		1	GASKET, MANIFOLD
56	F1755		8	HD SCREW W/LOCKWASHER, 6 -32 X 5/16
57	F424161		4	REED STOP
58	F31160-1		4	REED
59	FA424158		1	REED PLATE W/REEDS, STOPS AND SCREWS
60	F286159-1		1	GASKET, REED PLATE
61	F8003		2	PLAIN WASHER
-	F10006		1	GASKET SET, CARBURETOR (NOT SHOWN)
-	F10007		1	REPAIR PARTS KIT, CARBURETOR (NOT SHOWN)
18	FO16027		1	BYPASS TUBE
37	FO12101		1	MAIN FUEL JET (.045)
39	FO15718		1	THROTTLE SHAFT AND LEVER
41	FO16098		1	THROTTLE SHUTTER
42	FO8942		1	THROTTLE SHUTTER RETAINING SCREW AND LOCKWASHER
62	F431061-2		1	CARBURETOR COMPLETE (CO7C)

POWER HEAD

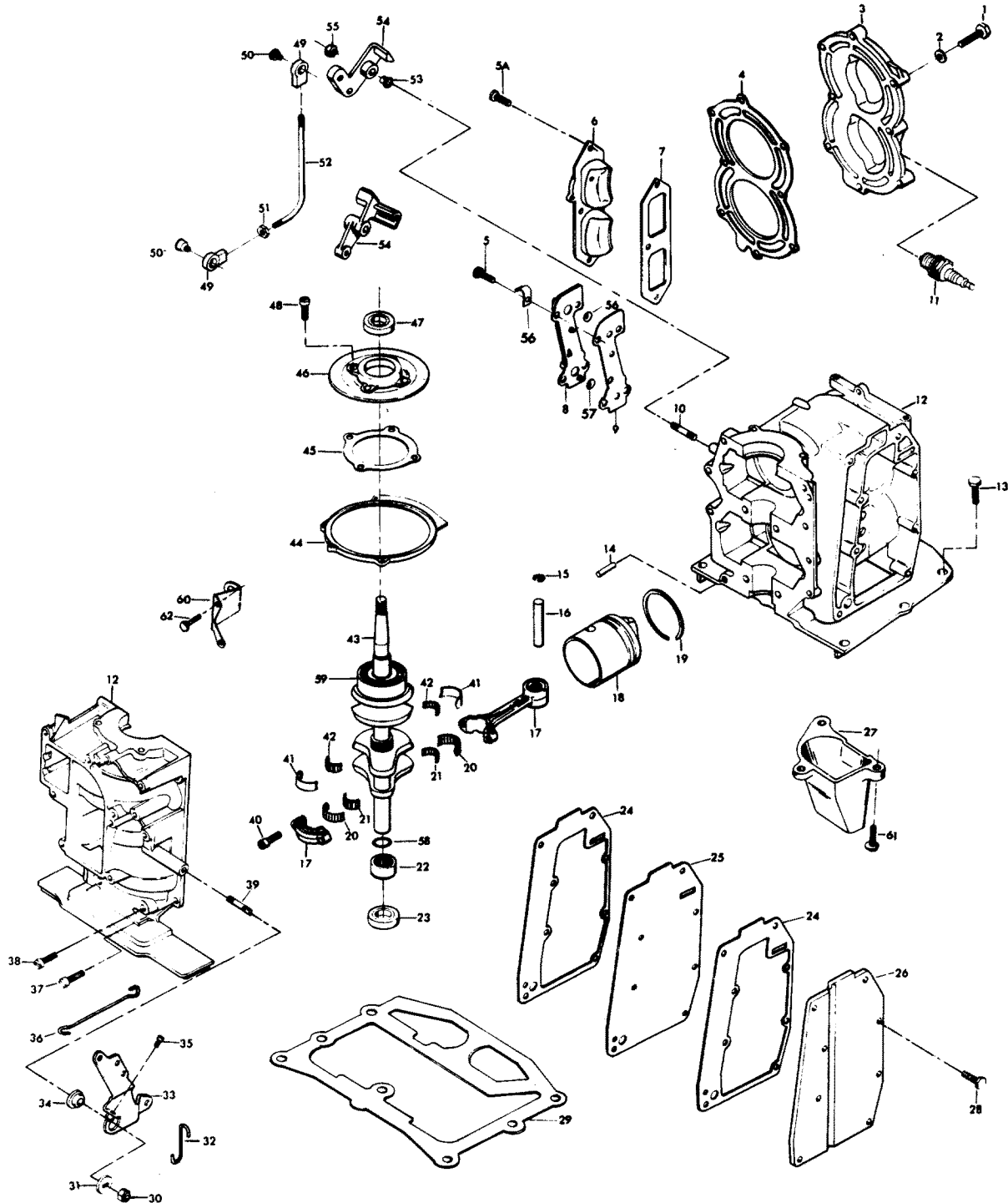


POWER HEAD

REF. NO.	PART NO.	SYM.	QTY.	DESCRIPTION
1	F901938-1		8	SCREW, CYLINDER HEAD
2	F8025		8	PLAIN WASHER
4	F286529-3		1	GASKET, CYLINDER HEAD
5	F1922		4	HEX HD SCREW, 1/4 - 20 X 5/8
7	F286223		1	GASKET, TRANSFER PORT COVER
8	FA429471		1	COVER, CYLINDER DRAIN W/CHECK VALVES AND SCREWS
9	F429472		1	GASKET, CYLINDER DRAIN COVER
10	F28004		1	STUD, INTERLOCK LEVER
11	FS174227		2	PLUG, SPARK, L-4-J
-	FC235227		2	PLUG, SPARK CHAMPION (RL-4-J) FOR MODELS 102B8E, 103B8E
-	FC503227		2	PLUG, SPARK CHAMPION (QL-77J4) FOR MODELS 108B9B, 109B8B
13	F1823		6	HEX CAP SCREW, 5/16 - 18 X 1
14	F8559		2	DOWEL PIN
15	F31410		4	RETAINING RING, PISTON PIN
16	F174017		2	PIN, PISTON
17	600-FS715016		2	ROD, CONNECTING W/CAP AND SCREWS
20	FA525241		2	CONNECTING ROD LINER SET (2 PER SET)
21	F286228		2	ROLLER SET, CONNECTING ROD (32 PER SET)
22	F343014		1	BEARING, CRANKSHAFT LOWER MAIN
23	F141118		1	SEAL, CRANKSHAFT LOWER
24	F286154		2	GASKET, EXHAUST COVER
25	F286151		1	PLATE, EXHAUST
26	F286152		1	COVER, EXHAUST
27	F487660-1		1	EXHAUST TUBE
28	F2008		8	HEX HD SCREW, 1/4 - 20 X 7/8
29	F286279-2		1	GASKET, CYLINDER MOUNTING
30	F1803		1	STOP NUT, 5/16 - 24
31	F286282		1	WASHER
32	F286445		1	LINK, MAGNETO SHAFT
33	817971A3		1	LEVER, MAGNETO CONTROL
34	F183813		1	BEARING, MAGNETO CONTROL LEVER
35	F1504		1	FILL HD SCREW, 1/4 - 20 X 1 1/4
36	F286509		1	LINK, THROTTLE CAM
37	F1107		8	FILL HD SCREW, 1/4 - 20 X 3/4
38	F1335		4	FILL HD SCREW, 5/16 - 18 X 1 1/4
39	F286440		1	STUD, MAGNETO CONTROL LEVER
40	F36634		4	SCREW, CONNECTING ROD
41	FA286155		1	MAIN BEARING LINER SET (2 PER SET)
42	F286571		1	ROLLER SET, MAIN BEARING (26 PER SET)
44	F73082		1	RING, MAGNETO STATOR
45	F286277		1	GASKET, CRANKSHAFT BEARING CAGE
46	1100-817753A1		1	CAGE, CRANKSHAFT BEARING W/SEAL

CONTINUED ON NEXT PAGE ➡

POWER HEAD

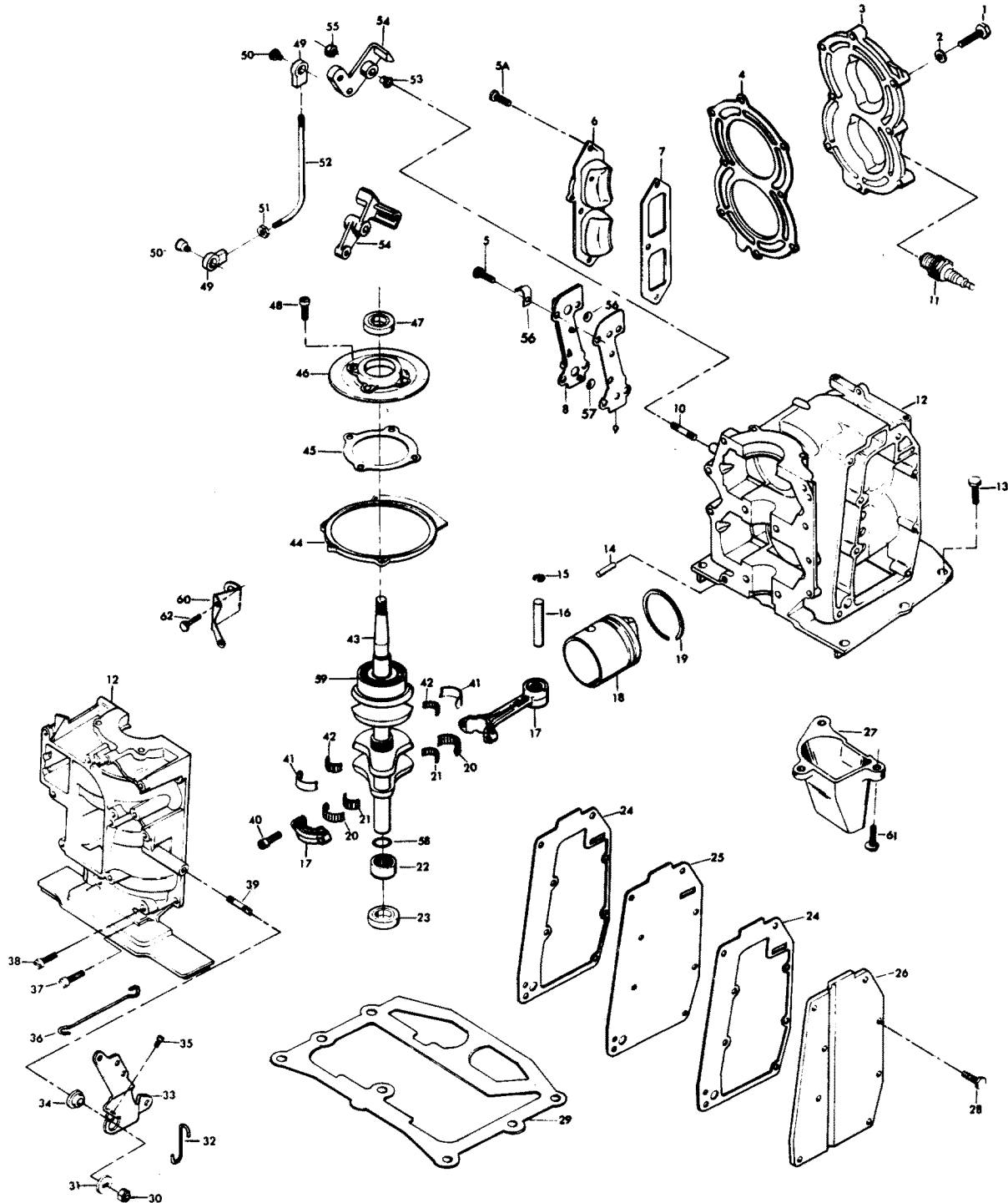


POWER HEAD

REF. NO.	PART NO.	SYM.	QTY.	DESCRIPTION
47	F346146		1	SEAL, CRANKSHAFT UPPER
48	F1111		4	FILL HD SCREW, 1/4 - 20 X 7/8
49	F84035-2		2	BEARING, INTERLOCK ROD
50	F84026		2	SWIVEL, INTERLOCK ROD BEARING
51	F1339		1	HEX NUT, 10 - 24
53	F197813		1	BEARING, INTERLOCK LEVER
55	F7008		1	STOP NUT, 1/4 - 20
56	F286772-1		1	HOSE CLAMP
57	F429811		2	SCREEN
58	F461342		1	SEAL, DRIVESHAFT SPLINE
59	F286028-1		1	BEARING, CRANKSHAFT UPPER MAIN
61	F2040		3	HEX WASHER HD M. SCREW, 1/4 - 20 X 5/8
-	FG1005-1		1	GASKET SET NOT SHOWN)
3	F492518		1	CYLINDER HEAD
5A	F1502		3	HEX CAP SCREW, 1/4 - 20 X 5/8
6	F286222		1	COVER, TRANSFER PORT
12	800-817801A2		1	CYLINDER, CYLINDER DRAIN COVER, DOWEL PIN, SCREW AND STUDS W/CRANKCASE COVER ORIGINAL FORCE P/N A442010-2
18	F286015-3		2	PISTON
19	FA174260		2	PISTON RING SET (2 PER SET)
43	400-818047A3		1	CRANKSHAFT W/UPPER MAIN BEARING
52	F492531		1	INTERLOCK ROD
54	F492977		1	INTERLOCK LEVER
-	800-817893A3		1	SHORT BLOCK (NOT SHOWN). INCLUDES ALL ITEMS MARKED WITH AN ASTERISK (*) ORIGINAL FORCE P/N C431010-2
3	F492518		1	CYLINDER HEAD
5A	F510165		3	SCREW, TRANSFER PORT COVER
-	F1859		1	HEX SOCKET HEADLESS SET SCREW, 1/4 - 28 X 3/16 (TRANSFER PORT COVER)
6	F510222		1	TRANSFER PORT COVER
12	FA510010		1	CYLINDER W/CRANKCASE COVER, DOWEL PINS, SCREWS AND STUDS
18	F286015-3		2	PISTON
19	FA174260		2	PISTON RING SET (2 PER SET)
43	400-818047A3		1	CRANKSHAFT W/UPPER MAIN BEARING
52	F510531		1	INTERLOCK ROD
54	F510977-1		1	INTERLOCK LEVER
60	F510551		1	BRACKET, INTERLOCK SWITCH
62	F2008		2	HEX HD SCREW, 1/4 - 20 X 7/8
-	FC510010		1	SHORT BLOCK (NOT SHOWN). INCLUDES ALL ITEMS MARKED WITH AN ASTERISK (*)
-	F18906		1	CARBURETOR GASKET
-	F286154		2	EXHAUST GASKET

CONTINUED ON NEXT PAGE ➡

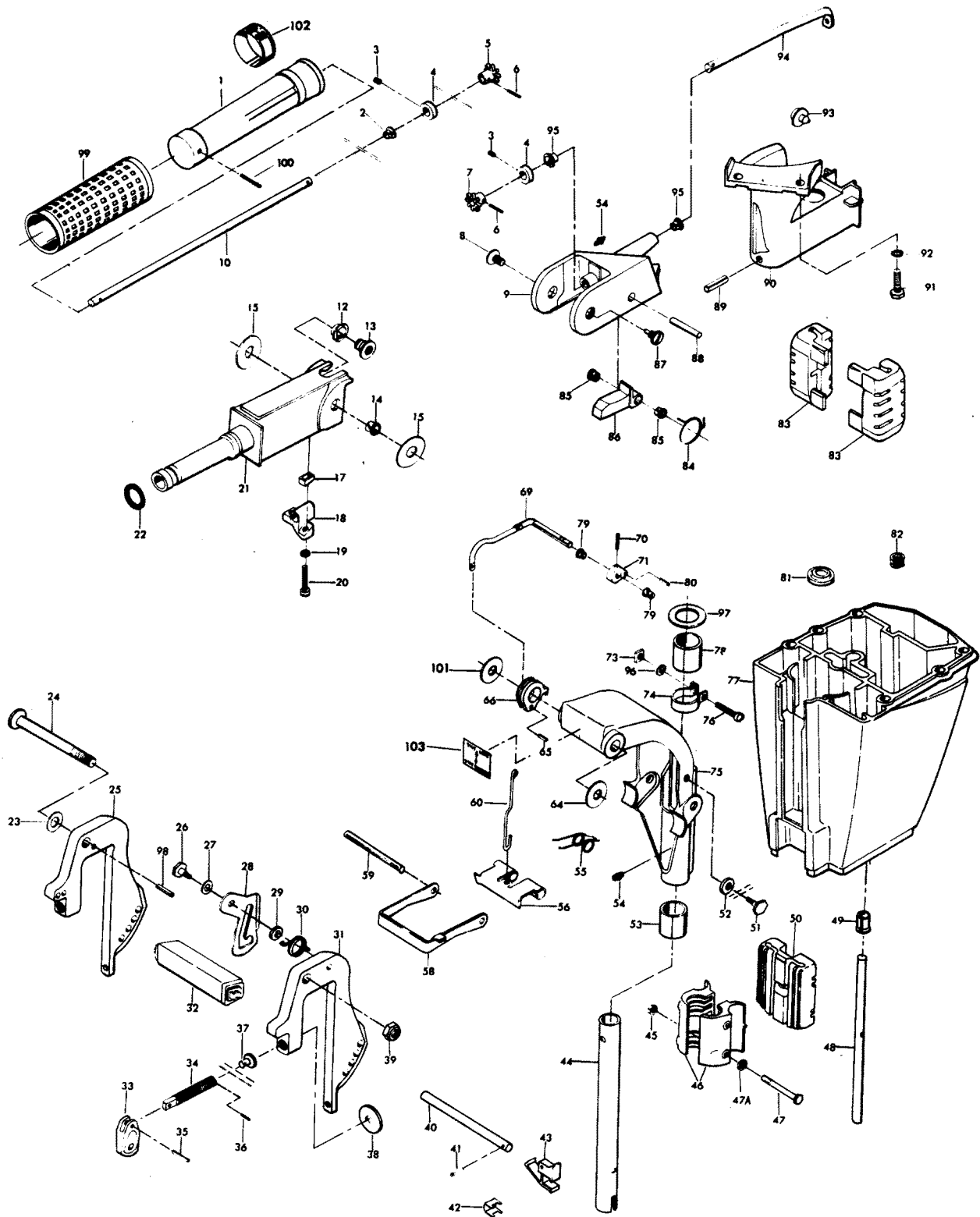
POWER HEAD



POWER HEAD

REF. NO.	PART NO.	SYM.	QTY.	DESCRIPTION
-	F286159-1		1	REED PLATE GASKET
-	F286223		1	TRANSFER PORT GASKET
-	F286277		1	CRANKSHAFT BEARING CAGE GASKET
-	F286279-2		1	CYLINDER MOUNTING GASKET
-	F286529-3		1	CYLINDER HEAD GASKET
-	F424168-1		1	MANIFOLD GASKET
-	F429472		1	CYLINDER DRAIN COVER GASKET

MOTOR LEG

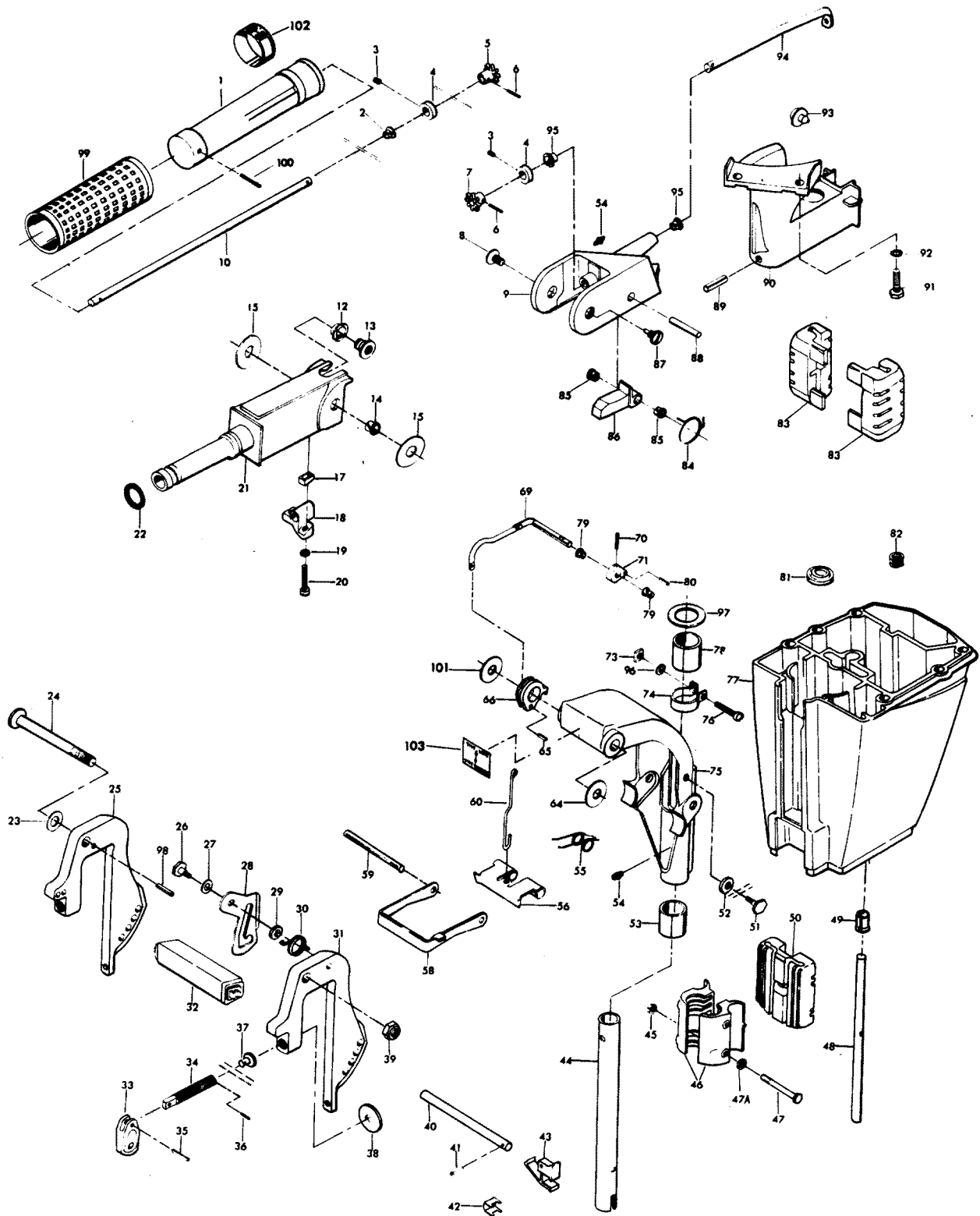


MOTOR LEG

REF. NO.	PART NO.	SYM.	QTY.	DESCRIPTION
1	FA456137		1	GRIP, STEERING HANDLE W/SLEEVE
2	F85610		1	BEARING
3	F1859		2	HEX SOCKET HEADLESS SET SCREW
4	FA343178		2	RETAINER W/SET SCREW
5	43-818009--1		1	GEAR, STEERING HANDLE SHAFT
6	F1978		2	SPRING PIN
7	43-818009--1		1	GEAR, MAGNETO CONTROL SHAFT
8	F1799		1	TRUSS HD SCREW, 5/16 - 18 X 5/8
9	817751A3		1	STEERING HANDLE BRACKET W/GREASE FITTING
10	F429688		1	SHAFT, STEERING HANDLE
12	F286818		1	BEARING
13	F286224		1	INSERT, STEERING HANDLE PIVOT
14	F197813		1	BEARING
15	F286220		2	WASHER, STEERING HANDLE
17	F341693		1	WEDGE, STEERING HANDLE
18	F487816		1	BEARING, STEERING HANDLE
19	F8058		2	INT TOOTH LOCKWASHER
20	F1829		2	FILL HD SCREW, 10 - 24 X 7/8
21	F286079-1		1	STEERING HANDLE
22	F53795-1		1	SEAL, STEERING HANDLE GRIP DAMPENER (LARGE)
23	F8039		1	PLAIN WASHER
24	F286037		1	STERN BRACKET PIVOT BOLT
25	FS567532		1	STERN BRACKET STARBOARD W/CLAMP SCREW AND FOOT
26	F286422-1		1	TILT LOCK PIVOT
27	F1666		1	BOWED SPRING WASHER
28	F429541		1	TILT LOCK
29	F286451		1	SPACER, TILT LOCK
30	F286544-1		1	SPRING, TILT STOP
31	FS567532		1	STERN BRACKET PORT W/CLAMP SCREW AND FOOT
32	F286647		1	CARRYING HANDLE
33	F424075		2	HANDLE, CLAMP SCREW
34	817761A2		2	CLAMP SCREW W/FOOT & STUD
35	F8554		2	SPRING PIN
36	F8537		2	SPRING PIN
37	F66480		2	STUD CLAMP SCREW
38	F24074		2	CLAMP SCREW FOOT
39	F7005		1	STOP NUT, 3/8 - 16
40	FA286113		1	LOCK BAR W/HANDLE AND SPRING
41	F8540		1	SPRING PIN
42	F286461		1	SPRING, LOCK BAR HANDLE
43	F286114		1	LOCK BAR HANDLE
44	F286019		1	KING PIN
45	F1341		2	HEX NUT, 1/4 - 20

CONTINUED ON NEXT PAGE ➡

MOTOR LEG

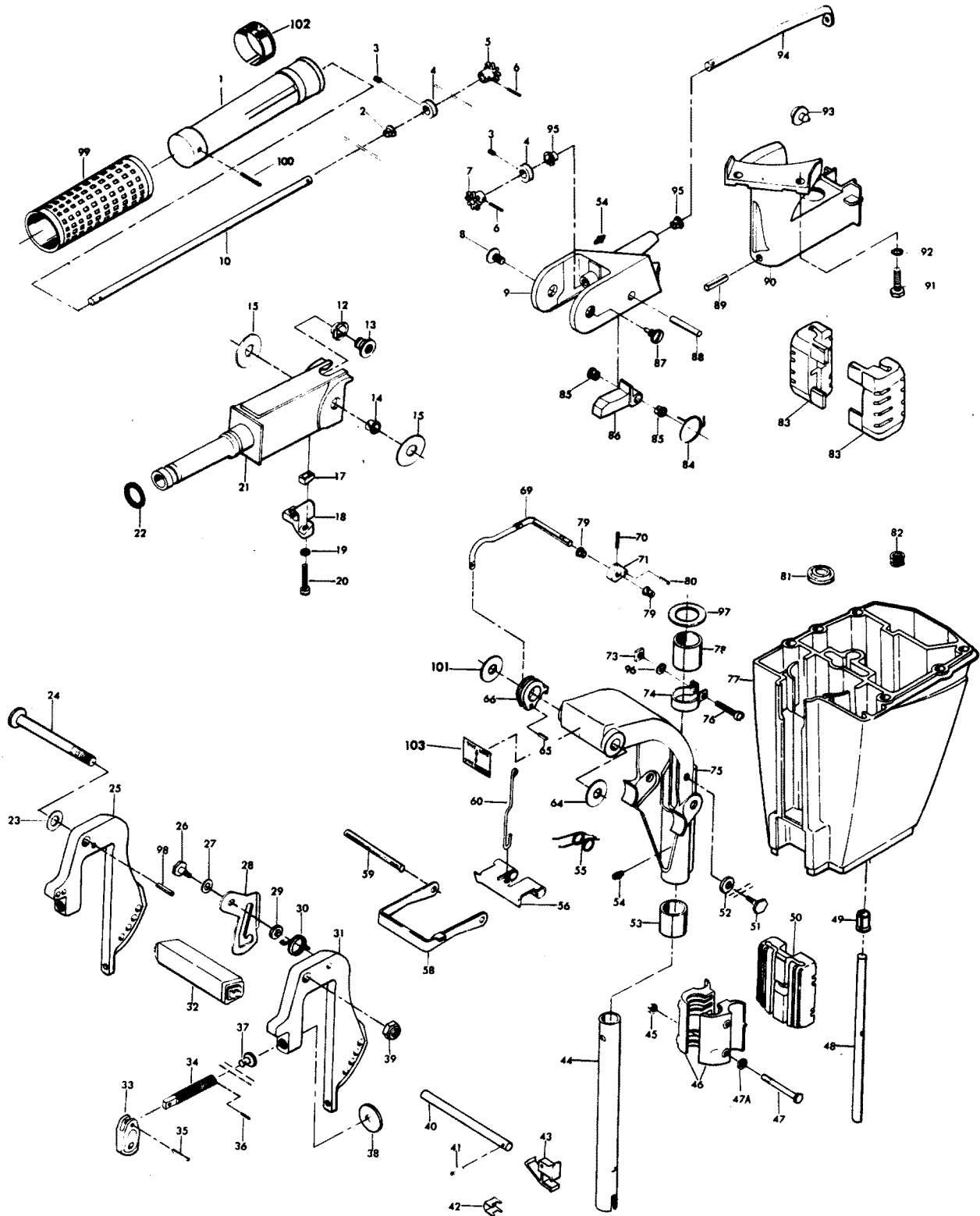


MOTOR LEG

REF. NO.	PART NO.	SYM.	QTY.	DESCRIPTION
46	F286956		2	BRACKET, SHOCK MOUNT LOWER
47	FA1844		2	HEX BOLT, 1/4 - 20 X 2 3/8
47A	F8083		2	SPRING LOCKWASHER
48	F286244		1	WATER LINE
49	F286914		1	SLEEVE WATER LINE
50	F286346		1	SHOCK MOUNT LOWER
51	F286422-1		1	TILT LOCK PIVOT
52	F286451		1	SPACER, TILT LOCK
53	F286169		1	BEARING, SWIVEL BRACKET
54	F213274		3	GREASE FITTING
55	F286300		1	SPRING, REVERSE LOCK
56	F286349		1	REVERSE LOCK
58	F286433		1	PRACKET SHALLOW WATER DRIVE
59	F1806		1	GROOVE PIN
60	FA341510		1	LINK, REVERSE LOCK LEVER
64	F286286-1		1	WASHER, STERN BRACKET
65	F1794		1	SPRING PIN
66	F286827		1	REVERSE LOCK RELEASE LEVER
69	FA387742		1	LEVER, REVERSE LOCK INTERMEDIATE
70	F8538		1	SPRING PIN
71	F286364		1	LEVER, REVERSE LOCK
73	F1608		1	SQUARE NUT, 1/4 - 20
74	F286573-1		1	CLAMP, STEERING FRICTION
75	1400-817750A4		1	SWIVEL BRACKET W/GREASE FITTING
76	F1820		1	FILL HD SCREW, 1/4 - 20 X 1 3/8
77	F2A477133		1	MOTOR LEG W/ITEMS 48, 49 & 81
78	F286169		1	BEARING, SWIVEL BRACKET
79	F197813		2	BEARING
80	F1794		1	SPRING PIN
81	F901307-2		1	SEAL, DRIVESHAFT
82	F286414		1	SPRING, LEG WATER BRACKET
83	F286347		2	SHOCK MOUNT UPPER
84	F286868		1	SPRING, STEERING HANDLE STOP
85	F197813		2	BEARING, STEERING HANDLE STOP
86	F286490		1	STEERING HANDLE STOP
87	F286080		1	SCREW, STEERING HANDLE PIVOT
88	F1807		1	GROOVE PIN
89	F1805		1	SPRING PIN
90	FA286582		1	STEERING ARM W/SPRING PIN & BUMPER
91	F1502		2	HEX CAP SCREW, 1/4 - 20 X 5/8
92	F8060		2	TOOTH LOCKWASHER
93	F286539		BUMPER	
94	F431838		1	MAGNETO CONTROL SHAFT

CONTINUED ON NEXT PAGE ➡

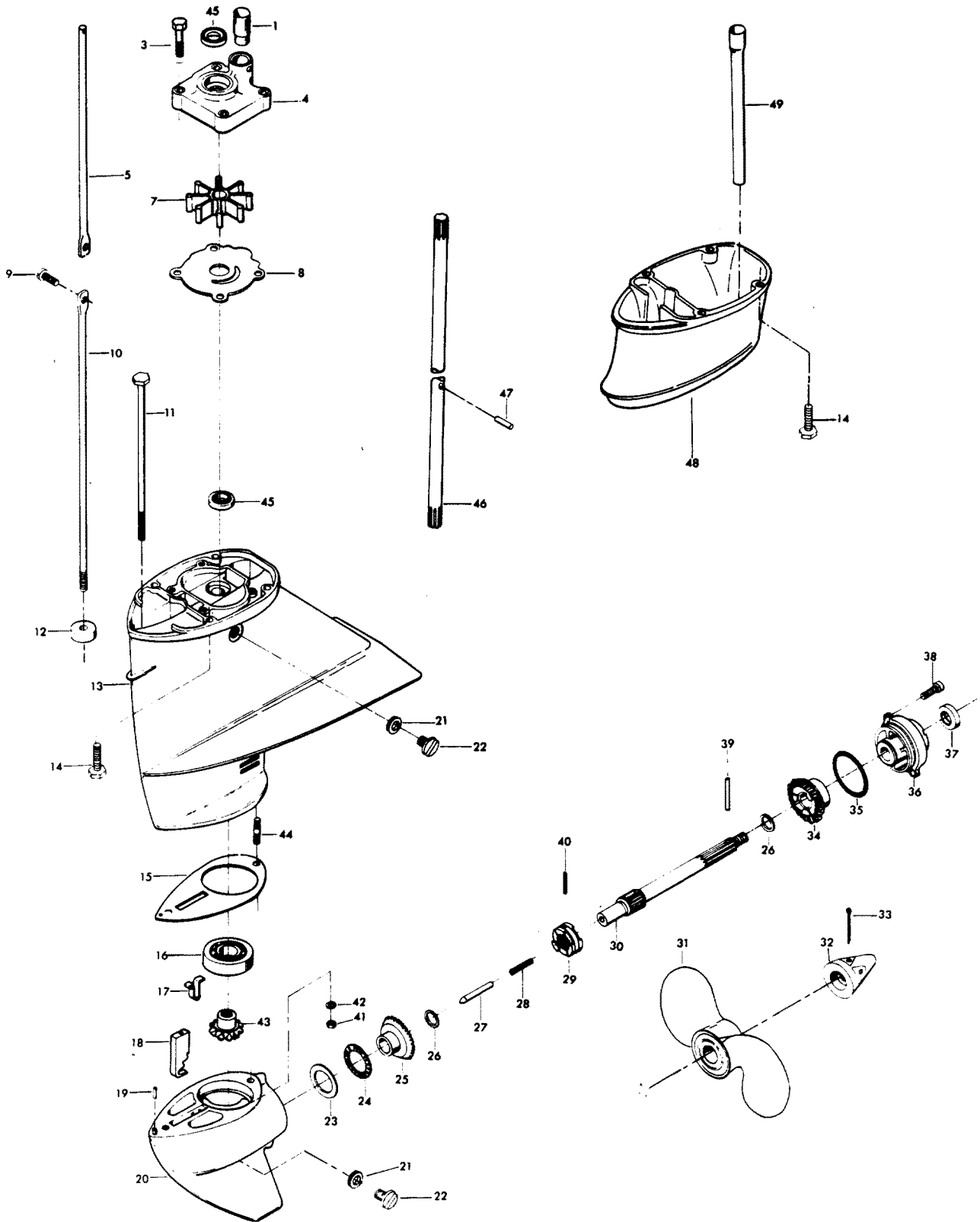
MOTOR LEG



MOTOR LEG

REF. NO.	PART NO.	SYM.	QTY.	DESCRIPTION
95	F307818		2	BEARING
96	F1907		1	WASHER
97	F286011		1	WASHER, SWIVEL BRACKET
98	F8538		1	SPRING PIN
99	F458695		1	SLEEVE
100	F8548		1	SPRING PIN
101	F525286		1	WASHER, STERN BRACKET
102	F286894-3		1	STEERING HANDLE INDICATOR
-	37-F286894-3		1	STEERING HANDLE INDICATOR (CANADA)
103	F286585-1		1	DECAL, TILT RELEASE
-	37-F286585-2		1	DECAL, TILT RELEASE (CANADA)

GEAR HOUSING

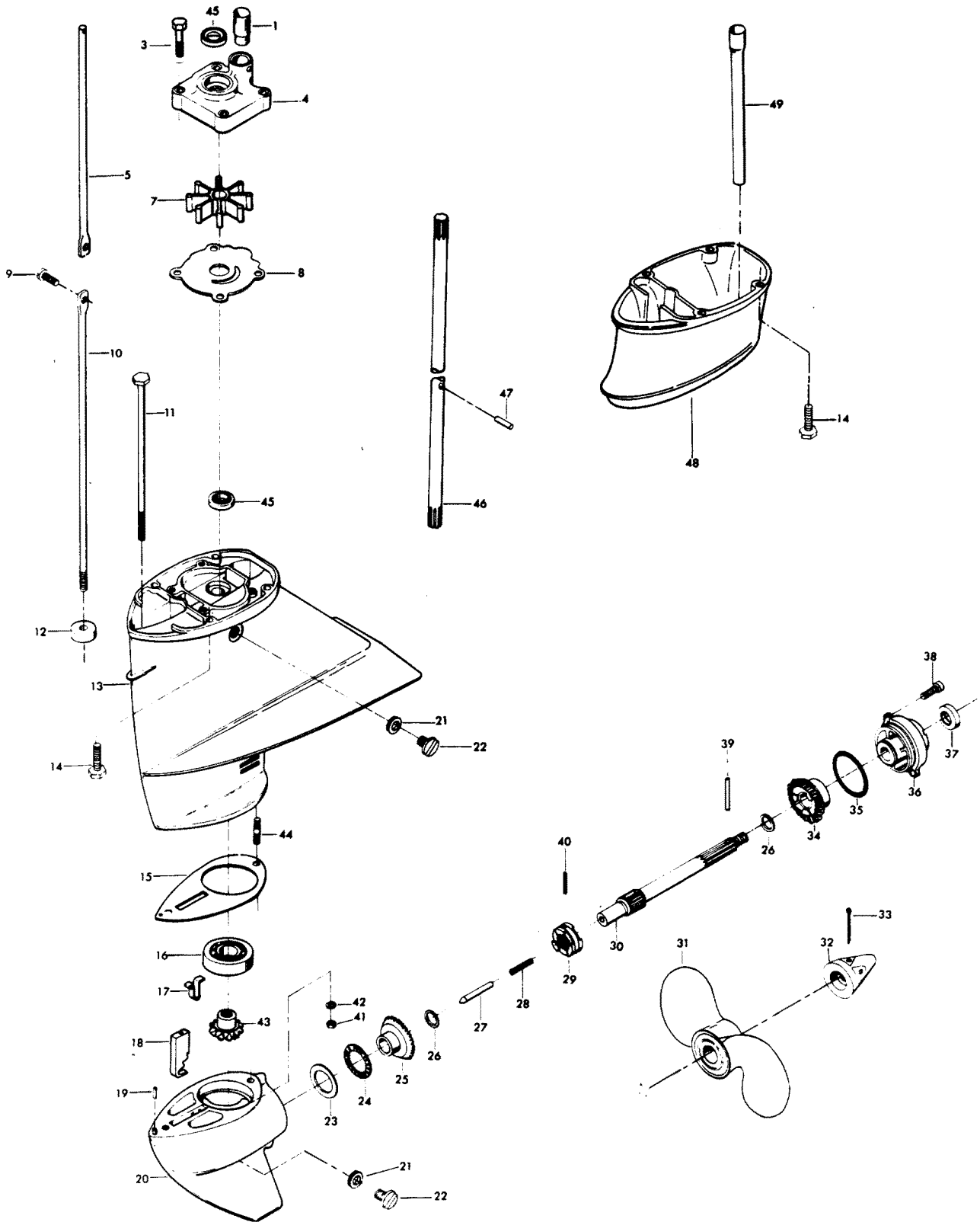


GEAR HOUSING

REF. NO.	PART NO.	SYM.	QTY.	DESCRIPTION
1	FA510914		1	SEAL, INLET WATER LINE
3	F2030		4	HEX HD SCREW, 1/4 - 20 X 1/4
4	FA510060		1	WATER PUMP BODY W/DRIVESHAFT SEAL
5	F286615		1	GEAR SHIFT ROD UPPER
7	F436065		1	WATER PUMP IMPELLER
8	F341562		1	WATER PUMP BACK PLATE
9	F1976		1	SOCKET HD SCREW W/LOCKWASHER, 10 - 24 1/2
10	F286705		1	GEAR SHIFT ROD LOWER, FOR STANDARD SHAFT MODELS
-	F330705		1	GEAR SHIFT ROD LOWER, FOR LONG SHAFT MODELS
11	F1800		1	HEX BOLT, 1/4 - 20 X 7
12	F338618-1		1	SEAL, GEAR SHIFT ROD LOWER
13	1600-824916A1		1	GEAR HOUSING UPPER W/BEARING AND ITEMS 12, 21, 22, 44 AND 45 ORIGINAL FORCE P/N A456554-1
14	F430732		8	HEX HD SCREW, 1/4 - 20 X 1
15	F286555		1	GASKET, GEAR HOUSING
16	F127910-2		1	BALL BEARING
17	F286895		1	SPRING, CAM DETENT
18	F286721		1	CLUTCH, SHIFT CAM
19	F8553		1	SPRING PIN
20	FA286054		1	GEAR HOUSING LOWER W/BEARING, PLUG AND SPRING PIN
21	F8077		2	NYLTITE WEATHER
22	F50109		2	GEAR HOUSING PLUG
23	F286903		1	RACE, PROPELLER SHAFT BEARING
24	F286901		1	BEARING, RADIAL, PROPELLER SHAFT
25	FA456023		1	BEVEL GEAR FRONT W/BEARING
26	F456717		2	THRUST WASHER
27	F286728		1	CLUTCH SHIFT PIN
28	F409719		1	CLUTCH SPRING
29	FA456521		1	CLUTCH
30	F456098		1	PROPELLER SHAFT
31	FP286		1	PROPELLER (ACCESSORY ITEM) (10 H.P.)
32	11-817752A1		1	PROPELLER NUT W/COTTER PIN
33	F1846		1	COTTER PIN
34	FA456662		1	BEVEL GEAR REAR W/BEARING
35	F455305		1	SEAL, PROP SHAFT BEARING CAGE
36	31-817756A2		1	PROPELLER SHAFT BEARING CAGE W/BEARING AND ITEMS 35 AND 37
37	F346118		1	SEAL, PROPELLER SHAFT
38	F1802		2	FILL HD SCREW, 1/4 - 20 X 9/16
39	FA324101		1	PROPELLER PIN, PACK OF 3
40	F8564		1	SPIROL PIN
41	F1490		1	HEX NUT, 1/4 - 20
42	F8063		1	SPRING LOCKWASHER
43	FA286266		1	GEAR, BEVEL PINION W/ITEM 16

CONTINUED ON NEXT PAGE ➡

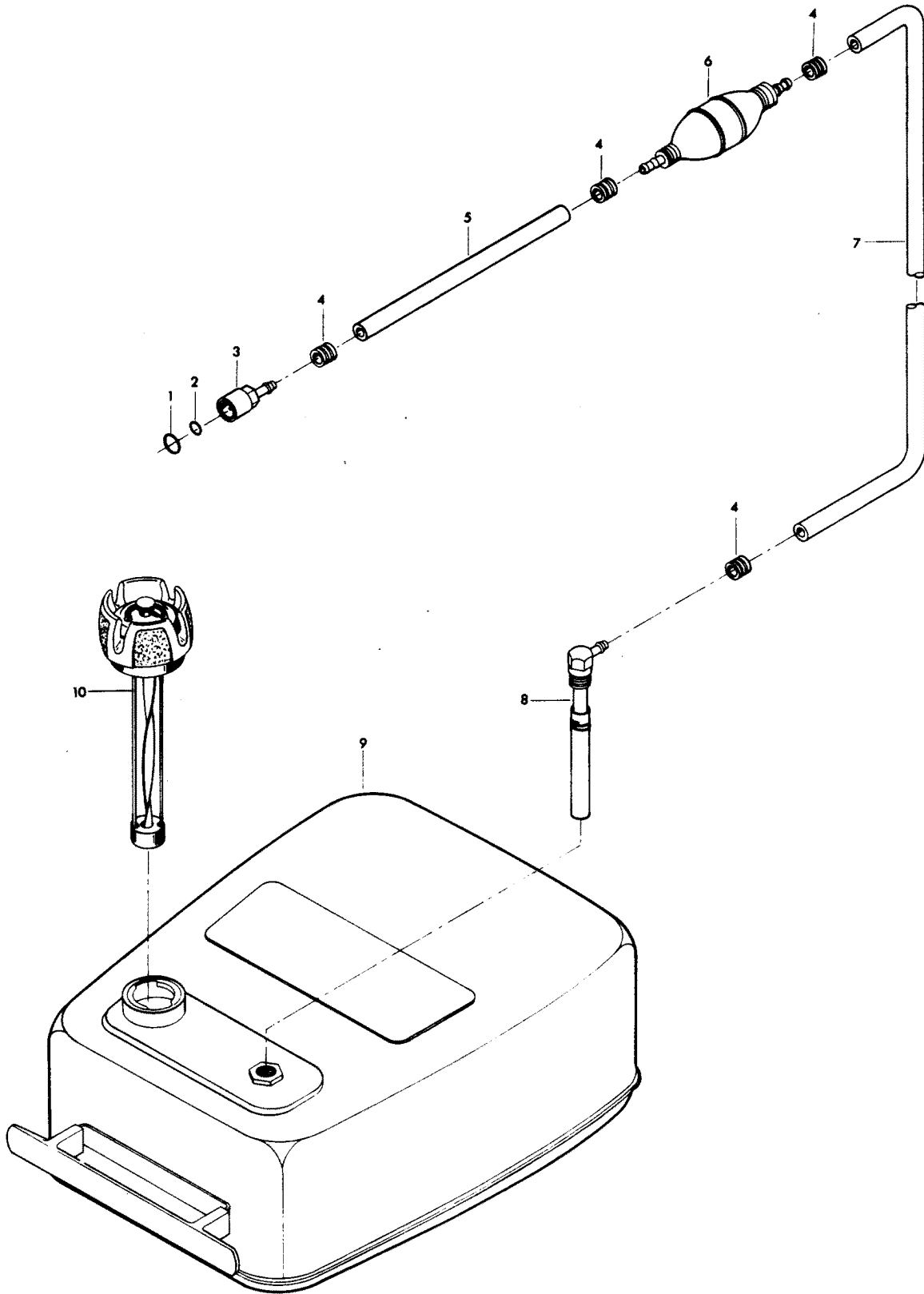
GEAR HOUSING



GEAR HOUSING

REF. NO.	PART NO.	SYM.	QTY.	DESCRIPTION
44	F286008		1	STUD, GEAR HOUSING REAR
45	F901307-2		2	SEAL, DRIVESHAFT AND WATER PUMP
46	F343128		1	DRIVESHAFT, FOR STANDARD SHAFT MODELS
-	F344128		1	DRIVESHAFT, FOR LONG SHAFT MODELS
47	F901563		1	WATER PUMP IMPELLER DRIVE PIN
48	FA492845		1	MOTOR LEG EXTENSION
49	FS901244		1	INLET WATER LINE EXTENSION
-	FC456054		1	LOWER GEAR HOUSING COMPLETE (NOT SHOWN) INCLUDES ALL ITEMS MARKED WITH AN ASTERISK(*)

FUEL TANK AND LINE



FUEL TANK AND LINE

REF. NO.	PART NO.	SYM.	QTY.	DESCRIPTION
1	F213342		1	SEAL, FUEL LINE COUPLER
2	F213735		1	SEAL, FUEL LINE COUPLER
3	F197787-3		1	FUEL LINE COUPLER
4	F298788		4	FERRULE
5	FA84754-1		1	FUEL LINE SHORT W/CLAMPS
6	89396A38		1	PRIME BULB
7	32-817738A1		1	FUEL LINE, LONG W/CLAMPS AND FERRULE
8	F487755		1	FUEL TANK ADAPTER
9	F5H027		1	FUEL TANK (ACCESSORY ITEM)
10	F409251-1		1	GAUGE CAP
-	FS409752		1	FUEL LINE COMPLETE (NOT SHOWN)
-	FC409398		1	DECAL (TOTE TANK) NOT SHOWN, CANADA

SPECIAL TOOLS - TUNE-UP

REF. NO.	PART NO.	SYM.	QTY.	DESCRIPTION
-	FT2989		0	FLYWHEEL WEDGE TO REMOVE FLYWHEEL
-	FT2909		0	KNOCK-OFF NUT TO REMOVE FLYWHEEL (MANUAL)
-	FT2984		0	ARMATURE PULLER TO REMOVE ARMATURE

SPECIAL TOOLS - MANUAL STARTER

REF. NO.	PART NO.	SYM.	QTY.	DESCRIPTION
-	FT2985		0	STARTER REWIND KEY TO REWIND STARTER SPRING

SPECIAL TOOLS - POWER HEAD

REF. NO.	PART NO.	SYM.	QTY.	DESCRIPTION
-	FT8949		0	SEAL INSTALLER TO INSTALL CRANKSHAFT SEALS
-	FT3012		0	SEAL INSTALLER TO INSTALL UPPER CRANKSHAFT BEARING CAGE SEAL
-	FT2908		0	SEAL PROTECTOR TO INSTALL UPPER CRANKSHAFT
-	FT8937		0	BEARING TOOL TO REMOVE STARTER/GENERATOR BEARING
-	FT8929		0	ADAPTER AND HEX BIT TO TORQUE CONNECTING ROD SCREWS
-	FT1749		0	SNAP RING PLIERS FOR PISTON PIN RETAINING RINGS
-	FT2997		0	RING COMPRESSOR TO INSTALL PISTONS
-	FT8919		0	PIN PUNCH TO REMOVE LOCATING PINS IN CYLINDER
-	FT8926		0	RING EXPANDER TO INSTALL RINGS ON PISTONS
-	FT8900		0	HOSE CLAMP PLIERS TO REMOVE AND INSTALL HOSE CLAMPS

SPECIAL TOOLS - LOWER UNIT

REF. NO.	PART NO.	SYM.	QTY.	DESCRIPTION
-	FT1904		0	PULLER TO REMOVE PROPELLER SHAFT BEARING CAGE.
-	FT2907		0	SEAL INSTALLER TO INSTALL DRIVESHAFT SEAL IN GEAR HOUSING UPPER AND PROPELLER SHAFT SEAL IN PROPELLER SHAFT BEARING CAGE.
-	FT8919		0	PIN REMOVER TO REMOVE DRIVE SPRING PIN

SPECIAL TOOLS - TEST EQUIPMENT

REF. NO.	PART NO.	SYM.	QTY.	DESCRIPTION
-	FT8342		0	TEST WHEEL (10 H.P.) TO TEST MOTOR IN TEST TANK
-	FT8950		0	LEAKAGE TESTER TO TEST GEAR HOUSING SEALS FOR LEAKS
-	T8974		0	BREAKER POINT TENSION GAUGE FOR CHECKING BREAKER POINT SPRING TENSION

ACCESSORIES

REF. NO.	PART NO.	SYM.	QTY.	DESCRIPTION
-	FK1019-1		0	5" LONG LEG CONVERSION KIT CONVERTS 15" STANDARD SHAFT MODEL TO 20" LONG SHAFT MODEL.
-	F5H057		0	15" LONG LEG CONVERSION KIT CONVERTS 15" STANDARD SHAFT OR 20" LONG SHAFT MODEL TO 30" LONG SHAFT MODEL.
-	491		0	CARRYING HANDLE PROVIDES CARRYING HANDLE ON REAR OF ENGINE.
-	F588		0	FLUSHING ADAPTER PERMITS FRESH WATER FLUSHING OF WATER PASSAGES WITH STANDARD GARDEN HOSE.
-	F5H062		0	WATER PUMP KIT HEAVY DUTY WATER PUMP RECOMMENDED FOR CONTINUED OPERATION IN SANDY OR SALT WATER.
-	F5H088		0	REMOTE CONTROL CONVERSION KIT PERMITS REMOTE CONTROL OF THROTTLE AND GEAR SHIFT FROM FRONT OF BOAT.
-	F5H063		0	SYNCHRO-DRIVE CONTROL BOX (SINGLE LEVER) PERMITS REMOTE CONTROL OF THROTTLE AND GEAR SHIFT FROM STARBOARD SIDE OF BOAT.
-	5H067		0	PORT SIDE DECAL KIT CONVERTS 5H063 CONTROL BOX TO PORT SIDE MOUNTING.
-	F866		0	DUO-DRIVE CONTROL BOX (TWIN LEVER) PERMITS REMOTE CONTROL OF THROTTLE AND GEAR SHIFT. MAY BE MOUNTED ON PORT OR STARBOARD SIDE OF BOAT.
-	865		0	TWIN SYNCHRO-DRIVE CONTROL BOX PERMITS REMOTE CONTROL OF THROTTLE AND GEAR SHIFT ON TWIN ENGINE INSTALLATIONS. MAY BE MOUNTED ON PORT OR STARBOARD SIDE OF BOAT.
-	167		0	IGNITION CUT-OFF KIT PERMITS STOPPING OF ENGINE FROM OPERATORS SEAT.
-	F195/___		0	REMOTE CONTROL CABLES CONNECTS REMOTE CONTROL BOX TO THROTTLE AND GEAR SHIFT ON MOTOR. AVAILABLE IN 6 THROUGH 40 FOOT LENGTHS.
-	F5H054		0	REMOTE STEERING BRACKET ADAPTS MOTOR TO REMOTE STEERING.
-	F5H090		0	REMOTE ELEC. STARTER
-	F5H027		0	STEEL, 6 GALLON FUEL TANK
-	F476		0	FUEL LINE ADAPTION KIT ADAPTS MODEL 5H027 TANKS FOR DISCONNECT AT TANK.
-	72H03		0	CARRYING BAG CANVAS BAG FOR TRANSPORTING AND STORING ENGINE. (DOES NOT FIT AUTOELECTRIC MODELS.)
-	5H051		0	BATTERY 12 VOLT - 74 AMPERE HOUR MARINE BATTERY.
-	F5H025		0	ANTI-CORROSION SACRIFICIAL ANODE
-	F5H006		0	VOLTMETER FLUSH MOUNT, INDICATES BATTERY CONDITION.
-	5H061		0	FROST WHITE LACQUER ENGINE TOUCH-UP PAINT IN 16 OZ. SPRAY BOMBS (12 CANS PER CASE).
-	72H32		0	GOLD LACQUER ENGINE TOUCH-UP PAINT IN 6 OZ. SPRAY BOMBS (12 CANS PER CASE).

SPECIFICATIONS

REF. NO.	PART NO.	SYM.	QTY.	DESCRIPTION
-			0	HORSEPOWER 10 B.I.A. CERTIFIED BRAKE H.P. AT 4750 R.P.M.
-			0	ENGINE TWO-CYCLE, TWIN CYLINDER, ALTERNATE FIRING.
-			0	BORE AND STROKE 2 3/16" X 1 3/4"
-			0	DISPLACEMENT 13.15 CUBIC INCHES
-			0	CARBURETOR FLOAT FEED.
-			0	CONNECTING ROD STEEL FORGING - STEEL CAGES WITH NEEDLE BEARINGS AT CRANKSHAFT.
-			0	CRANKSHAFT FORGED NICKEL STEEL - BALL BEARING AT UPPER MAIN. UNCASSED NEEDLE BEARING WITH STEEL LINER AT CENTER MAIN.
-			0	PROPELLER SHAFT AND DRIVESHAFT STAINLESS STEEL, HARDENED, GROUND AND POLISHED.
-			0	PROPELLER ALUMINUM ALLOY - 8 1/4" DIAMETER X 8 1/4" PITCH, RIGHT HAND ROTATION.
-			0	COOLING WATER COOLED POSITIVE DISPLACEMENT TYPE WATER PUMP.
-			0	TRANSOM HEIGHT 15" OR 20".
-			0	WEIGHT FROM 56 LBS. FOR STANDARD SHAFT MODELS.
-			0	TILT LOCK POSITIVE TILT LOCK, PERMITS ENGINE TO REMAIN IN TILTED POSITION WHEN NOT IN USE.
-			0	RECOMMENDED OPERATING RANGE 4300 - 5200 R.P.M.
-			0	FUEL TANK SEPARATE STEEL TANK, 6 U.S. GALLON, 5 IMPERIAL GALLON CAPACITY.

LUBRICATION CHART

REF. NO.	PART NO.	SYM.	QTY.	DESCRIPTION
-			0	STARTER PINION GEAR SAE 30 MOTOR OIL, IF STARTER OPERATION BECOMES SLUGGISH
-			0	STARTER SPOOL BEARINGS SAE 30 MOTOR OIL, IF STARTER OPERATION BECOMES SLUGGISH
-			0	THROTTLE CAM FOLLOWER SAE 30 MOTOR OIL, TWICE EACH SEASON, OFTENER IF REQUIRED
-			0	MAGNETO CONTROL SHAFT BEARINGS SAE 30 MOTOR OIL, TWICE EACH SEASON, OFTENER, IF REQUIRED
-			0	STEERING HANDLE PINION GEAR EP-ALL PURPOSE CHASSIS LUBRICANT, TWICE EACH SEASON, OFTENER IF REQUIRED
-			0	STEERING HANDLE BEVEL GEAR EP-ALL PURPOSE CHASSIS LUBRICANT, TWICE EACH SEASON, OFTENER IF REQUIRED
-			0	REVERSE LOCK SAE 30 MOTOR OIL, TWICE EACH SEASON, OFTENER IF REQUIRED
-			0	CLAMP SCREWS SAE 30 MOTOR OIL, TWICE EACH SEASON, OFTENER IF REQUIRED
-			0	STERN BRACKET PIVOT BOLT SAE 30 MOTOR OIL, TWICE EACH SEASON, OFTENER IF REQUIRED
-			0	GEAR HOUSING CHRYSLER OUTBOARD GEAR LUBE, EVERY THIRTY HOURS, OFTENER IF REQUIRED
-			0	FUEL LINE COUPLER RELEASE RING SAE 30 MOTOR OIL, TWICE EACH SEASON, OFTENER IF REQUIRED
-			0	GREASE FITTINGS GREASE FITTINGS ARE PROVIDED AT CRITICAL POINTS WHERE BEARING SURFACES ARE NOT EXPOSED EXTERNALLY. USING AN AUTOMOTIVE TYPE GREASE GUN AND LUBRICANT, GREASE TWICE EACH SEASON OR OFTENER IF REQUIRED.

SPECIAL ADJUSTMENTS

REF. NO.	PART NO.	SYM.	QTY.	DESCRIPTION
-			0	BREAKER POINT GAP .020".
-			0	SPARK PLUG CHAMPION L-4-J, GAP .030" FOR MODELS 102H8E, 108H8B, 103H8E, 109H8B
-			0	SPARK PLUG CHAMPION RL-4-J, GAP. 030" FOR MODELS 102B8E, 103B8E, 108B8B, 109B8B
-			0	SPARK PLUG CHAMPION QL-77J4, GAP. 030" FOR MODELS 108B8B, 109B8B
-			0	ADJUSTING STEERING TENSION STEERING TENSION CAN BE ADJUSTED BY TURNING THE STEERING FRICTION ADJUSTING SCREW, ILLUSTRATION 76, PAGE 15, IN THE DIRECTION REQUIRED.
-			0	POINT OF THROTTLE OPENING SEE BLOCK COMMENT 1.
-			0	FLYWHEEL NUT

PARTS INDEX

Part Number	Description	Pg.	Ref. No.	Part Number	Description	Pg.	Ref. No.
167	IGNITION CUT-OFF KIT	49	-	F12083	CONDENSER SCREW		
491	CARRYING HANDLE	49	-		W/LOCKWASHER	11	7
510373-1	DECAL, MAGNAPOWER III . . .	21	43	F12088	GROMMET	11	19
5H051	BATTERY	49	-	F12091	LEAD WIRE MARKER TOP		
5H061	FROST WHITE LACQUER	49	-		(NOT SHOWN)	11	-
5H067	PORT SIDE DECAL KIT	49	-	F12114	COIL GROUND TERMINAL		
72H03	CARRYING BAG	49	-		SCREW	11	21
72H32	GOLD LACQUER	49	-	F12141	HIGH TENSION LEAD		
817751A3	STEERING HANDLE				SLEEVE	11	22
	BRACKET W/GREASE			F12146	COIL WEDGE SPRING	11	15
	FITTING	33	9	F12153	BREAKER POINT SET	11	6
817754A1	ARM, CARBURETOR			F12170	CONTACT SCREW		
	FOLLOWER	23	13		W/LOCKWASHER	11	4
817757A4	PLATE, FRONT	3	25	F12181-1	CONDENSER	11	8
817758A1	BRACKET, COVER LATCH			F12186	PRIMARY TERMINAL WIRE . .	11	23
	W/SCREWS, NUTS AND			F12228	CAM WIPER FELT	11	5
	ROLLER	3	42	F12343	STATOR PLATE		
817758A1	BRACKET, ENGINE COVER				W/LAMINATIONS	11	9
	LATCH W/SCREWS, NUTS			F127910-2	BALL BEARING	39	16
	AND ROLLERS	9	42	F1286	PAN HD SCREW, 4 - 40 X		
817761A2	CLAMP SCREW W/FOOT &				3/16	15	5
	STUD	33	34	F1286	PAN HD SCREW, 4 - 40 X		
817938A1	RETAINER, STARTER ROPE				3/16	23	4
	HANDLE	13	20	F1303	PAN HD SCREW, 8 - 32 X 3/4	19	24
817971A3	LEVER, MAGNETO			F1335	FILL HD SCREW, 5/16 - 18 X		
	CONTROL	27	33		1 1/4	27	38
865	TWIN SYNCHRO-DRIVE			F1337	HEX NUT, 6 - 32	19	5
	CONTROL BOX	49	-	F1339	HEX NUT, 10 - 24	29	51
89396A38	PRIME BULB	43	6	F1341	HEX NUT, 1/4 - 20	33	45
A510386-1	DECAL, NUMERAL "10"	5	50	F1365	SQUARE NUT, 10 - 24	23	15
A510386-1	DECAL, NUMERAL "10"	9	49	F141118	SEAL, CRANKSHAFT		
A510396	DECAL, STRIPE				LOWER	27	23
	(STARBOARD)	9	-	F1447	DRIVE SCREW	3	33
AC16395-8	IDENTIFICATION PLATE			F1447	DRIVE SCREW	7	33
	W/SCREWS FOR CANADA			F1475	FILL HD SCREW, 10 - 24 X		
	MODELS	7	-		1/2	3	10
AC16395-8	PLATE, IDENTIFICATION			F1475	FILL HD SCREW, 10 - 24 X		
	W/SCREWS, CANADA	3	-		1/2	7	10
F10006	GASKET SET,			F1490	HEX NUT, 1/4 - 20	23	47
	CARBURETOR (NOT			F1490	HEX NUT, 1/4 - 20	39	41
	SHOWN)	25	-	F1502	HEX CAP SCREW, 1/4 - 20 X		
F10007	REPAIR PARTS KIT,				5/8	29	5A
	CARBURETOR (NOT			F1502	HEX CAP SCREW, 1/4 - 20 X		
	SHOWN)	25	-		5/8	35	91
F1069	FILL HD SCREW, 10 - 24 X 1			F1504	FILL HD SCREW, 1/4 - 20 X 1		
	1/16	15	14		1/4	27	35
F1069	FILL HD SCREW, 10 - 24 X 1			F15127	CAP ASSEMBLY,		
	1/16	23	1		COMMUTATOR END	17	10
F1075	FILL HD SCREW, 10 - 24 X			F15129	NUT W/LOCKWASHER	17	15
	1/2	11	12	F1513	HEX NUT, 10 - 32	21	42
F1075	FILL HD SCREW, 10 - 24 X			F15130	NUT	17	16
	1/2	19	36	F15132	WASHER, FIBER	17	18
F1089	FILL HD SCREW, 10 - 24 X			F15133	WASHER	17	17
	9/16	13	1	F15134	ARMATURE	17	8
F1090	FILL HD SCREW			F15135	CAP ASSEMBLY, DRIVE END	17	5
	W/LOCKWASHER, 10 - 24			F15136	HOUSING ASSEMBLY	17	9
	X 9/16	11	16	F15137	WASHER	17	6
F1107	FILL HD SCREW, 1/4 - 20 X			F15138	SPRING, BRUSH	17	12
	3/4	27	37	F15139	PINION ASSEMBLY	17	4
				F15140	SPRING	17	3

PARTS INDEX

Part Number	Description	Pg.	Ref. No.	Part Number	Description	Pg.	Ref. No.
F15141	PINION STOP	17	2	F183813	BEARING, MAGNETO CONTROL LEVER	27	34
F15142	STOP NUT	17	1	F1845	TY-RAP	19	25
F15143	DISC	17	11	F184579	SEAL	5	46
F15144	SCREW, THRU BOLT	17	14	F1846	COTTER PIN	39	33
F15145	GASKET	17	7	F1859	HEX SOCKET HEADLESS SET SCREW	33	3
F15146	WASHER	17	13	F1859	HEX SOCKET HEADLESS SET SCREW, 1/4 - 28 X 3/16	29	-
F1556	FILL HD M. SCREW W/SPRING LOCKWASHER, 10 - 24 X 3/8	19	18	F1875	SPRING PIN, STARTER BRACKET	13	17
F1577	FILL HD SCREW, 1/4 - 20 X 3/4	15	3	F1876	SPRING PIN	25	53
F1577	FILL HD SCREW, 1/4 - 20 X 3/4	19	9	F18906	CARBURETOR GASKET	25	50
F1608	SQUARE NUT, 1/4 - 20	35	73	F18906	CARBURETOR GASKET	29	-
F1645	ROUND HD SCREW, 6 - 32 X 1/4	19	26	F1907	WASHER	37	96
F1646	HEX SOCKET HD CAP SCREW, 3/8 - 16 X 2 1/4	19	8	F1912	HEX HD SCREW, 10 - 24 X 1/2	25	54
F1648	PAN HD SCREW, 10 - 24 X 3/4	19	13	F1914	HEX HD SCREW, 1/4 - 20 X 3/4	13	11
F1666	BOWED SPRING WASHER	33	27	F1914	HEX HD SCREW, 1/4 - 20 X 3/4	23	45
F1678	FILL HD SCREW, 10 - 24 X 13/16	19	32	F1922	HEX HD SCREW, 1/4 - 20 X 5/8	27	5
F1704	INTERNAL TOOTH LOCKWASHER	19	4	F195/_	REMOTE CONTROL CABLES	49	-
F174017	PIN, PISTON	27	16	F197319	BEARING, CHOKE ROD	3	31
F1753	FASTENER	3	3	F197319	BEARING, CHOKE ROD	7	31
F1753	FASTENER	7	3	F1975	SPRING LOCKWASHER	19	2
F1755	HD SCREW W/LOCKWASHER, 6 - 32 X 5/16	25	56	F1976	SOCKET HD SCREW W/LOCKWASHER, 10 - 24 1/2	39	9
F1794	SPRING PIN	35	65	F197767-1	BUSHING, FUEL LINE	3	24
F1794	SPRING PIN	35	80	F197767-1	BUSHING, FUEL LINE	7	24
F1799	TRUSS HD SCREW, 5/16 - 18 X 5/8	33	8	F197787-3	FUEL LINE COUPLER	43	3
F1800	HEX BOLT, 1/4 - 20 X 7	39	11	F1978	SPRING PIN	33	6
F1802	FILL HD SCREW, 1/4 - 20 X 9/16	19	20	F197813	BEARING	33	14
F1802	FILL HD SCREW, 1/4 - 20 X 9/16	39	38	F197813	BEARING	35	79
F1803	STOP NUT, 5/16 - 24	27	30	F197813	BEARING, INTERLOCK LEVER	29	53
F1804	STOP NUT	13	8	F197813	BEARING, STEERING HANDLE STOP	35	85
F1804	STOP NUT, 10 - 32	3	39	F1999	HEX CAP SCREW, 1/4 - 20 X 7/8	21	44
F1804	STOP NUT, 10 - 32	7	39	F2002	STOP NUT, 5/16 - 18	3	30
F1805	SPRING PIN	35	89	F2002	STOP NUT, 5/16 - 18	7	30
F1806	GROOVE PIN	35	59	F2008	HEX HD SCREW, 1/4 - 20 X 7/8	27	28
F1807	GROOVE PIN	35	88	F2008	HEX HD SCREW, 1/4 - 20 X 7/8	29	62
F1809	HEX NUT	19	29	F2030	HEX HD SCREW, 1/4 - 20 X 1/4	39	3
F1809	HEX NUT, 1/2 - 20	11	1	F2040	HEX WASHER HD M. SCREW, 1/4 - 20 X 5/8	29	61
F18160-2	REED FUEL PUMP	23	5	F2042	PLAIN WASHER	13	23
F18160-2	REED, FUEL PUMP	15	7	F213274	GREASE FITTING	35	54
F1820	FILL HD SCREW, 1/4 - 20 X 1 3/8	35	76	F213342	SEAL, FUEL LINE COUPLER	43	1
F1823	HEX CAP SCREW, 5/16 - 18 X 1	27	13	F213735	SEAL, FUEL LINE COUPLER	43	2
F1829	FILL HD M. SCREW, 10 - 24 X 7/8	19	1	F217002	MAGNETO BREAKER CAM	11	13
F1829	FILL HD SCREW, 10 - 24 X 7/8	33	20	F235785	DECAL, COMPLIANCE (CANADA)	5	49

PARTS INDEX

Part Number	Description	Pg.	Ref. No.	Part Number	Description	Pg.	Ref. No.
F235785	DECAL, COMPLIANCE (CANADA)	9	48	F286279-2	CYLINDER MOUNTING GASKET	31	-
F24074	CLAMP SCREW FOOT	33	38	F286279-2	GASKET, CYLINDER MOUNTING	27	29
F24748-2	GASKET, FUEL PUMP	15	9	F286282	WASHER	27	31
F24748-2	GASKET, FUEL PUMP	23	3	F286286-1	WASHER, STERN BRACKET	35	64
F269316	ROLLER SHAFT	3	40	F286300	SPRING, REVERSE LOCK	35	55
F269319	ROLLER SHAFT	7	40	F286316	THROTTLE CAM FOLLOWER	23	46
F2706772	HOSE CLAMP	15	12	F286346	SHOCK MOUNT LOWER	35	50
F2706772	HOSE CLAMP	23	9	F286347	SHOCK MOUNT UPPER	35	83
F2752253	HOSE, FUEL PUMP TO BUSHING	15	15	F286349	REVERSE LOCK	35	56
F2771254	HOSE, FUEL PUMP TO CARBURETOR	15	13	F286364	LEVER, REVERSE LOCK	35	71
F2788004	STUD, CARBURETOR	25	51	F286414	SPRING, LEG WATER BRACKET	35	82
F28004	STUD, INTERLOCK LEVER	27	10	F286422-1	TILT LOCK PIVOT	33	26
F286008	STUD, GEAR HOUSING REAR	41	44	F286422-1	TILT LOCK PIVOT	35	51
F286011	WASHER, SWIVEL BRACKET	37	97	F286433	PRACKET SHALLOW WATER DRIVE	35	58
F286015-3	PISTON	29	18	F286440	STUD, MAGNETO CONTROL LEVER	27	39
F286015-3	PISTON	29	18	F286445	LINK, MAGNETO SHAFT	27	32
F286019	KING PIN	33	44	F286451	SPACER, TILT LOCK	33	29
F286028-1	BEARING, CRANKSHAFT UPPER MAIN	29	59	F286451	SPACER, TILT LOCK	35	52
F286037	STERN BRACKET PIVOT BOLT	33	24	F286461	SPRING, LOCK BAR HANDLE	33	42
F286079-1	STEERING HANDLE	33	21	F286490	STEERING HANDLE STOP	35	86
F286080	SCREW, STEERING HANDLE PIVOT	35	87	F286509	LINK, THROTTLE CAM	27	36
F286114	LOCK BAR HANDLE	33	43	F286529-3	CYLINDER HEAD GASKET	31	-
F286132	HANDLE, STARTER ROPE	13	19	F286529-3	GASKET, CYLINDER HEAD	27	4
F286134	STUD	13	5	F286544-1	SPRING, TILT STOP	33	30
F286134	STUD, GEAR SHIFT LEVER	3	38	F286555	GASKET, GEAR HOUSING	39	15
F286134	STUD, GEAR SHIFT LEVER	7	38	F286571	ROLLER SET, MAIN BEARING (26 PER SET)	27	42
F286151	PLATE, EXHAUST	27	25	F286573-1	CLAMP, STEERING FRICTION	35	74
F286152	COVER, EXHAUST	27	26	F286585-1	DECAL, TILT RELEASE	37	103
F286154	EXHAUST GASKET	29	-	F286611-1	ROD, GEAR SHIFT	3	37
F286154	GASKET, EXHAUST COVER	27	24	F286611-1	ROD, GEAR SHIFT	7	37
F286159-1	GASKET, REED PLATE	25	60	F286614	HANDLE, GEAR SHIFT	3	23
F286159-1	REED PLATE GASKET	31	-	F286614	HANDLE, GEAR SHIFT	7	23
F286169	BEARING, SWIVEL BRACKET	35	53	F286615	GEAR SHIFT ROD UPPER	39	5
F286169	BEARING, SWIVEL BRACKET	35	78	F286647	CARRYING HANDLE	33	32
F286192	THROTTLE CAM	19	37	F286685	CONNECTOR, GEAR SHIFT ROD	3	36
F286192	THROTTLE CAM PLATE	11	10	F286685	CONNECTOR, GEAR SHIFT ROD	7	36
F286220	WASHER, STEERING HANDLE	33	15	F286705	GEAR SHIFT ROD LOWER, FOR STANDARD SHAFT MODELS	39	10
F286222	COVER, TRANSFER PORT	29	6	F286710	ARBOR, STARTER SPRING	13	9
F286223	GASKET, TRANSFER PORT COVER	27	7	F286721	CLUTCH, SHIFT CAM	39	18
F286223	TRANSFER PORT GASKET	31	-	F286728	CLUTCH SHIFT PIN	39	27
F286224	INSERT, STEERING HANDLE PIVOT	33	13	F286737-1	RETAINER, STARTER REWIND SPRING	13	13
F286228	ROLLER SET, CONNECTING ROD (32 PER SET)	27	21	F286772-1	HOSE CLAMP	29	56
F286244	WATER LINE	35	48	F286777	CAM, COVER LATCH	3	29
F286277	CRANKSHAFT BEARING CAGE GASKET	31	-	F286777	CAM, COVER LATCH	7	29
F286277	GASKET, CRANKSHAFT BEARING CAGE	27	45	F286818	BEARING	33	12
				F286827	REVERSE LOCK RELEASE LEVER	35	66

PARTS INDEX

Part Number	Description	Pg.	Ref. No.	Part Number	Description	Pg.	Ref. No.
F286868	SPRING, STEERING HANDLE STOP	35	84	F409251-1	GAUGE CAP	43	10
F286871	PIN, GEAR SHIFT LEVER	3	17	F409719	CLUTCH SPRING	39	28
F286871	PIN, GEAR SHIFT LEVER	7	17	F424075	HANDLE, CLAMP SCREW	33	33
F286876	LEVER, GEAR SHIFT	3	15	F424161	REED STOP	25	57
F286876	LEVER, GEAR SHIFT	7	15	F424168-1	GASKET, MANIFOLD	25	55
F286894-3	STEERING HANDLE INDICATOR	37	102	F424168-1	MANIFOLD GASKET	31	-
F286895	SPRING, CAM DETENT	39	17	F429472	CYLINDER DRAIN COVER GASKET	31	-
F286901	BEARING, RADIAL, PROPELLER SHAFT	39	24	F429472	GASKET, CYLINDER DRAIN COVER	27	9
F286903	RACE, PROPELLER SHAFT BEARING	39	23	F429541	TILT LOCK	33	28
F286914	SLEEVE WATER LINE	35	49	F429688	SHAFT, STEERING HANDLE	33	10
F286930	END, STARTER SPRING	13	14	F429811	SCREEN	29	57
F286956	BRACKET, SHOCK MOUNT LOWER	35	46	F430732	HEX HD SCREW, 1/4 - 20 X 1	39	14
F286989-2	SEAL, SUPPORT PLATE	3	22	F431061-2	CARBURETOR COMPLETE (CO7C)	25	62
F286989-2	SEAL, SUPPORT PLATE	7	22	F431838	MAGNETO CONTROL SHAFT	35	94
F289664	WIRE, STATOR GROUND	11	11	F436065	WATER PUMP IMPELLER	39	7
F298788	FERRULE	43	4	F436449	SHORTING SWITCH	11	24
F2A424167	MANIFOLD W/STUDS AND PULLEY	25	52	F436449	SHORTING SWITCH	19	17
F2A459239	STARTER SPOOL W/SHAFT	13	15	F455118	SEAL, FUEL PUMP BRACKET	15	1
F2A477133	MOTOR LEG	35	77	F455305	SEAL, PROP SHAFT BEARING CAGE	39	35
F302097	FLYWHEEL	11	3	F456098	PROPELLER SHAFT	39	30
F307317	CLIP, TERMINAL BLOCK GROUND	19	14	F456717	THRUST WASHER	39	26
F307818	BEARING	3	14	F458498	KEY, FLYWHEEL	21	49
F307818	BEARING	7	14	F458498	MAGNETO KEY	11	14
F307818	BEARING	37	95	F458677	INSERT, CHOKE KNOB	3	27
F31160-1	REED	25	58	F458677	INSERT, CHOKE KNOB	7	27
F31410	RETAINING RING, PISTON PIN	27	15	F458695	SLEEVE	37	99
F330705	GEAR SHIFT ROD LOWER, FOR LONG SHAFT MODELS	39	-	F461342	SEAL, DRIVESHAFT SPLINE	29	58
F338618-1	SEAL, GEAR SHIFT ROD LOWER	39	12	F476	FUEL LINE ADAPTION KIT	49	-
F341384	RETAINER, CHOKE ROD	23	22	F487424-1	STARTER PINION SPRING	13	3
F341562	WATER PUMP BACK PLATE	39	8	F487427-1	BRACKET, STARTER UPPER	13	4
F341693	WEDGE, STEERING HANDLE	33	17	F487435	PULLEY, STARTER ROPE	23	43
F343014	BEARING, CRANKSHAFT LOWER MAIN	27	22	F487660-1	EXHAUST TUBE	27	27
F343128	DRIVESHAFT, FOR STANDARD SHAFT MODELS	41	46	F487674	GEAR, STARTER PINION	13	2
F343226-1	PLUG	3	8	F487711	PLATE, ENGINE COVER	5	44
F343226-1	PLUG	7	8	F487711	PLATE, ENGINE COVER FRONT	7	5
F344128	DRIVESHAFT, FOR LONG SHAFT MODELS	41	-	F487727	BALL, INTERLOCK DETENT	13	21
F346118	SEAL, PROPELLER SHAFT	39	37	F487755	FUEL TANK ADAPTER	43	8
F346146	SEAL, CRANKSHAFT UPPER	29	47	F487781-3	STARTER INTERLOCK	13	7
F36634	SCREW, CONNECTING ROD	27	40	F487816	BEARING, STEERING HANDLE	33	18
F392756	PACKING, SUPPORT PLATE	3	18	F487895	SPRING, INTERLOCK DETENT	13	22
F392756	PACKING, SUPPORT PLATE	7	18	F492263	LINK, STARTER INTERLOCK	5	47
F40253	FUEL LINE	23	10	F492417	SHAFT, GEAR SHIFT HANDLE	5	45
F40425	STARTER PINION PIN	13	10	F492417	SHAFT, GEAR SHIFT HANDLE	9	46
F404908	GROUND WIRE	19	35	F492518	CYLINDER HEAD	29	3
F409232	STARTER ROPE	13	18	F492518	CYLINDER HEAD	29	3
				F492531	INTERLOCK ROD	29	52
				F492619	LEVER, GEAR SHIFT SHAFT	3	35
				F492619	LEVER, GEAR SHIFT SHAFT	7	35
				F492977	INTERLOCK LEVER	29	54
				F493683	WIRE	19	40

PARTS INDEX

Part Number	Description	Pg.	Ref. No.	Part Number	Description	Pg.	Ref. No.
F50109	GEAR HOUSING PLUG	39	22	F5H062	WATER PUMP KIT	49	-
F510029	STATOR, TRIGGER	19	34	F5H063	SYNCHRO-DRIVE CONTROL BOX (SINGLE LEVER) . . .	49	-
F510095	STATOR, ALTERNATOR . . .	19	33	F5H088	REMOTE CONTROL CONVERSION KIT	49	-
F510097	FLYWHEEL	19	31	F5H090	REMOTE ELEC. STARTER . .	49	-
F510165	SCREW, TRANSFER PORT COVER	29	5A	F66193	THROTTLE LINK	23	14
F510180	TRIM, ENGINE COVER REAR	7	4	F66480	STUD CLAMP SCREW	33	37
F510180	TRIM, ENGINE COVER, REAR	3	4	F7005	STOP NUT, 3/8 - 16	33	39
F510222	TRANSFER PORT COVER . .	29	6	F7008	STOP NUT, 1/4 - 20	29	55
F510288	NUT, SHORTING SWITCH . .	19	16	F7011	ELASTIC STOP NUT, 10 - 24	3	11
F510301	C-D MODULE	21	46	F7011	ELASTIC STOP NUT, 10 - 24	7	11
F510374	DECAL, CIRCUIT BREAKER	19	28	F7011	STOP NUT, 10 - 24	3	20
F510398	DECAL, WIRING	19	7	F7011	STOP NUT, 10 - 24	7	20
F510427	BRACKET, STARTER SUPPORT	15	2	F73082	RING, MAGNETO STATOR . .	27	44
F510446	CLAMP, BATTERY CABLE . .	19	38	F78318	ROLLER, THROTTLE CAM FOLLOWER	23	48
F510449	NEUTRAL INTERLOCK SWITCH	21	47	F78410	RETAINER	23	49
F510450-1	RECTIFIER	19	23	F8003	PLAIN WASHER	15	6
F510460	CIRCUIT BREAKER	19	27	F8003	PLAIN WASHER	25	61
F510475	IGNITION COIL	19	3	F8011	PLAIN WASHER	5	48
F510531	INTERLOCK ROD	29	52	F8011	PLAIN WASHER	13	6
F510540	BRACKET, STARTER SWITCH	19	21	F8025	PLAIN WASHER	27	2
F510551	BRACKET, INTERLOCK SWITCH	29	60	F8039	PLAIN WASHER	33	23
F510595	INSULATOR, CIRCUIT BREAKER	19	41	F8048	BOWED SPRING WASHER . .	3	21
F510661	PAD, STARTER MOTOR . . .	9	45	F8048	BOWED WASHER	7	21
F510669	NUT, INTERLOCK SWITCH AND STARTER SWITCH . .	19	22	F8058	INT TOOTH LOCKWASHER . .	33	19
F510675-1	STARTER SUPPORT	19	10	F8058	INTERNAL TOOTH LOCKWASHER	3	13
F510683	WIRE, RECTIFIER-CIRCUIT BREAKER	21	48	F8058	INTERNAL TOOTH LOCKWASHER	7	13
F510746	FUEL PUMP COVER	15	10	F8060	TOOTH LOCKWASHER	35	92
F510811	FILTER, FUEL PUMP	15	16	F8063	SPRING LOCKWASHER . . .	39	42
F510841	WIRE, STARTER INTERLOCK SWITCH	19	12	F8077	NYLTITE WEATHER	39	21
F510896	BATTERY CABLE	19	39	F8083	SPRING LOCKWASHER . . .	21	45
F510908	WIRE, GROUND	19	15	F8083	SPRING LOCKWASHER . . .	35	47A
F510918	STARTER SWITCH	19	19	F84026	SWIVEL, INTERLOCK ROD BEARING	29	50
F510955	STARTER MOTOR COMPLETE	17	-	F84035-2	BEARING, INTERLOCK ROD	29	49
F510977-1	INTERLOCK LEVER	29	54	F8537	SPRING PIN	33	36
F525286	WASHER, STERN BRACKET	37	101	F8538	SPRING PIN	35	70
F53795-1	SEAL, STEERING HANDLE GRIP DAMPENER (LARGE)	33	22	F8538	SPRING PIN	37	98
F588	FLUSHING ADAPTER	49	-	F8540	SPRING PIN	3	34
F5H006	VOLTMETER	49	-	F8540	SPRING PIN	7	34
F5H025	ANTI-CORROSION SACRIFICIAL ANODE	49	-	F8540	SPRING PIN	33	41
F5H027	FUEL TANK (ACCESSORY ITEM)	43	9	F8542	SPRING PIN	3	16
F5H027	STEEL, 6 GALLON FUEL TANK	49	-	F8542	SPRING PIN	7	16
F5H054	REMOTE STEERING BRACKET	49	-	F8548	SPRING PIN	37	100
				F8553	SPRING PIN	39	19
				F8554	SPRING PIN	33	35
				F8559	DOWEL PIN	27	14
				F85610	BEARING	33	2
				F8564	SPIROL PIN	39	40
				F85735-1	SEAL	3	2
				F85735-1	SEAL	7	2
				F866	DUO-DRIVE CONTROL BOX (TWIN LEVER)	49	-
				F901307-2	SEAL, DRIVESHAFT	35	81
				F901307-2	SEAL, DRIVESHAFT AND WATER PUMP	41	45

PARTS INDEX

Part Number	Description	Pg.	Ref. No.	Part Number	Description	Pg.	Ref. No.
F901456-1	EMERGENCY STARTER COLLAR	11	2	FA429471	COVER, CYLINDER DRAIN W/CHECK VALVES AND SCREWS	27	8
F901456-1	EMERGENCY STARTER COLLAR	19	30	FA456023	BEVEL GEAR FRONT W/BEARING	39	25
F901563	WATER PUMP IMPELLER DRIVE PIN	41	47	FA456137	GRIP, STEERING HANDLE W/SLEEVE	33	1
F901746-2	FUEL PUMP COVER	23	2	FA456521	CLUTCH	39	29
F901811	FUEL PUMP FILTER	23	8	FA456662	BEVEL GEAR REAR W/BEARING	39	34
F901938-1	SCREW, CYLINDER HEAD	27	1	FA487892	INSERT, PLATE FRONT - U.S.A.	3	1
F92759	ROLLER	3	41	FA487892	INSERT, PLATE FRONT - U.S.A.	7	1
F92759	ROLLER	9	41	FA487893	INSERT, PLATE FRONT - CANADA	3	-
F94840	GROMMET, BATTERY CABLE	9	44	FA487893	INSERT, PLATE FRONT - CANADA	7	-
F98273	STUD, GEAR SHIFT ROD CONNECTOR	3	12	FA492038	PLATE, SUPPORT W/PLUGS	3	19
F98273	STUD, GEAR SHIFT ROD CONNECTOR	7	12	FA492528	INSERT, TRIM REAR	5	43
FA12370	COIL W/LEAD WIRE & WEDGE SPRING	11	17	FA492528	INSERT, TRIM REAR	9	43
FA174260	PISTON RING SET (2 PER SET)	29	19	FA492845	MOTOR LEG EXTENSION	41	48
FA174260	PISTON RING SET (2 PER SET)	29	19	FA510010	CYLINDER W/CRANKCASE COVER, DOWEL PINS, SCREWS AND STUDS	29	12
FA1844	HEX BOLT, 1/4 - 20 X 2 3/8	35	47	FA510038	SUPPORT PLATE W/PLUGS	7	19
FA24754-1	FUEL LINE W/CLAMPS	23	11	FA510060	WATER PUMP BODY W/DRIVESHAFT SEAL	39	4
FA24757-3	FUEL PUMP REED PLATE W/REEDS AND SCREWS	15	8	FA510392	DECAL, PORT "CHRYSLER"	7	7
FA24757-3	FUEL PUMP REED PLATE W/REEDS AND SCREWS	23	6	FA510392	DECAL, PORT, "CHRYSLER"	3	7
FA286054	GEAR HOUSING LOWER W/BEARING, PLUG AND SPRING PIN	39	20	FA510397	DECAL, STRIPE (PORT)	5	51
FA286113	LOCK BAR W/HANDLE AND SPRING	33	40	FA510397	DECAL, STRIPE (PORT)	9	47
FA286155	MAIN BEARING LINER SET (2 PER SET)	27	41	FA510497	TERMINAL BLOCK	19	11
FA286266	GEAR, BEVEL PINION	39	43	FA510711	PLATE, FRONT	7	25
FA286469	KNOB, COVER LATCH	3	26	FA510914	SEAL, INLET WATER LINE	39	1
FA286469	KNOB, COVER LATCH	7	26	FA520396	DECAL, STRIPE (STARBOARD)	5	-
FA286480	RETAINER, ENGINE COVER W/SCREWS AND NUTS	3	9	FA525241	CONNECTING ROD LINER SET (2 PER SET)	27	20
FA286480	RETAINER, ENGINE COVER W/SCREWS AND NUTS	7	9	FA77395-5	IDENTIFICATION PLATE W/SCREWS FOR U.S.A. MODELS	7	32
FA286547	KNOB, CHOKE W/INSERT AND CHOKE ROD	3	28	FA77395-5	PLATE, IDENTIFICATION W/SCREWS, U.S.A.	3	32
FA286547	KNOB, CHOKE W/INSERT AND CHOKE ROD	7	28	FA84754-1	FUEL LINE SHORT W/CLAMPS	43	5
FA286582	STEERING ARM W/SPRING PIN & BUMPER	35	90	FAC510711	PLATE, FRONT (CANADA)	7	-
FA286970	STARTER REWIND SPRING W/END AND RETAINER	13	12	FC235227	PLUG, SPARK CHAMPION (RL-4-J) FOR MODELS 102B8E, 103B8E	27	-
FA324101	PROPELLER PIN, PACK OF 3	39	39	FC409398	DECAL (TOTE TANK) NOT SHOWN, CANADA	43	-
FA341510	LINK, REVERSE LOCK LEVER	35	60	FC456054	LOWER GEAR HOUSING COMPLETE (NOT SHOWN)	41	-
FA343178	RETAINER W/SET SCREW	33	4	FC503227	PLUG, SPARK CHAMPION (QL-77J4) FOR MODELS 108B9B, 109B8B	27	-
FA387742	LEVER, REVERSE LOCK INTERMEDIATE	35	69	FC510010	SHORT BLOCK (NOT SHOWN)	29	-
FA424158	REED PLATE W/REEDS, STOPS AND SCREWS	25	59				

PARTS INDEX

Part Number	Description	Pg.	Ref. No.	Part Number	Description	Pg.	Ref. No.
FC510398	DECAL, WIRING (CANADA)	19	-	FS567532	STERN BRACKET PORT		
FC516400	DECAL, "SHIFT" (CANADA ONLY)	5	52		W/CLAMP SCREW AND FOOT	33	31
FC520390	DECAL, STARTER, (CANADA)	17	19	FS567532	STERN BRACKET		
FG1005-1	GASKET SET NOT SHOWN)	29	-		STARBOARD W/CLAMP SCREW AND FOOT	33	25
FK1019-1	5" LONG LEG CONVERSION KIT	49	-	FS901244	INLET WATER LINE EXTENSION	41	49
FK317427	BRACKET, STARTER LOWER W/SPRING PIN	13	16	FT1749	SNAP RING PLIERS	46	-
FK750-2	SPARKIE W/SPRING	11	20	FT1904	PULLER	47	-
FK750-2	SPARKIE W/SPRING	19	6	FT2907	SEAL INSTALLER	47	-
FO10165	INLET SEAT GASKET	23	36	FT2908	SEAL PROTECTOR	46	-
FO10280	CHOKE SHUTTER RETAINER SCREW AND LOCKWASHER	23	26	FT2909	KNOCK-OFF NUT	44	-
FO10588	BODY CHANNEL CUP PLUG	23	17	FT2984	ARMATURE PULLER	44	-
FO10790	INLET NEEDLE, SEAT AND GASKET	23	35	FT2985	STARTER REWIND KEY	45	-
FO11103	IDLE MIXTURE SCREW SPRING	23	34	FT2989	FLYWHEEL WEDGE	44	-
FO12101	MAIN FUEL JET (.045)	25	37	FT2997	RING COMPRESSOR	46	-
FO13554	FLOAT	23	27	FT3012	SEAL INSTALLER	46	-
FO13944	FLOAT LEVER PIN	23	28	FT8342	TEST WHEEL (10 H.P.)	48	-
FO13945	FUEL BOWL RETAINING SCREW	23	31	FT8900	HOSE CLAMP PLIERS	46	-
FO15366	FUEL BOWL	23	29	FT8919	PIN PUNCH	46	-
FO15367	CHOKE SHUTTER	23	25	FT8919	PIN REMOVER	47	-
FO15368	CHOKE RELIEF VALVE	23	23	FT8926	RING EXPANDER	46	-
FO15520	IDLE MIXTURE SCREW	23	33	FT8929	ADAPTER AND HEX BIT	46	-
FO15525	MAIN NOZZLE	23	38	FT8937	BEARING TOOL	46	-
FO15526	THROTTLE SHAFT RETURN SPRING	23	40	FT8949	SEAL INSTALLER	46	-
FO15623	FUEL BOWL GASKET	23	30	FT8950	LEAKAGE TESTER	48	-
FO15718	THROTTLE SHAFT AND LEVER	25	39	T8974	BREAKER POINT TENSION GAUGE	48	-
FO15736	CHOKE SHAFT AND LEVER	23	21	11-817752A1	PROPELLER NUT W/COTTER PIN	39	32
FO15783	CHOKE RELIEF VALVE SPRING	23	24	22-818103--1	FITTING, FUEL PUMP	15	11
FO16027	BYPASS TUBE	25	18	27-818043A1	FUEL PUMP DIAPHRAGM W/GASKETS	15	4
FO16098	THROTTLE SHUTTER	25	41	27-818043A1	FUEL PUMP DIAPHRAGM W/GASKETS	23	7
FO2510	FUEL BOWL RETAINING SCREW GASKET	23	32	31-817756A2	PROPELLER SHAFT BEARING CAGE W/BEARING AND ITEMS 35 AND 37	39	36
FO2531	BODY CHANNEL WELCH PLUG	23	16	32-817738A1	FUEL LINE, LONG W/CLAMPS AND FERRULE	43	7
FO4784	CHOKE FRICTION BALL	23	19	37-F286585-2	DECAL, TILT RELEASE (CANADA)	37	-
FO8805	CHOKE FRICTION SPRING	23	20	37-F286894-3	STEERING HANDLE INDICATOR (CANADA)	37	-
FO8942	THROTTLE SHUTTER RETAINING SCREW AND LOCKWASHER	25	42	43-818009--1	GEAR, MAGNETO CONTROL SHAFT	33	7
FP286	PROPELLER (ACCESSORY ITEM) (10 H.P.)	39	31	43-818009--1	GEAR, STEERING HANDLE SHAFT	33	5
FS174227	PLUG, SPARK, L-4-J	27	11	400-818047A3	CRANKSHAFT W/UPPER MAIN BEARING	29	43
FS409752	FUEL LINE COMPLETE (NOT SHOWN)	43	-	400-818047A3	CRANKSHAFT W/UPPER MAIN BEARING	29	43
FS472712	COVER, ENGINE W/BRACKET, RETAINER AND TILT HANDLE	3	6	600-FS715016	ROD, CONNECTING W/CAP AND SCREWS	27	17
FS472712	ENGINE COVER W/BRACKET & RETAINER	7	6	800-817801A2	CYLINDER, CYLINDER DRAIN COVER, DOWEL PIN, SCREW AND STUDS	29	12

PARTS INDEX

Part Number	Description	Pg.	Ref. No.	Part Number	Description	Pg.	Ref. No.
1100-817753A1	CAGE, CRANKSHAFT						
	BEARING W/SEAL	27	46				
1400-817750A4	SWIVEL BRACKET						
	W/GREASE FITTING	35	75				
1600-824916A1	GEAR HOUSING UPPER . . .	39	13				