



# PARTS CATALOG

## 45 H.P.

### SERIAL NUMBER

45 (1978)	.....	450B8K
45 (1978)	.....	451B8K
45 (1978)	.....	451H8K
45 (1978)	.....	456B8J
45 (1978)	.....	456H8J
45 (1978)	.....	457B8J
45 (1978)	.....	457H8J
45 (1978)	.....	458B8G
45 (1978)	.....	458H8G
45 (1978)	.....	459B8G
45 (1978)	.....	459H8G

# TABLE OF CONTENTS:

ACCESSORIES .....	55
ALTERNATOR AND ELECTRICAL COMPONENTS FOR MAGPWR MDL 458, 459 .....	12
ALTERNATOR AND ELECTRICAL COMPONENTS FOR MODELS 456 AND 457 .....	8
CARBURETOR .....	22
CRANKSHAFT AND PISTON GROUP .....	32
ELECTRICAL STARTER .....	18
ENGINE COVER AND SUPPORT PLATE .....	2
FUEL PUMP .....	20
FUEL TANK AND LINE .....	46
GEAR HOUSING .....	42
HAND STARTER .....	16
LUBRICATION CHART .....	58
MAGNETO FOR MODELS 450 AND 451 .....	6
MOTOR LEG .....	36
PARTS INDEX .....	60
POWER HEAD .....	26
REED PLATE .....	34
REMOTE CONTROL .....	48
SPECIAL ADJUSTMENTS .....	59
SPECIAL TOOLS - LOWER UNIT .....	53
SPECIAL TOOLS - MANUAL STARTER .....	51
SPECIAL TOOLS - POWER HEAD .....	52
SPECIAL TOOLS - TEST EQUIPMENT .....	54
SPECIAL TOOLS - TUNE-UP .....	50
SPECIFICATIONS .....	57

**NOTE:** Indented description indicate that these parts are included in preceeding assembly.

**AR** = As Required

**NSS** = Not Sold Separate

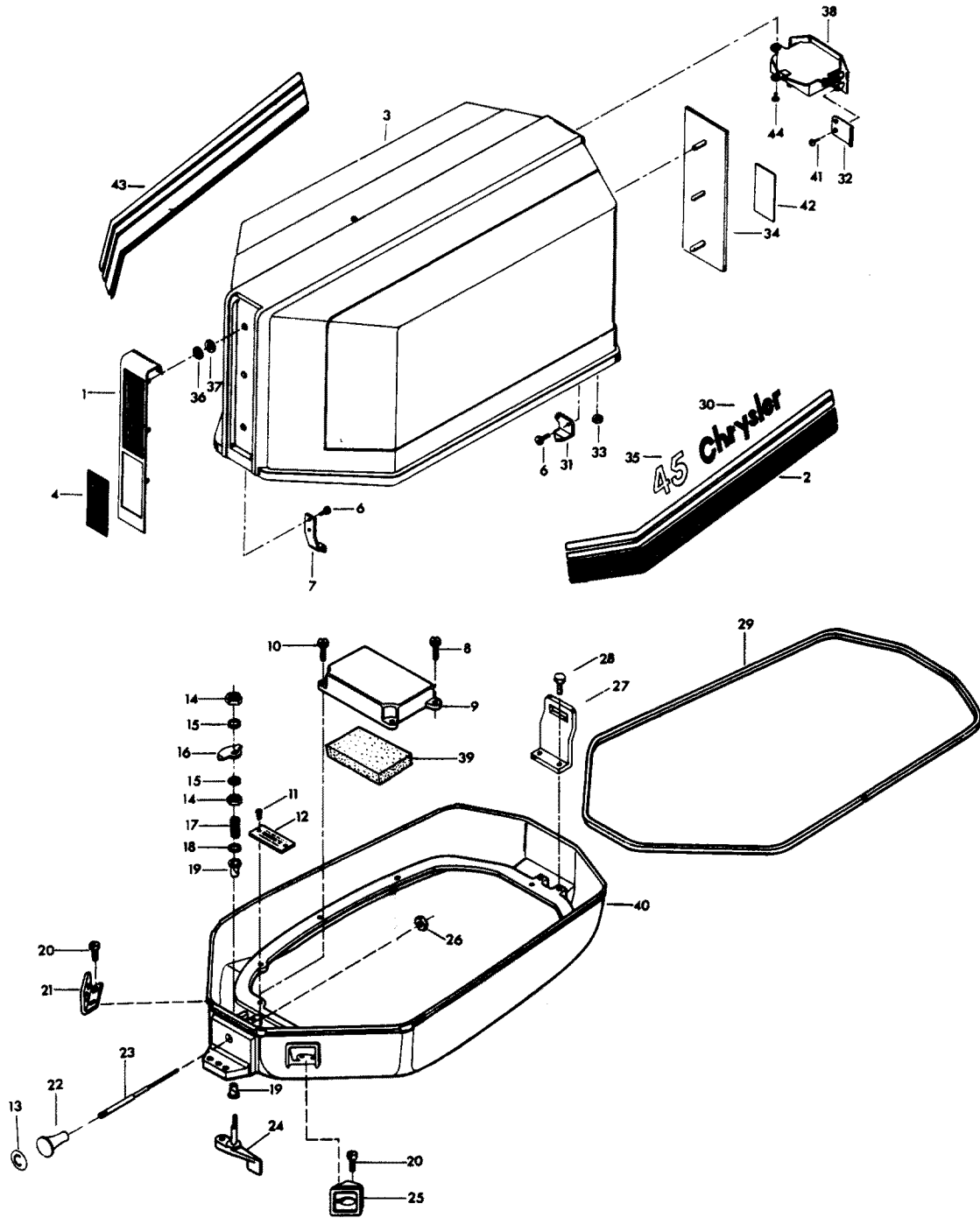
**OPT** = Optional

**NS** = Not Shown

**THESE PARTS BOOKS/FICHE CARD ARE COPYRIGHTED AND MAY NOT BE DISTRIBUTED OR REPRODUCED IN ANY OTHER FORMAT BY ANYONE OTHER THAN MERCURY MARINE WITHOUT THE PRIOR WRITTEN CONSENT OF MERCURY MARINE.**

THIS PAGE INTENTIONALLY LEFT BLANK

# ENGINE COVER AND SUPPORT PLATE

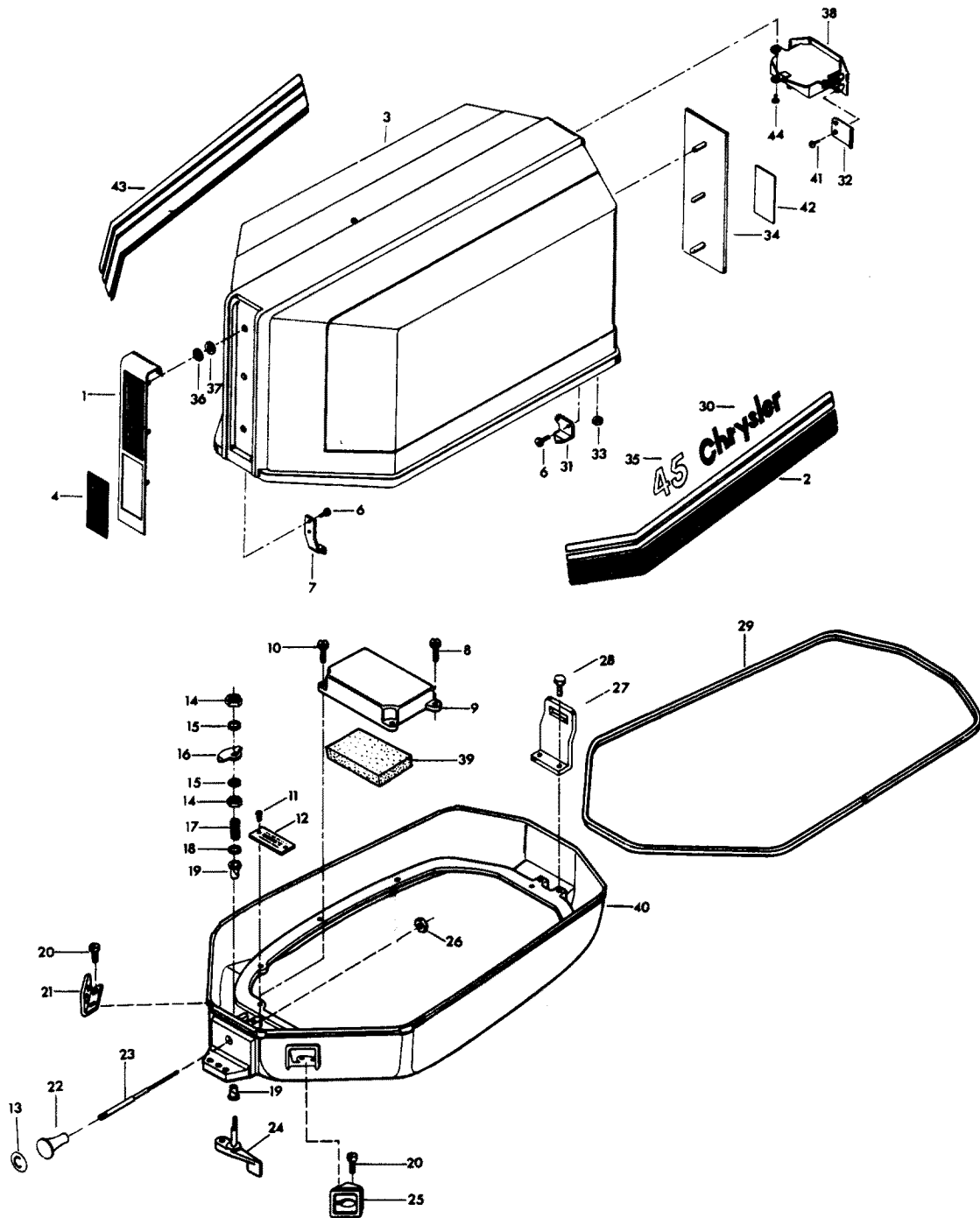


# ENGINE COVER AND SUPPORT PLATE

REF. NO.	PART NO.	SYM.	QTY.	DESCRIPTION
1	F486711		1	PLATE, FRONT
2	F486397		2	DECAL STRIPE - PORT
3	FS486712		1	ENGINE COVER <b>INCLUDES ITEMS 7, 49, 50, 58 AND 61</b>
4	FA463892		1	INSERT, FRONT PLATE, U.S.A. FOR HAND START MODELS
-	<b>A463893</b>		1	<b>INSERT, FRONT PLATE, CANADA FOR HAND START MODELS</b>
-	<b>FA466892</b>		1	<b>INSERT, FRONT PLATE, U. S. A., FOR ALTERNATOR MODELS</b>
-	<b>FA466893</b>		1	<b>INSERT, FRONT PLATE, CANADA, FOR ALTERNATOR MODELS</b>
-	<b>FA467892</b>		1	<b>INSERT, FRONT PLATE, U. S. A., FOR C.D. MODELS</b>
-	<b>FA467893</b>		1	<b>INSERT, FRONT PLATE, CANADA FOR C.D. MODELS</b>
6	F1475		4	FILL HD SCREW, 10 - 24 X 1/2
7	FA366778		1	ENGINE COVER RETAINER FORWARD W/SCREWS AND NUTS
8	F1864		2	HEX HD SCREW, 1/4 - 20 X 3/4
9	F307860		1	INTAKE SILENCER
10	F1953		2	HEX HD SCREW, 1/4 - 20 X 1
11	F1447		2	RD HD SCREW, 2 X 3/16
12	FA77395-5		1	IDENTIFICATION PLATE W/SCREWS, U.S.A.
-	<b>AC16395-8</b>		1	<b>IDENTIFICATION PLATE W/SCREWS, CANADA</b>
13	F458677		1	INSERT, CHOKE KNOB FOR HAND START MODELS
14	F1515		2	HEX NUT, 5/16 - 18
15	F8096		2	SPRING LOCKWASHER
16	F89777-1		1	LATCH ARM
17	F183300		1	SPRING
18	F1987		1	PLAIN WASHER
19	F307818		2	BEARING, LATCH SHAFT
20	F1733		3	PAN HD SCREW, 10 - 24 X 9/16
21	F311189-1		1	BUSHING, CABLE ENTRY
22	F286547		1	CHOKE, KNOB FOR HAND START MODELS
23	F433503		1	CHOKE CABLE FOR HAND START MODELS
24	FA328763		1	COVER LATCH HANDLE W/SHAFT
25	FA366953		1	BUSHING STARTER HANDLE, FOR HAND START MODELS
-	<b>F310189</b>		1	<b>BUSHING ELECTRIC CABLE ENTRY, FOR ELECTRIC START MODELS</b>
26	F1738		1	HEX JAM NUT, 3/8 - 24 FOR HAND START MODELS
27	F458774		1	BRACKET RETAINER REAR
28	F1238		8	HEX CAP SCREW, 1/4 - 20 X 3/4
29	F85756		1	SUPPORT PLATE PACKING
30	F522392		2	DECAL, "CHRYSLER"
31	FA458480		1	ENGINE COVER RETAINER W/SCREWS AND NUTS
32	F463864		2	RETAINER, TILT HANDLE
33	F7011		4	HEX NUT, 10 - 24
34	F486180		1	TRIM, REAR
35	F486386		2	DECAL, NUMERAL "45"
36	F85735-1		6	SEAL

CONTINUED ON NEXT PAGE ➡

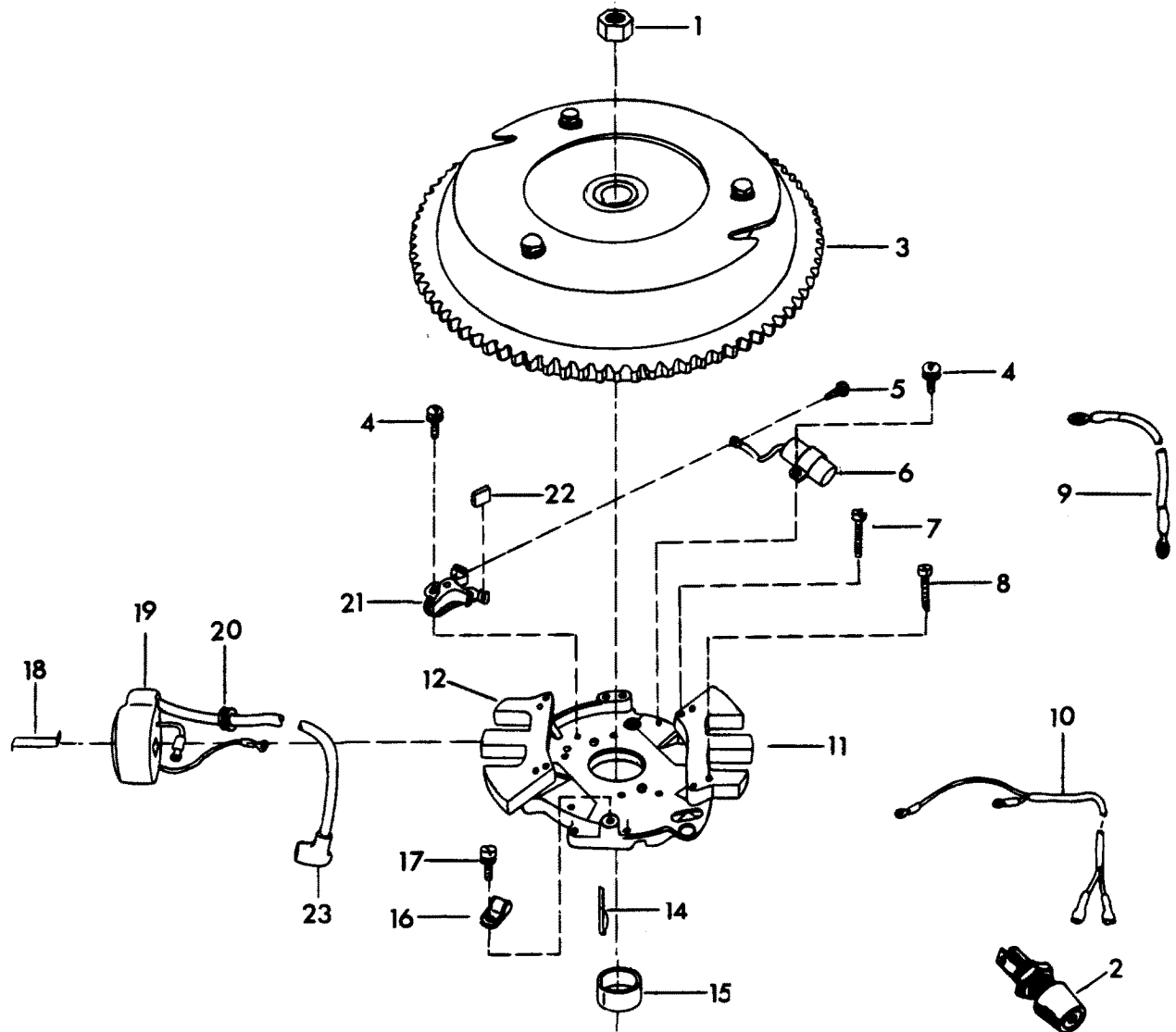
# ENGINE COVER AND SUPPORT PLATE



## ENGINE COVER AND SUPPORT PLATE

REF. NO.	PART NO.	SYM.	QTY.	DESCRIPTION
37	F1753		6	FASTENER
38	F486269		1	TILT HANDLE
39	FA307779		1	BAFFLE, AIR INTAKE W/SILENCER
40	A310038-2		1	SUPPORT PLATE, FOR HAND START MODELS
-	<b>F307038</b>		<b>1</b>	<b>SUPPORT PLATE, FOR ELECTRIC START MODELS</b>
41	F2066		4	PAN HD SELF-TAPPING SCREW
42	A464528-1		1	INSERT, TRIM REAR
43	F486396		2	DECAL STRIPE - STARBOARD
44	F2025		1	PAN HD SCREW, 10 X 5/8
-	<b>F191993-1</b>		<b>1</b>	<b>BRACKET, CHOKE CABLE (NOT SHOWN)</b>
-	<b>321373-2</b>		<b>1</b>	<b>DECAL, "MAGNAPOWER IGNITION" (NOT SHOWN)</b>

# MAGNETO FOR MODELS 450 AND 451

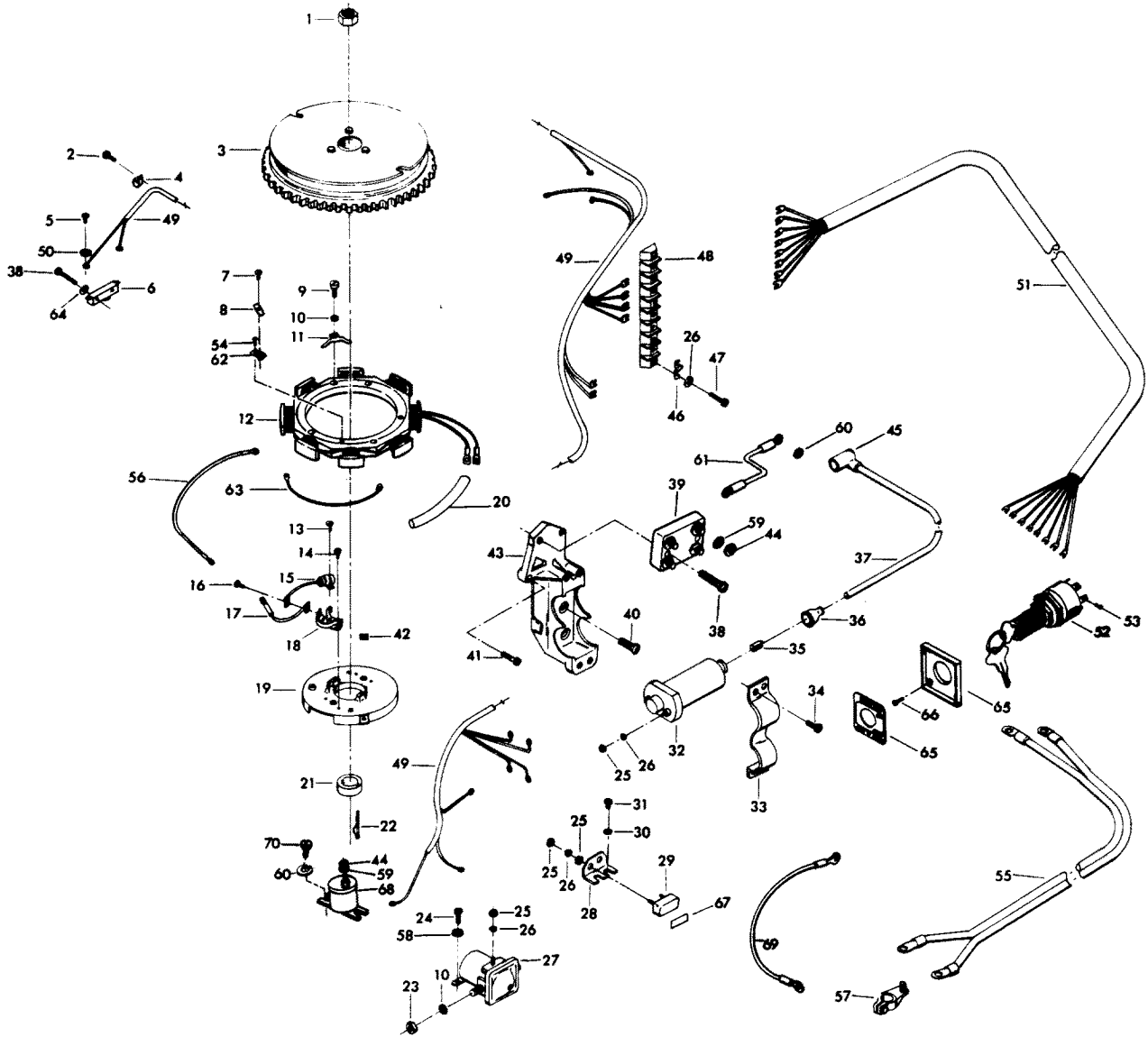




## MAGNETO FOR MODELS 450 AND 451

REF. NO.	PART NO.	SYM.	QTY.	DESCRIPTION
1	F1920		1	HEX NUT, 5/8 - 18
2	F436449		1	SHORTING SWITCH
3	F93097-6		1	FLYWHEEL AND STARTER GEAR
4	F12014		6	BREAKER POINT AND CONDENSER MOUNTING SCREW, 8 - 32 X 3/8
5	F1300		2	BREAKER POINT TERMINAL SCREW, 6 - 32 X 3/8
6	F12042-1		2	CONDENSER W/MOUNT
7	F1926		2	LAMINATION SCREW, 8 - 32 X 7/8
8	F12023		2	LAMINATION SCREW, 10 - 24 X 1
9	F460664		1	WIRE, STATOR GROUND
10	F12059		1	PRIMARY TERMINAL WIRE
11	F12342		1	STATOR PLATE WITHOUT LAMINATIONS
12	F12341		2	COIL LAMINATIONS
14	F92498		1	KEY
15	F93002		1	CAM
16	F12246		1	CABLE CLIP
17	F12016		1	CABLE CLIP SCREW, 8 - 32 X 1/2
18	F12053		2	COIL RETAINING CLIP
19	F12057		2	COIL W/LEAD WIRE, SPARKIE AND GROMMET
20	F12050		2	GROMMET
21	F12044		2	BREAKER POINT SET
22	F12227		2	CAM WIPER FELT
23	FK750-1		2	SPARKIE KIT
-	<b>FA27232</b>		<b>1</b>	<b>EMERGENCY STARTER ROPE (NOT SHOWN)</b>

# ALTERNATOR AND ELECTRICAL COMPONENTS FOR MODELS 456 AND 457

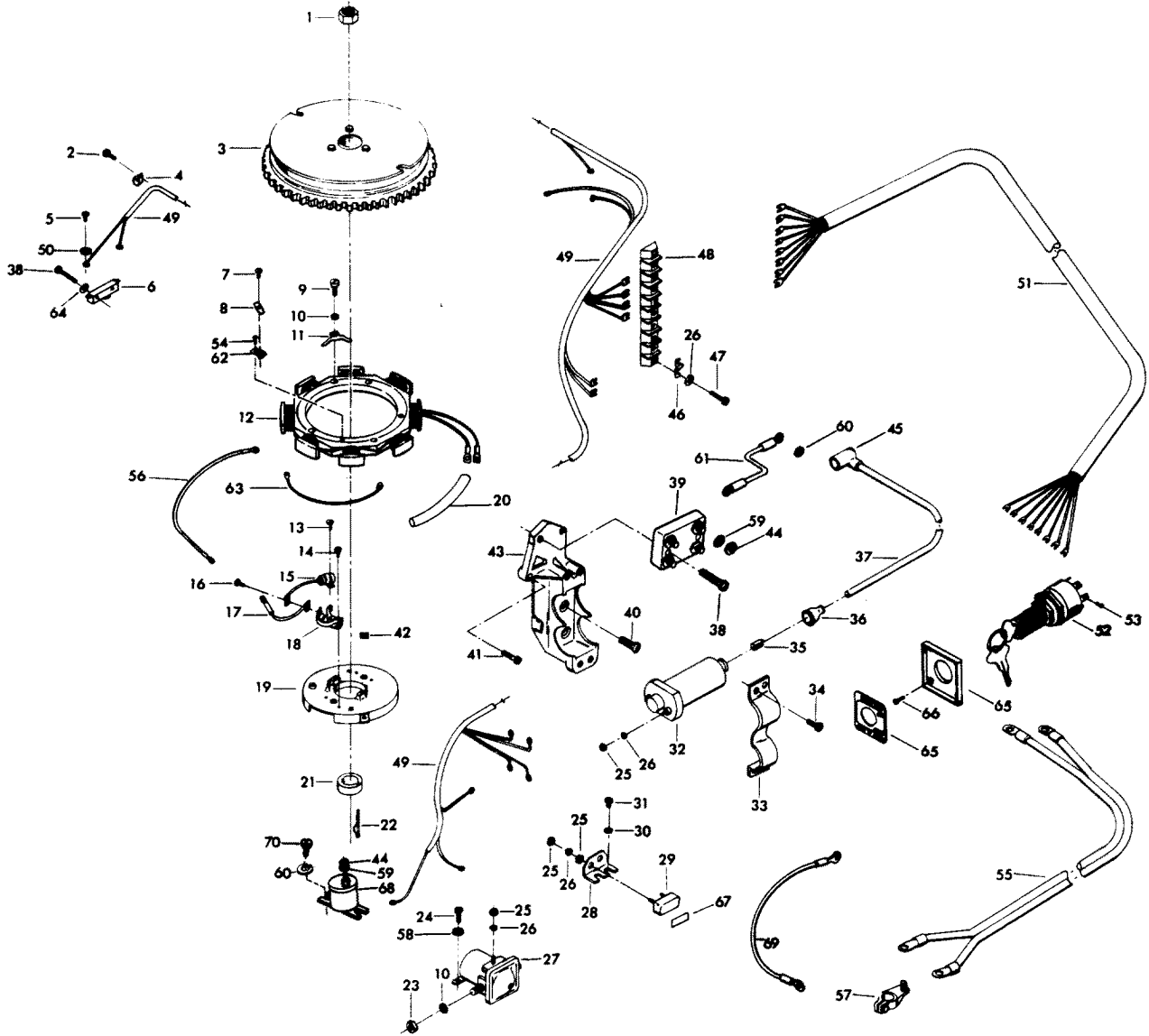


# ALTERNATOR AND ELECTRICAL COMPONENTS FOR MODELS 456 AND 457

REF. NO.	PART NO.	SYM.	QTY.	DESCRIPTION
1	F1920		1	HEX NUT, 5/8 - 18
2	F1110		1	SLOTTED FILL HD SCREW, 1/4 - 20 X 5/8
3	F203097-5		1	FLYWHEEL
4	F92446		1	CLAMP
5	F1645		2	RD HD SELF-TAPPING SCREW, 6 - 32 X 1/4
6	F84449		1	NEUTRAL INTERLOCK SWITCH
7	F12167		2	SCREW
8	F12172		2	TERMINAL
9	F2071		3	HEX CAP SCREW, 5/16 - 18 X 1 3/8
10	F8096		5	SPRING LOCKWASHER
11	F466479		3	BREAKER PLATE SHOE
12	F466095		1	STATOR
13	F12083		2	CONDENSER MOUNT SCREW W/LOCKWASHER
14	F12090		4	BREAKER CONTACT SCREW
15	F12139-1		2	CONDENSER
16	F12189		2	CONDENSER MOUNT SCREW
17	F12174-1		2	PRIMARY INTERLEAD GROUP
18	F12329-1		2	BREAKER POINT SET
19	F12344		1	BREAKER PLATE
20	F94914		1	SLEEVE
21	F268002-2		1	CAM
22	F92498		1	KEY
23	F1615		2	HEX NUT, 5/16 - 24
24	F1238		2	FILL HD SCREW, 1/4 - 20 X 3/4
25	F1513		9	HEX NUT, 10 - 32
26	F1975		7	LOCKWASHER
27	F177917		1	STARTER RELAY
28	F91446-1		1	CIRCUIT BREAKER BRACKET
29	F510460		1	CIRCUIT BREAKER
30	F8011		2	PLAIN WASHER
31	F1733		2	PAN HD SCREW, 10 - 24 X 9/16
32	F380475		2	COIL
33	F380513		1	COIL CLAMP
34	F1502		4	HEX CAP SCREW, 1/4 - 20 X 5/8
35	F203673		2	TERMINAL CLIP
36	F203276		2	COIL BOOT
37	84-817765A2		2	COIL WIRE, <b>INCLUDES ITEMS 35 AND 36 ORIGINAL FORCE P/N A307664-1</b>
38	F2016		4	FILL HD SCREW, 6 - 32 X 7/8
39	F369450		1	RECTIFIER
40	F1164		2	FLAT HD SCREW, 5/16 - 18 X 1 1/8
41	F1953		1	HEX HD SCREW, 1/4 - 20 X 1
42	F12227		2	CAM WIPER FELT

CONTINUED ON NEXT PAGE ➡

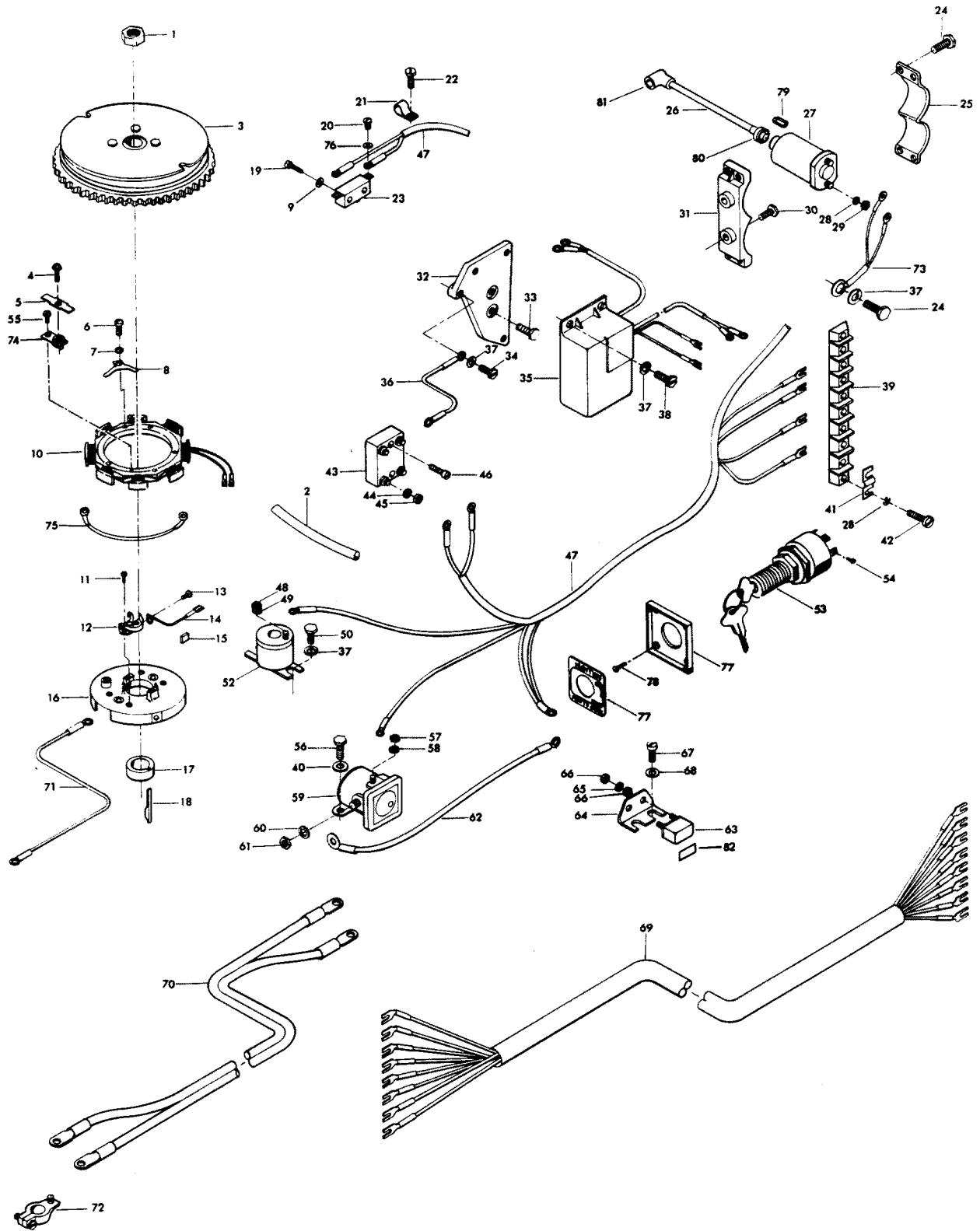
# ALTERNATOR AND ELECTRICAL COMPONENTS FOR MODELS 456 AND 457



# ALTERNATOR AND ELECTRICAL COMPONENTS FOR MODELS 456 AND 457

REF. NO.	PART NO.	SYM.	QTY.	DESCRIPTION
43	F380501		1	COIL MOUNT
44	F1647		5	HEX NUT, 8 - 32
45	FK750-1		2	SPARKIE KIT.
46	F307317		1	CLIP TERMINAL BLOCK GROUND
47	F1648		2	SLOTTED PAN HD SCREW, 10 - 24 X 3/4
48	FA510497		1	TERMINAL BLOCK
49	F311744-2		1	WIRING HARNESS
50	F1704		2	INTERNAL TOOTH LOCKWASHER
51	F85843-1		1	ELECTRIC CONTROL CABLE
52	F74H20		1	IGNITION SWITCH (ACCESSORY ITEM)
53	F1280		5	PAN HD SCREW, 8 - 32 X 1/4
54	F1958		1	PAN HD SCREW, 6 X 7/16
55	F381896-4		1	BATTERY CABLE
56	F289664		1	WIRE STATOR GROUND
57	F71H26		1	BATTERY TERMINAL KIT (ACCESSORY ITEM)
58	F8094		1	PLAIN WASHER
59	F8056		6	SPRING LOCKWASHER
60	F8083		3	SPRING LOCKWASHER
61	F345683		1	WIRE GROUND
62	F12172		2	TERMINAL COMPLETE, <b>INCLUDES ITEMS 7 AND 8</b>
63	F12338		1	GROUND WIRE
64	F8088		2	PLAIN WASHER
65	F71H21		1	IGNITION SWITCH MOUNTING KIT (ACCESSORY ITEM)
66	F1934		4	FLAT HD SLOTTED SCREW, 6 X 1/2
67	F510374		1	DECAL, CIRCUIT BREAKER
-	<b>FC510374</b>		<b>1</b>	<b>DECAL, CIRCUIT BREAKER CANADA (NOT SHOWN)</b>
68	89-817760A2		1	CHOKE SOLENOID
69	F307683		1	WIRE, CIRCUIT BREAKER
70	F1993		2	HEX HD SCREW, 1/4 - 20 X 5/8
-	<b>F290398-1</b>		<b>1</b>	<b>DECAL, WIRING (NOT SHOWN)</b>
-	<b>817887--1</b>		<b>1</b>	<b>DECAL, WIRING - CANADA (NOT SHOWN)</b>
-	<b>FA27232</b>		<b>1</b>	<b>EMERGENCY STARTER ROPE (NOT SHOWN)</b>

# ALTERNATOR AND ELECTRICAL COMPONENTS FOR MAGPWR MDL 458, 459

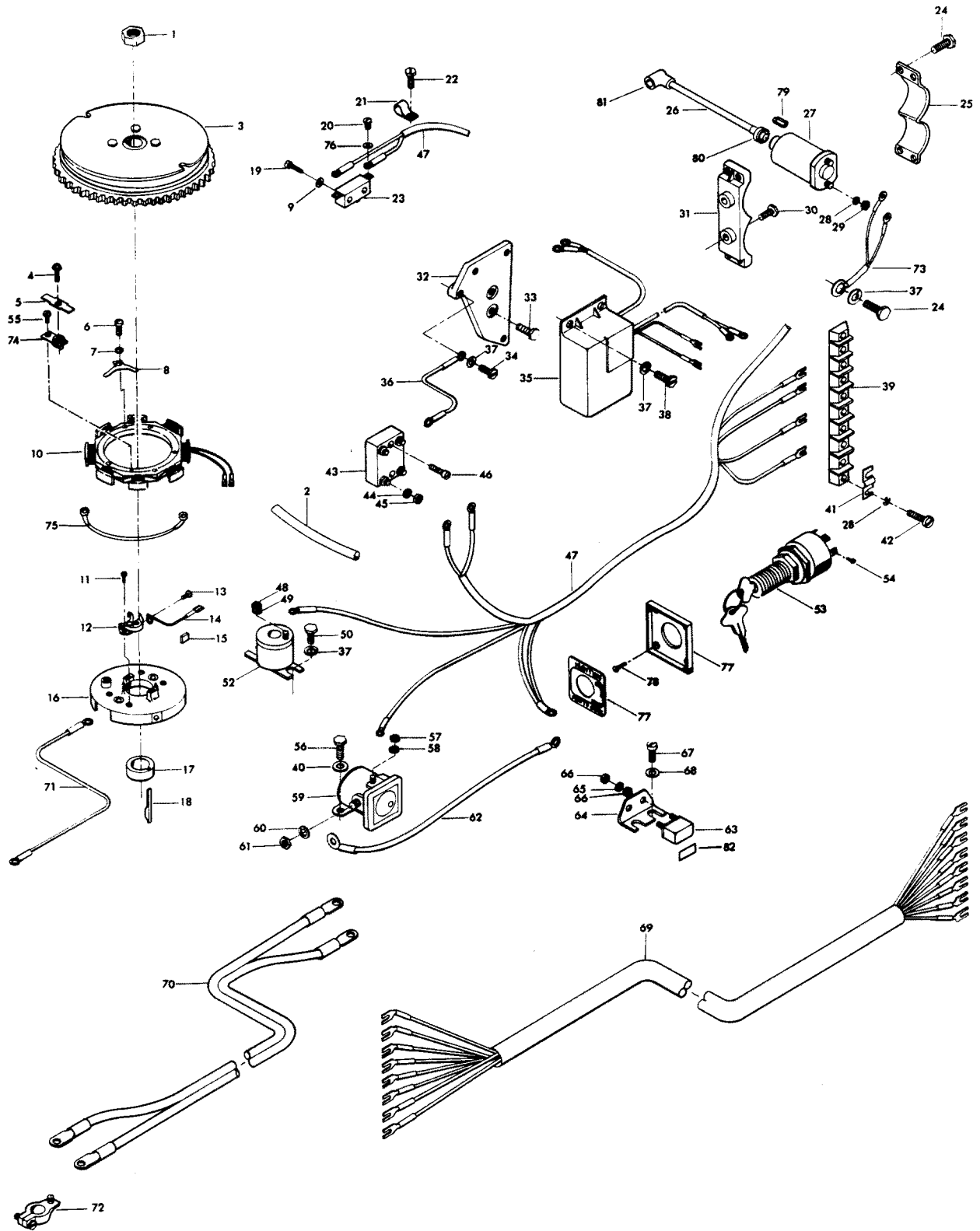


# ALTERNATOR AND ELECTRICAL COMPONENTS FOR MAGPWR MDL 458, 459

REF. NO.	PART NO.	SYM.	QTY.	DESCRIPTION
1	F1920		1	HEX NUT, 5/8 - 18
2	F94914		1	SLEEVE
3	F203097-5		1	FLYWHEEL
4	F12167		2	SCREW
5	F12172		2	TERMINAL
6	F2071		3	HEX CAP SCREW, 5/16 - 18 X 1 3/8
7	F8096		3	SPRING LOCKWASHER
8	F466479		3	BREAKER PLATE SHOE
9	F8088		2	PLAIN WASHER
10	F466095		1	STATOR
11	F12090		4	SCREW
12	F12329-1		2	BREAKER POINTS
13	F12083		2	SCREW W/LOCKWASHER
14	F12174-1		2	PRIMARY INTERLEAD WIRE
15	F12227		1	CAM WIPER FELT
16	F12344		1	PLATE, BREAKER
17	F268002-2		1	BREAKER CAM
18	F92498		1	KEY
19	F2016		2	FILL HD SCREW, 6 - 32 X 7/8
20	F1645		2	RD HD SCREW, 6 - 32 X 1/4
21	F92446		1	CLAMP
22	F1110		1	SLOTTED FILL M. SCREW, 1/4 - 20 X 5/8
23	F84449		1	NEUTRAL INTERLOCK SWITCH
24	F1502		4	HEX HD CAP SCREW, 1/4 - 20 X 5/8
25	F345513		1	CLAMP, COIL
26	A345664-1		2	WIRE, HI-TENSION <b>W/ITEMS 79 &amp; 80</b>
27	F345475-1		2	COILS
28	F1975		6	LOCKWASHER
29	F1513		4	HEX NUT, 10 - 32
30	F1861		2	HEX CAP SCREW, 5/16 - 18 X 7/8
31	F345501		1	MOUNT, COIL
32	F345358		1	MOUNT, C.D. UNIT
33	F1861		2	HEX CAP SCREW, 5/16 - 18 X 7/8
34	F1953		1	HEX HD MACHINE SCREW, 1/4 - 20 X 1
35	F345301-1		1	UNIT
36	F345683		1	WIRE, GROUND
37	F8083		7	SPRING LOCKWASHER
38	F1864		3	HEX HD MACHINE SCREW, 1/4 - 20 X 3/4
39	FA510497		1	TERMINAL BLOCK
40	F8094		1	PLAIN WASHER
41	F307317		1	CLIP TERMINAL BLOCK GROUND
42	F1648		2	SLOTTED PAN HD SCREW, 10 - 24 X 3/4
43	F369450		1	RECTIFIER

CONTINUED ON NEXT PAGE ➡

# ALTERNATOR AND ELECTRICAL COMPONENTS FOR MAGPWR MDL 458, 459

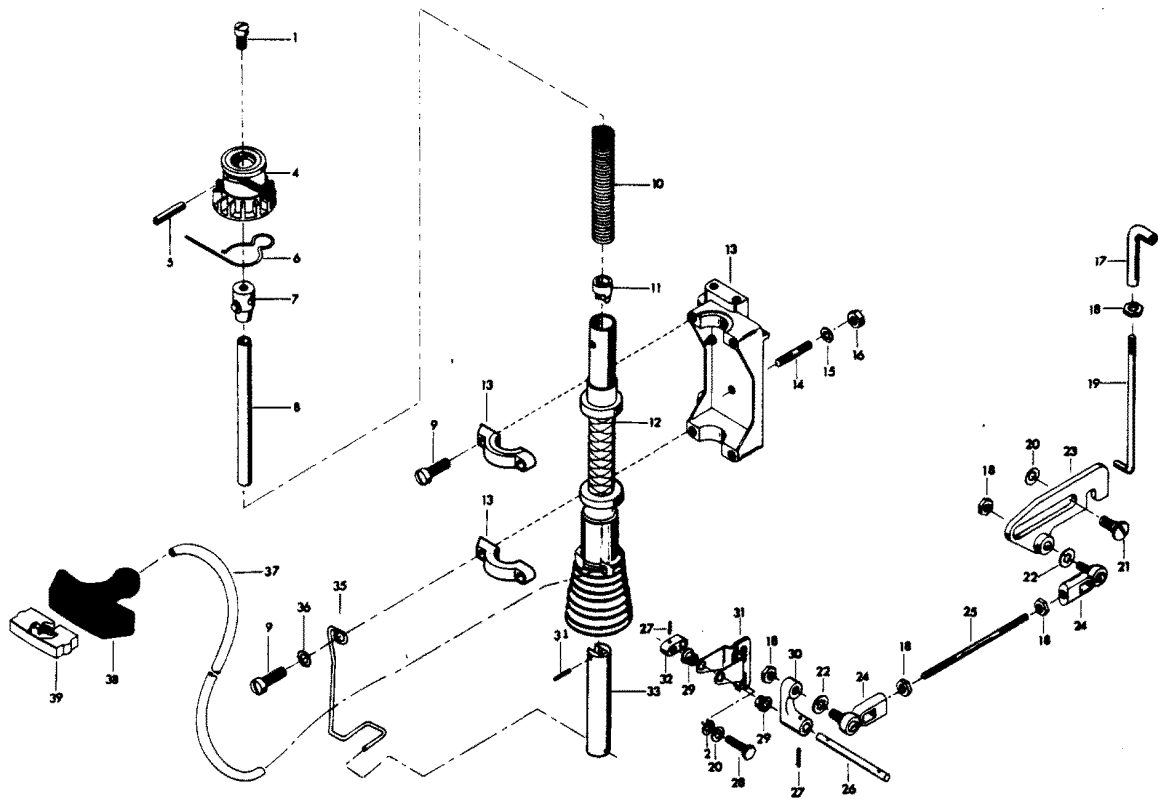




# ALTERNATOR AND ELECTRICAL COMPONENTS FOR MAGPWR MDL 458, 459

REF. NO.	PART NO.	SYM.	QTY.	DESCRIPTION
44	F8056		5	SPRING LOCKWASHER
45	F1647		4	HEX MACHINE SCREW, NUT, 10 - 32
46	F2016		2	FILL HD MACHINE SCREW, 6 - 32 X 7/8
47	F345744-1		1	HARNESS, WIRING
48	F1647		1	HEX NUT, 8 - 32
49	F8056		1	SPRING LOCKWASHER
50	F1993		2	HEX SLOT HD SCREW, 1/4 - 20 X 5/8
52	89-817760A2		1	CHOKE SOLENOID
53	F74H20		1	SWITCH, IGNITION (ACCESSORY ITEM)
54	F1280		5	PAN HD MACHINE SCREW, 8 - 32 X 1/4
55	F1958		1	PAN HD SCREW, 6 X 7/16
56	F1238		2	FILL HD SCREW, 1/4 - 20 X 5/16
57	F1513		1	HEX NUT, 10 - 32
58	F1975		1	LOCKWASHER
59	F177917		1	STARTER RELAY
60	F8096		2	SPRING LOCKWASHER
61	F1615		1	HEX NUT, S.S., 5/16 - 24
62	F307683		1	WIRE, CIRCUIT BREAKER
63	F510460		1	CIRCUIT BREAKER
64	F91446-1		1	CIRCUIT BREAKER BRACKET
65	F1975		2	LOCKWASHER
66	F1513		4	HEX NUT, 10 - 32
67	F1733		2	PAN HD SCREW, 10 - 24 X 9/16
68	F8011		2	PLAIN WASHER
69	F85843-1		1	ELECTRIC CONTROL CABLE
70	F381896-4		1	BATTERY CABLE
71	F289664		1	WIRE, STATOR GROUND
72	F71H26		1	BATTERY TERMINAL KIT (ACCESSORY ITEM)
73	F345908		1	GROUND WIRE, COIL
74	F12172		2	TERMINAL, COMPLETE <b>INCLUDES ITEMS 4 AND 5</b>
75	F12338		1	WIRE
76	F1704		2	INTERNAL TOOTH LOCKWASHER
77	F71H21		1	IGNITION SWITCH MOUNTING KIT (ACCESSORY ITEM)
78	F1934		4	FLAT HD SLOTTED SCREW, 6 X 1/2
79	F203673		2	TERMINAL CLIP
80	F203276		2	COIL BOOT
81	FK750-1		2	SPARKIE KIT
82	F510374		1	DECAL, CIRCUIT BREAKER
-	<b>FC510374</b>		<b>1</b>	<b>DECAL, CIRCUIT BREAKER - CANADA</b>
-	<b>FA27232</b>		<b>1</b>	<b>EMERGENCY STARTER ROPE (NOT SHOWN)</b>
-	<b>F290398-1</b>		<b>1</b>	<b>DECAL, WIRING (NOT SHOWN)</b>
-	<b>817887--1</b>		<b>1</b>	<b>DECAL, WIRING - CANADA (NOT SHOWN)</b>

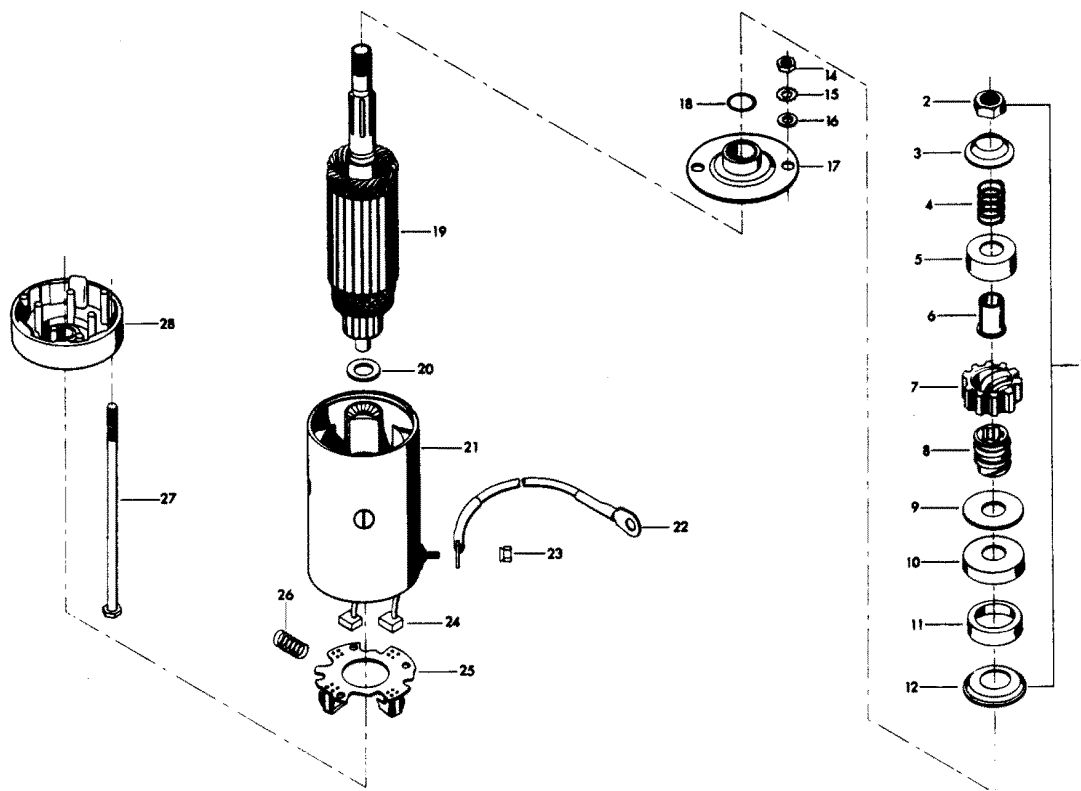
# HAND STARTER



# HAND STARTER

REF. NO.	PART NO.	SYM.	QTY.	DESCRIPTION
1	F1097		1	FILL HD SCREW, 1/4 - 20 X 3/8
2	F8063		2	SPRING LOCKWASHER
4	F487674		1	STARTER PINION GEAR
5	F40425		1	STARTER PINION PIN
6	F485424		1	SPRING STARTER PINION
7	F901739		1	STARTER REWIND SPRING DRIVE
8	F328710		1	STARTER ROPE GUIDE POST
9	F1111		4	FILL HD SCREW, 1/4 - 20 X 7/8
10	F901970		1	SPRING STARTER REWIND
11	F191737		1	RETAINER, STARTER SPRING
12	F328239		1	STARTER SPOOL
13	A486427-1		1	STARTER MOUNTING BRACKET W/CAPS AND SCREWS
14	F307211		3	STUD
15	F8096		3	SPRING LOCKWASHER
16	F1515		3	HEX NUT, 5/16 - 18
17	F485971		1	STARTER SPRING EXTENSION
18	F1513		5	HEX NUT, 10 - 32
19	F486531		1	STARTER INTERLOCK ROD
20	F8028		4	PLAIN WASHER
21	F369887		2	STARTER INTERLOCK SCREW
22	F8058		2	INTERNAL TOOTH LOCKWASHER
23	F485781		1	STARTER INTERLOCK LOCK
24	817747--1		2	BALL JOINT W/BEARING
25	F478502		1	LINK
26	F485105		1	STARTER INTERLOCK SHAFT
27	F1836		2	SPRING PIN
28	F1199		2	HEX HD SCREW, 1/4 - 20 X 1
29	F85610		2	SHIFT ROD BRACKET BEARING
30	F485005		1	INTERLOCK LEVER ARM
31	FA485612		1	SHIFT ROD BRACKET
32	F328621		1	GEAR SHIFT LEVER ARM
33	F191971		1	STARTER RETAINER EXTENSION
34	F8540		1	SPRING PIN
35	F328455		1	STARTER ROPE GUIDE
36	F8060		1	EXTERNAL TOOTH LOCKWASHER
37	F328232		1	STARTER ROPE
38	F286132		1	STARTER ROPE HANDLE
39	817938A1		1	STARTER ROPE HANDLE RETAINER

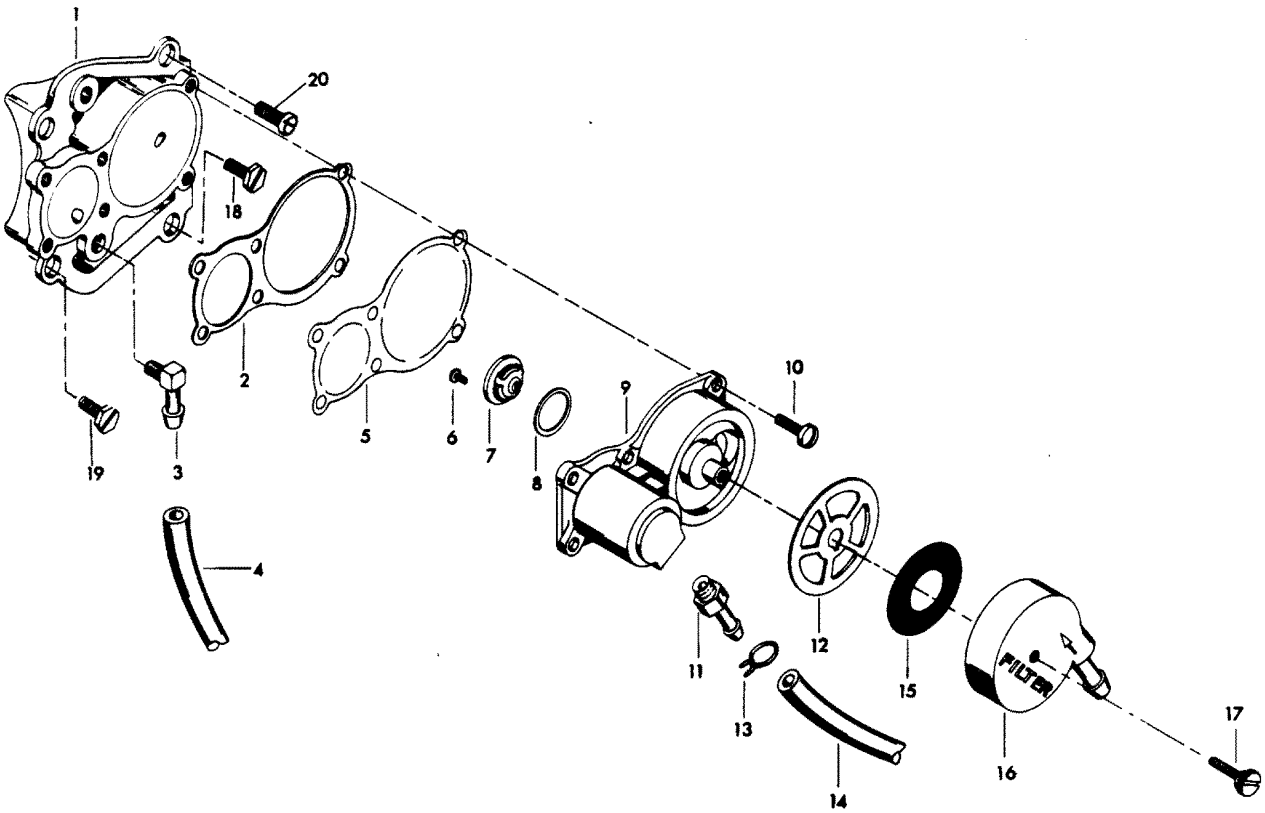
# ELECTRICAL STARTER



# ELECTRICAL STARTER

REF. NO.	PART NO.	SYM.	QTY.	DESCRIPTION
1	F15113		1	BENDIX DRIVE
2	F15087		1	NUT
3	F15109		1	STOP
4	F15088		1	SPRING
5	F15115		1	CUP, PINION
6	F15116		1	SLEEVE
7	F15114		1	PINION
8	F15084		1	SCREW SHAFT
9	F15091		1	WASHER
10	F15105		1	CUP
11	F15106		1	CUSHION
12	F15104		1	CUP, CUSHION THRUST
14	F1514		2	HEX NUT, 1/4 - 20
15	F8060		2	LOCKWASHER
16	F8028		2	PLAIN WASHER
17	F15021-1		1	HEAD ASSEMBLY, DRIVE END
18	F15000		2	"O" RING SEAL
19	F15044		1	ARMATURE
20	F15073		1	THRUST WASHER PACKAGE
21	F15043		1	FRAME AND FIELD ASSEMBLY <b>INCLUDES ITEM 24</b>
22	F307908		1	STARTER LEAD
23	FA15072		1	HEX LOCK NUT, 1/4 - 20
24	F15042		1	BRUSH SET
25	F15038-1		1	BRUSH PLATE AND HOLDER
26	F15034		1	SPRING SET
27	F15094		1	THRU BOLT PACKAGE (SET OF 2 BOLTS)
28	15037		1	HEAD ASSEMBLY, COMMUTATOR END
-	<b>FA201955</b>		<b>1</b>	<b>STARTER MOTOR COMPLETE (NOT SHOWN)</b>
-	<b>FC479390</b>		<b>1</b>	<b>DECAL, STARTER - CANADA (NOT SHOWN)</b>

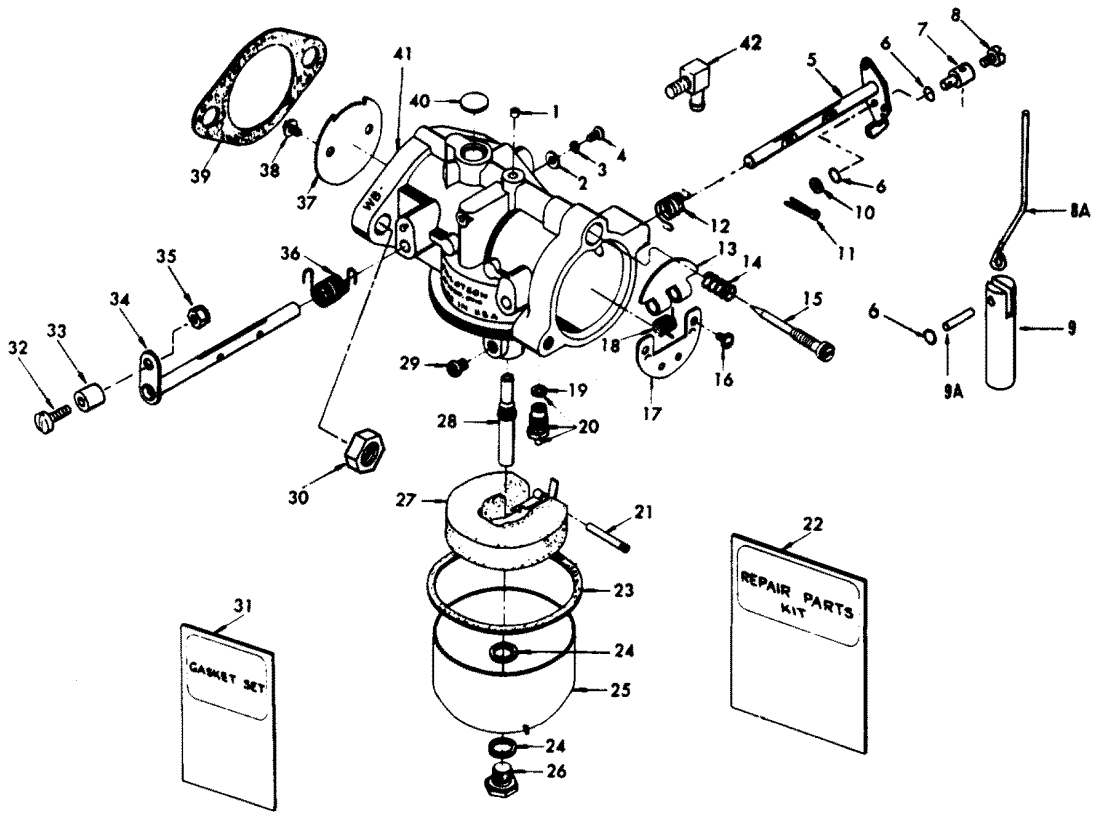
# FUEL PUMP



# FUEL PUMP

REF. NO.	PART NO.	SYM.	QTY.	DESCRIPTION
1	FA439746		1	FUEL PUMP COVER
2	F438760		1	FUEL PUMP GASKET
3	F84314-2		1	ELBOW
4	F434758		1	FUEL PUMP IMPULSE HOSE
5	F438747		1	FUEL PUMP DIAPHRAGM
6	F1860		2	SLOTTED BINDING HD SCREW, 6 - 32 X 1/4
7	F177330		3	FUEL PUMP VALVE
8	F84792		3	FUEL PUMP VALVE GASKET
9	FA438431		1	FUEL PUMP BODY W/VALVES
10	F1108		6	FILL HD SCREW W/SPRING LOCKWASHER, 1/4 - 20 X 3/4
11	F438801		1	ELBOW
12	F438617		1	FUEL SEDIMENT BOWL GASKET
13	F97772		3	FUEL LINE CLAMPS
14	F434754		1	FUEL LINE, PUMP TO CARBURETOR
15	F438653		1	FUEL PUMP SCREEN
16	F438500		1	FUEL SEDIMENT BOWL
17	F438165		1	SCREW, FUEL BOWL
18	F1922		1	HEX HD SCREW, 1/4 - 20 X 5/8
19	F1502		2	HEX HD SCREW, 1/4 - 20 X 5/8
20	F1110		1	SLOTTED FILL HD SCREW, 1/4 - 20 X 5/8

# CARBURETOR



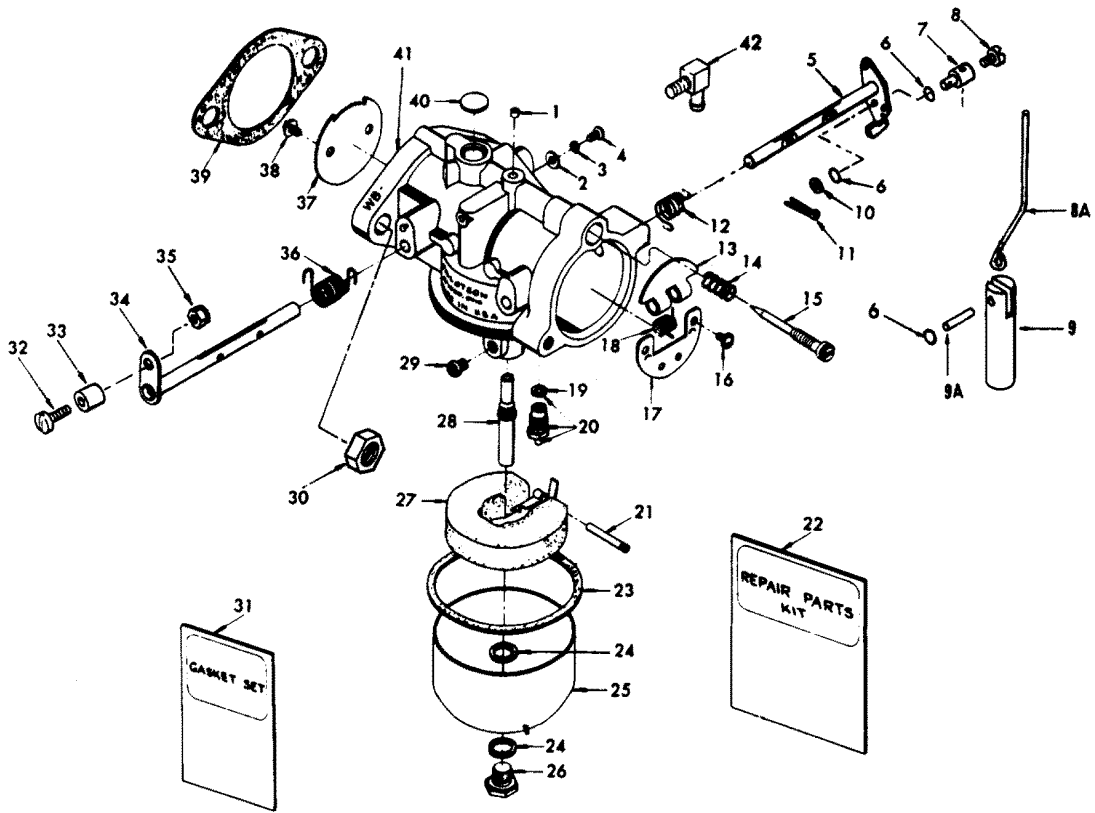


# CARBURETOR

REF. NO.	PART NO.	SYM.	QTY.	DESCRIPTION
1	FO10588		1	BODY CHANNEL CUP PLUG
2	FO3804		1	THROTTLE SHAFT POSITION RETAINING SCREW WASHER
3	FO6396		1	THROTTLE SHAFT POSITION RETAINING SCREW LOCKWASHER
4	FO6393		1	THROTTLE SHAFT POSITION RETAINING SCREW
5	FO16383		1	CHOKE SHAFT AND LEVER
6	F184579		3	SEAL, CHOKE ARM SWIVEL
7	F184033-1		1	SWIVEL, CHOKE ROD
8	F1059		1	FILL HD SCREW, 6 - 32 X 1/4
8A	F452925		1	CHOKE SOLENOID ROD
9	F391926-1		1	CHOKE SOLENOID PLUNGER
9A	F2033		1	GROOVE PIN
10	F8088		1	PLAIN WASHER
11	F1014		1	COTTER PIN
12	FO16385		1	CHOKE SHAFT RETURN SPRING
13	FO15725		1	CHOKE RELIEF VALVE
14	FO11103		1	IDLE MIXTURE SCREW SPRING
15	FO13946		1	IDLE MIXTURE SCREW
16	FO10280		2	CHOKE SHUTTER RETAINING SCREW AND LOCKWASHER
17	FO15724		1	CHOKE SHUTTER
18	FO10883		1	CHOKE RELIEF VALVE SPRING
19	FO10165		1	INLET SEAT GASKET
20	FO10790		1	INLET NEEDLE, SEAT AND GASKET
21	FO13944		1	FLOAT LEVER PIN
22	F10057		1	REPAIR PARTS KIT <b>INCLUDES ALL ITEMS MARKED WITH AN ASTERISK (*)</b>
23	FO15623		1	FUEL BOWL GASKET
24	FO2510		2	FUEL BOWL RETAINING SCREW GASKET
25	FO13552		1	FUEL BOWL
26	FO13945		1	FUEL BOWL RETAINING SCREW
27	FO13554		1	FLOAT
28	FO17355		1	MAIN NOZZLE
29	FO14302		1	MAIN FUEL JET (.084) (STANDARD)
30	F1515		2	HEX NUT, 5/16 - 18
31	F10000		1	GASKET SET
32	F333316		1	THROTTLE ROLLER SHAFT
33	F92759		1	ROLLER
34	FO15728		1	THROTTLE SHAFT AND LEVER
35	F1997		1	STOP NUT, 8 - 32
36	FO14292		1	THROTTLE SHAFT RETURN SPRING
37	FO16340		1	THROTTLE SHUTTER

CONTINUED ON NEXT PAGE ➡

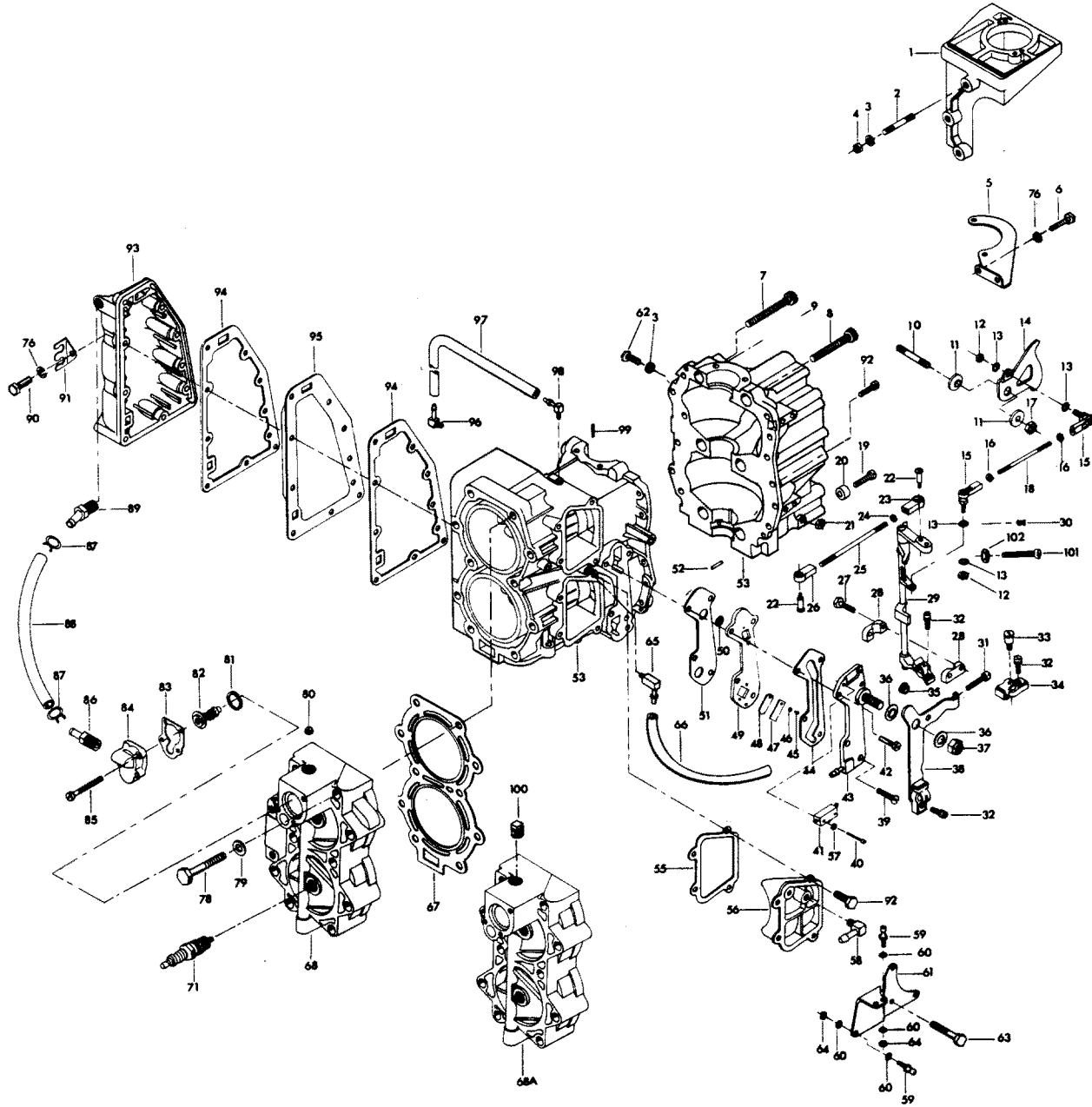
# CARBURETOR



# CARBURETOR

REF. NO.	PART NO.	SYM.	QTY.	DESCRIPTION
38	FO8942		2	THROTTLE SHUTTER RETAINING SCREW AND LOCKWASHER
39	F40906-1		1	FLANGE GASKET
40	FO4326		1	BODY CHANNEL WELCH PLUG
41	F434061-3		1	CARBURETOR COMPLETE (WBI6D)
42	F84314-2		1	ELBOW, FUEL LINE CARBURETOR

# POWER HEAD

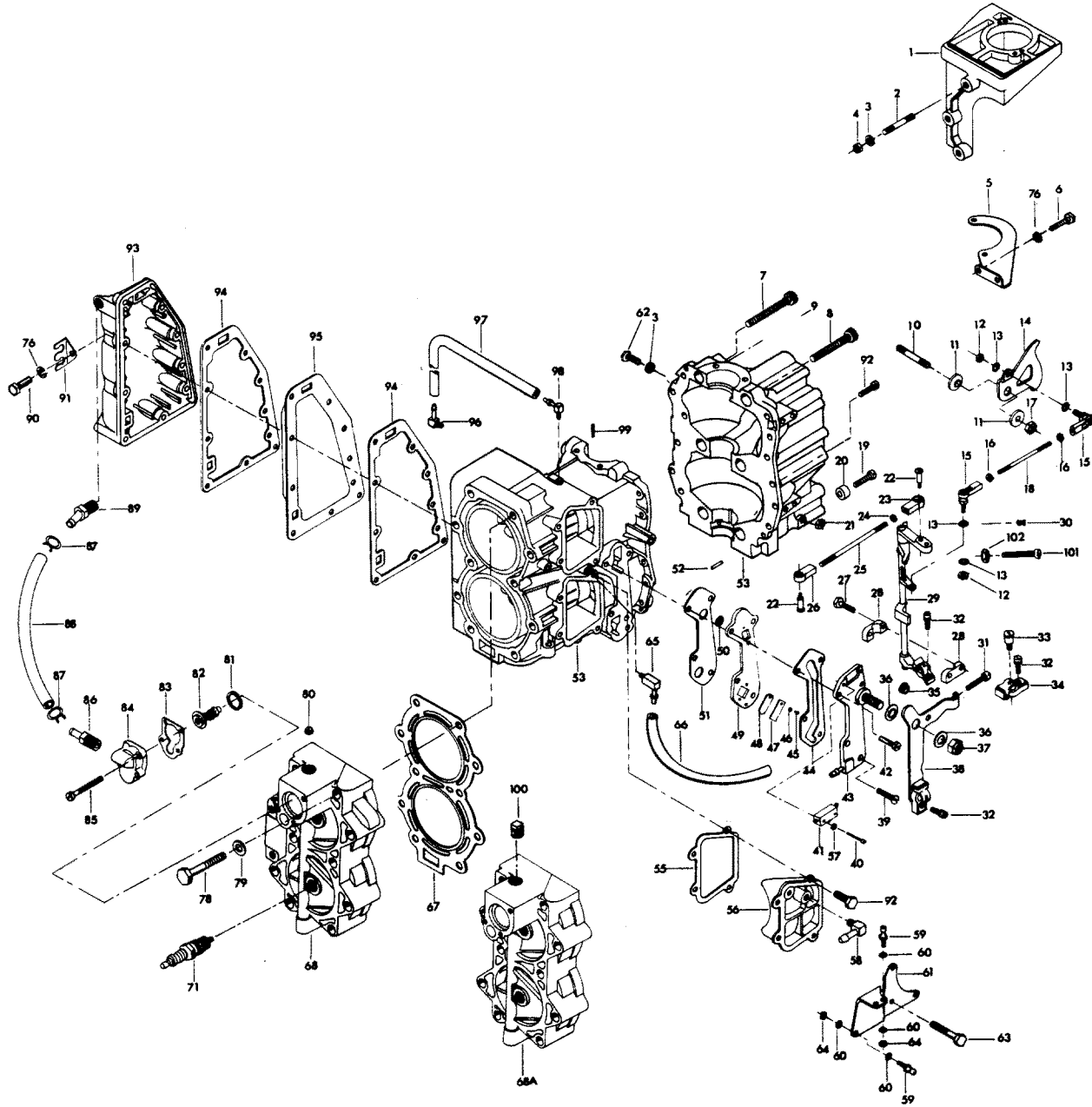


# POWER HEAD

REF. NO.	PART NO.	SYM.	QTY.	DESCRIPTION
1	F345427-1		1	BRACKET, STARTER MOUNTING
2	F307211		3	STUD
3	F8096		4	SPRING LOCKWASHER
4	F1515		3	HEX NUT, 5/16 - 18
5	F433675		1	STARTER MOUNTING BRACKET, LOWER
6	F1993		2	HEX SLOT HD SCREW, 1/4 - 20 X 5/8
7	F1646		1	HEX SOCKET HD CAP SCREW, 3/8 - 16 X 2 1/4
8	F1879		5	HEX SOCKET HD CAP SCREW, 3/8 - 16 X 1 5/8
9	F1864		9	HEX HD SCREW, 1/4 - 20 X 3/4
10	F433209		1	STUD, THROTTLE CAM
11	F269319		2	THROTTLE CAM BEARING
12	F1513		2	HEX NUT, 10 - 32
13	F8058		4	INTERNAL TOOTH LOCKWASHER
14	F433192		1	THROTTLE CAM
15	817747--1		2	BALL JOINT W/BEARING
16	F1513		2	HEX NUT, 10 - 32
17	F1910		1	ELASTIC STOP NUT, 1/4 - 20
18	F85502		1	THROTTLE LINK
19	F1134		2	FILL HD SCREW, 8 - 32 X 1 1/8
20	F307942-1		2	BUMPER
21	F1997		2	STOP NUT, 8 - 32
22	F84026		2	SPARK CONTROL SWIVEL
23	F84036		2	SPARK CONTROL BEARING, L.H.
24	F1473		1	HEX NUT, 10 - 24
25	F269445-1		1	SPARK CONTROL LINK
26	F84035-2		1	SPARK CONTROL BEARING, R.H.
27	F1995		4	FILL HD SCREW, 10 - 24 X 1
28	F433689		4	TOWERSHAFT BEARING
29	FK433838		1	TOWERSHAFT W/CLAMP AND SWIVEL
30	F1727		1	PLASTIC RIVET
31	F1969		1	FILL HD SCREW, 1/4 - 20 X 3/4
32	F1556		2	FILL HD SCREW W/LOCKWASHER, 10 - 24 X 3/8
33	F405457		2	PIVOT SCREW
34	FK405020		1	SWIVEL W/SCREW AND NUT
35	F85610		1	BEARING
36	F269052		2	SHIFT ARM BEARING
37	F7004		1	STOP NUT, 7/16 - 20
38	FA433876		1	SHIFT ARM W/CLAMP AND SWIVEL
39	F1136		2	FLAT HD SCREW, 1/4 - 20 X 1
40	F2016		2	FILL HD SCREW, 6 - 32 X 7/8
41	F84449		1	SWITCH, NEUTRAL INTERLOCK
42	F1446		2	SLOTTED PAN HD SCREW, 1/4 - 20 X 1
43	FA433471		1	CYLINDER DRAIN COVER

CONTINUED ON NEXT PAGE ➡

# POWER HEAD

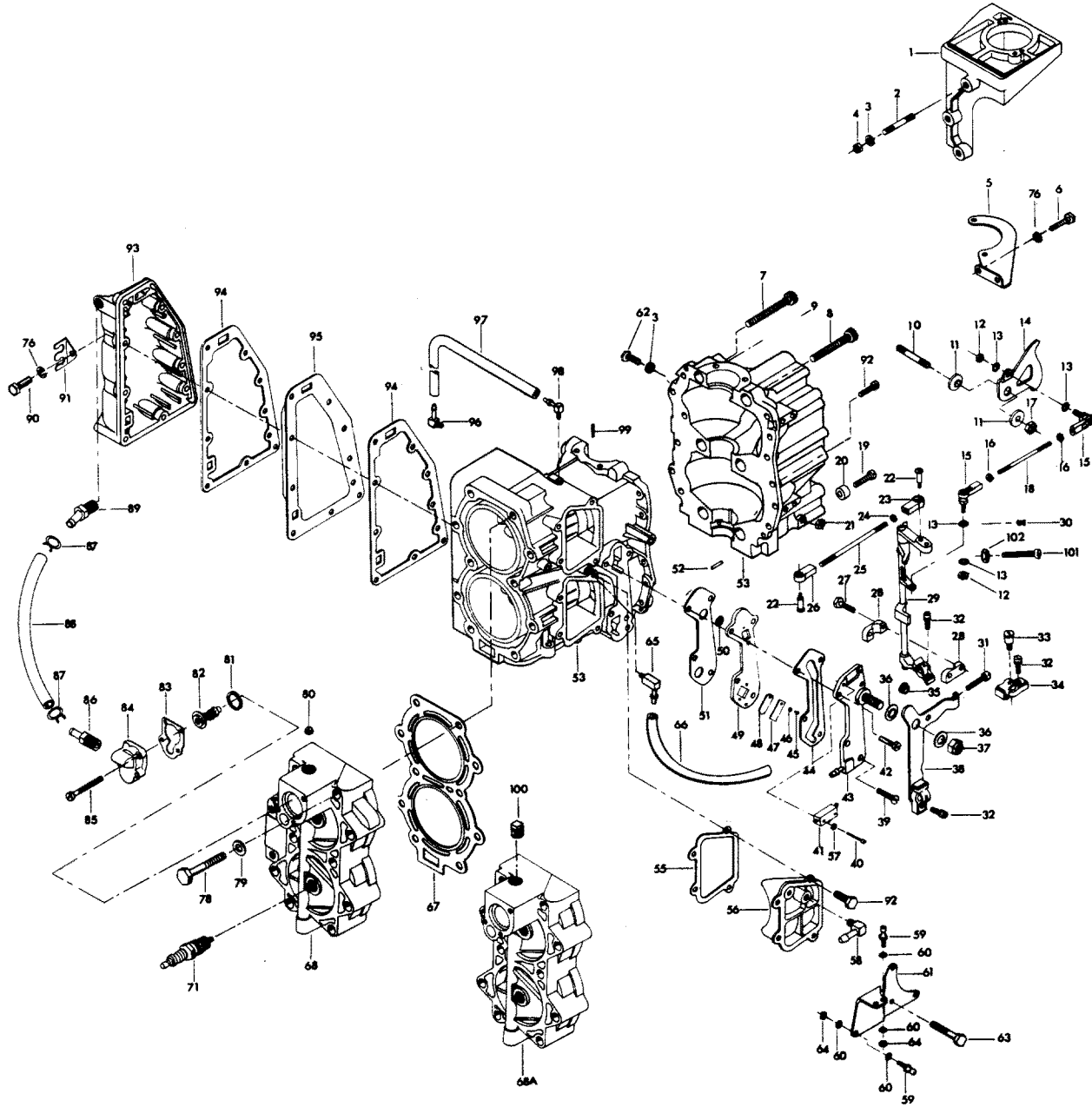


# POWER HEAD

REF. NO.	PART NO.	SYM.	QTY.	DESCRIPTION
44	F93472-1		1	CYLINDER DRAIN COVER GASKET
45	F1286		2	PAN HD SCREW, 4 - 40 X 3/16
46	F8003		2	PLAIN WASHER
47	F93920		2	CYLINDER DRAIN REED STOP
48	F18160-1		2	REED, CYLINDER DRAIN
49	F2A433757		1	CYLINDER DRAIN REED PLATE, REED STOPS, SCREWS AND SCREENS <b>W/REEDS</b>
50	F93811		2	SCREEN, CYLINDER DRAIN REED PLATE
51	F93748-1		1	CYLINDER DRAIN REED PLATE GASKET
52	F8559		2	DOWEL PIN
53	FA478010		1	CYLINDER W/CRANKCASE COVER, DEFLECTOR PLATE AND SCREWS
55	F40223		2	TRANSFER PORT COVER GASKET
56	FA411222		1	TRANSFER PORT COVER
57	F8088		2	PLAIN WASHER
58	F84314-2		2	ELBOW, FUEL LINE
59	F98273		2	ROD END CONNECTOR STUD
60	F8058		4	INTERNAL TOOTH LOCKWASHER
61	817746A1		1	CONNECTOR STUD BRACKET
62	F1857		1	HEX CAP SCREW, 5/16 - 18 X 5/8
63	F1238		3	HEX CAP SCREW, 1/4 - 20 X 3/4
64	F1513		2	HEX NUT, 10 - 32
65	F404801		1	ELBOW
66	F433254		1	HOSE
67	F201529-1		1	CYLINDER HEAD GASKET
68	F2A467518		1	HEAD, CYLINDER FOR C. D. MODELS
68A	900-818049A2		1	CYLINDER HEAD
71	FS174227		2	SPARK PLUG (L-4-J)
-	<b>FC310227</b>		<b>2</b>	<b>SPARK PLUG (QL-4J) FOR MODELS 450BK, 451BK, 456BJ, 457BJ</b>
-	<b>33-818007--1</b>		<b>2</b>	<b>SPARK PLUG (UL-18V) FOR C. D. MODELS</b>
-	<b>FS380227</b>		<b>2</b>	<b>SPARK PLUG (UL-4-J) FOR ALTERNATOR MODELS</b>
-	<b>FC522227</b>		<b>2</b>	<b>SPARK PLUG (QUL-77V) FOR MODELS 458BG, 459BG</b>
76	F8083		11	SPRING LOCKWASHER
78	F1544		10	HEX HD CAP SCREW, 3/8 - 16 X 2 1/4
79	F2014		10	PLAIN WASHER
80	F328109		1	PIPE PLUG
81	F97504		1	GROMMET, THERMOSTAT
82	F97068-1		1	THERMOSTAT
83	F97067		1	THERMOSTAT COVER GASKET
84	F97066-1		1	THERMOSTAT COVER
85	F1995		3	FILL HD SCREW, 10 - 24 X 1 1/16
86	F97275		1	FITTING, THERMOSTAT
87	F97772		2	CLAMP

CONTINUED ON NEXT PAGE ➡

# POWER HEAD

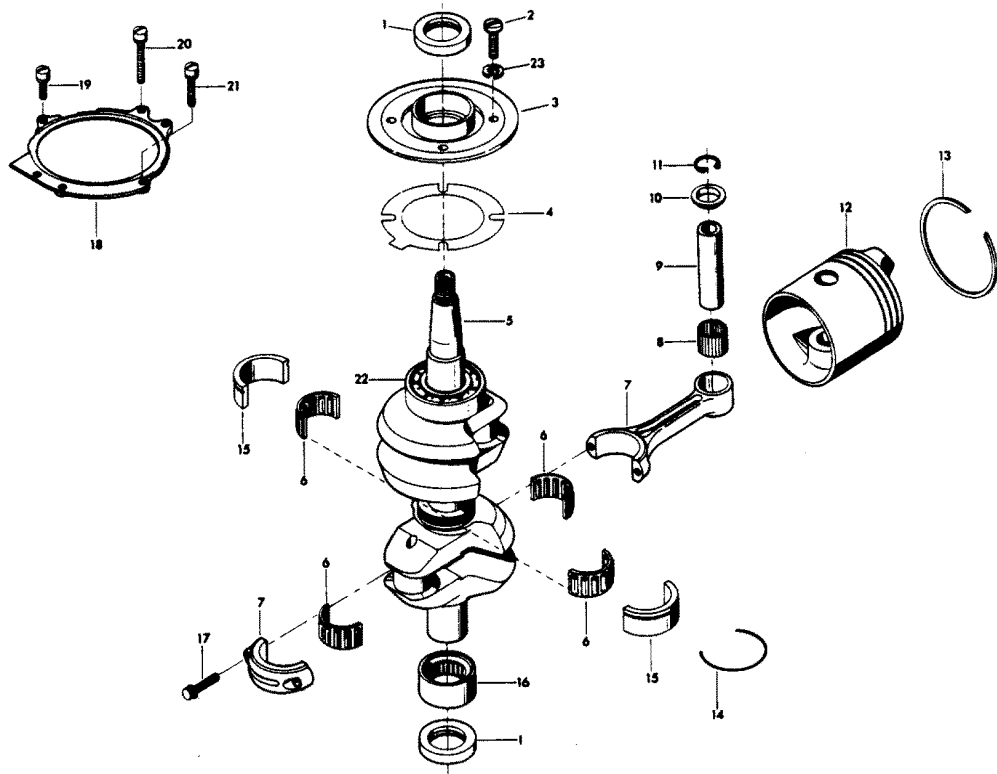




# POWER HEAD

REF. NO.	PART NO.	SYM.	QTY.	DESCRIPTION
88	F311247		1	WATER TUBE, THERMOSTAT
89	F141275		1	FITTING, THERMOSTAT
90	F1971		9	HEX HD SCREW, 1/4 - 20 X 2 1/8
91	F901834		1	LEAD WIRE CLIP
92	F1922		4	HEX HD SCREW, 1/4 - 20 X 5/8
93	FA433152		1	EXHAUST PORT COVER
94	F40154-3		2	EXHAUST PORT PLATE GASKET
95	F40151-1		1	EXHAUST PORT PLATE
96	F463314		1	ELBOW
97	FS433758		1	HOSE
98	22-817740A1		1	ELBOW
99	F8545		1	SPRING PIN
100	F328109		1	PLUG
101	F1052		1	FILL HD SCREW, 1/4 - 20 X 1
102	F1341		1	HEX NUT
-	<b>F269122-1</b>		<b>1</b>	<b>CRANKCASE PARTING LINE SEAL (NOT SHOWN)</b>
-	<b>FG1007-1</b>		<b>1</b>	<b>GASKET SET (NOT SHOWN)</b>
-	<b>FC478010</b>		<b>1</b>	<b>SHORT BLOCK INCLUDES ALL ITEMS MARKED WITH AN ASTERISK (*). ALSO REFER TO CRANKSHAFT PAGE.</b>

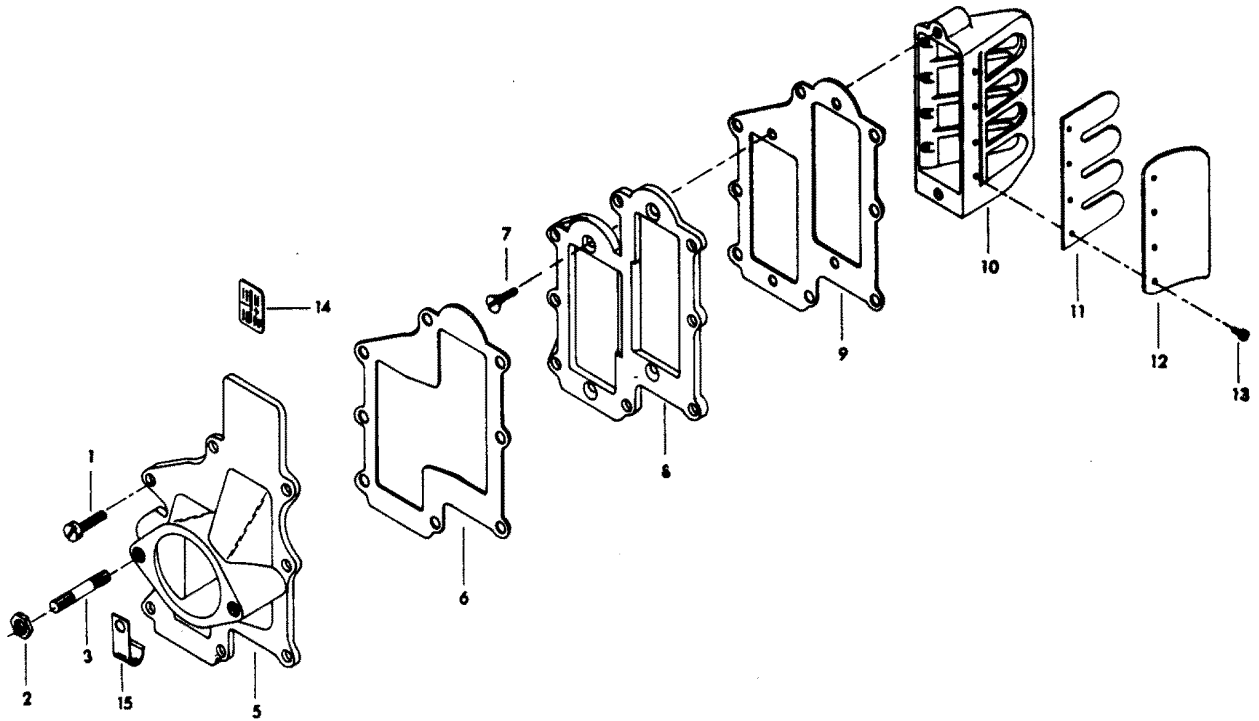
# CRANKSHAFT AND PISTON GROUP



# CRANKSHAFT AND PISTON GROUP

REF. NO.	PART NO.	SYM.	QTY.	DESCRIPTION
1	F40146-1		2	CRANKSHAFT SEAL
2	F1441		4	PAN HD SCREW, 1/4 - 20 X 7/8
3	FA433144		1	CRANKSHAFT BEARING CAGE W/SEAL FOR MAGNETO IGNITION MODELS
-	<b>FA466144</b>		<b>1</b>	<b>CRANKSHAFT BEARING CAGE W/SEAL FOR ALTERNATOR MODELS</b>
4	F366277		1	BEARING CAGE GASKET
5	FA545018		1	CRANKSHAFT W/THRUST BEARING UPPER
6	FK85228		3	BEARING CAGE W/ROLLERS (16 PER SET)
7	600-818052A4		2	CONNECTING ROD W/CAP AND SCREWS
8	F335217-1		2	BEARING
9	F40017-2		2	PISTON PIN
10	F366215		4	SPACER
11	F428096		4	RETAINER, PISTON PIN
12	F486015		2	PISTON
13	FA354260		1	PISTON RING SET (6 PER SET)
14	F40410		1	SNAP RING
15	FA40655		1	CRANKSHAFT CENTER MAIN BEARING RACE W/SNAP RING
16	F90014		1	CRANKSHAFT LOWER MAIN BEARING
17	F85634-1		4	CONNECTING ROD SCREW
18	F366082		1	MAGNETO STATOR RING
19	F1080		1	FILL HD SCREW W/LOCKWASHER, 10 - 24 X 3/4
20	F1812		2	FILL HD SCREW W/LOCKWASHER, 10 - 24 X 1 9/16
21	F1813		1	FILL HD SCREW W/LOCKWASHER, 10 - 24 X 1 1/8
22	30-F366013		1	CRANKSHAFT THRUST BEARING UPPER
23	F8060		4	EXTERNAL TOOTH LOCKWASHER (USE WITH PAN HD SCREW)
-	<b>FS310260</b>		<b>2</b>	<b>PISTON RINGS (6 PER SET) .010 OVERSIZE (NOT SHOWN)</b>
-	<b>39-818113A1</b>		<b>1</b>	<b>PISTON RINGS (6 PER SET) .030 OVERSIZE (NOT SHOWN)</b>
-	<b>FSA486015</b>		<b>2</b>	<b>PISTON .010 OVERSIZE (NOT SHOWN)</b>
-	<b>700-818124A1</b>		<b>2</b>	<b>PISTON .030 OVERSIZE (NOT SHOWN)</b>

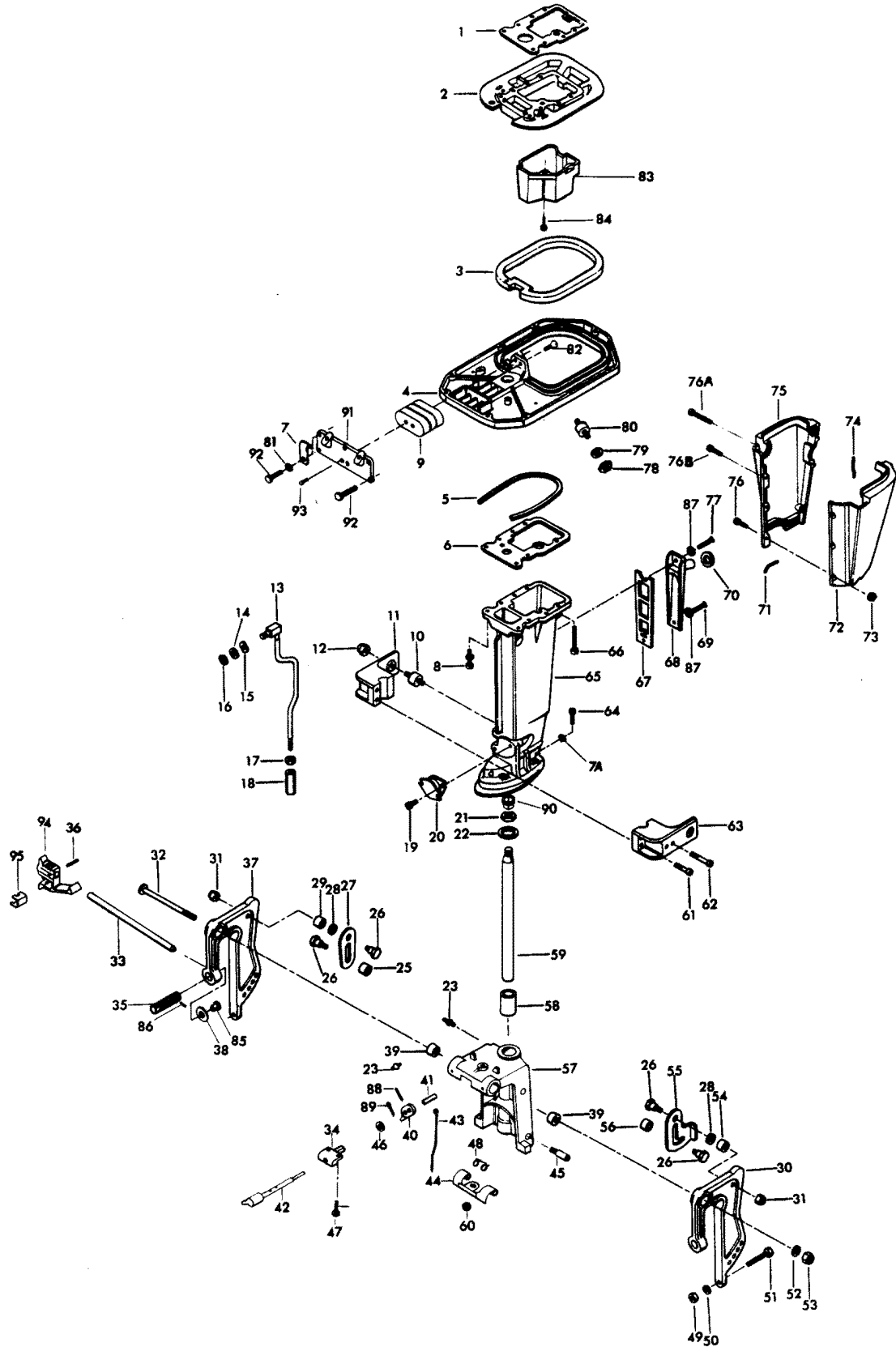
# REED PLATE



# REED PLATE

REF. NO.	PART NO.	SYM.	QTY.	DESCRIPTION
1	F1915		8	HEX HD SCREW, 1/4 - 20 X 7/8
2	F1515		2	HEX NUT, 5/16 - 18
3	F40209		2	CARBURETOR STUD
5	FA433167		1	CARBURETOR ADAPTER FLANGE W/STUDS
6	F433168		1	CARBURETOR ADAPTER GASKET
7	F1141		4	FLAT HD SCREW, 10 - 24 X 1/2
8	F433404		1	DEFLECTOR PLATE
9	F433406		1	DEFLECTOR PLATE GASKET
10	FA433158		2	REED PLATE W/REEDS, STOPS AND SCRESS
11	F335160		4	REED
12	F88161-3		16	REED STOP
13	F1298		16	ROUND HD SCREW W/LOCKWASHER, 6 - 32 X 1/4
14	FA433387		1	DECAL, TIMING
-	<b>FC433387</b>		<b>1</b>	<b>DECAL, TIMING - CANADA</b>
15	F286772-1		0	CLAMP, FOR HAND START MODELS ONLY

# MOTOR LEG

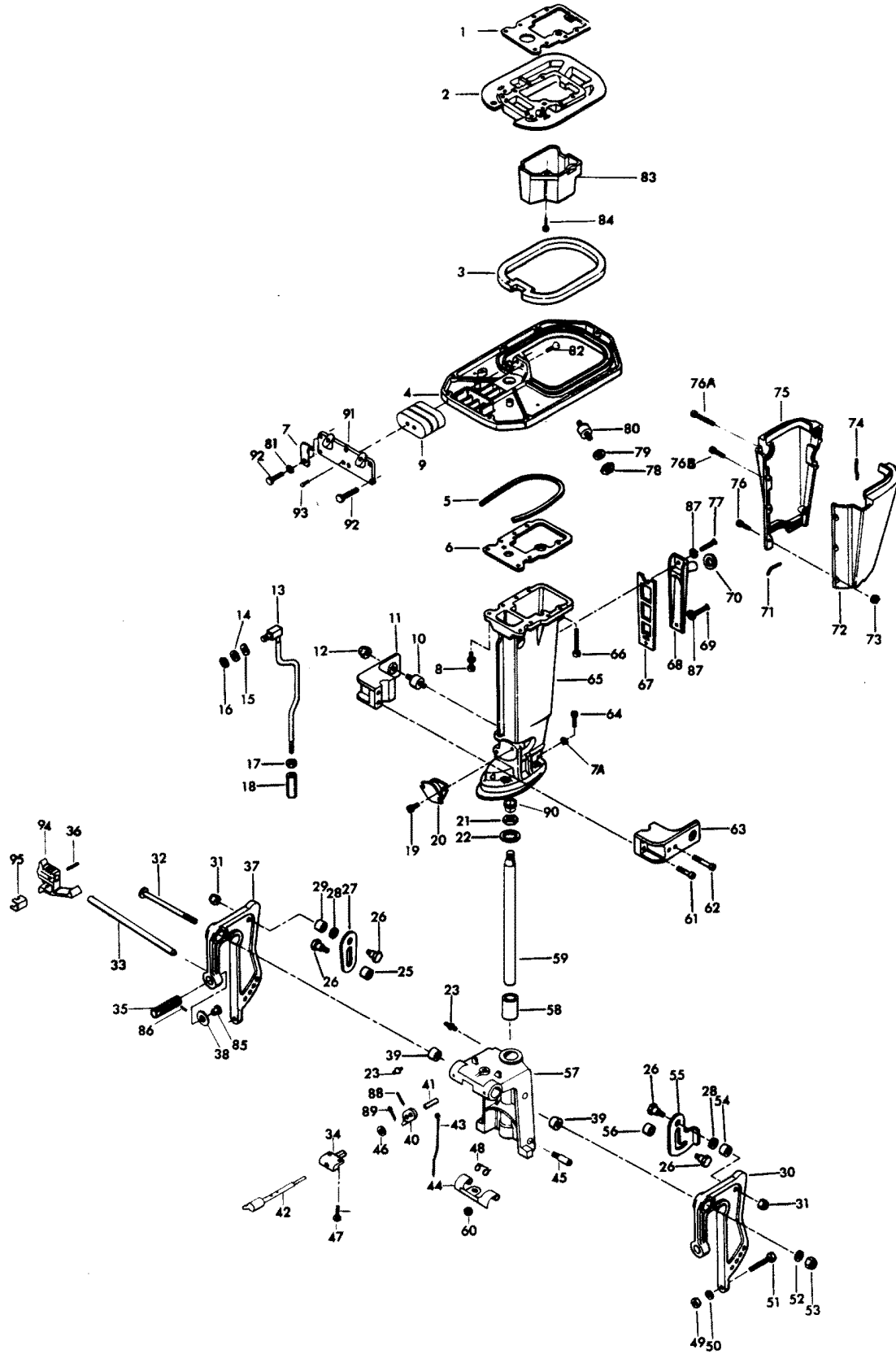


# MOTOR LEG

REF. NO.	PART NO.	SYM.	QTY.	DESCRIPTION
1	F307279-2		1	CYLINDER EXHAUST GASKET UPPER
2	F433680		1	SPACER PLATE
3	F307989-1		1	SEAL, KINGPIN PLATE
4	FS307940		2	KINGPIN PLATE
5	F89025		1	DAMPENING PAD
6	F307453-3		1	CYLINDER EXHAUST GASKET LOWER
7	F286772-1		1	CLAMP, FOR ELECTRIC START MODELS ONLY
7A	F8065		4	SPRING LOCKWASHER
8	F1947		8	FLANGED 12 POINT SCREW, 5/16 - 18 X 2
9	F203965		1	SHOCK MOUNT UPPER
10	F215962		2	SHOCK MOUNT SIDE LOWER
11	F433972		1	SHOCK MOUNT LOWER COVER, STARBOARD
12	F1326		2	ACORN NUT, S.S., 5/16 - 18
13	F307615		1	GEAR SHIFT ROD UPPER
-	<b>F328615</b>		<b>1</b>	<b>GEAR SHIFT ROD UPPER FOR HAND START MODELS ONLY</b>
14	F1987		1	PLAIN WASHER
15	F8049		1	BOWED SPRING WASHER
16	F185764		1	RETAINING RING
17	F1349		1	HEX NUT, S.S., 5/16 - 18
18	F141704		1	GEAR SHIFT ROD COUPLING
19	F1129		4	FILL HD SCREW, S.S., 5/16 - 18 X 1/2
20	F183346-1		1	SHOCK MOUNT LOWER
21	F84280		1	KINGPIN NUT
22	F89011		1	SWIVEL BRACKET WASHER
23	F213274		3	GREASE FITTING
25	F269929		1	SPACER, TILT STOP
26	F366350		4	TILT STOP PIVOT
27	F366433		1	TILT STOP, STARBOARD
28	F1666		2	BOWED SPRING WASHER
29	F269929		1	SPACER, TILT STOP
30	F474532		2	STERN BRACKET - PORT
31	F7007		4	NUT
32	F366037		1	STERN BRACKET PIVOT BOLT
33	FA433113		1	STERN BRACKET LOCK BAR W/HANDLE
34	F366884		1	BEARING
35	F474073		2	CLAMP SCREW
36	F1744		1	SPRING PIN
37	F474032		1	STERN BRACKET - STARBOARD
38	F24074		2	CLAMP SCREW FOOT
39	F366286		1	STERN BRACKET FRICTION WASHER
40	F366364		1	ARM
41	F483884		1	BEARING
42	F366827		1	HANDLE AND SHAFT

CONTINUED ON NEXT PAGE ➡

# MOTOR LEG



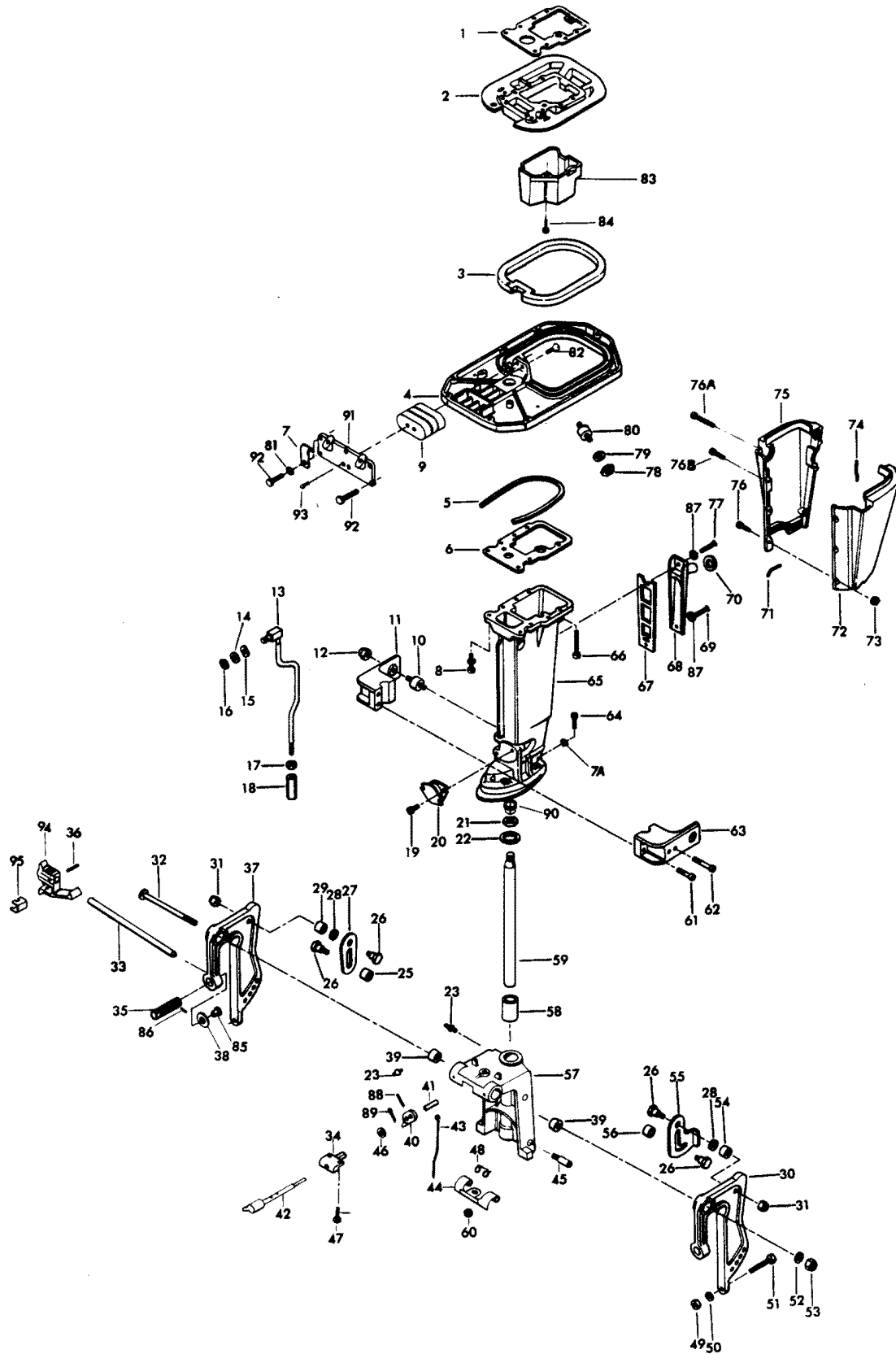


# MOTOR LEG

REF. NO.	PART NO.	SYM.	QTY.	DESCRIPTION
43	F366510		1	LINK
44	366349		1	REVERSE LOCK
45	F366886		2	PIN
46	F8094		1	WASHER
47	F1733		2	PAN HD SCREW, 10 - 24 X 9/16
48	F366300		2	REVERSE LOCK SPRING
49	F1346		2	HEX NUT, S.S., 3/8 - 16
50	F1904		2	PLAIN WASHER
51	F1593		2	HEX HD SCREW, S.S., 3/8 - 16 X 3
52	F1656		1	PLAIN WASHER
53	F7001		1	ELASTIC STOP NUT
54	F269929		1	SPACER, TILT STOP
55	F366426		1	TILT STOP PORT
56	F269929		1	SPACER, TILT STOP
57	817945A1		1	SWIVEL BRACKET W/BEARINGS AND GREASE FITTING
58	F191169-1		2	SWIVEL BRACKET BEARING
59	FA433019		1	KINGPIN W/PLUG
60	F1669		1	STOP NUT
61	F1636		2	HEX SOCKET HD CAP SCREW, S.S., 3/8 - 16 X 1 1/4
62	F1635		2	HEX SOCKET HD CAP SCREW, S.S., 3/8 - 16 X 3 1/2
63	F433973		1	SHOCK MOUNT LOWER COVER, PORT
64	F1929		4	HEX HD CAP SCREW, S.S., 3/8 - 16 X 1 1/8
66	F1905		1	FILL HD SCREW, 1/4 - 20 X 3 7/16
67	F40833-4		1	MOTOR LEG EXHAUST COVER GASKET
68	FA89832-2		1	MOTOR LEG EXHAUST COVER
69	F1199		1	HEX HD SCREW, 1/4 - 20 X 1
70	F89504		1	GROMMET MOTOR LEG
71	F435323		2	PACKING, LEG COVER LOWER
73	F1473		6	HEX NUT, 10 - 24
74	F435323		2	PACKING, LEG COVER UPPER
76	F1088		3	FILL HD SCREW, 10 - 24 X 9/16
76A	F1767		1	FILL HD SCREW, 10 - 24 X 3
77	F1849		1	HEX HD SCREW, S.S., 1/4 - 20 X 1 3/8
78	F1346		2	HEX NUT, 3/8 - 16
79	F8038		2	PLAIN WASHER
80	F307962		2	SHOCK MOUNT SIDE UPPER
81	F8025		1	PLAIN WASHER
82	F1160		2	FLAT HD SCREW, 1/4 - 28 X 5/8
83	F307660-1		1	LEG EXHAUST TUBE
84	F1851		3	FILL HD M. SCREW W/LOCKWASHER, 10 - 24 X 1/2
85	F353480		2	STUD
86	F8537		2	SPRING PIN
87	F8083		2	SPRING LOCKWASHER

CONTINUED ON NEXT PAGE ➡

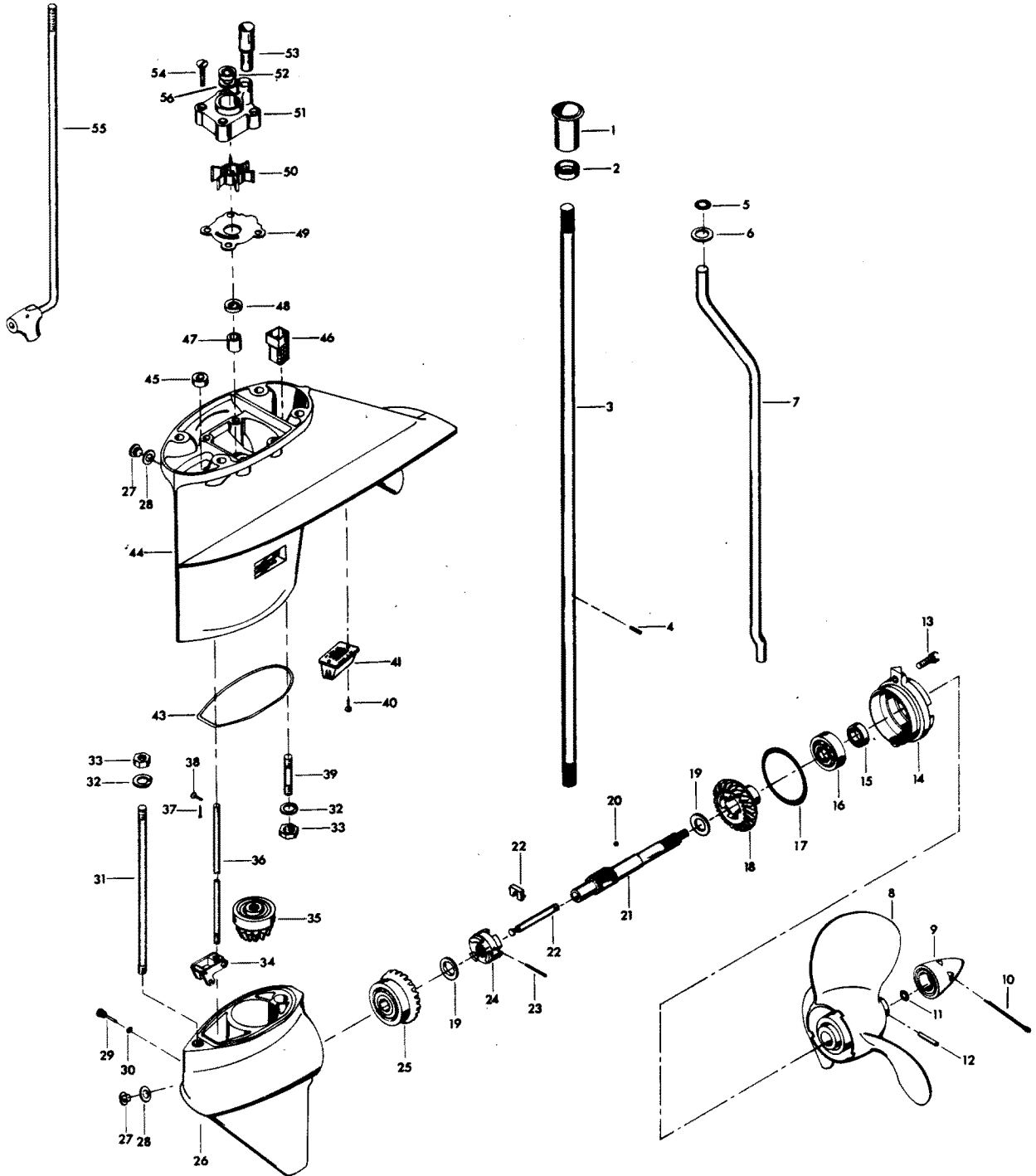
# MOTOR LEG



# MOTOR LEG

REF. NO.	PART NO.	SYM.	QTY.	DESCRIPTION
88	F1836		1	SPRING PIN
89	F1014		1	COTTER PIN
90	F1880		1	PLASTIC PLUG
91	F433946		1	SHOCK MOUNT UPPER COVER
-	<b>F485946</b>		<b>1</b>	<b>SHOCK MOUNT UPPER COVER FOR HAND START MODELS ONLY</b>
92	F1502		5	HEX CAP SCREW, 1/4 - 20 X 5/8
93	F1211		2	HEX HD SCREW W/LOCKWASHER, 1/4 - 28 X 5/8
94	F433114		1	HANDLE, LOCK BAR
95	F286461		1	SPRING LOCK BAR HANDLE
-	<b>F369390-1</b>		<b>1</b>	<b>DECAL, TILT LOCK (NOT SHOWN)</b>
-	<b>37-F544390-1</b>		<b>1</b>	<b>DECAL, TILT LOCK - CANADA (NOT SHOWN)</b>
65	F366133-2		1	MOTOR LEG
72	FA366135		1	LEG COVER (PORT)
75	FA366145		1	LEG COVER (STARBOARD)
-	<b>F434322</b>		<b>2</b>	<b>PACKING - LEG COVER LOWER REAR (NOT SHOWN)</b>
76B	F1768		3	FILL HD SCREW, 10 - 24 X 1 3/8
65	F435133-1		1	MOTOR LEG
72	FA435135		1	LEG COVER (PORT)
75	FA435145		1	LEG COVER (STARBOARD)
76B	F1768		2	FILL HD SCREW, 10 - 24 X 1 3/8

# GEAR HOUSING

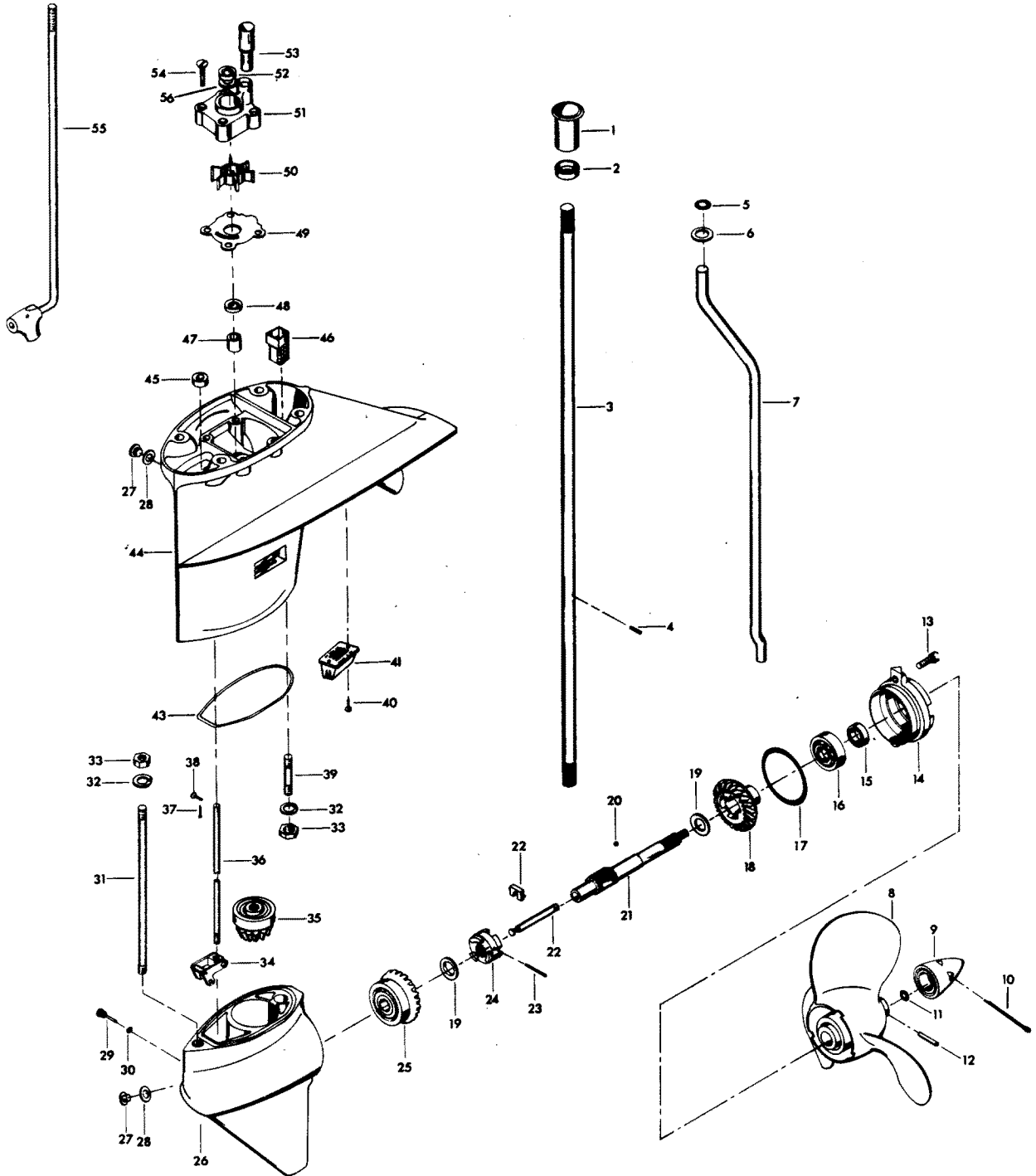


# GEAR HOUSING

REF. NO.	PART NO.	SYM.	QTY.	DESCRIPTION
1	F338129-1		1	BOOT
2	F338271		1	RETAINER
3	45-817737A1		1	DRIVESHAFT W/RETAINER FOR STANDARD SHAFT MODELS
-	<b>FA89128-1</b>		<b>1</b>	<b>DRIVESHAFT W/RETAINER FOR LONG SHAFT MODELS</b>
4	F901563		1	DRIVE PIN, WATER PUMP IMPELLER
5	F40342		1	SEAL
6	F8042		1	PLAIN WASHER
7	F141244		1	INLET WATER LINE FOR STANDARD SHAFT MODELS
-	<b>F435244</b>		<b>1</b>	<b>INLET WATER LINE FOR LONG SHAFT MODELS</b>
8	FP293		1	PROPELLER (ACCESSORY ITEM)
9	FA94094-2		1	PROPELLER NUT W/SEAL AND COTTER PIN
10	F1027		1	COTTER PIN, S.S., 1/8 - 1/2
11	F40342		1	SEAL, PROPELLER NUT
12	FK247		1	PROPELLER PIN, PACK OF 6 W/COTTER PIN
13	F1263		2	HEX SOCKET HD CAP SCREW, S.S., 5/16 - 18 X 9/16
14	F2A366298		1	PROPELLER SHAFT BEARING CAGE <b>INCLUDES ITEMS 15, 16 AND 17</b>
15	F141118		1	SEAL, PROPELLER SHAFT
16	F366058		1	BALL BEARING, PROPELLER SHAFT
17	F141305		1	SEAL, PROPELLER SHAFT BEARING CAGE
18	FA485662		1	BEVEL GEAR REAR W/BEARING
19	F40717		2	THRUST WASHER, BEVEL GEAR
20	F366727		1	BALL, PROPELLER SHAFT
21	44-819500A3		1	PROPELLER SHAFT
22	FA90871-3		1	GEAR SHIFT ARM PIN W/YOKE
23	F2097		1	SPRING PIN
24	F99521-1		1	CLUTCH
25	FA485023		1	BEVEL GEAR FRONT W/BEARING
26	FA486054		1	GEAR HOUSING LOWER W/PLUG, WASHER AND THRUST BEARING CUP
27	F50109		2	PLUG, GEAR HOUSING
28	F8077		2	WASHER, GEAR HOUSING PLUG
29	F90891		1	GEAR SHIFT ARM PIN
30	F8001		1	NYLTITE WASHER
31	F97008-1		1	STUD, LONG
32	F8065		2	LOCKWASHER
33	F1346		2	HEX NUT, S.S., 3/8 - 16
34	817796A2		1	GEAR SHIFT ARM
35	F2A474266		1	BEVEL PINION W/BEARING
36	F435705		1	GEAR SHIFT ROD LOWER
37	F1015		1	COTTER PIN
38	F85372		1	PIN, GEAR SHIFT ROD LOWER
39	F40008		1	STUD, SHORT
40	F1733		2	PAN HD SCREW, 10 - 24 X 9/16

CONTINUED ON NEXT PAGE ➡

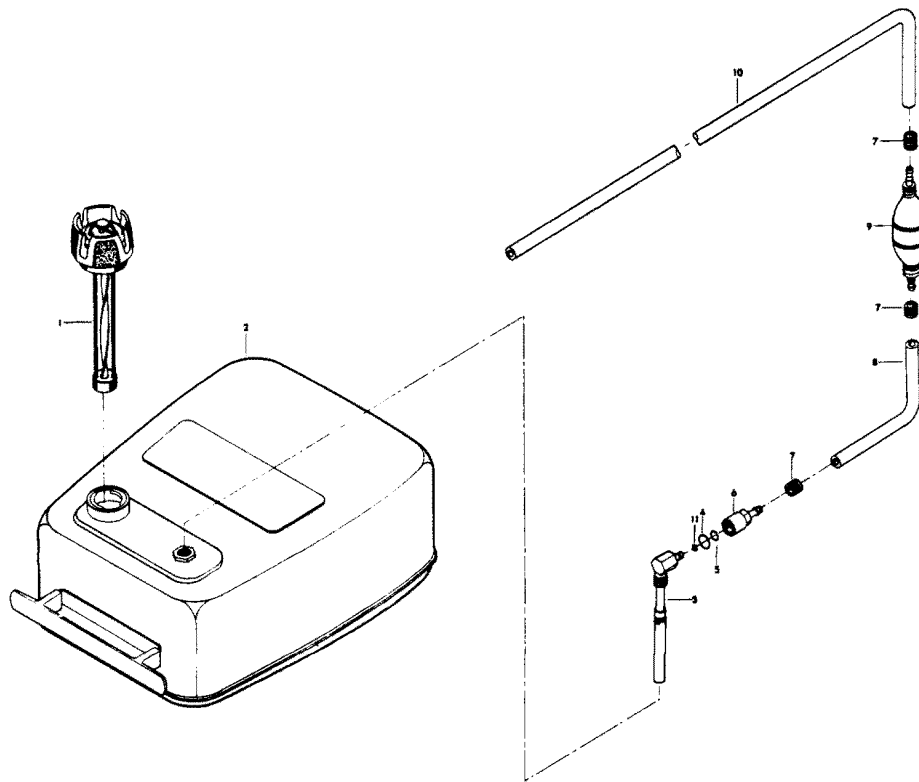
# GEAR HOUSING



# GEAR HOUSING

REF. NO.	PART NO.	SYM.	QTY.	DESCRIPTION
41	FA513485		1	ANTI-CORROSION ANODE
43	F435555		1	SEAL, GEAR HOUSING
44	1600-817871A3		1	GEAR HOUSING UPPER, WASHER, PLUG AND INLET WATER SCREEN <b>W/SEAL ORIGINAL FORCE P/N A435554-1</b>
45	F338618-1		1	SEAL, SHIFT ROD LOWER
46	F435077		1	SCREEN, WATER INLET
47	F435057		1	BEARING, DRIVESHAFT UPPER
48	F40307-2		1	SEAL, DRIVESHAFT
49	F435562		1	WATER PUMP BACK PLATE
50	F433065		1	WATER PUMP IMPELLER
51	FA504060		1	WATER PUMP BODY W/DRIVESHAFT SEAL
52	F349307		1	DRIVESHAFT SEAL
53	FA485914		1	SEAL, INLET WATER LINE, LOWER
54	F2030		4	HEX HD SCREW, S.S., 1/4 - 20 X 1 1/4
55	FA434616		1	GEAR SHIFT ROD INTERMEDIATE FOR STANDARD SHAFT MODELS
-	<b>FA435616</b>		<b>1</b>	<b>GEAR SHIFT ROD INTERMEDIATE FOR LONG SHAFT MODELS</b>
56	485388		1	DISC, WATER PUMP
-	<b>FC486054</b>		<b>1</b>	<b>GEAR HOUSING COMPLETE INCLUDES ALL ITEMS MARKED WITH AN ASTERISK (*).</b>

# FUEL TANK AND LINE

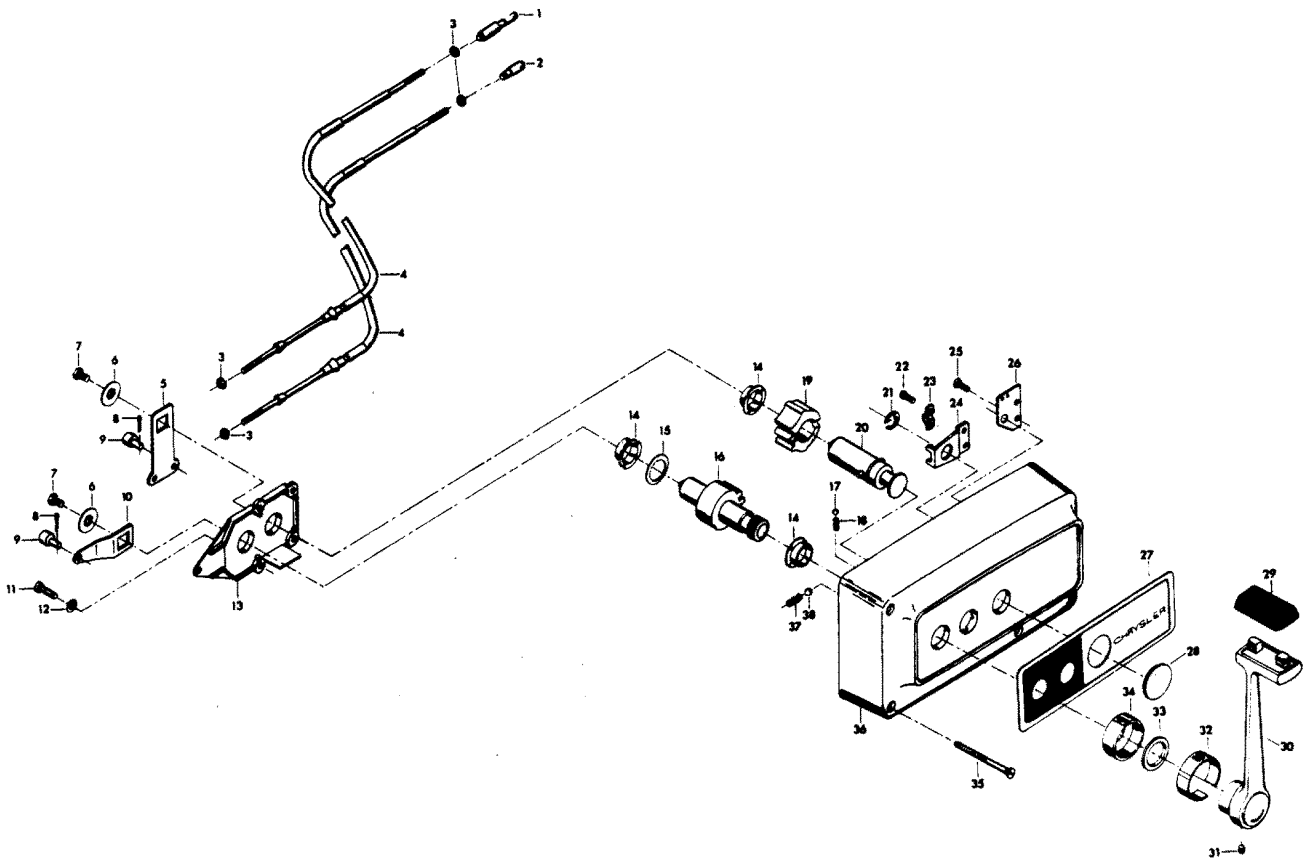




## FUEL TANK AND LINE

REF. NO.	PART NO.	SYM.	QTY.	DESCRIPTION
1	F409251-1		1	GAUGE CAP
2	F71H08		1	FUEL TANK (ACCESSORY ITEM)
3	F485755-1		1	FUEL TANK ADAPTER
4	F213342		1	SEAL, FUEL LINE COUPLER (LARGE)
5	F213735		1	SEAL, FUEL LINE COUPLER (SMALL)
6	F197787-3		1	FUEL LINE COUPLER
7	F298788		3	FERRULE
8	FA84754-1		1	FUEL LINE SHORT W/FERRULES
9	89396A38		1	PRIME BULB
10	32-817738A1		1	FUEL LINE, LONG W/CLAMP AND FERRULE
11	F17932		1	SEAL, FUEL TANK ADAPTER
-	<b>FS409752</b>		<b>1</b>	<b>FUEL LINE, COMPLETE</b>
-	<b>FC409398</b>		<b>1</b>	<b>DECAL, TOTE TANK - CANADA (NOT SHOWN)</b>

# REMOTE CONTROL



# REMOTE CONTROL

REF. NO.	PART NO.	SYM.	QTY.	DESCRIPTION
1	FA58976-1		1	CONNECTOR, THROTTLE CABLE
2	F58685-2		1	CONNECTOR, SHIFT CABLE
3	F1513		4	HEX NUT
4	ÄF58356//		2	REMOTE CONTROL CABLE (SPECIFY LENGTH)
5	F17019		1	CLUTCH ARM
6	F17036		2	INTERNAL TOOTH LOCKWASHER
7	F1715		2	HEX BOLT, 1/4 - 28 X 9/16
8	F17015		2	COTTER PIN
9	F17016		2	CABLE TERMINAL
10	F17014		1	THROTTLE ARM
11	F17013		2	FILL HD SCREW, 1/4 - 20 X 1/2
12	F17020		2	INTERNAL TOOTH LOCKWASHER
13	F17012		1	RETAINING PLATE
14	F17009		3	BEARING
15	F17011		1	BOWED WASHER
16	F17010-1		1	THROTTLE GEAR
17	F17111		1	DETENT BALL
18	F17006		1	DETENT SPRING
19	F17021		1	CLUTCH GEAR
20	F17100		1	CLUTCH SHAFT
21	F17092		1	SNAP RING
22	F17107		2	FILL HD SCREW, 10 - 24 X 5/16
23	F154317		1	CABLE CLAMP
24	F17026		1	SWIVEL
25	F1557		2	FLAT HD SCREW, 10 - 24 X 3/8
26	F17112		1	JUNCTION BOARD, STARBOARD
-	<b>F17113</b>		<b>1</b>	<b>JUNCTION BOARD, PORT</b>
27	F17101		1	DECAL, STARBOARD
-	<b>17102</b>		<b>1</b>	<b>DECAL, PORT</b>
28	F17031		1	SNAP CAP
29	F17116		1	KNOB
30	F17115		1	HANDLE
31	F17030-1		1	SET SCREW
32	F17114		1	INDICATOR
33	F17105		1	FELT WASHER
34	F17106		1	COLLAR
35	17108		3	WOOD SCREW
36	F17099		1	HOUSING
37	F17068		1	DETENT SPRING
38	F17082-1		1	DETENT BALL
-	<b>F1280</b>		<b>2</b>	<b>PAN HD SCREW, 8 - 32 X 1/4 (TERMINAL BOARD) (NOT SHOWN)</b>

## SPECIAL TOOLS - TUNE-UP

REF. NO.	PART NO.	SYM.	QTY.	DESCRIPTION
-	FT2910		0	KNOCK-OFF NUT TO REMOVE FLYWHEEL
-	FTA2937-1		0	TIMING TOOL TO ADJUST SPARK ADVANCE

## SPECIAL TOOLS - MANUAL STARTER

REF. NO.	PART NO.	SYM.	QTY.	DESCRIPTION
-	FT3139-1		0	STARTER REWIND KEY TO REWIND STARTER SPRING

## SPECIAL TOOLS - POWER HEAD

REF. NO.	PART NO.	SYM.	QTY.	DESCRIPTION
-	FT3510		0	SEAL PUNCH TO INSTALL UPPER CRANKSHAFT BEARING CAGE SEAL
-	FT3512		0	SEAL SLEEVE TO INSTALL UPPER CRANKSHAFT BEARING CAGE SEAL
-	FT2953		0	SOCKET TO TORQUE CONNECTING ROD SCREWS
-	FT2990		0	PISTON PIN REMOVER TO REMOVE AND INSTALL PISTON PIN IN PISTON
-	FT8926		0	RING EXPANDER TO INSTALL RINGS ON PISTONS
-	FT2996		0	RING COMPRESSOR TO INSTALL PISTONS IN CYLINDERS

## SPECIAL TOOLS - LOWER UNIT

REF. NO.	PART NO.	SYM.	QTY.	DESCRIPTION
-	FT8948-1		0	PROPELLER SHAFT BEARING CAGE PULLER AND FLYWHEEL PULLER TO REMOVE PROPELLER SHAFT BEARING CAGE FROM LOWER GEAR HOUSING
-	FT8919		0	SPRING PIN PUNCH TO REMOVE CLUTCH SPRING PIN
-	FT8907		0	DRIVER HANDLE TO INSTALL BEARING CUP IN LOWER GEAR HOUSING
-	FT8945		0	RETAINER PUNCH TO INSTALL RETAINER ON DRIVESHAFT SPLINE BOAT
-	FT8918		0	BUSHING GUIDE SET TO REMOVE AND INSTALL BEARING CUP IN LOWER GEAR HOUSING
-	FT8921		0	FORWARD BEARING CUP REMOVER TO REMOVE FORWARD BEARING CUP FROM LOWER GEAR HOUSING
-	FT8904		0	FORWARD BEARING CUP INSTALLER TO INSTALL FORWARD BEARING CUP IN LOWER GEAR HOUSING
-	FT3431		0	DRIVESHAFT SEAL AND PROP SHAFT SEAL INSTALLER TO INSTALL DRIVESHAFT AND PROP SHAFT SEAL IN LOWER UNIT
-	FT8957		0	SEAL INSTALLER TO INSTALL SHIFT ROD SEAL
-	FT8962		0	BEARING INSTALLER TO INSTALL DRIVESHAFT BEARING IN GEAR HOUSING UPPER
-	FT8964		0	BEARING REMOVER TO REMOVE DRIVESHAFT BEARING FROM GEAR HOUSING UPPER

## SPECIAL TOOLS - TEST EQUIPMENT

REF. NO.	PART NO.	SYM.	QTY.	DESCRIPTION
-	FT2955A		0	TEST WHEEL TO TEST MOTOR IN TEST TANK
-	FT8932		0	LIFTING HOOK TO LIFT ENGINE
-	FT8950		0	LEAKAGE TESTER TO TEST LOWER UNIT FOR LEAKAGE
-	T8974		0	BREAKER POINT TENSION GAUGE FOR CHECKING BREAKER POINT SPRING TENSION



# ACCESSORIES

REF. NO.	PART NO.	SYM.	QTY.	DESCRIPTION
-	F5H081		0	BATTERY CABLE LONGER LENGTH - 15 FEET.
-	71H06		0	AMMETER FLUSH MOUNT (FOR ALTERNATOR MODELS ONLY) PERMITS MONITORING OF ALTERNATOR OUTPUT. DO NOT USE AMMETER AND CHARGE LAMP IN SAME INSTALLATION.
-	F5H019		0	ANTI-CORROSION KIT ELECTRICAL UNIT USED TO HELP PREVENT CORROSION.
-	F70H02		0	ANTI-CORROSION SACRIFICIAL ANODE USED TO HELP PREVENT CORROSION.
-	5H051		0	BATTERY, 74 AMP TWELVE VOLT HEAVY DUTY BATTERY TO OPERATE STARTER AND ELECTRICAL ACCESSORIES.
-	F5H021		0	BATTERY EXTENSION CABLE USED TO EXTEND BATTERY CABLE 6 1/2 FEET.
-	F5H041		0	BATTERY TERMINAL KIT ADAPTS MODEL 72H13 BATTERY TERMINALS FOR CONNECTION TO BATTERY CABLES ON ENGINE.
-	494		0	HANDLE PROVIDES REAR HANDLE AND REST PADS.
-	F5H020		0	CARRYING HANDLE PERMITS EASIER TRANSPORTATION OF ENGINE TO AND FROM BOAT (2 MAN).
-	F861		0	FLUSHING ADAPTER PERMITS FRESH WATER FLUSHING OF WATER PASSAGES WITH STANDARD GARDEN HOSE.
-	F5H008		0	FUEL GAUGE FLUSH MOUNT MONITORS FUEL SUPPLY.
-	F5H028		0	SENDING UNIT FOR USE WITH ABOVE FUEL GAUGES.
-	F5H005		0	TEMPERATURE GAUGE ELECTRICAL MODELS (FLUSH MOUNT) MONITORS ENGINE TEMPERATURE. DO NOT USE TEMPERATURE GAUGE AND HEAT LAMP IN THE SAME INSTALLATION.
-	F5H055		0	WATER PUMP KIT HEAVY DUTY WATER PUMP RECOMMENDED FOR CONTINUED OPERATION IN SANDY OR SALT WATER.
-	5H061		0	FROST WHITE LACQUER ENGINE TOUCH-UP PAINT IN 16 OZ. SPRAY BOMBS (12 CANS PER CASE).
-	5H016		0	GOLD LACQUER ENGINE TOUCH-UP PAINT IN 16 OZ. SPRAY BOMBS (12 CANS PER CASE).
-	F5H052		0	POWER TRIM ADJUSTS ENGINE TRIM AND TILTS ENGINE.
-	F5H009		0	POWER TRIM INDICATOR FLUSH MOUNT - INDICATES TRIM ANGLE.
-	F5H010		0	POWER TRIM INDICATOR SURFACE MOUNT - INDICATES TRIM ANGLE.
-	F5H026		0	STEEL, 6 GALLON FUEL TANK AUXILIARY TANK.
-	F5H029		0	FUEL TANK ANCHOR SECURES 71H08 TO DECK.
-	F5H040		0	STEEL, 12 GALLON FUEL TANK AUXILIARY TANK.
-	F5H024		0	POWER TILT TWELVE VOLT UNIT TILTS ENGINE FOR BEACHING, ETC.
-	F5H073		0	OVERHEAT BUZZER KIT FOR ELECTRIC START MODELS. WARNS OF ENGINE OVERHEATING.
-	167		0	IGNITION CUT-OFF KIT ALLOWS STOPPING OF ALL MAGNETO ENGINES FROM DASH.

CONTINUED ON NEXT PAGE ➡

# ACCESSORIES

REF. NO.	PART NO.	SYM.	QTY.	DESCRIPTION
-	F5H077		0	IGNITION KEY SWITCH FOR ELECTRIC START MODELS SHORT BARREL.
-	F5H078		0	IGNITION KEY SWITCH FOR ELECTRIC START MODELS LONG BARREL.
-	F5H066		0	LONG LEG CONVERSION KIT CONVERTS 15" STANDARD SHAFT MODELS TO 20" LONG SHAFT MODELS.
-	F195/___		0	REMOTE CONTROL CABLES CONNECTS REMOTE CONTROL BOX TO THROTTLE AND GEAR SHIFT ON MOTOR. AVAILABLE IN 6 THROUGH 40 FOOT LENGTHS.
-	F5H063		0	REMOTE CONTROL SURFACE MOUNT (SINGLE LEVER) PERMIT REMOTE CONTROL OF THROTTLE AND GEAR SHIFT FROM STARBOARD SIDE OF BOAT.
-	5H067		0	PORT SIDE DECAL KIT CONVERTS 72H36 CONTROL BOX TO PORT SIDE MOUNTING.
-	F590		0	REMOTE CONTROL FLUSH MOUNT (SINGLE LEVER) PERMITS REMOTE CONTROL OF THROTTLE AND GEAR SHIFT. MAY BE MOUNTED ON PORT OR STARBOARD SIDE OF BOAT.
-	865		0	REMOTE CONTROL SURFACE MOUNT (SINGLE LEVER) PERMITS REMOTE CONTROL OF THROTTLE AND GEAR SHIFT ON TWIN ENGINE INSTALLATION. MAY BE MOUNTED ON PORT OR STARBOARD SIDE OF BOAT.
-	F137		0	REMOTE STEERING BRACKET ADAPTS MOTOR TO CABLE TYPE REMOTE STEERING.
-	F165		0	REMOTE STEERING BRACKET ADAPTS MOTOR TO CABLE TYPE REMOTE STEERING.
-	F5H023		0	REMOTE STEERING BRACKET ADAPTS MOTOR TO MECHANICAL TYPE REMOTE STEERING.
-	F5H018		0	DUAL ENGINE TIE BAR PERMITS DUAL ENGINE INSTALLATION.
-	F5H004		0	SPEEDOMETER FLUSH MOUNT 0 TO 50 M.P.H.
-	F5H012		0	TACHOMETER (FLUSH MOUNT) MONITORS ENGINE R.P.M. TO PROVIDE CHECK OF ENGINE PERFORMANCE.
-	F5H058		0	STARTER CONVERSION CONVERTS HAND START MODELS TO ELECTRIC START.
-	F5H006		0	VOLTMETER FLUSH MOUNT - INDICATES BATTERY CONDITION.
-	5H046		0	CANVAS HOOD PROTECTION FOR ENGINE COVER.
-	F5H070		0	REMOTE ELECTRIC CABLE 25 FEET.

# SPECIFICATIONS

REF. NO.	PART NO.	SYM.	QTY.	DESCRIPTION
-			0	HORSEPOWER 45 B.I.A. CERTIFIED BRAKE H.P. AT 4750 R.P.M.
-			0	MOTOR TWO-CYCLE, TWIN CYLINDER ALTERNATE FIRING.
-			0	BORE AND STROKE 3 1/8" BORE X 2.750" STROKE.
-			0	DISPLACEMENT 42.18 CUBIC INCHES.
-			0	CONNECTING RODS FORGED NICKEL STEEL. CAGED ROLLER BEARINGS AT CRANKSHAFT. CASED NEEDLE BEARINGS AT PISTON PIN.
-			0	CRANKSHAFT FORGED NICKEL STEEL. BALL BEARINGS AT UPPER MAIN. CAGED ROLLER BEARINGS AT CENTER AND LOWER MAIN.
-			0	CORROSION PROTECTION ALODINE TREATED CASTINGS, STAINLESS STEEL DRIVE SHAFT, PROPELLER SHAFT, GEAR SHIFT ROD AND UNDERWATER FASTENERS.
-			0	FUEL TANK SEPARATE STEEL TANK, 6 U.S. GALLON, 5 IMPERIAL GALLON CAPACITY.
-			0	FUEL SYSTEM VACUUM - TYPE FUEL PUMP, FLOAT FEED CARBURETOR WITH FIXED HIGH SPEED JET AND ADJUSTABLE LOW SPEED JET.
-			0	FUEL FILTERS FILTER SCREENS IN FUEL TANK AND FUEL PUMP.
-			0	COOLING WATER COOLED, POSITIVE DISPLACEMENT TYPE WATER PUMP.
-			0	TRANSOM HEIGHT 15" OR 20" DEPENDING ON MODEL.
-			0	WEIGHT FROM 127 LBS. FOR STANDARD SHAFT MODEL.
-			0	TILT LOCK POSITIVE TILT LOCK PERMITS ENGINE TO REMAIN IN TILTED POSITION WHEN NOT IN USE.
-			0	RECOMMENDED OPERATING RANGE 4400 - 5100 R.P.M.

# LUBRICATION CHART

REF. NO.	PART NO.	SYM.	QTY.	DESCRIPTION
-			0	UPPER AND LOWER GEAR HOUSINGS CHECK AFTER EVERY THIRTY HOURS OF OPERATION AND REPLACE AFTER EVERY 100 HOURS WITH A NON-CORROSIVE LEADED OUTBOARD GEAR OIL -- CHRYSLER OUTBOARD GEAR LUBE. DO NOT USE CORROSIVE HYPOID OIL UNDER ANY CIRCUMSTANCES.
-			0	CONTROL LINKAGE LUBRICATE ALL MOVING PARTS AND CONTROL LINKAGE WITH RYKON #2EP, PART NO. T-2961 TWICE EACH SEASON OR OFTENER IF REQUIRED.
-			0	STERN BRACKET LUBRICATE STERN BRACKET AND ASSOCIATED PARTS WITH RYKON #2EP, PART NO. T-2961, TWICE EACH SEASON OR OFTENER IF REQUIRED.
-			0	GREASE FITTING GREASE FITTINGS ARE PROVIDED AT CRITICAL POINTS WHERE BEARING SURFACES ARE NOT EXPOSED EXTERNALLY. USING AS AUTOMOTIVE-TYPE GREASE GUN AND LUBRICANT, GREASE TWICE EACH SEASON OR OFTENER IF REQUIRED.
-			0	STARTER PINION GEAR LUBRICATE WITH RYKON #2EP, PART NO. T-2961, TWICE EACH SEASON OR OFTENER IF REQUIRED.

## SPECIAL ADJUSTMENTS

REF. NO.	PART NO.	SYM.	QTY.	DESCRIPTION
-			0	BREAKER POINT GAP MAGNETO MODELS .020". ALTERNATOR MODELS .015".
-			0	SPARK PLUG CHAMPION L-4-J, MAGNETO MODELS, GAP .030".
-			0	SPARK PLUG CHAMPION UL-4-J, ALTERNATOR MODELS, GAP .030".
-			0	SPARK PLUG CHAMPION UL-18-V, MAGNAPOWER MODELS.
-			0	SPARK PLUG CHAMPION QL-4-J FOR MODELS 450BK, 451BK, 456BJ, 457BJ.
-			0	SPARK PLUG CHAMPION QUL-77V FOR MODELS 458BG, 459BG
-			0	FLYWHEEL NUT TORQUE TO 75 FOOT POUNDS.
-			0	CYLINDER HEAD BOLT TORQUE TO 270 INCH POUNDS.
-			0	POINT OF THROTTLE OPENING 1. UNSNAP BALL JOINT CONNECTOR FROM THROTTLE TOWER SHAFT.
-			0	POINT OF THROTTLE OPENING 2. WITH THROTTLE SHUTTER IN CARBURETOR CLOSED, ADJUST ECCENTRIC SCREW HOLDING THROTTLE ROLLER TO THROTTLE SHAFT SO THAT PICK-UP LINE ON LOWER END OF THROTTLE CAM IS EXACTLY CENTERED ON THROTTLE ROLLER.
-			0	POINT OF THROTTLE OPENING 3. ADVANCE THROTTLE TOWER SHAFT AND THROTTLE CAM TO FULL ADVANCE POSITION. (THROTTLE SHUTTER HORIZONTAL).
-			0	POINT OF THROTTLE OPENING 4. ADJUST BALL JOINT CONNECTORS UNTIL SPACING IS IDENTICAL TO SPACING BETWEEN CONNECTOR STUD ON THROTTLE CAM AND THROTTLE TOWER SHAFT.
-			0	POINT OF THROTTLE OPENING

# PARTS INDEX

Part Number	Description	Pg.	Ref. No.	Part Number	Description	Pg.	Ref. No.
ÄF58356//	REMOTE CONTROL CABLE (SPECIFY LENGTH) . . . . .	49	4	F1088	FILL HD SCREW, 10 - 24 X 9/16 . . . . .	39	76
15037	HEAD ASSEMBLY, COMMUTATOR END . . . . .	19	28	F1097	FILL HD SCREW, 1/4 - 20 X 3/8 . . . . .	17	1
167	IGNITION CUT-OFF KIT . . . . .	55	-	F1108	FILL HD SCREW W/SPRING LOCKWASHER, 1/4 - 20 X 3/4 . . . . .	21	10
17102	DECAL, PORT . . . . .	49	-	F1110	SLOTTED FILL HD SCREW, 1/4 - 20 X 5/8 . . . . .	9	2
17108	WOOD SCREW . . . . .	49	35	F1110	SLOTTED FILL HD SCREW, 1/4 - 20 X 5/8 . . . . .	21	20
321373-2	DECAL, "MAGNAPOWER IGNITION" (NOT SHOWN)	5	-	F1110	SLOTTED FILL M. SCREW, 1/4 - 20 X 5/8 . . . . .	13	22
366349	REVERSE LOCK . . . . .	39	44	F1111	FILL HD SCREW, 1/4 - 20 X 7/8 . . . . .	17	9
485388	DISC, WATER PUMP . . . . .	45	56	F1129	FILL HD SCREW, S.S., 5/16 - 18 X 1/2 . . . . .	37	19
494	HANDLE . . . . .	55	-	F1134	FILL HD SCREW, 8 - 32 X 1 1/8 . . . . .	27	19
5H016	GOLD LACQUER . . . . .	55	-	F1136	FLAT HD SCREW, 1/4 - 20 X 1 . . . . .	27	39
5H046	CANVAS HOOD . . . . .	56	-	F1141	FLAT HD SCREW, 10 - 24 X 1/2 . . . . .	35	7
5H051	BATTERY, 74 AMP . . . . .	55	-	F1160	FLAT HD SCREW, 1/4 - 28 X 5/8 . . . . .	39	82
5H061	FROST WHITE LACQUER . . . . .	55	-	F1164	FLAT HD SCREW, 5/16 - 18 X 1 1/8 . . . . .	9	40
5H067	PORT SIDE DECAL KIT . . . . .	56	-	F1199	HEX HD SCREW, 1/4 - 20 X 1	17	28
71H06	AMMETER FLUSH MOUNT (FOR ALTERNATOR MODELS ONLY) . . . . .	55	-	F1199	HEX HD SCREW, 1/4 - 20 X 1	39	69
817746A1	CONNECTOR STUD BRACKET . . . . .	29	61	F12014	BREAKER POINT AND CONDENSER MOUNTING SCREW, 8 - 32 X 3/8 . . . . .	7	4
817747--1	BALL JOINT W/BEARING . . . . .	17	24	F12016	CABLE CLIP SCREW, 8 - 32 X 1/2 . . . . .	7	17
817747--1	BALL JOINT W/BEARING . . . . .	27	15	F12023	LAMINATION SCREW, 10 - 24 X 1 . . . . .	7	8
817796A2	GEAR SHIFT ARM . . . . .	43	34	F12042-1	CONDENSER W/MOUNT . . . . .	7	6
817887--1	DECAL, WIRING - CANADA (NOT SHOWN) . . . . .	11	-	F12044	BREAKER POINT SET . . . . .	7	21
817887--1	DECAL, WIRING - CANADA (NOT SHOWN) . . . . .	15	-	F12050	GROMMET . . . . .	7	20
817938A1	STARTER ROPE HANDLE RETAINER . . . . .	17	39	F12053	COIL RETAINING CLIP . . . . .	7	18
817945A1	SWIVEL BRACKET W/BEARINGS AND GREASE FITTING . . . . .	39	57	F12057	COIL W/LEAD WIRE, SPARKIE AND GROMMET	7	19
865	REMOTE CONTROL SURFACE MOUNT (SINGLE LEVER) . . . . .	56	-	F12059	PRIMARY TERMINAL WIRE . . . . .	7	10
89396A38	PRIME BULB . . . . .	47	9	F12083	CONDENSER MOUNT SCREW W/LOCKWASHER	9	13
A310038-2	SUPPORT PLATE, FOR HAND START MODELS . . . . .	5	40	F12083	SCREW W/LOCKWASHER . . . . .	13	13
A345664-1	WIRE, HI-TENSION . . . . .	13	26	F12090	BREAKER CONTACT SCREW . . . . .	9	14
A463893	INSERT, FRONT PLATE, CANADA FOR HAND START MODELS . . . . .	3	-	F12090	SCREW . . . . .	13	11
A464528-1	INSERT, TRIM REAR . . . . .	5	42	F1211	HEX HD SCREW W/LOCKWASHER, 1/4 - 28 X 5/8 . . . . .	41	93
A486427-1	STARTER MOUNTING BRACKET W/CAPS AND SCREWS . . . . .	17	13	F12139-1	CONDENSER . . . . .	9	15
AC16395-8	IDENTIFICATION PLATE W/SCREWS, CANADA . . . . .	3	-	F12167	SCREW . . . . .	9	7
F10000	GASKET SET . . . . .	23	31	F12167	SCREW . . . . .	13	4
F10057	REPAIR PARTS KIT . . . . .	23	22	F12172	TERMINAL . . . . .	9	8
F1014	COTTER PIN . . . . .	23	11	F12172	TERMINAL . . . . .	13	5
F1014	COTTER PIN . . . . .	41	89	F12172	TERMINAL COMPLETE, . . . . .	11	62
F1015	COTTER PIN . . . . .	43	37	F12172	TERMINAL, COMPLETE . . . . .	15	74
F1027	COTTER PIN, S.S., 1/8 - 1/2 . . . . .	43	10				
F1052	FILL HD SCREW, 1/4 - 20 X 1	31	101				
F1059	FILL HD SCREW, 6 - 32 X 1/4	23	8				

# PARTS INDEX

Part Number	Description	Pg.	Ref. No.	Part Number	Description	Pg.	Ref. No.
F12174-1	PRIMARY INTERLEAD WIRE	13	14	F1447	RD HD SCREW, 2 X 3/16 . . .	3	11
F12189	CONDENSER MOUNT			F1473	HEX NUT, 10 - 24 . . . . .	27	24
	SCREW . . . . .	9	16	F1473	HEX NUT, 10 - 24 . . . . .	39	73
F12227	CAM WIPER FELT . . . . .	7	22	F1475	FILL HD SCREW, 10 - 24 X		
F12227	CAM WIPER FELT . . . . .	9	42		1/2 . . . . .	3	6
F12227	CAM WIPER FELT . . . . .	13	15	F15000	"O" RING SEAL . . . . .	19	18
F12246	CABLE CLIP . . . . .	7	16	F1502	HEX CAP SCREW, 1/4 - 20 X		
F12329-1	BREAKER POINT SET . . . . .	9	18		5/8 . . . . .	9	34
F12329-1	BREAKER POINTS . . . . .	13	12	F1502	HEX CAP SCREW, 1/4 - 20 X		
F12338	GROUND WIRE . . . . .	11	63		5/8 . . . . .	41	92
F12338	WIRE . . . . .	15	75	F1502	HEX HD CAP SCREW, 1/4 -		
F12341	COIL LAMINATIONS . . . . .	7	12		20 X 5/8 . . . . .	13	24
F12342	STATOR PLATE WITHOUT			F1502	HEX HD SCREW, 1/4 - 20 X		
	LAMINATIONS . . . . .	7	11		5/8 . . . . .	21	19
F12344	BREAKER PLATE . . . . .	9	19	F15021-1	HEAD ASSEMBLY, DRIVE		
F12344	PLATE, BREAKER . . . . .	13	16		END . . . . .	19	17
F1238	FILL HD SCREW, 1/4 - 20 X			F15034	SPRING SET . . . . .	19	26
	3/4 . . . . .	9	24	F15038-1	BRUSH PLATE AND		
F1238	FILL HD SCREW, 1/4 - 20 X				HOLDER . . . . .	19	25
	5/16 . . . . .	15	56	F15042	BRUSH SET . . . . .	19	24
F1238	HEX CAP SCREW, 1/4 - 20 X			F15043	FRAME AND FIELD		
	3/4 . . . . .	3	28		ASSEMBLY . . . . .	19	21
F1238	HEX CAP SCREW, 1/4 - 20 X			F15044	ARMATURE . . . . .	19	19
	3/4 . . . . .	29	63	F15073	THRUST WASHER		
F1263	HEX SOCKET HD CAP				PACKAGE . . . . .	19	20
	SCREW, S.S., 5/16 - 18 X			F15084	SCREW SHAFT . . . . .	19	8
	9/16 . . . . .	43	13	F15087	NUT . . . . .	19	2
F1280	PAN HD MACHINE SCREW,			F15088	SPRING . . . . .	19	4
	8 - 32 X 1/4 . . . . .	15	54	F15091	WASHER . . . . .	19	9
F1280	PAN HD SCREW, 8 - 32 X 1/4	11	53	F15094	THRU BOLT PACKAGE (SET		
F1280	PAN HD SCREW, 8 - 32 X 1/4				OF 2 BOLTS) . . . . .	19	27
	(TERMINAL BOARD) (NOT			F15104	CUP, CUSHION THRUST . . .	19	12
	SHOWN) . . . . .	49	-	F15105	CUP . . . . .	19	10
F1286	PAN HD SCREW, 4 - 40 X			F15106	CUSHION . . . . .	19	11
	3/16 . . . . .	29	45	F15109	STOP . . . . .	19	3
F1298	ROUND HD SCREW			F15113	BENDIX DRIVE . . . . .	19	1
	W/LOCKWASHER, 6 - 32 X			F15114	PINION . . . . .	19	7
	1/4 . . . . .	35	13	F15115	CUP, PINION . . . . .	19	5
F1300	BREAKER POINT TERMINAL			F15116	SLEEVE . . . . .	19	6
	SCREW, 6 - 32 X 3/8 . . . .	7	5	F1513	HEX NUT . . . . .	49	3
F1326	ACORN NUT, S.S., 5/16 - 18	37	12	F1513	HEX NUT, 10 - 32 . . . . .	9	25
F1341	HEX NUT . . . . .	31	102	F1513	HEX NUT, 10 - 32 . . . . .	13	29
F1346	HEX NUT, 3/8 - 16 . . . . .	39	78	F1513	HEX NUT, 10 - 32 . . . . .	15	57
F1346	HEX NUT, S.S., 3/8 - 16 . . . .	39	49	F1513	HEX NUT, 10 - 32 . . . . .	15	66
F1346	HEX NUT, S.S., 3/8 - 16 . . . .	43	33	F1513	HEX NUT, 10 - 32 . . . . .	17	18
F1349	HEX NUT, S.S., 5/16 - 18 . . .	37	17	F1513	HEX NUT, 10 - 32 . . . . .	27	12
F137	REMOTE STEERING			F1513	HEX NUT, 10 - 32 . . . . .	27	16
	BRACKET . . . . .	56	-	F1513	HEX NUT, 10 - 32 . . . . .	29	64
F141118	SEAL, PROPELLER SHAFT .	43	15	F1514	HEX NUT, 1/4 - 20 . . . . .	19	14
F141244	INLET WATER LINE FOR			F1515	HEX NUT, 5/16 - 18 . . . . .	3	14
	STANDARD SHAFT			F1515	HEX NUT, 5/16 - 18 . . . . .	17	16
	MODELS . . . . .	43	7	F1515	HEX NUT, 5/16 - 18 . . . . .	23	30
F141275	FITTING, THERMOSTAT . . .	31	89	F1515	HEX NUT, 5/16 - 18 . . . . .	27	4
F141305	SEAL, PROPELLER SHAFT			F1515	HEX NUT, 5/16 - 18 . . . . .	35	2
	BEARING CAGE . . . . .	43	17	F154317	CABLE CLAMP . . . . .	49	23
F141704	GEAR SHIFT ROD			F1544	HEX HD CAP SCREW, 3/8 -		
	COUPLING . . . . .	37	18		16 X 2 1/4 . . . . .	29	78
F1441	PAN HD SCREW, 1/4 - 20 X			F1556	FILL HD SCREW		
	7/8 . . . . .	33	2		W/LOCKWASHER, 10 - 24		
					X 3/8 . . . . .	27	32

# PARTS INDEX

Part Number	Description	Pg.	Ref. No.	Part Number	Description	Pg.	Ref. No.
F1557	FLAT HD SCREW, 10 - 24 X 3/8	49	25	F17106	COLLAR	49	34
F1593	HEX HD SCREW, S.S., 3/8 - 16 X 3	39	51	F17107	FILL HD SCREW, 10 - 24 X 5/16	49	22
F1615	HEX NUT, 5/16 - 24	9	23	F17111	DETENT BALL	49	17
F1615	HEX NUT, S.S., 5/16 - 24	15	61	F17112	JUNCTION BOARD, STARBOARD	49	26
F1635	HEX SOCKET HD CAP SCREW, S.S., 3/8 - 16 X 3 1/2	39	62	F17113	JUNCTION BOARD, PORT	49	-
F1636	HEX SOCKET HD CAP SCREW, S.S., 3/8 - 16 X 1 1/4	39	61	F17114	INDICATOR	49	32
F1645	RD HD SCREW, 6 - 32 X 1/4	13	20	F17115	HANDLE	49	30
F1645	RD HD SELF-TAPPING SCREW, 6 - 32 X 1/4	9	5	F17116	KNOB	49	29
F1646	HEX SOCKET HD CAP SCREW, 3/8 - 16 X 2 1/4	27	7	F1715	HEX BOLT, 1/4 - 28 X 9/16	49	7
F1647	HEX MACHINE SCREW, NUT, 10 - 32	15	45	F1727	PLASTIC RIVET	27	30
F1647	HEX NUT, 8 - 32	11	44	F1733	PAN HD SCREW, 10 - 24 X 9/16	3	20
F1647	HEX NUT, 8 - 32	15	48	F1733	PAN HD SCREW, 10 - 24 X 9/16	9	31
F1648	SLOTTED PAN HD SCREW, 10 - 24 X 3/4	11	47	F1733	PAN HD SCREW, 10 - 24 X 9/16	15	67
F1648	SLOTTED PAN HD SCREW, 10 - 24 X 3/4	13	42	F1733	PAN HD SCREW, 10 - 24 X 9/16	39	47
F165	REMOTE STEERING BRACKET	56	-	F1733	PAN HD SCREW, 10 - 24 X 9/16	43	40
F1656	PLAIN WASHER	39	52	F1738	HEX JAM NUT, 3/8 - 24 FOR HAND START MODELS	3	26
F1666	BOWED SPRING WASHER	37	28	F1744	SPRING PIN	37	36
F1669	STOP NUT	39	60	F1753	FASTENER	5	37
F17006	DETENT SPRING	49	18	F1767	FILL HD SCREW, 10 - 24 X 3 3/8	39	76A
F17009	BEARING	49	14	F1768	FILL HD SCREW, 10 - 24 X 1 3/8	41	76B
F17010-1	THROTTLE GEAR	49	16	F1768	FILL HD SCREW, 10 - 24 X 1 3/8	41	76B
F17011	BOWED WASHER	49	15	F177330	FUEL PUMP VALVE	21	7
F17012	RETAINING PLATE	49	13	F177917	STARTER RELAY	9	27
F17013	FILL HD SCREW, 1/4 - 20 X 1/2	49	11	F177917	STARTER RELAY	15	59
F17014	THROTTLE ARM	49	10	F17932	SEAL, FUEL TANK ADAPTER	47	11
F17015	COTTER PIN	49	8	F1812	FILL HD SCREW W/LOCKWASHER, 10 - 24 X 1 9/16	33	20
F17016	CABLE TERMINAL	49	9	F1813	FILL HD SCREW W/LOCKWASHER, 10 - 24 X 1 1/8	33	21
F17019	CLUTCH ARM	49	5	F18160-1	REED, CYLINDER DRAIN	29	48
F17020	INTERNAL TOOTH LOCKWASHER	49	12	F183300	SPRING	3	17
F17021	CLUTCH GEAR	49	19	F183346-1	SHOCK MOUNT LOWER	37	20
F17026	SWIVEL	49	24	F1836	SPRING PIN	17	27
F17030-1	SET SCREW	49	31	F1836	SPRING PIN	41	88
F17031	SNAP CAP	49	28	F184033-1	SWIVEL, CHOKE ROD	23	7
F17036	INTERNAL TOOTH LOCKWASHER	49	6	F184579	SEAL, CHOKE ARM SWIVEL	23	6
F1704	INTERNAL TOOTH LOCKWASHER	11	50	F1849	HEX HD SCREW, S.S., 1/4 - 20 X 1 3/8	39	77
F1704	INTERNAL TOOTH LOCKWASHER	15	76	F1851	FILL HD M. SCREW W/LOCKWASHER, 10 - 24 X 1/2	39	84
F17068	DETENT SPRING	49	37	F1857	HEX CAP SCREW, 5/16 - 18 X 5/8	29	62
F17082-1	DETENT BALL	49	38	F185764	RETAINING RING	37	16
F17092	SNAP RING	49	21	F1860	SLOTTED BINDING HD SCREW, 6 - 32 X 1/4	21	6
F17099	HOUSING	49	36	F1861	HEX CAP SCREW, 5/16 - 18 X 7/8	13	30
F17100	CLUTCH SHAFT	49	20				
F17101	DECAL, STARBOARD	49	27				
F17105	FELT WASHER	49	33				



# PARTS INDEX

Part Number	Description	Pg.	Ref. No.	Part Number	Description	Pg.	Ref. No.
F1861	HEX CAP SCREW, 5/16 - 18 X 7/8	13	33	F1993	HEX SLOT HD SCREW, 1/4 - 20 X 5/8	15	50
F1864	HEX HD MACHINE SCREW, 1/4 - 20 X 3/4	13	38	F1993	HEX SLOT HD SCREW, 1/4 - 20 X 5/8	27	6
F1864	HEX HD SCREW, 1/4 - 20 X 3/4	3	8	F1995	FILL HD SCREW, 10 - 24 X 1	27	27
F1864	HEX HD SCREW, 1/4 - 20 X 3/4	27	9	F1995	FILL HD SCREW, 10 - 24 X 1 1/16	29	85
F1879	HEX SOCKET HD CAP SCREW, 3/8 - 16 X 1 5/8	27	8	F1997	STOP NUT, 8 - 32	23	35
F1880	PLASTIC PLUG	41	90	F1997	STOP NUT, 8 - 32	27	21
F1904	PLAIN WASHER	39	50	F2014	PLAIN WASHER	29	79
F1905	FILL HD SCREW, 1/4 - 20 X 3 7/16	39	66	F201529-1	CYLINDER HEAD GASKET	29	67
F1910	ELASTIC STOP NUT, 1/4 - 20	27	17	F2016	FILL HD MACHINE SCREW, 6 - 32 X 7/8	15	46
F191169-1	SWIVEL BRACKET BEARING	39	58	F2016	FILL HD SCREW, 6 - 32 X 7/8	9	38
F1915	HEX HD SCREW, 1/4 - 20 X 7/8	35	1	F2016	FILL HD SCREW, 6 - 32 X 7/8	13	19
F191737	RETAINER, STARTER SPRING	17	11	F2016	FILL HD SCREW, 6 - 32 X 7/8	27	40
F191971	STARTER RETAINER EXTENSION	17	33	F2025	PAN HD SCREW, 10 X 5/8	5	44
F191993-1	BRACKET, CHOKE CABLE (NOT SHOWN)	5	-	F2030	HEX HD SCREW, S.S., 1/4 - 20 X 1 1/4	45	54
F1920	HEX NUT, 5/8 - 18	7	1	F203097-5	FLYWHEEL	9	3
F1920	HEX NUT, 5/8 - 18	9	1	F203097-5	FLYWHEEL	13	3
F1920	HEX NUT, 5/8 - 18	13	1	F203276	COIL BOOT	9	36
F1922	HEX HD SCREW, 1/4 - 20 X 5/8	21	18	F203276	COIL BOOT	15	80
F1922	HEX HD SCREW, 1/4 - 20 X 5/8	31	92	F2033	GROOVE PIN	23	9A
F1926	LAMINATION SCREW, 8 - 32 X 7/8	7	7	F203673	TERMINAL CLIP	9	35
F1929	HEX HD CAP SCREW, S.S., 3/8 - 16 X 1 1/8	39	64	F203673	TERMINAL CLIP	15	79
F1934	FLAT HD SLOTTED SCREW, 6 X 1/2	11	66	F203965	SHOCK MOUNT UPPER	37	9
F1934	FLAT HD SLOTTED SCREW, 6 X 1/2	15	78	F2066	PAN HD SELF-TAPPING SCREW	5	41
F1947	FLANGED 12 POINT SCREW, 5/16 - 18 X 2	37	8	F2071	HEX CAP SCREW, 5/16 - 18 X 1 3/8	9	9
F195/_	REMOTE CONTROL CABLES	56	-	F2071	HEX CAP SCREW, 5/16 - 18 X 1 3/8	13	6
F1953	HEX HD MACHINE SCREW, 1/4 - 20 X 1	13	34	F2097	SPRING PIN	43	23
F1953	HEX HD SCREW, 1/4 - 20 X 1	3	10	F213274	GREASE FITTING	37	23
F1953	HEX HD SCREW, 1/4 - 20 X 1	9	41	F213342	SEAL, FUEL LINE COUPLER (LARGE)	47	4
F1958	PAN HD SCREW, 6 X 7/16	11	54	F213735	SEAL, FUEL LINE COUPLER (SMALL)	47	5
F1958	PAN HD SCREW, 6 X 7/16	15	55	F215962	SHOCK MOUNT SIDE LOWER	37	10
F1969	FILL HD SCREW, 1/4 - 20 X 3/4	27	31	F24074	CLAMP SCREW FOOT	37	38
F1971	HEX HD SCREW, 1/4 - 20 X 2 1/8	31	90	F268002-2	BREAKER CAM	13	17
F1975	LOCKWASHER	9	26	F268002-2	CAM	9	21
F1975	LOCKWASHER	13	28	F269052	SHIFT ARM BEARING	27	36
F1975	LOCKWASHER	15	58	F269122-1	CRANKCASE PARTING LINE SEAL (NOT SHOWN)	31	-
F1975	LOCKWASHER	15	65	F269319	THROTTLE CAM BEARING	27	11
F197787-3	FUEL LINE COUPLER	47	6	F269445-1	SPARK CONTROL LINK	27	25
F1987	PLAIN WASHER	3	18	F269929	SPACER, TILT STOP	37	25
F1987	PLAIN WASHER	37	14	F269929	SPACER, TILT STOP	37	29
				F269929	SPACER, TILT STOP	39	54
				F269929	SPACER, TILT STOP	39	56
				F286132	STARTER ROPE HANDLE	17	38
				F286461	SPRING LOCK BAR HANDLE	41	95
				F286547	CHOKE, KNOB FOR HAND START MODELS	3	22
				F286772-1	CLAMP, FOR ELECTRIC START MODELS ONLY	37	7

# PARTS INDEX

Part Number	Description	Pg.	Ref. No.	Part Number	Description	Pg.	Ref. No.
F289664	WIRE STATOR GROUND . . .	11	56	F338129-1	BOOT . . . . .	43	1
F289664	WIRE, STATOR GROUND . .	15	71	F338271	RETAINER . . . . .	43	2
F290398-1	DECAL, WIRING (NOT SHOWN) . . . . .	11	-	F338618-1	SEAL, SHIFT ROD LOWER .	45	45
F290398-1	DECAL, WIRING (NOT SHOWN) . . . . .	15	-	F345301-1	UNIT . . . . .	13	35
F298788	FERRULE . . . . .	47	7	F345358	MOUNT, C.D. UNIT . . . . .	13	32
F2A366298	PROPELLER SHAFT BEARING CAGE . . . . .	43	14	F345427-1	BRACKET, STARTER MOUNTING . . . . .	27	1
F2A433757	CYLINDER DRAIN REED PLATE, REED STOPS, SCREWS AND SCREENS . . . . .	29	49	F345475-1	COILS . . . . .	13	27
F2A467518	HEAD, CYLINDER FOR C. D. MODELS . . . . .	29	68	F345501	MOUNT, COIL . . . . .	13	31
F2A474266	BEVEL PINION W/BEARING	43	35	F345513	CLAMP, COIL . . . . .	13	25
F307038	SUPPORT PLATE, FOR ELECTRIC START MODELS . . . . .	5	-	F345683	WIRE GROUND . . . . .	11	61
F307211	STUD . . . . .	17	14	F345683	WIRE, GROUND . . . . .	13	36
F307211	STUD . . . . .	27	2	F345744-1	HARNES, WIRING . . . . .	15	47
F307279-2	CYLINDER EXHAUST GASKET UPPER . . . . .	37	1	F345908	GROUND WIRE, COIL . . . . .	15	73
F307317	CLIP TERMINAL BLOCK GROUND . . . . .	11	46	F349307	DRIVESHAFT SEAL . . . . .	45	52
F307317	CLIP TERMINAL BLOCK GROUND . . . . .	13	41	F353480	STUD . . . . .	39	85
F307453-3	CYLINDER EXHAUST GASKET LOWER . . . . .	37	6	F366037	STERN BRACKET PIVOT BOLT . . . . .	37	32
F307615	GEAR SHIFT ROD UPPER . .	37	13	F366058	BALL BEARING, PROPELLER SHAFT . . . . .	43	16
F307660-1	LEG EXHAUST TUBE . . . . .	39	83	F366082	MAGNETO STATOR RING . .	33	18
F307683	WIRE, CIRCUIT BREAKER .	11	69	F366133-2	MOTOR LEG . . . . .	41	65
F307683	WIRE, CIRCUIT BREAKER .	15	62	F366215	SPACER . . . . .	33	10
F307818	BEARING, LATCH SHAFT . .	3	19	F366277	BEARING CAGE GASKET . .	33	4
F307860	INTAKE SILENCER . . . . .	3	9	F366286	STERN BRACKET FRICTION WASHER . . . . .	37	39
F307908	STARTER LEAD . . . . .	19	22	F366300	REVERSE LOCK SPRING . .	39	48
F307942-1	BUMPER . . . . .	27	20	F366350	TILT STOP PIVOT . . . . .	37	26
F307962	SHOCK MOUNT SIDE UPPER . . . . .	39	80	F366364	ARM . . . . .	37	40
F307989-1	SEAL, KINGPIN PLATE . . . .	37	3	F366426	TILT STOP PORT . . . . .	39	55
F310189	BUSHING ELECTRIC CABLE ENTRY, FOR ELECTRIC START MODELS . . . . .	3	-	F366433	TILT STOP, STARBOARD . .	37	27
F311189-1	BUSHING, CABLE ENTRY . .	3	21	F366510	LINK . . . . .	39	43
F311247	WATER TUBE, THERMOSTAT . . . . .	31	88	F366727	BALL, PROPELLER SHAFT .	43	20
F311744-2	WIRING HARNESS . . . . .	11	49	F366827	HANDLE AND SHAFT . . . . .	37	42
F328109	PIPE PLUG . . . . .	29	80	F366884	BEARING . . . . .	37	34
F328109	PLUG . . . . .	31	100	F366886	PIN . . . . .	39	45
F328232	STARTER ROPE . . . . .	17	37	F369390-1	DECAL, TILT LOCK (NOT SHOWN) . . . . .	41	-
F328239	STARTER SPOOL . . . . .	17	12	F369450	RECTIFIER . . . . .	9	39
F328455	STARTER ROPE GUIDE . . .	17	35	F369450	RECTIFIER . . . . .	13	43
F328615	GEAR SHIFT ROD UPPER FOR HAND START MODELS ONLY . . . . .	37	-	F369887	STARTER INTERLOCK SCREW . . . . .	17	21
F328621	GEAR SHIFT LEVER ARM . .	17	32	F380475	COIL . . . . .	9	32
F328710	STARTER ROPE GUIDE POST . . . . .	17	8	F380501	COIL MOUNT . . . . .	11	43
F333316	THROTTLE ROLLER SHAFT	23	32	F380513	COIL CLAMP . . . . .	9	33
F335160	REED . . . . .	35	11	F381896-4	BATTERY CABLE . . . . .	11	55
F335217-1	BEARING . . . . .	33	8	F381896-4	BATTERY CABLE . . . . .	15	70
				F391926-1	CHOKE SOLENOID PLUNGER . . . . .	23	9
				F40008	STUD, SHORT . . . . .	43	39
				F40017-2	PISTON PIN . . . . .	33	9
				F40146-1	CRANKSHAFT SEAL . . . . .	33	1
				F40151-1	EXHAUST PORT PLATE . . .	31	95
				F40154-3	EXHAUST PORT PLATE GASKET . . . . .	31	94
				F40209	CARBURETOR STUD . . . . .	35	3
				F40223	TRANSFER PORT COVER GASKET . . . . .	29	55
				F40307-2	SEAL, DRIVESHAFT . . . . .	45	48
				F40342	SEAL . . . . .	43	5

# PARTS INDEX

Part Number	Description	Pg.	Ref. No.	Part Number	Description	Pg.	Ref. No.
F40342	SEAL, PROPELLER NUT . . .	43	11	F438653	FUEL PUMP SCREEN . . . . .	21	15
F40410	SNAP RING . . . . .	33	14	F438747	FUEL PUMP DIAPHRAGM . .	21	5
F40425	STARTER PINION PIN . . . . .	17	5	F438760	FUEL PUMP GASKET . . . . .	21	2
F404801	ELBOW . . . . .	29	65	F438801	ELBOW . . . . .	21	11
F405457	PIVOT SCREW . . . . .	27	33	F452925	CHOKE SOLENOID ROD . . .	23	8A
F40717	THRUST WASHER, BEVEL GEAR . . . . .	43	19	F458677	INSERT, CHOKE KNOB FOR HAND START MODELS . .	3	13
F40833-4	MOTOR LEG EXHAUST COVER GASKET . . . . .	39	67	F458774	BRACKET RETAINER REAR	3	27
F40906-1	FLANGE GASKET . . . . .	25	39	F460664	WIRE, STATOR GROUND . .	7	9
F409251-1	GAUGE CAP . . . . .	47	1	F463314	ELBOW . . . . .	31	96
F428096	RETAINER, PISTON PIN . . .	33	11	F463864	RETAINER, TILT HANDLE . .	3	32
F433065	WATER PUMP IMPELLER . .	45	50	F466095	STATOR . . . . .	9	12
F433114	HANDLE, LOCK BAR . . . . .	41	94	F466095	STATOR . . . . .	13	10
F433168	CARBURETOR ADAPTER GASKET . . . . .	35	6	F466479	BREAKER PLATE SHOE . . .	9	11
F433192	THROTTLE CAM . . . . .	27	14	F466479	BREAKER PLATE SHOE . . .	13	8
F433209	STUD, THROTTLE CAM . . . .	27	10	F474032	STERN BRACKET - STARBOARD . . . . .	37	37
F433254	HOSE . . . . .	29	66	F474073	CLAMP SCREW . . . . .	37	35
F433404	DEFLECTOR PLATE . . . . .	35	8	F474532	STERN BRACKET - PORT . .	37	30
F433406	DEFLECTOR PLATE GASKET . . . . .	35	9	F478502	LINK . . . . .	17	25
F433503	CHOKE CABLE FOR HAND START MODELS . . . . .	3	23	F483884	BEARING . . . . .	37	41
F433675	STARTER MOUNTING BRACKET, LOWER . . . . .	27	5	F485005	INTERLOCK LEVER ARM . .	17	30
F433680	SPACER PLATE . . . . .	37	2	F485105	STARTER INTERLOCK SHAFT . . . . .	17	26
F433689	TOWERSHAFT BEARING . . .	27	28	F485424	SPRING STARTER PINION . .	17	6
F433946	SHOCK MOUNT UPPER COVER . . . . .	41	91	F485755-1	FUEL TANK ADAPTER . . . .	47	3
F433972	SHOCK MOUNT LOWER COVER, STARBOARD . . . .	37	11	F485781	STARTER INTERLOCK LOCK	17	23
F433973	SHOCK MOUNT LOWER COVER, PORT . . . . .	39	63	F485946	SHOCK MOUNT UPPER COVER FOR HAND START MODELS ONLY . . . . .	41	-
F434061-3	CARBURETOR COMPLETE (WBI6D) . . . . .	25	41	F485971	STARTER SPRING EXTENSION . . . . .	17	17
F434322	PACKING - LEG COVER LOWER REAR (NOT SHOWN) . . . . .	41	-	F486015	PISTON . . . . .	33	12
F434754	FUEL LINE, PUMP TO CARBURETOR . . . . .	21	14	F486180	TRIM, REAR . . . . .	3	34
F434758	FUEL PUMP IMPULSE HOSE	21	4	F486269	TILT HANDLE . . . . .	5	38
F435057	BEARING, DRIVESHAFT UPPER . . . . .	45	47	F486386	DECAL, NUMERAL "45" . . .	3	35
F435077	SCREEN, WATER INLET . . .	45	46	F486396	DECAL STRIPE - STARBOARD . . . . .	5	43
F435133-1	MOTOR LEG . . . . .	41	65	F486397	DECAL STRIPE - PORT . . .	3	2
F435244	INLET WATER LINE FOR LONG SHAFT MODELS . .	43	-	F486531	STARTER INTERLOCK ROD	17	19
F435323	PACKING, LEG COVER LOWER . . . . .	39	71	F486711	PLATE, FRONT . . . . .	3	1
F435323	PACKING, LEG COVER UPPER . . . . .	39	74	F487674	STARTER PINION GEAR . . .	17	4
F435555	SEAL, GEAR HOUSING . . . .	45	43	F50109	PLUG, GEAR HOUSING . . . .	43	27
F435562	WATER PUMP BACK PLATE	45	49	F510374	DECAL, CIRCUIT BREAKER	11	67
F435705	GEAR SHIFT ROD LOWER	43	36	F510374	DECAL, CIRCUIT BREAKER	15	82
F436449	SHORTING SWITCH . . . . .	7	2	F510460	CIRCUIT BREAKER . . . . .	9	29
F438165	SCREW, FUEL BOWL . . . . .	21	17	F510460	CIRCUIT BREAKER . . . . .	15	63
F438500	FUEL SEDIMENT BOWL . . .	21	16	F522392	DECAL, "CHRYSLER" . . . .	3	30
F438617	FUEL SEDIMENT BOWL GASKET . . . . .	21	12	F58685-2	CONNECTOR, SHIFT CABLE	49	2
				F590	REMOTE CONTROL FLUSH MOUNT (SINGLE LEVER)	56	-
				F5H004	SPEEDOMETER . . . . .	56	-
				F5H005	TEMPERATURE GAUGE ELECTRICAL MODELS (FLUSH MOUNT) . . . . .	55	-
				F5H006	VOLTMETER . . . . .	56	-
				F5H008	FUEL GAUGE FLUSH MOUNT . . . . .	55	-
				F5H009	POWER TRIM INDICATOR . .	55	-
				F5H010	POWER TRIM INDICATOR . .	55	-

# PARTS INDEX

Part Number	Description	Pg.	Ref. No.	Part Number	Description	Pg.	Ref. No.
F5H012	TACHOMETER (FLUSH MOUNT)	56	-	F8042	PLAIN WASHER	43	6
F5H018	DUAL ENGINE TIE BAR	56	-	F8049	BOWED SPRING WASHER	37	15
F5H019	ANTI-CORROSION KIT	55	-	F8056	SPRING LOCKWASHER	11	59
F5H020	CARRYING HANDLE	55	-	F8056	SPRING LOCKWASHER	15	44
F5H021	BATTERY EXTENSION CABLE	55	-	F8056	SPRING LOCKWASHER	15	49
F5H023	REMOTE STEERING BRACKET	56	-	F8058	INTERNAL TOOTH LOCKWASHER	17	22
F5H024	POWER TILT	55	-	F8058	INTERNAL TOOTH LOCKWASHER	27	13
F5H026	STEEL, 6 GALLON FUEL TANK	55	-	F8058	INTERNAL TOOTH LOCKWASHER	29	60
F5H028	SENDING UNIT	55	-	F8060	EXTERNAL TOOTH LOCKWASHER	17	36
F5H029	FUEL TANK ANCHOR	55	-	F8060	EXTERNAL TOOTH LOCKWASHER		
F5H040	STEEL, 12 GALLON FUEL TANK	55	-	F8060	EXTERNAL TOOTH LOCKWASHER (USE WITH PAN HD SCREW)	33	23
F5H041	BATTERY TERMINAL KIT	55	-	F8060	LOCKWASHER	19	15
F5H052	POWER TRIM	55	-	F8063	SPRING LOCKWASHER	17	2
F5H055	WATER PUMP KIT	55	-	F8065	LOCKWASHER	43	32
F5H058	STARTER CONVERSION	56	-	F8065	SPRING LOCKWASHER	37	7A
F5H063	REMOTE CONTROL SURFACE MOUNT (SINGLE LEVER)	56	-	F8077	WASHER, GEAR HOUSING PLUG	43	28
F5H066	LONG LEG CONVERSION KIT	56	-	F8083	SPRING LOCKWASHER	11	60
F5H070	REMOTE ELECTRIC CABLE	56	-	F8083	SPRING LOCKWASHER	13	37
F5H073	OVERHEAT BUZZER KIT	55	-	F8083	SPRING LOCKWASHER	29	76
F5H077	IGNITION KEY SWITCH	56	-	F8083	SPRING LOCKWASHER	39	87
F5H078	IGNITION KEY SWITCH	56	-	F8088	PLAIN WASHER	11	64
F5H081	BATTERY CABLE	55	-	F8088	PLAIN WASHER	13	9
F7001	ELASTIC STOP NUT	39	53	F8088	PLAIN WASHER	23	10
F7004	STOP NUT, 7/16 - 20	27	37	F8088	PLAIN WASHER	29	57
F7007	NUT	37	31	F8094	PLAIN WASHER	11	58
F7011	HEX NUT, 10 - 24	3	33	F8094	PLAIN WASHER	13	40
F70H02	ANTI-CORROSION SACRIFICIAL ANODE	55	-	F8094	WASHER	39	46
F71H08	FUEL TANK (ACCESSORY ITEM)	47	2	F8096	SPRING LOCKWASHER	3	15
F71H21	IGNITION SWITCH MOUNTING KIT (ACCESSORY ITEM)	11	65	F8096	SPRING LOCKWASHER	9	10
F71H21	IGNITION SWITCH MOUNTING KIT (ACCESSORY ITEM)	15	77	F8096	SPRING LOCKWASHER	13	7
F71H26	BATTERY TERMINAL KIT (ACCESSORY ITEM)	11	57	F8096	SPRING LOCKWASHER	15	60
F71H26	BATTERY TERMINAL KIT (ACCESSORY ITEM)	15	72	F8096	SPRING LOCKWASHER	17	15
F74H20	IGNITION SWITCH (ACCESSORY ITEM)	11	52	F8096	SPRING LOCKWASHER	27	3
F74H20	SWITCH, IGNITION (ACCESSORY ITEM)	15	53	F84026	SPARK CONTROL SWIVEL	27	22
F8001	NYLTITE WASHER	43	30	F84035-2	SPARK CONTROL BEARING, R.H.	27	26
F8003	PLAIN WASHER	29	46	F84036	SPARK CONTROL BEARING, L.H.	27	23
F8011	PLAIN WASHER	9	30	F84280	KINGPIN NUT	37	21
F8011	PLAIN WASHER	15	68	F84314-2	ELBOW	21	3
F8025	PLAIN WASHER	39	81	F84314-2	ELBOW, FUEL LINE	29	58
F8028	PLAIN WASHER	17	20	F84314-2	ELBOW, FUEL LINE CARBURETOR	25	42
F8028	PLAIN WASHER	19	16	F84449	NEUTRAL INTERLOCK SWITCH	9	6
F8038	PLAIN WASHER	39	79	F84449	NEUTRAL INTERLOCK SWITCH	13	23
				F84449	SWITCH, NEUTRAL INTERLOCK	27	41
				F84792	FUEL PUMP VALVE GASKET	21	8
				F8537	SPRING PIN	39	86
				F85372	PIN, GEAR SHIFT ROD LOWER	43	38
				F8540	SPRING PIN	17	34

# PARTS INDEX

Part Number	Description	Pg.	Ref. No.	Part Number	Description	Pg.	Ref. No.
F8545	SPRING PIN	31	99	F99521-1	CLUTCH	43	24
F85502	THROTTLE LINK	27	18	FA15072	HEX LOCK NUT, 1/4 - 20	19	23
F8559	DOWEL PIN	29	52	FA201955	STARTER MOTOR		
F85610	BEARING	27	35		COMPLETE (NOT SHOWN)	19	-
F85610	SHIFT ROD BRACKET			FA27232	EMERGENCY STARTER		
	BEARING	17	29		ROPE (NOT SHOWN)	7	-
F85634-1	CONNECTING ROD SCREW	33	17	FA27232	EMERGENCY STARTER		
F85735-1	SEAL	3	36		ROPE (NOT SHOWN)	11	-
F85756	SUPPORT PLATE PACKING	3	29	FA27232	EMERGENCY STARTER		
F85843-1	ELECTRIC CONTROL CABLE	11	51		ROPE (NOT SHOWN)	15	-
F85843-1	ELECTRIC CONTROL CABLE	15	69	FA307779	BAFFLE, AIR INTAKE		
F861	FLUSHING ADAPTER	55	-		W/SILENCER	5	39
F88161-3	REED STOP	35	12	FA328763	COVER LATCH HANDLE		
F89011	SWIVEL BRACKET WASHER	37	22		W/SHAFT	3	24
F89025	DAMPENING PAD	37	5	FA354260	PISTON RING SET (6 PER		
F89504	GROMMET MOTOR LEG	39	70		SET)	33	13
F89777-1	LATCH ARM	3	16	FA366135	LEG COVER (PORT)	41	72
F90014	CRANKSHAFT LOWER MAIN			FA366145	LEG COVER (STARBOARD)	41	75
	BEARING	33	16	FA366778	ENGINE COVER RETAINER		
F901563	DRIVE PIN, WATER PUMP				FORWARD W/SCREWS		
	IMPELLER	43	4		AND NUTS	3	7
F901739	STARTER REWIND SPRING			FA366953	BUSHING STARTER		
	DRIVE	17	7		HANDLE, FOR HAND		
F901834	LEAD WIRE CLIP	31	91		START MODELS	3	25
F901970	SPRING STARTER REWIND	17	10	FA40655	CRANKSHAFT CENTER		
F90891	GEAR SHIFT ARM PIN	43	29		MAIN BEARING RACE		
F91446-1	CIRCUIT BREAKER				W/SNAP RING	33	15
	BRACKET	9	28	FA411222	TRANSFER PORT COVER	29	56
F91446-1	CIRCUIT BREAKER			FA433019	KINGPIN W/PLUG	39	59
	BRACKET	15	64	FA433113	STERN BRACKET LOCK BAR		
F92446	CLAMP	9	4		W/HANDLE	37	33
F92446	CLAMP	13	21	FA433144	CRANKSHAFT BEARING		
F92498	KEY	7	14		CAGE W/SEAL FOR		
F92498	KEY	9	22		MAGNETO IGNITION		
F92498	KEY	13	18	FA433152	MODELS	33	3
F92759	ROLLER	23	33	FA433158	EXHAUST PORT COVER	31	93
F93002	CAM	7	15		REED PLATE W/REEDS,		
F93097-6	FLYWHEEL AND STARTER				STOPS AND SCRESS	35	10
	GEAR	7	3	FA433167	CARBURETOR ADAPTER		
F93472-1	CYLINDER DRAIN COVER				FLANGE W/STUDS	35	5
	GASKET	29	44	FA433387	DECAL, TIMING	35	14
F93748-1	CYLINDER DRAIN REED			FA433471	CYLINDER DRAIN COVER	27	43
	PLATE GASKET	29	51	FA433876	SHIFT ARM W/CLAMP AND		
F93811	SCREEN, CYLINDER DRAIN				SWIVEL	27	38
	REED PLATE	29	50	FA434616	GEAR SHIFT ROD		
F93920	CYLINDER DRAIN REED				INTERMEDIATE FOR		
	STOP	29	47		STANDARD SHAFT		
F94914	SLEEVE	9	20		MODELS	45	55
F94914	SLEEVE	13	2	FA435135	LEG COVER (PORT)	41	72
F97008-1	STUD, LONG	43	31	FA435145	LEG COVER (STARBOARD)	41	75
F97066-1	THERMOSTAT COVER	29	84	FA435616	GEAR SHIFT ROD		
F97067	THERMOSTAT COVER				INTERMEDIATE FOR		
	GASKET	29	83		LONG SHAFT MODELS	45	-
F97068-1	THERMOSTAT	29	82	FA438431	FUEL PUMP BODY		
F97275	FITTING, THERMOSTAT	29	86		W/VALVES	21	9
F97504	GROMMET, THERMOSTAT	29	81	FA439746	FUEL PUMP COVER	21	1
F97772	CLAMP	29	87	FA458480	ENGINE COVER RETAINER		
F97772	FUEL LINE CLAMPS	21	13		W/SCREWS AND NUTS	3	31
F98273	ROD END CONNECTOR						
	STUD	29	59				

# PARTS INDEX

Part Number	Description	Pg.	Ref. No.	Part Number	Description	Pg.	Ref. No.
FA466144	CRANKSHAFT BEARING CAGE W/SEAL FOR ALTERNATOR MODELS	33	-	FC510374	DECAL, CIRCUIT BREAKER CANADA (NOT SHOWN)	11	-
FA466892	INSERT, FRONT PLATE, U. S. A., FOR ALTERNATOR MODELS	3	-	FC522227	SPARK PLUG (QUL-77V) FOR MODELS 458BG, 459BG	29	-
FA466893	INSERT, FRONT PLATE, CANADA, FOR ALTERNATOR MODELS	3	-	FG1007-1	GASKET SET (NOT SHOWN)	31	-
FA467892	INSERT, FRONT PLATE, U. S. A., FOR C.D. MODELS	3	-	FK247	PROPELLER PIN, PACK OF 6 W/COTTER PIN	43	12
FA467893	INSERT, FRONT PLATE, CANADA FOR C.D. MODELS	3	-	FK405020	SWIVEL W/SCREW AND NUT	27	34
FA478010	CYLINDER W/CRANKCASE COVER, DEFLECTOR PLATE AND SCREWS	29	53	FK433838	TOWERSHAFT W/CLAMP AND SWIVEL	27	29
FA485023	BEVEL GEAR FRONT W/BEARING	43	25	FK750-1	SPARKIE KIT	7	23
FA485612	SHIFT ROD BRACKET	17	31	FK750-1	SPARKIE KIT	15	81
FA485662	BEVEL GEAR REAR W/BEARING	43	18	FK750-1	SPARKIE KIT.	11	45
FA485914	SEAL, INLET WATER LINE, LOWER	45	53	FK85228	BEARING CAGE W/ROLLERS (16 PER SET)	33	6
FA486054	GEAR HOUSING LOWER W/PLUG, WASHER AND THRUST BEARING CUP	43	26	FO10165	INLET SEAT GASKET	23	19
FA504060	WATER PUMP BODY W/DRIVESHAFT SEAL	45	51	FO10280	CHOKE SHUTTER RETAINING SCREW AND LOCKWASHER	23	16
FA510497	TERMINAL BLOCK	11	48	FO10588	BODY CHANNEL CUP PLUG	23	1
FA510497	TERMINAL BLOCK	13	39	FO10790	INLET NEEDLE, SEAT AND GASKET	23	20
FA513485	ANTI-CORROSION ANODE	45	41	FO10883	CHOKE RELIEF VALVE SPRING	23	18
FA545018	CRANKSHAFT W/THRUST BEARING UPPER	33	5	FO11103	IDLE MIXTURE SCREW SPRING	23	14
FA58976-1	CONNECTOR, THROTTLE CABLE	49	1	FO13552	FUEL BOWL	23	25
FA77395-5	IDENTIFICATION PLATE W/SCREWS, U.S.A.	3	12	FO13554	FLOAT	23	27
FA84754-1	FUEL LINE SHORT W/FERRULES	47	8	FO13944	FLOAT LEVER PIN	23	21
FA89128-1	DRIVESHAFT W/RETAINER FOR LONG SHAFT MODELS	43	-	FO13945	FUEL BOWL RETAINING SCREW	23	26
FA89832-2	MOTOR LEG EXHAUST COVER	39	68	FO13946	IDLE MIXTURE SCREW	23	15
FA90871-3	GEAR SHIFT ARM PIN W/YOKE	43	22	FO14292	THROTTLE SHAFT RETURN SPRING	23	36
FA94094-2	PROPELLER NUT W/SEAL AND COTTER PIN	43	9	FO14302	MAIN FUEL JET (.084) (STANDARD)	23	29
FC310227	SPARK PLUG (QL-4J) FOR MODELS 450BK, 451BK, 456BJ, 457BJ	29	-	FO15623	FUEL BOWL GASKET	23	23
FC409398	DECAL, TOTE TANK - CANADA (NOT SHOWN)	47	-	FO15724	CHOKE SHUTTER	23	17
FC433387	DECAL, TIMING - CANADA	35	-	FO15725	CHOKE RELIEF VALVE	23	13
FC478010	SHORT BLOCK	31	-	FO15728	THROTTLE SHAFT AND LEVER	23	34
FC479390	DECAL, STARTER - CANADA (NOT SHOWN)	19	-	FO16340	THROTTLE SHUTTER	23	37
FC486054	GEAR HOUSING COMPLETE	45	-	FO16383	CHOKE SHAFT AND LEVER	23	5
				FO16385	CHOKE SHAFT RETURN SPRING	23	12
				FO17355	MAIN NOZZLE	23	28
				FO2510	FUEL BOWL RETAINING SCREW GASKET	23	24
				FO3804	THROTTLE SHAFT POSITION RETAINING SCREW WASHER	23	2
				FO4326	BODY CHANNEL WELCH PLUG	25	40
				FO6393	THROTTLE SHAFT POSITION RETAINING SCREW	23	4
				FO6396	THROTTLE SHAFT POSITION RETAINING SCREW LOCKWASHER	23	3

# PARTS INDEX

Part Number	Description	Pg.	Ref. No.	Part Number	Description	Pg.	Ref. No.
FO8942	THROTTLE SHUTTER			44-819500A3	PROPELLER SHAFT . . . . .	43	21
	RETAINING SCREW AND			45-817737A1	DRIVESHAFT W/RETAINER		
	LOCKWASHER . . . . .	25	38		FOR STANDARD SHAFT		
FP293	PROPELLER (ACCESSORY				MODELS . . . . .	43	3
	ITEM) . . . . .	43	8	84-817765A2	COIL WIRE, . . . . .	9	37
FS174227	SPARK PLUG (L-4-J) . . . . .	29	71	89-817760A2	CHOKE SOLENOID . . . . .	11	68
FS307940	KINGPIN PLATE . . . . .	37	4	89-817760A2	CHOKE SOLENOID . . . . .	15	52
FS310260	PISTON RINGS (6 PER SET)			600-818052A4	CONNECTING ROD W/CAP		
	.010 OVERSIZE (NOT				AND SCREWS . . . . .	33	7
	SHOWN) . . . . .	33	-	700-818124A1	PISTON .030 OVERSIZE		
FS380227	SPARK PLUG (UL-4-J) FOR				(NOT SHOWN) . . . . .	33	-
	ALTERNATOR MODELS . . . . .	29	-	900-818049A2	CYLINDER HEAD . . . . .	29	68A
FS409752	FUEL LINE, COMPLETE . . . . .	47	-	1600-817871A3	GEAR HOUSING UPPER,		
FS433758	HOSE . . . . .	31	97		WASHER, PLUG AND		
FS486712	ENGINE COVER . . . . .	3	3		INLET WATER SCREEN . . . . .	45	44
FSA486015	PISTON .010 OVERSIZE						
	(NOT SHOWN) . . . . .	33	-				
FT2910	KNOCK-OFF NUT . . . . .	50	-				
FT2953	SOCKET . . . . .	52	-				
FT2955A	TEST WHEEL . . . . .	54	-				
FT2990	PISTON PIN REMOVER . . . . .	52	-				
FT2996	RING COMPRESSOR . . . . .	52	-				
FT3139-1	STARTER REWIND KEY . . . . .	51	-				
FT3431	DRIVESHAFT SEAL AND						
	PROP SHAFT SEAL						
	INSTALLER . . . . .	53	-				
FT3510	SEAL PUNCH . . . . .	52	-				
FT3512	SEAL SLEEVE . . . . .	52	-				
FT8904	FORWARD BEARING CUP						
	INSTALLER . . . . .	53	-				
FT8907	DRIVER HANDLE . . . . .	53	-				
FT8918	BUSHING GUIDE SET . . . . .	53	-				
FT8919	SPRING PIN PUNCH . . . . .	53	-				
FT8921	FORWARD BEARING CUP						
	REMOVER . . . . .	53	-				
FT8926	RING EXPANDER . . . . .	52	-				
FT8932	LIFTING HOOK . . . . .	54	-				
FT8945	RETAINER PUNCH . . . . .	53	-				
FT8948-1	PROPELLER SHAFT						
	BEARING CAGE PULLER						
	AND FLYWHEEL PULLER						
	AND FLYWHEEL PULLER						
	AND FLYWHEEL PULLER						
FT8950	LEAKAGE TESTER . . . . .	54	-				
FT8957	SEAL INSTALLER . . . . .	53	-				
FT8962	BEARING INSTALLER . . . . .	53	-				
FT8964	BEARING REMOVER . . . . .	53	-				
FTA2937-1	TIMING TOOL . . . . .	50	-				
T8974	BREAKER POINT TENSION						
	GAUGE . . . . .	54	-				
22-817740A1	ELBOW . . . . .	31	98				
30-F366013	CRANKSHAFT THRUST						
	BEARING UPPER . . . . .	33	22				
32-817738A1	FUEL LINE, LONG W/CLAMP						
	AND FERRULE . . . . .	47	10				
33-818007--1	SPARK PLUG (UL-18V) FOR						
	C. D. MODELS . . . . .	29	-				
37-F544390-1	DECAL, TILT LOCK -						
	CANADA (NOT SHOWN) . . . . .	41	-				
39-818113A1	PISTON RINGS (6 PER SET)						
	.030 OVERSIZE (NOT						
	SHOWN) . . . . .	33	-				