



PARTS CATALOG

35 H.P.

SERIAL NUMBER

35 (1978) 352H8K
35 (1978) 353H8K

TABLE OF CONTENTS:

ACCESSORIES	43
CARBURETOR	14
CRANKSHAFT AND PISTON GROUP	22
ENGINE COVER AND SUPPORT PLATE	2
FUEL PUMP	12
FUEL TANK AND LINE	36
GEAR HOUSING	32
LUBRICATION CHART	45
MAGNETO	8
MAGNETO	10
MOTOR LEG	26
PARTS INDEX	47
POWER HEAD	16
REED PLATE	24
SPECIAL ADJUSTMENTS	46
SPECIAL TOOLS - GEAR HOUSING	41
SPECIAL TOOLS - MANUAL STARTER	39
SPECIAL TOOLS - POWER HEAD	40
SPECIAL TOOLS - TEST EQUIPMENT	42
SPECIAL TOOLS - TUNE-UP	38
SPECIFICATIONS	44

NOTE: *Indented description indicate that these parts are included in preceeding assembly.*

AR = As Required

NSS = Not Sold Separate

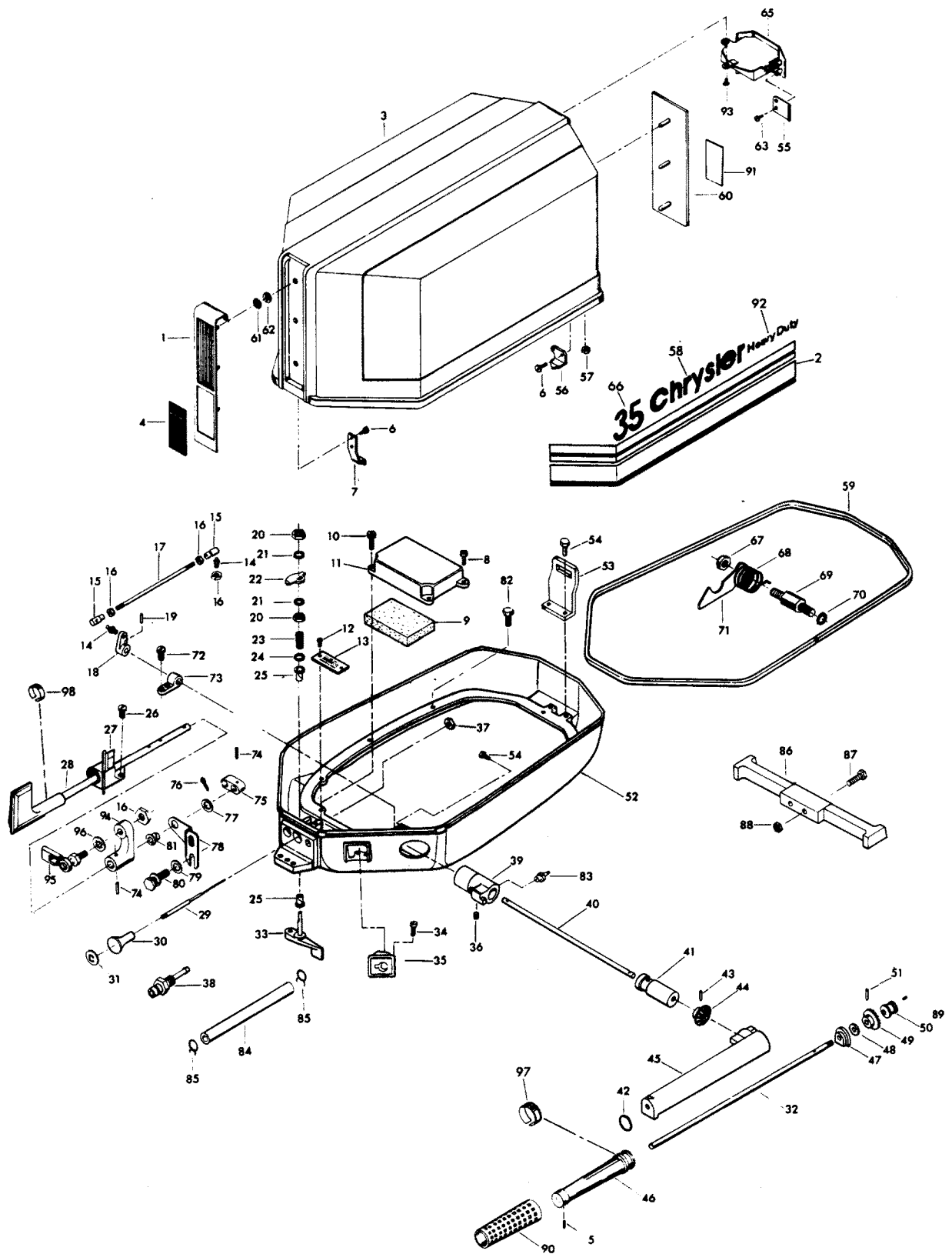
OPT = Optional

NS = Not Shown

THESE PARTS BOOKS/FICHE CARD ARE COPYRIGHTED AND MAY NOT BE DISTRIBUTED OR REPRODUCED IN ANY OTHER FORMAT BY ANYONE OTHER THAN MERCURY MARINE WITHOUT THE PRIOR WRITTEN CONSENT OF MERCURY MARINE.

THIS PAGE INTENTIONALLY LEFT BLANK

ENGINE COVER AND SUPPORT PLATE

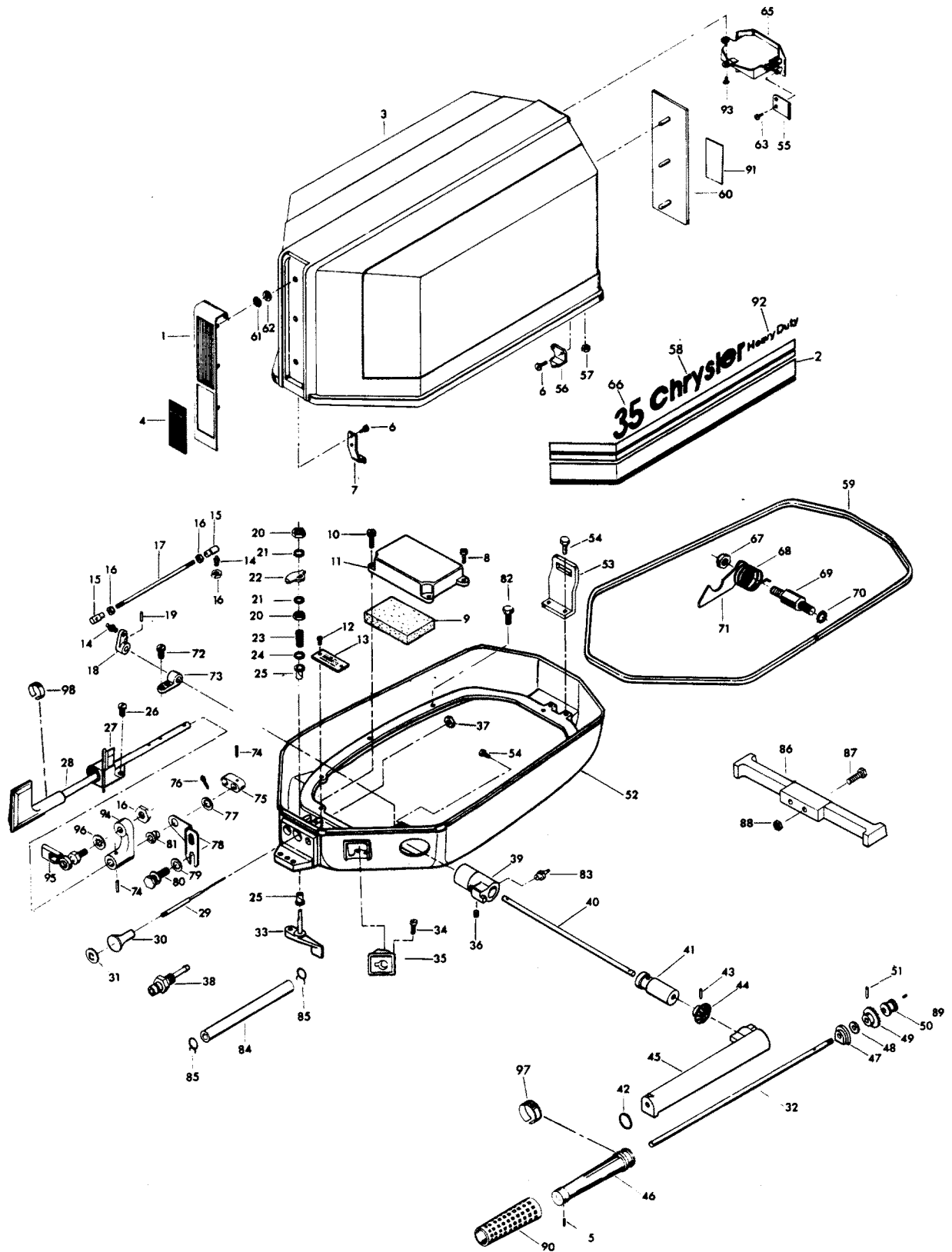


ENGINE COVER AND SUPPORT PLATE

REF. NO.	PART NO.	SYM.	QTY.	DESCRIPTION
1	F486711		1	PLATE, FRONT
2	A486397		1	DECAL, STRIPE PORT
-	A486396		1	DECAL, STRIPE STARBOARD
3	FS486712		1	ENGINE COVER W/TILT HANDLE
4	A467892-1		1	INSERT, FRONT PLATE, U.S.A.
-	A467893-1		1	INSERT, FRONT PLATE, CANADA
5	F8548		1	SPRING PIN
6	F1979		4	FILL HD SCREW, 10 - 24 X 1/2
7	FA366778		1	ENGINE COVER RETAINER, FORWARD, W/SCREWS AND NUTS
8	F1864		2	HEX HD SCREW, 1/4 - 20 X 3/4
9	F307860		1	INTAKE SILENCER
10	F1953		2	HEX HD SCREW, 1/4 - 20 X 1
11	FA307779		1	BAFFLE, AIR INTAKE
12	F1447		2	ROUND HD SCREW, 2 X 3/16
13	FA535395		1	IDENTIFICATION PLATE W/SCREWS, U.S.A.
-	FAC535395		1	IDENTIFICATION PLATE W/SCREWS, CANADA
14	F98273		2	ROD END CONNECTOR STUD
15	F58685-2		2	ROD END CONNECTOR, MAGNETO CONTROL
16	F1513		4	HEX NUT, 10 - 32
17	F307809-1		1	MAGNETO CONTROL ROD
18	F328438		1	MAGNETO CONTROL ARM
19	F8540		1	SPRING PIN
20	F1515		2	HEX NUT, 5/16 - 18
21	F8096		2	SPRING LOCKWASHER
22	F89777-1		1	LATCH CAM
23	F183300		1	SPRING
24	F1987		1	PLAIN WASHER
25	F307818		2	BEARING, LATCH SHAFT
26	F1733		2	PAN HD SCREW, 10 - 24 X 9/16
27	F328189-1		1	BUSHING, GEAR SHIFT ROD
28	818059A1		1	GEAR SHIFT ROD W/KNOB
29	F433503		1	CHOKE CABLE
30	F286547		1	CHOKE KNOB
31	F458677		1	INSERT, CHOKE KNOB
32	F433688		1	SHAFT, STEERING HANDLE
33	FA328763		1	LATCH SHAFT W/HANDLE
34	F1733		1	PAN HD SCREW, 10 - 24 X 9/16
35	FA366953		1	BUSHING, STARTER HANDLE
36	FA901839		1	STEERING HANDLE FRICTION SCREW W/SPRING AND BUTTON
37	F1738		1	HEX NUT, 3/8 - 24
38	F434767		1	BUSHING
39	F328703-1		1	STEERING HANDLE ADAPTER

CONTINUED ON NEXT PAGE ➡

ENGINE COVER AND SUPPORT PLATE

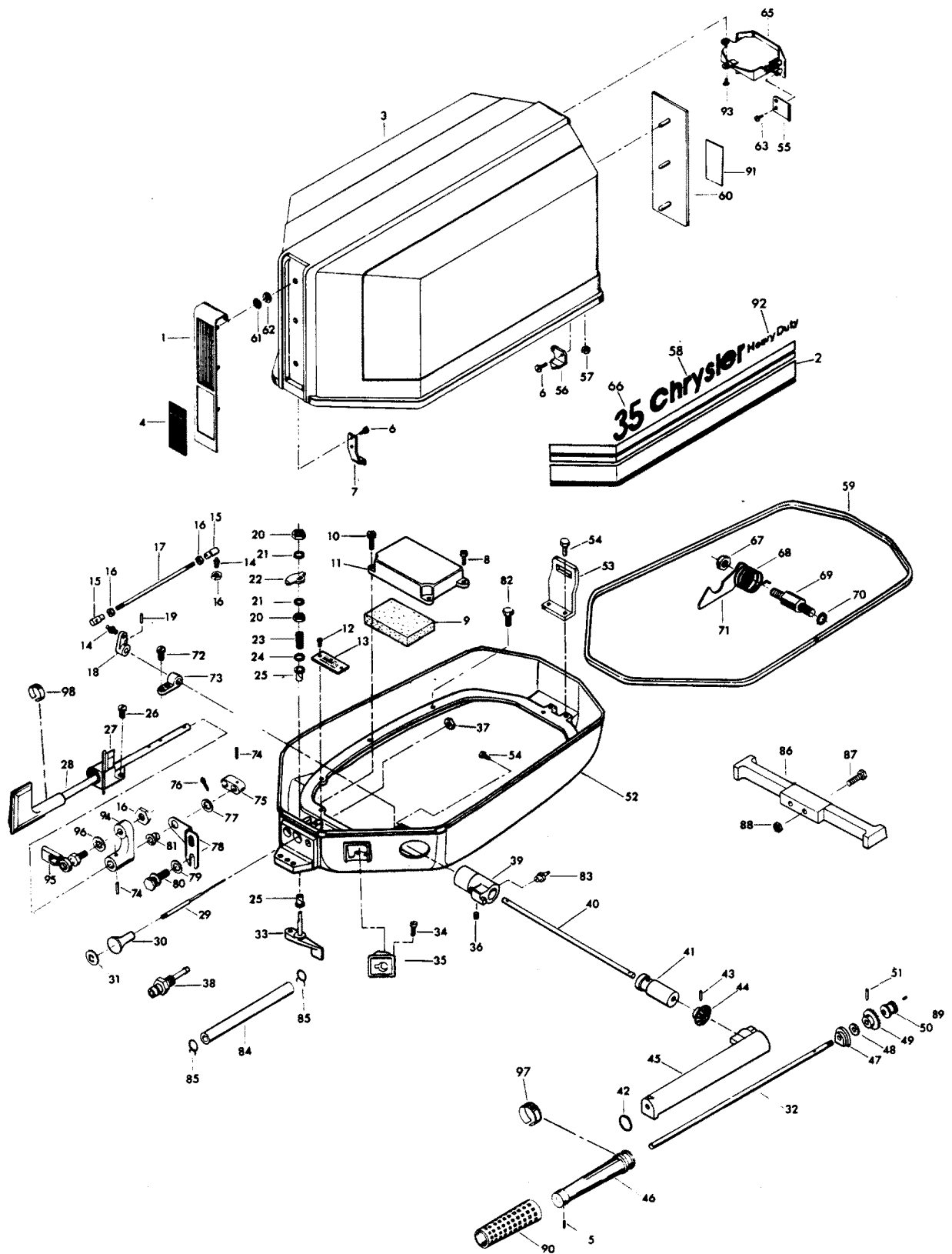


ENGINE COVER AND SUPPORT PLATE

REF. NO.	PART NO.	SYM.	QTY.	DESCRIPTION
40	F338877		1	MAGNETO CONTROL SHAFT
41	F328692		1	PIVOT TUBE
42	F53795-1		2	DAMPENER
43	F8538		1	SPRING PIN
44	F338815		1	STEERING HANDLE GEAR
45	F2A338079		1	STEERING HANDLE, INCLUDING ITEMS 40 THROUGH 45
46	FA456137		1	STEERING HANDLE GRIP W/SLEEVE
47	F40816-1		1	STEERING HANDLE CONTROL SHAFT THRUST BEARING
48	F1955		1	PLAIN WASHER
49	F338815		1	STEERING HANDLE GEAR
50	F307689-1		1	STEERING HANDLE CONTROL SHAFT BEARING
51	F8538		1	SPRING PIN
52	818054A1		1	SUPPORT PLATE
53	F458774		1	BRACKET, RETAINER REAR
54	F1864		6	HEX CAP SCREW, 1/4 - 20 X 3/4
55	F463864		2	RETAINER, TILT HANDLE
56	FA458480		1	ENGINE COVER RETAINER W/SCREWS AND NUT
57	F7011		4	HEX NUT, 10 - 24
58	F522392		2	DECAL, "CHRYSLER"
59	F85756		1	SUPPORT PLATE PACKING
60	F486180		1	TRIM, ENGINE COVER REAR
61	F85735-1		6	SEAL
62	F1753		6	FASTENER
63	F2066		4	PAN HD SELF-TAPPING SCREW, 10 - 7/16
65	F486269		1	TILT HANDLE
66	A515386-1		2	DECAL, NUMERAL
67	F2002		1	HEX NUT, 5/16 - 18
68	F367300		1	SPRING SHIFT DETENT
69	F328819		1	SWIVEL SHIFT DETENT
70	F8060		1	INTERNAL TOOTH LOCKWASHER
71	F328884		1	DETENT, SHIFT ARM
72	F2001		2	FILL HD SCREW, 10 - 24 X 5/8
73	F366813		1	BEARING
74	F1836		2	SPRING PIN
75	F328621		1	GEAR SHIFT ARM
76	F1017		1	COTTER PIN
77	F8032		1	PLAIN WASHER
78	F433612		1	BRACKET SHIFT ROD
79	F8028		2	PLAIN WASHER
80	F1578		2	HEX HD SCREW W/LOCKWASHER, 1/4 - 20 X 7/8
81	F85610		1	BEARING
82	F1238		8	HEX CAP SCREW, 1/4 - 20 X 3/4
83	F213274		1	GREASE FITTING

CONTINUED ON NEXT PAGE ➡

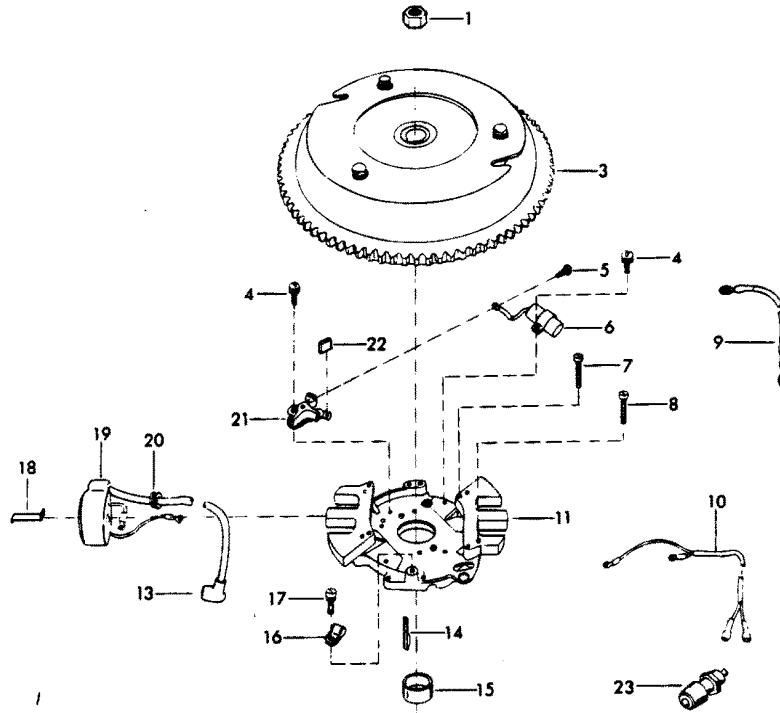
ENGINE COVER AND SUPPORT PLATE



ENGINE COVER AND SUPPORT PLATE

REF. NO.	PART NO.	SYM.	QTY.	DESCRIPTION
84	F434754		1	HOSE FUEL PUMP TO BUSHING
85	F97772		2	CLAMP
86	F366824		1	CARRYING HANDLE
87	F1603		2	HEX BOLT, 5/16 - 18 X 2
88	F1892		2	STOP NUT, 5/16 - 18
89	F1277		1	SLOTTED OVAL HD SET SCREW 1/4 - 28 X 3/8
90	F458695		1	SLEEVE, STEERING HANDLE
91	A463528-1		1	INSERT, TRIM REAR
92	A486785		2	DECAL, HEAVY DUTY
93	F2025		1	PAN HD SCREW, 10 X 3/8
94	F485005		1	INTERLOCK LEVER ARM
95	817747--1		1	BALL JOINT W/BEARING
96	F8058		1	INTERNAL TOOTH LOCKWASHER
-	F191993-1		1	BRACKET, CHOKE CABLE (NOT SHOWN)
97	F286894-3		1	STEERING HANDLE INDICATOR (CANADA)
-	37-F286894-3		1	STEERING HANDLE INDICATOR (CANADA)
98	F461400		1	GEAR SHIFT INDICATOR

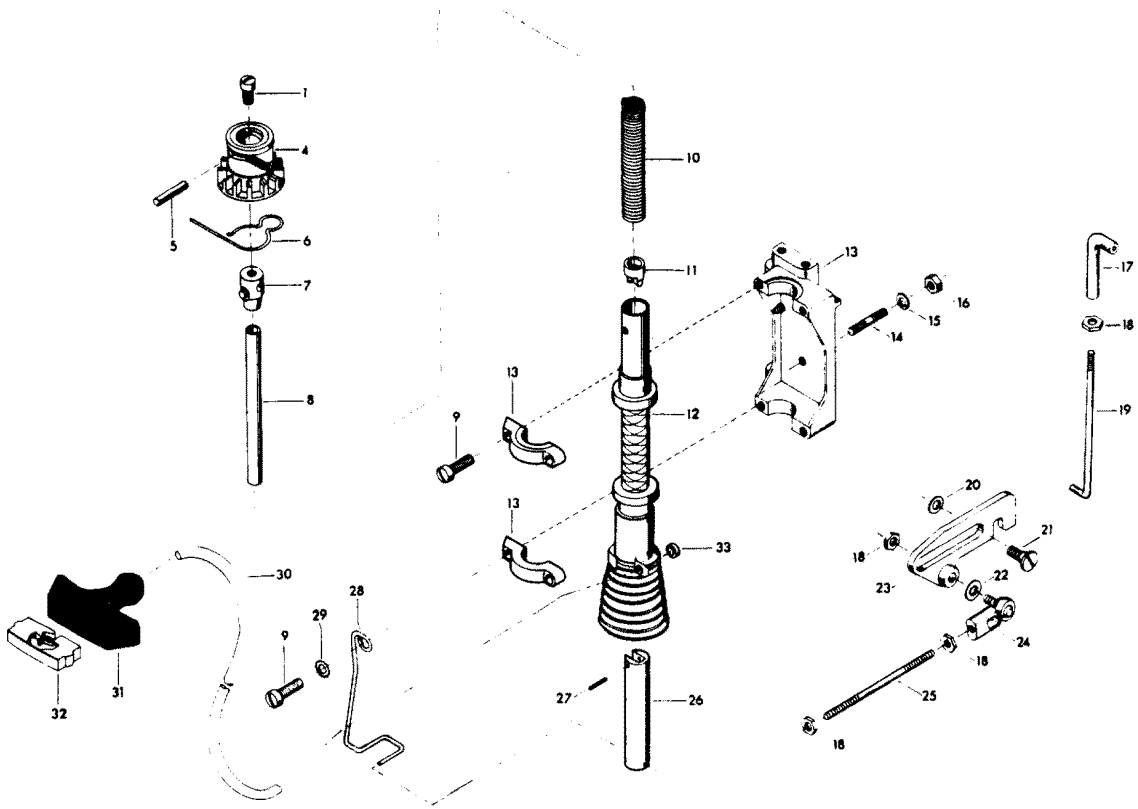
MAGNETO



MAGNETO

REF. NO.	PART NO.	SYM.	QTY.	DESCRIPTION
1	F1920		1	HEX NUT, 5/8 - 18
3	F93097-6		1	FLYWHEEL AND STARTER GEAR
4	F12014		6	BREAKER POINT AND CONDENSER MOUNTING SCREW, 8 - 32 X 3/8
5	F1300		2	BREAKER POINT TERMINAL SCREW, 6 - 32 X 3/8
6	F12042-1		2	CONDENSER W/MOUNT
7	F1926		2	LAMINATION SCREW, 8 - 32 X 7/8
8	F12023		2	LAMINATION SCREW, 10 - 24 X 1
9	F460664		1	WIRE, STATOR GROUND
10	F12059		1	PRIMARY TERMINAL WIRE
11	F12342		1	STATOR PLATE WITHOUT LAMINATIONS
13	FK750-2		2	SPARKIE KIT
14	F92498		1	KEY
15	F93002		1	CAM
16	F12246		1	CABLE CLIP
17	F12016		1	CABLE CLIP SCREW, 8 - 32 X 1/2
18	F12053		2	COIL RETAINING CLIP
19	F12057		2	COIL W/LEAD WIRE, SPARKIE AND GROMMET
20	F12050		2	GROMMET
21	F12044		2	BREAKER POINT SET
22	F12227		2	CAM WIPER FELT
23	F436449		1	SHORTING SWITCH
-	F94914		1	SLEEVE, STATOR GROUND WIRE (NOT SHOWN)
-	F12341		2	COIL LAMINATIONS (NOT SHOWN)

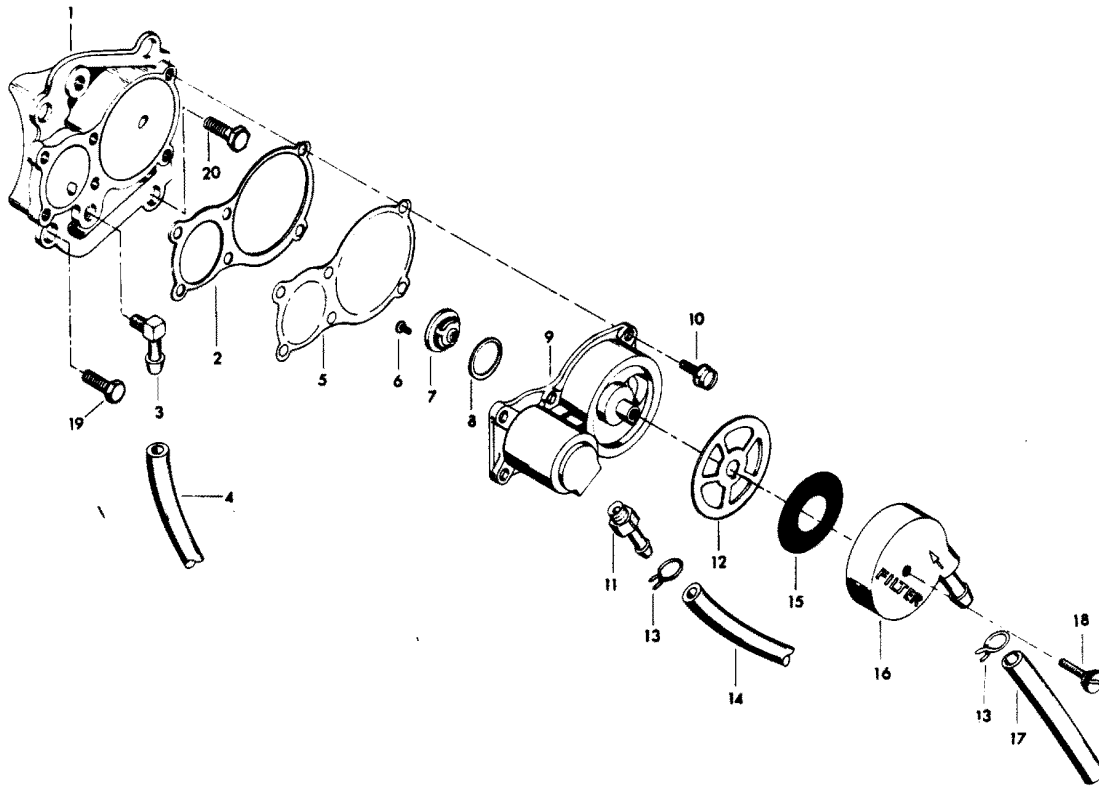
MAGNETO



MAGNETO

REF. NO.	PART NO.	SYM.	QTY.	DESCRIPTION
1	F1097		1	FILL HD SCREW, 1/4 - 20 X 3/8
4	F487674		1	STARTER PINION GEAR
5	F40425		1	STARTER PINION PIN
6	F485424		1	SPRING, STARTER PINION
7	F901739		1	STARTER REWIND SPRING DRIVE
8	F328710		1	STARTER ROPE GUIDE POST
9	F1111		4	FILL HD SCREW, 1/4 - 20 X 7/8
10	F901970		1	SPRING STARTER REWIND
11	F191737		1	RETAINER, STARTER SPRING
12	F328239		1	STARTER SPOOL
13	A486427-1		1	STARTER MOUNTING BRACKET W/CAPS AND SCREWS
14	F307211		3	STUD
15	F8096		3	SPRING LOCKWASHER
16	F1515		3	HEX NUT, 5/16 - 18
17	F485971		1	STARTER SPRING EXTENSION
18	F1513		4	HEX NUT, 10 - 32
19	F486531		1	STARTER INTERLOCK ROD
20	F8028		2	PLAIN WASHER
21	F369887		2	INTERLOCK SCREW
22	F8058		1	INTERNAL TOOTH LOCKWASHER
23	F485781		1	STARTER INTERLOCK LOCK
24	817747--1		1	BALL JOINT W/BEARING
25	F478502		1	LINK
26	F191971		1	STARTER RETAINER EXTENSION
27	F8540		1	SPRING PIN
28	F328455		1	STARTER ROPE GUIDE
29	F8060		1	EXTERNAL TOOTH LOCKWASHER
30	F328232		1	STARTER ROPE
31	F286132		1	STARTER ROPE HANDLE
32	817938A1		1	STARTER ROPE HANDLE RETAINER
-	FA27232		1	EMERGENCY STARTER ROPE (NOT SHOWN)
33	F24333		1	END, STARTER ROPE

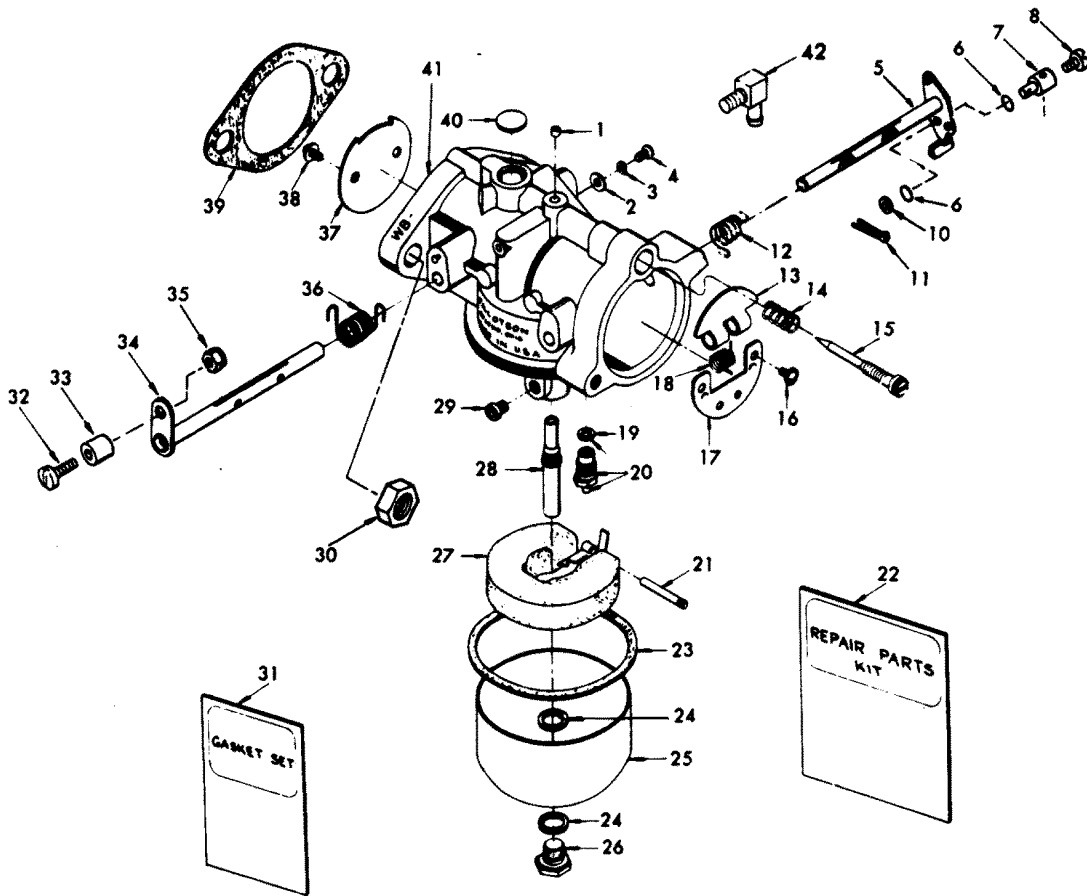
FUEL PUMP



FUEL PUMP

REF. NO.	PART NO.	SYM.	QTY.	DESCRIPTION
1	FA439746		1	FUEL PUMP COVER
2	F438760		1	FUEL PUMP GASKET
3	F84314-2		1	ELBOW
4	F434758		1	FUEL PUMP IMPULSE HOSE
5	F438747		1	FUEL PUMP DIAPHRAGM
6	F1860		2	ROUND HD SCREW, 6 - 32 X 1/4
7	F177330		3	FUEL PUMP VALVE
8	F84792		1	FUEL PUMP VALVE GASKET (CENTER VALVE)
9	FA438431		1	FUEL PUMP BODY W/VALVES
10	F1108		6	FILL HD SCREW W/LOCKWASHER
11	F438801		1	ELBOW
12	F438617		1	FUEL SEDIMENT BOWL GASKET
13	F97772		4	FUEL LINE CLAMPS
14	F434754		1	FUEL LINE, PUMP TO CARBURETOR
15	F438653		1	FUEL PUMP SCREEN
16	F438500		1	FUEL SEDIMENT BOWL
17	F434754		1	HOSE BUSHING TO FUEL PUMP
18	F438165		1	SCREW, FUEL BOWL
19	F1502		3	HEX CAP SCREW, 1/4 - 20 X 5/8
20	F1922		1	HEX HD SCREW, 1/4 - 20 X 5/8

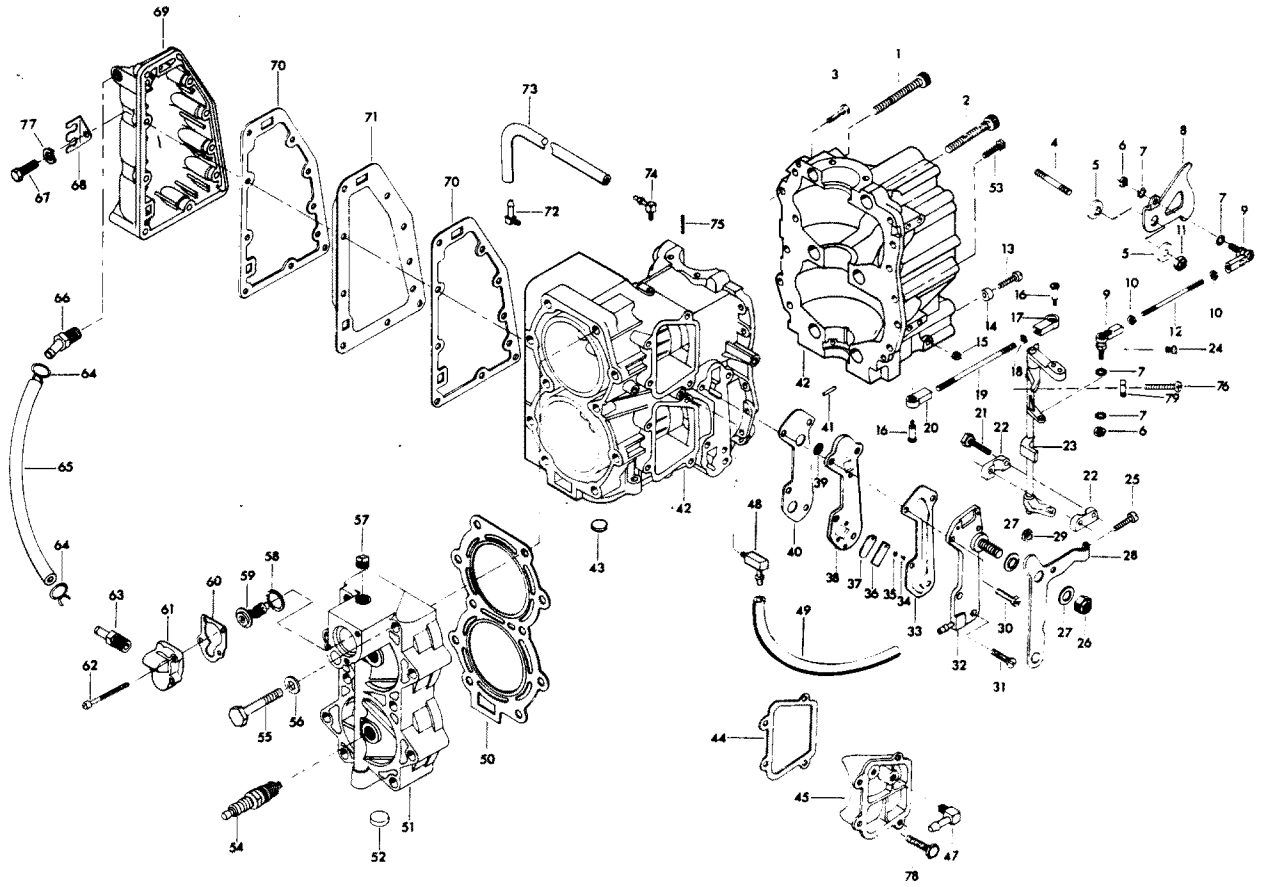
CARBURETOR



CARBURETOR

REF. NO.	PART NO.	SYM.	QTY.	DESCRIPTION
1	FO10588		1	BODY CHANNEL CUP PLUG
2	FO3804		1	THROTTLE SHAFT POSITION RETAINING SCREW WASHER
3	FO6396		1	THROTTLE SHAFT POSITION RETAINING SCREW LOCKWASHER
4	FO6393		1	THROTTLE SHAFT POSITION RETAINING SCREW
5	FO16383		1	CHOKE SHAFT AND LEVER
6	F184579		2	SEAL, CHOKE ARM SWIVEL
7	F184033-1		1	SWIVEL, CHOKE ROD
8	F1059		1	FILL HD SCREW, 6 - 32 X 1/4
10	F8088		1	PLAIN WASHER
11	F1014		1	COTTER PIN
12	FO16385		1	CHOKE SHAFT RETURN SPRING
13	FO12251		1	CHOKE RELIEF VALVE
14	FO11103		1	IDLE MIXTURE SCREW SPRING
15	FO13946		1	IDLE MIXTURE SCREW
16	FO10280		2	CHOKE SHUTTER RETAINING SCREW AND LOCKWASHER
17	FO12250		1	CHOKE SHUTTER
18	FO10883		1	CHOKE RELIEF VALVE SPRING
19	FO10165		1	INLET SEAT GASKET
20	FO10790		1	INLET NEEDLE, SEAT AND GASKET
21	FO13944		1	FLOAT LEVER PIN
22	F10019		1	REPAIR PARTS KIT INCLUDES ALL ITEMS MARKED WITH AN ASTERISKS (*)
23	FO15623		1	FUEL BOWL GASKET
24	FO2510		2	FUEL BOWL RETAINING SCREW GASKET
25	FO13552		1	FUEL BOWL
26	FO13945		1	FUEL BOWL RETAINING SCREW
27	FO13554		1	FLOAT
28	FO16251		1	MAIN NOZZLE
29	FO15406		1	MAIN FUEL JET
30	F1515		2	HEX NUT, 5/16 - 18
31	F10000		1	GASKET SET
32	F333316		1	THROTTLE ROLLER SHAFT
33	F92759		1	ROLLER
34	FO15728		1	THROTTLE SHAFT AND LEVER
35	F1997		1	STOP NUT, 10 - 24
36	FO14292		1	THROTTLE SHAFT RETURN SPRING
37	FO16119		1	THROTTLE SHUTTER
38	FO8942		2	THROTTLE SHUTTER RETAINING SCREW AND LOCKWASHER
39	F40906-1		1	FLANGE GASKET
40	FO4326		1	BODY CHANNEL WELCH PLUG
41	F433061-2		1	CARBURETOR COMPLETE
42	F84314-2		1	ELBOW, FUEL LINE

POWER HEAD

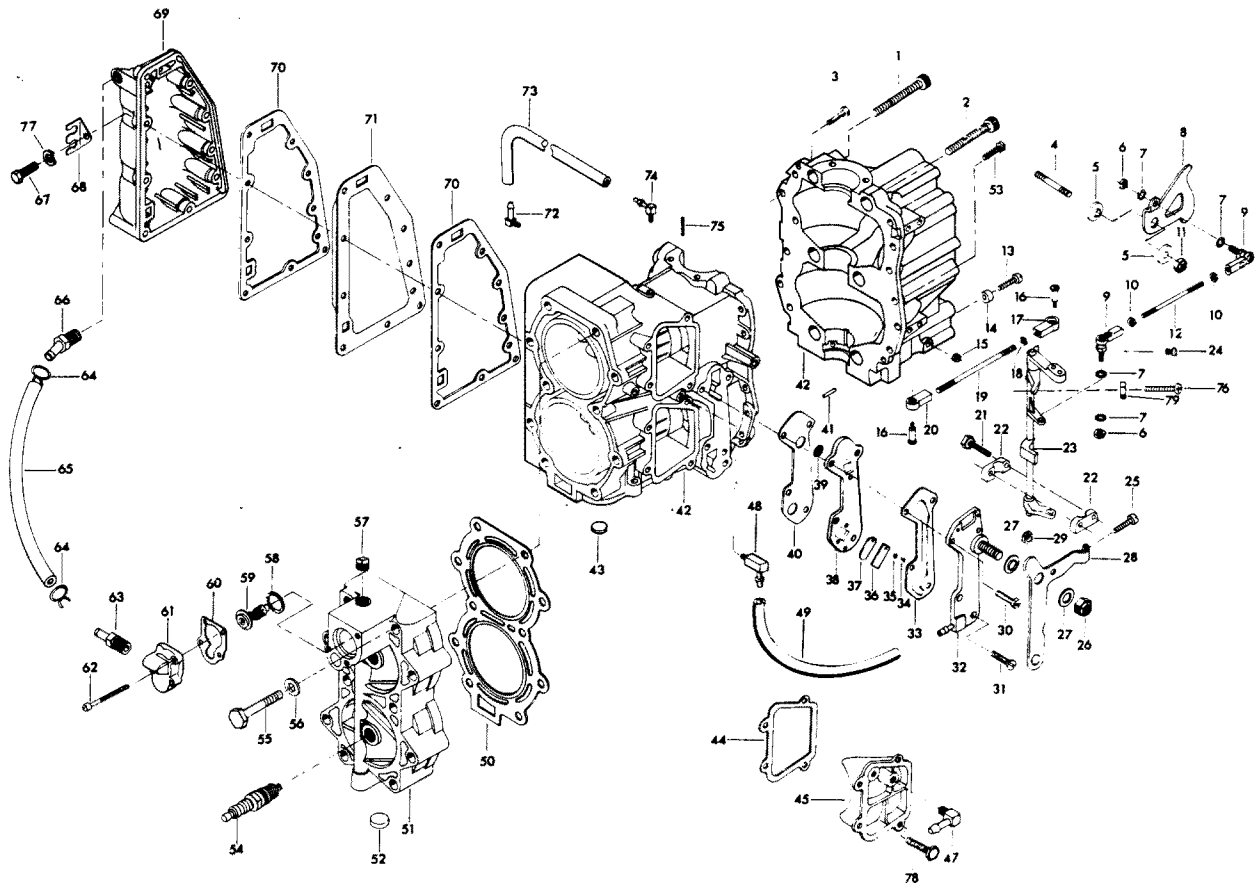


POWER HEAD

REF. NO.	PART NO.	SYM.	QTY.	DESCRIPTION
1	F1646		1	HEX SOCKET HD CAP SCREW, 3/8 - 16 X 2 1/4
2	F1879		5	HEX SOCKET HD CAP SCREW, 3/8 - 16 X 1 5/8
3	F1864		9	HEX SLOT HD SCREW, 1/4 - 20 X 3/4
4	F433209-1		1	STUD, THROTTLE CAM
5	F269319		2	THROTTLE CAM BEARING
6	F1513		2	HEX NUT, 10 - 32
7	F8058		4	INTERNAL TOOTH LOCKWASHER
8	F433192		1	THROTTLE CAM
9	817747--1		2	BALL JOINT W/BEARING
10	F1513		2	HEX NUT, 10 - 32
11	F1910		1	ELASTIC STOP NUT, 1/4 - 20
12	F85502		1	THROTTLE LINK
13	F1134		2	FILL HD SCREW, 8 - 32 X 1 1/8
14	F307942-1		2	BUMPER
15	F1770		2	STOP NUT, 8 - 32
16	F84026		2	SPARK CONTROL SWIVEL
17	F84036		1	SPARK CONTROL BEARING, L.H.
18	F1473		1	HEX NUT, 10 - 24
19	F269445-1		1	SPARK CONTROL LINK
20	F84035-2		1	SPARK CONTROL BEARING, R.H.
21	F1995		4	FILL HD SCREW, 10 - 24 X 1
22	F433689		4	BEARING, TOWERSHAFT
23	FK433838		1	TOWERSHAFT
24	F1727		1	PLASTIC RIVET
25	F1969		1	FILL HD SCREW, 1/4 - 20 X 3/4
26	F7004		1	STOP NUT, 3/8 - 16
27	F269052		2	SHIFT ARM BEARING
28	FA434876		1	SHIFT ARM W/ROLLER
29	F85610		1	BEARING
30	F1446		2	SLOTTED PAN HD SCREW, 1/4 - 20 X 1
31	F1136		2	FLAT HD SCREW, 1/4 - 20 X 1
32	FA433471		1	CYLINDER DRAIN COVER
33	F93472-1		1	CYLINDER DRAIN COVER GASKET
34	F1286		2	PAN HD SCREW, 4 - 40 X 3/16
35	F8003		2	PLAIN WASHER
36	F93920		2	CYLINDER DRAIN REED STOP
37	F18160-2		2	REED, CYLINDER DRAIN
38	F2A433757		1	CYLINDER DRAIN REED PLATE W/REEDS, REED STOPS, SCREWS AND SCREENS
39	F93811		2	SCREEN, CYLINDER DRAIN REED PLATE
40	F93748-1		1	CYLINDER DRAIN REED PLATE GASKET
41	F8559		2	DOWEL PIN
42	800-817791A1		1	CYLINDER W/CRANKCASE COVER, DEFLECTOR PLATE AND SCREWS

CONTINUED ON NEXT PAGE ➡

POWER HEAD

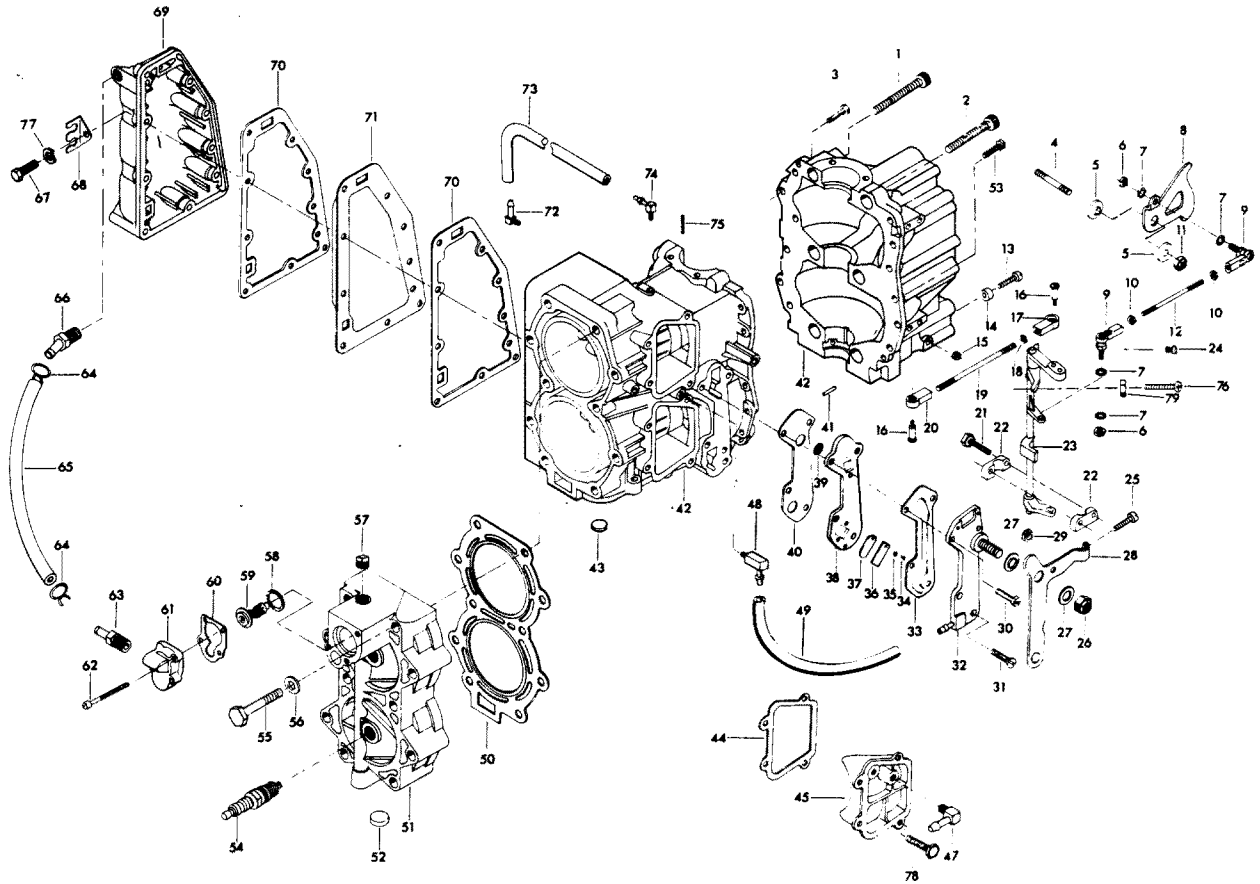


POWER HEAD

REF. NO.	PART NO.	SYM.	QTY.	DESCRIPTION
43	F1525		1	WELCH PLUG
44	F40223		2	TRANSFER PORT COVER GASKET
45	FA411222		1	TRANSFER PORT COVER
47	F84314-2		1	ELBOW, FUEL LINE
48	F404801		1	ELBOW
49	F433254		1	HOSE
50	F201529-1		1	CYLINDER HEAD GASKET
51	2A307518		1	CYLINDER HEAD W/PLUG
52	F1526		1	WELCH PLUG
53	F1922		3	HEX HD SCREW, 1/4 - 20 X 5/8
54	FS174227		2	SPARK PLUG (L-4-J)
-	FC310227		2	SPARK (QL-4-J) FOR MODELS 352B8K 353B8K
55	F1544		10	HEX HD CAP SCREW, 3/8 - 16 X 2 1/4
56	F2014		10	PLAIN WASHER
57	F328109		1	PIPE PLUG CYLINDER HEAD
58	F97504		1	GROMMET, THERMOSTAT
59	F97068-1		1	THERMOSTAT
60	F97067		1	THERMOSTAT COVER GASKET
61	F97066-1		1	THERMOSTAT COVER
62	F1995		3	FILL HD SCREW, 10 - 24 X 1
63	F97275		1	FITTING, THERMOSTAT
64	F97772		2	CLAMP
65	FA97247		1	WATER TUBE, THERMOSTAT
66	F141275		1	FITTING, THERMOSTAT
67	F1971		9	HEX HD SCREW, 1/4 - 20 X 2 1/8
68	F901834		1	LEAD WIRE CLIP
69	FA433152		1	EXHAUST PORT COVER
70	F40154-3		2	EXHAUST PORT PLATE GASKET
71	F40151-1		1	EXHAUST PORT PLATE
72	F463314		1	FITTING
73	FS433758		1	HOSE
74	22-817740A1		1	ELBOW W/METERING CUP
75	F8545		1	SPRING PIN
76	F1052		1	FILL HD SCREW, 1/4 - 20 X 1
77	F8083		9	SPRING LOCKWASHER
78	F1502		2	HEX CAP SCREW, 1/4 - 20 X 5/8
79	F1341		1	HEX NUT, 1/4 - 20
-	F269122-1		1	CRANKCASE PARTING LINE SEAL (NOT SHOWN)
-	FG1007-1		1	GASKET SET (SEE BELOW)
-	800-817894A2		1	SHORT BLOCK (NOT SHOWN) INCLUDES ALL ITEMS MARKED WITH AN ASTERISK (*). ALSO REFER TO CRANKSHAFT AND PISTON PAGE. ORIGINAL FORCE P/N C433010-2
-	F40154-3		3	EXHAUST PORT PLATE

CONTINUED ON NEXT PAGE ➡

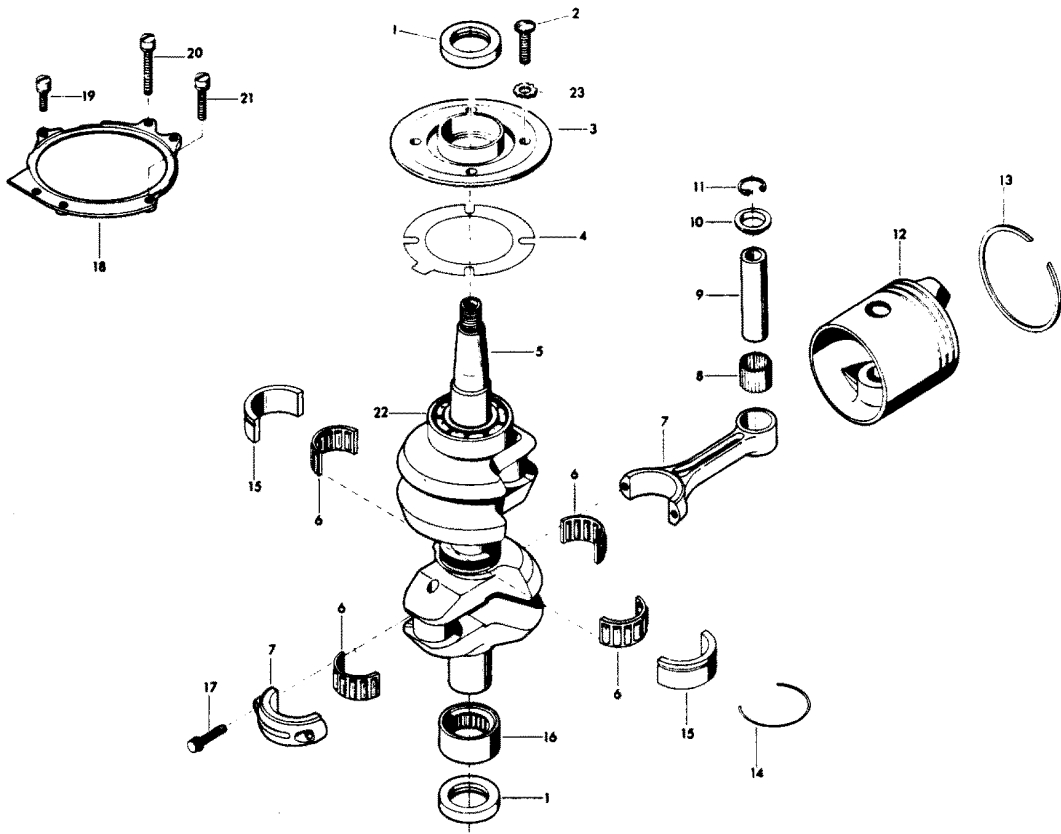
POWER HEAD



POWER HEAD

REF. NO.	PART NO.	SYM.	QTY.	DESCRIPTION
-	F40223		1	TRANSFER PORT COVER
-	F40833-4		1	RELIEF COVER
-	F40906-1		1	CARBURETOR
-	F93472-1		1	CYLINDER DRAIN
-	F93748-1		1	CYLINDER DRAIN
-	F97067		1	THERMOSTAT COVER
-	F201529-1		1	CYLINDER HEAD
-	F269122-1		1	CRANKCASE PARTING LINE SEAL
-	F307279-2		1	CYLINDER EXHAUST UPPER
-	F307453-3		1	CYLINDER EXHAUST LOWER
-	F311996		1	CYLINDER HEAD COVER
-	F366277		1	BEARING CAGE
-	F433168		1	CARBURETOR ADAPTER
-	F433406		1	DEFLECTOR PLATE

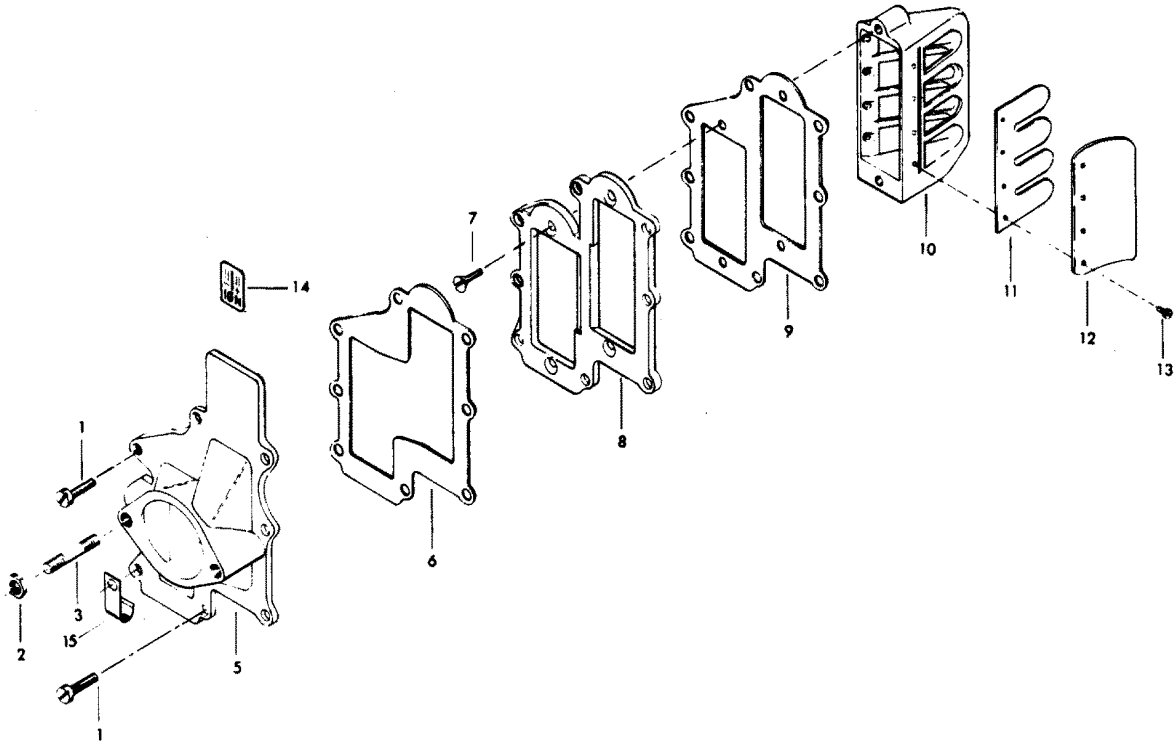
CRANKSHAFT AND PISTON GROUP



CRANKSHAFT AND PISTON GROUP

REF. NO.	PART NO.	SYM.	QTY.	DESCRIPTION
1	F40146-1		2	CRANKSHAFT SEAL
2	F1441		4	PAN HD SCREW, 1/4 - 20 X 7/8
3	FA433144		1	CRANKSHAFT BEARING CAGE W/SEAL
4	F366277		1	BEARING CAGE GASKET
6	FK85228		3	BEARING CAGE W/ROLLERS (16 PER SET)
7	600-818052A4		2	CONNECTING ROD W/CAP & SCREWS
8	F335217-1		2	BEARING
9	F40017-2		1	PISTON PIN
10	F366215		4	SPACER
11	F428096		4	RETAINER, PISTON PIN
14	F40410		1	SNAP RING
15	FA40655		1	CRANKSHAFT CENTER MAIN BEARING RACE W/SNAP RING
16	F90014		1	CRANKSHAFT LOWER MAIN BEARING
17	F85634-2		4	CONNECTING ROD SCREW
18	F366082		1	MAGNETO STATOR RING
19	F1080		1	FILL HD SCREW W/LOCKWASHER, 10 - 24 X 3/4
20	F1812		2	FILL HD SCREW W/LOCKWASHER, 10 - 24 X 1 9/16
21	F1813		1	FILL HD SCREW W/LOCKWASHER, 10 - 24 X 1 1/8
22	F366013		1	CRANKSHAFT THRUST BEARING UPPER
23	F8060		4	EXTERNAL TOOTH LOCKWASHER (USE WITH PAN HD SCREW)
5	400-FA485018		1	CRANKSHAFT W/BEARING
12	F377015-1		2	PISTON
13	FA353260		1	PISTON RING SET (6 PER SET)
-	FS307260		1	PISTON RINGS (6 PER SET) .010 OVERSIZE (NOT SHOWN)
-	39-818112A1		1	PISTON RINGS (6 PER SET) .030 OVERSIZE (NOT SHOWN)
-	SA377015		2	PISTON .010 OVERSIZE (NOT SHOWN)
-	3SA377015		2	PISTON .030 OVERSIZE (NOT SHOWN)

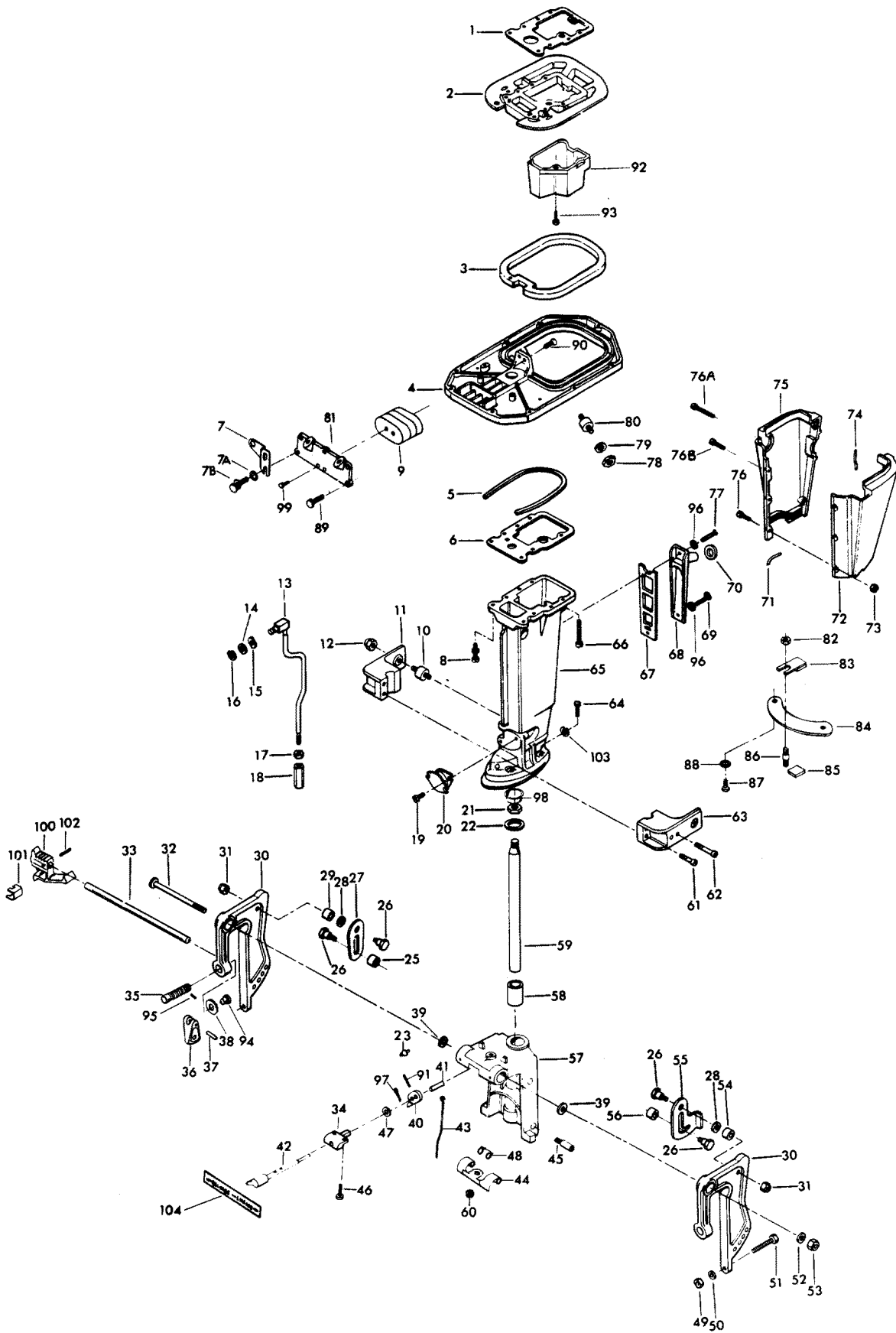
REED PLATE



REED PLATE

REF. NO.	PART NO.	SYM.	QTY.	DESCRIPTION
1	F2008		8	HEX HD SCREW, 1/4 - 20 X 7/8
2	F1515		2	HEX NUT, 5/16 - 18
3	F40209		2	CARBURETOR STUD
5	FA433167		1	CARBURETOR ADAPTER FLANGE
6	F433168		1	CARBURETOR ADAPTER GASKET
7	F1141		4	FLAT HD SCREW, 10 - 24 X 1/2
8	F433404		1	DEFLECTOR PLATE
9	F433406		1	DEFLECTOR PLATE GASKET
10	FA433158		2	REED PLATE W/REEDS, STOPS AND SCREWS
11	F335160		4	REED
12	F88161-3		4	REED STOP
13	F1755		16	ROUND HD SCREW W/LOCKWASHER, 6 - 32 X 5/16
14	FA463387		1	DECAL, TIMING U.S.A.
-	FAC463387		1	DECAL, TIMING (CANADA)
15	F286772-1		1	CLAMP

MOTOR LEG

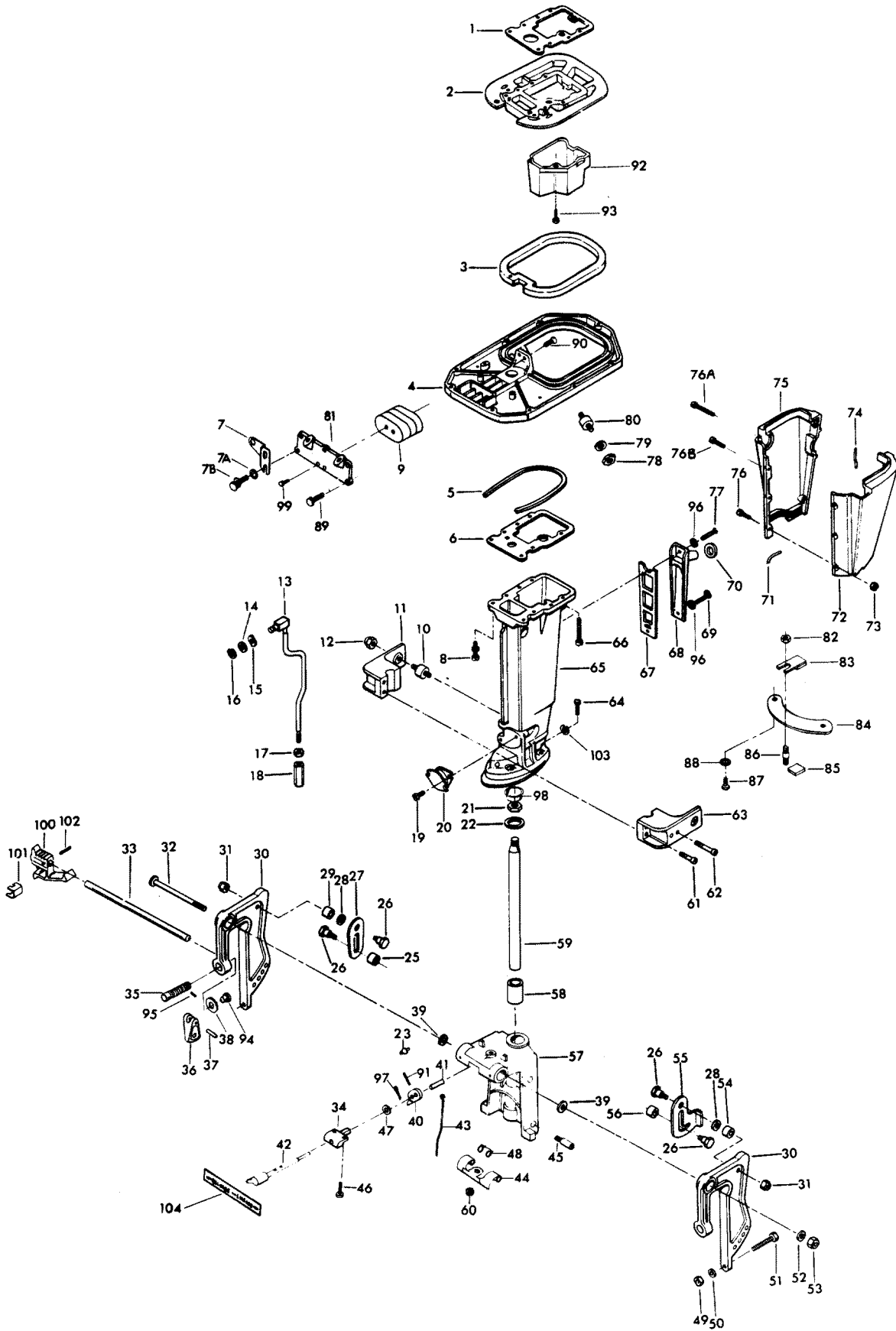


MOTOR LEG

REF. NO.	PART NO.	SYM.	QTY.	DESCRIPTION
1	F307279-2		1	CYLINDER EXHAUST GASKET UPPER
2	F433680		1	SPACER PLATE
3	F307989-1		1	SEAL, KINGPIN PLATE
4	FS307940		1	KINGPIN PLATE
5	F89025		1	DAMPENING PAD
6	F307453-3		1	CYLINDER EXHAUST GASKET LOWER
7	F433612		1	BRACKET, SHIFT ROD
7A	F8028		2	PLAIN WASHER
7B	F1578		2	HEX HD SCREW W/LOCKWASHER, 1/4 - 20 X 7/8
8	F1947		8	FLANGED 12 PT. SCREW, 5/16 - 18 X 2
9	F203965		1	SHOCK MOUNT UPPER
10	F215962		2	SHOCK MOUNT SIDE LOWER
11	F433972		1	SHOCK MOUNT LOWER COVER, STARBOARD
12	F1326		2	ACORN NUT
13	F328615		1	GEAR SHIFT ROD UPPER
14	F1987		1	PLAIN WASHER
15	F8049		1	BOWED SPRING WASHER
16	F185764		1	RETAINING RING
17	F1349		1	HEX NUT, S.S., 5/16 - 18
18	F141704		1	GEAR SHIFT ROD COUPLING
19	F1129		4	FILL HD SCREW, S.S., 5/16 - 18 X 1/2
20	FA40346-2		1	SHOCK MOUNT LOWER
21	F84280		1	KINGPIN NUT
22	F89011		1	SWIVEL BRACKET WASHER
23	F213274		3	GREASE FITTING
25	F269929		1	SPACER, TILT STOP
26	F366350		4	TILT STOP PIVOT
27	F366433		1	TILT STOP, STARBOARD
28	F1666		2	BOWED SPRING WASHER
29	F269929		1	SPACER, TILT STOP
30	FK433032		2	STERN BRACKET W/CLAMP SCREW & FOOT
31	F7007		4	ELASTIC STOP NUT
32	F366037		1	STERN BRACKET PIVOT BOLT
33	FA433113		1	STERN BRACKET LOCK BAR W/HANDLE
34	F366884		1	BEARING
35	F463073		2	CLAMP SCREW
36	F288075		2	CLAMP SCREW HANDLE
37	F1638		2	SPRING PIN
38	F24074		2	CLAMP SCREW FOOT
39	F366286		2	STERN BRACKET FRICTION WASHER
40	F366364		1	ARM
41	F483884		1	BEARING
42	F366827		1	HANDLE AND SHAFT

CONTINUED ON NEXT PAGE ➡

MOTOR LEG

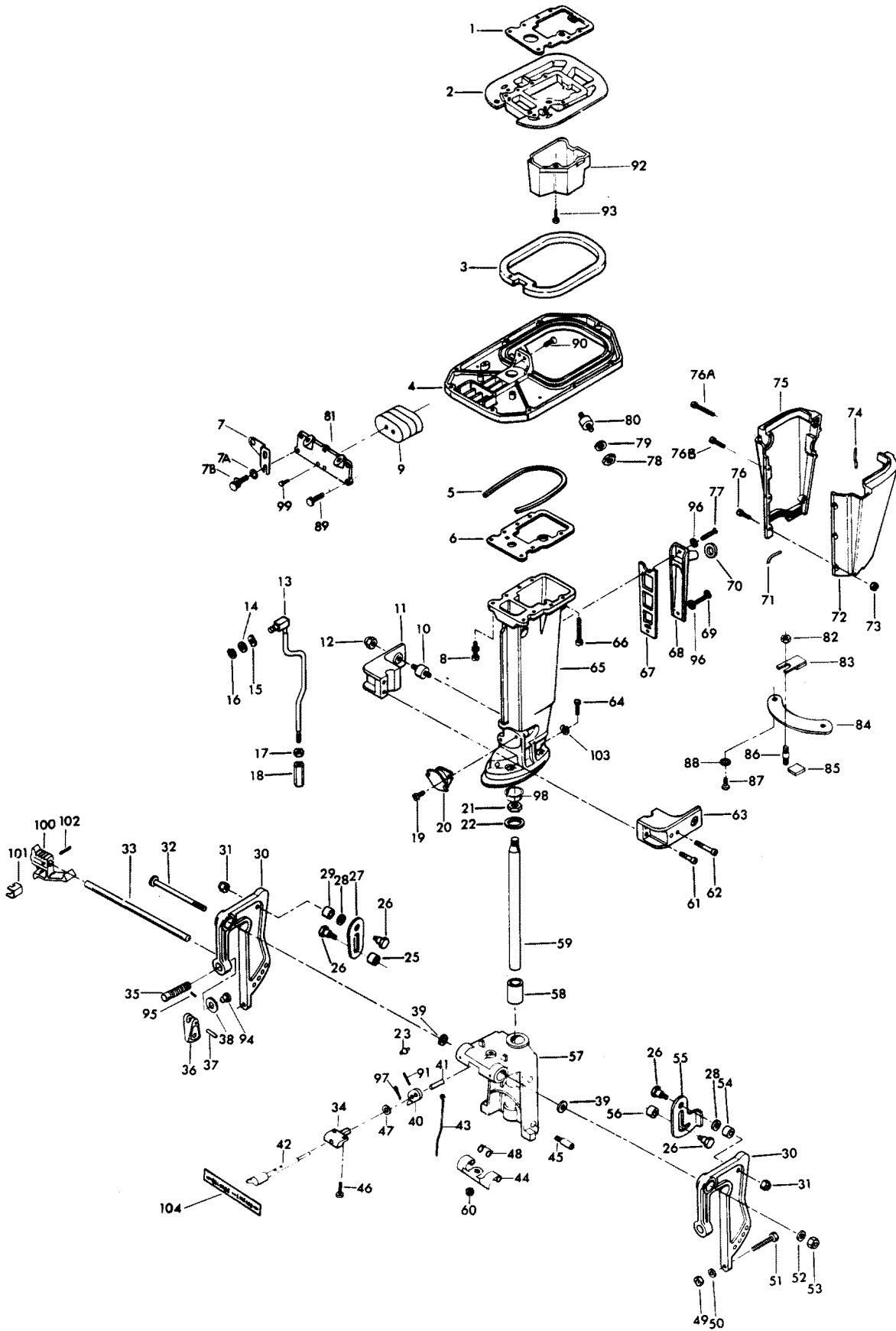


MOTOR LEG

REF. NO.	PART NO.	SYM.	QTY.	DESCRIPTION
43	F366510		1	LINK
44	F366349		1	LOCK
45	F366886		2	PIN
46	F1733		2	PAN HD SCREW, 10 - 24 X 9/16
47	F8094		1	PLAIN WASHER
48	F366300		2	REVERSE LOCK SPRING
49	F1346		2	HEX NUT, S.S., 3/8 - 16
50	F1904		2	PLAIN WASHER
51	F1593		2	HEX HD SCREW, S.S., 3/8 - 16 X 3
52	F1656		1	PLAIN WASHER
53	F7001		1	ELASTIC STOP NUT
54	F269929		1	SPACER, TILT STOP
55	F366426		1	TILT STOP, PORT
56	F269929		1	SPACER, TILT STOP
57	817945A1		1	SWIVEL BRACKET W/BEARINGS AND GREASE FITTING
58	F191169-1		2	SWIVEL BRACKET BEARING
59	FA433019		1	KINGPIN W/PLUG
60	F1669		1	STOP NUT
61	F1636		2	HEX SOCKET HD CAP SCREW, S.S., 3/8 - 16 X 1 1/4
62	F1635		2	HEX SOCKET HD CAP SCREW, S.S., 3/8 - 16 X 3 1/2
63	F433973		1	SHOCK MOUNT LOWER COVER, PORT
64	F1929		4	HEX HD CAP SCREW, S.S., 3/8 - 16 X 1 1/8
66	F1905		1	HEX HD SCREW, 1/4 - 20 X 3 7/16
67	F40833-4		1	MOTOR LEG EXHAUST COVER GASKET
68	FA89832-2		1	MOTOR LEG EXHAUST COVER
69	F1199		1	HEX HD SCREW, 1/4 - 20 X 1
70	F89504		1	GROMMET MOTOR LEG
71	F435323		2	PACKING LEG COVER LOWER
73	F1473		6	HEX NUT, 10 - 24
74	F435323		2	PACKING LEG COVER UPPER
76A	F1767		1	FILL HD SCREW, 10 - 24 X 3
77	F1849		1	FLAT HD SCREW, S.S., 1/4 - 20 X 1 3/8
78	F1346		2	HEX NUT, 3/8 - 16
79	F8038		2	PLAIN WASHER
80	F307962		2	SHOCK MOUNT, SIDE UPPER
81	F485946		1	SHOCK MOUNT UPPER COVER
82	F1832		1	HEX LOCK NUT, 1/4 - 20
83	FA40742		1	FRICTION SHOE ADJUSTING ARM W/SHOE
84	F40775		1	FRICTION SHOE PLATE
85	F901631-1		1	FRICTION SHOE
86	F210-1		1	STUD
87	F1689		2	HEX HD SCREW, 1/4 - 20 X 1/2
88	F8083		2	LOCKWASHER

CONTINUED ON NEXT PAGE ➡

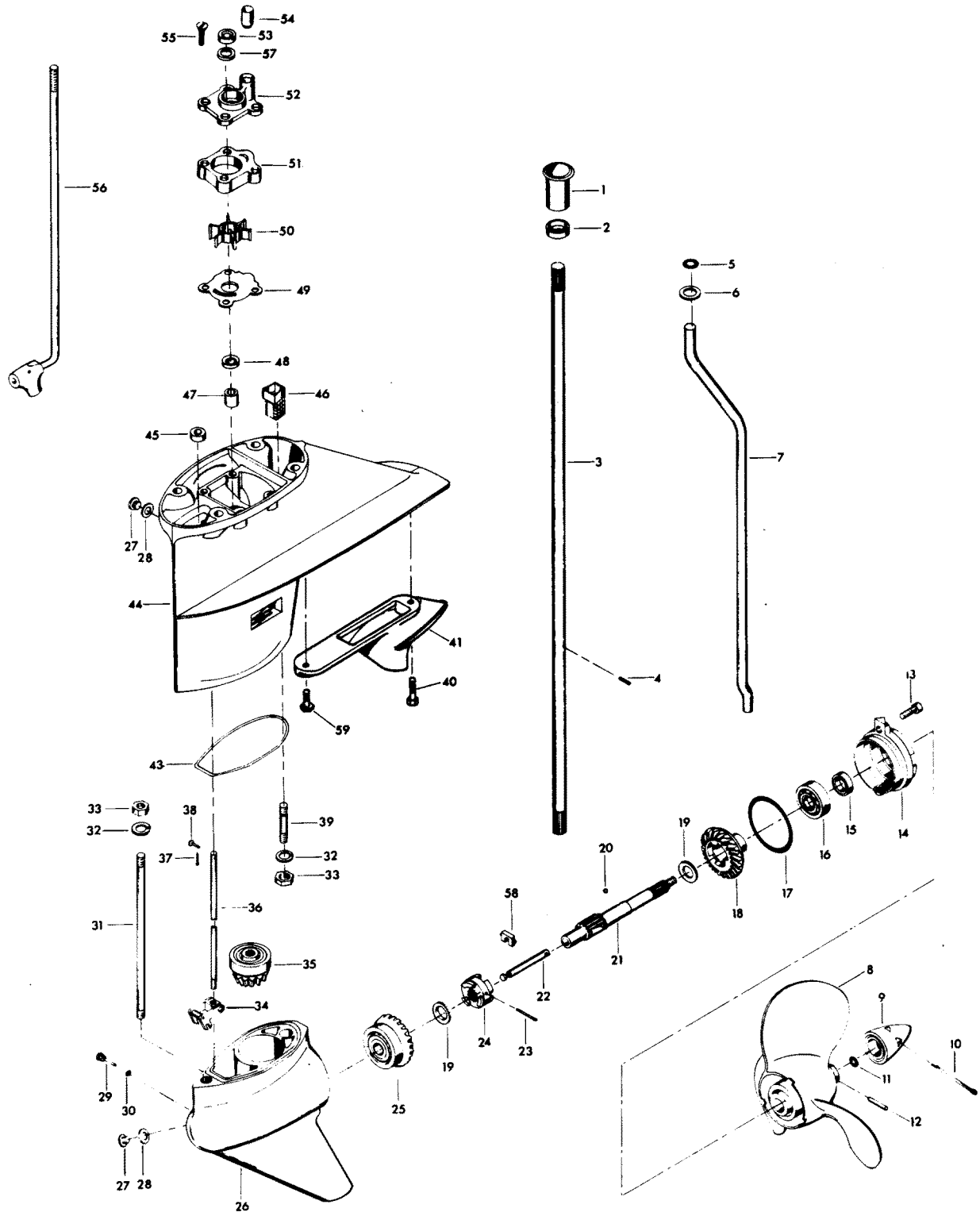
MOTOR LEG



MOTOR LEG

REF. NO.	PART NO.	SYM.	QTY.	DESCRIPTION
89	F1502		3	HEX HD SCREW, 1/4 - 20 X 5/8
90	F1160		2	FLAT HD SCREW, 1/4 - 28 X 5/8
91	F1836		1	SPRING PIN
92	F307660-1		1	TUBE LEG EXHAUST
93	F1851		3	FILL HD MACHINE SCREW W/LOCKWASHER 10 - 24 X 1/2
94	F353480		2	STUD
95	F8537		2	SPRING PIN
96	F8083		2	SPRING LOCKWASHER
97	F1014		1	COTTER PIN
98	F1880		1	PLUG
99	F1211		2	HEX HD SCREW W/LOCKWASHER, 1/4 - 28 X 5/8
100	F433114		1	HANDLE, LOCK BAR
101	F286461		1	SPRING LOCK BAR HANDLE
102	F1744		1	SPRING PIN
103	F8065		4	SPRING LOCKWASHER
104	452390		1	DECAL, REVERSE LOCK U.S.A.
-	C485390		1	DECAL, REVERSE LOCK (CANADA)
65	F366133-2		1	MOTOR LEG
72	FA366135		1	LEG COVER (PORT)
75	FA366145		1	LEG COVER (STARBOARD)
-	F434322		1	PACKING-LEG COVER LOWER REAR (NOT SHOWN)
76	F1088		2	FILL HD SCREW, 10 - 24 X 9/16
76B	F1768		3	FILL HD SCREW, 10 - 24 X 1 3/8
65	F435133-1		1	MOTOR LEG FOR LONG SHAFT MODELS
72	FA435135		1	LEG COVER (PORT) FOR LONG SHAFT MODELS
75	FA435145		1	LEG COVER (STARBOARD) FOR LONG SHAFT MODELS
76	F1088		3	FILL HD SCREW, 10 - 24 X 9/16 FOR LONG SHAFT MODELS
76B	F1768		2	FILL HD SCREW, 10 - 24 X 1 3/8 FOR LONG SHAFT MODELS

GEAR HOUSING

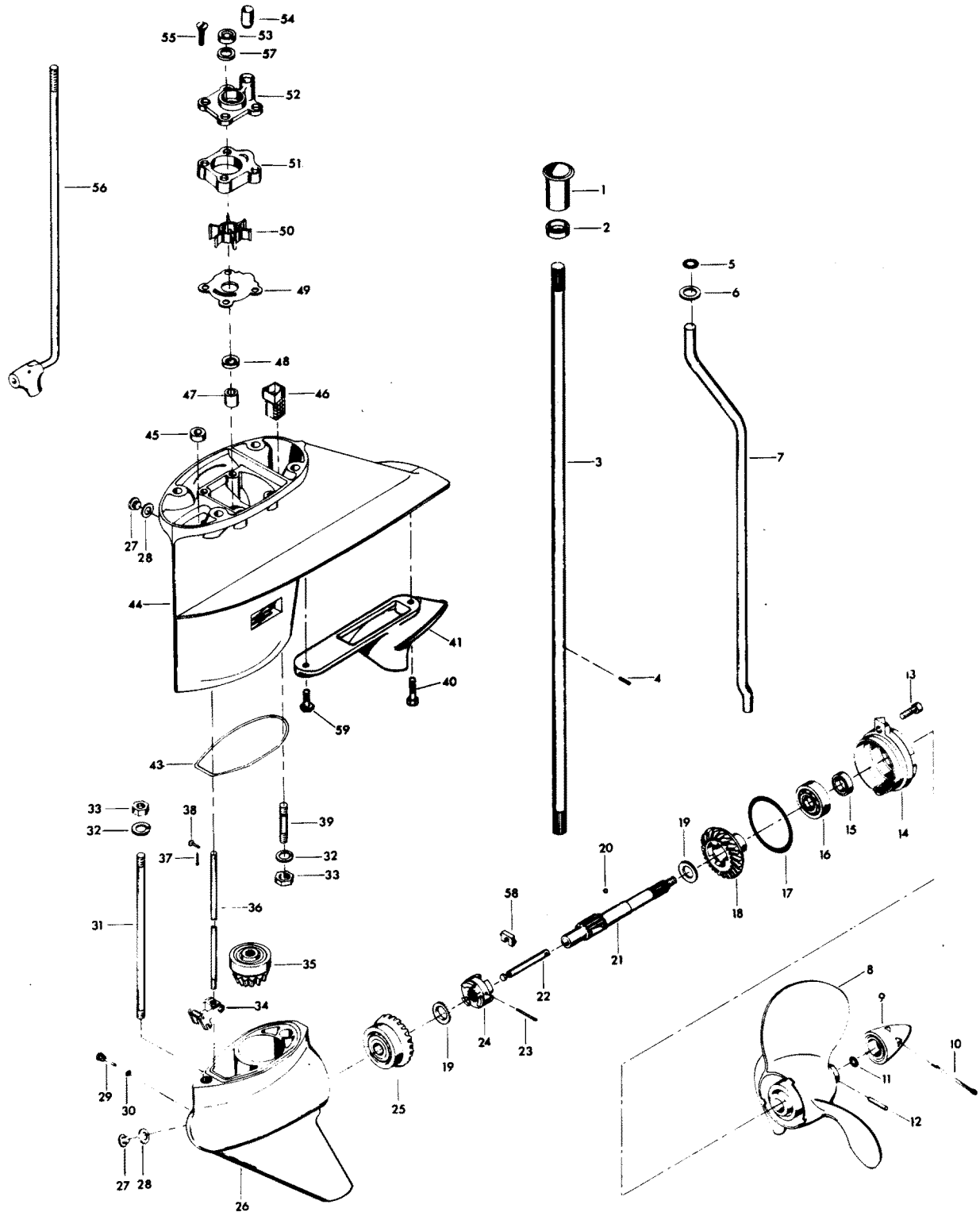


GEAR HOUSING

REF. NO.	PART NO.	SYM.	QTY.	DESCRIPTION
1	F338129-1		1	BOOT
2	F338271		1	RETAINER
3	45-817737A1		1	DRIVESHAFT W/RETAINER FOR STANDARD SHAFT MODELS
-	FA89128-1		1	DRIVESHAFT W/RETAINER FOR LONG SHAFT MODELS
4	F901563		1	DRIVE PIN, WATER PUMP IMPELLER
5	F40342		1	SEAL
6	F8042		1	PLAIN WASHER
7	F141244		1	INLET WATER LINE FOR STANDARD SHAFT MODELS
-	F435244		1	INLET WATER LINE FOR LONG SHAFT MODELS
8	FP287		1	STANDARD PROP (ACCESSORY ITEM)
9	FA94094-2		1	PROPELLER NUT W/SEAL & COTTER PIN
10	F1027		1	COTTER PIN, S.S., 1/8 - 1/2
11	F40342		1	SEAL, PROPELLER NUT
12	FK247		1	PROPELLER PIN, PACK OF 6 W/COTTER PIN
13	F1263		2	HEX SOCKET HD CAP SCREW, S.S., 5/16 - 18 X 9/16
14	F2A366298		1	PROPELLER SHAFT BEARING CAGE W/SEAL
15	F141118		1	SEAL, PROPELLER SHAFT
16	F366058		1	BALL BEARING, PROPELLER SHAFT
17	F141305		1	SEAL, PROPELLER SHAFT BEARING CAGE
18	FA485662		1	BEVEL GEAR REAR W/BEARING
19	F40717		2	THRUST WASHER, BEVEL GEAR
20	F366727		1	BALL, PROPELLER SHAFT
21	44-819500A3		1	PROPELLER SHAFT
22	F90871-3		1	GEAR SHIFT ARM PIN
23	F2097		1	SPRING PIN
24	F99521-1		1	CLUTCH
25	FA485023		1	BEVEL GEAR FRONT W/BEARING
26	FA433054		1	GEAR HOUSING LOWER W/PLUG, WASHER AND THRUST BEARING CUP
27	F50109		2	PLUG, GEAR HOUSING
28	F8077		2	WASHER, GEAR HOUSING PLUG
29	F498891		1	GEAR SHIFT ARM PIN
30	F498618		1	SEAL, GEAR SHIFT ARM PIN
31	F97008-1		1	STUD, LONG
32	F8065		2	LOCKWASHER
33	F1346		2	HEX NUT, S.S., 3/8 - 16
34	817796A2		1	GEAR SHIFT ARM
35	F2A474266		1	BEVEL PINION GEAR W/BEARING AND CUP
36	F435705		1	GEAR SHIFT ROD LOWER
37	F1015		1	COTTER PIN
38	F85372		1	PIN, GEAR SHIFT ROD LOWER
39	F40008		1	STUD, SHORT
40	F1994		1	HEX HD CAP SCREW, 5/16 - 18 X 1

CONTINUED ON NEXT PAGE ➡

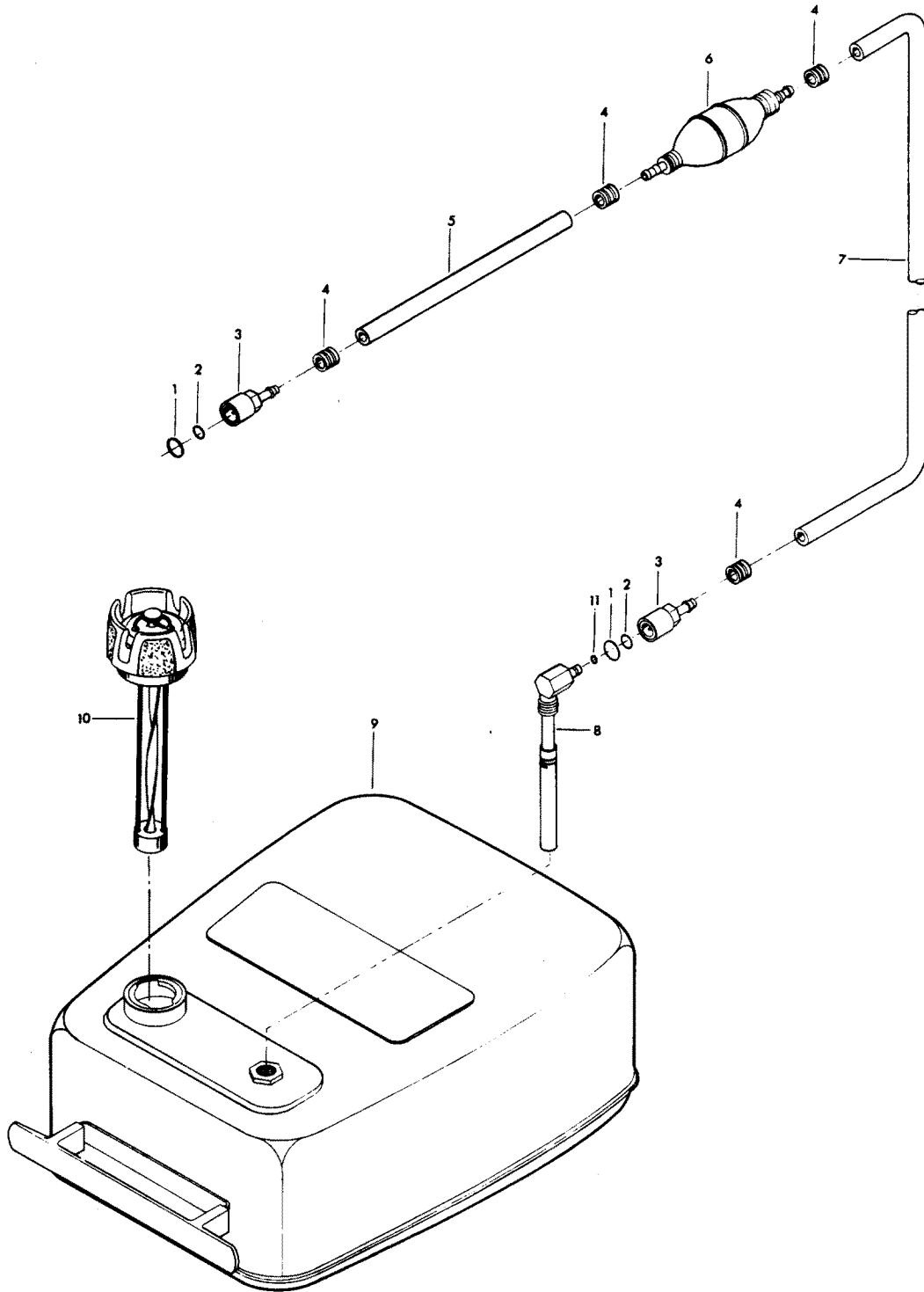
GEAR HOUSING



GEAR HOUSING

REF. NO.	PART NO.	SYM.	QTY.	DESCRIPTION
41	FA435116		1	SNOUT, EXHAUST
43	F435555		1	SEAL, GEAR HOUSING
44	1600-817871A3		1	GEAR HOUSING UPR W/SEAL, WASHER, PLUG & INLET WATER SCREEN
45	F338618-1		1	SEAL, SHIFT ROD LOWER
46	F435077		1	SCREEN, WATER INLET
47	F435057		1	BEARING, DRIVESHAFT UPPER
48	F40307-2		1	SEAL, DRIVESHAFT
49	F433562		1	WATER PUMP BACK PLATE
50	F433065		1	WATER PUMP IMPELLER
51	F366060		1	WATER PUMP BODY
52	A366326-1		1	WATER PUMP COVER, INCLUDES ITEM 53
53	F349307		1	DRIVESHAFT SEAL
54	FA485914		1	SEAL, INLET WATER LINE, LOWER
55	F2030		4	HEX HD SCREW, 1/4 - 20 X 1 1/4
56	FA434616		1	GEAR SHIFT ROD INTERMEDIATE FOR STANDARD SHAFT MODELS
57	485388		1	DISC, WATER PUMP
56	FA435616		1	GEAR SHIFT ROD INTERMEDIATE FOR LONG SHAFT MODELS
-	FC433054		1	GEAR HOUSING COMPLETE (NOT SHOWN) INCLUDES ALL ITEMS MARKED WITH AN ASTERISK (*).
58	F90619-1		1	YOKE
59	F438930		1	RETAINER, SNOUT

FUEL TANK AND LINE



FUEL TANK AND LINE

REF. NO.	PART NO.	SYM.	QTY.	DESCRIPTION
1	F213342		2	SEAL, FUEL LINE COUPLER
2	F213735		2	SEAL, FUEL LINE COUPLER
3	F197787-3		2	FUEL LINE COUPLER
4	F298788		4	FERRULE
5	FA84754-1		1	FUEL LINE SHORT W/FERRULES
6	89396A38		1	PRIME BULB
7	32-817738A1		1	FUEL LINE, LONG W/CLAMP AND FERRULE
8	F485755-1		1	FUEL TANK ADAPTER
9	F5H026		1	FUEL TANK (ACCESSORY ITEM)
10	F409251-1		1	GAUGE CAP
11	F17932		1	SEAL, FUEL TANK ADAPTER
-	FS409752		1	FUEL LINE, COMPLETE
-	FC409398		1	DECAL, TOTE TANK (CANADA)

SPECIAL TOOLS - TUNE-UP

REF. NO.	PART NO.	SYM.	QTY.	DESCRIPTION
-	FT2910		0	KNOCK-OFF NUT TO REMOVE FLYWHEEL
-	FT2989		0	FLYWHEEL REMOVAL TOOL TO REMOVE FLYWHEEL
-	FT2937-1		0	TIMING TOOL TO ADJUST SPARK ADVANCE
-	FT2937A		0	TIMING ROD TO BE USED W/T2937-1

SPECIAL TOOLS - MANUAL STARTER

REF. NO.	PART NO.	SYM.	QTY.	DESCRIPTION
-	FT3139-1		0	STARTER REWIND KEY TO REWIND STARTER SPRING

SPECIAL TOOLS - POWER HEAD

REF. NO.	PART NO.	SYM.	QTY.	DESCRIPTION
-	FT3510		0	SEAL PUNCH TO INSTALL UPPER CRANKSHAFT BEARING CAGE SEAL
-	FT8900		0	CLAMP PLIERS TO REMOVE AND INSTALL HOSE CLAMPS
-	FT2996		0	RING COMPRESSOR TO INSTALL PISTONS IN CYLINDERS
-	FT3512		0	SEAL PROTECTOR TO INSTALL UPPER CRANKSHAFT BEARING CAGE SEAL
-	FT8926		0	RING EXPANDER TO INSTALL RINGS ON PISTONS
-	FT2953		0	SOCKET TO TORQUE CONNECTING ROD SCREWS W/T2999
-	FT2990		0	PISTON PIN REMOVER TO REMOVE AND INSTALL PISTON PIN IN PISTON
-	FT2999		0	TORQUE WRENCH TO TORQUE CONNECTING ROD SCREWS

SPECIAL TOOLS - GEAR HOUSING

REF. NO.	PART NO.	SYM.	QTY.	DESCRIPTION
-	FT8948-1		0	PROPELLER SHAFT BEARING CAGE PULLER TO REMOVE PROPELLER SHAFT BEARING CAGE FROM LOWER GEAR HOUSING
-	FT8919		0	SPRING PIN PUNCH TO REMOVE CLUTCH SPRING PIN
-	FT8964		0	BEARING REMOVER TO REMOVE DRIVESHAFT BEARING
-	FT8907		0	DRIVER HANDLE FOR USE WITH T8904
-	FT8945		0	RETAINER PUNCH TO INSTALL RETAINER ON DRIVESHAFT SPLINE BOOT
-	FT8918		0	BUSHING GUIDE SET TO REMOVE AND INSTALL BEARING CUP IN LOWER GEAR HOUSING
-	FT8921		0	FORWARD BEARING CUP REMOVER TO REMOVE FORWARD BEARING CUP FROM LOWER GEAR HOUSING
-	FT8904		0	FORWARD BEARING CUP INSTALLER TO INSTALL FORWARD BEARING CUP IN LOWER GEAR HOUSING
-	FT3431		0	DRIVESHAFT SEAL AND PROP SHAFT SEAL INSTALLER TO INSTALL DRIVESHAFT AND PROP SHAFT SEAL IN LOWER UNIT
-	FT8962		0	BEARING INSTALLER TO INSTALL DRIVESHAFT BEARING
-	FT8957		0	SEAL INSTALLER TO INSTALL SHIFT ROD SEAL

SPECIAL TOOLS - TEST EQUIPMENT

REF. NO.	PART NO.	SYM.	QTY.	DESCRIPTION
-	FT2955A		0	TEST WHEEL TO TEST MOTOR IN TEST TANK
-	FT2938-1		0	TEST LIGHT TO TEST MOTOR
-	FT8932		0	LIFTING HOOK TO LIFT ENGINE
-	FT8950		0	LEAKAGE TESTER TO TEST LOWER UNIT FOR LEAKAGE
-	T8974		0	BREAKER POINT TENSION GAUGE FOR CHECKING BREAKER POINT SPRING TENSION

ACCESSORIES

REF. NO.	PART NO.	SYM.	QTY.	DESCRIPTION
-	F5H025		0	ANTI-CORROSION SACRIFICIAL ANODE HELPS TO PREVENT CORROSION.
-	494		0	HANDLE (REAR) PROVIDES REAR HANDLE AND REST PADS.
-	589		0	HANDLE (FRONT) TO AID CARRYING OF ENGINE.
-	F861		0	FLUSHING ADAPTER PERMITS FRESH WATER FLUSHING OF WATER PASSAGES WITH A STANDARD GARDEN HOSE
-	F5H040		0	STEEL, 12 GALLON FUEL TANK ADDITIONAL TANK TO CARRY FUEL.
-	F5H026		0	STEEL, 6 GALLON FUEL TANK ADDITIONAL TANK TO CARRY FUEL.
-	F5H066		0	LONG LEG CONVERSION KIT CONVERTS 15" STANDARD SHAFT MODELS TO 20" LONG SHAFT MODEL.
-	5H061		0	FROST WHITE LACQUER ENGINE TOUCH-UP PAINT IN 16 OZ. SPRAY BOMBS (12 CANS PER CASE).
-	72H32		0	GOLD LACQUER ENGINE TOUCH-UP PAINT IN 16 OZ. SPRAY BOMBS (12 CANS PER CASE).
-	5H065		0	CANVAS HOOD PROTECTION FOR ENGINE COVER.

SPECIFICATIONS

REF. NO.	PART NO.	SYM.	QTY.	DESCRIPTION
-			0	HORSEPOWER 35 CERTIFIED BRAKE H.P. AT 4750 R.P.M.
-			0	MOTOR TWO-CYCLE, TWIN CYLINDER ALTERNATE FIRING.
-			0	BORE AND STROKE 3" BORE X 2.540" STROKE
-			0	DISPLACEMENT 35.9 CUBIC INCHES
-			0	CONNECTING RODS FORGED NICKEL STEEL. CAGED ROLLER BEARINGS AT CRANKSHAFT. CASED NEEDLE BEARINGS AT PISTON PIN.
-			0	CRANKSHAFT FORGED NICKEL STEEL. BALL BEARINGS AT UPPER MAIN. CAGED ROLLER BEARINGS AT CENTER AND LOWER MAIN.
-			0	CORROSION PROTECTION ALODINE TREATED CASTINGS, STAINLESS STEEL DRIVESHAFT, PROPELLER SHAFT, GEAR SHIFT ROD AND UNDERWATER FASTENERS.
-			0	FUEL TANK SEPARATE STEEL TANK, 6 U.S. GALLON, 5 IMPERIAL GALLON CAPACITY.
-			0	FUEL SYSTEM VACUUM TYPE FUEL PUMP, FLOAT FEED CARBURETOR WITH FIXED HIGH SPEED JET AND ADJUSTABLE LOW SPEED JET.
-			0	FUEL FILTERS FILTER SCREENS IN FUEL TANK AND FUEL PUMP.
-			0	COOLING WATER COOLED, POSITIVE DISPLACEMENT TYPE WATER PUMP.
-			0	TRANSOM HEIGHT 15" OR 20" DEPENDING ON MODEL.
-			0	WEIGHT FROM 129 I.BS. FOR STANDARD SHAFT MODEL.
-			0	TILT LOCK POSITIVE TILT LOCK PERMITS ENGINE TO REMAIN IN TILTED POSITION WHEN NOT IN USE.
-			0	RECOMMENDED OPERATING RANGE 4400 - 5100 R.P.M.

LUBRICATION CHART

REF. NO.	PART NO.	SYM.	QTY.	DESCRIPTION
-			0	UPPER AND LOWER GEAR HOUSINGS CHECK AFTER EVERY THIRTY HOURS OF OPERATION AND REPLACE AFTER EVERY 100 HOURS WITH A NON-CORROSIVE LEADED OUTBOARD GEAR OIL--CHRYSLER OUTBOARD GEAR LUBE. DO NOT USE CORROSIVE HYPOID OIL UNDER ANY CIRCUMSTANCES.
-			0	CONTROL LINKAGE LUBRICATE ALL MOVING PARTS AND CONTROL LINKAGE WITH RYKON #2EP, PART NO. T2961 TWICE EACH SEASON OR OFTENER IF REQUIRED.
-			0	STERN BRACKET LUBRICATE STERN BRACKET AND ASSOCIATED PARTS WITH RYKON # 2EP, PART NO. T2961, TWICE EACH SEASON OR OFTENER IF REQUIRED.
-			0	GREASE FITTING GREASE FITTINGS ARE PROVIDED AT CRITICAL POINTS WHERE BEARING SURFACES ARE NOT EXPOSED EXTERNALLY. USING AN AUTOMOTIVE TYPE GREASE GUN AND LUBRICANT, GREASE TWICE EACH SEASON OR OFTENER IF REQUIRED.
-			0	STARTER PINION GEAR LUBRICATE WITH RYKON # 2EP, PART NO. T2961, TWICE EACH SEASON OR OFTENER IF REQUIRED.

SPECIAL ADJUSTMENTS

REF. NO.	PART NO.	SYM.	QTY.	DESCRIPTION
-			0	BREAKER POINT GAP .020".
-			0	SPARK PLUG CHAMPION L-4-J, GAP .030".
-			0	SPARK PLUG CHAMPION QL-4J FOR MODELS 352B8K, 353B8K
-			0	FLYWHEEL NUT TORQUE TO 75 FOOT POUNDS.
-			0	CYLINDER HEAD BOLT TORQUE TO 270 INCH POUNDS.
-			0	POINT OF THROTTLE OPENING 1. UNSNAP BALL JOINT CONNECTOR FROM THROTTLE TOWER SHAFT.
-			0	POINT OF THROTTLE OPENING 2. WITH THROTTLE SHUTTER IN CARBURETOR CLOSED, ADJUST ECCENTRIC SCREW HOLDING THROTTLE ROLLER TO THROTTLE SHAFT SO THAT PICK-UP LINE ON LOWER END OF THROTTLE CAM IS EXACTLY CENTERED ON THROTTLE ROLLER.
-			0	POINT OF THROTTLE OPENING 3. ADVANCE THROTTLE TOWER SHAFT AND THROTTLE CAM TO FULL ADVANCE POSITION. (THROTTLE SHUTTER HORIZONTAL.)
-			0	POINT OF THROTTLE OPENING 4. ADJUST BALL JOINT CONNECTORS UNTIL SPACING IS IDENTICAL TO SPACING BETWEEN CONNECTOR STUD ON THROTTLE CAM AND THROTTLE TOWER SHAFT.
-			0	POINT OF THROTTLE OPENING

PARTS INDEX

Part Number	Description	Pg.	Ref. No.	Part Number	Description	Pg.	Ref. No.
2A307518	CYLINDER HEAD W/PLUG	19	51	F1111	FILL HD SCREW, 1/4 - 20 X 7/8	11	9
3SA377015	PISTON .030 OVERSIZE (NOT SHOWN)	23	-	F1129	FILL HD SCREW, S.S., 5/16 - 18 X 1/2	27	19
452390	DECAL, REVERSE LOCK U.S.A.	31	104	F1134	FILL HD SCREW, 8 - 32 X 1 1/8	17	13
485388	DISC, WATER PUMP	35	57	F1136	FLAT HD SCREW, 1/4 - 20 X 1	17	31
494	HANDLE (REAR)	43	-	F1141	FLAT HD SCREW, 10 - 24 X 1/2	25	7
589	HANDLE (FRONT)	43	-	F1160	FLAT HD SCREW, 1/4 - 28 X 5/8	31	90
5H061	FROST WHITE LACQUER	43	-	F1199	HEX HD SCREW, 1/4 - 20 X 1	29	69
5H065	CANVAS HOOD	43	-	F12014	BREAKER POINT AND CONDENSER MOUNTING SCREW, 8 - 32 X 3/8	9	4
72H32	GOLD LACQUER	43	-	F12016	CABLE CLIP SCREW, 8 - 32 X 1/2	9	17
817747--1	BALL JOINT W/BEARING	7	95	F12023	LAMINATION SCREW, 10 - 24 X 1	9	8
817747--1	BALL JOINT W/BEARING	11	24	F12042-1	CONDENSER W/MOUNT	9	6
817747--1	BALL JOINT W/BEARING	17	9	F12044	BREAKER POINT SET	9	21
817796A2	GEAR SHIFT ARM	33	34	F12050	GROMMET	9	20
817938A1	STARTER ROPE HANDLE RETAINER	11	32	F12053	COIL RETAINING CLIP	9	18
817945A1	SWIVEL BRACKET W/BEARINGS AND GREASE FITTING	29	57	F12057	COIL W/LEAD WIRE, SPARKIE AND GROMMET	9	19
818054A1	SUPPORT PLATE	5	52	F12059	PRIMARY TERMINAL WIRE	9	10
818059A1	GEAR SHIFT ROD W/KNOB	3	28	F1211	HEX HD SCREW W/LOCKWASHER, 1/4 - 28 X 5/8	31	99
89396A38	PRIME BULB	37	6	F12227	CAM WIPER FELT	9	22
A366326-1	WATER PUMP COVER, INCLUDES ITEM 53	35	52	F12246	CABLE CLIP	9	16
A463528-1	INSERT, TRIM REAR	7	91	F12341	COIL LAMINATIONS (NOT SHOWN)	9	-
A467892-1	INSERT, FRONT PLATE, U.S.A.	3	4	F12342	STATOR PLATE WITHOUT LAMINATIONS	9	11
A467893-1	INSERT, FRONT PLATE, CANADA	3	-	F1238	HEX CAP SCREW, 1/4 - 20 X 3/4	5	82
A486396	DECAL, STRIPE STARBOARD	3	-	F1263	HEX SOCKET HD CAP SCREW, S.S., 5/16 - 18 X 9/16	33	13
A486397	DECAL, STRIPE PORT	3	2	F1277	SLOTTED OVAL HD SET SCREW 1/4 - 28 X 3/8	7	89
A486427-1	STARTER MOUNTING BRACKET W/CAPS AND SCREWS	11	13	F1286	PAN HD SCREW, 4 - 40 X 3/16	17	34
A486785	DECAL, HEAVY DUTY	7	92	F1300	BREAKER POINT TERMINAL SCREW, 6 - 32 X 3/8	9	5
A515386-1	DECAL, NUMERAL	5	66	F1326	ACORN NUT	27	12
C485390	DECAL, REVERSE LOCK (CANADA)	31	-	F1341	HEX NUT, 1/4 - 20	19	79
F10000	GASKET SET	15	31	F1346	HEX NUT, 3/8 - 16	29	78
F10019	REPAIR PARTS KIT	15	22	F1346	HEX NUT, S.S., 3/8 - 16	29	49
F1014	COTTER PIN	15	11	F1346	HEX NUT, S.S., 3/8 - 16	33	33
F1014	COTTER PIN	31	97	F1349	HEX NUT, S.S., 5/16 - 18	27	17
F1015	COTTER PIN	33	37	F141118	SEAL, PROPELLER SHAFT	33	15
F1017	COTTER PIN	5	76	F141244	INLET WATER LINE FOR STANDARD SHAFT MODELS	33	7
F1027	COTTER PIN, S.S., 1/8 - 1/2	33	10	F141275	FITTING, THERMOSTAT	19	66
F1052	FILL HD SCREW, 1/4 - 20 X 1	19	76	F141305	SEAL, PROPELLER SHAFT BEARING CAGE	33	17
F1059	FILL HD SCREW, 6 - 32 X 1/4	15	8				
F1080	FILL HD SCREW W/LOCKWASHER, 10 - 24 X 3/4	23	19				
F1088	FILL HD SCREW, 10 - 24 X 9/16	31	76				
F1088	FILL HD SCREW, 10 - 24 X 9/16	31	76				
F1097	FILL HD SCREW, 1/4 - 20 X 3/8	11	1				
F1108	FILL HD SCREW W/LOCKWASHER	13	10				

PARTS INDEX

Part Number	Description	Pg.	Ref. No.	Part Number	Description	Pg.	Ref. No.
F141704	GEAR SHIFT ROD COUPLING	27	18	F1753	FASTENER	5	62
F1441	PAN HD SCREW, 1/4 - 20 X 7/8	23	2	F1755	ROUND HD SCREW W/LOCKWASHER, 6 - 32 X 5/16	25	13
F1446	SLOTTED PAN HD SCREW, 1/4 - 20 X 1	17	30	F1767	FILL HD SCREW, 10 - 24 X 3	29	76A
F1447	ROUND HD SCREW, 2 X 3/16	3	12	F1768	FILL HD SCREW, 10 - 24 X 1 3/8	31	76B
F1473	HEX NUT, 10 - 24	17	18	F1768	FILL HD SCREW, 10 - 24 X 1 3/8	31	76B
F1473	HEX NUT, 10 - 24	29	73	F1770	STOP NUT, 8 - 32	17	15
F1502	HEX CAP SCREW, 1/4 - 20 X 5/8	13	19	F177330	FUEL PUMP VALVE	13	7
F1502	HEX CAP SCREW, 1/4 - 20 X 5/8	19	78	F17932	SEAL, FUEL TANK ADAPTER	37	11
F1502	HEX HD SCREW, 1/4 - 20 X 5/8	31	89	F1812	FILL HD SCREW W/LOCKWASHER, 10 - 24 X 1 9/16	23	20
F1513	HEX NUT, 10 - 32	3	16	F1813	FILL HD SCREW W/LOCKWASHER, 10 - 24 X 1 1/8	23	21
F1513	HEX NUT, 10 - 32	11	18	F18160-2	REED, CYLINDER DRAIN	17	37
F1513	HEX NUT, 10 - 32	17	10	F1832	HEX LOCK NUT, 1/4 - 20	29	82
F1513	HEX NUT, 10 - 32	17	6	F183300	SPRING	3	23
F1515	HEX NUT, 5/16 - 18	3	20	F1836	SPRING PIN	5	74
F1515	HEX NUT, 5/16 - 18	11	16	F1836	SPRING PIN	31	91
F1515	HEX NUT, 5/16 - 18	15	30	F184033-1	SWIVEL, CHOKE ROD	15	7
F1515	HEX NUT, 5/16 - 18	25	2	F184579	SEAL, CHOKE ARM SWIVEL	15	6
F1525	WELCH PLUG	19	43	F1849	FLAT HD SCREW, S.S., 1/4 - 20 X 1 3/8	29	77
F1526	WELCH PLUG	19	52	F1851	FILL HD MACHINE SCREW W/LOCKWASHER 10 - 24 X 1/2	31	93
F1544	HEX HD CAP SCREW, 3/8 - 16 X 2 1/4	19	55	F185764	RETAINING RING	27	16
F1578	HEX HD SCREW W/LOCKWASHER, 1/4 - 20 X 7/8	5	80	F1860	ROUND HD SCREW, 6 - 32 X 1/4	13	6
F1578	HEX HD SCREW W/LOCKWASHER, 1/4 - 20 X 7/8	27	7B	F1864	HEX CAP SCREW, 1/4 - 20 X 3/4	5	54
F1593	HEX HD SCREW, S.S., 3/8 - 16 X 3	29	51	F1864	HEX HD SCREW, 1/4 - 20 X 3/4	3	8
F1603	HEX BOLT, 5/16 - 18 X 2	7	87	F1864	HEX SLOT HD SCREW, 1/4 - 20 X 3/4	17	3
F1635	HEX SOCKET HD CAP SCREW, S.S., 3/8 - 16 X 3 1/2	29	62	F1879	HEX SOCKET HD CAP SCREW, 3/8 - 16 X 1 5/8	17	2
F1636	HEX SOCKET HD CAP SCREW, S.S., 3/8 - 16 X 1 1/4	29	61	F1880	PLUG	31	98
F1638	SPRING PIN	27	37	F1892	STOP NUT, 5/16 - 18	7	88
F1646	HEX SOCKET HD CAP SCREW, 3/8 - 16 X 2 1/4	17	1	F1904	PLAIN WASHER	29	50
F1656	PLAIN WASHER	29	52	F1905	HEX HD SCREW, 1/4 - 20 X 3 7/16	29	66
F1666	BOWED SPRING WASHER	27	28	F1910	ELASTIC STOP NUT, 1/4 - 20	17	11
F1669	STOP NUT	29	60	F191169-1	SWIVEL BRACKET BEARING	29	58
F1689	HEX HD SCREW, 1/4 - 20 X 1/2	29	87	F191737	RETAINER, STARTER SPRING	11	11
F1727	PLASTIC RIVET	17	24	F191971	STARTER RETAINER EXTENSION	11	26
F1733	PAN HD SCREW, 10 - 24 X 9/16	3	26	F191993-1	BRACKET, CHOKE CABLE (NOT SHOWN)	7	-
F1733	PAN HD SCREW, 10 - 24 X 9/16	3	34	F1920	HEX NUT, 5/8 - 18	9	1
F1733	PAN HD SCREW, 10 - 24 X 9/16	29	46	F1922	HEX HD SCREW, 1/4 - 20 X 5/8	13	20
F1738	HEX NUT, 3/8 - 24	3	37	F1922	HEX HD SCREW, 1/4 - 20 X 5/8	19	53
F1744	SPRING PIN	31	102				

PARTS INDEX

Part Number	Description	Pg.	Ref. No.	Part Number	Description	Pg.	Ref. No.
F1929	HEX HD CAP SCREW, S.S., 3/8 - 16 X 1 1/8	29	64	F288075	CLAMP SCREW HANDLE	27	36
F1947	FLANGED 12 PT. SCREW, 5/16 - 18 X 2	27	8	F298788	FERRULE	37	4
F1953	HEX HD SCREW, 1/4 - 20 X 1	3	10	F2A338079	STEERING HANDLE, INCLUDING ITEMS 40 THROUGH 45	5	45
F1955	PLAIN WASHER	5	48	F2A366298	PROPELLER SHAFT BEARING CAGE W/SEAL	33	14
F1969	FILL HD SCREW, 1/4 - 20 X 3/4	17	25	F2A433757	CYLINDER DRAIN REED PLATE	17	38
F1971	HEX HD SCREW, 1/4 - 20 X 2 1/8	19	67	F2A474266	BEVEL PINION GEAR W/BEARING AND CUP	33	35
F197787-3	FUEL LINE COUPLER	37	3	F307211	STUD	11	14
F1979	FILL HD SCREW, 10 - 24 X 1/2	3	6	F307279-2	CYLINDER EXHAUST GASKET UPPER	27	1
F1987	PLAIN WASHER	3	24	F307279-2	CYLINDER EXHAUST UPPER	21	-
F1987	PLAIN WASHER	27	14	F307453-3	CYLINDER EXHAUST GASKET LOWER	27	6
F1994	HEX HD CAP SCREW, 5/16 - 18 X 1	33	40	F307453-3	CYLINDER EXHAUST LOWER	21	-
F1995	FILL HD SCREW, 10 - 24 X 1	17	21	F307660-1	TUBE LEG EXHAUST	31	92
F1995	FILL HD SCREW, 10 - 24 X 1	19	62	F307689-1	STEERING HANDLE CONTROL SHAFT BEARING	5	50
F1997	STOP NUT, 10 - 24	15	35	F307809-1	MAGNETO CONTROL ROD	3	17
F2001	FILL HD SCREW, 10 - 24 X 5/8	5	72	F307818	BEARING, LATCH SHAFT	3	25
F2002	HEX NUT, 5/16 - 18	5	67	F307860	INTAKE SILENCER	3	9
F2008	HEX HD SCREW, 1/4 - 20 X 7/8	25	1	F307942-1	BUMPER	17	14
F2014	PLAIN WASHER	19	56	F307962	SHOCK MOUNT, SIDE UPPER	29	80
F201529-1	CYLINDER HEAD	21	-	F307989-1	SEAL, KINGPIN PLATE	27	3
F201529-1	CYLINDER HEAD GASKET	19	50	F311996	CYLINDER HEAD COVER	21	-
F2025	PAN HD SCREW, 10 X 3/8	7	93	F328109	PIPE PLUG CYLINDER HEAD	19	57
F2030	HEX HD SCREW, 1/4 - 20 X 1 1/4	35	55	F328189-1	BUSHING, GEAR SHIFT ROD	3	27
F203965	SHOCK MOUNT UPPER	27	9	F328232	STARTER ROPE	11	30
F2066	PAN HD SELF-TAPPING SCREW, 10 - 7/16	5	63	F328239	STARTER SPOOL	11	12
F2097	SPRING PIN	33	23	F328438	MAGNETO CONTROL ARM	3	18
F213274	GREASE FITTING	5	83	F328455	STARTER ROPE GUIDE	11	28
F213274	GREASE FITTING	27	23	F328615	GEAR SHIFT ROD UPPER	27	13
F213342	SEAL, FUEL LINE COUPLER	37	1	F328621	GEAR SHIFT ARM	5	75
F213735	SEAL, FUEL LINE COUPLER	37	2	F328692	PIVOT TUBE	5	41
F215962	SHOCK MOUNT SIDE LOWER	27	10	F328703-1	STEERING HANDLE ADAPTER	3	39
F24074	CLAMP SCREW FOOT	27	38	F328710	STARTER ROPE GUIDE POST	11	8
F24333	END, STARTER ROPE	11	33	F328819	SWIVEL SHIFT DETENT	5	69
F269052	SHIFT ARM BEARING	17	27	F328884	DETENT, SHIFT ARM	5	71
F269122-1	CRANKCASE PARTING LINE SEAL	21	-	F333316	THROTTLE ROLLER SHAFT	15	32
F269122-1	CRANKCASE PARTING LINE SEAL (NOT SHOWN)	19	-	F335160	REED	25	11
F269319	THROTTLE CAM BEARING	17	5	F335217-1	BEARING	23	8
F269445-1	SPARK CONTROL LINK	17	19	F338129-1	BOOT	33	1
F269929	SPACER, TILT STOP	27	25	F338271	RETAINER	33	2
F269929	SPACER, TILT STOP	27	29	F338618-1	SEAL, SHIFT ROD LOWER	35	45
F269929	SPACER, TILT STOP	29	54	F338815	STEERING HANDLE GEAR	5	44
F269929	SPACER, TILT STOP	29	56	F338815	STEERING HANDLE GEAR	5	49
F286132	STARTER ROPE HANDLE	11	31	F338877	MAGNETO CONTROL SHAFT	5	40
F286461	SPRING LOCK BAR HANDLE	31	101	F349307	DRIVESHAFT SEAL	35	53
F286547	CHOKE KNOB	3	30	F353480	STUD	31	94
F286772-1	CLAMP	25	15	F366013	CRANKSHAFT THRUST BEARING UPPER	23	22
F286894-3	STEERING HANDLE INDICATOR (CANADA)	7	97				

PARTS INDEX

Part Number	Description	Pg.	Ref. No.	Part Number	Description	Pg.	Ref. No.
F366058	BALL BEARING, PROPELLER SHAFT	33	16	F433168	CARBURETOR ADAPTER GASKET	25	6
F366060	WATER PUMP BODY	35	51	F433192	THROTTLE CAM	17	8
F366082	MAGNETO STATOR RING	23	18	F433209-1	STUD, THROTTLE CAM	17	4
F366133-2	MOTOR LEG	31	65	F433254	HOSE	19	49
F366215	SPACER	23	10	F433404	DEFLECTOR PLATE	25	8
F366277	BEARING CAGE	21	-	F433406	DEFLECTOR PLATE	21	-
F366277	BEARING CAGE GASKET	23	4	F433406	DEFLECTOR PLATE GASKET	25	9
F366286	STERN BRACKET FRICTION WASHER	27	39	F433503	CHOKE CABLE	3	29
F366300	REVERSE LOCK SPRING	29	48	F433562	WATER PUMP BACK PLATE	35	49
F366349	LOCK	29	44	F433612	BRACKET SHIFT ROD	5	78
F366350	TILT STOP PIVOT	27	26	F433612	BRACKET, SHIFT ROD	27	7
F366364	ARM	27	40	F433680	SPACER PLATE	27	2
F366426	TILT STOP, PORT	29	55	F433688	SHAFT, STEERING HANDLE	3	32
F366433	TILT STOP, STARBOARD	27	27	F433689	BEARING, TOWERSHAFT	17	22
F366510	LINK	29	43	F433972	SHOCK MOUNT LOWER COVER, STARBOARD	27	11
F366727	BALL, PROPELLER SHAFT	33	20	F433973	SHOCK MOUNT LOWER COVER, PORT	29	63
F366813	BEARING	5	73	F434322	PACKING-LEG COVER LOWER REAR (NOT SHOWN)	31	-
F366824	CARRYING HANDLE	7	86	F434754	FUEL LINE, PUMP TO CARBURETOR	13	14
F366827	HANDLE AND SHAFT	27	42	F434754	HOSE BUSHING TO FUEL PUMP	13	17
F366884	BEARING	27	34	F434754	HOSE FUEL PUMP TO BUSHING	7	84
F366886	PIN	29	45	F434758	FUEL PUMP IMPULSE HOSE	13	4
F367300	SPRING SHIFT DETENT	5	68	F434767	BUSHING	3	38
F369887	INTERLOCK SCREW	11	21	F435057	BEARING, DRIVESHAFT UPPER	35	47
F377015-1	PISTON	23	12	F435077	SCREEN, WATER INLET	35	46
F40008	STUD, SHORT	33	39	F435133-1	MOTOR LEG	31	65
F40017-2	PISTON PIN	23	9	F435244	INLET WATER LINE FOR LONG SHAFT MODELS	33	-
F40146-1	CRANKSHAFT SEAL	23	1	F435323	PACKING LEG COVER LOWER	29	71
F40151-1	EXHAUST PORT PLATE	19	71	F435323	PACKING LEG COVER UPPER	29	74
F40154-3	EXHAUST PORT PLATE GASKET	19	70	F435555	SEAL, GEAR HOUSING	35	43
F40209	CARBURETOR STUD	25	3	F435705	GEAR SHIFT ROD LOWER	33	36
F40223	TRANSFER PORT COVER	21	-	F436449	SHORTING SWITCH	9	23
F40223	TRANSFER PORT COVER GASKET	19	44	F438165	SCREW, FUEL BOWL	13	18
F40307-2	SEAL, DRIVESHAFT	35	48	F438500	FUEL SEDIMENT BOWL	13	16
F40342	SEAL	33	5	F438617	FUEL SEDIMENT BOWL GASKET	13	12
F40342	SEAL, PROPELLER NUT	33	11	F438653	FUEL PUMP SCREEN	13	15
F40410	SNAP RING	23	14	F438747	FUEL PUMP DIAPHRAGM	13	5
F40425	STARTER PINION PIN	11	5	F438760	FUEL PUMP GASKET	13	2
F404801	ELBOW	19	48	F438801	ELBOW	13	11
F40717	THRUST WASHER, BEVEL GEAR	33	19	F438930	RETAINER, SNOUT	35	59
F40775	FRICTION SHOE PLATE	29	84	F458677	INSERT, CHOKE KNOB	3	31
F40816-1	STEERING HANDLE CONTROL SHAFT THRUST BEARING	5	47	F458695	SLEEVE, STEERING HANDLE	7	90
F40833-4	MOTOR LEG EXHAUST COVER GASKET	29	67	F458774	BRACKET, RETAINER REAR	5	53
F40833-4	RELIEF COVER	21	-	F460664	WIRE, STATOR GROUND	9	9
F40906-1	CARBURETOR	21	-	F461400	GEAR SHIFT INDICATOR	7	98
F40906-1	FLANGE GASKET	15	39	F463073	CLAMP SCREW	27	35
F409251-1	GAUGE CAP	37	10				
F428096	RETAINER, PISTON PIN	23	11				
F433061-2	CARBURETOR COMPLETE	15	41				
F433065	WATER PUMP IMPELLER	35	50				
F433114	HANDLE, LOCK BAR	31	100				
F433168	CARBURETOR ADAPTER	21	-				

PARTS INDEX

Part Number	Description	Pg.	Ref. No.	Part Number	Description	Pg.	Ref. No.
F463314	FITTING	19	72	F8065	SPRING LOCKWASHER	31	103
F463864	RETAINER, TILT HANDLE	5	55	F8077	WASHER, GEAR HOUSING PLUG	33	28
F478502	LINK	11	25	F8083	LOCKWASHER	29	88
F483884	BEARING	27	41	F8083	SPRING LOCKWASHER	19	77
F485005	INTERLOCK LEVER ARM	7	94	F8083	SPRING LOCKWASHER	31	96
F485424	SPRING, STARTER PINION	11	6	F8088	PLAIN WASHER	15	10
F485755-1	FUEL TANK ADAPTER	37	8	F8094	PLAIN WASHER	29	47
F485781	STARTER INTERLOCK LOCK	11	23	F8096	SPRING LOCKWASHER	3	21
F485946	SHOCK MOUNT UPPER COVER	29	81	F8096	SPRING LOCKWASHER	11	15
F485971	STARTER SPRING EXTENSION	11	17	F84026	SPARK CONTROL SWIVEL	17	16
F486180	TRIM, ENGINE COVER REAR	5	60	F84035-2	SPARK CONTROL BEARING, R.H.	17	20
F486269	TILT HANDLE	5	65	F84036	SPARK CONTROL BEARING, L.H.	17	17
F486531	STARTER INTERLOCK ROD	11	19	F84280	KINGPIN NUT	27	21
F486711	PLATE, FRONT	3	1	F84314-2	ELBOW	13	3
F487674	STARTER PINION GEAR	11	4	F84314-2	ELBOW, FUEL LINE	15	42
F498618	SEAL, GEAR SHIFT ARM PIN	33	30	F84314-2	ELBOW, FUEL LINE	19	47
F498891	GEAR SHIFT ARM PIN	33	29	F84792	FUEL PUMP VALVE GASKET (CENTER VALVE)	13	8
F50109	PLUG, GEAR HOUSING	33	27	F8537	SPRING PIN	31	95
F522392	DECAL, "CHRYSLER"	5	58	F85372	PIN, GEAR SHIFT ROD LOWER	33	38
F53795-1	DAMPENER	5	42	F8538	SPRING PIN	5	43
F58685-2	ROD END CONNECTOR, MAGNETO CONTROL	3	15	F8538	SPRING PIN	5	51
F5H025	ANTI-CORROSION SACRIFICIAL ANODE	43	-	F8540	SPRING PIN	3	19
F5H026	FUEL TANK (ACCESSORY ITEM)	37	9	F8540	SPRING PIN	11	27
F5H026	STEEL, 6 GALLON FUEL TANK	43	-	F8545	SPRING PIN	19	75
F5H040	STEEL, 12 GALLON FUEL TANK	43	-	F8548	SPRING PIN	3	5
F5H066	LONG LEG CONVERSION KIT	43	-	F85502	THROTTLE LINK	17	12
F7001	ELASTIC STOP NUT	29	53	F8559	DOWEL PIN	17	41
F7004	STOP NUT, 3/8 - 16	17	26	F85610	BEARING	5	81
F7007	ELASTIC STOP NUT	27	31	F85610	BEARING	17	29
F7011	HEX NUT, 10 - 24	5	57	F85634-2	CONNECTING ROD SCREW	23	17
F8003	PLAIN WASHER	17	35	F85735-1	SEAL	5	61
F8028	PLAIN WASHER	5	79	F85756	SUPPORT PLATE PACKING	5	59
F8028	PLAIN WASHER	11	20	F861	FLUSHING ADAPTER	43	-
F8028	PLAIN WASHER	27	7A	F88161-3	REED STOP	25	12
F8032	PLAIN WASHER	5	77	F89011	SWIVEL BRACKET WASHER	27	22
F8038	PLAIN WASHER	29	79	F89025	DAMPENING PAD	27	5
F8042	PLAIN WASHER	33	6	F89504	GROMMET MOTOR LEG	29	70
F8049	BOWED SPRING WASHER	27	15	F89777-1	LATCH CAM	3	22
F8058	INTERNAL TOOTH LOCKWASHER	7	96	F90014	CRANKSHAFT LOWER MAIN BEARING	23	16
F8058	INTERNAL TOOTH LOCKWASHER	11	22	F901563	DRIVE PIN, WATER PUMP IMPELLER	33	4
F8058	INTERNAL TOOTH LOCKWASHER	17	7	F901631-1	FRICTION SHOE	29	85
F8060	EXTERNAL TOOTH LOCKWASHER	11	29	F901739	STARTER REWIND SPRING DRIVE	11	7
F8060	EXTERNAL TOOTH LOCKWASHER (USE WITH PAN HD SCREW)	23	23	F901834	LEAD WIRE CLIP	19	68
F8060	INTERNAL TOOTH LOCKWASHER	5	70	F901970	SPRING STARTER REWIND	11	10
F8065	LOCKWASHER	33	32	F90619-1	YOKE	35	58
				F90871-3	GEAR SHIFT ARM PIN	33	22
				F92498	KEY	9	14
				F92759	ROLLER	15	33
				F93002	CAM	9	15
				F93097-6	FLYWHEEL AND STARTER GEAR	9	3
				F93472-1	CYLINDER DRAIN	21	-

PARTS INDEX

Part Number	Description	Pg.	Ref. No.	Part Number	Description	Pg.	Ref. No.
F93472-1	CYLINDER DRAIN COVER			FA434876	SHIFT ARM W/ROLLER	17	28
	GASKET	17	33	FA435116	SNOUT, EXHAUST	35	41
F93748-1	CYLINDER DRAIN	21	-	FA435135	LEG COVER (PORT)	31	72
F93748-1	CYLINDER DRAIN REED			FA435145	LEG COVER (STARBOARD)	31	75
	PLATE GASKET	17	40	FA435616	GEAR SHIFT ROD		
F93811	SCREEN, CYLINDER DRAIN				INTERMEDIATE FOR		
	REED PLATE	17	39		LONG SHAFT MODELS . .	35	56
F93920	CYLINDER DRAIN REED			FA438431	FUEL PUMP BODY		
	STOP	17	36		W/VALVES	13	9
F94914	SLEEVE, STATOR GROUND			FA439746	FUEL PUMP COVER	13	1
	WIRE (NOT SHOWN)	9	-	FA456137	STEERING HANDLE GRIP		
F97008-1	STUD, LONG	33	31		W/SLEEVE	5	46
F97066-1	THERMOSTAT COVER	19	61	FA458480	ENGINE COVER RETAINER		
F97067	THERMOSTAT COVER	21	-		W/SCREWS AND NUT . . .	5	56
F97067	THERMOSTAT COVER			FA463387	DECAL, TIMING U.S.A. . . .	25	14
	GASKET	19	60	FA485023	BEVEL GEAR FRONT		
F97068-1	THERMOSTAT	19	59		W/BEARING	33	25
F97275	FITTING, THERMOSTAT . . .	19	63	FA485662	BEVEL GEAR REAR		
F97504	GROMMET, THERMOSTAT . .	19	58		W/BEARING	33	18
F97772	CLAMP	7	85	FA485914	SEAL, INLET WATER LINE,		
F97772	CLAMP	19	64		LOWER	35	54
F97772	FUEL LINE CLAMPS	13	13	FA535395	IDENTIFICATION PLATE		
F98273	ROD END CONNECTOR				W/SCREWS, U.S.A.	3	13
	STUD	3	14	FA84754-1	FUEL LINE SHORT		
F99521-1	CLUTCH	33	24		W/FERRULES	37	5
FA27232	EMERGENCY STARTER			FA89128-1	DRIVESHAFT W/RETAINER		
	ROPE (NOT SHOWN)	11	-		FOR LONG SHAFT		
FA307779	BAFFLE, AIR INTAKE	3	11		MODELS	33	-
FA328763	LATCH SHAFT W/HANDLE . .	3	33	FA89832-2	MOTOR LEG EXHAUST		
FA353260	PISTON RING SET (6 PER				COVER	29	68
	SET)	23	13	FA901839	STEERING HANDLE		
FA366135	LEG COVER (PORT)	31	72		FRICTION SCREW		
FA366145	LEG COVER (STARBOARD)	31	75		W/SPRING AND BUTTON	3	36
FA366778	ENGINE COVER RETAINER,			FA94094-2	PROPELLER NUT W/SEAL &		
	FORWARD, W/SCREWS				COTTER PIN	33	9
	AND NUTS	3	7	FA97247	WATER TUBE,		
FA366953	BUSHING, STARTER				THERMOSTAT	19	65
	HANDLE	3	35	FAC463387	DECAL, TIMING (CANADA) .	25	-
FA40346-2	SHOCK MOUNT LOWER . . .	27	20	FAC535395	IDENTIFICATION PLATE		
FA40655	CRANKSHAFT CENTER				W/SCREWS, CANADA . . .	3	-
	MAIN BEARING RACE			FC310227	SPARK (QL-4-J) FOR		
	W/SNAP RING	23	15		MODELS 352B8K 353B8K	19	-
FA40742	FRICTION SHOE ADJUSTING			FC409398	DECAL, TOTE TANK		
	ARM W/SHOE	29	83		(CANADA)	37	-
FA411222	TRANSFER PORT COVER . .	19	45	FC433054	GEAR HOUSING COMPLETE		
FA433019	KINGPIN W/PLUG	29	59		(NOT SHOWN)	35	-
FA433054	GEAR HOUSING LOWER			FG1007-1	GASKET SET (SEE BELOW)	19	-
	W/PLUG, WASHER AND			FK247	PROPELLER PIN, PACK OF		
	THRUST BEARING CUP . .	33	26		6 W/COTTER PIN	33	12
FA433113	STERN BRACKET LOCK BAR			FK433032	STERN BRACKET W/CLAMP		
	W/HANDLE	27	33		SCREW & FOOT	27	30
FA433144	CRANKSHAFT BEARING			FK433838	TOWERSHAFT	17	23
	CAGE W/SEAL	23	3	FK750-2	SPARKIE KIT	9	13
FA433152	EXHAUST PORT COVER . . .	19	69	FK85228	BEARING CAGE W/ROLLERS		
FA433158	REED PLATE W/REEDS,				(16 PER SET)	23	6
	STOPS AND SCREWS . . .	25	10	FO10165	INLET SEAT GASKET	15	19
FA433167	CARBURETOR ADAPTER			FO10280	CHOKE SHUTTER		
	FLANGE	25	5		RETAINING SCREW AND		
FA433471	CYLINDER DRAIN COVER . .	17	32	FO10588	LOCKWASHER	15	16
					BODY CHANNEL CUP PLUG	15	1

PARTS INDEX

Part Number	Description	Pg.	Ref. No.	Part Number	Description	Pg.	Ref. No.
FO10790	INLET NEEDLE, SEAT AND GASKET	15	20	FT2996	RING COMPRESSOR	40	-
FO10883	CHOKE RELIEF VALVE SPRING	15	18	FT2999	TORQUE WRENCH	40	-
FO11103	IDLE MIXTURE SCREW SPRING	15	14	FT3139-1	STARTER REWIND KEY	39	-
FO12250	CHOKE SHUTTER	15	17	FT3431	DRIVESHAFT SEAL AND PROP SHAFT SEAL INSTALLER	41	-
FO12251	CHOKE RELIEF VALVE	15	13	FT3510	SEAL PUNCH	40	-
FO13552	FUEL BOWL	15	25	FT3512	SEAL PROTECTOR	40	-
FO13554	FLOAT	15	27	FT8900	CLAMP PLIERS	40	-
FO13944	FLOAT LEVER PIN	15	21	FT8904	FORWARD BEARING CUP INSTALLER	41	-
FO13945	FUEL BOWL RETAINING SCREW	15	26	FT8907	DRIVER HANDLE	41	-
FO13946	IDLE MIXTURE SCREW	15	15	FT8918	BUSHING GUIDE SET	41	-
FO14292	THROTTLE SHAFT RETURN SPRING	15	36	FT8919	SPRING PIN PUNCH	41	-
FO15406	MAIN FUEL JET	15	29	FT8921	FORWARD BEARING CUP REMOVER	41	-
FO15623	FUEL BOWL GASKET	15	23	FT8926	RING EXPANDER	40	-
FO15728	THROTTLE SHAFT AND LEVER	15	34	FT8932	LIFTING HOOK	42	-
FO16119	THROTTLE SHUTTER	15	37	FT8945	RETAINER PUNCH	41	-
FO16251	MAIN NOZZLE	15	28	FT8948-1	PROPELLER SHAFT BEARING CAGE PULLER	41	-
FO16383	CHOKE SHAFT AND LEVER	15	5	FT8950	LEAKAGE TESTER	42	-
FO16385	CHOKE SHAFT RETURN SPRING	15	12	FT8957	SEAL INSTALLER	41	-
FO2510	FUEL BOWL RETAINING SCREW GASKET	15	24	FT8962	BEARING INSTALLER	41	-
FO3804	THROTTLE SHAFT POSITION RETAINING SCREW WASHER	15	2	FT8964	BEARING REMOVER	41	-
FO4326	BODY CHANNEL WELCH PLUG	15	40	SA377015	PISTON .010 OVERSIZE (NOT SHOWN)	23	-
FO6393	THROTTLE SHAFT POSITION RETAINING SCREW	15	4	T8974	BREAKER POINT TENSION GAUGE	42	-
FO6396	THROTTLE SHAFT POSITION RETAINING SCREW LOCKWASHER	15	3	22-817740A1	ELBOW W/METERING CUP	19	74
FO8942	THROTTLE SHUTTER RETAINING SCREW AND LOCKWASHER	15	38	32-817738A1	FUEL LINE, LONG W/CLAMP AND FERRULE	37	7
FP287	STANDARD PROP (ACCESSORY ITEM)	33	8	37-F286894-3	STEERING HANDLE INDICATOR (CANADA)	7	-
FS174227	SPARK PLUG (L-4-J)	19	54	39-818112A1	PISTON RINGS (6 PER SET) .030 OVERSIZE (NOT SHOWN)	23	-
FS307260	PISTON RINGS (6 PER SET) .010 OVERSIZE (NOT SHOWN)	23	-	44-819500A3	PROPELLER SHAFT	33	21
FS307940	KINGPIN PLATE	27	4	45-817737A1	DRIVESHAFT W/RETAINER FOR STANDARD SHAFT MODELS	33	3
FS409752	FUEL LINE, COMPLETE	37	-	400-FA485018	CRANKSHAFT W/BEARING	23	5
FS433758	HOSE	19	73	600-818052A4	CONNECTING ROD W/CAP & SCREWS	23	7
FS486712	ENGINE COVER W/TILT HANDLE	3	3	800-817791A1	CYLINDER W/CRANKCASE COVER, DEFLECTOR PLATE AND SCREWS	17	42
FT2910	KNOCK-OFF NUT	38	-	800-817894A2	SHORT BLOCK (NOT SHOWN)	19	-
FT2937-1	TIMING TOOL	38	-	1600-817871A3	GEAR HOUSING UPR W/SEAL, WASHER, PLUG & INLET WATER SCREEN	35	44
FT2937A	TIMING ROD	38	-	F210-1	STUD	29	86
FT2938-1	TEST LIGHT	42	-				
FT2953	SOCKET	40	-				
FT2955A	TEST WHEEL	42	-				
FT2989	FLYWHEEL REMOVAL TOOL	38	-				
FT2990	PISTON PIN REMOVER	40	-				