



# PARTS CATALOG

## 105 H.P.

### SERIAL NUMBER

105 (1978) .....	.1057B8H
105 (1978) .....	.1057H8H
105 (1978) .....	.1059B8H
105 (1978) .....	.1059H8H

# TABLE OF CONTENTS:

ACCESSORIES .....	52
CARBURETOR .....	16
CRANKSHAFT AND PISTON GROUP .....	30
DISTRIBUTOR .....	12
ELECTRIC STARTER .....	10
ELECTRICAL COMPONENTS .....	6
ENGINE COVER AND SUPPORT PLATE .....	2
FUEL PUMP AND REED PLATE .....	20
FUEL TANK AND LINE .....	42
GEAR HOUSING .....	38
LUBRICATION CHART .....	55
MOTOR LEG .....	32
PARTS INDEX .....	57
POWER HEAD .....	24
REMOTE CONTROL .....	44
SPECIAL ADJUSTMENTS .....	56
SPECIAL TOOLS - GEAR HOUSING .....	50
SPECIAL TOOLS - POWER HEAD .....	49
SPECIAL TOOLS - TEST EQUIPMENT .....	51
SPECIAL TOOLS - TUNE-UP .....	48
SPECIFICATIONS .....	54

**NOTE:** *Indented description indicate that these parts are included in preceding assembly.*

**AR** = As Required

**NSS** = Not Sold Separate

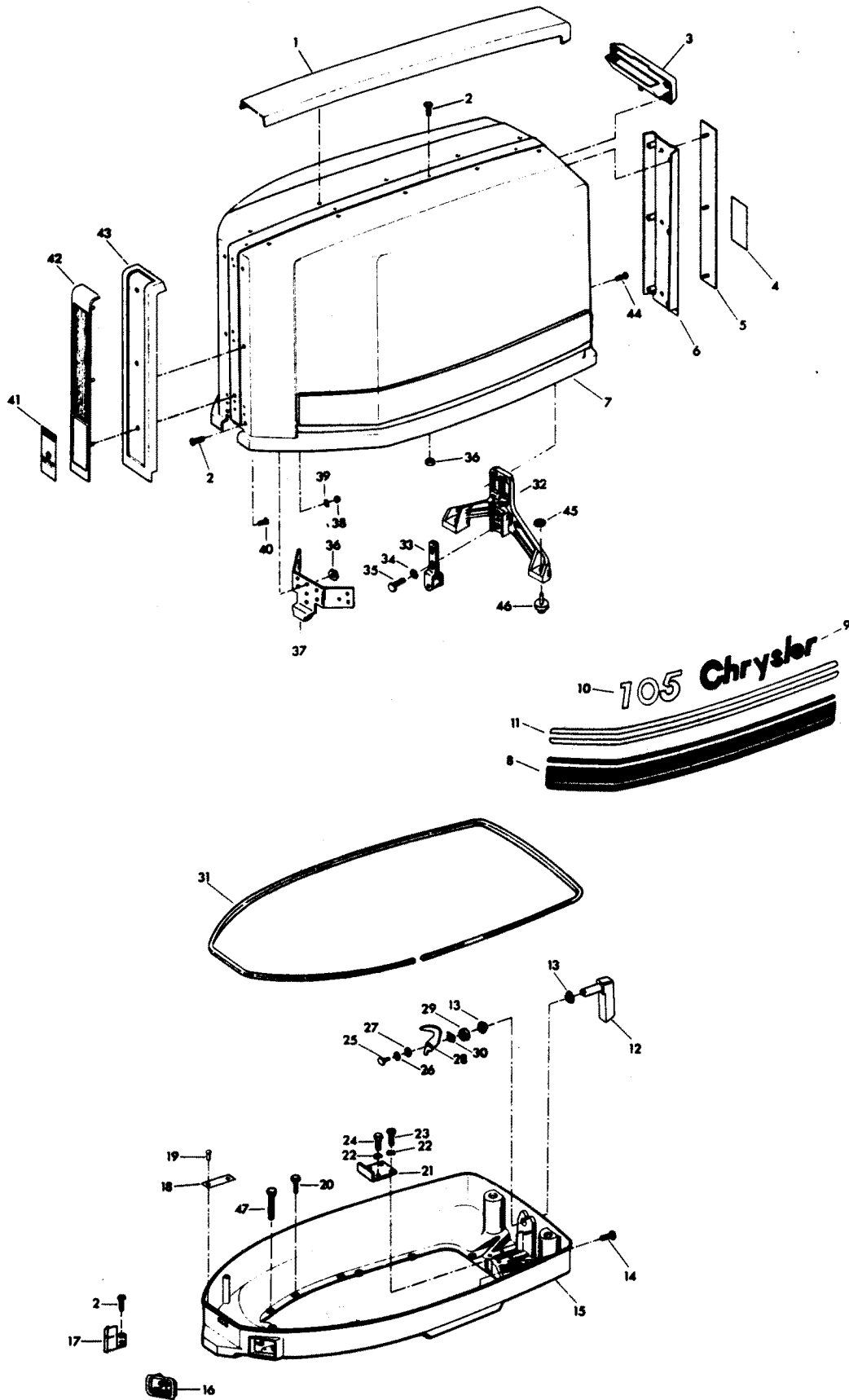
**OPT** = Optional

**NS** = Not Shown

**THESE PARTS BOOKS/FICHE CARD ARE COPYRIGHTED AND MAY NOT BE DISTRIBUTED OR REPRODUCED IN ANY OTHER FORMAT BY ANYONE OTHER THAN MERCURY MARINE WITHOUT THE PRIOR WRITTEN CONSENT OF MERCURY MARINE.**

THIS PAGE INTENTIONALLY LEFT BLANK

# ENGINE COVER AND SUPPORT PLATE

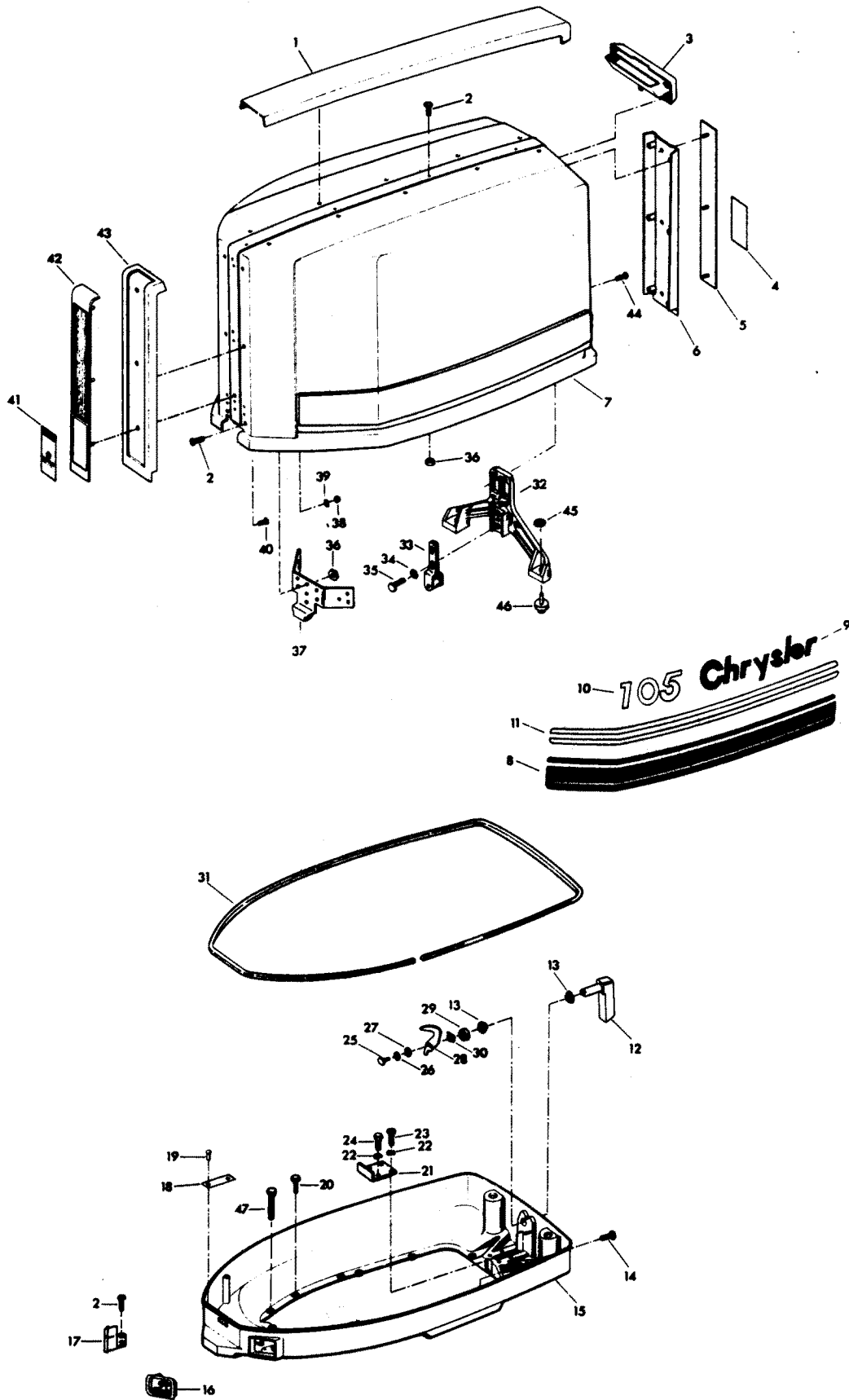


# ENGINE COVER AND SUPPORT PLATE

REF. NO.	PART NO.	SYM.	QTY.	DESCRIPTION
1	F2S480179		1	TRIM TOP
2	F1733		10	PAN HD MACHINE SCREW, 10 - 24 X 9/16
3	F2S480269		1	TILT HANDLE
4	FA489528		1	INSERT, PLATE REAR
5	F439386		1	PLATE REAR
6	F2S489180		1	TRIM REAR
7	FS528944		1	ENGINE COVER W/RETAINER, SCREWS AND NUTS
8	F498397		2	DECAL, STRIPE LOWER
9	F498392		2	DECAL,"CHRYSLER"
10	F500386		2	DECAL, NUMERAL
11	F498396		2	DECAL, STRIPE UPPER
12	FA481469		1	HANDLE W/SHAFT
13	F480818		2	BEARING
14	F1238		6	HEX CAP SCREW, 1/4 - 20 X 3/4
15	F480038-2		1	SUPPORT PLATE
16	F310189		1	BUSHING, ELECTRIC CABLE
17	F311189-1		1	BUSHING, CABLE ENTRY
18	FA77395-5		1	IDENTIFICATION PLATE W/SCREWS FOR U.S.A. MODELS
-	<b>AC16395-8</b>		<b>1</b>	<b>IDENTIFICATION PLATE W/SCREWS FOR CANADA MODELS</b>
19	F1447		2	ROUND HD SCREWS, 2 X 3/16
20	F1502		5	HEX CAP SCREW, 1/4 - 20 X 5/8
21	F335654-1		1	DEFLECTION STOP
22	F8096		4	SPRING LOCKWASHER
23	F1857		2	HEX CAP SCREW, 5/16 - 18 X 5/8
24	F1858		2	HEX CAP SCREW, 5/16 - 18 X 1
25	F1854		1	HEX CAP SCREW, 1/4 - 20 X 5/8
26	F8083		1	SPRING LOCKWASHER
27	F8094		1	PLAIN WASHER
28	F481777		1	CAM, LATCH
29	F481382-1		1	SPACER, LATCH SHAFT
30	F2047		1	WAVE SPRING LOCKWASHER
31	F321756		1	PACKING, COVER
32	F481774		1	BRACKET, COVER LATCH
33	FA481743		1	ROLLER BRACKET
34	F8096		2	SPRING LOCKWASHER
35	F1857		2	HEX CAP SCREW, 5/16 - 18 X 5/8
36	F1473		7	HEX NUT
37	F373778-1		1	RETAINER, ENGINE COVER
38	F1753		7	FASTENER
39	F85735-1		7	SEAL
40	F2066		30	PAN HD TAPPING SCREW, 10 X 7/16 (TRIM TO COVER)
41	FA467892		1	INSERT PLATE FRONT - U.S.A.
-	<b>FA467893</b>		<b>1</b>	<b>INSERT PLATE FRONT - CANADA</b>

CONTINUED ON NEXT PAGE ➡

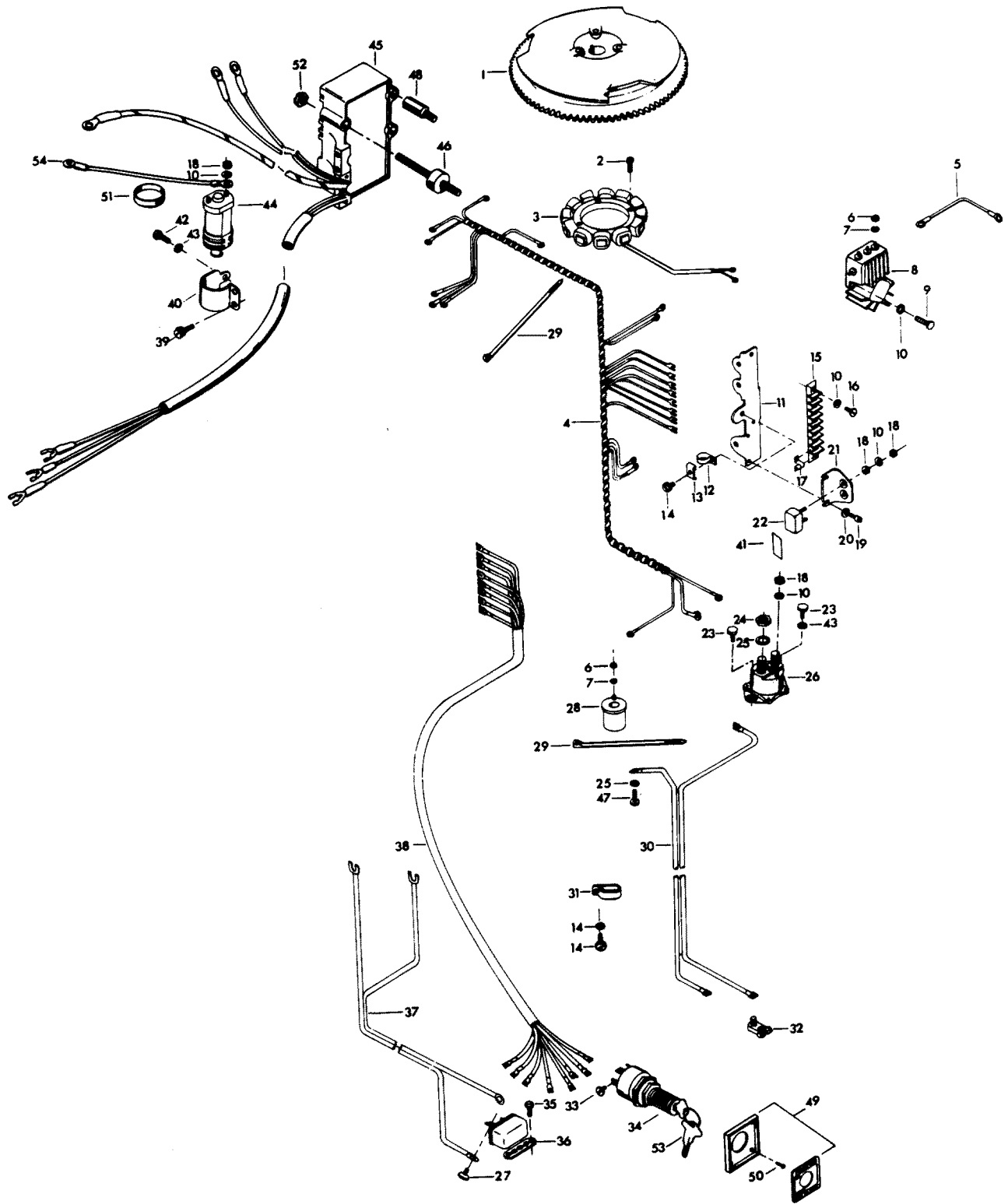
# ENGINE COVER AND SUPPORT PLATE



## ENGINE COVER AND SUPPORT PLATE

REF. NO.	PART NO.	SYM.	QTY.	DESCRIPTION
42	F500711		1	PLATE, ENGINE COVER FRONT
43	F2S489888		1	TRIM FRONT
44	F1730		4	PAN HD SCREW W/SPRING LOCKWASHER, 1/4 - 20 X 5/8
45	F2088		2	FASTENER
46	F481434		2	GUIDE, ENGINE COVER
47	F1849		2	HEX HD CAP SCREW, 1/4 - 20 X 1 3/8
-	<b>F438984-1</b>		<b>1</b>	<b>BLANKET, SILENCER TOP (NOT SHOWN)</b>
-	<b>F489985</b>		<b>2</b>	<b>BLANKET, SILENCER SIDE (NOT SHOWN)</b>

# ELECTRICAL COMPONENTS



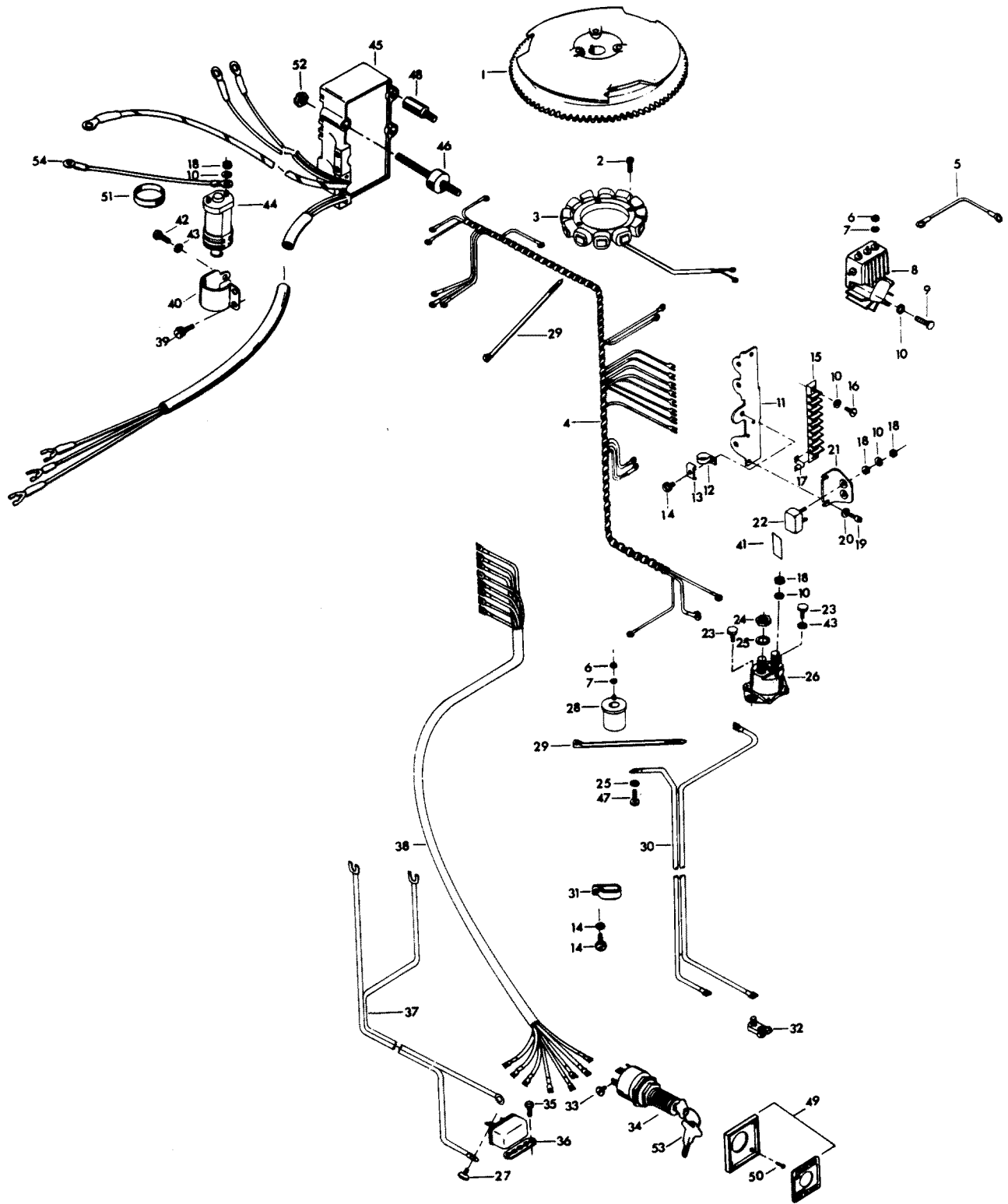


# ELECTRICAL COMPONENTS

REF. NO.	PART NO.	SYM.	QTY.	DESCRIPTION
1	F404097		1	FLYWHEEL
2	F1678		6	FILL HD SCREW, 10 - 24 X 13/16
3	F85095-2		1	STATOR
4	F438744-1		1	WIRING HARNESS
5	F345683		1	WIRE, REGULATOR-RECTIFIER GROUND
6	F1647		5	HEX NUT, 8 - 32
7	F8056		5	SPRING LOCKWASHER
8	F404470-1		1	REGULATOR-RECTIFIER
9	F2001		3	FILL HD SCREW, 10 - 24 X 5/8
10	F1975		9	SPRING LOCKWASHER
11	FA438493		1	TERMINAL BLOCK BRACKET
12	F289446-1		1	CLAMP
13	F438668		1	RETAINER, CABLE CLAMP
14	F1734		2	FILL HD SCREW W/LOCKWASHER, 1/4 - 20 X 1/2
15	FA510497		1	TERMINAL BLOCK
16	F1648		2	PAN HD SCREW, 10 - 24 X 3/4
17	F307317		1	CLIP, TERMINAL BLOCK
18	F1513		8	HEX NUT
19	F1760		2	PAN HD SCREW, 10 - 24 X 3/8
20	F8011		2	PLAIN WASHER
21	F91446-1		1	CIRCUIT BREAKER BRACKET
22	F510460		1	CIRCUIT BREAKER
23	F1705		2	HEX CAP SCREW, 1/4 - 20 X 3/4
24	F1515		8	HEX NUT
25	F8096		3	SPRING LOCKWASHER
26	F460917		1	STARTER RELAY
27	F1645		2	HD. SCREW, 6 - 32 X 1/4
28	F85924		1	CHOKE SOLENOID
29	F1877		2	TY-RAP
30	F381896-4		1	BATTERY CABLE
31	F407446		1	CLAMP
32	F71H26		1	BATTERY CABLE CLAMP KIT (ACCESSORY ITEM)
33	F1280		5	PAN HD SCREW, 8 - 32 X 1/4
34	F5H078		1	IGNITION SWITCH (LONG BARREL) W/KEYS AND SCREWS <b>(ACCESSORY ITEM)</b>
35	F1741		2	PAN HD SCREW, 8 X 3/4
36	F5H043		1	OVERHEAT BUZZER (ACCESSORY ITEM)
37	F404841		1	CABLE, HEAT INDICATOR
38	F85843-1		1	REMOTE ELECTRIC CABLE, 18 FEET
39	F1851		2	FILL HD SCREW W/LOCKWASHER, 10 - 24 X 1/2
40	F404513		1	COIL CLAMP
41	F510374		1	DECAL, CIRCUIT BREAKER
-	<b>FC510374</b>		<b>1</b>	<b>DECAL, CIRCUIT BREAKER - CANADA</b>

CONTINUED ON NEXT PAGE ➡

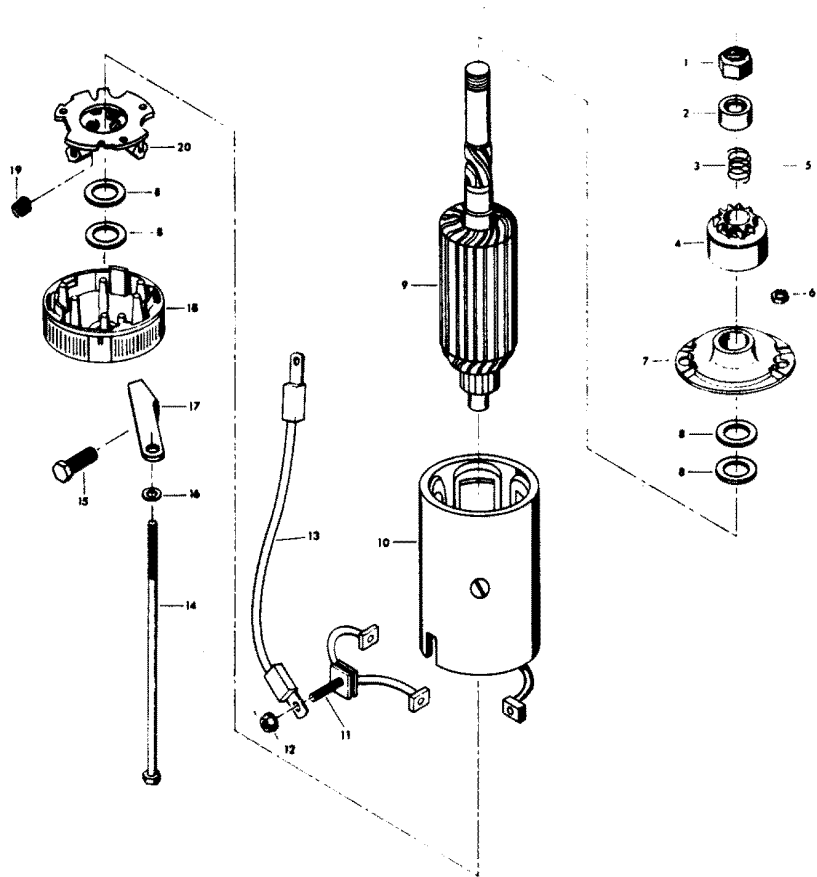
# ELECTRICAL COMPONENTS



# ELECTRICAL COMPONENTS

REF. NO.	PART NO.	SYM.	QTY.	DESCRIPTION
42	F1689		1	HEX HD CAP SCREW, 1/4 - 20 X 1/2
43	F8083		2	SPRING LOCKWASHER
44	F345475-1		1	COIL
45	FA523301		1	UNIT W/DECAL
46	F523962		3	SHOCK MOUNT - C.D. UNIT
47	F2000		1	HEX CAP SCREW, 5/16 - 18 X 3/4
48	F322273		1	STUD, C.D. UNIT
49	F5H038		1	IGNITION SWITCH MOUNTING KIT (ACCESSORY ITEM)
50	F1934		4	FLAT HD SLOTTED SCREW, 6 X 12
51	F391983		2	RETAINING BAND
52	F1892		3	STOP NUT
54	F85664		1	GROUND WIRE
-	<b>480373</b>		<b>1</b>	<b>DECAL, MAGNAPOWER IGNITION (NOT SHOWN)</b>
-	<b>F474387</b>		<b>1</b>	<b>TIMING DECAL (NOT SHOWN)</b>
-	<b>FC474387</b>		<b>1</b>	<b>TIMING DECAL - CANADA (NOT SHOWN)</b>

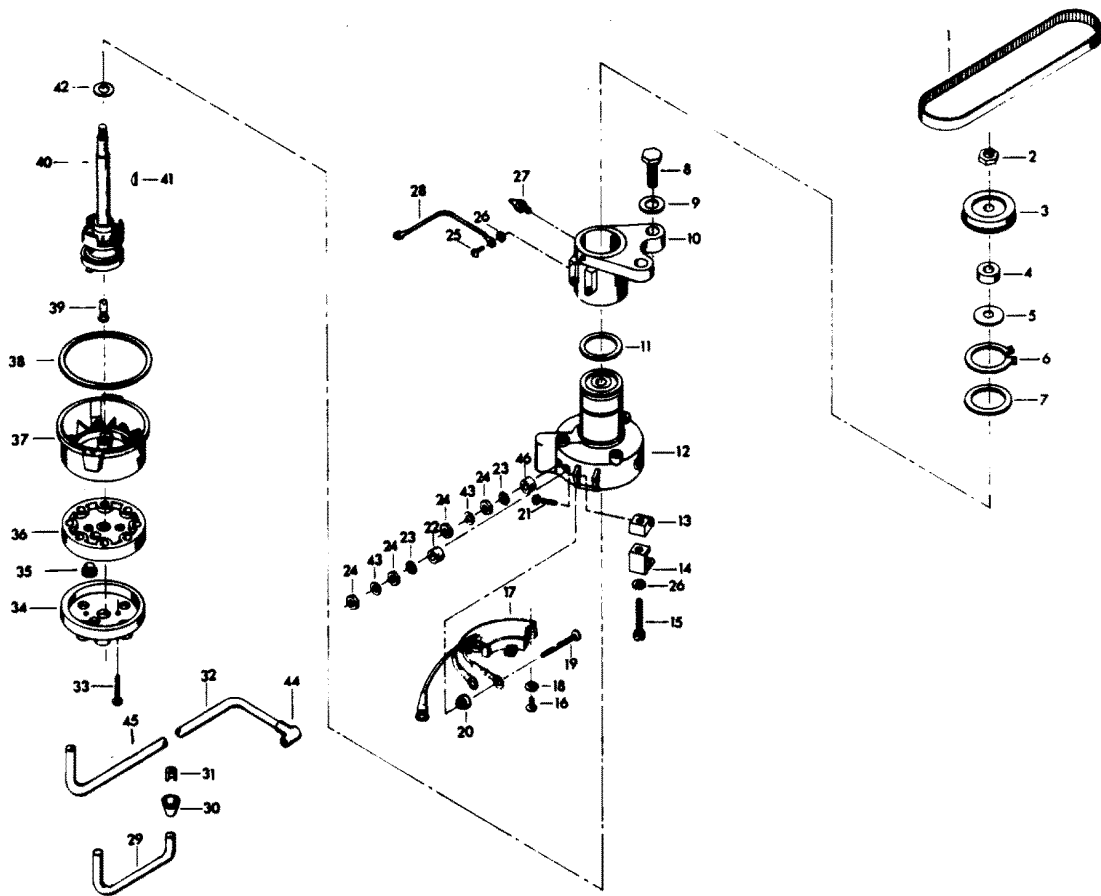
# ELECTRIC STARTER



# ELECTRIC STARTER

REF. NO.	PART NO.	SYM.	QTY.	DESCRIPTION
5	F15118		1	BENDIX DRIVE ASSEMBLY
6	F1641		2	LOCK NUT
7	F15167		1	HEAD ASSEMBLY, DRIVE END
8	F15126		1	THRUST WASHER PACKAGE
9	F15099		1	ARMATURE
10	F15166		1	FRAME AND FIELD ASSEMBLY
11	F15054		1	BRUSH AND TERMINAL SET
12	FA15072		1	HEX LOCK NUT, 1/4 - 20
13	F85908		1	STARTER LEAD WIRE
14	F15168		1	THRU BOLT PACKAGE
15	F1502		1	HEX CAP SCREW, 1/4 - 20 X 5/8
16	F8028		2	PLAIN WASHER
17	F511675		1	STARTER BRACKET, LOWER
18	F15125		1	HEAD ASSEMBLY, COMMUTATOR END
19	F15034		1	SPRING SET
20	F15057		1	BRUSH PLATE AND HOLDER ASSEMBLY
-	<b>FS490955</b>		<b>1</b>	<b>STARTER COMPLETE</b>

# DISTRIBUTOR

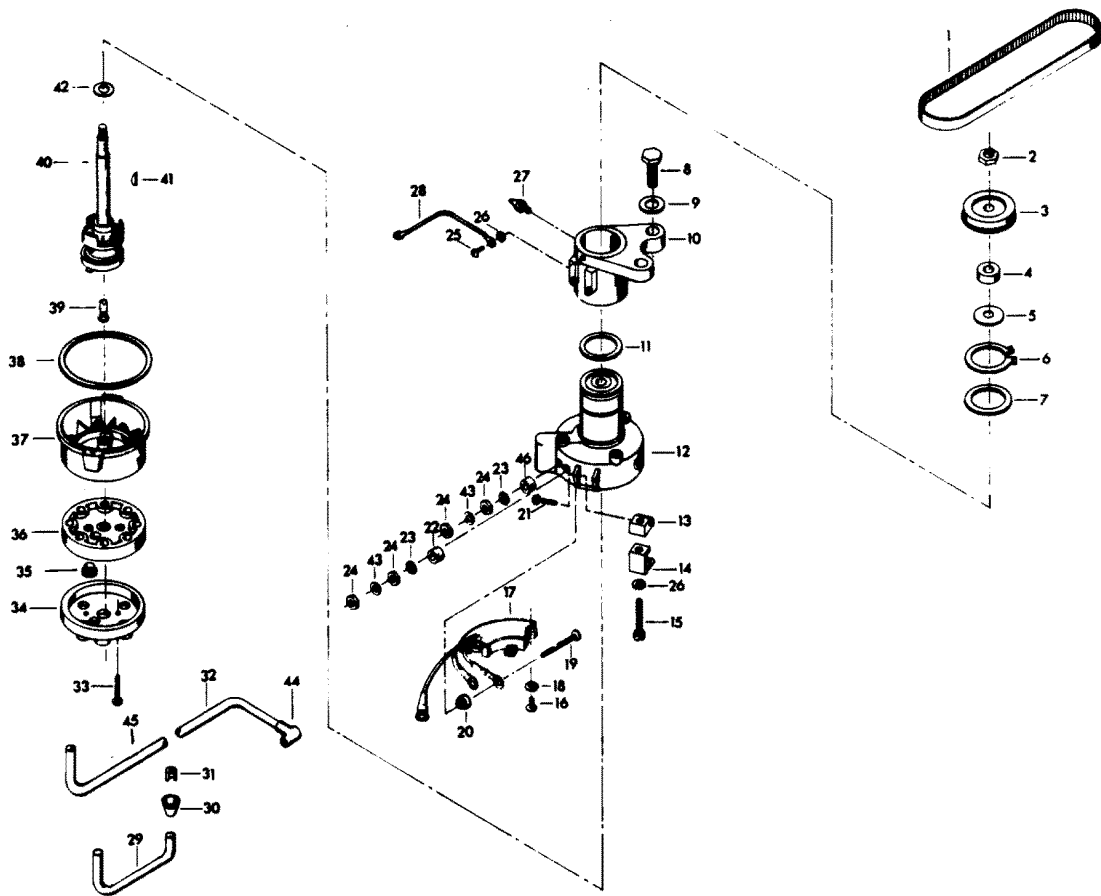


# DISTRIBUTOR

REF. NO.	PART NO.	SYM.	QTY.	DESCRIPTION
1	F85311		1	DISTRIBUTOR BELT
2	F7013		1	STOP NUT
3	817786A1		1	DISTRIBUTOR PULLEY
4	F14025		1	SPACER
5	F14028		1	THRUST WASHER
6	F85173		1	RETAINING RING
7	F14029		1	THRUST WASHER
8	F1612		2	HEX CAP SCREW, 3/8 - 16 X 1 1/4
9	F2014		2	PLAIN WASHER
10	FA321574		1	DISTRIBUTOR BRACKET
11	F1759		2	SHIM, DISTRIBUTOR (QTY. AS REQUIRED)
12	F14042		1	DISTRIBUTOR HOUSING W/BEARINGS
13	F14036		2	SWIVEL
14	F14037		2	CAP CLIPS
15	F14038		2	CAP CLIP SCREWS
16	F14045		2	SCREW
17	14048-2		1	PREAMPLIFIER
18	F8056		2	LOCKWASHER
19	F14046		2	TERMINAL SCREW
20	F14047		2	TERMINAL INSULATOR (INSIDE)
21	F14015		2	CAP CLIP RIVET
22	F14049		1	TERMINAL INSULATOR (OUTSIDE)
23	F14041		2	EXTERNAL TOOTH LOCKWASHER
24	F1647		4	HEX NUT, 8 - 32
25	F1760		2	PAN HD SCREW, 10 - 24 X 3/8
26	F1975		2	SPRING LOCKWASHER
27	F213274		1	GREASE FITTING
28	F85664		1	DISTRIBUTOR GROUND
29	84-817775A1		1	COIL WIRE W/TERMINAL CLIP
30	F203276		1	BOOT
31	F203673		1	TERMINAL CLIP
32	F321841-2		4	LEAD WIRE
33	F14007		2	CAP SCREW
34	F14010-1		1	CAP COVER
35	F14040		2	VENT
36	F14021-1		1	CAP SEAL
37	F14005-2		1	CAP BASE
38	F14030		1	CAP GASKET
39	F14012-1		1	BRUSH
40	F14044		1	DISTRIBUTOR SHAFT
41	F1692		1	WOODRUFF KEY
42	F14024		1	SPACER
43	F8056		2	LOCKWASHER

CONTINUED ON NEXT PAGE ➡

# DISTRIBUTOR

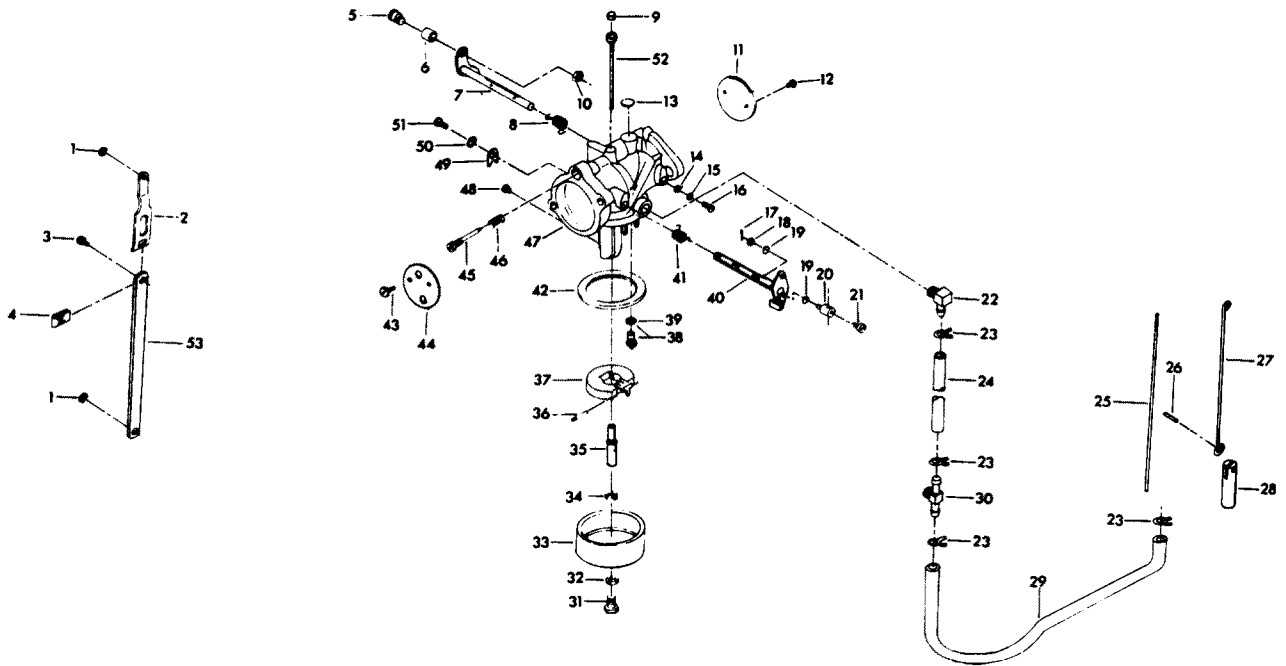




# DISTRIBUTOR

REF. NO.	PART NO.	SYM.	QTY.	DESCRIPTION
44	FK750-1		4	SPARKIE W/SPRING
45	F84991-1		3	GROMMET
46	F14017		1	TERMINAL INSULATOR (OUTSIDE)
-	<b>817828A1</b>		<b>1</b>	<b>DISTRIBUTOR</b>
-	<b>481373-1</b>		<b>1</b>	<b>DECAL, "ELECTRONIC" (NOT SHOWN)</b>

# CARBURETOR

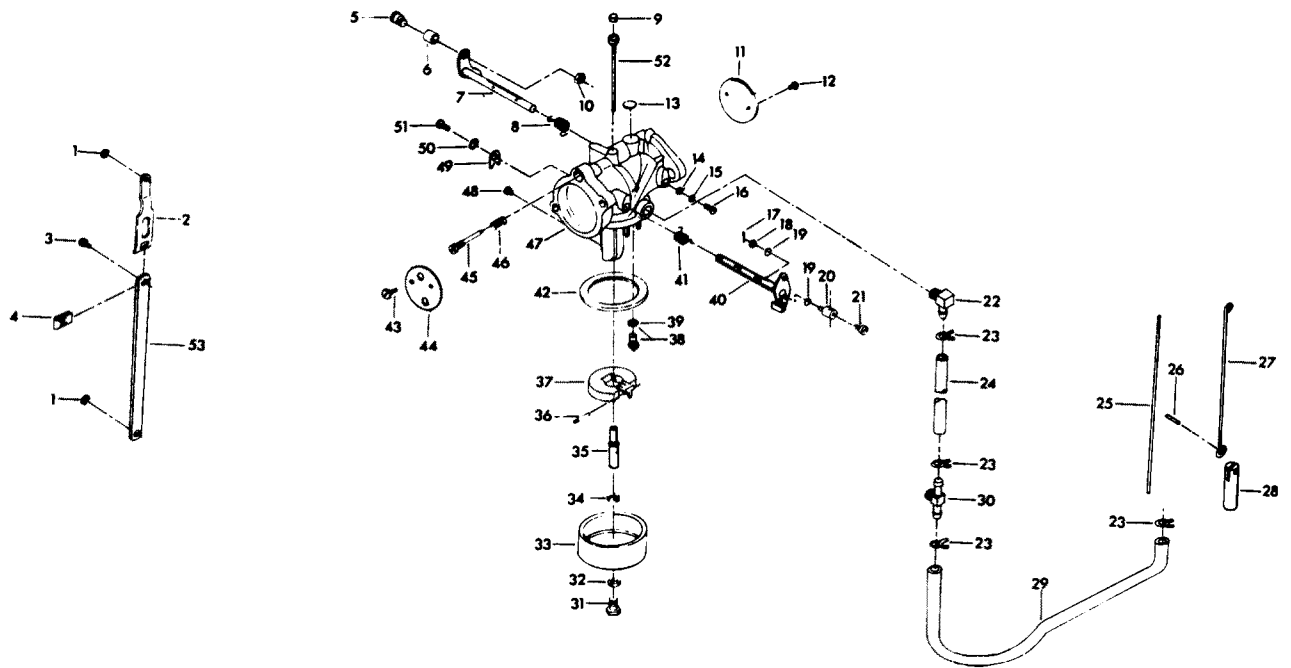


# CARBURETOR

REF. NO.	PART NO.	SYM.	QTY.	DESCRIPTION
1	F90807		2	RETAINING RING
2	FA85193		1	TIE BAR END W/SWIVEL
3	F1064		1	FILL HD SCREW, 8 - 32 X 3/8
4	F1693		1	TIE BAR RETAINER
5	F333316		1	THROTTLE ROLLER SHAFT
6	F92759		1	THROTTLE ROLLER
7	FO15231		1	THROTTLE SHAFT AND LEVER
8	FO16008		1	THROTTLE SHAFT RETURN SPRING
9	FO10588		1	BODY CHANNEL CUP PLUG
10	F1997		1	STOP NUT, 8 - 32
11	FO13942		1	THROTTLE SHUTTER
12	FO8942		2	THROTTLE SHUTTER RETAINING SCREW AND LOCKWASHER
13	FO4326		1	BODY CHANNEL WELCH PLUG
14	FO3804		1	RETAINING SCREW WASHER
15	FO6396		1	RETAINING SCREW LOCKWASHER
16	FO6393		1	RETAINING SCREW
17	F1014		2	COTTER PIN
18	F8088		3	PLAIN WASHER
19	F184579		5	"O" RING SEAL
20	F184033-1		1	SWIVEL, TOP CARBURETOR
21	F1059		2	FILL HD SCREW, 6 - 32 X 1/4
22	F84314-2		1	ELBOW
23	F97772		4	CLAMP
24	F178754-1		1	FUEL LINE
25	F85509-1		1	LINK, CHOKE
26	F2033		1	GROOVE PIN
27	F372925		1	CHOKE ROD
28	F391926-1		1	PLUNGER
29	F438754		1	FUEL LINE W/CLAMP, PUMP TO CARBURETOR
30	F85314-1		1	FUEL FITTING
31	FO13945		1	FUEL BOWL RETAINING SCREW
32	FO2510		2	FUEL BOWL RETAINING SCREW GASKET
33	FO13552		1	FUEL BOWL
34	FO2510		1	FUEL BOWL RETAINING SCREW WASHER
35	FO15217		1	MAIN NOZZLE
36	FO13944		1	FLOAT LEVER PIN
37	FO13554		1	FLOAT
38	FO10790		1	INLET NEEDLE, SEAT AND GASKET
39	FO10165		1	INLET SET GASKET
40	FO17241		1	CHOKE SHAFT AND LEVER
41	FO13947		1	CHOKE SHAFT RETURN SPRING
42	FO15623		1	FUEL BOWL GASKET
43	FO8942		2	CHOKE SHUTTER RETAINING SCREW AND LOCKWASHER

CONTINUED ON NEXT PAGE ➡

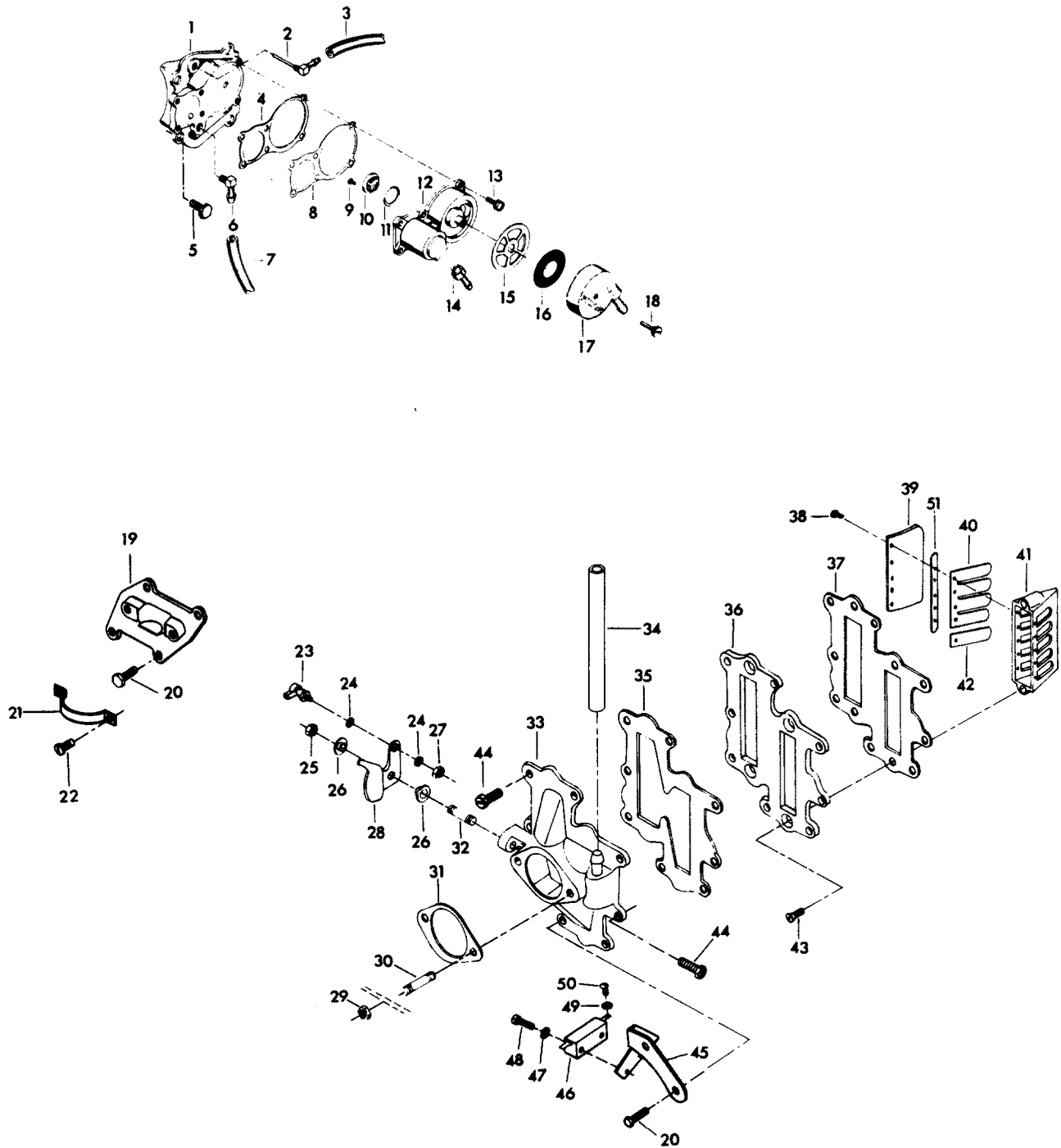
# CARBURETOR



# CARBURETOR

REF. NO.	PART NO.	SYM.	QTY.	DESCRIPTION
44	FO13555		1	CHOKE SHUTTER
45	FO13946		1	IDLE MIXTURE SCREW
46	FO11103		1	IDLE MIXTURE SCREW SPRING
47	F500061-1		1	CARBURETOR COMPLETE (WB24B)
48	FO13194		1	MAIN FUEL JET (.080)
49	FO9678		1	CLIP, CHOKE SHAFT
50	FO992		1	LOCKWASHER
51	FO1974		1	SCREW
52	FO17181		1	IDLE TUBE
53	FA178233		1	THROTTLE TIE BAR W/SWIVEL
-	<b>F85033</b>		<b>1</b>	<b>SWIVEL, CHOKE ROD (BOTTOM CARBURETOR) (NOT SHOWN)</b>
-	<b>F10000</b>		<b>1</b>	<b>GASKET SET (NOT SHOWN)</b>
-	<b>F10005</b>		<b>1</b>	<b>REPAIR PARTS KIT (NOT SHOWN) INCLUDES ALL ITEMS MARKED WITH AN ASTERISK (*)</b>

# FUEL PUMP AND REED PLATE

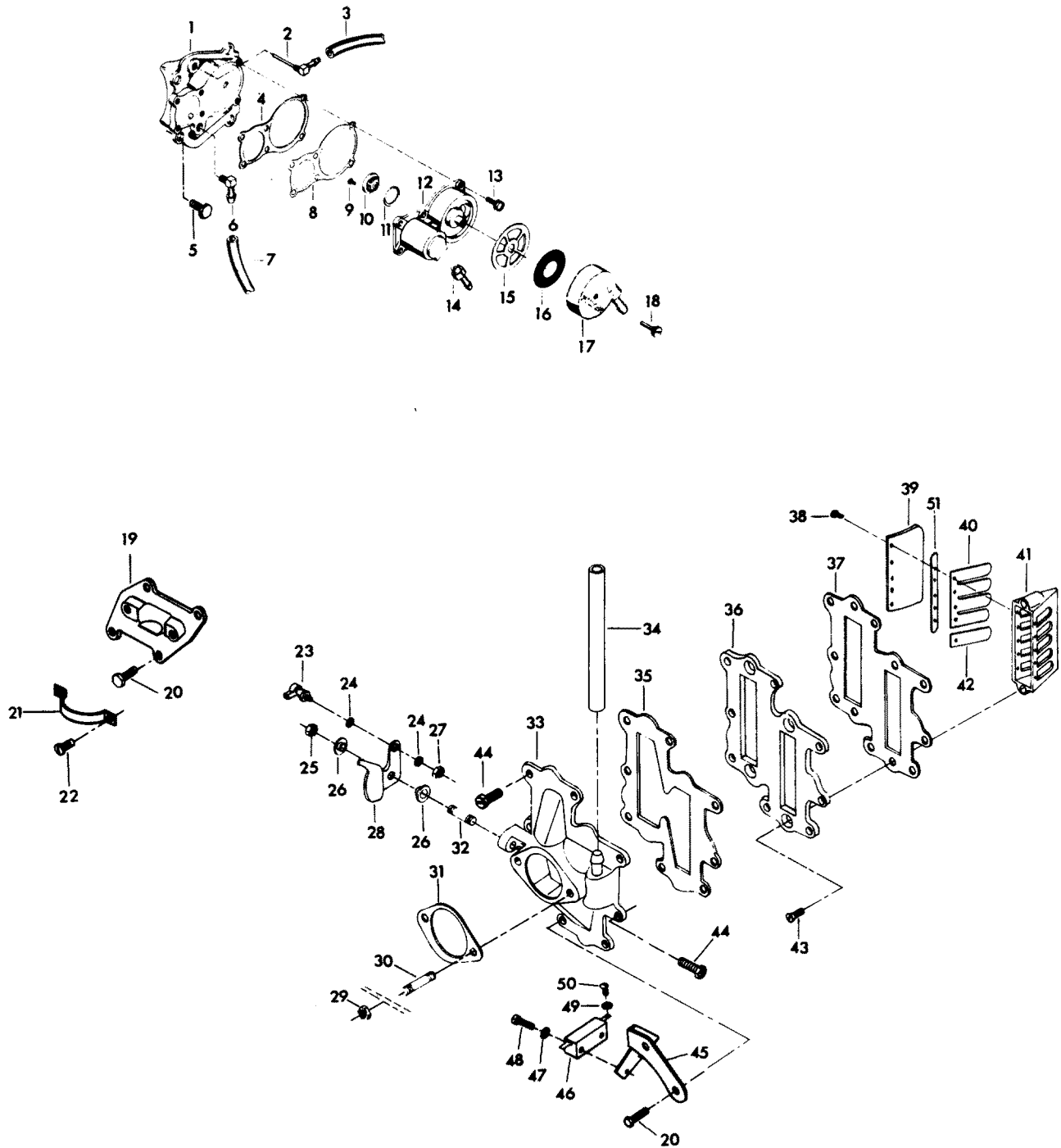


# FUEL PUMP AND REED PLATE

REF. NO.	PART NO.	SYM.	QTY.	DESCRIPTION
1	FA439746		1	FUEL PUMP COVER
2	F404314		1	ELBOW, FUEL PUMP COVER
3	F441754-1		1	HOSE
4	F438760		1	FUEL PUMP GASKET
5	F1502		4	HEX CAP SCREW, 1/4 - 20 X 5/8
6	F84314-2		1	ELBOW
7	F89758		1	FUEL PUMP AIR HOSE - TOP
8	F438747		1	FUEL PUMP DIAPHRAGM W/GASKET
9	F1860		2	RD HD SCREW, 6 - 32 X 1/4
10	F177330		3	FUEL PUMP VALVE
11	F84792		1	GASKET, CENTER FUEL PUMP VALVE
12	FA438431		1	FUEL PUMP BODY W/VALVES
13	F1108		6	FILL HD SCREW, 1/4 - 20 X 3/4
14	F438801		1	FITTING
15	F438617		1	FUEL SEDIMENT BOWL GASKET
16	F438653		1	FUEL SEDIMENT BOWL SCREEN
17	F438500		1	FUEL SEDIMENT BOWL
18	F438165		1	SCREW, FUEL PUMP BOWL
19	F372958		1	CHOKE BRACKET
20	F1953		6	HEX HD SCREW, 1/4 - 20 X 1
21	F85317-1		1	SOLENOID CLAMP
22	F1236		2	SCREW, 1/4 - 20 X 1/2
23	817747--1		1	BALL JOINT W/STUD
24	F8058		2	INTERNAL TOOTH LOCKWASHER
25	F1910		1	STOP NUT, 1/4 - 20
26	F269319		2	THROTTLE CAM BEARING
27	F1513		1	HEX NUT, 10 - 32
28	F85192-1		1	THROTTLE CAM
29	F1515		4	HEX NUT, 5/16 - 18
30	F40209		4	CARBURETOR STUD
31	F85906		2	CARBURETOR GASKET
32	F433209-1		1	THROTTLE CAM STUD
33	FA178167		1	CARBURETOR ADAPTER, LOWER W/FITTING AND STUD
-	<b>FA178157</b>		<b>1</b>	<b>CARBURETOR ADAPTER, UPPER W/FITTING AND STUD</b>
34	32-77653-77		1	BALANCE TUBE
35	F178168-1		2	GASKET, CARBURETOR ADAPTER
36	F178404-1		2	DEFLECTOR PLATE
37	F406406		2	GASKET DEFLECTOR PLATE
38	F1755		40	ROUND HD SCREW W/LOCKWASHER, 6 - 32 X 1/4
39	F85161-1		8	REED STOP
40	F316160		8	REED (4 PETAL)
41	F2A523158		4	REED PLATE W/REEDS, REED STOPS AND SCREWS
42	F316164		8	REED (1 PETAL)

CONTINUED ON NEXT PAGE ➡

# FUEL PUMP AND REED PLATE

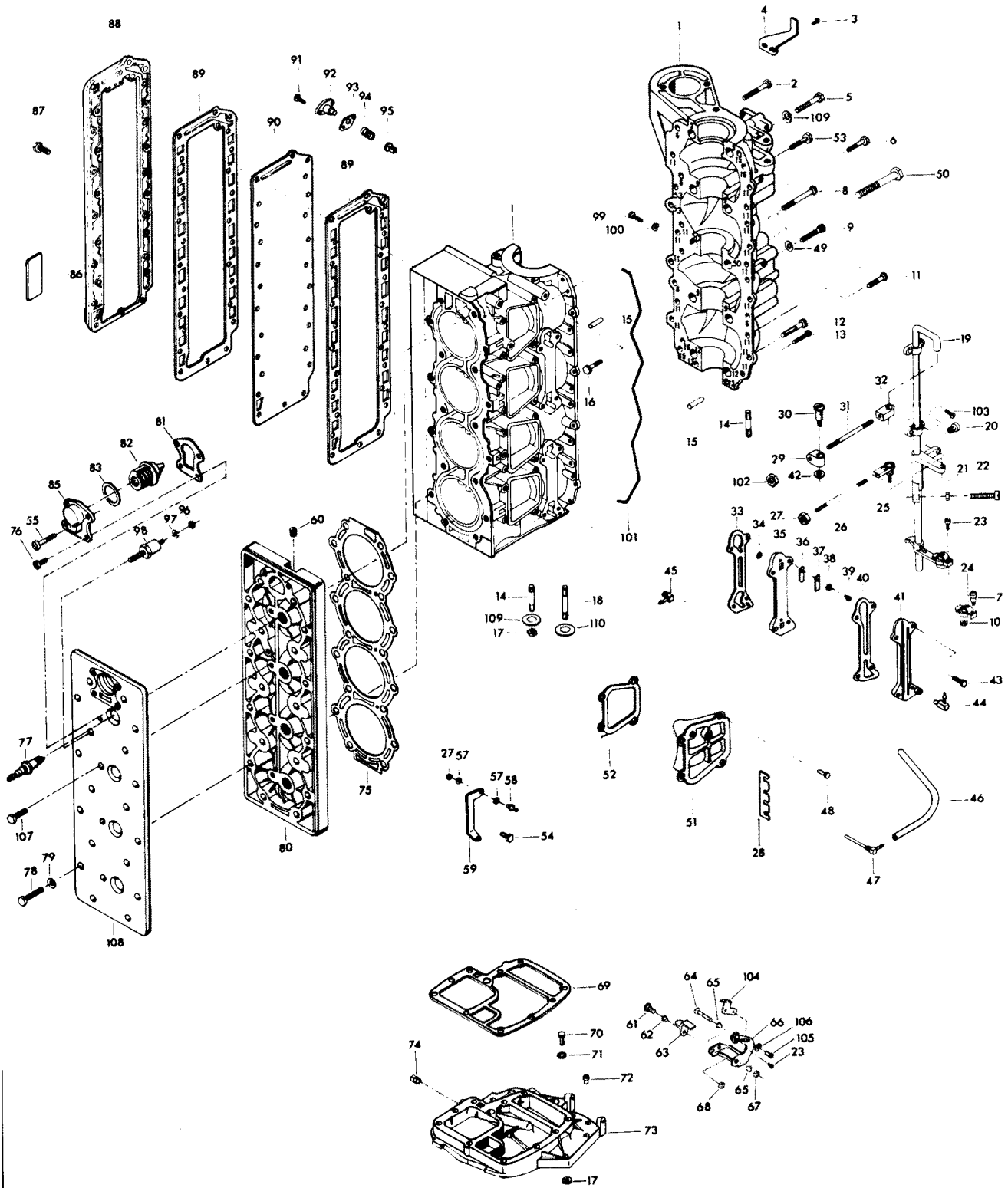




## FUEL PUMP AND REED PLATE

REF. NO.	PART NO.	SYM.	QTY.	DESCRIPTION
43	F1831		8	FLAT HD SCREW, 1/4 - 20 X 5/8
44	F1915		10	HEX HD SCREW, 1/4 - 20 X 7/8
45	F489551		1	BRACKET NEUTRAL INTERLOCK SWITCH
46	F84449		1	INTERLOCK SWITCH
47	F8088		2	PLAIN WASHER
48	F2016		2	FILL HD SCREW, 6 - 32 X 7/8
49	F1704		2	INTERNAL TOOTH LOCKWASHER
50	F1645		2	RD HD SCREW, 6 - 32 X 1/4
51	F523451		8	SPACER, REED STOP

# POWER HEAD

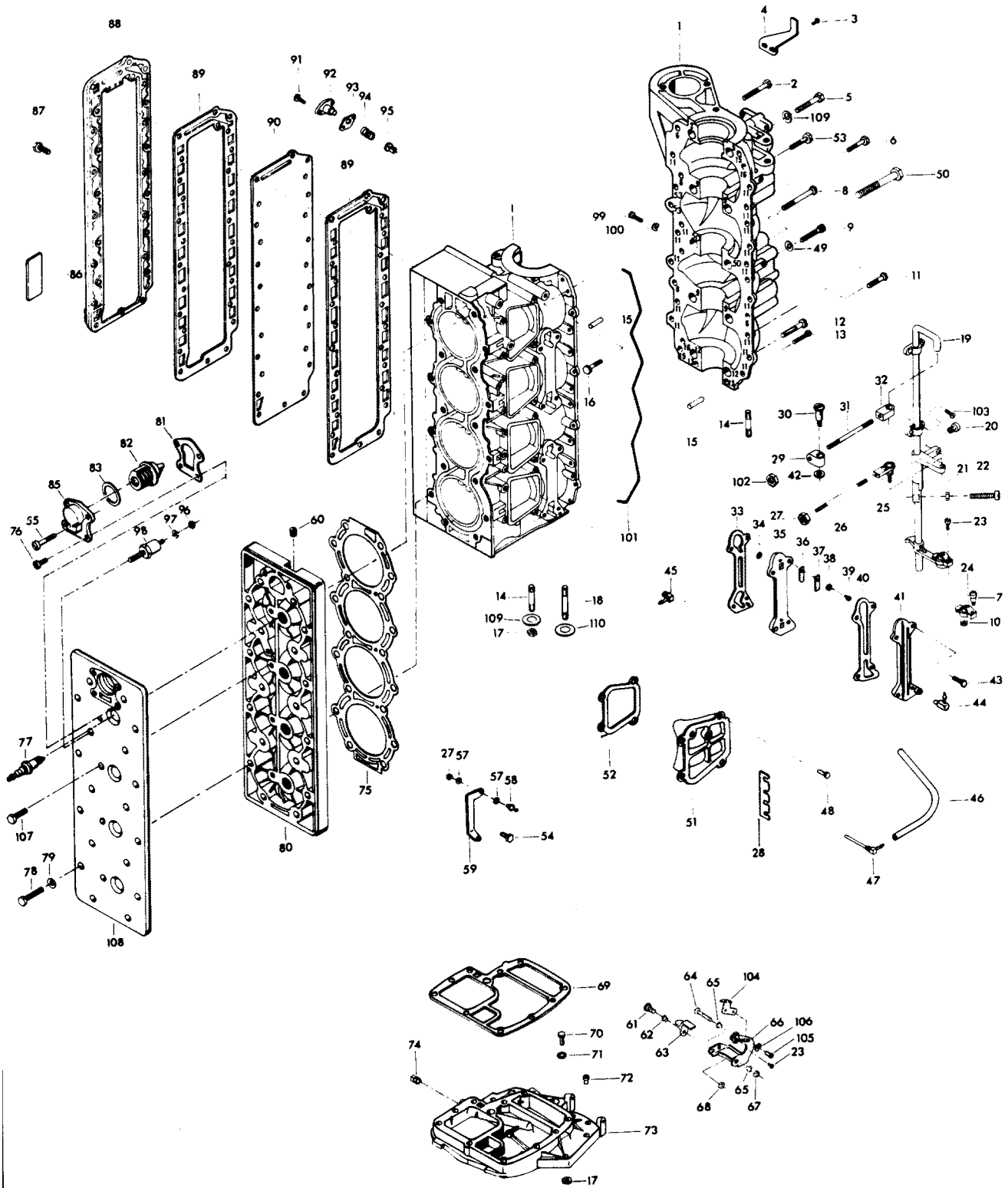


# POWER HEAD

REF. NO.	PART NO.	SYM.	QTY.	DESCRIPTION
1	A523010-1		1	CYLINDER, PARTING LINE SEAL, SCREWS & DOWEL PINS <b>W/CRANKCASE COVER ORIGINAL FORCE P/N A523010-1</b>
2	F1874		1	HEX HD SCREW, 3/8 - 16 X 3 1/8
3	F1760		2	PAN HD SCREW, 10 - 24 X 3/8
4	FA480894		1	TIMING POINTER
5	F1009		1	HEX HD SCREW, 3/8 - 16 X 2 3/4
6	F1915		3	HEX HD SCREW, 1/4 - 20 X 7/8
7	F405457		1	PIVOT SCREW
8	F1699		1	HEX HD SCREW, 1/4 - 20 X 1 1/8
9	F1253		4	HEX SOCKET HD CAP SCREW, 3/8 - 16 X 2
10	F7008		1	ELASTIC STOP NUT
11	F1914		16	HEX HD SCREW, 1/4 - 20 X 3/4
12	F1872		2	HEX CAP SCREW, 3/8 - 16 X 1 3/4
13	F1099		2	FILL HD SCREW, 1/4 - 20 X 1 1/4
14	F85859		4	STUD
15	F8563		2	DOWEL PIN
16	F1953		2	HEX HD SCREW, 1/4 - 20 X 1
17	F7004		10	STOP NUT, 3/8 - 16
18	F85211		6	STUD
19	817932A6		1	TOWERSHAFT W/SWIVEL, BEARINGS AND SCREWS
20	F1727		1	PLASTIC RIVET
21	F1341		1	HEX NUT, 1/4 - 20
22	F1052		1	FILL HD SCREW, 1/4 - 20 X 1
23	F1556		2	FILL HD SCREW W/LOCKWASHER, 10 - 24 X 3/8
24	FK405020		2	SWIVEL W/CLAMP, SHOULDER SCREW AND NUT
25	817747--1		1	BALL JOINT W/STUD
26	F85502		1	THROTTLE LINK
27	F1513		4	HEX NUT, 10 - 32
28	F523834		1	CLIP, SPARK PLUG WIRE
29	F85035		1	DISTRIBUTOR, CONTROL ROD END
30	F85026		1	SWIVEL
31	F85445		1	CONTROL ROD
32	F85036		1	TOWERSHAFT CONTROL ROD END
33	F84748-3		2	GASKET
34	F93811		4	SCREEN
35	F2A476757		2	CYLINDER DRAIN REED PLATE W/REEDS, STOPS AND SCREWS
36	F18160-1		4	CYLINDER DRAIN REED
37	F93920		4	STOP REED
38	F8003		4	PLAIN WASHER
39	F1286		4	PAN HD SCREW, 4 - 40 X 3/16
40	F84472-5		2	GASKET, CYLINDER DRAIN COVER
41	F406471-1		2	CYLINDER DRAIN COVER
42	F1935		1	PLAIN WASHER

CONTINUED ON NEXT PAGE ➡

# POWER HEAD

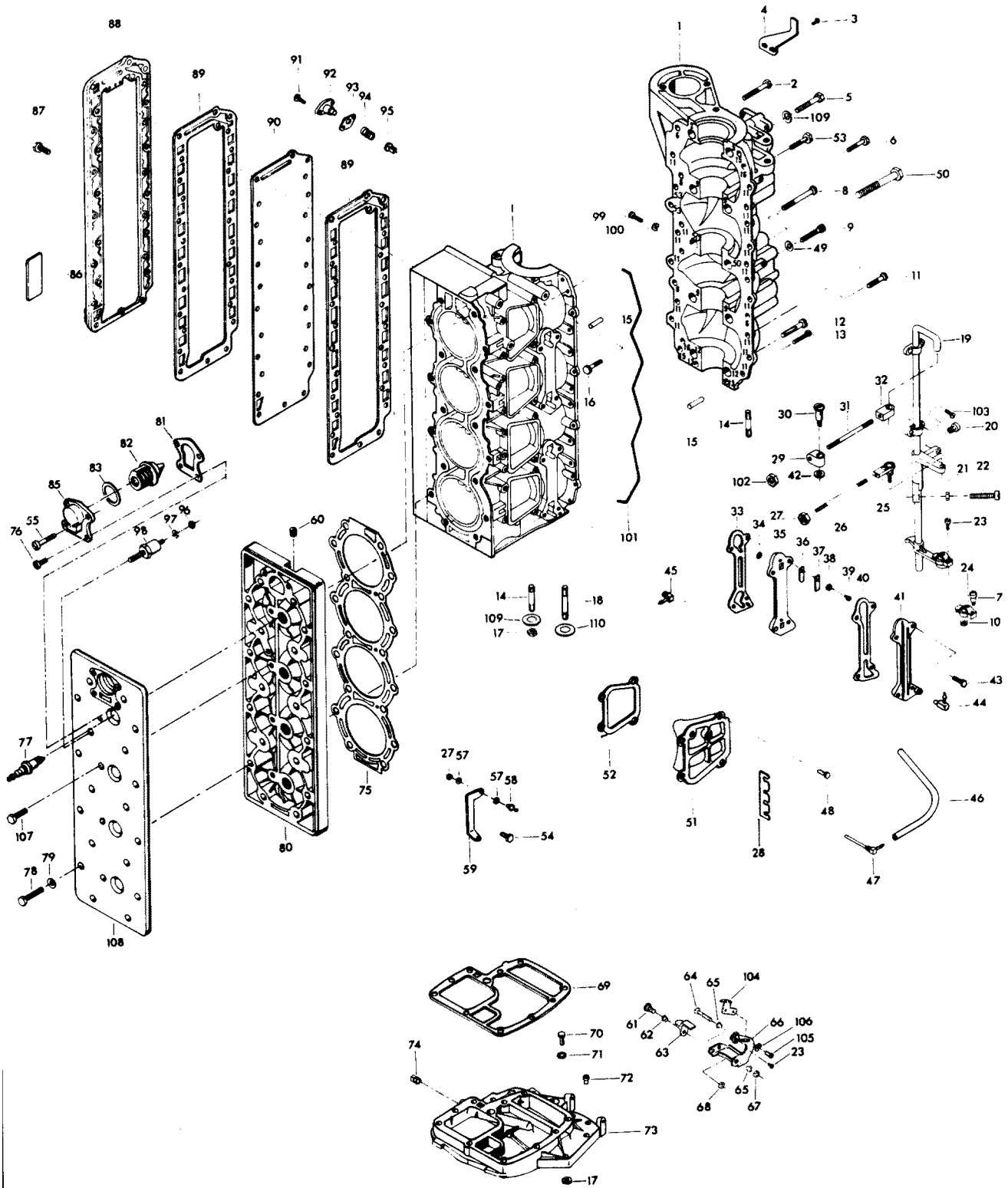


# POWER HEAD

REF. NO.	PART NO.	SYM.	QTY.	DESCRIPTION
43	F1187		8	HEX HD SCREW, 1/4 - 20 X 1
44	22-818103--1		1	ELBOW, CYLINDER DRAIN LOWER
-	<b>F404801</b>		<b>1</b>	<b>ELBOW, CYLINDER DRAIN UPPER</b>
45	F84314-2		1	ELBOW
46	F406754-1		1	HOSE
47	F404314		1	FITTING
48	F1502		10	HEX CAP SCREW, 1/4 - 20 X 5/8
49	F8104		4	PLAIN WASHER
50	F1873		2	HEX CAP SCREW, 3/8 - 16 X 3
51	FA411222		3	TRANSFER PORT COVER
52	F40223		4	GASKET, TRANSFER PORT COVER
53	F2008		2	HEX HD SCREW, 1/4 - 20 X 7/8
54	F1238		2	HEX CAP SCREW, 1/4 - 20 X 3/4
55	F1099		2	FILL HD SCREW, 1/4 - 20 X 1 1/4
57	F8058		4	INTERNAL TOOTH LOCKWASHER
58	F98273		2	ROD END CONNECTOR STUD
59	85872-1		1	BRACKET
60	F19109		1	PLUG
61	F369887		1	SHOULDER SCREW
62	F369610		1	BEARING
63	F369977-1		1	INTERLOCK ARM
64	F1885		1	HEX BOLTS, S.S., 5/16 - 18 X 4 1/4
65	F85610		2	BEARING
66	FA480876		1	GEAR SHIFT ARM, BEARINGS, INTERLOCK ARM AND SHOULDER SCREW <b>W/SWIVEL</b>
67	F2108		1	STOP NUT, 5/16 - 18
68	F1832		1	STOP NUT, 1/4 - 20
69	F85279-2		1	GASKET, CYLINDER EXHAUST UPPER
70	F1869		6	HEX CAP SCREW, 3/8 - 16 X 1 1/4
71	F1703		6	LOCKWASHER
72	FA98689		1	BEARING
73	817788A3		1	SPACER PLATE W/PLUG
74	F2090		1	PLUG
75	F476529		1	CYLINDER HEAD GASKET
76	F1107		2	SLOTTED FILL HD CAP SCREW, 1/4 - 20 X 3/4
77	33-97180		4	SPARK PLUG (CHAMPION L20V)
-	<b>C523227</b>		<b>4</b>	<b>SPARK PLUG (CHAMPION QL-76V) FOR MODEL 1057BH</b>
78	F2049		18	HEX CAP SCREW, 5/16 - 18 X 2 5/8
79	F1987		18	PLAIN WASHER
80	900-817832A2		1	CYLINDER HEAD
81	F476067		1	GASKET
82	F528068		1	THERMOSTAT
83	F84504		1	GROMMET (THERMOSTAT)

CONTINUED ON NEXT PAGE ➡

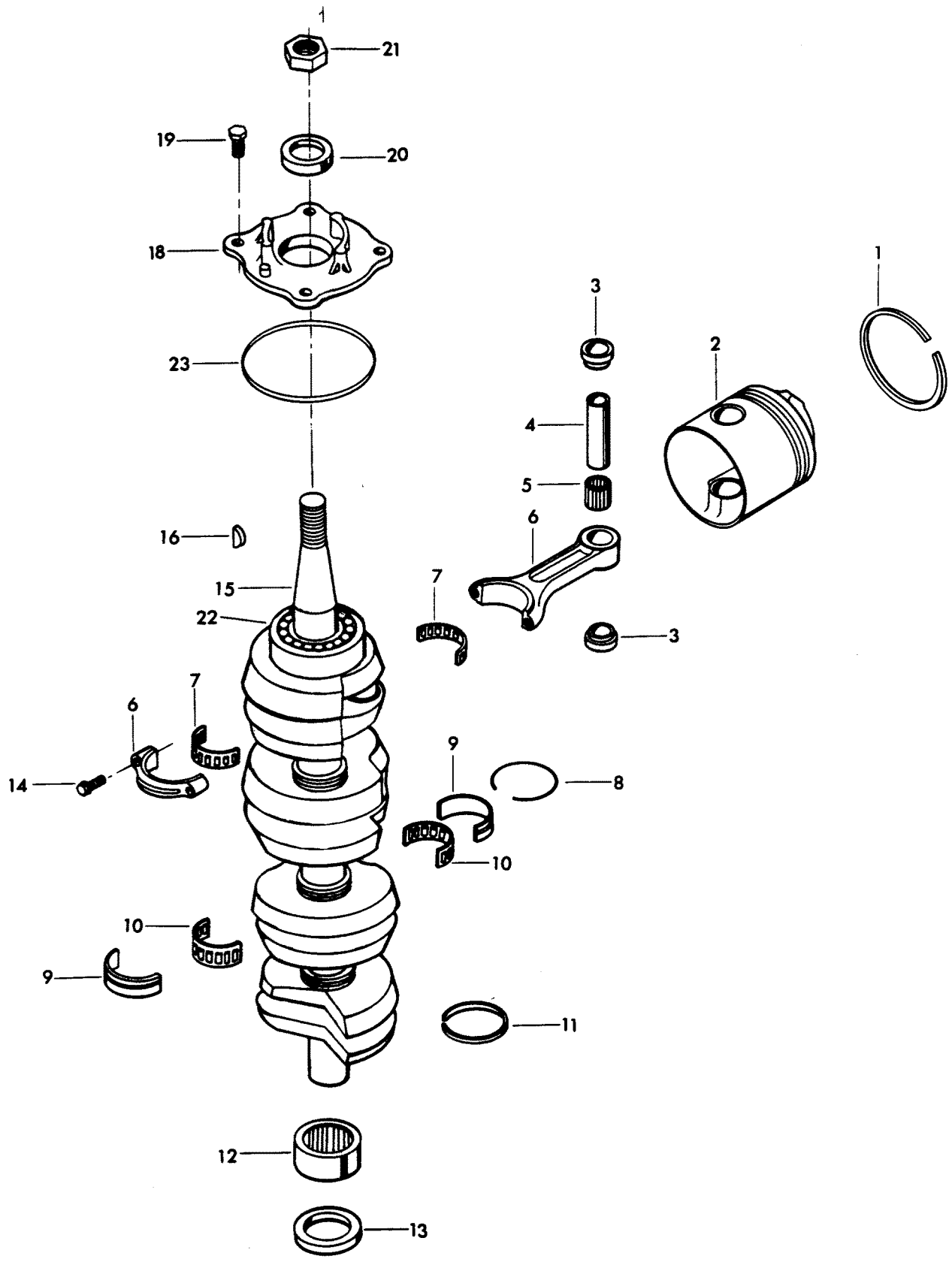
# POWER HEAD



# POWER HEAD

REF. NO.	PART NO.	SYM.	QTY.	DESCRIPTION
85	F476066-1		1	THERMOSTAT COVER
86	F438398		1	DECAL, WIRING
-	<b>FC438398</b>		<b>1</b>	<b>DECAL, WIRING - CANADA</b>
87	F1709		27	HEX BOLT, 1/4 - 20 X 1 1/8
88	F372152-1		1	EXHAUST PORT COVER
89	F372154-1		2	GASKET, EXHAUST PORT PLATE
90	F372151-1		1	EXHAUST PORT PLATE
91	F1950		2	HEX CAP SCREW, 10 - 24 X 5/8
92	F438066		1	BY-PASS VALVE COVER
93	F85762		1	BY-PASS VALVE COVER GASKET
94	F404268		1	BY-PASS VALVE SPRING
95	F85916-1		1	BY-PASS VALVE
96	F1647		1	HEX NUT, 8 - 32
97	F8056		1	LOCKWASHER
98	87-817778A1		1	THERMOSWITCH
99	F2000		1	HEX CAP SCREW, 5/16 - 18 X 3/4
100	F8096		1	SPRING LOCKWASHER
101	F184122-1		1	SEAL, PARTING LINE
102	F2015		1	HEX NUT, 1/4 - 28
103	F1475		4	FILL HD SCREW, 10 - 24 X 1/2
104	F480107-1		1	CAM STARTER INTERLOCK
105	F2089		2	SLOTTED PAN HD M. SCREW, 10 - 24 X 5/16
106	F2042		2	PLAIN WASHER
107	F1203		4	HEX CAP SCREW, 1/4 - 20 X 7/8
108	F528995		1	COVER, CYLINDER HEAD
109	F8095		6	PLAIN WASHER
110	F8038		4	PLAIN WASHER
-	<b>FG1003-1</b>		<b>1</b>	<b>GASKET SET (NOT SHOWN)</b>
-	<b>FC523010</b>		<b>1</b>	<b>SHORT BLOCK INCLUDES ALL ITEMS MARKED WITH AN ASTERISK (*). ALSO REFER TO CRANKSHAFT PAGE.</b>

# CRANKSHAFT AND PISTON GROUP

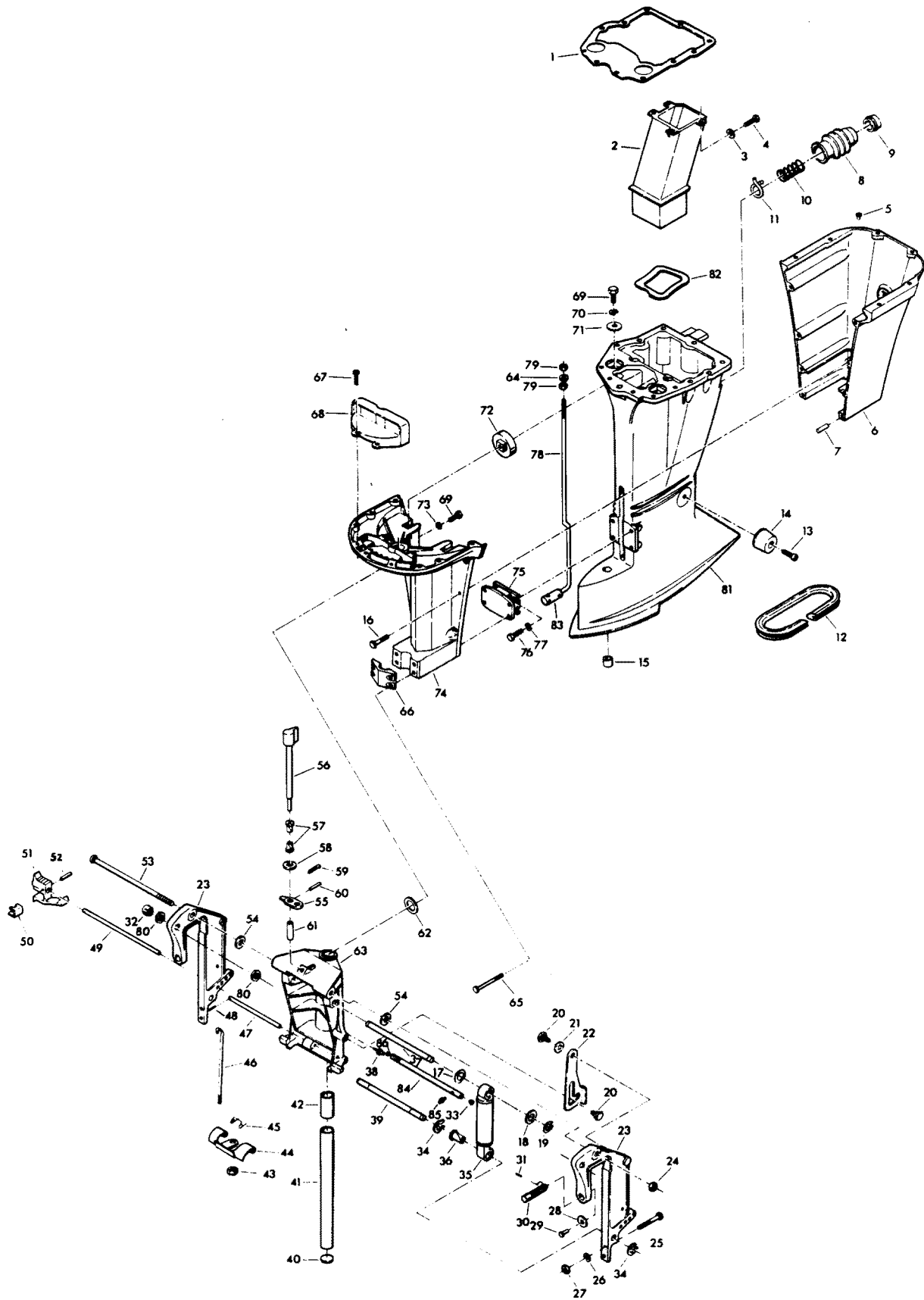




# CRANKSHAFT AND PISTON GROUP

REF. NO.	PART NO.	SYM.	QTY.	DESCRIPTION
1	FA335260		2	PISTON RING SET (4 PER SET)
2	700-F372015-3		4	PISTON
3	F335215		8	SPACER, PISTON PIN (2 PER PISTON)
4	F85017		4	PISTON PIN
5	F335217-1		4	BEARING, PISTON PIN (26 PER SET)
6	600-818052A4		4	CONNECTING ROD W/CAP AND SCREWS
7	FK85228-1		4	BEARING CAGE W/ROLLER
8	F85410		3	SNAP RING
9	FA85655-1		3	CRANKSHAFT MAIN BEARING RACE W/SNAP RING
10	F85571		3	BEARING CAGE W/ROLLER
11	F316579		3	SEAL, CRANKCASE
12	31-FA523014		1	CRANKSHAFT LOWER MAIN BEARING <b>W/ITEM 13 ORIGINAL FORCE P/N A373014-1</b>
13	F523146		1	SEAL, CRANKSHAFT LOWER
14	F85634-1		8	CONNECTING ROD SCREW
15	400-817735A4		1	CRANKSHAFT W/BEARING
16	F85498		1	FLYWHEEL KEY
18	31-817785A2		1	CRANKSHAFT BEARING CAGE W/SEAL
19	F1867		4	HEX CAP SCREW, 3/8 - 16 X 1
20	F84146-2		1	SEAL
21	F1968		1	FLYWHEEL NUT
22	30-F284659-2		1	BEARING, CRANKSHAFT UPPER MAIN
23	F84278		1	SEAL
-	<b>F2067</b>		<b>1</b>	<b>PLASTISOL CAP (NOT SHOWN)</b>
-	<b>FSA335260</b>		<b>2</b>	<b>PISTON RING (4 PER SET). 010 OVERSIZE (NOT SHOWN)</b>
-	<b>39-818110A1</b>		<b>2</b>	<b>PISTON RING (4 PER SET). 030 OVERSIZE (NOT SHOWN)</b>
-	<b>700-817988A2</b>		<b>4</b>	<b>PISTON. 010 OVERSIZE (NOT SHOWN)</b>
-	<b>700-818111A2</b>		<b>4</b>	<b>PISTON. 030 OVERSIZE (NOT SHOWN)</b>

# MOTOR LEG

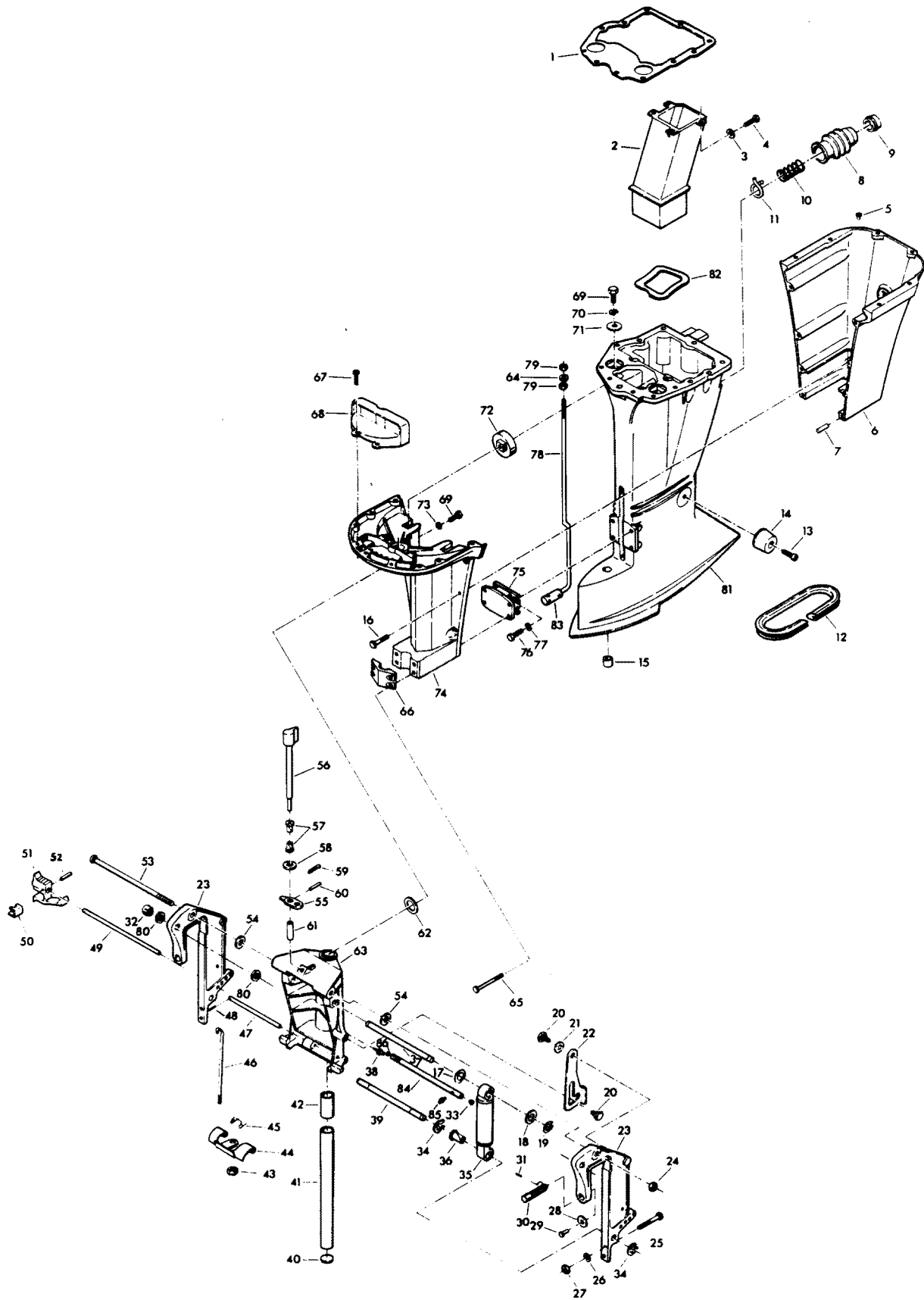


# MOTOR LEG

REF. NO.	PART NO.	SYM.	QTY.	DESCRIPTION
1	F85453-1		1	GASKET EXHAUST LOWER
2	F85660-1		1	EXHAUST TUBE
3	F8083		4	SPRING LOCKWASHER
4	F1864		4	HEX SLOT HD SCREW 1/4 - 20 X 3/4
5	F1729		2	PLUG
6	F178145-3		1	MOTOR LEG COVER REAR
7	F1664		2	SPRING PIN
8	F85130		1	BOOT IDLE EXHAUST
9	F85258		1	INSERT
10	F85380		1	SPRING
11	F85772		1	CLAMP
12	F178323		1	SEAL, MOTOR LEG
13	F1263		2	HEX SOCKET HD CAP SCREW 5/16 - 18 X 9/16
14	F438962		2	SHOCK MOUNT LOWER REAR
15	F338618-1		1	SEAL GEAR SHIFT ROD
16	F2030		6	HEX HD M. SCREW 1/4 - 20 X 1-1/4
17	F1711		2	SPRING BOWED WASHER
18	F1710		2	PLAIN WASHER
19	F178208		2	RETAINING RING
20	F85350-1		2	TILT STOP PIVOT
21	F1666		1	SPRING BOWED WASHER
22	F85541-1		1	TILT LOCK
23	1400-817958A6		2	STERN BRACKET
24	F7012		1	STOP NUT
25	F1593		2	HEX HD SCREW 3/8 - 16 X 3
26	F1904		2	PLAIN WASHER
27	F1346		2	HEX NUT
28	F84074		2	CLAMP SCREW FOOT
29	F353480		2	STUD
30	F474073-1		2	CLAMP SCREW
31	F8538		2	SPRING PIN
32	F9018		1	CAP
33	F9052		1	PLUG
34	F178173		4	RETAINING RING
35	FA178962		2	SHOCK ABSORBER W/BUSHING
36	F178362		2	BEARING
37	F178889		1	SHAFT, SHOCK MOUNT UPPER
38	F213274		3	GREASE FITTING
39	F178632		1	SHAFT, SHOCK MOUNT LOWER
40	F1528		1	WELCH PLUG
41	FA85019		1	KINGPIN W/PLUG
42	F438169		2	BEARING
43	F1669		1	LOCK NUT

CONTINUED ON NEXT PAGE ➡

# MOTOR LEG

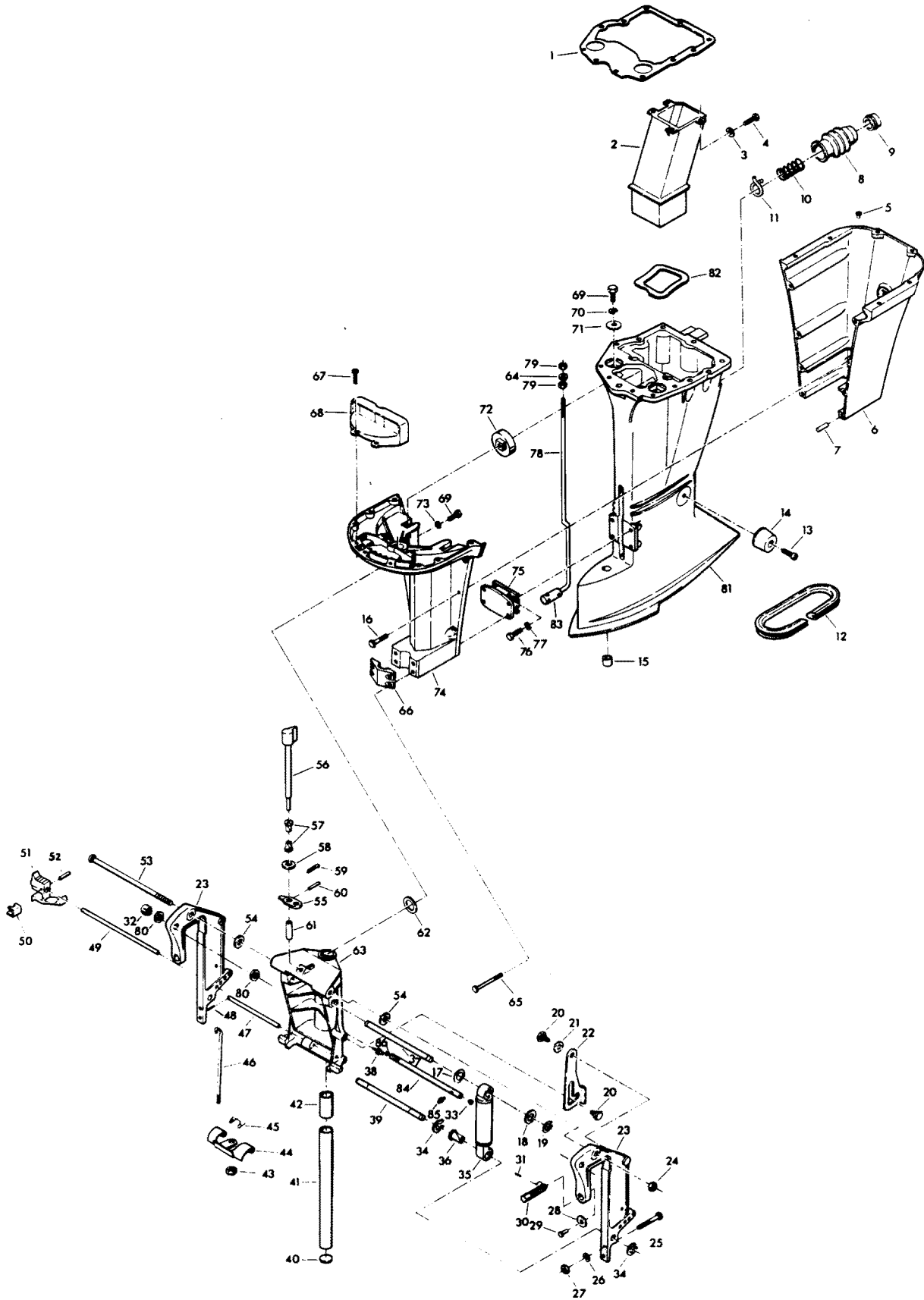


# MOTOR LEG

REF. NO.	PART NO.	SYM.	QTY.	DESCRIPTION
44	F369349		1	REVERSE LOCK
45	F85300		1	REVERSE LOCK SPRING
46	F369510		1	LINK REVERSE LOCK
47	F177350		1	REVERSE LOCK PIN
48	F1744		1	SPRING PIN
49	FA438113		1	STERN BRACKET LOCK BAR W/HANDLE
50	F286461		1	SPRING, LOCK BAR HANDLE
51	F433114		1	HANDLE, LOCK BAR
52	F1744		1	SPRING PIN
53	F85037-1		1	STERN BRACKET PIVOT BOLT
54	F84286-1		4	FRICTION WASHER
55	F369364		1	REVERSE LOCK ARM
56	F369827		1	HANDLE AND SHAFT
57	F197813		2	BEARING
58	F8094		1	PLAIN WASHER
59	F1014		1	COTTER PIN
60	F1836		1	SPRING PIN
61	F483884		1	BEARING
62	F84011		1	WASHER
63	817783A5		1	SWIVEL BRACKET W/BEARINGS AND GREASE FITTINGS
64	F1987		1	PLAIN WASHER
65	F1696		4	HEX BOLT 5/16 - 18 X 1 3/4
66	F85606		1	KINGPIN CAP
67	F1912		4	HEX HD SCREW 10 - 24 X 1/2
68	F85779-1		1	BAFFLE, AIR INTAKE
69	F1871		4	HEX HD SCREW 3/8 - 16 X 3/4
70	F2014		2	PLAIN WASHER
71	FA85355-1		2	WASHER
72	F85965		2	SHOCK MOUNT UPPER
73	F1703		2	SPRING LOCKWASHER
74	A85135-3		1	LEG COVER FRONT
75	F438346		1	SHOCK MOUNT LOWER
76	F1822		4	HEX BOLT 5/16 - 18 X 7/8
77	F8096		4	SPRING LOCKWASHER
78	F85615		1	GEAR SHIFT ROD UPPER
79	F2108		2	LOCK NUT
80	F523280		1	NUT, STEERING SUPPORT TUBE
81	F523133-2		1	MOTOR LEG
82	F439736		1	SEAL, EXHAUST TUBE
83	F85704		1	COUPLER, GEAR SHIFT ROD
84	F511125-2		1	TUBE, STEERING SUPPORT
85	F523274		1	GREASE FITTING
86	F316599		1	SEAL, STEERING SUPPORT TUBE

CONTINUED ON NEXT PAGE ➡

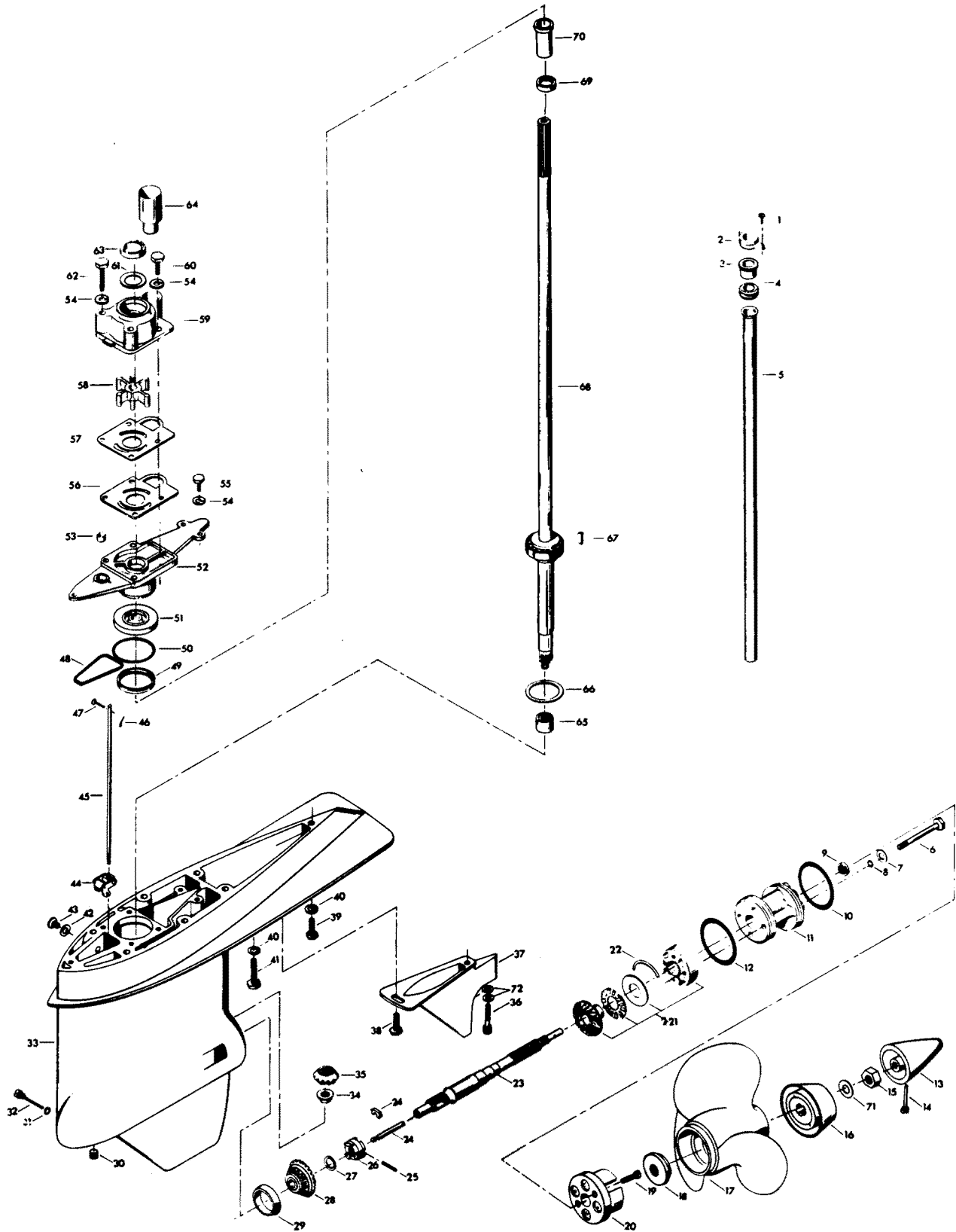
# MOTOR LEG



# MOTOR LEG

REF. NO.	PART NO.	SYM.	QTY.	DESCRIPTION
-	F474390-1		1	DECAL, REVERSE LOCK (NOT SHOWN)
-	37-819450		1	DECAL, REVERSE LOCK CANADA (NOT SHOWN)

# GEAR HOUSING



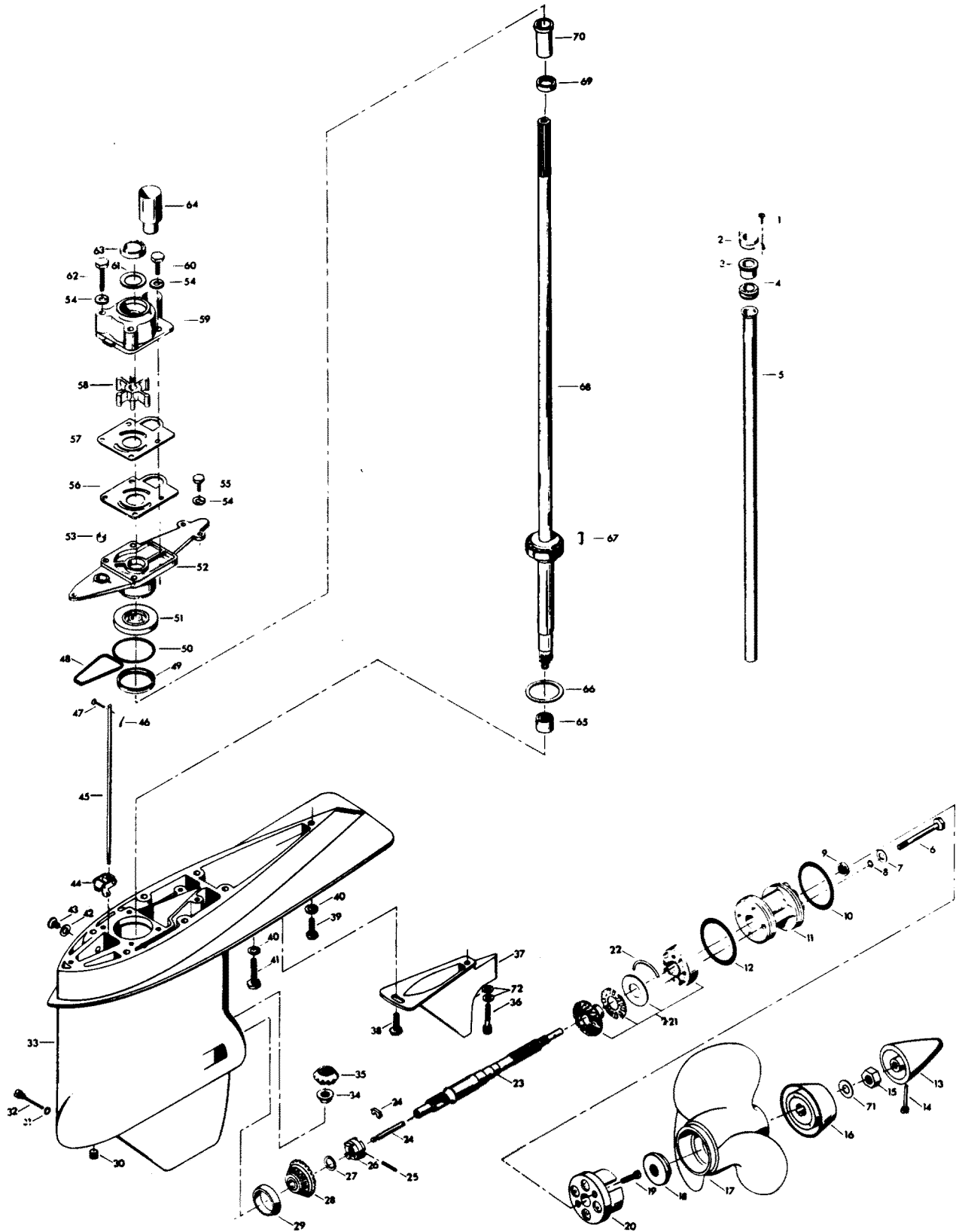


# GEAR HOUSING

REF. NO.	PART NO.	SYM.	QTY.	DESCRIPTION
1	F1705		2	HEX CAP SCREW, 1/4 - 20 X 3/4
2	F85117		1	BRACKET, WATER LINE
3	F84342		1	SEAL, INLET WATER LINE, UPPER
4	F523899		1	GROMMET, WATER LINE
5	F523244		1	INLET WATER LINE
6	F1885		4	HEX CAP SCREW, 5/16 - 18 X 4 1/4
7	F1907		4	PLAIN WASHER
8	F50342-1		4	SEAL, "O" RING
9	F506118		1	SEAL, PROPELLER SHAFT
10	F24278		1	SEAL, "O" RING PROPELLER SHAFT SPOOL
11	F2A523239		1	SPOOL, PROPELLER SHAFT BEARING W/SEALS
12	F84305		1	SEAL, "O" RING PROPELLER SHAFT SPOOL
13	F523094-2		1	PROPELLER NUT
14	F90891		1	PIN, PROPELLER NUT RETAINING
15	F1788		1	STOP NUT
16	F523299-1		1	WASHER
17	FP524		1	PROPELLER - 105 H.P. (ACCESSORY ITEM)
-	<b>FP526</b>		<b>1</b>	<b>PROPELLER - 140 H.P. (ACCESSORY ITEM)</b>
18	F523099		1	SPACER, PROPELLER
19	F1577		2	FILL HD SCREW, 1/4 - 20 X 3/4
20	FA523485		1	ANTICORROSION ANODE
21	F2A523662		1	BEVEL GEAR REAR W/BEARING CAGE SPACER AND BEARING
22	F523411		2	RETAINING RING, BEARING CAGE
23	FA523098		1	PROPELLER SHAFT
24	FA84871-1		1	PIN, GEAR SHIFT W/YOKE
25	F1713		1	SPRING PIN
26	F84521-1		1	CLUTCH
28	F2A523023		1	BEVEL GEAR FRONT W/BEARING
29	F523813		1	BEARING CUP
30	F19109		1	PLUG
31	F8001		1	WASHER
32	F90891		1	PIN, GEAR SHIFT ARM
33	FA523054		1	GEAR HOUSING CUP, DRIVESHAFT BEARING LOWER, PLUGS & WASHERS <b>W/BEARINGS</b>
34	F523188		1	NUT, BEVEL PINION
35	FA523266		1	BEVEL PINION GEAR W/CRUSH RING AND SHIMS
36	F1994		1	HEX SOCKET HD CAP SCREW, 5/16 - 18 X 1
37	F523116		1	EXHAUST SNOUT
38	F438930		1	RETAINER, SNOUT
39	F1858		1	HEX CAP SCREW, 5/16 - 18 X 1
40	F8096		7	SPRING LOCKWASHER
41	F1491		6	HEX HD SCREW, 5/16 - 18 X 3 1/4
42	F8077		2	WASHER, GEAR HOUSING PLUG

CONTINUED ON NEXT PAGE ➡

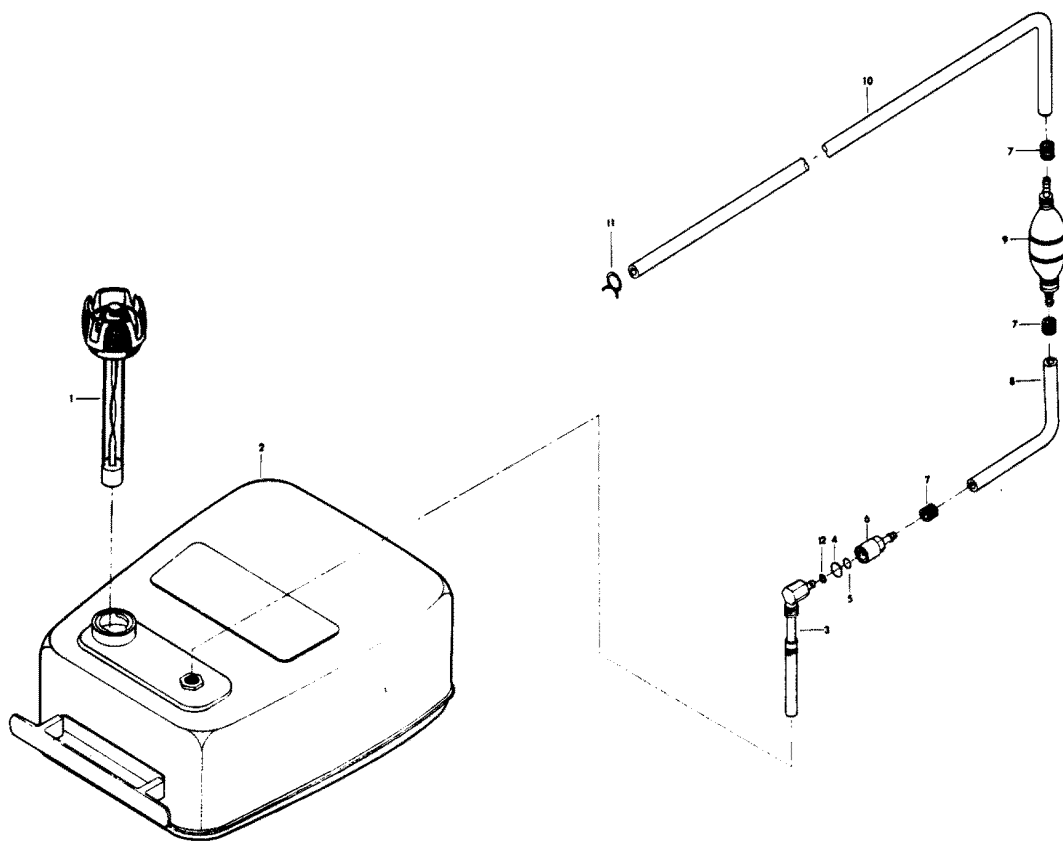
# GEAR HOUSING



# GEAR HOUSING

REF. NO.	PART NO.	SYM.	QTY.	DESCRIPTION
43	F50109		2	PLUG, GEAR HOUSING
44	FA84621-1		1	COUPLING, GEAR SHIFT ARM W/BUSHING
45	F523705		1	GEAR SHIFT ROD LOWER
46	F1015		1	COTTER PIN
47	F85372		1	PIN, GEAR SHIFT ROD LOWER
48	F523555		1	SEAL, "O" RING, GEAR HOUSING COVER
49	F523961		1	CRUSH RING
50	F74305		1	SEAL, DRIVESHAFT BEARING CAGE
51	F84307-1		1	SEAL, DRIVESHAFT
52	FA523706		1	GEAR HOUSING COVER W/SEALS
53	F338618-1		1	SEAL, GEAR SHIFT ROD
54	F8083		7	SPRING LOCKWASHER
55	F1999		3	HEX CAP SCREW, 1/4 - 20 X 7/8
56	F523031		1	GASKET, WATER PUMP
57	F523562		1	PLATE, WATER PUMP
58	F523065		1	IMPELLER, WATER PUMP
59	FA523060		1	WATER PUMP BODY W/DRIVESHAFT SEAL, DISC AND WATERLINE SEAL
60	F1990		2	HEX CAP SCREW, 1/4 - 20 X 1 5/8
61	F480388		1	DISC, WATER PUMP LOCATING
62	F1425		2	HEX CAP SCREW, 1/4 - 20 X 1 5/8
63	F351307		1	SEAL, DRIVESHAFT - WATER PUMP
64	FA523735		1	SEAL, INLET WATER LINE, LOWER
65	F523057		1	BEARING, DRIVESHAFT LOWER
67	F523498		1	DRIVE KEY, WATER PUMP
68	45-818017A3		1	DRIVESHAFT W/BEARING, SHIMS AND CRUSH RING
69	F438271		1	RETAINER, CRANKSHAFT SPLINE SEAL
70	F438129		1	SEAL, DRIVESHAFT SPLINE
71	F1866		1	PLAIN WASHER
72	F1856		2	PLAIN WASHER
-	<b>FC523054</b>		<b>1</b>	<b>GEAR HOUSING COMPLETE (INCLUDES ALL ITEMS MARKED WITH AN ASTERISK *).</b>

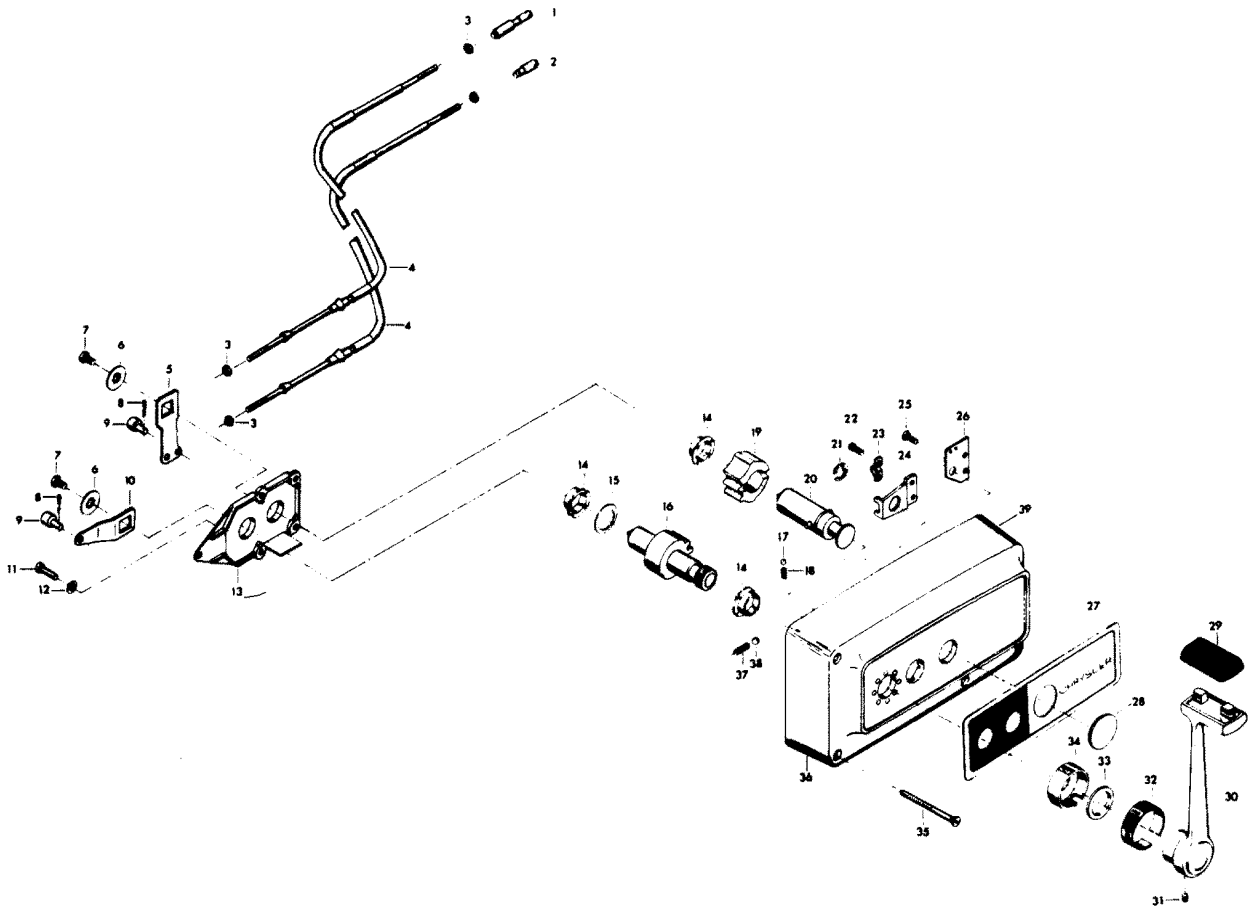
# FUEL TANK AND LINE



## FUEL TANK AND LINE

REF. NO.	PART NO.	SYM.	QTY.	DESCRIPTION
1	F409251-1		1	GAUGE CAP
2	F71H08		1	FUEL TANK (ACCESSORY ITEM)
3	F485755-1		1	FUEL TANK ADAPTER
4	F213342		1	SEAL, FUEL LINE COUPLER (LARGE)
5	F213735		1	SEAL, FUEL LINE COUPLER (SMALL)
6	F197787-3		1	FUEL LINE COUPLER
7	F298788		3	FERRULE
8	FA84754-1		1	FUEL LINE SHORT W/FERRULES
9	89396A38		1	PRIME BULB
10	32-817738A1		1	FUEL LINE LONG W/CLAMP AND FERRULE
11	F97772		1	FUEL LINE CLAMP
12	F17932		1	SEAL, FUEL LINE COUPLER
-	<b>FS409752</b>		<b>1</b>	<b>FUEL LINE COMPLETE (NOT SHOWN)</b>
-	<b>FC409398</b>		<b>1</b>	<b>DECAL, TOTE TANK - CANADA (NOT SHOWN)</b>

# REMOTE CONTROL

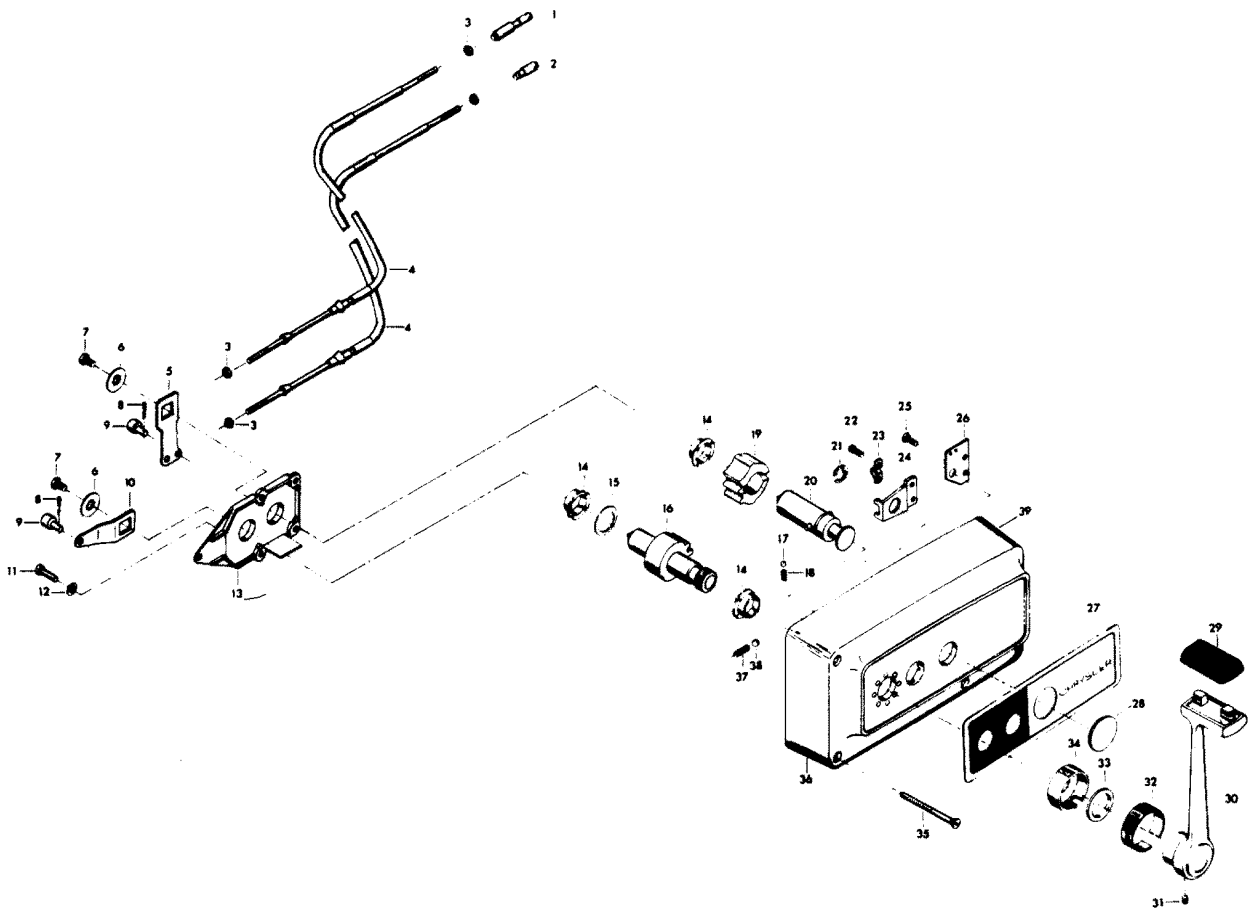


# REMOTE CONTROL

REF. NO.	PART NO.	SYM.	QTY.	DESCRIPTION
1	FA58976-1		1	CONNECTOR, THROTTLE CABLE
2	F58685-2		1	CONNECTOR, SHIFT CABLE
3	F1513		4	HEX NUT
4	ÄF58356//		2	REMOTE CONTROL CABLE (SPECIFY LENGTH)
5	F17019		1	CLUTCH ARM
6	F17036		2	INTERNAL TOOTH LOCKWASHER
7	F1715		2	HEX BOLT, 1/4 - 28 X 9/16
8	F17015		2	COTTER PIN
9	F17016		2	CABLE TERMINAL
10	F17014		1	THROTTLE ARM
11	F17013		2	FILL HD SCREW, 1/4 - 20 X 1/2
12	F17020		2	INTERNAL TOOTH LOCKWASHER
13	F17012		1	RETAINING PLATE
14	F17009		3	BEARING
15	F17011		1	BOWED WASHER
16	F17010-1		1	THROTTLE GEAR
17	F17111		1	DETENT BALL
18	F17006		1	DETENT SPRING
19	F17021		1	CLUTCH GEAR
20	F17100		1	CLUTCH SHAFT
21	F17092		1	SNAP RING
22	F17107		2	FILL HD SCREW, 10 - 24 X 5/16
23	F154317		1	CABLE CLAMP
24	F17026		1	SWIVEL
25	F1557		2	FLAT HD SCREW, 10 - 24 X 3/8
26	F17112		1	JUNCTION BOARD, STARBOARD
-	<b>F17113</b>		<b>1</b>	<b>JUNCTION BOARD, PORT</b>
27	F17101		1	DECAL, STARBOARD
-	<b>17102</b>		<b>1</b>	<b>DECAL, PORT</b>
28	F17031		1	SNAP CAP
29	F17116		1	KNOB
30	F17115		1	HANDLE
31	F17030-1		1	SET SCREW
32	FK17114-1		1	INDICATOR
33	F17105		1	FELT WASHER
34	F17106		1	COLLAR
35	17108		3	WOOD SCREW

CONTINUED ON NEXT PAGE ➡

# REMOTE CONTROL





# REMOTE CONTROL

REF. NO.	PART NO.	SYM.	QTY.	DESCRIPTION
36	F17068		1	HOUSING
37	F17008		1	DETENT SPRING
38	F17082-1		1	DETENT BALL
39	F72H36		1	REMOTE CONTROL UNIT, SINGLE LEVER STARBOARD MOUNT ( <b>ACCESSORY ITEM</b> )
-	<b>F1280</b>		<b>2</b>	<b>PAN HD SCREW, 8 - 32 X 1/4 (TERMINAL BOARD) (NOT SHOWN)</b>

## SPECIAL TOOLS - TUNE-UP

REF. NO.	PART NO.	SYM.	QTY.	DESCRIPTION
-	FT8948-1		0	FLYWHEEL PULLER TO REMOVE FLYWHEEL.
-	FTA2937-1		0	TIMING TOOL TO SET INITIAL SPARK ADVANCE.
-	FT8978		0	POWER TIMING LIGHT FOR FINAL ADJUSTMENT OF SPARK ADVANCE.

## SPECIAL TOOLS - POWER HEAD

REF. NO.	PART NO.	SYM.	QTY.	DESCRIPTION
-	FT8914		0	SEAL REMOVER TO REMOVE UPPER CRANKSHAFT BEARING CAGE SEAL.
-	FT8903		0	SEAL INSTALLER TO INSTALL UPPER CRANKSHAFT BEARING CAGE SEAL.
-	FT8927		0	SEAL PROTECTOR TO INSTALL UPPER CRANKSHAFT BEARING CAGE SEAL.
-	FT8907		0	DRIVE HANDLE USED WITH T8910, T8909, T8908 AND T8903.
-	FT8922		0	SLIDE HAMMER TO REMOVE UPPER CRANKSHAFT BEARING CAGE SEAL. ALSO USED TO REMOVE BEARING CUPS FROM PROPELLER SHAFT BEARING CAGE.
-	FT2953		0	SOCKET TO TORQUE CONNECTING ROD SCREWS.
-	FT2990		0	PISTON PIN TOOL TO REMOVE AND INSTALL PISTON PINS
-	FT2996		0	RING COMPRESSOR TO INSTALL PISTON RINGS.
-	FT8926		0	RING EXPANDER TO INSTALL PISTON RINGS.

# SPECIAL TOOLS - GEAR HOUSING

REF. NO.	PART NO.	SYM.	QTY.	DESCRIPTION
-	FT8948-1		0	PROPELLER SHAFT BEARING CAGE PULLER TO REMOVE PROPELLER SHAFT BEARING CAGE FROM GEAR HOUSING.
-	FT8908		0	PROPELLER SHAFT SEAL INSTALLER TO INSTALL PROPELLER SHAFT SEAL IN PROPELLER SHAFT BEARING CAGE.
-	FT8915		0	PROPELLER SHAFT SEAL PROTECTOR TO INSTALL PROPELLER SHAFT SEAL IN PROPELLER SHAFT BEARING CAGE.
-	FT8925		0	DRIVESHAFT SEAL INSTALLER TO INSTALL DRIVESHAFT SEAL IN UPPER HOUSING.
-	FT8907		0	DRIVER HANDLE TO INSTALL BEARING CUPS AND SEALS.
-	FT8901		0	INDICATOR HOLDER USED IN CONJUNCTION WITH T8997.
-	FT8902		0	DIAL INDICATOR USED IN CONJUNCTION WITH T8997.
-	FT8919		0	SPRING PIN PUNCH TO REMOVE CLUTCH SPRING PIN.
-	FT8957		0	SEAL INSTALLER TO INSTALL SHIFT ROD SEAL.
-	FT8997		0	SHIMMING TOOL TO SHIM LOWER UNIT.

## SPECIAL TOOLS - TEST EQUIPMENT

REF. NO.	PART NO.	SYM.	QTY.	DESCRIPTION
-	FT8933		0	LIFTING HOOK TO LIFT ENGINE.
-	FT8950		0	LEAKAGE TESTER TO TEST LOWER UNIT SEALS FOR LEAKAGE.

# ACCESSORIES

REF. NO.	PART NO.	SYM.	QTY.	DESCRIPTION
-	F5H014		0	FLUSHING ADAPTER PERMITS FRESH WATER FLUSHING OF WATER PASSAGES WITH STANDARD GARDEN HOSE.
-	F5H063		0	SYNCHRO-DRIVE CONTROL BOX (SINGLE LEVER) PERMITS REMOTE CONTROL OF THROTTLE AND GEAR SHIFT FROM STARBOARD SIDE OF BOAT.
-	5H067		0	PORT SIDE DECAL KIT CONVERTS 72H36 CONTROL BOX TO PORT SIDE MOUNTING.
-	865		0	TWIN SYNCHRO-DRIVE CONTROL BOX PERMITS REMOTE CONTROL OF THROTTLE AND GEAR SHIFT ON TWIN ENGINE INSTALLATIONS. MAY BE MOUNTED ON PORT OR STARBOARD SIDE OF BOAT.
-	F590		0	SYNCHRO-DRIVE CONTROL HEAD (SINGLE LEVER) FLUSH MOUNT CONTROL UNIT PERMITS REMOTE CONTROL OF THROTTLE AND GEAR SHIFT. MAY BE MOUNTED ON PORT OR STARBOARD SIDE OF BOAT.
-	F5H079		0	SYNCHRO-DRIVE CONTROL BOX FOR MOUNTING ON CONSOLE OF BOAT.
-	F5H080		0	TWIN SYNCHRO-DRIVE CONTROL BOX FOR MOUNTING ON CONSOLE OF BOAT.
-	F195/___		0	REMOTE CONTROL CABLES CONNECTS REMOTE CONTROL BOX TO THROTTLE AND GEAR SHIFT ON ENGINE. AVAILABLE IN 6 THROUGH 40 FOOT LENGTHS.
-	F165		0	REMOTE STEERING BRACKET ADAPTS ENGINE TO CABLE TYPE REMOTE STEERING.
-	F5H018		0	DUAL ENGINE TIE BAR PERMITS DUAL ENGINE INSTALLATIONS.
-	F5H026		0	STEEL, 6 GALLON FUEL TANK (LOW PROFILE)
-	F5H029		0	TANK ANCHOR SECURES 71H08 TO BOAT.
-	F5H040		0	STEEL, 12 GALLON FUEL TANK
-	F5H019		0	ANTI-CORROSION KIT ELECTRICAL KIT FOR MOUNTING ON BOAT (12V) TO REDUCE CORROSION.
-	F5H025		0	ANTI-CORROSION SACRIFICIAL ANODE KIT USED TO REDUCE CORROSION.
-	F5H002		0	SPEEDOMETER MONITORS BOAT SPEED (0 - 65 MPH)
-	F5H003		0	SPEEDOMETER MONITORS BOAT SPEED (TO 100 KM/H)
-	F5H010		0	POWER TRIM INDICATOR INDICATES ENGINE TRIM ANGLE. (FLUSH MOUNT)
-	5H061		0	FROST WHITE LACQUER ENGINE TOUCH-UP PAINT IN 16 OZ. SPRAY BOMBS (12 CANS PER CASE).
-	5H016		0	GOLD LACQUER ENGINE TOUCH-UP PAINT IN 6 OZ. SPRAY BOMBS (12 CANS PER CASE).
-	F5H044		0	TILT STOP KIT LIMITS TILTING ANGLE.
-	F5H064		0	EXHAUST SNOOT
-	F5H081		0	BATTERY CABLE LONGER LENGTH - 15 FEET.
-	F5H006		0	VOLTMETER - FLUSH MOUNT INDICATES BATTERY CONDITION.
-	5H048		0	CANVAS HOOD PROTECTION FOR ENGINE COVER.
-	5H051		0	BATTERY, 74 AMP 12 VOLT HEAVY DUTY BATTERY.

CONTINUED ON NEXT PAGE ➡

# ACCESSORIES

REF. NO.	PART NO.	SYM.	QTY.	DESCRIPTION
-	F5H021		0	EXTENSION CABLE FOR LENGTHENING BATTERY CABLE 6 1/2 FEET.
-	F5H037		0	CIGAR LIGHTER FOR USE AS CONVENIENCE OUTLET.
-	168		0	CONTROL PANEL FOR MOUNTING LAMPS, SWITCHES, ETC.
-	F5H008		0	FUEL GAUGE FLUSH MOUNT MONITORS FUEL SUPPLY.
-	F5H050		0	HYDRAULIC TILT HYDRAULIC UNIT TO RAISE AND LOWER THE LOWER UNIT WHEN BEACHING OR TRAILERING BOAT.
-	F5H077		0	IGNITION KEY SWITCH SHORT BARREL WITH KEYS.
-	F5H078		0	IGNITION KEY SWITCH LONG BARREL WITH KEYS.
-	F762		0	REMOTE ELECTRIC CABLE 25 FOOT CABLE FOR LARGE BOATS.
-	F5H070		0	REMOTE ELECTRIC CABLE 21 FOOT CABLE FOR LARGE BOATS.
-	F5H028		0	SENDING UNIT FOR USE WITH FUEL GAUGE.
-	F5H005		0	TEMPERATURE GAUGE FLUSH MOUNT MONITORS ENGINE TEMPERATURE. DO NOT USE TEMPERATURE GAUGE AND HEAT LAMP IN SAME INSTALLATION.
-	F5H012		0	TACHOMETER FLUSH MOUNT MONITORS ENGINE R.P.M. TO PROVIDE CHECK OF ENGINE PERFORMANCE.
-	F5H074		0	POWER TRIM ADJUSTS ENGINE TRIM AND TILTS ENGINE.
-	F5H004		0	SPEEDOMETER FLUSH MOUNT MONITORS BOAT SPEED 10 - 50 MPH.
-	F5H076		0	SWITCH EXTENSION CABLE 5 FOOT LONG SWITCH WIRING HARNESS.

# SPECIFICATIONS

REF. NO.	PART NO.	SYM.	QTY.	DESCRIPTION
-			0	HORSEPOWER 105 B.I.A. CERTIFIED BRAKE H.P. AT 5000 R.P.M.
-			0	MOTOR TWO-CYCLE, FOUR CYLINDER ALTERNATE FIRING.
-			0	BORE AND STROKE 105 H.P. - 3 5/16" BORE X 2.8" STROKE.
-			0	DISPLACEMENT 105 H.P. - 96.55 CUBIC INCHES.
-			0	CONNECTING RODS NICKEL STEEL. CAGED NEEDLE BEARINGS AT CRANKSHAFT. FULL COMPLIMENT NEEDLE BEARINGS AT PISTON PIN.
-			0	CRANKSHAFT NICKEL STEEL. BALL BEARINGS AT UPPER MAIN. CAGED NEEDLE BEARINGS AT CENTER MAIN AND CASED NEEDLE BEARINGS AT LOWER MAIN.
-			0	CORROSION PROTECTION ALODINE TREATED CASTINGS, STAINLESS STEEL DRIVE SHAFT, PROPELLER SHAFT, GEAR SHIFT ROD AND UNDERWATER FASTENERS.
-			0	FUEL SYSTEM VACUUM TYPE FUEL PUMP. FLOAT FEED CARBURETOR WITH FIXED HIGH SPEED JET AND ADJUSTABLE LOW SPEED JET.
-			0	FUEL FILTERS FILTER SCREENS IN FUEL TANK AND FUEL PUMP.
-			0	STARTER ELECTRIC.
-			0	COOLING WATER COOLED, THERMOSTATICALLY CONTROLLED. POSITIVE DISPLACEMENT TYPE WATER PUMP.
-			0	TRANSOM HEIGHT 15" OR 20", DEPENDING ON MODEL.
-			0	WEIGHT 248 LBS. - 250 LBS. FOR SHORT SHAFT MODELS.
-			0	TILT LOCK POSITIVE TILT LOCK PERMITS ENGINE TO REMAIN IN TILTED POSITION WHEN NOT IN USE.
-			0	RECOMMENDED OPERATING RANGE 105 H.P. - 4500-5500 R. P. M.
-			0	FUEL TANK SEPARATE STEEL, 6 U.S. GALLONS, 5 IMPERIAL GALLON CAPACITY.



# LUBRICATION CHART

REF. NO.	PART NO.	SYM.	QTY.	DESCRIPTION
-			0	GEAR HOUSING SEE BLOCK COMMENT 1.
-			0	CONTROL LINKAGE LUBRICATE ALL MOVING PARTS AND CONTROL LINKAGE WITH RYKON #2 EP, PART #T-2961 TWICE EACH SEASON OR OFTENER IF REQUIRED.
-			0	STERN BRACKET LUBRICATE STERN BRACKET AND ASSOCIATED PARTS WITH RYKON #2 EP, PART #T-2961 TWICE EACH SEASON OR OFTENER IF REQUIRED.
-			0	GREASE FITTINGS GREASE FITTINGS ARE PROVIDED AT CRITICAL POINTS WHERE BEARING SURFACES ARE NOT EXPOSE EXTERNALLY. USING AN AUTOMOTIVE - TYPE GREASE GUN AND LUBRICANT, GREASE TWICE EACH SEASON OR OFTENER IF REQUIRED.
-			0	STARTER PINION GEAR LUBRICATE WITH RYKON #2 EP, PART NO. T2961, TWICE EACH SEASON OR OFTENER IF REQUIRED.

## SPECIAL ADJUSTMENTS

REF. NO.	PART NO.	SYM.	QTY.	DESCRIPTION
-			0	SPARK PLUG CHAMPION (L20V)
-			0	SPARK PLUG CHAMPION (QL-76V) FOR MODEL 1057BH.
-			0	FLYWHEEL NUT TORQUE TO 90 FOOT POUNDS.
-			0	CYLINDER HEAD BOLT

# PARTS INDEX

Part Number	Description	Pg.	Ref. No.	Part Number	Description	Pg.	Ref. No.
ÄF58356//	REMOTE CONTROL CABLE (SPECIFY LENGTH) . . . . .	45	4	F1236	SCREW, 1/4 - 20 X 1/2 . . . . .	21	22
14048-2	PREAMPLIFIER . . . . .	13	17	F1238	HEX CAP SCREW, 1/4 - 20 X 3/4 . . . . .	3	14
168	CONTROL PANEL . . . . .	53	-	F1238	HEX CAP SCREW, 1/4 - 20 X 3/4 . . . . .	27	54
17102	DECAL, PORT . . . . .	45	-	F1253	HEX SOCKET HD CAP SCREW, 3/8 - 16 X 2 . . . . .	25	9
17108	WOOD SCREW . . . . .	45	35	F1263	HEX SOCKET HD CAP SCREW 5/16 - 18 X 9/16 . . . . .	33	13
480373	DECAL, MAGNAPOWER IGNITION (NOT SHOWN) . . . . .	9	-	F1280	PAN HD SCREW, 8 - 32 X 1/4	7	33
481373-1	DECAL, "ELECTRONIC" (NOT SHOWN) . . . . .	15	-	F1280	PAN HD SCREW, 8 - 32 X 1/4 (TERMINAL BOARD) (NOT SHOWN) . . . . .	47	-
5H016	GOLD LACQUER . . . . .	52	-	F1286	PAN HD SCREW, 4 - 40 X 3/16 . . . . .	25	39
5H048	CANVAS HOOD . . . . .	52	-	F1341	HEX NUT, 1/4 - 20 . . . . .	25	21
5H051	BATTERY, 74 AMP . . . . .	52	-	F1346	HEX NUT . . . . .	33	27
5H061	FROST WHITE LACQUER . . . . .	52	-	F14005-2	CAP BASE . . . . .	13	37
5H067	PORT SIDE DECAL KIT . . . . .	52	-	F14007	CAP SCREW . . . . .	13	33
817747--1	BALL JOINT W/STUD . . . . .	21	23	F14010-1	CAP COVER . . . . .	13	34
817747--1	BALL JOINT W/STUD . . . . .	25	25	F14012-1	BRUSH . . . . .	13	39
817783A5	SWIVEL BRACKET W/BEARINGS AND GREASE FITTINGS . . . . .	35	63	F14015	CAP CLIP RIVET . . . . .	13	21
817786A1	DISTRIBUTOR PULLEY . . . . .	13	3	F14017	TERMINAL INSULATOR (OUTSIDE) . . . . .	15	46
817788A3	SPACER PLATE W/PLUG . . . . .	27	73	F14021-1	CAP SEAL . . . . .	13	36
817828A1	DISTRIBUTOR . . . . .	15	-	F14024	SPACER . . . . .	13	42
817932A6	TOWERSHAFT W/SWIVEL, BEARINGS AND SCREWS . . . . .	25	19	F14025	SPACER . . . . .	13	4
85872-1	BRACKET . . . . .	27	59	F14028	THRUST WASHER . . . . .	13	5
865	TWIN SYNCHRO-DRIVE CONTROL BOX . . . . .	52	-	F14029	THRUST WASHER . . . . .	13	7
89396A38	PRIME BULB . . . . .	43	9	F14030	CAP GASKET . . . . .	13	38
A523010-1	CYLINDER, PARTING LINE SEAL, SCREWS & DOWEL PINS . . . . .	25	1	F14036	SWIVEL . . . . .	13	13
A85135-3	LEG COVER FRONT . . . . .	35	74	F14037	CAP CLIPS . . . . .	13	14
AC16395-8	IDENTIFICATION PLATE W/SCREWS FOR CANADA MODELS . . . . .	3	-	F14038	CAP CLIP SCREWS . . . . .	13	15
C523227	SPARK PLUG (CHAMPION QL-76V) FOR MODEL 1057BH . . . . .	27	-	F14040	VENT . . . . .	13	35
F10000	GASKET SET (NOT SHOWN)	19	-	F14041	EXTERNAL TOOTH LOCKWASHER . . . . .	13	23
F10005	REPAIR PARTS KIT (NOT SHOWN) . . . . .	19	-	F14042	DISTRIBUTOR HOUSING W/BEARINGS . . . . .	13	12
F1009	HEX HD SCREW, 3/8 - 16 X 2 3/4 . . . . .	25	5	F14044	DISTRIBUTOR SHAFT . . . . .	13	40
F1014	COTTER PIN . . . . .	17	17	F14045	SCREW . . . . .	13	16
F1014	COTTER PIN . . . . .	35	59	F14046	TERMINAL SCREW . . . . .	13	19
F1015	COTTER PIN . . . . .	41	46	F14047	TERMINAL INSULATOR (INSIDE) . . . . .	13	20
F1052	FILL HD SCREW, 1/4 - 20 X 1	25	22	F14049	TERMINAL INSULATOR (OUTSIDE) . . . . .	13	22
F1059	FILL HD SCREW, 6 - 32 X 1/4	17	21	F1425	HEX CAP SCREW, 1/4 - 20 X 1 5/8 . . . . .	41	62
F1064	FILL HD SCREW, 8 - 32 X 3/8	17	3	F1447	ROUND HD SCREWS, 2 X 3/16 . . . . .	3	19
F1099	FILL HD SCREW, 1/4 - 20 X 1 1/4 . . . . .	25	13	F1473	HEX NUT . . . . .	3	36
F1099	FILL HD SCREW, 1/4 - 20 X 1 1/4 . . . . .	27	55	F1475	FILL HD SCREW, 10 - 24 X 1/2 . . . . .	29	103
F1107	SLOTTED FILL HD CAP SCREW, 1/4 - 20 X 3/4 . . . . .	27	76	F1491	HEX HD SCREW, 5/16 - 18 X 3 1/4 . . . . .	39	41
F1108	FILL HD SCREW, 1/4 - 20 X 3/4 . . . . .	21	13	F1502	HEX CAP SCREW, 1/4 - 20 X 5/8 . . . . .	3	20
F1187	HEX HD SCREW, 1/4 - 20 X 1	27	43	F1502	HEX CAP SCREW, 1/4 - 20 X 5/8 . . . . .	11	15
				F1502	HEX CAP SCREW, 1/4 - 20 X 5/8 . . . . .	21	5

# PARTS INDEX

Part Number	Description	Pg.	Ref. No.	Part Number	Description	Pg.	Ref. No.
F1502	HEX CAP SCREW, 1/4 - 20 X 5/8	27	48	F17010-1	THROTTLE GEAR	45	16
F15034	SPRING SET	11	19	F17011	BOWED WASHER	45	15
F15054	BRUSH AND TERMINAL SET	11	11	F17012	RETAINING PLATE	45	13
F15057	BRUSH PLATE AND HOLDER ASSEMBLY	11	20	F17013	FILL HD SCREW, 1/4 - 20 X 1/2	45	11
F15099	ARMATURE	11	9	F17014	THROTTLE ARM	45	10
F15118	BENDIX DRIVE ASSEMBLY	11	5	F17015	COTTER PIN	45	8
F15125	HEAD ASSEMBLY, COMMUTATOR END	11	18	F17016	CABLE TERMINAL	45	9
F15126	THRUST WASHER PACKAGE	11	8	F17019	CLUTCH ARM	45	5
F1513	HEX NUT	7	18	F17020	INTERNAL TOOTH LOCKWASHER	45	12
F1513	HEX NUT	45	3	F17021	CLUTCH GEAR	45	19
F1513	HEX NUT, 10 - 32	21	27	F17026	SWIVEL	45	24
F1513	HEX NUT, 10 - 32	25	27	F1703	LOCKWASHER	27	71
F1515	HEX NUT	7	24	F1703	SPRING LOCKWASHER	35	73
F1515	HEX NUT, 5/16 - 18	21	29	F17030-1	SET SCREW	45	31
F15166	FRAME AND FIELD ASSEMBLY	11	10	F17031	SNAP CAP	45	28
F15167	HEAD ASSEMBLY, DRIVE END	11	7	F17036	INTERNAL TOOTH LOCKWASHER	45	6
F15168	THRU BOLT PACKAGE	11	14	F1704	INTERNAL TOOTH LOCKWASHER	23	49
F1528	WELCH PLUG	33	40	F1705	HEX CAP SCREW, 1/4 - 20 X 3/4	7	23
F154317	CABLE CLAMP	45	23	F1705	HEX CAP SCREW, 1/4 - 20 X 3/4	39	1
F1556	FILL HD SCREW W/LOCKWASHER, 10 - 24 X 3/8	25	23	F17068	HOUSING	47	36
F1557	FLAT HD SCREW, 10 - 24 X 3/8	45	25	F17082-1	DETENT BALL	47	38
F1577	FILL HD SCREW, 1/4 - 20 X 3/4	39	19	F1709	HEX BOLT, 1/4 - 20 X 1 1/8	29	87
F1593	HEX HD SCREW 3/8 - 16 X 3	33	25	F17092	SNAP RING	45	21
F1612	HEX CAP SCREW, 3/8 - 16 X 1 1/4	13	8	F1710	PLAIN WASHER	33	18
F1641	LOCK NUT	11	6	F17100	CLUTCH SHAFT	45	20
F1645	HD. SCREW, 6 - 32 X 1/4	7	27	F17101	DECAL, STARBOARD	45	27
F1645	RD HD SCREW, 6 - 32 X 1/4	23	50	F17105	FELT WASHER	45	33
F1647	HEX NUT, 8 - 32	7	6	F17106	COLLAR	45	34
F1647	HEX NUT, 8 - 32	13	24	F17107	FILL HD SCREW, 10 - 24 X 5/16	45	22
F1647	HEX NUT, 8 - 32	29	96	F1711	SPRING BOWED WASHER	33	17
F1648	PAN HD SCREW, 10 - 24 X 3/4	7	16	F17111	DETENT BALL	45	17
F165	REMOTE STEERING BRACKET	52	-	F17112	JUNCTION BOARD, STARBOARD	45	26
F1664	SPRING PIN	33	7	F17113	JUNCTION BOARD, PORT	45	-
F1666	SPRING BOWED WASHER	33	21	F17115	HANDLE	45	30
F1669	LOCK NUT	33	43	F17116	KNOB	45	29
F1678	FILL HD SCREW, 10 - 24 X 13/16	7	2	F1713	SPRING PIN	39	25
F1689	HEX HD CAP SCREW, 1/4 - 20 X 1/2	9	42	F1715	HEX BOLT, 1/4 - 28 X 9/16	45	7
F1692	WOODRUFF KEY	13	41	F1727	PLASTIC RIVET	25	20
F1693	TIE BAR RETAINER	17	4	F1729	PLUG	33	5
F1696	HEX BOLT 5/16 - 18 X 1 3/4	35	65	F1730	PAN HD SCREW W/SPRING LOCKWASHER, 1/4 - 20 X 5/8	5	44
F1699	HEX HD SCREW, 1/4 - 20 X 1 1/8	25	8	F1733	PAN HD MACHINE SCREW, 10 - 24 X 9/16	3	2
F17006	DETENT SPRING	45	18	F1734	FILL HD SCREW W/LOCKWASHER, 1/4 - 20 X 1/2	7	14
F17008	DETENT SPRING	47	37	F1741	PAN HD SCREW, 8 X 3/4	7	35
F17009	BEARING	45	14	F1744	SPRING PIN	35	48
				F1744	SPRING PIN	35	52
				F1753	FASTENER	3	38

# PARTS INDEX

Part Number	Description	Pg.	Ref. No.	Part Number	Description	Pg.	Ref. No.
F1759	SHIM, DISTRIBUTOR (QTY. AS REQUIRED) . . . . .	13	11	F1872	HEX CAP SCREW, 3/8 - 16 X 1 3/4 . . . . .	25	12
F1760	PAN HD SCREW, 10 - 24 X 3/8 . . . . .	7	19	F1873	HEX CAP SCREW, 3/8 - 16 X 3 . . . . .	27	50
F1760	PAN HD SCREW, 10 - 24 X 3/8 . . . . .	13	25	F1874	HEX HD SCREW, 3/8 - 16 X 3 1/8 . . . . .	25	2
F1760	PAN HD SCREW, 10 - 24 X 3/8 . . . . .	25	3	F1877	TY-RAP . . . . .	7	29
F177330	FUEL PUMP VALVE . . . . .	21	10	F1885	HEX BOLTS, S.S., 5/16 - 18 X 4 1/4 . . . . .	27	64
F177350	REVERSE LOCK PIN . . . . .	35	47	F1885	HEX CAP SCREW, 5/16 - 18 X 4 1/4 . . . . .	39	6
F178145-3	MOTOR LEG COVER REAR . . . . .	33	6	F1892	STOP NUT . . . . .	9	52
F178168-1	GASKET, CARBURETOR ADAPTER . . . . .	21	35	F1904	PLAIN WASHER . . . . .	33	26
F178173	RETAINING RING . . . . .	33	34	F1907	PLAIN WASHER . . . . .	39	7
F178208	RETAINING RING . . . . .	33	19	F1910	STOP NUT, 1/4 - 20 . . . . .	21	25
F178323	SEAL, MOTOR LEG . . . . .	33	12	F19109	PLUG . . . . .	27	60
F178362	BEARING . . . . .	33	36	F19109	PLUG . . . . .	39	30
F178404-1	DEFLECTOR PLATE . . . . .	21	36	F1912	HEX HD SCREW 10 - 24 X 1/2 . . . . .	35	67
F178632	SHAFT, SHOCK MOUNT LOWER . . . . .	33	39	F1914	HEX HD SCREW, 1/4 - 20 X 3/4 . . . . .	25	11
F178754-1	FUEL LINE . . . . .	17	24	F1915	HEX HD SCREW, 1/4 - 20 X 7/8 . . . . .	23	44
F1788	STOP NUT . . . . .	39	15	F1915	HEX HD SCREW, 1/4 - 20 X 7/8 . . . . .	25	6
F178889	SHAFT, SHOCK MOUNT UPPER . . . . .	33	37	F1934	FLAT HD SLOTTED SCREW, 6 X 12 . . . . .	9	50
F17932	SEAL, FUEL LINE COUPLER . . . . .	43	12	F1935	PLAIN WASHER . . . . .	25	42
F18160-1	CYLINDER DRAIN REED . . . . .	25	36	F195/	REMOTE CONTROL CABLES . . . . .	52	-
F1822	HEX BOLT 5/16 - 18 X 7/8 . . . . .	35	76	F1950	HEX CAP SCREW, 10 - 24 X 5/8 . . . . .	29	91
F1831	FLAT HD SCREW, 1/4 - 20 X 5/8 . . . . .	23	43	F1953	HEX HD SCREW, 1/4 - 20 X 1 . . . . .	21	20
F1832	STOP NUT, 1/4 - 20 . . . . .	27	68	F1953	HEX HD SCREW, 1/4 - 20 X 1 . . . . .	25	16
F1836	SPRING PIN . . . . .	35	60	F1968	FLYWHEEL NUT . . . . .	31	21
F184033-1	SWIVEL, TOP CARBURETOR . . . . .	17	20	F1975	SPRING LOCKWASHER . . . . .	7	10
F184122-1	SEAL, PARTING LINE . . . . .	29	101	F1975	SPRING LOCKWASHER . . . . .	13	26
F184579	"O" RING SEAL . . . . .	17	19	F197787-3	FUEL LINE COUPLER . . . . .	43	6
F1849	HEX HD CAP SCREW, 1/4 - 20 X 1 3/8 . . . . .	5	47	F197813	BEARING . . . . .	35	57
F1851	FILL HD SCREW W/LOCKWASHER, 10 - 24 X 1/2 . . . . .	7	39	F1987	PLAIN WASHER . . . . .	27	79
F1854	HEX CAP SCREW, 1/4 - 20 X 5/8 . . . . .	3	25	F1987	PLAIN WASHER . . . . .	35	64
F1856	PLAIN WASHER . . . . .	41	72	F1990	HEX CAP SCREW, 1/4 - 20 X 1 5/8 . . . . .	41	60
F1857	HEX CAP SCREW, 5/16 - 18 X 5/8 . . . . .	3	23	F1994	HEX SOCKET HD CAP SCREW, 5/16 - 18 X 1 . . . . .	39	36
F1857	HEX CAP SCREW, 5/16 - 18 X 5/8 . . . . .	3	35	F1997	STOP NUT, 8 - 32 . . . . .	17	10
F1858	HEX CAP SCREW, 5/16 - 18 X 1 . . . . .	3	24	F1999	HEX CAP SCREW, 1/4 - 20 X 7/8 . . . . .	41	55
F1858	HEX CAP SCREW, 5/16 - 18 X 1 . . . . .	39	39	F2000	HEX CAP SCREW, 5/16 - 18 X 3/4 . . . . .	9	47
F1860	RD HD SCREW, 6 - 32 X 1/4 . . . . .	21	9	F2000	HEX CAP SCREW, 5/16 - 18 X 3/4 . . . . .	29	99
F1864	HEX SLOT HD SCREW 1/4 - 20 X 3/4 . . . . .	33	4	F2001	FILL HD SCREW, 10 - 24 X 5/8 . . . . .	7	9
F1866	PLAIN WASHER . . . . .	41	71	F2008	HEX HD SCREW, 1/4 - 20 X 7/8 . . . . .	27	53
F1867	HEX CAP SCREW, 3/8 - 16 X 1 . . . . .	31	19	F2014	PLAIN WASHER . . . . .	13	9
F1869	HEX CAP SCREW, 3/8 - 16 X 1 1/4 . . . . .	27	70	F2014	PLAIN WASHER . . . . .	35	70
F1871	HEX HD SCREW 3/8 - 16 X 3/4 . . . . .	35	69	F2015	HEX NUT, 1/4 - 28 . . . . .	29	102
				F2016	FILL HD SCREW, 6 - 32 X 7/8 . . . . .	23	48

# PARTS INDEX

Part Number	Description	Pg.	Ref. No.	Part Number	Description	Pg.	Ref. No.
F203276	BOOT	13	30	F333316	THROTTLE ROLLER SHAFT	17	5
F2033	GROOVE PIN	17	26	F335215	SPACER, PISTON PIN (2 PER PISTON)	31	3
F203673	TERMINAL CLIP	13	31	F335217-1	BEARING, PISTON PIN (26 PER SET)	31	5
F2042	PLAIN WASHER	29	106	F335654-1	DEFLECTION STOP	3	21
F2047	WAVE SPRING			F338618-1	SEAL GEAR SHIFT ROD	33	15
	LOCKWASHER	3	30	F338618-1	SEAL, GEAR SHIFT ROD	41	53
F2049	HEX CAP SCREW, 5/16 - 18 X 2 5/8	27	78	F345475-1	COIL	9	44
F2066	PAN HD TAPPING SCREW, 10 X 7/16 (TRIM TO COVER)	3	40	F345683	WIRE, REGULATOR-RECTIFIER GROUND	7	5
F2067	PLASTISOL CAP (NOT SHOWN)	31	-	F351307	SEAL, DRIVESHAFT - WATER PUMP	41	63
F2088	FASTENER	5	45	F353480	STUD	33	29
F2089	SLOTTED PAN HD M. SCREW, 10 - 24 X 5/16	29	105	F369349	REVERSE LOCK	35	44
F2090	PLUG	27	74	F369364	REVERSE LOCK ARM	35	55
F2108	LOCK NUT	35	79	F369510	LINK REVERSE LOCK	35	46
F2108	STOP NUT, 5/16 - 18	27	67	F369610	BEARING	27	62
F213274	GREASE FITTING	13	27	F369827	HANDLE AND SHAFT	35	56
F213274	GREASE FITTING	33	38	F369887	SHOULDER SCREW	27	61
F213342	SEAL, FUEL LINE COUPLER (LARGE)	43	4	F369977-1	INTERLOCK ARM	27	63
F213735	SEAL, FUEL LINE COUPLER (SMALL)	43	5	F372151-1	EXHAUST PORT PLATE	29	90
F24278	SEAL, "O" RING PROPELLER SHAFT SPOOL	39	10	F372152-1	EXHAUST PORT COVER	29	88
F269319	THROTTLE CAM BEARING	21	26	F372154-1	GASKET, EXHAUST PORT PLATE	29	89
F286461	SPRING, LOCK BAR HANDLE	35	50	F372925	CHOKE ROD	17	27
F289446-1	CLAMP	7	12	F372958	CHOKE BRACKET	21	19
F298788	FERRULE	43	7	F373778-1	RETAINER, ENGINE COVER	3	37
F2A476757	CYLINDER DRAIN REED PLATE W/REEDS, STOPS AND SCREWS	25	35	F381896-4	BATTERY CABLE	7	30
F2A523023	BEVEL GEAR FRONT W/BEARING	39	28	F391926-1	PLUNGER	17	28
F2A523158	REED PLATE W/REEDS, REED STOPS AND SCREWS	21	41	F391983	RETAINING BAND	9	51
F2A523239	SPOOL, PROPELLER SHAFT BEARING W/SEALS	39	11	F40209	CARBURETOR STUD	21	30
F2A523662	BEVEL GEAR REAR W/BEARING CAGE SPACER AND BEARING	39	21	F40223	GASKET, TRANSFER PORT COVER	27	52
F2S480179	TRIM TOP	3	1	F404097	FLYWHEEL	7	1
F2S480269	TILT HANDLE	3	3	F404268	BY-PASS VALVE SPRING	29	94
F2S489180	TRIM REAR	3	6	F404314	ELBOW, FUEL PUMP COVER	21	2
F2S489888	TRIM FRONT	5	43	F404314	FITTING	27	47
F307317	CLIP, TERMINAL BLOCK	7	17	F404470-1	REGULATOR-RECTIFIER	7	8
F310189	BUSHING, ELECTRIC CABLE	3	16	F404513	COIL CLAMP	7	40
F311189-1	BUSHING, CABLE ENTRY	3	17	F404801	ELBOW, CYLINDER DRAIN UPPER	27	-
F316160	REED (4 PETAL)	21	40	F404841	CABLE, HEAT INDICATOR	7	37
F316164	REED (1 PETAL)	21	42	F405457	PIVOT SCREW	25	7
F316579	SEAL, CRANKCASE	31	11	F406406	GASKET DEFLECTOR PLATE	21	37
F316599	SEAL, STEERING SUPPORT TUBE	35	86	F406471-1	CYLINDER DRAIN COVER	25	41
F321756	PACKING, COVER	3	31	F406754-1	HOSE	27	46
F321841-2	LEAD WIRE	13	32	F407446	CLAMP	7	31
F322273	STUD, C.D. UNIT	9	48	F409251-1	GAUGE CAP	43	1
				F433114	HANDLE, LOCK BAR	35	51
				F433209-1	THROTTLE CAM STUD	21	32
				F438066	BY-PASS VALVE COVER	29	92
				F438129	SEAL, DRIVESHAFT SPLINE	41	70
				F438165	SCREW, FUEL PUMP BOWL	21	18
				F438169	BEARING	33	42
				F438271	RETAINER, CRANKSHAFT SPLINE SEAL	41	69
				F438346	SHOCK MOUNT LOWER	35	75
				F438398	DECAL, WIRING	29	86

# PARTS INDEX

Part Number	Description	Pg.	Ref. No.	Part Number	Description	Pg.	Ref. No.
F438500	FUEL SEDIMENT BOWL	21	17	F523031	GASKET, WATER PUMP	41	56
F438617	FUEL SEDIMENT BOWL GASKET	21	15	F523057	BEARING, DRIVESHAFT LOWER	41	65
F438653	FUEL SEDIMENT BOWL SCREEN	21	16	F523065	IMPELLER, WATER PUMP	41	58
F438668	RETAINER, CABLE CLAMP	7	13	F523094-2	PROPELLER NUT	39	13
F438744-1	WIRING HARNESS	7	4	F523099	SPACER, PROPELLER	39	18
F438747	FUEL PUMP DIAPHRAGM W/GASKET	21	8	F523116	EXHAUST SNOUT	39	37
F438754	FUEL LINE W/CLAMP, PUMP TO CARBURETOR	17	29	F523133-2	MOTOR LEG	35	81
F438760	FUEL PUMP GASKET	21	4	F523146	SEAL, CRANKSHAFT LOWER	31	13
F438801	FITTING	21	14	F523188	NUT, BEVEL PINION	39	34
F438930	RETAINER, SNOUT	39	38	F523244	INLET WATER LINE	39	5
F438962	SHOCK MOUNT LOWER REAR	33	14	F523274	GREASE FITTING	35	85
F438984-1	BLANKET, SILENCER TOP (NOT SHOWN)	5	-	F523280	NUT, STEERING SUPPORT TUBE	35	80
F439386	PLATE REAR	3	5	F523299-1	WASHER	39	16
F439736	SEAL, EXHAUST TUBE	35	82	F523411	RETAINING RING, BEARING CAGE	39	22
F441754-1	HOSE	21	3	F523451	SPACER, REED STOP	23	51
F460917	STARTER RELAY	7	26	F523498	DRIVE KEY, WATER PUMP	41	67
F474073-1	CLAMP SCREW	33	30	F523555	SEAL, "O" RING, GEAR HOUSING COVER	41	48
F474387	TIMING DECAL (NOT SHOWN)	9	-	F523562	PLATE, WATER PUMP	41	57
F474390-1	DECAL, REVERSE LOCK (NOT SHOWN)	37	-	F523705	GEAR SHIFT ROD LOWER	41	45
F476066-1	THERMOSTAT COVER	29	85	F523813	BEARING CUP	39	29
F476067	GASKET	27	81	F523834	CLIP, SPARK PLUG WIRE	25	28
F476529	CYLINDER HEAD GASKET	27	75	F523899	GROMMET, WATER LINE	39	4
F480038-2	SUPPORT PLATE	3	15	F523961	CRUSH RING	41	49
F480107-1	CAM STARTER INTERLOCK	29	104	F523962	SHOCK MOUNT - C.D. UNIT	9	46
F480388	DISC, WATER PUMP LOCATING	41	61	F528068	THERMOSTAT	27	82
F480818	BEARING	3	13	F528995	COVER, CYLINDER HEAD	29	108
F481382-1	SPACER, LATCH SHAFT	3	29	F58685-2	CONNECTOR, SHIFT CABLE	45	2
F481434	GUIDE, ENGINE COVER	5	46	F590	SYNCHRO-DRIVE CONTROL HEAD (SINGLE LEVER)	52	-
F481774	BRACKET, COVER LATCH	3	32	F5H002	SPEEDOMETER	52	-
F481777	CAM, LATCH	3	28	F5H003	SPEEDOMETER	52	-
F483884	BEARING	35	61	F5H004	SPEEDOMETER FLUSH MOUNT	53	-
F485755-1	FUEL TANK ADAPTER	43	3	F5H005	TEMPERATURE GAUGE FLUSH MOUNT	53	-
F489551	BRACKET NEUTRAL INTERLOCK SWITCH	23	45	F5H006	VOLTMETER - FLUSH MOUNT	52	-
F489985	BLANKET, SILENCER SIDE (NOT SHOWN)	5	-	F5H008	FUEL GAUGE FLUSH MOUNT	53	-
F498392	DECAL, "CHRYSLER"	3	9	F5H010	POWER TRIM INDICATOR	52	-
F498396	DECAL, STRIPE UPPER	3	11	F5H012	TACHOMETER FLUSH MOUNT	53	-
F498397	DECAL, STRIPE LOWER	3	8	F5H014	FLUSHING ADAPTER	52	-
F500061-1	CARBURETOR COMPLETE (WB24B)	19	47	F5H018	DUAL ENGINE TIE BAR	52	-
F500386	DECAL, NUMERAL	3	10	F5H019	ANTI-CORROSION KIT	52	-
F500711	PLATE, ENGINE COVER FRONT	5	42	F5H021	EXTENSION CABLE	53	-
F50109	PLUG, GEAR HOUSING	41	43	F5H025	ANTI-CORROSION SACRIFICIAL ANODE	52	-
F50342-1	SEAL, "O" RING	39	8	F5H026	STEEL, 6 GALLON FUEL TANK (LOW PROFILE)	52	-
F506118	SEAL, PROPELLER SHAFT	39	9	F5H028	SENDING UNIT	53	-
F510374	DECAL, CIRCUIT BREAKER	7	41	F5H029	TANK ANCHOR	52	-
F510460	CIRCUIT BREAKER	7	22	F5H037	CIGAR LIGHTER	53	-
F511125-2	TUBE, STEERING SUPPORT	35	84				

# PARTS INDEX

Part Number	Description	Pg.	Ref. No.	Part Number	Description	Pg.	Ref. No.
F5H040	STEEL, 12 GALLON FUEL TANK	52	-	F8096	SPRING LOCKWASHER	3	22
F5H043	OVERHEAT BUZZER (ACCESSORY ITEM)	7	36	F8096	SPRING LOCKWASHER	3	34
F5H044	TILT STOP KIT	52	-	F8096	SPRING LOCKWASHER	7	25
F5H050	HYDRAULIC TILT	53	-	F8096	SPRING LOCKWASHER	29	100
F5H063	SYNCHRO-DRIVE CONTROL BOX (SINGLE LEVER)	52	-	F8096	SPRING LOCKWASHER	35	77
F5H064	EXHAUST SNOOT	52	-	F8096	SPRING LOCKWASHER	39	40
F5H070	REMOTE ELECTRIC CABLE	53	-	F8104	PLAIN WASHER	27	49
F5H074	POWER TRIM	53	-	F84011	WASHER	35	62
F5H076	SWITCH EXTENSION CABLE	53	-	F84074	CLAMP SCREW FOOT	33	28
F5H077	IGNITION KEY SWITCH	53	-	F84146-2	SEAL	31	20
F5H078	IGNITION KEY SWITCH	53	-	F84278	SEAL	31	23
F5H078	IGNITION SWITCH (LONG BARREL) W/KEYS AND SCREWS	7	34	F84286-1	FRICTION WASHER	35	54
F5H079	SYNCHRO-DRIVE CONTROL BOX	52	-	F84305	SEAL, "O" RING PROPELLER SHAFT SPOOL	39	12
F5H080	TWIN SYNCHRO-DRIVE CONTROL BOX	52	-	F84307-1	SEAL, DRIVESHAFT	41	51
F5H081	BATTERY CABLE	52	-	F84314-2	ELBOW	17	22
F7004	STOP NUT, 3/8 - 16	25	17	F84314-2	ELBOW	21	6
F7008	ELASTIC STOP NUT	25	10	F84314-2	ELBOW	27	45
F7012	STOP NUT	33	24	F84342	SEAL, INLET WATER LINE, UPPER	39	3
F7013	STOP NUT	13	2	F84449	INTERLOCK SWITCH	23	46
F71H08	FUEL TANK (ACCESSORY ITEM)	43	2	F84472-5	GASKET, CYLINDER DRAIN COVER	25	40
F71H26	BATTERY CABLE CLAMP KIT (ACCESSORY ITEM)	7	32	F84504	GROMMET (THERMOSTAT)	27	83
F72H36	REMOTE CONTROL UNIT, SINGLE LEVER STARBOARD MOUNT	47	39	F84521-1	CLUTCH	39	26
F74305	SEAL, DRIVESHAFT BEARING CAGE	41	50	F84748-3	GASKET	25	33
F762	REMOTE ELECTRIC CABLE	53	-	F84792	GASKET, CENTER FUEL PUMP VALVE	21	11
F8001	WASHER	39	31	F84991-1	GROMMET	15	45
F8003	PLAIN WASHER	25	38	F85017	PISTON PIN	31	4
F8011	PLAIN WASHER	7	20	F85026	SWIVEL	25	30
F8028	PLAIN WASHER	11	16	F85033	SWIVEL, CHOKE ROD (BOTTOM CARBURETOR) (NOT SHOWN)	19	-
F8038	PLAIN WASHER	29	110	F85035	DISTRIBUTOR, CONTROL ROD END	25	29
F8056	LOCKWASHER	13	18	F85036	TOWERSHAFT CONTROL ROD END	25	32
F8056	LOCKWASHER	13	43	F85037-1	STERN BRACKET PIVOT BOLT	35	53
F8056	LOCKWASHER	29	97	F85095-2	STATOR	7	3
F8056	SPRING LOCKWASHER	7	7	F85117	BRACKET, WATER LINE	39	2
F8058	INTERNAL TOOTH LOCKWASHER	21	24	F85130	BOOT IDLE EXHAUST	33	8
F8058	INTERNAL TOOTH LOCKWASHER	27	57	F85161-1	REED STOP	21	39
F8077	WASHER, GEAR HOUSING PLUG	39	42	F85173	RETAINING RING	13	6
F8083	SPRING LOCKWASHER	3	26	F85192-1	THROTTLE CAM	21	28
F8083	SPRING LOCKWASHER	9	43	F85211	STUD	25	18
F8083	SPRING LOCKWASHER	33	3	F85258	INSERT	33	9
F8083	SPRING LOCKWASHER	41	54	F85279-2	GASKET, CYLINDER EXHAUST UPPER	27	69
F8088	PLAIN WASHER	17	18	F85300	REVERSE LOCK SPRING	35	45
F8088	PLAIN WASHER	23	47	F85311	DISTRIBUTOR BELT	13	1
F8094	PLAIN WASHER	3	27	F85314-1	FUEL FITTING	17	30
F8094	PLAIN WASHER	35	58	F85317-1	SOLENOID CLAMP	21	21
F8095	PLAIN WASHER	29	109	F85350-1	TILT STOP PIVOT	33	20
				F85372	PIN, GEAR SHIFT ROD LOWER	41	47
				F8538	SPRING PIN	33	31
				F85380	SPRING	33	10
				F85410	SNAP RING	31	8



# PARTS INDEX

Part Number	Description	Pg.	Ref. No.	Part Number	Description	Pg.	Ref. No.
F85445	CONTROL ROD	25	31	FA411222	TRANSFER PORT COVER	27	51
F85453-1	GASKET EXHAUST LOWER	33	1	FA438113	STERN BRACKET LOCK BAR W/HANDLE	35	49
F85498	FLYWHEEL KEY	31	16	FA438431	FUEL PUMP BODY W/VALVES	21	12
F85502	THROTTLE LINK	25	26	FA438493	TERMINAL BLOCK BRACKET	7	11
F85509-1	LINK, CHOKE	17	25	FA439746	FUEL PUMP COVER	21	1
F85541-1	TILT LOCK	33	22	FA467892	INSERT PLATE FRONT - U.S.A.	3	41
F85571	BEARING CAGE W/ROLLER	31	10	FA467893	INSERT PLATE FRONT - CANADA	3	-
F85606	KINGPIN CAP	35	66	FA480876	GEAR SHIFT ARM, BEARINGS, INTERLOCK ARM AND SHOULDER SCREW	27	66
F85610	BEARING	27	65	FA480894	TIMING POINTER	25	4
F85615	GEAR SHIFT ROD UPPER	35	78	FA481469	HANDLE W/SHAFT	3	12
F8563	DOWEL PIN	25	15	FA481743	ROLLER BRACKET	3	33
F85634-1	CONNECTING ROD SCREW	31	14	FA489528	INSERT, PLATE REAR	3	4
F85660-1	EXHAUST TUBE	33	2	FA510497	TERMINAL BLOCK	7	15
F85664	DISTRIBUTOR GROUND	13	28	FA523054	GEAR HOUSING CUP, DRIVESHAFT BEARING LOWER, PLUGS &WASHERS	39	33
F85664	GROUND WIRE	9	54	FA523060	WATER PUMP BODY W/DRIVESHAFT SEAL, DISC AND WATERLINE SEAL	41	59
F85704	COUPLER, GEAR SHIFT ROD	35	83	FA523098	PROPELLER SHAFT	39	23
F85735-1	SEAL	3	39	FA523266	BEVEL PINION GEAR W/CRUSH RING AND SHIMS	39	35
F85762	BY-PASS VALVE COVER GASKET	29	93	FA523301	UNIT W/DECAL	9	45
F85772	CLAMP	33	11	FA523485	ANTICORROSION ANODE	39	20
F85779-1	BAFFLE, AIR INTAKE	35	68	FA523706	GEAR HOUSING COVER W/SEALS	41	52
F85843-1	REMOTE ELECTRIC CABLE, 18 FEET	7	38	FA523735	SEAL, INLET WATER LINE, LOWER	41	64
F85859	STUD	25	14	FA58976-1	CONNECTOR, THROTTLE CABLE	45	1
F85906	CARBURETOR GASKET	21	31	FA77395-5	IDENTIFICATION PLATE W/SCREWS FOR U.S.A. MODELS	3	18
F85908	STARTER LEAD WIRE	11	13	FA84621-1	COUPLING, GEAR SHIFT ARM W/BUSHING	41	44
F85916-1	BY-PASS VALVE	29	95	FA84754-1	FUEL LINE SHORT W/FERRULES	43	8
F85924	CHOKE SOLENOID	7	28	FA84871-1	PIN, GEAR SHIFT W/YOKE	39	24
F85965	SHOCK MOUNT UPPER	35	72	FA85019	KINGPIN W/PLUG	33	41
F89758	FUEL PUMP AIR HOSE - TOP	21	7	FA85193	TIE BAR END W/SWIVEL	17	2
F9018	CAP	33	32	FA85355-1	WASHER	35	71
F9052	PLUG	33	33	FA85655-1	CRANKSHAFT MAIN BEARING RACE W/SNAP RING	31	9
F90807	RETAINING RING	17	1	FA98689	BEARING	27	72
F90891	PIN, GEAR SHIFT ARM	39	32	FC409398	DECAL, TOTE TANK - CANADA (NOT SHOWN)	43	-
F90891	PIN, PROPELLER NUT RETAINING	39	14	FC438398	DECAL, WIRING - CANADA	29	-
F91446-1	CIRCUIT BREAKER BRACKET	7	21	FC474387	TIMING DECAL - CANADA (NOT SHOWN)	9	-
F92759	THROTTLE ROLLER	17	6				
F93811	SCREEN	25	34				
F93920	STOP REED	25	37				
F97772	CLAMP	17	23				
F97772	FUEL LINE CLAMP	43	11				
F98273	ROD END CONNECTOR STUD	27	58				
FA15072	HEX LOCK NUT, 1/4 - 20	11	12				
FA178157	CARBURETOR ADAPTER, UPPER W/FITTING AND STUD	21	-				
FA178167	CARBURETOR ADAPTER, LOWER W/FITTING AND STUD	21	33				
FA178233	THROTTLE TIE BAR W/SWIVEL	19	53				
FA178962	SHOCK ABSORBER W/BUSHING	33	35				
FA321574	DISTRIBUTOR BRACKET	13	10				

# PARTS INDEX

Part Number	Description	Pg.	Ref. No.	Part Number	Description	Pg.	Ref. No.
FC510374	DECAL, CIRCUIT BREAKER - CANADA	7	-	FS409752	FUEL LINE COMPLETE (NOT SHOWN)	43	-
FC523010	SHORT BLOCK	29	-	FS490955	STARTER COMPLETE	11	-
FC523054	GEAR HOUSING COMPLETE	41	-	FS528944	ENGINE COVER		
FG1003-1	GASKET SET (NOT SHOWN)	29	-		W/RETAINER, SCREWS		
FK17114-1	INDICATOR	45	32		AND NUTS	3	7
FK405020	SWIVEL W/CLAMP, SHOULDER SCREW AND NUT	25	24	FSA335260	PISTON RING (4 PER SET). 010 OVERSIZE (NOT SHOWN)	31	-
FK750-1	SPARKIE W/SPRING	15	44	FT2953	SOCKET	49	-
FK85228-1	BEARING CAGE W/ROLLER	31	7	FT2990	PISTON PIN TOOL	49	-
FO10165	INLET SET GASKET	17	39	FT2996	RING COMPRESSOR	49	-
FO10588	BODY CHANNEL CUP PLUG	17	9	FT8901	INDICATOR HOLDER	50	-
FO10790	INLET NEEDLE, SEAT AND GASKET	17	38	FT8902	DIAL INDICATOR	50	-
FO11103	IDLE MIXTURE SCREW			FT8903	SEAL INSTALLER	49	-
	SPRING	19	46	FT8907	DRIVE HANDLE	49	-
FO13194	MAIN FUEL JET (.080)	19	48	FT8907	DRIVER HANDLE	50	-
FO13552	FUEL BOWL	17	33	FT8908	PROPELLER SHAFT SEAL		
FO13554	FLOAT	17	37		INSTALLER	50	-
FO13555	CHOKE SHUTTER	19	44	FT8914	SEAL REMOVER	49	-
FO13942	THROTTLE SHUTTER	17	11	FT8915	PROPELLER SHAFT SEAL		
FO13944	FLOAT LEVER PIN	17	36		PROTECTOR	50	-
FO13945	FUEL BOWL RETAINING			FT8919	SPRING PIN PUNCH	50	-
	SCREW	17	31	FT8922	SLIDE HAMMER	49	-
FO13946	IDLE MIXTURE SCREW	19	45	FT8925	DRIVESHAFT SEAL		
FO13947	CHOKE SHAFT RETURN				INSTALLER	50	-
	SPRING	17	41	FT8926	RING EXPANDER	49	-
FO15217	MAIN NOZZLE	17	35	FT8927	SEAL PROTECTOR	49	-
FO15231	THROTTLE SHAFT AND			FT8933	LIFTING HOOK	51	-
	LEVER	17	7	FT8948-1	FLYWHEEL PULLER	48	-
FO15623	FUEL BOWL GASKET	17	42	FT8948-1	PROPELLER SHAFT		
FO16008	THROTTLE SHAFT RETURN				BEARING CAGE PULLER	50	-
	SPRING	17	8	FT8950	LEAKAGE TESTER	51	-
FO17181	IDLE TUBE	19	52	FT8957	SEAL INSTALLER	50	-
FO17241	CHOKE SHAFT AND LEVER	17	40	FT8978	POWER TIMING LIGHT	48	-
FO1974	SCREW	19	51	FT8997	SHIMMING TOOL	50	-
FO2510	FUEL BOWL RETAINING			FTA2937-1	TIMING TOOL	48	-
	SCREW GASKET	17	32	22-818103--1	ELBOW, CYLINDER DRAIN		
FO2510	FUEL BOWL RETAINING				LOWER	27	44
	SCREW WASHER	17	34	30-F284659-2	BEARING, CRANKSHAFT		
FO3804	RETAINING SCREW				UPPER MAIN	31	22
	WASHER	17	14	31-817785A2	CRANKSHAFT BEARING		
FO4326	BODY CHANNEL WELCH				CAGE W/SEAL	31	18
	PLUG	17	13	31-FA523014	CRANKSHAFT LOWER MAIN		
FO6393	RETAINING SCREW	17	16		BEARING	31	12
FO6396	RETAINING SCREW			32-77653-77	BALANCE TUBE	21	34
	LOCKWASHER	17	15	32-817738A1	FUEL LINE LONG W/CLAMP		
FO8942	CHOKE SHUTTER				AND FERRULE	43	10
	RETAINING SCREW AND			33-97180	SPARK PLUG (CHAMPION		
	LOCKWASHER	17	43		L20V)	27	77
FO8942	THROTTLE SHUTTER			37-819450	DECAL, REVERSE LOCK		
	RETAINING SCREW AND				CANADA (NOT SHOWN)	37	-
	LOCKWASHER	17	12	39-818110A1	PISTON RING (4 PER SET).		
FO9678	CLIP, CHOKE SHAFT	19	49		030 OVERSIZE (NOT		
FO992	LOCKWASHER	19	50		SHOWN)	31	-
FP524	PROPELLER - 105 H.P.			45-818017A3	DRIVESHAFT W/BEARING,		
	(ACCESSORY ITEM)	39	17		SHIMS AND CRUSH RING	41	68
FP526	PROPELLER - 140 H.P.			84-817775A1	COIL WIRE W/TERMINAL		
	(ACCESSORY ITEM)	39	-		CLIP	13	29
				87-817778A1	THERMOSWITCH	29	98

# PARTS INDEX

Part Number	Description	Pg.	Ref. No.	Part Number	Description	Pg.	Ref. No.
400-817735A4	CRANKSHAFT W/BEARING	31	15				
600-818052A4	CONNECTING ROD W/CAP AND SCREWS . . . . .	31	6				
700-817988A2	PISTON. 010 OVERSIZE (NOT SHOWN) . . . . .	31	-				
700-818111A2	PISTON. 030 OVERSIZE (NOT SHOWN) . . . . .	31	-				
700-F372015-3	PISTON . . . . .	31	2				
900-817832A2	CYLINDER HEAD . . . . .	27	80				
1400-817958A6	STERN BRACKET . . . . .	33	23				