



# PARTS CATALOG

## 35/45 H.P.

### SERIAL NUMBER

35 (1977)	.....	.352BJ
35 (1977)	.....	.352HJ
35 (1977)	.....	.353BJ
35 (1977)	.....	.353HJ
45 (1977)	.....	.452BJ
45 (1977)	.....	.452HJ
45 (1977)	.....	.453BJ
45 (1977)	.....	.453HJ
45 (1978)	.....	.450B8J
45 (1978)	.....	.451B8J
45 (1978)	.....	.451H8J

# TABLE OF CONTENTS:

ACCESSORIES .....	45
CARBURETOR .....	14
CRANKSHAFT AND PISTON GROUP .....	24
ENGINE COVER AND SUPPORT PLATE .....	2
FUEL PUMP .....	12
FUEL TANK AND LINE .....	38
GEAR HOUSING .....	34
HAND STARTER .....	10
LUBRICATION CHART .....	47
MAGNETO .....	8
MOTOR LEG .....	28
PARTS INDEX .....	49
POWER HEAD .....	18
REED PLATE .....	26
SPECIAL ADJUSTMENTS .....	48
SPECIAL TOOLS - GEAR HOUSING .....	43
SPECIAL TOOLS - MANUAL STARTER .....	41
SPECIAL TOOLS - POWER HEAD .....	42
SPECIAL TOOLS - TEST EQUIPMENT .....	44
SPECIAL TOOLS - TUNE-UP .....	40
SPECIFICATIONS .....	46

**NOTE:** *Indented description indicate that these parts are included in preceding assembly.*

**AR** = As Required

**NSS** = Not Sold Separate

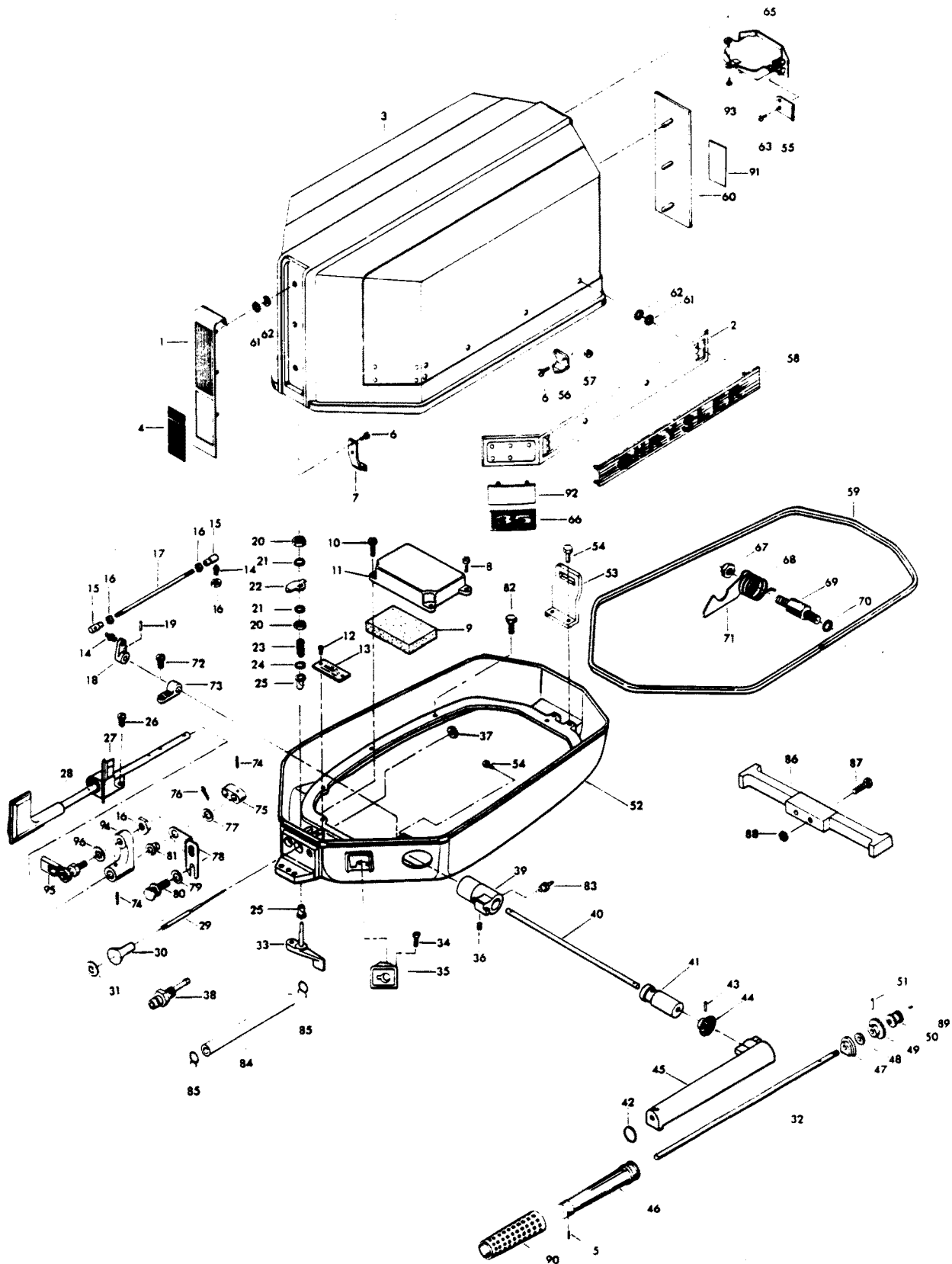
**OPT** = Optional

**NS** = Not Shown

**THESE PARTS BOOKS/FICHE CARD ARE COPYRIGHTED AND MAY NOT BE DISTRIBUTED OR REPRODUCED IN ANY OTHER FORMAT BY ANYONE OTHER THAN MERCURY MARINE WITHOUT THE PRIOR WRITTEN CONSENT OF MERCURY MARINE.**

THIS PAGE INTENTIONALLY LEFT BLANK

# ENGINE COVER AND SUPPORT PLATE

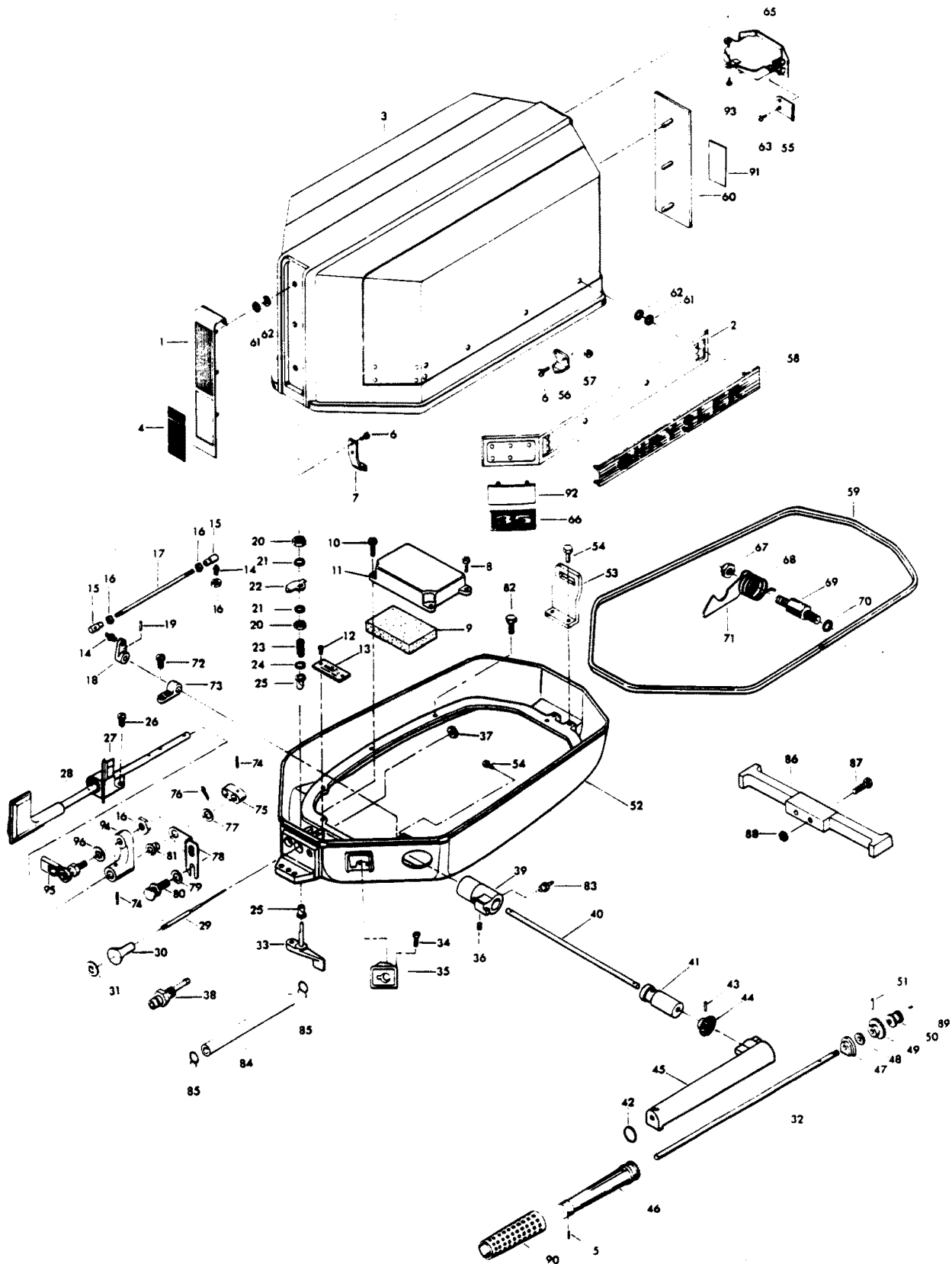


# ENGINE COVER AND SUPPORT PLATE

REF. NO.	PART NO.	SYM.	QTY.	DESCRIPTION
1	F463711-1		1	PLATE, FRONT
2	F366392		2	PLATE, SIDE
3	FS463712		1	ENGINE COVER W/TILT HANDLE AND RETAINERS
4	FA463892		1	INSERT, FRONT PLATE, U.S.A.
-	<b>A463893</b>		<b>1</b>	<b>INSERT, FRONT PLATE, CANADA</b>
5	F8548		1	SPRING PIN
6	F1979		4	FILL HD SCREW, 10 - 24 X 1/2
7	FA366778		1	ENGINE COVER RETAINER, FORWARD, W/SCREWS AND NUTS
8	F1864		2	HEX HD SCREW, 1/4 - 20 X 3/4
9	F307860		1	INTAKE SILENCER
10	F1953		2	HEX HD SCREW, 1/4 - 20 X 1
11	FA307779		1	BAFFLE, AIR INTAKE
12	F1293		2	ROUND HD SCREW, 2 X 3/16
13	FA77395-5		1	IDENTIFICATION PLATE W/SCREWS, U.S.A.
-	<b>AC16395-7</b>		<b>1</b>	<b>IDENTIFICATION PLATE W/SCREWS, CANADA</b>
14	F98273		2	ROD END CONNECTOR STUD
15	F58685-2		2	ROD END CONNECTOR, MAGNETO CONTROL
16	F1513		4	HEX NUT, 10 - 32
17	F307809-1		1	MAGNETO CONTROL ROD
18	F328438		1	MAGNETO CONTROL ARM
19	F8540		1	SPRING PIN
20	F1515		2	HEX NUT, 5/16 - 18
21	F8096		2	SPRING LOCKWASHER
22	F89777-1		1	LATCH CAM
23	F183300		1	SPRING
24	F1987		1	PLAIN WASHER
25	F307818		2	BEARING, LATCH SHAFT
26	F1733		2	PAN HD SCREW, 10 - 24 X 9/16
27	F328189-1		1	BUSHING, GEAR SHIFT ROD
28	818059A1		1	GEAR SHIFT ROD W/KNOB
29	F433503		1	CHOKE CABLE
30	F286547		1	CHOKE KNOB
31	F458677		1	INSERT, CHOKE KNOB
32	F433688		1	SHAFT, STEERING HANDLE
33	FA328763		1	LATCH SHAFT W/HANDLE
34	F1733		1	PAN HD SCREW, 10 - 24 X 9/16
35	FA366953		1	BUSHING, STARTER HANDLE
36	FA901839		1	STEERING HANDLE FRICTION SCREW W/SPRING AND BUTTON
37	F1738		1	HEX NUT, 3/8 - 24
38	F434767		1	BUSHING
39	F328703-1		1	STEERING HANDLE ADAPTER
40	F338877		1	MAGNETO CONTROL SHAFT

CONTINUED ON NEXT PAGE ➡

# ENGINE COVER AND SUPPORT PLATE

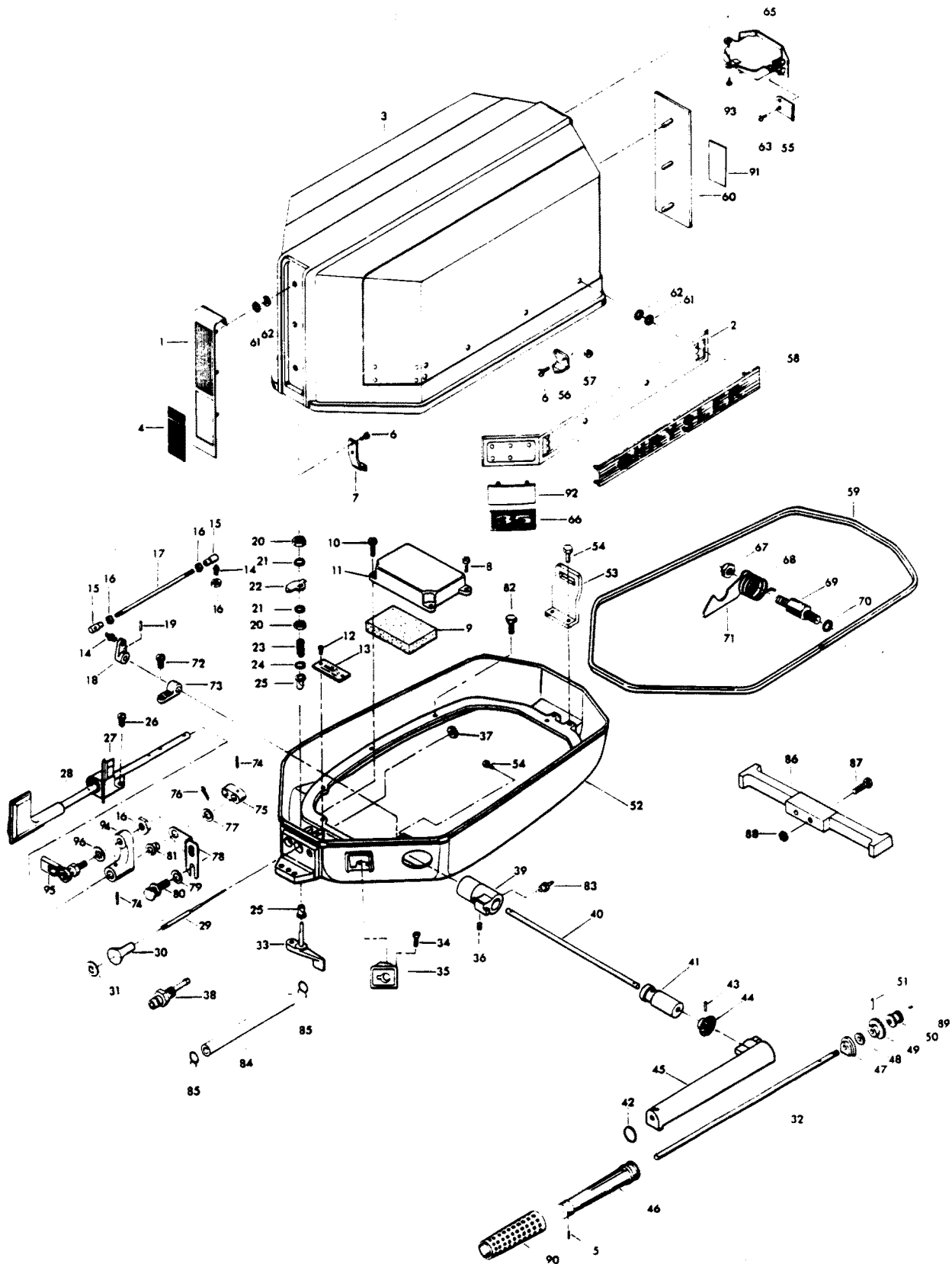


# ENGINE COVER AND SUPPORT PLATE

REF. NO.	PART NO.	SYM.	QTY.	DESCRIPTION
41	F328692		1	PIVOT TUBE
42	F53795-1		2	DAMPENER
43	F8538		1	SPRING PIN
44	F338815		1	STEERING HANDLE GEAR
45	F2A338079		1	STEERING HANDLE <b>INCLUDING ITEMS 40 THROUGH 45</b>
46	FA456137		1	STEERING HANDLE GRIP W/SLEEVE
47	F40816-1		1	STEERING HANDLE CONTROL SHAFT THRUST BEARING
48	F1955		1	PLAIN WASHER
49	F338815		1	STEERING HANDLE GEAR
50	F307689-1		1	STEERING HANDLE CONTROL SHAFT BEARING
51	F8538		1	SPRING PIN
52	818054A1		1	SUPPORT PLATE
53	F458774		1	BRACKET, RETAINER REAR
54	F1864		6	HEX CAP SCREW, 1/4 - 20 X 3/4
55	F463864		2	RETAINER, TILT HANDLE
56	FA458480		1	ENGINE COVER RETAINER W/SCREWS AND NUT
57	F7011		4	HEX NUT, 10 - 24
58	F463366		2	NAME PLATE, "CHRYSLER"
59	F85756		1	SUPPORT PLATE PACKING
60	F433180-1		1	TRIM, ENGINE COVER REAR
61	F85735-1		24	SEAL
62	F1753		24	FASTENER
63	F1728		4	PAN HD SELF-TAPPING SCREW, 10 - 3/8
65	F464269		1	TILT HANDLE
67	F2002		1	HEX NUT, 5/16 - 18
68	F367300		1	SPRING SHIFT DETENT
69	F328819		1	SWIVEL SHIFT DETENT
70	F8060		1	INTERNAL TOOTH LOCKWASHER
71	F328884		1	DETENT, SHIFT ARM
72	F2001		2	FILL HD SCREW, 10 - 24 X 5/8
73	F366813		1	BEARING
74	F1836		2	SPRING PIN
75	F328621		1	GEAR SHIFT ARM
76	F1017		1	COTTER PIN
77	F8032		1	PLAIN WASHER
78	F433612		1	BRACKET SHIFT ROD
79	F8028		2	PLAIN WASHER
80	F1578		2	HEX HD SCREW W/LOCKWASHER, 1/4 - 20 X 7/8
81	F85610		1	BEARING
82	F1238		8	HEX CAP SCREW, 1/4 - 20 X 3/4
83	F213274		1	GREASE FITTING
84	F434754		1	HOSE FUEL PUMP TO BUSHING
85	F97772		2	CLAMP

CONTINUED ON NEXT PAGE ➡

# ENGINE COVER AND SUPPORT PLATE

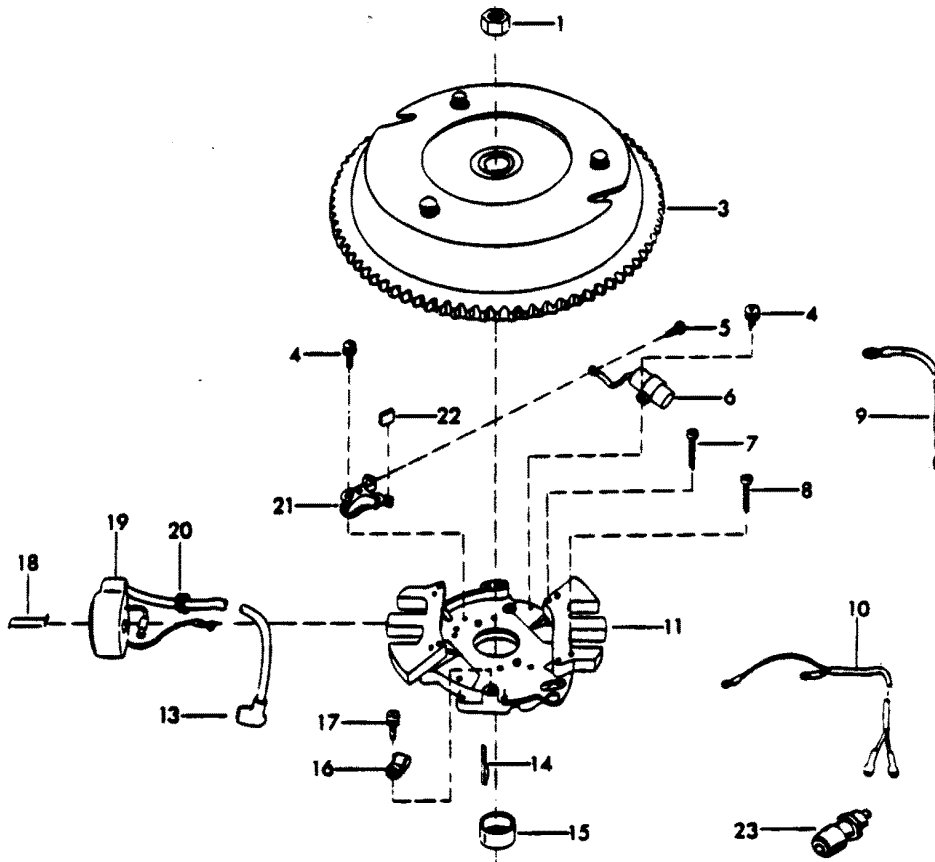




## ENGINE COVER AND SUPPORT PLATE

REF. NO.	PART NO.	SYM.	QTY.	DESCRIPTION
86	F366824		1	CARRYING HANDLE
87	F1603		2	HEX BOLT, 5/16 - 18 X 2
88	F1892		2	STOP NUT, 5/16 - 18
89	F1277		1	SLOTTED OVAL HD SET SCREW, 1/4 - 28 X 3/8
90	F458695		1	SLEEVE, STEERING HANDLE
92	F485512		2	PLATE, INSERT
93	F2025		1	PAN HD SCREW, 10 X 3/8
94	F485005		1	INTERLOCK LEVER ARM
95	817747--1		1	BALL JOINT W/BEARING
96	F8058		1	INTERNAL TOOTH LOCKWASHER
-	<b>F191993-1</b>		<b>1</b>	<b>BRACKET, CHOKE CABLE (NOT SHOWN)</b>
-	<b>F461400</b>		<b>1</b>	<b>GEAR SHIFT INDICATOR (NOT SHOWN)</b>
-	<b>F286894-3</b>		<b>1</b>	<b>STEERING HANDLE INDICATOR (NOT SHOWN)</b>
66	A485385		2	INSERT, SIDE PLATE
91	A463528-1		1	INSERT, TRIM REAR
66	FA486385		2	INSERT, SIDE PLATE
91	A464528-1		1	INSERT, TRIM REAR

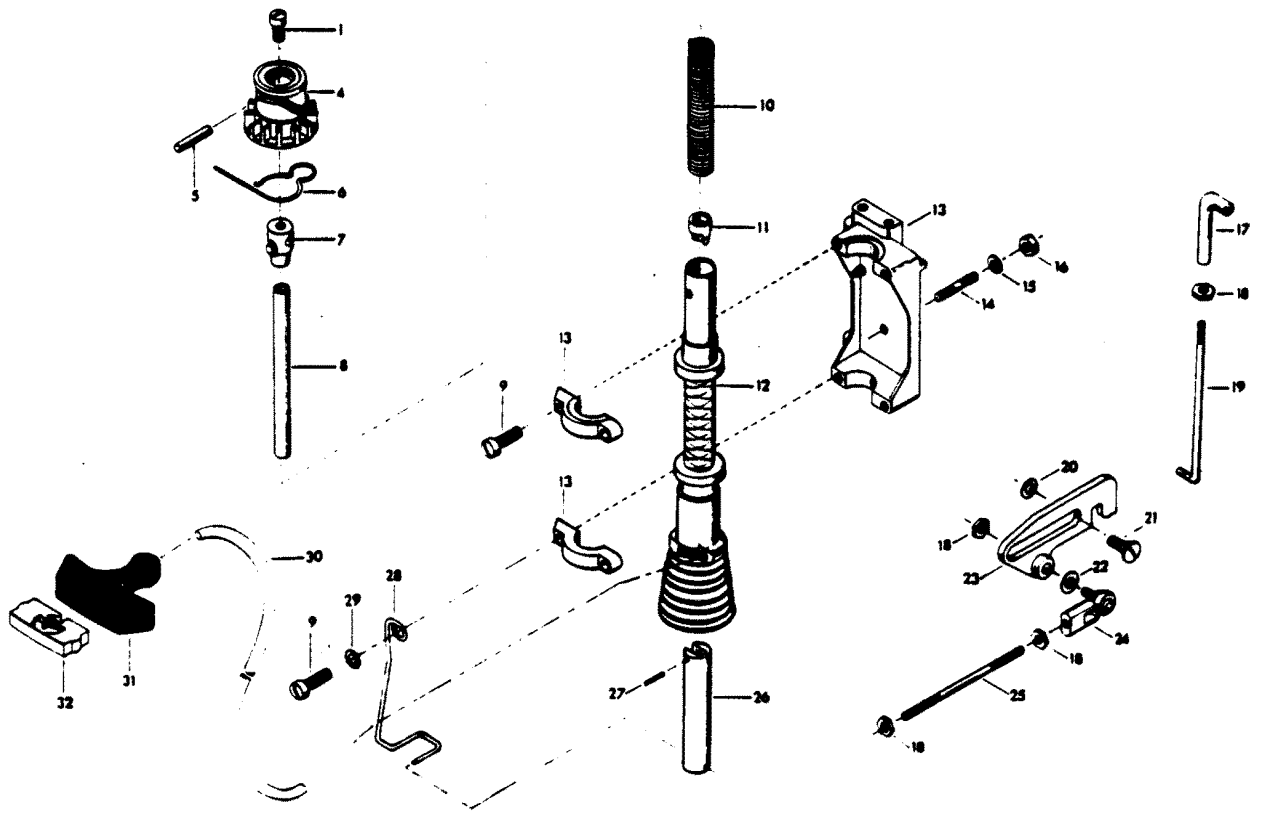
# MAGNETO



# MAGNETO

REF. NO.	PART NO.	SYM.	QTY.	DESCRIPTION
1	F1920		1	HEX NUT, 5/8 - 18
3	F93097-6		1	FLYWHEEL AND STARTER GEAR
4	F12014		6	BREAKER POINT AND CONDENSER MOUNTING SCREW, 8 - 32 X 3/8
5	F1300		2	BREAKER POINT TERMINAL SCREW, 6 - 32 X 3/8
6	F12042-1		2	CONDENSER W/MOUNT
7	F1926		2	LAMINATION SCREW, 8 - 32 X 7/8
8	F12023		2	LAMINATION SCREW, 10 - 24 X 1
9	F460664		1	WIRE, STATOR GROUND
10	F12059		1	PRIMARY TERMINAL WIRE
11	F12342		1	STATOR PLATE WITHOUT LAMINATIONS
13	FK750-1		2	SPARKIE KIT
14	F92498		1	KEY
15	F93002		1	CAM
16	F12246		1	CABLE CLIP
17	F12016		1	CABLE CLIP SCREW, 8 - 32 X 1/2
18	F12053		2	COIL RETAINING CLIP
19	F12057		2	COIL W/LEAD WIRE, SPARKIE AND GROMMET
20	F12050		2	GROMMET
21	F12044		2	BREAKER POINT SET
22	F12227		2	CAM WIPER FELT
23	F436449		1	SHORTING SWITCH
-	<b>F94914</b>		<b>1</b>	<b>SLEEVE, STATOR GROUND WIRE (NOT SHOWN)</b>
-	<b>F12341</b>		<b>2</b>	<b>COIL LAMINATIONS (NOT SHOWN)</b>

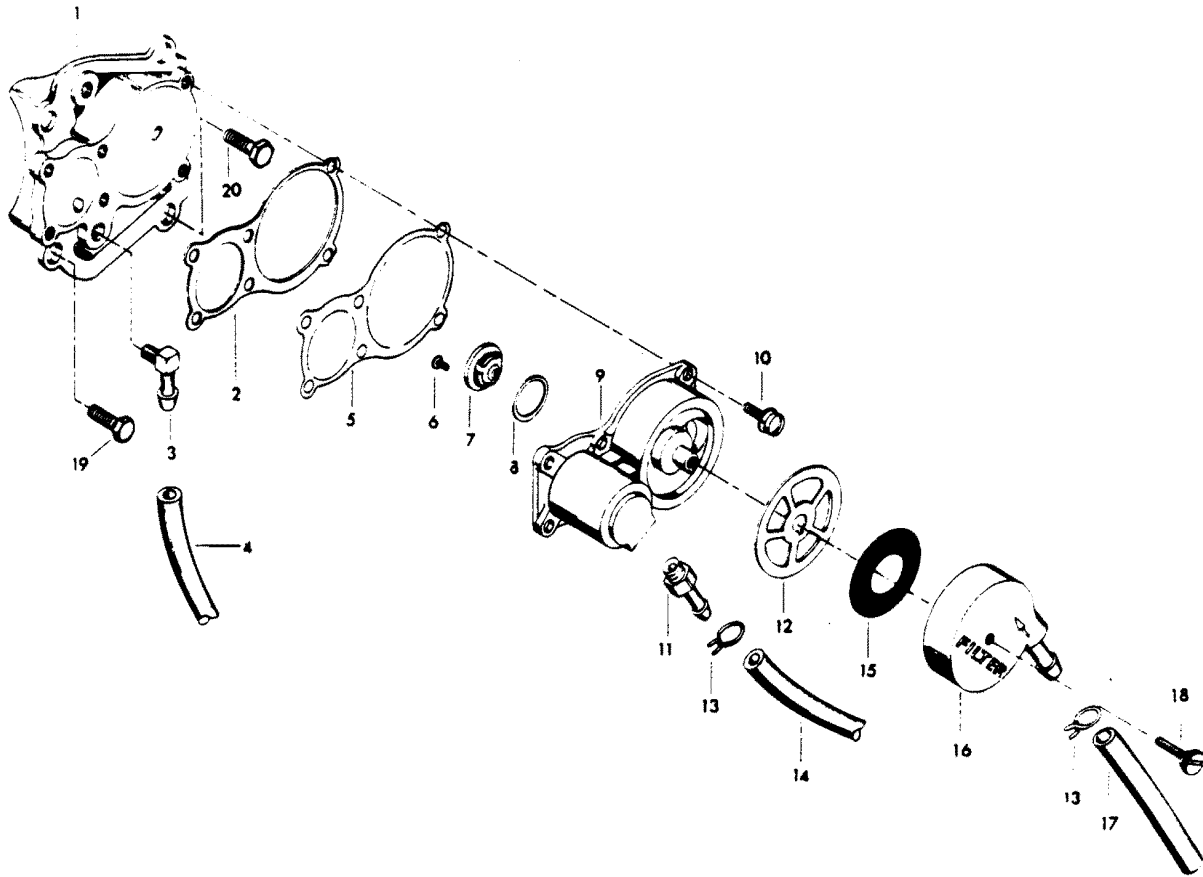
# HAND STARTER



# HAND STARTER

REF. NO.	PART NO.	SYM.	QTY.	DESCRIPTION
1	F1097		1	FILL HD SCREW, 1/4 - 20 X 3/8
4	F487674		1	STARTER PINION GEAR
5	F40425		1	STARTER PINION PIN
6	F485424		1	SPRING, STARTER PINION
7	F901739		1	STARTER REWIND SPRING DRIVE
8	F328710		1	STARTER ROPE GUIDE POST
9	F1111		4	FILL HD SCREW, 1/4 - 20 X 7/8
10	F901970		1	SPRING STARTER REWIND
11	F191737		1	RETAINER, STARTER SPRING
12	F328239		1	STARTER SPOOL
13	A486427-1		1	STARTER MOUNTING BRACKET W/CAPS AND SCREWS
14	F307211		3	STUD
15	F8096		3	SPRING LOCKWASHER
16	F1515		3	HEX NUT, 5/16 - 18
17	F485971		1	STARTER SPRING EXTENSION
18	F1513		4	HEX NUT, 10 - 32
19	F486531		1	STARTER INTERLOCK ROD
20	F8028		2	PLAIN WASHER
21	F369887		2	INTERLOCK SCREW
22	F8058		1	INTERNAL TOOTH LOCKWASHER
23	F485781		1	STARTER INTERLOCK LOCK
24	817747--1		1	BALL JOINT W/BEARING
25	F478502		1	LINK
26	F191971		1	STARTER RETAINER EXTENSION
27	F8540		1	SPRING PIN
28	F328455		1	STARTER ROPE GUIDE
29	F8060		1	EXTERNAL TOOTH LOCKWASHER
30	F328232		1	STARTER ROPE
31	F286132		1	STARTER ROPE HANDLE
32	817938A1		1	STARTER ROPE HANDLE RETAINER
-	<b>FA27232</b>		<b>1</b>	<b>EMERGENCY STARTER ROPE (NOT SHOWN)</b>

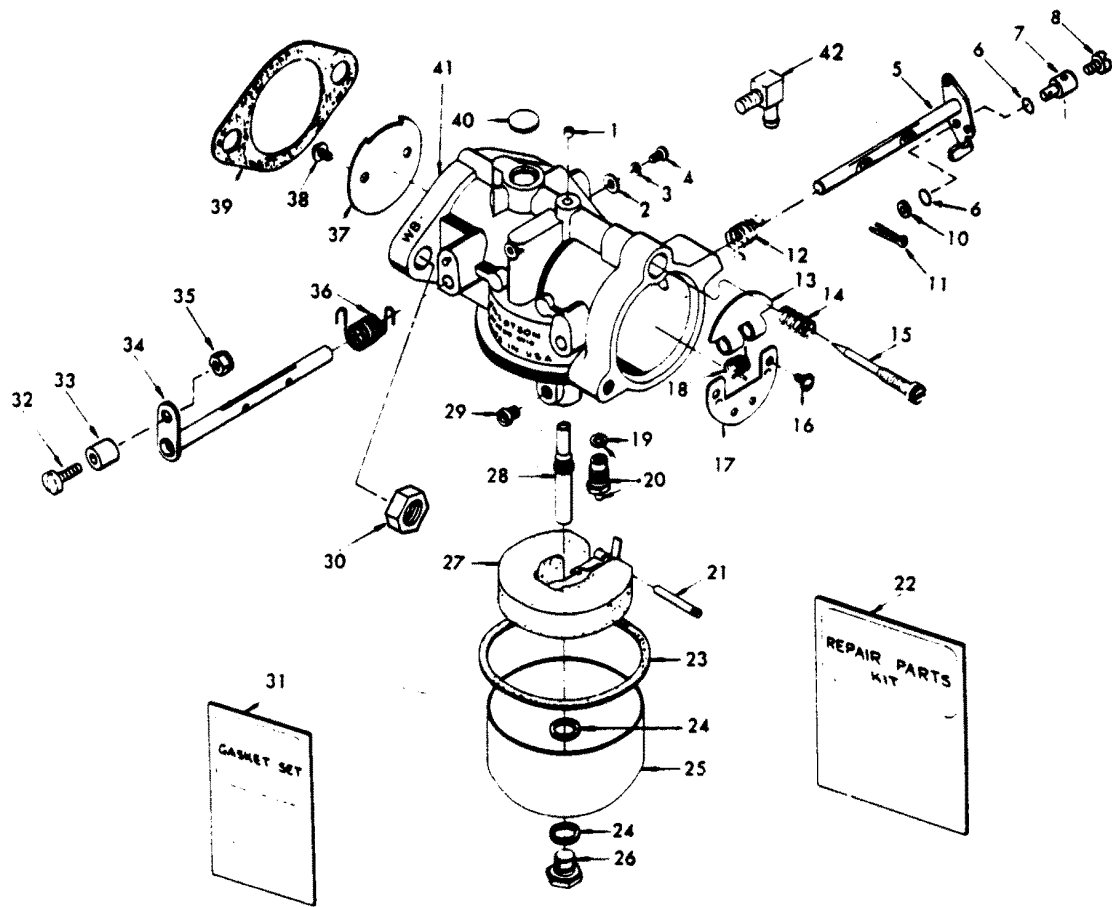
# FUEL PUMP



# FUEL PUMP

REF. NO.	PART NO.	SYM.	QTY.	DESCRIPTION
1	FA439746		1	FUEL PUMP COVER
2	F438760		1	FUEL PUMP GASKET
3	F84314-2		1	ELBOW
4	F434758		1	FUEL PUMP IMPULSE HOSE
5	F438747		1	FUEL PUMP DIAPHRAGM
6	F1860		2	ROUND HD SCREW, 6 - 32 X 1/4
7	F177330		3	FUEL PUMP VALVE
8	F84792		1	FUEL PUMP VALVE GASKET (CENTER VALVE)
9	FA438431		1	FUEL PUMP BODY W/VALVES
10	F1108		6	FILL HD SCREW W/LOCKWASHER
11	F438801		1	ELBOW
12	F438617		1	FUEL SEDIMENT BOWL GASKET
13	F97772		2	FUEL LINE CLAMPS
14	F434754		1	FUEL LINE, PUMP TO CARBURETOR
15	F438653		1	FUEL PUMP SCREEN
16	F438500		1	FUEL SEDIMENT BOWL
17	F434754		1	HOSE BUSHING TO FUEL PUMP
18	F438165		1	SCREW, FUEL BOWL
19	F1502		3	HEX CAP SCREW, 1/4 - 20 X 5/8
20	F1922		1	HEX HD SCREW, 1/4 - 20 X 5/8

# CARBURETOR



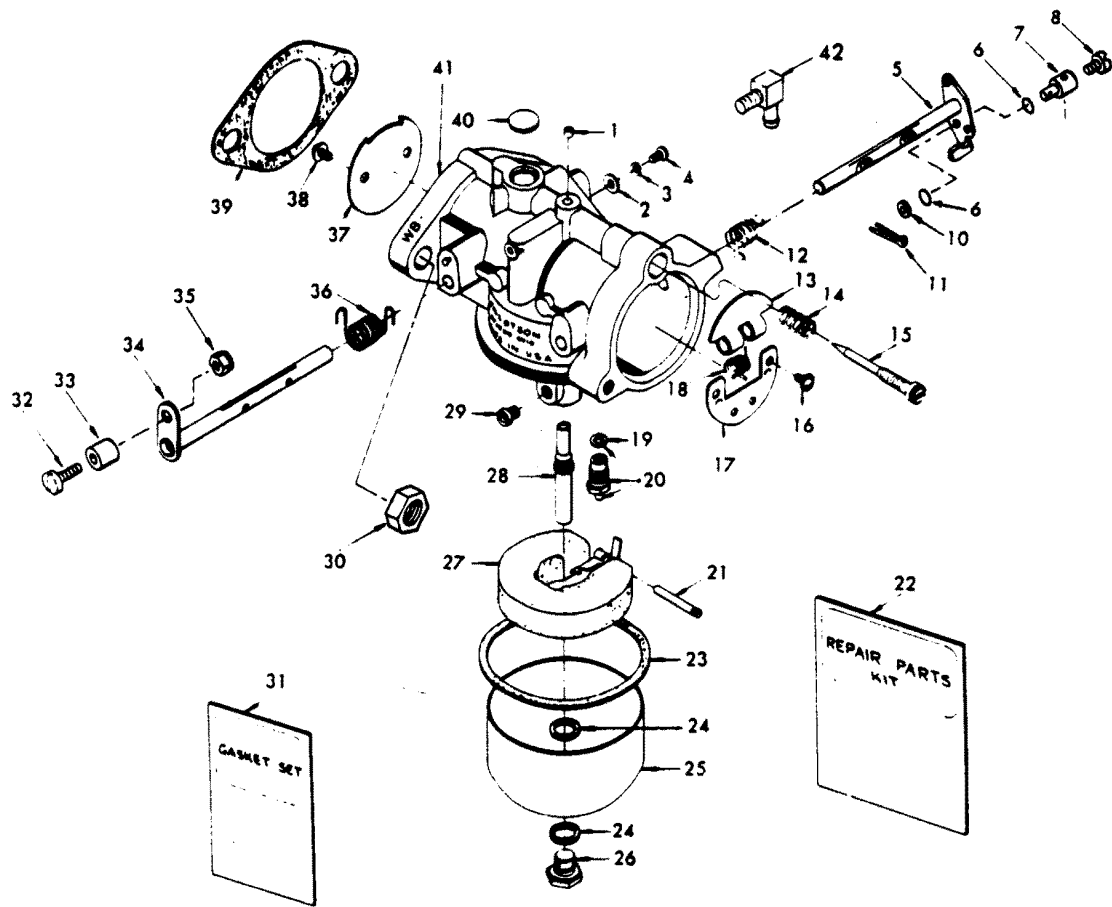


# CARBURETOR

REF. NO.	PART NO.	SYM.	QTY.	DESCRIPTION
1	FO10588		1	BODY CHANNEL CAP PLUG
2	FO3804		1	THROTTLE SHAFT POSITION RETAINING SCREW WASHER
3	FO6396		1	THROTTLE SHAFT POSITION RETAINING SCREW LOCKWASHER
4	FO6393		1	THROTTLE SHAFT POSITION RETAINING SCREW
5	FO16383		1	CHOKE SHAFT AND LEVER
6	F184579		2	SEAL, CHOKE ARM SWIVEL
7	F184033-1		1	SWIVEL, CHOKE ROD
8	F1059		1	FILL HD SCREW, 6 - 32 X 1/4
10	F8088		1	PLAIN WASHER
11	F1014		1	COTTER PIN
12	FO16385		1	CHOKE SHAFT RETURN SPRING
14	FO11103		1	IDLE MIXTURE SCREW SPRING
15	FO13946		1	IDLE MIXTURE SCREW
16	FO10280		2	CHOKE SHUTTER RETAINING SCREW AND LOCKWASHER
18	FO10883		1	CHOKE RELIEF VALVE SPRING
19	FO10165		1	INLET SEAT GASKET
20	FO10790		1	INLET NEEDLE, SEAT AND GASKET
21	FO13944		1	FLOAT LEVER PIN
23	FO15623		1	FUEL BOWL GASKET
24	FO2510		2	FUEL BOWL RETAINING SCREW GASKET
25	FO13552		1	FUEL BOWL
26	FO13945		1	FUEL BOWL RETAINING SCREW
27	FO13554		1	FLOAT
30	F1515		2	HEX NUT, 5/16 - 18
31	F10000		1	GASKET SET
32	F333316		1	THROTTLE ROLLER SHAFT
33	F92759		1	ROLLER
34	FO15728		1	THROTTLE SHAFT AND LEVER
35	F1997		1	STOP NUT, 10 - 24
36	FO14292		1	THROTTLE SHAFT RETURN SPRING
38	FO8942		2	THROTTLE SHUTTER RETAINING SCREW AND LOCKWASHER
39	F40906-1		1	FLANGE GASKET
40	FO4326		1	BODY CHANNEL WELCH PLUG
42	F84314-2		1	ELBOW, FUEL LINE
13	FO12251		1	CHOKE RELIEF VALVE
17	FO12250		1	CHOKE SHUTTER
22	F10019		1	REPAIR KIT
28	FO16251		1	MAIN NOZZLE
29	FO15406		1	MAIN FUEL JET (.090) STANDARD
37	FO16119		1	THROTTLE SHUTTER
41	F433061-2		1	CARBURETOR COMPLETE (WB17C)
13	FO15725		1	CHOKE RELIEF VALVE

CONTINUED ON NEXT PAGE ➡

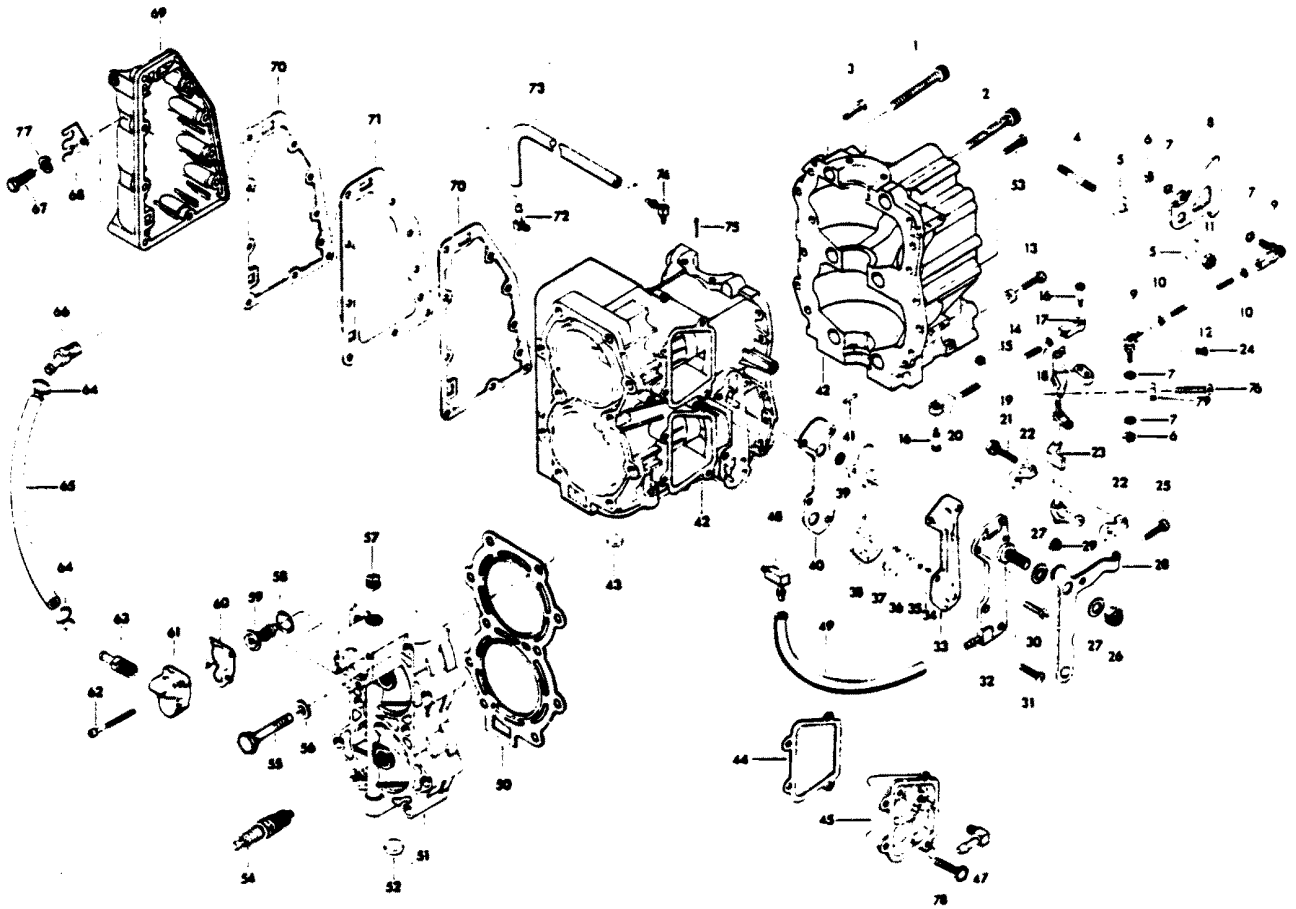
# CARBURETOR



# CARBURETOR

REF. NO.	PART NO.	SYM.	QTY.	DESCRIPTION
17	FO15724		1	CHOKE SHUTTER
22	F10057		1	REPAIR KIT
28	FO17355		1	MAIN NOZZLE
29	FO14302		1	MAIN FUEL JET (.084) STANDARD
37	FO16340		1	THROTTLE SHUTTER
41	F434061-3		1	CARBURETOR COMPLETE (WB16D)

# POWER HEAD

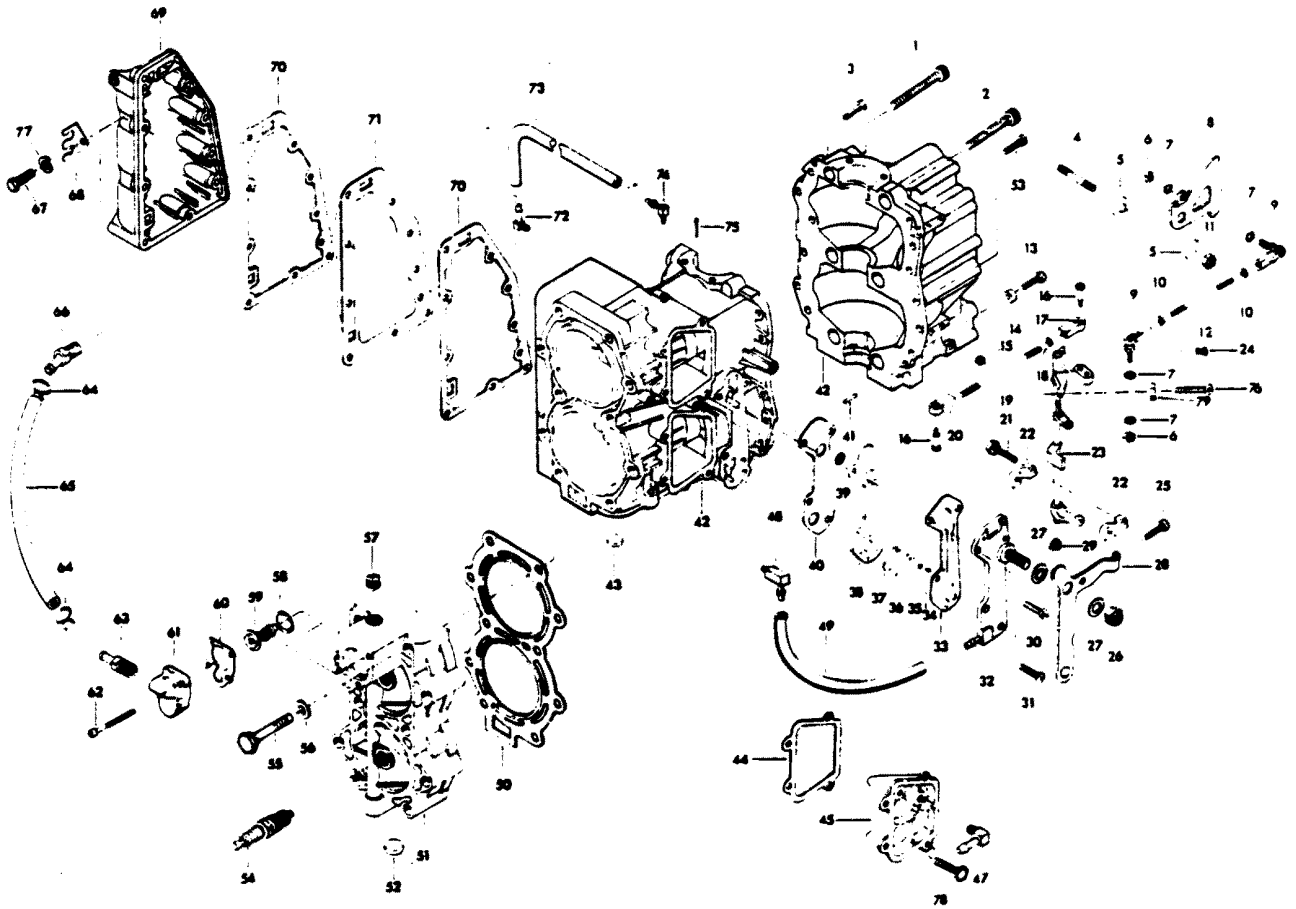


# POWER HEAD

REF. NO.	PART NO.	SYM.	QTY.	DESCRIPTION
1	F1646		1	HEX SOCKET HD CAP SCREW, 3/8 - 16 X 2 1/4
2	F1879		5	HEX SOCKET HD CAP SCREW, 3/8 - 16 X 1 5/8
3	F1864		9	HEX SLOT HD SCREW, 1/4 - 20 X 3/4
4	F433209		1	STUD, THROTTLE CAM
5	F269319		2	THROTTLE CAM BEARING
6	F1513		2	HEX NUT, 10 - 32
7	F8058		4	INTERNAL TOOTH LOCKWASHER
8	F433192		1	THROTTLE CAM
9	817747--1		2	BALL JOINT W/BEARING
10	F1513		2	HEX NUT, 10 - 32
11	F1910		1	ELASTIC STOP NUT, 1/4 - 20
12	F85502		1	THROTTLE LINK
13	F1134		2	FILL HD SCREW, 8 - 32 X 1 1/8
14	F307942-1		2	BUMPER
15	F1770		2	STOP NUT, 8 - 32
16	F84026		2	SPARK CONTROL SWIVEL
17	F84036		1	SPARK CONTROL BEARING, L. H.
18	F1473		1	HEX NUT, 10 - 24
19	F269445-1		1	SPARK CONTROL LINK
20	F84035-2		1	SPARK CONTROL BEARING, R. H.
21	F1995		4	FILL HD SCREW, 10 - 24 X 1
22	F433689		4	BEARING, TOWERSHAFT
23	FK433838		1	TOWER SHAFT
24	F1727		1	PLASTIC RIVET
25	F1969		1	FILL HD SCREW, 1/4 - 20 X 3/4
26	F7004		1	STOP NUT, 3/8 - 16
27	F269052		2	SHIFT ARM BEARING
28	FA434876		1	SHIFT ARM W/ROLLER
29	F85610		1	BEARING
30	F1446		2	SLOTTED PAN HD SCREW, 1/4 - 20 X 1
31	F1136		2	FLAT HD SCREW, 1/4 - 20 X 1
32	FA433471		1	CYLINDER DRAIN COVER
33	F93472-1		1	CYLINDER DRAIN COVER GASKET
34	F1286		2	PAN HD SCREW, 4 - 40 X 3/16
35	F8003		2	PLAIN WASHER
36	F93920		2	CYLINDER DRAIN REED STOP
37	F18160-1		2	REED, CYLINDER DRAIN
38	F2A433757		1	CYLINDER DRAIN REED PLATE, REED STOPS, SCREWS AND SCREEN <b>W/REEDS</b>
39	F93811		2	SCREEN, CYLINDER DRAIN REED PLATE
40	F93748-1		1	CYLINDER DRAIN REED PLATE GASKET
41	F8559		2	DOWEL PIN
44	F40223		2	TRANSFER PORT COVER GASKET

CONTINUED ON NEXT PAGE ➡

# POWER HEAD

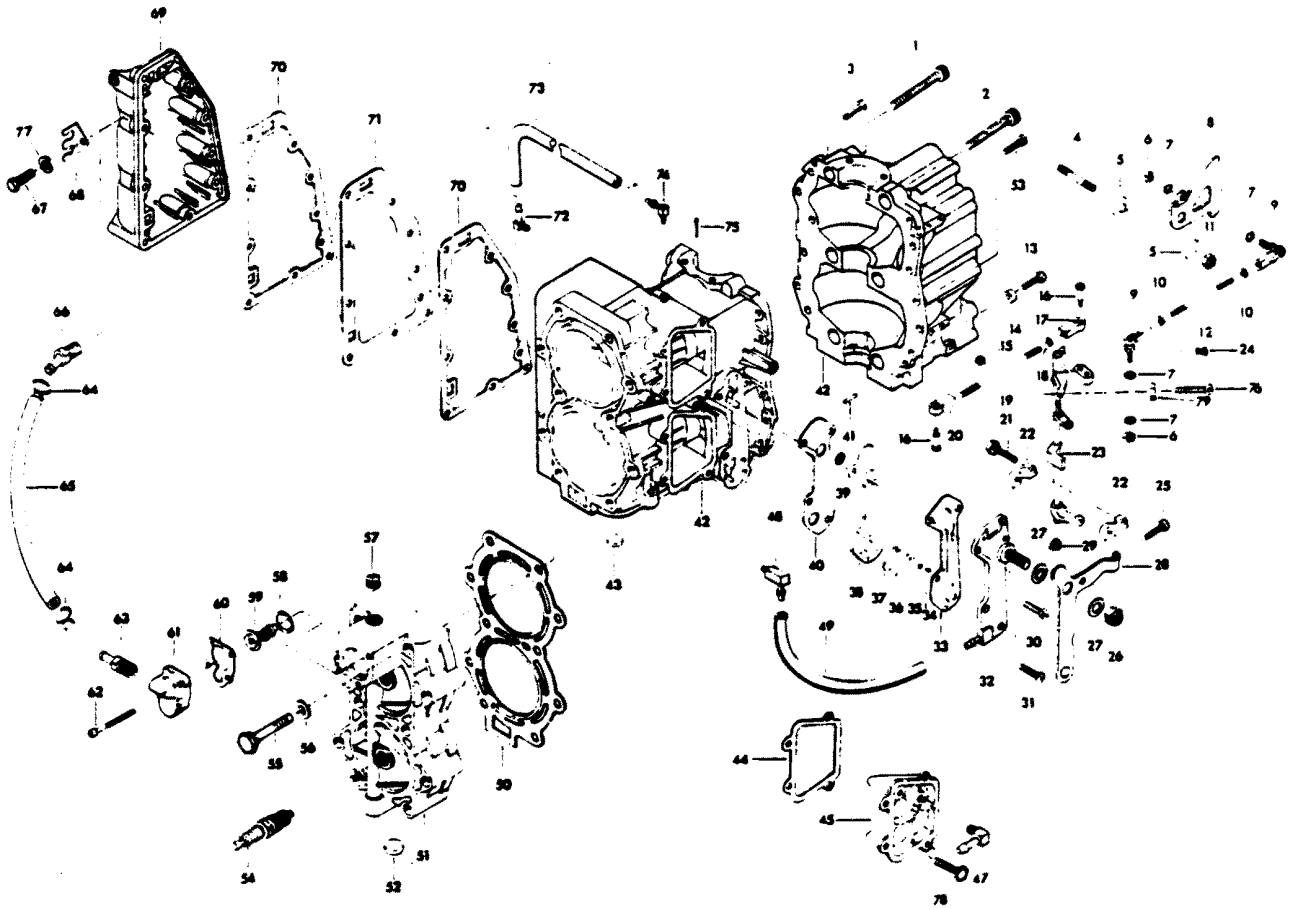


# POWER HEAD

REF. NO.	PART NO.	SYM.	QTY.	DESCRIPTION
45	FA411222		1	TRANSFER PORT COVER
47	F84314-2		1	ELBOW, FUEL LINE
48	F404801		1	ELBOW
49	F433254		1	HOSE
50	F201529-1		1	CYLINDER HEAD GASKET
52	F1526		1	WELCH PLUG
53	F1922		3	HEX HD SCREW, 1/4 - 20 X 5/8
54	FS174227		2	SPARK PLUG (L-4-J)
-	<b>FC310227</b>		<b>1</b>	<b>SPARK (QL-4-J) FOR MODELS 352BJ, 353BJ, 452BJ, 453BJ</b>
55	F1544		10	HEX HD CAP SCREW, 3/8 - 16 X 2 1/4
56	F2014		10	PLAIN WASHER
57	F328109		1	PIPE PLUG CYLINDER HEAD
58	F97504		1	GROMMET, THERMOSTAT
59	F97068-1		1	THERMOSTAT
60	F97067		1	THERMOSTAT COVER GASKET
61	F97066-1		1	THERMOSTAT COVER
62	F1995		3	FILL HD SCREW, 10 - 24 X 1
63	F97275		1	FITTING, THERMOSTAT
64	F97772		2	CLAMP
65	FA97247		1	WATER TUBE, THERMOSTAT
66	F141275		1	FITTING, THERMOSTAT
67	F1971		9	HEX HD SCREW, 1/4 - 20 X 2 1/8
68	F901834		1	LEAD WIRE CLIP
69	FA433152		1	EXHAUST PORT COVER
70	F40154-3		2	EXHAUST PORT PLATE GASKET
71	F40151-1		1	EXHAUST PORT PLATE
72	F463314		1	FITTING
73	FS433758		1	HOSE
74	22-817740A1		1	ELBOW W/METERING CAP
75	F8545		1	SPRING PIN
76	F1052		1	FILL HD SCREW, 1/4 - 20 X 1
77	F8083		9	SPRING LOCKWASHER
78	F1502		2	HEX CAP SCREW, 1/4 - 20 X 5/8
79	F1341		1	HEX NUT, 1/4 - 20
-	<b>F269122-1</b>		<b>1</b>	<b>CRANKCASE PARTING LINE SEAL (NOT SHOWN)</b>
-	<b>FG1007-1</b>		<b>1</b>	<b>GASKET SET (NOT SHOWN)</b>
42	800-817791A1		1	CYLINDER W/CRANKCASE COVER, DEFLECTOR PLATE AND SCREWS
51	2A307518		1	CYLINDER HEAD W/PLUG
-	<b>800-817894A2</b>		<b>1</b>	<b>SHORT BLOCK (NOT SHOWN) INCLUDES ALL ITEMS MARKED WITH AN ASTERISK (*). ALSO REFER TO CRANKSHAFT AND PISTON PAGE. ORIGINAL FORCE P/N C433010-2</b>

CONTINUED ON NEXT PAGE ➡

# POWER HEAD

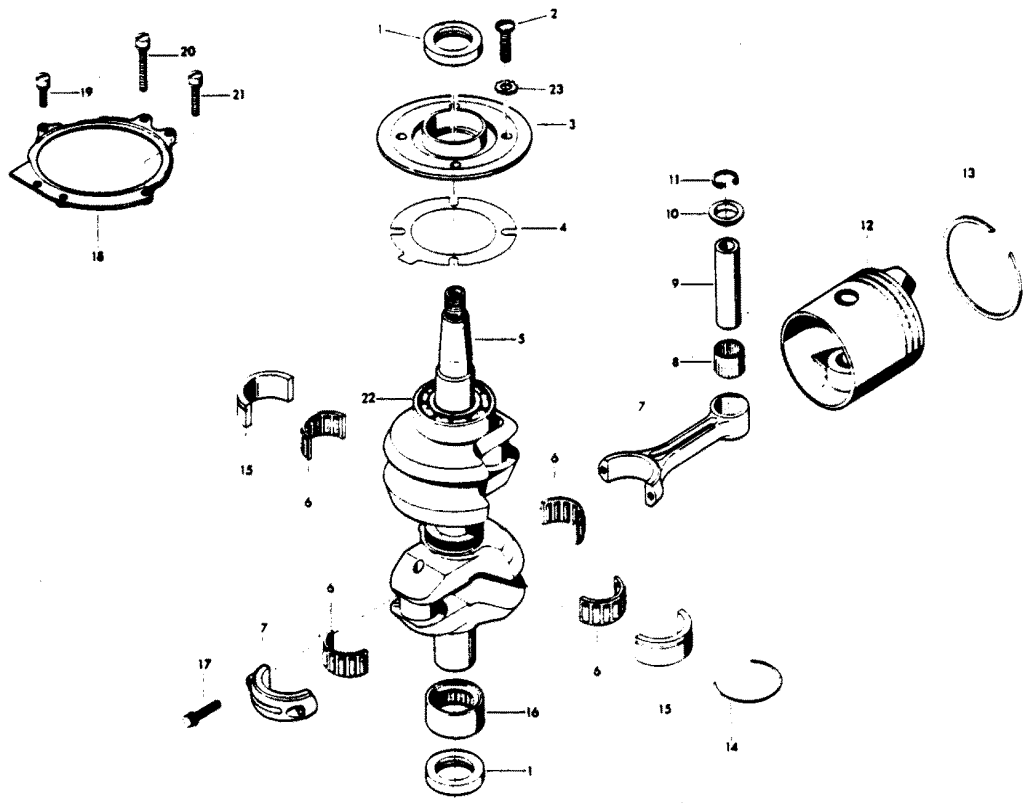




# POWER HEAD

REF. NO.	PART NO.	SYM.	QTY.	DESCRIPTION
42	FA478010		1	CYLINDER W/CRANKCASE COVER, DEFLECTOR PLATE AND SCREWS
51	2A434518		1	CYLINDER HEAD W/PLUG
-	<b>FC478010</b>		1	<b>SHORT BLOCK (NOT SHOWN) INCLUDES ALL ITEMS MARKED WITH AN ASTERISK (*). ALSO REFER TO CRANKSHAFT AND PISTON PAGE.</b>

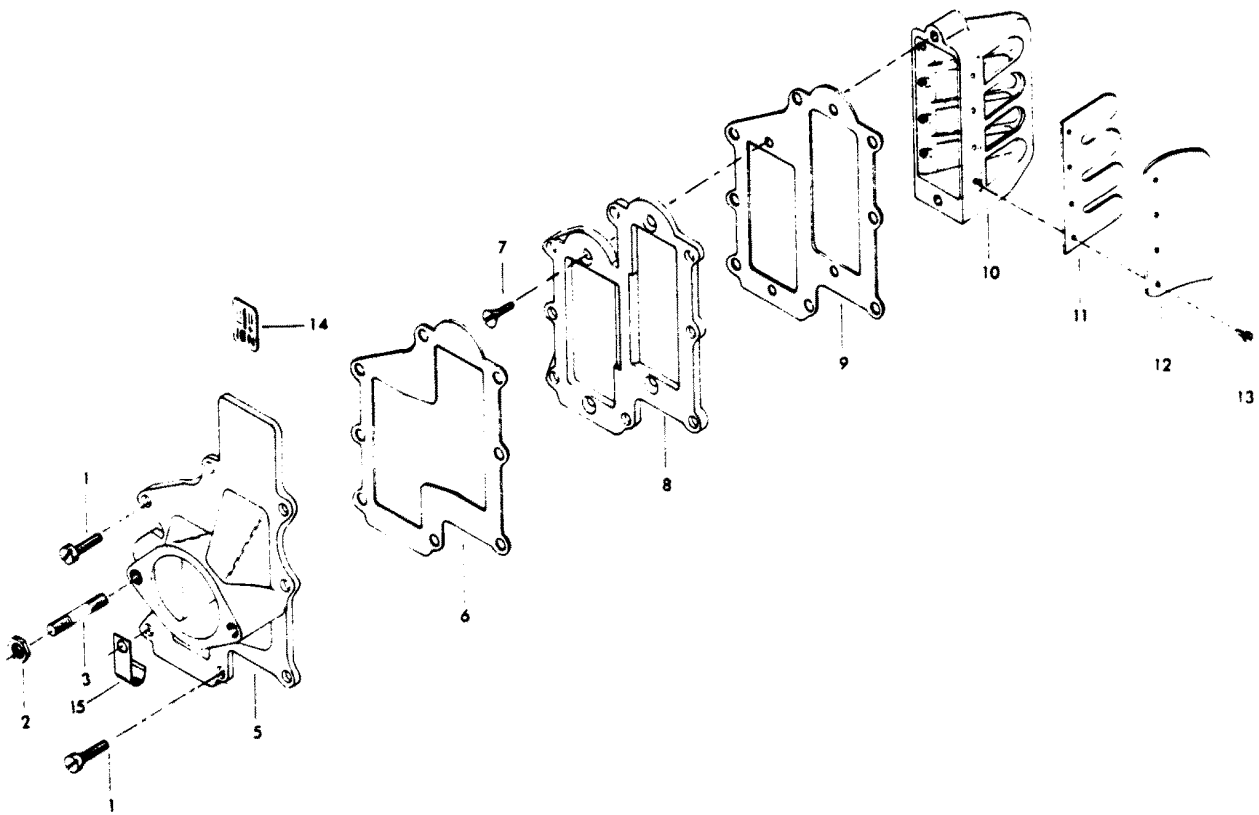
# CRANKSHAFT AND PISTON GROUP



# CRANKSHAFT AND PISTON GROUP

REF. NO.	PART NO.	SYM.	QTY.	DESCRIPTION
1	F40146-1		2	CRANKSHAFT SEAL
2	F1441		4	PAN HD SCREW, 1/4 - 20 X 7/8
3	FA433144		1	CRANKSHAFT BEARING CAGE W/SEAL
4	F366277		1	BEARING CAGE GASKET
6	FK85228		3	BEARING CAGE W/ROLLERS (16 PER SET)
7	600-818052A4		2	CONNECTING ROD W/CAP & SCREWS
8	F335217-1		2	BEARING
9	F40017-2		1	PISTON PIN
10	F366215		4	SPACER
11	F428096		4	RETAINER, PISTON PIN
14	F40410		1	SNAP RING
15	FA40655		1	CRANKSHAFT CENTER MAIN BEARING RACE W/SNAP RING
16	F90014		1	CRANKSHAFT LOWER MAIN BEARING
17	F85634-1		4	CONNECTING ROD SCREW
18	F366082		1	MAGNETO STATOR RING
19	F1080		1	FILL HD SCREW W/LOCKWASHER, 10 - 24 X 3/4
20	F1812		2	FILL HD SCREW W/LOCKWASHER, 10 - 24 X 1 9/16
21	F1813		1	FILL HD SCREW W/LOCKWASHER, 10 - 24 X 1 1/8
22	30-F366013		1	CRANKSHAFT THRUST BEARING UPPER
23	F8060		4	EXTERNAL TOOTH LOCKWASHER (USE WITH PAN HD SCREW)
5	400-FA485018		1	CRANKSHAFT W/EARING
12	F377015-1		2	PISTON
13	FA353260		1	PISTON RING SET (6 PER SET)
-	<b>FS307260</b>		<b>1</b>	<b>PISTON RINGS (6 PER SET) .010 OVERSIZE (NOT SHOWN)</b>
-	<b>39-818112A1</b>		<b>1</b>	<b>PISTON RINGS (6 PER SET) .030 OVERSIZE (NOT SHOWN)</b>
-	<b>SA377015</b>		<b>2</b>	<b>PISTON .010 OVERSIZE (NOT SHOWN)</b>
-	<b>3SA77015</b>		<b>2</b>	<b>PISTON .030 OVERSIZE (NOT SHOWN)</b>
5	FA545018		1	CRANKSHAFT W/EARING
12	F486015		2	PISTON
13	FA354260		1	PISTON RING SET (6 PER SET)
-	<b>FS310260</b>		<b>1</b>	<b>PISTON RINGS (6 PER SET) .010 OVERSIZE (NOT SHOWN)</b>
-	<b>39-818113A1</b>		<b>1</b>	<b>PISTON RINGS (6 PER SET) .030 OVERSIZE (NOT SHOWN)</b>
-	<b>FSA486015</b>		<b>2</b>	<b>PISTON .010 OVERSIZE (NOT SHOWN)</b>
-	<b>700-818124A1</b>		<b>2</b>	<b>PISTON .030 OVERSIZE (NOT SHOWN)</b>

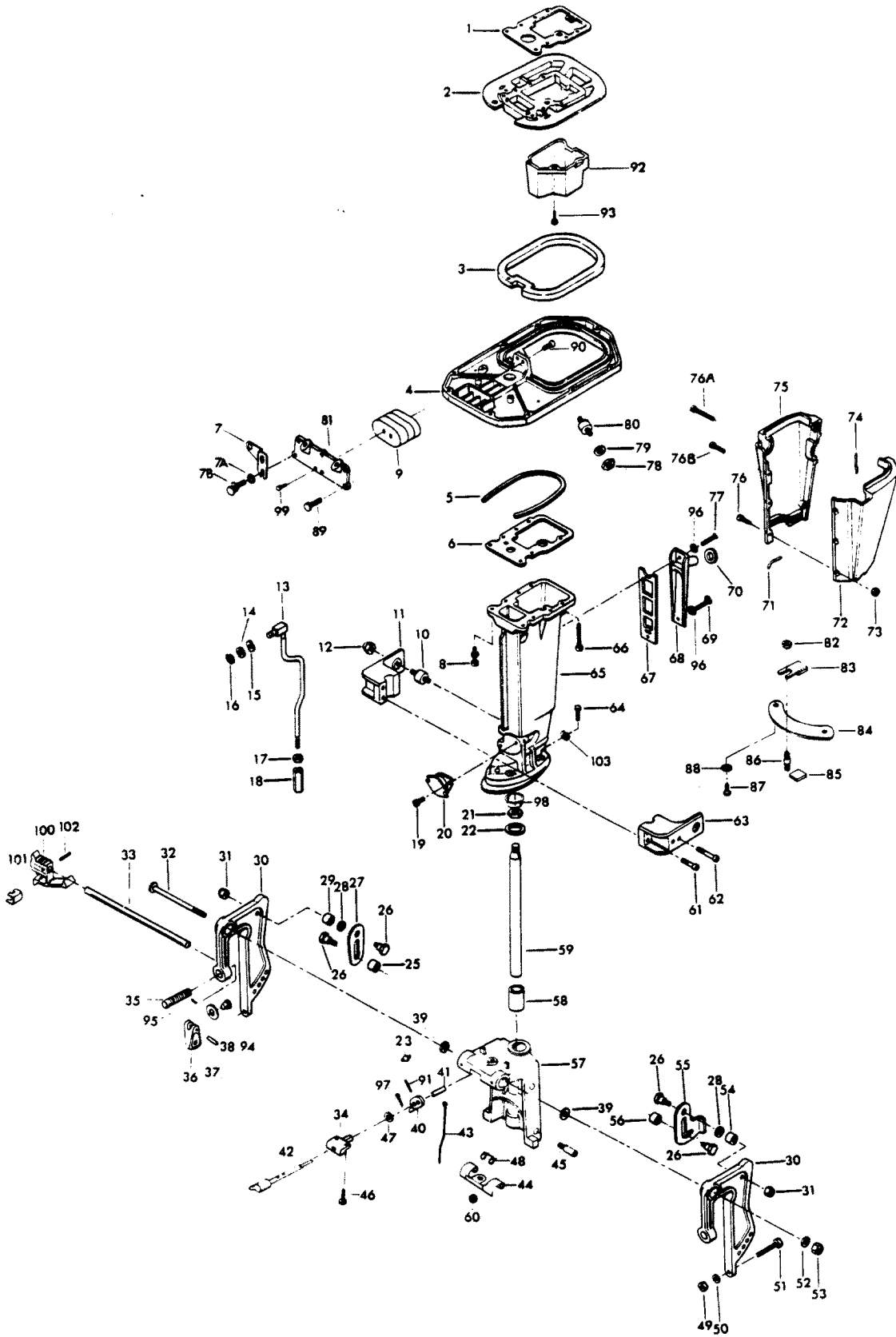
# REED PLATE



# REED PLATE

REF. NO.	PART NO.	SYM.	QTY.	DESCRIPTION
1	F2008		8	HEX HD SCREW, 1/4 - 20 X 7/8
2	F1515		2	HEX NUT, 5/16 - 18
3	F40209		2	CARBURETOR STUD
5	FA433167		1	CARBURETOR ADAPTER FLANGE
6	F433168		1	CARBURETOR ADAPTER GASKET
7	F1141		4	FLAT HD SCREW, 10 - 24 X 1/2
8	F433404		1	DEFLECTOR PLATE
9	F433406		1	DEFLECTOR PLATE GASKET
10	FA433158		2	REED PLATE W/REEDS, STOPS AND SCREWS
11	F335160		4	REED
12	F88161-3		4	REED STOP
13	F1298		16	ROUND HD SCREW W/LOCKWASHER, 6 - 32 X 1/4
14	FA463387		1	DECAL, TIMING
15	F286772-1		1	CLAMP

# MOTOR LEG

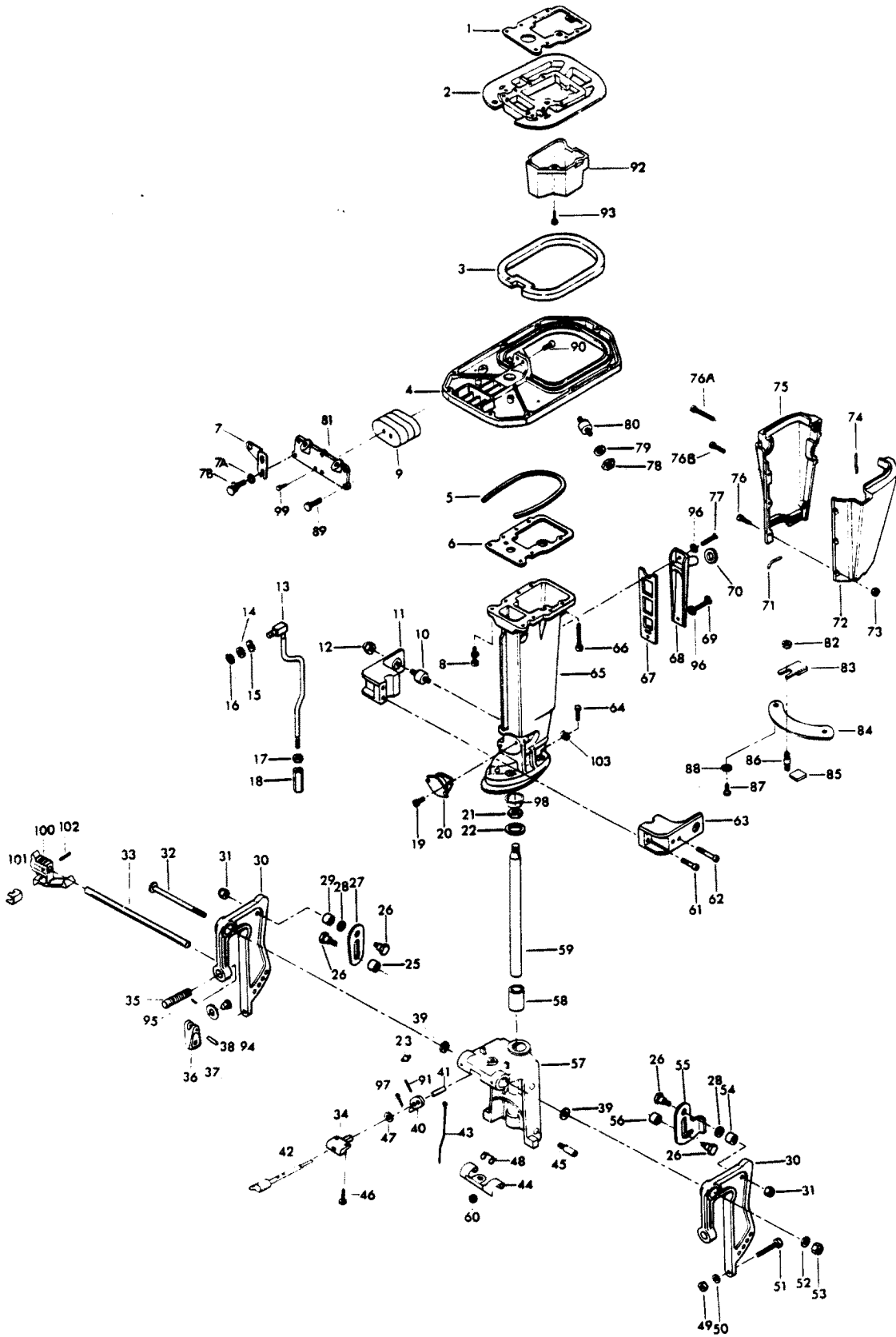


# MOTOR LEG

REF. NO.	PART NO.	SYM.	QTY.	DESCRIPTION
1	F307279-2		1	CYLINDER EXHAUST GASKET UPPER
2	F433680		1	SPACER PLATE
3	F307989-1		1	SEAL, KINGPIN PLATE
4	FS307940		1	KINGPIN PLATE
5	F89025		1	DAMPENING PAD
6	F307453-3		1	CYLINDER EXHAUST GASKET LOWER
7	F433612		1	BRACKET, SHIFT ROD
7A	F8028		2	PLAIN WASHER
7B	F1578		2	HEX HD SCREW W/LOCKWASHER, 1/4 - 20 X 7/8
8	F1947		8	FLANGED 12 PT. SCREW, 5/16 - 18 X 2
9	F203965		1	SHOCK MOUNT UPPER
10	F215962		2	SHOCK MOUNT SIDE LOWER
11	F433972		1	SHOCK MOUNT LOWER COVER, STARBOARD
12	F1326		2	ACORN NUT
13	F328615		1	GEAR SHIFT ROD UPPER
14	F1987		1	PLAIN WASHER
15	F8049		1	BOWED SPRING WASHER
16	F185764		1	RETAINING RING
17	F1349		1	HEX NUT, S.S., 5/16 - 18
18	F141704		1	GEAR SHIFT ROD COUPLING
19	F1129		4	FILL HD SCREW, S.S., 5/16 - 18 X 1/2
20	FA40346-2		1	SHOCK MOUNT LOWER
21	F84280		1	KINGPIN NUT
22	F89011		1	SWIVEL BRACKET WASHER
23	F213274		3	GREASE FITTING
25	F269929		1	SPACER, TILT STOP
26	F366350		4	TILT STOP PIVOT
27	F366433		1	TILT STOP, STARBOARD
28	F1666		2	BOWED SPRING WASHER
29	F269929		1	SPACER, TILT STOP
30	FK433032		2	STERN BRACKET W/CLAMP SCREW & FOOT
31	F7007		4	ELASTIC STOP NUT
32	F366037		1	STERN BRACKET PIVOT BOLT
33	FA433113		1	STERN BRACKET LOCK BAR W/HANDLE
34	F366884		1	BEARING
35	F463073		2	CLAMP SCREW
36	F288075		2	CLAMP SCREW HANDLE
37	F1638		2	SPRING PIN
38	F24074		2	CLAMP SCREW FOOT
39	F366286		2	STERN BRACKET FRICTION WASHER
40	F366364		1	ARM
41	F369884		1	BEARING
42	F366827		1	HANDLE AND SHAFT

CONTINUED ON NEXT PAGE ➡

# MOTOR LEG



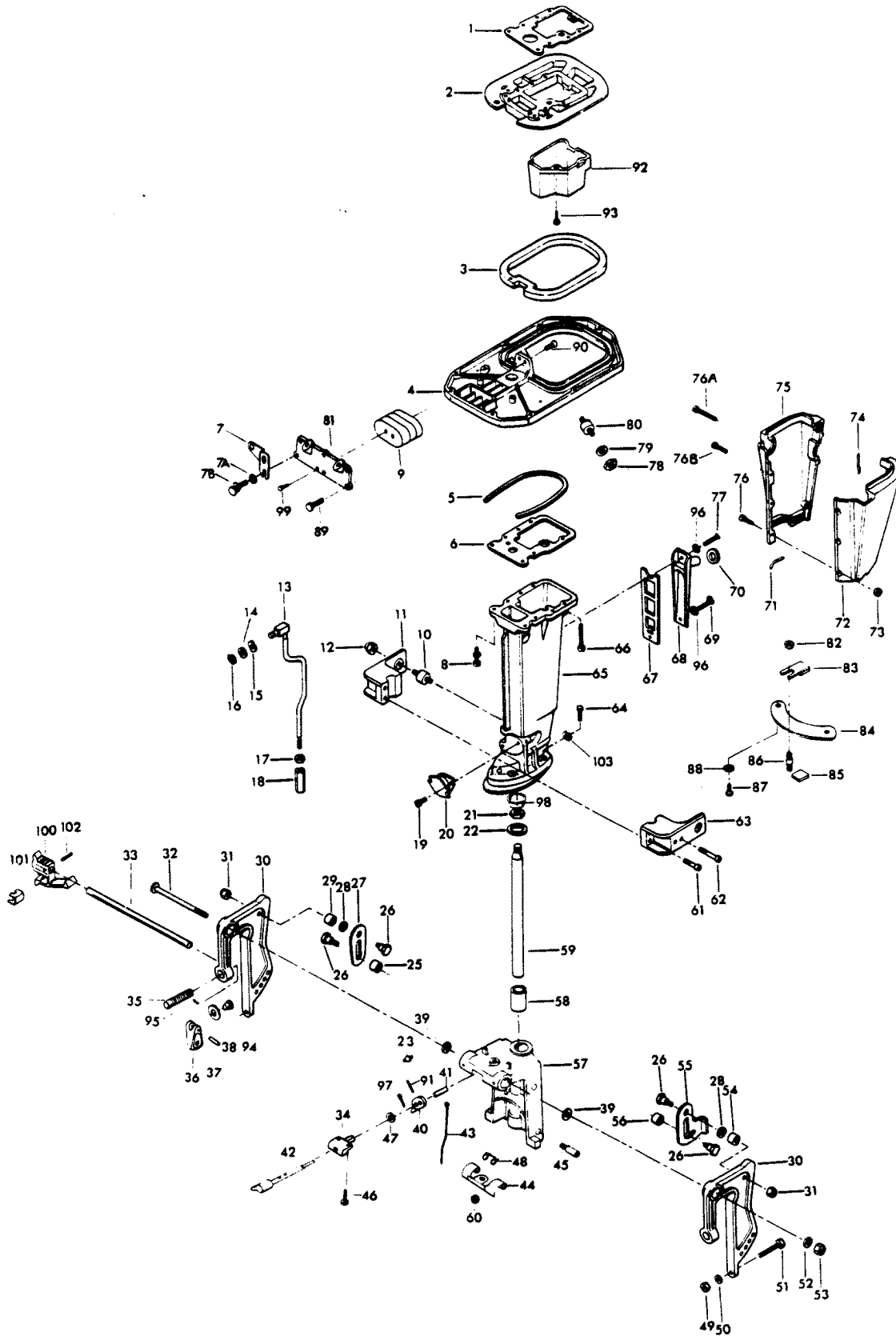


# MOTOR LEG

REF. NO.	PART NO.	SYM.	QTY.	DESCRIPTION
43	F366510		1	LINK
44	F366349		1	LOCK
45	F366886		2	PIN
46	F1733		2	PAN HD SCREW, 10 - 24 X 9/16
47	F8094		1	PLAIN WASHER
48	F366300		2	REVERSE LOCK SPRING
49	F1346		2	HEX NUT, S.S., 3/8 - 16
50	F1904		2	PLAIN WASHER
51	F1593		2	HEX HD SCREW, S.S., 3/8 - 16 X 3
52	F1656		1	PLAIN WASHER
53	F7001		1	ELASTIC STOP NUT
54	F269929		1	SPACER, TILT STOP
55	F366426		1	TILT STOP, PORT
56	F269929		1	SPACER, TILT STOP
57	817945A1		1	SWIVEL BRACKET W/BEARINGS AND GREASE FITTING
58	F191169-1		2	SWIVEL BRACKET BEARING
59	FA433019		1	KINGPIN W/PLUG
60	F1669		1	STOP NUT
61	F1636		2	HEX SOCKET HD CAP SCREW, S.S., 3/8 - 16 X 1 1/4
62	F1635		2	HEX SOCKET HD CAP SCREW, S.S., 3/8 16 X 3 1/2
63	F433973		1	SHOCK MOUNT LOWER COVER, PORT
64	F1929		4	HEX HD CAP SCREW, S.S., 3/8 - 16 X 1 1/8
66	F1905		1	HEX HD SCREW, 1/4 - 20 X 3 7/16
67	F40833-4		1	MOTOR LEG EXHAUST COVER GASKET
68	FA89832-2		1	MOTOR LEG EXHAUST COVER
69	F1199		1	HEX HD SCREW, 1/4 - 20 X 1
70	F89504		1	GROMMET MOTOR LEG
71	F435323		2	PACKING LEG COVER LOWER
73	F1473		6	HEX NUT, 10 - 24
74	F435323		2	PACKING LEG COVER UPPER
76A	F1767		1	FILL HD SCREW, 10 - 24 X 3
77	F1849		1	FLAT HD SCREW, S.S., 1/4 - 20 X 1 3/8
78	F1346		2	HEX NUT, 3/8 - 16
79	F8038		2	PLAIN WASHER
80	F307962		2	SHOCK MOUNT, SIDE UPPER
81	F485946		1	SHOCK MOUNT UPPER COVER
82	F1832		1	HEX LOCK NUT, 1/4 - 20
83	FA40742		1	FRICTION SHOE ADJUSTING ARM W/SHOE
84	F40775		1	FRICTION SHOE PLATE
85	F901631-1		1	FRICTION SHOE
86	F210-1		1	STUD
87	F1689		2	HEX HD SCREW, 1/4 - 20 X 1/2
88	F8083		2	LOCKWASHER

CONTINUED ON NEXT PAGE ➡

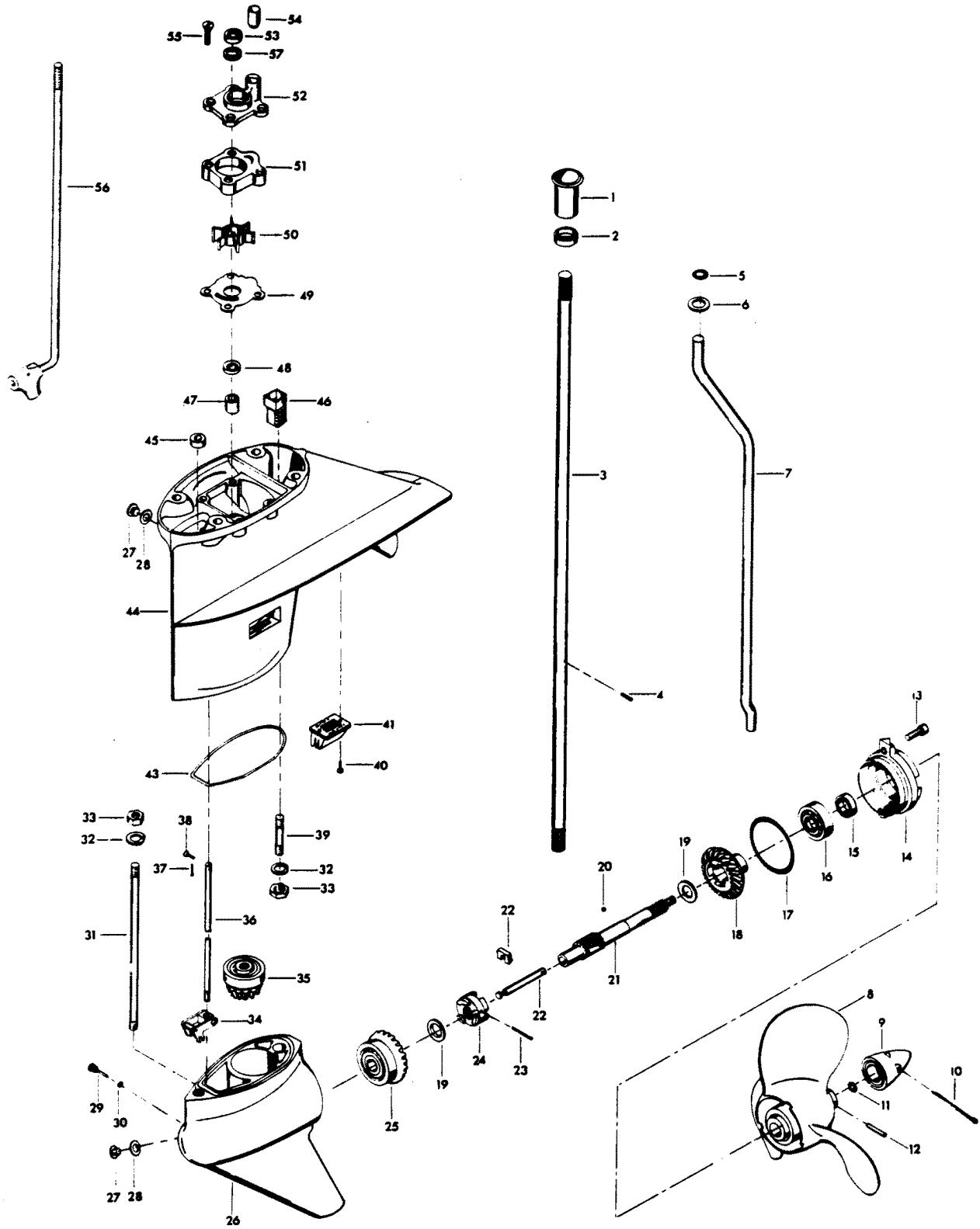
# MOTOR LEG



# MOTOR LEG

REF. NO.	PART NO.	SYM.	QTY.	DESCRIPTION
89	F1502		3	HEX HD SCREW, 1/4 - 20 X 5/8
90	F1160		2	FLAT HD SCREW, 1/4 - 28 X 5/8
91	F1836		1	SPRING PIN
92	F307660-1		1	TUBE LEG EXHAUST
93	F1851		3	FILL HD MACHINE SCREW W/LOCKWASHER, 10 - 24 X 1/2
94	F353480		2	STUD
95	F8537		2	SPRING PIN
96	F8083		2	SPRING LOCKWASHER
97	F1014		1	COTTER PIN
98	F1880		1	PLUG
99	F1211		2	HEX HD SCREW W/LOCKWASHER, 1/4 - 28 X 5/8
100	F433114		1	HANDLE, LOCK BAR
101	F286461		1	SPRING LOCK BAR HANDLE
102	F1744		1	SPRING PIN
103	F8065		4	SPRING LOCKWASHER
-	<b>F369390-1</b>		<b>1</b>	<b>DECAL, REVERSE LOCK (NOT SHOWN)</b>
65	F366133-2		1	MOTOR LEG
72	FA366135		1	LEG COVER (PORT)
75	FA366145		1	LEG COVER (STARBOARD)
-	<b>F434322</b>		<b>1</b>	<b>PACKING - LEG COVER LOWER REAR (NOT SHOWN)</b>
76	F1088		2	FILL HD SCREW, 10 - 24 X 9/16
76B	F1768		3	FILL HD SCREW, 10 - 24 X 1 3/8
65	F435133-1		1	MOTOR LEG
72	FA435135		1	LEG COVER (PORT)
75	FA435145		1	LEG COVER (STARBOARD)
76	F1088		3	FILL HD SCREW, 10 - 24 X 9/16
76B	F1768		2	FILL HD SCREW, 10 - 24 X 1 3/8

# GEAR HOUSING

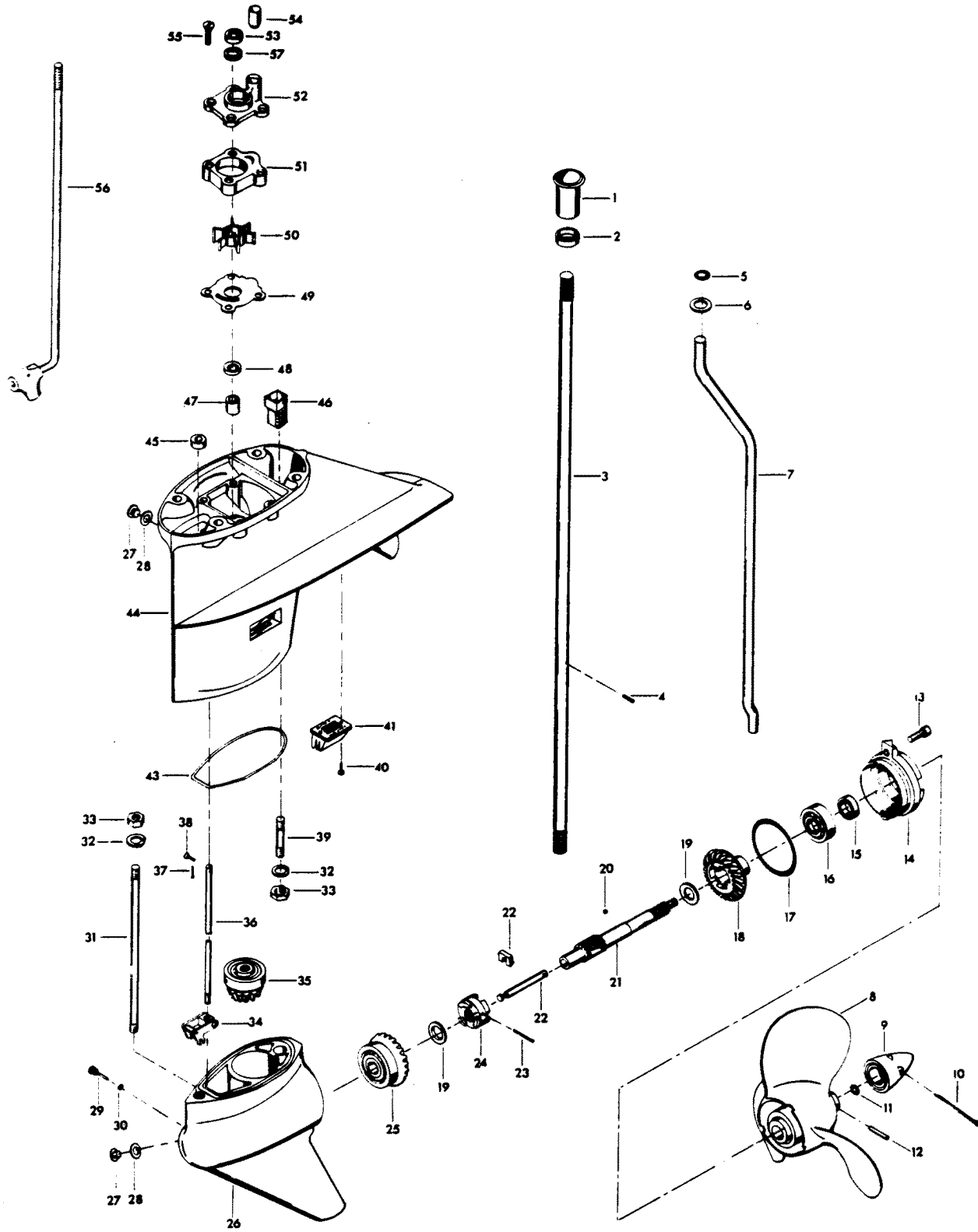


# GEAR HOUSING

REF. NO.	PART NO.	SYM.	QTY.	DESCRIPTION
1	F338129-1		1	BOOT
2	F338271		1	RETAINER
3	45-817737A1		1	DRIVESHAFT W/RETAINER FOR STANDARD SHAFT MODELS
-	<b>FA89128-1</b>		<b>1</b>	<b>DRIVESHAFT W/RETAINER FOR LONG SHAFT MODELS</b>
4	F901563		1	DRIVE PIN, WATER PUMP IMPELLER
5	F40342		1	SEAL
6	F8042		1	PLAIN WASHER
7	F141244		1	INLET WATER LINE FOR STANDARD SHAFT MODELS
-	<b>F435244</b>		<b>1</b>	<b>INLET WATER LINE FOR LONG SHAFT MODELS</b>
8	FP287		1	STANDARD PROP (ACCESSORY ITEM) 35 H.P.
-	<b>FP293</b>		<b>1</b>	<b>STANDARD PROP (ACCESSORY ITEM) 45 H.P.</b>
9	FA94094-2		1	PROPELLER NUT W/SEAL & COTTER PIN
10	F1027		1	COTTER PIN, S.S., 1/8 - 1/2
11	F40342		1	SEAL, PROPELLER NUT
12	FK247		1	PROPELLER PIN, PACK OF 6 W/COTTER PIN
13	F1263		2	HEX SOCKET HD CAP SCREW, S.S., 5/16 - 18 X 9/16
14	F2A366298		1	PROPELLER SHAFT BEARING CAGE W/SEAL
15	F141118		1	SEAL, PROPELLER SHAFT
16	F366058		1	BALL BEARING, PROPELLER SHAFT
17	F141305		1	SEAL, PROPELLER SHAFT BEARING CAGE
18	FA485662		1	BEVEL GEAR REAR W/BEARING
19	F40717		2	THRUST WASHER, BEVEL GEAR
20	F366727		1	BALL, PROPELLER SHAFT
21	44-819500A3		1	PROPELLER SHAFT
22	FA90871-3		1	GEAR SHIFT ARM PIN W/YOKE
23	F2097		1	SPRING PIN
24	F99521-1		1	CLUTCH
25	FA485023		1	BEVEL GEAR FRONT W/BEARING
26	FA433054		1	GEAR HOUSING LOWER W/PLUG, WASHER AND THRUST BEARING CUP
27	F50109		2	PLUG, GEAR HOUSING
28	F8077		2	WASHER, GEAR HOUSING PLUG
29	F90891		1	GEAR SHIFT ARM PIN
30	F8001		1	NYLTITE WASHER
31	F97008-1		1	STUD, LONG
32	F8065		2	LOCKWASHER
33	F1346		2	HEX NUT, S.S., 3/8 - 16
34	817796A2		1	GEAR SHIFT ARM
35	F2A474266		1	BEVEL PINION GEAR W/BEARING AND CAP
36	F435705		1	GEAR SHIFT ROD LOWER
37	F1015		1	COTTER PIN
38	F85372		1	PIN, GEAR SHIFT ROD LOWER
39	F40008		1	STUD, SHORT

CONTINUED ON NEXT PAGE ➡

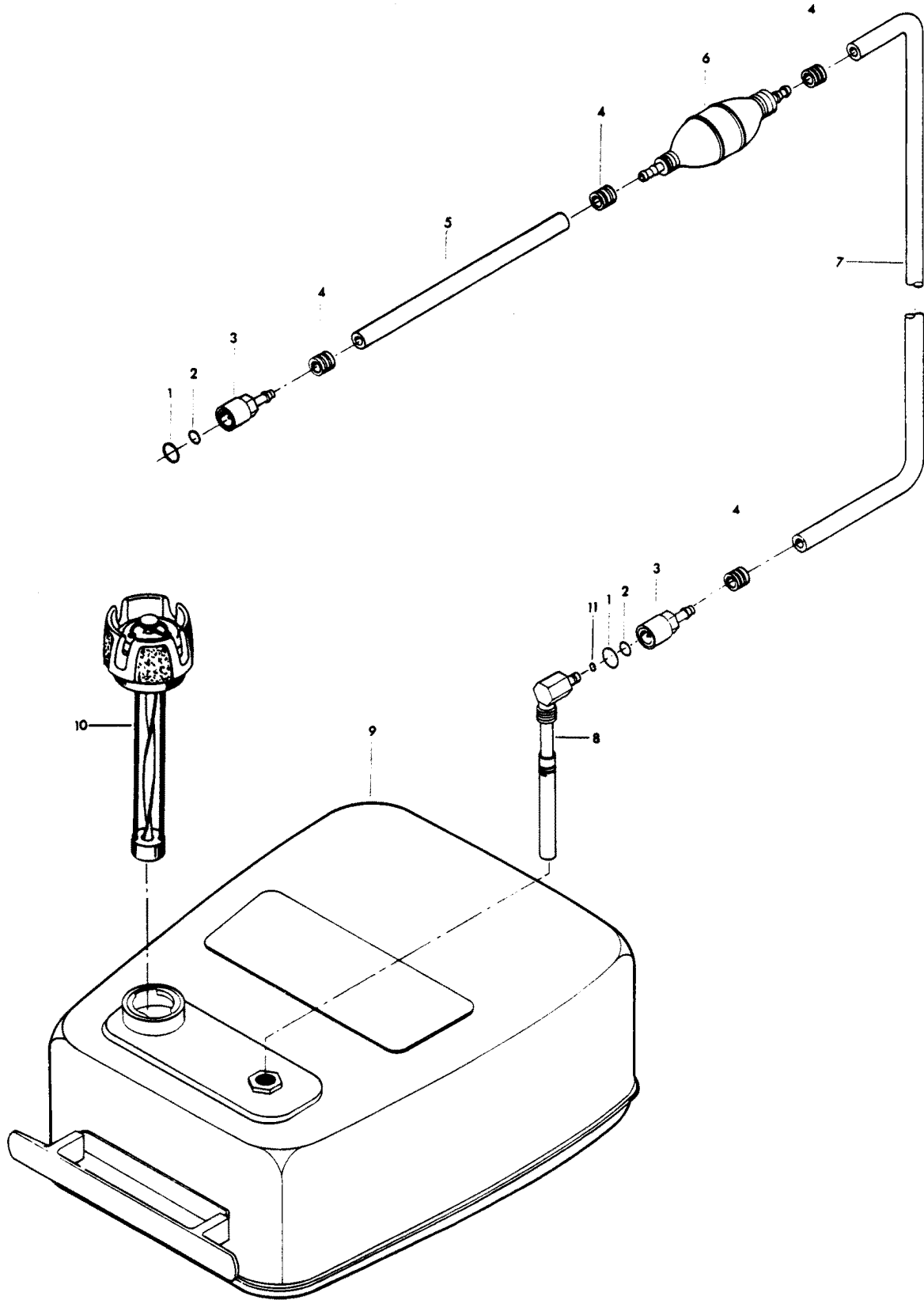
# GEAR HOUSING



# GEAR HOUSING

REF. NO.	PART NO.	SYM.	QTY.	DESCRIPTION
40	F1733		2	PAN HD SCREW, 10 - 24 X 3/16
41	FA513485		1	ANTI-CORROSION ANODE
43	F435555		1	SEAL, GEAR HOUSING
44	1600-817871A3		1	GEAR HOUSING UPPER , WASHER, PLUG AND INLET WATER SCREEN <b>W/SEAL ORIGINAL FORCE P/N A435554-1</b>
45	F338618-1		1	SEAL, SHIFT ROD LOWER
46	F435077		1	SCREEN, WATER INLET
47	F435057		1	BEARING, DRIVESHAFT UPPER
48	F40307-2		1	SEAL, DRIVESHAFT
49	F433562		1	WATER PUMP BACK PLATE
50	F433065		1	WATER PUMP IMPELLER
51	F366060		1	WATER PUMP BODY
52	A366326-1		1	WATER PUMP COVER <b>INCLUDES ITEM 53 ORIGINAL FORCE P/N A366326-1</b>
53	F349307		1	DRIVESHAFT SEAL
54	FA485914		1	SEAL, INLET WATER LINE, LOWER
55	F2030		4	HEX HD SCREW, 1/4 - 20 X 1 1/4
56	FA434616		1	GEAR SHIFT ROD INTERMEDIATE FOR STANDARD SHAFT MODELS
57	485388		1	DISC, WATER PUMP
-	<b>FA435616</b>		<b>1</b>	<b>GEAR SHIFT ROD INTERMEDIATE FOR LONG SHAFT MODELS</b>
-	<b>FC433054</b>		<b>1</b>	<b>GEAR HOUSING COMPLETE (NOT SHOWN) INCLUDES ALL ITEMS MARKED WITH AN ASTERISK (*).</b>

# FUEL TANK AND LINE





# FUEL TANK AND LINE

REF. NO.	PART NO.	SYM.	QTY.	DESCRIPTION
1	F213342		2	SEAL, FUEL LINE COUPLER
2	F213735		2	SEAL, FUEL LINE COUPLER
3	F197787-2		2	FUEL LINE COUPLER
4	F298788		4	FERRULE
5	FA84754-1		1	FUEL LINE SHORT W/FERRULES
6	89396A38		1	PRIME BULB
7	32-817738A1		1	FUEL LINE, LONG W/CLAMP AND FERRULE
8	F485755		1	FUEL TANK ADAPTER
9	F71H08		1	FUEL TANK (ACCESSORY ITEM)
10	F409251-1		1	GAUGE CAP
11	F17932		1	SEAL, FUEL TANK ADAPTER
-	<b>FS409752</b>		<b>1</b>	<b>FUEL LINE, COMPLETE</b>

## SPECIAL TOOLS - TUNE-UP

REF. NO.	PART NO.	SYM.	QTY.	DESCRIPTION
-	FT2910		0	KNOCK-OFF NUT TO REMOVE FLYWHEEL
-	FT8938		0	TIMING TOOL TO ADJUST SPARK ADVANCE

## SPECIAL TOOLS - MANUAL STARTER

REF. NO.	PART NO.	SYM.	QTY.	DESCRIPTION
-	FT3139-1		0	STARTER REWIND KEY TO REWIND STARTER SPRING

## SPECIAL TOOLS - POWER HEAD

REF. NO.	PART NO.	SYM.	QTY.	DESCRIPTION
-	FT3510		0	SEAL PUNCH TO INSTALL UPPER CRANKSHAFT BEARING CAGE SEAL
-	FT2996		0	RING COMPRESSOR TO INSTALL PISTONS IN CYLINDERS
-	FT3512		0	SEAL SLEEVE TO INSTALL UPPER CRANKSHAFT BEARING CAGE SEAL
-	FT8926		0	RING EXPANDER TO INSTALL RINGS ON PISTONS
-	FT2953		0	SOCKET TO TORQUE CONNECTING ROD SCREWS
-	FT2990		0	PISTON PIN REMOVER TO REMOVE AND INSTALL PISTON PIN IN PISTON

## SPECIAL TOOLS - GEAR HOUSING

REF. NO.	PART NO.	SYM.	QTY.	DESCRIPTION
-	FT8948-1		0	PROPELLER SHAFT BEARING CAGE PULLER TO REMOVE PROPELLER SHAFT BEARING CAGE FROM LOWER GEAR HOUSING
-	FT8919		0	SPRING PIN PUNCH TO REMOVE CLUTCH SPRING PIN
-	FT8907		0	DRIVER HANDLE FOR USE WITH T8904
-	FT8945		0	RETAINER PUNCH TO INSTALL RETAINER ON DRIVESHAFT SPLINE BOOT
-	FT8918		0	BUSHING GUIDE SET TO REMOVE AND INSTALL BEARING CUP IN LOWER GEAR HOUSING
-	FT8921		0	FORWARD BEARING CUP REMOVER TO REMOVE FORWARD BEARING CUP FROM LOWER GEAR HOUSING
-	FT8904		0	FORWARD BEARING CUP INSTALLER TO INSTALL FORWARD BEARING CUP IN LOWER GEAR HOUSING
-	FT3431		0	DRIVESHAFT SEAL AND PROP SHAFT SEAL INSTALLER TO INSTALL DRIVESHAFT AND PROP SHAFT SEAL IN LOWER UNIT
-	FT8957		0	SEAL INSTALLER TO INSTALL SHIFT ROD SEAL

## SPECIAL TOOLS - TEST EQUIPMENT

REF. NO.	PART NO.	SYM.	QTY.	DESCRIPTION
-	FT2955A		0	TEST WHEEL TO TEST MOTOR IN TEST TANK
-	FT8932		0	LIFTING HOOK TO LIFT ENGINE
-	FT8950		0	LEAKAGE TESTER TO TEST LOWER UNIT FOR LEAKAGE
-	T8974		0	BREAKER POINT TENSION GAUGE FOR CHECKING BREAKER POINT SPRING TENSION

## ACCESSORIES

REF. NO.	PART NO.	SYM.	QTY.	DESCRIPTION
-	776		0	ADJUSTABLE CARBURETOR BOWL KIT PERMITS ADJUSTMENT OF HIGH SPEED FUEL JETS FOR MAXIMUM PERFORMANCE.
-	F71H02		0	ANTI-CORROSION SACRIFICIAL ANODE HELPS TO PREVENT CORROSION.
-	494		0	HANDLE (REAR) PROVIDES REAR HANDLE AND REST PADS.
-	589		0	HANDLE (FRONT) TO AID CARRYING OF ENGINE.
-	F861		0	FLUSHING ADAPTER PERMITS FRESH WATER FLUSHING OF WATER PASSAGES WITH A STANDARD GARDEN HOSE.
-	F71H23		0	STEEL, 12 GALLON FUEL TANK ADDITIONAL TANK TO CARRY FUEL.
-	F71H08		0	STEEL, 6 GALLON FUEL TANK ADDITIONAL TANK TO CARRY FUEL.
-	F73H03		0	LONG LEG CONVERSION KIT CONVERTS 15" STANDARD SHAFT MODELS TO 20" LONG SHAFT MODEL.
-	72H31		0	FROST WHITE LACQUER ENGINE TOUCH-UP PAINT IN 16 OZ. SPRAY BOMBS (12 CANS PER CASE).
-	72H32		0	GOLD LACQUER ENGINE TOUCH-UP PAINT IN 16 OZ. SPRAY BOMBS (12 CANS PER CASE).
-	72H05		0	CANVAS HOOD PROTECTION FOR ENGINE COVER.

# SPECIFICATIONS

REF. NO.	PART NO.	SYM.	QTY.	DESCRIPTION
-			0	HORSEPOWER 35 AND 45 B.I.A. CERTIFIED BRAKE H. P. AT 4750 R. P. M.
-			0	MOTOR TWO-CYCLE, TWIN CYLINDER ALTERNATE FIRING.
-			0	BORE AND STROKE 3" BORE X 2.540" STROKE - 35 H. P. 3 1/8" BORE X 2.750" STROKE - 45 H. P.
-			0	DISPLACEMENT 35.9 CUBIC INCHES - 35 H. P. 42.18 CUBIC INCHES - 45 H. P.
-			0	CONNECTING RODS FORGED NICKEL STEEL. CAGED ROLLER BEARINGS AT CRANKSHAFT. CASED NEEDLE BEARINGS AT PISTON PIN.
-			0	CRANKSHAFT FORGED NICKEL STEEL. BALL BEARINGS AT UPPER MAIN. CAGED ROLLER BEARINGS AT CENTER AND LOWER MAIN.
-			0	CORROSION PROTECTION ALODINE TREATED CASTINGS, STAINLESS STEEL DRIVESHAFT, PROPELLER SHAFT, GEAR SHIFT ROD AND UNDERWATER FASTENERS.
-			0	FUEL TANK SEPARATE STEEL TANK, 6 U. S. GALLON, 5 IMPERIAL GALLON CAPACITY.
-			0	FUEL SYSTEM VACUUM TYPE FUEL PUMP, FLOAT FEED CARBURETOR WITH FIXED HIGH SPEED JET AND ADJUSTABLE LOW SPEED JET.
-			0	FUEL FILTERS FILTER SCREENS IN FUEL TANK AND FUEL PUMP.
-			0	COOLING WATER COOLED, POSITIVE DISPLACEMENT TYPE WATER PUMP.
-			0	TRANSOM HEIGHT 15" OR 20" DEPENDING ON MODEL.
-			0	WEIGHT FROM 129 LBS. FOR STANDARD SHAFT MODEL.
-			0	TILT LOCK POSITIVE TILT LOCK PERMITS ENGINE TO REMAIN IN TILTED POSITION WHEN NOT IN USE.
-			0	RECOMMENDED OPERATING RANGE 4400 - 5100 R. P. M.



# LUBRICATION CHART

REF. NO.	PART NO.	SYM.	QTY.	DESCRIPTION
-			0	UPPER AND LOWER GEAR HOUSINGS CHECK AFTER EVERY THIRTY HOURS OF OPERATION AND REPLACE AFTER EVERY 100 HOURS WITH A NON-CORROSIVE LEADED OUTBOARD GEAR OIL -- CHRYSLER OUTBOARD GEAR LUBE. DO NOT USE CORROSIVE HYPOID OIL UNDER ANY CIRCUMSTANCES.
-			0	CONTROL LINKAGE LUBRICATE ALL MOVING PARTS AND CONTROL LINKAGE WITH RYKON # 2EP, PART NO. T2961 TWICE EACH SEASON OR OFTENER IF REQUIRED.
-			0	STERN BRACKET LUBRICATE STERN BRACKET AND ASSOCIATED PARTS WITH RYKON # 2EP, PART NO. T2961. TWICE EACH SEASON OR OFTENER IF REQUIRED.
-			0	GREASE FITTING GREASE FITTINGS ARE PROVIDED AT CRITICAL POINTS WHERE BEARING SURFACES ARE NOT EXPOSED EXTERNALLY. USING AN AUTOMOTIVE TYPE GREASE GUN AND LUBRICANT. GREASE TWICE EACH SEASON OR OFTENER IF REQUIRED.
-			0	STARTER PINION GEAR LUBRICATE WITH RYKON # 2EP, PART NO. T2961, TWICE EACH SEASON OR OFTENER IF REQUIRED.

# SPECIAL ADJUSTMENTS

REF. NO.	PART NO.	SYM.	QTY.	DESCRIPTION
-			0	BREAKER POINT GAP .020".
-			0	SPARK PLUG CHAMPION L-4-J, GAP .030".
-			0	SPARK PLUG CHAMPION QL-4J FOR MODELS 352BJ, 353BJ, 452BJ, 453BJ
-			0	FLYWHEEL NUT TORQUE TO 75 FOOT POUNDS.
-			0	CYLINDER HEAD BOLT TORQUE TO 270 INCH POUNDS.
-			0	POINT OF THROTTLE OPENING 1. UNSNAP BALL JOINT CONNECTOR FROM THROTTLE TOWER SHAFT.
-			0	POINT OF THROTTLE OPENING 2. WITH THROTTLE SHUTTER IN CARBURETOR CLOSED, ADJUST ECCENTRIC SCREW HOLDING THROTTLE ROLLER TO THROTTLE SHAFT SO THAT PICK-UP LINE ON LOWER END OF THROTTLE CAM IS EXACTLY CENTERED ON THROTTLE ROLLER.
-			0	POINT OF THROTTLE OPENING 3. ADVANCE THROTTLE TOWER SHAFT AND THROTTLE CAM TO FULL ADVANCE POSITION. (THROTTLE SHUTTER HORIZONTAL.)
-			0	POINT OF THROTTLE OPENING 4. ADJUST BALL JOINT CONNECTORS UNTIL SPACING IS IDENTICAL TO SPACING BETWEEN CONNECTOR STUD ON THROTTLE CAM AND THROTTLE TOWER SHAFT.
-			0	POINT OF THROTTLE OPENING

# PARTS INDEX

Part Number	Description	Pg.	Ref. No.	Part Number	Description	Pg.	Ref. No.
2A307518	CYLINDER HEAD W/PLUG	21	51	F1134	FILL HD SCREW, 8 - 32 X 1		
2A434518	CYLINDER HEAD W/PLUG	23	51		1/8	19	13
3SA77015	PISTON .030 OVERSIZE (NOT SHOWN)	25	-	F1136	FLAT HD SCREW, 1/4 - 20 X		
485388	DISC, WATER PUMP	37	57		1	19	31
494	HANDLE (REAR)	45	-	F1141	FLAT HD SCREW, 10 - 24 X		
589	HANDLE (FRONT)	45	-		1/2	27	7
72H05	CANVAS HOOD	45	-	F1160	FLAT HD SCREW, 1/4 - 28 X		
72H31	FROST WHITE LACQUER	45	-		5/8	33	90
72H32	GOLD LACQUER	45	-	F1199	HEX HD SCREW, 1/4 - 20 X 1	31	69
776	ADJUSTABLE CARBURETOR BOWL KIT	45	-	F12014	BREAKER POINT AND CONDENSER MOUNTING SCREW, 8 - 32 X 3/8	9	4
817747--1	BALL JOINT W/BEARING	7	95	F12016	CABLE CLIP SCREW, 8 - 32		
817747--1	BALL JOINT W/BEARING	11	24		X 1/2	9	17
817747--1	BALL JOINT W/BEARING	19	9	F12023	LAMINATION SCREW, 10 -		
817796A2	GEAR SHIFT ARM	35	34		24 X 1	9	8
817938A1	STARTER ROPE HANDLE RETAINER	11	32	F12042-1	CONDENSER W/MOUNT	9	6
817945A1	SWIVEL BRACKET W/BEARINGS AND GREASE FITTING	31	57	F12044	BREAKER POINT SET	9	21
818054A1	SUPPORT PLATE	5	52	F12050	GROMMET	9	20
818059A1	GEAR SHIFT ROD W/KNOB	3	28	F12053	COIL RETAINING CLIP	9	18
89396A38	PRIME BULB	39	6	F12057	COIL W/LEAD WIRE, SPARKIE AND GROMMET	9	19
A366326-1	WATER PUMP COVER	37	52	F12059	PRIMARY TERMINAL WIRE	9	10
A463528-1	INSERT, TRIM REAR	7	91	F1211	HEX HD SCREW W/LOCKWASHER, 1/4 - 28		
A463893	INSERT, FRONT PLATE, CANADA	3	-		X 5/8	33	99
A464528-1	INSERT, TRIM REAR	7	91	F12227	CAM WIPER FELT	9	22
A485385	INSERT, SIDE PLATE	7	66	F12246	CABLE CLIP	9	16
A486427-1	STARTER MOUNTING BRACKET W/CAPS AND SCREWS	11	13	F12341	COIL LAMINATIONS (NOT SHOWN)	9	-
AC16395-7	IDENTIFICATION PLATE W/SCREWS, CANADA	3	-	F12342	STATOR PLATE WITHOUT LAMINATIONS	9	11
F10000	GASKET SET	15	31	F1238	HEX CAP SCREW, 1/4 - 20 X		
F10019	REPAIR KIT	15	22		3/4	5	82
F10057	REPAIR KIT	17	22	F1263	HEX SOCKET HD CAP SCREW, S.S., 5/16 - 18 X		
F1014	COTTER PIN	15	11		9/16	35	13
F1014	COTTER PIN	33	97	F1277	SLOTTED OVAL HD SET SCREW, 1/4 - 28 X 3/8	7	89
F1015	COTTER PIN	35	37	F1286	PAN HD SCREW, 4 - 40 X		
F1017	COTTER PIN	5	76		3/16	19	34
F1027	COTTER PIN, S.S., 1/8 - 1/2	35	10	F1293	ROUND HD SCREW, 2 X		
F1052	FILL HD SCREW, 1/4 - 20 X 1	21	76		3/16	3	12
F1059	FILL HD SCREW, 6 - 32 X 1/4	15	8	F1298	ROUND HD SCREW W/LOCKWASHER, 6 - 32 X		
F1080	FILL HD SCREW W/LOCKWASHER, 10 - 24 X 3/4	25	19		1/4	27	13
F1088	FILL HD SCREW, 10 - 24 X 9/16	33	76	F1300	BREAKER POINT TERMINAL SCREW, 6 - 32 X 3/8	9	5
F1088	FILL HD SCREW, 10 - 24 X 9/16	33	76	F1326	ACORN NUT	29	12
F1097	FILL HD SCREW, 1/4 - 20 X 3/8	11	1	F1341	HEX NUT, 1/4 - 20	21	79
F1108	FILL HD SCREW W/LOCKWASHER	13	10	F1346	HEX NUT, 3/8 - 16	31	78
F1111	FILL HD SCREW, 1/4 - 20 X 7/8	11	9	F1346	HEX NUT, S.S., 3/8 - 16	31	49
F1129	FILL HD SCREW, S.S., 5/16 - 18 X 1/2	29	19	F1346	HEX NUT, S.S., 3/8 - 16	35	33
				F1349	HEX NUT, S.S., 5/16 - 18	29	17
				F141118	SEAL, PROPELLER SHAFT	35	15
				F141244	INLET WATER LINE FOR STANDARD SHAFT		
					MODELS	35	7
				F141275	FITTING, THERMOSTAT	21	66

# PARTS INDEX

Part Number	Description	Pg.	Ref. No.	Part Number	Description	Pg.	Ref. No.
F141704	GEAR SHIFT ROD COUPLING	29	18	F1744	SPRING PIN	33	102
F1441	PAN HD SCREW, 1/4 - 20 X 7/8	25	2	F1753	FASTENER	5	62
F1446	SLOTTED PAN HD SCREW, 1/4 - 20 X 1	19	30	F1767	FILL HD SCREW, 10 - 24 X 3	31	76A
F1473	HEX NUT, 10 - 24	19	18	F1768	FILL HD SCREW, 10 - 24 X 1 3/8	33	76B
F1473	HEX NUT, 10 - 24	31	73	F1768	FILL HD SCREW, 10 - 24 X 1 3/8	33	76B
F1502	HEX CAP SCREW, 1/4 - 20 X 5/8	13	19	F1770	STOP NUT, 8 - 32	19	15
F1502	HEX CAP SCREW, 1/4 - 20 X 5/8	21	78	F177330	FUEL PUMP VALVE	13	7
F1502	HEX HD SCREW, 1/4 - 20 X 5/8	33	89	F17932	SEAL, FUEL TANK ADAPTER	39	11
F1513	HEX NUT, 10 - 32	3	16	F1812	FILL HD SCREW W/LOCKWASHER, 10 - 24 X 1 9/16	25	20
F1513	HEX NUT, 10 - 32	11	18	F1813	FILL HD SCREW W/LOCKWASHER, 10 - 24 X 1 1/8	25	21
F1513	HEX NUT, 10 - 32	19	10	F18160-1	REED, CYLINDER DRAIN	19	37
F1513	HEX NUT, 10 - 32	19	6	F1832	HEX LOCK NUT, 1/4 - 20	31	82
F1515	HEX NUT, 5/16 - 18	3	20	F183300	SPRING	3	23
F1515	HEX NUT, 5/16 - 18	11	16	F1836	SPRING PIN	5	74
F1515	HEX NUT, 5/16 - 18	15	30	F1836	SPRING PIN	33	91
F1515	HEX NUT, 5/16 - 18	27	2	F184033-1	SWIVEL, CHOKE ROD	15	7
F1526	WELCH PLUG	21	52	F184579	SEAL, CHOKE ARM SWIVEL	15	6
F1544	HEX HD CAP SCREW, 3/8 - 16 X 2 1/4	21	55	F1849	FLAT HD SCREW, S.S., 1/4 - 20 X 1 3/8	31	77
F1578	HEX HD SCREW W/LOCKWASHER, 1/4 - 20 X 7/8	5	80	F1851	FILL HD MACHINE SCREW W/LOCKWASHER, 10 - 24 X 1/2	33	93
F1578	HEX HD SCREW W/LOCKWASHER, 1/4 - 20 X 7/8	29	7B	F185764	RETAINING RING	29	16
F1593	HEX HD SCREW, S.S., 3/8 - 16 X 3	31	51	F1860	ROUND HD SCREW, 6 - 32 X 1/4	13	6
F1603	HEX BOLT, 5/16 - 18 X 2	7	87	F1864	HEX CAP SCREW, 1/4 - 20 X 3/4	5	54
F1635	HEX SOCKET HD CAP SCREW, S.S., 3/8 16 X 3 1/2	31	62	F1864	HEX HD SCREW, 1/4 - 20 X 3/4	3	8
F1636	HEX SOCKET HD CAP SCREW, S.S., 3/8 - 16 X 1 1/4	31	61	F1864	HEX SLOT HD SCREW, 1/4 - 20 X 3/4	19	3
F1638	SPRING PIN	29	37	F1879	HEX SOCKET HD CAP SCREW, 3/8 - 16 X 1 5/8	19	2
F1646	HEX SOCKET HD CAP SCREW, 3/8 - 16 X 2 1/4	19	1	F1880	PLUG	33	98
F1656	PLAIN WASHER	31	52	F1892	STOP NUT, 5/16 - 18	7	88
F1666	BOWED SPRING WASHER	29	28	F1904	PLAIN WASHER	31	50
F1669	STOP NUT	31	60	F1905	HEX HD SCREW, 1/4 - 20 X 3 7/16	31	66
F1689	HEX HD SCREW, 1/4 - 20 X 1/2	31	87	F1910	ELASTIC STOP NUT, 1/4 - 20	19	11
F1727	PLASTIC RIVET	19	24	F191169-1	SWIVEL BRACKET BEARING	31	58
F1728	PAN HD SELF-TAPPING SCREW, 10 - 3/8	5	63	F191737	RETAINER, STARTER SPRING	11	11
F1733	PAN HD SCREW, 10 - 24 X 3/16	37	40	F191971	STARTER RETAINER EXTENSION	11	26
F1733	PAN HD SCREW, 10 - 24 X 9/16	3	26	F191993-1	BRACKET, CHOKE CABLE (NOT SHOWN)	7	-
F1733	PAN HD SCREW, 10 - 24 X 9/16	3	34	F1920	HEX NUT, 5/8 - 18	9	1
F1733	PAN HD SCREW, 10 - 24 X 9/16	31	46	F1922	HEX HD SCREW, 1/4 - 20 X 5/8	13	20
F1738	HEX NUT, 3/8 - 24	3	37	F1922	HEX HD SCREW, 1/4 - 20 X 5/8	21	53
				F1926	LAMINATION SCREW, 8 - 32 X 7/8	9	7

# PARTS INDEX

Part Number	Description	Pg.	Ref. No.	Part Number	Description	Pg.	Ref. No.
F1947	FLANGED 12 PT. SCREW, 5/16 - 18 X 2	29	8	F307211	STUD	11	14
F1953	HEX HD SCREW, 1/4 - 20 X 1	3	10	F307279-2	CYLINDER EXHAUST GASKET UPPER	29	1
F1955	PLAIN WASHER	5	48	F307453-3	CYLINDER EXHAUST GASKET LOWER	29	6
F1969	FILL HD SCREW, 1/4 - 20 X 3/4	19	25	F307660-1	TUBE LEG EXHAUST	33	92
F1971	HEX HD SCREW, 1/4 - 20 X 2 1/8	21	67	F307689-1	STEERING HANDLE CONTROL SHAFT BEARING	5	50
F197787-2	FUEL LINE COUPLER	39	3	F307809-1	MAGNETO CONTROL ROD	3	17
F1979	FILL HD SCREW, 10 - 24 X 1/2	3	6	F307818	BEARING, LATCH SHAFT	3	25
F1987	PLAIN WASHER	3	24	F307860	INTAKE SILENCER	3	9
F1987	PLAIN WASHER	29	14	F307942-1	BUMPER	19	14
F1995	FILL HD SCREW, 10 - 24 X 1	19	21	F307962	SHOCK MOUNT, SIDE UPPER	31	80
F1995	FILL HD SCREW, 10 - 24 X 1	21	62	F307989-1	SEAL, KINGPIN PLATE	29	3
F1997	STOP NUT, 10 - 24	15	35	F328109	PIPE PLUG CYLINDER HEAD	21	57
F2001	FILL HD SCREW, 10 - 24 X 5/8	5	72	F328189-1	BUSHING, GEAR SHIFT ROD	3	27
F2002	HEX NUT, 5/16 - 18	5	67	F328232	STARTER ROPE	11	30
F2008	HEX HD SCREW, 1/4 - 20 X 7/8	27	1	F328239	STARTER SPOOL	11	12
F2014	PLAIN WASHER	21	56	F328438	MAGNETO CONTROL ARM	3	18
F201529-1	CYLINDER HEAD GASKET	21	50	F328455	STARTER ROPE GUIDE	11	28
F2025	PAN HD SCREW, 10 X 3/8	7	93	F328615	GEAR SHIFT ROD UPPER	29	13
F2030	HEX HD SCREW, 1/4 - 20 X 1 1/4	37	55	F328621	GEAR SHIFT ARM	5	75
F203965	SHOCK MOUNT UPPER	29	9	F328692	PIVOT TUBE	5	41
F2097	SPRING PIN	35	23	F328703-1	STEERING HANDLE ADAPTER	3	39
F213274	GREASE FITTING	5	83	F328710	STARTER ROPE GUIDE POST	11	8
F213274	GREASE FITTING	29	23	F328819	SWIVEL SHIFT DETENT	5	69
F213342	SEAL, FUEL LINE COUPLER	39	1	F328884	DETENT, SHIFT ARM	5	71
F213735	SEAL, FUEL LINE COUPLER	39	2	F333316	THROTTLE ROLLER SHAFT	15	32
F215962	SHOCK MOUNT SIDE LOWER	29	10	F335160	REED	27	11
F24074	CLAMP SCREW FOOT	29	38	F335217-1	BEARING	25	8
F269052	SHIFT ARM BEARING	19	27	F338129-1	BOOT	35	1
F269122-1	CRANKCASE PARTING LINE SEAL (NOT SHOWN)	21	-	F338271	RETAINER	35	2
F269319	THROTTLE CAM BEARING	19	5	F338618-1	SEAL, SHIFT ROD LOWER	37	45
F269445-1	SPARK CONTROL LINK	19	19	F338815	STEERING HANDLE GEAR	5	44
F269929	SPACER, TILT STOP	29	25	F338815	STEERING HANDLE GEAR	5	49
F269929	SPACER, TILT STOP	29	29	F338877	MAGNETO CONTROL SHAFT	3	40
F269929	SPACER, TILT STOP	31	54	F349307	DRIVESHAFT SEAL	37	53
F269929	SPACER, TILT STOP	31	56	F353480	STUD	33	94
F286132	STARTER ROPE HANDLE	11	31	F366037	STERN BRACKET PIVOT BOLT	29	32
F286461	SPRING LOCK BAR HANDLE	33	101	F366058	BALL BEARING, PROPELLER SHAFT	35	16
F286547	CHOKE KNOB	3	30	F366060	WATER PUMP BODY	37	51
F286772-1	CLAMP	27	15	F366082	MAGNETO STATOR RING	25	18
F286894-3	STEERING HANDLE INDICATOR (NOT SHOWN)	7	-	F366133-2	MOTOR LEG	33	65
F288075	CLAMP SCREW HANDLE	29	36	F366215	SPACER	25	10
F298788	FERRULE	39	4	F366277	BEARING CAGE GASKET	25	4
F2A338079	STEERING HANDLE	5	45	F366286	STERN BRACKET FRICTION WASHER	29	39
F2A366298	PROPELLER SHAFT BEARING CAGE W/SEAL	35	14	F366300	REVERSE LOCK SPRING	31	48
F2A433757	CYLINDER DRAIN REED PLATE, REED STOPS, SCREWS AND SCREEN	19	38	F366349	LOCK	31	44
F2A474266	BEVEL PINION GEAR W/BEARING AND CAP	35	35	F366350	TILT STOP PIVOT	29	26
				F366364	ARM	29	40
				F366392	PLATE, SIDE	3	2
				F366426	TILT STOP, PORT	31	55
				F366433	TILT STOP, STARBOARD	29	27

# PARTS INDEX

Part Number	Description	Pg.	Ref. No.	Part Number	Description	Pg.	Ref. No.
F366510	LINK	31	43	F433973	SHOCK MOUNT LOWER COVER, PORT	31	63
F366727	BALL, PROPELLER SHAFT	35	20	F434061-3	CARBURETOR COMPLETE (WB16D)	17	41
F366813	BEARING	5	73	F434322	PACKING - LEG COVER LOWER REAR (NOT SHOWN)	33	-
F366824	CARRYING HANDLE	7	86	F434754	FUEL LINE, PUMP TO CARBURETOR	13	14
F366827	HANDLE AND SHAFT	29	42	F434754	HOSE BUSHING TO FUEL PUMP	13	17
F366884	BEARING	29	34	F434754	HOSE FUEL PUMP TO BUSHING	5	84
F366886	PIN	31	45	F434758	FUEL PUMP IMPULSE HOSE	13	4
F367300	SPRING SHIFT DETENT	5	68	F434767	BUSHING	3	38
F369390-1	DECAL, REVERSE LOCK (NOT SHOWN)	33	-	F435057	BEARING, DRIVESHAFT UPPER	37	47
F369884	BEARING	29	41	F435077	SCREEN, WATER INLET	37	46
F369887	INTERLOCK SCREW	11	21	F435133-1	MOTOR LEG	33	65
F377015-1	PISTON	25	12	F435244	INLET WATER LINE FOR LONG SHAFT MODELS	35	-
F40008	STUD, SHORT	35	39	F435323	PACKING LEG COVER LOWER	31	71
F40017-2	PISTON PIN	25	9	F435323	PACKING LEG COVER UPPER	31	74
F40146-1	CRANKSHAFT SEAL	25	1	F435555	SEAL, GEAR HOUSING	37	43
F40151-1	EXHAUST PORT PLATE	21	71	F435705	GEAR SHIFT ROD LOWER	35	36
F40154-3	EXHAUST PORT PLATE GASKET	21	70	F436449	SHORTING SWITCH	9	23
F40209	CARBURETOR STUD	27	3	F438165	SCREW, FUEL BOWL	13	18
F40223	TRANSFER PORT COVER GASKET	19	44	F438500	FUEL SEDIMENT BOWL	13	16
F40307-2	SEAL, DRIVESHAFT	37	48	F438617	FUEL SEDIMENT BOWL GASKET	13	12
F40342	SEAL	35	5	F438653	FUEL PUMP SCREEN	13	15
F40342	SEAL, PROPELLER NUT	35	11	F438747	FUEL PUMP DIAPHRAGM	13	5
F40410	SNAP RING	25	14	F438760	FUEL PUMP GASKET	13	2
F40425	STARTER PINION PIN	11	5	F438801	ELBOW	13	11
F404801	ELBOW	21	48	F458677	INSERT, CHOKE KNOB	3	31
F40717	THRUST WASHER, BEVEL GEAR	35	19	F458695	SLEEVE, STEERING HANDLE	7	90
F40775	FRICITION SHOE PLATE	31	84	F458774	BRACKET, RETAINER REAR	5	53
F40816-1	STEERING HANDLE CONTROL SHAFT THRUST BEARING	5	47	F460664	WIRE, STATOR GROUND	9	9
F40833-4	MOTOR LEG EXHAUST COVER GASKET	31	67	F461400	GEAR SHIFT INDICATOR (NOT SHOWN)	7	-
F40906-1	FLANGE GASKET	15	39	F463073	CLAMP SCREW	29	35
F409251-1	GAUGE CAP	39	10	F463314	FITTING	21	72
F428096	RETAINER, PISTON PIN	25	11	F463366	NAME PLATE, "CHRYSLER"	5	58
F433061-2	CARBURETOR COMPLETE (WB17C)	15	41	F463711-1	PLATE, FRONT	3	1
F433065	WATER PUMP IMPELLER	37	50	F463864	RETAINER, TILT HANDLE	5	55
F433114	HANDLE, LOCK BAR	33	100	F464269	TILT HANDLE	5	65
F433168	CARBURETOR ADAPTER GASKET	27	6	F478502	LINK	11	25
F433180-1	TRIM, ENGINE COVER REAR	5	60	F485005	INTERLOCK LEVER ARM	7	94
F433192	THROTTLE CAM	19	8	F485424	SPRING, STARTER PINION	11	6
F433209	STUD, THROTTLE CAM	19	4	F485512	PLATE, INSERT	7	92
F433254	HOSE	21	49	F485755	FUEL TANK ADAPTER	39	8
F433404	DEFLECTOR PLATE	27	8	F485781	STARTER INTERLOCK LOCK	11	23
F433406	DEFLECTOR PLATE GASKET	27	9	F485946	SHOCK MOUNT UPPER COVER	31	81
F433503	CHOKE CABLE	3	29	F485971	STARTER SPRING EXTENSION	11	17
F433562	WATER PUMP BACK PLATE	37	49	F486015	PISTON	25	12
F433612	BRACKET SHIFT ROD	5	78				
F433612	BRACKET, SHIFT ROD	29	7				
F433680	SPACER PLATE	29	2				
F433688	SHAFT, STEERING HANDLE	3	32				
F433689	BEARING, TOWERSHAFT	19	22				

# PARTS INDEX

Part Number	Description	Pg.	Ref. No.	Part Number	Description	Pg.	Ref. No.
F486531	STARTER INTERLOCK ROD	11	19	F84314-2	ELBOW, FUEL LINE	15	42
F487674	STARTER PINION GEAR	11	4	F84314-2	ELBOW, FUEL LINE	21	47
F50109	PLUG, GEAR HOUSING	35	27	F84792	FUEL PUMP VALVE GASKET (CENTER VALVE)	13	8
F53795-1	DAMPENER	5	42	F8537	SPRING PIN	33	95
F58685-2	ROD END CONNECTOR, MAGNETO CONTROL	3	15	F85372	PIN, GEAR SHIFT ROD LOWER	35	38
F7001	ELASTIC STOP NUT	31	53	F8538	SPRING PIN	5	43
F7004	STOP NUT, 3/8 - 16	19	26	F8538	SPRING PIN	5	51
F7007	ELASTIC STOP NUT	29	31	F8540	SPRING PIN	3	19
F7011	HEX NUT, 10 - 24	5	57	F8540	SPRING PIN	11	27
F71H02	ANTI-CORROSION SACRIFICIAL ANODE	45	-	F8545	SPRING PIN	21	75
F71H08	FUEL TANK (ACCESSORY ITEM)	39	9	F8548	SPRING PIN	3	5
F71H08	STEEL, 6 GALLON FUEL TANK	45	-	F85502	THROTTLE LINK	19	12
F71H23	STEEL, 12 GALLON FUEL TANK	45	-	F8559	DOWEL PIN	19	41
F73H03	LONG LEG CONVERSION KIT	45	-	F85610	BEARING	5	81
F8001	NYLTITE WASHER	35	30	F85610	BEARING	19	29
F8003	PLAIN WASHER	19	35	F85634-1	CONNECTING ROD SCREW	25	17
F8028	PLAIN WASHER	5	79	F85735-1	SEAL	5	61
F8028	PLAIN WASHER	11	20	F85756	SUPPORT PLATE PACKING	5	59
F8028	PLAIN WASHER	29	7A	F861	FLUSHING ADAPTER	45	-
F8032	PLAIN WASHER	5	77	F88161-3	REED STOP	27	12
F8038	PLAIN WASHER	31	79	F89011	SWIVEL BRACKET WASHER	29	22
F8042	PLAIN WASHER	35	6	F89025	DAMPENING PAD	29	5
F8049	BOWED SPRING WASHER	29	15	F89504	GROMMET MOTOR LEG	31	70
F8058	INTERNAL TOOTH LOCKWASHER	7	96	F89777-1	LATCH CAM	3	22
F8058	INTERNAL TOOTH LOCKWASHER	11	22	F90014	CRANKSHAFT LOWER MAIN BEARING	25	16
F8058	INTERNAL TOOTH LOCKWASHER	19	7	F901563	DRIVE PIN, WATER PUMP IMPELLER	35	4
F8060	EXTERNAL TOOTH LOCKWASHER	11	29	F901631-1	FRICTION SHOE	31	85
F8060	EXTERNAL TOOTH LOCKWASHER (USE WITH PAN HD SCREW)	25	23	F901739	STARTER REWIND SPRING DRIVE	11	7
F8060	INTERNAL TOOTH LOCKWASHER	5	70	F901834	LEAD WIRE CLIP	21	68
F8065	LOCKWASHER	35	32	F901970	SPRING STARTER REWIND	11	10
F8065	SPRING LOCKWASHER	33	103	F90891	GEAR SHIFT ARM PIN	35	29
F8077	WASHER, GEAR HOUSING PLUG	35	28	F92498	KEY	9	14
F8083	LOCKWASHER	31	88	F92759	ROLLER	15	33
F8083	SPRING LOCKWASHER	21	77	F93002	CAM	9	15
F8083	SPRING LOCKWASHER	33	96	F93097-6	FLYWHEEL AND STARTER GEAR	9	3
F8088	PLAIN WASHER	15	10	F93472-1	CYLINDER DRAIN COVER GASKET	19	33
F8094	PLAIN WASHER	31	47	F93748-1	CYLINDER DRAIN REED PLATE GASKET	19	40
F8096	SPRING LOCKWASHER	3	21	F93811	SCREEN, CYLINDER DRAIN REED PLATE	19	39
F8096	SPRING LOCKWASHER	11	15	F93920	CYLINDER DRAIN REED STOP	19	36
F84026	SPARK CONTROL SWIVEL	19	16	F94914	SLEEVE, STATOR GROUND WIRE (NOT SHOWN)	9	-
F84035-2	SPARK CONTROL BEARING, R. H.	19	20	F97008-1	STUD, LONG	35	31
F84036	SPARK CONTROL BEARING, L. H.	19	17	F97066-1	THERMOSTAT COVER	21	61
F84280	KINGPIN NUT	29	21	F97067	THERMOSTAT COVER GASKET	21	60
F84314-2	ELBOW	13	3	F97068-1	THERMOSTAT	21	59
				F97275	FITTING, THERMOSTAT	21	63
				F97504	GROMMET, THERMOSTAT	21	58
				F97772	CLAMP	5	85
				F97772	CLAMP	21	64

# PARTS INDEX

Part Number	Description	Pg.	Ref. No.	Part Number	Description	Pg.	Ref. No.
F97772	FUEL LINE CLAMPS . . . . .	13	13	FA478010	CYLINDER W/CRANKCASE COVER, DEFLECTOR PLATE AND SCREWS . . .	23	42
F98273	ROD END CONNECTOR STUD . . . . .	3	14	FA485023	BEVEL GEAR FRONT W/BEARING . . . . .	35	25
F99521-1	CLUTCH . . . . .	35	24	FA485662	BEVEL GEAR REAR W/BEARING . . . . .	35	18
FA27232	EMERGENCY STARTER ROPE (NOT SHOWN) . . .	11	-	FA485914	SEAL, INLET WATER LINE, LOWER . . . . .	37	54
FA307779	BAFFLE, AIR INTAKE . . . . .	3	11	FA486385	INSERT, SIDE PLATE . . . . .	7	66
FA328763	LATCH SHAFT W/HANDLE . .	3	33	FA513485	ANTI-CORROSION ANODE . .	37	41
FA353260	PISTON RING SET (6 PER SET) . . . . .	25	13	FA545018	CRANKSHAFT W/EARING . .	25	5
FA354260	PISTON RING SET (6 PER SET) . . . . .	25	13	FA77395-5	IDENTIFICATION PLATE W/SCREWS, U.S.A. . . . .	3	13
FA366135	LEG COVER (PORT) . . . . .	33	72	FA84754-1	FUEL LINE SHORT W/FERRULES . . . . .	39	5
FA366145	LEG COVER (STARBOARD)	33	75	FA89128-1	DRIVESHAFT W/RETAINER FOR LONG SHAFT MODELS . . . . .	35	-
FA366778	ENGINE COVER RETAINER, FORWARD, W/SCREWS AND NUTS . . . . .	3	7	FA89832-2	MOTOR LEG EXHAUST COVER . . . . .	31	68
FA366953	BUSHING, STARTER HANDLE . . . . .	3	35	FA901839	STEERING HANDLE FRICTION SCREW W/SPRING AND BUTTON . . . . .	3	36
FA40346-2	SHOCK MOUNT LOWER . . .	29	20	FA90871-3	GEAR SHIFT ARM PIN W/YOKE . . . . .	35	22
FA40655	CRANKSHAFT CENTER MAIN BEARING RACE W/SNAP RING . . . . .	25	15	FA94094-2	PROPELLER NUT W/SEAL & COTTER PIN . . . . .	35	9
FA40742	FRICTION SHOE ADJUSTING ARM W/SHOE . . . . .	31	83	FA97247	WATER TUBE, THERMOSTAT . . . . .	21	65
FA411222	TRANSFER PORT COVER . .	21	45	FC310227	SPARK (QL-4-J) FOR MODELS 352BJ, 353BJ, 452BJ, 453BJ . . . . .	21	-
FA433019	KINGPIN W/PLUG . . . . .	31	59	FC433054	GEAR HOUSING COMPLETE (NOT SHOWN) . . . . .	37	-
FA433054	GEAR HOUSING LOWER W/PLUG, WASHER AND THRUST BEARING CUP . .	35	26	FC478010	SHORT BLOCK (NOT SHOWN) . . . . .	23	-
FA433113	STERN BRACKET LOCK BAR W/HANDLE . . . . .	29	33	FG1007-1	GASKET SET (NOT SHOWN)	21	-
FA433144	CRANKSHAFT BEARING CAGE W/SEAL . . . . .	25	3	FK247	PROPELLER PIN, PACK OF 6 W/COTTER PIN . . . . .	35	12
FA433152	EXHAUST PORT COVER . . .	21	69	FK433032	STERN BRACKET W/CLAMP SCREW & FOOT . . . . .	29	30
FA433158	REED PLATE W/REEDS, STOPS AND SCREWS . . .	27	10	FK433838	TOWER SHAFT . . . . .	19	23
FA433167	CARBURETOR ADAPTER FLANGE . . . . .	27	5	FK750-1	SPARKIE KIT . . . . .	9	13
FA433471	CYLINDER DRAIN COVER . .	19	32	FK85228	BEARING CAGE W/ROLLERS (16 PER SET) . . . . .	25	6
FA434616	GEAR SHIFT ROD INTERMEDIATE FOR STANDARD SHAFT MODELS . . . . .	37	56	FO10165	INLET SEAT GASKET . . . . .	15	19
FA434876	SHIFT ARM W/ROLLER . . . .	19	28	FO10280	CHOKE SHUTTER RETAINING SCREW AND LOCKWASHER . . . . .	15	16
FA435135	LEG COVER (PORT) . . . . .	33	72	FO10588	BODY CHANNEL CAP PLUG . .	15	1
FA435145	LEG COVER (STARBOARD)	33	75	FO10790	INLET NEEDLE, SEAT AND GASKET . . . . .	15	20
FA435616	GEAR SHIFT ROD INTERMEDIATE FOR LONG SHAFT MODELS . .	37	-	FO10883	CHOKE RELIEF VALVE SPRING . . . . .	15	18
FA438431	FUEL PUMP BODY W/VALVES . . . . .	13	9	FO11103	IDLE MIXTURE SCREW SPRING . . . . .	15	14
FA439746	FUEL PUMP COVER . . . . .	13	1	FO12250	CHOKE SHUTTER . . . . .	15	17
FA456137	STEERING HANDLE GRIP W/SLEEVE . . . . .	5	46	FO12251	CHOKE RELIEF VALVE . . . .	15	13
FA458480	ENGINE COVER RETAINER W/SCREWS AND NUT . . .	5	56	FO13552	FUEL BOWL . . . . .	15	25
FA463387	DECAL, TIMING . . . . .	27	14				
FA463892	INSERT, FRONT PLATE, U.S.A. . . . .	3	4				



# PARTS INDEX

Part Number	Description	Pg.	Ref. No.	Part Number	Description	Pg.	Ref. No.
FO13554	FLOAT	15	27	FT2953	SOCKET	42	-
FO13944	FLOAT LEVER PIN	15	21	FT2955A	TEST WHEEL	44	-
FO13945	FUEL BOWL RETAINING SCREW	15	26	FT2990	PISTON PIN REMOVER	42	-
FO13946	IDLE MIXTURE SCREW	15	15	FT2996	RING COMPRESSOR	42	-
FO14292	THROTTLE SHAFT RETURN SPRING	15	36	FT3139-1	STARTER REWIND KEY	41	-
FO14302	MAIN FUEL JET (.084) STANDARD	17	29	FT3431	DRIVESHAFT SEAL AND PROP SHAFT SEAL INSTALLER	43	-
FO15406	MAIN FUEL JET (.090) STANDARD	15	29	FT3510	SEAL PUNCH	42	-
FO15623	FUEL BOWL GASKET	15	23	FT3512	SEAL SLEEVE	42	-
FO15724	CHOKE SHUTTER	17	17	FT8904	FORWARD BEARING CUP INSTALLER	43	-
FO15725	CHOKE RELIEF VALVE	15	13	FT8907	DRIVER HANDLE	43	-
FO15728	THROTTLE SHAFT AND LEVER	15	34	FT8918	BUSHING GUIDE SET	43	-
FO16119	THROTTLE SHUTTER	15	37	FT8919	SPRING PIN PUNCH	43	-
FO16251	MAIN NOZZLE	15	28	FT8921	FORWARD BEARING CUP REMOVER	43	-
FO16340	THROTTLE SHUTTER	17	37	FT8926	RING EXPANDER	42	-
FO16383	CHOKE SHAFT AND LEVER	15	5	FT8932	LIFTING HOOK	44	-
FO16385	CHOKE SHAFT RETURN SPRING	15	12	FT8938	TIMING TOOL	40	-
FO17355	MAIN NOZZLE	17	28	FT8945	RETAINER PUNCH	43	-
FO2510	FUEL BOWL RETAINING SCREW GASKET	15	24	FT8948-1	PROPELLER SHAFT BEARING CAGE PULLER	43	-
FO3804	THROTTLE SHAFT POSITION RETAINING SCREW WASHER	15	2	FT8950	LEAKAGE TESTER	44	-
FO4326	BODY CHANNEL WELCH PLUG	15	40	FT8957	SEAL INSTALLER	43	-
FO6393	THROTTLE SHAFT POSITION RETAINING SCREW	15	4	SA377015	PISTON .010 OVERSIZE (NOT SHOWN)	25	-
FO6396	THROTTLE SHAFT POSITION RETAINING SCREW LOCKWASHER	15	3	T8974	BREAKER POINT TENSION GAUGE	44	-
FO8942	THROTTLE SHUTTER RETAINING SCREW AND LOCKWASHER	15	38	22-817740A1	ELBOW W/METERING CAP	21	74
FP287	STANDARD PROP (ACCESSORY ITEM) 35 H.P.	35	8	30-F366013	CRANKSHAFT THRUST BEARING UPPER	25	22
FP293	STANDARD PROP (ACCESSORY ITEM) 45 H.P.	35	-	32-817738A1	FUEL LINE, LONG W/CLAMP AND FERRULE	39	7
FS174227	SPARK PLUG (L-4-J)	21	54	39-818112A1	PISTON RINGS (6 PER SET) .030 OVERSIZE (NOT SHOWN)	25	-
FS307260	PISTON RINGS (6 PER SET) .010 OVERSIZE (NOT SHOWN)	25	-	39-818113A1	PISTON RINGS (6 PER SET) .030 OVERSIZE (NOT SHOWN)	25	-
FS307940	KINGPIN PLATE	29	4	44-819500A3	PROPELLER SHAFT	35	21
FS310260	PISTON RINGS (6 PER SET) .010 OVERSIZE (NOT SHOWN)	25	-	45-817737A1	DRIVESHAFT W/RETAINER FOR STANDARD SHAFT MODELS	35	3
FS409752	FUEL LINE, COMPLETE	39	-	400-FA485018	CRANKSHAFT W/EARING	25	5
FS433758	HOSE	21	73	600-818052A4	CONNECTING ROD W/CAP & SCREWS	25	7
FS463712	ENGINE COVER W/TILT HANDLE AND RETAINERS	3	3	700-818124A1	PISTON .030 OVERSIZE (NOT SHOWN)	25	-
FSA486015	PISTON .010 OVERSIZE (NOT SHOWN)	25	-	800-817791A1	CYLINDER W/CRANKCASE COVER, DEFLECTOR PLATE AND SCREWS	21	42
FT2910	KNOCK-OFF NUT	40	-	800-817894A2	SHORT BLOCK	21	-
				1600-817871A3	GEAR HOUSING UPPER, WASHER, PLUG AND INLET WATER SCREEN	37	44
				F210-1	STUD	31	86