



PARTS CATALOG

85 H.P. CHARGER

SERIAL NUMBER

85 (1977) 859BA
85 (1977) 859HA

TABLE OF CONTENTS:

ACCESSORIES	52
CARBURETOR	16
CRANKSHAFT AND PISTON GROUP	28
DISTRIBUTOR	12
ELECTRICAL COMPONENTS	6
ENGINE COVER AND SUPPORT PLATE	2
FUEL TANK AND LINE	38
GEAR HOUSING	34
LUBRICATION CHART	55
MOTOR LEG	30
PARTS INDEX	57
POWER HEAD	22
POWER TRIM UNIT	44
REMOTE CONTROL	40
SPECIAL ADJUSTMENTS	56
SPECIAL TOOLS - GEAR HOUSING	50
SPECIAL TOOLS - POWER HEAD	49
SPECIAL TOOLS - TEST EQUIPMENT	51
SPECIAL TOOLS - TUNE-UP	48
SPECIFICATIONS	54
STARTER	10

NOTE: *Indented description indicate that these parts are included in preceding assembly.*

AR = As Required

NSS = Not Sold Separate

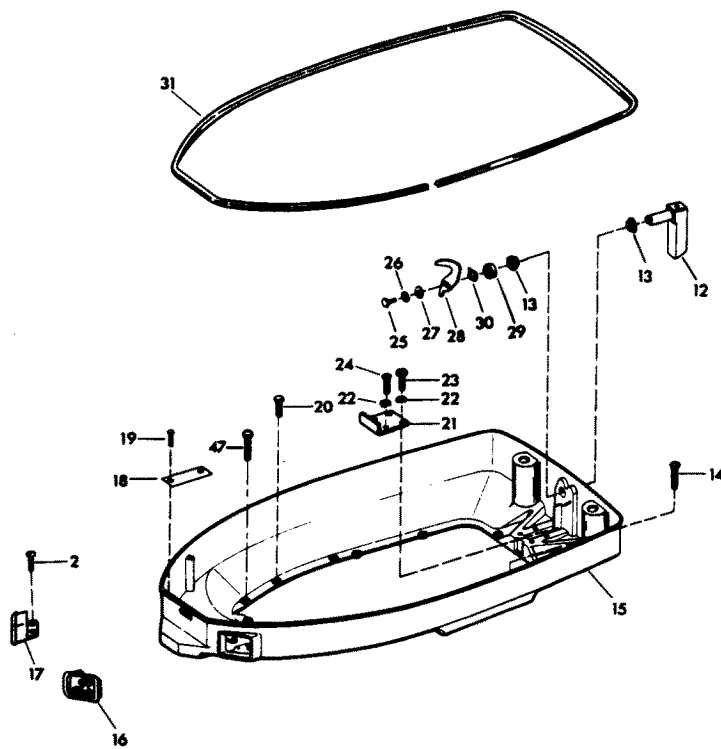
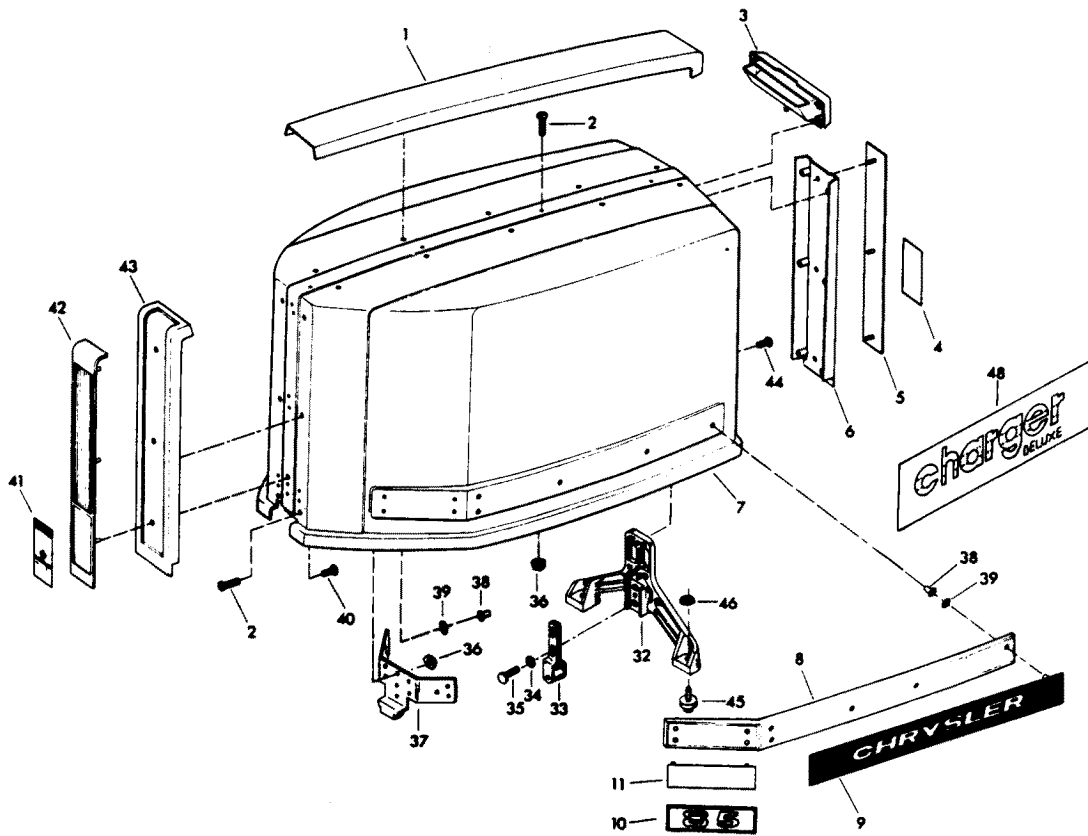
OPT = Optional

NS = Not Shown

THESE PARTS BOOKS/FICHE CARD ARE COPYRIGHTED AND MAY NOT BE DISTRIBUTED OR REPRODUCED IN ANY OTHER FORMAT BY ANYONE OTHER THAN MERCURY MARINE WITHOUT THE PRIOR WRITTEN CONSENT OF MERCURY MARINE.

THIS PAGE INTENTIONALLY LEFT BLANK

ENGINE COVER AND SUPPORT PLATE

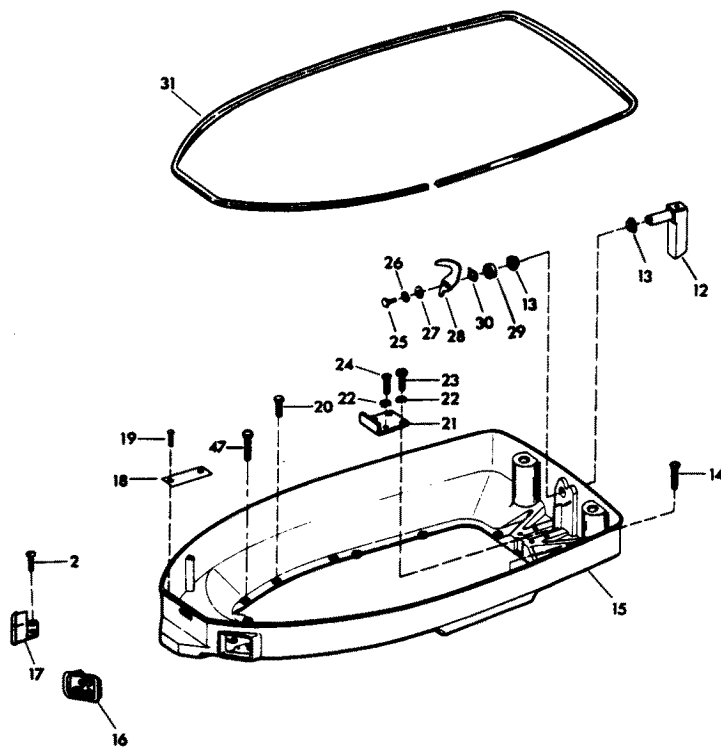
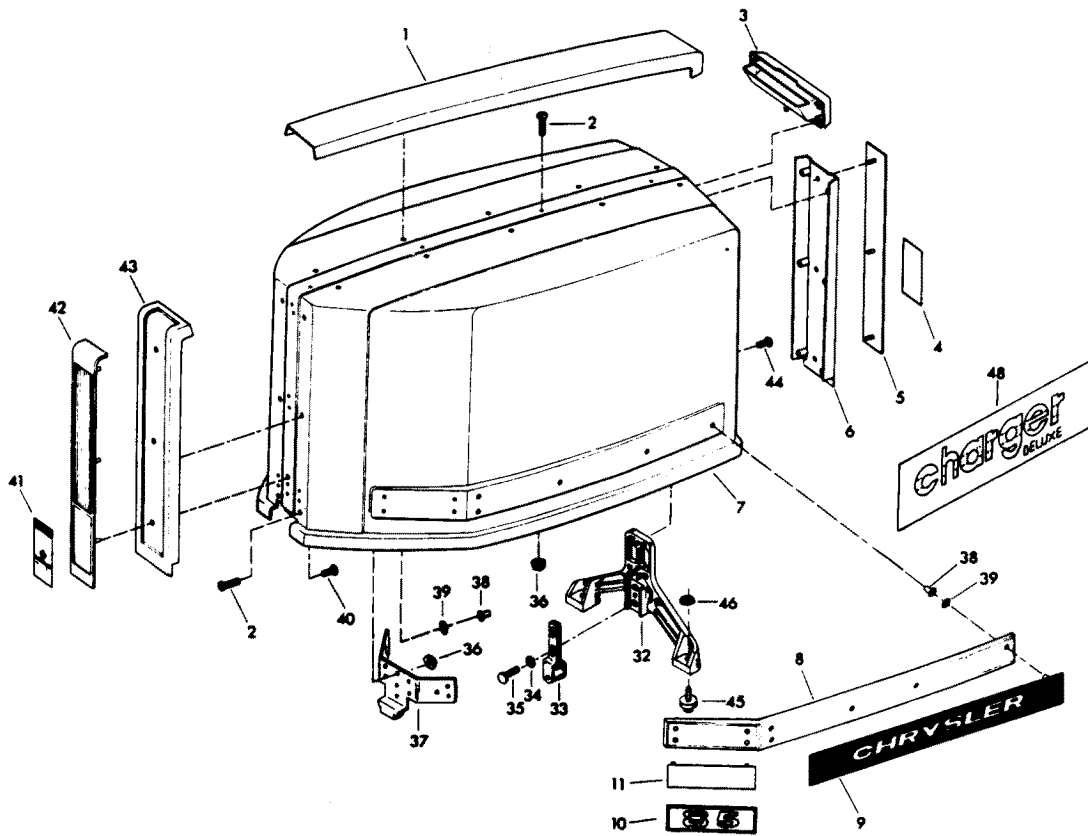


ENGINE COVER AND SUPPORT PLATE

REF. NO.	PART NO.	SYM.	QTY.	DESCRIPTION
1	F2S480179		1	TRIM, TOP
2	F1733		10	PAN HD SCREW, 10 - 24 X 9/16
3	F2S480269		1	TILT HANDLE
4	A370528		1	INSERT, PLATE REAR
5	F370386		1	PLATE, REAR
6	F2S480180		1	TRIM, REAR
7	FS370944		1	ENGINE COVER W/RETAINER, SCREWS AND NUTS
8	F333392		2	PLATE, SIDE
9	F370366		2	NAME "CHRYSLER"
10	FA370385		2	INSERT, PLATE SIDE
11	F373512		2	PLATE, INSERT
12	FA481469		1	ENGINE COVER LATCH HANDLE W/SHAFT
13	F480818		2	BEARING, LATCH SHAFT
14	F1238		6	HEX CAP SCREW, 1/4 - 20 X 3/4
15	F480038-2		1	SUPPORT PLATE
16	F310189		1	BUSHING, ELECTRIC CABLE
17	F311189-1		1	BUSHING, CABLE ENTRY
18	FA77395-5		1	IDENTIFICATION PLATE W/SCREWS FOR U.S.A. MODELS
-	AC16395-8		1	IDENTIFICATION PLATE W/SCREWS FOR CANADA MODELS
19	F1447		2	ROUND HD SCREW, 2 X 3/16
20	F1502		5	HEX SLOT HD SCREW, 1/4 - 20 X 5/8
21	F335654-1		1	DEFLECTION STOP
22	F8096		4	SPRING LOCKWASHER
23	F1857		2	HEX CAP SCREW, 5/16 - 18 X 5/8
24	F1858		2	HEX CAP SCREW, 5/16 - 18 X 1
25	F1854		1	HEX CAP SCREW, 1/4 - 20 X 5/8
26	F8083		1	SPRING LOCKWASHER
27	F8094		1	PLAIN WASHER
28	F481777		1	CAM, LATCH SHAFT
29	F481382-1		1	SPACER, LATCH SHAFT
30	F2047		1	WAVE SPRING WASHER
31	F321756		1	PACKING
32	F481774		1	BRACKET, ENGINE COVER LATCH
33	FA481743		1	LATCH, ROLLER BRACKET
34	F8096		2	SPRING LOCKWASHER
35	F1857		2	HEX CAP SCREW, 5/16 - 18 X 5/8
36	F1473		7	HEX NUT, 10 - 24
37	F373778-1		1	RETAINER, ENGINE COVER
38	F1753		24	FASTENER
39	F85735-1		24	SEAL
40	F2066		26	PAN HD TAPPING SCREW, 10 X 7/16
41	FA467892		1	INSERT, PLATE FRONT - U.S.A.
-	FA467893		1	INSERT, PLATE FRONT - CANADA

CONTINUED ON NEXT PAGE ➡

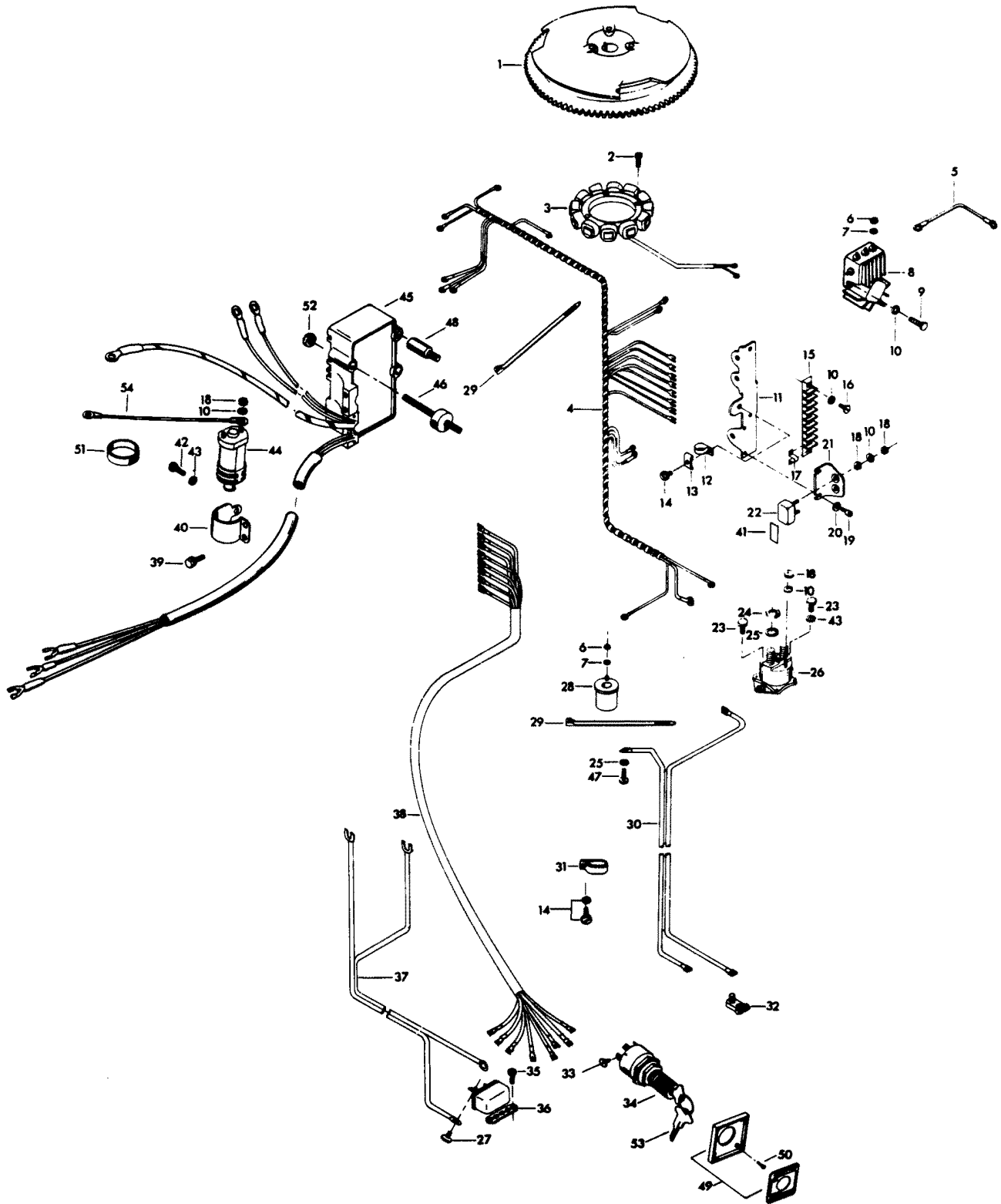
ENGINE COVER AND SUPPORT PLATE



ENGINE COVER AND SUPPORT PLATE

REF. NO.	PART NO.	SYM.	QTY.	DESCRIPTION
42	F480711		1	PLATE, ENGINE COVER FRONT
43	F2S480888		1	TRIM, FRONT
44	F1730		4	PAN HD SCREW W/SPRING LOCKWASHER, 1/4 - 20 X 5/8
-	F438984-1		1	BLANKET, SILENCER TOP (NOT SHOWN)
-	F480985		2	BLANKET, SILENCER SIDE (NOT SHOWN)
45	F481434		2	GUIDE, ENGINE COVER
46	F2088		2	FASTENER
47	F1849		2	HEX HD CAP SCREW, 1/4 - 20 X 1 3/8
48	F370785		2	DECAL, CHARGER

ELECTRICAL COMPONENTS

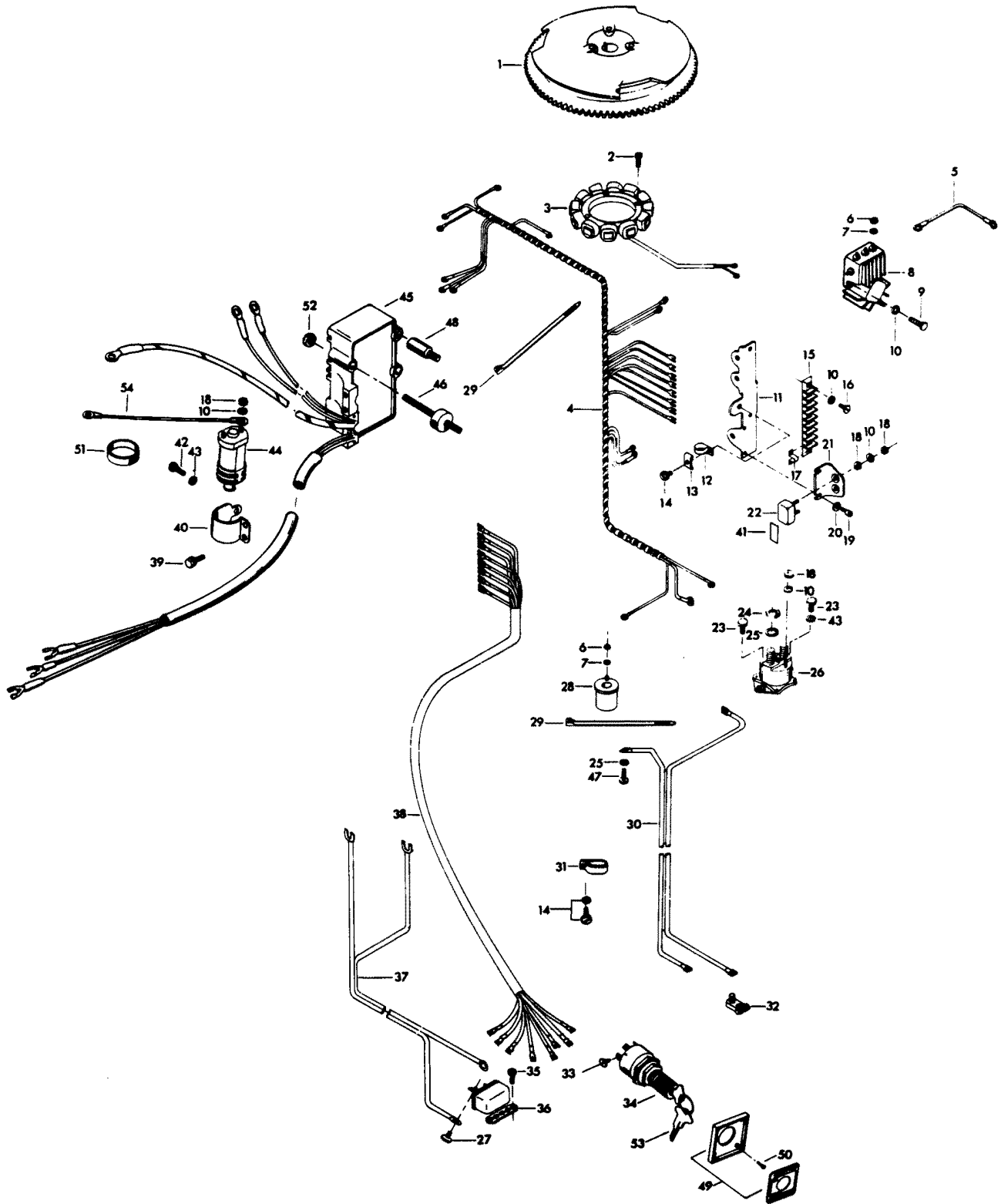


ELECTRICAL COMPONENTS

REF. NO.	PART NO.	SYM.	QTY.	DESCRIPTION
1	F404097		1	FLYWHEEL
2	F1678		6	FILL HD SCREW, 10 - 24 X 13/16
3	F85095-2		1	STATOR
4	F438744-1		1	WIRING HARNESS
5	F345683		1	WIRE, REGULATOR-RECTIFIER GROUND
6	F1647		5	HEX NUT, 8 - 32
7	F8056		5	SPRING LOCKWASHER
8	F404470-1		1	REGULATOR-RECTIFIER
9	F2001		3	FILL HD SCREW, 10 - 24 X 5/8
10	F1975		11	SPRING LOCKWASHER
11	FA438493		1	TERMINAL BLOCK BRACKET
12	F289446-1		1	CLAMP
13	F438668		1	RETAINER, CABLE CLAMP
14	F1734		2	FILL HD SCREW W/LOCKWASHER, 1/4 - 20 X 1/2
15	FA510497		1	TERMINAL BLOCK
16	F1648		2	PAN HD SCREW, 10 - 24 X 3/4
17	F307317		1	CLIP, TERMINAL BLOCK
18	F1513		8	HEX NUT
19	F1760		2	PAN HD SCREW, 10 - 24 X 3/8
20	F8011		2	PLAIN WASHER
21	F91446-1		1	CIRCUIT BREAKER BRACKET
22	F510460		1	CIRCUIT BREAKER
23	F1705		2	HEX CAP SCREW, 1/4 - 20 X 3/4
24	F1515		2	HEX NUT
25	F8096		3	SPRING LOCKWASHER
26	F460917		1	STARTER RELAY
27	F1645		2	HD. SCREW, 6 - 32 X 1/4
28	F85924		1	CHOKE SOLENOID
29	F1877		2	TY-RAP
30	F381896-4		1	BATTERY CABLE
31	F407446		1	CLAMP
32	F71H26		1	BATTERY CABLE CLAMP KIT, (ACCESSORY ITEM)
33	F1280		5	PAN HD SCREW, 8 - 32 X 1/4
34	F74H20		1	IGNITION SWITCH (LONG BARREL) W/KEYS AND SCREWS (ACCESSORY ITEM)
35	F1741		2	PAN HD SCREW, 8 X 3/4
36	F71H30		1	OVERHEAT BUZZER (ACCESSORY ITEM)
37	F404841		1	CABLE, HEAT INDICATOR
38	F85843-1		1	REMOTE ELECTRIC CABLE, 18 FEET
39	F1851		2	FILL HD SCREW W/LOCKWASHER, 10 - 24 X 1/2
40	F404513		1	COIL CLAMP
41	F510374		1	DECAL, CIRCUIT BREAKER
-	FC510374		1	DECAL, CIRCUIT BREAKER, CANADA

CONTINUED ON NEXT PAGE ➡

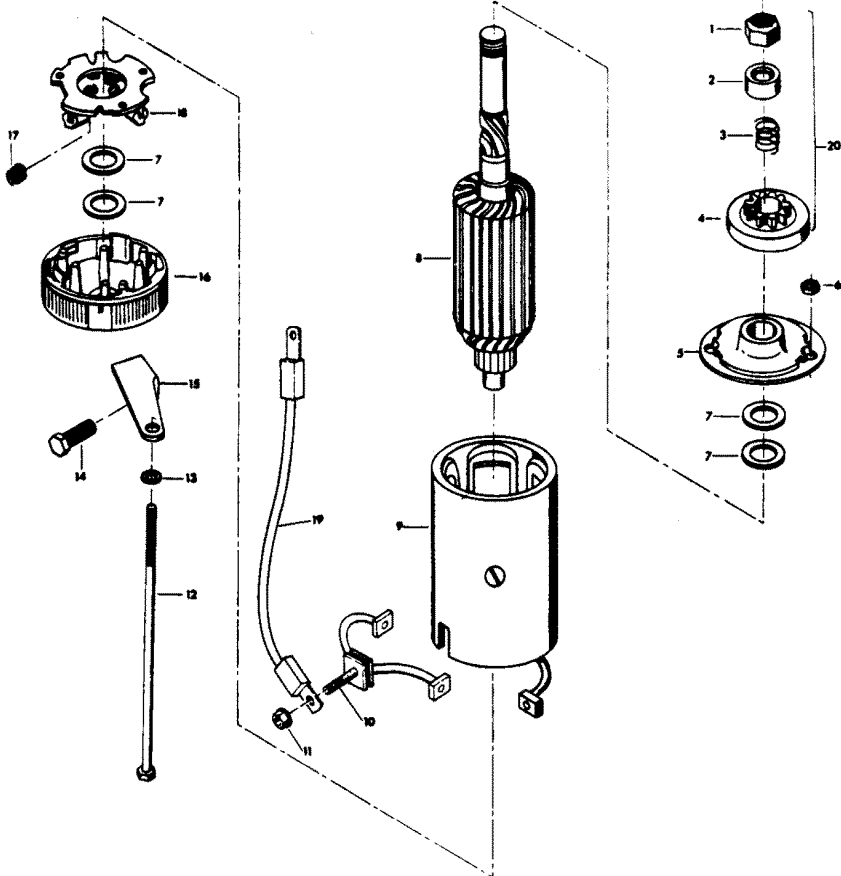
ELECTRICAL COMPONENTS



ELECTRICAL COMPONENTS

REF. NO.	PART NO.	SYM.	QTY.	DESCRIPTION
42	F1689		1	HEX HD SCREW, 1/4 - 20 X 1/2
43	F8083		2	SPRING LOCKWASHER
44	F345475-1		1	COIL
45	FA523301		1	UNIT W/DECAL
46	F523962		3	SHOCK MOUNT
47	F2000		1	HEX CAP SCREW, 5/16 - 18 X 3/4
49	F71H21		1	IGNITION SWITCH MOUNTING KIT (ACCESSORY ITEM)
50	F1934		4	FLAT HD SLOTTED SCREW, 6 X 1/2
51	F391983		2	BAND, RETAINING
52	F1892		3	STOP NUT
54	F85664		1	GROUND WIRE
-	480373		1	DECAL, MAGNAPOWER IGNITION (NOT SHOWN)
-	F474387		1	TIMING DECAL (NOT SHOWN)

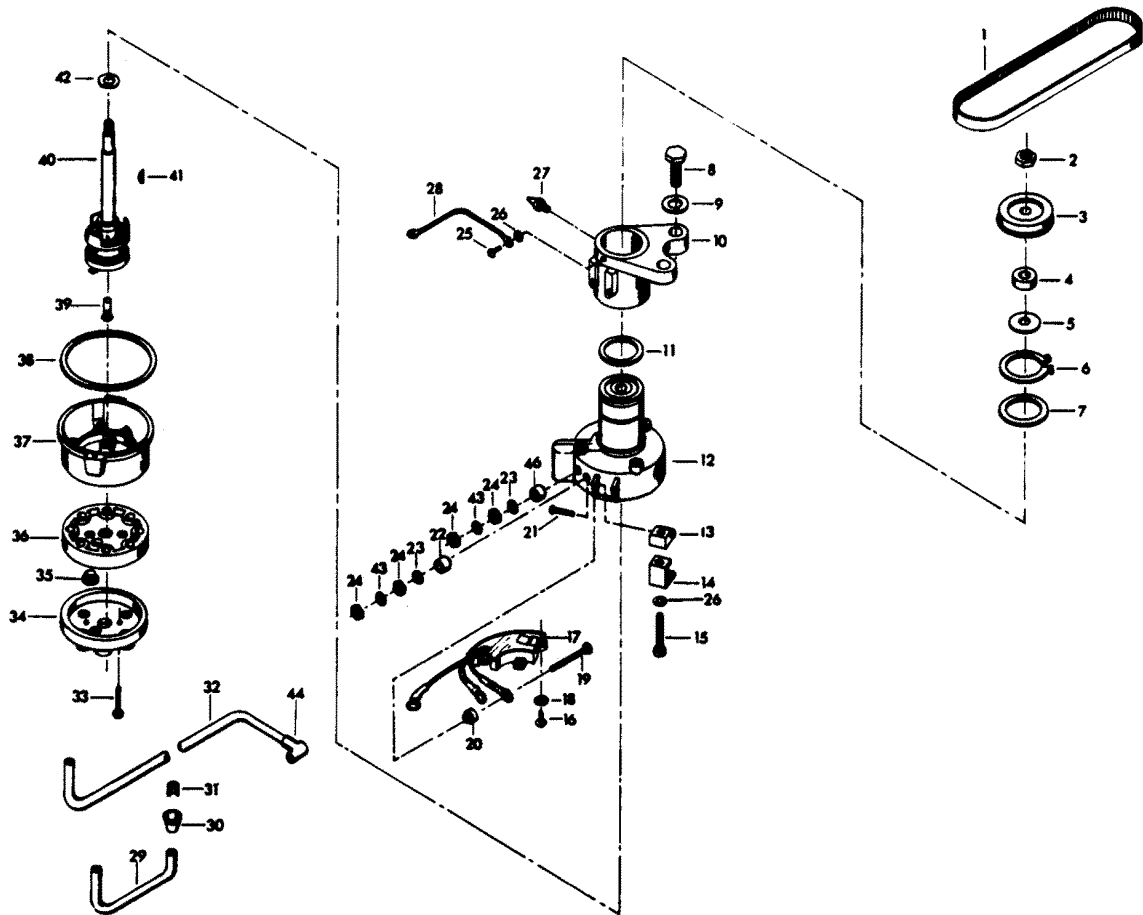
STARTER



STARTER

REF. NO.	PART NO.	SYM.	QTY.	DESCRIPTION
1	F15111		1	NUT, STOP RETAINING
2	F15112		1	STOP, PINION
3	F15080		1	SPRING
4	F15110		1	CLUTCH ASSEMBLY
5	F15167		1	HEAD ASSEMBLY DRIVE END
6	F1641		2	LOCK NUT, 1/4 - 28
7	F15126		1	THRUST WASHER PACKAGE
8	F15099		1	ARMATURE
9	15169		1	FRAME AND FIELD ASSEMBLY
10	F15165		1	BRUSH TERMINAL SET
11	FA15072		1	HEX LOCK NUT, 1/4 - 20
12	F15168		1	THRU BOLT PACKAGE
13	F8028		2	PLAIN WASHER
14	F1502		1	HEX HD SCREW, 1/4 - 20 X 5/8
15	F511675		1	STARTER BRACKET, LOWER
16	F15125		1	HEAD ASSEMBLY, COMMUTATOR END
17	F15034		1	SPRING SET
18	F15057		1	BRUSH PLATE AND HOLDER
19	F85908		1	STARTER LEAD WIRE
20	F15100		1	BENDIX
-	FS480955		1	STARTER COMPLETE

DISTRIBUTOR

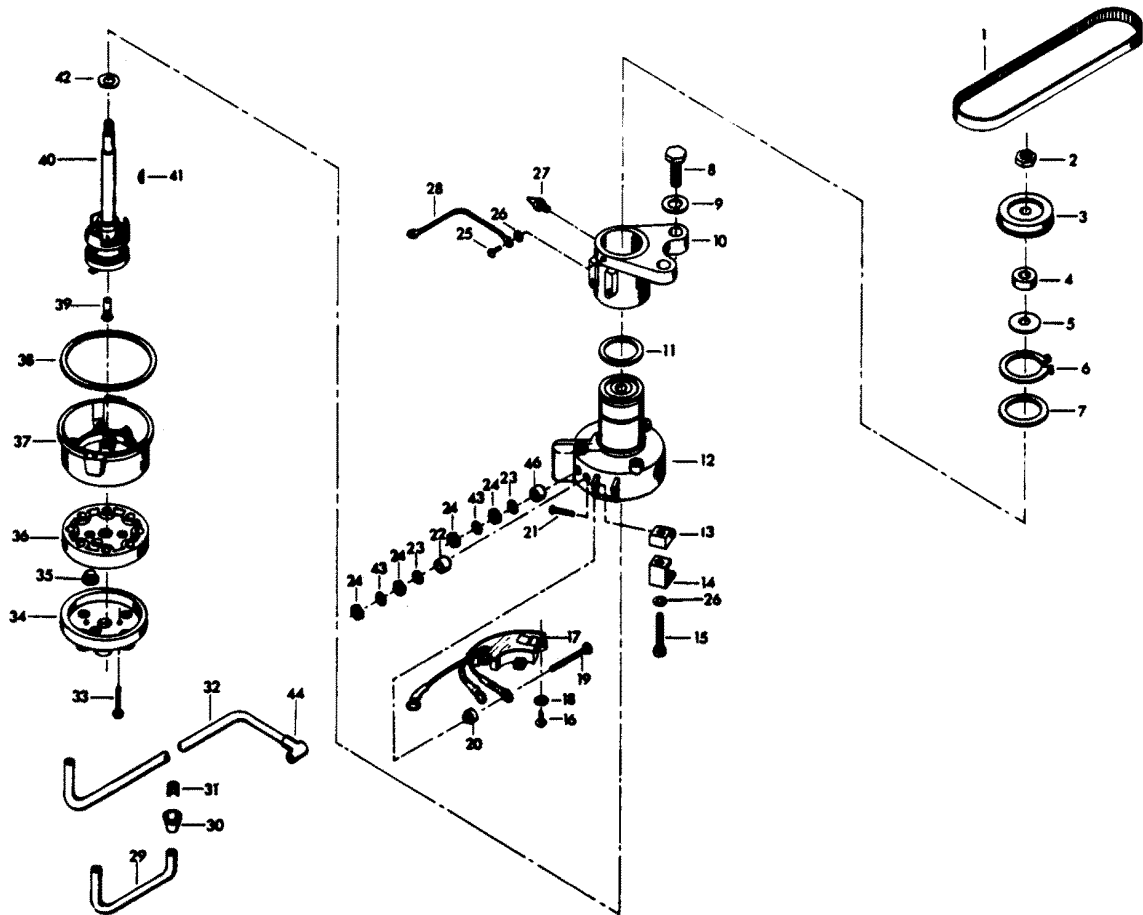


DISTRIBUTOR

REF. NO.	PART NO.	SYM.	QTY.	DESCRIPTION
1	F85311		1	DISTRIBUTOR BELT
2	F7013		1	STOP NUT
3	817786A1		1	DISTRIBUTOR PULLEY
4	F14025		1	SPACER
5	F14028		1	THRUST WASHER
6	F85173		1	RETAINING RING
7	F14029		1	THRUST WASHER
8	F1612		2	HEX CAP SCREW, 3/8 - 16 X 1 1/4
9	F2014		2	PLAIN WASHER
10	FA321574		1	DISTRIBUTOR BRACKET
11	F1759		2	SHIM, DISTRIBUTOR (QTY. AS REQUIRED)
12	F14042		1	DISTRIBUTOR HOUSING W/BEARINGS
13	F14036		2	SWIVEL
14	F14037		2	CAP CLIPS
15	F14038		2	CAP CLIP SCREWS
16	F14045		2	SCREW
17	14048-2		1	PREAMPLIFIER
18	F8056		2	LOCKWASHER
19	F14046		2	TERMINAL SCREW
20	F14047		2	TERMINAL INSULATOR (INSIDE)
21	F14015		2	CAP CLIP RIVET
22	F14049		1	TERMINAL INSULATOR (OUTSIDE)
23	F14041		2	EXTERNAL TOOTH LOCKWASHER
24	F1647		2	HEX NUT, 8 - 32
25	F1760		2	PAN HD SCREW, 10 - 24 X 3/8
26	F1975		2	SPRING LOCKWASHER
27	F213274		1	GREASE FITTING
28	F85664		1	DISTRIBUTOR GROUND
29	84-817775A1		1	COIL WIRE W/TERMINAL CLIP
30	F203276		1	BOOT
31	F203673		1	TERMINAL CLIP
32	F321841-3		3	LEAD WIRE
33	F14007		2	CAP SCREW
34	F14011-1		1	CAP COVER
35	F14040		2	VENT
36	F14020-1		1	CAP SEAL
37	F14006-2		1	CAP BASE
38	F14030		1	CAP GASKET
39	F14012-1		1	BRUSH
40	F14043		1	DISTRIBUTOR SHAFT
41	F1692		1	WOODRUFF KEY
42	F14024		1	SPACER

CONTINUED ON NEXT PAGE ➡

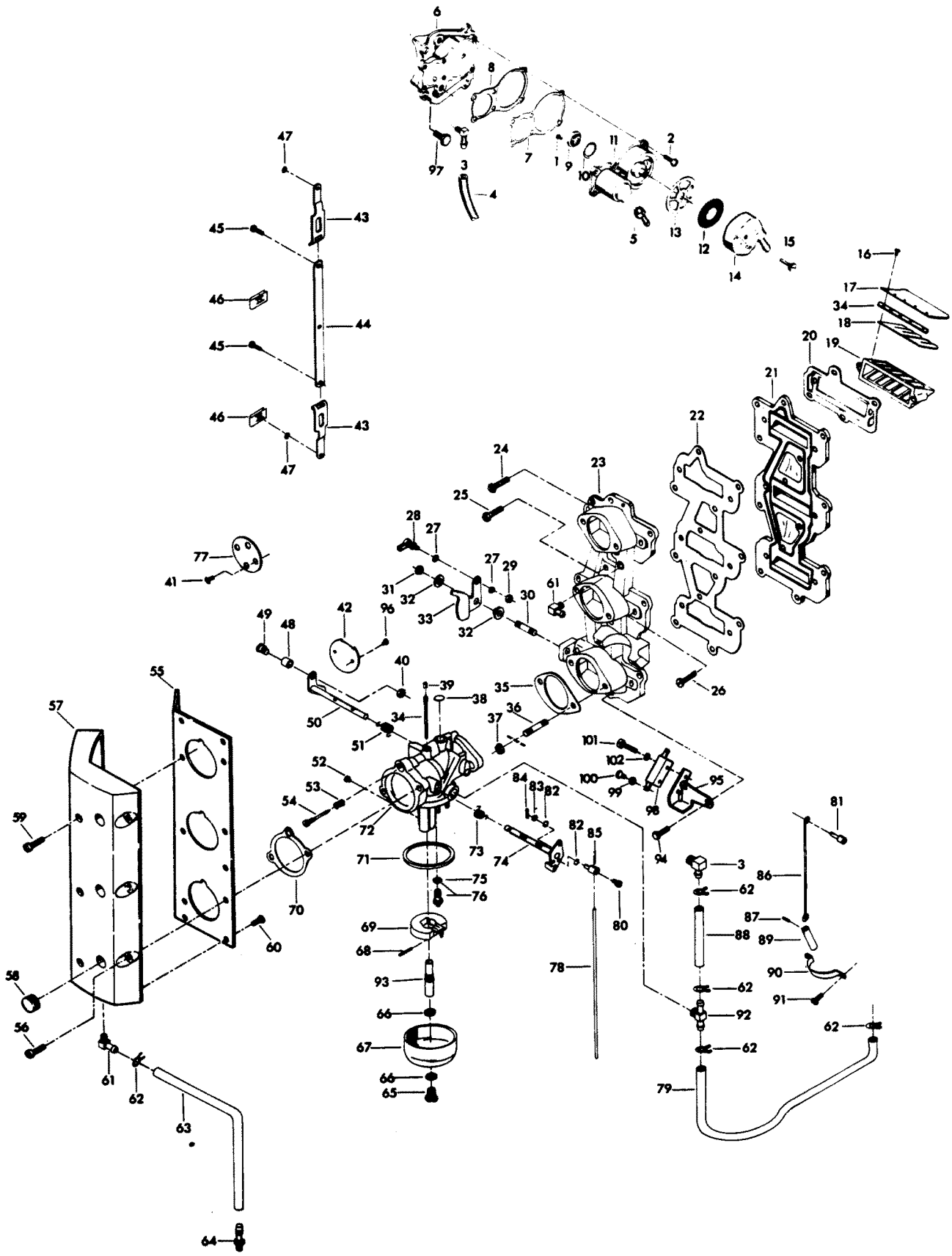
DISTRIBUTOR



DISTRIBUTOR

REF. NO.	PART NO.	SYM.	QTY.	DESCRIPTION
43	F8056		2	LOCKWASHER
44	FK750-1		3	SPARKIE W/SPRING
46	F14017		1	TERMINAL INSULATOR (OUTSIDE)
-	817822A1		1	DISTRIBUTOR
-	481373-1		1	DECAL, "ELECTRONIC" (NOT SHOWN)

CARBURETOR

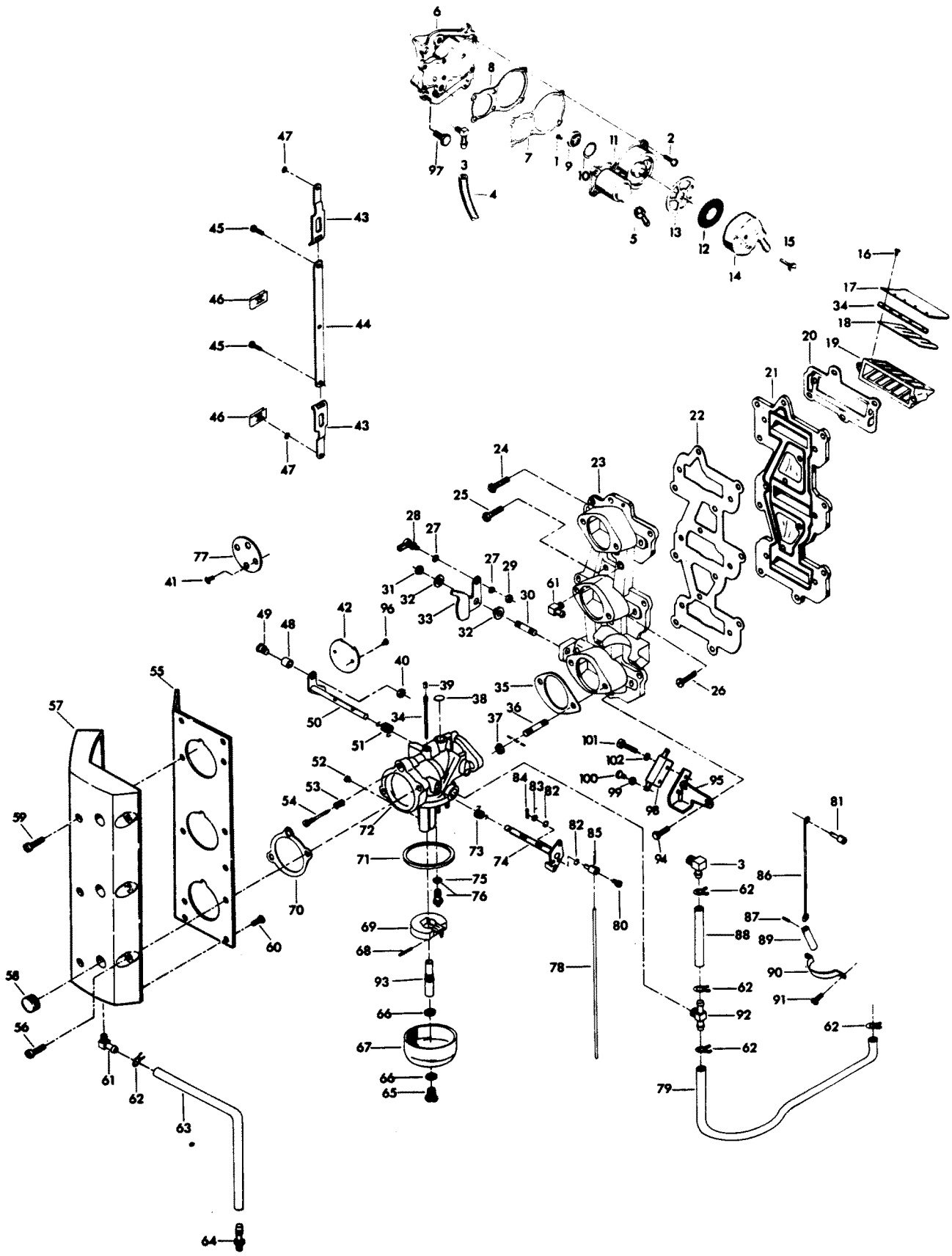


CARBURETOR

REF. NO.	PART NO.	SYM.	QTY.	DESCRIPTION
1	F1860		2	SLOTTED BINDING HD SCREW, 6 - 32 X 1/4
2	F1108		6	FILL HD SCREW W/LOCKWASHER, 1/4 - 20 X 3/4
3	F84314-2		2	ELBOW
4	F89758		1	FUEL PUMP AIR HOSE, TOP
5	F438801		1	FITTING
6	FA439746		1	FUEL PUMP COVER
7	F438747		1	FUEL PUMP DIAPHRAGM
8	F438760		1	FUEL PUMP GASKET
9	F177330		3	FUEL PUMP VALVE
10	F84792		1	GASKET, FUEL PUMP VALVE
11	FA438431		1	FUEL PUMP BODY W/VALVES
12	F438653		1	FUEL SEDIMENT BOWL SCREEN
13	F438617		1	FUEL SEDIMENT BOWL GASKET
14	F438500		1	FUEL SEDIMENT BOWL
15	F438165		1	SCREW, FUEL PUMP BOWL
16	F1755		30	RD HD SCREW W/LOCKWASHER, 6 - 32 X 5/16
17	F85161-1		6	REED STOP
18	F316160		6	REED (4 PETAL)
-	F316164		6	REED (1 PETAL)
19	F2A321158		3	REED PLATE W/REEDS, REED STOP & SCREW
20	F85168		3	GASKET REED PLATE ADAPTER
21	F85162		1	REED PLATE ADAPTER
22	F85159		1	GASKET, INTAKE MANIFOLD
23	817959A3		1	INTAKE MANIFOLD
24	F2008		8	HEX HD SCREW, 1/4 - 20 X 7/8
25	F1916		2	HEX HD SCREW, 1/4 - 20 X 1 1/8
26	F1773		6	HEX HD SCREW, 1/4 - 20 X 1 1/2
27	F8058		2	INTERNAL TOOTH LOCKWASHER
28	817747--1		1	BALL JOINT W/STUD
29	F1513		1	HEX NUT, 10 - 32
30	F433209-1		1	STUD
31	F1910		1	STOP NUT, 1/4 - 20
32	F269319		2	BEARING
33	F85192-1		1	THROTTLE CAM
34	F523451		6	SPACER, REED STOP
35	F85906		3	CARBURETOR GASKET
36	F40209		6	CARBURETOR STUD
37	F1515		6	HEX NUT, 5/16 - 18
38	FO4326		1	BODY CHANNEL WELCH PLUG
39	FO10588		1	BODY CHANNEL CUP PLUG
40	F1997		1	STOP NUT, 8 - 32
41	FO8942		2	SHUTTER SCREW W/LOCKWASHER
42	FO16851		1	THROTTLE SHUTTER

CONTINUED ON NEXT PAGE ➡

CARBURETOR

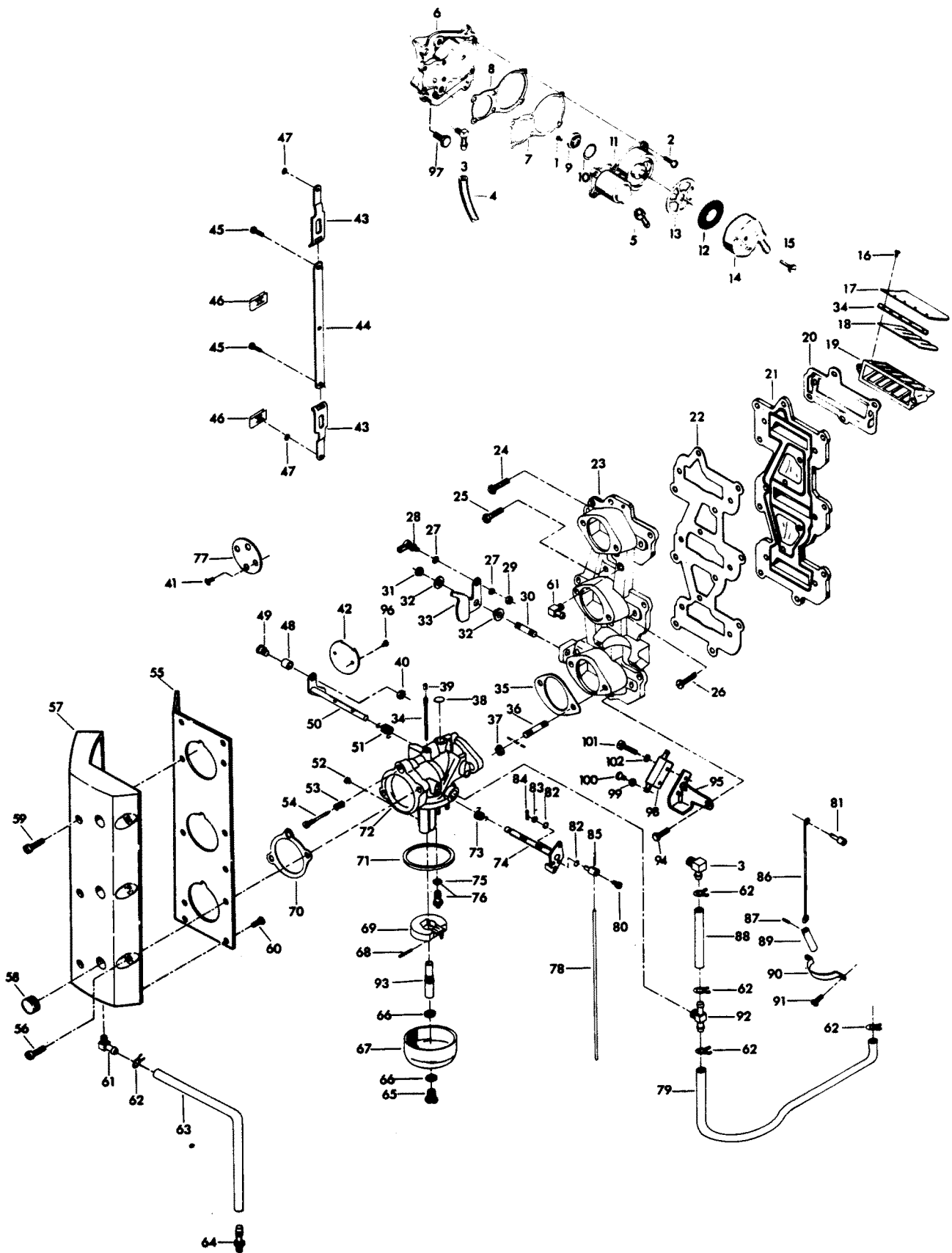


CARBURETOR

REF. NO.	PART NO.	SYM.	QTY.	DESCRIPTION
43	FA85193		2	TIE BAR END W/SWIVEL
44	FA85511		1	THROTTLE TIE BAR W/SWIVEL
45	F1064		2	FILL HD SCREW, S.S., 8 - 32 X 3/8
46	F1693		2	TIE BAR RETAINER
47	F90807		3	RETAINING RING
48	F92759		1	THROTTLE ROLLER
49	F333316		1	THROTTLE ROLLER SHAFT
50	FO15230		1	THROTTLE SHAFT AND LEVER
51	FO16008		1	THROTTLE SHAFT RETURN SPRING
52	FO15026		1	MAIN FUEL JET (.072)
53	FO11103		1	IDLE SCREW SPRING
54	FO13946		1	IDLE SCREW
55	F481567		1	CARBURETOR INTAKE ADAPTER
56	F1504		3	FILL HD SCREW, 1/4 - 20 X 1 1/4
57	F481860-1		1	CARBURETOR, INTAKE
58	F53504		3	GROMMET
59	F1072		3	FILL HD SCREW, 1/4 - 20 X 1 3/4
60	F1760		6	PAN HD SCREW, 10 - 24 X 3/8
61	22-818103--1		2	ELBOW
62	F97772		6	HOSE CLAMP
63	F63754		1	HOSE INTAKE DRAIN
64	22-817789A1		1	DRAIN FITTING
65	FO13945		1	FUEL BOWL RETAINING SCREW
66	FO2510		2	GASKET, FUEL BOWL RETAINING SCREW
67	FO13552		1	FUEL BOWL
68	FO13944		1	FLOAT LEVER PIN
69	FO13554		1	FLOAT
70	F481836		3	INTAKE GASKET
71	FO15623		1	FUEL BOWL GASKET
72	F481061-2		1	CARBURETOR COMPLETE (WB-21C)
73	FO13947		1	CHOKE SHAFT RETURN SPRING
74	FO16850		1	CHOKE SHAFT AND LEVER
75	FO10165		1	INLET SEAT GASKET
76	FO10790		1	INLET NEEDLE, SEAT AND GASKET
77	FO13555		1	CHOKE SHUTTER
78	F85509-1		1	CHOKE LINK
79	F438754		1	FUEL LINE W/CLAMPS
80	F1059		3	FILL HD SCREW, S.S., 6 - 32 X 1/4
81	F85033		1	CHOKE ROD SWIVEL
82	F184579		6	SEAL, CHOKE ARM SWIVEL
83	F8088		3	PLAIN WASHER
84	F1014		3	COTTER PIN
85	F184033-1		2	CHOKE ARM SWIVEL

CONTINUED ON NEXT PAGE ➡

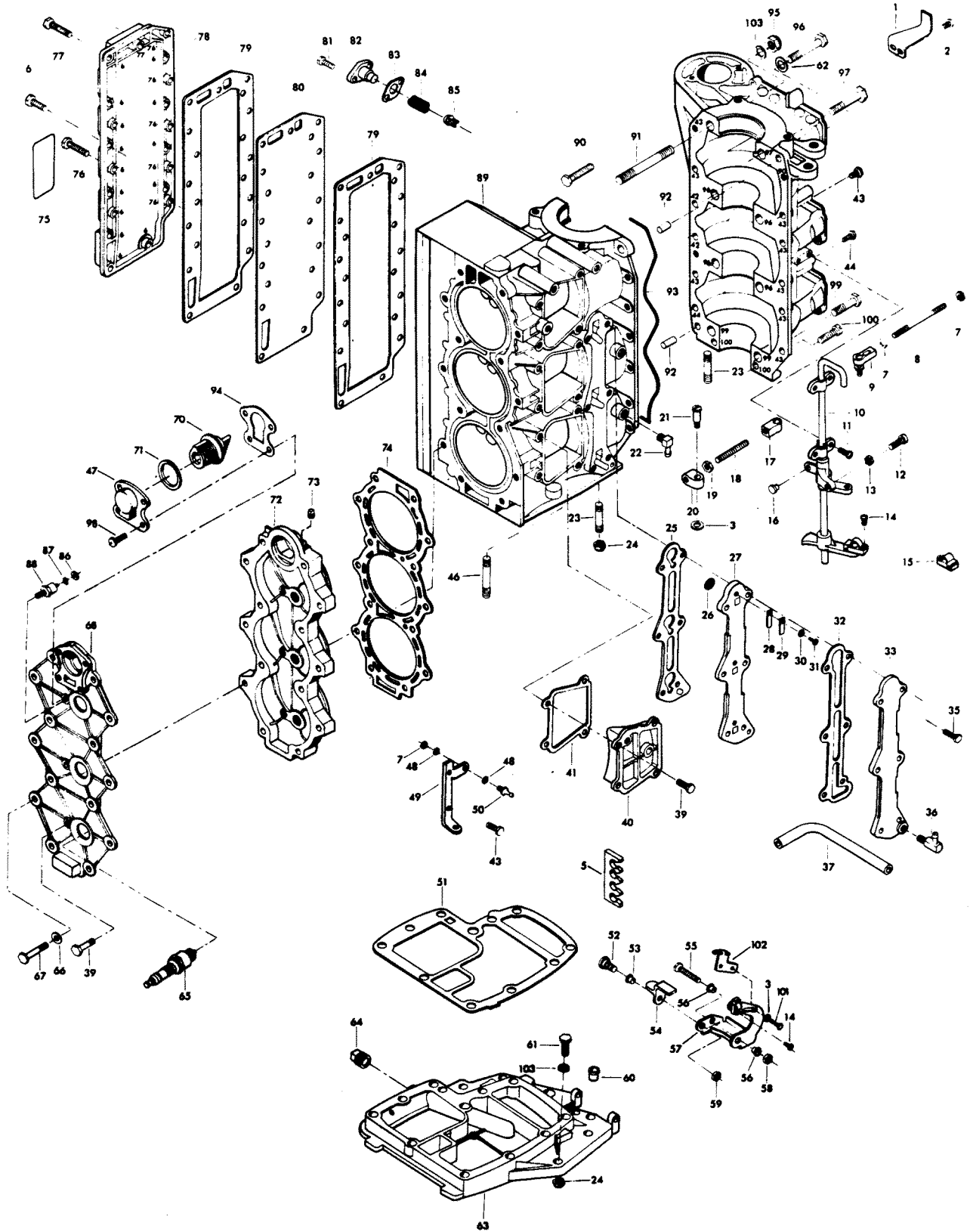
CARBURETOR



CARBURETOR

REF. NO.	PART NO.	SYM.	QTY.	DESCRIPTION
86	F85925		1	CHOKE ROD
87	F2033		1	GROOVE PIN
88	F85253-1		2	FUEL LINE W/CLAMPS
89	F391926-1		1	CHOKE SOLENOID PLUNGER
90	F85317-1		1	CLAMP
91	F1236		2	HEX HD SCREW, 1/4 - 20 X 1/2
92	F85314-1		2	FUEL FITTING
93	FO15217		1	MAIN NOZZLE
94	F1953		2	HEX HD SCREW, 1/4 - 20 X 1
95	F480551-1		1	BRACKET INTERLOCK SWITCH
96	FO8942		2	THROTTLE SHUTTER SCREW AND LOCKWASHER
97	F1502		4	HEX CAP SCREW, 1/4 - 20 X 5/8
98	F84449		1	INTERLOCK SWITCH
99	F1704		2	INTERNAL TOOTH LOCKWASHER
100	F1645		2	RD HD SCREW, 6 - 32 X 1/4
101	F2016		2	FILL HD SCREW, 6 - 32 X 7/8
102	F8088		2	PLAIN WASHER
-	F10053		1	REPAIR PARTS KIT (NOT SHOWN) INCLUDES ALL ITEMS MARKED WITH AN ASTERISK (*).
-	F10000		1	GASKET SET (NOT SHOWN)

POWER HEAD

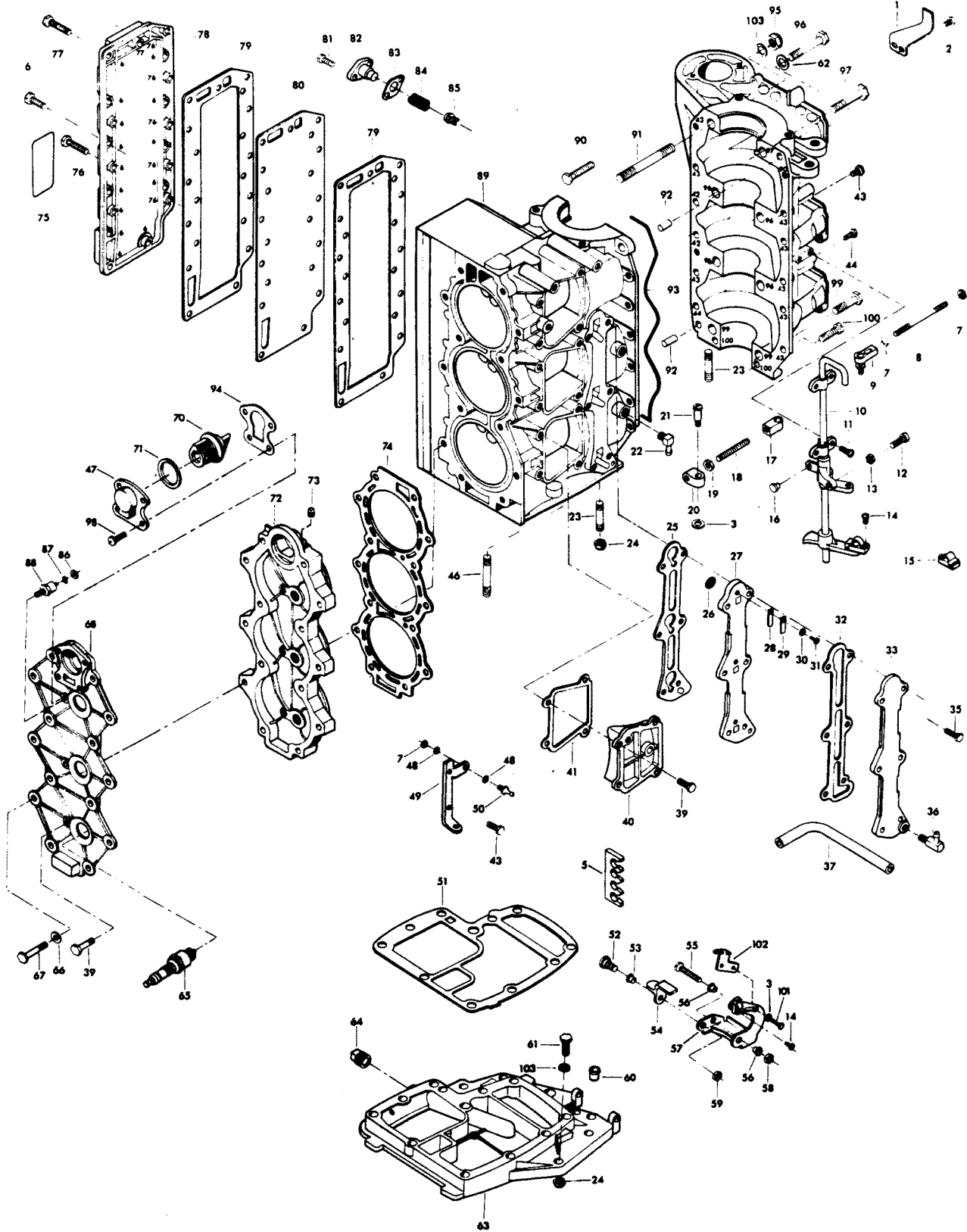


POWER HEAD

REF. NO.	PART NO.	SYM.	QTY.	DESCRIPTION
1	FA480894		1	TIMING POINTER
2	F1760		2	PAN HD SCREW, 10 - 24 X 3/8
3	F2042		3	PLAIN WASHER
5	F523834		1	CLIP, SPARK PLUG WIRE
6	F1203		14	HEX BOLT, 1/4 - 20 X 7/8
7	F1513		4	HEX NUT, 10 - 32
8	F85502		1	THROTTLE LINK
9	817747--1		1	BALL JOINT W/STUD
10	FA85838-5		1	TOWERSHAFT W/BEARINGS, SWIVEL, ARMS AND SCREW
11	F1475		4	FILL HD SCREW, 10 - 24 X 1/2
12	F1504		1	FILL HD SCREW, 1/4 - 20 X 1 1/4
13	F1341		1	HEX NUT, 1/4 - 20
14	F1556		2	FILL HD SCREW W/LOCKWASHER, 10 - 24 X 3/8
15	FK405020		2	SWIVEL W/PIVOT SCREW AND NUT
16	F1727		1	PLASTIC RIVET
17	F85036		1	TOWERSHAFT CONTROL ROD END
18	F85445		1	DISTRIBUTOR CONTROL ROD
19	F2015		1	HEX NUT, 1/4 - 28
20	F85035		1	DISTRIBUTOR CONTROL ROD END
21	F85026		1	SWIVEL
22	F84314-2		1	ELBOW
23	F85859		4	STUD, FORWARD
24	F7004		10	STOP NUT, 3/18 - 16
25	F85748-2		1	GASKET, CYLINDER DRAIN REED PLATE
26	F93811		3	SCREEN
27	F2A404757		1	CYLINDER DRAIN REED PLATE, STOPS, METERING CUP AND SREWS W/REEDS ORIGINAL FORCE P/N A404757-1
28	F18160-1		3	REED
29	F93920		3	REED STOP
30	F8003		3	PLAIN WASHER
31	F1286		3	PAN HD SCREW, 4 - 40 X 3/16
32	F85472-2		1	GASKET, CYLINDER DRAIN COVER
33	817787A1		1	CYLINDER DRAIN COVER
35	F1187		6	HEX HD SCREW, 1/4 - 20 X 1
36	F404801		1	FITTING
37	F433253		1	HOSE
39	F1502		8	HEX HD SCREW, 1/4 - 20 X 5/8
40	FA411222		2	TRANSFER PORT COVER W/PLUG
41	F40223		3	GASKET, TRANSFER PORT COVER
42	F1999		2	HEX CAP SCREW, 1/4 - 20 X 7/8
43	F1238		10	HEX HD SCREW, 1/4 - 20 X 3/4
44	F1199		1	HEX CAP SCREW, 1/4 - 20 X 1
46	F85211		6	STUD, REAR

CONTINUED ON NEXT PAGE ➡

POWER HEAD

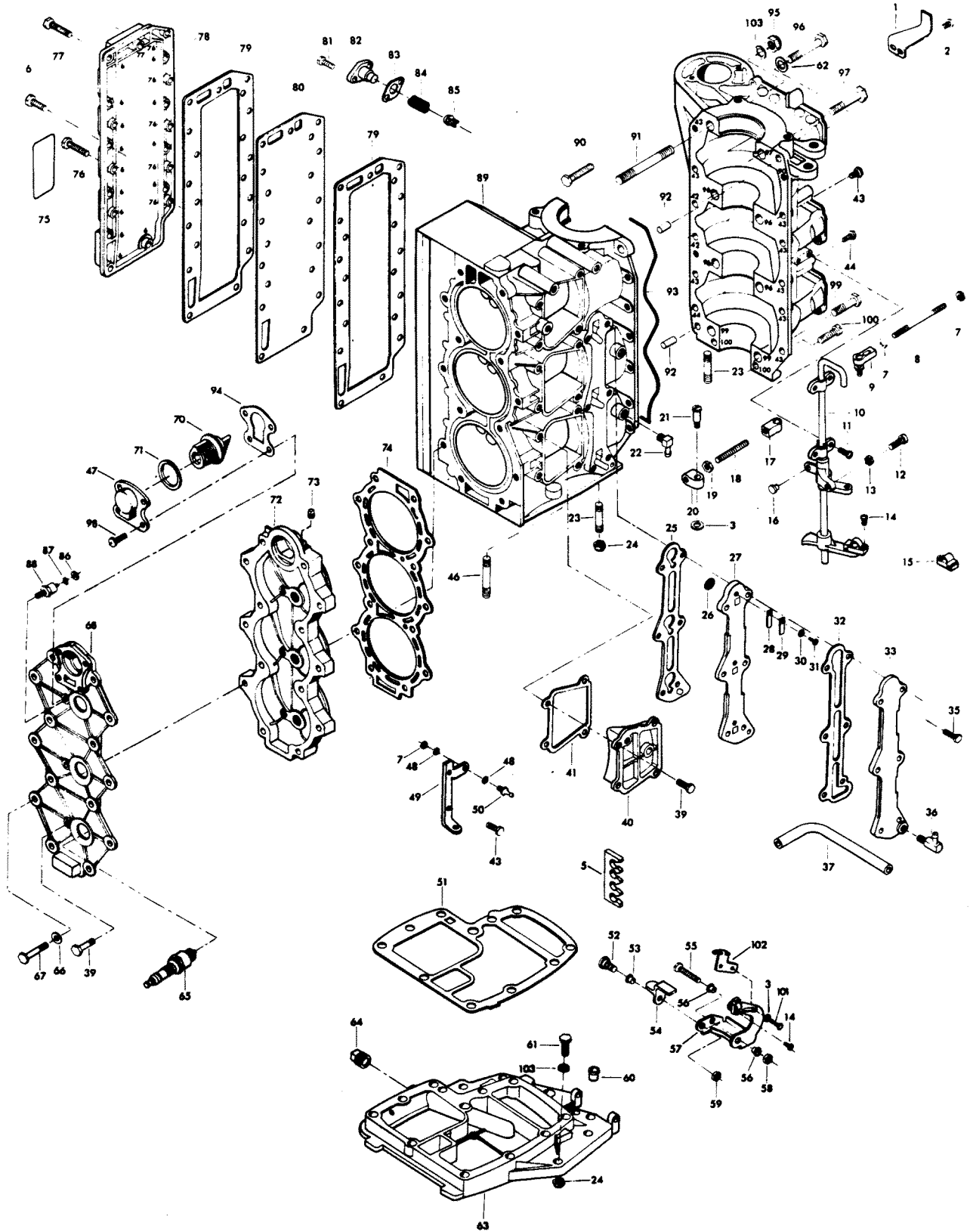


POWER HEAD

REF. NO.	PART NO.	SYM.	QTY.	DESCRIPTION
47	F476066-1		1	COVER, THERMOSTAT
48	F8058		4	INTERNAL TOOTH LOCKWASHER
49	85872-1		1	BRACKET
50	F98273		2	ROD END CONNECTOR STUD
51	F85279-2		1	CYLINDER EXHAUST GASKET, UPPER
52	F369887		1	SHOULDER SCREW
53	F369610		1	BEARING
54	F369977-1		1	INTERLOCK ARM
55	F1885		1	HEX BOLT, 5/16 - 18 X 4 1/4
56	F85610		2	BEARING
57	FA480876		1	GEAR SHIFT ARM W/SWIVEL, INTERLOCK ARM AND BEARINGS
58	F2108		1	STOP NUT, 5/16 - 18
59	F1832		1	STOP NUT, 1/4 - 20
60	FA98689		1	BEARING, TOWERSHAFT
61	F1869		6	HEX BOLT, 3/8 - 16 X 1 1/4
62	F8095		8	PLAIN WASHER
63	817788A3		1	SPACER PLATE W/PLUGS
64	F2090		1	PLUG
65	33-97180		3	SPARK PLUG (CHAMPION L-20-V)
66	F1987		14	PLAIN WASHER
67	F1883		14	HEX BOLT, 5/16 - 18 X 2 3/8
68	F499995		1	CYLINDER HEAD COVER
70	F528068		1	THERMOSTAT
71	F84504		1	GROMMET
72	F480518		1	CYLINDER HEAD
73	F19109		1	PLUG
74	F369529		1	CYLINDER HEAD GASKET
75	F438398		1	DECAL, WIRING
-	FC438398		1	DECAL, WIRING - CANADA
76	F1709		5	HEX HD SCREW, 1/4 - 20 X 1 1/8
77	F1849		1	HEX HD SCREW, 1/4 - 20 X 1 3/8
78	F85152-4		1	EXHAUST PORT COVER
79	F85154-1		2	GASKET, EXHAUST PORT PLATE
80	F85151-1		1	EXHAUST PORT PLATE
81	F1950		2	HEX HD SCREW, 10 - 24 X 5/8
82	F438066		1	BY-PASS VALVE COVER
83	F85762		1	GASKET, BY-PASS VALVE
84	F404268		1	SPRING, BY-PASS VALVE
85	F85916-1		1	BY-PASS VALVE
86	F1647		1	HEX NUT, 10 - 32
87	F8056		1	SPRING LOCKWASHER
88	87-817778A1		1	THERMOSWITCH

CONTINUED ON NEXT PAGE ➡

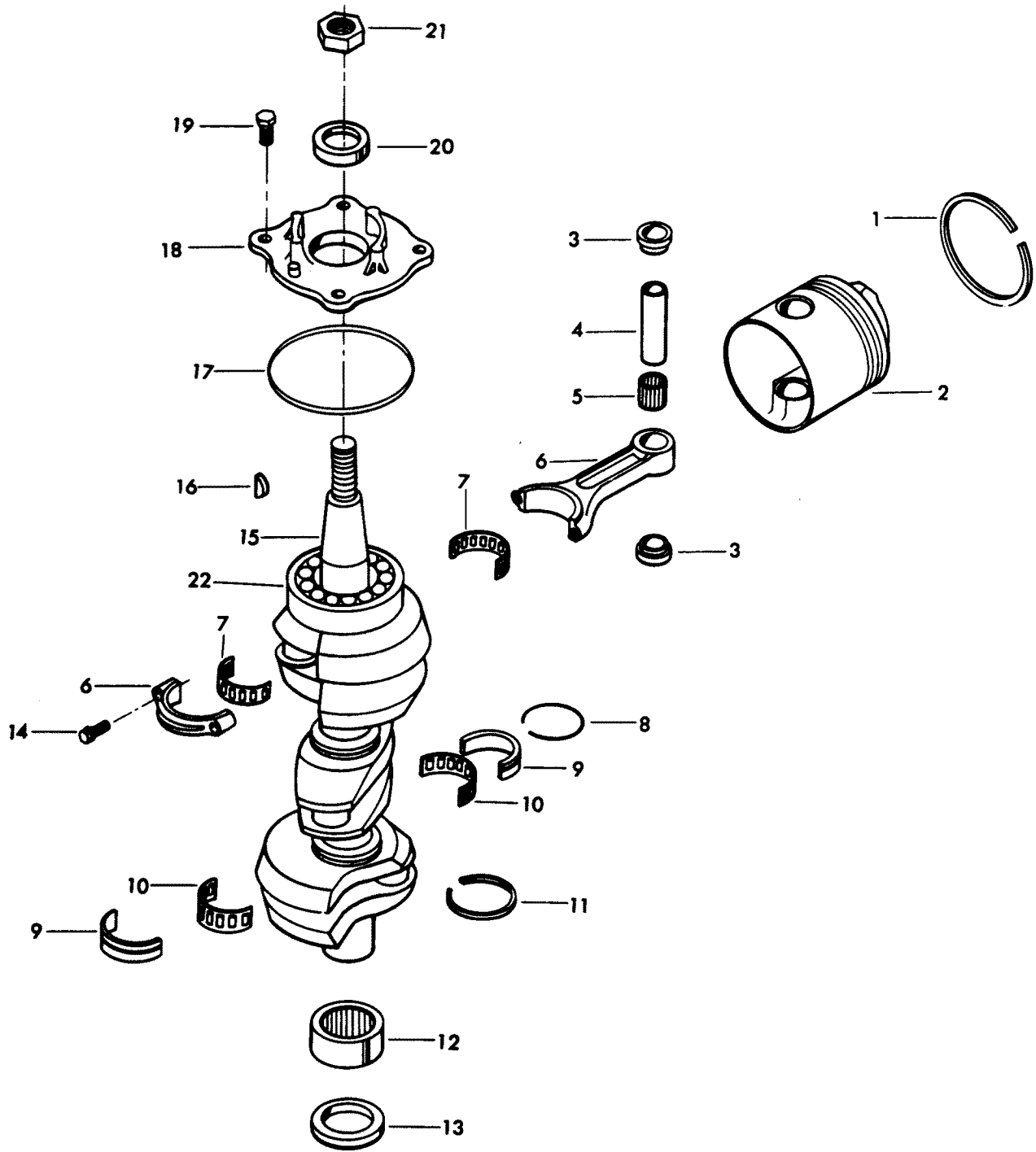
POWER HEAD



POWER HEAD

REF. NO.	PART NO.	SYM.	QTY.	DESCRIPTION
89	800-817823A7		1	CYLINDER, PARTING LINE SEAL, SCREWS & DOWEL PINS W/CRANKCASE COVER ORIGINAL FORCE P/N A481010-4
90	F1914		1	HEX HD SCREW, 1/4 - 20 X 3/4
91	F85210		1	STUD
92	F8563		2	DOWEL PIN
93	F85122		1	PARTING LINE SEAL
94	F476067		1	GASKET, THERMOSTAT COVER
95	F1346		1	HEX NUT, 3/8 - 16
96	F1873		4	HEX BOLT, 3/8 - 16 X 3
97	F1009		1	HEX BOLT, 3/8 - 16 X 2 3/4
98	F1110		4	FILL HD SCREW, 1/4 - 20 X 5/8
99	F1872		2	HEX BOLT, 3/8 - 16 X 1 3/4
100	F1099		2	FILL HD SCREW, 1/4 - 20 X 1 1/4
101	F2089		2	SLOTTED PAN HD MACHINE SCREW, 10 - 24 X 5/16
102	F480107-1		1	CAM, STARTER INTERLOCK
103	F1703		6	SPRING LOCKWASHER
-	FG460-1		1	GASKET SET (NOT SHOWN)
-	C523227		3	SPARK PLUG (CHAMPION QL-76V) FOR MODEL 859BA
-	800-817901A9		1	SHORT BLOCK (NOT SHOWN) INCLUDES ALL ITEMS MARKED WITH AN ASTERISK (*). ALSO REFER TO CRANKSHAFT AND PISTON PAGE. ORIGINAL FORCE P/N C481010-4

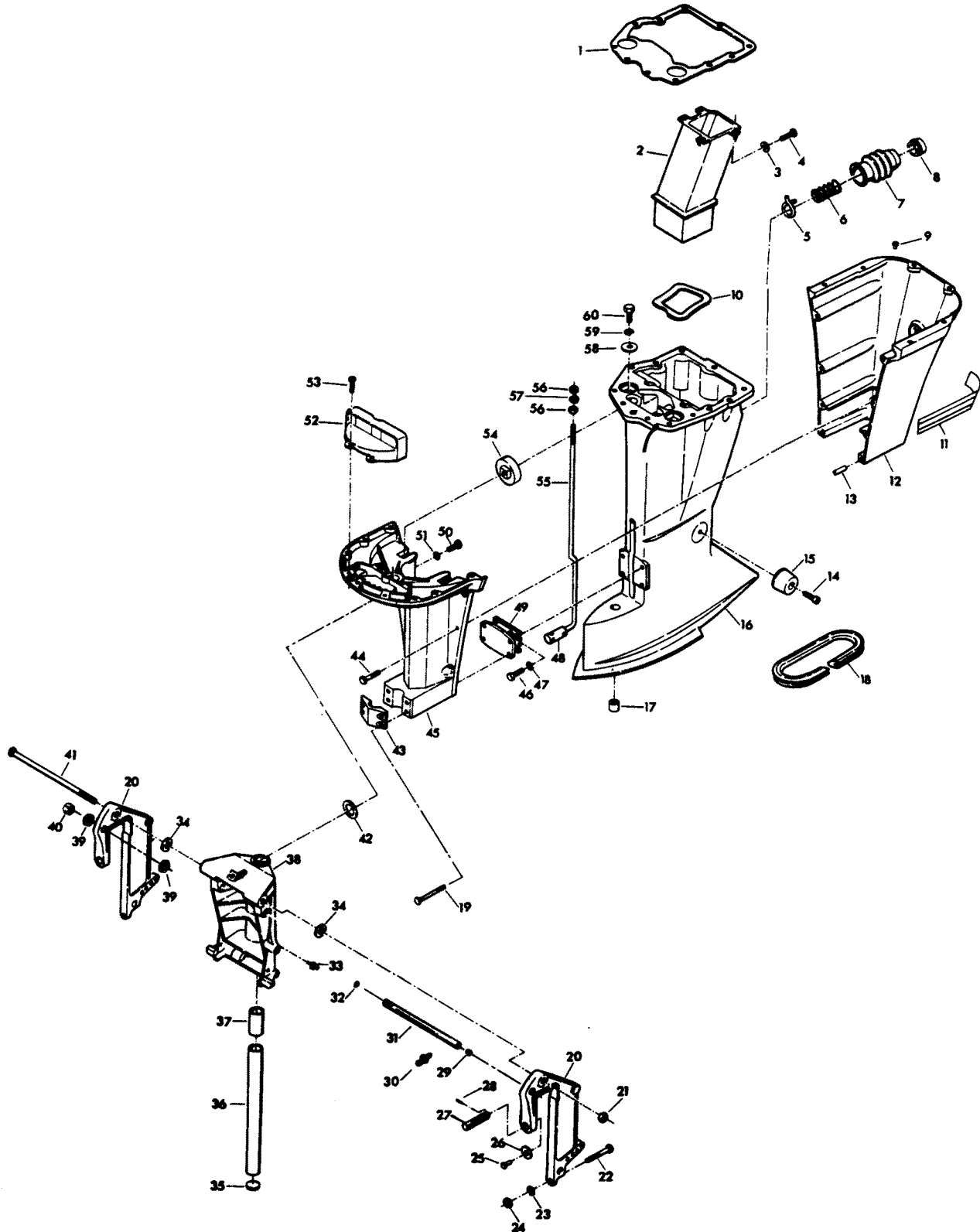
CRANKSHAFT AND PISTON GROUP



CRANKSHAFT AND PISTON GROUP

REF. NO.	PART NO.	SYM.	QTY.	DESCRIPTION
1	FA335260		3	PISTON RING SET (3 PER SET)
2	700-F372015-3		3	PISTON
3	F335215		6	SPACER, PISTON PIN (2 PER PISTON)
4	F85017		3	PISTON PIN
5	F335217-1		3	BEARING PISTON PIN (26 PER SET)
6	600-818052A4		3	CONNECTING ROD W/CAP AND SCREWS
7	FK85228		3	BEARING CAGE W/ROLLER
8	F85410		2	SNAP RING
9	FA85655-1		2	CRANKSHAFT MAIN BEARING RACE W/SNAP RING
10	F85571		2	BEARING CAGE W/ROLLER
11	F316579		2	SEAL, CRANKCASE
12	31-FA523014		1	CRANKSHAFT LOWER MAIN BEARING W/SEAL
13	F523146		1	SEAL, LOWER
14	F85634-1		6	CONNECTING ROD SCREW
15	FA85018-2		1	CRANKSHAFT W/BEARING
16	F85498		1	FLYWHEEL KEY
17	F84278		1	SEAL, CRANKSHAFT BEARING CAGE
18	31-817785A2		1	CRANKSHAFT BEARING CAGE W/SEAL
19	F1867		4	HEX CAP SCREW, 3/8 - 16 X 1
20	F84146-2		1	SEAL
21	F1968		1	FLYWHEEL NUT
22	30-F284659-2		1	CRANKSHAFT THRUST BEARING UPPER
-	F2067		1	PLASTISOL CAP (NOT SHOWN)
-	FSA335260		3	PISTON RINGS (3 PER SET) .010 OVERSIZE (NOT SHOWN)
-	39-818110A1		3	PISTON RINGS (3 PER SET) .030 OVERSIZE (NOT SHOWN)
-	700-817988A2		3	PISTON .010 OVERSIZE (NOT SHOWN)
-	700-818111A2		3	PISTON .030 OVERSIZE (NOT SHOWN)

MOTOR LEG

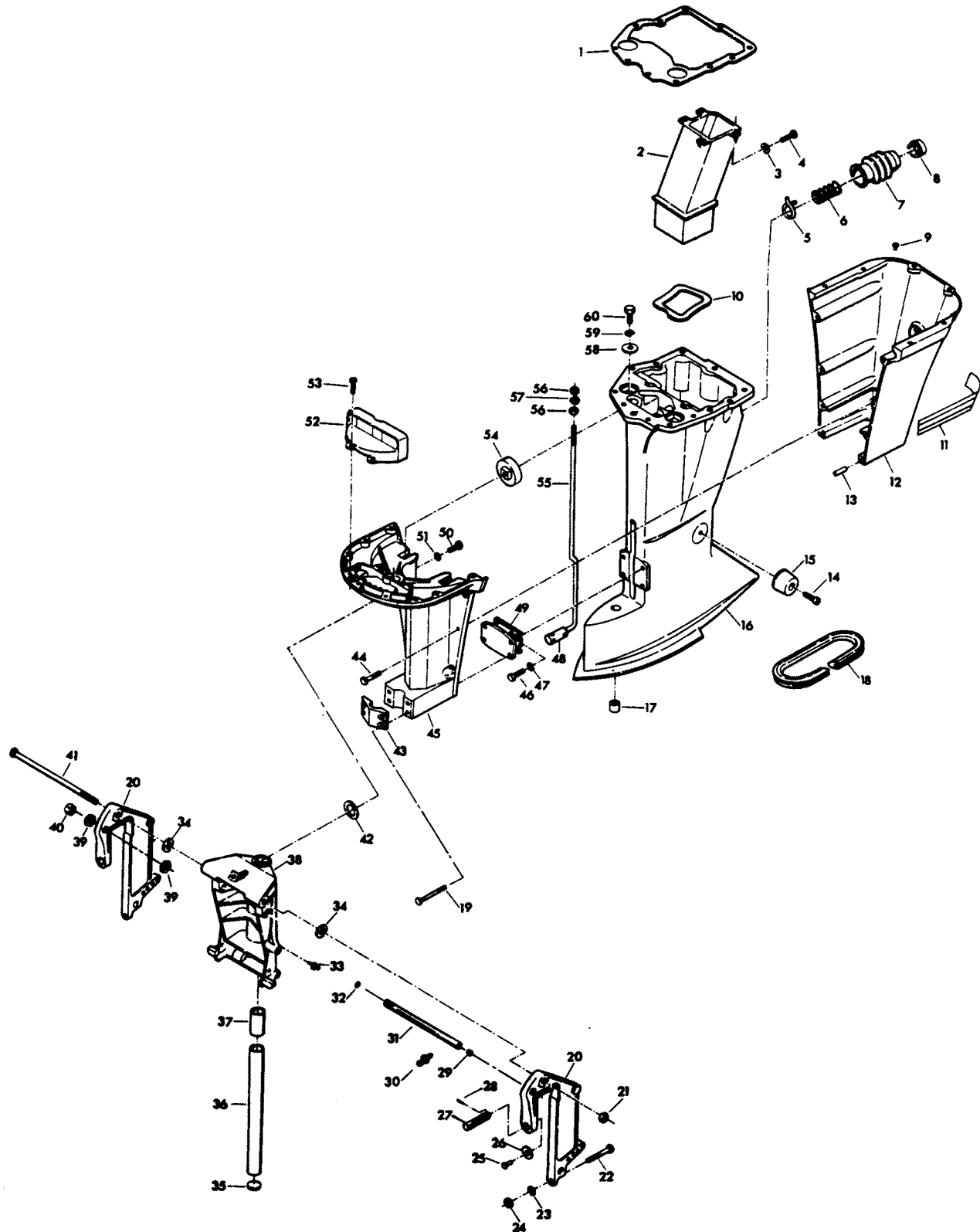


MOTOR LEG

REF. NO.	PART NO.	SYM.	QTY.	DESCRIPTION
1	F85453-1		1	GASKET, EXHAUST LOWER
2	F85660-1		1	EXHAUST TUBE
3	F8083		4	SPRING LOCKWASHER
4	F1864		4	HEX SLOT HD SCREW, 1/4 - 20 X 3/4
5	F85772		1	CLAMP
6	F85380		1	SPRING
7	F85130		1	BOOT, IDLE EXHAUST
8	F85258		1	INSERT
9	F1729		2	PLUG
10	F439736		1	SEAL, EXHAUST TUBE
11	370397		1	DECAL, LEG COVER PORT
-	370396		1	DECAL, LEG COVER STARBOARD
12	817931A7		1	MOTOR LEG COVER, REAR
13	F1664		2	SPRING PIN
14	F1263		2	HEX SOCKET HD CAP SCREW, 5/16 - 18 X 9/16
15	F438962		2	SHOCK MOUNT SIDE
16	F523133-2		1	MOTOR LEG
17	F338618-1		1	SEAL, GEAR SHIFT ROD
18	F178323		1	SEAL, MOTOR LEG
19	F1696		4	HEX BOLT, 5/16 - 18 X 1 3/4
20	1400-817958A6		2	STERN BRACKET
21	F7012		1	LOCK NUT, 1/2 - 20
22	F1593		2	HEX HD SCREW, 3/8 - 16 X 3
23	F1904		2	PLAIN WASHER
24	F1346		2	HEX NUT, 3/8 - 16
25	F353480		2	STUD
26	F84074		2	CLAMP SCREW FOOT
27	F474073-1		2	CLAMP SCREW
28	F8538		2	SPRING PIN
29	F9052		1	PLUG
30	F523274		1	GREASE FITTING
31	F511125-2		2	TUBE, STEERING SUPPORT
32	F316599		1	SEAL, STEERING SUPPORT TUBE
33	F213274		3	GREASE FITTING
34	F84286-1		4	FRICTION WASHER
35	F1528		1	WELCH PLUG
36	FA85019		1	KINGPIN W/PLUG
37	F438169		2	BEARING
38	817783A5		1	SWIVEL BRACKET W/BEARING AND GREASE FITTINGS
39	F523280		2	NUT, STEERING SUPPORT TUBE
40	F9018		1	CAP
41	F85037-1		1	STERN BRACKET PIVOT BOLT
42	F84011		1	WASHER

CONTINUED ON NEXT PAGE ➡

MOTOR LEG



MOTOR LEG

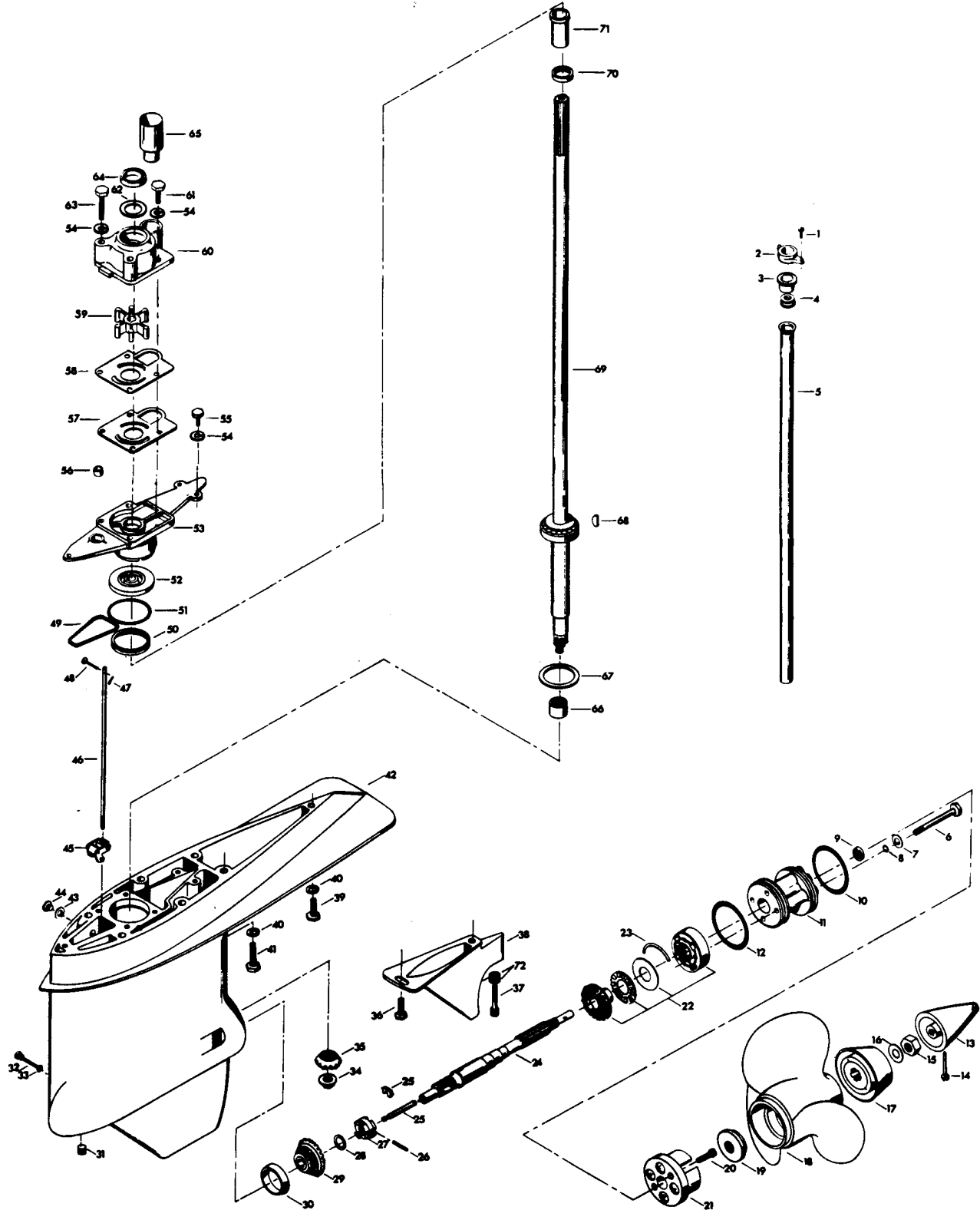
REF. NO.	PART NO.	SYM.	QTY.	DESCRIPTION
43	F85606		1	KINGPIN CAP
44	F2030		6	HEX HD SCREW, 1/4 - 20 X 1 1/4
45	A85135-3		1	LEG COVER, FRONT
46	F1822		4	HEX BOLT, 5/16 - 18 X 7/8
47	F8096		4	SPRING LOCKWASHER
48	F85704		1	COUPLER, GEARSHIFT ROD UPPER
49	F438346		1	SHOCK MOUNT, LOWER
50	F1871		2	HEX HD SCREW, 3/8 - 16 X 3/4
51	F1703		2	SPRING LOCKWASHER
52	F85779-1		1	BAFFLE, AIR INTAKE
53	F1912		4	HEX HD SCREW, 10 - 24 X 1/2
54	F85965		2	SHOCK MOUNT, UPPER
55	F85615		1	GEAR SHIFT ROD UPPER
56	F2108		2	LOCK NUT, 5/16 - 18
57	F1987		1	PLAIN WASHER
58	FA85355-1		2	WASHER, SHOCK MOUNT UPPER
59	F2014		2	PLAIN WASHER
60	F1871		2	HEX HD SCREW, 10 - 24 X 1/2

GEAR HOUSING

REF. NO.	PART NO.	SYM.	QTY.	DESCRIPTION
1	F1705		2	HEX CAP SCREW, 1/4 - 20 X 3/4
2	F85117		1	BRACKET, WATER LINE
3	F84342		1	SEAL, INLET WATER LINE UPPER
4	F523899		1	GROMMET, WATER LINE
5	F523244		1	INLET WATER LINE
6	F1885		4	HEX CAP SCREW, 5/16 - 18 X 4 1/4
7	F1907		4	PLAIN WASHER
8	F50342-1		4	SEAL, BEARING CAGE BOLTS
9	F506118		1	SEAL, PROPELLER SHAFT
10	F24278		1	SEAL, "O" RING PROPELLER SHAFT SPOOL
11	F2A523239		1	SPOOL, PROPELLER SHAFT BEARING W/SEALS
12	F84305		1	SEAL, PROPELLER SHAFT BEARING SPOOL
13	F523094		1	PROPELLER NUT
14	F90891		1	PIN, PROPELLER NUT RETAINING
15	F1788		1	STOP NUT
16	F1866		1	PLAIN WASHER
17	F509299		1	WASHER, PROPELLER SPLINE
18	FP511		1	PROPELLER (ACCESSORY ITEM)
-	FC498054		1	GEAR HOUSING COMPLETE (NOT SHOWN)
19	F523099		1	SPACER, PROPELLER
20	F1577		2	FILL HD SCREW, 1/4 - 20 X 3/4
21	FA523485		1	ANTI-CORROSION ANODE
22	F2A498662		1	BEVEL GEAR REAR W/BEARING CAGE, SPACER AND BEARING
23	F523411		2	RETAINING RING
24	FA523098		1	PROPELLER SHAFT
25	FA84871-1		1	PIN, GEAR SHIFT W/YOKE
26	F1713		1	SPRING PIN
27	F84521-1		1	CLUTCH
29	F2A498023		1	BEVEL GEAR FRONT W/BEARING
30	F523812		1	BEARING CUP
31	F19109		1	PLUG, GEAR HOUSING
32	F90891		1	PIN, GEAR SHIFT ARM
33	F8001		1	WASHER
34	F523188		1	NUT, BEVEL PINION RETAINING
35	FA498266		1	BEVEL PINION GEAR W/CRUSH RING AND SHIMS
36	F438930		1	RETAINER, SNOOT
37	F1994		1	HEX SOCKET HD CAP SCREW, 5/16 - 18 X 1
38	F523116		1	EXHAUST SNOOT
39	F1858		1	HEX CAP SCREW, 5/16 - 18 X 1
40	F8096		7	SPRING LOCKWASHER
41	F1491		6	HEX CAP SCREW, 5/16 - 18 X 3 1/4
42	FA523054		1	GEAR HOUSING W/BEARING CUP DRIVESHAFT BEARING LOWER, PLGS & WSHR

CONTINUED ON NEXT PAGE ➡

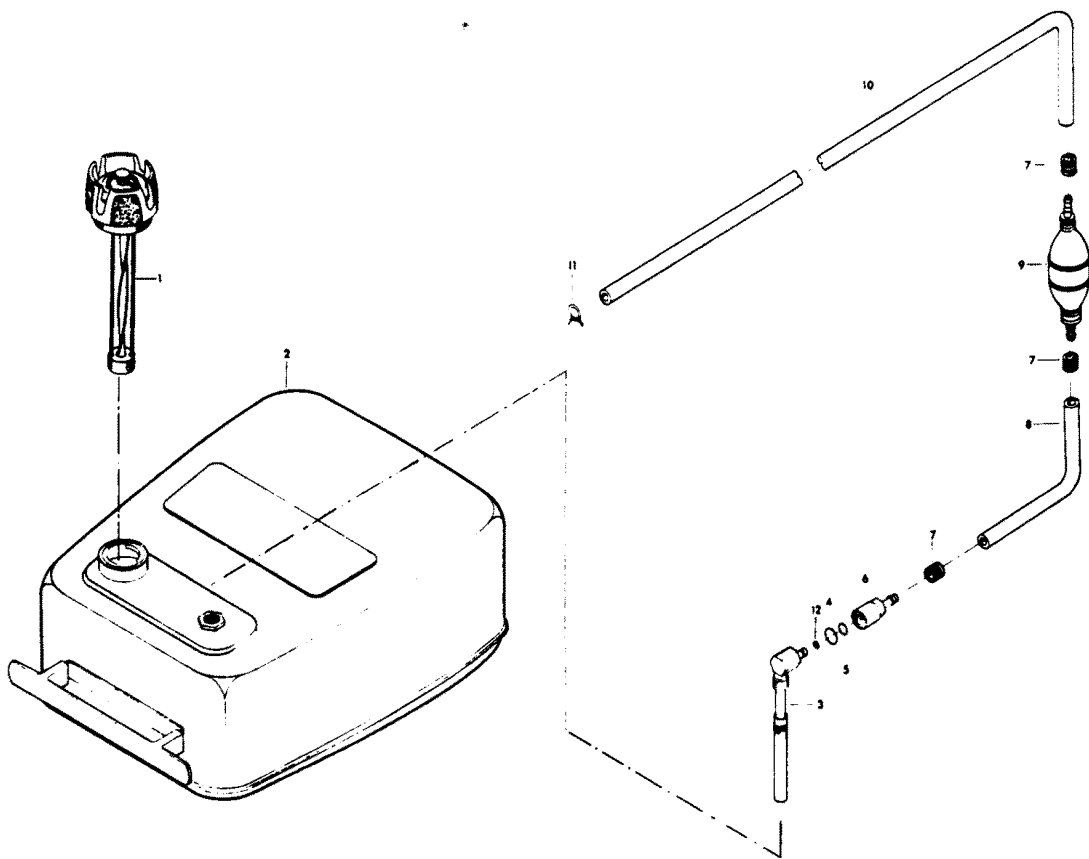
GEAR HOUSING



GEAR HOUSING

REF. NO.	PART NO.	SYM.	QTY.	DESCRIPTION
43	F8077		2	WASHER, GEAR HOUSING PLUG
44	F50109		2	PLUG, GEAR HOUSING
45	FA84621-1		1	COUPLING, GEAR SHIFT ARM W/BUSHING
46	F523705		1	GEAR SHIFT ROD LOWER
47	F1015		1	COTTER PIN
48	F85372		1	PIN, GEAR SHIFT ROD LOWER
49	F523555		1	SEAL, "O" RING - GEAR HOUSING COVER
50	F523961		1	CRUSH RING
51	F74305		1	SEAL, DRIVESHAFT BEARING CAGE
52	F84307-1		1	SEAL, DRIVESHAFT
53	FA523706		1	GEAR HOUSING COVER W/SEALS
54	F8083		7	SPRING LOCKWASHER
55	F1999		3	HEX CAP SCREW, 1/4 - 20 X 7/8
56	F338618-1		1	SEAL, GEAR SHIFT ROD
57	F523031		1	GASKET, WATER PUMP
58	F523562		1	WATER PUMP BACK PLATE
59	F523065		1	WATER PUMP IMPELLER
60	FA523060		1	WATER PUMP BODY W/DRIVESHAFT SEAL, DISC AND WATER LINE SEAL
61	F1990		2	HEX CAP SCREW, 1/4 - 20 X 1 5/8
62	F480388		1	DISC, WATER PUMP LOCATING
63	F1425		2	HEX CAP SCREW, 1/4 - 20 X 2 5/8
64	F351307		1	SEAL, WATER PUMP
65	FA523735		1	SEAL, INLET WATER LINE LOWER
66	F523057		1	BEARING, DRIVESHAFT LOWER
68	F523498		1	DRIVE KEY, WATER PUMP
69	45-818017A3		1	DRIVESHAFT W/BEARING, SHIMS AND CRUSH RING
70	F438271		1	RETAINER, CRANKSHAFT SPLINE SEAL
71	F438129		1	SEAL, DRIVESHAFT SPLINE
72	F1856		2	PLAIN WASHER

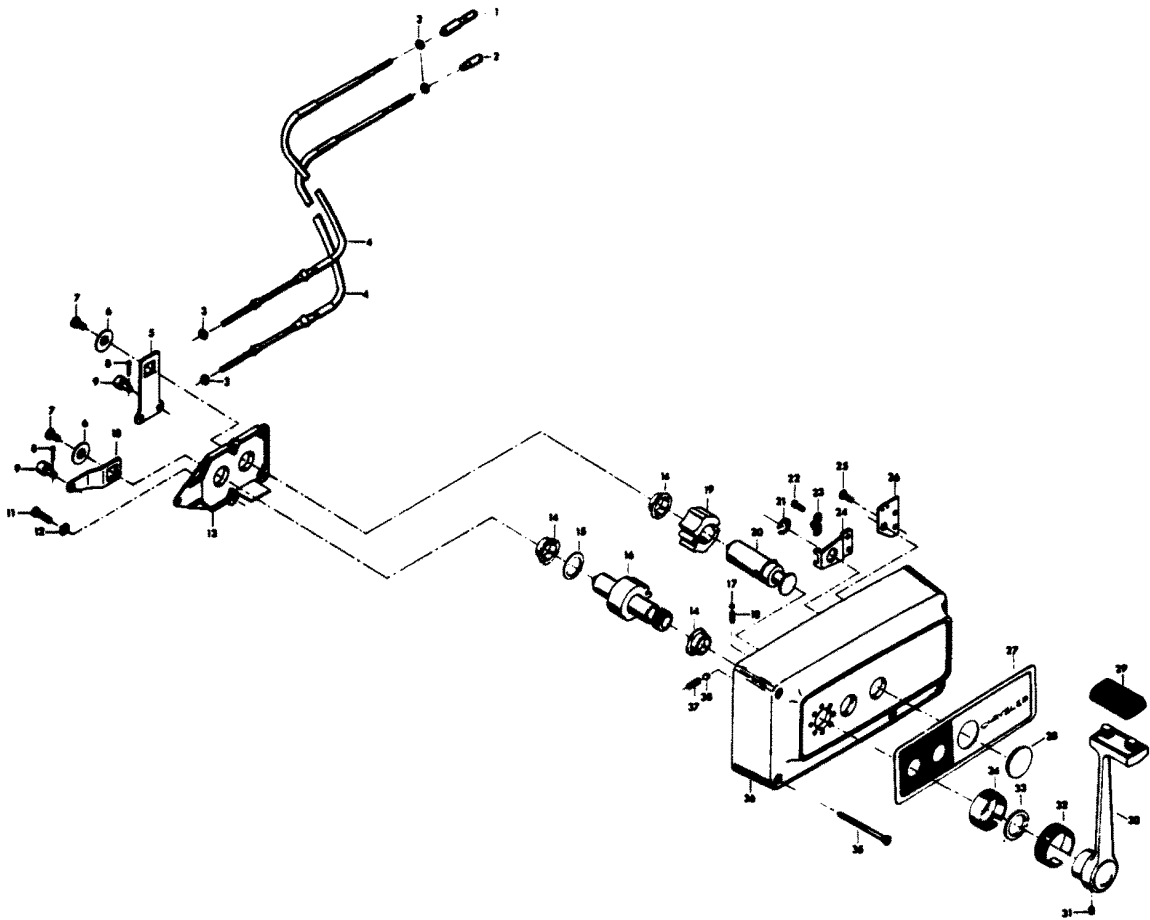
FUEL TANK AND LINE



FUEL TANK AND LINE

REF. NO.	PART NO.	SYM.	QTY.	DESCRIPTION
1	F409251-1		1	GAUGE CAP
2	F71H08		1	FUEL TANK (ACCESSORY ITEM)
3	F485755-1		1	FUEL TANK ADAPTER
4	F213342		1	SEAL, FUEL LINE COUPLER (LARGE)
5	F213735		1	SEAL, FUEL LINE COUPLER (SMALL)
6	F197787-3		1	FUEL LINE COUPLER
7	F298788		3	FERRULE
8	FA84754-1		1	FUEL LINE SHORT W/FERRULES
9	89396A38		1	PRIME BULB
10	32-817738A1		1	FUEL LINE LONG W/CLAMP AND FERRULE
11	F97772		1	FUEL LINE CLAMP
12	F17932		1	SEAL, FUEL TANK ADAPTER
-	FS409752		1	FUEL LINE COMPLETE (NOT SHOWN)
-	FC409398		1	DECAL, TOTE TANK - CANADA (NOT SHOWN)

REMOTE CONTROL

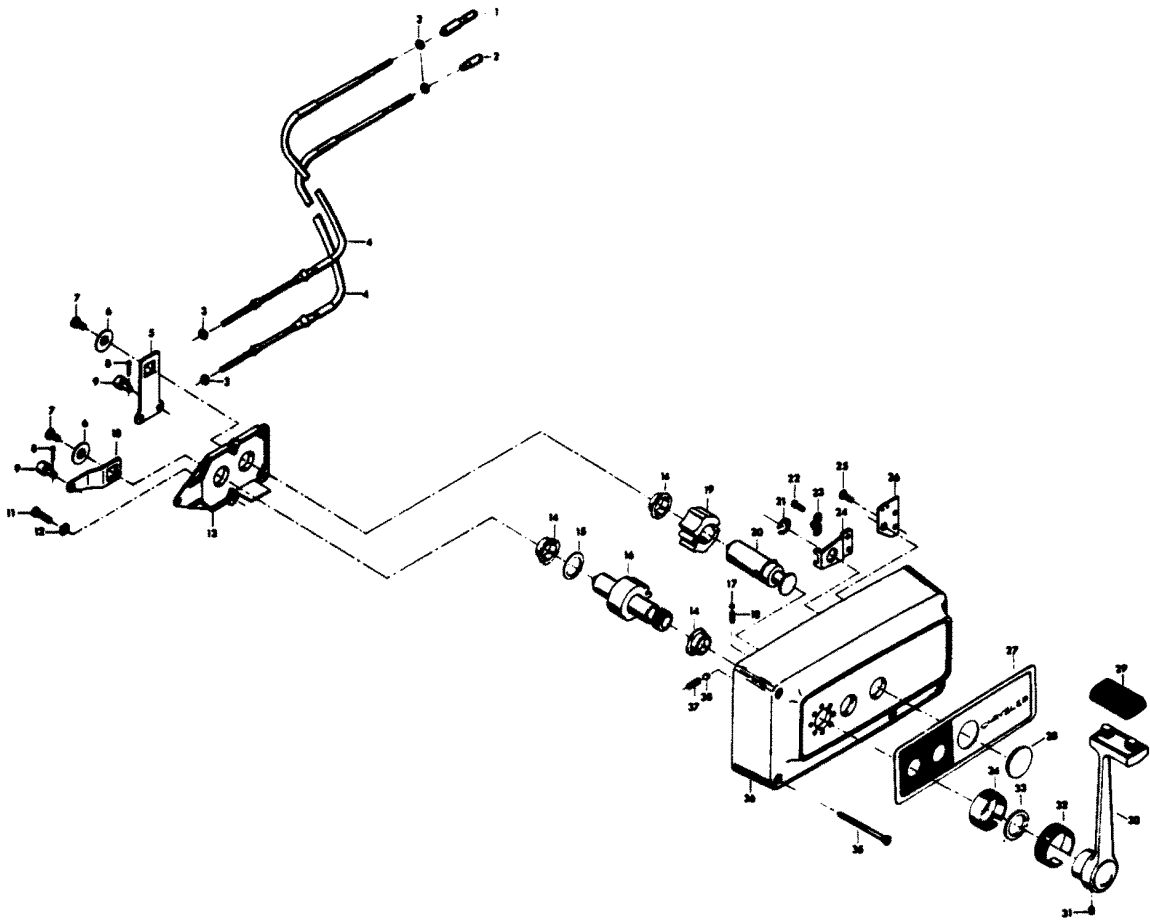


REMOTE CONTROL

REF. NO.	PART NO.	SYM.	QTY.	DESCRIPTION
1	FA58976-1		1	CONNECTOR, THROTTLE CABLE
2	F58685-2		1	CONNECTOR, SHIFT CABLE
3	F1513		4	HEX NUT
4	ÄF58356//		2	REMOTE CONTROL CABLE (SPECIFY LENGTH)
5	F17019		1	CLUTCH ARM
6	F17036		2	INTERNAL TOOTH LOCKWASHER
7	F1715		2	HEX BOLT, 1/4 - 28 X 9/16
8	F17015		2	COTTER PIN
9	F17016		2	CABLE TERMINAL
10	F17014		1	THROTTLE ARM
11	F17013		2	FILL HD SCREW, 1/4 - 20 X 1/2
12	F17020		2	INTERNAL TOOTH LOCKWASHER
13	F17012		1	RETAINING PLATE
14	F17009		3	BEARING
15	F17011		1	BOWED WASHER
16	F17010-1		1	THROTTLE GEAR
17	F17111		1	DETENT BALL
18	F17006		1	DETENT SPRING
19	F17021		1	CLUTCH GEAR
20	F17100		1	CLUTCH SHAFT
21	F17092		1	SNAP RING
22	F17107		2	FILL HD SCREW, 10 - 24 X 5/16
23	F154317		1	CABLE CLAMP
24	F17026		1	SWIVEL
25	F1557		2	FLAT HD SCREW, 10 - 24 X 3/8
26	F17112		1	JUNCTION BOARD, STARBOARD
-	F17113		1	JUNCTION BOARD, PORT
27	F17101		1	DECAL, STARBOARD
-	17102		1	DECAL, PORT
28	F17031		1	SNAP CAP
29	F17116		1	KNOB
30	F17115		1	HANDLE
31	F17030-1		1	SET SCREW
32	FK17114-1		1	INDICATOR
33	F17105		1	FELT WASHER
34	F17106		1	COLLAR
35	17108		3	WOOD SCREW

CONTINUED ON NEXT PAGE ➡

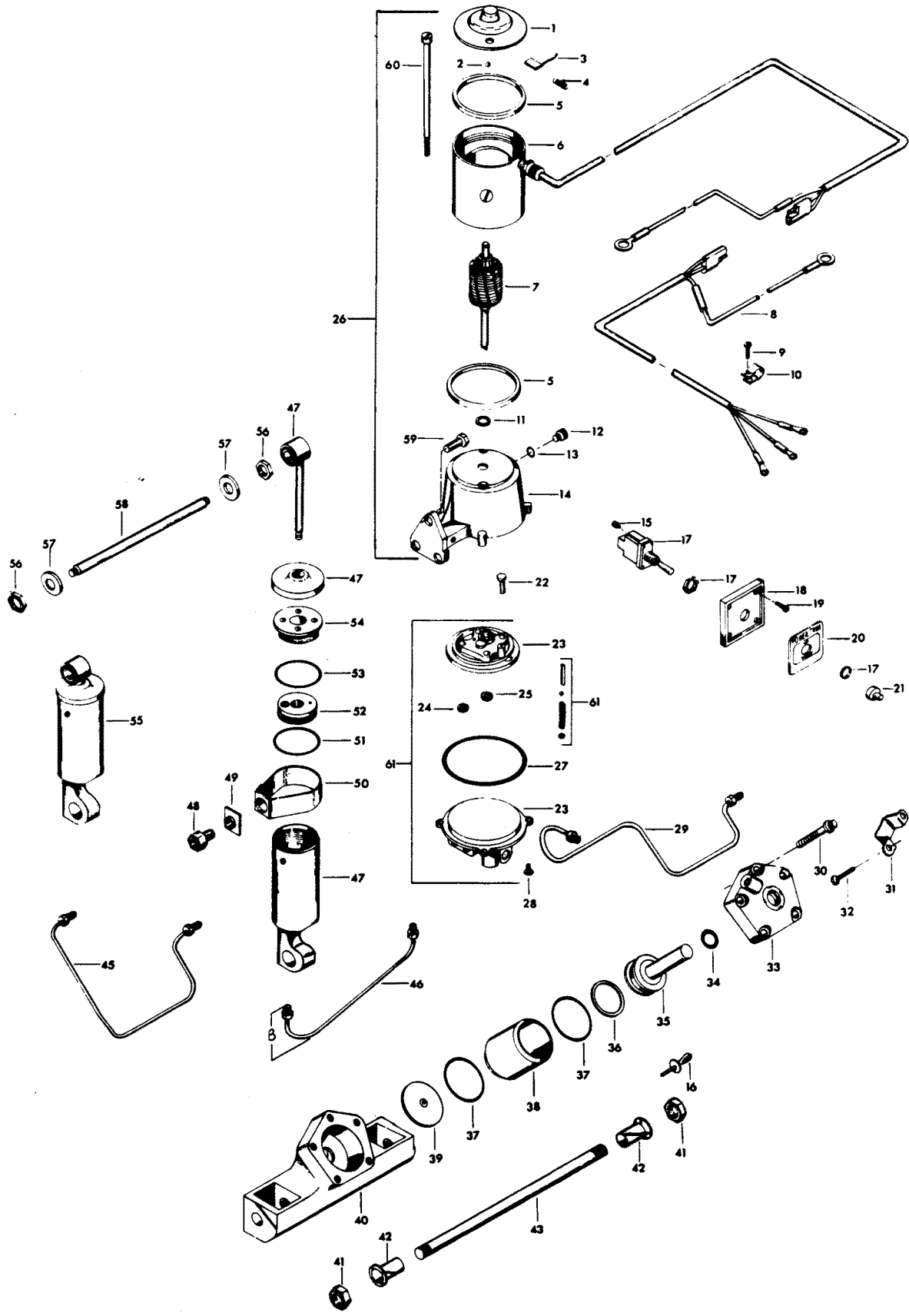
REMOTE CONTROL



REMOTE CONTROL

REF. NO.	PART NO.	SYM.	QTY.	DESCRIPTION
36	F17099		1	HOUSING
37	F17068		1	DETENT SPRING
38	F17082-1		1	DETENT BALL
39	F72H36		1	REMOTE CONTROL UNIT COMPLETE (SINGLE LEVER STARBOARD)
-	F1280		2	PAN HD SCREW, 8 - 32 X 1/4 (TERMINAL BOARD) (NOT SHOWN)

POWER TRIM UNIT

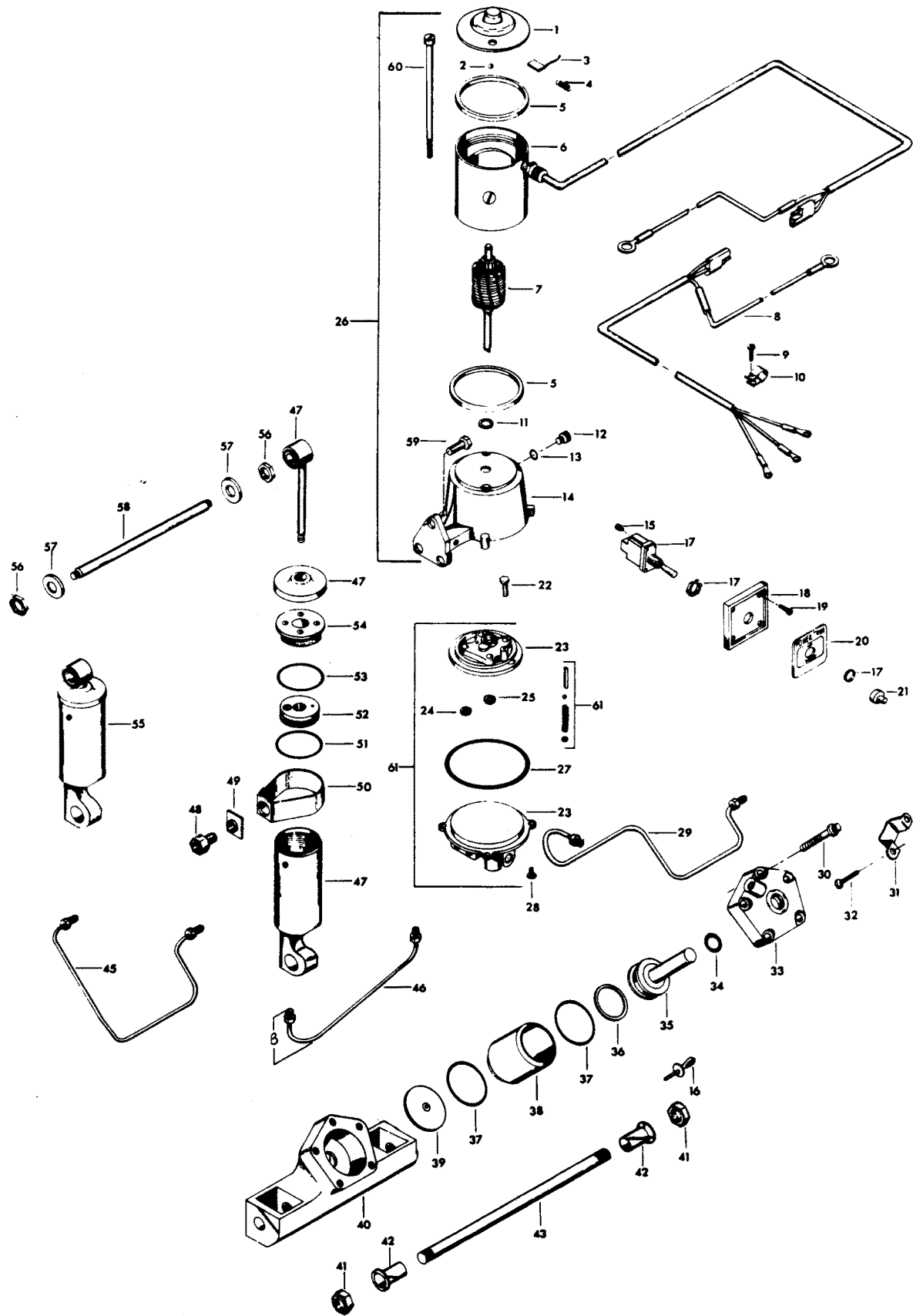


POWER TRIM UNIT

REF. NO.	PART NO.	SYM.	QTY.	DESCRIPTION
1	F17543		1	HEAD ASSEMBLY, COMMUTATOR END
2	F17539		1	BALL
3	F17504		1	BRUSH SET
4	F17500		1	SPRING SET
5	F17557		2	GASKET
6	F17556		1	FIELD AND FRAME ASSEMBLY
7	F17555		1	ARMATURE
8	F449843		1	CABLE
9	F1741		2	THREAD FORMING SCREW, 8 X 3/4
10	F178446		2	CLAMP
11	F17508		AR	THRUST WASHER
12	F17518		1	FILLER CAP
13	F17510		1	"O" RING
14	F17505		1	RESERVOIR AND BRACKET W/SEAL
15	F1280		3	PAN HD SCREW, 8 - 32 X 1/4
16	F1966		1	PLUG, SWIVEL BRACKET
17	F299449-3		1	SWITCH W/HARDWARE
18	F413420		1	SWITCH RETAINER
19	F1934		4	FLAT HD SCREW, 6 X 1/2
20	F449181		1	SWITCH PLATE
21	F351276		1	SWITCH BOOT
22	F1203		1	HEX CAP SCREW, 1/4 - 20 X 7/8
23	F17564		1	VALVE BODY AND PUMP
24	F17566		1	IDLE GEAR
25	F17565		1	DRIVE GEAR
26	F17563		1	MOTOR AND RESERVOIR
27	F17522		1	"O" RING
28	F1310		4	ROUND HD SCREW, 10 - 24 X 5/8
29	F449254		1	HYDRAULIC LINE, TRIM CYLINDER, UPPER
30	F1959		5	FERRY HD CAP SCREW, 1/4 - 20 X 1 3/4, STAINLESS STEEL
31	F449354		1	THRUST BRACKET
32	F1734		2	FILL HD MOUNTING SCREW AND LOCKWASHER, 1/4 - 20 X 1/2
33	FA449149		1	COVER W/SEALS AND RETAINER
34	F449342		1	SEAL, PISTON SHAFT
35	FA449015		1	PISTON
36	F449278		1	PISTON SEAL
37	F40278		2	SEAL, CYLINDER
38	F449010		1	CYLINDER
39	FA449799		1	PLATE ASSEMBLY
40	F449545-2		1	CYLINDER HOUSING
41	F1963		2	ELASTIC STOP NUT, 5/8 - 18
42	F178362		2	BEARING

CONTINUED ON NEXT PAGE ➡

POWER TRIM UNIT



POWER TRIM UNIT

REF. NO.	PART NO.	SYM.	QTY.	DESCRIPTION
43	F449632		1	SHAFT
44	F449253-1		1	HYDRAULIC LINE, TRIM CYLINDER, LOWER
45	F449758		1	HYDRAULIC LINE, LIFT CYLINDER, UPPER
46	F449754-1		1	HYDRAULIC LINE, LIFT CYLINDER, LOWER
47	FA17559		1	LIFT CYLINDER COMPLETE
48	F17577		1	ADAPTER FITTING PACKAGE
49	F17577		1	ADAPTER FITTING PACKAGE
50	F17577		1	ADAPTER FITTING PACKAGE
51	F17561-1		1	"O" RING, PISTON
52	F17562-1		1	PISTON ASSEMBLY
53	F17528		1	"O" RING
54	F17560		1	HEAD ASSEMBLY
55	FA178962		1	SHOCK ABSORBER W/BUSHING
56	F1931		2	STOP NUT, 1/2 - 20, STAINLESS STEEL
57	F1960		2	PLAIN WASHER
58	F449889		1	SHAFT, UPPER
59	F1822		3	HEX CAP SCREW, 5/16 - 18 X 7/8, STAINLESS STEEL
60	F17558		1	THRU-BOLT PACKAGE
61	F17568		1	HYDRAULIC PUMP AND VALVE ASSEMBLY

SPECIAL TOOLS - TUNE-UP

REF. NO.	PART NO.	SYM.	QTY.	DESCRIPTION
-	FT8948-1		0	FLYWHEEL PULLER TO REMOVE FLYWHEEL.
-	FTA2937-1		0	TIMING TOOL TO ADJUST SPARK ADVANCE.
-	FT8978		0	TIMING LIGHT FOR FINAL ADJUSTMENT OF SPARK ADVANCE.

SPECIAL TOOLS - POWER HEAD

REF. NO.	PART NO.	SYM.	QTY.	DESCRIPTION
-	FT8914		0	SEAL REMOVER TO REMOVE UPPER CRANKSHAFT BEARING CAGE SEAL.
-	FT8903		0	SEAL INSTALLER TO INSTALL UPPER CRANKSHAFT BEARING CAGE SEAL.
-	FT8927		0	SEAL PROTECTOR TO INSTALL UPPER CRANKSHAFT BEARING CAGE SEAL.
-	FT8907		0	DRIVE HANDLE USED WITH T8910, T8909, T8908 AND T8903.
-	FT8922		0	SLIDE HAMMER TO REMOVE UPPER CRANKSHAFT BEARING CAGE SEAL.
-	FT2953		0	SOCKET TO TORQUE CONNECTING ROD SCREWS.
-	FT2990		0	PISTON PIN TOOL TO REMOVE AND INSTALL PISTON PINS.
-	FT2996		0	RING COMPRESSOR TO INSTALL PISTON RINGS.
-	FT8926		0	RING EXPANDER TO INSTALL PISTON RINGS.

SPECIAL TOOLS - GEAR HOUSING

REF. NO.	PART NO.	SYM.	QTY.	DESCRIPTION
-	FT8948-1		0	PROPELLER SHAFT BEARING CAGE PULLER TO REMOVE PROPELLER SHAFT BEARING CAGE AND SPOOL FROM GEAR HOUSING.
-	FT8957		0	SEAL INSTALLER TO INSTALL SHIFT ROD SEAL.
-	FT8985		0	PROPELLER SHAFT SPOOL SEAL INSTALLER TO INSTALL PROPELLER SHAFT SEAL IN PROPELLER SHAFT SPOOL.
-	FT8925		0	DRIVESHAFT SEAL INSTALLER TO INSTALL DRIVESHAFT SEAL IN GEAR HOUSING COVER.
-	FT8901		0	INDICATOR HOLDER USED IN CONJUNCTION WITH T8997.
-	FT8902		0	DIAL INDICATOR USED IN CONJUNCTION WITH T8997.
-	FT8919		0	SPRING PIN PUNCH TO REMOVE CLUTCH SPRING PIN.
-	FT8997		0	SHIMMING TOOL TO SHIM LOWER UNIT.

SPECIAL TOOLS - TEST EQUIPMENT

REF. NO.	PART NO.	SYM.	QTY.	DESCRIPTION
-	FT8933		0	LIFTING HOOK TO LIFT ENGINE.
-	FT8950		0	LEAKAGE TESTER TO TEST LOWER UNIT SEALS FOR LEAKAGE.

ACCESSORIES

REF. NO.	PART NO.	SYM.	QTY.	DESCRIPTION
-	F5H015		0	FLUSHING ADAPTER PERMITS FRESH WATER FLUSHING OF WATER PASSAGES WITH STANDARD GARDEN HOSE.
-	F5H063		0	SYNCHRO-DRIVE CONTROL BOX (SINGLE LEVER) PERMITS REMOTE CONTROL OF THROTTLE AND GEAR SHIFT FROM STARBOARD SIDE OF BOAT.
-	5H067		0	PORT SIDE DECAL KIT CONVERTS 72H36 CONTROL BOX TO PORT SIDE MOUNTING.
-	F590		0	SYNCHRO-DRIVE CONTROL HEAD (SINGLE LEVER) FLUSH MOUNT CONTROL UNIT PERMITS REMOTE CONTROL OF THROTTLE AND GEAR SHIFT. MAY BE MOUNTED ON PORT OR STARBOARD SIDE OF BOAT.
-	865		0	TWIN SYNCHRO-DRIVE CONTROL BOX PERMITS REMOTE CONTROL OF THROTTLE AND GEAR SHIFT ON TWIN ENGINE INSTALLATIONS. MAY BE MOUNTED ON PORT OR STARBOARD SIDE OF BOAT.
-	F195/___		0	REMOTE CONTROL CABLES CONNECTS REMOTE CONTROL BOX TO THROTTLE AND GEAR SHIFT ON ENGINE. AVAILABLE IN 6 THROUGH 40 FOOT LENGTHS.
-	F165		0	REMOTE STEERING BRACKET ADAPTS ENGINE TO CABLE TYPE REMOTE STEERING.
-	F5H018		0	DUAL ENGINE TIE BAR PERMITS DUAL ENGINE INSTALLATIONS.
-	F5H026		0	STEEL, 6 GALLON FUEL TANK (LOW PROFILE)
-	F5H029		0	TANK ANCHOR SECURES 71H08 TO BOAT.
-	F5H040		0	STEEL, 12 GALLON FUEL TANK
-	175		0	AMMETER SURFACE MOUNT MONITORS OUTPUT OF ALTERNATOR.
-	71H06		0	AMMETER FLUSH MOUNT MONITORS OUTPUT OF ALTERNATOR.
-	F5H019		0	ANTI-CORROSION KIT ELECTRICAL KIT FOR MOUNTING ON BOAT (12V) TO REDUCE CORROSION.
-	F5H025		0	ANTI-CORROSION SACRIFICIAL ANODE KIT USED TO REDUCE CORROSION.
-	F5H043		0	OVERHEAT BUZZER SOUNDS WARNING BUZZER IF ENGINE OVERHEATS.
-	F5H010		0	POWER TRIM INDICATOR INDICATES ENGINE TRIM ANGLE. (FLUSH MOUNT)
-	5H061		0	FROST WHITE LACQUER ENGINE TOUCH-UP PAINT IN 16 OZ. SPRAY BOMBS (12 CANS PER CASE)
-	5H016		0	GOLD LACQUER ENGINE TOUCH-UP PAINT IN 6 OZ. SPRAY BOMBS (12 CANS PER CASE)
-	F5H044		0	TILT STOP KIT LIMITS TILTING ANGLE.
-	F5H068		0	RFI SUPPRESSION KIT PROVIDES RADIO NOISE SUPPRESSION.
-	F461		0	SHOCK ABSORBER KIT
-	F5H064		0	EXHAUST SNOOT
-	F5H081		0	BATTERY CABLE LONGER LENGTH - 15 FEET.
-	F5H006		0	VOLTMETER - FLUSH MOUNT INDICATES BATTERY CONDITION.

CONTINUED ON NEXT PAGE ➡

ACCESSORIES

REF. NO.	PART NO.	SYM.	QTY.	DESCRIPTION
-	5H048		0	CANVAS HOOD PROTECTION FOR ENGINE COVER.
-	5H051		0	BATTERY, 74 AMP 12 VOLT HEAVY DUTY BATTERY.
-	F5H021		0	EXTENSION CABLE FOR LENGTHENING BATTERY CABLE 6 1/2 FEET.
-	F5H041		0	BATTERY TERMINAL KIT ADAPTS MODEL 72H13 BATTERY TERMINALS FOR CONNECTIONS TO BATTERY CABLE ON ENGINE.
-	71H25		0	CHARGE INDICATOR LAMP GLOWS GREEN WHEN ALTERNATOR IS RECHARGING BATTERY. DO NOT USE INDICATOR LAMP AND AMMETER IN SAME INSTALLATION.
-	F5H037		0	CIGAR LIGHTER FOR USE AS CONVENIENCE OUTLET.
-	168		0	CONTROL PANEL FOR MOUNTING LAMPS, SWITCHES, ETC.
-	877		0	DECAL SET FOR RACING ENGINE IDENTIFICATION.
-	F5H008		0	FUEL GAUGE FLUSH MOUNT MONITORS FUEL SUPPLY.
-	F5H050		0	HYDRAULIC TILT HYDRAULIC UNIT TO RAISE AND LOWER THE LOWER UNIT WHEN BEACHING OR TRAILERING BOAT.
-	F5H077		0	IGNITION KEY SWITCH SHORT BARREL WITH KEYS.
-	F5H078		0	IGNITION KEY SWITCH LONG BARREL WITH KEYS.
-	F762		0	REMOTE ELECTRIC CABLE 25 FOOT CABLE FOR LARGE BOATS.
-	F5H070		0	REMOTE ELECTRIC CABLE 21 FOOT CABLE FOR LARGE BOATS.
-	F5H028		0	SENDING UNIT FOR USE WITH 71H07 FUEL GAUGE.
-	F5H005		0	TEMPERATURE GAUGE FLUSH MOUNT MONITORS ENGINE TEMPERATURE. DO NOT USE TEMPERATURE GAUGE AND HEAT LAMP IN SAME INSTALLATION.
-	F5H012		0	TACHOMETER FLUSH MOUNT MONITORS ENGINE R.P.M. TO PROVIDE CHECK OF ENGINE PERFORMANCE.
-	F5H074		0	WATER PUMP KIT HEAVY DUTY WATER PUMP KIT.
-	F5H042		0	POWER TRIM ADJUSTS ENGINE TRIM AND TILTS ENGINE.
-	F5H004		0	SPEEDOMETER FLUSH MOUNT MONITORS BOAT SPEED (0 - 50 M. P. H.)
-	F5H002		0	SPEEDOMETER FLUSH MOUNT MONITORS BOAT SPEED (10 - 65 M. P. H.)
-	F5H003		0	SPEEDOMETER FLUSH MOUNT MONITORS BOAT SPEED (TO 100 KM/H)

SPECIFICATIONS

REF. NO.	PART NO.	SYM.	QTY.	DESCRIPTION
-			0	HORSEPOWER 85 B.I.A. CERTIFIED BRAKE H.P. AT 5000 R.P.M.
-			0	MOTOR TWO-CYCLE, THREE CYLINDER, ALTERNATE FIRING.
-			0	BORE AND STROKE 3 5/16" BORE X 2.8" STROKE.
-			0	DISPLACEMENT 72.39 CUBIC INCHES.
-			0	CONNECTING RODS NICKEL STEEL. CAGED NEEDLE BEARINGS AT CRANKSHAFT. FULL COMPLIMENT NEEDLE BEARINGS AT PISTON PIN.
-			0	CRANKSHAFT NICKEL STEEL. BALL BEARINGS AT UPPER MAIN. CAGED NEEDLE BEARINGS AT CENTER MAIN AND CASED NEEDLE BEARINGS AT LOWER MAIN.
-			0	CORROSION PROTECTION ALODINE TREATED CASTINGS, STAINLESS STEEL DRIVE SHAFT, PROPELLER SHAFT, GEAR SHIFT ROD AND UNDERWATER FASTENERS.
-			0	FUEL TANK SEPARATE STEEL 6 U.S. GALLON, 5 IMPERIAL GALLON CAPACITY.
-			0	FUEL SYSTEM VACUUM TYPE FUEL PUMP. FLOAT FEED CARBURETOR WITH FIXED HIGH SPEED JET AND ADJUSTABLE LOW SPEED JET.
-			0	FUEL FILTERS FILTER SCREENS IN FUEL TANK AND FUEL PUMP.
-			0	STARTER ELECTRIC.
-			0	COOLING WATER COOLED, THERMOSTATICALLY CONTROLLED, POSITIVE DISPLACEMENT TYPE WATER PUMP.
-			0	TRANSOM HEIGHT 20".
-			0	WEIGHT 221 LBS. FOR SHORT SHAFT MODELS.
-			0	TILT LOCK POSITIVE TILT LOCK PERMITS ENGINE TO REMAIN IN TILTED POSITION WHEN NOT IN USE.
-			0	RECOMMENDED OPERATING RANGE 4500 - 5500 R.P.M.

LUBRICATION CHART

REF. NO.	PART NO.	SYM.	QTY.	DESCRIPTION
-			0	GEAR HOUSING SEE BLOCK COMMENT 1.
-			0	CONTROL LINKAGE LUBRICATE ALL MOVING PARTS AND CONTROL LINKAGE WITH RYKON #2EP, PART NO. T2961 EACH SEASON OR OFTENER IF REQUIRED.
-			0	STERN BRACKET LUBRICATE STERN BRACKET AND ASSOCIATED PARTS WITH RYKON #2EP. PART NO. T2961 TWICE EACH SEASON OR OFTENER IF REQUIRED.
-			0	GREASE FITTINGS GREASE FITTINGS ARE PROVIDED AT CRITICAL POINTS WHERE BEARING SURFACES ARE NOT EXPOSED EXTERNALLY. USING AN AUTOMOTIVE-TYPE GREASE GUN AND LUBRICANT, GREASE TWICE EACH SEASON OR OFTENER IF REQUIRED.
-			0	STARTER PINION GEAR LUBRICATE WITH RYKON #2EP, PART NO. T-2961, TWICE EACH SEASON OR OFTENER IF REQUIRED.

SPECIAL ADJUSTMENTS

REF. NO.	PART NO.	SYM.	QTY.	DESCRIPTION
-			0	FLYWHEEL NUT TORQUE TO 90 FOOT POUNDS.
-			0	CYLINDER HEAD BOLT TORQUE TO 270 INCH POUNDS.
-			0	SPARK PLUG CHAMPION L-20-V
-			0	SPARK PLUG

PARTS INDEX

Part Number	Description	Pg.	Ref. No.	Part Number	Description	Pg.	Ref. No.
ÄF58356//	REMOTE CONTROL CABLE (SPECIFY LENGTH)	41	4	F1099	FILL HD SCREW, 1/4 - 20 X 1 1/4	27	100
14048-2	PREAMPLIFIER	13	17	F1108	FILL HD SCREW W/LOCKWASHER, 1/4 - 20 X 3/4	17	2
15169	FRAME AND FIELD ASSEMBLY	11	9	F1110	FILL HD SCREW, 1/4 - 20 X 5/8	27	98
168	CONTROL PANEL	53	-	F1187	HEX HD SCREW, 1/4 - 20 X 1	23	35
17102	DECAL, PORT	41	-	F1199	HEX CAP SCREW, 1/4 - 20 X 1	23	44
17108	WOOD SCREW	41	35	F1203	HEX BOLT, 1/4 - 20 X 7/8 . .	23	6
175	AMMETER SURFACE MOUNT	52	-	F1203	HEX CAP SCREW, 1/4 - 20 X 7/8	45	22
370396	DECAL, LEG COVER STARBOARD	31	-	F1236	HEX HD SCREW, 1/4 - 20 X 1/2	21	91
370397	DECAL, LEG COVER PORT .	31	11	F1238	HEX CAP SCREW, 1/4 - 20 X 3/4	3	14
480373	DECAL, MAGNAPOWER IGNITION (NOT SHOWN) .	9	-	F1238	HEX HD SCREW, 1/4 - 20 X 3/4	23	43
481373-1	DECAL, "ELECTRONIC" (NOT SHOWN)	15	-	F1263	HEX SOCKET HD CAP SCREW, 5/16 - 18 X 9/16 .	31	14
5H016	GOLD LACQUER	52	-	F1280	PAN HD SCREW, 8 - 32 X 1/4	7	33
5H048	CANVAS HOOD	53	-	F1280	PAN HD SCREW, 8 - 32 X 1/4	45	15
5H051	BATTERY, 74 AMP	53	-	F1280	PAN HD SCREW, 8 - 32 X 1/4 (TERMINAL BOARD) (NOT SHOWN)	43	-
5H061	FROST WHITE LACQUER . .	52	-	F1286	PAN HD SCREW, 4 - 40 X 3/16	23	31
5H067	PORT SIDE DECAL KIT	52	-	F1310	ROUND HD SCREW, 10 - 24 X 5/8	45	28
71H06	AMMETER FLUSH MOUNT .	52	-	F1341	HEX NUT, 1/4 - 20	23	13
71H25	CHARGE INDICATOR LAMP	53	-	F1346	HEX NUT, 3/8 - 16	27	95
817747--1	BALL JOINT W/STUD	17	28	F1346	HEX NUT, 3/8 - 16	31	24
817747--1	BALL JOINT W/STUD	23	9	F14006-2	CAP BASE	13	37
817783A5	SWIVEL BRACKET W/BEARING AND GREASE FITTINGS	31	38	F14007	CAP SCREW	13	33
817786A1	DISTRIBUTOR PULLEY	13	3	F14011-1	CAP COVER	13	34
817787A1	CYLINDER DRAIN COVER .	23	33	F14012-1	BRUSH	13	39
817788A3	SPACER PLATE W/PLUGS .	25	63	F14015	CAP CLIP RIVET	13	21
817822A1	DISTRIBUTOR	15	-	F14017	TERMINAL INSULATOR (OUTSIDE)	15	46
817931A7	MOTOR LEG COVER, REAR	31	12	F14020-1	CAP SEAL	13	36
817959A3	INTAKE MANIFOLD	17	23	F14024	SPACER	13	42
85872-1	BRACKET	25	49	F14025	SPACER	13	4
865	TWIN SYNCHRO-DRIVE CONTROL BOX	52	-	F14028	THRUST WASHER	13	5
877	DECAL SET	53	-	F14029	THRUST WASHER	13	7
89396A38	PRIME BULB	39	9	F14030	CAP GASKET	13	38
A370528	INSERT, PLATE REAR	3	4	F14036	SWIVEL	13	13
A85135-3	LEG COVER, FRONT	33	45	F14037	CAP CLIPS	13	14
AC16395-8	IDENTIFICATION PLATE W/SCREWS FOR CANADA MODELS	3	-	F14038	CAP CLIP SCREWS	13	15
C523227	SPARK PLUG (CHAMPION QL-76V) FOR MODEL 859BA	27	-	F14040	VENT	13	35
F10000	GASKET SET (NOT SHOWN)	21	-	F14041	EXTERNAL TOOTH LOCKWASHER	13	23
F10053	REPAIR PARTS KIT (NOT SHOWN)	21	-	F14042	DISTRIBUTOR HOUSING W/BEARINGS	13	12
F1009	HEX BOLT, 3/8 - 16 X 2 3/4 .	27	97	F14043	DISTRIBUTOR SHAFT	13	40
F1014	COTTER PIN	19	84	F14045	SCREW	13	16
F1015	COTTER PIN	37	47	F14046	TERMINAL SCREW	13	19
F1059	FILL HD SCREW, S.S., 6 - 32 X 1/4	19	80	F14047	TERMINAL INSULATOR (INSIDE)	13	20
F1064	FILL HD SCREW, S.S., 8 - 32 X 3/8	19	45				
F1072	FILL HD SCREW, 1/4 - 20 X 1 3/4	19	59				

PARTS INDEX

Part Number	Description	Pg.	Ref. No.	Part Number	Description	Pg.	Ref. No.
F1425	HEX CAP SCREW, 1/4 - 20 X 2 5/8	37	63	F1647	HEX NUT, 8 - 32	7	6
F1447	ROUND HD SCREW, 2 X 3/16	3	19	F1647	HEX NUT, 8 - 32	13	24
F1473	HEX NUT, 10 - 24	3	36	F1648	PAN HD SCREW, 10 - 24 X 3/4	7	16
F1475	FILL HD SCREW, 10 - 24 X 1/2	23	11	F165	REMOTE STEERING BRACKET	52	-
F1491	HEX CAP SCREW, 5/16 - 18 X 3 1/4	35	41	F1664	SPRING PIN	31	13
F1502	HEX CAP SCREW, 1/4 - 20 X 5/8	21	97	F1678	FILL HD SCREW, 10 - 24 X 13/16	7	2
F1502	HEX HD SCREW, 1/4 - 20 X 5/8	11	14	F1689	HEX HD SCREW, 1/4 - 20 X 1/2	9	42
F1502	HEX HD SCREW, 1/4 - 20 X 5/8	23	39	F1692	WOODRUFF KEY	13	41
F1502	HEX SLOT HD SCREW, 1/4 - 20 X 5/8	3	20	F1693	TIE BAR RETAINER	19	46
F15034	SPRING SET	11	17	F1696	HEX BOLT, 5/16 - 18 X 1 3/4	31	19
F1504	FILL HD SCREW, 1/4 - 20 X 1/4	19	56	F17006	DETENT SPRING	41	18
F1504	FILL HD SCREW, 1/4 - 20 X 1/4	23	12	F17009	BEARING	41	14
F15057	BRUSH PLATE AND HOLDER	11	18	F17010-1	THROTTLE GEAR	41	16
F15080	SPRING	11	3	F17011	BOWED WASHER	41	15
F15099	ARMATURE	11	8	F17012	RETAINING PLATE	41	13
F15100	BENDIX	11	20	F17013	FILL HD SCREW, 1/4 - 20 X 1/2	41	11
F15110	CLUTCH ASSEMBLY	11	4	F17014	THROTTLE ARM	41	10
F15111	NUT, STOP RETAINING	11	1	F17015	COTTER PIN	41	8
F15112	STOP, PINION	11	2	F17016	CABLE TERMINAL	41	9
F15125	HEAD ASSEMBLY, COMMUTATOR END	11	16	F17019	CLUTCH ARM	41	5
F15126	THRUST WASHER PACKAGE	11	7	F17020	INTERNAL TOOTH LOCKWASHER	41	12
F1513	HEX NUT	7	18	F17021	CLUTCH GEAR	41	19
F1513	HEX NUT	41	3	F17026	SWIVEL	41	24
F1513	HEX NUT, 10 - 32	17	29	F1703	SPRING LOCKWASHER	27	103
F1513	HEX NUT, 10 - 32	23	7	F1703	SPRING LOCKWASHER	33	51
F1515	HEX NUT	7	24	F17030-1	SET SCREW	41	31
F1515	HEX NUT, 5/16 - 18	17	37	F17031	SNAP CAP	41	28
F15165	BRUSH TERMINAL SET	11	10	F17036	INTERNAL TOOTH LOCKWASHER	41	6
F15167	HEAD ASSEMBLY DRIVE END	11	5	F1704	INTERNAL TOOTH LOCKWASHER	21	99
F15168	THRU BOLT PACKAGE	11	12	F1705	HEX CAP SCREW, 1/4 - 20 X 3/4	7	23
F1528	WELCH PLUG	31	35	F1705	HEX CAP SCREW, 1/4 - 20 X 3/4	35	1
F154317	CABLE CLAMP	41	23	F17068	DETENT SPRING	43	37
F1556	FILL HD SCREW W/LOCKWASHER, 10 - 24 X 3/8	23	14	F17082-1	DETENT BALL	43	38
F1557	FLAT HD SCREW, 10 - 24 X 3/8	41	25	F1709	HEX HD SCREW, 1/4 - 20 X 1/8	25	76
F1577	FILL HD SCREW, 1/4 - 20 X 3/4	35	20	F17092	SNAP RING	41	21
F1593	HEX HD SCREW, 3/8 - 16 X 3	31	22	F17099	HOUSING	43	36
F1612	HEX CAP SCREW, 3/8 - 16 X 1 1/4	13	8	F17100	CLUTCH SHAFT	41	20
F1641	LOCK NUT, 1/4 - 28	11	6	F17101	DECAL, STARBOARD	41	27
F1645	HD. SCREW, 6 - 32 X 1/4	7	27	F17105	FELT WASHER	41	33
F1645	RD HD SCREW, 6 - 32 X 1/4	21	100	F17106	COLLAR	41	34
F1647	HEX NUT, 10 - 32	25	86	F17107	FILL HD SCREW, 10 - 24 X 5/16	41	22
				F17111	DETENT BALL	41	17
				F17112	JUNCTION BOARD, STARBOARD	41	26
				F17113	JUNCTION BOARD, PORT	41	-
				F17115	HANDLE	41	30
				F17116	KNOB	41	29
				F1713	SPRING PIN	35	26

PARTS INDEX

Part Number	Description	Pg.	Ref. No.	Part Number	Description	Pg.	Ref. No.
F1715	HEX BOLT, 1/4 - 28 X 9/16 ..	41	7	F1760	PAN HD SCREW, 10 - 24 X 3/8	23	2
F1727	PLASTIC RIVET	23	16	F1773	HEX HD SCREW, 1/4 - 20 X 1 1/2	17	26
F1729	PLUG	31	9	F177330	FUEL PUMP VALVE	17	9
F1730	PAN HD SCREW W/SPRING LOCKWASHER, 1/4 - 20 X 5/8	5	44	F178323	SEAL, MOTOR LEG	31	18
F1733	PAN HD SCREW, 10 - 24 X 9/16	3	2	F178362	BEARING	45	42
F1734	FILL HD MOUNTING SCREW AND LOCKWASHER, 1/4 - 20 X 1/2	45	32	F178446	CLAMP	45	10
F1734	FILL HD SCREW W/LOCKWASHER, 1/4 - 20 X 1/2	7	14	F1788	STOP NUT	35	15
F1741	PAN HD SCREW, 8 X 3/4 ...	7	35	F17932	SEAL, FUEL TANK ADAPTER	39	12
F1741	THREAD FORMING SCREW, 8 X 3/4	45	9	F18160-1	REED	23	28
F17500	SPRING SET	45	4	F1822	HEX BOLT, 5/16 - 18 X 7/8 ..	33	46
F17504	BRUSH SET	45	3	F1822	HEX CAP SCREW, 5/16 - 18 X 7/8, STAINLESS STEEL	47	59
F17505	RESERVOIR AND BRACKET W/SEAL	45	14	F1832	STOP NUT, 1/4 - 20	25	59
F17508	THRUST WASHER	45	11	F184033-1	CHOKE ARM SWIVEL	19	85
F17510	"O" RING	45	13	F184579	SEAL, CHOKE ARM SWIVEL	19	82
F17518	FILLER CAP	45	12	F1849	HEX HD CAP SCREW, 1/4 - 20 X 1 3/8	5	47
F17522	"O" RING	45	27	F1849	HEX HD SCREW, 1/4 - 20 X 1 3/8	25	77
F17528	"O" RING	47	53	F1851	FILL HD SCREW W/LOCKWASHER, 10 - 24 X 1/2	7	39
F1753	FASTENER	3	38	F1854	HEX CAP SCREW, 1/4 - 20 X 5/8	3	25
F17539	BALL	45	2	F1856	PLAIN WASHER	37	72
F17543	HEAD ASSEMBLY, COMMUTATOR END	45	1	F1857	HEX CAP SCREW, 5/16 - 18 X 5/8	3	23
F1755	RD HD SCREW W/LOCKWASHER, 6 - 32 X 5/16	17	16	F1857	HEX CAP SCREW, 5/16 - 18 X 5/8	3	35
F17555	ARMATURE	45	7	F1858	HEX CAP SCREW, 5/16 - 18 X 1	3	24
F17556	FIELD AND FRAME ASSEMBLY	45	6	F1858	HEX CAP SCREW, 5/16 - 18 X 1	35	39
F17557	GASKET	45	5	F1860	SLOTTED BINDING HD SCREW, 6 - 32 X 1/4	17	1
F17558	THRU-BOLT PACKAGE	47	60	F1864	HEX SLOT HD SCREW, 1/4 - 20 X 3/4	31	4
F17560	HEAD ASSEMBLY	47	54	F1866	PLAIN WASHER	35	16
F17561-1	"O" RING, PISTON	47	51	F1867	HEX CAP SCREW, 3/8 - 16 X 1	29	19
F17562-1	PISTON ASSEMBLY	47	52	F1869	HEX BOLT, 3/8 - 16 X 1 1/4 ..	25	61
F17563	MOTOR AND RESERVOIR ..	45	26	F1871	HEX HD SCREW, 10 - 24 X 1/2	33	60
F17564	VALVE BODY AND PUMP ..	45	23	F1871	HEX HD SCREW, 3/8 - 16 X 3/4	33	50
F17565	DRIVE GEAR	45	25	F1872	HEX BOLT, 3/8 - 16 X 1 3/4 ..	27	99
F17566	IDLE GEAR	45	24	F1873	HEX BOLT, 3/8 - 16 X 3	27	96
F17568	HYDRAULIC PUMP AND VALVE ASSEMBLY	47	61	F1877	TY-RAP	7	29
F17577	ADAPTER FITTING PACKAGE	47	48	F1883	HEX BOLT, 5/16 - 18 X 2 3/8	25	67
F17577	ADAPTER FITTING PACKAGE	47	49	F1885	HEX BOLT, 5/16 - 18 X 4 1/4	25	55
F17577	ADAPTER FITTING PACKAGE	47	50	F1885	HEX CAP SCREW, 5/16 - 18 X 4 1/4	35	6
F1759	SHIM, DISTRIBUTOR (QTY. AS REQUIRED)	13	11	F1892	STOP NUT	9	52
F1760	PAN HD SCREW, 10 - 24 X 3/8	7	19	F1904	PLAIN WASHER	31	23
F1760	PAN HD SCREW, 10 - 24 X 3/8	13	25	F1907	PLAIN WASHER	35	7
				F1910	STOP NUT, 1/4 - 20	17	31
				F19109	PLUG	25	73
				F19109	PLUG, GEAR HOUSING	35	31

PARTS INDEX

Part Number	Description	Pg.	Ref. No.	Part Number	Description	Pg.	Ref. No.
F1912	HEX HD SCREW, 10 - 24 X 1/2	33	53	F2090	PLUG	25	64
F1914	HEX HD SCREW, 1/4 - 20 X 3/4	27	90	F2108	LOCK NUT, 5/16 - 18	33	56
F1916	HEX HD SCREW, 1/4 - 20 X 1 1/8	17	25	F2108	STOP NUT, 5/16 - 18	25	58
F1931	STOP NUT, 1/2 - 20, STAINLESS STEEL	47	56	F213274	GREASE FITTING	13	27
F1934	FLAT HD SCREW, 6 X 1/2	45	19	F213274	GREASE FITTING	31	33
F1934	FLAT HD SLOTTED SCREW, 6 X 1/2	9	50	F213342	SEAL, FUEL LINE COUPLER (LARGE)	39	4
F195/_	REMOTE CONTROL CABLES	52	-	F213735	SEAL, FUEL LINE COUPLER (SMALL)	39	5
F1950	HEX HD SCREW, 10 - 24 X 5/8	25	81	F24278	SEAL, "O" RING PROPELLER SHAFT SPOOL	35	10
F1953	HEX HD SCREW, 1/4 - 20 X 1	21	94	F269319	BEARING	17	32
F1959	FERRY HD CAP SCREW, 1/4 - 20 X 1 3/4, STAINLESS STEEL	45	30	F289446-1	CLAMP	7	12
F1960	PLAIN WASHER	47	57	F298788	FERRULE	39	7
F1963	ELASTIC STOP NUT, 5/8 - 18	45	41	F299449-3	SWITCH W/HARDWARE	45	17
F1966	PLUG, SWIVEL BRACKET	45	16	F2A321158	REED PLATE W/REEDS, REED STOP & SCREW	17	19
F1968	FLYWHEEL NUT	29	21	F2A404757	CYLINDER DRAIN REED PLATE, STOPS, METERING CUP AND SREWS	23	27
F1975	SPRING LOCKWASHER	7	10	F2A498023	BEVEL GEAR FRONT W/BEARING	35	29
F1975	SPRING LOCKWASHER	13	26	F2A498662	BEVEL GEAR REAR W/BEARING CAGE, SPACER AND BEARING	35	22
F197787-3	FUEL LINE COUPLER	39	6	F2A523239	SPOOL, PROPELLER SHAFT BEARING W/SEALS	35	11
F1987	PLAIN WASHER	25	66	F2S480179	TRIM, TOP	3	1
F1987	PLAIN WASHER	33	57	F2S480180	TRIM, REAR	3	6
F1990	HEX CAP SCREW, 1/4 - 20 X 1 5/8	37	61	F2S480269	TILT HANDLE	3	3
F1994	HEX SOCKET HD CAP SCREW, 5/16 - 18 X 1	35	37	F2S480888	TRIM, FRONT	5	43
F1997	STOP NUT, 8 - 32	17	40	F307317	CLIP, TERMINAL BLOCK	7	17
F1999	HEX CAP SCREW, 1/4 - 20 X 7/8	23	42	F310189	BUSHING, ELECTRIC CABLE	3	16
F1999	HEX CAP SCREW, 1/4 - 20 X 7/8	37	55	F311189-1	BUSHING, CABLE ENTRY	3	17
F2000	HEX CAP SCREW, 5/16 - 18 X 3/4	9	47	F316160	REED (4 PETAL)	17	18
F2001	FILL HD SCREW, 10 - 24 X 5/8	7	9	F316164	REED (1 PETAL)	17	-
F2008	HEX HD SCREW, 1/4 - 20 X 7/8	17	24	F316579	SEAL, CRANKCASE	29	11
F2014	PLAIN WASHER	13	9	F316599	SEAL, STEERING SUPPORT TUBE	31	32
F2014	PLAIN WASHER	33	59	F321756	PACKING	3	31
F2015	HEX NUT, 1/4 - 28	23	19	F321841-3	LEAD WIRE	13	32
F2016	FILL HD SCREW, 6 - 32 X 7/8	21	101	F333316	THROTTLE ROLLER SHAFT	19	49
F2030	HEX HD SCREW, 1/4 - 20 X 1 1/4	33	44	F333392	PLATE, SIDE	3	8
F203276	BOOT	13	30	F335215	SPACER, PISTON PIN (2 PER PISTON)	29	3
F2033	GROOVE PIN	21	87	F335217-1	BEARING PISTON PIN (26 PER SET)	29	5
F203673	TERMINAL CLIP	13	31	F335654-1	DEFLECTION STOP	3	21
F2042	PLAIN WASHER	23	3	F338618-1	SEAL, GEAR SHIFT ROD	31	17
F2047	WAVE SPRING WASHER	3	30	F338618-1	SEAL, GEAR SHIFT ROD	37	56
F2066	PAN HD TAPPING SCREW, 10 X 7/16	3	40	F345475-1	COIL	9	44
F2067	PLASTISOL CAP (NOT SHOWN)	29	-	F345683	WIRE, REGULATOR-RECTIFIER GROUND	7	5
F2088	FASTENER	5	46	F351276	SWITCH BOOT	45	21
F2089	SLOTTED PAN HD MACHINE SCREW, 10 - 24 X 5/16	27	101	F351307	SEAL, WATER PUMP	37	64
				F353480	STUD	31	25
				F369529	CYLINDER HEAD GASKET	25	74
				F369610	BEARING	25	53
				F369887	SHOULDER SCREW	25	52

PARTS INDEX

Part Number	Description	Pg.	Ref. No.	Part Number	Description	Pg.	Ref. No.
F369977-1	INTERLOCK ARM	25	54	F449754-1	HYDRAULIC LINE, LIFT CYLINDER, LOWER	47	46
F370366	NAME "CHRYSLER"	3	9	F449758	HYDRAULIC LINE, LIFT CYLINDER, UPPER	47	45
F370386	PLATE, REAR	3	5	F449843	CABLE	45	8
F370785	DECAL, CHARGER	5	48	F449889	SHAFT, UPPER	47	58
F373512	PLATE, INSERT	3	11	F460917	STARTER RELAY	7	26
F373778-1	RETAINER, ENGINE COVER	3	37	F461	SHOCK ABSORBER KIT	52	-
F381896-4	BATTERY CABLE	7	30	F474073-1	CLAMP SCREW	31	27
F391926-1	CHOKE SOLENOID PLUNGER	21	89	F474387	TIMING DECAL (NOT SHOWN)	9	-
F391983	BAND, RETAINING	9	51	F476066-1	COVER, THERMOSTAT	25	47
F40209	CARBURETOR STUD	17	36	F476067	GASKET, THERMOSTAT COVER	27	94
F40223	GASKET, TRANSFER PORT COVER	23	41	F480038-2	SUPPORT PLATE	3	15
F40278	SEAL, CYLINDER	45	37	F480107-1	CAM, STARTER INTERLOCK	27	102
F404097	FLYWHEEL	7	1	F480388	DISC, WATER PUMP LOCATING	37	62
F404268	SPRING, BY-PASS VALVE	25	84	F480518	CYLINDER HEAD	25	72
F404470-1	REGULATOR-RECTIFIER	7	8	F480551-1	BRACKET INTERLOCK SWITCH	21	95
F404513	COIL CLAMP	7	40	F480711	PLATE, ENGINE COVER FRONT	5	42
F404801	FITTING	23	36	F480818	BEARING, LATCH SHAFT	3	13
F404841	CABLE, HEAT INDICATOR	7	37	F480985	BLANKET, SILENCER SIDE (NOT SHOWN)	5	-
F407446	CLAMP	7	31	F481061-2	CARBURETOR COMPLETE (WB-21C)	19	72
F409251-1	GAUGE CAP	39	1	F481382-1	SPACER, LATCH SHAFT	3	29
F413420	SWITCH RETAINER	45	18	F481434	GUIDE, ENGINE COVER	5	45
F433209-1	STUD	17	30	F481567	CARBURETOR INTAKE ADAPTER	19	55
F433253	HOSE	23	37	F481774	BRACKET, ENGINE COVER LATCH	3	32
F438066	BY-PASS VALVE COVER	25	82	F481777	CAM, LATCH SHAFT	3	28
F438129	SEAL, DRIVESHAFT SPLINE	37	71	F481836	INTAKE GASKET	19	70
F438165	SCREW, FUEL PUMP BOWL	17	15	F481860-1	CARBURETOR, INTAKE	19	57
F438169	BEARING	31	37	F485755-1	FUEL TANK ADAPTER	39	3
F438271	RETAINER, CRANKSHAFT SPLINE SEAL	37	70	F499995	CYLINDER HEAD COVER	25	68
F438346	SHOCK MOUNT, LOWER	33	49	F50109	PLUG, GEAR HOUSING	37	44
F438398	DECAL, WIRING	25	75	F50342-1	SEAL, BEARING CAGE BOLTS	35	8
F438500	FUEL SEDIMENT BOWL	17	14	F506118	SEAL, PROPELLER SHAFT	35	9
F438617	FUEL SEDIMENT BOWL GASKET	17	13	F509299	WASHER, PROPELLER SPLINE	35	17
F438653	FUEL SEDIMENT BOWL SCREEN	17	12	F510374	DECAL, CIRCUIT BREAKER	7	41
F438668	RETAINER, CABLE CLAMP	7	13	F510460	CIRCUIT BREAKER	7	22
F438744-1	WIRING HARNESS	7	4	F511125-2	TUBE, STEERING SUPPORT	31	31
F438747	FUEL PUMP DIAPHRAGM	17	7	F511675	STARTER BRACKET, LOWER	11	15
F438754	FUEL LINE W/CLAMPS	19	79	F523031	GASKET, WATER PUMP	37	57
F438760	FUEL PUMP GASKET	17	8	F523057	BEARING, DRIVESHAFT LOWER	37	66
F438801	FITTING	17	5	F523065	WATER PUMP IMPELLER	37	59
F438930	RETAINER, SNOUT	35	36	F523094	PROPELLER NUT	35	13
F438962	SHOCK MOUNT SIDE	31	15	F523099	SPACER, PROPELLER	35	19
F438984-1	BLANKET, SILENCER TOP (NOT SHOWN)	5	-	F523116	EXHAUST SNOUT	35	38
F439736	SEAL, EXHAUST TUBE	31	10	F523133-2	MOTOR LEG	31	16
F449010	CYLINDER	45	38	F523146	SEAL, LOWER	29	13
F449181	SWITCH PLATE	45	20				
F449253-1	HYDRAULIC LINE, TRIM CYLINDER, LOWER	47	44				
F449254	HYDRAULIC LINE, TRIM CYLINDER, UPPER	45	29				
F449278	PISTON SEAL	45	36				
F449342	SEAL, PISTON SHAFT	45	34				
F449354	THRUST BRACKET	45	31				
F449545-2	CYLINDER HOUSING	45	40				
F449632	SHAFT	47	43				

PARTS INDEX

Part Number	Description	Pg.	Ref. No.	Part Number	Description	Pg.	Ref. No.
F523244	INLET WATER LINE	35	5	F5H077	IGNITION KEY SWITCH	53	-
F523274	GREASE FITTING	31	30	F5H078	IGNITION KEY SWITCH	53	-
F523280	NUT, STEERING SUPPORT TUBE	31	39	F5H081	BATTERY CABLE	52	-
F523411	RETAINING RING	35	23	F63754	HOSE INTAKE DRAIN	19	63
F523451	SPACER, REED STOP	17	34	F7004	STOP NUT, 3/18 - 16	23	24
F523498	DRIVE KEY, WATER PUMP	37	68	F7012	LOCK NUT, 1/2 - 20	31	21
F523555	SEAL, "O" RING - GEAR HOUSING COVER	37	49	F7013	STOP NUT	13	2
F523562	WATER PUMP BACK PLATE	37	58	F71H08	FUEL TANK (ACCESSORY ITEM)	39	2
F523705	GEAR SHIFT ROD LOWER	37	46	F71H21	IGNITION SWITCH MOUNTING KIT (ACCESSORY ITEM)	9	49
F523812	BEARING CUP	35	30	F71H26	BATTERY CABLE CLAMP KIT, (ACCESSORY ITEM)	7	32
F523834	CLIP, SPARK PLUG WIRE	23	5	F71H30	OVERHEAT BUZZER (ACCESSORY ITEM)	7	36
F523899	GROMMET, WATER LINE	35	4	F72H36	REMOTE CONTROL UNIT COMPLETE (SINGLE LEVER STARBOARD)	43	39
F523961	CRUSH RING	37	50	F74305	SEAL, DRIVESHAFT BEARING CAGE	37	51
F523962	SHOCK MOUNT	9	46	F74H20	IGNITION SWITCH (LONG BARREL) W/KEYS AND SCREWS	7	34
F528068	THERMOSTAT	25	70	F762	REMOTE ELECTRIC CABLE	53	-
F53504	GROMMET	19	58	F8001	WASHER	35	33
F58685-2	CONNECTOR, SHIFT CABLE	41	2	F8003	PLAIN WASHER	23	30
F590	SYNCHRO-DRIVE CONTROL HEAD (SINGLE LEVER)	52	-	F8011	PLAIN WASHER	7	20
F5H002	SPEEDOMETER FLUSH MOUNT	53	-	F8028	PLAIN WASHER	11	13
F5H003	SPEEDOMETER FLUSH MOUNT	53	-	F8056	LOCKWASHER	13	18
F5H004	SPEEDOMETER FLUSH MOUNT	53	-	F8056	LOCKWASHER	13	43
F5H005	TEMPERATURE GAUGE FLUSH MOUNT	53	-	F8056	SPRING LOCKWASHER	7	7
F5H006	VOLTMETER - FLUSH MOUNT	52	-	F8056	SPRING LOCKWASHER	25	87
F5H008	FUEL GAUGE FLUSH MOUNT	53	-	F8058	INTERNAL TOOTH LOCKWASHER	17	27
F5H010	POWER TRIM INDICATOR	52	-	F8058	INTERNAL TOOTH LOCKWASHER	25	48
F5H012	TACHOMETER FLUSH MOUNT	53	-	F8077	WASHER, GEAR HOUSING PLUG	37	43
F5H015	FLUSHING ADAPTER	52	-	F8083	SPRING LOCKWASHER	3	26
F5H018	DUAL ENGINE TIE BAR	52	-	F8083	SPRING LOCKWASHER	9	43
F5H019	ANTI-CORROSION KIT	52	-	F8083	SPRING LOCKWASHER	31	3
F5H021	EXTENSION CABLE	53	-	F8083	SPRING LOCKWASHER	37	54
F5H025	ANTI-CORROSION SACRIFICIAL ANODE	52	-	F8088	PLAIN WASHER	19	83
F5H026	STEEL, 6 GALLON FUEL TANK (LOW PROFILE)	52	-	F8088	PLAIN WASHER	21	102
F5H028	SENDING UNIT	53	-	F8094	PLAIN WASHER	3	27
F5H029	TANK ANCHOR	52	-	F8095	PLAIN WASHER	25	62
F5H037	CIGAR LIGHTER	53	-	F8096	SPRING LOCKWASHER	3	22
F5H040	STEEL, 12 GALLON FUEL TANK	52	-	F8096	SPRING LOCKWASHER	3	34
F5H041	BATTERY TERMINAL KIT	53	-	F8096	SPRING LOCKWASHER	7	25
F5H042	POWER TRIM	53	-	F8096	SPRING LOCKWASHER	33	47
F5H043	OVERHEAT BUZZER	52	-	F8096	SPRING LOCKWASHER	35	40
F5H044	TILT STOP KIT	52	-	F84011	WASHER	31	42
F5H050	HYDRAULIC TILT	53	-	F84074	CLAMP SCREW FOOT	31	26
F5H063	SYNCHRO-DRIVE CONTROL BOX (SINGLE LEVER)	52	-	F84146-2	SEAL	29	20
F5H064	EXHAUST SNOOT	52	-	F84278	SEAL, CRANKSHAFT BEARING CAGE	29	17
F5H068	RFI SUPPRESSION KIT	52	-	F84286-1	FRICTION WASHER	31	34
F5H070	REMOTE ELECTRIC CABLE	53	-	F84305	SEAL, PROPELLER SHAFT BEARING SPOOL	35	12
F5H074	WATER PUMP KIT	53	-				

PARTS INDEX

Part Number	Description	Pg.	Ref. No.	Part Number	Description	Pg.	Ref. No.
F84307-1	SEAL, DRIVESHAFT	37	52	F8563	DOWEL PIN	27	92
F84314-2	ELBOW	17	3	F85634-1	CONNECTING ROD SCREW	29	14
F84314-2	ELBOW	23	22	F85660-1	EXHAUST TUBE	31	2
F84342	SEAL, INLET WATER LINE			F85664	DISTRIBUTOR GROUND	13	28
	UPPER	35	3	F85664	GROUND WIRE	9	54
F84449	INTERLOCK SWITCH	21	98	F85704	COUPLER, GEARSHIFT ROD		
F84504	GROMMET	25	71		UPPER	33	48
F84521-1	CLUTCH	35	27	F85735-1	SEAL	3	39
F84792	GASKET, FUEL PUMP			F85748-2	GASKET, CYLINDER DRAIN		
	VALVE	17	10		REED PLATE	23	25
F85017	PISTON PIN	29	4	F85762	GASKET, BY-PASS VALVE	25	83
F85026	SWIVEL	23	21	F85772	CLAMP	31	5
F85033	CHOKE ROD SWIVEL	19	81	F85779-1	BAFFLE, AIR INTAKE	33	52
F85035	DISTRIBUTOR CONTROL			F85843-1	REMOTE ELECTRIC CABLE,		
	ROD END	23	20		18 FEET	7	38
F85036	TOWERSHAFT CONTROL			F85859	STUD, FORWARD	23	23
	ROD END	23	17	F85906	CARBURETOR GASKET	17	35
F85037-1	STERN BRACKET PIVOT			F85908	STARTER LEAD WIRE	11	19
	BOLT	31	41	F85916-1	BY-PASS VALVE	25	85
F85095-2	STATOR	7	3	F85924	CHOKE SOLENOID	7	28
F85117	BRACKET, WATER LINE	35	2	F85925	CHOKE ROD	21	86
F85122	PARTING LINE SEAL	27	93	F85965	SHOCK MOUNT, UPPER	33	54
F85130	BOOT, IDLE EXHAUST	31	7	F89758	FUEL PUMP AIR HOSE, TOP	17	4
F85151-1	EXHAUST PORT PLATE	25	80	F9018	CAP	31	40
F85152-4	EXHAUST PORT COVER	25	78	F9052	PLUG	31	29
F85154-1	GASKET, EXHAUST PORT			F90807	RETAINING RING	19	47
	PLATE	25	79	F90891	PIN, GEAR SHIFT ARM	35	32
F85159	GASKET, INTAKE MANIFOLD	17	22	F90891	PIN, PROPELLER NUT		
F85161-1	REED STOP	17	17		RETAINING	35	14
F85162	REED PLATE ADAPTER	17	21	F91446-1	CIRCUIT BREAKER		
F85168	GASKET REED PLATE				BRACKET	7	21
	ADAPTER	17	20	F92759	THROTTLE ROLLER	19	48
F85173	RETAINING RING	13	6	F93811	SCREEN	23	26
F85192-1	THROTTLE CAM	17	33	F93920	REED STOP	23	29
F85210	STUD	27	91	F97772	FUEL LINE CLAMP	39	11
F85211	STUD, REAR	23	46	F97772	HOSE CLAMP	19	62
F85253-1	FUEL LINE W/CLAMPS	21	88	F98273	ROD END CONNECTOR		
F85258	INSERT	31	8		STUD	25	50
F85279-2	CYLINDER EXHAUST			FA15072	HEX LOCK NUT, 1/4 - 20	11	11
	GASKET, UPPER	25	51	FA17559	LIFT CYLINDER COMPLETE	47	47
F85311	DISTRIBUTOR BELT	13	1	FA178962	SHOCK ABSORBER		
F85314-1	FUEL FITTING	21	92		W/BUSHING	47	55
F85317-1	CLAMP	21	90	FA321574	DISTRIBUTOR BRACKET	13	10
F85372	PIN, GEAR SHIFT ROD			FA335260	PISTON RING SET (3 PER		
	LOWER	37	48		SET)	29	1
F8538	SPRING PIN	31	28	FA370385	INSERT, PLATE SIDE	3	10
F85380	SPRING	31	6	FA411222	TRANSFER PORT COVER		
F85410	SNAP RING	29	8		W/PLUG	23	40
F85445	DISTRIBUTOR CONTROL			FA438431	FUEL PUMP BODY		
	ROD	23	18		W/VALVES	17	11
F85453-1	GASKET, EXHAUST LOWER	31	1	FA438493	TERMINAL BLOCK BRACKET	7	11
F85472-2	GASKET, CYLINDER DRAIN			FA439746	FUEL PUMP COVER	17	6
	COVER	23	32	FA449015	PISTON	45	35
F85498	FLYWHEEL KEY	29	16	FA449149	COVER W/SEALS AND		
F85502	THROTTLE LINK	23	8		RETAINER	45	33
F85509-1	CHOKE LINK	19	78	FA449799	PLATE ASSEMBLY	45	39
F85571	BEARING CAGE W/ROLLER	29	10	FA467892	INSERT, PLATE FRONT -		
F85606	KINGPIN CAP	33	43		U.S.A.	3	41
F85610	BEARING	25	56	FA467893	INSERT, PLATE FRONT -		
F85615	GEAR SHIFT ROD UPPER	33	55		CANADA	3	-

PARTS INDEX

Part Number	Description	Pg.	Ref. No.	Part Number	Description	Pg.	Ref. No.
FA480876	GEAR SHIFT ARM W/SWIVEL, INTERLOCK ARM AND BEARINGS . . .	25	57	FK750-1	SPARKIE W/SPRING	15	44
FA480894	TIMING POINTER	23	1	FK85228	BEARING CAGE W/ROLLER	29	7
FA481469	ENGINE COVER LATCH HANDLE W/SHAFT	3	12	FO10165	INLET SEAT GASKET	19	75
FA481743	LATCH, ROLLER BRACKET .	3	33	FO10588	BODY CHANNEL CUP PLUG	17	39
FA498266	BEVEL PINION GEAR W/CRUSH RING AND SHIMS	35	35	FO10790	INLET NEEDLE, SEAT AND GASKET	19	76
FA510497	TERMINAL BLOCK	7	15	FO11103	IDLE SCREW SPRING	19	53
FA523054	GEAR HOUSING W/BEARG CUP DRIVESHAFT BEARG LOWER, PLGS & WSHR .	35	42	FO13552	FUEL BOWL	19	67
FA523060	WATER PUMP BODY W/DRIVESHAFT SEAL, DISC AND WATER LINE SEAL	37	60	FO13554	FLOAT	19	69
FA523098	PROPELLER SHAFT	35	24	FO13555	CHOKE SHUTTER	19	77
FA523301	UNIT W/DECAL	9	45	FO13944	FLOAT LEVER PIN	19	68
FA523485	ANTI-CORROSION ANODE .	35	21	FO13945	FUEL BOWL RETAINING SCREW	19	65
FA523706	GEAR HOUSING COVER W/SEALS	37	53	FO13946	IDLE SCREW	19	54
FA523735	SEAL, INLET WATER LINE LOWER	37	65	FO13947	CHOKE SHAFT RETURN SPRING	19	73
FA58976-1	CONNECTOR, THROTTLE CABLE	41	1	FO15026	MAIN FUEL JET (.072)	19	52
FA77395-5	IDENTIFICATION PLATE W/SCREWS FOR U.S.A. MODELS	3	18	FO15217	MAIN NOZZLE	21	93
FA84621-1	COUPLING, GEAR SHIFT ARM W/BUSHING	37	45	FO15230	THROTTLE SHAFT AND LEVER	19	50
FA84754-1	FUEL LINE SHORT W/FERRULES	39	8	FO15623	FUEL BOWL GASKET	19	71
FA84871-1	PIN, GEAR SHIFT W/YOKE .	35	25	FO16008	THROTTLE SHAFT RETURN SPRING	19	51
FA85018-2	CRANKSHAFT W/BEARING .	29	15	FO16850	CHOKE SHAFT AND LEVER	19	74
FA85019	KINGPIN W/PLUG	31	36	FO16851	THROTTLE SHUTTER	17	42
FA85193	TIE BAR END W/SWIVEL . . .	19	43	FO2510	GASKET, FUEL BOWL RETAINING SCREW	19	66
FA85355-1	WASHER, SHOCK MOUNT UPPER	33	58	FO4326	BODY CHANNEL WELCH PLUG	17	38
FA85511	THROTTLE TIE BAR W/SWIVEL	19	44	FO8942	SHUTTER SCREW W/LOCKWASHER	17	41
FA85655-1	CRANKSHAFT MAIN BEARING RACE W/SNAP RING	29	9	FO8942	THROTTLE SHUTTER SCREW AND LOCKWASHER	21	96
FA85838-5	TOWERSHAFT W/BEARINGS, SWIVEL, ARMS AND SCREW	23	10	FP511	PROPELLER (ACCESSORY ITEM)	35	18
FA98689	BEARING, TOWERSHAFT . .	25	60	FS370944	ENGINE COVER W/RETAINER, SCREWS AND NUTS	3	7
FC409398	DECAL, TOTE TANK - CANADA (NOT SHOWN) .	39	-	FS409752	FUEL LINE COMPLETE (NOT SHOWN)	39	-
FC438398	DECAL, WIRING - CANADA .	25	-	FS480955	STARTER COMPLETE	11	-
FC498054	GEAR HOUSING COMPLETE (NOT SHOWN)	35	-	FSA335260	PISTON RINGS (3 PER SET) .010 OVERSIZE (NOT SHOWN)	29	-
FC510374	DECAL, CIRCUIT BREAKER, CANADA	7	-	FT2953	SOCKET	49	-
FG460-1	GASKET SET (NOT SHOWN)	27	-	FT2990	PISTON PIN TOOL	49	-
FK17114-1	INDICATOR	41	32	FT2996	RING COMPRESSOR	49	-
FK405020	SWIVEL W/PIVOT SCREW AND NUT	23	15	FT8901	INDICATOR HOLDER	50	-
				FT8902	DIAL INDICATOR	50	-
				FT8903	SEAL INSTALLER	49	-
				FT8907	DRIVE HANDLE	49	-
				FT8914	SEAL REMOVER	49	-
				FT8919	SPRING PIN PUNCH	50	-
				FT8922	SLIDE HAMMER	49	-
				FT8925	DRIVESHAFT SEAL INSTALLER	50	-
				FT8926	RING EXPANDER	49	-
				FT8927	SEAL PROTECTOR	49	-
				FT8933	LIFTING HOOK	51	-

PARTS INDEX

Part Number	Description	Pg.	Ref. No.	Part Number	Description	Pg.	Ref. No.
FT8948-1	FLYWHEEL PULLER	48	-				
FT8948-1	PROPELLER SHAFT BEARING CAGE PULLER	50	-				
FT8950	LEAKAGE TESTER	51	-				
FT8957	SEAL INSTALLER	50	-				
FT8978	TIMING LIGHT	48	-				
FT8985	PROPELLER SHAFT SPOOL SEAL INSTALLER	50	-				
FT8997	SHIMMING TOOL	50	-				
FTA2937-1	TIMING TOOL	48	-				
22-817789A1	DRAIN FITTING	19	64				
22-818103--1	ELBOW	19	61				
30-F284659-2	CRANKSHAFT THRUST BEARING UPPER	29	22				
31-817785A2	CRANKSHAFT BEARING CAGE W/SEAL	29	18				
31-FA523014	CRANKSHAFT LOWER MAIN BEARING W/SEAL	29	12				
32-817738A1	FUEL LINE LONG W/CLAMP AND FERRULE	39	10				
33-97180	SPARK PLUG (CHAMPION L- 20-V)	25	65				
39-818110A1	PISTON RINGS (3 PER SET) .030 OVERSIZE (NOT SHOWN)	29	-				
45-818017A3	DRIVESHAFT W/BEARING, SHIMS AND CRUSH RING	37	69				
84-817775A1	COIL WIRE W/TERMINAL CLIP	13	29				
87-817778A1	THERMOSWITCH	25	88				
600-818052A4	CONNECTING ROD W/CAP AND SCREWS	29	6				
700-817988A2	PISTON .010 OVERSIZE (NOT SHOWN)	29	-				
700-818111A2	PISTON .030 OVERSIZE (NOT SHOWN)	29	-				
700-F372015-3	PISTON	29	2				
800-817823A7	CYLINDER, PARTING LINE SEAL, SCREWS & DOWEL PINS	27	89				
800-817901A9	SHORT BLOCK (NOT SHOWN)	27	-				
1400-817958A6	STERN BRACKET	31	20				