



PARTS CATALOG

7.5 H.P.

SERIAL NUMBER

7.5 (1984)	72C4G
7.5 (1984)	72H4G
7.5 (1984)	73C4G
7.5 (1984)	73H4G
7.5 H.P. (1985)	72F5A

TABLE OF CONTENTS:

ACCESSORIES	36
ELECTRICAL COMPONENTS	6
ENGINE COVER AND SUPPORT PLATE	2
FUEL SYSTEM	12
FUEL TANK AND LINE	28
GEAR HOUSING	24
MOTOR LEG	20
PARTS INDEX	37
POWER HEAD	16
SPECIAL TOOLS - LOWER UNIT	33
SPECIAL TOOLS - LUBRICANTS AND SEALANTS	35
SPECIAL TOOLS - POWER HEAD	32
SPECIAL TOOLS - STARTER	31
SPECIAL TOOLS - TEST EQUIPMENT	34
SPECIAL TOOLS - TUNE-UP	30
STARTER	10
STEERING ARM	8

NOTE: Indented description indicate that these parts are included in preceeding assembly.

AR = As Required

NSS = Not Sold Separate

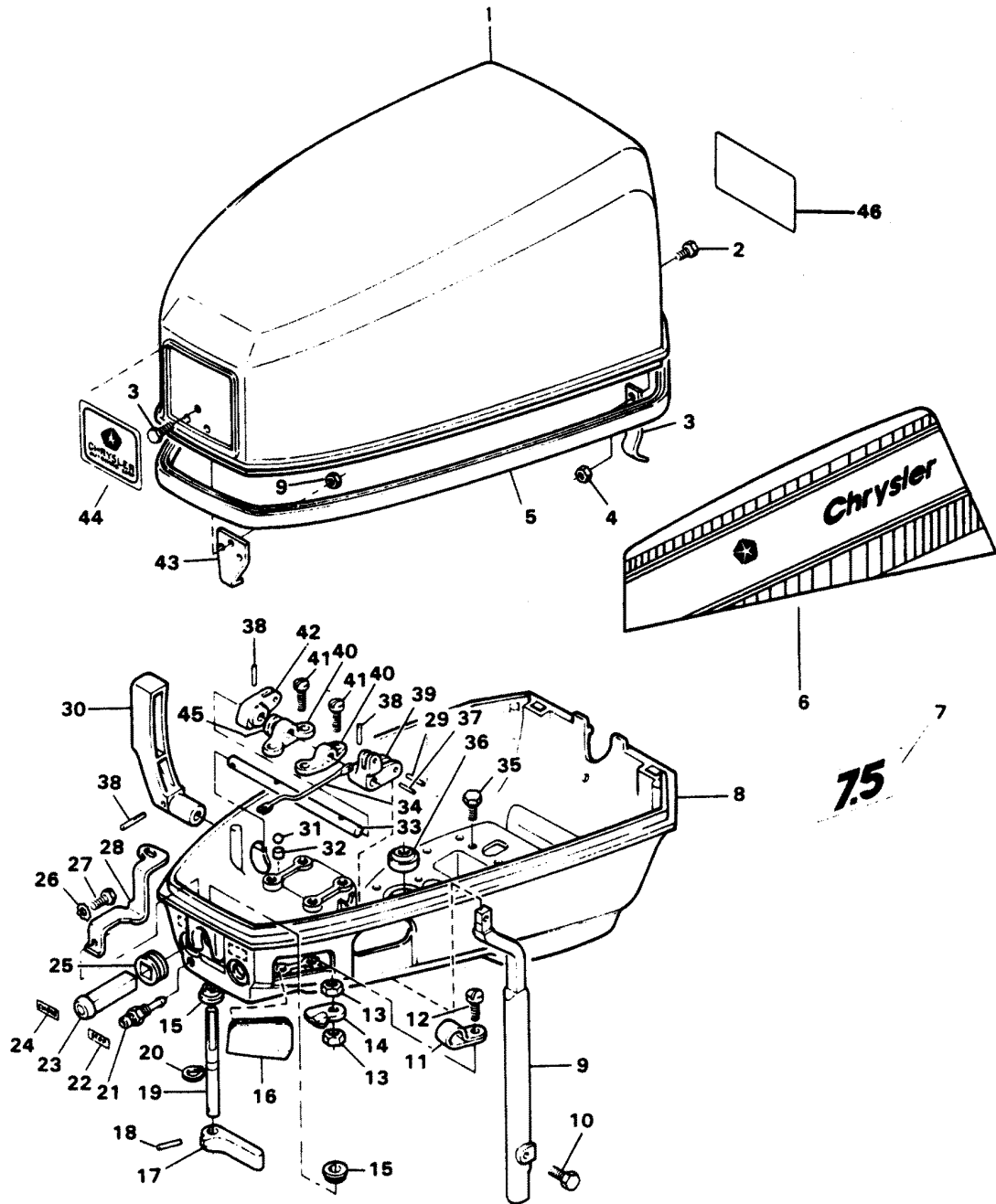
OPT = Optional

NS = Not Shown

THESE PARTS BOOKS/FICHE CARD ARE COPYRIGHTED AND MAY NOT BE DISTRIBUTED OR REPRODUCED IN ANY OTHER FORMAT BY ANYONE OTHER THAN MERCURY MARINE WITHOUT THE PRIOR WRITTEN CONSENT OF MERCURY MARINE.

THIS PAGE INTENTIONALLY LEFT BLANK

ENGINE COVER AND SUPPORT PLATE



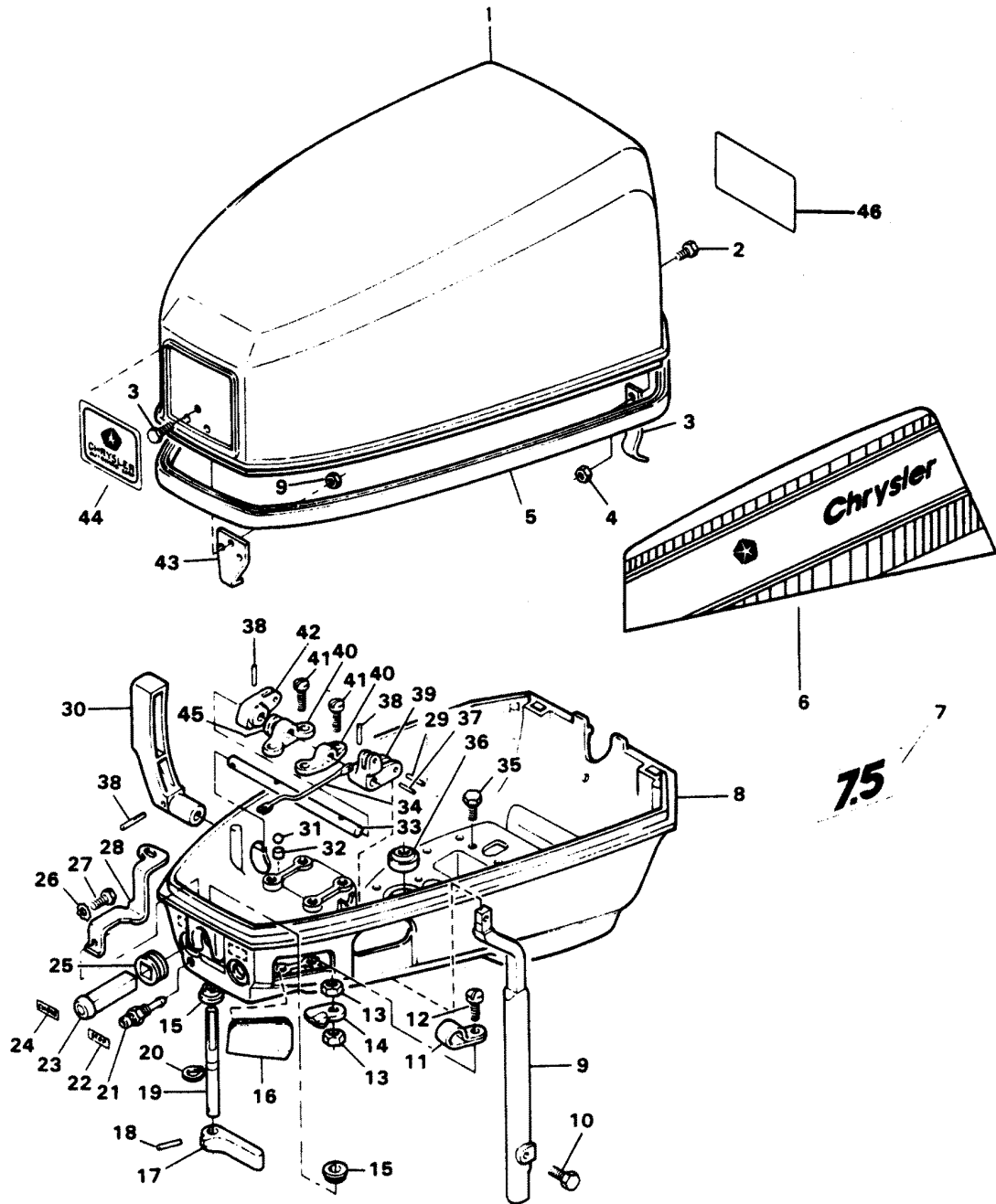
OB 3928

ENGINE COVER AND SUPPORT PLATE

REF. NO.	PART NO.	SYM.	QTY.	DESCRIPTION
1	FS537712		1	ENGINE COVER W/ILLUS. 3, 5 AND 43
-	F2C594712		1	ENGINE COVER COMPLETE. INCLUDES ALL ITEMS MARKED WITH AN (*) ORDER NUMERAL SEPARATE
2	F1475		7	FILL HD SCREW, 10 - 24 X 1/2
3	817858A1		2	RETAINER ENGINE COVER W/ILLUS. 2 AND 4 ORIGINAL FORCE P/N A 525480-1
4	F7011		7	ELASTIC STOP NUT, 10 - 24
5	FK525713		1	ENGINE COVER PACKING W/LITERATURE
6	FA594397		1	DECAL ENGINE COVER PORT W/LITERATURE
-	FA594396		1	DECAL ENGINE COVER STARBOARD W/LITERATURE
7	FA609386		2	DECAL, NUMERAL 7.5 W/LITERATURE
8	FA525038		1	SUPPORT PLATE W/EYELET
9	F525615		1	ROD GEAR SHIFT UPPER
10	F1950		1	HEX HD SCREW, 10 - 24 X 5/8
11	F178446		1	CLAMP LEAD WIRE
12	F1734		1	SLOTTED FILL HD SCREW, 1/4 - 20 X 1/2
13	F1515		2	NUT, 5/16 - 18
14	F392777		1	CAM COVER LATCH
15	F307818		2	BEARING (NYLINER)
16	F525840		1	GROMMET REMOTE THROTTLE CABLE
17	F525469		1	HANDLE LATCH
18	F8547		1	SPRING PIN, 1/8 X 5/8
19	F525763		1	SHAFT COVER LATCH
20	F73741-1		1	RING
21	F197767-1		1	BUSHING FUEL LINE
22	F525390		1	DECAL STOP - USA
-	FC525390		1	DECAL STOP - CANADA
23	F521547		1	CHOKE KNOB
24	F525394		1	DECAL CHOKE - USA
-	FC525394		1	DECAL CHOKE - CANADA
25	F525504		1	GROMMET, CHOKE ROD
26	F1975		1	LOCKWASHER, #10
27	F2041		1	HEX HD SCREW, 10 - 24 X 3/8
28	F525925		1	LINK CHOKE KNOB
29	F8567		1	SPRING PIN, 1/8 X 13/16
30	F525614		1	HANDLE GEAR SHIFT
31	F409740		1	BALL CHECK
32	F525025		1	PAD SHIFT DETENT
33	F525871		1	SHAFT GEAR SHIFT LEVER
34	F525263		1	LINK STARTER INTERLOCK
35	F1689		2	HEX HD SCREW, 1/4 - 20 X 1/2
36	F318307		1	SEAL, DRIVESHAFT
37	F8538		1	SPRING PIN, 3/32 X 1/2
38	F8547		3	SPRING PIN, 1/8 X 5/8

CONTINUED ON NEXT PAGE ➡

ENGINE COVER AND SUPPORT PLATE

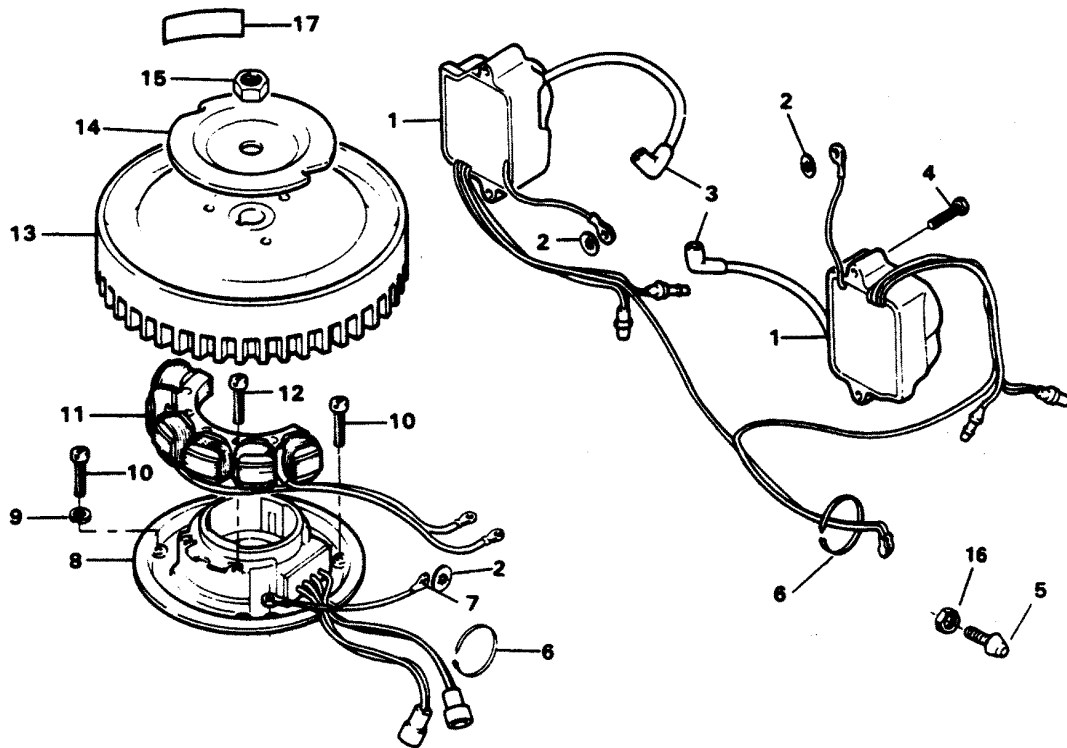


OB 3928

ENGINE COVER AND SUPPORT PLATE

REF. NO.	PART NO.	SYM.	QTY.	DESCRIPTION
39	F525876		1	LEVER GEAR SHIFT
40	F318818		2	BEARING, SHIFT LEVER SHAFT
41	F1573		4	FILL HD SCREW, 1/4 - 20 X 1/2
42	F525977		1	LEVER SHIFT INTERLOCK
43	FA525774		1	BRACKET COVER LATCH W/ILLUS. 2 AND 4
44	FA621892		1	DECAL ENGINE COVER FRONT
45	F8049		1	WASHER BOWED SPRING
46	FA621528		1	DECAL, ENGINE COVER REAR

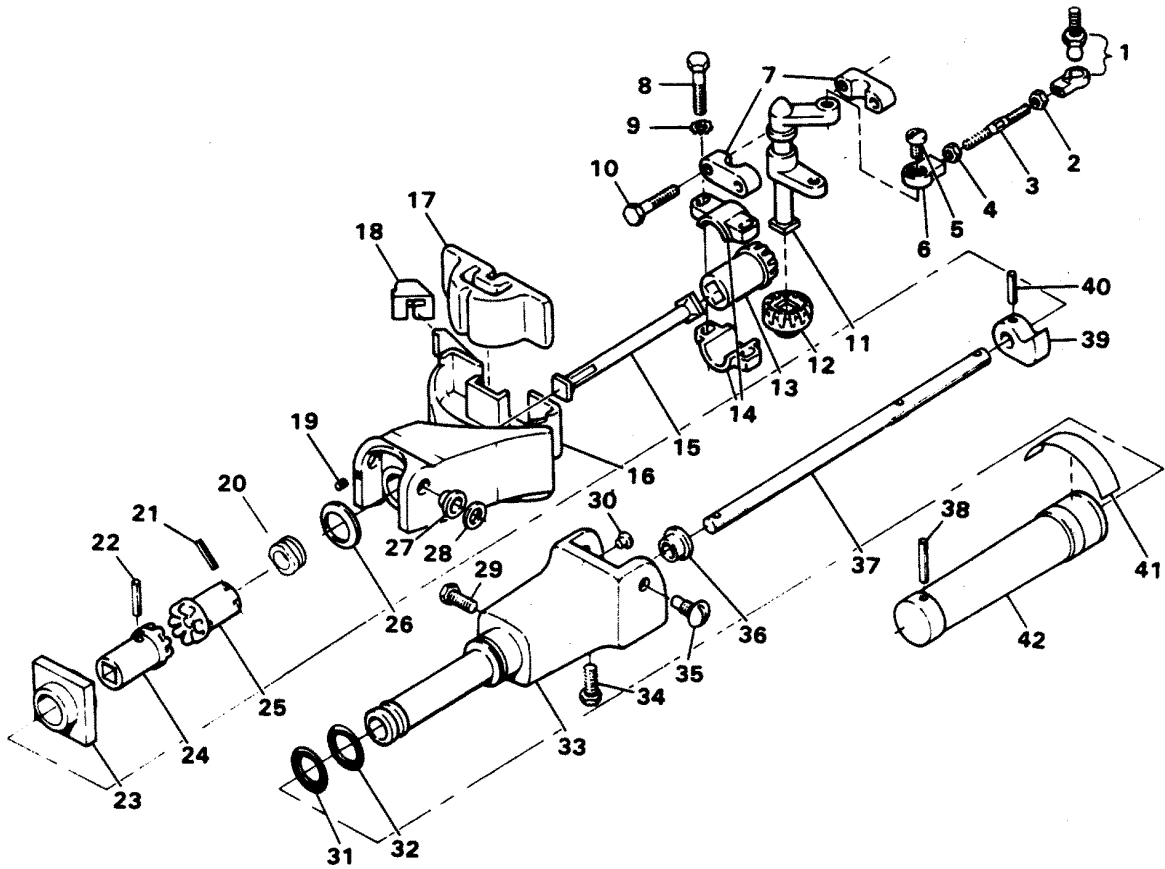
ELECTRICAL COMPONENTS



ELECTRICAL COMPONENTS

REF. NO.	PART NO.	SYM.	QTY.	DESCRIPTION
1	F525475		2	C-D MODULE COIL
2	F2106		3	LOCKWASHER
3	FK1123		2	SPARKIE KIT
4	F525064		4	SCREW - C-D COIL
5	FK436449		1	SHORTING SWITCH WILLUS. 16
6	F1877		2	TY-RAP
7	F404908		1	WIRE, STATOR GROUND
8	F525029		1	STATOR - TRIGGER
9	F1975		1	SPRING WASHER
10	F2010		4	FILL HD SCREW, 10 - 32 X 9/16
11	F525301		1	STATOR - C-D
12	F1087		2	FILL HD SCREW, 10 - 24 X 7/8
13	FA525097		1	FLYWHEEL WILLUS. 17
14	F901456-1		1	COLLAR, EMERGENCY START
15	F1809		1	FLYWHEEL NUT
16	F436280		1	NUT, SHORTING SWITCH
17	FA609853		1	DECAL, WARNING W/LITERATURE

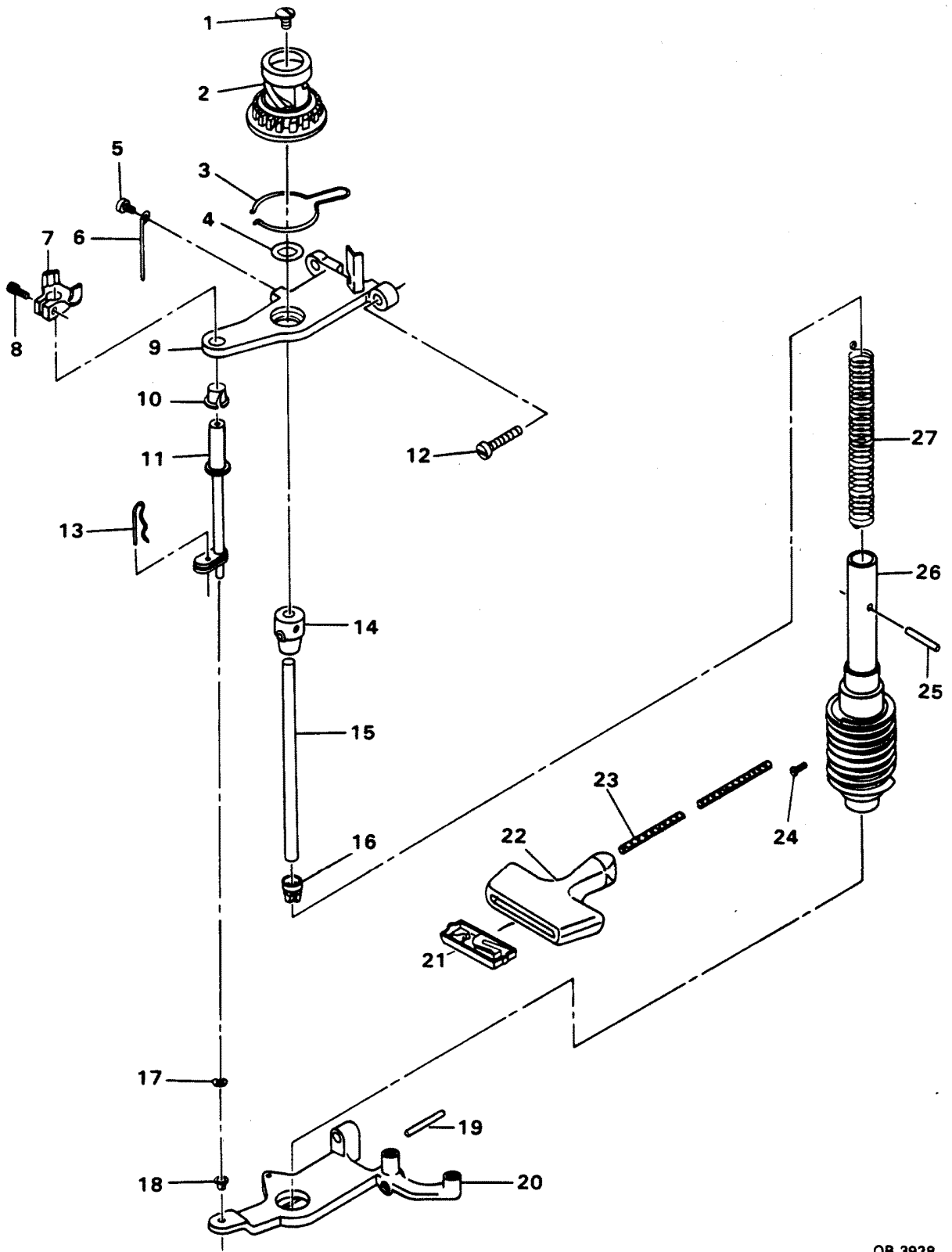
STEERING ARM



STEERING ARM

REF. NO.	PART NO.	SYM.	QTY.	DESCRIPTION
1	817747--1		1	JOINT, BALL ASSEMBLY
2	F1513		1	NUT, 10 - 32
3	F525445		1	LINK, MAGNETO STATOR CONTROL
4	F7027		1	NUT (LEFT HAND), 10 - 24
5	F84026		1	SHOULDER SCREW
6	F84036		1	BEARING, SPARK CONTROL
7	F525689		2	TOWERSHAFT BEARING
8	F525751		2	SCREW
9	F8060		2	LOCKWASHER
10	F1699		2	HEX HD SCREW, 1/4 - 20 X 1 1/8
11	F525838		1	TOWERSHAFT
12	F525605		1	GEAR, TOWERSHAFT
13	F525627		1	GEAR, TOWERSHAFT PINION
14	F525665		2	BEARING, GEAR PINION TOWERSHAFT
15	F525877		1	SHAFT, MAGNETO CONTROL
16	F525582-1		1	STEERING ARM
17	F318539		1	BUMPER
18	F318347-1		1	UPPER MOUNT
19	F1471		1	HEX SET SCREW, 10 - 24 X 1/4
20	F318504		1	GROMMET
21	F8540		1	SPRING PIN, 3/32 X 5/8
22	F8567		1	SPRING PIN, 1/8 X 13/16
23	F525816-1		1	BEARING, STEERING HANDLE GEAR
24	F525815		1	GEAR, STEERING HANDLE
25	F525691		1	GEAR, STEERING ARM
26	F8043		1	WAVE WASHER
27	F390689		2	BEARING, STEERING ARM PIVOT SCREW
28	F525220		2	WASHER, STEERING HANDLE
29	F458519		1	SCREW, IDLE STOP
30	F525524		1	RIVET, STEERING HANDLE
31	F215795		1	SEAL O-RING STEERING HANDLE DAMPENER
32	F53795-1		1	SEAL, STEERING HANDLE DAMPENER
33	F525079		1	HANDLE - STEERING
34	F1974		1	SCREW, STEERING HANDLE BEARING
35	F525080		2	SCREW, STEERING HANDLE PIVOT
36	F307818		1	BEARING, STEERING HANDLE SHAFT
37	F525688-1		1	SHAFT, STEERING HANDLE
38	F8548		1	SPRING PIN, 1/8 X 1
39	F525198		1	THROTTLE STOP
40	F8547		1	SPRING PIN, 1/8 X 5/8
41	37-F286894-3		1	INDICATOR STEERING HANDLE
42	F429137		1	GRIP, STEERING HANDLE

STARTER

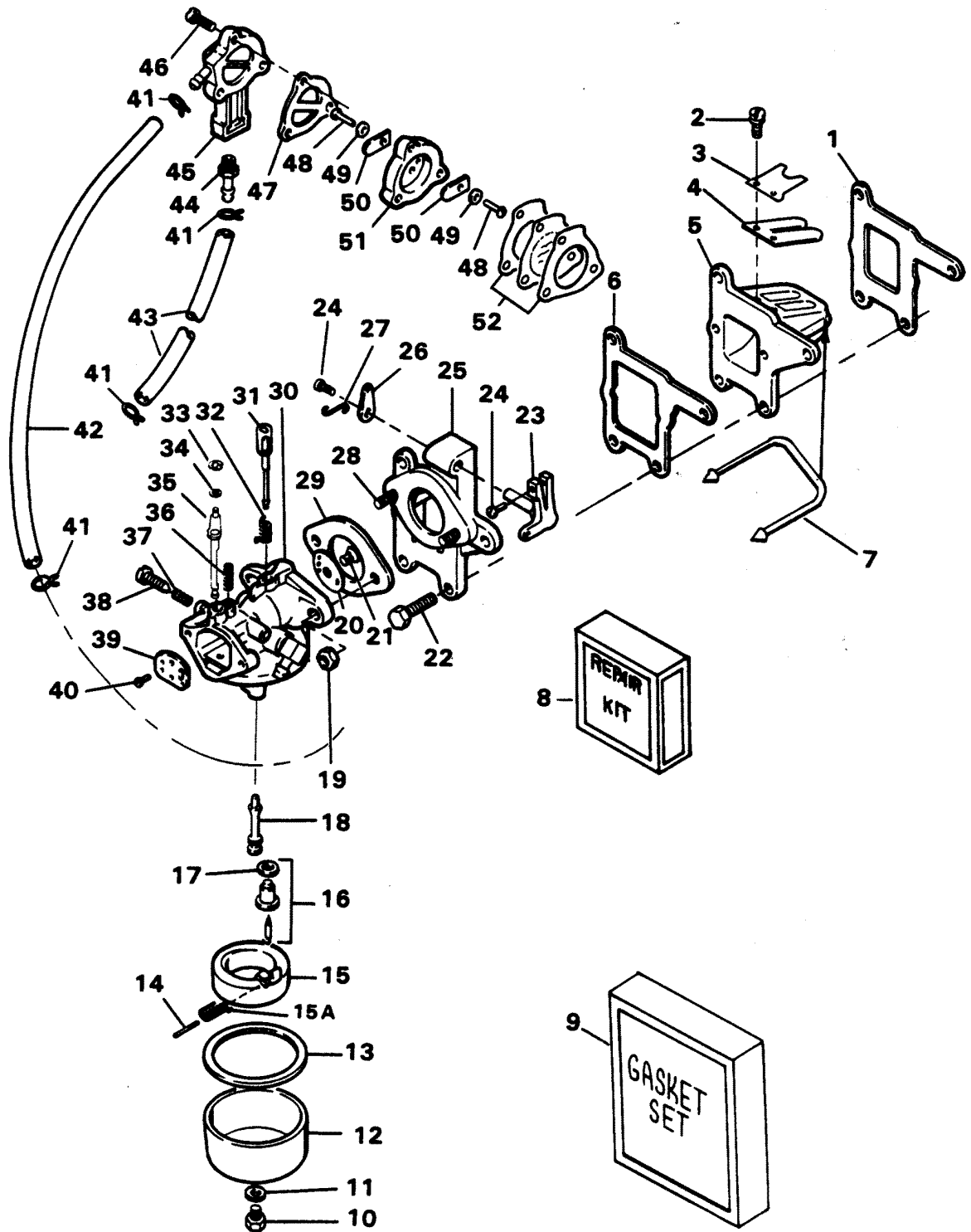


OB 3928

STARTER

REF. NO.	PART NO.	SYM.	QTY.	DESCRIPTION
1	F525457		1	SCREW
2	F525674-1		1	GEAR STARTER PINION
3	F525424		1	SPRING STARTER PINION
4	F53795-1		1	O-RING
5	F1760		1	PAN HD SCREW, 10 - 24 X 3/8
6	F525455		1	GUIDE STARTER ROPE
7	F525781		1	INTERLOCK STARTER
8	F2031		1	HEX HD SCREW, 1/4 - 20 X 3/4
9	F525427-1		1	BRACKET STARTER UPPER
10	F269689		1	BEARING STARTER BRACKET UPPER
11	F525105		1	SHAFT INTERLOCK
12	F1052		4	FILL HD SCREW, 1/4 - 20 X 1
13	F525629		1	COTTER PIN
14	F901739		1	DRIVE STARTER REWIND SPRING
15	F901710		1	POST STARTER SPRING GUIDE
16	F525737		1	RETAINER STARTER REWIND SPRING
17	F8070		1	BOWED SPRING WASHER
18	F197813		1	BEARING STARTER BRACKET LOWER
19	F8571		1	SPRING PIN, 1/8 X 1 3/4
20	F525675		1	BRACKET STARTER LOWER
21	817938A1		1	RETAINER W/LITERATURE ORIGINAL FORCE P/N K 286817-1
23	F409232		1	ROPE STARTER
24	F1500		1	RD HD SHEET METAL SCREW #4 X 1/4
25	F40425		1	PIN STARTER PINION
26	817856A1		1	SPOOL STARTER W/ILLUS. 24 AND LITERATURE ORIGINAL FORCE P/N A 525239-1
27	F901970		1	SPRING STARTER REWIND

FUEL SYSTEM

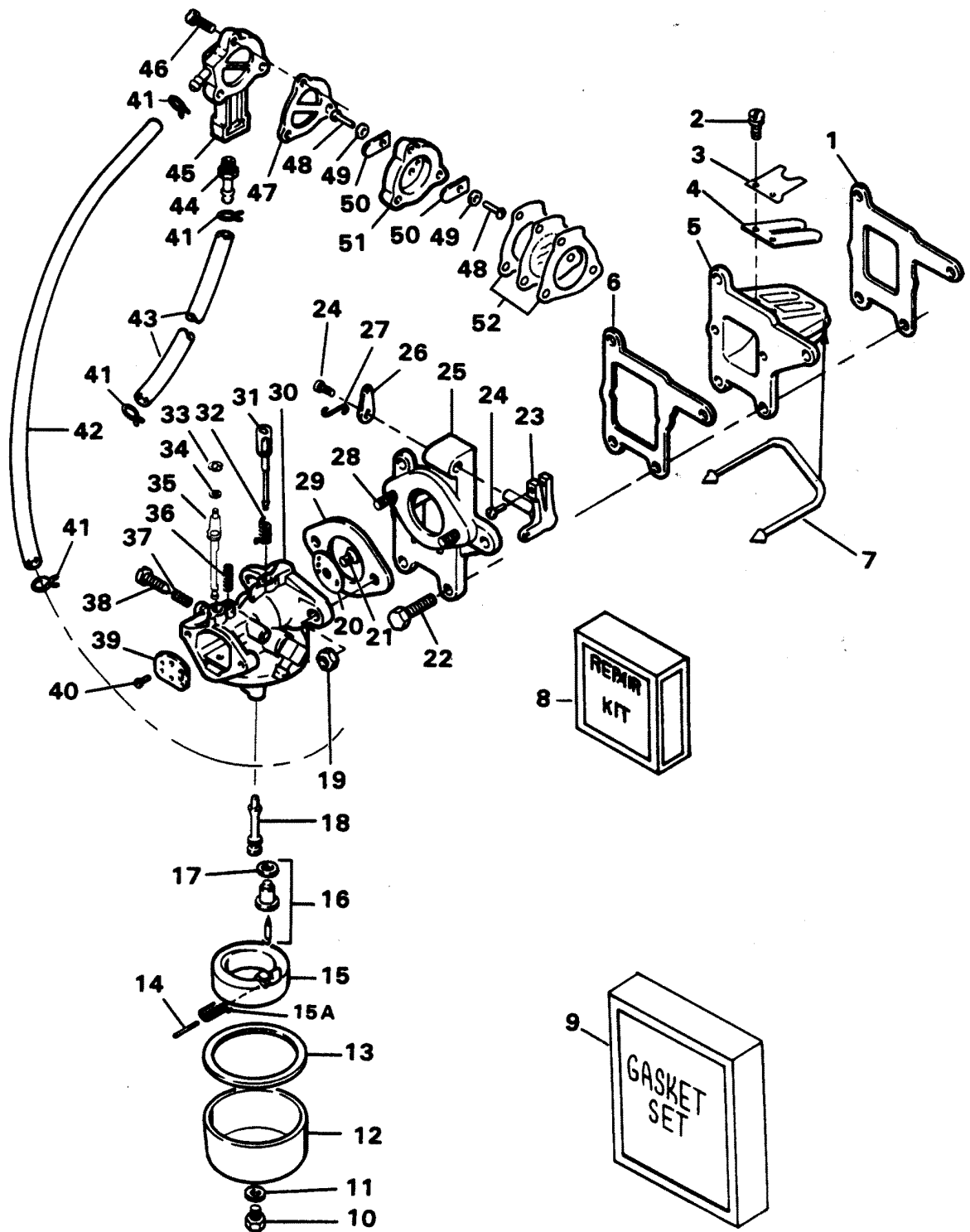


FUEL SYSTEM

REF. NO.	PART NO.	SYM.	QTY.	DESCRIPTION
1	F525159		1	GASKET, REED PLATE
2	F1755		4	RD HD SCREW & SPRING LOCKWASHER ASSEMBLY, 6 - 32 X 5/16
3	F526161		2	REED STOP
4	F31160-1		2	REED
5	F2A525158		1	PLATE REED W/ILLUS. 7
6	F525168		1	GASKET MANIFOLD
7	F525984		1	SEAL, REED PLATE
8	F10083		1	REPAIR KIT. INCLUDES ALL ITEMS MARKED WITH DOUBLE ASTERISKS (**)
9	FK10069		1	GASKET KIT. INCLUDES ALL ITEMS MARKED WITH AN ASTERISK (*)
10	F10089		1	JET ASSEMBLY, STD. .041 SEA LEVEL - 3000 FT.
-	F10097		-	JET ASSEMBLY, OPT. .040 3000 - 5000 FT.
-	F10096		-	JET ASSEMBLY, OPT. .039 5100 - 7000 FT.
-	F10093		-	JET ASSEMBLY, OPT. .038 7000 FT. & UP OPTIONAL SIZE JET ASSEMBLIES ARE TO BE USED ONLY AT ALTITUDES INDICATED.
11	F10090		1	GASKET FUEL BOWL RETAINER
12	F10058		1	FUEL BOWL
13	F10068		1	GASKET BODY TO BOWL
14	F10064		1	SHAFT - FLOAT
15	F10063		1	FLOAT W/ILLUS. 14
15A	F10084		1	FLOAT SUPPORT SPRING
16	F10101		1	KIT - VALVE, SEAT, SPRING & GASKET
17	F10066		1	GASKET VALVE SEAT
18	F10088		1	NOZZLE
19	F1490		2	NUT, 1/4 - 20
20	F10091		1	VALVE THROTTLE
21	F10071		1	SCREW, THROTTLE VALVE
22	F1532		4	HEX HD SCREW, 1/4 - 20 X 1
23	F525316-1		1	FOLLOWER THROTTLE CAM
24	F1772		2	HEX HD SCREW, 8 - 32 X 1/2
25	FA525167		1	MANIFOLD W/ILLUS. 28
26	F525081-1		1	LEVER THROTTLE
27	F525193		1	LINK THROTTLE
28	F2788004		2	STUD CARBURETOR
29	F18906		1	GASKET CARBURETOR
30	1300-817966A4		1	CARBURETOR W/ILLUS. 33 AND LITERATURE ORIGINAL FORCE P/N K 526061-4
31	F10081		1	SHAFT ASSEMBLY - THROTTLE
32	F10085		1	SPRING THROTTLE RETURN
33	F90807		1	RETAINING RING
34	F2042		1	WASHER
35	F10061		1	CHOKE SHAFT ASSEMBLY

CONTINUED ON NEXT PAGE ➡

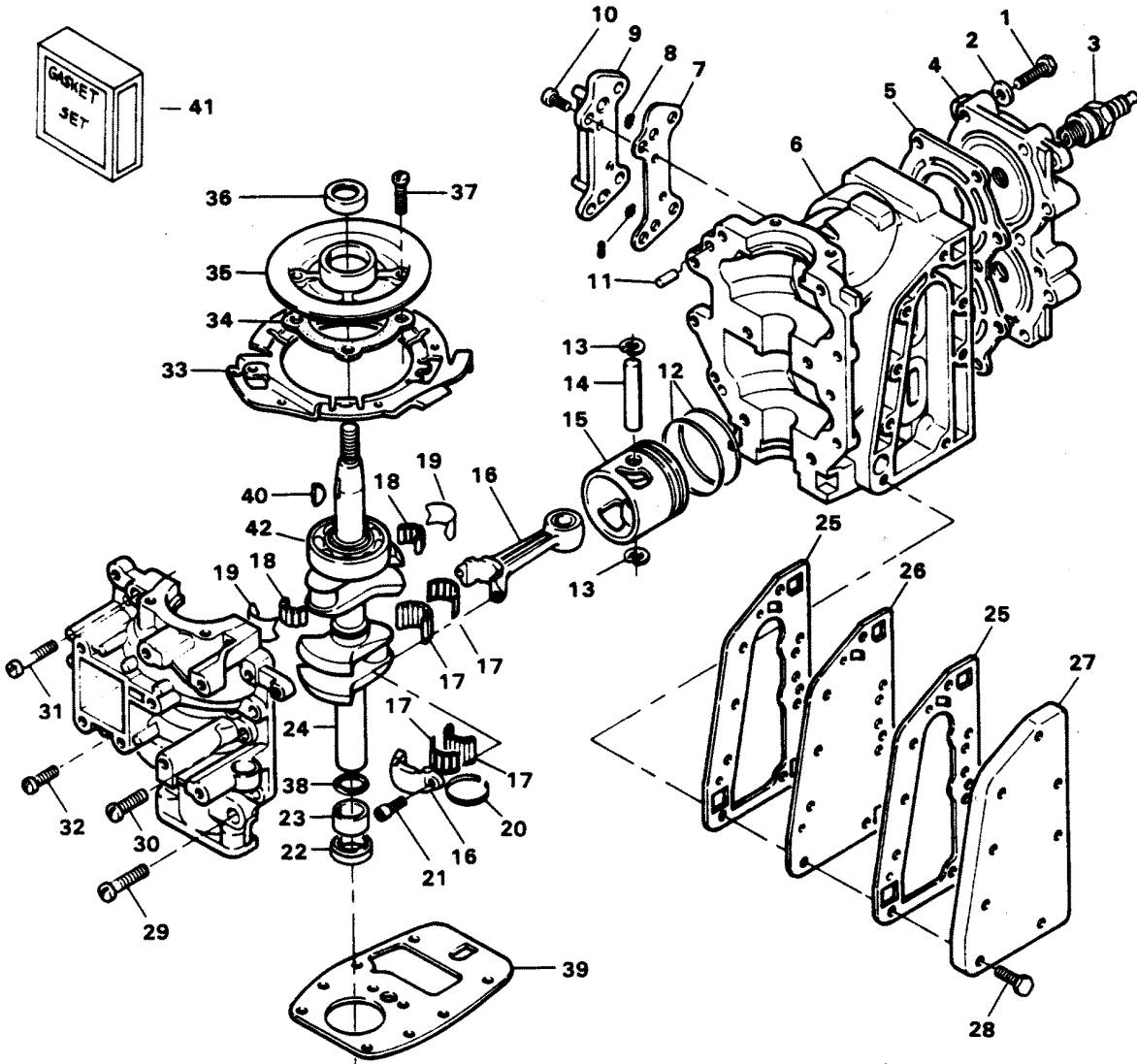
FUEL SYSTEM



FUEL SYSTEM

REF. NO.	PART NO.	SYM.	QTY.	DESCRIPTION
36	F10072		1	SPRING CHOKE STOP
37	F10073		1	SPRING IDLE NEEDLE
38	F10077		1	NEEDLE - IDLE
39	F10062		1	CHOKE VALVE ASSEMBLY
40	F10070		2	SCREW ASSEMBLY - CHOKE VALVE
41	F2706772		4	CLAMP HOSE
42	FA84253		1	HOSE WILLUS. 41
43	FA84253		1	HOSE WILLUS. 41
44	F901811		1	FILTER FUEL PUMP
45	F901746-2		1	COVER FUEL PUMP
46	F1069		3	FILL HD SCREW, 10 - 24 X 1 1/16
47	F24748-2		1	GASKET FUEL PUMP
48	F1286		2	PAN HD SCREW, #4 - 40 X 3/16
49	F8003		2	PLAIN WASHER
50	F18160-2		2	REED FUEL PUMP
51	F2A24757		1	PLATE FUEL PUMP REED WILLUS. 48, 49 AND 50
52	27-818043A1		1	DIAPHRAGM, FUEL PUMP W/GASKETS
53	F10116		1	BODY CHANNEL PLUG KIT (NOT SHOWN)

POWER HEAD

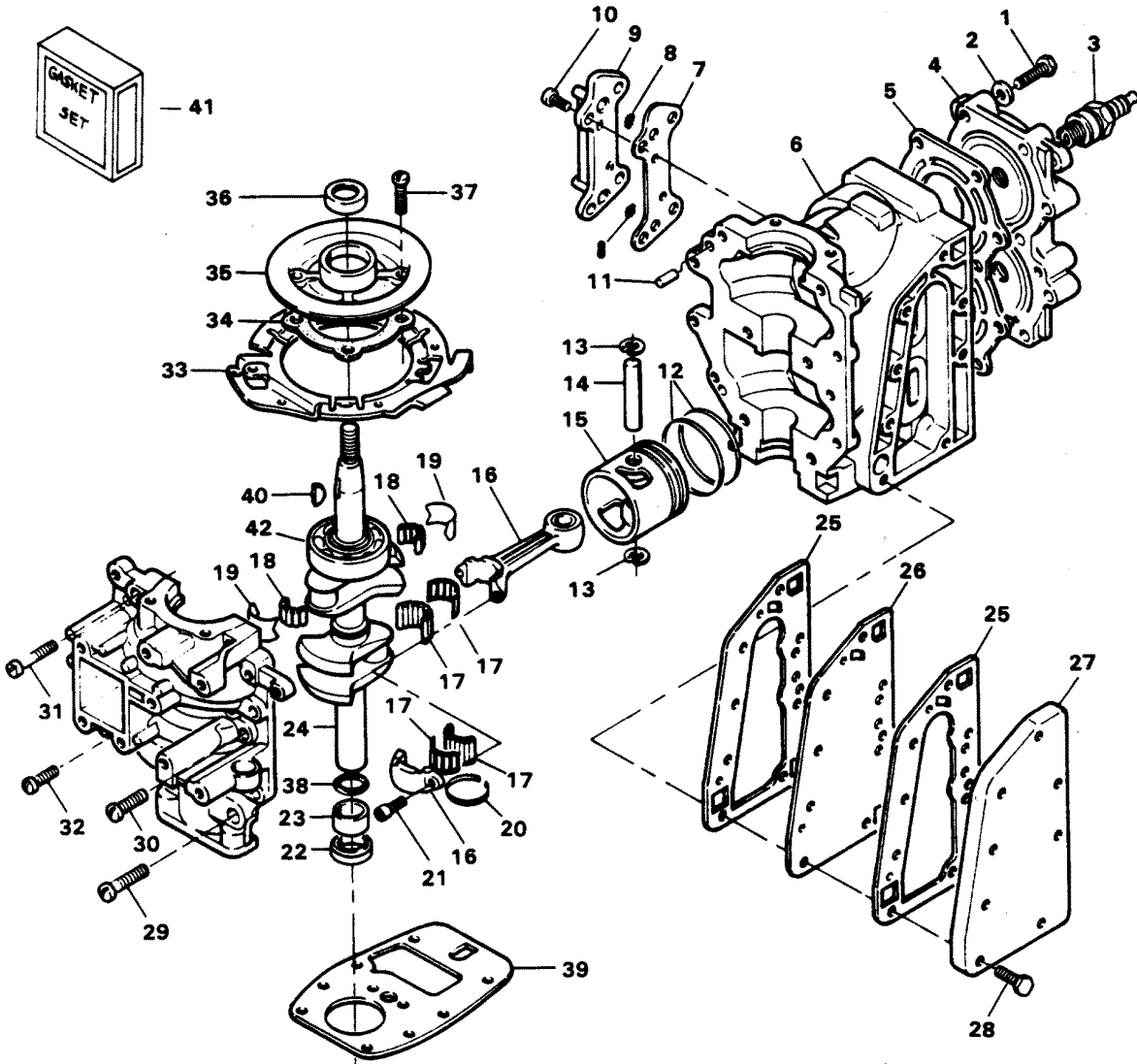


POWER HEAD

REF. NO.	PART NO.	SYM.	QTY.	DESCRIPTION
1	F901938-1		10	SCREW, CYLINDER HEAD
2	F8025		10	PLAIN WASHER
3	33-82370M		2	SPARK PLUG (L-86)
4	F525518		1	CYLINDER HEAD
5	F525529		1	GASKET, CYLINDER HEAD
6	F2A525010		1	CYLINDER W/ILLUS. 11, 29 AND 31
-	FC525010		1	CYLINDER COMPLETE (NOT SHOWN). INCLUDES ALL ITEMS MARKED WITH AN ASTERISK (*)
7	F525472		1	GASKET, CYLINDER DRAIN COVER
8	F429811		2	SCREEN, CYLINDER DRAIN
9	FA525471		1	COVER, CYLINDER DRAIN W/CHECK VALVE AND ILLUS. 8
10	F1110		4	SCREW, 1/4 - 20 X 5/8
11	F8559		2	DOWEL PIN
12	39-818038A1		2	PISTON RING (2 RINGS PER SET)
13	F250410		4	PISTON PIN RETAINING RING
14	F250017		2	PISTON PIN
15	F525015		2	PISTON
16	F2A521016		2	CONNECTING ROD W/ITEM 21
17	FA567241		2	BEARING ASSEMBLY W/CAGE & ROLLERS
18	F286571		1	ROLLER ASSEMBLY, CENTER MAIN BEARING
19	FA286155		1	LINER, CENTER MAIN
20	F525579		1	CRANKCASE SEAL
21	F36634		4	CONNECTING ROD SCREW
22	F141118		1	SEAL, CRANKSHAFT LOWER
23	F341014		1	BEARING, CRANKSHAFT LOWER MAIN
24	F2A525018		1	CRANKSHAFT W/ILLUS. 42
25	F525154		2	GASKET EXHAUST
26	F525151		1	PLATE EXHAUST
27	F525152		1	COVER EXHAUST
28	F1532		8	SCREW, 1/4 - 20 X 1
29	F1257		2	SCREW, 5/16 - 18 X 1 1/4
30	F1994		2	SCREW, 5/16 - 18 X 1
31	F1044		2	SCREW, 1/4 - 20 X 1 3/8
32	F1107		6	SCREW, 1/4 - 20 X 3/4
33	F525082		1	RING STATOR
34	F286277		1	GASKET, CRANKSHAFT BEARING CAGE
35	1100-817753A1		1	CAGE, CRANKSHAFT BEARING W/ILLUS. 36 ORIGINAL FORCE P/N A 286144-1
36	F346146		1	SEAL, CRANKSHAFT UPPER
37	F1111		4	FILL HD SCREW, 1/4 - 20 X 7/8
38	F468342		1	SEAL, CRANKSHAFT SPLINE
39	F525279		1	GASKET, CYLINDER MOUNTING
40	F458498		1	MAGNETO KEY
41	FG1018		1	GASKET SET. INCLUDES ITEMS LISTED BELOW

CONTINUED ON NEXT PAGE ➡

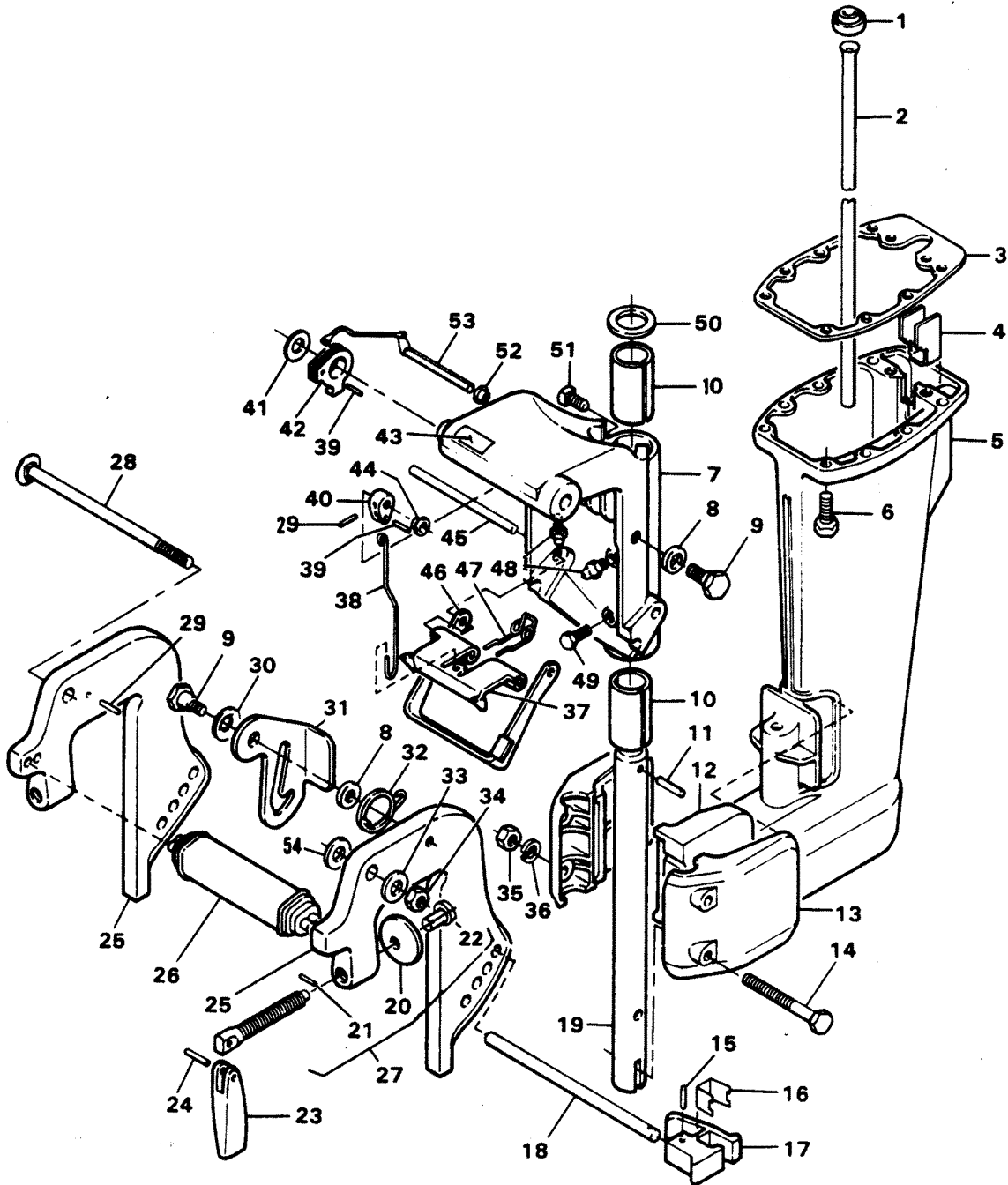
POWER HEAD



POWER HEAD

REF. NO.	PART NO.	SYM.	QTY.	DESCRIPTION
-	F18906		1	GASKET, CARBURETOR
-	F286277		1	GASKET, CRANKSHAFT BEARING CAGE
-	F525154		2	GASKET, EXHAUST
-	F525159		1	GASKET, REED PLATE
-	F525168		1	GASKET, MANIFOLD
-	F525279		1	GASKET, CYLINDER MOUNTING
-	F525453		1	GASKET, LEG MOUNTING
-	F525529		1	GASKET, CYLINDER HEAD
-	F525472		1	GASKET, CYLINDER DRAIN COVER
42	F286028		1	BEARING, CRANKSHAFT UPPER

MOTOR LEG

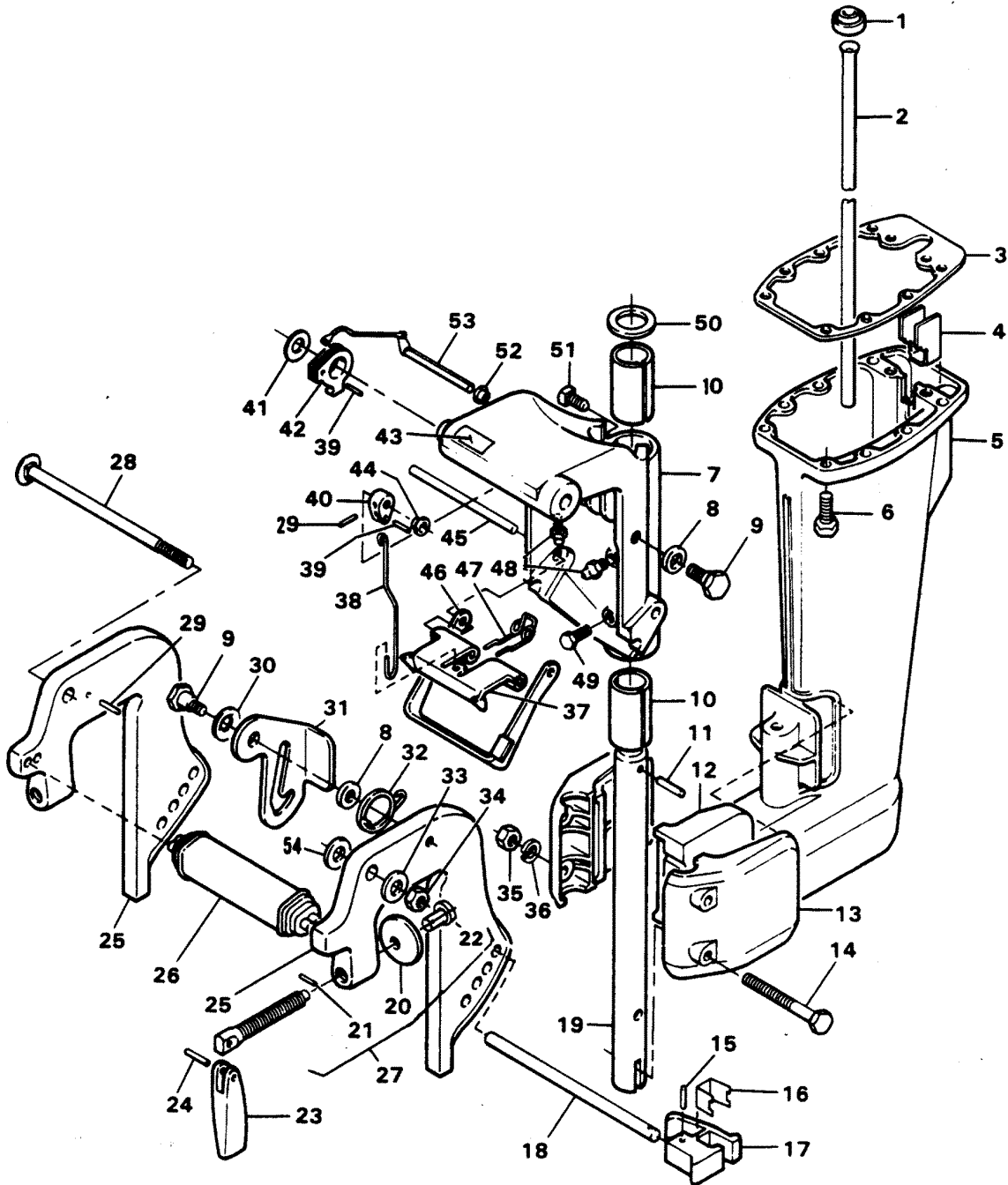


MOTOR LEG

REF. NO.	PART NO.	SYM.	QTY.	DESCRIPTION
1	F318342		1	SEAL, WATERLINE INLET UPPER
2	F525244		1	WATERLINE
3	F525453		1	GASKET LEG MOUNTING
4	F525779		1	BAFFLE IDLE RELIEF
5	F525133		1	MOTOR LEG
6	F1532		8	HEX CAP SCREW, 1/4 - 20 X 1
7	1400-817964A2		1	SWIVEL BRACKET W/ILLUS. 10 AND 48 ORIGINAL FORCE P/N K525072-2
8	F286451		2	SPACER TILT LOCK
9	F286422-1		2	PIVOT TILT LOCK
10	F286169		2	BEARING SWIVEL BRACKET
11	F1805		1	SPRING PIN, 1/4 X 1-3/8
12	F525346		2	MOUNT LOWER SHOCK
13	F525707		2	COVER, SHOCK MOUNT LOWER
14	F1972		2	HEX HD SCREW, 1/4 - 20 X 2 1/2
15	F8540		1	SPRING PIN, 3/32 X 5/8
16	F286461		1	SPRING LOCK BAR HANDLE
17	F286114		1	HANDLE LOCK BAR
18	FA617113		1	BAR LOCK W/ILLUS. 15, 16 AND 17
19	F525019		1	KINGPIN
20	F24074		2	FOOT CLAMP SCREW
21	F8537		2	SPRING PIN
22	F66480		2	STUD CLAMP SCREW
23	F424075		2	HANDLE CLAMP SCREW
24	F8554		2	SPRING PIN, 3/16 X 3/4
25	FS617532		2	BRACKET STERN W/ILLUS. 27
26	F286647		1	HANDLE CARRYING
27	817761A2		2	SCREW CLAMP W/ILLUS. 20, 21 AND 22 ORIGINAL FORCE P/N A 298073-2
28	F617037		1	BOLT STERN BRACKET
29	F8538		1	SPRING PIN, 3/32 X 1/2
30	F1666		1	WAVE WASHER
31	F429541		1	LOCK TILT
32	F286544-1		1	SPRING TILT LOCK
33	F2014		1	PLAIN WASHER
34	F7026		1	NUT, 3/8 - 16
35	F1341		2	NUT, 1/4 - 20
36	F8083		2	LOCKWASHER
37	F286349		1	LOCK REVERSE
38	FA341510		1	LINK REVERSE LOCK LEVER W/LITERATURE
39	F1794		2	SPRING PIN, 3/32 X 3/8
40	F286364		1	LEVER REVERSE LOCK
41	F525286		1	WASHER
42	F286827		1	LEVER REVERSE LOCK RELEASE

CONTINUED ON NEXT PAGE ➡

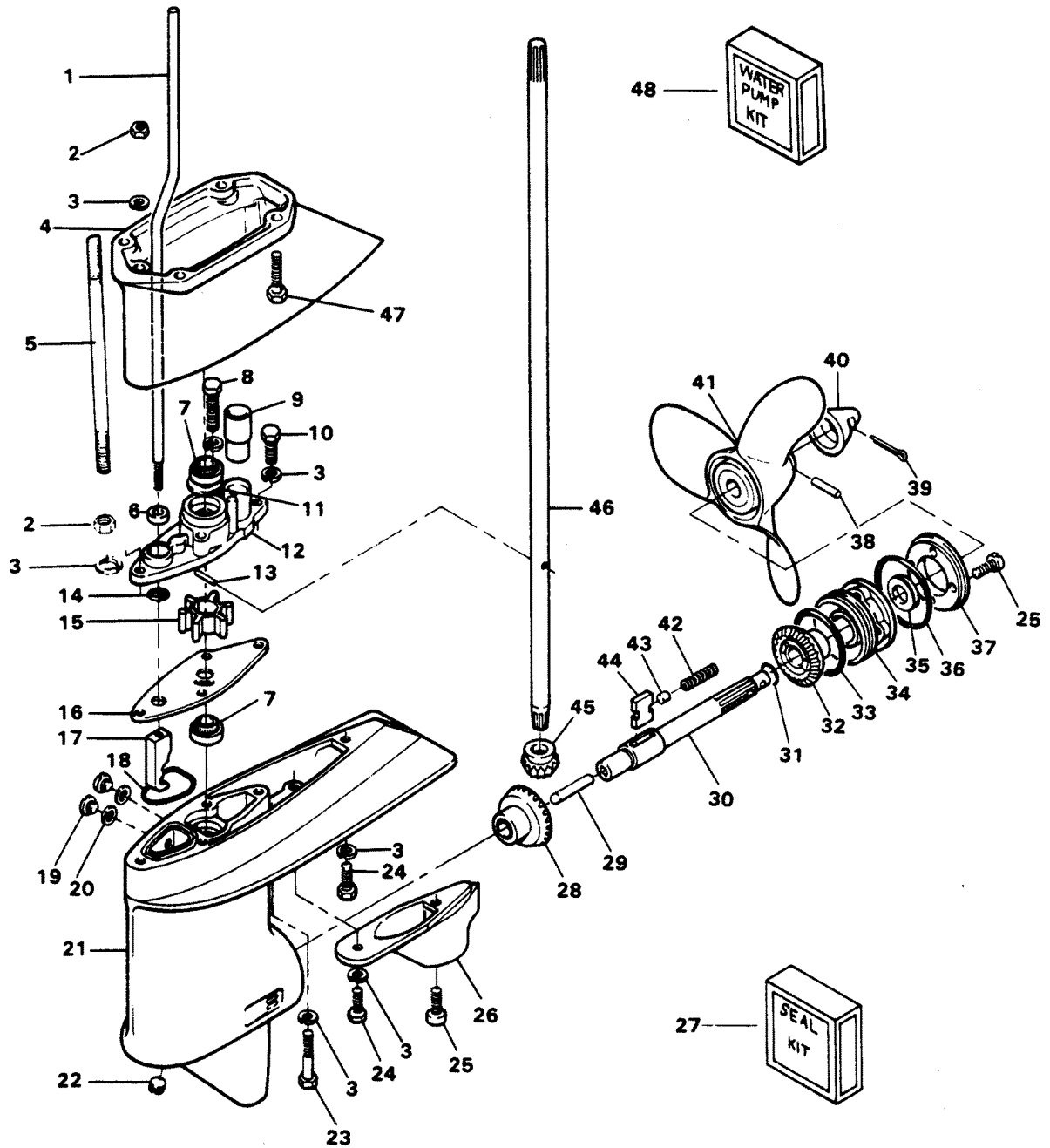
MOTOR LEG



MOTOR LEG

REF. NO.	PART NO.	SYM.	QTY.	DESCRIPTION
43	F286585-1		1	DECAL, TILT RELEASE - USA
-	37-F286585-2		1	DECAL, TILT RELEASE - CANADA
44	F197813		1	BEARING
45	F1806		1	GROOVE PIN, 5/16 - 3 3/4
46	F286433		1	BRACKET SHALLOW WATER DRIVE
47	F286300		1	SPRING REVERSE LOCK
48	F213274		2	FITTING GREASE
49	F1467		1	SCREW SWIVEL BRACKET
50	F286011		1	WASHER SWIVEL BRACKET
51	F525839		1	SCREW, STEERING FRICTION
52	F536813		1	BEARING
53	FA387742		1	LEVER REVERSE LOCK INTERMEDIATE
54	F286286-1		1	WASHER

GEAR HOUSING

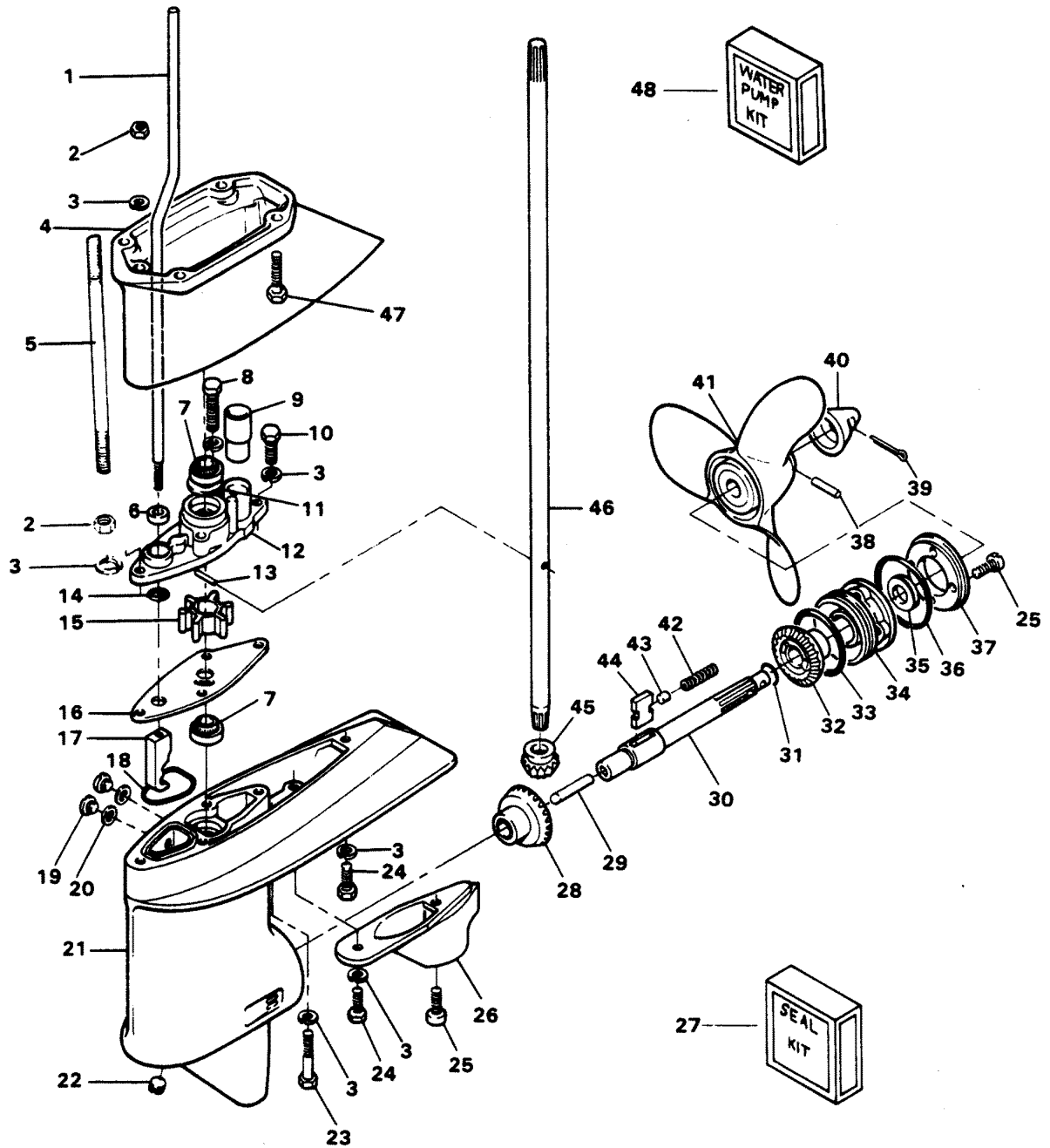


GEAR HOUSING

REF. NO.	PART NO.	SYM.	QTY.	DESCRIPTION
1	F525705		1	ROD, GEAR SHIFT
2	F1341		2	NUT, 1/4 - 20
3	F8083		9	SPRING LOCKWASHER
4	F525845		1	EXTENSION MOTOR LEG
5	F601006		1	STUD, GEAR HOUSING FRONT
6	F338618-1		1	SEAL, GEAR SHIFT ROD LOWER
7	F318307		2	SEAL
8	F1891		2	HEX HD SCREW, 1/4 - 20 X 1 1/2
9	FA510914		1	SEAL, WATERLINE W/LITERATURE
10	F2008		1	HEX HD SCREW, 1/4 - 20 X 7/8
11	525388		1	DISC, WATER PUMP LOCATING
12	FA525060		1	WATER PUMP BODY W/ILLUS. 6, 7, 9 AND 11
13	F390563		1	PIN, WATER PUMP IMPELLER DRIVE
14	F474342		1	SEAL, WATER PUMP GEAR SHIFT ROD
15	F525065-1		1	IMPELLER
16	F525562		1	PLATE, WATER PUMP BACK
17	F459721-1		1	CLUTCH SHIFT CAM
18	F525555		1	SEAL, SHIFT ROD CAVITY
19	F50109		2	PLUG, GEAR HOUSING
20	F8077		2	WASHER
21	FA525054		1	GEAR HOUSING W/ILLUS. 7, 19, 20 AND 22, PROP SHAFT BEARING, DRIVESHAFT SEAL, BEVEL PINION BEARING
-	FC536054		1	GEAR HOUSING COMPLETE (NOT SHOWN). INCLUDES ALL ITEMS MARKED WITH AN ASTERISK (*)
22	F19109		1	PLUG
23	F1990		2	HEX HD SCREW, 1/4 - 20 X 1 5/8
24	F1705		2	HEX CAP SCREW, 1/4 - 20 X 3/4
25	F525457		5	SCREW
26	FA525116		1	SNOUT W/LITERATURE
27	FK1062		1	GEAR HOUSING SEAL KIT. INCLUDES ALL ITEMS MARKED WITH A DOUBLE ASTERISK (**)
28	FA521023		1	BEVEL GEAR W/BEARING
29	F901728		1	PIN CLUTCH SHIFT
30	F536098		1	PROPELLER SHAFT
31	F317717		1	WASHER, BEVEL GEAR THRUST
32	F525662		1	BEVEL GEAR - REAR
33	F525305		1	SEAL, PROP SHAFT
34	FA525298		1	PROP SHAFT CAGE W/PROP SHAFT THRUST BEARING, PROP SHAFT BEARING, AND ILLUS. 35
35	F521307		1	PROPSHAFT SEAL
36	F521305		1	SEAL, PROP SHAFT BEARING CAGE
37	F521296		1	RETAINER, PROP SHAFT BEARING CAGE
38	FA324101		1	PROPELLER PIN (3 PINS) W/ILLUS. 39
39	F1846		1	COTTER PIN

CONTINUED ON NEXT PAGE ➡

GEAR HOUSING



GEAR HOUSING

REF. NO.	PART NO.	SYM.	QTY.	DESCRIPTION
40	11-817752A1		1	PROPELLER NUT WILLUS. 39 ORIGINAL FORCE P/N A 286094-1
41	FP477		1	PROPELLER
42	F409719		1	CLUTCH SPRING
43	F318372		1	CLUTCH PIN GUIDE
44	F409521		1	CLUTCH SHIFT
45	F521266		1	GEAR, BEVEL PINION
46	F525128		1	DRIVESHAFT
47	F430732		4	MOTOR LEG EXTENSION TO GEAR HOUSING SCREWS
48	FK1067		1	WATER PUMP KIT
-	F390563		1	PIN, WATER PUMP IMPELLER
-	F525065-1		1	IMPELLER, WATER PUMP
-	F525562		1	PLATE, WATER PUMP
-	FA525060		1	BODY, WATER PUMP
-	F526128		1	DRIVESHAFT
-	F526845		1	EXTENSION, MOTOR LEG
-	F526244		1	WATER LINE
-	F526705		1	ROD, GEAR SHIFT LOWER
-	F535006		1	STUD, GEAR HOUSING FRONT

FUEL TANK AND LINE

* * * * MISSING ILLUSTRATION * * * *

FUEL TANK AND LINE

REF. NO.	PART NO.	SYM.	QTY.	DESCRIPTION
1	F17816		1	SEAL, FUEL LINE COUPLER
2	F17815		1	SEAL, FUEL LINE COUPLER
3	F197787-3		1	FUEL LINE COUPLER
4	F298788		4	FERRULE
5	FA84754-1		1	FUEL LINE SHORT W/ILLUS. 4, 7" LONG
6	89396A38		1	PRIME BULB
7	32-817738A1		1	FUEL LINE, LONG W/CLAMP AND ILLUS. 4, 9' LONG
8	F487755		1	FUEL TANK ADAPTER (CANADA)
9	F5H163		1	FUEL TANK (ACCESSORY ITEM) U.S.A.
9A	F5H027		1	FUEL TANK (ACCESSORY ITEM) CANADA
10	F538251		1	CAP, FUEL TANK (U.S.A.)
10A	F409251-1		1	GAUGE CAP (CANADA)
11	F567398		1	DECAL FUEL TANK U.S.A.
-	FS409752		1	FUEL LINE - COMPLETE (NOT SHOWN). INCLUDES ALL ITEMS MARKED WITH AN ASTERISK (*)
-	FC409398		1	DECAL, TOTE TANK - CANADA (NOT SHOWN)

SPECIAL TOOLS - TUNE-UP

REF. NO.	PART NO.	SYM.	QTY.	DESCRIPTION
-	FT2909		0	KNOCK-OFF NUT TO REMOVE FLYWHEEL
-	FT2989		0	FLYWHEEL WEDGE TO REMOVE FLYWHEEL

SPECIAL TOOLS - STARTER

REF. NO.	PART NO.	SYM.	QTY.	DESCRIPTION
-	FT3139-1		0	STARTER REWIND KEY TO REWIND STARTER SPRING

SPECIAL TOOLS - POWER HEAD

REF. NO.	PART NO.	SYM.	QTY.	DESCRIPTION
-	FT3012		0	SEAL INSTALLER TO INSTALL UPPER CRANKSHAFT BEARING CAGE SEAL
-	FT8929		0	ADAPTER AND HEX BIT TO TORQUE CONNECTING ROD SCREWS
-	FT2997		0	RING COMPRESSOR TO INSTALL PISTONS IN CYLINDERS
-	FT1749		0	SNAP RING PLIERS TO REMOVE AND INSTALL PISTON PIN RETAINING RINGS
-	FT8926		0	PISTON RING EXPANDER TO INSTALL RINGS ON PISTONS
-	FT11202		0	SEAL INSTALLER TO INSTALL LOWER CRANKSHAFT SEAL
-	FT8919		0	PIN PUNCH TO REMOVE AND INSTALL PISTON PIN
-	FT2998		0	TORQUE WRENCH (0-100 LBS./FT.) TO PROPERLY TIGHTEN FASTENERS
-	FT2999		0	TORQUE WRENCH (0-600 LBS./IN.) TO PROPERLY TIGHTEN FASTENERS
-	FT2991		0	CARBON BRUSH TO REMOVE CARBON FROM INSIDE POWERHEAD
-	FT8900		0	HOSE CLAMP PLIERS TO REMOVE AND INSTALL FUEL HOSE CLAMPS

SPECIAL TOOLS - LOWER UNIT

REF. NO.	PART NO.	SYM.	QTY.	DESCRIPTION
-	FT2915		0	SEAL INSTALLER TO INSTALL DRIVESHAFT SEAL - UPPER AND LOWER AND PROPELLER SHAFT SEAL
-	FT8957		0	SEAL INSTALLER TO INSTALL SHIFT ROD SEAL
-	FT8948-1		0	BEARING CAGE PULLER TO REMOVE PROPELLER SHAFT BEARING CAGE

SPECIAL TOOLS - TEST EQUIPMENT

REF. NO.	PART NO.	SYM.	QTY.	DESCRIPTION
-	FT8950		0	LEAKAGE TESTER TO TEST LOWER UNIT SEALS FOR LEAKS
-	FT8996		0	IGNITION TESTER TO TEST TRIGGER OUTPUT
-	FT8953		0	C-D TESTER TO TEST STATOR OUTPUT AND SECONDARY VOLTAGE
-	FT11201		0	HARNESS ADAPTER TO TEST IGNITION SYSTEM, USE WITH T 8953 AND T 8996

SPECIAL TOOLS - LUBRICANTS AND SEALANTS

REF. NO.	PART NO.	SYM.	QTY.	DESCRIPTION
-	FT2961		0	LUBRICANT - RYKON GREASE #2EP
-	FT2987-1		0	LUBRICANT - ANTI-SEIZE
-	FT8969		0	LUBRICANT - 7 OZ. L PSI LUBRICANT
-	FT8983		0	SEALANT - 3 OZ RTV SEALANT
-	FT8936-1		0	SEALANT - 2 CC LOCTITE RETAINING COMPOUND #75
-	FT2962-2		0	SEALANT - 50 CC LOCTITE H, NON-HARDENING GRADE
-	FT2963-2		0	SEALANT - 2 OZ. LOCTITE D, HARDENING GRADE
-	FT8935		0	SEALANT PRIMER - 6 OZ.

ACCESSORIES

REF. NO.	PART NO.	SYM.	QTY.	DESCRIPTION
-	F5H104		0	LIGHTING COIL PROVIDES 12 VOLT, 60 WATT OUTPUT FOR OUTBOARD RUNNING LIGHTS.
-	F5H105		0	BATTERY CHARGING SYSTEM USED IN CONJUNCTION WITH 5H104 LIGHTING COIL KIT.
-	F5H113		0	REMOTE CONTROL KIT PERMITS REMOTE CONTROL OF THROTTLE, GEAR SHIFT AND STEERING FROM FRONT OF BOAT.
-	F5H165		0	LEG EXTENSION KIT (5") CONVERTS 15" MODEL TO 20" MODEL
-	F5H114		0	REMOTE STEERING BRACKET ADAPTS MOTOR TO CABLE TYPE REMOTE STEERING.
-	F5H027		0	STEEL 6 GALLON FUEL TANK AUXILIARY TANK.
-	F5H029		0	FUEL TANK ANCHOR RETAINS TOTE TANK ON BOAT FLOOR.
-	F5H040		0	STEEL 12 GALLON FUEL TANK AUXILIARY TANK.
-	F5H163		0	STEEL 3-1/4 GALLON FUEL TANK AUXILIARY TANK
-	F5H134		0	BOAT WHITE LACQUER ENGINE TOUCH-UP PAINT IN 12 3/4 OZ. SPRAY BOMBS (6 CANS PER CASE).
-	F5H130		0	REMOTE CONTROL BOX SINGLE LEVER SURFACE MOUNT - STARBOARD.
-	F866		0	REMOTE CONTROL BOX TWO LEVER SURFACE MOUNT - SEPARATE THROTTLE AND GEAR SHIFT LEVERS
-	F5H131		0	REMOTE CONTROL DECAL KIT DECAL FOR PORT SIDE MOUNTING OF 5H130 CONTROL BOX.
-	F195/___		0	REMOTE CONTROL CABLES CONNECTS REMOTE CONTROL BOX TO THROTTLE AND GEAR SHIFT ON MOTOR. AVAILABLE IN 6 THRU 40 FOOT LENGTHS.
-	F165		0	REMOTE STEERING CONNECTOR HAS BUILT-IN PULLEYS
-	F596		0	CHRYSLER OUTBOARD OIL SEE BLOCK COMMENT 1.
-	F597		0	CHRYSLER OUTBOARD GEAR LUBE SEE BLOCK COMMENT 2.
-	F5H059		0	CHRYSLER OUTBOARD MULTI-PURPOSE GREASE LUBRICATES BEARINGS AND OTHER MOVING PARTS. AVAILABLE IN 8 OZ. TUBES AND 12 TUBE CASES.
-	F5H060		0	CHRYSLER OUTBOARD GREASE GUN

PARTS INDEX

Part Number	Description	Pg.	Ref. No.	Part Number	Description	Pg.	Ref. No.
525388	DISC, WATER PUMP			F1467	SCREW SWIVEL BRACKET	23	49
	LOCATING	25	11	F1471	HEX SET SCREW, 10 - 24 X		
817747--1	JOINT, BALL ASSEMBLY	9	1		1/4	9	19
817761A2	SCREW CLAMP	21	27	F1475	FILL HD SCREW, 10 - 24 X		
817856A1	SPOOL STARTER	11	26		1/2	3	2
817858A1	RETAINER ENGINE COVER	3	3	F1490	NUT, 1/4 - 20	13	19
817938A1	RETAINER	11	21	F1500	RD HD SHEET METAL		
89396A38	PRIME BULB	29	6		SCREW #4 X 1/4	11	24
F10058	FUEL BOWL	13	12	F1513	NUT, 10 - 32	9	2
F10061	CHOKE SHAFT ASSEMBLY	13	35	F1515	NUT, 5/16 - 18	3	13
F10062	CHOKE VALVE ASSEMBLY	15	39	F1532	HEX CAP SCREW, 1/4 - 20 X		
F10063	FLOAT	13	15		1	21	6
F10064	SHAFT - FLOAT	13	14	F1532	HEX HD SCREW, 1/4 - 20 X 1	13	22
F10066	GASKET VALVE SEAT	13	17	F1532	SCREW, 1/4 - 20 X 1	17	28
F10068	GASKET BODY TO BOWL	13	13	F1573	FILL HD SCREW, 1/4 - 20 X		
F10070	SCREW ASSEMBLY -				1/2	5	41
	CHOKE VALVE	15	40	F165	REMOTE STEERING		
F10071	SCREW, THROTTLE VALVE	13	21		CONNECTOR	36	-
F10072	SPRING CHOKE STOP	15	36	F1666	WAVE WASHER	21	30
F10073	SPRING IDLE NEEDLE	15	37	F1689	HEX HD SCREW, 1/4 - 20 X		
F10077	NEEDLE - IDLE	15	38		1/2	3	35
F10081	SHAFT ASSEMBLY -			F1699	HEX HD SCREW, 1/4 - 20 X 1		
	THROTTLE	13	31		1/8	9	10
F10083	REPAIR KIT.	13	8	F1705	HEX CAP SCREW, 1/4 - 20 X		
F10084	FLOAT SUPPORT SPRING	13	15A		3/4	25	24
F10085	SPRING THROTTLE			F1734	SLOTTED FILL HD SCREW,		
	RETURN	13	32		1/4 - 20 X 1/2	3	12
F10088	NOZZLE	13	18	F1755	RD HD SCREW & SPRING		
F10089	JET ASSEMBLY, STD. .041				LOCKWASHER		
	SEA LEVEL - 3000 FT.	13	10		ASSEMBLY, 6 - 32 X 5/16	13	2
F10090	GASKET FUEL BOWL			F1760	PAN HD SCREW, 10 - 24 X		
	RETAINER	13	11		3/8	11	5
F10091	VALVE THROTTLE	13	20	F1772	HEX HD SCREW, 8 - 32 X 1/2	13	24
F10093	JET ASSEMBLY, OPT. .038			F17815	SEAL, FUEL LINE COUPLER	29	2
	7000 FT. & UP	13	-	F17816	SEAL, FUEL LINE COUPLER	29	1
F10096	JET ASSEMBLY, OPT. .039			F178446	CLAMP LEAD WIRE	3	11
	5100 - 7000 FT.	13	-	F1794	SPRING PIN, 3/32 X 3/8	21	39
F10097	JET ASSEMBLY, OPT. .040			F1805	SPRING PIN, 1/4 X 1-3/8	21	11
	3000 - 5000 FT.	13	-	F1806	GROOVE PIN, 5/16 - 3 3/4	23	45
F10101	KIT - VALVE, SEAT, SPRING			F1809	FLYWHEEL NUT	7	15
	& GASKET	13	16	F18160-2	REED FUEL PUMP	15	50
F10116	BODY CHANNEL PLUG KIT			F1846	COTTER PIN	25	39
	(NOT SHOWN)	15	53	F1877	TY-RAP	7	6
F1044	SCREW, 1/4 - 20 X 1 3/8	17	31	F18906	GASKET CARBURETOR	13	29
F1052	FILL HD SCREW, 1/4 - 20 X 1	11	12	F18906	GASKET, CARBURETOR	19	-
F1069	FILL HD SCREW, 10 - 24 X 1			F1891	HEX HD SCREW, 1/4 - 20 X 1		
	1/16	15	46		1/2	25	8
F1087	FILL HD SCREW, 10 - 24 X			F19109		25	22
	7/8	7	12	F195/_	REMOTE CONTROL CABLES	36	-
F1107	SCREW, 1/4 - 20 X 3/4	17	32	F1950	HEX HD SCREW, 10 - 24 X		
F1110	SCREW, 1/4 - 20 X 5/8	17	10		5/8	3	10
F1111	FILL HD SCREW, 1/4 - 20 X			F1972	HEX HD SCREW, 1/4 - 20 X 2		
	7/8	17	37		1/2	21	14
F1257	SCREW, 5/16 - 18 X 1 1/4	17	29	F1974	SCREW, STEERING HANDLE		
F1286	PAN HD SCREW, #4 - 40 X				BEARING	9	34
	3/16	15	48	F1975	LOCKWASHER, #10	3	26
F1341	NUT, 1/4 - 20	21	35	F1975	SPRING WASHER	7	9
F1341	NUT, 1/4 - 20	25	2	F197767-1	BUSHING FUEL LINE	3	21
F141118	SEAL, CRANKSHAFT			F197787-3	FUEL LINE COUPLER	29	3
	LOWER	17	22	F197813	BEARING	23	44

PARTS INDEX

Part Number	Description	Pg.	Ref. No.	Part Number	Description	Pg.	Ref. No.
F197813	BEARING STARTER BRACKET LOWER	11	18	F2C594712	ENGINE COVER COMPLETE.	3	-
F1990	HEX HD SCREW, 1/4 - 20 X 1 5/8	25	23	F307818	BEARING (NYLINER)	3	15
F1994	SCREW, 5/16 - 18 X 1	17	30	F307818	BEARING, STEERING HANDLE SHAFT	9	36
F2008	HEX HD SCREW, 1/4 - 20 X 7/8	25	10	F31160-1	REED	13	4
F2010	FILL HD SCREW, 10 - 32 X 9/16	7	10	F317717	WASHER, BEVEL GEAR THRUST	25	31
F2014	PLAIN WASHER	21	33	F318307	SEAL	25	7
F2031	HEX HD SCREW, 1/4 - 20 X 3/4	11	8	F318307	SEAL, DRIVESHAFT	3	36
F2041	HEX HD SCREW, 10 - 24 X 3/8	3	27	F318342	SEAL, WATERLINE INLET UPPER	21	1
F2042	WASHER	13	34	F318347-1	UPPER MOUNT	9	18
F2106	LOCKWASHER	7	2	F318372	CLUTCH PIN GUIDE	27	43
F213274	FITTING GREASE	23	48	F318504	GROMMET	9	20
F215795	SEAL O-RING STEERING HANDLE DAMPENER	9	31	F318539	BUMPER	9	17
F24074	FOOT CLAMP SCREW	21	20	F318818	BEARING, SHIFT LEVER SHAFT	5	40
F24748-2	GASKET FUEL PUMP	15	47	F338618-1	SEAL, GEAR SHIFT ROD LOWER	25	6
F250017	PISTON PIN	17	14	F341014	BEARING, CRANKSHAFT LOWER MAIN	17	23
F250410	PISTON PIN RETAINING RING	17	13	F346146	SEAL, CRANKSHAFT UPPER	17	36
F269689	BEARING STARTER BRACKET UPPER	11	10	F36634	CONNECTING ROD SCREW	17	21
F2706772	CLAMP HOSE	15	41	F390563	PIN, WATER PUMP IMPELLER	27	-
F2788004	STUD CARBURETOR	13	28	F390563	PIN, WATER PUMP IMPELLER DRIVE	25	13
F286011	WASHER SWIVEL BRACKET	23	50	F390689	BEARING, STEERING ARM PIVOT SCREW	9	27
F286028	BEARING, CRANKSHAFT UPPER	19	42	F392777	CAM COVER LATCH	3	14
F286114	HANDLE LOCK BAR	21	17	F40425	PIN STARTER PINION	11	25
F286169	BEARING SWIVEL BRACKET	21	10	F404908	WIRE, STATOR GROUND	7	7
F286277	GASKET, CRANKSHAFT BEARING CAGE	17	34	F409232	ROPE STARTER	11	23
F286277	GASKET, CRANKSHAFT BEARING CAGE	19	-	F409251-1	GAUGE CAP (CANADA)	29	10A
F286286-1	WASHER	23	54	F409521	CLUTCH SHIFT	27	44
F286300	SPRING REVERSE LOCK	23	47	F409719	CLUTCH SPRING	27	42
F286349	LOCK REVERSE	21	37	F409740	BALL CHECK	3	31
F286364	LEVER REVERSE LOCK	21	40	F424075	HANDLE CLAMP SCREW	21	23
F286422-1	PIVOT TILT LOCK	21	9	F429137	GRIP, STEERING HANDLE	9	42
F286433	BRACKET SHALLOW WATER DRIVE	23	46	F429541	LOCK TILT	21	31
F286451	SPACER TILT LOCK	21	8	F429811	SCREEN, CYLINDER DRAIN	17	8
F286461	SPRING LOCK BAR HANDLE	21	16	F430732	MOTOR LEG EXTENSION TO GEAR HOUSING SCREWS	27	47
F286544-1	SPRING TILT LOCK	21	32	F436280	NUT, SHORTING SWITCH	7	16
F286571	ROLLER ASSEMBLY, CENTER MAIN BEARING	17	18	F458498	MAGNETO KEY	17	40
F286585-1	DECAL, TILT RELEASE - USA	23	43	F458519	SCREW, IDLE STOP	9	29
F286647	HANDLE CARRYING	21	26	F459721-1	CLUTCH SHIFT CAM	25	17
F286827	LEVER REVERSE LOCK RELEASE	21	42	F468342	SEAL, CRANKSHAFT SPLINE	17	38
F298788	FERRULE	29	4	F474342	SEAL, WATER PUMP GEAR SHIFT ROD	25	14
F2A24757	PLATE FUEL PUMP REED	15	51	F487755	FUEL TANK ADAPTER (CANADA)	29	8
F2A521016	CONNECTING ROD	17	16	F50109	PLUG, GEAR HOUSING	25	19
F2A525010	CYLINDER	17	6	F521266	GEAR, BEVEL PINION	27	45
F2A525018	CRANKSHAFT	17	24	F521296	RETAINER, PROP SHAFT BEARING CAGE	25	37
F2A525158	PLATE REED	13	5	F521305	SEAL, PROP SHAFT BEARING CAGE	25	36
				F521307	PROPSHAFT SEAL	25	35
				F521547	CHOKE KNOB	3	23

PARTS INDEX

Part Number	Description	Pg.	Ref. No.	Part Number	Description	Pg.	Ref. No.
F525015	PISTON	17	15	F525555	SEAL, SHIFT ROD CAVITY	25	18
F525019	KINGPIN	21	19	F525562	PLATE, WATER PUMP	27	-
F525025	PAD SHIFT DETENT	3	32	F525562	PLATE, WATER PUMP BACK	25	16
F525029	STATOR - TRIGGER	7	8	F525579	CRANKCASE SEAL	17	20
F525064	SCREW - C-D COIL	7	4	F525582-1	STEERING ARM	9	16
F525065-1	IMPELLER	25	15	F525605	GEAR, TOWERSHAFT	9	12
F525065-1	IMPELLER, WATER PUMP	27	-	F525614	HANDLE GEAR SHIFT	3	30
F525079	HANDLE - STEERING	9	33	F525615	ROD GEAR SHIFT UPPER	3	9
F525080	SCREW, STEERING HANDLE PIVOT	9	35	F525627	GEAR, TOWERSHAFT PINION	9	13
F525081-1	LEVER THROTTLE	13	26	F525629	COTTER PIN	11	13
F525082	RING STATOR	17	33	F525662	BEVEL GEAR - REAR	25	32
F525105	SHAFT INTERLOCK	11	11	F525665	BEARING, GEAR PINION TOWERSHAFT	9	14
F525128	DRIVESHAFT	27	46	F525674-1	GEAR STARTER PINION	11	2
F525133	MOTOR LEG	21	5	F525675	BRACKET STARTER LOWER	11	20
F525151	PLATE EXHAUST	17	26	F525688-1	SHAFT, STEERING HANDLE	9	37
F525152	COVER EXHAUST	17	27	F525689	TOWERSHAFT BEARING	9	7
F525154	GASKET EXHAUST	17	25	F525691	GEAR, STEERING ARM	9	25
F525154	GASKET, EXHAUST	19	-	F525705	ROD, GEAR SHIFT	25	1
F525159	GASKET, REED PLATE	13	1	F525707	COVER, SHOCK MOUNT LOWER	21	13
F525159	GASKET, REED PLATE	19	-	F525737	RETAINER STARTER REWIND SPRING	11	16
F525168	GASKET MANIFOLD	13	6	F525751	SCREW	9	8
F525168	GASKET, MANIFOLD	19	-	F525763	SHAFT COVER LATCH	3	19
F525193	LINK THROTTLE	13	27	F525779	BAFFLE IDLE RELIEF	21	4
F525198	THROTTLE STOP	9	39	F525781	INTERLOCK STARTER	11	7
F525220	WASHER, STEERING HANDLE	9	28	F525781	INTERLOCK STARTER	11	7
F525244	WATERLINE	21	2	F525815	GEAR, STEERING HANDLE	9	24
F525263	LINK STARTER INTERLOCK	3	34	F525816-1	BEARING, STEERING HANDLE GEAR	9	23
F525279	GASKET, CYLINDER MOUNTING	17	39	F525838	TOWERSHAFT	9	11
F525279	GASKET, CYLINDER MOUNTING	19	-	F525839	SCREW, STEERING FRICTION	23	51
F525286	WASHER	21	41	F525840	GROMMET REMOTE THROTTLE CABLE	3	16
F525301	STATOR - C-D	7	11	F525845	EXTENSION MOTOR LEG	25	4
F525305	SEAL, PROP SHAFT	25	33	F525871	SHAFT GEAR SHIFT LEVER	3	33
F525316-1	FOLLOWER THROTTLE CAM	13	23	F525876	LEVER GEAR SHIFT	5	39
F525346	MOUNT LOWER SHOCK	21	12	F525877	SHAFT, MAGNETO CONTROL	9	15
F525390	DECAL STOP - USA	3	22	F525925	LINK CHOKE KNOB	3	28
F525394	DECAL CHOKE - USA	3	24	F525977	LEVER SHIFT INTERLOCK	5	42
F525424	SPRING STARTER PINION	11	3	F525984	SEAL, REED PLATE	13	7
F525427-1	BRACKET STARTER UPPER	11	9	F526128	DRIVESHAFT	27	-
F525445	LINK, MAGNETO STATOR CONTROL	9	3	F526161	REED STOP	13	3
F525453	GASKET LEG MOUNTING	21	3	F526244	WATER LINE	27	-
F525453	GASKET, LEG MOUNTING	19	-	F526705	ROD, GEAR SHIFT LOWER	27	-
F525455	GUIDE STARTER ROPE	11	6	F526845	EXTENSION, MOTOR LEG	27	-
F525457	SCREW	11	1	F535006	STUD, GEAR HOUSING FRONT	27	-
F525457	SCREW	25	25	F536098	PROPELLER SHAFT	25	30
F525469	HANDLE LATCH	3	17	F536813	BEARING	23	52
F525472	GASKET, CYLINDER DRAIN COVER	17	7	F53795-1	O-RING	11	4
F525472	GASKET, CYLINDER DRAIN COVER	19	-	F53795-1	SEAL, STEERING HANDLE DAMPENER	9	32
F525475	C-D MODULE COIL	7	1	F538251	CAP, FUEL TANK (U.S.A.)	29	10
F525504	GROMMET, CHOKE ROD	3	25	F567398	DECAL FUEL TANK U.S.A.	29	11
F525518	CYLINDER HEAD	17	4	F596	CHRYSLER OUTBOARD OIL	36	-
F525524	RIVET, STEERING HANDLE	9	30				
F525529	GASKET, CYLINDER HEAD	17	5				
F525529	GASKET, CYLINDER HEAD	19	-				

PARTS INDEX

Part Number	Description	Pg.	Ref. No.	Part Number	Description	Pg.	Ref. No.
F5H027	FUEL TANK (ACCESSORY ITEM) CANADA	29	9A	F901456-1	COLLAR, EMERGENCY START	7	14
F5H027	STEEL 6 GALLON FUEL TANK	36	-	F901710	POST STARTER SPRING GUIDE	11	15
F5H029	FUEL TANK ANCHOR	36	-	F901728	PIN CLUTCH SHIFT	25	29
F5H040	STEEL 12 GALLON FUEL TANK	36	-	F901739	DRIVE STARTER REWIND SPRING	11	14
F5H059	CHRYSLER OUTBOARD MULTI-PURPOSE GREASE	36	-	F901746-2	COVER FUEL PUMP	15	45
F5H060	CHRYSLER OUTBOARD GREASE GUN	36	-	F901811	FILTER FUEL PUMP	15	44
F5H104	LIGHTING COIL	36	-	F901938-1	SCREW, CYLINDER HEAD	17	1
F5H105	BATTERY CHARGING SYSTEM	36	-	F901970	SPRING STARTER REWIND	11	27
F5H113	REMOTE CONTROL KIT	36	-	F90807	RETAINING RING	13	33
F5H114	REMOTE STEERING BRACKET	36	-	FA286155	LINER, CENTER MAIN	17	19
F5H130	REMOTE CONTROL BOX	36	-	FA324101	PROPELLER PIN (3 PINS)	25	38
F5H131	REMOTE CONTROL DECAL KIT	36	-	FA341510	LINK REVERSE LOCK LEVER	21	38
F5H134	BOAT WHITE LACQUER	36	-	FA387742	LEVER REVERSE LOCK INTERMEDIATE	23	53
F5H163	FUEL TANK (ACCESSORY ITEM) U.S.A.	29	9	FA510914	SEAL, WATERLINE	25	9
F5H163	STEEL 3-1/4 GALLON FUEL TANK	36	-	FA521023	BEVEL GEAR W/BEARING	25	28
F5H165	LEG EXTENSION KIT (5")	36	-	FA525038	SUPPORT PLATE W/EYELET	3	8
F601006	STUD, GEAR HOUSING FRONT	25	5	FA525054	GEAR HOUSING	25	21
F617037	BOLT STERN BRACKET	21	28	FA525060	BODY, WATER PUMP	27	-
F66480	STUD CLAMP SCREW	21	22	FA525060	WATER PUMP BODY	25	12
F7011	ELASTIC STOP NUT, 10 - 24	3	4	FA525097	FLYWHEEL	7	13
F7026	NUT, 3/8 - 16	21	34	FA525116	SNOUT	25	26
F7027	NUT (LEFT HAND), 10 - 24	9	4	FA525167	MANIFOLD	13	25
F73741-1	RING	3	20	FA525298	PROP SHAFT CAGE	25	34
F8003	PLAIN WASHER	15	49	FA525471	COVER, CYLINDER DRAIN W/CHECK VALVE AND ILLUS. 8	17	9
F8025	PLAIN WASHER	17	2	FA525774	BRACKET COVER LATCH	5	43
F8043	WAVE WASHER	9	26	FA567241	BEARING ASSEMBLY W/CAGE & ROLLERS	17	17
F8049	WASHER BOWED SPRING	5	45	FA594396	DECAL ENGINE COVER STARBOARD	3	-
F8060	LOCKWASHER	9	9	FA594397	DECAL ENGINE COVER PORT	3	6
F8070	BOWED SPRING WASHER	11	17	FA609386	DECAL, NUMERAL 7.5	3	7
F8077	WASHER	25	20	FA609853	DECAL, WARNING	7	17
F8083	LOCKWASHER	21	36	FA617113	BAR LOCK	21	18
F8083	SPRING LOCKWASHER	25	3	FA621528	DECAL, ENGINE COVER REAR	5	46
F84026	SHOULDER SCREW	9	5	FA621892	DECAL ENGINE COVER FRONT	5	44
F84036	BEARING, SPARK CONTROL	9	6	FA84253	HOSE	15	42
F8537	SPRING PIN	21	21	FA84253	HOSE	15	43
F8538	SPRING PIN, 3/32 X 1/2	3	37	FA84754-1	FUEL LINE SHORT	29	5
F8538	SPRING PIN, 3/32 X 1/2	21	29	FC409398	DECAL, TOTE TANK - CANADA (NOT SHOWN)	29	-
F8540	SPRING PIN, 3/32 X 5/8	9	21	FC525010	CYLINDER COMPLETE (NOT SHOWN)	17	-
F8540	SPRING PIN, 3/32 X 5/8	21	15	FC525390	DECAL STOP - CANADA	3	-
F8547	SPRING PIN, 1/8 X 5/8	3	18	FC525394	DECAL CHOKE - CANADA	3	-
F8547	SPRING PIN, 1/8 X 5/8	3	38	FC536054	GEAR HOUSING COMPLETE (NOT SHOWN)	25	-
F8547	SPRING PIN, 1/8 X 5/8	9	40	FG1018	GASKET SET.	17	41
F8548	SPRING PIN, 1/8 X 1	9	38	FK10069	GASKET KIT.	13	9
F8554	SPRING PIN, 3/16 X 3/4	21	24	FK1062	GEAR HOUSING SEAL KIT.	25	27
F8559	DOWEL PIN	17	11	FK1067	WATER PUMP KIT	27	48
F8567	SPRING PIN, 1/8 X 13/16	3	29				
F8567	SPRING PIN, 1/8 X 13/16	9	22				
F8571	SPRING PIN, 1/8 X 1 3/4	11	19				
F866	REMOTE CONTROL BOX	36	-				

PARTS INDEX

Part Number	Description	Pg.	Ref. No.	Part Number	Description	Pg.	Ref. No.
FK1123	SPARKIE KIT	7	3	1300-817966A4	CARBURETOR	13	30
FK436449	SHORTING SWITCH	7	5	1400-817964A2	SWIVEL BRACKET	21	7
FK525713	ENGINE COVER PACKING	3	5				
FP477	PROPELLER	27	41				
FS409752	FUEL LINE - COMPLETE (NOT SHOWN).	29	-				
FS537712	ENGINE COVER	3	1				
FS617532	BRACKET STERN	21	25				
FT11201	HARNES ADAPTER	34	-				
FT11202	SEAL INSTALLER	32	-				
FT1749	SNAP RING PLIERS	32	-				
FT2909	KNOCK-OFF NUT	30	-				
FT2915	SEAL INSTALLER	33	-				
FT2961	LUBRICANT - RYKON GREASE #2EP	35	-				
FT2962-2	SEALANT - 50 CC LOCTITE H, NON-HARDENING GRADE	35	-				
FT2963-2	SEALANT - 2 OZ. LOCTITE D, HARDENING GRADE	35	-				
FT2987-1	LUBRICANT - ANTI-SEIZE	35	-				
FT2989	FLYWHEEL WEDGE	30	-				
FT2991	CARBON BRUSH	32	-				
FT2997	RING COMPRESSOR	32	-				
FT2998	TORQUE WRENCH (0-100 LBS./FT.)	32	-				
FT2999	TORQUE WRENCH (0-600 LBS./IN.)	32	-				
FT3012	SEAL INSTALLER	32	-				
FT3139-1	STARTER REWIND KEY	31	-				
FT8900	HOSE CLAMP PLIERS	32	-				
FT8919	PIN PUNCH	32	-				
FT8926	PISTON RING EXPANDER	32	-				
FT8929	ADAPTER AND HEX BIT	32	-				
FT8935	SEALANT PRIMER - 6 OZ.	35	-				
FT8936-1	SEALANT - 2 CC LOCTITE RETAINING COMPOUND #75	35	-				
FT8948-1	BEARING CAGE PULLER	33	-				
FT8950	LEAKAGE TESTER	34	-				
FT8953	C-D TESTER	34	-				
FT8957	SEAL INSTALLER	33	-				
FT8969	LUBRICANT - 7 OZ. L PSI LUBRICANT	35	-				
FT8983	SEALANT - 3 OZ RTV SEALANT	35	-				
FT8996	IGNITION TESTER	34	-				
11-817752A1	PROPELLER NUT	27	40				
27-818043A1	DIAPHRAGM, FUEL PUMP W/GASKETS	15	52				
32-817738A1	FUEL LINE, LONG W/CLAMP AND ILLUS. 4, 9' LONG	29	7				
33-82370M	SPARK PLUG (L-86)	17	3				
37-F286585-2	DECAL, TILT RELEASE - CANADA	23	-				
37-F286894-3	INDICATOR STEERING HANDLE	9	41				
39-818038A1	PISTON RING (2 RINGS PER SET)	17	12				