



PARTS CATALOG

45 H.P.

SERIAL NUMBER

45 (1979)	456B9K
45 (1979)	456H9K
45 (1979)	457B9K
45 (1979)	457H9K
45 (1979)	459B9H
45 (1979)	459B9HN
45 (1979)	459H9H
45 (1979)	459H9HN

TABLE OF CONTENTS:

ACCESSORIES	54
ALTERNATOR AND ELECTRICAL COMPONENTS	10
CARBURETOR	18
CRANKSHAFT AND PISTON GROUP	28
ELECTRIC STARTER	14
ENGINE COVER AND SUPPORT PLATE	2
ENGINE COVER AND SUPPORT PLATE	6
FUEL PUMP	16
FUEL TANK AND LINE	42
GEAR HOUSING	38
MOTOR LEG	32
PARTS INDEX	57
POWER HEAD	22
REED PLATE	30
REMOTE CONTROL	44
SPECIAL TOOLS - LOWER UNIT	51
SPECIAL TOOLS - LUBRICANTS AND SEALANTS	53
SPECIAL TOOLS - MANUAL STARTER	49
SPECIAL TOOLS - POWER HEAD	50
SPECIAL TOOLS - TEST EQUIPMENT	52
SPECIAL TOOLS - TUNE-UP	48

NOTE: *Indented description indicate that these parts are included in preceding assembly.*

AR = As Required

NSS = Not Sold Separate

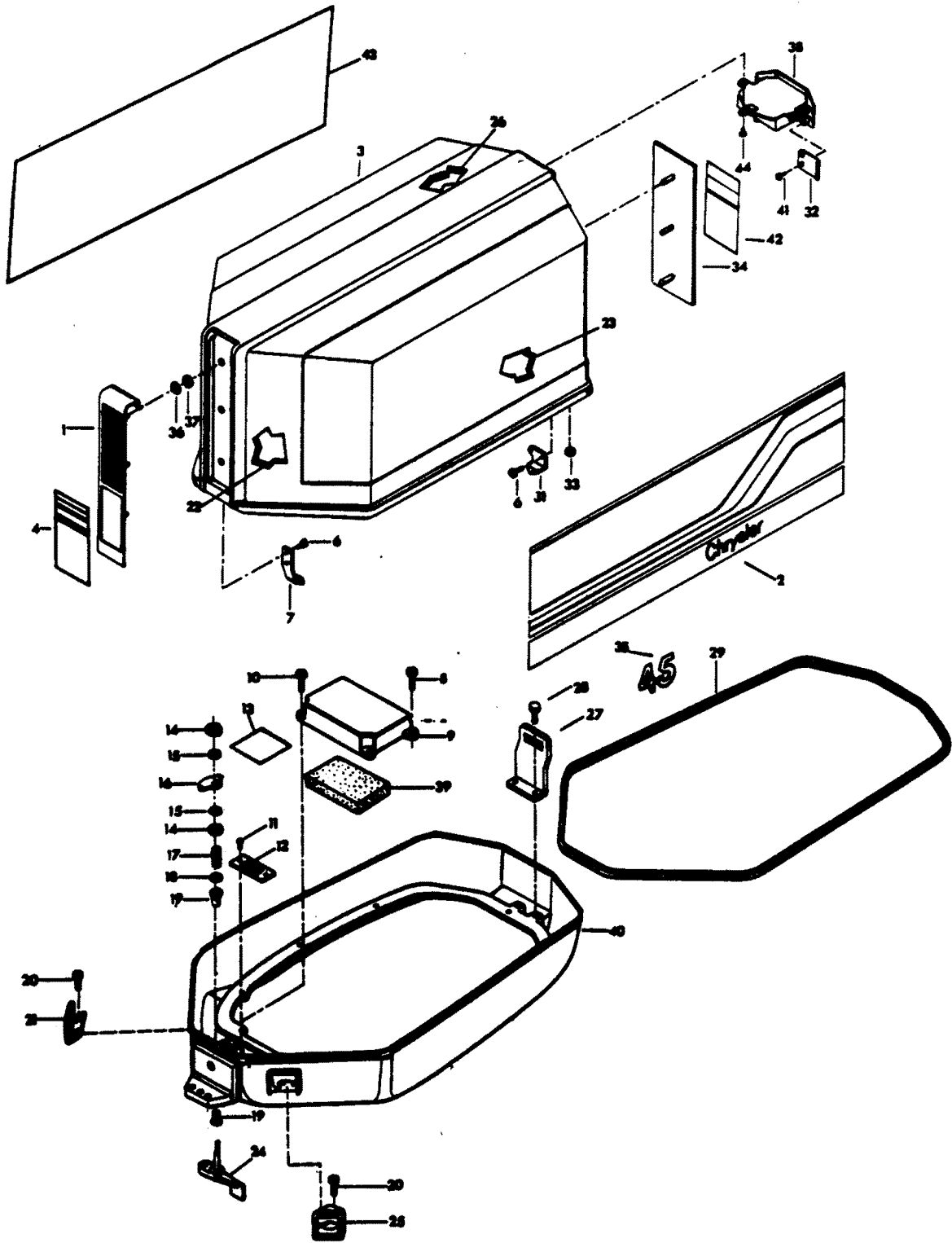
OPT = Optional

NS = Not Shown

THESE PARTS BOOKS/FICHE CARD ARE COPYRIGHTED AND MAY NOT BE DISTRIBUTED OR REPRODUCED IN ANY OTHER FORMAT BY ANYONE OTHER THAN MERCURY MARINE WITHOUT THE PRIOR WRITTEN CONSENT OF MERCURY MARINE.

THIS PAGE INTENTIONALLY LEFT BLANK

ENGINE COVER AND SUPPORT PLATE

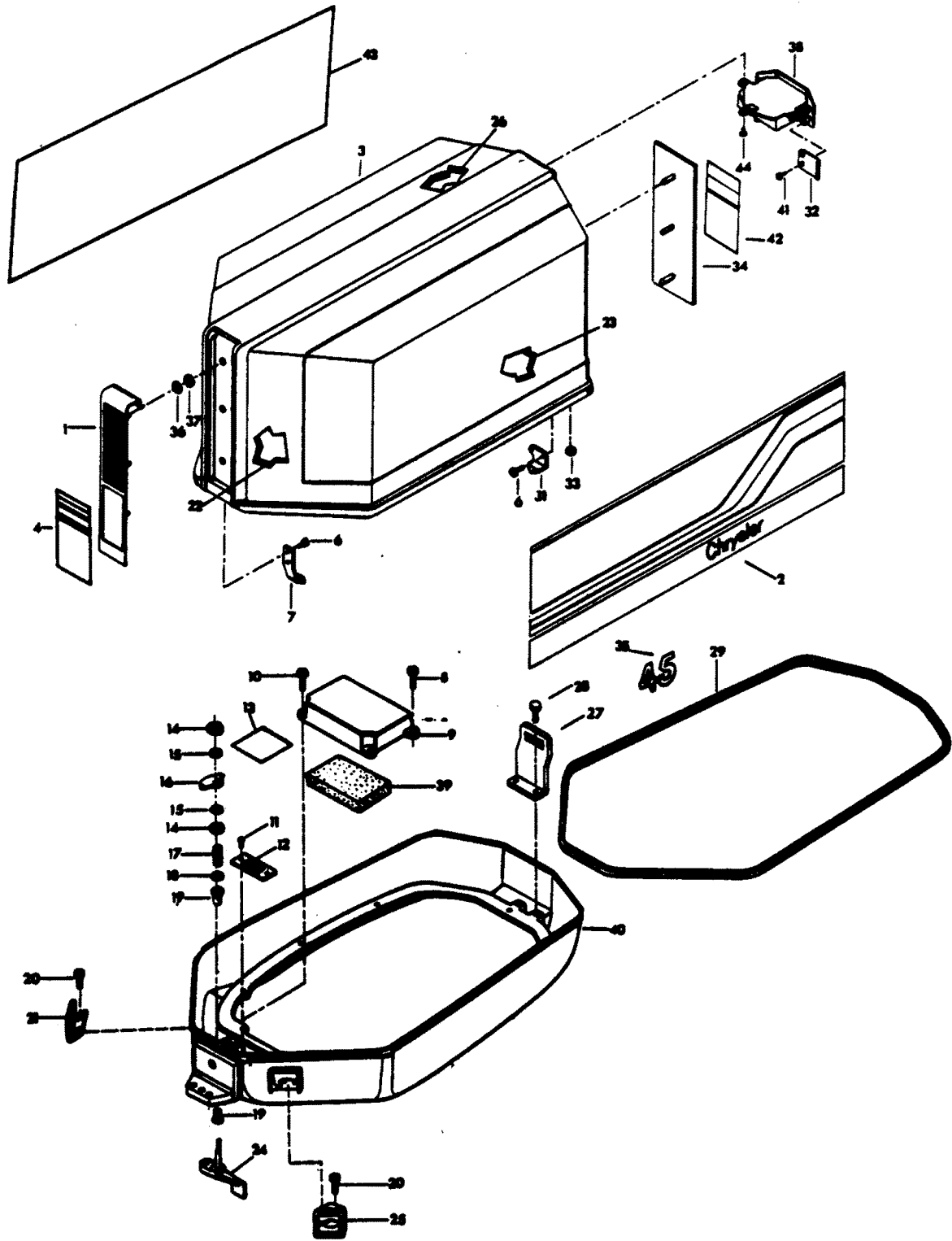


ENGINE COVER AND SUPPORT PLATE

REF. NO.	PART NO.	SYM.	QTY.	DESCRIPTION
1	F545711		1	PLATE, FRONT
2	FA545397		2	DECAL, ENGINE COVER - PORT
3	FS546712		1	ENGINE COVER, W/RETAINERS
-	2C545712		1	ENGINE COVER COMPLETE INCLUDES ALL ITEMS WITH AN ASTERISK (*)
4	FA545892		1	DECAL, ENGINE COVER FRONT
6	F1475		4	FILL HD SCREW, 10 X 24 X 1/2
7	FA366778		1	ENGINE COVER RETAINER W/SCREWS AND NUTS
8	F1864		2	HEX HD SCREW, 1/4 - 20 X 3/4
9	F307860		1	INTAKE SILENCER
10	F1953		2	HEX HD SCREW, 1/4 - 20 X 1
11	F1447		2	RD HD SCREW, 2 X 3/16
12	FA535395		1	IDENTIFICATION PLATE W/SCREWS - U.S.A.
-	FAC535395		1	IDENTIFICATION PLATE W/SCREWS - CANADA
13	F235785		1	DECAL, COMPLIANCE - CANADA
14	F1515		2	HEX NUT, 5/16 - 18
15	F8096		2	SPRING LOCKWASHER
16	F89777-1		1	LATCH CAM
17	F183300		1	SPRING
18	F1987		1	PLAIN WASHER
19	F307818		2	BEARING, LATCH SHAFT
20	F1733		3	PAN HD SCREW, 10 - 24 X 9/16
21	F545189		1	BUSHING, CABLE ENTRY
22	F474992		1	BLANKET, SILENCER - FRONT
23	F465985		2	BLANKET, SILENCER - SIDE
24	FA328763		1	COVER LATCH HANDLE W/SHAFT
25	F549189		1	BUSHING ELECTRIC CABLE ENTRY
26	F311984-1		1	BLANKET, SILENCER - TOP
27	F458774		1	BRACKET RETAINER REAR
28	F1238		8	HEX CAP SCREW, 1/4 - 20 X 3/4
29	F85756		1	SUPPORT PLATE PACKING
31	FA458480		1	ENGINE COVER RETAINER W/SCREWS AND NUTS
32	F463864		2	RETAINER, TILT HANDLE
33	F7011		4	HEX NUT, 10 - 24
34	F545180		1	TRIM, REAR
35	A545386		2	DECAL, NUMERAL "45"
36	F85735-1		6	SEAL
37	F1753		6	FASTENER
38	F545269		1	TILT HANDLE
39	FA307779		1	BAFFLE, AIR INTAKE W/SILENCER

CONTINUED ON NEXT PAGE ➡

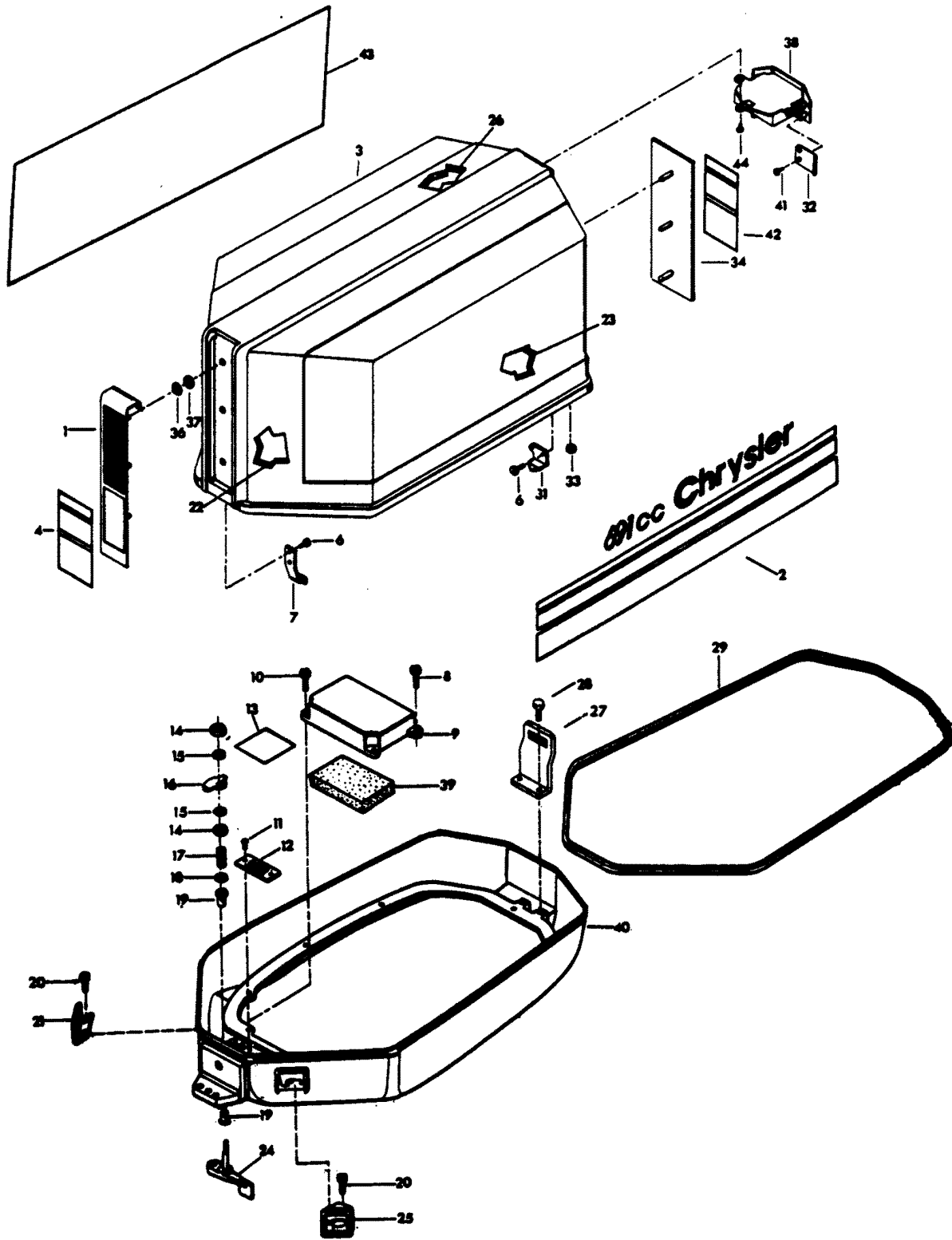
ENGINE COVER AND SUPPORT PLATE



ENGINE COVER AND SUPPORT PLATE

REF. NO.	PART NO.	SYM.	QTY.	DESCRIPTION
40	F307038		1	SUPPORT PLATE
41	F2066		4	PAN HD SELF-TAPPING SCREW
42	A545528		1	DECAL, ENGINE COVER REAR
43	FA545396		2	DECAL, ENGINE COVER STARBOARD
44	F2025		1	PAN HD SCREW, 10 X 5/8

ENGINE COVER AND SUPPORT PLATE

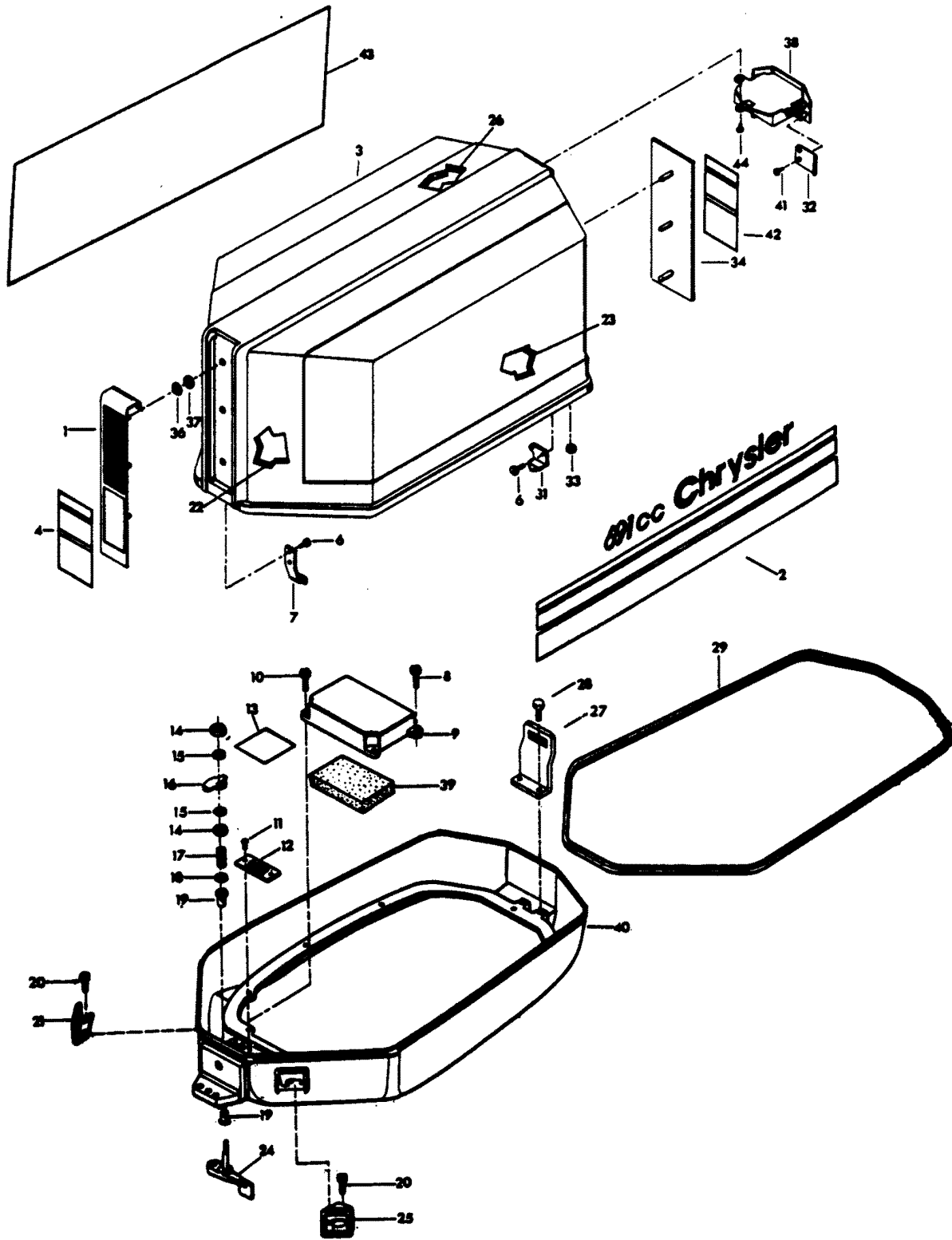


ENGINE COVER AND SUPPORT PLATE

REF. NO.	PART NO.	SYM.	QTY.	DESCRIPTION
1	F545711		1	PLATE, FRONT
2	FA546397		2	DECAL, ENGINE COVER - PORT
3	FS546712		1	ENGINE COVER W/RETAINERS
-	2C546712		1	ENGINE COVER COMPLETE INCLUDES ALL ITEMS MARKED WITH AN ASTERISK (*)
4	A546892		1	DECAL, ENGINE COVER FRONT
6	F1475		4	FILL HD SCREW, 10 - 24 X 1/2
7	FA366778		1	ENGINE COVER RETAINER FORWARD W/SCREWS AND NUTS
8	F1864		2	HEX HD SCREW, 1/4 - 20 X 3/4
9	F307860		1	INTAKE SILENCER
10	F1953		2	HEX HD SCREW, 1/4 - 20 X 1
11	F1447		2	RD HD SCREW, 2 X 3/16
12	FA535395		1	IDENTIFICATION PLATE W/SCREWS - U.S.A.
-	FAC535395		1	IDENTIFICATION PLATE W/SCREWS - CANADA
13	F235785		1	DECAL, COMPLIANCE - CANADA
14	F1515		2	HEX NUT, 5/16 - 18
15	F8096		2	SPRING LOCKWASHER
16	F89777-1		1	LATCH CAM
17	F183300		1	SPRING
18	F1987		1	PLAIN WASHER
19	F307818		2	BEARING, LATCH SHAFT
20	F1733		3	PAN HD SCREW, 10 - 24 X 9/16
21	F545189		1	BUSHING, CABLE ENTRY
22	F474992		1	BLANKET, SILENCER - FRONT
23	F465985		2	BLANKET, SILENCER - SIDE
24	FA328763		1	COVER LATCH HANDLE W/SHAFT
25	F549189		1	BUSHING ELECTRIC CABLE ENTRY
26	F311984-1		1	BLANKET, SILENCER - TOP
27	F458774		1	BRACKET, RETAINER REAR
28	F1238		8	HEX CAP SCREW, 1/4 - 20 X 3/4
29	F85756		1	SUPPORT PLATE PACKING
31	FA458480		1	ENGINE COVER RETAINER W/SCREWS AND NUTS
32	F463864		2	RETAINER, TILT HANDLE
33	F7011		4	HEX NUT, 10 - 24
34	F545180		1	TRIM, REAR
36	F85735-1		6	SEAL
37	F1753		6	FASTENER
38	F545269		1	TILT HANDLE
39	FA307779		1	BAFFLE, AIR INTAKE W/SILENCER

CONTINUED ON NEXT PAGE ➡

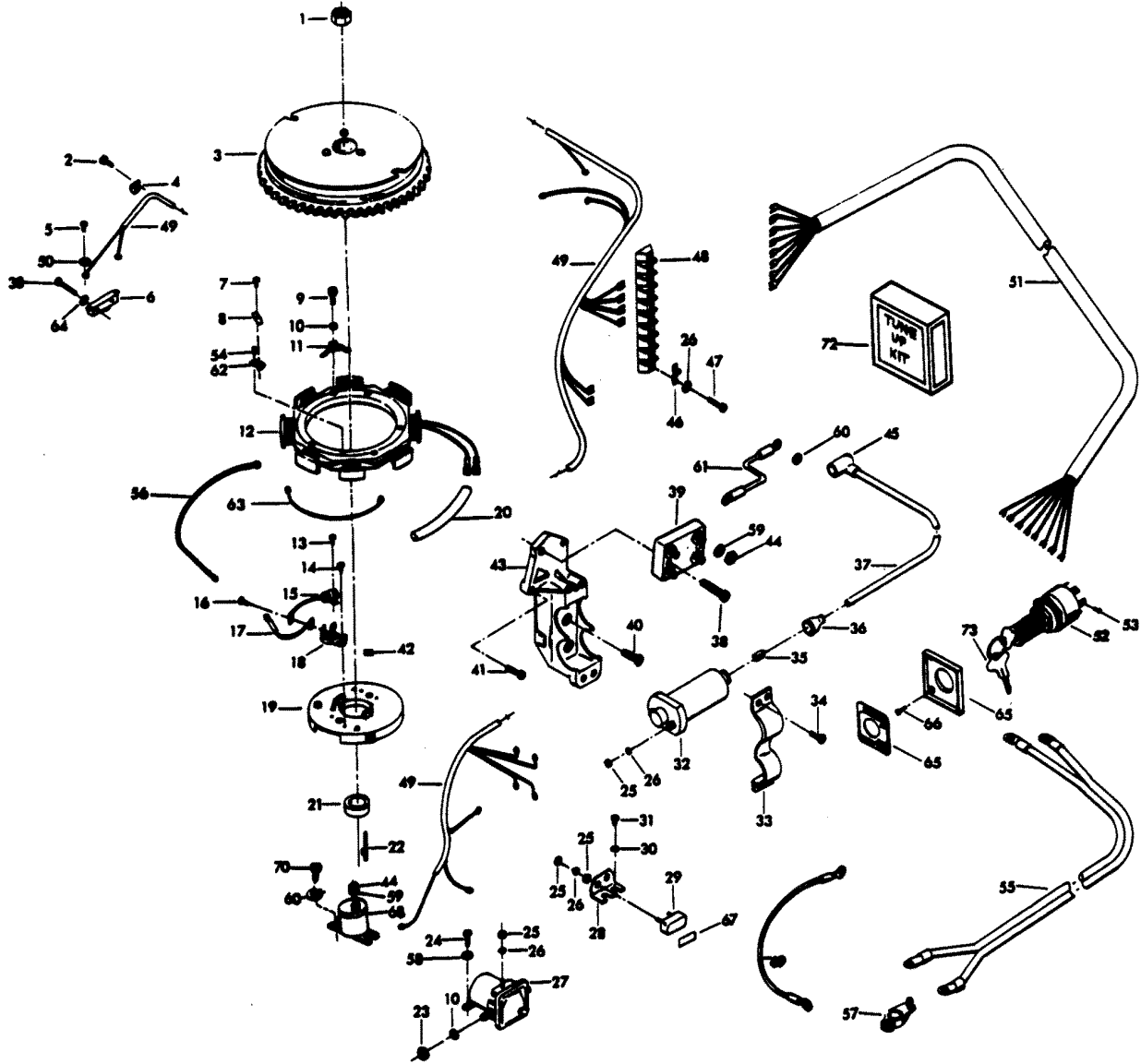
ENGINE COVER AND SUPPORT PLATE



ENGINE COVER AND SUPPORT PLATE

REF. NO.	PART NO.	SYM.	QTY.	DESCRIPTION
40	F307038		1	SUPPORT PLATE
41	F2066		4	PAN HD SELF-TAPPING SCREW
42	A546528		1	DECAL, ENGINE COVER REAR
43	FA546396		2	DECAL, ENGINE COVER STARBOARD
44	F2025		1	PAN HD SCREW, 10 X 5/8

ALTERNATOR AND ELECTRICAL COMPONENTS

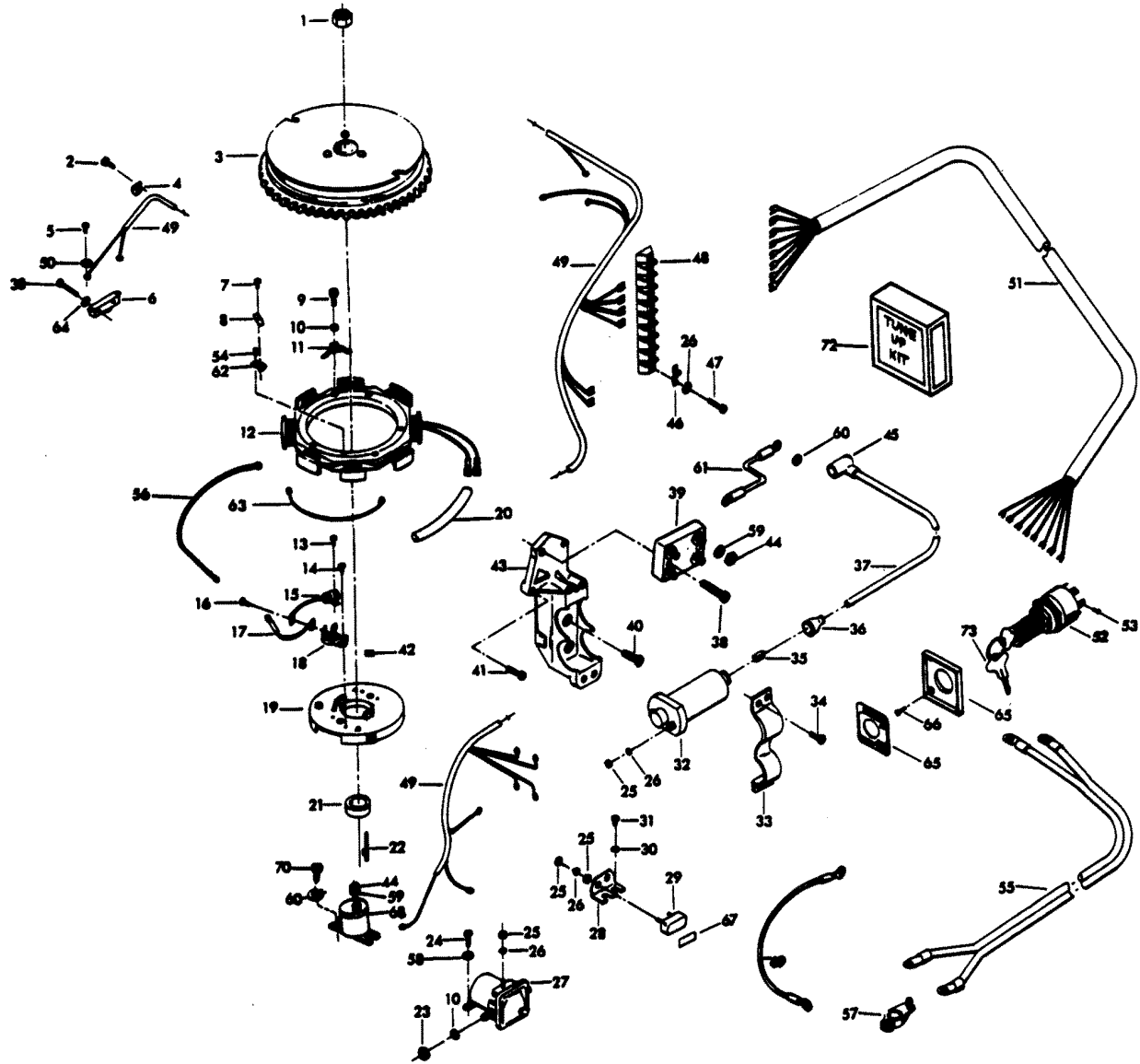


ALTERNATOR AND ELECTRICAL COMPONENTS

REF. NO.	PART NO.	SYM.	QTY.	DESCRIPTION
1	F1920		1	HEX NUT, 5/8 - 18
2	F1110		1	SLOTTED FIL HD SCREW, 1/4 - 20 X 5/8
3	F203097-5		1	FLYWHEEL
4	F92446		1	CLAMP
5	F1645		2	RD HD SELF-TAPPING SCREW, 6 - 32 X 1/4
6	F84449		1	NEUTRAL INTERLOCK SWITCH
7	F12167		2	SCREW
8	F12172		2	TERMINAL
9	F2071		3	HEX CAP SCREW, 5/16 - 18 X 1-3/8
10	F8096		5	SPRING LOCKWASHER
11	F466479		3	BREAKER PLATE SHOE
12	F466095		1	STATOR
13	F12083		2	CONDENSER MOUNT SCREW W/LOCKWASHER
14	F12090		4	BREAKER CONTACT SCREW
15	F12139-1		2	CONDENSER
16	F12189		2	CONDENSER MOUNT SCREW
17	F12174-1		2	PRIMARY INTERLEAD GROUP
18	F12329-2		2	BREAKER POINT SET
19	F12344		1	BREAKER PLATE
20	F94914		1	SLEEVE
21	F268002-2		1	CAM
22	F92498		1	KEY
23	F1615		2	HEX NUT, 5/16 - 24
24	F1238		2	FILL HD SCREW, 1/4 - 20 X 3/4
25	F1513		9	HEX NUT, 10 - 32
26	F1975		7	LOCKWASHER
27	F177917		1	STARTER RELAY
28	F91446-1		1	CIRCUIT BREAKER BRACKET
29	F510460		1	CIRCUIT BREAKER
30	F8011		2	PLAIN WASHER
31	F1733		2	PAN HD SCREW, 10 - 24 X 9/16
32	F380475		2	COIL
33	F380513		1	COIL CLAMP
34	F1502		4	HEX CAP SCREW, 1/4 - 20 X 5/8
35	F203673		2	TERMINAL CLIP
36	F203276		2	COIL BOOT
37	84-817765A2		2	COIL WIRE INCLUDES ITEMS 35 AND 36 ORIGINAL FORCE P/N A307664-1
-	F467841		2	COIL WIRE - CANADA
38	F2016		4	FILL HD SCREW, 8 - 32 X 7/8
39	F369450		1	RECTIFIER
40	F1164		2	FLAT HD SCREW, 5/16 - 18 X 1-1/18
41	F1953		1	HEX HD SCREW, 1/4 - 20 X 1

CONTINUED ON NEXT PAGE ➡

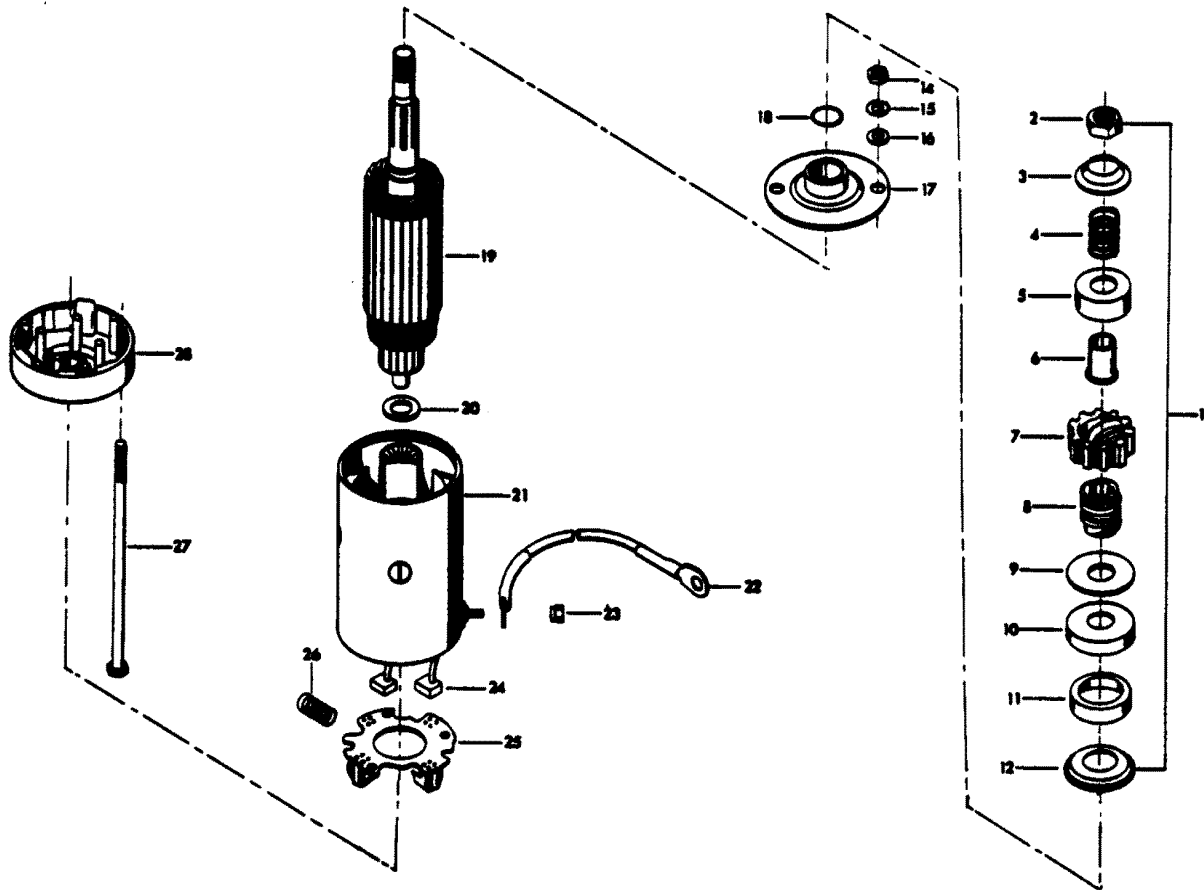
ALTERNATOR AND ELECTRICAL COMPONENTS



ALTERNATOR AND ELECTRICAL COMPONENTS

REF. NO.	PART NO.	SYM.	QTY.	DESCRIPTION
42	F12227		2	CAM WIPER FELT
43	F380501		1	COIL MOUNT
44	F1647		5	HEX NUT, 8 - 32
45	FK750-2		2	SPARKIE KIT
46	F307317		1	CLIP TERMINAL BLOCK GROUND
47	F1648		2	SLOTTED PAN HD SCREW, 10 - 24 X 3/4
48	FA510497		1	TERMINAL BLOCK
49	F311744-2		1	WIRING HARNESS
50	F1704		2	INTERNAL TOOTH LOCKWASHER
51	F85843-1		1	ELECTRIC CONTROL CABLE
52	F5H078		1	IGNITION SWITCH (ACCESSORY ITEM)
53	F1280		5	PAN HD SCREW, 8 - 32 X 1/4
54	F1958		1	PAN HD SCREW, 6 X 7/16
55	F381896-4		1	BATTERY CABLE
56	F289664		1	WIRE STATOR GROUND
57	F5H041		1	BATTERY TERMINAL KIT (ACCESSORY ITEM)
58	F8094		1	PLAIN WASHER
59	F8056		6	SPRING LOCKWASHER
60	F8083		3	SPRING LOCKWASHER
61	F345683		1	WIRE GROUND
62	F12172		2	TERMINAL COMPLETE INCLUDES ITEMS 7 AND 8
63	F12338		1	GROUND WIRE
64	F8088		2	PLAIN WASHER
65	F5H038		1	IGNITION SWITCH MOUNTING KIT (ACCESSORY ITEM)
66	F1934		4	FLAT HD SLOTTED SCREW, 6 X 1/2
67	F510374		1	DECAL, CIRCUIT BREAKER
-	FC510374		1	DECAL, CIRCUIT BREAKER - CANADA (NOT SHOWN)
68	89-817760A2		1	CHOKE SOLENOID
69	F307683		1	WIRE, CIRCUIT BREAKER
70	F1993		2	HEX HD SCREW, 1/4 - 20 X 5/8
71	F290398-1		1	DECAL, WIRING
-	817887--1		1	DECAL, WIRING - CANADA (NOT SHOWN)
-	FA27232		1	EMERGENCY STARTER ROPE (NOT SHOWN)
72	FK1075		1	TUNE-UP KIT INCLUDES ALL ITEMS MARKED WITH AN ASTERISK (*)
73	FA368700		1	IGNITION KEY - NO LETTER OR STAMPED A
-	FB368700		1	IGNITION KEY - STAMPED B
-	FC368700		1	IGNITION KEY - STAMPED C
-	FD368700		1	IGNITION KEY - STAMPED D
-	FE368700		1	IGNITION KEY - STAMPED E

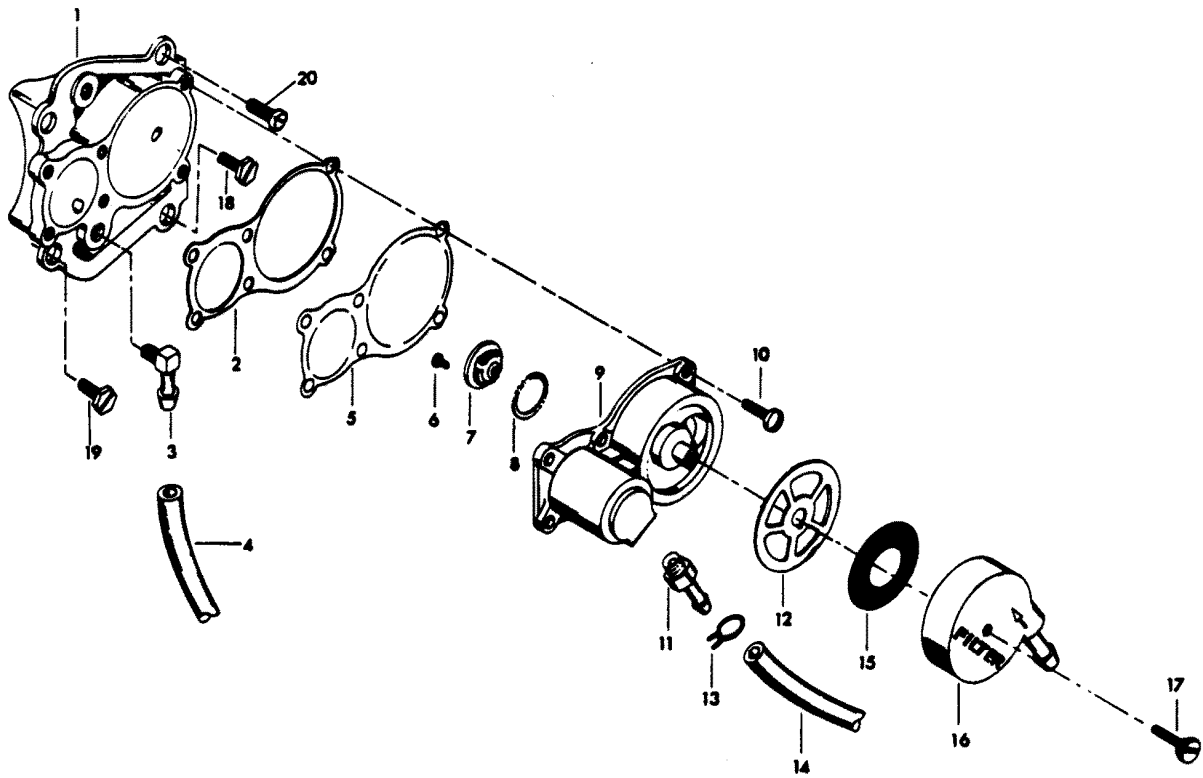
ELECTRIC STARTER



ELECTRIC STARTER

REF. NO.	PART NO.	SYM.	QTY.	DESCRIPTION
1	F15113		1	BENDIX DRIVE
2	F15087		1	NUT
3	F15109		1	STOP
4	F15088		1	SPRING
5	F15115		1	CUP, PINION
6	F15116		1	SLEEVE
7	F15114		1	PINION
8	F15084		1	SCREW SHAFT
9	F15091		1	WASHER
10	F15105		1	CUP
11	F15106		1	CUSHION
12	F15104		1	CUP, CUSHION THRUST
14	F1514		2	HEX NUT, 1/4 - 20
15	F8060		2	LOCKWASHER
16	F8028		2	PLAIN WASHER
17	F15021-1		1	HEAD ASSEMBLY, DRIVE END
18	F15000		1	SEAL, "O" RING
19	F15044		1	ARMATURE
20	F15073		1	THRUST WASHER PACKAGE
21	F15043		1	FRAME AND FIELD ASSEMBLY INCLUDES ITEM 24
22	F307908		1	STARTER LEAD
23	FA15072		1	HEX LOCK NUT, 1/4 - 20
24	F15042		1	BRUSH SET
25	F15038-1		1	BRUSH PLATE AND HOLDER
26	F15034		1	SPRING SET
27	F15094		1	THRU BOLT PACKAGE (SET OF 2 BOLTS)
28	15037		1	HEAD ASSEMBLY, COMMUTATOR END
-	FA201955		1	STARTER MOTOR COMPLETE (NOT SHOWN)
-	FC479390		1	DECAL, STARTER - CANADA (NOT SHOWN)

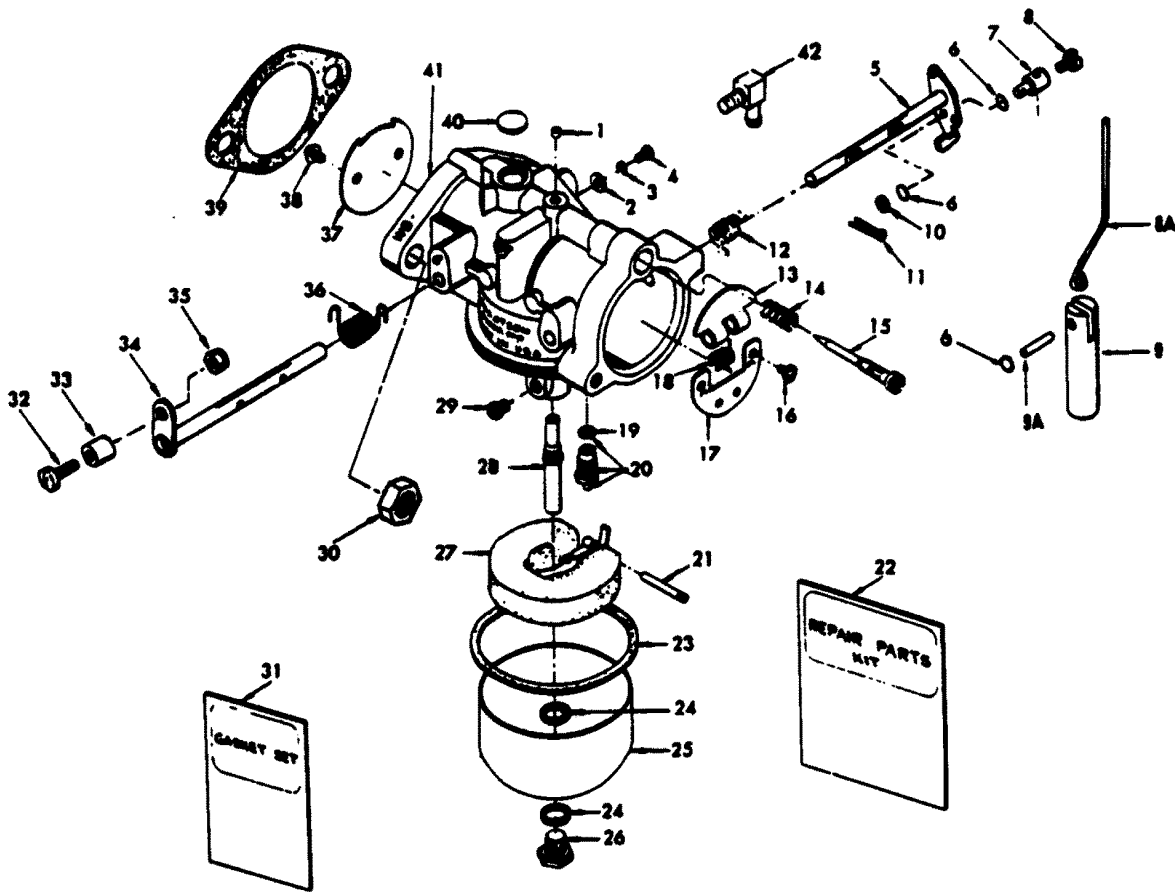
FUEL PUMP



FUEL PUMP

REF. NO.	PART NO.	SYM.	QTY.	DESCRIPTION
1	FA439746		1	FUEL PUMP COVER
2	F438760		1	FUEL PUMP GASKET
3	F84314-2		1	ELBOW
4	F434758		1	FUEL PUMP IMPULSE HOSE
5	F438747		1	FUEL PUMP DIAPHRAGM
6	F1860		2	SLOTTED BINDING HD SCREW, 6 - 32 X 1/4
7	F177330		3	FUEL PUMP VALVE
8	F84792		3	FUEL PUMP VALVE GASKET
9	FA438431		1	FUEL PUMP BODY W/VALVES
10	F1108		6	FILL HD SCREW W/SPRING LOCKWASHER, 1/4 - 20 X 3/4
11	F438801		1	ELBOW
12	F438617		1	FUEL SEDIMENT BOWL GASKET
13	F97772		3	FUEL LINE CLAMPS
14	F434754		1	FUEL LINE, PUMP TO CARBURETOR
15	F438653		1	FUEL PUMP SCREEN
16	F438500		1	FUEL SEDIMENT BOWL
17	F438165		1	SCREW, FUEL BOWL
18	F1922		1	HEX HD SCREW, 1/4 - 20 X 5/8
19	F1502		2	HEX HD SCREW, 1/4 - 20 X 5/8
20	F1110		1	SLOTTED FILL HD SCREW, 1/4 - 20 X 5/8

CARBURETOR

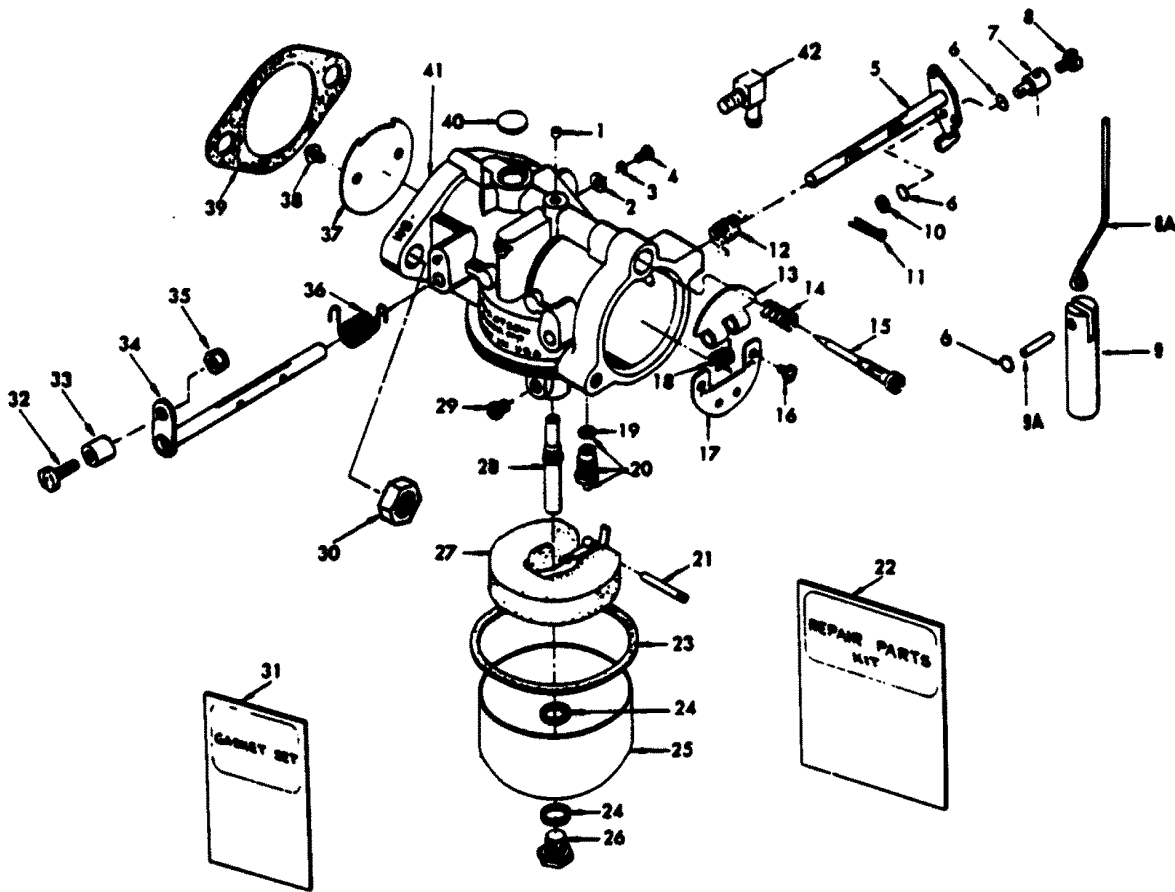


CARBURETOR

REF. NO.	PART NO.	SYM.	QTY.	DESCRIPTION
1	FO10588		1	BODY CHANNEL CUP PLUG
2	FO3804		1	THROTTLE SHAFT POSITION RETAINING SCREW WASHER
3	FO6396		1	THROTTLE SHAFT POSITION RETAINING SCREW LOCKWASHER
4	FO6393		1	THROTTLE SHAFT POSITION RETAINING SCREW
5	FO16383		1	CHOKE SHAFT AND LEVER
6	F184579		3	SEAL, CHOKE ARM SWIVEL
7	F184033-1		1	SWIVEL, CHOKE ROD
8	F1059		1	FILL HD SCREW, 6 - 32 X 1/4
8A	F452925		1	CHOKE SOLENOID ROD
9	F391926-1		1	CHOKE SOLENOID PLUNGER
9A	F2033		1	GROOVE PIN
10	F8088		2	PLAIN WASHER
11	F1014		1	COTTER PIN
12	FO16385		1	CHOKE SHAFT RETURN SPRING
13	FO15725		1	CHOKE RELIEF VALVE
14	FO11103		1	IDLE MIXTURE SCREW SPRING
15	FO13946		1	IDLE MIXTURE SCREW
16	FO10280		2	CHOKE SHUTTER RETAINING SCREW AND LOCKWASHER
17	FO15724		1	CHOKE SHUTTER
18	FO10883		1	CHOKE RELIEF VALVE SPRING
19	FO10165		1	INLET SEAT GASKET
20	FO10790		1	INLET NEEDLE, SEAT AND GASKET
21	FO13944		1	FLOAT LEVER PIN
22	F10057		1	REPAIR PARTS KIT INCLUDES ALL ITEMS MARKED WITH AN ASTERISK (*)
23	FO15623		1	FUEL BOWL GASKET
24	FO2510		2	FUEL BOWL RETAINING SCREW GASKET
25	FO13552		1	FUEL BOWL
26	FO13945		1	FUEL BOWL RETAINING SCREW
27	FO13554		1	FLOAT
28	FO17355		1	MAIN NOZZLE
29	FO14302		1	MAIN FUEL JET .084 - STD.
-	FO14109		0	MAIN FUEL JET .082 - OPT. - 1250 - 3750 FEET
-	FO13194		0	MAIN FUEL JET .080 - OPT. - 3750 - 6250 FEET
-	FO14306		0	MAIN FUEL JET .078 - OPT. - 6250 - 8250 FEET
30	F1515		2	HEX NUT, 5/16 - 18
31	F10000		1	GASKET SET
32	F333316		1	THROTTLE ROLLER SHAFT
33	F92759		1	ROLLER
34	FO15728		1	THROTTLE SHAFT AND LEVER
35	F1997		1	STOP NUT, 8 - 32
36	FO14292		1	THROTTLE SHAFT RETURN SPRING
37	FO16340		1	THROTTLE SHUTTER

CONTINUED ON NEXT PAGE ➡

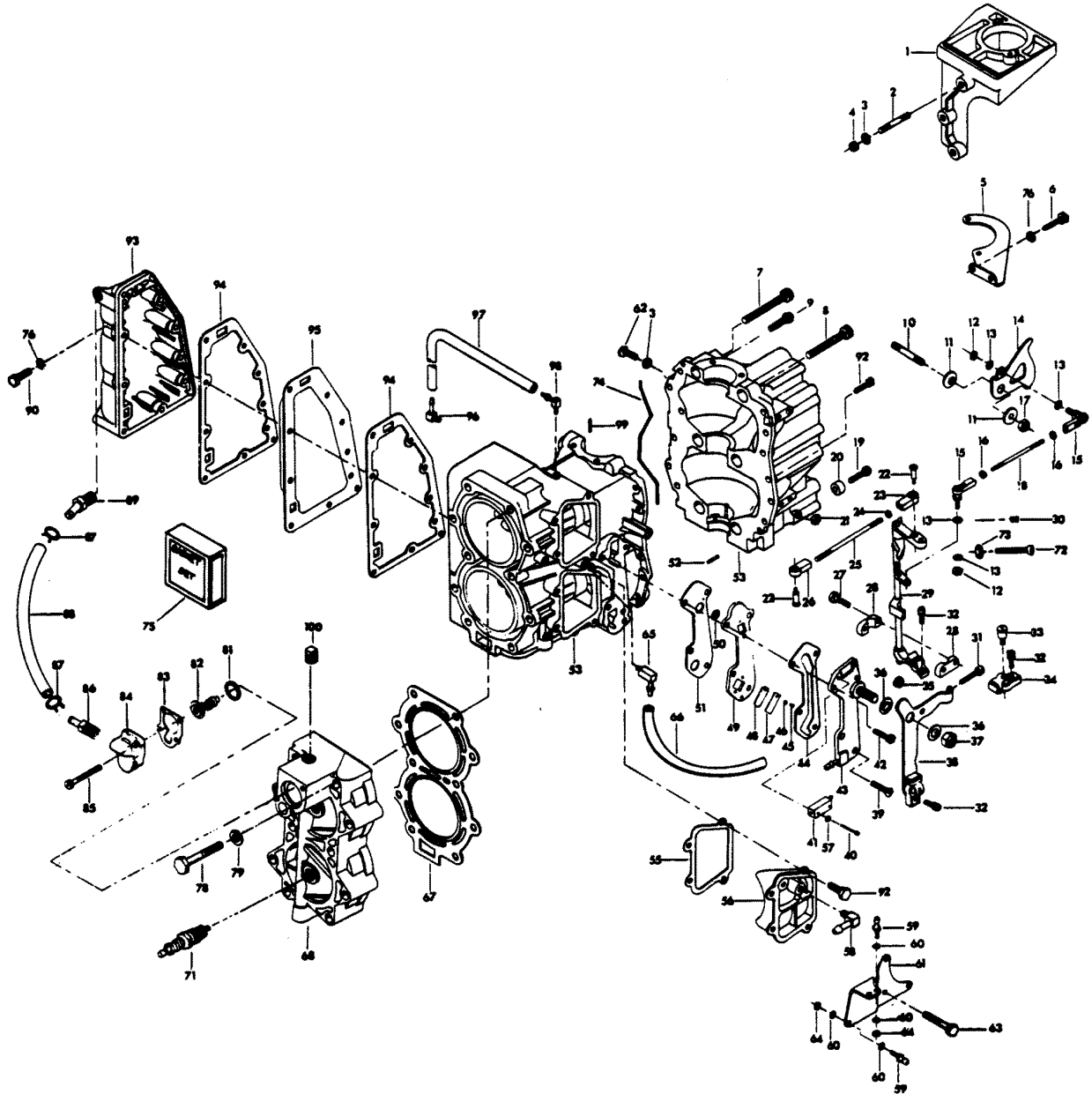
CARBURETOR



CARBURETOR

REF. NO.	PART NO.	SYM.	QTY.	DESCRIPTION
38	FO8942		2	THROTTLE SHUTTER RETAINING SCREW AND LOCKWASHER
39	F40906-1		1	FLANGE GASKET
40	FO4326		1	BODY CHANNEL WELCH PLUG
41	F434061-3		1	CARBURETOR COMPLETE (WB16D)
42	F84314-2		1	ELBOW, FUEL LINE CARBURETOR

POWER HEAD

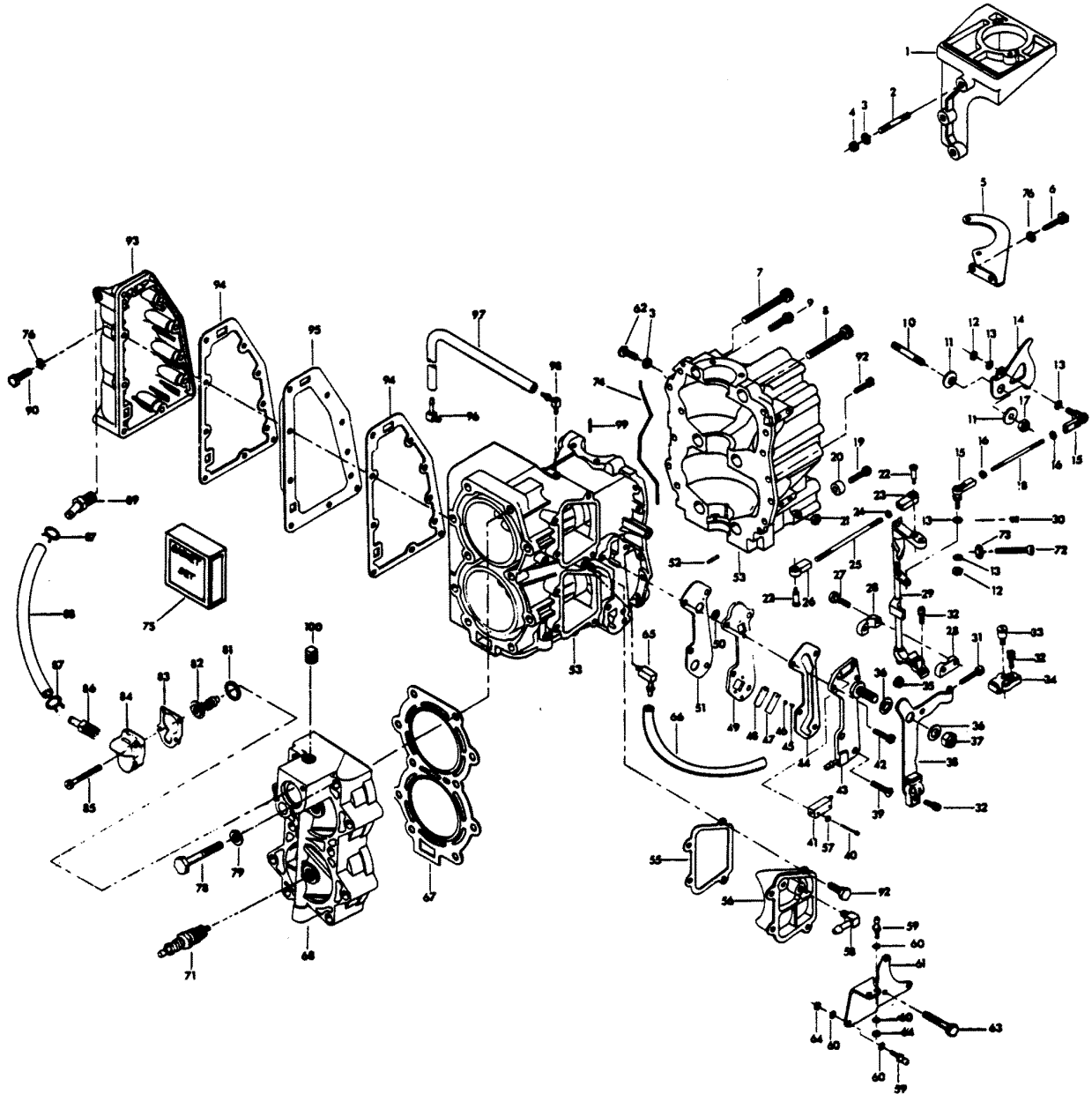


POWER HEAD

REF. NO.	PART NO.	SYM.	QTY.	DESCRIPTION
1	F345427-1		1	BRACKET, STARTER MOUNTING
2	F307211		3	STUD
3	F8096		4	SPRING LOCKWASHER
4	F1515		3	HEX NUT, 5/16 - 18
5	F433675		1	STARTER MOUNTING BRACKET, LOWER
6	F1993		2	HEX SLOT HD SCREW, 1/4 - 20 X 5/8
7	F1646		1	HEX SOCKET HD CAP SCREW, 3/8 - 16 X 2-1/4
8	F1879		5	HEX SOCKET HD CAP SCREW, 3/8 - 16 X 1-5/8
9	F1864		9	HEX HD SCREW, 1/4 - 20 X 3/4
10	F433209		1	STUD, THROTTLE CAM
11	F269319		2	THROTTLE CAM BEARING
12	F1513		2	HEX NUT, 10 - 32
13	F8058		4	INTERNAL TOOTH LOCKWASHER
14	F433192		1	THROTTLE CAM
15	817747--1		2	BALL JOINT W/BEARING
16	F1513		2	HEX NUT, 10 - 32
17	F1910		1	ELASTIC STOP NUT, 1/4 - 20
18	F85502		1	THROTTLE LINK
19	F1134		2	FILL HD SCREW, 8 - 32 X 1-1/8
20	F307942-1		2	BUMPER
21	F1997		2	STOP NUT, 8 - 32
22	F84026		2	SPARK CONTROL SWIVEL
23	F84036		1	SPARK CONTROL BEARING, L.H.
24	F1473		1	HEX NUT, 10 - 24
25	F269445-1		1	SPARK CONTROL LINK
26	F84035-2		1	SPARK CONTROL BEARING, R.H.
27	F1995		4	FILL HD SCREW, 10 - 24 X 1
28	F433689		4	TOWERSHAFT BEARING
29	FK433838		1	TOWERSHAFT W/CLAMP AND SWIVEL
30	F1727		1	PLASTIC RIVET
31	F1969		1	FILL HD SCREW, 1/4 - 20 X 3/4
32	F1556		2	FILL HD SCREW W/LOCKWASHER, 10 - 24 X 3/8
33	F405457		2	PIVOT SCREW
34	FK405020		1	SWIVEL W/SCREW AND NUT
35	F85610		1	BEARING
36	F269052		2	SHIFT ARM BEARING
37	F7004		1	STOP NUT, 7/16 - 20
38	FA433876		1	SHIFT ARM W/CLAMP AND SWIVEL
39	F1136		2	FLAT HD SCREW, 1/4 - 20 X 1
40	F2016		2	FILL HD SCREW, 6 - 32 X 7/8
41	F84449		1	SWITCH, NEUTRAL INTERLOCK
42	F1446		2	SLOTTED PAN HD SCREW, 1/4 - 20 X 1
43	FA433471		1	CYLINDER DRAIN COVER

CONTINUED ON NEXT PAGE ➡

POWER HEAD

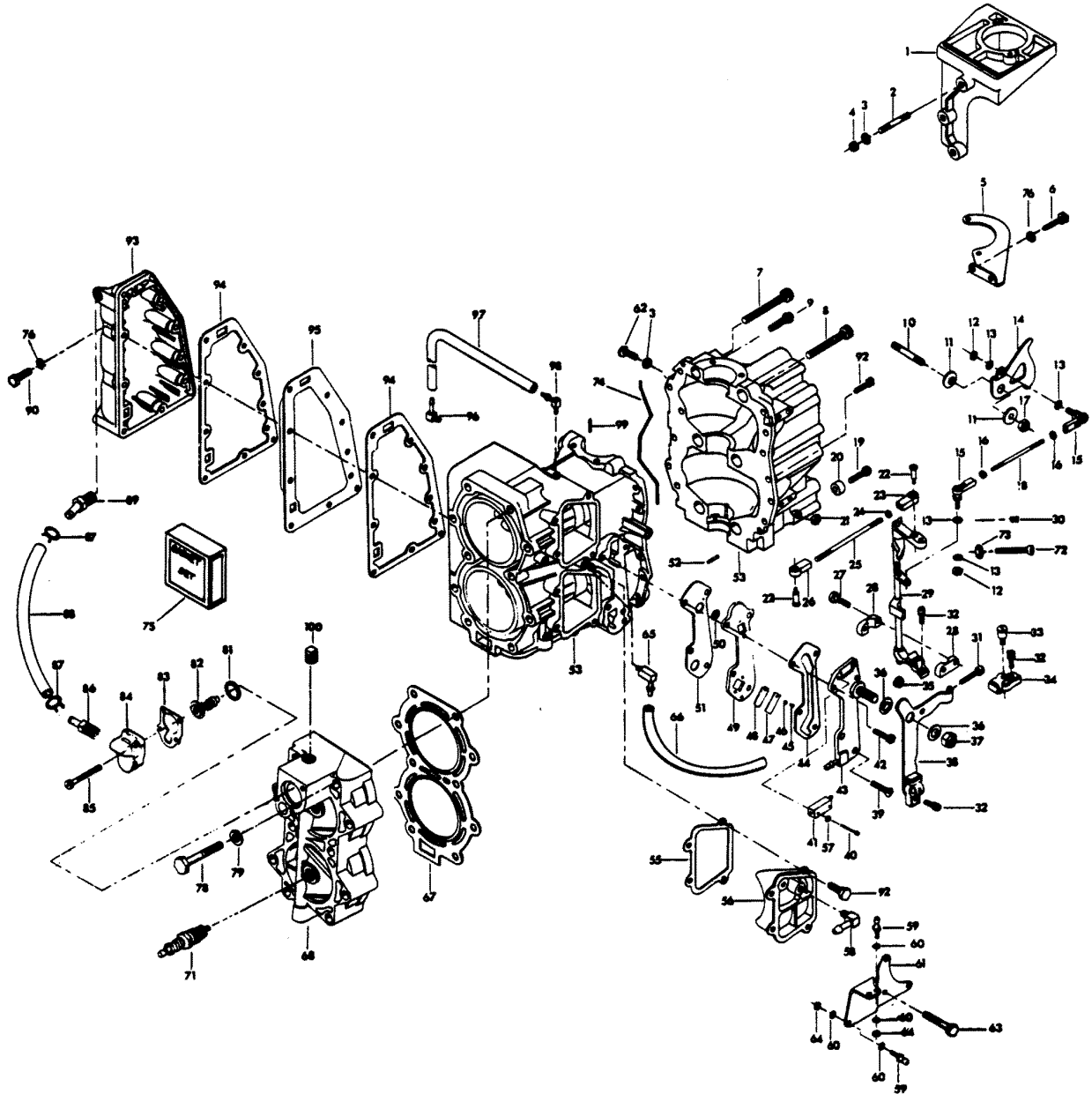


POWER HEAD

REF. NO.	PART NO.	SYM.	QTY.	DESCRIPTION
44	F93472-1		1	CYLINDER DRAIN COVER GASKET
45	F1286		2	PAN HD SCREW, 4 - 40 X 3/16
46	F8003		2	PLAIN WASHER
47	F93920		2	CYLINDER DRAIN REED STOP
48	F18160-2		2	REED, CYLINDER DRAIN
49	F2A433757		1	CYLINDER DRAIN REED PLATE W/REEDS, REED STOPS, SCREWS AND SCREEN
50	F93811		2	SCREEN, CYLINDER DRAIN REED PLATE
51	F93748-1		1	CYLINDER DRAIN REED PLATE GASKET
52	F8559		2	DOWEL PIN
53	FA478010		1	CYLINDER W/CRANKCASE COVER, DEFLECTOR PLATE AND SCREWS
-	FC478010		1	SHORT BLOCK INCLUDES ALL ITEMS MARKED WITH AN ASTERISK (*). ALSO REFER TO CRANKSHAFT PAGE.
55	F40223		2	TRANSFER PORT COVER GASKET
56	FA411222		1	TRANSFER PORT COVER
57	F8088		2	PLAIN WASHER
58	F84314-2		2	ELBOW, FUEL LINE
59	F98273		2	ROD END CONNECTOR STUD
60	F8058		4	INTERNAL TOOTH LOCKWASHER
61	817746A1		1	CONNECTOR STUD BRACKET
62	F1857		1	HEX CAP SCREW, 5/16 - 18 X 5/8
63	F1238		3	HEX CAP SCREW, 1/4 - 20 X 3/4
64	F1513		2	HEX NUT, 10 - 32
65	F404801		1	ELBOW
66	F433254		1	HOSE
67	F201529-1		1	CYLINDER HEAD GASKET
68	900-818049A2		1	CYLINDER HEAD
71	FS380227		2	SPARK PLUG (UL-4-J)
-	FC235227		2	SPARK PLUG (RL-4-J) FOR MODELS 456B9K, 457B9K AND 459B9H
72	F1052		1	FILL HD SCREW, 1/4 - 20 X 1
73	F1341		1	HEX NUT
74	F269122-1		1	CRANKCASE PARTING LINE SEAL
75	FG1007-1		1	GASKET SET INCLUDES ITEMS LISTED BELOW:
-	F40154-3		3	GASKET, EXHAUST PORT PLATE
-	F40223		1	GASKET, TRANSFER PORT COVER
-	F40833-4		1	GASKET, IDLE RELIEF COVER
-	F40906-1		1	GASKET, CARBURETOR
-	F93472-1		1	GASKET, CYLINDER DRAIN COVER
-	F93748-1		1	GASKET, CYLINDER DRAIN REED PLATE
-	F97067		1	GASKET, THERMOSTAT COVER
-	F201529-1		1	GASKET, CYLINDER HEAD
-	F269122-1		1	CRANKCASE PARTING LINE SEAL

CONTINUED ON NEXT PAGE ➡

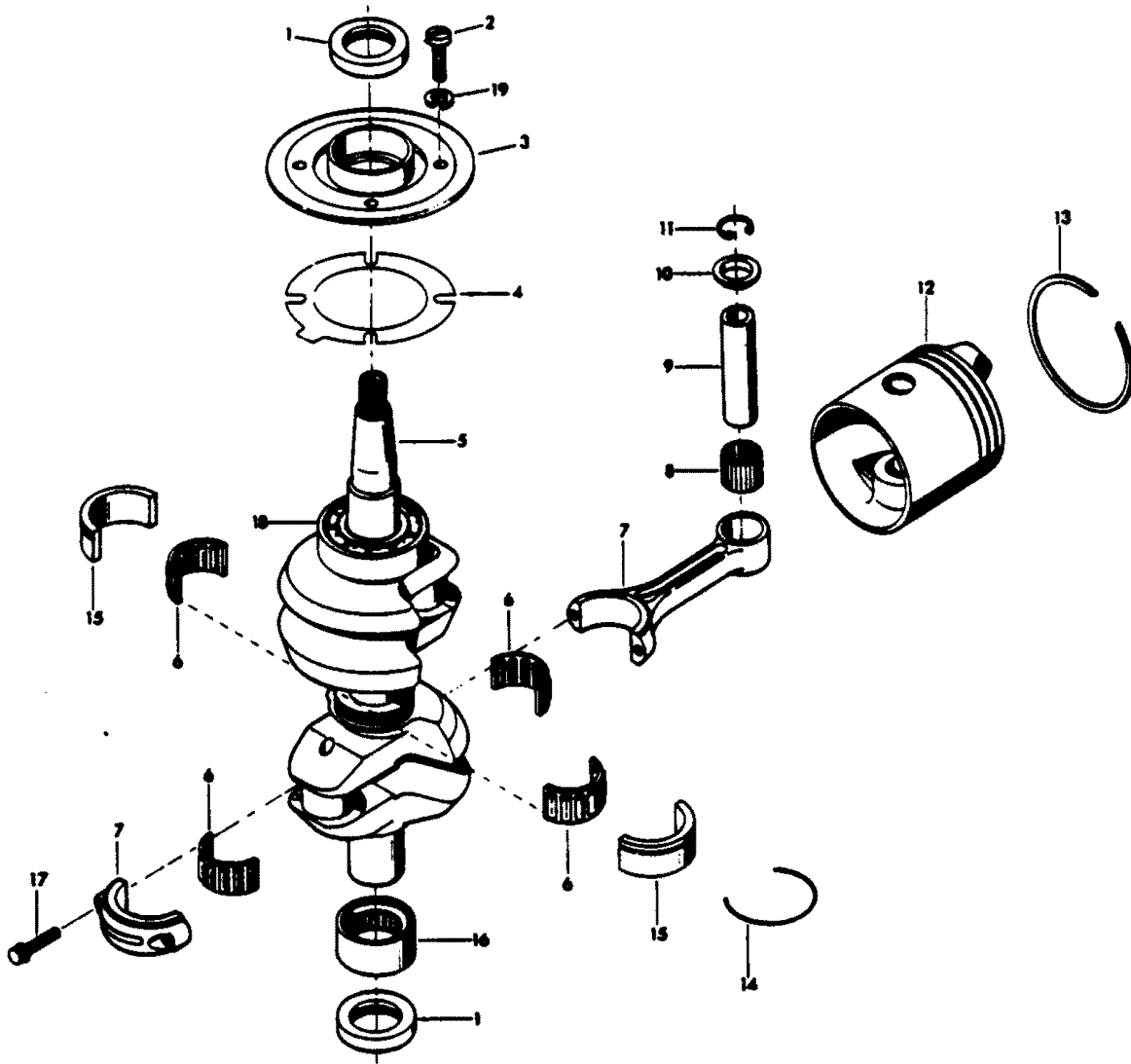
POWER HEAD



POWER HEAD

REF. NO.	PART NO.	SYM.	QTY.	DESCRIPTION
-	F307279-2		1	GASKET, CYLINDER EXHAUST - UPPER
-	F307453-3		1	GASKET, CYLINDER EXHAUST - LOWER
-	F311996		1	GASKET, CYLINDER HEAD COVER
-	F366277		1	GASKET, BEARING CAGE
-	F433168		1	GASKET, CARBURETOR ADAPTOR
-	F433406		1	GASKET, DEFLECTOR PLATE
76	F8083		11	SPRING LOCKWASHER
78	F1544		10	HEX HD CAP SCREW, 3/8 - 16 X 2-1/4
79	F2014		10	PLAIN WASHER
81	F97504		1	GROMMET, THERMOSTAT
82	F97068-1		1	THERMOSTAT
83	F97067		1	THERMOSTAT COVER GASKET
84	F97066-1		1	THERMOSTAT COVER
85	F1995		3	FILL HD SCREW, 10 - 24 X 1-1/16
86	F97275		1	FITTING, THERMOSTAT
87	F97772		2	CLAMP
88	F311247		1	WATER TUBE, THERMOSTAT
89	F141275		1	FITTING, THERMOSTAT
90	F1971		9	HEX HD SCREW, 1/4 - 20 X 2-1/8
92	F1922		4	HEX HD SCREW, 1/4 - 20 X 5/8
93	FA433152		1	EXHAUST PORT COVER
94	F40154-3		2	EXHAUST PORT PLATE GASKET
95	F40151-1		1	EXHAUST PORT PLATE
96	F463314		1	ELBOW
97	FS433758		1	HOSE
98	22-817740A1		1	ELBOW
99	F8545		1	SPRING PIN
100	F328109		1	PLUG

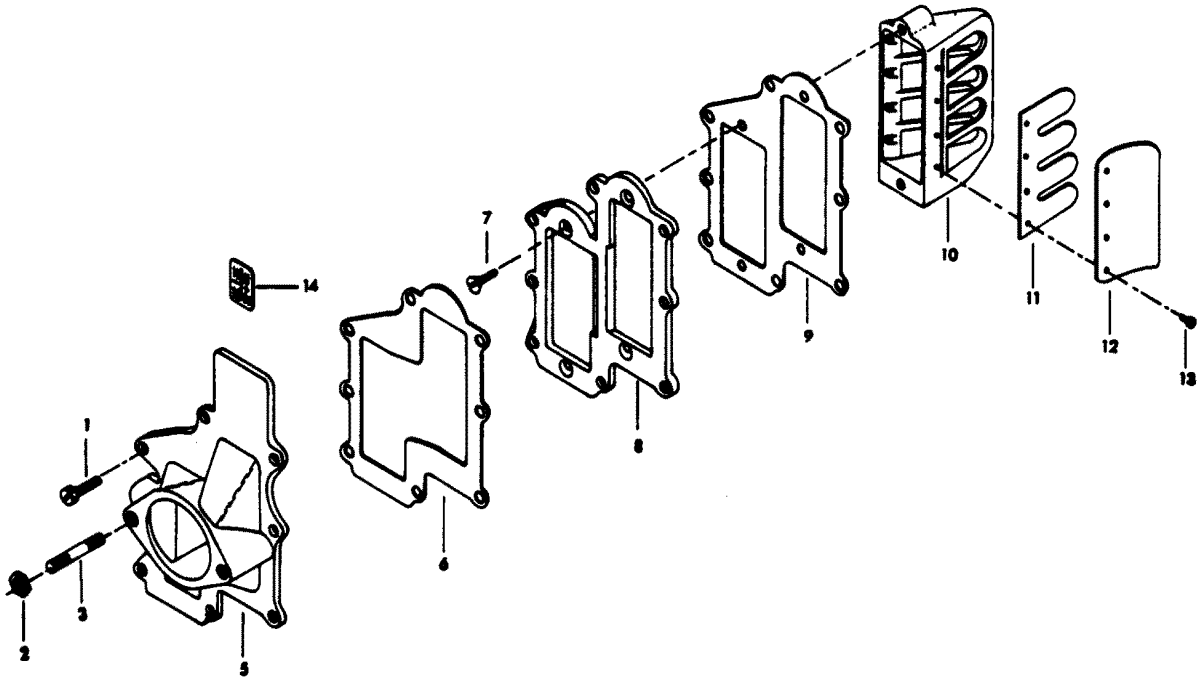
CRANKSHAFT AND PISTON GROUP



CRANKSHAFT AND PISTON GROUP

REF. NO.	PART NO.	SYM.	QTY.	DESCRIPTION
1	F40146-1		2	CRANKSHAFT SEAL
2	F1441		4	PAN HD SCREW, 1/4-20 X 7/8
3	FA466144		1	CRANKSHAFT BEARING CAGE W/SEAL
4	F366277		1	BEARING CAGE GASKET
5	FA545018		1	CRANKSHAFT W/THRUST BEARING UPPER
6	FK85228		3	BEARING CAGE W/ROLLERS (16 PER SET)
7	600-818052A4		2	CONNECTING ROD W/CAP AND SCREWS
8	F335217-1		2	BEARING
9	F40017-2		2	PISTON PIN
10	F366215		4	SPACER
11	F428096		4	RETAINER, PISTON PIN
12	F486015		2	PISTON
-	FSA486015		2	PISTON .010 OVERSIZE
-	700-818124A1		2	PISTON .030 OVERSIZE
13	FA354260		1	PISTON RING SET (6 PER SET)
-	FS310260		1	PISTON RINGS (6 PER SET) .010 OVERSIZE
-	39-818113A1		1	PISTON RINGS (6 PER SET) .030 OVERSIZE
14	F40410		1	SNAP RING
15	FA40655		1	CRANKSHAFT CENTER MAIN BEARING RACE W/SNAP RING
16	F90014		1	CRANKSHAFT LOWER MAIN BEARING
17	F85634-1		4	CONNECTING ROD SCREW
18	F328013-1		1	CRANKSHAFT THRUST BEARING UPPER
19	F8060		4	EXTERNAL TOOTH LOCKWASHER

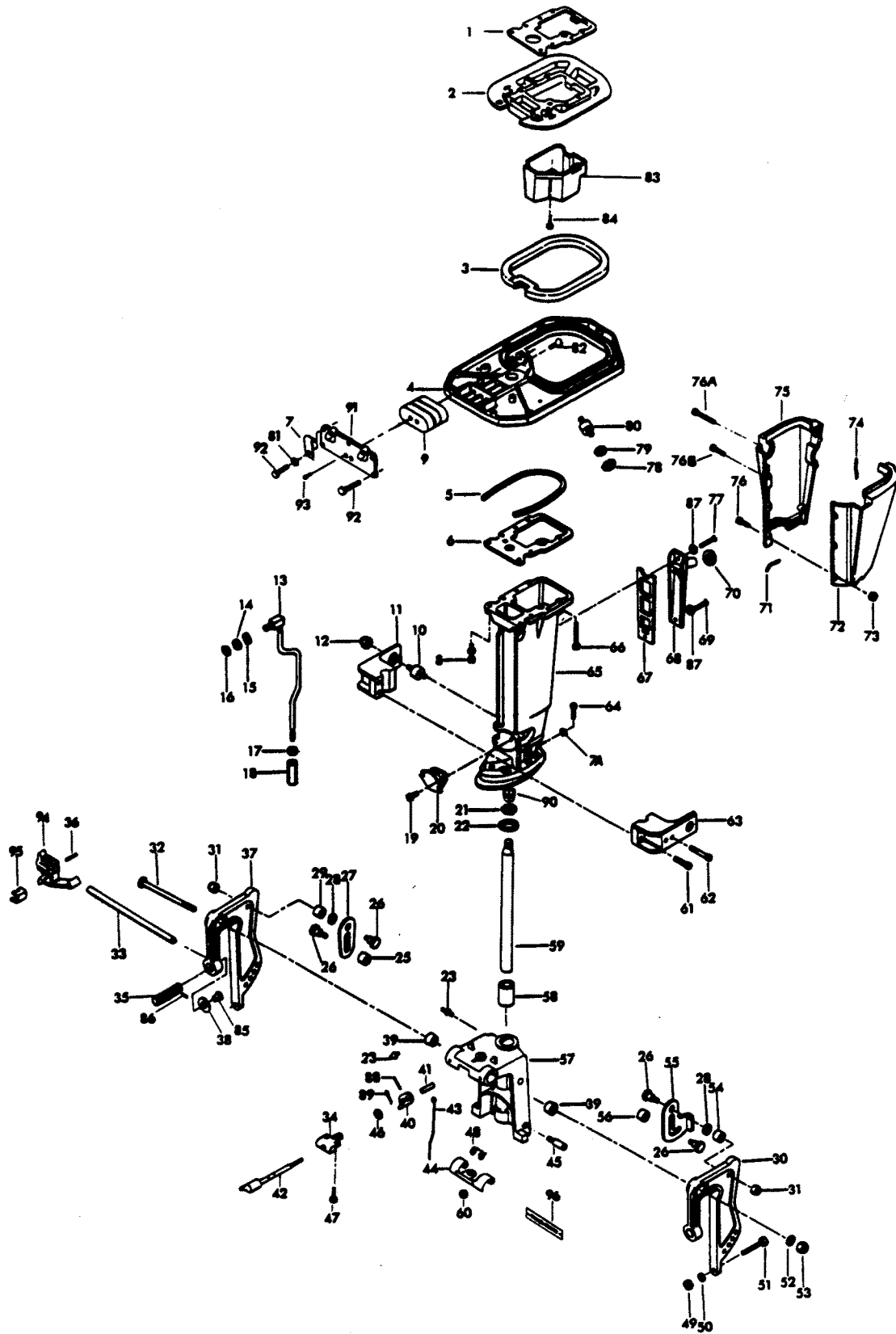
REED PLATE



REED PLATE

REF. NO.	PART NO.	SYM.	QTY.	DESCRIPTION
1	F1915		8	HEX HD SCREW, 1/4 - 20 X 7/8
2	F1515		2	HEX NUT, 5/16 - 18
3	F40209		2	CARBURETOR STUD
5	FA433167		1	CARBURETOR ADAPTER FLANGE W/STUDS
6	F433168		1	CARBURETOR ADAPTER GASKET
7	F1141		4	FLAT HD SCREW, 10 -24 X 1/2
8	F433404		1	DEFLECTOR PLATE
9	F433406		1	DEFLECTOR PLATE GASKET
10	FA433158		2	REED PLATE W/REEDS, STOPS AND SCREWS
11	F335160		4	REED
12	F88161-3		4	REED STOP
13	F1298		16	ROUND HD SCREW W/LOCKWASHER, 6 - 32 X 1/4
14	FA433387		1	DECAL, TIMING
-	FC433387		1	DECAL, TIMING - CANADA

MOTOR LEG

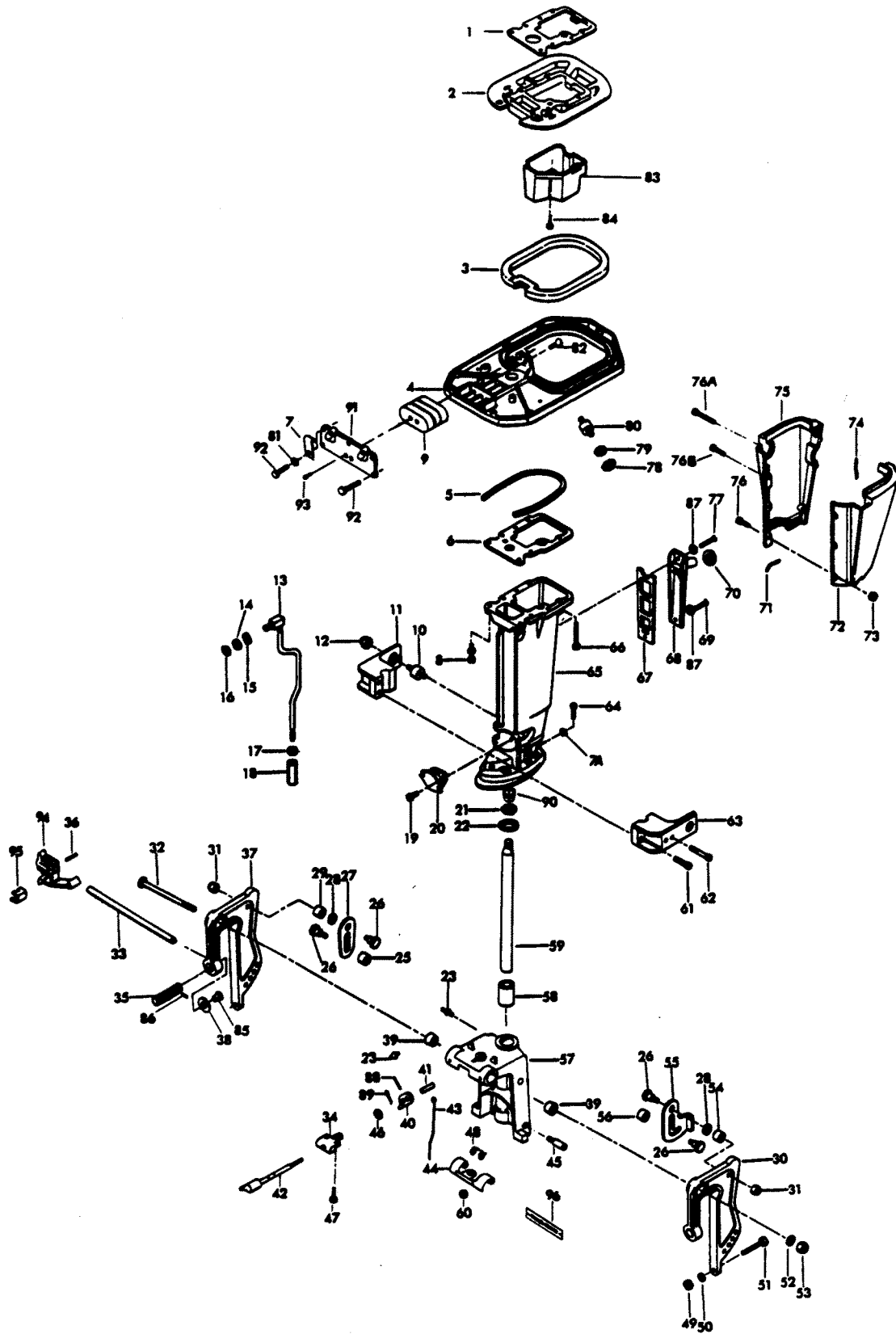


MOTOR LEG

REF. NO.	PART NO.	SYM.	QTY.	DESCRIPTION
1	F307279-2		1	CYLINDER EXHAUST GASKET UPPER
2	F433680		1	SPACER PLATE
3	F307989-1		1	SEAL, KINGPIN PLATE
4	FS307940		1	KINGPIN PLATE
5	F89025		1	DAMPENING PAD
6	F307453-3		1	CYLINDER EXHAUST GASKET LOWER
7	F286772-1		1	CLAMP
7A	F8065		4	SPRING LOCKWASHER
8	F1947		8	FLANGED 12 POINT SCREW, 5/16 - 18 X 2
9	F203965		1	SHOCK MOUNT UPPER
10	F215962		2	SHOCK MOUNT SIDE LOWER
11	F433972		1	SHOCK MOUNT LOWER COVER, STARBOARD
12	F1326		2	ACORN NUT S.S., 5/16 - 18
13	F307615		1	GEAR SHIFT ROD UPPER
14	F1987		1	PLAIN WASHER
15	F8049		1	BOWED SPRING WASHER
16	F185764		1	RETAINING RING
17	F1349		1	HEX NUT, S.S., 5/16 - 18
18	F141704		1	GEAR SHIFT ROD COUPLING
19	F1129		4	FILL HD SCREW, S.S., 5/16 - 18 X 1/2
20	F183346-1		1	SHOCK MOUNT LOWER
21	F84280		1	KINGPIN NUT
22	F89011		1	SWIVEL BRACKET WASHER
23	F213274		3	GREASE FITTING
25	F269929		1	SPACER, TILT STOP
26	F366350		4	TILT STOP PIVOT
27	F366433		1	TILT STOP, STARBOARD
28	F1666		2	BOWED SPRING WASHER
29	F269929		1	SPACER, TILT STOP
30	F474532		2	STERN BRACKET - PORT
31	F7007		4	NUT
32	F366037		1	STERN BRACKET PIVOT BOLT
33	FA433113		1	STERN BRACKET LOCK BAR W/HANDLE
34	F366884		1	BEARING
35	F474073		2	CLAMP SCREW
36	F1744		1	SPRING PIN
37	F474032		1	STERN BRACKET - STARBOARD
38	F24074		2	CLAMP SCREW FOOT
39	F366286		2	STERN BRACKET FRICTION WASHER
40	F366364		1	ARM
41	F483884		1	BEARING
42	F366827		1	HANDLE AND SHAFT
43	F366510		1	LINK

CONTINUED ON NEXT PAGE ➡

MOTOR LEG

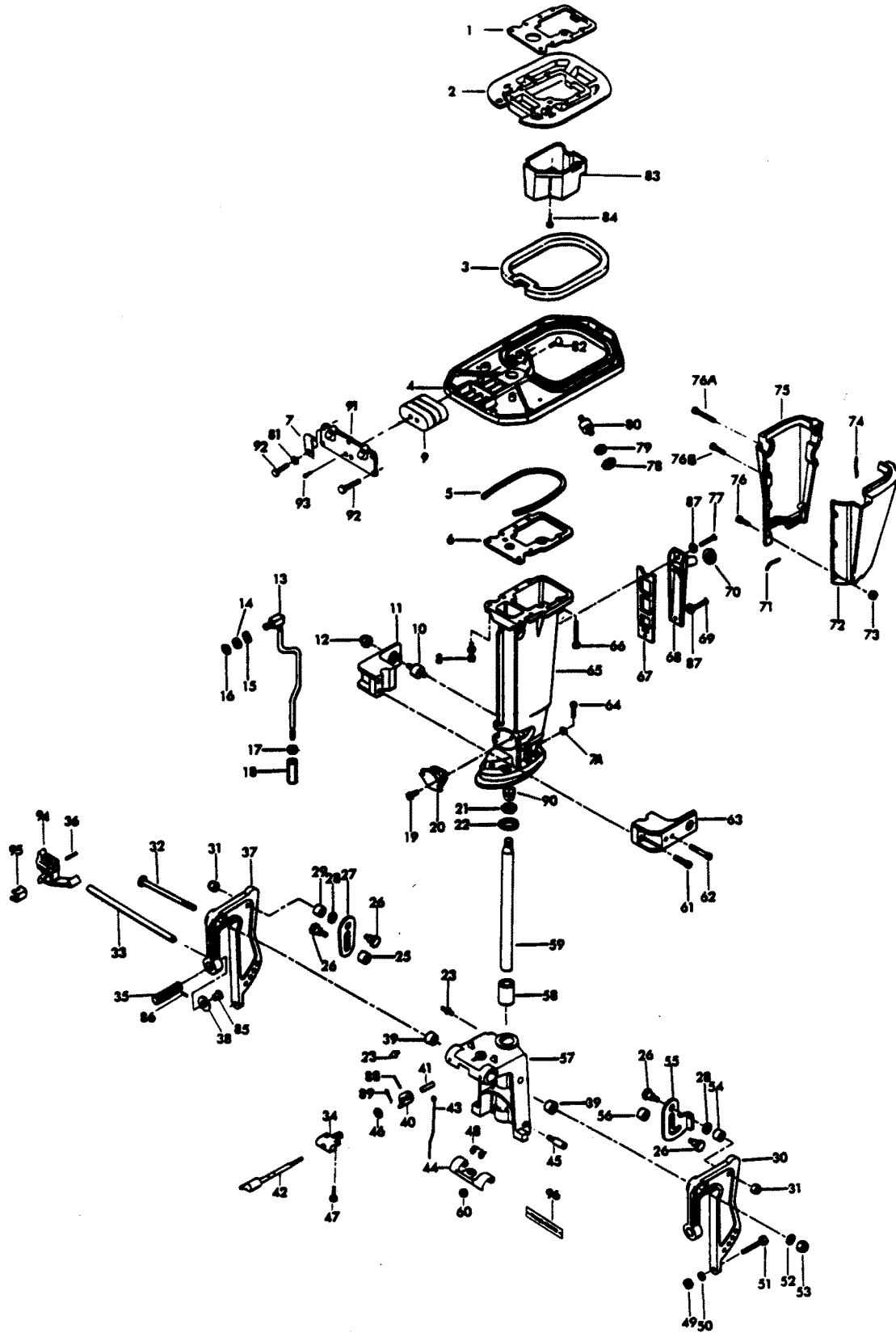


MOTOR LEG

REF. NO.	PART NO.	SYM.	QTY.	DESCRIPTION
44	F366349		1	REVERSE LOCK
45	F366886		2	PIN
46	F8094		1	WASHER
47	F1733		2	PAN HD SCREW, 10 - 24 X 9/16
48	F366300		2	REVERSE LOCK SPRING
49	F1346		2	HEX NUT, S.S., 3/8 - 16
50	F1904		2	PLAIN WASHER
51	F1593		2	HEX HD SCREW, S.S., 3/8 - 16 X 3
52	F1656		1	PLAIN WASHER
53	F7001		1	ELASTIC STOP NUT
54	F269929		1	SPACER, TILT STOP
55	F366426		1	TILT STOP - PORT
56	F269929		1	SPACER, TILT STOP
57	817945A1		1	SWIVEL BRACKET W/BEARING AND GREASE FITTING
58	F191169-1		2	SWIVEL BRACKET BEARING
59	FA433019		1	KINGPIN W/PLUG
60	F1669		1	STOP NUT
61	F1636		1	HEX SOCKET HD CAP SCREW, S.S., 3/8 - 16 X 1-1/4
62	F1635		2	HEX SOCKET HD CAP SCREW, S.S., 3/8 - 16 X 3-1/2
63	F433973		1	SHOCK MOUNT LOWER COVER - PORT
64	F1929		4	HEX HD CAP SCREW, S.S., 3/8 - 16 X 1-1/8
65	F366133-2		1	MOTOR LEG FOR SHORT SHAFT MODELS
-	F435133-1		1	MOTOR LEG FOR LONG SHAFT MODELS
66	F1905		1	FILL HD SCREW, 1/4 - 20 X 3-7/16
67	F40833-4		1	MOTOR LEG EXHAUST COVER GASKET
68	FA89832-2		1	MOTOR LEG EXHAUST COVER
69	F1199		1	HEX HD SCREW, 1/4 - 20 X 1
70	F89504		1	GROMMET, MOTOR LEG
71	F435323		2	PACKING, LEG COVER LOWER
72	FA366135		1	LEG COVER - PORT - FOR SHORT SHAFT MODELS
-	FA435135		1	LEG COVER - PORT - FOR LONG SHAFT MODELS
73	F1473		6	HEX NUT, 10 - 24
74	F435323		2	PACKING, LEG COVER UPPER
75	FA366145		1	LEG COVER - STARBOARD - FOR SHORT SHAFT MODELS
-	F434322		2	PACKING - LEG COVER LOWER REAR (NOT SHOWN) FOR SHORT SHAFT MODELS
-	FA435145		1	LEG COVER - STARBOARD - FOR LONG SHAFT MODELS
76	F1088		3	FILL HD SCREW, 10 - 24 X 9/16
76A	F1767		1	FILL HD SCREW, 10 - 24 X 3
76B	F1768		3	FILL HD SCREW, 10 - 24 X 1-3/8 FOR LONG SHAFT MODELS
-	F1768		2	FILL HD SCREW, 10 - 24 X 1-3/8 FOR LONG SHAFT MODELS
77	F1849		1	HEX HD SCREW, S.S., 1/4 - 20 X 1-3/8
78	F1346		2	HEX NUT, 3/8 - 16

CONTINUED ON NEXT PAGE ➡

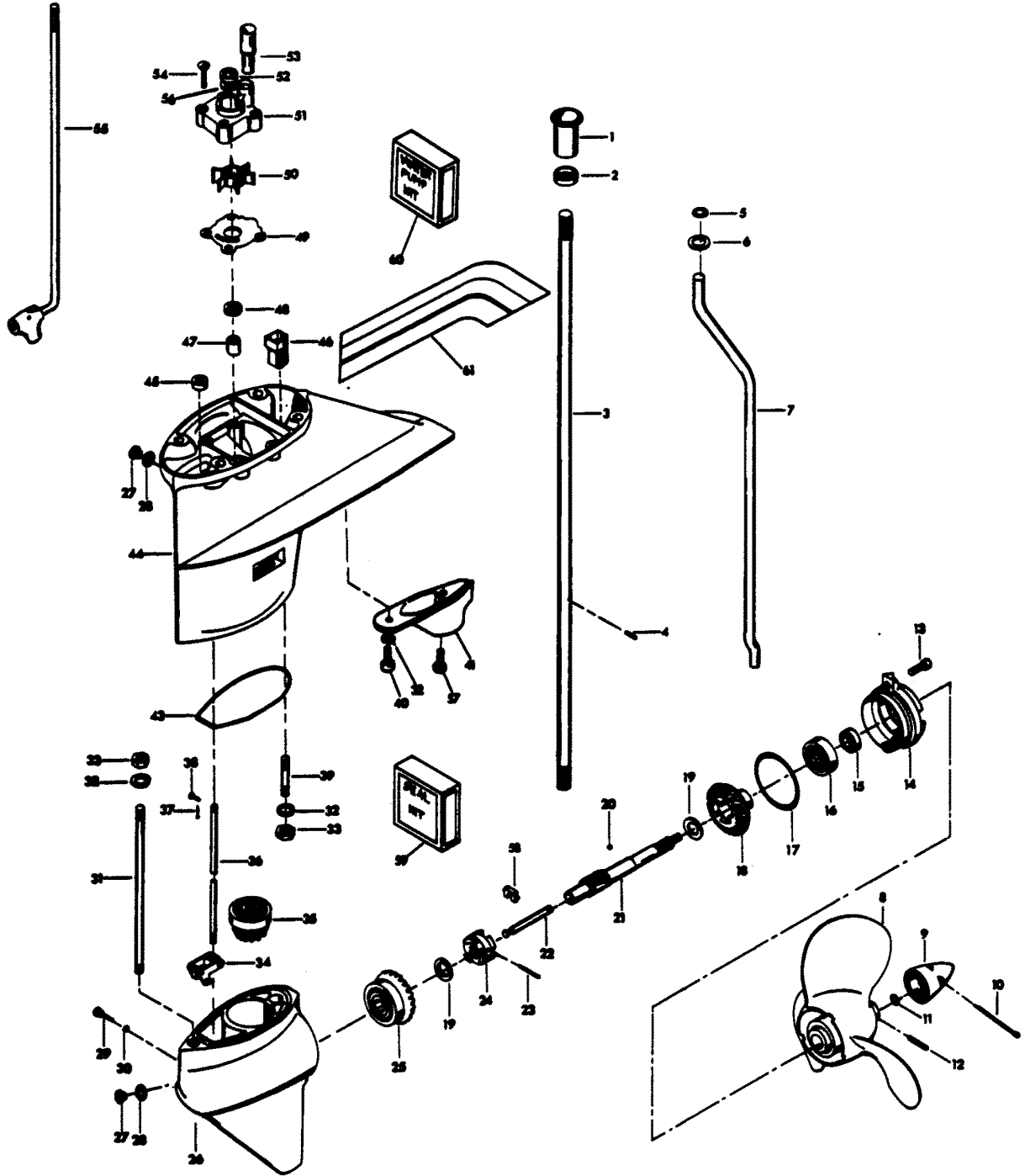
MOTOR LEG



MOTOR LEG

REF. NO.	PART NO.	SYM.	QTY.	DESCRIPTION
79	F8038		2	PLAIN WASHER
80	F307962		2	SHOCK MOUNT SIDE UPPER
81	F8025		1	PLAIN WASHER
82	F1160		2	FLAT HD SCREW, 1/4 - 28 X 5/8
83	F307660-1		1	LEG EXHAUST TUBE
84	F1851		3	FILL HD M. SCREW W/LOCKWASHER, 10 - 24 X 1/2
85	F353480		2	STUD
86	F8537		2	SPRING PIN
87	F8083		2	SPRING LOCKWASHER
88	F1836		1	SPRING PIN
89	F1014		1	COTTER PIN
90	F1880		1	PLASTIC PLUG
91	F433946		1	SHOCK MOUNT UPPER COVER
92	F1502		5	HEX CAP SCREW, 1/4 - 20 X 5/8
93	F1211		2	HEX HD SCREW W/LOCKWASHER, 1/4 - 28 X 5/8
94	F433114		1	HANDLE, LOCK BAR
95	F286461		1	SPRING LOCK BAR HANDLE
96	F369390-1		1	DECAL, TILT LOCK
-	37-F544390-1		1	DECAL, TILT LOCK - CANADA (NOT SHOWN)

GEAR HOUSING

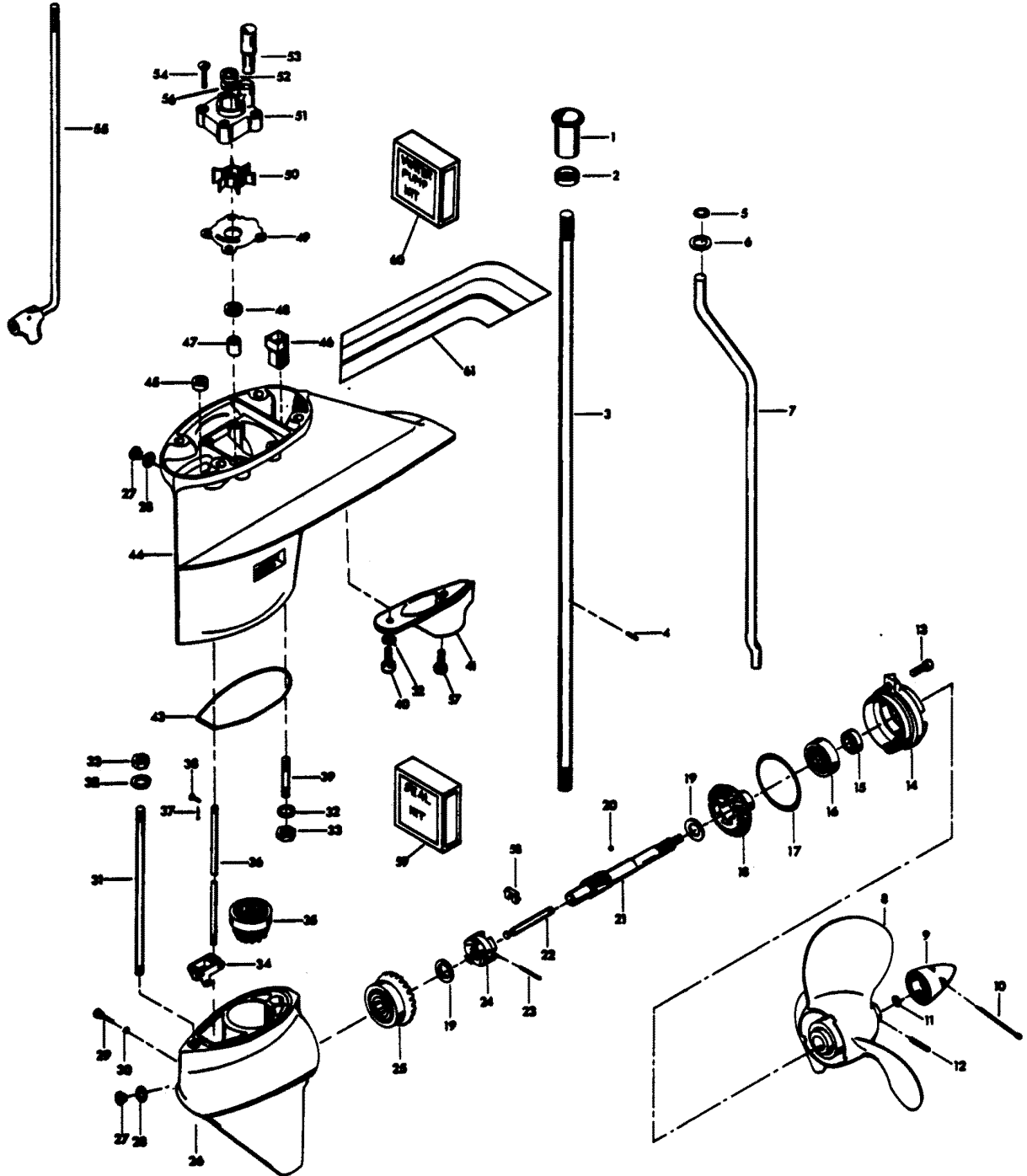


GEAR HOUSING

REF. NO.	PART NO.	SYM.	QTY.	DESCRIPTION
1	F338129-1		1	BOOT
2	F338271		1	RETAINER
3	45-817737A1		1	DRIVESHAFT W/RETAINER FOR STANDARD SHAFT MODELS
-	FA89128-1		1	DRIVESHAFT W/RETAINER FOR LONG SHAFT MODELS
4	F901563		1	DRIVE PIN, WATER PUMP IMPELLER
5	F40342		1	SEAL
6	F8042		1	PLAIN WASHER
7	F141244		1	INLET WATER LINE FOR STANDARD SHAFT MODELS
-	F435244		1	INLET WATER LINE FOR LONG SHAFT MODELS
8	FP293		1	PROPELLER (ACCESSORY ITEM)
-	FP287		1	PROPELLER (ACCESSORY ITEM) FOR MODELS
9	FA94094-2		1	PROPELLER NUT W/SEAL AND COTTER PIN
10	F1027		1	COTTER PIN, S.S., 1/8 - 1/2
11	F40342		1	SEAL, PROPELLER NUT
12	FK247		1	PROPELLER PIN, PACK OF 6 W/COTTER PIN
13	F1263		2	HEX SOCKET HD CAP SCREW, S.S., 5/16 - 18 X 9/16
14	F2A366298		1	PROPELLER SHAFT BEARING CAGE INCLUDES ITEMS 15, 16 AND 17
15	F141118		1	SEAL, PROPELLER SHAFT
16	F366058		1	BALL BEARING, PROPELLER SHAFT
17	F141305		1	SEAL, PROPELLER SHAFT BEARING
18	FA485662		1	BEVEL GEAR REAR W/BEARING
19	F40717		2	THRUST WASHER, BEVEL GEAR
20	F366727		1	BALL, PROPELLER SHAFT
21	44-819500A3		1	PROPELLER SHAFT
22	F90871-3		1	GEAR SHIFT ARM PIN
23	F2097		1	SPING PIN
24	F99521-1		1	CLUTCH
25	FA485023		1	BEVEL GEAR FRONT W/BEARING
26	FA486054		1	GEAR HOUSING LOWER W/PLUG, WASHER AND THRUST BEARING CUP
-	FC486054		1	GEAR HOUSING COMPLETE INCLUDES ALL ITEMS MARKED AN ASTERISK (*)
27	F50109		2	PLUG, GEAR HOUSING
28	F8077		2	WASHER, GEAR HOUSING PLUG
29	F498891		1	GEAR SHIFT ARM PIN
30	F498618		1	SEAL, "O" RING
31	F97008-1		1	STUD, LONG
32	F8065		2	LOCKWASHER
33	F1346		2	HEX NUT, S.S., 3/8 - 16
34	817796A2		1	GEAR SHIFT ARM
35	F2A474266		1	BEVEL PINION W/BEARING
36	F435705		1	GEAR SHIFT ROD LOWER
37	F1015		1	COTTER PIN

CONTINUED ON NEXT PAGE ➡

GEAR HOUSING

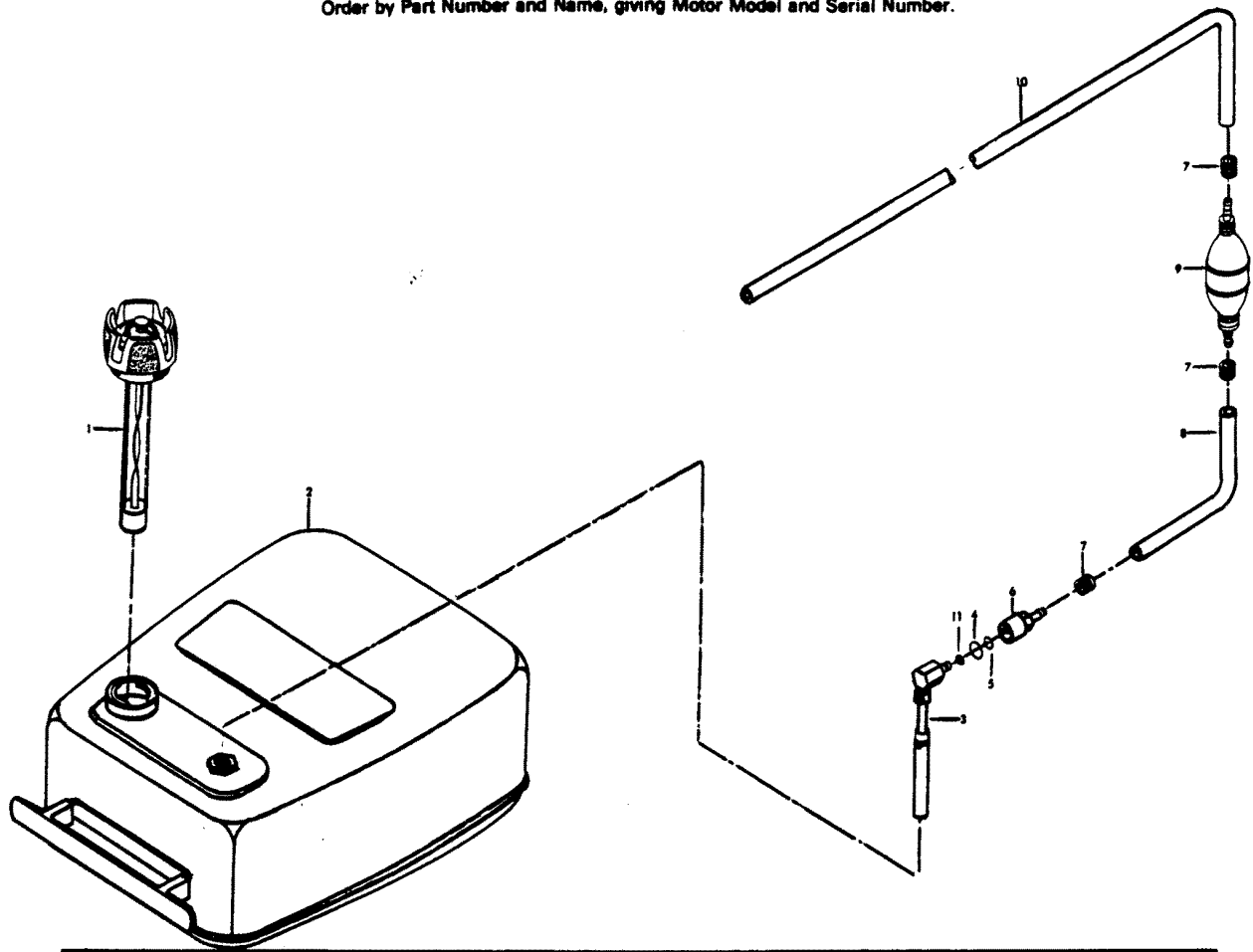


GEAR HOUSING

REF. NO.	PART NO.	SYM.	QTY.	DESCRIPTION
38	F85372		1	PIN, GEAR SHIFT ROD LOWER
39	F40008		1	STUD, SHORT
40	F438930		1	RETAINER, SNOOT
41	FA435116		1	EXHAUST, SNOOT
43	F435555		1	SEAL, GEAR HOUSING
44	FA545554		1	GEAR HOUSING UPPER W/SEAL WASHER, PLUG & INLET WATER SCREEN
45	F338618-1		1	SEAL, SHIFT ROD LOWER
46	F435077		1	SCREEN, WATER INLET
47	F435057		1	BEARING, DRIVESHAFT UPPER
48	F40307-2		1	SEAL, DRIVESHAFT
49	F435562		1	WATER PUMP BACK PLATE
50	F433065		1	WATER PUMP IMPELLER
51	FA463060		1	WATER PUMP BODY W/DRIVESHAFT SEAL
52	F349307		1	DRIVESHAFT SEAL - WATER PUMP
53	FA485914		1	SEAL, INLET WATER LINE, LOWER
54	F2030		4	HEX HD SCREW, S.S., 1/4 - 20 X 1-1/4
55	FA434616		1	GEAR SHIFT ROD INTERMEDIATE FOR STANDARD SHAFT MODELS
-	FA435616		1	GEAR SHIFT ROD INTERMEDIATE FOR LONG SHAFT MODELS
56	485388		1	DISC, WATER PUMP
57	F1994		1	HEX SOCKET HD CAP SCREW 5/16 - 18 X 1
58	F90619-1		1	YOKE
59	FK1074		1	GEAR HOUSING SEAL KIT INCLUDES ALL ITEMS MARKED WITH A DOUBLE ASTERISK (**)
60	FK1073		1	WATER PUMP KIT
61	A467392		1	DECAL, LEG - PORT
-	A467391		1	DECAL, LEG - STARBOARD

FUEL TANK AND LINE

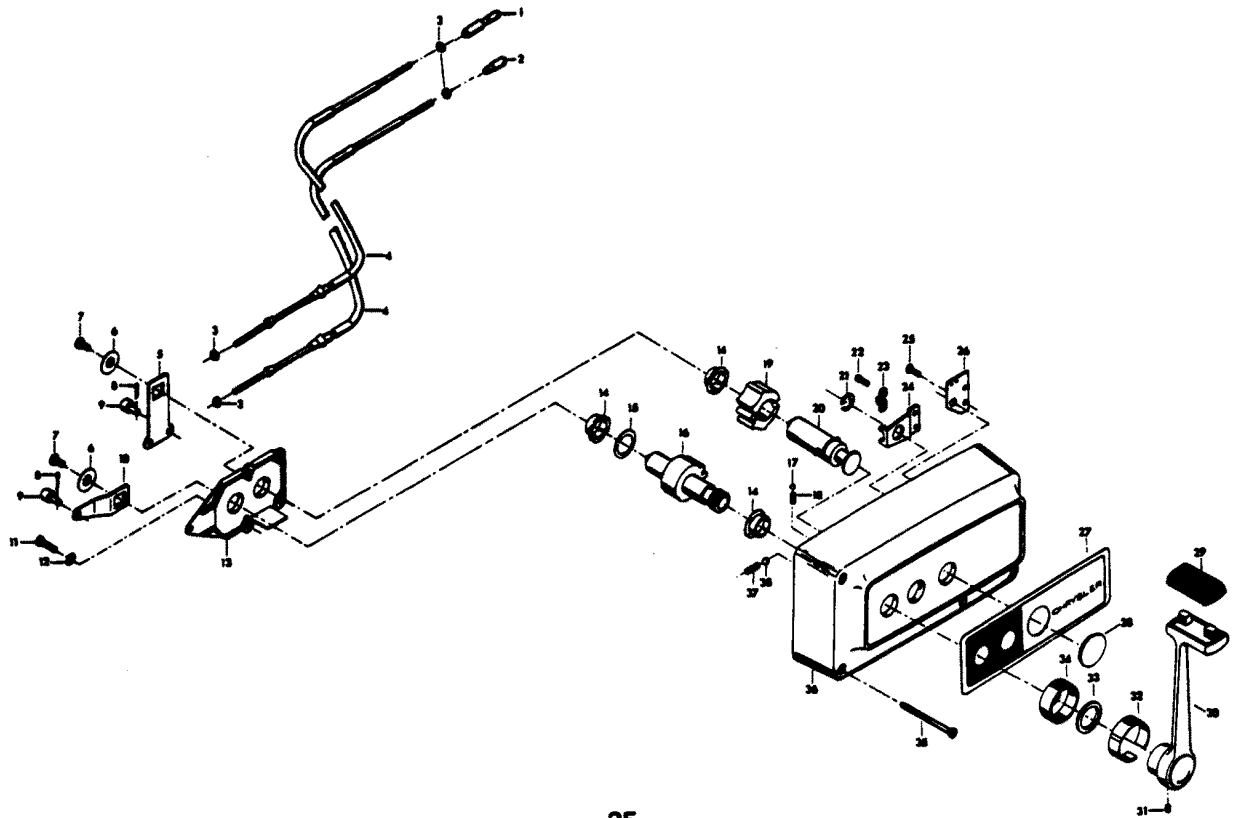
Order by Part Number and Name, giving Motor Model and Serial Number.



FUEL TANK AND LINE

REF. NO.	PART NO.	SYM.	QTY.	DESCRIPTION
1	F409251-1		1	GAUGE CAP
2	F5H027		1	FUEL TANK (ACCESSORY ITEM)
3	F485755-1		1	FUEL TANK ADAPTER
4	F213342		1	SEAL, FUEL LINE COUPLER (LARGE)
5	F213735		1	SEAL, FUEL LINE COUPLER (SMALL)
6	F197787-3		1	FUEL LINE COUPLER
7	F298788		3	FERRULE
8	FA84754-1		1	FUEL LINE SHORT W/FERRULES
9	89396A38		1	PRIME BULB
10	32-817738A1		1	FUEL LINE, LONG W/CLAMP AND FERRULE
11	F17932		1	SEAL, FUEL TANK ADAPTER
-	FS409752		1	FUEL LINE, COMPLETE
-	FC409398		1	DECAL, TOTE TANK - CANADA (NOT SHOWN)

REMOTE CONTROL



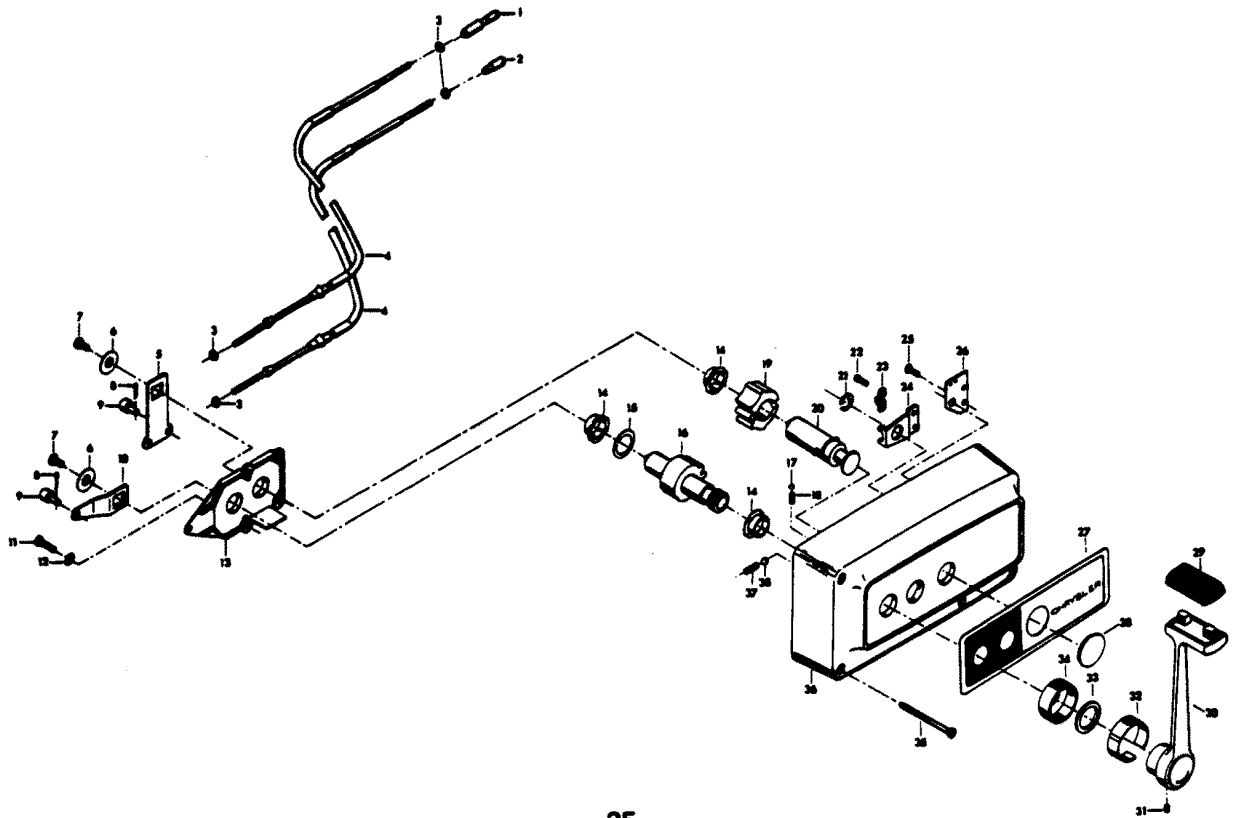
25

REMOTE CONTROL

REF. NO.	PART NO.	SYM.	QTY.	DESCRIPTION
1	FA58976-1		1	CONNECTOR, THROTTLE CABLE
2	F58685-2		1	CONNECTOR, SHIFT CABLE
3	F1513		1	HEX NUT
4	ÄF58356//		2	REMOTE CONTROL CABLE (SPECIFY LENGTH)
5	F17019		1	CLUTCH ARM
6	F17036		2	INTERNAL TOOTH LOCKWASHER
7	F1715		2	HEX BOLT, 1/4 - 28 X 9/16
8	F17149		2	COTTER PIN
9	F17016		2	CABLE TERMINAL
10	F17014		1	THROTTLE ARM
11	F17013		2	FIL HD SCREW, 1/4 - 20 X 1/2
12	F17147		2	INTERNAL TOOTH LOCKWASHER
13	F17012		1	RETAINING PLATE
14	F17009		3	BEARING
15	F17011		1	BOWED WASHER
16	F17010-1		1	THROTTLE GEAR
17	F17111		1	DETENT BALL
18	F17006		1	DETENT SPRING
19	F17021		1	CLUTCH GEAR
20	F17100		1	CLUTCH SHAFT
21	F17092		1	SNAP RING
22	F17071		1	FILL HD SCREW, 10 - 24 X 5/16
23	F154317		1	CABLE CLAMP
24	F17026		1	SWIVEL
25	F1557		2	FLAT HD SCREW, 10 - 24 X 3/8
26	F17112		1	JUNCTION BOARD, STARBOARD
-	F17113		1	JUNCTION BOARD, PORT
27	F17148		1	DECAL, STARBOARD
-	F531892		1	DECAL, PORT
28	F17031-1		1	SNAP CAP
29	F17116		1	KNOB
30	F17115-1		1	HANDLE
31	F17030-1		1	SET SCREW
32	FK17114-1		1	INDICATOR
33	F17105		1	FELT WASHER
34	F17106		1	COLLAR
35	F17146		3	WOOD SCREW
36	F17099-1		1	HOUSING

CONTINUED ON NEXT PAGE ➡

REMOTE CONTROL



25

REMOTE CONTROL

REF. NO.	PART NO.	SYM.	QTY.	DESCRIPTION
37	F17068		1	DETENT SPRING
38	F17082-1		1	DETENT BALL
-	F1280		2	PAN HD SCREW, 8 - 32 X 1/4 (TERMINAL BOARD) (NOT SHOWN)
-	OB3061		1	LITERATURE (NOT SHOWN)
-	F17103-1		1	BAG ASSEMBLY (NOT SHOWN) INCLUDES ALL ITEMS MARKED WITH AN ASTERISK(*)

SPECIAL TOOLS - TUNE-UP

REF. NO.	PART NO.	SYM.	QTY.	DESCRIPTION
-	FT2910		0	KNOCK-OFF NUT TO REMOVE FLYWHEEL
-	FTA2937-1		0	TIMING TOOL TO ADJUST SPARK ADVANCE

SPECIAL TOOLS - MANUAL STARTER

REF. NO.	PART NO.	SYM.	QTY.	DESCRIPTION
-	FT3139-1		0	STARTER REWIND KEY TO REWIND STARTER SPRING

SPECIAL TOOLS - POWER HEAD

REF. NO.	PART NO.	SYM.	QTY.	DESCRIPTION
-	FT3510		0	SEAL INSTALLER TO INSTALL UPPER CRANKSHAFT BEARING CAGE SEAL
-	FT3512		0	SEAL SLEEVE TO INSTALL UPPER CRANKSHAFT BEARING CAGE SEAL
-	FT1749		0	RETAINING RING PLIERS TO REMOVE AND INSTALL PISTON PIN RETAINING RINGS
-	FT2953		0	SOCKET TO TORQUE CONNECTING ROD SCREWS
-	FT2990		0	PISTON PIN REMOVER TO REMOVE AND INSTALL PISTON PIN IN PISTON
-	FT8926		0	RING EXPANDER TO INSTALL RINGS ON PISTONS
-	FT2996		0	RING COMPRESSOR TO INSTALL PISTONS IN CYLINDERS

SPECIAL TOOLS - LOWER UNIT

REF. NO.	PART NO.	SYM.	QTY.	DESCRIPTION
-	FT8948-1		0	PROPELLER SHAFT BEARING CAGE PULLER AND FLYWHEEL PULLER TO REMOVE PROPELLER SHAFT BEARING CAGE FROM LOWER GEAR HOUSING
-	FT8919		0	SPRING PIN PUNCH TO REMOVE CLUTCH SPRING PIN
-	FT8907		0	DRIVER HANDLE TO INSTALL BEARING CUP IN LOWER GEAR HOUSING
-	FT8945		0	RETAINER PUNCH TO INSTALL RETAINER ON DRIVESHAFT SPLINE BOAT
-	FT8918		0	BUSHING GUIDE SET TO REMOVE AND INSTALL BEARING CUP IN LOWER GEAR HOUSING
-	FT8921		0	FORWARD BEARING CUP REMOVER TO REMOVE FORWARD BEARING CUP FROM LOWER GEAR HOUSING
-	FT8904		0	FORWARD BEARING CUP INSTALLER TO INSTALL FORWARD BEARING CUP IN LOWER GEAR HOUSING
-	FT3431		0	DRIVESHAFT SEAL AND PROP SHAFT SEAL INSTALLER TO INSTALL DRIVESHAFT AND PROP SHAFT SEAL IN LOWER UNIT
-	FT8957		0	SEAL INSTALLER TO INSTALL SHIFT ROD SEAL
-	FT8962		0	BEARING INSTALLER TO INSTALL DRIVESHAFT BEARING IN GEAR HOUSING UPPER
-	FT8964		0	BEARING REMOVER TO REMOVE DRIVESHAFT BEARING FROM GEAR HOUSING UPPER

SPECIAL TOOLS - TEST EQUIPMENT

REF. NO.	PART NO.	SYM.	QTY.	DESCRIPTION
-	FT2955A		0	TEST WHEEL TO TEST MOTOR IN TEST TANK
-	FT8932		0	LIFTING HOOK TO LIFT ENGINE
-	FT8950		0	LEAKAGE TESTER TO TEST LOWER UNIT FOR LEAKAGE
-	T8974		0	BREAKER POINT TENSION GAUGE FOR CHECKING BREAKER POINT SPRING TENSION

SPECIAL TOOLS - LUBRICANTS AND SEALANTS

REF. NO.	PART NO.	SYM.	QTY.	DESCRIPTION
-	FT2961		0	LUBRICANT
-	FT2987-1		0	LUBRICANT
-	FT8969		0	LUBRICANT
-	FT8983		0	SEALANT
-	FT8936		0	SEALANT
-	FT2962-1		0	SEALANT
-	FT2963-1		0	SEALANT
-	FT8935		0	SEALANT PRIMER

ACCESSORIES

REF. NO.	PART NO.	SYM.	QTY.	DESCRIPTION
-	F5H081		0	BATTERY CABLE LONGER LENGTH - 15 FEET
-	776		0	ADJUSTABLE CARBURETOR BOWL KIT PERMITS ADJUSTING HIGH SPEED FUEL JET FOR PEAK PERFORMANCE.
-	71H25		0	CHARGE INDICATOR LAMP GLOWS GREEN WHEN ALTERNATOR IS CHARGING BATTERY.
-	175		0	AMMETER SURFACE MOUNT PERMITS MONITORING OF ALTERNATOR OUTPUT. DO NOT USE AMMETER AND CHARGE LAMP IN SAME INSTALLATION.
-	71H06		0	AMMETER FLUSH MOUNT PERMITS MONITORING OF ALTERNATOR OUTPUT. DO NOT USE AMMETER AND CHARGE LAMP IN SAME INSTALLATION.
-	F5H019		0	ANTI-CORROSION KIT ELECTRICAL UNIT USED TO HELP PREVENT CORROSION.
-	F5H025		0	ANTI-CORROSION SACRIFICIAL ANODE USED TO HELP PREVENT CORROSION.
-	5H051		0	BATTERY, 74 AMP TWELVE VOLT HEAVY DUTY BATTERY TO OPERATE STARTER AND ELECTRICAL ACCESSORIES.
-	F5H021		0	BATTERY EXTENSION CABLE USED TO EXTEND BATTERY CABLE 6-1/2 FEET.
-	F5H041		0	BATTERY TERMINAL KIT ADAPTS MODEL 5H051 BATTERY TERMINALS FOR CONNECTION TO BATTERY CABLES ON ENGINE.
-	494		0	HANDLE PROVIDES REAR HANDLE AND REST PADS.
-	F5H020		0	CARRYING HANDLE PERMITS EASIER TRANSPORTATION OF ENGINE TO AND FROM BOAT (2 MAN).
-	F861		0	FLUSHING ADAPTER PERMITS FRESH WATER FLUSHING OF WATER PASSAGES WITH STANDARD GARDEN HOSE.
-	F5H008		0	FUEL GAUGE MONITORS FUEL SUPPLY.
-	F5H028		0	SENDING UNIT FOR USE WITH ABOVE FUEL GAUGES.
-	F5H005		0	TEMPERATURE GAUGE MONITORS ENGINE TEMPERATURE. DO NOT USE TEMPERATURE GAUGE AND HEAT LAMP IN THE SAME INSTALLATION.
-	F5H055		0	WATER PUMP KIT HEAVY DUTY WATER PUMP RECOMMENDED FOR CONTINUED OPERATION IN SANDY OR SALT WATER.
-	F5H134		0	BOAT WHITE LACQUER ENGINE TOUCH-UP PAINT IN 12 3/4 OZ. SPRAY BOMBS (6 CANS PER CASE).
-	F5H135		0	SAND TAN LACQUER ENGINE TOUCH-UP PAINT IN 12 3/4 OZ. SPRAY BOMBS (6 CANS PER CASE).
-	F5H125		0	POWER TRIM ADJUST ENGINE TRIM AND TILTS ENGINE.
-	F5H009		0	POWER TRIM INDICATOR INDICATES TRIM ANGLE.
-	F5H084		0	TRAILERING TILT LOCK SECURES ENGINE IN TILTED POSITION FOR TRAILERING.
-	F5H120		0	REMOTE CONTROL BACK PLATE PROTECTS CONTROL MECHANISM FROM PADDED MOUNTING SURFACES IN BOAT.
-	F5H026		0	FUEL TANK, 6 GALLON, STEEL AUXILIARY TANK
-	F5H029		0	FUEL TANK ANCHOR SECURES 5H026 TO DECK.

CONTINUED ON NEXT PAGE ➡

ACCESSORIES

REF. NO.	PART NO.	SYM.	QTY.	DESCRIPTION
-	F5H040		0	FUEL TANK, 12 GALLON, STEEL AUXILIARY TANK
-	F5H121		0	POWER TILT TWELVE VOLT UNIT TILTS ENGINE FOR BEACHING, ETC.
-	479		0	HEAT LAMP KIT WARNS OF ENGINE OVERHEATING.
-	F5H073		0	OVERHEAT BUZZER KIT WARNS OF ENGINE OVERHEATING.
-	478		0	IGNITION LAMP KIT FOR ALTERNATOR ENGINES. TELLS WHEN IGNITION SWITCH IS IN "ON" POSITION.
-	F5H077		0	IGNITION KEY SWITCH FOR ELECTRIC START MODELS, SHORT BARREL.
-	F5H078		0	IGNITION KEY SWITCH FOR ELECTRIC START MODELS, LONG BARREL.
-	F5H066		0	LONG LEG CONVERSION KIT CONVERTS 15" STANDARD SHAFT MODELS TO 20" LONG SHAFT MODELS.
-	70H24		0	RACING STRIPE KIT ORANGE STRIPING FOR ENGINE COVER.
-	70H25		0	RACINE STRIPE KIT BLUE STRIPING FOR ENGINE COVER.
-	F195/___		0	REMOTE CONTROL CABLES CONNECTS REMOTE CONTROL BOX TO THROTTLE AND GEAR SHIFT ON MOTOR. AVAILABLE IN 6 THROUGH 40 FOOT LENGTHS.
-	F5H130		0	REMOTE CONTROL SURFACE MOUNT (SINGLE LEVER) PERMITS REMOTE CONTROL OF THROTTLE AND GEAR SHIFT FROM STARBOARD SIDE OF BOAT.
-	F5H131		0	PORT SIDE DECAL KIT CONVERTS 5H130 CONTROL BOX TO PORT SIDE MOUNTING.
-	F590		0	REMOTE CONTROL FLUSH MOUNT (SINGLE LEVER) PERMITS REMOTE CONTROL OF THROTTLE AND GEAR SHIFT. MAY BE MOUNTED ON PORT OR STARBOARD SIDE OF BOAT.
-	865		0	REMOTE CONTROL SURFACE MOUNT (SINGLE LEVER) PERMITS REMOTE CONTROL OF THROTTLE AND GEAR SHIFT ON TWIN ENGINE INSTALLATIONS. MAY BE MOUNTED ON PORT OR STARBOARD SIDE OF BOAT.
-	F137		0	REMOTE STEERING BRACKET ADAPTS MOTOR TO CABLE TYPE REMOTE STEERING.
-	F165		0	REMOTE STEERING BRACKET ADAPTS MOTOR TO CABLE TYPE REMOTE STEERING.
-	F5H023		0	REMOTE STEERING BRACKET ADAPTS MOTOR TO MECHANICAL TYPE REMOTE STEERING.
-	F166		0	DUAL ENGINE TIE BAR PERMITS DUAL ENGINE INSTALLATION.
-	176		0	SPEEDOMETER SURFACE MOUNT 0 TO 50 M.P.H.
-	F71H04		0	SPEEDOMETER FLUSH MOUNT 0 TO 50 M.P.H.
-	F5H012		0	TACHOMETER MONITORS ENGINE R.P.M. TO PROVIDE CHECK OF ENGINE PERFORMANCE.
-	F5H006		0	VOLTMETER INDICATES BATTERY CONDITION.
-	5H046		0	CANVAS HOOD PROTECTION FOR ENGINE COVER.
-	F5H070		0	REMOTE ELECTRIC CABLE 25 FEET
-	5H082		0	REMOTE ELECTRIC CABLE 35 FEET
-			0	CHRYSLER OUTBOARD OIL SEE BLOCK COMMENT 1.

CONTINUED ON NEXT PAGE ➡

ACCESSORIES

REF. NO.	PART NO.	SYM.	QTY.	DESCRIPTION
-			0	CHRYSLER OUTBOARD GEAR LUBE SEE BLOCK COMMENT 2.
-			0	CHRYSLER OUTBOARD FUEL AID REMOVES MOISTURE. PREVENTS SLUDGE AND VARNISH AND STABILIZES GAS. AVAILABLE IN 16 OZ. CANS AND 12 CAN CASES.
-			0	CHRYSLER OUTBOARD STORAGE LUBRICANT WORKS AS A CORROSION INHIBITER AND PROTECTS INTERNAL ENGINE PARTS DURING STORAGE. AVAILABLE IN 16 OZ. CANS AND 12 CAN CASES.
-			0	CHRYSLER OUTBOARD MULTI-PURPOSE SPRAY LUBE WORKS AS A LUBRICANT, CLEANER, MOISTURE REMOVER AND ELECTRIC INSULATOR. AVAILABLE IN 9 OZ. CANS AND 12 CAN CASES.
-			0	CHRYSLER OUTBOARD MULTI-PURPOSE GREASE LUBRICATES BEARINGS AND OTHER MOVING PARTS. AVAILABLE IN 8 OZ. TUBES AND 12 TUBE CASES.
-			0	CHRYSLER OUTBOARD GREASE GUN USED WITH CHRYSLER OUTBOARD MULTI-PURPOSE GREASE TUBES FOR PRESSURE FITTINGS.
-			0	CHRYSLER OUTBOARD MULTI-PURPOSE CLEANER

PARTS INDEX

Part Number	Description	Pg.	Ref. No.	Part Number	Description	Pg.	Ref. No.
ÄF58356//	REMOTE CONTROL CABLE (SPECIFY LENGTH)	45	4	F1129	FILL HD SCREW, S.S., 5/16 - 18 X 1/2	33	19
15037	HEAD ASSEMBLY, COMMUTATOR END	15	28	F1134	FILL HD SCREW, 8 - 32 X 1- 1/8	23	19
175	AMMETER SURFACE MOUNT	54	-	F1136	FLAT HD SCREW, 1/4 - 20 X 1	23	39
176	SPEEDOMETER	55	-	F1141	FLAT HD SCREW, 10 -24 X 1/2	31	7
2C545712	ENGINE COVER COMPLETE	3	-	F1160	FLAT HD SCREW, 1/4 - 28 X 5/8	37	82
2C546712	ENGINE COVER COMPLETE	7	-	F1164	FLAT HD SCREW, 5/16 - 18 X 1-1/18	11	40
478	IGNITION LAMP KIT	55	-	F1199	HEX HD SCREW, 1/4 - 20 X 1	35	69
479	HEAT LAMP KIT	55	-	F12083	CONDENSER MOUNT SCREW W/LOCKWASHER	11	13
485388	DISC, WATER PUMP	41	56	F12090	BREAKER CONTACT SCREW	11	14
494	HANDLE	54	-	F1211	HEX HD SCREW W/LOCKWASHER, 1/4 - 28 X 5/8	37	93
5H046	CANVAS HOOD	55	-	F12139-1	CONDENSER	11	15
5H051	BATTERY, 74 AMP	54	-	F12167	SCREW	11	7
5H082	REMOTE ELECTRIC CABLE	55	-	F12172	TERMINAL	11	8
70H24	RACING STRIPE KIT	55	-	F12172	TERMINAL COMPLETE	13	62
70H25	RACINE STRIPE KIT	55	-	F12174-1	PRIMARY INTERLEAD GROUP	11	17
71H06	AMMETER FLUSH MOUNT	54	-	F12189	CONDENSER MOUNT SCREW	11	16
71H25	CHARGE INDICATOR LAMP	54	-	F12227	CAM WIPER FELT	13	42
776	ADJUSTABLE CARBURETOR BOWL KIT	54	-	F12329-2	BREAKER POINT SET	11	18
817746A1	CONNECTOR STUD BRACKET	25	61	F12338	GROUND WIRE	13	63
817747--1	BALL JOINT W/BEARING	23	15	F12344	BREAKER PLATE	11	19
817796A2	GEAR SHIFT ARM	39	34	F1238	FILL HD SCREW, 1/4 - 20 X 3/4	11	24
817887--1	DECAL, WIRING - CANADA (NOT SHOWN)	13	-	F1238	HEX CAP SCREW, 1/4 - 20 X 3/4	3	28
817945A1	SWIVEL BRACKET W/BEARING AND GREASE FITTING	35	57	F1238	HEX CAP SCREW, 1/4 - 20 X 3/4	7	28
865	REMOTE CONTROL SURFACE MOUNT (SINGLE LEVER)	55	-	F1238	HEX CAP SCREW, 1/4 - 20 X 3/4	25	63
89396A38	PRIME BULB	43	9	F1263	HEX SOCKET HD CAP SCREW, S.S.,5/16 - 18 X 9/16	39	13
A467391	DECAL, LEG - STARBOARD	41	-	F1280	PAN HD SCREW, 8 - 32 X 1/4	13	53
A467392	DECAL, LEG - PORT	41	61	F1280	PAN HD SCREW, 8 - 32 X 1/4 (TERMINAL BOARD) (NOT SHOWN)	47	-
A545386	DECAL, NUMERAL "45"	3	35	F1286	PAN HD SCREW, 4 - 40 X 3/16	25	45
A545528	DECAL, ENGINE COVER REAR	5	42	F1298	ROUND HD SCREW W/LOCKWASHER, 6 - 32 X 1/4	31	13
A546528	DECAL, ENGINE COVER REAR	9	42	F1326	ACORN NUT S.S., 5/16 - 18	33	12
A546892	DECAL, ENGINE COVER FRONT	7	4	F1341	HEX NUT	25	73
F10000	GASKET SET	19	31	F1346	HEX NUT, 3/8 - 16	35	78
F10057	REPAIR PARTS KIT	19	22	F1346	HEX NUT, S.S., 3/8 - 16	35	49
F1014	COTTER PIN	19	11	F1346	HEX NUT, S.S., 3/8 - 16	39	33
F1014	COTTER PIN	37	89	F1349	HEX NUT, S.S., 5/16 - 18	33	17
F1015	COTTER PIN	39	37	F137	REMOTE STEERING BRACKET	55	-
F1027	COTTER PIN, S.S., 1/8 - 1/2	39	10				
F1052	FILL HD SCREW, 1/4 - 20 X 1	25	72				
F1059	FILL HD SCREW, 6 - 32 X 1/4	19	8				
F1088	FILL HD SCREW, 10 - 24 X 9/16	35	76				
F1108	FILL HD SCREW W/SPRING LOCKWASHER, 1/4 - 20 X 3/4	17	10				
F1110	SLOTTED FIL HD SCREW, 1/4 - 20 X 5/8	11	2				

PARTS INDEX

Part Number	Description	Pg.	Ref. No.	Part Number	Description	Pg.	Ref. No.
F141118	SEAL, PROPELLER SHAFT	39	15	F1515	HEX NUT, 5/16 - 18	7	14
F141244	INLET WATER LINE FOR STANDARD SHAFT MODELS	39	7	F1515	HEX NUT, 5/16 - 18	19	30
F141275	FITTING, THERMOSTAT	27	89	F1515	HEX NUT, 5/16 - 18	23	4
F141305	SEAL, PROPELLER SHAFT BEARING	39	17	F1515	HEX NUT, 5/16 - 18	31	2
F141704	GEAR SHIFT ROD COUPLING	33	18	F154317	CABLE CLAMP	45	23
F1441	PAN HD SCREW, 1/4-20 X 7/8	29	2	F1544	HEX HD CAP SCREW, 3/8 - 16 X 2-1/4	27	78
F1446	SLOTTED PAN HD SCREW, 1/4 - 20 X 1	23	42	F1556	FILL HD SCREW W/LOCKWASHER, 10 - 24 X 3/8	23	32
F1447	RD HD SCREW, 2 X 3/16	3	11	F1557	FLAT HD SCREW, 10 - 24 X 3/8	45	25
F1447	RD HD SCREW, 2 X 3/16	7	11	F1593	HEX HD SCREW, S.S., 3/8 - 16 X 3	35	51
F1473	HEX NUT, 10 - 24	23	24	F1615	HEX NUT, 5/16 - 24	11	23
F1473	HEX NUT, 10 - 24	35	73	F1635	HEX SOCKET HD CAP SCREW, S.S., 3/8 - 16 X 3- 1/2	35	62
F1475	FILL HD SCREW, 10 - 24 X 1/2	7	6	F1636	HEX SOCKET HD CAP SCREW, S.S., 3/8 - 16 X 1- 1/4	35	61
F1475	FILL HD SCREW, 10 X 24 X 1/2	3	6	F1645	RD HD SELF-TAPPING SCREW, 6 - 32 X 1/4	11	5
F15000	SEAL, "O" RING	15	18	F1646	HEX SOCKET HD CAP SCREW, 3/8 - 16 X 2-1/4	23	7
F1502	HEX CAP SCREW, 1/4 - 20 X 5/8	11	34	F1647	HEX NUT, 8 - 32	13	44
F1502	HEX CAP SCREW, 1/4 - 20 X 5/8	37	92	F1648	SLOTTED PAN HD SCREW, 10 - 24 X 3/4	13	47
F1502	HEX HD SCREW, 1/4 - 20 X 5/8	17	19	F165	REMOTE STEERING BRACKET	55	-
F15021-1	HEAD ASSEMBLY, DRIVE END	15	17	F1656	PLAIN WASHER	35	52
F15034	SPRING SET	15	26	F166	DUAL ENGINE TIE BAR	55	-
F15038-1	BRUSH PLATE AND HOLDER	15	25	F1666	BOWED SPRING WASHER	33	28
F15042	BRUSH SET	15	24	F1669	STOP NUT	35	60
F15043	FRAME AND FIELD ASSEMBLY	15	21	F17006	DETENT SPRING	45	18
F15044	ARMATURE	15	19	F17009	BEARING	45	14
F15073	THRUST WASHER PACKAGE	15	20	F17010-1	THROTTLE GEAR	45	16
F15084	SCREW SHAFT	15	8	F17011	BOWED WASHER	45	15
F15087	NUT	15	2	F17012	RETAINING PLATE	45	13
F15088	SPRING	15	4	F17013	FIL HD SCREW, 1/4 - 20 X 1/2	45	11
F15091	WASHER	15	9	F17014	THROTTLE ARM	45	10
F15094	THRU BOLT PACKAGE (SET OF 2 BOLTS)	15	27	F17016	CABLE TERMINAL	45	9
F15104	CUP, CUSHION THRUST	15	12	F17019	CLUTCH ARM	45	5
F15105	CUP	15	10	F17021	CLUTCH GEAR	45	19
F15106	CUSHION	15	11	F17026	SWIVEL	45	24
F15109	STOP	15	3	F17030-1	SET SCREW	45	31
F15113	BENDIX DRIVE	15	1	F17031-1	SNAP CAP	45	28
F15114	PINION	15	7	F17036	INTERNAL TOOTH LOCKWASHER	45	6
F15115	CUP, PINION	15	5	F1704	INTERNAL TOOTH LOCKWASHER	13	50
F15116	SLEEVE	15	6	F17068	DETENT SPRING	47	37
F1513	HEX NUT	45	3	F17071	FILL HD SCREW, 10 - 24 X 5/16	45	22
F1513	HEX NUT, 10 - 32	11	25	F17082-1	DETENT BALL	47	38
F1513	HEX NUT, 10 - 32	23	12	F17092	SNAP RING	45	21
F1513	HEX NUT, 10 - 32	23	16	F17099-1	HOUSING	45	36
F1513	HEX NUT, 10 - 32	25	64	F17100	CLUTCH SHAFT	45	20
F1514	HEX NUT, 1/4 - 20	15	14				
F1515	HEX NUT, 5/16 - 18	3	14				

PARTS INDEX

Part Number	Description	Pg.	Ref. No.	Part Number	Description	Pg.	Ref. No.
F17105	FELT WASHER	45	33	F1880	PLASTIC PLUG	37	90
F17106	COLLAR	45	34	F1904	PLAIN WASHER	35	50
F17111	DETENT BALL	45	17	F1905	FILL HD SCREW, 1/4 - 20 X 3-7/16	35	66
F17112	JUNCTION BOARD, STARBOARD	45	26	F1910	ELASTIC STOP NUT, 1/4 - 20	23	17
F17113	JUNCTION BOARD, PORT	45	-	F191169-1	SWIVEL BRACKET BEARING	35	58
F17115-1	HANDLE	45	30	F1915	HEX HD SCREW, 1/4 - 20 X 7/8	31	1
F17116	KNOB	45	29	F1920	HEX NUT, 5/8 - 18	11	1
F17146	WOOD SCREW	45	35	F1922	HEX HD SCREW, 1/4 - 20 X 5/8	17	18
F17147	INTERNAL TOOTH LOCKWASHER	45	12	F1922	HEX HD SCREW, 1/4 - 20 X 5/8	27	92
F17148	DECAL, STARBOARD	45	27	F1929	HEX HD CAP SCREW, S.S., 3/8 - 16 X 1-1/8	35	64
F17149	COTTER PIN	45	8	F1934	FLAT HD SLOTTED SCREW, 6 X 1/2	13	66
F1715	HEX BOLT, 1/4 - 28 X 9/16	45	7	F1947	FLANGED 12 POINT SCREW, 5/16 - 18 X 2	33	8
F1727	PLASTIC RIVET	23	30	F195/	REMOTE CONTROL CABLES	55	-
F1733	PAN HD SCREW, 10 - 24 X 9/16	3	20	F1953	HEX HD SCREW, 1/4 - 20 X 1	3	10
F1733	PAN HD SCREW, 10 - 24 X 9/16	7	20	F1953	HEX HD SCREW, 1/4 - 20 X 1	7	10
F1733	PAN HD SCREW, 10 - 24 X 9/16	11	31	F1953	HEX HD SCREW, 1/4 - 20 X 1	11	41
F1733	PAN HD SCREW, 10 - 24 X 9/16	35	47	F1958	PAN HD SCREW, 6 X 7/16	13	54
F1744	SPRING PIN	33	36	F1969	FILL HD SCREW, 1/4 - 20 X 3/4	23	31
F1753	FASTENER	3	37	F1971	HEX HD SCREW, 1/4 - 20 X 2-1/8	27	90
F1753	FASTENER	7	37	F1975	LOCKWASHER	11	26
F1767	FILL HD SCREW, 10 - 24 X 3	35	76A	F197787-3	FUEL LINE COUPLER	43	6
F1768	FILL HD SCREW, 10 - 24 X 1-3/8 FOR LONG SHAFT MODELS	35	-	F1987	PLAIN WASHER	3	18
F1768	FILL HD SCREW, 10 - 24 X 1-3/8 FOR LONG SHAFT MODELS	35	76B	F1987	PLAIN WASHER	7	18
F1768	FILL HD SCREW, 10 - 24 X 1-3/8 FOR LONG SHAFT MODELS	35	76B	F1987	PLAIN WASHER	33	14
F177330	FUEL PUMP VALVE	17	7	F1993	HEX HD SCREW, 1/4 - 20 X 5/8	13	70
F177917	STARTER RELAY	11	27	F1993	HEX SLOT HD SCREW, 1/4 - 20 X 5/8	23	6
F17932	SEAL, FUEL TANK ADAPTER	43	11	F1994	HEX SOCKET HD CAP SCREW 5/16 - 18 X 1	41	57
F18160-2	REED, CYLINDER DRAIN	25	48	F1995	FILL HD SCREW, 10 - 24 X 1	23	27
F183300	SPRING	3	17	F1995	FILL HD SCREW, 10 - 24 X 1-1/16	27	85
F183300	SPRING	7	17	F1997	STOP NUT, 8 - 32	19	35
F183346-1	SHOCK MOUNT LOWER	33	20	F1997	STOP NUT, 8 - 32	23	21
F1836	SPRING PIN	37	88	F2014	PLAIN WASHER	27	79
F184033-1	SWIVEL, CHOKE ROD	19	7	F201529-1	CYLINDER HEAD GASKET	25	67
F184579	SEAL, CHOKE ARM SWIVEL	19	6	F201529-1	GASKET, CYLINDER HEAD	25	-
F1849	HEX HD SCREW, S.S., 1/4 - 20 X 1-3/8	35	77	F2016	FILL HD SCREW, 6 - 32 X 7/8	23	40
F1851	FILL HD M. SCREW W/LOCKWASHER, 10 - 24 X 1/2	37	84	F2016	FILL HD SCREW, 8 - 32 X 7/8	11	38
F1857	HEX CAP SCREW, 5/16 - 18 X 5/8	25	62	F2025	PAN HD SCREW, 10 X 5/8	5	44
F185764	RETAINING RING	33	16	F2025	PAN HD SCREW, 10 X 5/8	9	44
F1860	SLOTTED BINDING HD SCREW, 6 - 32 X 1/4	17	6	F2030	HEX HD SCREW, S.S., 1/4 - 20 X 1-1/4	41	54
F1864	HEX HD SCREW, 1/4 - 20 X 3/4	3	8	F203097-5	FLYWHEEL	11	3
F1864	HEX HD SCREW, 1/4 - 20 X 3/4	7	8	F203276	COIL BOOT	11	36
F1864	HEX HD SCREW, 1/4 - 20 X 3/4	23	9	F2033	GROOVE PIN	19	9A
				F203673	TERMINAL CLIP	11	35
				F203965	SHOCK MOUNT UPPER	33	9
				F2066	PAN HD SELF-TAPPING SCREW	5	41

PARTS INDEX

Part Number	Description	Pg.	Ref. No.	Part Number	Description	Pg.	Ref. No.
F2066	PAN HD SELF-TAPPING SCREW	9	41	F307942-1	BUMPER	23	20
F2071	HEX CAP SCREW, 5/16 - 18 X 1-3/8	11	9	F307962	SHOCK MOUNT SIDE UPPER	37	80
F2097	SPING PIN	39	23	F307989-1	SEAL, KINGPIN PLATE	33	3
F213274	GREASE FITTING	33	23	F311247	WATER TUBE, THERMOSTAT	27	88
F213342	SEAL, FUEL LINE COUPLER (LARGE)	43	4	F311744-2	WIRING HARNESS	13	49
F213735	SEAL, FUEL LINE COUPLER (SMALL)	43	5	F311984-1	BLANKET, SILENCER - TOP	3	26
F215962	SHOCK MOUNT SIDE LOWER	33	10	F311984-1	BLANKET, SILENCER - TOP	7	26
F235785	DECAL, COMPLIANCE - CANADA	3	13	F311996	GASKET, CYLINDER HEAD COVER	27	-
F235785	DECAL, COMPLIANCE - CANADA	7	13	F328013-1	CRANKSHAFT THRUST BEARING UPPER	29	18
F24074	CLAMP SCREW FOOT	33	38	F328109	PLUG	27	100
F268002-2	CAM	11	21	F333316	THROTTLE ROLLER SHAFT	19	32
F269052	SHIFT ARM BEARING	23	36	F335160	REED	31	11
F269122-1	CRANKCASE PARTING LINE SEAL	25	-	F335217-1	BEARING	29	8
F269122-1	CRANKCASE PARTING LINE SEAL	25	74	F338129-1	BOOT	39	1
F269319	THROTTLE CAM BEARING	23	11	F338271	RETAINER	39	2
F269445-1	SPARK CONTROL LINK	23	25	F338618-1	SEAL, SHIFT ROD LOWER	41	45
F269929	SPACER, TILT STOP	33	25	F345427-1	BRACKET, STARTER MOUNTING	23	1
F269929	SPACER, TILT STOP	33	29	F345683	WIRE GROUND	13	61
F269929	SPACER, TILT STOP	35	54	F349307	DRIVESHAFT SEAL - WATER PUMP	41	52
F269929	SPACER, TILT STOP	35	56	F353480	STUD	37	85
F286461	SPRING LOCK BAR HANDLE	37	95	F366037	STERN BRACKET PIVOT BOLT	33	32
F286772-1	CLAMP	33	7	F366058	BALL BEARING, PROPELLER SHAFT	39	16
F289664	WIRE STATOR GROUND	13	56	F366133-2	MOTOR LEG FOR SHORT SHAFT MODELS	35	65
F290398-1	DECAL, WIRING	13	71	F366215	SPACER	29	10
F298788	FERRULE	43	7	F366277	BEARING CAGE GASKET	29	4
F2A366298	PROPELLER SHAFT BEARING CAGE	39	14	F366277	GASKET, BEARING CAGE	27	-
F2A433757	CYLINDER DRAIN REED PLATE	25	49	F366286	STERN BRACKET FRICTION WASHER	33	39
F2A474266	BEVEL PINION W/BEARING	39	35	F366300	REVERSE LOCK SPRING	35	48
F307038	SUPPORT PLATE	5	40	F366349	REVERSE LOCK	35	44
F307038	SUPPORT PLATE	9	40	F366350	TILT STOP PIVOT	33	26
F307211	STUD	23	2	F366364	ARM	33	40
F307279-2	CYLINDER EXHAUST GASKET UPPER	33	1	F366426	TILT STOP - PORT	35	55
F307279-2	GASKET, CYLINDER EXHAUST - UPPER	27	-	F366433	TILT STOP, STARBOARD	33	27
F307317	CLIP TERMINAL BLOCK GROUND	13	46	F366510	LINK	33	43
F307453-3	CYLINDER EXHAUST GASKET LOWER	33	6	F366727	BALL, PROPELLER SHAFT	39	20
F307453-3	GASKET, CYLINDER EXHAUST - LOWER	27	-	F366827	HANDLE AND SHAFT	33	42
F307615	GEAR SHIFT ROD UPPER	33	13	F366884	BEARING	33	34
F307660-1	LEG EXHAUST TUBE	37	83	F366886	PIN	35	45
F307683	WIRE, CIRCUIT BREAKER	13	69	F369390-1	DECAL, TILT LOCK	37	96
F307818	BEARING, LATCH SHAFT	3	19	F369450	RECTIFIER	11	39
F307818	BEARING, LATCH SHAFT	7	19	F380475	COIL	11	32
F307860	INTAKE SILENCER	3	9	F380501	COIL MOUNT	13	43
F307860	INTAKE SILENCER	7	9	F380513	COIL CLAMP	11	33
F307908	STARTER LEAD	15	22	F381896-4	BATTERY CABLE	13	55
				F391926-1	CHOKE SOLENOID PLUNGER	19	9
				F40008	STUD, SHORT	41	39
				F40017-2	PISTON PIN	29	9
				F40146-1	CRANKSHAFT SEAL	29	1
				F40151-1	EXHAUST PORT PLATE	27	95

PARTS INDEX

Part Number	Description	Pg.	Ref. No.	Part Number	Description	Pg.	Ref. No.
F40154-3	EXHAUST PORT PLATE			F435244	INLET WATER LINE FOR		
	GASKET	27	94		LONG SHAFT MODELS ..	39	-
F40154-3	GASKET, EXHAUST PORT			F435323	PACKING, LEG COVER		
	PLATE	25	-		LOWER	35	71
F40209	CARBURETOR STUD	31	3	F435323	PACKING, LEG COVER		
F40223	GASKET, TRANSFER PORT				UPPER	35	74
	COVER	25	-	F435555	SEAL, GEAR HOUSING	41	43
F40223	TRANSFER PORT COVER			F435562	WATER PUMP BACK PLATE	41	49
	GASKET	25	55	F435705	GEAR SHIFT ROD LOWER ..	39	36
F40307-2	SEAL, DRIVESHAFT	41	48	F438165	SCREW, FUEL BOWL	17	17
F40342	SEAL	39	5	F438500	FUEL SEDIMENT BOWL ...	17	16
F40342	SEAL, PROPELLER NUT ...	39	11	F438617	FUEL SEDIMENT BOWL		
F40410	SNAP RING	29	14		GASKET	17	12
F404801	ELBOW	25	65	F438653	FUEL PUMP SCREEN	17	15
F405457	PIVOT SCREW	23	33	F438747	FUEL PUMP DIAPHRAGM ..	17	5
F40717	THRUST WASHER, BEVEL			F438760	FUEL PUMP GASKET	17	2
	GEAR	39	19	F438801	ELBOW	17	11
F40833-4	GASKET, IDLE RELIEF			F438930	RETAINER, SNOUT	41	40
	COVER	25	-	F452925	CHOKE SOLENOID ROD ...	19	8A
F40833-4	MOTOR LEG EXHAUST			F458774	BRACKET RETAINER REAR	3	27
	COVER GASKET	35	67	F458774	BRACKET, RETAINER REAR	7	27
F40906-1	FLANGE GASKET	21	39	F463314	ELBOW	27	96
F40906-1	GASKET, CARBURETOR ...	25	-	F463864	RETAINER, TILT HANDLE ..	3	32
F409251-1	GAUGE CAP	43	1	F463864	RETAINER, TILT HANDLE ..	7	32
F428096	RETAINER, PISTON PIN ...	29	11	F465985	BLANKET, SILENCER - SIDE	3	23
F433065	WATER PUMP IMPELLER ..	41	50	F465985	BLANKET, SILENCER - SIDE	7	23
F433114	HANDLE, LOCK BAR	37	94	F466095	STATOR	11	12
F433168	CARBURETOR ADAPTER			F466479	BREAKER PLATE SHOE ...	11	11
	GASKET	31	6	F467841	COIL WIRE - CANADA	11	-
F433168	GASKET, CARBURETOR			F474032	STERN BRACKET -		
	ADAPTOR	27	-		STARBOARD	33	37
F433192	THROTTLE CAM	23	14	F474073	CLAMP SCREW	33	35
F433209	STUD, THROTTLE CAM	23	10	F474532	STERN BRACKET - PORT ..	33	30
F433254	HOSE	25	66	F474992	BLANKET, SILENCER -		
F433404	DEFLECTOR PLATE	31	8		FRONT	3	22
F433406	DEFLECTOR PLATE			F474992	BLANKET, SILENCER -		
	GASKET	31	9		FRONT	7	22
F433406	GASKET, DEFLECTOR			F483884	BEARING	33	41
	PLATE	27	-	F485755-1	FUEL TANK ADAPTER	43	3
F433675	STARTER MOUNTING			F486015	PISTON	29	12
	BRACKET, LOWER	23	5	F498618	SEAL, "O" RING	39	30
F433680	SPACER PLATE	33	2	F498891	GEAR SHIFT ARM PIN	39	29
F433689	TOWERSHAFT BEARING ..	23	28	F50109	PLUG, GEAR HOUSING	39	27
F433946	SHOCK MOUNT UPPER			F510374	DECAL, CIRCUIT BREAKER	13	67
	COVER	37	91	F510460	CIRCUIT BREAKER	11	29
F433972	SHOCK MOUNT LOWER			F531892	DECAL, PORT	45	-
	COVER, STARBOARD ...	33	11	F545180	TRIM, REAR	3	34
F433973	SHOCK MOUNT LOWER			F545180	TRIM, REAR	7	34
	COVER - PORT	35	63	F545189	BUSHING, CABLE ENTRY ..	3	21
F434061-3	CARBURETOR COMPLETE .	21	41	F545189	BUSHING, CABLE ENTRY ..	7	21
F434322	PACKING - LEG COVER			F545269	TILT HANDLE	3	38
	LOWER REAR (NOT			F545269	TILT HANDLE	7	38
	SHOWN)	35	-	F545711	PLATE, FRONT	3	1
F434754	FUEL LINE, PUMP TO			F545711	PLATE, FRONT	7	1
	CARBURETOR	17	14	F549189	BUSHING ELECTRIC CABLE		
F434758	FUEL PUMP IMPULSE HOSE	17	4		ENTRY	3	25
F435057	BEARING, DRIVESHAFT			F549189	BUSHING ELECTRIC CABLE		
	UPPER	41	47		ENTRY	7	25
F435077	SCREEN, WATER INLET ...	41	46	F58685-2	CONNECTOR, SHIFT CABLE	45	2

PARTS INDEX

Part Number	Description	Pg.	Ref. No.	Part Number	Description	Pg.	Ref. No.
F5H005	TEMPERATURE GAUGE . . .	54	-	F8049	BOWED SPRING WASHER . . .	33	15
F5H006	VOLTMETER	55	-	F8056	SPRING LOCKWASHER . . .	13	59
F5H008	FUEL GAUGE	54	-	F8058	INTERNAL TOOTH LOCKWASHER	23	13
F5H009	POWER TRIM INDICATOR . .	54	-	F8058	INTERNAL TOOTH LOCKWASHER	25	60
F5H012	TACHOMETER	55	-	F8060	EXTERNAL TOOTH LOCKWASHER	29	19
F5H019	ANTI-CORROSION KIT	54	-	F8060	LOCKWASHER	15	15
F5H020	CARRYING HANDLE	54	-	F8065	LOCKWASHER	39	32
F5H021	BATTERY EXTENSION CABLE	54	-	F8065	SPRING LOCKWASHER . . .	33	7A
F5H023	REMOTE STEERING BRACKET	55	-	F8077	WASHER, GEAR HOUSING PLUG	39	28
F5H025	ANTI-CORROSION SACRIFICIAL ANODE	54	-	F8083	SPRING LOCKWASHER . . .	13	60
F5H026	FUEL TANK, 6 GALLON, STEEL	54	-	F8083	SPRING LOCKWASHER . . .	27	76
F5H027	FUEL TANK (ACCESSORY ITEM)	43	2	F8083	SPRING LOCKWASHER . . .	37	87
F5H028	SENDING UNIT	54	-	F8088	PLAIN WASHER	13	64
F5H029	FUEL TANK ANCHOR	54	-	F8088	PLAIN WASHER	19	10
F5H038	IGNITION SWITCH MOUNTING KIT (ACCESSORY ITEM)	13	65	F8088	PLAIN WASHER	25	57
F5H040	FUEL TANK, 12 GALLON, STEEL	55	-	F8094	PLAIN WASHER	13	58
F5H041	BATTERY TERMINAL KIT . .	54	-	F8094	WASHER	35	46
F5H041	BATTERY TERMINAL KIT (ACCESSORY ITEM)	13	57	F8096	SPRING LOCKWASHER . . .	3	15
F5H055	WATER PUMP KIT	54	-	F8096	SPRING LOCKWASHER . . .	7	15
F5H066	LONG LEG CONVERSION KIT	55	-	F8096	SPRING LOCKWASHER . . .	11	10
F5H070	REMOTE ELECTRIC CABLE	55	-	F8096	SPRING LOCKWASHER . . .	23	3
F5H073	OVERHEAT BUZZER KIT . . .	55	-	F84026	SPARK CONTROL SWIVEL .	23	22
F5H077	IGNITION KEY SWITCH	55	-	F84035-2	SPARK CONTROL BEARING, R.H.	23	26
F5H078	IGNITION KEY SWITCH	55	-	F84036	SPARK CONTROL BEARING, L.H.	23	23
F5H078	IGNITION SWITCH (ACCESSORY ITEM)	13	52	F84280	KINGPIN NUT	33	21
F5H081	BATTERY CABLE	54	-	F84314-2	ELBOW	17	3
F5H084	TRAILERING TILT LOCK . . .	54	-	F84314-2	ELBOW, FUEL LINE	25	58
F5H120	REMOTE CONTROL BACK PLATE	54	-	F84314-2	ELBOW, FUEL LINE CARBURETOR	21	42
F5H121	POWER TILT	55	-	F84449	NEUTRAL INTERLOCK SWITCH	11	6
F5H125	POWER TRIM	54	-	F84449	SWITCH, NEUTRAL INTERLOCK	23	41
F5H130	REMOTE CONTROL SURFACE MOUNT (SINGLE LEVER)	55	-	F84792	FUEL PUMP VALVE GASKET	17	8
F5H131	PORT SIDE DECAL KIT	55	-	F8537	SPRING PIN	37	86
F5H134	BOAT WHITE LACQUER . . .	54	-	F85372	PIN, GEAR SHIFT ROD LOWER	41	38
F5H135	SAND TAN LACQUER	54	-	F8545	SPRING PIN	27	99
F7001	ELASTIC STOP NUT	35	53	F85502	THROTTLE LINK	23	18
F7004	STOP NUT, 7/16 - 20	23	37	F8559	DOWEL PIN	25	52
F7007	NUT	33	31	F85610	BEARING	23	35
F7011	HEX NUT, 10 - 24	3	33	F85634-1	CONNECTING ROD SCREW	29	17
F7011	HEX NUT, 10 - 24	7	33	F85735-1	SEAL	3	36
F71H04	SPEEDOMETER	55	-	F85735-1	SEAL	7	36
F8003	PLAIN WASHER	25	46	F85756	SUPPORT PLATE PACKING	3	29
F8011	PLAIN WASHER	11	30	F85756	SUPPORT PLATE PACKING	7	29
F8025	PLAIN WASHER	37	81	F85843-1	ELECTRIC CONTROL CABLE	13	51
F8028	PLAIN WASHER	15	16	F861	FLUSHING ADAPTER	54	-
F8038	PLAIN WASHER	37	79	F88161-3	REED STOP	31	12
F8042	PLAIN WASHER	39	6	F89011	SWIVEL BRACKET WASHER	33	22
				F89025	DAMPENING PAD	33	5
				F89504	GROMMET, MOTOR LEG . .	35	70
				F89777-1	LATCH CAM	3	16
				F89777-1	LATCH CAM	7	16

PARTS INDEX

Part Number	Description	Pg.	Ref. No.	Part Number	Description	Pg.	Ref. No.
F90014	CRANKSHAFT LOWER MAIN BEARING	29	16	FA366778	ENGINE COVER RETAINER W/SCREWS AND NUTS	3	7
F901563	DRIVE PIN, WATER PUMP IMPELLER	39	4	FA368700	IGNITION KEY - NO LETTER OR STAMPED A	13	73
F90619-1	YOKE	41	58	FA40655	CRANKSHAFT CENTER MAIN BEARING RACE W/SNAP RING	29	15
F90871-3	GEAR SHIFT ARM PIN	39	22	FA411222	TRANSFER PORT COVER	25	56
F91446-1	CIRCUIT BREAKER BRACKET	11	28	FA433019	KINGPIN W/PLUG	35	59
F92446	CLAMP	11	4	FA433113	STERN BRACKET LOCK BAR W/HANDLE	33	33
F92498	KEY	11	22	FA433152	EXHAUST PORT COVER	27	93
F92759	ROLLER	19	33	FA433158	REED PLATE W/REEDS, STOPS AND SCREWS	31	10
F93472-1	CYLINDER DRAIN COVER GASKET	25	44	FA433167	CARBURETOR ADAPTER FLANGE W/STUDS	31	5
F93472-1	GASKET, CYLINDER DRAIN COVER	25	-	FA433387	DECAL, TIMING	31	14
F93748-1	CYLINDER DRAIN REED PLATE GASKET	25	51	FA433471	CYLINDER DRAIN COVER	23	43
F93748-1	GASKET, CYLINDER DRAIN REED PLATE	25	-	FA433876	SHIFT ARM W/CLAMP AND SWIVEL	23	38
F93811	SCREEN, CYLINDER DRAIN REED PLATE	25	50	FA434616	GEAR SHIFT ROD INTERMEDIATE FOR STANDARD SHAFT MODELS	41	55
F93920	CYLINDER DRAIN REED STOP	25	47	FA435116	EXHAUST, SNOUT	41	41
F94914	SLEEVE	11	20	FA435135	LEG COVER - PORT - FOR LONG SHAFT MODELS	35	-
F97008-1	STUD, LONG	39	31	FA435145	LEG COVER - STARBOARD - FOR LONG SHAFT MODELS	35	-
F97066-1	THERMOSTAT COVER	27	84	FA435616	GEAR SHIFT ROD INTERMEDIATE FOR LONG SHAFT MODELS	41	-
F97067	GASKET, THERMOSTAT COVER	25	-	FA438431	FUEL PUMP BODY W/VALVES	17	9
F97067	THERMOSTAT COVER GASKET	27	83	FA439746	FUEL PUMP COVER	17	1
F97068-1	THERMOSTAT	27	82	FA458480	ENGINE COVER RETAINER W/SCREWS AND NUTS	3	31
F97275	FITTING, THERMOSTAT	27	86	FA458480	ENGINE COVER RETAINER W/SCREWS AND NUTS	7	31
F97504	GROMMET, THERMOSTAT	27	81	FA463060	WATER PUMP BODY W/DRIVESHAFT SEAL	41	51
F97772	CLAMP	27	87	FA466144	CRANKSHAFT BEARING CAGE W/SEAL	29	3
F97772	FUEL LINE CLAMPS	17	13	FA478010	CYLINDER W/CRANKCASE COVER, DEFLECTOR PLATE AND SCREWS	25	53
F98273	ROD END CONNECTOR STUD	25	59	FA485023	BEVEL GEAR FRONT W/BEARING	39	25
F99521-1	CLUTCH	39	24	FA485662	BEVEL GEAR REAR W/BEARING	39	18
FA15072	HEX LOCK NUT, 1/4 - 20	15	23	FA485914	SEAL, INLET WATER LINE, LOWER	41	53
FA201955	STARTER MOTOR COMPLETE (NOT SHOWN)	15	-	FA486054	GEAR HOUSING LOWER W/PLUG, WASHER AND THRUST BEARING CUP	39	26
FA27232	EMERGENCY STARTER ROPE (NOT SHOWN)	13	-	FA510497	TERMINAL BLOCK	13	48
FA307779	BAFFLE, AIR INTAKE W/SILENCER	3	39	FA535395	IDENTIFICATION PLATE W/SCREWS - U.S.A.	3	12
FA307779	BAFFLE, AIR INTAKE W/SILENCER	7	39				
FA328763	COVER LATCH HANDLE W/SHAFT	3	24				
FA328763	COVER LATCH HANDLE W/SHAFT	7	24				
FA354260	PISTON RING SET (6 PER SET)	29	13				
FA366135	LEG COVER - PORT - FOR SHORT SHAFT MODELS	35	72				
FA366145	LEG COVER - STARBOARD - FOR SHORT SHAFT MODELS	35	75				

PARTS INDEX

Part Number	Description	Pg.	Ref. No.	Part Number	Description	Pg.	Ref. No.
FA545018	CRANKSHAFT W/THRUST BEARING UPPER	29	5	FO10280	CHOKE SHUTTER		
FA545396	DECAL, ENGINE COVER STARBOARD	5	43	FO10588	RETAINING SCREW AND LOCKWASHER	19	16
FA545397	DECAL, ENGINE COVER - PORT	3	2	FO10790	BODY CHANNEL CUP PLUG	19	1
FA545554	GEAR HOUSING UPPER W/SEAL WASHER, PLUG & INLET WATER SCREEN	41	44	FO10883	INLET NEEDLE, SEAT AND GASKET	19	20
FA545892	DECAL, ENGINE COVER FRONT	3	4	FO11103	CHOKE RELIEF VALVE SPRING	19	18
FA546396	DECAL, ENGINE COVER STARBOARD	9	43	FO11103	IDLE MIXTURE SCREW SPRING	19	14
FA546397	DECAL, ENGINE COVER - PORT	7	2	FO13194	MAIN FUEL JET .080 - OPT. - 3750 - 6250 FEET	19	-
FA58976-1	CONNECTOR, THROTTLE CABLE	45	1	FO13552	FUEL BOWL	19	25
FA84754-1	FUEL LINE SHORT W/FERRULES	43	8	FO13554	FLOAT	19	27
FA89128-1	DRIVESHAFT W/RETAINER FOR LONG SHAFT MODELS	39	-	FO13944	FLOAT LEVER PIN	19	21
FA89832-2	MOTOR LEG EXHAUST COVER	35	68	FO13945	FUEL BOWL RETAINING SCREW	19	26
FA94094-2	PROPELLER NUT W/SEAL AND COTTER PIN	39	9	FO13946	IDLE MIXTURE SCREW	19	15
FAC535395	IDENTIFICATION PLATE W/SCREWS - CANADA	3	-	FO14109	MAIN FUEL JET .082 - OPT. - 1250 - 3750 FEET	19	-
FAC535395	IDENTIFICATION PLATE W/SCREWS - CANADA	7	-	FO14292	THROTTLE SHAFT RETURN SPRING	19	36
FB368700	IGNITION KEY - STAMPED B	13	-	FO14302	MAIN FUEL JET .084 - STD.	19	29
FC235227	SPARK PLUG (RL-4-J) FOR MODELS 456B9K, 457B9K AND 459B9H	25	-	FO14306	MAIN FUEL JET .078 - OPT. - 6250 - 8250 FEET	19	-
FC368700	IGNITION KEY - STAMPED C	13	-	FO15623	FUEL BOWL GASKET	19	23
FC409398	DECAL, TOTE TANK - CANADA (NOT SHOWN)	43	-	FO15724	CHOKE SHUTTER	19	17
FC433387	DECAL, TIMING - CANADA	31	-	FO15725	CHOKE RELIEF VALVE	19	13
FC478010	SHORT BLOCK	25	-	FO15728	THROTTLE SHAFT AND LEVER	19	34
FC479390	DECAL, STARTER - CANADA (NOT SHOWN)	15	-	FO16340	THROTTLE SHUTTER	19	37
FC486054	GEAR HOUSING COMPLETE	39	-	FO16383	CHOKE SHAFT AND LEVER	19	5
FC510374	DECAL, CIRCUIT BREAKER - CANADA (NOT SHOWN)	13	-	FO16385	CHOKE SHAFT RETURN SPRING	19	12
FD368700	IGNITION KEY - STAMPED D	13	-	FO17355	MAIN NOZZLE	19	28
FE368700	IGNITION KEY - STAMPED E	13	-	FO2510	FUEL BOWL RETAINING SCREW GASKET	19	24
FG1007-1	GASKET SET	25	75	FO3804	THROTTLE SHAFT POSITION RETAINING SCREW WASHER	19	2
FK1073	WATER PUMP KIT	41	60	FO4326	BODY CHANNEL WELCH PLUG	21	40
FK1074	GEAR HOUSING SEAL KIT	41	59	FO6393	THROTTLE SHAFT POSITION RETAINING SCREW	19	4
FK1075	TUNE-UP KIT	13	72	FO6396	THROTTLE SHAFT POSITION RETAINING SCREW LOCKWASHER	19	3
FK17114-1	INDICATOR	45	32	FO8942	THROTTLE SHUTTER RETAINING SCREW AND LOCKWASHER	21	38
FK247	PROPELLER PIN, PACK OF 6 W/COTTER PIN	39	12	FP287	PROPELLER (ACCESSORY ITEM) FOR MODELS	39	-1
FK405020	SWIVEL W/SCREW AND NUT	23	34	FP293	PROPELLER (ACCESSORY ITEM)	39	8
FK433838	TOWERSHAFT W/CLAMP AND SWIVEL	23	29	FS307940	KINGPIN PLATE	33	4
FK750-2	SPARKIE KIT	13	45	FS310260	PISTON RINGS (6 PER SET) .010 OVERSIZE	29	-
FK85228	BEARING CAGE W/ROLLERS (16 PER SET)	29	6	FS380227	SPARK PLUG (UL-4-J)	25	71
FO10165	INLET SEAT GASKET	19	19	FS409752	FUEL LINE, COMPLETE	43	-

PARTS INDEX

Part Number	Description	Pg.	Ref. No.	Part Number	Description	Pg.	Ref. No.
FS433758	HOSE	27	97	600-818052A4	CONNECTING ROD W/CAP		
FS546712	ENGINE COVER				AND SCREWS	29	7
	W/RETAINERS	7	3	700-818124A1	PISTON .030 OVERSIZE ...	29	-
FS546712	ENGINE COVER,			900-818049A2	CYLINDER HEAD	25	68
	W/RETAINERS	3	3				
FSA486015	PISTON .010 OVERSIZE ...	29	-				
FT1749	RETAINING RING PLIERS ..	50	-				
FT2910	KNOCK-OFF NUT	48	-				
FT2953	SOCKET	50	-				
FT2955A	TEST WHEEL	52	-				
FT2961	LUBRICANT	53	-				
FT2962-1	SEALANT	53	-				
FT2963-1	SEALANT	53	-				
FT2987-1	LUBRICANT	53	-				
FT2990	PISTON PIN REMOVER	50	-				
FT2996	RING COMPRESSOR	50	-				
FT3139-1	STARTER REWIND KEY ...	49	-				
FT3431	DRIVESHAFT SEAL AND						
	PROP SHAFT SEAL						
	INSTALLER	51	-				
FT3510	SEAL INSTALLER	50	-				
FT3512	SEAL SLEEVE	50	-				
FT8904	FORWARD BEARING CUP						
	INSTALLER	51	-				
FT8907	DRIVER HANDLE	51	-				
FT8918	BUSHING GUIDE SET	51	-				
FT8919	SPRING PIN PUNCH	51	-				
FT8921	FORWARD BEARING CUP						
	REMOVER	51	-				
FT8926	RING EXPANDER	50	-				
FT8932	LIFTING HOOK	52	-				
FT8935	SEALANT PRIMER	53	-				
FT8936	SEALANT	53	-				
FT8945	RETAINER PUNCH	51	-				
FT8948-1	PROPELLER SHAFT						
	BEARING CAGE PULLER						
	AND FLYWHEEL PULLER	51	-				
FT8950	LEAKAGE TESTER	52	-				
FT8957	SEAL INSTALLER	51	-				
FT8962	BEARING INSTALLER	51	-				
FT8964	BEARING REMOVER	51	-				
FT8969	LUBRICANT	53	-				
FT8983	SEALANT	53	-				
FTA2937-1	TIMING TOOL	48	-				
OB3061	LITERATURE (NOT SHOWN)	47	-				
T8974	BREAKER POINT TENSION						
	GAUGE	52	-				
22-817740A1	ELBOW	27	98				
32-817738A1	FUEL LINE, LONG W/CLAMP						
	AND FERRULE	43	10				
37-F544390-1	DECAL, TILT LOCK -						
	CANADA (NOT SHOWN) .	37	-				
39-818113A1	PISTON RINGS (6 PER SET)						
	.030 OVERSIZE	29	-				
44-819500A3	PROPELLER SHAFT	39	21				
45-817737A1	DRIVESHAFT W/RETAINER						
	FOR STANDARD SHAFT						
	MODELS	39	3				
84-817765A2	COIL WIRE	11	37				
89-817760A2	CHOKE SOLENOID	13	68				