



PARTS CATALOG

140 H.P.

SERIAL NUMBER

140 (1979)1407B9B
140 (1979)1407H9B

TABLE OF CONTENTS:

ACCESSORIES	57
CARBURETOR	16
CRANKSHAFT AND PISTON GROUP	32
DISTRIBUTOR	12
ELECTRICAL COMPONENTS	6
ENGINE COVER AND SUPRT PLATE	2
FUEL PUMP AND REED PLATE	20
FUEL TANK AND LINE	46
GEAR HOUSING	40
MOTOR LEG	34
PARTS INDEX	60
POWER HEAD	24
REMOTE CONTROL	48
SPECIAL TOOLS - GEAR HOUSING	54
SPECIAL TOOLS - LUBRICANTS AND SEALANTS	56
SPECIAL TOOLS - POWER HEAD	53
SPECIAL TOOLS - TEST EQUIPMENT	55
SPECIAL TOOLS - TUNE-UP	52
STARTER	10

NOTE: Indented description indicate that these parts are included in preceeding assembly.

AR = As Required

NSS = Not Sold Separate

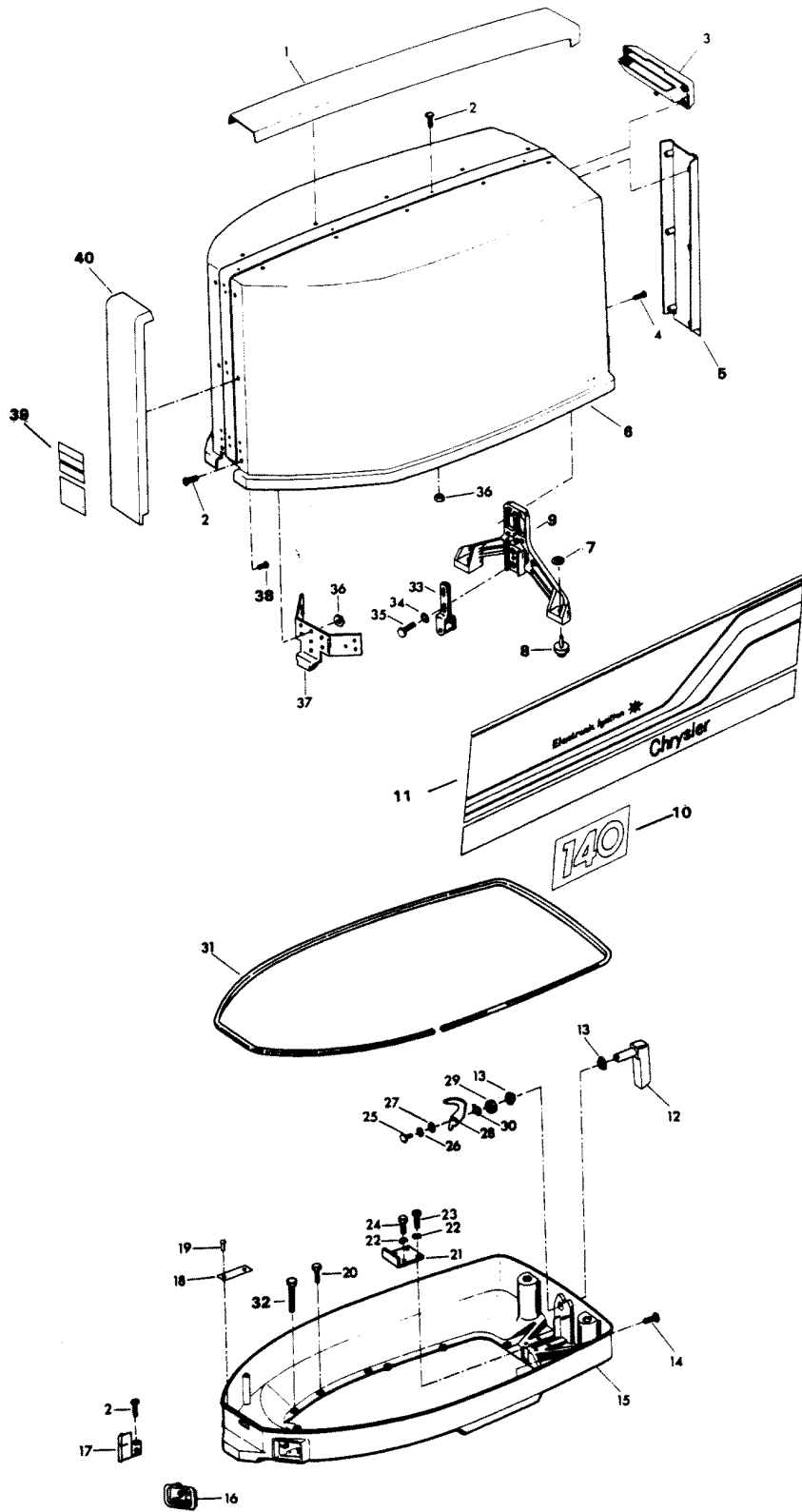
OPT = Optional

NS = Not Shown

THESE PARTS BOOKS/FICHE CARD ARE COPYRIGHTED AND MAY NOT BE DISTRIBUTED OR REPRODUCED IN ANY OTHER FORMAT BY ANYONE OTHER THAN MERCURY MARINE WITHOUT THE PRIOR WRITTEN CONSENT OF MERCURY MARINE.

THIS PAGE INTENTIONALLY LEFT BLANK

ENGINE COVER AND SUPRT PLATE

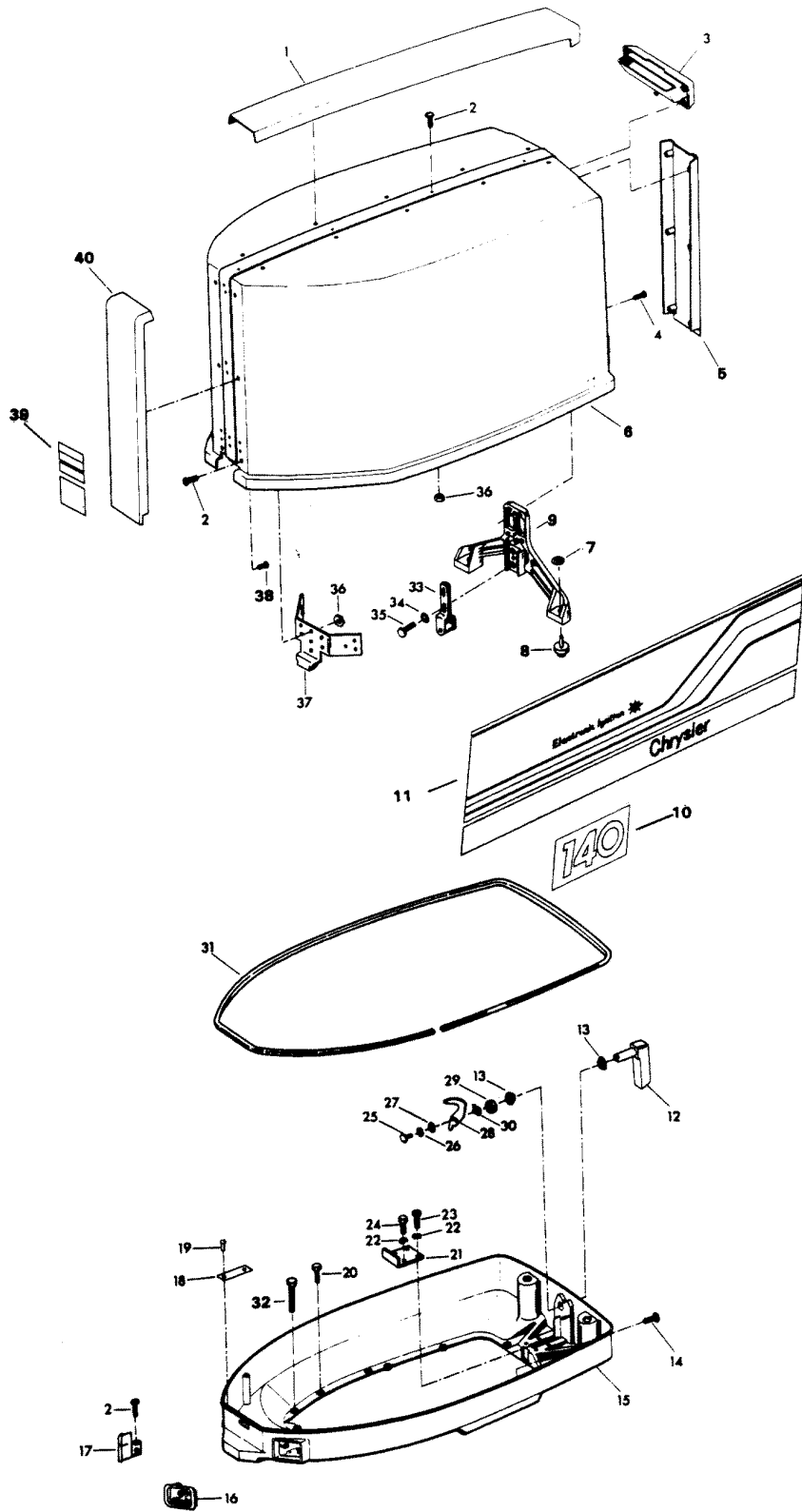


ENGINE COVER AND SUPRT PLATE

REF. NO.	PART NO.	SYM.	QTY.	DESCRIPTION
1	FS548179		1	TRIM, TOP
2	F1733		10	SCREW, PAN HD., 10 - 24 X 9/16
3	FS548269		1	HANDLE, TILT
4	F1730		3	SCREW, PAN HD., W/SPRING LOCKWASHER 1/4 - 20 X 5/8
5	FS552180		1	TRIM, REAR
6	FA552944		1	COVER, ENGINE W/RETAINER
-	3C555944		1	COVER, ENGINE - COMPLETE INCLUDE ITEMS MARKED WITH AN ASTERISK (*).
7	F2088		2	FASTENER
8	F481434		2	GUIDE, ENGINE COVER
9	F481774		1	BRACKET, ENGINE COVER LATCH
10	FA555386		2	DECAL, NUMERAL
11	A552397		1	DECAL, ENGINE COVER - PORT
-	A552396		1	DECAL, ENGINE COVER - STARBOARD
12	FA481469		1	LATCH HANDLE, ENGINE COVER W/SHAFT
13	F480818		2	BEARING, LATCH SHAFT
14	F1238		6	HEX CAP SCREW, 1/4 - 20 X 3/4
15	F480038-2		1	PLATE SUPPORT
16	F549189		1	BUSHING, ELECTRIC CABLE
17	F545189		1	BUSHING, CABLE ENTRY
18	FA535395		1	IDENTIFICATION PLATE W/SCREWS - USA
-	FAC535395		1	IDENTIFICATION PLATE, W/SCREWS - CANADA
19	F1447		2	ROUND HD SCREW, 2 X 3/16
20	F1502		5	HEX SLOT HD SCREW 1/4 - 20 X 5/8
21	F335654-1		1	STOP, DEFLECTION
22	F8096		4	LOCKWASHER
23	F1857		2	HEX CAP SCREW, 5/16 - 18 X 5/8
24	F1858		2	HEX CAP SCREW, 5/16 - 18 X 1
25	F1854		1	HEX CAP SCREW, 1/4 - 20 X 5/8
26	F8083		1	LOCKWASHER
27	F8094		1	WASHER, PLAIN
28	F481777		1	CAM, LATCH SHAFT
29	F481382-1		1	SPACER, LATCH SHAFT
30	F2047		1	WAVE WASHER
31	F321756		1	PACKING
32	F1849		2	HEX HD CAP SCREW, 1/4 - 20 X 1 3/8
33	FA481743		1	LATCH, ROLLER BRACKET
34	F8096		2	LOCK WASHER
35	F1857		2	HEX CAP SCREW, 5/16 - 18 X 5/8
36	F1473		7	HEX NUT, 10 - 24
37	F373778-1		1	RETAINER, ENGINE COVER

CONTINUED ON NEXT PAGE ➡

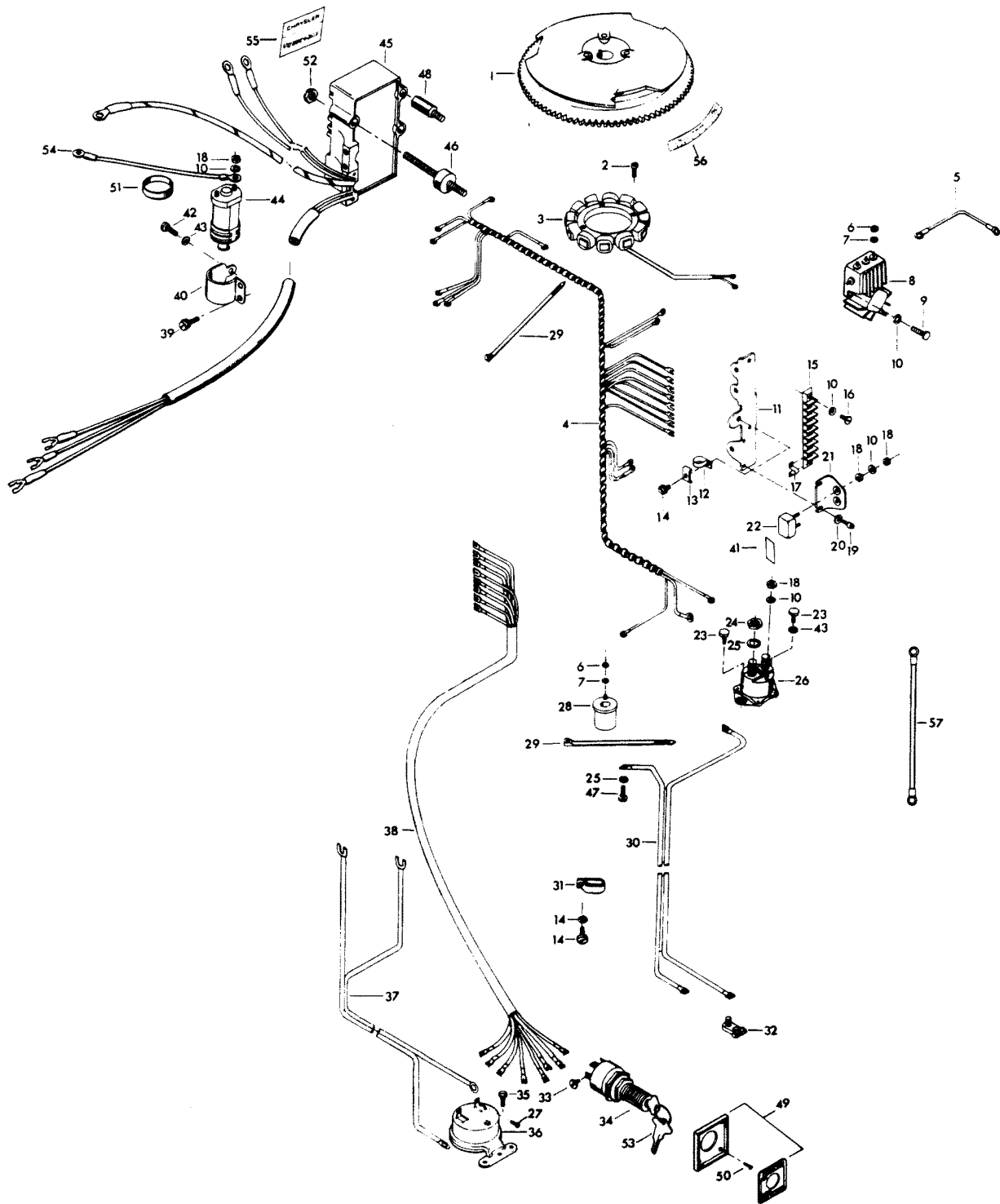
ENGINE COVER AND SUPRT PLATE



ENGINE COVER AND SUPRT PLATE

REF. NO.	PART NO.	SYM.	QTY.	DESCRIPTION
38	F2066		26	PAN HD TAPPING SCREW, 10 X 7/16
39	FA552892		1	DECAL, FRONT
40	FS552888		1	TRIM, FRONT
-	F548984		1	BLANKET, SILENCER - TOP (NOT SHOWN)
-	F552985		2	BLANKET, SILENCER - SIDE (NOT SHOWN)

ELECTRICAL COMPONENTS

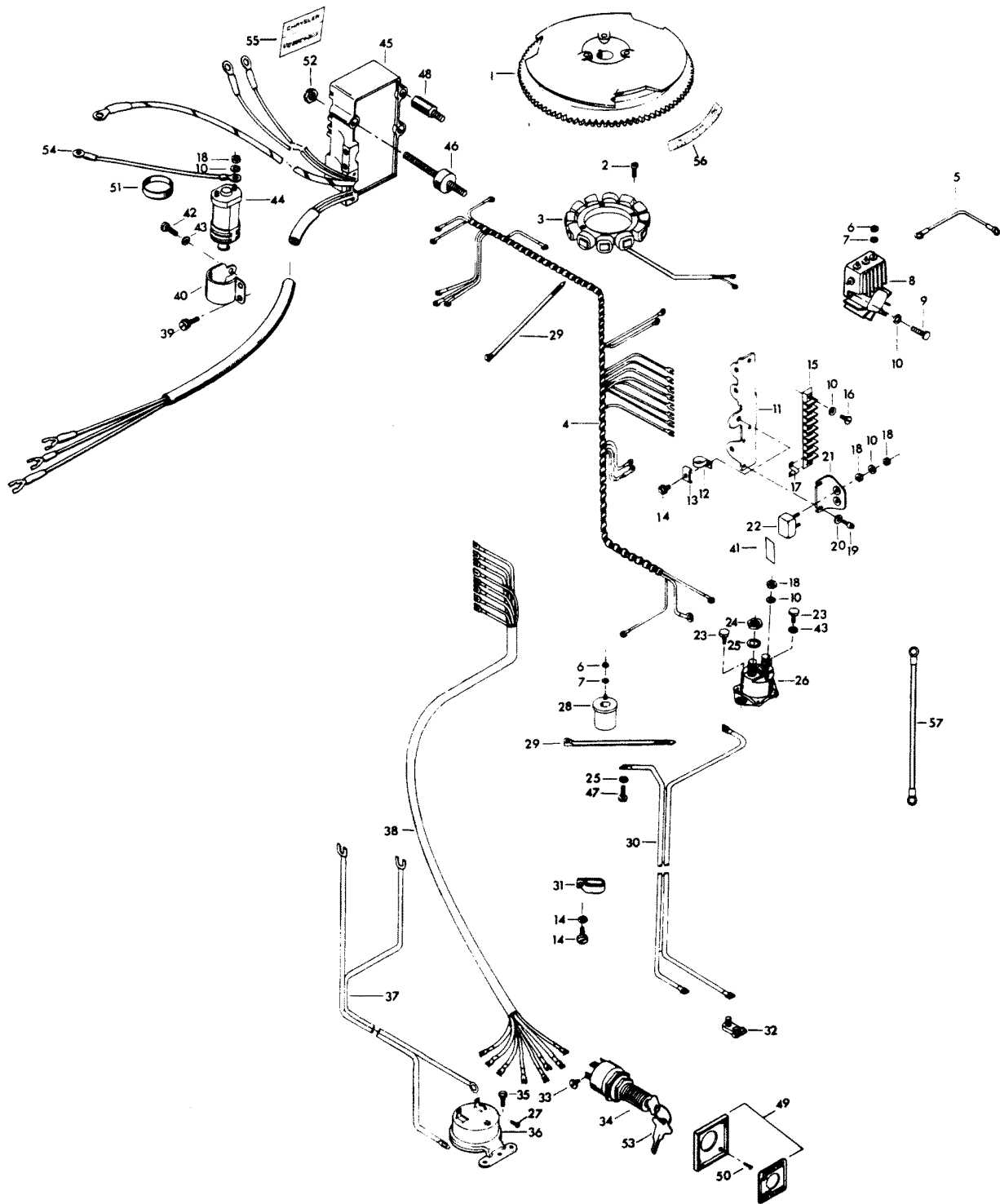


ELECTRICAL COMPONENTS

REF. NO.	PART NO.	SYM.	QTY.	DESCRIPTION
1	F404097		1	FLYWHEEL
2	F1678		6	FILL HD SCREW, 10 - 24 X 13/16
3	F85095-2		1	STATOR
4	F438744-1		1	WIRING HARNESS
5	F345683		1	WIRE, REGULATOR-RECTIFIER GROUND
6	F1647		5	HEX NUT, 8 - 32
7	F8056		5	SPRING LOCKWASHER
8	F404470-1		1	REGULATOR-RECTIFIER
9	F2001		3	FILL HD SCREW, 10 - 24 X 5/8
10	F1975		9	SPRING LOCKWASHER
11	FA439493		1	TERMINAL BLOCK BRACKET
12	F289446-1		1	CLAMP
13	F438668		1	RETAINER, CABLE CLAMP
14	F1734		2	FILL HD SCREW W/LOCKWASHER, 1/4 - 20 X 1/2
15	FA510497		1	TERMINAL BLOCK
16	F1648		2	PAN HD SCREW, 10 - 24 X 3/4
17	F307317		1	CLIP, TERMINAL BLOCK
18	F1513		8	HEX NUT
19	F1760		2	PAN HD SCREW, 10 - 24 X 3/8
20	F8011		2	PLAIN WASHER
21	F91446-1		1	CIRCUIT BREAKER BRACKET
22	F510460		1	CIRCUIT BREAKER
23	F1705		2	HEX CAP SCREW, 1/4 - 20 X 3/4
24	F1515		2	HEX NUT
25	F8096		3	SPRING LOCKWASHER
26	F460917		1	STARTER RELAY
27	F1645		2	HD. SCREW, 6 - 32 X 1/4
28	F85924		1	CHOKE SOLENOID
29	F1877		2	TY-RAP
30	F381896-4		1	BATTERY CABLE
31	F407446		1	CLAMP
32	F5H041		1	BATTERY TERMINAL KIT (ACCESSORY ITEM)
33	F1280		5	PAN HD SCREW, 8 - 32 X 1/4
34	F5H078		1	IGNITION SWITCH (LONG BARREL) W/KEYS AND SCREWS (ACCESSORY ITEM) ORIGINAL FORCE P/N 5H078
35	F1741		2	PAN HD SCREW, 8 X 3/4
36	F5H043		1	OVERHEAT BUZZER (ACCESSORY ITEM)
37	F404841		1	CABLE, HEAT INDICATOR
38	F85843-1		1	REMOTE ELECTRIC CABLE, 18 FEET
39	F1851		2	FILL HD SCREW W/LOCKWASHER, 10 - 24 X 1/2
40	F404513		1	COIL CLAMP
41	F510374		1	DECAL, CIRCUIT BREAKER USA
-	FC510374		1	DECAL, CIRCUIT BREAKER - CANADA

CONTINUED ON NEXT PAGE ➡

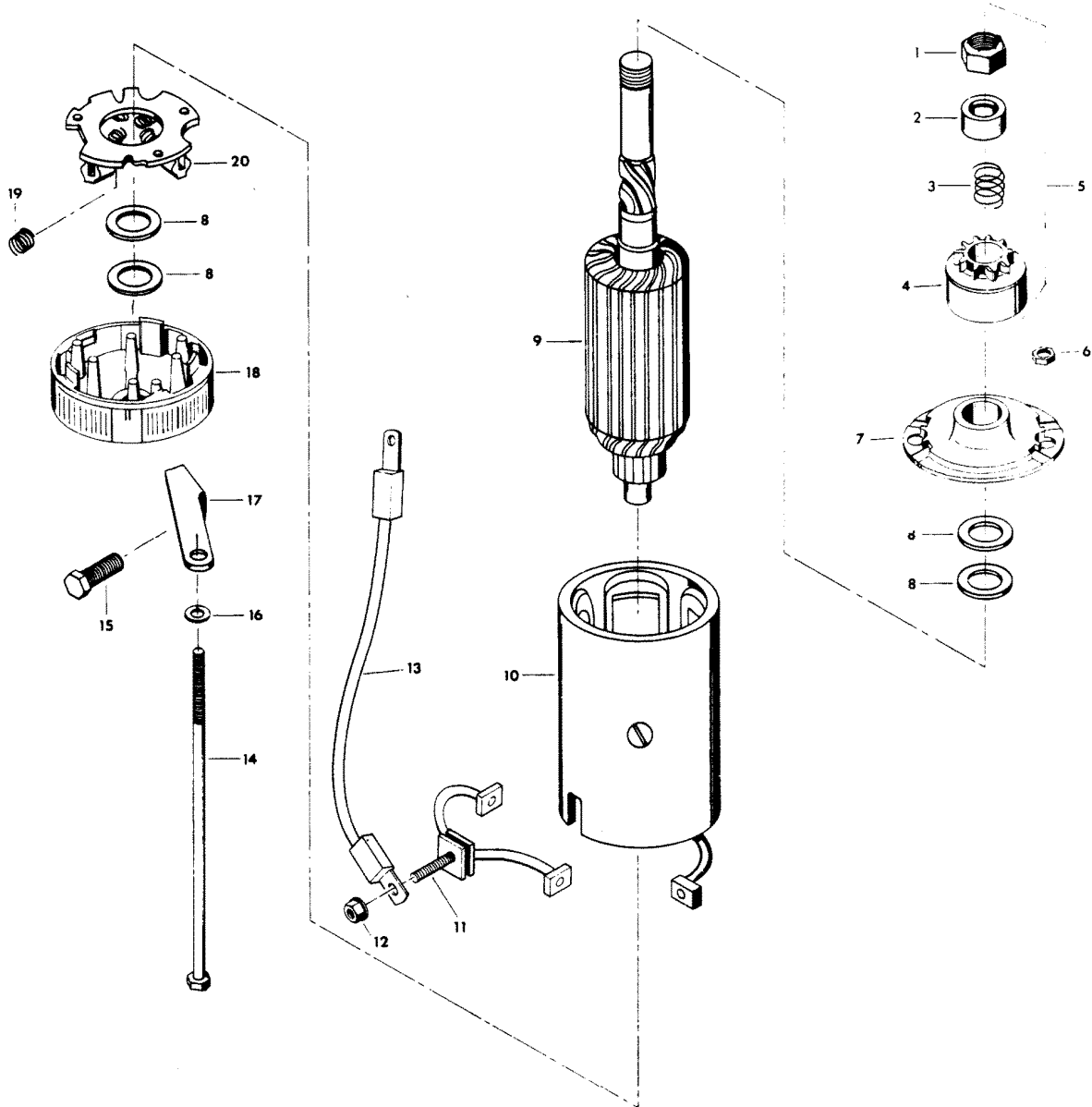
ELECTRICAL COMPONENTS



ELECTRICAL COMPONENTS

REF. NO.	PART NO.	SYM.	QTY.	DESCRIPTION
42	F1689		1	HEX HD CAP SCREW, 1/4 - 20 X 1/2
43	F8083		2	SPRING LOCKWASHER
44	F345475-1		1	COIL
45	300-817855A1		1	UNIT W/DECAL (ORIGINAL FORCE P/N A 523301-1)(Does not include Coil & Clamp)
46	F523962		3	SHOCK MOUNT - C.D. UNIT
47	F2000		1	HEX CAP SCREW, 5/16 - 18 X 3/4
48	F322273		1	STUD, C.D. UNIT
49	F5H038		1	IGNITION SWITCH MOUNTING KIT (ACCESSORY ITEM)
-	817892--1		1	PLATE, IGNITION SWITCH - CANADA (NOT SHOWN)
50	F1934		4	FLAT HD SLOTTED SCREW, 6 X 12
51	F391983		2	RETAINING BAND
52	F1892		3	STOP NUT
53	FA368700		-	KEY, IGNITION, NO LETTER OR STAMPED A
-	FB368700		-	KEY, IGNITION, STAMPED B
-	FC368700		-	KEY, IGNITION, STAMPED C
-	FD368700		-	KEY, IGNITION, STAMPED D
-	FE368700		-	KEY, IGNITION, STAMPED E
54	F85664		1	GROUND WIRE
55	480373		1	DECAL, MAGNAPOWER IGNITION (NOT SHOWN)
56	F474387		1	TIMING DECAL - USA
-	FC474387		1	TIMING DECAL - CANADA
-	F235785		1	DECAL, COMPLIANCE - CANADA (NOT SHOWN)
57	F319908		1	GROUND WIRE - CANADA

STARTER

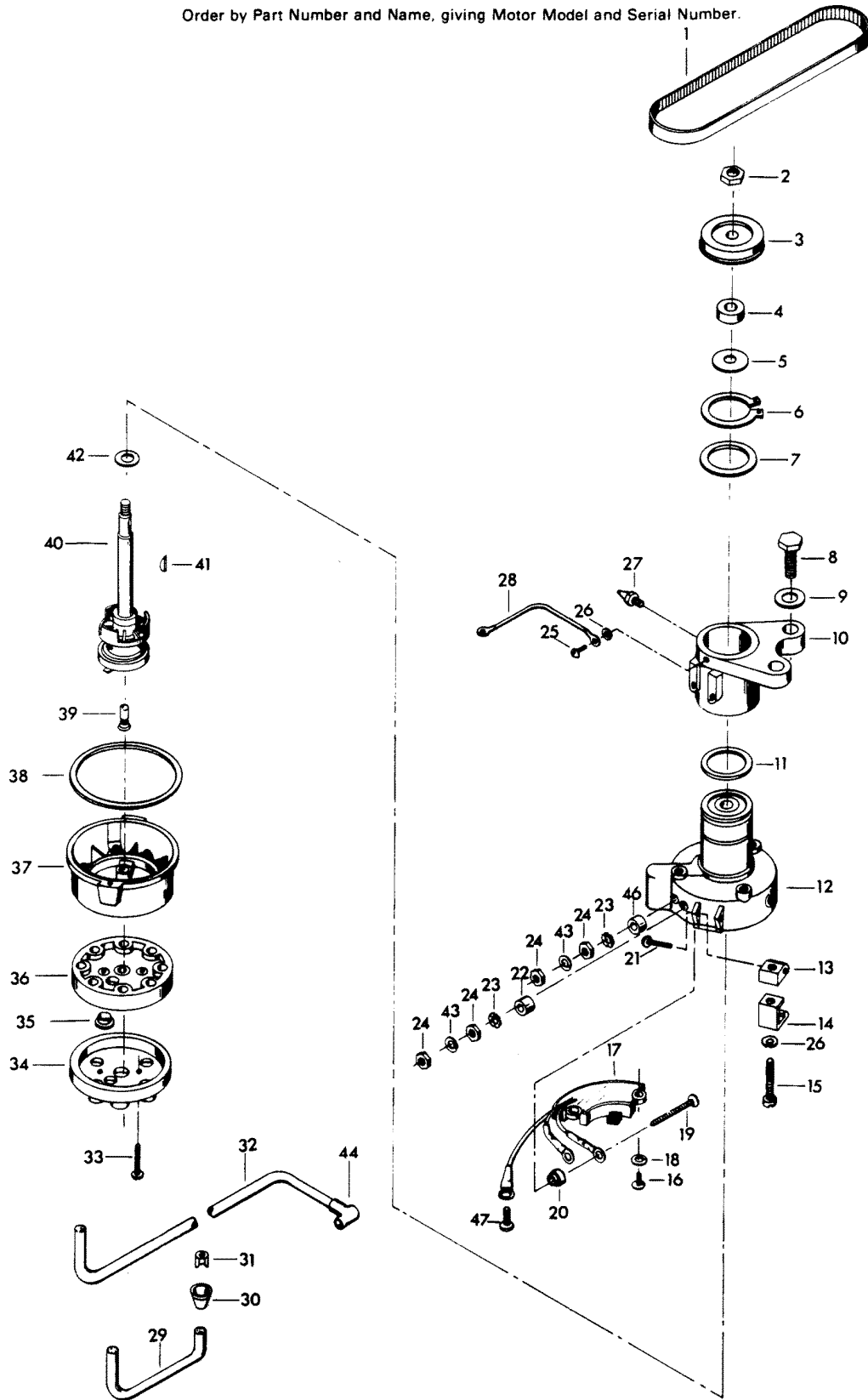


STARTER

REF. NO.	PART NO.	SYM.	QTY.	DESCRIPTION
5	F15118		1	BENDIX DRIVE ASSEMBLY
6	F1641		2	LOCK NUT
7	F15167		1	HEAD ASSEMBLY, DRIVE END
8	F15126		1	THRUST WASHER PACKAGE
9	F15099		1	ARMATURE
10	F15166		1	FRAME AND FIELD ASSEMBLY
11	F15154		1	BRUSH AND TERMINAL SET
12	FA15072		1	HEX LOCK NUT, 1/4 - 20
13	F85908		1	STARTER LEAD WIRE
14	F15168		1	THRU BOLT PACKAGE
15	F1502		1	HEX CAP SCREW, 1/4 - 20 X 5/8
16	F8028		2	PLAIN WASHER
17	F511675		1	STARTER BRACKET, LOWER
18	F15125		1	HEAD ASSEMBLY, COMMUTATOR END
19	F15034		1	SPRING SET
20	F15157		1	BRUSH PLATE AND HOLDER ASSEMBLY
-	FS490955		1	STARTER COMPLETE
-	FC500390		1	DECAL STARTER - CANADA (NOT SHOWN)

DISTRIBUTOR

Order by Part Number and Name, giving Motor Model and Serial Number.



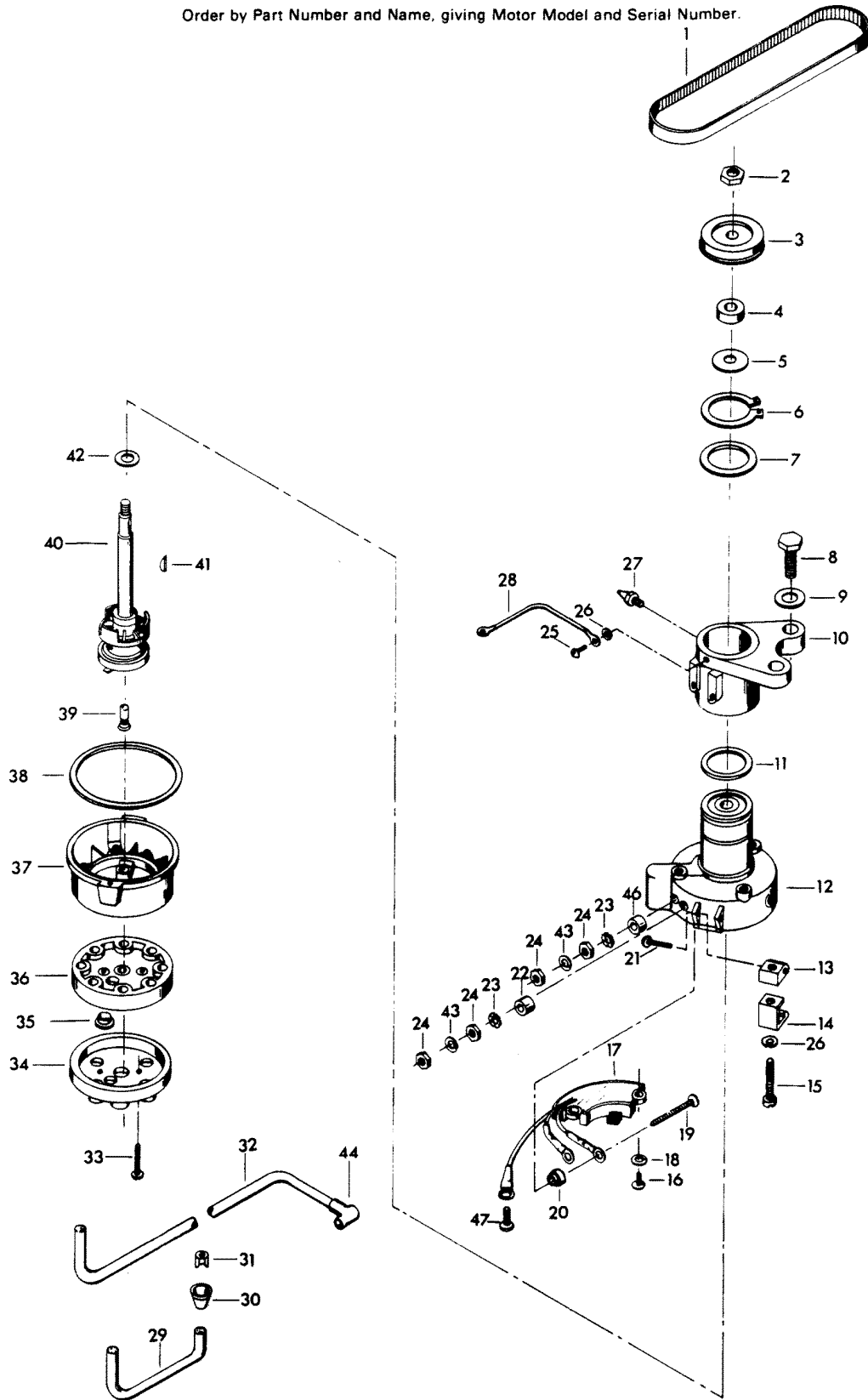
DISTRIBUTOR

REF. NO.	PART NO.	SYM.	QTY.	DESCRIPTION
1	F85311		1	DISTRIBUTOR BELT
2	F7013		1	STOP NUT
3	817786A1		A	DISTRIBUTOR PULLEY
4	F14025		1	SPACER
5	F14028		1	THRUST WASHER
6	F85173		1	RETAINING RING
7	F14029		1	THRUST WASHER
8	F1612		2	HEX CAP SCREW, 3/8 - 16 X 1 1/4
9	F1778		2	PLAIN WASHER
10	FA321574		1	DISTRIBUTOR BRACKET
11	F1759		2	SHIM, DISTRIBUTOR (QTY. AS REQUIRED)
12	F14042		1	DISTRIBUTOR HOUSING W/BEARINGS
-	817828A1		1	DISTRIBUTOR, COMPLETE
13	F14036		2	SWIVEL
14	F14037		2	CAP CLIPS
15	F14038		2	CAP CLIP SCREWS
16	F14045		2	SCREW
17	FA14048-2		1	PREAMPLIFIER
18	F8056		2	LOCKWASHER
19	F14046		2	TERMINAL SCREW
20	F14047		2	TERMINAL INSULATOR (INSIDE)
21	F14015		2	CAP CLIP RIVET
22	F14049		1	TERMINAL INSULATOR (OUTSIDE)
23	F14041		2	EXTERNAL TOOTH LOCKWASHER
24	F1647		4	HEX NUT, 8 - 32
25	F1760		2	PAN HD SCREW, 10 - 24 X 3/8
26	F1975		2	SPRING LOCKWASHER
27	F213274		1	GREASE FITTING
28	F85664		1	DISTRIBUTOR GROUND
29	84-817775A1		1	COIL WIRE W/TERMINAL CLIP - USA
-	F438905		1	COIL WIRE - CANADA
30	F203276		1	BOOT
31	F203673		1	TERMINAL CLIP
32	F321841-3		4	LEAD WIRE - USA
-	F438841-1		4	LEAD WIRE - CANADA
33	F14007		2	CAP SCREW
34	F14010-1		1	CAP COVER
35	F14040		2	VENT
36	F14021-1		1	CAP SEAL
37	F14005-2		1	CAP BASE
38	F14030		1	CAP GASKET
39	F14012-1		1	BRUSH
40	F14044		1	DISTRIBUTOR SHAFT

CONTINUED ON NEXT PAGE ➡

DISTRIBUTOR

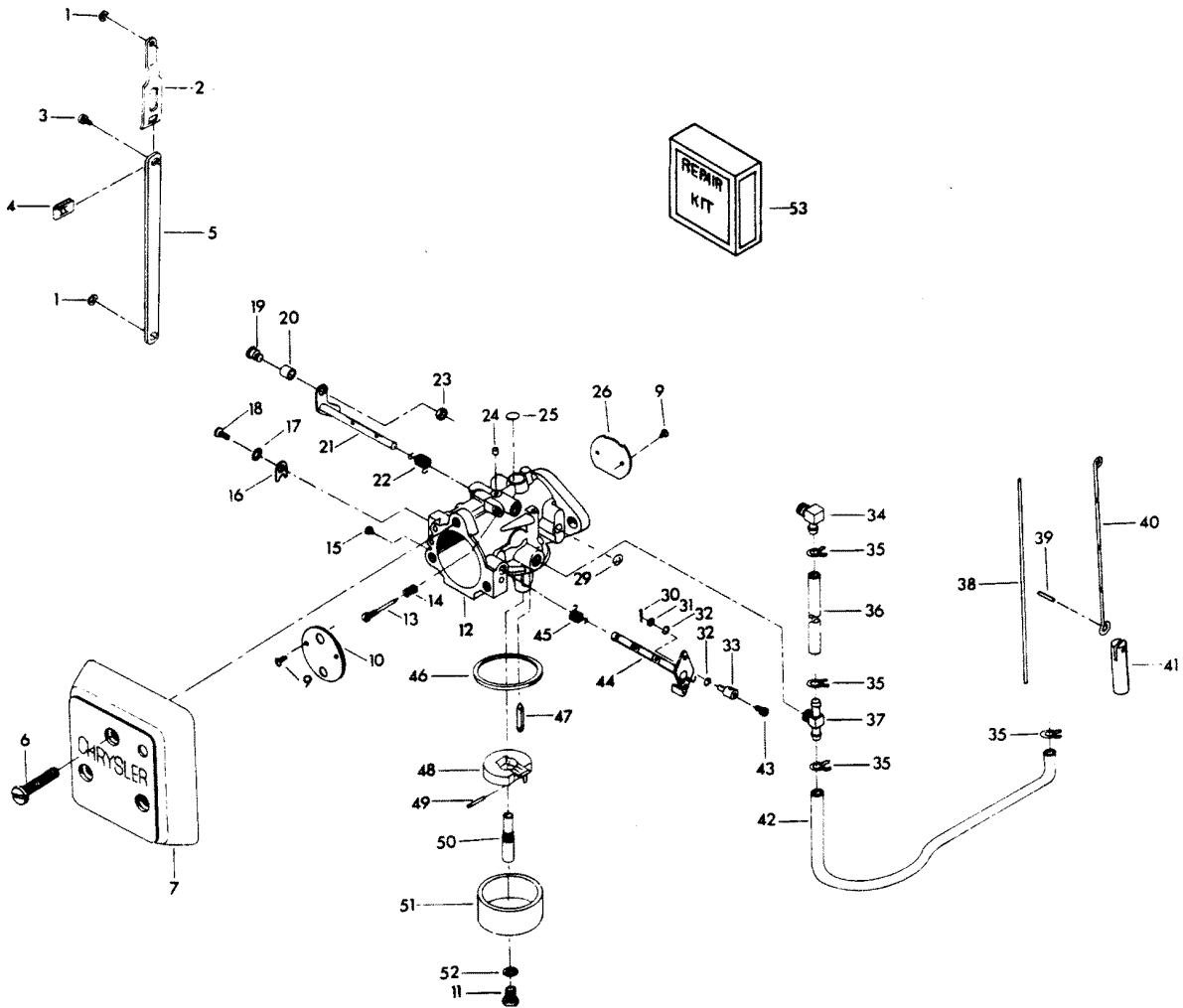
Order by Part Number and Name, giving Motor Model and Serial Number.



DISTRIBUTOR

REF. NO.	PART NO.	SYM.	QTY.	DESCRIPTION
41	F1692		1	WOODRUFF KEY
42	F14024		1	SPACER
43	F8056		2	LOCKWASHER
44	FK750-1		4	SPARKIE W/SPRING
46	F14017		1	TERMINAL INSULATOR (OUTSIDE)
47	F14056		1	SCREW
-	481373-1		1	DECAL, "ELECTRONIC" (NOT SHOWN)

CARBURETOR

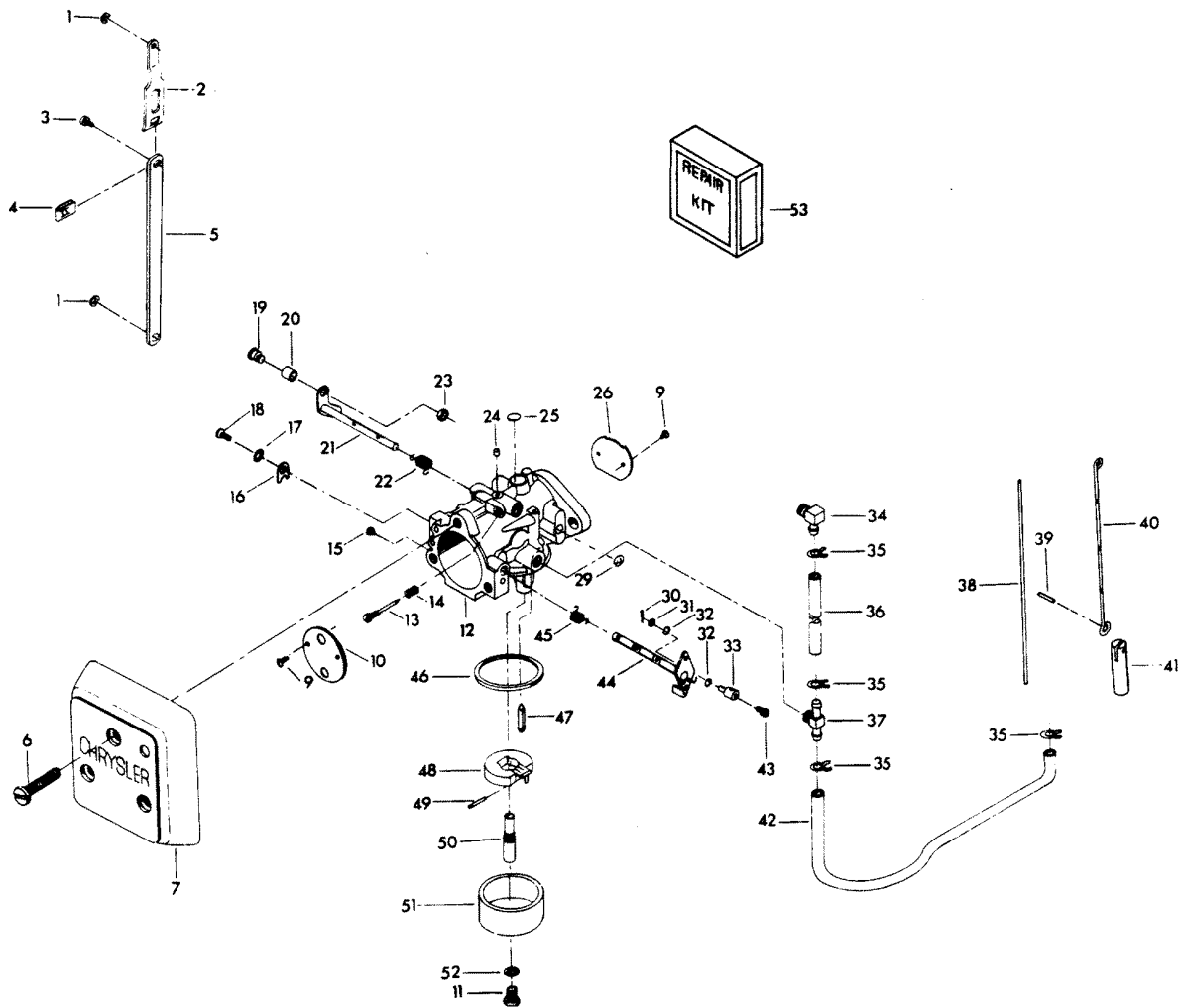


CARBURETOR

REF. NO.	PART NO.	SYM.	QTY.	DESCRIPTION
1	F90807		2	RETAINING RING
2	FA85193		1	TIE BAR END W/SWIVEL
3	F1064		1	FILL HD SCREW, 8 - 32 X 3/8
4	F1693		1	TIE BAR RETAINER
5	FA178233		1	THROTTLE TIE BAR W/SWIVEL
6	F1034		6	PAN HD SCREW, 1/4 - 20 X 1 3/8
7	F511708		2	COVER, CARBURETOR
9	FO15912		4	CHOKE AND THROTTLE SHUTTER SCREW
10	FO17719		1	CHOKE SHUTTER
11	FO16132		1	FUEL BOWL RETAINING SCREW
12	F476061-4		1	CARBURETOR COMPLETE (TC-5E)
13	FO14166		1	IDLE MISTURE SCREW
14	FO11103		1	IDLE MIXTURE SCREW SPRING
15	FO12947		1	MAIN FUEL JET STD. .096 SEA LEVEL - 1500 FT.
-	FO14191		-	MAIN FUEL JET OPT. .0937 1500 - 3000 FT.
-	FO14190		-	MAIN FUEL JET OPT. .092 3000 - 4500 FT.
-	FO15406		-	MAIN FUEL JET OPT. .090 4500 - 6000 FT.
-	FO13193		-	MAIN FUEL JET OPT. .088 6000 FT. AND UP. OPTIONAL SIZE MAIN FUEL JETS ARE TO BE USED ONLY AT ALTITUDES INDICATED.
16	FO9678		1	CLIP, CHOKE SHAFT
17	FO992		1	LOCKWASHER
18	FO1974		1	SCREW
19	F333316		1	THROTTLE ROLLER SHAFT
20	F92759		1	THROTTLE ROLLER
21	FO17884		1	THROTTLE SHAFT AND LEVER
22	FO16143		1	THROTTLE SHAFT RETURN SPRING
23	F1997		1	STOP NUT, 8 - 32
24	FO10588		5	BODY CHANNEL CUP PLUG
25	FO16128		1	BODY CHANNEL WELCH PLUG
26	FO16142		1	THROTTLE SHUTTER
29	FO16620		1	"E" RING
30	F1014		2	COTTER PIN
31	F8088		3	PLAIN WASHER
32	F184579		5	"O" RING SEAL
33	F184033-1		1	SWIVEL, TOP CARBURETOR
34	F84314-2		1	ELBOW
35	F97772		4	CLAMP
36	F178754-1		1	FUEL LINE
37	F85314-1		1	FUEL FITTING
38	F85509-1		1	LINK, CHOKE
39	F2033		1	GROOVE PIN
40	F440925		1	CHOKE ROD
41	F391926-1		1	PLUNGER

CONTINUED ON NEXT PAGE ➡

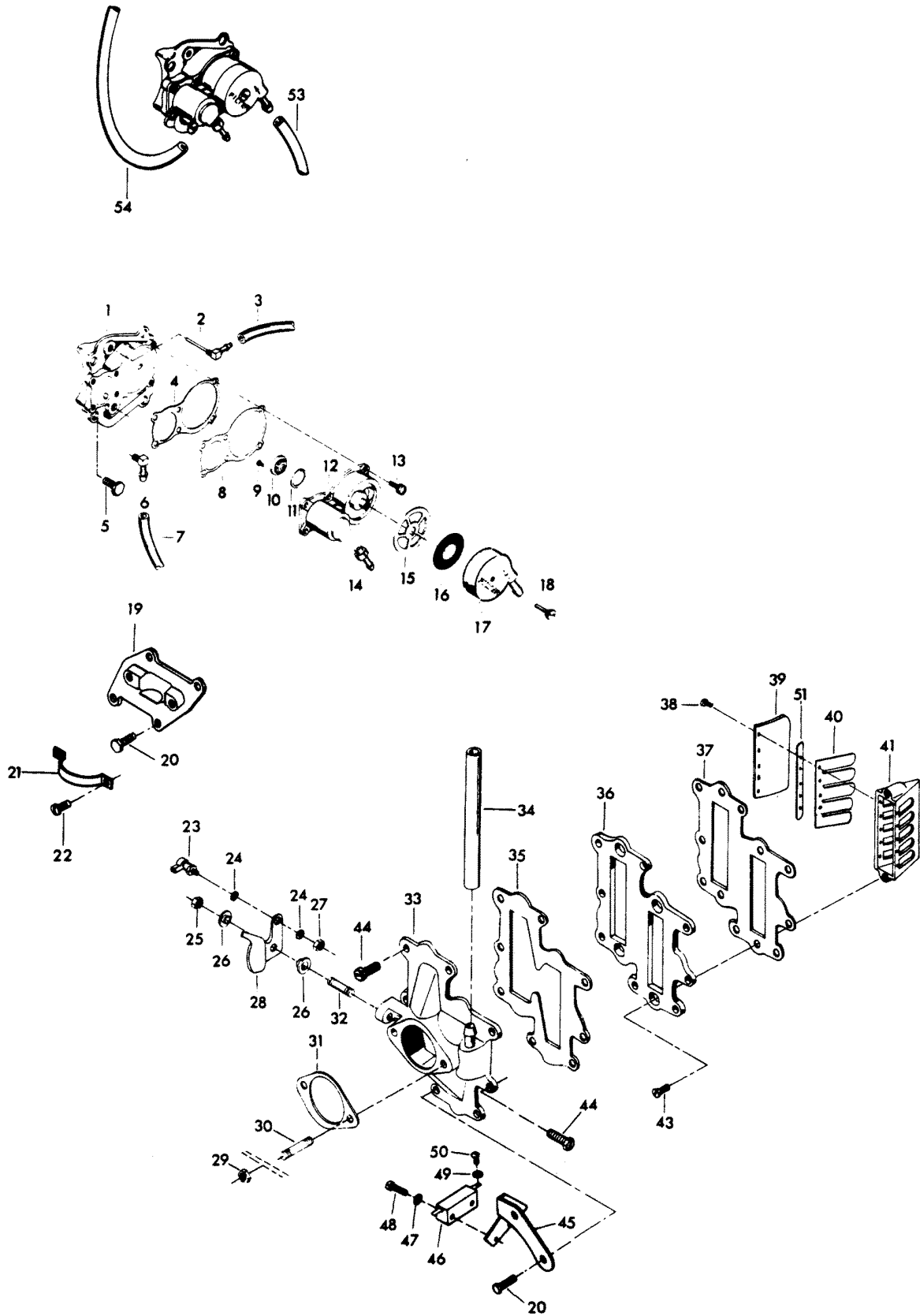
CARBURETOR



CARBURETOR

REF. NO.	PART NO.	SYM.	QTY.	DESCRIPTION
42	F434754		1	FUEL LINE
43	F1059		2	FILL HD SCREW, 6 - 32 X 1/4
44	FO16301		1	CHOKE SHAFT AND LEVER
45	FO17885		1	CHOKE SHAFT RETURN SPRING
46	FO15623		1	FUEL BOWL GASKET
47	FO16697		1	INLET NEEDLE
48	FO13554		1	FLOAT
49	FO13944		1	FLOAT LEVER PIN
50	FO16133		1	MAIN NOZZLE
51	FO16130		1	FUEL BOWL
52	FO5323		2	FUEL BOWL RETAINING SCREW GASKET
-	F85033		1	SWIVEL, CHOKE ROD (BOTTOM CARBURETOR) (NOT SHOWN)
-	F10023		1	GASKET SET (NOT SHOWN)
53	F10103		1	REPAIR PARTS KIT INCLUDES ALL ITEMS MARKED WITH AN ASTERISK (*) .

FUEL PUMP AND REED PLATE

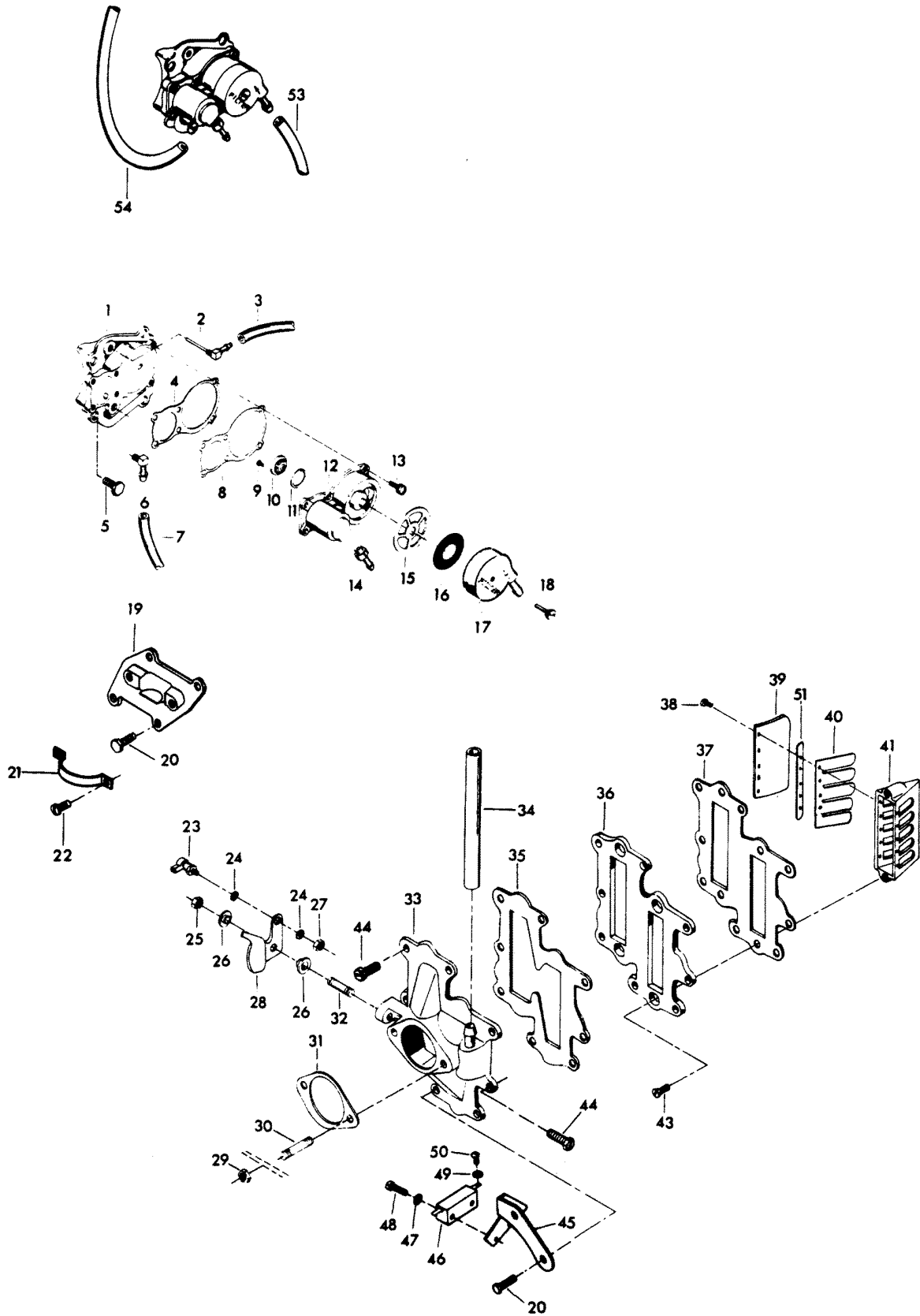


FUEL PUMP AND REED PLATE

REF. NO.	PART NO.	SYM.	QTY.	DESCRIPTION
1	FA439746		2	FUEL PUMP COVER
2	F404314		1	ELBOW, FUEL PUMP COVER
3	F441754-1		1	HOSE
4	F438760		2	FUEL PUMP GASKET
5	F1502		8	HEX CAP SCREW, 1/4 - 20 X 5/8
6	F84314-2		2	ELBOW
7	F89758		1	FUEL PUMP AIR HOSE - TOP
8	F438747		2	FUEL PUMP DIAPHRAGM
9	F1860		4	RD HD SCREW, 6 - 32 X 1/4
10	F177330		6	FUEL PUMP VALVE
11	F84792		2	GASKET, CENTER FUEL PUMP VALVE
12	FA438431		2	FUEL PUMP BODY W/VALVES
13	F1108		12	FILL HD SCREW, 1/4 - 20 X 3/4
14	F438801		2	FITTING
15	F438617		2	FUEL SEDIMENT BOWL GASKET
16	F438653		2	FUEL SEDIMENT BOWL SCREEN
17	F438500		2	FUEL SEDIMENT BOWL
18	F438165		2	SCREW, FUEL PUMP BOWL
19	F372958		1	CHOKE BRACKET
20	F1953		6	HEX HD SCREW, 1/4 - 20 X 1
21	F85317-1		1	SOLENOID CLAMP
22	F1236		2	SCREW, 1/4 - 20 X 1/2
23	817747--1		1	BALL JOINT W/STUD
24	F8058		2	INTERNAL TOOTH LOCKWASHER
25	F1910		1	STOP NUT, 1/4 - 20
26	F269319		2	THROTTLE CAM BEARING
27	F1513		1	HEX NUT, 10 - 32
28	F440192-1		1	THROTTLE CAM
29	F1346		4	HEX NUT
30	F440209		4	CARBURETOR STUD
31	F440906		2	CARBURETOR GASKET
32	F433209-1		1	THROTTLE CAM STUD
33	FA440167		1	CARBURETOR ADAPTER, LOWER W/FITTING AND STUDS
-	FA440157		1	CARBURETOR ADAPTER - UPPER W/FITTING AND STUDS (NOT SHOWN)
34	F440254		1	BALANCE TUBE
35	F178168-1		2	GASKET, CARBURETOR ADAPTER
36	F178404-1		2	DEFLECTOR PLATE
37	F406406		2	GASKET DEFLECTOR PLATE
38	F1755		40	ROUND HD SCREW W/LOCKWASHER, 6 - 32 X 1/4
39	F85161-1		8	REED STOP
40	F530160		8	REED (5 PETAL)
41	F2A523158		4	REED PLATE W/REEDS, REED STOPS AND SCREWS

CONTINUED ON NEXT PAGE ➡

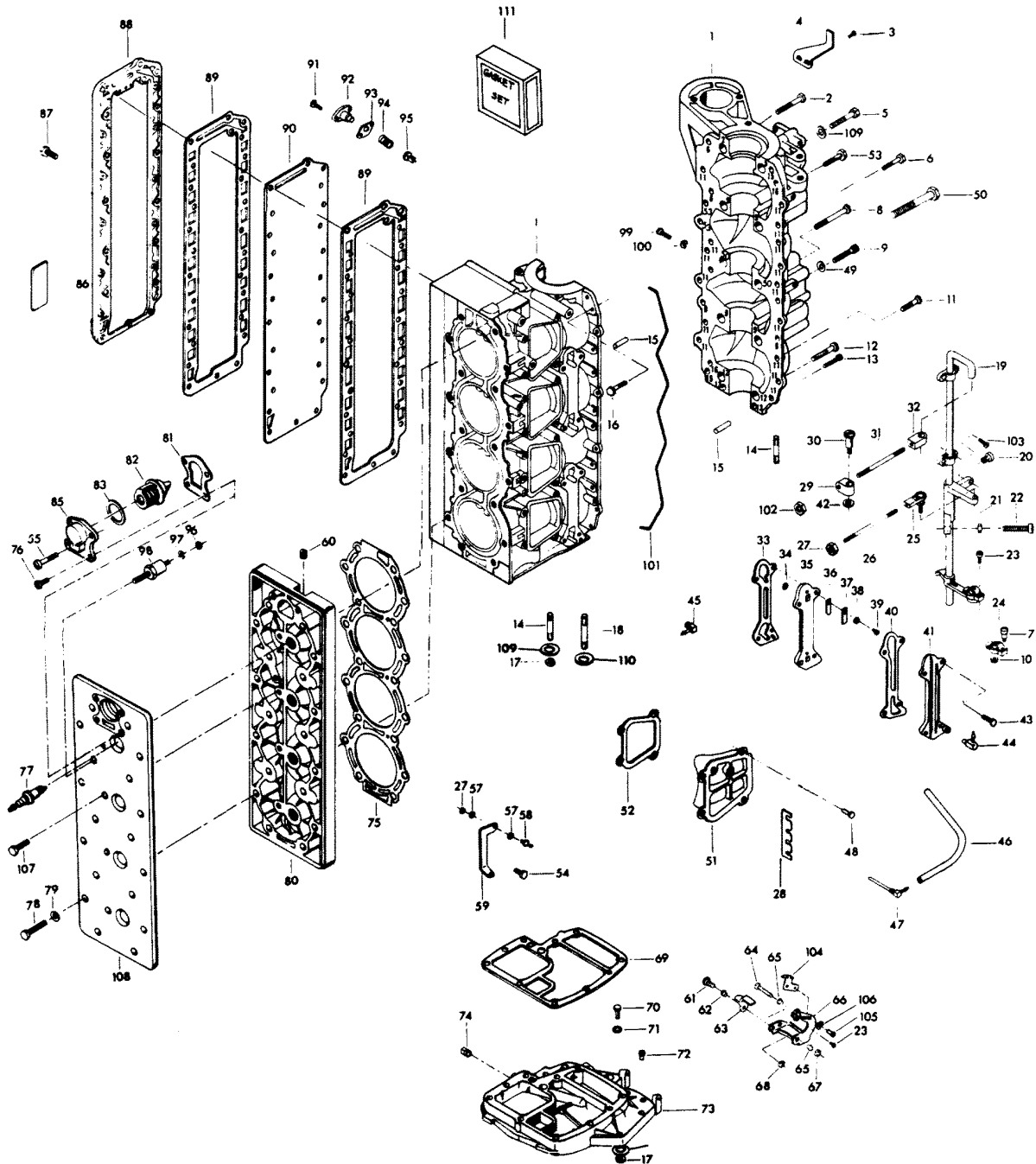
FUEL PUMP AND REED PLATE



FUEL PUMP AND REED PLATE

REF. NO.	PART NO.	SYM.	QTY.	DESCRIPTION
43	F1831		8	FLAT HD SCREW, 1/4 - 20 X 5/8
44	F1915		10	HEX HD SCREW, 1/4 - 20 X 7/8
45	F489551		1	BRACKET NEUTRAL INTERLOCK SWITCH
46	F84449		1	INTERLOCK SWITCH
47	F8088		2	PLAIN WASHER
48	F2016		2	FILL HD SCREW, 6 - 32 X 7/8
49	F1704		2	INTERNAL TOOTH LOCKWASHER
50	F1645		2	RD HD SCREW, 6 - 32 X 1/4
51	F523451		8	SPACER, REED STOP
52	F97772		2	CLAMP
53	F528253		1	HOSE (LOWER FUEL PUMP TO UPPER)
54	F154758		1	HOSE (FUEL PUMP UPPER)

POWER HEAD

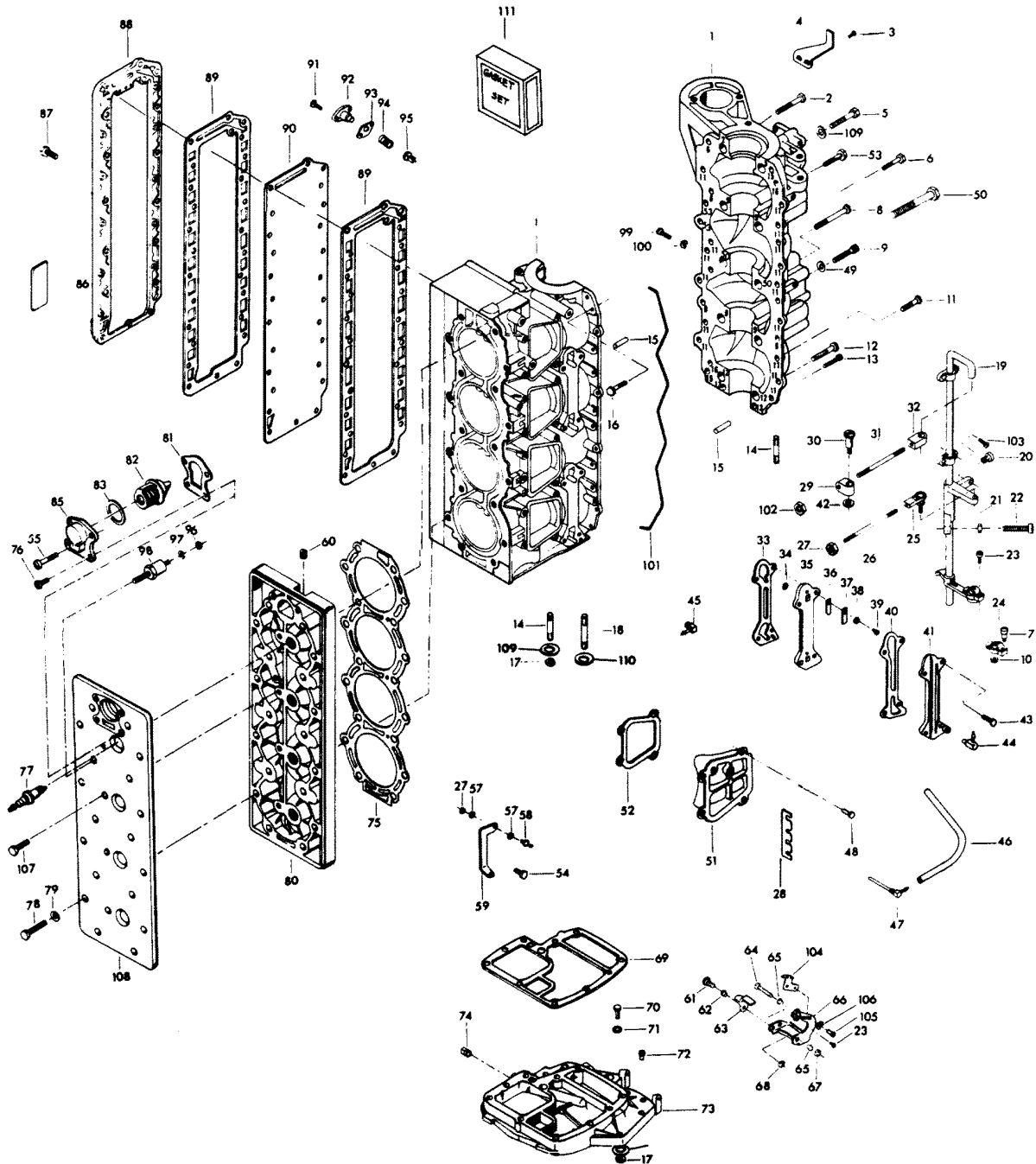


POWER HEAD

REF. NO.	PART NO.	SYM.	QTY.	DESCRIPTION
1	A476010-1		1	CYLINDER W/CRANKCASE COVER, PARTING LINE SEAL, SCREWS & DOWEL PINS
-	C528010		1	SHORT BLOCK CONTAINS ALL ITEMS MARKED WITH AN ASTERISK (*). ALSO REFER TO CRANKSHAFT PAGE.
2	F1874		1	HEX HD SCREW, 3/8 - 16 X 3 1/8
3	F1760		2	PAN HD SCREW, 10 - 24 X 3/8
4	FA480894		1	TIMING POINTER
5	F1009		1	HEX HD SCREW, 3/8 - 16 X 2 3/4
6	F1915		3	HEX HD SCREW, 1/4 - 20 X 7/8
7	F405457		1	PIVOT SCREW
8	F1699		1	HEX HD SCREW, 1/4 - 20 X 1 1/8
9	F1253		4	HEX SOCKET HD CAP SCREW, 3/8 - 16 X 2
10	F7008		1	ELASTIC STOP NUT
11	F1914		16	HEX HD SCREW, 1/4 - 20 X 3/4
12	F1872		2	HEX CAP SCREW, 3/8 - 16 X 1 3/4
13	F1099		2	FILL HD SCREW, 1/4 - 20 X 1 1/4
14	F85859		4	STUD
15	F8563		2	DOWEL PIN
16	F1953		2	HEX HD SCREW, 1/4 - 20 X 1
17	F7004		10	STOP NUT, 3/8 - 16
18	F85211		6	STUD
19	817932A6		1	TOWERSHAFT W/SWIVEL, BEARINGS AND SCREWS
20	F1727		0	PLASTIC RIVET
21	F1341		1	HEX NUT, 1/4 - 20
22	F1052		1	FILL HD SCREW, 1/4 - 20 X 1
23	F1556		2	FILL HD SCREW W/LOCKWASHER, 10 - 24 X 3/8
24	FK405020		2	SWIVEL W/CLAMP, SHOULDER SCREW AND NUT
25	817747--1		1	BALL JOINT W/STUD
26	F85502		1	THROTTLE LINK
27	F1513		4	HEX NUT, 10 - 32
28	F523834		1	CLIP, SPARK PLUG WIRE
29	F85035		1	DISTRIBUTOR, CONTROL ROD END
30	F85026		1	SWIVEL
31	F85445		1	CONTROL ROD
32	F85036		1	TOWERSHAFT CONTROL ROD END
33	F84748-3		2	GASKET
34	F93811		4	SCREEN
35	F2A476757		2	CYLINDER DRAIN REED PLATE W/REEDS, STOPS AND SCREWS
36	F18160-2		4	CYLINDER DRAIN REED
37	F93920		4	REED STOP
38	F8003		4	PLAIN WASHER
39	F1286		4	PAN HD SCREW, 4 - 40 X 3/16
40	F84472-5		2	GASKET, CYLINDER DRAIN COVER

CONTINUED ON NEXT PAGE ➡

POWER HEAD

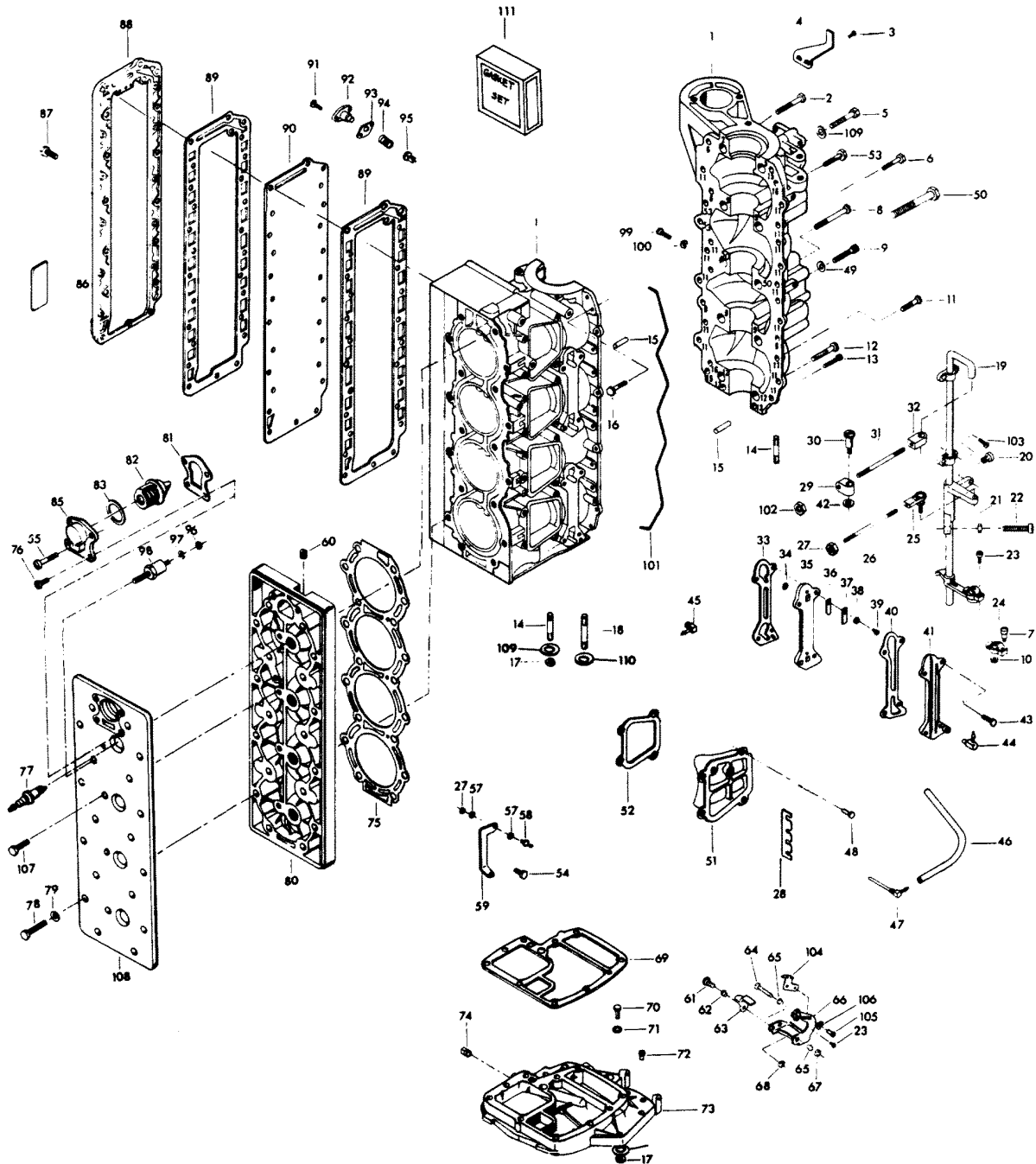


POWER HEAD

REF. NO.	PART NO.	SYM.	QTY.	DESCRIPTION
41	F406471-1		2	CYLINDER DRAIN COVER
42	F1935		1	PLAIN WASHER
43	F1187		8	HEX HD SCREW, 1/4 - 20 X 1
44	22-818103--1		1	ELBOW, CYLINDER DRAIN LOWER
-	F404801		1	ELBOW, CYLINDER DRAIN UPPER (NOT SHOWN)
45	F84314-2		1	ELBOW
46	F406754-1		1	HOSE
47	F404314		1	FITTING
48	F1502		6	HEX CAP SCREW, 1/4 - 20 X 5/8
49	F8104		4	PLAIN WASHER
50	F1873		2	HEX CAP SCREW, 3/8 - 16 X 3
51	FA411222		2	TRANSFER PORT COVER
52	F40223		4	GASKET, TRANSFER PORT COVER
53	F2008		2	HEX HD SCREW, 1/4 - 20 X 7/8
54	F1238		2	HEX CAP SCREW, 1/4 - 20 X 3/4
55	F1099		2	FILL HD SCREW, 1/4 - 20 X 1 1/4
57	F8058		4	INTERNAL TOOTH LOCKWASHER
58	F98273		2	ROD END CONNECTOR STUD
59	85872-1		1	BRACKET
60	F19109		1	PLUG
61	F369887		1	SHOULDER SCREW
62	F369610		1	BEARING
63	F369977-1		1	INTERLOCK ARM
64	F1885		1	HEX BOLTS, S.S., 5/16 - 18 X 4 1/4
65	F85610		2	BEARING
66	FA480876		1	GEAR SHIFT ARM W/SWIVEL, BEARINGS, INTERLOCK ARM AND SHOULDER SCREW
67	F2108		1	STOP NUT, 5/16 - 18
68	F1832		1	STOP NUT, 1/4 - 20
69	F85279-2		1	GASKET, CYLINDER EXHAUST UPPER
70	F1869		6	HEX CAP SCREW, 3/8 - 16 X 1 1/4
71	F1703		6	LOCKWASHER
72	F40689-1		1	BEARING
73	817788A3		1	SPACER PLATE W/PLUG
74	F2090		1	PLUG
75	F476529		1	CYLINDER HEAD GASKET
76	F1107		2	SLOTTED FILL HD CAP SCREW, 1/4 - 20 X 3/4
77	33-97180		4	SPARK PLUG (CHAMPION L20V) - USA
-	C523227		4	SPARK PLUG (CHAMPION QL-76V) FOR MODEL 1407B9B - CANADA
78	F2049		18	HEX CAP SCREW, 5/16 - 18 X 2 5/8
79	F1987		18	PLAIN WASHER
80	FA528518		1	CYLINDER HEAD
81	F476067		1	GASKET

CONTINUED ON NEXT PAGE ➡

POWER HEAD

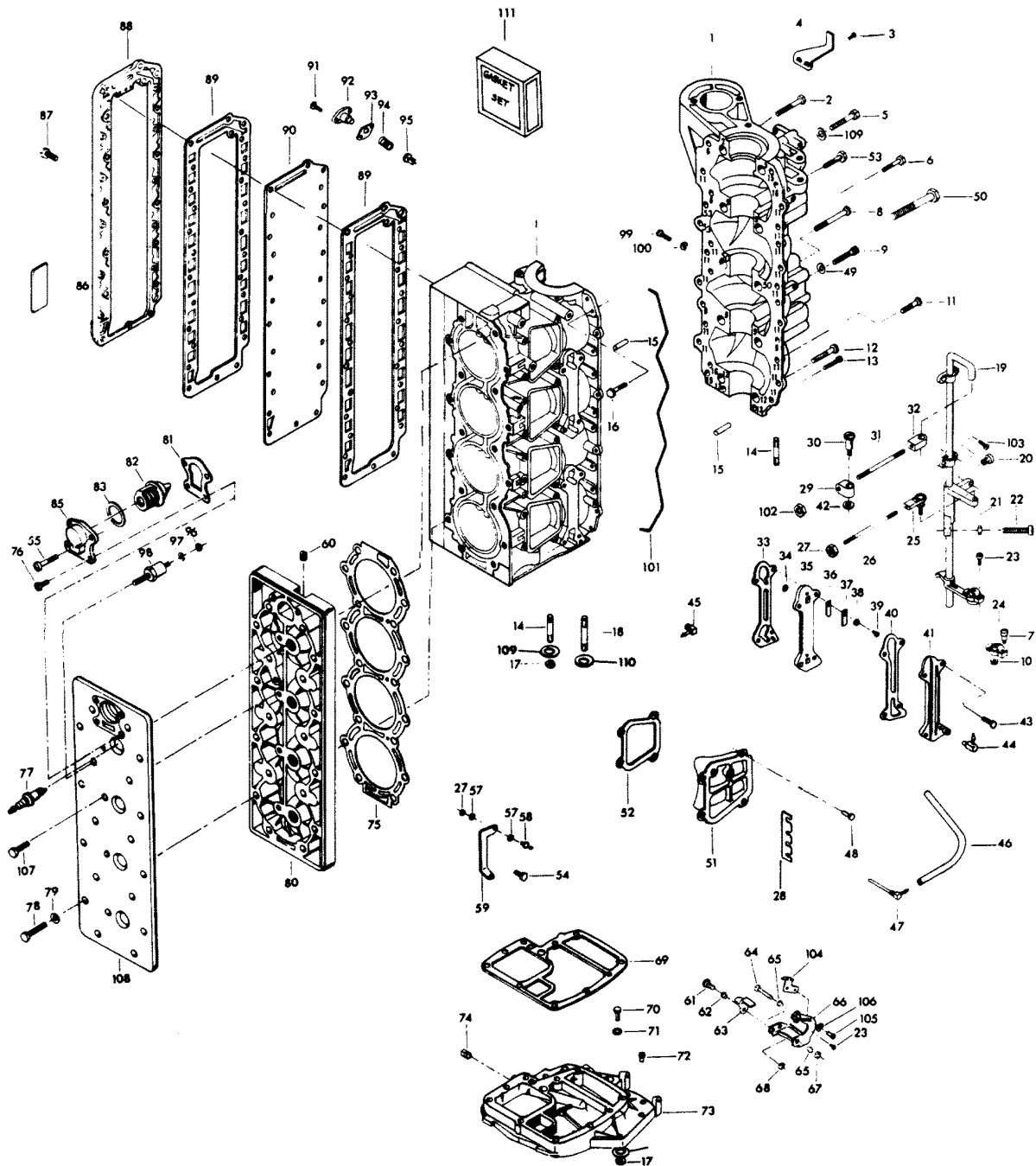


POWER HEAD

REF. NO.	PART NO.	SYM.	QTY.	DESCRIPTION
82	F528068		1	THERMOSTAT
83	F84504		1	GROMMET (THERMOSTAT)
85	F476066-1		1	THERMOSTAT COVER
86	F438398		1	DECAL, WIRING - USA
-	FC438398		1	DECAL, WIRING - CANADA
87	F1709		27	HEX BOLT, 1/4 - 20 X 1 1/8
88	F372152-1		1	EXHAUST PORT COVER
89	F372154-1		2	GASKET, EXHAUST PORT PLATE
90	F372151-1		1	EXHAUST PORT PLATE
91	F1950		2	HEX CAP SCREW, 10 - 24 X 5/8
92	F438066		1	BY-PASS VALVE COVER
93	F85762		1	BY-PASS VALVE COVER GASKET
94	F404268		1	BY-PASS VALVE SPRING
95	F85916-1		1	BY-PASS VALVE
96	F1647		1	HEX NUT, 8 - 32
97	F8056		1	LOCKWASHER
98	87-817778A1		1	THERMOSWITCH
99	F2000		1	HEX CAP SCREW, 5/16 - 18 X 3/4
100	F8096		1	SPRING LOCKWASHER
101	F184122-1		1	SEAL, PARTING LINE
102	F2015		1	HEX NUT, 1/4 - 28
103	F1475		4	FILL HD SCREW, 10 - 24 X 1/2
104	F480107-1		1	CAM STARTER INTERLOCK
105	F2089		2	SLOTTED PAN HD M. SCREW, 10 - 24 X 5/16
106	F2042		2	PLAIN WASHER
107	F1203		4	HEX CAP SCREW, 1/4 - 20 X 7/8
108	F528995		1	COVER, CYLINDER HEAD
109	F8095		6	PLAIN WASHER
110	F8038		4	PLAIN WASHER
111	FG1003-1		1	GASKET SET (INCLUDES THE FOLLOWING)
-	F40223		4	TRANSFER PORT COVER GASKET
-	F84067-1		1	THERMOSTAT COVER GASKET
-	F84472-5		2	CYLINDER DRAIN COVER GASKET
-	F84748-3		2	CYLINDER DRAIN REED PLATE GASKET
-	F85279-2		1	CYLINDER EXHAUST UPPER GASKET
-	F85453-1		1	CYLINDER EXHAUST LOWER GASKET
-	F85762		1	BY-PASS COVER GASKET
-	F85906		2	CARBURETOR GASKET
-	F178168-1		2	CARBURETOR ADAPTER GASKET
-	F184122-1		1	SEAL
-	F372154-1		2	EXHAUST PORT PLATE GASKET
-	F372529		1	CYLINDER HEAD GASKET
-	F406406		2	DEFLECTOR PLATE GASKET

CONTINUED ON NEXT PAGE ➡

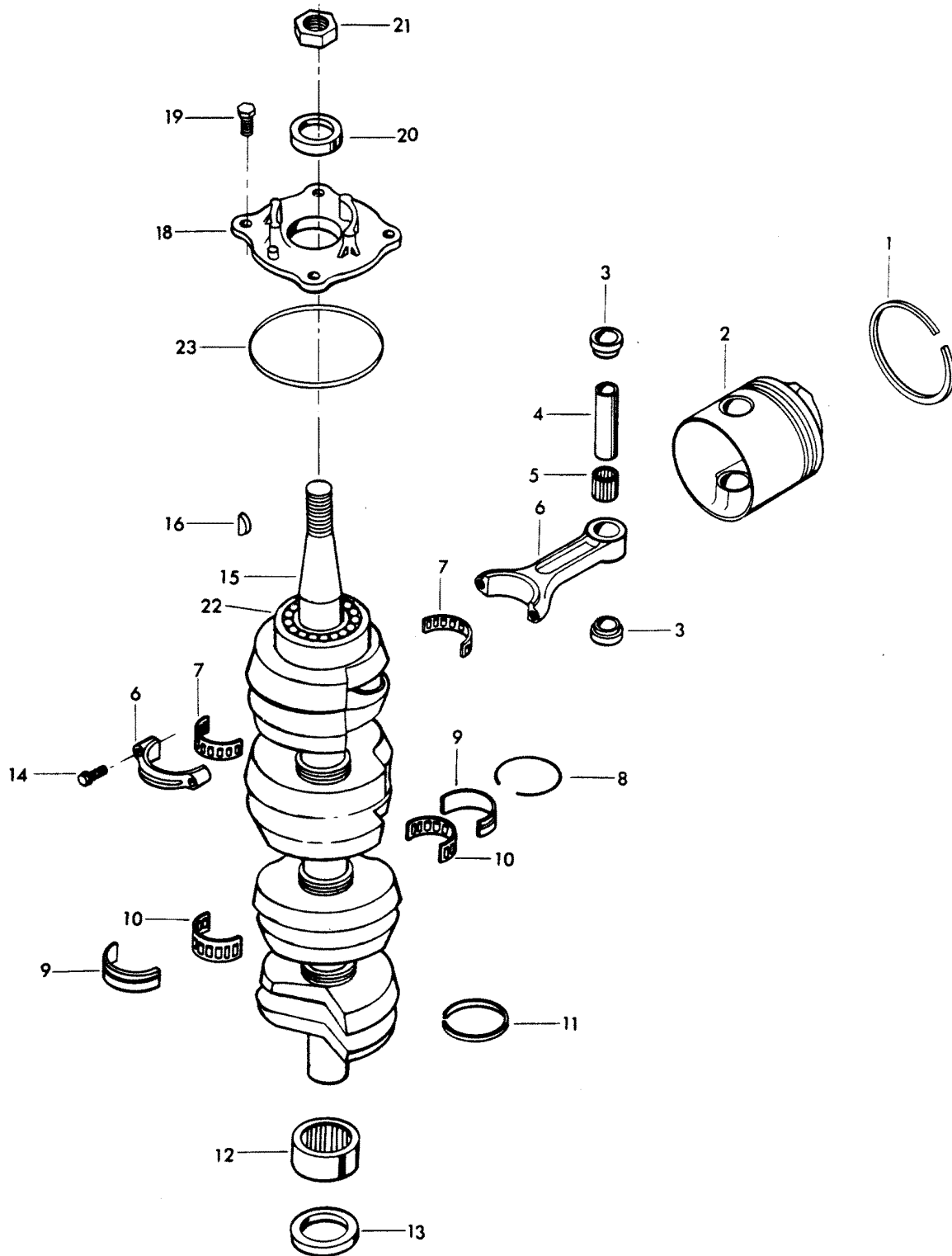
POWER HEAD



POWER HEAD

REF. NO.	PART NO.	SYM.	QTY.	DESCRIPTION
-	F440906		2	CARBURETOR GASKET
-	F476067		1	THERMOSTAT COVER GASKET
-	F476529		1	CYLINDER HEAD GASKET

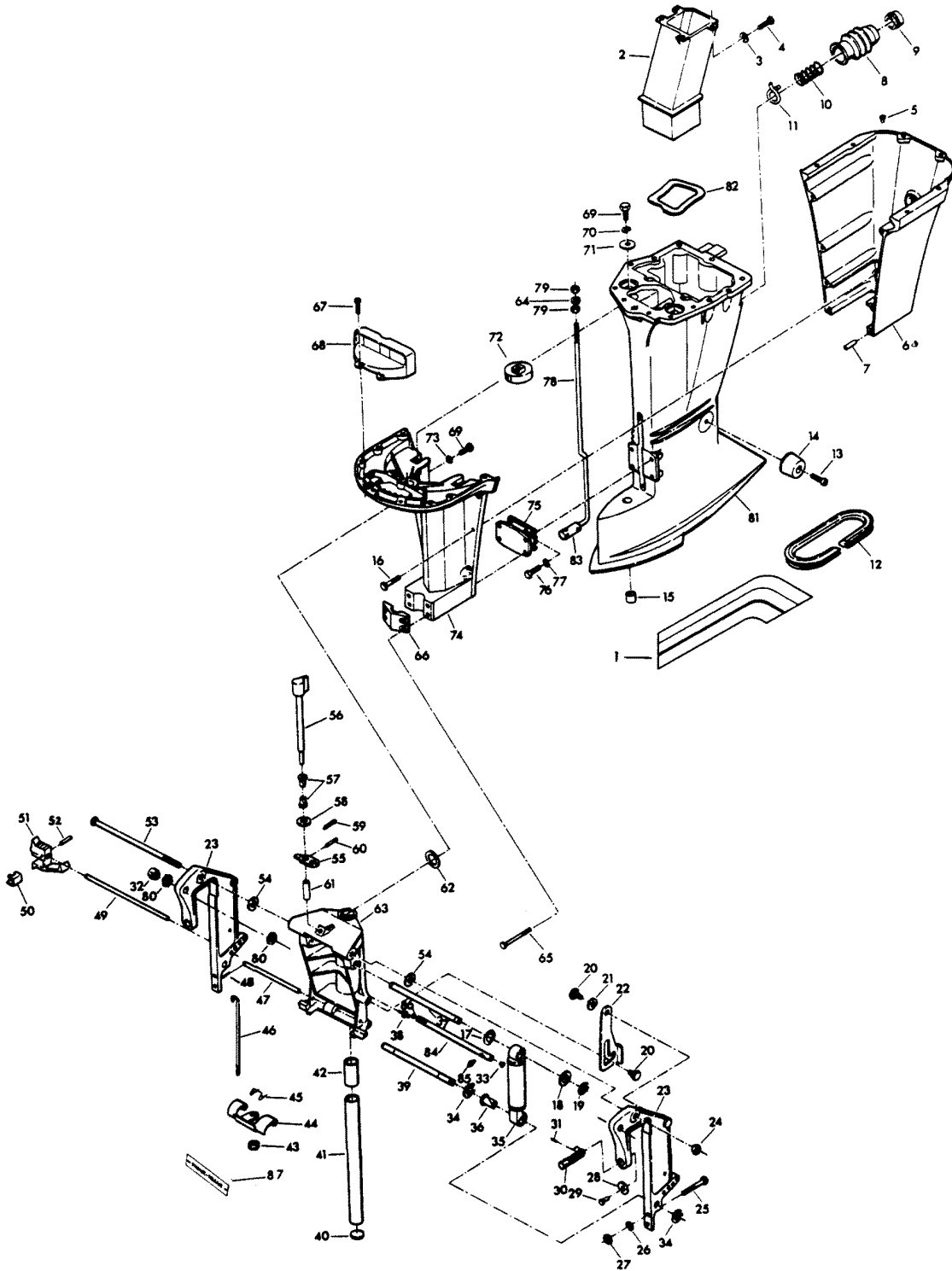
CRANKSHAFT AND PISTON GROUP



CRANKSHAFT AND PISTON GROUP

REF. NO.	PART NO.	SYM.	QTY.	DESCRIPTION
1	39-817820A1		2	PISTON RING SET FOR 2 PISTONS - STANDARD
-	FSA474260		2	PISTON RING SET FOR 2 PISTONS .010 OVERSIZE
-	39-818122A1		2	PISTON RING SET FOR 2 PISTONS .030 OVERSIZE
2	F475015-6		4	PISTON - STANDARD
-	SA475015		4	PISTON .010 OVERSIZE
-	3SA475015		4	PISTON .030 OVERSIZE
3	F335215		8	SPACER, PISTON PIN (2 PER PISTON)
4	F85017		4	PISTON PIN
5	F335217-1		4	BEARING, PISTON PIN (26 PER SET)
6	600-818052A4		4	CONNECTING ROD W/CAP AND SCREWS
7	FK85228-1		4	BEARING CAGE W/ROLLER
8	F85410		3	SNAP RING
9	FA85655-1		3	CRANKSHAFT MAIN BEARING RACE W/SNAP RING
10	F85571		3	BEARING CAGE W/ROLLER
11	F316579		3	SEAL, CRANKCASE
12	FA523014		1	CRANKSHAFT LOWER MAIN BEARING W/ITEM 13
13	F523146		1	SEAL, CRANKSHAFT LOWER
14	F85634-2		8	CONNECTING ROD SCREW
15	FA528018		1	CRANKSHAFT W/BEARING
16	F85498		1	FLYWHEEL KEY
18	31-817785A2		1	CRANKSHAFT BEARING CAGE W/SEAL
19	F1867		4	HEX CAP SCREW, 3/8 - 16 X 1
20	F84146-2		1	SEAL
21	F1968		1	FLYWHEEL NUT
22	F284659-2		1	BEARING, CRANKSHAFT UPPER MAIN
23	F84278		1	SEAL
-	F2067		1	PLASTISOL CAP (NOT SHOWN)

MOTOR LEG



MOTOR LEG

REF. NO.	PART NO.	SYM.	QTY.	DESCRIPTION
1	A553392		1	DECAL, LEG PORT
-	A553391		1	DECAL, LEG STARBOARD
2	F85660-1		1	EXHAUST TUBE
3	F8083		4	SPRING LOCKWASHER
4	F1864		4	HEX SLOT HD SCREW, 1/4 - 20 X 3/4
5	F1729		2	PLUG
6	817931A7		1	MOTOR LEG COVER REAR
7	F1664		2	SPRING PIN
8	F85130		1	BOOT IDLE EXHAUST
9	F85258		1	INSERT
10	F85380		1	SPRING
11	F85772		1	CLAMP
12	F178323		1	SEAL, MOTOR LEG
13	F1263		2	HEX SOCKET HD CAP SCREW, 5/16 - 18 X 9/16
14	F438962		2	SHOCK MOUNT LOWER REAR
15	F338618-1		1	SEAL GEAR SHIFT ROD
16	F2030		6	HEX HD M. SCREW, 1/4 - 20 X 1 1/4
17	F1711		2	SPRING BOWED WASHER
18	F1710		2	PLAIN WASHER
19	F178208		2	RETAINING RING
20	F85350-1		2	TILT STOP PIVOT
21	F1666		1	SPRING BOWED WASHER
22	F85541-1		1	TILT LOCK
23	1400-817958A6		2	STERN BRACKET
24	F7012		1	STOP NUT
25	F1593		2	HEX HD SCREW, 3/8 - 16 X 3
26	F1904		2	PLAIN WASHER
27	F1346		2	HEX NUT
28	F84074		2	CLAMP SCREW FOOT
29	F353480		2	STUD
30	F474073-1		2	CLAMP SCREW
31	F8538		2	SPRING PIN
32	F9018		1	CAP
33	F9052		1	PLUG
34	F178173		4	RETAINING RING
35	FA178962		2	SHOCK ABSORBER W/BUSHING
36	F178362		2	BEARING
37	F178889		1	SHAFT, SHOCK MOUNT UPPER
38	F213274		3	GREASE FITTING
39	F178632		1	SHAFT, SHOCK MOUNT LOWER
40	F1528		1	WELCH PLUG
41	FA85019		1	KINGPIN W/PLUG
42	F438169		2	BEARING

CONTINUED ON NEXT PAGE ➡

MOTOR LEG

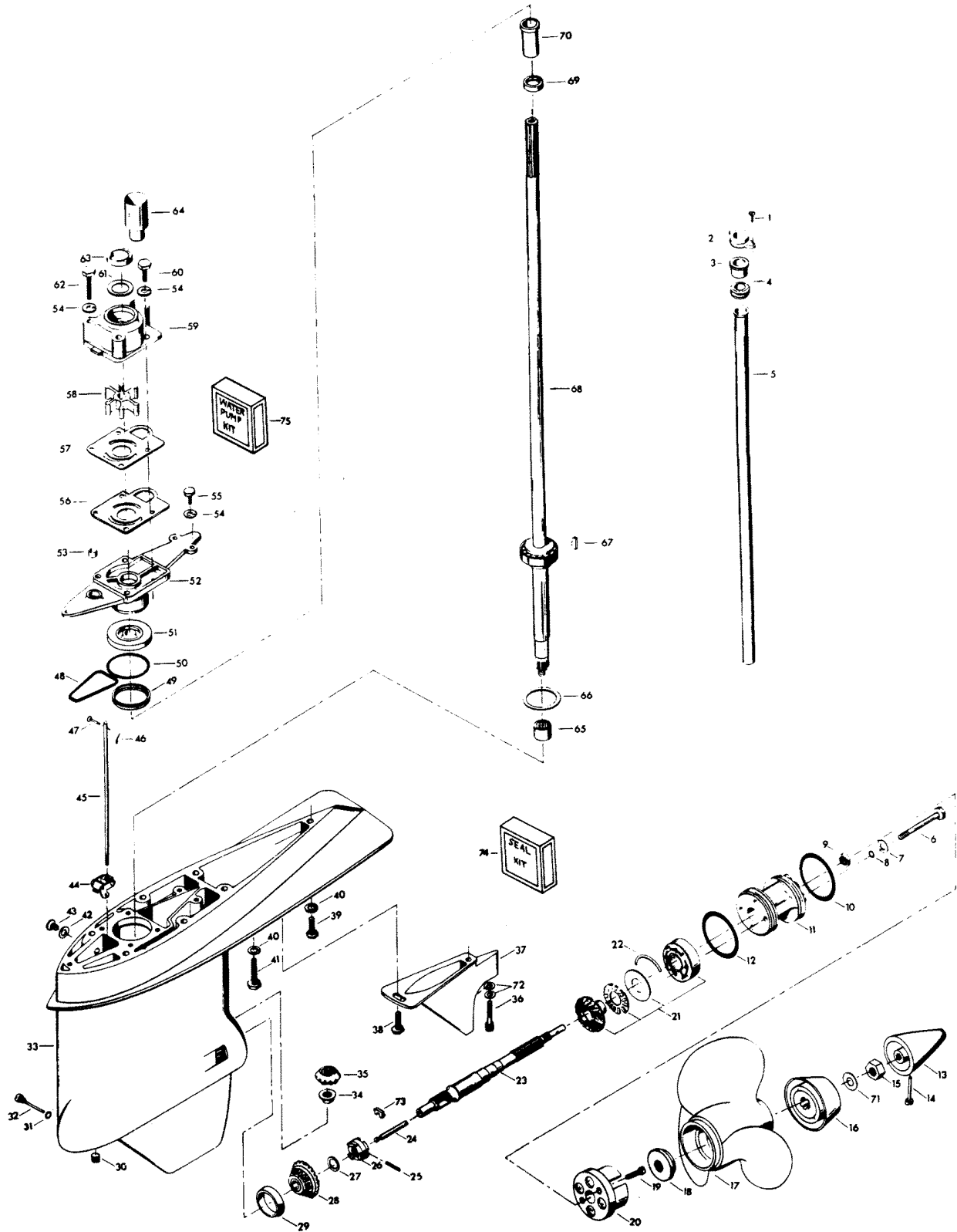
REF. NO.	PART NO.	SYM.	QTY.	DESCRIPTION
43	F1669		1	LOCK NUT
44	F369349		1	REVERSE LOCK
45	F85300		1	REVERSE LOCK SPRING
46	F369510		1	LINK REVERSE LOCK
47	F177350		1	REVERSE LOCK PIN
48	F1744		1	SPRING PIN
49	FA438113		1	STERN BRACKET LOCK BAR W/HANDLE
50	F286461		1	SPRING, LOCK BAR HANDLE
51	F433114		1	HANDLE, LOCK BAR
52	F1744		1	SPRING PIN
53	F85037-1		1	STERN BRACKET PIVOT BOLT
54	F84286-1		4	FRICTION WASHER
55	F369364		1	REVERSE LOCK ARM
56	F369827		1	HANDLE AND SHAFT
57	F197813		2	BEARING
58	F8094		1	PLAIN WASHER
59	F1014		1	COTTER PIN
60	F1836		1	SPRING PIN
61	F483884		1	BEARING
62	F84011		1	WASHER
63	817783A5		1	SWIVEL BRACKET W/BEARINGS AND GREASE FITTINGS
64	F1987		1	PLAIN WASHER
65	F1696		4	HEX BOLT, 5/16 - 18 X 1 3/4
66	F85606		1	KINGPIN CAP
67	F1912		4	HEX HD SCREW, 10 - 24 X 1/2
68	F85779-1		1	BAFFLE, AIR INTAKE
69	F1871		4	HEX HD SCREW, 3/8 - 16 X 3/4
70	F8039		2	PLAIN WASHER
71	FA85355-1		2	WASHER
72	F85965		2	SHOCK MOUNT UPPER
73	F1703		2	SPRING LOCKWASHER
74	A85135-3		1	LEG COVER FRONT
75	F438346		1	SHOCK MOUNT LOWER
76	F1822		4	HEX BOLT, 5/16 - 18 X 7/8
77	F8096		4	SPRING LOCKWASHER
78	F85615		1	GEAR SHIFT ROD UPPER
79	F2108		2	LOCK NUT
80	F523280		1	NUT, STEERING SUPPORT TUBE
81	F523133-2		1	MOTOR LEG
82	F439736		1	SEAL, EXHAUST TUBE
83	F85704		1	COUPLER, GEAR SHIFT ROD
84	F511125-2		1	TUBE, STEERING SUPPORT
85	F523274		1	GREASE FITTING

CONTINUED ON NEXT PAGE ➡

MOTOR LEG

REF. NO.	PART NO.	SYM.	QTY.	DESCRIPTION
86	F316599		1	SEAL, STEERING SUPPORT TUBE
87	F474390-1		1	DECAL, REVERSE LOCK - USA
-	37-819450		1	DECAL, REVERSE LOCK - CANADA

GEAR HOUSING

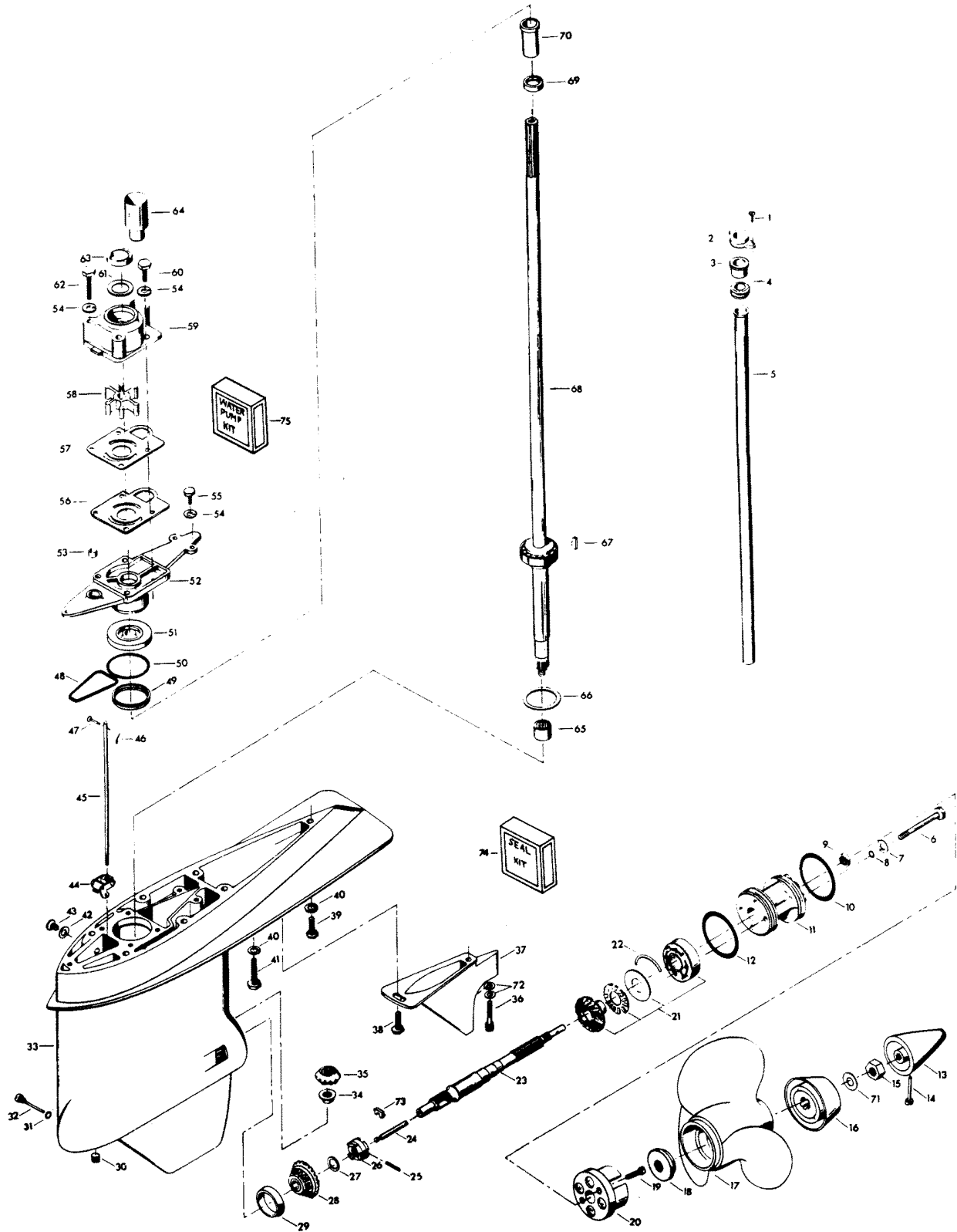


GEAR HOUSING

REF. NO.	PART NO.	SYM.	QTY.	DESCRIPTION
1	F1705		2	HEX CAP SCREW, 1/4 - 20 X 3/4
2	F85117		1	BRACKET, WATER LINE
3	F84342		1	SEAL, INLET WATER LINE, UPPER
4	F523899		1	GROMMET, WATER LINE
5	F523244		1	INLET WATER LINE
6	F1885		4	HEX CAP SCREW, 5/16 - 18 X 4 1/4
7	F1907		4	PLAIN WASHER
8	F50342-1		4	SEAL, "O" RING
9	F506118		1	SEAL, PROPELLER SHAFT
10	F24278		1	SEAL, "O" RING PROPELLER SHAFT SPOOL
11	F2A523239		1	SPOOL, PROPELLER SHAFT BEARING W/SEALS
12	F84305		1	SEAL, "O" RING PROPELLER SHAFT SPOOL
13	F523094-2		1	PROPELLER NUT
14	F498891		1	PIN, PROPELLER NUT RETAINING
15	F1788		1	STOP NUT
16	F523299-1		1	WASHER
17	FPS526		1	PROPELLER (ACCESSORY ITEM)
18	F523099-1		1	SPACER, PROPELLER
19	F1577		2	FILL HD SCREW, 1/4 - 20 X 3/4
20	FA523485		1	ANTICORROSION ANODE
21	F2A523662		1	BEVEL GEAR REAR W/BEARING CAGE SPACER AND BEARING
22	F523411		2	RETAINING RING, BEARING CAGE
23	FA523098		1	PROPELLER SHAFT
24	F84871-1		1	PIN, GEAR SHIFT
25	F1713		1	SPRING PIN
26	F84521-1		1	CLUTCH
27	F1936		A/R	SPACER, BEVEL GEAR FRONT .059
-	F1937		A/R	SPACER, BEVEL GEAR FRONT .062
-	F1938		A/R	SPACER, BEVEL GEAR FRONT .065
-	F1939		A/R	SPACER, BEVEL GEAR FRONT .068
-	F1940		A/R	SPACER, BEVEL GEAR FRONT .071
-	F1941		A/R	SPACER, BEVEL GEAR FRONT .074
-	F1942		A/R	SPACER, BEVEL GEAR FRONT .077
-	F2113		A/R	SPACER, BEVEL GEAR FRONT .080
-	F2114		A/R	SPACER, BEVEL GEAR FRONT .083
-	F2115		A/R	SPACER, BEVEL GEAR FRONT .086
-	F2116		A/R	SPACER, BEVEL GEAR FRONT .089
-	F2121		A/R	SPACER, BEVEL GEAR FRONT .057
-	F2122		A/R	SPACER, BEVEL GEAR FRONT .054
28	F2A523023		1	BEVEL GEAR FRONT W/BEARING
29	F523813		1	BEARING CUP
30	F19109		1	PLUG

CONTINUED ON NEXT PAGE ➡

GEAR HOUSING

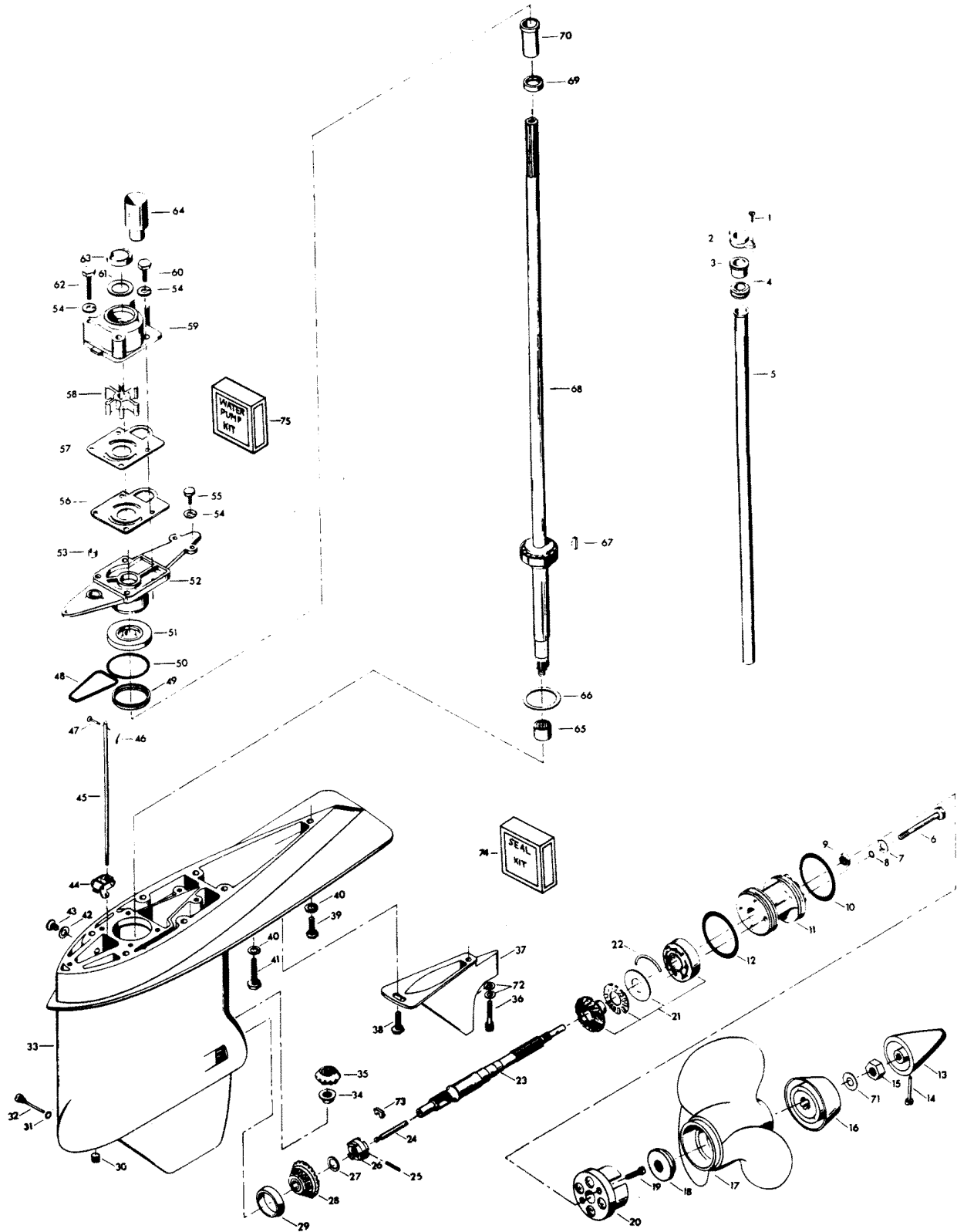


GEAR HOUSING

REF. NO.	PART NO.	SYM.	QTY.	DESCRIPTION
31	F498618		1	"O" RING SEAL
32	F498891		1	PIN, GEAR SHIFT ARM
33	FA523054		1	GEAR HOUSING W/BEARING CUP, DRIVESHAFT BEARING LOWER, PLUGS AND WASHERS
-	FC523054		1	GEAR HOUSING COMPLETE (INCLUDES ALL ITEMS MARKED WITH AN ASTERISK (*)).
34	F523188		1	NUT, BEVEL PINION
35	FA523266		1	BEVEL PINION GEAR W/CRUSH RING AND SHIMS
36	F1994		1	HEX SOCKET HD CAP SCREW, 5/16 - 18 X 1
37	F523116		1	EXHAUST SNOUT
38	F438930		1	RETAINER, SNOUT
39	F1858		1	HEX CAP SCREW, 5/16 - 18 X 1
40	F8096		7	SPRING LOCKWASHER
41	F1491		6	HEX HD SCREW, 5/16 - 18 X 3/4
42	F8077		2	WASHER, GEAR HOUSING PLUG
43	F50109		2	PLUG, GEAR HOUSING
44	FA84621-1		1	COUPLING, GEAR SHIFT ARM W/BUSHING
45	F523705		1	GEAR SHIFT ROD LOWER
46	F1015		1	COTTER PIN
47	F85372		1	PIN, GEAR SHIFT ROD LOWER
48	F523555		1	SEAL, "O" RING, GEAR HOUSING COVER
49	F523961		1	CRUSH RING
50	F74305		1	SEAL, DRIVESHAFT BEARING CAGE
51	F84307-1		1	SEAL, DRIVESHAFT
52	FA523706		1	GEAR HOUSING COVER W/SEALS
53	F338618-1		1	SEAL, GEAR SHIFT ROD
54	F8083		7	SPRING LOCKWASHER
55	F1999		3	HEX CAP SCREW, 1/4 - 20 X 7/8
56	F523031		1	GASKET, WATER PUMP
57	F523562		1	PLATE, WATER PUMP
58	F523065		1	IMPELLER, WATER PUMP
59	46-817853A1		1	WATER PUMP BODY W/DRIVESHAFT SEAL, DISC AND WATERLINE SEAL
60	F1990		2	HEX CAP SCREW, 1/4 - 20 X 1 5/8
61	F480388		1	DISC, WATER PUMP LOCATING
62	F1425		2	HEX CAP SCREW, 1/4 - 20 X 1 5/8
63	F351307		1	SEAL, DRIVESHAFT - WATER PUMP
64	FA523735		1	SEAL, INLET WATER LINE, LOWER
65	F523057		1	BEARING, DRIVESHAFT LOWER
66	F9106		A/R	SHIM, DRIVESHAFT BEARING, UPPER .003 BRASS
-	F9095		A/R	SHIM, DRIVESHAFT BEARING, UPPER .005 SILVER
-	F9097		A/R	SHIM, DRIVESHAFT BEARING, UPPER .010 BLACK
67	F523498		1	DRIVE KEY, WATER PUMP
68	45-818017A3		1	DRIVESHAFT W/BEARING, SHIMS AND CRUSH RING

CONTINUED ON NEXT PAGE ➡

GEAR HOUSING

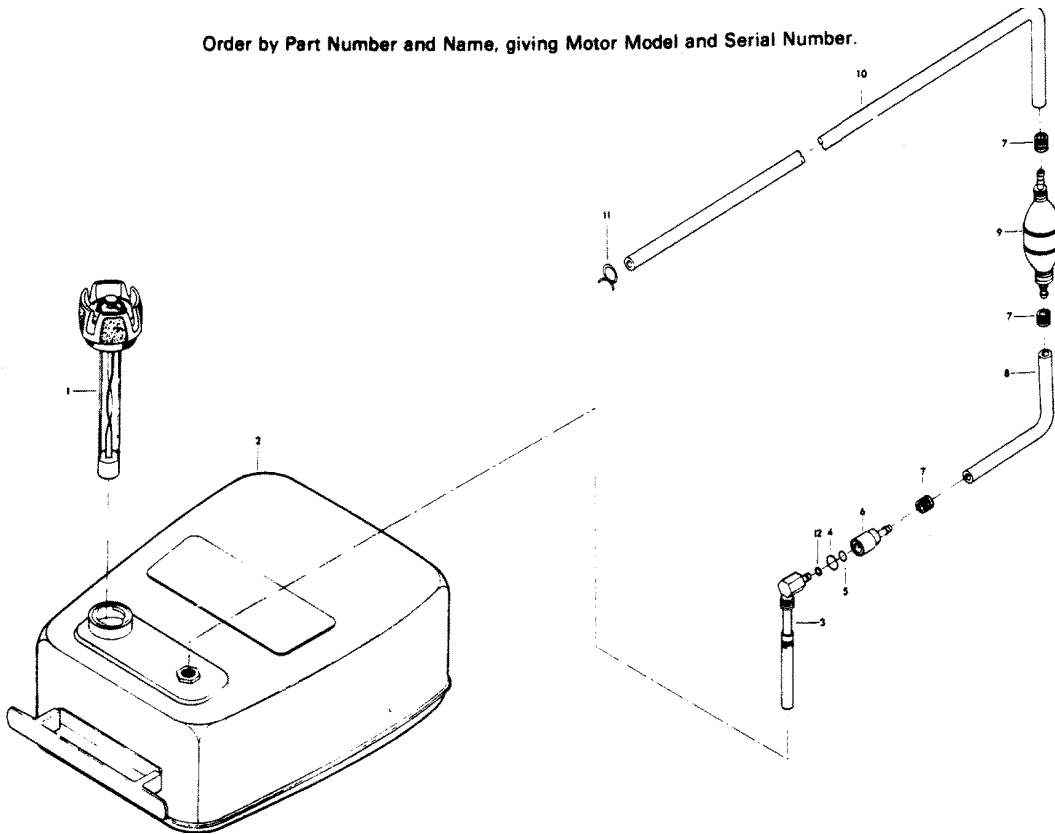


GEAR HOUSING

REF. NO.	PART NO.	SYM.	QTY.	DESCRIPTION
69	F438271		1	RETAINER, CRANKSHAFT SPLINE SEAL
70	F438129		1	SEAL, DRIVESHAFT SPLINE
71	F1866		1	PLAIN WASHER
72	F1856		2	PLAIN WASHER
73	F90619-1		1	YOKE
74	FK1063		1	SEAL KIT (INCLUDES ITEMS LISTED BELOW)
-	F50342-1		4	BEARING CAGE BOLT SEAL
-	F506118		1	PROPELLER SHAFT SEAL
-	F24278		1	PROPELLER SHAFT SPOOL SEAL
-	F84305		1	PROPELLER SHAFT SPOOL SEAL
-	F498618		1	GEAR SHIFT ARM PIN SEAL
-	F8077		2	WASHER
-	F523555		1	GEAR HOUSING COVER SEAL
-	F74305		1	GEAR HOUSING COVER SEAL
-	F84307-1		1	DRIVESHAFT SEAL
-	F338618-1		1	GEAR SHIFT ROD SEAL
75	FK1069		1	WATER PUMP KIT

FUEL TANK AND LINE

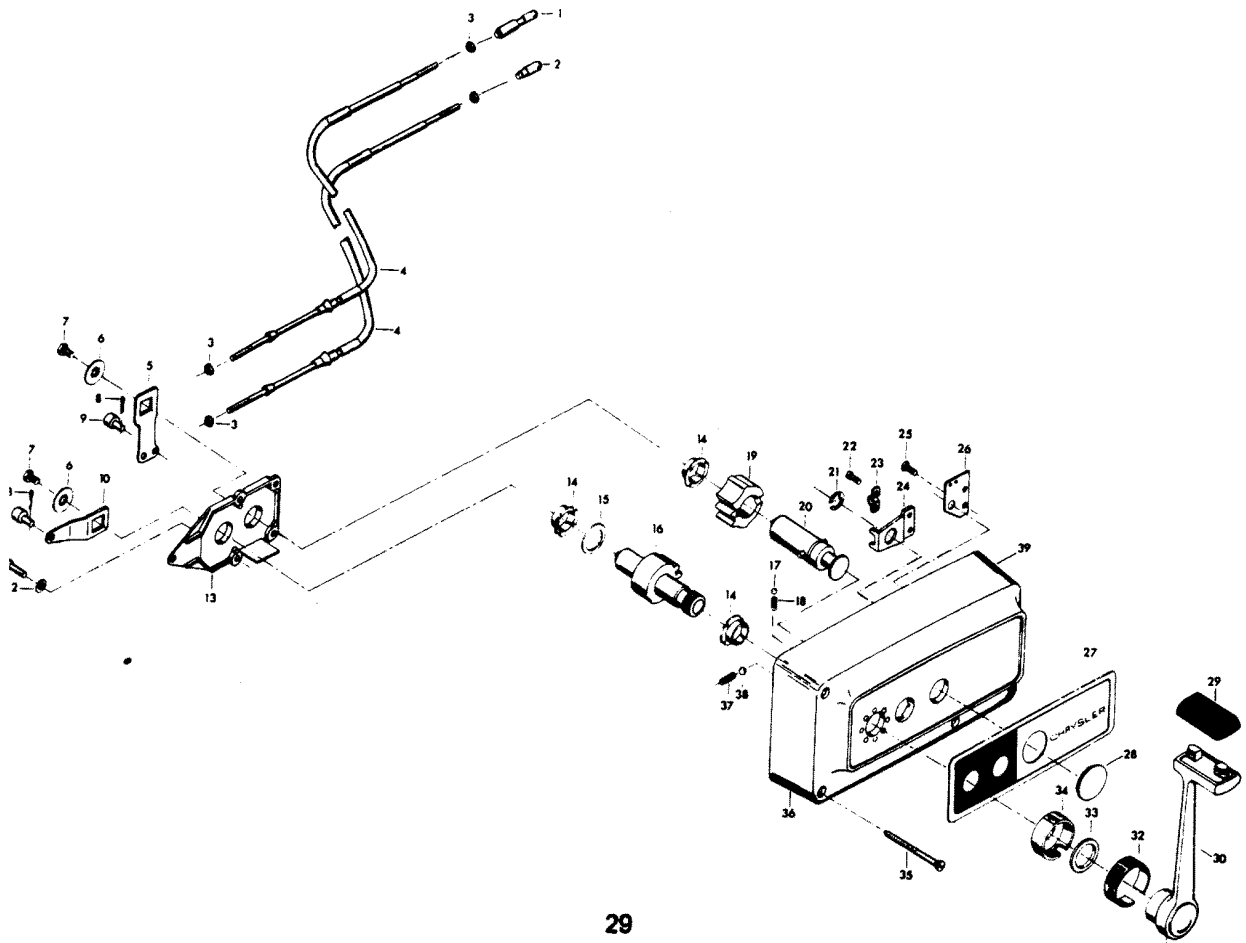
Order by Part Number and Name, giving Motor Model and Serial Number.



FUEL TANK AND LINE

REF. NO.	PART NO.	SYM.	QTY.	DESCRIPTION
1	F409251-1		1	GAUGE CAP
2	F5H026		1	FUEL TANK (ACCESSORY ITEM)
3	F485755-1		1	FUEL TANK ADAPTER
4	F213342		1	SEAL, FUEL LINE COUPLER (LARGE)
5	F213735		1	SEAL, FUEL LINE COUPLER (SMALL)
6	F197787-3		1	FUEL LINE COUPLER
7	F298788		3	FERRULE
8	FA84754-1		1	FUEL LINE SHORT W/FERRULES
9	89396A38		1	PRIME BULB
10	32-817738A1		1	FUEL LINE LONG W/CLAMP AND FERRULE
11	F97772		1	FUEL LINE CLAMP
12	F17932		1	SEAL, FUEL LINE COUPLER
-	FS409752		1	FUEL LINE COMPLETE
-	FC409398		1	DECAL, TOTE TANK - CANADA (NOT SHOWN)

REMOTE CONTROL



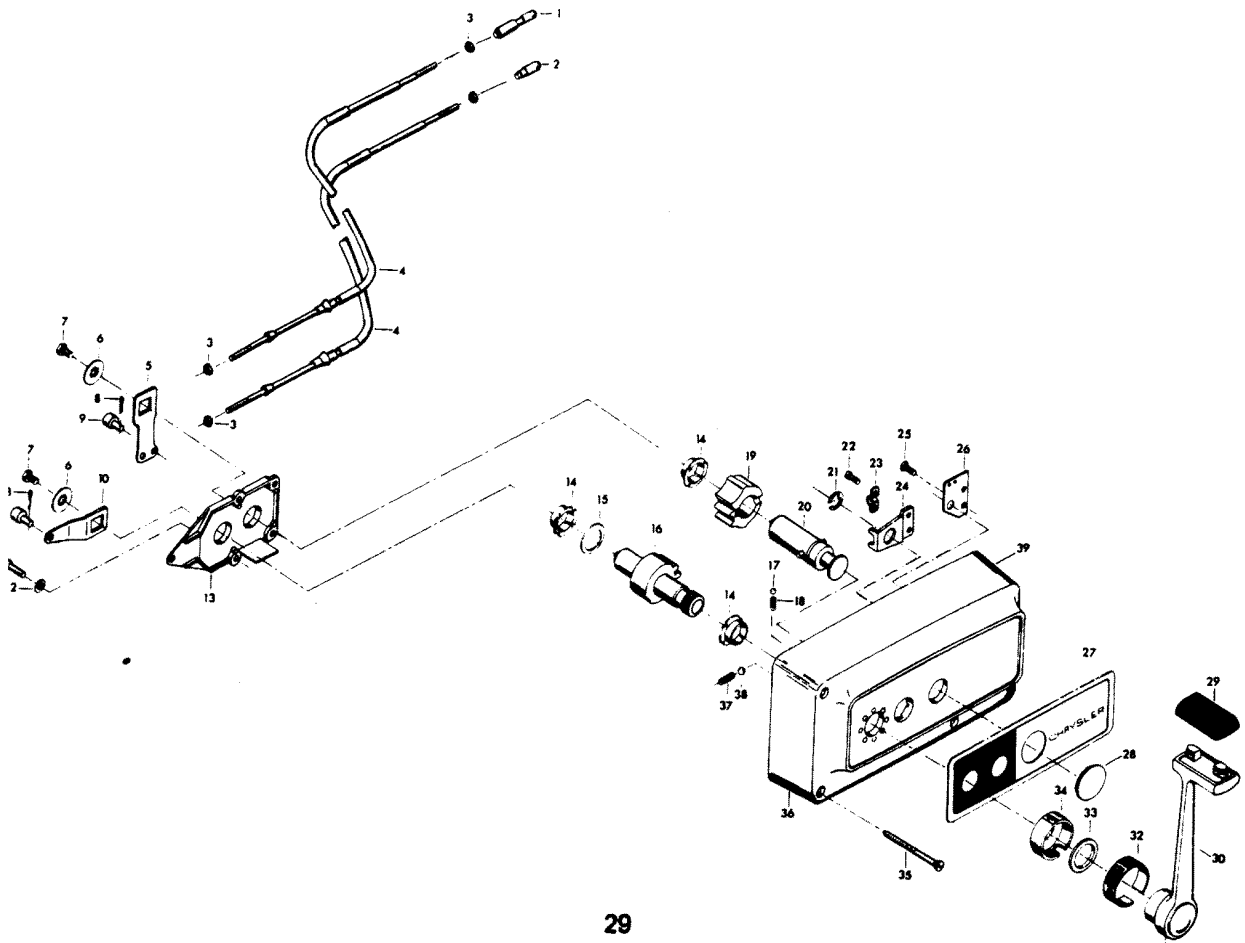
29

REMOTE CONTROL

REF. NO.	PART NO.	SYM.	QTY.	DESCRIPTION
1	FA58976-1		1	CONNECTOR, THROTTLE CABLE
2	F58685-2		1	CONNECTOR, SHIFT CABLE
3	F1513		4	HEX NUT
4	ÄF58356//		2	REMOTE CONTROL CABLE (SPECIFY LENGTH)
5	F17019		1	CLUTCH ARM
6	F17036		2	INTERNAL TOOTH LOCKWASHER
7	F1715		2	HEX BOLT, 1/4 - 28 X 9/16
8	F17149		2	COTTER PIN
9	F17016		2	CABLE TERMINAL
10	F17014		1	THROTTLE ARM
11	F17013		2	FILL HD SCREW, 1/4 - 20 X 1/2
12	F17147		2	INTERNAL TOOTH LOCKWASHER
13	F17012		1	RETAINING PLATE
14	F17009		3	BEARING
15	F17011		1	BOWED WASHER
16	F17010-1		1	THROTTLE GEAR
17	F17111		1	DETENT BALL
18	F17006		1	DETENT SPRING
19	F17021		1	CLUTCH GEAR
20	F17100		1	CLUTCH SHAFT
21	F17092		1	SNAP RING
22	F17071		2	FILL HD SCREW, 10 - 24 X 5/16
23	F154317		1	CABLE CLAMP
24	F17026		1	SWIVEL
25	F1557		2	FLAT HD SCREW, 10 - 24 X 3/8
26	F17112		1	JUNCTION BOARD, STARBOARD
-	F17113		1	JUNCTION BOARD, PORT
27	F17148		1	DECAL, STARBOARD
-	F531892		1	DECAL, PORT
28	F17031-1		1	SNAP CAP
29	F17116		1	KNOB
30	F17115-1		1	HANDLE
31	F17030-1		1	SET SCREW
32	FK17114-1		1	INDICATOR
33	F17105		1	FELT WASHER
34	F17106		1	COLLAR
35	F17146		3	WOOD SCREW
36	F17099-1		1	HOUSING

CONTINUED ON NEXT PAGE ➡

REMOTE CONTROL



REMOTE CONTROL

REF. NO.	PART NO.	SYM.	QTY.	DESCRIPTION
37	F17068		1	DETENT SPRING
38	F17082-1		1	DETENT BALL
-	F1280		2	PAN HD SCREW, 8 - 32 X 1/4 (TERMINAL BOARD) (NOT SHOWN)
-	OB3061		1	LITERATURE (NOT SHOWN)
-	F17103-1		1	BAG ASSEMBLY (NOT SHOWN) INCLUDES ALL ITEMS MARKED WITH AN ASTERISK (*).

SPECIAL TOOLS - TUNE-UP

REF. NO.	PART NO.	SYM.	QTY.	DESCRIPTION
-	FT8948-1		0	PULLER TO REMOVE FLYWHEEL.
-	FTA2937-1		0	TIMING TOOL TO ADJUST TIMING POINTER.
-	FT8978		0	POWER TIMING LIGHT FOR ADJUSTMENT OF ENGINE TIMING.
-	FT2951		0	CIRCUIT TRACER TO TROUBLESHOOT ELECTRICAL SYSTEM.

SPECIAL TOOLS - POWER HEAD

REF. NO.	PART NO.	SYM.	QTY.	DESCRIPTION
-	FT8914		0	SEAL REMOVER TO REMOVE UPPER CRANKSHAFT BEARING CAGE SEAL.
-	FT8903		0	SEAL INSTALLER TO INSTALL UPPER CRANKSHAFT BEARING CAGE SEAL.
-	FT8927		0	SEAL PROTECTOR TO INSTALL UPPER CRANKSHAFT BEARING CAGE.
-	FT8907		0	DRIVE HANDLE USED WITH T8903.
-	FT8925		0	SEAL INSTALLER TO INSTALL LOWER CRANKSHAFT SEAL.
-	FT2953		0	SOCKET TO TORQUE CONNECTING ROD SCREWS.
-	FT2990		0	PISTON PIN TOOL TO REMOVE AND INSTALL PISTON PINS.
-	FTA8994		0	PISTON PIN TOOL USE WITH T2990.
-	FT2996		0	RING COMPRESSOR TO INSTALL PISTON IN CYLINDER.
-	FT8926		0	RING EXPANDER TO INSTALL PISTON RINGS.
-	FT1082		0	SNAP RING PLIER TO REMOVE AND INSTALL DISTRIBUTOR RETAINING RING

SPECIAL TOOLS - GEAR HOUSING

REF. NO.	PART NO.	SYM.	QTY.	DESCRIPTION
-	FT8948-1		0	PULLER TO REMOVE SPOOL FROM GEAR HOUSING.
-	FT8985		0	SEAL INSTALLER TO INSTALL PROPELLER SHAFT SEAL IN PROPER SHAFT BEARING SPOOL.
-	FT8925		0	SEAL INSTALLER TO INSTALL DRIVESHAFT SEAL IN GEAR HOUSING COVER.
-	FT8907		0	DRIVER HANDLE TO INSTALL BEARING CUPS AND SEALS.
-	FT8901		0	INDICATOR HOLDER USED IN CONJUNCTION WITH T8997.
-	FT8902		0	DIAL INDICATOR USED IN CONJUNCTION WITH T8997.
-	FT8919		0	SPRING PIN PUNCH TO REMOVE CLUTCH SPRING PIN.
-	FT8957		0	SEAL INSTALLER TO INSTALL SHIFT ROD SEAL.
-	FT8997		0	SHIMMING TOOL TO SHIM LOWER UNIT.
-	FT8918		0	BEARING GUIDE SET TO REMOVE FORWARD BEARING CUP IN GEAR HOUSING.
-	FT11209		0	BEARING GUIDE SET USE WITH T8918.
-	FT11207		0	BEARING CUP REMOVER TO REMOVE FORWARD BEARING CUP IN GEAR HOUSING.
-	FT11204		0	BEARING CUP INSTALLER TO INSTALL FORWARD BEARING CUP IN GEAR HOUSING.
-	FT3012		0	SEAL INSTALLER TO INSTALL WATER PUMP SEAL.
-	FT11205		0	BEARING INSTALLER/REMOVER TO INSTALL AND REMOVE LOWER DRIVESHAFT BEARING IN GEAR HOUSING.
-	FT7848		0	TORQUING ADAPTER HOLD DRIVESHAFT WHILE INSTALLING OR REMOVING PINION NUT.

SPECIAL TOOLS - TEST EQUIPMENT

REF. NO.	PART NO.	SYM.	QTY.	DESCRIPTION
-	FT8933		0	LIFTING HOOK TO LIFT ENGINE.
-	FT8950		0	LEAKAGE TESTER TO TEST LOWER UNIT SEALS FOR LEAKAGE.
-	FTK8999		0	TEST WHEEL TO TEST MOTOR IN TEST TANK. ORIGINAL FORCE P/N TA8999
-	FT8953		0	IGNITION TESTER TO TEST OUTPUT OF C-D UNIT.

SPECIAL TOOLS - LUBRICANTS AND SEALANTS

REF. NO.	PART NO.	SYM.	QTY.	DESCRIPTION
-	FT2961		0	LUBRICANT
-	FT2987-1		0	LUBRICANT
-	FT8969		0	LUBRICANT
-	FT8955		0	SEALANT
-	FT8993		0	SEALANT
-	FT8936		0	SEALANT
-	FT2962-1		0	SEALANT
-	FT2963-1		0	SEALANT
-	FT8935		0	SEALANT PRIMER

ACCESSORIES

REF. NO.	PART NO.	SYM.	QTY.	DESCRIPTION
-	F5H014		0	FLUSHING ADAPTER PERMITS FRESH WATER FLUSHING OF WATER PASSAGES WITH STANDARD GARDEN HOSE.
-	F5H130		0	REMOTE CONTROL BOX (SINGLE LEVER) (SURFACE MOUNT) PERMITS REMOTE CONTROL OF THROTTLE AND GEAR SHIFT FROM STARBOARD SIDE OF BOAT.
-	F5H120		0	REMOTE CONTROL BACK PLATE PROTECTS CONTROL MECHANISM FROM PADDED PORT SURFACES.
-	F5H131		0	PORT SIDE DECAL KIT CONVERTS 5H130 CONTROL BOX TO PORT SIDE MOUNTING.
-	F590		0	REMOTE CONTROL HEAD (SINGLE LEVER) FLUSH MOUNT CONTROL UNIT PERMITS REMOTE CONTROL OF THROTTLE AND GEAR SHIFT. MAY BE MOUNTED ON PORT OR STARBOARD SIDE OF BOAT.
-	865		0	TWIN REMOTE CONTROL BOX PERMITS REMOTE CONTROL OF THROTTLE, AND GEAR SHIFT ON TWIN ENGINE INSTALLATIONS. MAY BE MOUNTED ON PORT OR STARBOARD SIDE OF BOAT.
-	F5H079		0	REMOTE CONTROL BOX FOR MOUNTING ON CONSOLE OF BOAT.
-	F5H080		0	TWIN REMOTE CONTROL BOX FOR MOUNTING ON CONSOLE OF BOAT.
-	F195/___		0	REMOTE CONTROL CABLES CONNECTS REMOTE CONTROL BOX TO THROTTLE AND GEAR SHIFT ON ENGINE. AVAILABLE IN 6 THROUGH 40 FOOT LENGTHS.
-	F5H108		0	STEERING CONNECTOR CLEVIS TYPE FOR BOAT MOUNTED STEERING AND NON-THREADED CABLE END.
-	F5H018		0	DUAL ENGINE TIE BAR PERMITS DUAL ENGINE INSTALLATIONS.
-	F5H094		0	STEERING LINK CONNECTS ENGINE TO REMOTE STEERING CABLE.
-	F5H026		0	STEEL 6 GALLON FUEL TANK (LOW PROFILE) AUXILIARY TANK.
-	F5H029		0	TANK ANCHOR SECURES 5H026 TO BOAT.
-	F5H040		0	STEEL, 12 GALLON FUEL TANK AUXILIARY TANK.
-	F5H019		0	ANTI-CORROSION KIT ELECTRICAL KIT FOR MOUNTING ON BOAT (12V) TO REDUCE CORROSION.
-	F5H025		0	ANTI-CORROSION SACRIFICIAL ANODE KIT USED TO REDUCE CORROSION.
-	F5H043		0	OVERHEAT BUZZER SOUNDS WARNING BUZZER IF ENGINE OVERHEATS.
-	479		0	OVERHEAT LAMP WARNS OF ENGINE OVERHEATING. DO NOT USE GAUGE AND LAMP IN SAME INSTALLATION.
-	F5H010		0	POWER TRIM INDICATOR INDICATES ENGINE TRIM ANGLE. (FLUSH MOUNT)
-	F5H134		0	BOAT WHITE LACQUER ENGINE TOUCH-UP PAINT IN 12 3/4 OZ. SPRAY BOMBS (6 CANS PER CASE).
-	F5H135		0	SAND TAN LACQUER ENGINE TOUCH-UP PAINT IN 12 3/4 OZ. SPRAY BOMBS (6 CANS PER CASE).
-	F5H044		0	TILT STOP KIT LIMITS TILTING ANGLE.
-	F5H081		0	BATTERY CABLE LONGER LENGTH - 15 FEET.

CONTINUED ON NEXT PAGE ➡

ACCESSORIES

REF. NO.	PART NO.	SYM.	QTY.	DESCRIPTION
-	71H06		0	AMMETER - FLUSH MOUNT INDICATES ALTERNATOR OUTPUT.
-	F5H006		0	VOLTMETER - FLUSH MOUNT INDICATES BATTERY CONDITION.
-	71H25		0	CHARGE INDICATOR LAMP INDICATES ALTERNATOR OUTPUT
-	F5H007		0	HOURLMETER - FLUSH MOUNT RECORDS ENGINE RUNNING TIME.
-	5H111		0	INSTRUMENT ADAPTER "2" PROVIDES SURFACE MOUNTING OF INSTRUMENTS.
-	F5H112		0	INSTRUMENT ADAPTER "3 1/2" PROVIDES SURFACE MOUNTING OF INSTRUMENTS.
-	F5H119		0	PROPELLER SPACER - FLARED REDUCES PROPELLER VENTILATION ON SOME BOAT APPLICATIONS.
-	F5H069		0	RFI SUPPRESSION KIT PROVIDES RADIO NOISE SUPPRESSION.
-	5H048		0	CANVAS HOOD PROTECTION FOR ENGINE COVER.
-	5H051		0	BATTERY, 74 AMP. 12 VOLT HEAVY DUTY BATTERY.
-	F5H041		0	BATTERY TERMINAL KIT ADAPTS MODEL 5H051 BATTERY TERMINALS FOR CONNECTIONS TO CABLE ON ENGINE.
-	F5H021		0	EXTENSION CABLE FOR LENGTHENING BATTERY CABLE 6 1/2 FEET.
-	F5H037		0	CIGAR LIGHTER FOR USE AS CONVENIENCE OUTLET.
-	168		0	CONTROL PANEL FOR MOUNTING LAMPS, SWITCHES, ETC.
-	F5H008		0	FUEL GAUGE FLUSH MOUNT MONITORS FUEL SUPPLY.
-	F5H124		0	HYDRAULIC TILT HYDRAULIC UNIT TO RAISE AND LOWER THE LOWER UNIT WHEN BEACHING OR TRAILERING BOAT.
-	F5H076		0	SWITCH EXTENSION CABLE 5 FOOT LONG SWITCH WIRING HARNESS.
-	F5H077		0	IGNITION KEY SWITCH SHORT BARREL WITH KEYS.
-	F5H078		0	IGNITION KEY SWITCH LONG BARREL WITH KEYS.
-	478		0	IGNITION LAMP INDICATES WHEN IGNITION SWITCH IS "ON".
-	F762		0	REMOTE ELECTRIC 25 FOOT CABLE FOR LARGE BOATS.
-	5H082		0	REMOTE ELECTRIC CABLE 35 FOOT CABLE FOR LARGE BOATS.
-	F5H070		0	REMOTE ELECTRIC CABLE 21 FOOT CABLE FOR LARGE BOATS.
-	F5H028		0	SENDING UNIT FOR USE WITH FUEL GAUGE.
-	F5H005		0	TEMPERATURE GAUGE - FLUSH MOUNT MONITORS ENGINE TEMPERATURE. DO NOT USE TEMPERATURE GAUGE AND HEAT LAMP IN SAME INSTALLATION.
-	F5H012		0	TACHOMETER FLUSH MOUNT MONITORS ENGINE R.P.M. TO PROVIDE CHECK OF ENGINE PERFORMANCE.
-	F5H128		0	POWER TRIM ADJUSTS ENGINE TRIM AND TILTS ENGINE.
-	F5H004		0	SPEEDOMETER FLUSH MOUNT MONITORS BOAT SPEED (0-50 MPH)
-	F5H002		0	SPEEDOMETER - FLUSH MOUNT MONITORS BOAT SPEED (0-65 MPH)

CONTINUED ON NEXT PAGE ➡

ACCESSORIES

REF. NO.	PART NO.	SYM.	QTY.	DESCRIPTION
-	F5H076		0	SWITCH EXTENSION CABLE 5 FOOT LONG SWITCH WIRING HARNESS.
-	F5H003		0	SPEEDOMETER FLUSH MOUNT MONITORS BOAT SPEED (TO 100 KM/H)
-	F5H115		0	TRAILERING TILT LOCK SECURES ENGINE IN HALF TILT POSITION FOR TRAILERING.
-	F5H132		0	REMOTE CONTROL HANDLE TRIM SWITCH HAS POWER TRIM CONTROL SWITCH IN HANDLE. REPLACES STANDARD CONTROL LEVER ON 5H130 CONTROL BOX.
-	F5H030		0	SWITCH KIT - RUNNING LIGHTS DASH MOUNTED TOGGLE SWITCH.
-	F5H031		0	SWITCH KIT - SPOT LIGHT DASH MOUNTED TOGGLE SWITCH.
-	F5H032		0	SWITCH KIT - WIPER DASH MOUNTED TOGGLE SWITCH
-	F5H034		0	SWITCH KIT - BILGE PUMP DASH MOUNTED TOGGLE SWITCH
-	F5H035		0	SWITCH KIT - HORN DASH MOUNTED TOGGLE SWITCH
-	F5H039		0	SWITCH KIT - INSTRUMENT LIGHTS DASH MOUNTED TOGGLE SWITCH.
-	F5H036		0	SWITCH KIT - TACHOMETER TRANSFER FOR ONE TACHOMETER ON DUAL ENGINE INSTALLATION.
-	F5H038		0	SWITCH KIT - IGNITION SWITCH TO MOUNT IGNITION SWITCH IN DASH.
-	F563		0	TERMINAL BLOCK KIT DOUBLE ROW 10 SECTION, TO SIMPLIFY ACCESSORY INSTALLATION.
-	479		0	UNIMOUNT UNDER DASH MOUNT FOR INDICATOR LIGHTS AND IGNITION SWITCH.
-	F5H075		0	WIRING HARNESS - IGNITION SWITCH - 24" USE WITH 563 TERMINAL BLOCK.
-			0	CHRYSLER OUTBOARD OIL SEE BLOCK COMMENT 1.
-			0	CHRYSLER OUTBOARD GEAR LUBE SEE BLOCK COMMENT 2.
-			0	CHRYSLER OUTBOARD FUEL AID REMOVES MOISTURE, PREVENTS SLUDGE AND VARNISH AND STABILIZES GAS. AVAILABLE IN 16 OZ. CANS AND 12 CAN CASES.
-			0	CHRYSLER OUTBOARD STORAGE LUBRICANT WORKS AS A CORROSION INHIBITOR AND PROTECTS INTERNAL ENGINE PARTS DURING STORAGE. AVAILABLE IN 16 OZ. CANS AND 12 CAN CASES.
-			0	CHRYSLER OUTBOARD MULTI-PURPOSE SPRAY LUBE WORKS AS A LUBRICANT, CLEANER, MOISTURE REMOVER AND ELECTRICAL INSULATOR. AVAILABLE IN 9 OZ. CANS AND 12 CAN CASES.
-			0	CHRYSLER OUTBOARD MULTI-PURPOSE GREASE LUBRICATES BEARINGS AND OTHER MOVING PARTS. AVAILABLE IN 8 OZ. TUBES AND 12 TUBE CASES.
-			0	CHRYSLER OUTBOARD GREASE GUN USED WITH CHRYSLER OUTBOARD MULTI-PURPOSE GREASE TUBES FOR PRESSURE FITTINGS.
-			0	CHRYSLER OUTBOARD MULTI-PURPOSE CLEAVER

PARTS INDEX

Part Number	Description	Pg.	Ref. No.	Part Number	Description	Pg.	Ref. No.
ÄF58356//	REMOTE CONTROL CABLE (SPECIFY LENGTH)	49	4	F1099	FILL HD SCREW, 1/4 - 20 X 1 1/4	25	13
168	CONTROL PANEL	58	-	F1099	FILL HD SCREW, 1/4 - 20 X 1 1/4	27	55
3C555944	COVER, ENGINE - COMPLETE	3	-	F1107	SLOTTED FILL HD CAP SCREW, 1/4 - 20 X 3/4	27	76
3SA475015	PISTON .030 OVERSIZE	33	-	F1108	FILL HD SCREW, 1/4 - 20 X 3/4	21	13
478	IGNITION LAMP	58	-	F1187	HEX HD SCREW, 1/4 - 20 X 1	27	43
479	OVERHEAT LAMP	57	-	F1203	HEX CAP SCREW, 1/4 - 20 X 7/8	29	107
479	UNIMOUNT	59	-	F1236	SCREW, 1/4 - 20 X 1/2	21	22
480373	DECAL, MAGNAPOWER IGNITION (NOT SHOWN)	9	55	F1238	HEX CAP SCREW, 1/4 - 20 X 3/4	3	14
481373-1	DECAL, "ELECTRONIC" (NOT SHOWN)	15	-	F1238	HEX CAP SCREW, 1/4 - 20 X 3/4	27	54
5H048	CANVAS HOOD	58	-	F1253	HEX SOCKET HD CAP SCREW, 3/8 - 16 X 2	25	9
5H051	BATTERY, 74 AMP.	58	-	F1263	HEX SOCKET HD CAP SCREW, 5/16 - 18 X 9/16	35	13
5H082	REMOTE ELECTRIC CABLE	58	-	F1280	PAN HD SCREW, 8 - 32 X 1/4	7	33
5H111	INSTRUMENT ADAPTER "2"	58	-	F1280	PAN HD SCREW, 8 - 32 X 1/4 (TERMINAL BOARD) (NOT SHOWN)	51	-
71H06	AMMETER - FLUSH MOUNT	58	-	F1286	PAN HD SCREW, 4 - 40 X 3/16	25	39
71H25	CHARGE INDICATOR LAMP	58	-	F1341	HEX NUT, 1/4 - 20	25	21
817747--1	BALL JOINT W/STUD	21	23	F1346	HEX NUT	21	29
817747--1	BALL JOINT W/STUD	25	25	F1346	HEX NUT	35	27
817783A5	SWIVEL BRACKET W/BEARINGS AND GREASE FITTINGS	37	63	F14005-2	CAP BASE	13	37
817786A1	DISTRIBUTOR PULLEY	13	3	F14007	CAP SCREW	13	33
817788A3	SPACER PLATE W/PLUG	27	73	F14010-1	CAP COVER	13	34
817828A1	DISTRIBUTOR, COMPLETE	13	-	F14012-1	BRUSH	13	39
817892--1	PLATE, IGNITION SWITCH - CANADA (NOT SHOWN)	9	-	F14015	CAP CLIP RIVET	13	21
817931A7	MOTOR LEG COVER REAR	35	6	F14017	TERMINAL INSULATOR (OUTSIDE)	15	46
817932A6	TOWERSHAFT W/SWIVEL, BEARINGS AND SCREWS	25	19	F14021-1	CAP SEAL	13	36
85872-1	BRACKET	27	59	F14024	SPACER	15	42
865	TWIN REMOTE CONTROL BOX	57	-	F14025	SPACER	13	4
89396A38	PRIME BULB	47	9	F14028	THRUST WASHER	13	5
A476010-1	CYLINDER	25	1	F14029	THRUST WASHER	13	7
A552396	DECAL, ENGINE COVER - STARBOARD	3	-	F14030	CAP GASKET	13	38
A552397	DECAL, ENGINE COVER - PORT	3	11	F14036	SWIVEL	13	13
A553391	DECAL, LEG STARBOARD	35	-	F14037	CAP CLIPS	13	14
A553392	DECAL, LEG PORT	35	1	F14038	CAP CLIP SCREWS	13	15
A85135-3	LEG COVER FRONT	37	74	F14040	VENT	13	35
C523227	SPARK PLUG (CHAMPION QL-76V) FOR MODEL 1407B9B - CANADA	27	-	F14041	EXTERNAL TOOTH LOCKWASHER	13	23
C528010	SHORT BLOCK	25	-	F14042	DISTRIBUTOR HOUSING W/BEARINGS	13	12
F10023	GASKET SET (NOT SHOWN)	19	-	F14044	DISTRIBUTOR SHAFT	13	40
F1009	HEX HD SCREW, 3/8 - 16 X 2 3/4	25	5	F14045	SCREW	13	16
F10103	REPAIR PARTS KIT	19	53	F14046	TERMINAL SCREW	13	19
F1014	COTTER PIN	17	30	F14047	TERMINAL INSULATOR (INSIDE)	13	20
F1014	COTTER PIN	37	59	F14049	TERMINAL INSULATOR (OUTSIDE)	13	22
F1015	COTTER PIN	43	46	F14056	SCREW	15	47
F1034	PAN HD SCREW, 1/4 - 20 X 1 3/8	17	6	F1425	HEX CAP SCREW, 1/4 - 20 X 1 5/8	43	62
F1052	FILL HD SCREW, 1/4 - 20 X 1	25	22				
F1059	FILL HD SCREW, 6 - 32 X 1/4	19	43				
F1064	FILL HD SCREW, 8 - 32 X 3/8	17	3				

PARTS INDEX

Part Number	Description	Pg.	Ref. No.	Part Number	Description	Pg.	Ref. No.
F1447	ROUND HD SCREW, 2 X 3/16	3	19	F1689	HEX HD CAP SCREW, 1/4 - 20 X 1/2	9	42
F1473	HEX NUT, 10 - 24	3	36	F1692	WOODRUFF KEY	15	41
F1475	FILL HD SCREW, 10 - 24 X 1/2	29	103	F1693	TIE BAR RETAINER	17	4
F1491	HEX HD SCREW, 5/16 - 18 X 3/4	43	41	F1696	HEX BOLT, 5/16 - 18 X 1 3/4	37	65
F1502	HEX CAP SCREW, 1/4 - 20 X 5/8	11	15	F1699	HEX HD SCREW, 1/4 - 20 X 1 1/8	25	8
F1502	HEX CAP SCREW, 1/4 - 20 X 5/8	21	5	F17006	DETENT SPRING	49	18
F1502	HEX CAP SCREW, 1/4 - 20 X 5/8	27	48	F17009	BEARING	49	14
F1502	HEX SLOT HD SCREW 1/4 - 20 X 5/8	3	20	F17010-1	THROTTLE GEAR	49	16
F15034	SPRING SET	11	19	F17011	BOWED WASHER	49	15
F15099	ARMATURE	11	9	F17012	RETAINING PLATE	49	13
F15118	BENDIX DRIVE ASSEMBLY .	11	5	F17013	FILL HD SCREW, 1/4 - 20 X 1/2	49	11
F15125	HEAD ASSEMBLY, COMMUTATOR END	11	18	F17014	THROTTLE ARM	49	10
F15126	THRUST WASHER PACKAGE	11	8	F17016	CABLE TERMINAL	49	9
F1513	HEX NUT	7	18	F17019	CLUTCH ARM	49	5
F1513	HEX NUT	49	3	F17021	CLUTCH GEAR	49	19
F1513	HEX NUT, 10 - 32	21	27	F17026	SWIVEL	49	24
F1513	HEX NUT, 10 - 32	25	27	F1703	LOCKWASHER	27	71
F1515	HEX NUT	7	24	F1703	SPRING LOCKWASHER ...	37	73
F15154	BRUSH AND TERMINAL SET	11	11	F17030-1	SET SCREW	49	31
F15157	BRUSH PLATE AND HOLDER ASSEMBLY	11	20	F17031-1	SNAP CAP	49	28
F15166	FRAME AND FIELD ASSEMBLY	11	10	F17036	INTERNAL TOOTH LOCKWASHER	49	6
F15167	HEAD ASSEMBLY, DRIVE END	11	7	F1704	INTERNAL TOOTH LOCKWASHER	23	49
F15168	THRU BOLT PACKAGE	11	14	F1705	HEX CAP SCREW, 1/4 - 20 X 3/4	7	23
F1528	WELCH PLUG	35	40	F1705	HEX CAP SCREW, 1/4 - 20 X 3/4	41	1
F154317	CABLE CLAMP	49	23	F17068	DETENT SPRING	51	37
F154758	HOSE (FUEL PUMP UPPER)	23	54	F17071	FILL HD SCREW, 10 - 24 X 5/16	49	22
F1556	FILL HD SCREW W/LOCKWASHER, 10 - 24 X 3/8	25	23	F17082-1	DETENT BALL	51	38
F1557	FLAT HD SCREW, 10 - 24 X 3/8	49	25	F1709	HEX BOLT, 1/4 - 20 X 1 1/8 .	29	87
F1577	FILL HD SCREW, 1/4 - 20 X 3/4	41	19	F17092	SNAP RING	49	21
F1593	HEX HD SCREW, 3/8 - 16 X 3	35	25	F17099-1	HOUSING	49	36
F1612	HEX CAP SCREW, 3/8 - 16 X 1 1/4	13	8	F1710	PLAIN WASHER	35	18
F1641	LOCK NUT	11	6	F17100	CLUTCH SHAFT	49	20
F1645	HD. SCREW, 6 - 32 X 1/4 ...	7	27	F17103-1	BAG ASSEMBLY (NOT SHOWN)	51	-
F1645	RD HD SCREW, 6 - 32 X 1/4	23	50	F17105	FELT WASHER	49	33
F1647	HEX NUT, 8 - 32	7	6	F17106	COLLAR	49	34
F1647	HEX NUT, 8 - 32	13	24	F1711	SPRING BOWED WASHER .	35	17
F1647	HEX NUT, 8 - 32	29	96	F17111	DETENT BALL	49	17
F1648	PAN HD SCREW, 10 - 24 X 3/4	7	16	F17112	JUNCTION BOARD, STARBOARD	49	26
F1664	SPRING PIN	35	7	F17113	JUNCTION BOARD, PORT ..	49	-
F1666	SPRING BOWED WASHER .	35	21	F17115-1	HANDLE	49	30
F1669	LOCK NUT	37	43	F17116	KNOB	49	29
				F1713	SPRING PIN	41	25
				F17146	WOOD SCREW	49	35
				F17147	INTERNAL TOOTH LOCKWASHER	49	12
				F17148	DECAL, STARBOARD	49	27
				F17149	COTTER PIN	49	8
				F1715	HEX BOLT, 1/4 - 28 X 9/16 ..	49	7
				F1727	PLASTIC RIVET	25	20
				F1729	PLUG	35	5

PARTS INDEX

Part Number	Description	Pg.	Ref. No.	Part Number	Description	Pg.	Ref. No.
F1730	SCREW, PAN HD., W/SPRING LOCKWASHER 1/4 - 20 X 5/8	3	4	F1857	HEX CAP SCREW, 5/16 - 18 X 5/8	3	35
F1733	SCREW, PAN HD., 10 - 24 X 9/16	3	2	F1858	HEX CAP SCREW, 5/16 - 18 X 1	3	24
F1734	FILL HD SCREW W/LOCKWASHER, 1/4 - 20 X 1/2	7	14	F1858	HEX CAP SCREW, 5/16 - 18 X 1	43	39
F1741	PAN HD SCREW, 8 X 3/4	7	35	F1860	RD HD SCREW, 6 - 32 X 1/4	21	9
F1744	SPRING PIN	37	48	F1864	HEX SLOT HD SCREW, 1/4 - 20 X 3/4	35	4
F1744	SPRING PIN	37	52	F1866	PLAIN WASHER	45	71
F1755	ROUND HD SCREW W/LOCKWASHER, 6 - 32 X 1/4	21	38	F1867	HEX CAP SCREW, 3/8 - 16 X 1	33	19
F1759	SHIM, DISTRIBUTOR (QTY. AS REQUIRED)	13	11	F1869	HEX CAP SCREW, 3/8 - 16 X 1 1/4	27	70
F1760	PAN HD SCREW, 10 - 24 X 3/8	7	19	F1871	HEX HD SCREW, 3/8 - 16 X 3/4	37	69
F1760	PAN HD SCREW, 10 - 24 X 3/8	13	25	F1872	HEX CAP SCREW, 3/8 - 16 X 1 3/4	25	12
F1760	PAN HD SCREW, 10 - 24 X 3/8	25	3	F1873	HEX CAP SCREW, 3/8 - 16 X 3	27	50
F177330	FUEL PUMP VALVE	21	10	F1874	HEX HD SCREW, 3/8 - 16 X 3 1/8	25	2
F177350	REVERSE LOCK PIN	37	47	F1877	TY-RAP	7	29
F1778	PLAIN WASHER	13	9	F1885	HEX BOLTS, S.S., 5/16 - 18 X 4 1/4	27	64
F178168-1	CARBURETOR ADAPTER GASKET	29	-	F1885	HEX CAP SCREW, 5/16 - 18 X 4 1/4	41	6
F178168-1	GASKET, CARBURETOR ADAPTER	21	35	F1892	STOP NUT	9	52
F178173	RETAINING RING	35	34	F1904	PLAIN WASHER	35	26
F178208	RETAINING RING	35	19	F1907	PLAIN WASHER	41	7
F178323	SEAL, MOTOR LEG	35	12	F1910	STOP NUT, 1/4 - 20	21	25
F178362	BEARING	35	36	F19109	PLUG	27	60
F178404-1	DEFLECTOR PLATE	21	36	F19109	PLUG	41	30
F178632	SHAFT, SHOCK MOUNT LOWER	35	39	F1912	HEX HD SCREW, 10 - 24 X 1/2	37	67
F178754-1	FUEL LINE	17	36	F1914	HEX HD SCREW, 1/4 - 20 X 3/4	25	11
F1788	STOP NUT	41	15	F1915	HEX HD SCREW, 1/4 - 20 X 7/8	23	44
F178889	SHAFT, SHOCK MOUNT UPPER	35	37	F1915	HEX HD SCREW, 1/4 - 20 X 7/8	25	6
F17932	SEAL, FUEL LINE COUPLER	47	12	F1934	FLAT HD SLOTTED SCREW, 6 X 12	9	50
F18160-2	CYLINDER DRAIN REED	25	36	F1935	PLAIN WASHER	27	42
F1822	HEX BOLT, 5/16 - 18 X 7/8	37	76	F1936	SPACER, BEVEL GEAR FRONT .059	41	27
F1831	FLAT HD SCREW, 1/4 - 20 X 5/8	23	43	F1937	SPACER, BEVEL GEAR FRONT .062	41	-
F1832	STOP NUT, 1/4 - 20	27	68	F1938	SPACER, BEVEL GEAR FRONT .065	41	-
F1836	SPRING PIN	37	60	F1939	SPACER, BEVEL GEAR FRONT .068	41	-
F184033-1	SWIVEL, TOP CARBURETOR	17	33	F1940	SPACER, BEVEL GEAR FRONT .071	41	-
F184122-1	SEAL	29	-	F1941	SPACER, BEVEL GEAR FRONT .074	41	-
F184122-1	SEAL, PARTING LINE	29	101	F1942	SPACER, BEVEL GEAR FRONT .077	41	-
F184579	"O" RING SEAL	17	32	F195/_	REMOTE CONTROL CABLES	57	-
F1849	HEX HD CAP SCREW, 1/4 - 20 X 1 3/8	3	32				
F1851	FILL HD SCREW W/LOCKWASHER, 10 - 24 X 1/2	7	39				
F1854	HEX CAP SCREW, 1/4 - 20 X 5/8	3	25				
F1856	PLAIN WASHER	45	72				

PARTS INDEX

Part Number	Description	Pg.	Ref. No.	Part Number	Description	Pg.	Ref. No.
F1953	HEX HD SCREW, 1/4 - 20 X 1	21	20	F213735	SEAL, FUEL LINE COUPLER (SMALL)	47	5
F1953	HEX HD SCREW, 1/4 - 20 X 1	25	16	F235785	DECAL, COMPLIANCE - CANADA (NOT SHOWN)	9	-
F1968	FLYWHEEL NUT	33	21	F24278	PROPELLER SHAFT SPOOL SEAL	45	-
F1975	SPRING LOCKWASHER	7	10	F24278	SEAL, "O" RING PROPELLER SHAFT SPOOL	41	10
F1975	SPRING LOCKWASHER	13	26	F269319	THROTTLE CAM BEARING	21	26
F197787-3	FUEL LINE COUPLER	47	6	F284659-2	BEARING, CRANKSHAFT UPPER MAIN	33	22
F197813	BEARING	37	57	F286461	SPRING, LOCK BAR HANDLE	37	50
F1987	PLAIN WASHER	27	79	F289446-1	CLAMP	7	12
F1987	PLAIN WASHER	37	64	F298788	FERRULE	47	7
F1990	HEX CAP SCREW, 1/4 - 20 X 1 5/8	43	60	F2A476757	CYLINDER DRAIN REED PLATE W/REEDS, STOPS AND SCREWS	25	35
F1994	HEX SOCKET HD CAP SCREW, 5/16 - 18 X 1	43	36	F2A523023	BEVEL GEAR FRONT W/BEARING	41	28
F1997	STOP NUT, 8 - 32	17	23	F2A523158	REED PLATE W/REEDS, REED STOPS AND SCREWS	21	41
F1999	HEX CAP SCREW, 1/4 - 20 X 7/8	43	55	F2A523239	SPOOL, PROPELLER SHAFT BEARING W/SEALS	41	11
F2000	HEX CAP SCREW, 5/16 - 18 X 3/4	9	47	F2A523662	BEVEL GEAR REAR W/BEARING CAGE SPACER AND BEARING	41	21
F2000	HEX CAP SCREW, 5/16 - 18 X 3/4	29	99	F307317	CLIP, TERMINAL BLOCK	7	17
F2001	FILL HD SCREW, 10 - 24 X 5/8	7	9	F316579	SEAL, CRANKCASE	33	11
F2008	HEX HD SCREW, 1/4 - 20 X 7/8	27	53	F316599	SEAL, STEERING SUPPORT TUBE	39	86
F2015	HEX NUT, 1/4 - 28	29	102	F319908	GROUND WIRE - CANADA	9	57
F2016	FILL HD SCREW, 6 - 32 X 7/8	23	48	F321756	PACKING	3	31
F2030	HEX HD M. SCREW, 1/4 - 20 X 1 1/4	35	16	F321841-3	LEAD WIRE - USA	13	32
F203276	BOOT	13	30	F322273	STUD, C.D. UNIT	9	48
F2033	GROOVE PIN	17	39	F333316	THROTTLE ROLLER SHAFT	17	19
F203673	TERMINAL CLIP	13	31	F335215	SPACER, PISTON PIN (2 PER PISTON)	33	3
F2042	PLAIN WASHER	29	106	F335217-1	BEARING, PISTON PIN (26 PER SET)	33	5
F2047	WAVE WASHER	3	30	F335654-1	STOP, DEFLECTION	3	21
F2049	HEX CAP SCREW, 5/16 - 18 X 2 5/8	27	78	F338618-1	GEAR SHIFT ROD SEAL	45	-
F2066	PAN HD TAPPING SCREW, 10 X 7/16	5	38	F338618-1	SEAL GEAR SHIFT ROD	35	15
F2067	PLASTISOL CAP (NOT SHOWN)	33	-	F338618-1	SEAL, GEAR SHIFT ROD	43	53
F2088	FASTENER	3	7	F345475-1	COIL	9	44
F2089	SLOTTED PAN HD M. SCREW, 10 - 24 X 5/16	29	105	F345683	WIRE, REGULATOR-RECTIFIER GROUND	7	5
F2090	PLUG	27	74	F351307	SEAL, DRIVESHAFT - WATER PUMP	43	63
F2108	LOCK NUT	37	79	F353480	STUD	35	29
F2108	STOP NUT, 5/16 - 18	27	67	F369349	REVERSE LOCK	37	44
F2113	SPACER, BEVEL GEAR FRONT .080	41	-	F369364	REVERSE LOCK ARM	37	55
F2114	SPACER, BEVEL GEAR FRONT .083	41	-	F369510	LINK REVERSE LOCK	37	46
F2115	SPACER, BEVEL GEAR FRONT .086	41	-	F369610	BEARING	27	62
F2116	SPACER, BEVEL GEAR FRONT .089	41	-	F369827	HANDLE AND SHAFT	37	56
F2121	SPACER, BEVEL GEAR FRONT .057	41	-	F369887	SHOULDER SCREW	27	61
F2122	SPACER, BEVEL GEAR FRONT .054	41	-	F369977-1	INTERLOCK ARM	27	63
F213274	GREASE FITTING	13	27	F372151-1	EXHAUST PORT PLATE	29	90
F213274	GREASE FITTING	35	38	F372152-1	EXHAUST PORT COVER	29	88

PARTS INDEX

Part Number	Description	Pg.	Ref. No.	Part Number	Description	Pg.	Ref. No.
F372154-1	EXHAUST PORT PLATE			F440192-1	THROTTLE CAM	21	28
	GASKET	29	-	F440209	CARBURETOR STUD	21	30
F372154-1	GASKET, EXHAUST PORT			F440254	BALANCE TUBE	21	34
	PLATE	29	89	F440906	CARBURETOR GASKET	21	31
F372529	CYLINDER HEAD GASKET	29	-	F440906	CARBURETOR GASKET	31	-
F372958	CHOKE BRACKET	21	19	F440925	CHOKE ROD	17	40
F373778-1	RETAINER, ENGINE COVER	3	37	F441754-1	HOSE	21	3
F381896-4	BATTERY CABLE	7	30	F460917	STARTER RELAY	7	26
F391926-1	PLUNGER	17	41	F474073-1	CLAMP SCREW	35	30
F391983	RETAINING BAND	9	51	F474387	TIMING DECAL - USA	9	56
F40223	GASKET, TRANSFER PORT			F474390-1	DECAL, REVERSE LOCK -		
	COVER	27	52		USA	39	87
F40223	TRANSFER PORT COVER			F475015-6	PISTON - STANDARD	33	2
	GASKET	29	-	F476061-4	CARBURETOR COMPLETE		
F404097	FLYWHEEL	7	1		(TC-5E)	17	12
F404268	BY-PASS VALVE SPRING	29	94	F476066-1	THERMOSTAT COVER	29	85
F404314	ELBOW, FUEL PUMP COVER	21	2	F476067	GASKET	27	81
F404314	FITTING	27	47	F476067	THERMOSTAT COVER		
F404470-1	REGULATOR-RECTIFIER	7	8		GASKET	31	-
F404513	COIL CLAMP	7	40	F476529	CYLINDER HEAD GASKET	27	75
F404801	ELBOW, CYLINDER DRAIN			F476529	CYLINDER HEAD GASKET	31	-
	UPPER (NOT SHOWN)	27	-	F480038-2	PLATE SUPPORT	3	15
F404841	CABLE, HEAT INDICATOR	7	37	F480107-1	CAM STARTER INTERLOCK	29	104
F405457	PIVOT SCREW	25	7	F480388	DISC, WATER PUMP		
F406406	DEFLECTOR PLATE				LOCATING	43	61
	GASKET	29	-	F480818	BEARING, LATCH SHAFT	3	13
F406406	GASKET DEFLECTOR			F481382-1	SPACER, LATCH SHAFT	3	29
	PLATE	21	37	F481434	GUIDE, ENGINE COVER	3	8
F406471-1	CYLINDER DRAIN COVER	27	41	F481774	BRACKET, ENGINE COVER		
F406754-1	HOSE	27	46		LATCH	3	9
F40689-1	BEARING	27	72	F481777	CAM, LATCH SHAFT	3	28
F407446	CLAMP	7	31	F483884	BEARING	37	61
F409251-1	GAUGE CAP	47	1	F485755-1	FUEL TANK ADAPTER	47	3
F433114	HANDLE, LOCK BAR	37	51	F489551	BRACKET NEUTRAL		
F433209-1	THROTTLE CAM STUD	21	32		INTERLOCK SWITCH	23	45
F434754	FUEL LINE	19	42	F498618	"O" RING SEAL	43	31
F438066	BY-PASS VALVE COVER	29	92	F498618	GEAR SHIFT ARM PIN SEAL	45	-
F438129	SEAL, DRIVESHAFT SPLINE	45	70	F498891	PIN, GEAR SHIFT ARM	43	32
F438165	SCREW, FUEL PUMP BOWL	21	18	F498891	PIN, PROPELLER NUT		
F438169	BEARING	35	42		RETAINING	41	14
F438271	RETAINER, CRANKSHAFT			F50109	PLUG, GEAR HOUSING	43	43
	SPLINE SEAL	45	69	F50342-1	BEARING CAGE BOLT SEAL	45	-
F438346	SHOCK MOUNT LOWER	37	75	F50342-1	SEAL, "O" RING	41	8
F438398	DECAL, WIRING - USA	29	86	F506118	PROPELLER SHAFT SEAL	45	-
F438500	FUEL SEDIMENT BOWL	21	17	F506118	SEAL, PROPELLER SHAFT	41	9
F438617	FUEL SEDIMENT BOWL			F510374	DECAL, CIRCUIT BREAKER		
	GASKET	21	15		USA	7	41
F438653	FUEL SEDIMENT BOWL			F510460	CIRCUIT BREAKER	7	22
	SCREEN	21	16	F511125-2	TUBE, STEERING SUPPORT	37	84
F438668	RETAINER, CABLE CLAMP	7	13	F511675	STARTER BRACKET,		
F438744-1	WIRING HARNESS	7	4		LOWER	11	17
F438747	FUEL PUMP DIAPHRAGM	21	8	F511708	COVER, CARBURETOR	17	7
F438760	FUEL PUMP GASKET	21	4	F523031	GASKET, WATER PUMP	43	56
F438801	FITTING	21	14	F523057	BEARING, DRIVESHAFT		
F438841-1	LEAD WIRE - CANADA	13	-		LOWER	43	65
F438905	COIL WIRE - CANADA	13	-	F523065	IMPELLER, WATER PUMP	43	58
F438930	RETAINER, SNOUT	43	38	F523094-2	PROPELLER NUT	41	13
F438962	SHOCK MOUNT LOWER			F523099-1	SPACER, PROPELLER	41	18
	REAR	35	14	F523116	EXHAUST SNOUT	43	37
F439736	SEAL, EXHAUST TUBE	37	82	F523133-2	MOTOR LEG	37	81

PARTS INDEX

Part Number	Description	Pg.	Ref. No.	Part Number	Description	Pg.	Ref. No.
F523146	SEAL, CRANKSHAFT LOWER	33	13	F5H025	ANTI-CORROSION SACRIFICIAL ANODE	57	-
F523188	NUT, BEVEL PINION	43	34	F5H026	FUEL TANK (ACCESSORY ITEM)	47	2
F523244	INLET WATER LINE	41	5	F5H026	STEEL 6 GALLON FUEL TANK (LOW PROFILE)	57	-
F523274	GREASE FITTING	37	85	F5H028	SENDING UNIT	58	-
F523280	NUT, STEERING SUPPORT TUBE	37	80	F5H029	TANK ANCHOR	57	-
F523299-1	WASHER	41	16	F5H030	SWITCH KIT - RUNNING LIGHTS	59	-
F523411	RETAINING RING, BEARING CAGE	41	22	F5H031	SWITCH KIT - SPOT LIGHT	59	-
F523451	SPACER, REED STOP	23	51	F5H032	SWITCH KIT - WIPER	59	-
F523498	DRIVE KEY, WATER PUMP	43	67	F5H034	SWITCH KIT - BILGE PUMP	59	-
F523555	GEAR HOUSING COVER SEAL	45	-	F5H035	SWITCH KIT - HORN	59	-
F523555	SEAL, "O" RING, GEAR HOUSING COVER	43	48	F5H036	SWITCH KIT - TACHOMETER TRANSFER	59	-
F523562	PLATE, WATER PUMP	43	57	F5H037	CIGAR LIGHTER	58	-
F523705	GEAR SHIFT ROD LOWER	43	45	F5H038	IGNITION SWITCH MOUNTING KIT (ACCESSORY ITEM)	9	49
F523813	BEARING CUP	41	29	F5H038	SWITCH KIT - IGNITION SWITCH	59	-
F523834	CLIP, SPARK PLUG WIRE	25	28	F5H039	SWITCH KIT - INSTRUMENT LIGHTS	59	-
F523899	GROMMET, WATER LINE	41	4	F5H040	STEEL, 12 GALLON FUEL TANK	57	-
F523961	CRUSH RING	43	49	F5H041	BATTERY TERMINAL KIT	58	-
F523962	SHOCK MOUNT - C.D. UNIT	9	46	F5H041	BATTERY TERMINAL KIT (ACCESSORY ITEM)	7	32
F528068	THERMOSTAT	29	82	F5H043	OVERHEAT BUZZER	57	-
F528253	HOSE (LOWER FUEL PUMP TO UPPER)	23	53	F5H043	OVERHEAT BUZZER (ACCESSORY ITEM)	7	36
F528995	COVER, CYLINDER HEAD	29	108	F5H044	TILT STOP KIT	57	-
F530160	REED (5 PETAL)	21	40	F5H069	RFI SUPPRESSION KIT	58	-
F531892	DECAL, PORT	49	-	F5H070	REMOTE ELECTRIC CABLE	58	-
F545189	BUSHING, CABLE ENTRY	3	17	F5H075	WIRING HARNESS - IGNITION SWITCH - 24"	59	-
F548984	BLANKET, SILENCER - TOP (NOT SHOWN)	5	-	F5H076	SWITCH EXTENSION CABLE	58	-
F549189	BUSHING, ELECTRIC CABLE	3	16	F5H076	SWITCH EXTENSION CABLE	59	-
F552985	BLANKET, SILENCER - SIDE (NOT SHOWN)	5	-	F5H077	IGNITION KEY SWITCH	58	-
F563	TERMINAL BLOCK KIT	59	-	F5H078	IGNITION KEY SWITCH	58	-
F58685-2	CONNECTOR, SHIFT CABLE	49	2	F5H078	IGNITION SWITCH (LONG BARREL) W/KEYS AND SCREWS	7	34
F590	REMOTE CONTROL HEAD (SINGLE LEVER)	57	-	F5H079	REMOTE CONTROL BOX	57	-
F5H002	SPEEDOMETER - FLUSH MOUNT	58	-	F5H080	TWIN REMOTE CONTROL BOX	57	-
F5H003	SPEEDOMETER FLUSH MOUNT	59	-	F5H081	BATTERY CABLE	57	-
F5H004	SPEEDOMETER FLUSH MOUNT	58	-	F5H094	STEERING LINK	57	-
F5H005	TEMPERATURE GAUGE - FLUSH MOUNT	58	-	F5H108	STEERING CONNECTOR	57	-
F5H006	VOLTMETER - FLUSH MOUNT	58	-	F5H112	INSTRUMENT ADAPTER "3 1/2"	58	-
F5H007	HOURLY METER - FLUSH MOUNT	58	-	F5H115	TRAILERING TILT LOCK	59	-
F5H008	FUEL GAUGE FLUSH MOUNT	58	-	F5H119	PROPELLER SPACER - FLARED	58	-
F5H010	POWER TRIM INDICATOR	57	-	F5H120	REMOTE CONTROL BACK PLATE	57	-
F5H012	TACHOMETER FLUSH MOUNT	58	-	F5H124	HYDRAULIC TILT	58	-
F5H014	FLUSHING ADAPTER	57	-	F5H128	POWER TRIM	58	-
F5H018	DUAL ENGINE TIE BAR	57	-				
F5H019	ANTI-CORROSION KIT	57	-				
F5H021	EXTENSION CABLE	58	-				

PARTS INDEX

Part Number	Description	Pg.	Ref. No.	Part Number	Description	Pg.	Ref. No.
F5H131	PORT SIDE DECAL KIT	57	-	F84314-2	ELBOW	21	6
F5H132	REMOTE CONTROL HANDLE TRIM SWITCH	59	-	F84314-2	ELBOW	27	45
F5H134	BOAT WHITE LACQUER	57	-	F84342	SEAL, INLET WATER LINE, UPPER	41	3
F5H135	SAND TAN LACQUER	57	-	F84449	INTERLOCK SWITCH	23	46
F7004	STOP NUT, 3/8 - 16	25	17	F84472-5	CYLINDER DRAIN COVER GASKET	29	-
F7008	ELASTIC STOP NUT	25	10	F84472-5	GASKET, CYLINDER DRAIN COVER	25	40
F7012	STOP NUT	35	24	F84504	GROMMET (THERMOSTAT)	29	83
F7013	STOP NUT	13	2	F84521-1	CLUTCH	41	26
F74305	GEAR HOUSING COVER SEAL	45	-	F84748-3	CYLINDER DRAIN REED PLATE GASKET	29	-
F74305	SEAL, DRIVESHAFT BEARING CAGE	43	50	F84748-3	GASKET	25	33
F762	REMOTE ELECTRIC	58	-	F84792	GASKET, CENTER FUEL PUMP VALVE	21	11
F8003	PLAIN WASHER	25	38	F84871-1	PIN, GEAR SHIFT	41	24
F8011	PLAIN WASHER	7	20	F85017	PISTON PIN	33	4
F8028	PLAIN WASHER	11	16	F85026	SWIVEL	25	30
F8038	PLAIN WASHER	29	110	F85033	SWIVEL, CHOKE ROD (BOTTOM CARBURETOR) (NOT SHOWN)	19	-
F8039	PLAIN WASHER	37	70	F85035	DISTRIBUTOR, CONTROL ROD END	25	29
F8056	LOCKWASHER	13	18	F85036	TOWERSHAFT CONTROL ROD END	25	32
F8056	LOCKWASHER	15	43	F85037-1	STERN BRACKET PIVOT BOLT	37	53
F8056	LOCKWASHER	29	97	F85095-2	STATOR	7	3
F8056	SPRING LOCKWASHER	7	7	F85117	BRACKET, WATER LINE . . .	41	2
F8058	INTERNAL TOOTH LOCKWASHER	21	24	F85130	BOOT IDLE EXHAUST	35	8
F8058	INTERNAL TOOTH LOCKWASHER	27	57	F85161-1	REED STOP	21	39
F8077	WASHER	45	-	F85173	RETAINING RING	13	6
F8077	WASHER, GEAR HOUSING PLUG	43	42	F85211	STUD	25	18
F8083	LOCKWASHER	3	26	F85258	INSERT	35	9
F8083	SPRING LOCKWASHER	9	43	F85279-2	CYLINDER EXHAUST UPPER GASKET	29	-
F8083	SPRING LOCKWASHER	35	3	F85279-2	GASKET, CYLINDER EXHAUST UPPER	27	69
F8083	SPRING LOCKWASHER	43	54	F85300	REVERSE LOCK SPRING . . .	37	45
F8088	PLAIN WASHER	17	31	F85311	DISTRIBUTOR BELT	13	1
F8088	PLAIN WASHER	23	47	F85314-1	FUEL FITTING	17	37
F8094	PLAIN WASHER	37	58	F85317-1	SOLENOID CLAMP	21	21
F8094	WASHER, PLAIN	3	27	F85350-1	TILT STOP PIVOT	35	20
F8095	PLAIN WASHER	29	109	F85372	PIN, GEAR SHIFT ROD LOWER	43	47
F8096	LOCK WASHER	3	34	F8538	SPRING PIN	35	31
F8096	LOCKWASHER	3	22	F85380	SPRING	35	10
F8096	SPRING LOCKWASHER	7	25	F85410	SNAP RING	33	8
F8096	SPRING LOCKWASHER	29	100	F85445	CONTROL ROD	25	31
F8096	SPRING LOCKWASHER	37	77	F85453-1	CYLINDER EXHAUST LOWER GASKET	29	-
F8096	SPRING LOCKWASHER	43	40	F85498	FLYWHEEL KEY	33	16
F8104	PLAIN WASHER	27	49	F85502	THROTTLE LINK	25	26
F84011	WASHER	37	62	F85509-1	LINK, CHOKE	17	38
F84067-1	THERMOSTAT COVER GASKET	29	-	F85541-1	TILT LOCK	35	22
F84074	CLAMP SCREW FOOT	35	28	F85571	BEARING CAGE W/ROLLER	33	10
F84146-2	SEAL	33	20	F85606	KINGPIN CAP	37	66
F84278	SEAL	33	23	F85610	BEARING	27	65
F84286-1	FRICTION WASHER	37	54	F85615	GEAR SHIFT ROD UPPER . .	37	78
F84305	PROPELLER SHAFT SPOOL SEAL	45	-				
F84305	SEAL, "O" RING PROPELLER SHAFT SPOOL	41	12				
F84307-1	DRIVESHAFT SEAL	45	-				
F84307-1	SEAL, DRIVESHAFT	43	51				
F84314-2	ELBOW	17	34				

PARTS INDEX

Part Number	Description	Pg.	Ref. No.	Part Number	Description	Pg.	Ref. No.
F8563	DOWEL PIN	25	15	FA439746	FUEL PUMP COVER	21	1
F85634-2	CONNECTING ROD SCREW	33	14	FA440157	CARBURETOR ADAPTER - UPPER W/FITTING AND STUDS (NOT SHOWN)	21	-
F85660-1	EXHAUST TUBE	35	2	FA440167	CARBURETOR ADAPTER, LOWER W/FITTING AND STUDS	21	33
F85664	DISTRIBUTOR GROUND	13	28	FA480876	GEAR SHIFT ARM	27	66
F85664	GROUND WIRE	9	54	FA480894	TIMING POINTER	25	4
F85704	COUPLER, GEAR SHIFT ROD	37	83	FA481469	LATCH HANDLE, ENGINE COVER W/SHAFT	3	12
F85762	BY-PASS COVER GASKET	29	-	FA481743	LATCH, ROLLER BRACKET	3	33
F85762	BY-PASS VALVE COVER GASKET	29	93	FA510497	TERMINAL BLOCK	7	15
F85772	CLAMP	35	11	FA523014	CRANKSHAFT LOWER MAIN BEARING	33	12
F85779-1	BAFFLE, AIR INTAKE	37	68	FA523054	GEAR HOUSING	43	33
F85843-1	REMOTE ELECTRIC CABLE, 18 FEET	7	38	FA523098	PROPELLER SHAFT	41	23
F85859	STUD	25	14	FA523266	BEVEL PINION GEAR W/CRUSH RING AND SHIMS	43	35
F85906	CARBURETOR GASKET	29	-	FA523485	ANTICORROSION ANODE	41	20
F85908	STARTER LEAD WIRE	11	13	FA523706	GEAR HOUSING COVER W/SEALS	43	52
F85916-1	BY-PASS VALVE	29	95	FA523735	SEAL, INLET WATER LINE, LOWER	43	64
F85924	CHOKE SOLENOID	7	28	FA528018	CRANKSHAFT W/BEARING	33	15
F85965	SHOCK MOUNT UPPER	37	72	FA528518	CYLINDER HEAD	27	80
F89758	FUEL PUMP AIR HOSE - TOP	21	7	FA535395	IDENTIFICATION PLATE W/SCREWS - USA	3	18
F9018	CAP	35	32	FA552892	DECAL, FRONT COVER, ENGINE W/RETAINER	3	6
F9052	PLUG	35	33	FA552944	DECAL, NUMERAL	3	10
F90619-1	YOKE	45	73	FA555386	CONNECTOR, THROTTLE CABLE	49	1
F90807	RETAINING RING	17	1	FA58976-1	COUPLING, GEAR SHIFT ARM W/BUSHING	43	44
F9095	SHIM, DRIVESHAFT BEARING, UPPER .005 SILVER	43	-	FA84754-1	FUEL LINE SHORT W/FERRULES	47	8
F9097	SHIM, DRIVESHAFT BEARING, UPPER .010 BLACK	43	-	FA85019	KINGPIN W/PLUG	35	41
F9106	SHIM, DRIVESHAFT BEARING, UPPER .003 BRASS	43	66	FA85193	TIE BAR END W/SWIVEL	17	2
F91446-1	CIRCUIT BREAKER BRACKET	7	21	FA85355-1	WASHER	37	71
F92759	THROTTLE ROLLER	17	20	FA85655-1	CRANKSHAFT MAIN BEARING RACE W/SNAP RING	33	9
F93811	SCREEN	25	34	FAC535395	IDENTIFICATION PLATE, W/SCREWS - CANADA	3	-
F93920	REED STOP	25	37	FB368700	KEY, IGNITION, STAMPED B	9	-
F97772	CLAMP	17	35	FC368700	KEY, IGNITION, STAMPED C	9	-
F97772	CLAMP	23	52	FC409398	DECAL, TOTE TANK - CANADA (NOT SHOWN)	47	-
F97772	FUEL LINE CLAMP	47	11	FC438398	DECAL, WIRING - CANADA	29	-
F98273	ROD END CONNECTOR STUD	27	58	FC474387	TIMING DECAL - CANADA	9	-
FA14048-2	PREAMPLIFIER	13	17	FC500390	DECAL STARTER - CANADA (NOT SHOWN)	11	-
FA15072	HEX LOCK NUT, 1/4 - 20	11	12	FC510374	DECAL, CIRCUIT BREAKER - CANADA	7	-
FA178233	THROTTLE TIE BAR W/SWIVEL	17	5	FC523054	GEAR HOUSING COMPLETE	43	-
FA178962	SHOCK ABSORBER W/BUSHING	35	35	FD368700	KEY, IGNITION, STAMPED D	9	-
FA321574	DISTRIBUTOR BRACKET	13	10	FE368700	KEY, IGNITION, STAMPED E	9	-
FA368700	KEY, IGNITION, NO LETTER OR STAMPED A	9	53				
FA411222	TRANSFER PORT COVER	27	51				
FA438113	STERN BRACKET LOCK BAR W/HANDLE	37	49				
FA438431	FUEL PUMP BODY W/VALVES	21	12				
FA439493	TERMINAL BLOCK BRACKET	7	11				

PARTS INDEX

Part Number	Description	Pg.	Ref. No.	Part Number	Description	Pg.	Ref. No.
FG1003-1	GASKET SET	29	111	FT1082	SNAP RING PLIER	53	-
FK1063	SEAL KIT	45	74	FT11204	BEARING CUP INSTALLER	54	-
FK1069	WATER PUMP KIT	45	75	FT11205	BEARING		
FK17114-1	INDICATOR	49	32		INSTALLER/REMOVER	54	-
FK405020	SWIVEL W/CLAMP, SHOULDER SCREW AND NUT	25	24	FT11207	BEARING CUP REMOVER	54	-
FK750-1	SPARKIE W/SPRING	15	44	FT11209	BEARING GUIDE SET	54	-
FK85228-1	BEARING CAGE W/ROLLER	33	7	FT2951	CIRCUIT TRACER	52	-
FO10588	BODY CHANNEL CUP PLUG	17	24	FT2953	SOCKET	53	-
FO11103	IDLE MIXTURE SCREW SPRING	17	14	FT2961	LUBRICANT	56	-
FO12947	MAIN FUEL JET STD. .096 SEA LEVEL - 1500 FT.	17	15	FT2962-1	SEALANT	56	-
FO13193	MAIN FUEL JET OPT. .088 6000 FT. AND UP.	17	-	FT2963-1	SEALANT	56	-
FO13554	FLOAT	19	48	FT2987-1	LUBRICANT	56	-
FO13944	FLOAT LEVER PIN	19	49	FT2990	PISTON PIN TOOL	53	-
FO14166	IDLE MISTURE SCREW	17	13	FT2996	RING COMPRESSOR	53	-
FO14190	MAIN FUEL JET OPT. 092 3000 - 4500 FT.	17	-	FT3012	SEAL INSTALLER	54	-
FO14191	MAIN FUEL JET OPT. .0937 1500 - 3000 FT.	17	-	FT7848	TORQUING ADAPTER	54	-
FO15406	MAIN FUEL JET OPT. .090 4500 - 6000 FT.	17	-	FT8901	INDICATOR HOLDER	54	-
FO15623	FUEL BOWL GASKET	19	46	FT8902	DIAL INDICATOR	54	-
FO15912	CHOKE AND THROTTLE SHUTTER SCREW	17	9	FT8903	SEAL INSTALLER	53	-
FO16128	BODY CHANNEL WELCH PLUG	17	25	FT8907	DRIVE HANDLE	53	-
FO16130	FUEL BOWL	19	51	FT8907	DRIVER HANDLE	54	-
FO16132	FUEL BOWL RETAINING SCREW	17	11	FT8914	SEAL REMOVER	53	-
FO16133	MAIN NOZZLE	19	50	FT8918	BEARING GUIDE SET	54	-
FO16142	THROTTLE SHUTTER	17	26	FT8919	SPRING PIN PUNCH	54	-
FO16143	THROTTLE SHAFT RETURN SPRING	17	22	FT8925	SEAL INSTALLER	53	-
FO16301	CHOKE SHAFT AND LEVER	19	44	FT8925	SEAL INSTALLER	54	-
FO16620	"E" RING	17	29	FT8926	RING EXPANDER	53	-
FO16697	INLET NEEDLE	19	47	FT8927	SEAL PROTECTOR	53	-
FO17719	CHOKE SHUTTER	17	10	FT8933	LIFTING HOOK	55	-
FO17884	THROTTLE SHAFT AND LEVER	17	21	FT8935	SEALANT PRIMER	56	-
FO17885	CHOKE SHAFT RETURN SPRING	19	45	FT8936	SEALANT	56	-
FO1974	SCREW	17	18	FT8948-1	PULLER	52	-
FO5323	FUEL BOWL RETAINING SCREW GASKET	19	52	FT8948-1	PULLER	54	-
FO9678	CLIP, CHOKE SHAFT	17	16	FT8950	LEAKAGE TESTER	55	-
FO992	LOCKWASHER	17	17	FT8953	IGNITION TESTER	55	-
FPS526	PROPELLER (ACCESSORY ITEM)	41	17	FT8955	SEALANT	56	-
FS409752	FUEL LINE COMPLETE	47	-	FT8957	SEAL INSTALLER	54	-
FS490955	STARTER COMPLETE	11	-	FT8969	LUBRICANT	56	-
FS548179	TRIM, TOP	3	1	FT8978	POWER TIMING LIGHT	52	-
FS548269	HANDLE, TILT	3	3	FT8985	SEAL INSTALLER	54	-
FS552180	TRIM, REAR	3	5	FT8993	SEALANT	56	-
FS552888	TRIM, FRONT	5	40	FT8997	SHIMMING TOOL	54	-
FSA474260	PISTON RING SET FOR 2 PISTONS .010 OVERSIZE	33	-	FTA2937-1	TIMING TOOL	52	-
				FTA8994	PISTON PIN TOOL	53	-
				FTK8999	TEST WHEEL	55	-
				OB3061	LITERATURE (NOT SHOWN)	51	-
				SA475015	PISTON .010 OVERSIZE	33	-
				22-818103--1	ELBOW, CYLINDER DRAIN LOWER	27	44
				31-817785A2	CRANKSHAFT BEARING CAGE W/SEAL	33	18
				32-817738A1	FUEL LINE LONG W/CLAMP AND FERRULE	47	10
				33-97180	SPARK PLUG (CHAMPION L20V) - USA	27	77
				37-819450	DECAL, REVERSE LOCK - CANADA	39	-
				39-817820A1	PISTON RING SET FOR 2 PISTONS - STANDARD	33	1

PARTS INDEX

Part Number	Description	Pg.	Ref. No.	Part Number	Description	Pg.	Ref. No.
45-818017A3	DRIVESHAFT W/BEARING, SHIMS AND CRUSH RING	43	68				
46-817853A1	WATER PUMP BODY W/DRIVESHAFT SEAL, DISC AND WATERLINE SEAL	43	59				
84-817775A1	COIL WIRE W/TERMINAL CLIP - USA	13	29				
87-817778A1	THERMOSWITCH	29	98				
300-817855A1	UNIT W/DECAL	9	45				
600-818052A4	CONNECTING ROD W/CAP AND SCREWS	33	6				
1400-817958A6	STERN BRACKET	35	23				