



PARTS CATALOG

6 H.P.

SERIAL NUMBER

6 (1979)	67H9C
6 (1979)67H9L

TABLE OF CONTENTS:

ACCESSORIES	36
ELECTRICAL COMPONENTS	6
ENGINE COVER AND SUPPORT PLATE	2
FUEL SYSTEM	12
FUEL TANK AND LINE	28
GEAR HOUSING	24
MOTOR LEG	20
PARTS INDEX	37
POWER HEAD	16
SPECIAL TOOLS - LOWER UNIT	33
SPECIAL TOOLS - LUBRICANTS AND SEALANTS	35
SPECIAL TOOLS - POWER HEAD	32
SPECIAL TOOLS - STARTER	31
SPECIAL TOOLS - TEST EQUIPMENT	34
SPECIAL TOOLS - TUNE-UP	30
STARTER	10
STEERING ARM	8

NOTE: Indented description indicate that these parts are included in preceeding assembly.

AR = As Required

NSS = Not Sold Separate

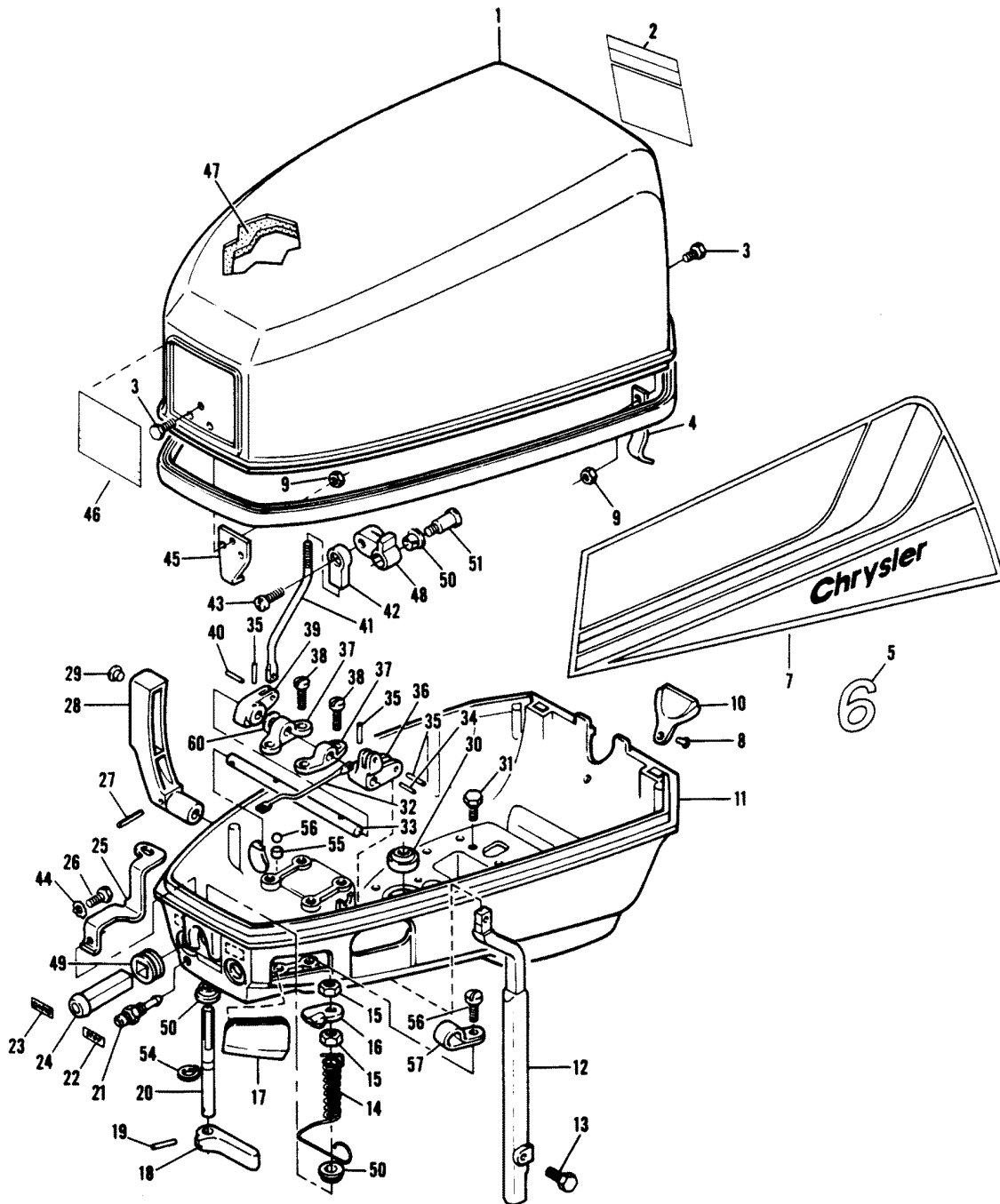
OPT = Optional

NS = Not Shown

THESE PARTS BOOKS/FICHE CARD ARE COPYRIGHTED AND MAY NOT BE DISTRIBUTED OR REPRODUCED IN ANY OTHER FORMAT BY ANYONE OTHER THAN MERCURY MARINE WITHOUT THE PRIOR WRITTEN CONSENT OF MERCURY MARINE.

THIS PAGE INTENTIONALLY LEFT BLANK

ENGINE COVER AND SUPPORT PLATE

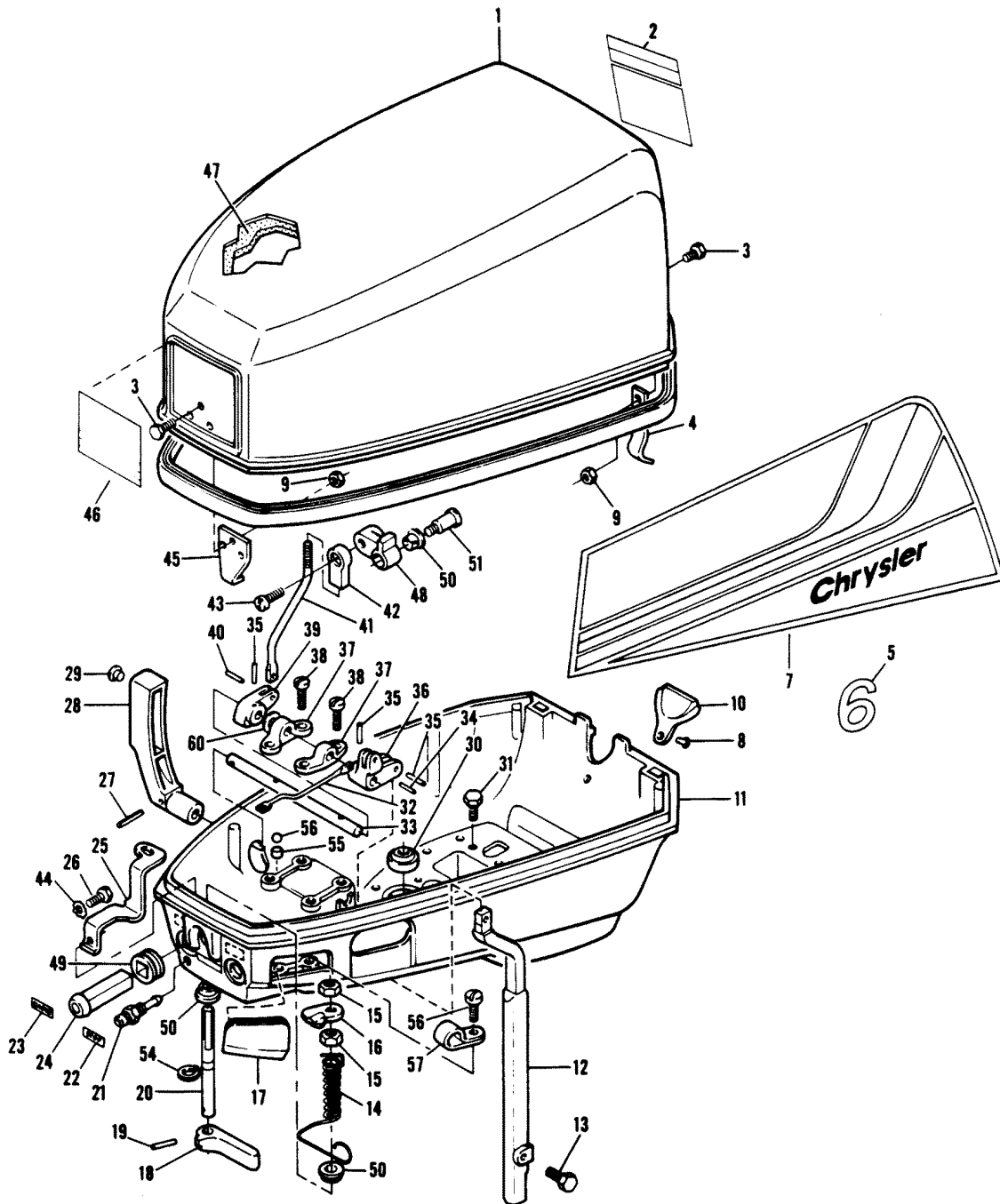


ENGINE COVER AND SUPPORT PLATE

REF. NO.	PART NO.	SYM.	QTY.	DESCRIPTION
1	FS537712		1	ENGINE COVER W/PACKING, REAR RETAINER
-	2C537712		1	ENGINE COVER COMPLETE. INCLUDES ALL ITEMS MARKED WITH AN ASTERISK (*).
2	A537528		0	DECAL, ENGINE COVER, REAR
3	F1475		7	SCREW, FILL HD. - 10 - 24 X 1/2
4	FA525480		2	RETAINER, ENGINE COVER, W/NUTS & SCREWS
5	FA537386		2	NUMERAL "6"
7	FA537397		1	DECAL ENGINE COVER, PORT
-	FA537396		1	DECAL ENGINE COVER, STARBOARD
9	F7011		7	ELASTIC STOP NUT, 10 - 24
10	525156-1		1	COVER SUPPORT PLATE REAR
11	FA525038		1	SUPPORT PLATE W/EYELET (62H9L)
-	FA526038		1	SUPPORT PLATE W/EYELET (67H9C)
12	F525615		1	ROD GEAR SHIFT UPPER
13	F1950		1	HEX HD SCREW, 10 - 24 X 5/8
14	F525912		1	SPRING LATCH SHAFT
15	F1518		2	NUT, 5/16 - 18
16	F392777		1	CAM COVER LATCH
17	F525840		1	GROMMET REMOTE THROTTLE CABLE
-	F84991-1		1	GROMMET LIGHTING COIL WIRE (67H9C)
18	F525469		1	HANDLE LATCH
19	F8547		1	SPRING PIN, 1/8 X 5/8
20	F525763		1	SHAFT COVER LATCH
21	F197767-1		1	BUSHING FUEL LINE
22	F525390		1	DECAL STOP
23	F525394		1	DECAL CHOKE
24	F521547		1	CHOKE KNOB
25	F525925		1	LINK CHOKE KNOB
26	F2041		1	HEX HD SCREW, 10 - 24 X 3/8
27	F8567		1	SPRING PIN, 1/8 X 13/16
28	F525614		1	HANDLE GEAR SHIFT
29	F526524		2	RIVET GEAR SHIFT HANDLE
30	FK525713		1	ENGINE COVER PACKING
32	F525263		1	LINK STARTER INTERLOCK
33	F525871		1	SHAFT GEAR SHIFT LEVER
34	F8538		1	SPRING PIN, 3/32 X 1/2
35	F8547		3	SPRING PIN, 1/8 X 5/8
36	F525876		1	LEVER GEAR SHIFT
37	F318818		2	BEARING SHIFT LEVER SHAFT
38	F1573		4	FILL HD SCREW, 1/4 - 20 X 1/2
39	F525977		1	LEVER SHIFT INTERLOCK
40	F1978		1	SPRING PIN, 1/8 X 1/2
41	F525531		1	ROD SHIFT INTERLOCK

CONTINUED ON NEXT PAGE ➡

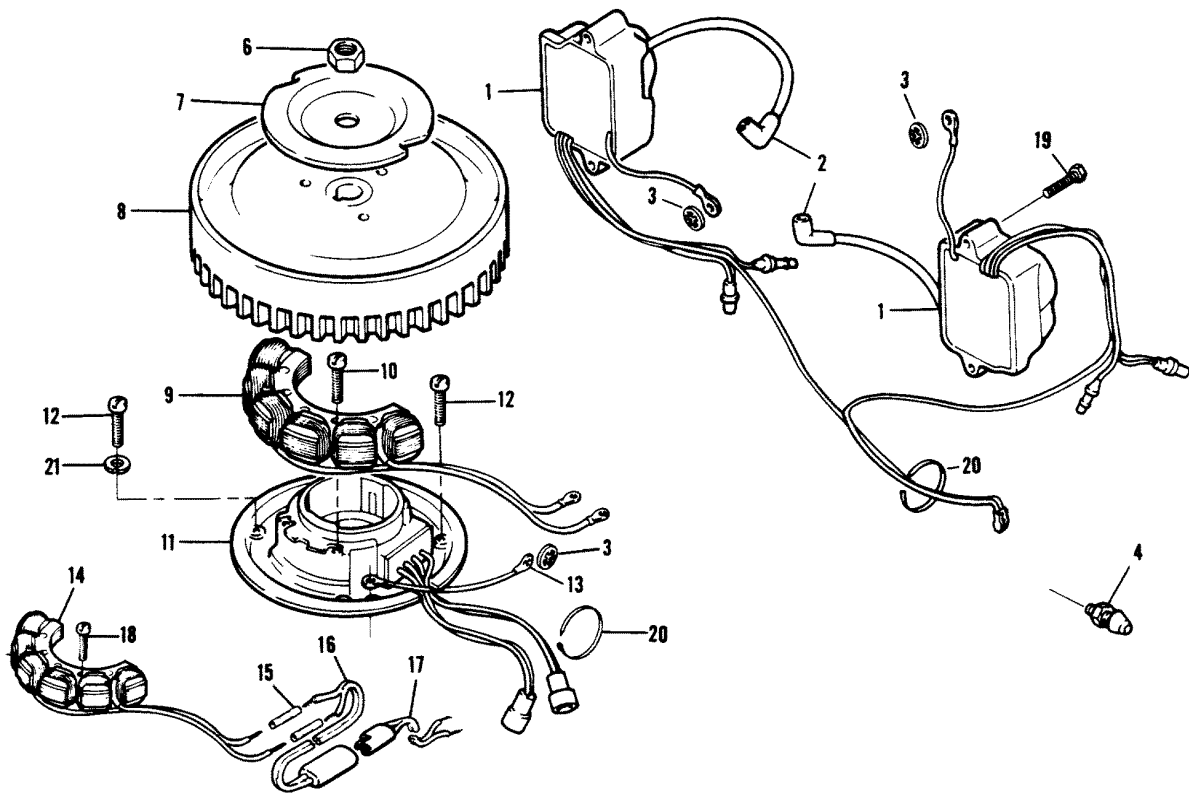
ENGINE COVER AND SUPPORT PLATE



ENGINE COVER AND SUPPORT PLATE

REF. NO.	PART NO.	SYM.	QTY.	DESCRIPTION
42	F84035-2		1	BEARING INTERLOCK ROD
43	F84026		1	SCREW SHOULDER
44	F1975		1	LOCKWASHER #10
45	FA525774		1	BRACKET COVER LATCH W/SCREWS & NUTS
46	A537892-1		1	DECAL ENGINE COVER FRONT
47	FK516984		1	BLANKET TOP & SIDES
48	F458977-3		1	LEVER SHIFT INTERLOCK
49	F525504		1	GROMMET, CHOKE ROD
50	F307818		3	BEARING (NYLINER)
51	F85026		1	SCREW
52	F525025		1	PAD SHIFT DETENT
53	F409740		1	BALL CHECK
54	F73741-1		1	RING
55	F178446		1	CLAMP LEAD WIRE
56	F1734		1	SLOTTED FILL HD SCREW, 1/4 - 20 X 1/2
57	F318307		1	SEAL, DRIVESHAFT
58	F1200		2	HEX HD SCREW, 1/4 - 20 X 1/2
59	F2026		1	RIVET, SUPPORT PLATE COVER
60	F8049		1	BOWED SPRING LOCKWASHER

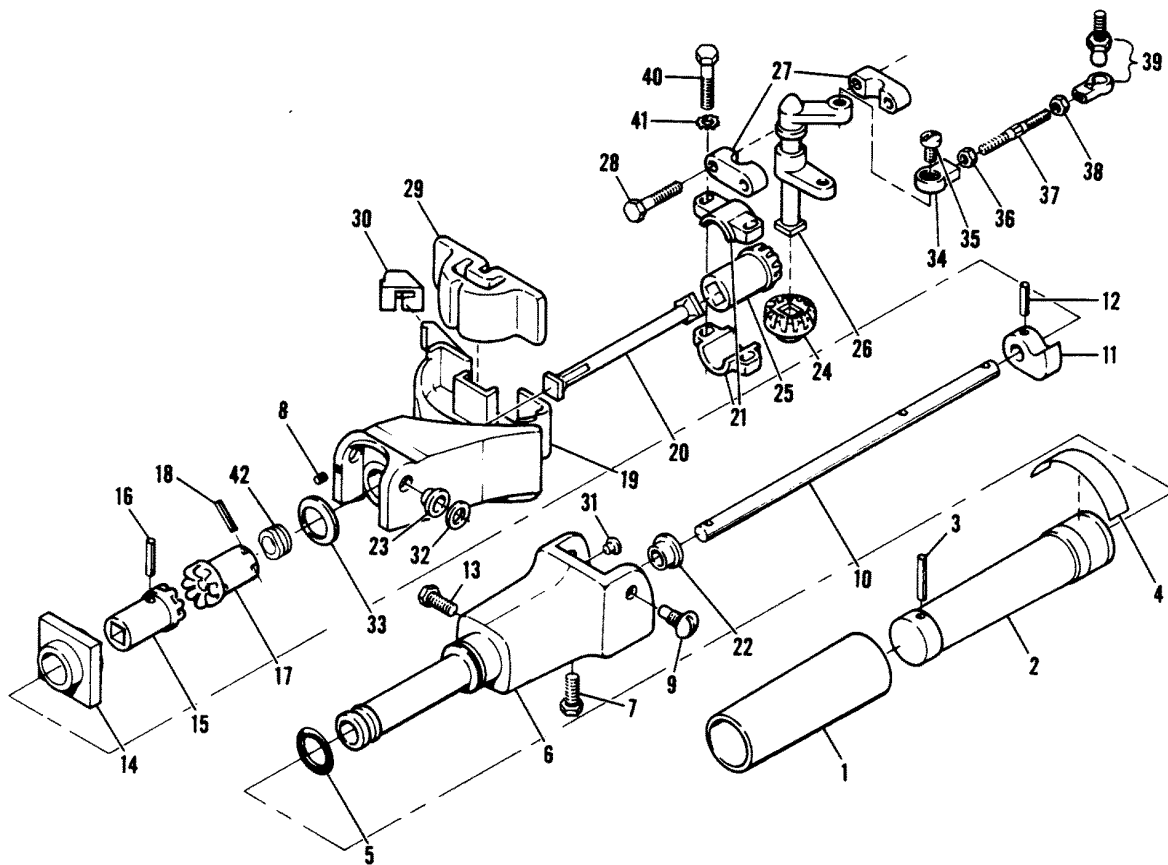
ELECTRICAL COMPONENTS



ELECTRICAL COMPONENTS

REF. NO.	PART NO.	SYM.	QTY.	DESCRIPTION
1	F525475		2	C-D MODULE - COIL
2	FK750-2		2	SPARKIE KIT
3	F2106		3	LOCKWASHER
4	F436449		1	SHORTING SWITCH
6	F1809		1	FLYWHEEL NUT
7	F901456-1		1	COLLAR, EMERGENCY START
8	F525097		1	FLYWHEEL
9	F525301		1	STATOR - C-D
10	F1678		2	FILL HD SCREW, 10 - 24 X 13/16
11	F525029		1	STATOR - TRIGGER
12	F2010		4	FILL HD SCREW, 10 - 32 X 9/16
13	F404908		1	WIRE, STATOR GROUND
14	F525095		1	STATOR ALTERNATOR (67H9C)
15	F448874		2	SPLICE (67H9C)
16	F521843		1	CABLE LIGHTING COIL EXT. (67H9C)
17	FA521841		1	CABLE LIGHTING COIL (67H9C) W/SPLICES
18	F1678		2	SLOTTED FILL HD SCREW, 10 - 24 X 13/16 (67H9C)
19	F525064		4	SCREW - C-D COIL
20	F1877		2	TY - RAP
21	F1975		1	LOCKWASHER #10

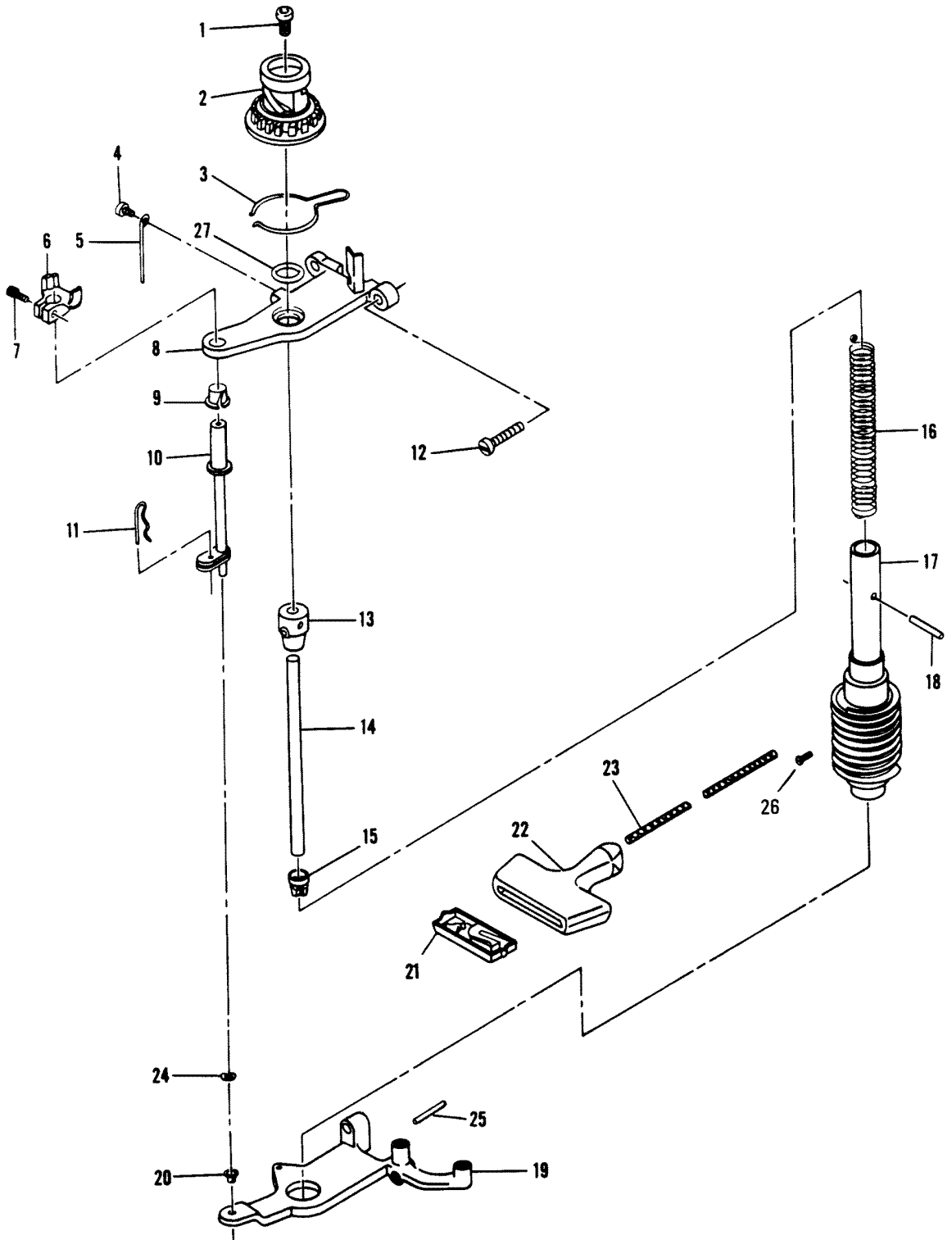
STEERING ARM



STEERING ARM

REF. NO.	PART NO.	SYM.	QTY.	DESCRIPTION
1	F458695		1	SLEEVE, STEERING HANDLE GRIP
2	FA458137		1	GRIP, STEERING HANDLE W/SLEEVE
3	F8548		1	SPRING PIN, 1/8 X 1
4	F286894-3		1	INDICATOR STEERING HANDLE
5	F53795-1		1	SEAL, STEERING HANDLE DAMPENER
6	F525079		1	HANDLE-STEERING
7	F1974		1	SCREW, STEERING HANDLE BEARING, 10 - 24 X 5/8 SLOTTED PAN HD
8	F1471		1	HEX SET SCREW, 10 - 24 X 1/4
9	F525080		2	SCREW, STEERING HANDLE PIVOT
10	F525688		1	SHAFT, STEERING HANDLE
11	F525198		1	THROTTLE STOP
12	F8547		1	SPRING PIN, 1/8 X 5/8
13	F458519		1	SCREW, IDLE STOP
14	F525816-1		1	BEARING, STEERING HANDLE GEAR
15	F525815		1	GEAR, STEERING HANDLE
16	F8567		1	SPRING PIN, 1/8 X 13/16
17	F525691		1	GEAR, STEERING ARM
18	F8540		1	SPRING PIN, 3/32 X 5/8
19	F525582-1		1	STEERING ARM
20	F525877		1	SHAFT, MAGNETO CONTROL
21	F525665		2	BEARING, GEAR PINION TOWERSHAFT
22	F307818		1	BEARING, STEERING HANDLE SHAFT
23	F390689		2	BEARING, STEERING ARM PIVOT SCREW
24	F525605		1	GEAR, TOWERSHAFT
25	F525627		1	GEAR, TOWERSHAFT PINION
26	F525838		1	TOWERSHAFT
27	F525689		2	TOWERSHAFT BEARING
28	F1699		2	HEX HD SCREW, 1/4 - 20 X 1/8
29	F318347-1		1	UPPER MOUNT
30	F318539		1	BUMPER
31	F525524		1	RIVET, STEERING HANDLE
32	F525220		2	WASHER, STEERING HANDLE
33	F8043		1	WAVE WASHER
34	F84036		1	BEARING, SPARK CONTROL
35	F84026		1	SHOULDER SCREW
36	F7027		1	NUT (LEFT HAND), 10 - 24
37	F525445		1	LINK, MAGNETO STATOR CONTROL
38	F1513		1	NUT, 10 - 32
39	817747--1		1	JOINT, BALL ASSEMBLY
40	F525751		2	SCREW
41	F8060		2	LOCKWASHER
42	F318504		1	GROMMET

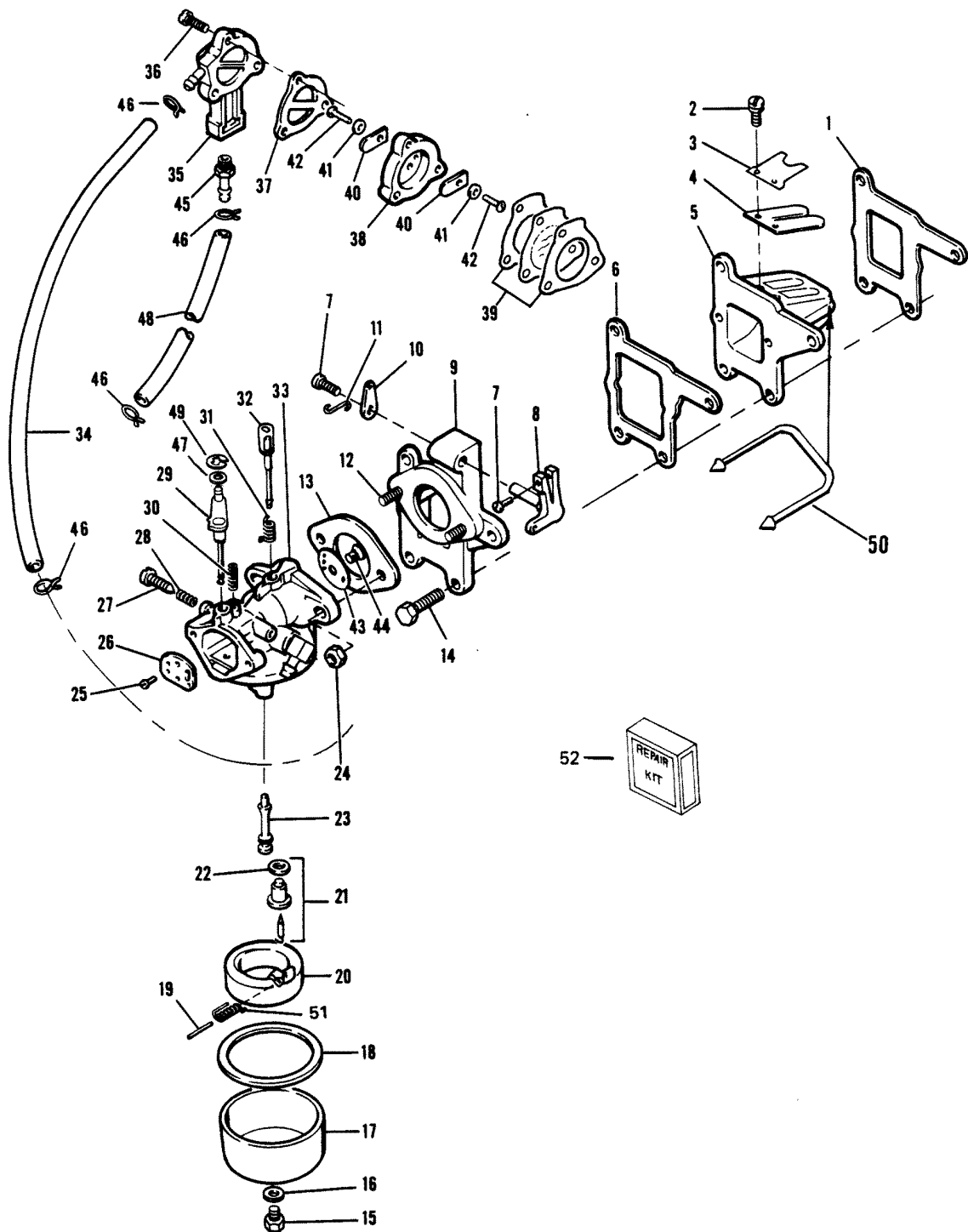
STARTER



STARTER

REF. NO.	PART NO.	SYM.	QTY.	DESCRIPTION
1	F525457		1	SCREW
2	F525674-1		1	GEAR STARTER PINION
3	F525424		1	SPRING STARTER PINION
4	F1760		1	PAN HD SCREW, 10 - 24 X 3/8
5	F525455		1	GUIDE STARTER ROPE
6	F525781		1	INTERLOCK STARTER
7	F2031		1	HEX HD SCREW, 1/4 - 20 X 3/4
8	F525427-1		1	BRACKET STARTER UPPER
9	F269689		1	BEARING STARTER BRACKET UPPER
10	F525105		1	SHAFT INTERLOCK
11	F525629		1	COTTER PIN
12	F1052		4	FILL HD SCREW, 1/4 - 20 X 1
13	F901739		1	DRIVE STARTER REWIND SPRING
14	F901710		1	POST STARTER SPRING GUIDE
15	F525737		1	RETAINER STARTER REWIND SPRING
16	F901970		1	SPRING STARTER REWIND
17	817856A1		1	SPOOL STARTER W/SCREW
18	F40425		1	PIN STARTER PINION
19	F525675		1	BRACKET STARTER LOWER
20	F197813		1	BEARING STARTER BRACKET LOWER
21	817938A1		1	RETAINER STARTER ROPE HANDLE
22	F286132		1	HANDLE STARTER ROPE
23	F409232		1	ROPE STARTER
24	F8070		1	BOWED SPRING WASHER
25	F8571		1	SPRING PIN, 1/8 X 1 3/4
26	F1500		1	RD HD SHEET METAL SC. #4 X 1/4
27	F53795-1		1	SEAL, STARTER PINION CUSHION

FUEL SYSTEM

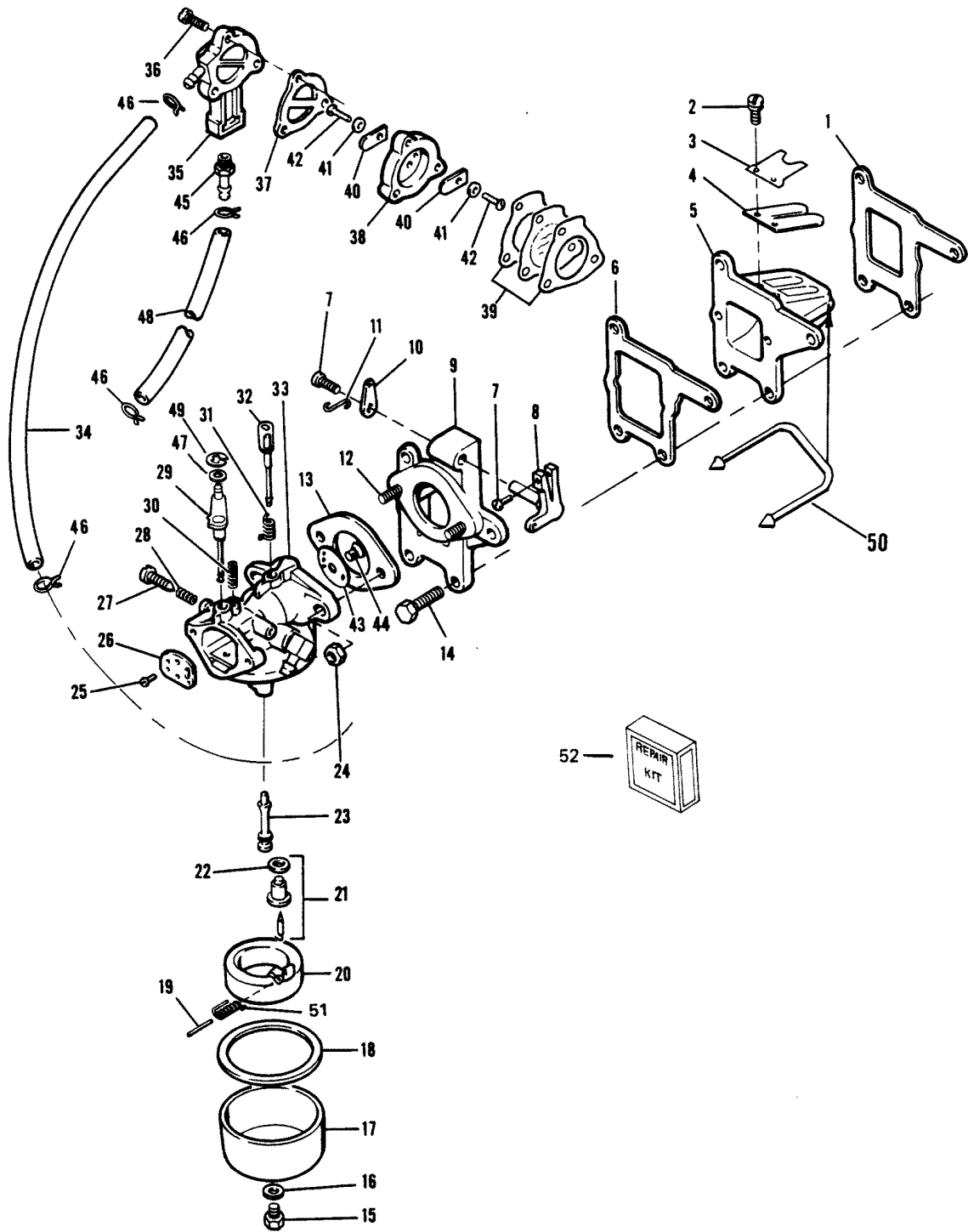


FUEL SYSTEM

REF. NO.	PART NO.	SYM.	QTY.	DESCRIPTION
1	F525159		1	GASKET, REED PLATE
2	F1755		4	RD HD SCREW & SPRING LOCKWASHER ASSEMBLY, 6 - 32 X 5/16
3	F525161		2	REED STOP
4	F31160-1		2	REED
5	F2A525158		1	PLATE, REED W/SEAL
6	F525168		1	GASKET MANIFOLD
7	F1772		2	HEX HD SCREW, 8 - 32 X 1/2
8	F525316-1		1	FOLLOWER THROTTLE CAM
9	FA525167		1	MANIFOLD W/STUDS
10	F525081		1	LEVER THROTTLE
11	F525193		1	LINK THROTTLE
12	F2788004		2	STUD CARBURETOR
13	F18906		1	GASKET CARBURETOR
14	F1953		4	HEX HD SCREW, 1/4 - 20 X 1
15	F10096		1	JET ASSEMBLY, STD. (.039) SEA LEVEL - 3000 FT.
-	F10093		-	JET ASSEMBLY, OPT. (.038) 3000 FT. - 5000 FT.
-	F10086		-	JET ASSEMBLY, OPT. (.037) 5000 FT. - 7000 FT.
.	F10094		-	JET ASSEMBLY, OPT (.036) 7000 FT & UP, OPTIONAL SIZE JET ASSEMBLIES ARE TO BE USED ONLY AT ALTITUDES INDICATED.
16	F10090		1	GASKET FUEL BOWL RETAINER
17	F10058		1	FUEL BOWL
18	F10068		1	GASKET BODY TO BOWL
19	F10064		1	SHAFT - FLOAT
20	F10063		1	FLOAT
21	F10101		1	KIT - VALVE, SEAT, SPRING & GASKET
22	F10066		1	GASKET VALVE SEAT
23	F10104		1	NOZZLE
24	F1490		2	NUT, 1/4 - 20
25	F10070		2	SCREW ASSEMBLY - CHOKE VALVE
26	F10062		1	CHOKE VALVE ASSEMBLY
27	F10077		1	NEEDLE - IDLE
28	F10073		1	SPRING IDLE NEEDLE
29	F10061		1	CHOKE SHAFT ASSEMBLY
30	F10072		1	SPRING CHOKE STOP
31	F10085		1	SPRING THROTTLE RETURN
32	F10081		1	SHAFT ASSEMBLY - THROTTLE
33	817963A4		1	CARBURETOR (LMB-214)
34	F84253		1	HOSE
35	F901746-2		1	COVER FUEL PUMP
36	F1069		3	FILL HD SCREW, 10 - 24 X 1/16
37	F24748-2		1	GASKET FUEL PUMP
38	F2A24757		1	PLATE FUEL PUMP REED W/REEDS & SCREWS

CONTINUED ON NEXT PAGE ➡

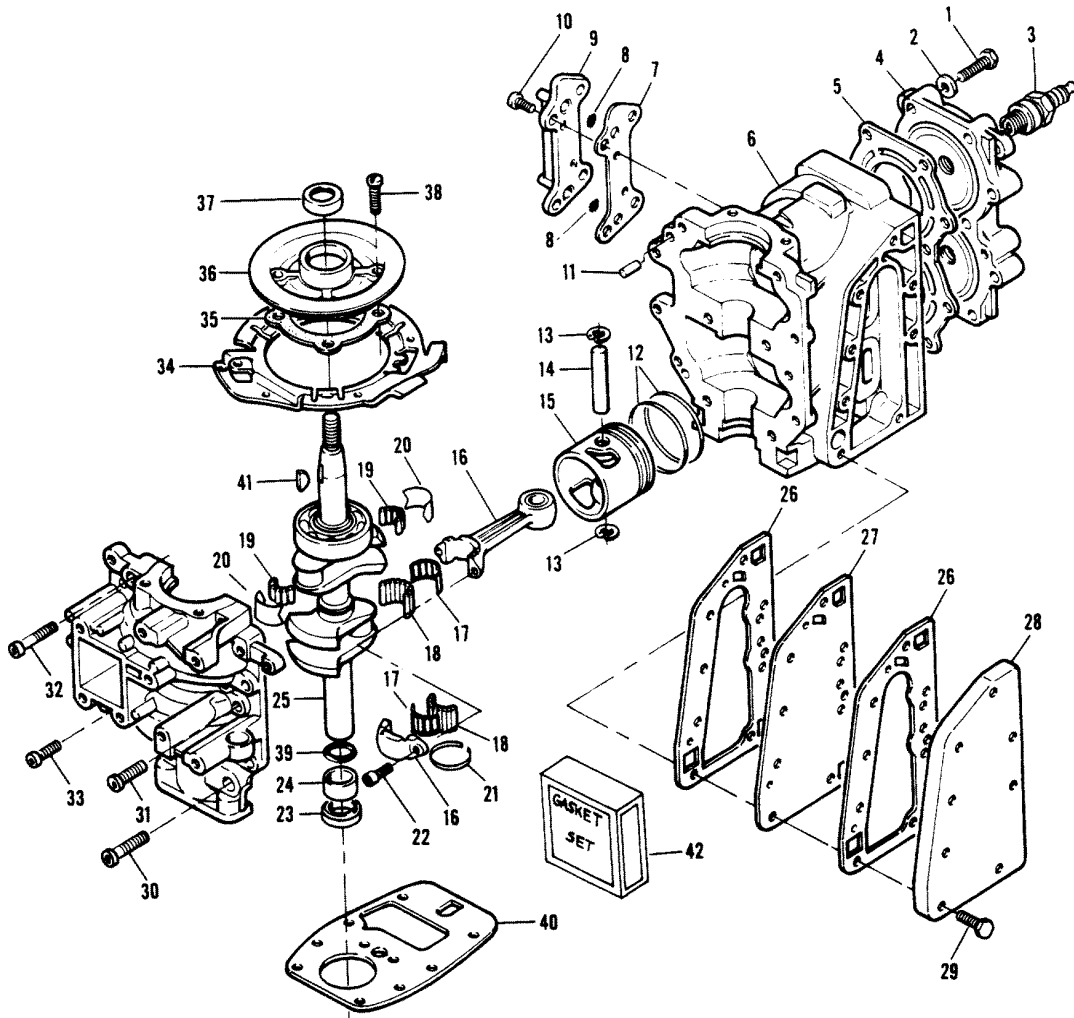
FUEL SYSTEM



FUEL SYSTEM

REF. NO.	PART NO.	SYM.	QTY.	DESCRIPTION
39	27-818043A1		1	DIAPHRAGM, FUEL PUMP W/GASKETS
40	F18160-2		2	REED FUEL PUMP
41	F8003		2	PLAIN WASHER
42	F1286		2	PAN HD SCREW, #4 - 40 X 3/16
43	F10091		1	VALVE THROTTLE
44	F10071		1	SCREW, THROTTLE VALVE
45	F901811		1	FILTER FUEL PUMP
46	F2706772		4	CLAMP HOSE
47	F2042		1	WASHER
48	F84253		1	HOSE
49	F90807		1	RETAINING RING
50	F525984		1	SEAL, REED PLATE
51	F10084		1	SPRING FLOAT SUPPORT
52	F10087		1	REPAIR KIT (INCL. ITEMS PRECEDED WITH **)
-	F10069		1	GASKET KIT (INCL ITEMS PRECEDED WITH *)

POWER HEAD

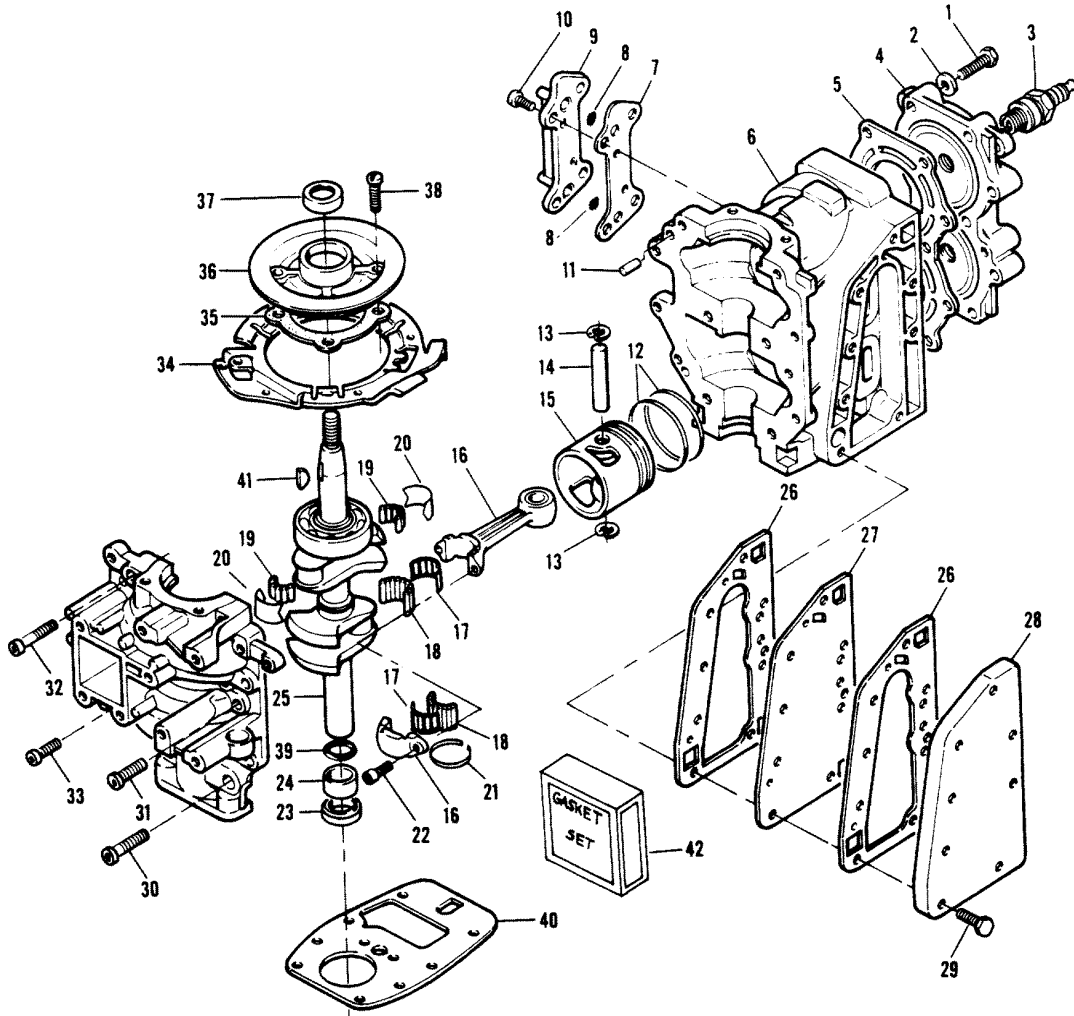


POWER HEAD

REF. NO.	PART NO.	SYM.	QTY.	DESCRIPTION
1	F901938-1		10	SCREW, CYLINDER HEAD
2	F8025		10	PLAIN WASHER
3	33-82370M		10	SPARK PLUG (L-86)
4	F525518		1	CYLINDER HEAD
5	F525529		1	GASKET, CYLINDER HEAD
6	F2A525010		1	CYLINDER
-	FC525010		1	CYLINDER COMPLETE. INCLUDES ALL ITEMS MARKED WITH AN ASTERISK (*)
7	F525472		1	GASKET, CYLINDER DRAIN COVER
8	F429811		2	SCREEN, CYLINDER DRAIN
9	FA525471		1	COVER, CYLINDER DRAIN W/SCREEN
10	F1110		4	SCREW, 1/4 - 20 X 5/8
11	F8559		2	DOWEL PIN
12	39-818038A1		2	PISTON RING
13	F250410		4	PISTON PIN RETAINING RING
14	F250017		2	PISTON PIN
15	F525015		2	PISTON
16	F2A521016		2	CONNECTING ROD W/ITEM 22
17	FA525241		2	CRANKPIN ROLLER CAGE
18	FA525228		2	ROLLER CRANKPIN
19	F286571		1	ROLLER ASSEMBLY, CENTER MAIN BEARING
20	FA286155		1	LINER, CENTER MAIN
21	F525579		1	CRANKCASE SEAL
22	F36634		4	CONNECTING ROD SCREW
23	F141118		1	SEAL, CRANKSHAFT LOWER
24	F343014		1	BEARING CRANKSHAFT LOWER MAIN
25	F2A525018		1	CRANKSHAFT W/UPPER BEARING
26	F525154		2	GASKET EXHAUST
27	F525151		1	PLATE EXHAUST
28	F525152		1	COVER EXHAUST
29	F1953		8	SCREW, 1/4 - 20 X 1
30	F1257		2	SCREW, 5/16 - 18 X 1/4
31	F1994		2	SCREW, 5/16 - 18 X 1
32	F1044		2	SCREW, 1/4 - 20 X 1 3/8
33	F1107		6	SCREW, 1/4 - 20 X 3/4
34	F525082		1	RING STATOR
35	F286277		1	GASKET, CRANKSHAFT BEARING CAGE
36	1100-817753A1		1	CAGE, CRANKSHAFT BEARING W/UPPER CRANKSHAFT SEAL
37	F346146		1	SEAL, CRANKSHAFT UPPER
38	F1111		4	FILL HD SCREW, 1/4 - 20 X 7/8
39	F468342		1	SEAL, CRANKSHAFT SPLINE
40	F525279		1	GASKET, CYLINDER MOUNTING
41	F458498		1	MAGNETO KEY

CONTINUED ON NEXT PAGE ➡

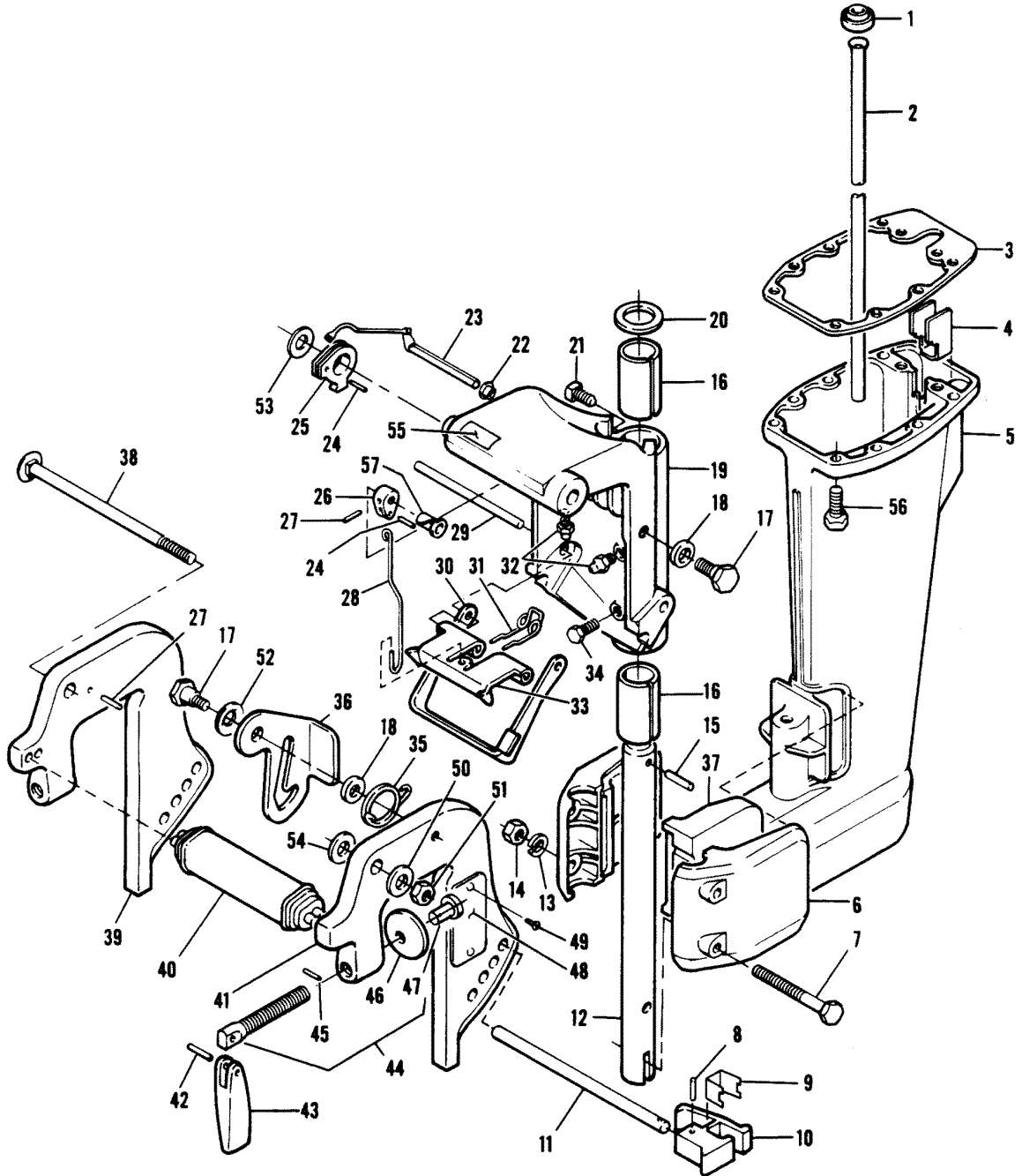
POWER HEAD



POWER HEAD

REF. NO.	PART NO.	SYM.	QTY.	DESCRIPTION
42	FG1018		1	GASKET SET (INCLUDES ITEMS LISTED BELOW)
-	F18906		1	GASKET, CARB.
-	F286277		1	GASKET, C'SHAFT BRG. CAGE
-	F525154		2	GASKET, EXHAUST
-	F525159		1	GASKET, REED PLATE
-	F525168		1	GASKET, MANIFOLD
-	F525279		1	GASKET, CYL. MOUNTING
-	F525453		1	GASKET, LEG MOUNTING
-	F525529		1	GASKET, CYL. HEAD
-	F525472		1	GASKET, CYL. DRAIN COVER

MOTOR LEG

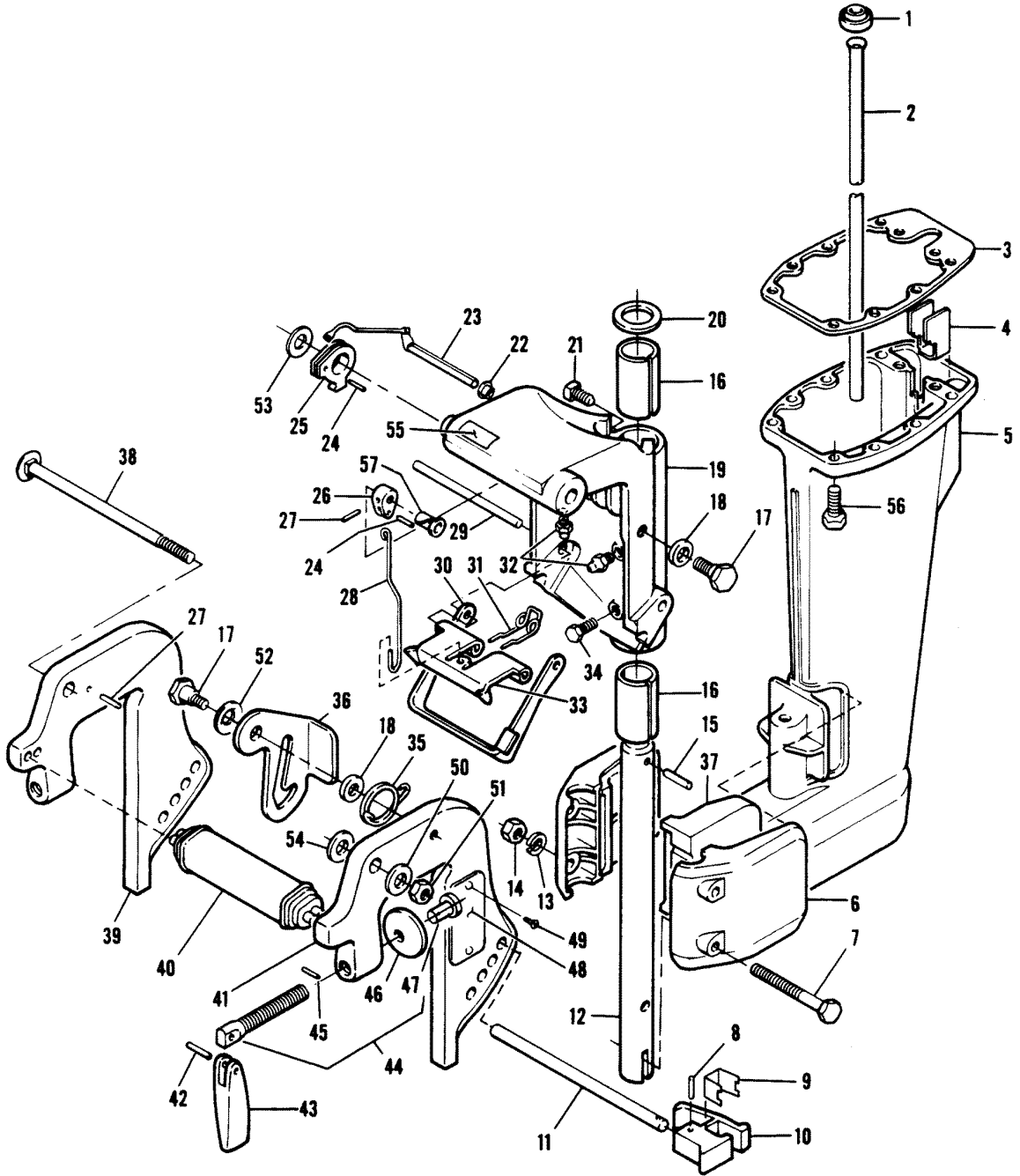


MOTOR LEG

REF. NO.	PART NO.	SYM.	QTY.	DESCRIPTION
1	F318342		1	SEAL, WATERLINE INLET UPPER
2	F525244		1	WATERLINE (STD. LEG)
-	F526244		1	WATERLINE (LONG LEG)
3	F525453		1	GASKET LEG MOUNTING
4	F525779		1	BAFFLE IDLE RELIEF
5	F525133		1	MOTOR LEG
6	F525707		2	COVER, SHOCK MOUNT LOWER
7	F1972		2	HEX HD SCREW, 1/4 - 20 X 2 1/2
8	F8540		1	SPRING PIN, 3/32 X 5/8
9	F286461		1	SPRING LOCK BAR HANDLE
10	F286114		1	HANDLE LOCK BAR
11	FA286113		1	BAR LOCK W/8, 9, 10
12	F525019		1	KINGPIN
13	F8083		2	LOCKWASHER
14	F1341		2	NUT, 1/4 - 20
15	F1805		1	SPRING PIN, 1/4 X 1 3/8
16	F286169		2	BEARING SWIVEL BRACKET
17	F286422-1		2	PIVOT TILT LOCK
18	F286451		2	SPACER TILT LOCK
19	1400-817964A2		1	SWIVEL BRACKET W/16, 32
20	F286011		1	WASHER SWIVEL BRACKET
21	F525839		1	SCREW, STEERING FRICTION
22	F197813		1	BEARING
23	FA387742		1	LEVER REVERSE LOCK INTERMEDIATE
24	F1794		2	SPRING PIN, 3/32 X 3/8
25	F286827		1	LEVER REVERSE LOCK RELEASE
26	F286364		1	LEVER REVERSE LOCK
27	F8538		2	SPRING PIN, 3/32 X 1/2
28	F341510		1	LINK REVERSE LOCK LEVER
29	F1806		1	GROOVE PIN, 5/16 - 3/4
30	F286433		1	BRACKET SHALLOW WATER DRIVE
31	F286300		1	SPRING REVERSE LOCK
32	F213274		2	FITTING GREASE
33	F286349		1	LOCK REVERSE
34	F1467		1	HEX SOCKET HD SET SCREW 1/4 - 20 X 3/8
35	F286544-1		1	SPRING TILT LOCK
36	F429541		1	LOCK TILT
37	F525346		2	MOUNT LOWER SHOCK
38	F286037		1	BOLT STERN BRACKET
39	FS567532		1	BRACKET STERN STARBOARD W/SCREW CLAMP
40	F286647		1	HANDLE CARRYING
41	FS567532		1	BRACKET STERN PORT W/SCREW CLAMP
42	F8554		2	SPRING PIN, 3/16 X 3/4

CONTINUED ON NEXT PAGE ➡

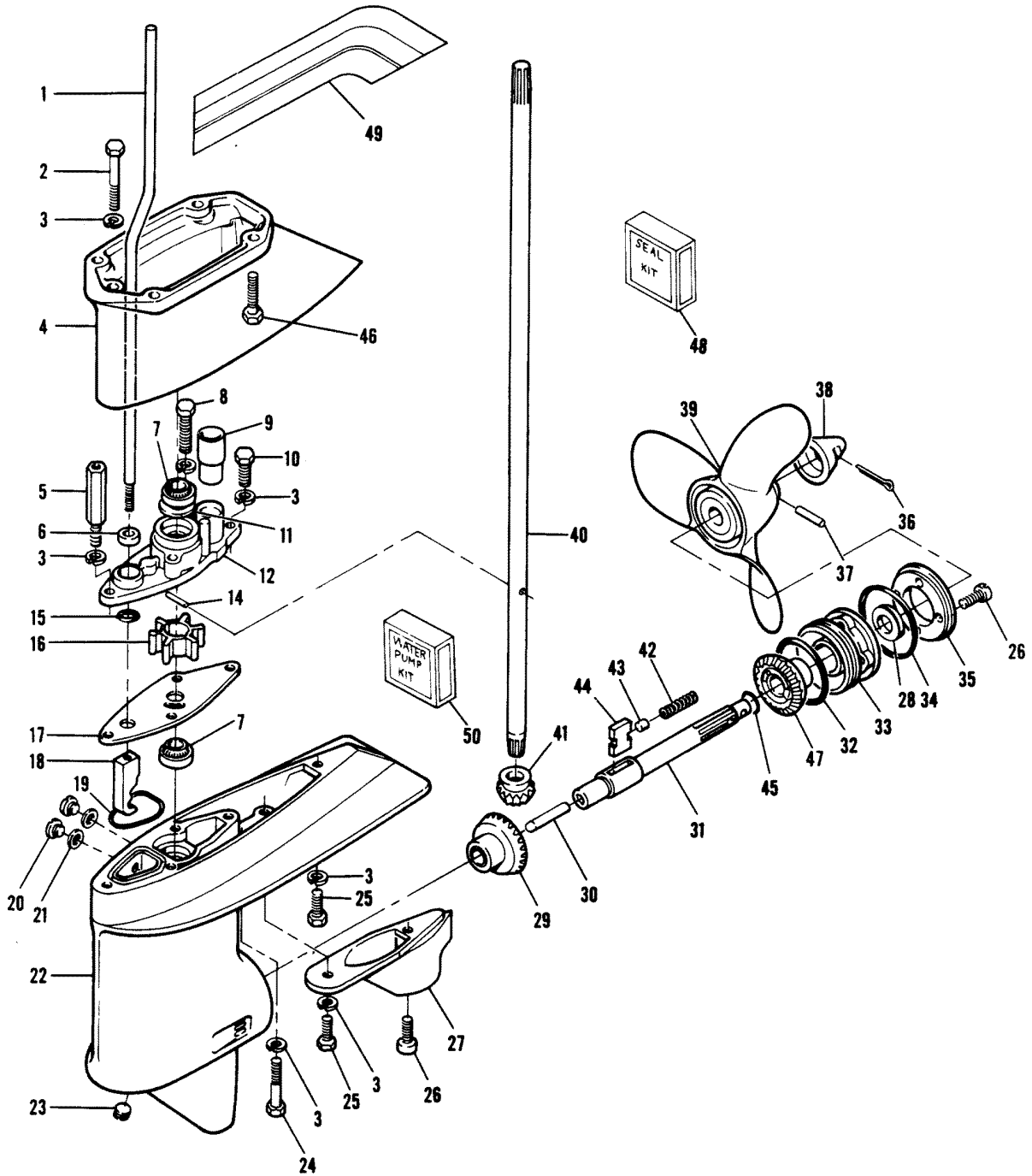
MOTOR LEG



MOTOR LEG

REF. NO.	PART NO.	SYM.	QTY.	DESCRIPTION
43	F424075		2	HANDLE CLAMP SCREW
44	817761A2		2	SCREW CLAMP W/45, 46, 47
45	F8537		2	SPRING PIN
46	F24074		2	FOOT CLAMP SCREW
47	F66480		2	STUD CLAMP SCREW
48	FA535395		1	IDENTIFICATION PLATE - U.S.A. W/SCREWS
49	F1447		2	RD HD DRIVE SCREW, #2 X 3/16
50	F8039		1	PLAIN WASHER
51	F7005		1	NUT, 3/8 - 16
52	F1666		1	WAVE WASHER
53	F525286		1	WASHER
54	F286286-1		1	WASHER
55	F286585-1		1	DECAL, TILT RELEASE - U.S.A.
56	F1833		8	HEX CAP SCREW, 1/4 - 20 X 1
57	F536813		1	BEARING

GEAR HOUSING

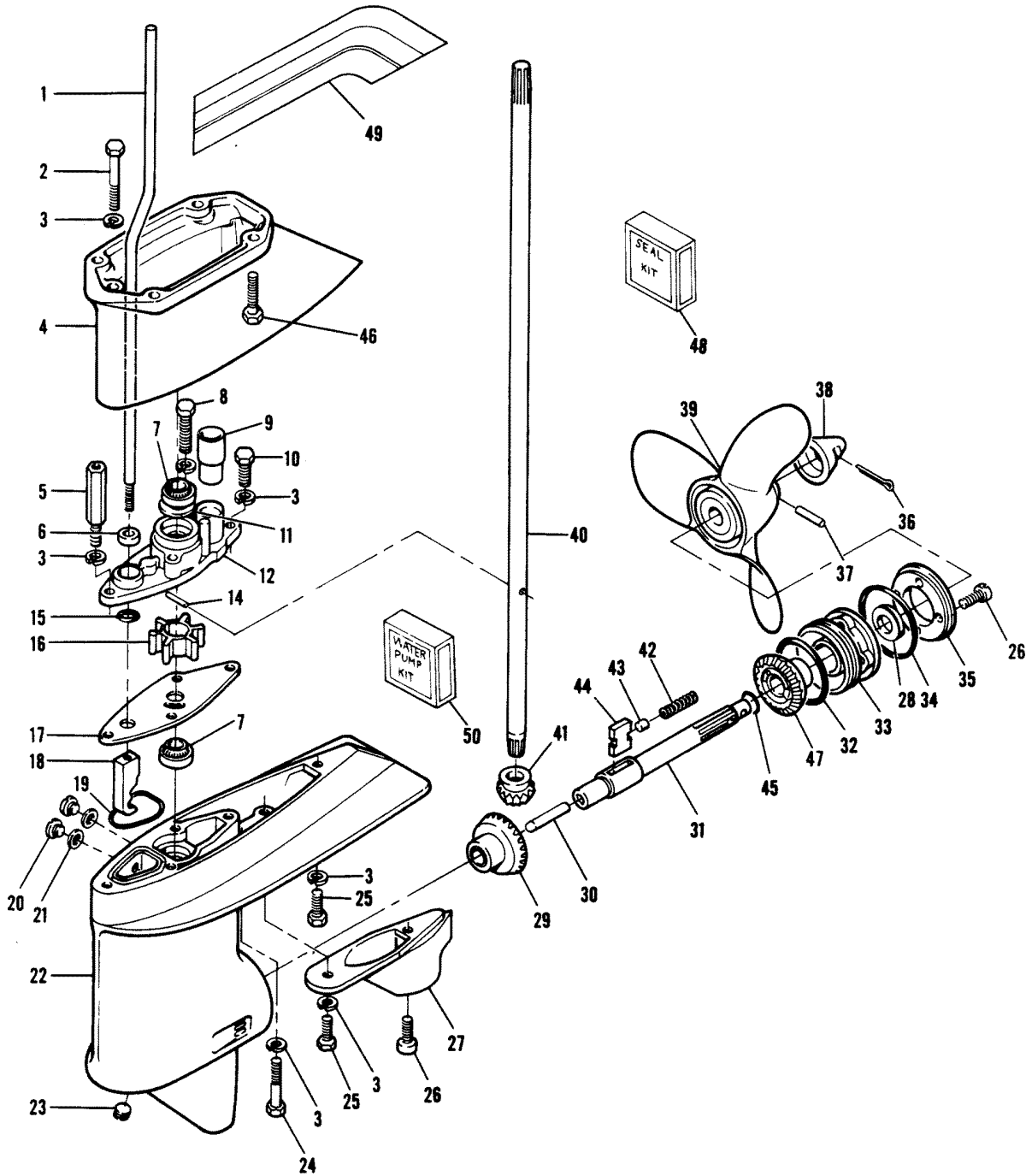


GEAR HOUSING

REF. NO.	PART NO.	SYM.	QTY.	DESCRIPTION
1	F525705		1	ROD, GEAR SHIFT
-	F526705		1	ROD, GEAR SHIFT (LONG LEG)
2	F1175		1	HEX HD CAP SCREW, 1/4 - 20 X 1 7/8 (STD. LEG)
-	F1825		1	HEX HD CAP SCREW, 1/4 - 20 X 6 (LONG LEG)
3	F8083		8	SPRING LOCKWASHER
4	F525845		1	EXTENSION MOTOR LEG (STD. LEG)
-	F526845		1	EXTENSION MOTOR LEG (LONG LEG)
5	F521006		1	STUD, GEAR HOUSING FRONT
6	F338618-1		1	SEAL, GEAR SHIFT ROD LOWER
7	F318307		2	SEAL
8	F1891		2	HEX HD SCREW, 1/4 - 20 X 1/2
9	FA510914		1	SEAL, WATERLINE
10	F2008		1	HEX HD SCREW, 1/4 - 20 X 7/8
11	525388		1	DISC, WATER PUMP LOCATING
12	FA525060		1	WATER PUMP BODY W/GEAR SHIFT ROD SEAL, WATERLINE SEAL, LOCATING DISC, DRIVESHAFT SEAL.
14	F390563		1	PIN, WATER PUMP IMPELLER DRIVE
15	F474342		1	SEAL, WATER PUMP GEAR SHIFT ROD
16	F525065		1	IMPELLER
17	F525562		1	PLATE, WATER PUMP BACK
18	F459721-1		1	CLUTCH SHIFT CAM
19	F525555		1	SEAL, SHIFT ROD CAVITY
20	F50109		2	PLUG, GEAR HOUSING
21	F8077		2	WASHER
-	FA525054		1	GEAR HOUSING W/PLUGS, WASHERS, DRIVESHAFT UPPER BEARING, PROP SHFT BEARING, DRIVESHAFT SEAL, BEVEL PINION BEARING.
-	FC525054		1	GEAR HOUSING COMPLETE (NOT SHOWN) INCLUDES ALL ITEMS MARKED WITH AN ASTERISK (*)
23	F19109		1	PLUG
24	F1990		2	HEX HD SCREW, 1/4 - 20 X 1 5/8
25	F1705		2	HEX CAP SCREW, 1/4 - 20 X 3/4
26	F525457		5	SCREW
27	FA525116		1	SNOUT
28	F521307		1	PROPSHAFT SEAL
29	FA521023		1	BEVEL GEAR W/BEARING
30	F901728		1	PIN CLUTCH SHIFT
31	F525098		1	PROPELLER SHAFT
32	F525305		1	SEAL, PROP SHAFT
33	FA525298		1	PROP SHAFT CAGE W/PROP SHAFT THRUST BEARING, PROP SHAFT BEARING.
34	F521305		1	SEAL, PROP SHAFT BEARING CAGE
35	F521296		1	RETAINER, PROP SHAFT BEARING CAGE
36	F1846		1	COTTER PIN

CONTINUED ON NEXT PAGE ➡

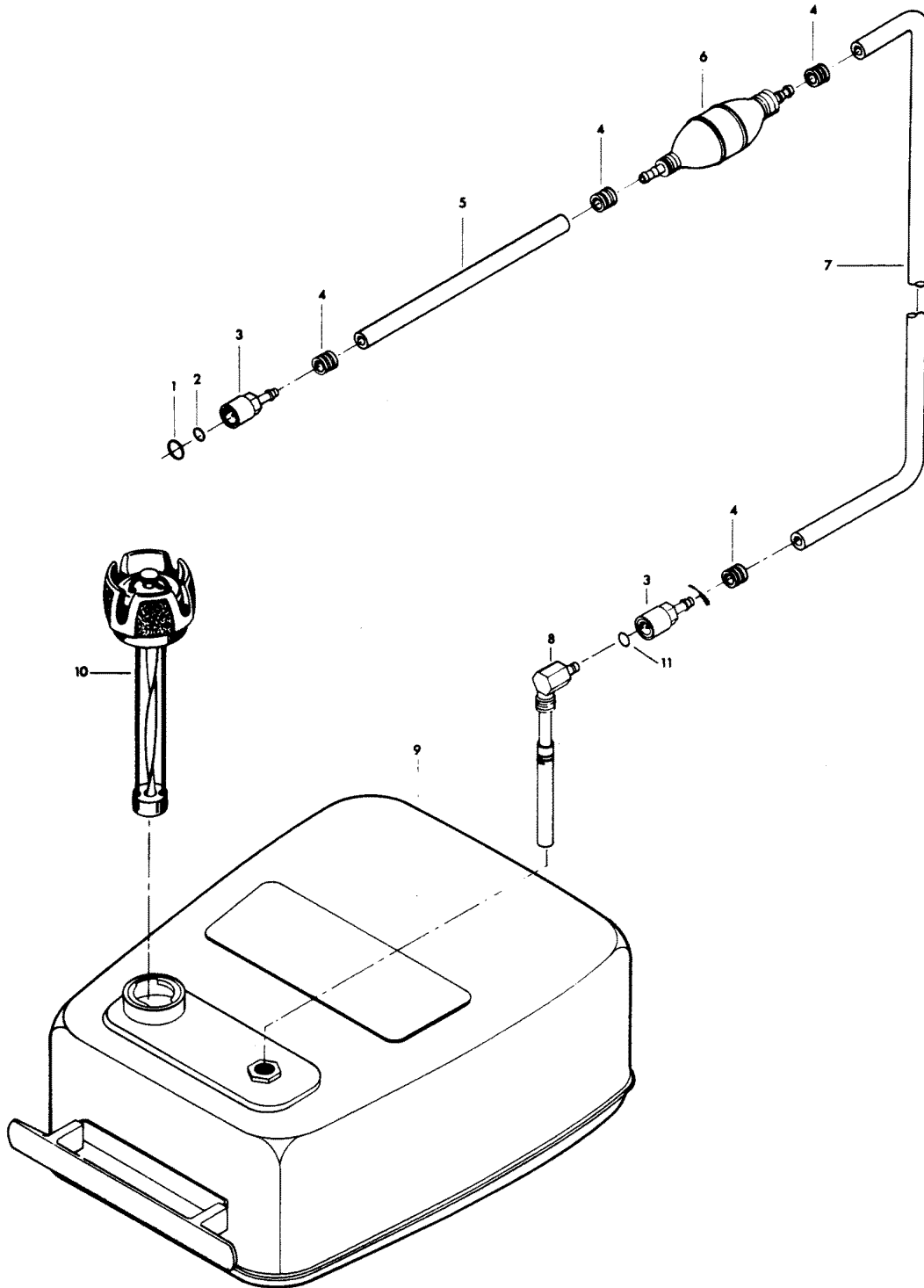
GEAR HOUSING



GEAR HOUSING

REF. NO.	PART NO.	SYM.	QTY.	DESCRIPTION
37	FA324101		1	PROPELLER PIN W/ITEM 36
38	11-817752A1		1	PROPELLER NUT W/COTTER PIN
39	FP343		1	PROPELLER
40	F525128		1	DRIVESHAFT (STD. LEG)
-	F526128		1	DRIVESHAFT (LONG LEG)
41	F521266		1	GEAR, BEVEL PINION
42	F409719		1	CLUTCH SPRING
43	F318372		1	CLUTCH PIN GUIDE
44	F409521		1	CLUTCH SHIFT
45	F317717		1	WASHER, BEVEL GEAR THRUST
46	F430732		4	MOTOR LEG EXTENSION TO GEAR HOUSING SCREWS
47	F521023		1	BEVEL GEAR - REAR
48	FK1062		1	GEAR HOUSING SEAL KIT INCLUDES ALL ITEMS MARKED WITH A DOUBLE ASTERISK (**)
49	A538392		1	DECAL, LEG - PORT
-	A538391		1	DECAL LEG - STARBOARD
50	FK1067		1	WATER PUMP KIT

FUEL TANK AND LINE



FUEL TANK AND LINE

REF. NO.	PART NO.	SYM.	QTY.	DESCRIPTION
1	F213342		1	SEAL, FUEL LINE COUPLER
2	F213735		1	SEAL, FUEL LINE COUPLER
3	F197787-3		2	FUEL LINE COUPLER
4	F298788		4	FERRULE
5	FA84754-1		1	FUEL LINE SHORT W/FERRULES
6	89396A38		1	PRIME BULB
7	32-817738A1		1	FUEL LINE, LONG W/CLAMP AND FERRULE
8	F487755		1	FUEL TANK ADAPTER
9	F5H027		1	FUEL TANK (ACCESSORY ITEM)
10	F409251-1		1	GAUGE CAP
-	FS409752		1	FUEL LINE COMPLETE (NOT SHOWN)

SPECIAL TOOLS - TUNE-UP

REF. NO.	PART NO.	SYM.	QTY.	DESCRIPTION
-	FT2909		0	KNOCK-OFF NUT TO REMOVE FLYWHEEL
-	FT2989		0	FLYWHEEL WEDGE TO REMOVE FLYWHEEL

SPECIAL TOOLS - STARTER

REF. NO.	PART NO.	SYM.	QTY.	DESCRIPTION
-	FT3139-1		0	STARTER REWIND KEY TO REWIND STARTER SPRING

SPECIAL TOOLS - POWER HEAD

REF. NO.	PART NO.	SYM.	QTY.	DESCRIPTION
-	FT3012		0	SEAL INSTALLER TO INSTALL UPPER CRANKSHAFT BEARING CAGE SEAL
-	FT8929		0	ADAPTER AND HEX BIT TO TORQUE CONNECTING ROD SCREWS
-	FT2997		0	RING COMPRESSOR TO INSTALL PISTONS IN CYLINDERS
-	FT1749		0	SNAP RING PLIERS TO REMOVE AND INSTALL PISTON PIN RETAINING RINGS
-	FT8926		0	PISTON RING EXPANDER TO INSTALL RINGS ON PISTONS
-	FT11202		0	SEAL INSTALLER TO INSTALL LOWER CRANKSHAFT SEAL

SPECIAL TOOLS - LOWER UNIT

REF. NO.	PART NO.	SYM.	QTY.	DESCRIPTION
-	FT2915		0	SEAL INSTALLER TO INSTALL DRIVESHAFT SEAL - UPPER AND LOWER, AND PROPELLER SHAFT SEAL
-	FT8957		0	SEAL INSTALLER TO INSTALL SHIFT ROD SEAL
-	FT8948-1		0	BEARING CAGE PULLER TO REMOVE PROPELLER SHAFT BEARING CAGE

SPECIAL TOOLS - TEST EQUIPMENT

REF. NO.	PART NO.	SYM.	QTY.	DESCRIPTION
-	FT8950		0	LEAKAGE TESTER TO TEST LOWER UNIT SEALS FOR LEAKS
-	FT8996		0	IGNITION TESTER TO TEST TRIGGER OUTPUT
-	FT8953		0	C-D TESTER TO TEST STATOR OUTPUT AND SECONDARY VOLTAGE

SPECIAL TOOLS - LUBRICANTS AND SEALANTS

REF. NO.	PART NO.	SYM.	QTY.	DESCRIPTION
-	FT2961		0	LUBRICANT
-	FT2987-1		0	LUBRICANT
-	FT8969		0	LUBRICANT
-	FT8983		0	SEALANT
-	FT8936		0	SEALANT
-	FT2962-1		0	SEALANT
-	FT2963-1		0	SEALANT
-	FT8935		0	SEALANT PRIMER

ACCESSORIES

REF. NO.	PART NO.	SYM.	QTY.	DESCRIPTION
-	F5H104		0	LIGHTING COIL PROVIDES 12 VOLT, 60 WATT OUTPUT FOR OUTBOARD RUNNING LIGHTS
-	F5H105		0	BATTERY CHARGING SYSTEM USED IN CONJUNCTION WITH 5H104 LIGHTING COIL KIT
-	F5H113		0	REMOTE CONTROL KIT PERMITS REMOTE CONTROL OF THROTTLE, GEAR SHIFT AND STEERING FROM FRONT OF BOAT
-	F5H114		0	REMOTE STEERING BRACKET ADAPTS MOTOR TO CABLE TYPE REMOTE STEERING
-	F5H027		0	STEEL 6 GALLON FUEL TANK AUXILIARY TANK
-	F5H029		0	FUEL TANK ANCHOR SECURES 5H027 TO DECK
-	F5H040		0	STEEL 12 GALLON FUEL TANK AUXILIARY TANK
-	F5H134		0	BOAT WHITE LACQUER ENGINE TOUCH-UP PAINT IN 12-3/4 OZ. SPRAY BOMBS (6 CANS PER CASE)
-	F5H135		0	SAND TAN LACQUER ENGINE TOUCH-UP PAINT IN 12-3/4 OZ. SPRAY BOMBS (6 CANS PER CASE)
-	F588		0	FLUSHING ADAPTER FOR CLEANING COOLING SYSTEM
-	F5H130		0	REMOTE CONTROL BOX SINGLE LEVER SURFACE MOUNT. PERMITS REMOTE CONTROL OF THROTTLE AND GEAR SHIFT
-	F5H131		0	REMOTE CONTROL DECAL KIT DECAL FOR PORT SIDE MOUNTING OF 5H130 CONTROL BOX
-	F195/___		0	REMOTE CONTROL CABLES CONNECTS REMOTE CONTROL BOX TO THROTTLE AND GEAR SHIFT ON MOTOR. AVAILABLE IN 6 THRU 40 FEET LENGTHS.
-			0	CHRYSLER OUTBOARD OIL SEE BLOCK COMMENT 1.
-			0	CHRYSLER OUTBOARD GEAR LUBE SEE BLOCK COMMENT 2.
-			0	CHRYSLER OUTBOARD FUEL AID REMOVES MOISTURE, PREVENTS SLUDGE AND VARNISH AND STABILIZES GAS. AVAILABLE IN 16 OZ. CANS AND 12 CAN CASES.
-			0	CHRYSLER OUTBOARD STORAGE LUBRICANT WORKS AS A CORROSION INHIBITOR AND PROTECTS INTERNAL ENGINE PARTS DURING STORAGE. AVAILABLE IN 16 OZ. CANS AND 12 CAN CASES.
-			0	CHRYSLER OUTBOARD MULTI-PURPOSE SPRAY LUBE WORKS AS A LUBRICANT, CLEANER, MOISTURE REMOVER, AND ELECTRICAL INSULATOR. AVAILABLE IN 9 OZ. CANS AND 12 CAN CASES.
-			0	CHRYSLER OUTBOARD MULTI-PURPOSE GREASE LUBRICATE BEARINGS AND OTHER MOVING PARTS. AVAILABLE IN 8 OZ. TUBES AND 12 TUBE CASES.
-			0	CHRYSLER OUTBOARD GREASE GUN USED WITH CHRYSLER OUTBOARD MULTI GREASE TUBES FOR PRESSURE FITTINGS.
-			0	CHRYSLER OUTBOARD MULTI-PURPOSE CLEANER

PARTS INDEX

Part Number	Description	Pg.	Ref. No.	Part Number	Description	Pg.	Ref. No.
2C537712	ENGINE COVER COMPLETE.	3	-	F1175	HEX HD CAP SCREW, 1/4 -		
525156-1	COVER SUPPORT PLATE				20 X 1 7/8 (STD. LEG) . . .	25	2
	REAR	3	10	F1200	HEX HD SCREW, 1/4 - 20 X		
525388	DISC, WATER PUMP				1/2	5	58
	LOCATING	25	11	F1257	SCREW, 5/16 - 18 X 1/4	17	30
817747--1	JOINT, BALL ASSEMBLY . . .	9	39	F1286	PAN HD SCREW, #4 - 40 X		
817761A2	SCREW CLAMP W/45, 46, 47	23	44		3/16	15	42
817856A1	SPOOL STARTER W/SCREW	11	17	F1341	NUT, 1/4 - 20	21	14
817938A1	RETAINER STARTER ROPE			F141118	SEAL, CRANKSHAFT		
	HANDLE	11	21		LOWER	17	23
817963A4	CARBURETOR (LMB-214) . .	13	33	F1447	RD HD DRIVE SCREW, #2 X		
89396A38	PRIME BULB	29	6		3/16	23	49
A537528	DECAL, ENGINE COVER,			F1467	HEX SOCKET HD SET		
	REAR	3	2		SCREW 1/4 - 20 X 3/8 . . .	21	34
A537892-1	DECAL ENGINE COVER			F1471	HEX SET SCREW, 10 - 24 X		
	FRONT	5	46		1/4	9	8
A538391	DECAL LEG - STARBOARD .	27	-	F1475	SCREW, FILL HD. - 10 - 24 X		
A538392	DECAL, LEG - PORT	27	49		1/2	3	3
F10058	FUEL BOWL	13	17	F1490	NUT, 1/4 - 20	13	24
F10061	CHOKE SHAFT ASSEMBLY .	13	29	F1500	RD HD SHEET METAL SC.		
F10062	CHOKE VALVE ASSEMBLY .	13	26		#4 X 1/4	11	26
F10063	FLOAT	13	20	F1513	NUT, 10 - 32	9	38
F10064	SHAFT - FLOAT	13	19	F1518	NUT, 5/16 - 18	3	15
F10066	GASKET VALVE SEAT	13	22	F1573	FILL HD SCREW, 1/4 - 20 X		
F10068	GASKET BODY TO BOWL . .	13	18		1/2	3	38
F10069	GASKET KIT	15	-	F1666	WAVE WASHER	23	52
F10070	SCREW ASSEMBLY -			F1678	FILL HD SCREW, 10 - 24 X		
	CHOKE VALVE	13	25		13/16	7	10
F10071	SCREW, THROTTLE VALVE	15	44	F1678	SLOTTED FILL HD SCREW,		
F10072	SPRING CHOKE STOP	13	30		10 - 24 X 13/16 (67H9C) . .	7	18
F10073	SPRING IDLE NEEDLE . . .	13	28	F1699	HEX HD SCREW, 1/4 - 20 X		
F10077	NEEDLE - IDLE	13	27		1/8	9	28
F10081	SHAFT ASSEMBLY -			F1705	HEX CAP SCREW, 1/4 - 20 X		
	THROTTLE	13	32		3/4	25	25
F10084	SPRING FLOAT SUPPORT .	15	51	F1734	SLOTTED FILL HD SCREW,		
F10085	SPRING THROTTLE				1/4 - 20 X 1/2	5	56
	RETURN	13	31	F1755	RD HD SCREW & SPRING		
F10086	JET ASSEMBLY, OPT. (.037)				LOCKWASHER		
	5000 FT. - 7000 FT.	13	-		ASSEMBLY, 6 - 32 X 5/16	13	2
F10087	REPAIR KIT	15	52	F1760	PAN HD SCREW, 10 - 24 X		
F10090	GASKET FUEL BOWL				3/8	11	4
	RETAINER	13	16	F1772	HEX HD SCREW, 8 - 32 X 1/2	13	7
F10091	VALVE THROTTLE	15	43	F178446	CLAMP LEAD WIRE	5	55
F10093	JET ASSEMBLY, OPT. (.038)			F1794	SPRING PIN, 3/32 X 3/8	21	24
	3000 FT. - 5000 FT.	13	-	F1805	SPRING PIN, 1/4 X 1 3/8 . . .	21	15
F10094	JET ASSEMBLY, OPT (.036)			F1806	GROOVE PIN, 5/16 - 3/4	21	29
	7000 FT & UP,	13	.	F1809	FLYWHEEL NUT	7	6
F10096	JET ASSEMBLY, STD. (.039)			F18160-2	REED FUEL PUMP	15	40
	SEA LEVEL - 3000 FT. . . .	13	15	F1825	HEX HD CAP SCREW, 1/4 -		
F10101	KIT - VALVE, SEAT, SPRING				20 X 6 (LONG LEG)	25	-
	& GASKET	13	21	F1833	HEX CAP SCREW, 1/4 - 20 X		
F10104	NOZZLE	13	23		1	23	56
F1044	SCREW, 1/4 - 20 X 1 3/8 . .	17	32	F1846	COTTER PIN	25	36
F1052	FILL HD SCREW, 1/4 - 20 X 1	11	12	F1877	TY - RAP	7	20
F1069	FILL HD SCREW, 10 - 24 X			F18906	GASKET CARBURETOR	13	13
	1/16	13	36	F18906	GASKET, CARB.	19	-
F1107	SCREW, 1/4 - 20 X 3/4	17	33	F1891	HEX HD SCREW, 1/4 - 20 X		
F1110	SCREW, 1/4 - 20 X 5/8	17	10		1/2	25	8
F1111	FILL HD SCREW, 1/4 - 20 X			F19109	PLUG	25	23
	7/8	17	38	F195/___	REMOTE CONTROL CABLES	36	-

PARTS INDEX

Part Number	Description	Pg.	Ref. No.	Part Number	Description	Pg.	Ref. No.
F1950	HEX HD SCREW, 10 - 24 X 5/8	3	13	F286451	SPACER TILT LOCK	21	18
F1953	HEX HD SCREW, 1/4 - 20 X 1	13	14	F286461	SPRING LOCK BAR HANDLE	21	9
F1953	SCREW, 1/4 - 20 X 1	17	29	F286544-1	SPRING TILT LOCK	21	35
F1972	HEX HD SCREW, 1/4 - 20 X 2 1/2	21	7	F286571	ROLLER ASSEMBLY, CENTER MAIN BEARING	17	19
F1974	SCREW, STEERING HANDLE BEARING, 10 - 24 X 5/8 SLOTTED PAN HD	9	7	F286585-1	DECAL, TILT RELEASE - U.S.A.	23	55
F1975	LOCKWASHER #10	5	44	F286647	HANDLE CARRYING	21	40
F1975	LOCKWASHER #10	7	21	F286827	LEVER REVERSE LOCK RELEASE	21	25
F197767-1	BUSHING FUEL LINE	3	21	F286894-3	INDICATOR STEERING HANDLE	9	4
F197787-3	FUEL LINE COUPLER	29	3	F298788	FERRULE	29	4
F1978	SPRING PIN, 1/8 X 1/2	3	40	F2A24757	PLATE FUEL PUMP REED W/REEDS & SCREWS	13	38
F197813	BEARING	21	22	F2A521016	CONNECTING ROD	17	16
F197813	BEARING STARTER BRACKET LOWER	11	20	F2A525010	CYLINDER	17	6
F1990	HEX HD SCREW, 1/4 - 20 X 1 5/8	25	24	F2A525018	CRANKSHAFT W/UPPER BEARING	17	25
F1994	SCREW, 5/16 - 18 X 1	17	31	F2A525158	PLATE, REED W/SEAL	13	5
F2008	HEX HD SCREW, 1/4 - 20 X 7/8	25	10	F307818	BEARING (NYLINER)	5	50
F2010	FILL HD SCREW, 10 - 32 X 9/16	7	12	F307818	BEARING, STEERING HANDLE SHAFT	9	22
F2026	RIVET, SUPPORT PLATE COVER	5	59	F31160-1	REED	13	4
F2031	HEX HD SCREW, 1/4 - 20 X 3/4	11	7	F317717	WASHER, BEVEL GEAR THRUST	27	45
F2041	HEX HD SCREW, 10 - 24 X 3/8	3	26	F318307	SEAL	25	7
F2042	WASHER	15	47	F318307	SEAL, DRIVESHAFT	5	57
F2106	LOCKWASHER	7	3	F318342	SEAL, WATERLINE INLET UPPER	21	1
F213274	FITTING GREASE	21	32	F318347-1	UPPER MOUNT	9	29
F213342	SEAL, FUEL LINE COUPLER	29	1	F318372	CLUTCH PIN GUIDE	27	43
F213735	SEAL, FUEL LINE COUPLER	29	2	F318504	GROMMET	9	42
F24074	FOOT CLAMP SCREW	23	46	F318539	BUMPER	9	30
F24748-2	GASKET FUEL PUMP	13	37	F318818	BEARING SHIFT LEVER SHAFT	3	37
F250017	PISTON PIN	17	14	F338618-1	SEAL, GEAR SHIFT ROD LOWER	25	6
F250410	PISTON PIN RETAINING RING	17	13	F341510	LINK REVERSE LOCK LEVER	21	28
F269689	BEARING STARTER BRACKET UPPER	11	9	F343014	BEARING CRANKSHAFT LOWER MAIN	17	24
F2706772	CLAMP HOSE	15	46	F346146	SEAL, CRANKSHAFT UPPER	17	37
F2788004	STUD CARBURETOR	13	12	F36634	CONNECTING ROD SCREW	17	22
F286011	WASHER SWIVEL BRACKET	21	20	F390563	PIN, WATER PUMP IMPELLER DRIVE	25	14
F286037	BOLT STERN BRACKET	21	38	F390689	BEARING, STEERING ARM PIVOT SCREW	9	23
F286114	HANDLE LOCK BAR	21	10	F392777	CAM COVER LATCH	3	16
F286132	HANDLE STARTER ROPE	11	22	F40425	PIN STARTER PINION	11	18
F286169	BEARING SWIVEL BRACKET	21	16	F404908	WIRE, STATOR GROUND	7	13
F286277	GASKET, C'SHAFT BRG. CAGE	19	-	F409232	ROPE STARTER	11	23
F286277	GASKET, CRANKSHAFT BEARING CAGE	17	35	F409251-1	GAUGE CAP	29	10
F286286-1	WASHER	23	54	F409521	CLUTCH SHIFT	27	44
F286300	SPRING REVERSE LOCK	21	31	F409719	CLUTCH SPRING	27	42
F286349	LOCK REVERSE	21	33	F409740	BALL CHECK	5	53
F286364	LEVER REVERSE LOCK	21	26	F424075	HANDLE CLAMP SCREW	23	43
F286422-1	PIVOT TILT LOCK	21	17	F429541	LOCK TILT	21	36
F286433	BRACKET SHALLOW WATER DRIVE	21	30	F429811	SCREEN, CYLINDER DRAIN	17	8

PARTS INDEX

Part Number	Description	Pg.	Ref. No.	Part Number	Description	Pg.	Ref. No.
F436449	SHORTING SWITCH	7	4	F525286	WASHER	23	53
F448874	SPLICE (67H9C)	7	15	F525301	STATOR - C-D	7	9
F458498	MAGNETO KEY	17	41	F525305	SEAL, PROP SHAFT	25	32
F458519	SCREW, IDLE STOP	9	13	F525316-1	FOLLOWER THROTTLE CAM	13	8
F458695	SLEEVE, STEERING HANDLE GRIP	9	1	F525346	MOUNT LOWER SHOCK	21	37
F458977-3	LEVER SHIFT INTERLOCK	5	48	F525390	DECAL STOP	3	22
F459721-1	CLUTCH SHIFT CAM	25	18	F525394	DECAL CHOKE	3	23
F468342	SEAL, CRANKSHAFT SPLINE	17	39	F525424	SPRING STARTER PINION	11	3
F474342	SEAL, WATER PUMP GEAR SHIFT ROD	25	15	F525427-1	BRACKET STARTER UPPER LINK, MAGNETO STATOR CONTROL	9	37
F487755	FUEL TANK ADAPTER	29	8	F525445	GASKET LEG MOUNTING	21	3
F50109	PLUG, GEAR HOUSING	25	20	F525453	GASKET, LEG MOUNTING	19	-
F521006	STUD, GEAR HOUSING FRONT	25	5	F525455	GUIDE STARTER ROPE	11	5
F521023	BEVEL GEAR - REAR	27	47	F525457	SCREW	11	1
F521266	GEAR, BEVEL PINION	27	41	F525457	SCREW	25	26
F521296	RETAINER, PROP SHAFT BEARING CAGE	25	35	F525469	HANDLE LATCH	3	18
F521305	SEAL, PROP SHAFT BEARING CAGE	25	34	F525472	GASKET, CYL. DRAIN COVER	19	-
F521307	PROPSHAFT SEAL	25	28	F525472	GASKET, CYLINDER DRAIN COVER	17	7
F521547	CHOKE KNOB	3	24	F525475	C-D MODULE - COIL	7	1
F521843	CABLE LIGHTING COIL EXT. (67H9C)	7	16	F525504	GROMMET, CHOKE ROD	5	49
F525015	PISTON	17	15	F525518	CYLINDER HEAD	17	4
F525019	KINGPIN	21	12	F525524	RIVET, STEERING HANDLE	9	31
F525025	PAD SHIFT DETENT	5	52	F525529	GASKET, CYL. HEAD	19	-
F525029	STATOR - TRIGGER	7	11	F525529	GASKET, CYLINDER HEAD	17	5
F525064	SCREW - C-D COIL	7	19	F525531	ROD SHIFT INTERLOCK	3	41
F525065	IMPELLER	25	16	F525555	SEAL, SHIFT ROD CAVITY	25	19
F525079	HANDLE-STEERING	9	6	F525562	PLATE, WATER PUMP BACK	25	17
F525080	SCREW, STEERING HANDLE PIVOT	9	9	F525579	CRANKCASE SEAL	17	21
F525081	LEVER THROTTLE	13	10	F525582-1	STEERING ARM	9	19
F525082	RING STATOR	17	34	F525605	GEAR, TOWERSHAFT	9	24
F525095	STATOR ALTERNATOR (67H9C)	7	14	F525614	HANDLE GEAR SHIFT	3	28
F525097	FLYWHEEL	7	8	F525615	ROD GEAR SHIFT UPPER	3	12
F525098	PROPELLER SHAFT	25	31	F525627	GEAR, TOWERSHAFT PINION	9	25
F525105	SHAFT INTERLOCK	11	10	F525629	COTTER PIN	11	11
F525128	DRIVESHAFT (STD. LEG)	27	40	F525665	BEARING, GEAR PINION TOWERSHAFT	9	21
F525133	MOTOR LEG	21	5	F525674-1	GEAR STARTER PINION	11	2
F525151	PLATE EXHAUST	17	27	F525675	BRACKET STARTER LOWER	11	19
F525152	COVER EXHAUST	17	28	F525688	SHAFT, STEERING HANDLE	9	10
F525154	GASKET EXHAUST	17	26	F525689	TOWERSHAFT BEARING	9	27
F525154	GASKET, EXHAUST	19	-	F525691	GEAR, STEERING ARM	9	17
F525159	GASKET, REED PLATE	13	1	F525705	ROD, GEAR SHIFT	25	1
F525159	GASKET, REED PLATE	19	-	F525707	COVER, SHOCK MOUNT LOWER	21	6
F525161	REED STOP	13	3	F525737	RETAINER STARTER REWIND SPRING	11	15
F525168	GASKET MANIFOLD	13	6	F525751	SCREW	9	40
F525168	GASKET, MANIFOLD	19	-	F525763	SHAFT COVER LATCH	3	20
F525193	LINK THROTTLE	13	11	F525779	BAFFLE IDLE RELIEF	21	4
F525198	THROTTLE STOP	9	11	F525781	INTERLOCK STARTER	11	6
F525220	WASHER, STEERING HANDLE	9	32	F525815	GEAR, STEERING HANDLE	9	15
F525244	WATERLINE (STD. LEG)	21	2	F525816-1	BEARING, STEERING HANDLE GEAR	9	14
F525263	LINK STARTER INTERLOCK	3	32	F525838	TOWERSHAFT	9	26
F525279	GASKET, CYL. MOUNTING	19	-	F525839	SCREW, STEERING FRICTION	21	21

PARTS INDEX

Part Number	Description	Pg.	Ref. No.	Part Number	Description	Pg.	Ref. No.
F525840	GROMMET REMOTE THROTTLE CABLE	3	17	F84026	SHOULDER SCREW	9	35
F525845	EXTENSION MOTOR LEG (STD. LEG)	25	4	F84035-2	BEARING INTERLOCK ROD	5	42
F525871	SHAFT GEAR SHIFT LEVER	3	33	F84036	BEARING, SPARK CONTROL	9	34
F525876	LEVER GEAR SHIFT	3	36	F84253	HOSE	13	34
F525877	SHAFT, MAGNETO CONTROL	9	20	F84253	HOSE	15	48
F525912	SPRING LATCH SHAFT	3	14	F84991-1	GROMMET LIGHTING COIL WIRE (67H9C)	3	-
F525925	LINK CHOKE KNOB	3	25	F85026	SCREW	5	51
F525977	LEVER SHIFT INTERLOCK	3	39	F8537	SPRING PIN	23	45
F525984	SEAL, REED PLATE	15	50	F8538	SPRING PIN, 3/32 X 1/2	3	34
F526128	DRIVESHAFT (LONG LEG)	27	-	F8538	SPRING PIN, 3/32 X 1/2	21	27
F526244	WATERLINE (LONG LEG)	21	-	F8540	SPRING PIN, 3/32 X 5/8	9	18
F526524	RIVET GEAR SHIFT HANDLE	3	29	F8540	SPRING PIN, 3/32 X 5/8	21	8
F526705	ROD, GEAR SHIFT (LONG LEG)	25	-	F8547	SPRING PIN, 1/8 X 5/8	3	19
F526845	EXTENSION MOTOR LEG (LONG LEG)	25	-	F8547	SPRING PIN, 1/8 X 5/8	3	35
F536813	BEARING	23	57	F8547	SPRING PIN, 1/8 X 5/8	9	12
F53795-1	SEAL, STARTER PINION CUSHION	11	27	F8548	SPRING PIN, 1/8 X 1	9	3
F53795-1	SEAL, STEERING HANDLE DAMPENER	9	5	F8554	SPRING PIN, 3/16 X 3/4	21	42
F588	FLUSHING ADAPTER	36	-	F8559	DOWEL PIN	17	11
F5H027	FUEL TANK (ACCESSORY ITEM)	29	9	F8567	SPRING PIN, 1/8 X 13/16	3	27
F5H027	STEEL 6 GALLON FUEL TANK	36	-	F8567	SPRING PIN, 1/8 X 13/16	9	16
F5H029	FUEL TANK ANCHOR	36	-	F8571	SPRING PIN, 1/8 X 1 3/4	11	25
F5H040	STEEL 12 GALLON FUEL TANK	36	-	F901456-1	COLLAR, EMERGENCY START	7	7
F5H104	LIGHTING COIL	36	-	F901710	POST STARTER SPRING GUIDE	11	14
F5H105	BATTERY CHARGING SYSTEM	36	-	F901728	PIN CLUTCH SHIFT	25	30
F5H113	REMOTE CONTROL KIT	36	-	F901739	DRIVE STARTER REWIND SPRING	11	13
F5H114	REMOTE STEERING BRACKET	36	-	F901746-2	COVER FUEL PUMP	13	35
F5H130	REMOTE CONTROL BOX	36	-	F901811	FILTER FUEL PUMP	15	45
F5H131	REMOTE CONTROL DECAL KIT	36	-	F901938-1	SCREW, CYLINDER HEAD	17	1
F5H134	BOAT WHITE LACQUER	36	-	F901970	SPRING STARTER REWIND	11	16
F5H135	SAND TAN LACQUER	36	-	F90807	RETAINING RING	15	49
F66480	STUD CLAMP SCREW	23	47	FA286113	BAR LOCK W/8, 9, 10	21	11
F7005	NUT, 3/8 - 16	23	51	FA286155	LINER, CENTER MAIN	17	20
F7011	ELASTIC STOP NUT, 10 - 24	3	9	FA324101	PROPELLER PIN	27	37
F7027	NUT (LEFT HAND), 10 - 24	9	36	FA387742	LEVER REVERSE LOCK INTERMEDIATE	21	23
F73741-1	RING	5	54	FA458137	GRIP, STEERING HANDLE W/SLEEVE	9	2
F8003	PLAIN WASHER	15	41	FA510914	SEAL, WATERLINE	25	9
F8025	PLAIN WASHER	17	2	FA521023	BEVEL GEAR W/BEARING	25	29
F8039	PLAIN WASHER	23	50	FA521841	CABLE LIGHTING COIL (67H9C) W/SPLICES	7	17
F8043	WAVE WASHER	9	33	FA525038	SUPPORT PLATE W/EYELET (62H9L)	3	11
F8049	BOWED SPRING LOCKWASHER	5	60	FA525054	GEAR HOUSING	25	-
F8060	LOCKWASHER	9	41	FA525060	WATER PUMP BODY	25	12
F8070	BOWED SPRING WASHER	11	24	FA525116	SNOUT	25	27
F8077	WASHER	25	21	FA525167	MANIFOLD W/STUDS	13	9
F8083	LOCKWASHER	21	13	FA525228	ROLLER CRANKPIN	17	18
F8083	SPRING LOCKWASHER	25	3	FA525241	CRANKPIN ROLLER CAGE	17	17
F84026	SCREW SHOULDER	5	43	FA525298	PROP SHAFT CAGE	25	33
				FA525471	COVER, CYLINDER DRAIN W/SCREEN	17	9
				FA525480	RETAINER, ENGINE COVER, W/NUTS & SCREWS	3	4
				FA525774	BRACKET COVER LATCH W/SCREWS & NUTS	5	45

PARTS INDEX

Part Number	Description	Pg.	Ref. No.	Part Number	Description	Pg.	Ref. No.
FA526038	SUPPORT PLATE W/EYELET (67H9C)	3	-	33-82370M	SPARK PLUG (L-86)	17	3
FA535395	IDENTIFICATION PLATE - U.S.A. W/SCREWS	23	48	39-818038A1	PISTON RING	17	12
FA537386	NUMERAL "6"	3	5	1100-817753A1	CAGE, CRANKSHAFT BEARING W/UPPER CRANKSHAFT SEAL	17	36
FA537396	DECAL ENGINE COVER, STARBOARD	3	-	1400-817964A2	SWIVEL BRACKET W/16, 32	21	19
FA537397	DECAL ENGINE COVER, PORT	3	7				
FA84754-1	FUEL LINE SHORT W/FERRULES	29	5				
FC525010	CYLINDER COMPLETE.	17	-				
FC525054	GEAR HOUSING COMPLETE (NOT SHOWN)	25	-				
FG1018	GASKET SET	19	42				
FK1062	GEAR HOUSING SEAL KIT	27	48				
FK1067	WATER PUMP KIT	27	50				
FK516984	BLANKET TOP & SIDES	5	47				
FK525713	ENGINE COVER PACKING	3	30				
FK750-2	SPARKIE KIT	7	2				
FP343	PROPELLER	27	39				
FS409752	FUEL LINE COMPLETE (NOT SHOWN)	29	-				
FS537712	ENGINE COVER W/PACKING, REAR RETAINER	3	1				
FS567532	BRACKET STERN PORT W/SCREW CLAMP	21	41				
FS567532	BRACKET STERN STARBOARD W/SCREW CLAMP	21	39				
FT11202	SEAL INSTALLER	32	-				
FT1749	SNAP RING PLIERS	32	-				
FT2909	KNOCK-OFF NUT	30	-				
FT2915	SEAL INSTALLER	33	-				
FT2961	LUBRICANT	35	-				
FT2962-1	SEALANT	35	-				
FT2963-1	SEALANT	35	-				
FT2987-1	LUBRICANT	35	-				
FT2989	FLYWHEEL WEDGE	30	-				
FT2997	RING COMPRESSOR	32	-				
FT3012	SEAL INSTALLER	32	-				
FT3139-1	STARTER REWIND KEY	31	-				
FT8926	PISTON RING EXPANDER	32	-				
FT8929	ADAPTER AND HEX BIT	32	-				
FT8935	SEALANT PRIMER	35	-				
FT8936	SEALANT	35	-				
FT8948-1	BEARING CAGE PULLER	33	-				
FT8950	LEAKAGE TESTER	34	-				
FT8953	C-D TESTER	34	-				
FT8957	SEAL INSTALLER	33	-				
FT8969	LUBRICANT	35	-				
FT8983	SEALANT	35	-				
FT8996	IGNITION TESTER	34	-				
11-817752A1	PROPELLER NUT W/COTTER PIN	27	38				
27-818043A1	DIAPHRAGM, FUEL PUMP W/GASKETS	15	39				
32-817738A1	FUEL LINE, LONG W/CLAMP AND FERRULE	29	7				