



PARTS CATALOG

15 H.P.

SERIAL NUMBER

| | |
|-----------------|--------|
| 15 (1979) | 152H9E |
| 15 (1979) | 153B9E |
| 15 (1979) | 158B9C |
| 15 (1979) | 158H9C |

TABLE OF CONTENTS:

| | |
|--|----|
| ACCESSORIES | 50 |
| ELECTRIC STARTER | 16 |
| ELECTRICAL COMPONENTS (C-D ALTERNATOR MODELS) | 18 |
| ENGINE COVER AND SUPPORT PLATE (ALTERNATOR MODELS) | 6 |
| ENGINE COVER AND SUPPORT PLATE (MANUAL START MODELS) | 2 |
| FUEL PUMP (C-D ALTERNATOR MODELS) | 14 |
| FUEL SYSTEM | 22 |
| FUEL TANK AND LINE | 42 |
| GEAR HOUSING | 38 |
| MAGNETO (MANUAL START MODELS) | 10 |
| MOTOR LEG | 32 |
| PARTS INDEX | 52 |
| POWER HEAD | 26 |
| SPECIAL TOOLS - LOWER UNIT | 47 |
| SPECIAL TOOLS - LUBRICANTS AND SEALANTS | 49 |
| SPECIAL TOOLS - MANUAL STARTER | 45 |
| SPECIAL TOOLS - POWER HEAD | 46 |
| SPECIAL TOOLS - TEST EQUIPMENT | 48 |
| SPECIAL TOOLS - TUNE-UP | 44 |
| STARTER | 12 |

NOTE: Indented description indicate that these parts are included in preceeding assembly.

AR = As Required

NSS = Not Sold Separate

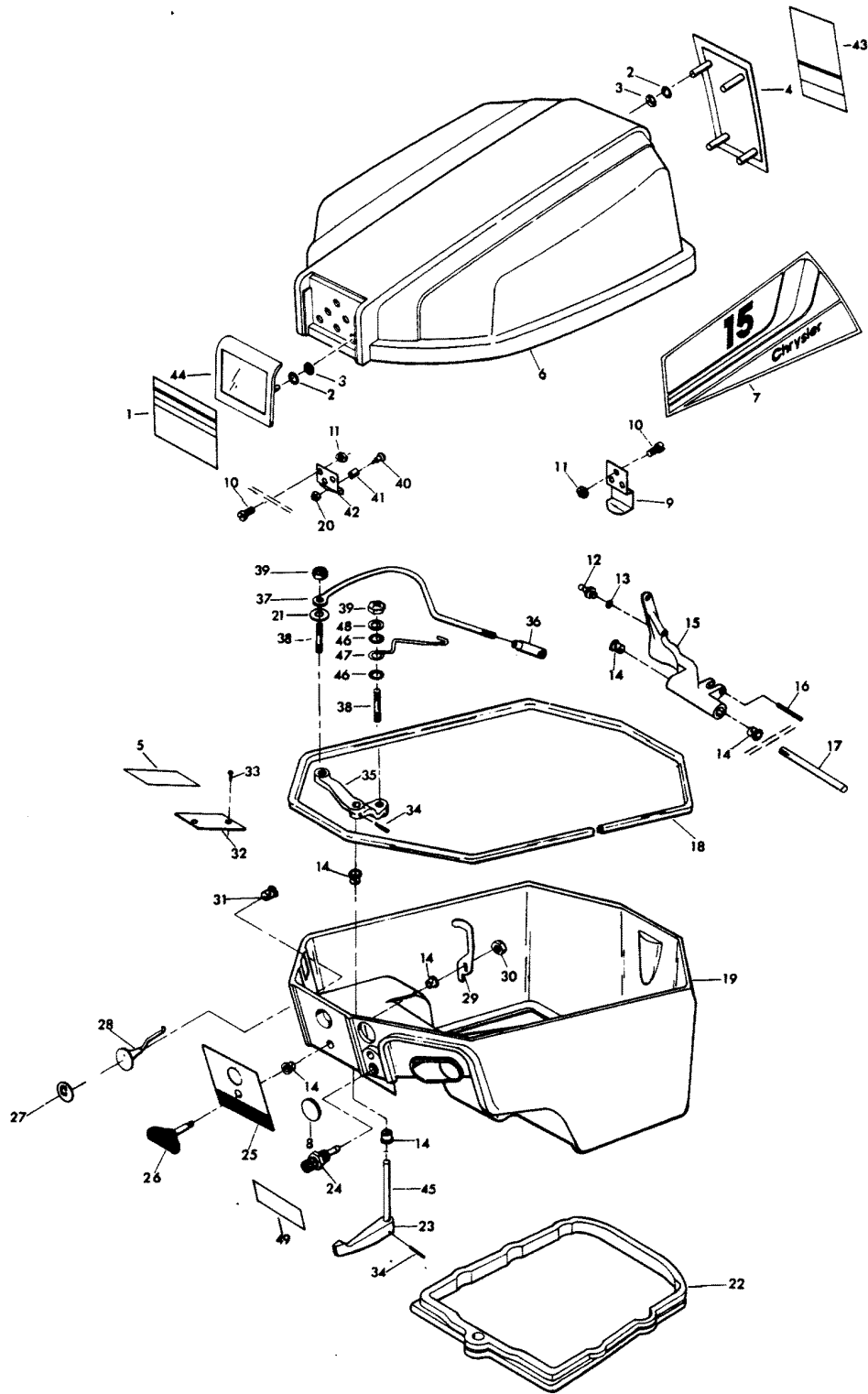
OPT = Optional

NS = Not Shown

THESE PARTS BOOKS/FICHE CARD ARE COPYRIGHTED AND MAY NOT BE DISTRIBUTED OR REPRODUCED IN ANY OTHER FORMAT BY ANYONE OTHER THAN MERCURY MARINE WITHOUT THE PRIOR WRITTEN CONSENT OF MERCURY MARINE.

THIS PAGE INTENTIONALLY LEFT BLANK

ENGINE COVER AND SUPPORT PLATE (MANUAL START MODELS)

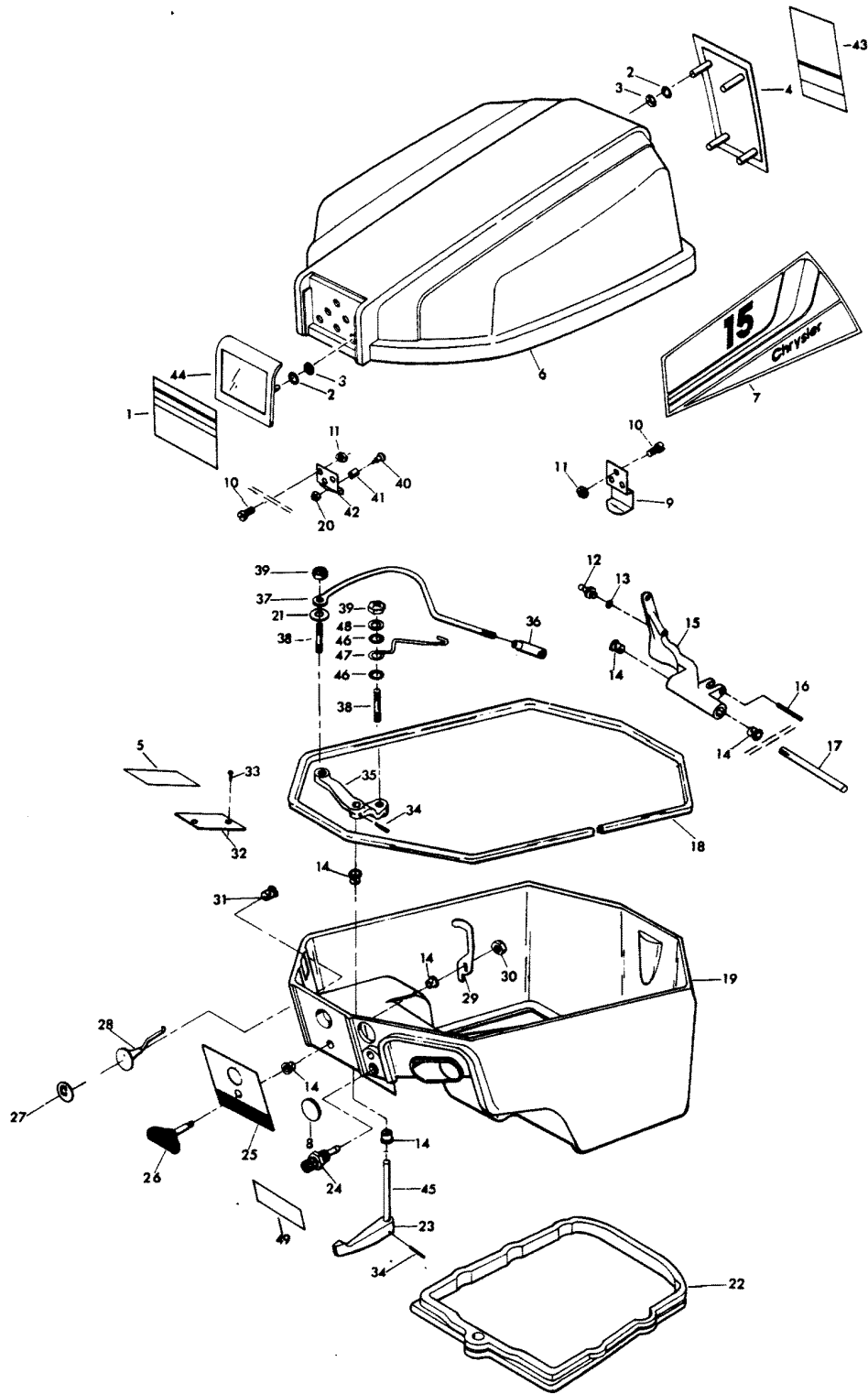


ENGINE COVER AND SUPPORT PLATE (MANUAL START MODELS)

| REF. NO. | PART NO. | SYM. | QTY. | DESCRIPTION |
|----------|------------------|------|----------|---|
| 1 | FA541892 | | 1 | DECAL, ENGINE COVER, FRONT |
| 2 | F85735-1 | | 7 | SEAL |
| 3 | F1753 | | 7 | FASTENER |
| 4 | F540180 | | 1 | TRIM, ENGINE COVER, REAR |
| 5 | F235785 | | 1 | DECAL, COMPLIANCE - CANADA |
| 6 | FS541712 | | 1 | COVER, ENGINE W/BACKET, RETAINER AND TILT HANDLE |
| - | 4C473712 | | 1 | ENGINE COVER COMPLETE INCLUDES ALL ITEMS MARKED WITH AN ASTERISK (*) |
| 7 | FA473397 | | 1 | DECAL, PORT, "CHRYSLER" |
| - | FA473396 | | 1 | DECAL, STARBOARD, "CHRYSLER" |
| 8 | F343226-1 | | 2 | PLUG |
| 9 | FA286480 | | 1 | RETAINER, ENGINE COVER W/SCREWS AND NUTS |
| 10 | F1475 | | 6 | FILL HD SCREW, 10 - 24 X 1/2 |
| 11 | F7011 | | 6 | ELASTIC STOP NUT, 10 - 24 |
| 12 | F98273 | | 1 | STUD, GEAR SHIFT ROD CONNECTOR |
| 13 | F8058 | | 1 | INTERNAL TOOTH LOCKWASHER |
| 14 | F307818 | | 6 | BEARING |
| 15 | F286876 | | 1 | LEVER, GEAR SHIFT |
| 16 | F8542 | | 1 | SPRING PIN |
| 17 | F286871 | | 1 | PIN, GEAR SHIFT LEVER |
| 18 | F392756 | | 1 | PACKING, SUPPORT PLATE |
| 19 | FA492038 | | 1 | PLATE, SUPPORT W/PLUGS |
| 20 | F7011 | | 1 | STOP NUT, 10 - 24 |
| 21 | F8048 | | 1 | BOWED SPRING WASHER |
| 22 | F286989-2 | | 1 | SEAL, SUPPORT PLATE |
| 23 | F286614 | | 1 | HANDLE, GEAR SHIFT |
| 24 | F197767-1 | | 1 | BUSHING, FUEL LINE |
| 25 | 817757A4 | | 1 | PLATE, FRONT |
| 26 | FA286469 | | 1 | KNOB, COVER LATCH |
| 27 | F458677 | | 1 | INSERT, CHOKE KNOB |
| 28 | FA286547 | | 1 | KNOB, CHOKE W/INSERT AND CHOKE ROD |
| 29 | F286777 | | 1 | CAM, COVER LATCH |
| 30 | F2002 | | 1 | STOP NUT, 5/16 - 18 |
| 31 | F197319 | | 1 | BEARING, CHOKE ROD |
| 32 | FA535395 | | 1 | PLATE, IDENTIFICATION W/SCREWS, U.S.A. |
| - | FAC535395 | | 1 | PLATE, IDENTIFICATION W/SCREWS, CANADA |
| 33 | F1447 | | 2 | DRIVE SCREW |
| 34 | F8540 | | 2 | SPRING PIN |
| 35 | F492619 | | 1 | LEVER, GEAR SHIFT SHAFT |
| 36 | F286685 | | 1 | CONNECTOR, GEAR SHIFT ROD |
| 37 | F286611-1 | | 1 | ROD, GEAR SHIFT |
| 38 | F286134 | | 2 | STUD, GEAR SHIFT LEVER |
| 39 | F1804 | | 2 | STOP NUT, 10 - 32 |

CONTINUED ON NEXT PAGE ➡

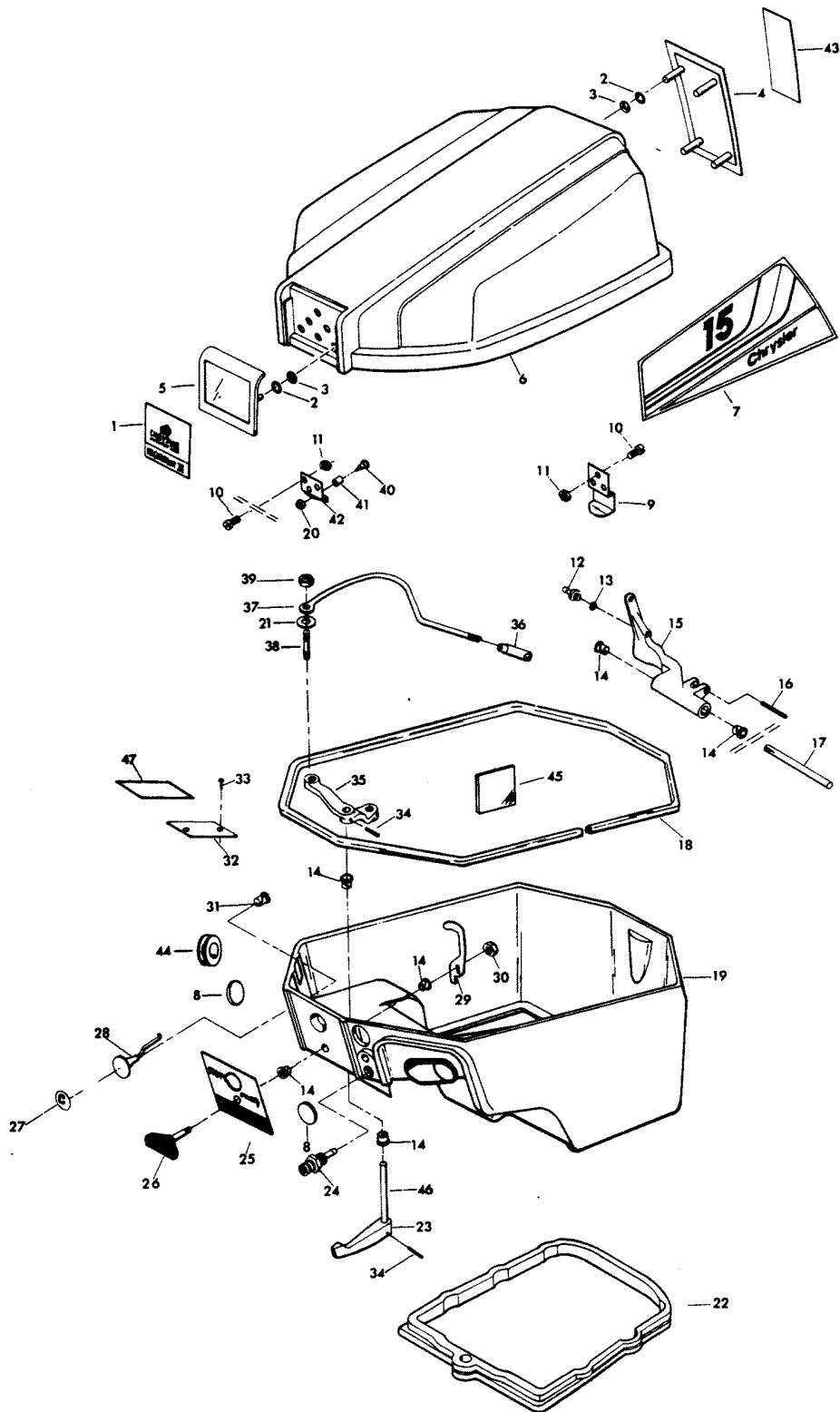
ENGINE COVER AND SUPPORT PLATE (MANUAL START MODELS)



ENGINE COVER AND SUPPORT PLATE (MANUAL START MODELS)

| REF. NO. | PART NO. | SYM. | QTY. | DESCRIPTION |
|----------|----------|------|------|--|
| 40 | F269316 | | 1 | ROLLER SHAFT |
| 41 | F92759 | | 1 | ROLLER |
| 42 | 817758A1 | | 1 | BRACKET, COVER LATCH W/SCREWS, NUTS AND ROLLER |
| 43 | FA541528 | | 1 | DECAL, ENGINE COVER, REAR |
| 44 | F487711 | | 1 | PLATE, ENGINE COVER |
| 45 | F492417 | | 1 | SHAFT, GEAR SHIFT HANDLE |
| 46 | F184579 | | 2 | SEAL |
| 47 | F492263 | | 1 | LINK, STARTER INTERLOCK |
| 48 | F8011 | | 1 | PLAIN WASHER |
| 49 | FC516400 | | 1 | DECAL, SHIFT - CANADA |

ENGINE COVER AND SUPPORT PLATE (ALTERNATOR MODELS)

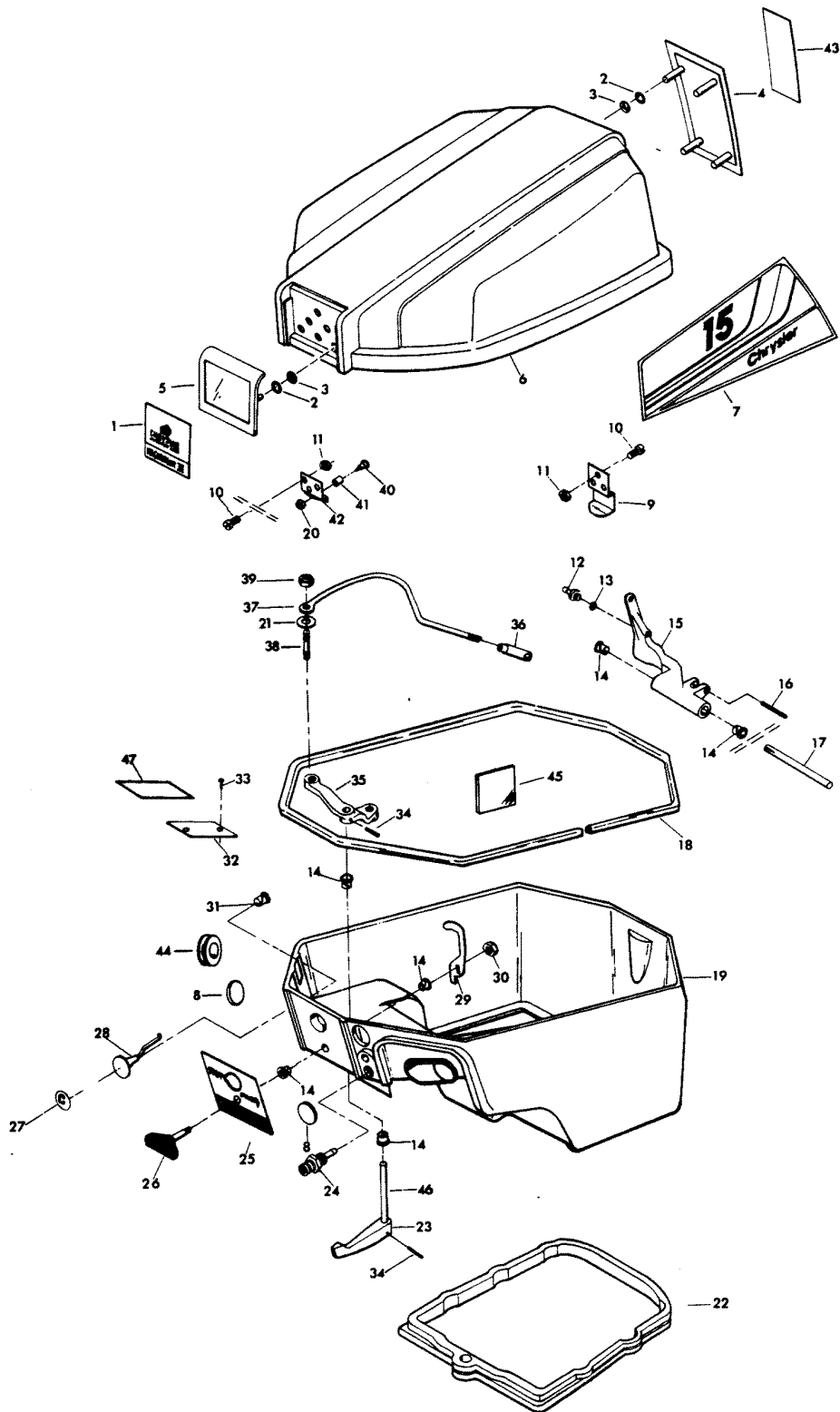


ENGINE COVER AND SUPPORT PLATE (ALTERNATOR MODELS)

| REF. NO. | PART NO. | SYM. | QTY. | DESCRIPTION |
|----------|------------------|------|----------|---|
| 1 | FA541892 | | 1 | DECAL, ENGINE COVE, FRONT |
| 2 | F85735-1 | | 7 | SEAL |
| 3 | F1753 | | 7 | FASTENER |
| 4 | F540180 | | 1 | TRIM, ENGINE COVER REAR |
| 5 | F487711 | | 1 | PLATE, ENGINE COVER FRONT |
| 6 | FS541712 | | 1 | ENGINE COVER W/BRACKET & RETAINER |
| - | 4C473712 | | 1 | ENGINE COVER COMPLETE INCLUDES ALL ITEMS MARKED WITH AN ASTERISK (*) |
| 7 | FA473397 | | 1 | DECAL, PORT "CHRYSLER" |
| - | FA473396 | | 1 | DECAL, STARBOARD "CHRYSLER" |
| 8 | F343226-1 | | 2 | PLUG |
| 9 | FA286480 | | 1 | RETAINER, ENGINE COVER W/SCREWS AND NUTS |
| 10 | F1475 | | 6 | FILL HD SCREW, 10 - 24 X 1/2 |
| 11 | F7011 | | 6 | ELASTIC STOP NUT, 10 - 24 |
| 12 | F98273 | | 1 | STUD, GEAR SHIFT ROD CONNECTOR |
| 13 | F8058 | | 1 | INTERNAL TOOTH LOCKWASHER |
| 14 | F307818 | | 6 | BEARING |
| 15 | F286876 | | 1 | LEVER, GEAR SHIFT |
| 16 | F8542 | | 1 | SPRING PIN |
| 17 | F286871 | | 1 | PIN, GEAR SHIFT LEVER |
| 18 | F392756 | | 1 | PACKING, SUPPORT PLATE |
| 19 | FA510038 | | 1 | SUPPORT PLATE W/PLUGS |
| 20 | F7011 | | 1 | STOP NUT, 10 - 24 |
| 21 | F8048 | | 1 | BOWED WASHER |
| 22 | F286989-2 | | 1 | SEAL, SUPPORT PLATE |
| 23 | F286614 | | 1 | HANDLE, GEAR SHIFT |
| 24 | F197767-1 | | 1 | BUSHING, FUEL LINE |
| 25 | FA510711 | | 1 | PLATE, FRONT |
| - | FC510711 | | 1 | PLATE, FRONT - CANADA |
| 26 | FA286469 | | 1 | KNOB, COVER LATCH |
| 27 | F458677 | | 1 | INSERT, CHOKE KNOB |
| 28 | FA286547 | | 1 | KNOB, CHOKE W/INSERT AND CHOKE ROD |
| 29 | F286777 | | 1 | CAM, COVER LATCH |
| 30 | F2002 | | 1 | STOP NUT, 5/16 - 18 |
| 31 | F197319 | | 1 | BEARING, CHOKE ROD |
| 32 | FA535395 | | 1 | IDENTIFICATION PLATE W/SCREWS FOR U.S.A. MODELS |
| - | FAC535395 | | 1 | IDENTIFICATION PLATE W/SCREWS FOR CANADA MODELS |
| 33 | F1447 | | 2 | DRIVE SCREW |
| 34 | F8540 | | 2 | SPRING PIN |
| 35 | F492619 | | 1 | LEVER, GEAR SHIFT SHAFT |
| 36 | F286685 | | 1 | CONNECTOR, GEAR SHIFT ROD |
| 37 | F286611-1 | | 1 | ROD, GEAR SHIFT |
| 38 | F286134 | | 1 | STUD, GEAR SHIFT LEVER |

CONTINUED ON NEXT PAGE ➡

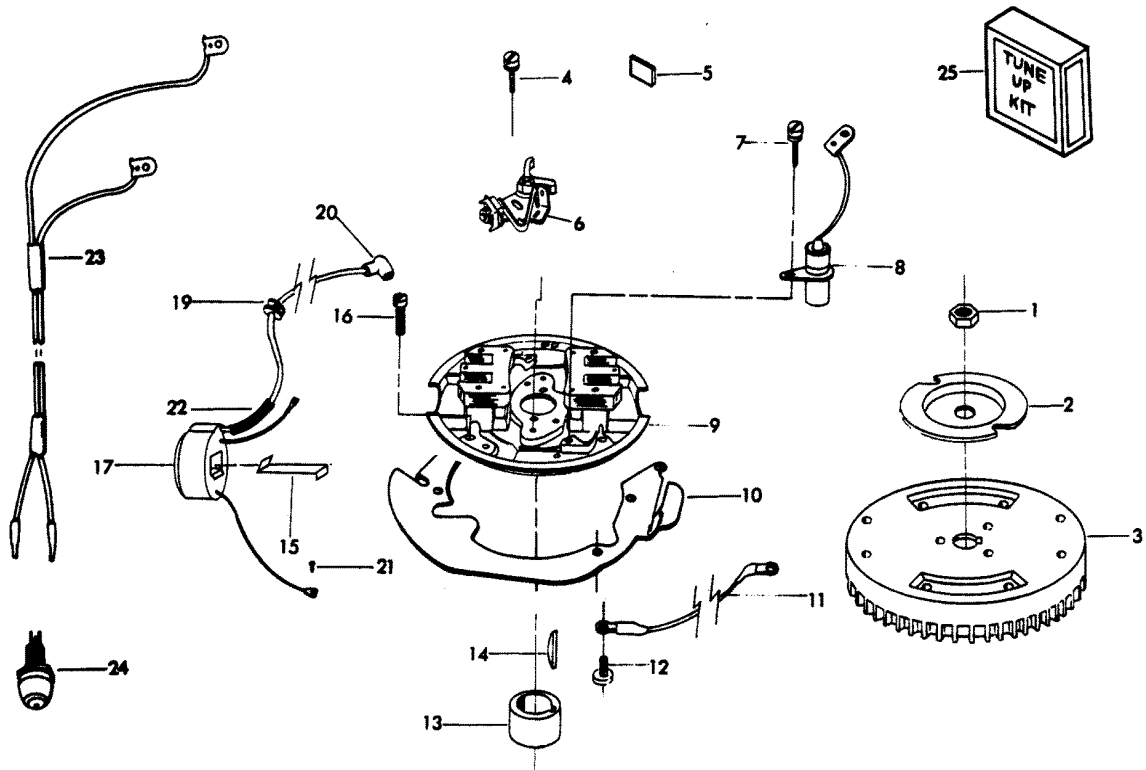
ENGINE COVER AND SUPPORT PLATE (ALTERNATOR MODELS)



ENGINE COVER AND SUPPORT PLATE (ALTERNATOR MODELS)

| REF. NO. | PART NO. | SYM. | QTY. | DESCRIPTION |
|----------|----------|------|------|--|
| 39 | F1804 | | 1 | STOP NUT, 10 - 32 |
| 40 | F269319 | | 1 | ROLLER SHAFT |
| 41 | F92759 | | 1 | ROLLER |
| 42 | 817758A1 | | 1 | BRACKET, ENGINE COVER LATCH W/SCREWS, NUTS AND ROLLERS |
| 43 | FA541528 | | 1 | DECAL, ENGINE COVER, REAR |
| 44 | F94840 | | 1 | GROMMET, BATTERY CABLE |
| 45 | F510661 | | 1 | PAD, STARTER MOTOR |
| 46 | F492417 | | 1 | SHAFT, GEAR SHIFT HANDLE |
| 47 | F235785 | | 1 | DECAL, COMPLIANCE - CANADA |

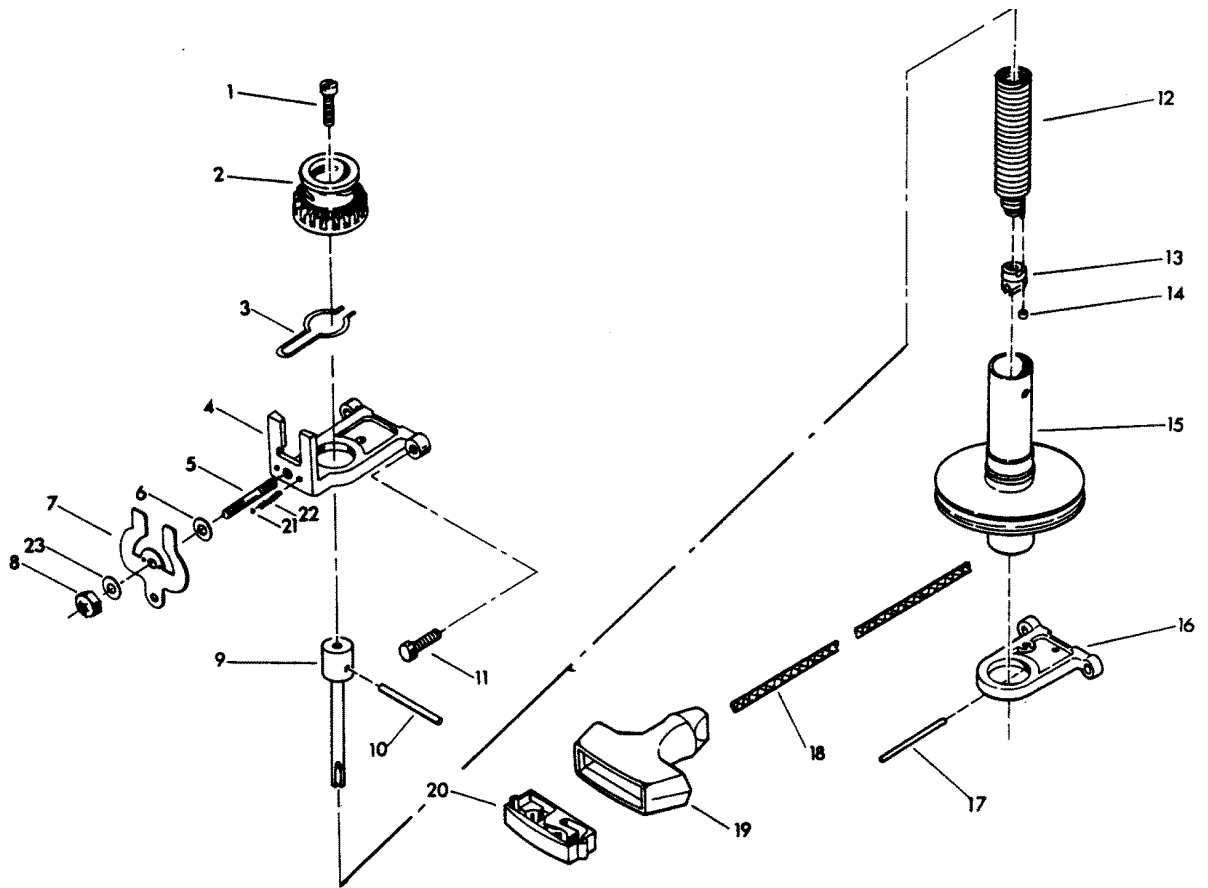
MAGNETO (MANUAL START MODELS)



MAGNETO (MANUAL START MODELS)

| REF. NO. | PART NO. | SYM. | QTY. | DESCRIPTION |
|----------|---------------|------|----------|---|
| 1 | F1809 | | 1 | HEX NUT, 1/2 - 20 |
| 2 | F901456-1 | | 1 | EMERGENCY STARTER COLLAR |
| 3 | F302097 | | 1 | FLYWHEEL |
| 4 | F12170 | | 4 | CONTACT SCREW W/LOCKWASHER |
| 5 | F12228 | | 1 | CAM WIPER FELT |
| 6 | F12153 | | 2 | BREAKER POINT SET |
| 7 | F12083 | | 2 | CONDENSER SCREW W/LOCKWASHER |
| 8 | F12181-1 | | 2 | CONDENSER |
| 9 | F12343 | | 1 | STATOR PLATE W/LAMINATIONS |
| 10 | F286192 | | 1 | THROTTLE CAM PLATE |
| 11 | F289664 | | 1 | WIRE, STATOR GROUND |
| 12 | F1075 | | 4 | FILL HD SCREW, 10 - 24 X 1/2 |
| 13 | F217002 | | 1 | MAGNETO BREAKER CAM |
| 14 | F458498 | | 1 | MAGNETO KEY |
| 15 | F12146 | | 2 | COIL WEDGE SPRING |
| 16 | F1090 | | 4 | FILL HD SCREW W/LOCKWASHER, 10 - 24 X 9/16 |
| 17 | FA12370 | | 2 | COIL W/LEAD WIRE AND WEDGE SPRING |
| 19 | F12088 | | 4 | GROMMET |
| 20 | FK750-2 | | 2 | SPARKIE W/SPRING |
| 21 | F12114 | | 2 | COIL GROUND TERMINAL SCREW |
| 22 | F12141 | | 1 | HIGH TENSION LEAD SLEEVE |
| 23 | F12186 | | 1 | PRIMARY TERMINAL WIRE |
| 24 | F436449 | | 1 | SHORTING SWITCH |
| - | F12091 | | 1 | LEAD WIRE MARKER TOP (NOT SHOWN) |
| 25 | FK1066 | | 1 | TUNE UP KIT INCLUDES ALL ITEMS MARKED WITH AN ASTERISK (*) |

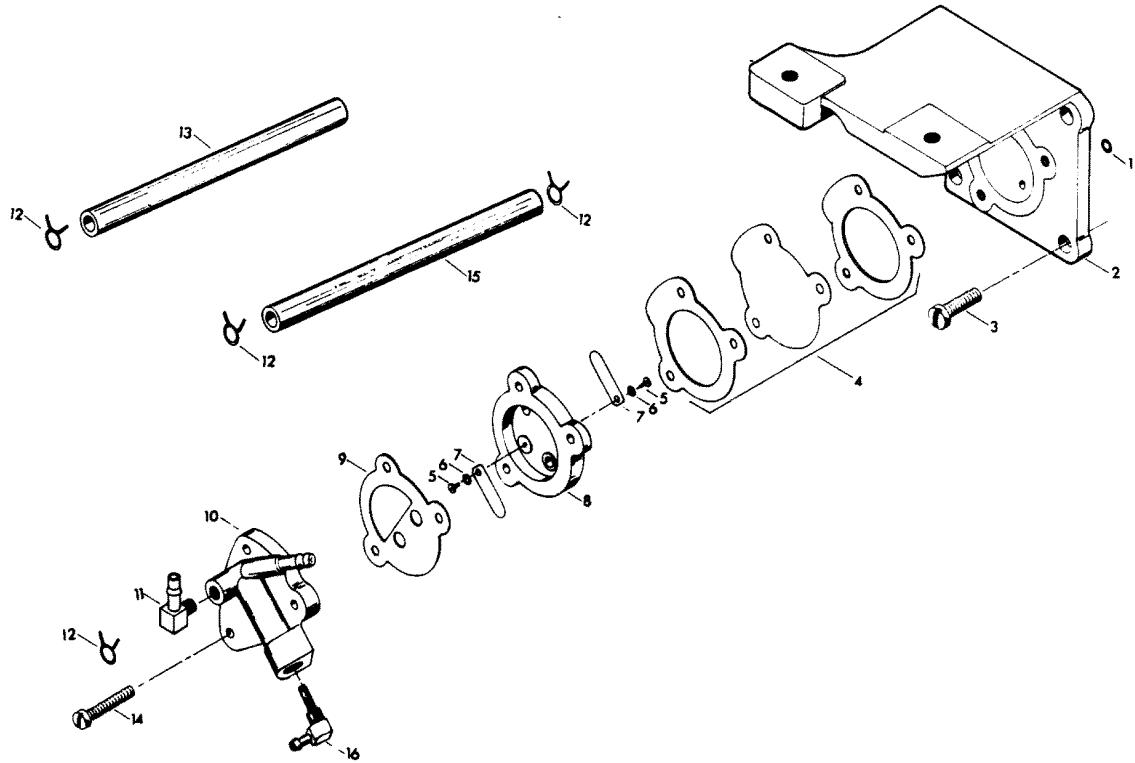
STARTER



STARTER

| REF. NO. | PART NO. | SYM. | QTY. | DESCRIPTION |
|----------|-----------|------|------|--|
| 1 | F1089 | | 1 | FILL HD SCREW, 10 - 24 X 9/16 |
| 2 | F487674 | | 1 | GEAR, STARTER PINION |
| 3 | F487424-1 | | 1 | STARTER PINION SPRING |
| 4 | F487427-1 | | 1 | BRACKET, STARTER UPPER |
| 5 | F286134 | | 1 | STUD |
| 6 | F8011 | | 1 | PLAIN WASHER |
| 7 | F487781-3 | | 1 | STARTER INTERLOCK |
| 8 | F1804 | | 1 | STOP NUT |
| 9 | F286710 | | 1 | ARBOR, STARTER SPRING |
| 10 | F40425 | | 1 | STARTER PINION PIN |
| 11 | F1914 | | 4 | HEX HD SCREW, 1/4 - 20 X 3/4 |
| 12 | FA286970 | | 1 | STARTER REWIND SPRING W/END AND RETAINER |
| 13 | F286737-1 | | 1 | RETAINER, STARTER REWIND SPRING |
| 14 | F286930 | | 1 | END, STARTER SPRING |
| 15 | F2A459239 | | 1 | STARTER SPOOL W/SHAFT |
| 16 | FK317427 | | 1 | BRACKET, STARTER LOWER W/SPRING PIN |
| 17 | F1875 | | 1 | SPRING PIN, STARTER BRACKET |
| 18 | F409232 | | 1 | STARTER ROPE |
| 19 | F286132 | | 1 | HANDLE, STARTER ROPE |
| 20 | 817938A1 | | 1 | RETAINER, STARTER ROPE HANDLE |
| 21 | F487727 | | 2 | BALL, INTERLOCK DETENT |
| 22 | F487895 | | 2 | SPRING, INTERLOCK DETENT |
| 23 | F2042 | | 1 | PLAIN WASHER |

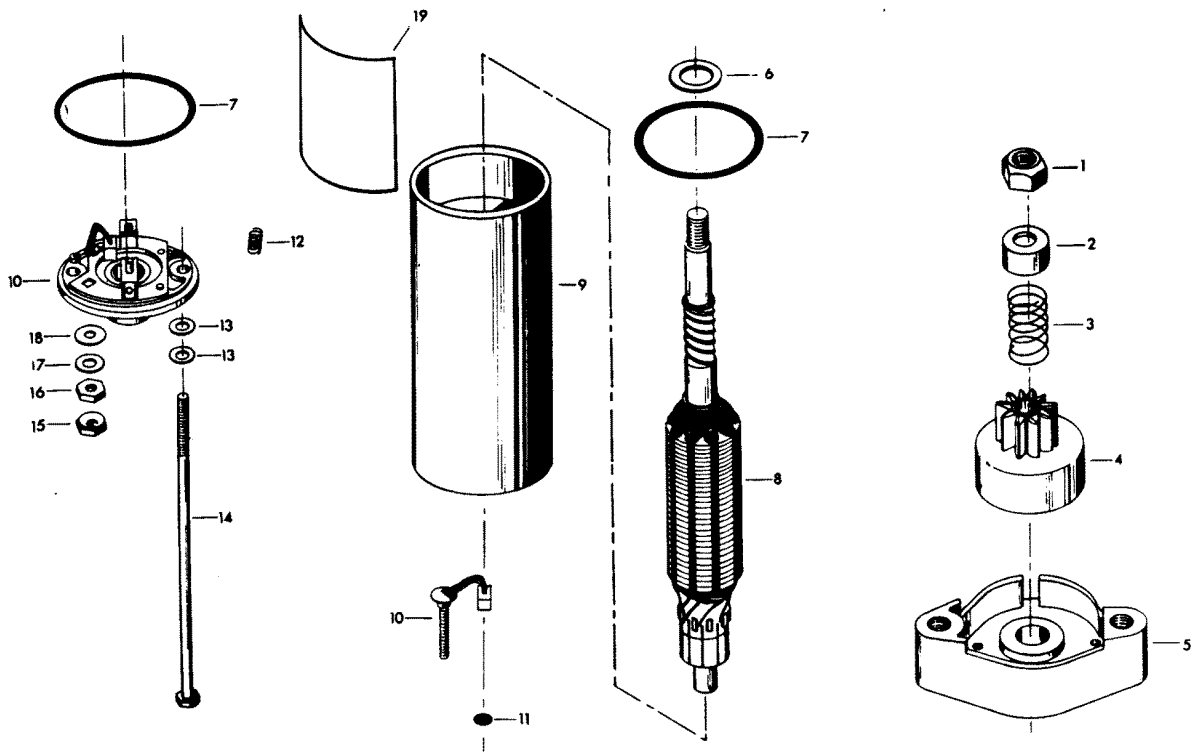
FUEL PUMP (C-D ALTERNATOR MODELS)



FUEL PUMP (C-D ALTERNATOR MODELS)

| REF. NO. | PART NO. | SYM. | QTY. | DESCRIPTION |
|----------|--------------|------|------|---|
| 1 | F455118 | | 1 | SEAL, FUEL PUMP BRACKET |
| 2 | F510427 | | 1 | BRACKET, STARTER SUPPORT |
| 3 | F1577 | | 4 | FILL HD SCREW, 1/4 - 20 X 3/4 |
| 4 | 27-818043A1 | | 1 | FUEL PUMP DIAPHRAGM W/GASKETS |
| 5 | F1286 | | 2 | PAN HD SCREW, 4 - 40 X 3/16 |
| 6 | F8003 | | 2 | PLAIN WASHER |
| 7 | F18160-2 | | 2 | REED, FUEL PUMP |
| 8 | F2A24757 | | 1 | FUEL PUMP REED PLATE W/REEDS AND SCREWS |
| 9 | F24748-2 | | 1 | GASKET, FUEL PUMP |
| 10 | F510746 | | 1 | FUEL PUMP COVER |
| 11 | 22-818103--1 | | 1 | FITTING, FUEL PUMP |
| 12 | F2706772 | | 4 | HOSE CLAMP |
| 13 | F2771254 | | 1 | HOSE, FUEL PUMP TO CARBURETOR |
| 14 | F1069 | | 3 | FILL HD SCREW, 10 - 24 X 1-1/16 |
| 15 | F2752253 | | 1 | HOSE, FUEL PUMP TO BUSHING |
| 16 | F510811 | | 1 | FILTER, FUEL PUMP |

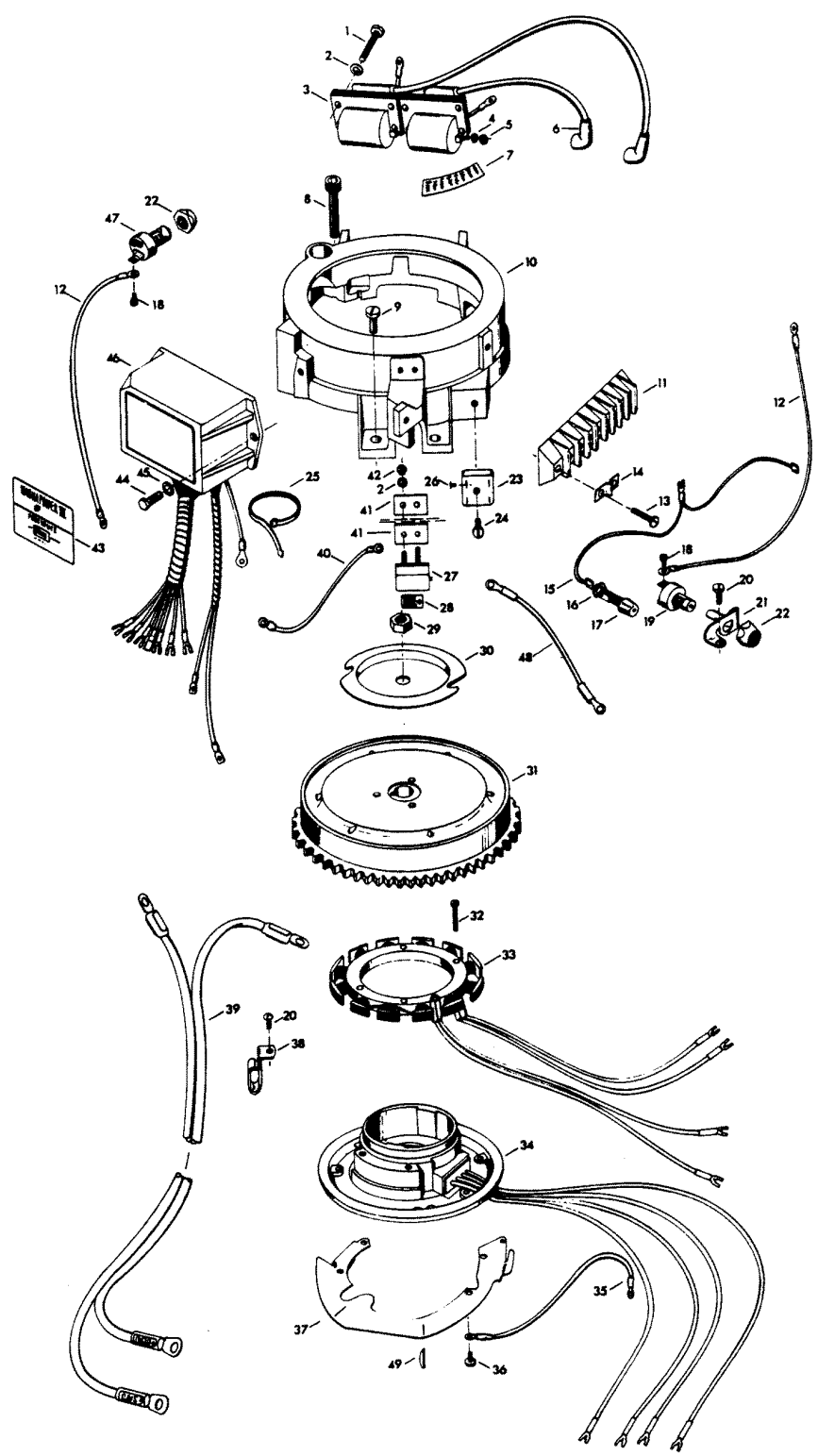
ELECTRIC STARTER



ELECTRIC STARTER

| REF. NO. | PART NO. | SYM. | QTY. | DESCRIPTION |
|----------|----------------|------|----------|--|
| 1 | F15142 | | 1 | STOP NUT |
| 2 | F15141 | | 1 | PINION STOP |
| 3 | F15140 | | 1 | SPRING |
| 4 | F15139 | | 1 | PINION ASSEMBLY |
| 5 | F15135 | | 1 | CAP ASSEMBLY, DRIVE END |
| 6 | F15137 | | 1 | WASHER |
| 7 | F15145 | | 2 | GASKET |
| 8 | F15134 | | 1 | ARMATURE |
| 9 | F15136 | | 1 | HOUSING ASSEMBLY |
| 10 | F15127 | | 1 | CAP ASSEMBLY, COMMUTATOR END (INCLUDES ITEMS 15, 16, 17 AND 18) |
| 11 | F15143 | | 1 | DISC |
| 12 | F15138 | | 2 | SPRING, BRUSH |
| 13 | F15146 | | 4 | WASHER |
| 14 | F15144 | | 2 | SCREW, THRU BOLT |
| 15 | F15129 | | 1 | NUT W/LOCKWASHER |
| 16 | F15130 | | 1 | NUT |
| 17 | F15133 | | 1 | WASHER |
| 18 | F15132 | | 1 | WASHER, FIBER |
| - | F510955 | | 1 | STARTER MOTOR COMPLETE |
| 19 | FC520390 | | 1 | DECAL, STARTER - CANADA |

ELECTRICAL COMPONENTS (C-D ALTERNATOR MODELS)

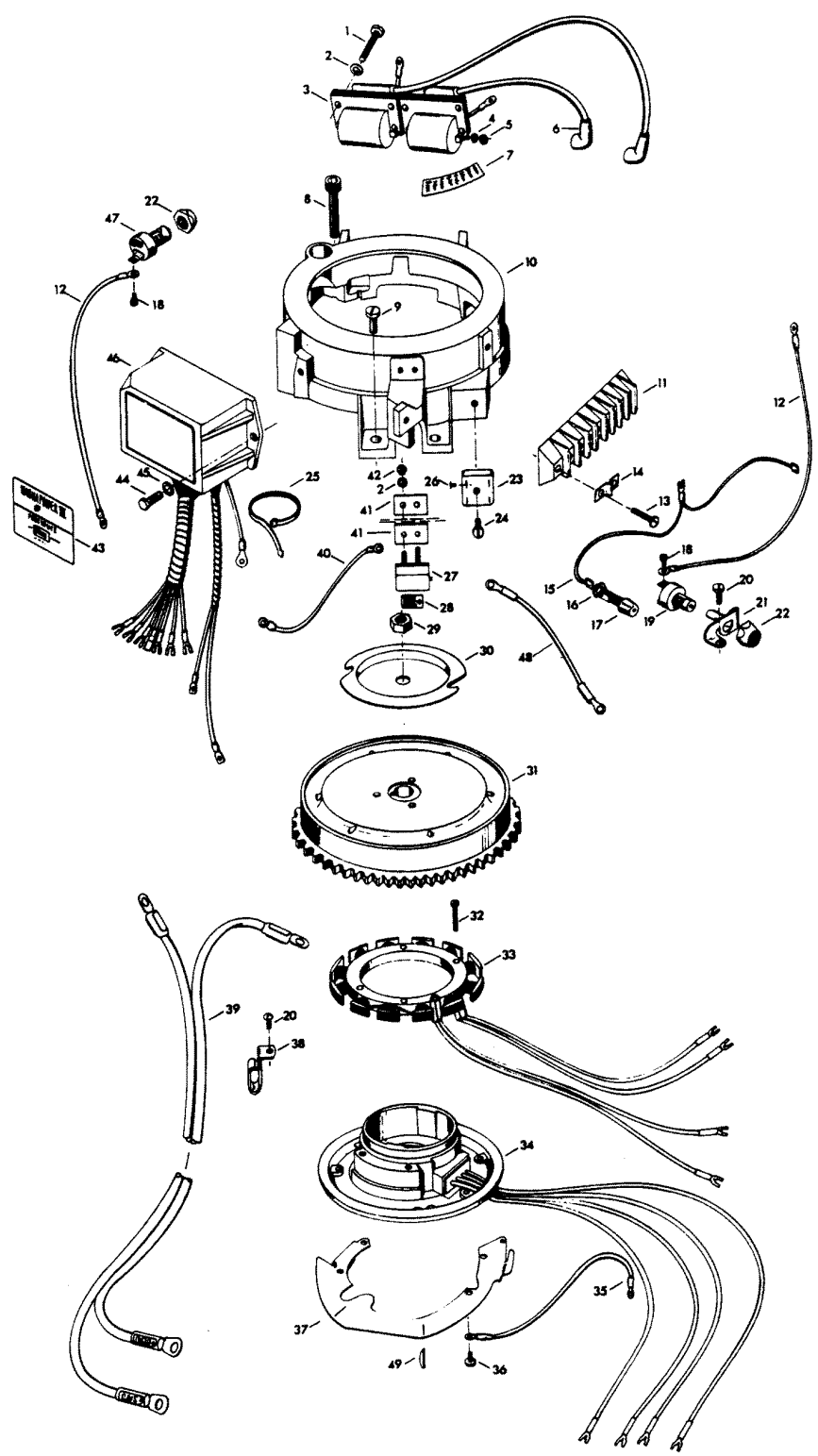


ELECTRICAL COMPONENTS (C-D ALTERNATOR MODELS)

| REF. NO. | PART NO. | SYM. | QTY. | DESCRIPTION |
|----------|-----------------|------|----------|---|
| 1 | F1829 | | 8 | FILL HD M. SCREW, 10 - 24 X 7/8 |
| 2 | F1975 | | 12 | SPRING LOCKWASHER |
| 3 | F510475 | | 2 | IGNITION COIL |
| 4 | F1704 | | 2 | INTERNAL TOOTH LOCKWASHER |
| 5 | F1337 | | 2 | HEX NUT, 6 - 32 |
| 6 | FK750-2 | | 2 | SPARKIE W/SPRING |
| 7 | F510398 | | 1 | DECAL, WIRING |
| - | FC510398 | | 1 | DECAL, WIRING - CANADA |
| 8 | F1646 | | 2 | HEX SOCKET HD CAP SCREW, 3/8 - 16 X 2 1/4 |
| 9 | F1577 | | 4 | FILL HD SCREW, 1/4 - 20 X 3/4 |
| 10 | F510675-1 | | 1 | STARTER SUPPORT |
| 11 | FA510497 | | 1 | TERMINAL BLOCK |
| 12 | F510841 | | 2 | WIRE, STARTER INTERLOCK SWITCH |
| 13 | F1648 | | 2 | PAN HD SCREW, 10 - 24 X 3/4 |
| 14 | F307317 | | 1 | CLIP, TERMINAL BLOCK GROUND |
| 15 | F510908 | | 1 | WIRE, GROUND |
| 16 | F510288 | | 1 | NUT, SHORTING SWITCH |
| 17 | F436449 | | 1 | SHORTING SWITCH |
| 18 | F1556 | | 4 | FILL HD M. SCREW W/SPRING LOCKWASHER, 10 - 24 X 3/8 |
| 19 | F510918 | | 1 | STARTER SWITCH |
| 20 | F1802 | | 3 | FILL HD SCREW, 1/4 - 20 X 9/16 |
| 21 | F510540 | | 1 | BRACKET, STARTER SWITCH |
| 22 | F510669 | | 2 | NUT, INTERLOCK SWITCH AND STARTER SWITCH |
| 23 | F510450-1 | | 1 | RECTIFIER |
| 24 | F1303 | | 1 | PAN HD SCREW, 8 - 32 X 3/4 |
| 25 | F1845 | | 5 | TY-RAP |
| 26 | F1645 | | 4 | ROUND HD SCREW, 6 - 32 X 1/4 |
| 27 | F510460 | | 1 | CIRCUIT BREAKER |
| 28 | F510374 | | 1 | DECAL, CIRCUIT BREAKER |
| - | FC510374 | | 1 | DECAL, CIRCUIT BREAKER - CANADA |
| 29 | F1809 | | 1 | HEX NUT |
| 30 | F901456-1 | | 1 | EMERGENCY STARTER COLLAR |
| 31 | F510097 | | 1 | FLYWHEEL |
| 32 | F1678 | | 4 | FILL HD SCREW, 10 - 24 X 13/16 |
| 33 | F510095 | | 1 | STATOR, ALTERNATOR |
| 34 | F510029 | | 1 | STATOR, TRIGGER |
| 35 | F404908 | | 1 | GROUND WIRE |
| 36 | F1075 | | 4 | FILL HD SCREW, 10 - 24 X 1/2 |
| 37 | F286192 | | 1 | THROTTLE CAM |
| 38 | F510446 | | 1 | CLAMP, BATTERY CABLE |
| 39 | F510896 | | 1 | BATTERY CABLE |
| 40 | F493683 | | 1 | WIRE |
| 41 | F510595 | | 2 | INSULATOR, CIRCUIT BREAKER |

CONTINUED ON NEXT PAGE ➡

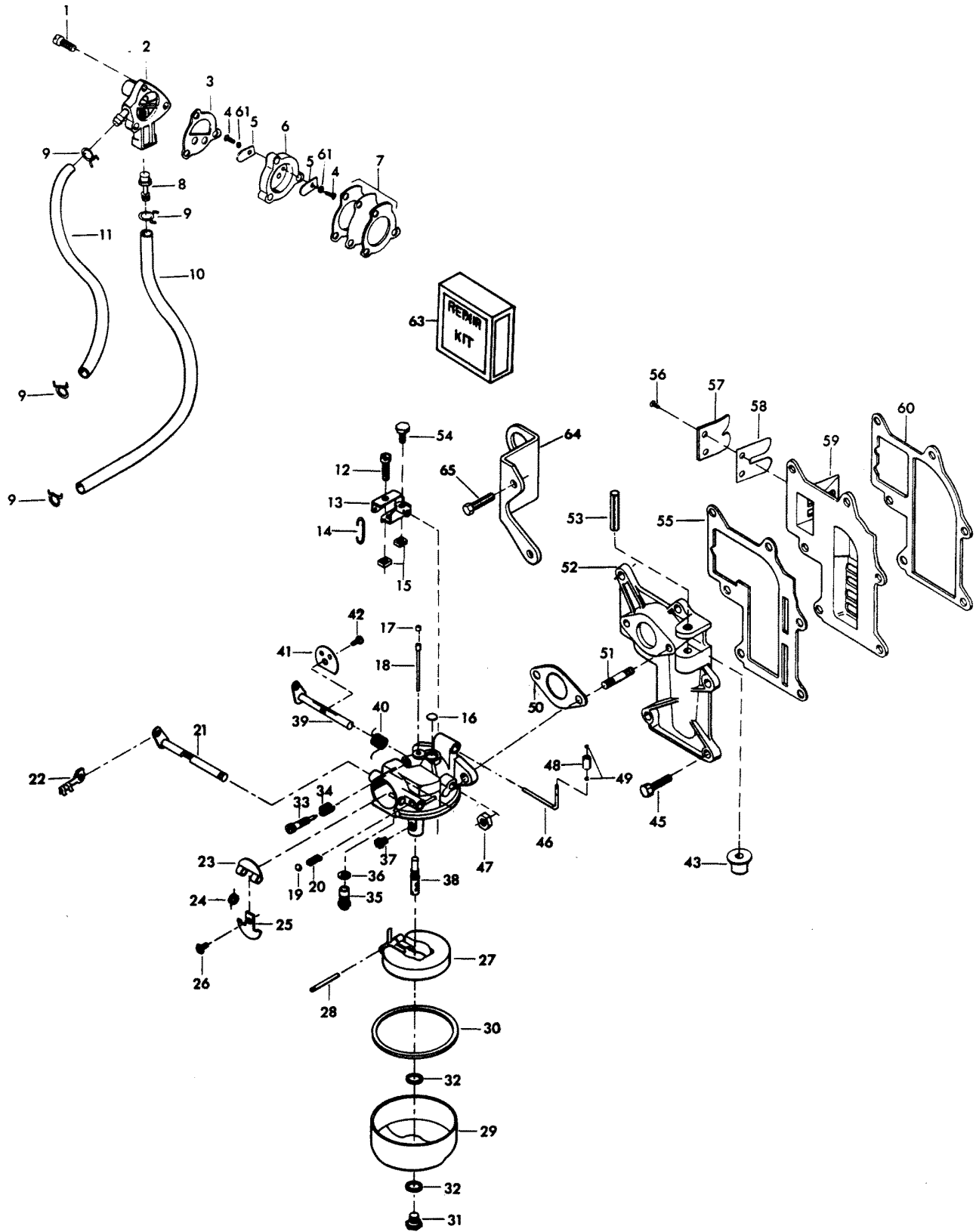
ELECTRICAL COMPONENTS (C-D ALTERNATOR MODELS)



ELECTRICAL COMPONENTS (C-D ALTERNATOR MODELS)

| REF. NO. | PART NO. | SYM. | QTY. | DESCRIPTION |
|----------|----------|------|------|---------------------------------|
| 42 | F1513 | | 2 | HEX NUT, 10 - 32 |
| 43 | 510373-1 | | 1 | DECAL, MAGNAPOWER III |
| 44 | F1999 | | 2 | HEX CAP SCREW, 1/4 - 20 X 7/8 |
| 45 | F8083 | | 1 | SPRING LOCKWASHER |
| 46 | F510301 | | 1 | C-D MODULE |
| 47 | F510449 | | 1 | NEUTRAL INTERLOCK SWITCH |
| 48 | F510683 | | 1 | WIRE, RECTIFIER-CIRCUIT BREAKER |
| 49 | F458498 | | 1 | KEY, FLYWHEEL |

FUEL SYSTEM

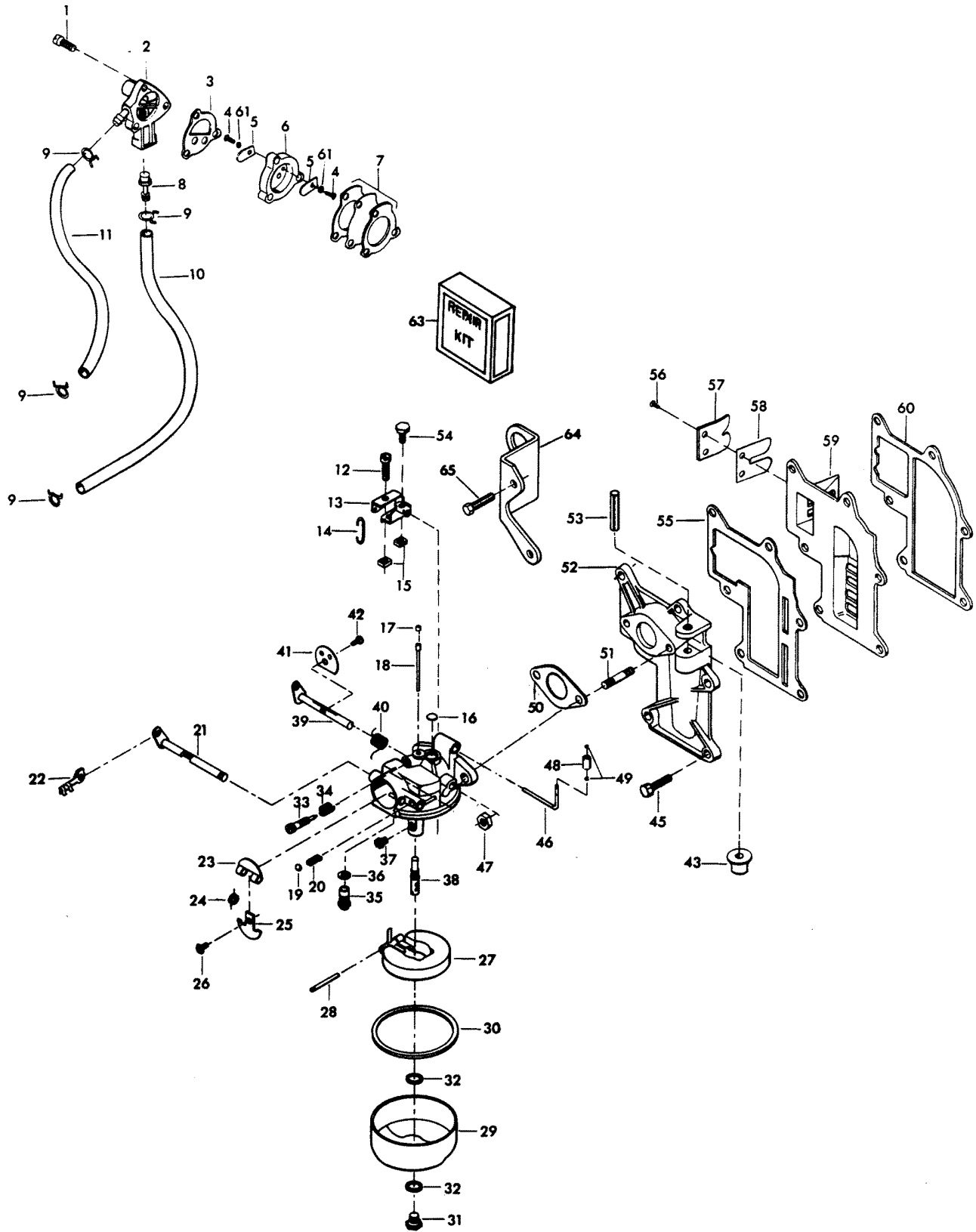


FUEL SYSTEM

| REF. NO. | PART NO. | SYM. | QTY. | DESCRIPTION |
|----------|----------------|------|------|---|
| 1 | F1069 | | 3 | FILL HD SCREW, 10 - 24 X 1-1/16 |
| 2 | F901746-2 | | 1 | FUEL PUMP COVER |
| 3 | F24748-2 | | 1 | GASKET, FUEL PUMP |
| 4 | F1286 | | 2 | PAN HD SCREW, 4 - 40 X 3/16 |
| 5 | F18160-2 | | 2 | REED FUEL PUMP |
| 6 | F2A24757 | | 1 | FUEL PUMP REED PLATE W/REEDS AND SCREWS |
| 7 | 27-818043A1 | | 1 | FUEL PUMP DIAPHRAGM W/GASKETS |
| 8 | F901811 | | 1 | FUEL PUMP FILTER |
| 9 | F2706772 | | 4 | HOSE CLAMP |
| 10 | F40253-1 | | 1 | FUEL LINE |
| 11 | FA24754-1 | | 1 | FUEL LINE W/CLAMPS |
| 12 | F1834 | | 1 | FILL HD SCREW, 10 - 24 X 7/8 |
| 13 | 817754A1 | | 1 | ARM, CARBURETOR FOLLOWER |
| 14 | F66193 | | 1 | THROTTLE LINK |
| 15 | F1365 | | 2 | SQUARE NUT, 10 - 24 |
| 16 | FO2531 | | 1 | BODY CHANNEL WELCH PLUG |
| 17 | FO10588 | | 1 | BODY CHANNEL CUP PLUG |
| 18 | FO15522 | | 1 | BYPASS TUBE |
| 19 | FO4784 | | 1 | CHOKE FRICTION BALL |
| 20 | FO8805 | | 1 | CHOKE FRICTION SPRING |
| 21 | FO15736 | | 1 | CHOKE SHAFT AND LEVER |
| 22 | F341384 | | 1 | RETAINER, CHOKE ROD |
| 23 | FO15368 | | 1 | CHOKE RELIEF VALVE |
| 24 | FO15783 | | 1 | CHOKE RELIEF VALVE SPRING |
| 25 | FO15367 | | 1 | CHOKE SHUTTER |
| 26 | FO10280 | | 1 | CHOKE SHUTTER RETAINER SCREW AND LOCKWASHER |
| 27 | FO13554 | | 1 | FLOAT |
| 28 | FO13944 | | 1 | FLOAT LEVER PIN |
| 29 | FO15366 | | 1 | FUEL BOWL |
| 30 | FO15623 | | 1 | FUEL BOWL GASKET |
| 31 | FO13945 | | 1 | FUEL BOWL RETAINING SCREW |
| 32 | FO2510 | | 2 | FUEL BOWL RETAINING SCREW GASKET |
| 33 | FO15520 | | 1 | IDLE MIXTURE SCREW |
| 34 | FO11103 | | 1 | IDLE MIXTURE SCREW SPRING |
| 35 | FO10790 | | 1 | INLET NEEDLE, SEAT AND GASKET |
| 36 | FO10165 | | 1 | INLET SEAT GASKET |
| 37 | FO11722 | | 1 | MAIN FUEL JET, STD. .055 SEA LEVEL - 3000 FT. |
| - | FO11765 | | - | MAIN FUEL JET, OPT. .053 SEA LEVEL - 3000 - 6000 FT. |
| - | FO11764 | | - | MAIN FUEL JET, OPT. .051 SEA LEVEL - 6000 FT. AND UP |
| 38 | FO15525 | | 1 | MAIN NOZZLE |
| 39 | FO15757 | | 1 | THROTTLE SHAFT AND LEVER |
| 40 | FO15526 | | 1 | THROTTLE SHAFT RETURN SPRING |
| 41 | FO16878 | | 1 | THROTTLE SHUTTER |

CONTINUED ON NEXT PAGE ➡

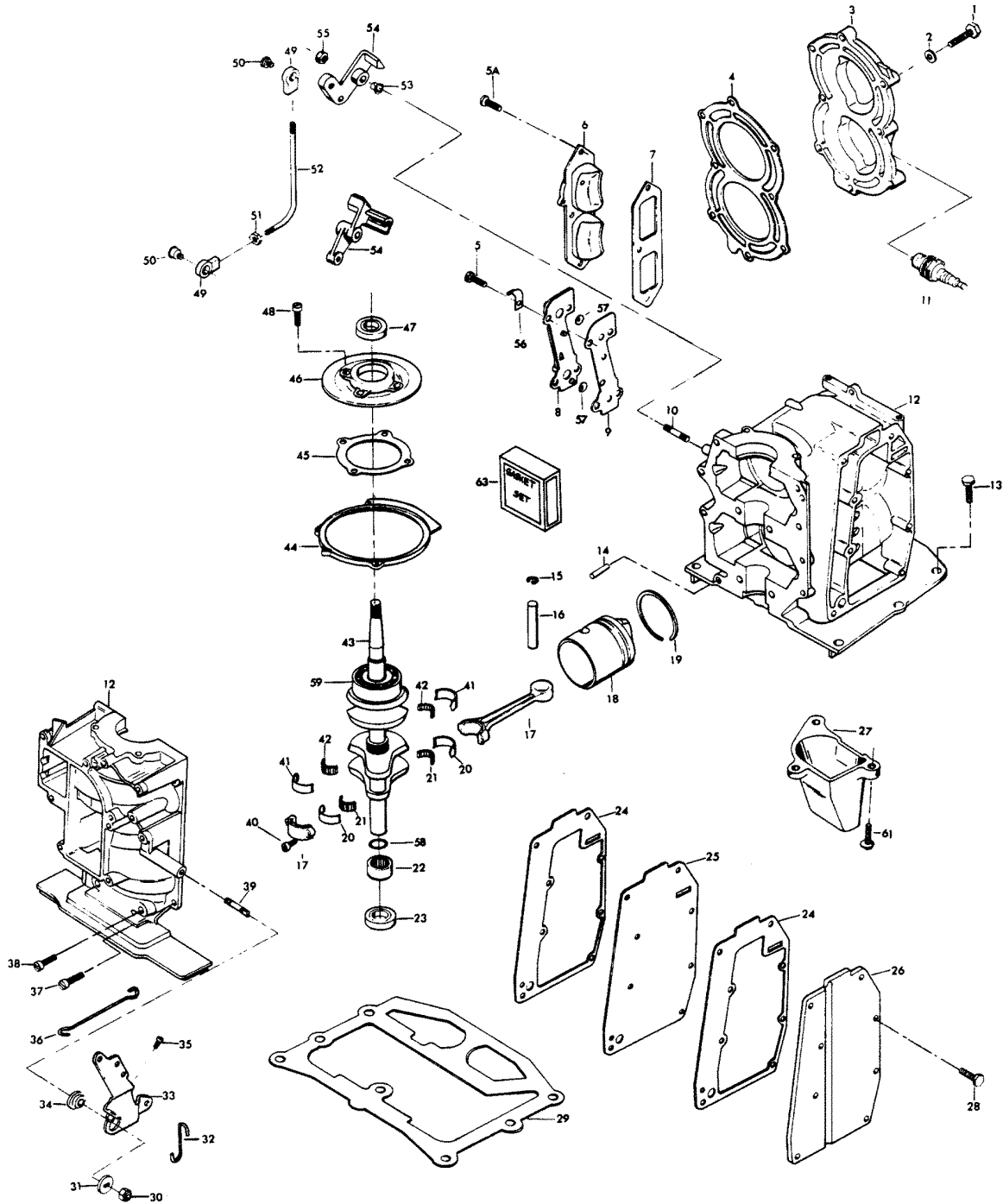
FUEL SYSTEM



FUEL SYSTEM

| REF. NO. | PART NO. | SYM. | QTY. | DESCRIPTION |
|----------|---------------|------|----------|--|
| 42 | FO10280 | | 1 | THROTTLE SHUTTER RETAINING SCREW AND LOCKWASHER |
| 43 | F487435 | | 1 | PULLEY, STARTER ROPE |
| 45 | F1914 | | 6 | HEX HD SCREW, 1/4 - 20 X 3/4 |
| 46 | F286316 | | 1 | THROTTLE CAM FOLLOWER |
| 47 | F1490 | | 2 | HEX NUT, 1/4 - 20 |
| 48 | F78318 | | 1 | ROLLER, THROTTLE CAM FOLLOWER |
| 49 | F78410 | | 2 | RETAINER |
| 50 | F18906 | | 1 | CARBURETOR GASKET |
| 51 | F2788004 | | 2 | STUD, CARBURETOR |
| 52 | F2A424167 | | 1 | MANIFOLD W/STUDS AND PULLEY |
| 53 | F1876 | | 1 | SPRING PIN |
| 54 | F1912 | | 1 | HEX HD SCREW, 10 - 24 X 1/2 |
| 55 | F424168-1 | | 1 | GASKET, MANIFOLD |
| 56 | F1755 | | 8 | HD SCREW W/LOCKWASHER, 6 - 32 X 5/16 |
| 57 | F424161 | | 4 | REED STOP |
| 58 | F31160-1 | | 4 | REED |
| 59 | FA424158 | | 1 | REED PLATE W/REEDS, STOPS AND SCREWS |
| 60 | F286159-1 | | 1 | GASKET, REED PLATE |
| 61 | F8003 | | 2 | PLAIN WASHER |
| 62 | F472061-1 | | 1 | CARBURETOR COMPLETE (CO10B) |
| - | F10006 | | 1 | GASKET SET, CARBURETOR |
| 63 | F10007 | | 1 | REPAIR PARTS KIT INCLUDES ALL ITEMS MARKED WITH AN ASTERISK (*) |
| 64 | F510551 | | 1 | BRACKET, INTERLOCK SWITCH 15 H.P. C-D ALTERNATOR |
| 65 | F2008 | | 2 | HEX HD SCREW 1/4 - 20 X 7/8 15 H.P. C-D ALTERNATOR |

POWER HEAD

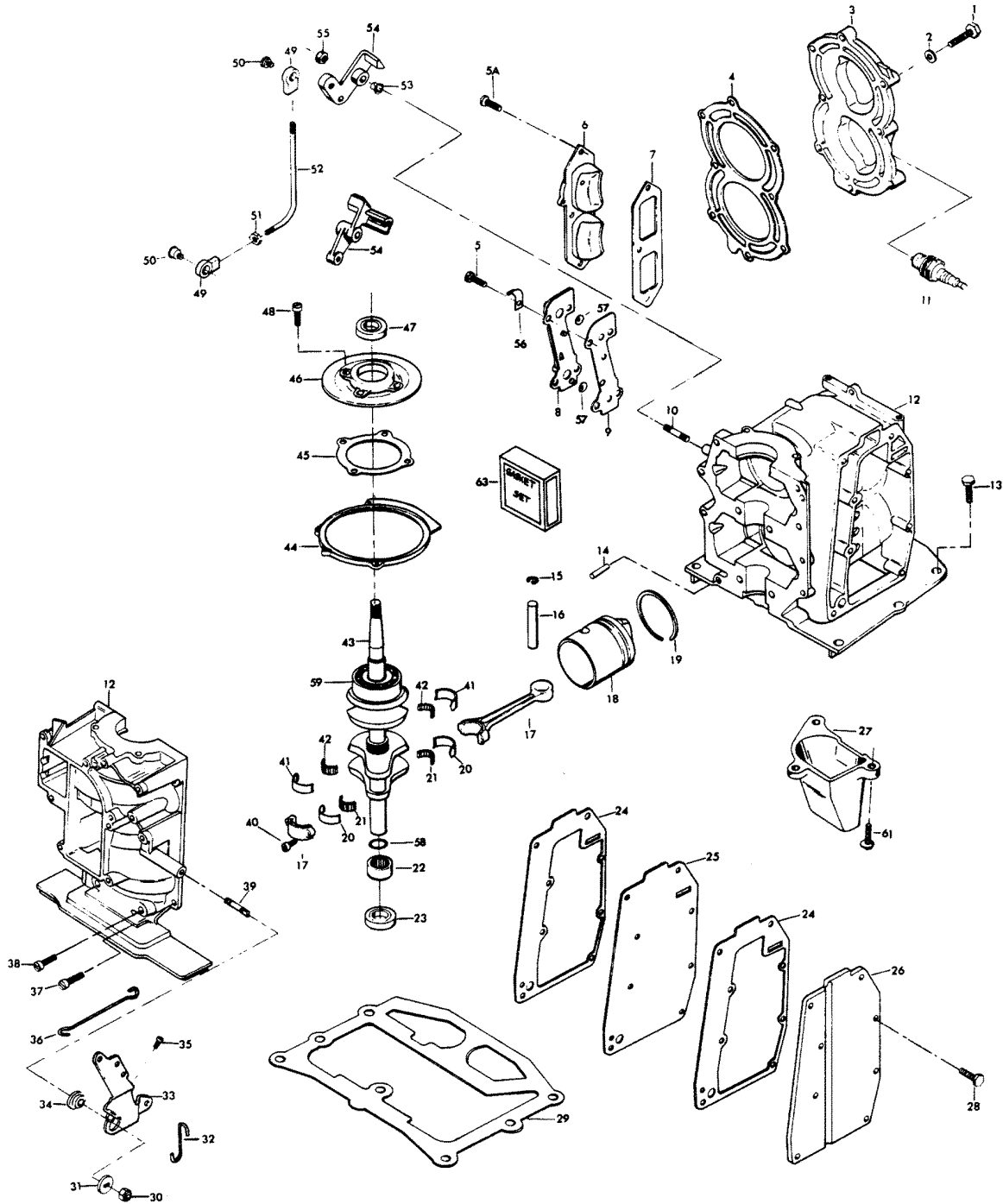


POWER HEAD

| REF. NO. | PART NO. | SYM. | QTY. | DESCRIPTION |
|----------|---------------------|------|----------|--|
| 1 | F901938-1 | | 8 | SCREW, CYLINDER HEAD |
| 2 | F8025 | | 8 | PLAIN WASHER |
| 3 | F286518 | | 1 | HEAD, CYLINDER |
| 4 | F286529-3 | | 1 | GASKET, CYLINDER HEAD |
| 5 | F1922 | | 4 | HEX HD SCREW, 1/4 - 20 X 5/8 |
| 5A | F1502 | | 3 | HEX CAP SCREW, 1/4 - 20 X 5/8 15 H.P. MANUAL START |
| - | F510165 | | 3 | SCREW, TRANSFER PORT COVER 15 H.P. C-D ALTERNATOR |
| - | F1859 | | 1 | HEX SOCKET HEADLESS SET SCREW, 1/4 - 28 X 3/16 (TRANSFER PORT COVER) |
| 6 | F286222 | | 1 | COVER, TRANSFER PORT 15 H.P. MANUAL START |
| - | F510222 | | 1 | TRANSFER PORT COVER 15 H.P. C-D ALTERNATOR |
| 7 | F286223 | | 1 | GASKET, TRANSFER PORT COVER |
| 8 | FA429471 | | 1 | COVER, CYLINDER DRAIN W/CHECK VALVES AND SCREWS |
| 9 | F429472 | | 1 | GASKET, CYLINDER DRAIN COVER |
| 10 | F28004 | | 1 | STUD, INTERLOCK LEVER |
| 11 | FS174227 | | 2 | PLUG, SPARK L-4-J |
| - | FC235227 | | 2 | PLUG, SPARK CHAMPION (RL-4-J), FOR MODELS 152B9E AND 153B9E |
| - | FC503227 | | 2 | PLUG, SPARK CHAMPION (QL-77-J4), FOR MODELS 158B9C & 159B9C |
| 12 | FA473010 | | 1 | CYLINDER W/CRANKCASE COVER, DOWEL PINS, SCREWS AND STUDS - 15 H.P. MANUAL START |
| - | 800-819091A1 | | 1 | SHORT BLOCK (NOT SHOWN) INCLUDES ALL ITEMS MARKED WITH AN ASTERISK (*) ORIGINAL FORCE P/N C472010-1 |
| - | FA520010 | | 1 | CYLINDER W/CRANKCASE COVER, DOWEL PINS, SCREWS AND STUDS 15 H.P. C-D ALTERNATOR |
| - | 800-817907A2 | | 1 | SHORT BLOCK (NOT SHOWN) INCLUDES ALL ITEMS MARKED WITH AN ASTERISK (*) ORIGINAL FORCE P/N C520010-1 |
| 13 | F1823 | | 6 | HEX CAP SCREW, 5/16 - 18 X 1 |
| 14 | F8559 | | 2 | DOWEL PIN |
| 15 | F31410 | | 4 | RETAINING RING, PISTON PIN |
| 16 | F174017 | | 2 | PIN, PISTON |
| 17 | FS36016-5 | | 2 | ROD, CONNECTING W/CAP AND SCREWS |
| 18 | F472015-2 | | 2 | PISTONS |
| 19 | FA472260 | | 2 | PISTON RING SET (2 PER SET) |
| 20 | FA525241 | | 2 | CRANK PIN ROLLER BEARING CAGE (2 PER SET) |
| 21 | FA525228 | | 2 | ROLLER SET, CONNECTING ROD (26 PER SET) |
| 22 | F343014 | | 1 | BEARING, CRANKSHAFT LOWER MAIN |
| 23 | F141118 | | 1 | SEAL, CRANKSHAFT LOWER |
| 24 | F286154 | | 2 | GASKET, EXHAUST COVER |
| 25 | F286151 | | 1 | PLATE, EXHAUST |
| 26 | F286152 | | 1 | COVER, EXHAUST |
| 27 | F487660-1 | | 1 | EXHAUST TUBE |

CONTINUED ON NEXT PAGE ➡

POWER HEAD

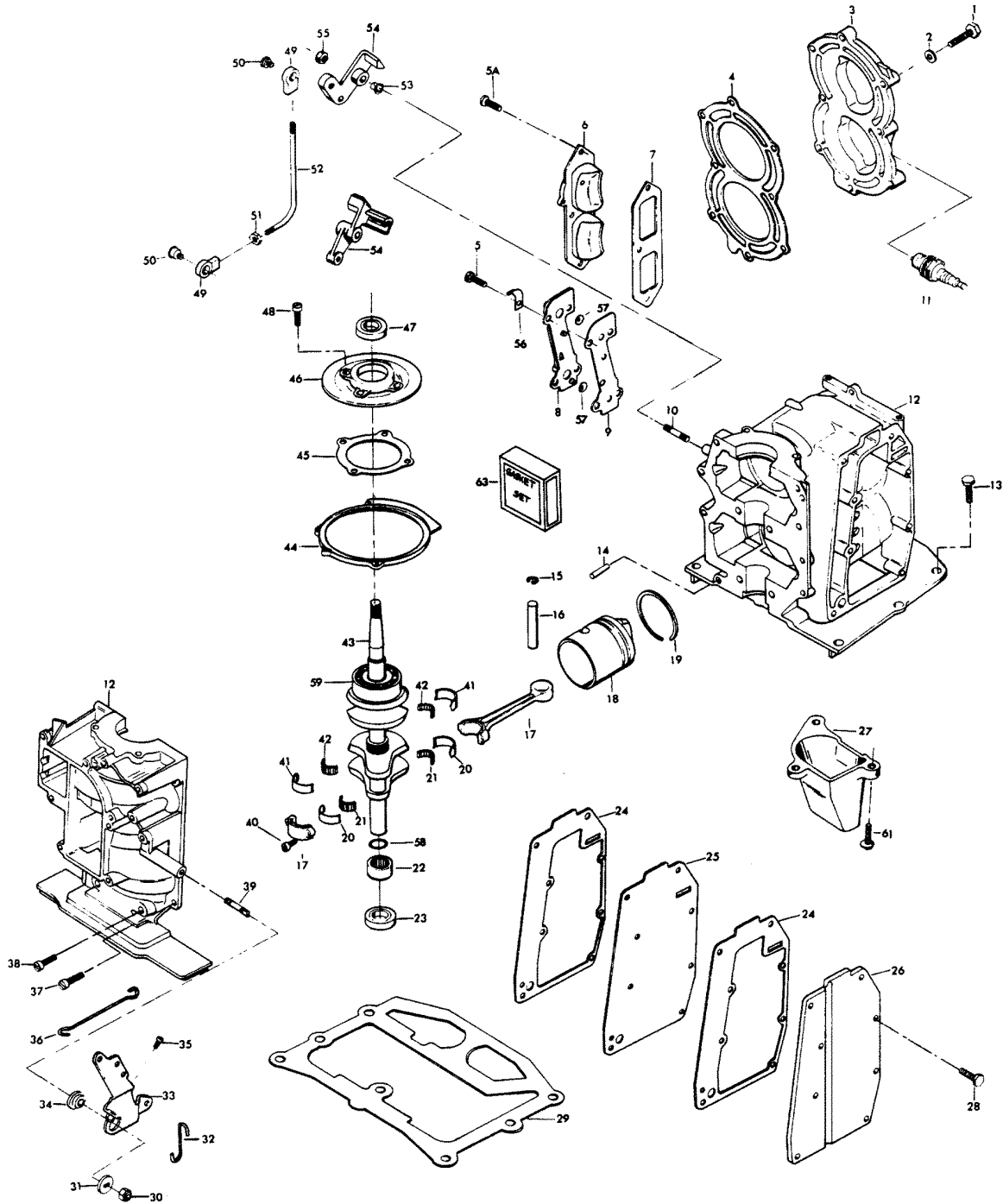


POWER HEAD

| REF. NO. | PART NO. | SYM. | QTY. | DESCRIPTION |
|----------|------------------|------|----------|--|
| 28 | F2008 | | 8 | HEX HD SCREW, 1/4 - 20 X 7/8 |
| 29 | F286279-2 | | 1 | GASKET, CYLINDER MOUNTING |
| 30 | F1803 | | 1 | STOP NUT, 5/16 - 24 |
| 31 | F286282 | | 1 | WASHER |
| 32 | F286445 | | 1 | LINK, MAGNETO SHAFT |
| 33 | 817971A3 | | 1 | LEVER, MAGNETO CONTROL |
| 34 | F183813 | | 1 | BEARING, MAGNETO CONTROL LEVER |
| 35 | F1504 | | 1 | FILL HD SCREW, 1/4 - 20 X 1 1/4 |
| 36 | F286509 | | 1 | LINK, THROTTLE CAM |
| 37 | F1107 | | 8 | FILL HD SCREW, 1/4 - 20 X 3/4 |
| 38 | F1335 | | 4 | FILL HD SCREW, 5/16 - 18 X 1 1/4 |
| 39 | F286440 | | 1 | STUD, MAGNETO CONTROL LEVER |
| 40 | F36634 | | 4 | SCREW, CONNECTING ROD |
| 41 | FA286155 | | 1 | MAIN BEARING LINER SET (2 PER SET) |
| 42 | F286571 | | 1 | ROLLER SET, MAIN BEARING (26 PER SET) |
| 43 | FA472018 | | 1 | CRANKSHAFT W/UPPER MAIN BEARING |
| 44 | F73082 | | 1 | RING, MAGNETO STATOR |
| 45 | F286277 | | 1 | GASKET, CRANKSHAFT BEARING CAGE |
| 46 | 1100-817753A1 | | 1 | CAGE, CRANKSHAFT BEARING W/SEAL |
| 47 | F346146 | | 1 | SEAL, CRANKSHAFT UPPER |
| 48 | F1111 | | 4 | FILL HD SCREW, 1/4 - 20 X 7/8 |
| 49 | F84035-2 | | 2 | BEARING, INTERLOCK ROD |
| 50 | F84026 | | 2 | SWIVEL, INTERLOCK ROD BEARING |
| 51 | F1339 | | 1 | HEX NUT, 10 - 24 |
| 52 | F492531 | | 1 | INTERLOCK ROD 15 H.P. MANUAL START |
| - | F510531 | | 1 | INTERLOCK ROD 15 H.P. C-D ALTERNATOR |
| 53 | F197813 | | 1 | BEARING, INTERLOCK LEVER |
| 54 | F492977 | | 1 | INTERLOCK LEVER 15 H.P. MANUAL START |
| - | F510977-1 | | 1 | INTERLOCK LEVER 15 H.P. C-D ALTERNATOR |
| 55 | F7008 | | 1 | STOP NUT, 1/4 - 20 |
| 56 | F286772-1 | | 1 | HOSE CLAMP |
| 57 | F429811 | | 2 | SCREEN |
| 58 | F461342 | | 1 | SEAL, DRIVESHAFT SPLINE |
| 59 | F286028-1 | | 1 | BEARING, CRANKSHAFT UPPER MAIN |
| 61 | F2040 | | 3 | HEX WASHER HD M. SCREW, 1/4 - 20 X 5/8 |
| 63 | FG1005-1 | | 1 | GASKET SET INCLUDES ITEMS LISTED BELOW: |
| - | F18906 | | 1 | GASKET, CARBURETOR |
| - | F286154 | | 2 | GASKET, EXHAUST |
| - | F286159-1 | | 1 | GASKET, REED PLATE |
| - | F286223 | | 1 | GASKET, TRANSFER PORT |
| - | F286277 | | 1 | GASKET CRANKSHAFT BEARING CAGE |
| - | F286279-2 | | 1 | GASKET CYLINDER MOUNTING |
| - | F286529-3 | | 1 | GASKET, CYLINDER HEAD |

CONTINUED ON NEXT PAGE ➡

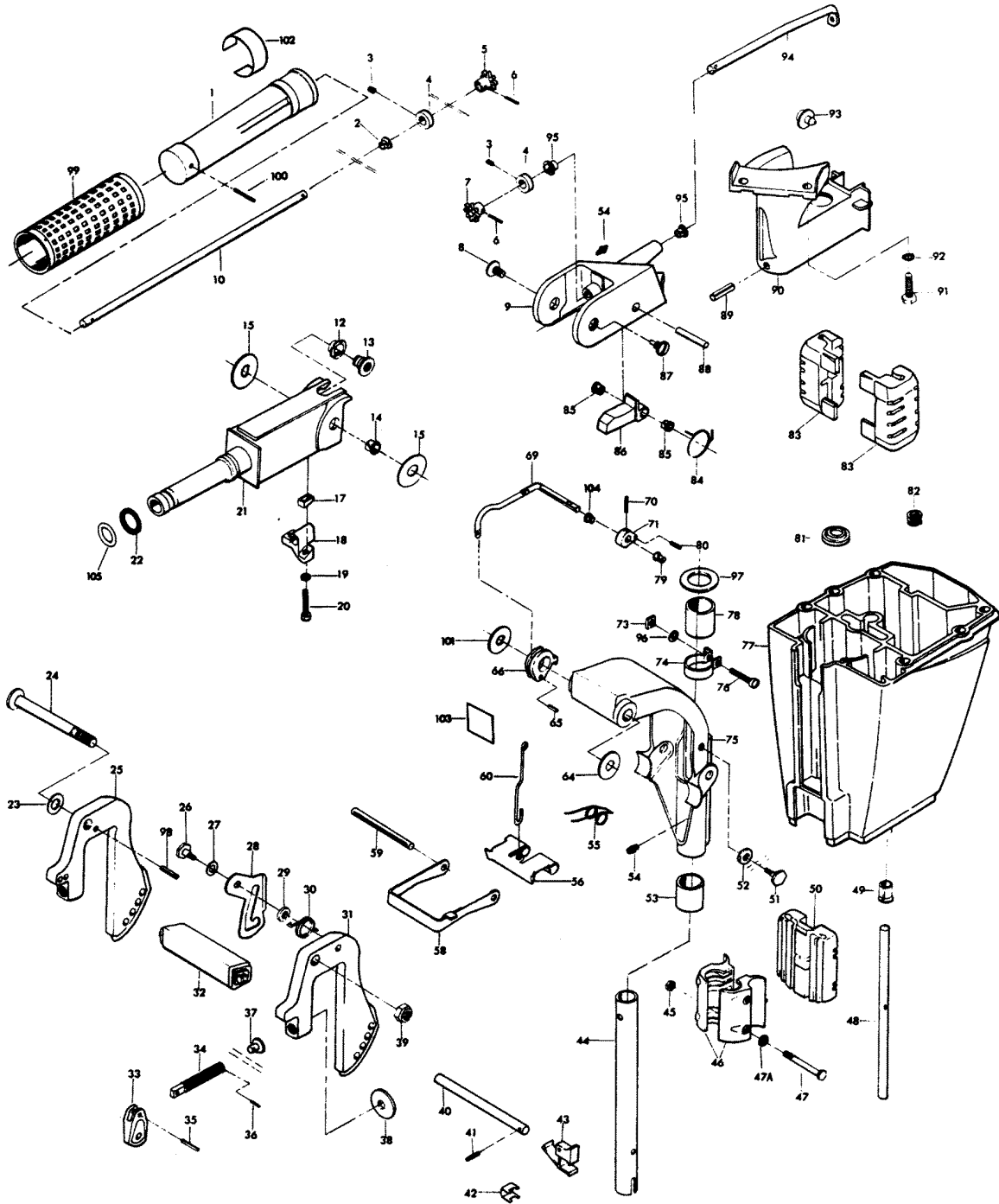
POWER HEAD



POWER HEAD

| REF. NO. | PART NO. | SYM. | QTY. | DESCRIPTION |
|----------|-----------|------|------|-----------------------------|
| - | F424168-1 | | 1 | GASKET, MANIFOLD |
| - | F429472 | | 1 | GASKET CYLINDER DRAIN COVER |

MOTOR LEG

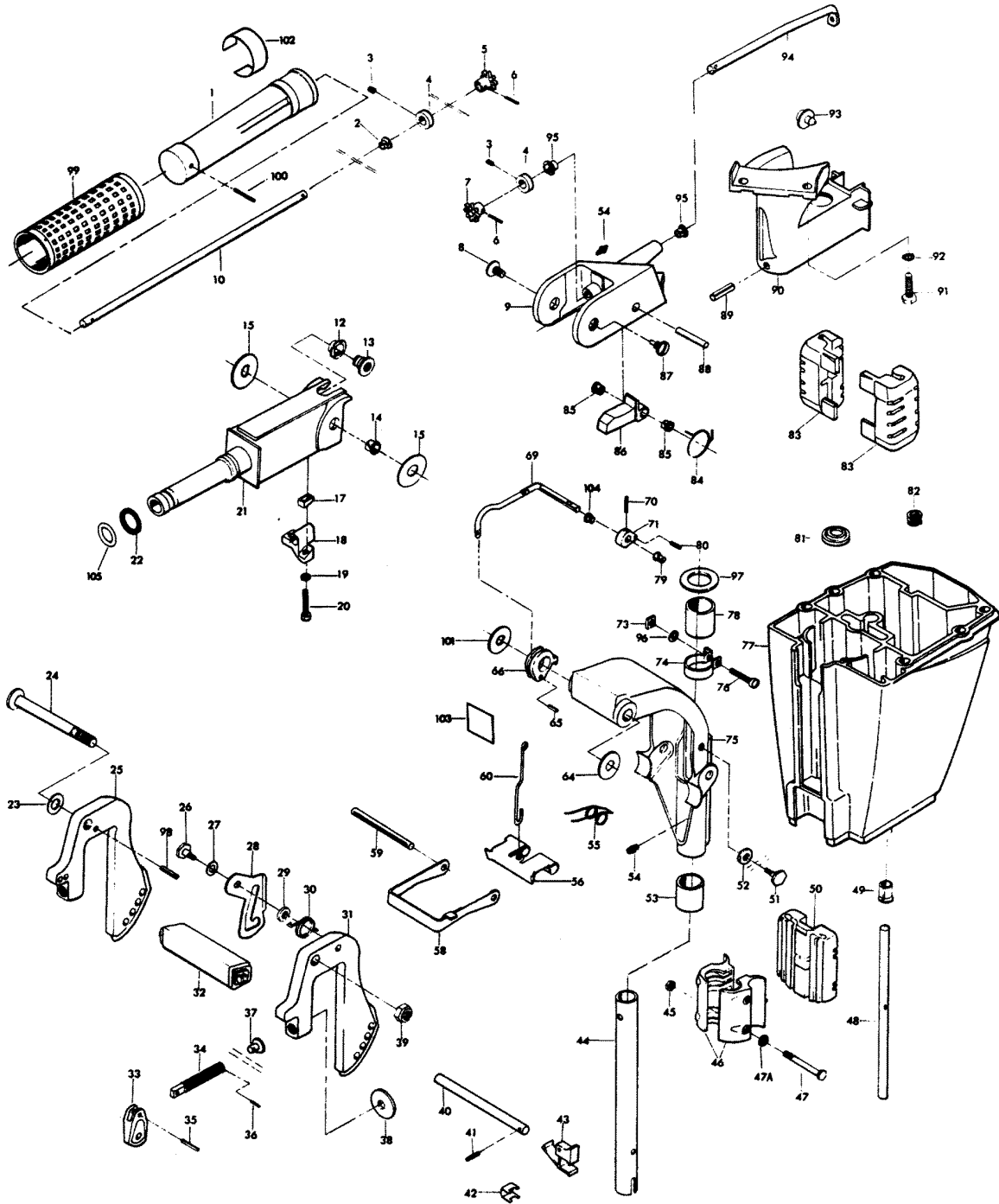


MOTOR LEG

| REF. NO. | PART NO. | SYM. | QTY. | DESCRIPTION |
|----------|--------------|------|------|--|
| 1 | FA456137 | | 1 | GRIP, STEERING HANDLE W/SLEEVE |
| 2 | F85610 | | 1 | BEARING |
| 3 | F1859 | | 2 | HEX SOCKET HEADLESS SET SCREW |
| 4 | FA343178 | | 2 | RETAINER W/SET SCREW |
| 5 | 43-818009--1 | | 1 | GEAR, STEERING HANDLE SHAFT |
| 6 | F1978 | | 2 | SPRING PIN |
| 7 | 43-818009--1 | | 1 | GEAR, MAGNETO CONTROL SHAFT |
| 8 | F1799 | | 1 | TRUSS HD SCREW, 5/16 - 18 X 5/8 |
| 9 | 817751A3 | | 1 | STEERING HANDLE BRACKET W/GREASE FITTING |
| 10 | F429688 | | 1 | SHAFT, STEERING HANDLE |
| 12 | F286818 | | 1 | BEARING |
| 13 | F286224 | | 1 | INSERT, STEERING HANDLE PIVOT |
| 14 | F197813 | | 1 | BEARING |
| 15 | F286220 | | 2 | WASHER, STEERING HANDLE |
| 17 | F341693 | | 1 | WEDGE, STEERING HANDLE |
| 18 | F487816 | | 1 | BEARING, STEERING HANDLE |
| 19 | F8058 | | 2 | INT TOOTH LOCKWASHER |
| 20 | F1829 | | 2 | FILL HD SCREW, 10 - 24 X 7/8 |
| 21 | F286079-1 | | 1 | STEERING HANDLE |
| 22 | F53795-1 | | 1 | SEAL, STEERING HANDLE GRIP DAMPENER (LARGE) |
| 23 | F8039 | | 1 | PLAIN WASHER |
| 24 | F286037 | | 1 | STERN BRACKET PIVOT BOLT |
| 25 | FS567532 | | 1 | STERN BRACKET STARBOARD W/CLAMP SCREW AND FOOT |
| 26 | F286422-1 | | 1 | TILT LOCK PIVOT |
| 27 | F1666 | | 1 | BOWED SPRING WASHER |
| 28 | F429541 | | 1 | TILT LOCK |
| 29 | F286451 | | 1 | SPACER, TILT LOCK |
| 30 | F286544-1 | | 1 | SPRING, TILT STOP |
| 31 | FS567532 | | 1 | STERN BRACKET PORT W/CLAMP SCREW AND FOOT |
| 32 | F286647 | | 1 | CARRYING HANDLE |
| 33 | F424075 | | 2 | HANDLE, CLAMP SCREW |
| 34 | 817761A2 | | 2 | CLAMP SCREW W/FOOT AND STUD |
| 35 | F8554 | | 2 | SPRING PIN |
| 36 | F8537 | | 2 | SPRING PIN |
| 37 | F66480 | | 2 | STUD CLAMP SCREW |
| 38 | F24074 | | 2 | CLAMP SCREW FOOT |
| 39 | F7005 | | 1 | STOP NUT, 3/8 - 16 |
| 40 | FA286113 | | 1 | LOCK BAR W/HANDLE AND SPRING |
| 41 | F8540 | | 1 | SPRING PIN |
| 42 | F286461 | | 1 | SPRING, LOCK BAR HANDLE |
| 43 | F286114 | | 1 | LOCK BAR HANDLE |
| 44 | F286019 | | 1 | KING PIN |
| 45 | F1341 | | 2 | HEX NUT, 1/4 - 20 |

CONTINUED ON NEXT PAGE ➡

MOTOR LEG

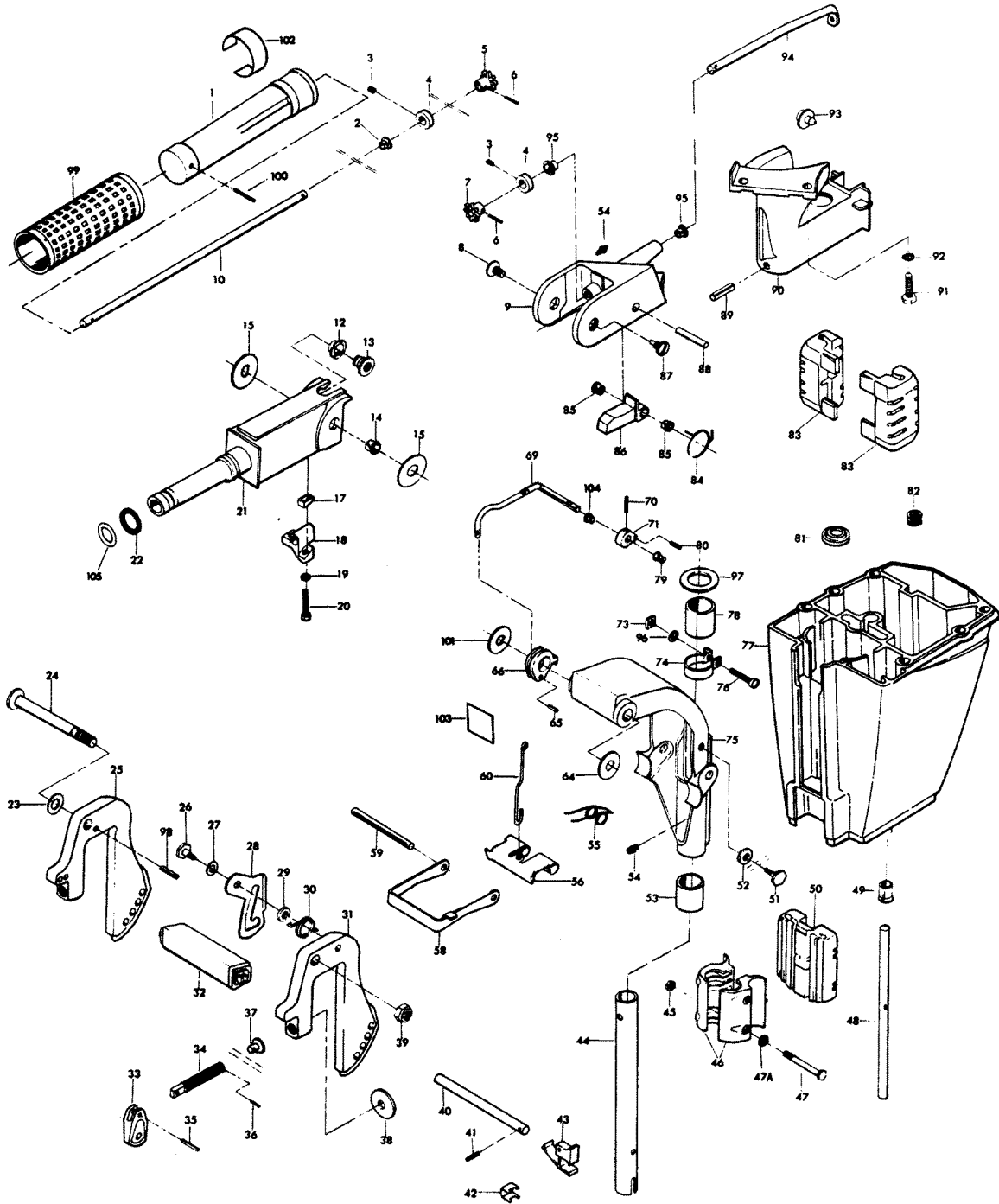


MOTOR LEG

| REF. NO. | PART NO. | SYM. | QTY. | DESCRIPTION |
|----------|---------------|------|------|--|
| 46 | F286956 | | 2 | BRACKET, SHOCK MOUNT LOWER |
| 47 | FA1844 | | 2 | HEX BOLT, 1/4 - 20 X 2 3/8 |
| 47A | F8083 | | 2 | SPRING LOCKWASHER |
| 48 | F286244 | | 1 | WATER LINE |
| 49 | F286914 | | 1 | SLEEVE WATER LINE |
| 50 | F286346-1 | | 1 | SHOCK MOUNT LOWER |
| 51 | F286422-1 | | 1 | TILT LOCK PIVOT |
| 52 | F286451 | | 1 | SPACER, TILT LOCK |
| 53 | F286169 | | 1 | BEARING, SWIVEL BRACKET |
| 54 | F213274 | | 4 | GREASE FITTING |
| 55 | F286300 | | 1 | SPRING, REVERSE LOCK |
| 56 | F286349 | | 1 | REVERSE LOCK |
| 58 | F286433 | | 1 | BRACKET SHALLOW WATER DRIVE |
| 59 | F1806 | | 1 | GROOVE PIN |
| 60 | FA341510 | | 1 | LINK, REVERSE LOCK LEVER |
| 64 | F286286-1 | | 1 | WASHER, STERN BRACKET |
| 65 | F1794 | | 1 | SPRING PIN |
| 66 | F286827 | | 1 | REVERSE LOCK RELEASE LEVER |
| 69 | FA387742 | | 1 | LEVER, REVERSE LOCK INTERMEDIATE |
| 70 | F8538 | | 1 | SPRING PIN |
| 71 | F286364 | | 1 | LEVER, REVERSE LOCK |
| 73 | F1608 | | 1 | SQUARE NUT, 1/4 - 20 |
| 74 | F286573-1 | | 1 | CLAMP, STEERING FRICTION |
| 75 | 1400-817750A4 | | 1 | SWIVEL BRACKET W/GREASE FITTING |
| 76 | F1820 | | 1 | FILL HD SCREW, 1/4 - 20 X 1 3/8 |
| 77 | F2A477133 | | 1 | MOTOR LEG W/ITEMS 48, 49 & 81 |
| 78 | F286169 | | 1 | BEARING, SWIVEL BRACKET |
| 79 | F197813 | | 1 | BEARING |
| 80 | F1794 | | 1 | SPRING PIN |
| 81 | F901307-2 | | 1 | SEAL, DRIVESHAFT |
| 82 | F286414 | | 1 | SPRING, LEG WATER BRACKET |
| 83 | F286347 | | 2 | SHOCK MOUNT UPPER |
| 84 | F286868 | | 1 | SPRING, STEERING HANDLE STOP |
| 85 | F197813 | | 2 | BEARING, STEERING HANDLE STOP |
| 86 | F286490 | | 1 | STEERING HANDLE STOP |
| 87 | F286080 | | 1 | SCREW, STEERING HANDLE PIVOT |
| 88 | F1807 | | 1 | GROOVE PIN |
| 89 | F1805 | | 1 | SPRING PIN |
| 90 | FA286582 | | 1 | STEERING ARM W/SPRING PIN & BUMPER |
| 91 | F1502 | | 2 | HEX CAP SCREW, 1/4 - 20 X 5/8 |
| 92 | F8060 | | 2 | TOOTH LOCKWASHER |
| 93 | F286539 | | 1 | BUMPER |
| 94 | F431838 | | 1 | MAGNETO CONTROL SHAFT |

CONTINUED ON NEXT PAGE ➡

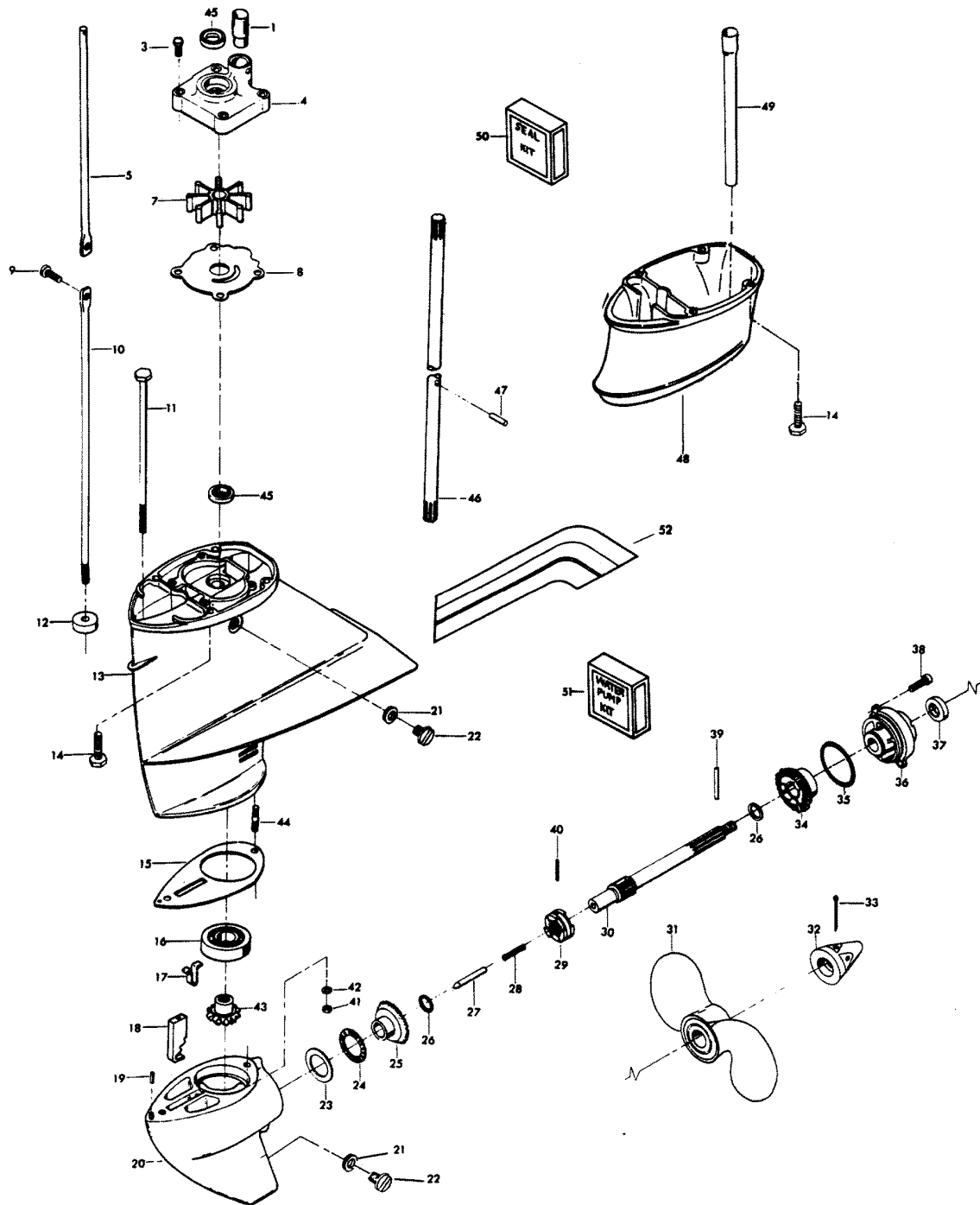
MOTOR LEG



MOTOR LEG

| REF. NO. | PART NO. | SYM. | QTY. | DESCRIPTION |
|----------|---------------------|------|----------|---|
| 95 | F307818 | | 2 | BEARING |
| 96 | F1907 | | 1 | WASHER |
| 97 | F286011 | | 1 | WASHER, SWIVEL BRACKET |
| 98 | F8538 | | 1 | SPRING PIN |
| 99 | F458695 | | 1 | SLEEVE |
| 100 | F8548 | | 1 | SPRING PIN |
| 101 | F525286 | | 1 | WASHER |
| 102 | F286894-3 | | 1 | STEERING HANDLE INDICATOR |
| - | 37-F286894-3 | | 1 | STEERING HANDLE INDICATOR - CANADA |
| 103 | F286585-1 | | 1 | DECAL, TILT RELEASE |
| - | 37-F286585-2 | | 1 | DECAL, TILT RELEASE - CANADA |
| 104 | F536813 | | 1 | BEARING, REVERSE LOCK INTERMEDIATE LEVER |
| 105 | F215795 | | 1 | SEAL |

GEAR HOUSING

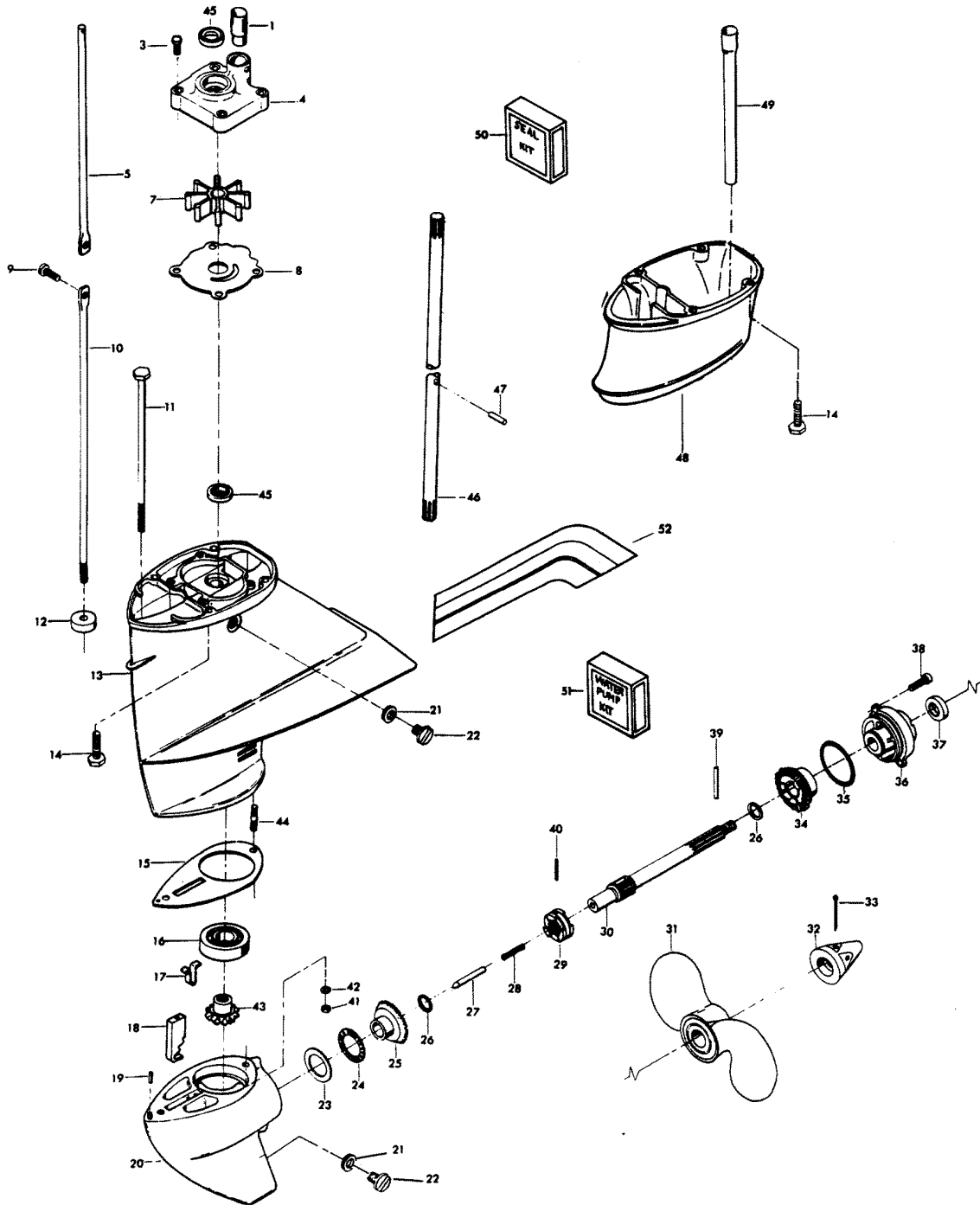


GEAR HOUSING

| REF. NO. | PART NO. | SYM. | QTY. | DESCRIPTION |
|----------|-----------------|------|----------|--|
| 1 | FA510914 | | 1 | SEAL, INLET WATER LINE |
| 3 | F2030 | | 4 | HEX HD SCREW, 1/4 - 20 X 1 1/4 |
| 4 | FA510060 | | 1 | WATER PUMP BODY W/DRIVESHAFT SEAL |
| 5 | F286615 | | 1 | GEAR SHIFT ROD UPPER |
| 7 | F436065 | | 1 | WATER PUMP IMPELLER |
| 8 | F341562 | | 1 | WATER PUMP BACK PLATE |
| 9 | F1976 | | 1 | SOCKET HD SCREW W/LOCKWASHER, 10 - 24 X 1/2 |
| 10 | F286705 | | 1 | GEAR SHIFT ROD LOWER, FOR STANDARD SHAFT MODELS |
| - | F330705 | | 1 | GEAR SHIFT ROD LOWER, FOR LONG SHAFT MODELS |
| 11 | F1800 | | 1 | HEX BOLT, 1/4 - 20 X 7 |
| 12 | F338618-1 | | 1 | SEAL, GEAR SHIFT ROD LOWER |
| 13 | 1600-824916A1 | | 1 | GEAR HOUSING UPPER W/BEARING AND ITEMS 12, 21, 22, 44 AND 45 ORIGINAL FORCE P/N A456554-1 |
| 14 | F430732 | | 8 | HEX HD SCREW, 1/4 - 20 X 1 |
| 15 | F286555 | | 1 | GASKET, GEAR HOUSING |
| 16 | F127910-2 | | 1 | BALL BEARING |
| 17 | F286895 | | 1 | SPRING, CAM DETENT |
| 18 | F286721 | | 1 | CLUTCH, SHIFT CAM |
| 19 | F8553 | | 1 | SPRING PIN |
| 20 | FA286054 | | 1 | GEAR HOUSING LOWER W/BEARING, PLUG AND SPRING PIN |
| - | FC456054 | | 1 | LOWER GEAR HOUSING COMPLETE (NOT SHOWN) INCLUDES ALL ITEMS MARKED WITH AN ASTERISK (*) |
| 21 | F8077 | | 2 | NYLTITE WASHER |
| 22 | F50109 | | 2 | GEAR HOUSING PLUG |
| 23 | F286903 | | 1 | RACE, PROPELLER SHAFT BEARING |
| 24 | F286901 | | 1 | BEARING, RADIAL, PROPELLER SHAFT |
| 25 | FA456023 | | 1 | BEVEL GEAR FRONT W/BEARING |
| 26 | F456717 | | 2 | THRUST WASHER |
| 27 | F286728 | | 1 | CLUTCH SHIFT PIN |
| 28 | F409719 | | 1 | CLUTCH SPRING |
| 29 | FA456521 | | 1 | CLUTCH |
| 30 | F456098 | | 1 | PROPELLER SHAFT |
| 31 | FP408 | | 1 | PROPELLER (ACCESSORY ITEM) |
| 32 | 11-817752A1 | | 1 | PROPELLER NUT W/COTTER PIN |
| 33 | F1846 | | 1 | COTTER PIN |
| 34 | FA456662 | | 1 | BEVEL GEAR REAR W/BEARING |
| 35 | F455305 | | 1 | SEAL, PROP SHAFT BEARING CAGE |
| 36 | 31-817756A2 | | 1 | PROPELLER SHAFT BEARING CAGE W/BEARING AND ITEMS 35 AND 37 ORIGINAL FORCE P/N A286298-1 |
| 37 | F346118 | | 1 | SEAL, PROPELLER SHAFT |
| 38 | F1802 | | 2 | FILL HD SCREW, 1/4 - 20 X 9/16 |
| 39 | FA324101 | | 1 | PROPELLER PIN, PACK OF 3 |
| 40 | F8564 | | 1 | SPRING PIN |
| 41 | F1490 | | 1 | HEX NUT, 1/4 - 20 |

CONTINUED ON NEXT PAGE ➡

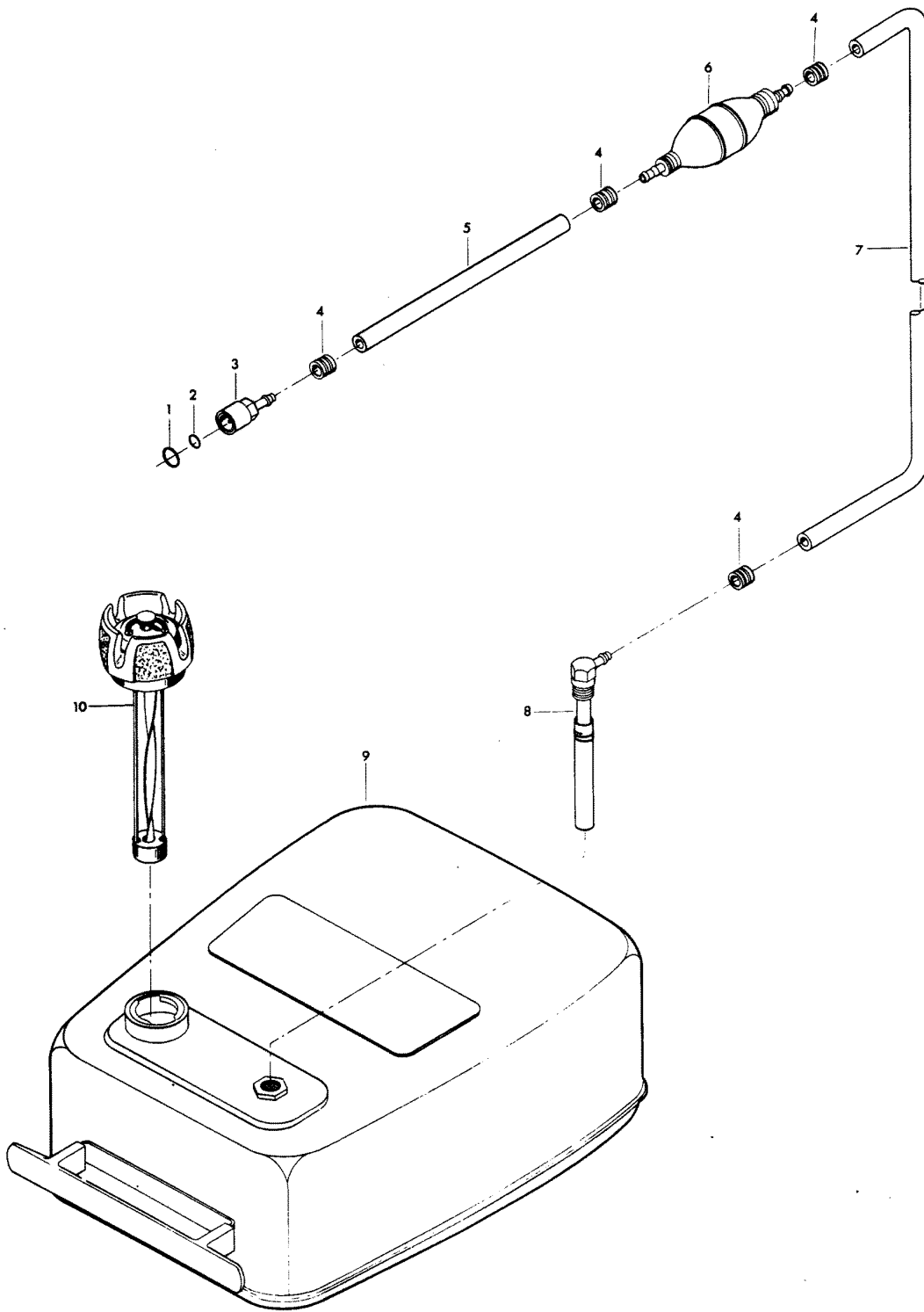
GEAR HOUSING



GEAR HOUSING

| REF. NO. | PART NO. | SYM. | QTY. | DESCRIPTION |
|----------|----------------|------|----------|--|
| 42 | F8063 | | 1 | SPRING LOCKWASHER |
| 43 | FA286266 | | 1 | GEAR, BEVEL PINION W/ITEM 16 |
| 44 | F286008 | | 1 | STUD, GEAR HOUSING REAR |
| 45 | F901307-2 | | 2 | SEAL, DRIVESHAFT AND WATER PUMP |
| 46 | F343128 | | 1 | DRIVESHAFT, FOR STANDARD SHAFT MODELS |
| - | F344128 | | 1 | DRIVESHAFT, FOR LONG SHAFT MODELS |
| 47 | F901563 | | 1 | WATER PUMP IMPELLER DRIVE PIN |
| 48 | FA492845 | | 1 | MOTOR LEG EXTENSION |
| 49 | FS901244 | | 1 | INLET WATER LINE EXTENSION |
| 50 | FK1065 | | 1 | GEAR HOUSING SEAL KIT INCLUDES ALL ITEMS MARKED WITH A DOUBLE ASTERISK (**) |
| 51 | FK1031-1 | | 1 | WATER PUMP KIT |
| 52 | A541392 | | 1 | DECAL LEG - PORT |
| - | A541391 | | 1 | DECAL LEG - STARBOARD |

FUEL TANK AND LINE



FUEL TANK AND LINE

| REF. NO. | PART NO. | SYM. | QTY. | DESCRIPTION |
|-------------|-----------------|------|----------|---|
| 1 | F213342 | | 1 | SEAL, FUEL LINE COUPLER |
| 2 | F213735 | | 1 | SEAL, FUEL LINE COUPLER |
| 3 | F197787-3 | | 1 | FUEL LINE COUPLER |
| 4 | F298788 | | 4 | FERRULE |
| 5 | FA84754-1 | | 1 | FUEL LINE, SHORT W/CLAMPS |
| 6 | 89396A38 | | 1 | PRIME BULB |
| 7 | 32-817738A1 | | 1 | FUEL LINE, LONG W/CLAMPS AND FERRULE |
| 8 | F487755 | | 1 | FUEL TANK ADAPTER |
| 9 | F5H027 | | 1 | FUEL TANK (ACCESSORY ITEM) |
| 10 | F409251-1 | | 1 | GAUGE CAP |
| - | FS409752 | | 1 | FUEL LINE COMPLETE (NOT SHOWN) |
| - | FC409398 | | 1 | DECAL TOTE TANK - CANADA (NOT SHOWN) |

SPECIAL TOOLS - TUNE-UP

| REF. NO. | PART NO. | SYM. | QTY. | DESCRIPTION |
|----------|----------|------|------|-----------------------------------|
| - | FT2989 | | 0 | FLYWHEEL WEDGE TO REMOVE FLYWHEEL |
| - | FT2909 | | 0 | KNOCK-OFF NUT TO REMOVE FLYWHEEL |

SPECIAL TOOLS - MANUAL STARTER

| REF. NO. | PART NO. | SYM. | QTY. | DESCRIPTION |
|----------|----------|------|------|---|
| - | FT2985 | | 0 | STARTER REWIND KEY TO REWIND STARTER SPRING |

SPECIAL TOOLS - POWER HEAD

| REF. NO. | PART NO. | SYM. | QTY. | DESCRIPTION |
|----------|----------|------|------|---|
| - | FT8949 | | 0 | SEAL INSTALLER TO INSTALL CRANKSHAFT SEALS |
| - | FT3012 | | 0 | SEAL INSTALLER TO INSTALL UPPER CRANKSHAFT BEARING CAGE SEAL |
| - | FT2908 | | 0 | SEAL SLEEVE TO INSTALL UPPER CRANKSHAFT BEARING CAGE SEAL |
| - | FT8929 | | 0 | ADAPTER AND HEX BIT TO TORQUE CONNECTING ROD SCREWS |
| - | FT1749 | | 0 | SNAP RING PLIERS TO REMOVE AND INSTALL PISTON PIN RETAINING RINGS |
| - | FT2997 | | 0 | RING COMPRESSOR TO INSTALL PISTONS |
| - | FT8926 | | 0 | RING EXPANDER TO INSTALL RINGS ON PISTONS |

SPECIAL TOOLS - LOWER UNIT

| REF. NO. | PART NO. | SYM. | QTY. | DESCRIPTION |
|----------|----------|------|------|---|
| - | FT8948-1 | | 0 | PULLER TO REMOVE PROPELLER SHAFT BEARING CAGE |
| - | FT8957 | | 0 | SEAL INSTALLER TO INSTALL SHIFT ROD SEAL |
| - | FT2907 | | 0 | SEAL INSTALLER TO INSTALL DRIVESHAFT SEAL IN GEAR HOUSING UPPER, PROPELLER SHAFT SEAL AND WATER PUMP SEAL |

SPECIAL TOOLS - TEST EQUIPMENT

| REF. NO. | PART NO. | SYM. | QTY. | DESCRIPTION |
|----------|----------|------|------|---|
| - | FT8952 | | 0 | TEST WHEEL TO TEST MOTOR IN TEST TANK |
| - | FT8950 | | 0 | LEAKAGE TESTER TO TEST GEAR HOUSING SEALS FOR LEAKS |
| - | FT8996 | | 0 | IGNITION TESTER TO TEST TRIGGER OUTPUT |
| - | T8974 | | 0 | BREAKER POINT TENSION GAUGE FOR CHECKING BREAKER POINT SPRING TENSION |
| - | FT8953 | | 0 | C-D TESTER TO TEST STATOR OUTPUT AND SECONDARY VOLTAGE |

SPECIAL TOOLS - LUBRICANTS AND SEALANTS

| REF. NO. | PART NO. | SYM. | QTY. | DESCRIPTION |
|----------|----------|------|------|----------------|
| - | FT2961 | | 0 | LUBRICANT |
| - | FT2987-1 | | 0 | LUBRICANT |
| - | FT8969 | | 0 | LUBRICANT |
| - | FT8983 | | 0 | SEALANT |
| - | FT8936 | | 0 | SEALANT |
| - | FT2962-1 | | 0 | SEALANT |
| - | FT2963-1 | | 0 | SEALANT |
| - | FT8935 | | 0 | SEALANT PRIMER |

ACCESSORIES

| REF. NO. | PART NO. | SYM. | QTY. | DESCRIPTION |
|----------|----------|------|------|--|
| - | FK1019-1 | | 0 | 5" LONG LEG CONVERSION KIT CONVERTS 15" STANDARD SHAFT MODEL TO 20" LONG SHAFT MODEL. |
| - | F72H24 | | 0 | 15" LONG LEG CONVERSION KIT CONVERTS 15" STANDARD SHAFT OR 20" LONG SHAFT MODEL TO 30" LONG SHAFT MODEL. |
| - | 491 | | 0 | CARRYING HANDLE PROVIDES CARRYING HANDLE ON REAR OF ENGINE. |
| - | F588 | | 0 | FLUSHING ADAPTER PERMITS FRESH WATER FLUSHING OF WATER PASSAGES WITH STANDARD GARDEN HOSE. |
| - | F5H062 | | 0 | WATER PUMP KIT HEAVY DUTY WATER PUMP RECOMMENDED FOR CONTINUED OPERATION IN SANDY OR SALT WATER. |
| - | F5H088 | | 0 | REMOTE CONTROL CONVERSION KIT PERMITS REMOTE CONTROL OF THROTTLE AND GEAR SHIFT FROM FRONT OF BOAT. |
| - | F5H090 | | 0 | REMOTE ELECTRIC START KIT PROVIDES REMOTE ELECTRIC START AND CHOKE. |
| - | F5H130 | | 0 | SYNCHRO-DRIVE CONTROL BOX (SINGLE LEVER) PERMITS REMOTE CONTROL OF THROTTLE AND GEAR SHIFT FROM STARBOARD SIDE OF BOAT. |
| - | F5H131 | | 0 | PORT SIDE DECAL KIT CONVERTS 5H130 CONTROL BOX TO PORT SIDE MOUNTING. |
| - | F866 | | 0 | DUO-DRIVE CONTROL BOX (TWIN LEVER) PERMITS REMOTE CONTROL OF THROTTLE AND GEAR SHIFT. MAY BE MOUNTED ON PORT OR STARBOARD SIDE OF BOAT. |
| - | 865 | | 0 | TWIN SYNCHRO-DRIVE CONTROL BOX PERMITS REMOTE CONTROL OF THROTTLE AND GEAR SHIFT ON TWIN ENGINE INSTALLATIONS. MAY BE MOUNTED ON PORT OR STARBOARD SIDE OF BOAT. |
| - | 167 | | 0 | IGNITION CUT-OFF KIT PERMITS STOPPING OF ENGINE FROM OPERATOR'S SEAT. |
| - | F195/___ | | 0 | REMOTE CONTROL CABLES CONNECTS REMOTE CONTROL BOX TO THROTTLE AND GEAR SHIFT ON MOTOR. AVAILABLE IN 6 THROUGH 40 FOOT LENGTHS. |
| - | F5H027 | | 0 | STEEL, 6 GALLON FUEL TANK AUXILIARY TANK. |
| - | F476 | | 0 | FUEL LINE ADAPTION KIT ADAPTS MODEL 5H027 TANK FOR DISCONNECT AT TANK. |
| - | 72H03 | | 0 | CARRYING BAG CANVAS BAG FOR TRANSPORTING AND STORING ENGINE. |
| - | 72H12 | | 0 | BATTERY 12 VOLT - 30 AMPERE HOUR MARINE BATTERY. |
| - | 173 | | 0 | BATTERY CASE INSULATED CASE FOR 30 AMPERE HOUR BATTERY. |
| - | F71H02 | | 0 | ANTI-CORROSION SACRIFICIAL ANODE |
| - | F5H006 | | 0 | VOLTMETER FLUSH MOUNT, INDICATES BATTERY CONDITION. |
| - | F5H134 | | 0 | BOAT WHITE LACQUER ENGINE TOUCH-UP PAINT IN 12 3/4 OZ. SPRAY BOMBS (6 CANS PER CASE). |
| - | F5H135 | | 0 | SAND TAN LACQUER ENGINE TOUCH-UP PAINT IN 12 3/4 OZ. SPRAY BOMBS (6 CANS PER CASE). |
| - | | | 0 | CHRYSLER OUTBOARD OIL SEE BLOCK COMMENT 1. |

CONTINUED ON NEXT PAGE ➡

ACCESSORIES

| REF. NO. | PART NO. | SYM. | QTY. | DESCRIPTION |
|-------------|----------|------|------|--|
| - | | | 0 | CHRYSLER OUTBOARD GEAR LUBE SEE BLOCK COMMENT 2. |
| - | | | 0 | CHRYSLER OUTBOARD FUEL AID REMOVES MOISTURE. PREVENTS SLUDGE AND VARNISH AND STABILIZES GAS. AVAILABLE IN 16 OZ. CANS AND 12 CAN CASES. |
| - | | | 0 | CHRYSLER OUTBOARD STORAGE LUBRICANT WORKS AS A CORROSION INHIBITOR AND PROTECTS INTERNAL ENGINE PARTS DURING STORAGE. AVAILABLE IN 16 OZ. CANS AND 12 CAN CASES. |
| - | | | 0 | CHRYSLER OUTBOARD MULTI-PURPOSE SPRAY LUBE WORKS AS A LUBRICANT, CLEANER, MOISTURE REMOVER AND ELECTRIC INSULATOR. AVAILABLE IN 9 OZ. CANS AND 12 CAN CASES. |
| - | | | 0 | CHRYSLER OUTBOARD MULTI-PURPOSE GREASE LUBRICATES BEARINGS AND OTHER MOVING PARTS. AVAILABLE IN 8 OZ. TUBES AND 12 TUBE CASES. |
| - | | | 0 | CHRYSLER OUTBOARD GREASE GUN USED WITH CHRYSLER OUTBOARD MULTI-PURPOSE GREASE TUBES FOR PRESSURE FITTINGS. |
| - | | | 0 | CHRYSLER OUTBOARD MULTI-PURPOSE CLEANER |

PARTS INDEX

| Part Number | Description | Pg. | Ref. No. | Part Number | Description | Pg. | Ref. No. |
|-------------|--|-----|----------|-------------|--|-----|----------|
| 167 | IGNITION CUT-OFF KIT | 50 | - | F12146 | COIL WEDGE SPRING | 11 | 15 |
| 173 | BATTERY CASE | 50 | - | F12153 | BREAKER POINT SET | 11 | 6 |
| 491 | CARRYING HANDLE | 50 | - | F12170 | CONTACT SCREW W/LOCKWASHER | 11 | 4 |
| 4C473712 | ENGINE COVER COMPLETE | 3 | - | F12181-1 | CONDENSER | 11 | 8 |
| 4C473712 | ENGINE COVER COMPLETE | 7 | - | F12186 | PRIMARY TERMINAL WIRE . | 11 | 23 |
| 510373-1 | DECAL, MAGNAPOWER III . | 21 | 43 | F12228 | CAM WIPER FELT | 11 | 5 |
| 72H03 | CARRYING BAG | 50 | - | F12343 | STATOR PLATE W/LAMINATIONS | 11 | 9 |
| 72H12 | BATTERY | 50 | - | F127910-2 | BALL BEARING | 39 | 16 |
| 817751A3 | STEERING HANDLE BRACKET W/GREASE FITTING | 33 | 9 | F1286 | PAN HD SCREW, 4 - 40 X 3/16 | 15 | 5 |
| 817754A1 | ARM, CARBURETOR FOLLOWER | 23 | 13 | F1286 | PAN HD SCREW, 4 - 40 X 3/16 | 23 | 4 |
| 817757A4 | PLATE, FRONT | 3 | 25 | F1303 | PAN HD SCREW, 8 - 32 X 3/4 | 19 | 24 |
| 817758A1 | BRACKET, COVER LATCH W/SCREWS, NUTS AND ROLLER | 5 | 42 | F1335 | FILL HD SCREW, 5/16 - 18 X 1 1/4 | 29 | 38 |
| 817758A1 | BRACKET, ENGINE COVER LATCH W/SCREWS, NUTS AND ROLLERS | 9 | 42 | F1337 | HEX NUT, 6 - 32 | 19 | 5 |
| 817761A2 | CLAMP SCREW W/FOOT AND STUD | 33 | 34 | F1339 | HEX NUT, 10 - 24 | 29 | 51 |
| 817938A1 | RETAINER, STARTER ROPE HANDLE | 13 | 20 | F1341 | HEX NUT, 1/4 - 20 | 33 | 45 |
| 817971A3 | LEVER, MAGNETO CONTROL | 29 | 33 | F1365 | SQUARE NUT, 10 - 24 | 23 | 15 |
| 865 | TWIN SYNCHRO-DRIVE CONTROL BOX | 50 | - | F141118 | SEAL, CRANKSHAFT LOWER | 27 | 23 |
| 89396A38 | PRIME BULB | 43 | 6 | F1447 | DRIVE SCREW | 3 | 33 |
| A541391 | DECAL LEG - STARBOARD . | 41 | - | F1447 | DRIVE SCREW | 7 | 33 |
| A541392 | DECAL LEG - PORT | 41 | 52 | F1475 | FILL HD SCREW, 10 - 24 X 1/2 | 3 | 10 |
| F10006 | GASKET SET, CARBURETOR | 25 | - | F1475 | FILL HD SCREW, 10 - 24 X 1/2 | 7 | 10 |
| F10007 | REPAIR PARTS KIT | 25 | 63 | F1490 | HEX NUT, 1/4 - 20 | 25 | 47 |
| F1069 | FILL HD SCREW, 10 - 24 X 1- 1/16 | 15 | 14 | F1490 | HEX NUT, 1/4 - 20 | 39 | 41 |
| F1069 | FILL HD SCREW, 10 - 24 X 1- 1/16 | 23 | 1 | F1502 | HEX CAP SCREW, 1/4 - 20 X 5/8 | 35 | 91 |
| F1075 | FILL HD SCREW, 10 - 24 X 1/2 | 11 | 12 | F1502 | HEX CAP SCREW, 1/4 - 20 X 5/8 15 H.P. MANUAL START | 27 | 5A |
| F1075 | FILL HD SCREW, 10 - 24 X 1/2 | 19 | 36 | F1504 | FILL HD SCREW, 1/4 - 20 X 1 1/4 | 29 | 35 |
| F1089 | FILL HD SCREW, 10 - 24 X 9/16 | 13 | 1 | F15127 | CAP ASSEMBLY, COMMUTATOR END | 17 | 10 |
| F1090 | FILL HD SCREW W/LOCKWASHER, 10 - 24 X 9/16 | 11 | 16 | F15129 | NUT W/LOCKWASHER | 17 | 15 |
| F1107 | FILL HD SCREW, 1/4 - 20 X 3/4 | 29 | 37 | F1513 | HEX NUT, 10 - 32 | 21 | 42 |
| F1111 | FILL HD SCREW, 1/4 - 20 X 7/8 | 29 | 48 | F15130 | NUT | 17 | 16 |
| F12083 | CONDENSER SCREW W/LOCKWASHER | 11 | 7 | F15132 | WASHER, FIBER | 17 | 18 |
| F12088 | GROMMET | 11 | 19 | F15133 | WASHER | 17 | 17 |
| F12091 | LEAD WIRE MARKER TOP (NOT SHOWN) | 11 | - | F15134 | ARMATURE | 17 | 8 |
| F12114 | COIL GROUND TERMINAL SCREW | 11 | 21 | F15135 | CAP ASSEMBLY, DRIVE END | 17 | 5 |
| F12141 | HIGH TENSION LEAD SLEEVE | 11 | 22 | F15136 | HOUSING ASSEMBLY | 17 | 9 |
| | | | | F15137 | WASHER | 17 | 6 |
| | | | | F15138 | SPRING, BRUSH | 17 | 12 |
| | | | | F15139 | PINION ASSEMBLY | 17 | 4 |
| | | | | F15140 | SPRING | 17 | 3 |
| | | | | F15141 | PINION STOP | 17 | 2 |
| | | | | F15142 | STOP NUT | 17 | 1 |
| | | | | F15143 | DISC | 17 | 11 |
| | | | | F15144 | SCREW, THRU BOLT | 17 | 14 |
| | | | | F15145 | GASKET | 17 | 7 |
| | | | | F15146 | WASHER | 17 | 13 |

PARTS INDEX

| Part Number | Description | Pg. | Ref. No. | Part Number | Description | Pg. | Ref. No. |
|-------------|--|-----|----------|-------------|--|-----|----------|
| F1577 | FILL HD SCREW, 1/4 - 20 X 3/4 | 15 | 3 | F1875 | SPRING PIN, STARTER BRACKET | 13 | 17 |
| F1577 | FILL HD SCREW, 1/4 - 20 X 3/4 | 19 | 9 | F1876 | SPRING PIN | 25 | 53 |
| F1608 | SQUARE NUT, 1/4 - 20 | 35 | 73 | F18906 | CARBURETOR GASKET ... | 25 | 50 |
| F1645 | ROUND HD SCREW, 6 - 32 X 1/4 | 19 | 26 | F18906 | GASKET, CARBURETOR ... | 29 | - |
| F1646 | HEX SOCKET HD CAP SCREW, 3/8 - 16 X 2 1/4 . | 19 | 8 | F1907 | WASHER | 37 | 96 |
| F1648 | PAN HD SCREW, 10 - 24 X 3/4 | 19 | 13 | F1912 | HEX HD SCREW, 10 - 24 X 1/2 | 25 | 54 |
| F1666 | BOWED SPRING WASHER . | 33 | 27 | F1914 | HEX HD SCREW, 1/4 - 20 X 3/4 | 13 | 11 |
| F1678 | FILL HD SCREW, 10 - 24 X 13/16 | 19 | 32 | F1914 | HEX HD SCREW, 1/4 - 20 X 3/4 | 25 | 45 |
| F1704 | INTERNAL TOOTH LOCKWASHER | 19 | 4 | F1922 | HEX HD SCREW, 1/4 - 20 X 5/8 | 27 | 5 |
| F174017 | PIN, PISTON | 27 | 16 | F195/_ | REMOTE CONTROL CABLES | 50 | - |
| F1753 | FASTENER | 3 | 3 | F197319 | BEARING, CHOKE ROD ... | 3 | 31 |
| F1753 | FASTENER | 7 | 3 | F197319 | BEARING, CHOKE ROD ... | 7 | 31 |
| F1755 | HD SCREW W/LOCKWASHER, 6 - 32 X 5/16 | 25 | 56 | F1975 | SPRING LOCKWASHER ... | 19 | 2 |
| F1794 | SPRING PIN | 35 | 65 | F1976 | SOCKET HD SCREW W/LOCKWASHER, 10 - 24 X 1/2 | 39 | 9 |
| F1794 | SPRING PIN | 35 | 80 | F197767-1 | BUSHING, FUEL LINE | 3 | 24 |
| F1799 | TRUSS HD SCREW, 5/16 - 18 X 5/8 | 33 | 8 | F197767-1 | BUSHING, FUEL LINE | 7 | 24 |
| F1800 | HEX BOLT, 1/4 - 20 X 7 | 39 | 11 | F197787-3 | FUEL LINE COUPLER | 43 | 3 |
| F1802 | FILL HD SCREW, 1/4 - 20 X 9/16 | 19 | 20 | F1978 | SPRING PIN | 33 | 6 |
| F1802 | FILL HD SCREW, 1/4 - 20 X 9/16 | 39 | 38 | F197813 | BEARING | 33 | 14 |
| F1803 | STOP NUT, 5/16 - 24 | 29 | 30 | F197813 | BEARING | 35 | 79 |
| F1804 | STOP NUT | 13 | 8 | F197813 | BEARING, INTERLOCK LEVER | 29 | 53 |
| F1804 | STOP NUT, 10 - 32 | 3 | 39 | F197813 | BEARING, STEERING HANDLE STOP | 35 | 85 |
| F1804 | STOP NUT, 10 - 32 | 9 | 39 | F1999 | HEX CAP SCREW, 1/4 - 20 X 7/8 | 21 | 44 |
| F1805 | SPRING PIN | 35 | 89 | F2002 | STOP NUT, 5/16 - 18 | 3 | 30 |
| F1806 | GROOVE PIN | 35 | 59 | F2002 | STOP NUT, 5/16 - 18 | 7 | 30 |
| F1807 | GROOVE PIN | 35 | 88 | F2008 | HEX HD SCREW 1/4 - 20 X 7/8 15 H.P. C-D ALTERNATOR | 25 | 65 |
| F1809 | HEX NUT | 19 | 29 | F2008 | HEX HD SCREW, 1/4 - 20 X 7/8 | 29 | 28 |
| F1809 | HEX NUT, 1/2 - 20 | 11 | 1 | F2030 | HEX HD SCREW, 1/4 - 20 X 1 1/4 | 39 | 3 |
| F18160-2 | REED FUEL PUMP | 23 | 5 | F2040 | HEX WASHER HD M. SCREW, 1/4 - 20 X 5/8 ... | 29 | 61 |
| F18160-2 | REED, FUEL PUMP | 15 | 7 | F2042 | PLAIN WASHER | 13 | 23 |
| F1820 | FILL HD SCREW, 1/4 - 20 X 1 3/8 | 35 | 76 | F213274 | GREASE FITTING | 35 | 54 |
| F1823 | HEX CAP SCREW, 5/16 - 18 X 1 | 27 | 13 | F213342 | SEAL, FUEL LINE COUPLER | 43 | 1 |
| F1829 | FILL HD M. SCREW, 10 - 24 X 7/8 | 19 | 1 | F213735 | SEAL, FUEL LINE COUPLER | 43 | 2 |
| F1829 | FILL HD SCREW, 10 - 24 X 7/8 | 33 | 20 | F215795 | SEAL | 37 | 105 |
| F1834 | FILL HD SCREW, 10 - 24 X 7/8 | 23 | 12 | F217002 | MAGNETO BREAKER CAM . | 11 | 13 |
| F183813 | BEARING, MAGNETO CONTROL LEVER | 29 | 34 | F235785 | DECAL, COMPLIANCE - CANADA | 3 | 5 |
| F1845 | TY-RAP | 19 | 25 | F235785 | DECAL, COMPLIANCE - CANADA | 9 | 47 |
| F184579 | SEAL | 5 | 46 | F24074 | CLAMP SCREW FOOT | 33 | 38 |
| F1846 | COTTER PIN | 39 | 33 | F24748-2 | GASKET, FUEL PUMP | 15 | 9 |
| F1859 | HEX SOCKET HEADLESS SET SCREW | 33 | 3 | F24748-2 | GASKET, FUEL PUMP | 23 | 3 |
| | | | | F269316 | ROLLER SHAFT | 5 | 40 |
| | | | | F269319 | ROLLER SHAFT | 9 | 40 |
| | | | | F2706772 | HOSE CLAMP | 15 | 12 |

PARTS INDEX

| Part Number | Description | Pg. | Ref. No. | Part Number | Description | Pg. | Ref. No. |
|-------------|--|-----|----------|-------------|---|-----|----------|
| F2706772 | HOSE CLAMP | 23 | 9 | F286364 | LEVER, REVERSE LOCK | 35 | 71 |
| F2752253 | HOSE, FUEL PUMP TO BUSHING | 15 | 15 | F286414 | SPRING, LEG WATER BRACKET | 35 | 82 |
| F2771254 | HOSE, FUEL PUMP TO CARBURETOR | 15 | 13 | F286422-1 | TILT LOCK PIVOT | 33 | 26 |
| F2788004 | STUD, CARBURETOR | 25 | 51 | F286422-1 | TILT LOCK PIVOT | 35 | 51 |
| F28004 | STUD, INTERLOCK LEVER | 27 | 10 | F286433 | BRACKET SHALLOW WATER DRIVE | 35 | 58 |
| F286008 | STUD, GEAR HOUSING REAR | 41 | 44 | F286440 | STUD, MAGNETO CONTROL LEVER | 29 | 39 |
| F286011 | WASHER, SWIVEL BRACKET | 37 | 97 | F286445 | LINK, MAGNETO SHAFT | 29 | 32 |
| F286019 | KING PIN | 33 | 44 | F286451 | SPACER, TILT LOCK | 33 | 29 |
| F286028-1 | BEARING, CRANKSHAFT UPPER MAIN | 29 | 59 | F286451 | SPACER, TILT LOCK | 35 | 52 |
| F286037 | STERN BRACKET PIVOT BOLT | 33 | 24 | F286461 | SPRING, LOCK BAR HANDLE | 33 | 42 |
| F286079-1 | STEERING HANDLE | 33 | 21 | F286490 | STEERING HANDLE STOP | 35 | 86 |
| F286080 | SCREW, STEERING HANDLE PIVOT | 35 | 87 | F286509 | LINK, THROTTLE CAM | 29 | 36 |
| F286114 | LOCK BAR HANDLE | 33 | 43 | F286518 | HEAD, CYLINDER | 27 | 3 |
| F286132 | HANDLE, STARTER ROPE | 13 | 19 | F286529-3 | GASKET, CYLINDER HEAD | 27 | 4 |
| F286134 | STUD | 13 | 5 | F286529-3 | GASKET, CYLINDER HEAD | 29 | - |
| F286134 | STUD, GEAR SHIFT LEVER | 3 | 38 | F286539 | BUMPER | 35 | 93 |
| F286134 | STUD, GEAR SHIFT LEVER | 7 | 38 | F286544-1 | SPRING, TILT STOP | 33 | 30 |
| F286151 | PLATE, EXHAUST | 27 | 25 | F286555 | GASKET, GEAR HOUSING | 39 | 15 |
| F286152 | COVER, EXHAUST | 27 | 26 | F286571 | ROLLER SET, MAIN BEARING (26 PER SET) | 29 | 42 |
| F286154 | GASKET, EXHAUST | 29 | - | F286573-1 | CLAMP, STEERING FRICTION | 35 | 74 |
| F286154 | GASKET, EXHAUST COVER | 27 | 24 | F286585-1 | DECAL, TILT RELEASE | 37 | 103 |
| F286159-1 | GASKET, REED PLATE | 25 | 60 | F286611-1 | ROD, GEAR SHIFT | 3 | 37 |
| F286159-1 | GASKET, REED PLATE | 29 | - | F286611-1 | ROD, GEAR SHIFT | 7 | 37 |
| F286169 | BEARING, SWIVEL BRACKET | 35 | 53 | F286614 | HANDLE, GEAR SHIFT | 3 | 23 |
| F286169 | BEARING, SWIVEL BRACKET | 35 | 78 | F286614 | HANDLE, GEAR SHIFT | 7 | 23 |
| F286192 | THROTTLE CAM | 19 | 37 | F286615 | GEAR SHIFT ROD UPPER | 39 | 5 |
| F286192 | THROTTLE CAM PLATE | 11 | 10 | F286647 | CARRYING HANDLE | 33 | 32 |
| F286220 | WASHER, STEERING HANDLE | 33 | 15 | F286685 | CONNECTOR, GEAR SHIFT ROD | 3 | 36 |
| F286222 | COVER, TRANSFER PORT 15 H.P. MANUAL START | 27 | 6 | F286685 | CONNECTOR, GEAR SHIFT ROD | 7 | 36 |
| F286223 | GASKET, TRANSFER PORT | 29 | - | F286705 | GEAR SHIFT ROD LOWER, FOR STANDARD SHAFT MODELS | 39 | 10 |
| F286223 | GASKET, TRANSFER PORT COVER | 27 | 7 | F286710 | ARBOR, STARTER SPRING | 13 | 9 |
| F286224 | INSERT, STEERING HANDLE PIVOT | 33 | 13 | F286721 | CLUTCH, SHIFT CAM | 39 | 18 |
| F286244 | WATER LINE | 35 | 48 | F286728 | CLUTCH SHIFT PIN | 39 | 27 |
| F286277 | GASKET CRANKSHAFT BEARING CAGE | 29 | - | F286737-1 | RETAINER, STARTER REWIND SPRING | 13 | 13 |
| F286277 | GASKET, CRANKSHAFT BEARING CAGE | 29 | 45 | F286772-1 | HOSE CLAMP | 29 | 56 |
| F286279-2 | GASKET CYLINDER MOUNTING | 29 | - | F286777 | CAM, COVER LATCH | 3 | 29 |
| F286279-2 | GASKET, CYLINDER MOUNTING | 29 | 29 | F286777 | CAM, COVER LATCH | 7 | 29 |
| F286282 | WASHER | 29 | 31 | F286818 | BEARING | 33 | 12 |
| F286286-1 | WASHER, STERN BRACKET | 35 | 64 | F286827 | REVERSE LOCK RELEASE LEVER | 35 | 66 |
| F286300 | SPRING, REVERSE LOCK | 35 | 55 | F286868 | SPRING, STEERING HANDLE STOP | 35 | 84 |
| F286316 | THROTTLE CAM FOLLOWER | 25 | 46 | F286871 | PIN, GEAR SHIFT LEVER | 3 | 17 |
| F286346-1 | SHOCK MOUNT LOWER | 35 | 50 | F286871 | PIN, GEAR SHIFT LEVER | 7 | 17 |
| F286347 | SHOCK MOUNT UPPER | 35 | 83 | F286876 | LEVER, GEAR SHIFT | 3 | 15 |
| F286349 | REVERSE LOCK | 35 | 56 | F286876 | LEVER, GEAR SHIFT | 7 | 15 |
| | | | | F286894-3 | STEERING HANDLE INDICATOR | 37 | 102 |
| | | | | F286895 | SPRING, CAM DETENT | 39 | 17 |

PARTS INDEX

| Part Number | Description | Pg. | Ref. No. | Part Number | Description | Pg. | Ref. No. |
|-------------|----------------------------|-----|----------|-------------|----------------------------|-----|----------|
| F286901 | BEARING, RADIAL, | | | F424168-1 | GASKET, MANIFOLD | 31 | - |
| | PROPELLER SHAFT | 39 | 24 | F429472 | GASKET CYLINDER DRAIN | | |
| F286903 | RACE, PROPELLER SHAFT | | | | COVER | 31 | - |
| | BEARING | 39 | 23 | F429472 | GASKET, CYLINDER DRAIN | | |
| F286914 | SLEEVE WATER LINE | 35 | 49 | | COVER | 27 | 9 |
| F286930 | END, STARTER SPRING . . . | 13 | 14 | F429541 | TILT LOCK | 33 | 28 |
| F286956 | BRACKET, SHOCK MOUNT | | | F429688 | SHAFT, STEERING HANDLE | 33 | 10 |
| | LOWER | 35 | 46 | F429811 | SCREEN | 29 | 57 |
| F286989-2 | SEAL, SUPPORT PLATE . . . | 3 | 22 | F430732 | HEX HD SCREW, 1/4 - 20 X 1 | 39 | 14 |
| F286989-2 | SEAL, SUPPORT PLATE . . . | 7 | 22 | F431838 | MAGNETO CONTROL SHAFT | 35 | 94 |
| F289664 | WIRE, STATOR GROUND . . | 11 | 11 | F436065 | WATER PUMP IMPELLER . . | 39 | 7 |
| F298788 | FERRULE | 43 | 4 | F436449 | SHORTING SWITCH | 11 | 24 |
| F2A24757 | FUEL PUMP REED PLATE | | | F436449 | SHORTING SWITCH | 19 | 17 |
| | W/REEDS AND SCREWS . | 15 | 8 | F455118 | SEAL, FUEL PUMP | | |
| F2A24757 | FUEL PUMP REED PLATE | | | | BRACKET | 15 | 1 |
| | W/REEDS AND SCREWS . | 23 | 6 | F455305 | SEAL, PROP SHAFT | | |
| F2A424167 | MANIFOLD W/STUDS AND | | | | BEARING CAGE | 39 | 35 |
| | PULLEY | 25 | 52 | F456098 | PROPELLER SHAFT | 39 | 30 |
| F2A459239 | STARTER SPOOL W/SHAFT | 13 | 15 | F456717 | THRUST WASHER | 39 | 26 |
| F2A477133 | MOTOR LEG | 35 | 77 | F458498 | KEY, FLYWHEEL | 21 | 49 |
| F302097 | FLYWHEEL | 11 | 3 | F458498 | MAGNETO KEY | 11 | 14 |
| F307317 | CLIP, TERMINAL BLOCK | | | F458677 | INSERT, CHOKE KNOB | 3 | 27 |
| | GROUND | 19 | 14 | F458677 | INSERT, CHOKE KNOB | 7 | 27 |
| F307818 | BEARING | 3 | 14 | F458695 | SLEEVE | 37 | 99 |
| F307818 | BEARING | 7 | 14 | F461342 | SEAL, DRIVESHAFT SPLINE | 29 | 58 |
| F307818 | BEARING | 37 | 95 | F472015-2 | PISTONS | 27 | 18 |
| F31160-1 | REED | 25 | 58 | F472061-1 | CARBURETOR COMPLETE | | |
| F31410 | RETAINING RING, PISTON | | | | (CO10B) | 25 | 62 |
| | PIN | 27 | 15 | F476 | FUEL LINE ADAPTION KIT . | 50 | - |
| F330705 | GEAR SHIFT ROD LOWER, | | | F487424-1 | STARTER PINION SPRING . | 13 | 3 |
| | FOR LONG SHAFT | | | F487427-1 | BRACKET, STARTER UPPER | 13 | 4 |
| | MODELS | 39 | - | F487435 | PULLEY, STARTER ROPE . . | 25 | 43 |
| F338618-1 | SEAL, GEAR SHIFT ROD | | | F487660-1 | EXHAUST TUBE | 27 | 27 |
| | LOWER | 39 | 12 | F487674 | GEAR, STARTER PINION . . | 13 | 2 |
| F341384 | RETAINER, CHOKE ROD . . . | 23 | 22 | F487711 | PLATE, ENGINE COVER . . . | 5 | 44 |
| F341562 | WATER PUMP BACK PLATE | 39 | 8 | F487711 | PLATE, ENGINE COVER | | |
| F341693 | WEDGE, STEERING HANDLE | 33 | 17 | | FRONT | 7 | 5 |
| F343014 | BEARING, CRANKSHAFT | | | F487727 | BALL, INTERLOCK DETENT | 13 | 21 |
| | LOWER MAIN | 27 | 22 | F487755 | FUEL TANK ADAPTER | 43 | 8 |
| F343128 | DRIVESHAFT, FOR | | | F487781-3 | STARTER INTERLOCK | 13 | 7 |
| | STANDARD SHAFT | | | F487816 | BEARING, STEERING | | |
| | MODELS | 41 | 46 | | HANDLE | 33 | 18 |
| F343226-1 | PLUG | 3 | 8 | F487895 | SPRING, INTERLOCK | | |
| F343226-1 | PLUG | 7 | 8 | | DETENT | 13 | 22 |
| F344128 | DRIVESHAFT, FOR LONG | | | F492263 | LINK, STARTER INTERLOCK | 5 | 47 |
| | SHAFT MODELS | 41 | - | F492417 | SHAFT, GEAR SHIFT | | |
| F346118 | SEAL, PROPELLER SHAFT . | 39 | 37 | | HANDLE | 5 | 45 |
| F346146 | SEAL, CRANKSHAFT UPPER | 29 | 47 | F492417 | SHAFT, GEAR SHIFT | | |
| F36634 | SCREW, CONNECTING ROD | 29 | 40 | | HANDLE | 9 | 46 |
| F392756 | PACKING, SUPPORT PLATE | 3 | 18 | F492531 | INTERLOCK ROD 15 H.P. | | |
| F392756 | PACKING, SUPPORT PLATE | 7 | 18 | | MANUAL START | 29 | 52 |
| F40253-1 | FUEL LINE | 23 | 10 | F492619 | LEVER, GEAR SHIFT SHAFT | 3 | 35 |
| F40425 | STARTER PINION PIN | 13 | 10 | F492619 | LEVER, GEAR SHIFT SHAFT | 7 | 35 |
| F404908 | GROUND WIRE | 19 | 35 | F492977 | INTERLOCK LEVER 15 H.P. | | |
| F409232 | STARTER ROPE | 13 | 18 | | MANUAL START | 29 | 54 |
| F409251-1 | GAUGE CAP | 43 | 10 | F493683 | WIRE | 19 | 40 |
| F409719 | CLUTCH SPRING | 39 | 28 | F50109 | GEAR HOUSING PLUG | 39 | 22 |
| F424075 | HANDLE, CLAMP SCREW . . | 33 | 33 | F510029 | STATOR, TRIGGER | 19 | 34 |
| F424161 | REED STOP | 25 | 57 | F510095 | STATOR, ALTERNATOR . . . | 19 | 33 |
| F424168-1 | GASKET, MANIFOLD | 25 | 55 | F510097 | FLYWHEEL | 19 | 31 |

PARTS INDEX

| Part Number | Description | Pg. | Ref. No. | Part Number | Description | Pg. | Ref. No. |
|-------------|---|-----|----------|-------------|--|-----|----------|
| F510165 | SCREW, TRANSFER PORT COVER 15 H.P. C-D ALTERNATOR | 27 | - | F5H090 | REMOTE ELECTRIC START KIT | 50 | - |
| F510222 | TRANSFER PORT COVER 15 H.P. C-D ALTERNATOR | 27 | - | F5H130 | SYNCHRO-DRIVE CONTROL BOX (SINGLE LEVER) | 50 | - |
| F510288 | NUT, SHORTING SWITCH | 19 | 16 | F5H131 | PORT SIDE DECAL KIT | 50 | - |
| F510301 | C-D MODULE | 21 | 46 | F5H134 | BOAT WHITE LACQUER | 50 | - |
| F510374 | DECAL, CIRCUIT BREAKER | 19 | 28 | F5H135 | SAND TAN LACQUER | 50 | - |
| F510398 | DECAL, WIRING | 19 | 7 | F66193 | THROTTLE LINK | 23 | 14 |
| F510427 | BRACKET, STARTER SUPPORT | 15 | 2 | F66480 | STUD CLAMP SCREW | 33 | 37 |
| F510446 | CLAMP, BATTERY CABLE | 19 | 38 | F7005 | STOP NUT, 3/8 - 16 | 33 | 39 |
| F510449 | NEUTRAL INTERLOCK SWITCH | 21 | 47 | F7008 | STOP NUT, 1/4 - 20 | 29 | 55 |
| F510450-1 | RECTIFIER | 19 | 23 | F7011 | ELASTIC STOP NUT, 10 - 24 | 3 | 11 |
| F510460 | CIRCUIT BREAKER | 19 | 27 | F7011 | ELASTIC STOP NUT, 10 - 24 | 7 | 11 |
| F510475 | IGNITION COIL | 19 | 3 | F7011 | STOP NUT, 10 - 24 | 3 | 20 |
| F510531 | INTERLOCK ROD 15 H.P. C-D ALTERNATOR | 29 | - | F7011 | STOP NUT, 10 - 24 | 7 | 20 |
| F510540 | BRACKET, STARTER SWITCH | 19 | 21 | F71H02 | ANTI-CORROSION SACRIFICIAL ANODE | 50 | - |
| F510551 | BRACKET, INTERLOCK SWITCH 15 H.P. C-D ALTERNATOR | 25 | 64 | F72H24 | 15" LONG LEG CONVERSION KIT | 50 | - |
| F510595 | INSULATOR, CIRCUIT BREAKER | 19 | 41 | F73082 | RING, MAGNETO STATOR | 29 | 44 |
| F510661 | PAD, STARTER MOTOR | 9 | 45 | F78318 | ROLLER, THROTTLE CAM FOLLOWER | 25 | 48 |
| F510669 | NUT, INTERLOCK SWITCH AND STARTER SWITCH | 19 | 22 | F78410 | RETAINER | 25 | 49 |
| F510675-1 | STARTER SUPPORT | 19 | 10 | F8003 | PLAIN WASHER | 15 | 6 |
| F510683 | WIRE, RECTIFIER-CIRCUIT BREAKER | 21 | 48 | F8003 | PLAIN WASHER | 25 | 61 |
| F510746 | FUEL PUMP COVER | 15 | 10 | F8011 | PLAIN WASHER | 5 | 48 |
| F510811 | FILTER, FUEL PUMP | 15 | 16 | F8011 | PLAIN WASHER | 13 | 6 |
| F510841 | WIRE, STARTER INTERLOCK SWITCH | 19 | 12 | F8025 | PLAIN WASHER | 27 | 2 |
| F510896 | BATTERY CABLE | 19 | 39 | F8039 | PLAIN WASHER | 33 | 23 |
| F510908 | WIRE, GROUND | 19 | 15 | F8048 | BOWED SPRING WASHER | 3 | 21 |
| F510918 | STARTER SWITCH | 19 | 19 | F8048 | BOWED WASHER | 7 | 21 |
| F510955 | STARTER MOTOR COMPLETE | 17 | - | F8058 | INT TOOTH LOCKWASHER | 33 | 19 |
| F510977-1 | INTERLOCK LEVER 15 H.P. C-D ALTERNATOR | 29 | - | F8058 | INTERNAL TOOTH LOCKWASHER | 3 | 13 |
| F525286 | WASHER | 37 | 101 | F8058 | INTERNAL TOOTH LOCKWASHER | 7 | 13 |
| F536813 | BEARING, REVERSE LOCK INTERMEDIATE LEVER | 37 | 104 | F8060 | TOOTH LOCKWASHER | 35 | 92 |
| F53795-1 | SEAL, STEERING HANDLE GRIP DAMPENER (LARGE) | 33 | 22 | F8063 | SPRING LOCKWASHER | 41 | 42 |
| F540180 | TRIM, ENGINE COVER REAR | 7 | 4 | F8077 | NYLTITE WASHER | 39 | 21 |
| F540180 | TRIM, ENGINE COVER, REAR | 3 | 4 | F8083 | SPRING LOCKWASHER | 21 | 45 |
| F588 | FLUSHING ADAPTER | 50 | - | F8083 | SPRING LOCKWASHER | 35 | 47A |
| F5H006 | VOLTMETER | 50 | - | F84026 | SWIVEL, INTERLOCK ROD BEARING | 29 | 50 |
| F5H027 | FUEL TANK (ACCESSORY ITEM) | 43 | 9 | F84035-2 | BEARING, INTERLOCK ROD | 29 | 49 |
| F5H027 | STEEL, 6 GALLON FUEL TANK | 50 | - | F8537 | SPRING PIN | 33 | 36 |
| F5H062 | WATER PUMP KIT | 50 | - | F8538 | SPRING PIN | 35 | 70 |
| | | | | F8538 | SPRING PIN | 37 | 98 |
| | | | | F8540 | SPRING PIN | 3 | 34 |
| | | | | F8540 | SPRING PIN | 7 | 34 |
| | | | | F8540 | SPRING PIN | 33 | 41 |
| | | | | F8542 | SPRING PIN | 3 | 16 |
| | | | | F8542 | SPRING PIN | 7 | 16 |
| | | | | F8548 | SPRING PIN | 37 | 100 |
| | | | | F8553 | SPRING PIN | 39 | 19 |
| | | | | F8554 | SPRING PIN | 33 | 35 |
| | | | | F8559 | DOWEL PIN | 27 | 14 |
| | | | | F85610 | BEARING | 33 | 2 |
| | | | | F8564 | SPRING PIN | 39 | 40 |
| | | | | F85735-1 | SEAL | 3 | 2 |
| | | | | F85735-1 | SEAL | 7 | 2 |

PARTS INDEX

| Part Number | Description | Pg. | Ref. No. | Part Number | Description | Pg. | Ref. No. |
|-------------|---|-----|----------|-------------|---|-----|----------|
| F866 | DUO-DRIVE CONTROL BOX (TWIN LEVER) | 50 | - | FA456023 | BEVEL GEAR FRONT W/BEARING | 39 | 25 |
| F901307-2 | SEAL, DRIVESHAFT | 35 | 81 | FA456137 | GRIP, STEERING HANDLE W/SLEEVE | 33 | 1 |
| F901307-2 | SEAL, DRIVESHAFT AND WATER PUMP | 41 | 45 | FA456521 | CLUTCH | 39 | 29 |
| F901456-1 | EMERGENCY STARTER COLLAR | 11 | 2 | FA456662 | BEVEL GEAR REAR W/BEARING | 39 | 34 |
| F901456-1 | EMERGENCY STARTER COLLAR | 19 | 30 | FA472018 | CRANKSHAFT W/UPPER MAIN BEARING | 29 | 43 |
| F901563 | WATER PUMP IMPELLER DRIVE PIN | 41 | 47 | FA472260 | PISTON RING SET (2 PER SET) | 27 | 19 |
| F901746-2 | FUEL PUMP COVER | 23 | 2 | FA473010 | CYLINDER W/CRANKCASE COVER, DOWEL PINS, SCREWS AND STUDS - . . | 27 | 12 |
| F901811 | FUEL PUMP FILTER | 23 | 8 | FA473396 | DECAL, STARBOARD "CHRYSLER" | 7 | - |
| F901938-1 | SCREW, CYLINDER HEAD . . | 27 | 1 | FA473396 | DECAL, STARBOARD, "CHRYSLER" | 3 | - |
| F92759 | ROLLER | 5 | 41 | FA473397 | DECAL, PORT "CHRYSLER" | 7 | 7 |
| F92759 | ROLLER | 9 | 41 | FA473397 | DECAL, PORT, "CHRYSLER" | 3 | 7 |
| F94840 | GROMMET, BATTERY CABLE | 9 | 44 | FA492038 | PLATE, SUPPORT W/PLUGS | 3 | 19 |
| F98273 | STUD, GEAR SHIFT ROD CONNECTOR | 3 | 12 | FA492845 | MOTOR LEG EXTENSION . . | 41 | 48 |
| F98273 | STUD, GEAR SHIFT ROD CONNECTOR | 7 | 12 | FA510038 | SUPPORT PLATE W/PLUGS | 7 | 19 |
| FA12370 | COIL W/LEAD WIRE AND WEDGE SPRING | 11 | 17 | FA510060 | WATER PUMP BODY W/DRIVESHAFT SEAL . . . | 39 | 4 |
| FA1844 | HEX BOLT, 1/4 - 20 X 2 3/8 . | 35 | 47 | FA510497 | TERMINAL BLOCK | 19 | 11 |
| FA24754-1 | FUEL LINE W/CLAMPS | 23 | 11 | FA510711 | PLATE, FRONT | 7 | 25 |
| FA286054 | GEAR HOUSING LOWER W/BEARING, PLUG AND SPRING PIN | 39 | 20 | FA510914 | SEAL, INLET WATER LINE . | 39 | 1 |
| FA286113 | LOCK BAR W/HANDLE AND SPRING | 33 | 40 | FA520010 | CYLINDER W/CRANKCASE COVER, DOWEL PINS, SCREWS AND STUDS . . . | 27 | - |
| FA286155 | MAIN BEARING LINER SET (2 PER SET) | 29 | 41 | FA525228 | ROLLER SET, CONNECTING ROD (26 PER SET) | 27 | 21 |
| FA286266 | GEAR, BEVEL PINION | 41 | 43 | FA525241 | CRANK PIN ROLLER BEARING CAGE (2 PER SET) | 27 | 20 |
| FA286469 | KNOB, COVER LATCH | 3 | 26 | FA535395 | IDENTIFICATION PLATE W/SCREWS FOR U.S.A. MODELS | 7 | 32 |
| FA286469 | KNOB, COVER LATCH | 7 | 26 | FA535395 | PLATE, IDENTIFICATION W/SCREWS, U.S.A. | 3 | 32 |
| FA286480 | RETAINER, ENGINE COVER W/SCREWS AND NUTS . . | 3 | 9 | FA541528 | DECAL, ENGINE COVER, REAR | 5 | 43 |
| FA286480 | RETAINER, ENGINE COVER W/SCREWS AND NUTS . . | 7 | 9 | FA541528 | DECAL, ENGINE COVER, REAR | 9 | 43 |
| FA286547 | KNOB, CHOKE W/INSERT AND CHOKE ROD | 3 | 28 | FA541892 | DECAL, ENGINE COVE, FRONT | 7 | 1 |
| FA286547 | KNOB, CHOKE W/INSERT AND CHOKE ROD | 7 | 28 | FA541892 | DECAL, ENGINE COVER, FRONT | 3 | 1 |
| FA286582 | STEERING ARM W/SPRING PIN & BUMPER | 35 | 90 | FA84754-1 | FUEL LINE, SHORT W/CLAMPS | 43 | 5 |
| FA286970 | STARTER REWIND SPRING W/END AND RETAINER . . | 13 | 12 | FAC535395 | IDENTIFICATION PLATE W/SCREWS FOR CANADA MODELS | 7 | - |
| FA324101 | PROPELLER PIN, PACK OF 3 | 39 | 39 | FAC535395 | PLATE, IDENTIFICATION W/SCREWS, CANADA . . . | 3 | - |
| FA341510 | LINK, REVERSE LOCK LEVER | 35 | 60 | FC235227 | PLUG, SPARK CHAMPION (RL-4-J), FOR MODELS 152B9E AND 153B9E | 27 | - |
| FA343178 | RETAINER W/SET SCREW . . | 33 | 4 | | | | |
| FA387742 | LEVER, REVERSE LOCK INTERMEDIATE | 35 | 69 | | | | |
| FA424158 | REED PLATE W/REEDS, STOPS AND SCREWS . . . | 25 | 59 | | | | |
| FA429471 | COVER, CYLINDER DRAIN W/CHECK VALVES AND SCREWS | 27 | 8 | | | | |

PARTS INDEX

| Part Number | Description | Pg. | Ref. No. | Part Number | Description | Pg. | Ref. No. |
|-------------|---|-----|----------|--------------|---|-----|----------|
| FC456054 | LOWER GEAR HOUSING COMPLETE (NOT SHOWN) | 39 | - | FO2510 | FUEL BOWL RETAINING SCREW GASKET | 23 | 32 |
| FC503227 | PLUG, SPARK CHAMPION (QL-77-J4), FOR MODELS 158B9C & 159B9C | 27 | - | FO2531 | BODY CHANNEL WELCH PLUG | 23 | 16 |
| FC510374 | DECAL, CIRCUIT BREAKER - CANADA | 19 | - | FO4784 | CHOKE FRICTION BALL | 23 | 19 |
| FC510398 | DECAL, WIRING - CANADA | 19 | - | FO8805 | CHOKE FRICTION SPRING | 23 | 20 |
| FC510711 | PLATE, FRONT - CANADA | 7 | - | FP408 | PROPELLER (ACCESSORY ITEM) | 39 | 31 |
| FC516400 | DECAL, SHIFT - CANADA | 5 | 49 | FS174227 | PLUG, SPARK L-4-J | 27 | 11 |
| FC520390 | DECAL, STARTER - CANADA | 17 | 19 | FS36016-5 | ROD, CONNECTING W/CAP AND SCREWS | 27 | 17 |
| FG1005-1 | GASKET SET | 29 | 63 | FS409752 | FUEL LINE COMPLETE (NOT SHOWN) | 43 | - |
| FK1019-1 | 5" LONG LEG CONVERSION KIT | 50 | - | FS541712 | COVER, ENGINE W/BRACKET, RETAINER AND TILT HANDLE | 3 | 6 |
| FK1031-1 | WATER PUMP KIT | 41 | 51 | FS541712 | ENGINE COVER W/BRACKET & RETAINER | 7 | 6 |
| FK1065 | GEAR HOUSING SEAL KIT | 41 | 50 | FS567532 | STERN BRACKET PORT W/CLAMP SCREW AND FOOT | 33 | 31 |
| FK1066 | TUNE UP KIT | 11 | 25 | FS567532 | STERN BRACKET STARBOARD W/CLAMP SCREW AND FOOT | 33 | 25 |
| FK317427 | BRACKET, STARTER LOWER W/SPRING PIN | 13 | 16 | FS901244 | INLET WATER LINE EXTENSION | 41 | 49 |
| FK750-2 | SPARKIE W/SPRING | 11 | 20 | FT1749 | SNAP RING PLIERS | 46 | - |
| FK750-2 | SPARKIE W/SPRING | 19 | 6 | FT2907 | SEAL INSTALLER | 47 | - |
| FO10165 | INLET SEAT GASKET | 23 | 36 | FT2908 | SEAL SLEEVE | 46 | - |
| FO10280 | CHOKE SHUTTER RETAINER SCREW AND LOCKWASHER | 23 | 26 | FT2909 | KNOCK-OFF NUT | 44 | - |
| FO10280 | THROTTLE SHUTTER RETAINING SCREW AND LOCKWASHER | 25 | 42 | FT2961 | LUBRICANT | 49 | - |
| FO10588 | BODY CHANNEL CUP PLUG | 23 | 17 | FT2962-1 | SEALANT | 49 | - |
| FO10790 | INLET NEEDLE, SEAT AND GASKET | 23 | 35 | FT2963-1 | SEALANT | 49 | - |
| FO11103 | IDLE MIXTURE SCREW SPRING | 23 | 34 | FT2985 | STARTER REWIND KEY | 45 | - |
| FO11722 | MAIN FUEL JET, STD. .055 SEA LEVEL - 3000 FT. | 23 | 37 | FT2987-1 | LUBRICANT | 49 | - |
| FO11764 | MAIN FUEL JET, OPT. .051 SEA LEVEL - 6000 FT. AND UP | 23 | - | FT2989 | FLYWHEEL WEDGE | 44 | - |
| FO11765 | MAIN FUEL JET, OPT. .053 SEA LEVEL - 3000 - 6000 FT. | 23 | - | FT2997 | RING COMPRESSOR | 46 | - |
| FO13554 | FLOAT | 23 | 27 | FT3012 | SEAL INSTALLER | 46 | - |
| FO13944 | FLOAT LEVER PIN | 23 | 28 | FT8926 | RING EXPANDER | 46 | - |
| FO13945 | FUEL BOWL RETAINING SCREW | 23 | 31 | FT8929 | ADAPTER AND HEX BIT | 46 | - |
| FO15366 | FUEL BOWL | 23 | 29 | FT8935 | SEALANT PRIMER | 49 | - |
| FO15367 | CHOKE SHUTTER | 23 | 25 | FT8936 | SEALANT | 49 | - |
| FO15368 | CHOKE RELIEF VALVE | 23 | 23 | FT8948-1 | PULLER | 47 | - |
| FO15520 | IDLE MIXTURE SCREW | 23 | 33 | FT8949 | SEAL INSTALLER | 46 | - |
| FO15522 | BYPASS TUBE | 23 | 18 | FT8950 | LEAKAGE TESTER | 48 | - |
| FO15525 | MAIN NOZZLE | 23 | 38 | FT8952 | TEST WHEEL | 48 | - |
| FO15526 | THROTTLE SHAFT RETURN SPRING | 23 | 40 | FT8953 | C-D TESTER | 48 | - |
| FO15623 | FUEL BOWL GASKET | 23 | 30 | FT8957 | SEAL INSTALLER | 47 | - |
| FO15736 | CHOKE SHAFT AND LEVER | 23 | 21 | FT8969 | LUBRICANT | 49 | - |
| FO15757 | THROTTLE SHAFT AND LEVER | 23 | 39 | FT8983 | SEALANT | 49 | - |
| FO15783 | CHOKE RELIEF VALVE SPRING | 23 | 24 | FT8996 | IGNITION TESTER | 48 | - |
| FO16878 | THROTTLE SHUTTER | 23 | 41 | T8974 | BREAKER POINT TENSION GAUGE | 48 | - |
| | | | | 11-817752A1 | PROPELLER NUT W/COTTER PIN | 39 | 32 |
| | | | | 22-818103--1 | FITTING, FUEL PUMP | 15 | 11 |
| | | | | 27-818043A1 | FUEL PUMP DIAPHRAGM W/GASKETS | 15 | 4 |
| | | | | 27-818043A1 | FUEL PUMP DIAPHRAGM W/GASKETS | 23 | 7 |

PARTS INDEX

| Part Number | Description | Pg. | Ref. No. | Part Number | Description | Pg. | Ref. No. |
|---------------|--------------------------|-----|----------|-------------|-------------|-----|----------|
| 31-817756A2 | PROPELLER SHAFT | | | | | | |
| | BEARING CAGE | 39 | 36 | | | | |
| 32-817738A1 | FUEL LINE, LONG | | | | | | |
| | W/CLAMPS AND FERRULE | 43 | 7 | | | | |
| 37-F286585-2 | DECAL, TILT RELEASE - | | | | | | |
| | CANADA | 37 | - | | | | |
| 37-F286894-3 | STEERING HANDLE | | | | | | |
| | INDICATOR - CANADA . . . | 37 | - | | | | |
| 43-818009--1 | GEAR, MAGNETO CONTROL | | | | | | |
| | SHAFT | 33 | 7 | | | | |
| 43-818009--1 | GEAR, STEERING HANDLE | | | | | | |
| | SHAFT | 33 | 5 | | | | |
| 800-817907A2 | SHORT BLOCK (NOT | | | | | | |
| | SHOWN) | 27 | - | | | | |
| 800-819091A1 | SHORT BLOCK (NOT | | | | | | |
| | SHOWN) | 27 | - | | | | |
| 1100-817753A1 | CAGE, CRANKSHAFT | | | | | | |
| | BEARING W/SEAL | 29 | 46 | | | | |
| 1400-817750A4 | SWIVEL BRACKET | | | | | | |
| | W/GREASE FITTING | 35 | 75 | | | | |
| 1600-824916A1 | GEAR HOUSING UPPER . . . | 39 | 13 | | | | |