



PARTS CATALOG

7.5 H.P. SAILOR

SERIAL NUMBER

7.5 (1979)	75B9A
7.5 (1979)	75H9A

TABLE OF CONTENTS:

ACCESSORIES	36
ELECTRICAL COMPONENTS	6
ENGINE COVER AND SUPPORT PLATE	2
FUEL SYSTEM	12
FUEL TANK AND LINE	28
GEAR HOUSING	24
MOTOR LEG	20
PARTS INDEX	37
POWER HEAD	16
SPECIAL TOOLS - LOWER UNIT	33
SPECIAL TOOLS - LUBRICANTS AND SEALANTS	35
SPECIAL TOOLS - POWER HEAD	32
SPECIAL TOOLS - STARTER	31
SPECIAL TOOLS - TEST EQUIPMENT	34
SPECIAL TOOLS - TUNE-UP	30
STARTER	10
STEERING ARM	8

NOTE: Indented description indicate that these parts are included in preceding assembly.

AR = As Required

NSS = Not Sold Separate

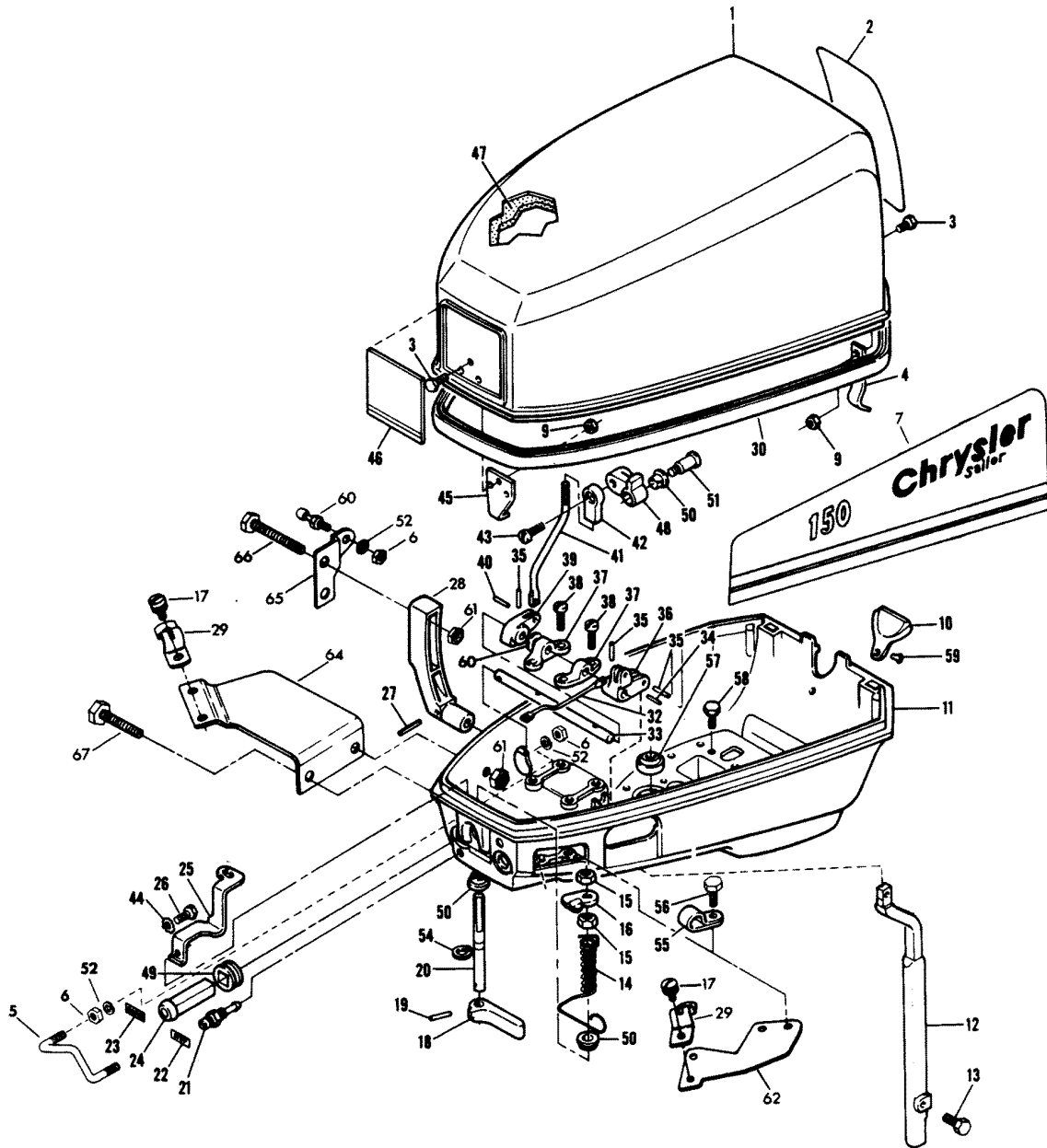
OPT = Optional

NS = Not Shown

THESE PARTS BOOKS/FICHE CARD ARE COPYRIGHTED AND MAY NOT BE DISTRIBUTED OR REPRODUCED IN ANY OTHER FORMAT BY ANYONE OTHER THAN MERCURY MARINE WITHOUT THE PRIOR WRITTEN CONSENT OF MERCURY MARINE.

THIS PAGE INTENTIONALLY LEFT BLANK

ENGINE COVER AND SUPPORT PLATE

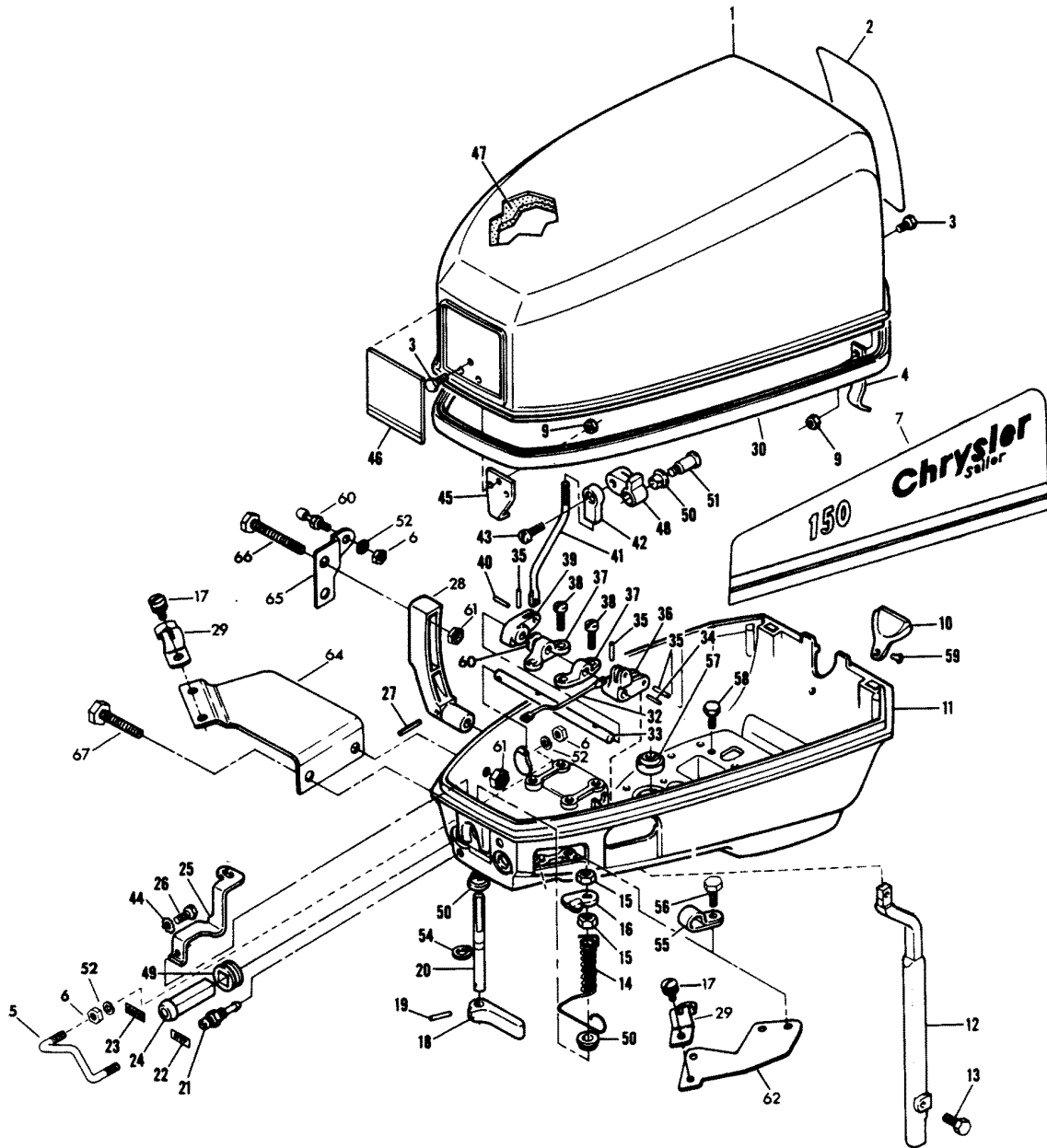


ENGINE COVER AND SUPPORT PLATE

REF. NO.	PART NO.	SYM.	QTY.	DESCRIPTION
1	FS537712		1	ENGINE COVER W/PACKING, REAR RETAINER AND LATCH BRACKET
-	2C539712		1	ENGINE COVER COMPLETE INCLUDES ALL ITEMS MARKED WITH AN ASTERISK (*)
2	FA539528		1	DECAL ENGINE COVER REAR
3	F1475		7	FILL HD SCREW, 10 - 24 X 1/2
4	FA525480		2	RETAINER ENGINE COVER W/NUTS AND SCREWS
5	F487455		1	GUIDE STARTER ROPE
6	F1513		5	HEX NUT
7	A539396		1	DECAL "CHRYSLER" - STARBOARD
-	A539397		1	DECAL "CHRYSLER" - PORT
9	F7011		7	ELASTIC STOP NUT, 10 - 24
10	525156		1	COVER SUPPORT PLATE REAR
11	A487038-1		1	SUPPORT PLATE W/EYELET
12	F525615		1	ROD GEAR SHIFT UPPER
13	F1950		1	HEX HD SCREW, 10 - 24 X 5/8
14	F525912		1	SPRING LATCH SHAFT
15	F1518		2	NUT, 5/16 - 18
16	F392777		1	CAM COVER LATCH
17	F1556		4	SLOTTED FILL HD M.S. 10 - 24 X 3/8
-	F84991-1		1	GROMMET LIGHTING COIL WIRE
18	F525469		1	HANDLE LATCH
19	F8547		1	SPRING PIN, 1/8 X 5/8
20	F525763		1	SHAFT COVER LATCH
21	F197767-1		1	BUSHING FUEL LINE
22	F525390		1	DECAL STOP - U.S.A.
-	FC525390		1	DECAL STOP - CANADA
23	F525394		1	DECAL CHOKE - U.S.A.
-	FC525394		1	DECAL CHOKE - CANADA
24	F521547		1	CHOKE KNOB
25	F525925		1	LINK CHOKE KNOB
26	F2041		1	HEX HD SCREW, 10 - 24 X 3/8
27	F8567		1	SPRING PIN, 1/8 X 13/16
28	F525614		1	HANDLE GEAR SHIFT
29	F154317		2	CLAMP, REMOTE CABLE
30	FK525713		1	ENGINE COVER PACKING
32	F525263		1	LINK STATOR INTERLOCK
33	F525871		1	SHAFT GEAR SHIFT LEVER
34	F8538		1	SPRING PIN, 3/32 X 1/2
35	F8547		3	SPRING PIN, 1/8 X 5/8
36	F525876		1	LEVER GEAR SHIFT
37	F318818		2	BEARING, SHIFT LEVER SHAFT
38	F1573		4	FILL HD SCREW, 1/4 - 20 X 1/2
39	F525977		1	LEVER SHIFT INTERLOCK

CONTINUED ON NEXT PAGE ➡

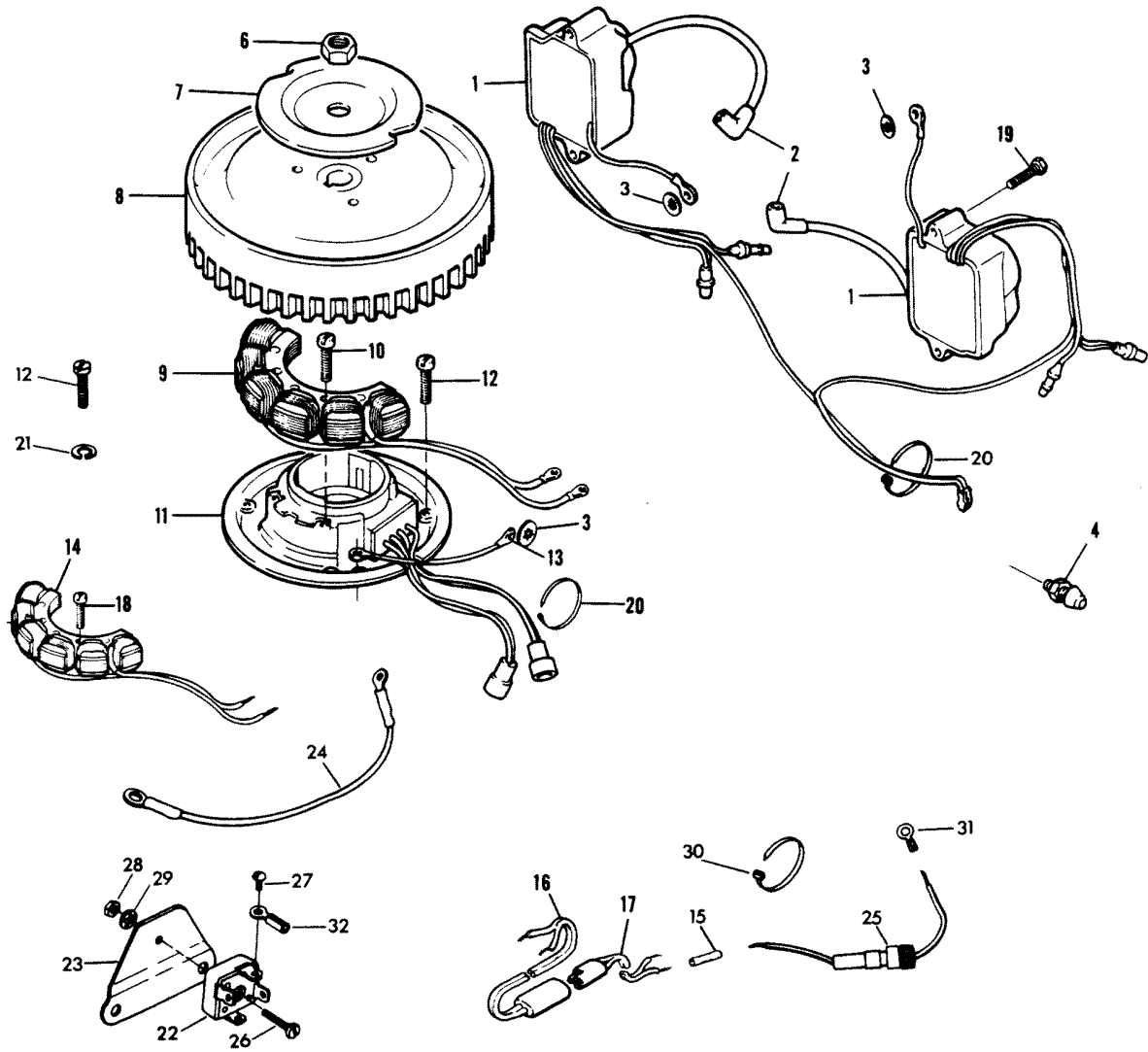
ENGINE COVER AND SUPPORT PLATE



ENGINE COVER AND SUPPORT PLATE

REF. NO.	PART NO.	SYM.	QTY.	DESCRIPTION
40	F1978		1	SPRING PIN, 1/8 X 1/2
41	F525531		1	ROD SHIFT INTERLOCK
42	F84035-2		1	BEARING INTERLOCK ROD
43	F84026		1	SCREW SHOULDER
44	F1975		1	LOCKWASHER, #10
45	FA525774		1	BRACKET COVER LATCH W/SCREWS & NUTS
46	FA539892		1	DECAL ENGINE COVER FRONT
47	FK516984		1	BLANKET TOP AND SIDES
48	F516977		1	LEVER SHIFT INTERLOCK
49	F525504		1	GROMMET, CHOKE ROD
50	F307818		3	BEARING (NYLINER)
51	F85026		1	SCREW
52	F8058		5	INTERNAL TOOTH LOCKWASHER
54	F73741-1		1	RING
55	F178446		1	CLAMP LEAD WIRE
56	F1035		2	SLOTTED HD M.S. 1/4 - 20 X 5/8
57	F318307		1	SEAL, DRIVESHAFT
58	F1200		2	HEX HD SCREW, 1/4 - 20 X 1/2
59	F2026		1	RIVET, SUPPORT PLATE COVER
60	F98273		1	STUD, ROD END CONNECTOR
61	F7024		4	STOP NUT 1/4 - 20
62	F448371		1	BRACKET, REMOTE THROTTLE
64	F448612		1	BRACKET, REMOTE SHIFT
65	F448872		1	BRACKET GEAR SHIFT HANDLE
66	F1999		2	1/4 - 20 X 7/8 HEX CAP SC.
67	F1854		2	HEX CAP SC 1/4 - 20 X 5/8

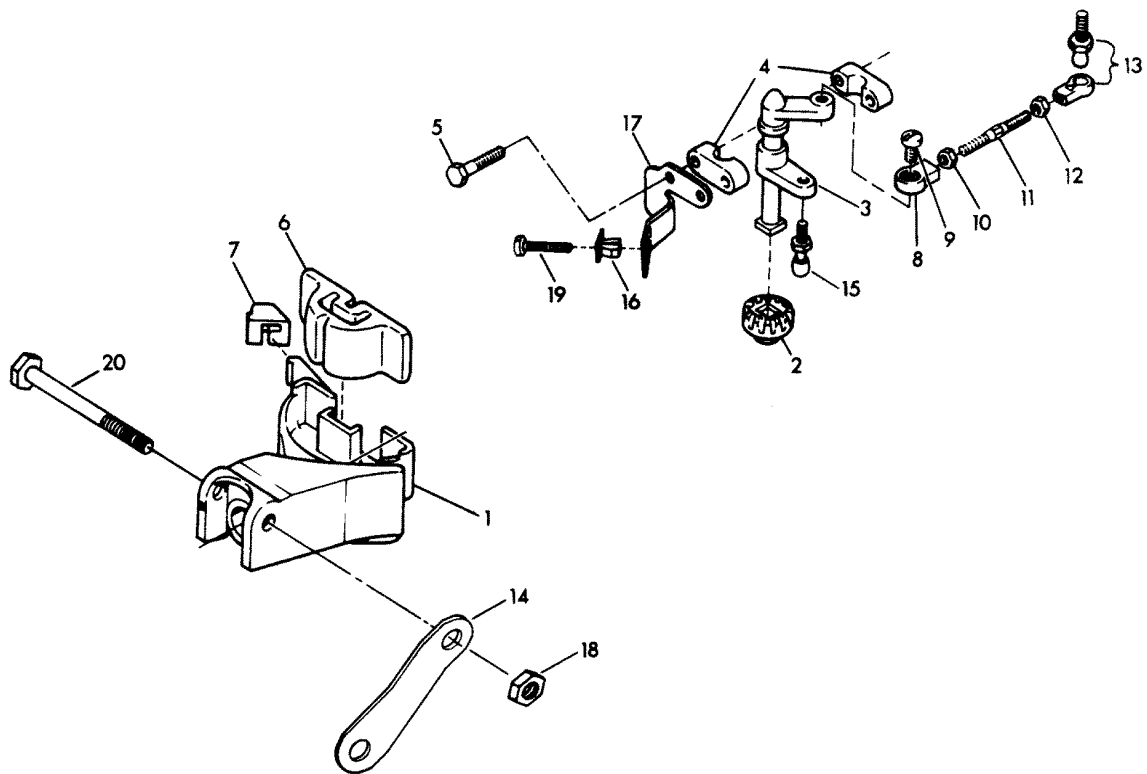
ELECTRICAL COMPONENTS



ELECTRICAL COMPONENTS

REF. NO.	PART NO.	SYM.	QTY.	DESCRIPTION
1	F525475		2	C-D MODULE-COIL
2	FK750-2		2	SPARKIE KIT
3	F2106		3	LOCKWASHER
4	F436449		1	SHORTING SWITCH
6	F1809		1	FLYWHEEL NUT
7	F901456-1		1	COLLAR, EMERGENCY START
8	F525097		1	FLYWHEEL
9	F525301		1	STATOR - C-D
10	F1678		2	FILL HD SCREW, 10 - 24 X 13/16
11	F525029		1	STATOR - TRIGGER
12	F2010		4	FILL HD SCREW, 10 - 32 X 9/16
13	F404908		1	WIRE, STATOR GROUND
14	F525095		1	STATOR ALTERNATOR
15	F448874		1	SPLICE
16	F521843		1	CABLE LIGHTING COIL EXT.
17	FA521841		1	CABLE LIGHTING COIL W/SPLICES
18	F1678		2	SLOTTED FILL HAND SCREW, 10 - 24 X 13/16
19	F525064		4	SCREW - C-D COIL
20	F1877		2	TY-RAP
21	F1975		1	SPRING LOCKWASHER
-	F235785		1	DECAL, COMPLIANCE - CANADA (NOT SHOWN)
22	F510450-1		1	RECTIFIER
23	F525454		1	BRACKET (RECTIFIER)
24	F521683		1	WIRE, GROUND
25	F521460		1	FUSE HOLDER
26	F1552		1	PAN HD M.S. 8 - 32 X 1/2
27	F1645		4	SLOTTED RD HD THD. CUTTING TAPPLING SC 6 - 32 X 1/4
28	F1647		1	HEX M.S. SC NUT 8 - 32
29	F8078		1	INTERNAL TOOTH LOCKWASHER
30	F1845		1	TY-RAP
31	F517673		2	RING TERMINAL (5/16)
32	F299673		4	RING TERMINAL (#6)

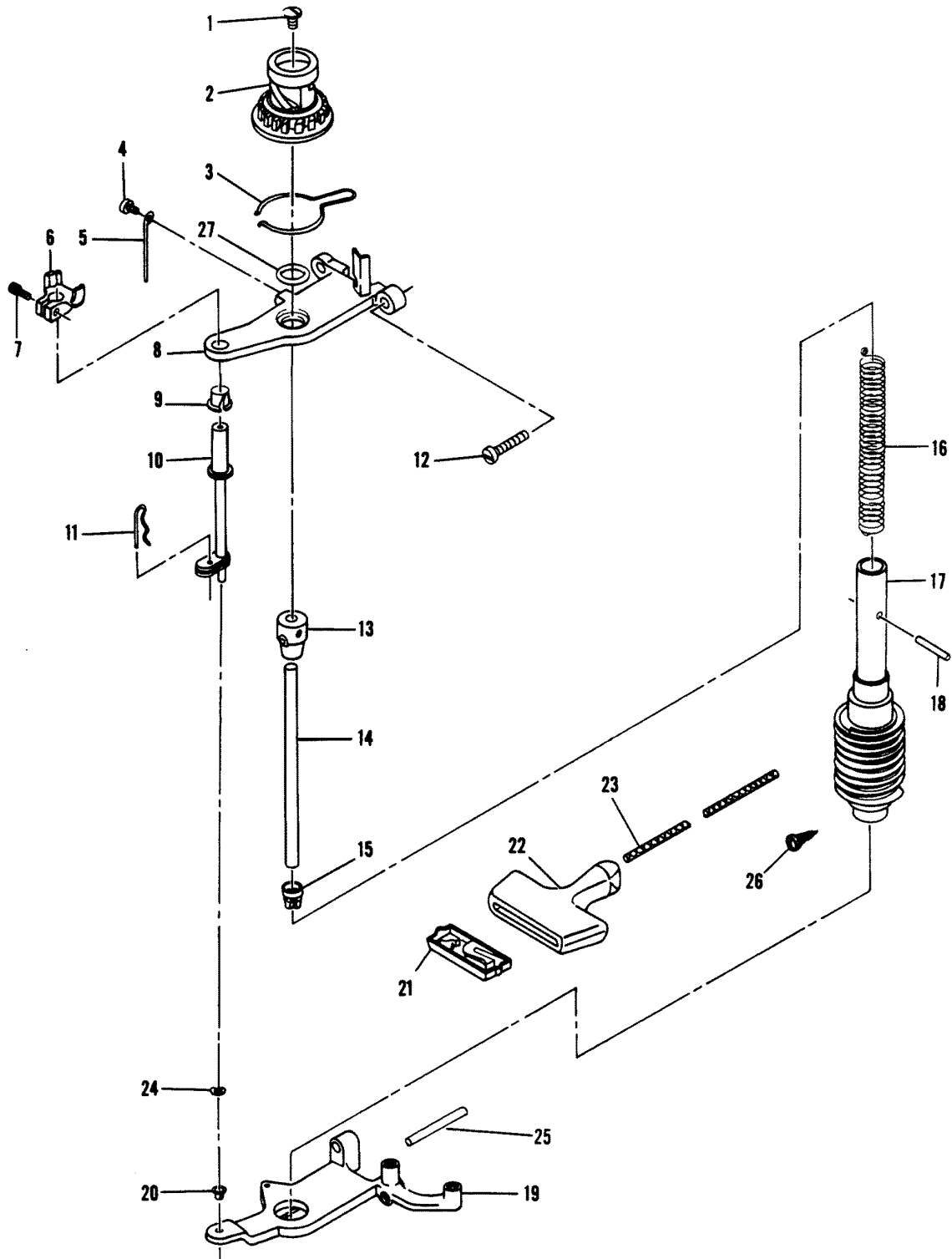
STEERING ARM



STEERING ARM

REF. NO.	PART NO.	SYM.	QTY.	DESCRIPTION
1	F525582-1		1	STEERING ARM
2	F525605		1	GEAR, TOWERSHAFT
3	F525838		1	TOWERSHAFT
4	F525689		2	TOWERSHAFT BEARING
5	F1699		2	HEX HD SCREW, 1/4 - 20 X 1/8
6	F318347-1		1	UPPER MOUNT
7	F318539		1	BUMPER
8	F84036		1	BEARING, SPARK CONTROL
9	F84026		1	SHOULDER SCREW
10	F7027		1	NUT (LEFT HAND), 10 - 24
11	F525445		1	LINK, MAGNETO STATOR CONTROL
12	F1513		1	NUT, 10 - 32
13	817747--1		1	JOINT, BALL ASSEMBLY
14	F487078		1	STEERING LOCK BRACKET
15	F98273		1	STUD, ROD END CONNECTOR
16	F525991		1	GROMMET
17	F526198		1	STOP, REMOTE IDLE
18	F516697		1	NUT, STEERING LOCK ARM
19	F1995		1	SLOTTED FILL HD M.S. 10 - 24 X 1
20	F1507		1	HEX CAP SCREW 3/8 - 16 X 2 1/2

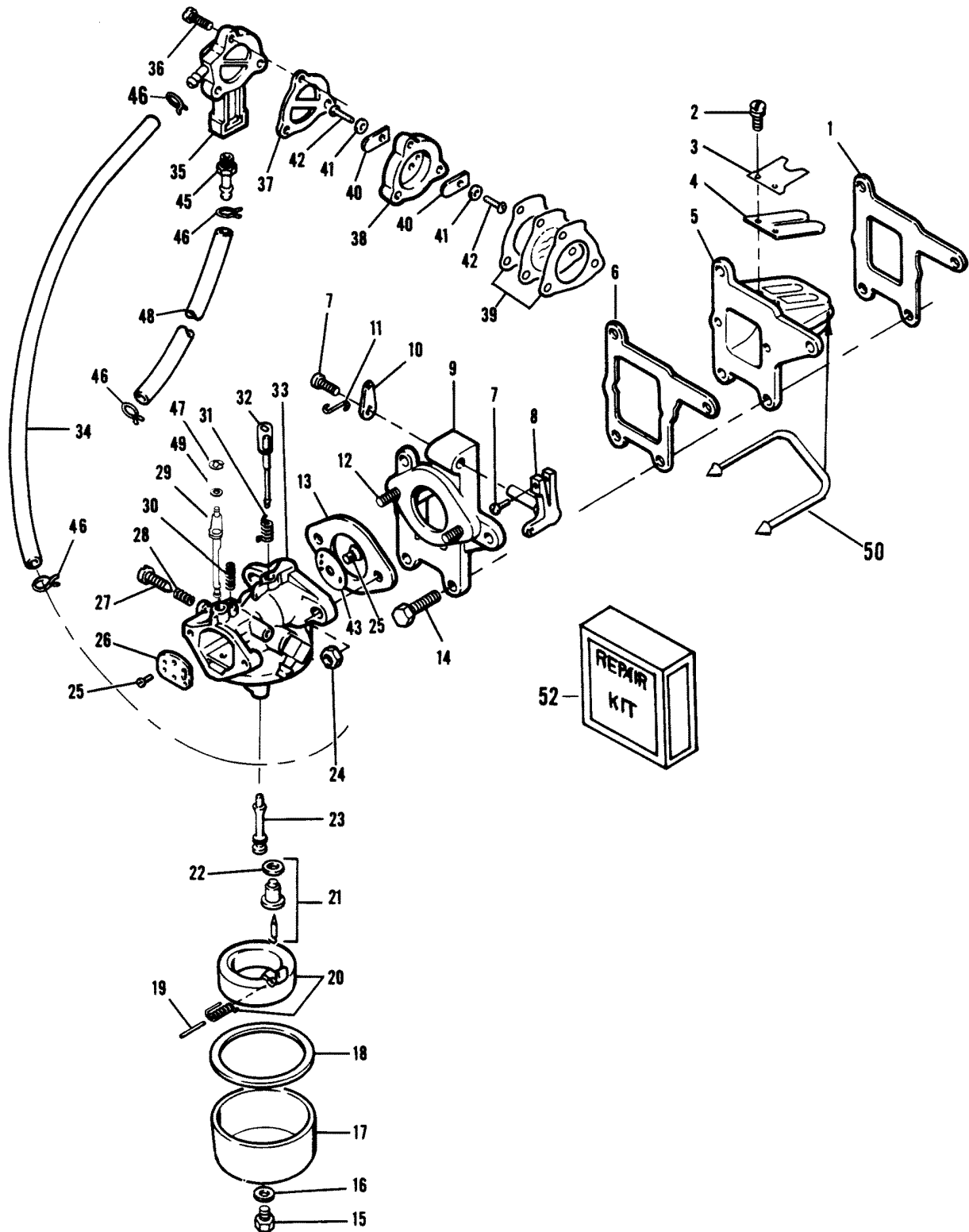
STARTER



STARTER

REF. NO.	PART NO.	SYM.	QTY.	DESCRIPTION
1	F525457		1	FLAT HD SCREW, 1/4 - 20 X 1/2
2	F525674-1		1	GEAR STARTER PINION
3	F525424		1	SPRING STARTER PINION
4	F1760		1	PAN HD SCREW, 10 - 24 X 3/8
5	F525455		1	GUIDE STARTER ROPE
6	F525781		1	INTERLOCK STARTER
7	F2031		1	HEX HD SCREW, 1/4 - 20 X 3/4
8	F525427-1		1	BRACKET STARTER UPPER
9	F269689		1	BEARING STARTER BRACKET UPPER
10	F525105		1	SHAFT INTERLOCK
11	F525629		1	COTTER PIN
12	F1052		4	FILL HD SCREW, 1/4 - 20 X 1
13	F901739		1	DRIVE STARTER REWIND SPRING
14	F901710		1	POST STARTER SPRING GUIDE
15	F525737		1	RETAINER STARTER REWIND SPRING
16	F901970		1	SPRING STARTER REWIND
17	817856A1		1	SPOOL STARTER W/SCREW
18	F40425		1	PIN STARTER PINION
19	F525675		1	BRACKET STARTER LOWER
20	F197813		1	BEARING STARTER BRACKET LOWER
21	817938A1		1	RETAINER STARTER ROPE HANDLE
22	F286132		1	HANDLE STARTER ROPE
23	F409232		1	ROPE STARTER
24	F8070		1	BOWED SPRING WASHER
25	F8571		1	SPRING PIN, 1/8 X 1 3/4
26	F1500		1	HEAD SHEET METAL SCREW 4 X 1/4
27	F53795-1		1	SEAL

FUEL SYSTEM



FUEL SYSTEM

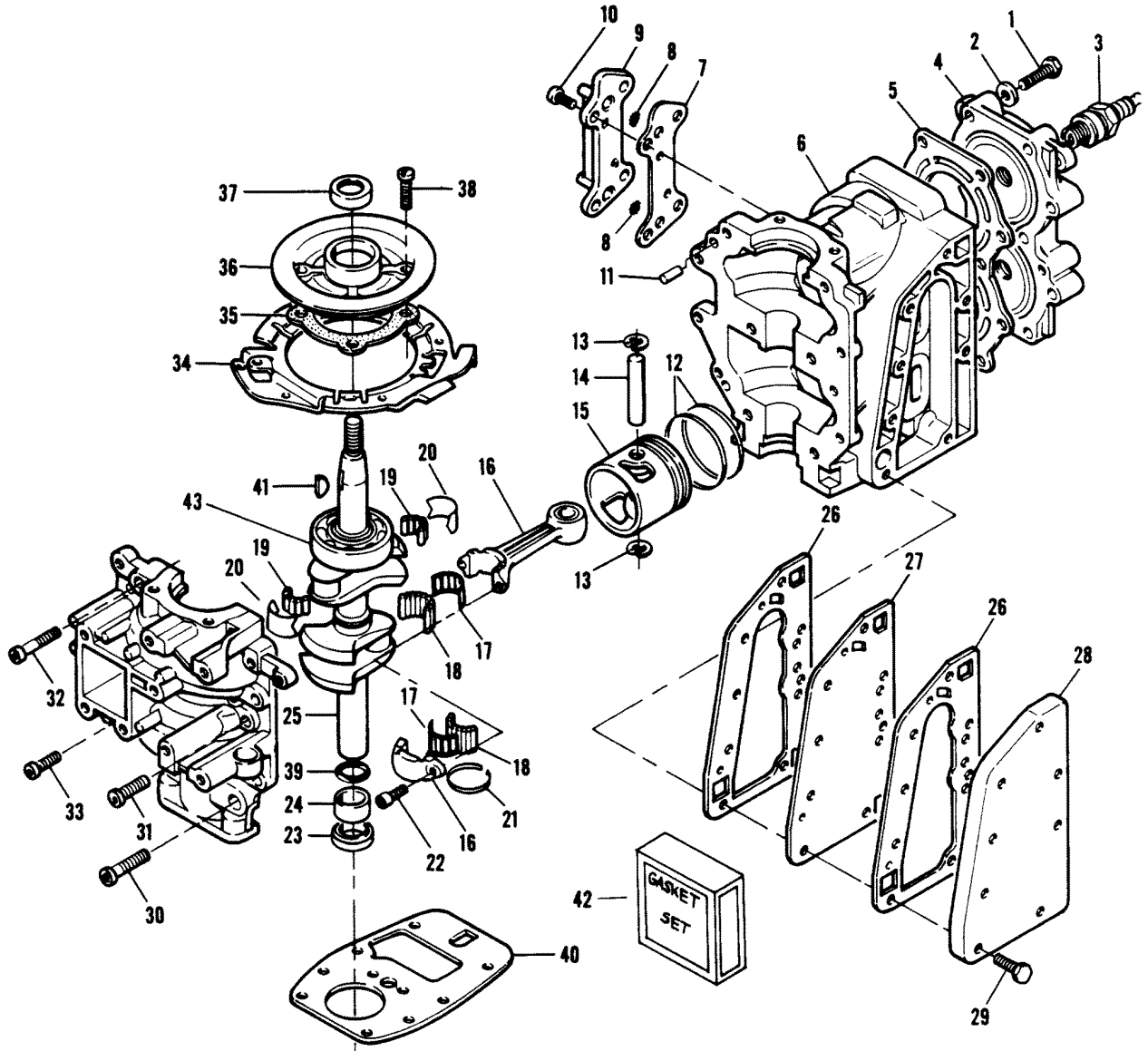
REF. NO.	PART NO.	SYM.	QTY.	DESCRIPTION
1	F525159		1	GASKET, REED PLATE
2	F1755		4	HD SCREW & SPRING LOCKWASHER ASSEMBLY, 6 - 32 X 5/16
3	F526161		2	REED STOP
4	F31160-1		2	REED
5	F2A525158		1	PLATE REED W/SEAL
6	F525168		1	GASKET MANIFOLD
7	F1772		2	HEX HD SCREW, 8 - 32 X 1/2
8	F525316-1		1	FOLLOWER THROTTLE CAM
9	FA525167		1	MANIFOLD W/STUDS
10	F525081		1	LEVER THROTTLE
11	F525193		1	LINK THROTTLE
12	F2788004		2	STUD CARBURETOR
13	F18906		1	GASKET, CARBURETOR
14	F1953		4	HEX HD SCREW, 1/4 - 20 X 1
15	F10089		1	JET ASSEMBLY, STD, .041 SEA LEVEL - 3000 FT.
-	F10097		-	JET ASSEMBLY, OPT. .040 SEA LEVEL - 3000 - 5000 FT.
-	F10096		-	JET ASSEMBLY, OPT. .039 SEA LEVEL - 5000 - 7000 FT.
-	F10093		-	JET ASSEMBLY, OPT. .038 SEA LEVEL - 7000 FT. AND UP
16	F10090		1	GASKET, FUEL BOWL RETAINER
17	F10058		1	FUEL BOWL
18	F10068		1	GASKET, BODY TO BOWL
19	F10064		1	SHAFT - FLOAT
20	F10063		1	FLOAT
21	F10101		1	KIT - VALVE, SEAT, SPRING AND GASKET
22	F10066		1	GASKET, VALVE SEAT
23	F10088		1	NOZZLE
24	F1490		2	NUT, 1/4 - 20
25	F10070		2	SCREW ASSEMBLY - CHOKE VALVE
26	F10062		1	CHOKE VALVE ASSEMBLY
27	F10077		1	NEEDLE - IDLE
28	F10073		1	SPRING IDLE NEEDLE
29	F10061		1	CHOKE SHAFT ASSEMBLY
30	F10072		1	SPRING CHOKE STOP
31	F10085		1	SPRING THROTTLE RETURN
32	F10081		1	SHAFT ASSEMBLY - THROTTLE
33	F526061-2		1	CARBURETOR
34	F84253		1	HOSE
35	F901746-2		1	COVER FUEL PUMP
36	F1069		3	FILL HD SCREW, 10 - 24 X 1-1/16
37	F24748-2		1	GASKET, FUEL PUMP
38	FA24757-3		1	PLATE FUEL PUMP REED W/REEDS AND SCREWS
39	27-818043A1		1	DIAPHRAGM, FUEL PUMP W/GASKETS

CONTINUED ON NEXT PAGE ➡

FUEL SYSTEM

REF. NO.	PART NO.	SYM.	QTY.	DESCRIPTION
40	F18160-2		2	REED FUEL PUMP
41	F8003		2	PLAIN WASHER
42	F1286		2	PAN HD SCREW, #4 - 40 X 3/16
43	F10091		1	VALVE THROTTLE
44	F10071		1	SCREW, THROTTLE VALVE
45	F901811		1	FILTER FUEL PUMP
46	F2706772		4	CLAMP HOSE
47	F2042		1	WASHER
48	F84253		1	HOSE
49	F90807		1	RETAINING RING
50	F525984		1	SEAL, REED PLATE
51	F10084		1	SPRING, FLOAT SUPPORT
52	F10083		1	REPAIR KIT INCLUDES ALL ITEMS MARKED WITH A DOUBLE ASTERISK (**)
-	F10069		1	GASKET KIT INCLUDES ALL ITEMS MARKED WITH AN ASTERISK (*)

POWER HEAD

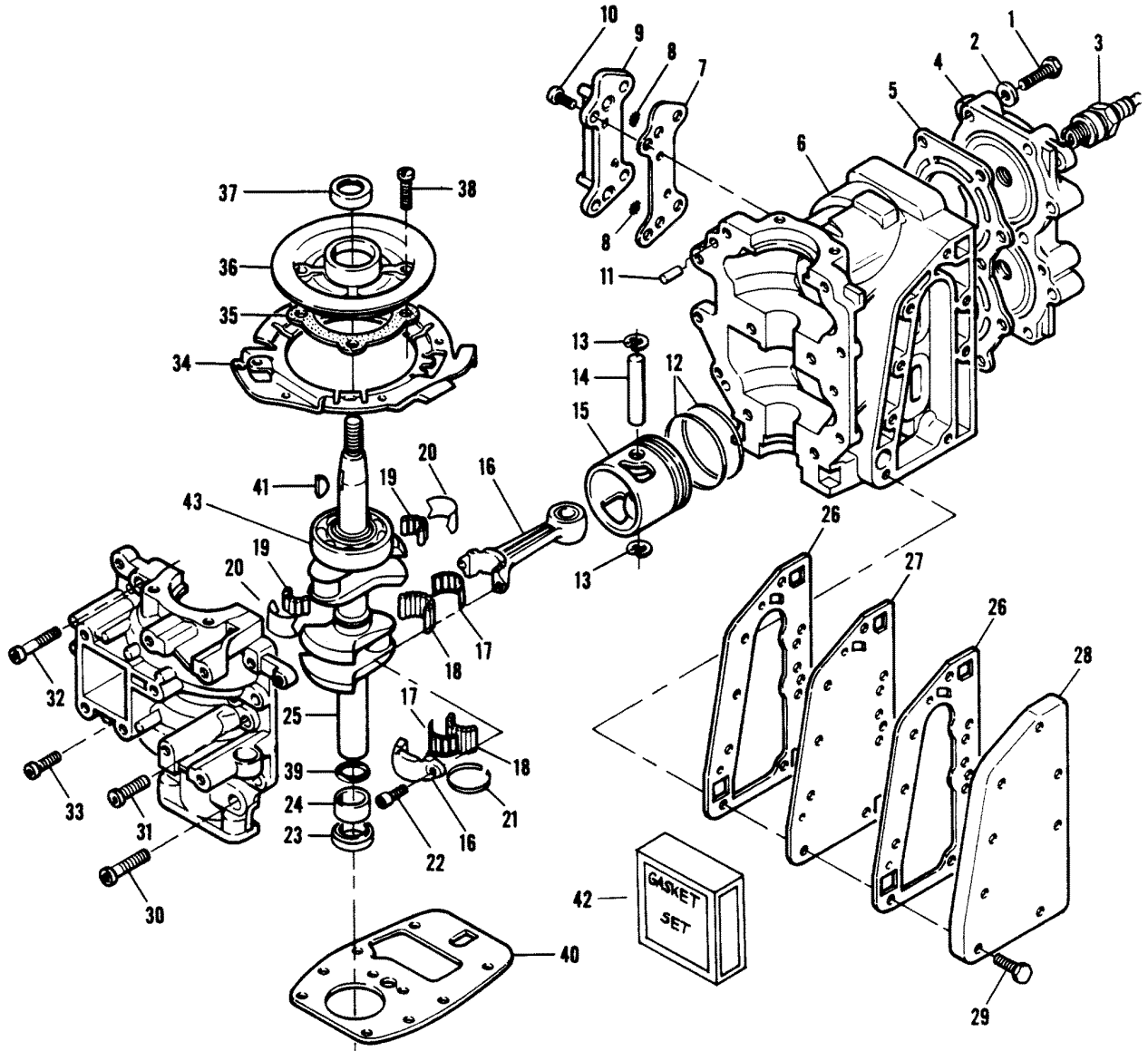


POWER HEAD

REF. NO.	PART NO.	SYM.	QTY.	DESCRIPTION
1	F901938-1		10	SCREW, CYLINDER HEAD
2	F8025		10	PLAIN WASHER
3	33-82370M		2	SPARK PLUG (L-86)
-	C341227-1		2	SPARK PLUG (QL-86) CANADA ONLY
4	F525518		1	CYLINDER HEAD
5	F525529		1	GASKET, CYLINDER HEAD
6	F2A525010		1	CYLINDER
-	FC525010		1	CYLINDER COMPLETE INCLUDES ALL ITEMS MARKED WITH AN ASTERISK (*)
7	F525472		1	GASKET, CYLINDER DRAIN COVER
8	F429811		2	SCREEN, CYLINDER DRAIN
9	FA525471		1	COVER, CYLINDER DRAIN W/SCREEN
10	F1110		4	SCREW, 1/4 - 20 X 5/8
11	F8559		2	DOWEL PIN
12	39-818038A1		2	PISTON RING
13	F250410		4	PISTON PIN RETAINING RING
14	F250017		2	PISTON PIN
15	F525015		2	PISTON
16	F2A521016		2	CONNECTING ROD W/SCREWS
17	FA525241		2	CRANKPIN ROLLER CAGE
18	FA525228		2	ROLLER CRANKPIN
19	F286571		1	ROLLER ASSEMBLY, CENTER MAIN BEARING
20	FA286155		1	LINER, CENTER MAIN
21	F525579		1	CRANKCASE SEAL
22	F36634		4	CONNECTING ROD SCREW
23	F141118		1	SEAL, CRANKSHAFT LOWER
24	F343014		1	BEARING, CRANKSHAFT LOWER MAIN
25	F2A525018		1	CRANKSHAFT W/UPPER BEARING
26	F525154		2	GASKET EXHAUST
27	F525151		1	PLATE EXHAUST
28	F525152		1	COVER EXHAUST
29	F1953		8	SCREW, 1/4 - 20 X 1
30	F1257		2	SCREW, 5/16 - 18 X 1-1/4
31	F1994		2	SCREW, 5/16 - 18 X 1
32	F1044		2	SCREW, 1/4 - 20 X 1-3/8
33	F1107		6	SCREW, 1/4 - 20 X 3/4
34	F525082		1	RING STATOR
35	F286277		1	GASKET, CRANKSHAFT BEARING CAGE
36	1100-817753A1		1	CAGE, CRANKSHAFT BEARING W/UPPER CRANKSHAFT SEAL
37	F346146		1	SEAL, CRANKSHAFT UPPER
38	F1111		4	FILL HD SCREW, 1/4 - 20 X 7/8
39	F468342		1	SEAL, CRANKSHAFT SPLINE
40	F525279		1	GASKET, CYLINDER MOUNTING

CONTINUED ON NEXT PAGE ➡

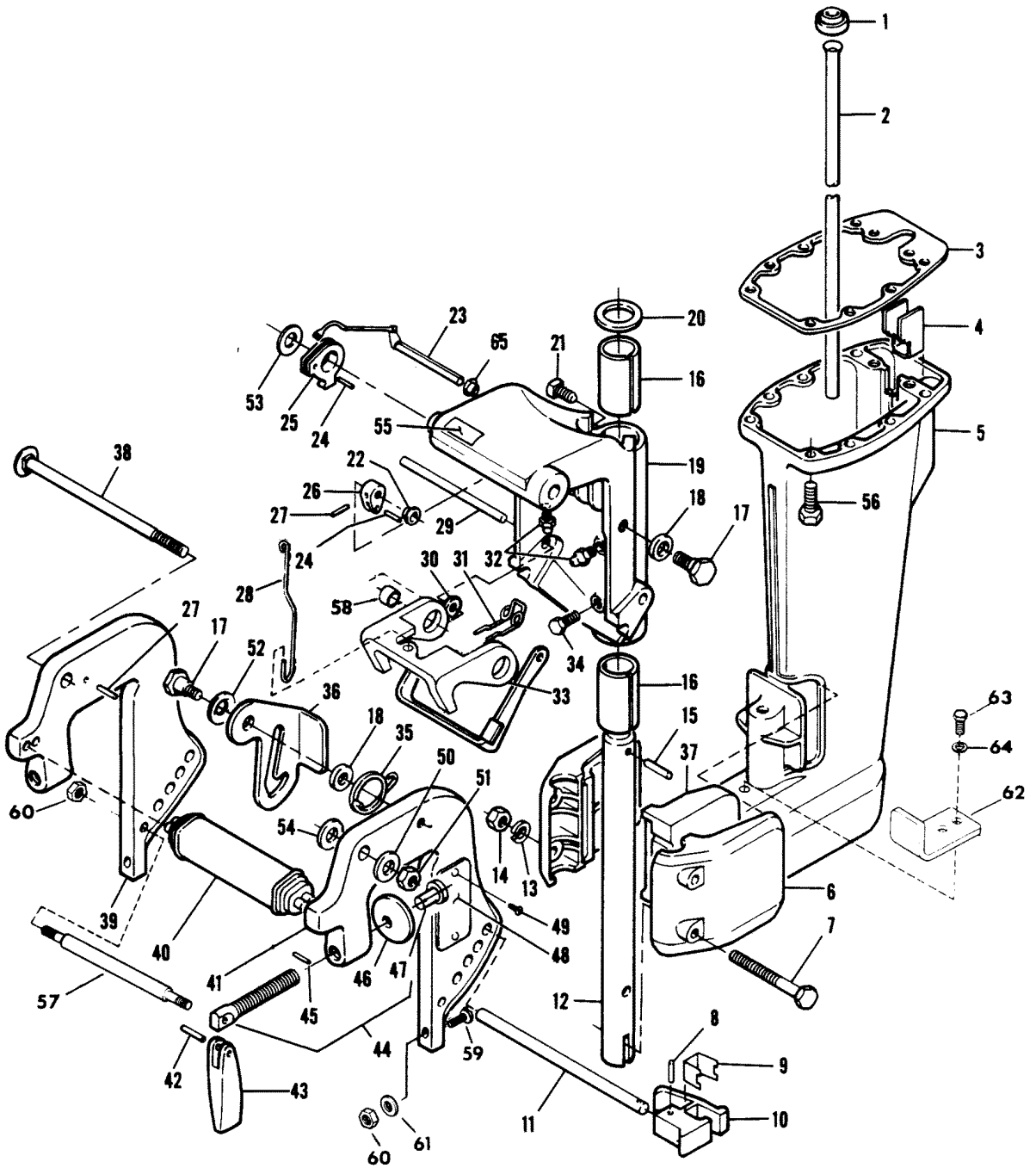
POWER HEAD



POWER HEAD

REF. NO.	PART NO.	SYM.	QTY.	DESCRIPTION
41	F458498		1	MAGNETO KEY
42	FG1018		1	GASKET SET INCLUDES ITEMS LISTED BELOW:
-	F18906		1	GASKET, CARBURETOR
-	F286277		1	GASKET, CRANKSHAFT BEARING CAGE
-	F525154		2	GASKET, EXHAUST
-	F525159		1	GASKET, REED PLATE
-	F525168		1	GASKET, MANIFOLD
-	F525279		1	GASKET, CYLINDER MOUNTING
-	F525453		1	GASKET, LEG MOUNTING
-	F525529		1	GASKET, CYLINDER HEAD
-	F525472		1	GASKET, CYLINDER DRAIN COVER

MOTOR LEG

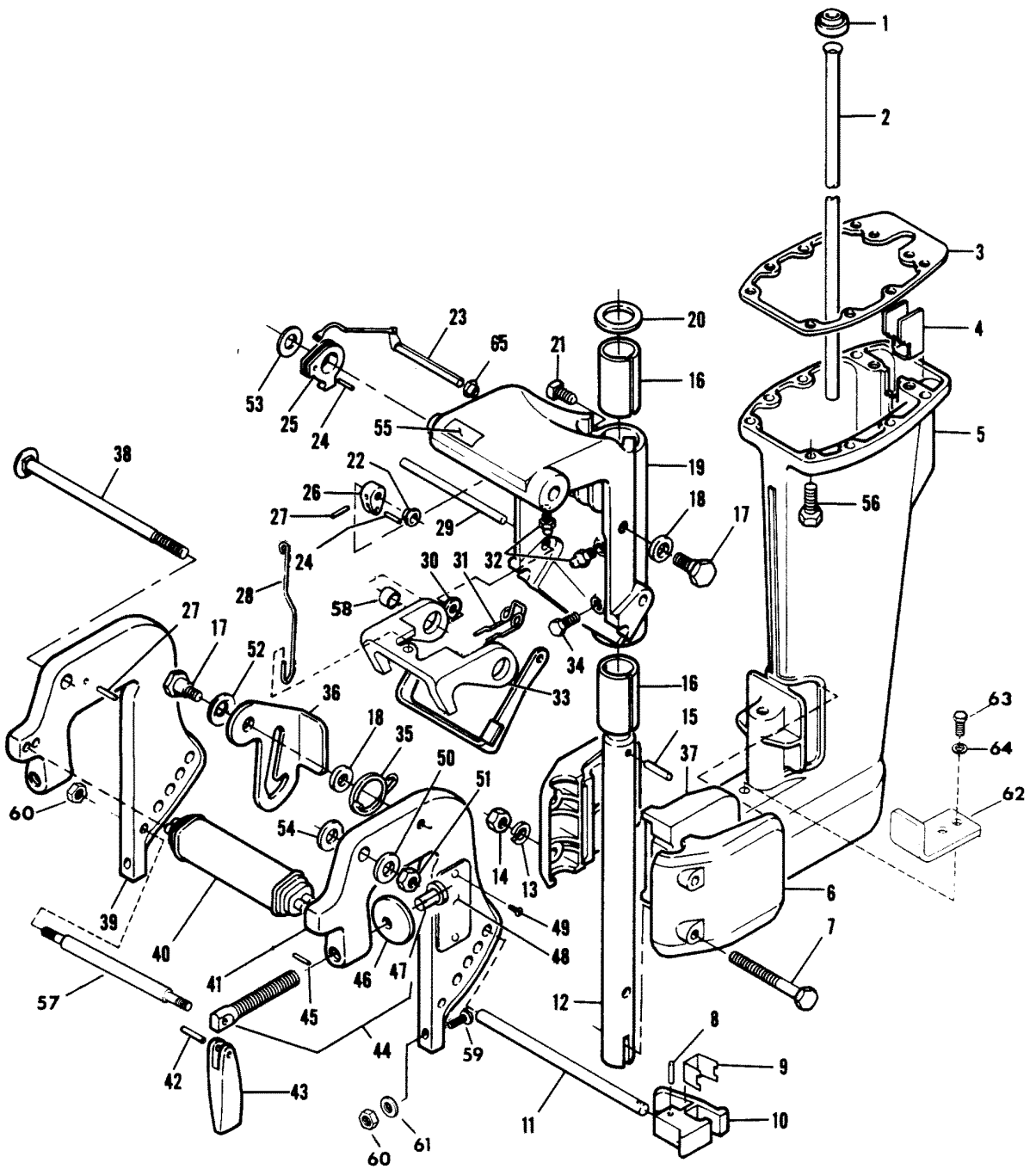


MOTOR LEG

REF. NO.	PART NO.	SYM.	QTY.	DESCRIPTION
1	F318342		1	SEAL, WATERLINE INLET UPPER
2	F516244		1	WATERLINE (STD. LEG)
3	F525453		1	GASKET LEG MOUNTING
4	F525779		1	BAFFLE IDLE RELIEF
5	F526133		1	MOTOR LEG
6	F525707		2	COVER, SHOCK MOUNT LOWER
7	F1972		2	HEX HD SCREW, 1/4 - 20 X 2-1/2
8	F8540		1	SPRING PIN, 3/32 X 5/8
9	F286461		1	SPRING LOCK BAR HANDLE
10	F286114		1	HANDLE LOCK BAR
11	FA286113		1	BAR LOCK W/ITEMS 8, 9 AND 10
12	F525019		1	KING PIN
13	F8083		2	LOCKWASHER
14	F1341		2	NUT, 1/4 - 20
15	F1805		1	SPRING PIN, 1/4 X 1-3/8
16	F286169		2	BEARING SWIVEL BRACKET
17	F286422-1		2	PIVOT TILT LOCK
18	F286451		2	SPACER TILT LOCK
19	1400-817964A2		1	SWIVEL BRACKET W/ITEMS 16 AND 32 ORIGINAL FORCE P/N K525072-1
20	F286011		1	WASHER SWIVEL BRACKET
21	F525839		1	SCREW, STEERING FRICTION
22	F197813		2	BEARING
23	FA387742		1	LEVER REVERSE LOCK INTERMEDIATE
24	F1794		2	SPRING PIN, 3/32 X 3/8
25	F286827		1	LEVER REVERSE LOCK RELEASE
26	F286364		1	LEVER REVERSE LOCK
27	F8538		2	SPRING PIN, 3/32 X 1/2
28	F341510		1	LINK REVERSE LOCK LEVER
29	F1806		1	GROOVE PIN, 5/16 - 3-3/4
30	F286433		1	BRACKET SHALLOW WATER DRIVE
31	F286300		1	SPRING REVERSE LOCK
32	F213274		2	FITTING GREASE
33	F516349		1	LOCK REVERSE
34	F1467		1	SCREW SWIVEL BRACKET
35	F286544-1		1	SPRING TILT LOCK
36	F429541		1	LOCK TILT
37	F525346		2	MOUNT LOWER SHOCK
38	F286037		1	BOLT STERN BRACKET
39	FK517032		1	BRACKET STERN STARBOARD W/SCREW CLAMP
40	F286647		1	HANDLE CARRYING
41	FK567532		1	BRACKET STERN PORT W/SCREW CLAMP
42	F8554		2	SPRING PIN, 3/16 X 3/4

CONTINUED ON NEXT PAGE ➡

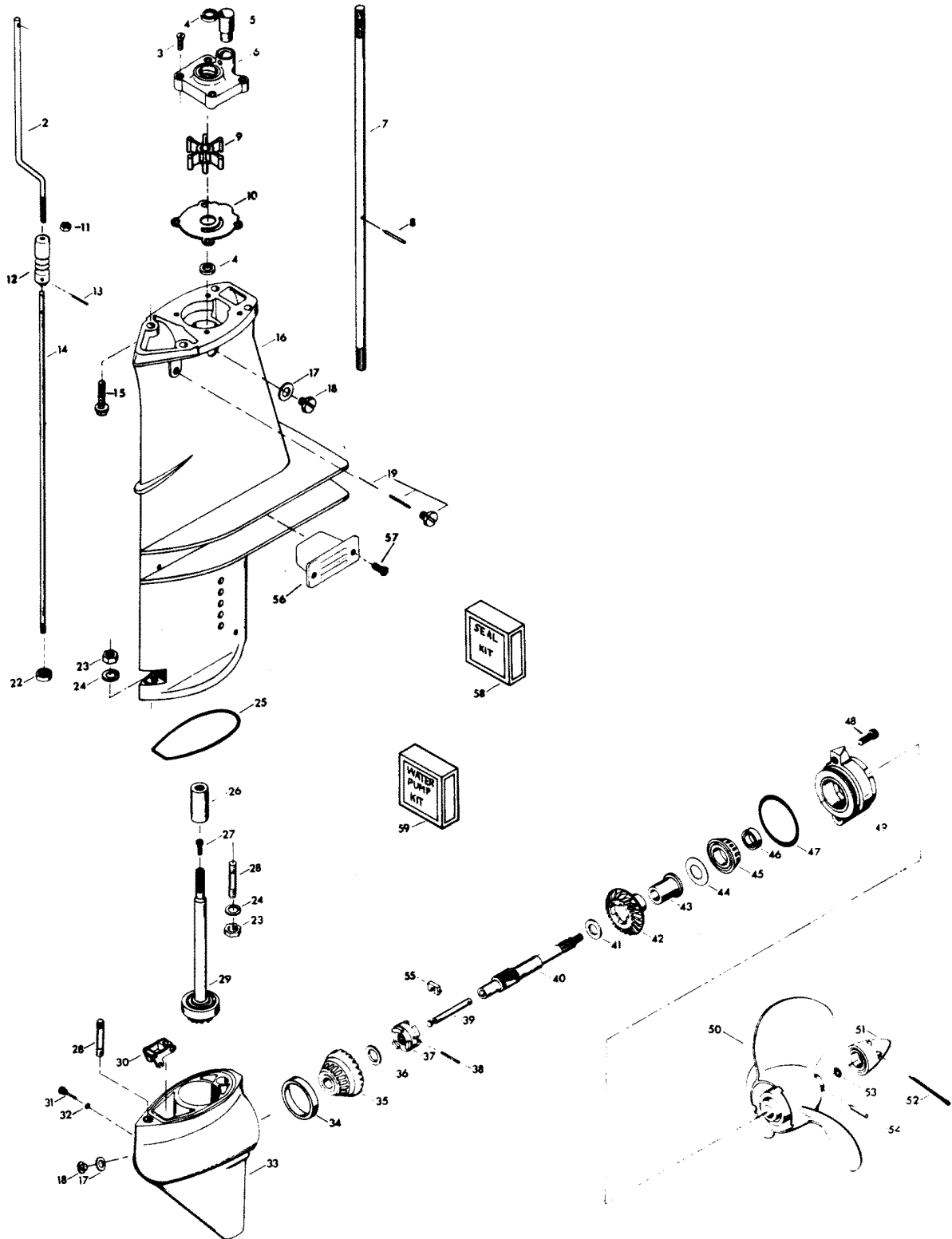
MOTOR LEG



MOTOR LEG

REF. NO.	PART NO.	SYM.	QTY.	DESCRIPTION
43	F424075		2	HANDLE CLAMP SCREW
44	817761A2		2	SCREW CLAMP W/ITEMS 45, 46 AND 47 ORIGINAL FORCE P/N A298073-2
45	F8537		2	SPRING PIN
46	F24074		2	FOOT CLAMP SCREW
47	F66480		2	STUD CLAMP SCREW
48	FA535395		1	IDENTIFICATION PLATE - U.S.A. W/SCREWS
-	FAC535395		1	IDENTIFICATION PLATE - CANADA W/SCREWS
49	F1447		2	RD HD DRIVE SCREW, #2 X 3/16
51	F516697		1	NUT STEERING LOCK BRACKET
52	F1666		1	WAVE WASHER
53	F525286		1	WASHER
54	F286286-1		2	WASHER
55	F286585-1		1	DECAL, TILT RELEASE - U.S.A.
-	37-F286585-2		1	DECAL, TILT RELEASE - CANADA
56	F1833		8	HEX CAP SCREW, 1/4 - 20 X 1
57	F517273		1	TIE BAR
58	F516677		2	SPACER REVERSE LOCK
59	F1887		2	HEX SLOTTED HD SCREW 1/4 - 20 X 3-3/16
60	F7024		4	LOCK NUT
61	F2012		2	PLAIN WASHER
62	F516463		1	BRACKET, REVERSE THRUST
63	F1464		2	HEX HD M. SCREW 1/4 - 28 X 3/8
64	F2106		2	INTERNAL TOOTH LOCKWASHER

GEAR HOUSING

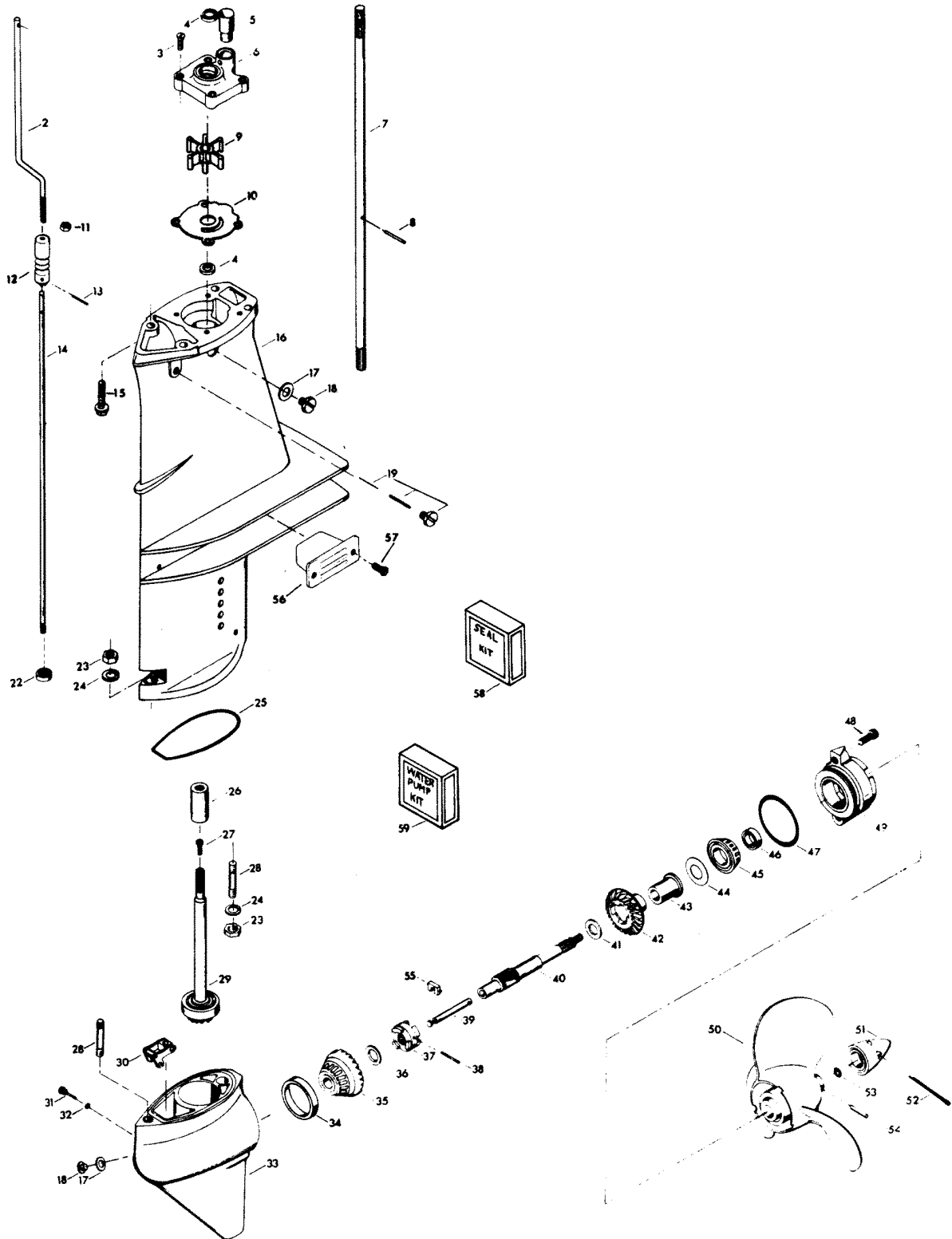


GEAR HOUSING

REF. NO.	PART NO.	SYM.	QTY.	DESCRIPTION
1	F1850		1	SPRING PIN
2	F487616		1	GEAR SHIFT ROD UPPER
3	F2030		4	HEX HD SCREW, 1/4 - 20 X 1-1/4
4	F318307		2	SEAL
5	FA510914		1	SEAL, INLET WATER LINE
6	FA516060		1	WATER PUMP BODY W/WATER PUMP SEAL
7	F487128		1	DRIVESHAFT (STANDARD LEG)
8	F50563		1	WATER PUMP IMPELLER DRIVE PIN
9	F429065		1	WATER PUMP IMPELLER
10	F341562		1	WATER PUMP BACK PLATE
11	F1341		1	HEX NUT
12	F487704		1	COUPLING SHIFT ROD
13	F8540		1	SPRING PIN
14	F487705		1	GEAR SHIFT ROD LOWER (STANDARD LEG)
15	F430732		4	HEX HD SCREW, 5/16 - 18 X 1-1/4
16	FA516554		1	GEAR HOUSING UPPER W/BEARING, SEALS, WASHER AND PLUG
17	F8077		2	NYLTITE WASHER
18	F50109		2	GEAR HOUSING PLUG
19	F487584		1	GUIDE, SPRING DETENT
20	F516895		1	SPRING, SHIFT DETENT
21	F516885		1	PLUG, SPRING HOLDING
22	F338618-1		1	SEAL, SHIFT ROD LOWER
23	F1346		2	HEX NUT, S.S., 3/8 - 16
24	F8065		2	LOCKWASHER
25	F435555		1	SEAL, GEAR HOUSING LOWER
26	F516125		1	COUPLING, DRIVESHAFT
27	F1035		1	FILL HD SCREW, 1/4 - 20 X 5/8
28	F40008		2	STUD
29	F2A516266		1	PINION SHAFT W/BEARING
30	817796A2		1	GEAR SHIFT ARM
31	F498891		1	GEAR SHIFT ARM PIN
32	F498618		1	SEAL, "O" RING
33	FA516054		1	GEAR HOUSING LOWER W/PLUG, WASHER AND BEARING CUP
-	FC516054		-	GEAR HOUSING COMPLETE (NOT SHOWN) INCLUDES ALL ITEMS MARKED WITH AN ASTERISK (*)
34	F458250		1	BEARING CUP
35	F2A516023		1	BEVEL GEAR FORWARD W/BEARING
36	F2055		A/R	SPACER, BEVEL GEAR FRONT .059
-	F2056		A/R	SPACER, BEVEL GEAR FRONT .062
-	F2057		A/R	SPACER, BEVEL GEAR FRONT .065
-	F2058		A/R	SPACER, BEVEL GEAR FRONT .068
-	F2059		A/R	SPACER, BEVEL GEAR FRONT .071

CONTINUED ON NEXT PAGE ➡

GEAR HOUSING



GEAR HOUSING

REF. NO.	PART NO.	SYM.	QTY.	DESCRIPTION
-	F2060		A/R	SPACER, BEVEL GEAR FRONT .074
-	F2061		A/R	SPACER, BEVEL GEAR FRONT .077
-	F2062		A/R	SPACER, BEVEL GEAR FRONT .080
-	F2063		A/R	SPACER, BEVEL GEAR FRONT .083
-	F2064		A/R	SPACER, BEVEL GEAR FRONT .086
-	F2087		A/R	SPACER, BEVEL GEAR FRONT .056
37	F99521-1		1	CLUTCH
38	F2097		1	SPRING PIN
39	F90871-3		1	GEAR SHIFT ARM PIN
40	FA474098		1	PROPELLER SHAFT
41	F40717		1	THRUST WASHER BEVEL GEAR
42	F516662		1	GEAR, BEVEL REAR
43	F474143		1	BEARING, BEVEL GEAR REAR
44	F2052		-	SHIM, PROPELLER SHAFT BEARING CAGE .005 (SILVER)
-	F2053		-	SHIM, PROPELLER SHAFT BEARING CAGE .006 (RED)
-	F2054		-	SHIM, PROPELLER SHAFT BEARING CAGE .008 (BLACK)
45	F474225		1	BEARING, PROPELLER SHAFT REVERSE THRUST
46	F141118		1	SEAL, PROPELLER SHAFT
47	F141305		1	SEAL, PROPELLER SHAFT BEARING CAGE
48	F1994		2	HEX SOCKET HD SCREW, 5/16 - 18 X 1
49	F2A474298		1	PROPELLER SHAFT BEARING CAGE W/SEALS AND BEARING CUP
50	FP296		1	PROPELLER
51	FA94094-2		1	PROPELLER NUT W/SEAL & COTTER PIN
52	F1027		1	COTTER PIN
53	F40342		1	SEAL, PROPELLER NUT
54	FK247		1	PROPELLER PIN (PACK OF 6 W/COTTER PIN)
55	F90619-1		1	YOKE, GEAR SHIFT ARM
56	FA516485		1	ANTICORROSION ANODE
57	F1733		2	PAN HD SCREW 10 - 24 X 9/16
58	FK1064		1	GEAR HOUSING SEAL KIT INCLUDES ALL ITEMS MARKED WITH A DOUBLE ASTERISK (**)
59	FK1071		1	WATER PUMP KIT

FUEL TANK AND LINE

REF. NO.	PART NO.	SYM.	QTY.	DESCRIPTION
1	F213342		2	SEAL, FUEL LINE COUPLER
2	F213735		2	SEAL, FUEL LINE COUPLER
3	F197787-3		2	FUEL LINE COUPLER
4	F298788		4	FERRULE
5	FA84754-1		1	FUEL LINE SHORT W/FERRULES
6	89396A38		1	PRIME BULB
7	32-817738A1		1	FUEL LINE, LONG W/CLAMP AND FERRULE
8	F487755		1	FUEL TANK ADAPTER
9	F5H027		1	FUEL TANK (ACCESSORY ITEM)
10	F409251-1		1	GAUGE CAP
-	FS409752		1	FUEL LINE COMPLETE (NOT SHOWN)
-	FC409398		1	DECAL, TOTE TANK - CANADA (NOT SHOWN)

SPECIAL TOOLS - TUNE-UP

REF. NO.	PART NO.	SYM.	QTY.	DESCRIPTION
-	FT2909		0	KNOCK-OFF NUT TO REMOVE FLYWHEEL
-	FT2989		0	FLYWHEEL WEDGE TO REMOVE FLYWHEEL

SPECIAL TOOLS - STARTER

REF. NO.	PART NO.	SYM.	QTY.	DESCRIPTION
-	FT3139-1		0	STARTER REWIND KEY TO REWIND STARTER SPRING

SPECIAL TOOLS - POWER HEAD

REF. NO.	PART NO.	SYM.	QTY.	DESCRIPTION
-	FT3012		0	SEAL INSTALLER TO INSTALL UPPER CRANKSHAFT BEARING CAGE SEAL
-	FT8929		0	ADAPTER AND HEX BIT TO TORQUE CONNECTING ROD SCREWS
-	FT1749		0	SNAP RING PLIERS TO REMOVE AND INSTALL PISTON PIN RETAINING RINGS
-	FT2997		0	RING COMPRESSOR TO INSTALL PISTONS IN CYLINDERS
-	FT8926		0	PISTON RING EXPANDER TO INSTALL RINGS ON PISTONS
-	FT11202		0	SEAL INSTALLER TO INSTALL LOWER CRANKSHAFT SEAL

SPECIAL TOOLS - LOWER UNIT

REF. NO.	PART NO.	SYM.	QTY.	DESCRIPTION
-	FT8957		0	SEAL INSTALLER TO INSTALL SHIFT ROD SEAL
-	FT2915		0	SEAL INSTALLER TO INSTALL DRIVESHAFT SEAL - UPPER AND LOWER
-	FT3431		0	SEAL INSTALLER TO INSTALL PROPELLER SHAFT SEAL
-	FT8948-1		0	BEARING CAGE PULLER TO REMOVE PROPELLER SHAFT BEARING CAGE
-	FT8921		0	BEARING CUP REMOVER TO REMOVE FORWARD BEARING CUP
-	FT8918		0	BEARING GUIDE SET TO REMOVE AND INSTALL FORWARD BEARING CUP. TO USE WITH BEARING CUP REMOVER (T8921).
-	FT8907		0	DRIVER HANDLE TO INSTALL BEARING CUPS AND SEALS
-	FT8920		0	BEARING INSTALLER TO REMOVE AND INSTALL PROPELLER SHAFT BEARING
-	FT8924-1		0	CHECKING GAUGE TO SHIM LOWER UNIT
-	FT8982		0	SHIM ADAPTER USE WITH T8924-1 CHECKING GAUGE
-	FT8995		0	SHIM SPACERS TO USE WITH CHECKING GAUGE (T8924-1)
-	FT8901		0	INDICATOR HOLDER TO USE WITH SHIM ADAPTER (T8982)
-	FT8902		0	DIAL INDICATOR TO USE WITH CHECKING GAUGE (T8924-1)

SPECIAL TOOLS - TEST EQUIPMENT

REF. NO.	PART NO.	SYM.	QTY.	DESCRIPTION
-	FT8950		0	LEAKAGE TESTER TO TEST LOWER UNIT SEALS FOR LEAKS
-	FT8996		0	IGNITION TESTER TO TEST TRIGGER OUTPUT
-	FT8963		0	C-D TESTER TO TEST STATOR OUTPUT AND SECONDARY VOLTAGE
-	FT11201		0	HARNESS ADAPTER TO BE USED WITH T8953

SPECIAL TOOLS - LUBRICANTS AND SEALANTS

REF. NO.	PART NO.	SYM.	QTY.	DESCRIPTION
-	FT2961		0	LUBRICANT
-	FT2987-1		0	LUBRICANT
-	FT8969		0	LUBRICANT
-	FT8983		0	SEALANT
-	FT8936		0	SEALANT
-	FT2962-1		0	SEALANT
-	FT2963-1		0	SEALANT
-	FT8935		0	SEALANT PRIMER

ACCESSORIES

REF. NO.	PART NO.	SYM.	QTY.	DESCRIPTION
-	F5H105		0	BATTERY CHARGING SYSTEM USED IN CONJUNCTION WITH LIGHTING COIL
-	F5H113		0	REMOTE CONTROL KIT PERMITS REMOTE CONTROL OF THROTTLE, GEAR SHIFT AND STEERING FROM FRONT OF BOAT
-	F5H114		0	REMOTE STEERING BRACKET ADAPTS MOTOR TO CABLE TYPE REMOTE STEERING
-	F5H013		0	FLUSHING ADAPTER FOR CLEANING COOLING SYSTEM
-	F5H130		0	REMOTE CONTROL BOX SINGLE LEVER SURFACE MOUNT - STARBOARD
-	F5H131		0	REMOTE CONTROL DECAL KIT DECAL FOR PORT SIDE MOUNTING OF 5H130 CONTROL
-	F195/___		0	REMOTE CONTROL CABLES SHIFT AND THROTTLE, HEAVY DUTY, LENGTHS 6 TO 40 FEET
-	F5H027		0	FUEL TANK, 6 GALLON, STEEL AUXILIARY FUEL TANK
-	F5H040		0	FUEL TANK, 12 GALLON AUXILIARY FUEL TANK
-	F5H029		0	FUEL TANK ANCHOR RETAINS TOTE TANK ON BOAT FLOOR (5H027 TANK ONLY)
-	F5H134		0	BOAT WHITE LACQUER ENGINE TOUCH-UP PAINT IN 12 3/4 OZ. SPRAY BOMBS (6 CANS PER CASE).
-	F5H135		0	SAND TAN LACQUER ENGINE TOUCH-UP PAINT IN 12 3/4 OZ. SPRAY BOMBS (6 CANS PER CASE).
-			0	CHRYSLER OUTBOARD OIL SEE BLOCK COMMENT 1.
-			0	CHRYSLER OUTBOARD GEAR LUBE SEE BLOCK COMMENT 2.
-			0	CHRYSLER OUTBOARD FUEL AID REMOVES MOISTURE. PREVENTS SLUDGE AND VARNISH AND STABILIZES GAS. AVAILABLE IN 16 OZ. CANS AND 12 CAN CASES.
-			0	CHRYSLER OUTBOARD STORAGE LUBRICANT WORKS AS A CORROSION INHIBITOR AND PROTECTS INTERNAL ENGINE PARTS DURING STORAGE. AVAILABLE IN 16 OZ. CANS AND 12 CAN CASES.
-			0	CHRYSLER OUTBOARD MULTI-PURPOSE SPRAY LUBE WORKS AS A LUBRICANT, CLEANER, MOISTURE REMOVER AND ELECTRIC INSULATOR. AVAILABLE IN 9 OZ. CANS AND 12 CAN CASES.
-			0	CHRYSLER OUTBOARD MULTI-PURPOSE GREASE LUBRICATES BEARINGS AND OTHER MOVING PARTS. AVAILABLE IN 8 OZ. TUBES AND 12 TUBE CASES.
-			0	CHRYSLER OUTBOARD GREASE GUN USED WITH CHRYSLER OUTBOARD MULTI-PURPOSE GREASE TUBES FOR PRESSURE FITTINGS.
-			0	CHRYSLER OUTBOARD MULTI-PURPOSE CLEANER

PARTS INDEX

Part Number	Description	Pg.	Ref. No.	Part Number	Description	Pg.	Ref. No.
2C539712	ENGINE COVER COMPLETE	3	-	F1069	FILL HD SCREW, 10 - 24 X 1-1/16	13	36
525156	COVER SUPPORT PLATE			F1107	SCREW, 1/4 - 20 X 3/4	17	33
	REAR	3	10	F1110	SCREW, 1/4 - 20 X 5/8	17	10
817747--1	JOINT, BALL ASSEMBLY	9	13	F1111	FILL HD SCREW, 1/4 - 20 X 7/8	17	38
817761A2	SCREW CLAMP	23	44	F1200	HEX HD SCREW, 1/4 - 20 X 1/2	5	58
817796A2	GEAR SHIFT ARM	25	30	F1257	SCREW, 5/16 - 18 X 1-1/4	17	30
817856A1	SPOOL STARTER W/SCREW	11	17	F1286	PAN HD SCREW, #4 - 40 X 3/16	15	42
817938A1	RETAINER STARTER ROPE			F1341	HEX NUT	25	11
	HANDLE	11	21	F1341	NUT, 1/4 - 20	21	14
89396A38	PRIME BULB	29	6	F1346	HEX NUT, S.S., 3/8 - 16	25	23
A487038-1	SUPPORT PLATE W/EYELET	3	11	F141118	SEAL, CRANKSHAFT LOWER	17	23
A539396	DECAL "CHRYSLER" - STARBOARD	3	7	F141118	SEAL, PROPELLER SHAFT	27	46
A539397	DECAL "CHRYSLER" - PORT	3	-	F141305	SEAL, PROPELLER SHAFT BEARING CAGE	27	47
C341227-1	SPARK PLUG (QL-86) CANADA ONLY	17	-	F1447	RD HD DRIVE SCREW, #2 X 3/16	23	49
F10058	FUEL BOWL	13	17	F1464	HEX HD M. SCREW 1/4 - 28 X 3/8	23	63
F10061	CHOKE SHAFT ASSEMBLY	13	29	F1467	SCREW SWIVEL BRACKET	21	34
F10062	CHOKE VALVE ASSEMBLY	13	26	F1475	FILL HD SCREW, 10 - 24 X 1/2	3	3
F10063	FLOAT	13	20	F1490	NUT, 1/4 - 20	13	24
F10064	SHAFT - FLOAT	13	19	F1500	HEAD SHEET METAL SCREW 4 X 1/4	11	26
F10066	GASKET, VALVE SEAT	13	22	F1507	HEX CAP SCREW 3/8 - 16 X 2 1/2	9	20
F10068	GASKET, BODY TO BOWL	13	18	F1513	HEX NUT	3	6
F10069	GASKET KIT	15	-	F1513	NUT, 10 - 32	9	12
F10070	SCREW ASSEMBLY - CHOKE VALVE	13	25	F1518	NUT, 5/16 - 18	3	15
F10071	SCREW, THROTTLE VALVE	15	44	F154317	CLAMP, REMOTE CABLE	3	29
F10072	SPRING CHOKE STOP	13	30	F1552	PAN HD M.S. 8 - 32 X 1/2	7	26
F10073	SPRING IDLE NEEDLE	13	28	F1556	SLOTTED FILL HD M.S. 10 - 24 X 3/8	3	17
F10077	NEEDLE - IDLE	13	27	F1573	FILL HD SCREW, 1/4 - 20 X 1/2	3	38
F10081	SHAFT ASSEMBLY - THROTTLE	13	32	F1645	SLOTTED RD HD THD. CUTTING TAPPLING SC 6 - 32 X 1/4	7	27
F10083	REPAIR KIT	15	52	F1647	HEX M.S. SC NUT 8 - 32	7	28
F10084	SPRING, FLOAT SUPPORT	15	51	F1666	WAVE WASHER	23	52
F10085	SPRING THROTTLE RETURN	13	31	F1678	FILL HD SCREW, 10 - 24 X 13/16	7	10
F10088	NOZZLE	13	23	F1678	SLOTTED FILL HAND SCREW, 10 - 24 X 13/16	7	18
F10089	JET ASSEMBLY, STD. .041 SEA LEVEL - 3000 FT.	13	15	F1699	HEX HD SCREW, 1/4 - 20 X 1/8	9	5
F10090	GASKET, FUEL BOWL RETAINER	13	16	F1733	PAN HD SCREW 10 - 24 X 9/16	27	57
F10091	VALVE THROTTLE	15	43	F1755	HD SCREW & SPRING LOCKWASHER ASSEMBLY, 6 - 32 X 5/16	13	2
F10093	JET ASSEMBLY, OPT. .038 SEA LEVEL - 7000 FT. AND UP	13	-	F1760	PAN HD SCREW, 10 - 24 X 3/8	11	4
F10096	JET ASSEMBLY, OPT. .039 SEA LEVEL - 5000 - 7000 FT.	13	-	F1772	HEX HD SCREW, 8 - 32 X 1/2	13	7
F10097	JET ASSEMBLY, OPT. .040 SEA LEVEL - 3000 - 5000 FT.	13	-	F178446	CLAMP LEAD WIRE	5	55
F10101	KIT - VALVE, SEAT, SPRING AND GASKET	13	21				
F1027	COTTER PIN	27	52				
F1035	FILL HD SCREW, 1/4 - 20 X 5/8	25	27				
F1035	SLOTTED HD M.S. 1/4 - 20 X 5/8	5	56				
F1044	SCREW, 1/4 - 20 X 1-3/8	17	32				
F1052	FILL HD SCREW, 1/4 - 20 X 1	11	12				

PARTS INDEX

Part Number	Description	Pg.	Ref. No.	Part Number	Description	Pg.	Ref. No.
F1794	SPRING PIN, 3/32 X 3/8	21	24	F2057	SPACER, BEVEL GEAR		
F1805	SPRING PIN, 1/4 X 1-3/8 . . .	21	15		FRONT .065	25	-
F1806	GROOVE PIN, 5/16 - 3-3/4 . .	21	29	F2058	SPACER, BEVEL GEAR		
F1809	FLYWHEEL NUT	7	6		FRONT .068	25	-
F18160-2	REED FUEL PUMP	15	40	F2059	SPACER, BEVEL GEAR		
F1833	HEX CAP SCREW, 1/4 - 20 X				FRONT .071	25	-
	1	23	56	F2060	SPACER, BEVEL GEAR		
F1845	TY-RAP	7	30		FRONT .074	27	-
F1850	SPRING PIN	25	1	F2061	SPACER, BEVEL GEAR		
F1854	HEX CAP SC 1/4 - 20 X 5/8 . .	5	67		FRONT .077	27	-
F1877	TY-RAP	7	20	F2062	SPACER, BEVEL GEAR		
F1887	HEX SLOTTED HD SCREW				FRONT .080	27	-
	1/4 - 20 X 3-3/16	23	59	F2063	SPACER, BEVEL GEAR		
F18906	GASKET, CARBURETOR . . .	13	13		FRONT .083	27	-
F18906	GASKET, CARBURETOR . . .	19	-	F2064	SPACER, BEVEL GEAR		
F195/_	REMOTE CONTROL CABLES	36	-		FRONT .086	27	-
F1950	HEX HD SCREW, 10 - 24 X			F2087	SPACER, BEVEL GEAR		
	5/8	3	13		FRONT .056	27	-
F1953	HEX HD SCREW, 1/4 - 20 X 1	13	14	F2097	SPRING PIN	27	38
F1953	SCREW, 1/4 - 20 X 1	17	29	F2106	INTERNAL TOOTH		
F1972	HEX HD SCREW, 1/4 - 20 X				LOCKWASHER	23	64
	2-1/2	21	7	F2106	LOCKWASHER	7	3
F1975	LOCKWASHER, #10	5	44	F213274	FITTING GREASE	21	32
F1975	SPRING LOCKWASHER . . .	7	21	F213342	SEAL, FUEL LINE COUPLER	29	1
F197767-1	BUSHING FUEL LINE	3	21	F213735	SEAL, FUEL LINE COUPLER	29	2
F197787-3	FUEL LINE COUPLER	29	3	F235785	DECAL, COMPLIANCE -		
F1978	SPRING PIN, 1/8 X 1/2	5	40		CANADA (NOT SHOWN) . .	7	-
F197813	BEARING	21	22	F24074	FOOT CLAMP SCREW	23	46
F197813	BEARING STARTER			F24748-2	GASKET, FUEL PUMP	13	37
	BRACKET LOWER	11	20	F250017	PISTON PIN	17	14
F1994	HEX SOCKET HD SCREW,			F250410	PISTON PIN RETAINING		
	5/16 - 18 X 1	27	48		RING	17	13
F1994	SCREW, 5/16 - 18 X 1	17	31	F269689	BEARING STARTER		
F1995	SLOTTED FILL HD M.S. 10 -				BRACKET UPPER	11	9
	24 X 1	9	19	F2706772	CLAMP HOSE	15	46
F1999	1/4 - 20 X 7/8 HEX CAP SC. . .	5	66	F2788004	STUD CARBURETOR	13	12
F2010	FILL HD SCREW, 10 - 32 X			F286011	WASHER SWIVEL BRACKET	21	20
	9/16	7	12	F286037	BOLT STERN BRACKET . . .	21	38
F2012	PLAIN WASHER	23	61	F286114	HANDLE LOCK BAR	21	10
F2026	RIVET, SUPPORT PLATE			F286132	HANDLE STARTER ROPE . .	11	22
	COVER	5	59	F286169	BEARING SWIVEL BRACKET	21	16
F2030	HEX HD SCREW, 1/4 - 20 X			F286277	GASKET, CRANKSHAFT		
	1-1/4	25	3		BEARING CAGE	17	35
F2031	HEX HD SCREW, 1/4 - 20 X			F286277	GASKET, CRANKSHAFT		
	3/4	11	7		BEARING CAGE	19	-
F2041	HEX HD SCREW, 10 - 24 X			F286286-1	WASHER	23	54
	3/8	3	26	F286300	SPRING REVERSE LOCK . .	21	31
F2042	WASHER	15	47	F286364	LEVER REVERSE LOCK . . .	21	26
F2052	SHIM, PROPELLER SHAFT			F286422-1	PIVOT TILT LOCK	21	17
	BEARING CAGE .005			F286433	BRACKET SHALLOW WATER		
	(SILVER)	27	44		DRIVE	21	30
F2053	SHIM, PROPELLER SHAFT			F286451	SPACER TILT LOCK	21	18
	BEARING CAGE .006			F286461	SPRING LOCK BAR HANDLE	21	9
	(RED)	27	-	F286544-1	SPRING TILT LOCK	21	35
F2054	SHIM, PROPELLER SHAFT			F286571	ROLLER ASSEMBLY,		
	BEARING CAGE .008				CENTER MAIN BEARING . .	17	19
	(BLACK)	27	-	F286585-1	DECAL, TILT RELEASE -		
F2055	SPACER, BEVEL GEAR				U.S.A.	23	55
	FRONT .059	25	36	F286647	HANDLE CARRYING	21	40

PARTS INDEX

Part Number	Description	Pg.	Ref. No.	Part Number	Description	Pg.	Ref. No.
F298788	FERRULE	29	4	F474225	BEARING, PROPELLER		
F299673	RING TERMINAL (#6)	7	32		SHAFT REVERSE THRUST	27	45
F2A474298	PROPELLER SHAFT			F487078	STEERING LOCK BRACKET	9	14
	BEARING CAGE W/SEALS			F487128	DRIVESHAFT (STANDARD		
	AND BEARING CUP	27	49		LEG)	25	7
F2A516023	BEVEL GEAR FORWARD			F487455	GUIDE STARTER ROPE	3	5
	W/BEARING	25	35	F487584	GUIDE, SPRING DETENT	25	19
F2A516266	PINION SHAFT W/BEARING	25	29	F487616	GEAR SHIFT ROD UPPER	25	2
F2A521016	CONNECTING ROD			F487704	COUPLING SHIFT ROD	25	12
	W/SCREWS	17	16	F487705	GEAR SHIFT ROD LOWER		
F2A525010	CYLINDER	17	6		(STANDARD LEG)	25	14
F2A525018	CRANKSHAFT W/UPPER			F487755	FUEL TANK ADAPTER	29	8
	BEARING	17	25	F498618	SEAL, "O" RING	25	32
F2A525158	PLATE REED W/SEAL	13	5	F498891	GEAR SHIFT ARM PIN	25	31
F307818	BEARING (NYLINER)	5	50	F50109	GEAR HOUSING PLUG	25	18
F31160-1	REED	13	4	F50563	WATER PUMP IMPELLER		
F318307	SEAL	25	4		DRIVE PIN	25	8
F318307	SEAL, DRIVESHAFT	5	57	F510450-1	RECTIFIER	7	22
F318342	SEAL, WATERLINE INLET			F516125	COUPLING, DRIVESHAFT	25	26
	UPPER	21	1	F516244	WATERLINE (STD. LEG)	21	2
F318347-1	UPPER MOUNT	9	6	F516349	LOCK REVERSE	21	33
F318539	BUMPER	9	7	F516463	BRACKET, REVERSE		
F318818	BEARING, SHIFT LEVER				THRUST	23	62
	SHAFT	3	37	F516662	GEAR, BEVEL REAR	27	42
F338618-1	SEAL, SHIFT ROD LOWER	25	22	F516677	SPACER REVERSE LOCK	23	58
F341510	LINK REVERSE LOCK			F516697	NUT STEERING LOCK		
	LEVER	21	28		BRACKET	23	51
F341562	WATER PUMP BACK PLATE	25	10	F516697	NUT, STEERING LOCK ARM	9	18
F343014	BEARING, CRANKSHAFT			F516885	PLUG, SPRING HOLDING	25	21
	LOWER MAIN	17	24	F516895	SPRING, SHIFT DETENT	25	20
F346146	SEAL, CRANKSHAFT UPPER	17	37	F516977	LEVER SHIFT INTERLOCK	5	48
F36634	CONNECTING ROD SCREW	17	22	F517273	TIE BAR	23	57
F392777	CAM COVER LATCH	3	16	F517673	RING TERMINAL (5/16)	7	31
F40008	STUD	25	28	F521460	FUSE HOLDER	7	25
F40342	SEAL, PROPELLER NUT	27	53	F521547	CHOKE KNOB	3	24
F40425	PIN STARTER PINION	11	18	F521683	WIRE, GROUND	7	24
F404908	WIRE, STATOR GROUND	7	13	F521843	CABLE LIGHTING COIL EXT.	7	16
F40717	THRUST WASHER BEVEL			F525015	PISTON	17	15
	GEAR	27	41	F525019	KING PIN	21	12
F409232	ROPE STARTER	11	23	F525029	STATOR - TRIGGER	7	11
F409251-1	GAUGE CAP	29	10	F525064	SCREW - C-D COIL	7	19
F424075	HANDLE CLAMP SCREW	23	43	F525081	LEVER THROTTLE	13	10
F429065	WATER PUMP IMPELLER	25	9	F525082	RING STATOR	17	34
F429541	LOCK TILT	21	36	F525095	STATOR ALTERNATOR	7	14
F429811	SCREEN, CYLINDER DRAIN	17	8	F525097	FLYWHEEL	7	8
F430732	HEX HD SCREW, 5/16 - 18 X			F525105	SHAFT INTERLOCK	11	10
	1-1/4	25	15	F525151	PLATE EXHAUST	17	27
F435555	SEAL, GEAR HOUSING			F525152	COVER EXHAUST	17	28
	LOWER	25	25	F525154	GASKET EXHAUST	17	26
F436449	SHORTING SWITCH	7	4	F525154	GASKET, EXHAUST	19	-
F448371	BRACKET, REMOTE			F525159	GASKET, REED PLATE	13	1
	THROTTLE	5	62	F525159	GASKET, REED PLATE	19	-
F448612	BRACKET, REMOTE SHIFT	5	64	F525168	GASKET MANIFOLD	13	6
F448872	BRACKET GEAR SHIFT			F525168	GASKET, MANIFOLD	19	-
	HANDLE	5	65	F525193	LINK THROTTLE	13	11
F448874	SPLICE	7	15	F525263	LINK STATOR INTERLOCK	3	32
F458250	BEARING CUP	25	34	F525279	GASKET, CYLINDER		
F458498	MAGNETO KEY	19	41		MOUNTING	17	40
F468342	SEAL, CRANKSHAFT SPLINE	17	39	F525279	GASKET, CYLINDER		
					MOUNTING	19	-

PARTS INDEX

Part Number	Description	Pg.	Ref. No.	Part Number	Description	Pg.	Ref. No.
F525286	WASHER	23	53	F5H027	FUEL TANK, 6 GALLON, STEEL	36	-
F525301	STATOR - C-D	7	9	F5H029	FUEL TANK ANCHOR	36	-
F525316-1	FOLLOWER THROTTLE CAM	13	8	F5H040	FUEL TANK, 12 GALLON	36	-
F525346	MOUNT LOWER SHOCK	21	37	F5H105	BATTERY CHARGING SYSTEM	36	-
F525390	DECAL STOP - U.S.A.	3	22	F5H113	REMOTE CONTROL KIT	36	-
F525394	DECAL CHOKE - U.S.A.	3	23	F5H114	REMOTE STEERING BRACKET	36	-
F525424	SPRING STARTER PINION	11	3	F5H130	REMOTE CONTROL BOX	36	-
F525427-1	BRACKET STARTER UPPER	11	8	F5H131	REMOTE CONTROL DECAL KIT	36	-
F525445	LINK, MAGNETO STATOR CONTROL	9	11	F5H134	BOAT WHITE LACQUER	36	-
F525453	GASKET LEG MOUNTING	21	3	F5H135	SAND TAN LACQUER	36	-
F525453	GASKET, LEG MOUNTING	19	-	F66480	STUD CLAMP SCREW	23	47
F525454	BRACKET (RECTIFIER)	7	23	F7011	ELASTIC STOP NUT, 10 - 24	3	9
F525455	GUIDE STARTER ROPE	11	5	F7024	LOCK NUT	23	60
F525457	FLAT HD SCREW, 1/4 - 20 X 1/2	11	1	F7024	STOP NUT 1/4 - 20	5	61
F525469	HANDLE LATCH	3	18	F7027	NUT (LEFT HAND), 10 - 24	9	10
F525472	GASKET, CYLINDER DRAIN COVER	17	7	F73741-1	RING	5	54
F525472	GASKET, CYLINDER DRAIN COVER	19	-	F8003	PLAIN WASHER	15	41
F525475	C-D MODULE-COIL	7	1	F8025	PLAIN WASHER	17	2
F525504	GROMMET, CHOKE ROD	5	49	F8058	INTERNAL TOOTH LOCKWASHER	5	52
F525518	CYLINDER HEAD	17	4	F8065	LOCKWASHER	25	24
F525529	GASKET, CYLINDER HEAD	17	5	F8070	BOWED SPRING WASHER	11	24
F525529	GASKET, CYLINDER HEAD	19	-	F8077	NYLTITE WASHER	25	17
F525531	ROD SHIFT INTERLOCK	5	41	F8078	INTERNAL TOOTH LOCKWASHER	7	29
F525579	CRANKCASE SEAL	17	21	F8083	LOCKWASHER	21	13
F525582-1	STEERING ARM	9	1	F84026	SCREW SHOULDER	5	43
F525605	GEAR, TOWERSHAFT	9	2	F84026	SHOULDER SCREW	9	9
F525614	HANDLE GEAR SHIFT	3	28	F84035-2	BEARING INTERLOCK ROD	5	42
F525615	ROD GEAR SHIFT UPPER	3	12	F84036	BEARING, SPARK CONTROL	9	8
F525629	COTTER PIN	11	11	F84253	HOSE	13	34
F525674-1	GEAR STARTER PINION	11	2	F84253	HOSE	15	48
F525675	BRACKET STARTER LOWER	11	19	F84991-1	GROMMET LIGHTING COIL WIRE	3	-
F525689	TOWERSHAFT BEARING	9	4	F85026	SCREW	5	51
F525707	COVER, SHOCK MOUNT LOWER	21	6	F8537	SPRING PIN	23	45
F525737	RETAINER STARTER REWIND SPRING	11	15	F8538	SPRING PIN, 3/32 X 1/2	3	34
F525763	SHAFT COVER LATCH	3	20	F8538	SPRING PIN, 3/32 X 1/2	21	27
F525779	BAFFLE IDLE RELIEF	21	4	F8540	SPRING PIN	25	13
F525781	INTERLOCK STARTER	11	6	F8540	SPRING PIN, 3/32 X 5/8	21	8
F525838	TOWERSHAFT	9	3	F8547	SPRING PIN, 1/8 X 5/8	3	19
F525839	SCREW, STEERING FRICTION	21	21	F8547	SPRING PIN, 1/8 X 5/8	3	35
F525871	SHAFT GEAR SHIFT LEVER	3	33	F8554	SPRING PIN, 3/16 X 3/4	21	42
F525876	LEVER GEAR SHIFT	3	36	F8559	DOWEL PIN	17	11
F525912	SPRING LATCH SHAFT	3	14	F8567	SPRING PIN, 1/8 X 13/16	3	27
F525925	LINK CHOKE KNOB	3	25	F8571	SPRING PIN, 1/8 X 1 3/4	11	25
F525977	LEVER SHIFT INTERLOCK	3	39	F901456-1	COLLAR, EMERGENCY START	7	7
F525984	SEAL, REED PLATE	15	50	F901710	POST STARTER SPRING GUIDE	11	14
F525991	GROMMET	9	16	F901739	DRIVE STARTER REWIND SPRING	11	13
F526061-2	CARBURETOR	13	33	F901746-2	COVER FUEL PUMP	13	35
F526133	MOTOR LEG	21	5	F901811	FILTER FUEL PUMP	15	45
F526161	REED STOP	13	3	F901938-1	SCREW, CYLINDER HEAD	17	1
F526198	STOP, REMOTE IDLE	9	17	F901970	SPRING STARTER REWIND	11	16
F53795-1	SEAL	11	27				
F5H013	FLUSHING ADAPTER	36	-				

PARTS INDEX

Part Number	Description	Pg.	Ref. No.	Part Number	Description	Pg.	Ref. No.
F90619-1	YOKE, GEAR SHIFT ARM ..	27	55	FK516984	BLANKET TOP AND SIDES .	5	47
F90807	RETAINING RING	15	49	FK517032	BRACKET STERN		
F90871-3	GEAR SHIFT ARM PIN	27	39		STARBOARD W/SCREW		
F98273	STUD, ROD END				CLAMP	21	39
	CONNECTOR	5	60	FK525713	ENGINE COVER PACKING .	3	30
F98273	STUD, ROD END			FK567532	BRACKET STERN PORT		
	CONNECTOR	9	15		W/SCREW CLAMP	21	41
F99521-1	CLUTCH	27	37	FK750-2	SPARKIE KIT	7	2
FA24757-3	PLATE FUEL PUMP REED			FP296	PROPELLER	27	50
	W/REEDS AND SCREWS .	13	38	FS409752	FUEL LINE COMPLETE (NOT		
FA286113	BAR LOCK	21	11		SHOWN)	29	-
FA286155	LINER, CENTER MAIN	17	20	FS537712	ENGINE COVER		
FA387742	LEVER REVERSE LOCK				W/PACKING, REAR		
	INTERMEDIATE	21	23		RETAINER AND LATCH		
FA474098	PROPELLER SHAFT	27	40		BRACKET	3	1
FA510914	SEAL, INLET WATER LINE .	25	5	FT11201	HARNESS ADAPTER	34	-
FA516054	GEAR HOUSING LOWER			FT11202	SEAL INSTALLER	32	-
	W/PLUG, WASHER AND			FT1749	SNAP RING PLIERS	32	-
	BEARING CUP	25	33	FT2909	KNOCK-OFF NUT	30	-
FA516060	WATER PUMP BODY			FT2915	SEAL INSTALLER	33	-
	W/WATER PUMP SEAL ..	25	6	FT2961	LUBRICANT	35	-
FA516485	ANTICORROSION ANODE ..	27	56	FT2962-1	SEALANT	35	-
FA516554	GEAR HOUSING UPPER			FT2963-1	SEALANT	35	-
	W/BEARING, SEALS,			FT2987-1	LUBRICANT	35	-
	WASHER AND PLUG	25	16	FT2989	FLYWHEEL WEDGE	30	-
FA521841	CABLE LIGHTING COIL			FT2997	RING COMPRESSOR	32	-
	W/SPLICES	7	17	FT3012	SEAL INSTALLER	32	-
FA525167	MANIFOLD W/STUDS	13	9	FT3139-1	STARTER REWIND KEY ...	31	-
FA525228	ROLLER CRANKPIN	17	18	FT3431	SEAL INSTALLER	33	-
FA525241	CRANKPIN ROLLER CAGE .	17	17	FT8901	INDICATOR HOLDER	33	-
FA525471	COVER, CYLINDER DRAIN			FT8902	DIAL INDICATOR	33	-
	W/SCREEN	17	9	FT8907	DRIVER HANDLE	33	-
FA525480	RETAINER ENGINE COVER			FT8918	BEARING GUIDE SET	33	-
	W/NUTS AND SCREWS ..	3	4	FT8920	BEARING INSTALLER	33	-
FA525774	BRACKET COVER LATCH			FT8921	BEARING CUP REMOVER ..	33	-
	W/SCREWS & NUTS	5	45	FT8924-1	CHECKING GAUGE	33	-
FA535395	IDENTIFICATION PLATE -			FT8926	PISTON RING EXPANDER .	32	-
	U.S.A. W/SCREWS	23	48	FT8929	ADAPTER AND HEX BIT ...	32	-
FA539528	DECAL ENGINE COVER			FT8935	SEALANT PRIMER	35	-
	REAR	3	2	FT8936	SEALANT	35	-
FA539892	DECAL ENGINE COVER			FT8948-1	BEARING CAGE PULLER ..	33	-
	FRONT	5	46	FT8950	LEAKAGE TESTER	34	-
FA84754-1	FUEL LINE SHORT			FT8957	SEAL INSTALLER	33	-
	W/FERRULES	29	5	FT8963	C-D TESTER	34	-
FA94094-2	PROPELLER NUT W/SEAL &			FT8969	LUBRICANT	35	-
	COTTER PIN	27	51	FT8982	SHIM ADAPTER	33	-
FAC535395	IDENTIFICATION PLATE -			FT8983	SEALANT	35	-
	CANADA W/SCREWS ...	23	-	FT8995	SHIM SPACERS	33	-
FC409398	DECAL, TOTE TANK -			FT8996	IGNITION TESTER	34	-
	CANADA (NOT SHOWN) .	29	-	27-818043A1	DIAPHRAGM, FUEL PUMP		
FC516054	GEAR HOUSING COMPLETE				W/GASKETS	13	39
	(NOT SHOWN)	25	-	32-817738A1	FUEL LINE, LONG W/CLAMP		
FC525010	CYLINDER COMPLETE	17	-		AND FERRULE	29	7
FC525390	DECAL STOP - CANADA ...	3	-	33-82370M	SPARK PLUG (L-86)	17	3
FC525394	DECAL CHOKE - CANADA ..	3	-	37-F286585-2	DECAL, TILT RELEASE -		
FG1018	GASKET SET	19	42		CANADA	23	-
FK1064	GEAR HOUSING SEAL KIT .	27	58	39-818038A1	PISTON RING	17	12
FK1071	WATER PUMP KIT	27	59	1100-817753A1	CAGE, CRANKSHAFT		
FK247	PROPELLER PIN (PACK OF				BEARING W/UPPER		
	6 W/COTTER PIN)	27	54		CRANKSHAFT SEAL	17	36

PARTS INDEX

Part Number	Description	Pg.	Ref. No.	Part Number	Description	Pg.	Ref. No.
1400-817964A2	SWIVEL BRACKET	21	19				